

USDI

United Sales Distributors, Inc.

WE OFFER THE MOST
**COMPLETE
NON-PRECISION
PRODUCT LINE**

85 Morganton Industrial Park

Morganton, GA 30560

Phone: 800-531-3560

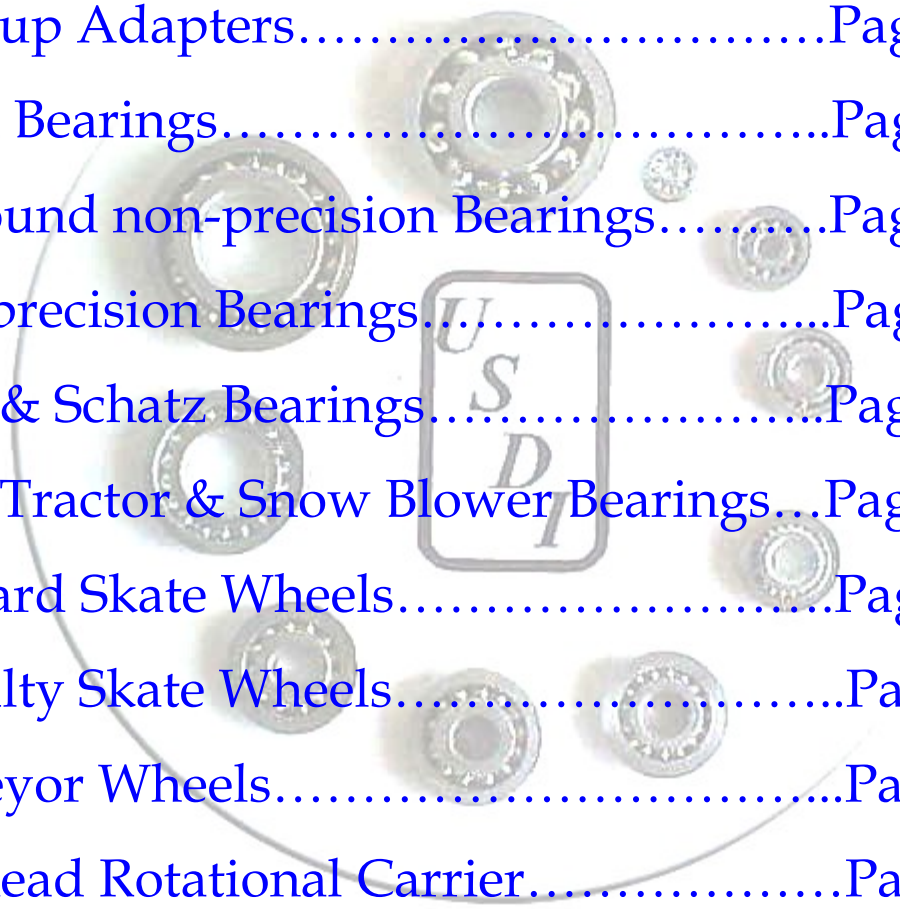
Fax: 877-285-8941

www.usdi.biz



2013-2014

Table of Contents



Stamped Conveyor Bearings.....Pages 3-20

Precision Conveyor Bearings.....Page 21

Heavy Duty Precision Bearings.....Page 22

Stainless Steel Bearings.....Page 23

End Cup Adapters.....Page 24

Logan Bearings.....Pages 25-26

Unground non-precision Bearings.....Pages 27-30

Semi-precision Bearings.....Pages 31-32

Lutco & Schatz Bearings.....Pages 32-34

Lawn Tractor & Snow Blower Bearings...Pages 34-35

Standard Skate Wheels.....Page 36

Specialty Skate Wheels.....Pages 37-38

Conveyor Wheels.....Pages 38-39

Overhead Rotational Carrier.....Page 40

Ball Transfers.....Pages 40-41

Interchange Charts.....Pages 42-44

Pipe Size & Fractional to Decimal Chart....Pages 45-46

History of USDI.....Page 47

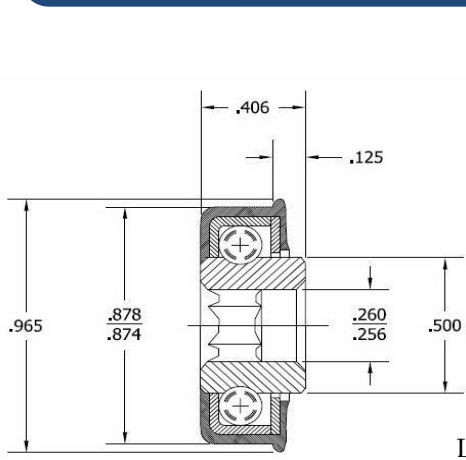
How to Measure a Hex Bore.....Page 48

USDI P/N	Load Rating	Flange OD	Body OD	Bore DIA.	WT/1000	Page NO.
CB-3825H75	40	0.968	0.878	1/4" HEX	44	6
CB-3825R78	40	0.968	0.878	1/4" RD	44	6
CB-385R79	40	0.968	0.878	5/16" RD	41	6
CB-195H03	35	1.000	0.908	5/16" HEX	50	6
CB-193H45	35	1.000	0.908	3/8" HEX	44	6
CB-117H50	75	1.250	1.152	7/16" HEX	85	7
CB-113H51	75	1.250	1.152	3/8" HEX	100	7
CB-115H52	75	1.250	1.152	5/16" HEX	93	7
CB-117H53	75	1.250	1.152	7/16" HEX	77	7
CB-117H54	75	1.250	1.152	7/16" HEX	88	7
CB-115H56	75	1.250	1.152	5/16" HEX	100	7
CB-1125R24	45	1.250	1.130	1/4" RD	63	8
CB-115H26	45	1.250	1.130	5/16" HEX	56	8
CB-127H50	105	1.375	1.252	7/16" HEX	102	8
CB-127H60	105	1.375	1.252	7/16" HEX	104	8
CB-147H90	105	1.375	1.252	7/16" HEX	88	8
CB-1225R74	47	1.375	1.277	1/4" RD	78	9
CB-1225H75	47	1.375	1.277	1/4" HEX	75	9
CB-125H76	47	1.375	1.277	5/16" HEX	70	9
CB-1425R05	75	1.500	1.411	1/4" RD	128	9
CB-147H08	75	1.500	1.411	7/16" HEX	111	9
CB-145H10	75	1.500	1.411	5/16" HEX	130	9
CB-157H00	145	1.605	1.502	7/16" HEX	178	10
CB-167H00	145	1.605	1.502	7/16" HEX	178	10
CB-153H02	145	1.605	1.502	3/8" HEX	188	10
CB-155R03	145	1.605	1.502	1/2" RD	1.75	10
CB-157H04	145	1.605	1.502	7/16" HEX	170	10
CB-153R09	145	1.605	1.502	3/8" RD	180	10

USDI P/N	Load Rating	Flange OD	Body OD	Bore DIA.	WT/1000	Page NO.
CB-157H10	145	1.605	1.502	7/16" HEX	180	10
CB-157H15	145	1.605	1.502	7/16" HEX	143	10
CB-157H21	145	1.605	1.502	7/16" HEX	140	10
CB-297H00	145	1.668	1.530	7/16" HEX	184	11
CB-297H10	145	1.668	1.530	7/16" HEX	184	11
CB-167H34	125	1.750	1.628	7/16" HEX	85	11
CB-163H89	140	1.795	1.668	3/8" HEX	213	11
CB-167H90	140	1.795	1.668	7/16 HEX	153	11
CB-177H05	140	1.870	1.703	7/16" HEX	181	12
CB-177H21	140	1.865	1.728	7/16" HEX	177	12
CB017H19	140	1.865	1.753	7/16" HEX	170	12
CB-017H24	140	1.865	1.753	7/16" HEX	101	12
CB-103H04	140	1.903	1.780	3/8" HEX	184	12
CB-107H05	140	1.903	1.780	7/16" HEX	173	12
CB-107H09	140	1.903	1.780	7/16" HEX	173	12
CB-105H11	140	1.903	1.780	5/16" HEX	188	12
CB-105R12	140	1.903	1.780	5/16" RD	187	12
CB-107R14	140	1.903	1.780	7/16" RD	177	12
CB-113H06	140	2.005	1.878	3/8" HEX	216	13
CB-117H07	140	2.005	1.878	7/16" HEX	203	13
CB-047H10	300	N/A	1.712	7/16" HEX	244	13
CB-047H11	300	N/A	1.712	7/16" HEX	223	13
CB-047H12	300	N/A	1.712	7/16" HEX	229	13
CB-047H18	300	1.812	1.712	7/16" HEX	229	13
CB-047H20	300	1.812	1.712	7/16" HEX	188	13
CB-187H75	190	2.000	1.879	7/16" HEX	350	14
CB-187H76	190	2.000	1.879	7/16" HEX	350	14
CB-205H00	225	N/A	2.000	5/16" HEX	443	14
CB-215H00	225	2.109	2.000	5/16" HEX	467	14

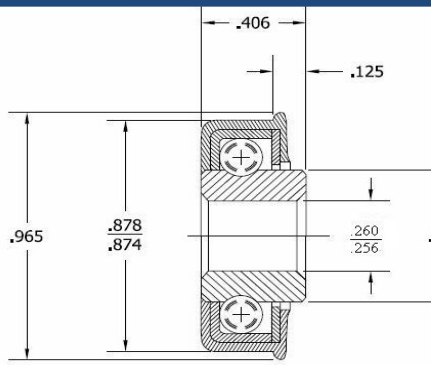
USDI P/N	Load Rating	Flange OD	Body OD	Bore DIA.	WT/1000	Page NO.
CB-2511H00	425	2.437	2.270	11/16" HEX	600	15
CB-2511H10	425	2.437	2.270	11/16" HEX	667	15
CB-2511H12	425	2.437	2.270	11/16" HEX	680	15
CB-259H15	425	2.437	2.270	9/16" HEX	730	15
CB-2511H30	425	2.437	2.270	11/16" HEX	673	15
CB-2511H32	425	2.437	2.270	11/16" HEX	653	16
CB-257H37	425	2.437	2.270	7/16" HEX	680	16
CB-255H39	425	2.437	2.270	5/8" HEX	667	16
CB-2511H40	425	2.437	2.270	11/16" HEX	653	16
CB-2511H42	425	2.437	2.270	11/16" HEX	660	16
CB-2611H00	425	N/A	2.270	11/16" HEX	620	17
CB-2611H10	425	N/A	2.270	11/16" HEX	640	17
CB-2611H12	425	N/A	2.270	11/16" HEX	667	17
CB-2611H30	425	N/A	2.270	11/16" HEX	653	17
CB-2611H32	425	N/A	2.270	11/16" HEX	653	17
CB-265H38	425	N/A	2.270	5/8" HEX	653	18
CB-2611H40	425	N/A	2.270	11/16" HEX	653	18
CB-2611H42	425	N/A	2.270	11/16" HEX	660	18
CB-2511H55	425	2.425	2.270	11/16" HEX	640	18
CB-257H57	425	2.425	2.270	7/16" HEX	640	18
CB-4111H13	325	N/A	2.321	11/16" HEX	522	19
CB-4111H14	325	N/A	2.321	11/16" HEX	494	19
CB-4111H15	325	N/A	2.321	11/16" HEX	555	19
CB30116H65	603	N/A	3.066	1-1/16" HEX	1160	20
CB30116H80	603	N/A	3.066	1-1/16" HEX	1320	20
CB30116H82	603	N/A	3.066	1-1/16" HEX	1320	20
CB301H87	603	N/A	3.066	1.0 " HEX	1370	20
CB30116H90	603	N/A	3.066	1-1/16" HEX	1220	20
CB30116H92	603	N/A	3.066	1-1/16" HEX	1240	20

Stamped Conveyor Bearings



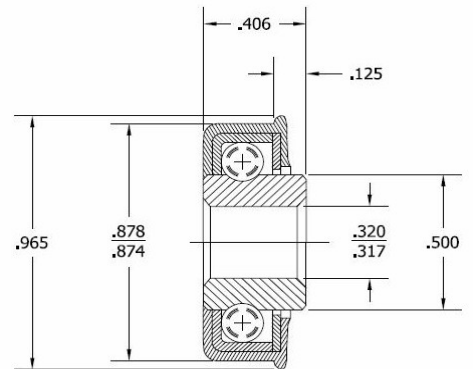
CB-3825H75

Load Rating 40 Lbs. 10 5/32" Balls



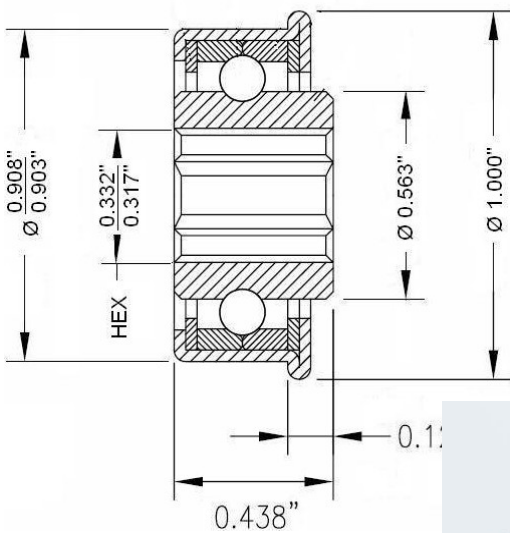
CB-3825R78

Load Rating 40 Lbs. 10 5/32" Balls



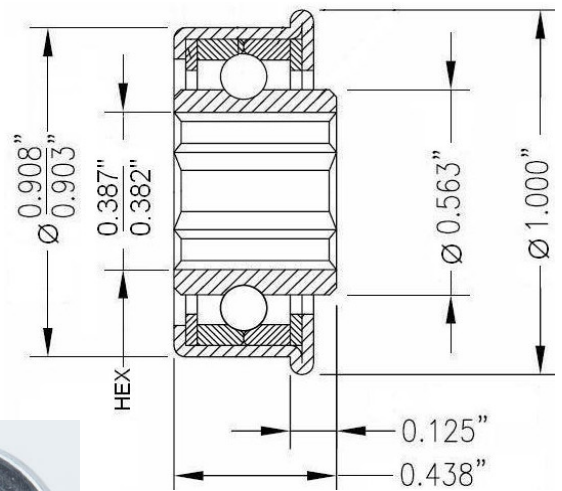
CB-385R79

Load Rating 40 Lbs. 10 5/32" Balls



CB-195H03

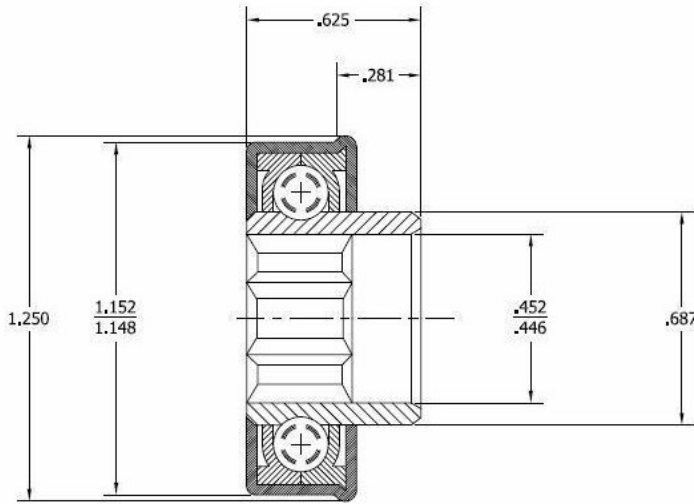
Load Rating 35 Lbs. 15 1/8" Balls



CB-193H45

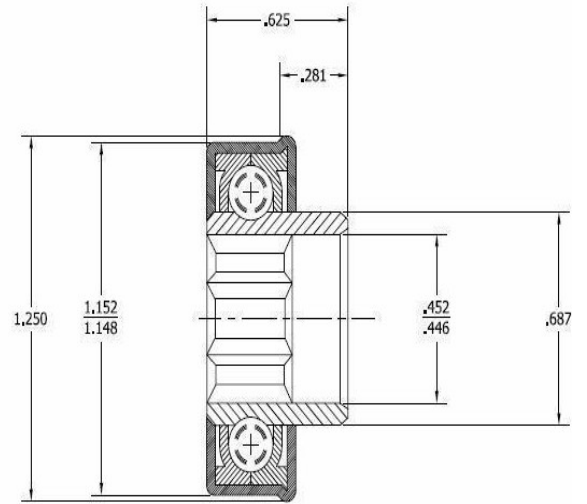
Load Rating 35 Lbs. 15 1/8" Balls





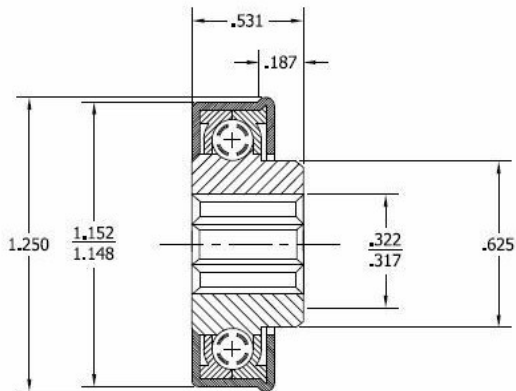
CB-117H50

Load Rating 75Lbs. 13 3/16" Balls



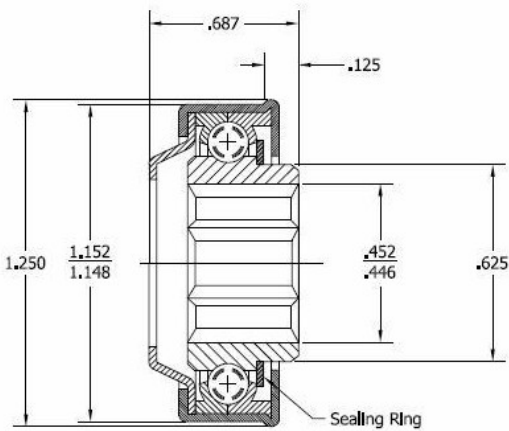
CB-113H51

Load Rating 75Lbs. 13 3/16" Balls



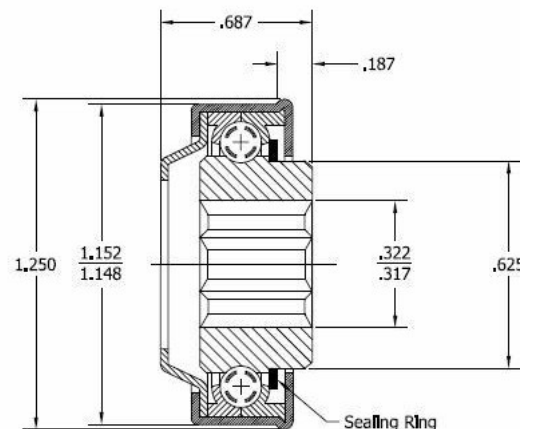
CB-115H52

Load Rating 75Lbs. 13 3/16" Balls



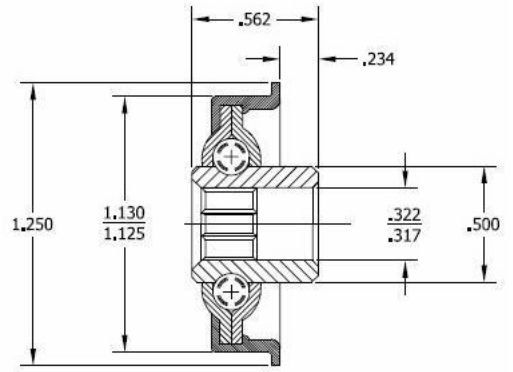
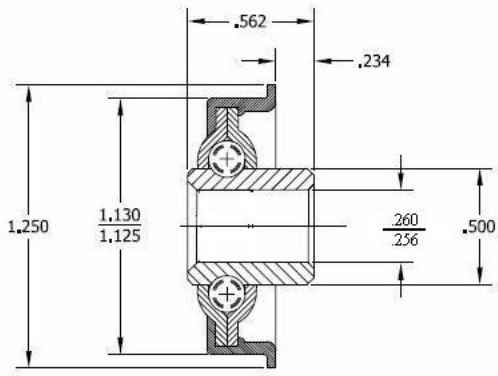
CB-117H54

Load Rating 75 Lbs. 13 3/16" Balls



CB-115H56

Load Rating 75 Lbs. 13 3/16" Balls

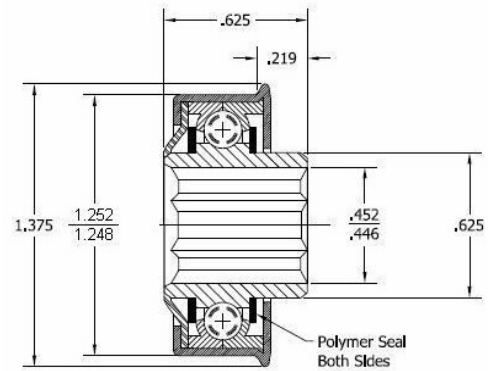
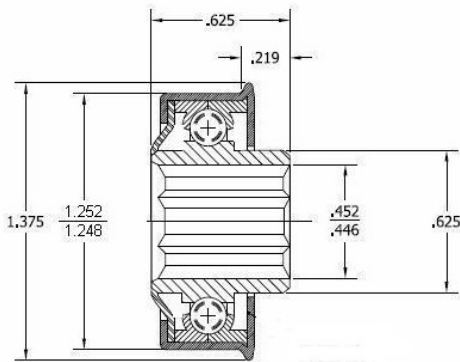


CB-1125R24

Load Rating 45 Lbs. 11 5/32" Balls

CB-115H26

Load Rating 45 Lbs. 11 5/32" Balls

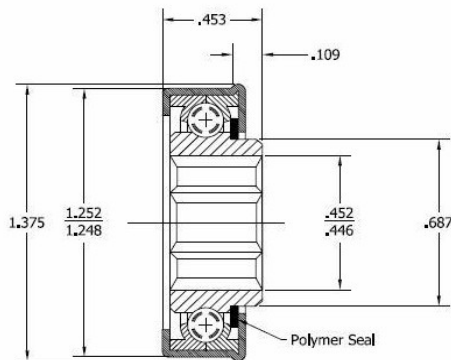


CB-127H50

Load Rating 105 Lbs. 10 1/4" Balls

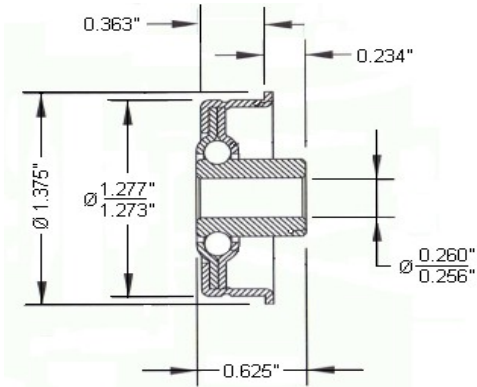
CB-127H60

Load Rating 105 Lbs. 10 1/4" Balls



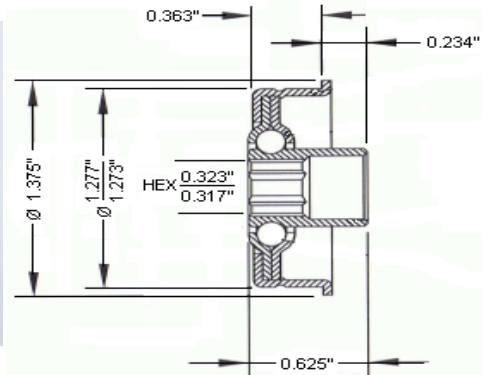
CB-147H90

Load Rating 105 Lbs. 10 1/4" Balls



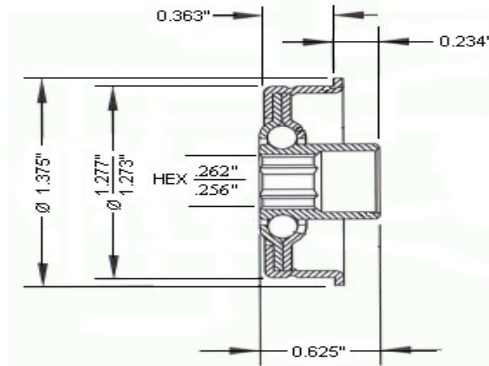
CB-1225R74

Load Rating 47 Lbs. 11 5/32" Balls



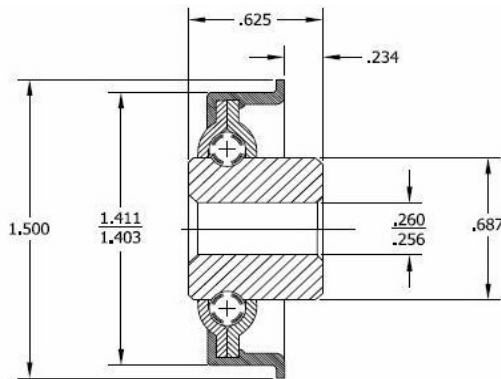
CB-125H76

Load Rating 47 Lbs. 11 5/32" Balls



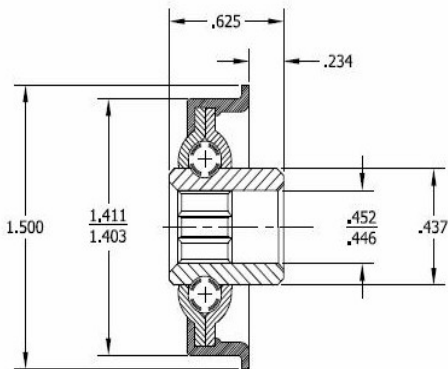
CB-1225H75

Load Rating 47 Lbs. 11 5/32" Balls



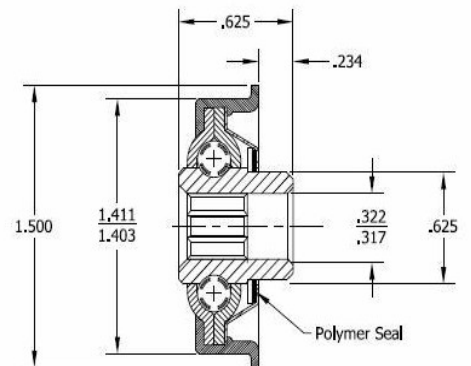
CB-1425R05

Load Rating 75 Lbs. 13 3/16" Balls



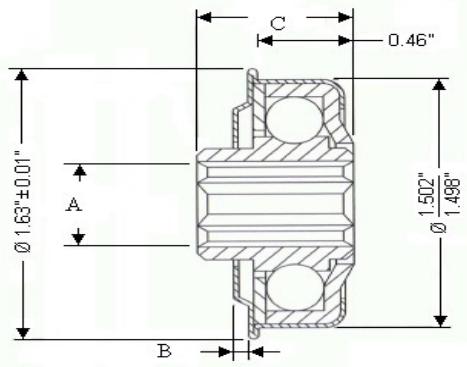
CB-147H08

Load Rating 75 Lbs. 13 3/16"



CB-145H10

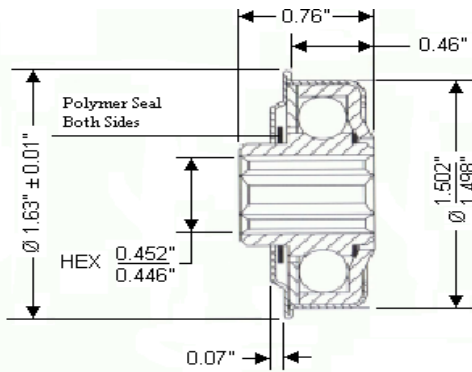
Load Rating 75 Lbs. 13 3/16" Balls



CB-157H00 Series

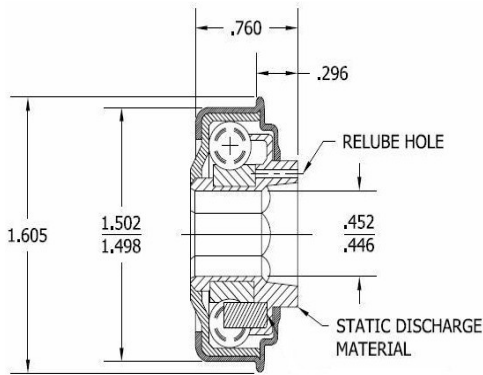
Load Rating 145 Lbs. 11 9/32" Balls

Part No.	A	B	C
CB-157H00	.452/ .446H	.3125"	.750"
CB-153H02	.385/ .380H	.3125"	.750"
CB-155R03	.508/ .503R	.3125"	.750"
CB-157H04	.452/ .446H	.2188"	.625"
CB-153R09	.385/ .380R	.3125"	.750"
CB-167H00	.452/ .466H	.412"	.512"



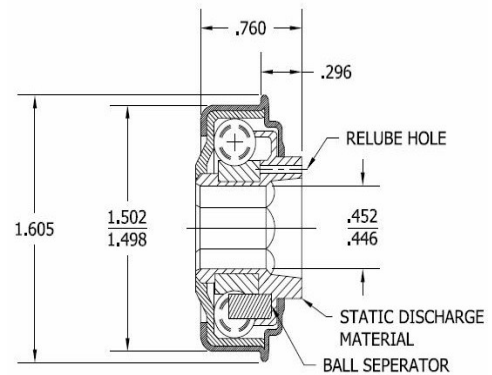
CB-157H10

Load Rating 145 Lbs. 11 9/32" Balls



CB-157H15

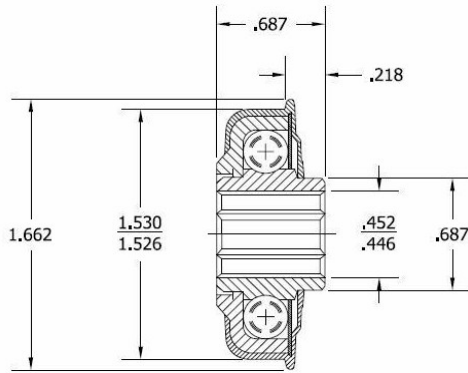
Load Rating 145 Lbs. 11 9/32" Balls



CB-157H21

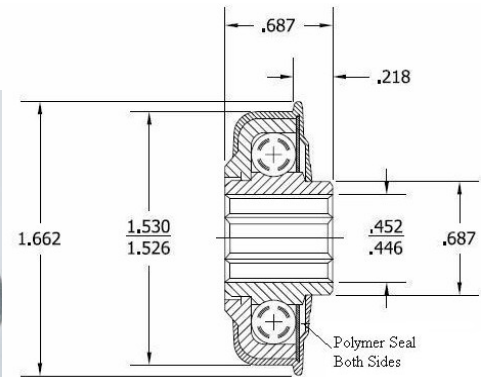
Load Rating 145 Lbs. 10 9/32" Balls





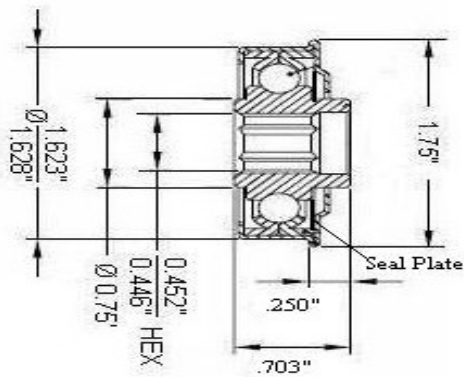
CB-297H00

Load Rating 145 Lbs. 11 9/32" Balls



CB-297H10

Load Rating 145 Lbs. 11 9/32" Balls

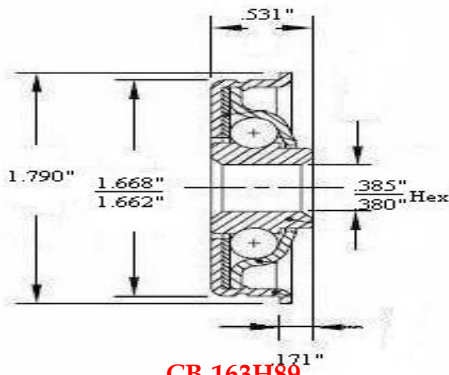


CB-167H34

Load Rating 125 Lbs. 13 1/4" Balls

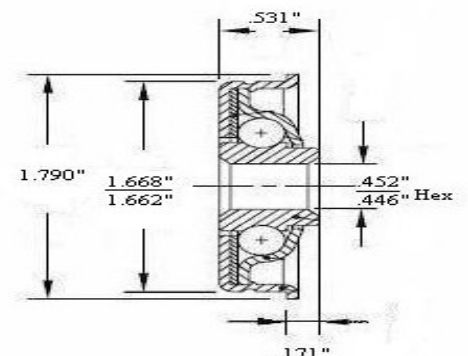


1.9 Series Bearings



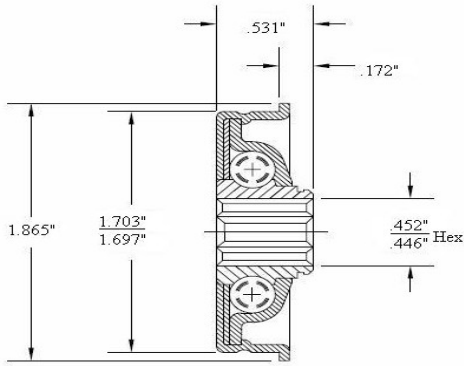
CB-163H89

Load Rating 140 Lbs. 11 1/4" Balls



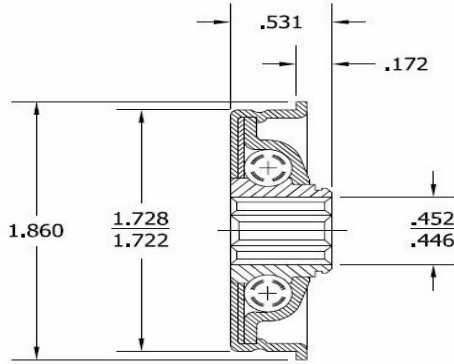
CB-167H90

Load Rating 140 Lbs. 11 1/4" Balls



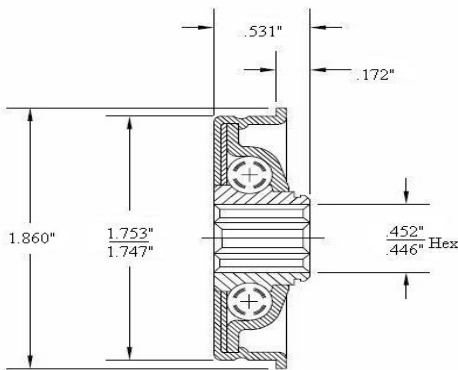
CB-177H05

Load Rating 140 Lbs. 11 1/4" Balls



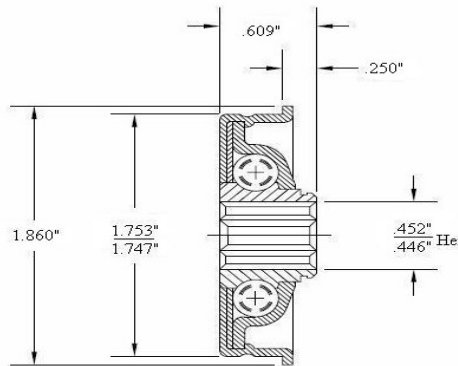
CB-177H21

Load Rating 140 Lbs. 11 1/4" Balls



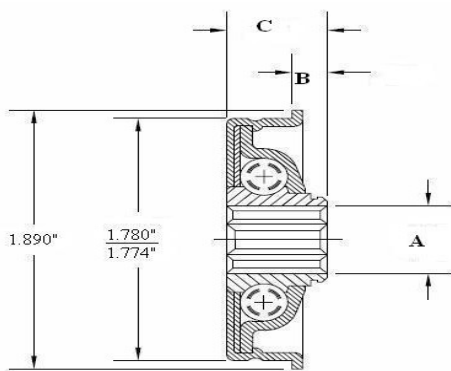
CB-017H19

Load Rating 140 Lbs. 11 1/4" Balls



CB-017H24

Load Rating 140 Lbs. 11 1/4" Balls

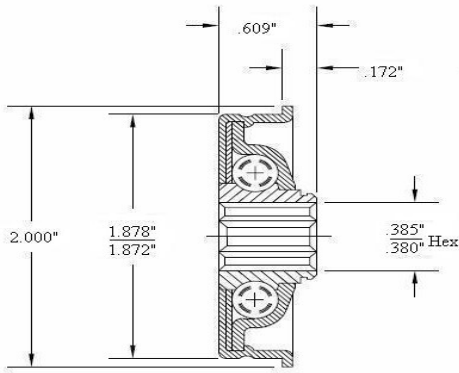


CB-107H05 Series

Load Rating 140 Lbs. 11 1/4" Balls

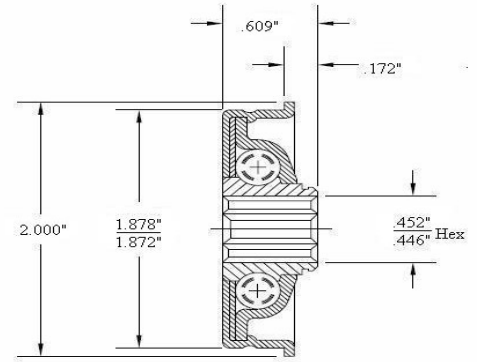


Part No.	A	B	C
CB-103H04	.385/.380H	.172"	.531"
CB-107H05	.452/.446H	.172"	.531"
CB-107H09	.452/.446H	.250"	.609"
CB-105H11	.322/.316H	.250"	.609"
CB-105R12	.320/.316R	.172"	.531"
CB-107R14	.443/.439R	.172"	.531"



CB-113H06

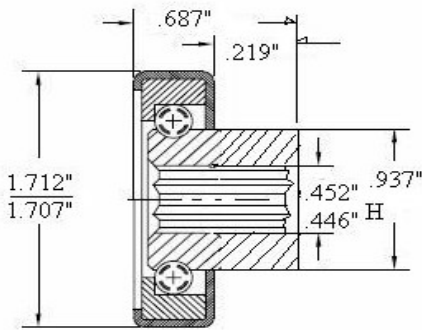
Load Rating 104 Lbs. 11 1/4" Balls



CB-117H07

Load Rating 140 Lbs. 11 1/4" Balls

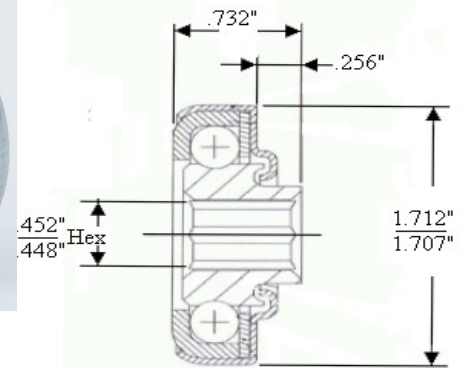
CB-047H00 Series Bearings



CB-047H10

Load Rating 300 Lbs. 12 9/32"

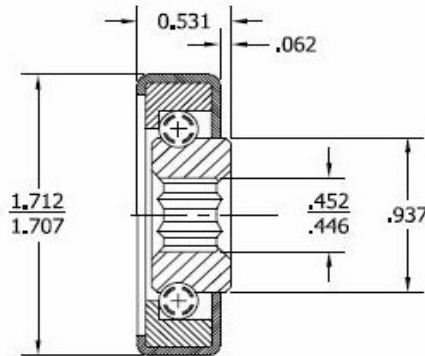
Balls



CB-047H12

Load Rating 300 Lbs. 12 9/32"

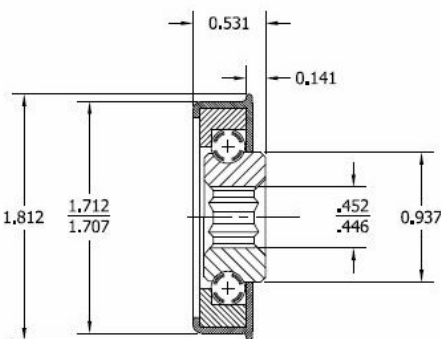
Balls



CB-047H11

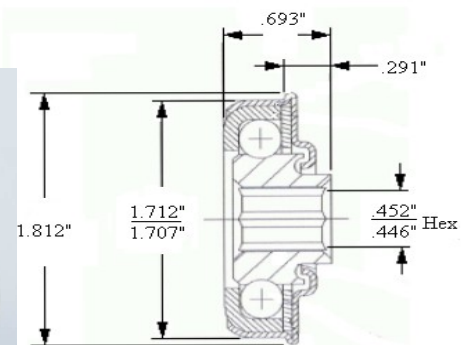
Load Rating 300 Lbs. 12 9/32"

Balls



CB-047H18

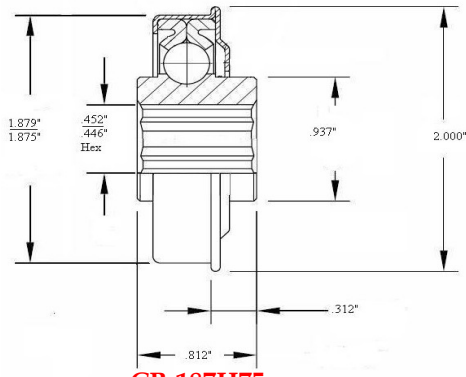
Load Rating 300 Lbs. 12 9/32" Balls



CB-047H20

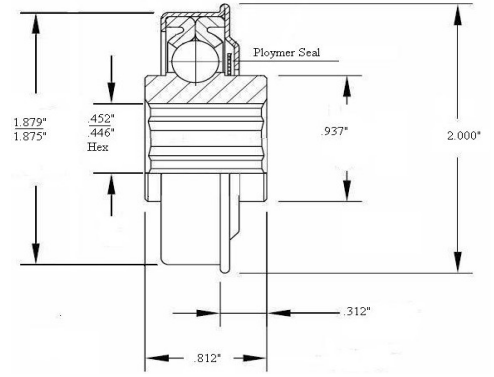
Load Rating 300 Lbs. 12 9/32" Balls

CB-187H75 & CB-187H76 Bearing



CB-187H75

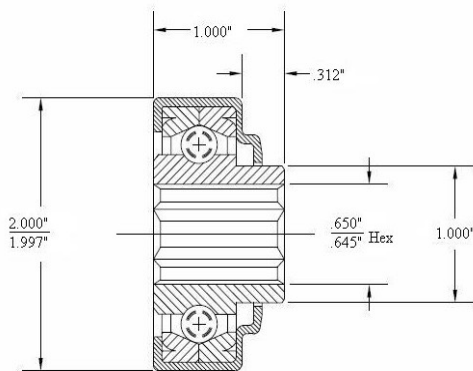
Load Rating 190 Lbs. 11 5/16" Balls



CB-187H76

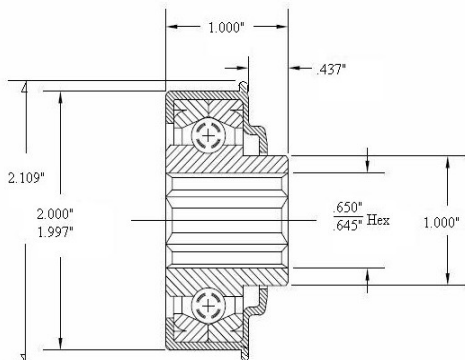
Load Rating 190 Lbs. 11 5/16" Balls

CB-205H00 & CB-215H00 Bearings



CB-205H00

Load Rating 225 Lbs. 13 5/16" Balls

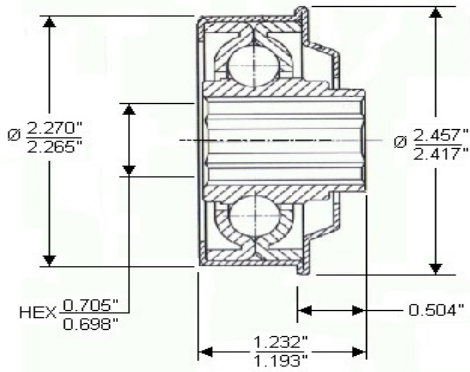


CB-215H00

Load Rating 225 Lbs. 13 5/16" Balls

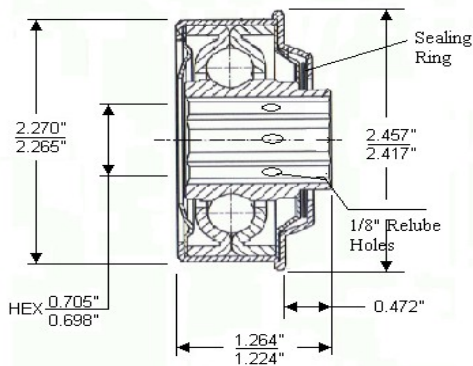


2.5 X 11 gauge Series Bearings



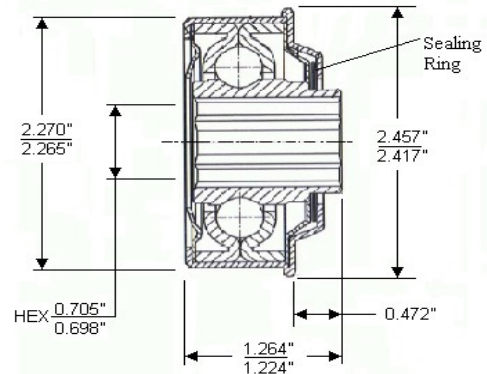
CB-11H00

Load Rating 425 Lbs. 11 3/8" Balls



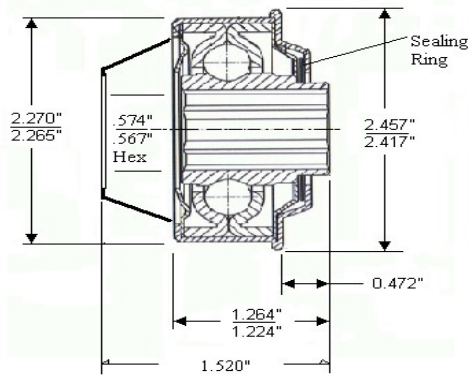
CB-2511H10

Load Rating 425 Lbs. 11 3/8" Balls



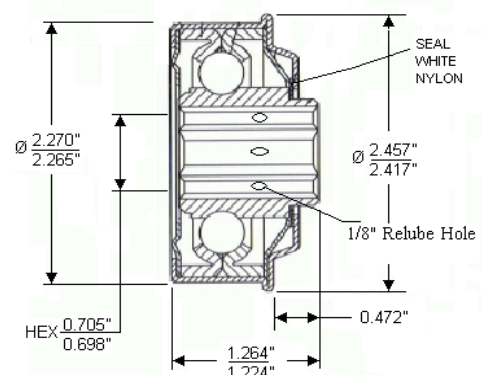
CB-2511H12

Load Rating 425 Lbs. 11 3/8" Balls



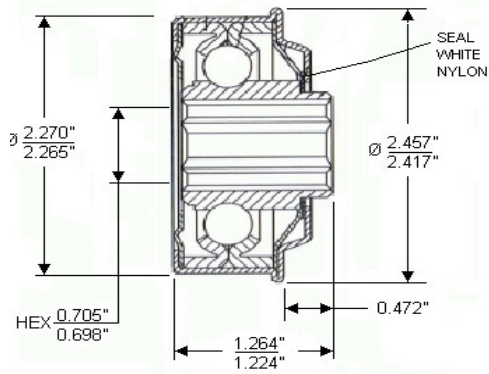
CB-259H15

Load Rating 425 Lbs. 11 3/8" Balls



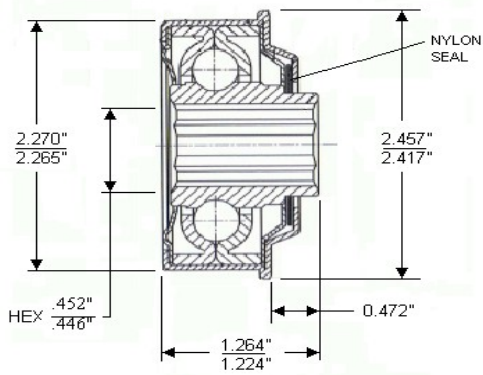
CB-2511H30

Load Rating 425 Lbs. 11 3/8" Balls



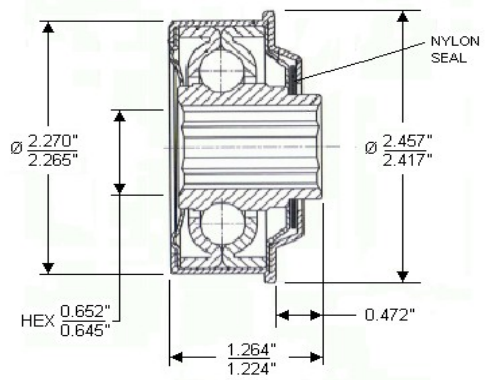
CB-2511H32

Load Rating 425 Lbs. 11 3/8" Balls



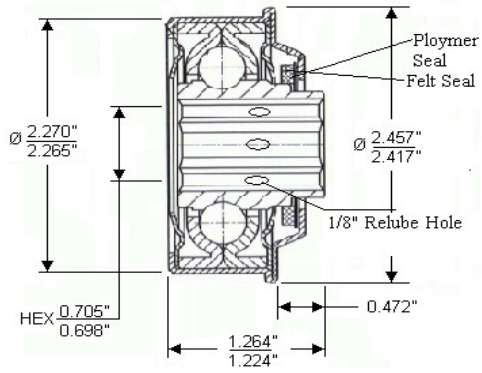
CB-257H37

Load Rating 425 Lbs. 11 3/8" Balls



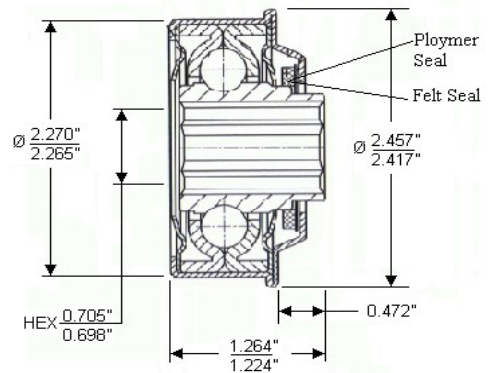
CB-255H39

Load Rating 425 Lbs. 11 3/8" Balls



CB-2511H40

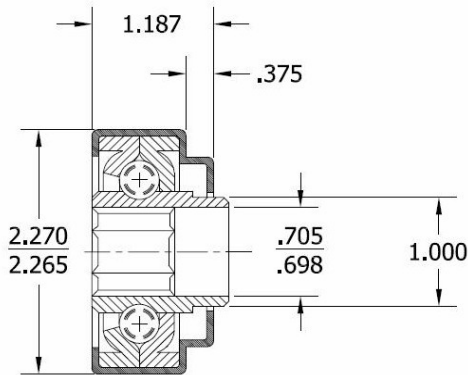
Load Rating 425 Lbs. 11 3/8" Balls



CB-2511H42

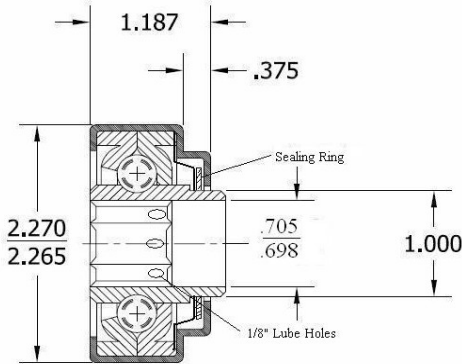
Load Rating 425 Lbs. 11 3/8" Balls

CB-2611H00 Series Bearing



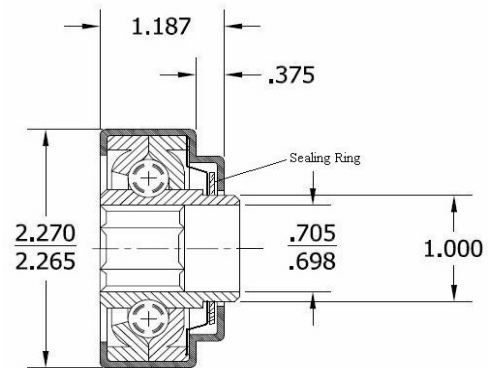
CB-2611H00

Load Rating 425 Lbs. 11 3/8" Balls



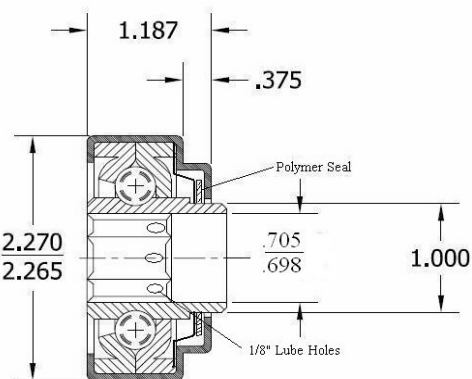
CB-2611H10

Load Rating 425 Lbs. 11 3/8" Balls



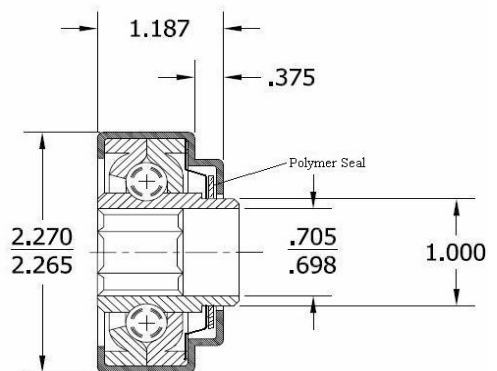
CB-2611H12

Load Rating 425 Lbs. 11 3/8" Balls



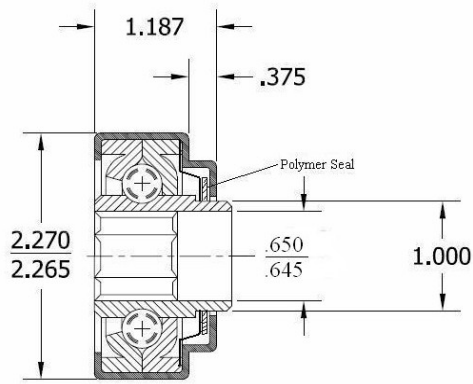
CB-2611H30

Load Rating 425 Lbs. 11 3/8" Balls



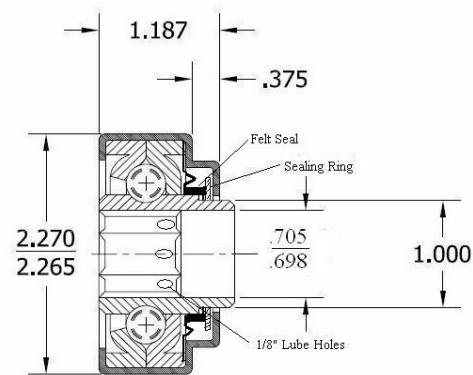
CB-2611H32

Load Rating 425 Lbs. 11 3/8" Balls



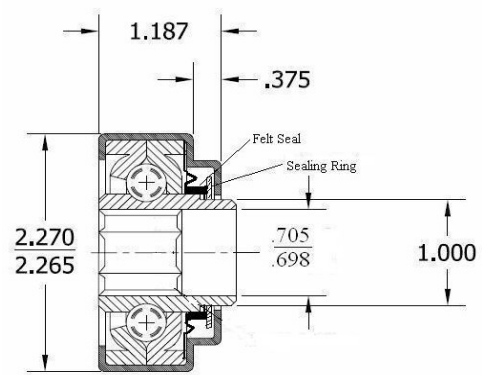
CB-2611H38

Load Rating 425 Lbs. 11 3/8" Balls



CB-2611H40

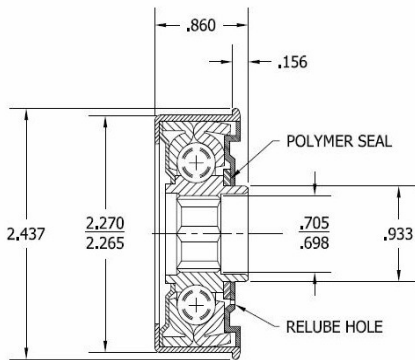
Load Rating 425 Lbs. 11 3/8" Balls



CB-2611H42

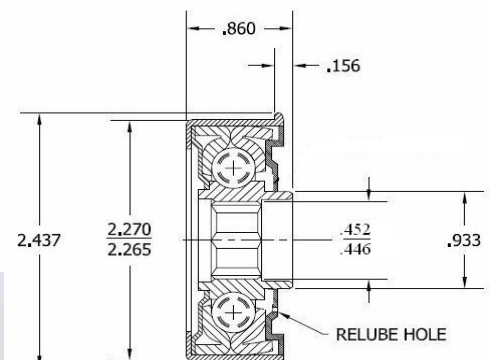
Load Rating 425 Lbs. 11 3/8" Balls

Swage Fit 2.5 X 11 gauge Series Bearings



CB-2511H55

Load Rating 425 Lbs. 11 3/8" Balls

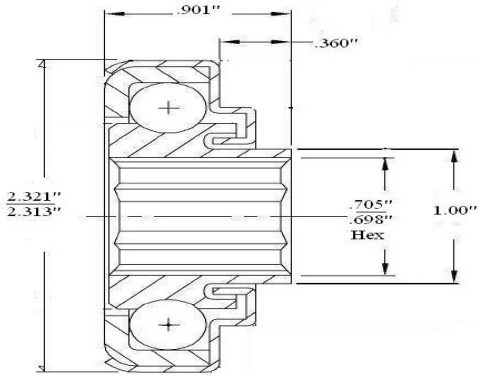


CB-257H57

Load Rating 425 Lbs. 11 3/8" Balls

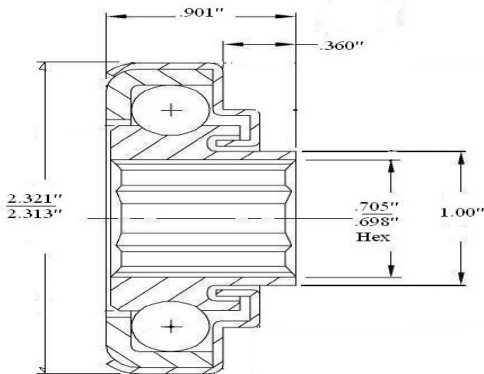


CB-4111H00 Series Bearing



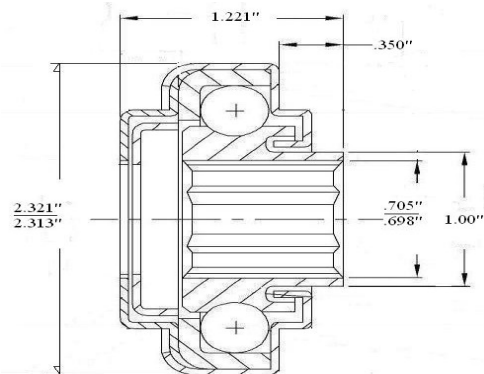
CB-4111H13

Load Rating 600 Lbs. 13 3/8" Balls



CB-4111H14

Load Rating 600 Lbs. 13 3/8" Balls

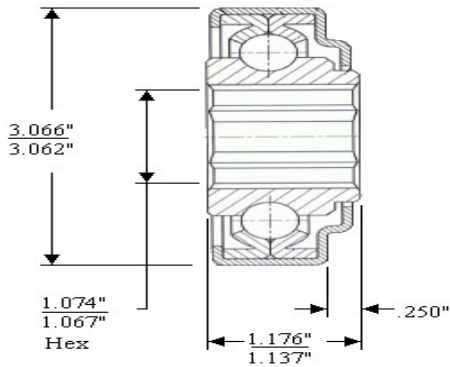


CB-4111H15

Load Rating 600 Lbs. 13 3/8" Balls

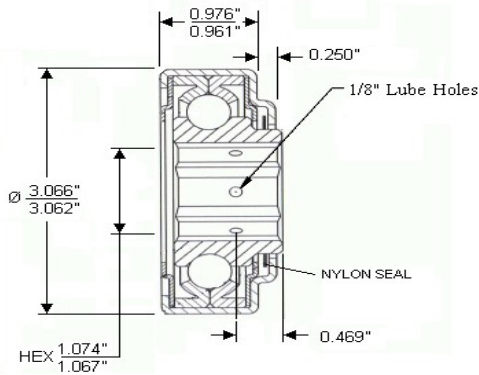


3.5" .300 Wall or 3" Schedule 40 Pipe



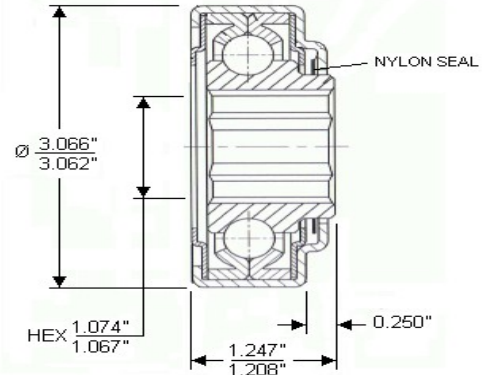
CB-30116H65

Load Rating 603 Lbs. 15 7/16" Balls



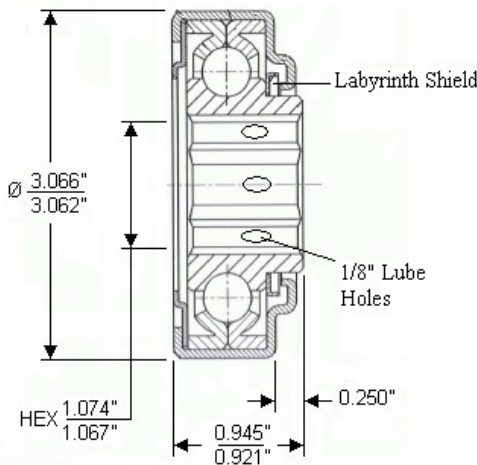
CB-30116H80

Load Rating 603 Lbs. 15 7/16" Balls



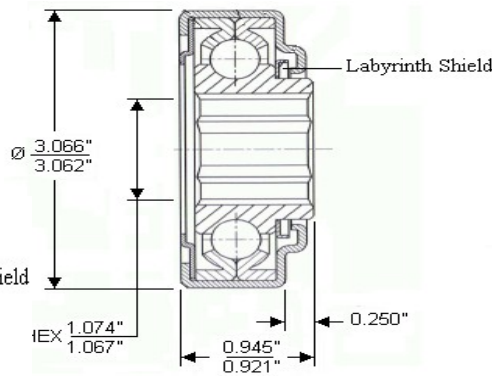
CB-30116H82

Load Rating 603 Lbs. 15 7/16" Balls



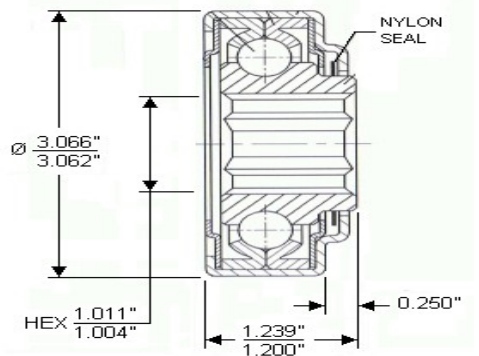
CB-30116H92

Load Rating 603 Lbs. 15 7/16" Balls



CB-30116H90

Load Rating 603 Lbs. 15 7/16" Balls

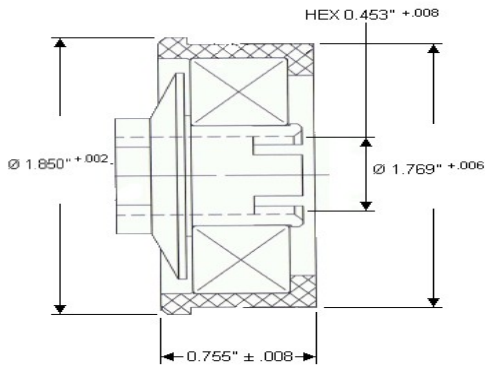


CB-301H87

Load Rating 603 Lbs. 15 7/16" Balls

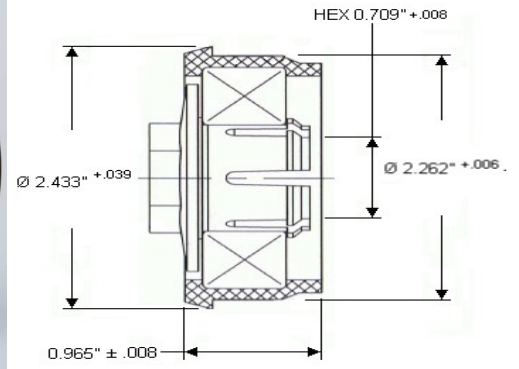
Precision Conveyor Bearings

Plastic Encapsulated Precision Conveyor Bearings



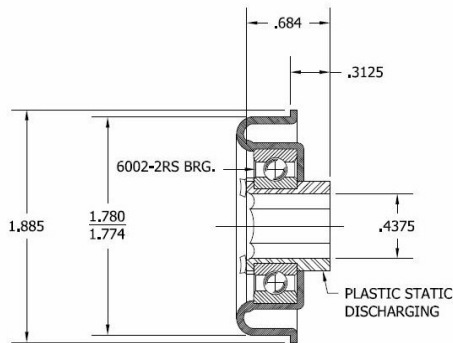
PCBH112-16-7

Load Rating 350 Lbs. Core Brg. 6203-ZZ



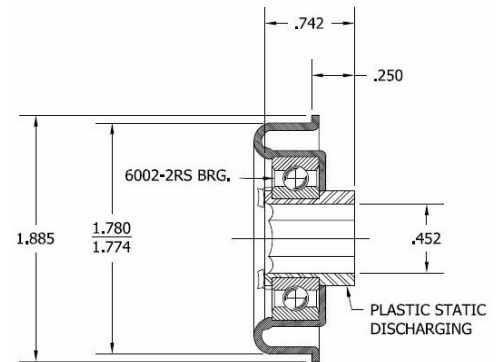
PCBH208-11-11 PCBH208-11-11SS

Load Rating 750 Lbs. Core Brg. 6205-ZZ or 2RS Also available in stainless steel



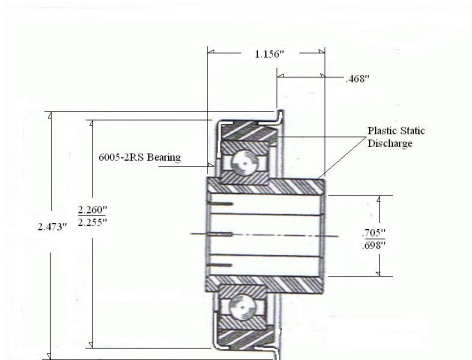
CB-407H03

Load Rating 300 Lbs.



CB-457H00

Load Rating 450 Lbs.

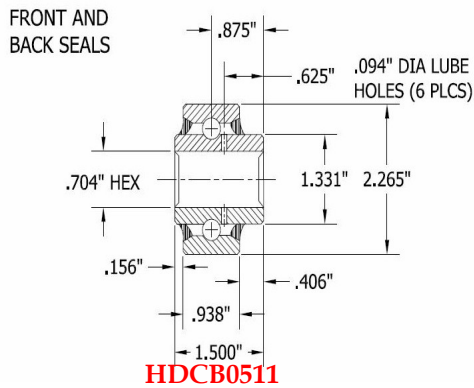


CB-5011H00

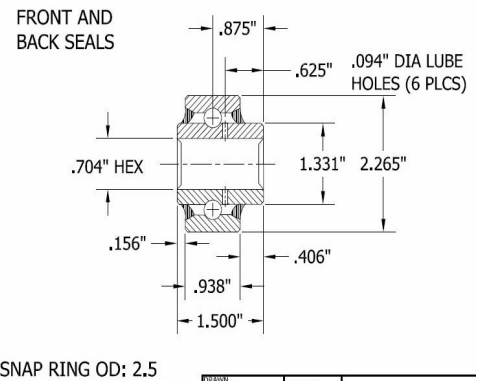
Load Rating 1000 Lbs.



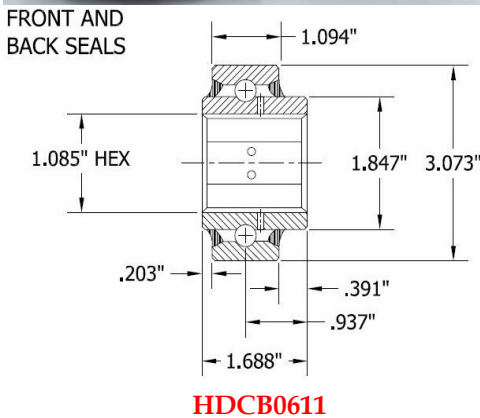
Heavy Duty Precision Bearings



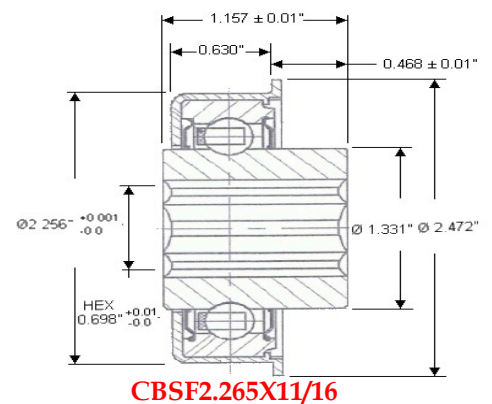
Load Rating 2,450 Lbs.



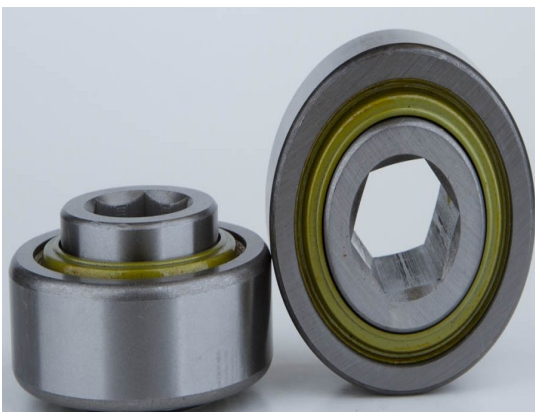
Load Rating 2,450 Lbs.



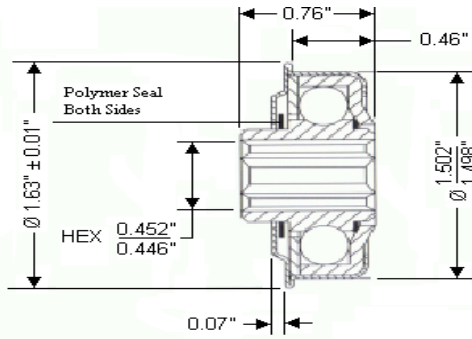
Load Rating 4,300 Lbs.



Load Rating 1,500 Lbs.

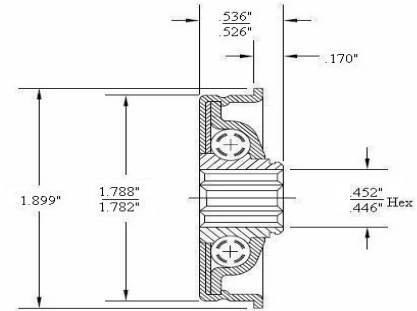


Stainless Steel Conveyor Bearings



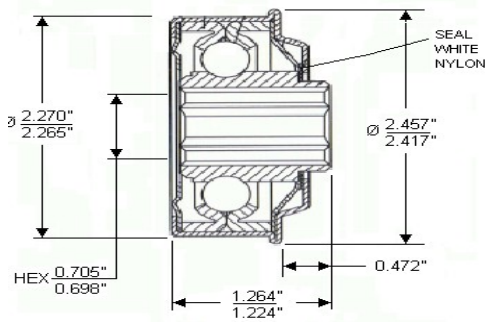
CB-157H10

Load Rating 145 Lbs. 11 9/32" Balls



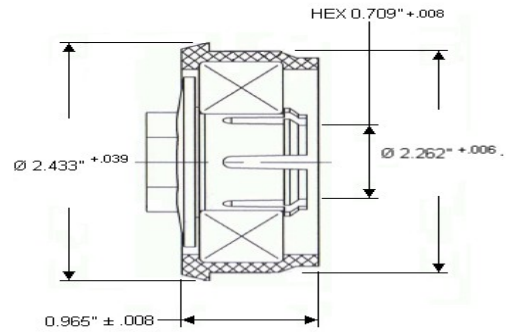
CB-017H07SS

Load Rating 140 Lbs. 11 1/4" Balls



CB-2511H32

Load Rating 425 Lbs. 11 3/8" Balls

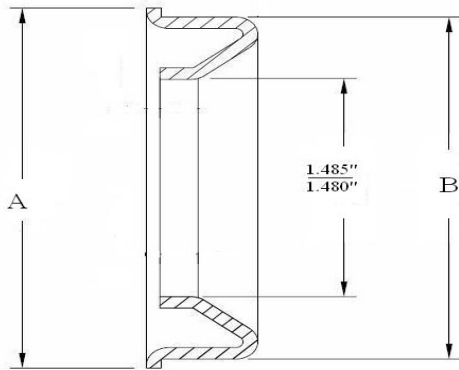


PCBH208-11-11SS

Load Rating 750 Lbs. Core Bearing S6205-ZZ



End Cup Adapters for Conveyor Bearings



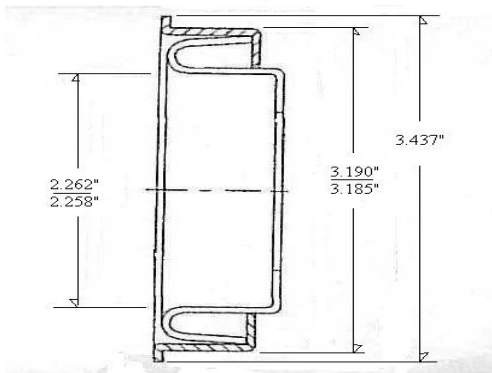
31EC00 Series End Cup Adapter

End Cup	A	B
31EC33	2.500"	2.320" / 2.315"
31EC34	2.250"	2.130" / 2.125"
31EC35	2.500"	2.340" / 2.335"
31EC39	2.500"	2.365" / 2.360"
34EC25	2.500"	2.270" / 2.265"



Application Chart for End Cup Adapters

Adapter	Bearing Application
31EC33, 31EC34, 31EC35, 31EC39, 34EC25	All CB157H00 Series
35EC00	All CB-2511H00 Series

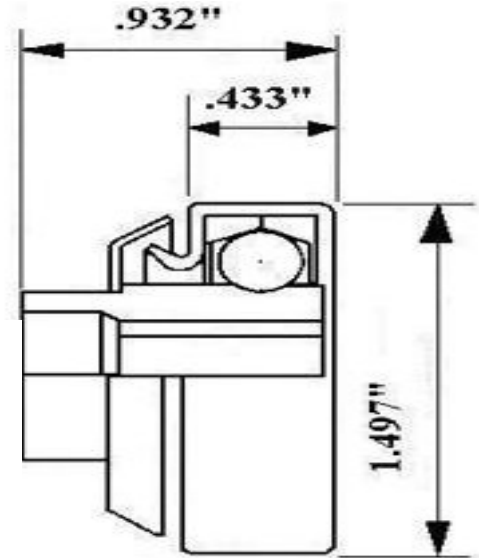


35EC00

End Cup Adapter

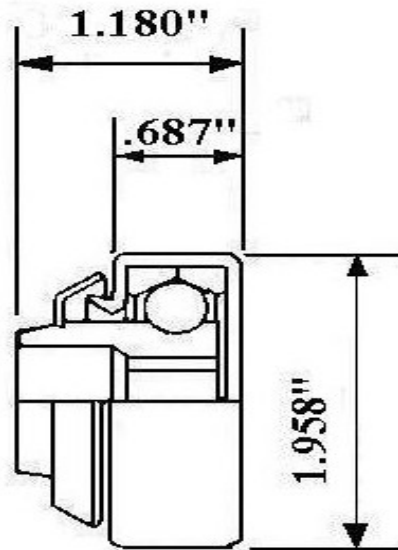


Logan Conveyor Bearings



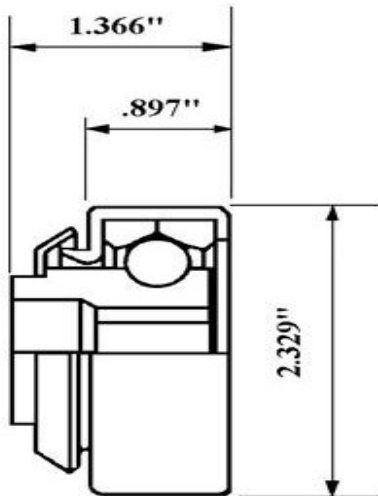
L-USDI.4375X1.497-L4L (50-LL)

7/16" Hex Bore Lubed for Life



L-USDI.625X1.958-L4L (55-LL)

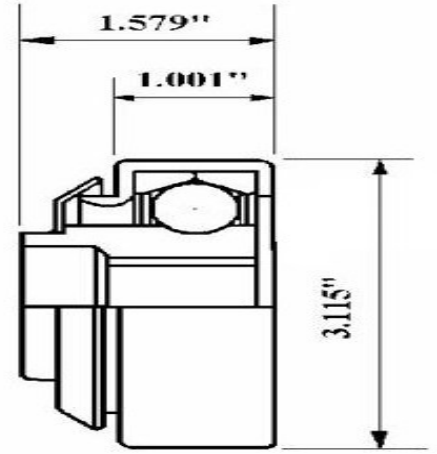
5/8" Hex Bore Lubed for Life



L-USDI.6875X2.239-L4L (60-LL)

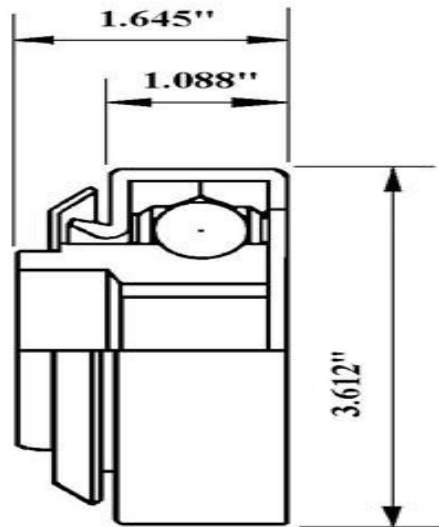
11/16" Hex Bore Lubed for Life





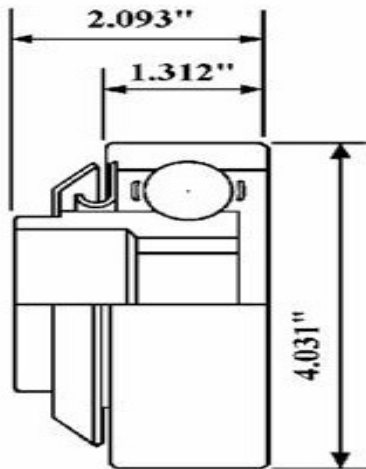
L-USDI1.00X3.115-L4L (70-LL)

1.0" Hex Bore Lubed for Life



L-USDI1.25X3.612-L4L (75-LL)

1 1/4" Hex Bore Lubed for Life



L-USDI1.50X4.021 (85-D)

1 1/2" Hex Bore



Unground (non-precision) Bearings

Unground Bearing Numbering System

Class/Type	Bore	X	OD	Seals
UG- Unground no flange	ID in inches	X	Outside Diameter in inches	2RS-2 Rubber Seals
UGF- Unground , Flanged				ZZ – 2 Metal Shields
UGFH- Unground Flanged , Hex Bore				
UGFS- Unground, Flanged, Extended Inner Race with Set Screws				
UGT- Unground Thrust Bearing				

USDI Part Number	Interchange	Interchange	Bore	OD	Seals
UG.1875X.6875	SR-253	A1222	3/16"	7/16"	n/a
UG.250X6875	SR-254	A1622	1/4"	7/16"	n/a
UG.3125X1.0625	SR-312	A2034B	5/16"	1-1/16"	n/a
UG.375X.875	SR-269	A2428	3/8"	7/8"	n/a
UG.375X.9062		A2429	3/8"	29/32"	n/a
UG.375X1.125	SR-333	A2436	3/8"	1-1/8"	n/a
UG.4375X.9062		A2829	7/16"	29/32"	n/a
UG.500X1.125	SR-337	A3236	1/2"	1-1/8"	n/a
UG.500X1.375-2RS	SR-381	A3244	1/2"	1-3/8"	2RS
UG.500X1.750		A3256	1/2"	1-3/4"	n/a
UG.625X1.375		A4044	5/8"	1-3/8"	n/a
UG1.00X2.00		A6464	1"	2"	n/a
UGF.250X.6875	F150	AF1622	1/4"	11/16"	n/a

USDI Part No.	Interchange	Interchange	Bore	OD	Seals
UGF.250X.750	F-155	AF1624	1/4"	3/4"	n/a
UGF.250X.750-2RS			1/4"	3/4"	n/a
UGF.250X.8125	F-160		1/4"	13/16"	n/a
UGF.250X.8125-2RS			1/4"	13/16"	2RS
UGF.250X.875		AF1628	1/4"	7/8"	n/a
UGF.250X.9062	F-175-1	AF1629	1/4"	29/32"	n/a
UGF.3125X.875	F-165	AF2028	5/16"	7/8"	n/a
UGF.3125X.875-2RS			5/16"	7/8"	2RS
UGF.3125X1.0625		AF2034	5/16"	1-1/16"	n/a
UGF.375X1.0625	F-250-2	AF2434	3/8"	1-1/16"	n/a
UGF.375X1.125	F-300-19	AF2436	3/8"	1/18"	n/a
UGF.375X1.375	F-350-11	AF2444	3/8"	1-3/8"	n/a
UGF.4375X.9062	F-175-4	AF2829	7/16"	29/32"	n/a
UGF.500X1.125	F-300	AF3236	1/2"	1-1/8"	n/a
UGF.500X1.125-2RS	36F32PP	TW2	1/2"	1-1/8"	2RS
UGF.500X1.1875	F-310	AF3238	1/2"	1-3/16"	n/a
UGF.500X1.250		AF3240	1/2"	1-1/4"	n/a
UGF.500X1.500		AF3248	1/2"	1-1/2"	n/a
UGF.500X1.500(ext inner)	32703-1		1/2"	1-1/2"	n/a
UGF.50X1.5625	F-550	AF3250	1/2"	1-9/16"	n/a
UGF.500X1.875		AF3260	1/2"	1-7/8"	n/a
UGF.500X2.125		AF3268	1/2"	2-1/8"	n/a

USDI Part No.	Interchange	Interchange	Bore	OD	Seals
UGF.500X2.125-2RS			1/2"	2-1/8"	2RS
UGF.500X2.125-ZZ			1/2"	2-1/8"	ZZ
UGF.5625X1.250	F-325		9/16"	1-1/4"	n/a
UGF.5625X1.375		AF3644	9/16"	1-3/8"	n/a
UGF.5625X1.500		AF3648	9/16"	1-1/2"	n/a
UGF.625X1.250-2RS			5/8"	1-1/4"	2RS
UGF.625X1.500-2RS		AF4048	5/8"	1-1/2"	2RS
UGF.625X1.875-2RS	F-850	TW21	5/8"	1-7/8"	2RS
UGF.6875X1.500	F-500	AF4448	11/16"	1-1/2"	n/a
UGF.750X1.375-2RS	F-350-89	AF4844	3/4"	1-3/8"	2RS
UGF.750X1.750-2RS		TW18	3/4"	1-3/4"	2RS
UGF.750X2.125-2RS		AF4868	3/4"	2-1/8"	2RS
UGF.750X2.250		AF4872	3/4"	2-1/4"	n/a
UGF.750X2.3125		AF4874	3/4"	2-5/16"	n/a
UGF.875X2.00	F1000		7/8"	2"	n/a
UGF.875X2.00-2RS	64F56PP		7/8"	2"	2RS
UGF.875X2.500		AF5680	7/8"	2-1/2"	n/a
UGF1.00X2.00	F-1000-4	AF6464	1"	2"	n/a
UGF1.00X2.00-2RS	64F64PP	TW25	1"	2"	2RS
UGF1.250X2.125	F-1100		1-1/4"	2-1/8"	n/a
UGFH.3125X.875		AFH2028	5/16"	7/8"	n/a
UGFH.3125X1.125		AFH2036	5/16"	1-1/8"	n/a

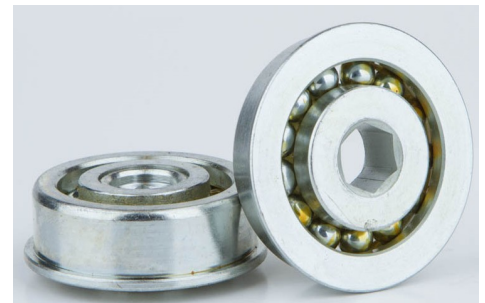
USDI Part No.	Interchange	Interchange	Bore	OD	Seals
UFGH.375X1.125		AFH2436	3/8"	1-1/8"	n/a
UGFH.375X1.125-2RS			3/8"	1-1/8"	2RS
UGFH.4375X1.125		AFH2836	7/16"	1-1/8"	n/a
UGFH.4375X1.375		AFH2844	7/16"	1-3/8"	n/a
UGFH.4375X1.375-2RS			7/16"	1-3/8"	2RS
UGFH.4375X1.500		AFH2848	7/16"	1-1/2"	n/a
UGFH.4375X1.750		AFH2856	7/16"	1-3/4"	n/a
UGFH.4375X1.750-2RS			7/16"	1-3/4"	2RS
UGFH.4375X2.125		AFH2868	7/16"	2-1/8"	n/a
UGFH.4375X2.125-2RS			7/16"	2-1/8"	2RS
UGFH.500X1.500		AFH3248	1/2"	1-1/2"	n/a
UGFH.625X1.750-2RS		AFH4056	5/8"	1-3/4"	2RS
UGFH.750X2.00		AFH4864	3/4"	2"	n/a



UG Series



UGF Series



UGFH Series



UGF-2RS Series



UGFH-2RS Series

Semi Precision Bearings

Class/Type	Bore	X	OD	Seals
SP- Semi Precision SR- Snap Ring	ID in inches	X	Outside Diameter in inches	2RS-2 Rubber Seals

USDI Part No.	Interchange	Interchange	Bore	OD	Seals
SP.500X1.125-2RS			1/2"	1-1/8"	2RS
SP.500X1.375-2RS			1/2"	1-3/8"	2RS
SP.5625X1.375-2RS			9/16"	1-38/"	2RS
SP.625X1.375-2RS			5/8"	1-3/8"	2RS
SP.625X1.625-2RS			5/8"	1-5/8"	2RS
SP.625X1.750-2RS			5/8"	1-3/4"	2RS
SP.750X1.625-2RS			3/4"	1-5/8"	2RS
SP.750X1.750-2RS			3/4"	1-3/4"	2RS
SP.750X2.00-2RS			3/4"	2"	2RS
SP.875X2.00-2RS			7/8"	2"	2RS
SP1.00X2.00-2RS			1"	2"	2RS
SP1.125X2.50-2RS			1-1/8"	2"	2RS
SP1.250X2.50-2RS			1-1/4"	2-1/2"	2RS
SP1.250X1.5625-2RS			1-1/4"	2-9/16"	2RS
SP1.3125X2.5625-2RS			1-5/16"	2-9/16"	2RS
SPSR.500X1.125-2RS			1/2"	1-1/8"	2RS
SPSR.500X1.375-2RS			1/2"	1-3/8"	2RS

USDI Part No.	Interchange	Interchange	Bore	OD	Seals
SPSR.5625X1.375-2RS			9/16"	1-3/8"	2RS
SPSR.625X1.375-2RS			5/8"	1-3/8"	2RS
SPSR.750X1.625-2RS			3/4"	1-5/8"	2RS
SPSR.750X1.750-2RS			3/4"	1-3/4"	2RS
SPSR1.00X2.00-2RS			1"	2"	2RS



SP-2RS Series



SPSR-2RS Series

Lutco & Schatz Bearings

Class/Type	Bore	X	OD	Seals
UGF- Unground , Flanged UGFH- Unground Flanged , Hex Bore UGFS- Unground, Flanged, Extended Inner Race with Set Screws UGT- Unground Thrust Bearing	ID in inches	X	Outside Diameter in inches	2RS-2 Rubber Seals ZZ – 2 Metal Shields

USDI Part No.	Lutco Part No.	Schatz Part No.	Bore	OD	Seals
S-UGF.625X1.250		AF4052	5/8"	1-1/4"	n./a
S-UGF.625X1.750		AF4056	5/8"	1-3/4"	n/a

USDI Part No.	Lutco Part No.	Schatz Part No.	Bore	OD	Seals
S-UGF.750X2.00		AF4864	3/4"	2"	n/a
S-UGFH.4375X1.625		AFH2852	7/16"	1-5/8"	n/a
S-UGFH.4375X1.875		AFH2860U	7/16"	1-7/8"	n/a
S-UGFS.375X.9062		AFS2429	3/8"	29/32"	n/a
S-UGFS.500X1.125		AFS3236	1/2"	1-1/8"	n/a
S-UGFS.625X1.375		AFS4044	5/8"	1-3/8"	n/a
S-UGFS1.00X3.064		AFS6498	1"	3.064"	n/a
UGF.500X1.375-2RS-L	44F32PP		1/2"	1-3/8"	2RS
UGF.625X1.375-2RS-L	44F40PP		5/8"	1-3/8"	2RS
UGF.750X1.375-2RS-L	A44LFA48PP		3/4"	1-3/8"	2RS
UGF.750X1.750-2RS-L	56F48PP		3/4"	1-3/4"	2RS
UGF.875X1.750KW-2RS-L	41FLMXKZ56PP3		7/8"	1-3/4"	2RS
UGF.875X2.00-2RS-L	64F56PP		7/8"	2"	2RS
UGF1.00X2.00-2RS-L	64F64PP		1"	2"	2RS
UGF1.00X2.00-1RS-L	HD64FA64AP		1"	2"	1RS
UGF1.250X2.50-2RS-L	80F80PP		1-1/4"	2-1/2"	2RS
UGFH.750X1.750-2RS-L	56FZPH48PP2		3/4"	1-3/4"	2RS
UGFS.750X1.750-2RS-L	56FAX48PP	AFS4856	3/4"	1-3/4"	2RS
UGFS.750X2.00-2RS-L	64FAX48PP	AFS4864	3/4"	2"	2RS
UGFS1.00X2.00-2RS-L	64FAX64PP	AFS6464	1"	2"	2RS
UGT.500X1.265	A40TA32	AT3241	1/2"	2.265	n/a
UGT.625X1.422	46T40	AT4046A	5/8"	1.422	n/a

USDI Part No.	Lutco Part No.	Schatz Part No.	Bore	OD	Seals
UGT.750X1.656	53T48	AT4853	3/4"	1.656	n/a
UGT.875X1.891	60T56	AT5661A	7/8"	1.891	n/a
UGT1.075X2.00	64T64	AT6465A	1.075"	2"	n/a



Lutco F series



Lutco FAX Series

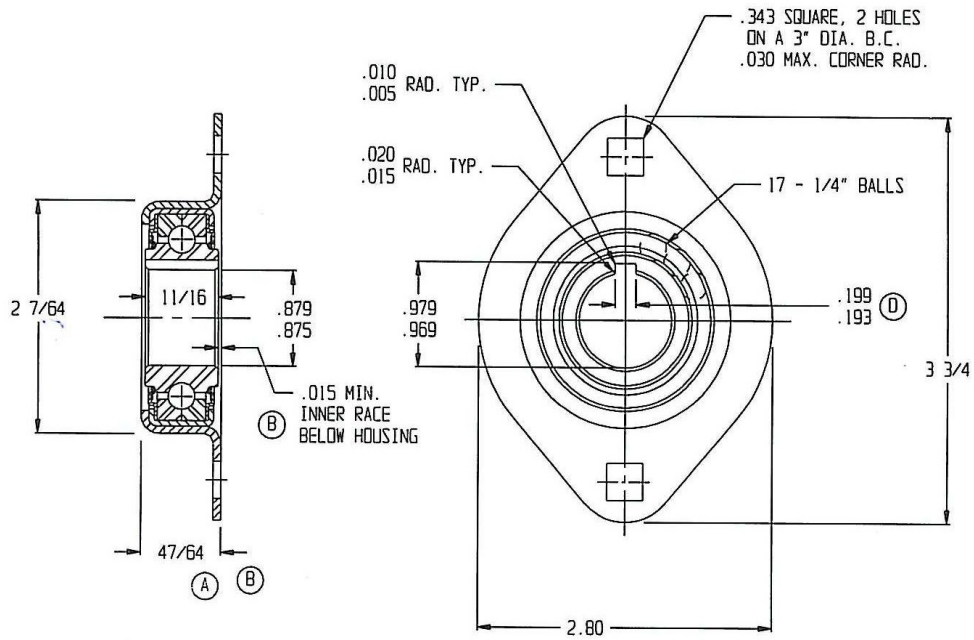


Lutco Thrust Bearing

Lawn Tractor and Snow Blower Bearings

Class/Type	Bore	X	OD	Seals
UGF- Unground , Flanged	ID in inches	X	Outside Diameter in inches	2RS-2 Rubber Seals
UGFH- Unground Flanged , Hex Bore				ZZ – 2 Metal Shields
UGFS- Unground, Flanged, Extended				
Inner Race with Set Screws				
UGT- Unground Thrust Bearing				

USDI Part No.	Lutco Part No.	Schatz Part No.	Bore	OD	Seals
UGF.750X1.375-2RS-L	A44LFA48PP		3/4"	1-3/8"	2RS
UGF.750X1.750-2RS-L	56F48PP		3/4"	1-3/4"	2RS
UGF1.00X2.00-1RS-L	HD64FA64AP		1"	2"	1RS
UGF1.00X2.00-2RS-L	64F64PP		1"	2"	2RS
UGF.875X1.750KW-2RS-L	41FLMXKZ56PP3		7/8"	1-3/4"	2RS
UGFH.6875X1.750-1RS-L	C56FAH44P		11/16"	1-3/4"	1RS

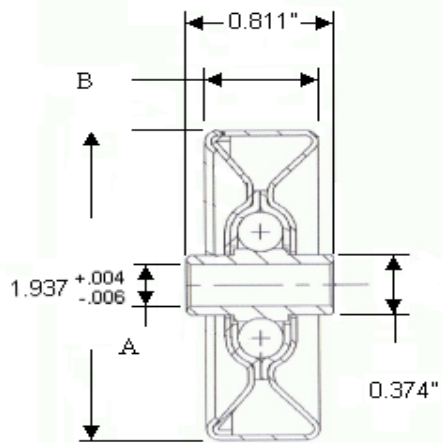


UGF.875X1.750KW-2RS-L

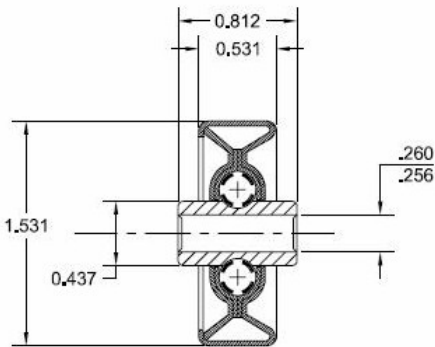
Lutco Snow Blower Replacement Bearing with Key way



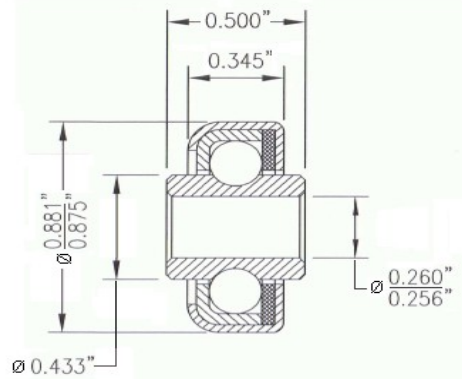
Standard Skate Wheels



Part Number	A	B
SW1.9X250	.251" / .259"	.625"
SW1.9XN250	.251" / .259"	.562"
SW1.9X320	.316" / .320"	.625"
SW1.9XN320	.316" / .320"	.562"



SW1.5X250

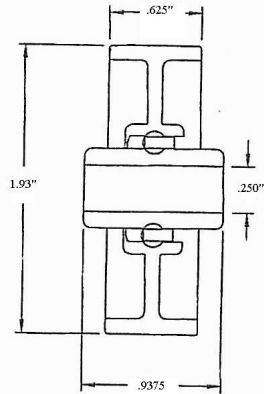


SW.875X250

Load Rating 40 Lbs.

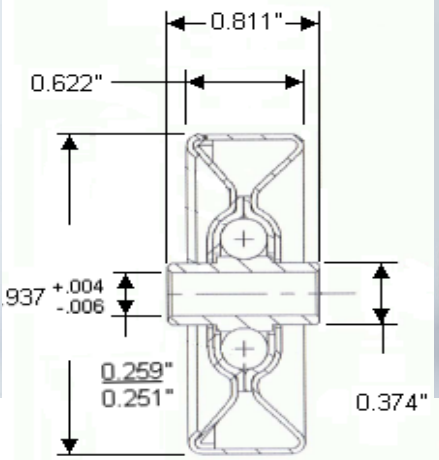
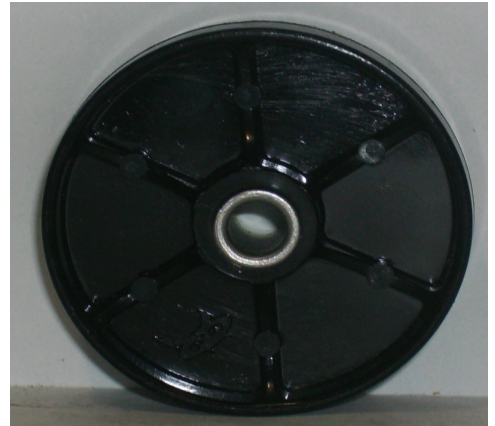


Specialty Skate Wheels



SWP1.9X250/SWP1.9XB250

Load Rating 40 Lbs. Also available with bushing no balls



SW1.9X250SS/ SW1.9X250A

Load Rating 50 Lbs.



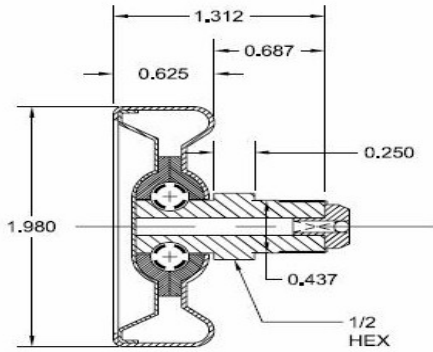
PSW1.9X250/ PSW1.9X320

Standard Skate Wheel with Plastic Cover



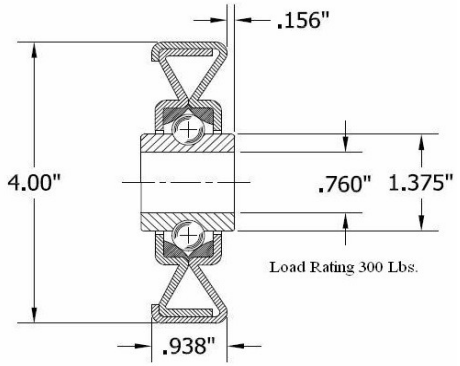
PSW1.93

Plastic Skate Wheel Cover will Fit all 1.9 wheels



TW1.9X4375/20

**Load Rating 65 Lbs. Overhead
85 Lbs. Other uses**

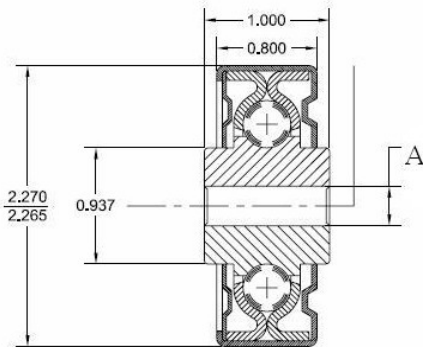


SW4X750

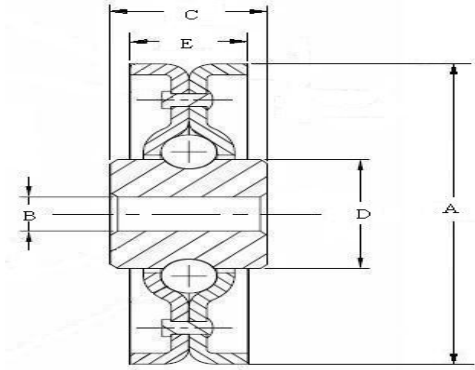
Load Rating 300 Lbs.



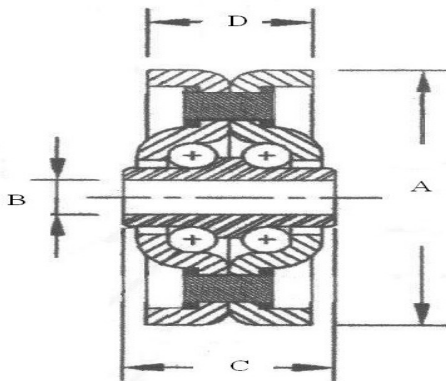
Conveyor Wheels



Part Number	A	Load Rating
CW-2.27X320	.316" / .320"	300 Lbs.
CW-2.27X375	.377" / .383"	300 Lbs.
CW-2.27X4375	.438" / .441"	300 Lbs.

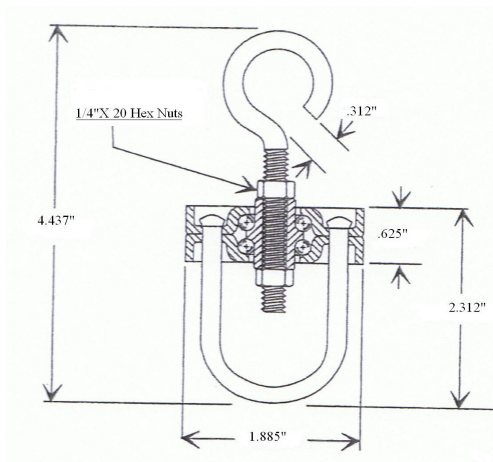


Part Number	A	B	C	D	E	Load Rating
CW-2.75X320	2-3/4"	5/16"	7/8"	9/16"	21/32"	100 Lbs.
CW-2.75XO320	2-3/4"	5/16"	51/64" offset .227	9/16"	21/32"	100 Lbs.
CW-2.75X375	2-3/4"	3/8"	1-1/16" offset 9/16"	1"	15/16"	200 Lbs.



Part Number	A	B	C	D	E	Load Rating
CW-1.875X250	1-7/8"	1/4"	13/16"	3/8"	5/8"	120 Lbs.
CW-1.875X320	1-7/8"	5/16"	13/16"	3/8"	5/8"	120 Lbs.

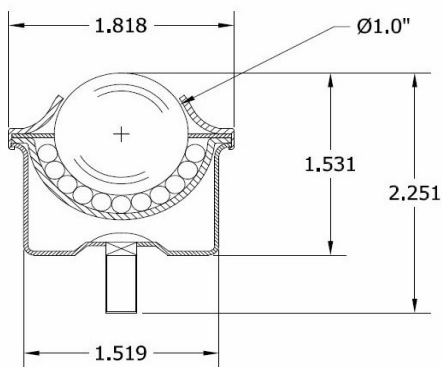
Overhead Rotation Carrier



61RC00

Load Rating 100 Lbs.

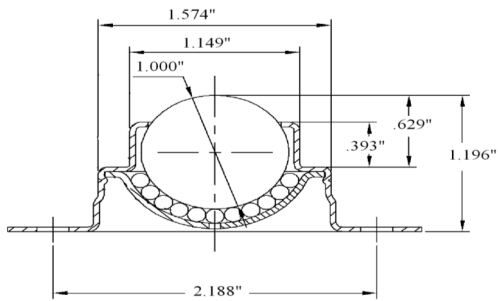
Ball Transfers



BT1-250

Load Rating 150 Lbs. 1/4" X 20 Stud

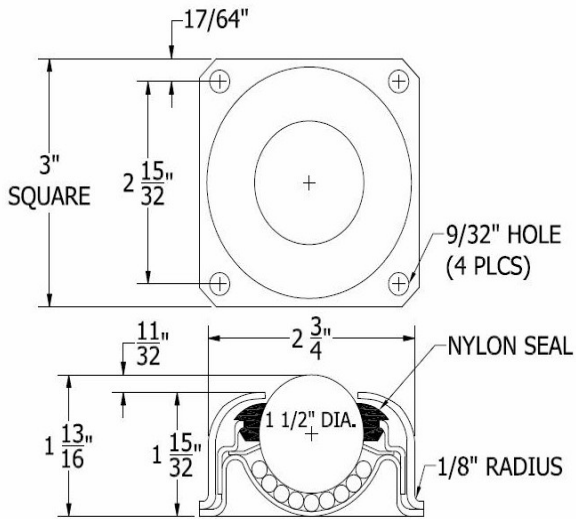
Also Available with Nylon Ball



BTF1-2H

Load Rating 150 Lbs. 2 Bolt Flange

Also Available with Nylon Ball



BTF1.5-4H

Load Rating 250Lbs. 4 Bolt Flange



Interchange Chart

Conveyor Bearings

USDI	Frantz	Mathews	USDI	Frantz	Mathews
CB-385R79	3879	B1000-1	CB-177H05	1705	B5241
CB-385R79	3879	B1001-1	CB-2511H30/35EC00	2530/3500	B5248
CB-297H10	2900	B1020-1	Skate Wheels		
CB-297H10	2900-G	B1020-2	SW1.9X250	50	B4000-1
CB-297H10	2900	B1030-2	SW1.9X250A	21A	B4001-1
CB-297H10	2900	B1040-2	SW1.9X250	75	
CB-2511H00	2500	B1060-1	SW1.9X250	100	
CB-2511H00	2500-G	B1060-2	SW1.9XN250	150	
CB-2511H10	2510	B1061-2	SW1.9X320	25	
CB-2511H10	2540	B1062-2	SW1.9XN320	30	
CB-2511H42	2542	B1064-2	CW2.75X320	2758	
CB-2511H42	2542	B1065-1	CW2.75XO320	2759	B4050-1
CB-2611H00	2600	B1070-1	CW2.75X375	2765	
CB-2611H40	2640	B1070-2	SW4X750		B4080-1
CB-2611H10	2610	B1070-2	Ball Transfers		
CB-2611H42	2642	B1073-1	BTF1-2H	1100	B4500
CB-2611H42	2642	B1073-2	BTF1-2HSS	1100SS	B4501
CB-30116H90	3090	B1080-1	BTF1-2HN	1100N	B4502
CB-30116H80	3080	B1081-2	BTF1.5H-		
CB-30116H92	3092	B1082-2	Heavy Duty Precision Bearing		
CB-30116H90	3090	B1083-2	HDCB0511		B1150-2
CB-30116H82	3082	B1084-2	HDCB0611		B1160-2
CB-30116H95	3095	B1085-2	HDCB0611-RH		B1161-2
CB-30116H82	3082	B1086-1			
CB-017H19	119	B1230-1			
CB-017H19	119	B1230-2			
CB-125H76	1276	B1260-1			
CB-297H10	2910	B1270-1			
CB125H76	1276	B5234			
CB-107H05	1005	B5239			

Interchange Chart

Unground & Semi-Precision Bearings

USDI	Killan	Schatz	Nice		USDI	Killan	Schatz	Nice
UG.1875X.6875	SR-253	A1222			SP.625X1.750-2RS			1633-2RS
SP.1875X.4375-2RS			1601-2RS		SP.750X1.625-2RS			1630-2RS
UG.250X.6875	SR-254	A1622			SP.750X1.750-2RS			1635-2RS
UG.250X.750	SR-255	A1624			SP.750X2.00-2RS			1638-2RS
SP.1875X4375-2RS			1602-2RS		SP.875X2.00-2RS			1640-2RS
UG.250X1.00	SR-290	A1632			UG1.00X2.00		A6464	
UG.3125X.875	SR-268	A2028			SP1.00X2.00-2RS			1641-2RS
SP.3125X.875			1603-2RS		SP1.250X2.50-2RS			1652-2RS
SP.3125X.9062-2RS			1605-2RS		SP1.250X2.5625-2RS			1657-2RS
UG.3125X1.0625	SR-312	A2034B			SP1.3125X2.5625-2RS			1658-2RS
UG.375X.875	SR-269	A2428			Flanged unground			
SP.375X.875-2RS			1604-2RS		UGF.1875X.625		Af1220	
UG.375X.9062		A2429			UGF.250X.500			
SP.375X1.0625-2RS			1606-2RS		UGF.250X.6875	F-150	AF1622	
UG.375X1.125	SR-333	A2436			UGF.250X.750	F-155	AF1624	
SP.375X1.125-2RS			1614-2RS		UGF.250X.8125	F-160		
UG.4375X.9062		A2829			UGF.250X.875		AF1628	
SP.4375X.9062-2RS			1607-2RS		UGF.250X.9062	F-175-1	AF1629	
SP.4375X1.125-2RS			1615-2RS		UGF.3125X.875	F-165	AF2028	
SP.4375X1.375-2RS			1620-2RS		UGF.3125X.9062	F-175-2	AF2029	
UG.500X1.125	SR-337	A3236			UGF.3125X1.0625		AF2034	
SP.500X1.125-2RS			1616-2RS		UGF.375X.9062	F-175-3	AF2429	
UG.500X1.375	SR-381	A3244			UGF.375X.875		AF2428	
SP.500X1.375-2RS			1621-2RS		UGF.375X1.00	F-225		
UG.750X1.750		A3256			UGF.735X1.0625	F-250-2	AF2434	
SP.5625X1.375-2RS			1622-2RS		UGF.375X1.125	F-300-19	AF2436	
UG.625X1.375		A4044			UGF.4375X.9062	F-175-4	AF2829	
SP.625X1.375-2RS			1623-2RS		UGF.375X1.375	F-350-11	AF2444	
UG.625X1.625		A4052			UGF.4375X1.0625	F-250	AF2834	
SP.625X1.625-2RS			1628-2RS		UGF.500X1.125	F-300-19		

Interchange Chart

Unground & Semi-Precision Bearings

USDI	Killan	Schatz	Nice	USDI	Killan	Schatz	Nice
SPSR.500X1.125-2RS			1616-2RSNR	SPSR.750X1.750-2RS			1635-2RSNR
UGF.500X1.125				UGF.750X2.00		AF4864	
UGF.500X1.875	F-310	AF3238		UGF.750X2.125		AF4868	
UGF.500X1.250		AF3240		UGF.750X2.250		AF4872	
UGF.500X1.375	F-350-12	AF3244		UGF.750X2.3125		AF4874	
SPSR.500X1.375-2RS			1621-2RSNR	UGF.875X2.00	F-1000		
UGF.500X1.500		AF3248		UGF.875X2.500		AF5680	
UGF.500X1.50-EX.INR			32703-01 (GBC)	UGF1.00X2.00	F-1000-4	AF6464	
UGF.500X1.5625	F-550	AF3250		SPSR1.00X2.00-2RS			1641-2RSNR
UGF.500X1.625		AF3252		UGF1.00X2.125		AF6468	
UGF.500X1.750		AF3256		UGF1.00X2.125-2RS		AF6468	
UGF.500X1.875		AF3260		UGF1.00X2.250		AF6472	
UGF.500X2.125		AF3268		UGF1.25X2.125	F-1100		
UGF.5625X1.250	F-325			UGF1.250C2.500		AF8080	
UGF.5625X1.375		AF3644		Flanged Hex Bore			
SPSR.5625X1.375-2RS			1622-2RSNR	UGFH.3125X.875		AFH2028	
UGF.5625X1.500		AF3648		UGFH.3125X1.125		AFH2036	
UGF.5625X1.500		AF3648		UGFH.375X1.125		AFH2436	
UGF.625X1.250		AF4040		UGFH.4375X1.125		AFH2836	
UGF.625X1.375	F-350-13	AF4044		UGFH.4375X1.375		AFH2844	
SPSR.625X1.375-2RS			1623-2RSNR	UGFH.4375X1.500		AFH2848	
UGF.625X1.500-2RS		AF4048		UGFH.4375X1.750		AFH2856	
UGF.625X1.875	F-850			UGFH.4375X2.125		AFH2868	
UGF.6875X1.500	F-500	AF4448		UGFH.500X1.500		AFH3248	
UGF.750X1.375-2RS	F-350-89	AF4844		UGFH.625X1.750		AFH4056	
UGF.750X1.625	F-600-3			UGFH.750X2.00		AFH4864	
SPSR.750X1.625-2RSNR			1630-2RSNR				
UGF.750X1.6875	F-700						
UGF.750X1.750	F-750	AF4856					

Pipe Size Chart & Fraction to Decimal Chart

TUBE / PIPE SIZES (to assist in Bearing selection)

Sheet Metal Gauges		Approximate Tubing OD / ID				Dimensions of WELDED & SEAMLESS WROUGHT STEEL PIPE				
Gauge	Decimal	OD (in.)	Gauge	Wall (in.)	ID (in.)	Nom. Size(in)	Schedule	Wall (in.)	Actual ID	Actual OD
1	0.28125	1	18	0.049	0.902	1	40	0.133	1.049	1.315
2	0.26562	1	16	0.065	0.870	1	80	0.179	0.957	1.315
3	0.23910	1	14	0.083	0.834	1-1/4	40	0.140	1.380	1.660
4	0.22420	1-1/4	18	0.049	1.152	1-1/4	80	0.191	1.278	1.660
5	0.20920	1-1/4	16	0.065	1.120	1-1/2	40	0.145	1.610	1.900
6	0.19430	1-1/4	14	0.083	1.084	1-1/2	80	0.200	1.500	1.900
7	0.17930	1-3/8	18	0.049	1.277	2	40	0.154	2.067	2.375
8	0.16440	1-3/8	16	0.065	1.245	2	80	0.218	1.939	2.375
9	0.14950	1-3/8	14	0.083	1.209	2-1/2	40	0.203	2.469	2.875
10	0.13450	1-1/2	18	0.049	1.402	2-1/2	80	0.276	2.323	2.875
11	0.11960	1-1/2	16	0.065	1.370	2-1/2	160	0.375	2.125	2.875
12	0.10460	1-1/2	14	0.083	1.334	3	40	0.216	3.068	3.500
13	0.08970	1-7/8	18	0.049	1.777	3	80	0.300	2.900	3.500
14	0.07470	1-7/8	16	0.065	1.745	3	160	0.438	2.624	3.500
15	0.06730	1.9	17	0.058	1.784	3-1/2	40	0.226	3.548	4.000
16	0.05980	1.9	16	0.065	1.770	3-1/2	80	0.318	3.364	4.000
17	0.05380	1.9	14	0.083	1.734					
18	0.04780	1.9	12	0.109	1.682					
19	0.04180	1.9	11	0.120	1.660					
20	0.03590	1.9	9	0.148	1.604					
21	0.03290	2	20	0.035	1.930					
22	0.02990	2	18	0.049	1.902					
23	0.02690	2	16	0.065	1.870					
24	0.02390	2	14	0.083	1.834					
25	0.02090	2-1/4	18	0.049	2.152					
26	0.01790	2-1/4	16	0.065	2.120					
27	0.01640	2-1/4	14	0.083	2.084					
28	0.01490	2-1/2	14	0.083	2.334					
29	0.01350	2-1/2	13	0.095	2.310					
30	0.01200	2-1/2	12	0.109	2.282					
31	0.01094	2-1/2	11	0.120	2.260					
32	0.01016	2-9/16	7	0.180	2.202					
33	0.00938	3	13	0.095	2.810					
34	0.00859	3	11	0.120	2.760					
35	0.00781	3	10	0.134	2.732					
36	0.00703	3-1/4	11	0.120	3.010					
37	0.00664	3-1/4	9	0.148	2.954					
38	0.00625									

8ths	16ths	32nds	64ths
1/8 - .125	1/16 - .0625	1/32 - .0312	1/64 - .0156
1/4 - .250	3/16 - .1875	3/32 - .0938	3/64 - .0469
3/8 - .375	5/16 - .3125	5/32 - .1562	5/64 - .0781
1/2 - .500	7/16 - .4375	7/32 - .2188	7/64 - .1094
5/8 - .625	9/16 - .5625	9/32 - .2812	9/64 - .1406
3/4 - .750	11/16 - .6875	11/32 - .3438	11/64 - .1719
7/8 - .875	13/16 - .8125	13/32 - .4062	13/64 - .2031
	15/16 - .9375	15/32 - .4688	15/64 - .2344
		17/32 - .5312	17/64 - .2656
		19/32 - .5938	19/64 - .2969
		21/32 - .6562	21/64 - .3281
		23/32 - .7188	23/64 - .3594
		25/32 - .7812	25/64 - .3906
		27/32 - .8438	27/64 - .4531
		29/32 - .9062	29/64 - .4844
		31/32 - .9688	31/64 - .5156
			35/64 - .5469
			37/64 - .5781
			39/64 - .6094
			41/64 - .6406
			43/64 - .6719
			45/64 - .7031
			47/64 - .7344
			49/64 - .7656
			51/64 - .7969
			53/64 - .8281
			55/64 - .8594
			57/64 - .8906
			59/64 - .9219
			61/64 - .9531
			63/64 - .9844

The History of USDI

USDI was founded in 1999 located in Naples, Florida, by Dan and Sheila Sansevieri. In 2007 for logistical reasons' the company was moved to it's current location in Morganton, Georgia. USDI from it's conception has been a wholesale distributor of conveyor components specializing in Frantz products. Since then USDI has expanded it's product line to include Tycon, Logan, Lutco, Schatz, and it's own unique line of bearings. With these additions USDI now has the most complete line of non-precision bearings in the industry. If you do not see what you are looking for in this catalog please call 800-531-3560. USDI prides itself on being able to find the "hard to find" bearing.

Dan Sansevieri -- President , CEO, & Outside Sales 706-374-1810

Sheila Sansevieri -- Marketing , Inside Sales 706-374-1814

Don Martin -- General Manager, Inside Sales 706-374-1811

Mary Martin -- Office Manager 706-374-1812

Jason Oliver -- Warehouse Manager, Marketing, & Sales 706-374-1813

United Sales Distributors, Inc.

85 Morganton Industrial Park

Morganton, GA. 30560

PH.800-531-3560 /Fax 877-2858941

www.usdi.biz

NOTES:

USDI Tools

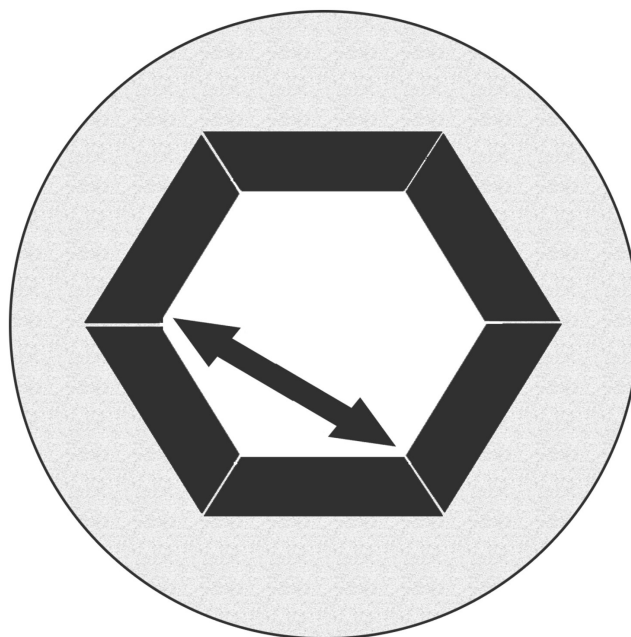
How to Measure a Hex Bore



To Properly Measure a HEX Bore Dimension:

(Think of a the hex as a clock - DO NOT measure flat to flat.)

1. Place one caliper end at the groove (not at the flat) at 6:00.
2. Place the other caliper end at the groove at either 10:00 or 2:00.



United Sales Distributors, Inc.
85 Morganton Industrial Park
Morganton, GA 30560
www.usdi.biz | 800-531-3560

