



# Spherical Plain Bearing

**THK** General Catalog

## B Product Specifications

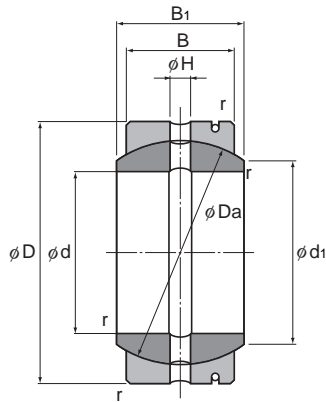
<b>Dimensional Drawing, Dimensional Table</b>	
Model SB.....	B-828
Model SA1.....	B-830

## A Technical Descriptions of the Products (Separate)

<b>Features and Types .....</b>	A-910
Features of the Spherical Plain Bearing ..	A-910
• Structure and features .....	A-910
Types of the Spherical Plain Bearing ...	A-910
• Types and Features.....	A-910
<b>Point of Selection.....</b>	A-911
Selecting a Spherical Plain Bearing ..	A-911
Accuracy Standards .....	A-914
Radial Clearance.....	A-914
<b>Point of Design.....</b>	A-916
Fit .....	A-916
Permissible tilt angles .....	A-917
<b>Mounting Procedure and Maintenance ...</b>	A-918
Installation .....	A-918
Lubrication .....	A-918
Contamination Protection.....	A-919
<b>Precautions on Use.....</b>	A-920

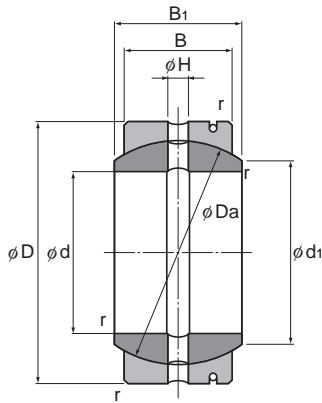
\* Please see the separate "A Technical Descriptions of the Products".

# Model SB



Unit: mm

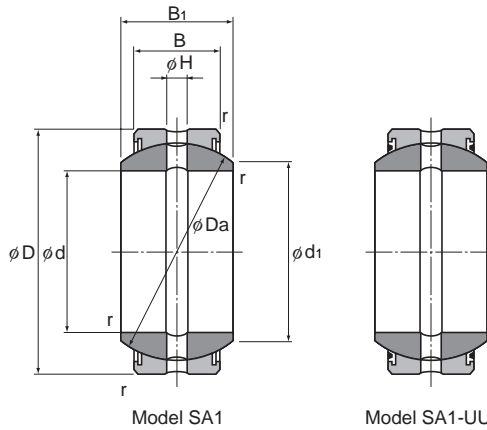
Model No.	Main dimensions								Basic load rating		Mass kg
	Inner diameter d	Outer diameter D	Outerring width B	Innerring width B <sub>1</sub>	d <sub>1</sub>	Da	H	r	C kN	C <sub>0</sub> kN	
SB 12	12	22	9	11	14	18	1.5	0.5	3.82	95.3	0.019
SB 15	15	26	11	13	17.5	22	2.5	0.5	5.69	142	0.028
SB 20	20	32	14	16	23	28	2.5	0.5	9.22	230	0.053
SB 22	22	37	16	19	25.5	32	2.5	0.5	12.1	301	0.085
SB 25	25	42	18	21	29	36	4	0.5	15.3	381	0.116
SB 30	30	50	23	27	36	45	4	1	24.3	609	0.225
SB 35	35	55	26	30	40	50	4	1	30.6	765	0.3
SB 40	40	62	28	33	44	55	4	1	36.3	906	0.375
SB 45	45	72	31	36	50.5	62	6	1	45.2	1130	0.6
SB 50	50	80	36	42	58.5	72	6	1	61	1530	0.87
SB 55	55	90	40	47	64.5	80	6	1	75.3	1880	1.26
SB 60	60	100	45	53	72.5	90	6	1	95.3	2380	1.7
SB 65	65	105	47	55	76	94	6	1	104	2600	2.05



Unit: mm

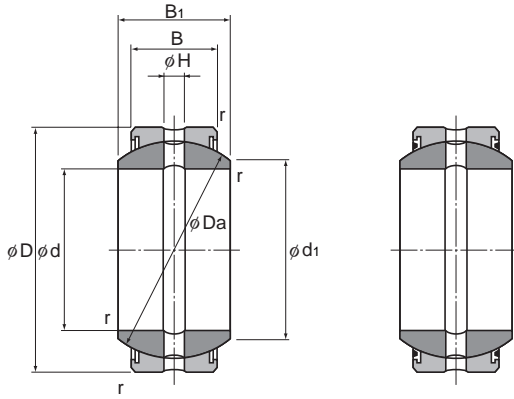
Model No.	Main dimensions								Basic load rating		Mass
	Inner diameter d	Outer diameter D	Outerring width B	Inner ring width B <sub>1</sub>	d <sub>1</sub>	Da	H	r	C kN	C <sub>0</sub> kN	kg
SB 70	70	110	50	58	81.5	100	8	1	118	2940	2.22
SB 75	75	120	55	64	89.5	110	8	1	142	3560	3.02
SB 80	80	130	60	70	97.5	120	8	1	170	4240	3.98
SB 85	85	135	63	74	100.5	125	8	1	185	4640	4.29
SB 90	90	140	65	76	105.5	130	8	1	199	4970	4.71
SB 95	95	150	70	82	113.5	140	8	1	230	5760	6.05
SB 100	100	160	75	88	121.5	150	10	1.5	265	6620	7.42
SB 110	110	170	80	93	130	160	10	1.5	301	7530	8.55
SB 115	115	180	85	98	132.5	165	10	1.5	330	8250	10.3
SB 120	120	190	90	105	140	175	10	1.5	371	9260	12.4
SB 130	130	200	95	110	148.5	185	10	1.5	414	10300	13.8
SB 150	150	220	105	120	166	205	10	1.5	507	12600	17

# Model SA1



Unit: mm

Model No.		Main dimensions								Basic load rating		Mass
Standard type	Seal type	Inner diameter d	Outer diameter D	Outer ring width B	Inner ring width B <sub>1</sub>	d <sub>1</sub>	Da	H	r	C kN	C <sub>0</sub> kN	kg
SA1 12	SA1 12UU	12	22	7	10	15	18	1.5	0.3	2.94	74.1	0.017
SA1 15	SA1 15UU	15	26	9	12	18.4	22	2.5	0.3	4.7	117	0.032
SA1 17	SA1 17UU	17	30	10	14	20.7	25	2.5	0.3	5.88	147	0.049
SA1 20	SA1 20UU	20	35	12	16	24.2	29	2.5	0.3	8.23	205	0.065
SA1 25	SA1 25UU	25	42	16	20	29.3	35.5	4	0.3	13.3	334	0.115
SA1 30	SA1 30UU	30	47	18	22	34.2	40.7	4	0.3	17.3	431	0.16
SA1 35	SA1 35UU	35	55	20	25	39.8	47	4	1	22.1	553	0.258
SA1 40	SA1 40UU	40	62	22	28	45	53	4	1	27.5	686	0.315
SA1 45	SA1 45UU	45	68	25	32	50.8	60	6	1	35.3	882	0.413
SA1 50	SA1 50UU	50	75	28	35	56	66	6	1	43.5	1090	0.56
SA1 60	SA1 60UU	60	90	36	44	66.8	80	6	1.5	67.7	1700	1.1
SA1 70	SA1 70UU	70	105	40	49	77.9	92	8	1.5	86.6	2170	1.54



Model SA1

Model SA1-UU

Unit: mm

Model No.		Main dimensions								Basic load rating		Mass
Standard type	Seal type	Inner diameter d	Outer diameter D	Outer ring width B	Inner ring width B <sub>1</sub>	d <sub>i</sub>	Da	H	r	C kN	C <sub>0</sub> kN	kg
SA1 80	SA1 80UU	80	120	45	55	89.4	105	8	1.5	111	2780	2.29
SA1 90	SA1 90UU	90	130	50	60	98.1	115	8	2	135	3380	2.84
SA1 100	SA1 100UU	100	150	55	70	109.5	130	8	2	169	4210	4.43
SA1 110	SA1 110UU	110	160	55	70	121.2	140	8	2	181	4530	4.94
SA1 120	SA1 120UU	120	180	70	85	135.6	160	8	2	264	6590	8.12
SA1 140	SA1 140UU	140	210	70	90	155.9	180	8	3	296	7410	11.3
SA1 160	SA1 160UU	160	230	80	105	170.2	200	10	3	376	9410	14.4
SA1 180	SA1 180UU	180	260	80	105	199	225	10	3	424	10600	18.9
SA1 200	SA1 200UU	200	290	100	130	213.5	250	10	3	588	14700	28.1
SA1 220	SA1 220UU	220	320	100	135	239.6	275	10	3.5	647	16200	36.1
SA1 240	SA1 240UU	240	340	100	140	265.3	300	10	3.5	706	17600	40.4

Note) Model numbers "...100" or higher have double-slit outer rings.

