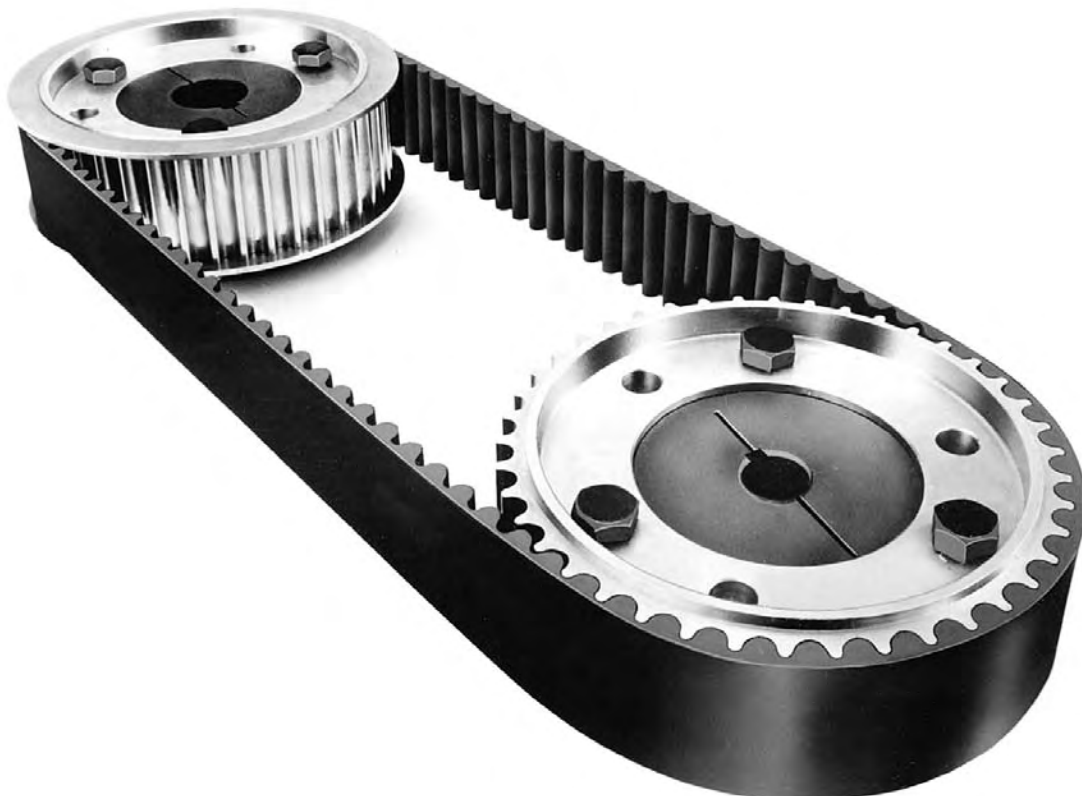

SYNCHRONOUS SPROCKETS & BELTS





FEATURES OF SYNCHRONOUS BELT DRIVES

Positive Slip-Proof Engagement

Because the teeth of the Synchronous Belt mesh with sprocket grooves, there is no creepage to cause speed variations. Powerful tensile cords can't stretch, so take-up is eliminated from drive maintenance. Precision is guaranteed. This feature is especially important in printing, packaging and material-handling where synchronization is a necessity. Because of this, Synchronous Drives have replaced gears and silent chain in these and many similar applications.

Wide Speed Range

Drives, such as chains perform best within a limited range of speeds. With Synchronous Drives, the speed range is more than doubled. This feature is of special importance when the entire speed range is developed from a single drive such as in DC drives or machine tool applications. Synchronous Belt efficiency remains high throughout the entire speed range.

Constant Driven Speeds

The unique Synchronous tooth configuration engages and clears each sprocket groove in a continuous flow of quiet, smoothly transmitted power. Thus, angular velocity of the driven sprocket is constant. There is no jerking or vibration caused by chordal rise and fall of the pitch line as occurs in chain drives. There is no loss of speed caused by belt creep or slippage as with flat and V-belts. The Synchronous Drive's constant output speed is a definite advantage in precision work such as in high-speed printers and machine tools like indexers, drill presses and boring mills.

Wide Range of Load Capacities

Load capacities of stock Synchronous Drives range from fractional to hundreds of horsepower. Torque loads range from thousands of foot-pounds to inch-ounces. The high efficiencies offered by Synchronous Drives make them ideal for many purposes.

No Lubrication

Unlike chain or gear drives, Synchronous Drives never need lubrication, since there is no metal-to-metal contact. Maintenance costs are cut to a minimum. Contamination from oil drip, spatter, splash or spray mist is eliminated, too. In addition, there is no oil or grease to trap dirt, grit or abrasive particles and accelerate wear. Food processors, grain elevator operators and other contamination-sensitive industries benefit especially from this feature.

High Tension Eliminated

Unlike flat and V-belts, Synchronous Belts do not rely on friction for their pulling power. Slack-side tension is practically zero, and tight-side tension is reduced. As a result, overhung bearing loads are lessened with resultant improvements in motor and bearing life.

High Mechanical Efficiency

Synchronous Drives have unusually high mechanical efficiency. Furthermore, transmission efficiency is not lost with use. The belt construction insures very little heat build-up since friction is not required to pull the load. In addition, belt tension is reduced. Significant power savings are thus obtainable, particularly when using Synchronous Belts on larger horsepower installations.

Economical Operation

The overall cost of Synchronous Drives can be lower than those of other drives. Original equipment costs are reduced by eliminating adjustable motor bases, lubricating systems and tensioning devices. Maintenance is simpler. No adjustments are needed due to stretch or wear. These savings are not confined to newly designed drives alone, because most roller chain drives can be converted to Wood's Synchronous Drives. Synchronous Belts are also ideal for areas where proper maintenance is difficult or where downtime could prove to be extremely expensive.

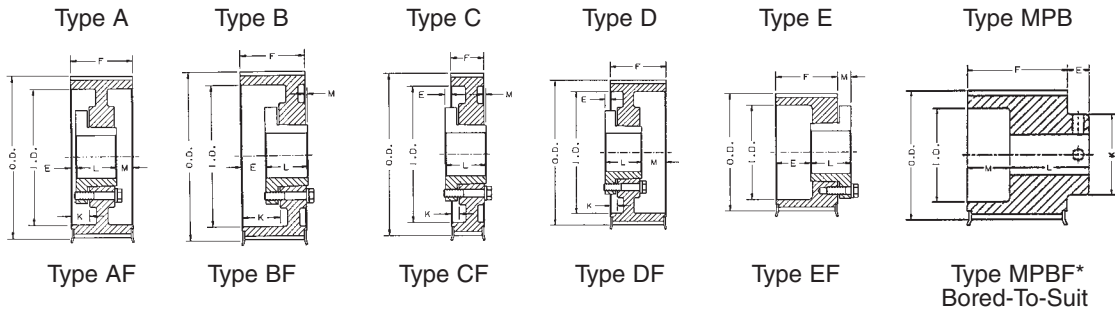
SYNCHRONOUS 'QD' SPROCKET DIMENSIONS

5M

TB Wood's

SPROCKET TYPES

The synchronous sprockets listed in the tables below are all stock sizes. All dimensions given are for the sprocket with the Sure-Grip bushing in place and are in inches only.



The figure following the sketch reference letter in the "Type" column indicates the construction of the sprocket. (1 = Solid, 2 = Web, and 3 = Arms), and the letter "F" indicates that the sprocket has flanges.

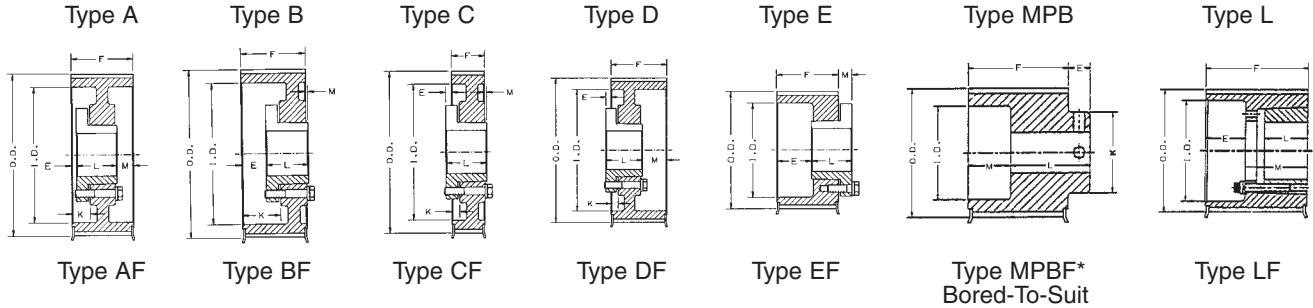
PRODUCT NO.	BUSH-ING	NO. OF TEETH	DIAMETERS				TYPE	DIMENSIONS (INCHES)				BORE		WT. (INCL. BUSH.)
			P.D.	O.D.		I.D.		E	K	L	M	Min.	Max.	
				Sprocket	Flange									
FOR BELTS 15mm (.59 in.) WIDE • 5mm PITCH (5M-15) Face Width (F) = .89														
P325M15*	...	32	2.005	1.960	2.16	...	MPB1F	.45	1.55	1.34	0	*.5	.875	0.8
P345M15*	...	34	2.130	2.085	2.29	...	MPB1F	.45	1.68	1.34	0	*.5	1.00	1.0
P365M15*	...	36	2.256	2.211	2.41	...	MPB1F	.45	1.80	1.34	0	*.5	1.12	1.1
P385M15	JA	38	2.381	2.336	2.54	1.34	E1F	.36	0	1.00	.47	.5	1.25	0.9
P405M15	JA	40	2.506	2.461	2.66	1.34	E1F	.36	0	1.00	.47	.5	1.25	1.0
P445M15	JA	44	2.757	2.712	2.91	1.34	E1F	.36	0	1.00	.47	.5	1.25	1.3
P485M15	JA	48	3.008	2.963	3.16	2.36	D1F	.14	.33	1.00	.03	.5	1.25	1.3
P525M15	JA	52	3.258	3.213	3.41	2.62	D1F	.14	.33	1.00	.03	.5	1.25	1.5
P565M15	SH	56	3.509	3.464	3.81	...	D1F	.56	0	1.25	.20	.5	1.68	2.2
P605M15	SH	60	3.760	3.715	3.92	...	D1F	.56	0	1.25	.20	.5	1.68	2.5
P645M15	SH	64	4.010	3.965	4.16	...	D1F	.56	0	1.25	.20	.5	1.68	2.7
P685M15	SDS	68	4.261	4.216	4.41	3.50	D1F	.48	.14	1.31	.06	.5	2.00	3.0
P725M15	SDS	72	4.511	4.466	4.66	3.75	D1F	.48	.14	1.31	.06	.5	2.00	3.3
P805M15	SDS	80	5.013	4.968	...	4.25	D1	.48	.14	1.31	.06	.5	2.00	4.0
P905M15	SDS	90	5.639	5.594	...	4.88	D1	.48	.14	1.31	.06	.5	2.00	5.0
P1125M15	SDS	112	7.018	6.973	...	6.05	D1	.48	.14	1.31	.06	.5	2.00	6.9
FOR BELTS 25mm (.98in.) WIDE • PITCH (5M-25) Face Width (F) = 1.28														
P325M25*	...	32	2.005	1.960	2.16	...	MPB1F	.45	1.55	1.73	0	*.5	.875	1.1
P345M25*	...	34	2.130	2.085	2.29	...	MPB1F	.45	1.68	1.73	0	*.5	1.00	1.3
P365M25*	...	36	2.256	2.211	2.41	...	MPB1F	.45	1.80	1.73	0	*.5	1.12	1.5
P385M25	JA	38	2.381	2.336	2.54	1.34	E1F	.75	0	1.00	.47	.5	1.25	1.2
P405M25	JA	40	2.506	2.461	2.66	1.34	E1F	.75	0	1.00	.47	.5	1.25	1.4
P445M25	JA	44	2.757	2.712	2.91	1.34	E1F	.75	0	1.00	.47	.5	1.25	1.7
P485M25	JA	48	3.008	2.963	3.16	2.36	A1F	.25	.72	1.00	.03	.5	1.25	1.5
P525M25	JA	52	3.258	3.213	3.41	2.62	A1F	.25	.72	1.00	.03	.5	1.25	1.7
P565M25	SH	56	3.509	3.464	3.81	2.86	D1F	.09	.47	1.25	.17	.5	1.68	2.4
P605M25	SH	60	3.760	3.715	3.92	3.12	D1F	.09	.47	1.25	.17	.5	1.68	2.8
P645M25	SH	64	4.010	3.965	4.16	3.37	D1F	.09	.47	1.25	.17	.5	1.68	2.9
P685M25	SDS	68	4.261	4.216	4.41	3.50	D1F	.09	.53	1.31	.06	.5	2.00	3.4
P725M25	SDS	72	4.511	4.466	4.66	3.75	D1F	.09	.53	1.31	.06	.5	2.00	3.7
P805M25	SDS	80	5.013	4.968	...	4.25	D1	.09	.53	1.31	.06	.5	2.00	4.5
P905M25	SDS	90	5.639	5.594	...	4.88	D1	.09	.53	1.31	.06	.5	2.00	5.6
P1125M25	SDS	112	7.018	6.973	...	6.05	D3	.09	.53	1.31	.06	.5	2.00	6.9

Weights for all Sure-Grip bushed items are approximate and include the bushing.

* Bored-To-Suit construction, minimum plain bore with 2 setscrews.

SPROCKET TYPES

The synchronous sprockets listed in the tables below are all stock sizes. All dimensions given are for the sprocket with the Sure-Grip bushing in place and are in inches only.



The figure following the sketch reference letter in the "Type" column indicates the construction of the sprocket. (1 = Solid, 2 = Web, and 3 = Arms), and the letter "F" indicates that the sprocket has flanges.

PRODUCT NO.	BUSHING	NO. OF TEETH	DIAMETERS			TYPE	DIMENSIONS (INCHES)				BORE		WT.	
			P.D.	O.D.			I.D.	E	K	L	M	Min.		Max.
				Sprocket	Flange									
FOR BELTS 20mm (.79 in.) WIDE • 8mm PITCH (8M-20)														
			Face Width (F) = 1-1/8			Dual Drilled (inch/metric) ①								
P228M20*	...	22	2.206	2.152	2.56	...	MPB1F	5/8	15/8	13/4	0	* 1/2	13/16	1.1
P248M20	JA	24	2.406	2.352	2.76	1.34	E1F	19/32	0	1	19/32	1/2	11/4	1.0
P268M20	JA	26	2.607	2.553	2.95	1.88	E1F	19/32	0	1	19/32	1/2	11/4	1.2
P288M20	QT	28	2.807	2.759	3.15	1.57	E1F	1/4	0	11/4	3/8	1/2	11/2	1.6
P308M20	QT	30	3.008	2.958	3.35	1.57	E1F	1/4	0	11/4	3/8	1/2	11/2	1.9
P328M20	QT	32	3.208	3.156	3.54	2.56	D1F	1/8	1/4	11/4	0	1/2	11/2	2.0
P348M20	SH	34	3.409	3.355	3.82	2.75	D1F	1/4	5/16	11/4	1/8	1/2	111/16	2.0
P368M20	SH	36	3.609	3.555	3.94	2.82	D1F	1/4	5/16	11/4	1/8	1/2	111/16	2.2
P388M20	SH	38	3.810	3.756	4.13	3.00	D1F	1/4	5/16	11/4	1/8	1/2	111/16	2.5
P408M20	SH	40	4.010	3.956	4.33	3.00	D1F	1/4	5/16	11/4	1/8	1/2	111/16	2.8
P448M20	SDS	44	4.411	4.357	4.76	3.50	D1F	1/4	3/8	15/16	1/16	1/2	2	3.4
P488M20	SDS	48	4.812	4.758	5.16	3.80	D1F	1/4	3/8	15/16	1/16	1/2	2	4.0
P568M20	SDS	56	5.614	5.560	5.95	4.60	D1F	1/4	3/8	15/16	1/16	1/2	2	5.3
P648M20	SDS	64	6.416	6.362	6.77	5.40	D1F	1/4	3/8	15/16	1/16	1/2	2	6.9
P728M20	SDS	72	7.218	7.164	7.60	6.20	D2F	1/4	3/8	15/16	1/16	1/2	2	6.7
P808M20	SDS	80	8.020	7.966	8.39	6.90	D2F	1/4	3/8	15/16	1/16	1/2	2	7.5
P908M20	SDS	90	9.023	8.969	...	7.90	D3	1/4	3/8	15/16	1/16	1/2	2	8.5

Weights for all Sure-Grip bushed items are approximate and include the bushing.

* Bored-To-Suit construction, minimum plain bore with 2 setscrews.

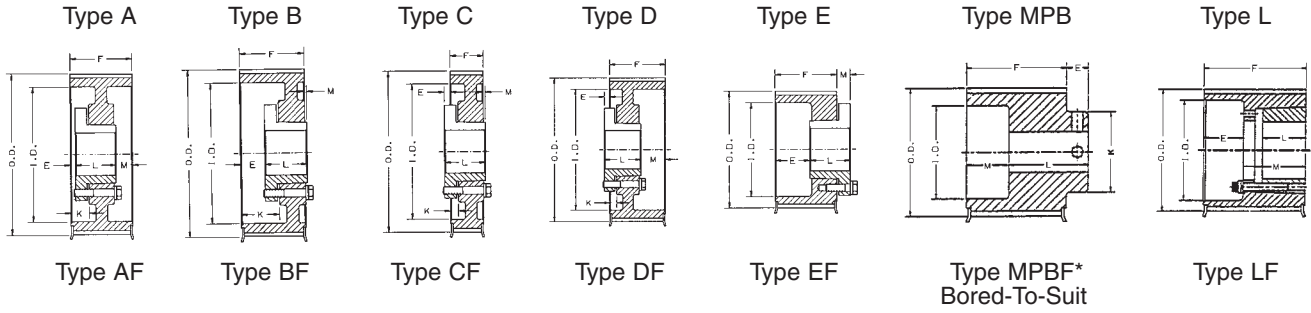
① Drilled for both inch and metric bushing hardware.

SYNCHRONOUS 'QD' SPROCKET DIMENSIONS



PRODUCT NO.	BUSHING	NO. OF TEETH	DIAMETERS			I.D.	TYPE	DIMENSIONS (INCHES)				BORE		WT.
			P.D.	O.D.				E	K	L	M	Min.	Max.	
				Sprocket	Flange									
FOR BELTS 30mm (1.18 in.) WIDE • 8mm PITCH (8M-30) Face Width (F) = 1-1/2 Dual Drilled (inch/metric) ①														
P228M30	...	22	2.206	2.152	2.56	...	MPB1F	5/8	15/8	2 1/8	0	* 1/2	1 3/16	1.5
P248M30	JA	24	2.406	2.352	2.76	1.34	E1F	31/32	0	1	15/32	1/2	1 1/4	.8
P268M30	JA	26	2.607	2.553	2.95	1.88	E1F	31/32	0	1	15/32	1/2	1 1/4	.9
P288M30	QT	28	2.807	2.759	3.15	1.57	E1F	5/8	0	1 1/4	3/8	1/2	1 1/2	1.8
P308M30	QT	30	3.008	2.958	3.35	1.57	E1F	5/8	0	1 1/4	3/8	1/2	1 1/2	2.2
P328M30	QT	32	3.208	3.156	3.54	2.56	B1F	1/4	5/8	1 1/4	0	1/2	1 1/2	2.0
P348M30	SH	34	3.409	3.355	3.82	2.75	A1F	1/8	11/16	1 1/4	1/8	1/2	1 11/16	2.3
P368M30	SH	36	3.609	3.555	3.94	2.82	A1F	1/8	11/16	1 1/4	1/8	1/2	1 11/16	2.7
P388M30	SH	38	3.810	3.756	4.13	3.00	A1F	1/8	11/16	1 1/4	1/8	1/2	1 11/16	3.0
P408M30	SH	40	4.010	3.956	4.33	3.00	A1F	1/8	11/16	1 1/4	1/8	1/2	1 11/16	3.3
P448M30	SDS	44	4.411	4.357	4.76	3.50	A1F	1/8	3/4	1 5/16	1/16	1/2	2	3.8
P488M30	SDS	48	4.812	4.758	5.16	3.80	A1F	1/8	3/4	1 5/16	1/16	1/2	2	4.5
P568M30	SDS	56	5.614	5.560	5.95	4.60	A1F	1/8	3/4	1 5/16	1/16	1/2	2	5.9
P648M30	SK	64	6.416	6.362	6.77	5.40	D1F	15/32	1/4	1 7/8	3/32	1/2	2 5/8	10.4
P728M30	SK	72	7.218	7.164	7.60	6.20	D2F	15/32	1/4	1 7/8	3/32	1/2	2 5/8	10.7
P808M30	SK	80	8.020	7.966	8.39	6.90	D2F	15/32	1/4	1 7/8	3/32	1/2	2 5/8	11.8
P908M30	SK	90	9.023	8.969	...	7.90	D2	15/32	1/4	1 7/8	3/32	1/2	2 5/8	13.5
P1128M30	SK	112	11.229	11.175	...	10.00	D3	15/32	1/4	1 7/8	3/32	1/2	2 5/8	16.3
FOR BELTS 50mm (1.97 in.) WIDE • 8mm PITCH (8M-50) Face Width (F) = 2-3/8 Dual Drilled (inch/metric) ①														
P288M50	...	28	2.807	2.759	3.15	...	MPB1F	3/4	2 9/32	3 1/8	0	* 3/4	1 3/8	3.7
P308M50*	...	30	3.008	2.958	3.35	...	MPB1F	3/4	2 15/32	3 1/8	0	* 3/4	1 3/8	4.3
P328M50*	...	32	3.208	3.156	3.54	...	MPB1F	3/4	2 11/16	3 1/8	0	* 1/2	1 1/2	5.3
P348M50	SH	34	3.409	3.355	3.82	2.75	D1F	1/16	1/2	1 1/4	1 3/16	1/2	1 11/16	2.7
P368M50	SH	36	3.609	3.555	3.94	2.82	D1F	1/16	1/2	1 1/4	1 3/16	1/2	1 11/16	3.4
P388M50	SH	38	3.810	3.756	4.13	3.00	D1F	1/16	1/2	1 1/4	1 3/16	1/2	1 11/16	3.7
P408M50	SH	40	4.010	3.956	4.33	3.00	D1F	1/16	1/2	1 1/4	1 3/16	1/2	1 11/16	4.2
P448M50	SD	44	4.411	4.357	4.76	3.50	D1F	1/16	9/16	1 13/16	5/8	1/2	2	5.7
P488M50	SD	48	4.812	4.758	5.16	3.80	D1F	1/16	9/16	1 13/16	5/8	1/2	2	6.9
P568M50	SK	56	5.614	5.560	5.95	4.60	D1F	5/32	9/16	1 7/8	21/32	1/2	2 5/8	9.4
P648M50	SK	64	6.416	6.362	6.77	5.40	D1F	5/32	9/16	1 7/8	21/32	1/2	2 5/8	12.0
P728M50	SK	72	7.218	7.164	7.60	6.20	D1F	5/32	9/16	1 7/8	21/32	1/2	2 5/8	15.0
P808M50	SF	80	8.020	7.966	8.39	6.90	D2F	1/8	9/16	2	1/2	1/2	2 15/16	17.0
P908M50	SF	90	9.023	8.969	...	7.90	D2	1/8	9/16	2	1/2	1/2	2 15/16	19.1
P1128M50	SF	112	11.229	11.175	...	10.00	D3	1/8	9/16	2	1/2	1/2	2 15/16	23.9
P1448M50	E	144	14.437	14.383	...	13.20	D3	17/32	3/8	2 5/8	9/32	7/8	3 1/2	38.1
P1928M50	E	192	19.249	19.195	...	18.00	D3	17/32	3/8	2 5/8	9/32	7/8	3 1/2	52.5
FOR BELTS 85mm (3.35 in.) WIDE • 8mm PITCH (8M-85) Face Width (F) = 3-3/4 Dual Drilled (inch/metric) ①														
P348M85*	...	34	3.409	3.355	3.82	...	MPB1F	3/4	2 15/16	4 1/2	0	* 7/8	1 3/4	8.4
P368M85	SKL	36	3.609	3.555	3.94	2.88	L1F	1 25/32	...	1 1/4	1 31/32	1/2	1 15/16	4.6
P388M85	SKL	38	3.810	3.756	4.13	3.00	L1F	1 25/32	...	1 1/4	1 31/32	1/2	1 15/16	5.4
P408M85	SKL	40	4.010	3.956	4.33	3.00	L1F	1 25/32	...	1 1/4	1 31/32	1/2	1 15/16	6.0
P448M85	SFL	44	4.411	4.357	4.76	3.50	L1F	1 25/32	...	1 1/4	1 31/32	1/2	2 3/8	7.5
P488M85	SFL	48	4.812	4.758	5.16	3.63	L1F	1 25/32	...	1 1/4	1 31/32	1/2	2 3/8	9.5
P568M85	EL	56	5.614	5.560	5.95	4.56	L1F	1 13/8	...	1 5/8	2 3/8	7/8	2 7/8	13.5
P648M85	SF	64	6.416	6.362	6.77	5.38	A1F	9/16	1 1/4	2	1 3/16	1/2	2 15/16	15.6
P728M85	E	72	7.218	7.164	7.60	6.19	A1F	5/32	1 1/16	2 5/8	31/32	7/8	3 1/2	24.0
P808M85	E	80	8.020	7.966	8.39	6.88	A1F	5/32	1 1/16	2 5/8	31/32	7/8	3 1/2	29.1
P908M85	E	90	9.023	8.969	...	7.88	A1	7/32	1 1/16	2 5/8	31/32	7/8	3 1/2	35.5
P1128M85	F	112	11.229	11.175	...	10.00	D1	7/16	5/8	3 5/8	9/16	1	4	70.5
P1448M85	F	144	14.437	14.383	...	13.19	B3	7/16	5/8	3 5/8	9/16	1	4	64.5
P1928M85	F	192	19.249	19.195	...	18.00	D3	7/16	5/8	3 5/8	9/16	1	4	78.1

Weights for all Sure-Grip bushed items are approximate and include the bushing.
 * Bored-To-Suit construction, minimum plain bore with 2 setscrews.



The figure following the sketch reference letter in the "Type" column indicates the construction of the sprocket. (1 = Solid, 2 = Web, and 3 = Arms), and the letter "F" indicates that the sprocket has flanges.

PRODUCT NO.	BUSHING	NO. OF TEETH	DIAMETERS			I.D.	TYPE	DIMENSIONS (INCHES)				BORE		WT.
			P.D.	O.D.				E	K	L	M	Min.	Max.	
				Sprocket	Flange									
FOR BELTS 40mm (1.57 in.) WIDE • 14mm PITCH (14M-40)														
						Face Width (F) = 2-1/8		Dual Drilled (inch/metric) ①						
P2814M40	SK	28	4.912	4.802	5.56	...	E1F	31/32	0	17/8	23/32	1/2	25/8	7.2
P2914M40	SK	29	5.088	4.978	5.56	...	E1F	31/32	0	17/8	23/32	1/2	25/8	7.9
P3014M40	SK	30	5.263	5.153	5.56	4.04	D1F	9/32	7/16	17/8	17/32	1/2	25/8	7.6
P3214M40	SK	32	5.614	5.504	6.09	4.04	D1F	9/32	7/16	17/8	17/32	1/2	25/8	9.2
P3414M40	SK	34	5.965	5.855	6.50	4.22	D1F	9/32	7/16	17/8	17/32	1/2	25/8	10.6
P3614M40	SF	36	6.316	6.206	6.87	4.84	D1F	1/4	7/16	2	3/8	1/2	215/16	11.9
P3814M40	SF	38	6.667	6.557	7.22	4.94	D1F	1/4	7/16	2	3/8	1/2	215/16	13.3
P4014M40	SF	40	7.018	6.908	7.50	5.06	D1F	1/4	7/16	2	3/8	1/2	215/16	15.1
P4414M40	E	44	7.720	7.610	8.34	6.12	D1F	21/32	1/4	25/8	5/32	7/8	31/2	21.7
P4814M40	E	48	8.421	8.311	8.90	6.50	D1F	21/32	1/4	25/8	5/32	7/8	31/2	25.9
P5214M40	E	52	9.123	9.013	9.68	7.18	D1F	21/32	1/4	25/8	5/32	7/8	31/2	30.0
P5614M40	E	56	9.825	9.715	10.38	7.88	D1F	21/32	1/4	25/8	5/32	7/8	31/2	34.6
P6014M40	E	60	10.527	10.417	11.06	8.50	D1F	21/32	1/4	25/8	5/32	7/8	31/2	39.4
P6414M40	E	64	11.229	11.119	11.68	9.25	D2F	21/32	1/4	25/8	5/32	7/8	31/2	35.7
P6814M40	E	68	11.930	11.820	12.50	10.00	D2F	21/32	1/4	25/8	5/32	7/8	31/2	38.0
P7214M40	E	72	12.632	12.522	13.19	10.69	D2F	21/32	1/4	25/8	5/32	7/8	31/2	36.8
P8014M40	E	80	14.036	13.926	14.63	12.13	D2F	21/32	1/4	25/8	5/32	7/8	31/2	41.1
P9014M40	E	90	15.790	15.680	...	14.50	D3	21/32	1/4	25/8	5/32	7/8	31/2	42.9
P11214M40	E	112	19.650	19.540	...	18.38	D3	21/32	1/4	25/8	5/32	7/8	31/2	53.8
P14414M40	E	144	25.264	25.154	...	23.88	D3	21/32	1/4	25/8	5/32	7/8	31/2	80.9
P16814M40	F	168	29.475	29.365	...	28.25	D3	15/16	0	35/8	11/16	1	4	105.0
P19214M40	F	192	33.686	33.576	...	32.38	D3	15/16	0	35/8	1/16	1	4	126.0
P21614M40	F	216	37.896	37.786	...	36.62	D3	15/16	0	35/8	1/16	1	4	159.0
FOR BELTS 55mm (2.17 in.) WIDE • 14mm PITCH (14M-55)														
						Face Width (F) = 2-3/4		Dual Drilled (inch/metric) ①						
P2814M55	SK	28	4.912	4.802	5.56	2.73	E1F	119/32	0	17/8	23/32	1/2	25/8	8.5
P2914M55	SK	29	5.088	4.978	5.56	2.73	E1F	119/32	0	17/8	23/32	1/2	25/8	9.5
P3014M55	SK	30	5.263	5.153	5.56	4.04	A1F	1/32	3/4	17/8	27/32	1/2	25/8	8.7
P3214M55	SK	32	5.614	5.504	6.09	4.04	A1F	1/32	3/4	17/8	27/32	1/2	25/8	10.7
P3414M55	SK	34	5.965	5.855	6.50	4.22	A1F	1/32	3/4	17/8	27/32	1/2	25/8	12.5
P3614M55	SF	36	6.316	6.206	6.87	4.84	A1F	1/16	3/4	2	11/16	1/2	215/16	13.6
P3814M55	SF	38	6.667	6.557	7.22	4.94	A1F	1/16	3/4	2	11/16	1/2	215/16	15.2
P4014M55	SF	40	7.018	6.908	7.50	5.06	A1F	1/16	3/4	2	11/16	1/2	215/16	17.4
P4414M55	E	44	7.720	7.610	8.34	6.12	D1F	11/32	9/16	25/8	15/32	7/8	31/2	23.8
P4814M55	E	48	8.421	8.311	8.90	6.50	D1F	11/32	9/16	25/8	15/32	7/8	31/2	28.8
P5214M55	E	52	9.123	9.013	9.68	7.18	D1F	11/32	9/16	25/8	15/32	7/8	31/2	33.2
P5614M55	E	56	9.825	9.715	10.38	7.88	D1F	11/32	9/16	25/8	15/32	7/8	31/2	38.0
P6014M55	E	60	10.527	10.417	11.06	8.50	D1F	11/32	9/16	25/8	15/32	7/8	31/2	43.3
P6414M55	F	64	11.229	11.119	11.68	9.25	D1F	15/16	1/8	35/8	1/16	1	4	62.6
P6814M55	F	68	11.930	11.820	12.50	10.00	D2F	15/16	1/8	35/8	1/16	1	4	54.5
P7214M55	F	72	12.632	12.522	13.19	10.69	D2F	15/16	1/8	35/8	1/16	1	4	58.0
P8014M55	F	80	14.036	13.926	14.63	12.12	D2F	15/16	1/8	35/8	1/16	1	4	61.9
P9014M55	F	90	15.790	15.680	...	14.50	D3	15/16	1/8	35/8	1/16	1	4	58.1
P11214M55	F	112	19.650	19.540	...	18.38	D3	15/16	1/8	35/8	1/16	1	4	72.2
P14414M55	F	144	25.264	25.154	...	23.88	D3	15/16	1/8	35/8	1/16	1	4	106.3
P16814M55	F	168	29.475	29.365	...	28.25	D3	15/16	1/8	35/8	1/16	1	4	110.2
P19214M55	F	192	33.686	33.576	...	32.38	D3	15/16	1/8	35/8	1/16	1	4	133.2
P21614M55	F	216	37.896	37.786	...	36.62	D3	15/16	1/8	35/8	1/16	1	4	161.6

Weights for all Sure-Grip bushed items are approximate and include the bushing.

① Drilled for both inch and metric bushing hardware.

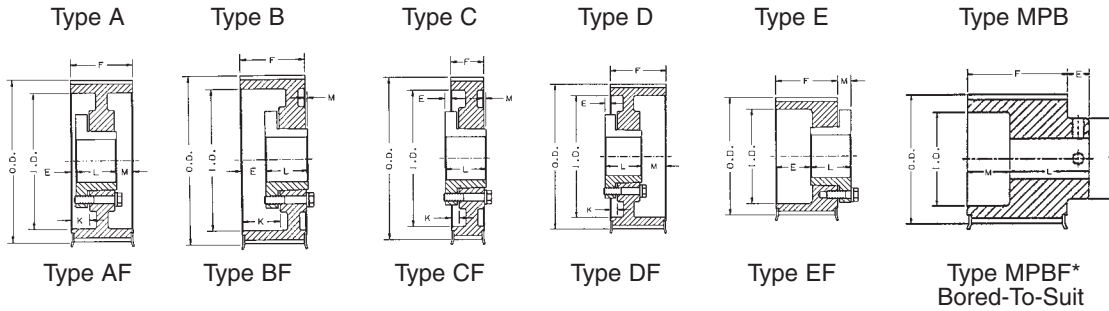
SYNCHRONOUS 'QD' SPROCKET DIMENSIONS



PRODUCT NO.	BUSH-ING	NO. OF TEETH	DIAMETERS			TYPE	DIMENSIONS (INCHES)				BORE		WT.	
			P.D.	O.D.			I.D.	E	K	L	M	Min.		Max.
				Sprocket	Flange									
FOR BELTS 85mm (3.35 in.) WIDE • 14mm PITCH (14M-85) Face Width (F) = 4														
P2814M85	SFL	28	4.912	4.802	5.56	3.12	L1F	2 ¹ / ₃₂	...	1 ¹ / ₄	1 ³¹ / ₃₂	1/2	2 ³ / ₈	10.4
P2914M85	SFL	29	5.088	4.978	5.56	3.25	L1F	2 ¹ / ₃₂	...	1 ¹ / ₄	1 ³¹ / ₃₂	1/2	2 ³ / ₈	11.7
P3014M85	EL	30	5.263	5.153	5.56	3.94	L1F	1 ⁵ / ₈	...	1 ⁵ / ₈	2 ³ / ₈	7/8	2 ⁷ / ₈	11.1
P3214M85	EL	32	5.614	5.504	6.09	3.94	L1F	1 ⁵ / ₈	...	1 ⁵ / ₈	2 ³ / ₈	7/8	2 ⁷ / ₈	14.1
P3414M85	EL	34	5.965	5.855	6.50	4.06	L1F	1 ⁵ / ₈	...	1 ⁵ / ₈	2 ³ / ₈	7/8	2 ⁷ / ₈	17.0
P3614M85	SF	36	6.316	6.206	6.87	4.84	A1F	1 ¹¹ / ₁₆	1 ³ / ₈	2	1 ⁵ / ₁₆	1/2	2 ¹⁵ / ₁₆	16.9
P3814M85	SF	38	6.667	6.557	7.22	4.94	A1F	1 ¹¹ / ₁₆	1 ³ / ₈	2	1 ⁵ / ₁₆	1/2	2 ¹⁵ / ₁₆	19.1
P4014M85	SF	40	7.018	6.908	7.50	5.06	A1F	1 ¹¹ / ₁₆	1 ³ / ₈	2	1 ⁵ / ₁₆	1/2	2 ¹⁵ / ₁₆	22.1
P4414M85	E	44	7.720	7.610	8.34	6.12	A1F	9/32	1 ³ / ₁₆	2 ⁵ / ₈	1 ³ / ₃₂	7/8	3 ¹ / ₂	27.9
P4814M85	E	48	8.421	8.311	8.90	6.50	A1F	9/32	1 ³ / ₁₆	2 ⁵ / ₈	1 ³ / ₃₂	7/8	3 ¹ / ₂	34.5
P5214M85	E	52	9.123	9.013	9.68	7.18	A1F	9/32	1 ³ / ₁₆	2 ⁵ / ₈	1 ³ / ₃₂	7/8	3 ¹ / ₂	39.5
P5614M85	F	56	9.825	9.715	10.38	7.88	D1F	5/16	3/4	3 ⁵ / ₈	1 ¹ / ₁₆	7/8	3 ¹ / ₂	54.8
P6014M85	F	60	10.527	10.417	11.06	8.50	D1F	5/16	3/4	3 ⁵ / ₈	1 ¹ / ₁₆	1	4	62.8
P6414M85	F	64	11.229	11.119	11.68	9.25	D1F	5/16	3/4	3 ⁵ / ₈	1 ¹ / ₁₆	1	4	70.8
P6814M85	F	68	11.930	11.820	12.50	10.00	D2F	5/16	3/4	3 ⁵ / ₈	1 ¹ / ₁₆	1	4	64.1
P7214M85	F	72	12.632	12.522	13.19	10.69	D2F	5/16	3/4	3 ⁵ / ₈	1 ¹ / ₁₆	1	4	68.6
P8014M85	F	80	14.036	13.926	14.63	12.13	D2F	5/16	3/4	3 ⁵ / ₈	1 ¹ / ₁₆	1	4	71.0
P9014M85	F	90	15.790	15.680	...	14.50	D3	5/16	3/4	3 ⁵ / ₈	1 ¹ / ₁₆	1	4	68.5
P11214M85	F	112	19.650	19.540	...	18.25	D3	5/16	3/4	3 ⁵ / ₈	1 ¹ / ₁₆	1	4	89.2
P14414M85	F	144	25.264	25.154	...	23.88	D3	5/16	3/4	3 ⁵ / ₈	1 ¹ / ₁₆	1	4	118.3
P16814M85	J	168	29.475	29.365	...	28.12	D3	2 ⁷ / ₃₂	1 ³ / ₃₂	4 ¹ / ₂	1 ¹ / ₃₂	1 ⁷ / ₁₆	4 ¹ / ₂	153.0
P19214M85	J	192	33.686	33.576	...	32.38	D3	2 ⁷ / ₃₂	1 ³ / ₃₂	4 ¹ / ₂	1 ¹ / ₃₂	1 ⁷ / ₁₆	4 ¹ / ₂	182.0
P21614M85	J	216	37.896	37.786	...	36.38	D3	2 ⁷ / ₃₂	1 ³ / ₃₂	4 ¹ / ₂	1 ¹ / ₃₂	1 ⁷ / ₁₆	4 ¹ / ₂	244.0
FOR BELTS 115mm (4.53 in.) WIDE • 14mm PITCH (14M-115) Face Width (F) = 5-1/4														
P2814M115	SFL	28	4.912	4.802	5.56	3.25	L1F	3 ⁹ / ₃₂	...	1 ¹ / ₄	1 ³¹ / ₃₂	1/2	2 ³ / ₈	13.0
P2914M115	SFL	29	5.088	4.978	5.56	3.25	L1F	3 ⁹ / ₃₂	...	1 ¹ / ₄	1 ³¹ / ₃₂	1/2	2 ³ / ₈	14.7
P3014M115	EL	30	5.263	5.153	5.56	3.94	L1F	2 ⁷ / ₈	...	1 ⁵ / ₈	2 ³ / ₈	7/8	2 ⁷ / ₈	13.5
P3214M115	EL	32	5.614	5.504	6.09	3.94	L1F	2 ⁷ / ₈	...	1 ⁵ / ₈	2 ³ / ₈	7/8	2 ⁷ / ₈	16.0
P3414M115	EL	34	5.965	5.855	6.50	4.06	L1F	2 ⁷ / ₈	...	1 ⁵ / ₈	2 ³ / ₈	7/8	2 ⁷ / ₈	20.0
P3614M115	FL	36	6.316	6.206	6.87	4.69	L1F	1 ³ / ₄	...	2 ¹ / ₂	3 ¹ / ₂	1	3 ¹ / ₈	24.2
P3814M115	FL	38	6.667	6.557	7.22	4.94	L1F	1 ³ / ₄	...	2 ¹ / ₂	3 ¹ / ₂	1	3 ¹ / ₈	28.5
P4014M115	FL	40	7.018	6.908	7.50	5.06	L1F	1 ³ / ₄	...	2 ¹ / ₂	3 ¹ / ₂	1	3 ¹ / ₈	33.4
P4414M115	E	44	7.720	7.610	8.34	6.12	A1F	2 ⁹ / ₃₂	1 ¹³ / ₁₆	2 ⁵ / ₈	1 ²³ / ₃₂	7/8	3 ¹ / ₂	32.1
P4814M115	E	48	8.421	8.311	8.90	6.50	A1F	2 ⁹ / ₃₂	1 ¹³ / ₁₆	2 ⁵ / ₈	1 ²³ / ₃₂	7/8	3 ¹ / ₂	40.1
P5214M115	F	52	9.123	9.013	9.68	7.18	A1F	5/16	1 ³ / ₈	3 ⁵ / ₈	1 ⁵ / ₁₆	1	4	53.8
P5614M115	F	56	9.825	9.715	10.38	7.88	A1F	5/16	1 ³ / ₈	3 ⁵ / ₈	1 ⁵ / ₁₆	1	4	61.7
P6014M115	F	60	10.527	10.417	11.06	8.50	A1F	5/16	1 ³ / ₈	3 ⁵ / ₈	1 ⁵ / ₁₆	1	4	70.6
P6414M115	J	64	11.229	11.119	11.68	9.25	D1F	1/4	1	4 ¹ / ₂	1	1 ⁷ / ₁₆	4 ¹ / ₂	90.0
P6814M115	J	68	11.930	11.820	12.50	10.00	D1F	1/4	1	4 ¹ / ₂	1	1 ⁷ / ₁₆	4 ¹ / ₂	100.8
P7214M115	J	72	12.632	12.522	13.19	10.69	D1F	1/4	1	4 ¹ / ₂	1	1 ⁷ / ₁₆	4 ¹ / ₂	112.7
P8014M115	J	80	14.036	13.926	14.63	12.12	D2F	1/4	1	4 ¹ / ₂	1	1 ⁷ / ₁₆	4 ¹ / ₂	100.8
P9014M115	J	90	15.790	15.680	...	14.50	D2	1/4	1	4 ¹ / ₂	1	1 ⁷ / ₁₆	4 ¹ / ₂	89.3
P11214M115	J	112	19.650	19.540	...	18.25	D3	1/4	1	4 ¹ / ₂	1	1 ⁷ / ₁₆	4 ¹ / ₂	116.5
P14414M115	J	144	25.264	25.154	...	23.88	D3	1/4	1	4 ¹ / ₂	1	1 ⁷ / ₁₆	4 ¹ / ₂	159.5
P16814M115	M	168	29.475	29.365	...	28.09	C3	1 ¹³ / ₃₂	1/16	6 ³ / ₄	3/32	1 ¹⁵ / ₁₆	5 ¹ / ₂	261.0
P19214M115	M	192	33.686	33.576	...	32.25	C3	1 ¹³ / ₃₂	1/16	6 ³ / ₄	3/32	1 ¹⁵ / ₁₆	5 ¹ / ₂	302.0
P21614M115	M	216	37.896	37.786	...	36.38	C3	1 ¹³ / ₃₂	1/16	6 ³ / ₄	3/32	1 ¹⁵ / ₁₆	5 ¹ / ₂	350.0
FOR BELTS 170mm (6.69 in.) WIDE • 14mm PITCH (14M-170) Face Width (F) = 7-3/8														
P3614M170	FL	36	6.316	6.206	6.87	4.69	L1F	3 ⁷ / ₈	...	2 ¹ / ₂	3 ¹ / ₂	1	3 ¹ / ₈	30.5
P3814M170	FL	38	6.667	6.557	7.22	4.94	L1F	3 ⁷ / ₈	...	2 ¹ / ₂	3 ¹ / ₂	1	3 ¹ / ₈	35.4
P4014M170	FL	40	7.018	6.908	7.50	5.06	L1F	3 ⁷ / ₈	...	2 ¹ / ₂	3 ¹ / ₂	1	3 ¹ / ₈	42.0
P4414M170	FL	44	7.720	7.610	8.34	6.12	L1F	3 ⁷ / ₈	...	2 ¹ / ₂	3 ¹ / ₂	1	3 ¹ / ₈	46.4
P4814M170	FL	48	8.421	8.311	8.90	6.50	L1F	3 ⁷ / ₈	...	2 ¹ / ₂	3 ¹ / ₂	1	3 ¹ / ₈	58.4
P5214M170	F	52	9.123	9.013	9.68	7.18	A1F	1 ³ / ₈	2 ⁷ / ₁₆	3 ⁵ / ₈	2 ³ / ₈	1	4	64.6
P5614M170	F	56	9.825	9.715	10.38	7.88	A1F	1 ³ / ₈	2 ⁷ / ₁₆	3 ⁵ / ₈	2 ³ / ₈	1	4	73.4
P6014M170	J	60	10.527	10.417	11.06	8.50	A1F	7/8	2 ¹ / ₈	4 ¹ / ₂	2	1 ⁷ / ₁₆	4 ¹ / ₂	93.1
P6414M170	J	64	11.229	11.119	11.68	9.25	A1F	7/8	2 ¹ / ₈	4 ¹ / ₂	2	1 ⁷ / ₁₆	4 ¹ / ₂	103.9
P6814M170	J	68	11.930	11.820	12.50	10.00	A1F	7/8	2 ¹ / ₈	4 ¹ / ₂	2	1 ⁷ / ₁₆	4 ¹ / ₂	115.3
P7214M170	J	72	12.632	12.522	13.19	10.69	A1F	7/8	2 ¹ / ₈	4 ¹ / ₂	2	1 ⁷ / ₁₆	4 ¹ / ₂	128.2
P8014M170	J	80	14.036	13.926	14.63	12.12	A2F	7/8	2 ¹ / ₈	4 ¹ / ₂	2	1 ⁷ / ₁₆	4 ¹ / ₂	119.9
P9014M170	J	90	15.790	15.680	...	14.50	A2	7/8	2 ¹ / ₈	4 ¹ / ₂	2	1 ⁷ / ₁₆	4 ¹ / ₂	104.2
P11214M170	M	112	19.650	19.540	...	18.25	D3	1 ¹ / ₃₂	1 ⁷ / ₁₆	6 ³ / ₄	2 ¹ / ₃₂	1 ¹⁵ / ₁₆	5 ¹ / ₂	205.6
P14414M170	M	144	25.264	25.154	...	23.62	D3	1 ¹ / ₃₂	1 ⁷ / ₁₆	6 ³ / ₄	2 ¹ / ₃₂	1 ¹⁵ / ₁₆	5 ¹ / ₂	268.2
P16814M170	M	168	29.475	29.365	...	28.10	D3	1 ¹ / ₃₂	1 ⁷ / ₁₆	6 ³ / ₄	2 ¹ / ₃₂	1 ¹⁵ / ₁₆	5 ¹ / ₂	293.3
P19214M170	M	192	33.686	33.576	...	32.25	D3	1 ¹ / ₃₂	1 ⁷ / ₁₆	6 ³ / ₄	2 ¹ / ₃₂	1 ¹⁵ / ₁₆	5 ¹ / ₂	334.9
P21614M170	M	216	37.896	37.786	...	36.38	D3	1 ¹ / ₃₂	1 ⁷ / ₁₆	6 ³ / ₄	2 ¹ / ₃₂	1 ¹⁵ / ₁₆	5 ¹ / ₂	383.6

Weights for all Sure-Grip bushed items are approximate and include the bushing.

The synchronous sprockets listed in the tables below are all stock sizes. All dimensions given are for the sprocket with the Sure-Grip bushing in place and are in inches only.



The figure following the sketch reference letter in the "Type" column indicates the construction of the sprocket. (1 = Solid, 2 = Web, and 3 = Arms), and the letter "F" indicates that the sprocket has flanges.

PRODUCT NO.	BUSH-ING	NO. OF TEETH	DIAMETERS				TYPE	DIMENSIONS (INCHES)				BORE		WT.
			P.D.	O.D.		I.D.		E	K	L	M	Min.	Max.	
				Sprocket	Flange									
FOR BELTS 115mm (4.53 in.) WIDE • 20mm PITCH (20M-115) Face Width (F) = 5-3/8														
P3420M115	F	34	8.522	8.352	9.45	6.88	A1F	3/8	17/16	3 5/8	13/8	1	4	41.5
P3620M115	F	36	9.023	8.853	9.84	7.00	A1F	3/8	17/16	3 5/8	13/8	1	4	50.1
P3820M115	F	38	9.524	9.354	10.43	7.56	A1F	3/8	17/16	3 5/8	13/8	1	4	54.9
P4020M115	F	40	10.026	9.856	10.83	8.00	A1F	3/8	17/16	3 5/8	13/8	1	4	61.0
P4420M115	F	44	11.028	10.858	11.81	8.93	A1F	3/8	17/16	3 5/8	13/8	1	4	73.6
P4820M115	J	48	12.031	11.861	12.80	9.93	D1F	1/16	13/16	4 1/2	15/16	17/16	4 1/2	99.6
P5220M115	J	52	13.033	12.863	13.76	10.88	D2F	1/16	13/16	4 1/2	15/16	17/16	4 1/2	95.5
P5620M115	J	56	14.036	13.866	14.76	11.88	D2F	1/16	13/16	4 1/2	15/16	17/16	4 1/2	103.1
P6020M115	J	60	15.038	14.868	15.93	13.06	D2F	1/16	13/16	4 1/2	15/16	17/16	4 1/2	109.7
P6420M115	J	64	16.041	15.871	16.93	14.06	D2F	1/16	13/16	4 1/2	15/16	17/16	4 1/2	119.4
P6820M115	J	68	17.044	16.874	17.93	15.00	D2F	1/16	13/16	4 1/2	15/16	17/16	4 1/2	125.4
P7220M115	J	72	18.046	17.876	18.90	16.00	D2F	1/16	13/16	4 1/2	15/16	17/16	4 1/2	134.7
P8020M115	M	80	20.051	19.881	20.87	18.00	C2F	1 9/32	3/16	6 3/4	3/32	1 15/16	5 1/2	216.2
P9020M115	M	90	22.558	22.388	23.43	20.56	C2F	1 9/32	3/16	6 3/4	3/32	1 15/16	5 1/2	246.5
P11220M115	M	112	28.072	27.902	...	26.38	C3	1 9/32	3/16	6 3/4	3/32	1 15/16	5 1/2	273.2
P14420M115	N	144	36.092	35.922	...	34.38	C3	1 11/16	0	8 1/8	11/16	2 7/16	6	392.3
P16820M115	N	168	42.108	41.938	...	40.38	C3	1 11/16	0	8 1/8	11/16	2 7/16	6	469.0
P19220M115	N	192	48.123	47.953	...	46.25	C3	1 11/16	0	8 1/8	11/16	2 7/16	6	551.7
P21620M115	N	216	54.138	53.968	...	52.25	C3	1 11/16	0	8 1/8	11/16	2 7/16	6	617.5
FOR BELTS 170mm (6.69 in.) WIDE • 20mm PITCH (20M-170) Face Width (F) = 7-1/2														
P3420M170*	...	34	8.522	8.352	9.45	6.50	MPB1F	1 1/4	6 1/2	6 1/2	2 1/4	2 1/8*	4 1/8	81.4
P3620M170*	...	36	9.023	8.853	9.84	7.00	MPB1F	1 1/4	6 1/2	6 1/2	2 1/4	2 1/8*	4 1/2	92.6
P3820M170	J	38	9.524	9.354	10.43	7.56	A1F	15/16	2 3/16	4 1/2	2 1/16	17/16	4 1/2	71.7
P4020M170	J	40	10.026	9.856	10.83	8.00	A1F	15/16	2 3/16	4 1/2	2 1/16	17/16	4 1/2	79.8
P4420M170	J	44	11.028	10.858	11.81	8.93	A1F	15/16	2 3/16	4 1/2	2 1/16	17/16	4 1/2	96.5
P4820M170	M	48	12.031	11.861	12.80	9.93	A1F	1/32	1 1/2	6 3/4	23/32	1 15/16	5 1/2	148.0
P5220M170	M	52	13.033	12.863	13.76	10.88	A1F	1/32	1 1/2	6 3/4	23/32	1 15/16	5 1/2	175.3
P5620M170	M	56	14.036	13.866	14.76	11.88	A1F	1/32	1 1/2	6 3/4	23/32	1 15/16	5 1/2	204.4
P6020M170	M	60	15.038	14.868	15.93	13.06	A1F	1/32	1 1/2	6 3/4	23/32	1 15/16	5 1/2	233.3
P6420M170	M	64	16.041	15.871	16.93	14.06	A2F	1/32	1 1/2	6 3/4	23/32	1 15/16	5 1/2	209.5
P6820M170	M	68	17.044	16.874	17.93	15.00	A2F	1/32	1 1/2	6 3/4	23/32	1 15/16	5 1/2	222.0
P7220M170	M	72	18.046	17.876	18.90	16.00	A2F	1/32	1 1/2	6 3/4	23/32	1 15/16	5 1/2	230.2
P8020M170	M	80	20.051	19.881	20.87	18.00	A2F	1/32	1 1/2	6 3/4	23/32	1 15/16	5 1/2	248.8
P9020M170	M	90	22.558	22.388	23.43	20.56	A2F	1/32	1 1/2	6 3/4	23/32	1 15/16	5 1/2	284.5
P11220M170	N	112	28.072	27.902	...	26.25	C3	7/16	1 1/4	8 1/8	3/16	2 7/16	6	360.7
P14420M170	N	144	36.092	35.922	...	34.25	C3	7/16	1 1/4	8 1/8	3/16	2 7/16	6	478.0
P16820M170	P	168	42.108	41.938	...	40.25	C3	13/16	1 1/16	9 3/8	11/16	2 15/16	7	658.3
P19220M170	P	192	48.123	47.953	...	46.25	C3	13/16	1 1/16	9 3/8	11/16	2 15/16	7	739.1
P21620M170	P	216	54.138	53.968	...	52.12	C3	13/16	1 1/16	9 3/8	11/16	2 15/16	7	900.6

Weights for all Sure-Grip bushed items are approximate and include the bushing.

*Bored-To-Suit construction, minimum plain bore with 2 setscrews.

SYNCHRONOUS 'QD' SPROCKET DIMENSIONS

20M

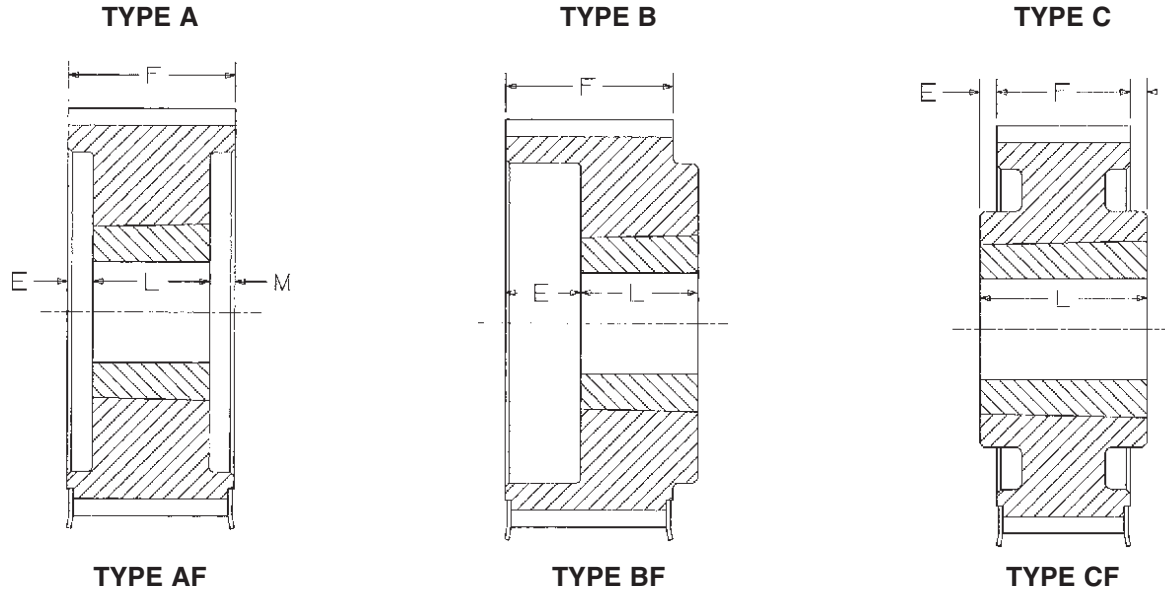


PRODUCT NO.	BUSHING	NO. OF TEETH	DIAMETERS			TYPE	DIMENSIONS (INCHES)				BORE		WT.	
			P.D.	O.D.			I.D.	E	K	L	M	Min.		Max.
				Sprocket	Flange									
FOR BELTS 230mm (9.06 in.) WIDE • 20mm PITCH (20M-230) Face Width (F) = 9-7/8														
P3820M230*	...	38	9.524	9.354	10.43	7.56	MPB1F	1 1/4	7 1/2	7 1/2	3 5/8	2 7/8*	5 1/4	119.9
P4020M230*	...	40	10.026	9.856	10.83	8.00	MPB1F	1 1/4	8	8 1/2	2 5/8	2 7/8*	5 7/8	146.8
P4420M230*	...	44	11.028	10.858	11.81	8.93	MPB1F	1 1/4	8 1/4	8 1/2	2 5/8	2 7/8*	6	179.6
P4820M230	M	48	12.031	11.861	12.80	9.93	A1F	1 7/32	2	6 3/4	2 19/32	1 15/16	5 1/2	163.6
P5220M230	M	52	13.033	12.863	13.76	10.88	A1F	1 7/32	2	6 3/4	2 19/32	1 15/16	5 1/2	193.0
P5620M230	M	56	14.036	13.866	14.76	11.88	A1F	1 7/32	2	6 3/4	2 19/32	1 15/16	5 1/2	223.5
P6020M230	M	60	15.038	14.868	15.93	13.06	A1F	1 7/32	2	6 3/4	2 19/32	1 15/16	5 1/2	251.8
P6420M230	M	64	16.041	15.871	16.93	14.06	A2F	1 7/32	2	6 3/4	2 19/32	1 15/16	5 1/2	232.7
P6820M230	N	68	17.044	16.874	17.93	15.00	A1F	1 1/8	1 13/16	8 1/8	1 5/8	2 7/16	6	375.3
P7220M230	N	72	18.046	17.876	18.90	16.00	A2F	1 1/8	1 13/16	8 1/8	1 5/8	2 7/16	6	338.7
P8020M230	N	80	20.051	19.881	20.37	18.00	A2F	1 1/8	1 13/16	8 1/8	1 5/8	2 7/16	6	331.3
P9020M230	N	90	22.558	22.388	23.43	20.56	A2F	1 1/8	1 13/16	8 1/8	1 5/8	2 7/16	6	370.2
P11220M230	N	112	28.072	27.902	...	26.25	A3	1 1/8	1 13/16	8 1/8	1 5/8	2 7/16	6	408.6
P14420M230	P	144	36.092	35.922	...	34.25	D3	9/16	1 5/16	9 3/8	1 1/16	2 15/16	6	622.1
P16820M230	P	168	42.018	41.938	...	40.25	D3	9/16	1 5/16	9 3/8	1 1/16	2 15/16	7	741.8
P19220M230	W	192	48.123	47.953	...	46.00	C3	3/4	1 1/2	11 3/8	3/4	4 1/4	8 1/2	1111.1
P21620M230	W	216	54.138	53.968	...	52.00	C3	3/4	1 1/2	11 3/8	3/4	4 1/4	8 1/2	1237.5
FOR BELTS 290mm (11.42 in.) WIDE • 20mm PITCH (20m-290) Face Width (F) = 12-1/4														
P5220M290	N	52	13.033	12.863	13.76	10.88	A1F	1 3/16	2 1/2	8 1/8	3 5/16	2 7/16	6	238.0
P5620M290	N	56	14.036	13.866	14.76	11.88	A1F	1 3/16	2 1/2	8 1/8	3 5/16	2 7/16	6	275.0
P6020M290	N	60	15.038	14.868	15.93	13.06	A1F	1 3/16	2 1/2	8 1/8	3 5/16	2 7/16	6	309.0
P6420M290	N	64	16.041	15.871	16.93	14.06	A1F	1 3/16	2 1/2	8 1/8	3 5/16	2 7/16	6	350.7
P6820M290	N	68	17.044	16.874	17.93	15.00	A1F	1 3/16	2 1/2	8 1/8	3 5/16	2 7/16	6	397.3
P7220M290	N	72	18.046	17.876	18.89	16.00	A2F	1 3/16	2 1/2	8 1/8	3 5/16	2 7/16	6	362.2
P8020M290	N	80	20.051	19.881	20.87	18.00	A2F	1 3/16	2 1/2	8 1/8	3 5/16	2 7/16	6	365.7
P9020M290	N	90	22.558	22.388	23.43	20.56	A2F	1 3/16	2 1/2	8 1/8	3 5/16	2 7/16	6	411.0
P11220M290	P	112	28.072	27.902	...	26.12	A2	5/8	2 1/2	9 3/8	2 1/4	2 15/16	7	600.9
P14420M290	P	144	36.092	35.922	...	34.00	A3	5/8	2 1/2	9 3/8	2 1/4	2 15/16	7	724.9
P16820M290	W	168	42.108	41.938	...	40.00	A3	7/16	2 11/16	11 3/8	7/16	4 1/4	8 1/2	1067.2
P19220M290	W	192	48.123	47.953	...	46.00	A3	7/16	2 11/16	11 3/8	7/16	4 1/4	8 1/2	1236.3
P21620M290	W	216	54.138	53.968	...	52.00	A3	7/16	2 11/16	11 3/8	7/16	4 1/4	8 1/2	1414.9
FOR BELTS 340mm (13.39 in.) WIDE • 20mm PITCH (20m-340) Face Width (F) = 14-1/4														
P5220M340	N	52	13.033	12.863	13.76	10.88	A1F	1 3/16	2 1/2	8 1/8	5 5/16	2 7/16	6	252.8
P5620M340	N	56	14.036	13.866	14.76	11.88	A1F	1 3/16	2 1/2	8 1/8	5 5/16	2 7/16	6	291.1
P6020M340	N	60	15.038	14.868	15.93	13.06	A1F	1 3/16	2 1/2	8 1/8	5 5/16	2 7/16	6	324.5
P6420M340	N	64	16.041	15.871	16.93	14.06	A1F	1 3/16	2 1/2	8 1/8	5 5/16	2 7/16	6	367.4
P6820M340	N	68	17.044	16.874	17.93	15.00	A1F	1 3/16	2 1/2	8 1/8	5 5/16	2 7/16	6	415.9
P7220M340	N	72	18.046	17.876	18.90	16.00	A2F	1 3/16	2 1/2	8 1/8	5 5/16	2 7/16	6	382.0
P8020M340	P	80	20.051	19.881	20.87	18.00	A2F	1 5/8	3 1/2	9 3/8	3 1/4	2 15/16	7	494.0
P9020M340	P	90	22.558	22.388	23.43	20.56	A2F	1 5/8	3 1/2	9 3/8	3 1/4	2 15/16	7	513.1
P11220M340	P	112	28.072	27.902	...	26.12	A2	1 5/8	3 1/2	9 3/8	3 1/4	2 15/16	7	630.6
P14420M340	W	144	36.092	35.922	...	34.00	A3	3/8	2 5/8	11 3/8	2 1/2	4 1/4	8 1/2	989.4
P16820M340	W	168	42.108	41.938	...	40.00	A3	3/8	2 5/8	11 3/8	2 1/2	4 1/4	8 1/2	1123.2
P19220M340	S	192	48.123	47.953	...	46.00	D3	2 1/2	1 1/8	15 3/4	1	6	10	1710.8
P21620M340	S	216	54.138	53.968	...	51.88	D3	2 1/2	1 1/8	15 3/4	1	6	10	1897.9

Weights for all Sure-Grip bushed items are approximate and include the bushing.
 *Bored-To-Suit construction, minimum plain bore with 2 setscrews.

SPROCKET TYPES

The synchronous sprockets listed in the tables below are all stock sizes. All dimensions given are for the sprocket with the Taper-Lock bushing in place and are in inches only.



The figure following the sketch reference letter in the "Type" column indicates the construction of the sprocket. (1 = Solid, 2 = Web, and 3 = Arms), and the letter "F" indicates that the sprocket has flanges.

PRODUCT NO.	BUSHING	NO. OF TEETH	DIAMETERS				TYPE	DIMENSIONS (INCHES)			BORE		WT.
			P.D.	O.D.		I.D.		E	L	M	Min.	Max.	
				Sprocket	Flange								
FOR 20MM (.79 in.) WIDE • 8MM PITCH (8M-20) FACE WIDTH (F) = 1-1/8"													
P228M20TL	TL1108	22.00	2.206	2.152	2.56	0.25	A1F	0.25	0.88	0	0.50	1.12	0.5
P248M20TL	TL1108	24.00	2.406	2.352	2.76	1.75	A1F	0	0.88	0.25	0.50	1.12	0.7
P268M20TL	TL1108	26.00	2.607	2.553	2.95	1.88	A1F	0	0.88	0.25	0.50	1.12	0.9
P288M20TL	TL1108	28.00	2.807	2.759	3.15	2.06	A1F	0	0.88	0.25	0.50	1.12	1.2
P308M20TL	TL1210	30.00	3.008	2.958	3.35	2.18	A1F	0.12	1.00	0	0.50	1.25	1.2
P328M20TL	TL1210	32.00	3.208	3.156	3.54	2.56	A1F	0.12	1.00	0	0.50	1.25	1.4
P348M20TL	TL1610	34.00	3.409	3.355	3.82	2.75	A1F	0.12	1.00	0	0.50	1.69	1.4
P368M20TL	TL1610	36.00	3.609	3.555	3.94	2.69	A1F	0.12	1.00	0	0.50	1.69	1.7
P388M20TL	TL1610	38.00	3.810	3.756	4.13	2.94	A1F	0.12	1.00	0	0.50	1.69	2.0
P408M20TL	TL1610	40.00	4.010	3.956	4.33	3.00	A1F	0.12	1.00	0	0.50	1.69	2.4
P448M20TL	TL2012	44.00	4.411	4.357	4.76	0	B1F	0	1.25	0.12	0.50	2.12	2.6
P488M20TL	TL2012	48.00	4.812	4.758	5.16	0	B1F	0	1.25	0.12	0.50	2.12	3.4
P568M20TL	TL2012	56.00	5.614	5.560	5.95	0	B1F	0	1.25	0.12	0.50	2.12	5.3
P648M20TL	TL2012	64.00	6.416	6.362	6.77	0	B1F	0	1.25	0.12	0.50	2.12	7.5
P728M20TL	TL2012	72.00	7.218	7.164	7.60	0	B1F	0	1.25	0.12	0.50	2.12	9.9
P808M20TL	TL2517	80.00	8.020	7.966	8.39	0	B1F	0	1.75	0.62	0.50	2.69	11.9
P908M20TL	TL2517	90.00	9.023	8.969	0	7.88	B2	0	1.75	0.62	0.50	2.69	12.5

Weights for all Taper-Lock bushed items are approximate and include the bushing.
 ® Registered Trademark of Rockwell Automation-Dodge.

SYNCHRONOUS TAPER-LOCK SPROCKET DIMENSIONS



PRODUCT NO.	BUSHING	NO. OF TEETH	DIAMETERS				TYPE	DIMENSIONS (INCHES)			BORE		WT.
			P.D.	O.D.		I.D.		E	L	M	Min.	Max.	
				Sprocket	Flange								
FOR BELTS 30mm (1.18 in) WIDE. 8mm PITCH (8M-30) Face Width (F) = 1-1/2													
P228M30TL	TL1108	22.00	2.206	2.152	2.56	0	A1F	0.63	0.88	0	0.50	1.12	0.7
P248M30TL	TL1108	24.00	2.406	2.352	2.76	1.34	A1F	0	0.88	0.63	0.50	1.12	0.9
P268M30TL	TL1108	26.00	2.607	2.553	2.95	1.88	A1F	0	0.88	0.63	0.50	1.12	1.2
P288M30TL	TL1108	28.00	2.807	2.759	3.15	1.57	A1F	0.12	0.88	0.50	0.50	1.12	1.6
P308M30TL	TL1210	30.00	3.008	2.958	3.35	2.25	A1F	0.12	1.00	0.38	0.50	1.25	1.5
P328M30TL	TL1210	32.00	3.208	3.156	3.54	2.38	A1F	0.12	1.00	0.38	0.50	1.25	1.9
P348M30TL	TL1610	34.00	3.409	3.355	3.82	2.75	A1F	0.12	1.00	0.38	0.50	1.69	2.3
P368M30TL	TL1610	36.00	3.609	3.555	3.94	2.81	A1F	0.12	1.00	0.38	0.50	1.69	2.2
P388M30TL	TL1610	38.00	3.810	3.756	4.13	3.00	A1F	0.12	1.00	0.38	0.50	1.69	2.7
P408M30TL	TL2012	40.00	4.010	3.956	4.33	3.19	A1F	0	1.25	0.25	0.50	2.12	2.4
P448M30TL	TL2012	44.00	4.411	4.357	4.76	3.50	A1F	0	1.25	0.25	0.50	2.12	3.4
P488M30TL	TL2012	48.00	4.812	4.758	5.16	3.81	A1F	0	1.25	0.25	0.50	2.12	4.5
P568M30TL	TL2012	56.00	5.614	5.560	5.95	4.56	A1F	0	1.25	0.25	0.50	2.12	7.0
P648M30TL	TL2517	64.00	6.416	6.362	6.77	0	B1F	0	1.75	0.25	0.50	2.69	8.9
P728M30TL	TL2517	72.00	7.218	7.164	7.60	0	B1F	0	1.75	0.25	0.50	2.69	12.1
P808M30TL	TL2517	80.00	8.020	7.966	8.39	0	B1F	0	1.75	0.25	0.50	2.69	15.8
P908M30TL	TL2517	90.00	9.023	8.969	0	7.88	C2	0.12	1.75	0.12	0.50	2.69	13.8
P1128M30TL	TL2517	112.00	11.229	11.175	0	10.00	C2	0.12	1.75	0.12	0.50	2.69	23.5
FOR BELTS 50mm (1.97 in) WIDE. 8mm PITCH (8M-50) Face Width (F) = 2-3/8													
P288M50TL	TL1108	28.00	2.807	2.759	3.15	0	A1F	0	0.88	1.50	0.50	1.12	2.1
P308M50TL	TL1210	30.00	3.008	2.958	3.35	0	A1F	0	1.00	1.38	0.50	1.25	2.2
P328M50TL	TL1210	32.00	3.208	3.156	3.54	0	A1F	0	1.00	1.38	0.50	1.25	2.1
P348M50TL	TL1610	34.00	3.409	3.355	3.82	2.75	A1F	0	1.00	1.38	0.50	1.69	2.1
P368M50TL	TL1610	36.00	3.609	3.555	3.94	2.81	A1F	0	1.00	1.38	0.50	1.69	2.7
P388M50TL	TL1610	38.00	3.810	3.756	4.13	3.00	A1F	0	1.00	1.38	0.50	1.69	3.1
P408M50TL	TL2012	40.00	4.010	3.956	4.33	3.00	A1F	0	1.25	1.12	0.50	2.12	3.4
P448M50TL	TL2012	44.00	4.411	4.357	4.76	3.50	A1F	0	1.25	1.12	0.50	2.12	4.3
P488M50TL	TL2012	48.00	4.812	4.758	5.16	3.75	A1F	0	1.25	1.12	0.50	2.12	5.5
P568M50TL	TL2517	56.00	5.614	5.560	5.95	4.62	A1F	0	1.75	0.62	0.50	2.69	8.1
P648M50TL	TL2517	64.00	6.416	6.362	6.77	5.40	A1F	0	1.75	0.62	0.50	2.69	11.7
P728M50TL	TL2517	72.00	7.218	7.164	7.60	6.19	A1F	0	1.75	0.62	0.50	2.69	15.7
P808M50TL	TL2517	80.00	8.020	7.966	8.39	6.88	A1F	0	1.75	0.62	0.50	2.69	20.3
P908M50TL	TL3020	90.00	9.023	8.969	0	7.88	A1	0	2.00	0.38	0.88	3.25	31.7
P1128M50TL	TL3020	112.00	11.229	11.175	0	10.00	A2	0	2.00	0.38	0.88	3.25	34.7
FOR BELTS 85mm (3.35 in) WIDE. 8mm PITCH (8M-85) Face Width (F) = 3-3/4													
P348M85TL	TL1615	34.00	3.409	3.355	3.82	0	A1F	0.75	1.50	1.50	0.50	1.69	3.3
P368M85TL	TL1615	36.00	3.609	3.555	3.94	2.88	A1F	0.75	1.50	1.50	0.50	1.69	4.2
P388M85TL	TL1610	38.00	3.810	3.756	4.13	3.00	A1F	1.38	1.00	1.38	0.50	1.69	4.7
P408M85TL	TL2012	40.00	4.010	3.956	4.33	3.00	A1F	1.25	1.25	1.25	0.50	2.12	4.7
P448M85TL	TL2012	44.00	4.411	4.357	4.76	3.50	A1F	1.25	1.25	1.25	0.50	2.12	6.4
P488M85TL	TL2012	48.00	4.812	4.758	5.16	3.75	A1F	1.25	1.25	1.25	0.50	2.12	8.0
P568M85TL	TL2517	56.00	5.614	5.560	5.95	4.56	A1F	1.00	1.75	1.00	0.50	2.69	11.0
P648M85TL	TL2517	64.00	6.416	6.362	6.77	5.38	A1F	1.00	1.75	1.00	0.50	2.69	15.0
P728M85TL	TL3020	72.00	7.218	7.164	7.60	6.19	A1F	0.88	2.00	0.88	0.88	3.25	18.2
P808M85TL	TL3020	80.00	8.020	7.966	8.39	6.88	A1F	0.88	2.00	0.88	0.88	3.25	24.2
P908M85TL	TL3020	90.00	9.023	8.969	0	7.88	A1	0.88	2.00	0.88	0.88	3.25	31.9
P1128M85TL	TL3020	112.00	11.229	11.175	0	10.00	A2	0.88	2.00	0.88	0.88	3.25	34.6

Weights for all Taper-Lock bushed items are approximate and include the bushing.
 © Registered Trademark of Rockwell Automation-Dodge.



14M

SYNCHRONOUS TAPER-LOCK® SPROCKET DIMENSIONS

PRODUCT NO.	BUSHING	NO. OF TEETH	DIAMETERS				TYPE	DIMENSIONS (INCHES)			BORE		WT.
			P.D.	O.D.		I.D.		E	L	M	Min.	Max.	
				Sprocket	Flange								
FOR BELTS 40mm (1.57 in) WIDE. 14mm PITCH (14M-40) Face Width (F) = 2-1/8													
P2814M40TL	TL2012	28.00	4.912	4.808	5.56	3.12	A1F	0	1.25	0.88	0.50	2.12	3.5
P2914M40TL	TL2012	29.00	5.088	4.983	5.56	3.12	A1F	0	1.25	0.88	0.50	2.12	3.9
P3014M40TL	TL2012	30.00	5.263	5.157	6.09	3.92	A1F	0	1.25	0.88	0.50	2.12	6.4
P3214M40TL	TL2012	32.00	5.614	5.507	6.09	3.92	A1F	0	1.25	0.88	0.50	2.12	8.0
P3414M40TL	TL2012	34.00	5.965	5.858	6.50	4.06	A1F	0	1.25	0.88	0.50	2.12	9.4
P3614M40TL	TL2517	36.00	6.316	6.208	6.87	4.84	A1F	0	1.75	0.38	0.50	2.69	10.5
P3814M40TL	TL2517	38.00	6.667	6.559	7.22	4.94	A1F	0	1.75	0.38	0.50	2.69	12.2
P4014M40TL	TL2517	40.00	7.018	6.909	7.50	5.06	A1F	0	1.75	0.38	0.50	2.69	14.2
P4414M40TL	TL2517	44.00	7.720	7.610	8.34	6.12	A1F	0	1.75	0.38	0.50	2.69	17.6
P4814M40TL	TL2517	48.00	8.421	8.311	8.90	6.50	A1F	0	1.75	0.38	0.50	2.69	22.0
P5214M40TL	TL2517	52.00	9.123	9.013	9.68	7.18	A1F	0	1.75	0.38	0.50	2.69	26.5
P5614M40TL	TL2517	56.00	9.825	9.715	10.38	7.88	A2F	0	1.75	0.38	0.50	2.69	21.5
P6014M40TL	TL3020	60.00	10.527	10.417	11.06	8.50	A2F	0	2.00	0.12	0.88	3.25	33.7
P6414M40TL	TL3020	64.00	11.229	11.119	11.68	9.25	A2F	0	2.00	0.12	0.88	3.25	36.5
P6814M40TL	TL3020	68.00	11.930	11.820	12.50	10.00	A2F	0	2.00	0.12	0.88	3.25	39.3
P7214M40TL	TL3020	72.00	12.632	12.522	13.19	10.69	A2F	0	2.00	0.12	0.88	3.25	42.6
P8014M40TL	TL3020	80.00	14.036	13.926	14.63	12.12	A3F	0	2.00	0.12	0.88	3.25	38.8
P9014M40TL	TL3020	90.00	15.790	15.680	0	14.50	A3	0	2.00	0.12	0.88	3.25	44.5
P11214M40TL	TL3020	112.00	19.650	19.540	0	18.38	A3	0	2.00	0.12	0.88	3.25	64.9
FOR BELTS 55mm (2.17 in) WIDE. 14mm PITCH (14M-55) Face Width (F) = 2-3/4													
P2814M55TL	TL2012	28.00	4.912	4.808	5.56	3.12	A1F	0	1.25	1.50	0.50	2.12	7.4
P2914M55TL	TL2012	29.00	5.088	4.983	5.56	3.12	A1F	0	1.25	1.50	0.50	2.12	8.4
P3014M55TL	TL2517	30.00	5.263	5.157	6.09	3.92	A1F	0	1.75	1.00	0.50	2.69	7.2
P3214M55TL	TL2517	32.00	5.614	5.507	6.09	3.92	A1F	0	1.75	1.00	0.50	2.69	9.3
P3414M55TL	TL2517	34.00	5.965	5.858	6.50	4.06	A1F	0	1.75	1.00	0.50	2.69	11.2
P3614M55TL	TL2517	36.00	6.316	6.208	6.87	4.84	A1F	0	1.75	1.00	0.50	2.69	12.4
P3814M55TL	TL2517	38.00	6.667	6.559	7.22	4.94	A1F	0	1.75	1.00	0.50	2.69	14.4
P4014M55TL	TL2517	40.00	7.018	6.909	7.50	5.06	A1F	0	1.75	1.00	0.50	2.69	16.7
P4414M55TL	TL2517	44.00	7.720	7.610	8.34	6.12	A1F	0	1.75	1.00	0.50	2.69	19.9
P4814M55TL	TL3020	48.00	8.421	8.311	8.90	6.50	A1F	0	2.00	0.75	0.88	3.25	29.2
P5214M55TL	TL3020	52.00	9.123	9.013	9.68	7.18	A1F	0	2.00	0.75	0.88	3.25	34.5
P5614M55TL	TL3020	56.00	9.825	9.715	10.38	7.88	A1F	0	2.00	0.75	0.88	3.25	40.1
P6014M55TL	TL3020	60.00	10.527	10.417	11.06	8.50	A1F	0	2.00	0.75	0.88	3.25	46.4
P6414M55TL	TL3020	64.00	11.229	11.119	11.68	9.25	A1F	0	2.00	0.75	0.88	3.25	52.7
P6814M55TL	TL3020	68.00	11.930	11.820	12.50	10.00	A2F	0	2.00	0.75	0.88	3.25	45.5
P7214M55TL	TL3020	72.00	12.632	12.522	13.19	10.69	A2F	0	2.00	0.75	0.88	3.25	49.5
P8014M55TL	TL3020	80.00	14.036	13.926	14.63	12.12	A3F	0	2.00	0.75	0.88	3.25	45.2
P9014M55TL	TL3020	90.00	15.790	15.680	0	14.50	A3	0	2.00	0.75	0.88	3.25	46.1
P11214M55TL	TL3020	112.00	19.650	19.540	0	18.38	A3	0	2.00	0.75	0.88	3.25	69.8

Weights for all Taper-Lock bushed items are approximate and include the bushing.

® Registered Trademark of Rockwell Automation-Dodge.

SYNCHRONOUS TAPER-LOCK® SPROCKET DIMENSIONS

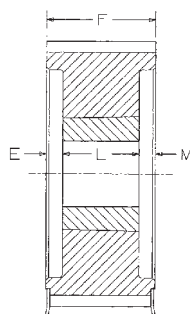
14M



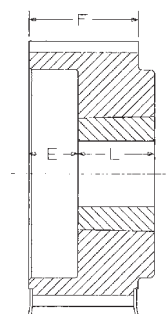
TB Wood's

PRODUCT NO.	BUSHING	NO. OF TEETH	DIAMETERS			TYPE	DIMENSIONS (INCHES)			BORE		WT.	
			P.D.	O.D.			I.D.	E	L	M	Min.		Max.
				Sprocket	Flange								
FOR BELTS 85mm (3.35 in) WIDE. 14mm PITCH (14M-85) Face Width (F) = 4													
P2814M85TL	TL2012	28.00	4.912	4.808	5.56	3.12	A1F	0.50	1.25	2.25	0.50	2.12	10.5
P2914M85TL	TL2012	29.00	5.088	4.983	5.56	3.25	A1F	0.50	1.25	2.25	0.50	2.12	11.9
P3014M85TL	TL2517	30.00	5.263	5.157	6.09	3.94	A1F	0.50	1.75	1.75	0.50	2.69	9.7
P3214M85TL	TL2517	32.00	5.614	5.507	6.09	3.94	A1F	0.88	1.75	1.38	0.50	3.25	12.7
P3414M85TL	TL2517	34.00	5.965	5.858	6.50	4.06	A1F	0.88	1.75	1.38	0.50	3.25	15.3
P3614M85TL	TL3020	36.00	6.316	6.208	6.87	4.84	A1F	0.53	2.00	1.47	0.88	3.25	19.3
P3814M85TL	TL3020	38.00	6.667	6.559	7.22	4.94	A1F	0.53	2.00	1.47	0.88	3.25	21.9
P4014M85TL	TL3020	40.00	7.018	6.909	7.50	5.06	A1F	0.53	2.00	1.47	0.88	3.25	25.1
P4414M85TL	TL3020	44.00	7.720	7.610	8.34	6.12	A1F	0.53	2.00	1.47	0.88	3.25	28.4
P4814M85TL	TL3020	48.00	8.421	8.311	8.90	6.50	A1F	0.53	2.00	1.47	0.88	3.25	35.4
P5214M85TL	TL3535	52.00	9.123	9.013	9.68	7.18	A1F	0	3.50	0.50	1.19	3.94	42.9
P5614M85TL	TL3535	56.00	9.825	9.715	10.38	7.88	A1F	0	3.50	0.50	1.19	3.94	52.4
P6014M85TL	TL3535	60.00	10.527	10.417	11.06	8.50	A1F	0	3.50	0.50	1.19	3.94	62.7
P6414M85TL	TL3535	64.00	11.229	11.119	11.68	9.25	A1F	0	3.50	0.50	1.19	3.94	73.6
P6814M85TL	TL3535	68.00	11.930	11.820	12.50	10.00	A1F	0	3.50	0.50	1.19	3.94	64.2
P7214M85TL	TL3535	72.00	12.632	12.522	13.19	10.69	A1F	0	3.50	0.50	1.19	3.94	97.4
P8014M85TL	TL3535	80.00	14.036	13.926	14.63	12.12	A2F	0	3.50	0.50	1.19	3.94	68.9
P9014M85TL	TL3535	90.00	15.790	15.680	0	14.50	A2	0	3.50	0.50	1.19	3.94	69.1
P11214M85TL	TL3535	112.00	19.650	19.540	0	18.25	A3	0	3.50	0.50	1.19	3.94	85.7
FOR BELTS 115mm (4.53 in) WIDE. 14mm PITCH (14M-115) Face Width (F) = 5-1/4													
P3014M115TL	TL2517	30.00	5.263	5.157	6.09	3.94	A1F	1.75	1.75	1.75	0.50	2.69	13.5
P3214M115TL	TL2517	32.00	5.614	5.507	6.09	3.94	A1F	1.75	1.75	1.75	0.50	2.69	17.3
P3414M115TL	TL2517	34.00	5.965	5.858	6.50	4.06	A1F	1.75	1.75	1.75	0.50	2.69	20.9
P3614M115TL	TL3020	36.00	6.316	6.208	6.87	4.69	A1F	1.62	2.00	1.62	0.88	3.25	18.6
P3814M115TL	TL3020	38.00	6.667	6.559	7.22	4.94	A1F	1.62	2.00	1.62	0.88	3.25	22.5
P4014M115TL	TL3020	40.00	7.018	6.909	7.50	5.06	A1F	1.62	2.00	1.62	0.88	3.25	26.8
P4414M115TL	TL3535	44.00	7.720	7.610	8.34	6.12	A1F	0.88	3.50	0.88	1.19	3.94	30.8
P4814M115TL	TL3535	48.00	8.421	8.311	8.90	6.50	A1F	0.88	3.50	0.88	1.19	3.94	41.1
P5214M115TL	TL4040	52.00	9.123	9.013	9.68	7.18	A1F	0.62	4.00	0.62	1.44	4.44	46.9
P5614M115TL	TL4040	56.00	9.825	9.715	10.38	7.88	A1F	0.62	4.00	0.62	1.44	4.44	58.3
P6014M115TL	TL4040	60.00	10.527	10.417	11.06	8.50	A1F	0.62	4.00	0.62	1.44	4.44	70.9
P6414M115TL	TL4545	64.00	11.229	11.119	11.68	9.25	A1F	0.38	4.50	0.38	1.94	4.94	82.1
P6814M115TL	TL4545	68.00	11.930	11.820	12.50	10.00	A1F	0.38	4.50	0.38	1.94	4.94	97.1
P7214M115TL	TL4545	72.00	12.632	12.522	13.19	10.69	A1F	0.38	4.50	0.38	1.94	4.94	113.3
P8014M115TL	TL4545	80.00	14.036	13.926	14.63	12.12	A2F	0.38	4.50	0.38	1.94	4.94	108.9
P9014M115TL	TL4545	90.00	15.790	15.680	0	14.50	A2	0.38	4.50	0.38	1.94	4.94	112.9
P11214M115TL	TL4545	112.00	19.650	19.540	0	18.25	A3	0.38	4.50	0.38	1.94	4.94	122.4

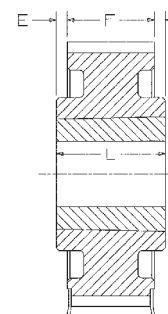
Weights for all Taper-Lock bushed items are approximate and include the bushing.
 ® Registered Trademark of Rockwell Automation-Dodge.



TYPE A



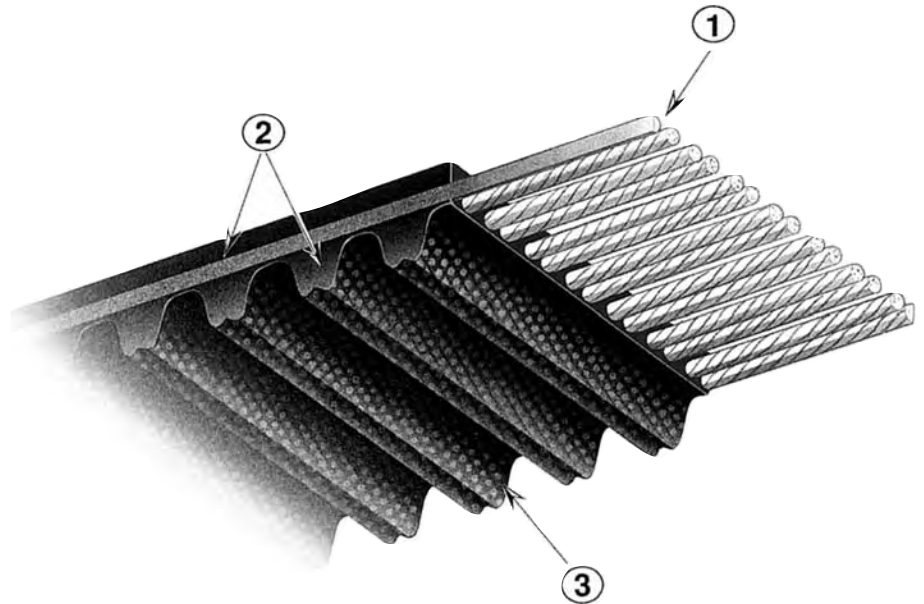
TYPE B



TYPE C

1. FIBERGLASS TENSION MEMBER

FEATURE	BENEFIT
Excellent Dimensional Stability	Less Maintenance
No Stretch Under Load	Retensioning Generally not Required
Allows for Small Pulley and Short Center Drives	Economical Designs



2. MOLDED TEETH & BACKING

FEATURE	BENEFIT
Resists Damaging Environmental Factors	Longer Belt Life
Outstanding Bending Characteristics	Smooth Belt Operation
Superior Molding Characteristics	Smooth Surface Reduces Vibration

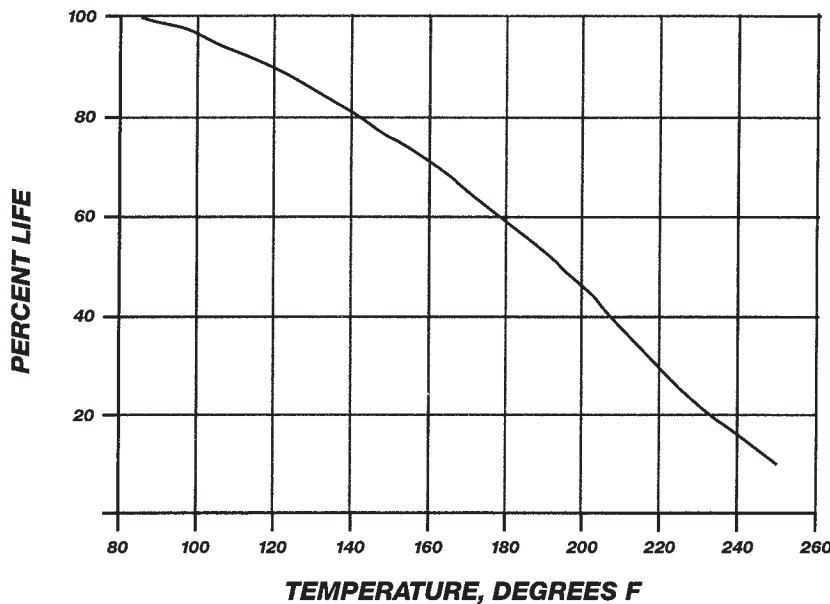
3. IMPREGNATED NYLON WEAR JACKET

FEATURE	BENEFIT
Durable Tooth Protection	Extends Belt Life
Minimal Drag/ Reduces Friction	Smooth Precise Operation

Synchronous Plus belts are capable of operating at temperatures of -30°F with no adverse effects.

Any time a belt is used in an elevated ambient temperature, the expected life will decrease. The relationship between ambient temperatures and belt life is shown in the chart below. As an example, at a temperature of 180°F, we would expect life to be 60% of the life that would be obtained at 85°F.

LIFE vs TEMPERATURE



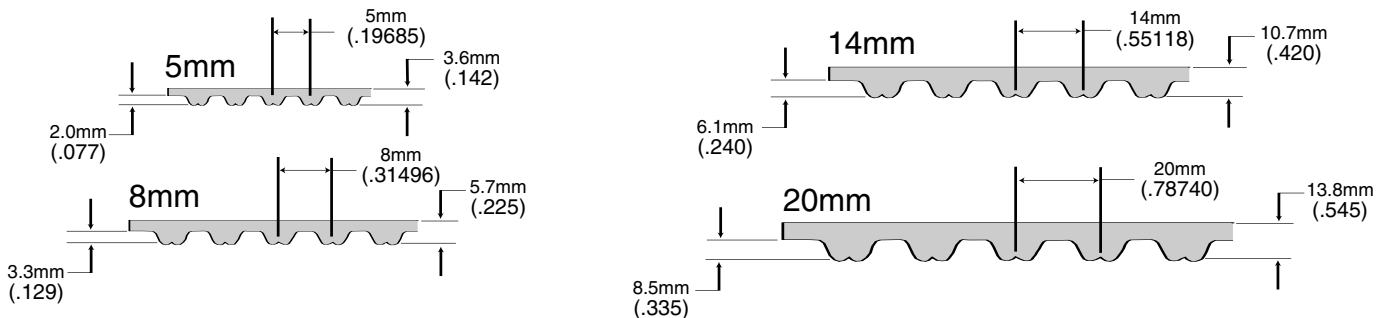
TOLERANCES ON BELT LENGTH



Belt Length (mm)	*Std. Length Tolerances (Center-to-Center)	Belt Length (mm)	*Std. Length Tolerances (Center-to-Center)
Over 254 to 381	±0.23	Over 3302 to 3556	±0.61
Over 381 to 508	±0.25	Over 3556 to 3810	±0.64
Over 508 to 762	±0.30	Over 3810 to 4064	±0.66
Over 762 to 1016	±0.33	Over 4064 to 4318	±0.69
Over 1016 to 1270	±0.38	Over 4318 to 4572	±0.71
Over 1270 to 1524	±0.41	Over 4572 to 4826	±0.74
Over 1524 to 1778	±0.43	Over 4826 to 5080	±0.76
Over 1778 to 2032	±0.46	Over 5080 to 5534	±0.79
Over 2032 to 2286	±0.48	Over 5534 to 5588	±0.81
Over 2286 to 2540	±0.51	Over 5588 to 5842	±0.84
Over 2540 to 2794	±0.53	Over 5842 to 6096	±0.86
Over 2794 to 3048	±0.56	Over 6096 to 6350	±0.89
Over 3048 to 3302	±0.58	Over 6350 to 6604	±0.91
		Over 6604 to 6860	±0.94

*NOTE: The length tolerances given for positive drive belts refer to the center to center tolerance between belts when checked on a standard measuring fixture. The actual pitch length tolerance is twice the value shown. If a special tension member is used, consult the factory for proper length tolerances.

BELT DIMENSIONS



Center Distance Installation and Take-up Allowance

Pitch Length	<i>Decrease in Center Distance for Installation</i>		
	> 1525mm	1525-3050mm	<3050mm
5M Both Flanged	-0.8	-0.9	-
5M One Flanged	-0.6	-0.7	-
8M Both Flanged	-1.4	-1.5	-1.6
8M One Flanged	-0.9	-1.0	-1.1
14M Both Flanged	-2.3	-2.4	-2.5
14M One Flanged	-1.4	-1.5	-1.6
20M Both Flanged	-	-3.2	-3.3
20M One Flanged	-	-2.0	-2.1
<i>(All Pitches)</i>	<i>Take-up in Center Distance for Installation</i>		
	+0.1	+0.2	+0.3



SYNCHRONOUS PLUS BELTS

5MM Pitch Belts

Belt Length & Pitch Code	Pitch Length		No. of Teeth	Width Code†	
	in.	mm		15	25
				.59	.98
Approx Wt. (lbs.)					
350-5M	13.78	350	70	.05	.09
375-5M	14.76	375	75	.06	.09
400-5M	15.75	400	80	.06	.10
425-5M	16.73	425	85	.06	.10
450-5M	17.72	450	90	.07	.11
475-5M	18.70	475	95	.07	.12
500-5M	19.69	500	100	.07	.12
535-5M	21.06	535	107	.08	.13
565-5M	22.24	565	113	.08	.14
600-5M	23.62	600	120	.09	.15
635-5M	25.00	635	127	.09	.16
670-5M	26.38	670	134	.10	.16
710-5M	27.95	710	142	.10	.17
740-5M	29.13	740	148	.11	.18
800-5M	31.50	800	160	.12	.20
835-5M	32.87	835	167	.12	.20
850-5M	33.46	850	170	.12	.20
890-5M	35.04	890	178	.12	.21
950-5M	37.40	950	190	.14	.23
1000-5M	39.37	1000	200	.15	.24
1050-5M	41.34	1050	210	.15	.26
1125-5M	44.29	1125	225	.16	.27
1195-5M	47.05	1195	239	.17	.28
1270-5M	50.00	1270	254	.19	.31
1420-5M	55.91	1420	284	.21	.34
1595-5M	62.80	1595	319	.23	.39
1690-5M	66.54	1690	338	.24	.41
1790-5M	70.47	1790	358	.26	.43
1895-5M	74.61	1895	379	.28	.46
2000-5M	78.74	2000	400	.28	.47
2250-5M	88.58	2250	450	.30	.50
2525-5M	99.41	2525	505	.32	.53

8MM Pitch Belts

Belt Length & Pitch Code	Pitch Length		No. of Teeth	Width Code†			
	in.	mm		20	30	50	85
				.79	1.18	1.97	3.35
Approx Wt. (lbs.)							
480-8M	18.90	480	60	.13	.20	.34	.57
536-8M	21.10	536	67	.15	.22	.37	.64
560-8M	22.05	560	70	.16	.23	.39	.66
600-8M	23.62	600	75	.17	.25	.42	.71
640-8M	25.20	640	80	.18	.27	.45	.76
720-8M	28.35	720	90	.20	.30	.50	.85
800-8M	31.50	800	100	.22	.33	.56	.95
880-8M	34.65	880	110	.25	.37	.61	1.04
960-8M	37.80	960	120	.27	.40	.67	1.14
1040-8M	40.94	1040	130	.29	.43	.74	1.23
1120-8M	44.09	1120	140	.31	.47	.78	1.33
1200-8M	47.24	1200	150	.34	.50	.84	1.42
1224-8M	48.19	1224	153	.35	.51	.85	1.43
1280-8M	50.39	1280	160	.36	.53	.89	1.52
1440-8M	56.69	1440	180	.40	.60	1.01	1.71
1600-8M	62.99	1600	200	.45	.67	1.11	1.90
1760-8M	69.29	1760	220	.49	.73	1.23	2.08
1800-8M	70.87	1800	225	.50	.75	1.25	2.13
2000-8M	78.74	2000	250	.56	.83	1.39	2.37
2200-8M	86.61	2200	275	.62	.92	1.53	2.61
2400-8M	94.49	2400	300	.67	1.00	1.67	2.84
2600-8M	102.36	2600	325	.73	1.09	1.81	3.08
2800-8M	110.24	2800	350	.78	1.17	1.95	3.32
3048-8M	120.00	3048	381	.86	1.28	2.12	3.60
3280-8M	129.13	3280	410	.90	1.34	2.22	3.80
3600-8M	141.73	3600	450	1.00	1.50	2.50	4.26
4400-8M	173.23	4400	550	1.20	1.80	3.00	5.02

14MM Pitch Belts

Belt Length & Pitch Code	Pitch Length		No. of Teeth	Width Code†				
	in.	mm		40	55	85	115	170
				1.57	2.17	3.35	4.53	6.69
Approx Wt. (lbs.)								
966-14M	38.03	966	69	.84	1.15	1.78	2.41	3.56
1190-14M	46.85	1190	85	1.03	1.42	2.20	2.98	4.39
1400-14M	55.12	1400	100	1.21	1.67	2.58	3.50	5.16
1610-14M	63.39	1610	115	1.40	1.92	2.97	4.02	5.95
1778-14M	70.00	1778	127	1.54	2.13	3.28	4.45	6.56
1890-14M	74.41	1890	135	1.64	2.26	3.49	4.73	6.97
2100-14M	82.68	2100	150	1.82	2.51	3.88	5.25	7.75
2310-14M	90.94	2310	165	2.00	2.76	4.26	5.77	8.53
2450-14M	96.46	2450	175	2.13	2.93	4.52	6.13	9.04
2590-14M	101.97	2590	185	2.25	3.10	4.78	6.47	9.55
2800-14M	110.24	2800	200	2.43	3.34	5.17	7.00	10.33
3150-14M	124.02	3150	225	2.73	3.77	5.82	7.87	11.62
3360-14M	132.28	3360	240	2.58	3.98	6.14	8.31	12.26
3500-14M	137.80	3500	250	3.03	4.19	6.46	8.75	12.90
3850-14M	151.58	3850	275	3.33	4.60	7.10	9.62	14.20
4326-14M	170.32	4326	309	3.74	5.17	8.00	10.80	15.96
4578-14M	180.24	4578	327	3.96	5.48	8.45	11.42	16.90
4956-14M	195.12	4956	354	4.29	5.93	9.15	12.36	18.30
5320-14M	209.45	5320	380	4.60	6.37	9.82	13.27	19.64
5740-14M	225.98	5740	410	4.97	6.83	10.55	14.29	21.12
6160-14M	242.52	6160	440	5.33	7.33	11.32	15.34	22.67
6860-14M	270.08	6860	490	5.94	8.16	12.61	17.08	25.25

20MM Pitch Belts

Belt Length & Pitch Code	Pitch Length		No. of Teeth	Width Code†				
	in.	mm		115	170	230	290	340
				4.53	6.69	9.06	11.42	13.39
Approx Wt. (lbs.)								
2000-20M	78.74	2000	100	6.0	9.0	12.0	16.0	19.0
2500-20M	98.43	2500	125	8.0	11.0	15.0	20.0	24.0
3400-20M	133.85	3400	170	11.0	16.0	22.0	27.0	32.0
3800-20M	149.60	3800	190	12.0	18.0	24.5	30.5	35.5
4200-20M	165.35	4200	210	13.0	20.0	27.0	34.0	39.0
4600-20M	181.10	4600	230	14.5	21.5	29.5	37.0	43.0
5000-20M	196.85	5000	250	16.0	23.0	32.0	40.0	47.0
5400-20M	212.60	5400	270	17.0	25.0	34.0	43.0	51.0
5800-20M	228.35	5800	290	18.0	27.0	37.0	46.0	54.0
6200-20M	244.09	6200	310	20.0	29.0	39.0	50.0	58.0
6600-20M	259.84	6600	330	21.0	31.0	42.0	53.0	62.0

† The bold number is the belt width in millimeters, while the number directly under it is the width in inches.

PART NUMBER EXAMPLE:

210014M40 SYNCHRONOUS PLUS BELT

Sample Belt Designation

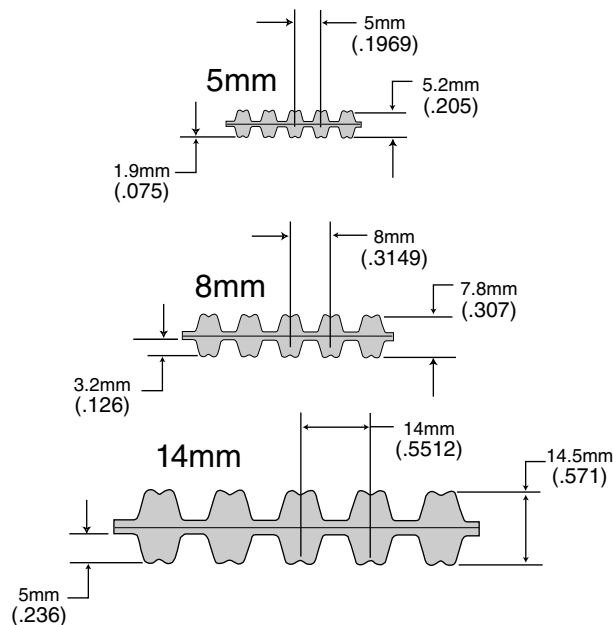
TP2000-8M-20



TWIN POWER RATINGS

- 5M** - Same as Standard Synchronous Plus Belting
- 8M** - .66 Times Standard Synchronous Plus Belting
- 14M** - less than 5000mm Length -
.66 Times Standard Synchronous Plus Belting
- 14M** - Over 5000mm Length -
Same as Standard Synchronous Plus Belting
- 20M** - Not Available in Twin Power

DIMENSIONS



Twin Power Belting is available in most lengths offered in standard single sided belts.

(ref. page C1—16)



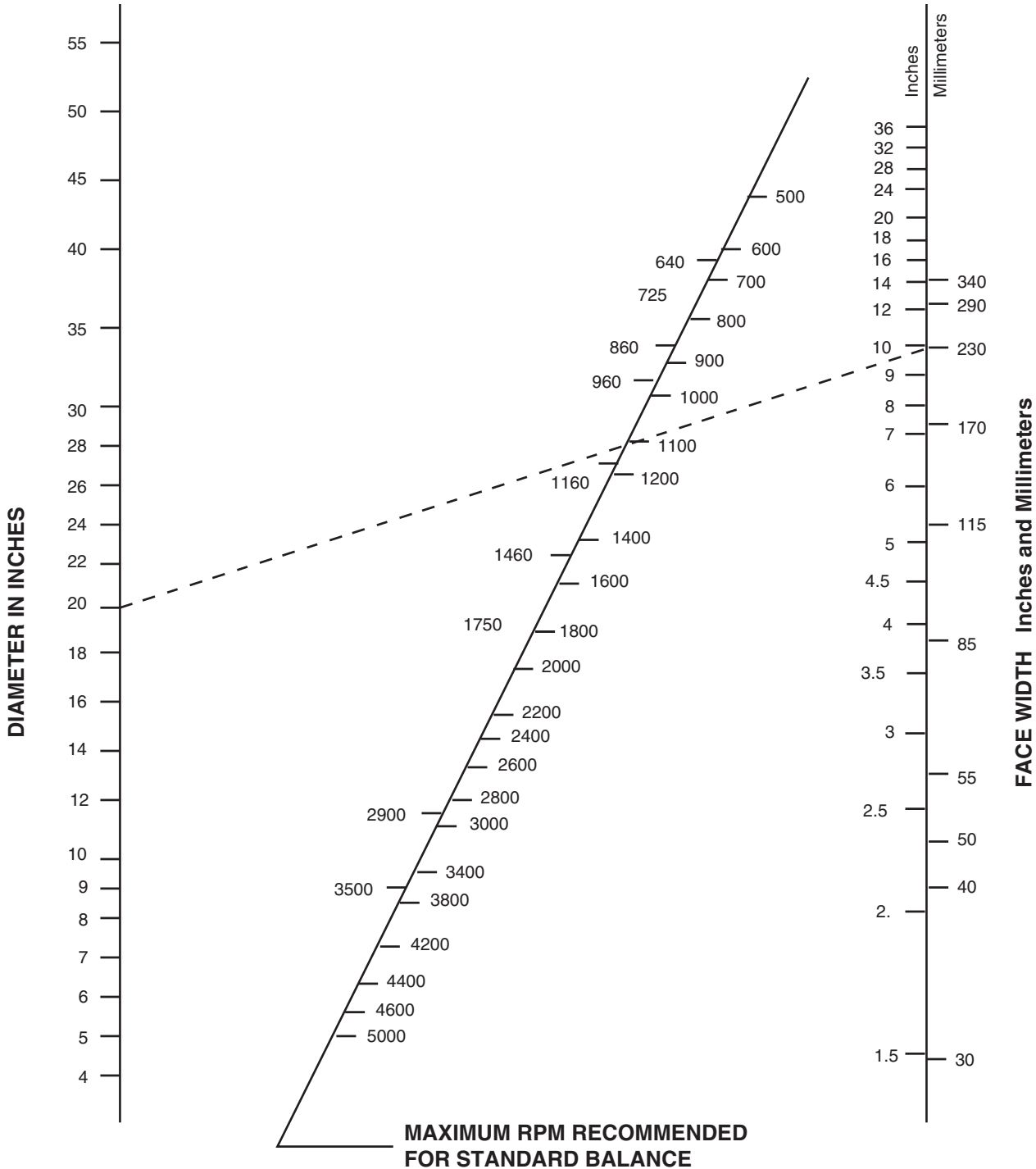
BALANCING STANDARDS

Proper balance of rotating products is important for smooth, vibration-free operation. Standard balance of Wood's stock products is a one plane balance. Depending on the face width, outside diameter, and operating speed a higher precision balance may be required for smooth operation. In those cases a two-plane balance is suggested.

Note: Two plane balance is for smooth operation only and DOES NOT increase the maximum safe operating speed of the product. Stock cast iron wheels may not exceed 6,550 feet per minute; and ductile iron wheels are limited to 10,000 FPM. (FPM = sheave outside diameter x RPM x .262)

The nomograph below may be used as a guideline to determine when two-plane balance is recommended. To use this chart lay a straight-edge between the diameter of the part on the left of the chart and the face width of the part on the right. The straight edge will intersect the slanted scale in the center of the chart. When the operating speed is greater than the intersection point a two-plane balance is recommended.

Example: If a 20 in. diameter x 10 in. (230 mm) face width sprocket runs faster than 1100 rpm, dynamic balancing is recommended.



SYNCHRONOUS SERVICE FACTORS



1a: driver (prime mover)

Class of driverR	Class I	Class II	Class III
Momentary Peak Load, % of Rated Load	149%	150 to 249%	250 to 400%
AC Electric Motors: Single Phase			all
Squirrel Cage NEMA design A			
3600 rpm	40 HP up	1½ thru 30 HP	1 thru 3 HP
1800 rpm	100 HP up	5 thru 75 HP	
1200 rpm	15 HP up	¾ thru 10 HP	
900 rpm	5 HP up	½ thru 3 HP	
NEMA design B			
3600 rpm		5 HP up	1½ thru 3 HP
1800 rpm		5 HP up	1 thru 3 HP
1200 rpm		5 HP up	¾ thru 3 HP
900 rpm		2 HP up	1½ thru 1½ HP
NEMA design C			
1800 rpm		15 HP up	5 thru 10 HP
1200 rpm		7½ HP up	3 and 5 HP
900 rpm		all	
NEMA design D			all
NEMA design F	all		
Wound Rotor			
1800 rpm		20 HP	2 to 15 HP
1200 rpm		15 HP	2 to 10 HP
900 rpm		7½ HP	1 to 5 HP
Synchronous		normal torque	high torque
DC Electric Motors	shunt	compound	series
Engines—int combust	8 cyl up	6 cyl	4 cyl or less
Hydraulic Motors, Line Shafts			all

1c: Additional Service Factors

Operating Conditions

Intermittent or seasonal	Sub 0.1
Add for 10–16 hr service	Add 0.2
Add for 16–24 hr service	Add 0.4
Add for each idler	Add 0.2

Speed-up Drives

For speed-up drives, add to the basic service factor the additional factor given below.

Speed-up Ratio Range	Additional Factor	Speed-up Ratio Range	Additional Factor
1 to 1.24	none	2.50 to 3.49	.30
1.25 to 1.74	.10	3.50 & over	.40
1.75 to 2.49	.20		

Unusual Conditions

Additional service factors are required for unusual conditions — such as load reversal, heavy shock, plugged motor stop, electric brake. These should be determined by a transmission specialist.

1b: Basic Service Factors of driven Machines

driveN Machines	Class I	Class II	Class III
Agitators, Mixers liquid	1.2	1.4	1.6
(paddle or propeller) semi-liquid	1.3	1.5	1.7
Bakery Machinery, Dough Mixers	1.2	1.4	1.6
Brick and Clay Machinery			
augers, mixers, granulators	1.4	1.6	1.8
pug mills	1.6	1.8	2.0
Centrifuges	1.5	1.7	—
Compressors reciprocating*	1.6	1.8	2.0
centrifugal	1.4	1.5	1.6
Conveyors			
belt, light package; oven	1.1	1.2	1.3
belt: ore, coal, sand	1.2	1.4	1.6
apron, bucket, elevator, pan	1.4	1.6	1.8
flight, screw	1.4	1.6	1.8
Fans, blowers Centrifugal, induced			
draft exhausters	1.4	1.6	1.8
propeller, mine fans, positive blowers	1.6	1.8	2.0
Generators and Exciters	1.4	1.6	1.8
Hammer Mills	1.5	1.7	1.9
Hoists, Elevators	1.4	1.6	1.8
Laundry Machinery general	1.2	1.4	1.6
extractors, washers	1.4	1.6	1.8
Line Shafts	1.2	1.4	1.6
Machine Tools drill presses,			
lathes, screw machines	1.2	1.4	1.6
boring mills, grinders	1.3	1.5	1.7
milling machines, shapers	1.3	1.5	1.7
Mills ball, rod, pebble, etc	—	1.9	2.1
Paper Machinery			
agitators, calenders, dryers	1.2	1.4	1.6
beaters, jordans, Nash pumps, pulpers	1.4	1.6	1.8
Printing Machinery			
presses: newspaper, rotary, embossing, flat bed, magazine; linotype machines; cutters; folders	1.2	1.4	1.6
Pumps			
centrifugal, gear, rotary, pipeline	1.2	1.4	1.6
reciprocating*	1.7	1.9	2.1
Rubber Plant Machinery	1.4	1.6	1.8
Saw Mill Machinery	1.4	1.6	1.8
Screens vibrating (shakers)	1.3	1.5	—
drum, conical	1.2	1.4	—
Textile Machinery			
looms, spinning frames, twisters	1.3	1.5	1.7
warpers, reels	1.2	1.4	—
Woodworking Machinery			
lathes, band saws	1.2	1.3	—
jointer, circular saws, planers	1.2	1.4	—

* Note: When the driveN sprocket is used as a flywheel to reduce speed fluctuations a specially constructed sprocket may be required. Obtain the WR² of the unit and consult TB Wood's Engineering.



PITCH SELECTION CHART

RPM OF FASTEST SHAFT

	1160	1750	3500	100	200	300	400	500	600	800	1000	1400	1600	2000	2400	2800	3200	4000
0.5	5M	5M	5M	5M	5M	5M	5M	5M	5M	5M	5M	5M	5M	5M	5M	5M	5M	5M
1	5M	5M	5M	8M	5M	5M	5M	5M	5M	5M	5M	5M	5M	5M	5M	5M	5M	5M
1.5	5M	5M	5M	8M	8M	5M	5M	5M	5M	5M	5M	5M	5M	5M	5M	5M	5M	5M
2	5M	5M	5M	8M	8M	8M	5M	5M	5M	5M	5M	5M	5M	5M	5M	5M	5M	5M
3	5M	5M	5M	8M	8M	8M	8M	8M	8M	5M	5M	5M	5M	5M	5M	5M	5M	5M
5	8M	5M	5M	8M	8M	8M	8M	8M	8M	8M	8M	5M	5M	5M	5M	5M	5M	5M
7.5	8M	8M	5M	8M	8M	8M	8M	8M	8M	8M	8M	8M	8M	8M	8M	8M	8M	5M
10	8M	8M	8M	14M	8M	8M	8M	8M	8M	8M	8M	8M	8M	8M	8M	8M	8M	8M
15	8M	8M	8M	14M	8M	8M	8M	8M	8M	8M	8M	8M	8M	8M	8M	8M	8M	8M
20	8M	8M	8M	14M	14M	8M	8M	8M	8M	8M	8M	8M	8M	8M	8M	8M	8M	8M
25	8M	8M	8M	14M	14M	14M	8M	8M	8M	8M	8M	8M	8M	8M	8M	8M	8M	8M
30	8M	8M	8M	14M	14M	14M	14M	8M	8M	8M	8M	8M	8M	8M	8M	8M	8M	8M
40	8M	8M	8M	14M	14M	14M	14M	14M	8M	8M	8M	8M	8M	8M	8M	8M	8M	8M
50	8M	8M	8M	14M	14M	14M	14M	14M	14M	8M	8M	8M	8M	8M	8M	8M	8M	8M
60	8M	8M	8M	20M	14M	14M	14M	14M	14M	14M	8M	8M	8M	8M	8M	8M	8M	8M
75	14M	8M	8M	20M	14M	14M	14M	14M	14M	14M	14M	8M	8M	8M	8M	8M	8M	8M
100	14M	14M	8M	20M	14M	14M	14M	14M	14M	14M	14M	14M	14M	8M	8M	8M	8M	8M
125	14M	14M	14M	20M	20M	14M	14M	14M	14M	14M	14M	14M	14M	14M	14M	14M	14M	
150	14M	14M	14M	20M	20M	14M	14M	14M	14M	14M	14M	14M	14M	14M	14M	14M	14M	
200	14M	14M	14M		20M	20M	20M	14M	14M	14M	14M	14M	14M	14M	14M	14M	14M	
250	14M	14M			20M	20M	20M	20M	20M	14M	14M	14M	14M	14M				
300	14M	20M			20M	20M	20M	20M	20M	20M	14M	14M	14M					
350	20M	20M				20M	20M	20M	20M	20M	20M	20M	20M					
400	20M	20M				20M	20M	20M	20M	20M	20M	20M	20M					
500	20M	20M				20M	20M	20M	20M	20M	20M	20M	20M					
600	20M	20M					20M	20M	20M	20M	20M	20M	20M					
700	20M	20M						20M	20M	20M	20M	20M	20M					
800									20M	20M	20M	20M	20M					
900										20M	20M	20M						

SYNCHRONOUS PLUS DRIVE SELECTION



Minimum Recommended Sprocket Pitch Diameters for General Purpose Electric Motors Synchronous Belts

Motor Horsepower	Motor RPM (60 Cycle and 50 Cycle Electric Motors)					
	575 485*	690 575*	870 725*	1160 950*	1750 1425*	3450 2850*
1/2	—	—	2.0	—	—	—
3/4	—	—	2.2	2.0	—	—
1	2.7	2.3	2.2	2.2	2.0	—
1 1/2	2.7	2.7	2.2	2.2	2.2	2.0
2	3.4	2.7	2.7	2.2	2.2	2.2
3	4.1	3.4	2.7	2.7	2.2	2.2
5	4.1	4.1	3.4	2.7	2.7	2.2
7 1/2	4.7	4.1	4.0	3.4	2.7	2.7
10	5.4	4.7	4.0	4.0	3.4	2.7
15	6.1	5.4	4.7	4.0	4.0	3.4
20	7.4	6.1	5.4	4.7	4.0	4.0
25	8.1	7.4	6.1	5.4	4.0	4.0
30	9.0	8.1	6.1	6.1	4.7	—
40	9.0	9.0	7.4	6.1	5.4	—
50	9.9	9.0	7.6	7.4	6.1	—
60	10.8	9.9	9.0	7.2	6.7	—
75	12.6	11.7	8.6	9.0	7.7	—
100	16.2	13.5	10.8	9.0	7.7	—
125	18.0	16.2	13.5	10.8	9.5#	—
150	19.8	18.0	16.2	11.7	9.5	—
200	19.8	19.8	19.8	—	11.9	—
250	19.8	19.8	—	—	—	—
300	24.3	24.3	—	—	—	—

* Indicates 50 cycle RPM electric motors. # Frame 444T use 8.6.

Data in the white area is from NEMA Standards MG-1-14-42 of June 1972 and MG-1-14-43 of January 1968. The data in the shaded area is a composite of various motor manufacturers data. They are usually conservative, and a smaller sprocket may be permitted. Consult the motor manufacturer data.

- BELT LENGTH = $2 \times C + 1.57 \times (D + d) + [(D - d)^2 / (4 \times C)]$
- †CENTER DISTANCE = $1/2 \times [A - h \times (D - d)]$

WHERE:

C = Center Distance (in.)[†] D = P.D. of larger sprocket (in.)
 L = Belt Length (in.) d = P.D. of smaller sprocket (in.)
 A = $L - 1.57 \times (D + d)$ h = Factor from chart below

$\frac{D-d}{A}$	h	$\frac{D-d}{A}$	h	$\frac{D-d}{A}$	h	$\frac{D-d}{A}$	h
0.00	0.00	0.16	0.08	0.30	0.16	0.43	0.24
0.02	0.01	0.18	0.09	0.32	0.17	0.44	0.25
0.04	0.02	0.20	0.10	0.34	0.18	0.46	0.26
0.06	0.03	0.21	0.11	0.35	0.19	0.47	0.27
0.08	0.04	0.23	0.12	0.37	0.20	0.48	0.28
0.10	0.05	0.25	0.13	0.39	0.21	0.50	0.29
0.12	0.06	0.27	0.14	0.40	0.22	0.51	0.30
0.14	0.07	0.29	0.15	0.41	0.23

[†]Center distances must be fixed and rigid.

DRIVE SELECTION – SYNCHRONOUS PLUS

Standard Motor Speed - Reduction or 1:1 Ratio Drives

Example: A 75 HP 1160 RPM NEMA B motor is driving a liquid material agitator operating at 900 RPM, 24 hours a day. Motor shaft is 2-7/8" diameter, agitator shaft is 2-3/4", center distance is 44".

Procedure	Example																		
Step #1: Calculate the Design Horsepower DHP = DriveR HP x service factor (page C1–19)	Service factor liquid agitator = 1.4 Adder for 16–24 hours/day = .4 DHP = 75 HP x 1.8 sf = 135																		
Step #2: Choose the Belt Pitch Belt Pitch Selection Guide (page C1–20)	75 HP and 1160 RPM indicates the use of 14M pitch																		
Step #3: Check NEMA recommended minimum sprocket pitch diameter (page C1–21)	NEMA minimum for a 75 HP 1160 RPM motor 9.0" diameter sprocket																		
Step #4: Calculate Speed Ratio Speed Ratio = Faster RPM / Slower RPM	Speed ratio = 1160 RPM / 900 RPM = 1.29																		
Step #5: In the Drive Selection Tables corresponding to the correct belt pitch, locate the drive line with the same ratio. In the event of multiple drive lines, drives using larger diameters are usually more economical.	Drive lines 68, 69, and 70 all are 1.29 ratio. Line 68 and 70: The driver is below NEMA recommended. Use drive line 69.																		
Step #6: Note the following information from the drive line: Number teeth DriveR Number teeth DriveN Actual RPM - Under corresponding motor RPM Raw HP for belt width - Under corresponding motor RPM (When considering belt width, refer to design HP calculation) Select the desired CD - To the right of the RPM and HP Belt Length Factor - Shaded above the CD Belt Length - Column header above the CD	From Line 69 Number teeth DriveR = 56 Number teeth DriveN = 72 DriveN speed @ 902 when DriveR @ 1160 RPM Step #1 the DHP is 135, 85 mm wide = 151.4 HP CD = 44.35" Belt length factor = 1.05 Belt length = 3150																		
Step #7: Calculate the Corrected HP for the Drive CHP = Raw HP x Belt Length Factor Compare the CHP to the DHP and pick the belt width	85mm wide – CHP = 151.4 x 1.05 = 158.97 85mm meets our DHP and is the belt to use.																		
Step #8: Check the Dynamic Balance recommendations Reference Chart (page C1–18)	OK as standard: P56-14M-85 static balance OK as standard: P72-14M-85 static balance																		
Step #9: Specify drive components Reference component dimensional page for Product Number	<table border="1"> <thead> <tr> <th>Item</th> <th>Product No.</th> <th>Ref. Page</th> </tr> </thead> <tbody> <tr> <td>DR Sprocket: P56-14M-85</td> <td>P5614M85</td> <td>C1–7</td> </tr> <tr> <td>DR Bushing: F x 2-7/8"</td> <td>F278</td> <td>A1–5</td> </tr> <tr> <td>DN Sprocket: P72-14M-85</td> <td>P7214M85</td> <td>C1–7</td> </tr> <tr> <td>DN Bushing: F x 2-3/4"</td> <td>F234</td> <td>A1–5</td> </tr> <tr> <td>Belt: 3150-14M-85</td> <td>315014M85</td> <td>C1–16</td> </tr> </tbody> </table>	Item	Product No.	Ref. Page	DR Sprocket: P56-14M-85	P5614M85	C1–7	DR Bushing: F x 2-7/8"	F278	A1–5	DN Sprocket: P72-14M-85	P7214M85	C1–7	DN Bushing: F x 2-3/4"	F234	A1–5	Belt: 3150-14M-85	315014M85	C1–16
Item	Product No.	Ref. Page																	
DR Sprocket: P56-14M-85	P5614M85	C1–7																	
DR Bushing: F x 2-7/8"	F278	A1–5																	
DN Sprocket: P72-14M-85	P7214M85	C1–7																	
DN Bushing: F x 2-3/4"	F234	A1–5																	
Belt: 3150-14M-85	315014M85	C1–16																	

DRIVE SELECTION – SYNCHRONOUS PLUS



Speeds Other than Common Motor Speeds and Speed-up Applications

Example: A 20 HP 1750 RPM NEMA B motor C-face mounted to a 15 : 1 gear reducer with an output of 117 RPM is driving an ore belt conveyor operating at 130 RPM, 15 hours a day.
 Reducer shaft is 3" diameter, mixer shaft is 3-1/4", approximate center distance is 40".

Procedure	Example																		
Step #1: Calculate the Design Horsepower DHP = DriveR HP x service factor (page C1–19)	Service factor ore belt conveyor = 1.4 Add .2 for 15 hours a day Adder for 1.11 ratio speed-up = none DHP = 20 HP x 1.6 sf = 32																		
Step #2: Choose the Belt Pitch Belt Pitch Selection Guide (page C1–20)	20 HP and 117 RPM indicates the use of 14M pitch																		
Step #3: Check NEMA recommended minimum sprocket pitch diameter (page C1–21)	Does not apply – Driver not a NEMA motor Driver shaft – Reducer																		
Step #4: Calculate Speed Ratio Speed Ratio = Faster RPM / Slower RPM	Speed ratio = 130 RPM / 117 RPM = 1.11																		
Step #5: In the Drive Selection Tables corresponding to the correct belt pitch, locate the drive line with the same ratio. In the event of multiple drive lines, drives using larger diameters are usually more economical.	Drive lines 35 & 36 are both 1.11 ratio Using the guideline of larger diameter being more economical, use line 36.																		
Step #6: Note the following information from the drive line: Number teeth DriveR Number teeth DriveN Select the desired CD - To the right of the RPM and HP Belt Length Factor - Shaded above the CD Belt Length - Column header above the CD	From Line 36 Number teeth DriveR = 80 Number teeth DriveN = 72 CD = 41.06" Belt length factor = 1.05 Belt length = 3150																		
Step #7: In the HP Rating Tables, following the Drive Selection Tables, locate the proper charts for the belt pitch in use. Locate the number of teeth on the smallest sprocket at the top of the chart and its speed along the left side. At the intersection of these lines will be located the Raw HP of the drive. (When considering belt width refer to design HP calculation)	Smallest sprocket = 72 tooth Fastest RPM = 130 Step #1 Design HP = 32 HP can be interpolated between 100 and 200 RPM 55mm wide = approximately 24.1 HP 85mm wide = approximately 38.9 HP																		
Step #8: Calculate the Corrected HP for the Drive CHP = Raw HP x Belt Length Factor Compare the CHP to the DHP and pick the belt width	55mm wide – CHP = 24.1 x 1.05 = 25.3 85mm wide – CHP = 38.9 x 1.05 = 40.8 85mm meets our DHP and is the belt to use																		
Step #9: Check the Dynamic Balance recommendations Reference Chart (page C1–18)	OK as standard: P80-14M-85 static balance OK as standard: P72-14M-85 static balance																		
Step #10: Specify drive components Reference component dimensional page for Product Number	<table border="1"> <thead> <tr> <th>Item</th> <th>Product No.</th> <th>Ref. Page</th> </tr> </thead> <tbody> <tr> <td>DR Sprocket: P80-14M-85</td> <td>P8014M85</td> <td>C1–7</td> </tr> <tr> <td>DR Bushing: F x 3"</td> <td>F3</td> <td>A1–5</td> </tr> <tr> <td>DN Sprocket: P72-14M-85</td> <td>P7214M85</td> <td>C1–7</td> </tr> <tr> <td>DN Bushing: F x 3-1/4"</td> <td>F314</td> <td>A1–5</td> </tr> <tr> <td>Belt: 3150-14M-85</td> <td>315014M85</td> <td>C1–16</td> </tr> </tbody> </table>	Item	Product No.	Ref. Page	DR Sprocket: P80-14M-85	P8014M85	C1–7	DR Bushing: F x 3"	F3	A1–5	DN Sprocket: P72-14M-85	P7214M85	C1–7	DN Bushing: F x 3-1/4"	F314	A1–5	Belt: 3150-14M-85	315014M85	C1–16
Item	Product No.	Ref. Page																	
DR Sprocket: P80-14M-85	P8014M85	C1–7																	
DR Bushing: F x 3"	F3	A1–5																	
DN Sprocket: P72-14M-85	P7214M85	C1–7																	
DN Bushing: F x 3-1/4"	F314	A1–5																	
Belt: 3150-14M-85	315014M85	C1–16																	

Line No.	Drive Ratio	Sprocket Combination				1160 RPM DriveR			1750 RPM DriveR			3550 RPM DriveR						
		DRIVER		DRIVEN		DN RPM	Horsepower		DN RPM	Horsepower		DN RPM	Horsepower		350	375	400	425
		Teeth	PD (in)	Teeth	PD (in)		15MM	25MM		15MM	25MM		15MM	25MM				
Multiply Horsepower Listed by Length Correction Factor to Find Horsepower Rating →																		
1	1.00	32	2.005	32	2.005	1160	1.82	3.26	1750	2.61	4.67	3550	4.77	8.54	3.74	4.23	4.72	5.22
2	1.00	34	2.130	34	2.130	1160	1.98	3.54	1750	2.84	5.09	3550	5.24	9.37	3.54	4.04	4.53	5.02
3	1.00	36	2.256	36	2.256	1160	2.13	3.81	1750	3.07	5.50	3550	5.69	10.19	3.35	3.84	4.33	4.82
4	1.00	38	2.381	38	2.381	1160	2.28	4.09	1750	3.30	5.91	3550	6.15	11.00	3.15	3.64	4.13	4.63
5	1.00	40	2.506	40	2.506	1160	2.43	4.36	1750	3.53	6.32	3550	6.59	11.80	2.95	3.44	3.94	4.43
6	1.00	44	2.757	44	2.757	1160	2.73	4.89	1750	3.97	7.12	3550	7.46	13.36	--	--	3.54	4.04
7	1.00	48	3.008	48	3.008	1160	3.02	5.41	1750	4.41	7.90	3550	8.30	14.87	--	--	--	3.64
8	1.00	52	3.258	52	3.258	1160	3.31	5.92	1750	4.84	8.66	3550	9.12	16.33	--	--	--	--
9	1.00	56	3.509	56	3.509	1160	3.59	6.42	1750	5.25	9.40	3550	9.91	17.73	--	--	--	--
10	1.00	60	3.760	60	3.760	1160	3.86	6.91	1750	5.66	10.13	3550	10.66	19.09	--	--	--	--
11	1.00	64	4.010	64	4.010	1160	4.13	7.38	1750	6.05	10.83	3550	11.39	20.39	--	--	--	--
12	1.00	68	4.261	68	4.261	1160	4.38	7.85	1750	6.44	11.52	3550	12.09	21.64	--	--	--	--
13	1.00	72	4.511	72	4.511	1160	4.64	8.30	1750	6.81	12.19	3550	12.75	22.83	--	--	--	--
14	1.05	38	2.381	40	2.506	1102	2.28	4.09	1662	3.30	5.91	3372	6.15	11.00	3.05	3.54	4.03	4.53
15	1.06	36	2.256	38	2.381	1099	2.13	3.81	1658	3.07	5.50	3363	5.69	10.19	3.25	3.74	4.23	4.72
16	1.06	34	2.130	36	2.256	1096	1.98	3.54	1653	2.84	5.09	3353	5.24	9.37	3.44	3.94	4.43	4.92
17	1.06	68	4.261	72	4.511	1096	4.38	7.85	1653	6.44	11.52	3353	12.09	21.64	--	--	--	--
18	1.06	32	2.005	34	2.130	1092	1.82	3.26	1647	2.61	4.67	3341	4.77	8.54	3.64	4.13	4.63	5.12
19	1.06	64	4.010	68	4.261	1092	4.13	7.38	1647	6.05	10.83	3341	11.39	20.39	--	--	--	--
20	1.07	60	3.760	64	4.010	1088	3.86	6.91	1641	5.66	10.13	3328	10.66	19.09	--	--	--	--
21	1.07	56	3.509	60	3.760	1083	3.59	6.42	1633	5.25	9.40	3313	9.91	17.73	--	--	--	--
22	1.08	52	3.258	56	3.509	1077	3.31	5.92	1625	4.84	8.66	3296	9.12	16.33	--	--	--	--
23	1.08	48	3.008	52	3.258	1071	3.02	5.41	1615	4.41	7.90	3277	8.30	14.87	--	--	--	--
24	1.09	44	2.757	48	3.008	1063	2.73	4.89	1604	3.97	7.12	3254	7.46	13.36	--	--	3.34	3.84
25	1.10	40	2.506	44	2.757	1055	2.43	4.36	1591	3.53	6.32	3227	6.59	11.80	--	3.25	3.74	4.23
26	1.11	36	2.256	40	2.506	1044	2.13	3.81	1575	3.07	5.50	3195	5.69	10.19	3.15	3.64	4.13	4.62
27	1.11	72	4.511	80	5.013	1044	4.64	8.30	1575	6.81	12.19	3195	12.75	22.83	--	--	--	--
28	1.12	34	2.130	38	2.381	1038	1.98	3.54	1566	2.84	5.09	3176	5.24	9.37	3.34	3.84	4.33	4.82
29	1.13	32	2.005	36	2.256	1031	1.82	3.26	1556	2.61	4.67	3156	4.77	8.54	3.54	4.03	4.53	5.02
30	1.13	64	4.010	72	4.511	1031	4.13	7.38	1556	6.05	10.83	3156	11.39	20.39	--	--	--	--
31	1.13	60	3.760	68	4.261	1024	3.86	6.91	1544	5.66	10.13	3132	10.66	19.09	--	--	--	--
32	1.14	56	3.509	64	4.010	1015	3.59	6.42	1531	5.25	9.40	3106	9.91	17.73	--	--	--	--
33	1.15	52	3.258	60	3.760	1005	3.31	5.92	1517	4.84	8.66	3077	9.12	16.33	--	--	--	--
34	1.16	38	2.381	44	2.757	1002	2.28	4.09	1511	3.30	5.91	3066	6.15	11.00	--	3.34	3.83	4.33
35	1.17	48	3.008	56	3.509	994	3.02	5.41	1500	4.41	7.90	3043	8.30	14.87	--	--	--	--
36	1.18	34	2.130	40	2.506	986	1.98	3.54	1488	2.84	5.09	3018	5.24	9.37	3.24	3.74	4.23	4.72
37	1.18	68	4.261	80	5.013	986	4.38	7.85	1488	6.44	11.52	3018	12.09	21.64	--	--	--	--
38	1.18	44	2.757	52	3.258	982	2.73	4.89	1481	3.97	7.12	3004	7.46	13.36	--	--	--	3.63
39	1.19	32	2.005	38	2.381	977	1.82	3.26	1474	2.61	4.67	2989	4.77	8.54	3.44	3.93	4.43	4.92
40	1.20	40	2.506	48	3.008	967	2.43	4.36	1458	3.53	6.32	2958	6.59	11.80	--	--	3.53	4.03
41	1.20	60	3.760	72	4.511	967	3.86	6.91	1458	5.66	10.13	2958	10.66	19.09	--	--	--	--
42	1.21	56	3.509	68	4.261	955	3.59	6.42	1441	5.25	9.40	2924	9.91	17.73	--	--	--	--
43	1.22	36	2.256	44	2.757	949	2.13	3.81	1432	3.07	5.50	2905	5.69	10.19	2.94	3.44	3.93	4.42
44	1.23	52	3.258	64	4.010	942	3.31	5.92	1422	4.84	8.66	2884	9.12	16.33	--	--	--	--
45	1.25	32	2.005	40	2.506	928	1.82	3.26	1400	2.61	4.67	2840	4.77	8.54	3.34	3.83	4.32	4.82
46	1.25	48	3.008	60	3.760	928	3.02	5.41	1400	4.41	7.90	2840	8.30	14.87	--	--	--	--
47	1.25	64	4.010	80	5.013	928	4.13	7.38	1400	6.05	10.83	2840	11.39	20.39	--	--	--	--
48	1.25	72	4.511	90	5.639	928	4.64	8.30	1400	6.81	12.19	2840	12.75	22.83	--	--	--	--
49	1.26	38	2.381	48	3.008	918	2.28	4.09	1385	3.30	5.91	2810	6.15	11.00	--	3.13	3.63	4.12
50	1.27	44	2.757	56	3.509	911	2.73	4.89	1375	3.97	7.12	2789	7.46	13.36	--	--	--	--
Multiply Horsepower Listed by Length Correction Factor to Find Horsepower Rating →																		
0.80 0.80 0.80 0.80																		

SELECTION TABLES



CENTER DISTANCE																			Line No.
BELT LENGTH – Length Correction Factor																			
450	475	500	535	565	600	635	670	710	740	800	850	890	950	1000	1050	1125	1195	1270	
0.90	0.90	0.90	0.90	1.00	1.00	1.00	1.00	1.00	1.00	1.00	1.10	1.10	1.10	1.10	1.10	1.20	1.20	1.20	
5.71	6.20	6.69	7.38	7.97	8.66	9.35	10.04	10.83	11.42	12.60	13.58	14.37	15.55	16.54	17.52	19.00	20.37	21.85	1
5.51	6.00	6.50	7.19	7.78	8.46	9.15	9.84	10.63	11.22	12.40	13.39	14.17	15.35	16.34	17.32	18.80	20.18	21.65	2
5.31	5.81	6.30	6.99	7.58	8.27	8.96	9.65	10.43	11.02	12.20	13.19	13.98	15.16	16.14	17.13	18.60	19.98	21.46	3
5.12	5.61	6.10	6.79	7.38	8.07	8.76	9.45	10.24	10.83	12.01	12.99	13.78	14.96	15.94	16.93	18.41	19.78	21.26	4
4.92	5.41	5.91	6.59	7.19	7.87	8.56	9.25	10.04	10.63	11.81	12.80	13.58	14.76	15.75	16.73	18.21	19.59	21.06	5
4.53	5.02	5.51	6.20	6.79	7.48	8.17	8.86	9.65	10.24	11.42	12.40	13.19	14.37	15.35	16.34	17.81	19.19	20.67	6
4.13	4.63	5.12	5.81	6.40	7.09	7.78	8.46	9.25	9.84	11.02	12.01	12.80	13.98	14.96	15.94	17.42	18.80	20.28	7
3.74	4.23	4.72	5.41	6.00	6.69	7.38	8.07	8.86	9.45	10.63	11.61	12.40	13.58	14.57	15.55	17.03	18.41	19.88	8
--	--	4.33	5.02	5.61	6.30	6.99	7.68	8.46	9.06	10.24	11.22	12.01	13.19	14.17	15.16	16.63	18.01	19.49	9
--	--	--	4.63	5.22	5.91	6.59	7.28	8.07	8.66	9.84	10.83	11.61	12.80	13.78	14.76	16.24	17.62	19.09	10
--	--	--	--	4.82	5.51	6.20	6.89	7.68	8.27	9.45	10.43	11.22	12.40	13.39	14.37	15.85	17.22	18.70	11
--	--	--	--	--	5.12	5.81	6.50	7.28	7.87	9.06	10.04	10.83	12.01	12.99	13.98	15.45	16.83	18.31	12
--	--	--	--	--	--	5.41	6.10	6.89	7.48	8.66	9.65	10.43	11.61	12.60	13.58	15.06	16.44	17.91	13
5.02	5.51	6.00	6.69	7.28	7.97	8.66	9.35	10.14	10.73	11.91	12.89	13.68	14.86	15.85	16.83	18.31	19.68	21.16	14
5.22	5.71	6.20	6.89	7.48	8.17	8.86	9.55	10.33	10.93	12.11	13.09	13.88	15.06	16.04	17.03	18.50	19.88	21.36	15
5.41	5.91	6.40	7.09	7.68	8.37	9.05	9.74	10.53	11.12	12.30	13.29	14.07	15.26	16.24	17.22	18.70	20.08	21.56	16
--	--	--	--	--	4.92	5.61	6.30	7.09	7.68	8.86	9.84	10.63	11.81	12.79	13.78	15.26	16.63	18.11	17
5.61	6.10	6.59	7.28	7.87	8.56	9.25	9.94	10.73	11.32	12.50	13.48	14.27	15.45	16.44	17.42	18.90	20.28	21.75	18
--	--	--	--	4.62	5.31	6.00	6.69	7.48	8.07	9.25	10.24	11.02	12.20	13.19	14.17	15.65	17.03	18.50	19
--	--	--	4.43	5.02	5.71	6.40	7.09	7.87	8.46	9.64	10.63	11.42	12.60	13.58	14.57	16.04	17.42	18.90	20
--	--	4.13	4.82	5.41	6.10	6.79	7.48	8.27	8.86	10.04	11.02	11.81	12.99	13.98	14.96	16.44	17.81	19.29	21
--	4.03	4.53	5.22	5.81	6.49	7.18	7.87	8.66	9.25	10.43	11.42	12.20	13.39	14.37	15.35	16.83	18.21	19.68	22
3.93	4.43	4.92	5.61	6.20	6.89	7.58	8.27	9.05	9.64	10.83	11.81	12.60	13.78	14.76	15.75	17.22	18.60	20.08	23
4.33	4.82	5.31	6.00	6.59	7.28	7.97	8.66	9.45	10.04	11.22	12.20	12.99	14.17	15.16	16.14	17.62	19.00	20.47	24
4.72	5.22	5.71	6.40	6.99	7.68	8.37	9.05	9.84	10.43	11.61	12.60	13.39	14.57	15.55	16.53	18.01	19.39	20.87	25
5.12	5.61	6.10	6.79	7.38	8.07	8.76	9.45	10.24	10.83	12.01	12.99	13.78	14.96	15.94	16.93	18.41	19.78	21.26	26
--	--	--	--	--	--	--	5.70	6.49	7.08	8.26	9.25	10.04	11.22	12.20	13.19	14.66	16.04	17.52	27
5.31	5.81	6.30	6.99	7.58	8.27	8.96	9.64	10.43	11.02	12.20	13.19	13.98	15.16	16.14	17.13	18.60	19.98	21.46	28
5.51	6.00	6.49	7.18	7.77	8.46	9.15	9.84	10.63	11.22	12.40	13.39	14.17	15.35	16.34	17.32	18.80	20.18	21.65	29
--	--	--	--	--	5.11	5.80	6.49	7.28	7.87	9.05	10.04	10.82	12.01	12.99	13.97	15.45	16.83	18.31	30
--	--	--	--	4.82	5.51	6.20	6.89	7.67	8.26	9.45	10.43	11.22	12.40	13.38	14.37	15.84	17.22	18.70	31
--	--	--	4.62	5.21	5.90	6.59	7.28	8.07	8.66	9.84	10.82	11.61	12.79	13.78	14.76	16.24	17.62	19.09	32
--	--	4.32	5.01	5.60	6.29	6.98	7.67	8.46	9.05	10.23	11.22	12.01	13.19	14.17	15.16	16.63	18.01	19.49	33
4.82	5.31	5.80	6.49	7.08	7.77	8.46	9.15	9.94	10.53	11.71	12.70	13.48	14.66	15.65	16.63	18.11	19.49	20.96	34
3.73	4.22	4.72	5.41	6.00	6.69	7.38	8.07	8.85	9.45	10.63	11.61	12.40	13.58	14.56	15.55	17.03	18.40	19.88	35
5.21	5.71	6.20	6.89	7.48	8.17	8.86	9.55	10.33	10.92	12.10	13.09	13.88	15.06	16.04	17.03	18.50	19.88	21.36	36
--	--	--	--	--	--	5.20	5.89	6.68	7.27	8.46	9.44	10.23	11.41	12.40	13.38	14.86	16.24	17.71	37
4.13	4.62	5.11	5.80	6.39	7.08	7.77	8.46	9.25	9.84	11.02	12.01	12.79	13.97	14.96	15.94	17.42	18.80	20.27	38
5.41	5.90	6.39	7.08	7.67	8.36	9.05	9.74	10.53	11.12	12.30	13.29	14.07	15.25	16.24	17.22	18.70	20.08	21.55	39
4.52	5.01	5.51	6.20	6.79	7.48	8.17	8.85	9.64	10.23	11.41	12.40	13.19	14.37	15.35	16.34	17.81	19.19	20.67	40
--	--	--	--	4.61	5.30	5.99	6.68	7.47	8.06	9.24	10.23	11.02	12.20	13.18	14.17	15.65	17.02	18.50	41
--	--	--	4.41	5.01	5.70	6.39	7.08	7.87	8.46	9.64	10.62	11.41	12.59	13.58	14.56	16.04	17.42	18.89	42
4.91	5.41	5.90	6.59	7.18	7.87	8.56	9.25	10.04	10.63	11.81	12.79	13.58	14.76	15.75	16.73	18.21	19.58	21.06	43
--	--	4.12	4.81	5.40	6.09	6.78	7.47	8.26	8.85	10.03	11.02	11.81	12.99	13.97	14.96	16.43	17.81	19.29	44
5.31	5.80	6.29	6.98	7.57	8.26	8.95	9.64	10.43	11.02	12.20	13.19	13.97	15.16	16.14	17.12	18.60	19.98	21.46	45
--	4.02	4.51	5.20	5.79	6.49	7.18	7.87	8.65	9.24	10.43	11.41	12.20	13.38	14.37	15.35	16.83	18.20	19.68	46
--	--	--	--	--	--	5.39	6.08	6.87	7.46	8.65	9.63	10.42	11.60	12.59	13.57	15.05	16.43	17.91	47
--	--	--	--	--	--	--	--	5.98	6.57	7.76	8.74	9.53	10.71	11.70	12.68	14.16	15.54	17.02	48
4.62	5.11	5.60	6.29	6.88	7.57	8.26	8.95	9.74	10.33	11.51	12.50	13.28	14.47	15.45	16.43	17.91	19.29	20.77	49
3.92	4.41	4.91	5.60	6.19	6.88	7.57	8.26	9.05	9.64	10.82	11.81	12.59	13.77	14.76	15.74	17.22	18.60	20.08	50
0.90	0.90	0.90	0.90	1.00	1.00	1.00	1.00	1.00	1.00	1.00	1.10	1.10	1.10	1.10	1.10	1.20	1.20	1.20	

Line No.	Drive Ratio	Sprocket Combination				1160 RPM DriveR			1750 RPM DriveR			3550 RPM DriveR																									
		DRIVER		DRIVEN		DN RPM	Horsepower		DN RPM	Horsepower		DN RPM	Horsepower		400	425	450	475	500	535																	
		Teeth	PD (in)	Teeth	PD (in)		15MM	25MM		15MM	25MM		15MM	25MM																							
Multiply Horsepower Listed by Length Correction Factor to Find Horsepower Rating →																																					
51	1.29	56	3.509	72	4.511	902	3.59	6.42	1361	5.25	9.40	2761	9.91	17.73	--	--	--	--	--	--																	
52	1.29	34	2.130	44	2.757	896	1.98	3.54	1352	2.84	5.09	2743	5.24	9.37	4.02	4.52	5.01	5.50	6.00	6.69																	
53	1.30	40	2.506	52	3.258	892	2.43	4.36	1346	3.53	6.32	2731	6.59	11.80	3.33	3.82	4.31	4.81	5.30	5.99																	
54	1.31	52	3.258	68	4.261	887	3.31	5.92	1338	4.84	8.66	2715	9.12	16.33	--	--	--	--	--	4.60																	
55	1.32	68	4.261	90	5.639	876	4.38	7.85	1322	6.44	11.52	2682	12.09	21.64	--	--	--	--	--	--																	
56	1.33	36	2.256	48	3.008	870	2.13	3.81	1312	3.07	5.50	2662	5.69	10.19	3.72	4.22	4.71	5.20	5.70	6.39																	
57	1.33	48	3.008	64	4.010	870	3.02	5.41	1312	4.41	7.90	2662	8.30	14.87	--	--	--	--	4.30	4.99																	
58	1.33	60	3.760	80	5.013	870	3.86	6.91	1312	5.66	10.13	2662	10.66	19.09	--	--	--	--	--	--																	
59	1.36	44	2.757	60	3.760	851	2.73	4.89	1283	3.97	7.12	2603	7.46	13.36	--	--	3.71	4.20	4.70	5.39																	
60	1.37	38	2.381	52	3.258	848	2.28	4.09	1279	3.30	5.91	2594	6.15	11.00	3.42	3.91	4.41	4.90	5.40	6.09																	
61	1.38	32	2.005	44	2.757	844	1.82	3.26	1273	2.61	4.67	2582	4.77	8.54	4.12	4.61	5.10	5.60	6.09	6.78																	
62	1.38	52	3.258	72	4.511	838	3.31	5.92	1264	4.84	8.66	2564	9.12	16.33	--	--	--	--	--	4.38																	
63	1.40	40	2.506	56	3.509	829	2.43	4.36	1250	3.53	6.32	2536	6.59	11.80	--	3.61	4.10	4.60	5.09	5.79																	
64	1.41	64	4.010	90	5.639	825	4.13	7.38	1244	6.05	10.83	2524	11.39	20.39	--	--	--	--	--	--																	
65	1.41	34	2.130	48	3.008	822	1.98	3.54	1240	2.84	5.09	2515	5.24	9.37	3.81	4.31	4.80	5.30	5.79	6.48																	
66	1.42	48	3.008	68	4.261	819	3.02	5.41	1235	4.41	7.90	2506	8.30	14.87	--	--	--	--	4.09	4.78																	
67	1.43	56	3.509	80	5.013	812	3.59	6.42	1225	5.25	9.40	2485	9.91	17.73	--	--	--	--	--	--																	
68	1.44	36	2.256	52	3.258	803	2.13	3.81	1212	3.07	5.50	2458	5.69	10.19	3.51	4.00	4.50	4.99	5.49	6.18																	
69	1.45	44	2.757	64	4.010	798	2.73	4.89	1203	3.97	7.12	2441	7.46	13.36	--	--	--	3.99	4.48	5.18																	
70	1.47	38	2.381	56	3.509	787	2.28	4.09	1188	3.30	5.91	2409	6.15	11.00	--	3.70	4.19	4.69	5.19	5.88																	
71	1.50	32	2.005	48	3.008	773	1.82	3.26	1167	2.61	4.67	2367	4.77	8.54	3.90	4.40	4.90	5.39	5.88	6.58																	
72	1.50	40	2.506	60	3.760	773	2.43	4.36	1167	3.53	6.32	2367	6.59	11.80	--	--	3.89	4.38	4.88	5.58																	
73	1.50	48	3.008	72	4.511	773	3.02	5.41	1167	4.41	7.90	2367	8.30	14.87	--	--	--	--	--	4.56																	
74	1.50	60	3.760	90	5.639	773	3.86	6.91	1167	5.66	10.13	2367	10.66	19.09	--	--	--	--	--	--																	
75	1.53	34	2.130	52	3.258	758	1.98	3.54	1144	2.84	5.09	2321	5.24	9.37	3.60	4.10	4.59	5.09	5.58	6.27																	
76	1.54	52	3.258	80	5.013	754	3.31	5.92	1138	4.84	8.66	2308	9.12	16.33	--	--	--	--	--	--																	
77	1.55	44	2.757	68	4.261	751	2.73	4.89	1132	3.97	7.12	2297	7.46	13.36	--	--	--	--	4.26	4.96																	
78	1.56	36	2.256	56	3.509	746	2.13	3.81	1125	3.07	5.50	2282	5.69	10.19	3.29	3.79	4.28	4.78	5.28	5.97																	
79	1.56	72	4.511	112	7.018	746	4.64	8.30	1125	6.81	12.19	2282	12.75	22.83	--	--	--	--	--	--																	
80	1.58	38	2.381	60	3.760	735	2.28	4.09	1108	3.30	5.91	2248	6.15	11.00	--	3.47	3.98	4.47	4.97	5.67																	
81	1.60	40	2.506	64	4.010	725	2.43	4.36	1094	3.53	6.32	2219	6.59	11.80	--	--	3.66	4.16	4.66	5.36																	
82	1.61	56	3.509	90	5.639	722	3.59	6.42	1089	5.25	9.40	2209	9.91	17.73	--	--	--	--	--	--																	
83	1.63	32	2.005	52	3.258	714	1.82	3.26	1077	2.61	4.67	2185	4.77	8.54	3.69	4.19	4.68	5.18	5.67	6.37																	
84	1.64	44	2.757	72	4.511	709	2.73	4.89	1069	3.97	7.12	2169	7.46	13.36	--	--	--	--	4.04	4.74																	
85	1.65	34	2.130	56	3.509	704	1.98	3.54	1062	2.84	5.09	2155	5.24	9.37	3.37	3.88	4.37	4.87	5.37	6.06																	
86	1.65	68	4.261	112	7.018	704	4.38	7.85	1062	6.44	11.52	2155	12.09	21.64	--	--	--	--	--	--																	
87	1.67	36	2.256	60	3.760	696	2.13	3.81	1050	3.07	5.50	2130	5.69	10.19	--	3.56	4.06	4.56	5.06	5.76																	
88	1.67	48	3.008	80	5.013	696	3.02	5.41	1050	4.41	7.90	2130	8.30	14.87	--	--	--	--	--	--																	
89	1.68	38	2.381	64	4.010	689	2.28	4.09	1039	3.30	5.91	2108	6.15	11.00	--	--	3.75	4.25	4.75	5.45																	
90	1.70	40	2.506	68	4.261	682	2.43	4.36	1029	3.53	6.32	2088	6.59	11.80	--	--	--	3.94	4.44	5.14																	
91	1.73	52	3.258	90	5.639	670	3.31	5.92	1011	4.84	8.66	2051	9.12	16.33	--	--	--	--	--	--																	
92	1.75	32	2.005	56	3.509	663	1.82	3.26	1000	2.61	4.67	2029	4.77	8.54	3.46	3.96	4.46	4.96	5.46	6.15																	
93	1.75	64	4.010	112	7.018	663	4.13	7.38	1000	6.05	10.83	2029	11.39	20.39	--	--	--	--	--	--																	
94	1.76	34	2.130	60	3.760	657	1.98	3.54	992	2.84	5.09	2012	5.24	9.37	--	3.65	4.15	4.65	5.15	5.85																	
95	1.78	36	2.256	64	4.010	652	2.13	3.81	984	3.07	5.50	1997	5.69	10.19	--	--	3.84	4.34	4.84	5.54																	
96	1.79	38	2.381	68	4.261	648	2.28	4.09	978	3.30	5.91	1984	6.15	11.00	--	--	--	4.02	4.53	5.23																	
97	1.80	40	2.506	72	4.511	644	2.43	4.36	972	3.53	6.32	1972	6.59	11.80	--	--	--	--	4.21	4.92																	
98	1.82	44	2.757	80	5.013	638	2.73	4.89	962	3.97	7.12	1952	7.46	13.36	--	--	--	--	--	4.28																	
99	1.87	60	3.760	112	7.018	621	3.86	6.91	938	5.66	10.13	1902	10.66	19.09	--	--	--	--	--	--																	
100	1.88	32	2.005	60	3.760	619	1.82	3.26	933	2.61	4.67	1893	4.77	8.54	--	3.74	4.24	4.74	5.24	5.94																	
Multiply Horsepower Listed by Length Correction Factor to Find Horsepower Rating →																			0.80	0.80	0.90	0.90	0.90	0.90													

SELECTION TABLES



CENTER DISTANCE																	Line No.
BELT LENGTH – Length Correction Factor																	
565	600	635	670	710	740	800	850	890	950	1000	1050	1125	1195	1270	1420	1595	
1.00	1.00	1.00	1.00	1.00	1.00	1.00	1.10	1.10	1.10	1.10	1.10	1.20	1.20	1.20	1.20	1.30	
4.80	5.49	6.18	6.87	7.66	8.25	9.44	10.42	11.21	12.39	13.38	14.36	15.84	17.22	18.69	21.65	25.09	51
7.28	7.97	8.66	9.35	10.13	10.72	11.91	12.89	13.68	14.86	15.84	16.83	18.30	19.68	21.16	24.11	27.56	52
6.58	7.27	7.96	8.65	9.44	10.03	11.21	12.20	12.99	14.17	15.15	16.14	17.61	18.99	20.47	23.42	26.87	53
5.19	5.88	6.58	7.27	8.06	8.65	9.83	10.82	11.60	12.79	13.77	14.76	16.23	17.61	19.09	22.04	25.49	54
--	--	--	5.37	6.16	6.76	7.94	8.93	9.72	10.90	11.89	12.88	14.35	15.73	17.21	20.17	23.61	55
6.98	7.67	8.36	9.05	9.84	10.43	11.61	12.59	13.38	14.56	15.55	16.53	18.01	19.39	20.86	23.82	27.26	56
5.59	6.28	6.97	7.66	8.45	9.04	10.22	11.21	12.00	13.18	14.16	15.15	16.63	18.00	19.48	22.44	25.88	57
--	4.88	5.58	6.27	7.06	7.65	8.84	9.82	10.61	11.79	12.78	13.77	15.24	16.62	18.10	21.05	24.50	58
5.98	6.67	7.36	8.06	8.84	9.44	10.62	11.60	12.39	13.57	14.56	15.54	17.02	18.40	19.88	22.83	26.27	59
6.68	7.37	8.06	8.75	9.54	10.13	11.31	12.30	13.08	14.26	15.25	16.23	17.71	19.09	20.57	23.52	26.96	60
7.37	8.06	8.75	9.44	10.23	10.82	12.00	12.99	13.77	14.96	15.94	16.92	18.40	19.78	21.26	24.21	27.65	61
4.98	5.67	6.37	7.06	7.85	8.44	9.63	10.61	11.40	12.58	13.57	14.55	16.03	17.41	18.89	21.84	25.29	62
6.38	7.07	7.76	8.45	9.24	9.83	11.01	12.00	12.79	13.97	14.95	15.94	17.41	18.79	20.27	23.22	26.67	63
--	--	--	5.55	6.35	6.94	8.13	9.12	9.91	11.09	12.08	13.07	14.54	15.92	17.40	20.36	23.80	64
7.07	7.76	8.45	9.14	9.93	10.52	11.70	12.69	13.48	14.66	15.64	16.63	18.10	19.48	20.96	23.91	27.36	65
5.38	6.07	6.76	7.45	8.24	8.84	10.02	11.01	11.79	12.98	13.96	14.95	16.43	17.80	19.28	22.24	25.68	66
--	5.06	5.76	6.45	7.24	7.84	9.02	10.01	10.80	11.98	12.97	13.96	15.43	16.81	18.29	21.25	24.69	67
6.77	7.46	8.15	8.84	9.63	10.22	11.41	12.39	13.18	14.36	15.35	16.33	17.81	19.19	20.66	23.62	27.06	68
5.77	6.47	7.16	7.85	8.64	9.23	10.41	11.40	12.19	13.37	14.36	15.34	16.82	18.20	19.68	22.63	26.08	69
6.47	7.16	7.85	8.54	9.33	9.92	11.11	12.09	12.88	14.06	15.05	16.03	17.51	18.89	20.37	23.32	26.77	70
7.17	7.86	8.55	9.24	10.03	10.62	11.80	12.79	13.57	14.76	15.74	16.72	18.20	19.58	21.06	24.01	27.46	71
6.17	6.86	7.55	8.24	9.03	9.63	10.81	11.79	12.58	13.77	14.75	15.74	17.21	18.59	20.07	23.02	26.47	72
5.16	5.86	6.55	7.24	8.04	8.63	9.81	10.80	11.59	12.77	13.76	14.74	16.22	17.60	19.08	22.03	25.48	73
--	--	--	5.73	6.53	7.12	8.31	9.30	10.09	11.28	12.27	13.25	14.73	16.11	17.59	20.55	24.00	74
6.87	7.56	8.25	8.94	9.73	10.32	11.50	12.49	13.28	14.46	15.44	16.43	17.90	19.28	20.76	23.71	27.16	75
4.54	5.24	5.94	6.63	7.43	8.02	9.21	10.20	10.99	12.17	13.16	14.15	15.62	17.00	18.48	21.44	24.89	76
5.56	6.25	6.95	7.64	8.43	9.02	10.21	11.20	11.98	13.17	14.15	15.14	16.62	18.00	19.47	22.43	25.87	77
6.56	7.26	7.95	8.64	9.43	10.02	11.20	12.19	12.98	14.16	15.14	16.13	17.61	18.99	20.46	23.42	26.86	78
--	--	--	--	--	--	6.57	7.57	8.37	9.56	10.56	11.55	13.03	14.41	15.90	18.86	22.31	79
6.26	6.95	7.65	8.34	9.13	9.72	10.90	11.89	12.68	13.86	14.85	15.83	17.31	18.69	20.17	23.12	26.57	80
5.96	6.65	7.34	8.04	8.83	9.42	10.60	11.59	12.38	13.56	14.55	15.53	17.01	18.39	19.87	22.82	26.27	81
--	--	5.21	5.91	6.71	7.30	8.50	9.49	10.28	11.47	12.45	13.44	14.92	16.30	17.78	20.74	24.19	82
6.96	7.65	8.34	9.03	9.82	10.41	11.60	12.58	13.37	14.55	15.54	16.52	18.00	19.38	20.86	23.81	27.26	83
5.34	6.04	6.73	7.43	8.22	8.81	10.00	10.99	11.78	12.96	13.95	14.93	16.41	17.79	19.27	22.23	25.67	84
6.66	7.35	8.04	8.73	9.52	10.11	11.30	12.28	13.07	14.25	15.24	16.23	17.70	19.08	20.56	23.51	26.96	85
--	--	--	--	--	--	6.75	7.75	8.55	9.74	10.74	11.73	13.22	14.60	16.08	19.04	22.50	86
6.35	7.05	7.74	8.43	9.22	9.81	11.00	11.98	12.77	13.96	14.94	15.93	17.41	18.78	20.26	23.22	26.66	87
4.72	5.42	6.12	6.82	7.61	8.21	9.40	10.38	11.18	12.36	13.35	14.34	15.81	17.20	18.67	21.63	25.08	88
6.05	6.74	7.44	8.13	8.92	9.51	10.70	11.68	12.47	13.66	14.64	15.63	17.11	18.49	19.96	22.92	26.37	89
5.74	6.44	7.13	7.82	8.62	9.21	10.40	11.38	12.17	13.36	14.34	15.33	16.81	18.19	19.67	22.62	26.07	90
--	--	5.38	6.08	6.89	7.48	8.68	9.67	10.46	11.65	12.64	13.63	15.11	16.49	17.97	20.93	24.38	91
6.75	7.44	8.13	8.83	9.62	10.21	11.39	12.38	13.17	14.35	15.34	16.32	17.80	19.18	20.66	23.61	27.06	92
--	--	--	--	--	--	6.92	7.93	8.73	9.93	10.92	11.91	13.40	14.79	16.27	19.23	22.69	93
6.44	7.14	7.83	8.52	9.31	9.91	11.09	12.08	12.87	14.05	15.04	16.02	17.50	18.88	20.36	23.31	26.76	94
6.14	6.83	7.53	8.22	9.01	9.61	10.79	11.78	12.57	13.75	14.74	15.72	17.20	18.58	20.06	23.01	26.46	95
5.83	6.53	7.22	7.92	8.71	9.30	10.49	11.48	12.27	13.45	14.44	15.42	16.90	18.28	19.76	22.72	26.16	96
5.52	6.22	6.92	7.61	8.40	9.00	10.19	11.18	11.97	13.15	14.14	15.12	16.60	17.98	19.46	22.42	25.87	97
4.89	5.59	6.30	7.00	7.79	8.39	9.58	10.57	11.36	12.55	13.54	14.52	16.00	17.38	18.86	21.82	25.27	98
--	--	--	--	--	5.88	7.10	8.10	8.91	10.10	11.10	12.09	13.58	14.97	16.45	19.42	22.88	99
6.54	7.23	7.92	8.62	9.41	10.00	11.19	12.17	12.96	14.15	15.13	16.12	17.60	18.98	20.45	23.41	26.86	100
1.00	1.00	1.00	1.00	1.00	1.00	1.00	1.10	1.10	1.10	1.10	1.10	1.20	1.20	1.20	1.20	1.30	

SELECTION TABLES



CENTER DISTANCE																			Line No.
BELT LENGTH – Length Correction Factor																			
565	600	635	670	710	740	800	850	890	950	1000	1050	1125	1195	1270	1420	1595	1690	1790	
1.00	1.00	1.00	1.00	1.00	1.00	1.00	1.10	1.10	1.10	1.10	1.10	1.20	1.20	1.20	1.20	1.30	1.30	1.30	
--	4.84	5.55	6.26	7.06	7.66	8.86	9.85	10.65	11.84	12.83	13.82	15.30	16.68	18.16	21.12	24.57	26.44	28.41	101
6.23	6.92	7.62	8.31	9.11	9.70	10.88	11.87	12.66	13.85	14.83	15.82	17.30	18.68	20.16	23.11	26.56	28.43	30.40	102
5.92	6.62	7.31	8.01	8.80	9.40	10.58	11.57	12.36	13.55	14.53	15.52	17.00	18.38	19.86	22.81	26.26	28.13	30.10	103
5.61	6.31	7.01	7.70	8.50	9.09	10.28	11.27	12.06	13.24	14.23	15.22	16.70	18.08	19.56	22.51	25.96	27.83	29.80	104
6.32	7.01	7.71	8.40	9.20	9.79	10.98	11.97	12.76	13.94	14.93	15.91	17.39	18.77	20.25	23.21	26.65	28.53	30.50	105
6.01	6.71	7.40	8.10	8.89	9.49	10.68	11.66	12.45	13.64	14.63	15.61	17.09	18.47	19.95	22.91	26.36	28.23	30.20	106
5.70	6.40	7.10	7.79	8.59	9.18	10.37	11.36	12.15	13.34	14.33	15.31	16.79	18.17	19.65	22.61	26.06	27.93	29.90	107
5.06	5.77	6.47	7.17	7.97	8.57	9.76	10.75	11.55	12.73	13.72	14.71	16.19	17.57	19.05	22.01	25.46	27.33	29.30	108
--	--	--	--	--	6.04	7.27	8.28	9.08	10.28	11.28	12.28	13.77	15.15	16.64	19.61	23.06	24.94	26.91	109
--	5.01	5.72	6.43	7.24	7.84	9.04	10.03	10.83	12.02	13.01	14.00	15.48	16.87	18.35	21.31	24.76	26.63	28.61	110
5.15	5.86	6.56	7.26	8.06	8.66	9.85	10.85	11.64	12.83	13.82	14.80	16.29	17.67	19.15	22.11	25.56	27.43	29.40	111
5.78	6.49	7.18	7.88	8.68	9.27	10.46	11.45	12.25	13.43	14.42	15.41	16.89	18.27	19.75	22.70	26.15	28.03	30.00	112
6.10	6.80	7.49	8.19	8.98	9.58	10.77	11.76	12.55	13.73	14.72	15.71	17.19	18.57	20.05	23.00	26.45	28.32	30.29	113
--	--	--	--	5.59	6.21	7.44	8.45	9.26	10.46	11.46	12.46	13.95	15.34	16.82	19.79	23.25	25.13	27.10	114
5.23	5.94	6.65	7.35	8.15	8.75	9.94	10.94	11.73	12.92	13.91	14.90	16.38	17.76	19.24	22.20	25.65	27.52	29.50	115
5.87	6.57	7.27	7.97	8.77	9.36	10.56	11.55	12.34	13.52	14.51	15.50	16.98	18.36	19.84	22.80	26.25	28.12	30.09	116
4.45	5.18	5.89	6.61	7.41	8.02	9.22	10.21	11.01	12.20	13.19	14.19	15.67	17.05	18.54	21.50	24.95	26.82	28.80	117
--	--	--	--	5.75	6.38	7.61	8.63	9.43	10.64	11.64	12.64	14.13	15.52	17.01	19.98	23.44	25.31	27.29	118
5.32	6.03	6.74	7.44	8.24	8.84	10.03	11.03	11.82	13.01	14.00	14.99	16.47	17.86	19.34	22.30	25.75	27.62	29.59	119
4.53	5.26	5.98	6.69	7.50	8.10	9.31	10.30	11.10	12.29	13.29	14.28	15.76	17.15	18.63	21.59	25.05	26.92	28.89	120
5.40	6.11	6.82	7.53	8.33	8.93	10.12	11.12	11.91	13.10	14.09	15.08	16.57	17.95	19.43	22.39	25.84	27.72	29.69	121
4.61	5.34	6.06	6.78	7.59	8.19	9.39	10.39	11.19	12.38	13.38	14.37	15.85	17.24	18.72	21.69	25.14	27.01	28.99	122
--	--	--	--	5.92	6.54	7.78	8.80	9.61	10.81	11.82	12.82	14.31	15.70	17.19	20.16	23.62	25.50	27.48	123
4.69	5.42	6.15	6.86	7.67	8.28	9.48	10.48	11.28	12.48	13.47	14.46	15.95	17.33	18.82	21.78	25.23	27.11	29.08	124
--	--	--	5.22	6.08	6.71	7.95	8.97	9.78	10.99	11.99	12.99	14.49	15.88	17.37	20.35	23.81	25.69	27.66	125
4.77	5.51	6.23	6.95	7.76	8.37	9.57	10.57	11.37	12.57	13.56	14.55	16.04	17.42	18.91	21.87	25.33	27.20	29.18	126
--	--	--	5.30	6.16	6.79	8.03	9.05	9.87	11.08	12.08	13.08	14.58	15.97	17.46	20.44	23.90	25.78	27.76	127
--	--	--	5.38	6.24	6.87	8.12	9.14	9.95	11.16	12.17	13.17	14.67	16.06	17.56	20.53	24.00	25.87	27.85	128
--	--	--	5.46	6.32	6.95	8.20	9.22	10.04	11.25	12.26	13.26	14.76	16.15	17.65	20.62	24.09	25.97	27.94	129
--	--	--	5.53	6.40	7.03	8.28	9.31	10.12	11.34	12.34	13.35	14.85	16.24	17.74	20.71	24.18	26.06	28.04	130
1.00	1.00	1.00	1.00	1.00	1.00	1.00	1.10	1.10	1.10	1.10	1.10	1.20	1.20	1.20	1.20	1.30	1.30	1.30	

Line No.	Drive Ratio	Sprocket Combination				1160 RPM DriveR				1750 RPM DriveR									
		DRIVER		DRIVEN		DN	Horsepower				DN	Horsepower				480	536	560	600
		Teeth	PD (in)	Teeth	PD (in)		RPM	20MM	30MM	50MM		85MM	RPM	20MM	30MM				
Multiply Horsepower Listed by Length Correction Factor to Find Horsepower Rating →														0.80	0.80	0.80	0.80		
	1.00	22	2.206	22	2.206	1160	4.13	6.53	—	—	1750	5.62	8.88	—	—	5.98	7.09	7.56	8.35
	1.00	24	2.406	24	2.406	1160	4.71	7.45	—	—	1750	6.40	10.12	—	—	5.67	6.77	7.24	8.03
	1.00	26	2.607	26	2.607	1160	5.28	8.35	—	—	1750	7.17	11.33	—	—	5.35	6.46	6.93	7.72
	1.00	28	2.807	28	2.807	1160	5.84	9.23	16.00	—	1750	7.93	12.52	21.71	—	5.04	6.14	6.61	7.40
	1.00	30	3.008	30	3.008	1160	6.39	10.09	17.49	—	1750	8.66	13.69	23.73	—	4.72	5.83	6.30	7.09
	1.00	32	3.208	32	3.208	1160	6.92	10.94	18.97	—	1750	9.39	14.83	25.71	—	4.41	5.51	5.98	6.77
	1.00	34	3.409	34	3.409	1160	7.45	11.77	20.42	35.54	1750	10.10	15.95	27.66	48.15	--	5.20	5.67	6.46
	1.00	36	3.609	36	3.609	1160	7.97	12.60	21.84	38.02	1750	10.79	17.05	29.57	51.48	--	4.88	5.35	6.14
	1.00	38	3.810	38	3.810	1160	8.48	13.40	23.24	40.47	1750	11.48	18.13	31.44	54.75	--	4.57	5.04	5.83
	1.00	40	4.010	40	4.010	1160	8.99	14.20	24.63	42.88	1750	12.15	19.20	33.29	57.96	--	--	--	5.51
	1.00	44	4.411	44	4.411	1160	9.98	15.76	27.34	47.59	1750	13.47	21.28	36.90	64.24	--	--	--	--
	1.00	48	4.812	48	4.812	1160	10.94	17.29	29.97	52.19	1750	14.74	23.30	40.39	70.33	--	--	--	--
	1.00	56	5.614	56	5.614	1160	12.80	20.22	35.06	61.04	1750	17.19	27.17	47.11	82.01	--	--	--	--
	1.00	64	6.416	64	6.416	1160	14.57	23.03	39.93	69.51	1750	19.52	30.84	53.48	93.12	--	--	--	--
	1.00	72	7.218	72	7.218	1160	16.28	25.72	44.60	77.64	1750	21.74	34.35	59.57	103.71	--	--	--	--
	1.00	80	8.020	80	8.020	1160	17.92	28.31	49.10	85.47	1750	23.87	37.71	65.39	113.84	--	--	--	--
	1.05	38	3.810	40	4.010	1102	8.48	13.40	23.24	40.47	1662	11.48	18.13	31.44	54.75	--	--	4.88	5.67
	1.06	36	3.609	38	3.810	1099	7.97	12.60	21.84	38.02	1658	10.79	17.05	29.57	51.48	--	4.72	5.20	5.98
	1.06	34	3.409	36	3.609	1096	7.45	11.77	20.42	35.54	1653	10.10	15.95	27.66	48.15	--	5.04	5.51	6.30
	1.06	32	3.208	34	3.409	1092	6.92	10.94	18.97	—	1647	9.39	14.83	25.71	—	4.25	5.35	5.83	6.61
	1.07	30	3.008	32	3.208	1088	6.39	10.09	17.49	—	1641	8.66	13.69	23.73	—	4.57	5.67	6.14	6.93
	1.07	28	2.807	30	3.008	1083	5.84	9.23	16.00	—	1633	7.93	12.52	21.71	—	4.88	5.98	6.46	7.24
	1.08	26	2.607	28	2.807	1077	5.28	8.35	—	—	1625	7.17	11.33	—	—	5.20	6.30	6.77	7.56
	1.08	24	2.406	26	2.607	1071	4.71	7.45	—	—	1615	6.40	10.12	—	—	5.51	6.61	7.09	7.87
	1.09	22	2.206	24	2.406	1063	4.13	6.53	—	—	1604	5.62	8.88	—	—	5.83	6.93	7.40	8.19
	1.09	44	4.411	48	4.812	1063	9.98	15.76	27.34	47.59	1604	13.47	21.28	36.90	64.24	--	--	--	--
	1.10	40	4.010	44	4.411	1055	8.99	14.20	24.63	42.88	1591	12.15	19.20	33.29	57.96	--	--	--	5.19
	1.11	36	3.609	40	4.010	1044	7.97	12.60	21.84	38.02	1575	10.79	17.05	29.57	51.48	--	4.56	5.04	5.82
	1.11	72	7.218	80	8.020	1044	16.28	25.72	44.60	77.64	1575	21.74	34.35	59.57	103.71	--	--	--	--
	1.12	34	3.409	38	3.810	1038	7.45	11.77	20.42	35.54	1566	10.10	15.95	27.66	48.15	--	4.88	5.35	6.14
	1.13	32	3.208	36	3.609	1031	6.92	10.94	18.97	—	1556	9.39	14.83	25.71	—	--	5.19	5.67	6.45
	1.13	64	6.416	72	7.218	1031	14.57	23.03	39.93	69.51	1556	19.52	30.84	53.48	93.12	--	--	--	--
	1.13	80	8.020	90	9.023	1031	17.92	28.31	49.10	85.47	1556	23.87	37.71	65.39	113.84	--	--	--	--
	1.13	30	3.008	34	3.409	1024	6.39	10.09	17.49	—	1544	8.66	13.69	23.73	—	4.40	5.51	5.98	6.77
	1.14	28	2.807	32	3.208	1015	5.84	9.23	16.00	—	1531	7.93	12.52	21.71	—	4.72	5.82	6.30	7.08
	1.14	56	5.614	64	6.416	1015	12.80	20.22	35.06	61.04	1531	17.19	27.17	47.11	82.01	--	--	--	--
	1.15	26	2.607	30	3.008	1005	5.28	8.35	—	—	1517	7.17	11.33	—	—	5.04	6.14	6.61	7.40
	1.16	38	3.810	44	4.411	1002	8.48	13.40	23.24	40.47	1511	11.48	18.13	31.44	54.75	--	--	--	5.35
	1.17	24	2.406	28	2.807	994	4.71	7.45	—	—	1500	6.40	10.12	—	—	5.35	6.45	6.93	7.71
	1.17	48	4.812	56	5.614	994	10.94	17.29	29.97	52.19	1500	14.74	23.30	40.39	70.33	--	--	--	--
	1.18	34	3.409	40	4.010	986	7.45	11.77	20.42	35.54	1488	10.10	15.95	27.66	48.15	--	4.71	5.19	5.98
	1.18	22	2.206	26	2.607	982	4.13	6.53	—	—	1481	5.62	8.88	—	—	5.67	6.77	7.24	8.03
	1.19	32	3.208	38	3.810	977	6.92	10.94	18.97	—	1474	9.39	14.83	25.71	—	--	5.03	5.50	6.29
	1.20	30	3.008	36	3.609	967	6.39	10.09	17.49	—	1458	8.66	13.69	23.73	—	4.24	5.35	5.82	6.61
	1.20	40	4.010	48	4.812	967	8.99	14.20	24.63	42.88	1458	12.15	19.20	33.29	57.96	--	--	--	--
	1.21	28	2.807	34	3.409	955	5.84	9.23	16.00	—	1441	7.93	12.52	21.71	—	4.56	5.66	6.13	6.92
	1.22	36	3.609	44	4.411	949	7.97	12.60	21.84	38.02	1432	10.79	17.05	29.57	51.48	--	--	--	5.50
	1.23	26	2.607	32	3.208	942	5.28	8.35	—	—	1422	7.17	11.33	—	—	4.87	5.98	6.45	7.24
	1.25	24	2.406	30	3.008	928	4.71	7.45	—	—	1400	6.40	10.12	—	—	5.19	6.29	6.76	7.55
	1.25	32	3.208	40	4.010	928	6.92	10.94	18.97	—	1400	9.39	14.83	25.71	—	--	4.87	5.34	6.13
Multiply Horsepower Listed by Length Correction Factor to Find Horsepower Rating →														0.80	0.80	0.80	0.80		

SELECTION TABLES



CENTER DISTANCE																		Line No.
BELT LENGTH – Length Correction Factor																		
640	720	800	880	960	1040	1120	1200	1224	1280	1440	1600	1760	1800	2000	2200	2400	2600	
0.90	0.90	0.90	0.90	1.00	1.00	1.00	1.00	1.00	1.10	1.10	1.10	1.10	1.20	1.20	1.20	1.20	1.20	
9.13	10.71	12.28	13.86	15.43	17.01	18.58	20.16	20.63	21.73	24.88	28.03	31.18	31.97	35.91	39.84	43.78	47.72	1
8.82	10.39	11.97	13.54	15.12	16.69	18.27	19.84	20.31	21.42	24.57	27.72	30.87	31.65	35.59	39.53	43.46	47.40	2
8.50	10.08	11.65	13.23	14.80	16.38	17.95	19.53	20.00	21.10	24.25	27.40	30.55	31.34	35.28	39.21	43.15	47.09	3
8.19	9.76	11.34	12.91	14.49	16.06	17.64	19.21	19.69	20.79	23.94	27.09	30.24	31.02	34.96	38.90	42.83	46.77	4
7.87	9.45	11.02	12.60	14.17	15.75	17.32	18.90	19.37	20.47	23.62	26.77	29.92	30.71	34.65	38.58	42.52	46.46	5
7.56	9.13	10.71	12.28	13.86	15.43	17.01	18.58	19.06	20.16	23.31	26.46	29.61	30.39	34.33	38.27	42.20	46.14	6
7.24	8.82	10.39	11.97	13.54	15.12	16.69	18.27	18.74	19.84	22.99	26.14	29.29	30.08	34.02	37.95	41.89	45.83	7
6.93	8.50	10.08	11.65	13.23	14.80	16.38	17.95	18.43	19.53	22.68	25.83	28.98	29.76	33.70	37.64	41.57	45.51	8
6.61	8.19	9.76	11.34	12.91	14.49	16.06	17.64	18.11	19.21	22.36	25.51	28.66	29.45	33.39	37.32	41.26	45.20	9
6.30	7.87	9.45	11.02	12.60	14.17	15.75	17.32	17.80	18.90	22.05	25.20	28.35	29.13	33.07	37.01	40.94	44.88	10
5.67	7.24	8.82	10.39	11.97	13.54	15.12	16.69	17.17	18.27	21.42	24.57	27.72	28.50	32.44	36.38	40.31	44.25	11
--	6.61	8.19	9.76	11.34	12.91	14.49	16.06	16.54	17.64	20.79	23.94	27.09	27.87	31.81	35.75	39.69	43.62	12
--	--	6.93	8.50	10.08	11.65	13.23	14.80	15.28	16.38	19.53	22.68	25.83	26.61	30.55	34.49	38.43	42.36	13
--	--	--	7.24	8.82	10.39	11.97	13.54	14.02	15.12	18.27	21.42	24.57	25.35	29.29	33.23	37.17	41.10	14
--	--	--	--	--	9.13	10.71	12.28	12.76	13.86	17.01	20.16	23.31	24.09	28.03	31.97	35.91	39.84	15
--	--	--	--	--	--	9.45	11.02	11.50	12.60	15.75	18.90	22.05	22.83	26.77	30.71	34.65	38.58	16
6.46	8.03	9.61	11.18	12.76	14.33	15.91	17.48	17.95	19.05	22.20	25.35	28.50	29.29	33.23	37.17	41.10	45.04	17
6.77	8.35	9.92	11.50	13.07	14.65	16.22	17.79	18.27	19.37	22.52	25.67	28.82	29.61	33.54	37.48	41.42	45.35	18
7.09	8.66	10.24	11.81	13.39	14.96	16.54	18.11	18.58	19.68	22.83	25.98	29.13	29.92	33.86	37.80	41.73	45.67	19
7.40	8.98	10.55	12.13	13.70	15.28	16.85	18.42	18.90	20.00	23.15	26.30	29.45	30.24	34.17	38.11	42.05	45.98	20
7.72	9.29	10.87	12.44	14.02	15.59	17.17	18.74	19.21	20.31	23.46	26.61	29.76	30.55	34.49	38.43	42.36	46.30	21
8.03	9.61	11.18	12.76	14.33	15.91	17.48	19.05	19.53	20.63	23.78	26.93	30.08	30.87	34.80	38.74	42.68	46.61	22
8.35	9.92	11.50	13.07	14.65	16.22	17.79	19.37	19.84	20.94	24.09	27.24	30.39	31.18	35.12	39.05	42.99	46.93	23
8.66	10.24	11.81	13.39	14.96	16.54	18.11	19.68	20.16	21.26	24.41	27.56	30.71	31.50	35.43	39.37	43.31	47.24	24
8.98	10.55	12.13	13.70	15.28	16.85	18.42	20.00	20.47	21.57	24.72	27.87	31.02	31.81	35.75	39.68	43.62	47.56	25
--	6.93	8.50	10.08	11.65	13.23	14.80	16.38	16.85	17.95	21.10	24.25	27.40	28.19	32.13	36.06	40.00	43.94	26
5.98	7.56	9.13	10.71	12.28	13.86	15.43	17.01	17.48	18.58	21.73	24.88	28.03	28.82	32.76	36.69	40.63	44.57	27
6.61	8.19	9.76	11.34	12.91	14.49	16.06	17.64	18.11	19.21	22.36	25.51	28.66	29.45	33.39	37.32	41.26	45.20	28
--	--	--	--	--	8.49	10.07	11.65	12.12	13.22	16.37	19.52	22.67	23.46	27.40	31.34	35.27	39.21	29
6.93	8.50	10.08	11.65	13.23	14.80	16.38	17.95	18.42	19.53	22.68	25.83	28.98	29.76	33.70	37.64	41.57	45.51	30
7.24	8.82	10.39	11.97	13.54	15.12	16.69	18.27	18.74	19.84	22.99	26.14	29.29	30.08	34.02	37.95	41.89	45.83	31
--	--	--	--	8.18	9.76	11.33	12.91	13.38	14.48	17.63	20.78	23.93	24.72	28.66	32.60	36.53	40.47	32
--	--	--	--	--	--	--	10.22	10.70	11.80	14.95	18.10	21.25	22.04	25.98	29.92	33.85	37.79	33
7.56	9.13	10.71	12.28	13.86	15.43	17.01	18.58	19.05	20.16	23.31	26.46	29.61	30.39	34.33	38.27	42.20	46.14	34
7.87	9.45	11.02	12.60	14.17	15.75	17.32	18.90	19.37	20.47	23.62	26.77	29.92	30.71	34.65	38.58	42.52	46.46	35
--	--	--	7.86	9.44	11.02	12.59	14.17	14.64	15.74	18.89	22.04	25.19	25.98	29.92	33.86	37.79	41.73	36
8.19	9.76	11.34	12.91	14.49	16.06	17.64	19.21	19.68	20.79	23.94	27.09	30.24	31.02	34.96	38.90	42.83	46.77	37
6.13	7.71	9.29	10.86	12.44	14.01	15.59	17.16	17.64	18.74	21.89	25.04	28.19	28.97	32.91	36.85	40.79	44.72	38
8.50	10.08	11.65	13.23	14.80	16.38	17.95	19.53	20.00	21.10	24.25	27.40	30.55	31.34	35.28	39.21	43.15	47.09	39
--	5.97	7.55	9.13	10.70	12.28	13.85	15.43	15.90	17.00	20.15	23.30	26.45	27.24	31.18	35.12	39.05	42.99	40
6.76	8.34	9.92	11.49	13.07	14.64	16.22	17.79	18.27	19.37	22.52	25.67	28.82	29.60	33.54	37.48	41.42	45.35	41
8.82	10.39	11.97	13.54	15.12	16.69	18.27	19.84	20.31	21.42	24.57	27.72	30.87	31.65	35.59	39.53	43.46	47.40	42
7.08	8.66	10.23	11.81	13.38	14.96	16.53	18.11	18.58	19.68	22.83	25.98	29.13	29.92	33.86	37.79	41.73	45.67	43
7.40	8.97	10.55	12.12	13.70	15.27	16.85	18.42	18.90	20.00	23.15	26.30	29.45	30.23	34.17	38.11	42.05	45.98	44
5.66	7.23	8.81	10.39	11.96	13.54	15.11	16.69	17.16	18.26	21.41	24.56	27.71	28.50	32.44	36.38	40.31	44.25	45
7.71	9.29	10.86	12.44	14.01	15.59	17.16	18.74	19.21	20.31	23.46	26.61	29.76	30.55	34.49	38.42	42.36	46.30	46
6.29	7.86	9.44	11.02	12.59	14.17	15.74	17.32	17.79	18.89	22.04	25.19	28.34	29.13	33.07	37.01	40.94	44.88	47
8.03	9.60	11.18	12.75	14.33	15.90	17.48	19.05	19.53	20.63	23.78	26.93	30.08	30.86	34.80	38.74	42.68	46.61	48
8.34	9.92	11.49	13.07	14.64	16.22	17.79	19.37	19.84	20.94	24.09	27.24	30.39	31.18	35.12	39.05	42.99	46.93	49
6.92	8.49	10.07	11.65	13.22	14.80	16.37	17.95	18.42	19.52	22.67	25.82	28.97	29.76	33.70	37.64	41.57	45.51	50
0.90	0.90	0.90	0.90	1.00	1.00	1.00	1.00	1.00	1.10	1.10	1.10	1.10	1.20	1.20	1.20	1.20	1.20	



SYNCHRONOUS PLUS DRIVE

Line No.	Drive Ratio	Sprocket Combination				1160 RPM DriveR					1750 RPM DriveR							
		DRIVER		DRIVEN		DN RPM	Horsepower				DN RPM	Horsepower				536	560	600
		Teeth	PD (in)	Teeth	PD (in)		20MM	30MM	50MM	85MM		20MM	30MM	50MM	85MM	0.80	0.80	0.80
Multiply Horsepower Listed by Length Correction Factor to Find Horsepower Rating →															0.80	0.80	0.80	
51	1.25	64	6.416	80	8.020	928	14.57	23.03	39.93	69.51	1400	19.52	30.84	53.48	93.12	--	--	--
52	1.25	72	7.218	90	9.023	928	16.28	25.72	44.60	77.64	1400	21.74	34.35	59.57	103.71	--	--	--
53	1.26	38	3.810	48	4.812	918	8.48	13.40	23.24	40.47	1385	11.48	18.13	31.44	54.75	--	--	--
54	1.27	30	3.008	38	3.810	916	6.39	10.09	17.49	—	1382	8.66	13.69	23.73	—	5.18	5.66	6.44
55	1.27	22	2.206	28	2.807	911	4.13	6.53	—	—	1375	5.62	8.88	—	—	6.61	7.08	7.87
56	1.27	44	4.411	56	5.614	911	9.98	15.76	27.34	47.59	1375	13.47	21.28	36.90	64.24	--	--	--
57	1.29	28	2.807	36	3.609	902	5.84	9.23	16.00	—	1361	7.93	12.52	21.71	—	5.50	5.97	6.76
58	1.29	56	5.614	72	7.218	902	12.80	20.22	35.06	61.04	1361	17.19	27.17	47.11	82.01	--	--	--
59	1.29	34	3.409	44	4.411	896	7.45	11.77	20.42	35.54	1352	10.10	15.95	27.66	48.15	--	4.86	5.65
60	1.31	26	2.607	34	3.409	887	5.28	8.35	—	—	1338	7.17	11.33	—	—	5.81	6.29	7.08
61	1.33	24	2.406	32	3.208	870	4.71	7.45	—	—	1312	6.40	10.12	—	—	6.13	6.60	7.39
62	1.33	30	3.008	40	4.010	870	6.39	10.09	17.49	—	1312	8.66	13.69	23.73	—	5.01	5.49	6.28
63	1.33	36	3.609	48	4.812	870	7.97	12.60	21.84	38.02	1312	10.79	17.05	29.57	51.48	--	--	5.16
64	1.33	48	4.812	64	6.416	870	10.94	17.29	29.97	52.19	1312	14.74	23.30	40.39	70.33	--	--	--
65	1.36	28	2.807	38	3.810	855	5.84	9.23	16.00	—	1289	7.93	12.52	21.71	—	5.33	5.81	6.60
66	1.36	22	2.206	30	3.008	851	4.13	6.53	—	—	1283	5.62	8.88	—	—	6.44	6.92	7.71
67	1.38	32	3.208	44	4.411	844	6.92	10.94	18.97	—	1273	9.39	14.83	25.71	—	--	5.00	5.80
68	1.38	26	2.607	36	3.609	838	5.28	8.35	—	—	1264	7.17	11.33	—	—	5.65	6.12	6.91
69	1.40	40	4.010	56	5.614	829	8.99	14.20	24.63	42.88	1250	12.15	19.20	33.29	57.96	--	--	--
70	1.40	80	8.020	112	11.229	829	17.92	28.31	49.10	85.47	1250	23.87	37.71	65.39	113.84	--	--	--
71	1.41	64	6.416	90	9.023	825	14.57	23.03	39.93	69.51	1244	19.52	30.84	53.48	93.12	--	--	--
72	1.41	34	3.409	48	4.812	822	7.45	11.77	20.42	35.54	1240	10.10	15.95	27.66	48.15	--	--	5.31
73	1.42	24	2.406	34	3.409	819	4.71	7.45	—	—	1235	6.40	10.12	—	—	5.96	6.44	7.23
74	1.43	28	2.807	40	4.010	812	5.84	9.23	16.00	—	1225	7.93	12.52	21.71	—	5.16	5.64	6.43
75	1.43	56	5.614	80	8.020	812	12.80	20.22	35.06	61.04	1225	17.19	27.17	47.11	82.01	--	--	--
76	1.45	22	2.206	32	3.208	798	4.13	6.53	—	—	1203	5.62	8.88	—	—	6.28	6.75	7.54
77	1.45	44	4.411	64	6.416	798	9.98	15.76	27.34	47.59	1203	13.47	21.28	36.90	64.24	--	--	--
78	1.46	26	2.607	38	3.810	794	5.28	8.35	—	—	1197	7.17	11.33	—	—	5.48	5.95	6.74
79	1.47	30	3.008	44	4.411	791	6.39	10.09	17.49	—	1193	8.66	13.69	23.73	—	4.67	5.15	5.94
80	1.47	38	3.810	56	5.614	787	8.48	13.40	23.24	40.47	1188	11.48	18.13	31.44	54.75	--	--	--
81	1.50	24	2.406	36	3.609	773	4.71	7.45	—	—	1167	6.40	10.12	—	—	5.80	6.27	7.06
82	1.50	32	3.208	48	4.812	773	6.92	10.94	18.97	—	1167	9.39	14.83	25.71	—	--	--	5.45
83	1.50	48	4.812	72	7.218	773	10.94	17.29	29.97	52.19	1167	14.74	23.30	40.39	70.33	--	--	--
84	1.54	26	2.607	40	4.010	754	5.28	8.35	—	—	1138	7.17	11.33	—	—	5.31	5.78	6.58
85	1.55	22	2.206	34	3.409	751	4.13	6.53	—	—	1132	5.62	8.88	—	—	6.11	6.59	7.38
86	1.56	36	3.609	56	5.614	746	7.97	12.60	21.84	38.02	1125	10.79	17.05	29.57	51.48	--	--	--
87	1.56	72	7.218	112	11.229	746	16.28	25.72	44.60	77.64	1125	21.74	34.35	59.57	103.71	--	--	--
88	1.57	28	2.807	44	4.411	738	5.84	9.23	16.00	—	1114	7.93	12.52	21.71	—	4.82	5.29	6.09
89	1.58	24	2.406	38	3.810	733	4.71	7.45	—	—	1105	6.40	10.12	—	—	5.63	6.10	6.89
90	1.60	30	3.008	48	4.812	725	6.39	10.09	17.49	—	1094	8.66	13.69	23.73	—	--	4.80	5.60
91	1.60	40	4.010	64	6.416	725	8.99	14.20	24.63	42.88	1094	12.15	19.20	33.29	57.96	--	--	--
92	1.61	56	5.614	90	9.023	722	12.80	20.22	35.06	61.04	1089	17.19	27.17	47.11	82.01	--	--	--
93	1.64	22	2.206	36	3.609	709	4.13	6.53	—	—	1069	5.62	8.88	—	—	5.94	6.42	7.21
94	1.64	44	4.411	72	7.218	709	9.98	15.76	27.34	47.59	1069	13.47	21.28	36.90	64.24	--	--	--
95	1.65	34	3.409	56	5.614	704	7.45	11.77	20.42	35.54	1062	10.10	15.95	27.66	48.15	--	--	--
96	1.67	24	2.406	40	4.010	696	4.71	7.45	—	—	1050	6.40	10.12	—	—	5.45	5.93	6.72
97	1.67	48	4.812	80	8.020	696	10.94	17.29	29.97	52.19	1050	14.74	23.30	40.39	70.33	--	--	--
98	1.68	38	3.810	64	6.416	689	8.48	13.40	23.24	40.47	1039	11.48	18.13	31.44	54.75	--	--	--
99	1.69	26	2.607	44	4.411	685	5.28	8.35	—	—	1034	7.17	11.33	—	—	4.96	5.44	6.23
100	1.71	28	2.807	48	4.812	677	5.84	9.23	16.00	—	1021	7.93	12.52	21.71	—	--	4.94	5.74
Multiply Horsepower Listed by Length Correction Factor to Find Horsepower Rating →															0.80	0.80	0.80	

SELECTION TABLES



CENTER DISTANCE																			Line No.
BELT LENGTH – Length Correction Factor																			
640	720	800	880	960	1040	1120	1200	1224	1280	1440	1600	1760	1800	2000	2200	2400	2600	2800	
0.90	0.90	0.90	0.90	1.00	1.00	1.00	1.00	1.00	1.10	1.10	1.10	1.10	1.20	1.20	1.20	1.20	1.20	1.20	
--	--	--	--	--	9.10	10.68	12.26	12.73	13.83	16.99	20.14	23.29	24.08	28.02	31.96	35.90	39.83	43.77	51
--	--	--	--	--	--	9.25	10.83	11.30	12.41	15.56	18.72	21.87	22.66	26.60	30.54	34.48	38.41	42.35	52
5.81	7.38	8.96	10.54	12.12	13.69	15.27	16.84	17.32	18.42	21.57	24.72	27.87	28.66	32.59	36.53	40.47	44.41	48.34	53
7.23	8.81	10.39	11.96	13.54	15.11	16.69	18.26	18.74	19.84	22.99	26.14	29.29	30.08	34.01	37.95	41.89	45.83	49.76	54
8.66	10.23	11.81	13.38	14.96	16.53	18.11	19.68	20.16	21.26	24.41	27.56	30.71	31.49	35.43	39.37	43.31	47.24	51.18	55
--	6.27	7.85	9.43	11.01	12.58	14.16	15.74	16.21	17.31	20.46	23.61	26.76	27.55	31.49	35.43	39.37	43.30	47.24	56
7.55	9.13	10.70	12.28	13.85	15.43	17.00	18.58	19.05	20.15	23.30	26.45	29.60	30.39	34.33	38.27	42.20	46.14	50.08	57
--	--	--	7.20	8.78	10.36	11.94	13.52	13.99	15.10	18.25	21.40	24.55	25.34	29.28	33.22	37.16	41.09	45.03	58
6.44	8.02	9.59	11.17	12.75	14.32	15.90	17.47	17.95	19.05	22.20	25.35	28.50	29.29	33.22	37.16	41.10	45.04	48.97	59
7.86	9.44	11.02	12.59	14.17	15.74	17.32	18.89	19.37	20.47	23.62	26.77	29.92	30.71	34.64	38.58	42.52	46.45	50.39	60
8.18	9.76	11.33	12.91	14.48	16.06	17.63	19.21	19.68	20.78	23.93	27.08	30.23	31.02	34.96	38.90	42.83	46.77	50.71	61
7.07	8.65	10.22	11.80	13.38	14.95	16.53	18.10	18.58	19.68	22.83	25.98	29.13	29.92	33.85	37.79	41.73	45.67	49.60	62
5.95	7.54	9.11	10.69	12.27	13.85	15.42	17.00	17.47	18.57	21.72	24.87	28.03	28.81	32.75	36.69	40.63	44.56	48.50	63
--	--	6.88	8.47	10.05	11.63	13.20	14.78	15.25	16.36	19.51	22.66	25.81	26.60	30.54	34.48	38.42	42.35	46.29	64
7.38	8.96	10.54	12.12	13.69	15.27	16.84	18.42	18.89	19.99	23.14	26.29	29.44	30.23	34.17	38.11	42.04	45.98	49.92	65
8.49	10.07	11.65	13.22	14.80	16.37	17.95	19.52	20.00	21.10	24.25	27.40	30.55	31.34	35.27	39.21	43.15	47.08	51.02	66
6.59	8.17	9.75	11.32	12.90	14.48	16.05	17.63	18.10	19.20	22.35	25.50	28.66	29.44	33.38	37.32	41.26	45.19	49.13	67
7.70	9.28	10.85	12.43	14.01	15.58	17.16	18.73	19.21	20.31	23.46	26.61	29.76	30.55	34.48	38.42	42.36	46.30	50.23	68
--	6.57	8.15	9.73	11.31	12.89	14.47	16.04	16.52	17.62	20.77	23.92	27.07	27.86	31.80	35.74	39.68	43.61	47.55	69
--	--	--	--	--	--	--	--	--	--	13.13	16.30	19.46	20.25	24.20	28.14	32.09	36.03	39.97	70
--	--	--	--	--	--	9.83	11.42	11.90	13.01	16.17	19.33	22.48	23.27	27.21	31.15	35.09	39.03	42.97	71
6.10	7.68	9.26	10.84	12.42	14.00	15.57	17.15	17.62	18.73	21.88	25.03	28.18	28.97	32.91	36.84	40.78	44.72	48.66	72
8.02	9.59	11.17	12.75	14.32	15.90	17.47	19.05	19.52	20.62	23.77	26.92	30.07	30.86	34.80	38.74	42.67	46.61	50.55	73
7.22	8.80	10.38	11.95	13.53	15.11	16.68	18.26	18.73	19.83	22.98	26.13	29.29	30.07	34.01	37.95	41.89	45.82	49.76	74
--	--	--	--	8.10	9.69	11.27	12.86	13.33	14.44	17.60	20.75	23.91	24.70	28.64	32.58	36.52	40.45	44.39	75
8.33	9.91	11.49	13.06	14.64	16.21	17.79	19.36	19.84	20.94	24.09	27.24	30.39	31.18	35.11	39.05	42.99	46.93	50.86	76
--	--	7.17	8.76	10.35	11.93	13.51	15.08	15.56	16.66	19.82	22.97	26.12	26.91	30.85	34.79	38.73	42.67	46.60	77
7.54	9.11	10.69	12.27	13.85	15.42	17.00	18.57	19.05	20.15	23.30	26.45	29.60	30.39	34.33	38.26	42.20	46.14	50.08	78
6.74	8.32	9.90	11.47	13.05	14.63	16.21	17.78	18.25	19.36	22.51	25.66	28.81	29.60	33.54	37.47	41.41	45.35	49.29	79
--	6.71	8.30	9.88	11.46	13.04	14.62	16.20	16.67	17.77	20.93	24.08	27.23	28.02	31.96	35.89	39.83	43.77	47.71	80
7.85	9.43	11.01	12.58	14.16	15.74	17.31	18.89	19.36	20.46	23.61	26.76	29.92	30.70	34.64	38.58	42.52	46.45	50.39	81
6.25	7.83	9.41	10.99	12.57	14.15	15.73	17.30	17.78	18.88	22.03	25.18	28.34	29.12	33.06	37.00	40.94	44.87	48.81	82
--	--	--	7.78	9.37	10.96	12.54	14.12	14.60	15.70	18.86	22.01	25.17	25.96	29.90	33.84	37.78	41.71	45.65	83
7.37	8.95	10.53	12.11	13.68	15.26	16.84	18.41	18.88	19.99	23.14	26.29	29.44	30.23	34.17	38.10	42.04	45.98	49.92	84
8.17	9.75	11.32	12.90	14.48	16.05	17.63	19.20	19.68	20.78	23.93	27.08	30.23	31.02	34.96	38.89	42.83	46.77	50.71	85
--	6.86	8.44	10.03	11.61	13.19	14.77	16.35	16.82	17.92	21.08	24.23	27.38	28.17	32.11	36.05	39.99	43.93	47.86	86
--	--	--	--	--	--	--	--	--	10.52	13.71	16.89	20.06	20.85	24.80	28.75	32.69	36.64	40.58	87
6.88	8.47	10.05	11.63	13.20	14.78	16.36	17.93	18.41	19.51	22.66	25.81	28.97	29.75	33.69	37.63	41.57	45.50	49.44	88
7.68	9.26	10.84	12.42	14.00	15.57	17.15	18.73	19.20	20.30	23.45	26.60	29.76	30.54	34.48	38.42	42.36	46.29	50.23	89
6.39	7.98	9.56	11.14	12.72	14.30	15.88	17.46	17.93	19.03	22.19	25.34	28.49	29.28	33.22	37.15	41.09	45.03	48.97	90
--	--	7.46	9.05	10.64	12.22	13.81	15.39	15.86	16.97	20.12	23.28	26.43	27.22	31.16	35.10	39.04	42.98	46.91	91
--	--	--	--	--	8.81	10.41	12.00	12.48	13.59	16.76	19.93	23.09	23.88	27.82	31.77	35.71	39.65	43.59	92
8.00	9.58	11.16	12.74	14.31	15.89	17.47	19.04	19.51	20.62	23.77	26.92	30.07	30.86	34.80	38.73	42.67	46.61	50.55	93
--	--	--	8.07	9.66	11.25	12.84	14.42	14.89	16.00	19.16	22.32	25.47	26.26	30.20	34.14	38.08	42.02	45.96	94
5.40	7.00	8.59	10.18	11.76	13.34	14.92	16.50	16.97	18.08	21.23	24.38	27.54	28.32	32.26	36.20	40.14	44.08	48.02	95
7.52	9.10	10.68	12.26	13.84	15.41	16.99	18.57	19.04	20.14	23.29	26.44	29.60	30.38	34.32	38.26	42.20	46.13	50.07	96
--	--	--	--	8.67	10.27	11.86	13.45	13.92	15.03	18.20	21.36	24.51	25.30	29.25	33.19	37.13	41.07	45.01	97
--	6.00	7.60	9.20	10.79	12.37	13.95	15.54	16.01	17.12	20.27	23.43	26.58	27.37	31.31	35.25	39.19	43.13	47.07	98
7.03	8.61	10.20	11.78	13.36	14.93	16.51	18.09	18.56	19.66	22.82	25.97	29.12	29.91	33.85	37.78	41.72	45.66	49.60	99
6.54	8.13	9.71	11.29	12.87	14.45	16.03	17.61	18.08	19.19	22.34	25.49	28.64	29.43	33.37	37.31	41.25	45.19	49.12	100
0.90	0.90	0.90	0.90	1.00	1.00	1.00	1.00	1.00	1.10	1.10	1.10	1.10	1.20	1.20	1.20	1.20	1.20	1.20	

Line No.	Drive Ratio	Sprocket Combination				1160 RPM Driver					1750 RPM Driver				
		DRIVER		DRIVEN		DN	Horsepower				DN	Horsepower			
		Teeth	PD (in)	Teeth	PD (in)		RPM	20MM	30MM	50MM		85MM	RPM	20MM	30MM
Multiply Horsepower Listed by Length Correction Factor to Find Horsepower Rating —>															
101	1.73	22	2.206	38	3.810	672	4.13	6.53	—	—	1013	5.62	8.88	—	—
102	1.75	32	3.208	56	5.614	663	6.92	10.94	18.97	—	1000	9.39	14.83	25.71	—
103	1.75	64	6.416	112	11.229	663	14.57	23.03	39.93	69.51	1000	19.52	30.84	53.48	93.12
104	1.78	36	3.609	64	6.416	652	7.97	12.60	21.84	38.02	984	10.79	17.05	29.57	51.48
105	1.80	40	4.010	72	7.218	644	8.99	14.20	24.63	42.88	972	12.15	19.20	33.29	57.96
106	1.80	80	8.020	144	14.437	644	17.92	28.31	49.10	85.47	972	23.87	37.71	65.39	113.84
107	1.82	22	2.206	40	4.010	638	4.13	6.53	—	—	962	5.62	8.88	—	—
108	1.82	44	4.411	80	8.020	638	9.98	15.76	27.34	47.59	962	13.47	21.28	36.90	64.24
109	1.83	24	2.406	44	4.411	633	4.71	7.45	—	—	955	6.40	10.12	—	—
110	1.85	26	2.607	48	4.812	628	5.28	8.35	—	—	948	7.17	11.33	—	—
111	1.87	30	3.008	56	5.614	621	6.39	10.09	17.49	—	938	8.66	13.69	23.73	—
112	1.88	48	4.812	90	9.023	619	10.94	17.29	29.97	52.19	933	14.74	23.30	40.39	70.33
113	1.88	34	3.409	64	6.416	616	7.45	11.77	20.42	35.54	930	10.10	15.95	27.66	48.15
114	1.89	38	3.810	72	7.218	612	8.48	13.40	23.24	40.47	924	11.48	18.13	31.44	54.75
115	2.00	22	2.206	44	4.411	580	4.13	6.53	—	—	875	5.62	8.88	—	—
116	2.00	24	2.406	48	4.812	580	4.71	7.45	—	—	875	6.40	10.12	—	—
117	2.00	28	2.807	56	5.614	580	5.84	9.23	16.00	—	875	7.93	12.52	21.71	—
118	2.00	32	3.208	64	6.416	580	6.92	10.94	18.97	—	875	9.39	14.83	25.71	—
119	2.00	36	3.609	72	7.218	580	7.97	12.60	21.84	38.02	875	10.79	17.05	29.57	51.48
120	2.00	40	4.010	80	8.020	580	8.99	14.20	24.63	42.88	875	12.15	19.20	33.29	57.96
121	2.00	56	5.614	112	11.229	580	12.80	20.22	35.06	61.04	875	17.19	27.17	47.11	82.01
122	2.00	72	7.218	144	14.437	580	16.28	25.72	44.60	77.64	875	21.74	34.35	59.57	103.71
123	2.05	44	4.411	90	9.023	567	9.98	15.76	27.34	47.59	856	13.47	21.28	36.90	64.24
124	2.11	38	3.810	80	8.020	551	8.48	13.40	23.24	40.47	831	11.48	18.13	31.44	54.75
125	2.12	34	3.409	72	7.218	548	7.45	11.77	20.42	35.54	826	10.10	15.95	27.66	48.15
126	2.13	30	3.008	64	6.416	544	6.39	10.09	17.49	—	820	8.66	13.69	23.73	—
127	2.15	26	2.607	56	5.614	539	5.28	8.35	—	—	812	7.17	11.33	—	—
128	2.18	22	2.206	48	4.812	532	4.13	6.53	—	—	802	5.62	8.88	—	—
129	2.22	36	3.609	80	8.020	522	7.97	12.60	21.84	38.02	788	10.79	17.05	29.57	51.48
130	2.25	32	3.208	72	7.218	516	6.92	10.94	18.97	—	778	9.39	14.83	25.71	—
131	2.25	40	4.010	90	9.023	516	8.99	14.20	24.63	42.88	778	12.15	19.20	33.29	57.96
132	2.25	64	6.416	144	14.437	516	14.57	23.03	39.93	69.51	778	19.52	30.84	53.48	93.12
133	2.29	28	2.807	64	6.416	508	5.84	9.23	16.00	—	766	7.93	12.52	21.71	—
134	2.33	24	2.406	56	5.614	497	4.71	7.45	—	—	750	6.40	10.12	—	—
135	2.33	48	4.812	112	11.229	497	10.94	17.29	29.97	52.19	750	14.74	23.30	40.39	70.33
136	2.35	34	3.409	80	8.020	493	7.45	11.77	20.42	35.54	744	10.10	15.95	27.66	48.15
137	2.37	38	3.810	90	9.023	490	8.48	13.40	23.24	40.47	739	11.48	18.13	31.44	54.75
138	2.40	30	3.008	72	7.218	483	6.39	10.09	17.49	—	729	8.66	13.69	23.73	—
139	2.40	80	8.020	192	19.249	483	17.92	28.31	49.10	85.47	729	23.87	37.71	65.39	113.84
140	2.46	26	2.607	64	6.416	471	5.28	8.35	—	—	711	7.17	11.33	—	—
141	2.50	32	3.208	80	8.020	464	6.92	10.94	18.97	—	700	9.39	14.83	25.71	—
142	2.50	36	3.609	90	9.023	464	7.97	12.60	21.84	38.02	700	10.79	17.05	29.57	51.48
143	2.55	22	2.206	56	5.614	456	4.13	6.53	—	—	688	5.62	8.88	—	—
144	2.55	44	4.411	112	11.229	456	9.98	15.76	27.34	47.59	688	13.47	21.28	36.90	64.24
145	2.57	28	2.807	72	7.218	451	5.84	9.23	16.00	—	681	7.93	12.52	21.71	—
146	2.57	56	5.614	144	14.437	451	12.80	20.22	35.06	61.04	681	17.19	27.17	47.11	82.01
147	2.65	34	3.409	90	9.023	438	7.45	11.77	20.42	35.54	661	10.10	15.95	27.66	48.15
148	2.67	24	2.406	64	6.416	435	4.71	7.45	—	—	656	6.40	10.12	—	—
149	2.67	30	3.008	80	8.020	435	6.39	10.09	17.49	—	656	8.66	13.69	23.73	—
150	2.67	72	7.218	192	19.249	435	16.28	25.72	44.60	77.64	656	21.74	34.35	59.57	103.71
Multiply Horsepower Listed by Length Correction Factor to Find Horsepower Rating —>															

560	600	640	720	800	880		
0.80	0.80	0.90	0.90	0.90	0.90		
6.25	7.04	7.83	9.41	10.99	12.57		
--	--	5.54	7.14	8.74	10.32		
--	--	--	--	--	--		
--	--	--	6.14	7.75	9.34		
--	--	--	--	6.74	8.35		
--	--	--	--	--	--		
6.07	6.87	7.66	9.25	10.83	12.41		
--	--	--	--	--	7.34		
5.58	6.38	7.17	8.76	10.35	11.93		
5.08	5.88	6.68	8.27	9.86	11.44		
--	--	5.68	7.28	8.88	10.47		
--	--	--	--	--	--		
--	--	--	6.28	7.89	9.49		
--	--	--	--	6.88	8.49		
5.72	6.52	7.32	8.91	10.49	12.08		
5.22	6.02	6.82	8.42	10.01	11.59		
--	5.00	5.81	7.43	9.02	10.62		
--	--	--	6.41	8.03	9.63		
--	--	--	--	7.01	8.63		
--	--	--	--	--	7.61		
--	--	--	--	--	--		
--	--	--	--	--	--		
--	--	--	--	--	7.75		
--	--	--	--	7.15	8.77		
--	--	--	6.55	8.17	9.77		
--	5.13	5.95	7.57	9.17	10.76		
5.35	6.16	6.96	8.56	10.15	11.74		
--	--	--	--	--	7.88		
--	--	--	--	7.28	8.91		
--	--	--	--	--	--		
--	--	--	--	--	--		
--	--	--	6.69	8.31	9.91		
--	5.27	6.09	7.71	9.31	10.91		
--	--	--	--	--	--		
--	--	--	--	--	8.01		
--	--	--	--	--	--		
--	--	--	--	--	--		
--	--	--	7.42	9.05	--		
--	--	--	--	--	--		
--	--	--	--	--	--		
--	--	--	6.82	8.45	10.06		
--	--	--	--	--	--		
--	--	--	--	6.48	8.15		
--	--	--	--	--	--		
--	5.40	6.22	7.85	9.45	11.05		
--	--	--	--	--	--		
--	--	--	5.89	7.55	9.18		
--	--	--	--	--	--		
--	--	--	--	--	--		
--	--	--	--	--	7.00		
--	--	5.29	6.96	8.58	10.20		
--	--	--	--	6.61	8.28		
--	--	--	--	--	--		
0.80	0.80	0.90	0.90	0.90	0.90		

SELECTION TABLES



CENTER DISTANCE																Line No.
BELT LENGTH – Length Correction Factor																
960	1040	1120	1200	1224	1280	1440	1600	1760	1800	2000	2200	2400	2600	2800	3048	
1.00	1.00	1.00	1.00	1.00	1.10	1.10	1.10	1.10	1.20	1.20	1.20	1.20	1.20	1.20	1.20	
14.15	15.73	17.30	18.88	19.35	20.46	23.61	26.76	29.91	30.70	34.64	38.57	42.51	46.45	50.39	55.27	101
11.91	13.49	15.07	16.65	17.12	18.23	21.38	24.54	27.69	28.48	32.42	36.36	40.30	44.24	48.17	53.06	102
--	--	--	--	9.95	11.08	14.29	17.47	20.65	21.44	25.40	29.35	33.30	37.25	41.19	46.08	103
10.93	12.52	14.10	15.69	16.16	17.27	20.42	23.58	26.73	27.52	31.46	35.41	39.35	43.28	47.22	52.11	104
9.95	11.54	13.13	14.72	15.19	16.30	19.46	22.62	25.78	26.57	30.51	34.45	38.39	42.33	46.27	51.16	105
--	--	--	--	--	--	--	13.48	16.70	17.50	21.49	25.47	29.43	33.39	37.34	42.24	106
13.99	15.56	17.14	18.72	19.19	20.29	23.45	26.60	29.75	30.54	34.48	38.41	42.35	46.29	50.23	55.11	107
8.95	10.55	12.15	13.74	14.22	15.33	18.49	21.66	24.82	25.61	29.55	33.49	37.44	41.38	45.32	50.20	108
13.51	15.08	16.66	18.24	18.71	19.82	22.97	26.12	29.27	30.06	34.00	37.94	41.88	45.82	49.75	54.64	109
13.02	14.60	16.18	17.76	18.23	19.34	22.49	25.65	28.80	29.59	33.53	37.46	41.40	45.34	49.28	54.16	110
12.06	13.64	15.22	16.80	17.27	18.38	21.54	24.69	27.84	28.63	32.57	36.51	40.45	44.39	48.33	53.21	111
7.75	9.37	10.98	12.58	13.06	14.17	17.35	20.52	23.69	24.48	28.43	32.37	36.32	40.26	44.20	49.09	112
11.08	12.67	14.25	15.83	16.31	17.42	20.57	23.73	26.89	27.68	31.62	35.56	39.50	43.44	47.38	52.26	113
10.09	11.69	13.28	14.86	15.34	16.45	19.61	22.77	25.93	26.72	30.66	34.60	38.54	42.49	46.43	51.31	114
13.66	15.24	16.81	18.39	18.87	19.97	23.12	26.28	29.43	30.22	34.16	38.09	42.03	45.97	49.91	54.79	115
13.17	14.75	16.33	17.91	18.39	19.49	22.65	25.80	28.95	29.74	33.68	37.62	41.56	45.50	49.43	54.32	116
12.20	13.79	15.37	16.95	17.42	18.53	21.69	24.84	28.00	28.78	32.73	36.67	40.61	44.54	48.48	53.37	117
11.22	12.81	14.40	15.98	16.46	17.56	20.73	23.88	27.04	27.83	31.77	35.71	39.65	43.59	47.53	52.42	118
10.23	11.83	13.42	15.01	15.49	16.59	19.76	22.92	26.08	26.87	30.81	34.76	38.70	42.64	46.58	51.46	119
9.23	10.84	12.44	14.03	14.51	15.62	18.79	21.96	25.12	25.91	29.85	33.80	37.74	41.68	45.63	50.51	120
--	--	--	10.00	10.49	11.63	14.85	18.05	21.23	22.03	25.99	29.95	33.90	37.85	41.80	46.69	121
--	--	--	--	--	--	--	14.02	17.26	18.06	22.07	26.05	30.02	33.98	37.94	42.84	122
8.01	9.65	11.26	12.86	13.34	14.46	17.64	20.82	23.98	24.77	28.73	32.67	36.62	40.56	44.51	49.39	123
9.37	10.98	12.58	14.17	14.65	15.76	18.94	22.10	25.27	26.06	30.00	33.95	37.89	41.84	45.78	50.66	124
10.38	11.97	13.57	15.16	15.63	16.74	19.91	23.07	26.23	27.02	30.97	34.91	38.85	42.79	46.73	51.62	125
11.37	12.96	14.55	16.13	16.61	17.71	20.88	24.03	27.19	27.98	31.92	35.86	39.81	43.75	47.69	52.57	126
12.35	13.93	15.52	17.10	17.57	18.68	21.84	24.99	28.15	28.94	32.88	36.82	40.76	44.70	48.64	53.52	127
13.32	14.90	16.48	18.06	18.54	19.64	22.80	25.95	29.10	29.89	33.83	37.77	41.71	45.65	49.59	54.47	128
9.51	11.12	12.72	14.32	14.80	15.91	19.09	22.25	25.42	26.21	30.16	34.10	38.05	41.99	45.93	50.82	129
10.52	12.12	13.71	15.30	15.78	16.89	20.06	23.22	26.38	27.17	31.12	35.06	39.00	42.95	46.89	51.77	130
8.28	9.92	11.54	13.15	13.63	14.75	17.94	21.11	24.28	25.07	29.03	32.98	36.92	40.87	44.81	49.70	131
--	--	--	--	--	--	11.25	14.57	17.82	18.62	22.64	26.63	30.60	34.57	38.53	43.44	132
11.51	13.10	14.69	16.28	16.75	17.86	21.02	24.18	27.34	28.13	32.08	36.02	39.96	43.90	47.84	52.72	133
12.50	14.08	15.67	17.25	17.72	18.83	21.99	25.15	28.30	29.09	33.03	36.97	40.91	44.85	48.79	53.68	134
--	--	8.87	10.54	11.03	12.18	15.41	18.62	21.81	22.61	26.58	30.54	34.50	38.45	42.40	47.29	135
9.65	11.26	12.86	14.46	14.94	16.05	19.23	22.40	25.57	26.36	30.31	34.25	38.20	42.14	46.08	50.97	136
8.42	10.06	11.68	13.29	13.77	14.89	18.08	21.26	24.43	25.22	29.17	33.13	37.07	41.02	44.96	49.85	137
10.66	12.26	13.86	15.45	15.92	17.04	20.21	23.37	26.53	27.32	31.27	35.21	39.16	43.10	47.04	51.93	138
--	--	--	--	--	--	--	--	--	--	17.03	21.14	25.20	29.22	33.23	38.17	139
11.66	13.25	14.84	16.42	16.90	18.01	21.17	24.33	27.49	28.28	32.23	36.17	40.11	44.05	47.99	52.88	140
9.78	11.40	13.01	14.60	15.08	16.20	19.38	22.55	25.71	26.50	30.46	34.40	38.35	42.29	46.24	51.12	141
8.55	10.19	11.82	13.43	13.91	15.03	18.22	21.40	24.58	25.37	29.32	33.28	37.22	41.17	45.12	50.01	142
12.64	14.23	15.81	17.40	17.87	18.98	22.14	25.30	28.45	29.24	33.18	37.13	41.07	45.01	48.95	53.83	143
--	--	9.13	10.80	11.30	12.45	15.69	18.91	22.10	22.90	26.87	30.84	34.79	38.75	42.70	47.59	144
10.80	12.40	14.00	15.59	16.07	17.18	20.35	23.52	26.68	27.47	31.42	35.36	39.31	43.25	47.19	52.08	145
--	--	--	--	--	--	11.77	15.10	18.37	19.18	23.20	27.20	31.18	35.16	39.12	44.03	146
8.68	10.33	11.95	13.57	14.05	15.17	18.37	21.55	24.72	25.51	29.47	33.43	37.37	41.32	45.27	50.16	147
11.80	13.39	14.98	16.57	17.05	18.16	21.32	24.48	27.64	28.43	32.38	36.32	40.27	44.21	48.15	53.03	148
9.92	11.54	13.15	14.75	15.23	16.34	19.52	22.70	25.86	26.65	30.61	34.55	38.50	42.45	46.39	51.28	149
--	--	--	--	--	--	--	--	--	--	17.55	21.69	25.75	29.79	33.80	38.75	150
1.00	1.00	1.00	1.00	1.00	1.10	1.10	1.10	1.10	1.20	1.20	1.20	1.20	1.20	1.20	1.20	

Line No.	Drive Ratio	Sprocket Combination				1160 RPM DriveR					1750 RPM DriveR							
		DRIVER		DRIVEN		DN RPM	Horsepower				DN RPM	Horsepower				720	800	880
		Teeth	PD (in)	Teeth	PD (in)		20MM	30MM	50MM	85MM		20MM	30MM	50MM	85MM			
Multiply Horsepower Listed by Length Correction Factor to Find Horsepower Rating →																		
151	2.77	26	2.607	72	7.218	419	5.28	8.35	—	—	632	7.17	11.33	—	—	6.01	7.69	9.32
152	2.80	40	4.010	112	11.229	414	8.99	14.20	24.63	42.88	625	12.15	19.20	33.29	57.96	--	--	--
153	2.81	32	3.208	90	9.023	412	6.92	10.94	18.97	—	622	9.39	14.83	25.71	—	--	--	7.12
154	2.86	28	2.807	80	8.020	406	5.84	9.23	16.00	—	612	7.93	12.52	21.71	—	--	6.74	8.42
155	2.91	22	2.206	64	6.416	399	4.13	6.53	—	—	602	5.62	8.88	—	—	7.09	8.72	10.34
156	2.95	38	3.810	112	11.229	394	8.48	13.40	23.24	40.47	594	11.48	18.13	31.44	54.75	--	--	--
157	3.00	24	2.406	72	7.218	387	4.71	7.45	—	—	583	6.40	10.12	—	—	6.14	7.82	9.46
158	3.00	30	3.008	90	9.023	387	6.39	10.09	17.49	—	583	8.66	13.69	23.73	—	--	--	7.25
159	3.00	48	4.812	144	14.437	387	10.94	17.29	29.97	52.19	583	14.74	23.30	40.39	70.33	--	--	--
160	3.00	64	6.416	192	19.249	387	14.57	23.03	39.93	69.51	583	19.52	30.84	53.48	93.12	--	--	--
161	3.08	26	2.607	80	8.020	377	5.28	8.35	—	—	569	7.17	11.33	—	—	--	6.87	8.55
162	3.11	36	3.609	112	11.229	373	7.97	12.60	21.84	38.02	562	10.79	17.05	29.57	51.48	--	--	--
163	3.21	28	2.807	90	9.023	361	5.84	9.23	16.00	—	544	7.93	12.52	21.71	—	--	--	7.38
164	3.27	22	2.206	72	7.218	354	4.13	6.53	—	—	535	5.62	8.88	—	—	6.27	7.95	9.59
165	3.27	44	4.411	144	14.437	354	9.98	15.76	27.34	47.59	535	13.47	21.28	36.90	64.24	--	--	--
166	3.29	34	3.409	112	11.229	352	7.45	11.77	20.42	35.54	531	10.10	15.95	27.66	48.15	--	--	--
167	3.33	24	2.406	80	8.020	348	4.71	7.45	—	—	525	6.40	10.12	—	—	--	7.00	8.68
168	3.43	56	5.614	192	19.249	338	12.80	20.22	35.06	61.04	510	17.19	27.17	47.11	82.01	--	--	--
169	3.46	26	2.607	90	9.023	335	5.28	8.35	—	—	506	7.17	11.33	—	—	--	--	7.50
170	3.50	32	3.208	112	11.229	331	6.92	10.94	18.97	—	500	9.39	14.83	25.71	—	--	--	--
171	3.60	40	4.010	144	14.437	322	8.99	14.20	24.63	42.88	486	12.15	19.20	33.29	57.96	--	--	--
172	3.64	22	2.206	80	8.020	319	4.13	6.53	—	—	481	5.62	8.88	—	—	--	7.12	8.81
173	3.73	30	3.008	112	11.229	311	6.39	10.09	17.49	—	469	8.66	13.69	23.73	—	--	--	--
174	3.75	24	2.406	90	9.023	309	4.71	7.45	—	—	467	6.40	10.12	—	—	--	--	7.63
175	3.79	38	3.810	144	14.437	306	8.48	13.40	23.24	40.47	462	11.48	18.13	31.44	54.75	--	--	--
176	4.00	28	2.807	112	11.229	290	5.84	9.23	16.00	—	438	7.93	12.52	21.71	—	--	--	--
177	4.00	36	3.609	144	14.437	290	7.97	12.60	21.84	38.02	438	10.79	17.05	29.57	51.48	--	--	--
178	4.00	48	4.812	192	19.249	290	10.94	17.29	29.97	52.19	438	14.74	23.30	40.39	70.33	--	--	--
179	4.09	22	2.206	90	9.023	284	4.13	6.53	—	—	428	5.62	8.88	—	—	--	--	7.75
180	4.24	34	3.409	144	14.437	274	7.45	11.77	20.42	35.54	413	10.10	15.95	27.66	48.15	--	--	--
181	4.31	26	2.607	112	11.229	269	5.28	8.35	—	—	406	7.17	11.33	—	—	--	--	--
182	4.36	44	4.411	192	19.249	266	9.98	15.76	27.34	47.59	401	13.47	21.28	36.90	64.24	--	--	--
183	4.50	32	3.208	144	14.437	258	6.92	10.94	18.97	—	389	9.39	14.83	25.71	—	--	--	--
184	4.67	24	2.406	112	11.229	249	4.71	7.45	—	—	375	6.40	10.12	—	—	--	--	--
185	4.80	30	3.008	144	14.437	242	6.39	10.09	17.49	—	365	8.66	13.69	23.73	—	--	--	--
186	4.80	40	4.010	192	19.249	242	8.99	14.20	24.63	42.88	365	12.15	19.20	33.29	57.96	--	--	--
187	5.05	38	3.810	192	19.249	230	8.48	13.40	23.24	40.47	346	11.48	18.13	31.44	54.75	--	--	--
188	5.09	22	2.206	112	11.229	228	4.13	6.53	—	—	344	5.62	8.88	—	—	--	--	--
189	5.14	28	2.807	144	14.437	226	5.84	9.23	16.00	—	340	7.93	12.52	21.71	—	--	--	--
190	5.33	36	3.609	192	19.249	218	7.97	12.60	21.84	38.02	328	10.79	17.05	29.57	51.48	--	--	--
191	5.54	26	2.607	144	14.437	209	5.28	8.35	—	—	316	7.17	11.33	—	—	--	--	--
192	5.65	34	3.409	192	19.249	205	7.45	11.77	20.42	35.54	310	10.10	15.95	27.66	48.15	--	--	--
193	6.00	24	2.406	144	14.437	193	4.71	7.45	—	—	292	6.40	10.12	—	—	--	--	--
194	6.00	32	3.208	192	19.249	193	6.92	10.94	18.97	—	292	9.39	14.83	25.71	—	--	--	--
195	6.40	30	3.008	192	19.249	181	6.39	10.09	17.49	—	273	8.66	13.69	23.73	—	--	--	--
196	6.55	22	2.206	144	14.437	177	4.13	6.53	—	—	267	5.62	8.88	—	—	--	--	--
197	6.86	28	2.807	192	19.249	169	5.84	9.23	16.00	—	255	7.93	12.52	21.71	—	--	--	--
198	7.38	26	2.607	192	19.249	157	5.28	8.35	—	—	237	7.17	11.33	—	—	--	--	--
199	8.00	24	2.406	192	19.249	145	4.71	7.45	—	—	219	6.40	10.12	—	—	--	--	--
200	8.73	22	2.206	192	19.249	133	4.13	6.53	—	—	201	5.62	8.88	—	—	--	--	--
Multiply Horsepower Listed by Length Correction Factor to Find Horsepower Rating →															0.90	0.90	0.90	

SELECTION TABLES



CENTER DISTANCE																				Line No.
BELT LENGTH – Length Correction Factor																				
960	1040	1120	1200	1224	1280	1440	1600	1760	1800	2000	2200	2400	2600	2800	3048	3280	3600	4400		
1.00	1.00	1.00	1.00	1.00	1.10	1.10	1.10	1.10	1.20	1.20	1.20	1.20	1.20	1.20	1.20	1.20	1.20	1.20	1.20	
10.94	12.54	14.14	15.74	16.21	17.33	20.50	23.67	26.83	27.62	31.57	35.52	39.46	43.40	47.35	52.23	56.80	63.11	78.86	151	
--	--	9.38	11.06	11.56	12.72	15.97	19.19	22.39	23.18	27.16	31.13	35.09	39.05	43.00	47.90	52.47	58.79	74.56	152	
8.81	10.46	12.09	13.71	14.19	15.31	18.51	21.69	24.87	25.66	29.62	33.57	37.53	41.47	45.42	50.31	54.88	61.19	76.95	153	
10.06	11.68	13.29	14.89	15.37	16.49	19.67	22.84	26.01	26.80	30.76	34.71	38.65	42.60	46.54	51.43	56.00	62.31	78.07	154	
11.94	13.54	15.13	16.72	17.19	18.30	21.47	24.63	27.79	28.58	32.53	36.47	40.42	44.36	48.30	53.19	57.76	64.06	79.81	155	
--	--	9.51	11.20	11.70	12.85	16.11	19.33	22.53	23.33	27.31	31.28	35.24	39.19	43.15	48.05	52.63	58.94	74.71	156	
11.08	12.69	14.29	15.88	16.36	17.47	20.65	23.82	26.98	27.77	31.72	35.67	39.61	43.56	47.50	52.39	56.96	63.26	79.02	157	
8.94	10.60	12.23	13.85	14.33	15.46	18.66	21.84	25.02	25.81	29.77	33.72	37.68	41.62	45.57	50.46	55.04	61.34	77.11	158	
--	--	--	--	--	--	12.29	15.64	18.92	19.73	23.76	27.77	31.76	35.74	39.71	44.62	49.21	55.54	71.33	159	
--	--	--	--	--	--	--	--	--	13.78	18.07	22.22	26.30	30.35	34.36	39.32	43.94	50.30	66.15	160	
10.19	11.82	13.43	15.03	15.51	16.63	19.82	22.99	26.16	26.95	30.91	34.86	38.80	42.75	46.69	51.58	56.16	62.46	78.22	161	
--	--	9.64	11.33	11.83	12.98	16.25	19.47	22.67	23.47	27.45	31.42	35.39	39.34	43.30	48.20	52.78	59.09	74.86	162	
9.07	10.73	12.37	13.99	14.47	15.60	18.80	21.99	25.16	25.96	29.92	33.87	37.83	41.77	45.72	50.61	55.19	61.50	77.26	163	
11.22	12.83	14.43	16.02	16.50	17.62	20.79	23.96	27.13	27.92	31.87	35.82	39.76	43.71	47.65	52.54	57.11	63.42	79.17	164	
--	--	--	--	--	--	12.54	15.90	19.19	20.00	24.04	28.06	32.05	36.03	40.00	44.92	49.51	55.84	71.64	165	
--	--	9.77	11.46	11.96	13.12	16.38	19.61	22.81	23.61	27.60	31.57	35.53	39.49	43.45	48.35	52.93	59.24	75.02	166	
10.33	11.95	13.57	15.17	15.65	16.77	19.96	23.14	26.31	27.10	31.05	35.01	38.95	42.90	46.85	51.73	56.31	62.61	78.37	167	
--	--	--	--	--	--	--	--	13.38	14.28	18.59	22.76	26.85	30.90	34.93	39.89	44.52	50.88	66.74	168	
9.20	10.86	12.50	14.12	14.61	15.74	18.94	22.13	25.31	26.10	30.07	34.02	37.97	41.92	45.87	50.76	55.34	61.65	77.41	169	
--	8.15	9.90	11.59	12.09	13.25	16.52	19.75	22.96	23.76	27.74	31.71	35.68	39.64	43.60	48.50	53.08	59.39	75.17	170	
--	--	--	--	--	--	12.80	16.17	19.46	20.27	24.32	28.34	32.34	36.32	40.29	45.21	49.81	56.14	71.94	171	
10.46	12.09	13.71	15.31	15.80	16.92	20.10	23.28	26.45	27.25	31.20	35.16	39.10	43.05	47.00	51.89	56.46	62.77	78.53	172	
--	8.27	10.02	11.72	12.22	13.38	16.66	19.89	23.10	23.90	27.89	31.86	35.83	39.79	43.74	48.65	53.23	59.54	75.32	173	
9.33	11.00	12.64	14.26	14.75	15.88	19.08	22.27	25.45	26.25	30.21	34.17	38.12	42.07	46.02	50.92	55.49	61.80	77.57	174	
--	--	--	--	--	--	12.92	16.30	19.59	20.41	24.46	28.48	32.48	36.46	40.44	45.36	49.95	56.28	72.09	175	
--	8.39	10.15	11.85	12.35	13.52	16.79	20.03	23.24	24.04	28.03	32.01	35.97	39.94	43.89	48.79	53.38	59.69	75.47	176	
--	--	--	--	--	--	13.05	16.43	19.73	20.55	24.60	28.62	32.62	36.61	40.58	45.50	50.10	56.43	72.24	177	
--	--	--	--	--	--	--	--	13.87	14.77	19.11	23.29	27.40	31.46	35.49	40.46	45.09	51.46	67.33	178	
9.46	11.13	12.77	14.40	14.89	16.02	19.23	22.42	25.60	26.39	30.36	34.32	38.27	42.22	46.17	51.07	55.64	61.95	77.72	179	
--	--	--	--	--	--	13.18	16.56	19.86	20.68	24.74	28.76	32.76	36.75	40.73	45.65	50.25	56.58	72.39	180	
--	8.51	10.28	11.98	12.48	13.65	16.93	20.17	23.38	24.18	28.17	32.15	36.12	40.08	44.04	48.94	53.53	59.84	75.63	181	
--	--	--	--	--	--	--	--	14.11	15.02	19.37	23.56	27.67	31.73	35.77	40.74	45.38	51.75	67.62	182	
--	--	--	--	--	9.72	13.30	16.69	20.00	20.82	24.88	28.90	32.91	36.90	40.87	45.80	50.40	56.73	72.54	183	
--	8.64	10.40	12.11	12.61	13.78	17.07	20.31	23.52	24.32	28.32	32.30	36.27	40.23	44.19	49.09	53.68	60.00	75.78	184	
--	--	--	--	--	9.84	13.43	16.82	20.13	20.95	25.02	29.04	33.05	37.04	41.02	45.94	50.54	56.88	72.69	185	
--	--	--	--	--	--	--	--	14.36	15.26	19.62	23.82	27.94	32.01	36.05	41.02	45.66	52.04	67.92	186	
--	--	--	--	--	--	--	--	14.48	15.39	19.75	23.95	28.07	32.14	36.18	41.17	45.81	52.18	68.07	187	
--	8.76	10.53	12.24	12.74	13.91	17.20	20.45	23.66	24.47	28.46	32.44	36.41	40.38	44.34	49.24	53.83	60.15	75.93	188	
--	--	--	--	--	9.96	13.56	16.96	20.27	21.09	25.15	29.18	33.19	37.18	41.16	46.09	50.69	57.03	72.84	189	
--	--	--	--	--	--	--	--	14.60	15.51	19.88	24.08	28.21	32.28	36.32	41.31	45.95	52.33	68.21	190	
--	--	--	--	--	10.07	13.68	17.09	20.40	21.22	25.29	29.32	33.33	37.33	41.31	46.24	50.84	57.17	72.99	191	
--	--	--	--	--	--	--	--	14.72	15.63	20.01	24.22	28.34	32.42	36.46	41.45	46.09	52.47	68.36	192	
--	--	--	--	--	10.19	13.81	17.22	20.54	21.36	25.43	29.46	33.48	37.47	41.45	46.38	50.98	57.32	73.14	193	
--	--	--	--	--	--	--	--	14.84	15.75	20.13	24.35	28.48	32.56	36.60	41.59	46.23	52.62	68.51	194	
--	--	--	--	--	--	--	--	14.96	15.88	20.26	24.48	28.61	32.69	36.74	41.73	46.38	52.76	68.65	195	
--	--	--	--	--	10.31	13.93	17.35	20.67	21.49	25.57	29.60	33.62	37.61	41.60	46.53	51.13	57.47	73.29	196	
--	--	--	--	--	--	--	--	15.08	16.00	20.39	24.61	28.75	32.83	36.88	41.87	46.52	52.90	68.80	197	
--	--	--	--	--	--	--	--	15.20	16.12	20.52	24.74	28.88	32.97	37.02	42.01	46.66	53.05	68.95	198	
--	--	--	--	--	--	--	--	15.32	16.24	20.64	24.87	29.01	33.10	37.16	42.15	46.80	53.19	69.09	199	
--	--	--	--	--	--	--	11.48	15.44	16.36	20.77	25.00	29.15	33.24	37.29	42.29	46.94	53.33	69.24	200	

Line No.	Drive Ratio	Sprocket Combination				1160 RPM DriveR					1750 RPM DriveR					966	1190		
		DRIVER		DRIVEN		DN	Horsepower					DN	Horsepower						
		Teeth	PD (in)	Teeth	PD (in)		RPM	40MM	55MM	85MM	115MM		170MM	RPM	40MM			55MM	85MM
Multiply Horsepower Listed by Length Correction Factor to Find Horsepower Rating →																			
1	1.00	28	4.913	28	4.913	1160	27.8	40.0	64.5	89.2	—	1750	37.9	54.6	87.9	121.6	—	11.30	15.71
2	1.00	29	5.088	29	5.088	1160	29.3	42.2	68.1	94.2	—	1750	39.9	57.4	92.5	128.0	—	11.02	15.43
3	1.00	30	5.263	30	5.263	1160	30.9	44.4	71.6	99.0	—	1750	41.8	60.2	97.0	134.3	—	10.75	15.16
4	1.00	32	5.614	32	5.614	1160	33.8	48.7	78.5	108.6	—	1750	45.7	65.8	105.9	146.6	—	10.20	14.61
5	1.00	34	5.965	34	5.965	1160	36.8	52.9	85.3	118.0	—	1750	49.4	71.1	114.6	158.6	—	9.65	14.06
6	1.00	36	6.316	36	6.316	1160	39.6	57.1	91.9	127.2	191.0	1750	53.0	76.4	123.0	170.2	255.6	9.09	13.50
7	1.00	38	6.667	38	6.667	1160	42.4	61.1	98.4	136.1	204.4	1750	56.6	81.5	131.3	181.6	272.6	8.54	12.95
8	1.00	40	7.018	40	7.018	1160	45.2	65.0	104.7	144.9	217.6	1750	60.0	86.4	139.3	192.7	289.3	--	12.40
9	1.00	44	7.720	44	7.720	1160	50.5	72.7	117.1	162.0	243.2	1750	66.7	96.0	154.7	214.1	321.4	--	11.30
10	1.00	48	8.421	48	8.421	1160	55.6	80.0	128.9	178.4	267.9	1750	73.1	105.2	169.5	234.5	352.1	--	10.20
11	1.00	52	9.123	52	9.123	1160	60.5	87.1	140.4	194.2	291.7	1750	79.1	113.9	183.6	254.0	381.4	--	--
12	1.00	56	9.825	56	9.825	1160	65.3	94.0	151.4	209.5	314.6	1750	84.9	122.3	197.1	272.7	409.4	--	--
13	1.00	60	10.527	60	10.527	1160	69.9	100.6	162.1	224.3	336.8	1750	90.5	130.4	210.0	290.6	436.3	--	--
14	1.00	64	11.229	64	11.229	1160	74.3	107.0	172.5	238.6	358.3	1750	95.9	138.1	222.4	307.7	462.1	--	--
15	1.00	68	11.930	68	11.930	1160	78.7	113.3	182.5	252.5	379.1	1750	101.0	145.5	234.4	324.3	486.9	--	--
16	1.00	72	12.632	72	12.632	1160	82.8	119.3	192.2	265.9	399.3	1750	106.0	152.6	245.8	340.1	510.7	--	--
17	1.00	80	14.036	80	14.036	1160	90.9	130.8	210.8	291.6	437.9	1750	115.3	166.0	267.5	370.1	555.7	--	--
18	1.03	29	5.088	30	5.263	1121	29.3	42.2	68.1	94.2	—	1692	39.9	57.4	92.5	128.0	—	10.89	15.29
19	1.04	28	4.913	29	5.088	1120	27.8	40.0	64.5	89.2	—	1690	37.9	54.6	87.9	121.6	—	11.16	15.57
20	1.05	38	6.667	40	7.018	1102	42.4	61.1	98.4	136.1	204.4	1662	56.6	81.5	131.3	181.6	272.7	8.27	12.68
21	1.06	36	6.316	38	6.667	1099	39.6	57.1	91.9	127.2	191.0	1658	53.0	76.4	123.0	170.2	255.6	8.82	13.23
22	1.06	34	5.965	36	6.316	1096	36.8	52.9	85.3	118.0	—	1653	49.4	71.1	114.6	158.6	—	9.37	13.78
23	1.06	68	11.930	72	12.632	1096	78.7	113.3	182.5	252.5	379.1	1653	101.0	145.5	234.4	324.3	486.9	--	--
24	1.06	32	5.614	34	5.965	1092	33.8	48.7	78.5	108.6	—	1647	45.7	65.8	105.9	146.6	—	9.92	14.33
25	1.06	64	11.229	68	11.930	1092	74.3	107.0	172.5	238.6	358.3	1647	95.9	138.1	222.4	307.7	462.1	--	--
26	1.07	30	5.263	32	5.614	1088	30.9	44.4	71.6	99.0	—	1641	41.8	60.2	97.0	134.3	—	10.47	14.88
27	1.07	60	10.527	64	11.229	1088	69.9	100.6	162.1	224.3	336.8	1641	90.5	130.4	210.0	290.6	436.3	--	--
28	1.07	28	4.913	30	5.263	1083	27.8	40.0	64.5	89.2	—	1633	37.9	54.6	87.9	121.6	—	11.02	15.43
29	1.07	56	9.825	60	10.527	1083	65.3	94.0	151.4	209.5	314.6	1633	84.9	122.3	197.1	272.7	409.4	--	--
30	1.08	52	9.123	56	9.825	1077	60.5	87.1	140.4	194.2	291.7	1625	79.1	113.9	183.6	254.0	381.4	--	--
31	1.08	48	8.421	52	9.123	1071	55.6	80.0	128.9	178.4	267.9	1615	73.1	105.2	169.5	234.5	352.1	--	--
32	1.09	44	7.720	48	8.421	1063	50.5	72.7	117.1	162.0	243.2	1604	66.7	96.0	154.7	214.1	321.4	--	10.74
33	1.10	40	7.018	44	7.720	1055	45.2	65.0	104.7	144.9	217.6	1591	60.0	86.4	139.3	192.7	289.3	--	11.85
34	1.10	29	5.088	32	5.614	1051	29.3	42.2	68.1	94.2	—	1586	39.9	57.4	92.5	128.0	—	10.61	15.02
35	1.11	36	6.316	40	7.018	1044	39.6	57.1	91.9	127.2	191.0	1575	53.0	76.4	123.0	170.2	255.6	8.54	12.95
36	1.11	72	12.632	80	14.036	1044	82.8	119.3	192.2	265.9	399.3	1575	106.0	152.6	245.8	340.1	510.7	--	--
37	1.12	34	5.965	38	6.667	1038	36.8	52.9	85.3	118.0	—	1566	49.4	71.1	114.6	158.6	—	9.09	13.50
38	1.13	32	5.614	36	6.316	1031	33.8	48.7	78.5	108.6	—	1556	45.7	65.8	105.9	146.6	—	9.64	14.05
39	1.13	64	11.229	72	12.632	1031	74.3	107.0	172.5	238.6	358.3	1556	95.9	138.1	222.4	307.7	462.1	--	--
40	1.13	80	14.036	90	15.790	1031	90.9	130.8	210.8	291.6	437.9	1556	115.3	166.0	267.5	370.1	555.7	--	--
41	1.13	30	5.263	34	5.965	1024	30.9	44.4	71.6	99.0	—	1544	41.8	60.2	97.0	134.3	—	10.19	14.60
42	1.13	60	10.527	68	11.930	1024	69.9	100.6	162.1	224.3	336.8	1544	90.5	130.4	210.0	290.6	436.3	--	--
43	1.14	28	4.913	32	5.614	1015	27.8	40.0	64.5	89.2	—	1531	37.9	54.6	87.9	121.6	—	10.74	15.15
44	1.14	56	9.825	64	11.229	1015	65.3	94.0	151.4	209.5	314.6	1531	84.9	122.3	197.1	272.7	409.4	--	--
45	1.15	52	9.123	60	10.527	1005	60.5	87.1	140.4	194.2	291.7	1517	79.1	113.9	183.6	254.0	381.4	--	--
46	1.16	38	6.667	44	7.720	1002	42.4	61.1	98.4	136.1	204.4	1511	56.6	81.5	131.3	181.6	272.7	--	12.11
47	1.17	48	8.421	56	9.825	994	55.6	80.0	128.9	178.4	267.9	1500	73.1	105.2	169.5	234.5	352.1	--	--
48	1.17	29	5.088	34	5.965	989	29.3	42.2	68.1	94.2	—	1493	39.9	57.4	92.5	128.0	—	10.33	14.74
49	1.18	34	5.965	40	7.018	986	36.8	52.9	85.3	118.0	—	1488	49.4	71.1	114.6	158.6	—	8.80	13.22
50	1.18	68	11.930	80	14.036	986	78.7	113.3	182.5	252.5	379.1	1488	101.0	145.5	234.4	324.3	486.9	--	--
51	1.18	44	7.720	52	9.123	982	50.5	72.7	117.1	162.0	243.2	1481	66.7	96.0	154.7	214.1	321.4	--	10.17
Multiply Horsepower Listed by Length Correction Factor to Find Horsepower Rating →																	0.80	0.80	

SELECTION TABLES



CENTER DISTANCE																				Line No.
BELT LENGTH – Length Correction Factor																				
1400	1610	1778	1890	2100	2310	2450	2590	2800	3150	3360	3500	3850	4326	4578	4956	5320	5740	6160	6860	
0.90	0.90	0.95	0.95	1.00	1.00	1.00	1.05	1.05	1.05	1.10	1.10	1.10	1.10	1.10	1.10	1.10	1.10	1.10	1.10	
19.84	23.98	27.28	29.49	33.62	37.76	40.51	43.27	47.40	54.29	58.43	61.18	68.07	77.44	82.40	89.84	97.01	105.28	113.54	127.32	1
19.57	23.70	27.01	29.21	33.35	37.48	40.24	42.99	47.13	54.02	58.15	60.91	67.80	77.17	82.13	89.57	96.73	105.00	113.27	127.05	2
19.29	23.43	26.73	28.94	33.07	37.20	39.96	42.72	46.85	53.74	57.87	60.63	67.52	76.89	81.85	89.29	96.46	104.72	112.99	126.77	3
18.74	22.87	26.18	28.39	32.52	36.65	39.41	42.17	46.30	53.19	57.32	60.08	66.97	76.34	81.30	88.74	95.91	104.17	112.44	126.22	4
18.19	22.32	25.63	27.83	31.97	36.10	38.86	41.61	45.75	52.64	56.77	59.53	66.42	75.79	80.75	88.19	95.35	103.62	111.89	125.67	5
17.64	21.77	25.08	27.28	31.42	35.55	38.31	41.06	45.20	52.09	56.22	58.98	65.87	75.24	80.20	87.64	94.80	103.07	111.34	125.12	6
17.09	21.22	24.53	26.73	30.87	35.00	37.76	40.51	44.65	51.54	55.67	58.43	65.31	74.69	79.65	87.09	94.25	102.52	110.79	124.57	7
16.54	20.67	23.98	26.18	30.31	34.45	37.20	39.96	44.09	50.98	55.12	57.87	64.76	74.13	79.09	86.54	93.70	101.97	110.24	124.02	8
15.43	19.57	22.87	25.08	29.21	33.35	36.10	38.86	42.99	49.88	54.02	56.77	63.66	73.03	77.99	85.43	92.60	100.87	109.13	122.91	9
14.33	18.46	21.77	23.98	28.11	32.24	35.00	37.76	41.89	48.78	52.91	55.67	62.56	71.93	76.89	84.33	91.50	99.76	108.03	121.81	10
13.23	17.36	20.67	22.87	27.01	31.14	33.90	36.65	40.79	47.68	51.81	54.57	61.46	70.83	75.79	83.23	90.39	98.66	106.93	120.71	11
12.13	16.26	19.57	21.77	25.91	30.04	32.80	35.55	39.68	46.57	50.71	53.46	60.35	69.72	74.68	82.13	89.29	97.56	105.83	119.61	12
--	15.16	18.46	20.67	24.80	28.94	31.69	34.45	38.58	45.47	49.61	52.36	59.25	68.62	73.58	81.02	88.19	96.46	104.72	118.50	13
--	14.06	17.36	19.57	23.70	27.83	30.59	33.35	37.48	44.37	48.50	51.26	58.15	67.52	72.48	79.92	87.09	95.35	103.62	117.40	14
--	--	16.26	18.46	22.60	26.73	29.49	32.24	36.38	43.27	47.40	50.16	57.05	66.42	71.38	78.82	85.98	94.25	102.52	116.30	15
--	--	15.16	17.36	21.50	25.63	28.39	31.14	35.28	42.17	46.30	49.06	55.94	65.31	70.28	77.72	84.88	93.15	101.42	115.20	16
--	--	--	--	19.29	23.43	26.18	28.94	33.07	39.96	44.09	46.85	53.74	63.11	68.07	75.51	82.68	90.94	99.21	112.99	17
19.43	23.56	26.87	29.07	33.21	37.34	40.10	42.85	46.99	53.88	58.01	60.77	67.66	77.03	81.99	89.43	96.59	104.86	113.13	126.91	18
19.70	23.84	27.15	29.35	33.48	37.62	40.37	43.13	47.26	54.15	58.29	61.04	67.93	77.30	82.26	89.70	96.87	105.14	113.41	127.18	19
16.81	20.94	24.25	26.46	30.59	34.72	37.48	40.24	44.37	51.26	55.39	58.15	65.04	74.41	79.37	86.81	93.98	102.24	110.51	124.29	20
17.36	21.50	24.80	27.01	31.14	35.28	38.03	40.79	44.92	51.81	55.94	58.70	65.59	74.96	79.92	87.36	94.53	102.80	111.06	124.84	21
17.91	22.05	25.35	27.56	31.69	35.83	38.58	41.34	45.47	52.36	56.50	59.25	66.14	75.51	80.47	87.91	95.08	103.35	111.61	125.39	22
--	--	15.70	17.91	22.04	26.18	28.93	31.69	35.82	42.72	46.85	49.60	56.49	65.87	70.83	78.27	85.43	93.70	101.97	115.75	23
18.46	22.60	25.90	28.11	32.24	36.38	39.13	41.89	46.02	52.91	57.05	59.80	66.69	76.06	81.02	88.46	95.63	103.90	112.17	125.94	24
--	13.50	16.81	19.01	23.15	27.28	30.04	32.79	36.93	43.82	47.95	50.71	57.60	66.97	71.93	79.37	86.53	94.80	103.07	116.85	25
19.01	23.15	26.46	28.66	32.79	36.93	39.68	42.44	46.57	53.46	57.60	60.35	67.24	76.61	81.57	89.02	96.18	104.45	112.72	126.50	26
--	14.60	17.91	20.11	24.25	28.38	31.14	33.90	38.03	44.92	49.05	51.81	58.70	68.07	73.03	80.47	87.64	95.90	104.17	117.95	27
19.57	23.70	27.01	29.21	33.35	37.48	40.24	42.99	47.13	54.02	58.15	60.91	67.80	77.17	82.13	89.57	96.73	105.00	113.27	127.05	28
11.57	15.70	19.01	21.22	25.35	29.49	32.24	35.00	39.13	46.02	50.16	52.91	59.80	69.17	74.13	81.57	88.74	97.01	105.27	119.05	29
12.67	16.81	20.12	22.32	26.45	30.59	33.34	36.10	40.23	47.12	51.26	54.01	60.90	70.27	75.24	82.68	89.84	98.11	106.38	120.16	30
13.78	17.91	21.22	23.42	27.56	31.69	34.45	37.20	41.34	48.23	52.36	55.12	62.01	71.38	76.34	83.78	90.94	99.21	107.48	121.26	31
14.88	19.01	22.32	24.53	28.66	32.79	35.55	38.31	42.44	49.33	53.46	56.22	63.11	72.48	77.44	84.88	92.05	100.31	108.58	122.36	32
15.98	20.12	23.42	25.63	29.76	33.90	36.65	39.41	43.54	50.43	54.57	57.32	64.21	73.58	78.54	85.98	93.15	101.42	109.68	123.46	33
19.15	23.29	26.59	28.80	32.93	37.07	39.82	42.58	46.71	53.60	57.74	60.49	67.38	76.75	81.71	89.15	96.32	104.59	112.85	126.63	34
17.08	21.22	24.53	26.73	30.86	35.00	37.75	40.51	44.64	51.53	55.67	58.42	65.31	74.68	79.64	87.09	94.25	102.52	110.79	124.57	35
--	--	--	16.24	20.38	24.52	27.27	30.03	34.17	41.06	45.19	47.95	54.84	64.21	69.17	76.61	83.78	92.04	100.31	114.09	36
17.63	21.77	25.08	27.28	31.42	35.55	38.31	41.06	45.20	52.09	56.22	58.98	65.87	75.24	80.20	87.64	94.80	103.07	111.34	125.12	37
18.19	22.32	25.63	27.83	31.97	36.10	38.86	41.61	45.75	52.64	56.77	59.53	66.42	75.79	80.75	88.19	95.35	103.62	111.89	125.67	38
--	--	16.24	18.45	22.59	26.72	29.48	32.24	36.37	43.26	47.40	50.15	57.04	66.41	71.37	78.82	85.98	94.25	102.52	116.30	39
--	--	--	--	17.89	22.03	24.79	27.55	31.68	38.57	42.71	45.46	52.35	61.73	66.69	74.13	81.29	89.56	97.83	111.61	40
18.74	22.87	26.18	28.38	32.52	36.65	39.41	42.16	46.30	53.19	57.32	60.08	66.97	76.34	81.30	88.74	95.90	104.17	112.44	126.22	41
--	14.04	17.35	19.55	23.69	27.83	30.58	33.34	37.47	44.36	48.50	51.25	58.15	67.52	72.48	79.92	87.08	95.35	103.62	117.40	42
19.29	23.42	26.73	28.93	33.07	37.20	39.96	42.72	46.85	53.74	57.87	60.63	67.52	76.89	81.85	89.29	96.46	104.72	112.99	126.77	43
--	15.14	18.45	20.66	24.79	28.93	31.69	34.44	38.58	45.47	49.60	52.36	59.25	68.62	73.58	81.02	88.19	96.45	104.72	118.50	44
12.11	16.24	19.55	21.76	25.90	30.03	32.79	35.54	39.68	46.57	50.70	53.46	60.35	69.72	74.68	82.12	89.29	97.56	105.82	119.60	45
16.25	20.39	23.69	25.90	30.03	34.17	36.93	39.68	43.82	50.71	54.84	57.60	64.49	73.86	78.82	86.26	93.42	101.69	109.96	123.74	46
13.21	17.35	20.66	22.86	27.00	31.13	33.89	36.65	40.78	47.67	51.81	54.56	61.45	70.82	75.78	83.23	90.39	98.66	106.93	120.71	47
18.87	23.01	26.32	28.52	32.65	36.79	39.54	42.30	46.43	53.32	57.46	60.21	67.10	76.48	81.44	88.88	96.04	104.31	112.58	126.36	48
17.35	21.49	24.80	27.00	31.14	35.27	38.03	40.78	44.92	51.81	55.94	58.70	65.59	74.96	79.92	87.36	94.53	102.79	111.06	124.84	49
--	--	14.57	16.78	20.92	25.06	27.81	30.57	34.71	41.60	45.74	48.49	55.38	64.76	69.72	77.16	84.32	92.59	100.86	114.64	50
14.31	18.45	21.76	23.97	28.10	32.24	34.99	37.75	41.88	48.77	52.91	55.66	62.56	71.93	76.89	84.33	91.49	99.76	108.03	121.81	51
0.90	0.90	0.95	0.95	1.00	1.00	1.00	1.05	1.05	1.05	1.10	1.10	1.10	1.10	1.10	1.10	1.10	1.10	1.10	1.10	

Line No.	Drive Ratio	Sprocket Combination				1160 RPM DriveR					1750 RPM DriveR					966	1190		
		DRIVER		DRIVEN		DN	Horsepower					DN	Horsepower						
		Teeth	PD (in)	Teeth	PD (in)		RPM	40MM	55MM	85MM	115MM		170MM	RPM	40MM			55MM	85MM
Multiply Horsepower Listed by Length Correction Factor to Find Horsepower Rating →																			
52	1.19	32	5.614	38	6.667	977	33.8	48.7	78.5	108.6	—	1474	45.7	65.8	105.9	146.6	—	9.36	13.77
53	1.20	30	5.263	36	6.316	967	30.9	44.4	71.6	99.0	—	1458	41.8	60.2	97.0	134.3	—	9.91	14.32
54	1.20	40	7.018	48	8.421	967	45.2	65.0	104.7	144.9	217.6	1458	60.0	86.4	139.3	192.7	289.3	--	11.28
55	1.20	60	10.527	72	12.632	967	69.9	100.6	162.1	224.3	336.8	1458	90.5	130.4	210.0	290.6	436.3	--	--
56	1.21	28	4.913	34	5.965	955	27.8	40.0	64.5	89.2	—	1441	37.9	54.6	87.9	121.6	—	10.46	14.87
57	1.21	56	9.825	68	11.930	955	65.3	94.0	151.4	209.5	314.6	1441	84.9	122.3	197.1	272.7	409.4	--	--
58	1.22	36	6.316	44	7.720	949	39.6	57.1	91.9	127.2	191.0	1432	53.0	76.4	123.0	170.2	255.6	--	12.38
59	1.23	52	9.123	64	11.229	942	60.5	87.1	140.4	194.2	291.7	1422	79.1	113.9	183.6	254.0	381.4	--	--
60	1.24	29	5.088	36	6.316	934	29.3	42.2	68.1	94.2	—	1410	39.9	57.4	92.5	128.0	—	10.04	14.46
61	1.25	32	5.614	40	7.018	928	33.8	48.7	78.5	108.6	—	1400	45.7	65.8	105.9	146.6	—	9.07	13.49
62	1.25	48	8.421	60	10.527	928	55.6	80.0	128.9	178.4	267.9	1400	73.1	105.2	169.5	234.5	352.1	--	--
63	1.25	64	11.229	80	14.036	928	74.3	107.0	172.5	238.6	358.3	1400	95.9	138.1	222.4	307.7	462.1	--	--
64	1.25	72	12.632	90	15.790	928	82.8	119.3	192.2	265.9	399.3	1400	106.0	152.6	245.8	340.1	510.7	--	--
65	1.26	38	6.667	48	8.421	918	42.4	61.1	98.4	136.1	204.4	1385	56.6	81.5	131.3	181.6	272.7	--	11.54
66	1.27	30	5.263	38	6.667	916	30.9	44.4	71.6	99.0	—	1382	41.8	60.2	97.0	134.3	—	9.62	14.04
67	1.27	44	7.720	56	9.825	911	50.5	72.7	117.1	162.0	243.2	1375	66.7	96.0	154.7	214.1	321.4	--	--
68	1.29	28	4.913	36	6.316	902	27.8	40.0	64.5	89.2	—	1361	37.9	54.6	87.9	121.6	—	10.17	14.59
69	1.29	56	9.825	72	12.632	902	65.3	94.0	151.4	209.5	314.6	1361	84.9	122.3	197.1	272.7	409.4	--	--
70	1.29	34	5.965	44	7.720	896	36.8	52.9	85.3	118.0	—	1352	49.4	71.1	114.6	158.6	—	8.22	12.65
71	1.30	40	7.018	52	9.123	892	45.2	65.0	104.7	144.9	217.6	1346	60.0	86.4	139.3	192.7	289.3	--	10.70
72	1.31	52	9.123	68	11.930	887	60.5	87.1	140.4	194.2	291.7	1338	79.1	113.9	183.6	254.0	381.4	--	--
73	1.31	29	5.088	38	6.667	885	29.3	42.2	68.1	94.2	—	1336	39.9	57.4	92.5	128.0	—	9.75	14.17
74	1.32	68	11.930	90	15.790	876	78.7	113.3	182.5	252.5	379.1	1322	101.0	145.5	234.4	324.3	486.9	--	--
75	1.33	30	5.263	40	7.018	870	30.9	44.4	71.6	99.0	—	1312	41.8	60.2	97.0	134.3	—	9.33	13.75
76	1.33	36	6.316	48	8.421	870	39.6	57.1	91.9	127.2	191.0	1312	53.0	76.4	123.0	170.2	255.6	--	11.80
77	1.33	48	8.421	64	11.229	870	55.6	80.0	128.9	178.4	267.9	1312	73.1	105.2	169.5	234.5	352.1	--	--
78	1.33	60	10.527	80	14.036	870	69.9	100.6	162.1	224.3	336.8	1312	90.5	130.4	210.0	290.6	436.3	--	--
79	1.36	28	4.913	38	6.667	855	27.8	40.0	64.5	89.2	—	1289	37.9	54.6	87.9	121.6	—	9.88	14.30
80	1.36	44	7.720	60	10.527	851	50.5	72.7	117.1	162.0	243.2	1283	66.7	96.0	154.7	214.1	321.4	--	--
81	1.37	38	6.667	52	9.123	848	42.4	61.1	98.4	136.1	204.4	1279	56.6	81.5	131.3	181.6	272.7	--	10.95
82	1.38	32	5.614	44	7.720	844	33.8	48.7	78.5	108.6	—	1273	45.7	65.8	105.9	146.6	—	8.48	12.91
83	1.38	29	5.088	40	7.018	841	29.3	42.2	68.1	94.2	—	1269	39.9	57.4	92.5	128.0	—	9.46	13.88
84	1.38	52	9.123	72	12.632	838	60.5	87.1	140.4	194.2	291.7	1264	79.1	113.9	183.6	254.0	381.4	--	--
85	1.40	40	7.018	56	9.825	829	45.2	65.0	104.7	144.9	217.6	1250	60.0	86.4	139.3	192.7	289.3	--	10.10
86	1.40	80	14.036	112	19.650	829	90.9	130.8	210.8	291.6	437.9	1250	115.3	166.0	267.5	370.1	555.7	--	--
87	1.41	64	11.229	90	15.790	825	74.3	107.0	172.5	238.6	358.3	1244	95.9	138.1	222.4	307.7	462.1	--	--
88	1.41	34	5.965	48	8.421	822	36.8	52.9	85.3	118.0	—	1240	49.4	71.1	114.6	158.6	—	--	12.06
89	1.42	48	8.421	68	11.930	819	55.6	80.0	128.9	178.4	267.9	1235	73.1	105.2	169.5	234.5	352.1	--	--
90	1.43	28	4.913	40	7.018	812	27.8	40.0	64.5	89.2	—	1225	37.9	54.6	87.9	121.6	—	9.59	14.02
91	1.43	56	9.825	80	14.036	812	65.3	94.0	151.4	209.5	314.6	1225	84.9	122.3	197.1	272.7	409.4	--	--
92	1.44	36	6.316	52	9.123	803	39.6	57.1	91.9	127.2	191.0	1212	53.0	76.4	123.0	170.2	255.6	--	11.21
93	1.45	44	7.720	64	11.229	798	50.5	72.7	117.1	162.0	243.2	1203	66.7	96.0	154.7	214.1	321.4	--	--
94	1.47	30	5.263	44	7.720	791	30.9	44.4	71.6	99.0	—	1193	41.8	60.2	97.0	134.3	—	8.73	13.17
95	1.47	38	6.667	56	9.825	787	42.4	61.1	98.4	136.1	204.4	1188	56.6	81.5	131.3	181.6	272.7	--	10.35
96	1.50	32	5.614	48	8.421	773	33.8	48.7	78.5	108.6	—	1167	45.7	65.8	105.9	146.6	—	--	12.32
97	1.50	40	7.018	60	10.527	773	45.2	65.0	104.7	144.9	217.6	1167	60.0	86.4	139.3	192.7	289.3	--	--
98	1.50	48	8.421	72	12.632	773	55.6	80.0	128.9	178.4	267.9	1167	73.1	105.2	169.5	234.5	352.1	--	--
99	1.50	60	10.527	90	15.790	773	69.9	100.6	162.1	224.3	336.8	1167	90.5	130.4	210.0	290.6	436.3	--	--
100	1.52	29	5.088	44	7.720	765	29.3	42.2	68.1	94.2	—	1153	39.9	57.4	92.5	128.0	—	8.86	13.30
101	1.53	34	5.965	52	9.123	758	36.8	52.9	85.3	118.0	—	1144	49.4	71.1	114.6	158.6	—	--	11.47
102	1.54	52	9.123	80	14.036	754	60.5	87.1	140.4	194.2	291.7	1138	79.1	113.9	183.6	254.0	381.4	--	--
Multiply Horsepower Listed by Length Correction Factor to Find Horsepower Rating →																	0.80	0.80	

SELECTION TABLES



CENTER DISTANCE																				Line No.
BELT LENGTH – Length Correction Factor																				
1400	1610	1778	1890	2100	2310	2450	2590	2800	3150	3360	3500	3850	4326	4578	4956	5320	5740	6160	6860	
0.90	0.90	0.95	0.95	1.00	1.00	1.00	1.05	1.05	1.05	1.10	1.10	1.10	1.10	1.10	1.10	1.10	1.10	1.10	1.10	
17.91	22.04	25.35	27.55	31.69	35.82	38.58	41.34	45.47	52.36	56.49	59.25	66.14	75.51	80.47	87.91	95.08	103.35	111.61	125.39	52
18.46	22.59	25.90	28.11	32.24	36.37	39.13	41.89	46.02	52.91	57.04	59.80	66.69	76.06	81.02	88.46	95.63	103.90	112.16	125.94	53
15.42	19.55	22.86	25.07	29.20	33.34	36.10	38.85	42.99	49.88	54.01	56.77	63.66	73.03	77.99	85.43	92.60	100.86	109.13	122.91	54
--	13.46	16.78	18.99	23.13	27.26	30.02	32.78	36.91	43.81	47.94	50.70	57.59	66.96	71.92	79.36	86.53	94.80	103.07	116.85	55
19.01	23.14	26.45	28.66	32.79	36.93	39.68	42.44	46.57	53.46	57.60	60.35	67.24	76.61	81.57	89.01	96.18	104.45	112.72	126.49	56
--	14.57	17.88	20.09	24.23	28.37	31.12	33.88	38.02	44.91	49.04	51.80	58.69	68.06	73.02	80.47	87.63	95.90	104.17	117.95	57
16.52	20.66	23.97	26.17	30.31	34.44	37.20	39.95	44.09	50.98	55.11	57.87	64.76	74.13	79.09	86.53	93.70	101.97	110.23	124.01	58
11.53	15.67	18.99	21.19	25.33	29.47	32.23	34.98	39.12	46.01	50.15	52.90	59.79	69.17	74.13	81.57	88.73	97.00	105.27	119.05	59
18.59	22.73	26.04	28.24	32.38	36.51	39.27	42.02	46.16	53.05	57.18	59.94	66.83	76.20	81.16	88.60	95.77	104.03	112.30	126.08	60
17.62	21.76	25.07	27.27	31.41	35.54	38.30	41.06	45.19	52.08	56.22	58.97	65.86	75.23	80.19	87.63	94.80	103.07	111.34	125.12	61
12.63	16.78	20.09	22.30	26.44	30.57	33.33	36.09	40.22	47.11	51.25	54.01	60.90	70.27	75.23	82.67	89.84	98.10	106.37	120.15	62
--	--	15.09	17.31	21.45	25.59	28.35	31.11	35.25	42.14	46.28	49.03	55.93	65.30	70.26	77.70	84.87	93.14	101.41	115.19	63
--	--	--	--	18.95	23.10	25.86	28.62	32.76	39.65	43.79	46.55	53.44	62.81	67.78	75.22	82.39	90.66	98.92	112.71	64
15.68	19.82	23.13	25.34	29.48	33.61	36.37	39.12	43.26	50.15	54.28	57.04	63.93	73.30	78.26	85.70	92.87	101.14	109.41	123.19	65
18.18	22.31	25.62	27.83	31.96	36.10	38.85	41.61	45.74	52.63	56.77	59.52	66.41	75.78	80.74	88.19	95.35	103.62	111.89	125.67	66
13.74	17.88	21.19	23.40	27.54	31.68	34.43	37.19	41.33	48.22	52.35	55.11	62.00	71.37	76.33	83.77	90.94	99.21	107.48	121.26	67
18.73	22.86	26.17	28.38	32.51	36.65	39.40	42.16	46.29	53.18	57.32	60.07	66.96	76.34	81.30	88.74	95.90	104.17	112.44	126.22	68
--	13.98	17.31	19.52	23.66	27.80	30.56	33.32	37.45	44.35	48.48	51.24	58.13	67.51	72.47	79.91	87.08	95.34	103.61	117.39	69
16.79	20.93	24.24	26.44	30.58	34.71	37.47	40.23	44.36	51.25	55.39	58.14	65.03	74.40	79.37	86.81	93.97	102.24	110.51	124.29	70
14.84	18.99	22.30	24.50	28.64	32.78	35.54	38.29	42.43	49.32	53.45	56.21	63.10	72.47	77.43	84.88	92.04	100.31	108.58	122.36	71
--	15.09	18.41	20.62	24.76	28.90	31.66	34.42	38.56	45.45	49.59	52.34	59.24	68.61	73.57	81.01	88.18	96.45	104.71	118.50	72
18.31	22.45	25.76	27.96	32.10	36.23	38.99	41.74	45.88	52.77	56.90	59.66	66.55	75.92	80.88	88.32	95.49	103.76	112.02	125.80	73
--	--	--	15.31	19.47	23.62	26.39	29.15	33.29	40.19	44.33	47.09	53.98	63.36	68.32	75.76	82.93	91.20	99.47	113.25	74
17.89	22.03	25.34	27.55	31.68	35.82	38.57	41.33	45.46	52.35	56.49	59.25	66.14	75.51	80.47	87.91	95.07	103.34	111.61	125.39	75
15.95	20.09	23.40	25.61	29.75	33.88	36.64	39.40	43.53	50.42	54.56	57.31	64.20	73.58	78.54	85.98	93.14	101.41	109.68	123.46	76
12.04	16.20	19.52	21.73	25.87	30.01	32.77	35.52	39.66	46.55	50.69	53.45	60.34	69.71	74.67	82.11	89.28	97.55	105.82	119.60	77
--	--	15.61	17.83	21.98	26.12	28.88	31.64	35.78	42.68	46.82	49.58	56.47	65.84	70.80	78.25	85.41	93.68	101.95	115.73	78
18.44	22.58	25.89	28.10	32.23	36.37	39.12	41.88	46.02	52.91	57.04	59.80	66.69	76.06	81.02	88.46	95.63	103.89	112.16	125.94	79
13.15	17.31	20.62	22.83	26.97	31.11	33.87	36.63	40.76	47.66	51.79	54.55	61.44	70.81	75.77	83.22	90.38	98.65	106.92	120.70	80
15.11	19.25	22.56	24.77	28.91	33.05	35.81	38.56	42.70	49.59	53.73	56.48	63.37	72.75	77.71	85.15	92.31	100.58	108.85	122.63	81
17.05	21.19	24.50	26.71	30.85	34.98	37.74	40.50	44.63	51.52	55.66	58.42	65.31	74.68	79.64	87.08	94.25	102.51	110.78	124.56	82
18.03	22.16	25.47	27.68	31.82	35.95	38.71	41.47	45.60	52.49	56.63	59.38	66.27	75.64	80.60	88.05	95.21	103.48	111.75	125.53	83
--	14.50	17.83	20.04	24.19	28.33	31.09	33.85	37.99	44.89	49.02	51.78	58.67	68.05	73.01	80.45	87.62	95.89	104.16	117.94	84
14.26	18.41	21.73	23.94	28.08	32.21	34.97	37.73	41.87	48.76	52.89	55.65	62.54	71.92	76.88	84.32	91.49	99.75	108.02	121.80	85
--	--	--	--	--	18.81	21.59	24.37	28.52	35.44	39.59	42.35	49.25	58.63	63.60	71.05	78.22	86.49	94.76	108.55	86
--	--	--	15.82	19.99	24.14	26.91	29.68	33.82	40.72	44.86	47.62	54.52	63.90	68.86	76.30	83.47	91.74	100.01	113.80	87
16.21	20.36	23.67	25.88	30.01	34.15	36.91	39.67	43.80	50.69	54.83	57.59	64.48	73.85	78.81	86.25	93.42	101.69	109.95	123.73	88
11.44	15.61	18.93	21.15	25.29	29.44	32.20	34.96	39.09	45.99	50.13	52.88	59.78	69.15	74.11	81.56	88.72	96.99	105.26	119.04	89
18.16	22.30	25.61	27.81	31.95	36.09	38.84	41.60	45.74	52.63	56.76	59.52	66.41	75.78	80.74	88.18	95.35	103.62	111.88	125.66	90
--	--	16.12	18.34	22.50	26.65	29.41	32.18	36.32	43.22	47.35	50.11	57.01	66.38	71.35	78.79	85.96	94.23	102.50	116.28	91
15.37	19.52	22.83	25.04	29.18	33.32	36.08	38.83	42.97	49.86	54.00	56.75	63.65	73.02	77.98	85.42	92.59	100.86	109.12	122.91	92
12.55	16.72	20.04	22.25	26.40	30.54	33.30	36.06	40.20	47.09	51.23	53.99	60.88	70.25	75.22	82.66	89.83	98.09	106.36	120.14	93
17.32	21.46	24.77	26.98	31.12	35.25	38.01	40.77	44.90	51.80	55.93	58.69	65.58	74.95	79.91	87.35	94.52	102.79	111.06	124.84	94
14.52	18.67	21.99	24.20	28.34	32.48	35.24	38.00	42.14	49.03	53.17	55.92	62.81	72.19	77.15	84.59	91.76	100.03	108.30	122.08	95
16.48	20.62	23.94	26.14	30.28	34.42	37.18	39.94	44.07	50.96	55.10	57.86	64.75	74.12	79.08	86.52	93.69	101.96	110.23	124.01	96
13.67	17.83	21.15	23.36	27.50	31.64	34.40	37.16	41.30	48.20	52.33	55.09	61.98	71.36	76.32	83.76	90.93	99.20	107.47	121.25	97
--	15.01	18.34	20.56	24.71	28.86	31.62	34.38	38.53	45.42	49.56	52.32	59.21	68.59	73.55	81.00	88.16	96.43	104.70	118.49	98
--	--	--	16.32	20.50	24.66	27.43	30.20	34.35	41.25	45.40	48.16	55.06	64.43	69.40	76.84	84.01	92.29	100.56	114.34	99
17.45	21.59	24.91	27.11	31.25	35.39	38.15	40.90	45.04	51.93	56.07	58.82	65.72	75.09	80.05	87.49	94.66	102.92	111.19	124.97	100
15.63	19.78	23.10	25.31	29.45	33.58	36.34	39.10	43.24	50.13	54.27	57.03	63.92	73.29	78.25	85.69	92.86	101.13	109.40	123.18	101
--	13.28	16.63	18.86	23.02	27.17	29.94	32.70	36.85	43.75	47.89	50.65	57.55	66.92	71.89	79.33	86.50	94.77	103.04	116.82	102
0.90	0.90	0.95	0.95	1.00	1.00	1.00	1.05	1.05	1.05	1.10	1.10	1.10	1.10	1.10	1.10	1.10	1.10	1.10	1.10	1.10

Line No.	Drive Ratio	Sprocket Combination				1160 RPM DriveR					1750 RPM DriveR									
		DRIVER		DRIVEN		DN	Horsepower					DN	Horsepower					1190	1400	1610
		Teeth	PD (in)	Teeth	PD (in)		RPM	40MM	55MM	85MM	115MM		170MM	RPM	40MM	55MM	85MM			
Multiply Horsepower Listed by Length Correction Factor to Find Horsepower Rating →																				
103	1.55	44	7.720	68	11.930	751	50.5	72.7	117.1	162.0	243.2	1132	66.7	96.0	154.7	214.1	321.4	--	11.94	16.12
104	1.56	36	6.316	56	9.825	746	39.6	57.1	91.9	127.2	191.0	1125	53.0	76.4	123.0	170.2	255.6	10.60	14.78	18.93
105	1.56	72	12.632	112	19.650	746	82.8	119.3	192.2	265.9	399.3	1125	106.0	152.6	245.8	340.1	510.7	--	--	--
106	1.57	28	4.913	44	7.720	738	27.8	40.0	64.5	89.2	—	1114	37.9	54.6	87.9	121.6	—	13.43	17.58	21.73
107	1.58	38	6.667	60	10.527	735	42.4	61.1	98.4	136.1	204.4	1108	56.6	81.5	131.3	181.6	272.7	9.73	13.92	18.09
108	1.60	30	5.263	48	8.421	725	30.9	44.4	71.6	99.0	—	1094	41.8	60.2	97.0	134.3	—	12.58	16.74	20.89
109	1.60	40	7.018	64	11.229	725	45.2	65.0	104.7	144.9	217.6	1094	60.0	86.4	139.3	192.7	289.3	--	13.06	17.23
110	1.61	56	9.825	90	15.790	722	65.3	94.0	151.4	209.5	314.6	1089	84.9	122.3	197.1	272.7	409.4	--	--	--
111	1.63	32	5.614	52	9.123	714	33.8	48.7	78.5	108.6	—	1077	45.7	65.8	105.9	146.6	—	11.72	15.89	20.04
112	1.64	44	7.720	72	12.632	709	50.5	72.7	117.1	162.0	243.2	1069	66.7	96.0	154.7	214.1	321.4	--	11.31	15.51
113	1.65	34	5.965	56	9.825	704	36.8	52.9	85.3	118.0	—	1062	49.4	71.1	114.6	158.6	—	10.85	15.03	19.19
114	1.65	68	11.930	112	19.650	704	78.7	113.3	182.5	252.5	379.1	1062	101.0	145.5	234.4	324.3	486.9	--	--	--
115	1.66	29	5.088	48	8.421	701	29.3	42.2	68.1	94.2	—	1057	39.9	57.4	92.5	128.0	—	12.71	16.87	21.02
116	1.67	36	6.316	60	10.527	696	39.6	57.1	91.9	127.2	191.0	1050	53.0	76.4	123.0	170.2	255.6	9.97	14.17	18.34
117	1.67	48	8.421	80	14.036	696	55.6	80.0	128.9	178.4	267.9	1050	73.1	105.2	169.5	234.5	352.1	--	--	13.77
118	1.68	38	6.667	64	11.229	689	42.4	61.1	98.4	136.1	204.4	1039	56.6	81.5	131.3	181.6	272.7	--	13.31	17.49
119	1.70	40	7.018	68	11.930	682	45.2	65.0	104.7	144.9	217.6	1029	60.0	86.4	139.3	192.7	289.3	--	12.43	16.63
120	1.71	28	4.913	48	8.421	677	27.8	40.0	64.5	89.2	—	1021	37.9	54.6	87.9	121.6	—	12.83	17.00	21.15
121	1.73	52	9.123	90	15.790	670	60.5	87.1	140.4	194.2	291.7	1011	79.1	113.9	183.6	254.0	381.4	--	--	--
122	1.73	30	5.263	52	9.123	669	30.9	44.4	71.6	99.0	—	1010	41.8	60.2	97.0	134.3	—	11.97	16.14	20.30
123	1.75	32	5.614	56	9.825	663	33.8	48.7	78.5	108.6	—	1000	45.7	65.8	105.9	146.6	—	11.10	15.29	19.45
124	1.75	64	11.229	112	19.650	663	74.3	107.0	172.5	238.6	358.3	1000	95.9	138.1	222.4	307.7	462.1	--	--	--
125	1.76	34	5.965	60	10.527	657	36.8	52.9	85.3	118.0	—	992	49.4	71.1	114.6	158.6	—	10.22	14.43	18.60
126	1.78	36	6.316	64	11.229	652	39.6	57.1	91.9	127.2	191.0	984	53.0	76.4	123.0	170.2	255.6	--	13.56	17.74
127	1.79	38	6.667	68	11.930	648	42.4	61.1	98.4	136.1	204.4	978	56.6	81.5	131.3	181.6	272.7	--	12.68	16.88
128	1.79	29	5.088	52	9.123	647	29.3	42.2	68.1	94.2	—	976	39.9	57.4	92.5	128.0	—	12.10	16.27	20.43
129	1.80	40	7.018	72	12.632	644	45.2	65.0	104.7	144.9	217.6	972	60.0	86.4	139.3	192.7	289.3	--	11.79	16.01
130	1.80	80	14.036	144	25.264	644	90.9	130.8	210.8	291.6	437.9	972	115.3	166.0	267.5	370.1	555.7	--	--	--
131	1.82	44	7.720	80	14.036	638	50.5	72.7	117.1	162.0	243.2	962	66.7	96.0	154.7	214.1	321.4	--	--	14.26
132	1.86	28	4.913	52	9.123	625	27.8	40.0	64.5	89.2	—	942	37.9	54.6	87.9	121.6	—	12.22	16.40	20.56
133	1.87	30	5.263	56	9.825	621	30.9	44.4	71.6	99.0	—	938	41.8	60.2	97.0	134.3	—	11.35	15.54	19.71
134	1.87	60	10.527	112	19.650	621	69.9	100.6	162.1	224.3	336.8	938	90.5	130.4	210.0	290.6	436.3	--	--	--
135	1.88	32	5.614	60	10.527	619	33.8	48.7	78.5	108.6	—	933	45.7	65.8	105.9	146.6	—	10.46	14.68	18.86
136	1.88	48	8.421	90	15.790	619	55.6	80.0	128.9	178.4	267.9	933	73.1	105.2	169.5	234.5	352.1	--	--	--
137	1.88	34	5.965	64	11.229	616	36.8	52.9	85.3	118.0	—	930	49.4	71.1	114.6	158.6	—	--	13.80	18.00
138	1.89	36	6.316	68	11.930	614	39.6	57.1	91.9	127.2	191.0	926	53.0	76.4	123.0	170.2	255.6	--	12.92	17.13
139	1.89	38	6.667	72	12.632	612	42.4	61.1	98.4	136.1	204.4	924	56.6	81.5	131.3	181.6	272.7	--	12.03	16.26
140	1.93	29	5.088	56	9.825	601	29.3	42.2	68.1	94.2	—	906	39.9	57.4	92.5	128.0	—	11.47	15.67	19.84
141	2.00	28	4.913	56	9.825	580	27.8	40.0	64.5	89.2	—	875	37.9	54.6	87.9	121.6	—	11.59	15.79	19.97
142	2.00	30	5.263	60	10.527	580	30.9	44.4	71.6	99.0	—	875	41.8	60.2	97.0	134.3	—	10.70	14.93	19.11
143	2.00	32	5.614	64	11.229	580	33.8	48.7	78.5	108.6	—	875	45.7	65.8	105.9	146.6	—	9.79	14.05	18.25
144	2.00	34	5.965	68	11.930	580	36.8	52.9	85.3	118.0	—	875	49.4	71.1	114.6	158.6	—	--	13.17	17.38
145	2.00	36	6.316	72	12.632	580	39.6	57.1	91.9	127.2	191.0	875	53.0	76.4	123.0	170.2	255.6	--	12.27	16.51
146	2.00	40	7.018	80	14.036	580	45.2	65.0	104.7	144.9	217.6	875	60.0	86.4	139.3	192.7	289.3	--	--	14.74
147	2.00	56	9.825	112	19.650	580	65.3	94.0	151.4	209.5	314.6	875	84.9	122.3	197.1	272.7	409.4	--	--	--
148	2.00	72	12.632	144	25.264	580	82.8	119.3	192.2	265.9	399.3	875	106.0	152.6	245.8	340.1	510.7	--	--	--
149	2.05	44	7.720	90	15.790	567	50.5	72.7	117.1	162.0	243.2	856	66.7	96.0	154.7	214.1	321.4	--	--	--
150	2.07	29	5.088	60	10.527	561	29.3	42.2	68.1	94.2	—	846	39.9	57.4	92.5	128.0	—	10.82	15.05	19.24
151	2.10	80	14.036	168	29.475	552	90.9	130.8	210.8	291.6	437.9	833	115.3	166.0	267.5	370.1	555.7	--	--	--
152	2.11	38	6.667	80	14.036	551	42.4	61.1	98.4	136.1	204.4	831	56.6	81.5	131.3	181.6	272.7	--	--	14.98
153	2.12	34	5.965	72	12.632	548	36.8	52.9	85.3	118.0	—	826	49.4	71.1	114.6	158.6	—	--	12.51	16.75
Multiply Horsepower Listed by Length Correction Factor to Find Horsepower Rating →																	0.80	0.90	0.90	

SELECTION TABLES



CENTER DISTANCE																		Line No.
BELT LENGTH – Length Correction Factor																		
1778	1890	2100	2310	2450	2590	2800	3150	3360	3500	3850	4326	4578	4956	5320	5740	6160	6860	
0.95	0.95	1.00	1.00	1.00	1.05	1.05	1.05	1.10	1.10	1.10	1.10	1.10	1.10	1.10	1.10	1.10	1.10	
19.45	21.67	25.82	29.97	32.73	35.49	39.63	46.53	50.66	53.42	60.32	69.69	74.66	82.10	89.27	97.54	105.81	119.59	103
22.25	24.46	28.61	32.75	35.51	38.27	42.40	49.30	53.44	56.19	63.09	72.46	77.42	84.86	92.03	100.30	108.57	122.35	104
--	--	--	19.81	22.60	25.39	29.56	36.48	40.64	43.40	50.31	59.70	64.67	72.12	79.29	87.57	95.84	109.63	105
25.04	27.25	31.39	35.52	38.28	41.04	45.18	52.07	56.20	58.96	65.85	75.22	80.18	87.63	94.79	103.06	111.33	125.11	106
21.41	23.62	27.77	31.91	34.67	37.43	41.57	48.47	52.60	55.36	62.25	71.63	76.59	84.03	91.20	99.47	107.74	121.52	107
24.20	26.41	30.55	34.69	37.45	40.21	44.34	51.24	55.37	58.13	65.02	74.39	79.35	86.80	93.96	102.23	110.50	124.28	108
20.56	22.78	26.93	31.07	33.83	36.59	40.73	47.63	51.77	54.53	61.42	70.80	75.76	83.20	90.37	98.64	106.91	120.69	109
14.58	16.82	21.01	25.18	27.95	30.72	34.87	41.78	45.93	48.69	55.59	64.97	69.94	77.38	84.55	92.83	101.10	114.88	110
23.36	25.57	29.71	33.85	36.61	39.37	43.51	50.40	54.54	57.30	64.19	73.56	78.52	85.97	93.13	101.40	109.67	123.45	111
18.86	21.08	25.23	29.39	32.15	34.91	39.06	45.96	50.10	52.86	59.75	69.13	74.09	81.54	88.71	96.98	105.25	119.03	112
22.52	24.73	28.87	33.01	35.77	38.53	42.67	49.57	53.71	56.46	63.36	72.73	77.69	85.14	92.30	100.57	108.84	122.62	113
--	--	--	20.30	23.10	25.89	30.07	37.00	41.16	43.92	50.84	60.23	65.20	72.65	79.83	88.10	96.38	110.17	114
24.33	26.54	30.68	34.82	37.58	40.34	44.48	51.37	55.51	58.26	65.16	74.53	79.49	86.93	94.10	102.37	110.64	124.42	115
21.67	23.88	28.03	32.18	34.94	37.70	41.84	48.73	52.87	55.63	62.52	71.90	76.86	84.30	91.47	99.74	108.01	121.79	116
17.13	19.36	23.53	27.69	30.46	33.23	37.37	44.28	48.42	51.18	58.08	67.46	72.43	79.87	87.04	95.31	103.58	117.37	117
20.82	23.04	27.19	31.33	34.10	36.86	41.00	47.90	52.04	54.80	61.69	71.07	76.03	83.47	90.64	98.91	107.18	120.96	118
19.97	22.19	26.34	30.49	33.26	36.02	40.16	47.06	51.20	53.96	60.86	70.23	75.20	82.64	89.81	98.08	106.35	120.13	119
24.46	26.67	30.82	34.96	37.72	40.47	44.61	51.51	55.64	58.40	65.29	74.66	79.63	87.07	94.24	102.50	110.77	124.55	120
15.06	17.32	21.51	25.69	28.47	31.24	35.39	42.31	46.46	49.22	56.12	65.51	70.47	77.92	85.09	93.37	101.64	115.42	121
23.62	25.83	29.98	34.12	36.88	39.64	43.78	50.67	54.81	57.57	64.46	73.83	78.80	86.24	93.41	101.67	109.94	123.73	122
22.78	24.99	29.14	33.28	36.04	38.80	42.94	49.84	53.97	56.73	63.63	73.00	77.96	85.41	92.57	100.84	109.11	122.90	123
--	--	--	20.79	23.60	26.40	30.58	37.52	41.68	44.45	51.36	60.76	65.73	73.19	80.36	88.64	96.92	110.71	124
21.93	24.14	28.29	32.44	35.20	37.96	42.10	49.00	53.14	55.90	62.79	72.17	77.13	84.58	91.74	100.01	108.28	122.07	125
21.08	23.30	27.45	31.60	34.36	37.12	41.27	48.17	52.30	55.06	61.96	71.34	76.30	83.74	90.91	99.18	107.45	121.23	126
20.22	22.44	26.60	30.75	33.52	36.28	40.43	47.33	51.47	54.23	61.12	70.50	75.47	82.91	90.08	98.35	106.62	120.40	127
23.75	25.96	30.11	34.25	37.01	39.77	43.91	50.81	54.94	57.70	64.59	73.97	78.93	86.37	93.54	101.81	110.08	123.86	128
19.36	21.59	25.75	29.91	32.67	35.44	39.59	46.49	50.63	53.39	60.29	69.67	74.63	82.08	89.25	97.52	105.79	119.57	129
--	--	--	--	--	--	23.58	30.63	34.82	37.61	44.57	54.00	58.98	66.46	73.64	81.93	90.22	104.02	130
17.63	19.87	24.04	28.21	30.98	33.75	37.90	44.81	48.95	51.71	58.62	68.00	72.96	80.41	87.58	95.85	104.13	117.91	131
23.88	26.10	30.24	34.38	37.15	39.91	44.04	50.94	55.08	57.84	64.73	74.10	79.07	86.51	93.68	101.95	110.22	124.00	132
23.04	25.25	29.40	33.54	36.31	39.07	43.21	50.11	54.24	57.00	63.90	73.27	78.23	85.68	92.85	101.12	109.39	123.17	133
--	--	17.03	21.28	24.10	26.90	31.08	38.03	42.19	44.97	51.89	61.29	66.26	73.72	80.89	89.17	97.45	111.24	134
22.19	24.40	28.56	32.70	35.47	38.23	42.37	49.27	53.41	56.17	63.06	72.44	77.40	84.85	92.01	100.28	108.55	122.34	135
15.55	17.81	22.01	26.20	28.98	31.75	35.91	42.83	46.98	49.75	56.65	66.04	71.01	78.46	85.63	93.90	102.18	115.97	136
21.33	23.55	27.71	31.86	34.62	37.39	41.53	48.43	52.57	55.33	62.23	71.61	76.57	84.01	91.18	99.45	107.72	121.51	137
20.48	22.70	26.86	31.01	33.78	36.55	40.69	47.59	51.73	54.49	61.39	70.77	75.74	83.18	90.35	98.62	106.89	120.68	138
19.62	21.84	26.01	30.17	32.94	35.70	39.85	46.76	50.90	53.66	60.56	69.94	74.90	82.35	89.52	97.79	106.06	119.84	139
23.17	25.38	29.53	33.68	36.44	39.20	43.34	50.24	54.38	57.14	64.03	73.41	78.37	85.81	92.98	101.25	109.52	123.30	140
23.30	25.51	29.66	33.81	36.57	39.33	43.47	50.37	54.51	57.27	64.17	73.54	78.50	85.95	93.12	101.39	109.66	123.44	141
22.44	24.66	28.82	32.97	35.73	38.49	42.64	49.54	53.68	56.43	63.33	72.71	77.67	85.12	92.29	100.56	108.83	122.61	142
21.59	23.81	27.97	32.12	34.89	37.65	41.80	48.70	52.84	55.60	62.50	71.87	76.84	84.28	91.45	99.72	107.99	121.78	143
20.73	22.96	27.12	31.28	34.04	36.81	40.95	47.86	52.00	54.76	61.66	71.04	76.00	83.45	90.62	98.89	107.16	120.95	144
19.87	22.10	26.27	30.43	33.20	35.96	40.11	47.02	51.16	53.92	60.82	70.20	75.17	82.62	89.79	98.06	106.33	120.12	145
18.12	20.37	24.55	28.72	31.50	34.27	38.42	45.34	49.48	52.24	59.15	68.53	73.50	80.95	88.12	96.39	104.67	118.45	146
--	--	17.50	21.77	24.59	27.39	31.59	38.55	42.71	45.48	52.41	61.81	66.79	74.25	81.43	89.71	97.99	111.78	147
--	--	--	--	--	20.23	24.54	31.61	35.82	38.62	45.59	55.03	60.02	67.50	74.69	82.99	91.28	105.09	148
16.03	18.30	22.51	26.70	29.49	32.27	36.43	43.36	47.51	50.27	57.18	66.57	71.54	78.99	86.17	94.44	102.72	116.50	149
22.57	24.79	28.95	33.10	35.86	38.62	42.77	49.67	53.81	56.57	63.47	72.84	77.81	85.25	92.42	100.69	108.96	122.75	150
--	--	--	--	--	--	--	26.72	31.01	33.84	40.89	50.39	55.41	62.91	70.13	78.44	86.74	100.57	151
18.37	20.62	24.81	28.98	31.75	34.53	38.68	45.60	49.75	52.51	59.41	68.80	73.77	81.22	88.39	96.66	104.94	118.72	152
20.12	22.35	26.52	30.69	33.46	36.22	40.37	47.28	51.43	54.19	61.09	70.47	75.44	82.89	90.06	98.33	106.60	120.39	153
0.95	0.95	1.00	1.00	1.00	1.05	1.05	1.05	1.10	1.10	1.10	1.10	1.10	1.10	1.10	1.10	1.10	1.10	

Line No.	Drive Ratio	Sprocket Combination				1160 RPM DriveR						1750 RPM DriveR					1400	1610	
		DRIVER		DRIVEN		DN	Horsepower					DN	Horsepower						
		Teeth	PD (in)	Teeth	PD (in)		RPM	40MM	55MM	85MM	115MM		170MM	RPM	40MM	55MM			85MM
Multiply Horsepower Listed by Length Correction Factor to Find Horsepower Rating →																			
154	2.12	68	11.930	144	25.264	548	78.7	113.3	182.5	252.5	379.1	826	101.0	145.5	234.4	324.3	486.9	--	--
155	2.13	32	5.614	68	11.930	546	33.8	48.7	78.5	108.6	—	824	45.7	65.8	105.9	146.6	—	13.41	17.63
156	2.13	30	5.263	64	11.229	544	30.9	44.4	71.6	99.0	—	820	41.8	60.2	97.0	134.3	—	14.30	18.50
157	2.14	28	4.913	60	10.527	541	27.8	40.0	64.5	89.2	—	817	37.9	54.6	87.9	121.6	—	15.17	19.36
158	2.15	52	9.123	112	19.650	539	60.5	87.1	140.4	194.2	291.7	812	79.1	113.9	183.6	254.0	381.4	--	--
159	2.21	29	5.088	64	11.229	526	29.3	42.2	68.1	94.2	—	793	39.9	57.4	92.5	128.0	—	14.42	18.62
160	2.22	36	6.316	80	14.036	522	39.6	57.1	91.9	127.2	191.0	788	53.0	76.4	123.0	170.2	255.6	--	15.22
161	2.25	32	5.614	72	12.632	516	33.8	48.7	78.5	108.6	—	778	45.7	65.8	105.9	146.6	—	12.75	17.00
162	2.25	40	7.018	90	15.790	516	45.2	65.0	104.7	144.9	217.6	778	60.0	86.4	139.3	192.7	289.3	--	13.04
163	2.25	64	11.229	144	25.264	516	74.3	107.0	172.5	238.6	358.3	778	95.9	138.1	222.4	307.7	462.1	--	--
164	2.27	30	5.263	68	11.930	512	30.9	44.4	71.6	99.0	—	772	41.8	60.2	97.0	134.3	—	13.65	17.88
165	2.29	28	4.913	64	11.229	508	27.8	40.0	64.5	89.2	—	766	37.9	54.6	87.9	121.6	—	14.54	18.75
166	2.33	48	8.421	112	19.650	497	55.6	80.0	128.9	178.4	267.9	750	73.1	105.2	169.5	234.5	352.1	--	--
167	2.33	72	12.632	168	29.475	497	82.8	119.3	192.2	265.9	399.3	750	106.0	152.6	245.8	340.1	510.7	--	--
168	2.34	29	5.088	68	11.930	495	29.3	42.2	68.1	94.2	—	746	39.9	57.4	92.5	128.0	—	13.77	18.00
169	2.35	34	5.965	80	14.036	493	36.8	52.9	85.3	118.0	—	744	49.4	71.1	114.6	158.6	—	--	15.46
170	2.37	38	6.667	90	15.790	490	42.4	61.1	98.4	136.1	204.4	739	56.6	81.5	131.3	181.6	272.7	--	13.27
171	2.40	30	5.263	72	12.632	483	30.9	44.4	71.6	99.0	—	729	41.8	60.2	97.0	134.3	—	12.98	17.24
172	2.40	60	10.527	144	25.264	483	69.9	100.6	162.1	224.3	336.8	729	90.5	130.4	210.0	290.6	436.3	--	--
173	2.40	80	14.036	192	33.686	483	90.9	130.8	210.8	291.6	437.9	729	115.3	166.0	267.5	370.1	555.7	--	--
174	2.43	28	4.913	68	11.930	478	27.8	40.0	64.5	89.2	—	721	37.9	54.6	87.9	121.6	—	13.89	18.12
175	2.47	68	11.930	168	29.475	470	78.7	113.3	182.5	252.5	379.1	708	101.0	145.5	234.4	324.3	486.9	--	--
176	2.48	29	5.088	72	12.632	467	29.3	42.2	68.1	94.2	—	705	39.9	57.4	92.5	128.0	—	13.10	17.37
177	2.50	32	5.614	80	14.036	464	33.8	48.7	78.5	108.6	—	700	45.7	65.8	105.9	146.6	—	11.34	15.69
178	2.50	36	6.316	90	15.790	464	39.6	57.1	91.9	127.2	191.0	700	53.0	76.4	123.0	170.2	255.6	--	13.50
179	2.55	44	7.720	112	19.650	456	50.5	72.7	117.1	162.0	243.2	688	66.7	96.0	154.7	214.1	321.4	--	--
180	2.57	28	4.913	72	12.632	451	27.8	40.0	64.5	89.2	—	681	37.9	54.6	87.9	121.6	—	13.22	17.49
181	2.57	56	9.825	144	25.264	451	65.3	94.0	151.4	209.5	314.6	681	84.9	122.3	197.1	272.7	409.4	--	--
182	2.63	64	11.229	168	29.475	442	74.3	107.0	172.5	238.6	358.3	667	95.9	138.1	222.4	307.7	462.1	--	--
183	2.65	34	5.965	90	15.790	438	36.8	52.9	85.3	118.0	—	661	49.4	71.1	114.6	158.6	—	--	13.73
184	2.67	30	5.263	80	14.036	435	30.9	44.4	71.6	99.0	—	656	41.8	60.2	97.0	134.3	—	11.57	15.93
185	2.67	72	12.632	192	33.686	435	82.8	119.3	192.2	265.9	399.3	656	106.0	152.6	245.8	340.1	510.7	--	--
186	2.70	80	14.036	216	37.896	430	90.9	130.8	210.8	291.6	437.9	648	115.3	166.0	267.5	370.1	555.7	--	--
187	2.76	29	5.088	80	14.036	420	29.3	42.2	68.1	94.2	—	634	39.9	57.4	92.5	128.0	—	11.68	16.05
188	2.77	52	9.123	144	25.264	419	60.5	87.1	140.4	194.2	291.7	632	79.1	113.9	183.6	254.0	381.4	--	--
189	2.80	40	7.018	112	19.650	414	45.2	65.0	104.7	144.9	217.6	625	60.0	86.4	139.3	192.7	289.3	--	--
190	2.80	60	10.527	168	29.475	414	69.9	100.6	162.1	224.3	336.8	625	90.5	130.4	210.0	290.6	436.3	--	--
191	2.81	32	5.614	90	15.790	412	33.8	48.7	78.5	108.6	—	622	45.7	65.8	105.9	146.6	—	--	13.95
192	2.82	68	11.930	192	33.686	411	78.7	113.3	182.5	252.5	379.1	620	101.0	145.5	234.4	324.3	486.9	--	--
193	2.86	28	4.913	80	14.036	406	27.8	40.0	64.5	89.2	—	612	37.9	54.6	87.9	121.6	—	11.80	16.17
194	2.95	38	6.667	112	19.650	394	42.4	61.1	98.4	136.1	204.4	594	56.6	81.5	131.3	181.6	272.7	--	--
195	3.00	30	5.263	90	15.790	387	30.9	44.4	71.6	99.0	—	583	41.8	60.2	97.0	134.3	—	--	14.18
196	3.00	48	8.421	144	25.264	387	55.6	80.0	128.9	178.4	267.9	583	73.1	105.2	169.5	234.5	352.1	--	--
197	3.00	56	9.825	168	29.475	387	65.3	94.0	151.4	209.5	314.6	583	84.9	122.3	197.1	272.7	409.4	--	--
198	3.00	64	11.229	192	33.686	387	74.3	107.0	172.5	238.6	358.3	583	95.9	138.1	222.4	307.7	462.1	--	--
199	3.00	72	12.632	216	37.896	387	82.8	119.3	192.2	265.9	399.3	583	106.0	152.6	245.8	340.1	510.7	--	--
200	3.10	29	5.088	90	15.790	374	29.3	42.2	68.1	94.2	—	564	39.9	57.4	92.5	128.0	—	--	14.29
201	3.11	36	6.316	112	19.650	373	39.6	57.1	91.9	127.2	191.0	562	53.0	76.4	123.0	170.2	255.6	--	--
202	3.18	68	11.930	216	37.896	365	78.7	113.3	182.5	252.5	379.1	551	101.0	145.5	234.4	324.3	486.9	--	--
203	3.20	60	10.527	192	33.686	362	69.9	100.6	162.1	224.3	336.8	547	90.5	130.4	210.0	290.6	436.3	--	--
204	3.21	28	4.913	90	15.790	361	27.8	40.0	64.5	89.2	—	544	37.9	54.6	87.9	121.6	—	--	14.41
Multiply Horsepower Listed by Length Correction Factor to Find Horsepower Rating →																	0.90	0.90	

SELECTION TABLES



CENTER DISTANCE																		Line No.
BELT LENGTH – Length Correction Factor																		
1778	1890	2100	2310	2450	2590	2800	3150	3360	3500	3850	4326	4578	4956	5320	5740	6160	6860	
0.95	0.95	1.00	1.00	1.00	1.05	1.05	1.05	1.10	1.10	1.10	1.10	1.10	1.10	1.10	1.10	1.10	1.10	
--	--	--	--	--	20.70	25.02	32.10	36.32	39.12	46.09	55.54	60.54	68.02	75.22	83.51	91.81	105.62	154
20.98	23.21	27.38	31.53	34.30	37.07	41.22	48.12	52.27	55.03	61.93	71.31	76.27	83.72	90.89	99.16	107.43	121.22	155
21.84	24.07	28.23	32.38	35.15	37.91	42.06	48.96	53.11	55.87	62.76	72.14	77.11	84.55	91.72	99.99	108.27	122.05	156
22.70	24.92	29.08	33.23	35.99	38.76	42.90	49.80	53.94	56.70	63.60	72.98	77.94	85.39	92.56	100.83	109.10	122.88	157
--	--	17.97	22.25	25.08	27.89	32.09	39.05	43.22	46.00	52.93	62.34	67.31	74.78	81.96	90.24	98.52	112.32	158
21.97	24.19	28.36	32.51	35.28	38.05	42.19	49.10	53.24	56.00	62.90	72.28	77.24	84.69	91.86	100.13	108.40	122.19	159
18.62	20.86	25.06	29.23	32.01	34.79	38.94	45.86	50.01	52.77	59.68	69.07	74.03	81.48	88.66	96.93	105.20	118.99	160
20.37	22.60	26.78	30.94	33.71	36.48	40.64	47.55	51.69	54.45	61.36	70.74	75.71	83.15	90.33	98.60	106.87	120.66	161
16.50	18.78	23.01	27.21	29.99	32.78	36.94	43.88	48.03	50.79	57.71	67.10	72.07	79.52	86.70	94.98	103.25	117.04	162
--	--	--	--	--	21.16	25.49	32.59	36.81	39.61	46.60	56.06	61.05	68.54	75.74	84.04	92.33	106.15	163
21.23	23.46	27.63	31.79	34.56	37.33	41.48	48.39	52.53	55.29	62.19	71.58	76.54	83.99	91.16	99.43	107.70	121.49	164
22.10	24.32	28.49	32.64	35.41	38.18	42.32	49.23	53.37	56.13	63.03	72.41	77.38	84.82	91.99	100.27	108.54	122.32	165
--	--	18.44	22.73	25.56	28.38	32.59	39.56	43.73	46.51	53.45	62.86	67.84	75.30	82.49	90.77	99.05	112.85	166
--	--	--	--	--	--	--	27.65	31.96	34.81	41.87	51.40	56.42	63.93	71.16	79.47	87.78	101.62	167
21.36	23.59	27.76	31.92	34.69	37.46	41.61	48.52	52.66	55.43	62.33	71.71	76.68	84.12	91.29	99.57	107.84	121.63	168
18.86	21.11	25.31	29.49	32.27	35.04	39.20	46.12	50.27	53.04	59.94	69.33	74.30	81.75	88.92	97.20	105.47	119.26	169
16.74	19.02	23.25	27.46	30.25	33.03	37.20	44.13	48.29	51.06	57.97	67.37	72.34	79.79	86.97	95.25	103.52	117.31	170
20.62	22.85	27.03	31.20	33.97	36.74	40.90	47.81	51.96	54.72	61.62	71.01	75.97	83.42	90.59	98.87	107.14	120.93	171
--	--	--	--	--	21.62	25.96	33.08	37.30	40.11	47.10	56.57	61.57	69.06	76.26	84.56	92.86	106.67	172
--	--	--	--	--	--	--	--	26.86	29.80	37.00	46.64	51.70	59.26	66.52	74.87	83.20	97.06	173
21.49	23.72	27.89	32.05	34.82	37.59	41.74	48.65	52.80	55.56	62.46	71.84	76.81	84.26	91.43	99.70	107.97	121.76	174
--	--	--	--	--	--	--	28.12	32.44	35.29	42.36	51.90	56.92	64.44	71.67	79.99	88.30	102.14	175
20.74	22.98	27.16	31.33	34.10	36.87	41.03	47.94	52.09	54.85	61.75	71.14	76.11	83.56	90.73	99.00	107.28	121.06	176
19.10	21.36	25.56	29.74	32.52	35.30	39.46	46.38	50.53	53.30	60.21	69.60	74.57	82.02	89.19	97.47	105.74	119.53	177
16.98	19.26	23.50	27.71	30.50	33.28	37.46	44.39	48.55	51.32	58.23	67.63	72.60	80.06	87.23	95.51	103.79	117.58	178
--	--	18.90	23.21	26.05	28.87	33.08	40.07	44.24	47.02	53.96	63.38	68.36	75.83	83.01	91.30	99.59	113.39	179
20.86	23.10	27.29	31.46	34.23	37.00	41.16	48.07	52.22	54.98	61.89	71.27	76.24	83.69	90.86	99.14	107.41	121.20	180
--	--	--	--	19.11	22.08	26.43	33.56	37.79	40.60	47.60	57.08	62.08	69.57	76.78	85.08	93.38	107.20	181
--	--	--	--	--	--	--	28.58	32.91	35.77	42.85	52.39	57.42	64.95	72.18	80.51	88.82	102.67	182
17.21	19.50	23.74	27.95	30.75	33.54	37.71	44.65	48.81	51.58	58.49	67.89	72.87	80.32	87.50	95.78	104.06	117.85	183
19.35	21.60	25.81	29.99	32.78	35.56	39.72	46.64	50.79	53.56	60.47	69.86	74.83	82.28	89.46	97.74	106.01	119.80	184
--	--	--	--	--	--	--	--	27.77	30.72	37.95	47.62	52.69	60.26	67.53	75.88	84.22	98.10	185
--	--	--	--	--	--	--	--	--	--	32.83	42.70	47.84	55.49	62.80	71.21	79.58	93.49	186
19.47	21.72	25.93	30.12	32.90	35.68	39.85	46.77	50.93	53.69	60.60	69.99	74.96	82.42	89.59	97.87	106.15	119.94	187
--	--	--	--	19.55	22.53	26.90	34.04	38.28	41.10	48.10	57.58	62.59	70.09	77.30	85.60	93.91	107.73	188
--	14.92	19.36	23.69	26.53	29.36	33.58	40.57	44.75	47.53	54.48	63.90	68.88	76.35	83.54	91.83	100.12	113.92	189
--	--	--	--	--	--	21.63	29.05	33.38	36.24	43.33	52.89	57.93	65.46	72.69	81.02	89.34	103.19	190
17.45	19.74	23.99	28.20	31.00	33.79	37.97	44.91	49.07	51.84	58.76	68.16	73.13	80.59	87.77	96.05	104.32	118.12	191
--	--	--	--	--	--	--	--	28.22	31.17	38.42	48.10	53.18	60.76	68.03	76.39	84.73	98.61	192
19.59	21.85	26.06	30.25	33.03	35.81	39.98	46.90	51.06	53.82	60.73	70.13	75.10	82.55	89.73	98.00	106.28	120.07	193
--	15.14	19.59	23.92	26.77	29.60	33.83	40.82	45.00	47.79	54.73	64.16	69.14	76.61	83.80	92.09	100.38	114.19	194
17.68	19.98	24.23	28.45	31.25	34.04	38.22	45.17	49.33	52.10	59.02	68.42	73.39	80.85	88.03	96.31	104.59	118.39	195
--	--	--	--	20.00	22.98	27.37	34.52	38.77	41.59	48.60	58.09	63.10	70.60	77.81	86.12	94.43	108.26	196
--	--	--	--	--	--	22.06	29.51	33.85	36.72	43.82	53.39	58.43	65.96	73.20	81.53	89.86	103.71	197
--	--	--	--	--	--	--	24.12	28.67	31.63	38.89	48.58	53.67	61.25	68.53	76.90	85.24	99.13	198
--	--	--	--	--	--	--	--	--	--	33.74	43.64	48.80	56.46	63.79	72.20	80.58	94.51	199
17.80	20.09	24.35	28.57	31.37	34.17	38.35	45.29	49.45	52.23	59.15	68.55	73.53	80.98	88.16	96.45	104.73	118.52	200
--	15.36	19.82	24.16	27.01	29.85	34.07	41.07	45.26	48.04	54.99	64.42	69.40	76.88	84.07	92.36	100.65	114.45	201
--	--	--	--	--	--	--	--	--	26.59	34.19	44.11	49.27	56.95	64.28	72.70	81.09	95.02	202
--	--	--	--	--	--	--	24.55	29.11	32.08	39.36	49.07	54.16	61.75	69.03	77.40	85.75	99.64	203
17.91	20.21	24.47	28.70	31.50	34.29	38.47	45.42	49.58	52.36	59.28	68.68	73.66	81.12	88.30	96.58	104.86	118.65	204
0.95	0.95	1.00	1.00	1.00	1.05	1.05	1.05	1.10	1.10	1.10	1.10	1.10	1.10	1.10	1.10	1.10	1.10	

Line No.	Drive Ratio	Sprocket Combination				1160 RPM DriveR						1750 RPM DriveR					
		DRIVER		DRIVEN		DN RPM	Horsepower					DN RPM	Horsepower				
		Teeth	PD (in)	Teeth	PD (in)		40MM	55MM	85MM	115MM	170MM		40MM	55MM	85MM	115MM	170MM
Multiply Horsepower Listed by Length Correction Factor to Find Horsepower Rating →																	
205	3.23	52	9.123	168	29.475	359	60.5	87.1	140.4	194.2	291.7	542	79.1	113.9	183.6	254.0	381.4
206	3.27	44	7.720	144	25.264	354	50.5	72.7	117.1	162.0	243.2	535	66.7	96.0	154.7	214.1	321.4
207	3.29	34	5.965	112	19.650	352	36.8	52.9	85.3	118.0	—	531	49.4	71.1	114.6	158.6	—
208	3.38	64	11.229	216	37.896	344	74.3	107.0	172.5	238.6	358.3	519	95.9	138.1	222.4	307.7	462.1
209	3.43	56	9.825	192	33.686	338	65.3	94.0	151.4	209.5	314.6	510	84.9	122.3	197.1	272.7	409.4
210	3.50	32	5.614	112	19.650	331	33.8	48.7	78.5	108.6	—	500	45.7	65.8	105.9	146.6	—
211	3.50	48	8.421	168	29.475	331	55.6	80.0	128.9	178.4	267.9	500	73.1	105.2	169.5	234.5	352.1
212	3.60	40	7.018	144	25.264	322	45.2	65.0	104.7	144.9	217.6	486	60.0	86.4	139.3	192.7	289.3
213	3.60	60	10.527	216	37.896	322	69.9	100.6	162.1	224.3	336.8	486	90.5	130.4	210.0	290.6	436.3
214	3.69	52	9.123	192	33.686	314	60.5	87.1	140.4	194.2	291.7	474	79.1	113.9	183.6	254.0	381.4
215	3.73	30	5.263	112	19.650	311	30.9	44.4	71.6	99.0	—	469	41.8	60.2	97.0	134.3	—
216	3.79	38	6.667	144	25.264	306	42.4	61.1	98.4	136.1	204.4	462	56.6	81.5	131.3	181.6	272.7
217	3.82	44	7.720	168	29.475	304	50.5	72.7	117.1	162.0	243.2	458	66.7	96.0	154.7	214.1	321.4
218	3.86	56	9.825	216	37.896	301	65.3	94.0	151.4	209.5	314.6	454	84.9	122.3	197.1	272.7	409.4
219	3.86	29	5.088	112	19.650	300	29.3	42.2	68.1	94.2	—	453	39.9	57.4	92.5	128.0	—
220	4.00	28	4.913	112	19.650	290	27.8	40.0	64.5	89.2	—	438	37.9	54.6	87.9	121.6	—
221	4.00	36	6.316	144	25.264	290	39.6	57.1	91.9	127.2	191.0	438	53.0	76.4	123.0	170.2	255.6
222	4.00	48	8.421	192	33.686	290	55.6	80.0	128.9	178.4	267.9	438	73.1	105.2	169.5	234.5	352.1
223	4.15	52	9.123	216	37.896	279	60.5	87.1	140.4	194.2	291.7	421	79.1	113.9	183.6	254.0	381.4
224	4.20	40	7.018	168	29.475	276	45.2	65.0	104.7	144.9	217.6	417	60.0	86.4	139.3	192.7	289.3
225	4.24	34	5.965	144	25.264	274	36.8	52.9	85.3	118.0	—	413	49.4	71.1	114.6	158.6	—
226	4.36	44	7.720	192	33.686	266	50.5	72.7	117.1	162.0	243.2	401	66.7	96.0	154.7	214.1	321.4
227	4.42	38	6.667	168	29.475	262	42.4	61.1	98.4	136.1	204.4	396	56.6	81.5	131.3	181.6	272.7
228	4.50	32	5.614	144	25.264	258	33.8	48.7	78.5	108.6	—	389	45.7	65.8	105.9	146.6	—
229	4.50	48	8.421	216	37.896	258	55.6	80.0	128.9	178.4	267.9	389	73.1	105.2	169.5	234.5	352.1
230	4.67	36	6.316	168	29.475	249	39.6	57.1	91.9	127.2	191.0	375	53.0	76.4	123.0	170.2	255.6
231	4.80	30	5.263	144	25.264	242	30.9	44.4	71.6	99.0	—	365	41.8	60.2	97.0	134.3	—
232	4.80	40	7.018	192	33.686	242	45.2	65.0	104.7	144.9	217.6	365	60.0	86.4	139.3	192.7	289.3
233	4.91	44	7.720	216	37.896	236	50.5	72.7	117.1	162.0	243.2	356	66.7	96.0	154.7	214.1	321.4
234	4.94	34	5.965	168	29.475	235	36.8	52.9	85.3	118.0	—	354	49.4	71.1	114.6	158.6	—
235	4.97	29	5.088	144	25.264	234	29.3	42.2	68.1	94.2	—	352	39.9	57.4	92.5	128.0	—
236	5.05	38	6.667	192	33.686	230	42.4	61.1	98.4	136.1	204.4	346	56.6	81.5	131.3	181.6	272.7
237	5.14	28	4.913	144	25.264	226	27.8	40.0	64.5	89.2	—	340	37.9	54.6	87.9	121.6	—
238	5.25	32	5.614	168	29.475	221	33.8	48.7	78.5	108.6	—	333	45.7	65.8	105.9	146.6	—
239	5.33	36	6.316	192	33.686	218	39.6	57.1	91.9	127.2	191.0	328	53.0	76.4	123.0	170.2	255.6
240	5.40	40	7.018	216	37.896	215	45.2	65.0	104.7	144.9	217.6	324	60.0	86.4	139.3	192.7	289.3
241	5.60	30	5.263	168	29.475	207	30.9	44.4	71.6	99.0	—	312	41.8	60.2	97.0	134.3	—
242	5.65	34	5.965	192	33.686	205	36.8	52.9	85.3	118.0	—	310	49.4	71.1	114.6	158.6	—
243	5.68	38	6.667	216	37.896	204	42.4	61.1	98.4	136.1	204.4	308	56.6	81.5	131.3	181.6	272.7
244	5.79	29	5.088	168	29.475	200	29.3	42.2	68.1	94.2	—	302	39.9	57.4	92.5	128.0	—
245	6.00	28	4.913	168	29.475	193	27.8	40.0	64.5	89.2	—	292	37.9	54.6	87.9	121.6	—
246	6.00	32	5.614	192	33.686	193	33.8	48.7	78.5	108.6	—	292	45.7	65.8	105.9	146.6	—
247	6.00	36	6.316	216	37.896	193	39.6	57.1	91.9	127.2	191.0	292	53.0	76.4	123.0	170.2	255.6
248	6.35	34	5.965	216	37.896	183	36.8	52.9	85.3	118.0	—	275	49.4	71.1	114.6	158.6	—
249	6.40	30	5.263	192	33.686	181	30.9	44.4	71.6	99.0	—	273	41.8	60.2	97.0	134.3	—
250	6.62	29	5.088	192	33.686	175	29.3	42.2	68.1	94.2	—	264	39.9	57.4	92.5	128.0	—
251	6.75	32	5.614	216	37.896	172	33.8	48.7	78.5	108.6	—	259	45.7	65.8	105.9	146.6	—
252	6.86	28	4.913	192	33.686	169	27.8	40.0	64.5	89.2	—	255	37.9	54.6	87.9	121.6	—
253	7.20	30	5.263	216	37.896	161	30.9	44.4	71.6	99.0	—	243	41.8	60.2	97.0	134.3	—
254	7.45	29	5.088	216	37.896	156	29.3	42.2	68.1	94.2	—	235	39.9	57.4	92.5	128.0	—
255	7.71	28	4.913	216	37.896	150	27.8	40.0	64.5	89.2	—	227	37.9	54.6	87.9	121.6	—
Multiply Horsepower Listed by Length Correction Factor to Find Horsepower Rating →																	

SELECTION TABLES



CENTER DISTANCE																			Line No.
BELT LENGTH – Length Correction Factor																			
1778	1890	2100	2310	2450	2590	2800	3150	3360	3500	3850	4326	4578	4956	5320	5740	6160	6860		
0.95	0.95	1.00	1.00	1.00	1.05	1.05	1.05	1.10	1.10	1.10	1.10	1.10	1.10	1.10	1.10	1.10	1.10	1.10	
--	--	--	--	--	--	22.50	29.96	34.32	37.19	44.30	53.88	58.92	66.47	73.71	82.05	90.37	104.23	205	
--	--	--	--	20.44	23.44	27.83	35.00	39.26	42.08	49.10	58.60	63.61	71.11	78.33	86.64	94.95	108.78	206	
--	15.58	20.05	24.39	27.25	30.09	34.32	41.32	45.51	48.29	55.25	64.68	69.66	77.14	84.33	92.62	100.91	114.72	207	
--	--	--	--	--	--	--	--	--	27.03	34.64	44.58	49.75	57.43	64.77	73.19	81.59	95.53	208	
--	--	--	--	--	--	--	24.99	29.56	32.54	39.83	49.55	54.64	62.24	69.53	77.91	86.26	100.16	209	
--	15.80	20.28	24.63	27.49	30.33	34.56	41.57	45.76	48.55	55.50	64.94	69.92	77.40	84.59	92.88	101.17	114.98	210	
--	--	--	--	--	--	22.94	30.42	34.79	37.66	44.79	54.37	59.42	66.97	74.21	82.56	90.89	104.75	211	
--	--	--	17.78	20.88	23.89	28.29	35.48	39.74	42.57	49.59	59.10	64.11	71.62	78.84	87.16	95.47	109.30	212	
--	--	--	--	--	--	--	--	--	27.46	35.09	45.05	50.22	57.91	65.26	73.69	82.09	96.03	213	
--	--	--	--	--	--	--	25.42	30.01	32.99	40.29	50.03	55.13	62.73	70.03	78.41	86.77	100.67	214	
--	16.02	20.51	24.86	27.73	30.57	34.81	41.82	46.01	48.80	55.76	65.19	70.18	77.66	84.85	93.15	101.44	115.25	215	
--	--	--	17.99	21.10	24.11	28.52	35.72	39.98	42.81	49.84	59.35	64.37	71.88	79.10	87.42	95.73	109.57	216	
--	--	--	--	--	--	23.37	30.88	35.25	38.13	45.27	54.87	59.92	67.47	74.72	83.07	91.40	105.26	217	
--	--	--	--	--	--	--	--	--	27.88	35.54	45.51	50.69	58.39	65.75	74.18	82.59	96.54	218	
13.63	16.13	20.62	24.98	27.85	30.69	34.93	41.95	46.14	48.93	55.88	65.32	70.31	77.79	84.98	93.28	101.57	115.38	219	
13.73	16.24	20.74	25.10	27.97	30.81	35.05	42.07	46.26	49.05	56.01	65.45	70.44	77.92	85.11	93.41	101.70	115.51	220	
--	--	--	18.20	21.32	24.34	28.75	35.96	40.22	43.05	50.09	59.60	64.62	72.13	79.36	87.68	95.99	109.83	221	
--	--	--	--	--	--	--	25.85	30.45	33.44	40.76	50.51	55.61	63.23	70.52	78.91	87.27	101.18	222	
--	--	--	--	--	--	--	--	25.09	28.31	35.98	45.98	51.17	58.87	66.23	74.68	83.09	97.04	223	
--	--	--	--	--	--	23.81	31.33	35.72	38.60	45.75	55.36	60.41	67.97	75.22	83.58	91.91	105.78	224	
--	--	--	18.42	21.54	24.56	28.98	36.19	40.46	43.29	50.33	59.85	64.87	72.39	79.61	87.94	96.25	110.09	225	
--	--	--	--	--	--	--	26.28	30.89	33.89	41.22	50.98	56.10	63.72	71.02	79.41	87.78	101.69	226	
--	--	--	--	--	19.21	24.03	31.56	35.95	38.84	45.99	55.60	60.66	68.22	75.48	83.83	92.17	106.04	227	
--	--	--	18.63	21.76	24.78	29.21	36.43	40.70	43.54	50.58	60.10	65.12	72.64	79.87	88.19	96.51	110.35	228	
--	--	--	--	--	--	--	--	25.51	28.74	36.43	46.44	51.64	59.35	66.72	75.17	83.58	97.55	229	
--	--	--	--	--	19.42	24.24	31.79	36.18	39.07	46.23	55.85	60.91	68.47	75.73	84.08	92.42	106.30	230	
--	--	--	18.84	21.98	25.01	29.44	36.67	40.94	43.78	50.83	60.35	65.38	72.90	80.12	88.45	96.77	110.61	231	
--	--	--	--	--	--	--	26.71	31.34	34.34	41.69	51.46	56.58	64.21	71.51	79.91	88.28	102.20	232	
--	--	--	--	--	--	--	--	25.92	29.17	36.87	46.90	52.11	59.83	67.20	75.66	84.08	98.05	233	
--	--	--	--	--	19.63	24.46	32.02	36.41	39.31	46.47	56.09	61.15	68.72	75.98	84.34	92.68	106.56	234	
--	--	--	18.95	22.09	25.12	29.56	36.79	41.06	43.90	50.95	60.48	65.50	73.02	80.25	88.58	96.90	110.74	235	
--	--	--	--	--	--	--	26.93	31.56	34.56	41.92	51.70	56.82	64.45	71.76	80.16	88.54	102.46	236	
--	--	--	19.05	22.19	25.23	29.67	36.90	41.18	44.02	51.07	60.60	65.63	73.15	80.38	88.71	97.03	110.87	237	
--	--	--	--	--	19.84	24.67	32.24	36.64	39.54	46.70	56.34	61.40	68.97	76.23	84.59	92.93	106.81	238	
--	--	--	--	--	--	--	27.14	31.78	34.79	42.15	51.94	57.06	64.69	72.01	80.41	88.79	102.71	239	
--	--	--	--	--	--	--	--	26.34	29.59	37.32	47.37	52.58	60.31	67.69	76.15	84.57	98.55	240	
--	--	--	--	--	20.05	24.89	32.47	36.87	39.77	46.94	56.58	61.65	69.22	76.48	84.84	93.19	107.07	241	
--	--	--	--	--	--	--	27.35	32.00	35.01	42.38	52.17	57.30	64.94	72.25	80.66	89.04	102.96	242	
--	--	--	--	--	--	--	--	26.55	29.81	37.54	47.60	52.81	60.55	67.93	76.40	84.82	98.81	243	
--	--	--	--	--	20.15	25.00	32.58	36.99	39.89	47.06	56.70	61.77	69.34	76.61	84.97	93.32	107.20	244	
--	--	--	--	--	20.25	25.11	32.69	37.10	40.00	47.18	56.82	61.89	69.47	76.73	85.10	93.44	107.33	245	
--	--	--	--	--	--	--	27.57	32.22	35.24	42.61	52.41	57.54	65.18	72.50	80.91	89.29	103.22	246	
--	--	--	--	--	--	--	--	26.76	30.02	37.76	47.83	53.04	60.78	68.17	76.64	85.07	99.06	247	
--	--	--	--	--	--	--	--	26.97	30.23	37.98	48.06	53.28	61.02	68.41	76.89	85.32	99.31	248	
--	--	--	--	--	--	--	27.78	32.44	35.46	42.84	52.65	57.78	65.42	72.75	81.16	89.54	103.47	249	
--	--	--	--	--	--	--	27.89	32.55	35.57	42.95	52.77	57.90	65.55	72.87	81.28	89.67	103.60	250	
--	--	--	--	--	--	--	--	27.17	30.45	38.20	48.29	53.51	61.26	68.65	77.13	85.56	99.56	251	
--	--	--	--	--	--	--	28.00	32.66	35.68	43.07	52.89	58.02	65.67	72.99	81.41	89.79	103.73	252	
--	--	--	--	--	--	--	--	27.38	30.66	38.43	48.52	53.74	61.50	68.89	77.37	85.81	99.81	253	
--	--	--	--	--	--	--	--	27.49	30.76	38.54	48.63	53.86	61.62	69.01	77.50	85.93	99.93	254	
--	--	--	--	--	--	--	--	27.59	30.87	38.65	48.75	53.98	61.73	69.14	77.62	86.06	100.06	255	
0.95	0.95	1.00	1.00	1.00	1.05	1.05	1.05	1.10	1.10	1.10	1.10	1.10	1.10	1.10	1.10	1.10	1.10	1.10	

Line No.	Drive Ratio	Sprocket Combination				1160 RPM DriveR					1750 RPM DriveR						
		DRIVER		DRIVEN		DN RPM	Horsepower					DN RPM	Horsepower				
		Teeth	PD (in)	Teeth	PD (in)		115MM	170MM	230MM	290MM	340MM		115MM	170MM	230MM	290MM	340MM
Multiply Horsepower Listed by Length Correction Factor to Find Horsepower Rating →																	
1	1.00	34	8.522	34	8.522	1160	214	331	—	—	—	1750	277	427	—	—	—
2	1.00	36	9.023	36	9.023	1160	229	354	—	—	—	1750	292	451	—	—	—
3	1.00	38	9.524	38	9.524	1160	243	376	526	—	—	1750	307	474	663	—	—
4	1.00	40	10.026	40	10.026	1160	257	397	555	—	—	1750	321	495	692	—	—
5	1.00	44	11.028	44	11.028	1160	284	438	612	—	—	1750	345	532	744	—	—
6	1.00	48	12.031	48	12.031	1160	308	475	665	—	—	1750	365	564	788	—	—
7	1.00	52	13.033	52	13.033	1160	321	496	694	897	1071	1750	359	553	774	1001	1195
8	1.00	56	14.036	56	14.036	1160	333	513	718	929	1108	1750	356	549	768	993	1185
9	1.00	60	15.038	60	15.038	1160	342	528	738	954	1139	1750	—	—	—	—	—
10	1.00	64	16.041	64	16.041	1160	349	539	754	975	1163	1750	—	—	—	—	—
11	1.00	68	17.043	68	17.043	1160	355	547	766	990	1182	1750	—	—	—	—	—
12	1.00	72	18.046	72	18.046	1160	358	553	773	1000	1193	1750	—	—	—	—	—
13	1.00	80	20.051	80	20.051	1160	360	555	776	1004	1197	1750	—	—	—	—	—
14	1.05	38	9.524	40	10.026	1102	243	376	526	—	—	1662	307	474	663	—	—
15	1.06	36	9.023	38	9.524	1099	229	354	—	—	—	1658	292	451	—	—	—
16	1.06	34	8.522	36	9.023	1096	214	331	—	—	—	1653	277	427	—	—	—
17	1.06	68	17.043	72	18.046	1096	355	547	766	990	1182	1653	—	—	—	—	—
18	1.06	64	16.041	68	17.043	1092	349	539	754	975	1163	1647	—	—	—	—	—
19	1.07	60	15.038	64	16.041	1088	342	528	738	954	1139	1641	—	—	—	—	—
20	1.07	56	14.036	60	15.038	1083	333	513	718	929	1108	1633	356	549	768	993	1185
21	1.08	52	13.033	56	14.036	1077	321	496	694	897	1071	1625	359	553	774	1001	1195
22	1.08	48	12.031	52	13.033	1071	308	475	665	—	—	1615	365	564	788	—	—
23	1.09	44	11.028	48	12.031	1063	284	438	612	—	—	1604	345	532	744	—	—
24	1.10	40	10.026	44	11.028	1055	257	397	555	—	—	1591	321	495	692	—	—
25	1.11	36	9.023	40	10.026	1044	229	354	—	—	—	1575	292	451	—	—	—
26	1.11	72	18.046	80	20.051	1044	358	553	773	1000	1193	1575	—	—	—	—	—
27	1.12	34	8.522	38	9.524	1038	214	331	—	—	—	1566	277	427	—	—	—
28	1.13	64	16.041	72	18.046	1031	349	539	754	975	1163	1556	—	—	—	—	—
29	1.13	80	20.051	90	22.557	1031	360	555	776	1004	1197	1556	—	—	—	—	—
30	1.13	60	15.038	68	17.043	1024	342	528	738	954	1139	1544	—	—	—	—	—
31	1.14	56	14.036	64	16.041	1015	333	513	718	929	1108	1531	356	549	768	993	1185
32	1.15	52	13.033	60	15.038	1005	321	496	694	897	1071	1517	359	553	774	1001	1195
33	1.16	38	9.524	44	11.028	1002	243	376	526	—	—	1511	307	474	663	—	—
34	1.17	48	12.031	56	14.036	994	308	475	665	—	—	1500	365	564	788	—	—
35	1.18	34	8.522	40	10.026	986	214	331	—	—	—	1488	277	427	—	—	—
36	1.18	68	17.043	80	20.051	986	355	547	766	990	1182	1488	—	—	—	—	—
37	1.18	44	11.028	52	13.033	982	284	438	612	—	—	1481	345	532	744	—	—
38	1.20	40	10.026	48	12.031	967	257	397	555	—	—	1458	321	495	692	—	—
39	1.20	60	15.038	72	18.046	967	342	528	738	954	1139	1458	—	—	—	—	—
40	1.21	56	14.036	68	17.043	955	333	513	718	929	1108	1441	356	549	768	993	1185
41	1.22	36	9.023	44	11.028	949	229	354	—	—	—	1432	292	451	—	—	—
42	1.23	52	13.033	64	16.041	942	321	496	694	897	1071	1422	359	553	774	1001	1195
43	1.25	48	12.031	60	15.038	928	308	475	665	—	—	1400	365	564	788	—	—
44	1.25	64	16.041	80	20.051	928	349	539	754	975	1163	1400	—	—	—	—	—
45	1.25	72	18.046	90	22.557	928	358	553	773	1000	1193	1400	—	—	—	—	—
46	1.26	38	9.524	48	12.031	918	243	376	526	—	—	1385	307	474	663	—	—
47	1.27	44	11.028	56	14.036	911	284	438	612	—	—	1375	345	532	744	—	—
48	1.29	56	14.036	72	18.046	902	333	513	718	929	1108	1361	356	549	768	993	1185
49	1.29	34	8.522	44	11.028	896	214	331	—	—	—	1352	277	427	—	—	—
50	1.30	40	10.026	52	13.033	892	257	397	555	—	—	1346	321	495	692	—	—
51	1.31	52	13.033	68	17.043	887	321	496	694	897	1071	1338	359	553	774	1001	1195
52	1.32	68	17.043	90	22.557	876	355	547	766	990	1182	1322	—	—	—	—	—
53	1.33	36	9.023	48	12.031	870	229	354	—	—	—	1312	292	451	—	—	—
54	1.33	48	12.031	64	16.041	870	308	475	665	—	—	1312	365	564	788	—	—
55	1.33	60	15.038	80	20.051	870	342	528	738	954	1139	1312	—	—	—	—	—
56	1.36	44	11.028	60	15.038	851	284	438	612	—	—	1283	345	532	744	—	—
57	1.37	38	9.524	52	13.033	848	243	376	526	—	—	1279	307	474	663	—	—
Multiply Horsepower Listed by Length Correction Factor to Find Horsepower Rating →																	

SELECTION TABLES



CENTER DISTANCE												Line No.
BELT LENGTH – Length Correction Factor												
2000 0.80	2500 0.85	3400 0.95	3800 1.00	4200 1.00	4600 1.00	5000 1.05	5200 1.05	5400 1.05	5800 1.10	6200 1.10	6600 1.10	
25.98	35.83	53.54	61.42	69.29	77.17	85.04	88.98	92.91	100.79	108.66	116.54	1
25.20	35.04	52.76	60.63	68.50	76.38	84.25	88.19	92.13	100.00	107.87	115.75	2
24.41	34.25	51.97	59.84	67.72	75.59	83.46	87.40	91.34	99.21	107.09	114.96	3
23.62	33.46	51.18	59.06	66.93	74.80	82.68	86.61	90.55	98.43	106.30	114.17	4
22.05	31.89	49.61	57.48	65.35	73.23	81.10	85.04	88.98	96.85	104.72	112.60	5
20.47	30.31	48.03	55.91	63.78	71.65	79.53	83.46	87.40	95.28	103.15	111.02	6
18.90	28.74	46.46	54.33	62.20	70.08	77.95	81.89	85.83	93.70	101.57	109.45	7
17.32	27.17	44.88	52.76	60.63	68.50	76.38	80.31	84.25	92.13	100.00	107.87	8
--	25.59	43.31	51.18	59.06	66.93	74.80	78.74	82.68	90.55	98.43	106.30	9
--	24.02	41.73	49.61	57.48	65.35	73.23	77.17	81.10	88.98	96.85	104.72	10
--	22.44	40.16	48.03	55.91	63.78	71.65	75.59	79.53	87.40	95.28	103.15	11
--	20.87	38.58	46.46	54.33	62.20	70.08	74.02	77.95	85.83	93.70	101.57	12
--	--	35.43	43.31	51.18	59.06	66.93	70.87	74.80	82.68	90.55	98.43	13
24.01	33.86	51.57	59.45	67.32	75.20	83.07	87.01	90.94	98.82	106.69	114.57	14
24.80	34.64	52.36	60.24	68.11	75.98	83.86	87.79	91.73	99.61	107.48	115.35	15
25.59	35.43	53.15	61.02	68.90	76.77	84.65	88.58	92.52	100.39	108.27	116.14	16
--	21.65	39.37	47.24	55.12	62.99	70.86	74.80	78.74	86.61	94.49	102.36	17
--	23.22	40.94	48.82	56.69	64.56	72.44	76.38	80.31	88.19	96.06	103.94	18
--	24.80	42.52	50.39	58.27	66.14	74.01	77.95	81.89	89.76	97.64	105.51	19
--	26.37	44.09	51.97	59.84	67.71	75.59	79.53	83.46	91.34	99.21	107.09	20
18.10	27.95	45.67	53.54	61.42	69.29	77.16	81.10	85.04	92.91	100.79	108.66	21
19.68	29.52	47.24	55.12	62.99	70.86	78.74	82.68	86.61	94.49	102.36	110.24	22
21.25	31.10	48.82	56.69	64.56	72.44	80.31	84.25	88.19	96.06	103.94	111.81	23
22.83	32.67	50.39	58.27	66.14	74.01	81.89	85.83	89.76	97.64	105.51	113.38	24
24.40	34.25	51.97	59.84	67.71	75.59	83.46	87.40	91.34	99.21	107.09	114.96	25
--	--	36.99	44.87	52.75	60.62	68.50	72.43	76.37	84.25	92.12	99.99	26
25.19	35.04	52.75	60.63	68.50	76.38	84.25	88.19	92.12	100.00	107.87	115.75	27
--	22.42	40.14	48.02	55.90	63.77	71.65	75.58	79.52	87.40	95.27	103.14	28
--	--	33.44	41.32	49.20	57.07	64.95	68.89	72.82	80.70	88.57	96.45	29
--	23.99	41.72	49.60	57.47	65.35	73.22	77.16	81.10	88.97	96.85	104.72	30
--	25.57	43.30	51.17	59.05	66.92	74.80	78.73	82.67	90.55	98.42	106.29	31
17.29	27.15	44.87	52.75	60.62	68.50	76.37	80.31	84.25	92.12	99.99	107.87	32
23.22	33.06	50.78	58.66	66.53	74.41	82.28	86.22	90.15	98.03	105.90	113.78	33
18.87	28.72	46.45	54.32	62.20	70.07	77.95	81.88	85.82	93.70	101.57	109.44	34
24.79	34.64	52.36	60.23	68.11	75.98	83.85	87.79	91.73	99.60	107.48	115.35	35
--	--	37.77	45.64	53.52	61.40	69.27	73.21	77.15	85.03	92.90	100.78	36
20.45	30.30	48.02	55.90	63.77	71.65	79.52	83.46	87.40	95.27	103.14	111.02	37
22.02	31.87	49.60	57.47	65.35	73.22	81.10	85.03	88.97	96.85	104.72	112.59	38
--	23.18	40.92	48.80	56.67	64.55	72.43	76.36	80.30	88.18	96.05	103.93	39
--	24.76	42.49	50.37	58.25	66.12	74.00	77.94	81.88	89.75	97.63	105.50	40
23.60	33.45	51.17	59.05	66.92	74.80	82.67	86.61	90.55	98.42	106.29	114.17	41
--	26.33	44.07	51.95	59.82	67.70	75.58	79.51	83.45	91.33	99.20	107.08	42
18.05	27.91	45.64	53.52	61.40	69.27	77.15	81.09	85.03	92.90	100.78	108.65	43
--	20.77	38.53	46.41	54.29	62.17	70.05	73.99	77.93	85.80	93.68	101.55	44
--	--	34.97	42.85	50.74	58.62	66.50	70.44	74.38	82.25	90.13	98.01	45
22.41	32.26	49.98	57.86	65.74	73.61	81.49	85.42	89.36	97.24	105.11	112.99	46
19.63	29.49	47.22	55.10	62.97	70.85	78.73	82.66	86.60	94.48	102.35	110.23	47
--	23.93	41.68	49.57	57.45	65.32	73.20	77.14	81.08	88.95	96.83	104.71	48
23.98	33.84	51.56	59.44	67.31	75.19	83.06	87.00	90.94	98.81	106.69	114.56	49
21.21	31.07	48.80	56.67	64.55	72.43	80.30	84.24	88.18	96.05	103.93	111.80	50
--	25.51	43.26	51.14	59.02	66.90	74.78	78.71	82.65	90.53	98.40	106.28	51
--	--	35.72	43.61	51.50	59.38	67.27	71.21	75.15	83.02	90.90	98.78	52
22.78	32.64	50.37	58.25	66.12	74.00	81.88	85.81	89.75	97.63	105.50	113.38	53
17.21	27.09	44.84	52.72	60.60	68.47	76.35	80.29	84.23	92.10	99.98	107.86	54
--	21.51	39.29	47.18	55.06	62.94	70.82	74.76	78.70	86.58	94.45	102.33	55
18.79	28.67	46.41	54.29	62.17	70.05	77.93	81.87	85.80	93.68	101.55	109.43	56
21.58	31.45	49.18	57.06	64.94	72.81	80.69	84.63	88.57	96.44	104.32	112.19	57
0.80	0.85	0.95	1.00	1.00	1.00	1.05	1.05	1.05	1.10	1.10	1.10	

Line No.	Drive Ratio	Sprocket Combination				1160 RPM DriveR						1750 RPM DriveR					
		DRIVER		DRIVEN		DN RPM	Horsepower					DN RPM	Horsepower				
		Teeth	PD (in)	Teeth	PD (in)		115MM	170MM	230MM	290MM	340MM		115MM	170MM	230MM	290MM	340MM
Multiply Horsepower Listed by Length Correction Factor to Find Horsepower Rating →																	
58	1.38	52	13.033	72	18.046	838	321	496	694	897	1071	1264	359	553	774	1001	1195
59	1.40	40	10.026	56	14.036	829	257	397	555	—	—	1250	321	495	692	—	—
60	1.40	80	20.051	112	28.071	829	360	555	776	1004	1197	1250	—	—	—	—	—
61	1.41	64	16.041	90	22.557	825	349	539	754	975	1163	1244	—	—	—	—	—
62	1.41	34	8.522	48	12.031	822	214	331	—	—	—	1240	277	427	—	—	—
63	1.42	48	12.031	68	17.043	819	308	475	665	—	—	1235	365	564	788	—	—
64	1.43	56	14.036	80	20.051	812	333	513	718	929	1108	1225	356	549	768	993	1185
65	1.44	36	9.023	52	13.033	803	229	354	—	—	—	1212	292	451	—	—	—
66	1.45	44	11.028	64	16.041	798	284	438	612	—	—	1203	345	532	744	—	—
67	1.47	38	9.524	56	14.036	787	243	376	526	—	—	1188	307	474	663	—	—
68	1.50	40	10.026	60	15.038	773	257	397	555	—	—	1167	321	495	692	—	—
69	1.50	48	12.031	72	18.046	773	308	475	665	—	—	1167	365	564	788	—	—
70	1.50	60	15.038	90	22.557	773	342	528	738	954	1139	1167	—	—	—	—	—
71	1.53	34	8.522	52	13.033	758	214	331	—	—	—	1144	277	427	—	—	—
72	1.54	52	13.033	80	20.051	754	321	496	694	897	1071	1138	359	553	774	1001	1195
73	1.55	44	11.028	68	17.043	751	284	438	612	—	—	1132	345	532	744	—	—
74	1.56	36	9.023	56	14.036	746	229	354	—	—	—	1125	292	451	—	—	—
75	1.56	72	18.046	112	28.071	746	358	553	773	1000	1193	1125	—	—	—	—	—
76	1.58	38	9.524	60	15.038	735	243	376	526	—	—	1108	307	474	663	—	—
77	1.60	40	10.026	64	16.041	725	257	397	555	—	—	1094	321	495	692	—	—
78	1.61	56	14.036	90	22.557	722	333	513	718	929	1108	1089	356	549	768	993	1185
79	1.64	44	11.028	72	18.046	709	284	438	612	—	—	1069	345	532	744	—	—
80	1.65	34	8.522	56	14.036	704	214	331	—	—	—	1062	277	427	—	—	—
81	1.65	68	17.043	112	28.071	704	355	547	766	990	1182	1062	—	—	—	—	—
82	1.67	36	9.023	60	15.038	696	229	354	—	—	—	1050	292	451	—	—	—
83	1.67	48	12.031	80	20.051	696	308	475	665	—	—	1050	365	564	788	—	—
84	1.68	38	9.524	64	16.041	689	243	376	526	—	—	1039	307	474	663	—	—
85	1.70	40	10.026	68	17.043	682	257	397	555	—	—	1029	321	495	692	—	—
86	1.73	52	13.033	90	22.557	670	321	496	694	897	1071	1011	359	553	774	1001	1195
87	1.75	64	16.041	112	28.071	663	349	539	754	975	1163	1000	—	—	—	—	—
88	1.76	34	8.522	60	15.038	657	214	331	—	—	—	992	277	427	—	—	—
89	1.78	36	9.023	64	16.041	652	229	354	—	—	—	984	292	451	—	—	—
90	1.79	38	9.524	68	17.043	648	243	376	526	—	—	978	307	474	663	—	—
91	1.80	40	10.026	72	18.046	644	257	397	555	—	—	972	321	495	692	—	—
92	1.80	80	20.051	144	36.092	644	360	555	776	1004	1197	972	—	—	—	—	—
93	1.82	44	11.028	80	20.051	638	284	438	612	—	—	962	345	532	744	—	—
94	1.87	60	15.038	112	28.071	621	342	528	738	954	1139	938	—	—	—	—	—
95	1.88	48	12.031	90	22.557	619	308	475	665	—	—	933	365	564	788	—	—
96	1.88	34	8.522	64	16.041	616	214	331	—	—	—	930	277	427	—	—	—
97	1.89	36	9.023	68	17.043	614	229	354	—	—	—	926	292	451	—	—	—
98	1.89	38	9.524	72	18.046	612	243	376	526	—	—	924	307	474	663	—	—
99	2.00	34	8.522	68	17.043	580	214	331	—	—	—	875	277	427	—	—	—
100	2.00	36	9.023	72	18.046	580	229	354	—	—	—	875	292	451	—	—	—
101	2.00	40	10.026	80	20.051	580	257	397	555	—	—	875	321	495	692	—	—
102	2.00	56	14.036	112	28.071	580	333	513	718	929	1108	875	356	549	768	993	1185
103	2.00	72	18.046	144	36.092	580	358	553	773	1000	1193	875	—	—	—	—	—
104	2.05	44	11.028	90	22.557	567	284	438	612	—	—	856	345	532	744	—	—
105	2.10	80	20.051	168	42.107	552	360	555	776	1004	1197	833	—	—	—	—	—
106	2.11	38	9.524	80	20.051	551	243	376	526	—	—	831	307	474	663	—	—
107	2.12	34	8.522	72	18.046	548	214	331	—	—	—	826	277	427	—	—	—
108	2.12	68	17.043	144	36.092	548	355	547	766	990	1182	826	—	—	—	—	—
109	2.15	52	13.033	112	28.071	539	321	496	694	897	1071	812	359	553	774	1001	1195
110	2.22	36	9.023	80	20.051	522	229	354	—	—	—	788	292	451	—	—	—
111	2.25	40	10.026	90	22.557	516	257	397	555	—	—	778	321	495	692	—	—
112	2.25	64	16.041	144	36.092	516	349	539	754	975	1163	778	—	—	—	—	—
113	2.33	48	12.031	112	28.071	497	308	475	665	—	—	750	365	564	788	—	—
114	2.33	72	18.046	168	42.107	497	358	553	773	1000	1193	750	—	—	—	—	—
Multiply Horsepower Listed by Length Correction Factor to Find Horsepower Rating →																	

SELECTION TABLES



CENTER DISTANCE												Line No.
BELT LENGTH – Length Correction Factor												
2000 0.80	2500 0.85	3400 0.95	3800 1.00	4200 1.00	4600 1.00	5000 1.05	5200 1.05	5400 1.05	5800 1.10	6200 1.10	6600 1.10	
--	24.68	42.45	50.33	58.21	66.09	73.97	77.91	81.85	89.73	97.61	105.48	58
20.37	30.25	47.99	55.87	63.75	71.63	79.50	83.44	87.38	95.25	103.13	111.01	59
--	--	28.86	36.79	44.70	52.60	60.50	64.44	68.39	76.27	84.16	92.04	60
--	--	36.47	44.37	52.26	60.15	68.03	71.97	75.91	83.79	91.67	99.55	61
23.16	33.02	50.76	58.64	66.51	74.39	82.26	86.20	90.14	98.02	105.89	113.77	62
--	26.26	44.02	51.91	59.79	67.67	75.55	79.49	83.43	91.30	99.18	107.06	63
--	22.24	40.04	47.94	55.82	63.71	71.59	75.53	79.47	87.35	95.23	103.11	64
21.96	31.83	49.57	57.45	65.32	73.20	81.08	85.02	88.95	96.83	104.71	112.58	65
17.94	27.84	45.60	53.48	61.37	69.25	77.12	81.06	85.00	92.88	100.76	108.63	66
20.74	30.63	48.37	56.25	64.13	72.01	79.89	83.83	87.77	95.64	103.52	111.39	67
19.52	29.42	47.18	55.06	62.94	70.82	78.70	82.64	86.58	94.45	102.33	110.21	68
--	25.41	43.20	51.09	58.98	66.86	74.74	78.68	82.62	90.50	98.38	106.26	69
--	--	37.21	45.12	53.02	60.91	68.79	72.74	76.68	84.56	92.44	100.32	70
22.33	32.20	49.95	57.83	65.71	73.59	81.46	85.40	89.34	97.22	105.09	112.97	71
--	22.96	40.79	48.69	56.58	64.47	72.36	76.30	80.24	88.12	96.00	103.88	72
17.06	27.00	44.78	52.67	60.56	68.44	76.32	80.26	84.20	92.08	99.95	107.83	73
21.11	31.00	48.75	56.64	64.52	72.40	80.28	84.21	88.15	96.03	103.91	111.78	74
--	--	30.29	38.25	46.18	54.10	62.00	65.95	69.90	77.79	85.68	93.57	75
19.89	29.79	47.56	55.44	63.33	71.21	79.09	83.03	86.96	94.84	102.72	110.60	76
18.66	28.58	46.36	54.25	62.13	70.01	77.89	81.83	85.77	93.65	101.53	109.41	77
--	--	37.95	45.86	53.77	61.66	69.55	73.50	77.44	85.33	93.21	101.09	78
--	26.14	43.95	51.85	59.74	67.63	75.51	79.45	83.39	91.27	99.15	107.03	79
21.48	31.37	49.14	57.02	64.90	72.78	80.66	84.60	88.54	96.42	104.29	112.17	80
--	--	31.01	38.98	46.92	54.84	62.75	66.70	70.65	78.55	86.44	94.33	81
20.25	30.16	47.94	55.82	63.71	71.59	79.47	83.41	87.35	95.23	103.11	110.98	82
--	23.68	41.54	49.44	57.34	65.23	73.12	77.06	81.00	88.89	96.77	104.65	83
19.01	28.95	46.74	54.63	62.51	70.40	78.28	82.22	86.16	94.04	101.92	109.79	84
17.76	27.73	45.53	53.43	61.32	69.20	77.09	81.03	84.97	92.85	100.73	108.60	85
--	20.71	38.68	46.61	54.52	62.42	70.31	74.26	78.20	86.09	93.97	101.86	86
--	--	31.71	39.70	47.65	55.58	63.49	67.45	71.40	79.30	87.19	95.09	87
20.61	30.53	48.32	56.20	64.09	71.97	79.85	83.79	87.73	95.61	103.49	111.37	88
19.37	29.32	47.11	55.01	62.89	70.78	78.66	82.60	86.54	94.42	102.30	110.18	89
18.11	28.09	45.91	53.81	61.70	69.58	77.47	81.41	85.35	93.23	101.11	108.99	90
16.85	26.87	44.70	52.60	60.50	68.39	76.27	80.21	84.16	92.04	99.92	107.80	91
--	--	--	--	37.73	45.75	53.73	57.71	61.68	69.62	77.54	85.45	92
--	24.39	42.28	50.19	58.09	65.99	73.88	77.82	81.77	89.65	97.53	105.42	93
--	--	32.42	40.42	48.38	56.32	64.24	68.19	72.15	80.05	87.95	95.84	94
--	21.40	39.41	47.35	55.26	63.17	71.06	75.01	78.96	86.85	94.74	102.62	95
19.72	29.68	47.49	55.38	63.27	71.16	79.04	82.99	86.93	94.81	102.69	110.57	96
18.46	28.46	46.28	54.18	62.08	69.96	77.85	81.79	85.73	93.61	101.50	109.38	97
17.19	27.23	45.07	52.98	60.87	68.77	76.65	80.60	84.54	92.42	100.30	108.18	98
18.81	28.82	46.66	54.56	62.45	70.34	78.23	82.17	86.12	94.00	101.88	109.76	99
17.53	27.58	45.45	53.35	61.25	69.14	77.03	80.98	84.92	92.80	100.69	108.57	100
--	25.09	43.01	50.93	58.84	66.74	74.63	78.58	82.52	90.41	98.30	106.18	101
--	--	33.11	41.13	49.10	57.05	64.98	68.93	72.89	80.80	88.70	96.60	102
--	--	--	30.97	39.12	47.17	55.17	59.15	63.13	71.08	79.01	86.93	103
--	22.08	40.14	48.08	56.00	63.91	71.82	75.76	79.71	87.61	95.50	103.38	104
--	--	--	--	--	40.22	48.35	52.38	56.40	64.41	72.39	80.35	105
--	25.44	43.38	51.30	59.21	67.12	75.01	78.96	82.90	90.79	98.68	106.56	106
17.87	27.94	45.82	53.73	61.63	69.52	77.41	81.36	85.30	93.19	101.07	108.95	107
--	--	--	31.64	39.81	47.87	55.88	59.87	63.86	71.81	79.75	87.67	108
--	--	33.81	41.84	49.83	57.78	65.71	69.67	73.63	81.54	89.45	97.35	109
--	25.79	43.75	51.67	59.59	67.49	75.39	79.34	83.28	91.17	99.06	106.94	110
--	22.76	40.86	48.81	56.74	64.66	72.56	76.52	80.46	88.36	96.25	104.14	111
--	--	--	32.30	40.49	48.57	56.59	60.59	64.58	72.54	80.48	88.41	112
--	--	34.50	42.55	50.54	58.51	66.44	70.41	74.37	82.29	90.19	98.10	113
--	--	--	--	33.26	41.57	49.73	53.77	57.80	65.83	73.82	81.79	114
0.80	0.85	0.95	1.00	1.00	1.00	1.05	1.05	1.05	1.10	1.10	1.10	

Line No.	Drive Ratio	Sprocket Combination				1160 RPM DriveR						1750 RPM DriveR					
		DRIVER		DRIVEN		DN RPM	Horsepower					DN RPM	Horsepower				
		Teeth	PD (in)	Teeth	PD (in)		115MM	170MM	230MM	290MM	340MM		115MM	170MM	230MM	290MM	340MM
Multiply Horsepower Listed by Length Correction Factor to Find Horsepower Rating —>																	
115	2.35	34	8.522	80	20.051	493	214	331	—	—	—	744	277	427	—	—	—
116	2.37	38	9.524	90	22.557	490	243	376	526	—	—	739	307	474	663	—	—
117	2.40	60	15.038	144	36.092	483	342	528	738	954	1139	729	—	—	—	—	—
118	2.40	80	20.051	192	48.122	483	360	555	776	1004	1197	729	—	—	—	—	—
119	2.47	68	17.043	168	42.107	470	355	547	766	990	1182	708	—	—	—	—	—
120	2.50	36	9.023	90	22.557	464	229	354	—	—	—	700	292	451	—	—	—
121	2.55	44	11.028	112	28.071	456	284	438	612	—	—	688	345	532	744	—	—
122	2.57	56	14.036	144	36.092	451	333	513	718	929	1108	681	356	549	768	993	1185
123	2.63	64	16.041	168	42.107	442	349	539	754	975	1163	667	—	—	—	—	—
124	2.65	34	8.522	90	22.557	438	214	331	—	—	—	661	277	427	—	—	—
125	2.67	72	18.046	192	48.122	435	358	553	773	1000	1193	656	—	—	—	—	—
126	2.70	80	20.051	216	54.138	430	360	555	776	1004	1197	648	—	—	—	—	—
127	2.77	52	13.033	144	36.092	419	321	496	694	897	1071	632	359	553	774	1001	1195
128	2.80	40	10.026	112	28.071	414	257	397	555	—	—	625	321	495	692	—	—
129	2.80	60	15.038	168	42.107	414	342	528	738	954	1139	625	—	—	—	—	—
130	2.82	68	17.043	192	48.122	411	355	547	766	990	1182	620	—	—	—	—	—
131	2.95	38	9.524	112	28.071	394	243	376	526	—	—	594	307	474	663	—	—
132	3.00	48	12.031	144	36.092	387	308	475	665	—	—	583	365	564	788	—	—
133	3.00	56	14.036	168	42.107	387	333	513	718	929	1108	583	356	549	768	993	1185
134	3.00	64	16.041	192	48.122	387	349	539	754	975	1163	583	—	—	—	—	—
135	3.00	72	18.046	216	54.138	387	358	553	773	1000	1193	583	—	—	—	—	—
136	3.11	36	9.023	112	28.071	373	229	354	—	—	—	562	292	451	—	—	—
137	3.18	68	17.043	216	54.138	365	355	547	766	990	1182	551	—	—	—	—	—
138	3.20	60	15.038	192	48.122	362	342	528	738	954	1139	547	—	—	—	—	—
139	3.23	52	13.033	168	42.107	359	321	496	694	897	1071	542	359	553	774	1001	1195
140	3.27	44	11.028	144	36.092	354	284	438	612	—	—	535	345	532	744	—	—
141	3.29	34	8.522	112	28.071	352	214	331	—	—	—	531	277	427	—	—	—
142	3.38	64	16.041	216	54.138	344	349	539	754	975	1163	519	—	—	—	—	—
143	3.43	56	14.036	192	48.122	338	333	513	718	929	1108	510	356	549	768	993	1185
144	3.50	48	12.031	168	42.107	331	308	475	665	—	—	500	365	564	788	—	—
145	3.60	40	10.026	144	36.092	322	257	397	555	—	—	486	321	495	692	—	—
146	3.60	60	15.038	216	54.138	322	342	528	738	954	1139	486	—	—	—	—	—
147	3.69	52	13.033	192	48.122	314	321	496	694	897	1071	474	359	553	774	1001	1195
148	3.79	38	9.524	144	36.092	306	243	376	526	—	—	462	307	474	663	—	—
149	3.82	44	11.028	168	42.107	304	284	438	612	—	—	458	345	532	744	—	—
150	3.86	56	14.036	216	54.138	301	333	513	718	929	1108	454	356	549	768	993	1185
151	4.00	36	9.023	144	36.092	290	229	354	—	—	—	438	292	451	—	—	—
152	4.00	48	12.031	192	48.122	290	308	475	665	—	—	438	365	564	788	—	—
153	4.15	52	13.033	216	54.138	279	321	496	694	897	1071	421	359	553	774	1001	1195
154	4.20	40	10.026	168	42.107	276	257	397	555	—	—	417	321	495	692	—	—
155	4.24	34	8.522	144	36.092	274	214	331	—	—	—	413	277	427	—	—	—
156	4.36	44	11.028	192	48.122	266	284	438	612	—	—	401	345	532	744	—	—
157	4.42	38	9.524	168	42.107	262	243	376	526	—	—	396	307	474	663	—	—
158	4.50	48	12.031	216	54.138	258	308	475	665	—	—	389	365	564	788	—	—
159	4.67	36	9.023	168	42.107	249	229	354	—	—	—	375	292	451	—	—	—
160	4.80	40	10.026	192	48.122	242	257	397	555	—	—	365	321	495	692	—	—
161	4.91	44	11.028	216	54.138	236	284	438	612	—	—	356	345	532	744	—	—
162	4.94	34	8.522	168	42.107	235	214	331	—	—	—	354	277	427	—	—	—
163	5.05	38	9.524	192	48.122	230	243	376	526	—	—	346	307	474	663	—	—
164	5.33	36	9.023	192	48.122	218	229	354	—	—	—	328	292	451	—	—	—
165	5.40	40	10.026	216	54.138	215	257	397	555	—	—	324	321	495	692	—	—
166	5.65	34	8.522	192	48.122	205	214	331	—	—	—	310	277	427	—	—	—
167	5.68	38	9.524	216	54.138	204	243	376	526	—	—	308	307	474	663	—	—
168	6.00	36	9.023	216	54.138	193	229	354	—	—	—	292	292	451	—	—	—
169	6.35	34	8.522	216	54.138	183	214	331	—	—	—	275	277	427	—	—	—
Multiply Horsepower Listed by Length Correction Factor to Find Horsepower Rating —>																	

SELECTION TABLES



CENTER DISTANCE											Line No.
BELT LENGTH – Length Correction Factor											
2500 0.85	3400 0.95	3800 1.00	4200 1.00	4600 1.00	5000 1.05	5200 1.05	5400 1.05	5800 1.10	6200 1.10	6600 1.10	
26.14	44.11	52.04	59.96	67.87	75.76	79.71	83.66	91.55	99.44	107.33	115
23.10	41.22	49.17	57.11	65.03	72.94	76.89	80.84	88.74	96.63	104.52	116
--	--	32.96	41.17	49.27	57.30	61.30	65.29	73.26	81.21	89.14	117
--	--	--	--	--	42.57	46.71	50.82	58.96	67.03	75.07	118
--	--	--	33.90	42.24	50.41	54.46	58.50	66.54	74.54	82.51	119
23.43	41.58	49.54	57.48	65.40	73.31	77.26	81.21	89.11	97.01	104.90	120
--	35.19	43.25	51.26	59.23	67.18	71.14	75.11	83.03	90.94	98.85	121
--	--	33.62	41.85	49.96	58.01	62.01	66.01	73.98	81.93	89.87	122
--	--	--	34.55	42.90	51.09	55.15	59.20	67.24	75.25	83.23	123
23.77	41.93	49.90	57.84	65.77	73.68	77.64	81.59	89.49	97.38	105.28	124
--	--	--	--	35.39	43.88	48.04	52.16	60.33	68.43	76.47	125
--	--	--	--	--	--	40.51	44.79	53.17	61.41	69.57	126
--	--	34.28	42.53	50.66	58.71	62.72	66.72	74.70	82.66	90.60	127
--	35.87	43.96	51.97	59.95	67.90	71.87	75.84	83.77	91.68	99.59	128
--	--	--	35.19	43.57	51.77	55.84	59.89	67.94	75.96	83.95	129
--	--	--	--	36.02	44.53	48.70	52.83	61.01	69.12	77.18	130
--	36.21	44.30	52.33	60.31	68.27	72.24	76.21	84.13	92.05	99.96	131
--	26.39	34.94	43.21	51.35	59.41	63.43	67.43	75.42	83.38	91.33	132
--	--	--	35.83	44.23	52.45	56.52	60.58	68.64	76.67	84.66	133
--	--	--	--	36.65	45.18	49.36	53.50	61.69	69.81	77.88	134
--	--	--	--	--	--	41.77	46.07	54.49	62.76	70.93	135
--	36.55	44.65	52.68	60.67	68.63	72.60	76.57	84.50	92.42	100.34	136
--	--	--	--	--	37.99	42.40	46.71	55.15	63.43	71.61	137
--	--	--	--	37.27	45.83	50.02	54.17	62.37	70.50	78.57	138
--	--	--	36.47	44.89	53.13	57.21	61.27	69.34	77.37	85.38	139
--	27.01	35.59	43.88	52.03	60.11	64.13	68.14	76.13	84.11	92.06	140
--	36.89	45.00	53.04	61.03	68.99	72.97	76.94	84.87	92.79	100.71	141
--	--	--	--	--	38.61	43.03	47.35	55.80	64.10	72.29	142
--	--	--	--	37.90	46.48	50.68	54.83	63.05	71.19	79.27	143
--	--	--	37.11	45.55	53.80	57.89	61.95	70.04	78.08	86.09	144
--	27.64	36.24	44.55	52.72	60.81	64.83	68.84	76.85	84.83	92.79	145
--	--	--	--	--	39.22	43.65	47.99	56.46	64.77	72.97	146
--	--	--	--	38.52	47.13	51.33	55.49	63.73	71.87	79.96	147
--	27.94	36.56	44.88	53.06	61.16	65.18	69.20	77.20	85.18	93.15	148
--	--	28.89	37.75	46.21	54.48	58.57	62.64	70.73	78.78	86.80	149
--	--	--	--	--	39.84	44.28	48.62	57.11	65.43	73.65	150
--	28.25	36.89	45.22	53.40	61.50	65.53	69.55	77.56	85.54	93.51	151
--	--	--	--	39.15	47.77	51.99	56.16	64.40	72.56	80.66	152
--	--	--	--	--	40.45	44.90	49.26	57.76	66.10	74.32	153
--	--	29.50	38.38	46.86	55.15	59.25	63.32	71.43	79.48	87.51	154
--	28.56	37.21	45.55	53.74	61.85	65.88	69.90	77.91	85.90	93.87	155
--	--	--	--	39.77	48.42	52.64	56.82	65.07	73.24	81.35	156
--	--	29.80	38.70	47.19	55.48	59.58	63.66	71.77	79.83	87.86	157
--	--	--	--	--	41.06	45.53	49.89	58.41	66.76	75.00	158
--	--	30.10	39.01	47.51	55.82	59.92	64.00	72.12	80.18	88.21	159
--	--	--	31.19	40.39	49.06	53.29	57.47	65.74	73.92	82.04	160
--	--	--	--	--	41.67	46.15	50.52	59.06	67.42	75.67	161
--	--	30.40	39.33	47.84	56.15	60.26	64.34	72.46	80.53	88.57	162
--	--	--	31.49	40.70	49.38	53.61	57.80	66.08	74.26	82.39	163
--	--	--	31.78	41.01	49.70	53.94	58.13	66.41	74.60	82.73	164
--	--	--	--	--	42.28	46.77	51.15	59.71	68.08	76.34	165
--	--	--	32.08	41.32	50.02	54.26	58.46	66.75	74.94	83.07	166
--	--	--	--	--	42.58	47.08	51.46	60.03	68.41	76.68	167
--	--	--	--	--	42.89	47.39	51.78	60.35	68.74	77.01	168
--	--	--	--	33.60	43.19	47.70	52.09	60.67	69.07	77.35	169
0.85	0.95	1.00	1.00	1.00	1.05	1.05	1.05	1.10	1.10	1.10	

The following tables represent the horsepower ratings for each belt at the pre-determined No. of Teeth, Pitch Diameters and RPMs. These ratings must be multiplied by the applicable belt length factor to obtain corrected HP rating.

15MM WIDE

Smallest Sprocket RPM

No Teeth PD (in.)	32 2.005	34 2.130	36 2.256	38 2.381	40 2.506	44 2.757	48 3.008	52 3.258	56 3.509	60 3.760	64 4.010	68 4.261	72 4.511
1160	1.82	1.98	2.13	2.28	2.43	2.73	3.02	3.31	3.59	3.86	4.13	4.38	4.64
1460	2.23	2.42	2.62	2.81	3.00	3.37	3.74	4.09	4.44	4.78	5.12	5.44	5.76
1750	2.61	2.84	3.07	3.30	3.53	3.97	4.41	4.84	5.25	5.66	6.05	6.44	6.81
2900	4.03	4.41	4.79	5.16	5.53	6.25	6.96	7.64	8.30	8.94	9.56	10.16	10.74
3500	4.72	5.17	5.63	6.07	6.51	7.37	8.20	9.01	9.79	10.54	11.25	11.94	12.60
10	0.02	0.03	0.03	0.03	0.03	0.03	0.03	0.04	0.04	0.04	0.04	0.05	0.05
20	0.05	0.05	0.05	0.05	0.06	0.06	0.07	0.07	0.08	0.08	0.09	0.09	0.10
40	0.09	0.09	0.10	0.10	0.11	0.12	0.13	0.14	0.15	0.16	0.17	0.18	0.19
60	0.13	0.14	0.14	0.15	0.16	0.17	0.19	0.20	0.22	0.23	0.25	0.26	0.27
100	0.20	0.22	0.23	0.24	0.26	0.28	0.31	0.33	0.36	0.38	0.40	0.43	0.45
200	0.38	0.41	0.43	0.46	0.49	0.54	0.59	0.64	0.69	0.73	0.78	0.83	0.87
300	0.55	0.59	0.63	0.67	0.71	0.78	0.86	0.93	1.01	1.08	1.15	1.21	1.28
400	0.71	0.76	0.81	0.87	0.92	1.02	1.12	1.22	1.32	1.41	1.51	1.60	1.69
500	0.86	0.93	1.00	1.06	1.13	1.26	1.38	1.51	1.63	1.75	1.86	1.98	2.09
600	1.02	1.10	1.18	1.26	1.33	1.49	1.64	1.79	1.93	2.08	2.21	2.35	2.48
800	1.31	1.42	1.53	1.63	1.74	1.94	2.14	2.34	2.53	2.72	2.91	3.09	3.26
1000	1.60	1.73	1.86	2.00	2.13	2.38	2.64	2.88	3.12	3.36	3.59	3.81	4.03
1250	1.94	2.11	2.28	2.44	2.60	2.92	3.24	3.55	3.85	4.14	4.42	4.70	4.98
2000	2.93	3.19	3.46	3.72	3.98	4.49	4.98	5.47	5.94	6.40	6.84	7.28	7.70
2500	3.55	3.88	4.21	4.53	4.85	5.48	6.09	6.69	7.27	7.83	8.38	8.91	9.42
3000	4.14	4.54	4.93	5.31	5.70	6.44	7.17	7.87	8.55	9.22	9.85	10.47	11.06
4000	5.27	5.79	6.30	6.80	7.30	8.26	9.20	10.10	10.96	11.79	12.58	13.33	14.04
4500	5.80	6.37	6.94	7.50	8.05	9.12	10.15	11.13	12.07	12.97	13.81	14.61	15.36
5000	6.31	6.94	7.56	8.18	8.78	9.94	11.05	12.11	13.12	14.07	14.96	15.78	16.55
5500	6.80	7.48	8.16	8.82	9.47	10.72	11.91	13.04	14.09	15.08	16.00	16.83	17.59
6000	7.26	8.00	8.73	9.44	10.13	11.46	12.71	13.89	14.99	16.00	16.93	--	--
7000	8.13	8.97	9.78	10.57	11.34	12.80	14.16	15.40	16.53	--	--	--	--
8000	8.91	9.83	10.72	11.57	12.40	13.95	15.35	--	--	--	--	--	--
9000	9.59	10.57	11.52	12.43	13.29	14.88	--	--	--	--	--	--	--
10000	10.16	11.20	12.19	13.12	--	--	--	--	--	--	--	--	--

HORSEPOWER TABLES



The following tables represent the horsepower ratings for each belt at the pre-determined No. of Teeth, Pitch Diameters and RPMs. These ratings must be multiplied by the applicable belt length factor to obtain corrected HP rating.

25MM – WIDE

Smallest Sprocket RPM	No Teeth	32	34	36	38	40	44	48	52	56	60	64	68	72
	PD (in.)	2.005	2.130	2.256	2.381	2.506	2.757	3.008	3.258	3.509	3.760	4.010	4.261	4.511
1160	3.26	3.54	3.81	4.09	4.36	4.89	5.41	5.92	6.42	6.91	7.38	7.85	8.30	
1460	3.99	4.34	4.68	5.03	5.37	6.03	6.69	7.33	7.95	8.56	9.16	9.74	10.30	
1750	4.67	5.09	5.50	5.91	6.32	7.12	7.90	8.66	9.40	10.13	10.83	11.52	12.19	
2900	7.21	7.89	8.57	9.24	9.90	11.19	12.45	13.68	14.86	16.01	17.12	18.20	19.23	
3500	8.44	9.26	10.07	10.87	11.65	13.19	14.68	16.13	17.52	18.86	20.15	21.38	22.56	
10	0.04	0.05	0.05	0.05	0.05	0.06	0.06	0.07	0.07	0.08	0.08	0.08	0.09	
20	0.08	0.09	0.09	0.10	0.10	0.11	0.12	0.13	0.14	0.15	0.15	0.16	0.17	
40	0.16	0.17	0.18	0.19	0.20	0.21	0.23	0.25	0.27	0.28	0.30	0.32	0.33	
60	0.23	0.24	0.26	0.27	0.28	0.31	0.34	0.37	0.39	0.42	0.44	0.47	0.49	
100	0.36	0.39	0.41	0.43	0.46	0.50	0.55	0.59	0.64	0.68	0.72	0.76	0.80	
200	0.68	0.73	0.78	0.82	0.87	0.96	1.05	1.14	1.23	1.31	1.40	1.48	1.56	
300	0.98	1.05	1.12	1.19	1.26	1.40	1.54	1.67	1.80	1.93	2.05	2.18	2.29	
400	1.27	1.36	1.46	1.55	1.65	1.83	2.01	2.19	2.36	2.53	2.70	2.86	3.02	
500	1.55	1.67	1.79	1.90	2.02	2.25	2.48	2.70	2.92	3.13	3.34	3.54	3.74	
600	1.82	1.96	2.11	2.25	2.39	2.66	2.94	3.20	3.46	3.72	3.96	4.21	4.45	
800	2.35	2.54	2.73	2.92	3.11	3.48	3.84	4.19	4.54	4.87	5.20	5.53	5.84	
1000	2.86	3.10	3.34	3.57	3.81	4.27	4.72	5.16	5.59	6.01	6.42	6.83	7.22	
1250	3.48	3.78	4.08	4.37	4.66	5.24	5.80	6.35	6.88	7.41	7.92	8.42	8.91	
2000	5.24	5.72	6.19	6.66	7.12	8.03	8.92	9.78	10.63	11.45	12.25	13.03	13.79	
2500	6.35	6.95	7.53	8.11	8.69	9.81	10.91	11.98	13.02	14.03	15.00	15.95	16.87	
3000	7.42	8.13	8.82	9.51	10.20	11.53	12.83	14.09	15.32	16.50	17.64	18.74	19.80	
4000	9.43	10.36	11.27	12.17	13.06	14.79	16.46	18.07	19.62	21.10	22.52	23.86	25.13	
4500	10.38	11.41	12.43	13.43	14.41	16.33	18.17	19.93	21.61	23.21	24.73	26.16	27.49	
5000	11.29	12.43	13.54	14.64	15.71	17.79	19.79	21.69	23.49	25.18	26.77	28.26	29.62	
5500	12.17	13.40	14.61	15.79	16.95	19.19	21.32	23.34	25.23	27.00	28.64	30.14	31.50	
6000	13.00	14.33	15.63	16.89	18.13	20.51	22.76	24.87	26.84	28.65	30.30	--	--	
7000	14.56	16.05	17.51	18.93	20.30	22.92	25.34	27.57	29.60	--	--	--	--	
8000	15.95	17.59	19.18	20.72	22.20	24.97	27.49	--	--	--	--	--	--	
9000	17.16	18.93	20.62	22.24	23.79	26.63	--	--	--	--	--	--	--	
10000	18.19	20.05	21.81	23.48	--	--	--	--	--	--	--	--	--	



SYNCHRONOUS PLUS BELT

The following tables represent the horsepower ratings for each belt at the pre-determined No. of Teeth, Pitch Diameters and RPMs. These ratings must be multiplied by the applicable belt length factor to obtain corrected HP rating.

20MM WIDE

No Teeth PD (in.)	22 2.206	24 2.406	26 2.607	28 2.807	30 3.008	32 3.208	34 3.409	36 3.609	38 3.81	40 4.01	44 4.411	48 4.812	56 5.614	64 6.416	72.00 7.218	80.00 8.020
1160	4.13	4.71	5.28	5.84	6.39	6.92	7.45	7.97	8.48	8.99	9.98	10.94	12.80	14.57	16.28	17.92
1460	4.91	5.60	6.27	6.93	7.58	8.22	8.84	9.45	10.06	10.65	11.81	12.94	15.12	17.19	19.17	21.07
1750	5.62	6.40	7.17	7.93	8.66	9.39	10.10	10.79	11.48	12.15	13.47	14.74	17.19	19.52	21.74	23.87
2900	7.96	9.08	10.18	11.24	12.29	13.31	14.30	15.28	16.23	17.17	19.00	20.75	24.10	27.24	30.20	33.01
3500	8.77	10.05	11.29	12.50	13.68	14.82	15.95	17.04	18.12	19.17	21.21	23.17	26.89	30.36	--	--
10	0.12	0.13	0.14	0.15	0.16	0.17	0.18	0.20	0.21	0.22	0.24	0.26	0.29	0.33	0.37	0.41
20	0.20	0.22	0.24	0.26	0.27	0.29	0.31	0.33	0.35	0.37	0.41	0.44	0.51	0.58	0.65	0.72
40	0.33	0.36	0.40	0.44	0.47	0.51	0.54	0.58	0.61	0.64	0.71	0.78	0.91	1.03	1.16	1.28
60	0.45	0.50	0.55	0.60	0.65	0.70	0.75	0.80	0.84	0.89	0.99	1.08	1.26	1.44	1.62	1.79
100	0.66	0.74	0.82	0.89	0.97	1.05	1.12	1.20	1.27	1.35	1.49	1.63	1.91	2.19	2.45	2.71
200	1.11	1.26	1.40	1.54	1.67	1.81	1.94	2.08	2.21	2.34	2.59	2.85	3.34	3.81	4.28	4.74
300	1.51	1.71	1.91	2.10	2.29	2.48	2.67	2.85	3.03	3.21	3.57	3.91	4.59	5.25	5.89	6.51
400	1.87	2.12	2.37	2.62	2.86	3.09	3.33	3.56	3.79	4.01	4.46	4.89	5.74	6.56	7.36	8.13
500	2.21	2.51	2.81	3.10	3.39	3.67	3.95	4.22	4.50	4.76	5.29	5.81	6.82	7.79	8.73	9.64
600	2.53	2.88	3.22	3.56	3.89	4.21	4.54	4.85	5.17	5.48	6.08	6.68	7.83	8.94	10.02	11.06
800	3.13	3.57	4.00	4.42	4.83	5.24	5.64	6.03	6.42	6.81	7.56	8.30	9.72	11.09	12.42	13.69
1000	3.70	4.22	4.73	5.22	5.71	6.19	6.67	7.14	7.59	8.05	8.94	9.80	11.48	13.08	14.62	16.11
1200	4.24	4.84	5.42	5.99	6.55	7.10	7.64	8.18	8.70	9.22	10.23	11.22	13.12	14.94	16.68	18.36
1400	4.76	5.43	6.08	6.72	7.35	7.96	8.57	9.17	9.75	10.33	11.46	12.56	14.67	16.68	18.61	20.46
1600	5.26	5.99	6.71	7.42	8.11	8.79	9.46	10.11	10.75	11.39	12.63	13.83	16.14	18.34	20.44	22.45
1800	5.74	6.54	7.32	8.09	8.84	9.58	10.30	11.01	11.71	12.40	13.74	15.04	17.54	19.91	22.17	24.33
2000	6.19	7.06	7.91	8.73	9.54	10.34	11.12	11.88	12.63	13.37	14.81	16.20	18.87	21.40	23.81	26.10
2400	7.04	8.03	8.99	9.93	10.85	11.75	12.63	13.49	14.34	15.17	16.79	18.36	21.35	24.17	26.84	29.39
2800	7.79	8.89	9.96	11.00	12.02	13.01	13.99	14.94	15.88	16.79	18.58	20.30	23.58	26.66	29.57	32.33
3200	8.41	9.61	10.78	11.92	13.03	14.12	15.18	16.22	17.23	18.23	20.16	22.03	25.56	28.88	31.99	--
3600	8.87	10.17	11.44	12.67	13.87	15.04	16.18	17.29	18.39	19.46	21.53	23.52	27.29	30.81	--	--
4000	9.15	10.55	11.90	13.22	14.50	15.75	16.96	18.15	19.32	20.45	22.65	24.76	28.75	--	--	--
4400	9.23	10.71	12.15	13.54	14.90	16.22	17.51	18.77	19.99	21.19	23.51	25.73	29.91	--	--	--
4800	9.06	10.62	12.14	13.61	15.04	16.43	17.79	19.11	20.40	21.65	24.08	26.40	--	--	--	--
5200	8.62	10.26	11.85	13.40	14.90	16.35	17.77	19.15	20.49	21.80	24.33	--	--	--	--	--

Smallest Sprocket RPM

30MM WIDE

1160	6.53	7.45	8.35	9.23	10.09	10.94	11.77	12.60	13.40	14.20	15.76	17.29	20.22	23.03	25.72	28.31
1460	7.76	8.85	9.91	10.95	11.98	12.98	13.97	14.94	15.89	16.83	18.67	20.45	23.89	27.16	30.29	33.29
1750	8.88	10.12	11.33	12.52	13.69	14.83	15.95	17.05	18.13	19.20	21.28	23.30	27.17	30.84	34.35	37.71
2900	12.57	14.35	16.08	17.77	19.41	21.02	22.60	24.14	25.65	27.13	30.01	32.79	38.08	43.04	47.72	52.16
3500	13.86	15.87	17.84	19.75	21.61	23.42	25.20	26.93	28.63	30.29	33.51	36.61	42.48	47.96	--	--
10	0.19	0.21	0.23	0.24	0.26	0.28	0.29	0.31	0.32	0.34	0.37	0.40	0.47	0.53	0.59	0.65
20	0.31	0.34	0.37	0.40	0.43	0.46	0.49	0.52	0.55	0.58	0.64	0.70	0.81	0.92	1.03	1.14
40	0.52	0.58	0.63	0.69	0.74	0.80	0.85	0.91	0.96	1.02	1.12	1.23	1.43	1.63	1.83	2.02
60	0.70	0.79	0.87	0.95	1.03	1.10	1.18	1.26	1.33	1.41	1.56	1.71	2.00	2.28	2.55	2.83
100	1.04	1.17	1.29	1.41	1.54	1.66	1.78	1.89	2.01	2.13	2.36	2.58	3.02	3.45	3.88	4.29
200	1.76	1.99	2.21	2.43	2.64	2.86	3.07	3.28	3.49	3.69	4.10	4.50	5.27	6.03	6.76	7.48
300	2.39	2.70	3.01	3.32	3.62	3.92	4.21	4.50	4.79	5.07	5.63	6.18	7.26	8.30	9.30	10.29
400	2.96	3.36	3.75	4.13	4.51	4.89	5.26	5.62	5.98	6.34	7.04	7.73	9.07	10.37	11.63	12.85
500	3.49	3.97	4.43	4.90	5.35	5.80	6.24	6.67	7.10	7.53	8.36	9.18	10.77	12.31	13.79	15.23
600	4.00	4.55	5.09	5.62	6.14	6.66	7.17	7.67	8.16	8.65	9.61	10.55	12.37	14.13	15.83	17.48
800	4.95	5.64	6.32	6.98	7.63	8.28	8.91	9.53	10.15	10.76	11.95	13.11	15.37	17.53	19.62	21.63
1000	5.85	6.66	7.47	8.25	9.03	9.79	10.54	11.27	12.00	12.72	14.12	15.49	18.13	20.67	23.10	25.45
1200	6.70	7.64	8.56	9.46	10.35	11.22	12.07	12.92	13.75	14.56	16.16	17.72	20.73	23.60	26.35	29.00
1400	7.52	8.57	9.61	10.62	11.61	12.58	13.54	14.48	15.41	16.32	18.10	19.84	23.18	26.36	29.41	32.33
1600	8.31	9.47	10.61	11.72	12.82	13.89	14.94	15.97	16.99	17.99	19.95	21.85	25.50	28.97	32.29	35.47
1800	9.06	10.33	11.57	12.78	13.97	15.14	16.28	17.40	18.51	19.59	21.71	23.77	27.71	31.45	35.02	38.44
2000	9.79	11.16	12.49	13.80	15.08	16.33	17.56	18.77	19.95	21.12	23.39	25.60	29.81	33.81	37.61	41.25
2400	11.13	12.69	14.21	15.69	17.14	18.56	19.95	21.32	22.66	23.97	26.53	29.00	33.73	38.19	42.41	46.43
2800	12.31	14.04	15.73	17.38	18.99	20.56	22.10	23.61	25.09	26.54	29.36	32.08	37.25	42.12	46.72	51.08
3200	13.28	15.18	17.03	18.83	20.59	22.30	23.98	25.62	27.23	28.80	31.86	34.80	40.39	45.63	50.55	--
3600	14.02	16.07	18.07	20.01	21.91	23.76	25.56	27.33	29.05	30.74	34.02	37.16	43.12	48.69	--	--
4000	14.46	16.67	18.80	20.88	22.91	24.88	26.80	28.68	30.52	32.31	35.79	39.13	45.42	--	--	--
4400	14.58	16.92	19.19	21.40	23.54	25.63	27.67	29.65	31.59	33.49	37.15	40.66	47.26	--	--	--
4800	14.31	16.79	19.18	21.51	23.77	25.97	28.11	30.19	32.23	34.21	38.05	41.71	--	--	--	--
5200	13.61	16.21	18.73	21.17	23.54	25.84	28.08	30.26	32.38	34.45	38.44	--	--	--	--	--

Smallest Sprocket RPM

HORSEPOWER RATINGS



TB Wood's

The following tables represent the horsepower ratings for each belt at the pre-determined No. of Teeth, Pitch Diameters and RPMs. These ratings must be multiplied by the applicable belt length factor to obtain corrected HP rating.

50MM WIDE

No Teeth PD (in.)	28 2.807	30 3.008	32 3.208	34 3.409	36 3.609	38 3.81	40 4.010	44 4.411	48 4.812	56 5.614	64 6.416	72.00 7.218	80.00 8.020
1160	16.00	17.49	18.97	20.42	21.84	23.24	24.63	27.34	29.97	35.06	39.93	44.60	49.10
1460	18.99	20.77	22.51	24.22	25.90	27.55	29.18	32.37	35.46	41.42	47.09	52.52	57.73
1750	21.71	23.73	25.71	27.66	29.57	31.44	33.29	36.90	40.39	47.11	53.48	59.57	65.39
2900	30.81	33.66	36.45	39.18	41.86	44.48	47.05	52.04	56.86	66.02	74.63	82.75	90.44
3500	34.24	37.47	40.62	43.69	46.70	49.64	52.52	58.11	63.48	73.66	83.17	--	--
10	0.42	0.45	0.48	0.51	0.53	0.56	0.59	0.65	0.70	0.81	0.91	1.02	1.12
20	0.70	0.75	0.81	0.86	0.91	0.96	1.01	1.11	1.21	1.41	1.60	1.79	1.98
40	1.19	1.29	1.39	1.48	1.58	1.67	1.76	1.95	2.13	2.48	2.83	3.17	3.51
60	1.64	1.78	1.91	2.05	2.18	2.31	2.44	2.70	2.96	3.46	3.95	4.43	4.90
100	2.45	2.66	2.87	3.08	3.28	3.49	3.69	4.08	4.48	5.24	5.99	6.72	7.44
200	4.21	4.58	4.96	5.32	5.69	6.05	6.40	7.10	7.79	9.14	10.45	11.73	12.97
300	5.75	6.28	6.79	7.30	7.81	8.30	8.80	9.77	10.72	12.58	14.38	16.13	17.84
400	7.17	7.82	8.47	9.12	9.75	10.38	11.00	12.22	13.41	15.73	17.98	20.16	22.28
500	8.49	9.27	10.05	10.82	11.57	12.32	13.05	14.50	15.92	18.68	21.34	23.91	26.41
600	9.74	10.65	11.54	12.43	13.30	14.15	15.00	16.67	18.30	21.46	24.50	27.45	30.30
800	12.10	13.24	14.35	15.45	16.53	17.60	18.65	20.72	22.74	26.64	30.40	34.01	37.51
1000	14.31	15.65	16.97	18.27	19.55	20.81	22.05	24.48	26.86	31.44	35.84	40.06	44.14
1200	16.41	17.94	19.45	20.94	22.40	23.84	25.25	28.03	30.73	35.94	40.92	45.70	50.29
1400	18.41	20.13	21.82	23.48	25.11	26.72	28.30	31.39	34.40	40.19	45.71	50.99	56.07
1600	20.33	22.22	24.08	25.91	27.70	29.46	31.20	34.59	37.89	44.22	50.24	55.99	61.51
1800	22.17	24.23	26.25	28.23	30.18	32.09	33.97	37.65	41.21	48.05	54.54	60.73	66.65
2000	23.93	26.15	28.32	30.45	32.55	34.60	36.62	40.56	44.38	51.70	58.63	65.22	71.52
2400	27.21	29.72	32.19	34.60	36.96	39.28	41.56	46.00	50.29	58.48	66.21	73.54	80.51
2800	30.13	32.93	35.65	38.32	40.94	43.50	46.01	50.90	55.62	64.60	73.04	81.01	88.57
3200	32.65	35.70	38.68	41.58	44.43	47.22	49.94	55.25	60.35	70.04	79.12	87.66	--
3600	34.70	37.99	41.19	44.32	47.38	50.38	53.30	58.98	64.44	74.78	84.42	--	--
4000	36.21	39.72	43.14	46.48	49.74	52.92	56.03	62.06	67.85	78.76	--	--	--
4400	37.10	40.82	44.45	47.98	51.42	54.78	58.06	64.42	70.50	81.95	--	--	--
4800	37.30	41.22	45.03	48.74	52.36	55.88	59.33	65.97	72.33	--	--	--	--
5200	36.71	40.82	44.81	48.69	52.47	56.15	59.74	66.66	--	--	--	--	--

85MM WIDE

1160				35.54	38.02	40.47	42.88	47.59	52.19	61.04	69.51	77.64	85.47
1460				42.16	45.09	47.97	50.81	56.35	61.74	72.11	81.99	91.44	100.51
1750				48.15	51.48	54.75	57.96	64.24	70.33	82.01	93.12	103.71	113.84
2900				68.22	72.88	77.44	81.91	90.61	98.99	114.95	129.93	144.07	157.45
3500				76.07	81.30	86.42	91.44	101.17	110.52	128.24	144.80	--	--
10				0.88	0.93	0.98	1.03	1.12	1.22	1.41	1.59	1.77	1.95
20				1.49	1.58	1.67	1.76	1.94	2.11	2.45	2.79	3.12	3.44
40				2.58	2.74	2.91	3.07	3.39	3.70	4.32	4.93	5.52	6.11
60				3.57	3.80	4.03	4.26	4.71	5.15	6.02	6.88	7.71	8.53
100				5.36	5.72	6.07	6.42	7.11	7.79	9.13	10.43	11.70	12.95
200				9.27	9.90	10.53	11.15	12.37	13.57	15.92	18.20	20.42	22.59
300				12.71	13.59	14.46	15.32	17.01	18.67	21.91	25.04	28.09	31.06
400				15.87	16.98	18.07	19.14	21.27	23.35	27.39	31.31	35.10	38.79
500				18.83	20.14	21.44	22.73	25.25	27.72	32.52	37.15	41.63	45.99
600				21.63	23.15	24.64	26.12	29.02	31.85	37.36	42.66	47.79	52.76
800				26.90	28.78	30.64	32.47	36.07	39.58	46.39	52.92	59.22	65.31
1000				31.81	34.03	36.23	38.39	42.63	46.76	54.74	62.39	69.74	76.84
1200				36.45	39.00	41.50	43.97	48.80	53.50	62.57	71.24	79.56	87.56
1400				40.88	43.72	46.51	49.27	54.65	59.89	69.97	79.57	88.77	97.61
1600				45.10	48.23	51.30	54.32	60.22	65.96	76.98	87.46	97.48	107.08
1800				49.15	52.54	55.87	59.15	65.54	71.75	83.65	94.95	105.73	116.03
2000				53.02	56.66	60.24	63.76	70.62	77.27	90.01	102.07	113.55	124.52
2400				60.24	64.36	68.39	72.36	80.09	87.56	101.82	115.28	128.04	140.17
2800				66.72	71.27	75.74	80.11	88.62	96.84	112.47	127.16	141.04	154.20
3200				72.40	77.35	82.20	86.95	96.18	105.07	121.94	137.74	152.61	--
3600				77.17	82.49	87.70	92.80	102.69	112.20	130.19	146.98	--	--
4000				80.92	86.59	92.13	97.55	108.05	118.12	137.13	--	--	--
4400				83.53	89.52	95.37	101.09	112.15	122.74	142.67	--	--	--
4800				84.85	91.15	97.29	103.29	114.86	125.93	--	--	--	--
5200				84.76	91.34	97.75	104.01	116.06	--	--	--	--	--



14M

SYNCHRONOUS PLUS BELT

The following tables represent the horsepower ratings for each belt at the pre-determined No. of Teeth, Pitch Diameters and RPMs. These ratings must be multiplied by the applicable belt length factor to obtain corrected HP rating.

40MM WIDE

No Teeth PD (in.)	28 4.913	29 5.088	30 5.263	32 5.614	34 5.965	36 6.316	38 6.667	40 7.018	44 7.720	48 8.421	52 9.123	56 9.825	60 10.527	64 11.229	68 11.930	72 12.632	80 14.036
1160	27.79	29.33	30.85	33.84	36.76	39.62	42.41	45.15	50.46	55.58	60.51	65.27	69.87	74.33	78.65	82.84	90.85
1460	33.05	34.83	36.59	40.03	43.40	46.68	49.88	53.01	59.07	64.88	70.45	75.81	80.97	85.94	90.73	95.37	104.17
1750	37.88	39.87	41.83	45.66	49.40	53.03	56.57	60.03	66.69	73.05	79.12	84.94	90.52	95.87	101.01	105.95	115.29
2900	52.52	55.12	57.68	62.64	67.44	72.06	76.54	80.86	89.10	96.82	--	--	--	--	--	--	--
3500	55.00	57.82	60.59	65.95	71.10	76.06	80.82	85.41	--	--	--	--	--	--	--	--	--
10	0.52	0.52	0.52	0.52	0.52	0.53	0.53	0.55	0.57	0.60	0.64	0.68	0.73	0.78	0.83	0.88	1.00
20	1.13	1.16	1.19	1.25	1.31	1.38	1.44	1.51	1.65	1.79	1.94	2.09	2.24	2.40	2.55	2.71	3.03
40	2.18	2.26	2.34	2.50	2.67	2.84	3.01	3.17	3.51	3.85	4.19	4.53	4.87	5.20	5.54	5.88	6.54
60	3.08	3.21	3.34	3.60	3.86	4.12	4.38	4.64	5.16	5.67	6.18	6.69	7.19	7.69	8.19	8.68	9.66
100	4.66	4.88	5.10	5.53	5.96	6.38	6.81	7.23	8.06	8.89	9.71	10.51	11.31	12.10	12.88	13.65	15.18
200	7.89	8.29	8.70	9.50	10.29	11.07	11.85	12.61	14.12	15.61	17.07	18.50	19.91	21.30	22.67	24.02	26.67
400	12.96	13.68	14.38	15.78	17.16	18.52	19.87	21.19	23.78	26.31	28.79	31.20	33.57	35.89	38.16	40.39	44.74
600	17.24	18.22	19.18	21.08	22.94	24.78	26.58	28.35	31.83	35.20	38.48	41.67	44.79	47.83	50.80	53.71	59.34
800	21.17	22.36	23.55	25.87	28.16	30.40	32.60	34.76	38.97	43.05	47.01	50.85	54.58	58.21	61.75	65.20	71.84
1000	24.90	26.29	27.67	30.38	33.04	35.63	38.18	40.68	45.53	50.22	54.75	59.13	63.38	67.50	71.51	75.40	82.87
1200	28.51	30.08	31.63	34.69	37.67	40.59	43.44	46.23	51.66	56.87	61.90	66.74	71.43	75.96	80.35	84.61	92.74
1400	32.01	33.75	35.46	38.82	42.10	45.31	48.43	51.49	57.41	63.09	68.54	73.79	78.85	83.73	88.44	92.99	101.66
1600	35.41	37.30	39.16	42.80	46.35	49.81	53.18	56.47	62.84	68.92	74.75	80.34	85.71	90.88	95.86	100.65	109.74
1800	38.68	40.70	42.70	46.59	50.39	54.08	57.67	61.18	67.93	74.37	80.53	86.41	92.05	97.46	102.65	107.64	--
2000	41.79	43.94	46.05	50.18	54.20	58.10	61.89	65.59	72.69	79.45	85.88	92.02	97.88	103.48	108.85	--	--
2400	47.34	49.71	52.04	56.58	60.98	65.25	69.38	73.40	81.09	88.36	95.24	101.76	--	--	--	--	--
2800	51.68	54.24	56.75	61.64	66.36	70.92	75.34	79.61	87.75	95.40	--	--	--	--	--	--	--
3200	54.36	57.08	59.75	64.92	69.91	74.72	79.35	83.82	92.30	--	--	--	--	--	--	--	--
3600	54.91	57.76	60.56	65.98	71.18	76.18	80.98	--	--	--	--	--	--	--	--	--	--
4000	52.82	55.79	58.70	64.31	69.69	--	--	--	--	--	--	--	--	--	--	--	--

55MM WIDE

1160	40.02	42.24	44.43	48.73	52.93	57.05	61.07	65.01	72.67	80.03	87.13	93.99	100.62	107.04	113.26	119.29	130.82
1460	47.59	50.15	52.68	57.65	62.49	67.22	71.83	76.34	85.07	93.42	101.45	109.17	116.59	123.75	130.66	137.33	150.00
1750	54.55	57.41	60.23	65.76	71.13	76.36	81.47	86.44	96.03	105.19	113.94	122.31	130.35	138.05	145.46	152.57	166.01
2900	75.63	79.38	83.05	90.21	97.11	103.77	110.21	116.44	128.30	139.43	--	--	--	--	--	--	--
3500	79.20	83.26	87.25	94.97	102.39	109.52	116.38	122.99	--	--	--	--	--	--	--	--	--
10	0.75	0.75	0.74	0.74	0.75	0.76	0.77	0.78	0.82	0.87	0.92	0.98	1.05	1.12	1.19	1.27	1.44
20	1.63	1.67	1.71	1.80	1.89	1.98	2.08	2.17	2.37	2.58	2.79	3.01	3.23	3.45	3.68	3.90	4.36
40	3.13	3.25	3.37	3.61	3.85	4.09	4.33	4.57	5.06	5.54	6.03	6.52	7.01	7.49	7.98	8.46	9.42
60	4.44	4.63	4.81	5.19	5.56	5.94	6.31	6.68	7.42	8.16	8.90	9.63	10.35	11.07	11.79	12.50	13.91
100	6.71	7.02	7.34	7.96	8.58	9.19	9.80	10.41	11.61	12.80	13.98	15.14	16.29	17.42	18.55	19.66	21.86
200	11.36	11.94	12.52	13.67	14.81	15.94	17.06	18.16	20.34	22.48	24.58	26.64	28.68	30.68	32.65	34.59	38.40
400	18.66	19.69	20.71	22.73	24.72	26.68	28.61	30.51	34.25	37.89	41.45	44.93	48.34	51.68	54.95	58.17	64.42
600	24.83	26.23	27.62	30.35	33.04	35.68	38.27	40.83	45.83	50.68	55.41	60.01	64.49	68.87	73.15	77.34	85.45
800	30.48	32.20	33.91	37.26	40.55	43.78	46.94	50.06	56.12	62.00	67.69	73.22	78.59	83.82	88.92	93.88	103.46
1000	35.85	37.86	39.85	43.75	47.57	51.31	54.98	58.58	65.57	72.32	78.84	85.15	91.27	97.21	102.97	108.57	119.33
1200	41.05	43.32	45.55	49.95	54.24	58.44	62.55	66.58	74.38	81.89	89.13	96.11	102.86	109.39	115.71	121.84	133.55
1400	46.10	48.60	51.07	55.91	60.63	65.24	69.74	74.15	82.67	90.85	98.70	106.26	113.55	120.57	127.36	133.91	146.39
1600	51.00	53.71	56.39	61.63	66.74	71.72	76.58	81.32	90.48	99.24	107.64	115.69	123.43	130.87	138.04	144.94	158.02
1800	55.70	58.61	61.48	67.10	72.56	77.87	83.05	88.09	97.82	107.10	115.96	124.44	132.56	140.35	147.82	155.00	--
2000	60.18	63.27	66.31	72.26	78.04	83.66	89.12	94.44	104.67	114.40	123.67	132.51	140.95	149.02	156.74	--	--
2400	68.17	71.58	74.94	81.48	87.82	93.96	99.91	105.70	116.77	127.23	137.14	146.54	--	--	--	--	--
2800	74.42	78.10	81.72	88.76	95.56	102.13	108.48	114.63	126.36	137.37	--	--	--	--	--	--	--
3200	78.28	82.20	86.03	93.49	100.67	107.59	114.26	120.70	132.91	--	--	--	--	--	--	--	--
3600	79.07	83.18	87.21	95.01	102.50	109.69	116.61	--	--	--	--	--	--	--	--	--	--
4000	76.07	80.34	84.52	92.61	100.35	--	--	--	--	--	--	--	--	--	--	--	--

DRIVES WITHIN SHADED AREA MAY GENERATE OBJECTIONABLE NOISE LEVELS UNLESS ACOUSTICALLY GUARDED

HORSEPOWER RATINGS



The following tables represent the horsepower ratings for each belt at the pre-determined No. of Teeth, Pitch Diameters and RPMs. These ratings must be multiplied by the applicable belt length factor to obtain corrected HP rating.

85MM WIDE

No Teeth PD (in.)	28 4.913	29 5.088	30 5.263	32 5.614	34 5.965	36 6.316	38 6.667	40 7.018	44 7.720	48 8.421	52 9.123	56 9.825	60 10.527	64 11.229	68 11.930	72 12.632	80 14.036
1160	64.48	68.05	71.58	78.51	85.28	91.91	98.39	104.74	117.07	128.94	140.38	151.43	162.11	172.45	182.47	192.18	210.77
1460	76.67	80.80	84.88	92.88	100.68	108.29	115.73	122.99	137.05	150.52	163.45	175.88	187.84	199.38	210.50	221.25	241.67
1750	87.88	92.49	97.04	105.94	114.60	123.03	131.25	139.26	154.72	169.47	183.56	197.06	210.00	222.42	234.35	245.81	267.47
2900	121.85	127.89	133.81	145.33	156.45	167.19	177.57	187.60	206.71	224.63	--	--	--	--	--	--	--
3500	127.60	134.15	140.56	153.01	164.96	176.45	187.50	198.14	--	--	--	--	--	--	--	--	--
10	1.21	1.20	1.20	1.20	1.21	1.22	1.24	1.26	1.33	1.40	1.49	1.58	1.69	1.80	1.92	2.05	2.32
20	2.63	2.70	2.76	2.90	3.05	3.19	3.35	3.50	3.83	4.16	4.50	4.85	5.20	5.56	5.92	6.29	7.02
40	5.05	5.24	5.43	5.81	6.20	6.58	6.97	7.36	8.15	8.93	9.72	10.50	11.29	12.07	12.85	13.63	15.18
60	7.15	7.45	7.75	8.36	8.96	9.56	10.16	10.76	11.96	13.15	14.33	15.51	16.68	17.84	18.99	20.14	22.41
100	10.81	11.32	11.82	12.82	13.82	14.81	15.79	16.77	18.71	20.62	22.52	24.39	26.24	28.07	29.88	31.68	35.21
200	18.30	19.24	20.17	22.03	23.87	25.68	27.48	29.26	32.77	36.21	39.60	42.93	46.20	49.43	52.60	55.73	61.87
400	30.07	31.73	33.37	36.62	39.82	42.98	46.09	49.16	55.17	61.05	66.78	72.39	77.88	83.26	88.53	93.71	103.79
600	40.01	42.26	44.49	48.90	53.22	57.48	61.66	65.78	73.83	81.66	89.27	96.68	103.91	110.96	117.86	124.60	137.66
800	49.11	51.88	54.63	60.03	65.33	70.53	75.63	80.65	90.42	99.88	109.06	117.96	126.62	135.05	143.25	151.25	166.68
1000	57.76	61.00	64.20	70.49	76.64	82.67	88.58	94.37	105.64	116.51	127.02	137.19	147.05	156.61	165.90	174.93	192.26
1200	66.14	69.79	73.39	80.47	87.39	94.16	100.78	107.26	119.84	131.94	143.60	154.85	165.72	176.24	186.42	196.29	215.16
1400	74.27	78.30	82.27	90.07	97.68	105.11	112.37	119.46	133.20	146.37	159.02	171.20	182.94	194.26	205.19	215.75	235.85
1600	82.16	86.53	90.84	99.29	107.52	115.55	123.38	131.02	145.78	159.89	173.42	186.39	198.86	210.85	222.39	233.52	254.59
1800	89.74	94.43	99.05	108.10	116.89	125.46	133.80	141.93	157.60	172.55	186.82	200.48	213.57	226.11	238.16	249.73	--
2000	96.95	101.93	106.83	116.42	125.73	134.78	143.59	152.16	168.64	184.31	199.24	213.48	227.08	240.08	252.53	--	--
2400	109.83	115.33	120.73	131.27	141.48	151.38	160.97	170.29	188.13	204.99	220.95	236.09	--	--	--	--	--
2800	119.90	125.83	131.66	143.00	153.96	164.54	174.78	184.69	203.57	221.32	--	--	--	--	--	--	--
3200	126.12	132.43	138.61	150.63	162.19	173.34	184.09	194.46	214.13	--	--	--	--	--	--	--	--
3600	127.39	134.01	140.50	153.07	165.14	176.73	187.87	--	--	--	--	--	--	--	--	--	--
4000	122.55	129.44	136.18	149.20	161.67	--	--	--	--	--	--	--	--	--	--	--	--

Smallest Sprocket RPM

Smallest Sprocket RPM

115MM WIDE

1160	89.22	94.16	99.04	108.63	118.00	127.16	136.14	144.93	161.98	178.40	194.23	209.52	224.30	238.60	252.47	265.91	291.63
1460	106.08	111.80	117.44	128.51	139.31	149.84	160.12	170.18	189.62	208.26	226.15	243.35	259.90	275.86	291.26	306.12	334.38
1750	121.59	127.97	134.26	146.58	158.56	170.23	181.60	192.69	214.07	234.48	253.98	272.66	290.56	307.74	324.25	340.11	370.07
2900	168.60	176.95	185.14	201.09	216.47	231.33	245.68	259.57	286.01	310.81	--	--	--	--	--	--	--
3500	176.55	185.61	194.49	211.70	228.24	244.14	259.43	274.15	--	--	--	--	--	--	--	--	--
10	1.67	1.66	1.66	1.66	1.67	1.69	1.72	1.75	1.83	1.94	2.06	2.19	2.34	2.50	2.66	2.84	3.21
20	3.64	3.73	3.82	4.01	4.21	4.42	4.63	4.85	5.29	5.75	6.23	6.71	7.20	7.69	8.19	8.70	9.72
40	6.98	7.25	7.51	8.04	8.57	9.11	9.65	10.19	11.27	12.36	13.45	14.53	15.62	16.70	17.78	18.86	21.01
60	9.89	10.31	10.73	11.56	12.40	13.23	14.06	14.89	16.55	18.20	19.83	21.46	23.08	24.68	26.28	27.87	31.00
100	14.96	15.66	16.36	17.74	19.12	20.49	21.85	23.20	25.88	28.53	31.15	33.74	36.30	38.84	41.35	43.83	48.72
200	25.32	26.62	27.91	30.48	33.02	35.54	38.02	40.49	45.34	50.11	54.79	59.39	63.93	68.39	72.78	77.12	85.61
400	41.61	43.90	46.17	50.67	55.10	59.46	63.77	68.01	76.34	84.46	92.40	100.16	107.76	115.20	122.50	129.66	143.60
600	55.35	58.47	61.56	67.66	73.64	79.53	85.32	91.02	102.16	112.98	123.51	133.77	143.77	153.53	163.07	172.40	190.47
800	67.95	71.78	75.58	83.06	90.39	97.58	104.65	111.58	125.11	138.20	150.89	163.22	175.20	186.85	198.21	209.28	230.62
1000	79.92	84.40	88.82	97.53	106.04	114.38	122.56	130.58	146.17	161.21	175.75	189.82	203.46	216.69	229.54	242.03	266.01
1200	91.51	96.56	101.55	111.35	120.92	130.28	139.44	148.41	165.81	182.55	198.68	214.25	229.29	243.85	257.94	271.60	297.71
1400	102.76	108.34	113.84	124.63	135.15	145.43	155.47	165.29	184.29	202.52	220.03	236.88	253.11	268.78	283.90	298.51	326.33
1600	113.68	119.73	125.69	137.38	148.77	159.87	170.70	181.28	201.70	221.23	239.94	257.90	275.14	291.73	307.71	323.10	352.26
1800	124.17	130.66	137.05	149.57	161.74	173.59	185.13	196.38	218.06	238.74	258.49	277.39	295.49	312.85	329.52	345.53	--
2000	134.14	141.03	147.82	161.08	173.97	186.49	198.67	210.53	233.34	255.02	275.68	295.38	314.19	332.19	349.40	--	--
2400	151.97	159.57	167.04	181.63	195.76	209.45	222.73	235.61	260.30	283.63	305.72	326.66	--	--	--	--	--
2800	165.89	174.10	182.16	197.86	213.02	227.66	241.83	255.54	281.67	306.22	--	--	--	--	--	--	--
3200	174.50	183.23	191.78	208.41	224.41	239.84	254.71	269.05	296.28	--	--	--	--	--	--	--	--
3600	176.26	185.42	194.40	211.79	228.49	244.53	259.94	--	--	--	--	--	--	--	--	--	--
4000	169.56	179.10	188.42	206.44	223.69	--	--	--	--	--	--	--	--	--	--	--	--

DRIVES WITHIN SHADED AREA MAY GENERATE OBJECTIONABLE NOISE LEVELS UNLESS ACOUSTICALLY GUARDED

SYNCHRONOUS PLUS BELT HORSEPOWER RATINGS

The following tables represent the horsepower ratings for each belt at the pre-determined No. of Teeth, Pitch Diameters and RPMs. These ratings must be multiplied by the applicable belt length factor to obtain corrected HP rating.

170MM WIDE
Smallest Sprocket RPM

Teeth PD (in.)	36 6.316	38 6.667	40 7.018	44 7.720	48 8.421	52 9.123	56 9.825	60 10.527	64 11.229	68 11.930	72 12.632	80 14.036
1160	190.95	204.42	217.61	243.23	267.88	291.65	314.60	336.80	358.28	379.09	399.28	437.90
1460	224.99	240.44	255.53	284.73	312.71	339.57	365.40	390.26	414.22	437.34	459.66	502.09
1750	255.61	272.68	289.33	321.44	352.08	381.37	409.41	436.29	462.09	486.88	510.70	555.68
2900	347.35	368.91	389.76	429.46	466.70	--	--	--	--	--	--	--
3500	366.59	389.55	411.66	--	--	--	--	--	--	--	--	--
10	2.54	2.58	2.63	2.75	2.91	3.09	3.29	3.51	3.75	4.00	4.26	4.82
20	6.64	6.95	7.28	7.95	8.64	9.35	10.07	10.81	11.55	12.30	13.06	14.59
40	13.68	14.49	15.30	16.93	18.56	20.19	21.82	23.45	25.08	26.70	28.32	31.55
60	19.87	21.12	22.36	24.85	27.32	29.78	32.22	34.65	37.06	39.46	41.84	46.55
100	30.77	32.81	34.84	38.87	42.85	46.78	50.67	54.51	58.32	62.08	65.81	73.15
200	53.36	57.09	60.79	68.08	75.24	82.27	89.18	95.99	102.69	109.29	115.79	128.54
400	89.29	95.75	102.13	114.63	126.83	138.74	150.40	161.80	172.98	183.94	194.69	215.63
600	119.42	128.11	136.67	153.40	169.65	185.46	200.86	215.88	230.54	244.86	258.87	286.01
800	146.53	157.13	167.55	187.86	207.51	226.57	245.08	263.07	280.57	297.62	314.24	346.29
1000	171.75	184.03	196.07	219.48	242.06	263.89	285.02	305.50	325.37	344.67	363.42	399.43
1200	195.63	209.38	222.85	248.98	274.12	298.34	321.71	344.30	366.15	387.31	407.82	447.02
1400	218.37	233.45	248.19	276.72	304.09	330.39	355.69	380.07	403.58	426.29	448.24	490.00
1600	240.06	256.32	272.20	302.87	332.19	360.29	387.25	413.15	438.06	462.04	485.15	528.93
1800	260.65	277.98	294.87	327.43	358.48	388.14	416.52	443.70	469.77	494.79	518.83	--
2000	280.03	298.32	316.12	350.37	382.93	413.94	443.53	471.78	498.80	524.64	--	--
2400	314.50	334.43	353.79	390.85	425.88	459.05	490.50	--	--	--	--	--
2800	341.85	363.12	383.70	422.94	459.81	--	--	--	--	--	--	--
3200	360.13	382.46	404.00	444.88	--	--	--	--	--	--	--	--
3600	367.17	390.32	--	--	--	--	--	--	--	--	--	--

DRIVES WITHIN SHADED AREA MAY GENERATE OBJECTIONABLE NOISE LEVELS UNLESS ACOUSTICALLY GUARDED

SYNCHRONOUS PLUS HORSEPOWER TABLES



The following tables represent the horsepower ratings for each belt at the pre-determined No. of Teeth, Pitch Diameters and RPMs. These ratings must be multiplied by the applicable belt length factor to obtain corrected HP rating.

115MM WIDE

No. Teeth PD (in.)	34	36	38	40	44	48	52	56	60	64	68	72	80	90
	8.522	9.023	9.524	10.026	11.028	12.031	13.033	14.036	15.038	16.041	17.043	18.046	20.051	22.557
870	176.31	189.07	201.57	213.80	237.50	260.16	273.10	286.07	298.03	308.95	318.84	327.67	342.13	354.14
960	188.63	202.14	215.33	228.19	252.95	276.44	289.67	302.43	313.94	324.18	333.13	340.79	352.17	358.95
1160	214.38	229.17	243.48	257.32	283.58	307.97	321.42	332.58	341.86	349.25	354.72	358.26	359.51	--
1460	249.24	265.02	280.04	294.32	320.69	344.20	353.88	359.64	362.35	361.98	358.51	--	--	--
1750	276.59	292.31	306.98	320.63	344.91	365.30	358.62	355.69	--	--	--	--	--	--
10	2.87	2.93	3.03	3.16	3.52	3.99	4.19	4.54	4.88	5.19	5.48	5.74	6.20	6.64
20	5.59	5.85	6.13	6.45	7.17	8.02	8.62	9.21	9.78	10.33	10.86	11.36	12.31	13.36
40	11.18	11.82	12.48	13.18	14.66	16.27	17.72	18.81	19.88	20.93	21.96	22.97	24.93	27.26
60	16.80	17.81	18.86	19.94	22.20	24.57	26.87	28.47	30.05	31.61	33.15	34.67	37.66	41.26
100	27.87	29.65	31.47	33.31	37.10	41.00	44.88	47.50	50.10	52.68	55.23	57.77	62.76	68.86
200	53.93	57.58	61.25	64.94	72.39	79.92	86.98	92.04	97.05	102.02	106.93	111.80	121.35	132.97
300	77.44	82.84	88.24	93.65	104.48	115.30	124.51	131.74	138.87	145.89	152.80	159.60	172.85	188.73
400	98.60	105.62	112.62	119.59	133.46	147.22	157.79	166.87	175.77	184.47	192.96	201.26	217.22	235.96
500	117.75	126.25	134.69	143.07	159.64	175.96	187.38	197.97	208.26	218.23	227.87	237.19	254.84	274.98
600	135.21	145.05	154.79	164.42	183.36	201.88	213.84	225.58	236.86	247.68	258.02	267.88	286.15	306.18
700	151.31	162.35	173.23	183.96	204.94	225.29	237.64	250.16	262.04	273.28	283.85	293.76	311.56	329.95
800	166.33	178.42	190.31	201.97	224.66	246.49	259.19	272.12	284.19	295.39	305.73	315.18	331.41	346.60
900	180.48	193.50	206.24	218.70	242.78	265.74	278.78	291.72	303.56	314.30	323.92	332.40	345.94	356.35
1000	193.95	207.76	221.21	234.32	259.47	283.24	296.58	309.15	320.34	330.16	338.57	345.57	355.30	359.34
1100	206.87	221.33	235.36	248.96	274.90	299.15	312.64	324.45	334.57	343.01	349.73	354.73	359.50	355.55
1200	219.29	234.28	248.76	262.72	289.13	313.56	326.90	337.55	346.18	352.77	357.31	359.78	358.45	--
1400	242.67	258.34	273.31	287.59	314.13	338.02	349.17	356.30	360.64	362.15	360.83	--	--	--
1600	263.51	279.37	294.35	308.44	334.06	356.32	360.39	362.38	360.68	--	--	--	--	--
1800	280.29	295.90	310.42	323.86	347.58	367.23	355.56	--	--	--	--	--	--	--
2000	290.57	305.51	319.14	331.49	352.44	368.60	--	--	--	--	--	--	--	--

Smallest Sprocket RPM

170MM WIDE

870	272.08	291.77	311.06	329.94	366.51	401.48	421.44	441.47	459.92	476.78	492.03	505.66	527.98	546.51
960	291.10	311.95	332.30	352.15	390.36	426.61	447.01	466.71	484.47	500.27	514.09	525.90	543.48	553.94
1160	330.83	353.66	375.75	397.10	437.62	475.26	496.02	513.24	527.57	538.96	547.40	552.87	554.79	--
1460	384.63	408.97	432.16	454.19	494.89	531.17	546.11	555.01	559.18	558.61	553.25	--	--	--
1750	426.83	451.09	473.73	494.79	532.26	563.73	553.43	548.90	--	--	--	--	--	--
10	4.42	4.53	4.68	4.88	5.43	6.16	6.46	7.01	7.53	8.01	8.45	8.86	9.57	10.25
20	8.63	9.02	9.46	9.95	11.06	12.37	13.30	14.21	15.09	15.94	16.75	17.53	18.99	20.62
40	17.26	18.23	19.26	20.33	22.62	25.11	27.35	29.03	30.68	32.30	33.89	35.45	38.47	42.06
60	25.92	27.49	29.11	30.77	34.25	37.92	41.46	43.93	46.37	48.78	51.16	53.51	58.11	63.67
100	43.01	45.76	48.56	51.41	57.25	63.27	69.25	73.30	77.31	81.29	85.24	89.15	96.85	106.26
200	83.22	88.85	94.52	100.22	111.72	123.34	134.23	142.04	149.78	157.44	165.02	172.52	187.27	205.21
300	119.51	127.84	136.18	144.53	161.23	177.93	192.14	203.30	214.30	225.14	235.80	246.30	266.74	291.25
400	152.17	163.00	173.79	184.55	205.95	227.18	243.50	257.52	271.25	284.67	297.78	310.58	335.21	364.14
500	181.71	194.83	207.85	220.78	246.36	271.54	289.17	305.52	321.38	336.77	351.66	366.04	393.27	424.35
600	208.66	223.84	238.87	253.73	282.96	311.54	329.99	348.11	365.52	382.22	398.18	413.40	441.58	472.50
700	233.51	250.54	267.33	283.89	316.26	347.67	366.73	386.05	404.39	421.72	438.04	453.33	480.80	509.18
800	256.67	275.34	293.68	311.69	346.70	380.39	399.99	419.93	438.56	455.85	471.80	486.39	511.43	534.87
900	278.52	298.61	318.27	337.49	374.65	410.10	430.21	450.18	468.46	485.03	499.87	512.97	533.86	549.93
1000	299.31	320.61	341.38	361.60	400.42	437.10	457.68	477.07	494.36	509.50	522.48	533.29	548.30	554.53
1100	319.24	341.55	363.21	384.20	424.22	461.65	482.46	500.69	516.32	529.33	539.70	547.42	554.78	548.69
1200	338.41	361.54	383.88	405.43	446.19	483.89	504.48	520.91	534.23	544.40	551.41	555.21	553.15	--
1400	374.49	398.67	421.77	443.82	484.77	521.64	538.84	549.85	556.54	558.88	556.83	--	--	--
1600	406.65	431.13	454.24	475.99	515.52	549.88	556.15	559.23	556.60	--	--	--	--	--
1800	432.54	456.64	479.04	499.78	536.38	566.72	548.70	--	--	--	--	--	--	--
2000	448.40	471.46	492.50	511.55	543.88	568.83	--	--	--	--	--	--	--	--

Smallest Sprocket RPM

DRIVES WITHIN SHADED AREA MAY GENERATE OBJECTIONABLE NOISE LEVELS UNLESS ACOUSTICALLY GUARDED

The following tables represent the horsepower ratings for each belt at the pre-determined No. of Teeth, Pitch Diameters and RPMs. These ratings must be multiplied by the applicable belt length factor to obtain corrected HP rating.

230MM WIDE

Smallest Sprocket RPM	No. Teeth	38	40	44	48	52	56	60	64	68	72	80	90
	PD (in.)	9.524	10.026	11.028	12.031	13.033	14.036	15.038	16.041	17.043	18.046	20.051	22.557
870	435.07	461.48	512.63	561.54	589.47	617.48	643.28	666.87	688.20	707.25	738.47	764.40	
960	464.78	492.54	545.99	596.69	625.23	652.78	677.62	699.72	719.04	735.57	760.15	774.78	
1160	525.55	555.42	612.09	664.74	693.77	717.86	737.90	753.84	765.64	773.29	775.98	--	
1460	604.45	635.27	692.19	742.94	763.84	776.28	782.12	781.32	773.82	--	--	--	
1750	662.60	692.06	744.46	788.49	774.07	767.74	--	--	--	--	--	--	
10	6.55	6.83	7.59	8.61	9.04	9.81	10.53	11.20	11.82	12.39	13.38	14.34	
20	13.23	13.91	15.47	17.30	18.60	19.88	21.11	22.29	23.43	24.52	26.57	28.85	
40	26.94	28.44	31.64	35.12	38.25	40.60	42.91	45.18	47.40	49.58	53.81	58.83	
60	40.71	43.04	47.91	53.04	58.00	61.45	64.86	68.23	71.56	74.84	81.28	89.06	
100	67.92	71.90	80.07	88.49	96.86	102.52	108.13	113.70	119.22	124.69	135.47	148.63	
200	132.20	140.17	156.26	172.51	187.75	198.67	209.49	220.21	230.81	241.31	261.93	287.02	
300	190.47	202.15	225.51	248.87	268.75	284.35	299.74	314.90	329.82	344.49	373.09	407.36	
400	243.08	258.13	288.06	317.76	340.59	360.19	379.39	398.16	416.51	434.41	468.86	509.31	
500	290.72	308.80	344.58	379.80	404.46	427.32	449.52	471.03	491.85	511.97	550.05	593.53	
600	334.10	354.89	395.77	435.74	461.56	486.90	511.25	534.60	556.93	578.21	617.63	660.88	
700	373.92	397.07	442.35	486.28	512.94	539.96	565.61	589.85	612.68	634.07	672.48	712.18	
800	410.77	435.95	484.92	532.04	559.46	587.35	613.40	637.60	659.90	680.31	715.33	748.12	
900	445.16	472.05	524.02	573.59	601.73	629.66	655.23	678.41	699.16	717.48	746.70	769.18	
1000	477.48	505.76	560.06	611.37	640.14	667.28	691.45	712.63	730.79	745.90	766.89	775.61	
1100	508.01	537.38	593.35	645.70	674.81	700.30	722.16	740.37	754.88	765.66	775.96	767.45	
1200	536.93	567.07	624.08	676.81	705.60	728.59	747.22	761.45	771.24	776.57	773.69	--	
1400	589.93	620.76	678.04	729.61	753.67	769.06	778.42	781.69	778.83	--	--	--	
1600	635.34	665.76	721.05	769.11	777.88	782.19	778.50	--	--	--	--	--	
1800	670.02	699.03	750.23	792.66	767.46	--	--	--	--	--	--	--	
2000	688.85	715.50	760.72	795.61	--	--	--	--	--	--	--	--	

290MM WIDE

870					762.44	798.66	832.04	862.55	890.14	914.79	955.17	988.70	
960					808.69	844.33	876.46	905.04	930.04	951.41	983.20	1002.13	
1160					897.35	928.51	954.42	975.04	990.31	1000.20	1003.68	--	
1460					987.98	1004.06	1011.62	1010.58	1000.89	--	--	--	
1750					1001.20	993.03	--	--	--	--	--	--	
10					11.69	12.69	13.62	14.48	15.29	16.02	17.31	18.55	
20					24.06	25.71	27.30	28.84	30.31	31.72	34.36	37.31	
40					49.48	52.52	55.50	58.43	61.31	64.13	69.60	76.09	
60					75.01	79.48	83.89	88.25	92.55	96.80	105.13	115.19	
100					125.29	132.60	139.86	147.06	154.20	161.28	175.22	192.24	
200					242.84	256.96	270.96	284.82	298.54	312.11	338.80	371.24	
300					347.61	367.79	387.69	407.30	426.60	445.58	482.56	526.90	
400					440.52	465.88	490.71	515.00	538.72	561.88	606.44	658.76	
500					523.14	552.71	581.42	609.25	636.18	662.20	711.46	767.69	
600					596.99	629.77	661.27	691.47	720.35	747.88	798.87	854.80	
700					663.45	698.41	731.58	762.94	792.46	820.13	869.81	921.16	
800					723.62	759.70	793.40	824.69	853.54	879.93	925.23	967.64	
900					778.30	814.43	847.50	877.47	904.32	928.01	965.81	994.88	
1000					827.98	863.08	894.34	921.74	945.23	964.78	991.93	1003.20	
1100					872.83	905.79	934.07	957.61	976.38	990.33	1003.65	992.64	
1200					912.65	942.38	966.48	984.88	997.55	1004.44	1000.71	--	
1400					974.82	994.73	1006.83	1011.07	1007.37	--	--	--	
1600					1006.14	1011.71	1006.94	--	--	--	--	--	
1800					992.66	--	--	--	--	--	--	--	

DRIVES WITHIN SHADED AREA MAY GENERATE OBJECTIONABLE NOISE LEVELS UNLESS ACOUSTICALLY GUARDED

SYNCHRONOUS PLUS HORSEPOWER TABLES



The following tables represent the horsepower ratings for each belt at the pre-determined No. of Teeth, Pitch Diameters and RPMs. These ratings must be multiplied by the applicable belt length factor to obtain corrected HP rating.

340MM WIDE

No. Teeth PD (in.)	52	56	60	64	68	72	80	90	
	13.033	14.036	15.038	16.041	17.043	18.046	20.051	22.557	
870	909.67	952.89	992.72	1029.11	1062.03	1091.44	1139.62	1179.63	
960	964.86	1007.38	1045.71	1079.81	1109.63	1135.14	1173.07	1195.65	
1160	1070.64	1107.81	1138.73	1163.32	1181.55	1193.34	1197.49	--	
1460	1178.76	1197.96	1206.97	1205.74	1194.17	--	--	--	
1750	1194.55	1184.79	--	--	--	--	--	--	
Smallest Sprocket RPM	10	13.95	15.14	16.25	17.28	18.24	19.12	20.65	22.13
	20	28.71	30.68	32.58	34.41	36.16	37.85	41.00	44.52
	40	59.03	62.66	66.22	69.72	73.15	76.51	83.04	90.79
	60	89.50	94.82	100.09	105.29	110.43	115.50	125.43	137.44
	100	149.48	158.21	166.87	175.46	183.98	192.42	209.06	229.37
	200	289.73	306.58	323.28	339.82	356.19	372.38	404.22	442.93
	300	414.73	438.82	462.56	485.95	508.97	531.62	575.75	628.65
	400	525.59	555.85	585.47	614.45	642.75	670.38	723.54	785.97
	500	624.16	659.44	693.69	726.90	759.03	790.08	848.85	915.94
	600	712.28	751.39	788.97	825.00	859.45	892.30	953.13	1019.87
	700	791.57	833.28	872.85	910.27	945.49	978.50	1037.78	1099.04
	800	863.36	906.40	946.61	983.94	1018.37	1049.85	1103.90	1154.50
	900	928.60	971.70	1011.16	1046.92	1078.95	1107.21	1152.32	1187.00
	1000	987.87	1029.75	1067.05	1099.74	1127.76	1151.08	1183.48	1196.93
	1100	1041.38	1080.71	1114.45	1142.54	1164.93	1181.57	1197.46	1184.33
	1200	1088.89	1124.37	1153.11	1175.07	1190.19	1198.40	1193.96	--
1400	1163.06	1186.82	1201.26	1206.31	1201.90	--	--	--	
1600	1200.43	1207.08	1201.39	--	--	--	--	--	
1800	1184.35	--	--	--	--	--	--	--	

DRIVES WITHIN SHADED AREA MAY GENERATE OBJECTIONABLE NOISE LEVELS UNLESS ACOUSTICALLY GUARDED

Smallest Sprocket RPM

