

**SYSTEM  
PLAST™**



**B E A R I N G S U P P O R T S**

June 2009 • English Version

  
**EMERSON™**  
Industrial Automation



Via Guareschi, 2



**EMERSON**  
Industrial Automation



Via San Giuseppe, 54

## Quality and Service

**Your expectation,  
our standard.**

*Customers expect the best from System-Plast; we are committed to delivering nothing less. In every phase of our operation, from engineering, to production, to sales and assistance, System-Plast is committed to complying with the stringent standards of ISO 9001.*

When you are looking for a quality conveyor component, look at System Plast.

We put our Leadership on the line for you.

Our complete range of products combines stainless steel, carbon steel, aluminium and engineered plastics to achieve reliability, superior performance and a compact design.

As one of the world's leading suppliers of conveyor components, System Plast has a tradition of innovation that dates back to 1985 when we entered into this field.

System Plast Components have become the standard of design and performance to a wide range of industries, including conveyor manufacturing, material handling, power transmission, packaging and many more. In addition to manufacturing excellence, System Plast has earned a reputation for outstanding customer service, offering a full range of design, custom fabrication and support services. We hope you will now take a moment to look through this comprehensive catalogue.

Then, when you are ready to discuss your needs with the nearest System Plast representative, please consult the back cover of this catalog for further details about our sales network.

We are able and eager to assist you setting up a smooth running line.

The components you want, when and how you want them.

System Plast is ready and able to satisfy your needs with quick answers and delivery of standard or custom made products. Our customers around the world know that the shortest distance between a problem and its solution is to call us: innovations, research, engineering and production are always under a strict control to improve our service and products.

Call our engineering experts.



**To order the products you have selected, or to get expert advice in choosing the right ones for your application, call System Plast's Application Engineering Department at (035) 83.51.301. We'll be happy to provide the information and advice you need. And we'll work to ensure prompt processing and delivery of your order.**

**System Plast offers a complete line of products to answer all your production needs.**

### CONVEYOR COMPONENTS

- Drive sprockets, idler wheels, corner discs.
- Chain return components.
- Lateral guides and guide rail clamps.
- Adjustable heads and knobs.
- Side mounting and support heads.
- Threaded tube ends.
- Thermoplastic chains.
- Straight and corner tracks.
- Cross clamps.
- Guide rail brackets and drip tray supports.
- Hinges and handles.
- Support bases and levelling elements.

### BEARING SUPPORTS

- Flanged bearing support.
- Pillow block support.
- Take-up support.
- Cartridge/take-up support.
- Support for shafts from Ø 12 to Ø 40 mm.
- Flanged bearing support in stainless steel.
- Compact pillow block support.
- Cartridge support.
- Support with high corrosion resistance.
- Nolu-Clean antimicrobial material available.

### LEVELING PADS

- Thermoplastic, steel and stainless steel supporting feet.
- Fixed feet.
- Threaded tube ends.
- Articulated feet with or without mounting holes.
- Vibration absorbing feet.
- Support bases

### STRUCTURAL COMPONENTS

- Connecting joints.
- Panel clamps.
- Fixing block.
- Spring loaded latch.
- Tube ends and closing caps.
- Mounting profiles.
- Profile for plain tubes.
- Magnetic lock.
- Hinges and handles.

### CONVEYOR CHAINS

- Straight running chains.
- Sideflexing chains magnetic system.
- Sideflexing chains with rubber pads.
- Sideflexing chains.
- Straight running chains with rubber pads.
- Straight and corner tracks.

### MODULAR BELTS

- Flat top belts
- Belts with low noise accumulation rollers
- Grip top belts
- Flush grid belts
- Sideflexing flat top chainbelt for magnetic system
- Sideflexing flush grid chainbelt for magnetic system



# BEARING SUPPORTS

## Food industry

### advantages:

- excellent corrosion resistance
- easy cleaning
- high mechanical resistance
- long life
- low maintenance

## Chemical and Pharmaceutical

### advantages:

- excellent chemical resistance
- high oxidation resistance
- easy cleaning
- light-weight
- high mechanical resistance
- long life
- low maintenance

## Agriculture

### advantages:

- good resistance to dirt and dust
- easy cleaning
- high vibration resistance
- high mechanical resistance
- long life
- low maintenance

## Material handling

### advantages:

- good resistance to dirt and dust
- suitable for humid environments
- high vibration resistance
- light-weight
- easy cleaning
- high mechanical resistance
- long life
- low maintenance

## Bearing Support Units in Thermoplastic Material

## Our range

## Housing in Thermoplastic Material

## Nolu-Clean

## Bearing

## Long-life grease

In many different industries, such as food, chemical and pharmaceutical, material handling and even agriculture, bearings must provide for long periods of uninterrupted service.

Therefore, a bearing offering low maintenance and "trouble-free" operation must be introduced.

System Plast intends to offer the solution with its thermoplastic bearings. The constant evolution of the Bearing Line range enables System Plast to provide a suitable product for a wide variety of applications, extending to the most challenging.

System Plast offers a selection of bearings for shaft diameters ranging from 12mm to 40mm and from 3/4" to 1 1/2.

Providing true support, the bearings are available in Flanged or Pillow Block versions, and Take Up Unit or Framed Take Up Unit versions.

All bearings are made of corrosion resistant chrome steel or austenitic stainless steel, allowing for operation even in humid environments.

All bearings are lubricated with a special "long-life" grease.

The housing of most of our Bearing Support products is available in two different thermoplastic materials: Polyamide and Polypropylene.

Both are reinforced with fiberglass to guarantee constant application and thermal stability.

The housing, in thermoplastic material, is light-weight, yet strong and safe, making it very reliable.

Moreover, the radial break load capacity of the plastic housing is higher than the bearing static load itself.

Each version offers good resistance to many corrosive chemicals. Both version maintain good dimensional stability at temperatures between 0°C and +80°C.

Hygiene has become an important issue in a number of areas in filling and packaging lines. Nolu-Clean is a new antimicrobial material for improved hygiene, supporting the effectiveness of your cleaning efforts. Nolu-Clean is listed for industrial use in many countries including Australia, Canada, China, Korea, the Philippines, the USA, Japan and most European countries.

Nolu-Clean inhibits growth of bacteria, molds and yeasts, provides odor control and hygiene maintenance, and is durable.

The bearings are available in two different versions, shaft locking with grub screws or with eccentric ring and in two different materials, chrome steel and stainless steel.

The bearings are lubricated with a special "Long-Life" grease, which is ideal in applications within humid conditions, hot water, and in alkaline or acid solutions.

The grease is a H1 grade lubricant, which makes it suitable for incidental direct contact with food.

With this unique lubricant, System Plast bearings are able to sustain long life cycles ensuring quality operation.



WATERPROOF



MAINTENANCE  
FREE

|              |   |   |  |  |   |
|--------------|---|---|--|--|---|
|              |                      |                                    |                                   |                                     |                                    |
| Page 8 - 9   | <br><b>UCF</b>       | Page 22 - 23<br><br><b>US</b>      | Page 32 - 33<br><br><b>UCFL</b>   | Page 36 - 37<br><br><b>UFL</b>       | Page 52 - 53<br><br><b>UCFT</b>    |
| Page 10 - 11 | <br><b>UCF-R</b>     | Page 24 - 25<br><br><b>US-R</b>    | Page 34 - 35<br><br><b>UCFL-W</b> | Page 38 - 39<br><br><b>UFL-Z</b>     | Page 54 - 55<br><br><b>CB</b>      |
| Page 12 - 13 | <br><b>UCF-RL</b>    | Page 26 - 27<br><br><b>CS</b>      |  | Page 40 - 41<br><br><b>UCFH</b>      | Page 56 - 57<br><br><b>CB-R</b>    |
| Page 14 - 15 | <br><b>F</b>       | Page 28 - 29<br><br><b>CS-R</b>  |  | Page 42 - 43<br><br><b>UCFH-R</b>  | Page 58 - 59<br><br><b>CB-RL</b> |
| Page 16 - 17 | <br><b>UCFQ</b>    | Page 30 - 31<br><br><b>CS-RL</b> |  | Page 44 - 45<br><br><b>UCFH-RL</b> |   |
| Page 18 - 19 | <br><b>UCFQ-R</b>  |   |  | Page 46 - 47<br><br><b>CL</b>      |   |
| Page 20 - 21 | <br><b>UCFQ-RL</b> |   |  | Page 48 - 49<br><br><b>CL-R</b>    |   |
|              |   |   |  | Page 50 - 51<br><br><b>CL-RL</b>   |   |



**WATERPROOF**



**MAINTENANCE  
FREE**



Page 60 - 61



**UCFC**

Page 66 - 67



**UCP**

Page 70 - 71



**UCPA**

Page 74 - 75



**UCFA**

Page 78 - 79



**UCFG**

Page 62 - 63



**UCFC-Y**



Page 68 - 69



**UCP-R**



Page 72 - 73



**UCPA-R**



Page 76 - 77



**UCFA-R**



Page 80 - 81



**UCFG-R**



Page 64 - 65



**FC**



Page 82 - 83



**UCT**

Page 86 - 87



**UCHA**

Page 90 - 91



**UCHE**

Page 94 - 95



**SFL**

Page 98 - 99



**SQL left - right**

Page 84 - 85



**UCT-R**

Page 88 - 89



**UCHA-R**



Page 92 - 93



**UCHE-R**











Page 96 - 97



**SFL-Z**



|  |   | Regreasable | Corrosion resistance | Mechanical resistance | For shaft size<br>ø mm           | Page |
|--|---|-------------|----------------------|-----------------------|----------------------------------|------|
| <b>STANDARD BEARING WITH GRUB SCREWS</b>   |  | ●           | HIGH                 | GOOD                  | 12,15,16<br>17,20,25<br>30,35,40 | 102  |
| Bearing in chrome steel - Protection rings in steel with NBR rubber                            |   |             |                      |                       |                                  |      |
| <b>STANDARD BEARING WITH ECCENTRIC RING</b>  |  | ●           | HIGH                 | GOOD                  | 12,15,16<br>17,20,25<br>30,35,40 | 102  |
| Bearing in chrome steel - Protection rings in steel with NBR rubber                            |   |             |                      |                       |                                  |      |
| <b>STAINLESS STEEL</b>   |  | ●           | EXCELLENT            | GOOD                  | 20,25<br>30,35,40                | 103  |
| Stainless steel bearing with Cr+Mo - Seals in NBR rubber - Protection rings in stainless steel |   |             |                      |                       |                                  |      |
| <b>MAINTENANCE FREE</b>  |  |             | HIGH                 | GOOD                  | 20,25<br>30,35,40                | 103  |
| Bearing in chrome steel - Protection rings in steel with NBR rubber                            |   |             |                      |                       |                                  |      |

|   |   |  | Page  |
|---|---|--|---|
| <b>CLIP ON SAFETY CAPS CLOSED VERSION</b>   |  | <ul style="list-style-type: none"> <li>• Clip-on safety cap in polypropylene</li> <li>• Closed version</li> <li>• Colour: safety cap in yellow</li> </ul>  | See individual pages of standard bearing supports |
| <b>CLIP ON SAFETY CAPS OPEN VERSION</b>   |  | <ul style="list-style-type: none"> <li>• Clip-on safety cap in polypropylene</li> <li>• Open version</li> <li>• Colour: safety cap in yellow.</li> </ul>   | See individual pages of standard bearing supports |
| <b>SAFETY CAPS CLOSED VERSION FOR WATERPROOF SUPPORTS</b>                                     |  | <ul style="list-style-type: none"> <li>• Clip-on safety cap in polypropylene</li> <li>• Heavy duty O-ring in NBR-rubber for housings in Polyamide.</li> <li>• Heavy duty O-ring in VITON-rubber for housings in Polypropylene.</li> <li>• Colour: safety cap in yellow.</li> </ul>   | 104-105   |
| <b>SAFETY CAPS OPEN VERSION FOR WATERPROOF SUPPORTS</b>                                       |  | <ul style="list-style-type: none"> <li>• Clip-on safety cap in polypropylene</li> <li>• Heavy duty O-ring and rotary shaft ring in NBR-rubber for housings in Polyamide.</li> <li>• Heavy duty O-ring and rotary shaft ring in VITON rubber for housings in Polypropylene.</li> <li>• Colour: safety cap in yellow.</li> </ul> | 106-107   |
| <b>FOR SUFFICIENT QUANTITIES PARTS CAN BE PRODUCED IN DIFFERENT COLOURS OR IN TRANSPARENT</b> |   |  |   |

# **Nolu-Clean**<sup>®</sup>

## **Why bearing supports in thermoplastic material?**

In many different industries, such as food, chemical and pharmaceutical, material handling and even agriculture, bearings must provide for long periods of uninterrupted service.

Therefore, a bearing offering low maintenance and “trouble-free” operation must be introduced.

System Plast intends to offer the solution with its thermoplastic bearings. The constant evolution of the Bearing Line range enables System Plast to provide a suitable product for a wide variety of applications, extending to the most challenging.

## **Why Nolu-Clean?**

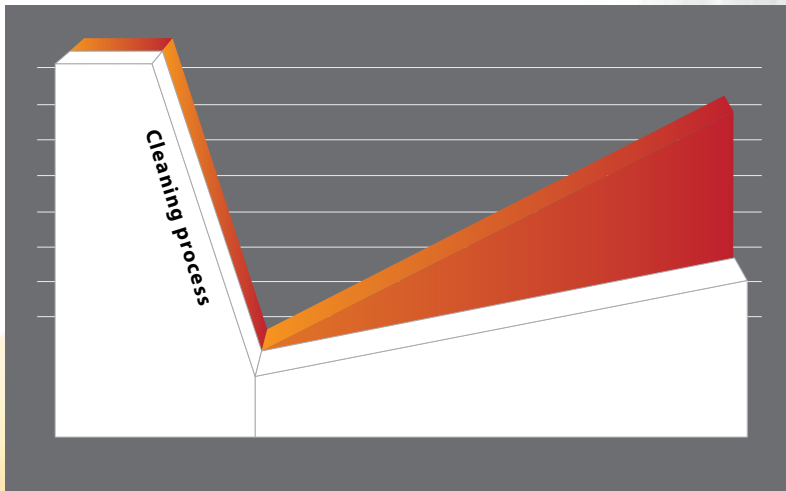
Hygiene has become an important issue in a number of areas in filling and packaging lines. Nolu-Clean is a new antimicrobial material for improved hygiene. To support the effectiveness of your cleaning efforts, System Plast offers the possibility to use Nolu-Clean with chains and a range of components.

## **Features**

Nolu-Clean, the new antimicrobial material for improved hygiene, is listed for industrial use in many countries including Australia, Canada, China, Korea, the Philippines, the USA, Japan and most European countries.

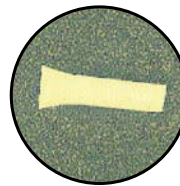
Nolu-Clean inhibits growth of bacteria, molds and yeasts, provides odor control and hygiene maintenance, and is durable.

## **Growth inhibition test**

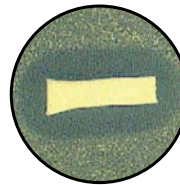


- Bacterial growth with Nolu Clean effect
- Normal bacterial growth after cleaning

## **Bacterial growth test**



**Bacterial culture without Nolu-Clean**



**Bacterial culture with Nolu-Clean**



## STANDARD



## TECHNICAL INFORMATION for UCF

- **Resistance to corrosion:**
  - Polyamide version (PA): good resistance to many corrosive chemicals such as water, oils, greases, petrol, milk, wine, alcoholic beverages.
  - Polypropylene version (PP): excellent resistance to highly corrosive chemicals such as acids, organic liquids, detergents.
- **Load capacity:**
  - Housings in PA have a higher load capacity than housings in PP. See tables.
- **Continuous operating temperature:**
  - All our bearings can be used at temperatures between 0°C and +80°C. For lower or higher temperatures please consult our Engineering Department.
- **Economical operation:**
  - Long life bearing insert.
- **Self-alignment:**
  - Max misalignment between shaft and housing: 2.5°.
- **Concept and design to meet all safety requirements.**
- **Interchangeable with standard cast iron flanged supports.**
- **Ball bearing pre-lubricated with long-life grease, which is ideal in applications in humid conditions, with water, alkaline or acid solutions.**

## SEE ALSO...

Accessories: [p. 110](#)  
 Features, lubrication and maintenance: [p. 112](#)  
 Mounting instruction: [p. 113 - 114](#)  
 Calculation of load capacity, bearing life: [p. 115 - 116](#)  
 Chemical resistance: [p. 120 - 121](#)

## COMPONENTS

- 1 Housing in reinforced polyamide (Housing in reinforced polypropylene available on request).
- 2 Adjustable chrome steel or stainless steel ball bearing, pre-lubricated. Can be re-lubricated by means of grease-nipple or a quick coupler.
- 3 Ball-type grease-nipple or quick coupler from nickel plated brass (available upon request) to take semi-rigid hoses  $\varnothing$  4 mm in Rilsan (see accessories on [page 110](#)). Version with stainless steel bearing has a stainless steel grease nipple.
- 4 Clip-on safety cap (accessory).
- 5 Spacers from nickel plated brass to reinforce fixing holes.
- 7 Washer UNI 6592, stainless steel AISI 304-DIN 1.4301.

UCF  
STANDARD

## POLYAMIDE HOUSING



accessory

## COLOUR

- Bearing support in black.
- Safety cap in yellow.
- For sufficient quantities parts can be produced in different colours.

UCF  
STANDARD

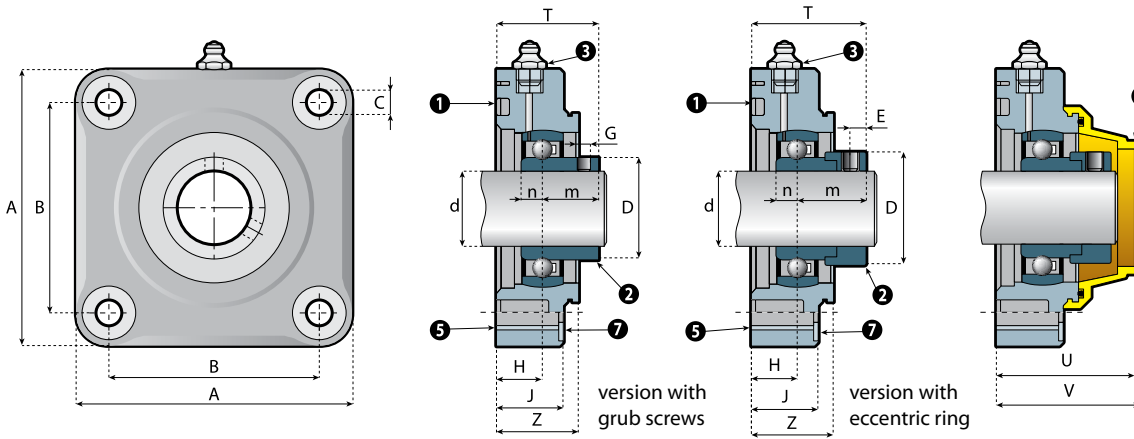
## POLYPROPYLENE HOUSING



accessory

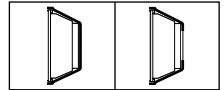
## COLOUR

- Bearing support in black.
- Safety cap in yellow.
- For sufficient quantities parts can be produced in different colours.



Preferred types, readily available (codes marked in red)

Accessories



| Ø d<br>mm | code<br>version | dimension (mm) |   |   |   |   |   |   |   |   |   |   |   |   |   | bearing load ratings |               | housing load rating max. N* | weight (Kg) | closed safety cap code | open safety cap code |
|-----------|-----------------|----------------|---|---|---|---|---|---|---|---|---|---|---|---|---|----------------------|---------------|-----------------------------|-------------|------------------------|----------------------|
|           |                 | A              | B | C | D | E | G | H | J | Z | T | m | n | U | V | dynamic C (N)        | static Co (N) |                             |             |                        |                      |

**CHROME STEEL BEARING WITH GRUB SCREWS (POLYAMIDE)**

|    |               |     |       |    |      |     |         |    |    |    |      |      |     |    |    |       |       |       |      |        |            |
|----|---------------|-----|-------|----|------|-----|---------|----|----|----|------|------|-----|----|----|-------|-------|-------|------|--------|------------|
| 20 | <b>50204S</b> | 86  | 63    | 11 | 29   | 5   | M6x0.75 | 16 | 19 | 25 | 34   | 18   | 7   | 50 | 52 | 9850  | 6580  | 12800 | 0.23 | 50003A | 50003A.APE |
| 20 | 50204A        | 98  | 70    | 11 | 29   | 5   | M6x0.75 | 16 | 19 | 25 | 34   | 18   | 7   | 50 | 52 | 9850  | 6580  | 12800 | 0.35 | 50003A | 50003A.APE |
| 25 | 50205S        | 86  | 63    | 11 | 34   | 5.5 | M6x0.75 | 15 | 19 | 25 | 34.5 | 19.5 | 7.5 | 50 | 52 | 10800 | 7800  | 12800 | 0.28 | 50003A | 50003A.APE |
| 25 | <b>50205A</b> | 98  | 70    | 11 | 34   | 5.5 | M6x0.75 | 15 | 19 | 25 | 34.5 | 19.5 | 7.5 | 50 | 52 | 10800 | 7800  | 13000 | 0.41 | 50003A | 50003A.APE |
| 25 | 50205         | 110 | 83    | 11 | 34   | 5.5 | M6x0.75 | 19 | 25 | 31 | 38.5 | 19.5 | 7.5 | 53 | 55 | 10800 | 7800  | 13000 | 0.45 | 50001  | 50001.APE  |
| 30 | 50206S        | 110 | 77    | 11 | 40.3 | 6   | M6x0.75 | 22 | 25 | 36 | 44   | 22   | 8   | 68 | 70 | 15000 | 11300 | 12000 | 0.50 | 50004  | 50004.APE  |
| 30 | <b>50206</b>  | 110 | 83    | 11 | 40.3 | 6   | M6x0.75 | 18 | 25 | 31 | 40   | 22   | 8   | 53 | 55 | 15000 | 11300 | 13000 | 0.56 | 50001  | 50001.APE  |
| 35 | 50207         | 110 | 83    | 11 | 48   | 6.5 | M8x1.00 | 20 | 25 | 35 | 43.5 | 23.5 | 8.5 | 67 | 69 | 19700 | 15300 | 12800 | 0.70 | 50002  | 50002.APE  |
| 35 | <b>50207G</b> | 118 | 92    | 14 | 48   | 6.5 | M8x1.00 | 20 | 25 | 35 | 43.5 | 23.5 | 8.5 | 67 | 69 | 19700 | 15300 | 13000 | 0.80 | 50002  | 50002.APE  |
| 40 | 50208S        | 110 | 77    | 11 | 53   | 7   | M8x1.00 | 19 | 25 | 36 | 44   | 25   | 9   | 68 | 70 | 22400 | 17900 | 12000 | 0.88 | 50004  | 50004.APE  |
| 40 | 50208         | 110 | 83    | 11 | 53   | 7   | M8x1.00 | 20 | 25 | 35 | 45   | 25   | 9   | 67 | 69 | 22400 | 17900 | 12500 | 0.87 | 50002  | 50002.APE  |
| 40 | 50208G        | 118 | 92    | 14 | 53   | 7   | M8x1.00 | 20 | 25 | 35 | 45   | 25   | 9   | 67 | 69 | 22400 | 17900 | 12800 | 0.86 | 50002  | 50002.APE  |
| 40 | <b>50208F</b> | 130 | 101.5 | 14 | 53   | 7   | M8x1.00 | 20 | 25 | 35 | 45   | 25   | 9   | 67 | 69 | 22400 | 17900 | 12500 | 0.90 | 50002  | 50002.APE  |

**CHROME STEEL BEARING WITH ECCENTRIC RING (POLYAMIDE)**

|    |                |     |       |    |      |     |         |    |    |    |      |      |     |    |    |       |       |       |      |        |            |
|----|----------------|-----|-------|----|------|-----|---------|----|----|----|------|------|-----|----|----|-------|-------|-------|------|--------|------------|
| 20 | <b>50204SB</b> | 86  | 63    | 11 | 33.3 | 5   | M6x0.75 | 16 | 19 | 25 | 39.9 | 23.9 | 7   | 50 | 52 | 9850  | 6580  | 12800 | 0.26 | 50003A | 50003A.APE |
| 20 | 50204AB        | 98  | 70    | 11 | 33.3 | 5   | M6x0.75 | 16 | 19 | 25 | 39.9 | 23.9 | 7   | 50 | 52 | 9850  | 6580  | 12800 | 0.40 | 50003A | 50003A.APE |
| 25 | 50205SB        | 86  | 63    | 11 | 38.1 | 5   | M6x0.75 | 15 | 19 | 25 | 38.4 | 23.4 | 7.5 | 50 | 52 | 10800 | 7800  | 12800 | 0.35 | 50003A | 50003A.APE |
| 25 | <b>50205AB</b> | 98  | 70    | 11 | 38.1 | 5   | M6x0.75 | 15 | 19 | 25 | 38.4 | 23.4 | 7.5 | 50 | 52 | 10800 | 7800  | 13000 | 0.44 | 50003A | 50003A.APE |
| 25 | 50205B         | 110 | 83    | 11 | 38.1 | 5   | M6x0.75 | 19 | 25 | 31 | 42.4 | 23.4 | 7.5 | 53 | 55 | 10800 | 7800  | 13000 | 0.48 | 50001  | 50001.APE  |
| 30 | 50206SB        | 110 | 77    | 11 | 44.5 | 6   | M6x0.75 | 22 | 25 | 36 | 49.7 | 27.7 | 8   | 68 | 70 | 15000 | 11300 | 12000 | 0.70 | 50004  | 50004.APE  |
| 30 | <b>50206B</b>  | 110 | 83    | 11 | 44.5 | 6   | M6x0.75 | 18 | 25 | 31 | 45.7 | 27.7 | 8   | 53 | 55 | 15000 | 11300 | 13000 | 0.60 | 50001  | 50001.APE  |
| 35 | 50207B         | 110 | 83    | 11 | 55.6 | 6.5 | M8x1.00 | 20 | 25 | 35 | 50.4 | 30.4 | 8.5 | 67 | 69 | 19700 | 15300 | 12800 | 0.78 | 50002  | 50002.APE  |
| 35 | <b>50207GB</b> | 118 | 92    | 14 | 55.6 | 6.5 | M8x1.00 | 20 | 25 | 35 | 50.4 | 30.4 | 8.5 | 67 | 69 | 19700 | 15300 | 13000 | 0.88 | 50002  | 50002.APE  |
| 40 | 50208SB        | 110 | 77    | 11 | 60.3 | 6.5 | M8x1.00 | 19 | 25 | 36 | 53.7 | 34.7 | 9   | 68 | 70 | 22400 | 17900 | 12000 | 0.97 | 50004  | 50004.APE  |
| 40 | 50208B         | 110 | 83    | 11 | 60.3 | 6.5 | M8x1.00 | 20 | 25 | 35 | 54.7 | 34.7 | 9   | 67 | 69 | 22400 | 17900 | 12500 | 0.95 | 50002  | 50002.APE  |
| 40 | 50208GB        | 118 | 92    | 14 | 60.3 | 6.5 | M8x1.00 | 20 | 25 | 35 | 54.7 | 34.7 | 9   | 67 | 69 | 22400 | 17900 | 12800 | 0.91 | 50002  | 50002.APE  |
| 40 | <b>50208FB</b> | 130 | 101.5 | 14 | 60.3 | 6.5 | M8x1.00 | 20 | 25 | 35 | 54.7 | 34.7 | 9   | 67 | 69 | 22400 | 17900 | 13000 | 0.97 | 50002  | 50002.APE  |

**STAINLESS STEEL BEARING WITH GRUB SCREWS (POLYAMIDE)**

|    |                  |     |       |    |      |     |         |    |    |    |      |      |     |    |    |       |       |       |      |        |            |
|----|------------------|-----|-------|----|------|-----|---------|----|----|----|------|------|-----|----|----|-------|-------|-------|------|--------|------------|
| 20 | <b>50204S/SS</b> | 86  | 63    | 11 | 29   | 5   | M6x0.75 | 16 | 19 | 25 | 34.7 | 18.7 | 7   | 50 | 52 | 7300  | 4900  | 12000 | 0.23 | 50003A | 50003A.APE |
| 20 | 50204A/SS        | 98  | 70    | 11 | 29   | 5   | M6x0.75 | 16 | 19 | 25 | 34.7 | 18.7 | 7   | 50 | 52 | 7300  | 4900  | 13000 | 0.35 | 50003A | 50003A.APE |
| 25 | 50205S/SS        | 86  | 63    | 11 | 34   | 5.5 | M6x0.75 | 15 | 19 | 25 | 34.5 | 19.5 | 7.5 | 50 | 52 | 8100  | 5800  | 12000 | 0.28 | 50003A | 50003A.APE |
| 25 | <b>50205A/SS</b> | 98  | 70    | 11 | 34   | 5.5 | M6x0.75 | 15 | 19 | 25 | 34.5 | 19.5 | 7.5 | 50 | 52 | 8100  | 5800  | 13000 | 0.41 | 50003A | 50003A.APE |
| 25 | 50205/SS         | 110 | 83    | 11 | 34   | 5.5 | M6x0.75 | 19 | 25 | 31 | 38.5 | 19.5 | 7.5 | 53 | 55 | 8100  | 5800  | 13000 | 0.45 | 50001  | 50001.APE  |
| 30 | 50206S/SS        | 110 | 77    | 11 | 40.3 | 6   | M6x0.75 | 22 | 25 | 36 | 44   | 22   | 8   | 68 | 70 | 11250 | 8400  | 12500 | 0.50 | 50004  | 50004.APE  |
| 30 | <b>50206/SS</b>  | 110 | 83    | 11 | 40.3 | 6   | M6x0.75 | 18 | 25 | 31 | 40   | 22   | 8   | 53 | 55 | 11250 | 8400  | 13000 | 0.56 | 50001  | 50001.APE  |
| 35 | 50207/SS         | 110 | 83    | 11 | 48   | 6.5 | M8x1.00 | 20 | 25 | 35 | 43.5 | 23.5 | 8.5 | 67 | 69 | 14700 | 11400 | 12800 | 0.70 | 50002  | 50002.APE  |
| 35 | <b>50207G/SS</b> | 118 | 92    | 14 | 48   | 6.5 | M8x1.00 | 20 | 25 | 35 | 43.5 | 23.5 | 8.5 | 67 | 69 | 14700 | 11400 | 13000 | 0.80 | 50002  | 50002.APE  |
| 40 | 50208S/SS        | 110 | 77    | 11 | 53   | 7   | M8x1.00 | 19 | 25 | 36 | 44   | 25   | 9   | 68 | 70 | 16800 | 13400 | 12500 | 0.88 | 50004  | 50004.APE  |
| 40 | 50208/SS         | 110 | 83    | 11 | 53   | 7   | M8x1.00 | 20 | 25 | 35 | 45   | 25   | 9   | 67 | 69 | 16800 | 13400 | 12500 | 0.87 | 50002  | 50002.APE  |
| 40 | 50208G/SS        | 118 | 92    | 14 | 53   | 7   | M8x1.00 | 20 | 25 | 35 | 45   | 25   | 9   | 67 | 69 | 16800 | 13400 | 12800 | 0.86 | 50002  | 50002.APE  |
| 40 | <b>50208F/SS</b> | 130 | 101.5 | 14 | 53   | 7   | M8x1.00 | 20 | 25 | 35 | 45   | 25   | 9   | 67 | 69 | 16800 | 13400 | 14000 | 0.90 | 50002  | 50002.APE  |

**STAINLESS STEEL BEARING WITH GRUB SCREWS (POLYPROPYLENE)**

|    |               |     |    |    |      |     |         |    |    |    |      |      |     |    |    |       |       |      |      |        |            |
|----|---------------|-----|----|----|------|-----|---------|----|----|----|------|------|-----|----|----|-------|-------|------|------|--------|------------|
| 20 | <b>60204S</b> | 86  | 63 | 11 | 29   | 5   | M6x0.75 | 16 | 19 | 25 | 34.7 | 18.7 | 7   | 50 | 52 | 7300  | 4900  | 6100 | 0.23 | 50003A | 50003A.APE |
| 25 | <b>60205A</b> | 98  | 70 | 11 | 34   | 5.5 | M6x0.75 | 15 | 19 | 25 | 34.5 | 19.5 | 7.5 | 50 | 52 | 8100  | 5800  | 6100 | 0.41 | 50003A | 50003A.APE |
| 30 | <b>60206</b>  | 110 | 83 | 11 | 40.3 | 6   | M6x0.75 | 18 | 25 | 31 | 40   | 22   | 8   | 53 | 55 | 11250 | 8400  | 6000 | 0.56 | 50001  | 50001.APE  |
| 35 | 60207         | 110 | 83 | 11 | 48   | 6.5 | M8x1.00 | 20 | 25 | 35 | 43.5 | 23.5 | 8.5 | 67 | 69 | 14700 | 11400 | 6000 | 0.70 | 50002  | 50002.APE  |
| 40 | 60208         | 110 | 83 | 11 | 53   | 7   | M8x1.00 | 20 | 25 | 35 | 45   | 25   | 9   | 67 | 69 | 16800 | 13400 | 6200 | 0.87 | 50002  | 50002.APE  |

\* MAX. RADIAL LOAD CAPACITY OF HOUSING: Values indicated in the table above, are obtained at 23°C. Strength of housing indicated on page 115.

# UCF-R

## WATERPROOF



### TECHNICAL INFORMATION for UCF-R

- **Resistance to corrosion:**
  - Polyamide version (PA): good resistance to many corrosive chemicals such as water, oils, greases, petrol, milk, wine, alcoholic beverages.
  - Polypropylene version (PP): excellent resistance to highly corrosive chemicals such as acids, organic liquids, detergents.
- **Load capacity:**
  - Housings in PA have a higher load capacity than housings in PP. See tables.
- **Continuous operating temperature:**
  - All our bearings can be used at temperatures between 0°C and +80°C. For lower or higher temperatures please consult our Engineering Department.
- **Economical operation.**
  - Long life bearing insert.
- **Concept and design to meet all safety requirements.**
- **Interchangeable with standard cast iron flanged supports.**
- **Self-alignment:**
  - Max misalignment between shaft and housing: 2.0°.
- **Completely sealed units.**
- **Ball bearing pre-lubricated with long-life grease, which is ideal in applications in humid conditions, with water, alkaline or acid solutions.**



## WATERPROOF

### SEE ALSO...

Accessories: [p. 110](#)  
Features, lubrication and maintenance: [p. 112](#)  
Mounting instruction: [p. 113 - 114](#)  
Calculation of load capacity, bearing life: [p. 115 - 116](#)  
Chemical resistance: [p. 120 - 121](#)

### COMPONENTS

- ① Housing in reinforced polyamide (Housing in reinforced polypropylene available on request).
- ② Adjustable chrome steel or stainless steel ball bearing, pre-lubricated. Can be re-lubricated by means of grease-nipple or a quick coupler.
- ③ Ball-type grease-nipple or quick coupler from nickel plated brass (available upon request) to take semi-rigid hoses  $\varnothing$  4 mm in Rilsan (see accessories on [page 110](#)). Version with stainless steel bearing has a stainless steel grease nipple.
- ④ Clip-on safety cap.
- ⑤ Spacers from nickel plated brass to reinforce fixing holes.
- ⑦ Washer UNI 6592, stainless steel AISI 304-DIN 1.4301.
- ⑧ Rotary shaft seal ring with extra dust-protection lip in NBR rubber.
- ⑨ Heavy duty O-Ring in NBR rubber.

## UCF-R WATERPROOF

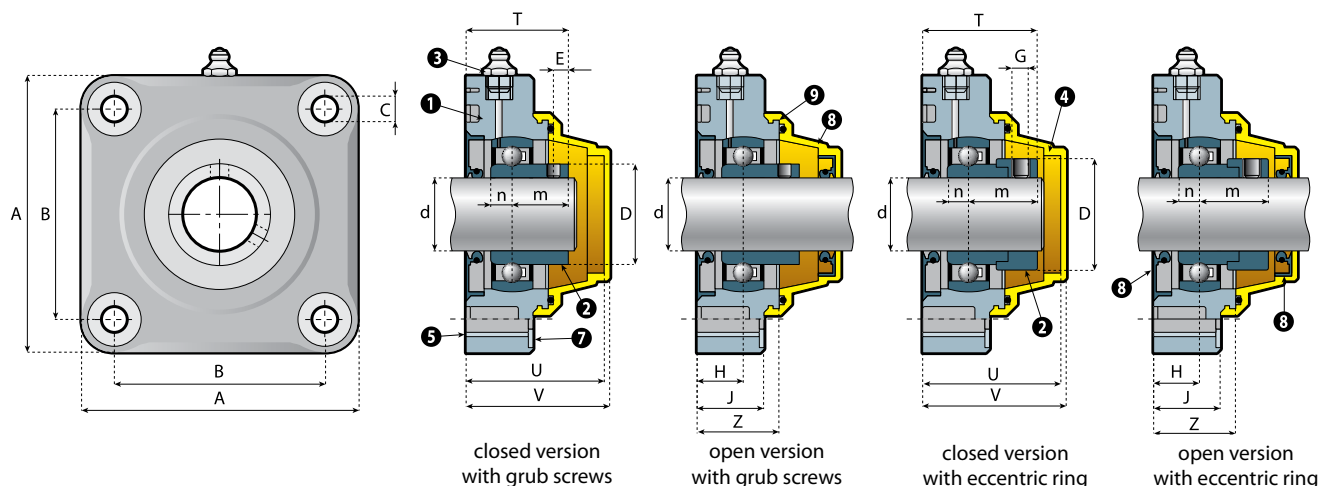
### POLYAMIDE HOUSING



## UCF-R WATERPROOF

### POLYPROPYLENE HOUSING





Preferred types, readily available (codes marked in red)

| ø<br>d<br>mm | code version |      | dimension (mm) |   |   |   |   |   |   |   |   |   |   |   |   | bearing load ratings |               | housing load rating max. N <sup>#</sup> | weight (Kg) |
|--------------|--------------|------|----------------|---|---|---|---|---|---|---|---|---|---|---|---|----------------------|---------------|---|-------------|
|              | closed       | open | A              | B | C | D | E | G | H | J | Z | T | m | n | U | V                    | dynamic C (N) |   |             |

**CHROME STEEL BEARING WITH GRUB SCREWS (POLYAMIDE)**

|    |         |         |     |       |    |      |     |         |    |    |    |      |      |     |    |    |       |       |       |      |
|----|---------|---------|-----|-------|----|------|-----|---------|----|----|----|------|------|-----|----|----|-------|-------|-------|------|
| 20 | 50204SR | 55204SR | 86  | 63    | 11 | 29   | 5   | M6x0.75 | 16 | 19 | 25 | 34   | 18   | 7   | 50 | 52 | 9850  | 6580  | 12000 | 0.28 |
| 20 | 50204AR | 55204AR | 98  | 70    | 11 | 29   | 5   | M6x0.75 | 16 | 19 | 25 | 34   | 18   | 7   | 50 | 52 | 9850  | 6580  | 12000 | 0.38 |
| 25 | 50205SR | 55205SR | 86  | 63    | 11 | 34   | 5.5 | M6x0.75 | 15 | 19 | 25 | 34.5 | 19.5 | 7.5 | 50 | 52 | 10800 | 7800  | 12000 | 0.31 |
| 25 | 50205AR | 55205AR | 98  | 70    | 11 | 34   | 5.5 | M6x0.75 | 15 | 19 | 25 | 34.5 | 19.5 | 7.5 | 50 | 52 | 10800 | 7800  | 13000 | 0.42 |
| 25 | 50205R  | 55205R  | 110 | 83    | 11 | 34   | 5.5 | M6x0.75 | 19 | 25 | 31 | 38.5 | 19.5 | 7.5 | 53 | 55 | 10800 | 7800  | 13000 | 0.46 |
| 30 | 50206SR | 55206SR | 110 | 77    | 11 | 40.3 | 6   | M6x0.75 | 22 | 25 | 36 | 44   | 22   | 8   | 68 | 70 | 15000 | 11300 | 12000 | 0.63 |
| 30 | 50206R  | 55206R  | 110 | 83    | 11 | 40.3 | 6   | M6x0.75 | 18 | 25 | 31 | 40   | 22   | 8   | 53 | 55 | 15000 | 11300 | 13000 | 0.59 |
| 35 | 50207R  | 55207R  | 110 | 83    | 11 | 48   | 6.5 | M8x1.00 | 20 | 25 | 35 | 43.5 | 23.5 | 8.5 | 67 | 69 | 19700 | 15300 | 12800 | 0.74 |
| 35 | 50207N  | 55207N  | 118 | 92    | 14 | 48   | 6.5 | M8x1.00 | 20 | 25 | 35 | 43.5 | 23.5 | 8.5 | 67 | 69 | 19700 | 15300 | 13000 | 0.90 |
| 40 | 50208SR | 55208SR | 110 | 77    | 11 | 53   | 7   | M8x1.00 | 19 | 25 | 36 | 44   | 25   | 9   | 68 | 70 | 22400 | 17900 | 10000 | 0.94 |
| 40 | 50208R  | 55208R  | 110 | 83    | 11 | 53   | 7   | M8x1.00 | 20 | 25 | 35 | 45   | 25   | 9   | 67 | 69 | 22400 | 17900 | 12500 | 0.90 |
| 40 | 50208N  | 55208N  | 118 | 92    | 14 | 53   | 7   | M8x1.00 | 20 | 25 | 35 | 45   | 25   | 9   | 67 | 69 | 22400 | 17900 | 12800 | 1.00 |
| 40 | 50208FR | 55208FR | 130 | 101.5 | 14 | 53   | 7   | M8x1.00 | 20 | 25 | 35 | 45   | 25   | 9   | 67 | 69 | 22400 | 17900 | 12500 | 0.98 |

**CHROME STEEL BEARING WITH ECCENTRIC RING (POLYAMIDE)**

|    |          |          |     |       |    |      |     |         |    |    |    |      |      |     |    |    |       |       |       |      |
|----|----------|----------|-----|-------|----|------|-----|---------|----|----|----|------|------|-----|----|----|-------|-------|-------|------|
| 20 | 50204SRB | 55204SRB | 86  | 63    | 11 | 33.3 | 5   | M6x0.75 | 16 | 19 | 25 | 39.9 | 23.9 | 7   | 50 | 52 | 9850  | 6580  | 12000 | 0.29 |
| 20 | 50204ARB | 55204ARB | 98  | 70    | 11 | 33.3 | 5   | M6x0.75 | 16 | 19 | 25 | 39.9 | 23.9 | 7   | 50 | 52 | 9850  | 6580  | 12000 | 0.32 |
| 25 | 50205SRB | 55205SRB | 86  | 63    | 11 | 38.1 | 5   | M6x0.75 | 15 | 19 | 25 | 38.4 | 23.4 | 7.5 | 50 | 52 | 10800 | 7800  | 12000 | 0.25 |
| 25 | 50205ARB | 55205ARB | 98  | 70    | 11 | 38.1 | 5   | M6x0.75 | 15 | 19 | 25 | 38.4 | 23.4 | 7.5 | 50 | 52 | 10800 | 7800  | 13000 | 0.45 |
| 25 | 50205RNB | 55205RNB | 110 | 83    | 11 | 38.1 | 5   | M6x0.75 | 19 | 25 | 31 | 42.4 | 23.4 | 7.5 | 53 | 55 | 10800 | 7800  | 13000 | 0.50 |
| 30 | 50206/OH | 55206/OH | 110 | 77    | 11 | 44.5 | 6   | M6x0.75 | 22 | 25 | 36 | 49.7 | 27.7 | 8   | 68 | 70 | 15000 | 11300 | 12000 | 0.73 |
| 30 | 50206RNB | 55206RNB | 110 | 83    | 11 | 44.5 | 6   | M6x0.75 | 18 | 25 | 31 | 45.7 | 27.7 | 8   | 53 | 55 | 15000 | 11300 | 13000 | 0.66 |
| 35 | 50207RNB | 55207RNB | 110 | 83    | 11 | 55.6 | 6.5 | M8x1.00 | 20 | 25 | 35 | 50.4 | 30.4 | 8.5 | 67 | 69 | 19700 | 15300 | 12800 | 0.80 |
| 35 | 50207NB  | 55207NB  | 118 | 92    | 14 | 55.6 | 6.5 | M8x1.00 | 20 | 25 | 35 | 50.4 | 30.4 | 8.5 | 67 | 69 | 19700 | 15300 | 13000 | 0.95 |
| 40 | 50208/OH | 55208/OH | 110 | 77    | 11 | 60.3 | 6.5 | M8x1.00 | 19 | 25 | 36 | 53.7 | 34.7 | 9   | 68 | 70 | 22400 | 17900 | 10000 | 0.98 |
| 40 | 50208RNB | 55208RNB | 110 | 83    | 11 | 60.3 | 6.5 | M8x1.00 | 20 | 25 | 35 | 54.7 | 34.7 | 9   | 67 | 69 | 22400 | 17900 | 12500 | 1.10 |
| 40 | 50208NB  | 55208NB  | 118 | 92    | 14 | 60.3 | 6.5 | M8x1.00 | 20 | 25 | 35 | 54.7 | 34.7 | 9   | 67 | 69 | 22400 | 17900 | 12800 | 1.15 |
| 40 | 50208FRB | 55208FRB | 130 | 101.5 | 14 | 60.3 | 6.5 | M8x1.00 | 20 | 25 | 35 | 54.7 | 34.7 | 9   | 67 | 69 | 22400 | 17900 | 12500 | 1.12 |

**CHROME STEEL BEARING WITH GRUB SCREWS (POLYPROPYLENE)**

|    |         |         |     |    |    |      |     |         |    |    |    |      |      |     |    |    |       |       |      |      |
|----|---------|---------|-----|----|----|------|-----|---------|----|----|----|------|------|-----|----|----|-------|-------|------|------|
| 20 | 60204SR | 65204SR | 86  | 63 | 11 | 29   | 5   | M6x0.75 | 16 | 19 | 25 | 34   | 18   | 7   | 50 | 52 | 9850  | 6580  | 6100 | 0.28 |
| 25 | 60205AR | 65205AR | 98  | 70 | 11 | 34   | 5.5 | M6x0.75 | 15 | 19 | 25 | 34.5 | 19.5 | 7.5 | 50 | 52 | 10800 | 7800  | 6100 | 0.42 |
| 30 | 60206R  | 65206R  | 110 | 83 | 11 | 40.3 | 6   | M6x0.75 | 18 | 25 | 31 | 40   | 22   | 8   | 53 | 55 | 15000 | 11300 | 6000 | 0.59 |
| 35 | 60207R  | 65207R  | 110 | 83 | 11 | 48   | 6.5 | M8x1.00 | 20 | 25 | 35 | 43.5 | 23.5 | 8.5 | 67 | 69 | 19700 | 15300 | 6000 | 0.74 |
| 40 | 60208R  | 65208R  | 110 | 83 | 11 | 53   | 7   | M8x1.00 | 20 | 25 | 35 | 45   | 25   | 9   | 67 | 69 | 22400 | 17900 | 5800 | 0.90 |

**CHROME STEEL BEARING WITH ECCENTRIC RING (POLYPROPYLENE)**

|    |          |          |     |    |    |      |     |         |    |    |    |      |      |     |    |    |       |       |      |      |
|----|----------|----------|-----|----|----|------|-----|---------|----|----|----|------|------|-----|----|----|-------|-------|------|------|
| 20 | 60204SRB | 65204SRB | 86  | 63 | 11 | 33.3 | 5   | M6x0.75 | 16 | 19 | 25 | 39.9 | 23.9 | 7   | 50 | 52 | 9850  | 6580  | 6100 | 0.29 |
| 25 | 60205ARB | 65205ARB | 98  | 70 | 11 | 38.1 | 5   | M6x0.75 | 15 | 19 | 25 | 38.4 | 23.4 | 7.5 | 50 | 52 | 10800 | 7800  | 6100 | 0.45 |
| 30 | 60206RNB | 65206RNB | 110 | 83 | 11 | 44.5 | 6   | M6x0.75 | 18 | 25 | 31 | 45.7 | 27.7 | 8   | 53 | 55 | 15000 | 11300 | 6000 | 0.66 |
| 35 | 60207RNB | 65207RNB | 110 | 83 | 11 | 55.6 | 6.5 | M8x1.00 | 20 | 25 | 35 | 50.4 | 30.4 | 8.5 | 67 | 69 | 19700 | 15300 | 6000 | 0.80 |
| 40 | 60208RNB | 65208RNB | 110 | 83 | 11 | 60.3 | 6.5 | M8x1.00 | 20 | 25 | 35 | 54.7 | 34.7 | 9   | 67 | 69 | 22400 | 17900 | 5800 | 1.10 |

\* MAX. RADIAL LOAD CAPACITY OF HOUSING: Values indicated in the table above, are obtained at 23°C. Strength of housing indicated on page 115.

## MAINTENANCE FREE

## WATERPROOF



### TECHNICAL INFORMATION for UCF-RL

- **Resistance to corrosion:**
  - Polyamide version (PA): good resistance to many corrosive chemicals such as water, oils, greases, petrol, milk, wine, alcoholic beverages.
  - Polypropylene version (PP): excellent resistance to highly corrosive chemicals such as acids, organic liquids, detergents.
- **Load capacity:**
  - Housings in PA have a higher load capacity than housings in PP. See tables.
- **Continuous operating temperature:**
  - All our bearings can be used at temperatures between 0°C and +80°C. For lower or higher temperatures please consult our Engineering Department.
- **Economical operation.**
  - Long life bearing insert.
- **Self-alignment:**
  - Max misalignment between shaft and housing: 2.0°.
- **Concept and design to meet all safety requirements.**
- **Interchangeable with standard cast iron flanged supports.**
- **Maintenance free bearing insert.**
- **Completely sealed units.**
- **Ball bearing pre-lubricated with long-life grease, which is ideal in applications in humid conditions, with water, alkaline or acid solutions.**

### COMPONENTS

- ❶ Housing in reinforced polyamide (Housing in reinforced polypropylene available on request).
- ❷ Adjustable chrome steel or stainless steel ball bearing, pre-lubricated.  
Can be re-lubricated by means of grease-nipple or a quick coupler.
- ❸ Clip-on safety cap.
- ❹ Spacers from nickel plated brass to reinforce fixing holes.
- ❺ Washer UNI 6592, stainless steel AISI 304-DIN 1.4301.
- ❻ Rotary shaft seal ring with extra dust-protection lip in NBR rubber.
- ❼ Heavy duty O-Ring in NBR rubber.

## UCF-RL MAINTENANCE FREE - WATERPROOF

### POLYAMIDE HOUSING



## UCF-RL MAINTENANCE FREE - WATERPROOF

### POLYPROPYLENE HOUSING



**WATERPROOF**



**MAINTENANCE  
FREE**

SEE ALSO...

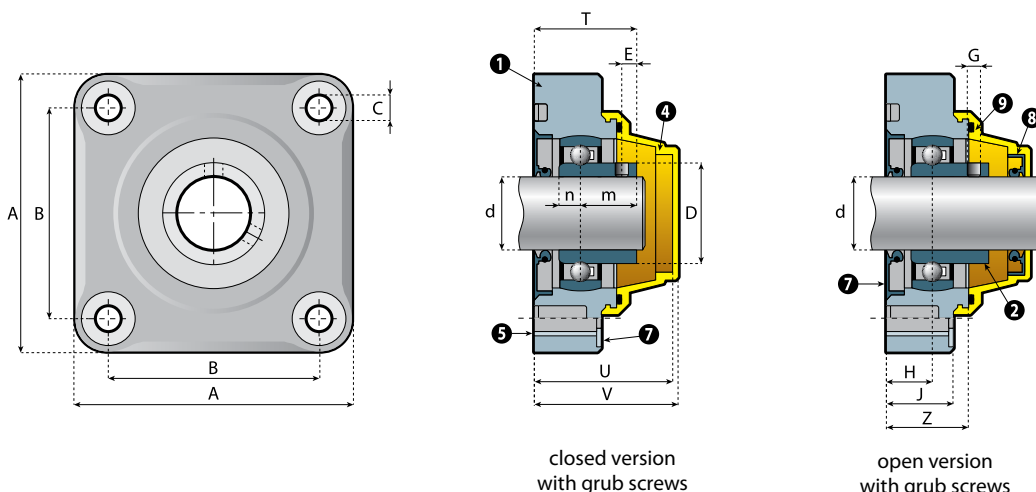
Accessories: [p. 110](#)

Features, lubrication and maintenance: [p. 112](#)

Mounting instruction: [p. 113 - 114](#)

Calculation of load capacity, bearing life: [p. 115 - 116](#)

Chemical resistance: [p. 120 - 121](#)



Preferred types, readily available (codes marked in red)

| Ø<br>d<br>mm   | code version |          | dimension (mm) |       |    |      |     |         |    |    |    |      |      |     |    |    | bearing load ratings |               | housing load rating max. N* | weight (Kg) |
|--|--------------|----------|----------------|-------|----|------|-----|---------|----|----|----|------|------|-----|----|----|----------------------|---------------|-----------------------------|-------------|
|  | closed       | open     | A              | B     | C  | D    | E   | G       | H  | J  | Z  | T    | m    | n   | U  | V  | dynamic C (N)        | static Co (N) |                             |             |
| <b>CHROME STEEL BEARING WITH GRUB SCREWS (POLYAMIDE)</b> |              |          |                |       |    |      |     |         |    |    |    |      |      |     |    |    |                      |               |                             |             |
| 20   | 50204SRL     | 55204SRL | 86             | 63    | 11 | 29   | 5   | M6x0.75 | 16 | 19 | 25 | 34   | 18   | 7   | 50 | 52 | 9850                 | 6580          | 12000                       | 0.28        |
| 25   | 50205SRL     | 55205SRL | 98             | 70    | 11 | 34   | 5.5 | M6x0.75 | 15 | 19 | 25 | 34.5 | 19.5 | 7.5 | 50 | 52 | 10800                | 7800          | 12000                       | 0.42        |
| 30   | 50206SRL     | 55206SRL | 110            | 77    | 11 | 40.3 | 6   | M6x0.75 | 22 | 25 | 36 | 44   | 22   | 8   | 68 | 70 | 15000                | 11300         | 12000                       | 0.63        |
| 30   | 50206RL      | 55206RL  | 110            | 83    | 11 | 40.3 | 6   | M6x0.75 | 18 | 25 | 31 | 40   | 22   | 8   | 53 | 55 | 15000                | 11300         | 13000                       | 0.59        |
| 35   | 50207NL      | 55207NL  | 110            | 83    | 11 | 48   | 6.5 | M8x1.00 | 20 | 25 | 35 | 43.5 | 23.5 | 8.5 | 67 | 69 | 19700                | 15300         | 13000                       | 0.74        |
| 40   | 50208SRL     | 55208SRL | 110            | 77    | 11 | 53   | 7   | M8x1.00 | 19 | 25 | 36 | 44   | 25   | 9   | 68 | 70 | 22400                | 17900         | 10000                       | 0.94        |
| 40   | 50208RL      | 55208RL  | 110            | 83    | 11 | 53   | 7   | M8x1.00 | 20 | 25 | 35 | 45   | 25   | 9   | 67 | 69 | 22400                | 17900         | 12500                       | 0.90        |
| 40   | 50208NL      | 55208NL  | 118            | 92    | 14 | 53   | 7   | M8x1.00 | 20 | 25 | 35 | 45   | 25   | 9   | 67 | 69 | 22400                | 17900         | 12800                       | 1.00        |
| 40   | 50208FRL     | 55208FRL | 130            | 101.5 | 14 | 53   | 7   | M8x1.00 | 20 | 25 | 35 | 45   | 25   | 9   | 67 | 69 | 22400                | 17900         | 12500                       | 0.98        |

\* **MAX. RADIAL LOAD CAPACITY OF HOUSING:** Values indicated in the table above, are obtained at 23°C. Strength of housing indicated on [page 115](#).

Preferred types, readily available (codes marked in red)

| Ø<br>d<br>mm   | code version |          | dimension (mm) |       |    |      |     |         |    |    |    |      |      |     |    |    | bearing load ratings |               | housing load rating max. N* | weight (Kg) |
|--|--------------|----------|----------------|-------|----|------|-----|---------|----|----|----|------|------|-----|----|----|----------------------|---------------|-----------------------------|-------------|
|  | closed       | open     | A              | B     | C  | D    | E   | G       | H  | J  | Z  | T    | m    | n   | U  | V  | dynamic C (N)        | static Co (N) |                             |             |
| <b>CHROME STEEL BEARING WITH GRUB SCREWS (POLYPROPYLENE)</b> |              |          |                |       |    |      |     |         |    |    |    |      |      |     |    |    |                      |               |                             |             |
| 20   | 60204SRL     | 65204SRL | 86             | 63    | 11 | 29   | 5   | M6x0.75 | 16 | 19 | 25 | 34   | 18   | 7   | 50 | 52 | 9850                 | 6580          | 6100                        | 0.28        |
| 25   | 60205SRL     | 65205SRL | 98             | 70    | 11 | 34   | 5.5 | M6x0.75 | 15 | 19 | 25 | 34.5 | 19.5 | 7.5 | 50 | 52 | 10800                | 7800          | 6100                        | 0.42        |
| 30   | 60206SRL     | 65206SRL | 110            | 77    | 11 | 40.3 | 6   | M6x0.75 | 22 | 25 | 36 | 44   | 22   | 8   | 68 | 70 | 15000                | 11300         | 6100                        | 0.63        |
| 30   | 60206RL      | 65206RL  | 110            | 83    | 11 | 40.3 | 6   | M6x0.75 | 18 | 25 | 31 | 40   | 22   | 8   | 53 | 55 | 15000                | 11300         | 6200                        | 0.59        |
| 35   | 60207RL      | 65207RL  | 110            | 83    | 11 | 55.6 | 6.5 | M8x1.00 | 20 | 25 | 35 | 50.4 | 30.4 | 8.5 | 67 | 69 | 19700                | 15300         | 6000                        | 0.80        |
| 40   | 60208SRL     | 65208SRL | 110            | 77    | 11 | 53   | 7   | M8x1.00 | 19 | 25 | 36 | 44   | 25   | 9   | 68 | 70 | 22400                | 17900         | 5800                        | 0.94        |
| 40   | 60208RL      | 65208RL  | 110            | 83    | 11 | 53   | 7   | M8x1.00 | 20 | 25 | 35 | 45   | 25   | 9   | 67 | 69 | 22400                | 17900         | 6150                        | 0.90        |
| 40   | 60208NL      | 65208NL  | 118            | 92    | 14 | 53   | 7   | M8x1.00 | 20 | 25 | 35 | 45   | 25   | 9   | 67 | 69 | 22400                | 17900         | 6180                        | 1.00        |
| 40   | 60208FRL     | 65208FRL | 130            | 101.5 | 14 | 53   | 7   | M8x1.00 | 20 | 25 | 35 | 45   | 25   | 9   | 67 | 69 | 22400                | 17900         | 6150                        | 0.98        |

\* **MAX. RADIAL LOAD CAPACITY OF HOUSING:** Values indicated in the table above, are obtained at 23°C. Strength of housing indicated on [page 115](#).

## WATERPROOF



### TECHNICAL INFORMATION for F

- **For shouldered shafts.**
- **Resistance to corrosion:**
  - Polyamide version (PA): good resistance to many corrosive chemicals such as water, oils, greases, petrol, milk, wine, alcoholic beverages.
  - Polypropylene version (PP): excellent resistance to highly corrosive chemicals such as acids, organic liquids, detergents.
- **Load capacity:**
  - Housings in PA have a higher load capacity than housings in PP. See tables.
- **Continuous operating temperature:**
  - All our bearings can be used at temperatures between 0°C and +80°C. For lower or higher temperatures please consult our Engineering Department.
- **Economical operation.**
- **Concept and design to meet all safety requirements.**
- **Interchangeable with standard cast iron flanged supports.**
- **Ball bearing pre-lubricated with long-life grease, which is ideal in applications in humid conditions, with water, alkaline or acid solutions.**
- **Completely sealed units.**



## WATERPROOF

### SEE ALSO...

Accessories: [p. 110](#)  
 Features, lubrication and maintenance: [p. 112](#)  
 Mounting instruction: [p. 113 - 114](#)  
 Calculation of load capacity, bearing life: [p. 115 - 116](#)  
 Chemical resistance: [p. 120 - 121](#)

### COMPONENTS

- 1 Housing in reinforced polyamide (Housing in reinforced polypropylene available on request).
- 2 Adjustable chrome steel or stainless steel ball bearing, pre-lubricated. Can be re-lubricated by means of grease-nipple or a quick coupler.
- 3 Ball-type grease-nipple or quick coupler from nickel plated brass (available upon request) to take semi-rigid hoses  $\varnothing$  4 mm in Rilsan (see accessories on [page 110](#)). Version with stainless steel bearing has a stainless steel grease nipple.
- 5 Spacers from nickel plated brass to reinforce fixing holes.
- 7 Washer UNI 6592, stainless steel AISI 304-DIN 1.4301.
- 8 Rotary shaft seal with extra dust-protection lip in NBR rubber.
- 9 Washer.

## F WATERPROOF

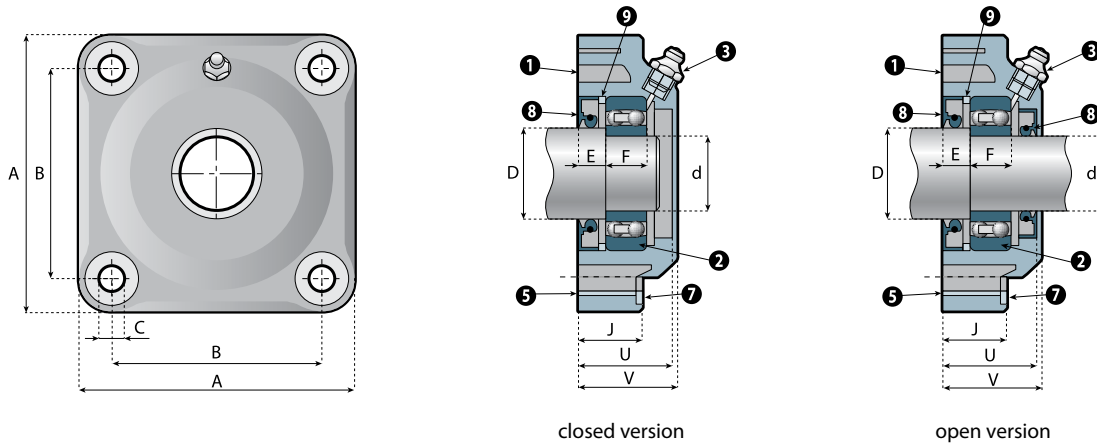
### POLYAMIDE HOUSING



## F WATERPROOF

### POLYPROPYLENE HOUSING





Preferred types, readily available (codes marked in red)

| Ø<br>d<br>mm  | code version |        | dimension (mm) |    |    |    |    |    |    |    |    | bearing load ratings |               | housing load rating max. N* | weight (Kg) |
|---|--------------|--------|----------------|----|----|----|----|----|----|----|----|----------------------|---------------|-----------------------------|-------------|
|   | closed       | open   | A              | B  | C  | D  | E  | F  | J  | U  | V  | dynamic C (N)        | static Co (N) |                             |             |
| <b>CHROME STEEL FLANGED BEARING FOR SHOULDERED SHAFTS (POLYAMIDE)</b> |              |        |                |    |    |    |    |    |    |    |    |                      |               |                             |             |
| 25  | 51205A       | 56205A | 98             | 70 | 11 | 30 | 11 | 15 | 25 | 33 | 36 | 12000                | 4000          | 12900                       | 0.40        |
| 25  | 51205        | 56205  | 110            | 83 | 11 | 30 | 10 | 15 | 25 | 37 | 39 | 12000                | 4000          | 13000                       | 0.50        |
| 30  | 51206        | 56206  | 110            | 83 | 11 | 35 | 11 | 16 | 25 | 37 | 39 | 15500                | 5500          | 12000                       | 0.56        |
| 35  | 51207        | 56207  | 110            | 83 | 11 | 40 | 10 | 17 | 25 | 37 | 39 | 15900                | 6500          | 11500                       | 0.67        |
| 40  | 51208        | 56208  | 110            | 83 | 11 | 45 | 6  | 18 | 25 | 37 | 39 | 19000                | 8000          | 11500                       | 0.76        |

\* **MAX. RADIAL LOAD CAPACITY OF HOUSING:** Values indicated in the table above, are obtained at 23°C. Strength of housing indicated on [page 115](#).

| Ø<br>d<br>mm  | code version |        | dimension (mm) |    |    |    |    |    |    |    |    | bearing load ratings |               | housing load rating max. N* | weight (Kg) |
|---|--------------|--------|----------------|----|----|----|----|----|----|----|----|----------------------|---------------|-----------------------------|-------------|
|   | closed       | open   | A              | B  | C  | D  | E  | F  | J  | U  | V  | dynamic C (N)        | static Co (N) |                             |             |
| <b>CHROME STEEL FLANGED BEARING FOR SHOULDERED SHAFTS (POLYPROPYLENE)</b> |              |        |                |    |    |    |    |    |    |    |    |                      |               |                             |             |
| 25  | 61205A       | 66205A | 98             | 70 | 11 | 30 | 11 | 15 | 25 | 33 | 36 | 12000                | 4000          | 6000                        | 0.40        |

\* **MAX. RADIAL LOAD CAPACITY OF HOUSING:** Values indicated in the table above, are obtained at 23°C. Strength of housing indicated on [page 115](#).



## STANDARD



## TECHNICAL INFORMATION for UCFQ

- **Resistance to corrosion:**
  - Polyamide version (PA): good resistance to many corrosive chemicals such as water, oils, greases, petrol, milk, wine, alcoholic beverages.
- **High load capacity.**
- **Continuous operating temperature:**
  - All our bearings can be used at temperatures between 0°C and +80°C. For lower or higher temperatures please consult our Engineering Department.
- **Self-alignment:**
  - Max misalignment between shaft and housing: 2.5°.
- **Low maintenance and trouble-free operation.**
- **Easy Cleaning.**
- **Ball bearing pre-lubricated with long-life grease, which is ideal in applications in humid conditions, with water, alkaline or acid solutions.**
- **Concept and design to meet all safety requirements.**
- **Interchangeable with standard cast iron flanged supports.**
- **Application in the food, beverage and pharmaceutical industry.**

## COMPONENTS

- 1 Housing in reinforced polyamide (Housing in reinforced polypropylene available on request).
- 2 Adjustable chrome steel or stainless steel ball bearing, pre-lubricated. Can be re-lubricated by means of grease-nipple or a quick coupler.
- 3 Ball-type grease-nipple or quick coupler from nickel plated brass (available upon request) to take semi-rigid hoses ø 4 mm in Rilsan (see accessories on [page 110](#)). Version with stainless steel bearing has a stainless steel grease nipple.
- 4 Clip-on safety cap (accessory).
- 5 Spacers from nickel plated brass to reinforce fixing holes.
- 6 Polyethylene washer for grease-nipple.

UCFQ  
STANDARD

## POLYAMIDE HOUSING



accessory

## COLOUR

- Bearing support in black.
- Safety cap in yellow.
- For sufficient quantities parts can be produced in different colours.

UCFQ  
STANDARD

**NOLU-CLEAN** is a new antimicrobial material of improved hygiene. For detailed information refer to [page 7](#).

## NOLU-CLEAN HOUSING



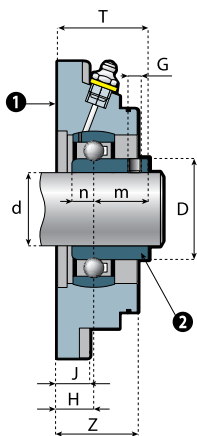
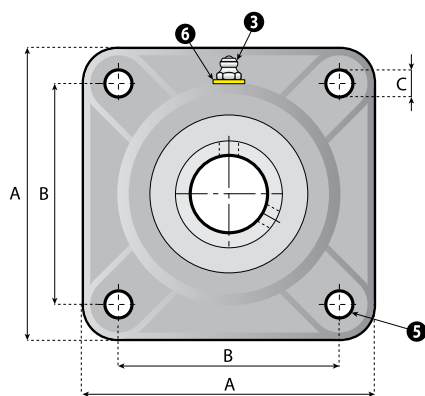
accessory

## COLOUR

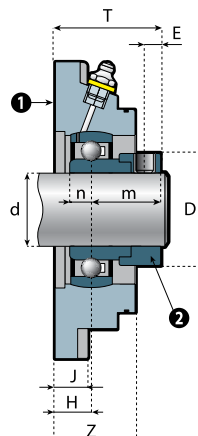
- Bearing support in white.
- Safety cap in white.

## SEE ALSO...

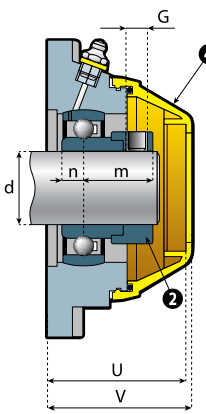
Accessories: [p. 110](#)  
 Features, lubrication and maintenance: [p. 112](#)  
 Mounting instruction: [p. 113 - 114](#)  
 Calculation of load capacity, bearing life: [p. 115 - 116](#)  
 Chemical resistance: [p. 120 - 121](#)



version with grub screws

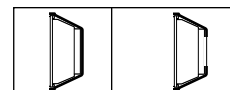


version with eccentric ring



cap with external fit

Accessories



Preferred types, readily available (codes marked in red)

| Ø d mm   | support code  | dimension (mm) |       |    |      |     |         |      |      |    |      |      |     |      |      | bearing load ratings |               | housing load rating max. N* | weight (Kg) | closed safety cap code | open safety cap code |
|--|---------------|----------------|-------|----|------|-----|---------|------|------|----|------|------|-----|------|------|----------------------|---------------|-----------------------------|-------------|------------------------|----------------------|
|  |               | A              | B     | C  | D    | E   | G       | H    | J    | Z  | T    | m    | n   | U    | V    | dynamic C (N)        | static Co (N) |                             |             |                        |                      |
| <b>CHROME STEEL BEARING WITH GRUB SCREWS (POLYAMIDE)</b>     |               |                |       |    |      |     |         |      |      |    |      |      |     |      |      |                      |               |                             |             |                        |                      |
| 12   | 50201V-EC     | 76             | 54    | 11 | 24.6 | 4   | M5x0.80 | 16.5 | 10   | 26 | 32.5 | 16   | 6   | 47   | 49   | 7300                 | 4760          | 9000                        | 0.18        | 50008                  | 50008.APE            |
| 15   | 50202V-EC     | 76             | 54    | 11 | 24.6 | 4   | M5x0.80 | 16.5 | 10   | 26 | 32.5 | 16   | 6   | 47   | 49   | 7300                 | 4760          | 9000                        | 0.18        | 50008                  | 50008.APE            |
| 16   | 50016V-EC     | 76             | 54    | 11 | 24.6 | 4   | M5x0.80 | 16.5 | 10   | 26 | 32.5 | 16   | 6   | 47   | 49   | 7300                 | 4760          | 9000                        | 0.18        | 50008                  | 50008.APE            |
| 17   | 50203V-EC     | 76             | 54    | 11 | 24.6 | 4   | M5x0.80 | 16.5 | 10   | 26 | 32.5 | 16   | 6   | 47   | 49   | 7300                 | 4760          | 9000                        | 0.18        | 50008                  | 50008.APE            |
| 20   | 50204V-EC     | 86             | 63.5  | 11 | 29   | 5   | M6x0.75 | 15.5 | 10   | 26 | 33.5 | 18   | 7   | 47.5 | 49.5 | 9850                 | 6580          | 10000                       | 0.22        | 50007                  | 50007.APE            |
| 25   | 50205V-EC     | 95             | 70    | 11 | 34   | 5.5 | M6x0.75 | 17   | 12.5 | 29 | 36.5 | 19.5 | 7.5 | 52.2 | 54.2 | 10800                | 7800          | 10800                       | 0.32        | 50011                  | 50011.APE            |
| 30   | 50206V-EC     | 108            | 82.5  | 11 | 40.3 | 6   | M6x0.75 | 14.5 | 12.5 | 29 | 36.5 | 22   | 8   | 50.7 | 52.7 | 15000                | 11300         | 11500                       | 0.48        | 50001                  | 50001.APE            |
| 35   | 50207V-EC     | 118            | 92    | 14 | 48   | 6.5 | M8x1.00 | 18   | 16   | 33 | 41.5 | 23.5 | 8.5 | 63.7 | 65.7 | 19700                | 15300         | 12000                       | 0.63        | 50004                  | 50004.APE            |
| 40   | 50208V-EC     | 130            | 101.5 | 14 | 53   | 7   | M8x1.00 | 18   | 16   | 35 | 43   | 25   | 9   | 63.2 | 65.2 | 22400                | 17900         | 12500                       | 0.80        | 50002                  | 50002.APE            |
| <b>CHROME STEEL BEARING WITH ECCENTRIC RING (POLYAMIDE)</b>  |               |                |       |    |      |     |         |      |      |    |      |      |     |      |      |                      |               |                             |             |                        |                      |
| 12   | 50201VB-EC    | 76             | 54    | 11 | 28.6 | 5   | M6x0.75 | 16.5 | 10   | 26 | 39.1 | 22.6 | 6   | 47   | 49   | 7300                 | 4760          | 9000                        | 0.21        | 50008                  | 50008.APE            |
| 15   | 50202VB-EC    | 76             | 54    | 11 | 28.6 | 5   | M6x0.75 | 16.5 | 10   | 26 | 39.1 | 22.6 | 6   | 47   | 49   | 7300                 | 4760          | 9000                        | 0.21        | 50008                  | 50008.APE            |
| 16   | 50016VB-EC    | 76             | 54    | 11 | 28.6 | 5   | M6x0.75 | 16.5 | 10   | 26 | 39.1 | 22.6 | 6   | 47   | 49   | 7300                 | 4760          | 9000                        | 0.21        | 50008                  | 50008.APE            |
| 17   | 50203VB-EC    | 76             | 54    | 11 | 28.6 | 5   | M6x0.75 | 16.5 | 10   | 26 | 39.1 | 22.6 | 6   | 47   | 49   | 7300                 | 4760          | 9000                        | 0.21        | 50008                  | 50008.APE            |
| 20   | 50204VB-EC    | 86             | 63.5  | 11 | 33.3 | 5   | M6x0.75 | 15.5 | 10   | 26 | 39.4 | 23.9 | 7   | 47.5 | 49.5 | 9850                 | 6580          | 10000                       | 0.25        | 50007                  | 50007.APE            |
| 25   | 50205VB-EC    | 95             | 70    | 11 | 38.1 | 5   | M6x0.75 | 17   | 12.5 | 29 | 40.4 | 23.4 | 7.5 | 52.2 | 54.2 | 10800                | 7800          | 10800                       | 0.37        | 50011                  | 50011.APE            |
| 30   | 50206VB-EC    | 108            | 82.5  | 11 | 44.5 | 6   | M6x0.75 | 14.5 | 12.5 | 29 | 42.2 | 27.7 | 8   | 50.7 | 52.7 | 15000                | 11300         | 11500                       | 0.52        | 50001                  | 50001.APE            |
| 35   | 50207VB-EC    | 118            | 92    | 14 | 55.6 | 6.5 | M8x1.00 | 18   | 16   | 33 | 48.4 | 30.4 | 8.5 | 63.7 | 65.7 | 19700                | 15300         | 12000                       | 0.69        | 50004                  | 50004.APE            |
| 40   | 50208VB-EC    | 130            | 101.5 | 14 | 60.3 | 6.5 | M8x1.00 | 18   | 16   | 35 | 52.7 | 34.7 | 9   | 63.2 | 65.2 | 22400                | 17900         | 12500                       | 0.87        | 50002                  | 50002.APE            |
| <b>STAINLESS STEEL BEARING WITH GRUB SCREWS (POLYAMIDE)</b>  |               |                |       |    |      |     |         |      |      |    |      |      |     |      |      |                      |               |                             |             |                        |                      |
| 20   | 50204V/SS-EC  | 86             | 63.5  | 11 | 29   | 5   | M6x0.75 | 15.5 | 10   | 26 | 34.2 | 18.7 | 7   | 47.5 | 49.5 | 7300                 | 4900          | 9000                        | 0.22        | 50007                  | 50007.APE            |
| 25   | 50205V/SS-EC  | 95             | 70    | 11 | 34   | 5.5 | M6x0.75 | 17   | 12.5 | 29 | 36.5 | 19.5 | 7.5 | 52.2 | 54.2 | 8100                 | 5800          | 10000                       | 0.32        | 50011                  | 50011.APE            |
| 30   | 50206V/SS-EC  | 108            | 82.5  | 11 | 40.3 | 6   | M6x0.75 | 14.5 | 12.5 | 29 | 36.5 | 22   | 8   | 50.7 | 52.7 | 11250                | 8400          | 10800                       | 0.48        | 50001                  | 50001.APE            |
| 35   | 50207V/SS-EC  | 118            | 92    | 14 | 48   | 6.5 | M8x1.00 | 18   | 16   | 33 | 41.5 | 23.5 | 8.5 | 63.7 | 65.7 | 14700                | 11400         | 11500                       | 0.63        | 50004                  | 50004.APE            |
| 40   | 50208V/SS-EC  | 130            | 101.5 | 14 | 53   | 7   | M8x1.00 | 18   | 16   | 35 | 43   | 25   | 9   | 63.2 | 65.2 | 16800                | 13400         | 12500                       | 0.80        | 50002                  | 50002.APE            |
| <b>CHROME STEEL BEARING WITH GRUB SCREWS (NOLU-CLEAN)</b>    |               |                |       |    |      |     |         |      |      |    |      |      |     |      |      |                      |               |                             |             |                        |                      |
| 25   | 50205CG-EC    | 95             | 70    | 11 | 34   | 5.5 | M6x0.75 | 17   | 12.5 | 29 | 36.5 | 19.5 | 7.5 | 52.2 | 54.2 | 10800                | 7800          | 10800                       | 0.32        | 50011CG                | 50011.APE/CG         |
| 30   | 50206CG-EC    | 108            | 82.5  | 11 | 40.3 | 6   | M6x0.75 | 14.5 | 12.5 | 29 | 36.5 | 22   | 8   | 50.7 | 52.7 | 15000                | 11300         | 11500                       | 0.48        | 50001CG                | 50001.APE/CG         |
| 40   | 50208CG-EC    | 130            | 101.5 | 14 | 53   | 7   | M8x1.00 | 18   | 16   | 35 | 43   | 25   | 9   | 63.2 | 65.2 | 22400                | 17900         | 12500                       | 0.80        | 50002CG                | 50002.APE/CG         |
| <b>CHROME STEEL BEARING WITH ECCENTRIC RING (NOLU-CLEAN)</b> |               |                |       |    |      |     |         |      |      |    |      |      |     |      |      |                      |               |                             |             |                        |                      |
| 25   | 50205CGB-EC   | 95             | 70    | 11 | 38.1 | 5   | M6x0.75 | 17   | 12.5 | 29 | 40.4 | 23.4 | 7.5 | 52.2 | 54.2 | 10800                | 7800          | 10800                       | 0.37        | 50011CG                | 50011.APE/CG         |
| 30   | 50206CGB-EC   | 108            | 82.5  | 11 | 44.5 | 6   | M6x0.75 | 14.5 | 12.5 | 29 | 42.2 | 27.7 | 8   | 50.7 | 52.7 | 15000                | 11300         | 11500                       | 0.52        | 50001CG                | 50001.APE/CG         |
| 40   | 50208CGB-EC   | 130            | 101.5 | 14 | 60.3 | 6.5 | M8x1.00 | 18   | 16   | 35 | 52.7 | 34.7 | 9   | 63.2 | 65.2 | 22400                | 17900         | 12500                       | 0.87        | 50002CG                | 50002.APE/CG         |
| <b>STAINLESS STEEL BEARING WITH GRUB SCREWS (NOLU-CLEAN)</b> |               |                |       |    |      |     |         |      |      |    |      |      |     |      |      |                      |               |                             |             |                        |                      |
| 25   | 50205CG/SS-EC | 95             | 70    | 11 | 34   | 5.5 | M6x0.75 | 17   | 12.5 | 29 | 36.5 | 19.5 | 7.5 | 52.2 | 54.2 | 8100                 | 5800          | 10000                       | 0.32        | 50011CG                | 50011.APE/CG         |
| 30   | 50206CG/SS-EC | 108            | 82.5  | 11 | 40.3 | 6   | M6x0.75 | 14.5 | 12.5 | 29 | 36.5 | 22   | 8   | 50.7 | 52.7 | 11250                | 8400          | 10800                       | 0.48        | 50001CG                | 50001.APE/CG         |
| 40   | 50208CG/SS-EC | 130            | 101.5 | 14 | 53   | 7   | M8x1.00 | 18   | 16   | 35 | 43   | 25   | 9   | 63.2 | 65.2 | 16800                | 13400         | 12500                       | 0.80        | 50002CG                | 50002.APE/CG         |

\* MAX. RADIAL LOAD CAPACITY OF HOUSING: Values indicated in the table above, are obtained at 23°C. Strength of housing indicated on page 115.

## WATERPROOF



### TECHNICAL INFORMATION for UCFQ-R

- **Resistance to corrosion:**
  - Polyamide version (PA): good resistance to many corrosive chemicals such as water, oils, greases, petrol, milk, wine, alcoholic beverages.
- **High load capacity.**
- **Continuous operating temperature:**
  - All our bearings can be used at temperatures between 0°C and +80°C. For lower or higher temperatures please consult our Engineering Department.
- **Low maintenance and trouble-free operation.**
- **Easy Cleaning.**
- **Ball bearing pre-lubricated with long-life grease, which is ideal in applications in humid conditions, with water, alkaline or acid solutions.**
- **Concept and design to meet all safety requirements.**
- **Interchangeable with standard cast iron flanged supports.**
- **Application in the food, beverage and pharmaceutical industry.**
- **Self-alignment:**
  - Max misalignment between shaft and housing: 2.0°.
- **Completely sealed units.**



## WATERPROOF

### SEE ALSO...

Accessories: [p. 110](#)  
 Features, lubrication and maintenance: [p. 112](#)  
 Mounting instruction: [p. 113 - 114](#)  
 Calculation of load capacity, bearing life: [p. 115 - 116](#)  
 Chemical resistance: [p. 120 - 121](#)

### COMPONENTS

- 1 Housing in reinforced polyamide (Housing in reinforced polypropylene available on request).
- 2 Adjustable chrome steel or stainless steel ball bearing, pre-lubricated. Can be re-lubricated by means of grease-nipple or a quick coupler.
- 3 Ball-type grease-nipple or quick coupler from nickel plated brass (available upon request) to take semi-rigid hoses  $\varnothing$  4 mm in Rilsan (see accessories on [page 110](#)). Version with stainless steel bearing has a stainless steel grease nipple.
- 4 Clip-on safety cap.
- 5 Spacers from nickel plated brass to reinforce fixing holes.
- 6 Polyethylene washer for grease-nipple.
- 8 Rotary shaft seal ring with extra dust-protection lip in NBR rubber.
- 9 Heavy duty O-Ring in NBR rubber.

## UCFQ-R WATERPROOF

### POLYAMIDE HOUSING

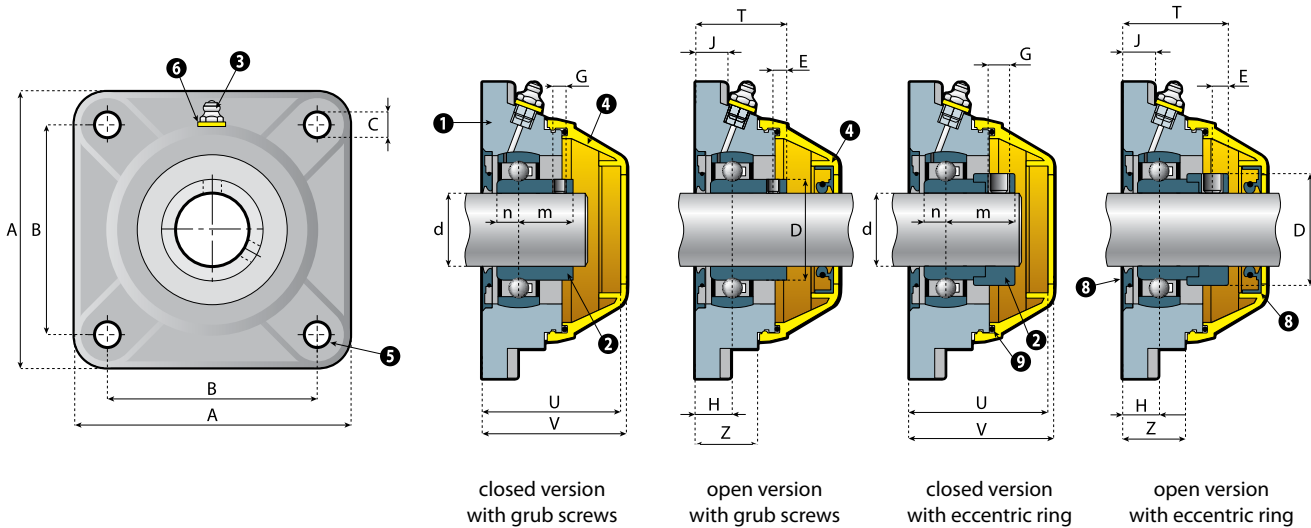


## UCFQ-R WATERPROOF

**NOLU-CLEAN** is a new antimicrobial material of improved hygiene. For detailed information refer to [page 7](#).

### NOLU-CLEAN HOUSING





| Ø<br>d<br>mm | code version |      | dimension (mm) |   |   |   |   |   |   |   |   |   |   |   |   | bearing load ratings |               | housing load rating max. N* | weight (Kg) |
|--------------|--------------|------|----------------|---|---|---|---|---|---|---|---|---|---|---|---|----------------------|---------------|-----------------------------|-------------|
|              | closed       | open | A              | B | C | D | E | G | H | J | Z | T | m | n | U | V                    | dynamic C (N) |                             |             |

**CHROME STEEL BEARING WITH GRUB SCREWS (POLYAMIDE)**

|    |            |            |     |       |    |      |     |         |      |      |    |      |      |     |      |      |       |       |       |      |
|----|------------|------------|-----|-------|----|------|-----|---------|------|------|----|------|------|-----|------|------|-------|-------|-------|------|
| 12 | 50201VR-EC | 55201VR-EC | 76  | 54    | 11 | 24.6 | 4   | M5x0.80 | 16.5 | 10   | 26 | 32.5 | 16   | 6   | 47.0 | 49.0 | 7300  | 4760  | 9000  | 0.19 |
| 15 | 50202VR-EC | 55202VR-EC | 76  | 54    | 11 | 24.6 | 4   | M5x0.80 | 16.5 | 10   | 26 | 32.5 | 16   | 6   | 47.0 | 49.0 | 7300  | 4760  | 9000  | 0.19 |
| 16 | 50016VR-EC | 55016VR-EC | 76  | 54    | 11 | 24.6 | 4   | M5x0.80 | 16.5 | 10   | 26 | 32.5 | 16   | 6   | 47.0 | 49.0 | 7300  | 4760  | 9000  | 0.19 |
| 17 | 50203VR-EC | 55203VR-EC | 76  | 54    | 11 | 24.6 | 4   | M5x0.80 | 16.5 | 10   | 26 | 32.5 | 16   | 6   | 47.0 | 49.0 | 7300  | 4760  | 9000  | 0.19 |
| 20 | 50204VR-EC | 55204VR-EC | 86  | 63.5  | 11 | 29   | 5   | M6x0.75 | 15.5 | 10   | 26 | 33.5 | 18   | 7   | 47.5 | 49.5 | 9850  | 6580  | 10000 | 0.23 |
| 25 | 50205VR-EC | 55205VR-EC | 95  | 70    | 11 | 34   | 5   | M6x0.75 | 17   | 12.5 | 29 | 36.5 | 19.5 | 7.5 | 52.2 | 54.2 | 10800 | 7800  | 10800 | 0.34 |
| 30 | 50206VR-EC | 55206VR-EC | 108 | 82.5  | 11 | 40.3 | 6   | M6x0.75 | 14.5 | 12.5 | 29 | 36.5 | 22   | 8   | 50.7 | 52.7 | 15000 | 11300 | 11500 | 0.50 |
| 35 | 50207VR-EC | 55207VR-EC | 118 | 92    | 14 | 48   | 6.5 | M8x1.00 | 18   | 16   | 33 | 41.5 | 23.5 | 8.5 | 63.7 | 65.7 | 19700 | 15300 | 12000 | 0.65 |
| 40 | 50208VR-EC | 55208VR-EC | 130 | 101.5 | 14 | 53   | 7   | M8x1.00 | 18   | 16   | 35 | 43   | 25   | 9   | 63.2 | 65.2 | 22400 | 17900 | 12500 | 0.82 |

**CHROME STEEL BEARING WITH ECCENTRIC RING (POLYAMIDE)**

|    |             |             |     |       |    |      |     |         |      |      |    |      |      |     |      |      |       |       |       |      |
|----|-------------|-------------|-----|-------|----|------|-----|---------|------|------|----|------|------|-----|------|------|-------|-------|-------|------|
| 12 | 50201VRB-EC | 55201VRB-EC | 76  | 54    | 11 | 28.6 | 5   | M6x0.75 | 16.5 | 10   | 26 | 39.1 | 22.6 | 6   | 47.0 | 49.0 | 7300  | 4760  | 9000  | 0.22 |
| 15 | 50202VRB-EC | 55202VRB-EC | 76  | 54    | 11 | 28.6 | 5   | M6x0.75 | 16.5 | 10   | 26 | 39.1 | 22.6 | 6   | 47.0 | 49.0 | 7300  | 4760  | 9000  | 0.22 |
| 16 | 50016VRB-EC | 55016VRB-EC | 76  | 54    | 11 | 28.6 | 5   | M6x0.75 | 16.5 | 10   | 26 | 39.1 | 22.6 | 6   | 47.0 | 49.0 | 7300  | 4760  | 9000  | 0.22 |
| 17 | 50203VRB-EC | 55203VRB-EC | 76  | 54    | 11 | 28.6 | 5   | M6x0.75 | 16.5 | 10   | 26 | 39.1 | 22.6 | 6   | 47.0 | 49.0 | 7300  | 4760  | 9000  | 0.22 |
| 20 | 50204VRB-EC | 55204VRB-EC | 86  | 63.5  | 11 | 33.3 | 5   | M6x0.75 | 15.5 | 10   | 26 | 39.4 | 23.9 | 7   | 47.5 | 49.5 | 9850  | 6580  | 10000 | 0.26 |
| 25 | 50205VRB-EC | 55205VRB-EC | 95  | 70    | 11 | 38.1 | 5   | M6x0.75 | 17   | 12.5 | 29 | 40.4 | 23.4 | 7.5 | 52.2 | 54.2 | 10800 | 7800  | 10800 | 0.39 |
| 30 | 50206VRB-EC | 55206VRB-EC | 108 | 82.5  | 11 | 44.5 | 6   | M6x0.75 | 14.5 | 12.5 | 29 | 42.2 | 27.7 | 8   | 50.7 | 52.7 | 15000 | 11300 | 11500 | 0.54 |
| 35 | 50207VRB-EC | 55207VRB-EC | 118 | 92    | 14 | 55.6 | 6.5 | M8x1.00 | 18   | 16   | 33 | 48.4 | 30.4 | 8.5 | 63.7 | 65.7 | 19700 | 15300 | 12000 | 0.71 |
| 40 | 50208VRB-EC | 55208VRB-EC | 130 | 101.5 | 14 | 60.3 | 6.5 | M8x1.00 | 18   | 16   | 35 | 52.7 | 34.7 | 9   | 63.2 | 65.2 | 22400 | 17900 | 12500 | 0.89 |

\* **MAX. RADIAL LOAD CAPACITY OF HOUSING:** Values indicated in the table above, are obtained at 23°C. Strength of housing indicated on [page 115](#).

| Ø<br>d<br>mm | code version |      | dimension (mm) |   |   |   |   |   |   |   |   |   |   |   |   | bearing load ratings |               | housing load rating max. N* | weight (Kg) |
|--------------|--------------|------|----------------|---|---|---|---|---|---|---|---|---|---|---|---|----------------------|---------------|-----------------------------|-------------|
|              | closed       | open | A              | B | C | D | E | G | H | J | Z | T | m | n | U | V                    | dynamic C (N) |                             |             |

**CHROME STEEL BEARING WITH GRUB SCREWS (NOLU-CLEAN)**

|    |             |             |     |       |    |      |     |         |      |      |    |      |      |     |      |      |       |       |       |      |
|----|-------------|-------------|-----|-------|----|------|-----|---------|------|------|----|------|------|-----|------|------|-------|-------|-------|------|
| 20 | 50204CGR-EC | 55204CGR-EC | 86  | 63.5  | 11 | 29   | 5   | M6x0.75 | 15.5 | 10   | 26 | 33.5 | 18   | 7   | 47.5 | 49.5 | 9850  | 6580  | 10000 | 0.23 |
| 25 | 50205CGR-EC | 55205CGR-EC | 95  | 70    | 11 | 34   | 5   | M6x0.75 | 17   | 12.5 | 29 | 36.5 | 19.5 | 7.5 | 52.2 | 54.2 | 10800 | 7800  | 10800 | 0.34 |
| 30 | 50206CGR-EC | 55206CGR-EC | 108 | 82.5  | 11 | 40.3 | 6   | M6x0.75 | 14.5 | 12.5 | 29 | 36.5 | 22   | 8   | 50.7 | 52.7 | 15000 | 11300 | 11500 | 0.50 |
| 35 | 50207CGR-EC | 55207CGR-EC | 118 | 92    | 14 | 48   | 6.5 | M8x1.00 | 18   | 16   | 33 | 41.5 | 23.5 | 8.5 | 63.7 | 65.7 | 19700 | 15300 | 12000 | 0.65 |
| 40 | 50208CGR-EC | 55208CGR-EC | 130 | 101.5 | 14 | 53   | 7   | M8x1.00 | 18   | 16   | 35 | 43   | 25   | 9   | 63.2 | 65.2 | 22400 | 17900 | 12500 | 0.82 |

**CHROME STEEL BEARING WITH ECCENTRIC RING (NOLU-CLEAN)**

|    |              |              |     |       |    |      |     |         |      |      |    |      |      |     |      |      |       |       |       |      |
|----|--------------|--------------|-----|-------|----|------|-----|---------|------|------|----|------|------|-----|------|------|-------|-------|-------|------|
| 20 | 50204CGRB-EC | 55204CGRB-EC | 86  | 63.5  | 11 | 33.3 | 5   | M6x0.75 | 15.5 | 10   | 26 | 39.4 | 23.9 | 7   | 47.5 | 49.5 | 9850  | 6580  | 10000 | 0.26 |
| 25 | 50205CGRB-EC | 55205CGRB-EC | 95  | 70    | 11 | 38.1 | 5   | M6x0.75 | 17   | 12.5 | 29 | 40.4 | 23.4 | 7.5 | 52.2 | 54.2 | 10800 | 7800  | 10800 | 0.39 |
| 30 | 50206CGRB-EC | 55206CGRB-EC | 108 | 82.5  | 11 | 44.5 | 6   | M6x0.75 | 14.5 | 12.5 | 29 | 42.2 | 27.7 | 8   | 50.7 | 52.7 | 15000 | 11300 | 11500 | 0.54 |
| 35 | 50207CGRB-EC | 55207CGRB-EC | 118 | 92    | 14 | 55.6 | 6.5 | M8x1.00 | 18   | 16   | 33 | 48.4 | 30.4 | 8.5 | 63.7 | 65.7 | 19700 | 15300 | 12000 | 0.71 |
| 40 | 50208CGRB-EC | 55208CGRB-EC | 130 | 101.5 | 14 | 60.3 | 6.5 | M8x1.00 | 18   | 16   | 35 | 52.7 | 34.7 | 9   | 63.2 | 65.2 | 22400 | 17900 | 12500 | 0.89 |

\* **MAX. RADIAL LOAD CAPACITY OF HOUSING:** Values indicated in the table above, are obtained at 23°C. Strength of housing indicated on [page 115](#).

## MAINTENANCE FREE WATERPROOF VERSION



### TECHNICAL INFORMATION for UCFQ-RL

- **Resistance to corrosion:**
  - Polyamide version (PA): good resistance to many corrosive chemicals such as water, oils, greases, petrol, milk, wine, alcoholic beverages.
- **High load capacity.**
- **Continuous operating temperature:**
  - All our bearings can be used at temperatures between 0°C and +80°C. For lower or higher temperatures please consult our Engineering Department.
- **Low maintenance and trouble-free operation.**
- **Easy Cleaning.**
- **Ball bearing pre-lubricated with long-life grease, which is ideal in applications in humid conditions, with water, alkaline or acid solutions.**
- **Concept and design to meet all safety requirements.**
- **Interchangeable with standard cast iron flanged supports.**
- **Application in the food, beverage and pharmaceutical industry.**
- **Maintenance free bearing insert.**
- **Self-alignment:**
  - Max misalignment between shaft and housing: 2.0°.
- **Completely sealed units.**



**WATERPROOF**



**MAINTENANCE  
FREE**

SEE ALSO...

Accessories: [p. 110](#)  
 Features, lubrication and maintenance: [p. 112](#)  
 Mounting instruction: [p. 113 - 114](#)  
 Calculation of load capacity, bearing life: [p. 115 - 116](#)  
 Chemical resistance: [p. 120 - 121](#)

### COMPONENTS

- ① Housing in reinforced polyamide (Housing in reinforced polypropylene available on request).
- ② Adjustable chrome steel or stainless steel ball bearing, pre-lubricated.  
Can be re-lubricated by means of grease-nipple or a quick coupler.
- ④ Clip-on safety cap.
- ⑤ Spacers from nickel plated brass to reinforce fixing holes.
- ⑧ Rotary shaft seal ring with extra dust-protection lip in NBR rubber.
- ⑨ Heavy duty O-Ring in NBR rubber.
- ⑩ External housing in stainless steel AISI 304-DIN 1.4301.
- ⑪ Reinforced polypropylene housing.
- ⑫ Ball type grease nipple in stainless steel.

## UCFQ-RL MAINTENANCE FREE - WATERPROOF

### POLYAMIDE HOUSING

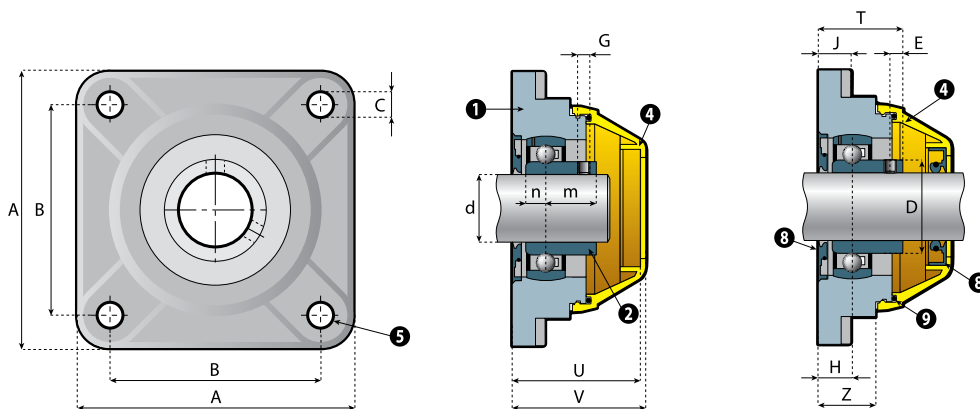


## UCFQ-RL MAINTENANCE FREE - WATERPROOF

**NOLU-CLEAN** is a new antimicrobial material of improved hygiene.  
 For detailed information refer to [page 7](#).

### NOLU-CLEAN HOUSING





closed version  
with grub screws  
cap with external fit

open version  
with grub screws  
cap with external fit

| Ø<br>d<br>mm | code version |      | dimension (mm) |   |   |   |   |   |   |   |   |   |   |   |   |   | bearing load ratings |               | housing load rating max. N* | weight (Kg) |
|--------------|--------------|------|----------------|---|---|---|---|---|---|---|---|---|---|---|---|---|----------------------|---------------|-----------------------------|-------------|
|              | closed       | open | A              | B | C | D | E | G | H | J | Z | T | m | n | U | V | dynamic C (N)        | static Co (N) |                             |             |

**CHROME STEEL BEARING WITH GRUB SCREWS (POLYAMIDE)**

|    |             |             |     |       |    |      |     |         |      |      |    |      |      |     |      |      |       |       |       |      |
|----|-------------|-------------|-----|-------|----|------|-----|---------|------|------|----|------|------|-----|------|------|-------|-------|-------|------|
| 20 | 50204VRL-EC | 55204VRL-EC | 86  | 63.5  | 11 | 29   | 5   | M6x0.75 | 15.5 | 10   | 26 | 33.5 | 18   | 7   | 47.5 | 49.5 | 9850  | 6580  | 10000 | 0.23 |
| 25 | 50205VRL-EC | 55205VRL-EC | 95  | 70    | 11 | 34   | 5   | M6x0.75 | 17   | 12.5 | 29 | 36.5 | 19.5 | 7.5 | 52.2 | 54.2 | 10800 | 7800  | 10800 | 0.34 |
| 30 | 50206VRL-EC | 55206VRL-EC | 108 | 82.5  | 11 | 40.3 | 6   | M6x0.75 | 14.5 | 12.5 | 29 | 36.5 | 22   | 8   | 50.7 | 52.7 | 15000 | 11300 | 11500 | 0.50 |
| 35 | 50207VRL-EC | 55207VRL-EC | 118 | 92    | 14 | 48   | 6.5 | M8x1.00 | 18   | 16   | 33 | 41.5 | 23.5 | 8.5 | 63.7 | 65.7 | 19700 | 15300 | 12000 | 0.65 |
| 40 | 50208VRL-EC | 55208VRL-EC | 130 | 101.5 | 14 | 53   | 7   | M8x1.00 | 18   | 16   | 35 | 43   | 25   | 9   | 63.2 | 65.2 | 22400 | 17900 | 12500 | 0.82 |

\* **MAX. RADIAL LOAD CAPACITY OF HOUSING:** Values indicated in the table above, are obtained at 23°C. Strength of housing indicated on [page 115](#).

| Ø<br>d<br>mm | code version |      | dimension (mm) |   |   |   |   |   |   |   |   |   |   |   |   |   | bearing load ratings |               | housing load rating max. N* | weight (Kg) |
|--------------|--------------|------|----------------|---|---|---|---|---|---|---|---|---|---|---|---|---|----------------------|---------------|-----------------------------|-------------|
|              | closed       | open | A              | B | C | D | E | G | H | J | Z | T | m | n | U | V | dynamic C (N)        | static Co (N) |                             |             |

**CHROME STEEL BEARING WITH GRUB SCREWS (NOLU - CLEAN)**

|    |              |              |     |       |    |      |     |         |      |      |    |      |      |     |      |      |       |       |       |      |
|----|--------------|--------------|-----|-------|----|------|-----|---------|------|------|----|------|------|-----|------|------|-------|-------|-------|------|
| 20 | 50204CGRL-EC | 55204CGRL-EC | 86  | 63.5  | 11 | 29   | 5   | M6x0.75 | 15.5 | 10   | 26 | 33.5 | 18   | 7   | 47.5 | 49.5 | 9850  | 6580  | 10000 | 0.23 |
| 25 | 50205CGRL-EC | 55205CGRL-EC | 95  | 70    | 11 | 34   | 5   | M6x0.75 | 17   | 12.5 | 29 | 36.5 | 19.5 | 7.5 | 52.2 | 54.2 | 10800 | 7800  | 10800 | 0.34 |
| 30 | 50206CGRL-EC | 55206CGRL-EC | 108 | 82.5  | 11 | 40.3 | 6   | M6x0.75 | 14.5 | 12.5 | 29 | 36.5 | 22   | 8   | 50.7 | 52.7 | 15000 | 11300 | 11500 | 0.50 |
| 35 | 50207CGRL-EC | 55207CGRL-EC | 118 | 92    | 14 | 48   | 6.5 | M8x1.00 | 18   | 16   | 33 | 41.5 | 23.5 | 8.5 | 63.7 | 65.7 | 19700 | 15300 | 12000 | 0.65 |
| 40 | 50208CGRL-EC | 55208CGRL-EC | 130 | 101.5 | 14 | 53   | 7   | M8x1.00 | 18   | 16   | 35 | 43   | 25   | 9   | 63.2 | 65.2 | 22400 | 17900 | 12500 | 0.82 |

\* **MAX. RADIAL LOAD CAPACITY OF HOUSING:** Values indicated in the table above, are obtained at 23°C. Strength of housing indicated on [page 115](#).

## STANDARD



## TECHNICAL INFORMATION for US

- **Resistance to corrosion:**
  - Excellent resistance to highly corrosive chemicals such as acids, organic liquids, detergents.
- **High load capacity.**
- **Continuous operating temperature:**
  - From -20°C to +70°C. This version maintains good dimensional stability at the maximum indicated temperature.
- **Economical operation:**
  - Long life bearing insert.
- **Self-alignment:**
  - Max misalignment between shaft and housing: 0.5°.
- **Concept and design to meet all safety requirements.**
- **Interchangeable with standard cast iron flanged supports.**
- **Ball bearing pre-lubricated with long-life grease, which is ideal in applications in humid conditions, with water, alkaline or acid solutions.**

## COMPONENTS

- ❶ Housing in reinforced polyamide (Housing in reinforced polypropylene available on request).
- ❷ Adjustable chrome steel or stainless steel ball bearing, pre-lubricated. Can be re-lubricated by means of grease-nipple or a quick coupler.
- ❸ Ball-type grease-nipple or quick coupler from nickel plated brass (available upon request) to take semi-rigid hoses  $\varnothing$  4 mm in Rilsan (see accessories on [page 110](#)). Version with stainless steel bearing has a stainless steel grease nipple.
- ❹ Clip-on safety cap (accessory).
- ❺ Polyethylene washer for grease-nipple.
- ❻ Heavy duty O-Ring.
- ❼ External housing in stainless steel AISI 304-DIN 1.4301.
- ❽ Reinforced polypropylene housing.
- ❿ Ball type grease nipple in stainless steel.

US  
STANDARD

## POLYAMIDE HOUSING



accessory

## COLOUR

- Bearing support in black.
- Safety cap in yellow.
- For sufficient quantities parts can be produced in different colours.

## SEE ALSO...

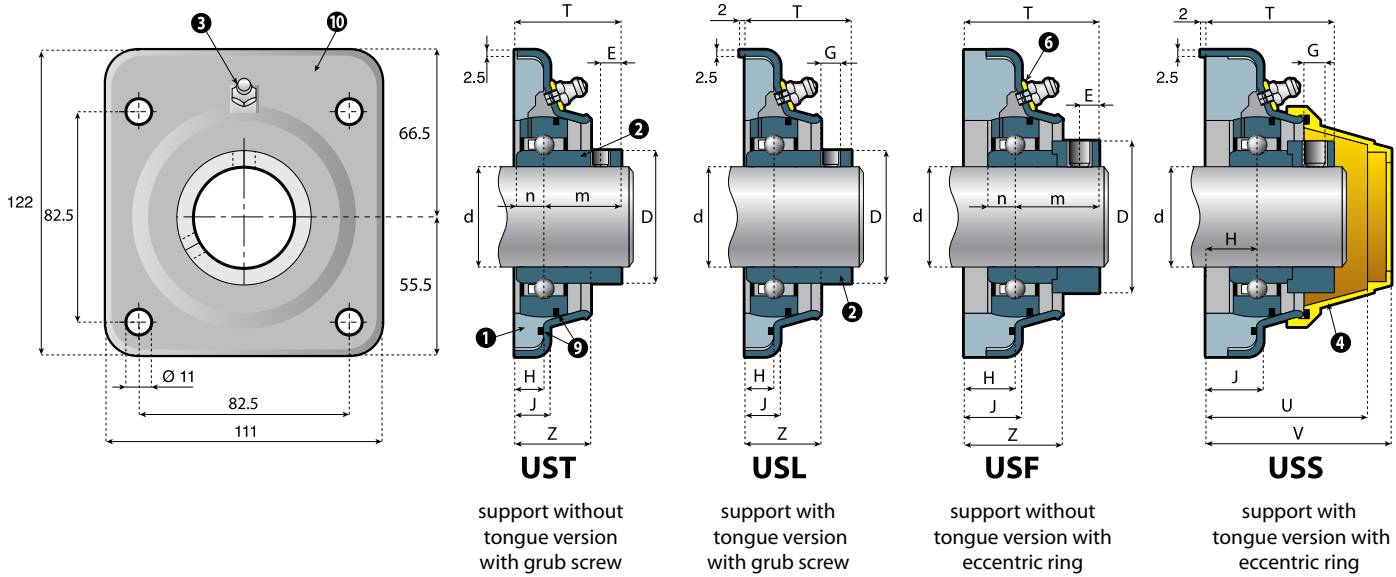
Accessories: [p. 110](#)

Features, lubrication and maintenance: [p. 112](#)

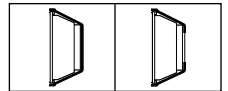
Mounting instruction: [p. 113 - 114](#)

Calculation of load capacity, bearing life: [p. 115 - 116](#)

Chemical resistance: [p. 120 - 121](#)



Accessories



| Ø d<br>mm   | type  | code    | dimension (mm) |     |    |    |      |      |      |      |   |      |      | bearing load ratings |               | closed safety cap code | open safety cap code |  |
|---|-------|---------|----------------|-----|----|----|------|------|------|------|---|------|------|----------------------|---------------|------------------------|----------------------|--|
|   |       |         | D              | E   | G  | H  | J    | Z    | T    | m    | n | U    | V    | dynamic C (N)        | static Co (N) |                        |                      |  |
| <b>CHROME STEEL BEARING WITH GRUB SCREWS (POLYAMIDE)</b>    |       |         |                |     |    |    |      |      |      |      |   |      |      |                      |               |                        |                      |  |
| 30  | UST   | 51206T  | 40.3           | 6   | M6 | 12 | 14.5 | 27   | 34   | 22   | 8 | 42   | 52   | 15000                | 11300         | 50011                  | 50011.APE            |  |
| 30  | USL   | 51206L  | 40.3           | 6   | M6 | 12 | 14.5 | 27   | 34   | 22   | 8 | 42   | 52   | 15000                | 11300         | 50011                  | 50011.APE            |  |
| 30  | USF   | 51206F  | 40.3           | 6   | M6 | 20 | 22.5 | 35   | 42   | 22   | 8 | 50   | 60   | 15000                | 11300         | 50011                  | 50011.APE            |  |
| 30  | USS   | 51206S  | 40.3           | 6   | M6 | 20 | 22.5 | 35   | 42   | 22   | 8 | 50   | 60   | 15000                | 11300         | 50011                  | 50011.APE            |  |
| 40  | UST   | 51208T  | 53             | 7   | M8 | 12 | 14.5 | 30.6 | 37   | 25   | 9 | 55.5 | 64.5 | 22400                | 17900         | 50004                  | 50004.APE            |  |
| 40  | USL   | 51208L  | 53             | 7   | M8 | 12 | 14.5 | 30.6 | 37   | 25   | 9 | 55.5 | 64.5 | 22400                | 17900         | 50004                  | 50004.APE            |  |
| 40  | USF   | 51208F  | 53             | 7   | M8 | 20 | 22.5 | 38.6 | 45   | 25   | 9 | 63.5 | 72.5 | 22400                | 17900         | 50004                  | 50004.APE            |  |
| 40  | USS   | 51208S  | 53             | 7   | M8 | 20 | 22.5 | 38.6 | 45   | 25   | 9 | 63.5 | 72.5 | 22400                | 17900         | 50004                  | 50004.APE            |  |
| <b>CHROME STEEL BEARING WITH ECCENTRIC RING (POLYAMIDE)</b> |       |         |                |     |    |    |      |      |      |      |   |      |      |                      |               |                        |                      |  |
| 30  | UST-B | 51206TB | 44.5           | 6   | M6 | 12 | 14.5 | 27   | 39.7 | 27.7 | 8 | 42   | 52   | 15000                | 11300         | 50011                  | 50011.APE            |  |
| 30  | USL-B | 51206LB | 44.5           | 6   | M6 | 12 | 14.5 | 27   | 39.7 | 27.7 | 8 | 42   | 52   | 15000                | 11300         | 50011                  | 50011.APE            |  |
| 30  | USF-B | 51206FB | 44.5           | 6   | M6 | 20 | 22.5 | 35   | 47.7 | 27.7 | 8 | 50   | 60   | 15000                | 11300         | 50011                  | 50011.APE            |  |
| 30  | USS-B | 51206SB | 44.5           | 6   | M6 | 20 | 22.5 | 35   | 47.7 | 27.7 | 8 | 50   | 60   | 15000                | 11300         | 50011                  | 50011.APE            |  |
| 40  | UST-B | 51208TB | 60.3           | 6.5 | M8 | 12 | 14.5 | 30.6 | 46.7 | 34.7 | 9 | 55.5 | 64.5 | 22400                | 17900         | 50004                  | 50004.APE            |  |
| 40  | USL-B | 51208LB | 60.3           | 6.5 | M8 | 12 | 14.5 | 30.6 | 46.7 | 34.7 | 9 | 55.5 | 64.5 | 22400                | 17900         | 50004                  | 50004.APE            |  |
| 40  | USF-B | 51208FB | 60.3           | 6.5 | M8 | 20 | 22.5 | 38.6 | 54.7 | 34.7 | 9 | 63.5 | 72.5 | 22400                | 17900         | 50004                  | 50004.APE            |  |
| 40  | USS-B | 51208SB | 60.3           | 6.5 | M8 | 20 | 22.5 | 38.6 | 54.7 | 34.7 | 9 | 63.5 | 72.5 | 22400                | 17900         | 50004                  | 50004.APE            |  |

\* **MAX. RADIAL LOAD CAPACITY OF HOUSING:** Values indicated in the table above, are obtained at 23°C. Strength of housing indicated on [page 115](#).



## WATERPROOF



### TECHNICAL INFORMATION for US-R

- **Resistance to corrosion:**
  - Excellent resistance to highly corrosive chemicals such as acids, organic liquids, detergents.
- **High load capacity.**
- **Continuous operating temperature:**
  - From -20°C to +70°C. This version maintains good dimensional stability at the maximum indicated temperature.
- **Economical operation:**
  - Long life bearing insert.
- **Self-alignment:**
  - Max misalignment between shaft and housing: 0.5°.
- **Concept and design to meet all safety requirements.**
- **Interchangeable with standard cast iron flanged supports.**
- **Completely sealed units.**
- **Ball bearing pre-lubricated with long-life grease, which is ideal in applications in humid conditions, with water, alkaline or acid solutions.**

### COMPONENTS

- ❶ Housing in reinforced polyamide (Housing in reinforced polypropylene available on request).
- ❷ Adjustable chrome steel or stainless steel ball bearing, pre-lubricated. Can be re-lubricated by means of grease-nipple or a quick coupler.
- ❸ Ball-type grease-nipple or quick coupler from nickel plated brass (available upon request) to take semi-rigid hoses ø 4 mm in Rilsan (see accessories on [page 110](#)). Version with stainless steel bearing has a stainless steel grease nipple.
- ❹ Clip-on safety cap.
- ❺ Polyethylene washer for grease-nipple.
- ❻ Rotary shaft seal ring with extra dust-protection lip in NBR rubber.
- ❼ Heavy duty O-Ring in NBR rubber.
- ❽ External housing in stainless steel AISI 304-DIN 1.4301.

## US-R WATERPROOF

### POLYAMIDE HOUSING



accessory

### COLOUR

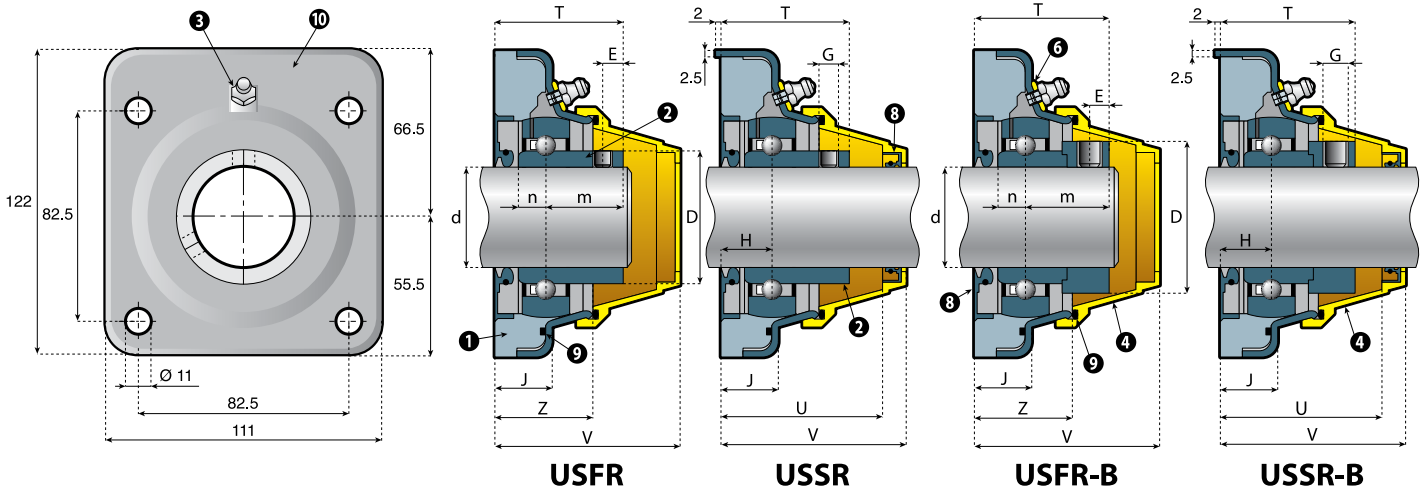
- Bearing support in black.
- Safety cap in yellow.
- For sufficient quantities parts can be produced in different colours.



## WATERPROOF

### SEE ALSO...

- Accessories: [p. 110](#)  
 Features, lubrication and maintenance: [p. 112](#)  
 Mounting instruction: [p. 113 - 114](#)  
 Calculation of load capacity, bearing life: [p. 115 - 116](#)  
 Chemical resistance: [p. 120 - 121](#)



**USFR**  
support without tongue version with grub screw

**USSR**  
support with tongue version with grub screw

**USFR-B**  
support without tongue version with eccentric ring

**USSR-B**  
support with tongue version with eccentric ring

| Ø<br>d<br>mm  | type   | code version |          | dimension (mm) |     |     |    |      |      |      |      |   |      |      | bearing load ratings |                  |
|---|--------|--------------|----------|----------------|-----|-----|----|------|------|------|------|---|------|------|----------------------|------------------|
|   |        | closed       | open     | D              | E   | G   | H  | J    | Z    | T    | m    | n | U    | V    | dynamic<br>C (N)     | static<br>Co (N) |
| <b>CHROME STEEL BEARING WITH GRUB SCREWS (POLYAMIDE)</b>    |        |              |          |                |     |     |    |      |      |      |      |   |      |      |                      |                  |
| 30  | USFR   | 51206FR      | 56206FR  | 40.3           | 6   | M6  | 20 | 22.5 | 35   | 42   | 22   | 8 | 50   | 60   | 15000                | 11300            |
| 30  | USSR   | 51206SR      | 56206SR  | 40.3           | 6   | M6  | 20 | 22.5 | 35   | 42   | 22   | 8 | 50   | 60   | 15000                | 11300            |
| 40  | USFR   | 51208FR      | 56208FR  | 53             | 7   | M8  | 20 | 22.5 | 38.6 | 45   | 25   | 9 | 63.5 | 72.5 | 22400                | 17900            |
| 40  | USSR   | 51208SR      | 56208SR  | 53             | 7   | M8  | 20 | 22.5 | 38.6 | 45   | 25   | 9 | 63.5 | 72.5 | 22400                | 17900            |
| <b>CHROME STEEL BEARING WITH ECCENTRIC RING (POLYAMIDE)</b> |        |              |          |                |     |     |    |      |      |      |      |   |      |      |                      |                  |
| 30  | USFR-B | 51206FRB     | 56206FRB | 44.5           | 6   | M8  | 20 | 22.5 | 35   | 47.7 | 27.7 | 8 | 50   | 60   | 15000                | 11300            |
| 30  | USSR-B | 51206SRB     | 56206SRB | 44.5           | 6   | M8  | 20 | 22.5 | 35   | 47.7 | 27.7 | 8 | 50   | 60   | 15000                | 11300            |
| 40  | USFR-B | 51208FRB     | 56208FRB | 60.3           | 6.5 | M10 | 20 | 22.5 | 38.6 | 54.7 | 34.7 | 9 | 63.5 | 72.5 | 22400                | 17900            |
| 40  | USSR-B | 51208SRB     | 56208SRB | 60.3           | 6.5 | M10 | 20 | 22.5 | 38.6 | 54.7 | 34.7 | 9 | 63.5 | 72.5 | 22400                | 17900            |

\* **MAX. RADIAL LOAD CAPACITY OF HOUSING:** Values indicated in the table above, are obtained at 23°C. Strength of housing indicated on [page 115](#).

## STANDARD



## TECHNICAL INFORMATION for CS

- **Total protection with stainless steel polished surface.**
- **Solid cross-section base housing.**
- **No core cavities to trap contaminants.**
- **Resistance to corrosion:**
  - Good resistance to highly corrosive chemicals such as acid, organic liquids, detergents.
- **High load capacity.**
- **Continuous operating temperature:**
  - From -20° to +80°C. This version maintains good dimensional stability at the maximum indicated temperature.
- **Economical operation:**
  - Long life bearing insert.
- **Self-alignment:**
  - Max misalignment between shaft and housing: 2.5°.
- **Concept and design to meet all safety requirements.**
- **Interchangeable with standard cast iron flanged supports.**
- **Ball bearing pre-lubricated with long-life grease, which is ideal in applications in humid conditions, with water, alkaline or acid solutions.**

## COMPONENTS

- ① Housing in reinforced polyamide (Housing in reinforced polypropylene available on request).
- ② Adjustable chrome steel or stainless steel ball bearing, pre-lubricated. Can be re-lubricated by means of grease-nipple or a quick coupler.
- ③ Ball-type grease-nipple or quick coupler from nickel plated brass (available upon request) to take semi-rigid hoses ø 4 mm in Rilsan (see accessories on [page 110](#)). Version with stainless steel bearing has a stainless steel grease nipple.
- ④ Clip-on safety cap (accessory).
- ⑤ Spacers from nickel plated brass to reinforce fixing holes.
- ⑥ Polyethylene washer for grease-nipple.
- ⑩ External housing in stainless steel AISI 304-DIN 1.4301.

CS  
STANDARD

## POLYAMIDE HOUSING



accessory

## COLOUR

- Safety cap in yellow.
- Internal housing in black.
- For sufficient quantities parts can be produced in different colours.

## SEE ALSO...

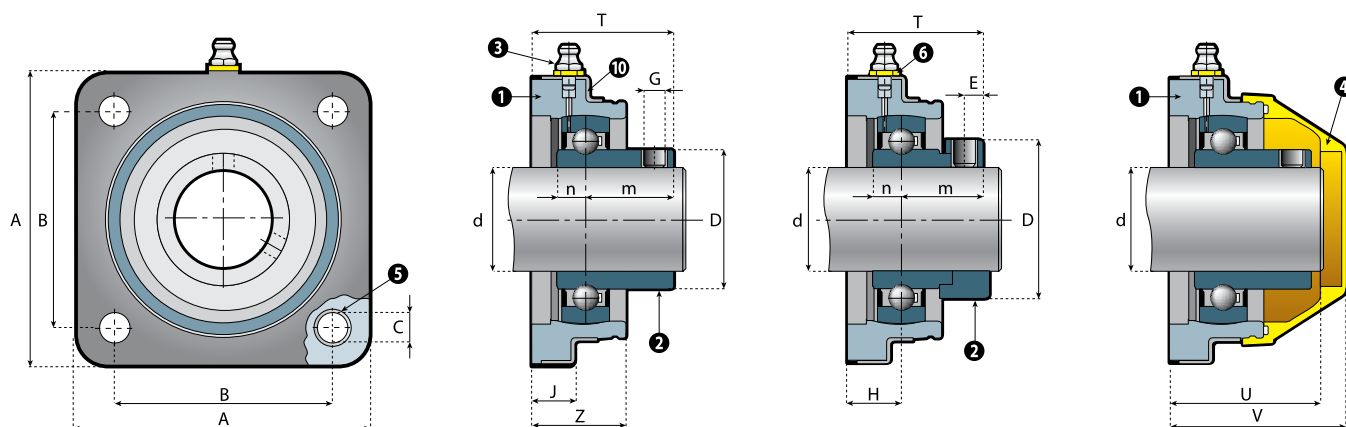
Accessories: [p. 110](#)

Features, lubrication and maintenance: [p. 112](#)

Mounting instruction: [p. 113 - 114](#)

Calculation of load capacity, bearing life: [p. 115 - 116](#)

Chemical resistance: [p. 120 - 121](#)



closed version with grub screws

closed version with eccentric ring

cover "accessory"

Accessories



| Ø d mm  | code version | dimension (mm) |      |    |      |     |         |       |      |      |       |      |     |    |    | bearing load ratings |               | housing load rating max. N* | weight (Kg) | closed safety cap code | open safety cap code |
|---|--------------|----------------|------|----|------|-----|---------|-------|------|------|-------|------|-----|----|----|----------------------|---------------|-----------------------------|-------------|------------------------|----------------------|
|   |              | A              | B    | C  | D    | E   | G       | H     | J    | Z    | T     | m    | n   | U  | V  | dynamic C (N)        | static Co (N) |                             |             |                        |                      |
| <b>CHROME STEEL BEARING WITH GRUB SCREWS (POLYAMIDE)</b>    |              |                |      |    |      |     |         |       |      |      |       |      |     |    |    |                      |               |                             |             |                        |                      |
| 30  | 50206CS      | 111            | 82.5 | 11 | 40.3 | 6   | M6x0.75 | 21    | 16.5 | 35.5 | 43    | 22   | 8   | 55 | 66 | 15000                | 11300         | 13000                       | 0.70        | 50002                  | 50002.APE            |
| 35  | 50207CS      | 111            | 82.5 | 11 | 48   | 6.5 | M8x1.00 | 19    | 16.5 | 35.5 | 42.5  | 23.5 | 8.5 | 55 | 66 | 19700                | 15300         | 12800                       | 0.80        | 50002                  | 50002.APE            |
| 40  | 50208CS      | 111            | 82.5 | 11 | 53   | 7   | M8x1.00 | 18.25 | 16.5 | 35.5 | 43.25 | 25   | 9   | 55 | 66 | 22400                | 17900         | 12500                       | 0.90        | 50002                  | 50002.APE            |
| <b>CHROME STEEL BEARING WITH ECCENTRIC RING (POLYAMIDE)</b> |              |                |      |    |      |     |         |       |      |      |       |      |     |    |    |                      |               |                             |             |                        |                      |
| 30  | 50206CSB     | 111            | 82.5 | 11 | 44.5 | 6   | M6x0.75 | 21    | 16.5 | 35.5 | 48.7  | 27.7 | 8   | 55 | 66 | 15000                | 11300         | 13000                       | 0.80        | 50002                  | 50002.APE            |
| 35  | 50207CSB     | 111            | 82.5 | 11 | 55.6 | 6.5 | M8x1.00 | 19    | 16.5 | 35.5 | 49.4  | 30.4 | 8.5 | 55 | 66 | 19700                | 15300         | 12800                       | 0.90        | 50002                  | 50002.APE            |
| 40  | 50208CSB     | 111            | 82.5 | 11 | 60.3 | 6.5 | M8x1.00 | 18.25 | 16.5 | 35.5 | 52.95 | 34.7 | 9   | 55 | 66 | 22400                | 17900         | 12500                       | 1.00        | 50002                  | 50002.APE            |

\* **MAX. RADIAL LOAD CAPACITY OF HOUSING:** Values indicated in the table above, are obtained at 23°C. Strength of housing indicated on [page 115](#).

## WATERPROOF



## TECHNICAL INFORMATION for CS-R

- **Total protection with stainless steel polished surface.**
- **Solid cross-section base housing.**
- **No core cavities to trap contaminants.**
- **Resistance to corrosion:**
  - Good resistance to highly corrosive chemicals such as acid, organic liquids, detergents.
- **High load capacity.**
- **Continuous operating temperature:**
  - From -20° to +80°C. This version maintains good dimensional stability at the maximum indicated temperature.
- **Economical operation:**
  - Long life bearing insert.
- **Self-alignment:**
  - Max misalignment between shaft and housing: 2.5°.
- **Concept and design to meet all safety requirements.**
- **Interchangeable with standard cast iron flanged supports.**
- **Completely sealed units.**
- **Ball bearing pre-lubricated with long-life grease, which is ideal in applications in humid conditions, with water, alkaline or acid solutions.**



WATERPROOF

## SEE ALSO...

Accessories: [p. 110](#)Features, lubrication and maintenance: [p. 112](#)Mounting instruction: [p. 113 - 114](#)Calculation of load capacity, bearing life: [p. 115 - 116](#)Chemical resistance: [p. 120 - 121](#)

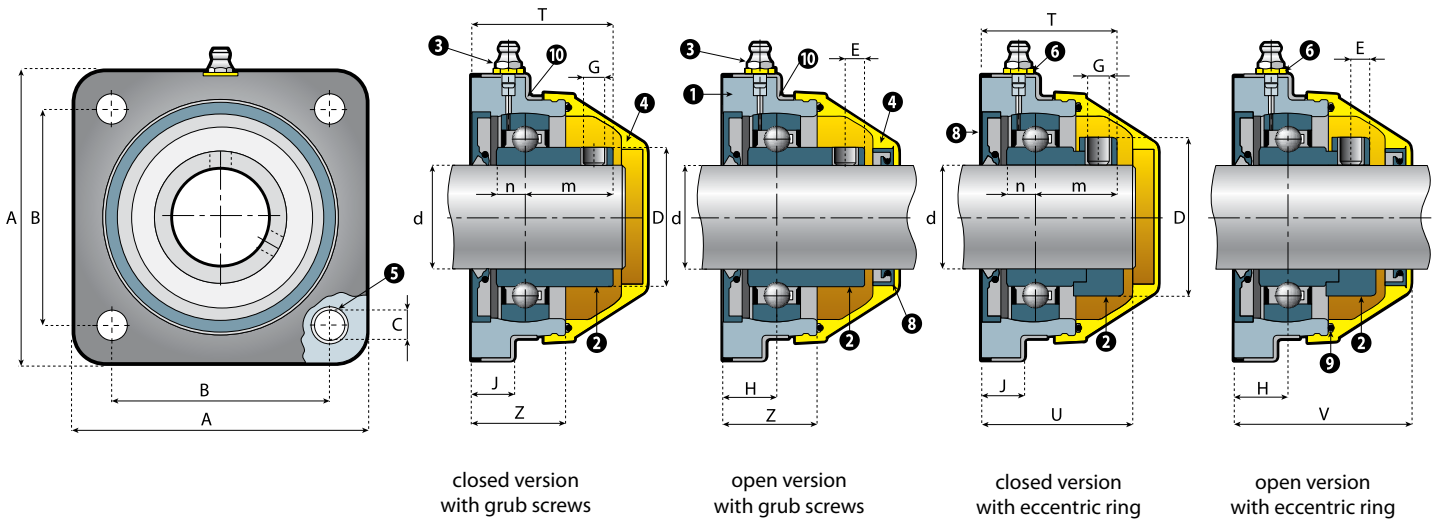
## COMPONENTS

- ❶ Housing in reinforced polyamide (Housing in reinforced polypropylene available on request).
- ❷ Adjustable chrome steel or stainless steel ball bearing, pre-lubricated. Can be re-lubricated by means of grease-nipple or a quick coupler.
- ❸ Ball-type grease-nipple or quick coupler from nickel plated brass (available upon request) to take semi-rigid hoses  $\varnothing$  4 mm in Rilsan (see accessories on [page 110](#)). Version with stainless steel bearing has a stainless steel grease nipple.
- ❹ Clip-on safety cap.
- ❺ Spacers from nickel plated brass to reinforce fixing holes.
- ❻ Polyethylene washer for grease-nipple.
- ❽ Rotary shaft seal ring with extra dust-protection lip in NBR rubber.
- ❾ Heavy duty O-Ring in NBR rubber.
- ❿ External housing in stainless steel AISI 304-DIN 1.4301.

CS-R  
WATERPROOF

## POLYAMIDE HOUSING





closed version with grub screws

open version with grub screws

closed version with eccentric ring

open version with eccentric ring

| Ø<br>d<br>mm  | code version |           | dimension (mm) |      |    |      |     |         |       |      |      |       |      |     |    |    | bearing load ratings |               | housing load rating max. N* | weight (Kg) |
|---|--------------|-----------|----------------|------|----|------|-----|---------|-------|------|------|-------|------|-----|----|----|----------------------|---------------|-----------------------------|-------------|
|   | closed       | open      | A              | B    | C  | D    | E   | G       | H     | J    | Z    | T     | m    | n   | U  | V  | dynamic C (N)        | static Co (N) |                             |             |
| <b>CHROME STEEL BEARING WITH GRUB SCREWS (POLYAMIDE)</b>    |              |           |                |      |    |      |     |         |       |      |      |       |      |     |    |    |                      |               |                             |             |
| 30  | 50206CSR     | 55206CSR  | 111            | 82.5 | 11 | 40.3 | 6   | M6x0.75 | 21    | 16.5 | 35.5 | 43    | 22   | 8   | 55 | 66 | 15000                | 11300         | 13000                       | 0.70        |
| 35  | 50207CSR     | 55207CSR  | 111            | 82.5 | 11 | 48   | 6.5 | M8x1.00 | 19    | 16.5 | 35.5 | 42.5  | 23.5 | 8.5 | 55 | 66 | 19700                | 15300         | 12800                       | 0.80        |
| 40  | 50208CSR     | 55208CSR  | 111            | 82.5 | 11 | 53   | 7   | M8x1.00 | 18.25 | 16.5 | 35.5 | 43.25 | 25   | 9   | 55 | 66 | 22400                | 17900         | 12500                       | 0.90        |
| <b>CHROME STEEL BEARING WITH ECCENTRIC RING (POLYAMIDE)</b> |              |           |                |      |    |      |     |         |       |      |      |       |      |     |    |    |                      |               |                             |             |
| 30  | 50206CSBR    | 55206CSBR | 111            | 82.5 | 11 | 44.5 | 6   | M6x0.75 | 21    | 16.5 | 35.5 | 48.7  | 27.7 | 8   | 55 | 66 | 15000                | 11300         | 13000                       | 0.80        |
| 35  | 50207CSBR    | 55207CSBR | 111            | 82.5 | 11 | 55.6 | 6.5 | M8x1.00 | 19    | 16.5 | 35.5 | 49.4  | 30.4 | 8.5 | 55 | 66 | 19700                | 15300         | 12800                       | 0.90        |
| 40  | 50208CSBR    | 55208CSBR | 111            | 82.5 | 11 | 60.3 | 6.7 | M8x1.00 | 18.25 | 16.5 | 35.5 | 52.95 | 34.7 | 9   | 55 | 66 | 22400                | 17900         | 12500                       | 1.00        |
| <b>STAINLESS STEEL BEARING WITH GRUB SCREWS (POLYAMIDE)</b> |              |           |                |      |    |      |     |         |       |      |      |       |      |     |    |    |                      |               |                             |             |
| 30  | 50206CSRS    | 55206CSRS | 111            | 82.5 | 11 | 40.3 | 6   | M6x0.75 | 21    | 16.5 | 35.5 | 43    | 22   | 8   | 55 | 66 | 11250                | 8400          | 13000                       | 0.70        |
| 35  | 50207CSRS    | 55207CSRS | 111            | 82.5 | 11 | 48   | 6.5 | M8x1.00 | 19    | 16.5 | 35.5 | 42.5  | 23.5 | 8.5 | 55 | 66 | 14700                | 11400         | 13000                       | 0.90        |
| 40  | 50208CSRS    | 55208CSRS | 111            | 82.5 | 11 | 53   | 7   | M8x1.00 | 18.25 | 16.5 | 35.5 | 43.25 | 25   | 9   | 55 | 66 | 16800                | 13400         | 14000                       | 1.00        |

\* **MAX. RADIAL LOAD CAPACITY OF HOUSING:** Values indicated in the table above, are obtained at 23°C. Strength of housing indicated on [page 115](#).

## MAINTENANCE FREE

## WATERPROOF



## COMPONENTS

- ❶ Housing in reinforced polyamide (Housing in reinforced polypropylene available on request).
- ❷ Adjustable chrome steel or stainless steel ball bearing, pre-lubricated. Can be re-lubricated by means of grease-nipple or a quick coupler.
- ❸ Clip-on safety cap.
- ❹ Spacers from nickel plated brass to reinforce fixing holes.
- ❺ Rotary shaft seal ring with extra dust-protection lip in NBR rubber.
- ❻ Heavy duty O-Ring in NBR rubber.
- ❼ External housing in stainless steel AISI 304-DIN 1.4301.
- ❽ Plastic plug.

### TECHNICAL INFORMATION for CS-RL

- **Total protection with stainless steel polished surface.**
- **Solid cross-section base housing.**
- **No core cavities to trap contaminants.**
- **Resistance to corrosion:**
  - Good resistance to highly corrosive chemicals such as acid, organic liquids, detergents.
- **High load capacity.**
- **Continuous operating temperature:**
  - From -20° to +80°C. This version maintains good dimensional stability at the maximum indicated temperature.
- **Economical operation:**
  - Long life bearing insert.
- **Self-alignment:**
  - Max misalignment between shaft and housing: 2.5°.
- **Concept and design to meet all safety requirements.**
- **Interchangeable with standard cast iron flanged supports.**
- **Completely sealed units.**
- **Ball bearing pre-lubricated with long-life grease, which is ideal in applications in humid conditions, with water, alkaline or acid solutions.**

# CS-RL

## MAINTENANCE FREE - WATERPROOF

### POLYAMIDE HOUSING



**WATERPROOF**



**MAINTENANCE  
FREE**

SEE ALSO...

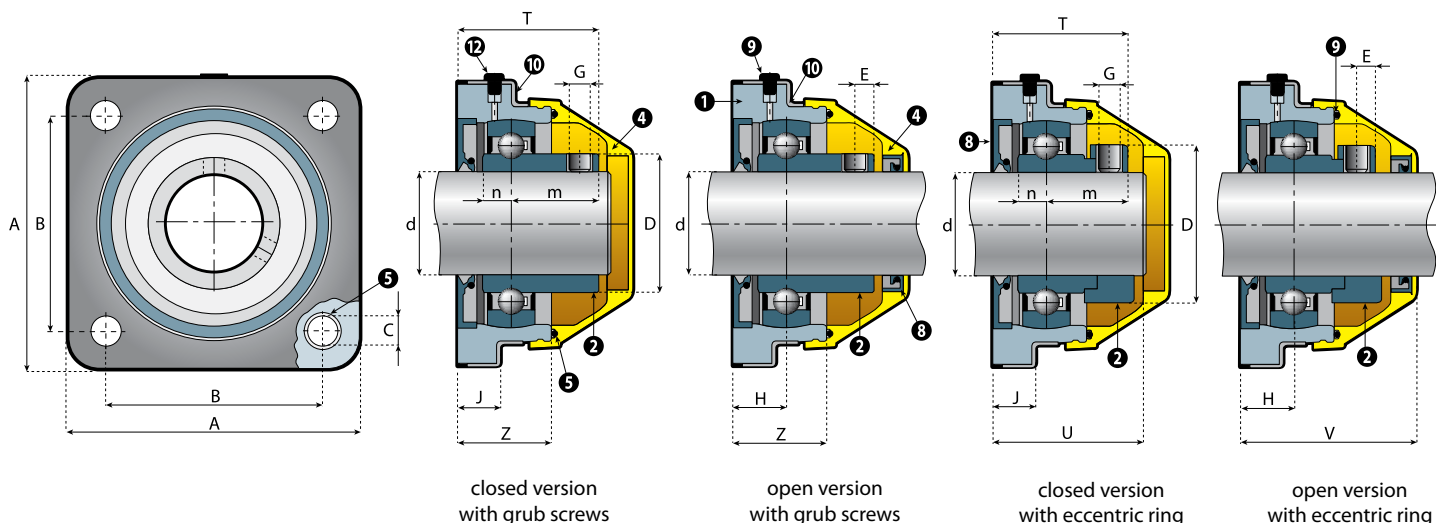
Accessories: [p. 110](#)

Features, lubrication and maintenance: [p. 112](#)

Mounting instruction: [p. 113 - 114](#)

Calculation of load capacity, bearing life: [p. 115 - 116](#)

Chemical resistance: [p. 120 - 121](#)



| Ø<br>d<br>mm  | code version |            | dimension (mm) |      |    |      |     |         |       |      |      |       |      |     |    |    | bearing load ratings |               | housing load rating max. N* | weight (Kg) |
|---|--------------|------------|----------------|------|----|------|-----|---------|-------|------|------|-------|------|-----|----|----|----------------------|---------------|-----------------------------|-------------|
|   | closed       | open       | A              | B    | C  | D    | E   | G       | H     | J    | Z    | T     | m    | n   | U  | V  | dynamic C (N)        | static Co (N) |                             |             |
| <b>CHROME STEEL BEARING WITH GRUB SCREWS (POLYAMIDE)</b>    |              |            |                |      |    |      |     |         |       |      |      |       |      |     |    |    |                      |               |                             |             |
| 30  | 50206CSRL    | 55206CSRL  | 111            | 82.5 | 11 | 40.3 | 6   | M6x0.75 | 21    | 16.5 | 35.5 | 43    | 22   | 8   | 55 | 66 | 15000                | 11300         | 13000                       | 0.70        |
| 35  | 50207CSRL    | 55207CSRL  | 111            | 82.5 | 11 | 48   | 6.5 | M8x1.00 | 19    | 16.5 | 35.5 | 42.5  | 23.5 | 8.5 | 55 | 66 | 19700                | 15300         | 12800                       | 0.80        |
| 40  | 50208CSRL    | 55208CSRL  | 111            | 82.5 | 11 | 53   | 7   | M8x1.00 | 18.25 | 16.5 | 35.5 | 43.25 | 25   | 9   | 55 | 66 | 22400                | 17900         | 12500                       | 0.90        |
| <b>CHROME STEEL BEARING WITH ECCENTRIC RING (POLYAMIDE)</b> |              |            |                |      |    |      |     |         |       |      |      |       |      |     |    |    |                      |               |                             |             |
| 40  | 50208CSBRL   | 55208CSBRL | 111            | 82.5 | 11 | 60.3 | 6.5 | M8x1.00 | 18.25 | 16.5 | 35.5 | 52.95 | 34.7 | 9   | 55 | 66 | 22400                | 17900         | 12500                       | 1.00        |

\* **MAX. RADIAL LOAD CAPACITY OF HOUSING:** Values indicated in the table above, are obtained at 23°C. Strength of housing indicated on [page 115](#).



## STANDARD



### TECHNICAL INFORMATION for UCFL

- **Resistance to corrosion:**
  - Polyamide version (PA): good resistance to many corrosive chemicals such as water, oils, greases, petrol, milk, wine, alcoholic beverages.
  - Polypropylene version (PP): excellent resistance to highly corrosive chemicals such as acids, organic liquids, detergents.
- **Load capacity:**
  - Housings in PA have a higher load capacity than housings in PP. See tables.
- **Continuous operating temperature:**
  - All our bearings can be used at temperatures between 0°C and +80°C. For lower or higher temperatures please consult our Engineering Department.
- **Economical operation.**
  - Long life bearing insert.
- **Self-alignment:**
  - Max misalignment between shaft and housing: 2.5°.
- **Concept and design to meet all safety requirements.**
- **Interchangeable with standard cast iron flanged supports.**
- **Ball bearing pre-lubricated with long-life grease, which is ideal in applications in humid conditions, with water, alkaline or acid solutions.**

### COMPONENTS

- ① Housing in reinforced polyamide (Housing in reinforced polypropylene available on request).
- ② Adjustable chrome steel or stainless steel ball bearing, pre-lubricated. Can be re-lubricated by means of grease-nipple or a quick coupler.
- ③ Ball-type grease-nipple or quick coupler from nickel plated brass (available upon request) to take semi-rigid hoses ø 4 mm in Rilsan (see accessories on [page 110](#)). Version with stainless steel bearing has a stainless steel grease nipple.
- ④ Clip-on safety cap (accessory).
- ⑤ Spacers from nickel plated brass to reinforce fixing holes.
- ⑦ Washer UNI 6592, stainless steel AISI 304-DIN 1.4301.

## UCFL STANDARD

### POLYAMIDE HOUSING



accessory

### COLOUR

- Bearing support in black.
- Safety cap in yellow.
- For sufficient quantities parts can be produced in different colours.

## UCFL STANDARD

### POLYPROPYLENE HOUSING



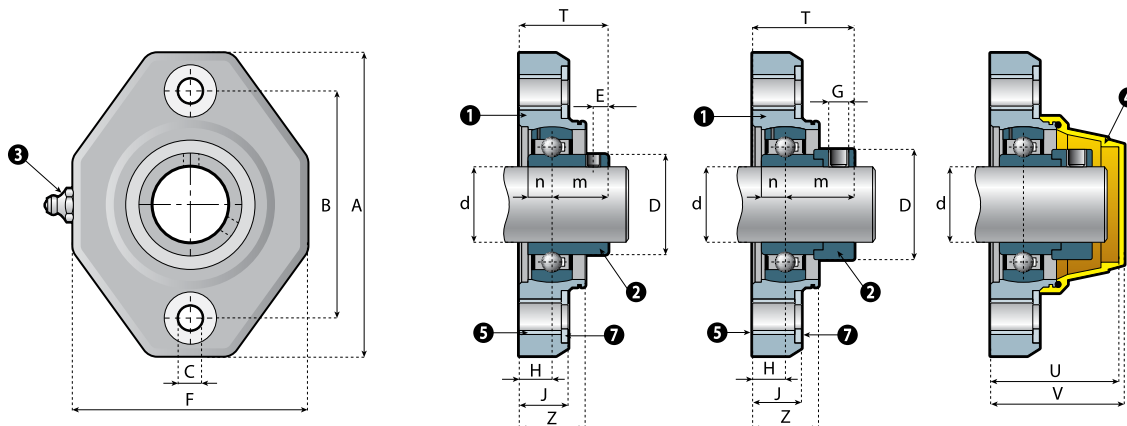
accessory

### COLOUR

- Bearing support in black.
- Safety cap in yellow.
- For sufficient quantities parts can be produced in different colours.

### SEE ALSO...

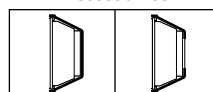
- Accessories: [p. 110](#)  
 Features, lubrication and maintenance: [p. 112](#)  
 Mounting instruction: [p. 113 - 114](#)  
 Calculation of load capacity, bearing life: [p. 115 - 116](#)  
 Chemical resistance: [p. 120 - 121](#)



version with grub screws

version with eccentric ring

Accessories



Preferred types, readily available (codes marked in red)

| Ø d mm  | code version | dimension (mm) |     |    |      |     |     |         |    |    |    |      |      |     |    | bearing load ratings |               | housing load rating max. N* | weight (Kg) | closed safety cap code | open safety cap code |               |
|---|--------------|----------------|-----|----|------|-----|-----|---------|----|----|----|------|------|-----|----|----------------------|---------------|-----------------------------|-------------|------------------------|----------------------|---------------|
|   |              | A              | B   | C  | D    | E   | F   | G       | H  | J  | Z  | T    | m    | n   | U  | V                    | dynamic C (N) |                             |             |                        |                      | static Co (N) |
| <b>CHROME STEEL BEARING WITH GRUB SCREWS (POLYAMIDE)</b>        |              |                |     |    |      |     |     |         |    |    |    |      |      |     |    |                      |               |                             |             |                        |                      |               |
| 20  | 50204L       | 120            | 90  | 11 | 29   | 5   | 85  | M6x0.75 | 15 | 19 | 25 | 33   | 18   | 7   | 52 | 54                   | 9800          | 6500                        | 7500        | 0.34                   | 50003A               | 50003A.APE    |
| 25  | 50205L       | 120            | 90  | 11 | 34   | 5.5 | 85  | M6x0.75 | 15 | 19 | 25 | 34.5 | 19.5 | 7.5 | 52 | 54                   | 10800         | 7800                        | 7200        | 0.37                   | 50003A               | 50003A.APE    |
| 25  | 50205LA      | 130            | 99  | 11 | 34   | 5.5 | 90  | M6x0.75 | 15 | 19 | 25 | 34.5 | 19.5 | 7.5 | 52 | 54                   | 10800         | 7800                        | 7600        | 0.46                   | 50003A               | 50003A.APE    |
| 30  | 50206L       | 120            | 90  | 11 | 40.3 | 6   | 85  | M6x0.75 | 13 | 19 | 25 | 35   | 22   | 8   | 52 | 54                   | 15000         | 11300                       | 7000        | 0.45                   | 50003A               | 50003A.APE    |
| 30  | 50206LA      | 130            | 99  | 11 | 40.3 | 6   | 90  | M6x0.75 | 13 | 19 | 25 | 35   | 22   | 8   | 52 | 54                   | 15000         | 11300                       | 7600        | 0.53                   | 50003A               | 50003A.APE    |
| 30  | 50206K       | 146            | 117 | 11 | 40.3 | 6   | 98  | M6x0.75 | 20 | 25 | 35 | 42   | 22   | 8   | 67 | 69                   | 15000         | 11300                       | 13000       | 0.56                   | 50002                | 50002.APE     |
| 35  | 50207K       | 146            | 117 | 11 | 48   | 6.5 | 98  | M8x1.00 | 19 | 25 | 35 | 42.5 | 23.5 | 8.5 | 67 | 69                   | 19700         | 15300                       | 12800       | 0.68                   | 50002                | 50002.APE     |
| 35  | 50207D       | 159            | 130 | 14 | 48   | 6.5 | 105 | M8x1.00 | 20 | 25 | 35 | 43.5 | 23.5 | 8.5 | 67 | 69                   | 19700         | 15300                       | 12900       | 0.70                   | 50002                | 50002.APE     |
| 40  | 50208K       | 146            | 117 | 11 | 53   | 7   | 98  | M8x1.00 | 19 | 25 | 35 | 44   | 25   | 9   | 67 | 69                   | 22400         | 17900                       | 12500       | 0.84                   | 50002                | 50002.APE     |
| 40  | 50208D       | 159            | 130 | 14 | 53   | 7   | 105 | M8x1.00 | 20 | 25 | 35 | 45   | 25   | 9   | 67 | 69                   | 22400         | 17900                       | 12700       | 0.87                   | 50002                | 50002.APE     |
| <b>CHROME STEEL BEARING WITH ECCENTRIC RING (POLYAMIDE)</b>     |              |                |     |    |      |     |     |         |    |    |    |      |      |     |    |                      |               |                             |             |                        |                      |               |
| 20  | 50204LB      | 120            | 90  | 11 | 33.3 | 5   | 85  | M6x0.75 | 15 | 19 | 25 | 38.9 | 23.9 | 7   | 52 | 54                   | 9800          | 6500                        | 7500        | 0.37                   | 50003A               | 50003A.APE    |
| 25  | 50205LB      | 120            | 90  | 11 | 38   | 5   | 85  | M6x0.75 | 15 | 19 | 25 | 38.4 | 23.4 | 7.5 | 52 | 54                   | 10800         | 7800                        | 7200        | 0.42                   | 50003A               | 50003A.APE    |
| 25  | 50205LAB     | 130            | 99  | 11 | 38   | 5   | 90  | M6x0.75 | 15 | 19 | 25 | 38.4 | 23.4 | 7.5 | 52 | 54                   | 10800         | 7800                        | 7600        | 0.48                   | 50003A               | 50003A.APE    |
| 30  | 50206LB      | 120            | 90  | 11 | 44.5 | 6   | 85  | M6x0.75 | 13 | 19 | 25 | 40.7 | 27.7 | 8   | 52 | 54                   | 15000         | 11300                       | 7000        | 0.50                   | 50003A               | 50003A.APE    |
| 30  | 50206LAB     | 130            | 99  | 11 | 44.5 | 6   | 90  | M6x0.75 | 13 | 19 | 25 | 40.7 | 27.7 | 8   | 52 | 54                   | 15000         | 11300                       | 7600        | 0.53                   | 50003A               | 50003A.APE    |
| 30  | 50206KB      | 146            | 117 | 11 | 44.5 | 6   | 98  | M6x0.75 | 20 | 25 | 35 | 47.7 | 27.7 | 8   | 67 | 69                   | 15000         | 11300                       | 13000       | 0.60                   | 50002                | 50002.APE     |
| 35  | 50207KB      | 146            | 117 | 11 | 55.6 | 6.5 | 98  | M8x1.00 | 19 | 25 | 35 | 49.4 | 30.4 | 8.5 | 67 | 69                   | 19700         | 15300                       | 12800       | 0.76                   | 50002                | 50002.APE     |
| 35  | 50207DB      | 159            | 130 | 14 | 55.6 | 6.5 | 105 | M8x1.00 | 20 | 25 | 35 | 50.4 | 30.4 | 8.5 | 67 | 69                   | 19700         | 15300                       | 12900       | 0.79                   | 50002                | 50002.APE     |
| 40  | 50208KB      | 146            | 117 | 11 | 60.3 | 6.5 | 98  | M8x1.00 | 19 | 25 | 35 | 53.7 | 34.7 | 9   | 67 | 69                   | 22400         | 17900                       | 12500       | 0.93                   | 50002                | 50002.APE     |
| 40  | 50208DB      | 159            | 130 | 14 | 60.3 | 6.5 | 105 | M8x1.00 | 20 | 25 | 35 | 54.7 | 34.7 | 9   | 67 | 69                   | 22400         | 17900                       | 12700       | 0.99                   | 50002                | 50002.APE     |
| <b>STAINLESS STEEL BEARING WITH GRUB SCREWS (POLYAMIDE)</b>     |              |                |     |    |      |     |     |         |    |    |    |      |      |     |    |                      |               |                             |             |                        |                      |               |
| 20  | 50204L/SS    | 120            | 90  | 11 | 29   | 5   | 85  | M6x0.75 | 15 | 19 | 25 | 33.7 | 18.7 | 7   | 52 | 54                   | 7300          | 4900                        | 7500        | 0.34                   | 50003A               | 50003A.APE    |
| 25  | 50205L/SS    | 120            | 90  | 11 | 34   | 5.5 | 85  | M6x0.75 | 15 | 19 | 25 | 34.5 | 19.5 | 7.5 | 52 | 54                   | 8100          | 5800                        | 7200        | 0.37                   | 50003A               | 50003A.APE    |
| 25  | 50205LA/SS   | 130            | 99  | 11 | 34   | 5.5 | 90  | M6x0.75 | 15 | 19 | 25 | 34.5 | 19.5 | 7.5 | 52 | 54                   | 8100          | 5800                        | 7600        | 0.46                   | 50003A               | 50003A.APE    |
| 30  | 50206L/SS    | 120            | 90  | 11 | 40.3 | 6   | 85  | M6x0.75 | 13 | 19 | 25 | 35   | 22   | 8   | 52 | 54                   | 11250         | 8400                        | 7000        | 0.45                   | 50003A               | 50003A.APE    |
| 30  | 50206LA/SS   | 130            | 99  | 11 | 40.3 | 6   | 90  | M6x0.75 | 13 | 19 | 25 | 35   | 22   | 8   | 52 | 54                   | 11250         | 8400                        | 7600        | 0.53                   | 50003A               | 50003A.APE    |
| 30  | 50206K/SS    | 146            | 117 | 11 | 40.3 | 6   | 98  | M6x0.75 | 20 | 25 | 35 | 42   | 22   | 8   | 67 | 69                   | 11250         | 8400                        | 13000       | 0.56                   | 50002                | 50002.APE     |
| 35  | 50207K/SS    | 146            | 117 | 11 | 48   | 6.5 | 98  | M8x1.00 | 19 | 25 | 35 | 42.5 | 23.5 | 8.5 | 67 | 69                   | 14700         | 11400                       | 12800       | 0.68                   | 50002                | 50002.APE     |
| 35  | 50207D/SS    | 159            | 130 | 14 | 48   | 6.5 | 105 | M8x1.00 | 20 | 25 | 35 | 43.5 | 23.5 | 8.5 | 67 | 69                   | 14700         | 11400                       | 12900       | 0.70                   | 50002                | 50002.APE     |
| 40  | 50208K/SS    | 146            | 117 | 11 | 53   | 7   | 98  | M8x1.00 | 19 | 25 | 35 | 44   | 25   | 9   | 67 | 69                   | 16850         | 13400                       | 12500       | 0.84                   | 50002                | 50002.APE     |
| 40  | 50208D/SS    | 159            | 130 | 14 | 53   | 7   | 105 | M8x1.00 | 20 | 25 | 35 | 45   | 25   | 9   | 67 | 69                   | 16850         | 13400                       | 12700       | 0.87                   | 50002                | 50002.APE     |
| <b>STAINLESS STEEL BEARING WITH GRUB SCREWS (POLYPROPYLENE)</b> |              |                |     |    |      |     |     |         |    |    |    |      |      |     |    |                      |               |                             |             |                        |                      |               |
| 20  | 60204L       | 120            | 90  | 11 | 29   | 5   | 85  | M6x0.75 | 15 | 19 | 25 | 33.7 | 18.7 | 7   | 52 | 54                   | 7300          | 4900                        | 3500        | 0.34                   | 50003A               | 50003A.APE    |
| 25  | 60205L       | 120            | 90  | 11 | 34   | 5.5 | 85  | M6x0.75 | 15 | 19 | 25 | 34.5 | 19.5 | 7.5 | 52 | 54                   | 8100          | 5800                        | 3000        | 0.37                   | 50003A               | 50003A.APE    |
| 25  | 60205LA      | 130            | 99  | 11 | 34   | 5.5 | 90  | M6x0.75 | 15 | 19 | 25 | 34.5 | 19.5 | 7.5 | 52 | 54                   | 8100          | 5800                        | 3600        | 0.46                   | 50003A               | 50003A.APE    |
| 30  | 60206K       | 146            | 117 | 11 | 40.3 | 6   | 98  | M6x0.75 | 20 | 25 | 35 | 42   | 22   | 8   | 67 | 69                   | 11250         | 8400                        | 6000        | 0.56                   | 50002                | 50002.APE     |
| 35  | 60207D       | 159            | 130 | 14 | 48   | 6.5 | 105 | M8x1.00 | 20 | 25 | 35 | 43.5 | 23.5 | 8.5 | 67 | 69                   | 14700         | 11400                       | 6100        | 0.70                   | 50002                | 50002.APE     |

\* MAX. RADIAL LOAD CAPACITY OF HOUSING: Values indicated in the table above, are obtained at 23°C. Strength of housing indicated on page 115.

# UCFL-W

## WATERPROOF



### TECHNICAL INFORMATION for UCFL-W

- **Resistance to corrosion:**
  - Polyamide version (PA): good resistance to many corrosive chemicals such as water, oils, greases, petrol, milk, wine, alcoholic beverages.
  - Polypropylene version (PP): excellent resistance to highly corrosive chemicals such as acids, organic liquids, detergents.
- **Load capacity:**
  - Housings in PA have a higher load capacity than housings in PP. See tables.
- **Continuous operating temperature:**
  - All our bearings can be used at temperatures between 0°C and +80°C. For lower or higher temperatures please consult our Engineering Department.
- **Economical operation.**
  - Long life bearing insert.
- **Self-alignment:**
  - Max misalignment between shaft and housing: 2.0°.
- **Concept and design to meet all safety requirements.**
- **Interchangeable with standard cast iron flanged supports.**
- **Completely sealed units.**
- **Ball bearing pre-lubricated with long-life grease, which is ideal in applications in humid conditions, with water, alkaline or acid solutions.**



## WATERPROOF

### SEE ALSO...

Accessories: [p. 110](#)  
Features, lubrication and maintenance: [p. 112](#)  
Mounting instruction: [p. 113 - 114](#)  
Calculation of load capacity, bearing life: [p. 115 - 116](#)  
Chemical resistance: [p. 120 - 121](#)

## COMPONENTS

- ① Housing in reinforced polyamide (Housing in reinforced polypropylene available on request).
- ② Adjustable chrome steel or stainless steel ball bearing, pre-lubricated. Can be re-lubricated by means of grease-nipple or a quick coupler.
- ③ Ball-type grease-nipple or quick coupler from nickel plated brass (available upon request) to take semi-rigid hoses  $\varnothing$  4 mm in Rilsan (see accessories on [page 110](#)). Version with stainless steel bearing has a stainless steel grease nipple.
- ④ Clip-on safety cap.
- ⑤ Spacers from nickel plated brass to reinforce fixing holes.
- ⑦ Washer UNI 6592, stainless steel AISI 304-DIN 1.4301.
- ⑧ Rotary shaft seal ring with extra dust-protection lip in NBR rubber.
- ⑨ Heavy duty O-Ring in NBR rubber.

## UCFL-W WATERPROOF

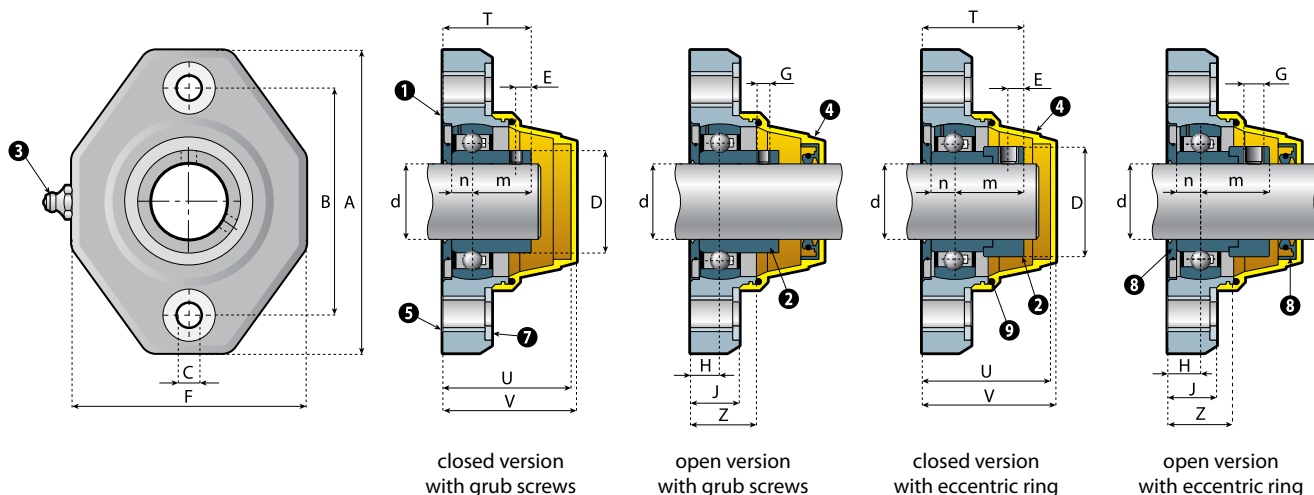
### POLYAMIDE HOUSING



## UCFL-W WATERPROOF

### POLYPROPYLENE HOUSING





Preferred types, readily available (codes marked in red)

| ø<br>d<br>mm | code version |      | dimension (mm) |   |   |   |   |   |   |   |   |   |   |   |   |   | bearing load ratings |               | housing load rating max. N* | weight (Kg) |
|--------------|--------------|------|----------------|---|---|---|---|---|---|---|---|---|---|---|---|---|----------------------|---------------|-----------------------------|-------------|
|              | closed       | open | A              | B | C | D | E | F | G | H | J | Z | T | m | n | U | V                    | dynamic C (N) |                             |             |

**CHROME STEEL BEARING WITH GRUB SCREWS (POLYAMIDE)**

|    |         |         |     |     |    |      |     |     |         |    |    |    |      |      |     |    |    |       |       |       |      |
|----|---------|---------|-----|-----|----|------|-----|-----|---------|----|----|----|------|------|-----|----|----|-------|-------|-------|------|
| 20 | 50204W  | 55204W  | 120 | 90  | 11 | 29   | 5   | 85  | M6x0.75 | 15 | 19 | 25 | 33   | 18   | 7   | 52 | 54 | 9800  | 6500  | 7500  | 0.31 |
| 25 | 50205W  | 55205W  | 120 | 90  | 11 | 34   | 5.5 | 85  | M6x0.75 | 15 | 19 | 25 | 34.5 | 19.5 | 7.5 | 52 | 54 | 10800 | 7800  | 7200  | 0.33 |
| 25 | 50205AW | 55205AW | 130 | 99  | 11 | 34   | 5.5 | 90  | M6x0.75 | 15 | 19 | 25 | 34.5 | 19.5 | 7.5 | 52 | 54 | 10800 | 7800  | 7600  | 0.51 |
| 30 | 50206W  | 55206W  | 120 | 90  | 11 | 40.3 | 6   | 85  | M6x0.75 | 13 | 19 | 25 | 35   | 22   | 8   | 52 | 54 | 15000 | 11300 | 7000  | 0.40 |
| 30 | 50206AW | 55206AW | 130 | 99  | 11 | 40.3 | 6   | 90  | M6x0.75 | 13 | 19 | 25 | 35   | 22   | 8   | 52 | 54 | 15000 | 11300 | 7600  | 0.63 |
| 30 | 50206X  | 55206X  | 146 | 117 | 11 | 40.3 | 6   | 98  | M6x0.75 | 20 | 25 | 35 | 42   | 22   | 8   | 67 | 69 | 15000 | 11300 | 13000 | 0.58 |
| 35 | 50207X  | 55207X  | 146 | 117 | 11 | 48   | 6.5 | 98  | M8x1.00 | 19 | 25 | 35 | 42.5 | 23.5 | 8.5 | 67 | 69 | 19700 | 15300 | 12800 | 0.72 |
| 35 | 50207M  | 55207M  | 159 | 130 | 14 | 48   | 6.5 | 105 | M8x1.00 | 20 | 25 | 35 | 43.5 | 23.5 | 8.5 | 67 | 69 | 19700 | 15300 | 12900 | 0.75 |
| 40 | 50208X  | 55208X  | 146 | 117 | 11 | 53   | 7   | 98  | M8x1.00 | 19 | 25 | 35 | 44   | 25   | 9   | 67 | 69 | 22400 | 17900 | 12500 | 0.87 |
| 40 | 50208M  | 55208M  | 159 | 130 | 14 | 53   | 7   | 105 | M8x1.00 | 20 | 25 | 35 | 45   | 25   | 9   | 67 | 69 | 22400 | 17900 | 12700 | 0.92 |

**CHROME STEEL BEARING WITH ECCENTRIC RING (POLYAMIDE)**

|    |          |          |     |     |    |      |     |     |         |    |    |    |      |      |     |    |    |       |       |       |      |
|----|----------|----------|-----|-----|----|------|-----|-----|---------|----|----|----|------|------|-----|----|----|-------|-------|-------|------|
| 20 | 50204WB  | 55204WB  | 120 | 90  | 11 | 33.3 | 5   | 85  | M6x0.75 | 15 | 19 | 25 | 38.9 | 23.9 | 7   | 52 | 54 | 9800  | 6500  | 7500  | 0.34 |
| 25 | 50205WB  | 55205WB  | 120 | 90  | 11 | 38   | 5   | 85  | M6x0.75 | 15 | 19 | 25 | 38.4 | 23.4 | 7.5 | 52 | 54 | 10800 | 7800  | 7200  | 0.37 |
| 25 | 50205AWB | 55205AWB | 130 | 99  | 11 | 38   | 5   | 90  | M6x0.75 | 15 | 19 | 25 | 38.4 | 23.4 | 7.5 | 52 | 54 | 10800 | 7800  | 7600  | 0.51 |
| 30 | 50206WB  | 55206WB  | 120 | 90  | 11 | 44.5 | 6   | 85  | M6x0.75 | 13 | 19 | 25 | 40.7 | 27.7 | 8   | 52 | 54 | 15000 | 7800  | 7000  | 0.44 |
| 30 | 50206AWB | 55206AWB | 130 | 99  | 11 | 44.5 | 6   | 90  | M6x0.75 | 13 | 19 | 25 | 40.7 | 27.7 | 8   | 52 | 54 | 15000 | 11300 | 7600  | 0.63 |
| 30 | 50206XB  | 55206XB  | 146 | 117 | 11 | 44.5 | 6   | 98  | M6x0.75 | 20 | 25 | 35 | 47.7 | 27.7 | 8   | 67 | 69 | 15000 | 11300 | 13000 | 0.65 |
| 35 | 50207XB  | 55207XB  | 146 | 117 | 11 | 55.6 | 6.5 | 98  | M8x1.00 | 19 | 25 | 35 | 49.4 | 30.4 | 8.5 | 67 | 69 | 19700 | 15300 | 12800 | 0.78 |
| 35 | 50207MB  | 55207MB  | 159 | 130 | 14 | 55.6 | 6.5 | 105 | M8x1.00 | 20 | 25 | 35 | 50.4 | 30.4 | 8.5 | 67 | 69 | 19700 | 15300 | 12900 | 0.83 |
| 40 | 50208XB  | 55208XB  | 146 | 117 | 11 | 60.3 | 6.5 | 98  | M8x1.00 | 19 | 25 | 35 | 53.7 | 34.7 | 9   | 67 | 69 | 22400 | 17900 | 12500 | 0.98 |
| 40 | 50208MB  | 55208MB  | 159 | 130 | 14 | 60.3 | 6.5 | 105 | M8x1.00 | 20 | 25 | 35 | 54.7 | 34.7 | 9   | 67 | 69 | 22400 | 17900 | 12700 | 1.05 |

\* **MAX. RADIAL LOAD CAPACITY OF HOUSING:** Values indicated in the table above, are obtained at 23°C. Strength of housing indicated on page 115.

| ø<br>d<br>mm | code version |      | dimension (mm) |   |   |   |   |   |   |   |   |   |   |   |   |   | bearing load ratings |               | housing load rating max. N* | weight (Kg) |
|--------------|--------------|------|----------------|---|---|---|---|---|---|---|---|---|---|---|---|---|----------------------|---------------|-----------------------------|-------------|
|              | closed       | open | A              | B | C | D | E | F | G | H | J | Z | T | m | n | U | V                    | dynamic C (N) |                             |             |

**CHROME STEEL BEARING WITH GRUB SCREWS (POLYPROPYLENE)**

|    |         |         |     |     |    |      |     |     |         |    |    |    |      |      |     |    |    |       |       |      |      |
|----|---------|---------|-----|-----|----|------|-----|-----|---------|----|----|----|------|------|-----|----|----|-------|-------|------|------|
| 20 | 60204W  | 65204W  | 120 | 90  | 11 | 29   | 5   | 85  | M6x0.75 | 15 | 19 | 25 | 33   | 18   | 7   | 52 | 54 | 9800  | 6500  | 3500 | 0.31 |
| 25 | 60205W  | 65205W  | 120 | 90  | 11 | 34   | 5.5 | 85  | M6x0.75 | 15 | 19 | 25 | 34.5 | 19.5 | 7.5 | 52 | 54 | 10800 | 7800  | 3000 | 0.33 |
| 25 | 60205AW | 65205AW | 130 | 99  | 11 | 34   | 5.5 | 90  | M6x0.75 | 15 | 19 | 25 | 34.5 | 19.5 | 7.5 | 52 | 54 | 10800 | 7800  | 3600 | 0.51 |
| 30 | 60206X  | 65206X  | 146 | 117 | 11 | 40.3 | 6   | 98  | M6x0.75 | 20 | 25 | 35 | 42   | 22   | 8   | 67 | 69 | 15000 | 11300 | 6000 | 0.58 |
| 35 | 60207M  | 65207M  | 159 | 130 | 14 | 48   | 6.5 | 105 | M8x1.00 | 20 | 25 | 35 | 43.5 | 23.5 | 8.5 | 67 | 69 | 19700 | 15300 | 6000 | 0.75 |

**CHROME STEEL BEARING WITH ECCENTRIC RING (POLYPROPYLENE)**

|    |          |          |     |     |    |      |     |     |         |    |    |    |      |      |     |    |    |       |       |      |      |
|----|----------|----------|-----|-----|----|------|-----|-----|---------|----|----|----|------|------|-----|----|----|-------|-------|------|------|
| 20 | 60204WB  | 65204WB  | 120 | 90  | 11 | 33.3 | 5   | 85  | M6x0.75 | 15 | 19 | 25 | 38.9 | 23.9 | 7   | 52 | 54 | 9800  | 6500  | 3500 | 0.34 |
| 25 | 60205WB  | 65205WB  | 120 | 90  | 11 | 38   | 5   | 85  | M6x0.75 | 15 | 19 | 25 | 38.4 | 23.4 | 7.5 | 52 | 54 | 10800 | 7800  | 3000 | 0.37 |
| 25 | 60205AWB | 65205AWB | 130 | 99  | 11 | 38   | 5   | 90  | M6x0.75 | 15 | 19 | 25 | 38.4 | 23.4 | 7.5 | 52 | 54 | 10800 | 7800  | 3600 | 0.51 |
| 30 | 60206XB  | 65206XB  | 146 | 117 | 11 | 40.3 | 6   | 98  | M6x0.75 | 20 | 25 | 35 | 42   | 22   | 8   | 67 | 69 | 15000 | 11300 | 6000 | 0.58 |
| 35 | 60207MB  | 65207MB  | 159 | 130 | 14 | 55.6 | 6.5 | 105 | M8x1.00 | 20 | 25 | 35 | 50.4 | 30.4 | 8.5 | 67 | 69 | 19700 | 15300 | 6000 | 0.83 |

\* **MAX. RADIAL LOAD CAPACITY OF HOUSING:** Values indicated in the table above, are obtained at 23°C. Strength of housing indicated on page 115.

## STANDARD



## TECHNICAL INFORMATION for UFL

- **Resistance to corrosion:**
  - Polyamide version (PA): good resistance to many corrosive chemicals such as water, oils, greases, petrol, milk, wine, alcoholic beverages.
  - Polypropylene version (PP): excellent resistance to highly corrosive chemicals such as acids, organic liquids, detergents.
- **Load capacity:**
  - Housings in PA have a higher load capacity than housings in PP. See tables.
- **Continuous operating temperature:**
  - All our bearings can be used at temperatures between 0°C and +80°C. For lower or higher temperatures please consult our Engineering Department.
- **Economical operation.**
  - Long life bearing insert.
- **Self-alignment:**
  - Max misalignment between shaft and housing: 2.5°.
- **Concept and design to meet all safety requirements.**
- **Interchangeable with standard cast iron flanged supports.**
- **Ball bearing pre-lubricated with long-life grease, which is ideal in applications in humid conditions, with water, alkaline or acid solutions.**

## COMPONENTS

- 1 Housing in reinforced polyamide (Housing in reinforced polypropylene available on request).
- 2 Adjustable chrome steel or stainless steel ball bearing, pre-lubricated. Can be re-lubricated by means of grease-nipple or a quick coupler.
- 3 Ball-type grease-nipple or quick coupler from nickel plated brass (available upon request) to take semi-rigid hoses  $\varnothing$  4 mm in Rilsan (see accessories on [page 110](#)). Version with stainless steel bearing has a stainless steel grease nipple.
- 4 Clip-on safety cap.
- 5 Spacers from nickel plated brass to reinforce fixing holes.
- 7 Washer UNI 6592, stainless steel AISI 304-DIN 1.4301.

UFL  
STANDARD

## POLYAMIDE HOUSING



accessory

## COLOUR

- Bearing support in black.
- Safety cap in yellow.
- For sufficient quantities parts can be produced in different colours.

UFL  
STANDARD

## POLYPROPYLENE HOUSING



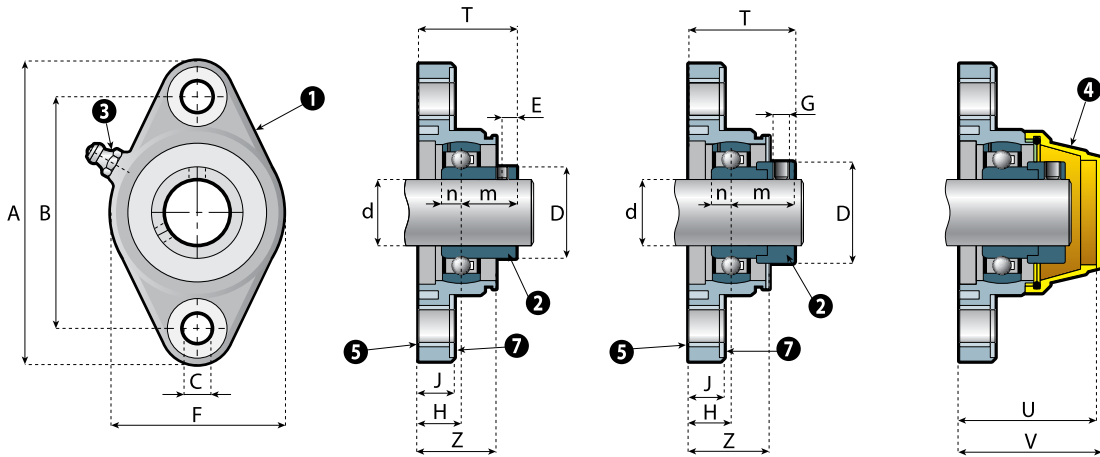
accessory

## COLOUR

- Bearing support in black.
- Safety cap in yellow.
- For sufficient quantities parts can be produced in different colours.

## SEE ALSO...

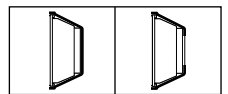
Accessories: [p. 110](#)  
 Features, lubrication and maintenance: [p. 112](#)  
 Mounting instruction: [p. 113 - 114](#)  
 Calculation of load capacity, bearing life: [p. 115 - 116](#)  
 Chemical resistance: [p. 120 - 121](#)



version with grub screws

version with eccentric ring

Accessories



Preferred types, readily available (codes marked in red)

| Ø<br>d<br>mm  | code<br>version | dimension (mm) |      |    |      |   |    |         |      |    |    |      |      |   |    | bearing load<br>ratings |                  | housing<br>load<br>rating<br>max. N* | weight<br>(Kg) | closed<br>safety<br>cap<br>code | open<br>safety<br>cap<br>code |                  |
|---|-----------------|----------------|------|----|------|---|----|---------|------|----|----|------|------|---|----|-------------------------|------------------|--------------------------------------|----------------|---------------------------------|-------------------------------|------------------|
|   |                 | A              | B    | C  | D    | E | F  | G       | H    | J  | Z  | T    | m    | n | U  | V                       | dynamic<br>C (N) |                                      |                |                                 |                               | static<br>Co (N) |
| <b>CHROME STEEL BEARING WITH GRUB SCREWS (POLYAMIDE)</b>    |                 |                |      |    |      |   |    |         |      |    |    |      |      |   |    |                         |                  |                                      |                |                                 |                               |                  |
| 12  | 54201           | 100            | 76.5 | 11 | 24.6 | 4 | 56 | M5x0.80 | 17.5 | 12 | 26 | 33.5 | 16   | 6 | 47 | 49                      | 7300             | 4760                                 | 6500           | 0.25                            | 50008                         | 50008.APE        |
| 15  | 54202           | 100            | 76.5 | 11 | 24.6 | 4 | 56 | M5x0.80 | 17.5 | 12 | 26 | 33.5 | 16   | 6 | 47 | 49                      | 7300             | 4760                                 | 6500           | 0.25                            | 50008                         | 50008.APE        |
| 16  | 54016           | 100            | 76.5 | 11 | 24.6 | 4 | 56 | M5x0.80 | 17.5 | 12 | 26 | 33.5 | 16   | 6 | 47 | 49                      | 7300             | 4760                                 | 6500           | 0.25                            | 50008                         | 50008.APE        |
| 17  | 54203           | 100            | 76.5 | 11 | 24.6 | 4 | 56 | M5x0.80 | 17.5 | 12 | 26 | 33.5 | 16   | 6 | 47 | 49                      | 7300             | 4760                                 | 6500           | 0.25                            | 50008                         | 50008.APE        |
| 20  | 54204           | 100            | 76.5 | 11 | 29   | 5 | 56 | M6x0.75 | 15.5 | 12 | 26 | 33.5 | 18   | 7 | 47 | 49                      | 9850             | 6580                                 | 6200           | 0.30                            | 50008                         | 50008.APE        |
| <b>CHROME STEEL BEARING WITH ECCENTRIC RING (POLYAMIDE)</b> |                 |                |      |    |      |   |    |         |      |    |    |      |      |   |    |                         |                  |                                      |                |                                 |                               |                  |
| 12  | 54201B          | 100            | 76.5 | 11 | 28.6 | 5 | 56 | M6x0.75 | 17.5 | 12 | 26 | 40.1 | 22.6 | 6 | 47 | 49                      | 7300             | 4760                                 | 6500           | 0.28                            | 50008                         | 50008.APE        |
| 15  | 54202B          | 100            | 76.5 | 11 | 28.6 | 5 | 56 | M6x0.75 | 17.5 | 12 | 26 | 40.1 | 22.6 | 6 | 47 | 49                      | 7300             | 4760                                 | 6500           | 0.28                            | 50008                         | 50008.APE        |
| 16  | 54016B          | 100            | 76.5 | 11 | 28.6 | 5 | 56 | M6x0.75 | 17.5 | 12 | 26 | 40.1 | 22.6 | 6 | 47 | 49                      | 7300             | 4760                                 | 6500           | 0.28                            | 50008                         | 50008.APE        |
| 17  | 54203B          | 100            | 76.5 | 11 | 28.6 | 5 | 56 | M6x0.75 | 17.5 | 12 | 26 | 40.1 | 22.6 | 6 | 47 | 49                      | 7300             | 4760                                 | 6500           | 0.28                            | 50008                         | 50008.APE        |
| 20  | 54204B          | 100            | 76.5 | 11 | 33.3 | 5 | 56 | M6x0.75 | 15.5 | 12 | 26 | 39.4 | 23.9 | 7 | 47 | 49                      | 9850             | 6580                                 | 6200           | 0.35                            | 50008                         | 50008.APE        |
| <b>STAINLESS STEEL BEARING WITH GRUB SCREWS (POLYAMIDE)</b> |                 |                |      |    |      |   |    |         |      |    |    |      |      |   |    |                         |                  |                                      |                |                                 |                               |                  |
| 20  | 54204/SS        | 100            | 76.5 | 11 | 29   | 5 | 56 | M6x0.75 | 15.5 | 12 | 26 | 34.2 | 18.7 | 7 | 47 | 49                      | 7300             | 4900                                 | 6200           | 0.30                            | 50008                         | 50008.APE        |

\* **MAX. RADIAL LOAD CAPACITY OF HOUSING:** Values indicated in the table above, are obtained at 23°C. Strength of housing indicated on [page 115](#).

| Ø<br>d<br>mm   | code<br>version | dimension (mm) |      |    |    |   |    |         |      |    |    |      |      |   |    | bearing load<br>ratings |                  | housing<br>load<br>rating<br>max. N* | weight<br>(Kg) | closed<br>safety<br>cap<br>code | open<br>safety<br>cap<br>code |                  |
|--|-----------------|----------------|------|----|----|---|----|---------|------|----|----|------|------|---|----|-------------------------|------------------|--------------------------------------|----------------|---------------------------------|-------------------------------|------------------|
|  |                 | A              | B    | C  | D  | E | F  | G       | H    | J  | Z  | T    | m    | n | U  | V                       | dynamic<br>C (N) |                                      |                |                                 |                               | static<br>Co (N) |
| <b>CHROME STEEL BEARING WITH GRUB SCREWS (POLYPROPYLENE)</b> |                 |                |      |    |    |   |    |         |      |    |    |      |      |   |    |                         |                  |                                      |                |                                 |                               |                  |
| 20   | 64204/SS        | 100            | 76.5 | 11 | 29 | 5 | 56 | M6x0.75 | 15.5 | 12 | 26 | 34.2 | 18.7 | 7 | 47 | 49                      | 7300             | 4900                                 | 3000           | 0.30                            | 50008                         | 50008.APE        |

\* **MAX. RADIAL LOAD CAPACITY OF HOUSING:** Values indicated in the table above, are obtained at 23°C. Strength of housing indicated on [page 115](#).

# UFL-Z

## WATERPROOF



### TECHNICAL INFORMATION for UFL-Z

- **Resistance to corrosion:**
  - Polyamide version (PA): good resistance to many corrosive chemicals such as water, oils, greases, petrol, milk, wine, alcoholic beverages.
  - Polypropylene version (PP): excellent resistance to highly corrosive chemicals such as acids, organic liquids, detergents.
- **Load capacity:**
  - Housings in PA have a higher load capacity than housings in PP. See tables.
- **Continuous operating temperature:**
  - All our bearings can be used at temperatures between 0°C and +80°C. For lower or higher temperatures please consult our Engineering Department.
- **Economical operation.**
  - Long life bearing insert.
- **Self-alignment:**
  - Max misalignment between shaft and housing: 2.0°.
- **Concept and design to meet all safety requirements.**
- **Interchangeable with standard cast iron flanged supports.**
- **Completely sealed units.**
- **Ball bearing pre-lubricated with long-life grease, which is ideal in applications in humid conditions, with water, alkaline or acid solutions.**



## WATERPROOF

### SEE ALSO...

- Accessories: [p. 110](#)  
Features, lubrication and maintenance: [p. 112](#)  
Mounting instruction: [p. 113 - 114](#)  
Calculation of load capacity, bearing life: [p. 115 - 116](#)  
Chemical resistance: [p. 120 - 121](#)

## COMPONENTS

- 1 Housing in reinforced polyamide (Housing in reinforced polypropylene available on request).
- 2 Adjustable chrome steel or stainless steel ball bearing, pre-lubricated. Can be re-lubricated by means of grease-nipple or a quick coupler.
- 3 Ball-type grease-nipple or quick coupler from nickel plated brass (available upon request) to take semi-rigid hoses  $\varnothing$  4 mm in Rilsan (see accessories on [page 110](#)). Version with stainless steel bearing has a stainless steel grease nipple.
- 4 Clip-on safety cap.
- 5 Spacers from nickel plated brass to reinforce fixing holes.
- 7 Washer UNI 6592, stainless steel AISI 304-DIN 1.4301.
- 8 Rotary shaft seal ring with extra dust-protection lip in NBR rubber.
- 9 Heavy duty O-Ring in NBR rubber.

## UFL-Z WATERPROOF

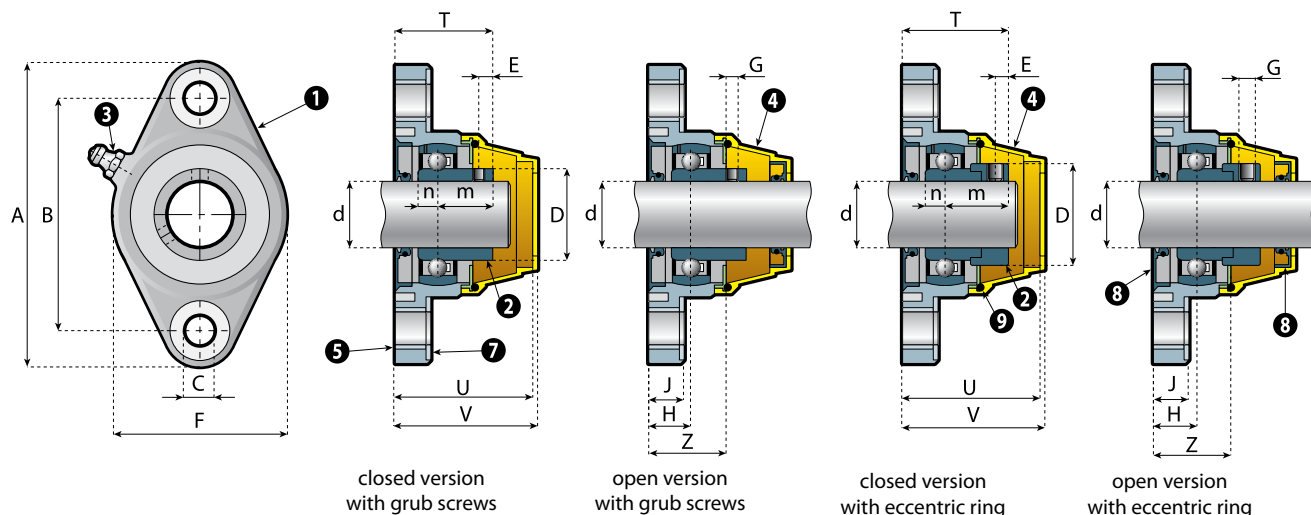
### POLYAMIDE HOUSING



## UFL-Z WATERPROOF

### POLYPROPYLENE HOUSING





Preferred types, readily available (codes marked in red)

| ø<br>d<br>mm | code version |      | dimension (mm) |   |   |   |   |   |   |   |   |   |   |   |   |   | bearing load ratings |               | housing load rating max. N* | weight (Kg) |
|--------------|--------------|------|----------------|---|---|---|---|---|---|---|---|---|---|---|---|---|----------------------|---------------|-----------------------------|-------------|
|              | closed       | open | A              | B | C | D | E | F | G | H | J | Z | T | m | n | U | V                    | dynamic C (N) |                             |             |

**CHROME STEEL BEARING WITH GRUB SCREWS (POLYAMIDE)**

|    |        |        |     |      |    |      |   |    |         |      |    |    |      |    |   |    |    |      |      |      |      |
|----|--------|--------|-----|------|----|------|---|----|---------|------|----|----|------|----|---|----|----|------|------|------|------|
| 12 | 54201Z | 59201Z | 100 | 76.5 | 11 | 24.6 | 4 | 56 | M5x0.80 | 17.5 | 12 | 26 | 33.5 | 16 | 6 | 47 | 49 | 7300 | 4760 | 6500 | 0.25 |
| 15 | 54202Z | 59202Z | 100 | 76.5 | 11 | 24.6 | 4 | 56 | M5x0.80 | 17.5 | 12 | 26 | 33.5 | 16 | 6 | 47 | 49 | 7300 | 4760 | 6500 | 0.25 |
| 16 | 54016Z | 59016Z | 100 | 76.5 | 11 | 24.6 | 4 | 56 | M5x0.80 | 17.5 | 12 | 26 | 33.5 | 16 | 6 | 47 | 49 | 7300 | 4760 | 6500 | 0.25 |
| 17 | 54203Z | 59203Z | 100 | 76.5 | 11 | 24.6 | 4 | 56 | M5x0.80 | 17.5 | 12 | 26 | 33.5 | 16 | 6 | 47 | 49 | 7300 | 4760 | 6500 | 0.25 |
| 20 | 54204Z | 59204Z | 100 | 76.5 | 11 | 29   | 5 | 56 | M6x0.75 | 15.5 | 12 | 26 | 33.5 | 18 | 7 | 47 | 49 | 9850 | 6580 | 6200 | 0.30 |

**CHROME STEEL BEARING WITH ECCENTRIC RING (POLYAMIDE)**

|    |         |         |     |      |    |      |   |    |         |      |    |    |      |      |   |    |    |      |      |      |      |
|----|---------|---------|-----|------|----|------|---|----|---------|------|----|----|------|------|---|----|----|------|------|------|------|
| 12 | 54201ZB | 59201ZB | 100 | 76.5 | 11 | 28.6 | 5 | 56 | M6x0.75 | 17.5 | 12 | 26 | 40.1 | 22.6 | 6 | 47 | 49 | 7300 | 4760 | 6500 | 0.28 |
| 15 | 54202ZB | 59202ZB | 100 | 76.5 | 11 | 28.6 | 5 | 56 | M6x0.75 | 17.5 | 12 | 26 | 40.1 | 22.6 | 6 | 47 | 49 | 7300 | 4760 | 6500 | 0.28 |
| 16 | 54016ZB | 59016ZB | 100 | 76.5 | 11 | 28.6 | 5 | 56 | M6x0.75 | 17.5 | 12 | 26 | 40.1 | 22.6 | 6 | 47 | 49 | 7300 | 4760 | 6500 | 0.28 |
| 17 | 54203ZB | 59203ZB | 100 | 76.5 | 11 | 28.6 | 5 | 56 | M6x0.75 | 17.5 | 12 | 26 | 40.1 | 22.6 | 6 | 47 | 49 | 7300 | 4760 | 6500 | 0.28 |
| 20 | 54204ZB | 59204ZB | 100 | 76.5 | 11 | 33.3 | 5 | 56 | M6x0.75 | 15.5 | 12 | 26 | 39.4 | 23.9 | 7 | 47 | 49 | 9850 | 6580 | 6200 | 0.35 |

\* **MAX. RADIAL LOAD CAPACITY OF HOUSING:** Values indicated in the table above, are obtained at 23°C. Strength of housing indicated on page 115.

Preferred types, readily available (codes marked in red)

| ø<br>d<br>mm | code version |      | dimension (mm) |   |   |   |   |   |   |   |   |   |   |   |   |   | bearing load ratings |               | housing load rating max. N* | weight (Kg) |
|--------------|--------------|------|----------------|---|---|---|---|---|---|---|---|---|---|---|---|---|----------------------|---------------|-----------------------------|-------------|
|              | closed       | open | A              | B | C | D | E | F | G | H | J | Z | T | m | n | U | V                    | dynamic C (N) |                             |             |

**CHROME STEEL BEARING WITH GRUB SCREWS (POLYPROPYLENE)**

|    |        |        |     |      |    |      |   |    |         |      |    |    |      |    |   |    |    |      |      |      |      |
|----|--------|--------|-----|------|----|------|---|----|---------|------|----|----|------|----|---|----|----|------|------|------|------|
| 12 | 64201Z | 69201Z | 100 | 76.5 | 11 | 24.6 | 4 | 56 | M5x0.80 | 17.5 | 12 | 26 | 33.5 | 16 | 6 | 47 | 49 | 7300 | 4760 | 3100 | 0.25 |
| 15 | 64202Z | 69202Z | 100 | 76.5 | 11 | 24.6 | 4 | 56 | M5x0.80 | 17.5 | 12 | 26 | 33.5 | 16 | 6 | 47 | 49 | 7300 | 4760 | 3100 | 0.25 |
| 16 | 64016Z | 69016Z | 100 | 76.5 | 11 | 24.6 | 4 | 56 | M5x0.80 | 17.5 | 12 | 26 | 33.5 | 16 | 6 | 47 | 49 | 7300 | 4760 | 3100 | 0.25 |
| 17 | 64203Z | 69203Z | 100 | 76.5 | 11 | 24.6 | 4 | 56 | M5x0.80 | 17.5 | 12 | 26 | 33.5 | 16 | 6 | 47 | 49 | 7300 | 4760 | 3100 | 0.25 |
| 20 | 64204Z | 69204Z | 100 | 76.5 | 11 | 29   | 5 | 56 | M6x0.75 | 15.5 | 12 | 26 | 33.5 | 18 | 7 | 47 | 49 | 9850 | 6580 | 3000 | 0.30 |

**CHROME STEEL BEARING WITH ECCENTRIC RING (POLYPROPYLENE)**

|    |         |         |     |      |    |      |   |    |         |      |    |    |      |      |   |    |    |      |      |      |      |
|----|---------|---------|-----|------|----|------|---|----|---------|------|----|----|------|------|---|----|----|------|------|------|------|
| 12 | 64201ZB | 69201ZB | 100 | 76.5 | 11 | 28.6 | 5 | 56 | M6x0.75 | 17.5 | 12 | 26 | 40.1 | 22.6 | 6 | 47 | 49 | 7300 | 4760 | 3100 | 0.28 |
| 15 | 64202ZB | 69202ZB | 100 | 76.5 | 11 | 28.6 | 5 | 56 | M6x0.75 | 17.5 | 12 | 26 | 40.1 | 22.6 | 6 | 47 | 49 | 7300 | 4760 | 3100 | 0.28 |
| 16 | 64016ZB | 69016ZB | 100 | 76.5 | 11 | 28.6 | 5 | 56 | M6x0.75 | 17.5 | 12 | 26 | 40.1 | 22.6 | 6 | 47 | 49 | 7300 | 4760 | 3100 | 0.28 |
| 17 | 64203ZB | 69203ZB | 100 | 76.5 | 11 | 28.6 | 5 | 56 | M6x0.75 | 17.5 | 12 | 26 | 40.1 | 22.6 | 6 | 47 | 49 | 7300 | 4760 | 3100 | 0.28 |
| 20 | 64204ZB | 69204ZB | 100 | 76.5 | 11 | 33.3 | 5 | 56 | M6x0.75 | 15.5 | 12 | 26 | 39.4 | 23.9 | 7 | 47 | 49 | 9850 | 6580 | 3000 | 0.35 |

\* **MAX. RADIAL LOAD CAPACITY OF HOUSING:** Values indicated in the table above, are obtained at 23°C. Strength of housing indicated on page 115.



## STANDARD



## TECHNICAL INFORMATION for UCFH

- **Resistance to corrosion:**
  - Polyamide version (PA): good resistance to many corrosive chemicals such as water, oils, greases, petrol, milk, wine, alcoholic beverages.
- **High load capacity.**
- **Continuous operating temperature:**
  - All our bearings can be used at temperatures between 0°C and +80°C. For lower or higher temperatures please consult our Engineering Department.
- **Self-alignment:**
  - Max misalignment between shaft and housing: 2.5°.
- **Low maintenance and trouble-free operation.**
- **Easy Cleaning.**
- **Ball bearing pre-lubricated with long-life grease, which is ideal in applications in humid conditions, with water, alkaline or acid solutions.**
- **Concept and design to meet all safety requirements.**
- **Interchangeable with standard cast iron flanged supports.**
- **Application in the food, beverage and pharmaceutical industry.**

## COMPONENTS

- ❶ Housing in reinforced polyamide (Housing in reinforced polypropylene available on request).
- ❷ Adjustable chrome steel or stainless steel ball bearing, pre-lubricated. Can be re-lubricated by means of grease-nipple or a quick coupler.
- ❸ Ball-type grease-nipple or quick coupler from nickel plated brass (available upon request) to take semi-rigid hoses ø 4 mm in Rilsan (see accessories on [page 110](#)). Version with stainless steel bearing has a stainless steel grease nipple.
- ❹ Clip-on safety cap (accessory).
- ❺ Spacers from nickel plated brass to reinforce fixing holes.
- ❻ Polyethylene washer for grease-nipple.

UCFH  
STANDARD

## POLYAMIDE HOUSING



accessory

## COLOUR

- Bearing support in black.
- Safety cap in yellow.
- For sufficient quantities parts can be produced in different colours.

UCFH  
STANDARD

**NOLU-CLEAN** is a new antimicrobial material of improved hygiene. For detailed information refer to [page 7](#).

## NOLU-CLEAN HOUSING



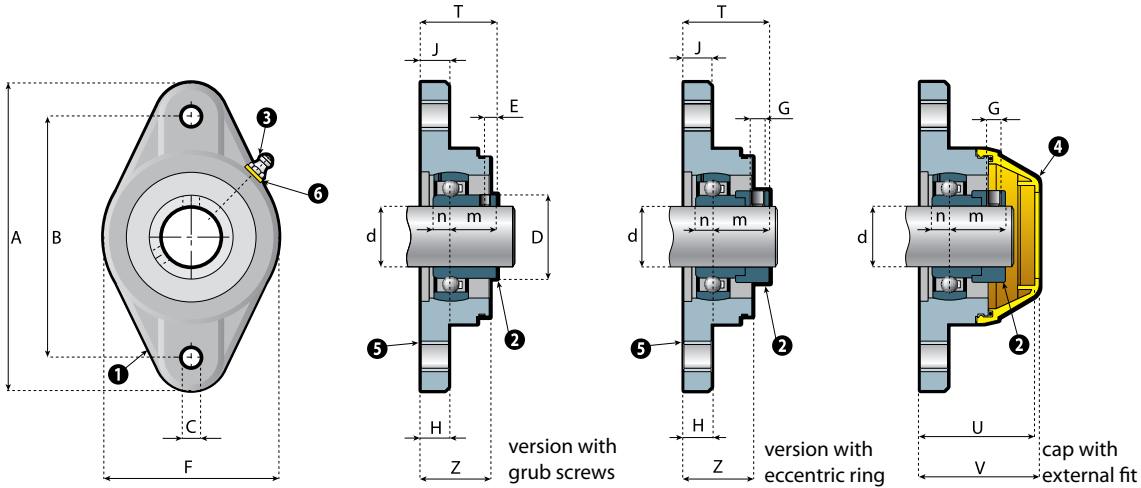
accessory

## COLOUR

- Bearing support in white.
- Safety cap in white.

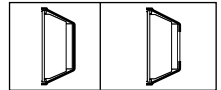
## SEE ALSO...

Accessories: [p. 110](#)  
 Features, lubrication and maintenance: [p. 112](#)  
 Mounting instruction: [p. 113 - 114](#)  
 Calculation of load capacity, bearing life: [p. 115 - 116](#)  
 Chemical resistance: [p. 120 - 121](#)



Preferred types, readily available (codes marked in red)

Accessories



| Ø d mm   | support code  | dimension (mm) |      |    |      |     |     |         |      |      |    |      |      |     |      | bearing load ratings |               | housing load rating max. N* | weight (Kg) | closed safety cap code | open safety cap code |               |
|--|---------------|----------------|------|----|------|-----|-----|---------|------|------|----|------|------|-----|------|----------------------|---------------|-----------------------------|-------------|------------------------|----------------------|---------------|
|  |               | A              | B    | C  | D    | E   | F   | G       | H    | J    | Z  | T    | m    | n   | U    | V                    | dynamic C (N) |                             |             |                        |                      | static Co (N) |
| <b>CHROME STEEL BEARING WITH GRUB SCREWS (POLYAMIDE)</b>     |               |                |      |    |      |     |     |         |      |      |    |      |      |     |      |                      |               |                             |             |                        |                      |               |
| 12   | 54201N-EC     | 99             | 76.5 | 11 | 24.6 | 4   | 56  | M5x0.80 | 16.5 | 10   | 26 | 32.5 | 16   | 6   | 46.5 | 48.5                 | 7300          | 4760                        | 6500        | 0.18                   | 50008                | 50008.APE     |
| 15   | 54202N-EC     | 99             | 76.5 | 11 | 24.6 | 4   | 56  | M5x0.80 | 16.5 | 10   | 26 | 32.5 | 16   | 6   | 46.5 | 48.5                 | 7300          | 4760                        | 6500        | 0.18                   | 50008                | 50008.APE     |
| 16   | 54016N-EC     | 99             | 76.5 | 11 | 24.6 | 4   | 56  | M5x0.80 | 16.5 | 10   | 26 | 32.5 | 16   | 6   | 46.5 | 48.5                 | 7300          | 4760                        | 6500        | 0.18                   | 50008                | 50008.APE     |
| 17   | 54203N-EC     | 99             | 76.5 | 11 | 24.6 | 4   | 56  | M5x0.80 | 16.5 | 10   | 26 | 32.5 | 16   | 6   | 46.5 | 48.5                 | 7300          | 4760                        | 6500        | 0.18                   | 50008                | 50008.APE     |
| 20   | 54204N-EC     | 114            | 90   | 11 | 29   | 5   | 64  | M6x0.75 | 15.5 | 10   | 26 | 33.5 | 18   | 7   | 47.5 | 49.5                 | 9850          | 6580                        | 7500        | 0.20                   | 50007                | 50007.APE     |
| 25   | 54205N-EC     | 130            | 99   | 11 | 34   | 5.5 | 70  | M6x0.75 | 17   | 12.5 | 29 | 36.5 | 19.5 | 7.5 | 52.2 | 54.2                 | 10800         | 7800                        | 8000        | 0.30                   | 50011                | 50011.APE     |
| 30   | 54206N-EC     | 148            | 117  | 11 | 40.3 | 6   | 84  | M6x0.75 | 14.5 | 12.5 | 29 | 36.5 | 22   | 8   | 50.7 | 52.7                 | 15000         | 11300                       | 8800        | 0.45                   | 50001                | 50001.APE     |
| 35   | 54207N-EC     | 163            | 130  | 14 | 48   | 6.5 | 90  | M8x1.00 | 18   | 16   | 33 | 41.5 | 23.5 | 8.5 | 63.7 | 65.7                 | 19700         | 15300                       | 9000        | 0.60                   | 50004                | 50004.APE     |
| 40   | 54208N-EC     | 175            | 144  | 14 | 53   | 7   | 100 | M8x1.00 | 18   | 20   | 35 | 43   | 25   | 9   | 63.2 | 65.2                 | 22400         | 17900                       | 12500       | 0.80                   | 50002                | 50002.APE     |
| <b>CHROME STEEL BEARING WITH ECCENTRIC RING (POLYAMIDE)</b>  |               |                |      |    |      |     |     |         |      |      |    |      |      |     |      |                      |               |                             |             |                        |                      |               |
| 12   | 54201NB-EC    | 99             | 76.5 | 11 | 28.6 | 5   | 56  | M6x0.75 | 16.5 | 10   | 26 | 39.1 | 22.6 | 6   | 46.5 | 48.5                 | 7300          | 4760                        | 6500        | 0.20                   | 50008                | 50008.APE     |
| 15   | 54202NB-EC    | 99             | 76.5 | 11 | 28.6 | 5   | 56  | M6x0.75 | 16.5 | 10   | 26 | 39.1 | 22.6 | 6   | 46.5 | 48.5                 | 7300          | 4760                        | 6500        | 0.20                   | 50008                | 50008.APE     |
| 16   | 54016NB-EC    | 99             | 76.5 | 11 | 28.6 | 5   | 56  | M6x0.75 | 16.5 | 10   | 26 | 39.1 | 22.6 | 6   | 46.5 | 48.5                 | 7300          | 4760                        | 6500        | 0.20                   | 50008                | 50008.APE     |
| 17   | 54203NB-EC    | 99             | 76.5 | 11 | 28.6 | 5   | 56  | M6x0.75 | 16.5 | 10   | 26 | 39.1 | 22.6 | 6   | 46.5 | 48.5                 | 7300          | 4760                        | 6500        | 0.20                   | 50008                | 50008.APE     |
| 20   | 54204NB-EC    | 114            | 90   | 11 | 33.3 | 5   | 64  | M6x0.75 | 15.5 | 10   | 26 | 39.4 | 23.9 | 7   | 47.5 | 49.5                 | 9850          | 6580                        | 7500        | 0.23                   | 50007                | 50007.APE     |
| 25   | 54205NB-EC    | 130            | 99   | 11 | 38.1 | 5   | 70  | M6x0.75 | 17   | 12.5 | 29 | 40.4 | 23.4 | 7.5 | 52.2 | 54.2                 | 10800         | 7800                        | 8000        | 0.33                   | 50011                | 50011.APE     |
| 30   | 54206NB-EC    | 148            | 117  | 11 | 44.5 | 6   | 84  | M6x0.75 | 14.5 | 12.5 | 29 | 42.2 | 27.7 | 8   | 50.7 | 52.7                 | 15000         | 11300                       | 8800        | 0.49                   | 50001                | 50001.APE     |
| 35   | 54207NB-EC    | 163            | 130  | 14 | 55.6 | 6.5 | 90  | M8x1.00 | 18   | 16   | 33 | 48.4 | 30.4 | 8.5 | 63.7 | 65.7                 | 19700         | 15300                       | 9000        | 0.66                   | 50004                | 50004.APE     |
| 40   | 54208NB-EC    | 175            | 144  | 14 | 60.3 | 6.5 | 100 | M8x1.00 | 18   | 20   | 35 | 52.7 | 34.7 | 9   | 63.2 | 65.2                 | 22400         | 17900                       | 12500       | 0.87                   | 50002                | 50002.APE     |
| <b>STAINLESS STEEL BEARING WITH GRUB SCREWS (POLYAMIDE)</b>  |               |                |      |    |      |     |     |         |      |      |    |      |      |     |      |                      |               |                             |             |                        |                      |               |
| 20   | 54204N/SS-EC  | 114            | 90   | 11 | 29   | 5   | 64  | M6x0.75 | 15.5 | 10   | 26 | 34.2 | 18.7 | 7   | 47.5 | 49.5                 | 7300          | 4900                        | 7500        | 0.20                   | 50007                | 50007.APE     |
| 25   | 54205N/SS-EC  | 130            | 99   | 11 | 34   | 5.5 | 70  | M6x0.75 | 17   | 12.5 | 29 | 36.7 | 19.5 | 7.5 | 52.2 | 54.2                 | 8100          | 5800                        | 8000        | 0.30                   | 50011                | 50011.APE     |
| 30   | 54206N/SS-EC  | 148            | 117  | 11 | 40.3 | 6   | 84  | M6x0.75 | 14.5 | 12.5 | 29 | 36.5 | 22   | 8   | 50.7 | 52.7                 | 11250         | 8400                        | 8800        | 0.45                   | 50001                | 50001.APE     |
| 35   | 54207N/SS-EC  | 163            | 130  | 14 | 48   | 6.5 | 90  | M8x1.00 | 18   | 16   | 33 | 41.5 | 23.5 | 8.5 | 63.7 | 65.7                 | 14700         | 11400                       | 9000        | 0.60                   | 50004                | 50004.APE     |
| 40   | 54208N/SS-EC  | 175            | 144  | 14 | 53   | 7   | 100 | M8x1.00 | 18   | 20   | 35 | 43   | 25   | 9   | 63.2 | 65.2                 | 16800         | 13400                       | 12500       | 0.80                   | 50002                | 50002.APE     |
| <b>CHROME STEEL BEARING WITH GRUB SCREWS (NOLU-CLEAN)</b>    |               |                |      |    |      |     |     |         |      |      |    |      |      |     |      |                      |               |                             |             |                        |                      |               |
| 20   | 54204CG-EC    | 114            | 90   | 11 | 29   | 5   | 64  | M6x0.75 | 15.5 | 10   | 26 | 33.5 | 18   | 7   | 47.5 | 49.5                 | 9850          | 6580                        | 7500        | 0.20                   | 50007CG              | 50007.APE/CG  |
| 25   | 54205CG-EC    | 130            | 99   | 11 | 34   | 5.5 | 70  | M6x0.75 | 17   | 12.5 | 29 | 36.5 | 19.5 | 7.5 | 52.2 | 54.2                 | 10800         | 7800                        | 8000        | 0.30                   | 50011CG              | 50011.APE/CG  |
| 30   | 54206CG-EC    | 148            | 117  | 11 | 40.3 | 6   | 84  | M6x0.75 | 14.5 | 12.5 | 29 | 36.5 | 22   | 8   | 50.7 | 52.7                 | 15000         | 11300                       | 8800        | 0.45                   | 50001CG              | 50001.APE/CG  |
| 35   | 54207CG-EC    | 163            | 130  | 14 | 48   | 6.5 | 90  | M8x1.00 | 18   | 16   | 33 | 41.5 | 23.5 | 8.5 | 63.7 | 65.7                 | 19700         | 15300                       | 9000        | 0.60                   | 50004CG              | 50004.APE/CG  |
| 40   | 54208CG-EC    | 175            | 144  | 14 | 53   | 7   | 100 | M8x1.00 | 18   | 20   | 35 | 43   | 25   | 9   | 63.2 | 65.2                 | 22400         | 17900                       | 12500       | 0.80                   | 50002CG              | 50002.APE/CG  |
| <b>CHROME STEEL BEARING WITH ECCENTRIC RING (NOLU-CLEAN)</b> |               |                |      |    |      |     |     |         |      |      |    |      |      |     |      |                      |               |                             |             |                        |                      |               |
| 20   | 54204CGB-EC   | 114            | 90   | 11 | 33.3 | 5   | 64  | M6x0.75 | 15.5 | 10   | 26 | 39.4 | 23.9 | 7   | 47.5 | 49.5                 | 9850          | 6580                        | 7500        | 0.23                   | 50007CG              | 50007.APE/CG  |
| 25   | 54205CGB-EC   | 130            | 99   | 11 | 38.1 | 5   | 70  | M6x0.75 | 17   | 12.5 | 29 | 40.4 | 23.4 | 7.5 | 52.2 | 54.2                 | 10800         | 7800                        | 8000        | 0.33                   | 50011CG              | 50011.APE/CG  |
| 30   | 54206CGB-EC   | 148            | 117  | 11 | 44.5 | 6   | 84  | M6x0.75 | 14.5 | 12.5 | 29 | 42.2 | 27.7 | 8   | 50.7 | 52.7                 | 15000         | 11300                       | 8800        | 0.49                   | 50001CG              | 50001.APE/CG  |
| 35   | 54207CGB-EC   | 163            | 130  | 14 | 55.6 | 6.5 | 90  | M8x1.00 | 18   | 16   | 33 | 48.4 | 30.4 | 8.5 | 63.7 | 65.7                 | 19700         | 15300                       | 9000        | 0.66                   | 50004CG              | 50004.APE/CG  |
| 40   | 54208CGB-EC   | 175            | 144  | 14 | 60.3 | 6.5 | 100 | M8x1.00 | 18   | 20   | 35 | 52.7 | 34.7 | 9   | 63.2 | 65.2                 | 22400         | 17900                       | 12500       | 0.87                   | 50002CG              | 50002.APE/CG  |
| <b>STAINLESS STEEL BEARING WITH GRUB SCREWS (NOLU-CLEAN)</b> |               |                |      |    |      |     |     |         |      |      |    |      |      |     |      |                      |               |                             |             |                        |                      |               |
| 20   | 54204CG/SS-EC | 114            | 90   | 11 | 29   | 5   | 64  | M6x0.75 | 15.5 | 10   | 26 | 34.2 | 18.7 | 7   | 47.5 | 49.5                 | 7300          | 4900                        | 7500        | 0.20                   | 50007CG              | 50007.APE/CG  |
| 25   | 54205CG/SS-EC | 130            | 99   | 11 | 34   | 5.5 | 70  | M6x0.75 | 17   | 12.5 | 29 | 36.7 | 19.5 | 7.5 | 52.2 | 54.2                 | 8100          | 5800                        | 8000        | 0.30                   | 50011CG              | 50011.APE/CG  |
| 30   | 54206CG/SS-EC | 148            | 117  | 11 | 40.3 | 6   | 84  | M6x0.75 | 14.5 | 12.5 | 29 | 36.5 | 22   | 8   | 50.7 | 52.7                 | 11250         | 8400                        | 8800        | 0.45                   | 50001CG              | 50001.APE/CG  |
| 35   | 54207CG/SS-EC | 163            | 130  | 14 | 48   | 6.5 | 90  | M8x1.00 | 18   | 16   | 33 | 41.5 | 23.5 | 8.5 | 63.7 | 65.7                 | 14700         | 11400                       | 9000        | 0.60                   | 50004CG              | 50004.APE/CG  |
| 40   | 54208CG/SS-EC | 175            | 144  | 14 | 53   | 7   | 100 | M8x1.00 | 18   | 20   | 35 | 43   | 25   | 9   | 63.2 | 65.2                 | 16800         | 13400                       | 12500       | 0.80                   | 50002CG              | 50002.APE/CG  |

\* MAX. RADIAL LOAD CAPACITY OF HOUSING: Values indicated in the table above, are obtained at 23°C. Strength of housing indicated on page 115.

# UCFH-R

## WATERPROOF



### TECHNICAL INFORMATION for UCFH-R

- **Resistance to corrosion:**
  - Polyamide version (PA): good resistance to many corrosive chemicals such as water, oils, greases, petrol, milk, wine, alcoholic beverages.
- **High load capacity.**
- **Continuous operating temperature:**
  - All our bearings can be used at temperatures between 0°C and +80°C. For lower or higher temperatures please consult our Engineering Department.
- **Self-alignment:**
  - Max misalignment between shaft and housing: 2.0°.
- **Low maintenance and trouble-free operation.**
- **Easy Cleaning.**
- **Ball bearing pre-lubricated with long-life grease, which is ideal in applications in humid conditions, with water, alkaline or acid solutions.**
- **Concept and design to meet all safety requirements.**
- **Interchangeable with standard cast iron flanged supports.**
- **Application in the food, beverage and pharmaceutical industry.**
- **Completely sealed units.**



## WATERPROOF

### SEE ALSO...

Accessories: [p. 110](#)  
Features, lubrication and maintenance: [p. 112](#)  
Mounting instruction: [p. 113 - 114](#)  
Calculation of load capacity, bearing life: [p. 115 - 116](#)  
Chemical resistance: [p. 120 - 121](#)

### COMPONENTS

- ① Housing in reinforced polyamide (Housing in reinforced polypropylene available on request).
- ② Adjustable chrome steel or stainless steel ball bearing, pre-lubricated. Can be re-lubricated by means of grease-nipple or a quick coupler.
- ③ Ball-type grease-nipple or quick coupler from nickel plated brass (available upon request) to take semi-rigid hoses  $\varnothing$  4 mm in Rilsan (see accessories on [page 110](#)). Version with stainless steel bearing has a stainless steel grease nipple.
- ④ Clip-on safety cap.
- ⑤ Spacers from nickel plated brass to reinforce fixing holes.
- ⑥ Polyethylene washer for grease-nipple.
- ⑧ Rotary shaft seal ring with extra dust-protection lip in NBR rubber.
- ⑨ Heavy duty O-Ring in NBR rubber.

## UCFH-R WATERPROOF

### POLYAMIDE HOUSING

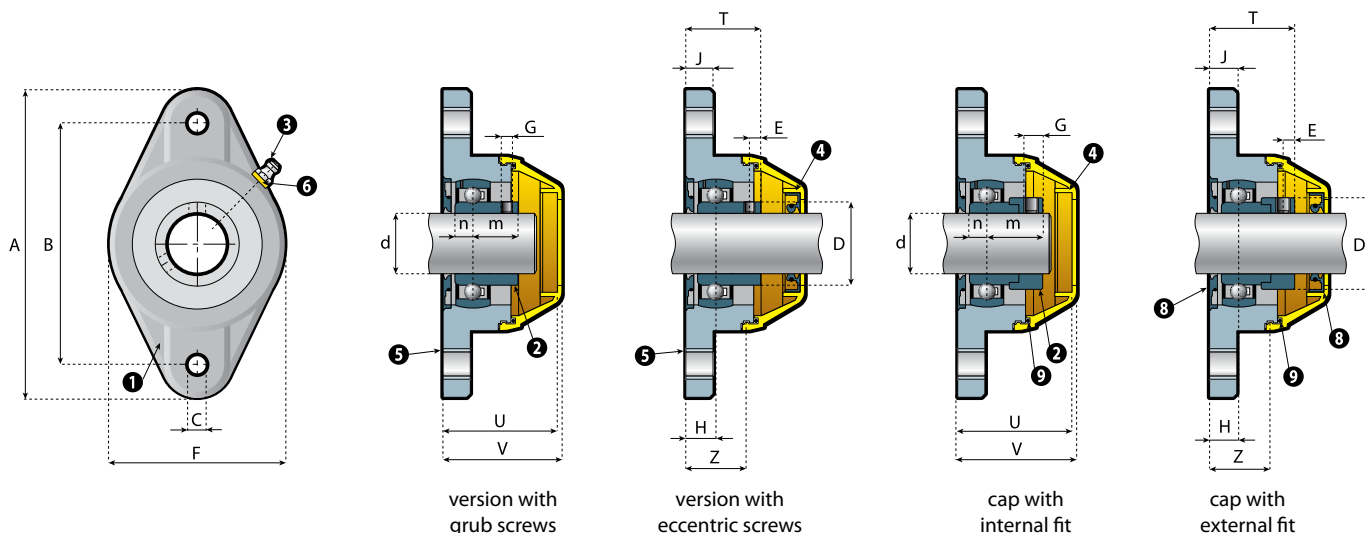


## UCFH-R WATERPROOF

**NOLU-CLEAN** is a new antimicrobial material of improved hygiene. For detailed information refer to [page 7](#).

### NOLU-CLEAN HOUSING





Preferred types, readily available (codes marked in red)

| ø<br>d<br>mm | cap with external fit |      | dimension (mm) |   |   |   |   |   |   |   |   |   |   |   |   |   | bearing load ratings |               | housing load rating max. N* | weight (Kg) |
|--------------|-----------------------|------|----------------|---|---|---|---|---|---|---|---|---|---|---|---|---|----------------------|---------------|-----------------------------|-------------|
|              | closed                | open | A              | B | C | D | E | F | G | H | J | Z | T | m | n | U | V                    | dynamic C (N) |                             |             |

**CHROME STEEL BEARING WITH GRUB SCREWS (POLYAMIDE)**

|    |            |            |     |      |    |      |     |     |         |      |      |    |      |      |     |      |      |       |       |       |      |
|----|------------|------------|-----|------|----|------|-----|-----|---------|------|------|----|------|------|-----|------|------|-------|-------|-------|------|
| 12 | 54201NR-EC | 59201NR-EC | 99  | 76.5 | 11 | 24.6 | 4   | 56  | M5x0.80 | 16.5 | 10   | 26 | 32.5 | 16   | 6   | 46.5 | 48.5 | 7300  | 4760  | 6500  | 0.19 |
| 15 | 54202NR-EC | 59202NR-EC | 99  | 76.5 | 11 | 24.6 | 4   | 56  | M5x0.80 | 16.5 | 10   | 26 | 32.5 | 16   | 6   | 46.5 | 48.5 | 7300  | 4760  | 6500  | 0.19 |
| 16 | 54016NR-EC | 59016NR-EC | 99  | 76.5 | 11 | 24.6 | 4   | 56  | M5x0.80 | 16.5 | 10   | 26 | 32.5 | 16   | 6   | 46.5 | 48.5 | 7300  | 4760  | 6500  | 0.19 |
| 17 | 54203NR-EC | 59203NR-EC | 99  | 76.5 | 11 | 24.6 | 4   | 56  | M5x0.80 | 16.5 | 10   | 26 | 32.5 | 16   | 6   | 46.5 | 48.5 | 7300  | 4760  | 6500  | 0.19 |
| 20 | 54204NR-EC | 59204NR-EC | 114 | 90   | 11 | 29   | 5   | 64  | M6x0.75 | 15.5 | 10   | 26 | 33.5 | 18   | 7   | 47.5 | 49.5 | 9850  | 6580  | 7500  | 0.21 |
| 25 | 54205NR-EC | 59205NR-EC | 130 | 99   | 11 | 34   | 5.5 | 70  | M6x0.75 | 17   | 12.5 | 29 | 36.5 | 19.5 | 7.5 | 52.2 | 54.2 | 10800 | 7800  | 8000  | 0.32 |
| 30 | 54206NR-EC | 59206NR-EC | 148 | 117  | 11 | 40.3 | 6   | 84  | M6x0.75 | 14.5 | 12.5 | 29 | 36.5 | 22   | 8   | 50.7 | 52.7 | 15000 | 11300 | 8800  | 0.45 |
| 35 | 54207NR-EC | 59207NR-EC | 163 | 130  | 14 | 48   | 6.5 | 90  | M8x1.00 | 18   | 16   | 33 | 41.5 | 23.5 | 8.5 | 63.7 | 65.7 | 19700 | 15300 | 9000  | 0.60 |
| 40 | 54208NR-EC | 59208NR-EC | 175 | 144  | 14 | 53   | 7   | 100 | M8x1.00 | 18   | 20   | 35 | 43   | 25   | 9   | 63.2 | 65.2 | 22400 | 17900 | 12500 | 0.80 |

**CHROME STEEL BEARING WITH ECCENTRIC RING (POLYAMIDE)**

|    |             |             |     |      |    |      |     |     |         |      |      |    |      |      |     |      |      |       |       |       |      |
|----|-------------|-------------|-----|------|----|------|-----|-----|---------|------|------|----|------|------|-----|------|------|-------|-------|-------|------|
| 12 | 54201NRB-EC | 59201NRB-EC | 99  | 76.5 | 11 | 28.6 | 5   | 56  | M6x0.75 | 16.5 | 10   | 26 | 39.1 | 22.6 | 6   | 46.5 | 48.5 | 7300  | 4760  | 6500  | 0.24 |
| 15 | 54202NRB-EC | 59202NRB-EC | 99  | 76.5 | 11 | 28.6 | 5   | 56  | M6x0.75 | 16.5 | 10   | 26 | 39.1 | 22.6 | 6   | 46.5 | 48.5 | 7300  | 4760  | 6500  | 0.24 |
| 16 | 54016NRB-EC | 59016NRB-EC | 99  | 76.5 | 11 | 28.6 | 5   | 56  | M6x0.75 | 16.5 | 10   | 26 | 39.1 | 22.6 | 6   | 46.5 | 48.5 | 7300  | 4760  | 6500  | 0.24 |
| 17 | 54203NRB-EC | 59203NRB-EC | 99  | 76.5 | 11 | 28.6 | 5   | 56  | M6x0.75 | 16.5 | 10   | 26 | 39.1 | 22.6 | 6   | 46.5 | 48.5 | 7300  | 4760  | 6500  | 0.24 |
| 20 | 54204NRB-EC | 59204NRB-EC | 114 | 90   | 11 | 33.3 | 5   | 64  | M6x0.75 | 15.5 | 10   | 26 | 39.4 | 23.9 | 7   | 47.5 | 49.5 | 9850  | 6580  | 7500  | 0.28 |
| 25 | 54205NRB-EC | 59205NRB-EC | 130 | 99   | 11 | 38.1 | 5   | 70  | M6x0.75 | 17   | 12.5 | 29 | 40.4 | 23.4 | 7.5 | 52.2 | 54.2 | 10800 | 7800  | 8000  | 0.37 |
| 30 | 54206NRB-EC | 59206NRB-EC | 148 | 117  | 11 | 44.5 | 6   | 84  | M6x0.75 | 14.5 | 12.5 | 29 | 42.2 | 27.7 | 8   | 50.7 | 52.7 | 15000 | 11300 | 8800  | 0.50 |
| 35 | 54207NRB-EC | 59207NRB-EC | 163 | 130  | 14 | 55.6 | 6.5 | 90  | M8x1.00 | 18   | 16   | 33 | 48.4 | 30.4 | 8.5 | 63.7 | 65.7 | 19700 | 15300 | 9000  | 0.68 |
| 40 | 54208NRB-EC | 59208NRB-EC | 175 | 144  | 14 | 60.3 | 6.5 | 100 | M8x1.00 | 18   | 20   | 35 | 52.7 | 34.7 | 9   | 63.2 | 65.2 | 22400 | 17900 | 12500 | 0.80 |

| ø<br>d<br>mm | cap with external fit |      | dimension (mm) |   |   |   |   |   |   |   |   |   |   |   |   |   | bearing load ratings |               | housing load rating max. N* | weight (Kg) |
|--------------|-----------------------|------|----------------|---|---|---|---|---|---|---|---|---|---|---|---|---|----------------------|---------------|-----------------------------|-------------|
|              | closed                | open | A              | B | C | D | E | F | G | H | J | Z | T | m | n | U | V                    | dynamic C (N) |                             |             |

**CHROME STEEL BEARING WITH GRUB SCREWS (NOLU-CLEAN)**

|    |             |             |     |     |    |      |     |     |         |      |      |    |      |      |     |      |      |       |       |       |      |
|----|-------------|-------------|-----|-----|----|------|-----|-----|---------|------|------|----|------|------|-----|------|------|-------|-------|-------|------|
| 20 | 54204CGR-EC | 59204CGR-EC | 114 | 90  | 11 | 29   | 5   | 64  | M6x0.75 | 15.5 | 10   | 26 | 33.5 | 18   | 7   | 47.5 | 49.5 | 9850  | 6580  | 7500  | 0.21 |
| 25 | 54205CGR-EC | 59205CGR-EC | 130 | 99  | 11 | 34   | 5.5 | 70  | M6x0.75 | 17   | 12.5 | 29 | 36.5 | 19.5 | 7.5 | 52.2 | 54.2 | 10800 | 7800  | 8000  | 0.32 |
| 30 | 54206CGR-EC | 59206CGR-EC | 148 | 117 | 11 | 40.3 | 6   | 84  | M6x0.75 | 14.5 | 12.5 | 29 | 36.5 | 22   | 8   | 50.7 | 52.7 | 15000 | 11300 | 8800  | 0.45 |
| 35 | 54207CGR-EC | 59207CGR-EC | 163 | 130 | 14 | 48   | 6.5 | 90  | M8x1.00 | 18   | 16   | 33 | 41.5 | 23.5 | 8.5 | 63.7 | 65.7 | 19700 | 15300 | 9000  | 0.60 |
| 40 | 54208CGR-EC | 59208CGR-EC | 175 | 144 | 14 | 53   | 7   | 100 | M8x1.00 | 18   | 20   | 35 | 43   | 25   | 9   | 63.2 | 65.2 | 22400 | 17900 | 12500 | 0.80 |

**CHROME STEEL BEARING WITH ECCENTRIC RING (NOLU-CLEAN)**

|    |              |              |     |     |    |      |     |     |         |      |      |    |      |      |     |      |      |       |       |       |      |
|----|--------------|--------------|-----|-----|----|------|-----|-----|---------|------|------|----|------|------|-----|------|------|-------|-------|-------|------|
| 20 | 54204CGRB-EC | 59204CGRB-EC | 114 | 90  | 11 | 33.3 | 5   | 64  | M6x0.75 | 15.5 | 10   | 26 | 39.4 | 23.9 | 7   | 47.5 | 49.5 | 9850  | 6580  | 7500  | 0.28 |
| 25 | 54205CGRB-EC | 59205CGRB-EC | 130 | 99  | 11 | 38.1 | 5   | 70  | M6x0.75 | 17   | 12.5 | 29 | 40.4 | 23.4 | 7.5 | 52.2 | 54.2 | 10800 | 7800  | 8000  | 0.37 |
| 30 | 54206CGRB-EC | 59206CGRB-EC | 148 | 117 | 11 | 44.5 | 6   | 84  | M6x0.75 | 14.5 | 12.5 | 29 | 42.2 | 27.7 | 8   | 50.7 | 52.7 | 15000 | 11300 | 8800  | 0.50 |
| 35 | 54207CGRB-EC | 59207CGRB-EC | 163 | 130 | 14 | 55.6 | 6.5 | 90  | M8x1.00 | 18   | 16   | 33 | 48.4 | 30.4 | 8.5 | 63.7 | 65.7 | 19700 | 15300 | 9000  | 0.68 |
| 40 | 54208CGRB-EC | 59208CGRB-EC | 175 | 144 | 14 | 60.3 | 6.5 | 100 | M8x1.00 | 18   | 20   | 35 | 52.7 | 34.7 | 9   | 63.2 | 65.2 | 22400 | 17900 | 12500 | 0.80 |

\* MAX. RADIAL LOAD CAPACITY OF HOUSING: Values indicated in the table above, are obtained at 23°C. Strength of housing indicated on page 115.

# UCFH-RL

## MAINTENANCE FREE

## WATERPROOF



### TECHNICAL INFORMATION for UCFH-RL

- **Resistance to corrosion:**
  - Polyamide version (PA): good resistance to many corrosive chemicals such as water, oils, greases, petrol, milk, wine, alcoholic beverages.
- **High load capacity.**
- **Continuous operating temperature:**
  - All our bearings can be used at temperatures between 0°C and +80°C. For lower or higher temperatures please consult our Engineering Department.
- **Self-alignment:**
  - Max misalignment between shaft and housing: 2.0°.
- **Low maintenance and trouble-free operation.**
- **Easy Cleaning.**
- **Ball bearing pre-lubricated with long-life grease, which is ideal in applications in humid conditions, with water, alkaline or acid solutions.**
- **Concept and design to meet all safety requirements.**
- **Interchangeable with standard cast iron flanged supports.**
- **Application in the food, beverage and pharmaceutical industry.**
- **Completely sealed units.**

### COMPONENTS

- ① Housing in reinforced polyamide (Housing in reinforced polypropylene available on request).
- ② Adjustable chrome steel or stainless steel ball bearing, pre-lubricated.  
Can be re-lubricated by means of grease-nipple or a quick coupler.
- ④ Clip-on safety cap.
- ⑤ Spacers from nickel plated brass to reinforce fixing holes.
- ⑧ Rotary shaft seal ring with extra dust-protection lip in NBR rubber.
- ⑨ Heavy duty O-Ring in NBR rubber.

## UCFH-RL

### MAINTENANCE FREE - WATERPROOF

#### POLYAMIDE HOUSING



## UCFH-RL

### MAINTENANCE FREE - WATERPROOF

**NOLU-CLEAN** is a new antimicrobial material of improved hygiene.

For detailed information refer to [page 7](#).

#### NOLU-CLEAN HOUSING



**WATERPROOF**



**MAINTENANCE  
FREE**

SEE ALSO...

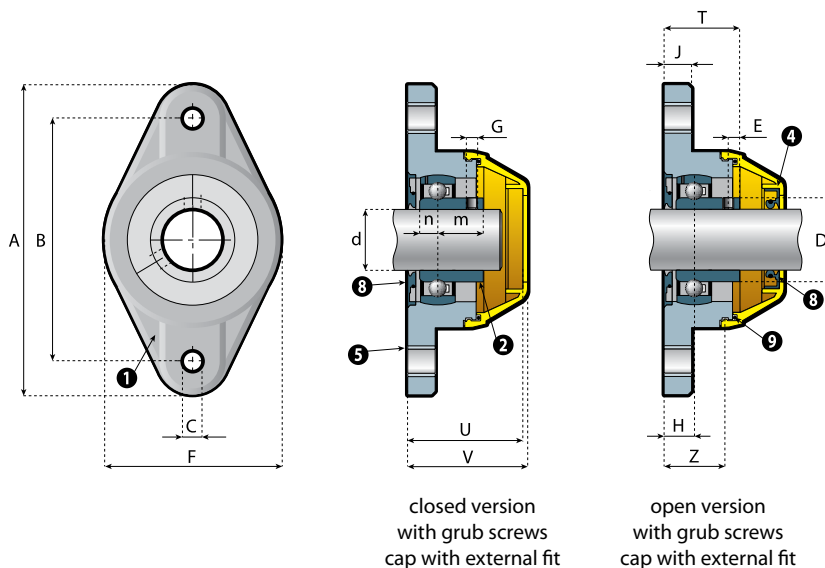
Accessories: [p. 110](#)

Features, lubrication and maintenance: [p. 112](#)

Mounting instruction: [p. 113 - 114](#)

Calculation of load capacity, bearing life: [p. 115 - 116](#)

Chemical resistance: [p. 120 - 121](#)



closed version  
with grub screws  
cap with external fit

open version  
with grub screws  
cap with external fit

Preferred types, readily available (codes marked in red)

| Ø<br>d<br>mm   | cap with external fit |             | dimension (mm) |     |    |      |     |     |         |      |      |    |      |      |     |      | bearing load ratings |                  | housing<br>load<br>rating<br>max. N* | weight<br>(Kg) |                  |
|--|-----------------------|-------------|----------------|-----|----|------|-----|-----|---------|------|------|----|------|------|-----|------|----------------------|------------------|--------------------------------------|----------------|------------------|
|  | closed                | open        | A              | B   | C  | D    | E   | F   | G       | H    | J    | Z  | T    | m    | n   | U    | V                    | dynamic<br>C (N) |                                      |                | static<br>Co (N) |
| <b>CHROME STEEL BEARING WITH GRUB SCREWS (POLYAMIDE)</b> |                       |             |                |     |    |      |     |     |         |      |      |    |      |      |     |      |                      |                  |                                      |                |                  |
| 20   | <b>54204NRL-EC</b>    | 59204NRL-EC | 114            | 90  | 11 | 29   | 5   | 64  | M6x0.75 | 15.5 | 10   | 26 | 34.2 | 18.7 | 7   | 47.5 | 49.5                 | 9850             | 6580                                 | 7500           | 0.20             |
| 25   | <b>54205NRL-EC</b>    | 59205NRL-EC | 130            | 99  | 11 | 34   | 5.5 | 70  | M6x0.75 | 17   | 12.5 | 29 | 36.7 | 19.5 | 7.5 | 52.2 | 54.2                 | 10800            | 7800                                 | 8000           | 0.30             |
| 30   | <b>54206NRL-EC</b>    | 59206NRL-EC | 148            | 117 | 11 | 40.3 | 6   | 84  | M6x0.75 | 14.5 | 12.5 | 29 | 36.5 | 22   | 8   | 50.7 | 52.7                 | 15000            | 11300                                | 8800           | 0.45             |
| 35   | <b>54207NRL-EC</b>    | 59207NRL-EC | 163            | 130 | 14 | 48   | 6.5 | 90  | M8x1.00 | 18   | 16   | 33 | 41.5 | 23.5 | 8.5 | 63.7 | 65.7                 | 19700            | 15300                                | 9000           | 0.60             |
| 40   | <b>54208NRL-EC</b>    | 59208NRL-EC | 175            | 144 | 14 | 53   | 7   | 100 | M8x1.00 | 18   | 20   | 35 | 43   | 25   | 9   | 63.2 | 65.2                 | 22400            | 17900                                | 12500          | 0.80             |

\* **MAX. RADIAL LOAD CAPACITY OF HOUSING:** Values indicated in the table above, are obtained at 23°C. Strength of housing indicated on [page 115](#).

Preferred types, readily available (codes marked in red)

| Ø<br>d<br>mm   | cap with external fit |              | dimension (mm) |     |    |      |     |     |         |      |      |    |      |      |     |      | bearing load ratings |                  | housing<br>load<br>rating<br>max. N* | weight<br>(Kg) |                  |
|--|-----------------------|--------------|----------------|-----|----|------|-----|-----|---------|------|------|----|------|------|-----|------|----------------------|------------------|--------------------------------------|----------------|------------------|
|  | closed                | open         | A              | B   | C  | D    | E   | F   | G       | H    | J    | Z  | T    | m    | n   | U    | V                    | dynamic<br>C (N) |                                      |                | static<br>Co (N) |
| <b>CHROME STEEL BEARING WITH GRUB SCREWS (POLYAMIDE)</b> |                       |              |                |     |    |      |     |     |         |      |      |    |      |      |     |      |                      |                  |                                      |                |                  |
| 20   | <b>54204CGRL-EC</b>   | 59204CGRL-EC | 114            | 90  | 11 | 29   | 5   | 64  | M6x0.75 | 15.5 | 10   | 26 | 34.2 | 18.7 | 7   | 47.5 | 49.5                 | 9850             | 6580                                 | 7500           | 0.20             |
| 25   | <b>54205CGRL-EC</b>   | 59205CGRL-EC | 130            | 99  | 11 | 34   | 5.5 | 70  | M6x0.75 | 17   | 12.5 | 29 | 36.7 | 19.5 | 7.5 | 52.2 | 54.2                 | 10800            | 7800                                 | 8000           | 0.30             |
| 30   | <b>54206CGRL-EC</b>   | 59206CGRL-EC | 148            | 117 | 11 | 40.3 | 6   | 84  | M6x0.75 | 14.5 | 12.5 | 29 | 36.5 | 22   | 8   | 50.7 | 52.7                 | 15000            | 11300                                | 8800           | 0.45             |
| 35   | <b>54207CGRL-EC</b>   | 59207CGRL-EC | 163            | 130 | 14 | 48   | 6.5 | 90  | M8x1.00 | 18   | 16   | 33 | 41.5 | 23.5 | 8.5 | 63.7 | 65.7                 | 19700            | 15300                                | 9000           | 0.60             |
| 40   | <b>54208CGRL-EC</b>   | 59208CGRL-EC | 175            | 144 | 14 | 53   | 7   | 100 | M8x1.00 | 18   | 20   | 35 | 43   | 25   | 9   | 63.2 | 65.2                 | 22400            | 17900                                | 12500          | 0.80             |

\* **MAX. RADIAL LOAD CAPACITY OF HOUSING:** Values indicated in the table above, are obtained at 23°C. Strength of housing indicated on [page 115](#).

## STANDARD



## TECHNICAL INFORMATION for CL

- **Total protection with stainless steel polished surface.**
- **Solid cross-section base housing.**
- **No core cavities to trap contaminants.**
- **Resistance to corrosion:**
  - Good resistance to highly corrosive chemicals such as acid, organic liquids, detergents.
- **High load capacity.**
- **Continuous operating temperature:**
  - From -20° to +80°C. This version maintains good dimensional stability at the maximum indicated temperature.
- **Economical operation:**
  - Long life bearing insert.
- **Self-alignment:**
  - Max misalignment between shaft and housing: 2.5°.
- **Concept and design to meet all safety requirements.**
- **Interchangeable with standard cast iron flanged supports.**
- **Ball bearing pre-lubricated with long-life grease, which is ideal in applications in humid conditions, with water, alkaline or acid solutions.**

## COMPONENTS

- ❶ Housing in reinforced polyamide (Housing in reinforced polypropylene available on request).
- ❷ Adjustable chrome steel or stainless steel ball bearing, pre-lubricated. Can be re-lubricated by means of grease-nipple or a quick coupler.
- ❸ Ball-type grease-nipple or quick coupler from nickel plated brass (available upon request) to take semi-rigid hoses ø 4 mm in Rilsan (see accessories on [page 110](#)). Version with stainless steel bearing has a stainless steel grease nipple.
- ❹ Clip-on safety cap (accessory).
- ❺ Spacers from nickel plated brass to reinforce fixing holes.
- ❻ Polyethylene washer for grease-nipple.
- ❽ External housing in stainless steel AISI 304-DIN 1.4301.

CL  
STANDARD

## POLYAMIDE HOUSING



accessory

## COLOUR

- Safety cap in yellow.
- Internal housing in black.
- For sufficient quantities parts can be produced in different colours.

## SEE ALSO...

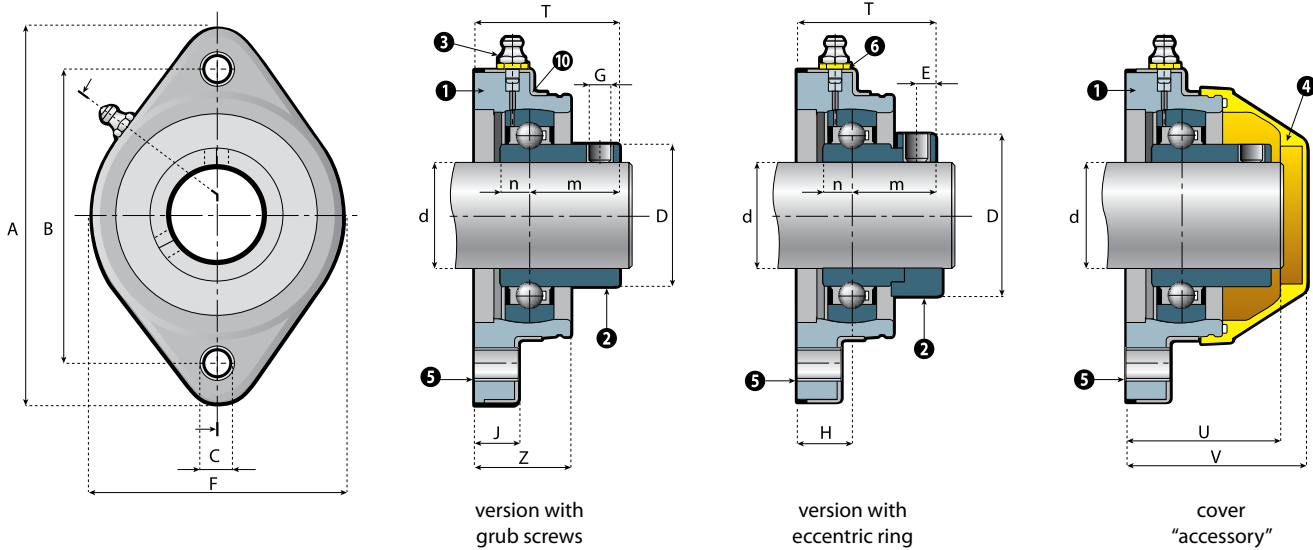
Accessories: [p. 110](#)

Features, lubrication and maintenance: [p. 112](#)

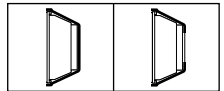
Mounting instruction: [p. 113 - 114](#)

Calculation of load capacity, bearing life: [p. 115 - 116](#)

Chemical resistance: [p. 120 - 121](#)



Accessories



Preferred types, readily available (codes marked in red)

| Ø<br>d<br>mm  | code<br>version | dimension (mm) |     |    |      |     |    |         |       |      |      |       |      |     |    | bearing load ratings |                  | housing<br>load<br>rating<br>max. N* | weight<br>(Kg) | closed<br>safety<br>cap<br>code | open<br>safety<br>cap<br>code |                  |
|---|-----------------|----------------|-----|----|------|-----|----|---------|-------|------|------|-------|------|-----|----|----------------------|------------------|--------------------------------------|----------------|---------------------------------|-------------------------------|------------------|
|   |                 | A              | B   | C  | D    | E   | F  | G       | H     | J    | Z    | T     | m    | n   | U  | V                    | dynamic<br>C (N) |                                      |                |                                 |                               | static<br>Co (N) |
| <b>CHROME STEEL BEARING WITH GRUB SCREWS (POLYAMIDE)</b>    |                 |                |     |    |      |     |    |         |       |      |      |       |      |     |    |                      |                  |                                      |                |                                 |                               |                  |
| 30  | <b>50206CL</b>  | 147            | 117 | 11 | 40.3 | 6   | 99 | M6x0.75 | 21    | 16.5 | 35.5 | 43    | 22   | 8   | 55 | 66                   | 15000            | 11300                                | 13000          | 0.75                            | 50002                         | 50002.APE        |
| 35  | 50207CL         | 147            | 117 | 11 | 48   | 6.5 | 99 | M8x1.00 | 19    | 16.5 | 35.5 | 42.5  | 23.5 | 8.5 | 55 | 66                   | 19700            | 15300                                | 12800          | 0.80                            | 50002                         | 50002.APE        |
| 40  | <b>50208CL</b>  | 147            | 117 | 11 | 53   | 7   | 99 | M8x1.00 | 18.25 | 16.5 | 35.5 | 43.25 | 25   | 9   | 55 | 66                   | 22400            | 17900                                | 12500          | 0.90                            | 50002                         | 50002.APE        |
| <b>CHROME STEEL BEARING WITH ECCENTRIC RING (POLYAMIDE)</b> |                 |                |     |    |      |     |    |         |       |      |      |       |      |     |    |                      |                  |                                      |                |                                 |                               |                  |
| 30  | <b>50206CLB</b> | 147            | 117 | 11 | 44.5 | 6   | 99 | M6x0.75 | 21    | 16.5 | 35.5 | 48.7  | 27.7 | 8   | 55 | 66                   | 15000            | 11300                                | 13000          | 0.85                            | 50002                         | 50002.APE        |
| 35  | 50207CLB        | 147            | 117 | 11 | 55.6 | 6.5 | 99 | M8x1.00 | 19    | 16.5 | 35.5 | 49.4  | 30.4 | 8.5 | 55 | 66                   | 19700            | 15300                                | 12800          | 0.95                            | 50002                         | 50002.APE        |
| 40  | <b>50208CLB</b> | 147            | 117 | 11 | 60.3 | 6.5 | 99 | M8x1.00 | 18.25 | 16.5 | 35.5 | 52.95 | 34.7 | 9   | 55 | 66                   | 22400            | 17900                                | 12500          | 1.00                            | 50002                         | 50002.APE        |

\* **MAX. RADIAL LOAD CAPACITY OF HOUSING:** Values indicated in the table above, are obtained at 23°C. Strength of housing indicated on [page 115](#).



## WATERPROOF



## TECHNICAL INFORMATION for CL-R

- **Total protection with stainless steel polished surface.**
- **Solid cross-section base housing.**
- **No core cavities to trap contaminants.**
- **Resistance to corrosion:**
  - Good resistance to highly corrosive chemicals such as acid, organic liquids, detergents.
- **High load capacity.**
- **Continuous operating temperature:**
  - From -20° to +80°C. This version maintains good dimensional stability at the maximum indicated temperature.
- **Economical operation:**
  - Long life bearing insert.
- **Self-alignment:**
  - Max misalignment between shaft and housing: 2.5°.
- **Concept and design to meet all safety requirements.**
- **Interchangeable with standard cast iron flanged supports.**
- **Completely Sealed units.**
- **Ball bearing pre-lubricated with long-life grease, which is ideal in applications in humid conditions, with water, alkaline or acid solutions.**



WATERPROOF

## SEE ALSO...

Accessories: [p. 110](#)Features, lubrication and maintenance: [p. 112](#)Mounting instruction: [p. 113 - 114](#)Calculation of load capacity, bearing life: [p. 115 - 116](#)Chemical resistance: [p. 120 - 121](#)

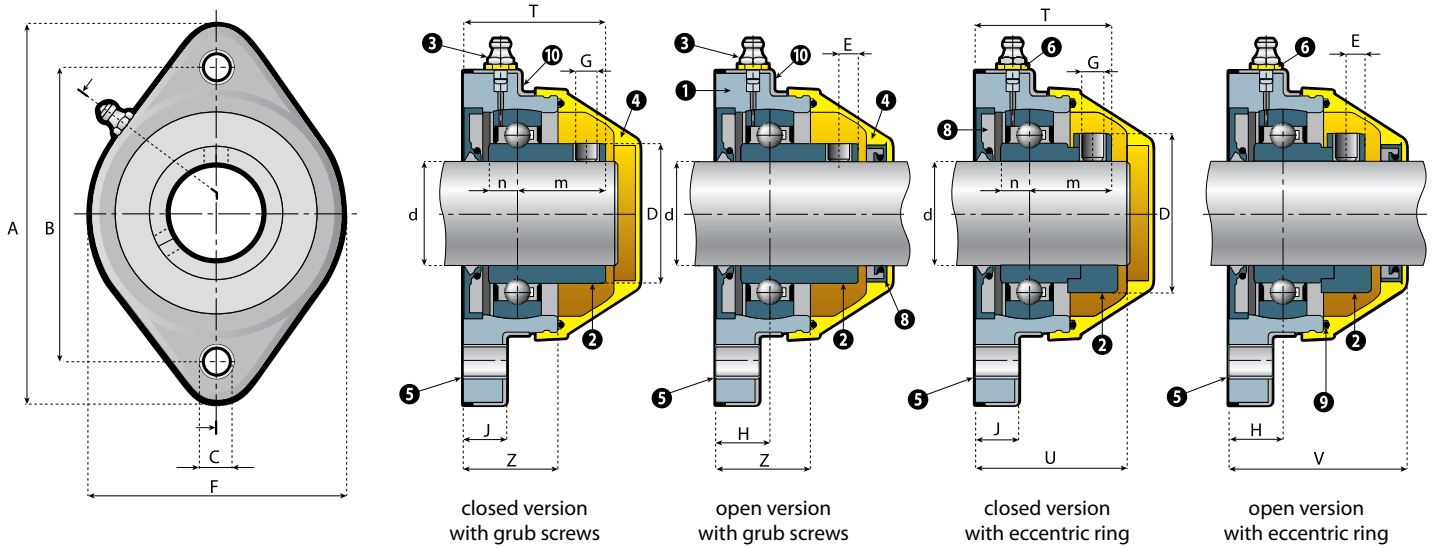
## COMPONENTS

- ❶ Housing in reinforced polyamide (Housing in reinforced polypropylene available on request).
- ❷ Adjustable chrome steel or stainless steel ball bearing, pre-lubricated. Can be re-lubricated by means of grease-nipple or a quick coupler.
- ❸ Ball-type grease-nipple or quick coupler from nickel plated brass (available upon request) to take semi-rigid hoses  $\varnothing$  4 mm in Rilsan (see accessories on [page 110](#)). Version with stainless steel bearing has a stainless steel grease nipple.
- ❹ Clip-on safety cap.
- ❺ Spacers from nickel plated brass to reinforce fixing holes.
- ❻ Polyethylene washer for grease-nipple.
- ❼ Rotary shaft seal ring with extra dust-protection lip in NBR rubber.
- ❽ Heavy duty O-Ring in NBR rubber.
- ❾ External housing in stainless steel AISI 304-DIN 1.4301.

CL-R  
WATERPROOF

## POLYAMIDE HOUSING





Preferred types, readily available (codes marked in red)

| ∅<br>d<br>mm | code version |      | dimension (mm) |   |   |   |   |   |   |   |   |   |   |   |   |   | bearing load ratings |               | housing load rating max. N* | weight (Kg) |
|--------------|--------------|------|----------------|---|---|---|---|---|---|---|---|---|---|---|---|---|----------------------|---------------|-----------------------------|-------------|
|              | closed       | open | A              | B | C | D | E | F | G | H | J | Z | T | m | n | U | V                    | dynamic C (N) |                             |             |

**CHROME STEEL BEARING WITH GRUB SCREWS (POLYAMIDE)**

|    |          |          |     |     |    |      |     |    |         |       |      |      |       |      |     |    |    |       |       |       |      |
|----|----------|----------|-----|-----|----|------|-----|----|---------|-------|------|------|-------|------|-----|----|----|-------|-------|-------|------|
| 30 | 50206CLR | 55206CLR | 147 | 117 | 11 | 40.3 | 6   | 99 | M6x0.75 | 21    | 16.5 | 35.5 | 43    | 22   | 8   | 55 | 66 | 15000 | 11300 | 13000 | 0.75 |
| 35 | 50207CLR | 55207CLR | 147 | 117 | 11 | 48   | 6.5 | 99 | M8x1.00 | 19    | 16.5 | 35.5 | 42.5  | 23.5 | 8.5 | 55 | 66 | 19700 | 15300 | 12800 | 0.80 |
| 40 | 50208CLR | 55208CLR | 147 | 117 | 11 | 53   | 7   | 99 | M8x1.00 | 18.25 | 16.5 | 35.5 | 43.25 | 25   | 9   | 55 | 66 | 22400 | 17900 | 12500 | 0.90 |

**CHROME STEEL BEARING WITH ECCENTRIC RING (POLYAMIDE)**

|    |           |           |     |     |    |      |     |    |         |       |      |      |       |      |     |    |    |       |       |       |      |
|----|-----------|-----------|-----|-----|----|------|-----|----|---------|-------|------|------|-------|------|-----|----|----|-------|-------|-------|------|
| 30 | 50206CLBR | 55206CLBR | 147 | 117 | 11 | 44.5 | 6   | 99 | M6x0.75 | 21    | 16.5 | 35.5 | 48.7  | 27.7 | 8   | 55 | 66 | 15000 | 11300 | 13000 | 0.85 |
| 35 | 50207CLBR | 55207CLBR | 147 | 117 | 11 | 55.6 | 6.5 | 99 | M8x1.00 | 19    | 16.5 | 35.5 | 49.4  | 30.4 | 8.5 | 55 | 66 | 19700 | 15300 | 12800 | 0.95 |
| 40 | 50208CLBR | 55208CLBR | 147 | 117 | 11 | 60.3 | 6.5 | 99 | M8x1.00 | 18.25 | 16.5 | 35.5 | 52.95 | 34.7 | 9   | 55 | 66 | 22400 | 17900 | 12500 | 1.00 |

**STAINLESS STEEL BEARING WITH GRUB SCREWS (POLYAMIDE)**

|    |           |           |     |     |    |      |     |    |         |       |      |      |       |      |     |    |    |       |       |       |      |
|----|-----------|-----------|-----|-----|----|------|-----|----|---------|-------|------|------|-------|------|-----|----|----|-------|-------|-------|------|
| 30 | 50206CLRS | 55206CLRS | 147 | 117 | 11 | 40.3 | 6   | 99 | M6x0.75 | 21    | 16.5 | 35.5 | 43    | 22   | 8   | 55 | 66 | 11250 | 8400  | 13000 | 0.75 |
| 35 | 50207CLRS | 55207CLRS | 147 | 117 | 11 | 48   | 6.5 | 99 | M8x1.00 | 19    | 16.5 | 35.5 | 42.5  | 23.5 | 8.5 | 55 | 66 | 14700 | 11400 | 12800 | 0.80 |
| 40 | 50208CLRS | 55208CLRS | 147 | 117 | 11 | 53   | 7   | 99 | M8x1.00 | 18.25 | 16.5 | 35.5 | 43.25 | 25   | 9   | 55 | 66 | 16800 | 13400 | 12500 | 0.90 |

\* **MAX. RADIAL LOAD CAPACITY OF HOUSING:** Values indicated in the table above, are obtained at 23°C. Strength of housing indicated on [page 115](#).

## MAINTENANCE FREE

## WATERPROOF



### TECHNICAL INFORMATION for CL-RL

- **Total protection with stainless steel polished surface.**
- **Solid cross-section base housing.**
- **No core cavities to trap contaminants.**
- **Resistance to corrosion:**
  - Good resistance to highly corrosive chemicals such as acid, organic liquids, detergents.
- **High load capacity.**
- **Continuous operating temperature:**
  - From -20° to +80°C. This version maintains good dimensional stability at the maximum indicated temperature.
- **Economical operation:**
  - Long life bearing insert.
- **Self-alignment:**
  - Max misalignment between shaft and housing: 2.5°.
- **Concept and design to meet all safety requirements.**
- **Interchangeable with standard cast iron flanged supports.**
- **Completely Sealed units.**
- **Ball bearing pre-lubricated with long-life grease, which is ideal in applications in humid conditions, with water, alkaline or acid solutions.**

### COMPONENTS

- ① Housing in reinforced polyamide (Housing in reinforced polypropylene available on request).
- ② Adjustable chrome steel or stainless steel ball bearing, pre-lubricated. Can be re-lubricated by means of grease-nipple or a quick coupler.
- ④ Clip-on safety cap.
- ⑤ Spacers from nickel plated brass to reinforce fixing holes.
- ⑧ Rotary shaft seal ring with extra dust-protection lip in NBR rubber.
- ⑨ Heavy duty O-Ring in NBR rubber.
- ⑩ External housing in stainless steel AISI 304-DIN 1.4301.
- ⑫ Plastic plug.

## CL-RL

### MAINTENANCE FREE - WATERPROOF

#### POLYAMIDE HOUSING



**WATERPROOF**



**MAINTENANCE  
FREE**

SEE ALSO...

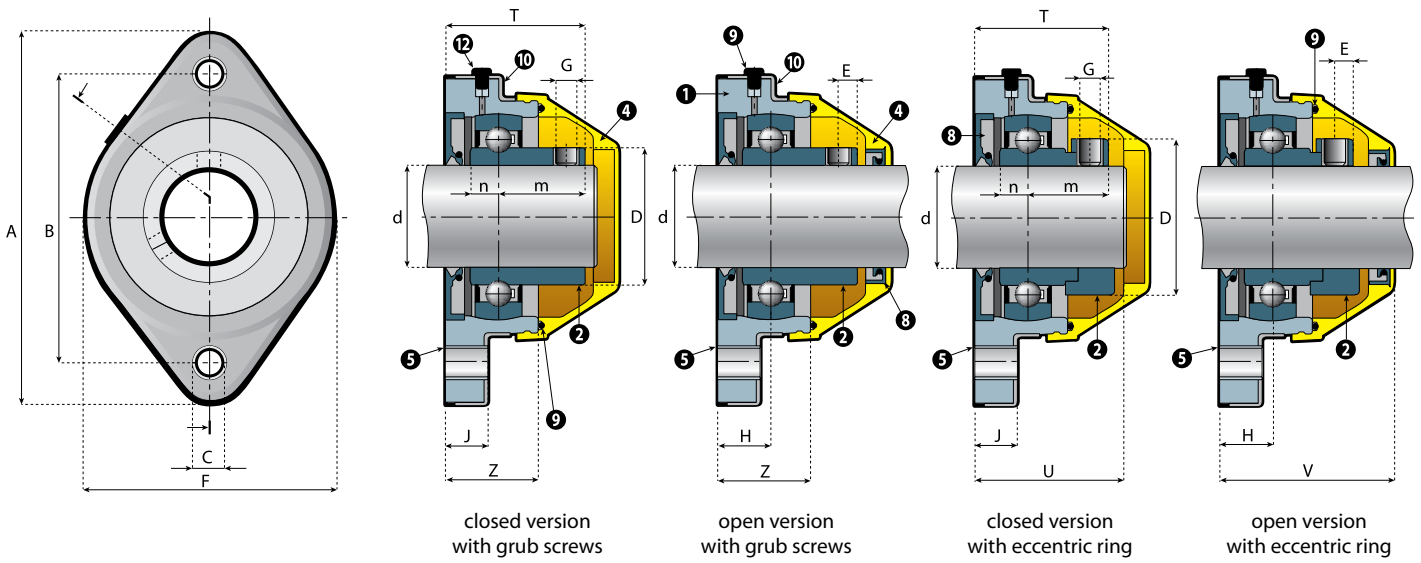
Accessories: [p. 110](#)

Features, lubrication and maintenance: [p. 112](#)

Mounting instruction: [p. 113 - 114](#)

Calculation of load capacity, bearing life: [p. 115 - 116](#)

Chemical resistance: [p. 120 - 121](#)



Preferred types, readily available (codes marked in red)

| ø<br>d<br>mm  | code version |            | dimension (mm) |     |    |      |     |    |         |       |      |      |       |      |     |    | bearing load ratings |               | housing load rating max. N* | weight (Kg) |               |
|---|--------------|------------|----------------|-----|----|------|-----|----|---------|-------|------|------|-------|------|-----|----|----------------------|---------------|-----------------------------|-------------|---------------|
|   | closed       | open       | A              | B   | C  | D    | E   | F  | G       | H     | J    | Z    | T     | m    | n   | U  | V                    | dynamic C (N) |                             |             | static Co (N) |
| <b>CHROME STEEL BEARING WITH GRUB SCREWS (POLYAMIDE)</b>    |              |            |                |     |    |      |     |    |         |       |      |      |       |      |     |    |                      |               |                             |             |               |
| 30  | 50206CLRL    | 55206CLRL  | 147            | 117 | 11 | 40.3 | 6   | 99 | M6x0.75 | 21    | 16.5 | 35.5 | 43    | 22   | 8   | 55 | 66                   | 15000         | 11300                       | 13000       | 0.75          |
| 35  | 50207CLRL    | 55207CLRL  | 147            | 117 | 11 | 48   | 6.5 | 99 | M8x1.00 | 19    | 16.5 | 35.5 | 42.5  | 23.5 | 8.5 | 55 | 66                   | 19700         | 15300                       | 12800       | 0.80          |
| 40  | 50208CLRL    | 55208CLRL  | 147            | 117 | 11 | 53   | 7   | 99 | M8x1.00 | 18.25 | 16.5 | 35.5 | 43.25 | 25   | 9   | 55 | 66                   | 22400         | 17900                       | 12500       | 0.90          |
| <b>CHROME STEEL BEARING WITH ECCENTRIC RING (POLYAMIDE)</b> |              |            |                |     |    |      |     |    |         |       |      |      |       |      |     |    |                      |               |                             |             |               |
| 40  | 50208CLBRL   | 55208CLBRL | 147            | 117 | 11 | 60.3 | 6.5 | 99 | M8x1.00 | 18.25 | 16.5 | 35.5 | 52.95 | 34.7 | 9   | 55 | 66                   | 22400         | 17900                       | 12500       | 1.00          |

\* **MAX. RADIAL LOAD CAPACITY OF HOUSING:** Values indicated in the table above, are obtained at 23°C. Strength of housing indicated on [page 115](#).

## STANDARD



## TECHNICAL INFORMATION for UCFT

- **Resistance to corrosion:**
  - Polyamide version (PA): good resistance to many corrosive chemicals such as water, oils, greases, petrol, milk, wine, alcoholic beverages.
- **High load capacity.**
- **Continuous operating temperature:**
  - All our bearings can be used at temperatures between 0°C and +80°C. For lower or higher temperatures please consult our Engineering Department.
- **Self-alignment:**
  - Max misalignment between shaft and housing: 2.5°.
- **Low maintenance and trouble-free operation.**
- **Easy Cleaning.**
- **Ball bearing pre-lubricated with long-life grease, which is ideal in applications in humid conditions, with water, alkaline or acid solutions.**
- **Concept and design to meet all safety requirements.**
- **Interchangeable with standard cast iron flanged supports.**
- **Application in the food, beverage and pharmaceutical industry.**

## COMPONENTS

- ❶ Housing in reinforced polyamide (Housing in reinforced polypropylene available on request).
- ❷ Adjustable chrome steel or stainless steel ball bearing, pre-lubricated. Can be re-lubricated by means of grease-nipple or a quick coupler.
- ❸ Ball-type grease-nipple or quick coupler from nickel plated brass (available upon request) to take semi-rigid hoses ø 4 mm in Rilsan (see accessories on [page 110](#)). Version with stainless steel bearing has a stainless steel grease nipple.
- ❹ Clip-on safety cap (accessory).
- ❺ Washer UNI 6592, stainless steel AISI 304-DIN 1.4301.

UCFT  
STANDARD

## POLYAMIDE HOUSING



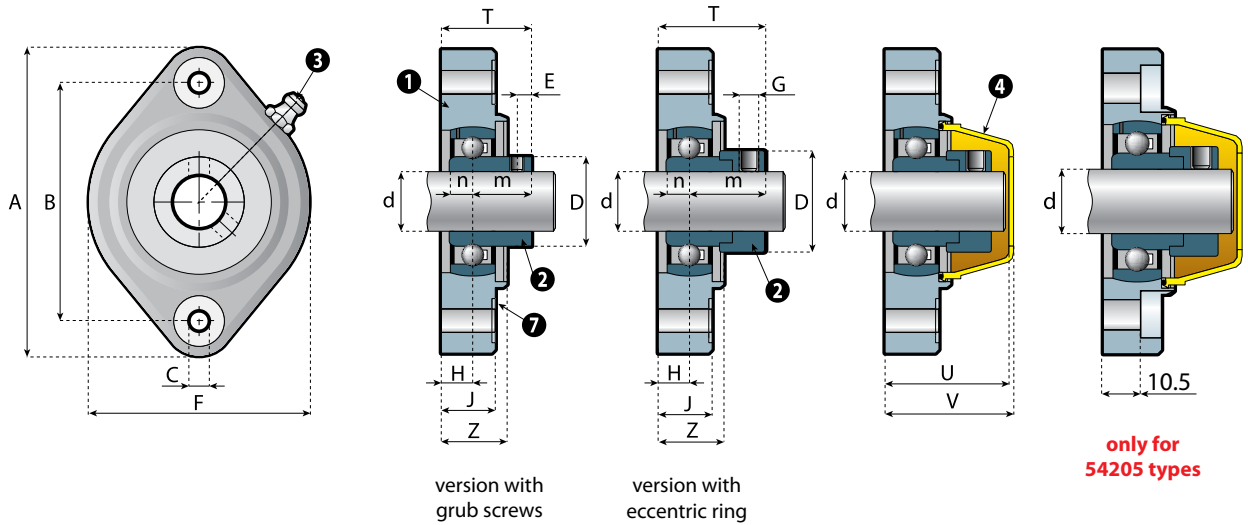
accessory

## COLOUR

- Safety cap in yellow.
- Internal housing in black.
- For sufficient quantities parts can be produced in different colours.

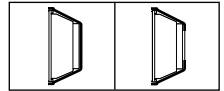
## SEE ALSO...

Accessories: [p. 110](#)  
 Features, lubrication and maintenance: [p. 112](#)  
 Mounting instruction: [p. 113 - 114](#)  
 Calculation of load capacity, bearing life: [p. 115 - 116](#)  
 Chemical resistance: [p. 120 - 121](#)



Preferred types, readily available (codes marked in red)

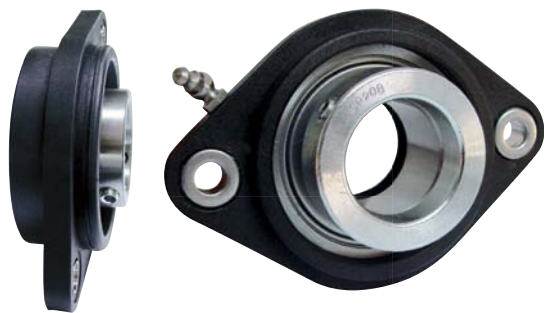
Accessories



| Ø d<br>mm   | code<br>version   | dimension (mm) |      |     |      |     |      |         |      |      |      |      |      |     |      | bearing load ratings |                  | housing<br>load<br>rating<br>max. N* | weight<br>(Kg) | closed<br>safety<br>cap<br>code | open<br>safety<br>cap<br>code |                  |  |
|---|-------------------|----------------|------|-----|------|-----|------|---------|------|------|------|------|------|-----|------|----------------------|------------------|--------------------------------------|----------------|---------------------------------|-------------------------------|------------------|--|
|   |                   | A              | B    | C   | D    | E   | F    | G       | H    | J    | Z    | T    | m    | n   | U    | V                    | dynamic<br>C (N) |                                      |                |                                 |                               | static<br>Co (N) |  |
| <b>CHROME STEEL BEARING WITH GRUB SCREWS (POLYAMIDE)</b>    |                   |                |      |     |      |     |      |         |      |      |      |      |      |     |      |                      |                  |                                      |                |                                 |                               |                  |  |
| 12  | 54201TN           | 81             | 63.5 | 6.5 | 24.6 | 4   | 58.5 | M5x0.80 | 8.5  | 16   | 19   | 24.5 | 16   | 6   | 33   | 35                   | 7300             | 4760                                 | 6500           | 0.20                            | 50024                         | 50024.APE        |  |
| 15  | <b>54202TN</b>    | 81             | 63.5 | 6.5 | 24.6 | 4   | 58.5 | M5x0.80 | 8.5  | 16   | 19   | 24.5 | 16   | 6   | 33   | 35                   | 7300             | 4760                                 | 6500           | 0.20                            | 50024                         | 50024.APE        |  |
| 16  | 54016TN           | 81             | 63.5 | 6.5 | 24.6 | 4   | 58.5 | M5x0.80 | 8.5  | 16   | 19   | 24.5 | 16   | 6   | 33   | 35                   | 7300             | 4760                                 | 6500           | 0.20                            | 50024                         | 50024.APE        |  |
| 17  | <b>54203TN</b>    | 81             | 63.5 | 6.5 | 24.6 | 4   | 58.5 | M5x0.80 | 8.5  | 16   | 19   | 24.5 | 16   | 6   | 33   | 35                   | 7300             | 4760                                 | 6500           | 0.20                            | 50024                         | 50024.APE        |  |
| 25  | <b>54205TN</b>    | 96             | 76   | 8.5 | 34   | 5.5 | 71   | M6x0.75 | 10.5 | 18.5 | 21.5 | 30   | 19.5 | 7.5 | 44.5 | 46.5                 | 10800            | 7800                                 | 10000          | 0.32                            | 50009                         | 50009.APE        |  |
| <b>CHROME STEEL BEARING WITH ECCENTRIC RING (POLYAMIDE)</b> |                   |                |      |     |      |     |      |         |      |      |      |      |      |     |      |                      |                  |                                      |                |                                 |                               |                  |  |
| 12  | 54201TNB          | 81             | 63.5 | 6.5 | 28.6 | 5   | 58.5 | M6x0.75 | 8.5  | 16   | 19   | 31.1 | 22.6 | 6   | 33   | 35                   | 7300             | 4760                                 | 6500           | 0.23                            | 50024                         | 50024.APE        |  |
| 15  | <b>54202TNB</b>   | 81             | 63.5 | 6.5 | 28.6 | 5   | 58.5 | M6x0.75 | 8.5  | 16   | 19   | 31.1 | 22.6 | 6   | 33   | 35                   | 7300             | 4760                                 | 6500           | 0.23                            | 50024                         | 50024.APE        |  |
| 16  | 54016TNB          | 81             | 63.5 | 6.5 | 28.6 | 5   | 58.5 | M6x0.75 | 8.5  | 16   | 19   | 31.1 | 22.6 | 6   | 33   | 35                   | 7300             | 4760                                 | 6500           | 0.23                            | 50024                         | 50024.APE        |  |
| 17  | <b>54203TNB</b>   | 81             | 63.5 | 6.5 | 28.6 | 5   | 58.5 | M6x0.75 | 8.5  | 16   | 19   | 31.1 | 22.6 | 6   | 33   | 35                   | 7300             | 4760                                 | 6500           | 0.23                            | 50024                         | 50024.APE        |  |
| 25  | <b>54205TNB</b>   | 96             | 76   | 8.5 | 38.1 | 5   | 71   | M6x0.75 | 10.5 | 18.5 | 21.5 | 33.9 | 23.4 | 7.5 | 44.5 | 46.5                 | 10800            | 7800                                 | 10000          | 0.35                            | 50009                         | 50009.APE        |  |
| <b>STAINLESS STEEL BEARING WITH GRUB SCREWS (POLYAMIDE)</b> |                   |                |      |     |      |     |      |         |      |      |      |      |      |     |      |                      |                  |                                      |                |                                 |                               |                  |  |
| 25  | <b>54205TN/SS</b> | 96             | 76   | 8.5 | 34   | 5.5 | 71   | M6x0.75 | 10.5 | 18.5 | 21.5 | 30   | 19.5 | 7.5 | 44.5 | 46.5                 | 8100             | 5800                                 | 10000          | 0.32                            | 50009                         | 50009.APE        |  |

\* **MAX. RADIAL LOAD CAPACITY OF HOUSING:** Values indicated in the table above, are obtained at 23°C. Strength of housing indicated on [page 115](#).

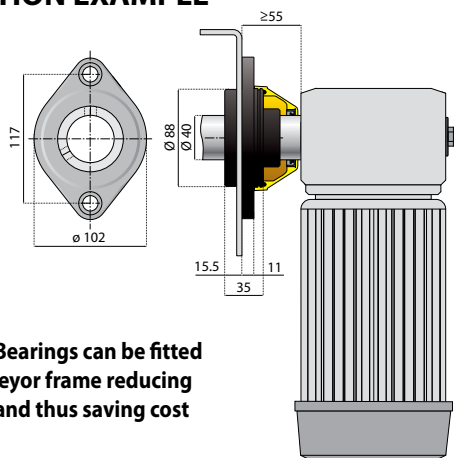
STANDARD



TECHNICAL INFORMATION for CB

- **Resistance to corrosion:**
  - Polyamide version (PA): good resistance to many corrosive chemicals such as water, oils, greases, petrol, milk, wine, alcoholic beverages.
  - Polypropylene version (PP): excellent resistance to highly corrosive chemicals such as acids, organic liquids, detergents.
- **Load capacity:**
  - Housings in PA have a higher load capacity than housings in PP. See tables.
- **Continuous operating temperature:**
  - All our bearings can be used at temperatures between 0°C and +80°C. For lower or higher temperatures please consult our Engineering Department.
- **Economical operation.**
  - Long life bearing insert.
- **Self-alignment:**
  - Max misalignment between shaft and housing: 2.5°.
- **Concept and design to meet all safety requirements.**
- **Interchangeable with standard cast iron flanged supports.**
- **Ball bearing pre-lubricated with long-life grease, which is ideal in applications in humid conditions, with water, alkaline or acid solutions.**

APPLICATION EXAMPLE



CB Compact Bearings can be fitted into the conveyor frame reducing shaft length and thus saving cost and space.

SEE ALSO...

- Accessories: [p. 110](#)
- Features, lubrication and maintenance: [p. 112](#)
- Mounting instruction: [p. 113 - 114](#)
- Calculation of load capacity, bearing life: [p. 115 - 116](#)
- Chemical resistance: [p. 120 - 121](#)

COMPONENTS

- 1 Housing in reinforced polyamide (Housing in reinforced polypropylene available on request).
- 2 Adjustable chrome steel or stainless steel ball bearing, pre-lubricated. Can be re-lubricated by means of grease-nipple or a quick coupler.
- 3 Ball-type grease-nipple or quick coupler from nickel plated brass (available upon request) to take semi-rigid hoses  $\varnothing$  4 mm in Rilsan (see accessories on [page 110](#)). Version with stainless steel bearing has a stainless steel grease nipple.
- 4 Clip-on safety cap (accessory).
- 5 Spacers from nickel plated brass to reinforce fixing holes.
- 6 Polyethylene washer for grease-nipple.
- 7 Washer UNI 6592, stainless steel AISI 304-DIN 1.4301.

CB STANDARD

POLYAMIDE HOUSING



COLOUR

- Safety cap in yellow.
- **Transparent caps are also available:**  
Code closed cap: 50002T  
Code open cap: 50002T.APE.
- For sufficient quantities parts can be produced in different colours.

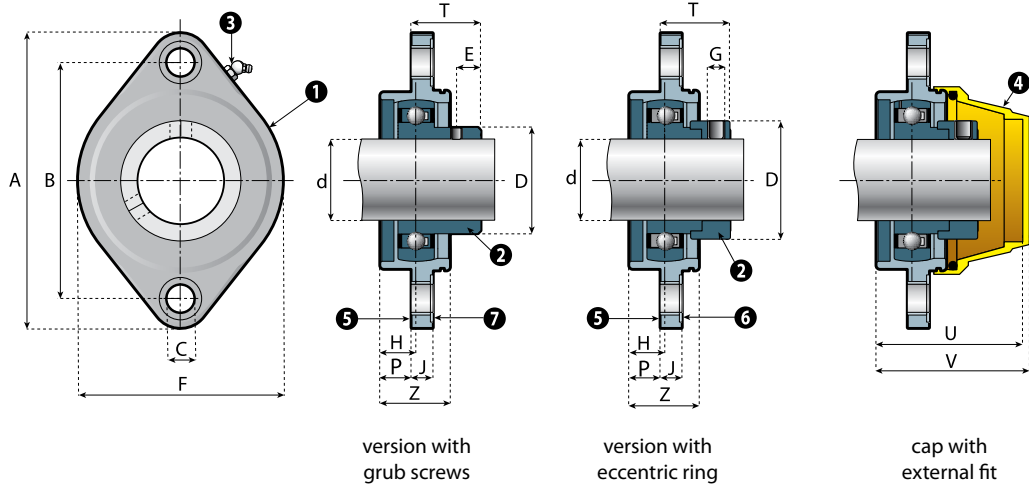
CB STANDARD

POLYPROPYLENE HOUSING

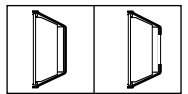


COLOUR

- Safety cap in yellow.
- **Transparent caps are also available:**  
Code closed cap: 50002T  
Code open cap: 50002T.APE.
- For sufficient quantities parts can be produced in different colours.



Accessories



Preferred types, readily available (codes marked in red)

| Ø<br>d<br>mm  | code<br>version | dimension (mm) |     |    |      |     |     |         |    |    |      |    |      |      |   |    | bearing load ratings |                  | housing<br>load<br>rating<br>max. N* | weight<br>(Kg) | closed<br>safety<br>cap<br>code | open<br>safety<br>cap<br>code |                  |
|---|-----------------|----------------|-----|----|------|-----|-----|---------|----|----|------|----|------|------|---|----|----------------------|------------------|--------------------------------------|----------------|---------------------------------|-------------------------------|------------------|
|   |                 | A              | B   | C  | D    | E   | F   | G       | H  | J  | P    | Z  | T    | m    | n | U  | V                    | dynamic<br>C (N) |                                      |                |                                 |                               | static<br>Co (N) |
| <b>CHROME STEEL BEARING WITH GRUB SCREWS (POLYAMIDE)</b>    |                 |                |     |    |      |     |     |         |    |    |      |    |      |      |   |    |                      |                  |                                      |                |                                 |                               |                  |
| 30  | 54206CB         | 146.5          | 117 | 11 | 40.3 | 6   | 102 | M6x0.75 | 21 | 11 | 15.5 | 35 | 27.5 | 22   | 8 | 65 | 67                   | 15000            | 11300                                | 13000          | 0.4                             | 50002                         | 50002.APE        |
| 40  | 54208CB         | 146.5          | 117 | 11 | 53   | 7   | 102 | M8x1.00 | 18 | 11 | 15.5 | 35 | 27.5 | 25   | 9 | 65 | 67                   | 22400            | 17900                                | 12500          | 0.6                             | 50002                         | 50002.APE        |
| <b>CHROME STEEL BEARING WITH ECCENTRIC RING (POLYAMIDE)</b> |                 |                |     |    |      |     |     |         |    |    |      |    |      |      |   |    |                      |                  |                                      |                |                                 |                               |                  |
| 30  | 54206CBB        | 146.5          | 117 | 11 | 44.5 | 6   | 102 | M6x0.75 | 21 | 11 | 15.5 | 35 | 33.2 | 27.7 | 8 | 65 | 67                   | 15000            | 11300                                | 13000          | 0.55                            | 50002                         | 50002.APE        |
| 40  | 54208CBB        | 146.5          | 117 | 11 | 60.3 | 6.5 | 102 | M8x1.00 | 18 | 11 | 15.5 | 35 | 37.2 | 34.7 | 9 | 65 | 67                   | 22400            | 17900                                | 12500          | 0.75                            | 50002                         | 50002.APE        |
| <b>STAINLESS STEEL BEARING WITH GRUB SCREWS (POLYAMIDE)</b> |                 |                |     |    |      |     |     |         |    |    |      |    |      |      |   |    |                      |                  |                                      |                |                                 |                               |                  |
| 30  | 54206CB/SS      | 146.5          | 117 | 11 | 40.3 | 6   | 102 | M6x0.75 | 21 | 11 | 15.5 | 35 | 27.5 | 22   | 8 | 65 | 67                   | 11250            | 8400                                 | 13000          | 0.45                            | 50002                         | 50002.APE        |
| 40  | 54208CB/SS      | 146.5          | 117 | 11 | 53   | 7   | 102 | M8x1.00 | 18 | 11 | 15.5 | 35 | 27.5 | 25   | 9 | 65 | 67                   | 16800            | 13400                                | 12500          | 0.65                            | 50002                         | 50002.APE        |

\* **MAX. RADIAL LOAD CAPACITY OF HOUSING:** Values indicated in the table above, are obtained at 23°C. Strength of housing indicated on [page 115](#).

Preferred types, readily available (codes marked in red)

| Ø<br>d<br>mm  | code<br>version | dimension (mm) |     |    |      |   |     |         |    |    |      |    |      |    |   |    | bearing load ratings |                  | housing<br>load<br>rating<br>max. N* | weight<br>(Kg) | closed<br>safety<br>cap<br>code | open<br>safety<br>cap<br>code |                  |
|---|-----------------|----------------|-----|----|------|---|-----|---------|----|----|------|----|------|----|---|----|----------------------|------------------|--------------------------------------|----------------|---------------------------------|-------------------------------|------------------|
|   |                 | A              | B   | C  | D    | E | F   | G       | H  | J  | P    | Z  | T    | m  | n | U  | V                    | dynamic<br>C (N) |                                      |                |                                 |                               | static<br>Co (N) |
| <b>STAINLESS STEEL BEARING WITH GRUB SCREWS (POLYPROPYLENE)</b> |                 |                |     |    |      |   |     |         |    |    |      |    |      |    |   |    |                      |                  |                                      |                |                                 |                               |                  |
| 30  | 64206CB/SS      | 146.5          | 117 | 11 | 40.3 | 6 | 102 | M6x0.75 | 21 | 11 | 15.5 | 35 | 27.5 | 22 | 8 | 65 | 67                   | 11250            | 8400                                 | 7200           | 0.45                            | 50002                         | 50002.APE        |
| 40  | 64208CB/SS      | 146.5          | 117 | 11 | 53   | 7 | 102 | M8x1.00 | 18 | 11 | 15.5 | 35 | 27.5 | 25 | 9 | 65 | 67                   | 16800            | 13400                                | 7000           | 0.65                            | 50002                         | 50002.APE        |

\* **MAX. RADIAL LOAD CAPACITY OF HOUSING:** Values indicated in the table above, are obtained at 23°C. Strength of housing indicated on [page 115](#).



## WATERPROOF



### TECHNICAL INFORMATION for CB-R

- **Resistance to corrosion:**
  - Polyamide version (PA): good resistance to many corrosive chemicals such as water, oils, greases, petrol, milk, wine, alcoholic beverages.
  - Polypropylene version (PP): excellent resistance to highly corrosive chemicals such as acids, organic liquids, detergents.
- **Load capacity:**
  - Housings in PA have a higher load capacity than housings in PP. See tables.
- **Continuous operating temperature:**
  - All our bearings can be used at temperatures between 0°C and +80°C. For lower or higher temperatures please consult our Engineering Department.
- **Economical operation.**
  - Long life bearing insert.
- **Self-alignment:**
  - Max misalignment between shaft and housing: 2.5°.
- **Concept and design to meet all safety requirements.**
- **Interchangeable with standard cast iron flanged supports.**
- **Ball bearing pre-lubricated with long-life grease, which is ideal in applications in humid conditions, with water, alkaline or acid solutions.**
- **Completely Sealed units.**



**WATERPROOF**

### SEE ALSO...

Accessories: [p. 110](#)  
 Features, lubrication and maintenance: [p. 112](#)  
 Mounting instruction: [p. 113 - 114](#)  
 Calculation of load capacity, bearing life: [p. 115 - 116](#)  
 Chemical resistance: [p. 120 - 121](#)

### COMPONENTS

- ❶ Housing in reinforced polyamide (Housing in reinforced polypropylene available on request).
- ❷ Adjustable chrome steel or stainless steel ball bearing, pre-lubricated. Can be re-lubricated by means of grease-nipple or a quick coupler.
- ❸ Ball-type grease-nipple or quick coupler from nickel plated brass (available upon request) to take semi-rigid hoses ø 4 mm in Rilsan (see accessories on [page 110](#)). Version with stainless steel bearing has a stainless steel grease nipple.
- ❹ Clip-on safety cap.
- ❺ Spacers from nickel plated brass to reinforce fixing holes.
- ❻ Washer UNI 6592, stainless steel AISI 304-DIN 1.4301.
- ❼ Rotary shaft seal ring with extra dust-protection lip in NBR rubber.
- ❽ Heavy duty O-Ring in NBR rubber.

## CB-R WATERPROOF

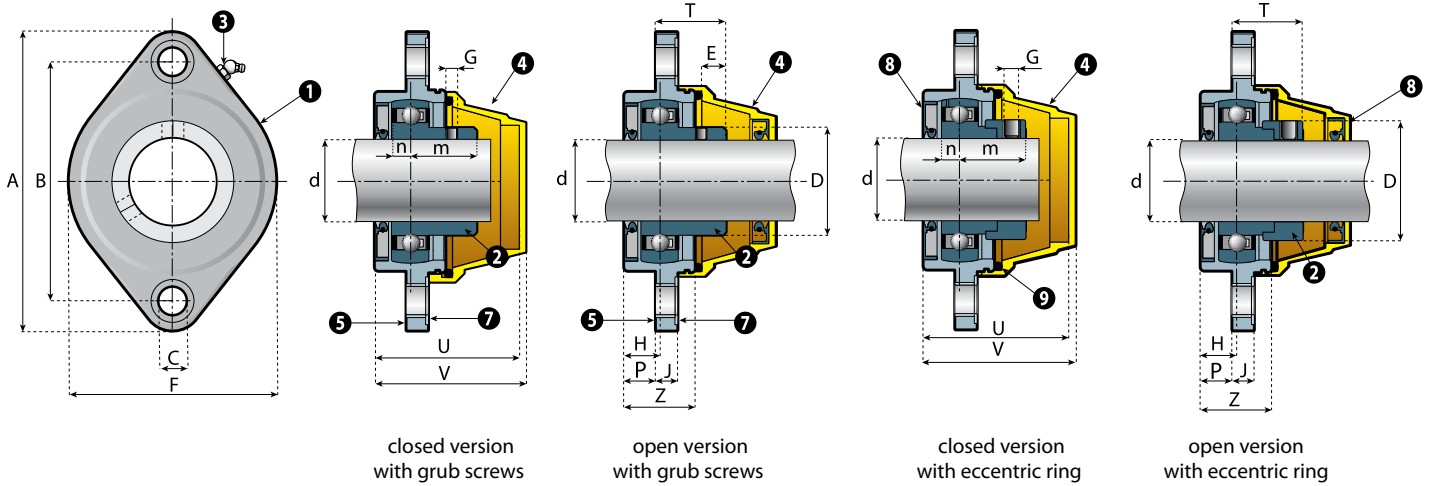
### POLYAMIDE HOUSING



## CB-R WATERPROOF

### POLYPROPYLENE HOUSING





Preferred types, readily available (codes marked in red)

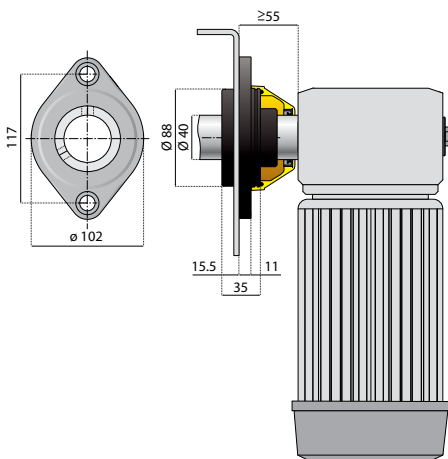
| ∅<br>d<br>mm  | code version |             | safety<br>cap<br>code | dimension (mm) |     |    |      |     |     |         |    |    |      |    |      |      |   |    |    | bearing load ratings |                  | housing<br>load<br>rating<br>max. N* | weight<br>(Kg) |
|---|--------------|-------------|-----------------------|----------------|-----|----|------|-----|-----|---------|----|----|------|----|------|------|---|----|----|----------------------|------------------|--------------------------------------|----------------|
|   | closed       | open        |                       | A              | B   | C  | D    | E   | F   | G       | H  | J  | P    | Z  | T    | m    | n | U  | V  | dynamic<br>C (N)     | static<br>Co (N) |                                      |                |
| <b>CHROME STEEL BEARING WITH GRUB SCREWS (POLYAMIDE)</b>    |              |             |                       |                |     |    |      |     |     |         |    |    |      |    |      |      |   |    |    |                      |                  |                                      |                |
| 30  | 54206CBR     | 59206CBR    | 50002                 | 146.5          | 117 | 11 | 40.3 | 6   | 102 | M6x0.75 | 21 | 11 | 15.5 | 35 | 27.5 | 22   | 8 | 65 | 67 | 15000                | 11300            | 13000                                | 0.4            |
| 40  | 54208CBR     | 59208CBR    | 50002                 | 146.5          | 117 | 11 | 53   | 7   | 102 | M8x1.00 | 18 | 11 | 15.5 | 35 | 27.5 | 25   | 9 | 65 | 67 | 22400                | 17900            | 12500                                | 0.6            |
| <b>CHROME STEEL BEARING WITH ECCENTRIC RING (POLYAMIDE)</b> |              |             |                       |                |     |    |      |     |     |         |    |    |      |    |      |      |   |    |    |                      |                  |                                      |                |
| 30  | 54206CBBR    | 59206CBBR   | 50002                 | 146.5          | 117 | 11 | 44.5 | 6   | 102 | M6x0.75 | 21 | 11 | 15.5 | 35 | 33.2 | 27.7 | 8 | 65 | 67 | 15000                | 11300            | 13000                                | 0.55           |
| 40  | 54208CBBR    | 59208CBBR   | 50002                 | 146.5          | 117 | 11 | 60.3 | 6.5 | 102 | M8x1.00 | 18 | 11 | 15.5 | 35 | 37.2 | 34.7 | 9 | 65 | 67 | 22400                | 17900            | 12500                                | 0.75           |
| <b>STAINLESS STEEL BEARING WITH GRUB SCREWS (POLYAMIDE)</b> |              |             |                       |                |     |    |      |     |     |         |    |    |      |    |      |      |   |    |    |                      |                  |                                      |                |
| 30  | 54206CBR/SS  | 59206CBR/SS | 50002                 | 146.5          | 117 | 11 | 40.3 | 6   | 102 | M6x0.75 | 21 | 11 | 15.5 | 35 | 27.5 | 22   | 8 | 65 | 67 | 11250                | 8400             | 13000                                | 0.45           |
| 40  | 54208CBR/SS  | 59208CBR/SS | 50002                 | 146.5          | 117 | 11 | 53   | 7   | 102 | M8x1.00 | 18 | 11 | 15.5 | 35 | 27.5 | 25   | 9 | 65 | 67 | 16800                | 13400            | 12500                                | 0.65           |

\* **MAX. RADIAL LOAD CAPACITY OF HOUSING:** Values indicated in the table above, are obtained at 23°C. Strength of housing indicated on [page 115](#).

| ∅<br>d<br>mm  | code version |             | safety<br>cap<br>code | dimension (mm) |     |    |      |   |     |         |    |    |      |    |      |    |   |    |    | bearing load ratings |                  | housing<br>load<br>rating<br>max. N* | weight<br>(Kg) |
|---|--------------|-------------|-----------------------|----------------|-----|----|------|---|-----|---------|----|----|------|----|------|----|---|----|----|----------------------|------------------|--------------------------------------|----------------|
|   | closed       | open        |                       | A              | B   | C  | D    | E | F   | G       | H  | J  | P    | Z  | T    | m  | n | U  | V  | dynamic<br>C (N)     | static<br>Co (N) |                                      |                |
| <b>STAINLESS STEEL BEARING WITH GRUB SCREWS (POLYPROPYLENE)</b> |              |             |                       |                |     |    |      |   |     |         |    |    |      |    |      |    |   |    |    |                      |                  |                                      |                |
| 30  | 64206CBR/SS  | 69206CBR/SS | 50002                 | 146.5          | 117 | 11 | 40.3 | 6 | 102 | M6x0.75 | 21 | 11 | 15.5 | 35 | 27.5 | 22 | 8 | 65 | 67 | 11250                | 8400             | 7200                                 | 0.45           |
| 40  | 64208CBR/SS  | 69208CBR/SS | 50002                 | 146.5          | 117 | 11 | 53   | 7 | 102 | M8x1.00 | 18 | 11 | 15.5 | 35 | 27.5 | 25 | 9 | 65 | 67 | 16800                | 13400            | 7000                                 | 0.65           |

\* **MAX. RADIAL LOAD CAPACITY OF HOUSING:** Values indicated in the table above, are obtained at 23°C. Strength of housing indicated on [page 115](#).

### APPLICATION EXAMPLE



CB Compact Bearings can be fitted into the conveyor frame reducing shaft length and thus saving cost and space.

## MAINTENANCE FREE

## WATERPROOF



### TECHNICAL INFORMATION for CB-RL

- **Resistance to corrosion:**
  - Polyamide version (PA): good resistance to many corrosive chemicals such as water, oils, greases, petrol, milk, wine, alcoholic beverages.
  - Polypropylene version (PP): excellent resistance to highly corrosive chemicals such as acids, organic liquids, detergents.
- **Load capacity:**
  - Housings in PA have a higher load capacity than housings in PP. See tables.
- **Continuous operating temperature:**
  - All our bearings can be used at temperatures between 0°C and +80°C. For lower or higher temperatures please consult our Engineering Department.
- **Economical operation.**
  - Long life bearing insert.
- **Self-alignment:**
  - Max misalignment between shaft and housing: 2.5°.
- **Concept and design to meet all safety requirements.**
- **Interchangeable with standard cast iron flanged supports.**
- **Ball bearing pre-lubricated with long-life grease, which is ideal in applications in humid conditions, with water, alkaline or acid solutions.**
- **Completely Sealed units.**



**WATERPROOF**



**MAINTENANCE  
FREE**

SEE ALSO...

Accessories: [p. 110](#)

Features, lubrication and maintenance: [p. 112](#)

Mounting instruction: [p. 113 - 114](#)

Calculation of load capacity, bearing life: [p. 115 - 116](#)

Chemical resistance: [p. 120 - 121](#)

### COMPONENTS

- 1 Housing in reinforced polyamide (Housing in reinforced polypropylene available on request).
- 2 Adjustable chrome steel or stainless steel ball bearing, pre-lubricated.  
Can be re-lubricated by means of grease-nipple or a quick coupler.
- 4 Clip-on safety cap.
- 5 Spacers from nickel plated brass to reinforce fixing holes.
- 7 Washer UNI 6592, stainless steel AISI 304-DIN 1.4301.
- 8 Rotary shaft seal ring with extra dust-protection lip in NBR rubber.
- 9 Heavy duty O-Ring in NBR rubber.
- 12 Plastic plug.

## CB-RL

### MAINTENANCE FREE - WATERPROOF

#### POLYAMIDE HOUSING

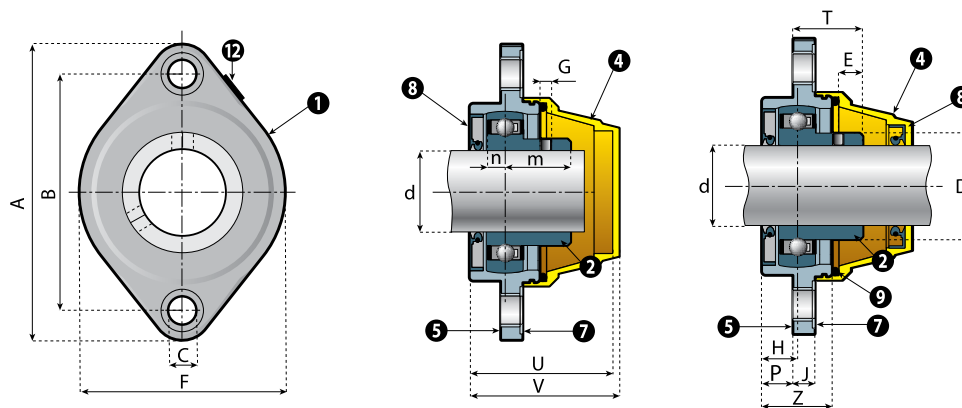


## CB-RL

### MAINTENANCE FREE - WATERPROOF

#### POLYPROPYLENE HOUSING





closed version  
with grub screws

open version  
with grub screws

Preferred types, readily available (codes marked in red)

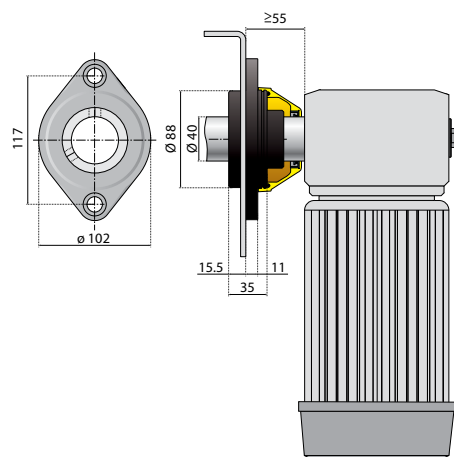
| Ø<br>d<br>mm   | code version |           | safety<br>cap<br>code | dimension (mm) |     |    |      |   |     |         |    |    |      |    |      |    |   |    |    | bearing load<br>ratings |                  | housing<br>load<br>rating<br>max. N* | weight<br>(Kg) |
|--|--------------|-----------|-----------------------|----------------|-----|----|------|---|-----|---------|----|----|------|----|------|----|---|----|----|-------------------------|------------------|--------------------------------------|----------------|
|  | closed       | open      |                       | A              | B   | C  | D    | E | F   | G       | H  | J  | P    | Z  | T    | m  | n | U  | V  | dynamic<br>C (N)        | static<br>Co (N) |                                      |                |
| <b>CHROME STEEL BEARING WITH GRUB SCREWS (POLYAMIDE)</b> |              |           |                       |                |     |    |      |   |     |         |    |    |      |    |      |    |   |    |    |                         |                  |                                      |                |
| 30   | 54206CBRL    | 59206CBRL | 50002                 | 146.5          | 117 | 11 | 40.3 | 6 | 102 | M6x0.75 | 21 | 11 | 15.5 | 35 | 27.5 | 22 | 8 | 65 | 67 | 15000                   | 11300            | 13000                                | 0.4            |
| 40   | 54208CBRL    | 59208CBRL | 50002                 | 146.5          | 117 | 11 | 53   | 7 | 102 | M8x1.00 | 18 | 11 | 15.5 | 35 | 27.5 | 25 | 9 | 65 | 67 | 22400                   | 17900            | 12500                                | 0.6            |

\* **MAX. RADIAL LOAD CAPACITY OF HOUSING:** Values indicated in the table above, are obtained at 23°C. Strength of housing indicated on [page 115](#).

| Ø<br>d<br>mm   | code version |           | safety<br>cap<br>code | dimension (mm) |     |    |      |   |     |         |    |    |      |    |      |    |   |    |    | bearing load<br>ratings |                  | housing<br>load<br>rating<br>max. N* | weight<br>(Kg) |
|--|--------------|-----------|-----------------------|----------------|-----|----|------|---|-----|---------|----|----|------|----|------|----|---|----|----|-------------------------|------------------|--------------------------------------|----------------|
|  | closed       | open      |                       | A              | B   | C  | D    | E | F   | G       | H  | J  | P    | Z  | T    | m  | n | U  | V  | dynamic<br>C (N)        | static<br>Co (N) |                                      |                |
| <b>CHROME STEEL BEARING WITH GRUB SCREWS (POLYPROPYLENE)</b> |              |           |                       |                |     |    |      |   |     |         |    |    |      |    |      |    |   |    |    |                         |                  |                                      |                |
| 30   | 64206CBRL    | 69206CBRL | 50002                 | 146.5          | 117 | 11 | 40.3 | 6 | 102 | M6x0.75 | 21 | 11 | 15.5 | 35 | 27.5 | 22 | 8 | 65 | 67 | 15000                   | 11300            | 7200                                 | 0.4            |
| 40   | 64208CBRL    | 69208CBRL | 50002                 | 146.5          | 117 | 11 | 53   | 7 | 102 | M8x1.00 | 18 | 11 | 15.5 | 35 | 27.5 | 25 | 9 | 65 | 67 | 22400                   | 17900            | 7000                                 | 0.6            |

\* **MAX. RADIAL LOAD CAPACITY OF HOUSING:** Values indicated in the table above, are obtained at 23°C. Strength of housing indicated on [page 115](#).

## APPLICATION EXAMPLE



CB Compact Bearings can be fitted into the conveyor frame reducing shaft length and thus saving cost and space.

## STANDARD



## TECHNICAL INFORMATION for UCFC

- **Resistance to corrosion:**

- Polyamide version (PA): good resistance to many corrosive chemicals such as water, oils, greases, petrol, milk, wine, alcoholic beverages.
- Polypropylene version (PP): excellent resistance to highly corrosive chemicals such as acids, organic liquids, detergents.

- **Load capacity:**

- Housings in PA have a higher load capacity than housings in PP. See tables.

- **Continuous operating temperature:**

- All our bearings can be used at temperatures between 0°C and +80°C. For lower or higher temperatures please consult our Engineering Department.

- **Economical operation.**

- Long life bearing insert.

- **Self-alignment:**

- Max misalignment between shaft and housing: 2.5°.

- **Concept and design to meet all safety requirements.**

- **Interchangeable with standard cast iron flanged supports.**

- **Ball bearing pre-lubricated with long-life grease, which is ideal in applications in humid conditions, with water, alkaline or acid solutions.**

## COMPONENTS

- 1 Housing in reinforced polyamide (Housing in reinforced polypropylene available on request).
- 2 Adjustable chrome steel or stainless steel ball bearing, pre-lubricated. Can be re-lubricated by means of grease-nipple or a quick coupler.
- 3 Ball-type grease-nipple or quick coupler from nickel plated brass (available upon request) to take semi-rigid hoses  $\varnothing$  4 mm in Rilsan (see accessories on [page 110](#)). Version with stainless steel bearing has a stainless steel grease nipple.
- 4 Clip-on safety cap (accessory).
- 5 Spacers from nickel plated brass to reinforce fixing holes.
- 7 Washer UNI 6592, stainless steel AISI 304-DIN 1.4301.

UCFC  
STANDARD

## POLYAMIDE HOUSING



accessory

## COLOUR

- Safety cap in yellow.
- Internal housing in black.
- For sufficient quantities parts can be produced in different colours.

UCFC  
STANDARD

## POLYPROPYLENE HOUSING



accessory

## COLOUR

- Safety cap in yellow.
- Internal housing in black.
- For sufficient quantities parts can be produced in different colours.

## SEE ALSO...

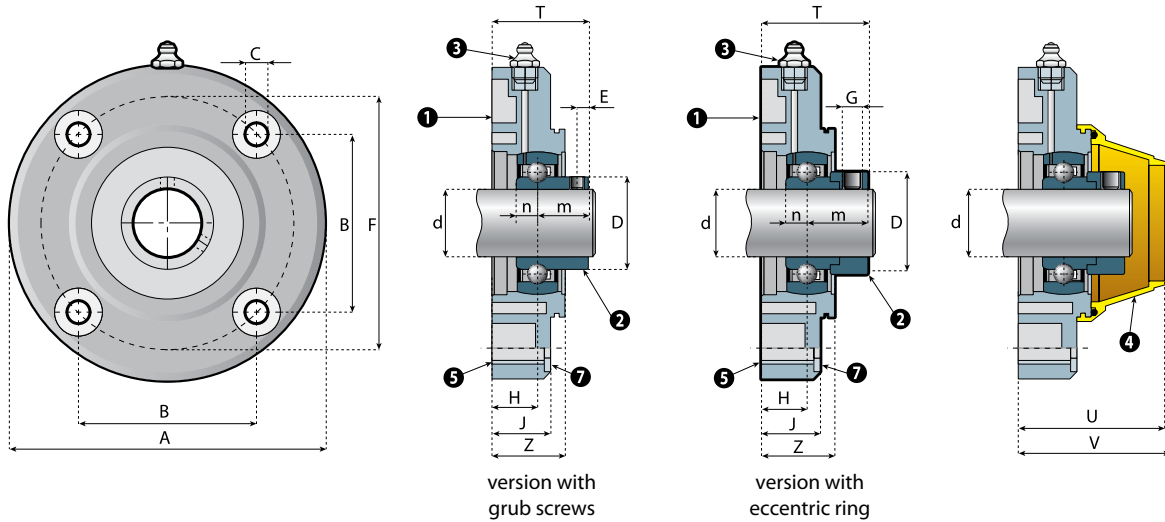
Accessories: [p. 110](#)

Features, lubrication and maintenance: [p. 112](#)

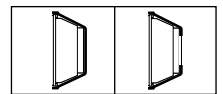
Mounting instruction: [p. 113 - 114](#)

Calculation of load capacity, bearing life: [p. 115 - 116](#)

Chemical resistance: [p. 120 - 121](#)



Accessories



Preferred types, readily available (codes marked in red)

| Ø d mm  | code version      | dimension (mm) |    |     |      |     |     |         |      |      |      |      |      |     |      |      |               | bearing load ratings |       | housing load rating max. N* | weight (Kg) | closed safety cap code | open safety cap code |
|---|-------------------|----------------|----|-----|------|-----|-----|---------|------|------|------|------|------|-----|------|------|---------------|----------------------|-------|-----------------------------|-------------|------------------------|----------------------|
|   |                   | A              | B  | C   | D    | E   | F   | G       | H    | J    | Z    | T    | m    | n   | U    | V    | dynamic C (N) | static Co (N)        |       |                             |             |                        |                      |
| <b>CHROME STEEL BEARING WITH GRUB SCREWS (POLYAMIDE)</b>    |                   |                |    |     |      |     |     |         |      |      |      |      |      |     |      |      |               |                      |       |                             |             |                        |                      |
| 25  | <b>50205C</b>     | 122            | 70 | 8.5 | 34   | 5.5 | 99  | M6x0.75 | 10.5 | 22.6 | 22.6 | 30   | 19.5 | 7.5 | 45.6 | 47.6 | 10800         | 7800                 | 9500  | 0.45                        | 50009       | 50009.APE              |                      |
| 30  | <b>50206CA</b>    | 122            | 70 | 8.5 | 40.3 | 6   | 99  | M6x0.75 | 11.5 | 22.6 | 22.6 | 33.5 | 22   | 8   | 49.6 | 51.6 | 15000         | 11300                | 9300  | 0.50                        | 50010       | 50010.APE              |                      |
| 30  | <b>50206C</b>     | 137            | 78 | 11  | 40.3 | 6   | 110 | M6x0.75 | 20   | 25   | 32   | 42   | 22   | 8   | 63   | 65   | 15000         | 11300                | 13000 | 0.70                        | 50004       | 50004.APE              |                      |
| 35  | <b>50207C</b>     | 137            | 78 | 11  | 48   | 6.5 | 110 | M8x1.00 | 19   | 25   | 32   | 42.5 | 23.5 | 8.5 | 63   | 65   | 19700         | 15300                | 12800 | 0.80                        | 50004       | 50004.APE              |                      |
| <b>CHROME STEEL BEARING WITH ECCENTRIC RING (POLYAMIDE)</b> |                   |                |    |     |      |     |     |         |      |      |      |      |      |     |      |      |               |                      |       |                             |             |                        |                      |
| 25  | <b>50205CB</b>    | 122            | 70 | 8.5 | 38.1 | 5   | 99  | M6x0.75 | 10.5 | 22.6 | 22.6 | 33.9 | 23.4 | 7.5 | 45.6 | 47.6 | 10800         | 7800                 | 9500  | 0.50                        | 50009       | 50009.APE              |                      |
| 30  | <b>50206CAB</b>   | 122            | 70 | 8.5 | 44.5 | 6   | 99  | M6x0.75 | 11.5 | 22.6 | 22.6 | 39.2 | 27.7 | 8   | 49.6 | 51.6 | 15000         | 11300                | 9300  | 0.55                        | 50010       | 50010.APE              |                      |
| 30  | <b>50206CB</b>    | 137            | 78 | 11  | 44.5 | 6   | 110 | M6x0.75 | 20   | 25   | 32   | 47.7 | 27.7 | 8   | 63   | 65   | 15000         | 11300                | 13000 | 0.75                        | 50004       | 50004.APE              |                      |
| 35  | <b>50207CB</b>    | 137            | 78 | 11  | 55.6 | 6.5 | 110 | M8x1.00 | 19   | 25   | 32   | 49.4 | 30.4 | 8.5 | 63   | 65   | 19700         | 15300                | 12800 | 0.87                        | 50004       | 50004.APE              |                      |
| <b>STAINLESS STEEL BEARING WITH GRUB SCREWS (POLYAMIDE)</b> |                   |                |    |     |      |     |     |         |      |      |      |      |      |     |      |      |               |                      |       |                             |             |                        |                      |
| 25  | <b>50205C/SS</b>  | 122            | 70 | 8.5 | 34   | 5.5 | 99  | M6x0.75 | 10.5 | 22.6 | 22.6 | 30   | 19.5 | 7.5 | 45.6 | 47.6 | 8100          | 5800                 | 9500  | 0.45                        | 50009       | 50009.APE              |                      |
| 30  | <b>50206CA/SS</b> | 122            | 70 | 8.5 | 40.3 | 6   | 99  | M6x0.75 | 11.5 | 22.6 | 22.6 | 33.5 | 22   | 8   | 49.6 | 51.6 | 11250         | 8400                 | 9300  | 0.50                        | 50010       | 50010.APE              |                      |
| 30  | <b>50206C/SS</b>  | 137            | 78 | 11  | 40.3 | 6   | 110 | M6x0.75 | 20   | 25   | 32   | 42   | 22   | 8   | 63   | 65   | 11250         | 8400                 | 13000 | 0.70                        | 50004       | 50004.APE              |                      |
| 35  | <b>50207C/SS</b>  | 137            | 78 | 11  | 48   | 6.5 | 110 | M8x1.00 | 19   | 25   | 32   | 42.5 | 23.5 | 8.5 | 63   | 65   | 14750         | 11400                | 12800 | 0.80                        | 50004       | 50004.APE              |                      |

\* **MAX. RADIAL LOAD CAPACITY OF HOUSING:** Values indicated in the table above, are obtained at 23°C. Strength of housing indicated on [page 115](#).

| Ø d mm  | code version | dimension (mm) |    |     |      |     |     |         |      |      |      |      |      |     |      |      |               | bearing load ratings |      | housing load rating max. N* | weight (Kg) | closed safety cap code | open safety cap code |
|---|--------------|----------------|----|-----|------|-----|-----|---------|------|------|------|------|------|-----|------|------|---------------|----------------------|------|-----------------------------|-------------|------------------------|----------------------|
|   |              | A              | B  | C   | D    | E   | F   | G       | H    | J    | Z    | T    | m    | n   | U    | V    | dynamic C (N) | static Co (N)        |      |                             |             |                        |                      |
| <b>STAINLESS STEEL BEARING WITH GRUB SCREWS (POLYPROPYLENE)</b> |              |                |    |     |      |     |     |         |      |      |      |      |      |     |      |      |               |                      |      |                             |             |                        |                      |
| 25  | 60205C       | 122            | 70 | 8.5 | 34   | 5.5 | 99  | M6x0.75 | 10.5 | 22.6 | 22.6 | 30   | 19.5 | 7.5 | 45.6 | 47.6 | 8100          | 5800                 | 4000 | 0.45                        | 50009       | 50009.APE              |                      |
| 30  | 60206CA      | 122            | 70 | 8.5 | 40.3 | 6   | 99  | M6x0.75 | 11.5 | 22.6 | 22.6 | 33.5 | 22   | 8   | 49.6 | 51.6 | 11250         | 8400                 | 4000 | 0.50                        | 50010       | 50010.APE              |                      |
| 30  | 60206C       | 137            | 78 | 11  | 40.3 | 6   | 110 | M6x0.75 | 20   | 25   | 32   | 42   | 22   | 8   | 63   | 65   | 11250         | 8400                 | 6000 | 0.70                        | 50004       | 50004.APE              |                      |
| 35  | 60207C       | 137            | 78 | 11  | 48   | 6.5 | 110 | M8x1.00 | 19   | 25   | 32   | 42.5 | 23.5 | 8.5 | 63   | 65   | 14750         | 11400                | 6000 | 0.80                        | 50004       | 50004.APE              |                      |

\* **MAX. RADIAL LOAD CAPACITY OF HOUSING:** Values indicated in the table above, are obtained at 23°C. Strength of housing indicated on [page 115](#).

## WATERPROOF



### TECHNICAL INFORMATION for UCFC-Y

- **Resistance to corrosion:**
  - Polyamide version (PA): good resistance to many corrosive chemicals such as water, oils, greases, petrol, milk, wine, alcoholic beverages.
  - Polypropylene version (PP): excellent resistance to highly corrosive chemicals such as acids, organic liquids, detergents.
- **Load capacity:**
  - Housings in PA have a higher load capacity than housings in PP. See tables.
- **Continuous operating temperature:**
  - All our bearings can be used at temperatures between 0°C and +80°C. For lower or higher temperatures please consult our Engineering Department.
- **Economical operation.**
  - Long life bearing insert.
- **Self-alignment:**
  - Max misalignment between shaft and housing: 2.0°.
- **Concept and design to meet all safety requirements.**
- **Interchangeable with standard cast iron flanged supports.**
- **Completely sealed units.**
- **Ball bearing pre-lubricated with long-life grease, which is ideal in applications in humid conditions, with water, alkaline or acid solutions.**



**WATERPROOF**

SEE ALSO...

Accessories: [p. 110](#)  
 Features, lubrication and maintenance: [p. 112](#)  
 Mounting instruction: [p. 113 - 114](#)  
 Calculation of load capacity, bearing life: [p. 115 - 116](#)  
 Chemical resistance: [p. 120 - 121](#)

### COMPONENTS

- ❶ Housing in reinforced polyamide (Housing in reinforced polypropylene available on request).
- ❷ Adjustable chrome steel or stainless steel ball bearing, pre-lubricated. Can be re-lubricated by means of grease-nipple or a quick coupler.
- ❸ Ball-type grease-nipple or quick coupler from nickel plated brass (available upon request) to take semi-rigid hoses ø 4 mm in Rilsan (see accessories on [page 110](#)). Version with stainless steel bearing has a stainless steel grease nipple.
- ❹ Clip-on safety cap.
- ❺ Spacers from nickel plated brass to reinforce fixing holes.
- ❻ Washer UNI 6592, stainless steel AISI 304-DIN 1.4301.
- ❼ Rotary shaft seal ring with extra dust-protection lip in NBR rubber.
- ❽ Heavy duty O-Ring in NBR rubber.

## UCFC-Y

### WATERPROOF

#### POLYAMIDE HOUSING

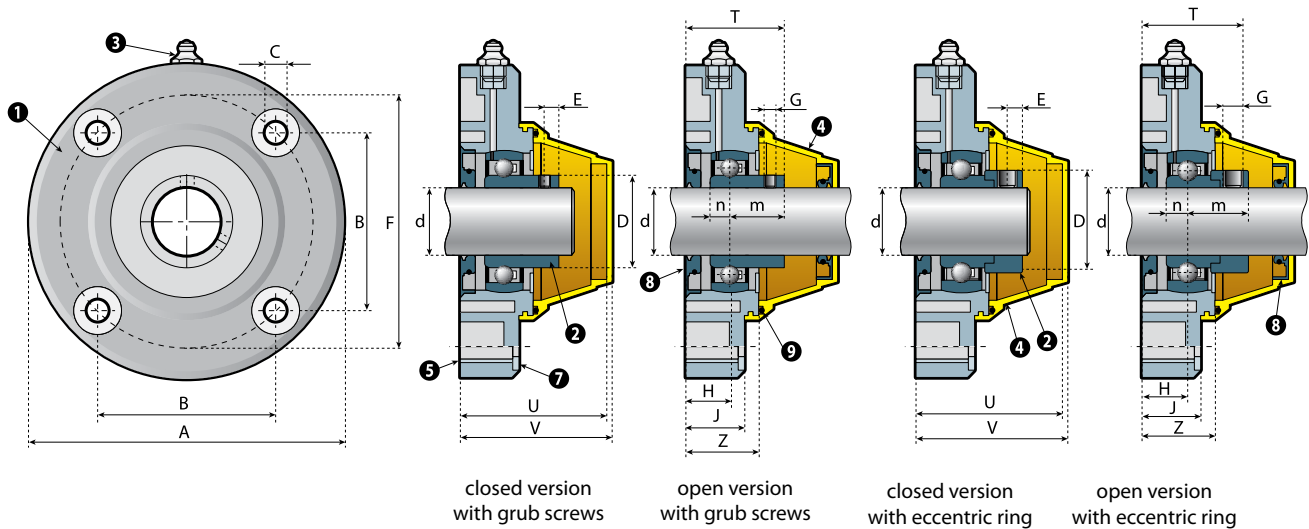


## UCFC-Y

### WATERPROOF

#### POLYPROPYLENE HOUSING





Preferred types, readily available (codes marked in red)

| ø<br>d<br>mm | code version |      | dimension (mm) |   |   |   |   |   |   |   |   |   |   |   |   |   | bearing load ratings |               | housing load rating max. N* | weight (Kg) |
|--------------|--------------|------|----------------|---|---|---|---|---|---|---|---|---|---|---|---|---|----------------------|---------------|-----------------------------|-------------|
|              | closed       | open | A              | B | C | D | E | F | G | H | J | Z | T | m | n | U | V                    | dynamic C (N) |                             |             |

**CHROME STEEL BEARING WITH GRUB SCREWS (POLYAMIDE)**

|    |        |        |     |    |    |      |     |     |         |    |    |    |      |      |     |    |    |       |       |       |      |
|----|--------|--------|-----|----|----|------|-----|-----|---------|----|----|----|------|------|-----|----|----|-------|-------|-------|------|
| 30 | 50206Y | 55206Y | 137 | 78 | 11 | 40.3 | 6   | 110 | M6x0.75 | 20 | 25 | 32 | 42   | 22   | 8   | 63 | 65 | 15000 | 11300 | 13000 | 0.74 |
| 35 | 50207Y | 55207Y | 137 | 78 | 11 | 48   | 6.5 | 110 | M8x1.00 | 19 | 25 | 32 | 42.5 | 23.5 | 8.5 | 63 | 65 | 19700 | 15300 | 12800 | 0.84 |

**CHROME STEEL BEARING WITH ECCENTRIC RING (POLYAMIDE)**

|    |         |         |     |    |    |      |     |     |         |    |    |    |      |      |     |    |    |       |       |       |      |
|----|---------|---------|-----|----|----|------|-----|-----|---------|----|----|----|------|------|-----|----|----|-------|-------|-------|------|
| 30 | 50206YB | 55206YB | 137 | 78 | 11 | 44.5 | 6   | 110 | M6x0.75 | 20 | 25 | 32 | 47.7 | 27.7 | 8   | 63 | 65 | 15000 | 11300 | 13000 | 0.80 |
| 35 | 50207YB | 55207YB | 137 | 78 | 11 | 55.6 | 6.5 | 110 | M8x1.00 | 19 | 25 | 32 | 49.4 | 30.4 | 8.5 | 63 | 65 | 19700 | 15300 | 12800 | 0.91 |

\* **MAX. RADIAL LOAD CAPACITY OF HOUSING:** Values indicated in the table above, are obtained at 23°C. Strength of housing indicated on [page 115](#).

Preferred types, readily available (codes marked in red)

| ø<br>d<br>mm | code version |      | dimension (mm) |   |   |   |   |   |   |   |   |   |   |   |   |   | bearing load ratings |               | housing load rating max. N* | weight (Kg) |
|--------------|--------------|------|----------------|---|---|---|---|---|---|---|---|---|---|---|---|---|----------------------|---------------|-----------------------------|-------------|
|              | closed       | open | A              | B | C | D | E | F | G | H | J | Z | T | m | n | U | V                    | dynamic C (N) |                             |             |

**CHROME STEEL BEARING WITH GRUB SCREWS (POLYPROPYLENE)**

|    |        |        |     |    |    |      |     |     |         |    |    |    |      |      |     |    |    |       |       |      |      |
|----|--------|--------|-----|----|----|------|-----|-----|---------|----|----|----|------|------|-----|----|----|-------|-------|------|------|
| 30 | 60206Y | 65206Y | 137 | 78 | 11 | 40.3 | 6   | 110 | M6x0.75 | 20 | 25 | 32 | 42   | 22   | 8   | 63 | 65 | 15000 | 11300 | 6000 | 0.74 |
| 35 | 60207Y | 65207Y | 137 | 78 | 11 | 48   | 6.5 | 110 | M8x1.00 | 19 | 25 | 32 | 42.5 | 23.5 | 8.5 | 63 | 65 | 19700 | 15300 | 6000 | 0.84 |

**CHROME STEEL BEARING WITH ECCENTRIC RING (POLYPROPYLENE)**

|    |         |         |     |    |    |      |     |     |         |    |    |    |      |      |     |    |    |       |       |      |      |
|----|---------|---------|-----|----|----|------|-----|-----|---------|----|----|----|------|------|-----|----|----|-------|-------|------|------|
| 30 | 60206YB | 65206YB | 137 | 78 | 11 | 44.5 | 6   | 110 | M6x0.75 | 20 | 25 | 32 | 47.7 | 27.7 | 8   | 63 | 65 | 15000 | 11300 | 6000 | 0.80 |
| 35 | 60207YB | 65207YB | 137 | 78 | 11 | 55.6 | 6.5 | 110 | M8x1.00 | 19 | 25 | 32 | 49.4 | 30.4 | 8.5 | 63 | 65 | 19700 | 15300 | 6000 | 0.91 |

\* **MAX. RADIAL LOAD CAPACITY OF HOUSING:** Values indicated in the table above, are obtained at 23°C. Strength of housing indicated on [page 115](#).



## WATERPROOF



### TECHNICAL INFORMATION for FC

- **Resistance to corrosion:**
  - Polyamide version (PA): good resistance to many corrosive chemicals such as water, oils, greases, petrol, milk, wine, alcoholic beverages.
- **High load capacity.**
- **Continuous operating temperature:**
  - All our bearings can be used at temperatures between 0°C and +80°C. For lower or higher temperatures please consult our Engineering Department.
- **Economical operation.**
- **Concept and design to meet all safety requirements.**
- **Interchangeability:**
  - Interchangeable with standard cast iron flanged supports.
- **Ball bearing pre-lubricated with long-life grease, which is ideal in applications in humid conditions, with water, alkaline or acid solutions.**
- **Completely sealed units.**

### COMPONENTS

- ❶ Housing in reinforced polyamide (Housing in reinforced polypropylene available on request).
- ❷ Adjustable chrome steel or stainless steel ball bearing, pre-lubricated. Can be re-lubricated by means of grease-nipple or a quick coupler.
- ❸ Ball-type grease-nipple or quick coupler from nickel plated brass (available upon request) to take semi-rigid hoses  $\varnothing$  4 mm in Rilsan (see accessories on [page 110](#)). Version with stainless steel bearing has a stainless steel grease nipple.
- ❹ Spacers from nickel plated brass to reinforce fixing holes.
- ❺ Washer UNI 6592, stainless steel AISI 304-DIN 1.4301.
- ❻ Rotary shaft seal ring with extra dust-protection lip in NBR rubber.

## FC WATERPROOF

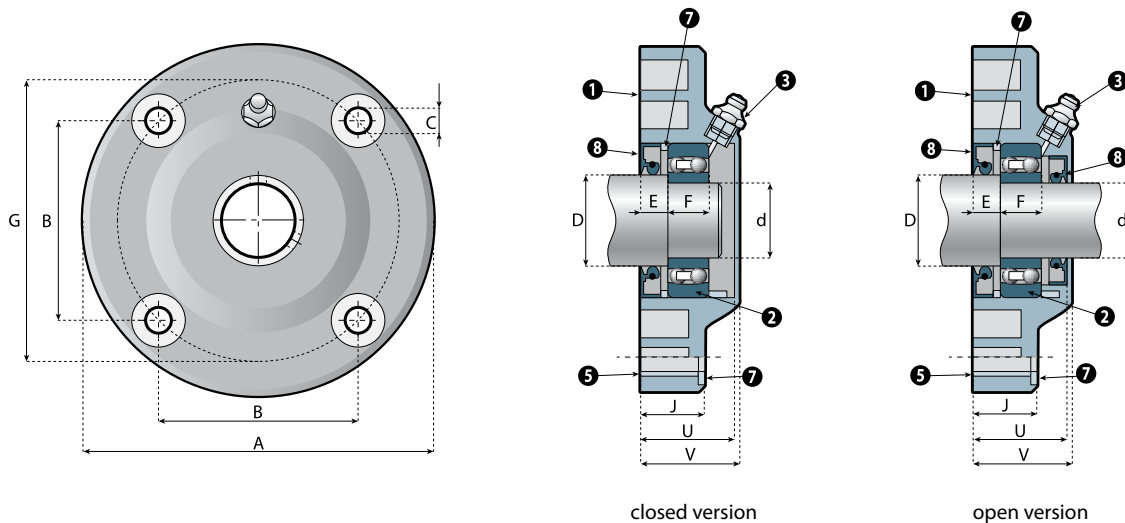
### POLYAMIDE HOUSING



## WATERPROOF

### SEE ALSO...

- Accessories: [p. 110](#)  
 Features, lubrication and maintenance: [p. 112](#)  
 Mounting instruction: [p. 113 - 114](#)  
 Calculation of load capacity, bearing life: [p. 115 - 116](#)  
 Chemical resistance: [p. 120 - 121](#)



closed version

open version

Preferred types, readily available (codes marked in red)

| ∅<br>d<br>mm | code version |      | dimension (mm) |   |   |   |   |   |   |   |   |   | bearing load ratings |               | housing load rating max. N* | weight (Kg) |
|--------------|--------------|------|----------------|---|---|---|---|---|---|---|---|---|----------------------|---------------|-----------------------------|-------------|
|              | closed       | open | A              | B | C | D | E | F | G | J | U | V | dynamic C (N)        | static Co (N) |                             |             |

**CHROME STEEL FLANGED BEARING FOR SHOULDERED SHAFTS (POLYAMIDE)**

|    |        |        |     |    |    |    |    |    |     |    |    |    |       |      |       |      |
|----|--------|--------|-----|----|----|----|----|----|-----|----|----|----|-------|------|-------|------|
| 30 | 51206C | 56206C | 137 | 78 | 11 | 35 | 10 | 16 | 110 | 25 | 37 | 39 | 15500 | 5500 | 13000 | 0.60 |
| 35 | 51207C | 56207C | 137 | 78 | 11 | 40 | 10 | 17 | 110 | 25 | 37 | 39 | 15900 | 6500 | 12800 | 0.72 |

\* **MAX. RADIAL LOAD CAPACITY OF HOUSING:** Values indicated in the table above, are obtained at 23°C. Strength of housing indicated on [page 115](#).

## STANDARD



## TECHNICAL INFORMATION for UCP

- **Resistance to corrosion:**
  - Polyamide version (PA): good resistance to many corrosive chemicals such as water, oils, greases, petrol, milk, wine, alcoholic beverages.
- **High load capacity.**
- **Continuous operating temperature:**
  - All our bearings can be used at temperatures between 0°C and +80°C. For lower or higher temperatures please consult our Engineering Department.
- **Economical operation.**
  - Long life bearing insert.
- **Self-alignment:**
  - Max misalignment between shaft and housing: 2.5°.
- **Concept and design to meet all safety requirements.**
- **Interchangeable with standard cast iron pillow block supports.**
- **Ball bearing pre-lubricated with long-life grease, which is ideal in applications in humid conditions, with water, alkaline or acid solutions.**

## COMPONENTS

- 1 Housing in reinforced polyamide (Housing in reinforced polypropylene available on request).
- 2 Adjustable chrome steel or stainless steel ball bearing, pre-lubricated. Can be re-lubricated by means of grease-nipple or a quick coupler.
- 3 Ball-type grease-nipple or quick coupler from nickel plated brass (available upon request) to take semi-rigid hoses  $\varnothing$  4 mm in Rilsan (see accessories on [page 110](#)). Version with stainless steel bearing has a stainless steel grease nipple.
- 4 Clip-on safety cap (accessory).
- 5 Spacers from nickel plated brass to reinforce fixing holes.

## POLYAMIDE HOUSING

UCP  
STANDARD

accessory

## COLOUR

- Safety cap in yellow.
- For sufficient quantities parts can be produced in different colours.

## NOLU-CLEAN HOUSING

UCP  
STANDARD

**NOLU-CLEAN** is a new antimicrobial material of improved hygiene. For detailed information refer to [page 7](#).



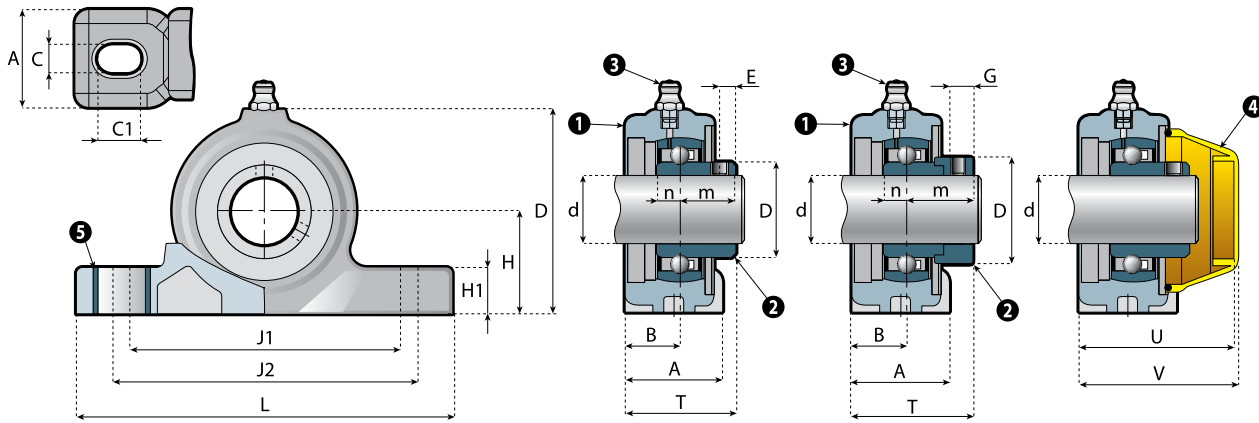
accessory

## COLOUR

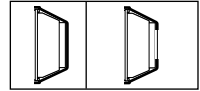
- Bearing support in white.
- Safety cap in white.

## SEE ALSO...

Accessories: [p. 110](#)  
 Features, lubrication and maintenance: [p. 112](#)  
 Mounting instruction: [p. 113 - 114](#)  
 Calculation of load capacity, bearing life: [p. 115 - 116](#)  
 Chemical resistance: [p. 120 - 121](#)



Accessories



Preferred types, readily available (codes marked in red)

| Ø<br>d<br>mm | code<br>version | dimension (mm) |   |   |    |   |   |   |   |    |   |   |    |    |   |   |   |   |   | bearing load ratings |               | housing load rating max. N* | weight (Kg) | closed safety cap code | open safety cap code |
|--------------|-----------------|----------------|---|---|----|---|---|---|---|----|---|---|----|----|---|---|---|---|---|----------------------|---------------|-----------------------------|-------------|------------------------|----------------------|
|              |                 | A              | B | C | C1 | D | E | G | H | H1 | L | Z | J1 | J2 | T | m | n | U | V | dynamic C (N)        | static Co (N) |                             |             |                        |                      |

**CHROME STEEL BEARING WITH GRUB SCREWS (POLYAMIDE)**

|    |              |    |      |    |    |      |     |         |      |      |     |      |     |     |      |      |     |      |      |       |       |       |      |       |           |
|----|--------------|----|------|----|----|------|-----|---------|------|------|-----|------|-----|-----|------|------|-----|------|------|-------|-------|-------|------|-------|-----------|
| 12 | 53201        | 30 | 18.5 | 11 | 17 | 24.6 | 4   | M5x0.80 | 30.2 | 16   | 125 | 61   | 89  | 101 | 34.5 | 16   | 6   | 50   | 52   | 7300  | 4760  | 6500  | 0.25 | 50013 | 50013.APE |
| 15 | <b>53202</b> | 30 | 18.5 | 11 | 17 | 24.6 | 4   | M5x0.80 | 30.2 | 16   | 125 | 61   | 89  | 101 | 34.5 | 16   | 6   | 50   | 52   | 7300  | 4760  | 6500  | 0.25 | 50013 | 50013.APE |
| 16 | <b>53016</b> | 30 | 18.5 | 11 | 17 | 24.6 | 4   | M5x0.80 | 30.2 | 16   | 125 | 61   | 89  | 101 | 34.5 | 16   | 6   | 50   | 52   | 7300  | 4760  | 6500  | 0.25 | 50013 | 50013.APE |
| 17 | 53203        | 30 | 18.5 | 11 | 17 | 24.6 | 4   | M5x0.80 | 30.2 | 16   | 125 | 61   | 89  | 101 | 34.5 | 16   | 6   | 50   | 52   | 7300  | 4760  | 6500  | 0.25 | 50013 | 50013.APE |
| 20 | <b>53204</b> | 31 | 18   | 11 | 17 | 29   | 5   | M6x0.75 | 33.3 | 16   | 127 | 67   | 91  | 103 | 36   | 18   | 7   | 50.5 | 52.5 | 9850  | 6580  | 8500  | 0.30 | 50013 | 50013.APE |
| 25 | <b>53205</b> | 35 | 20   | 11 | 17 | 34   | 5.5 | M6x0.75 | 36.5 | 16   | 135 | 72.5 | 97  | 109 | 39.5 | 19.5 | 7.5 | 55   | 57   | 10800 | 7800  | 10000 | 0.37 | 50009 | 50009.APE |
| 30 | <b>53206</b> | 41 | 24   | 13 | 22 | 40.3 | 6   | M6x0.75 | 42.9 | 21.5 | 156 | 87   | 111 | 129 | 46   | 22   | 8   | 65   | 67   | 15000 | 11300 | 12000 | 0.50 | 50010 | 50010.APE |
| 35 | <b>53207</b> | 45 | 25.5 | 13 | 22 | 48   | 6.5 | M8x1.00 | 47.6 | 21.5 | 164 | 95   | 117 | 135 | 49   | 23.5 | 8.5 | 67   | 69   | 19700 | 15300 | 12500 | 0.70 | 50010 | 50010.APE |
| 40 | <b>53208</b> | 48 | 20   | 13 | 22 | 53   | 7   | M8x1.00 | 49.2 | 21.5 | 179 | 100  | 129 | 147 | 45   | 25   | 9   | 63   | 65   | 22400 | 17900 | 13000 | 0.85 | 50014 | 50014.APE |

**CHROME STEEL BEARING WITH ECCENTRIC RING (POLYAMIDE)**

|    |               |    |      |    |    |      |     |         |      |      |     |      |     |     |      |      |     |      |      |       |       |       |      |       |           |
|----|---------------|----|------|----|----|------|-----|---------|------|------|-----|------|-----|-----|------|------|-----|------|------|-------|-------|-------|------|-------|-----------|
| 12 | 53201B        | 30 | 18.5 | 11 | 17 | 28.6 | 5   | M6x0.75 | 30.2 | 16   | 125 | 61   | 89  | 101 | 41.1 | 22.6 | 6   | 50   | 52   | 7300  | 4760  | 6500  | 0.28 | 50013 | 50013.APE |
| 15 | <b>53202B</b> | 30 | 18.5 | 11 | 17 | 28.6 | 5   | M6x0.75 | 30.2 | 16   | 125 | 61   | 89  | 101 | 41.1 | 22.6 | 6   | 50   | 52   | 7300  | 4760  | 6500  | 0.28 | 50013 | 50013.APE |
| 16 | <b>53016B</b> | 30 | 18.5 | 11 | 17 | 28.6 | 5   | M6x0.75 | 30.2 | 16   | 125 | 61   | 89  | 101 | 41.1 | 22.6 | 6   | 50   | 52   | 7300  | 4760  | 6500  | 0.28 | 50013 | 50013.APE |
| 17 | 53203B        | 30 | 18.5 | 11 | 17 | 28.6 | 5   | M6x0.75 | 30.2 | 16   | 125 | 61   | 89  | 101 | 41.1 | 22.6 | 6   | 50   | 52   | 7300  | 4760  | 6500  | 0.28 | 50013 | 50013.APE |
| 20 | <b>53204B</b> | 31 | 18   | 11 | 17 | 33.3 | 5   | M6x0.75 | 33.3 | 16   | 127 | 67   | 91  | 103 | 41.9 | 23.9 | 7   | 50.5 | 52.5 | 9850  | 6580  | 8500  | 0.33 | 50013 | 50013.APE |
| 25 | <b>53205B</b> | 35 | 20   | 11 | 17 | 38.1 | 5   | M6x0.75 | 36.5 | 16   | 135 | 72.5 | 97  | 109 | 43.4 | 23.4 | 7.5 | 55   | 57   | 10800 | 7800  | 10000 | 0.42 | 50009 | 50009.APE |
| 30 | <b>53206B</b> | 41 | 24   | 13 | 22 | 44.5 | 6   | M6x0.75 | 42.9 | 21.5 | 156 | 87   | 111 | 129 | 51.7 | 27.7 | 8   | 65   | 67   | 15000 | 11300 | 12000 | 0.55 | 50010 | 50010.APE |
| 35 | <b>53207B</b> | 45 | 25.5 | 13 | 22 | 55.6 | 6.5 | M8x1.00 | 47.6 | 21.5 | 164 | 95   | 117 | 135 | 55.9 | 30.4 | 8.5 | 67   | 69   | 19700 | 15300 | 12500 | 0.78 | 50010 | 50010.APE |
| 40 | <b>53208B</b> | 48 | 20   | 13 | 22 | 60.3 | 6.5 | M8x1.00 | 49.2 | 21.5 | 179 | 100  | 129 | 147 | 54.7 | 34.7 | 9   | 63   | 65   | 22400 | 17900 | 13000 | 0.97 | 50014 | 50014.APE |

**STAINLESS STEEL BEARING WITH GRUB SCREWS (POLYAMIDE)**

|    |          |    |      |    |    |      |     |         |      |      |     |      |     |     |      |      |     |      |      |       |       |       |      |       |           |
|----|----------|----|------|----|----|------|-----|---------|------|------|-----|------|-----|-----|------|------|-----|------|------|-------|-------|-------|------|-------|-----------|
| 20 | 53204/SS | 31 | 18   | 11 | 17 | 29.7 | 5   | M6x0.75 | 33.3 | 16   | 127 | 67   | 91  | 103 | 36.7 | 18.7 | 7   | 50.5 | 52.5 | 7300  | 4900  | 8500  | 0.30 | 50013 | 50013.APE |
| 25 | 53205/SS | 35 | 20   | 11 | 17 | 34   | 5.5 | M6x0.75 | 36.5 | 16   | 135 | 72.5 | 97  | 109 | 39.5 | 19.5 | 7.5 | 55   | 57   | 8100  | 5800  | 10000 | 0.37 | 50009 | 50009.APE |
| 30 | 53206/SS | 41 | 24   | 13 | 22 | 40.3 | 6   | M6x0.75 | 42.9 | 21.5 | 156 | 87   | 111 | 129 | 46   | 22   | 8   | 65   | 67   | 11250 | 8400  | 12000 | 0.50 | 50010 | 50010.APE |
| 35 | 53207/SS | 45 | 25.5 | 13 | 22 | 48   | 6.5 | M8x1.00 | 47.6 | 21.5 | 164 | 95   | 117 | 135 | 49   | 23.5 | 8.5 | 67   | 69   | 14700 | 11400 | 12500 | 0.70 | 50010 | 50010.APE |
| 40 | 53208/SS | 48 | 20   | 13 | 22 | 53   | 7   | M8x1.00 | 49.2 | 21.5 | 179 | 100  | 129 | 147 | 45   | 25   | 9   | 63   | 65   | 16800 | 13400 | 13000 | 0.85 | 50014 | 50014.APE |

**CHROME STEEL BEARING WITH GRUB SCREWS (NOLU-CLEAN)**

|    |         |    |      |    |    |      |     |         |      |      |     |      |     |     |      |      |     |      |      |       |       |       |      |         |              |
|----|---------|----|------|----|----|------|-----|---------|------|------|-----|------|-----|-----|------|------|-----|------|------|-------|-------|-------|------|---------|--------------|
| 20 | 53204CG | 31 | 18   | 11 | 17 | 29   | 5   | M6x0.75 | 33.3 | 16   | 127 | 67   | 91  | 103 | 36   | 18   | 7   | 50.5 | 52.5 | 9850  | 6580  | 8500  | 0.30 | 50013CG | 50013.APE/CG |
| 25 | 53205CG | 35 | 20   | 11 | 17 | 34   | 5.5 | M6x0.75 | 36.5 | 16   | 135 | 72.5 | 97  | 109 | 39.5 | 19.5 | 7.5 | 55   | 57   | 10800 | 7800  | 10000 | 0.37 | 50009CG | 50009.APE/CG |
| 30 | 53206CG | 41 | 24   | 13 | 22 | 40.3 | 6   | M6x0.75 | 42.9 | 21.5 | 156 | 87   | 111 | 129 | 46   | 22   | 8   | 65   | 67   | 15000 | 11300 | 12000 | 0.50 | 50010CG | 50010.APE/CG |
| 35 | 53207CG | 45 | 25.5 | 13 | 22 | 48   | 6.5 | M8x1.00 | 47.6 | 21.5 | 164 | 95   | 117 | 135 | 49   | 23.5 | 8.5 | 67   | 69   | 19700 | 15300 | 12500 | 0.70 | 50010CG | 50010.APE/CG |
| 40 | 53208CG | 48 | 20   | 13 | 22 | 53   | 7   | M8x1.00 | 49.2 | 21.5 | 179 | 100  | 129 | 147 | 45   | 25   | 9   | 63   | 65   | 22400 | 17900 | 13000 | 0.85 | 50014CG | 50014.APE/CG |

**CHROME STEEL BEARING WITH ECCENTRIC RING (NOLU-CLEAN)**

|    |          |    |      |    |    |      |     |         |      |      |     |      |     |     |      |      |     |      |      |       |       |       |      |         |              |
|----|----------|----|------|----|----|------|-----|---------|------|------|-----|------|-----|-----|------|------|-----|------|------|-------|-------|-------|------|---------|--------------|
| 20 | 53204CGB | 31 | 18   | 11 | 17 | 33.3 | 5   | M6x0.75 | 33.3 | 16   | 127 | 67   | 91  | 103 | 41.9 | 23.9 | 7   | 50.5 | 52.5 | 9850  | 6580  | 8500  | 0.33 | 50013CG | 50013.APE/CG |
| 25 | 53205CGB | 35 | 20   | 11 | 17 | 38.1 | 5   | M6x0.75 | 36.5 | 16   | 135 | 72.5 | 97  | 109 | 43.4 | 23.4 | 7.5 | 55   | 57   | 10800 | 7800  | 10000 | 0.42 | 50009CG | 50009.APE/CG |
| 30 | 53206CGB | 41 | 24   | 13 | 22 | 44.5 | 6   | M6x0.75 | 42.9 | 21.5 | 156 | 87   | 111 | 129 | 51.7 | 27.7 | 8   | 65   | 67   | 15000 | 11300 | 12000 | 0.55 | 50010CG | 50010.APE/CG |
| 35 | 53207CGB | 45 | 25.5 | 13 | 22 | 55.6 | 6.5 | M8x1.00 | 47.6 | 21.5 | 164 | 95   | 117 | 135 | 55.9 | 30.4 | 8.5 | 67   | 69   | 19700 | 15300 | 12500 | 0.78 | 50010CG | 50010.APE/CG |
| 40 | 53208CGB | 48 | 20   | 13 | 22 | 60.3 | 6.5 | M8x1.00 | 49.2 | 21.5 | 179 | 100  | 129 | 147 | 54.7 | 34.7 | 9   | 63   | 65   | 22400 | 17900 | 13000 | 0.97 | 50014CG | 50014.APE/CG |

**STAINLESS STEEL BEARING WITH GRUB SCREWS (NOLU-CLEAN)**

|    |            |    |      |    |    |      |     |         |      |      |     |      |     |     |      |      |     |      |      |       |       |       |      |         |              |
|----|------------|----|------|----|----|------|-----|---------|------|------|-----|------|-----|-----|------|------|-----|------|------|-------|-------|-------|------|---------|--------------|
| 20 | 53204CG/SS | 31 | 18   | 11 | 17 | 33.3 | 5   | M6x0.75 | 33.3 | 16   | 127 | 67   | 91  | 103 | 41.9 | 23.9 | 7   | 50.5 | 52.5 | 7300  | 4900  | 8500  | 0.33 | 50013CG | 50013.APE/CG |
| 25 | 53205CG/SS | 35 | 20   | 11 | 17 | 38.1 | 5   | M6x0.75 | 36.5 | 16   | 135 | 72.5 | 97  | 109 | 43.4 | 23.4 | 7.5 | 55   | 57   | 8100  | 5800  | 10000 | 0.42 | 50009CG | 50009.APE/CG |
| 30 | 53206CG/SS | 41 | 24   | 13 | 22 | 44.5 | 6   | M6x0.75 | 42.9 | 21.5 | 156 | 87   | 111 | 129 | 51.7 | 27.7 | 8   | 65   | 67   | 11250 | 8400  | 12000 | 0.55 | 50010CG | 50010.APE/CG |
| 35 | 53207CG/SS | 45 | 25.5 | 13 | 22 | 55.6 | 6.5 | M8x1.00 | 47.6 | 21.5 | 164 | 95   | 117 | 135 | 55.9 | 30.4 | 8.5 | 67   | 69   | 14700 | 11400 | 12500 | 0.78 | 50010CG | 50010.APE/CG |
| 40 | 53208CG/SS | 48 | 20   | 13 | 22 | 60.3 | 6.5 | M8x1.00 | 49.2 | 21.5 | 179 | 100  | 129 | 147 | 54.7 | 34.7 | 9   | 63   | 65   | 16800 | 13400 | 13000 | 0.97 | 50014CG | 50014.APE/CG |

\* MAX. RADIAL LOAD CAPACITY OF HOUSING: Values indicated in the table above, are obtained at 23°C. Strength of housing indicated on page 115.

# UCP -R

## WATERPROOF



### TECHNICAL INFORMATION for UCP-R

- **Resistance to corrosion:**
  - Polyamide version (PA): good resistance to many corrosive chemicals such as water, oils, greases, petrol, milk, wine, alcoholic beverages.
- **High load capacity.**
- **Continuous operating temperature:**
  - All our bearings can be used at temperatures between 0°C and +80°C. For lower or higher temperatures please consult our Engineering Department.
- **Economical operation.**
  - Long life bearing insert.
- **Self-alignment:**
  - Max misalignment between shaft and housing: 2.0°.
- **Concept and design to meet all safety requirements.**
- **Interchangeable with standard cast iron pillow block supports.**
- **Completely sealed units.**
- **Ball bearing pre-lubricated with long-life grease, which is ideal in applications in humid conditions, with water, alkaline or acid solutions.**



## WATERPROOF

### SEE ALSO...

Accessories: [p. 110](#)  
Features, lubrication and maintenance: [p. 112](#)  
Mounting instruction: [p. 113 - 114](#)  
Calculation of load capacity, bearing life: [p. 115 - 116](#)  
Chemical resistance: [p. 120 - 121](#)

## COMPONENTS

- ① Housing in reinforced polyamide (Housing in reinforced polypropylene available on request).
- ② Adjustable chrome steel or stainless steel ball bearing, pre-lubricated. Can be re-lubricated by means of grease-nipple or a quick coupler.
- ③ Ball-type grease-nipple or quick coupler from nickel plated brass (available upon request) to take semi-rigid hoses  $\varnothing$  4 mm in Rilsan (see accessories on [page 110](#)). Version with stainless steel bearing has a stainless steel grease nipple.
- ④ Clip-on safety cap.
- ⑤ Spacers from nickel plated brass to reinforce fixing holes.
- ⑧ Rotary shaft seal ring with extra dust-protection lip in NBR rubber.
- ⑨ Heavy duty O-Ring in NBR rubber.

# UCP-R

## WATERPROOF

### POLYAMIDE HOUSING



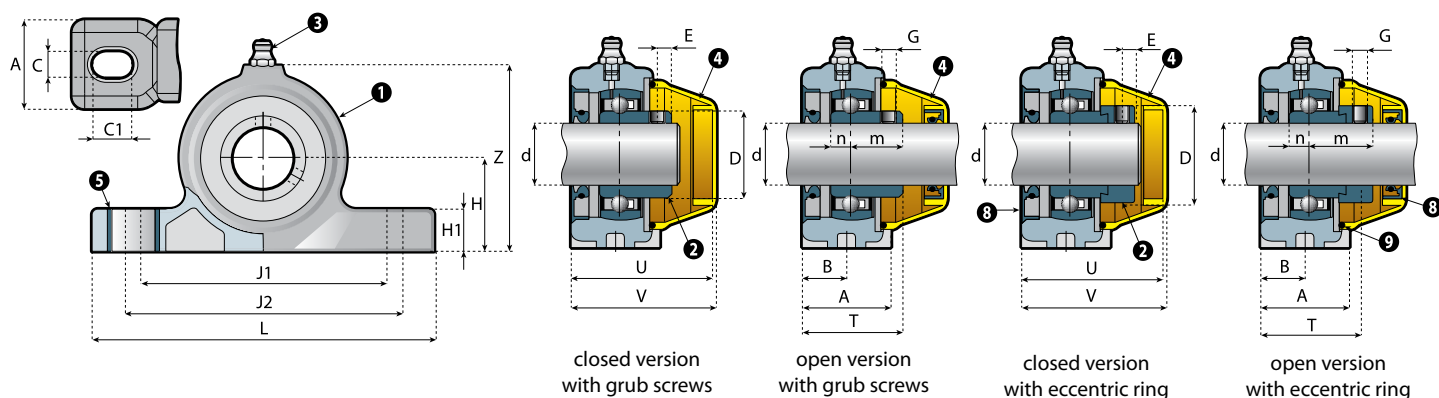
# UCP-R

## STANDARD

**NOLU-CLEAN** is a new antimicrobial material of improved hygiene. For detailed information refer to [page 7](#).

### NOLU-CLEAN HOUSING





Preferred types, readily available (codes marked in red)

| Ø<br>d<br>mm | code version |      | dimension (mm) |   |   |    |   |   |   |   |    |   |   |    |    |   |   |   | bearing load ratings |   | housing load rating max. N* | weight (Kg) |
|--------------|--------------|------|----------------|---|---|----|---|---|---|---|----|---|---|----|----|---|---|---|----------------------|---|-----------------------------|-------------|
|              | closed       | open | A              | B | C | C1 | D | E | G | H | H1 | L | Z | J1 | J2 | T | m | n | U                    | V |                             |             |

**CHROME STEEL BEARING WITH GRUB SCREWS (POLYAMIDE)**

|    |        |        |    |      |    |    |      |     |         |      |      |     |      |     |     |      |      |     |      |      |       |       |       |      |
|----|--------|--------|----|------|----|----|------|-----|---------|------|------|-----|------|-----|-----|------|------|-----|------|------|-------|-------|-------|------|
| 12 | 53201R | 58201R | 30 | 18.5 | 11 | 17 | 24.6 | 4   | M5x0.80 | 30.2 | 16   | 125 | 61   | 89  | 101 | 34.5 | 16   | 6   | 50   | 52   | 7300  | 4760  | 6500  | 0.25 |
| 15 | 53202R | 58202R | 30 | 18.5 | 11 | 17 | 24.6 | 4   | M5x0.80 | 30.2 | 16   | 125 | 61   | 89  | 101 | 34.5 | 16   | 6   | 50   | 52   | 7300  | 4760  | 6500  | 0.25 |
| 16 | 53016R | 58016R | 30 | 18.5 | 11 | 17 | 24.6 | 4   | M5x0.80 | 30.2 | 16   | 125 | 61   | 89  | 101 | 34.5 | 16   | 6   | 50   | 52   | 7300  | 4760  | 6500  | 0.25 |
| 17 | 53203R | 58203R | 30 | 18.5 | 11 | 17 | 24.6 | 4   | M5x0.80 | 30.2 | 16   | 125 | 61   | 89  | 101 | 34.5 | 16   | 6   | 50   | 52   | 7300  | 4760  | 6500  | 0.25 |
| 20 | 53204R | 58204R | 31 | 18   | 11 | 17 | 29   | 5   | M6x0.75 | 33.3 | 16   | 127 | 67   | 91  | 103 | 36   | 18   | 7   | 50.5 | 52.5 | 9850  | 6580  | 8500  | 0.30 |
| 25 | 53205R | 58205R | 35 | 20   | 11 | 17 | 34   | 5.5 | M6x0.75 | 36.5 | 16   | 135 | 72.5 | 97  | 109 | 39.5 | 19.5 | 7.5 | 55   | 57   | 10800 | 7800  | 10000 | 0.37 |
| 30 | 53206R | 58206R | 41 | 24   | 13 | 22 | 40.3 | 6   | M6x0.75 | 42.9 | 22   | 156 | 87   | 111 | 129 | 46   | 22   | 8   | 65   | 67   | 15000 | 11300 | 12000 | 0.50 |
| 35 | 53207R | 58207R | 45 | 25.5 | 13 | 22 | 48   | 6.5 | M8x1.00 | 47.6 | 21.5 | 164 | 95   | 117 | 135 | 49   | 23.5 | 8.5 | 67   | 69   | 19700 | 15300 | 12500 | 0.70 |
| 40 | 53208R | 58208R | 48 | 20   | 13 | 22 | 53   | 7   | M8x1.00 | 49.2 | 21.5 | 179 | 100  | 129 | 147 | 45   | 25   | 9   | 63   | 65   | 22400 | 17900 | 13000 | 0.85 |

**CHROME STEEL BEARING WITH ECCENTRIC RING (POLYAMIDE)**

|    |         |         |    |      |    |    |      |     |         |      |      |     |      |     |     |      |      |     |      |      |       |       |       |      |
|----|---------|---------|----|------|----|----|------|-----|---------|------|------|-----|------|-----|-----|------|------|-----|------|------|-------|-------|-------|------|
| 12 | 53201RB | 58201RB | 30 | 18.5 | 11 | 17 | 28.6 | 5   | M6x0.75 | 30.2 | 16   | 125 | 61   | 89  | 101 | 41.1 | 22.6 | 6   | 50   | 52   | 7300  | 4760  | 6500  | 0.28 |
| 15 | 53202RB | 58202RB | 30 | 18.5 | 11 | 17 | 28.6 | 5   | M6x0.75 | 30.2 | 16   | 125 | 61   | 89  | 101 | 41.1 | 22.6 | 6   | 50   | 52   | 7300  | 4760  | 6500  | 0.28 |
| 16 | 53016RB | 58016RB | 30 | 18.5 | 11 | 17 | 28.6 | 5   | M6x0.75 | 30.2 | 16   | 125 | 61   | 89  | 101 | 41.1 | 22.6 | 6   | 50   | 52   | 7300  | 4760  | 6500  | 0.28 |
| 17 | 53203RB | 58203RB | 30 | 18.5 | 11 | 17 | 28.6 | 5   | M6x0.75 | 30.2 | 16   | 125 | 61   | 89  | 101 | 41.1 | 22.6 | 6   | 50   | 52   | 7300  | 4760  | 6500  | 0.28 |
| 20 | 53204RB | 58204RB | 31 | 18   | 11 | 17 | 33.3 | 5   | M6x0.75 | 33.3 | 16   | 127 | 67   | 91  | 103 | 41.9 | 23.9 | 7   | 50.5 | 52.5 | 9850  | 6580  | 8500  | 0.33 |
| 25 | 53205RB | 58205RB | 35 | 20   | 11 | 17 | 38.1 | 5   | M6x0.75 | 36.5 | 16   | 135 | 72.5 | 97  | 109 | 43.4 | 23.4 | 7.5 | 55   | 57   | 10800 | 7800  | 10000 | 0.42 |
| 30 | 53206RB | 58206RB | 41 | 24   | 13 | 22 | 44.5 | 6   | M6x0.75 | 42.9 | 22   | 156 | 87   | 111 | 129 | 51.7 | 27.7 | 8   | 65   | 67   | 15000 | 11300 | 12000 | 0.55 |
| 35 | 53207RB | 58207RB | 45 | 25.5 | 13 | 22 | 55.6 | 6.5 | M8x1.00 | 47.6 | 21.5 | 164 | 95   | 117 | 135 | 55.9 | 30.4 | 8.5 | 67   | 69   | 19700 | 15300 | 12500 | 0.78 |
| 40 | 53208RB | 58208RB | 48 | 20   | 13 | 22 | 60.3 | 6.5 | M8x1.00 | 49.2 | 21.5 | 179 | 100  | 129 | 147 | 54.7 | 34.7 | 9   | 63   | 65   | 22400 | 17900 | 13000 | 0.97 |

\* MAX. RADIAL LOAD CAPACITY OF HOUSING: Values indicated in the table above, are obtained at 23°C. Strength of housing indicated on page 115.

Preferred types, readily available (codes marked in red)

| Ø<br>d<br>mm | code version |      | dimension (mm) |   |   |    |   |   |   |   |    |   |   |    |    |   |   |   | bearing load ratings |   | housing load rating max. N* | weight (Kg) |
|--------------|--------------|------|----------------|---|---|----|---|---|---|---|----|---|---|----|----|---|---|---|----------------------|---|-----------------------------|-------------|
|              | closed       | open | A              | B | C | C1 | D | E | G | H | H1 | L | Z | J1 | J2 | T | m | n | U                    | V |                             |             |

**CHROME STEEL BEARING WITH GRUB SCREWS (NOLU-CLEAN)**

|    |          |          |    |      |    |    |      |     |         |      |      |     |      |     |     |      |      |     |      |      |       |       |       |      |
|----|----------|----------|----|------|----|----|------|-----|---------|------|------|-----|------|-----|-----|------|------|-----|------|------|-------|-------|-------|------|
| 20 | 53204CGR | 58204CGR | 31 | 18   | 11 | 17 | 29   | 5   | M6x0.75 | 33.3 | 16   | 127 | 67   | 91  | 103 | 36   | 18   | 7   | 50.5 | 52.5 | 9850  | 6580  | 8500  | 0.30 |
| 25 | 53205CGR | 58205CGR | 35 | 20   | 11 | 17 | 34   | 5.5 | M6x0.75 | 36.5 | 16   | 135 | 72.5 | 97  | 109 | 39.5 | 19.5 | 7.5 | 55   | 57   | 10800 | 7800  | 10000 | 0.37 |
| 30 | 53206CGR | 58206CGR | 41 | 24   | 13 | 22 | 40.3 | 6   | M6x0.75 | 42.9 | 22   | 156 | 87   | 111 | 129 | 46   | 22   | 8   | 65   | 67   | 15000 | 11300 | 12000 | 0.50 |
| 35 | 53207CGR | 58207CGR | 45 | 25.5 | 13 | 22 | 48   | 6.5 | M8x1.00 | 47.6 | 21.5 | 164 | 95   | 117 | 135 | 49   | 23.5 | 8.5 | 67   | 69   | 19700 | 15300 | 12500 | 0.70 |
| 40 | 53208CGR | 58208CGR | 48 | 20   | 13 | 22 | 53   | 7   | M8x1.00 | 49.2 | 21.5 | 179 | 100  | 129 | 147 | 45   | 25   | 9   | 63   | 65   | 22400 | 17900 | 13000 | 0.85 |

**CHROME STEEL BEARING WITH ECCENTRIC RING (NOLU-CLEAN)**

|    |           |           |    |      |    |    |      |     |         |      |      |     |      |     |     |      |      |     |      |      |       |       |       |      |
|----|-----------|-----------|----|------|----|----|------|-----|---------|------|------|-----|------|-----|-----|------|------|-----|------|------|-------|-------|-------|------|
| 20 | 53204CGRB | 58204CGRB | 31 | 18   | 11 | 17 | 33.3 | 5   | M6x0.75 | 33.3 | 16   | 127 | 67   | 91  | 103 | 41.9 | 23.9 | 7   | 50.5 | 52.5 | 9850  | 6580  | 8500  | 0.33 |
| 25 | 53205CGRB | 58205CGRB | 35 | 20   | 11 | 17 | 38.1 | 5   | M6x0.75 | 36.5 | 16   | 135 | 72.5 | 97  | 109 | 43.4 | 23.4 | 7.5 | 55   | 57   | 10800 | 7800  | 10000 | 0.42 |
| 30 | 53206CGRB | 58206CGRB | 41 | 24   | 13 | 22 | 44.5 | 6   | M6x0.75 | 42.9 | 22   | 156 | 87   | 111 | 129 | 51.7 | 27.7 | 8   | 65   | 67   | 15000 | 11300 | 12000 | 0.55 |
| 35 | 53207CGRB | 58207CGRB | 45 | 25.5 | 13 | 22 | 55.6 | 6.5 | M8x1.00 | 47.6 | 21.5 | 164 | 95   | 117 | 135 | 55.9 | 30.4 | 8.5 | 67   | 69   | 19700 | 15300 | 12500 | 0.78 |
| 40 | 53208CGRB | 58208CGRB | 48 | 20   | 13 | 22 | 60.3 | 6.5 | M8x1.00 | 49.2 | 21.5 | 179 | 100  | 129 | 147 | 54.7 | 34.7 | 9   | 63   | 65   | 22400 | 17900 | 13000 | 0.97 |

\* MAX. RADIAL LOAD CAPACITY OF HOUSING: Values indicated in the table above, are obtained at 23°C. Strength of housing indicated on page 115.

## STANDARD



### TECHNICAL INFORMATION for UCPA

- **Resistance to corrosion:**
  - Polyamide version (PA): good resistance to many corrosive chemicals such as water, oils, greases, petrol, milk, wine, alcoholic beverages.
- **High load capacity.**
- **Continuous operating temperature:**
  - All our bearings can be used at temperatures between 0°C and +80°C. For lower or higher temperatures please consult our Engineering Department.
- **Economical operation.**
  - Long life bearing insert.
- **Self-alignment:**
  - Max misalignment between shaft and housing: 2.5°.
- **Concept and design to meet all safety requirements.**
- **Interchangeable with standard cast iron pillow block supports.**
- **Ball bearing pre-lubricated with long-life grease, which is ideal in applications in humid conditions, with water, alkaline or acid solutions.**

### COMPONENTS

- 1 Housing in reinforced polyamide (Housing in reinforced polypropylene available on request).
- 2 Adjustable chrome steel or stainless steel ball bearing, pre-lubricated. Can be re-lubricated by means of grease-nipple or a quick coupler.
- 3 Ball-type grease-nipple or quick coupler from nickel plated brass (available upon request) to take semi-rigid hoses  $\varnothing$  4 mm in Rilsan (see accessories on [page 110](#)). Version with stainless steel bearing has a stainless steel grease nipple.
- 4 Clip-on safety cap (accessory).
- 11 Threaded bush in nickel plated brass.

## UCPA STANDARD

### POLYAMIDE HOUSING



accessory

### COLOUR

- Safety cap in yellow.
- For sufficient quantities parts can be produced in different colours.

## UCPA STANDARD

**NOLU-CLEAN** is a new antimicrobial material of improved hygiene.

For detailed information refer to [page 7](#).

### NOLU-CLEAN HOUSING



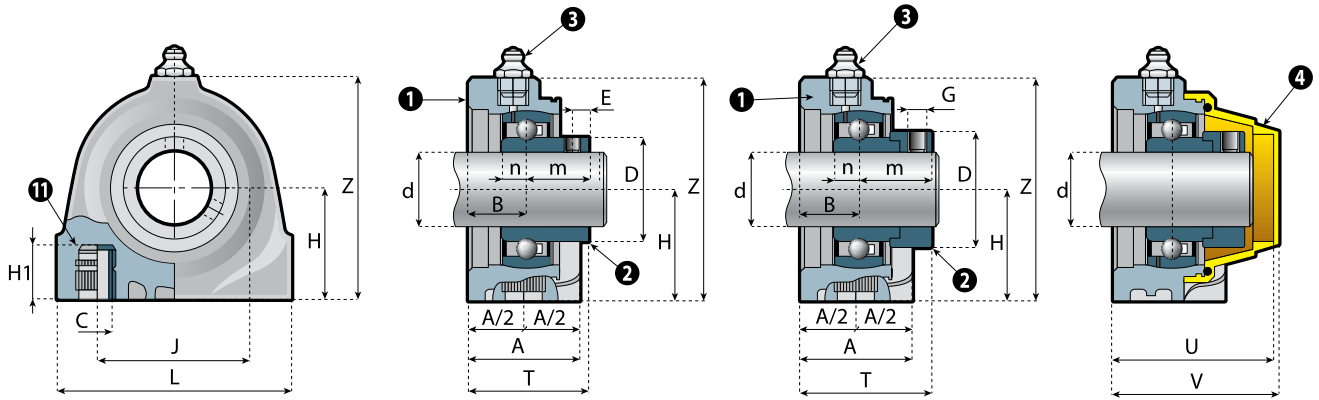
accessory

### COLOUR

- Bearing support in white.
- Safety cap in white.

### SEE ALSO...

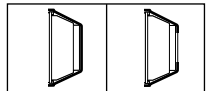
- Accessories: [p. 110](#)  
 Features, lubrication and maintenance: [p. 112](#)  
 Mounting instruction: [p. 113 - 114](#)  
 Calculation of load capacity, bearing life: [p. 115 - 116](#)  
 Chemical resistance: [p. 120 - 121](#)



version with grub screws

version with eccentric ring

Accessories



Preferred types, readily available (codes marked in red)

| Ø d mm  | code version | dimension (mm) |      |     |      |     |         |      |    |    |    |      |      |      |     |    | bearing load ratings |               | housing load rating max. N* | weight (kg) | closed safety cap code | open safety cap code |               |
|---|--------------|----------------|------|-----|------|-----|---------|------|----|----|----|------|------|------|-----|----|----------------------|---------------|-----------------------------|-------------|------------------------|----------------------|---------------|
|   |              | A              | B    | C   | D    | E   | G       | H    | H1 | L  | Z  | J    | T    | m    | n   | U  | V                    | dynamic C (N) |                             |             |                        |                      | static Co (N) |
| <b>CHROME STEEL BEARING WITH GRUB SCREWS (POLYAMIDE)</b>    |              |                |      |     |      |     |         |      |    |    |    |      |      |      |     |    |                      |               |                             |             |                        |                      |               |
| 20  | 53204A       | 32             | 17.5 | M8  | 29   | 5   | M6x0.75 | 33.3 | 16 | 70 | 65 | 50.8 | 35.5 | 18   | 7   | 49 | 51                   | 9850          | 6580                        | 6500        | 0.30                   | 50008                | 50008.APE     |
| 25  | 53205A       | 36             | 19.5 | M10 | 34   | 5.5 | M6x0.75 | 36.5 | 16 | 75 | 72 | 50.8 | 39   | 19.5 | 7.5 | 54 | 56                   | 10800         | 7800                        | 7800        | 0.37                   | 50007                | 50007.APE     |
| 30  | 53206A       | 40             | 20   | M10 | 40.3 | 6   | M6x0.75 | 42.9 | 24 | 98 | 85 | 76.2 | 42   | 22   | 8   | 59 | 61                   | 15000         | 11300                       | 11000       | 0.50                   | 50003A               | 50003A.APE    |
| <b>CHROME STEEL BEARING WITH ECCENTRIC RING (POLYAMIDE)</b> |              |                |      |     |      |     |         |      |    |    |    |      |      |      |     |    |                      |               |                             |             |                        |                      |               |
| 20  | 53204AB      | 32             | 17.5 | M8  | 33.3 | 5   | M6x0.75 | 33.3 | 16 | 70 | 65 | 50.8 | 41.4 | 23.9 | 7   | 49 | 51                   | 9850          | 6580                        | 6500        | 0.33                   | 50008                | 50008.APE     |
| 25  | 53205AB      | 36             | 19.5 | M10 | 38.1 | 5   | M6x0.75 | 36.5 | 16 | 75 | 72 | 50.8 | 43.4 | 23.4 | 7.5 | 54 | 56                   | 10800         | 7800                        | 7800        | 0.42                   | 50007                | 50007.APE     |
| 30  | 53206AB      | 40             | 20   | M10 | 44.5 | 6   | M6x0.75 | 42.9 | 24 | 98 | 85 | 76.2 | 47.7 | 27.7 | 8   | 59 | 61                   | 15000         | 11300                       | 11000       | 0.55                   | 50003A               | 50003A.APE    |
| <b>STAINLESS STEEL BEARING WITH GRUB SCREWS (POLYAMIDE)</b> |              |                |      |     |      |     |         |      |    |    |    |      |      |      |     |    |                      |               |                             |             |                        |                      |               |
| 20  | 53204A/SS    | 32             | 17.5 | M8  | 29   | 5   | M6x0.75 | 33.3 | 16 | 70 | 65 | 50.8 | 36.2 | 18.7 | 7   | 49 | 51                   | 7300          | 4900                        | 6500        | 0.30                   | 50008                | 50008.APE     |
| 25  | 53205A/SS    | 36             | 19.5 | M10 | 34   | 5.5 | M6x0.75 | 36.5 | 16 | 75 | 72 | 50.8 | 38.2 | 19.5 | 7.5 | 54 | 56                   | 8100          | 5800                        | 7800        | 0.37                   | 50007                | 50007.APE     |
| 30  | 53206A/SS    | 40             | 20   | M10 | 40.3 | 6   | M6x0.75 | 42.9 | 24 | 98 | 85 | 76.2 | 42   | 22   | 8   | 59 | 61                   | 11250         | 8400                        | 11000       | 0.50                   | 50003A               | 50003A.APE    |

\* MAX. RADIAL LOAD CAPACITY OF HOUSING: Values indicated in the table above, are obtained at 23°C. Strength of housing indicated on page 115.

| Ø d mm   | code version | dimension (mm) |      |     |      |     |         |      |    |    |    |      |      |      |     |    | bearing load ratings |               | housing load rating max. N* | weight (kg) | closed safety cap code | open safety cap code |               |
|--|--------------|----------------|------|-----|------|-----|---------|------|----|----|----|------|------|------|-----|----|----------------------|---------------|-----------------------------|-------------|------------------------|----------------------|---------------|
|  |              | A              | B    | C   | D    | E   | G       | H    | H1 | L  | Z  | J    | T    | m    | n   | U  | V                    | dynamic C (N) |                             |             |                        |                      | static Co (N) |
| <b>CHROME STEEL BEARING WITH GRUB SCREWS (NOLU-CLEAN)</b>    |              |                |      |     |      |     |         |      |    |    |    |      |      |      |     |    |                      |               |                             |             |                        |                      |               |
| 20   | 53204CGA     | 32             | 17.5 | M8  | 29   | 5   | M6x0.75 | 33.3 | 16 | 70 | 65 | 50.8 | 35.5 | 18   | 7   | 49 | 51                   | 9850          | 6580                        | 6500        | 0.30                   | 50008CG              | 50008.APE/CG  |
| 25   | 53205CGA     | 36             | 19.5 | M10 | 34   | 5.5 | M6x0.75 | 36.5 | 16 | 75 | 72 | 50.8 | 39   | 19.5 | 7.5 | 54 | 56                   | 10800         | 7800                        | 7800        | 0.37                   | 50007CG              | 50007.APE/CG  |
| 30   | 53206CGA     | 40             | 20   | M10 | 40.3 | 6   | M6x0.75 | 42.9 | 24 | 98 | 85 | 76.2 | 42   | 22   | 8   | 59 | 61                   | 15000         | 11300                       | 11000       | 0.50                   | 50003ACG             | 50003A.APE/CG |
| <b>CHROME STEEL BEARING WITH ECCENTRIC RING (NOLU-CLEAN)</b> |              |                |      |     |      |     |         |      |    |    |    |      |      |      |     |    |                      |               |                             |             |                        |                      |               |
| 20   | 53204CGAB    | 32             | 17.5 | M8  | 33.3 | 5   | M6x0.75 | 33.3 | 16 | 70 | 65 | 50.8 | 41.4 | 23.9 | 7   | 49 | 51                   | 9850          | 6580                        | 6500        | 0.33                   | 50008CG              | 50008.APE/CG  |
| 25   | 53205CGAB    | 36             | 19.5 | M10 | 38.1 | 5   | M6x0.75 | 36.5 | 16 | 75 | 72 | 50.8 | 43.4 | 23.4 | 7.5 | 54 | 56                   | 10800         | 7800                        | 7800        | 0.42                   | 50007CG              | 50007.APE/CG  |
| 30   | 53206CGAB    | 40             | 20   | M10 | 44.5 | 6   | M6x0.75 | 42.9 | 24 | 98 | 85 | 76.2 | 47.7 | 27.7 | 8   | 59 | 61                   | 15000         | 11300                       | 11000       | 0.55                   | 50003ACG             | 50003A.APE/CG |
| <b>STAINLESS STEEL BEARING WITH GRUB SCREWS (NOLU-CLEAN)</b> |              |                |      |     |      |     |         |      |    |    |    |      |      |      |     |    |                      |               |                             |             |                        |                      |               |
| 20   | 53204CGA/SS  | 32             | 17.5 | M8  | 29   | 5   | M6x0.75 | 33.3 | 16 | 70 | 65 | 50.8 | 36.2 | 18.7 | 7   | 49 | 51                   | 7300          | 4900                        | 6500        | 0.30                   | 50008CG              | 50008.APE/CG  |
| 25   | 53205CGA/SS  | 36             | 19.5 | M10 | 34   | 5.5 | M6x0.75 | 36.5 | 16 | 75 | 72 | 50.8 | 38.2 | 19.5 | 7.5 | 54 | 56                   | 8100          | 5800                        | 7800        | 0.37                   | 50007CG              | 50007.APE/CG  |
| 30   | 53206CGA/SS  | 40             | 20   | M10 | 40.3 | 6   | M6x0.75 | 42.9 | 24 | 98 | 85 | 76.2 | 42   | 22   | 8   | 59 | 61                   | 11250         | 8400                        | 11000       | 0.50                   | 50003ACG             | 50003A.APE/CG |

\* MAX. RADIAL LOAD CAPACITY OF HOUSING: Values indicated in the table above, are obtained at 23°C. Strength of housing indicated on page 115.



# UCPA -R

## WATERPROOF



### TECHNICAL INFORMATION for UCPA-R

- **Resistance to corrosion:**
  - Polyamide version (PA): good resistance to many corrosive chemicals such as water, oils, greases, petrol, milk, wine, alcoholic beverages.
- **High load capacity.**
- **Continuous operating temperature:**
  - All our bearings can be used at temperatures between 0°C and +80°C. For lower or higher temperatures please consult our Engineering Department.
- **Economical operation.**
  - Long life bearing insert.
- **Self-alignment:**
  - Max misalignment between shaft and housing: 2.0°.
- **Concept and design to meet all safety requirements.**
- **Interchangeable with standard cast iron pillow block supports.**
- **Completely sealed units.**
- **Ball bearing pre-lubricated with long-life grease, which is ideal in applications in humid conditions, with water, alkaline or acid solutions.**



## WATERPROOF

### SEE ALSO...

Accessories: [p. 110](#)  
Features, lubrication and maintenance: [p. 112](#)  
Mounting instruction: [p. 113 - 114](#)  
Calculation of load capacity, bearing life: [p. 115 - 116](#)  
Chemical resistance: [p. 120 - 121](#)

## COMPONENTS

- ① Housing in reinforced polyamide (Housing in reinforced polypropylene available on request).
- ② Adjustable chrome steel or stainless steel ball bearing, pre-lubricated. Can be re-lubricated by means of grease-nipple or a quick coupler.
- ③ Ball-type grease-nipple or quick coupler from nickel plated brass (available upon request) to take semi-rigid hoses  $\varnothing$  4 mm in Rilsan (see accessories on [page 110](#)). Version with stainless steel bearing has a stainless steel grease nipple.
- ④ Clip-on safety cap.
- ⑧ Rotary shaft seal ring with extra dust-protection lip in NBR rubber.
- ⑨ Heavy duty O-Ring in NBR rubber.
- ⑩ Threaded bush in nickel plated brass.

## UCPA-R WATERPROOF

### POLYAMIDE HOUSING

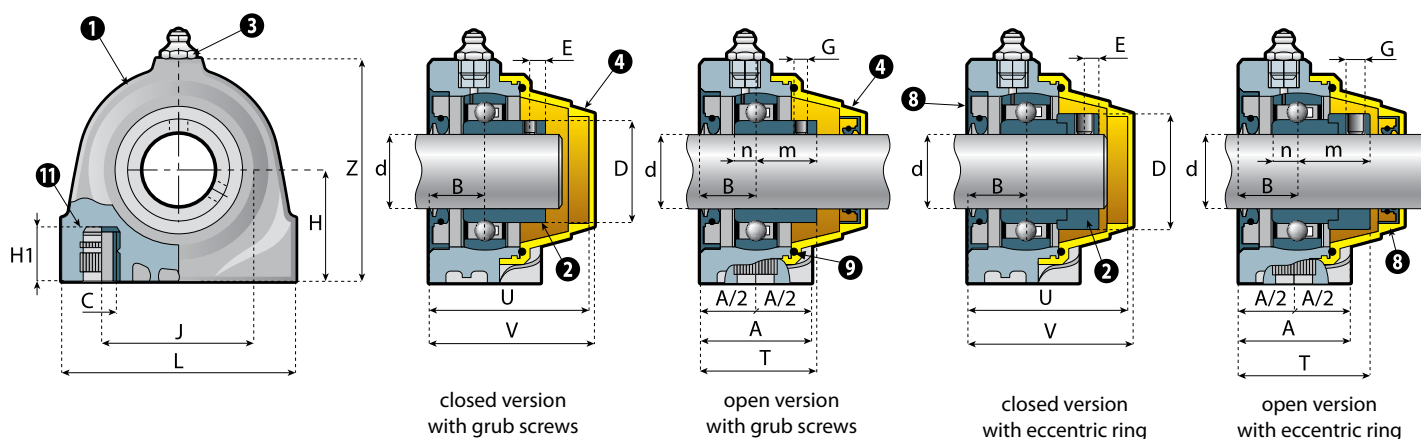


## UCPA-R WATERPROOF

**NOLU-CLEAN** is a new antimicrobial material of improved hygiene. For detailed information refer to [page 7](#).

### NOLU-CLEAN HOUSING





Preferred types, readily available (codes marked in red)

| Ø<br>d<br>mm | code version |      | dimension (mm) |   |   |   |   |   |   |    |   |   |   |   |   |   | bearing load ratings |   | housing load rating max. N* | weight (Kg) |
|--------------|--------------|------|----------------|---|---|---|---|---|---|----|---|---|---|---|---|---|----------------------|---|-----------------------------|-------------|
|              | closed       | open | A              | B | C | D | E | G | H | H1 | L | Z | J | T | m | n | U                    | V |                             |             |

**CHROME STEEL BEARING WITH GRUB SCREWS (POLYAMIDE)**

|    |         |         |    |      |     |      |     |         |      |    |    |    |      |      |      |     |    |    |       |       |       |      |
|----|---------|---------|----|------|-----|------|-----|---------|------|----|----|----|------|------|------|-----|----|----|-------|-------|-------|------|
| 20 | 53204AR | 58204AR | 32 | 17.5 | M8  | 29   | 5   | M6x0.75 | 33.3 | 16 | 70 | 65 | 50.8 | 35.5 | 18   | 7   | 49 | 51 | 9850  | 6580  | 6500  | 0.36 |
| 25 | 53205AR | 58205AR | 36 | 19.5 | M10 | 34   | 5.5 | M6x0.75 | 36.5 | 16 | 75 | 72 | 50.8 | 39   | 19.5 | 7.5 | 54 | 56 | 10800 | 7800  | 7800  | 0.41 |
| 30 | 53206AR | 58206AR | 40 | 20   | M10 | 40.3 | 6   | M6x0.75 | 42.9 | 24 | 98 | 85 | 76.2 | 42   | 22   | 8   | 59 | 61 | 15000 | 11300 | 11000 | 0.56 |

**CHROME STEEL BEARING WITH ECCENTRIC RING (POLYAMIDE)**

|    |          |          |    |      |     |      |   |         |      |    |    |    |      |      |      |     |    |    |       |       |       |      |
|----|----------|----------|----|------|-----|------|---|---------|------|----|----|----|------|------|------|-----|----|----|-------|-------|-------|------|
| 20 | 53204ARB | 58204ARB | 32 | 17.5 | M8  | 33.3 | 5 | M6x0.75 | 33.3 | 16 | 70 | 65 | 50.8 | 41.4 | 23.9 | 7   | 49 | 51 | 9850  | 6580  | 6500  | 0.40 |
| 25 | 53205ARB | 58205ARB | 36 | 19.5 | M10 | 38.1 | 5 | M6x0.75 | 36.5 | 16 | 75 | 72 | 50.8 | 43.4 | 23.4 | 7.5 | 54 | 56 | 10800 | 7800  | 7800  | 0.45 |
| 30 | 53206ARB | 58206ARB | 40 | 20   | M10 | 44.5 | 6 | M6x0.75 | 42.9 | 24 | 98 | 85 | 76.2 | 47.7 | 27.7 | 8   | 59 | 61 | 15000 | 11300 | 11000 | 0.60 |

\* **MAX. RADIAL LOAD CAPACITY OF HOUSING:** Values indicated in the table above, are obtained at 23°C. Strength of housing indicated on [page 115](#).

| Ø<br>d<br>mm | code version |      | dimension (mm) |   |   |   |   |   |   |    |   |   |   |   |   |   | bearing load ratings |   | housing load rating max. N* | weight (Kg) |
|--------------|--------------|------|----------------|---|---|---|---|---|---|----|---|---|---|---|---|---|----------------------|---|-----------------------------|-------------|
|              | closed       | open | A              | B | C | D | E | G | H | H1 | L | Z | J | T | m | n | U                    | V |                             |             |

**CHROME STEEL BEARING WITH GRUB SCREWS (NOLU-CLEAN)**

|    |           |           |    |      |     |      |     |         |      |    |    |    |      |      |      |     |    |    |       |       |       |      |
|----|-----------|-----------|----|------|-----|------|-----|---------|------|----|----|----|------|------|------|-----|----|----|-------|-------|-------|------|
| 20 | 53204CGAR | 58204CGAR | 32 | 17.5 | M8  | 29   | 5   | M6x0.75 | 33.3 | 16 | 70 | 65 | 50.8 | 35.5 | 18   | 7   | 49 | 51 | 9850  | 6580  | 6500  | 0.36 |
| 25 | 53205CGAR | 58205CGAR | 36 | 19.5 | M10 | 34   | 5.5 | M6x0.75 | 36.5 | 16 | 75 | 72 | 50.8 | 39   | 19.5 | 7.5 | 54 | 56 | 10800 | 7800  | 7800  | 0.41 |
| 30 | 53206CGAR | 58206CGAR | 40 | 20   | M10 | 40.3 | 6   | M6x0.75 | 42.9 | 24 | 98 | 85 | 76.2 | 42   | 22   | 8   | 59 | 61 | 15000 | 11300 | 11000 | 0.56 |

**CHROME STEEL BEARING WITH ECCENTRIC RING (NOLU-CLEAN)**

|    |            |            |    |      |     |      |   |         |      |    |    |    |      |      |      |     |    |    |       |       |       |      |
|----|------------|------------|----|------|-----|------|---|---------|------|----|----|----|------|------|------|-----|----|----|-------|-------|-------|------|
| 20 | 53204CGARB | 58204CGARB | 32 | 17.5 | M8  | 33.3 | 5 | M6x0.75 | 33.3 | 16 | 70 | 65 | 50.8 | 41.4 | 23.9 | 7   | 49 | 51 | 9850  | 6580  | 6500  | 0.40 |
| 25 | 53205CGARB | 58205CGARB | 36 | 19.5 | M10 | 38.1 | 5 | M6x0.75 | 36.5 | 16 | 75 | 72 | 50.8 | 43.4 | 23.4 | 7.5 | 54 | 56 | 10800 | 7800  | 7800  | 0.45 |
| 30 | 53206CGARB | 58206CGARB | 40 | 20   | M10 | 44.5 | 6 | M6x0.75 | 42.9 | 24 | 98 | 85 | 76.2 | 47.7 | 27.7 | 8   | 59 | 61 | 15000 | 11300 | 11000 | 0.60 |

\* **MAX. RADIAL LOAD CAPACITY OF HOUSING:** Values indicated in the table above, are obtained at 23°C. Strength of housing indicated on [page 115](#).

## STANDARD



## TECHNICAL INFORMATION for UCFA

- **Resistance to corrosion:**
  - Polyamide version (PA): good resistance to many corrosive chemicals such as water, oils, greases, petrol, milk, wine, alcoholic beverages.
- **High load capacity.**
- **Continuous operating temperature:**
  - All our bearings can be used at temperatures between 0°C and +80°C. For lower or higher temperatures please consult our Engineering Department.
- **Self-alignment:**
  - Max misalignment between shaft and housing: 2.5°.
- **Low maintenance and trouble-free operation.**
- **Easy Cleaning.**
- **Ball bearing pre-lubricated with long-life grease, which is ideal in applications in humid conditions, with water, alkaline or acid solutions.**
- **Concept and design to meet all safety requirements.**
- **Interchangeable with standard cast iron flanged supports.**
- **Application in the food, beverage and pharmaceutical industry.**

## COMPONENTS

- ❶ Housing in reinforced polyamide (Housing in reinforced polypropylene available on request).
- ❷ Adjustable chrome steel or stainless steel ball bearing, pre-lubricated. Can be re-lubricated by means of grease-nipple or a quick coupler.
- ❸ Ball-type grease-nipple or quick coupler from nickel plated brass (available upon request) to take semi-rigid hoses  $\varnothing$  4 mm in Rilsan (see accessories on [page 110](#)). Version with stainless steel bearing has a stainless steel grease nipple.
- ❹ Clip-on safety cap (accessory).
- ❺ Spacers from nickel plated brass to reinforce fixing holes.
- ❻ Polyethylene washer for grease-nipple.

UCFA  
STANDARD

## POLYAMIDE HOUSING



accessory

## COLOUR

- Safety cap in yellow.
- For sufficient quantities parts can be produced in different colours.

UCFA  
STANDARD

**NOLU-CLEAN** is a new antimicrobial material of improved hygiene.

For detailed information refer to [page 7](#).

## NOLU-CLEAN HOUSING



accessory

## COLOUR

- Bearing support in white.
- Safety cap in white.

## SEE ALSO...

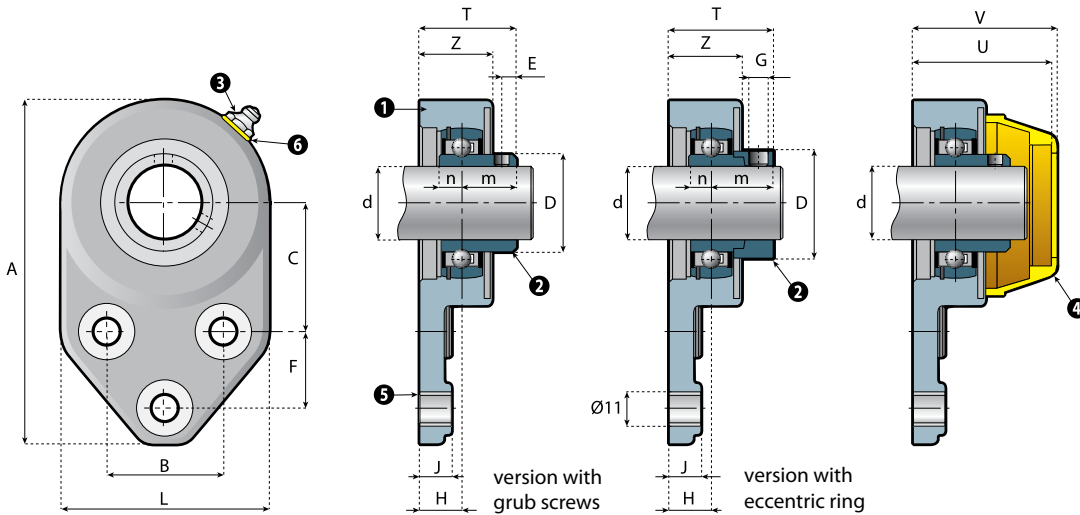
Accessories: [p. 110](#)

Features, lubrication and maintenance: [p. 112](#)

Mounting instruction: [p. 113 - 114](#)

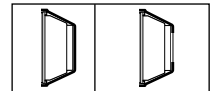
Calculation of load capacity, bearing life: [p. 115 - 116](#)

Chemical resistance: [p. 120 - 121](#)



Preferred types, readily available (codes marked in red)

Accessories



| Ø d mm  | code version | dimension (mm) |      |      |      |     |      |         |    |    |      |      |      |      |     | bearing load ratings |      | housing load rating max. N* | weight (Kg) | closed safety cap code | open safety cap code |               |               |
|---|--------------|----------------|------|------|------|-----|------|---------|----|----|------|------|------|------|-----|----------------------|------|-----------------------------|-------------|------------------------|----------------------|---------------|---------------|
|   |              | A              | B    | C    | D    | E   | F    | G       | H  | L  | Z    | J    | T    | m    | n   | U                    | V    |                             |             |                        |                      | dynamic C (N) | static Co (N) |
| <b>CHROME STEEL BEARING WITH GRUB SCREWS (POLYAMIDE)</b>    |              |                |      |      |      |     |      |         |    |    |      |      |      |      |     |                      |      |                             |             |                        |                      |               |               |
| 20  | 52205FA      | 125            | 41.3 | 46   | 29   | 5   | 28.6 | M6x0.75 | 17 | 69 | 27.5 | 12.5 | 35   | 18   | 7   | 49.5                 | 51.5 | 9850                        | 6580        | 9500                   | 0.30                 | 50013         | 50013.APE     |
| 25  | 52205F       | 125            | 41.3 | 46   | 34   | 5.5 | 28.6 | M6x0.75 | 16 | 69 | 27.5 | 12.5 | 35.5 | 19.5 | 7.5 | 52.5                 | 54.5 | 10800                       | 7800        | 9000                   | 0.35                 | 50009         | 50009.APE     |
| 25  | 52206FA      | 140.5          | 47.6 | 52.4 | 34   | 5.5 | 31.7 | M6x0.75 | 18 | 84 | 29.5 | 12.5 | 37.5 | 19.5 | 7.5 | 56.5                 | 58.5 | 10800                       | 7800        | 10000                  | 0.40                 | 50010         | 50010.APE     |
| 30  | 52206F       | 140.5          | 47.6 | 52.4 | 40.3 | 6   | 31.7 | M6x0.75 | 17 | 84 | 29.5 | 12.5 | 39   | 22   | 8   | 56.5                 | 58.5 | 15000                       | 11300       | 10000                  | 0.45                 | 50010         | 50010.APE     |
| <b>CHROME STEEL BEARING WITH ECCENTRIC RING (POLYAMIDE)</b> |              |                |      |      |      |     |      |         |    |    |      |      |      |      |     |                      |      |                             |             |                        |                      |               |               |
| 20  | 52205FBA     | 125            | 41.3 | 46   | 33.3 | 5   | 28.6 | M6x0.75 | 17 | 69 | 27.5 | 12.5 | 40.9 | 23.9 | 7   | 49.5                 | 51.5 | 9850                        | 6580        | 9500                   | 0.35                 | 50013         | 50013.APE     |
| 25  | 52205FB      | 125            | 41.3 | 46   | 38.1 | 5   | 28.6 | M6x0.75 | 16 | 69 | 27.5 | 12.5 | 39.4 | 23.4 | 7.5 | 52.5                 | 54.5 | 10800                       | 7800        | 9000                   | 0.40                 | 50009         | 50009.APE     |
| 25  | 52206FBA     | 140.5          | 47.6 | 52.4 | 38.1 | 5   | 31.7 | M6x0.75 | 18 | 84 | 29.5 | 12.5 | 41.4 | 23.4 | 7.5 | 56.5                 | 58.5 | 10800                       | 7800        | 10000                  | 0.45                 | 50010         | 50010.APE     |
| 30  | 52206FB      | 140.5          | 47.6 | 52.4 | 44.5 | 6   | 31.7 | M8x1.00 | 17 | 84 | 29.5 | 12.5 | 44.7 | 27.7 | 8   | 56.5                 | 58.5 | 15000                       | 11300       | 10000                  | 0.50                 | 50010         | 50010.APE     |
| <b>STAINLESS STEEL BEARING WITH GRUB SCREWS (POLYAMIDE)</b> |              |                |      |      |      |     |      |         |    |    |      |      |      |      |     |                      |      |                             |             |                        |                      |               |               |
| 20  | 52205FA/SS   | 125            | 41.3 | 46   | 29   | 5   | 28.6 | M6x0.75 | 17 | 69 | 27.5 | 12.5 | 35.7 | 18.7 | 7   | 49.5                 | 51.5 | 7300                        | 4900        | 9500                   | 0.30                 | 50013         | 50013.APE     |
| 25  | 52205F/SS    | 125            | 41.3 | 46   | 34   | 5.5 | 28.6 | M6x0.75 | 16 | 69 | 27.5 | 12.5 | 34.7 | 19.5 | 7.5 | 52.5                 | 54.5 | 8100                        | 5800        | 9000                   | 0.35                 | 50009         | 50009.APE     |
| 25  | 52206FA/SS   | 140.5          | 47.6 | 52.4 | 34   | 5.5 | 31.7 | M6x0.75 | 18 | 84 | 29.5 | 12.5 | 37.5 | 19.5 | 7.5 | 56.5                 | 58.5 | 8100                        | 5800        | 10000                  | 0.40                 | 50010         | 50010.APE     |
| 30  | 52206F/SS    | 140.5          | 47.6 | 52.4 | 40.3 | 6   | 31.7 | M6x0.75 | 17 | 84 | 29.5 | 12.5 | 39   | 22   | 8   | 56.5                 | 58.5 | 11250                       | 8400        | 10000                  | 0.45                 | 50010         | 50010.APE     |

\* MAX. RADIAL LOAD CAPACITY OF HOUSING: Values indicated in the table above, are obtained at 23°C. Strength of housing indicated on page 115.

| Ø d mm   | code version | dimension (mm) |      |      |      |     |      |         |    |    |      |      |      |      |     | bearing load ratings |      | housing load rating max. N* | weight (Kg) | closed safety cap code | open safety cap code |               |               |
|--|--------------|----------------|------|------|------|-----|------|---------|----|----|------|------|------|------|-----|----------------------|------|-----------------------------|-------------|------------------------|----------------------|---------------|---------------|
|  |              | A              | B    | C    | D    | E   | F    | G       | H  | L  | Z    | J    | T    | m    | n   | U                    | V    |                             |             |                        |                      | dynamic C (N) | static Co (N) |
| <b>CHROME STEEL BEARING WITH GRUB SCREWS (NOLU-CLEAN)</b>    |              |                |      |      |      |     |      |         |    |    |      |      |      |      |     |                      |      |                             |             |                        |                      |               |               |
| 20   | 52205CGFA    | 125            | 41.3 | 46   | 29   | 5   | 28.6 | M6x0.75 | 17 | 69 | 27.5 | 12.5 | 35   | 18   | 7   | 49.5                 | 51.5 | 9850                        | 6580        | 9500                   | 0.30                 | 50013CG       | 50013.APE/CG  |
| 25   | 52205CGF     | 125            | 41.3 | 46   | 34   | 5.5 | 28.6 | M6x0.75 | 16 | 69 | 27.5 | 12.5 | 35.5 | 19.5 | 7.5 | 52.5                 | 54.5 | 10800                       | 7800        | 9000                   | 0.35                 | 50009CG       | 50009.APE/CG  |
| 25   | 52206CGFA    | 140.5          | 47.6 | 52.4 | 34   | 5.5 | 31.7 | M6x0.75 | 18 | 84 | 29.5 | 12.5 | 37.5 | 19.5 | 7.5 | 56.5                 | 58.5 | 10800                       | 7800        | 10000                  | 0.40                 | 50010CG       | 50010.APE/CG  |
| 30   | 52206CGF     | 140.5          | 47.6 | 52.4 | 40.3 | 6   | 31.7 | M6x0.75 | 17 | 84 | 29.5 | 12.5 | 39   | 22   | 8   | 56.5                 | 58.5 | 15000                       | 11300       | 10000                  | 0.45                 | 50010CG       | 50010.APE/CG  |
| <b>CHROME STEEL BEARING WITH ECCENTRIC RING (NOLU-CLEAN)</b> |              |                |      |      |      |     |      |         |    |    |      |      |      |      |     |                      |      |                             |             |                        |                      |               |               |
| 20   | 52205CGFBA   | 125            | 41.3 | 46   | 33.3 | 5   | 28.6 | M6x0.75 | 17 | 69 | 27.5 | 12.5 | 40.9 | 23.9 | 7   | 49.5                 | 51.5 | 9850                        | 6580        | 9500                   | 0.35                 | 50013CG       | 50013.APE/CG  |
| 25   | 52205CGFB    | 125            | 41.3 | 46   | 38.1 | 5   | 28.6 | M6x0.75 | 16 | 69 | 27.5 | 12.5 | 39.4 | 23.4 | 7.5 | 52.5                 | 54.5 | 10800                       | 7800        | 9000                   | 0.40                 | 50009CG       | 50009.APE/CG  |
| 25   | 52206CGFBA   | 140.5          | 47.6 | 52.4 | 38.1 | 5   | 31.7 | M6x0.75 | 18 | 84 | 29.5 | 12.5 | 41.4 | 23.4 | 7.5 | 56.5                 | 58.5 | 10800                       | 7800        | 10000                  | 0.45                 | 50010CG       | 50010.APE/CG  |
| 30   | 52206CGFB    | 140.5          | 47.6 | 52.4 | 44.5 | 6   | 31.7 | M8x1.00 | 17 | 84 | 29.5 | 12.5 | 44.7 | 27.7 | 8   | 56.5                 | 58.5 | 15000                       | 11300       | 10000                  | 0.50                 | 50010CG       | 50010.APE/CG  |
| <b>STAINLESS STEEL BEARING WITH GRUB SCREWS (NOLU-CLEAN)</b> |              |                |      |      |      |     |      |         |    |    |      |      |      |      |     |                      |      |                             |             |                        |                      |               |               |
| 20   | 52205CGFA/SS | 125            | 41.3 | 46   | 29   | 5   | 28.6 | M6x0.75 | 17 | 69 | 27.5 | 12.5 | 35.7 | 18.7 | 7   | 49.5                 | 51.5 | 7300                        | 4900        | 9500                   | 0.30                 | 50013CG       | 50013.APE/CG  |
| 25   | 52205CGF/SS  | 125            | 41.3 | 46   | 34   | 5.5 | 28.6 | M6x0.75 | 16 | 69 | 27.5 | 12.5 | 34.7 | 19.5 | 7.5 | 52.5                 | 54.5 | 8100                        | 5800        | 9000                   | 0.35                 | 50009CG       | 50009.APE/CG  |
| 25   | 52206CGFA/SS | 140.5          | 47.6 | 52.4 | 34   | 5.5 | 31.7 | M6x0.75 | 18 | 84 | 29.5 | 12.5 | 37.5 | 19.5 | 7.5 | 56.5                 | 58.5 | 8100                        | 5800        | 10000                  | 0.40                 | 50010CG       | 50010.APE/CG  |
| 30   | 52206CGF/SS  | 140.5          | 47.6 | 52.4 | 40.3 | 6   | 31.7 | M6x0.75 | 17 | 84 | 29.5 | 12.5 | 39   | 22   | 8   | 56.5                 | 58.5 | 11250                       | 8400        | 10000                  | 0.45                 | 50010CG       | 50010.APE/CG  |

\* MAX. RADIAL LOAD CAPACITY OF HOUSING: Values indicated in the table above, are obtained at 23°C. Strength of housing indicated on page 115.

## WATERPROOF



### TECHNICAL INFORMATION for UCFA-R

- **Resistance to corrosion:**
  - Polyamide version (PA): good resistance to many corrosive chemicals such as water, oils, greases, petrol, milk, wine, alcoholic beverages.
- **High load capacity.**
- **Continuous operating temperature:**
  - All our bearings can be used at temperatures between 0°C and +80°C. For lower or higher temperatures please consult our Engineering Department.
- **Low maintenance and trouble-free operation.**
- **Easy Cleaning.**
- **Ball bearing pre-lubricated with long-life grease, which is ideal in applications in humid conditions, with water, alkaline or acid solutions.**
- **Concept and design to meet all safety requirements.**
- **Interchangeable with standard cast iron flanged supports.**
- **Self-alignment:**
  - Max misalignment between shaft and housing: 2.0°.
- **Application in the food, beverage and pharmaceutical industry.**
- **Completely sealed units.**



## WATERPROOF

### SEE ALSO...

- Accessories: [p. 110](#)  
Features, lubrication and maintenance: [p. 112](#)  
Mounting instruction: [p. 113 - 114](#)  
Calculation of load capacity, bearing life: [p. 115 - 116](#)  
Chemical resistance: [p. 120 - 121](#)

## COMPONENTS

- 1 Housing in reinforced polyamide (Housing in reinforced polypropylene available on request).
- 2 Adjustable chrome steel or stainless steel ball bearing, pre-lubricated. Can be re-lubricated by means of grease-nipple or a quick coupler.
- 3 Ball-type grease-nipple or quick coupler from nickel plated brass (available upon request) to take semi-rigid hoses  $\varnothing$  4 mm in Rilsan (see accessories on [page 110](#)). Version with stainless steel bearing has a stainless steel grease nipple.
- 4 Clip-on safety cap.
- 5 Spacers from nickel plated brass to reinforce fixing holes.
- 6 Polyethylene washer for grease-nipple.
- 8 Rotary shaft seal ring with extra dust-protection lip in NBR rubber.
- 9 Heavy duty O-Ring in NBR rubber.

## UCFA-R WATERPROOF

### POLYAMIDE HOUSING

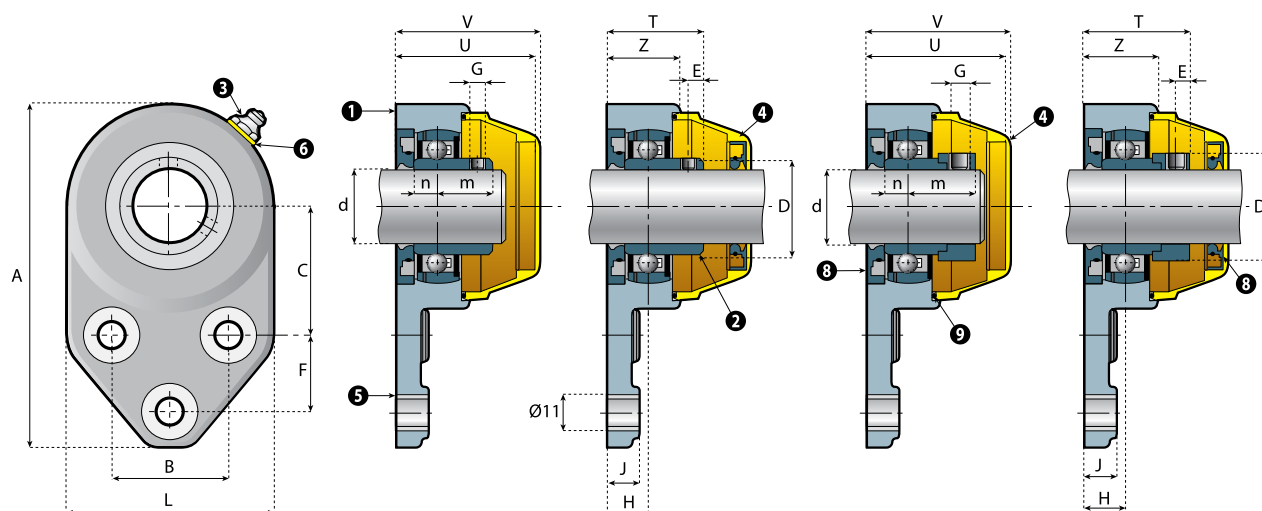


## UCFA-R WATERPROOF

**NOLU-CLEAN** is a new antimicrobial material of improved hygiene. For detailed information refer to [page 7](#).

### NOLU-CLEAN HOUSING





closed version with grub screws      open version with grub screws      closed version with eccentric ring      open version with eccentric ring

Preferred types, readily available (codes marked in red)

| Ø d<br>mm | code version |      | dimension (mm) |   |   |   |   |   |   |   |   |   |   |   |   |   | bearing load ratings |   | housing load rating max. N* | weight (Kg) |
|-----------|--------------|------|----------------|---|---|---|---|---|---|---|---|---|---|---|---|---|----------------------|---|-----------------------------|-------------|
|           | closed       | open | A              | B | C | D | E | F | G | H | L | Z | J | T | m | n | U                    | V |                             |             |

**CHROME STEEL BEARING WITH GRUB SCREWS (POLYAMIDE)**

|    |          |          |       |      |      |      |     |      |         |    |    |      |      |      |      |     |      |      |       |       |       |      |
|----|----------|----------|-------|------|------|------|-----|------|---------|----|----|------|------|------|------|-----|------|------|-------|-------|-------|------|
| 20 | 52205FRA | 57205FRA | 125   | 41.3 | 46   | 29   | 5   | 28.6 | M6x0.75 | 17 | 69 | 27.5 | 12.5 | 35   | 18   | 7   | 49.5 | 51.5 | 9850  | 6580  | 9500  | 0.35 |
| 25 | 52205FR  | 57205FR  | 125   | 41.3 | 46   | 34   | 5.5 | 28.6 | M6x0.75 | 16 | 69 | 27.5 | 12.5 | 35.5 | 19.5 | 7.5 | 52.5 | 54.5 | 10800 | 7800  | 9000  | 0.40 |
| 25 | 52206FRA | 57206FRA | 140.5 | 47.6 | 52.4 | 34   | 5.5 | 31.7 | M6x0.75 | 18 | 84 | 29.5 | 12.5 | 37.5 | 19.5 | 7.5 | 56.5 | 58.5 | 10800 | 7800  | 10000 | 0.45 |
| 30 | 52206FR  | 57206FR  | 140.5 | 47.6 | 52.4 | 40.3 | 6   | 31.7 | M6x0.75 | 17 | 84 | 29.5 | 12.5 | 39   | 22   | 8   | 56.5 | 58.5 | 15000 | 11300 | 10000 | 0.50 |

**CHROME STEEL BEARING WITH ECCENTRIC RING (POLYAMIDE)**

|    |           |           |       |      |      |      |   |      |         |    |    |      |      |      |      |     |      |      |       |      |       |      |
|----|-----------|-----------|-------|------|------|------|---|------|---------|----|----|------|------|------|------|-----|------|------|-------|------|-------|------|
| 20 | 52205FRBA | 57205FRBA | 125   | 41.3 | 46   | 33.5 | 5 | 28.6 | M6x0.75 | 17 | 69 | 27.5 | 12.5 | 40.9 | 23.9 | 7   | 49.5 | 51.5 | 9850  | 6580 | 9500  | 0.40 |
| 25 | 52205FRB  | 57205FRB  | 125   | 41.3 | 46   | 38.1 | 5 | 28.6 | M6x0.75 | 16 | 69 | 27.5 | 12.5 | 39.4 | 23.4 | 7.5 | 52.5 | 54.5 | 10800 | 5800 | 9000  | 0.45 |
| 25 | 52206FRBA | 57206FRBA | 140.5 | 47.6 | 52.4 | 38.1 | 5 | 31.7 | M6x0.75 | 18 | 84 | 29.5 | 12.5 | 41.4 | 23.4 | 7.5 | 56.5 | 58.5 | 10800 | 5800 | 10000 | 0.50 |
| 30 | 52206FRB  | 57206FRB  | 140.5 | 47.6 | 52.4 | 44.3 | 6 | 31.7 | M6x0.75 | 17 | 84 | 29.5 | 12.5 | 44.7 | 27.7 | 8   | 56.5 | 58.5 | 15000 | 8400 | 10000 | 0.55 |

\* MAX. RADIAL LOAD CAPACITY OF HOUSING: Values indicated in the table above, are obtained at 23°C. Strength of housing indicated on page 115.

Preferred types, readily available (codes marked in red)

| Ø d<br>mm | code version |      | dimension (mm) |   |   |   |   |   |   |   |   |   |   |   |   |   | bearing load ratings |   | housing load rating max. N* | weight (Kg) |
|-----------|--------------|------|----------------|---|---|---|---|---|---|---|---|---|---|---|---|---|----------------------|---|-----------------------------|-------------|
|           | closed       | open | A              | B | C | D | E | F | G | H | L | Z | J | T | m | n | U                    | V |                             |             |

**CHROME STEEL BEARING WITH GRUB SCREWS (NOLU-CLEAN)**

|    |            |            |       |      |      |      |     |      |         |    |    |      |      |      |      |     |      |      |       |       |       |      |
|----|------------|------------|-------|------|------|------|-----|------|---------|----|----|------|------|------|------|-----|------|------|-------|-------|-------|------|
| 20 | 52205CGFRA | 57205CGFRA | 125   | 41.3 | 46   | 29   | 5   | 28.6 | M6x0.75 | 17 | 69 | 27.5 | 12.5 | 35   | 18   | 7   | 49.5 | 51.5 | 9850  | 6580  | 9500  | 0.35 |
| 25 | 52205CGFR  | 57205CGFR  | 125   | 41.3 | 46   | 34   | 5.5 | 28.6 | M6x0.75 | 16 | 69 | 27.5 | 12.5 | 35.5 | 19.5 | 7.5 | 52.5 | 54.5 | 10800 | 7800  | 9000  | 0.40 |
| 25 | 52206CGFRA | 57206CGFRA | 140.5 | 47.6 | 52.4 | 34   | 5.5 | 31.7 | M6x0.75 | 18 | 84 | 29.5 | 12.5 | 37.5 | 19.5 | 7.5 | 56.5 | 58.5 | 10800 | 7800  | 10000 | 0.45 |
| 30 | 52206CGFR  | 57206CGFR  | 140.5 | 47.6 | 52.4 | 40.3 | 6   | 31.7 | M6x0.75 | 17 | 84 | 29.5 | 12.5 | 39   | 22   | 8   | 56.5 | 58.5 | 15000 | 11300 | 10000 | 0.50 |

**CHROME STEEL BEARING WITH ECCENTRIC RING (NOLU-CLEAN)**

|    |             |             |       |      |      |      |   |      |         |    |    |      |      |      |      |     |      |      |       |      |       |      |
|----|-------------|-------------|-------|------|------|------|---|------|---------|----|----|------|------|------|------|-----|------|------|-------|------|-------|------|
| 20 | 52205CGFRBA | 57205CGFRBA | 125   | 41.3 | 46   | 33.5 | 5 | 28.6 | M6x0.75 | 17 | 69 | 27.5 | 12.5 | 40.9 | 23.9 | 7   | 49.5 | 51.5 | 9850  | 6580 | 9500  | 0.40 |
| 25 | 52205CGFRB  | 57205CGFRB  | 125   | 41.3 | 46   | 38.1 | 5 | 28.6 | M6x0.75 | 16 | 69 | 27.5 | 12.5 | 39.4 | 23.4 | 7.5 | 52.5 | 54.5 | 10800 | 5800 | 9000  | 0.45 |
| 25 | 52206CGFRBA | 57206CGFRBA | 140.5 | 47.6 | 52.4 | 38.1 | 5 | 31.7 | M6x0.75 | 18 | 84 | 29.5 | 12.5 | 41.4 | 23.4 | 7.5 | 56.5 | 58.5 | 10800 | 5800 | 10000 | 0.50 |
| 30 | 52206CGFRB  | 57206CFRBA  | 140.5 | 47.6 | 52.4 | 44.3 | 6 | 31.7 | M6x0.75 | 17 | 84 | 29.5 | 12.5 | 44.7 | 27.7 | 8   | 56.5 | 58.5 | 15000 | 8400 | 10000 | 0.55 |

\* MAX. RADIAL LOAD CAPACITY OF HOUSING: Values indicated in the table above, are obtained at 23°C. Strength of housing indicated on page 115.

## STANDARD



## TECHNICAL INFORMATION for UCFG

- **Resistance to corrosion:**
  - Polyamide version (PA): good resistance to many corrosive chemicals such as water, oils, greases, petrol, milk, wine, alcoholic beverages.
- **High load capacity.**
- **Continuous operating temperature:**
  - All our bearings can be used at temperatures between 0°C and +80°C. For lower or higher temperatures please consult our Engineering Department.
- **Low maintenance and trouble-free operation.**
- **Easy Cleaning.**
- **Ball bearing pre-lubricated with long-life grease, which is ideal in applications in humid conditions, with water, alkaline or acid solutions.**
- **Concept and design to meet all safety requirements.**
- **Interchangeable with standard cast iron flanged supports.**
- **Self-alignment:**
  - Max misalignment between shaft and housing: 2.5°.
- **Application in the food, beverage and pharmaceutical industry.**

## COMPONENTS

- ❶ Housing in reinforced polyamide (Housing in reinforced polypropylene available on request).
- ❷ Adjustable chrome steel or stainless steel ball bearing, pre-lubricated. Can be re-lubricated by means of grease-nipple or a quick coupler.
- ❸ Ball-type grease-nipple or quick coupler from nickel plated brass (available upon request) to take semi-rigid hoses  $\varnothing$  4 mm in Rilsan (see accessories on [page 110](#)). Version with stainless steel bearing has a stainless steel grease nipple.
- ❹ Clip-on safety cap (accessory).
- ❺ Spacers from nickel plated brass to reinforce fixing holes.
- ❻ Polyethylene washer for grease-nipple.

UCFG  
STANDARD

## POLYAMIDE HOUSING



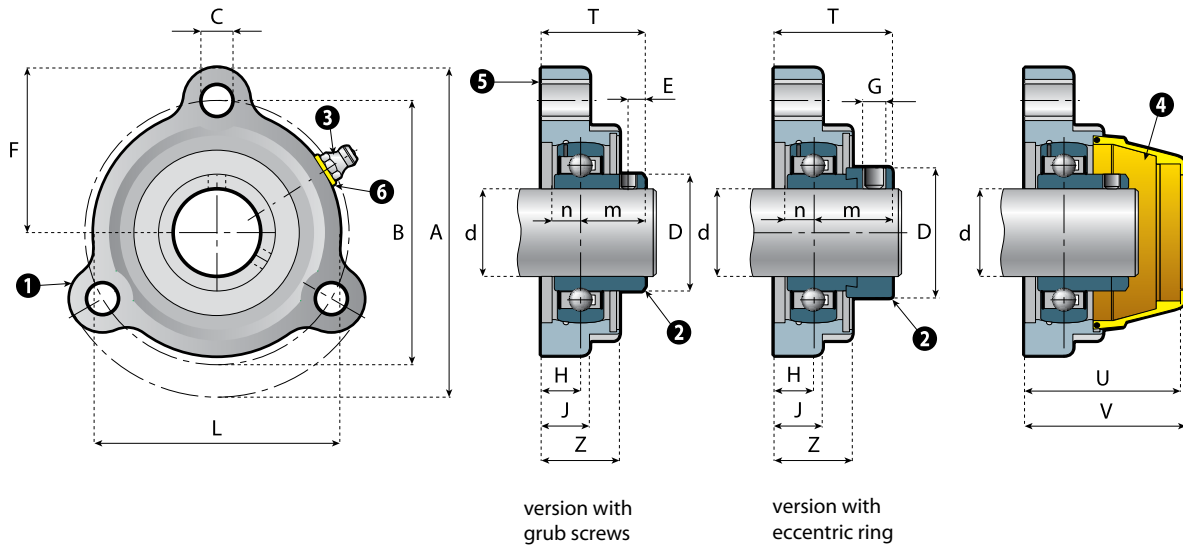
accessory

## COLOUR

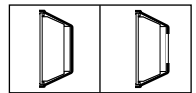
- Safety cap in yellow.
- For sufficient quantities parts can be produced in different colours.

## SEE ALSO...

Accessories: [p. 110](#)  
 Features, lubrication and maintenance: [p. 112](#)  
 Mounting instruction: [p. 113 - 114](#)  
 Calculation of load capacity, bearing life: [p. 115 - 116](#)  
 Chemical resistance: [p. 120 - 121](#)



Accessories



Preferred types, readily available (codes marked in red)

| Ø<br>d<br>mm  | code<br>version  | dimension (mm) |       |     |      |     |      |         |      |      |    |      |      |      |     | bearing load ratings |    | housing<br>load<br>rating<br>max. N* | weight<br>(Kg) | closed<br>safety<br>cap<br>code | open<br>safety<br>cap<br>code |                  |                  |
|---|------------------|----------------|-------|-----|------|-----|------|---------|------|------|----|------|------|------|-----|----------------------|----|--------------------------------------|----------------|---------------------------------|-------------------------------|------------------|------------------|
|   |                  | A              | B     | C   | D    | E   | F    | G       | H    | L    | Z  | J    | T    | m    | n   | U                    | V  |                                      |                |                                 |                               | dynamic<br>C (N) | static<br>Co (N) |
| <b>CHROME STEEL BEARING WITH GRUB SCREWS (POLYAMIDE)</b>    |                  |                |       |     |      |     |      |         |      |      |    |      |      |      |     |                      |    |                                      |                |                                 |                               |                  |                  |
| 25  | <b>52205G</b>    | 95.5           | 76.2  | 8.5 | 34   | 5.5 | 47.7 | M6x0.75 | 13.5 | 71   | 25 | 16.5 | 33   | 19.5 | 7.5 | 48                   | 50 | 10800                                | 7800           | 5000                            | 0.25                          | 50009            | 50009.APE        |
| 30  | <b>52206G</b>    | 113            | 91    | 11  | 40.3 | 6   | 56.5 | M6x0.75 | 13.5 | 84.1 | 27 | 16.5 | 35.5 | 22   | 8   | 54                   | 56 | 15000                                | 11300          | 6000                            | 0.30                          | 50027            | 50027.APE        |
| 35  | 52207G           | 126.5          | 101.5 | 11  | 48   | 6.5 | 63.3 | M8x1.00 | 18   | 93.7 | 33 | 16.5 | 41.5 | 23.5 | 8.5 | 60                   | 62 | 19700                                | 15300          | 8000                            | 0.35                          | 50010            | 50010.APE        |
| <b>CHROME STEEL BEARING WITH ECCENTRIC RING (POLYAMIDE)</b> |                  |                |       |     |      |     |      |         |      |      |    |      |      |      |     |                      |    |                                      |                |                                 |                               |                  |                  |
| 25  | <b>52205GB</b>   | 95.5           | 76.2  | 8.5 | 38.1 | 5   | 47.7 | M6x0.75 | 13.5 | 71   | 25 | 16.5 | 36.9 | 23.4 | 7.5 | 48                   | 50 | 10800                                | 7800           | 5000                            | 0.30                          | 50009            | 50009.APE        |
| 30  | <b>52206GB</b>   | 113            | 91    | 11  | 44.5 | 6   | 56.5 | M6x0.75 | 13.5 | 84.1 | 27 | 16.5 | 41.2 | 27.7 | 8   | 54                   | 56 | 15000                                | 11300          | 6000                            | 0.35                          | 50027            | 50027.APE        |
| 35  | 52207GB          | 126.5          | 101.5 | 11  | 55.6 | 6.5 | 63.3 | M8x1.00 | 18   | 93.7 | 33 | 16.5 | 48.4 | 30.4 | 8.5 | 60                   | 62 | 19700                                | 15300          | 8000                            | 0.40                          | 50010            | 50010.APE        |
| <b>STAINLESS STEEL BEARING WITH GRUB SCREWS (POLYAMIDE)</b> |                  |                |       |     |      |     |      |         |      |      |    |      |      |      |     |                      |    |                                      |                |                                 |                               |                  |                  |
| 25  | <b>52205G/SS</b> | 95.5           | 76.2  | 8.5 | 34   | 5.5 | 47.7 | M6x0.75 | 13.5 | 71   | 25 | 16.5 | 33   | 19.5 | 7.5 | 48                   | 50 | 8100                                 | 5800           | 5000                            | 0.25                          | 50009            | 50009.APE        |
| 30  | <b>52206G/SS</b> | 113            | 91    | 11  | 40.3 | 6   | 56.5 | M6x0.75 | 13.5 | 84.1 | 27 | 16.5 | 35.5 | 22   | 8   | 54                   | 56 | 11250                                | 8400           | 6000                            | 0.30                          | 50027            | 50027.APE        |
| 35  | 52207G/SS        | 126.5          | 101.5 | 11  | 48   | 6.5 | 63.3 | M8x1.00 | 18   | 93.7 | 33 | 16.5 | 41.5 | 23.5 | 8.5 | 60                   | 62 | 14700                                | 11400          | 8000                            | 0.35                          | 50010            | 50010.APE        |

\* **MAX. RADIAL LOAD CAPACITY OF HOUSING:** Values indicated in the table above, are obtained at 23°C. Strength of housing indicated on [page 115](#).



## WATERPROOF



### TECHNICAL INFORMATION for UCFG-R

- **Resistance to corrosion:**
  - Polyamide version (PA): good resistance to many corrosive chemicals such as water, oils, greases, petrol, milk, wine, alcoholic beverages.
- **High load capacity.**
- **Continuous operating temperature:**
  - All our bearings can be used at temperatures between 0°C and +80°C. For lower or higher temperatures please consult our Engineering Department.
- **Low maintenance and trouble-free operation.**
- **Easy Cleaning.**
- **Ball bearing pre-lubricated with long-life grease, which is ideal in applications in humid conditions, with water, alkaline or acid solutions.**
- **Concept and design to meet all safety requirements.**
- **Interchangeable with standard cast iron flanged supports.**
- **Self-alignment:**
  - Max misalignment between shaft and housing: 2.5°.
- **Application in the food, beverage and pharmaceutical industry.**
- **Completely sealed units.**

### COMPONENTS

- 1 Housing in reinforced polyamide (Housing in reinforced polypropylene available on request).
- 2 Adjustable chrome steel or stainless steel ball bearing, pre-lubricated. Can be re-lubricated by means of grease-nipple or a quick coupler.
- 3 Ball-type grease-nipple or quick coupler from nickel plated brass (available upon request) to take semi-rigid hoses  $\varnothing$  4 mm in Rilsan (see accessories on [page 110](#)). Version with stainless steel bearing has a stainless steel grease nipple.
- 4 Clip-on safety cap.
- 5 Spacers from nickel plated brass to reinforce fixing holes.
- 6 Polyethylene washer for grease-nipple.
- 8 Rotary shaft seal ring with extra dust-protection lip in NBR rubber.
- 9 Heavy duty O-Ring in NBR rubber.

## UCFG-R WATERPROOF

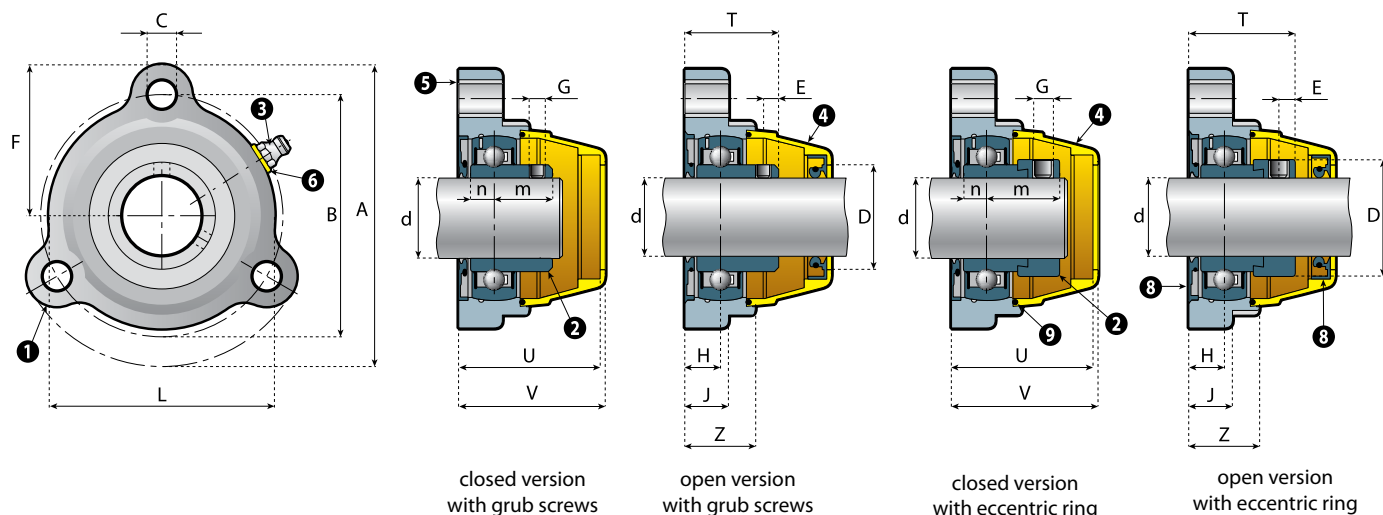
### POLYAMIDE HOUSING



## WATERPROOF

### SEE ALSO...

- Accessories: [p. 110](#)  
Features, lubrication and maintenance: [p. 112](#)  
Mounting instruction: [p. 113 - 114](#)  
Calculation of load capacity, bearing life: [p. 115 - 116](#)  
Chemical resistance: [p. 120 - 121](#)



Preferred types, readily available (codes marked in red)

| ∅<br>d<br>mm  | code version |          | dimension (mm) |       |     |      |     |      |         |      |      |    |      |      |      |     |    | bearing load ratings |               | housing load rating max. N* | weight (Kg) |               |
|---|--------------|----------|----------------|-------|-----|------|-----|------|---------|------|------|----|------|------|------|-----|----|----------------------|---------------|-----------------------------|-------------|---------------|
|   | closed       | open     | A              | B     | C   | D    | E   | F    | G       | H    | L    | Z  | J    | T    | m    | n   | U  | V                    | dynamic C (N) |                             |             | static Co (N) |
| <b>CHROME STEEL BEARING WITH GRUB SCREWS (POLYAMIDE)</b>    |              |          |                |       |     |      |     |      |         |      |      |    |      |      |      |     |    |                      |               |                             |             |               |
| 25  | 52205GR      | 57205GR  | 95.5           | 76.2  | 8.5 | 34   | 5.5 | 47.7 | M6x0.75 | 13.5 | 71   | 25 | 16.5 | 33   | 19.5 | 7.5 | 48 | 50                   | 10800         | 7800                        | 5000        | 0.30          |
| 30  | 52206GR      | 57206GR  | 113            | 91    | 11  | 40.3 | 6   | 56.5 | M6x0.75 | 13.5 | 84.1 | 27 | 16.5 | 35.5 | 22   | 8   | 54 | 56                   | 15000         | 11300                       | 6000        | 0.35          |
| 35  | 52207GR      | 57207GR  | 126.5          | 101.5 | 11  | 48   | 6.5 | 63.3 | M8x1.00 | 18   | 93.7 | 33 | 16.5 | 41.5 | 23.5 | 8.5 | 60 | 62                   | 19700         | 15300                       | 8000        | 0.40          |
| <b>CHROME STEEL BEARING WITH ECCENTRIC RING (POLYAMIDE)</b> |              |          |                |       |     |      |     |      |         |      |      |    |      |      |      |     |    |                      |               |                             |             |               |
| 25  | 52205GRB     | 57205GRB | 95.5           | 76.2  | 8.5 | 38.1 | 5   | 47.7 | M6x0.75 | 13.5 | 71   | 25 | 16.5 | 36.9 | 23.4 | 7.5 | 48 | 50                   | 10800         | 7800                        | 5000        | 0.35          |
| 30  | 52206GRB     | 57206GRB | 113            | 91    | 11  | 44.5 | 6   | 56.5 | M6x0.75 | 13.5 | 84.1 | 27 | 16.5 | 41.2 | 27.7 | 8   | 54 | 56                   | 15000         | 11300                       | 6000        | 0.40          |
| 35  | 52207GRB     | 57207GRB | 126.5          | 101.5 | 11  | 55.6 | 6.5 | 63.3 | M8x1.00 | 18   | 93.7 | 33 | 16.5 | 48.4 | 30.4 | 8.5 | 60 | 62                   | 19700         | 15300                       | 8000        | 0.45          |

\* **MAX. RADIAL LOAD CAPACITY OF HOUSING:** Values indicated in the table above, are obtained at 23°C. Strength of housing indicated on [page 115](#).

## STANDARD



## TECHNICAL INFORMATION for UCT

- **Resistance to corrosion:**
  - Polyamide version (PA): good resistance to many corrosive chemicals such as water, oils, greases, petrol, milk, wine, alcoholic beverages.
- **High load capacity.**
- **Continuous operating temperature:**
  - All our bearings can be used at temperatures between 0°C and +80°C. For lower or higher temperatures please consult our Engineering Department.
- **Economical operation.**
  - Long life bearing insert.
- **Self-alignment:**
  - Max misalignment between shaft and housing: 2.5°.
- **Concept and design to meet all safety requirements.**
- **Ball bearing pre-lubricated with long-life grease, which is ideal in applications in humid conditions, with water, alkaline or acid solutions.**

## COMPONENTS

- ❶ Housing in reinforced polyamide (Housing in reinforced polypropylene available on request).
- ❷ Adjustable chrome steel or stainless steel ball bearing, pre-lubricated. Can be re-lubricated by means of grease-nipple or a quick coupler.
- ❸ Ball-type grease-nipple or quick coupler from nickel plated brass (available upon request) to take semi-rigid hoses ø 4 mm in Rilsan (see accessories on [page 110](#)). Version with stainless steel bearing has a stainless steel grease nipple.
- ❹ Clip-on safety cap (accessory).
- ❺ Polyethylene washer for grease-nipple.

UCT  
STANDARD

## POLYAMIDE HOUSING



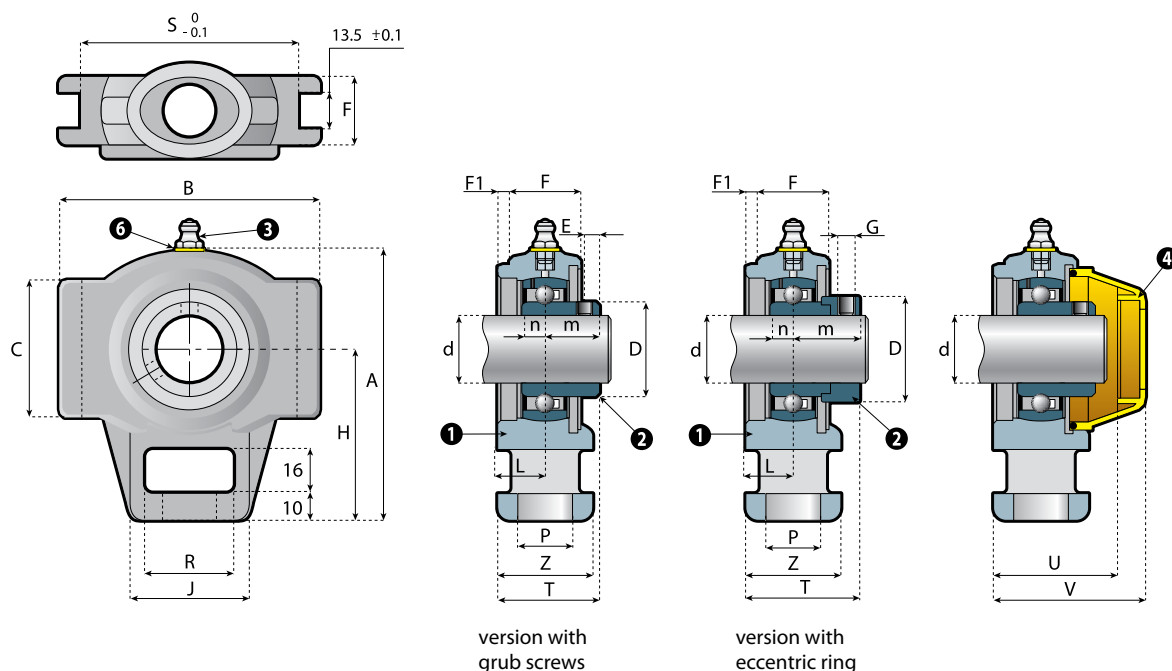
accessory

## COLOUR

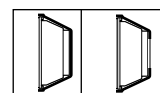
- Safety cap in yellow.
- For sufficient quantities parts can be produced in different colours.

## SEE ALSO...

Accessories: [p. 110](#)  
 Features, lubrication and maintenance: [p. 112](#)  
 Mounting instruction: [p. 113 - 114](#)  
 Calculation of load capacity, bearing life: [p. 115 - 116](#)  
 Chemical resistance: [p. 120 - 121](#)



Accessories



Preferred types, readily available (codes marked in red)

| Ø d<br>mm   | code<br>version  | dimension (mm) |     |    |      |     |    |     |         |    |      |    |    |    |    |    |      |      |     |      | bearing load ratings |                  | housing<br>load<br>rating<br>max. N* | weight<br>(Kg) | closed<br>safety<br>cap<br>code | open<br>safety<br>cap<br>code |                  |
|---|------------------|----------------|-----|----|------|-----|----|-----|---------|----|------|----|----|----|----|----|------|------|-----|------|----------------------|------------------|--------------------------------------|----------------|---------------------------------|-------------------------------|------------------|
|   |                  | A              | B   | C  | D    | E   | F  | F1  | G       | H  | L    | ØP | R  | S  | J  | Z  | T    | m    | n   | U    | V                    | dynamic<br>C (N) |                                      |                |                                 |                               | static<br>Co (N) |
| <b>CHROME STEEL BEARING WITH GRUB SCREWS (POLYAMIDE)</b>    |                  |                |     |    |      |     |    |     |         |    |      |    |    |    |    |    |      |      |     |      |                      |                  |                                      |                |                                 |                               |                  |
| 20  | <b>52204T</b>    | 97.5           | 92  | 50 | 29   | 5   | 25 | 4.5 | M6x0.75 | 62 | 17   | 19 | 32 | 76 | 45 | 34 | 35   | 18   | 7   | 44.5 | 54.5                 | 9850             | 6580                                 | 7800           | 0.30                            | 50009                         | 50009.APE        |
| 25  | <b>52205T</b>    | 97.5           | 92  | 50 | 34   | 5.5 | 25 | 4.5 | M6x0.75 | 62 | 17   | 19 | 32 | 76 | 45 | 34 | 36.5 | 19.5 | 7.5 | 44.5 | 54.5                 | 10800            | 7800                                 | 6500           | 0.35                            | 50009                         | 50009.APE        |
| 30  | <b>52206T</b>    | 118            | 104 | 57 | 40.3 | 6   | 28 | 4.5 | M6x0.75 | 72 | 18.5 | 22 | 37 | 89 | 56 | 37 | 40.5 | 22   | 8   | 51.5 | 61.5                 | 15000            | 11300                                | 12000          | 0.45                            | 50010                         | 50010.APE        |
| 35  | 52207T           | 118            | 104 | 57 | 48   | 6.5 | 28 | 4.5 | M8x1.00 | 72 | 18.5 | 22 | 37 | 89 | 56 | 37 | 42   | 23.5 | 8.5 | 51.5 | 61.5                 | 19700            | 15300                                | 10000          | 0.55                            | 50010                         | 50010.APE        |
| <b>CHROME STEEL BEARING WITH ECCENTRIC RING (POLYAMIDE)</b> |                  |                |     |    |      |     |    |     |         |    |      |    |    |    |    |    |      |      |     |      |                      |                  |                                      |                |                                 |                               |                  |
| 20  | <b>52204TB</b>   | 97.5           | 92  | 50 | 33.3 | 5   | 25 | 4.5 | M6x0.75 | 62 | 17   | 19 | 32 | 76 | 45 | 34 | 40.9 | 23.9 | 7   | 44.5 | 54.5                 | 9850             | 6580                                 | 7800           | 0.38                            | 50009                         | 50009.APE        |
| 25  | <b>52205TB</b>   | 97.5           | 92  | 50 | 38.1 | 5   | 25 | 4.5 | M6x0.75 | 62 | 17   | 19 | 32 | 76 | 45 | 34 | 40.4 | 23.4 | 7.5 | 44.5 | 54.5                 | 10800            | 7800                                 | 6500           | 0.40                            | 50009                         | 50009.APE        |
| 30  | <b>52206TB</b>   | 118            | 104 | 57 | 44.5 | 6   | 28 | 4.5 | M6x0.75 | 72 | 18.5 | 22 | 37 | 89 | 56 | 37 | 46.2 | 27.7 | 8   | 51.5 | 61.5                 | 15000            | 11300                                | 12000          | 0.50                            | 50010                         | 50010.APE        |
| 35  | 52207TB          | 118            | 104 | 57 | 55.6 | 6.5 | 28 | 4.5 | M8x1.00 | 72 | 18.5 | 22 | 37 | 89 | 56 | 37 | 48.9 | 30.4 | 8.5 | 51.5 | 61.5                 | 19700            | 15300                                | 10000          | 0.60                            | 50010                         | 50010.APE        |
| <b>STAINLESS STEEL BEARING WITH GRUB SCREWS (POLYAMIDE)</b> |                  |                |     |    |      |     |    |     |         |    |      |    |    |    |    |    |      |      |     |      |                      |                  |                                      |                |                                 |                               |                  |
| 20  | <b>52204T/SS</b> | 97.5           | 92  | 50 | 29   | 5   | 25 | 4.5 | M6x0.75 | 62 | 17   | 19 | 32 | 76 | 45 | 34 | 35.7 | 18.7 | 7   | 44.5 | 54.5                 | 7300             | 4900                                 | 7800           | 0.30                            | 50009                         | 50009.APE        |
| 25  | <b>52205T/SS</b> | 97.5           | 92  | 50 | 34   | 5.5 | 25 | 4.5 | M6x0.75 | 62 | 17   | 19 | 32 | 76 | 45 | 34 | 36.5 | 19.5 | 7.5 | 44.5 | 54.5                 | 8100             | 5800                                 | 6500           | 0.35                            | 50009                         | 50009.APE        |
| 30  | <b>52206T/SS</b> | 118            | 104 | 57 | 40.3 | 6   | 28 | 4.5 | M6x0.75 | 72 | 18.5 | 22 | 37 | 89 | 56 | 37 | 40.5 | 22   | 8   | 51.5 | 61.5                 | 11250            | 8400                                 | 12000          | 0.45                            | 50010                         | 50010.APE        |
| 35  | 52207T/SS        | 118            | 104 | 57 | 48   | 6.5 | 28 | 4.5 | M8x1.00 | 72 | 18.5 | 22 | 37 | 89 | 56 | 37 | 42   | 23.5 | 8.5 | 51.5 | 61.5                 | 14700            | 11400                                | 10000          | 0.55                            | 50010                         | 50010.APE        |

\* **MAX. RADIAL LOAD CAPACITY OF HOUSING:** Values indicated in the table above, are obtained at 23°C. Strength of housing indicated on [page 115](#).

## WATERPROOF



### TECHNICAL INFORMATION for UCT-R

- **Resistance to corrosion:**
  - Polyamide version (PA): good resistance to many corrosive chemicals such as water, oils, greases, petrol, milk, wine, alcoholic beverages.
- **High load capacity.**
- **Continuous operating temperature:**
  - All our bearings can be used at temperatures between 0°C and +80°C. For lower or higher temperatures please consult our Engineering Department.
- **Economical operation.**
  - Long life bearing insert.
- **Self-alignment:**
  - Max misalignment between shaft and housing: 2.0°.
- **Concept and design to meet all safety requirements.**
- **Interchangeable with standard cast iron flanged supports.**
- **Completely sealed units.**
- **Ball bearing pre-lubricated with long-life grease, which is ideal in applications in humid conditions, with water, alkaline or acid solutions.**

### COMPONENTS

- ❶ Housing in reinforced polyamide (Housing in reinforced polypropylene available on request).
- ❷ Adjustable chrome steel or stainless steel ball bearing, pre-lubricated. Can be re-lubricated by means of grease-nipple or a quick coupler.
- ❸ Ball-type grease-nipple or quick coupler from nickel plated brass (available upon request) to take semi-rigid hoses ø 4 mm in Rilsan (see accessories on [page 110](#)). Version with stainless steel bearing has a stainless steel grease nipple.
- ❹ Clip-on safety cap.
- ❺ Polyethylene washer for grease-nipple.
- ❻ Rotary shaft seal ring with extra dust-protection lip in NBR rubber.
- ❼ Heavy duty O-Ring in NBR rubber.

## UCT-R WATERPROOF

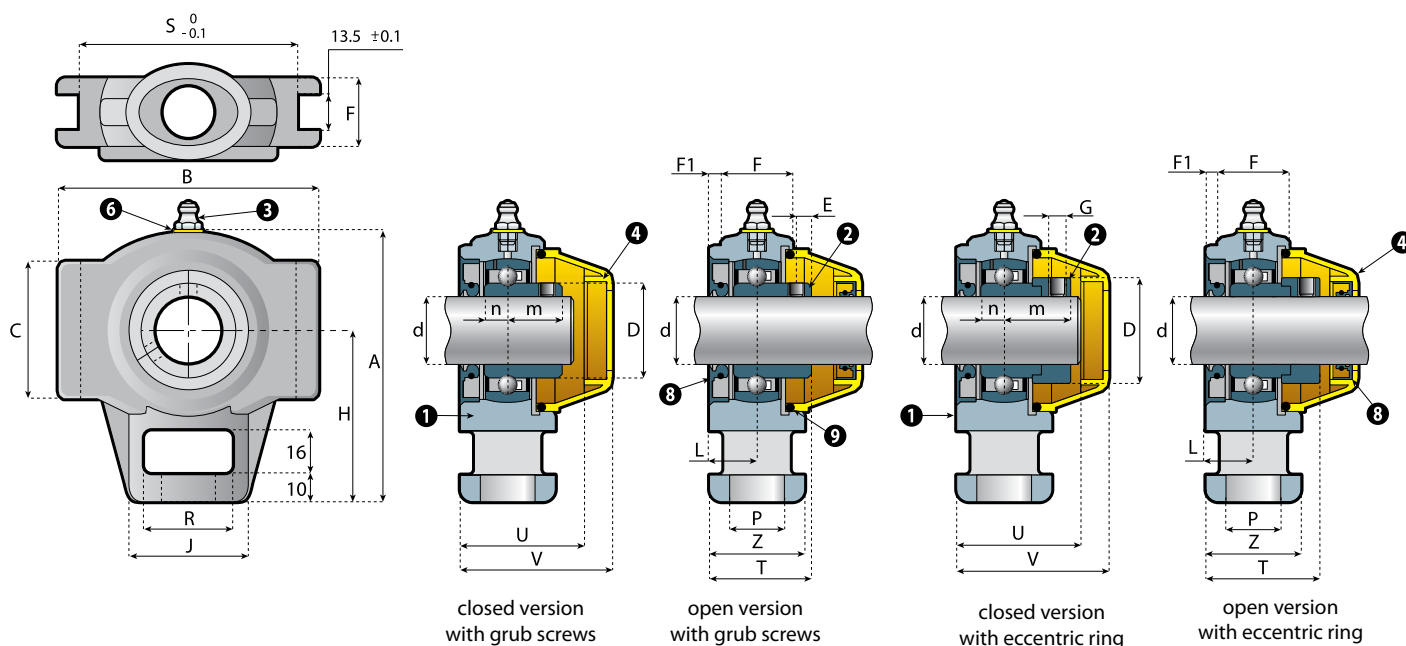
### POLYAMIDE HOUSING



**WATERPROOF**

### SEE ALSO...

- Accessories: [p. 110](#)  
 Features, lubrication and maintenance: [p. 112](#)  
 Mounting instruction: [p. 113 - 114](#)  
 Calculation of load capacity, bearing life: [p. 115 - 116](#)  
 Chemical resistance: [p. 120 - 121](#)



Preferred types, readily available (codes marked in red)

| Ø<br>d<br>mm | code version |      | dimension (mm) |   |   |   |   |   |    |   |   |   |    |   |   |   |   |   |   | bearing load ratings |   | housing load rating max. N* | weight (Kg) |
|--------------|--------------|------|----------------|---|---|---|---|---|----|---|---|---|----|---|---|---|---|---|---|----------------------|---|-----------------------------|-------------|
|              | closed       | open | A              | B | C | D | E | F | F1 | G | H | L | ØP | R | S | J | Z | T | m | n                    | U |                             |             |

**CHROME STEEL BEARING WITH GRUB SCREWS (POLYAMIDE)**

|    |                |                |      |     |    |      |     |    |     |         |    |      |    |    |    |    |    |      |      |     |      |      |       |       |       |      |
|----|----------------|----------------|------|-----|----|------|-----|----|-----|---------|----|------|----|----|----|----|----|------|------|-----|------|------|-------|-------|-------|------|
| 20 | <b>52204TR</b> | <b>57204TR</b> | 97.5 | 92  | 50 | 29   | 5   | 25 | 4.5 | M6x0.75 | 62 | 17   | 19 | 32 | 76 | 45 | 34 | 35   | 18   | 7   | 44.5 | 54.5 | 9850  | 6580  | 7800  | 0.30 |
| 25 | <b>52205TR</b> | <b>57205TR</b> | 97.5 | 92  | 50 | 34   | 5.5 | 25 | 4.5 | M6x0.75 | 62 | 17   | 19 | 32 | 76 | 45 | 34 | 36.5 | 19.5 | 7.5 | 44.5 | 54.5 | 10800 | 7800  | 6500  | 0.35 |
| 30 | <b>52206TR</b> | <b>57206TR</b> | 118  | 104 | 57 | 40.3 | 6   | 28 | 4.5 | M6x0.75 | 72 | 18.5 | 22 | 37 | 89 | 56 | 37 | 40.5 | 22   | 8   | 51.5 | 61.5 | 15000 | 11300 | 12000 | 0.45 |
| 35 | 52207TR        | 57207TR        | 118  | 104 | 57 | 48   | 6.5 | 28 | 4.5 | M8x1.00 | 72 | 18.5 | 22 | 37 | 89 | 56 | 37 | 42   | 23.5 | 8.5 | 51.5 | 61.5 | 19700 | 15300 | 10000 | 0.55 |

**CHROME STEEL BEARING WITH ECCENTRIC RING (POLYAMIDE)**

|    |                 |                 |      |     |    |      |     |    |     |         |    |      |    |    |    |    |    |      |      |     |      |      |       |       |       |      |
|----|-----------------|-----------------|------|-----|----|------|-----|----|-----|---------|----|------|----|----|----|----|----|------|------|-----|------|------|-------|-------|-------|------|
| 20 | <b>52204TRB</b> | <b>57204TRB</b> | 97.5 | 92  | 50 | 33.3 | 5   | 25 | 4.5 | M6x0.75 | 62 | 17   | 19 | 32 | 76 | 45 | 34 | 40.9 | 23.9 | 7   | 44.5 | 54.5 | 9850  | 6580  | 7800  | 0.40 |
| 25 | <b>52205TRB</b> | <b>57205TRB</b> | 97.5 | 92  | 50 | 38.1 | 5   | 25 | 4.5 | M6x0.75 | 62 | 17   | 19 | 32 | 76 | 45 | 34 | 40.4 | 23.4 | 7.5 | 44.5 | 54.5 | 10800 | 7800  | 6500  | 0.42 |
| 30 | <b>52206TRB</b> | <b>57206TRB</b> | 118  | 104 | 57 | 44.5 | 6   | 28 | 4.5 | M6x0.75 | 72 | 18.5 | 22 | 37 | 89 | 56 | 37 | 46.2 | 27.7 | 8   | 51.5 | 61.5 | 15000 | 11300 | 12000 | 0.52 |
| 35 | 52207TRB        | 57207TRB        | 118  | 104 | 57 | 55.6 | 6.5 | 28 | 4.5 | M8x1.00 | 72 | 18.5 | 22 | 37 | 89 | 56 | 37 | 48.9 | 30.4 | 8.5 | 51.5 | 61.5 | 19700 | 15300 | 10000 | 0.62 |

\* **MAX. RADIAL LOAD CAPACITY OF HOUSING:** Values indicated in the table above, are obtained at 23°C. Strength of housing indicated on [page 115](#).

## STANDARD



### COMPONENTS

- ① Housing in reinforced polyamide (Housing in reinforced polypropylene available on request).
- ② Adjustable chrome steel or stainless steel ball bearing, pre-lubricated. Can be re-lubricated by means of grease-nipple or a quick coupler.
- ③ Ball-type grease-nipple or quick coupler from nickel plated brass (available upon request) to take semi-rigid hoses  $\varnothing$  4 mm in Rilsan (see accessories on [page 110](#)). Version with stainless steel bearing has a stainless steel grease nipple.
- ④ Clip-on safety cap (accessory).
- ⑥ Polyethylene washer for grease-nipple.
- ⑪ Threaded bush in nickel plated brass.

### TECHNICAL INFORMATION for UCHA

- **Resistance to corrosion:**
  - Polyamide version (PA): good resistance to many corrosive chemicals such as water, oils, greases, petrol, milk, wine, alcoholic beverages.
- **High load capacity.**
- **Continuous operating temperature:**
  - All our bearings can be used at temperatures between 0°C and +80°C. For lower or higher temperatures please consult our Engineering Department.
- **Economical operation.**
  - Long life bearing insert.
- **Self-alignment:**
  - Max misalignment between shaft and housing: 2.5°.
- **Concept and design to meet all safety requirements.**
- **Ball bearing pre-lubricated with long-life grease, which is ideal in applications in humid conditions, with water, alkaline or acid solutions.**

## UCHA STANDARD

### POLYAMIDE HOUSING



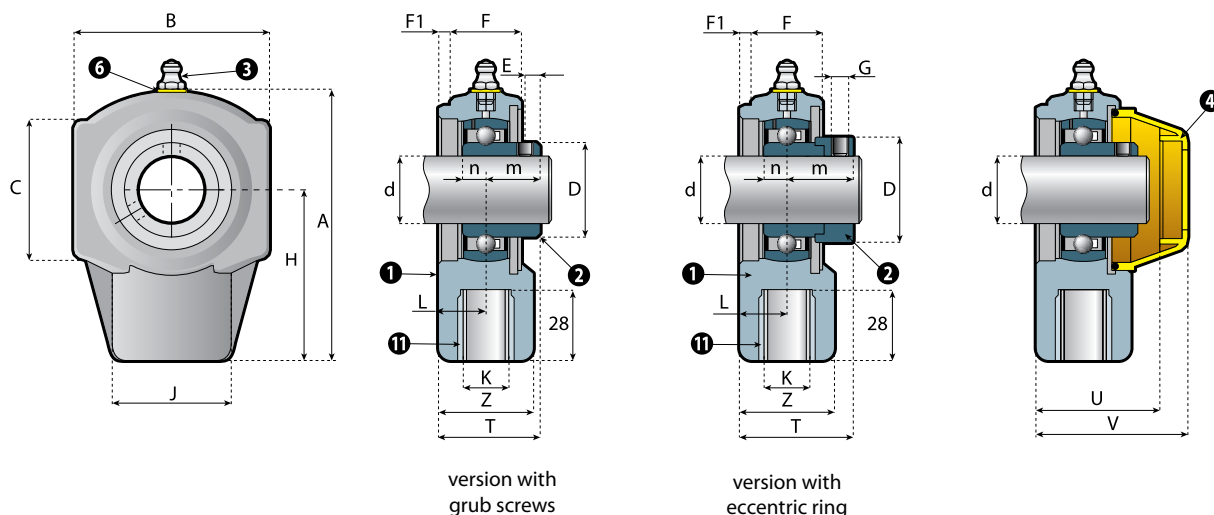
accessory

### COLOUR

- Safety cap in yellow.
- For sufficient quantities parts can be produced in different colours.

### SEE ALSO...

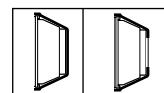
Accessories: [p. 110](#)  
 Features, lubrication and maintenance: [p. 112](#)  
 Mounting instruction: [p. 113 - 114](#)  
 Calculation of load capacity, bearing life: [p. 115 - 116](#)  
 Chemical resistance: [p. 120 - 121](#)



version with grub screws

version with eccentric ring

Accessories



Preferred types, readily available (codes marked in red)

| Ø<br>d<br>mm  | code<br>version  | dimension (mm) |    |    |      |     |    |     |         |    |     |      |    |    |      |      |     | bearing load ratings |      | housing load rating max. N* | weight (Kg) | closed safety cap code | open safety cap code |               |               |
|---|------------------|----------------|----|----|------|-----|----|-----|---------|----|-----|------|----|----|------|------|-----|----------------------|------|-----------------------------|-------------|------------------------|----------------------|---------------|---------------|
|   |                  | A              | B  | C  | D    | E   | F  | F1  | G       | H  | K   | L    | Z  | J  | T    | m    | n   | U                    | V    |                             |             |                        |                      | dynamic C (N) | static Co (N) |
| <b>CHROME STEEL BEARING WITH GRUB SCREWS (POLYAMIDE)</b>    |                  |                |    |    |      |     |    |     |         |    |     |      |    |    |      |      |     |                      |      |                             |             |                        |                      |               |               |
| 20  | <b>52204A</b>    | 97.5           | 65 | 50 | 29   | 5   | 25 | 4.5 | M6x0.75 | 62 | M16 | 17   | 34 | 45 | 35   | 18   | 7   | 44.5                 | 54.5 | 9850                        | 6580        | 10000                  | 0.30                 | 50009         | 50009.APE     |
| 25  | <b>52205A</b>    | 97.5           | 70 | 50 | 34   | 5.5 | 25 | 4.5 | M6x0.75 | 62 | M20 | 17   | 34 | 45 | 36.5 | 19.5 | 7.5 | 44.5                 | 54.5 | 10800                       | 7800        | 8500                   | 0.35                 | 50009         | 50009.APE     |
| 30  | 52206A           | 118            | 85 | 57 | 40.3 | 6   | 28 | 4.5 | M6x0.75 | 72 | M24 | 18.5 | 37 | 56 | 40.5 | 22   | 8   | 51.5                 | 61.5 | 15000                       | 11300       | 14000                  | 0.45                 | 50010         | 50010.APE     |
| 35  | 52207A           | 118            | 90 | 57 | 48   | 6.5 | 28 | 4.5 | M8x1.00 | 72 | M24 | 18.5 | 37 | 56 | 42   | 23.5 | 8.5 | 51.5                 | 61.5 | 19700                       | 15300       | 12000                  | 0.55                 | 50010         | 50010.APE     |
| <b>CHROME STEEL BEARING WITH ECCENTRIC RING (POLYAMIDE)</b> |                  |                |    |    |      |     |    |     |         |    |     |      |    |    |      |      |     |                      |      |                             |             |                        |                      |               |               |
| 20  | <b>52204AB</b>   | 97.5           | 65 | 50 | 33.3 | 5   | 25 | 4.5 | M6x0.75 | 62 | M16 | 17   | 34 | 45 | 40.9 | 23.9 | 7   | 44.5                 | 54.5 | 9850                        | 6580        | 10000                  | 0.38                 | 50009         | 50009.APE     |
| 25  | <b>52205AB</b>   | 97.5           | 70 | 50 | 38.1 | 5   | 25 | 4.5 | M6x0.75 | 62 | M20 | 17   | 34 | 45 | 40.4 | 23.4 | 7.5 | 44.5                 | 54.5 | 10800                       | 7800        | 8500                   | 0.40                 | 50009         | 50009.APE     |
| 30  | 52206AB          | 118            | 85 | 57 | 44.5 | 6   | 28 | 4.5 | M6x0.75 | 72 | M24 | 18.5 | 37 | 56 | 46.2 | 27.7 | 8   | 51.5                 | 61.5 | 15000                       | 11300       | 14000                  | 0.50                 | 50010         | 50010.APE     |
| 35  | 52207AB          | 118            | 90 | 57 | 55.6 | 6.5 | 28 | 4.5 | M8x1.00 | 72 | M24 | 18.5 | 37 | 56 | 48.9 | 30.4 | 8.5 | 51.5                 | 61.5 | 19700                       | 15300       | 12000                  | 0.60                 | 50010         | 50010.APE     |
| <b>STAINLESS STEEL BEARING WITH GRUB SCREWS (POLYAMIDE)</b> |                  |                |    |    |      |     |    |     |         |    |     |      |    |    |      |      |     |                      |      |                             |             |                        |                      |               |               |
| 20  | <b>52204A/SS</b> | 97.5           | 65 | 50 | 29   | 5   | 25 | 4.5 | M6x0.75 | 62 | M16 | 17   | 34 | 45 | 35.7 | 18.7 | 7   | 44.5                 | 54.5 | 7300                        | 4900        | 10000                  | 0.30                 | 50009         | 50009.APE     |
| 25  | <b>52205A/SS</b> | 97.5           | 70 | 50 | 34   | 5.5 | 25 | 4.5 | M6x0.75 | 62 | M20 | 17   | 34 | 45 | 36.5 | 19.5 | 7.5 | 44.5                 | 54.5 | 8100                        | 5800        | 8500                   | 0.35                 | 50009         | 50009.APE     |
| 30  | 52206A/SS        | 118            | 85 | 57 | 40.3 | 6   | 28 | 4.5 | M6x0.75 | 72 | M24 | 18.5 | 37 | 56 | 40.5 | 22   | 8   | 51.5                 | 61.5 | 11250                       | 8400        | 14000                  | 0.45                 | 50010         | 50010.APE     |
| 35  | 52207A/SS        | 118            | 90 | 57 | 48   | 6.5 | 28 | 4.5 | M8x1.00 | 72 | M24 | 18.5 | 37 | 56 | 42   | 23.5 | 8.5 | 51.5                 | 61.5 | 14700                       | 11400       | 12000                  | 0.55                 | 50010         | 50010.APE     |

\* **MAX. RADIAL LOAD CAPACITY OF HOUSING:** Values indicated in the table above, are obtained at 23°C. Strength of housing indicated on [page 115](#).



## WATERPROOF



### TECHNICAL INFORMATION for UCHA-R

- **Resistance to corrosion:**
  - Polyamide version (PA): good resistance to many corrosive chemicals such as water, oils, greases, petrol, milk, wine, alcoholic beverages.
- **High load capacity.**
- **Continuous operating temperature:**
  - All our bearings can be used at temperatures between 0°C and +80°C. For lower or higher temperatures please consult our Engineering Department.
- **Economical operation.**
  - Long life bearing insert.
- **Self-alignment:**
  - Max misalignment between shaft and housing: 2.0°.
- **Concept and design to meet all safety requirements.**
- **Interchangeable with standard cast iron flanged supports.**
- **Completely sealed units.**
- **Ball bearing pre-lubricated with long-life grease, which is ideal in applications in humid conditions, with water, alkaline or acid solutions.**



**WATERPROOF**

### SEE ALSO...

Accessories: [p. 110](#)  
Features, lubrication and maintenance: [p. 112](#)  
Mounting instruction: [p. 113 - 114](#)  
Calculation of load capacity, bearing life: [p. 115 - 116](#)  
Chemical resistance: [p. 120 - 121](#)

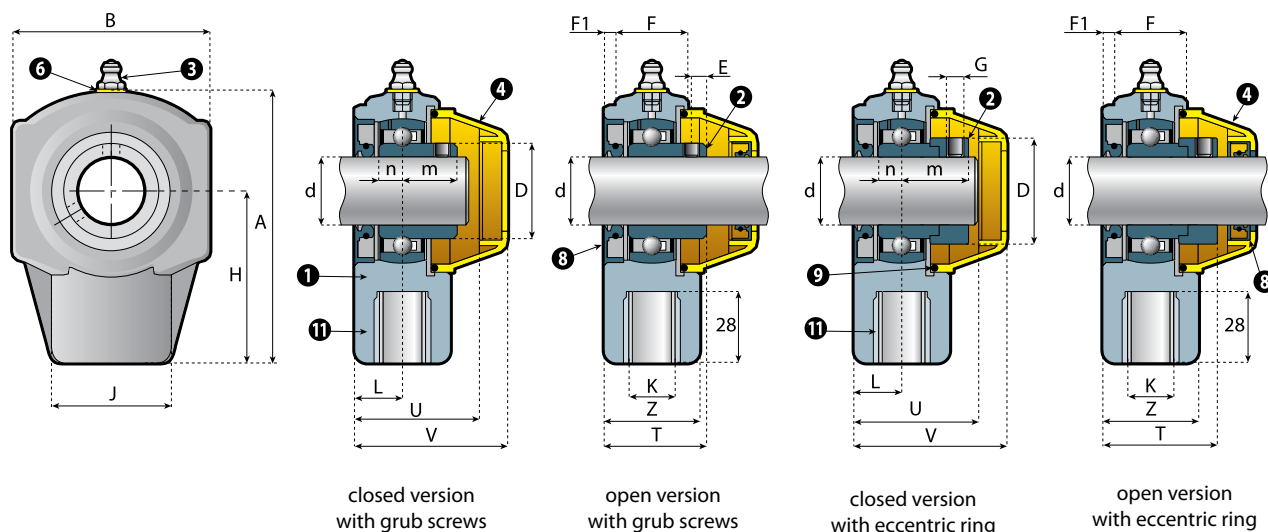
### COMPONENTS

- ① Housing in reinforced polyamide (Housing in reinforced polypropylene available on request).
- ② Adjustable chrome steel or stainless steel ball bearing, pre-lubricated. Can be re-lubricated by means of grease-nipple or a quick coupler.
- ③ Ball-type grease-nipple or quick coupler from nickel plated brass (available upon request) to take semi-rigid hoses  $\varnothing$  4 mm in Rilsan (see accessories on [page 110](#)). Version with stainless steel bearing has a stainless steel grease nipple.
- ④ Clip-on safety cap.
- ⑥ Polyethylene washer for grease-nipple.
- ⑧ Rotary shaft seal ring with extra dust-protection lip in NBR rubber.
- ⑨ Heavy duty O-Ring in NBR rubber.
- ⑩ Threaded bush in nickel plated brass.

## UCHA-R WATERPROOF

### POLYAMIDE HOUSING





Preferred types, readily available (codes marked in red)

| ø<br>d<br>mm | code version |      | dimension (mm) |   |   |   |   |   |    |   |   |   |   |   |   |   |   |   | bearing load ratings |   | housing load rating max. N* | weight (Kg) |
|--------------|--------------|------|----------------|---|---|---|---|---|----|---|---|---|---|---|---|---|---|---|----------------------|---|-----------------------------|-------------|
|              | closed       | open | A              | B | C | D | E | F | F1 | G | H | K | L | J | Z | T | m | n | U                    | V |                             |             |

**CHROME STEEL BEARING WITH GRUB SCREWS (POLYAMIDE)**

|    |         |         |      |    |    |      |     |    |     |         |    |     |      |    |    |      |      |     |      |      |       |       |       |      |
|----|---------|---------|------|----|----|------|-----|----|-----|---------|----|-----|------|----|----|------|------|-----|------|------|-------|-------|-------|------|
| 20 | 52204AR | 57204AR | 97.5 | 65 | 50 | 29   | 5   | 25 | 4.5 | M6x0.75 | 62 | M16 | 17   | 45 | 34 | 35   | 18   | 7   | 44.5 | 54.5 | 9850  | 6580  | 10000 | 0.30 |
| 25 | 52205AR | 57205AR | 97.5 | 70 | 50 | 34   | 5.5 | 25 | 4.5 | M6x0.75 | 62 | M20 | 17   | 45 | 34 | 36.5 | 19.5 | 7.5 | 44.5 | 54.5 | 10800 | 7800  | 8500  | 0.35 |
| 30 | 52206AR | 57206AR | 118  | 85 | 57 | 40.3 | 6   | 28 | 4.5 | M6x0.75 | 72 | M24 | 18.5 | 56 | 37 | 40.5 | 22   | 8   | 51.5 | 61.5 | 15000 | 11300 | 14000 | 0.45 |
| 35 | 52207AR | 57207AR | 118  | 90 | 57 | 48   | 6.5 | 28 | 4.5 | M8x1.00 | 72 | M24 | 18.5 | 56 | 37 | 42   | 23.5 | 8.5 | 51.5 | 61.5 | 19700 | 15300 | 12000 | 0.55 |

**CHROME STEEL BEARING WITH ECCENTRIC RING (POLYAMIDE)**

|    |          |          |      |    |    |      |     |    |     |         |    |     |      |    |    |      |      |     |      |      |       |       |       |      |
|----|----------|----------|------|----|----|------|-----|----|-----|---------|----|-----|------|----|----|------|------|-----|------|------|-------|-------|-------|------|
| 20 | 52204ARB | 57204ARB | 97.5 | 65 | 50 | 33.3 | 5   | 25 | 4.5 | M6x0.75 | 62 | M16 | 17   | 45 | 34 | 40.9 | 23.9 | 7   | 44.5 | 54.5 | 9850  | 6580  | 10000 | 0.38 |
| 25 | 52205ARB | 57205ARB | 97.5 | 70 | 50 | 38.1 | 5   | 25 | 4.5 | M6x0.75 | 62 | M20 | 17   | 45 | 34 | 40.4 | 23.4 | 7.5 | 44.5 | 54.5 | 10800 | 7800  | 8500  | 0.40 |
| 30 | 52206ARB | 57206ARB | 118  | 85 | 57 | 44.5 | 6   | 28 | 4.5 | M6x0.75 | 72 | M24 | 18.5 | 56 | 37 | 46.2 | 27.7 | 8   | 51.5 | 61.5 | 15000 | 11300 | 14000 | 0.50 |
| 35 | 52207ARB | 57207ARB | 118  | 90 | 57 | 55.6 | 6.5 | 28 | 4.5 | M8x1.00 | 72 | M24 | 18.5 | 56 | 37 | 48.9 | 30.4 | 8.5 | 51.5 | 61.5 | 19700 | 15300 | 12000 | 0.60 |

\* **MAX. RADIAL LOAD CAPACITY OF HOUSING:** Values indicated in the table above, are obtained at 23°C. Strength of housing indicated on [page 115](#).

## STANDARD



### COMPONENTS

- ❶ Housing in reinforced polyamide (Housing in reinforced polypropylene available on request).
- ❷ Adjustable chrome steel or stainless steel ball bearing, pre-lubricated. Can be re-lubricated by means of grease-nipple or a quick coupler.
- ❸ Ball-type grease-nipple or quick coupler from nickel plated brass (available upon request) to take semi-rigid hoses  $\varnothing$  4 mm in Rilsan (see accessories on [page 110](#)). Version with stainless steel bearing has a stainless steel grease nipple.
- ❹ Clip-on safety cap (accessory).
- ❺ Polyethylene washer for grease-nipple.
- ❻ Threaded bush in nickel plated brass.

### TECHNICAL INFORMATION for UCHE

- **Resistance to corrosion:**
  - Polyamide version (PA): good resistance to many corrosive chemicals such as water, oils, greases, petrol, milk, wine, alcoholic beverages.
- **High load capacity.**
- **Continuous operating temperature:**
  - All our bearings can be used at temperatures between 0°C and +80°C. For lower or higher temperatures please consult our Engineering Department.
- **Economical operation.**
  - Long life bearing insert.
- **Self-alignment:**
  - Max misalignment between shaft and housing: 2.5°.
- **Concept and design to meet all safety requirements.**
- **Ball bearing pre-lubricated with long-life grease, which is ideal in applications in humid conditions, with water, alkaline or acid solutions.**

## UCHE STANDARD

### POLYAMIDE HOUSING



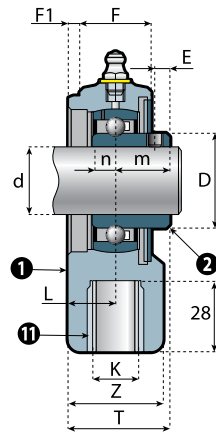
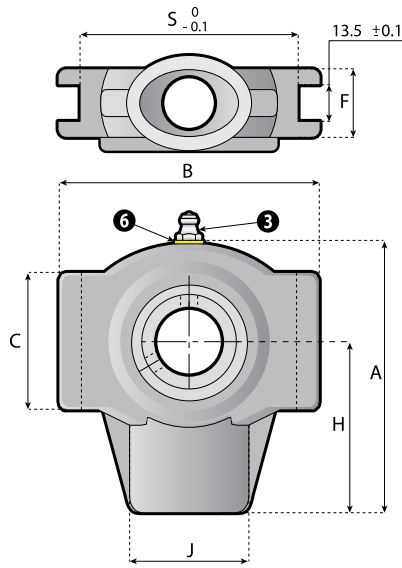
accessory

### COLOUR

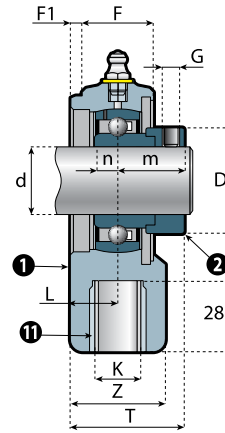
- Safety cap in yellow.
- For sufficient quantities parts can be produced in different colours.

### SEE ALSO...

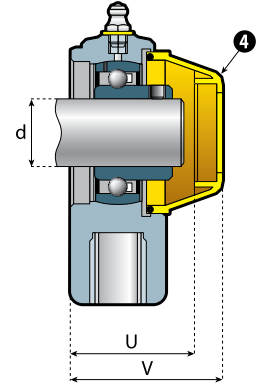
Accessories: [p. 110](#)  
 Features, lubrication and maintenance: [p. 112](#)  
 Mounting instruction: [p. 113 - 114](#)  
 Calculation of load capacity, bearing life: [p. 115 - 116](#)  
 Chemical resistance: [p. 120 - 121](#)



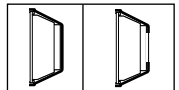
version with grub screws



version with eccentric ring



Accessories



Preferred types, readily available (codes marked in red)

| Ø<br>d<br>mm  | code<br>version  | dimension (mm) |     |    |      |     |    |     |         |    |     |      |    |    |    |      |      |     | bearing load ratings |      | housing load rating max. N* | weight (Kg) | closed safety cap code | open safety cap code |               |               |
|---|------------------|----------------|-----|----|------|-----|----|-----|---------|----|-----|------|----|----|----|------|------|-----|----------------------|------|-----------------------------|-------------|------------------------|----------------------|---------------|---------------|
|   |                  | A              | B   | C  | D    | E   | F  | F1  | G       | H  | K   | L    | S  | J  | Z  | T    | m    | n   | U                    | V    |                             |             |                        |                      | dynamic C (N) | static Co (N) |
| <b>CHROME STEEL BEARING WITH GRUB SCREWS (POLYAMIDE)</b>    |                  |                |     |    |      |     |    |     |         |    |     |      |    |    |    |      |      |     |                      |      |                             |             |                        |                      |               |               |
| 20  | <b>52204E</b>    | 97.5           | 92  | 50 | 29   | 5   | 25 | 4.5 | M6x0.75 | 62 | M16 | 17   | 76 | 45 | 34 | 35   | 18   | 7   | 44.5                 | 54.5 | 9850                        | 6580        | 10000                  | 0.30                 | 50009         | 50009.APE     |
| 25  | <b>52205E</b>    | 97.5           | 92  | 50 | 34   | 5.5 | 25 | 4.5 | M6x0.75 | 62 | M20 | 17   | 76 | 45 | 34 | 36.5 | 19.5 | 7.5 | 44.5                 | 54.5 | 10800                       | 7800        | 8500                   | 0.35                 | 50009         | 50009.APE     |
| 30  | <b>52206E</b>    | 118            | 104 | 57 | 40.3 | 6   | 28 | 4.5 | M6x0.75 | 72 | M24 | 18.5 | 89 | 56 | 37 | 40.5 | 22   | 8   | 51.5                 | 61.5 | 15000                       | 11300       | 14000                  | 0.45                 | 50010         | 50010.APE     |
| 35  | <b>52207E</b>    | 118            | 104 | 57 | 48   | 6.5 | 28 | 4.5 | M8x1.00 | 72 | M24 | 18.5 | 89 | 56 | 37 | 42   | 23.5 | 8.5 | 51.5                 | 61.5 | 19700                       | 15300       | 12000                  | 0.55                 | 50010         | 50010.APE     |
| <b>CHROME STEEL BEARING WITH ECCENTRIC RING (POLYAMIDE)</b> |                  |                |     |    |      |     |    |     |         |    |     |      |    |    |    |      |      |     |                      |      |                             |             |                        |                      |               |               |
| 20  | <b>52204EB</b>   | 97.5           | 92  | 50 | 33.3 | 5   | 25 | 4.5 | M6x0.75 | 62 | M16 | 17   | 76 | 45 | 34 | 40.9 | 23.9 | 7   | 44.5                 | 54.5 | 9850                        | 6580        | 10000                  | 0.38                 | 50009         | 50009.APE     |
| 25  | <b>52205EB</b>   | 97.5           | 92  | 50 | 38.1 | 5   | 25 | 4.5 | M6x0.75 | 62 | M20 | 17   | 76 | 45 | 34 | 40.4 | 23.4 | 7.5 | 44.5                 | 54.5 | 10800                       | 7800        | 8500                   | 0.40                 | 50009         | 50009.APE     |
| 30  | <b>52206EB</b>   | 118            | 104 | 57 | 44.5 | 6   | 28 | 4.5 | M6x0.75 | 72 | M24 | 18.5 | 89 | 56 | 37 | 46.2 | 27.7 | 8   | 51.5                 | 61.5 | 15000                       | 11300       | 14000                  | 0.50                 | 50010         | 50010.APE     |
| 35  | <b>52207EB</b>   | 118            | 104 | 57 | 55.6 | 6.5 | 28 | 4.5 | M8x1.00 | 72 | M24 | 18.5 | 89 | 56 | 37 | 48.9 | 30.4 | 8.5 | 51.5                 | 61.5 | 19700                       | 15300       | 12000                  | 0.60                 | 50010         | 50010.APE     |
| <b>STAINLESS STEEL BEARING WITH GRUB SCREWS (POLYAMIDE)</b> |                  |                |     |    |      |     |    |     |         |    |     |      |    |    |    |      |      |     |                      |      |                             |             |                        |                      |               |               |
| 20  | <b>52204E/SS</b> | 97.5           | 92  | 50 | 29   | 5   | 25 | 4.5 | M6x0.75 | 62 | M16 | 17   | 76 | 45 | 34 | 35.7 | 18.7 | 7   | 44.5                 | 54.5 | 7300                        | 4900        | 10000                  | 0.30                 | 50009         | 50009.APE     |
| 25  | <b>52205E/SS</b> | 97.5           | 92  | 50 | 34   | 5.5 | 25 | 4.5 | M6x0.75 | 62 | M20 | 17   | 76 | 45 | 34 | 36.5 | 19.5 | 7.5 | 44.5                 | 54.5 | 8100                        | 5800        | 8500                   | 0.35                 | 50009         | 50009.APE     |
| 30  | <b>52206E/SS</b> | 118            | 104 | 57 | 40.3 | 6   | 28 | 4.5 | M6x0.75 | 72 | M24 | 18.5 | 89 | 56 | 37 | 40.5 | 22   | 8   | 51.5                 | 61.5 | 11250                       | 8400        | 14000                  | 0.45                 | 50010         | 50010.APE     |
| 35  | <b>52207E/SS</b> | 118            | 104 | 57 | 48   | 6.5 | 28 | 4.5 | M8x1.00 | 72 | M24 | 18.5 | 89 | 56 | 37 | 42   | 23.5 | 8.5 | 51.5                 | 61.5 | 14700                       | 11400       | 12000                  | 0.55                 | 50010         | 50010.APE     |

\* MAX. RADIAL LOAD CAPACITY OF HOUSING: Values indicated in the table above, are obtained at 23°C. Strength of housing indicated on page 115.

## WATERPROOF



### TECHNICAL INFORMATION for UCHE-R

- **Resistance to corrosion:**
  - Polyamide version (PA): good resistance to many corrosive chemicals such as water, oils, greases, petrol, milk, wine, alcoholic beverages.
- **High load capacity.**
- **Continuous operating temperature:**
  - All our bearings can be used at temperatures between 0°C and +80°C. For lower or higher temperatures please consult our Engineering Department.
- **Economical operation.**
  - Long life bearing insert.
- **Self-alignment:**
  - Max misalignment between shaft and housing: 2.0°.
- **Concept and design to meet all safety requirements.**
- **Ball bearing pre-lubricated with long-life grease, which is ideal in applications in humid conditions, with water, alkaline or acid solutions.**
- **Completely sealed units.**

### COMPONENTS

- ① Housing in reinforced polyamide (Housing in reinforced polypropylene available on request).
- ② Adjustable chrome steel or stainless steel ball bearing, pre-lubricated. Can be re-lubricated by means of grease-nipple or a quick coupler.
- ③ Ball-type grease-nipple or quick coupler from nickel plated brass (available upon request) to take semi-rigid hoses  $\varnothing$  4 mm in Rilsan (see accessories on [page 110](#)). Version with stainless steel bearing has a stainless steel grease nipple.
- ④ Clip-on safety cap.
- ⑥ Polyethylene washer for grease-nipple.
- ⑧ Rotary shaft seal ring with extra dust-protection lip in NBR rubber.
- ⑨ Heavy duty O-Ring in NBR rubber.
- ⑩ Threaded bush in nickel plated brass.

## UCHE-R WATERPROOF

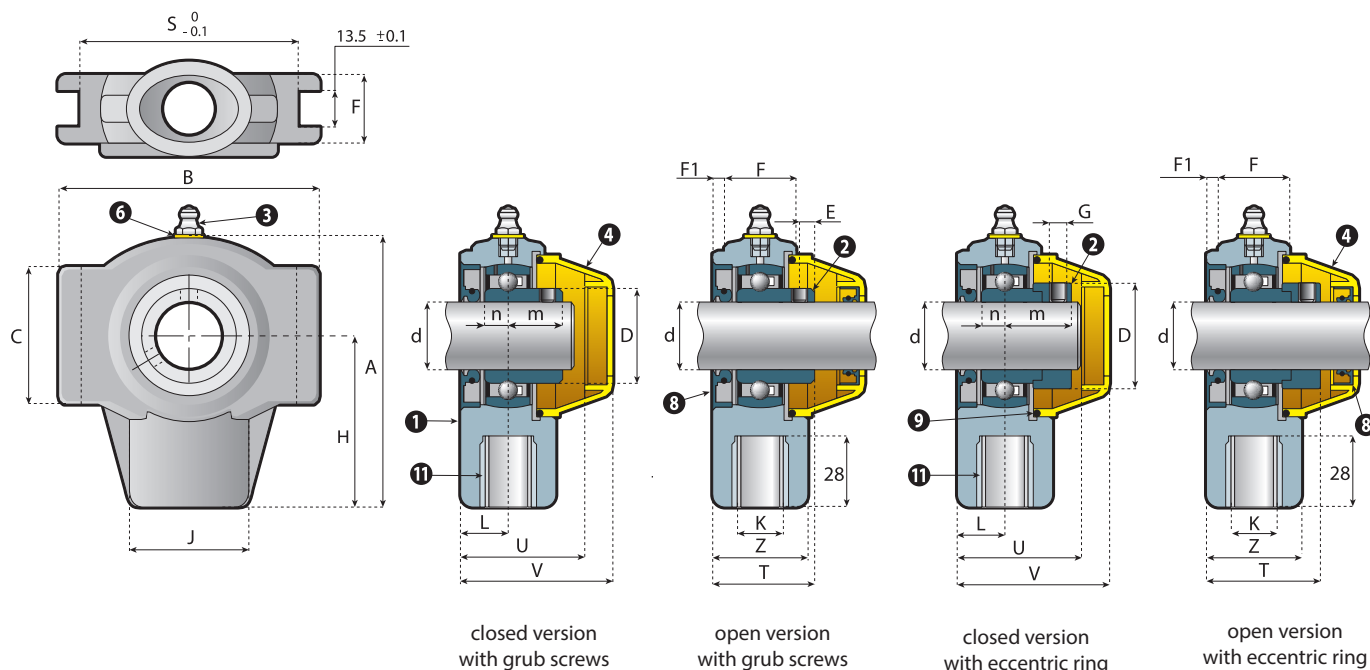
### POLYAMIDE HOUSING



## WATERPROOF

### SEE ALSO...

- Accessories: [p. 110](#)  
Features, lubrication and maintenance: [p. 112](#)  
Mounting instruction: [p. 113 - 114](#)  
Calculation of load capacity, bearing life: [p. 115 - 116](#)  
Chemical resistance: [p. 120 - 121](#)



Preferred types, readily available (codes marked in red)

| ø<br>d<br>mm | code version |      | dimension (mm) |   |   |   |   |   |    |   |   |   |   |   |   |   |   |   |   | bearing load ratings |   | housing load rating max. N* | weight (Kg) |
|--------------|--------------|------|----------------|---|---|---|---|---|----|---|---|---|---|---|---|---|---|---|---|----------------------|---|-----------------------------|-------------|
|              | closed       | open | A              | B | C | D | E | F | F1 | G | H | K | L | S | J | Z | T | m | n | U                    | V |                             |             |

**CHROME STEEL BEARING WITH GRUB SCREWS (POLYAMIDE)**

|    |         |         |      |     |    |      |     |    |     |         |    |     |      |    |    |    |      |      |     |      |      |       |       |       |      |
|----|---------|---------|------|-----|----|------|-----|----|-----|---------|----|-----|------|----|----|----|------|------|-----|------|------|-------|-------|-------|------|
| 20 | 52204ER | 57204ER | 97.5 | 92  | 50 | 29   | 5   | 25 | 4.5 | M6x0.75 | 62 | M16 | 17   | 76 | 45 | 34 | 35   | 18   | 7   | 44.5 | 54.5 | 9850  | 6580  | 10000 | 0.30 |
| 25 | 52205ER | 57205ER | 97.5 | 92  | 50 | 34   | 5.5 | 25 | 4.5 | M6x0.75 | 62 | M20 | 17   | 76 | 45 | 34 | 36.5 | 19.5 | 7.5 | 44.5 | 54.5 | 10800 | 7800  | 8500  | 0.35 |
| 30 | 52206ER | 57206ER | 118  | 104 | 57 | 40.3 | 6   | 28 | 4.5 | M6x0.75 | 72 | M24 | 18.5 | 89 | 56 | 37 | 40.5 | 22   | 8   | 51.5 | 61.5 | 15000 | 11300 | 14000 | 0.45 |
| 35 | 52207ER | 57207ER | 118  | 104 | 57 | 48   | 6.5 | 28 | 4.5 | M8x1.00 | 72 | M24 | 18.5 | 89 | 56 | 37 | 42   | 23.5 | 8.5 | 51.5 | 61.5 | 19700 | 15300 | 12000 | 0.55 |

**CHROME STEEL BEARING WITH ECCENTRIC RING (POLYAMIDE)**

|    |          |          |      |     |    |      |     |    |     |         |    |     |      |    |    |    |      |      |     |      |      |       |       |       |      |
|----|----------|----------|------|-----|----|------|-----|----|-----|---------|----|-----|------|----|----|----|------|------|-----|------|------|-------|-------|-------|------|
| 20 | 52204ERB | 57204ERB | 97.5 | 92  | 50 | 33.3 | 5   | 25 | 4.5 | M6x0.75 | 62 | M16 | 17   | 76 | 45 | 34 | 40.9 | 23.9 | 7   | 44.5 | 54.5 | 9850  | 6580  | 10000 | 0.38 |
| 25 | 52205ERB | 57205ERB | 97.5 | 92  | 50 | 38.1 | 5   | 25 | 4.5 | M6x0.75 | 62 | M20 | 17   | 76 | 45 | 34 | 40.4 | 23.4 | 7.5 | 44.5 | 54.5 | 10800 | 7800  | 8500  | 0.40 |
| 30 | 52206ERB | 57206ERB | 118  | 104 | 57 | 44.5 | 6   | 28 | 4.5 | M6x0.75 | 72 | M24 | 18.5 | 89 | 56 | 37 | 46.2 | 27.7 | 8   | 51.5 | 61.5 | 15000 | 11300 | 14000 | 0.50 |
| 35 | 52207ERB | 57207ERB | 118  | 104 | 57 | 55.6 | 6.5 | 28 | 4.5 | M8x1.00 | 72 | M24 | 18.5 | 89 | 56 | 37 | 48.9 | 30.4 | 8.5 | 51.5 | 61.5 | 19700 | 15300 | 12000 | 0.60 |

\* MAX. RADIAL LOAD CAPACITY OF HOUSING: Values indicated in the table above, are obtained at 23°C. Strength of housing indicated on page 115.

## STANDARD



## COMPONENTS

- ❶ Housing in reinforced polyamide (Housing in reinforced polypropylene available on request).
- ❷ Adjustable chrome steel or stainless steel ball bearing, pre-lubricated. Can be re-lubricated by means of grease-nipple or a quick coupler.
- ❸ Ball-type grease-nipple or quick coupler from nickel plated brass (available upon request) to take semi-rigid hoses  $\varnothing$  4 mm in Rilsan (see accessories on [page 110](#)). Version with stainless steel bearing has a stainless steel grease nipple.
- ❹ Clip-on safety cap (accessory).
- ❺ Spacers from nickel plated brass to reinforce fixing holes.

## TECHNICAL INFORMATION for SFL

- **Resistance to corrosion:**
  - Polyamide version (PA): good resistance to many corrosive chemicals such as water, oils, greases, petrol, milk, wine, alcoholic beverages.
- **High load capacity.**
- **Continuous operating temperature:**
  - All our bearings can be used at temperatures between 0°C and +80°C. For lower or higher temperatures please consult our Engineering Department.
- **Economical operation.**
  - Long life bearing insert.
- **Self-alignment:**
  - Max misalignment between shaft and housing: 2.5°.
- **Concept and design to meet all safety requirements.**
- **Ball bearing pre-lubricated with long-life grease, which is ideal in applications in humid conditions, with water, alkaline or acid solutions.**

SFL  
STANDARD

## POLYAMIDE HOUSING



accessory

## COLOUR

- Safety cap in yellow.
- For sufficient quantities parts can be produced in different colours.

## SEE ALSO...

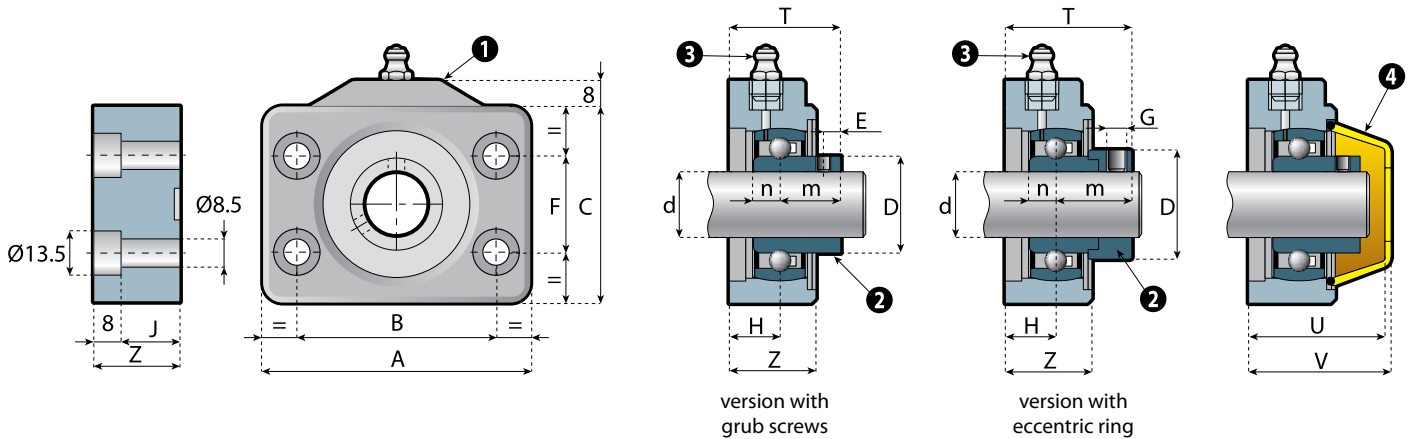
Accessories: [p. 110](#)

Features, lubrication and maintenance: [p. 112](#)

Mounting instruction: [p. 113 - 114](#)

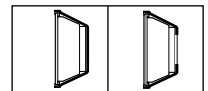
Calculation of load capacity, bearing life: [p. 115 - 116](#)

Chemical resistance: [p. 120 - 121](#)



Preferred types, readily available (codes marked in red)

Accessories



| Ø<br>d<br>mm  | code<br>version | dimension (mm) |    |    |      |   |    |         |    |      |      |      |      |   |    | bearing load ratings |               | housing load rating max. N* | weight (Kg) | closed safety cap code | open safety cap code |               |  |
|---|-----------------|----------------|----|----|------|---|----|---------|----|------|------|------|------|---|----|----------------------|---------------|-----------------------------|-------------|------------------------|----------------------|---------------|--|
|   |                 | A              | B  | C  | D    | E | F  | G       | H  | J    | Z    | T    | m    | n | U  | V                    | dynamic C (N) |                             |             |                        |                      | static Co (N) |  |
| <b>CHROME STEEL BEARING WITH GRUB SCREWS (POLYAMIDE)</b>    |                 |                |    |    |      |   |    |         |    |      |      |      |      |   |    |                      |               |                             |             |                        |                      |               |  |
| 12  | 54201S          | 80             | 60 | 60 | 24.6 | 4 | 30 | M5x0.80 | 9  | 10.5 | 18.5 | 25   | 16   | 6 | 40 | 42                   | 7300          | 4760                        | 6500        | 0.25                   | 50013                | 50013.APE     |  |
| 15  | 54202S          | 80             | 60 | 60 | 24.6 | 4 | 30 | M5x0.80 | 9  | 10.5 | 18.5 | 25   | 16   | 6 | 40 | 42                   | 7300          | 4760                        | 6500        | 0.25                   | 50013                | 50013.APE     |  |
| 16  | 54016S          | 80             | 60 | 60 | 24.6 | 4 | 30 | M5x0.80 | 9  | 10.5 | 18.5 | 25   | 16   | 6 | 40 | 42                   | 7300          | 4760                        | 6500        | 0.25                   | 50013                | 50013.APE     |  |
| 17  | 54203S          | 80             | 60 | 60 | 24.6 | 4 | 30 | M5x0.80 | 9  | 10.5 | 18.5 | 25   | 16   | 6 | 40 | 42                   | 7300          | 4760                        | 6500        | 0.25                   | 50013                | 50013.APE     |  |
| 20  | 54204S          | 80             | 60 | 60 | 29   | 5 | 30 | M6x0.75 | 15 | 18   | 26   | 33   | 18   | 7 | 48 | 50                   | 9850          | 6580                        | 6200        | 0.30                   | 50013                | 50013.APE     |  |
| <b>CHROME STEEL BEARING WITH ECCENTRIC RING (POLYAMIDE)</b> |                 |                |    |    |      |   |    |         |    |      |      |      |      |   |    |                      |               |                             |             |                        |                      |               |  |
| 12  | 54201SB         | 80             | 60 | 60 | 28.6 | 5 | 30 | M6x0.75 | 9  | 10.5 | 18.5 | 31.6 | 22.6 | 6 | 40 | 42                   | 7300          | 4760                        | 6500        | 0.28                   | 50013                | 50013.APE     |  |
| 15  | 54202SB         | 80             | 60 | 60 | 28.6 | 5 | 30 | M6x0.75 | 9  | 10.5 | 18.5 | 31.6 | 22.6 | 6 | 40 | 42                   | 7300          | 4760                        | 6500        | 0.28                   | 50013                | 50013.APE     |  |
| 16  | 54016SB         | 80             | 60 | 60 | 28.6 | 5 | 30 | M6x0.75 | 9  | 10.5 | 18.5 | 31.6 | 22.6 | 6 | 40 | 42                   | 7300          | 4760                        | 6500        | 0.28                   | 50013                | 50013.APE     |  |
| 17  | 54203SB         | 80             | 60 | 60 | 28.6 | 5 | 30 | M6x0.75 | 9  | 10.5 | 18.5 | 31.6 | 22.6 | 6 | 40 | 42                   | 7300          | 4760                        | 6500        | 0.28                   | 50013                | 50013.APE     |  |
| 20  | 54204SB         | 80             | 60 | 60 | 33.3 | 5 | 30 | M6x0.75 | 15 | 18   | 26   | 38.9 | 23.9 | 7 | 48 | 50                   | 9850          | 6580                        | 6200        | 0.35                   | 50013                | 50013.APE     |  |
| <b>STAINLESS STEEL BEARING WITH GRUB SCREWS (POLYAMIDE)</b> |                 |                |    |    |      |   |    |         |    |      |      |      |      |   |    |                      |               |                             |             |                        |                      |               |  |
| 20  | 54204S/SS       | 80             | 60 | 60 | 29   | 5 | 30 | M6x0.75 | 15 | 18   | 26   | 33.7 | 18.7 | 7 | 48 | 50                   | 7300          | 4900                        | 6200        | 0.30                   | 50013                | 50013.APE     |  |

\* **MAX. RADIAL LOAD CAPACITY OF HOUSING:** Values indicated in the table above, are obtained at 23°C. Strength of housing indicated on [page 115](#).



## WATERPROOF



### COMPONENTS

- 1 Housing in reinforced polyamide (Housing in reinforced polypropylene available on request).
- 2 Adjustable chrome steel or stainless steel ball bearing, pre-lubricated. Can be re-lubricated by means of grease-nipple or a quick coupler.
- 3 Ball-type grease-nipple or quick coupler from nickel plated brass (available upon request) to take semi-rigid hoses  $\varnothing$  4 mm in Rilsan (see accessories on [page 110](#)). Version with stainless steel bearing has a stainless steel grease nipple.
- 4 Clip-on safety cap.
- 8 Rotary shaft seal ring with extra dust-protection lip in NBR rubber.
- 9 Heavy duty O-Ring in NBR rubber.

### TECHNICAL INFORMATION for SFL-Z

- **Resistance to corrosion:**
  - Polyamide version (PA): good resistance to many corrosive chemicals such as water, oils, greases, petrol, milk, wine, alcoholic beverages.
- **High load capacity.**
- **Continuous operating temperature:**
  - All our bearings can be used at temperatures between 0°C and +80°C. For lower or higher temperatures please consult our Engineering Department.
- **Economical operation.**
  - Long life bearing insert.
- **Self-alignment:**
  - Max misalignment between shaft and housing: 2.0°.
- **Concept and design to meet all safety requirements.**
- **Ball bearing pre-lubricated with long-life grease, which is ideal in applications in humid conditions, with water, alkaline or acid solutions.**
- **Completely sealed units**

## SFL-Z WATERPROOF

### POLYAMIDE HOUSING



## WATERPROOF

### SEE ALSO...

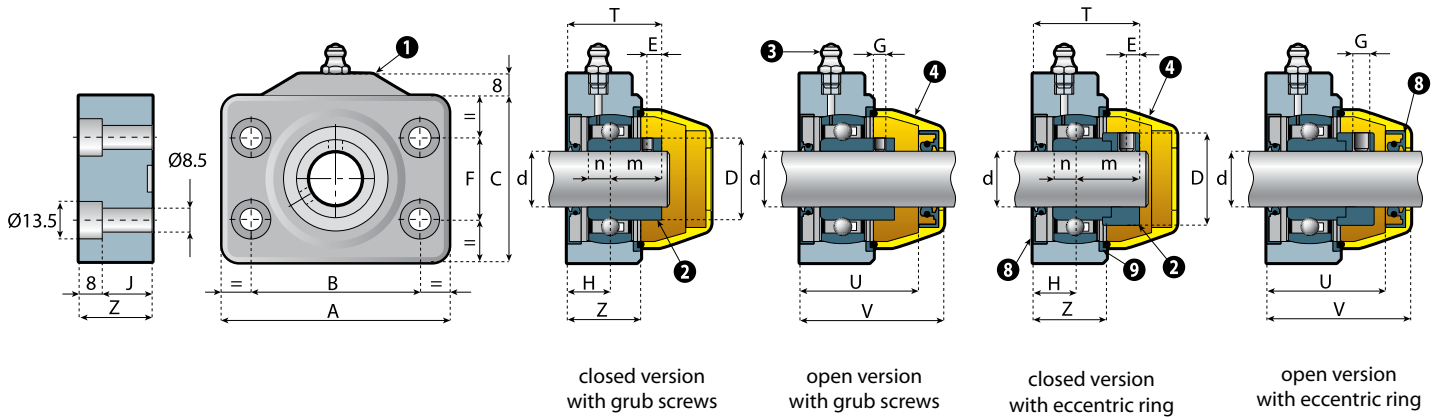
Accessories: [p. 110](#)

Features, lubrication and maintenance: [p. 112](#)

Mounting instruction: [p. 113 - 114](#)

Calculation of load capacity, bearing life: [p. 115 - 116](#)

Chemical resistance: [p. 120 - 121](#)



closed version with grub screws

open version with grub screws

closed version with eccentric ring

open version with eccentric ring

| ø d mm | code version |      | dimension (mm) |   |   |   |   |   |   |   |   |   |   |   |   |   | bearing load ratings |               | housing load rating max. N* | weight (Kg) |
|--------|--------------|------|----------------|---|---|---|---|---|---|---|---|---|---|---|---|---|----------------------|---------------|-----------------------------|-------------|
|        | closed       | open | A              | B | C | D | E | F | G | H | J | Z | T | m | n | U | V                    | dynamic C (N) |                             |             |

**CHROME STEEL BEARING WITH GRUB SCREWS (POLYAMIDE)**

|    |         |          |    |    |    |      |   |    |         |      |    |    |      |    |   |    |    |      |      |      |      |
|----|---------|----------|----|----|----|------|---|----|---------|------|----|----|------|----|---|----|----|------|------|------|------|
| 12 | 54201SZ | 59201SZ  | 80 | 60 | 60 | 24.6 | 4 | 30 | M5x0.80 | 16.5 | 18 | 26 | 32.5 | 16 | 6 | 41 | 50 | 7300 | 4760 | 6500 | 0.25 |
| 15 | 54202SZ | 59202SZ  | 80 | 60 | 60 | 24.6 | 4 | 30 | M5x0.80 | 16.5 | 18 | 26 | 32.5 | 16 | 6 | 41 | 50 | 7300 | 4760 | 6500 | 0.25 |
| 16 | 54016SZ | 592016SZ | 80 | 60 | 60 | 24.6 | 4 | 30 | M5x0.80 | 16.5 | 18 | 26 | 32.5 | 16 | 6 | 41 | 50 | 7300 | 4760 | 6500 | 0.25 |
| 17 | 54203SZ | 59203SZ  | 80 | 60 | 60 | 24.6 | 4 | 30 | M5x0.80 | 16.5 | 18 | 26 | 32.5 | 16 | 6 | 41 | 50 | 7300 | 4760 | 6500 | 0.25 |
| 20 | 54204SZ | 59204SZ  | 80 | 60 | 60 | 29   | 5 | 30 | M6x0.75 | 15   | 18 | 26 | 33   | 18 | 7 | 41 | 50 | 9850 | 6580 | 6200 | 0.30 |

**CHROME STEEL BEARING WITH ECCENTRIC RING (POLYAMIDE)**

|    |          |          |    |    |    |      |   |    |         |      |    |    |      |      |   |    |    |      |      |      |      |
|----|----------|----------|----|----|----|------|---|----|---------|------|----|----|------|------|---|----|----|------|------|------|------|
| 12 | 54201SZB | 59201SZB | 80 | 60 | 60 | 28.6 | 5 | 30 | M6x0.75 | 16.5 | 18 | 26 | 31.6 | 22.6 | 6 | 41 | 50 | 7300 | 4760 | 6500 | 0.30 |
| 15 | 54202SZB | 59202SZB | 80 | 60 | 60 | 28.6 | 5 | 30 | M6x0.75 | 16.5 | 18 | 26 | 31.6 | 22.6 | 6 | 41 | 50 | 7300 | 4760 | 6500 | 0.30 |
| 16 | 54016SZB | 59016SZB | 80 | 60 | 60 | 28.6 | 5 | 30 | M6x0.75 | 16.5 | 18 | 26 | 31.6 | 22.6 | 6 | 41 | 50 | 7300 | 4760 | 6500 | 0.30 |
| 17 | 54203SZB | 59203SZB | 80 | 60 | 60 | 28.6 | 5 | 30 | M6x0.75 | 16.5 | 18 | 26 | 31.6 | 22.6 | 6 | 41 | 50 | 7300 | 4760 | 6500 | 0.30 |
| 20 | 54204SZB | 59204SZB | 80 | 60 | 60 | 33.3 | 5 | 30 | M6x0.75 | 15   | 18 | 26 | 38.9 | 23.9 | 7 | 41 | 50 | 9850 | 6580 | 6200 | 0.35 |

\* **MAX. RADIAL LOAD CAPACITY OF HOUSING:** Values indicated in the table above, are obtained at 23°C. Strength of housing indicated on [page 115](#).

## SQL right-left

### STANDARD



#### COMPONENTS

- 1 Housing in reinforced polyamide (Housing in reinforced polypropylene available on request).
- 2 Adjustable chrome steel or stainless steel ball bearing, pre-lubricated. Can be re-lubricated by means of grease-nipple or a quick coupler.
- 3 Ball-type grease-nipple or quick coupler from nickel plated brass (available upon request) to take semi-rigid hoses  $\varnothing$  4 mm in Rilsan (see accessories on [page 110](#)). Version with stainless steel bearing has a stainless steel grease nipple.
- 4 Clip-on safety cap (accessory).
- 5 Spacers from nickel plated brass to reinforce fixing holes.

#### TECHNICAL INFORMATION for SQL left-right

- **Resistance to corrosion:**
  - Polyamide version (PA): good resistance to many corrosive chemicals such as water, oils, greases, petrol, milk, wine, alcoholic beverages.
- **High load capacity.**
- **Continuous operating temperature:**
  - All our bearings can be used at temperatures between 0°C and +80°C. For lower or higher temperatures please consult our Engineering Department.
- **Self-alignment:**
  - Max misalignment between shaft and housing: 2.5°.
- **Low maintenance and trouble-free operation.**
- **Easy Cleaning.**
- **Ball bearing pre-lubricated with long-life grease, which is ideal in applications in humid conditions, with water, alkaline or acid solutions.**
- **Concept and design to meet all safety requirements.**
- **Interchangeable with standard cast iron flanged supports.**
- **Application in the food, beverage and pharmaceutical industry.**

## SQL right STANDARD

#### POLYAMIDE HOUSING



accessory

#### COLOUR

- Safety cap in yellow.
- Internal housing in black.
- For sufficient quantities parts can be produced in different colours.

## SQL left STANDARD

#### POLYAMIDE HOUSING



accessory

#### COLOUR

- Safety cap in yellow.
- Internal housing in black.
- For sufficient quantities parts can be produced in different colours.

#### SEE ALSO...

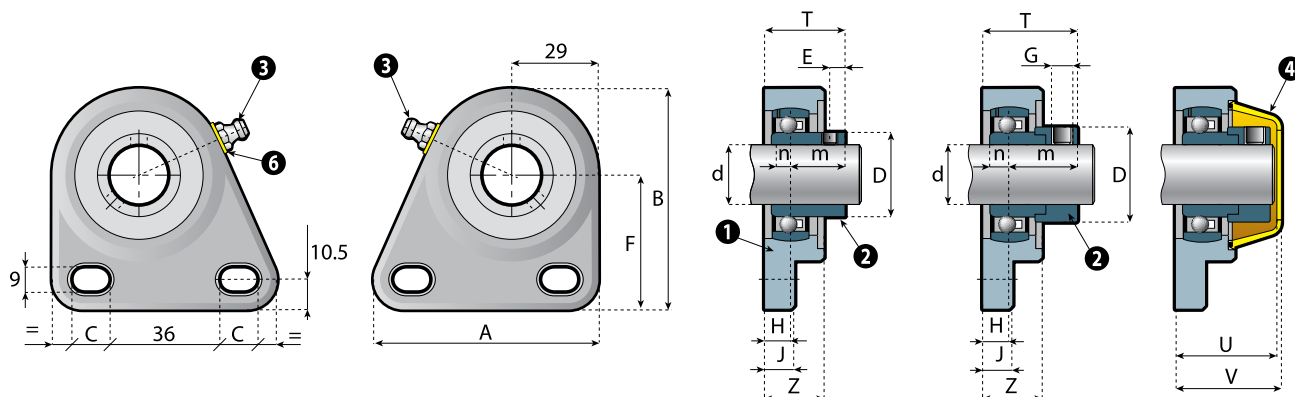
Accessories: [p. 110](#)

Features, lubrication and maintenance: [p. 112](#)

Mounting instruction: [p. 113 - 114](#)

Calculation of load capacity, bearing life: [p. 115 - 116](#)

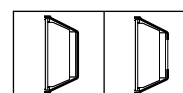
Chemical resistance: [p. 120 - 121](#)



version with grub screws

version with eccentric ring

Accessories



Preferred types, readily available (codes marked in red)

| Ø<br>d<br>mm  | code<br>version   | dimension (mm) |      |    |      |   |      |         |      |    |    |      |      |   |      | bearing load ratings |               | housing load rating max. N* | weight (Kg) | closed safety cap code | open safety cap code |               |  |  |  |  |  |  |  |  |  |  |
|---|-------------------|----------------|------|----|------|---|------|---------|------|----|----|------|------|---|------|----------------------|---------------|-----------------------------|-------------|------------------------|----------------------|---------------|--|--|--|--|--|--|--|--|--|--|
|   |                   | A              | B    | C  | D    | E | F    | G       | H    | J  | Z  | T    | m    | n | U    | V                    | dynamic C (N) |                             |             |                        |                      | static Co (N) |  |  |  |  |  |  |  |  |  |  |
| <b>CHROME STEEL BEARING WITH GRUB SCREWS (POLYAMIDE) - RIGHT VERSION</b>    |                   |                |      |    |      |   |      |         |      |    |    |      |      |   |      |                      |               |                             |             |                        |                      |               |  |  |  |  |  |  |  |  |  |  |
| 12  | 54201ND           | 75             | 75.5 | 14 | 24.6 | 4 | 46.5 | M5x0.80 | 10.5 | 10 | 20 | 26.5 | 16   | 6 | 41.5 | 43.5                 | 7300          | 4760                        | 6000        | 0.20                   | 50013                | 50013.APE     |  |  |  |  |  |  |  |  |  |  |
| 15  | <b>54202ND</b>    | 75             | 75.5 | 14 | 24.6 | 4 | 46.5 | M5x0.80 | 10.5 | 10 | 20 | 26.5 | 16   | 6 | 41.5 | 43.5                 | 7300          | 4760                        | 6000        | 0.20                   | 50013                | 50013.APE     |  |  |  |  |  |  |  |  |  |  |
| 16  | 54016ND           | 75             | 75.5 | 14 | 24.6 | 4 | 46.5 | M5x0.80 | 10.5 | 10 | 20 | 26.5 | 16   | 6 | 41.5 | 43.5                 | 7300          | 4760                        | 6000        | 0.20                   | 50013                | 50013.APE     |  |  |  |  |  |  |  |  |  |  |
| 17  | 54203ND           | 75             | 75.5 | 14 | 24.6 | 4 | 46.5 | M5x0.80 | 10.5 | 10 | 20 | 26.5 | 16   | 6 | 41.5 | 43.5                 | 7300          | 4760                        | 6000        | 0.20                   | 50013                | 50013.APE     |  |  |  |  |  |  |  |  |  |  |
| 20  | <b>54204ND</b>    | 75             | 75.5 | 14 | 29   | 5 | 46.5 | M6x0.75 | 9    | 10 | 20 | 27   | 18   | 7 | 41.5 | 43.5                 | 9850          | 6580                        | 5700        | 0.25                   | 50013                | 50013.APE     |  |  |  |  |  |  |  |  |  |  |
| <b>CHROME STEEL BEARING WITH ECCENTRIC RING (POLYAMIDE) - RIGHT VERSION</b> |                   |                |      |    |      |   |      |         |      |    |    |      |      |   |      |                      |               |                             |             |                        |                      |               |  |  |  |  |  |  |  |  |  |  |
| 12  | 54201NDB          | 75             | 75.5 | 14 | 28.6 | 5 | 46.5 | M6x0.75 | 10.5 | 10 | 20 | 33.1 | 22.6 | 6 | 41.5 | 43.5                 | 7300          | 4760                        | 6000        | 0.23                   | 50013                | 50013.APE     |  |  |  |  |  |  |  |  |  |  |
| 15  | <b>54202NDB</b>   | 75             | 75.5 | 14 | 28.6 | 5 | 46.5 | M6x0.75 | 10.5 | 10 | 20 | 33.1 | 22.6 | 6 | 41.5 | 43.5                 | 7300          | 4760                        | 6000        | 0.23                   | 50013                | 50013.APE     |  |  |  |  |  |  |  |  |  |  |
| 16  | 54016NDB          | 75             | 75.5 | 14 | 28.6 | 5 | 46.5 | M6x0.75 | 10.5 | 10 | 20 | 33.1 | 22.6 | 6 | 41.5 | 43.5                 | 7300          | 4760                        | 6000        | 0.23                   | 50013                | 50013.APE     |  |  |  |  |  |  |  |  |  |  |
| 17  | 54203NDB          | 75             | 75.5 | 14 | 28.6 | 5 | 46.5 | M6x0.75 | 10.5 | 10 | 20 | 33.1 | 22.6 | 6 | 41.5 | 43.5                 | 7300          | 4760                        | 6000        | 0.23                   | 50013                | 50013.APE     |  |  |  |  |  |  |  |  |  |  |
| 20  | 54204NDB          | 75             | 75.5 | 14 | 33.3 | 5 | 46.5 | M6x0.75 | 9    | 10 | 20 | 32.9 | 23.9 | 7 | 41.5 | 43.5                 | 9850          | 6580                        | 5700        | 0.28                   | 50013                | 50013.APE     |  |  |  |  |  |  |  |  |  |  |
| <b>STAINLESS STEEL BEARING WITH GRUB SCREWS (POLYAMIDE) - RIGHT VERSION</b> |                   |                |      |    |      |   |      |         |      |    |    |      |      |   |      |                      |               |                             |             |                        |                      |               |  |  |  |  |  |  |  |  |  |  |
| 20  | <b>54204ND/SS</b> | 75             | 75.5 | 14 | 29   | 5 | 46.5 | M6x0.75 | 9    | 10 | 20 | 27.7 | 18.7 | 7 | 41.5 | 43.5                 | 7300          | 4900                        | 5700        | 0.25                   | 50013                | 50013.APE     |  |  |  |  |  |  |  |  |  |  |

\* **MAX. RADIAL LOAD CAPACITY OF HOUSING:** Values indicated in the table above, are obtained at 23°C. Strength of housing indicated on [page 115](#).

| Ø<br>d<br>mm   | code<br>version   | dimension (mm) |      |    |      |   |      |         |      |    |    |      |      |   |      | bearing load ratings |               | housing load rating max. N* | weight (Kg) | closed safety cap code | open safety cap code |               |  |  |  |  |  |  |  |  |  |  |  |
|--|-------------------|----------------|------|----|------|---|------|---------|------|----|----|------|------|---|------|----------------------|---------------|-----------------------------|-------------|------------------------|----------------------|---------------|--|--|--|--|--|--|--|--|--|--|--|
|  |                   | A              | B    | C  | D    | E | F    | G       | H    | J  | Z  | T    | m    | n | U    | V                    | dynamic C (N) |                             |             |                        |                      | static Co (N) |  |  |  |  |  |  |  |  |  |  |  |
| <b>CHROME STEEL BEARING WITH GRUB SCREWS (POLYAMIDE) - LEFT VERSION</b>    |                   |                |      |    |      |   |      |         |      |    |    |      |      |   |      |                      |               |                             |             |                        |                      |               |  |  |  |  |  |  |  |  |  |  |  |
| 12   | 54201NS           | 75             | 75.5 | 14 | 24.6 | 4 | 46.5 | M5x0.80 | 10.5 | 10 | 20 | 26.5 | 16   | 6 | 41.5 | 43.5                 | 7300          | 4760                        | 6000        | 0.20                   | 50013                | 50013.APE     |  |  |  |  |  |  |  |  |  |  |  |
| 15   | <b>54202NS</b>    | 75             | 75.5 | 14 | 24.6 | 4 | 46.5 | M5x0.80 | 10.5 | 10 | 20 | 26.5 | 16   | 6 | 41.5 | 43.5                 | 7300          | 4760                        | 6000        | 0.20                   | 50013                | 50013.APE     |  |  |  |  |  |  |  |  |  |  |  |
| 16   | 54016NS           | 75             | 75.5 | 14 | 24.6 | 4 | 46.5 | M5x0.80 | 10.5 | 10 | 20 | 26.5 | 16   | 6 | 41.5 | 43.5                 | 7300          | 4760                        | 6000        | 0.20                   | 50013                | 50013.APE     |  |  |  |  |  |  |  |  |  |  |  |
| 17   | 54203NS           | 75             | 75.5 | 14 | 24.6 | 4 | 46.5 | M5x0.80 | 10.5 | 10 | 20 | 26.5 | 16   | 6 | 41.5 | 43.5                 | 7300          | 4760                        | 6000        | 0.20                   | 50013                | 50013.APE     |  |  |  |  |  |  |  |  |  |  |  |
| 20   | <b>54204NS</b>    | 75             | 75.5 | 14 | 29   | 5 | 46.5 | M6x0.75 | 9    | 10 | 20 | 27   | 18   | 7 | 41.5 | 43.5                 | 9850          | 6580                        | 5700        | 0.25                   | 50013                | 50013.APE     |  |  |  |  |  |  |  |  |  |  |  |
| <b>CHROME STEEL BEARING WITH ECCENTRIC RING (POLYAMIDE) - LEFT VERSION</b> |                   |                |      |    |      |   |      |         |      |    |    |      |      |   |      |                      |               |                             |             |                        |                      |               |  |  |  |  |  |  |  |  |  |  |  |
| 12   | 54201NSB          | 75             | 75.5 | 14 | 28.6 | 5 | 46.5 | M6x0.75 | 10.5 | 10 | 20 | 33.1 | 22.6 | 6 | 41.5 | 43.5                 | 7300          | 4760                        | 6000        | 0.23                   | 50013                | 50013.APE     |  |  |  |  |  |  |  |  |  |  |  |
| 15   | <b>54202NSB</b>   | 75             | 75.5 | 14 | 28.6 | 5 | 46.5 | M6x0.75 | 10.5 | 10 | 20 | 33.1 | 22.6 | 6 | 41.5 | 43.5                 | 7300          | 4760                        | 6000        | 0.23                   | 50013                | 50013.APE     |  |  |  |  |  |  |  |  |  |  |  |
| 16   | 54016NSB          | 75             | 75.5 | 14 | 28.6 | 5 | 46.5 | M6x0.75 | 10.5 | 10 | 20 | 33.1 | 22.6 | 6 | 41.5 | 43.5                 | 7300          | 4760                        | 6000        | 0.23                   | 50013                | 50013.APE     |  |  |  |  |  |  |  |  |  |  |  |
| 17   | 54203NSB          | 75             | 75.5 | 14 | 28.6 | 5 | 46.5 | M6x0.75 | 10.5 | 10 | 20 | 33.1 | 22.6 | 6 | 41.5 | 43.5                 | 7300          | 4760                        | 6000        | 0.23                   | 50013                | 50013.APE     |  |  |  |  |  |  |  |  |  |  |  |
| 20   | <b>54204NSB</b>   | 75             | 75.5 | 14 | 33.3 | 5 | 46.5 | M6x0.75 | 9    | 10 | 20 | 32.9 | 23.9 | 7 | 41.5 | 43.5                 | 9850          | 6580                        | 5700        | 0.28                   | 50013                | 50013.APE     |  |  |  |  |  |  |  |  |  |  |  |
| <b>STAINLESS STEEL BEARING WITH GRUB SCREWS (POLYAMIDE) - LEFT VERSION</b> |                   |                |      |    |      |   |      |         |      |    |    |      |      |   |      |                      |               |                             |             |                        |                      |               |  |  |  |  |  |  |  |  |  |  |  |
| 20   | <b>54204NS/SS</b> | 75             | 75.5 | 14 | 29   | 5 | 46.5 | M6x0.75 | 9    | 10 | 20 | 27.7 | 18.7 | 7 | 41.5 | 43.5                 | 7300          | 4900                        | 5700        | 0.25                   | 50013                | 50013.APE     |  |  |  |  |  |  |  |  |  |  |  |

\* **MAX. RADIAL LOAD CAPACITY OF HOUSING:** Values indicated in the table above, are obtained at 23°C. Strength of housing indicated on [page 115](#).

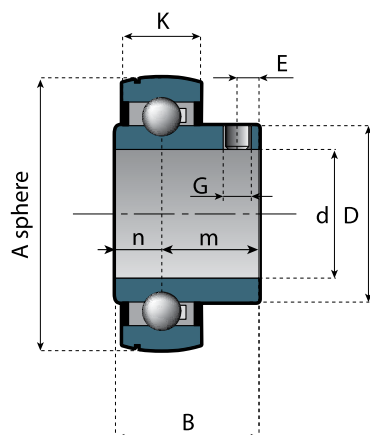




*System Plast* | **BALL BEARING,  
SAFETY CAP &  
ACCESSORIES**

# BALL BEARING with grub screws

standard



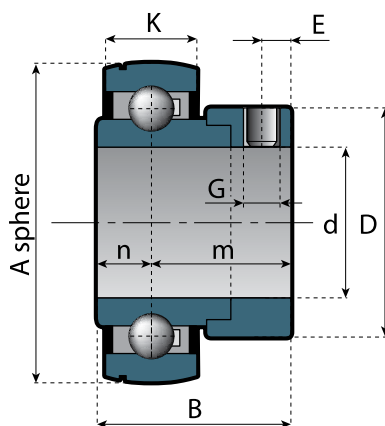
### MATERIAL

- Rings and balls in chrome steel.
- Grub screws and protection rings are in steel.
- Seals in metal with vulcanised NBR rubber.

| Ø<br>d<br>mm | code  | dimension (mm) |    |    |      |     |    |      |     | bearing load ratings |               | weight<br>(Kg) |
|--------------|-------|----------------|----|----|------|-----|----|------|-----|----------------------|---------------|----------------|
|              |       | A              | B  | K  | D    | E   | G  | m    | n   | dynamic C (N)        | static Co (N) |                |
| 12           | 83438 | 40             | 22 | 12 | 24.6 | 4   | M5 | 16   | 6   | 7300                 | 4760          | 0.15           |
| 15           | 83439 | 40             | 22 | 12 | 24.6 | 4   | M5 | 16   | 6   | 7300                 | 4760          | 0.15           |
| 16           | 83440 | 40             | 22 | 12 | 24.6 | 4   | M5 | 16   | 6   | 7300                 | 4760          | 0.15           |
| 17           | 83441 | 40             | 22 | 12 | 24.6 | 4   | M5 | 16   | 6   | 7300                 | 4760          | 0.15           |
| 20           | 83219 | 47             | 25 | 14 | 29   | 5   | M6 | 18   | 7   | 9850                 | 6580          | 0.18           |
| 25           | 83224 | 52             | 27 | 15 | 34   | 5.5 | M6 | 19.5 | 7.5 | 10800                | 7800          | 0.22           |
| 30           | 83225 | 62             | 30 | 16 | 40.3 | 6   | M6 | 22   | 8   | 15000                | 11300         | 0.40           |
| 35           | 83226 | 72             | 32 | 17 | 48   | 6.5 | M8 | 23.5 | 8.5 | 19700                | 15300         | 0.45           |
| 40           | 83227 | 80             | 34 | 18 | 53   | 7   | M8 | 25   | 9   | 22400                | 17900         | 0.62           |

# BALL BEARING with eccentric ring

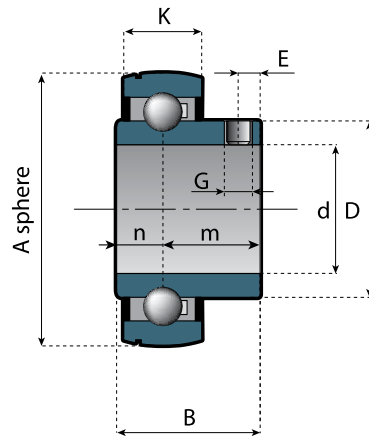
standard



### MATERIAL

- Rings and balls in chrome steel.
- Grub screws and protection rings are in steel.
- Seals in metal with vulcanised NBR rubber.

| Ø<br>d<br>mm | code  | dimension (mm) |      |    |      |     |    |      |     | bearing load ratings |               | weight<br>(Kg) |
|--------------|-------|----------------|------|----|------|-----|----|------|-----|----------------------|---------------|----------------|
|              |       | A              | B    | K  | D    | E   | G  | m    | n   | dynamic C (N)        | static Co (N) |                |
| 12           | 83442 | 40             | 28.6 | 12 | 28.6 | 5   | M6 | 22.6 | 6   | 7300                 | 4760          | 0.21           |
| 15           | 83443 | 40             | 28.6 | 12 | 28.6 | 5   | M6 | 22.6 | 6   | 7300                 | 4760          | 0.21           |
| 16           | 83444 | 40             | 28.6 | 12 | 28.6 | 5   | M6 | 22.6 | 6   | 7300                 | 4760          | 0.21           |
| 17           | 83445 | 40             | 28.6 | 12 | 28.6 | 5   | M6 | 22.6 | 6   | 7300                 | 4760          | 0.21           |
| 20           | 83218 | 47             | 30.9 | 14 | 33.3 | 5   | M6 | 23.9 | 7   | 9850                 | 6580          | 0.25           |
| 25           | 83220 | 52             | 30.9 | 15 | 38.1 | 5   | M6 | 23.4 | 7.5 | 10800                | 7800          | 0.30           |
| 30           | 83221 | 62             | 35.7 | 16 | 44.5 | 6   | M6 | 27.7 | 8   | 15000                | 11300         | 0.48           |
| 35           | 83222 | 72             | 38.9 | 17 | 55.6 | 6.5 | M8 | 30.4 | 8.5 | 19700                | 15300         | 0.53           |
| 40           | 83223 | 80             | 43.7 | 18 | 60.3 | 6.5 | M8 | 34.7 | 9   | 22400                | 17900         | 0.70           |



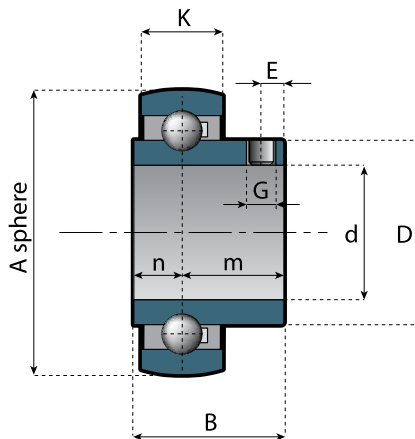
**MATERIAL**

- Rings and balls in stainless steel with Cr+Mo to increase corrosion resistance.
- Grub screws and protection rings are in stainless steel.

**USE**

- Where a high resistance to corrosion is required.

| Ø<br>d<br>mm | code  | dimension (mm) |      |    |      |     |    |      |     | bearing load ratings |                | weight (Kg) |
|--------------|-------|----------------|------|----|------|-----|----|------|-----|----------------------|----------------|-------------|
|              |       | A              | B    | K  | D    | E   | G  | m    | n   | dynamic C (N)        | static Cao (N) |             |
| 20           | 83263 | 47             | 25.7 | 14 | 29   | 5   | M6 | 18.7 | 7   | 7300                 | 4900           | 0.18        |
| 25           | 83232 | 52             | 27   | 15 | 34   | 5.5 | M6 | 19.5 | 7.5 | 8100                 | 5800           | 0.22        |
| 30           | 83233 | 62             | 30   | 16 | 40.3 | 6   | M6 | 22   | 8   | 11250                | 8400           | 0.40        |
| 35           | 83234 | 72             | 32   | 17 | 48   | 6.5 | M8 | 23.5 | 8.5 | 14700                | 11400          | 0.45        |
| 40           | 83235 | 80             | 34   | 18 | 53   | 7   | M8 | 25   | 9   | 16800                | 13400          | 0.62        |



**MATERIAL**

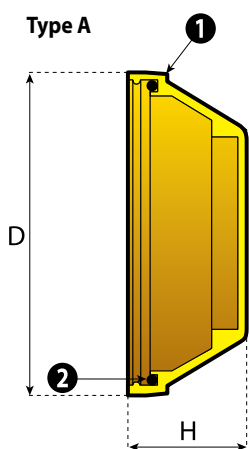
- Rings and balls in chrome steel.
- Grub screws and protection rings are in steel.
- Seals in metal with vulcanised NBR rubber.



**MAINTENANCE FREE**

| Ø<br>d<br>mm | code  | dimension (mm) |    |    |      |     |    |      |     | bearing load ratings |               | weight (Kg) |
|--------------|-------|----------------|----|----|------|-----|----|------|-----|----------------------|---------------|-------------|
|              |       | A              | B  | K  | D    | E   | G  | m    | n   | dynamic C (N)        | static Co (N) |             |
| 20           | 83955 | 47             | 25 | 14 | 29   | 5   | M6 | 18   | 7   | 9850                 | 6580          | 0.18        |
| 25           | 83956 | 52             | 27 | 15 | 34   | 5.5 | M6 | 19.5 | 7.5 | 10800                | 7800          | 0.22        |
| 30           | 83929 | 62             | 30 | 16 | 40.3 | 6   | M6 | 22   | 8   | 15000                | 11300         | 0.40        |
| 35           | 83957 | 72             | 32 | 17 | 48   | 6.5 | M8 | 23.5 | 8.5 | 19700                | 15300         | 0.45        |
| 40           | 83930 | 80             | 34 | 18 | 53   | 7   | M8 | 25   | 9   | 22400                | 17900         | 0.62        |





Clip-on safety cap (closed version)

### COMPONENTS

- ❶ Clip-on safety cap in polypropylene.
- ❷ Heavy duty O-Ring in NBR rubber.

### COLOUR

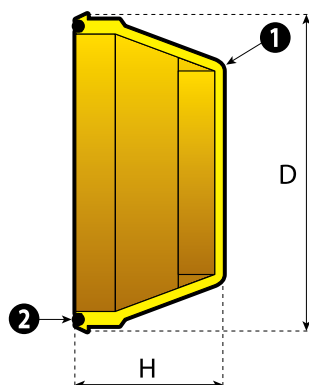
- Safety cap in yellow.
- For sufficient quantities parts can be produced in different colors or in transparent.

| SAFETY CAP CODE | TYPE | D mm | H mm |
|-----------------|------|------|------|
| 50100           | A    | 80   | 29.5 |
| 50101           | A    | 96   | 40   |
| 50102           | A    | 71   | 34.5 |
| 50103           | A    | 87.5 | 40.5 |
| 50104           | A    | 62   | 30   |
| 50105           | A    | 56   | 29.5 |
| 50106           | B    | 58.5 | 28   |
| 50107           | B    | 76   | 32   |
| 50108           | A    | 69.5 | 32   |
| 50109           | B    | 50   | 26.5 |
| 50110           | B    | 84   | 28   |
| 50111           | B    | 42   | 19   |
| 50112           | B    | 67.5 | 32   |

| support code | SAFETY CAP CODE | support code | SAFETY CAP CODE | support code | SAFETY CAP CODE | support code | SAFETY CAP CODE |
|--------------|-----------------|--------------|-----------------|--------------|-----------------|--------------|-----------------|
| 50016VR      | 50111           | 50206WB      | 50102           | 51208FR      | 50103           | 53207RB      | 50107           |
| 50016VRB     | 50111           | 50206X       | 50101           | 51208FRB     | 50103           | 53208R       | 50110           |
| 50016VRB-EC  | 50105           | 50206XB      | 50101           | 51208SR      | 50103           | 53208RB      | 50110           |
| 50016VR-EC   | 50105           | 50206Y       | 50103           | 51208SRB     | 50103           | 54016NR      | 50111           |
| 50201VR      | 50111           | 50206YB      | 50103           | 52204AR      | 50106           | 54016NRB     | 50111           |
| 50201VRB     | 50111           | 50207CLBR    | 50101           | 52204ARB     | 50106           | 54016NRB-EC  | 50105           |
| 50201VRB-EC  | 50105           | 50207CLR     | 50101           | 52204ER      | 50106           | 54016NR-EC   | 50105           |
| 50201VR-EC   | 50105           | 50207CLRL    | 50101           | 52204ERB     | 50106           | 54016SZ      | 50109           |
| 50202VR      | 50111           | 50207CLRS    | 50101           | 52204TR      | 50106           | 54016SZB     | 50109           |
| 50202VRB     | 50111           | 50207CSBR    | 50101           | 52204TRB     | 50106           | 54016Z       | 50105           |
| 50202VRB-EC  | 50105           | 50207CSR     | 50101           | 52205AR      | 50106           | 54016ZB      | 50105           |
| 50202VR-EC   | 50105           | 50207CSRL    | 50101           | 52205ARB     | 50106           | 54201NR      | 50111           |
| 50203VR      | 50111           | 50207CSRS    | 50101           | 52205ER      | 50106           | 54201NRB     | 50111           |
| 50203VRB     | 50111           | 50207M       | 50101           | 52205ERB     | 50106           | 54201NRB-EC  | 50105           |
| 50203VRB-EC  | 50105           | 50207MB      | 50101           | 52205FR      | 50106           | 54201NR-EC   | 50105           |
| 50203VR-EC   | 50105           | 50207N       | 50101           | 52205FRA     | 50109           | 54201SZ      | 50109           |
| 50204AR      | 50102           | 50207NB      | 50101           | 52205FRB     | 50106           | 54201SZB     | 50109           |
| 50204ARB     | 50102           | 50207R       | 50101           | 52205FRBA    | 50109           | 54201Z       | 50105           |
| 50204SR      | 50102           | 50207RB      | 50101           | 52205GR      | 50106           | 54201ZB      | 50105           |
| 50204SRB     | 50102           | 50207VR      | 50107           | 52205GRB     | 50106           | 54202NR      | 50111           |
| 50204VR      | 50109           | 50207VRB     | 50107           | 52205TR      | 50106           | 54202NRB     | 50111           |
| 50204VRB     | 50109           | 50207VRB-EC  | 50103           | 52205TRB     | 50106           | 54202NRB-EC  | 50105           |
| 50204VRB-EC  | 50104           | 50207VR-EC   | 50103           | 52206AR      | 50107           | 54202NR-EC   | 50105           |
| 50204VR-EC   | 50104           | 50207X       | 50101           | 52206ARB     | 50107           | 54202SZ      | 50109           |
| 50204W       | 50102           | 50207XB      | 50101           | 52206ER      | 50107           | 54202SZB     | 50109           |
| 50204WB      | 50102           | 50207Y       | 50103           | 52206ERB     | 50107           | 54202Z       | 50105           |
| 50205AR      | 50102           | 50207YB      | 50103           | 52206FR      | 50107           | 54202ZB      | 50105           |
| 50205ARB     | 50102           | 50208/OH     | 50103           | 52206FRA     | 50107           | 54203NR      | 50111           |
| 50205AW      | 50102           | 50208CLBR    | 50101           | 52206FRB     | 50107           | 54203NRB     | 50111           |
| 50205AWB     | 50102           | 50208CLBRL   | 50101           | 52206FRBA    | 50107           | 54203NRB-EC  | 50105           |
| 50205R       | 50100           | 50208CLR     | 50101           | 52206GRB     | 50112           | 54203NR-EC   | 50105           |
| 50205RB      | 50100           | 50208CLRL    | 50101           | 52206GR      | 50112           | 54203SZ      | 50109           |
| 50205SR      | 50102           | 50208CLRS    | 50101           | 52206TR      | 50107           | 54203SZB     | 50109           |
| 50205SRB     | 50102           | 50208CSBR    | 50101           | 52206TRB     | 50107           | 54203Z       | 50105           |
| 50205VR      | 50106           | 50208CSBRL   | 50101           | 52207AR      | 50107           | 54203ZB      | 50105           |
| 50205VRB     | 50106           | 50208CSR     | 50101           | 52207ARB     | 50107           | 54204NR      | 50109           |
| 50205VRB-EC  | 50108           | 50208CSRL    | 50101           | 52207ER      | 50107           | 54204NRB     | 50109           |
| 50205VR-EC   | 50108           | 50208CSRS    | 50101           | 52207ERB     | 50107           | 54204NRB-EC  | 50104           |
| 50205W       | 50102           | 50208FR      | 50101           | 52207GR      | 50107           | 54204NR-EC   | 50104           |
| 50205WB      | 50102           | 50208FRB     | 50101           | 52207GRB     | 50107           | 54204SZ      | 50109           |
| 50206/OH     | 50103           | 50208FRL     | 50101           | 52207TR      | 50107           | 54204SZB     | 50109           |
| 50206AW      | 50102           | 50208M       | 50101           | 52207TRB     | 50107           | 54204Z       | 50105           |
| 50206AWB     | 50102           | 50208MB      | 50101           | 53016R       | 50109           | 54204ZB      | 50105           |
| 50206CLBR    | 50101           | 50208N       | 50101           | 53016RB      | 50109           | 54205NR      | 50106           |
| 50206CLR     | 50101           | 50208NB      | 50101           | 53201R       | 50109           | 54205NRB     | 50106           |
| 50206CLRL    | 50101           | 50208NL      | 50101           | 53201RB      | 50109           | 54205NRB-EC  | 50108           |
| 50206CLRS    | 50101           | 50208R       | 50101           | 53202R       | 50109           | 54205NR-EC   | 50108           |
| 50206CSBR    | 50101           | 50208RB      | 50101           | 53202RB      | 50109           | 54206NR      | 50107           |
| 50206CSR     | 50101           | 50208RL      | 50101           | 53203R       | 50109           | 54206NRB     | 50107           |
| 50206CSRL    | 50101           | 50208SR      | 50103           | 53203RB      | 50109           | 54206NRB-EC  | 50100           |
| 50206CSRS    | 50101           | 50208SRL     | 50103           | 53204AR      | 50105           | 54206NR-EC   | 50100           |
| 50206R       | 50100           | 50208VR      | 50110           | 53204ARB     | 50105           | 54206NRL     | 50107           |
| 50206RB      | 50100           | 50208VRB     | 50110           | 53204R       | 50109           | 54206NRL-EC  | 50100           |
| 50206RL      | 50100           | 50208VRB-EC  | 50101           | 53204RB      | 50109           | 54207NR      | 50107           |
| 50206SR      | 50103           | 50208VR-EC   | 50101           | 53205AR      | 50104           | 54207NRB     | 50107           |
| 50206SRL     | 50103           | 50208VRL     | 50110           | 53205ARB     | 50104           | 54207NRB-EC  | 50103           |
| 50206VR      | 50107           | 50208VRL-EC  | 50101           | 53205R       | 50106           | 54207NR-EC   | 50103           |
| 50206VRB     | 50107           | 50208X       | 50101           | 53205RB      | 50106           | 54208NR      | 50110           |
| 50206VRB-EC  | 50100           | 50208XB      | 50101           | 53206AR      | 50102           | 54208NRB     | 50110           |
| 50206VR-EC   | 50100           | 51206FR      | 50108           | 53206ARB     | 50102           | 54208NRB-EC  | 50101           |
| 50206VRL     | 50107           | 51206FRB     | 50108           | 53206R       | 50107           | 54208NR-EC   | 50101           |
| 50206VRL-EC  | 50100           | 51206SR      | 50108           | 53206RB      | 50107           | 54208NRL     | 50110           |
| 50206W       | 50102           | 51206SRB     | 50108           | 53207R       | 50107           | 54208NRL-EC  | 50101           |



Type B



Clip-on safety cap (closed version)

**COMPONENTS**

- ❶ Clip-on safety cap in polypropylene.
- ❷ Heavy duty O-Ring in VITON.

**COLOUR**

- Safety cap in yellow.
- For sufficient quantities parts can be produced in different colors or in transparent.

| support code | SAFETY CAP CODE | support code | SAFETY CAP CODE | support code | SAFETY CAP CODE | support code | SAFETY CAP CODE |
|--------------|-----------------|--------------|-----------------|--------------|-----------------|--------------|-----------------|
| 60204AR      | 60102           | 60207MB      | 60101           | 62205AR      | 60106           | 63205ARB     | 60104           |
| 60204ARB     | 60102           | 60207N       | 60101           | 62205ARB     | 60106           | 63205R       | 60106           |
| 60204SR      | 60102           | 60207NB      | 60101           | 62205ER      | 60106           | 63205RB      | 60106           |
| 60204SRB     | 60102           | 60207R       | 60101           | 62205ERB     | 60106           | 63206AR      | 60102           |
| 60204W       | 60102           | 60207RB      | 60101           | 62205TR      | 60106           | 63206ARB     | 60102           |
| 60204WB      | 60102           | 60207X       | 60101           | 62205TRB     | 60106           | 63206R       | 60107           |
| 60205AR      | 60102           | 60207XB      | 60101           | 62206AR      | 60107           | 63206RB      | 60107           |
| 60205ARB     | 60102           | 60207Y       | 60103           | 62206ARB     | 60107           | 63207R       | 60107           |
| 60205AW      | 60102           | 60207YB      | 60103           | 62206ER      | 60107           | 63207RB      | 60107           |
| 60205AWB     | 60102           | 60208/OH     | 60103           | 62206ERB     | 60107           | 63208R       | 60110           |
| 60205R       | 60100           | 60208FR      | 60101           | 62206TR      | 60107           | 63208RB      | 60110           |
| 60205RB      | 60100           | 60208FRB     | 60101           | 62206TRB     | 60107           | 64016SZ      | 60109           |
| 60205SR      | 60102           | 60208FRL     | 60101           | 62207AR      | 60107           | 64016SZB     | 60109           |
| 60205SRB     | 60102           | 60208M       | 60101           | 62207ARB     | 60107           | 64016Z       | 60105           |
| 60205W       | 60102           | 60208MB      | 60101           | 62207ER      | 60107           | 64016ZB      | 60105           |
| 60205WB      | 60102           | 60208N       | 60101           | 62207ERB     | 60107           | 64201SZ      | 60109           |
| 60206/OH     | 60103           | 60208NB      | 60101           | 62207TR      | 60107           | 64201SZB     | 60109           |
| 60206AW      | 60102           | 60208NL      | 60101           | 62207TRB     | 60107           | 64201Z       | 60105           |
| 60206AWB     | 60102           | 60208R       | 60101           | 63016R       | 60109           | 64201ZB      | 60105           |
| 60206R       | 60100           | 60208RB      | 60101           | 63016RB      | 60109           | 64202SZ      | 60109           |
| 60206RB      | 60100           | 60208RL      | 60101           | 63201R       | 60109           | 64202SZB     | 60109           |
| 60206RL      | 60100           | 60208SR      | 60103           | 63201RB      | 60109           | 64202Z       | 60105           |
| 60206SR      | 60103           | 60208SRL     | 60103           | 63202R       | 60109           | 64202ZB      | 60105           |
| 60206SRL     | 60103           | 60208X       | 60101           | 63202RB      | 60109           | 64203SZ      | 60109           |
| 60206W       | 60102           | 60208XB      | 60101           | 63203R       | 60109           | 64203SZB     | 60109           |
| 60206WB      | 60102           | 62204AR      | 60106           | 63203RB      | 60109           | 64203Z       | 60105           |
| 60206X       | 60101           | 62204ARB     | 60106           | 63204AR      | 60105           | 64203ZB      | 60105           |
| 60206XB      | 60101           | 62204ER      | 60106           | 63204ARB     | 60105           | 64204SZ      | 60109           |
| 60206Y       | 60103           | 62204ERB     | 60106           | 63204R       | 60109           | 64204SZB     | 60109           |
| 60206YB      | 60103           | 62204TR      | 60106           | 63204RB      | 60109           | 64204Z       | 60105           |
| 60207M       | 60101           | 62204TRB     | 60106           | 63205AR      | 60104           | 64204ZB      | 601050          |

| SAFETY CAP CODE | TYPE | D mm | H mm |
|-----------------|------|------|------|
| 60100           | A    | 80   | 29.5 |
| 60101           | A    | 96   | 44   |
| 60102           | A    | 71   | 34.5 |
| 60103           | A    | 87.5 | 40.5 |
| 60104           | A    | 62   | 30.5 |
| 60105           | A    | 56   | 29.5 |
| 60106           | B    | 58.5 | 28   |
| 60107           | B    | 76   | 32   |
| 60109           | B    | 50   | 26.5 |
| 60110           | B    | 84   | 28   |

# SAFETY CAP

# open version for polyamide housings



Clip-on safety cap (open version)

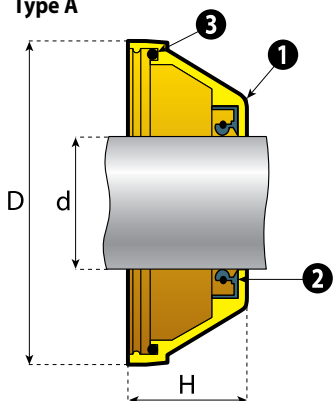
### COMPONENTS

- 1 Clip-on safety cap in polypropylene.
- 2 Rotary shaft seal ring with extra dust protection lip in NBR rubber.
- 3 Heavy duty O-Ring in NBR rubber.

### COLOUR

- Safety cap in yellow.
- For sufficient quantities parts can be produced in different colors or in transparent.

### Type A



| SAFETY CAP CODE | TYPE | D mm | d mm | H mm |
|-----------------|------|------|------|------|
|-----------------|------|------|------|------|

|       |   |      |    |      |
|-------|---|------|----|------|
| 50051 | A | 80   | 25 | 29.5 |
| 50052 | A | 80   | 30 | 29.5 |
| 50053 | A | 96   | 30 | 40   |
| 50054 | A | 96   | 35 | 40   |
| 50055 | A | 96   | 40 | 40   |
| 50056 | A | 71   | 20 | 34.5 |
| 50057 | A | 71   | 25 | 34.5 |
| 50058 | A | 71   | 30 | 34.5 |
| 50059 | A | 87.5 | 30 | 40.5 |
| 50060 | A | 87.5 | 35 | 40.5 |
| 50061 | A | 62   | 25 | 30   |
| 50062 | A | 56   | 20 | 29.5 |
| 50063 | A | 87.5 | 40 | 40.5 |
| 50064 | A | 56   | 12 | 29.5 |
| 50065 | A | 56   | 15 | 29.5 |
| 50066 | A | 56   | 16 | 29.5 |
| 50067 | A | 56   | 17 | 29.5 |
| 50068 | A | 62   | 20 | 30   |
| 50069 | A | 69.5 | 25 | 32   |
| 50072 | A | 58.5 | 20 | 28   |
| 50073 | B | 58.5 | 25 | 28   |
| 50074 | B | 76   | 30 | 32   |
| 50075 | B | 76   | 35 | 32   |
| 50076 | A | 69.5 | 30 | 32   |
| 50077 | B | 50   | 12 | 26.5 |
| 50078 | B | 50   | 15 | 26.5 |
| 50079 | B | 50   | 16 | 26.5 |
| 50080 | B | 50   | 17 | 26.5 |
| 50081 | B | 50   | 20 | 26.5 |
| 50082 | B | 84   | 40 | 28   |
| 50083 | B | 42   | 12 | 26   |
| 50084 | B | 42   | 15 | 26   |
| 50085 | B | 42   | 16 | 26   |
| 50086 | B | 42   | 17 | 26   |
| 50087 | B | 67.5 | 30 | 32   |
| 50088 | B | 76   | 25 | 32   |

| support code | SAFETY CAP CODE | support code | SAFETY CAP CODE | support code | SAFETY CAP CODE | support code | SAFETY CAP CODE |
|--------------|-----------------|--------------|-----------------|--------------|-----------------|--------------|-----------------|
| 55016VR      | 50085           | 55206X       | 50053           | 56208FR      | 50063           | 59016NR      | 50085           |
| 55016VRB     | 50085           | 55206XB      | 50053           | 56208FRB     | 50063           | 59016NRB     | 50085           |
| 55016VRB-EC  | 50066           | 55206Y       | 50059           | 56208SR      | 50063           | 59016NRB-EC  | 50066           |
| 55016VR-EC   | 50066           | 55206YB      | 50059           | 56208SRB     | 50063           | 59016NR-EC   | 50066           |
| 55201VR      | 50083           | 55207CLBR    | 50054           | 57204AR      | 50072           | 59016SZ      | 50079           |
| 55201VRB     | 50083           | 55207CLR     | 50054           | 57204ARB     | 50072           | 59016SZB     | 50079           |
| 55201VRB-EC  | 50064           | 55207CLRL    | 50054           | 57204ER      | 50072           | 59016Z       | 50066           |
| 55201VR-EC   | 50064           | 55207CLRS    | 50054           | 57204ERB     | 50072           | 59016ZB      | 50066           |
| 55202VR      | 50084           | 55207CSBR    | 50054           | 57204TR      | 50072           | 59201NR      | 50083           |
| 55202VRB     | 50084           | 55207CSR     | 50054           | 57204TRB     | 50072           | 59201NRB     | 50083           |
| 55202VRB-EC  | 50065           | 55207CSRL    | 50054           | 57205AR      | 50073           | 59201NRB-EC  | 50064           |
| 55202VR-EC   | 50065           | 55207CSRS    | 50054           | 57205ARB     | 50073           | 59201NR-EC   | 50064           |
| 55203VR      | 50086           | 55207M       | 50054           | 57205ER      | 50073           | 59201SZ      | 50077           |
| 55203VRB     | 50086           | 55207MB      | 50054           | 57205ERB     | 50073           | 59201SZB     | 50077           |
| 55203VRB-EC  | 50067           | 55207N       | 50054           | 57205FR      | 50073           | 59201Z       | 50064           |
| 55203VR-EC   | 50067           | 55207NB      | 50054           | 57205FRA     | 50081           | 59201ZB      | 50064           |
| 55204AR      | 50056           | 55207R       | 50054           | 57205FRB     | 50073           | 59202NR      | 50084           |
| 55204ARB     | 50056           | 55207RB      | 50054           | 57205FRBA    | 50081           | 59202NRB     | 50084           |
| 55204SR      | 50056           | 55207VR      | 50075           | 57205GR      | 50073           | 59202NRB-EC  | 50065           |
| 55204SRB     | 50056           | 55207VRB     | 50075           | 57205TR      | 50073           | 59202NR-EC   | 50065           |
| 55204VVR     | 50081           | 55207VRB-EC  | 50060           | 57205TRB     | 50073           | 59202SZ      | 50078           |
| 55204VRB     | 50081           | 55207VR-EC   | 50060           | 57206AR      | 50074           | 59202SZB     | 50078           |
| 55204VRB-EC  | 50068           | 55207X       | 50054           | 57206ARB     | 50074           | 59202Z       | 50065           |
| 55204VR-EC   | 50068           | 55207XB      | 50054           | 57206ER      | 50074           | 59202ZB      | 50065           |
| 55204W       | 50056           | 55207Y       | 50060           | 57206ERB     | 50074           | 59203NR      | 50086           |
| 55204WB      | 50056           | 55207YB      | 50060           | 57206FR      | 50074           | 59203NRB     | 50086           |
| 55205AR      | 50057           | 55208/OH     | 50063           | 57206FRA     | 50088           | 59203NRB-EC  | 50067           |
| 55205ARB     | 50057           | 55208CLBR    | 50055           | 57206FRB     | 50074           | 59203NR-EC   | 50067           |
| 55205AW      | 50057           | 55208CLBRL   | 50055           | 57206FRBA    | 50088           | 59203SZ      | 50080           |
| 55205AWB     | 50057           | 55208CLR     | 50055           | 57206GR      | 50087           | 59203SZB     | 50080           |
| 55205R       | 50051           | 55208CLRL    | 50055           | 57206GRB     | 50087           | 59203Z       | 50067           |
| 55205RB      | 50051           | 55208CLRS    | 50055           | 57206TR      | 50074           | 59203ZB      | 50067           |
| 55205SR      | 50057           | 55208CSBR    | 50055           | 57206TRB     | 50074           | 59204HR      | 50081           |
| 55205SRB     | 50057           | 55208CSBRL   | 50055           | 57207AR      | 50075           | 59204HRB     | 50081           |
| 55205VR      | 50073           | 55208CSR     | 50055           | 57207ARB     | 50075           | 59204NR      | 50081           |
| 55205VRB     | 50073           | 55208CSRL    | 50055           | 57207ER      | 50075           | 59204NRB     | 50081           |
| 55205VRB-EC  | 50069           | 55208CSRS    | 50055           | 57207ERB     | 50075           | 59204NRB-EC  | 50068           |
| 55205VR-EC   | 50069           | 55208FR      | 50055           | 57207GR      | 50075           | 59204NR-EC   | 50068           |
| 55205W       | 50057           | 55208FRB     | 50055           | 57207GRB     | 50075           | 59204SZ      | 50081           |
| 55205WB      | 50057           | 55208FRL     | 50055           | 57207GRB     | 50073           | 59204SZB     | 50081           |
| 55206/OH     | 50059           | 55208M       | 50055           | 57207TR      | 50075           | 59204Z       | 50062           |
| 55206AW      | 50058           | 55208MB      | 50055           | 57207TRB     | 50075           | 59204ZB      | 50062           |
| 55206AWB     | 50058           | 55208N       | 50055           | 58016R       | 50079           | 59205NR      | 50073           |
| 55206CLBR    | 50053           | 55208NB      | 50055           | 58016RB      | 50079           | 59205NRB     | 50073           |
| 55206CLRL    | 50053           | 55208NL      | 50055           | 58201R       | 50077           | 59205NRB-EC  | 50069           |
| 55206CLRS    | 50053           | 55208QR      | 50082           | 58201RB      | 50077           | 59205NR-EC   | 50069           |
| 55206CRL     | 50053           | 55208QRB     | 50082           | 58202R       | 50078           | 59206NR      | 50074           |
| 55206CSBR    | 50053           | 55208R       | 50055           | 58202RB      | 50078           | 59206NRB     | 50074           |
| 55206CSR     | 50053           | 55208RB      | 50055           | 58203R       | 50080           | 59206NRB-EC  | 50052           |
| 55206CSRL    | 50053           | 55208RL      | 50055           | 58203RB      | 50080           | 59206NR-EC   | 50052           |
| 55206CSRS    | 50053           | 55208SR      | 50063           | 58204AR      | 50062           | 59206NRL     | 50074           |
| 55206R       | 50052           | 55208SRL     | 50063           | 58204ARB     | 50062           | 59206NRL-EC  | 50052           |
| 55206RB      | 50052           | 55208VR      | 50082           | 58204R       | 50081           | 59207NR      | 50075           |
| 55206RL      | 50052           | 55208VRB     | 50082           | 58204RB      | 50081           | 59207NRB     | 50075           |
| 55206SR      | 50059           | 55208VRB-EC  | 50055           | 58205AR      | 50061           | 59207NRB-EC  | 50060           |
| 55206SRL     | 50059           | 55208VR-EC   | 50055           | 58205ARB     | 50061           | 59207NR-EC   | 50060           |
| 55206VVR     | 50074           | 55208VRL     | 50082           | 58206AR      | 50058           | 59208NR      | 50082           |
| 55206VRB     | 50074           | 55208VRL-EC  | 50055           | 58206ARB     | 50058           | 59208NRB     | 50082           |
| 55206VRB-EC  | 50052           | 55208X       | 50055           | 58206R       | 50074           | 59208NRB-EC  | 50055           |
| 55206VR-EC   | 50052           | 55208XB      | 50055           | 58206RB      | 50074           | 59208NR-EC   | 50055           |
| 55206VRL     | 50074           | 56206FR      | 50076           | 58207R       | 50075           | -            | -               |
| 55206VRL-EC  | 50052           | 56206FRB     | 50076           | 58207RB      | 50075           | -            | -               |
| 55206W       | 50058           | 56206SR      | 50076           | 58208R       | 50082           | -            | -               |
| 55206WB      | 50058           | 56206SRB     | 50076           | 58208RB      | 50082           | -            | -               |



Clip-on safety cap (open version)

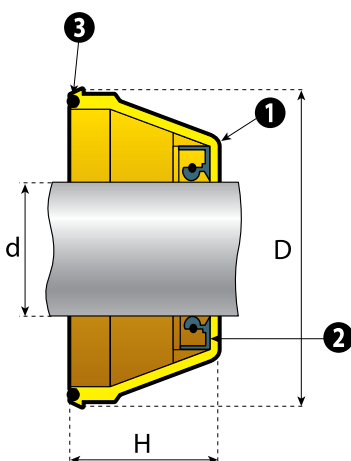
### COMPONENTS

- ❶ Clip-on safety cap in polypropylene.
- ❷ Rotary shaft seal ring with extra dust protection lip in VITON.
- ❸ Heavy duty O-Ring in VITON.

### COLOUR

- Safety cap in yellow.
- For sufficient quantities parts can be produced in different colors or in transparent.

### Type B



| SAFETY CAP CODE | TYPE | D mm | d mm | H mm |
|-----------------|------|------|------|------|
| 60051           | A    | 80   | 25   | 29.5 |
| 60052           | A    | 80   | 30   | 29.5 |
| 60053           | A    | 96   | 30   | 44   |
| 60054           | A    | 96   | 35   | 44   |
| 60055           | A    | 96   | 40   | 44   |
| 60056           | A    | 71   | 20   | 34.5 |
| 60057           | A    | 71   | 25   | 34.5 |
| 60058           | A    | 71   | 30   | 34.5 |
| 60059           | A    | 87.5 | 30   | 40.5 |
| 60060           | A    | 87.5 | 35   | 40.5 |
| 60061           | A    | 62   | 25   | 30.5 |
| 60062           | A    | 56   | 20   | 29.5 |
| 60063           | A    | 87.5 | 40   | 40.5 |
| 60064           | A    | 56   | 12   | 29.5 |
| 60065           | A    | 56   | 15   | 29.5 |
| 60066           | A    | 56   | 16   | 29.5 |
| 60067           | A    | 56   | 17   | 29.5 |
| 60072           | B    | 58.5 | 20   | 28   |
| 60073           | B    | 58.5 | 25   | 28   |
| 60074           | B    | 76   | 30   | 32   |
| 60075           | B    | 76   | 35   | 32   |
| 60077           | B    | 50   | 12   | 26.5 |
| 60078           | B    | 50   | 15   | 26.5 |
| 60079           | B    | 50   | 16   | 26.5 |
| 60080           | B    | 50   | 17   | 26.5 |
| 60081           | B    | 50   | 20   | 26.5 |
| 60082           | B    | 84   | 40   | 28   |

| support code | SAFETY CAP CODE | support code | SAFETY CAP CODE | support code | SAFETY CAP CODE | support code | SAFETY CAP CODE |
|--------------|-----------------|--------------|-----------------|--------------|-----------------|--------------|-----------------|
| 65204AR      | 60056           | 65207MB      | 60054           | 67205AR      | 60073           | 68205ARB     | 60061           |
| 65204ARB     | 60056           | 65207N       | 60054           | 67205ARB     | 60073           | 68205R       | 60073           |
| 65204SR      | 60056           | 65207NB      | 60054           | 67205ER      | 60073           | 68205RB      | 60073           |
| 65204SRB     | 60056           | 65207R       | 60054           | 67205ERB     | 60073           | 68206AR      | 60058           |
| 65204W       | 60056           | 65207RB      | 60054           | 67205TR      | 60073           | 68206ARB     | 60058           |
| 65204WB      | 60056           | 65207X       | 60054           | 67205TRB     | 60073           | 68206R       | 60074           |
| 65205AR      | 60057           | 65207XB      | 60054           | 67206AR      | 60074           | 68206RB      | 60074           |
| 65205ARB     | 60057           | 65207Y       | 60060           | 67206ARB     | 60074           | 68207R       | 60075           |
| 65205AW      | 60057           | 65207YB      | 60060           | 67206ER      | 60074           | 68207RB      | 60075           |
| 65205AWB     | 60057           | 65208/OH     | 60063           | 67206ERB     | 60074           | 68208R       | 60082           |
| 65205R       | 60051           | 65208FR      | 60055           | 67206TR      | 60074           | 68208RB      | 60082           |
| 65205RB      | 60051           | 65208FRB     | 60055           | 67206TRB     | 60074           | 69016SZ      | 60078           |
| 65205SR      | 60057           | 65208FRL     | 60055           | 67207AR      | 60075           | 69016SZB     | 60079           |
| 65205SRB     | 60057           | 65208M       | 60055           | 67207ARB     | 60075           | 69016Z       | 60066           |
| 65205W       | 60057           | 65208MB      | 60055           | 67207ER      | 60075           | 69016ZB      | 60066           |
| 65205WB      | 60057           | 65208N       | 60055           | 67207ERB     | 60075           | 69201SZ      | 60077           |
| 65206/OH     | 60059           | 65208NB      | 60055           | 67207TR      | 60075           | 69201SZB     | 60077           |
| 65206AW      | 60058           | 65208NL      | 60055           | 67207TRB     | 60075           | 69201Z       | 60064           |
| 65206AWB     | 60058           | 65208R       | 60055           | 68016R       | 60079           | 69201ZB      | 60064           |
| 65206R       | 60052           | 65208RB      | 60055           | 68016RB      | 60079           | 69202SZ      | 60078           |
| 65206RB      | 60052           | 65208RL      | 60055           | 68201R       | 60077           | 69202SZB     | 60078           |
| 65206RL      | 60052           | 65208SR      | 60063           | 68201RB      | 60077           | 69202Z       | 60065           |
| 65206SR      | 60059           | 65208SRL     | 60063           | 68202R       | 60078           | 69202ZB      | 60065           |
| 65206SRL     | 60059           | 65208X       | 60055           | 68202RB      | 60078           | 69203SZ      | 60080           |
| 65206W       | 60058           | 65208XB      | 60055           | 68203R       | 60080           | 69203SZB     | 60080           |
| 65206WB      | 60058           | 67204AR      | 60072           | 68203RB      | 60080           | 69203Z       | 60067           |
| 65206X       | 60053           | 67204ARB     | 60072           | 68204AR      | 60062           | 69203ZB      | 60067           |
| 65206XB      | 60053           | 67204ER      | 60072           | 68204ARB     | 60062           | 69204SZ      | 60081           |
| 65206Y       | 60059           | 67204ERB     | 60072           | 68204R       | 60081           | 69204SZB     | 60081           |
| 65206YB      | 60059           | 67204TR      | 60072           | 68204RB      | 60081           | 69204Z       | 60062           |
| 65207M       | 60054           | 67204TRB     | 60072           | 68205AR      | 60061           | 69204ZB      | 60062           |



Clip-on safety cap (closed version)

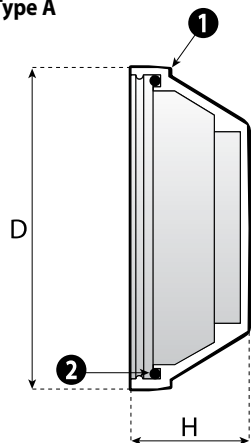
### COMPONENTS

- ❶ Clip-on safety cap in polypropylene.
- ❷ Heavy duty O-Ring in NBR.

### COLOUR

- Safety cap in white.

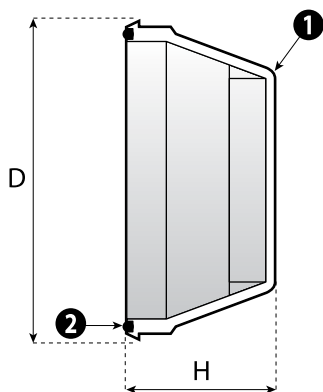
Type A



| SAFETY CAP CODE | TYPE | D mm | H mm |
|-----------------|------|------|------|
| 50100CG         | A    | 80   | 29.5 |
| 50101CG         | A    | 96   | 40   |
| 50102CG         | A    | 71   | 34.5 |
| 50103CG         | A    | 87.5 | 40.5 |
| 50104CG         | A    | 62   | 30   |
| 50105CG         | A    | 56   | 29.5 |
| 50108CG         | A    | 69.5 | 32   |

| support code | SAFETY CAP CODE | support code | SAFETY CAP CODE | support code  | SAFETY CAP CODE | support code  | SAFETY CAP CODE |
|--------------|-----------------|--------------|-----------------|---------------|-----------------|---------------|-----------------|
| 50016CGRB-EC | 50105CG         | 53204CGARB   | 50105CG         | 54207CGR-EC   | 50103CG         | 73204CGARB-U  | 50105CG         |
| 50016CGR-EC  | 50105CG         | 53205CGAR    | 50104CG         | 54208CGRB-EC  | 50101CG         | 73204CGAR-U   | 50105CG         |
| 50201CGRB-EC | 50105CG         | 53205CGARB   | 50104CG         | 54208CGR-EC   | 50101CG         | 73205CGARB-U  | 50104CG         |
| 50201CGR-EC  | 50105CG         | 53206CGAR    | 50102CG         | 54208CGRL-EC  | 50101CG         | 73205CGAR-U   | 50104CG         |
| 50202CGRB-EC | 50105CG         | 53206CGARB   | 50102CG         | 700206CGRB-EC | 50100CG         | 73206CGARB-U  | 50102CG         |
| 50202CGR-EC  | 50105CG         | 54016CGRB-EC | 50105CG         | 700206CGR-EC  | 50100CG         | 73206CGAR-U   | 50102CG         |
| 50203CGRB-EC | 50105CG         | 54016CGR-EC  | 50105CG         | 700206CGRL-EC | 50100CG         | 740206CGRB-EC | 50100CG         |
| 50203CGR-EC  | 50105CG         | 54201CGRB-EC | 50105CG         | 70204CGRB-EC  | 50104CG         | 740206CGR-EC  | 50100CG         |
| 50204CGRB-EC | 50104CG         | 54201CGR-EC  | 50105CG         | 70204CGR-EC   | 50104CG         | 740206CGRL-EC | 50100CG         |
| 50204CGR-EC  | 50105CG         | 54202CGRB-EC | 50105CG         | 70205CGRB-EC  | 50108CG         | 74204CGRB-EC  | 50104CG         |
| 50205CGRB-EC | 50108CG         | 54202CGR-EC  | 50105CG         | 70205CGR-EC   | 50108CG         | 74204CGR-EC   | 50104CG         |
| 50205CGR-EC  | 50108CG         | 54203CGRB-EC | 50105CG         | 70206CGRB-EC  | 50100CG         | 74205CGRB-EC  | 50108CG         |
| 50206CGRB-EC | 50100CG         | 54203CGR-EC  | 50105CG         | 70206CGR-EC   | 50100CG         | 74205CGR-EC   | 50108CG         |
| 50206CGR-EC  | 50100CG         | 54204CGRB-EC | 50104CG         | 70206CGRL-EC  | 50100CG         | 74206CGRB-EC  | 50100CG         |
| 50206CGRL-EC | 50100CG         | 54204CGR-EC  | 50104CG         | 70207CGRB-EC  | 50103CG         | 74206CGR-EC   | 50100CG         |
| 50207CGRB-EC | 50103CG         | 54205CGRB-EC | 50108CG         | 70207CGR-EC   | 50103CG         | 74206CGRL-EC  | 50100CG         |
| 50207CGR-EC  | 50103CG         | 54205CGR-EC  | 50108CG         | 70208CGRB-EC  | 50101CG         | 74207CGRB-EC  | 50103CG         |
| 50208CGRB-EC | 50101CG         | 54206CGRB-EC | 50100CG         | 70208CGR-EC   | 50101CG         | 74207CGR-EC   | 50103CG         |
| 50208CGR-EC  | 50101CG         | 54206CGRL-EC | 50100CG         | 70208CGRL-EC  | 50101CG         | 74208CGRB-EC  | 50101CG         |
| 50208CGRL-EC | 50101CG         | 54206CGRL-EC | 50100CG         | 730206CGARB-U | 50102CG         | 74208CGR-EC   | 50101CG         |
| 53204CGAR    | 50105CG         | 54207CGRB-EC | 50103CG         | 730206CGAR-U  | 50102CG         | 74208CGRL-EC  | 50101CG         |

Type B



| SAFETY CAP CODE | TYPE | D mm | H mm |
|-----------------|------|------|------|
| 50106CG         | B    | 58.5 | 28   |
| 50107CG         | B    | 76   | 32   |
| 50109CG         | B    | 50   | 26.5 |
| 50110CG         | B    | 84   | 28   |

| support code | SAFETY CAP CODE | support code | SAFETY CAP CODE | support code | SAFETY CAP CODE | support code | SAFETY CAP CODE |
|--------------|-----------------|--------------|-----------------|--------------|-----------------|--------------|-----------------|
| 52205CGFR    | 50106CG         | 53202CGR     | 50109CG         | 53208CGR     | 50110CG         | 730206CGR    | 50107CG         |
| 52205CGFRA   | 50109CG         | 53202CGRB    | 50109CG         | 53208CGRB    | 50110CG         | 730206CGRB   | 50107CG         |
| 52205CGFRB   | 50106CG         | 53203CGR     | 50109CG         | 720206CGFR   | 50107CG         | 73204CGR     | 50109CG         |
| 52205CGFRBA  | 50109CG         | 53203CGRB    | 50109CG         | 720206CGFRB  | 50107CG         | 73204CGRB    | 50109CG         |
| 52206CGFR    | 50107CG         | 53204CGR     | 50109CG         | 72205CGFR    | 50106CG         | 73205CGR     | 50106CG         |
| 52206CGFRA   | 50107CG         | 53204CGRB    | 50109CG         | 72205CGFRA   | 50106CG         | 73205CGRB    | 50106CG         |
| 52206CGFRB   | 50107CG         | 53205CGR     | 50106CG         | 72205CGFRA   | 50109CG         | 73206CGR     | 50107CG         |
| 52206CGFRBA  | 50107CG         | 53205CGRB    | 50106CG         | 72205CGFRBA  | 50109CG         | 73206CGRB    | 50107CG         |
| 53016CGR     | 50109CG         | 53206CGR     | 50107CG         | 72206CGFR    | 50107CG         | 73207CGR     | 50107CG         |
| 53016CGRB    | 50109CG         | 53206CGRB    | 50107CG         | 72206CGFRA   | 50107CG         | 73207CGRB    | 50107CG         |
| 53201CGR     | 50109CG         | 53207CGR     | 50107CG         | 72206CGFRB   | 50107CG         | 73208CGR     | 50110CG         |
| 53201CGRB    | 50109CG         | 53207CGRB    | 50107CG         | 72206CGFRBA  | 50107CG         | 73208CGRB    | 50110CG         |



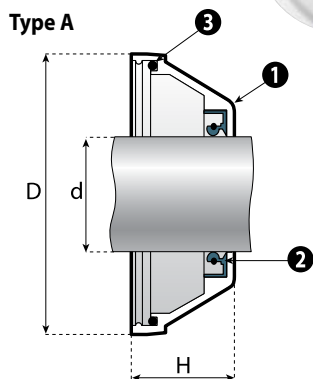
Clip-on safety cap (open version)

**COMPONENTS**

- ❶ Clip-on safety cap in polypropylene.
- ❷ Rotary shaft seal ring with extra dust protection lip in NBR rubber.
- ❸ Heavy duty O-Ring in NBR rubber.

**COLOUR**

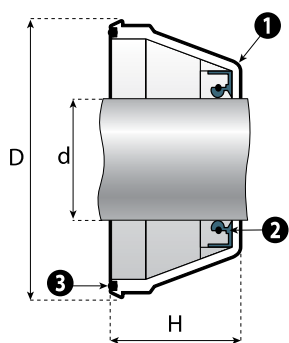
- Safety cap in white.



| SAFETY CAP CODE | TYPE | D mm | d mm | H mm |
|-----------------|------|------|------|------|
| 50052CG         | A    | 80   | 30   | 29.5 |
| 50055CG         | A    | 96   | 40   | 40   |
| 50058CG         | A    | 71   | 30   | 34.5 |
| 50060CG         | A    | 87.5 | 35   | 40.5 |
| 50061CG         | A    | 62   | 25   | 30   |
| 50062CG         | A    | 56   | 20   | 29.5 |
| 50064CG         | A    | 56   | 12   | 29.5 |
| 50065CG         | A    | 56   | 15   | 29.5 |
| 50066CG         | A    | 56   | 16   | 29.5 |
| 50067CG         | A    | 56   | 17   | 29.5 |
| 50068CG         | A    | 62   | 20   | 30   |
| 50069CG         | A    | 69.5 | 25   | 32   |

| support code | SAFETY CAP CODE | support code | SAFETY CAP CODE | support code  | SAFETY CAP CODE | support code  | SAFETY CAP CODE |
|--------------|-----------------|--------------|-----------------|---------------|-----------------|---------------|-----------------|
| 55016CGRB-EC | 50066CG         | 58204CGARB   | 50062CG         | 59207CGR-EC   | 50060CG         | 78204CGARB-U  | 70062CG         |
| 55016CGR-EC  | 50066CG         | 58205CGAR    | 50061CG         | 59208CGRB-EC  | 50055CG         | 78204CGAR-U   | 70062CG         |
| 55201CGRB-EC | 50064CG         | 58205CGARB   | 50061CG         | 59208CGR-EC   | 50055CG         | 78205CGARB-U  | 50061CG         |
| 55201CGR-EC  | 50064CG         | 58206CGAR    | 50058CG         | 59208CGRL-EC  | 50055CG         | 78205CGAR-U   | 50061CG         |
| 55202CGRB-EC | 50065CG         | 58206CGARB   | 50058CG         | 750206CGRB-EC | 70071CG         | 78206CGARB-U  | 50058CG         |
| 55202CGR-EC  | 50065CG         | 59016CGRB-EC | 50066CG         | 750206CGR-EC  | 70071CG         | 78206CGAR-U   | 50058CG         |
| 55203CGRB-EC | 50067CG         | 59016CGR-EC  | 50066CG         | 750206CGRL-EC | 70071CG         | 790206CGRB-EC | 70071CG         |
| 55203CGR-EC  | 50067CG         | 59201CGRB-EC | 50064CG         | 75204CGRB-EC  | 70073CG         | 790206CGR-EC  | 70071CG         |
| 55204CGRB-EC | 50068CG         | 59201CGR-EC  | 50064CG         | 75204CGR-EC   | 70073CG         | 790206CGRL-EC | 70071CG         |
| 55204CGR-EC  | 50068CG         | 59202CGRB-EC | 50065CG         | 75205CGRB-EC  | 50069CG         | 79204CGRB-EC  | 70073CG         |
| 55205CGRB-EC | 50069CG         | 59202CGR-EC  | 50065CG         | 75205CGR-EC   | 50069CG         | 79204CGR-EC   | 70073CG         |
| 55205CGR-EC  | 50069CG         | 59203CGRB-EC | 50067CG         | 75206CGRB-EC  | 50052CG         | 79205CGRB-EC  | 50069CG         |
| 55206CGRB-EC | 50052CG         | 59203CGR-EC  | 50067CG         | 75206CGR-EC   | 50052CG         | 79205CGR-EC   | 50069CG         |
| 55206CGR-EC  | 50052CG         | 59204CGRB-EC | 50068CG         | 75206CGRL-EC  | 50052CG         | 79206CGRB-EC  | 50052CG         |
| 55206CGRL-EC | 50052CG         | 59204CGR-EC  | 50068CG         | 75207CGRB-EC  | 70060CG         | 79206CGR-EC   | 50052CG         |
| 55207CGRB-EC | 50060CG         | 59205CGRB-EC | 50069CG         | 75207CGR-EC   | 70060CG         | 79206CGRL-EC  | 50052CG         |
| 55207CGR-EC  | 50060CG         | 59205CGR-EC  | 50069CG         | 75208CGRB-EC  | 70055CG         | 79207CGRB-EC  | 70060CG         |
| 55208CGRB-EC | 50055CG         | 59206CGRB-EC | 50052CG         | 75208CGR-EC   | 70055CG         | 79207CGR-EC   | 70060CG         |
| 55208CGR-EC  | 50055CG         | 59206CGR-EC  | 50052CG         | 75208CGRL-EC  | 70055CG         | 79208CGRB-EC  | 70055CG         |
| 55208CGRL-EC | 50055CG         | 59206CGRL-EC | 50052CG         | 780206CGARB-U | 70068CG         | 79208CGR-EC   | 70055CG         |
| 58204CGAR    | 50062CG         | 59207CGRB-EC | 50060CG         | 780206CGAR-U  | 70068CG         | 79208CGRL-EC  | 70055CG         |

**Type B**



| SAFETY CAP CODE | TYPE | D mm | d mm | H mm |
|-----------------|------|------|------|------|
| 50073CG         | B    | 58.5 | 25   | 28   |
| 50074CG         | B    | 76   | 30   | 32   |
| 50075CG         | B    | 76   | 35   | 32   |
| 50077CG         | B    | 50   | 12   | 26.5 |
| 50078CG         | B    | 50   | 15   | 26.5 |
| 50079CG         | B    | 50   | 16   | 26.5 |
| 50080CG         | B    | 50   | 17   | 26.5 |
| 50081CG         | B    | 50   | 20   | 26.5 |
| 50082CG         | B    | 84   | 40   | 28   |
| 50088CG         | B    | 76   | 25   | 32   |

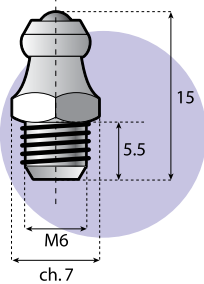
| support code | SAFETY CAP CODE | support code | SAFETY CAP CODE | support code | SAFETY CAP CODE | support code | SAFETY CAP CODE |
|--------------|-----------------|--------------|-----------------|--------------|-----------------|--------------|-----------------|
| 57205CGFR    | 50073CG         | 58202CGR     | 50078CG         | 58208CGR     | 50082CG         | 78204CGR     | 70081CG         |
| 57205CGFRA   | 50081CG         | 58202CGRB    | 50078CG         | 58208CGRB    | 50082CG         | 78204CGRB    | 70081CG         |
| 57205CGFRB   | 50073CG         | 58203CGR     | 50080CG         | 770206CGFR   | 70074CG         | 78205CGR     | 50073CG         |
| 57205CGFRBA  | 50081CG         | 58203CGRB    | 50080CG         | 770206CGFRB  | 70074CG         | 78205CGRB    | 50073CG         |
| 57206CGFR    | 50074CG         | 58204CGR     | 50081CG         | 77205CGFR    | 50073CG         | 78206CGR     | 50074CG         |
| 57206CGFRA   | 50088CG         | 58204CGRB    | 50081CG         | 77205CGFRA   | 70081CG         | 78206CGRB    | 50074CG         |
| 57206CGFRB   | 50074CG         | 58205CGR     | 50073CG         | 77205CGFRB   | 50073CG         | 78207CGR     | 70075CG         |
| 57206CGFRBA  | 50088CG         | 58205CGRB    | 50073CG         | 77205CGFRBA  | 70081CG         | 78207CGRB    | 70075CG         |
| 58016CGR     | 50079CG         | 58206CGR     | 50074CG         | 77206CGFR    | 50074CG         | 78208CGR     | 70082CG         |
| 58016CGRB    | 50079CG         | 58206CGRB    | 50074CG         | 77206CGFRA   | 50088CG         | 78208CGRB    | 70082CG         |
| 58201CGR     | 50077CG         | 58207CGR     | 50075CG         | 77206CGFRB   | 50074CG         |              |                 |
| 58201CGRB    | 50077CG         | 58207CGRB    | 50075CG         | 77206CGFRBA  | 50088CG         |              |                 |

# ACCESSORIES



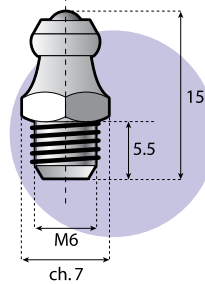
**Ball-Type  
grease-nipple M6**

**MATERIAL**  
nickel plated steel  
**CODE 50019**



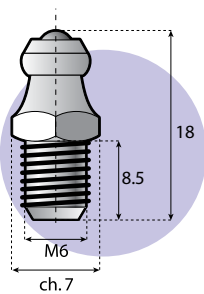
**Ball-Type  
grease-nipple M6**

**MATERIAL**  
stainless steel AISI 304  
**CODE 50020**



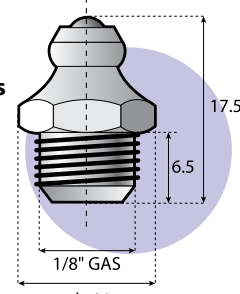
**Ball-Type  
grease-nipple M6**

**MATERIAL**  
stainless steel AISI 304  
**CODE 50036**



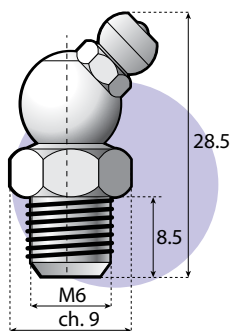
**Ball-Type  
grease-nipple 1/8" gas**

**MATERIAL**  
nickel plated steel  
**CODE 50021**



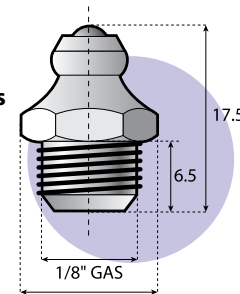
**Ball-Type  
grease-nipple M6  
45° degree**

**MATERIAL**  
stainless steel AISI 304  
**CODE 50037**



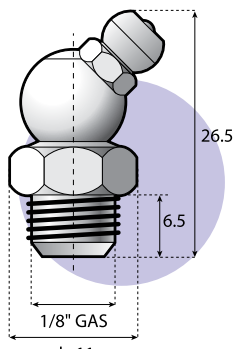
**Ball-Type  
grease-nipple 1/8" gas**

**MATERIAL**  
stainless steel AISI 304  
**CODE 50022**



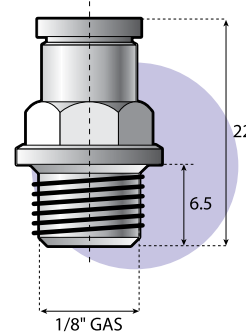
**Ball-Type  
grease-nipple 1/8" gas  
45° degree**

**MATERIAL**  
nickel plated steel  
**CODE 50023**



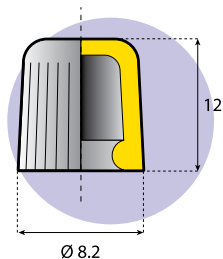
**Rapid coupling  
thread 1/8" gas  
for Ø tube 4 mm**

**CODE 50005**



**Cap for ball grease nipple**

**CODE 50006**

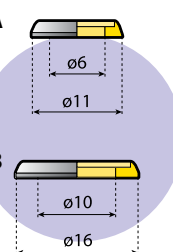


**Type A  
Washer for  
grease nipple M6**

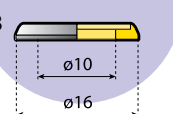
**MATERIAL**  
Polyethylene yellow

**CODE 50015**

**Type A**



**Type B**



**Type B  
Washer for  
grease nipple 1/8" gas**

**MATERIAL**  
Polyethylene yellow

**CODE 50018**

*System Plast* | **INSTRUCTION AND  
MAINTENANCE**

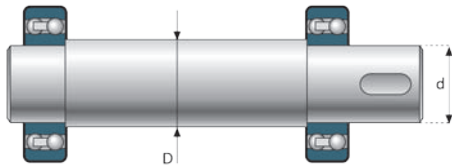


# FEATURES

## SHOULDERED SHAFTS

Series F supports have been designed:

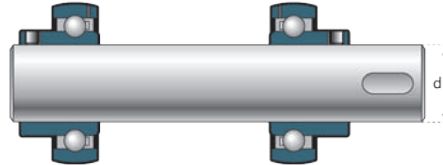
- To be adaptable to shaft deflections.
- To resist chemical agents.
- To support radial loads.



## PLAIN SHAFT

Supports for shafts with constant diameter (plain) have main characteristics:

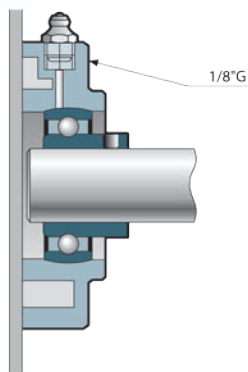
- Compensation for mistakes in alignment.
- Adaptability to shaft deflections.
- Resistance against chemical agents.
- Support of radial loads.
- Support of light axial loads.
- High load capacity.



## FEATURES

- "Bearing Line" supports guarantee a high reliability.
- Modern technology used in all phases of workmanship and first quality materials ensure a quality product.
- "Bearing Line" supports can be used in most applications. The main advantages are their light weight, their resistance against chemical agents and corrosion, their mechanical strength, their easy cleaning, and their safety features.

# LUBRICATION AND MAINTENANCE



All "Bearing Line" supports are normally supplied with a grease-nipple. In the table you find the grease-nipple corresponding to their support. If the support is uneasy to reach, or in case of centralized lubrication, a rapid coupling joint (Cod. 50005) for tube in Rilsan Ø4 mm is available.

## TYPE OF LUBRICANT

Our bearings have been pre-greased with a synthetic foodgrade grease. This H1-grade grease allows for incidental contact with food. We recommend using a similar type of grease for re-greasing.

## PRE-LUBRICATION

Initial lubrication is only recommended for supports series F1200 - FC 1200. Lips of seals must be lubricated during assembly, in order to avoid damage during the first revolutions of the shaft.

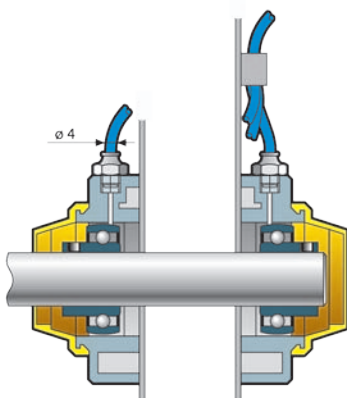
## RE-LUBRICATION

Bearing supports must be lubricated while moving, so that grease can cover the whole surface of balls. Grease must be introduced slowly, often and in small quantities. Pressure of the grease gun should be between 1.3 and 2.0 bar.

## LUBRICATION INTERVAL

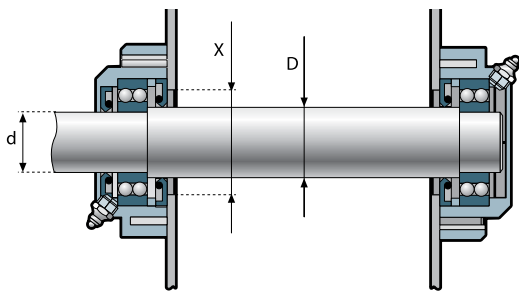
Lubrication periods depend on use conditions of bearing supports. Dust, humidity, load, temperature significantly affect the length of time between re-lubrication. The table shows indicative values for re-lubrication periods.

| Support Type      | Grease-nipple Type |
|-------------------|--------------------|
| F / FC            | 1/8"GAS            |
| SFL / SFL-Z       | M6                 |
| UCF / UCF-R       | 1/8"GAS            |
| UCFC / UCFC-Y     | 1/8"GAS            |
| UCFH / UCFH-R     | M6                 |
| UCFL / UCFL-W     | 1/8"GAS            |
| UCHA / UCHA-R     | M6                 |
| UCHE / UCHE-R     | M6                 |
| UCP / UCP-R       | M6                 |
| UCPA / UCPA-R     | M6                 |
| UCT / UCT-R       | M6                 |
| UFL / UFL-Z       | M6                 |
| US / US-R         | M6                 |
| UCFQ / UCFQ-R     | M6                 |
| CS / CS-R         | M6                 |
| CL / CL-R         | M6                 |
| UCFT              | M6                 |
| CB / CB-R / CB-RL | M6 - 45°           |
| UCFA / UCFA-R     | M6                 |
| UCFG / UCFG-R     | M6                 |
| SQL               | M6                 |



| Use conditions | Temperature | re-lubrication period |
|----------------|-------------|-----------------------|
| clean          | up to 50° C | 6 - 12 months         |
| clean          | 50 ÷ 70° C  | 4 - 8 months          |
| clean          | 70 ÷ 100° C | 1 - 3 months          |
| dirty          | up to 70° C | 2 - 8 weeks           |
| dirty          | 70 ÷ 100° C | 2 - 4 weeks           |
| humid+wet      | -           | 1 - 2 weeks           |

## FLANGED BEARING SUPPORTS FOR SHOULDERED SHAFT

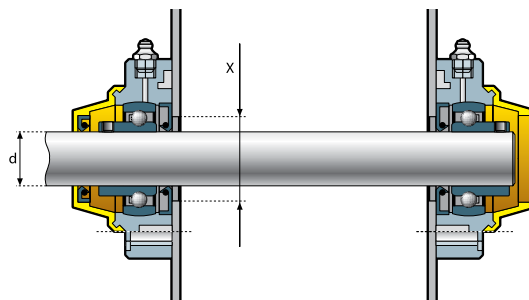


Dimension "X" must be maintained to obtain tightness of supports.

### Dimension shaft/bore

| d mm | D mm | X mm    |
|------|------|---------|
| 25   | 30   | 35 ÷ 45 |
| 30   | 35   | 45 ÷ 55 |
| 35   | 40   | 50 ÷ 60 |
| 40   | 45   | 55 ÷ 70 |

## FLANGED BEARING SUPPORTS FOR PLAIN SHAFT

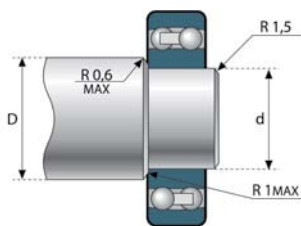


Dimension "X" must be maintained using supports with seals.

### Dimension shaft/bore

| d mm | X mm    | d mm | X mm    |
|------|---------|------|---------|
| 12   | 20 ÷ 35 | 25   | 35 ÷ 45 |
| 15   | 20 ÷ 35 | 30   | 45 ÷ 55 |
| 16   | 22 ÷ 35 | 35   | 50 ÷ 60 |
| 17   | 22 ÷ 35 | 40   | 55 ÷ 70 |
| 20   | 30 ÷ 42 |      |         |

## FLANGED BEARING SUPPORTS FOR SHOULDERED SHAFT

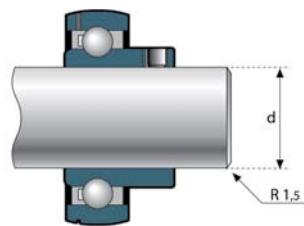


### Coupling shaft/support

The drawing shows some values that must be carefully maintained.

Diameter "d" near the bearing must have a tolerance between -0,02 mm and -0,05 mm.

With heavy radial loads the coupling must be slightly forced.



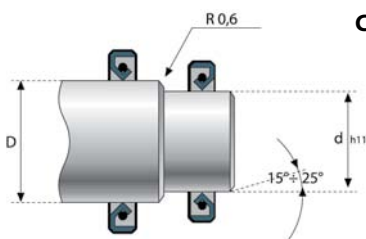
### Coupling shaft/support

Both ends of the shaft must be made round in order to simplify assembly of supports.

Tolerance of shaft depends on diameter and number of revolutions.

| Low speed | Average speed | High speed |
|-----------|---------------|------------|
| h9        | h8            | h7         |

## FLANGED BEARING SUPPORTS FOR SHOULDERED SHAFT



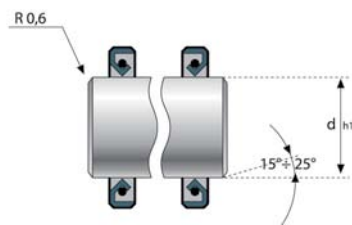
### Coupling shaft/seals

The drawing shows chamfers and radii necessary to mount supports with seals correctly.

The shaft surface must be smooth and without defects.

Seal lips and shaft must be well lubricated before assembly.

## FLANGED BEARING SUPPORTS FOR PLAIN SHAFT



### Coupling shaft/seals

The drawing shows chamfers and radii necessary to mount supports with seals correctly.

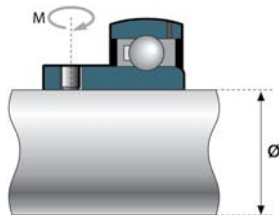
The shaft surface must be smooth and without defects.

Seal lips and shaft must be well lubricated before assembly.

# MOUNTING INSTRUCTIONS

## LOCKING WITH GRUB SCREWS

In case of low speed and normal load we suggest grub screws should be tightened according to the values shown in the table. A more effective tightening can be achieved fixing the grub screws to a hole in the shaft during assembly.



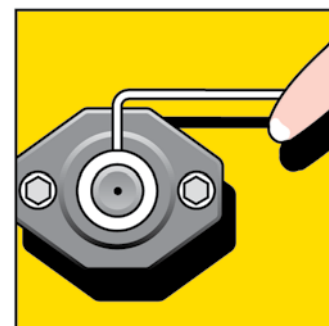
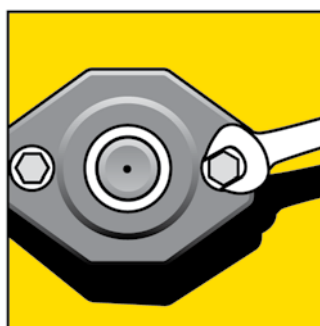
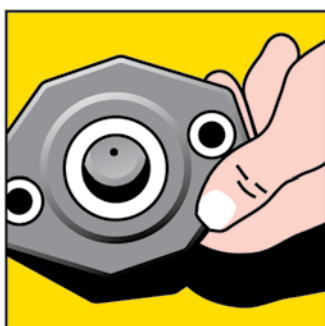
| Ø                 | Grub screw size | Recommended driving torque | Set screw maximum axial load |
|-------------------|-----------------|----------------------------|------------------------------|
|                   | G (mm)          | M (Nm)                     | F (N)                        |
| 12-15-16-17-20-25 | M6x0.75         | 3                          | 2500                         |
| 30                | M6x0.75         | 3                          | 2500                         |
| 45                | M6x0.75         | 3                          | 2500                         |
| 40                | M8x1.00         | 7                          | 3500                         |

Unscrew the grub screws in order to free the bearing hole.

Insert the bearing on the shaft.

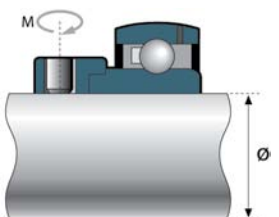
Tighten bolts on both sides.

Tighten screws according to recommended driving torque.



## LOCKING WITH ECCENTRIC RING

Locking may be achieved rotating the ring. The ring has a blind hole that simplifies the locking between bearing and shaft. The grub screw prevents the ring from releasing the shaft. Recommended maximum driving torque is shown in the table.



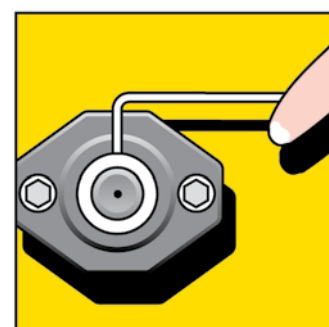
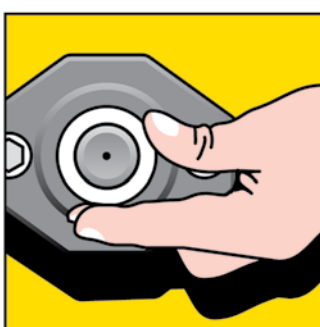
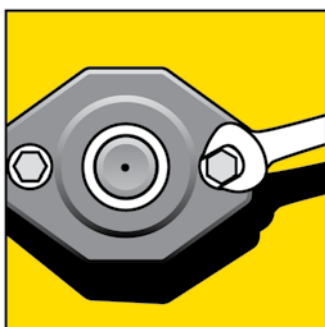
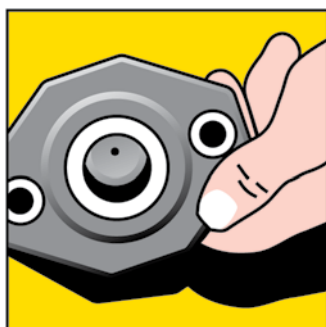
| Ø                 | Grub screw size | Recommended driving torque | Set screw maximum axial load |
|-------------------|-----------------|----------------------------|------------------------------|
|                   | G (mm)          | M (Nm)                     | F (N)                        |
| 12-15-16-17-20-25 | M6x0.75         | 3                          | 2500                         |
| 30                | M8x1.00         | 7                          | 3500                         |
| 40                | M8x1.00         | 12                         | 5000                         |

Insert bearing and housing on the shaft.

Tighten bolts on both sides.

Insert and block the eccentric ring.

Tighten the ring screws according to recommended driving torque.



# CALCULATION of load capacity and bearing life

## Choice of bearing dimensions

| $F_s$   | working conditions                     |
|---------|--|
| 1       | Normal working conditions              |
| 1.5     | Insert subject to vibrations or shocks |
| 2 ÷ 2.5 | Noiseless applications                 |

### LOAD COEFFICIENTS

Dynamic load coefficient C is used for calculating life of bearings under dynamic loads.

Static load coefficient  $C_0$  is used for bearings running at very low speeds or remaining still under load.

Load coefficients are shown in the supports tables.

### BEARING LIFE UNDER DYNAMIC LOADS

Bearing life is the number of revolutions, or the number of hours, bearings can run without showing any sign of damage or deterioration in any of their components.

Basic life can be calculated with the following formula:

$$L_{10} = \left( \frac{C}{P} \right)^3$$

where:  $L_{10}$  = life in millions of revolutions.  
 $C$  = dynamic load coefficient in N.  
 $P$  = equivalent dynamic load in N.

When bearings run at constant speed, their life can be determined in working hours:

$$L_{10h} = \frac{1.000.000}{60 n} \left( \frac{C}{P} \right)^3$$

where:  $L_{10h}$  = life in hours.  
 $n$  = speed in rpm.

### STATIC LOAD CAPACITY

Bearing dimensions are based on static load coefficient  $C_0$ , and not on their life, in the following cases:

- when bearings are not running and are subject to shocks.
- when bearings are subject to slow oscillation under load.

Equivalent static load can be calculated with the following formula:

$$P_0 = X_0 F_r + Y_0 F_a$$

where:  $P_0$  = equivalent static load.  
 $X_0$  = radial static factor.  
 $Y_0$  = axial static factor.  
 $F_r$  = radial load in N.  
 $F_a$  = axial load in N.

(See calculation of equivalent load)

Then calculate  $f_s = \frac{C_0}{P_0}$

where:  $f_s$  = static load safety factor.  
 $C_0$  = static load coefficient in N.  
 $P_0$  = equivalent static load in N.

If  $f_s$  value is less than value shown in the table, an insert with a higher  $C_0$  must be chosen.

## SUPPORT SERIES F - FC

### DYNAMIC LOAD (RADIAL)

$$P = F_r$$

where:  $P$  = equivalent dynamic load in N.  
 $F_r$  = radial load in N.

### COMBINED DYNAMIC LOAD (RADIAL+AXIAL)

$$P = F_r + Y_1 F_a \quad \text{with} \quad \frac{F_a}{F_r} \leq e$$

where:  $P$  = equivalent dynamic load in N.  
 $F_r$  = radial load in N.  
 $F_a$  = axial load in N.  
 $Y$  = axial load factor.

$$P = 0.65 F_r + Y_2 F_a \quad \text{with} \quad \frac{F_a}{F_r} > e$$

(See table below)

### COMBINED STATIC LOAD (RADIAL+AXIAL)

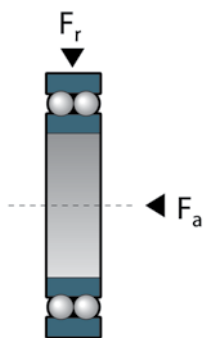
$$P_0 = F_r + Y_0 F_a$$

where:  $P_0$  = equivalent static load in N.  
 $F_r$  = radial load in N.  
 $F_a$  = axial load in N.  
 $Y_0$  = axial load factor.

(See table below)

| bearing type | e    | $Y_0$ | $Y_1$ | $Y_2$ |
|--------------|------|-------|-------|-------|
| 1205         | 0.28 | 2.4   | 2.3   | 3.5   |
| 1206         | 0.24 | 2.8   | 2.6   | 4.1   |
| 1207         | 0.23 | 2.9   | 2.7   | 4.2   |
| 1208         | 0.22 | 3.0   | 2.9   | 4.4   |

### Calculation of equivalent load



## ALL OTHER SUPPORT SERIES

### DYNAMIC LOAD (RADIAL)

$$P = F_r$$

where:  $P$  = equivalent dynamic load in N.

$F_r$  = radial load in N.

### COMBINED DYNAMIC LOAD (RADIAL+AXIAL)

$$P = X F_r + Y F_a$$

where:  $P$  = equivalent dynamic load in N.  
 $F_r$  = radial load in N.  
 $F_a$  = axial load in N.  
 $X$  = radial load factor.  
 $Y$  = axial load factor.

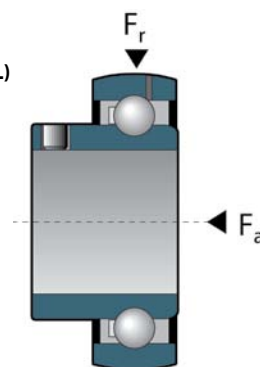
(See table below)

### COMBINED STATIC LOAD (RADIAL+AXIAL)

$$P_0 = 0.6 F_r + 0.5 F_a$$

where:  $P_0$  = equivalent static load in N.  
 $F_r$  = radial load in N.  
 $F_a$  = axial load in N.  
 If  $P_0 < F_r$ , then consider  $P_0 = F_r$

### Calculation of equivalent load



### IMPORTANT: $F_a \leq 20\% C$

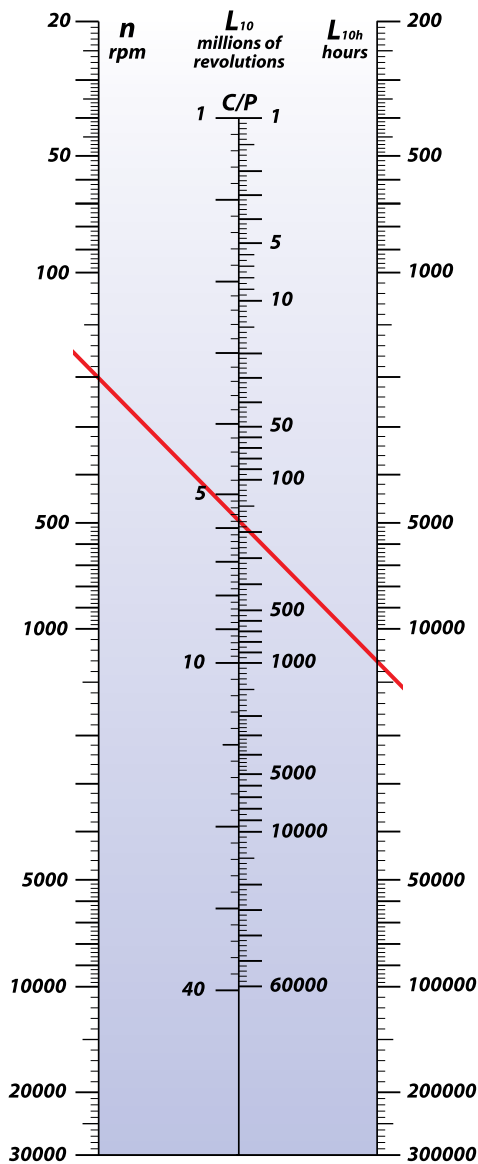
- Calculate  $F_a/C_0$  ratio
- Compare result with value e
- Use X and Y factors in relation to  $F_a/C_0$  ratio and to value.

### Calculation factors

| Fa/Co | e    | Fa/Fr ≤ e |   | Fa/Fr > e |     |
|-------|------|-----------|---|-----------|-----|
|       |      | X         | Y | X         | Y   |
| 0.025 | 0.22 | 1         | 0 | 0.56      | 2.0 |
| 0.04  | 0.24 | 1         | 0 | 0.56      | 1.8 |
| 0.07  | 0.27 | 1         | 0 | 0.56      | 1.6 |
| 0.13  | 0.31 | 1         | 0 | 0.56      | 1.4 |
| 0.25  | 0.37 | 1         | 0 | 0.56      | 1.2 |
| 0.5   | 0.44 | 1         | 0 | 0.56      | 1.0 |

# CALCULATION of load capacity and bearing life

## Graph for life calculation



## Bearing life

Bearing life can be determined in relation to the revolutions per minute (**rpm**) and the **C/P** ratio, as shown in the graph below:

### HOW TO USE THE GRAPH

data:  $n = 200 \text{ rpm}$   $P = 4000 \text{ N}$

$$C = 22400 \text{ N} \quad C_o = 17900 \text{ N}$$

$$\text{calculate } C/P = \frac{22400}{4000} = 5.6$$

result:  $L_{10} \approx$  millions of revolutions

result:  $L_{10h} \approx 15.000$  hours

### CALCULATION EXAMPLE

Using calculation formulae previously shown it is possible to solve this calculation example with the help of the graph:

$n = 200 \text{ rpm}$   $P = 4000 \text{ N}$

$$C = 22400 \text{ N} \quad C_o = 17900 \text{ N}$$

$$L_{10} = \left( \frac{C}{P} \right)^3 = \left( \frac{22400}{4000} \right)^3 = 175.6 \text{ millions of revolutions}$$




$$L_{10h} = \frac{1.000.000}{60n} \left( \frac{C}{P} \right)^3 = \frac{1.000.000}{60 \cdot 200} \left( \frac{22400}{4000} \right)^3 = 14.635 \text{ hours}$$



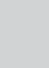
## Limiting speed




| Shaft d mm             | Speeds for shaft tolerances |      |      |      |     |
|------------------------|-----------------------------|------|------|------|-----|
|                        | h6                          | h7   | h8   | h9   | h11 |
| Limiting speeds in rpm |                             |      |      |      |     |
| 12                     | 9500                        | 6000 | 4300 | 1500 | 950 |
| 15                     | 9500                        | 6000 | 4300 | 1500 | 950 |
| 16                     | 9500                        | 6000 | 4300 | 1500 | 950 |
| 17                     | 9500                        | 6000 | 4300 | 1500 | 950 |
| 20                     | 8500                        | 5300 | 3800 | 1300 | 850 |
| 25                     | 7000                        | 4500 | 3200 | 1000 | 700 |
| 30                     | 6300                        | 4000 | 2800 | 900  | 630 |
| 35                     | 5300                        | 3400 | 2200 | 750  | 530 |
| 40                     | 4800                        | 3000 | 1900 | 670  | 480 |



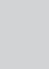
**MAX. RADIAL LOAD CAPACITY OF HOUSING**



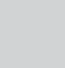
Values indicated in the table above, are obtained at 23°C. Values indicated : N. Values of polyamide version (values of polypropylene version in brackets).  
For further information please consult catalogue pages regarding bearing type you are interested in.



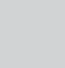
| Series<br><b>F</b><br>ø mm |  |  |  |        |      |        |
|----------------------------|---|---|---|--------|------|--------|
| 12-15-16-17                | 13000   | (6200)  | 12000   | (5800) | 3500 | (3100) |
| 30                         | 12000   | (5600)  | 11200   | (5300) | 3500 | (3100) |
| 35                         | 11500   | (5300)  | 10000   | (5000) | 3200 | (3000) |
| 40                         | 11500   | (5000)  | 10000   | (4700) | 3200 | (3000) |



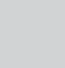
| Series<br><b>UCF/UCF-R</b><br>ø mm |  |  |  |        |  |  |
|------------------------------------|---|---|---|--------|--|--|
| 20-25                              | 13000   | (6200)  | 12000   | (5800) |  |  |
| 30                                 | 13000   | (6000)  | 12000   | (5800) |  |  |
| 35                                 | 12800   | (6000)  | 11000   | (5300) |  |  |
| 40                                 | 12500   | (5800)  | 10800   | (5100) |  |  |



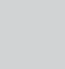
| Series<br><b>FC</b><br>ø mm |  |  |  |        |      |        |
|-----------------------------|---|---|---|--------|------|--------|
| 30                          | 13000   | (6000)  | 12000   | (5800) | 3500 | (3000) |
| 35                          | 12800   | (6000)  | 11000   | (5300) | 3500 | (3000) |



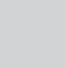
| Series<br><b>UCFT</b><br>ø mm |  |  |  |     |  |  |
|-------------------------------|---|---|---|-----|--|--|
| 12-15-16-17                   | 7000  | (-)   | 7300  | (-) |  |  |
| 25                            |   | (-)   |   | (-) |  |  |



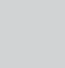
| Series<br><b>SFL/SFL-Z</b><br>ø mm |  |  |  |      |  |  |
|------------------------------------|---|---|---|------|--|--|
| 12-15-16-17                        | 7000  | 3200  | 6500  | 3000 |  |  |
| 20                                 | 6200  | 2900  | 6500  | 2800 |  |  |

| Series<br><b>UFL/UFL-Z</b><br>ø mm |  |  |  |        |  |  |
|------------------------------------|---|---|---|--------|--|--|
| 12-15-16-17                        | 6200  | (3200)  | 6500  | (3000) |  |  |
| 20                                 | 5800  | (2900)  | 6500  | (2800) |  |  |

| Series<br><b>SQL</b><br>ø mm |  |  |  |     |  |  |
|------------------------------|---|---|---|-----|--|--|
| 12-15-16-17                  | 6500  | (-)   | 6000  | (-) |  |  |
| 20                           | 5800  | (-)   | 5300  | (-) |  |  |



| Series<br><b>UCFH/UCFH-R</b><br>ø mm |  |  |  |     |  |  |
|--------------------------------------|---|---|---|-----|--|--|
| 12-15-16-17                          | 6500  | (-)   | 7000  | (-) |  |  |
| 20                                   | 7000  | (-)   | 7500  | (-) |  |  |
| 25                                   | 7500  | (-)   | 8000  | (-) |  |  |
| 30                                   | 8000  | (-)   | 8800  | (-) |  |  |
| 35                                   | 8500  | (-)   | 9000  | (-) |  |  |




| Series<br><b>UCFQ/UCFQ-R</b><br>ø mm |  |  |  |     |  |  |
|--------------------------------------|---|---|---|-----|--|--|
| 12-15-16-17                          | 12000   | (-)   | 12000   | (-) |  |  |
| 20                                   | 12500   | (-)   | 11500   | (-) |  |  |
| 25                                   | 12500   | (-)   | 11500   | (-) |  |  |
| 30                                   | 12800   | (-)   | 11000   | (-) |  |  |
| 35                                   | 12300   | (-)   | 10500   | (-) |  |  |
| 40                                   | 12000   | (-)   | 10000   | (-) |  |  |




| Series<br><b>UCFL/UCFL-W</b><br>ø mm |  |  |  |        |  |  |
|--------------------------------------|---|---|---|--------|--|--|
| 20                                   | 6900  | (3200)  | 7500  | (3500) |  |  |
| 25                                   | 6750  | (2950)  | 7200  | (3000) |  |  |
| 30                                   | 12000   | (5800)  | 13000   | (6000) |  |  |
| 35                                   | 11000   | (5300)  | 12800   | (6000) |  |  |
| 40                                   | 10800   | (5100)  | 12850   | (5800) |  |  |




## MAX. RADIAL LOAD CAPACITY OF HOUSING




Values indicated in the table above, are obtained at 23°C. Values indicated : N. Values of polyamide version (values of polypropylene version in brackets).  
For further information please consult catalogue pages regarding bearing type you are interested in.




| Series<br>UCFC/UCFC-Y<br>ø mm |  |  |       |        |
|-------------------------------|---|---|-------|--------|
| 25                            |   |   |       |        |
| 30                            | 13000   | (6000)  | 12000 | (5800) |
| 35                            | 12800   | (6000)  | 11000 | (5300) |



| Series<br>UCPA/UCPA-R<br>ø mm |  |  |  |        |      |        |  |
|-------------------------------|---|---|---|--------|------|--------|--|
| 20                            | 6500  | (3000)  | 2000  | (1000) | 4000 | (1600) |  |
| 25                            | 7800  | (3200)  | 2500  | (1400) | 4800 | (1800) |  |
| 30                            | 11000   | (4000)  | 2900  | (1500) | 5700 | (2000) |  |




| Series<br>UCP/UCP-R<br>ø mm |  |  |  |        |      |        |  |
|-----------------------------|---|---|---|--------|------|--------|--|
| 12-15-16-17                 | 6500  | (2000)  | 2000  | (1000) | 3500 | (1500) |  |
| 20                          | 8500  | (3200)  | 2600  | (1600) | 4200 | (2000) |  |
| 25                          | 10000   | (3600)  | 3100  | (1600) | 5000 | (2100) |  |
| 30                          | 12000   | (5500)  | 3500  | (1800) | 6000 | (2400) |  |
| 35                          | 12500   | (6000)  | 3700  | (2000) | 6500 | (2600) |  |
| 40                          | 13000   | (5800)  | 4000  | (2200) | 7000 | (3200) |  |



| Series<br>UCT/UCT-R<br>ø mm |  |  |  |        |      |        |  |
|-----------------------------|---|---|---|--------|------|--------|--|
| 20                          | 7800  | (3200)  | 2500  | (1400) | 4800 | (1800) |  |
| 25                          | 6500  | (3000)  | 2000  | (1000) | 4000 | (1600) |  |
| 30                          | 12000   | (5500)  | 3500  | (1800) | 6000 | (2400) |  |
| 35                          | 10000   | (3600)  | 2900  | (1500) | 5500 | (2000) |  |

| Series<br>UCFA/UCFA-R<br>ø mm |  |  |  |     |      |     |  |
|-------------------------------|---|---|---|-----|------|-----|--|
| 20                            | 8000  | (-)   | 2000  | (-) | 2500 | (-) |  |
| 25                            | 8500  | (-)   | 3000  | (-) | 3000 | (-) |  |
| 30                            | 9000  | (-)   | 3500  | (-) | 3500 | (-) |  |

| Series<br>UCHA/UCHA-R<br>ø mm |  |  |  |        |      |        |  |
|-------------------------------|---|---|---|--------|------|--------|--|
| 20                            | 10000   | (3600)  | 2500  | (1400) | 4800 | (1800) |  |
| 25                            | 8500  | (3200)  | 2000  | (1000) | 4000 | (1600) |  |
| 30                            | 14000   | (6500)  | 3500  | (1800) | 6000 | (2400) |  |
| 35                            | 12000   | (5500)  | 2900  | (1500) | 5500 | (2000) |  |

| Series<br>UCFG/UCFG-R<br>ø mm |  |  |       |     |
|-------------------------------|---|---|-------|-----|
| 20                            | 12000   | (-)   | 10000 | (-) |
| 25                            | 12500   | (-)   | 11000 | (-) |
| 30                            | 12800   | (-)   | 11500 | (-) |

| Series<br>UCHE/UCHE-R<br>ø mm |  |  |  |        |      |        |  |
|-------------------------------|---|---|---|--------|------|--------|--|
| 20                            | 10000   | (3600)  | 2500  | (1400) | 4800 | (1800) |  |
| 25                            | 8500  | (3200)  | 2000  | (1000) | 4000 | (1600) |  |
| 30                            | 14000   | (6500)  | 3500  | (1800) | 6000 | (2400) |  |
| 35                            | 12000   | (5500)  | 2900  | (1500) | 5500 | (2000) |  |

| Series<br>CB/CB-R/CB-RL<br>ø mm |  |  |       |        |
|---------------------------------|---|---|-------|--------|
| 30                              | 8500  | (4000)  | 9500  | (4500) |
| 40                              | 9000  | (4200)  | 10000 | (4750) |



*System Plast*

**CHEMICAL  
RESISTANCE**



# CHEMICAL RESISTANCE

Data shown in the table was taken from laboratory tests performed on unstrained samples and are merely indicative.

Chemical resistance under normal working conditions can depend on various factors, such as stress and temperature, concentration of the chemical agent and duration of its effects.

Valid for ambient temperature (21°C)

| Chemical agent       | METALS |     |          |   |          |     |       | PLASTICS |     |     |     |     |     | RUBBERS |     |    |      |    |     |      |     |       |    |    |   |
|----------------------|--------|-----|----------|---|----------|-----|-------|----------|-----|-----|-----|-----|-----|---------|-----|----|------|----|-----|------|-----|-------|----|----|---|
|                      | EXTRA  |     | AISI 304 |   | AISI 316 |     | OT.NI | POM      |     | PBT | PP  |     | PA  |         | PE  |    | EPDM |    | NBR | SEBS |     | VITON |    |    |   |
|                      | C %    |     | C %      |   | C %      |     | C %   |          | C % |     | C % |     | C % |         | C % |    | C %  |    | C % |      | C % |       |    |    |   |
| Acetic Acid          | 5      | ☆   | 20       | ☆ | 100      | ☆   | ○     | 5        | ●   | 10  | ☆   | 40  | ☆   | 10      | ●   | 10 | ☆    | 25 | ☆   | ●    | 25  | ○     | 20 | ●  |   |
| Acetone              |        | ☆   | 25       | ☆ |          | ☆   | ☆     | ○        | ○   |     | ☆   | 100 | ☆   |         | ☆   |    | ☆    | ☆  | ●   | ○    |     | ●     |    |    |   |
| Acrylonitrile        |        |     |          |   |          | ☆   |       |          |     |     |     | ☆   | 100 | ☆       |     |    | ☆    | ☆  | ●   | ○    |     | ●     |    |    |   |
| Aluminium chloride   |        |     |          | ○ |          | ○   |       |          |     |     |     | ○   | 10  | ☆       |     |    | ☆    | ☆  | ☆   | ☆    | ☆   | SA    | ☆  | ☆  |   |
| Aluminium sulphate   |        |     |          |   | SA       | ☆   |       |          |     |     |     | ☆   | 10  | ☆       |     | ☆  | ☆    | ☆  | ☆   | ☆    | ☆   | ☆     | SA | ☆  |   |
| Amyl alcohol         |        |     |          | ☆ |          | ☆   |       |          |     | ☆   |     | ☆   | 10  | ☆       |     | ☆  | ☆    | ☆  |     |      | ☆   | ☆     | ☆  | ☆  |   |
| Ammonia              | ☆      | 100 | ☆        |   | ☆        |     | ●     | ☆        |     | ○   | 30  | ☆   | 10  | ☆       |     | ☆  | ☆    | ☆  | ○   | ○    |     | ○     | ○  | ○  |   |
| Ammonium chloride    |        |     |          | ○ |          | ☆   |       |          |     |     |     | 10  | ☆   | 10      | ☆   |    |      | ☆  | ☆   | ☆    | ☆   | SA    | ☆  | ☆  |   |
| Aniline              | ☆      |     | ☆        |   | ☆        |     |       |          |     |     |     | ☆   | 100 | ○       | 3   | ☆  |      | ●  | ●   | ●    |     | ☆     | ☆  | ☆  |   |
| Barium chloride      |        |     |          | ○ | SA       | ☆   |       |          |     |     |     | ☆   | 10  | ☆       |     |    | ☆    | ☆  | ☆   | ☆    | ☆   | ☆     | ☆  | ☆  |   |
| Beer                 |        | ☆   |          | ☆ |          | ☆   |       | ☆        | ☆   |     |     | ☆   | ☆   |         | ☆   |    | ☆    | ☆  | ☆   | ☆    | ☆   | ☆     | ☆  | ☆  |   |
| Benzene              |        | ☆   | 70       | ○ |          | ☆   |       |          | ☆   | ●   |     | ☆   |     |         |     | ○  |      | ●  |     |      | ●   |       |    |    |   |
| Benzoic acid         |        |     | 100      | ☆ | SA       | ☆   |       |          |     | ☆   | SA  | ☆   | SA  | ○       |     |    | ●    | ☆  |     | ●    |     | ☆     | ☆  | ☆  |   |
| Benzol               |        |     |          | ☆ |          | ☆   |       | ☆        | ☆   | ☆   | ☆   | ○   | 100 | ☆       |     | ○  |      | ●  | ●   | ●    |     | ○     | ○  | ○  |   |
| Boric acid           |        | ○   | SA       | ☆ |          | ☆   |       |          |     | 10  | ☆   | SA  | ☆   | 10      | ☆   | SA | ☆    | ☆  | ☆   | ☆    | ☆   | ☆     | SA | ☆  |   |
| Brine                | 10     | ●   |          | ○ |          | ☆   |       |          |     | ☆   |     | ○   |     | ○       |     | ☆  |      | ☆  | ☆   | ☆    | ○   |       | ○  | ☆  |   |
| Butter               |        |     |          | ☆ |          | ☆   |       | ☆        | ☆   |     |     | ☆   | ☆   |         | ☆   |    | ☆    | ☆  | ☆   | ☆    | ☆   | ○     | ☆  | ☆  |   |
| Butyl acetate        |        |     |          |   |          | ☆   |       |          |     | ○   |     | ○   | 100 | ☆       |     |    | ○    |    |     |      | ○   |       | ○  | ●  |   |
| Butyl alcohol        |        |     |          | ☆ |          |     |       |          |     |     |     | ☆   | 100 | ☆       |     |    | ☆    | ○  |     | ☆    | ☆   | ☆     | ☆  | ☆  |   |
| Butyl glycole        |        |     |          |   |          | ☆   |       |          |     |     |     | ☆   | 100 | ☆       |     |    | ☆    |    |     |      | ☆   | ☆     | ☆  | ☆  |   |
| Calcium chloride     |        | ●   |          | ○ |          | ☆   |       | ☆        |     | ☆   | 50  | ☆   | 10  | ☆       | SA  | ☆  |      | ☆  | ☆   | ☆    | ☆   | ☆     | SA | ☆  |   |
| Carbon sulphide      |        |     |          | ☆ |          | ☆   |       |          | ☆   |     |     | ☆   | 100 | ☆       |     |    | ●    | ●  | ●   |      | ☆   | ☆     | ☆  | ☆  |   |
| Carbon tetrachloride |        |     | 10       | ☆ |          |     | ☆     | ☆        |     |     |     | ●   |     | ☆       |     |    |      | ●  |     | ●    |     | ☆     | ☆  | ☆  |   |
| Chlorine water       |        | ●   |          | ● |          | ○   |       | ●        | ●   | ●   | ●   |     |     |         |     | ●  | 3    | ○  |     |      | 3   | ○     |    |    |   |
| Chloroform           |        | ○   | 10       | ☆ |          | ☆   |       | ☆        | ●   | ●   |     | ○   | 100 | ●       |     | ●  |      | ●  | ●   | ●    |     | ☆     | ☆  | ☆  |   |
| Chromic acid         |        |     | 25       | ☆ | 50       | ○   |       |          |     | ○   |     |     |     | 1       | ○   |    | 50   | ○  | ●   | 50   | ●   | 50    | ●  | ☆  |   |
| Citric acid          | 10     | ☆   |          | ☆ | SA       | ☆   |       | ●        | ○   | 10  | ☆   | 10  | ☆   | 10      | ○   |    | ☆    | ☆  | ☆   | ☆    | ☆   | ☆     | SA | ☆  |   |
| Cyclohexane          |        |     |          |   |          | ☆   |       |          |     | ☆   |     | ☆   | 100 | ☆       |     |    | ●    | ☆  | ●   |      | ☆   | ☆     | ☆  | ☆  |   |
| Cyclohexanol         |        |     |          |   |          | ☆   |       |          |     | ☆   |     | ☆   | 100 | ☆       |     |    | ●    | ☆  | ●   |      | ☆   | ☆     | ☆  | ☆  |   |
| Decalin              |        |     |          |   |          | ☆   |       |          |     | ○   |     | ○   |     | ☆       |     |    | ●    | ○  | ●   | ●    |     | ●     | ●  | ●  |   |
| Dioxane              |        |     |          |   |          | ☆   |       |          |     | ☆   |     | ○   |     | ☆       |     |    | ○    | ●  | ●   |      |     | ●     | ●  | ●  |   |
| Distilled water      |        | ☆   | 10       | ☆ |          | ☆   |       | ☆        | ☆   | ☆   |     | ☆   |     | ☆       |     | ☆  |      | ☆  | ☆   | ☆    | ☆   | ☆     | ☆  | ●  |   |
| Ethyl acetate        |        |     |          |   | ○        |     | ☆     |          |     | ○   |     | ☆   | 100 | ☆       |     |    |      | ●  |     |      |     | ○     |    | ○  |   |
| Ethyl alcohol        |        |     |          |   | ☆        |     |       | ☆        |     |     | 96  | ☆   | 96  | ☆       |     |    |      | ○  |     |      |     |       |    | ☆  |   |
| Ethyl chloride       |        |     |          |   | ☆        |     |       | ○        |     |     |     | ●   | 100 | ☆       |     | ○  |      |    | ○   |      |     |       |    | ●  |   |
| Ethyl ether          |        |     |          |   |          | ☆   |       |          |     | ☆   |     | ☆   | 100 | ☆       |     |    |      |    |     |      |     |       |    | ☆  |   |
| Ferric chloride      |        |     |          |   | ○        |     | ☆     |          |     | 10  | ☆   |     | ☆   | 10      | ☆   |    |      | ☆  | ☆   | ☆    | ☆   | ☆     | SA | ☆  |   |
| Food fats            |        | ☆   | 100      | ☆ |          | ☆   |       | ☆        | ☆   | ☆   |     |     |     | ☆       |     | ☆  | ○    |    | ☆   | ☆    | ○   |       | ☆  | ☆  |   |
| Food oils            |        | ☆   |          | ☆ |          | ☆   |       | ☆        | ☆   | ☆   |     | ☆   |     | ☆       |     | ☆  |      | ☆  | ☆   | ☆    | ☆   | ☆     | ☆  | ☆  |   |
| Formaldehyde         |        | ☆   |          | ☆ |          | ☆   |       | ☆        | ☆   | ☆   | 40  | ☆   | 30  | ☆       |     | ○  |      | ○  | ○   | ○    | ○   | 40    | ●  | ●  |   |
| Formic acid          | 2      | ○   |          | ● | 100      | ☆   |       | ☆        | 10  | ●   | ○   |     |     | 10      | ●   | 10 | ●    | ☆  | ☆   | ●    | ☆   | ☆     | ○  | ○  |   |
| Freon 12             |        |     |          |   | ☆        |     |       |          |     | ☆   |     | ☆   |     | ☆       |     |    |      | ☆  | ☆   | ☆    | ☆   |       |    | ☆  |   |
| Fresh water          |        | ☆   |          | ☆ |          | ☆   |       | ☆        | ☆   | ☆   |     | ☆   |     | ☆       |     | ☆  |      | ☆  | ☆   | ☆    | ☆   | ☆     | ☆  | ☆  |   |
| Fruit juice          |        | ☆   |          | ○ |          | ☆   |       | ☆        | ☆   | ☆   |     | ☆   |     | ☆       |     | ☆  |      | ☆  | ☆   | ☆    | ☆   | ☆     | ☆  | ☆  |   |
| Gasoline             |        | ☆   |          | ☆ |          | ☆   |       | ○        |     | ○   |     | ○   |     | ☆       |     | ○  |      | ●  | ○   | ●    |     | ☆     | ☆  | ☆  |   |
| Glycerine            |        | ☆   |          | ☆ |          | ☆   |       | ☆        | ☆   | ☆   |     | ☆   |     | ☆       |     | ☆  |      | ☆  | ☆   | ☆    | ☆   | ☆     | ☆  | ☆  |   |
| Hydrochloric acid    |        | ●   |          | ● |          | ●   |       | ○        | 35  | ●   | 20  | ○   | 30  | ☆       |     | ●  | 35   | ☆  | 15  | ☆    | ○   | 15    | ☆  | 37 | ☆ |
| Hydrofluoric acid    |        |     |          | ● |          | ●   |       |          |     |     |     | 40  | ☆   |         | ●   | 70 | ☆    |    |     | ●    |     |       |    | 48 | ☆ |
| Hydrogen peroxide    | 3      | ☆   |          | ☆ |          | 100 | ☆     |          |     |     |     |     |     |         | ●   |    |      | 30 | ○   | ●    | 30  | ●     | 90 | ☆  |   |
| Isopropyl alcohol    |        |     |          |   |          | ☆   |       |          |     | ☆   |     | ☆   |     | ☆       |     |    | ☆    |    | ☆   | ☆    | ☆   | ☆     | ☆  | ☆  |   |
| Lactic acid          |        |     | ○        |   |          | ☆   |       | ●        | ☆   | 10  | ☆   |     | 20  | ☆       |     | ☆  |      | ○  |     | ☆    | ○   |       | ☆  | ☆  |   |
| Linseed oil          |        |     |          |   |          | ☆   |       | ☆        | ☆   | ☆   |     | ☆   |     | ☆       |     | ☆  |      | ○  |     | ☆    | ●   |       |    |    |   |

| Chemical agent         | METALS |     |          |          |       | PLASTICS |     |     |     |     | RUBBERS |     |      |       |    |    |    |   |   |
|------------------------|--------|-----|----------|----------|-------|----------|-----|-----|-----|-----|---------|-----|------|-------|----|----|----|---|---|
|                        | EXTRA  |     | AISI 304 | AISI 316 | OT.NI | POM      | PBT | PP  | PA  | PE  | EPDM    | NBR | SEBS | VITON |    |    |    |   |   |
|                        | C %    | C % | C %      | C %      | C %   | C %      | C % | C % | C % | C % | C %     | C % | C %  |       |    |    |    |   |   |
| Magnesium chloride     |        |     | ○        | ☆        |       |          | ☆   | ☆   | ☆   |     | ☆       | ☆   | ☆    | SA ☆  |    |    |    |   |   |
| Methyl acetate         |        |     | ○        | ☆        |       |          | ○   | ☆   | ☆   |     | ○       | ●   | ●    | ●     |    |    |    |   |   |
| Methyl alcohol         |        | 80  | ☆        | ☆        | ☆     | ☆        | ☆   |     | ☆   |     | ☆       | ○   | ☆    | ○     |    |    |    |   |   |
| Methylene chloride     | ○      |     | ○        | ☆        |       | ●        | ●   | ○   | ☆   | ○   | ●       | ●   | ●    | ○     |    |    |    |   |   |
| Milk                   | ☆      |     | ☆        | ☆        | ☆     | ☆        | ☆   | ☆   | ☆   | ☆   | ○       | ☆   | ☆    | ☆     |    |    |    |   |   |
| Mineral oil            |        |     | ☆        | ☆        |       | ☆        | ☆   | ☆   | ☆   | ☆   | ●       | ☆   | ●    | ☆     |    |    |    |   |   |
| Nitric acid            | 25     | ○   | 65       | ☆        |       | ●        | 10  | ●   | 25  | ●   | ○       |     | 10   | ●     | 70 | ☆  |    |   |   |
| Nitrobenzene           |        |     |          | ☆        |       |          |     | ☆   | ☆   | ○   |         | ●   | ●    | ○     | ○  |    |    |   |   |
| Oleic acid             |        | ○   |          | ☆        | ☆     | ☆        |     |     | ☆   | ☆   | ○       | ●   | ○    | ●     | ○  |    |    |   |   |
| Oxalic acid            |        |     | 65       | ☆        | ☆     |          |     | 10  | ☆   | ☆   | ○       | ○   | ○    | ○     | ☆  |    |    |   |   |
| Paraffin               |        |     |          |          | ☆     | ☆        | ☆   |     |     |     | ☆       | ○   |      | ●     |    |    |    |   |   |
| Petroleum              |        |     | ☆        | ☆        | ☆     | ☆        | ☆   | ☆   | ☆   | ☆   | ●       | ●   | ☆    | ●     | ☆  |    |    |   |   |
| Petroleum ether        |        |     | ☆        | ☆        | ☆     | ☆        | ○   | ☆   | ☆   |     | ●       | ●   | ●    | ●     | ☆  |    |    |   |   |
| Phenol                 |        |     | ☆        | ☆        |       |          | ●   | ☆   | ●   |     | ○       | ●   | ○    | ○     | ☆  |    |    |   |   |
| Phosphoric acid        | 25     | ○   |          | ●        | ☆     | ●        | ●   | ●   | ☆   | ●   | ☆       | ☆   | 20   | ○     | ☆  | 85 | ☆  |   |   |
| Potassium bichromate   |        |     |          | SA       | ☆     |          |     | ○   | ☆   | ○   |         | ☆   | ☆    | ○     | ○  | SA | ☆  |   |   |
| Potassium bromite      |        |     |          |          | ☆     |          |     | ☆   | ☆   | ☆   |         | ☆   | ☆    | ☆     | ☆  |    |    |   |   |
| Potassium hydroxide    | ☆      | 50  | ☆        | ☆        |       | ●        | ●   | ☆   | ☆   | ☆   | ☆       | ○   | ☆    | ○     | ☆  | ☆  |    |   |   |
| Potassium permanganate |        |     | ☆        | ☆        |       |          |     | ☆   | ☆   | ●   |         | 10  | ☆    | ●     | 10 | ○  | ☆  |   |   |
| Sea water              | ●      |     | ☆        | ☆        | ☆     | ○        | ☆   | ☆   | ☆   | ☆   | ☆       | ☆   | ☆    | ☆     | ○  | ☆  |    |   |   |
| Silicone oil           |        |     |          | ☆        |       |          |     | ☆   | ☆   | ☆   |         | ☆   | ☆    | ☆     | ☆  | ☆  |    |   |   |
| Silver nitrate         |        |     | ○        | ☆        |       |          |     |     | ☆   | ☆   |         |     |      | ○     |    |    | ☆  |   |   |
| Sodium carbonate       | ☆      | 100 | ☆        | SA       | ☆     | ☆        | 10  | ☆   | ☆   | ☆   | ☆       | ☆   | ☆    | ☆     | ☆  | ☆  | ☆  |   |   |
| Sodium chloride        |        | ○   | ○        | ☆        | ☆     | ☆        |     |     | ☆   | ☆   | ☆       | ☆   | ☆    | ☆     | ☆  | SA | ☆  |   |   |
| Sodium hydroxide       | 40     | ☆   |          | ☆        | 60    | ☆        |     | 10  | ●   |     |         | ☆   | ☆    | ○     | ☆  |    |    |   |   |
| Sodium hypochlorite    |        |     | ●        | SA       | ○     |          | ●   | 10  | ○   | ☆   | ☆       | ☆   | 10   | ☆     | ●  | 10 | ○  | 5 | ☆ |
| Sodium silicate        |        | 100 | ☆        |          | ☆     |          |     |     |     |     | ☆       |     | ☆    | ☆     | ☆  | ☆  | ☆  |   |   |
| Sodium sulphate        |        | 100 | ☆        |          | ☆     |          |     |     |     |     | ☆       |     | ○    | ☆     | ☆  | ☆  | ☆  |   |   |
| Soft drinks            |        |     | ☆        | ☆        |       | ☆        |     | ☆   | ☆   | ☆   | ☆       | ☆   | ☆    | ☆     | ☆  | ☆  | ☆  |   |   |
| Suds                   |        |     | ☆        | ☆        |       | ☆        | 10  | ☆   | ☆   | ☆   | ☆       | ☆   | ☆    | ☆     | ☆  | ☆  | ☆  |   |   |
| Sulphuric acid         | ●      |     | ●        | ○        | ☆     | ●        | 2   | ☆   | ☆   | ●   | ○       | 50  | ☆    | ●     | 50 | ○  | 95 | ☆ |   |
| Tartaric acid          | ☆      | 50  | ☆        | ☆        | ●     | ○        | 50  | ☆   | ☆   | ☆   | ☆       |     | ○    | ☆     | ☆  | ☆  | ☆  |   |   |
| Tetrahydrofuran        |        |     |          | ☆        |       |          |     |     | ☆   | ○   | ☆       |     | ●    | ●     | ●  | ●  |    |   |   |
| Tetralin               |        |     | ●        | ☆        |       |          |     | ☆   | ●   | ☆   |         | ●   | ●    | ●     | ●  | ☆  |    |   |   |
| Tincture of iodine     |        |     | ○        | ☆        | ●     |          |     |     | ☆   | ●   | ☆       | ○   | ●    | ○     | ☆  |    |    |   |   |
| Toluol                 | ☆      |     |          | ☆        |       |          |     | ☆   | ☆   | ☆   |         | ●   | ●    | ●     | ●  | ○  |    |   |   |
| Transformer oil        | ☆      |     |          | ☆        |       |          |     | ☆   | ○   | ☆   |         | ●   | ☆    | ●     | ☆  |    |    |   |   |
| Trichloroethylene      |        |     | ●        | 100      | ☆     |          |     | ●   | ○   | ○   |         | ●   | ●    | ●     | ●  | ☆  |    |   |   |
| Triethanolamin         |        |     |          | ☆        |       |          |     | ☆   | ☆   | ☆   |         | ○   | ●    | ○     | ○  | ●  |    |   |   |
| Turpentine             | ☆      | ☆   | ☆        | ☆        |       | ●        | ☆   |     |     |     | ●       | ●   | ●    | ●     | ●  | ☆  |    |   |   |
| Vaseline               |        |     |          | ☆        |       |          |     | ☆   | ☆   |     | ○       | ●   | ☆    | ●     | ☆  | ☆  | ☆  |   |   |
| Vegetable juice        | ☆      |     | ☆        | ☆        |       | ☆        |     | ☆   | ☆   | ☆   | ☆       | ☆   | ☆    | ☆     | ☆  | ☆  | ☆  |   |   |
| Vegetable oils         | ☆      |     | ☆        | ☆        |       | ☆        | ●   | ☆   | ☆   | ☆   | ○       | ☆   | ☆    | ○     | ☆  | ☆  | ☆  |   |   |
| Vinegar                | ☆      | ☆   | 100      | ☆        | ☆     | ☆        | 10  | ☆   | ☆   | ☆   | ☆       | 25  | ☆    | ○     | 25 | ○  | ●  |   |   |
| Water and soap         | ☆      |     | ☆        | ☆        |       | ☆        |     | ☆   | ☆   | ☆   | ☆       | ☆   | ☆    | ☆     | ☆  | ☆  | ☆  |   |   |
| Whisky                 | ☆      |     | ☆        | ☆        | ☆     | ☆        |     | ☆   | ☆   | ☆   |         | ☆   | ☆    | ☆     | ☆  | ☆  | ☆  |   |   |
| Wine                   | ☆      |     | ☆        | ☆        | ☆     | ☆        |     | ☆   | ☆   | ☆   | ○       | ☆   | ☆    | ☆     | ☆  | ☆  | ☆  |   |   |
| Xilol                  | ☆      |     | ☆        | ☆        | ○     | ●        |     | ☆   | ●   | ☆   | ☆       | ●   | ●    | ●     | ●  | ☆  |    |   |   |

**ABBREVIATION**

C = concentration      ☆ = good resistance  
 SA = saturated        ● = insufficient resistance ( not recommended)

○ = fairly good resistance depending on use conditions  
 blank spaces = no tests performed

All values are only applicable to temperatures below 20°C.





# INDEX

| Code        | Page | Code         | Page | Code          | Page | Code         | Page | Code          | Page | Code         | Page |
|-------------|------|--------------|------|---------------|------|--------------|------|---------------|------|--------------|------|
| 50005       | 110  | 50082CG      | 109  | 50204V-EC     | 17   | 50206CGRB-EC | 19   | 50207CSRL     | 31   | 50208GB      | 9    |
| 50006       | 110  | 50083        | 106  | 50204VRB-EC   | 19   | 50206CGR-EC  | 19   | 50207CSRS     | 29   | 50208K       | 33   |
| 50015       | 110  | 50084        | 106  | 50204VR-EC    | 19   | 50206CGRL-EC | 21   | 50207D        | 33   | 50208K/SS    | 33   |
| 50016VB-EC  | 17   | 50085        | 106  | 50204VRL-EC   | 21   | 50206CL      | 47   | 50207D/SS     | 33   | 50208KB      | 33   |
| 50016V-EC   | 17   | 50086        | 106  | 50204W        | 35   | 50206CLB     | 47   | 50207DB       | 33   | 50208M       | 35   |
| 50016VRB-EC | 19   | 50087        | 106  | 50204WB       | 35   | 50206CLBR    | 49   | 50207G        | 9    | 50208MB      | 35   |
| 50016VR-EC  | 17   | 50088        | 106  | 50205         | 9    | 50206CLR     | 49   | 50207G/SS     | 9    | 50208N       | 11   |
| 50018       | 110  | 50088CG      | 109  | 50205/SS      | 9    | 50206CLRL    | 51   | 50207GB       | 9    | 50208NB      | 11   |
| 50019       | 110  | 50100        | 104  | 50205A        | 9    | 50206CLRS    | 49   | 50207K        | 33   | 50208NL      | 13   |
| 50020       | 110  | 50100CG      | 108  | 50205A/SS     | 9    | 50206CS      | 27   | 50207K/SS     | 33   | 50208R       | 11   |
| 50021       | 110  | 50101        | 104  | 50205AB       | 9    | 50206CSB     | 27   | 50207KB       | 33   | 50208RB      | 11   |
| 50022       | 110  | 50101CG      | 108  | 50205AR       | 11   | 50206CSBR    | 29   | 50207M        | 35   | 50208RL      | 13   |
| 50023       | 110  | 50102        | 104  | 50205ARB      | 11   | 50206CSR     | 29   | 50207MB       | 35   | 50208S       | 9    |
| 50051       | 106  | 50102CG      | 108  | 50205AW       | 35   | 50206CSRL    | 31   | 50207N        | 11   | 50208S/SS    | 9    |
| 50052       | 106  | 50103        | 104  | 50205AWB      | 35   | 50206CSRS    | 29   | 50207NB       | 11   | 50208SB      | 9    |
| 50052CG     | 109  | 50103CG      | 108  | 50205B        | 9    | 50206K       | 33   | 50207NL       | 13   | 50208SR      | 11   |
| 50053       | 106  | 50104        | 104  | 50205C        | 61   | 50206K/SS    | 33   | 50207R        | 11   | 50208SRL     | 13   |
| 50054       | 106  | 50104CG      | 108  | 50205C/SS     | 61   | 50206KB      | 33   | 50207RB       | 11   | 50208V/SS-EC | 17   |
| 50055       | 106  | 50105        | 104  | 50205CB       | 61   | 50206L       | 33   | 50207V/SS-EC  | 17   | 50208VB-EC   | 17   |
| 50055CG     | 109  | 50105CG      | 108  | 50205CG/SS-EC | 17   | 50206L/SS    | 33   | 50207VB-EC    | 17   | 50208V-EC    | 17   |
| 50056       | 106  | 50106        | 104  | 50205CGB-EC   | 17   | 50206LA      | 33   | 50207V-EC     | 17   | 50208VRB-EC  | 19   |
| 50057       | 106  | 50106CG      | 108  | 50205CG-EC    | 17   | 50206LA/SS   | 33   | 50207VRB-EC   | 19   | 50208VR-EC   | 19   |
| 50058       | 106  | 50107        | 104  | 50205CGRB-EC  | 19   | 50206LAB     | 33   | 50207VR-EC    | 19   | 50208VRL-EC  | 21   |
| 50058CG     | 109  | 50107CG      | 108  | 50205CGR-EC   | 19   | 50206LB      | 33   | 50207VRL-EC   | 21   | 50208X       | 35   |
| 50059       | 106  | 50108        | 104  | 50205CGRL-EC  | 21   | 50206R       | 11   | 50207X        | 35   | 50208XB      | 35   |
| 50060       | 106  | 50108CG      | 108  | 50205L        | 33   | 50206RB      | 11   | 50207XB       | 35   | 51205        | 15   |
| 50060CG     | 109  | 50109        | 104  | 50205L/SS     | 33   | 50206RL      | 13   | 50207Y        | 63   | 51205A       | 15   |
| 50061       | 106  | 50109CG      | 108  | 50205LA       | 33   | 50206S       | 9    | 50207YB       | 63   | 51206        | 15   |
| 50061CG     | 109  | 50110        | 104  | 50205LA/SS    | 33   | 50206S/SS    | 9    | 50208         | 9    | 51206        | 15   |
| 50062       | 106  | 50110CG      | 108  | 50205LAB      | 33   | 50206SB      | 9    | 50208/OH      | 11   | 51206C       | 65   |
| 50062CG     | 109  | 50111        | 104  | 50205LB       | 33   | 50206SR      | 11   | 50208/SS      | 9    | 51206F       | 23   |
| 50063       | 106  | 50112        | 104  | 50205R        | 11   | 50206SRL     | 13   | 50208B        | 9    | 51206FB      | 23   |
| 50064       | 106  | 50201VB-EC   | 17   | 50205RB       | 11   | 50206V/SS-EC | 17   | 50208CG/SS-EC | 17   | 51206FR      | 25   |
| 50064CG     | 109  | 50201V-EC    | 17   | 50205S        | 9    | 50206VB-EC   | 17   | 50208CGB-EC   | 17   | 51206FRB     | 25   |
| 50065       | 106  | 50201VRB-EC  | 19   | 50205S        | 9    | 50206V-EC    | 17   | 50208CG-EC    | 17   | 51206L       | 23   |
| 50065CG     | 109  | 50201VR-EC   | 19   | 50205S/SS     | 9    | 50206VRB-EC  | 19   | 50208CGRB-EC  | 19   | 51206LB      | 23   |
| 50066       | 106  | 50202VB-EC   | 17   | 50205SB       | 9    | 50206VR-EC   | 19   | 50208CGR-EC   | 19   | 51206S       | 23   |
| 50066CG     | 109  | 50202V-EC    | 17   | 50205SR       | 11   | 50206VRL-EC  | 21   | 50208CGRL-EC  | 21   | 51206SB      | 23   |
| 50067       | 106  | 50202VRB-EC  | 19   | 50205SRB      | 11   | 50206W       | 35   | 50208CL       | 47   | 51206SR      | 25   |
| 50067CG     | 109  | 50202VR-EC   | 19   | 50205SRL      | 13   | 50206WB      | 35   | 50208CLB      | 47   | 51206SRB     | 25   |
| 50068       | 106  | 50203VB-EC   | 17   | 50205V/SS-EC  | 17   | 50206X       | 35   | 50208CLBR     | 49   | 51206T       | 23   |
| 50068CG     | 109  | 50203V-EC    | 17   | 50205VB-EC    | 17   | 50206XB      | 35   | 50208CLBRL    | 51   | 51206TB      | 23   |
| 50069       | 106  | 50203VRB-EC  | 19   | 50205V-EC     | 17   | 50206Y       | 63   | 50208CLR      | 49   | 51207        | 15   |
| 50069CG     | 109  | 50203VR-EC   | 19   | 50205VRB-EC   | 19   | 50206YB      | 63   | 50208CLRL     | 51   | 51207C       | 65   |
| 50072       | 106  | 50204A       | 9    | 50205VR-EC    | 19   | 50207        | 9    | 50208CLRS     | 49   | 51208        | 15   |
| 50073       | 106  | 50204A/SS    | 9    | 50205VRL-EC   | 21   | 50207/SS     | 9    | 50208CS       | 27   | 51208F       | 23   |
| 50073CG     | 109  | 50204AB      | 9    | 50205W        | 35   | 50207B       | 9    | 50208CSB      | 27   | 51208FB      | 23   |
| 50074       | 106  | 50204AR      | 11   | 50205WB       | 35   | 50207C       | 61   | 50208CSBR     | 29   | 51208FR      | 25   |
| 50074CG     | 109  | 50204ARB     | 11   | 50206         | 9    | 50207C/SS    | 61   | 50208CSBRL    | 31   | 51208FRB     | 25   |
| 50075       | 106  | 50204CGRB-EC | 19   | 50206/OH      | 11   | 50207CB      | 61   | 50208CSR      | 29   | 51208L       | 23   |
| 50075CG     | 109  | 50204CGR-EC  | 19   | 50206/SS      | 9    | 50207CGRB-EC | 19   | 50208CSRL     | 31   | 51208LB      | 23   |
| 50076       | 106  | 50204CGRL-EC | 21   | 50206AW       | 35   | 50207CGR-EC  | 19   | 50208CSRS     | 29   | 51208S       | 23   |
| 50077       | 106  | 50204L       | 33   | 50206AWB      | 35   | 50207CGRL-EC | 21   | 50208D        | 33   | 51208SB      | 23   |
| 50077CG     | 109  | 50204L/SS    | 33   | 50206B        | 9    | 50207CL      | 47   | 50208D/SS     | 33   | 51208SR      | 25   |
| 50078       | 106  | 50204LB      | 33   | 50206C        | 61   | 50207CLB     | 47   | 50208DB       | 33   | 51208SRB     | 25   |
| 50078CG     | 109  | 50204S       | 9    | 50206C/SS     | 61   | 50207CLBR    | 49   | 50208F        | 9    | 51208T       | 23   |
| 50079       | 106  | 50204S/SS    | 9    | 50206CA       | 61   | 50207CLR     | 49   | 50208F/SS     | 9    | 51208TB      | 23   |
| 50079CG     | 109  | 50204SB      | 9    | 50206CA/SS    | 61   | 50207CLRL    | 51   | 50208FB       | 9    | 52204A       | 87   |
| 50080       | 106  | 50204SR      | 11   | 50206CAB      | 61   | 50207CLRS    | 49   | 50208FR       | 11   | 52204A/SS    | 87   |
| 50080CG     | 109  | 50204SRB     | 11   | 50206CB       | 61   | 50207CS      | 27   | 50208FRB      | 11   | 52204AB      | 87   |
| 50081       | 106  | 50204SRL     | 13   | 50206CG/SS-EC | 17   | 50207CSB     | 27   | 50208FRL      | 13   | 52204AR      | 89   |
| 50081CG     | 109  | 50204V/SS-EC | 17   | 50206CGB-EC   | 17   | 50207CSBR    | 29   | 50208G        | 9    | 52204ARB     | 89   |
| 50082       | 106  | 50204VB-EC   | 17   | 50206CG-EC    | 17   | 50207CSR     | 29   | 50208G/SS     | 9    | 52204E       | 91   |

| Code         | Page | Code         | Page | Code        | Page | Code        | Page | Code          | Page | Code          | Page |
|--------------|------|--------------|------|-------------|------|-------------|------|---------------|------|---------------|------|
| 52204E/SS    | 91   | 52206CGFRBA  | 77   | 53204       | 67   | 53207B      | 67   | 54202NSB      | 99   | 54205N-EC     | 41   |
| 52204EB      | 91   | 52206E       | 91   | 53204/SS    | 67   | 53207CG     | 67   | 54202S        | 95   | 54205NRB-EC   | 43   |
| 52204ER      | 93   | 52206E/SS    | 91   | 53204A      | 71   | 53207CG/SS  | 67   | 54202SB       | 95   | 54205NR-EC    | 43   |
| 52204ERB     | 93   | 52206EB      | 91   | 53204A/SS   | 71   | 53207CGB    | 67   | 54202SZ       | 97   | 54205NRL-EC   | 45   |
| 52204T       | 83   | 52206ER      | 93   | 53204AB     | 71   | 53207CGR    | 69   | 54202SZB      | 97   | 54205TN       | 53   |
| 52204T/SS    | 83   | 52206ERB     | 93   | 53204AR     | 73   | 53207CGRB   | 69   | 54202TN       | 53   | 54205TN/SS    | 53   |
| 52204TB      | 83   | 52206F       | 75   | 53204ARB    | 73   | 53207R      | 69   | 54202TNB      | 53   | 54205TNB      | 53   |
| 52204TR      | 85   | 52206F/SS    | 75   | 53204B      | 67   | 53207RB     | 69   | 54202Z        | 39   | 54206CB       | 55   |
| 52204TRB     | 85   | 52206FA      | 75   | 53204CG     | 67   | 53208       | 67   | 54202ZB       | 39   | 54206CB/SS    | 55   |
| 52205A       | 87   | 52206FA/SS   | 75   | 53204CG/SS  | 67   | 53208/SS    | 67   | 54203         | 37   | 54206CBB      | 55   |
| 52205A/SS    | 87   | 52206FB      | 75   | 53204CGA    | 71   | 53208B      | 67   | 54203B        | 37   | 54206CBBR     | 57   |
| 52205AB      | 87   | 52206FBA     | 75   | 53204CGA/SS | 71   | 53208CG     | 67   | 54203NB-EC    | 41   | 54206CBR      | 57   |
| 52205AR      | 89   | 52206FR      | 77   | 53204CGAB   | 71   | 53208CG/SS  | 67   | 54203ND       | 99   | 54206CBBR/SS  | 57   |
| 52205ARB     | 89   | 52206FRA     | 77   | 53204CGAC   | 71   | 53208CGB    | 67   | 54203NDB      | 99   | 54206CBRL     | 59   |
| 52205CGF     | 75   | 52206FRB     | 77   | 53204CGAR   | 73   | 53208CGR    | 69   | 54203N-EC     | 41   | 54206CG/SS-EC | 41   |
| 52205CGF/SS  | 75   | 52206FRBA    | 77   | 53204CGARB  | 73   | 53208CGRB   | 69   | 54203NRB-EC   | 43   | 54206CGB-EC   | 41   |
| 52205CGFA    | 75   | 52206G       | 79   | 53204CGB    | 67   | 53208R      | 69   | 54203NR-EC    | 43   | 54206CG-EC    | 41   |
| 52205CGFA/SS | 75   | 52206G/SS    | 79   | 53204CGR    | 69   | 53208RB     | 69   | 54203NS       | 99   | 54206CGRB-EC  | 43   |
| 52205CGFB    | 75   | 52206GB      | 79   | 53204CGRB   | 69   | 54016       | 37   | 54203NSB      | 99   | 54206CGR-EC   | 43   |
| 52205CGFBA   | 75   | 52206GR      | 81   | 53204R      | 69   | 54016B      | 37   | 54203S        | 95   | 54206CGRL-EC  | 45   |
| 52205CGFR    | 77   | 52206GRB     | 81   | 53204RB     | 69   | 54016NB-EC  | 41   | 54203SB       | 95   | 54206N/SS-EC  | 41   |
| 52205CGFRA   | 77   | 52206T       | 83   | 53205       | 67   | 54016ND     | 99   | 54203SZ       | 97   | 54206NB-EC    | 41   |
| 52205CGFRB   | 77   | 52206T/SS    | 83   | 53205/SS    | 67   | 54016NDB    | 99   | 54203SZB      | 97   | 54206N-EC     | 41   |
| 52205CGFRBA  | 77   | 52206TB      | 83   | 53205A      | 71   | 54016N-EC   | 41   | 54203TN       | 53   | 54206NRB-EC   | 43   |
| 52205E       | 91   | 52206TR      | 85   | 53205A/SS   | 71   | 54016NRB-EC | 43   | 54203TNB      | 53   | 54206NR-EC    | 43   |
| 52205E/SS    | 91   | 52206TRB     | 85   | 53205AB     | 71   | 54016NR-EC  | 43   | 54203Z        | 39   | 54206NRL-EC   | 45   |
| 52205EB      | 91   | 52207A       | 87   | 53205AR     | 73   | 54016NS     | 99   | 54203ZB       | 39   | 54207CG/SS-EC | 41   |
| 52205ER      | 93   | 52207A/SS    | 87   | 53205ARB    | 73   | 54016NSB    | 99   | 54204         | 37   | 54207CGB-EC   | 41   |
| 52205ERB     | 93   | 52207AB      | 87   | 53205B      | 67   | 54016S      | 95   | 54204/SS      | 37   | 54207CG-EC    | 41   |
| 52205F       | 75   | 52207AR      | 89   | 53205CG     | 67   | 54016SB     | 95   | 54204B        | 37   | 54207CGRB-EC  | 43   |
| 52205F/SS    | 75   | 52207ARB     | 89   | 53205CG/SS  | 67   | 54016SZ     | 97   | 54204CG/SS-EC | 41   | 54207CGR-EC   | 43   |
| 52205FA      | 75   | 52207E       | 91   | 53205CGA    | 71   | 54016SZB    | 97   | 54204CGB-EC   | 41   | 54207CGRL-EC  | 45   |
| 52205FA/SS   | 75   | 52207E/SS    | 91   | 53205CGA/SS | 71   | 54016TN     | 53   | 54204CG-EC    | 41   | 54207N/SS-EC  | 41   |
| 52205FB      | 75   | 52207EB      | 91   | 53205CGAB   | 71   | 54016TNB    | 53   | 54204CGRB-EC  | 43   | 54207NB-EC    | 41   |
| 52205FBA     | 75   | 52207ER      | 93   | 53205CGAR   | 73   | 54016Z      | 39   | 54204CGR-EC   | 43   | 54207N-EC     | 41   |
| 52205FR      | 77   | 52207ERB     | 93   | 53205CGARB  | 73   | 54016ZB     | 39   | 54204CGRL-EC  | 45   | 54207NRB-EC   | 43   |
| 52205FRA     | 77   | 52207G       | 79   | 53205CGB    | 67   | 54201       | 37   | 54204N/SS-EC  | 41   | 54207NR-EC    | 43   |
| 52205FRB     | 77   | 52207G/SS    | 79   | 53205CGR    | 69   | 54201B      | 37   | 54204NB-EC    | 41   | 54207NRL-EC   | 45   |
| 52205FRBA    | 77   | 52207GB      | 79   | 53205CGRB   | 69   | 54201NB-EC  | 41   | 54204ND       | 99   | 54208CB       | 55   |
| 52205G       | 79   | 52207GR      | 81   | 53205R      | 69   | 54201ND     | 99   | 54204ND/SS    | 99   | 54208CB/SS    | 55   |
| 52205G/SS    | 79   | 52207GRB     | 81   | 53205RB     | 69   | 54201NDB    | 99   | 54204NDB      | 99   | 54208CBB      | 55   |
| 52205GB      | 79   | 52207T       | 83   | 53206       | 67   | 54201N-EC   | 41   | 54204N-EC     | 41   | 54208CBBR     | 57   |
| 52205GR      | 81   | 52207T/SS    | 83   | 53206/SS    | 67   | 54201NRB-EC | 43   | 54204NRB-EC   | 43   | 54208CBR      | 57   |
| 52205GRB     | 81   | 52207TB      | 83   | 53206A      | 71   | 54201NR-EC  | 43   | 54204NR-EC    | 43   | 54208CBBR/SS  | 57   |
| 52205T       | 83   | 52207TR      | 85   | 53206A/SS   | 71   | 54201NS     | 99   | 54204NRL-EC   | 45   | 54208CBRL     | 59   |
| 52205T/SS    | 83   | 52207TRB     | 85   | 53206AB     | 71   | 54201NSB    | 99   | 54204NS       | 99   | 54208CG/SS-EC | 41   |
| 52205TB      | 83   | 525206CGF/SS | 75   | 53206AR     | 73   | 54201S      | 95   | 54204NS/SS    | 99   | 54208CGB-EC   | 41   |
| 52205TR      | 85   | 53016        | 67   | 53206ARB    | 73   | 54201SB     | 95   | 54204NSB      | 99   | 54208CG-EC    | 41   |
| 52205TRB     | 85   | 53016B       | 67   | 53206B      | 67   | 54201SZ     | 97   | 54204S        | 95   | 54208CGRB-EC  | 43   |
| 52206A       | 87   | 53016R       | 69   | 53206CG     | 67   | 54201SZB    | 97   | 54204S/SS     | 95   | 54208CGR-EC   | 43   |
| 52206A/SS    | 87   | 53016RB      | 69   | 53206CG/SS  | 67   | 54201TN     | 53   | 54204SB       | 95   | 54208CGRL-EC  | 45   |
| 52206AB      | 87   | 53201        | 67   | 53206CGA    | 71   | 54201TNB    | 53   | 54204SZ       | 97   | 54208N/SS-EC  | 41   |
| 52206AR      | 89   | 53201B       | 67   | 53206CGA/SS | 71   | 54201Z      | 39   | 54204SZB      | 97   | 54208NB-EC    | 41   |
| 52206ARB     | 89   | 53201R       | 69   | 53206CGAB   | 71   | 54201ZB     | 39   | 54204Z        | 39   | 54208N-EC     | 41   |
| 52206CGF     | 75   | 53201RB      | 69   | 53206CGAR   | 73   | 54202       | 37   | 54204ZB       | 39   | 54208NRB-EC   | 43   |
| 52206CGF/SS  | 74   | 53202        | 67   | 53206CGARB  | 73   | 54202B      | 37   | 54205CG/SS-EC | 41   | 54208NR-EC    | 43   |
| 52206CGFA    | 75   | 53202B       | 67   | 53206CGB    | 67   | 54202NB-EC  | 41   | 54205CGB-EC   | 41   | 54208NRL-EC   | 45   |
| 52206CGFA/SS | 75   | 53202R       | 69   | 53206CGR    | 69   | 54202ND     | 99   | 54205CG-EC    | 41   | 55016VRB-EC   | 19   |
| 52206CGFB    | 75   | 53202RB      | 69   | 53206CGRB   | 69   | 54202NDB    | 99   | 54205CGRB-EC  | 43   | 55016VR-EC    | 19   |
| 52206CGFBA   | 75   | 53203        | 67   | 53206R      | 69   | 54202N-EC   | 41   | 54205CGR-EC   | 43   | 55201VRB-EC   | 19   |
| 52206CGFR    | 77   | 53203B       | 67   | 53206RB     | 69   | 54202NRB-EC | 43   | 54205CGRL-EC  | 45   | 55201VR-EC    | 19   |
| 52206CGFRA   | 77   | 53203R       | 69   | 53207       | 67   | 54202NR-EC  | 43   | 54205N/SS-EC  | 41   | 55202VRB-EC   | 19   |
| 52206CGFRB   | 77   | 53203RB      | 69   | 53207/SS    | 67   | 54202NS     | 99   | 54205NB-EC    | 41   | 55202VR-EC    | 19   |

# INDEX

| Code         | Page | Code         | Page | Code        | Page | Code         | Page | Code         | Page | Code     | Page |
|--------------|------|--------------|------|-------------|------|--------------|------|--------------|------|----------|------|
| 55203VRB-EC  | 19   | 55207CLBR    | 49   | 56207C      | 65   | 58204CGARB   | 73   | 59205CGRB-EC | 43   | 60106    | 105  |
| 55203VR-EC   | 19   | 55207CLR     | 49   | 56208       | 15   | 58204CGR     | 69   | 59205CGR-EC  | 43   | 60107    | 105  |
| 55204AR      | 11   | 55207CLRL    | 51   | 56208FR     | 25   | 58204CGRB    | 69   | 59205CGRL-EC | 45   | 60109    | 105  |
| 55204ARB     | 11   | 55207CLRS    | 49   | 56208FRB    | 25   | 58204R       | 69   | 59205NRB-EC  | 43   | 60110    | 105  |
| 55204CGRB-EC | 19   | 55207CSBR    | 29   | 56208SR     | 25   | 58204RB      | 69   | 59205NR-EC   | 43   | 60204L   | 33   |
| 55204CGR-EC  | 19   | 55207CSR     | 29   | 56208SRB    | 25   | 58205AR      | 73   | 59205NRL-EC  | 45   | 60204S   | 9    |
| 55204CGRL-EC | 21   | 55207CSRL    | 31   | 57204AR     | 89   | 58205ARB     | 73   | 59206CBBR    | 57   | 60204SR  | 11   |
| 55204SR      | 11   | 55207CSRS    | 29   | 57204ARB    | 89   | 58205CGAR    | 73   | 59206CBR     | 57   | 60204SRB | 11   |
| 55204SRB     | 11   | 55207M       | 35   | 57204ER     | 93   | 58205CGARB   | 73   | 59206CBR/SS  | 57   | 60204SRL | 13   |
| 55204SRL     | 13   | 55207MB      | 35   | 57204ERB    | 93   | 58205CGR     | 69   | 59206CBRL    | 59   | 60204W   | 35   |
| 55204VRB-EC  | 19   | 55207N       | 11   | 57204TR     | 85   | 58205CGRB    | 69   | 59206CGRB-EC | 43   | 60204WB  | 35   |
| 55204VR-EC   | 19   | 55207NB      | 11   | 57204TRB    | 85   | 58205R       | 69   | 59206CGR-EC  | 43   | 60205A   | 9    |
| 55204VRL-EC  | 21   | 55207NL      | 13   | 57205AR     | 89   | 58205RB      | 69   | 59206CGRL-EC | 45   | 60205AR  | 11   |
| 55204W       | 35   | 55207R       | 11   | 57205ARB    | 89   | 58206AR      | 73   | 59206NRL-EC  | 45   | 60205ARB | 11   |
| 55204WB      | 35   | 55207RB      | 11   | 57205CGFR   | 77   | 58206ARB     | 73   | 59207CGRB-EC | 43   | 60205AW  | 35   |
| 55205AR      | 11   | 55207VRB-EC  | 19   | 57205CGFRA  | 77   | 58206CGAR    | 73   | 59207CGR-EC  | 43   | 60205AWB | 35   |
| 55205ARB     | 11   | 55207VR-EC   | 19   | 57205CGFRB  | 77   | 58206CGARB   | 73   | 59207CGRL-EC | 45   | 60205C   | 61   |
| 55205AW      | 35   | 55207VRL-EC  | 21   | 57205CGFRBA | 77   | 58206CGR     | 69   | 59207NRB-EC  | 43   | 60205L   | 33   |
| 55205AWB     | 35   | 55207X       | 35   | 57205ER     | 93   | 58206CGRB    | 69   | 59207NR-EC   | 43   | 60205LA  | 33   |
| 55205CGRB-EC | 19   | 55207XB      | 35   | 57205ERB    | 93   | 58206R       | 69   | 59207NRL-EC  | 45   | 60205SRL | 13   |
| 55205CGR-EC  | 19   | 55207Y       | 63   | 57205FR     | 77   | 58206RB      | 69   | 59208CBBR    | 57   | 60205W   | 35   |
| 55205CGRL-EC | 21   | 55207YB      | 63   | 57205FRA    | 77   | 58207CGR     | 69   | 59208CBR     | 57   | 60205WB  | 35   |
| 55205R       | 11   | 55208/OH     | 11   | 57205FRB    | 77   | 58207CGRB    | 69   | 59208CBR/SS  | 57   | 60206    | 9    |
| 55205RB      | 11   | 55208CGRB-EC | 19   | 57205FRBA   | 77   | 58207R       | 69   | 59208CBRL    | 59   | 60206C   | 61   |
| 55205SR      | 11   | 55208CGR-EC  | 19   | 57205GR     | 81   | 58207RB      | 69   | 59208CGRB-EC | 43   | 60206CA  | 61   |
| 55205SRB     | 11   | 55208CGRL-EC | 21   | 57205GRB    | 81   | 58208CGR     | 69   | 59208CGR-EC  | 43   | 60206K   | 33   |
| 55205SRL     | 13   | 55208CLBR    | 49   | 57205TR     | 85   | 58208CGRB    | 69   | 59208CGRL-EC | 45   | 60206R   | 11   |
| 55205VRB-EC  | 19   | 55208CLBRL   | 51   | 57205TRB    | 85   | 58208R       | 69   | 59208NRB-EC  | 43   | 60206RB  | 11   |
| 55205VR-EC   | 19   | 55208CLR     | 49   | 57206AR     | 89   | 58208RB      | 69   | 59208NR-EC   | 43   | 60206RL  | 13   |
| 55205VRL-EC  | 21   | 55208CLRL    | 51   | 57206ARB    | 89   | 59016NRB-EC  | 43   | 59208NRL-EC  | 45   | 60206SRL | 13   |
| 55205W       | 35   | 55208CLRS    | 49   | 57206CGFR   | 77   | 59016NR-EC   | 43   | 60051        | 107  | 60206X   | 35   |
| 55205WB      | 35   | 55208CSBR    | 29   | 57206CGFRA  | 77   | 59016SZ      | 97   | 60052        | 107  | 60206XB  | 35   |
| 55206/OH     | 11   | 55208CSBRL   | 31   | 57206CGFRB  | 77   | 59016SZB     | 97   | 60053        | 107  | 60206Y   | 63   |
| 55206AW      | 35   | 55208CSR     | 29   | 57206CGFRBA | 77   | 59016Z       | 39   | 60054        | 107  | 60206YB  | 63   |
| 55206AWB     | 35   | 55208CSRL    | 31   | 57206ER     | 93   | 59016ZB      | 39   | 60055        | 107  | 60207    | 9    |
| 55206CGRB-EC | 19   | 55208CSRS    | 29   | 57206ERB    | 93   | 59201NRB-EC  | 17   | 60056        | 107  | 60207C   | 61   |
| 55206CGR-EC  | 19   | 55208FR      | 11   | 57206FR     | 77   | 59201NR-EC   | 43   | 60057        | 107  | 60207D   | 33   |
| 55206CGRL-EC | 21   | 55208FRB     | 11   | 57206FRA    | 77   | 59201SZ      | 97   | 60058        | 107  | 60207M   | 35   |
| 55206CLBR    | 49   | 55208FRL     | 13   | 57206FRB    | 77   | 59201SZB     | 97   | 60059        | 107  | 60207MB  | 35   |
| 55206CLR     | 49   | 55208M       | 35   | 57206FRBA   | 77   | 59201Z       | 39   | 60060        | 107  | 60207R   | 11   |
| 55206CLRL    | 51   | 55208MB      | 35   | 57206GR     | 81   | 59201ZB      | 39   | 60061        | 107  | 60207RB  | 11   |
| 55206CLRS    | 49   | 55208N       | 11   | 57206GRB    | 81   | 59202NRB-EC  | 43   | 60062        | 107  | 60207RL  | 13   |
| 55206CSBR    | 29   | 55208NB      | 11   | 57206TR     | 85   | 59202NR-EC   | 43   | 60063        | 107  | 60207Y   | 63   |
| 55206CSR     | 29   | 55208NL      | 13   | 57206TRB    | 85   | 59202SZ      | 97   | 60064        | 107  | 60207YB  | 63   |
| 55206CSRL    | 31   | 55208R       | 11   | 57207AR     | 89   | 59202SZB     | 97   | 60065        | 107  | 60208    | 9    |
| 55206CSRS    | 29   | 55208RB      | 11   | 57207ARB    | 89   | 59202Z       | 39   | 60066        | 107  | 60208FRL | 13   |
| 55206R       | 11   | 55208RL      | 13   | 57207ER     | 93   | 59202ZB      | 39   | 60067        | 107  | 60208NL  | 13   |
| 55206RB      | 11   | 55208SR      | 11   | 57207ERB    | 93   | 59203NRB-EC  | 43   | 60072        | 107  | 60208R   | 11   |
| 55206RL      | 13   | 55208SRL     | 13   | 57207GR     | 81   | 59203NR-EC   | 43   | 60073        | 107  | 60208RB  | 11   |
| 55206SR      | 11   | 55208VRB-EC  | 19   | 57207GRB    | 81   | 59203SZ      | 97   | 60074        | 107  | 60208RL  | 13   |
| 55206SRL     | 13   | 55208VR-EC   | 19   | 57207TR     | 85   | 59203SZB     | 97   | 60075        | 107  | 60208SRL | 13   |
| 55206VRB-EC  | 19   | 55208VRL-EC  | 21   | 57207TRB    | 85   | 59203Z       | 39   | 60077        | 107  | 61205A   | 15   |
| 55206VR-EC   | 19   | 55208X       | 35   | 58016R      | 69   | 59203ZB      | 39   | 60078        | 107  | 64016Z   | 39   |
| 55206VRL-EC  | 21   | 55208XB      | 35   | 58016RB     | 69   | 59204CGRB-EC | 43   | 60079        | 107  | 64016ZB  | 39   |
| 55206W       | 35   | 56205        | 15   | 58201R      | 69   | 59204CGR-EC  | 43   | 60080        | 107  | 64201Z   | 39   |
| 55206WB      | 35   | 56205A       | 15   | 58201RB     | 69   | 59204CGRL-EC | 45   | 60081        | 107  | 64201ZB  | 39   |
| 55206X       | 35   | 56206        | 15   | 58202R      | 69   | 59204NRB-EC  | 43   | 60082        | 107  | 64202Z   | 39   |
| 55206XB      | 35   | 56206C       | 65   | 58202RB     | 69   | 59204NR-EC   | 43   | 60100        | 105  | 64202ZB  | 39   |
| 55206Y       | 63   | 56206FR      | 25   | 58203R      | 69   | 59204NRL-EC  | 45   | 60101        | 105  | 64203Z   | 39   |
| 55206YB      | 63   | 56206FRB     | 25   | 58203RB     | 69   | 59204SZ      | 97   | 60102        | 105  | 64203ZB  | 39   |
| 55207CGRB-EC | 19   | 56206SR      | 25   | 58204AR     | 73   | 59204SZB     | 97   | 60103        | 105  | 64204/SS | 37   |
| 55207CGR-EC  | 19   | 56206SRB     | 25   | 58204ARB    | 73   | 59204Z       | 39   | 60104        | 105  | 64204Z   | 39   |
| 55207CGRL-EC | 21   | 56207        | 15   | 58204CGAR   | 73   | 59204ZB      | 39   | 60105        | 105  | 64204ZB  | 39   |

| Code        | Page | Code  | Page | Code | Page | Code | Page | Code | Page |
|-------------|------|-------|------|------|------|------|------|------|------|
| 64206CB/SS  | 55   | 83227 | 102  |      |      |      |      |      |      |
| 64206CBRL   | 59   | 83232 | 103  |      |      |      |      |      |      |
| 64206CBR/SS | 57   | 83233 | 103  |      |      |      |      |      |      |
| 64208CB/SS  | 55   | 83234 | 103  |      |      |      |      |      |      |
| 64208CBRL   | 59   | 83235 | 103  |      |      |      |      |      |      |
| 64208CBR/SS | 57   | 83263 | 103  |      |      |      |      |      |      |
| 65204SR     | 11   | 83438 | 102  |      |      |      |      |      |      |
| 65204SRB    | 11   | 83439 | 102  |      |      |      |      |      |      |
| 65204SRL    | 13   | 83440 | 102  |      |      |      |      |      |      |
| 65204W      | 35   | 83441 | 102  |      |      |      |      |      |      |
| 65204WB     | 35   | 83442 | 102  |      |      |      |      |      |      |
| 65205AR     | 11   | 83443 | 102  |      |      |      |      |      |      |
| 65205ARB    | 11   | 83444 | 102  |      |      |      |      |      |      |
| 65205AW     | 35   | 83445 | 102  |      |      |      |      |      |      |
| 65205AWB    | 35   | 83929 | 103  |      |      |      |      |      |      |
| 65205SRL    | 13   | 83930 | 103  |      |      |      |      |      |      |
| 65205W      | 35   | 83955 | 103  |      |      |      |      |      |      |
| 65205WB     | 35   | 83956 | 103  |      |      |      |      |      |      |
| 65206R      | 11   | 83957 | 103  |      |      |      |      |      |      |
| 65206RB     | 11   |       |      |      |      |      |      |      |      |
| 65206RL     | 13   |       |      |      |      |      |      |      |      |
| 65206SRL    | 13   |       |      |      |      |      |      |      |      |
| 65206X      | 35   |       |      |      |      |      |      |      |      |
| 65206XB     | 35   |       |      |      |      |      |      |      |      |
| 65206Y      | 63   |       |      |      |      |      |      |      |      |
| 65206YB     | 63   |       |      |      |      |      |      |      |      |
| 65207M      | 35   |       |      |      |      |      |      |      |      |
| 65207MB     | 35   |       |      |      |      |      |      |      |      |
| 65207R      | 11   |       |      |      |      |      |      |      |      |
| 65207RB     | 11   |       |      |      |      |      |      |      |      |
| 65207RL     | 13   |       |      |      |      |      |      |      |      |
| 65207Y      | 63   |       |      |      |      |      |      |      |      |
| 65207YB     | 63   |       |      |      |      |      |      |      |      |
| 65208FRL    | 13   |       |      |      |      |      |      |      |      |
| 65208NL     | 13   |       |      |      |      |      |      |      |      |
| 65208R      | 11   |       |      |      |      |      |      |      |      |
| 65208RB     | 11   |       |      |      |      |      |      |      |      |
| 65208RL     | 13   |       |      |      |      |      |      |      |      |
| 65208SRL    | 13   |       |      |      |      |      |      |      |      |
| 66205A      | 15   |       |      |      |      |      |      |      |      |
| 69016Z      | 39   |       |      |      |      |      |      |      |      |
| 69016ZB     | 39   |       |      |      |      |      |      |      |      |
| 69201Z      | 39   |       |      |      |      |      |      |      |      |
| 69201ZB     | 39   |       |      |      |      |      |      |      |      |
| 69202Z      | 39   |       |      |      |      |      |      |      |      |
| 69202ZB     | 39   |       |      |      |      |      |      |      |      |
| 69203Z      | 39   |       |      |      |      |      |      |      |      |
| 69203ZB     | 39   |       |      |      |      |      |      |      |      |
| 69204Z      | 39   |       |      |      |      |      |      |      |      |
| 69204ZB     | 39   |       |      |      |      |      |      |      |      |
| 69206CBRL   | 59   |       |      |      |      |      |      |      |      |
| 69206CBR/SS | 57   |       |      |      |      |      |      |      |      |
| 69208CBRL   | 59   |       |      |      |      |      |      |      |      |
| 69208CBR/SS | 57   |       |      |      |      |      |      |      |      |
| 83218       | 102  |       |      |      |      |      |      |      |      |
| 83219       | 102  |       |      |      |      |      |      |      |      |
| 83220       | 102  |       |      |      |      |      |      |      |      |
| 83221       | 102  |       |      |      |      |      |      |      |      |
| 83222       | 102  |       |      |      |      |      |      |      |      |
| 83223       | 102  |       |      |      |      |      |      |      |      |
| 83224       | 102  |       |      |      |      |      |      |      |      |
| 83225       | 102  |       |      |      |      |      |      |      |      |
| 83226       | 102  |       |      |      |      |      |      |      |      |



# NOTE

A series of horizontal dotted lines for writing notes.

Catalogues available on request

### System Plast

Our complete range of components will cover  
all your productive needs

Conveyor  
Chains / Belts



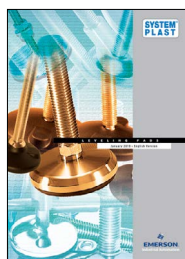
Conveyor  
Components



Bearing  
Supports



Leveling  
Pads



Interactive  
CD ROM



Engineering  
Manual



### System Plast worldwide!

Local Commitment, Global Presence

System Plast can reach you everywhere with fast shipments of  
standard or customized products.  
Find our agent or representative closest to you.



## Emerson Industrial Automation System Plast S.r.l.



Via Guareschi, 2  
24060 Telgate (Bergamo) - ITALY

Customer Service +39 035 83 51 301  
Fax +39 035 83 51 406  
E-mail [info@systemplast.com](mailto:info@systemplast.com)

Full details regarding your nearest Sales contact and all information about other  
high quality System Plast products is available at [www.systemplast.com](http://www.systemplast.com)



#### System Plast - USA

Tel. 866 765 8744 - Fax 866 447 6587  
[CustomerService.PTSolutions@Emerson.com](mailto:CustomerService.PTSolutions@Emerson.com)



#### System Plast - GERMANY

Tel. (03529) 56 15 0 - Fax (03529) 51 13 67  
[info@fspchains.com](mailto:info@fspchains.com)



#### System Plast - GERMANY

Sales Office - Tel. (06204) 9673 0 - Fax (06204) 9673 29  
[info-de@systemplast.com](mailto:info-de@systemplast.com)



#### System Plast - FRANCE

Tel. (01) 64 66 05 48 - Fax (01) 64 66 05 82  
[info-fr@systemplast.com](mailto:info-fr@systemplast.com)



#### System Plast International - THE NETHERLANDS

Tel. (0186) 63 61 21 - Fax (0186) 63 61 25  
[info-nl@systemplast.com](mailto:info-nl@systemplast.com)



#### System Plast - UK

Tel. (01926) 614 314 - Fax (01926) 614 914  
[info-uk@systemplast.com](mailto:info-uk@systemplast.com)



#### System Plast - MEXICO

Tel. (033) 3284 5629  
[servicioclientes@emerson.com](mailto:servicioclientes@emerson.com)



#### System Plast - BRAZIL

Tel. (011) 3618 6699 - Fax (011) 3618 6633  
[info-br@systemplast.com](mailto:info-br@systemplast.com)



#### System Plast - SINGAPORE

Tel. (65) 6891 7600 - Fax (65) 6873 7882  
[systemplast.sg@emerson.com](mailto:systemplast.sg@emerson.com)



#### System Plast - CHINA

Tel. (86) 596 2109921 - Fax (86) 596 2136004  
[sales.zz@emerson.com](mailto:sales.zz@emerson.com)

#### MCC11013E • Form 22201E

##### APPLICATION CONSIDERATIONS

The proper selection and application of power transmission products and components, including the related area of product safety, is the responsibility of the customer. Operating and performance requirements and potential associated issues will vary appreciably depending upon the use and application of such products and components. The scope of the technical and application information included in this publication is necessarily limited. Unusual operating environments and conditions, lubrication requirements, loading supports, and other factors can materially affect the application and operating results of the products and components and the customer should carefully review its requirements. Any technical advice or review furnished by Emerson Power Transmission Corporation and its divisions with respect to the use of products and components is given in good faith and without charge, and Emerson assumes no obligation or liability for the advice given, or results obtained, all such advice and review being given and accepted at customer's risk.

For a copy of our Standard Terms and Conditions of Sale, Disclaimers of Warranty, Limitation of Liability and Remedy, please contact Emerson Power Transmission Customer Service at 1-800-626-2120. These terms and conditions of sale, disclaimers and limitations of liability apply to any person who may buy, acquire or use an Emerson Power Transmission Corporation product referred to herein, including any person who buys from a licensed distributor of these branded products.

Emerson Power Transmission does not warrant the accuracy of the information contained in this document. All interchanges should be compared with actual current specifications and/or manufacturing drawings. For a copy of our standard terms and conditions, contact Emerson Power Transmission at 1-800-626-2120.

Emerson, Emerson. Consider It Solved., Emerson Industrial Automation and System Plast are trademarks of Emerson Electric Co. or one of its affiliated companies.  
© 2009, 2012 Emerson Power Transmission Corp., All Rights Reserved.  
MCC11013E • Form 22201E • Printed in Italy



**EMERSON**  
Industrial Automation