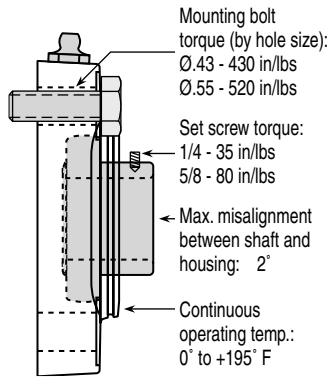


Mounted Bearings & Accessories



Section Overview

Flange Bearings with Solid Housings ... Page 140

- 2, 3, & 4 Hole Bearing Housings
- Black Bearing Housings
- Antimicrobial Bearing Housings
- Pillow Block Bearings
- Tapped Bearing Housings
- Ribbed Flange Bearings
- Chrome Steel Inserts
- Stainless Steel Inserts
- Through Shaft Covers
- Closed Covers



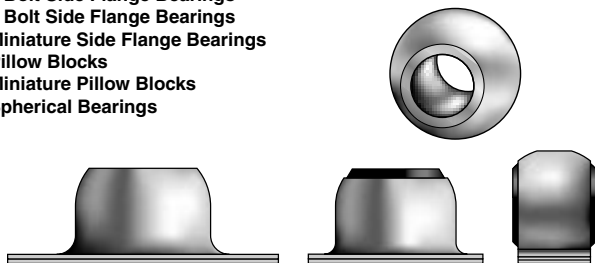
LifeGard™ ... Page 166

- 2 & 4 Hole Bearing Housings
- Tapped Bearing Housings
- Open and Closed Covers
- Back Shaft Seals



Metal Flange Mounts with Spherical O.D. Bearings ... Page 171

- 2 Bolt Side Flange Bearings
- 4 Bolt Side Flange Bearings
- Miniature Side Flange Bearings
- Pillow Blocks
- Miniature Pillow Blocks
- Spherical Bearings



Shaft Protector Bearings... Page 174



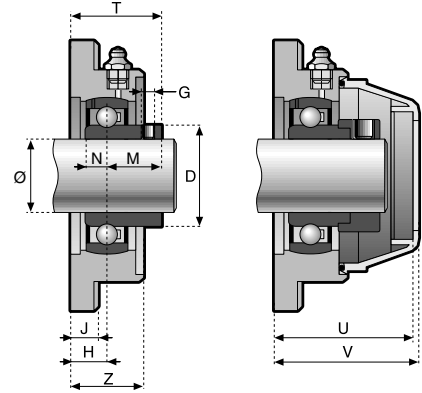
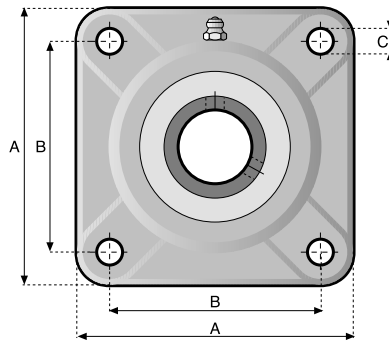


UCFQ

Flange Bearing with Solid Housings

Corrosion resistant housings are engineered to match the load capacity and speed requirements of standard bearing inserts. Self aligning and pre-lubricated bearing inserts allows for a low maintenance and trouble-free operation that is great for use in the food, beverage and pharmaceutical industry.

Mounted Bearings and Accessories



Chrome Steel OR Stainless Steel



Safety caps are available.

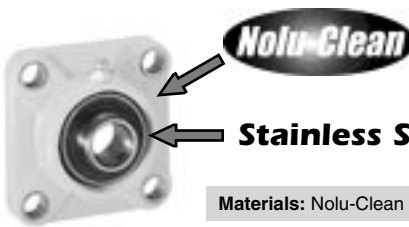
Materials: Black polyamide support housing (polypropylene can be special ordered). Chrome steel or stainless steel bearing insert.

Chrome Steel Insert

Part Number	Ø	A	B	C	D	G (UNF)	H	J	M	N	T	U	V	Z	Load Ratings (lbf)			Ship weight on housing (lbs)	Yellow safety cap	
															dynamic C	static Co	max radial on housing		closed	through shaft
UCFQ-204L-12	3/4"	3.39	2.50	0.43	1.12	1/4	0.61	0.39	0.72	0.30	1.33	1.89	1.97	1.02	2210	1480	2250	0.48	50013	50013.APE
UCFQ-205L-16	1"	3.74	2.76	0.43	1.34	1/4	0.67	0.48	0.78	0.30	1.45	2.05	2.13	1.14	2430	1770	2430	0.70	50009	50009.APE
UCFQ-206L-20	1-1/4"	4.25	3.25	0.43	1.57	1/4	0.57	0.48	0.87	0.35	1.44	2.20	2.28	1.14	3370	2540	2590	1.06	50010	50010.APE
UCFQ-207L-23	1-7/16"	4.65	3.62	0.55	1.84	1/4	0.71	0.62	1.00	0.38	1.71	2.36	2.44	1.30	4430	3440	2700	1.39	50010	50010.APE
UCFQ-208L-24	1-1/2"	5.12	4.00	0.55	2.07	5/16	0.71	0.62	1.19	0.43	1.89	2.28	2.36	1.38	5040	4020	2810	1.76	50014	50014.APE

Stainless Steel Insert

UCFQSS-204L-12	3/4"	3.39	2.50	0.43	1.12	1/4	0.61	0.39	0.72	0.30	1.33	1.89	1.97	1.02	1640	1100	2250	0.48	50013	50013.APE
UCFQSS-205L-16	1"	3.74	2.76	0.43	1.34	1/4	0.67	0.48	0.78	0.30	1.45	2.05	2.13	1.14	1820	1300	2430	0.70	50009	50009.APE
UCFQSS-206L-20	1-1/4"	4.25	3.25	0.43	1.57	1/4	0.57	0.48	0.87	0.35	1.44	2.20	2.28	1.14	2530	1890	2590	1.06	50010	50010.APE
UCFQSS-207L-23	1-7/16"	4.65	3.62	0.55	1.84	1/4	0.71	0.62	1.00	0.38	1.71	2.36	2.44	1.30	3300	2560	2700	1.39	50010	50010.APE
UCFQSS-208L-24	1-1/2"	5.12	4.00	0.55	2.07	5/16	0.71	0.62	1.19	0.43	1.89	2.28	2.36	1.38	3780	3010	2810	1.76	50014	50014.APE



A new antimicrobial material for improved hygiene. Created through new technology which will help equipment builders meet the requirements of the USDA and other government agencies as they relate to the prevention of contamination of food products and the growth of bacteria.

Stainless Steel

For HACCP Needs!

Materials: Nolu-Clean white polyamide support housing (polypropylene can be special ordered). Stainless steel bearing insert.

Stainless Steel Insert

Part Number	Ø	A	B	C	D	G (UNF)	H	J	M	N	T	U	V	Z	Load Ratings (lbf)			ship weight on housing (lbs)	Nolu-Clean safety cap	
															dynamic C	static Co	max radial on housing		closed	through shaft
UCFQSS-204-12-N	3/4"	3.39	2.50	0.43	1.12	1/4	0.61	0.39	0.72	0.30	1.33	1.89	1.97	1.02	1640	1100	2250	0.48	50007-N	50007.APE-N
UCFQSS-205-16-N	1"	3.74	2.76	0.43	1.34	1/4	0.67	0.48	0.78	0.30	1.45	2.05	2.13	1.14	1820	1300	2430	0.70	50011-N	50011.APE-N
UCFQSS-206-20-N	1-1/4"	4.25	3.25	0.43	1.57	1/4	0.57	0.48	0.87	0.35	1.44	2.20	2.28	1.14	2530	1890	2590	1.06	50001-N	50001.APE-N
UCFQSS-207-23-N	1-7/16"	4.65	3.62	0.55	1.84	1/4	0.71	0.62	1.00	0.38	1.71	2.36	2.44	1.30	3300	2560	2700	1.39	50004-N	50004.APE-N
UCFQSS-208-24-N	1-1/2"	5.12	4.00	0.55	2.07	5/16	0.71	0.62	1.19	0.43	1.89	2.28	2.36	1.38	3780	3010	2810	1.76	50002-N	50002.APE-N

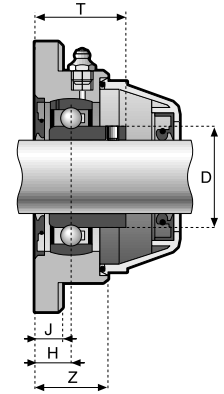
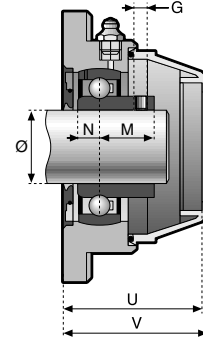
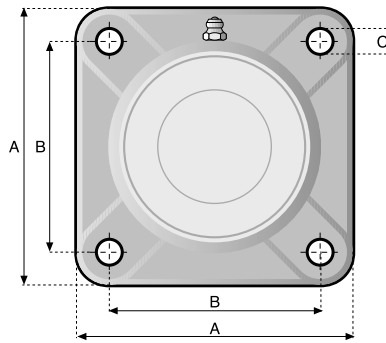
For the full range of bearings, see the System Plast Bearing Line catalog.



UCFQ sealed

Capped and Sealed Flange Bearing with Solid Housing

Available with through shaft or closed caps.



Closed version with set screws

Through shaft version with set screws

Mounted Bearings and Accessories



Chrome Steel OR Stainless Steel

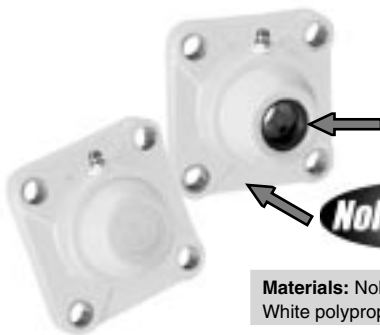
Materials: Black polyamide support housing (polypropylene can be special ordered). Stainless steel bearing insert. Yellow polypropylene safety cap. Seal and O-ring is NBR rubber.

Chrome Steel Insert

Closed Cap	Through Shaft Cap	Ø	A	B	C	D	G (UNF)	H	J	M	N	T	U	V	Z	dynamic C	static Co	max radial on housing	ship weight (lbs)
UCFQ-C204L-12	UCFQ-T204L-12	3/4"	3.39	2.50	0.43	1.12	1/4	0.61	0.39	0.72	0.30	1.33	1.89	1.97	1.02	2210	1480	2250	0.51
UCFQ-C205L-16	UCFQ-T205L-16	1"	3.74	2.76	0.43	1.34	1/4	0.67	0.48	0.78	0.30	1.45	2.05	2.13	1.14	2430	1770	2430	0.75
UCFQ-C206L-20	UCFQ-T206L-20	1-1/4"	4.25	3.25	0.43	1.57	1/4	0.57	0.48	0.87	0.35	1.44	2.20	2.28	1.14	3370	2540	2590	1.10
UCFQ-C207L-23	UCFQ-T207L-23	1-7/16"	4.65	3.62	0.55	1.84	1/4	0.71	0.62	1.00	0.38	1.71	2.36	2.44	1.30	4430	3440	2700	1.43
UCFQ-C208L-24	UCFQ-T208L-24	1-1/2"	5.12	4.00	0.55	2.07	5/16	0.71	0.62	1.19	0.43	1.89	2.28	2.36	1.38	5040	4020	2810	1.81

Stainless Steel Insert

Closed Cap	Through Shaft Cap	Ø	A	B	C	D	G (UNF)	H	J	M	N	T	U	V	Z	dynamic C	static Co	max radial on housing	ship weight (lbs)
UCFQSS-C204L-12	UCFQSS-T204L-12	3/4"	3.39	2.50	0.43	1.12	1/4	0.61	0.39	0.72	0.30	1.33	1.89	1.97	1.02	2210	1480	2250	0.51
UCFQSS-C205L-16	UCFQSS-T205L-16	1"	3.74	2.76	0.43	1.34	1/4	0.67	0.48	0.78	0.30	1.45	2.05	2.13	1.14	2430	1770	2430	0.75
UCFQSS-C206L-20	UCFQSS-T206L-20	1-1/4"	4.25	3.25	0.43	1.57	1/4	0.57	0.48	0.87	0.35	1.44	2.20	2.28	1.14	3370	2540	2590	1.10
UCFQSS-C207L-23	UCFQSS-T207L-23	1-7/16"	4.65	3.62	0.55	1.84	1/4	0.71	0.62	1.00	0.38	1.71	2.36	2.44	1.30	4430	3440	2700	1.43
UCFQSS-C208L-24	UCFQSS-T208L-24	1-1/2"	5.12	4.00	0.55	2.07	5/16	0.71	0.62	1.19	0.43	1.89	2.28	2.36	1.38	5040	4020	2810	1.81



Stainless Steel



A new antimicrobial material for improved hygiene. Created through new technology which will help equipment builders meet the requirements of the USDA and other government agencies as they relate to the prevention of contamination of food products and the growth of bacteria.

For HACCP Needs!

Materials: Nolu-Clean white polyamide support housing (polypropylene can be special ordered). Stainless steel bearing insert. White polypropylene safety cap. Seal and O-ring is NBR rubber.

Stainless Steel Insert

Closed Cap	Through Shaft Cap	Ø	A	B	C	D	G (UNF)	H	J	M	N	T	U	V	Z	dynamic C	static Co	max radial on housing	ship weight (lbs)
UCFQSS-C204-12-N	UCFQSS-T204-12-N	3/4"	3.39	2.50	0.43	1.12	1/4	0.61	0.39	0.72	0.30	1.33	1.89	1.97	1.02	2210	1480	2250	0.51
UCFQSS-C205-16-N	UCFQSS-T205-16-N	1"	3.74	2.76	0.43	1.34	1/4	0.67	0.48	0.78	0.30	1.45	2.05	2.13	1.14	2430	1770	2430	0.75
UCFQSS-C206-20-N	UCFQSS-T206-20-N	1-1/4"	4.25	3.25	0.43	1.57	1/4	0.57	0.48	0.87	0.35	1.44	2.20	2.28	1.14	3370	2540	2590	1.10
UCFQSS-C207-23-N	UCFQSS-T207-23-N	1-7/16"	4.65	3.62	0.55	1.84	1/4	0.71	0.62	1.00	0.38	1.71	2.36	2.44	1.30	4430	3440	2700	1.43
UCFQSS-C208-24-N	UCFQSS-T208-24-N	1-1/2"	5.12	4.00	0.55	2.07	5/16	0.71	0.62	1.19	0.43	1.89	2.28	2.36	1.38	5040	4020	2810	1.81

For the full range of bearings, see the System Plast Bearing Line catalog.

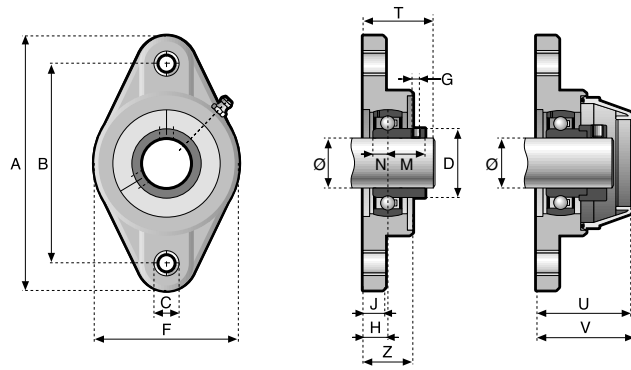


Solid Housing Flange Bearings

UCFH

Flange Bearing with Solid Housings

Corrosion resistant housings are engineered to match the load capacity and speed requirements of standard bearing inserts. Self aligning and pre-lubricated bearing inserts allows for a low maintenance and trouble-free operation that is great for use in the food, beverage and pharmaceutical industry.



Mounted Bearings and Accessories



Chrome Steel OR **Stainless Steel**



Safety caps are available.

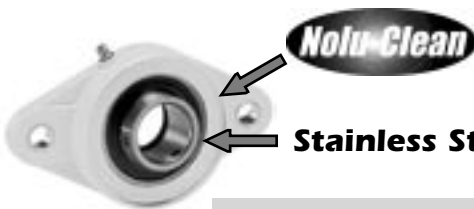
Materials: Black polyamide support housing (polypropylene can be special ordered). Chrome steel or stainless steel bearing insert.

Chrome Steel Insert

Part Number	Ø	A	B	C	D	F	G (UNF)	H	J	M	N	T	U	V	Z	Load dynamic C	Load static Co	Load max radial on housing	ship weight (lbs)	Yellow safety cap closed	Yellow safety cap through shaft
UCFH-204L-12	3/4"	4.49	3.54	0.43	1.12	2.52	1/4	0.61	0.39	0.72	0.30	1.33	1.89	1.97	1.02	2210	1480	1690	0.44	50013	50013.APE
UCFH-205L-16	1"	5.12	3.90	0.43	1.34	2.76	1/4	0.67	0.49	0.78	0.30	1.45	2.05	2.13	1.14	2430	1770	1800	0.66	50009	50009.APE
UCFH-206L-20	1-1/4"	5.83	4.61	0.43	1.57	3.31	1/4	0.57	0.49	0.87	0.35	1.44	2.20	2.28	1.14	3370	2540	1980	0.99	50010	50010.APE
UCFH-207L-23	1-7/16"	6.42	5.12	0.55	1.84	3.54	1/4	0.71	0.63	1.00	0.38	1.71	2.36	2.44	1.30	4430	3440	2020	1.32	50010	50010.APE
UCFH-208L-24	1-1/2"	6.89	5.67	0.55	2.07	4.06	5/16	0.71	0.79	1.18	0.43	1.89	2.28	2.36	1.38	5040	4020	2810	1.76	50014	50014.APE

Stainless Steel Insert

UCFHSS-204L-12	3/4"	4.49	3.54	0.43	1.12	2.52	1/4	0.61	0.49	0.72	0.30	1.33	1.89	1.97	1.14	1640	1100	1690	0.44	50013	50013.APE
UCFHSS-205L-16	1"	5.12	3.90	0.43	1.34	2.76	1/4	0.67	0.49	0.78	0.30	1.45	2.05	2.13	1.14	1820	1300	1800	0.66	50009	50009.APE
UCFHSS-206L-20	1-1/4"	5.83	4.61	0.43	1.57	3.31	1/4	0.57	0.49	0.87	0.35	1.44	2.20	2.28	1.14	2530	1890	1980	0.99	50010	50010.APE
UCFHSS-207L-23	1-7/16"	6.42	5.12	0.55	1.84	3.54	1/4	0.71	0.63	1.00	0.38	1.71	2.36	2.44	1.30	3300	2560	2020	1.32	50010	50010.APE
UCFHSS-208L-24	1-1/2"	6.89	5.67	0.55	2.07	4.06	5/16	0.71	0.79	1.18	0.43	1.89	2.28	2.36	1.38	3780	3010	2810	1.76	50014	50014.APE



Stainless Steel

A new antimicrobial material for improved hygiene. Created through new technology which will help equipment builders meet the requirements of the USDA and other government agencies as they relate to the prevention of contamination of food products and the growth of bacteria.

For HACCP Needs!

Materials: Nolu-Clean white polyamide support housing (polypropylene can be special ordered). Stainless steel bearing insert.

Stainless Steel Insert

Part Number	Ø	A	B	C	D	F	G (UNF)	H	J	M	N	T	U	V	Z	Load dynamic C	Load static Co	Load max radial on housing	ship weight (lbs)	Nolu-Clean safety cap closed	Nolu-Clean safety cap through shaft
UCFHSS-204-12-N	3/4"	4.49	3.54	0.43	1.12	2.52	1/4	0.61	0.49	0.72	0.30	1.33	1.89	1.97	1.14	1640	1100	1690	0.44	50007-N	50007.APE-N
UCFHSS-205-16-N	1"	5.12	3.90	0.43	1.34	2.76	1/4	0.67	0.49	0.78	0.30	1.45	2.05	2.13	1.14	1820	1300	1800	0.66	50011-N	50011.APE-N
UCFHSS-206-20-N	1-1/4"	5.83	4.61	0.43	1.57	3.31	1/4	0.57	0.49	0.87	0.35	1.44	2.20	2.28	1.14	2530	1890	1980	0.99	50001-N	50001.APE-N
UCFHSS-207-23-N	1-7/16"	6.42	5.12	0.55	1.84	3.54	1/4	0.71	0.63	1.00	0.38	1.71	2.36	2.44	1.30	3300	2560	2020	1.32	50004-N	50004.APE-N
UCFHSS-208-24-N	1-1/2"	6.89	5.67	0.55	2.07	4.06	5/16	0.71	0.79	1.18	0.43	1.89	2.28	2.36	1.38	3780	3010	2810	1.76	50002-N	50002.APE-N

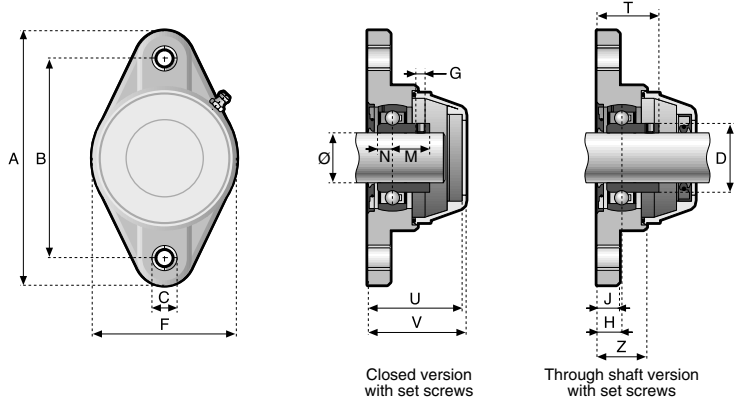
For the full range of bearings, see the System Plast Bearing Line catalog.



UCFH sealed

Capped and Sealed Flange Bearing with Solid Housing

Available with through shaft or closed caps.



Closed version with set screws

Through shaft version with set screws

Mounted Bearings and Accessories



Chrome Steel OR **Stainless Steel**

Materials: Black polyamide support housing (polypropylene can be special ordered). Stainless steel bearing insert. Yellow polypropylene safety cap. Seal and O-Ring is NBR rubber.

Chrome Steel Insert

Closed Cap	Through Shaft Cap	Ø	A	B	C	D	F	G (UNF)	H	J	M	N	T	U	V	Z	Load Ratings (lb)			ship weight (lbs)
																	dynamic C	static Co	max radial on housing	
UCFH-C204L-12	UCFH-T204L-12	3/4"	4.49	3.54	0.43	1.12	2.52	1/4	0.61	0.39	0.72	0.30	1.33	1.89	1.97	1.02	2210	1480	1690	0.46
UCFH-C205L-16	UCFH-T205L-16	1"	5.12	3.90	0.43	1.34	2.76	1/4	0.67	0.49	0.78	0.30	1.45	2.05	2.13	1.14	2430	1770	1800	0.70
UCFH-C206L-20	UCFH-T206L-20	1-1/4"	5.83	4.61	0.43	1.57	3.31	1/4	0.57	0.49	0.87	0.35	1.44	2.20	2.28	1.14	3370	2540	1980	1.03
UCFH-C207L-23	UCFH-T207L-23	1-7/16"	6.42	5.12	0.55	1.84	3.54	1/4	0.71	0.63	1.00	0.38	1.71	2.36	2.44	1.30	4430	3440	2020	1.36
UCFH-C208L-24	UCFH-T208L-24	1-1/2"	6.89	5.67	0.55	2.07	4.06	5/16	0.71	0.79	1.18	0.43	1.89	2.28	2.36	1.38	5040	4020	2810	1.81

Stainless Steel Insert

UCFHSS-C204L-12	UCFHSS-T204L-12	3/4"	4.49	3.54	0.43	1.12	2.52	1/4	0.61	0.39	0.72	0.30	1.33	1.89	1.97	1.02	1640	1100	1690	0.46
UCFHSS-C205L-16	UCFHSS-T205L-16	1"	5.12	3.90	0.43	1.34	2.76	1/4	0.67	0.49	0.78	0.30	1.45	2.05	2.13	1.14	1820	1300	1800	0.70
UCFHSS-C206L-20	UCFHSS-T206L-20	1-1/4"	5.83	4.61	0.43	1.57	3.31	1/4	0.57	0.49	0.87	0.35	1.44	2.20	2.28	1.14	2530	1890	1980	1.03
UCFHSS-C207L-23	UCFHSS-T207L-23	1-7/16"	6.42	5.12	0.55	1.84	3.54	1/4	0.71	0.63	1.00	0.38	1.71	2.36	2.44	1.30	3300	2560	2020	1.36
UCFHSS-C208L-24	UCFHSS-T208L-24	1-1/2"	6.89	5.67	0.55	2.07	4.06	5/16	0.71	0.79	1.18	0.43	1.89	2.28	2.36	1.38	3780	3010	2810	1.81



Stainless Steel



A new antimicrobial material for improved hygiene. Created through new technology which will help equipment builders meet the requirements of the USDA and other government agencies as they relate to the prevention of contamination of food products and the growth of bacteria.

For HACCP Needs!

Materials: Nolu-Clean white polyamide support housing (polypropylene can be special ordered). Stainless steel bearing insert. White polypropylene safety cap. Seal and O-ring is NBR rubber.

Stainless Steel Insert

Closed Cap	Through Shaft Cap	Ø	A	B	C	D	F	G (UNF)	H	J	M	N	T	U	V	Z	Load Ratings (lb)			ship weight (lbs)
																	dynamic C	static Co	max radial on housing	
UCFHSS-C204-12-N	UCFHSS-T204-12-N	3/4"	4.49	3.54	0.43	1.12	2.52	1/4	0.61	0.39	0.72	0.30	1.33	1.89	1.97	1.02	1640	1100	1690	0.46
UCFHSS-C205-16-N	UCFHSS-T205-16-N	1"	5.12	3.90	0.43	1.34	2.76	1/4	0.67	0.49	0.78	0.30	1.45	2.05	2.13	1.14	1820	1300	1800	0.70
UCFHSS-C206-20-N	UCFHSS-T206-20-N	1-1/4"	5.83	4.61	0.43	1.57	3.31	1/4	0.57	0.49	0.87	0.35	1.44	2.20	2.28	1.14	2530	1890	1980	1.03
UCFHSS-C207-23-N	UCFHSS-T207-23-N	1-7/16"	6.42	5.12	0.55	1.84	3.54	1/4	0.71	0.63	1.00	0.38	1.71	2.36	2.44	1.30	3300	2560	2020	1.36
UCFHSS-C208-24-N	UCFHSS-T208-24-N	1-1/2"	6.89	5.67	0.55	2.07	4.06	5/16	0.71	0.79	1.18	0.43	1.89	2.28	2.36	1.38	3780	3010	2810	1.81

For the full range of bearings, see the System Plast Bearing Line catalog.



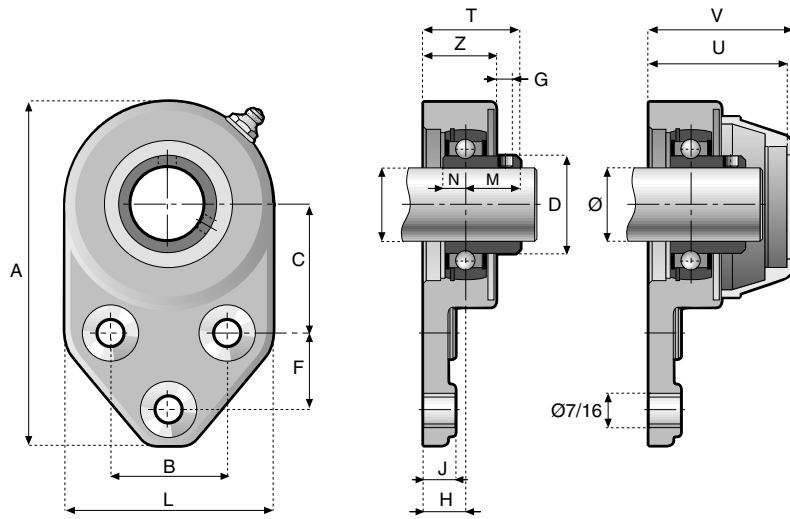
Solid Housing Flange Bearings

UCFA

Flange Bearing with Solid Housings

Corrosion resistant housings are engineered to match the load capacity and speed requirements of standard bearing inserts. Self aligning and pre-lubricated bearing inserts allows for a low maintenance and trouble-free operation that is great for use in the food, beverage and pharmaceutical industry.

Mounted Bearings and Accessories



Chrome Steel OR **Stainless Steel**



Safety caps are available.

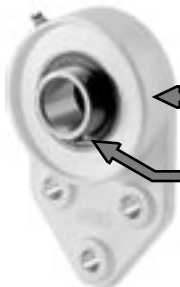
Materials: Black polyamide support housing (polypropylene can be special ordered). Chrome steel or stainless steel bearing insert.

Chrome Steel Insert

Part Number	Ø	A	B	C	D	F	G (UNF)	H	J	L	M	N	T	U	V	Z	Load Ratings (lbf)			ship weight (lbs)	Yellow safety cap closed through shaft	
																	dynamic C	static Co	max radial on housing		50013	50013.APE
UCFA-205L-12	3/4"	4.92	1.62	1.81	1.12	1.12	1/4	0.67	0.49	2.71	0.72	0.30	1.39	1.95	2.30	1.08	2210	1480	2140	0.77	50013	50013.APE
UCFA-205L-16	1"	4.92	1.62	1.81	1.34	1.12	1/4	0.63	0.49	2.71	0.78	0.30	1.41	2.06	2.30	1.08	2430	1770	2023	0.88	50009	50009.APE
UCFA-206L-16	1"	5.53	1.87	2.06	1.34	1.25	1/4	0.71	0.49	3.31	0.78	0.30	1.49	2.22	2.30	1.16	2430	1770	2470	0.99	50010	50010.APE
UCFA-206L-20	1-1/4"	5.53	1.87	2.06	1.57	1.25	1/4	0.67	0.49	3.31	0.87	0.35	1.54	2.22	2.14	1.16	3370	2540	2470	1.08	50010	50010.APE

Stainless Steel Insert

UCFASS-205L-12	3/4"	4.92	1.62	1.81	1.31	1.12	1/4	0.67	0.49	2.71	0.92	0.30	1.59	1.95	2.02	1.08	2210	1486	2140	0.77	50013	50013.APE
UCFASS-205L-16	1"	4.92	1.62	1.81	1.50	1.16	1/4	0.63	0.49	2.71	0.92	0.30	1.55	2.06	2.14	1.08	2430	1770	2023	0.88	50009	50009.APE
UCFASS-206L-16	1"	5.53	1.87	2.06	1.34	1.25	1/4	0.71	0.49	3.31	0.78	0.30	1.49	2.22	2.30	1.16	2430	1770	2470	0.99	50010	50010.APE
UCFASS-206L-20	1-1/4"	5.53	1.87	2.06	1.57	1.25	1/4	0.67	0.49	3.31	0.87	0.35	1.54	2.22	2.30	1.16	2530	1890	2470	1.08	50010	50010.APE



A new antimicrobial material for improved hygiene. Created through new technology which will help equipment builders meet the requirements of the USDA and other government agencies as they relate to the prevention of contamination of food products and the growth of bacteria.

Stainless Steel

For HACCP Needs!

Materials: Nolu-Clean white polyamide support housing (polypropylene can be special ordered). Stainless steel bearing insert.

Stainless Steel Insert

Part Number	Ø	A	B	C	D	F	G (UNF)	H	J	L	M	N	T	U	V	Z	Load Ratings (lbf)			ship weight (lbs)	Nolu-Clean safety cap closed through shaft	
																	dynamic C	static Co	max radial on housing		50013-N	50013.APE-N
UCFASS-205L-12-N	3/4"	4.92	1.62	1.81	1.31	1.12	1/4	0.67	0.49	2.71	0.92	0.30	1.59	1.95	2.02	1.08	2210	1486	2140	0.77	50013-N	50013.APE-N
UCFASS-205L-16-N	1"	4.92	1.62	1.81	1.50	1.16	1/4	0.63	0.49	2.71	0.92	0.30	1.55	2.06	2.14	1.08	2430	1770	2023	0.88	50009-N	50009.APE-N
UCFASS-206L-16-N	1"	5.53	1.87	2.06	1.34	1.25	1/4	0.71	0.49	3.31	0.78	0.30	1.49	2.22	2.30	1.16	2430	1770	2470	0.99	50010-N	50010.APE-N
UCFASS-206L-20-N	1-1/4"	5.53	1.87	2.06	1.57	1.25	1/4	0.67	0.49	3.31	0.87	0.35	1.54	2.22	2.30	1.16	2530	1890	2470	1.08	50010-N	50010.APE-N

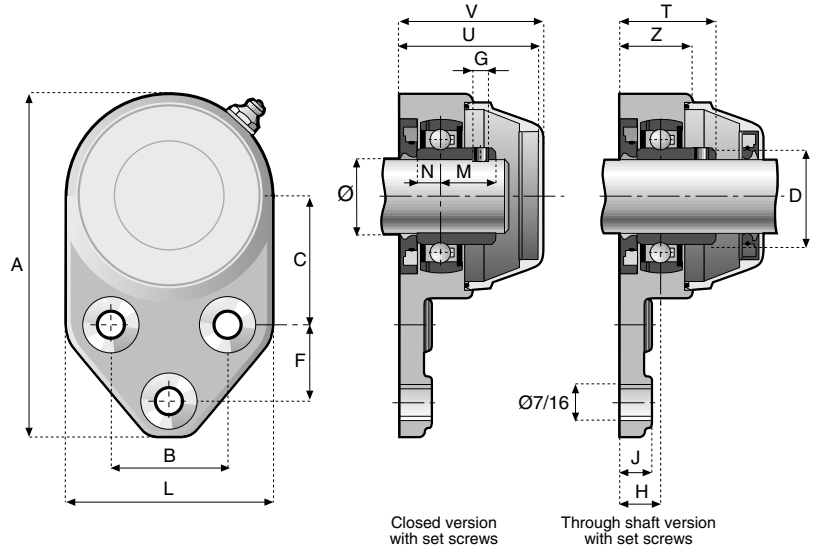
For the full range of bearings, see the System Plast Bearing Line catalog.



UCFA sealed

Capped and Sealed Flange Bearing with Solid Housing

Available with through shaft or closed caps.



Closed version with set screws

Through shaft version with set screws



Chrome Steel OR Stainless Steel

Materials: Black polyamide support housing (polypropylene can be special ordered). Stainless steel bearing insert. Yellow polypropylene safety cap. Seal and O-Ring is NBR rubber.

Chrome Steel Insert

Closed Cap	Through Shaft Cap	Ø	A	B	C	D	F	G (UNF)	H	J	L	M	N	T	U	V	Z	Load Ratings (lbf)			ship weight (lbs)
																		dynamic C	static Co	max radial on housing	
UCFA-C205L-12	UCFA-T205L-12	3/4"	4.92	1.62	1.81	1.12	1.12	1/4	0.67	0.49	2.71	0.72	0.30	1.39	1.95	2.14	1.08	2210	1480	2140	0.87
UCFA-C205L-16	UCFA-T205L-16	1"	4.92	1.62	1.81	1.34	1.12	1/4	0.63	0.49	2.71	0.78	0.30	1.41	2.06	2.14	1.08	2430	1770	2023	0.98
UCFA-C206L-16	UCFA-T206L-16	1"	5.53	1.87	2.06	1.34	1.25	1/4	0.71	0.49	3.31	0.78	0.30	1.49	2.22	2.30	1.16	2430	1770	2470	1.09
UCFA-C206L-20	UCFA-T206L-20	1-1/4"	5.53	1.87	2.06	1.57	1.25	1/4	0.67	0.49	3.31	0.87	0.35	1.54	2.22	2.30	1.16	3370	2540	2470	1.18

Stainless Steel Insert

UCFASS-C205L-12	UCFASS-T205L-12	3/4"	4.92	1.62	1.81	1.12	1.12	1/4	0.67	0.49	2.71	0.72	0.30	1.39	1.95	2.14	1.08	2210	1486	2140	0.87
UCFASS-C205L-16	UCFASS-T205L-16	1"	4.92	1.62	1.81	1.34	1.12	1/4	0.63	0.49	2.71	0.78	0.30	1.41	2.06	2.14	1.08	2430	1770	2023	0.98
UCFASS-C206L-16	UCFASS-T206L-16	1"	5.53	1.87	2.06	1.34	1.25	1/4	0.71	0.49	3.31	0.78	0.30	1.49	2.22	2.30	1.16	2430	1770	2470	1.09
UCFASS-C206L-20	UCFASS-T206L-20	1-1/4"	5.53	1.87	2.06	1.57	1.25	1/4	0.67	0.49	3.31	0.87	0.35	1.54	2.22	2.30	1.16	2530	1890	2470	1.18



Stainless Steel



A new antimicrobial material for improved hygiene. Created through new technology which will help equipment builders meet the requirements of the USDA and other government agencies as they relate to the prevention of contamination of food products and the growth of bacteria.

For **HACCP** Needs!

Materials: Nolu-Clean white polyamide support housing (polypropylene can be special ordered). Stainless steel bearing insert. White polypropylene safety cap. Seal and O-Ring is NBR rubber.

Stainless Steel Insert

Closed Cap	Through Shaft Cap	Ø	A	B	C	D	F	G (UNF)	H	J	L	M	N	T	U	V	Z	Load Ratings (lbf)			ship weight (lbs)
																		dynamic C	static Co	max radial on housing	
UCFASS-C205L-12-N	UCFASS-T205L-12-N	3/4"	4.92	1.62	1.81	1.12	1.12	1/4	0.67	0.49	2.71	0.72	0.30	1.39	1.95	2.14	1.08	2210	1486	2140	0.87
UCFASS-C205L-16-N	UCFASS-T205L-16-N	1"	4.92	1.62	1.81	1.34	1.12	1/4	0.63	0.49	2.71	0.78	0.30	1.41	2.06	2.14	1.08	2430	1770	2023	0.98
UCFASS-C206L-16-N	UCFASS-T206L-16-N	1"	5.53	1.87	2.06	1.34	1.25	1/4	0.71	0.49	3.31	0.78	0.30	1.49	2.22	2.30	1.16	2430	1770	2470	1.09
UCFASS-C206L-20-N	UCFASS-T206L-20-N	1-1/4"	5.53	1.87	2.06	1.57	1.25	1/4	0.67	0.49	3.31	0.87	0.35	1.54	2.22	2.30	1.16	2530	1890	2470	1.18

For the full range of bearings, see the System Plast Bearing Line catalog.

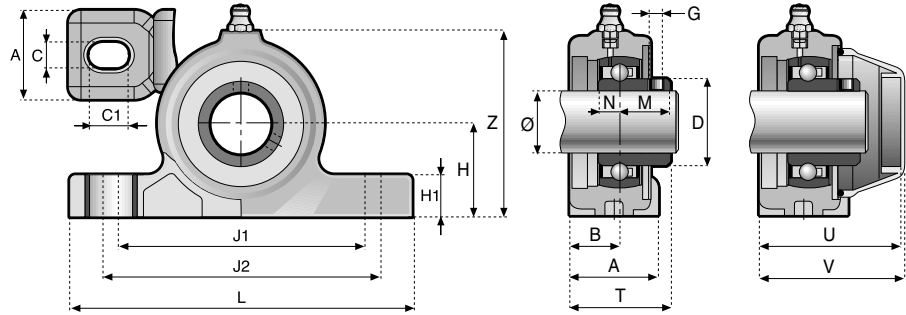
Mounted Bearings and Accessories



UCP

Pillow Block Bearings

Corrosion resistant housings are engineered to match the load capacity and speed requirements of standard bearing inserts. Self aligning and pre-lubricated bearing inserts allows for a low maintenance and trouble-free operation that is great for use in the food, beverage and pharmaceutical industry.



Mounted Bearings and Accessories



Chrome Steel OR **Stainless Steel**



Safety caps are available.

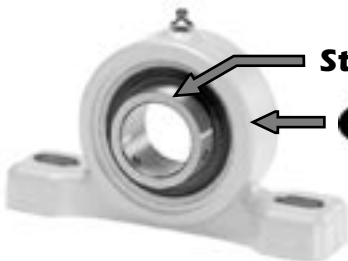
Materials: Black polyamide support housing (polypropylene can be special ordered). Chrome steel or stainless steel bearing insert.

Chrome Steel Insert

Part Number	Ø	A	B	C	C1	D	G (UNF)	H	H1	J1	J2	L	M	N	T	U	V	Z	Load Ratings (lb)			ship weight (lbs)	Yellow safety cap	
																			dynamic C	static Co	max radial on housing		closed	through shaft
UCP-204L-12	3/4"	1.22	0.12	0.43	0.67	1.12	1/4	1.31	0.63	3.58	4.05	5.00	0.72	0.30	1.45	2.07	2.15	2.64	2210	1480	1400	0.66	50013	50013.APE
UCP-205L-16	1"	1.38	0.12	0.43	0.87	1.34	1/4	1.44	0.63	3.82	4.29	5.31	0.78	0.30	1.59	2.15	2.23	2.85	2430	1770	1770	0.81	50009	50009.APE
UCP-206L-20	1-1/4"	1.61	0.18	0.51	0.87	1.57	1/4	1.69	0.87	4.37	5.08	6.14	0.87	0.35	1.86	2.50	2.58	3.42	3370	2540	2470	1.10	50010	50010.APE
UCP-207L-23	1-7/16"	1.77	0.12	0.51	0.87	1.84	1/4	1.87	0.85	4.61	5.31	6.45	1.00	0.38	2.00	2.62	2.70	3.74	4430	3440	2700	1.54	50010	50010.APE
UCP-208L-24	1-1/2"	1.89	0.16	0.51	0.87	2.07	5/16	1.94	0.85	5.08	5.79	7.05	1.26	0.43	2.05	2.62	2.70	3.94	5040	4020	2800	1.87	50014	50014.APE

Stainless Steel Insert

UCPSS-204L-12	3/4"	1.22	0.12	0.43	0.67	1.12	1/4	1.31	0.63	3.58	4.05	5.00	0.72	0.30	1.45	2.07	2.15	2.64	1640	1100	1400	0.66	50013	50013.APE
UCPSS-205L-16	1"	1.38	0.12	0.43	0.67	1.34	1/4	1.44	0.63	3.82	4.29	5.31	0.78	0.30	1.59	2.15	2.23	2.85	1820	1300	1770	0.81	50009	50009.APE
UCPSS-206L-20	1-1/4"	1.61	0.18	0.51	0.87	1.57	1/4	1.69	0.87	4.37	5.08	6.14	0.87	0.35	1.86	2.50	2.58	3.42	2530	1890	2470	1.10	50010	50010.APE
UCPSS-207L-23	1-7/16"	1.77	0.12	0.51	0.87	1.84	1/4	1.87	0.85	4.61	5.31	6.45	1.00	0.38	2.00	2.62	2.70	3.74	3300	2560	2700	1.54	50010	50010.APE
UCPSS-208L-24	1-1/2"	1.89	0.16	0.51	0.87	2.07	5/16	1.94	0.85	5.08	5.79	7.05	1.26	0.43	2.05	2.62	2.70	3.94	3780	3010	2800	1.87	50014	50014.APE



Stainless Steel



A new antimicrobial material for improved hygiene. Created through new technology which will help equipment builders meet the requirements of the USDA and other government agencies as they relate to the prevention of contamination of food products and the growth of bacteria.

For HACCP Needs!

Materials: Nolu-Clean white polyamide support housing (polypropylene can be special ordered). Stainless steel bearing insert.

Stainless Steel Insert

Part Number	Ø	A	B	C	C1	D	G (UNF)	H	H1	J1	J2	L	M	N	T	U	V	Z	Load Ratings (lb)			ship weight (lbs)	Nolu-Clean safety cap	
																			dynamic C	static Co	max radial on housing		closed	through shaft
UCPSS-204L-12-N	3/4"	1.22	0.12	0.43	0.67	1.12	1/4	1.31	0.63	3.58	4.05	5.00	0.72	0.30	1.45	2.07	2.15	2.64	1640	1100	1400	0.66	50013-N	50013.APE-N
UCPSS-205L-16-N	1"	1.38	0.12	0.43	0.67	1.34	1/4	1.44	0.63	3.82	4.29	5.31	0.78	0.30	1.59	2.15	2.23	2.85	1820	1300	1770	0.81	50009-N	50009.APE-N
UCPSS-206L-20-N	1-1/4"	1.61	0.18	0.51	0.87	1.57	1/4	1.69	0.87	4.37	5.08	6.14	0.87	0.35	1.86	2.50	2.58	3.42	2530	1890	2470	1.10	50010-N	50010.APE-N
UCPSS-207L-23-N	1-7/16"	1.77	0.12	0.51	0.87	1.84	1/4	1.87	0.85	4.61	5.31	6.45	1.00	0.38	2.00	2.62	2.70	3.74	3300	2560	2700	1.54	50010-N	50010.APE-N
UCPSS-208L-24-N	1-1/2"	1.89	0.16	0.51	0.87	2.07	5/16	1.94	0.85	5.08	5.79	7.05	1.26	0.43	2.05	2.62	2.70	3.94	3780	3010	2800	1.87	50014-N	50014.APE-N

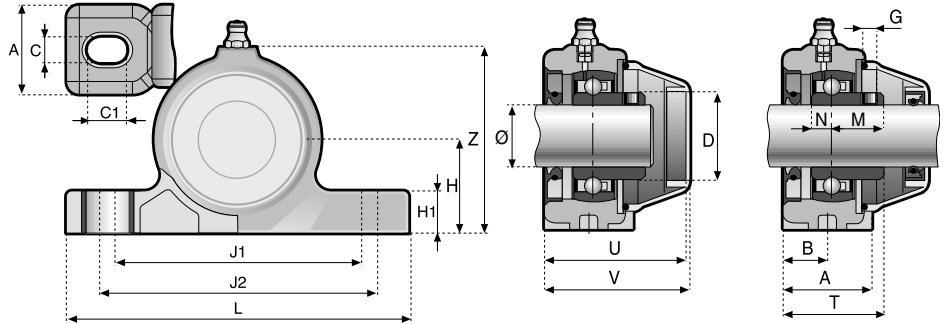
For the full range of bearings, see the System Plast Bearing Line catalog.



UCP sealed

Capped and Sealed Pillow Block Bearings

Available with through shaft or closed caps.



Chrome Steel OR **Stainless Steel**

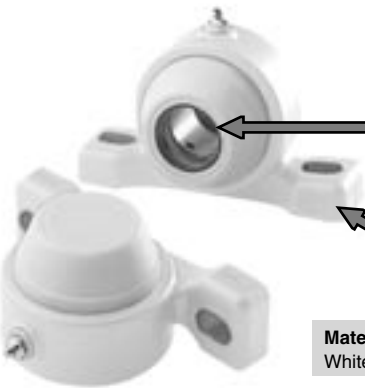
Materials: Black polyamide support housing (polypropylene can be special ordered). Stainless steel bearing insert. Yellow polypropylene safety cap. Seal and O-Ring is NBR rubber.

Chrome Steel Insert

Closed Cap	Through Shaft Cap	Ø	A	B	C	C1	D	G (UNF)	H	H1	J1	J2	L	M	N	T	U	V	Z	Load Ratings (lb) ship			
																				dynamic	static	max radial	weight
																				C	Co	on housing	(lbs)
UCP-C204L-12	UCP-T204L-12	3/4"	1.22	0.12	0.43	0.67	1.12	1/4	1.31	0.63	3.58	4.05	5.00	0.72	0.30	1.45	2.07	2.15	2.64	2210	1480	1400	0.68
UCP-C205L-16	UCP-T205L-16	1"	1.38	0.12	0.43	0.67	1.34	1/4	1.44	0.63	3.82	4.29	5.31	0.78	0.30	1.59	2.15	2.22	2.85	2430	1770	1770	0.86
UCP-C206L-20	UCP-T206L-20	1-1/4"	1.61	0.18	0.51	0.87	1.57	1/4	1.69	0.87	4.37	5.08	6.14	0.87	0.35	1.86	2.5	2.58	3.42	3370	2540	2470	1.15
UCP-C207L-23	UCP-T207L-23	1-7/16"	1.77	0.12	0.51	0.87	1.84	1/4	1.87	0.85	4.61	5.31	6.45	1.00	0.38	2.00	2.62	2.70	3.74	4430	3440	2700	1.59
UCP-C208L-24	UCP-T208L-24	1-1/2"	1.89	0.16	0.51	0.87	2.07	5/16	1.94	0.85	5.08	5.79	7.05	1.26	0.43	2.05	2.62	2.70	3.94	5040	4020	2800	1.92

Stainless Steel Insert

UCPSS-C204L-12	UCPSS-T204L-12	3/4"	1.22	0.12	0.43	0.67	1.12	1/4	1.31	0.63	3.58	4.05	5.00	0.72	0.30	1.45	2.07	2.15	2.64	1640	1100	1400	0.68
UCPSS-C205L-16	UCPSS-T205L-16	1"	1.38	0.12	0.43	0.67	1.34	1/4	1.44	0.63	3.82	4.29	5.31	0.78	0.30	1.59	2.15	2.22	2.85	1820	1300	1770	0.86
UCPSS-C206L-20	UCPSS-T206L-20	1-1/4"	1.61	0.18	0.51	0.87	1.57	1/4	1.69	0.87	4.37	5.08	6.14	0.87	0.35	1.86	2.5	2.58	3.42	2530	1890	2470	1.15
UCPSS-C207L-23	UCPSS-T207L-23	1-7/16"	1.77	0.12	0.51	0.87	1.84	1/4	1.87	0.85	4.61	5.31	6.45	1.00	0.38	2.00	2.62	2.70	3.74	3300	2560	2700	1.59
UCPSS-C208L-24	UCPSS-T208L-24	1-1/2"	1.89	0.16	0.51	0.87	2.07	5/16	1.94	0.85	5.08	5.79	7.05	1.26	0.43	2.05	2.62	2.70	3.94	3780	3010	2800	1.92



Stainless Steel



A new antimicrobial material for improved hygiene. Created through new technology which will help equipment builders meet the requirements of the USDA and other government agencies as they relate to the prevention of contamination of food products and the growth of bacteria.

For **HACCP** Needs!

Materials: Nolu-Clean white polyamide support housing (polypropylene can be special ordered). Stainless steel bearing insert. White polypropylene safety cap. Seal and O-Ring is NBR rubber.

Stainless Steel Insert

Closed Cap	Through Shaft Cap	Ø	A	B	C	C1	D	G (UNF)	H	H1	J1	J2	L	M	N	T	U	V	Z	Load Ratings (lb) ship			
																				dynamic	static	max radial	weight
																				C	Co	on housing	(lbs)
UCPSS-C204L-12-N	UCPSS-T204L-12-N	3/4"	1.22	0.12	0.43	0.67	1.12	1/4	1.31	0.63	3.58	4.05	5.00	0.72	0.30	1.45	2.07	2.15	2.64	1640	1100	1400	0.68
UCPSS-C205L-16-N	UCPSS-T205L-16-N	1"	1.38	0.12	0.43	0.67	1.34	1/4	1.44	0.63	3.82	4.29	5.31	0.78	0.30	1.59	2.15	2.22	2.85	1820	1300	1770	0.86
UCPSS-C206L-20-N	UCPSS-T206L-20-N	1-1/4"	1.61	0.18	0.51	0.87	1.57	1/4	1.69	0.87	4.37	5.08	6.14	0.87	0.35	1.86	2.5	2.58	3.42	2530	1890	2470	1.15
UCPSS-C207L-23-N	UCPSS-T207L-23-N	1-7/16"	1.77	0.12	0.51	0.87	1.84	1/4	1.87	0.85	4.61	5.31	6.45	1.00	0.38	2.00	2.62	2.70	3.74	3300	2560	2700	1.59
UCPSS-C208L-24-N	UCPSS-T208L-24-N	1-1/2"	1.89	0.16	0.51	0.87	2.07	5/16	1.94	0.85	5.08	5.79	7.05	1.26	0.43	2.05	2.62	2.70	3.94	3780	3010	2800	1.92

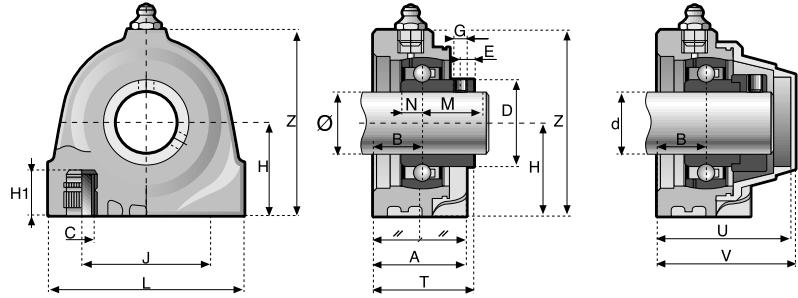
For the full range of bearings, see the System Plast Bearing Line catalog.



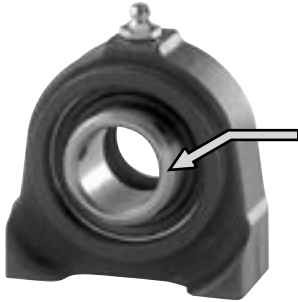
UCPA

Tapped Base

Corrosion resistant housings are engineered to match the load capacity and speed requirements of standard bearing inserts. Self aligning and pre-lubricated bearing inserts allows for a low maintenance and trouble-free operation that is great for use in the food, beverage and pharmaceutical industry.



Mounted Bearings and Accessories



Chrome Steel OR **Stainless Steel**



Safety caps are available.

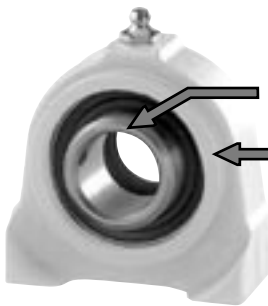
Materials: Black polyamide support housing (polypropylene can be special ordered). Chrome steel or stainless steel bearing insert.

Chrome Steel Insert

Part Number	Ø	A	B	C (UNC)	D	E	G (UNF)	H	H1	J	L	M	N	T	U	V	Z	Load Ratings (lbf)			ship weight (lbs)	Yellow safety cap	
																		dynamic	static	max radial		closed	through shaft
UCPA-204-12	3/4"	1.26	0.69	3/8	1.12	0.21	1/4	1.31	0.63	2.00	2.75	0.72	0.30	1.35	1.93	2.01	2.56	2210	1480	1460	0.66	50013	50013.APE
UCPA-205-16	1"	1.42	0.77	3/8	1.33	0.21	1/4	1.44	0.63	2.00	2.95	0.78	0.30	1.49	2.12	2.20	2.83	2430	1770	1770	0.81	50009	50009.APE
UCPA-206-20	1-1/4"	1.57	0.79	7/16	1.57	0.23	1/4	1.69	0.94	3.00	3.88	0.87	0.35	1.66	2.32	2.40	3.35	3370	2540	2470	1.10	50010	50010.APE

Stainless Steel Insert

UCPASS-204-12	3/4"	1.26	0.69	3/8	1.12	0.21	1/4	1.31	0.63	2.00	2.75	0.72	0.30	1.35	1.93	2.01	2.56	1640	1100	1460	0.66	50013	50013.APE
UCPASS-205-16	1"	1.42	0.77	3/8	1.33	0.21	1/4	1.44	0.63	2.00	2.95	0.78	0.30	1.49	2.12	2.20	2.83	1820	1300	1770	0.81	50009	50009.APE
UCPASS-206-20	1-1/4"	1.57	0.79	7/16	1.57	0.23	1/4	1.69	0.94	3.00	3.88	0.87	0.35	1.66	2.32	2.40	3.35	2530	1890	2470	1.10	50010	50010.APE



Stainless Steel



A new antimicrobial material for improved hygiene. Created through new technology which will help equipment builders meet the requirements of the USDA and other government agencies as they relate to the prevention of contamination of food products and the growth of bacteria.

For HACCP Needs!

Materials: Nolu-Clean white polyamide support housing (polypropylene can be special ordered). Stainless steel bearing insert.

Stainless Steel Insert

Part Number	Ø	A	B	C (UNC)	D	E	G (UNF)	H	H1	J	L	M	N	T	U	V	Z	Load Ratings (lbf)			ship weight (lbs)	Nolu-Clean safety cap	
																		dynamic	static	max radial		closed	through shaft
UCPASS-204-12-N	3/4"	1.26	0.69	3/8	1.12	.21	1/4	1.31	0.63	2.0	2.75	.72	.30	1.35	1.93	2.01	2.56	1640	1100	1460	0.66	50013-N	50013.APE-N
UCPASS-205-16-N	1"	1.42	0.77	3/8	1.33	.21	1/4	1.44	0.63	2.0	2.95	.78	.30	1.49	2.12	2.20	2.83	1820	1300	1770	0.81	50009-N	50009.APE-N
UCPASS-206-20-N	1-1/4"	1.57	0.79	7/16	1.57	.23	1/4	1.69	0.94	3.0	3.88	.87	.35	1.66	2.32	2.40	3.35	2530	1890	2470	1.10	50010-N	50010.APE-N

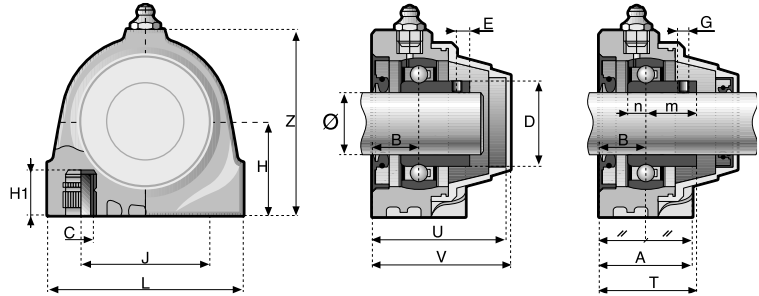
For the full range of bearings, see the System Plast Bearing Line catalog.



UCPA sealed

Capped and Sealed Tapped Base Bearings

Available with through shaft or closed caps.



Chrome Steel OR **Stainless Steel**

Materials: Black polyamide support housing (polypropylene can be special ordered). Stainless steel bearing insert. Yellow polypropylene safety cap. Seal and O-Ring is NBR rubber.

Chrome Steel Insert

Closed Cap	Through Shaft Cap	Ø	A	B	C (UNC)	D	E	G (UNF)	H	H1	J	L	M	N	T	U	V	Z	Load Ratings (lb)			ship weight (lbs)
																			dynamic C	static Co	max radial on housing	
UCPA-C204-12	UCPA-T204-12	3/4"	1.26	0.69	3/8	1.12	0.21	1/4	1.31	0.63	2.00	2.75	0.72	0.30	1.35	1.93	2.01	2.56	2210	1480	1400	0.68
UCPA-C205-16	UCPA-T205-16	1"	1.42	0.77	3/8	1.33	0.21	1/4	1.44	0.63	2.00	2.95	0.78	0.30	1.49	2.12	2.20	2.83	2430	1770	1770	0.86
UCPA-C206-20	UCPA-T206-20	1-1/4"	1.57	0.79	7/16	1.57	0.23	1/4	1.69	0.94	3.00	3.88	0.87	0.35	1.66	2.32	2.40	3.35	3370	2540	2470	1.15

Stainless Steel Insert

UCPASS-C204-12	UCPASS-T204-12	3/4"	1.26	0.69	3/8	1.12	0.21	1/4	1.31	0.63	2.00	2.75	0.72	0.30	1.35	1.93	2.01	2.56	1640	1100	1460	0.68
UCPASS-C205-16	UCPASS-T205-16	1"	1.42	0.77	3/8	1.33	0.21	1/4	1.44	0.63	2.00	2.95	0.78	0.30	1.49	2.12	2.20	2.83	1820	1300	1770	0.86
UCPASS-C206-20	UCPASS-T206-20	1-1/4"	1.57	0.79	7/16	1.57	0.23	1/4	1.69	0.94	3.00	3.88	0.87	0.35	1.66	2.32	2.40	3.35	2530	1890	2470	1.15



Stainless Steel



A new antimicrobial material for improved hygiene. Created through new technology which will help equipment builders meet the requirements of the USDA and other government agencies as they relate to the prevention of contamination of food products and the growth of bacteria.

For HACCP Needs!

Materials: Nolu-Clean white polyamide support housing (polypropylene can be special ordered). Stainless steel bearing insert. White polypropylene safety cap. Seal and O-Ring is NBR rubber.

Stainless Steel Insert

Closed Cap	Through Shaft Cap	Ø	A	B	C (UNC)	D	E	G (UNF)	H	H1	J	L	M	N	T	U	V	Z	Load Ratings (lb)			ship weight (lbs)
																			dynamic C	static Co	max radial on housing	
UCPASS-C204-12-N	UCPASS-T204-12-N	3/4"	1.26	0.69	3/8	1.12	0.21	1/4	1.31	0.63	2.00	2.75	0.72	0.30	1.35	1.93	2.01	2.56	1640	1100	1460	0.68
UCPASS-C205-16-N	UCPASS-T205-16-N	1"	1.42	0.77	3/8	1.33	0.21	1/4	1.44	0.63	2.00	2.95	0.78	0.30	1.49	2.12	2.20	2.83	1820	1300	1770	0.86
UCPASS-C206-20-N	UCPASS-T206-20-N	1-1/4"	1.57	0.79	7/16	1.57	0.23	1/4	1.69	0.94	3.00	3.88	0.87	0.35	1.66	2.32	2.40	3.35	2530	1890	2470	1.15

For the full range of bearings, see the System Plast Bearing Line catalog.

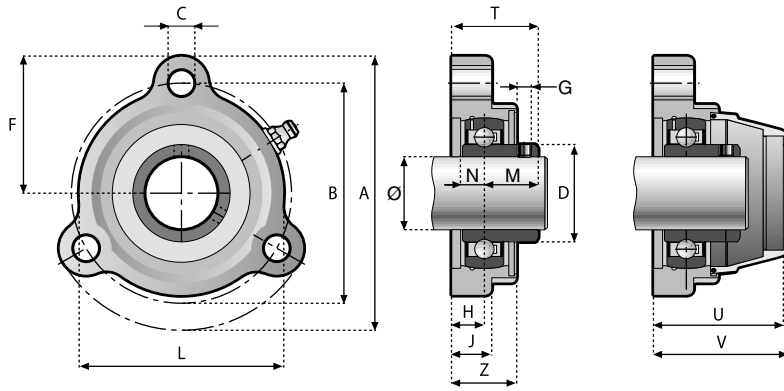
Solid Housing Flange Bearings



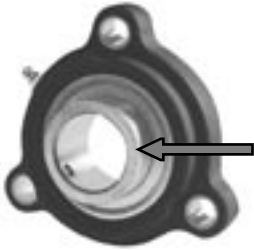
UCFG

Flange Bearing with Solid Housings

Corrosion resistant housings are engineered to match the load capacity and speed requirements of standard bearing inserts. Self aligning and pre-lubricated bearing inserts allows for a low maintenance and trouble-free operation that is great for use in the food, beverage and pharmaceutical industry.



Mounted Bearings and Accessories



Chrome Steel OR Stainless Steel



Safety caps are available.

Materials: Black polyamide support housing (polypropylene can be special ordered). Chrome steel or stainless steel bearing insert.

Chrome Steel Insert

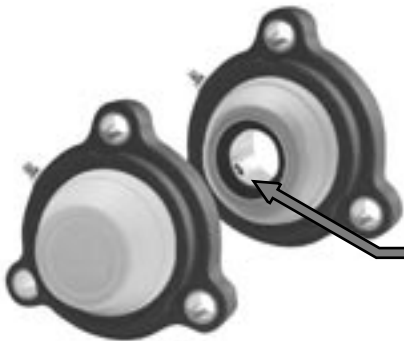
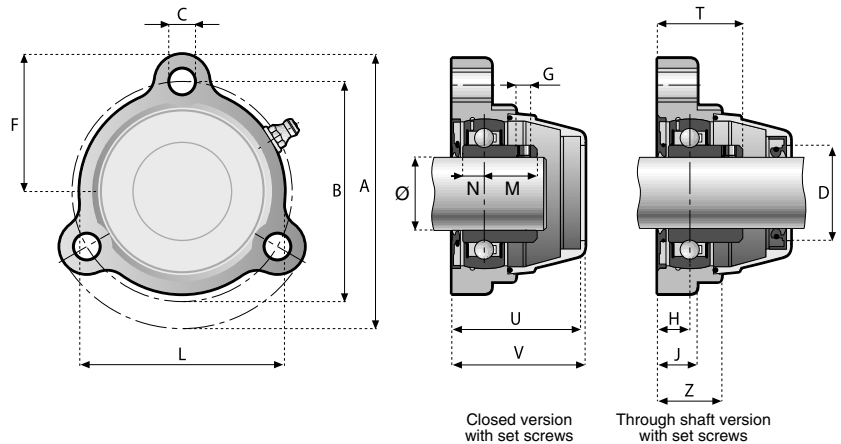
Part Number	Ø	A	B	C	D	F	G (UNF)	H	J	L	M	N	T	U	V	Z	Load Ratings (lb)			Yellow safety cap		
																	dynamic C	static Co	max radial on housing	weight (lbs)	closed	closed through shaft
UCFG-205L-16	1"	3.76	3.00	0.33	1.34	1.87	1/4	0.53	0.65	2.79	0.78	0.30	1.31	1.89	1.97	0.98	2430	1770	1130	0.55	50009	50009.APE
UCFG-206L-20	1-1/4"	4.45	3.58	0.43	1.57	2.22	1/4	0.53	0.65	3.31	0.87	0.35	1.40	2.12	2.20	1.06	3370	2540	1350	0.66	50027	50027.APE

Stainless Steel Insert

UCFGSS-205L-16	1"	3.76	3.00	0.33	1.34	1.87	1/4	0.53	0.65	2.79	0.78	0.30	1.31	1.89	1.97	0.98	1820	1300	1130	0.55	50009	50009.APE
UCFGSS-206L-20	1-1/4"	4.45	3.58	0.43	1.57	2.22	1/4	0.53	0.65	3.31	0.87	0.35	1.40	2.12	2.20	1.06	2530	1900	1350	0.66	50027	50027.APE

UCFG sealed

Capped and Sealed Flange Bearing with Solid Housings



Chrome Steel OR Stainless Steel

Materials: Black polyamide support housing (polypropylene can be special ordered). Stainless steel bearing insert. Yellow polypropylene safety cap. Seal and O-Ring is NBR rubber.

Chrome Steel Insert

Closed Cap	Through Shaft Cap	Ø	A	B	C	D	F	G (UNF)	H	J	L	M	N	T	U	V	Z	Load Ratings (lb)			ship weight (lbs)
																		dynamic C	static Co	max radial on housing	
UCFG-C205L-16	UCFG-T205L-16	1"	3.76	3.00	0.33	1.34	1.87	1/4	0.53	0.65	2.79	0.78	0.30	1.31	1.89	1.97	0.98	2430	1770	1130	0.66
UCFG-C206L-20	UCFG-T205L-20	1-1/4"	4.45	3.58	0.43	1.57	2.22	1/4	0.53	0.65	3.31	0.87	0.35	1.40	2.12	2.20	1.06	3370	2540	1350	0.77

Stainless Steel Insert

UCFGSS-C205L-16	UCFGSS-T205L-16	1"	3.76	3.00	0.33	1.34	1.87	1/4	0.53	0.65	2.79	0.78	0.30	1.31	1.89	1.97	0.98	1820	1300	1130	0.66
UCFGSS-C206L-20	UCFGSS-T205L-20	1-1/4"	4.45	3.58	0.43	1.57	2.22	1/4	0.53	0.65	3.31	0.87	0.35	1.40	2.12	2.20	1.06	2530	1900	1350	0.77

Ribbed Flange Bearings



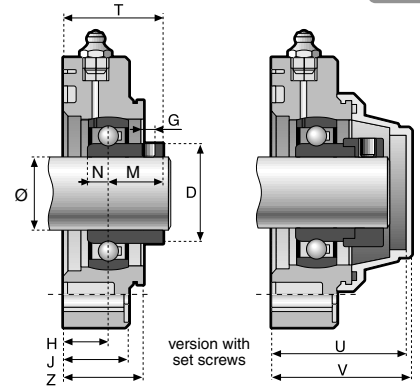
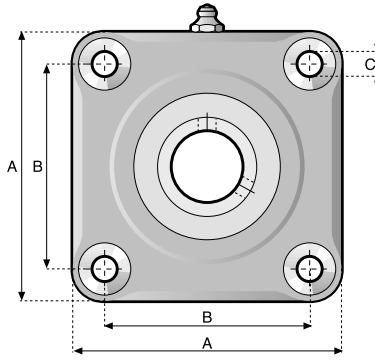
UCF

Ribbed Flange Bearing

Corrosion resistant housings have good resistance to many corrosive chemicals such as water, oils, grease, gasoline, wine, and alcoholic beverages. Self aligning and pre-lubricated bearing inserts allows for a low maintenance and trouble-free operation.



Safety caps are available.



Mounted Bearings and Accessories



Chrome Steel OR Stainless Steel

Materials: Black polyamide support housing (polypropylene can be special ordered). Chrome steel or stainless steel bearing insert.

Chrome Steel Insert

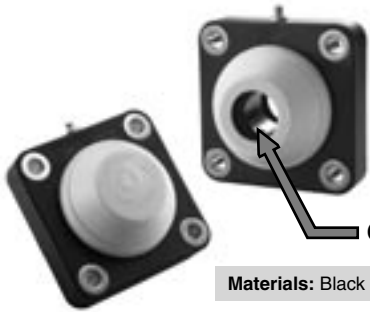
Part Number	Ø	A	B	C	D	G (UNF)	H	J	M	N	T	U	V	Z	Load Ratings (lbf) dynamic C	static Co	max radial on housing	ship weight (lbs)	Yellow Safety cap closed through shaft
UCF-204-12	3/4"	3.39	2.48	0.43	1.12	1/4	0.59	0.75	0.72	0.30	1.31	1.97	2.05	0.98	2210	1480	2880	0.51	50003 50003.APE
UCF-205-16	1"	3.86	2.75	0.43	1.34	1/4	0.59	0.75	0.78	0.30	1.37	1.97	2.05	0.98	2420	1750	2920	0.90	50003 50003.APE
UCF-206-20	1-1/4"	4.33	3.27	0.43	1.57	1/4	0.71	0.98	0.87	0.35	1.58	2.09	2.17	1.22	3370	2540	2920	1.28	50001 50001.APE
UCF-207-23	1-7/16"	4.65	3.62	0.51	1.84	1/4	0.79	0.98	1.00	0.38	1.79	2.64	2.76	1.38	4420	3440	2920	1.76	50002 50002.APE
UCF-208-24	1-1/2"	5.12	4.00	0.51	2.07	5/16	0.79	0.98	1.18	0.43	1.97	2.64	2.72	1.38	5030	4020	2920	1.98	50002 50002.APE

Stainless Steel Insert

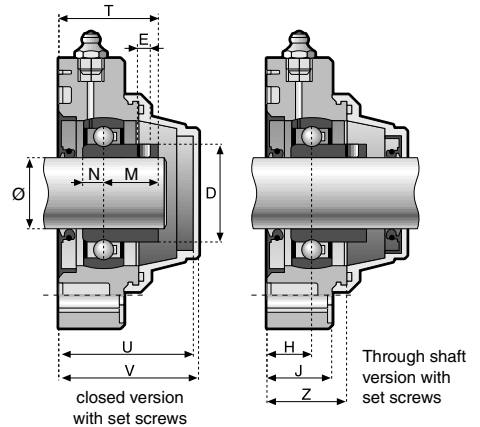
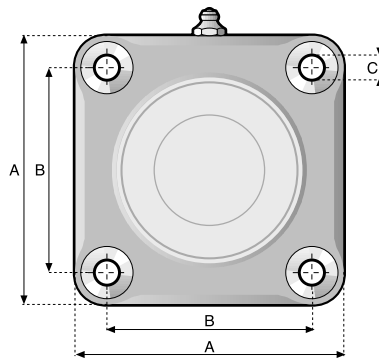
UCFSS-204-12	3/4"	3.39	2.48	0.43	1.12	1/4	0.59	0.75	0.72	0.30	1.31	1.97	2.05	0.98	1640	1100	2880	0.51	50003 50003.APE
UCFSS-205-16	1"	3.86	2.75	0.43	1.34	1/4	0.59	0.75	0.78	0.30	1.37	1.97	2.05	0.98	1820	1300	2920	0.90	50003 50003.APE
UCFSS-206-20	1-1/4"	4.33	3.27	0.43	1.57	1/4	0.71	0.98	0.87	0.35	1.58	2.09	2.17	1.22	2530	1890	2920	1.28	50001 50001.APE
UCFSS-207-23	1-7/16"	4.65	3.62	0.51	1.84	1/4	0.79	0.98	1.00	0.38	1.79	2.64	2.76	1.38	3300	2560	2920	1.76	50002 50002.APE
UCFSS-208-24	1-1/2"	5.12	4.00	0.51	2.07	5/16	0.79	0.98	1.18	0.43	1.97	2.64	2.72	1.38	3780	3010	2920	1.98	50002 50002.APE

UCF sealed

Capped and Sealed Ribbed Flange Bearing



Chrome Steel OR Stainless Steel



Materials: Black polyamide support housing (polypropylene can be special ordered). Chrome steel or stainless steel bearing insert.

Chrome Steel Insert

Closed Cap	Through Shaft Cap	Ø	A	B	C	D	G (UNF)	H	J	M	N	T	U	V	Z	Load Ratings (lbf) dynamic C	static Co	max radial on housing	ship weight (lbs)
UCF-C204-12	UCF-T204-12	3/4"	3.39	2.48	0.43	1.12	1/4	0.59	0.75	0.72	0.30	1.31	1.97	2.05	0.98	2210	1480	2880	0.61
UCF-C205-16	UCF-T205-16	1"	3.86	2.75	0.43	1.34	1/4	0.59	0.75	0.78	0.30	1.37	1.97	2.05	0.98	2420	1750	2920	0.93
UCF-C206-20	UCF-T206-20	1-1/4"	4.33	3.27	0.43	1.57	1/4	0.71	0.98	0.87	0.35	1.58	2.09	2.17	1.22	3370	2540	2920	1.42
UCF-C207-23	UCF-T207-23	1-7/16"	4.65	3.62	0.51	1.84	1/4	0.79	0.98	1.00	0.38	1.79	2.64	2.76	1.38	4420	3440	2920	1.93
UCF-C208-24	UCF-T208-24	1-1/2"	5.12	4.00	0.51	2.07	5/16	0.79	0.98	1.18	0.43	1.97	2.64	2.72	1.38	5030	4020	2920	2.16

Stainless Steel Insert

UCFSS-C204-12	UCFSS-T204-12	3/4"	3.39	2.48	0.43	1.12	1/4	0.59	0.75	0.72	0.30	1.31	1.97	2.05	0.98	1640	1100	2880	0.61
UCFSS-C205-16	UCFSS-T205-16	1"	3.86	2.75	0.43	1.34	1/4	0.59	0.75	0.78	0.30	1.37	1.97	2.05	0.98	1820	1300	2920	0.93
UCFSS-C206-20	UCFSS-T206-20	1-1/4"	4.33	3.27	0.43	1.57	1/4	0.71	0.98	0.87	0.35	1.58	2.09	2.17	1.22	2530	1890	2920	1.42
UCFSS-C207-23	UCFSS-T207-23	1-7/16"	4.65	3.62	0.51	1.84	1/4	0.79	0.98	1.00	0.38	1.79	2.64	2.76	1.38	3300	2560	2920	1.93
UCFSS-C208-24	UCFSS-T208-24	1-1/2"	5.12	4.00	0.51	2.07	5/16	0.79	0.98	1.18	0.43	1.97	2.64	2.72	1.38	3780	3010	2920	2.16



Ribbed Flange Bearings

UCFL

Ribbed Flange Bearing

Corrosion resistant housings have good resistance to many corrosive chemicals such as water, oils, grease, gasoline, wine, and alcoholic beverages. Self aligning and pre-lubricated bearing inserts allows for a low maintenance and trouble-free operation.

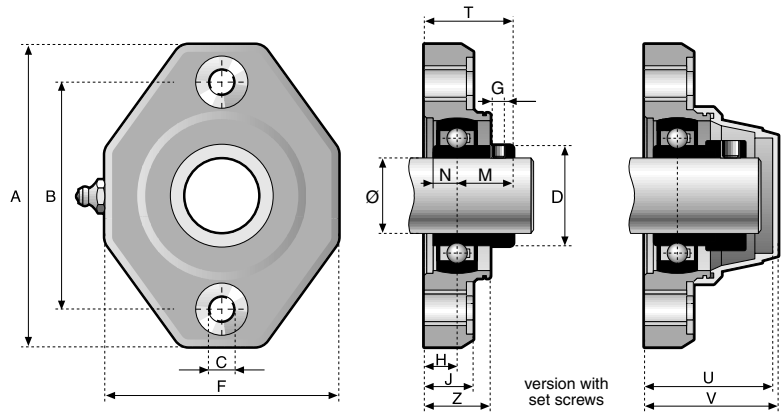
Mounted Bearings and Accessories



Chrome Steel OR **Stainless Steel**



Safety caps are available.



Materials: Black polyamide support housing (polypropylene can be special ordered). Chrome steel or stainless steel bearing insert.

Chrome Steel Insert

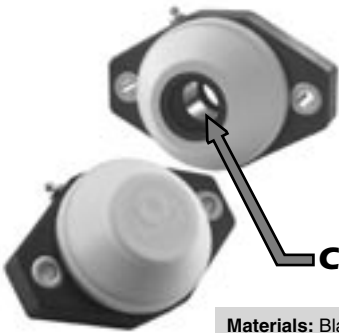
Part Number	Ø	A	B	C	D	F	G (UNF)	H	J	M	N	T	U	V	Z	Load Ratings (lbf) dynamic C	static Co	max radial on housing	ship weight (lbs)	Yellow safety cap closed through shaft
UCFL-204-12	3/4"	4.72	3.54	0.43	1.12	3.54	1/4	0.59	0.75	0.72	0.30	1.31	1.81	1.89	0.98	2210	1480	1690	0.74	50003 50003.APE
UCFL-205-16	1"	5.12	3.90	0.43	1.34	3.54	1/4	0.59	0.75	0.78	0.30	1.37	1.81	1.89	0.98	2430	1770	1710	0.98	50003 50003.APE
UCFL-206-20	1-1/4"	5.75	4.61	0.43	1.57	3.86	1/4	0.79	0.98	0.87	0.35	1.66	2.64	2.72	1.38	3370	2540	2900	1.21	50002 50002.APE
UCFL-207-23	1-7/16"	6.26	5.12	0.51	1.84	4.13	1/4	0.79	0.98	1.00	0.38	1.79	2.64	2.72	1.38	4430	3440	3000	1.70	50002 50002.APE

Stainless Steel Insert

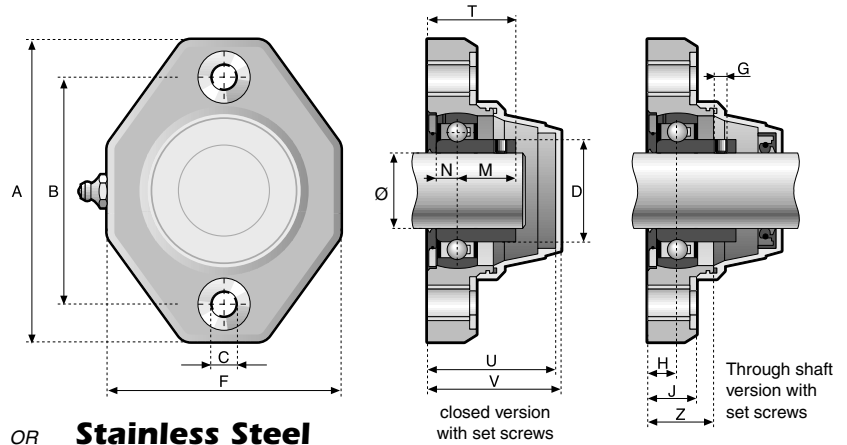
UCFLSS-204-12	3/4"	4.72	3.54	0.43	1.12	3.54	1/4	0.59	0.75	0.72	0.30	1.31	1.81	1.89	0.98	1640	1100	1690	0.74	50003 50003.APE
UCFLSS-205-16	1"	5.12	3.90	0.43	1.34	3.54	1/4	0.59	0.75	0.78	0.30	1.37	1.81	1.89	0.98	1820	1300	1710	0.98	50003 50003.APE
UCFLSS-206-20	1-1/4"	5.75	4.61	0.43	1.57	3.86	1/4	0.79	0.98	0.87	0.35	1.66	2.64	2.72	1.38	2530	1890	2900	1.21	50002 50002.APE
UCFLSS-207-23	1-7/16"	6.26	5.12	0.51	1.84	4.13	1/4	0.79	0.98	1.00	0.38	1.79	2.64	2.72	1.38	3300	2560	3000	1.70	50002 50002.APE

UCFL sealed

Capped and Sealed Ribbed Flange Bearing



Chrome Steel OR **Stainless Steel**



Materials: Black polyamide support housing (polypropylene can be special ordered). Chrome steel or stainless steel bearing insert.

Chrome Steel Insert

Closes Cap	Through Shaft Cap	Ø	A	B	C	D	F	G (UNF)	H	J	M	N	T	U	V	Z	Load Ratings (lbf) dynamic C	static Co	max radial on housing	ship weight (lbs)
UCFL-C204-12	UCFL-T204-12	3/4"	4.72	3.54	0.43	1.12	3.54	1/4	0.59	0.75	0.72	0.30	1.31	1.81	1.89	0.98	2210	1480	1690	0.90
UCFL-C205-16	UCFL-T205-16	1"	5.12	3.90	0.43	1.34	3.54	1/4	0.59	0.75	0.78	0.30	1.37	1.81	1.89	0.98	2430	1770	1710	1.14
UCFL-C206-20	UCFL-T206-20	1-1/4"	5.75	4.61	0.43	1.57	3.86	1/4	0.79	0.98	0.87	0.35	1.66	2.64	2.72	1.38	3370	2540	2900	1.38
UCFL-C207-23	UCFL-T207-23	1-7/16"	6.26	5.12	0.51	1.84	4.13	1/4	0.79	0.98	1.00	0.38	1.79	2.64	2.72	1.38	4430	3440	3000	1.76

Stainless Steel Insert

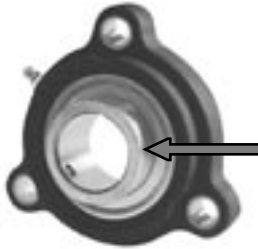
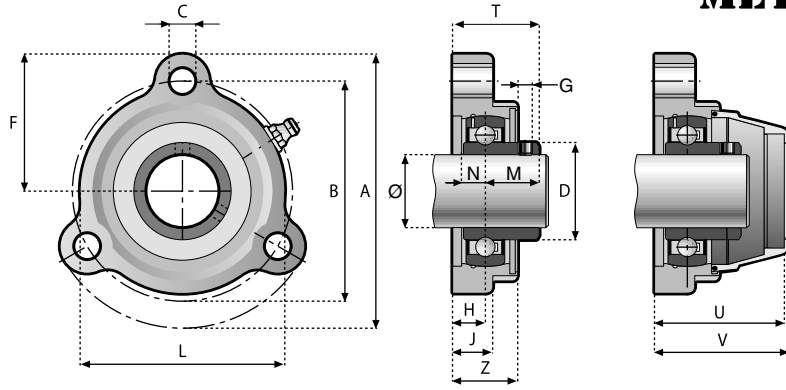
UCFLSS-C204-12	UCFLSS-T204-12	3/4"	4.72	3.54	0.43	1.12	3.54	1/4	0.59	0.75	0.72	0.30	1.31	1.81	1.89	0.98	1640	1100	1690	0.90
UCFLSS-C205-16	UCFLSS-T205-16	1"	5.12	3.90	0.43	1.34	3.54	1/4	0.59	0.75	0.78	0.30	1.37	1.81	1.89	0.98	1820	1300	1710	1.14
UCFLSS-C206-20	UCFLSS-T206-20	1-1/4"	5.75	4.61	0.43	1.57	3.86	1/4	0.79	0.98	0.87	0.35	1.66	2.64	2.72	1.38	2530	1890	2900	1.38
UCFLSS-C207-23	UCFLSS-T207-23	1-7/16"	6.26	5.12	0.51	1.84	4.13	1/4	0.79	0.98	1.00	0.38	1.79	2.64	2.72	1.38	3300	2560	3000	1.76



UCFG

Flange Bearing with Solid Housings

Corrosion resistant housings are engineered to match the load capacity and speed requirements of standard bearing inserts. Self aligning and pre-lubricated bearing inserts allows for a low maintenance and trouble-free operation that is great for use in the food, beverage and pharmaceutical industry.



Chrome Steel OR Stainless Steel



Safety caps are available.

Materials: Black polyamide support housing (polypropylene can be special ordered). Chrome steel or stainless steel bearing insert.

Chrome Steel Insert

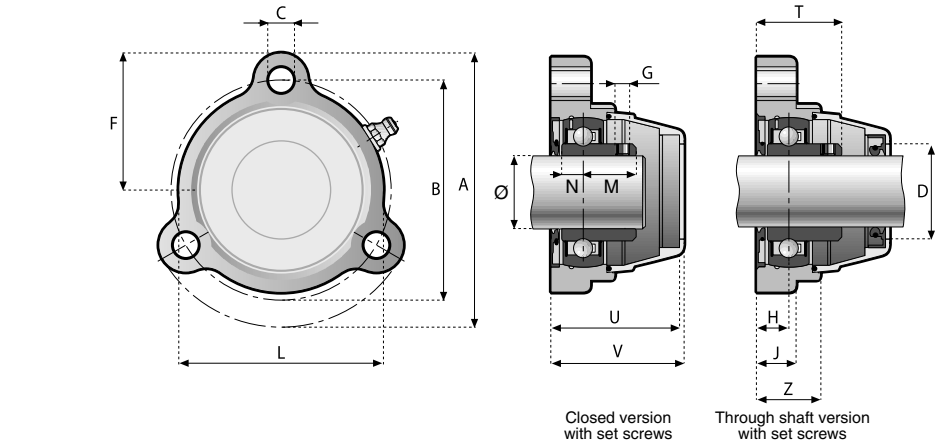
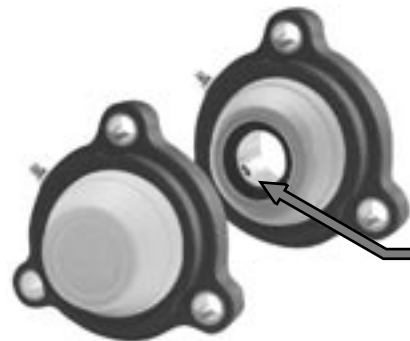
Part Number	Ø	A	B	C	D	F	G	H	J	L	M	N	T	U	V	Z	Load Ratings (lb)			ship weight (lbs)	Yellow safety cap	
																	dynamic C	static Co	max radial on housing		closed	through shaft
UCFG-205L-M25	25mm	3.76	3.00	0.33	1.34	1.87	M6x.75	0.53	0.65	2.79	0.78	0.30	1.31	1.89	1.97	0.98	2430	1770	1130	0.55	50009	50009.APE
UCFG-206L-M30	30mm	4.45	3.58	0.43	1.57	2.22	M6x.75	0.53	0.65	3.31	0.87	0.35	1.40	2.12	2.20	1.06	3370	2540	1350	0.66	50027	50027.APE

Stainless Steel Insert

UCFGSS-205L-M25	25mm	3.76	3.00	0.33	1.34	1.87	M6x.75	0.53	0.65	2.79	0.78	0.30	1.31	1.89	1.97	0.98	1820	1300	1130	0.55	50009	50009.APE
UCFGSS-206L-M30	30mm	4.45	3.58	0.43	1.57	2.22	M6x.75	0.53	0.65	3.31	0.87	0.35	1.40	2.12	2.20	1.06	2530	1900	1350	0.66	50027	50027.APE

UCFG sealed

Capped and Sealed Flange Bearing with Solid Housings



Chrome Steel OR Stainless Steel

Materials: Black polyamide support housing (polypropylene can be special ordered). Stainless steel bearing insert. Yellow polypropylene safety cap. Seal and O-Ring is NBR rubber.

Chrome Steel Insert

Closed Cap	Through Shaft Cap	Ø	A	B	C	D	F	G	H	J	L	M	N	T	U	V	Z	Load Ratings (lb)			ship weight (lbs)
																		dynamic C	static Co	max radial on housing	
UCFG-C205L-M25	UCFG-T205L-M25	25mm	3.76	3.00	0.33	1.34	1.87	M6x.75	0.53	0.65	2.79	0.78	0.30	1.31	1.89	1.97	0.98	2430	1770	1130	0.66
UCFG-C206L-M30	UCFG-T205L-M30	30mm	4.45	3.58	0.43	1.57	2.22	M6x.75	0.53	0.65	3.31	0.87	0.35	1.40	2.12	2.20	1.06	3370	2540	1350	0.77

Stainless Steel Insert

UCFGSS-C205L-M25	UCFGSS-T205L-M25	25mm	3.76	3.00	0.33	1.34	1.87	M6x.75	0.53	0.65	2.79	0.78	0.30	1.31	1.89	1.97	0.98	1820	1300	1130	0.66
UCFGSS-C206L-M30	UCFGSS-T205L-M30	30mm	4.45	3.58	0.43	1.57	2.22	M6x.75	0.53	0.65	3.31	0.87	0.35	1.40	2.12	2.20	1.06	2530	1900	1350	0.77

For the full range of bearings, see the System Plast Bearing Line catalog.

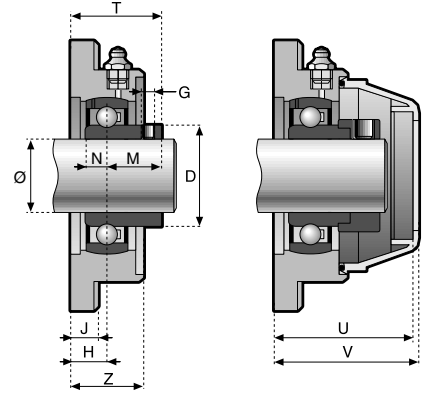
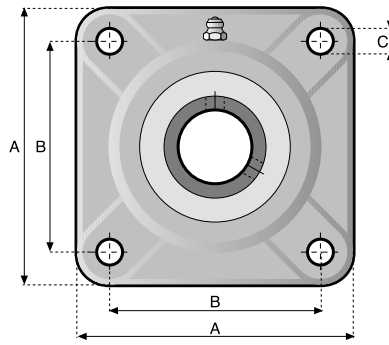


UCFQ

Flange Bearing with Solid Housings

Corrosion resistant housings are engineered to match the load capacity and speed requirements of standard bearing inserts. Self aligning and pre-lubricated bearing inserts allows for a low maintenance and trouble-free operation that is great for use in the food, beverage and pharmaceutical industry.

Mounted Bearings and Accessories



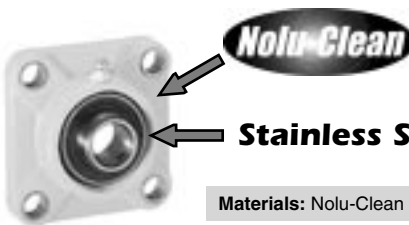
Chrome Steel OR Stainless Steel



Safety caps are available.

Materials: Black polyamide support housing (polypropylene can be special ordered). Chrome steel or stainless steel bearing insert.

Chrome Steel Insert Part Number	Ø	A	B	C	D	G	H	J	M	N	T	U	V	Z	Load Ratings (lbf)			Ship weight on housing (lbs)	Yellow safety cap	
															dynamic C	static Co	max radial on housing		closed	through shaft
UCFQ-204L-M20	20mm	3.39	2.50	0.43	1.12	M6x.75	0.61	0.39	0.72	0.30	1.33	1.89	1.97	1.02	2210	1480	2250	0.48	50013	50013.APE
UCFQ-205L-M25	25mm	3.74	2.76	0.43	1.34	M6x.75	0.67	0.48	0.78	0.30	1.45	2.05	2.13	1.14	2430	1770	2430	0.70	50009	50009.APE
UCFQ-206L-M30	30mm	4.25	3.25	0.43	1.57	M6x.75	0.57	0.48	0.87	0.35	1.44	2.20	2.28	1.14	3370	2540	2590	1.06	50010	50010.APE
UCFQ-207L-M35	35mm	4.65	3.62	0.55	1.84	M6x.75	0.71	0.62	1.00	0.38	1.71	2.36	2.44	1.30	4430	3440	2700	1.39	50010	50010.APE
UCFQ-208L-M40	40mm	5.12	4.00	0.55	2.07	M8x1.0	0.71	0.62	1.19	0.43	1.89	2.28	2.36	1.38	5040	4020	2810	1.76	50014	50014.APE
Stainless Steel Insert																				
UCFQSS-204L-M20	20mm	3.39	2.50	0.43	1.12	M6x.75	0.61	0.39	0.72	0.30	1.33	1.89	1.97	1.02	1640	1100	2250	0.48	50013	50013.APE
UCFQSS-205L-M25	25mm	3.74	2.76	0.43	1.34	M6x.75	0.67	0.48	0.78	0.30	1.45	2.05	2.13	1.14	1820	1300	2430	0.70	50009	50009.APE
UCFQSS-206L-M30	30mm	4.25	3.25	0.43	1.57	M6x.75	0.57	0.48	0.87	0.35	1.44	2.20	2.28	1.14	2530	1890	2590	1.06	50010	50010.APE
UCFQSS-207L-M35	35mm	4.65	3.62	0.43	1.84	M6x.75	0.71	0.62	1.00	0.38	1.71	2.36	2.44	1.30	3300	2560	2700	1.39	50010	50010.APE
UCFQSS-208L-M40	40mm	5.12	4.00	0.55	2.07	M8x1.0	0.71	0.62	1.19	0.43	1.89	2.28	2.36	1.38	3780	3010	2810	1.76	50014	50014.APE



Nolu-Clean

A new antimicrobial material for improved hygiene. Created through new technology which will help equipment builders meet the requirements of the USDA and other government agencies as they relate to the prevention of contamination of food products and the growth of bacteria.

Stainless Steel

For HACCP Needs!

Materials: Nolu-Clean white polyamide support housing (polypropylene can be special ordered). Stainless steel bearing insert.

Stainless Steel Insert Part Number	Ø	A	B	C	D	G	H	J	M	N	T	U	V	Z	Load Ratings (lbf)			ship weight on housing (lbs)	Nolu-Clean safety cap	
															dynamic C	static Co	max radial on housing		closed	through shaft
UCFQSS-204-M20-N	20MM	3.39	2.50	0.43	1.12	M6x.75	0.61	0.39	0.72	0.30	1.33	1.89	1.97	1.02	1640	1100	2250	0.48	50007-N	50007.APE-N
UCFQSS-205-M25-N	25MM	3.74	2.76	0.43	1.34	M6x.75	0.67	0.48	0.78	0.30	1.45	2.05	2.13	1.14	1820	1300	2430	0.70	50011-N	50011.APE-N
UCFQSS-206-M30-N	30MM	4.25	3.25	0.43	1.57	M6x.75	0.57	0.48	0.87	0.35	1.44	2.20	2.28	1.14	2530	1890	2590	1.06	50001-N	50001.APE-N
UCFQSS-207-M35-N	35MM	4.65	3.62	0.43	1.84	M6x.75	0.71	0.62	1.00	0.38	1.71	2.36	2.44	1.30	3300	2560	2700	1.39	50004-N	50004.APE-N
UCFQSS-208-M40-N	40MM	5.12	4.00	0.55	2.07	M8x1.0	0.71	0.62	1.19	0.43	1.89	2.28	2.36	1.38	3780	3010	2810	1.76	50002-N	50002.APE-N

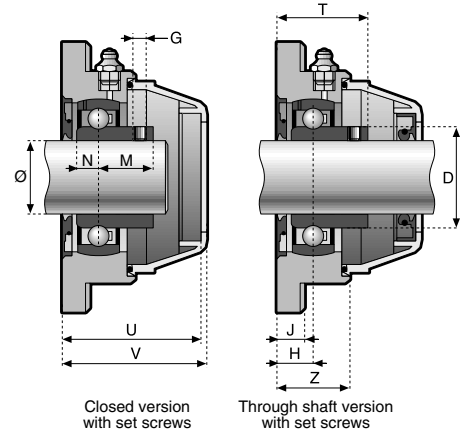
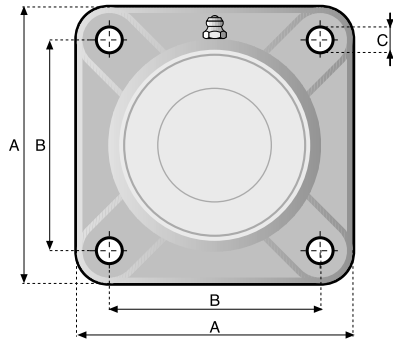
For the full range of bearings, see the System Plast Bearing Line catalog.



UCFQ sealed

Capped and Sealed Flange Bearing with Solid Housing

Available with through shaft or closed caps.



Mounted Bearings and Accessories



Chrome Steel OR Stainless Steel

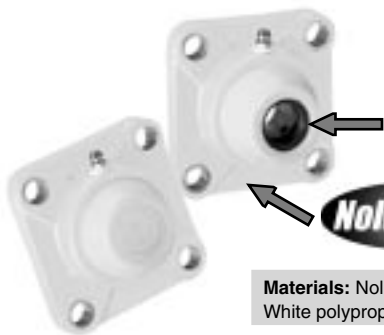
Materials: Black polyamide support housing (polypropylene can be special ordered). Stainless steel bearing insert. Yellow polypropylene safety cap. Seal and O-Ring is NBR rubber.

Chrome Steel Insert

Closed Cap	Through Shaft Cap	Ø	A	B	C	D	G	H	J	M	N	T	U	V	Z	Load Ratings (lbf)			ship weight (lbs)
																dynamic C	static Co	max radial on housing	
UCFQ-C204L-M20	UCFQ-T204L-M20	20mm	3.39	2.50	0.43	1.12	M6x.75	0.61	0.39	0.72	0.30	1.33	1.89	1.97	1.02	2210	1480	2250	0.51
UCFQ-C205L-M25	UCFQ-T205L-M25	25mm	3.74	2.76	0.43	1.34	M6x.75	0.67	0.48	0.78	0.30	1.45	2.05	2.13	1.14	2430	1770	2430	0.75
UCFQ-C206L-M30	UCFQ-T206L-M30	30mm	4.25	3.25	0.43	1.57	M6x.75	0.57	0.48	0.87	0.35	1.44	2.20	2.28	1.14	3370	2540	2590	1.10
UCFQ-C207L-M35	UCFQ-T207L-M35	35mm	4.65	3.62	0.55	1.84	M6x.75	0.71	0.62	1.00	0.38	1.71	2.36	2.44	1.30	4430	3440	2700	1.43
UCFQ-C208L-M40	UCFQ-T208L-M40	40mm	5.12	4.00	0.55	2.07	M8x1.0	0.71	0.62	1.19	0.43	1.89	2.28	2.36	1.38	5040	4020	2810	1.81

Stainless Steel Insert

UCFQSS-C204L-M20	UCFQSS-T204L-M20	20mm	3.39	2.50	0.43	1.12	M6x.75	0.61	0.39	0.72	0.30	1.33	1.89	1.97	1.02	2210	1480	2250	0.51
UCFQSS-C205L-M25	UCFQSS-T205L-M25	25mm	3.74	2.76	0.43	1.34	M6x.75	0.67	0.48	0.78	0.30	1.45	2.05	2.13	1.14	2430	1770	2430	0.75
UCFQSS-C206L-M30	UCFQSS-T206L-M30	30mm	4.25	3.25	0.43	1.57	M6x.75	0.57	0.48	0.87	0.35	1.44	2.20	2.28	1.14	3370	2540	2590	1.10
UCFQSS-C207L-M35	UCFQSS-T207L-M35	35mm	4.65	3.62	0.55	1.84	M6x.75	0.71	0.62	1.00	0.38	1.71	2.36	2.44	1.30	4430	3440	2700	1.43
UCFQSS-C208L-M40	UCFQSS-T208L-M40	40mm	5.12	4.00	0.55	2.07	M8x1.0	0.71	0.62	1.19	0.43	1.89	2.28	2.36	1.38	5040	4020	2810	1.81



Stainless Steel



A new antimicrobial material for improved hygiene. Created through new technology which will help equipment builders meet the requirements of the USDA and other government agencies as they relate to the prevention of contamination of food products and the growth of bacteria.

For HACCP Needs!

Materials: Nolu-Clean white polyamide support housing (polypropylene can be special ordered). Stainless steel bearing insert. White polypropylene safety cap. Seal and O-Ring is NBR rubber.

Stainless Steel Insert

Closed Cap	Through Shaft Cap	Ø	A	B	C	D	G	H	J	M	N	T	U	V	Z	Load Ratings (lbf)			ship weight (lbs)
																dynamic C	static Co	max radial on housing	
UCFQSS-C204-M20-N	UCFQSS-T204-M20-N	20mm	3.39	2.50	0.43	1.12	M6x.75	0.61	0.39	0.72	0.30	1.33	1.89	1.97	1.02	2210	1480	2250	0.51
UCFQSS-C205-M25-N	UCFQSS-T205-M25-N	25mm	3.74	2.76	0.43	1.34	M6x.75	0.67	0.48	0.78	0.30	1.45	2.05	2.13	1.14	2430	1770	2430	0.75
UCFQSS-C206-M30-N	UCFQSS-T206-M30-N	30mm	4.25	3.25	0.43	1.57	M6x.75	0.57	0.48	0.87	0.35	1.44	2.20	2.28	1.14	3370	2540	2590	1.10
UCFQSS-C207-M35-N	UCFQSS-T207-M35-N	35mm	4.65	3.62	0.55	1.84	M6x.75	0.71	0.62	1.00	0.38	1.71	2.36	2.44	1.30	4430	3440	2700	1.43
UCFQSS-C208-M40-N	UCFQSS-T208-M40-N	40mm	5.12	4.00	0.55	2.07	M8x1.0	0.71	0.62	1.19	0.43	1.89	2.28	2.36	1.38	5040	4020	2810	1.81

For the full range of bearings, see the System Plast Bearing Line catalog.

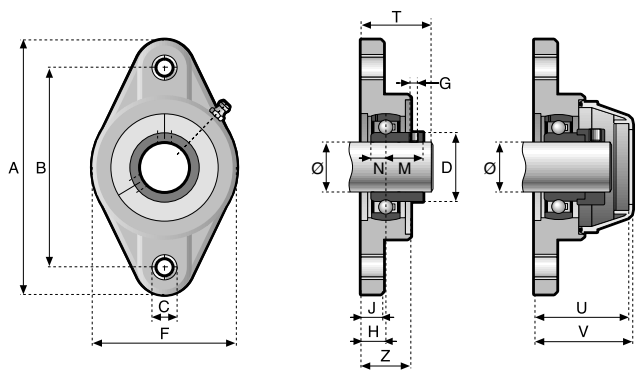


UCFH

Flange Bearing with Solid Housings

Corrosion resistant housings are engineered to match the load capacity and speed requirements of standard bearing inserts. Self aligning and pre-lubricated bearing inserts allows for a low maintenance and trouble-free operation that is great for use in the food, beverage and pharmaceutical industry.

Mounted Bearings and Accessories



Chrome Steel OR **Stainless Steel**



Safety caps are available.

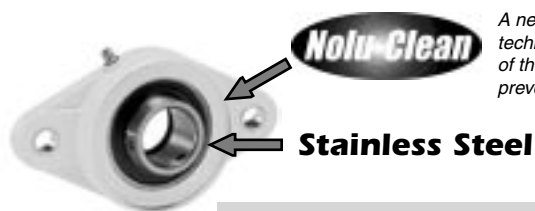
Materials: Black polyamide support housing (polypropylene can be special ordered). Chrome steel or stainless steel bearing insert.

Chrome Steel Insert

Part Number	Ø	A	B	C	D	F	G	H	J	M	N	T	U	V	Z	Load dynamic C	Load static Co	Load max radial on housing	ship weight (lbs)	Yellow safety cap closed through shaft
UCFH-204L-M20	20mm	4.49	3.54	0.43	1.12	2.52	M6x.75	0.61	0.39	0.72	0.30	1.33	1.89	1.97	1.02	2210	1480	1690	0.44	50013 50013.APE
UCFH-205L-M25	25mm	5.12	3.90	0.43	1.34	2.76	M6x.75	0.67	0.49	0.78	0.30	1.45	2.05	2.13	1.14	2430	1770	1800	0.66	50009 50009.APE
UCFH-206L-M30	30mm	5.83	4.61	0.43	1.57	3.31	M6x.75	0.57	0.49	0.87	0.35	1.44	2.20	2.28	1.14	3370	2540	1980	0.99	50010 50010.APE
UCFH-207L-M35	35mm	6.42	5.12	0.55	1.84	3.54	M6x.75	0.71	0.63	1.00	0.38	1.71	2.36	2.44	1.30	4430	3440	2020	1.32	50010 50010.APE
UCFH-208L-M40	40mm	6.89	5.67	0.55	2.07	4.06	M8x1.0	0.71	0.79	1.18	0.43	1.89	2.28	2.36	1.38	5040	4020	2810	1.76	50014 50014.APE

Stainless Steel Insert

UCFHSS-204L-M20	20mm	4.49	3.54	0.43	1.12	2.52	M6x.75	0.61	0.49	0.72	0.30	1.33	1.89	1.97	1.14	1640	1100	1690	0.44	50013 50013.APE
UCFHSS-205L-M25	25mm	5.12	3.90	0.43	1.34	2.76	M6x.75	0.67	0.49	0.78	0.30	1.45	2.05	2.13	1.14	1820	1300	1800	0.66	50009 50009.APE
UCFHSS-206L-M30	30mm	5.83	4.61	0.43	1.57	3.31	M6x.75	0.57	0.49	0.87	0.35	1.44	2.20	2.28	1.14	2530	1890	1980	0.99	50010 50010.APE
UCFHSS-207L-M35	35mm	6.42	5.12	0.55	1.84	3.54	M6x.75	0.71	0.63	1.00	0.38	1.71	2.36	2.44	1.30	3300	2560	2020	1.32	50010 50010.APE
UCFHSS-208L-M40	40mm	6.89	5.67	0.55	2.07	4.06	M8x1.0	0.71	0.79	1.18	0.43	1.89	2.28	2.36	1.38	3780	3010	2810	1.76	50014 50014.APE



Nolu-Clean

A new antimicrobial material for improved hygiene. Created through new technology which will help equipment builders meet the requirements of the USDA and other government agencies as they relate to the prevention of contamination of food products and the growth of bacteria.

For **HACCP** Needs!

Materials: Nolu-Clean white polyamide support housing (polypropylene can be special ordered). Stainless steel bearing insert.

Stainless Steel Insert

Part Number	Ø	A	B	C	D	F	G	H	J	M	N	T	U	V	Z	Load dynamic C	Load static Co	Load max radial on housing	ship weight (lbs)	Nolu-Clean safety cap closed through shaft
UCFHSS-204-M20-N	20mm	4.49	3.54	0.43	1.12	2.52	M6x.75	0.61	0.49	0.72	0.30	1.33	1.89	1.97	1.14	1640	1100	1690	0.44	50007-N 50007.APE-N
UCFHSS-205-M25-N	25mm	5.12	3.90	0.43	1.34	2.76	M6x.75	0.67	0.49	0.78	0.30	1.45	2.05	2.13	1.14	1820	1300	1800	0.66	50011-N 50011.APE-N
UCFHSS-206-M30-N	30mm	5.83	4.61	0.43	1.57	3.31	M6x.75	0.57	0.49	0.87	0.35	1.44	2.20	2.28	1.14	2530	1890	1980	0.99	50001-N 50001.APE-N
UCFHSS-207-M35-N	35mm	6.42	5.12	0.55	1.84	3.54	M6x.75	0.71	0.63	1.00	0.38	1.71	2.36	2.44	1.30	3300	2560	2020	1.32	50004-N 50004.APE-N
UCFHSS-208-M40-N	40mm	6.89	5.67	0.55	2.07	4.06	M8x1.0	0.71	0.79	1.18	0.43	1.89	2.28	2.36	1.38	3780	3010	2810	1.76	50002-N 50002.APE-N

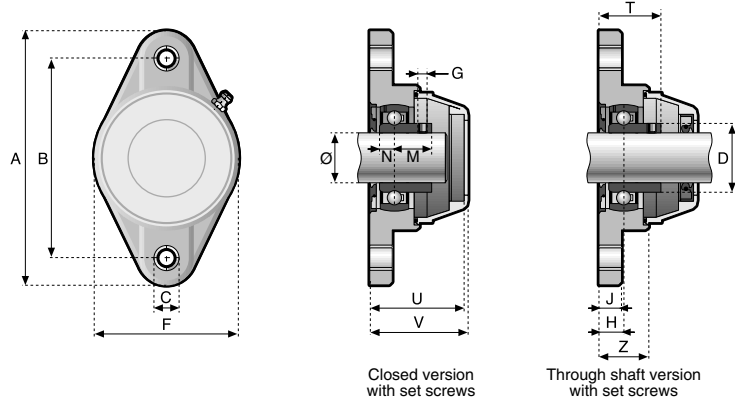
For the full range of bearings, see the System Plast Bearing Line catalog.



UCFH sealed

Capped and Sealed Flange Bearing with Solid Housing

Available with through shaft or closed caps.



Closed version with set screws

Through shaft version with set screws

Mounted Bearings and Accessories



Chrome Steel OR Stainless Steel

Materials: Black polyamide support housing (polypropylene can be special ordered). Stainless steel bearing insert. Yellow polypropylene safety cap. Seal and O-Ring is NBR rubber.

Chrome Steel Insert

Closed Cap	Through Shaft Cap	Ø	A	B	C	D	F	G	H	J	M	N	T	U	V	Z	Load Ratings (lbf)			ship weight (lbs)
																	dynamic C	static Co	max radial on housing	
UCFH-C204L-M20	UCFH-T204L-M20	20mm	4.49	3.54	0.43	1.12	2.52	M6x.75	0.61	0.39	0.72	0.30	1.33	1.89	1.97	1.02	2210	1480	1690	0.46
UCFH-C205L-M25	UCFH-T205L-M25	25mm	5.12	3.90	0.43	1.34	2.76	M6x.75	0.67	0.49	0.78	0.30	1.45	2.05	2.13	1.14	2430	1770	1800	0.70
UCFH-C206L-M30	UCFH-T206L-M30	30mm	5.83	4.61	0.43	1.57	3.31	M6x.75	0.57	0.49	0.87	0.35	1.44	2.20	2.28	1.14	3370	2540	1980	1.03
UCFH-C207L-M35	UCFH-T207L-M35	35mm	6.42	5.12	0.55	1.84	3.54	M6x.75	0.71	0.63	1.00	0.38	1.71	2.36	2.44	1.30	4430	3440	2020	1.36
UCFH-C208L-M40	UCFH-T208L-M40	40mm	6.89	5.67	0.55	2.07	4.06	M8x1.0	0.71	0.79	1.18	0.43	1.89	2.28	2.36	1.38	5040	4020	2810	1.81

Stainless Steel Insert

UCFHSS-C204L-M20	UCFHSS-T204L-M20	20mm	4.49	3.54	0.43	1.12	2.52	M6x.75	0.61	0.39	0.72	0.30	1.33	1.89	1.97	1.02	1640	1100	1690	0.46
UCFHSS-C205L-M25	UCFHSS-T205L-M25	25mm	5.12	3.90	0.43	1.34	2.76	M6x.75	0.67	0.49	0.78	0.30	1.45	2.05	2.13	1.14	1820	1300	1800	0.70
UCFHSS-C206L-M30	UCFHSS-T206L-M30	30mm	5.83	4.61	0.43	1.57	3.31	M6x.75	0.57	0.49	0.87	0.35	1.44	2.20	2.28	1.14	2530	1890	1980	1.03
UCFHSS-C207L-M35	UCFHSS-T207L-M35	35mm	6.42	5.12	0.55	1.84	3.54	M6x.75	0.71	0.63	1.00	0.38	1.71	2.36	2.44	1.30	3300	2560	2020	1.36
UCFHSS-C208L-M40	UCFHSS-T208L-M40	40mm	6.89	5.67	0.55	2.07	4.06	M8x1.0	0.71	0.79	1.18	0.43	1.89	2.28	2.36	1.38	3780	3010	2810	1.81



Stainless Steel



A new antimicrobial material for improved hygiene. Created through new technology which will help equipment builders meet the requirements of the USDA and other government agencies as they relate to the prevention of contamination of food products and the growth of bacteria.

For HACCP Needs!

Materials: Nolu-Clean white polyamide support housing (polypropylene can be special ordered). Stainless steel bearing insert. White polypropylene safety cap. Seal and O-Ring is NBR rubber.

Stainless Steel Insert

Closed Cap	Through Shaft Cap	Ø	A	B	C	D	F	G	H	J	M	N	T	U	V	Z	Load Ratings (lbf)			ship weight (lbs)
																	dynamic C	static Co	max radial on housing	
UCFHSS-C204-M20-N	UCFHSS-T204-M20-N	20mm	4.49	3.54	0.43	1.12	2.52	M6x.75	0.61	0.39	0.72	0.30	1.33	1.89	1.97	1.02	1640	1100	1690	0.46
UCFHSS-C205-M25-N	UCFHSS-T205-M25-N	25mm	5.12	3.90	0.43	1.34	2.76	M6x.75	0.67	0.49	0.78	0.30	1.45	2.05	2.13	1.14	1820	1300	1800	0.70
UCFHSS-C206-M30-N	UCFHSS-T206-M30-N	30mm	5.83	4.61	0.43	1.57	3.31	M6x.75	0.57	0.49	0.87	0.35	1.44	2.20	2.28	1.14	2530	1890	1980	1.03
UCFHSS-C207-M35-N	UCFHSS-T207-M35-N	35mm	6.42	5.12	0.55	1.84	3.54	M6x.75	0.71	0.63	1.00	0.38	1.71	2.36	2.44	1.30	3300	2560	2020	1.36
UCFHSS-C208-M40-N	UCFHSS-T208-M40-N	40mm	6.89	5.67	0.55	2.07	4.06	M8x1.0	0.71	0.79	1.18	0.43	1.89	2.28	2.36	1.38	3780	3010	2810	1.81

For the full range of bearings, see the System Plast Bearing Line catalog.



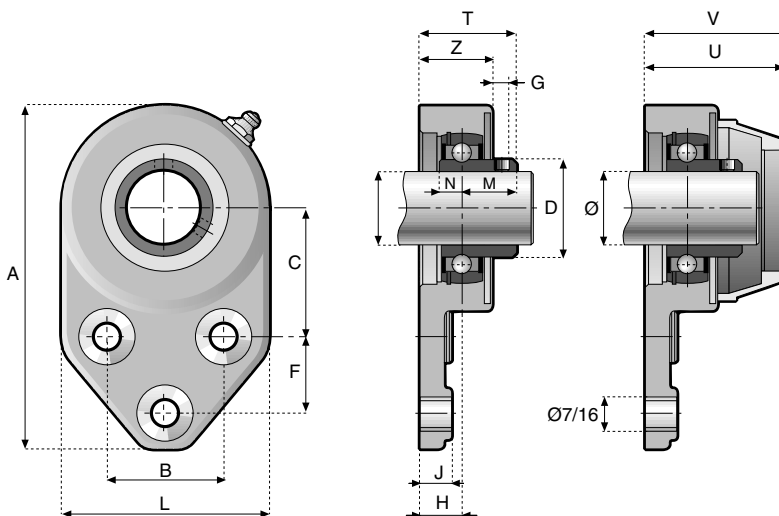
METRIC

UCFA

Flange Bearing with Solid Housings

Corrosion resistant housings are engineered to match the load capacity and speed requirements of standard bearing inserts. Self aligning and pre-lubricated bearing inserts allows for a low maintenance and trouble-free operation that is great for use in the food, beverage and pharmaceutical industry.

Mounted Bearings and Accessories



Chrome Steel OR **Stainless Steel**



Safety caps are available.

Materials: Black polyamide support housing (polypropylene can be special ordered). Chrome steel or stainless steel bearing insert.

Chrome Steel Insert

Part Number	Ø	A	B	C	D	F	G	H	J	L	M	N	T	U	V	Z	Load Ratings (lbf)			ship weight (lbs)	Yellow safety cap closed through shaft	
																	dynamic C	static Co	max radial on housing		50013	50013.APE
UCFA-205L-M20	20mm	4.92	1.62	1.81	1.12	1.12	M6x.75	0.67	0.49	2.71	0.72	0.30	1.39	1.95	2.30	1.08	2210	1480	2140	0.77	50013	50013.APE
UCFA-205L-M25	25mm	4.92	1.62	1.81	1.34	1.12	M6x.75	0.63	0.49	2.71	0.78	0.30	1.41	2.06	2.30	1.08	2430	1770	2023	0.88	50009	50009.APE
UCFA-206L-M25	25mm	5.53	1.87	2.06	1.34	1.25	M6x.75	0.71	0.49	3.31	0.78	0.30	1.49	2.22	2.30	1.16	2430	1770	2470	1.08	50010	50010.APE
UCFA-206L-M30	30mm	5.53	1.87	2.06	1.57	1.25	M6x.75	0.67	0.49	3.31	0.87	0.35	1.54	2.22	2.14	1.16	3370	2540	2470	1.48	50010	50010.APE

Stainless Steel Insert

UCFASS-205L-M20	20mm	4.92	1.62	1.81	1.31	1.12	M6x.75	0.67	0.49	2.71	0.92	0.30	1.59	1.95	2.02	1.08	2210	1486	2140	0.77	50013	50013.APE
UCFASS-205L-M25	25mm	4.92	1.62	1.81	1.50	1.16	M6x.75	0.63	0.49	2.71	0.92	0.30	1.55	2.06	2.14	1.08	2430	1770	2023	0.88	50009	50009.APE
UCFASS-206L-M25	25mm	5.53	1.87	2.06	1.34	1.25	M6x.75	0.71	0.49	3.31	0.78	0.30	1.49	2.22	2.30	1.16	2430	1770	2470	1.08	50010	50010.APE
UCFASS-206L-M30	30mm	5.53	1.87	2.06	1.57	1.25	M6x.75	0.67	0.49	3.31	0.87	0.35	1.54	2.22	2.30	1.16	2530	1890	2470	1.48	50010	50010.APE



A new antimicrobial material for improved hygiene. Created through new technology which will help equipment builders meet the requirements of the USDA and other government agencies as they relate to the prevention of contamination of food products and the growth of bacteria.

Stainless Steel

For HACCP Needs!

Materials: Nolu-Clean white polyamide support housing (polypropylene can be special ordered). Stainless steel bearing insert.

Stainless Steel Insert

Part Number	Ø	A	B	C	D	F	G	H	J	L	M	N	T	U	V	Z	Load Ratings (lbf)			ship weight (lbs)	Nolu-Clean safety cap closed through shaft	
																	dynamic C	static Co	max radial on housing		50013-N	50013.APE-N
UCFASS-205L-M20-N	20mm	4.92	1.62	1.81	1.31	1.12	M6x.75	0.67	0.49	2.71	0.92	0.30	1.59	1.95	2.02	1.08	2210	1486	2140	0.77	50013-N	50013.APE-N
UCFASS-205L-M25-N	25mm	4.92	1.62	1.81	1.50	1.16	M6x.75	0.63	0.49	2.71	0.92	0.30	1.55	2.06	2.14	1.08	2430	1770	2023	0.88	50009-N	50009.APE-N
UCFASS-206L-M25-N	25mm	5.53	1.87	2.06	1.34	1.25	M6x.75	0.71	0.49	3.31	0.78	0.30	1.49	2.22	2.30	1.16	2430	1770	2470	1.08	50010-N	50010.APE-N
UCFASS-206L-M30-N	30mm	5.53	1.87	2.06	1.57	1.25	M6x.75	0.67	0.49	3.31	0.87	0.35	1.54	2.22	2.30	1.16	2530	1890	2470	1.48	50010-N	50010.APE-N

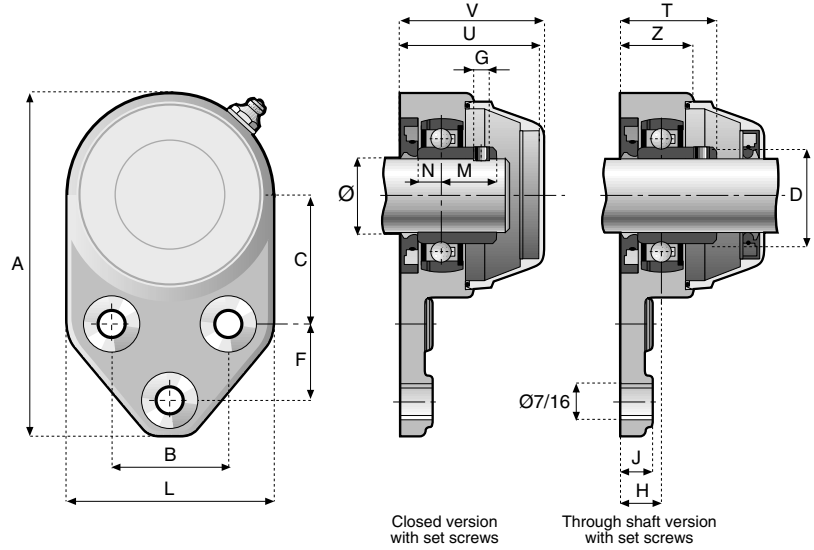
For the full range of bearings, see the System Plast Bearing Line catalog.



UCFA sealed

Capped and Sealed Flange Bearing with Solid Housing

Available with through shaft or closed caps.



Chrome Steel OR Stainless Steel

Materials: Black polyamide support housing (polypropylene can be special ordered). Stainless steel bearing insert. Yellow polypropylene safety cap. Seal and O-Ring is NBR rubber.

Chrome Steel Insert

Closed Cap	Through Shaft Cap	Ø	A	B	C	D	F	G	H	J	L	M	N	T	U	V	Z	Load Ratings (lbf)			ship weight (lbs)
																		dynamic C	static Co	max radial on housing	
UCFA-C205L-M20	UCFA-T205L-M20	20mm	4.92	1.62	1.81	1.12	1.12	M6x.75	0.67	0.49	2.71	0.72	0.30	1.39	1.95	2.14	1.08	2210	1480	2140	0.79
UCFA-C205L-M25	UCFA-T205L-M25	25mm	4.92	1.62	1.81	1.34	1.12	M6x.75	0.63	0.49	2.71	0.78	0.30	1.41	2.06	2.14	1.08	2430	1770	2023	0.93
UCFA-C206L-M25	UCFA-T206L-M25	25mm	5.53	1.87	2.06	1.34	1.25	M6x.75	0.71	0.49	3.31	0.78	0.30	1.49	2.22	2.30	1.16	2430	1770	2470	1.04
UCFA-C206L-M30	UCFA-T206L-M30	30mm	5.53	1.87	2.06	1.57	1.25	M6x.75	0.67	0.49	3.31	0.87	0.35	1.54	2.22	2.30	1.16	3370	2540	2470	1.53

Stainless Steel Insert

UCFASS-C205L-M20	UCFASS-T205L-M20	20mm	4.92	1.62	1.81	1.12	1.12	M6x.75	0.67	0.49	2.71	0.72	0.30	1.39	1.95	2.14	1.08	2210	1486	2140	0.79
UCFASS-C205L-M25	UCFASS-T205L-M25	25mm	4.92	1.62	1.81	1.34	1.12	M6x.75	0.63	0.49	2.71	0.78	0.30	1.41	2.06	2.14	1.08	2430	1770	2023	0.93
UCFASS-C206L-M25	UCFASS-T206L-M25	25mm	5.53	1.87	2.06	1.34	1.25	M6x.75	0.71	0.49	3.31	0.78	0.30	1.49	2.22	2.30	1.16	2430	1770	2470	1.04
UCFASS-C206L-M30	UCFASS-T206L-M30	30mm	5.53	1.87	2.06	1.57	1.25	M6x.75	0.67	0.49	3.31	0.87	0.35	1.54	2.22	2.30	1.16	2530	1890	2470	1.53



Stainless Steel



A new antimicrobial material for improved hygiene. Created through new technology which will help equipment builders meet the requirements of the USDA and other government agencies as they relate to the prevention of contamination of food products and the growth of bacteria.

For **HACCP** Needs!

Materials: Nolu-Clean white polyamide support housing (polypropylene can be special ordered). Stainless steel bearing insert. White polypropylene safety cap. Seal and O-Ring is NBR rubber.

Stainless Steel Insert

Closed Cap	Through Shaft Cap	Ø	A	B	C	D	F	G	H	J	L	M	N	T	U	V	Z	Load Ratings (lbf)			ship weight (lbs)
																		dynamic C	static Co	max radial on housing	
UCFASS-C205L-M20-N	UCFASS-T205L-M20-N	20mm	4.92	1.62	1.81	1.12	1.12	M6x.75	0.67	0.49	2.71	0.72	0.30	1.39	1.95	2.14	1.08	2210	1486	2140	0.79
UCFASS-C205L-M25-N	UCFASS-T205L-M25-N	25mm	4.92	1.62	1.81	1.34	1.12	M6x.75	0.63	0.49	2.71	0.78	0.30	1.41	2.06	2.14	1.08	2430	1770	2023	0.93
UCFASS-C206L-M25-N	UCFASS-T206L-M25-N	25mm	5.53	1.87	2.06	1.34	1.25	M6x.75	0.71	0.49	3.31	0.78	0.30	1.49	2.22	2.30	1.16	2430	1770	2470	1.04
UCFASS-C206L-M30-N	UCFASS-T206L-M30-N	30mm	5.53	1.87	2.06	1.57	1.25	M6x.75	0.67	0.49	3.31	0.87	0.35	1.54	2.22	2.30	1.16	2530	1890	2470	1.15

For the full range of bearings, see the System Plast Bearing Line catalog.

Mounted Bearings and Accessories



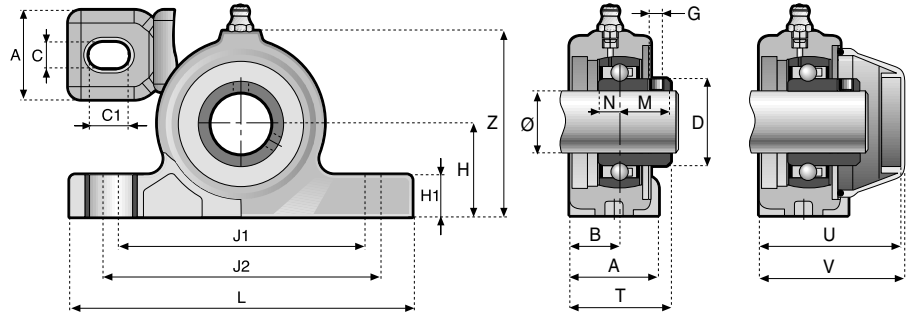
Metric Pillow Block Bearings

METRIC

UCP

Pillow Block Bearings

Corrosion resistant housings are engineered to match the load capacity and speed requirements of standard bearing inserts. Self-aligning and pre-lubricated bearing inserts allows for a low maintenance and trouble-free operation that is great for use in the food, beverage and pharmaceutical industry.



Mounted Bearings and Accessories



Chrome Steel OR **Stainless Steel**



Safety caps are available.

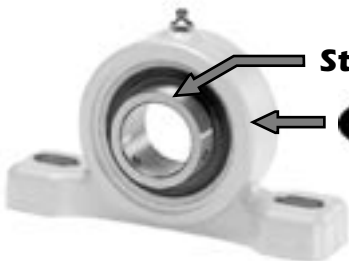
Materials: Black polyamide support housing (polypropylene can be special ordered). Chrome steel or stainless steel bearing insert.

Chrome Steel Insert

Part Number	Ø	A	B	C	C1	D	G	H	H1	J1	J2	L	M	N	T	U	V	Z	Load Ratings (lb)			ship weight (lbs)	Yellow safety cap closed through shaft	
																			dynamic	static	max radial		C	Co
UCP-204L-M20	20mm	1.22	0.12	0.43	0.67	1.12	M6x.75	1.31	0.63	3.58	4.05	5.00	0.72	0.30	1.45	2.07	2.15	2.64	2210	1480	1400	0.66	50013	50013.APE
UCP-205L-M25	25mm	1.38	0.12	0.51	0.87	1.34	M6x.75	1.44	0.63	3.82	4.29	5.31	0.78	0.30	1.59	2.15	2.23	2.85	2430	1770	1770	0.81	50009	50009.APE
UCP-206L-M30	30mm	1.61	0.18	0.51	0.87	1.57	M6x.75	1.69	0.87	4.37	5.08	6.14	0.87	0.35	1.86	2.50	2.58	3.42	3370	2540	2470	1.10	50010	50010.APE
UCP-207L-M35	35mm	1.77	0.12	0.51	0.87	1.84	M6x.75	1.87	0.85	4.61	5.31	6.45	1.00	0.38	2.00	2.62	2.70	3.74	4430	3440	2700	1.54	50010	50010.APE
UCP-208L-M40	40mm	1.89	0.16	0.51	0.87	2.07	M8x1.0	1.94	0.85	5.08	5.79	7.05	1.26	0.43	2.05	2.62	2.70	3.94	5040	4020	2800	1.87	50014	50014.APE

Stainless Steel Insert

UCPSS-204L-M20	20mm	1.22	0.12	0.43	0.67	1.12	M6x.75	1.31	0.63	3.58	4.05	5.00	0.72	0.30	1.45	2.07	2.15	2.64	1640	1100	1400	0.66	50013	50013.APE
UCPSS-205L-M25	25mm	1.38	0.12	0.43	0.67	1.34	M6x.75	1.44	0.63	3.82	4.29	5.31	0.78	0.30	1.59	2.15	2.23	2.85	1820	1300	1770	0.81	50009	50009.APE
UCPSS-206L-M30	30mm	1.61	0.18	0.51	0.87	1.57	M6x.75	1.69	0.87	4.37	5.08	6.14	0.87	0.35	1.86	2.50	2.58	3.42	2530	1890	2470	1.10	50010	50010.APE
UCPSS-207L-M35	35mm	1.77	0.12	0.51	0.87	1.84	M6x.75	1.87	0.85	4.61	5.31	6.45	1.00	0.38	2.00	2.62	2.70	3.74	3300	2560	2700	1.54	50010	50010.APE
UCPSS-208L-M40	40mm	1.89	0.16	0.51	0.87	2.07	M8x1.0	1.94	0.85	5.08	5.79	7.05	1.26	0.43	2.05	2.62	2.70	3.94	3780	3010	2800	1.87	50014	50014.APE



Stainless Steel



A new antimicrobial material for improved hygiene. Created through new technology which will help equipment builders meet the requirements of the USDA and other government agencies as they relate to the prevention of contamination of food products and the growth of bacteria.

For **HACCP** Needs!

Materials: Nolu-Clean white polyamide support housing (polypropylene can be special ordered). Stainless steel bearing insert.

Stainless Steel Insert

Part Number	Ø	A	B	C	C1	D	G	H	H1	J1	J2	L	M	N	T	U	V	Z	Load Ratings (lb)			ship weight (lbs)	Nolu-Clean safety cap closed through shaft	
																			dynamic	static	max radial		C	Co
UCPSS-204L-M20-N	20mm	1.22	0.12	0.43	0.67	1.12	M6x.75	1.31	0.63	3.58	4.05	5.00	0.72	0.30	1.45	2.07	2.15	2.64	1640	1100	1400	0.66	50013-N	50013.APE-N
UCPSS-205L-M25-N	25mm	1.38	0.12	0.43	0.67	1.34	M6x.75	1.44	0.63	3.82	4.29	5.31	0.78	0.30	1.59	2.15	2.23	2.85	1820	1300	1770	0.81	50009-N	50009.APE-N
UCPSS-206L-M30-N	30mm	1.61	0.18	0.51	0.87	1.57	M6x.75	1.69	0.87	4.37	5.08	6.14	0.87	0.35	1.86	2.50	2.58	3.42	2530	1890	2470	1.10	50010-N	50010.APE-N
UCPSS-207L-M35-N	35mm	1.77	0.12	0.51	0.87	1.84	M6x.75	1.87	0.85	4.61	5.31	6.45	1.00	0.38	2.00	2.62	2.70	3.74	3300	2560	2700	1.54	50010-N	50010.APE-N
UCPSS-208L-M40-N	40mm	1.89	0.16	0.51	0.87	2.07	M8x1.0	1.94	0.85	5.08	5.79	7.05	1.26	0.43	2.05	2.62	2.70	3.94	3780	3010	2800	1.87	50014-N	50014.APE-N

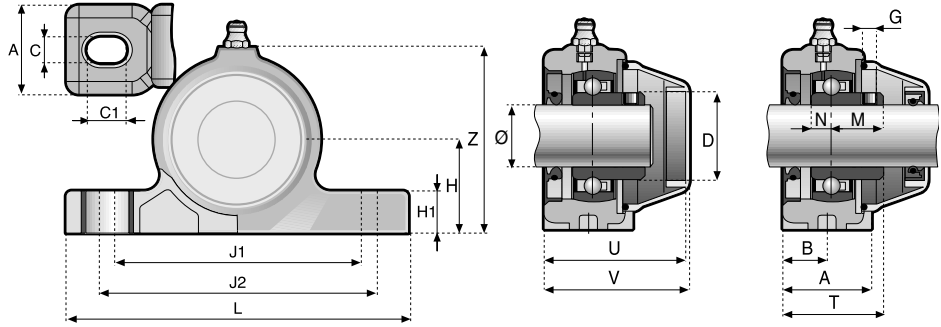
For the full range of bearings, see the System Plast Bearing Line catalog.



UCP sealed

Capped and Sealed Pillow Block Bearings

Available with through shaft or closed caps.



Chrome Steel OR **Stainless Steel**

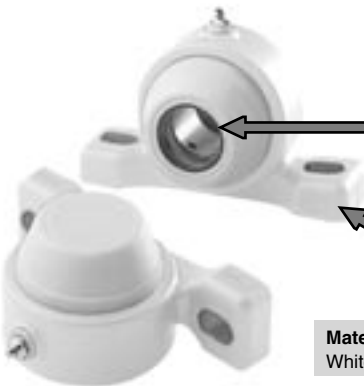
Materials: Black polyamide support housing (polypropylene can be special ordered). Stainless steel bearing insert. Yellow polypropylene safety cap. Seal and O-Ring is NBR rubber.

Chrome Steel Insert

Closed Cap	Through Shaft Cap	Ø	A	B	C	C1	D	G	H	H1	J1	J2	L	M	N	T	U	V	Z	Load Ratings (lbf)			ship weight (lbs)
																				dynamic C	static Co	max radial on housing	
UCP-C204L-M20	UCP-T204L-M20	20mm	1.22	0.12	0.43	0.67	1.12	M6x.75	1.31	0.63	3.58	4.05	5.00	0.72	0.30	1.45	2.07	2.15	2.64	2210	1480	1400	0.68
UCP-C205L-M25	UCP-T205L-M25	25mm	1.38	0.12	0.43	0.67	1.34	M6x.75	1.44	0.63	3.82	4.29	5.31	0.78	0.30	1.59	2.15	2.22	2.85	2430	1770	1770	0.86
UCP-C206L-M30	UCP-T206L-M30	30mm	1.61	0.18	0.51	0.87	1.57	M6x.75	1.69	0.87	4.37	5.08	6.14	0.87	0.35	1.86	2.5	2.58	3.42	3370	2540	2470	1.15
UCP-C207L-M35	UCP-T207L-M35	35mm	1.77	0.12	0.51	0.87	1.84	M6x.75	1.87	0.85	4.61	5.31	6.45	1.00	0.38	2.00	2.62	2.70	3.74	4430	3440	2700	1.59
UCP-C208L-M40	UCP-T208L-M40	40mm	1.89	0.16	0.51	0.87	2.07	M8x1.0	1.94	0.85	5.08	5.79	7.05	1.26	0.43	2.05	2.62	2.70	3.94	5040	4020	2800	1.92

Stainless Steel Insert

UCPSS-C204L-M20	UCPSS-T204L-M20	20mm	1.22	0.12	0.43	0.67	1.12	M6x.75	1.31	0.63	3.58	4.05	5.00	0.72	0.30	1.45	2.07	2.15	2.64	1640	1100	1400	0.68
UCPSS-C205L-M25	UCPSS-T205L-M25	25mm	1.38	0.12	0.43	0.67	1.34	M6x.75	1.44	0.63	3.82	4.29	5.31	0.78	0.30	1.59	2.15	2.22	2.85	1820	1300	1770	0.86
UCPSS-C206L-M30	UCPSS-T206L-M30	30mm	1.61	0.18	0.51	0.87	1.57	M6x.75	1.69	0.87	4.37	5.08	6.14	0.87	0.35	1.86	2.5	2.58	3.42	2530	1890	2470	1.15
UCPSS-C207L-M35	UCPSS-T207L-M35	35mm	1.77	0.12	0.51	0.87	1.84	M6x.75	1.87	0.85	4.61	5.31	6.45	1.00	0.38	2.00	2.62	2.70	3.74	3300	2560	2700	1.59
UCPSS-C208L-M40	UCPSS-T208L-M40	40mm	1.89	0.16	0.51	0.87	2.07	M8x1.0	1.94	0.85	5.08	5.79	7.05	1.26	0.43	2.05	2.62	2.70	3.94	3780	3010	2800	1.92



Stainless Steel



A new antimicrobial material for improved hygiene. Created through new technology which will help equipment builders meet the requirements of the USDA and other government agencies as they relate to the prevention of contamination of food products and the growth of bacteria.

For **HACCP** Needs!

Materials: Nolu-Clean white polyamide support housing (polypropylene can be special ordered). Stainless steel bearing insert. White polypropylene safety cap. Seal and O-Ring is NBR rubber.

Stainless Steel Insert

Closed Cap	Through Shaft Cap	Ø	A	B	C	C1	D	G	H	H1	J1	J2	L	M	N	T	U	V	Z	Load Ratings (lbf)			ship weight (lbs)
																				dynamic C	static Co	max radial on housing	
UCPSS-C204L-M20-N	UCPSS-T204L-M20-N	20mm	1.22	0.12	0.43	0.67	1.12	M6x.75	1.31	0.63	3.58	4.05	5.00	0.72	0.30	1.45	2.07	2.15	2.64	1640	1100	1400	0.68
UCPSS-C205L-M25-N	UCPSS-T205L-M25-N	25mm	1.38	0.12	0.43	0.67	1.34	M6x.75	1.44	0.63	3.82	4.29	5.31	0.78	0.30	1.59	2.15	2.22	2.85	1820	1300	1770	0.86
UCPSS-C206L-M30-N	UCPSS-T206L-M30-N	30mm	1.61	0.18	0.51	0.87	1.57	M6x.75	1.69	0.87	4.37	5.08	6.14	0.87	0.35	1.86	2.5	2.58	3.42	2530	1890	2470	1.15
UCPSS-C207L-M35-N	UCPSS-T207L-M35-N	35mm	1.77	0.12	0.51	0.87	1.84	M6x.75	1.87	0.85	4.61	5.31	6.45	1.00	0.38	2.00	2.62	2.70	3.74	3300	2560	2700	1.59
UCPSS-C208L-M40-N	UCPSS-T208L-M40-N	40mm	1.89	0.16	0.51	0.87	2.07	M8x1.0	1.94	0.85	5.08	5.79	7.05	1.26	0.43	2.05	2.62	2.70	3.94	3780	3010	2800	1.92

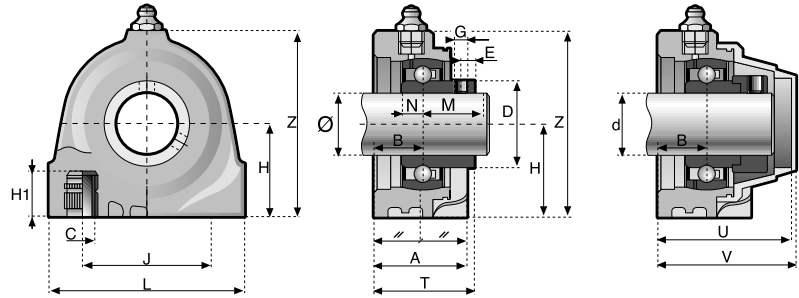
For the full range of bearings, see the System Plast Bearing Line catalog.



UCPA

Tapped Base

Corrosion resistant housings are engineered to match the load capacity and speed requirements of standard bearing inserts. Self aligning and pre-lubricated bearing inserts allows for a low maintenance and trouble-free operation that is great for use in the food, beverage and pharmaceutical industry.



Mounted Bearings and Accessories



Chrome Steel OR **Stainless Steel**



Safety caps are available.

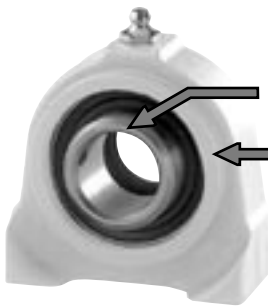
Materials: Black polyamide support housing (polypropylene can be special ordered). Chrome steel or stainless steel bearing insert.

Chrome Steel Insert

Part Number	Ø	A	B	C (UNC)	D	E	G	H	H1	J	L	M	N	T	U	V	Z	Load Ratings (lbf)			ship weight (lbs)	Yellow safety cap	
																		dynamic C	static Co	max radial on housing		closed	through shaft
UCPA-204-M20	20mm	1.26	0.69	3/8	1.12	0.21	M6x.75	1.31	0.63	2.00	2.75	0.72	0.30	1.35	1.93	2.01	2.56	2210	1480	1460	0.66	50013	50013.APE
UCPA-205-M25	25mm	1.42	0.77	3/8	1.33	0.21	M6x.75	1.44	0.63	2.00	2.95	0.78	0.30	1.49	2.12	2.20	2.83	2430	1770	1770	0.81	50009	50009.APE
UCPA-206-M30	30mm	1.57	0.79	7/16	1.57	0.23	M6x.75	1.69	0.94	3.00	3.88	0.87	0.35	1.66	2.32	2.40	3.35	3370	2540	2470	1.10	50010	50010.APE

Stainless Steel Insert

UCPASS-204-M20	20mm	1.26	0.69	3/8	1.12	0.21	M6x.75	1.31	0.63	2.00	2.75	0.72	0.30	1.35	1.93	2.01	2.56	1640	1100	1460	0.66	50013	50013.APE
UCPASS-205-M25	25mm	1.42	0.77	3/8	1.33	0.21	M6x.75	1.44	0.63	2.00	2.95	0.78	0.30	1.49	2.12	2.20	2.83	1820	1300	1770	0.81	50009	50009.APE
UCPASS-206-M30	30mm	1.57	0.79	7/16	1.57	0.23	M6x.75	1.69	0.94	3.00	3.88	0.87	0.35	1.66	2.32	2.40	3.35	2530	1890	2470	1.10	50010	50010.APE



Stainless Steel



A new antimicrobial material for improved hygiene. Created through new technology which will help equipment builders meet the requirements of the USDA and other government agencies as they relate to the prevention of contamination of food products and the growth of bacteria.

For HACCP Needs!

Materials: Nolu-Clean white polyamide support housing (polypropylene can be special ordered). Stainless steel bearing insert.

Stainless Steel Insert

Part Number	Ø	A	B	C (UNC)	D	E	G	H	H1	J	L	M	N	T	U	V	Z	Load Ratings (lbf)			ship weight (lbs)	Nolu-Clean safety cap	
																		dynamic C	static Co	max radial on housing		closed	through shaft
UCPASS-204-M20-N	20mm	1.26	0.69	3/8	1.12	0.21	M6x.75	1.31	0.63	2.00	2.75	0.72	0.30	1.35	1.93	2.01	2.56	1640	1100	1460	0.66	50013	50013.APE
UCPASS-205-M25-N	25mm	1.42	0.77	3/8	1.33	0.21	M6x.75	1.44	0.63	2.00	2.95	0.78	0.30	1.49	2.12	2.20	2.83	1820	1300	1770	0.81	50009	50009.APE
UCPASS-206-M30-N	30mm	1.57	0.79	7/16	1.57	0.23	M6x.75	1.69	0.94	3.00	3.88	0.87	0.35	1.66	2.32	2.40	3.35	2530	1890	2470	1.10	50010	50010.APE

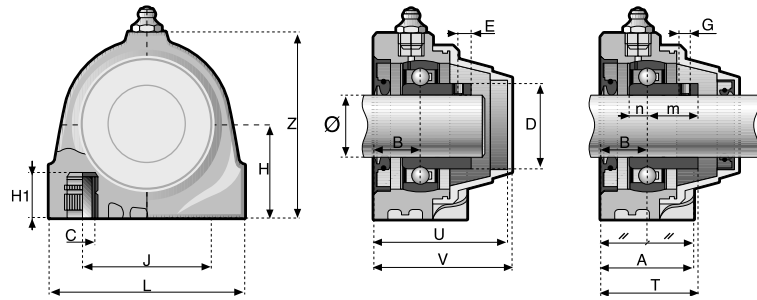
For the full range of bearings, see the System Plast Bearing Line catalog.



UCPA sealed

Capped and Sealed Tapped Base Bearings

Available with through shaft or closed caps.



Chrome Steel OR **Stainless Steel**

Materials: Black polyamide support housing (polypropylene can be special ordered). Stainless steel bearing insert. Yellow polypropylene safety cap. Seal and O-Ring is NBR rubber.

Chrome Steel Insert

Closed Cap	Through Shaft Cap	Ø	A	B	C (UNC)	D	E	G	H	H1	J	L	M	N	T	U	V	Z	Load Ratings (lbf)			ship weight
																			dynamic	static	max radial	on housing
																			C	Co		
UCPA-C204-M20	UCPA-T204-M20	20mm	1.26	0.69	3/8	1.12	.21	M6x.75	1.31	0.63	2.0	2.75	0.72	0.3	1.35	1.93	2.01	2.56	2210	1480	1400	0.68
UCPA-C205-M25	UCPA-T205-M25	25mm	1.42	0.77	3/8	1.33	.21	M6x.75	1.44	0.63	2.0	2.95	0.78	0.3	1.49	2.12	2.20	2.83	2430	1770	1770	0.86
UCPA-C206-M30	UCPA-T206-M30	30mm	1.57	0.79	7/16	1.57	.23	M6x.75	1.69	0.94	3.0	3.88	0.87	0.35	1.66	2.32	2.40	3.35	3370	2540	2470	1.15

Stainless Steel Insert

UCPASS-C204-M20	UCPASS-T204-M20	20mm	1.26	0.69	3/8	1.12	.21	M6x.75	1.31	0.63	2.0	2.75	0.72	0.3	1.35	1.93	2.01	2.56	1640	1100	1460	0.66
UCPASS-C205-M25	UCPASS-T205-M25	25mm	1.42	0.77	3/8	1.33	.21	M6x.75	1.44	0.63	2.0	2.95	0.78	0.3	1.49	2.12	2.20	2.83	1820	1300	1770	0.81
UCPASS-C206-M30	UCPASS-T206-M30	30mm	1.57	0.79	7/16	1.57	.23	M6x.75	1.69	0.94	3.0	3.88	0.87	0.35	1.66	2.32	2.40	3.35	2530	1890	2470	1.10



Stainless Steel



A new antimicrobial material for improved hygiene. Created through new technology which will help equipment builders meet the requirements of the USDA and other government agencies as they relate to the prevention of contamination of food products and the growth of bacteria.

For HACCP Needs!

Materials: Nolu-Clean white polyamide support housing (polypropylene can be special ordered). Stainless steel bearing insert. White polypropylene safety cap. Seal and O-Ring is NBR rubber.

Stainless Steel Insert

Closed Cap	Through Shaft Cap	Ø	A	B	C (UNC)	D	E	G	H	H1	J	L	M	N	T	U	V	Z	Load Ratings (lbf)			ship weight
																			dynamic	static	max radial	on housing
																			C	Co		
UCPASS-C204-M20-N	UCPASS-T204-M20-N	20mm	1.26	0.69	3/8	1.12	0.21	M6x.75	1.31	0.63	2.00	2.75	0.72	0.30	1.35	1.93	2.01	2.56	1640	1100	1460	0.68
UCPASS-C205-M25-N	UCPASS-T205-M25-N	25mm	1.42	0.77	3/8	1.33	0.21	M6x.75	1.44	0.63	2.00	2.95	0.78	0.30	1.49	2.12	2.20	2.83	1820	1300	1770	0.86
UCPASS-C206-M30-N	UCPASS-T206-M30-N	30mm	1.57	0.79	7/16	1.57	0.23	M6x.75	1.69	0.94	3.00	3.88	0.87	0.35	1.66	2.32	2.40	3.35	2530	1890	2470	1.15

For the full range of bearings, see the System Plast Bearing Line catalog.

Mounted Bearings and Accessories



Metric Ribbed Flange Bearings

METRIC

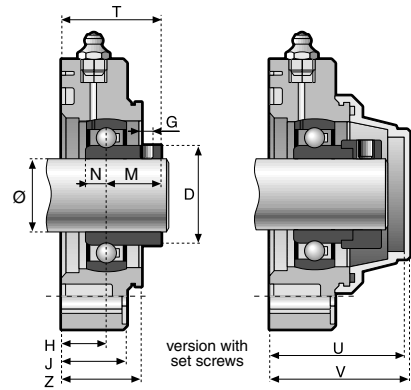
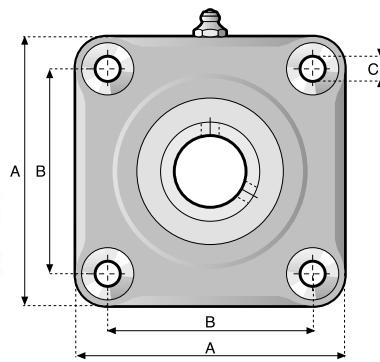
UCF

Ribbed Flange Bearing

Corrosion resistant housings have good resistance to many corrosive chemicals. Self aligning and pre-lubricated bearing inserts allows for a low maintenance and trouble-free operation.



Safety caps are available.



Chrome Steel OR Stainless Steel

Materials: Black polyamide support housing (polypropylene can be special ordered). Chrome steel or stainless steel bearing insert.

Chrome Steel Insert

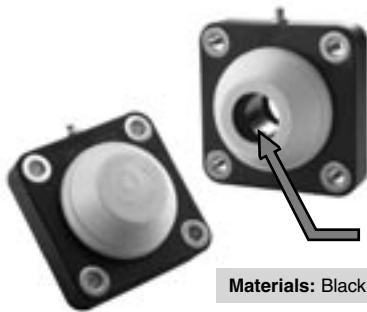
Part Number	Ø	A	B	C	D	G	H	J	M	N	T	U	V	Z	Load Ratings (lbf)			ship weight (lbs)	Yellow Safety cap closed through shaft	
															dynamic C	static Co	max radial on housing		50003	50003.APE
UCF-204-M20	20mm	3.39	2.48	0.43	1.12	M6x.75	0.59	0.75	0.72	0.30	1.31	1.97	2.05	0.98	2210	1480	2880	0.51	50003	50003.APE
UCF-205-M25	25mm	3.86	2.75	0.43	1.34	M6x.75	0.59	0.75	0.78	0.30	1.37	1.97	2.05	0.98	2420	1750	2920	0.90	50003	50003.APE
UCF-206-M30	30mm	4.33	3.27	0.43	1.57	M6x.75	0.71	0.98	0.87	0.35	1.58	2.09	2.17	1.22	3370	2540	2920	1.28	50001	50001.APE
UCF-207-M35	35mm	4.65	3.62	0.55	1.84	M6x.75	0.79	0.98	1.00	0.38	1.79	2.64	2.76	1.38	4420	3440	2920	1.76	50002	50002.APE
UCF-208-M40	40mm	5.12	4.00	0.55	2.07	M8x1.0	0.79	0.98	1.18	0.43	1.97	2.64	2.72	1.38	5030	4020	2920	1.98	50002	50002.APE

Stainless Steel Insert

UCFSS-204-M20	20mm	3.39	2.48	0.43	1.12	M6x.75	0.59	0.75	0.72	0.30	1.31	1.97	2.05	0.98	1640	1100	2880	0.51	50003	50003.APE
UCFSS-205-M25	25mm	3.86	2.75	0.43	1.34	M6x.75	0.59	0.75	0.78	0.30	1.37	1.97	2.05	0.98	1820	1300	2920	0.90	50003	50003.APE
UCFSS-206-M30	30mm	4.33	3.27	0.43	1.57	M6x.75	0.71	0.98	0.87	0.35	1.58	2.09	2.17	1.22	2530	1890	2920	1.28	50001	50001.APE
UCFSS-207-M35	35mm	4.65	3.62	0.55	1.84	M6x.75	0.79	0.98	1.00	0.38	1.79	2.64	2.76	1.38	3300	2560	2920	1.76	50002	50002.APE
UCFSS-208-M40	40mm	5.12	4.00	0.55	2.07	M8x1.0	0.79	0.98	1.18	0.43	1.97	2.64	2.72	1.38	3780	3010	2920	1.98	50002	50002.APE

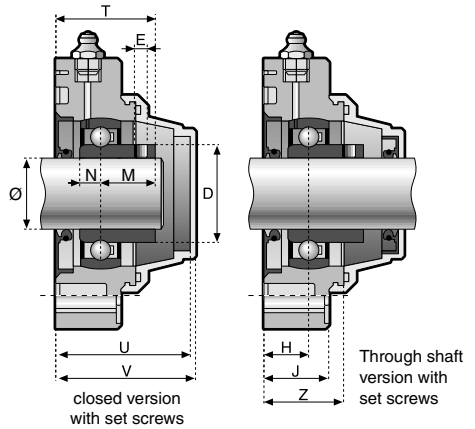
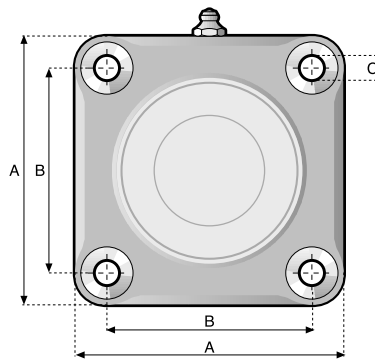
UCF sealed

Capped and Sealed Ribbed Flange Bearing



Chrome Steel OR Stainless Steel

Materials: Black polyamide support housing (polypropylene can be special ordered). Chrome steel or stainless steel bearing insert.



Chrome Steel Insert

Closed Cap	Through Shaft Cap	Ø	A	B	C	D	G	H	J	M	N	T	U	V	Z	Load Ratings (lbf)			ship weight (lbs)
																dynamic C	static Co	max radial on housing	
UCF-C204-M20	UCF-T204-M20	20mm	3.39	2.48	0.43	1.12	M6x.75	0.59	0.75	0.72	0.30	1.31	1.97	2.05	0.98	2210	1480	2880	0.61
UCF-C205-M25	UCF-T205-M25	25mm	3.86	2.75	0.43	1.34	M6x.75	0.59	0.75	0.78	0.30	1.37	1.97	2.05	0.98	2420	1750	2920	0.93
UCF-C206-M30	UCF-T206-M30	30mm	4.33	3.27	0.43	1.57	M6x.75	0.71	0.98	0.87	0.35	1.58	2.09	2.17	1.22	3370	2540	2920	1.42
UCF-C207-M35	UCF-T207-M35	35mm	4.65	3.62	0.55	1.84	M6x.75	0.79	0.98	1.00	0.38	1.79	2.64	2.76	1.38	4420	3440	2920	1.93
UCF-C208-M40	UCF-T208-M40	40mm	5.12	4.00	0.55	2.07	M8x1.0	0.79	0.98	1.18	0.43	1.97	2.64	2.72	1.38	5030	4020	2920	2.16

Stainless Steel Insert

UCFSS-C204-M20	UCFSS-T204-M20	20mm	3.39	2.48	0.43	1.12	M6x.75	0.59	0.75	0.72	0.30	1.31	1.97	2.05	0.98	1640	1100	2880	0.61
UCFSS-C205-M25	UCFSS-T205-M25	25mm	3.86	2.75	0.43	1.34	M6x.75	0.59	0.75	0.78	0.30	1.37	1.97	2.05	0.98	1820	1300	2920	0.93
UCFSS-C206-M30	UCFSS-T206-M30	30mm	4.33	3.27	0.43	1.57	M6x.75	0.71	0.98	0.87	0.35	1.58	2.09	2.17	1.22	2530	1890	2920	1.42
UCFSS-C207-M35	UCFSS-T207-M35	35mm	4.65	3.62	0.55	1.84	M6x.75	0.79	0.98	1.00	0.38	1.79	2.64	2.76	1.38	3300	2560	2920	1.93
UCFSS-C208-M40	UCFSS-T208-M40	40mm	5.12	4.00	0.55	2.07	M8x1.0	0.79	0.98	1.18	0.43	1.97	2.64	2.72	1.38	3780	3010	2920	2.16



UCFL

Ribbed Flange Bearing

Corrosion resistant housings have good resistance to many corrosive chemicals such as water, oils, grease, gasoline, wine, and alcoholic beverages. Self aligning and pre-lubricated bearing inserts allows for a low maintenance and trouble-free operation.

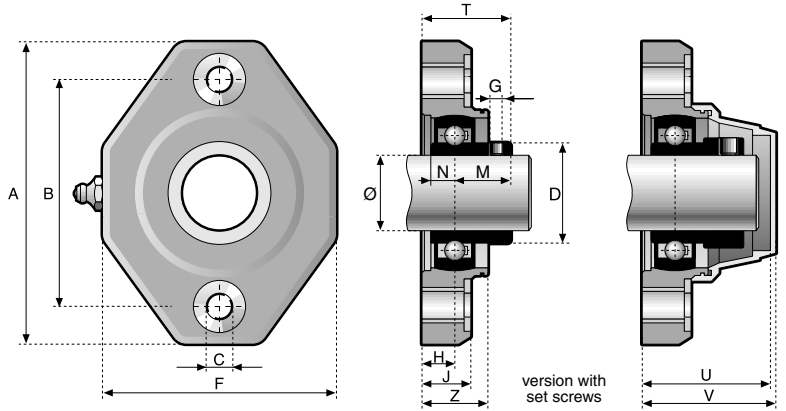


Safety caps are available.



Chrome Steel OR **Stainless Steel**

Materials: Black polyamide support housing (polypropylene can be special ordered). Chrome steel or stainless steel bearing insert.



Mounted Bearings and Accessories

Chrome Steel Insert

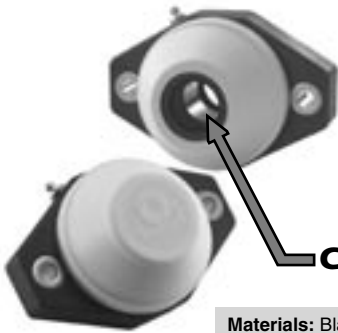
Part Number	Ø	A	B	C	D	F	G	H	J	M	N	T	U	V	Z	Load Ratings (lbf) dynamic C	static Co	max radial on housing	ship weight (lbs)	Yellow safety cap closed	through shaft
UCFL-204-M20	20mm	4.72	3.54	0.43	1.12	3.54	M6x.75	0.59	0.75	0.72	0.30	1.31	1.81	1.89	0.98	2210	1480	1690	0.74	50003	50003.APE
UCFL-205-M25	25mm	5.12	3.90	0.43	1.34	3.54	M6x.75	0.59	0.75	0.78	0.30	1.37	1.81	1.89	0.98	2430	1770	1710	0.98	50003	50003.APE
UCFL-206-M30	30mm	5.75	4.61	0.43	1.57	3.86	M6x.75	0.79	0.98	0.87	0.35	1.66	2.64	2.72	1.38	3370	2540	2900	1.21	50002	50002.APE
UCFL-207-M35	35mm	6.26	5.12	0.55	1.84	4.13	M6x.75	0.79	0.98	1.00	0.38	1.79	2.64	2.72	1.38	4430	3440	3000	1.70	50002	50002.APE

Stainless Steel Insert

UCFLSS-204-M20	20mm	4.72	3.54	0.43	1.12	3.54	M6x.75	0.59	0.75	0.72	0.30	1.31	1.81	1.89	0.98	1640	1100	1690	0.74	50003	50003.APE
UCFLSS-205-M25	25mm	5.12	3.90	0.43	1.34	3.54	M6x.75	0.59	0.75	0.78	0.30	1.37	1.81	1.89	0.98	1820	1300	1710	0.98	50003	50003.APE
UCFLSS-206-M30	30mm	5.75	4.61	0.43	1.57	3.86	M6x.75	0.79	0.98	0.87	0.35	1.66	2.64	2.72	1.38	2530	1890	2900	1.21	50002	50002.APE
UCFLSS-207-M35	35mm	6.26	5.12	0.55	1.84	4.13	M6x.75	0.79	0.98	1.00	0.38	1.79	2.64	2.72	1.38	3300	2560	3000	1.70	50002	50002.APE

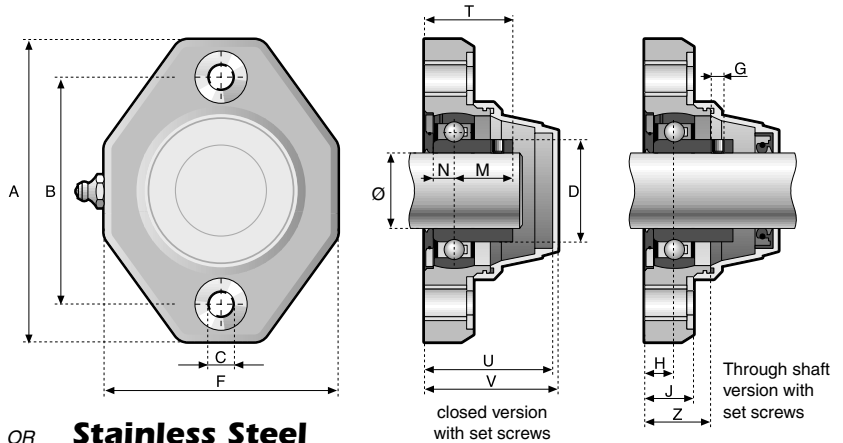
UCFL sealed

Capped and Sealed Ribbed Flange Bearing



Chrome Steel OR **Stainless Steel**

Materials: Black polyamide support housing (polypropylene can be special ordered). Chrome steel or stainless steel bearing insert.



Chrome Steel Insert

Closes Cap	Through Shaft Cap	Ø	A	B	C	D	F	G	H	J	M	N	T	U	V	Z	Load Ratings (lbf) dynamic C	static Co	max radial on housing	ship weight (lbs)
UCFL-C204-M20	UCFL-T204-M20	20mm	4.72	3.54	0.43	1.12	3.54	M6x.75	0.59	0.75	0.72	0.30	1.31	1.81	1.89	0.98	2210	1480	1690	0.90
UCFL-C205-M25	UCFL-T205-M25	25mm	5.12	3.90	0.43	1.34	3.54	M6x.75	0.59	0.75	0.78	0.30	1.37	1.81	1.89	0.98	2430	1770	1710	1.14
UCFL-C206-M30	UCFL-T206-M30	30mm	5.75	4.61	0.43	1.57	3.86	M6x.75	0.79	0.98	0.87	0.35	1.66	2.64	2.72	1.38	3370	2540	2900	1.38
UCFL-C207-M35	UCFL-T207-M35	35mm	6.26	5.12	0.55	1.84	4.13	M6x.75	0.79	0.98	1.00	0.38	1.79	2.64	2.72	1.38	4430	3440	3000	1.76

Stainless Steel Insert

UCFLSS-C204-M20	UCFLSS-T204-M20	20mm	4.72	3.54	0.43	1.12	3.54	M6x.75	0.59	0.75	0.72	0.30	1.31	1.81	1.89	0.98	1640	1100	1690	0.90
UCFLSS-C205-M25	UCFLSS-T205-M25	25mm	5.12	3.90	0.43	1.34	3.54	M6x.75	0.59	0.75	0.78	0.30	1.37	1.81	1.89	0.98	1820	1300	1710	1.14
UCFLSS-C206-M30	UCFLSS-T206-M30	30mm	5.75	4.61	0.43	1.57	3.86	M6x.75	0.79	0.98	0.87	0.35	1.66	2.64	2.72	1.38	2530	1890	2900	1.38
UCFLSS-C207-M35	UCFLSS-T207-M35	35mm	6.26	5.12	0.55	1.84	4.13	M6x.75	0.79	0.98	1.00	0.38	1.79	2.64	2.72	1.38	3300	2560	3000	1.76



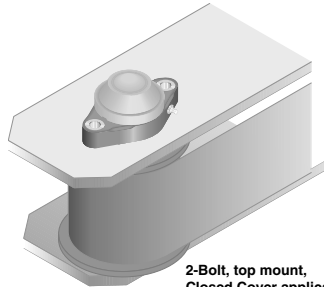
LifeGard™

The Total Protection System

Mounted Bearings and Accessories



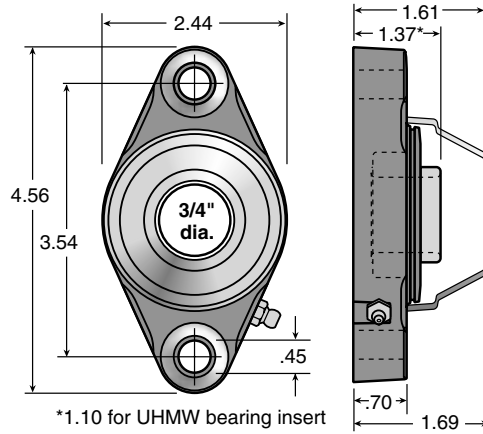
4-Bolt, side mount, Through Shaft Cover application



2-Bolt, top mount, Closed Cover application

3/4" Shafts

204 Series Insert
2 Hole Flange Bearing



Standard Part Number	Solid Housing Part Number	Ball bearing insert	Stainless ball bearing insert	Nolu-S UHMW* bearing insert	Housing color/material	Max load (lbs.)
LG-2FPA-12	LGS-2FPA-12	•			Black Polyamide	1170
LG-2FPA-12-NS	LGS-2FPA-12-NS			•	Black Polyamide	400

Covers and seals sold separately



C
Closed Cover with O-Ring

Materials: Polypropylene

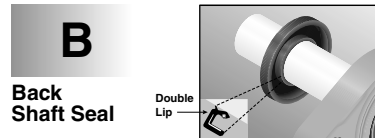
Part Number	Color	Ø Shaft
LG-C-12	Orange	3/4"



CS
Open Cover with Front Shaft Seal and O-Ring

Materials: Polypropylene

Part Number	Color	Ø Shaft
LG-CS-12	Orange	3/4"



B
Back Shaft Seal

Materials: Nitrile Rubber

Part Number	Ø Shaft
LG-B-12	3/4"

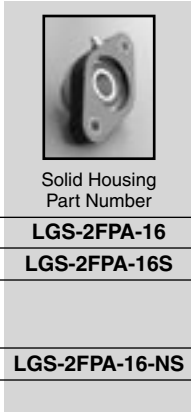
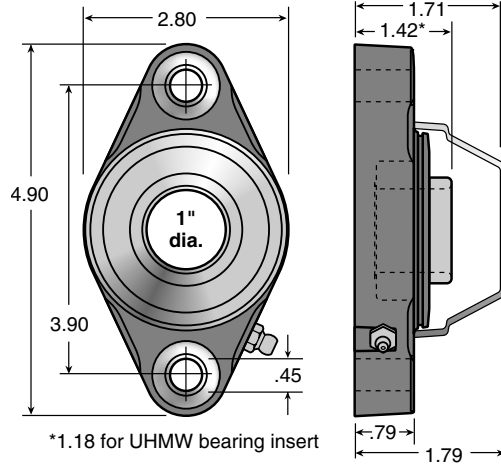
2 Hole Bearing Housings



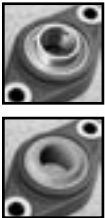
1" Shafts



205 Series Insert
2 Hole Flange Bearing



Standard Part Number	Solid Housing Part Number	Ball bearing insert	Stainless ball bearing insert	Nolu-S UHMW* bearing insert	Housing color/material	Max load (lbs.)
LG-2FPA-16	LGS-2FPA-16	●			Black Polyamide	1320
	LGS-2FPA-16S		●		Black Polyamide	1320
LG-2FPA-16-NS	LGS-2FPA-16-NS			●	Black Polyamide	500

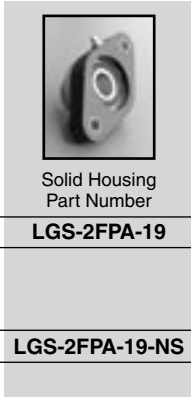
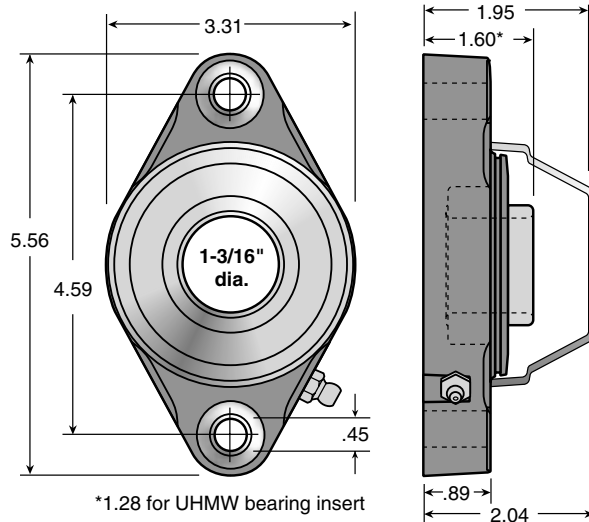


Mounted Bearings and Accessories

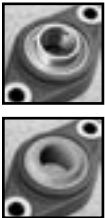
1-3/16" Shafts



206 Series Insert
2 Hole Flange Bearing



Standard Part Number	Solid Housing Part Number	Ball bearing insert	Nolu-S UHMW* bearing insert	Housing color/material	Max load (lbs.)
LG-2FPA-19	LGS-2FPA-19	●		Black Polyamide	1710
	LGS-2FPA-19S		●	Black Polyamide	1710
LG-2FPA-19-NS	LGS-2FPA-19-NS		●	Black Polyamide	700



Covers and seals sold separately



C
Closed Cover with O-Ring

Materials: Polypropylene

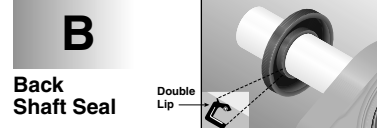
Part Number	Color	Ø Shaft
LG-C-16	Orange	1"
LG-C-19/20	Orange	1-3/16"



CS
Open Cover with Front Shaft Seal and O-Ring

Materials: Polypropylene

Part Number	Color	Ø Shaft
LG-CS-16	Orange	1"
LG-CS-19	Orange	1-3/16"



B
Back Shaft Seal

Materials: Nitrile Rubber

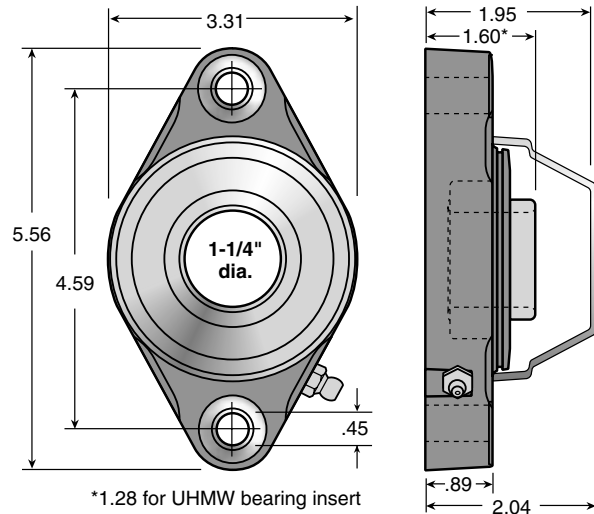
Part Number	Ø Shaft
LG-B-16	1"
LG-B-19	1-3/16"



2 Hole & Tapped Bearing Housings

1-1/4" Shafts

207 Series Insert
2 Hole Flange Bearing



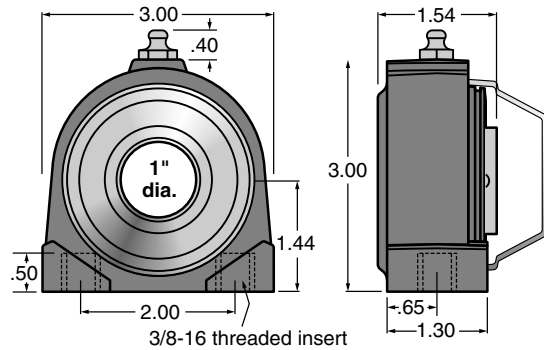
Mounted Bearings and Accessories



Standard Part Number	Solid Housing Part Number	Ball bearing insert	Stainless ball bearing insert	Nolu-S UHMW* bearing insert	Housing color/material	Max load (lbs.)
LG-2FPA-20	LGS-2FPA-20	•			Black Polyamide	1710
	LGS-2FPA-20S		•		Black Polyamide	1710
LG-2FPA-20-NS	LGS-2FPA-20-NS			•	Black Polyamide	700

1" Shafts

205 Series Insert
Tapped Bearing Housing



Standard Part Number	Solid Housing Part Number	Ball bearing insert	Stainless ball bearing insert	Nolu-S UHMW* bearing insert	Housing color/material	Max load (lbs.)
	LGS-2TPA-16	•			Black Polyamide	1736
	LGS-2TPA-16S		•		Black Polyamide	1736
	LGS-2TPA-16-NS			•	Black Polyamide	500

Covers and seals sold separately

C



Closed Cover with O-Ring

Materials: Polypropylene

Part Number	Color	Ø Shaft
LG-C-16	Orange	1"
LG-C-19/20	Orange	1-1/4"

CS

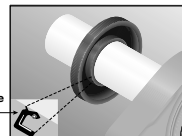


Open Cover with Front Shaft Seal and O-Ring

Materials: Polypropylene

Part Number	Color	Ø Shaft
LG-CS-16	Orange	1"
LG-CS-20	Orange	1-1/4"

B



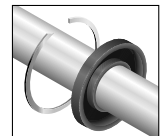
Back Shaft Seal

Materials: Nitrile Rubber.

Part Number	Ø Shaft
LG-B-20	1-1/4"

Note: Only for use with **LG-2FPA-20**

TB



Back Shaft Seal and Retaining Ring

Materials: Nitrile Rubber.

Part Number	Ø Shaft
LG-TB-16	1"

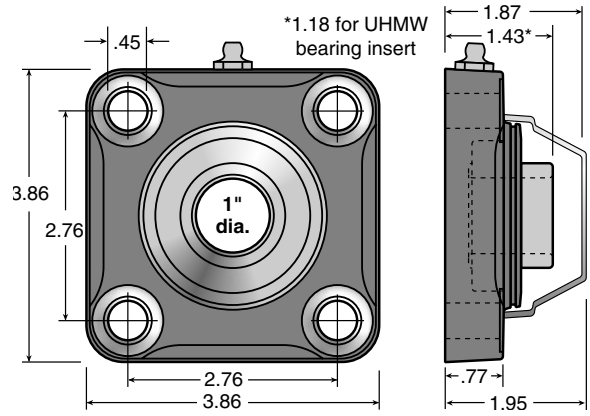
Note: Only for use with **LGS-2TPA-**

4 Hole Bearing Housings



1" Shafts

205 Series Insert
4 Hole Flange Bearing

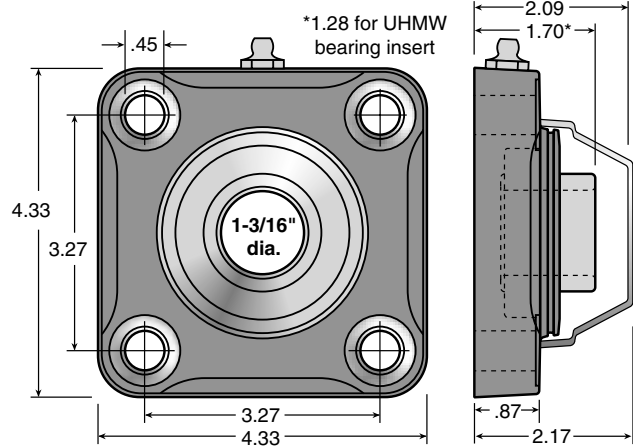


Standard Part Number	Solid Housing Part Number	Ball bearing insert	Stainless ball bearing insert	Nolu-S UHMW* bearing insert	Housing color/material	Max load (lbs.)
LG-4FPA-16	LGS-4FPA-16	●			Black Polyamide	2864
	LGS-4FPA-16S		●		Black Polyamide	2864
LG-4FPA-16-NS	LGS-4FPA-16-NS			●	Black Polyamide	500



1-3/16" Shafts

206 Series Insert
4 Hole Flange Bearing



Standard Part Number	Solid Housing Part Number	Ball bearing insert	Nolu-S UHMW* bearing insert	Housing color/material	Max load (lbs.)
LG-4FPA-19	LGS-4FPA-19	●		Black Polyamide	3640
LG-4FPA-19-NS	LGS-4FPA-19-NS		●	Black Polyamide	700



Covers and seals sold separately



C
Closed Cover with O-Ring

Materials: Polypropylene

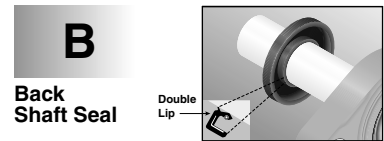
Part Number	Color	Ø Shaft
LG-C-16	Orange	1"
LG-C-19/20	Orange	1-3/16"



CS
Open Cover with Front Shaft Seal and O-Ring

Materials: Polypropylene

Part Number	Color	Ø Shaft
LG-CS-16	Orange	1"
LG-CS-19	Orange	1-3/16"



B
Back Shaft Seal

Materials: Nitrile Rubber

Part Number	Ø Shaft
LG-B-16	1"
LG-B-19	1-3/16"

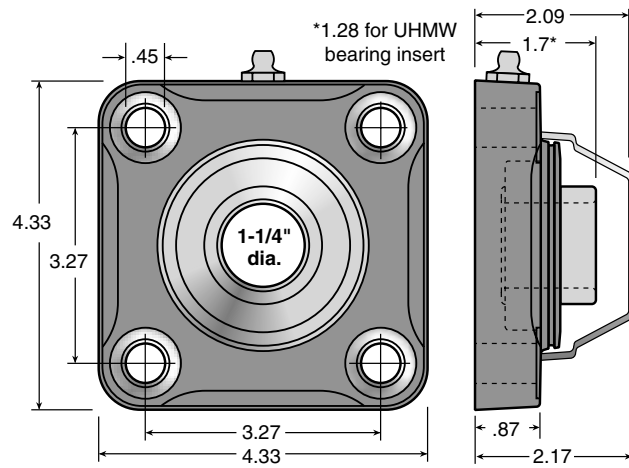
Mounted Bearings and Accessories



4 Hole Bearing Housings

1-1/4" Shafts

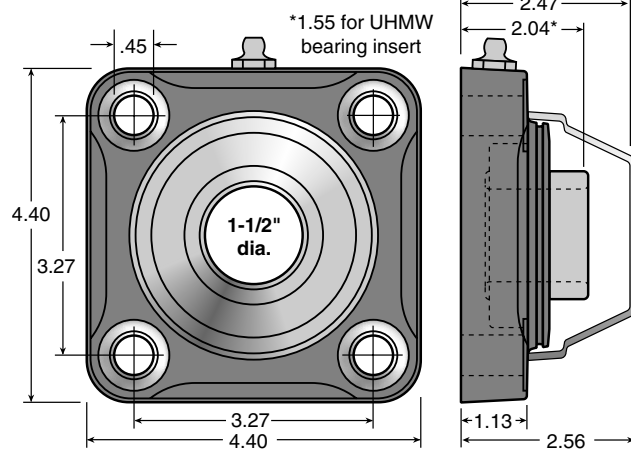
207 Series Insert
4 Hole Flange Bearing



Standard Part Number	Solid Housing Part Number	Ball bearing insert	Stainless ball bearing insert	Nolu-S UHMW* bearing insert	Housing color/material	Max load (lbs.)
LG-4FPA-20	LGS-4FPA-20	●			Black Polyamide	3640
	LGS-4FPA-20S		●		Black Polyamide	3640
LG-4FPA-20-NS	LGS-4FPA-20-NS			●	Black Polyamide	700

1-1/2" Shafts

208 Series Insert
4 Hole Compact Flange Bearing



Bolt pattern matches Ø1-1/4" housing!

Standard Part Number	Solid Housing Part Number	Ball bearing insert	Nolu-S UHMW bearing insert	Housing color/material	Max load (lbs.)
LG-4FPAC-24	LGS-4FPAC-24	●		Black Polyamide	3640
	LGS-4FPAC-24-NS		●	Black Polyamide	700

Covers and seals sold separately

C

Closed Cover with O-Ring



Materials: Polypropylene

Part Number	Color	Ø Shaft
LG-C-19/20	Orange	1-1/4"
LG-C-24	Orange	1-1/2"

CS

Open Cover with Front Shaft Seal and O-Ring

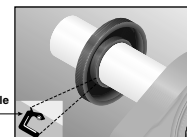


Materials: Polypropylene

Part Number	Color	Ø Shaft
LG-CS-20	Orange	1-1/4"
LG-CS-24	Orange	1-1/2"

B

Back Shaft Seal



Materials: Nitrile Rubber

Part Number	Ø Shaft
LG-B-20	1-1/4"
LG-B-24	1-1/2"



Spherical and Self Aligning Bearings

Replaces ball bearing units when there is a lack of adequate lubrication or if the environment is dirty or corrosive. The standard units are machined from Nolu-S which is extremely abrasion resistant and can continue to function in wet environments. The recommended maximum static load for Nolu-S Self Aligning Bearings is 500 psi.

Insert Materials

Nolu-S A proprietary alloy of food grade lubricants combined with UHMW. This creates a material which retains most of the properties of UHMW while significantly reducing friction. Nolu-S advantages include protection of expensive mating surfaces, lower noise levels and acceptance for food contact as specified by the FDA and USDA.

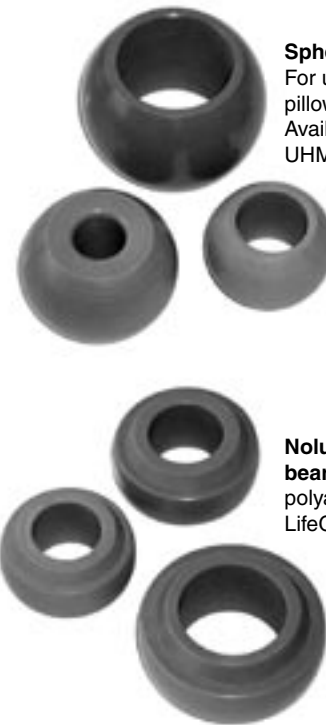
UHMW Virgin UHMW used for extreme abrasion and corrosion resistance.

Housing Materials

Part numbers containing **-SS** are constructed from stainless steel.
Other housings are stamped from carbon steel sheet and then plated.

Nolu-S Bearings Load and Speed Limitations

Many factors can influence the life of any engineered plastic bearing. These include abrasive particulate contamination which, because its volume can not be controlled, makes performance unpredictable but often better than lubricated bearings. Other more controllable factors include admissible wear, continuous or intermittent operation, high surface speeds and particularly elevated temperatures. Although sometimes limited by these factors, Nolu-S is a unique product and has performed for long periods under the above loads and speeds.



Spherical Bearings
For use in metal flange or pillow block housing units. Available in Nolu-S and UHMW.

Nolu-S self lubricating bearings are used with polyamide housings and LifeGard accessories.

Mounted Bearings and Accessories

Nolu-S Bearing Load and Speed Limitations

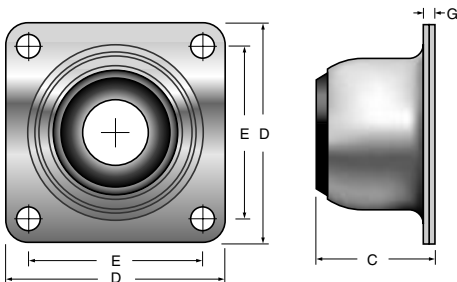
Maximum load (lbs) by unit for indicated speeds

Bearing	Max rpm	10 rpm	50 rpm	100 rpm	150 rpm	250 rpm	500 rpm
LifeGard 3/4" shaft or 1-11/16" spherical OD	764	400	300	190	90	60	20
LifeGard 1" shaft or 2" spherical OD	573	500	400	240	110	75	20
LifeGard 1-1/4" shaft or 2-1/2" spherical OD	459	700	550	280	125	90	not recommended

FD

4-Bolt Side Flange Bearing

Pressed metal flange mounts hold spherical O.D. bearings made of self-lubricating materials to create bearing units that can operate in abrasive or corrosive environments. They can also be submerged in fluids or used to meet the demands of sanitary environments. Available housing materials include plated carbon steel or 304 stainless steel.



UHMW Part Number	Nolu-S Part Number	Ø Shaft	C	D	E	G	Special Notes
FDH-8	FDS-8	1/2	1-7/16	2-7/16	1-15/16 0.25 dia. mount hole		1-11/16 Ball Standard Mounting
FDH-10	FDS-10	5/8					
FDH-12	FDS-12	3/4					
FDH-14	FDS-14	7/8					
FDH-16	FDS-16	1	1-9/16	3	2-5/16	1/8	2" Ball Standard Mounting
FEH-12	FES-12	3/4					
FEH-13	FES-13	13/16					
FEH-14	FES-14	7/8					
FEH-15	FES-15	15/16					
FEH-16	FES-16	1					
FEH-17	FES-17	1-1/16					
FEH-18	FES-18	1-1/8					
FEH-19	FES-19	1-3/16	1-13/16	3-5/8	2-3/4	3/16	2-1/2" Ball Heavy Mounting
FEH-20	FES-20	1-1/4					
FFH-16	FFS-16	1					
FFH-18	FFS-18	1-1/8					
FFH-19	FFS-19	1-3/16					
FFH-20	FFS-20	1-1/4					
FFH-22	FFS-22	1-3/8					
FFH-23	FFS-23	1-7/16					
FFH-24	FFS-24	1-1/2	1-13/16	3-5/8	2-3/4	3/16	2-1/2" Ball Heavy Mounting
FFH-16-SS	FFS-16-SS	1					
FFH-18-SS	FFS-18-SS	1-1/8					
FFH-19-SS	FFS-19-SS	1-3/16					
FFH-20-SS	FFS-20-SS	1-1/4					
FFH-22-SS	FFS-22-SS	1-3/8	0.38 dia. mount hole				
FFH-23-SS	FFS-23-SS	1-7/16					
FFH-24-SS	FFS-24-SS	1-1/2					

Polished Stainless Steel

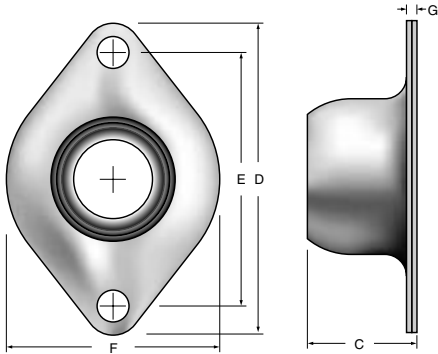


FA

2-Bolt Side Flange Bearing

Pressed metal flange mounts hold spherical O.D. bearings made of self-lubricating materials to create bearing units that can operate in abrasive or corrosive environments. They can also be submerged in fluids or used to meet the demands of sanitary environments. Available housing materials include plated carbon steel or 304 stainless steel.

Mounted Bearings and Accessories

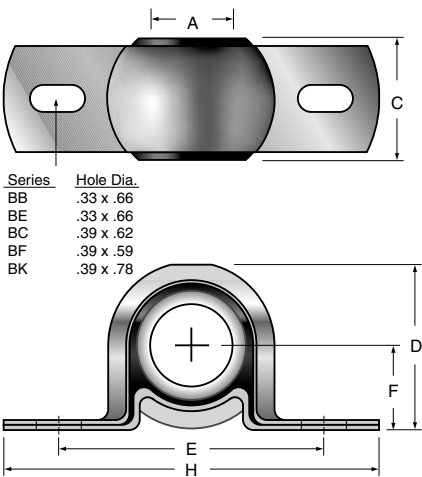


UHMW Part Number	Nolu-S Part Number	Ø Shaft	C	D	E	F	G	Special Notes
FAH-8	FAS-8	1/2	1-7/16	3-3/8	2-3/4 0.31 dia. mount hole	2-7/16	1/8	1-11/16 Ball Standard Mounting
FAH-10	FAS-10	5/8						
FAH-12	FAS-12	3/4						
FAH-14	FAS-14	7/8						
FAH-16	FAS-16	1						
FBH-12	FBS-12	3/4	1-9/16	4	3-9/32 0.38 dia. mount hole	2-3/4	3/16	2" Ball Standard Mounting
FBH-13	FBS-13	13/16						
FBH-14	FBS-14	7/8						
FBH-15	FBS-15	15/16						
FBH-16	FBS-16	1						
FBH-17	FBS-17	1-1/16						
FBH-18	FBS-18	1-1/8						
FBH-19	FBS-19	1-3/16						
FBH-20	FBS-20	1-1/4						
FBH-12-SS	FBS-12-SS	3/4						
FBH-13-SS	FBS-13-SS	13/16						
FBH-14-SS	FBS-14-SS	7/8						
FBH-15-SS	FBS-15-SS	15/16						
FBH-16-SS	FBS-16-SS	1						
FBH-17-SS	FBS-17-SS	1-1/16						
FBH-18-SS	FBS-18-SS	1-1/8						
FBH-19-SS	FBS-19-SS	1-3/16						
FBH-20-SS	FBS-20-SS	1-1/4						

BB

Pillow Block

Pressed metal flange mounts hold spherical O.D. bearings made of self-lubricating materials to create bearing units that can operate in abrasive or corrosive environments. They can also be submerged in fluids or used to meet the demands of sanitary environments. Available housing materials include plated carbon steel or 304 stainless steel.



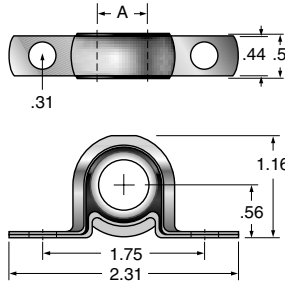
Series	Hole Dia.
BB	.33 x .66
BE	.33 x .66
BC	.39 x .62
BF	.39 x .59
BK	.39 x .78

UHMW Part Number	Nolu-S Part Number	A	C	D	E	F	H	Special Notes
BBH-8	BBS-8	1/2	1-1/4	1-3/4	2-7/8	29/32	3-15/16	1-11/16" Ball Standard
BBH-10	BBS-10	5/8						
BBH-12	BBS-12	3/4						
BBH-14	BBS-14	7/8						
BBH-16	BBS-16	1						
BEH-8	BES-8	1/2	1-1/4	1-13/16	2-7/8	15/16	3-15/16	1-11/16" Ball Heavy Mounting
BEH-10	BES-10	5/8						
BEH-12	BES-12	3/4						
BEH-14	BES-14	7/8						
BEH-16	BES-16	1						
BCH-12-SS	BCS-12-SS	3/4	1-1/2	2-1/16	3-1/4	1-1/16	4-9/16	2" Ball Standard
BCH-13-SS	BCS-13-SS	13/16						
BCH-14-SS	BCS-14-SS	7/8						
BCH-15-SS	BCS-15-SS	15/16						
BCH-16-SS	BCS-16-SS	1						
BCH-17-SS	BCS-17-SS	1-1/16						
BCH-18-SS	BCS-18-SS	1-1/8						
BCH-19-SS	BCS-19-SS	1-3/16						
BCH-20-SS	BCS-20-SS	1-1/4						
BFH-12	BFS-12	3/4						
BFH-13	BFS-13	13/16						
BFH-14	BFS-14	7/8						
BFH-15	BFS-15	15/16						
BFH-16	BFS-16	1						
BFH-17	BFS-17	1-1/16						
BFH-18	BFS-18	1-1/8						
BFH-19	BFS-19	1-3/16						
BFH-20	BFS-20	1-1/4						
BKH-16-SS	BKS-16-SS	1	1-3/4	2-11/16	3-7/8	1-11/32	5-1/4	2-1/2" Ball Extra Heavy Mounting
BKH-18-SS	BKS-18-SS	1-1/8						
BKH-19-SS	BKS-19-SS	1-3/16						
BKH-20-SS	BKS-20-SS	1-1/4						
BKH-22-SS	BKS-22-SS	1-3/8						
BKH-23-SS	BKS-23-SS	1-7/16						
BKH-24-SS	BKS-24-SS	1-1/2						

Miniature Bearings



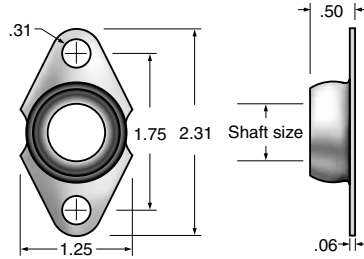
Pressed metal flange mounts hold spherical O.D. bearings made of self-lubricating materials to create bearing units that can operate in abrasive or corrosive environments. They can also be submerged in fluids or used to meet the demands of sanitary environments.



BD Miniature Pillow Block

UHMW Part Number	Nolu-S Part Number	A
BDH-4	BDS-4	1/4
BDH-5	BDS-5	5/16
BDH-6	BDS-6	3/8
BDH-7	BDS-7	7/16
BDH-8	BDS-8	1/2
BDH-9	BDS-9	9/16

FM Miniature Side Flange Bearing

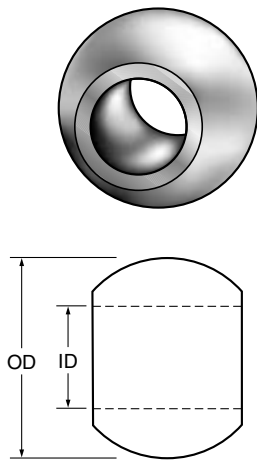


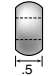



UHMW Part Number	Nolu-S Part Number	Ø Shaft
FMH-4	FMS-4	1/4
FMH-5	FMS-5	5/16
FMH-6	FMS-6	3/8
FMH-7	FMS-7	7/16
FMH-8	FMS-8	1/2
FMH-9	FMS-9	9/16
FMH-10	FMS-10	5/8

Mounted Bearings and Accessories

Replacement Spherical Bearings

HD Replacement Spherical Bearing



Spherical O.D.	I.D.	UHMW Part Number	Nolu-S Part Number
 1"	1/4	HDX-1604	SDX-1604
	5/16	HDX-1605	SDX-1605
	3/8	HDX-1606	SDX-1606
	7/16	HDX-1607	SDX-1607
	1/2	HDX-1608	SDX-1608
	9/16	HDX-1609	SDX-1609
	5/8	HDX-1610	SDX-1610
 1-11/16"	1/2	HDX-2708	SDX-2708
	5/8	HDX-2710	SDX-2710
	3/4	HDX-2712	SDX-2712
	7/8	HDX-2714	SDX-2714
	1	HDX-2716	SDX-2716
 2"	3/4	HDX-3212	SDX-3212
	13/16	HDX-3213	SDX-3213
	7/8	HDX-3214	SDX-3214
	15/16	HDX-3215	SDX-3215
	1	HDX-3216	SDX-3216
	1-1/16	HDX-3217	SDX-3217
	1-1/8	HDX-3218	SDX-3218
	1-3/16	HDX-3219	SDX-3219
1-1/4	HDX-3220	SDX-3220	
 2-1/2"	1	HDX-4016	SDX-4016
	1-1/8	HDX-4018	SDX-4018
	1-3/16	HDX-4019	SDX-4019
	1-1/4	HDX-4020	SDX-4020
	1-3/8	HDX-4022	SDX-4022
	1-7/16	HDX-4023	SDX-4023
	1-1/2	HDX-4024	SDX-4024

Nolu-S Bearing Load and Speed Limitations

Maximum load (lbs) by unit for indicated speeds

Bearing	Max rpm	10 rpm	50 rpm	100 rpm	150 rpm	250 rpm	500 rpm
LifeGard 3/4" shaft or 1-11/16" spherical OD	764	400	300	190	90	60	20
LifeGard 1" shaft or 2" spherical OD	573	500	400	240	110	75	20
LifeGard 1-1/4" shaft or 2-1/2" spherical OD	459	700	550	280	125	90	not recommended



Shaft Protector Bearings

- Maintenance free
- For wet, corrosive, dirty, or low-lubrication areas.
- Stainless steel sleeve protects shaft from wear.
- Ultra-low friction Nolu-S bearing insert.
- Self-aligning design makes installation easy.
- Replaceable sleeve and Nolu-S inserts.



Mounted Bearings and Accessories



NEW

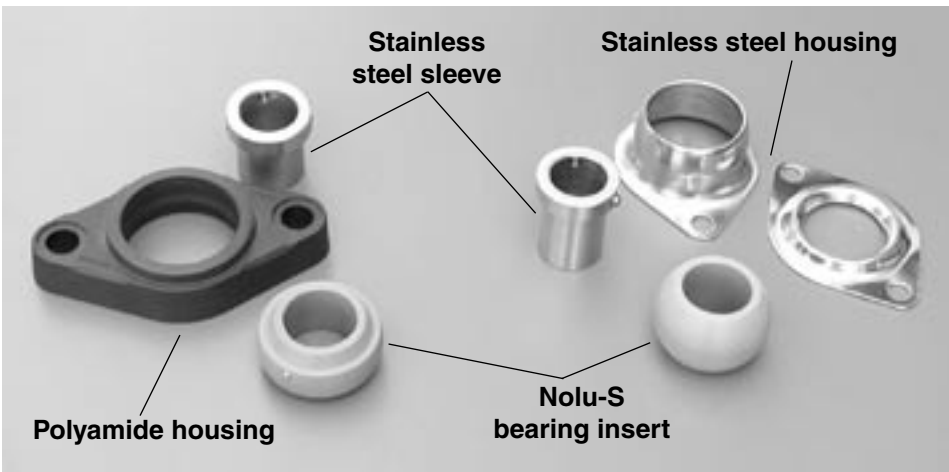


Advantages over standard bearing inserts.

Bearing inserts are frequently used in place of ball bearings when the working environment is excessively wet, dirty, or easily stripped of lubricants. However, since a bearing insert is designed for the shaft to rotate directly on the bearing surface, the possibility exists for wear damage and eventual shaft replacement. Solus shaft protecting bearings provide an easily replaced stainless steel sleeve that becomes the shaft's wear surface, eliminating the need to replace a complete shaft due to a small damaged area.

What is Nolu-S?

Nolu-S is a proprietary alloy of food grade lubricants combined with UHMW. This creates a material which significantly reduces friction. Nolu-S advantages include protection of expensive mating surfaces, lower noise levels and acceptance for food contact as specified by the FDA and USDA.

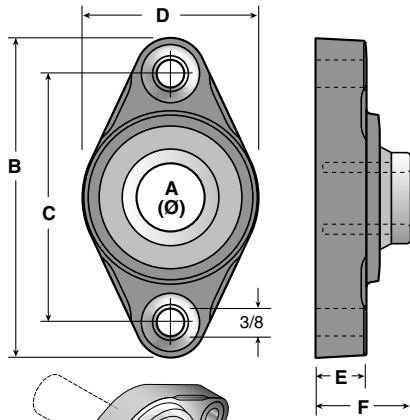


Nolu-S Bearing Load and Speed Limitations

Maximum load (lbs) by unit for indicated speeds

Bearing	Max rpm	10 rpm	50 rpm	100 rpm	150 rpm	250 rpm	500 rpm
LifeGard 3/4" shaft or 1-11/16" spherical OD	764	400	300	190	90	60	20
LifeGard 1" shaft or 2" spherical OD	573	500	400	240	110	75	20
LifeGard 1-1/4" shaft or 2-1/2" spherical OD	459	700	550	280	125	90	not recommended

Shaft Protector Bearings

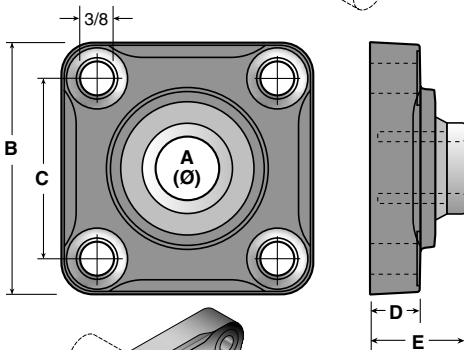


2SP

Materials: Solid Polyamide bearing housings with Nolu-S bearing and stainless steel sleeve.

Part Number	Housing color	Shaft Dia.					
		A	B	C	D	E	F
LGS-2SP-12-NS	Black	3/4	4.56	3.54	2.44	.79	1.47
LGS-2SP-12-NS-GR	Gray	3/4	4.56	3.54	2.44	.79	1.47
LGS-2SP-16-NS	Black	1	4.90	3.90	2.80	.79	1.56
LGS-2SP-16-NS-GR	Gray	1	4.90	3.90	2.80	.79	1.56
LGS-2SP-20-NS	Black	1-1/4	5.56	4.59	3.31	.89	1.67
LGS-2SP-20-NS-GR	Gray	1-1/4	5.56	4.59	3.31	.89	1.67

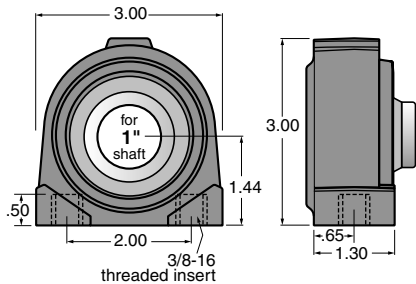
Mounted Bearings and Accessories



4SP

Materials: Solid Polyamide bearing housings with Nolu-S bearing and stainless steel sleeve.

Part Number	Housing color	Shaft Dia.				
		A	B	C	D	E
LGS-4SP-16-NS	Black	1	3.86	2.76	.89	1.56
LGS-4SP-16-NS-GR	Gray	1	3.86	2.76	.89	1.56
LGS-4SP-20-NS	Black	1-1/4	4.33	3.27	1.02	1.67
LGS-4SP-20-NS-GR	Gray	1-1/4	4.33	3.27	1.02	1.67



2TSP

Materials: Solid Polyamide bearing housings with Nolu-S bearing and stainless steel sleeve.

Part Number	Housing color	Shaft Dia.
		A
LGS-2TSP-16-NS	Black	1
LGS-2TSP-16-NS-GR	Gray	1



C
Closed Cover with O-Ring

Materials: Polypropylene

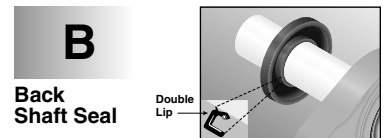
Part Number	Color	Ø Shaft
LG-C-12	Orange	3/4"
LG-C-12-GR	Gray	3/4"
LG-C-16	Orange	1"
LG-C-16-GR	Gray	1"
LG-C-20	Orange	1-1/4"
LG-C-20-GR	Gray	1-1/4"



CS
Open Cover with Front Shaft Seal and O-Ring

Materials: Polypropylene

Part Number	Color	Ø Shaft
LG-CS-12	Orange	3/4"
LG-CS-12-GR	Gray	3/4"
LG-CS-16	Orange	1"
LG-CS-16-GR	Gray	1"
LG-CS-20	Orange	1-1/4"
LG-CS-20-GR	Gray	1-1/4"



B
Back Shaft Seal

Materials: Nitrile Rubber

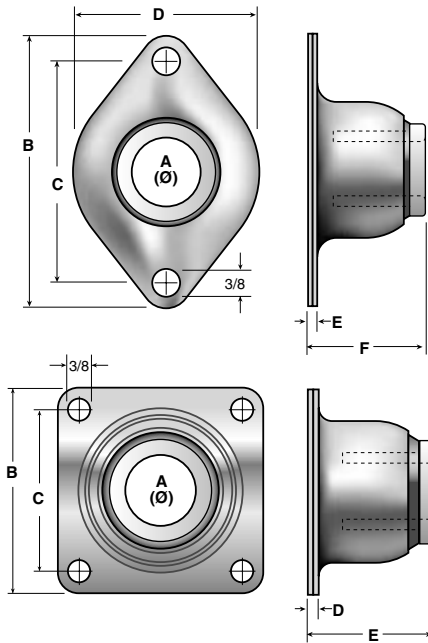
Part Number	Ø Shaft
LG-B-12	3/4"
LG-B-16	1"
LG-B-20	1-1/4"

Covers and seals sold separately.



Shaft Protector Bearings

Mounted Bearings and Accessories



FBS

Materials: 304 Stainless steel bearing housings and sleeve with Nolu-S bearing.

Part Number	Shaft Dia.					
	A	B	C	D	E	F
FBS-SP-12	3/4	4.0	3.28	2.75	.19	1.89
FBS-SP-16	1	4.0	3.28	2.75	.19	1.89

FFS

Materials: 304 Stainless steel bearing housings and sleeve with Nolu-S bearing.

Part Number	Shaft Dia.				
	A	B	C	D	E
FFS-SP-16	1	3.63	2.75	.19	2.14
FFS-SP-20	1-1/4	3.63	2.75	.19	2.14
FFS-SP-24	1-1/2	3.63	2.75	.19	2.14

BCS

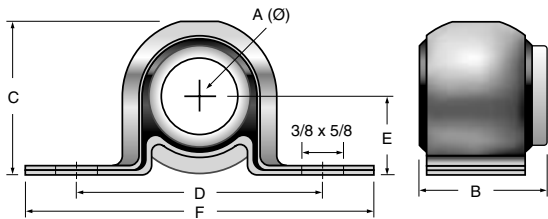
Materials: 304 Stainless steel bearing housings and sleeve with Nolu-S bearing.

Part Number	Shaft Dia.					
	A	B	C	D	E	F
BCS-SP-12	3/4	1.88	2.06	3.25	1.06	4.56
BCS-SP-16	1	1.88	2.06	3.25	1.06	4.56

BKS

Materials: 304 Stainless steel bearing housings and sleeve with Nolu-S bearing.

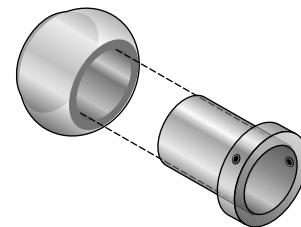
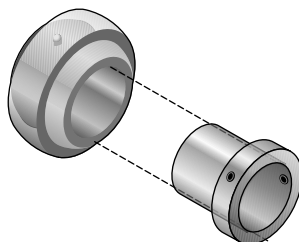
Part Number	Shaft Dia.					
	A	B	C	D	E	F
BKS-SP-16	1	2.13	2.69	3.88	1.34	5.25
BKS-SP-20	1-1/4	2.13	2.69	3.88	1.34	5.25
BKS-SP-24	1-1/2	2.13	2.69	3.88	1.34	5.25



Materials: Nolu-S spherical bearing, 304 stainless steel shaft protector sleeve.

For Polyamide Housings

Part Number	Description
LG-SP-34	Nolu-S Insert and 3/4" Shaft Protector Sleeve
LG-SP-100	Nolu-S Insert and 1" Shaft Protector Sleeve
LG-SP-125	Nolu-S Insert and 1-1/4" Shaft Protector Sleeve



For FBS or BCS Stainless Housings

Part Number	Description
FSP-34-B	Nolu-S Insert and 3/4" Shaft Protector Sleeve
FSP-100-B	Nolu-S Insert and 1" Shaft Protector Sleeve

For FFS or BKS Stainless Housings

FSP-100-F	Nolu-S Insert and 1" Shaft Protector Sleeve
FSP-125-F	Nolu-S Insert and 1-1/4" Shaft Protector Sleeve
FSP-150-F	Nolu-S Insert and 1-1/2" Shaft Protector Sleeve