



Mounted Spherical Roller Bearings

Modular bearing assembly consisting of sealed and lubricated inch spherical bearing with collar (setscrew) or concentric (adapter mount) locking system contained within a variety of housings types, mounting styles, and housing materials. Mounted spherical roller bearings provide an antifriction solution when supporting rotating shafts with combination radial and thrust loads.

Housing Styles

Pillow Block, Flanges, Take Up Assemblies

Locking Styles

Collar (Setscrew) Or Concentric (Adapter Mount)

Bore Size Range

1 1/8" To 8"

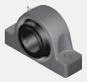
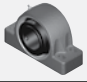



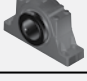



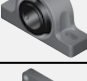



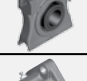


Housing Materials

Cast & Ductile Iron

Mounted Roller Bearing Selection Guide

Mid Spherical Bearings



		Series	Housing style
Sealmaster USRB		USRB5000	Two Bolt Pillow Block
		USRBF5000	Four Bolt Pillow Block
		USRB5000	Four Bolt Pillow Block (No F prefix for 4 7/16" - 4 15/16")
		USRB5500	Two Bolt Pillow Block (SAF mounting dimensions)
		USRBF5500	Four Bolt Pillow Block (SAF mounting dimensions) (F prefix for 2 7/16" - 3 7/16")
		USRB5500	Four Bolt Pillow Block (SAF mounting dimensions) (F prefix for 3 15/16" - 8")
		USFB5000	Four Bolt Flange
		USFC5000	Piloted Flange Cartridge
		USBF5000	Flange Bracket
		USRBE5000	Two Bolt Pillow Block (Type E mounting dimensions)
		USFBE5000	Flange Block (Type E mounting dimensions)
		USFCE5000	Piloted Flange Cartridge (Type E mounting dimensions)
		USTU5000	Wide Slot Take Up
		USTA5000	Top Angle Take Up
		USF3B5000	Three Bolt Flange
		USI5000	Insert

Unitized Spherical Roller Bearings (USRB)



Mid. Spherical Bearings

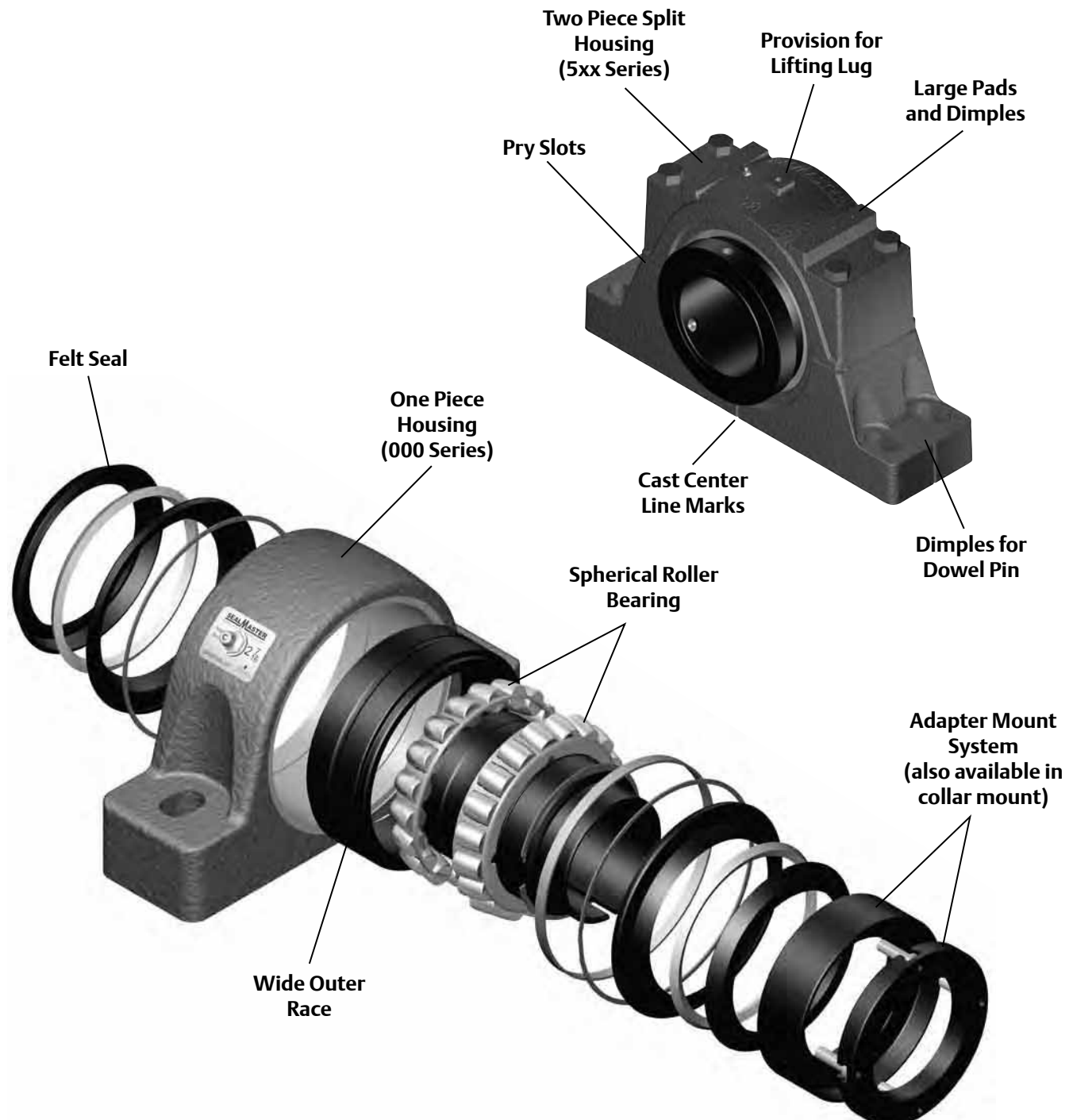


Lock Type			Size Range			
Collar Mount	Adapter Mount	Housing Material	Seal	Standard Seal Options	Inch	
USRB5000	USRB5000A	Cast Iron	Felt	Contact	1 1/8" - 4"	
USRBF5000	USRBF5000A	Cast Iron			2 7/16" - 4"	
USRB5000	USRB5000A	Cast Iron			4 7/16" - 4 15/16"	
USRB5500	USRB5500A	Cast Iron			1 7/16" - 3 7/16"	
USRBF5500	USRBF5500A	Cast Iron			2 7/16" - 3 7/16"	
USRB5500	USRB5500A	Cast Iron			3 15/16" - 8"	
USFB5000	USFB5000A	Cast Iron			1 3/8" - 4"	
USFC5000	USFC5000A	Cast Iron			1 3/8" - 4"	
USBF5000	USBF5000A	Ductile Iron			1 7/16" - 2 7/16"	
USRBE5000	USRBE5000A	Ductile Iron			1 15/16" - 4"	
USFBE5000	USFBE5000A	Ductile Iron			1 15/16" - 4"	
USFCE5000	USFCE5000A	Ductile Iron			1 15/16" - 4"	
USTU5000	USTU5000A	Cast Iron			1 15/16" - 4" 8	
USTA5000	USTA5000A	Cast Iron			1 15/16" - 3 15/16"	
USF3B5000	-	Cast Iron			1 1/8" - 1 1/2"	
USI5000	USI5000A	N/A			1 1/8" - 8"	



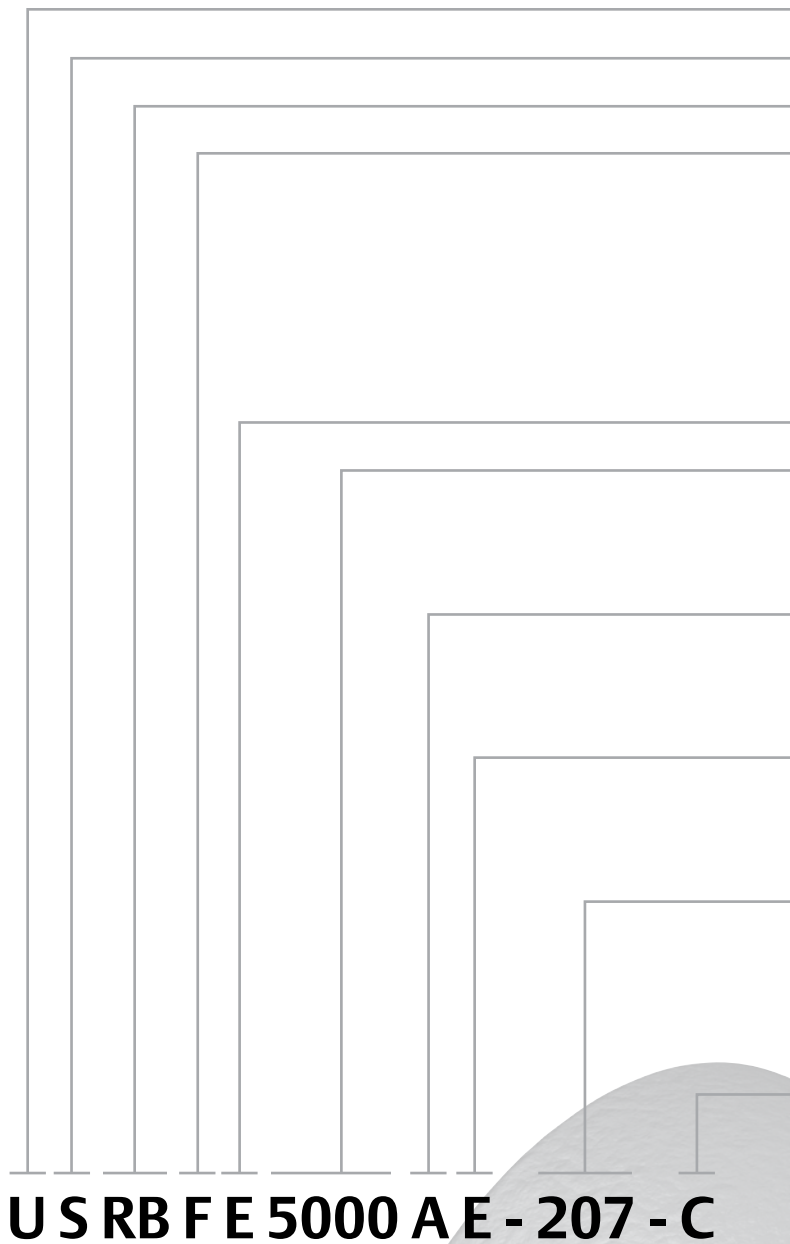
Sealmaster USRB Performance Mounted Spherical Roller Bearing

Sealmaster USRB performance mounted spherical roller bearings feature black oxide treated bearing steel races with optimized bearing geometry for load capacity, misalignment and speed capabilities. The USRB is available in both setscrew locking and adapter mounting system. The felt seal with flinger provides a good balance between contaminant entry, grease retention and friction. Depending on application requirements, these bearings are available in a wide variety of bore sizes, housing styles, and sealing options as illustrated on the pages to follow.





Spherical Roller Bearing Nomenclature



Unitized

Spherical

Housing Type (* see below)

Bolts

F - Four Bolt Base - 2 7/16" to 4"
Where Two Bolt & Four Bolt Options Exist

No Prefix - Standard Option

Two Bolt Only - 1 1/8" to 2 3/16"

Four Bolt Only - 4 7/16" - 8"

Type E Mounting Dimensions

Series

000 - Standard Series

5xx - SAF Mounting Dimensions

Locking Option

A - Adapter Mount

No Suffix - Collar Mount (setscrew)

Expansion Option

E - Expansion

No Suffix - Non Expansion

Bore Size (Inch)

First Digit - Number of Inches

Second & Third Digit - Number of
1/16 of inches (ex. 207 = 2 7/16")

Seal Option

C - Contact Seal

N - Nomex Seal

*** Housing Type**

RB - Roller (Pillow) Block

FB - Flange Block

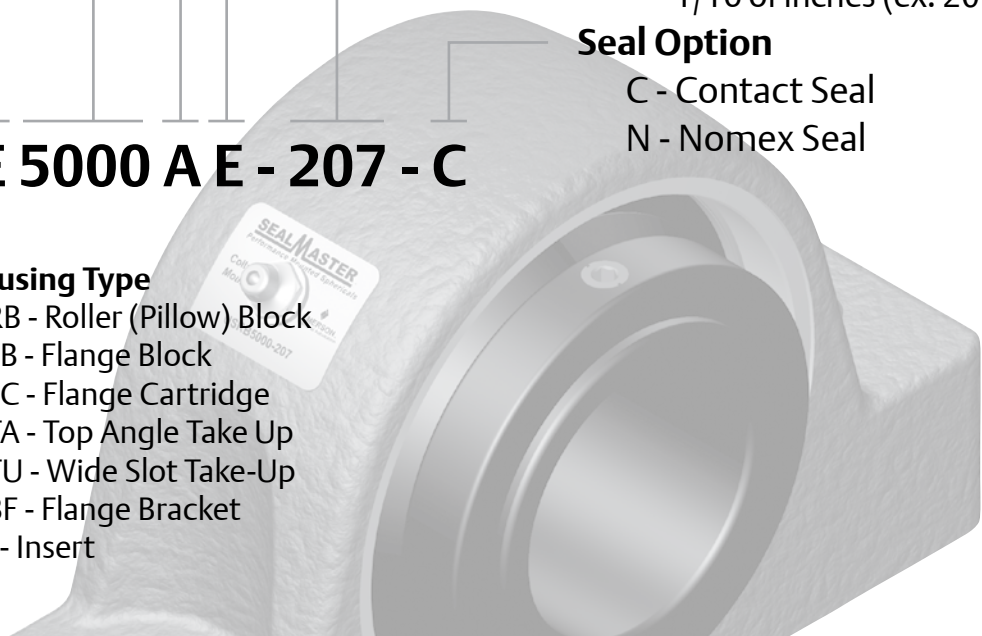
FC - Flange Cartridge

TA - Top Angle Take Up

TU - Wide Slot Take-Up

BF - Flange Bracket

I - Insert



Features and Benefits

Mid. Spherical Bearings



Double Row Spherical Roller Bearing

New geometries developed and manufactured by Sealmaster result in an innovative double-row spherical roller bearing with optimal load capacity, misalignment and speed capability.

Multiple Housing Configurations



One Piece Cast Iron and Ductile Iron Housings

Durable one piece cast iron (USRB5000 series) and ductile iron (USRBE5000 series) housings provide load support. Two and four bolt pillow block housings have elongated bolt holes for interchangeability with competitive units.



Split Housings

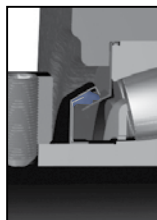
Durable split housings (USRB5500 series) designed to the industry standard SAF footprint and replaceable cartridge inserts from 1 3/8" - 8" are shaft ready for easy installation.

Multiple Sealing Options



Felt Seal

The Sealmaster felt seal with flinger, mounted between races, can accommodate $\pm 2^\circ$ of misalignment. The outer member rotates with the inner race to help direct contamination away from the seal. Due to the unique spherical geometric design of the seal contact areas, sealing effectiveness is maintained throughout the entire specified range of misalignment. This design provides a tight labyrinth seal, which acts as a filter to help exclude foreign material and has low friction.



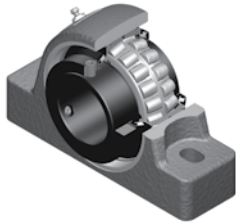
Contact Seal

The Sealmaster double-lip contact seal, mounted between races, also can accommodate $\pm 2^\circ$ of misalignment. The outer member rotates with the inner race, to help direct contamination away from the seal. Due to the unique spherical geometric design of the seal contact areas, sealing effectiveness is maintained throughout the entire specified range of misalignment. The rotating double-lip seal design allows for exceptional limiting speed.



Features and Benefits

Multiple Locking Methods



Collar Mount System

Sealmaster performance mounted roller bearings feature locking collars and setscrews at 120°, providing a balanced three-point contact.



Adapter Mount System

The Sealmaster performance mounted roller bearings grip the shaft with an advanced adapter mount system, for fast installation and removal. The advanced integral locking system incorporates axial cap screws that allow mount and dismount of the bearing from one side. The result: this highly engineered locking system requires less installation torque. Sealmaster adapter mount spherical roller bearings are also shaft ready and require only a hex key and torque wrench to install; no special tools or feeler gauges are required.



Learn more with your phone...Snap the QR code with your mobile phone, and watch a video demonstrating the ease of installation and removal of the Sealmaster Unitized Spherical Bearing. New-model phones come with QR readers. If yours doesn't, go to the app store and search QR Reader.



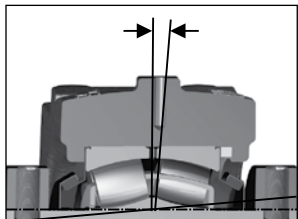
Replaceable Cartridge Insert

The Sealmaster performance mounted roller bearings have a replaceable cartridge insert that consists of a double-row spherical roller bearing with race-mounted seals. These integrally sealed, one-piece cartridge inserts can also be used for mounting in cylindrical-bore housings for an even wider range of applications.



Wide Outer Race

The wide outer race, coupled with innovative rolling-element geometries, provides increased load capacity. The wide outer race also allows for race mounted seals and creates a large internal grease chamber, for more grease capacity.



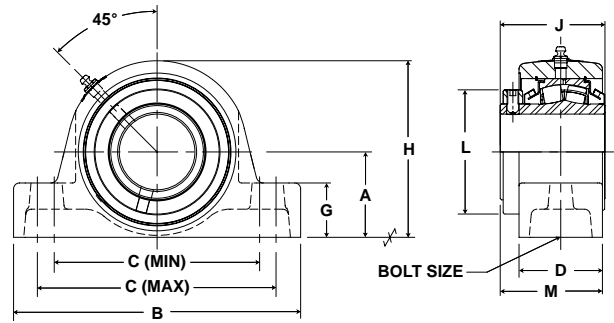
Misalignment

The arrangement of rolling elements and races in Sealmaster Mounted Spherical Roller Bearings can accommodate +/-2 degrees of misalignment – up to twice an SAF – while maintaining catalog load ratings and sealing effectiveness. The spherical bearing design can accommodate both static and dynamic misalignment which may exist due to structure mounting irregularities, shaft deflection, or other application conditions.

Mid. Spherical Bearings



- Rolling Elements:** Spherical Roller
- Housing:** Cast Iron Two Bolt Pillow Block
- Self Alignment:** +/- 2 Degrees
- Lock:** Setscrew
- Seal:** Felt
- Optional Seal:** Double Lip Contact
- Temperature:** -20° to 220° F



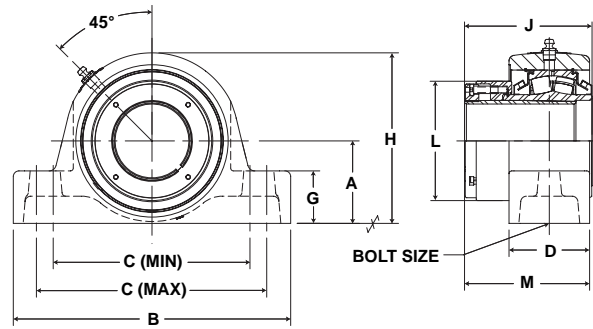
USRB5000 Series Two-Bolt Base Pillow Blocks - Collar Mount

Bore Diameter inch	Part No.	Basic Dynamic Rating lb/N	Dimensions inch / mm										Unit Wt. lb/kg	
			A	B	C		D	G	H	J	L	M *		Bolt Size
					Min.	Max.								
1 1/8	USRB5000-102	20368	1 3/4	6 5/16	4 1/2	5	2 3/16	1 1/16	3 3/4	2 3/4	2 49/64	2 3/4	3/8	6.9
1 3/16	USRB5000-103	90597	44.5	160.3	114.3	127.0	55.6	27.0	95.3	69.9	70.2	69.9	3/8	3.14
1 1/4	USRB5000-104													
1 7/16	USRB5000-107	20368	1 7/8	6 7/8	4 11/16	5 5/16	2 3/16	1 3/16	3 7/8	2 3/4	2 49/64	2 3/4	1/2	6.6
1 1/2	USRB5000-108	90597	47.6	174.6	119.1	134.9	55.6	30.2	98.4	69.9	70.2	69.9	1/2	3.00
1 11/16	USRB5000-111	22689	2 1/8	7 3/8	5 3/16	5 13/16	2 3/16	1 5/16	4 1/4	2 7/8	2 3/4	2 13/16	1/2	7.8
1 3/4	USRB5000-112	100921	54.0	187.3	131.8	147.6	55.6	33.3	108.0	73.0	69.9	71.4	1/2	3.55
1 15/16	USRB5000-115	23520	2 1/4	8 3/8	5 15/16	6 9/16	2 3/16	1 3/8	4 9/16	2 7/8	3	2 25/32	5/8	7.7
2	USRB5000-200	104617	57.2	212.7	150.8	166.7	55.6	34.9	115.9	73.0	76.2	70.6	5/8	5.23
2 3/16	USRB5000-203	28087	2 1/2	8 7/8	6 9/16	7 1/16	2 7/16	1 5/8	5	3 1/8	3 1/4	3 1/8	5/8	11.5
		124931	63.5	225.4	166.7	179.4	61.9	41.3	127.0	79.4	82.6	79.4	5/8	5.23
2 7/16	USRB5000-207	44691	2 3/4	9 1/4	6 13/16	7 7/16	2 11/16	1 3/4	5 11/16	3 3/8	4	3 9/32	5/8	16.0
2 1/2	USRB5000-208	198786	69.9	235.0	173.0	188.9	68.3	44.5	144.5	85.7	101.6	83.3	5/8	7.27
2 11/16	USRB5000-211													
2 3/4	USRB5000-212	47447	3 1/4	10 7/16	7 13/16	8 7/16	2 13/16	2 1/4	6 7/16	3 7/8	4 17/32	3 3/4	3/4	23.7
2 15/16	USRB5000-215	211044	82.6	265.1	198.4	214.3	71.4	57.2	163.5	98.4	115.1	95.3	3/4	10.77
3	USRB5000-300													
3 3/16	USRB5000-303	72640	3 3/4	13	9 1/4	10 3/4	3 3/16	2 1/4	7 1/2	4 15/32	5 5/16	4 1/4	7/8	37.1
3 7/16	USRB5000-307	323103	95.3	330.2	235.0	273.1	81.0	57.2	190.5	113.5	134.9	108.0	7/8	81.62
3 1/2	USRB5000-308													
3 11/16	USRB5000-311	96050	4 1/8	14 1/4	10	11 3/4	3 9/16	2 1/2	8 7/16	4 15/16	6	4 23/32	1	49.9
3 15/16	USRB5000-315	427230	104.8	362.0	254.0	298.5	90.5	63.5	214.3	125.4	152.4	119.9	1	22.68
4	USRB5000-400													

Performance Mounted Spherical Roller Bearings **SEALMASTER®**



- Rolling Elements:** Spherical Roller
- Housing:** Cast Iron Two Bolt Pillow Block
- Self Alignment:** +/- 2 Degrees
- Lock:** Adapter
- Seal:** Felt
- Optional Seal:** Double Lip Contact
- Temperature:** -20° to 220° F



USRB5000A Series Two-Bolt Base Pillow Blocks - Adapter Mount

Bore Diameter	Part No.	Basic Dynamic Rating lb/N	Dimensions inch / mm										Unit Wt. lb/kg		
			A	B	C		D	G	H	J	L	M *		Bolt Size	
inch					Min.	Max.									
1 1/8	USRB5000A-102	20368 90597	1 3/4	6 5/16	4 1/2	5	2 3/16	1 1/16	3 3/4	3 11/32	2 47/64	3 11/32	3/8	6.9	
1 3/16	USRB5000A-103		44.5	160.3	114.3	127.0	55.6	27.0	95.3	84.9	69.5	84.9		3.12	
1 1/4	USRB5000A-104														
1 7/16	USRB5000A-107	20368 90597	1 7/8	6 7/8	4 11/16	5 5/16	2 3/16	1 3/16	3 7/8	3 11/32	2 47/64	3 11/32	1/2	6.9	
1 1/2	USRB5000A-108		47.6	174.6	119.1	134.9	55.6	30.2	98.4	84.9	69.5	84.9		3.12	
1 11/16	USRB5000A-111	22689 100921	2 1/8	7 3/8	5 3/16	5 13/16	2 3/16	1 5/16	4 1/4	3 29/64	2 31/32	3 3/8	1/2	8.3	
1 3/4	USRB5000A-112		54.0	187.3	131.8	147.6	55.6	33.3	108.0	87.7	75.4	85.7		3.77	
1 15/16	USRB5000A-115	23520 104617	2 1/4	8 3/8	5 15/16	6 9/16	2 3/16	1 3/8	4 9/16	3 1/2	3 11/64	3 13/32	5/8	10.1	
2	USRB5000A-200		57.2	212.7	150.8	166.7	55.6	34.9	115.9	88.9	80.6	86.5		4.58	
2 3/16	USRB5000A-203	28087 124931	2 1/2	8 7/8	6 9/16	7 1/16	2 7/16	1 5/8	5	3 7/8	3 7/16	3 27/32	5/8	12.2	
			63.5	225.4	166.7	179.4	61.9	41.3	127.0	98.4	87.3	97.6		5.53	
2 7/16	USRB5000A-207	44691 198786	2 3/4	9 1/4	6 13/16	7 7/16	2 11/16	1 3/4	5 11/16	4 5/16	3 63/64	4 7/32	5/8	17.3	
2 1/2	USRB5000A-208		69.9	235.0	173.0	188.9	68.3	44.5	144.5	109.5	101.2	107.2		7.86	
2 11/16	USRB5000A-211	47447 211044	3 1/4	10 7/16	7 13/16	8 7/16	2 13/16	2 1/4	6 7/16	4 31/64	4 25/64	4 3/8	3/4	23.8	
2 3/4	USRB5000A-212			10 7/16	7 13/16	8 7/16	2 13/16	2 1/4	6 7/16	4 31/64	4 25/64	4 3/8		10.82	
2 15/16	USRB5000A-215			82.6	265.1	198.4	214.3	71.4	57.2	163.5	113.9	111.5		111.1	
3	USRB5000A-300														
3 3/16	USRB5000A-303	72640 323103	3 3/4	13	9 1/4	10 3/4	3 3/16	2 1/4	7 1/2	5 35/64	5 15/32	5 21/64	7/8	39.1	
3 7/16	USRB5000A-307			95.3	330.2	235.0	273.1	81.0	57.2	190.5	140.9	138.9		135.3	17.76
3 1/2	USRB5000A-308														
3 11/16	USRB5000A-311	96050 427230	4 1/8	14 1/4	10	11 3/4	3 9/16	2 1/2	8 7/16	5 15/16	5 13/16	5 23/32	1	50.6	
3 15/16	USRB5000A-315			104.8	362.0	254.0	298.5	90.5	63.5	214.3	150.8	147.6		145.3	23.01
4	USRB5000A-400														

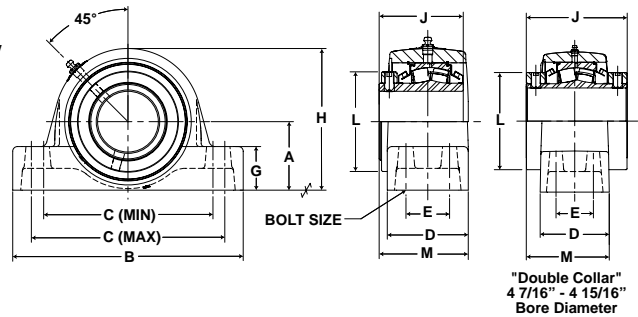
* One expansion unit is to be used in conjunction with one non-expansion unit for applications using an adapter lock unit. Failure to utilize one expansion and one non-expansion unit is likely to result in reduced bearing performance.

SEALMASTER® Performance Mounted Spherical Roller Bearings

Mid. Spherical Bearings



- Rolling Elements:** Spherical Roller
- Housing:** Cast Iron Four Bolt Pillow Block
- Self Alignment:** +/- 2 Degrees
- Lock:** Setscrew
- Seal:** Felt
- Optional Seal:** Double Lip Contact
- Temperature:** -20° to 220° F



USRBF5000 Series Four-Bolt Base Pillow Blocks - Collar Mount

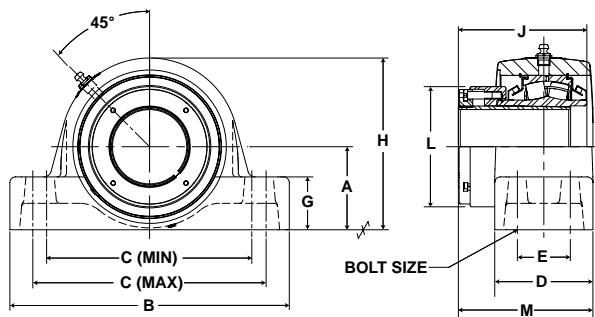
Bore Diameter inch	Part No.	Basic Dynamic Rating lb/N	Dimensions inch / mm											Unit Wt. lb/kg														
			A	B	C		D	E	G	H	J	L	M *		Bolt Size													
					Min.	Max.																						
2 7/16	USRBF5000-207	44691	2 3/4	9 1/4	6 7/8	7 5/8	3 1/4	1 3/4	1 3/4	5 11/16	3 3/8	4	3 11/16	1/2	17.6													
2 1/2	USRBF5000-208	198786	69.9	235.0	174.6	193.7	82.6	44.5	44.5	144.5	85.7	101.6	93.7		8.00													
2 11/16	USRBF5000-211	211044	82.6	265.1	200.0	212.7	95.3	47.6	57.2	163.5	98.4	115.1	109.1	5/8	11.98													
2 3/4	USRBF5000-212															47447	3 1/4	10 7/16	7 7/8	8 3/8	3 3/4	1 7/8	2 1/4	6 7/16	3 7/8	4 17/32	4 19/64	26.4
2 15/16	USRBF5000-215															211044	82.6	265.1	200.0	212.7	95.3	47.6	57.2	163.5	98.4	115.1	109.1	11.98
3	USRBF5000-300	323103	95.3	330.2	235.0	273.1	98.4	50.8	57.2	190.5	113.5	134.9	116.7	3/4	17.73													
3 3/16	USRBF5000-303															72640	3 3/4	13	9 1/4	10 3/4	3 7/8	2	2 1/4	7 1/2	4 15/32	5 5/16	4 19/32	39.0
3 7/16	USRBF5000-307															323103	95.3	330.2	235.0	273.1	98.4	50.8	57.2	190.5	113.5	134.9	116.7	17.73
3 1/2	USRBF5000-308	427230	108.0	387.4	279.4	330.2	114.3	57.2	66.7	217.5	125.4	152.4	132.6	3/4	26.14													
3 11/16	USRBF5000-311															96050	4 1/4	15 1/4	11	13	4 1/2	2 1/4	2 5/8	8 9/16	4 15/16	6	5 7/32	57.5
3 15/16	USRBF5000-315															427230	108.0	387.4	279.4	330.2	114.3	57.2	66.7	217.5	125.4	152.4	132.6	26.14
4	USRBF5000-400	496117	120.7	408.0	330.2	355.6	117.5	63.5	69.9	238.1	171.5	165.1	139.7	3/4	33.68													
4 7/16	USRB5000-407															111537	4 3/4	16 1/16	13	14	4 5/8	2 1/2	2 3/4	9 3/8	6 3/4	6 1/2	5 1/2	74.1
4 1/2	USRB5000-408	496117	120.7	408.0	330.2	355.6	117.5	63.5	69.9	238.1	171.5	165.1	139.7	3/4	33.68													
4 15/16	USRB5000-415	158816	5 1/2	18 1/2	15	16	5 1/8	2 3/4	3	10 7/8	7 27/64	7 1/2	6 3/32	3/4	112.6													
		706414	139.7	469.9	381.0	406.4	130.2	69.9	76.2	276.2	188.5	190.5	154.8		51.18													

Note: Bore diameters up to 4" available in single lock collar. Bore diameters 4 7/16" and up available in double lock collar.

Performance Mounted Spherical Roller Bearings **SEALMASTER**®



- Rolling Elements:** Spherical Roller
- Housing:** Cast Iron Four Bolt Pillow Block
- Self Alignment:** +/- 2 Degrees
- Lock:** Adapter
- Seal:** Felt
- Optional Seal:** Double Lip Contact
- Temperature:** -20° to 220° F



USRBF5000A Series Four-Bolt Base Pillow Blocks - Adapter Mount

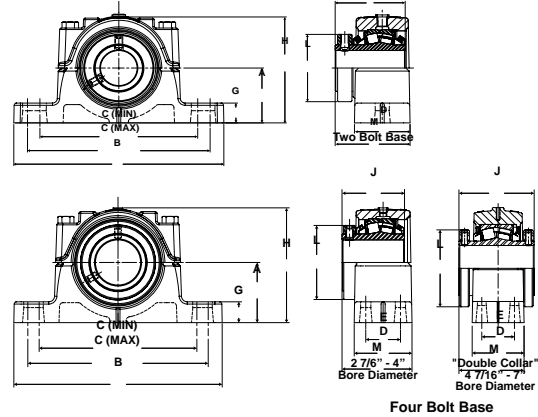
Bore Diameter inch	Part No.	Basic Dynamic Rating lb/N	Dimensions inch / mm											Unit Wt. lb/kg	
			A	B	C		D	E	G	H	J	L	M *		Bolt Size
					Min.	Max.									
2 7/16	USRBF5000A-207	44691	2 3/4	9 1/4	6 7/8	7 5/8	3 1/4	1 3/4	1 3/4	5 11/16	4 5/16	3 63/64	4 39/64	1/2	18.5
2 1/2	USRBF5000A-208	198786	69.9	235.0	174.6	193.7	82.6	44.5	44.5	144.5	109.5	101.2	117.1		8.42
2 11/16	USRBF5000A-211	47447	3 1/4	10 7/16	7 7/8	8 3/8	3 3/4	1 7/8	2 1/4	6 7/16	4 31/64	4 25/64	4 29/32	5/8	26.4
2 3/4	USRBF5000A-212														
2 15/16	USRBF5000A-215														
3	USRBF5000A-300	211044	82.6	265.1	200.0	212.7	95.3	47.6	57.2	163.5	113.9	111.5	124.6	12.02	
3 3/16	USRBF5000A-303	72640	3 3/4	13	9 1/4	10 3/4	3 7/8	2	2 1/4	7 1/2	5 35/64	5 15/32	5 11/16	3/4	41.0
3 7/16	USRBF5000A-307	323103	95.3	330.2	235.0	273.1	98.4	50.8	57.2	190.5	140.9	138.9	144.5		18.63
3 1/2	USRBF5000A-308														
3 11/16	USRBF5000A-311	96050	4 1/4	15 1/4	11	13	4 1/2	2 1/4	2 5/8	8 9/16	5 15/16	5 13/16	6 13/64	3/4	58.2
3 15/16	USRBF5000A-315														
4	USRBF5000A-400														
4 7/16	USRBF5000A-407	111537	4 3/4	16 1/16	13	14	4 5/8	2 1/2	2 3/4	9 3/8	6 27/64	6 11/32	6 31/64	3/4	68.2
4 1/2	USRBF5000A-408	496117	120.7	408.0	330.2	355.6	117.5	63.5	69.9	238.1	163.1	161.1	164.7		31.01
4 15/16	USRBF5000A-415	158816	5 1/2	18 1/2	15	16	5 1/8	2 3/4	3	10 7/8	7 1/8	7 13/64	7 3/32	7/8	107.8
5	USRBF5000A-500														

* One expansion unit is to be used in conjunction with one non-expansion unit for applications using an adapter lock unit. Failure to utilize one expansion and one non-expansion unit is likely to result in reduced bearing performance.

Mid. Spherical Bearings



- Rolling Elements:** Spherical Roller
- Housing:** Cast Iron Two and Four Bolt Pillow Block
- Self Alignment:** +/- 2 Degrees
- Lock:** Setscrew
- Seal:** Felt
- Optional Seal:** Double Lip Contact
- Temperature:** -20° to 220° F



USRB5500 Series Two and Four-Bolt Base Pillow Blocks - Collar Mount, SAF Mounting Dimensions

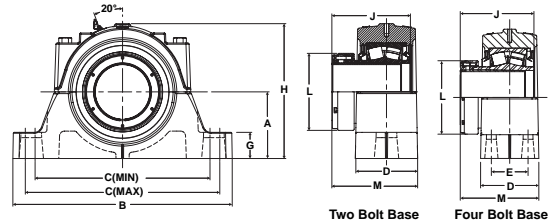
Bore Diameter	Part No.		Basic Dynamic Rating lb/N	Dimensions inch / mm											Unit Wt. lb/kg			
				A	B	C		D	E	G	H	J	L	M *	Bolt Size			
	inch	2 Bolt				4 Bolt	Min.								Max.	2 Bolt	4 Bolt	2 Bolt
1 7/16	USRB5509-107		20368	2 1/4	8 1/4	6 1/4	7	2 3/16		13/16	4 3/8	2 3/4	2 49/64	2 61/64	1/2	-	10.2	-
1 1/2	USRB5509-108		90597	57.2	209.6	158.8	177.8	55.6		20.6	111.1	69.9	70.2	75.0			4.64	
1 15/16	USRB5511-115		23520	2 3/4	9 5/8	7 3/8	8 1/4	2 3/4		15/16	5 1/32	2 7/8	3	3 19/64	5/8	-	13.8	-
2	USRB5511-200		104617	69.9	244.5	187.3	209.6	69.9		23.8	127.8	73.0	76.2	83.7			6.27	
2 7/16	USRB5515-207	USRBF5515-207	44691	3 1/4	11 1/4	8 5/8	9 5/8	3 1/8	1 7/8	1 1/8	6 1/8	3 3/8	4	3 25/32	5/8	1/2	25.2	25.0
2 1/2	USRB5515-208	USRBF5515-208	198786	82.6	285.8	219.1	244.5	79.4	47.6	28.6	155.6	85.7	101.6	96.0			11.46	11.34
2 15/16	USRB5517-215	USRBF5517-215	47447	3 3/4	13	9 7/8	11	3 1/2	2 1/8	1 1/4	7 1/8	3 7/8	4 17/32	4 13/32	3/4	5/8	38.2	37.8
3	USRB5517-300	USRBF5517-300	211044	95.3	330.2	250.8	279.4	88.9	54.0	31.8	181.0	98.4	115.1	111.9			17.38	17.20
3 7/16	USRB5520-307	USRBF5520-307	72640	4 1/2	15 1/4	11 5/8	13 1/8	4 3/8	2 3/8	1 3/4	9	4 15/32	5 5/16	5 9/64	7/8	3/4	71.4	70.5
3 1/2	USRB5520-308	USRBF5520-308	323103	114.3	387.4	295.3	333.4	111.1	60.3	44.5	228.6	113.5	134.9	130.6			32.47	32.02
3 15/16		USRB5522-315	96050	4 15/16	16 1/2	12 19/32	14 1/2	4 3/4	2 3/4	2	9 7/8	4 15/16	6	5 41/64	-	3/4	-	87.7
4		USRB5522-400	427230	125.4	419.1	319.9	368.3	120.7	69.9	50.8	250.8	125.4	152.4	143.3			39.86	39.86
4 7/16		USRB5526-407	111537	6	18 3/8	14 1/2	16	5 1/8	3 1/4	2 3/8	11 9/16	6 3/4	6 1/2	6 1/8	-	7/8	-	133.2
4 1/2		USRB5526-408	496117	152.4	466.7	368.3	406.4	130.2	82.6	60.3	293.7	171.5	165.1	155.6			60.57	60.57
4 15/16		USRB5528-415	158816	6	19 11/16	15 5/8	17 3/8	5 7/8	3 3/8	2 3/8	12	7 27/64	7 1/2	6 27/32	-	1	-	164.1
			706414	152.4	500.1	396.9	441.3	149.2	85.7	60.3	304.8	188.5	190.5	173.8			74.61	74.61
5 7/16		USRB5532-507	196682	6 11/16	22	17 3/8	19 1/4	6 1/4	3 3/4	2 5/8	13 1/2	9 1/32	8 1/2	7 27/32	-	1	-	229.0
			874842	169.9	558.8	441.3	489.0	158.8	95.3	66.7	342.9	229.4	215.9	199.2			104.09	104.09
5 15/16		USRB5534-515	261346	7 1/16	24 3/4	19 3/8	21 5/8	6 3/4	4 1/4	2 3/4	14 15/16	9 25/32	10	8 15/32	-	1	-	313.0
			1162467	179.4	628.7	492.1	549.3	171.5	108.0	69.9	379.4	248.4	254.0	215.1			142.27	142.27
6 7/16		USRB5536-607	334229	7 1/2	26 3/4	20 7/8	23 5/8	7 1/8	4 5/8	3	15 15/16	10 1/2	11	9 1/64	-	1	-	391.0
6 1/2		USRB5536-608	1486651	190.5	679.5	530.2	600.1	181.0	117.5	76.2	404.8	266.7	279.4	229.0			177.73	177.73
6 15/16		USRB5538-615	363818	7 7/8	28	21 5/8	24 3/8	7 1/2	4 1/2	3 1/8	16 9/16	10 1/2	11	9 13/64	-	1 1/4	-	435.0
7		USRB5538-700	1618262	200.0	711.2	549.3	619.1	190.5	114.3	79.4	420.7	266.7	279.4	233.8			197.71	197.71

Note: Bore diameters up to 4" available in single lock collar. Bore diameters 4 7/16" and up available in double lock collar
 Bore diameters up to 3" - grease fitting location at 12:00.

Performance Mounted Spherical Roller Bearings **SEALMASTER®**



Rolling Elements: Spherical Roller
Housing: Cast Iron Two and Four Bolt Pillow Block
Self Alignment: +/- 2 Degrees
Lock: Adapter
Seal: Felt
Optional Seal: Double Lip Contact
Temperature: -20° to 220° F



Mid-Spherical Bearings

USRB5500A Series Two and Four-Bolt Base Pillow Blocks - Adapter Mount, SAF Mounting Dimensions

Bore Diameter	Part No.		Basic Dynamic Rating lb/N	Dimensions inch / mm												Unit Wt.		
				A	B	C		D	E	G	H	J	L	M *	Bolt Size		2 Bolt	4 Bolt
	inch	2 Bolt				4 Bolt	Min.								Max.	2 Bolt		
1 7/16	USRB5509A-107		20368	2 1/4	8 1/4	6 1/4	7	2 3/16		13/16	4 3/8	3 11/32	2 47/64	3 35/64	1/2	-	10.5	-
1 1/2	USRB5509A-108		90597	57.2	209.6	158.8	177.8	55.6		20.6	111.1	84.9	69.5	90.1			4.77	-
1 15/16	USRB5511A-115		23520	2 3/4	9 5/8	7 3/8	8 1/4	2 3/4	-	15/16	5 1/32	3 1/2	3 11/64	3 29/32	5/8	-	16.2	-
2	USRB5511A-200		104617	69.9	244.6	187.3	209.6	69.9		23.8	127.8	88.9	80.6	99.2			7.36	-
2 7/16	USRB5515A-207	USRBF5515A-207	44691	3 1/4	11 1/4	8 5/8	9 5/8	3 1/8	1 7/8	1 1/8	6 1/8	4 5/16	3 7/16	4 23/32	5/8	1/2	26.5	26.2
2 1/2	USRB5515A-208	USRBF5515A-208	198786	82.6	285.8	219.1	244.5	79.4	47.6	28.6	155.6	109.5	87.3	119.9			12.04	11.92
2 15/16	USRB5517A-215	USRBF5517A-215	47447	3 3/4	13	9 7/8	11	3 1/2	2 1/8	1 1/4	7 1/8	4 31/64	4 25/64	5 1/32	3/4	5/8	38.4	38.0
3	USRB5517A-300	USRBF5517A-300	211044	95.3	330.2	250.8	279.4	88.9	54.0	31.8	181.0	113.9	111.5	127.8			17.44	17.26
3 7/16	USRB5520A-307	USRBF5520A-307	72640	4 1/2	15 1/4	11 5/8	13 1/8	4 3/8	2 3/8	1 3/4	9	5 35/64	5 15/32	6 15/64	7/8	3/4	73.4	72.4
3 1/2	USRB5520A-308	USRBF5520A-308	323103	114.3	387.4	295.3	333.4	111.1	60.3	44.5	228.6	140.9	138.9	158.4			33.37	32.92
3 15/16	-	USRB5522A-315	96050	4 15/16	16 1/2	12 19/32	14 1/2	4 3/4	2 3/4	2	9 7/8	5 15/16	5 13/16	6 41/64	-	3/4	-	88.5
4	-	USRB5522A-400	427230	125.4	419.1	319.9	368.3	120.7	69.9	50.8	250.8	150.8	147.64	168.7			40.23	-
4 7/16	-	USRB5526A-407	111537	6	18 3/8	14 1/2	16	5 1/8	3 1/4	2 3/8	11 9/16	6 27/64	6 11/32	7 3/32	-	7/8	-	127.4
4 1/2	-	USRB5526A-408	496117	152.4	466.7	368.3	406.4	130.2	82.6	60.3	293.7	163.1	161.1	180.2			57.89	-
4 15/16	-	USRB5528A-415	158816	6	19 11/16	15 5/8	17 3/8	5 7/8	3 3/8	2 3/8	12	7 1/8	7 13/64	7 53/64	-	1	-	159.3
5	-	USRB5528A-500	706414	152.4	500.1	396.9	441.3	149.2	85.7	60.3	304.8	181.0	183.0	198.8			72.41	-
5 7/16	-	USRB5532A-507	196682	6 11/16	22	17 3/8	19 1/4	6 1/4	3 3/4	2 5/8	13 1/2	7 7/8	7 47/64	8 19/32	-	1	-	214.0
			874842	169.9	558.8	441.3	489.0	158.8	95.3	66.7	342.9	200.0	196.5	218.3			97.27	-
5 15/16	-	USRB5534A-515	261346	7 1/16	24 3/4	19 3/8	21 5/8	6 3/4	4 1/4	2 3/4	14 15/16	8 11/16	8 1/2	9 1/4	-	1	-	287.0
			1162467	179.4	628.7	492.1	549.3	171.5	108.0	69.9	379.4	220.7	215.9	235.0			130.45	-
6 7/16	-	USRB5536A-607	334229	7 1/2	26 3/4	20 7/8	23 5/8	7 1/8	4 5/8	3	15 15/16	9 45/64	9 11/16	10 5/32	-	1	-	357.0
6 1/2	-	USRB5536A-608	1486651	190.5	679.5	530.2	600.1	181.0	117.5	76.2	404.8	246.5	246.1	258.0			162.27	-
6 15/16	-	USRB5538A-615	334229	7 7/8	28	21 5/8	24 3/8	7 1/2	4 1/2	3 1/8	16 9/16	9 23/32	9 11/16	10 11/32	-	1 1/4	-	405.0
7	-	USRB5538A-700	1486651	200.0	711.2	549.3	619.1	190.5	114.3	79.4	420.7	246.9	246.1	262.7			184.09	-
7 1/2	-	USRB5544A-708	363818	9 1/2	32 3/4	24 3/4	27 7/8	8 3/4	5 1/4	3 3/4	19 5/8	10 9/16	11 7/64	11 17/32	-	1 1/2	-	656.0
7 15/16	-	USRB5544A-715	1618262	241.3	831.9	628.7	708.0	222.3	133.4	95.3	498.5	268.3	282.2	292.9			298.18	-
8	-	USRB5544A-800																

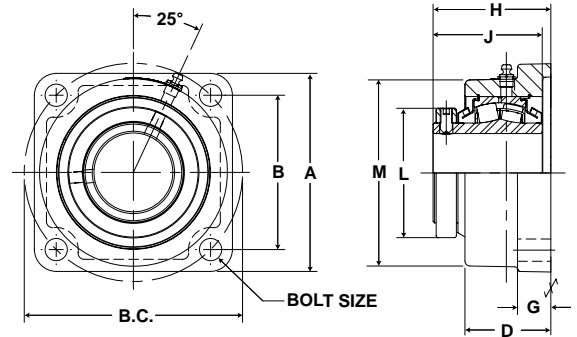
* Bore diameters up to 3" - grease fitting location at 12:00.
 One expansion unit is to be used in conjunction with one non-expansion unit for applications using an adapter lock unit.
 Failure to utilize one expansion and one non-expansion unit is likely to result in reduced bearing performance.

SEALMASTER® Performance Mounted Spherical Roller Bearings

Mid. Spherical Bearings



- Rolling Elements:** Spherical Roller
- Housing:** Cast Iron Four Bolt Flange
- Self Alignment:** +/- 2 Degrees
- Lock:** Setscrew
- Seal:** Felt
- Optional Seal:** Double Lip Contact
- Temperature:** -20° to 220° F



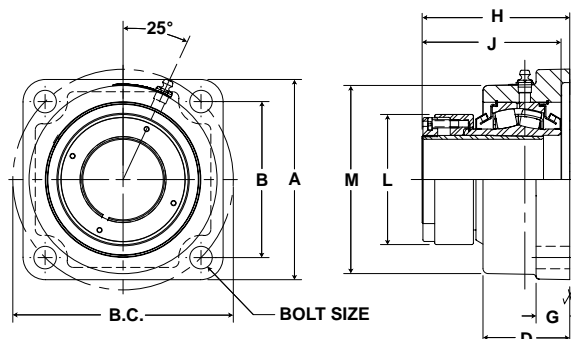
USFB5000 Series Four-Bolt Flange Units - Collar Mount

Bore Diameter inch	Part No.	Basic Dynamic Rating lb/N	Dimensions inch / mm										Unit Wt. lb/kg										
			A	B	B.C.	D	G	H *	J	L	M	Bolt Size											
1 7/16	USFB5000-107	20368	4 5/8	3 17/32	5	2 1/16	3/4	2 53/64	2 3/4	2 49/64	3 7/8	1/2	6.4										
1 1/2	USFB5000-108	90597	117.5	89.7	127.0	52.4	19.1	71.8	69.9	70.2	98.4		2.93										
1 11/16	USFB5000-111	22689	5	3 57/64	5 1/2	2 1/4	3/4	2 61/64	2 7/8	2 3/4	4 1/2	1/2	8.4										
1 3/4	USFB5000-112	100921	127.0	98.8	139.7	57.2	19.1	75.0	73.0	69.9	114.3		3.82										
1 15/16	USFB5000-115	23520	5 3/16	4 1/16	5 3/4	2 1/4	3/4	2 61/64	2 7/8	3	4 3/4	1/2	8.9										
2	USFB5000-200	104617	131.8	103.2	146.1	57.2	19.1	75.0	73.0	76.2	120.7		4.04										
2 3/16	USFB5000-203	28087	5 7/8	4 1/2	6 3/8	2 7/16	13/16	3 7/32	3 1/8	3 1/4	5 1/8	5/8	11.3										
		124931	149.2	114.3	161.9	61.9	20.6	81.8	79.4	82.6	130.2		5.13										
2 7/16	USFB5000-207	44691	6 1/8	4 49/64	6 3/4	2 21/32	1 1/32	3 31/64	3 3/8	4	5 3/4	5/8	15.3										
2 1/2	USFB5000-208	198786	155.6	121.0	171.5	67.5	26.2	88.5	85.7	101.6	146.1		6.95										
2 11/16	USFB5000-211	47447	7 3/16	5 9/16	7 7/8	2 7/8	15/16	3 63/64	3 7/8	4 17/32	6 5/8	3/4	23.1										
2 3/4	USFB5000-212													211044	182.6	141.3	200.0	73.0	23.8	101.2	98.4	115.1	168.3
2 15/16	USFB5000-215													211044	182.6	141.3	200.0	73.0	23.8	101.2	98.4	115.1	168.3
3	USFB5000-300	211044	182.6	141.3	200.0	73.0	23.8	101.2	98.4	115.1	168.3	3/4	10.50										
3 3/16	USFB5000-303	72640	8 3/8	6 23/32	9 1/2	3 9/32	1 1/8	4 19/32	4 15/32	5 5/16	7 5/8	3/4	36.0										
3 7/16	USFB5000-307													323103	212.7	170.7	241.3	83.3	28.6	116.7	113.5	134.9	193.7
3 1/2	USFB5000-308													323103	212.7	170.7	241.3	83.3	28.6	116.7	113.5	134.9	193.7
3 11/16	USFB5000-311	96050	9 1/2	7 19/32	10 3/4	3 11/16	1 1/4	5 5/64	4 15/16	6	8 7/8	7/8	46.1										
3 15/16	USFB5000-315													427230	241.3	192.9	273.1	93.7	31.8	129.0	125.4	152.4	225.4
4	USFB5000-400													427230	241.3	192.9	273.1	93.7	31.8	129.0	125.4	152.4	225.4

Performance Mounted Spherical Roller Bearings **SEALMASTER**®



- Rolling Elements:** Spherical Roller
- Housing:** Cast Iron Four Bolt Flange
- Self Alignment:** +/- 2 Degrees
- Lock:** Adapter
- Seal:** Felt
- Optional Seal:** Double Lip Contact
- Temperature:** -20° to 220° F



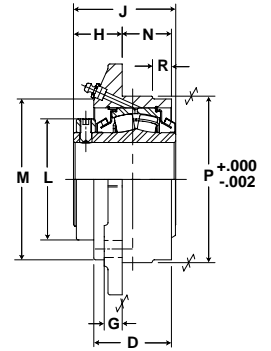
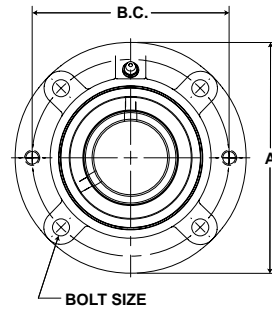
USFB5000A Series Four-Bolt Flange Units - Adapter Mount

Bore Diameter inch	Part No.	Basic Dynamic Rating lb/N	Dimensions inch / mm										Unit Wt. lb/kg
			A	B	B.C.	D	G	H*	J	L	M	Bolt Size	
1 7/16	USFB5000A-107	20368	4 5/8	3 17/32	5	2 1/16	3/4	3 7/16	3 11/32	2 47/64	3 7/8	1/2	6.7
1 1/2	USFB5000A-108	90597	117.5	89.7	127.0	52.4	19.1	87.3	84.9	69.5	98.4		3.06
1 11/16	USFB5000A-111	22689	5	3 57/64	5 1/2	2 1/4	3/4	3 35/64	3 29/64	2 31/32	4 1/2	1/2	8.9
1 3/4	USFB5000A-112	100921	127.0	98.8	139.7	57.2	19.1	90.1	87.7	75.4	114.3		4.04
1 15/16	USFB5000A-115	23520	5 3/16	4 1/16	5 3/4	2 1/4	3/4	3 37/64	3 1/2	3 11/64	4 3/4	1/2	9.5
2	USFB5000A-200	104617	131.8	103.2	146.1	57.2	19.1	90.9	88.9	80.6	120.7		4.33
2 3/16	USFB5000A-203	28087	5 7/8	4 1/2	6 3/8	2 7/16	13/16	3 31/32	3 7/8	3 7/16	5 1/8	5/8	11.9
		124931	149.2	114.3	161.9	61.9	20.6	100.8	98.4	87.3	130.2		5.42
2 7/16	USFB5000A-207	44691	6 1/8	4 49/64	6 3/4	2 21/32	1 1/32	4 13/32	4 5/16	3 63/64	5 3/4	5/8	16.2
2 1/2	USFB5000A-208	198786	155.6	121.0	171.5	67.5	26.2	111.9	109.5	101.2	146.1		7.37
2 11/16	USFB5000A-211	47447 211044	7 3/16 182.6	5 9/16 141.3	7 7/8 200.0	2 7/8 73.0	15/16 23.8	4 19/32 116.7	4 31/64 113.9	4 25/64 111.5	6 5/8 168.3	3/4	23.2 10.54
2 3/4	USFB5000A-212												
2 15/16	USFB5000A-215												
3	USFB5000A-300												
3 3/16	USFB5000A-303	72640	8 3/8	6 23/32	9 1/2	3 9/32	1 1/8	5 43/64	5 35/64	5 15/32	7 5/8	3/4	38.0
3 7/16	USFB5000A-307	323103	212.7	170.7	241.3	83.3	28.6	144.1	140.9	138.9	193.7		17.28
3 1/2	USFB5000A-308												
3 11/16	USFB5000A-311	96050	9 1/2	7 19/32	10 3/4	3 11/16	1 1/4	6 5/64	5 15/16	5 13/16	8 7/8	7/8	46.9
3 15/16	USFB5000A-315	427230	241.3	192.9	273.1	93.7	31.8	154.4	150.8	147.6	225.4		21.32
4	USFB5000A-400												

* One expansion unit is to be used in conjunction with one non-expansion unit for applications using an adapter lock unit. Failure to utilize one expansion and one non-expansion unit is likely to result in reduced bearing performance.



- Rolling Elements:** Spherical Roller
- Housing:** Cast Iron Piloted Flange Cartridge
- Self Alignment:** +/- 2 Degrees
- Lock:** Setscrew
- Seal:** Felt
- Optional Seal:** Double Lip Contact
- Temperature:** -20° to 220° F



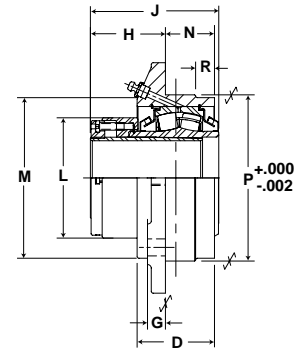
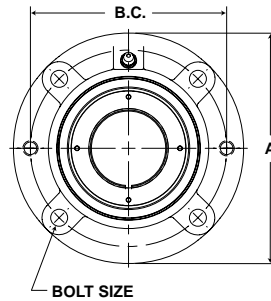
USFC5000 Series Piloted Flange Cartridge Units - Collar Mount

Bore Diameter	Part No.	Basic Dynamic Rating lb/N	Dimensions inch / mm											Unit Wt. lb/kg													
			A	B.C.	D	G	H *	J	K	M	N *	P	R		Bolt Size												
1 7/16	USFC5000-107	20368	5 1/4	4 3/8	2 1/16	15/32	1 7/16	2 3/4	2 49/64	3 1/2	1 9/32	3 5/8	-	3/8	6.4												
1 1/2	USFC5000-108	91249	133.4	111.1	52.4	11.9	36.5	69.9	70.2	88.9	32.5	92.1	-	3/8	2.93												
1 11/16	USFC5000-111	22689	6 1/8	5 1/8	2 1/4	15/32	1 27/64	2 7/8	2 3/4	4	1 7/16	4 1/4	9/16	7/16	7.4												
1 3/4	USFC5000-112	101647	155.6	130.2	57.2	11.9	36.1	73.0	69.9	101.6	36.5	108.0	14.3	7/16	3.37												
1 15/16	USFC5000-115	23520	6 3/8	5 3/8	2 1/4	17/32	1 25/64	2 7/8	3	4 3/8	1 15/32	4 1/2	5/8	7/16	8.1												
2	USFC5000-200	105370	161.9	136.5	57.2	13.5	35.3	73.0	76.2	111.1	37.3	114.3	15.9	7/16	3.70												
2 3/16	USFC5000-203	28087	7 1/8	6	2 3/8	17/32	1 19/32	3 1/8	3 1/4	4 3/4	1 15/32	5	15/32	1/2	10.2												
		125830	181.0	152.4	60.3	13.5	40.5	79.4	82.6	120.7	37.3	127.0	11.9	1/2	4.66												
2 7/16	USFC5000-207	44691	7 5/8	6 1/2	2 9/16	19/32	1 19/32	3 3/8	4	5 5/16	1 5/8	5 1/2	5/8	1/2	14.4												
2 1/2	USFC5000-208	200216	193.7	165.1	65.1	15.1	40.5	85.7	101.6	134.9	41.3	139.7	15.9	1/2	6.53												
2 11/16	USFC5000-211	212563	222.3	190.5	73.0	18.3	50.8	98.4	115.1	152.4	46.8	161.9	15.1	5/8	21.8												
2 3/4	USFC5000-212															47447	8 3/4	7 1/2	2 7/8	23/32	2	3 7/8	4 17/32	6	1 27/32	6 3/8	19/32
2 15/16	USFC5000-215															212563	222.3	190.5	73.0	18.3	50.8	98.4	115.1	152.4	46.8	161.9	15.1
3	USFC5000-300																										
3 3/16	USFC5000-303	72640	10 1/4	8 5/8	3 1/8	53/64	2 13/32	4 15/32	5 5/16	7 3/16	1 27/32	7 3/8	5/8	3/4	33.6												
3 7/16	USFC5000-307	325427	260.4	219.1	79.4	21.0	61.1	113.5	134.9	182.6	46.8	187.3	15.9	3/4	15.25												
3 1/2	USFC5000-308																										
3 11/16	USFC5000-311	96050	10 7/8	9 3/8	3 1/2	31/32	2 21/32	4 15/16	6	7 3/4	2 1/16	8 1/8	9/16	3/4	42.3												
3 15/16	USFC5000-315	430304	276.2	238.1	88.9	24.6	67.5	125.4	152.4	196.9	52.4	206.4	14.3	3/4	19.25												
4	USFC5000-400																										

Performance Mounted Spherical Roller Bearings **SEALMASTER®**



- Rolling Elements:** Spherical Roller
- Housing:** Cast Iron Piloted Flange Cartridge
- Self Alignment:** +/- 2 Degrees
- Lock:** Adapter
- Seal:** Felt
- Optional Seal:** Double Lip Contact
- Temperature:** -20° to 220° F



USFC5000A Series Piloted Flange Cartridge Units - Adapter Mount

Bore Diameter inch	Part No.	Basic Dynamic Rating lb/N	Dimensions inch / mm											Unit Wt. lb/kg													
			A	B.C.	D	G	H *	J	L	M	N *	P	R		Bolt Size												
1 7/16	USFC5000A-107	20368	5 1/4	4 3/8	2 1/16	15/32	2 3/64	3 11/32	2 47/64	3 1/2	1 9/32	3 5/8	-	3/8	5.6												
1 1/2	USFC5000A-108	90597	133.4	111.1	52.4	11.9	52.0	84.9	69.5	88.9	32.5	92.1	-	3/8	2.56												
1 11/16	USFC5000A-111	22689	6 1/8	5 1/8	2 1/4	15/32	2	3 29/64	2 31/32	4	1 7/16	4 1/4	9/16	7/16	7.9												
1 3/4	USFC5000A-112	100921	155.6	130.2	57.2	11.9	50.8	87.7	75.4	101.6	36.5	108.0	14.3	7/16	3.60												
1 15/16	USFC5000A-115	23520	6 3/8	5 3/8	2 1/4	17/32	2 1/64	3 1/2	3 11/64	4 3/8	1 15/32	4 1/2	5/8	7/16	8.6												
2	USFC5000A-200	104617	161.9	136.5	57.2	13.5	51.2	88.9	80.6	111.1	37.3	114.3	15.9	7/16	3.92												
2 3/16	USFC5000A-203	28087	7 1/8	6	2 3/8	17/32	2 11/32	3 7/8	3 7/16	4 3/4	1 15/32	5	15/32	1/2	10.9												
		124931	181.0	152.4	60.3	13.5	59.5	98.4	87.3	120.7	37.3	127.0	11.9		4.95												
2 7/16	USFC5000A-207	44691	7 5/8	6 1/2	2 9/16	19/32	2 17/32	4 5/16	3 63/64	5 5/16	1 5/8	5 1/2	5/8	1/2	15.3												
2 1/2	USFC5000A-208	198786	193.7	165.1	65.1	15.1	64.3	109.5	101.2	134.9	41.3	139.7	15.9		6.95												
2 11/16	USFC5000A-211	211044	222.3	190.5	73.0	18.3	65.9	113.9	111.5	152.4	46.8	161.9	15.1	5/8	21.9												
2 3/4	USFC5000A-212															47447	8 3/4	7 1/2	2 7/8	23/32	2 19/32	4 31/64	4 25/64	6	1 27/32	6 3/8	19/32
2 15/16	USFC5000A-215															211044	222.3	190.5	73.0	18.3	65.9	113.9	111.5	152.4	46.8	161.9	15.1
3	USFC5000A-300																										
3 3/16	USFC5000A-303	72640	10 1/4	8 5/8	3 1/8	53/64	3 1/2	5 35/64	5 15/32	7 3/16	1 27/32	7 3/8	5/8	3/4	35.5												
3 7/16	USFC5000A-307	323103	260.4	219.1	79.4	21.0	88.9	140.9	138.9	182.6	46.8	187.3	15.9		16.15												
3 1/2	USFC5000A-308																										
3 11/16	USFC5000A-311	96050	10 7/8	9 3/8	3 1/2	31/32	3 21/32	5 15/16	5 13/16	7 3/4	2 1/16	8 1/8	9/16	3/4	43.1												
3 15/16	USFC5000A-315	427230	276.2	238.1	88.9	24.6	92.9	150.8	147.6	196.9	52.4	206.4	14.3		19.59												
4	USFC5000A-400																										

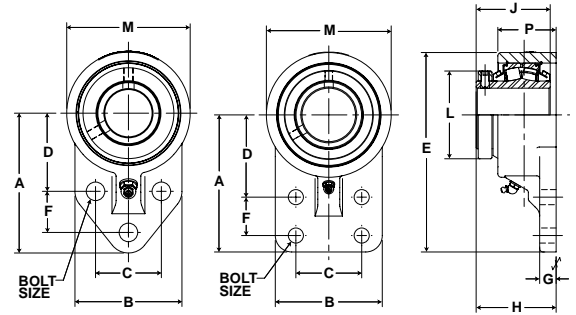
* One expansion unit is to be used in conjunction with one non-expansion unit for applications using an adapter lock unit. Failure to utilize one expansion and one non-expansion unit is likely to result in reduced bearing performance.

SEALMASTER® Performance Mounted Spherical Roller Bearings

Mid. Spherical Bearings



- Rolling Elements:** Spherical Roller
- Housing:** Ductile Iron Flange Bracket
- Self Alignment:** +/- 2 Degrees
- Lock:** Setscrew
- Seal:** Felt
- Optional Seal:** Double Lip Contact
- Temperature:** -20° to 220° F



USBF5000 Series Three-Bolt Flange Brackets - Collar Mount

Bore Diameter inch	Part No.	Basic Dynamic Rating lb/N	Dimensions inch / mm													Unit Wt. lb/kg
			A	B	C	D	E	F	G	H*	J	L	M	P	Bolt Size	
1 7/16	USBF5000-107	20368	4 1/4	3 1/4	2	2 3/8	6 1/8	1 1/4	5/8	2 53/64	2 3/4	2 49/64	3 3/4	2 1/4	1/2	6.4
		90597	108.0	82.6	50.8	60.3	155.6	31.8	15.9	71.8	69.9	70.2	95.3	57.2		2.91
1 15/16	USBF5000-115	23520	5 3/16	4	2 3/4	2 15/16	7 5/16	1 5/8	11/16	2 31/32	2 7/8	3	4 1/4	2 3/8	1/2	7.5
		104617	131.8	101.6	69.9	74.6	185.7	41.3	17.5	75.4	73.0	76.2	108.0	60.3		3.41

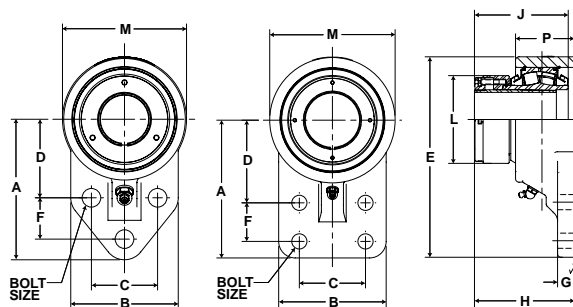
USBF5000 Series Four-Bolt Flange Brackets - Collar Mount

Bore Diameter inch	Part No.	Basic Dynamic Rating lb/N	Dimensions inch / mm													Unit Wt. lb/kg
			A	B	C	D	E	F	G	H*	J	L	M	P	Bolt Size	
2 7/16	USBFF5000-207	44691	6 1/4	4 7/8	3	3 3/4	9 3/32	1 3/4	3/4	3 31/64	3 3/8	4	5 11/16	2 21/32	5/8	16.6
		198786	158.8	123.8	76.2	95.3	231.0	44.5	19.1	88.5	85.7	101.6	144.5	67.5		7.55

Performance Mounted Spherical Roller Bearings **SEALMASTER**®



- Rolling Elements:** Spherical Roller
- Housing:** Ductile Iron Flange Bracket
- Self Alignment:** +/- 2 Degrees
- Lock:** Adapter
- Seal:** Felt
- Optional Seal:** Double Lip Contact
- Temperature:** -20° to 220° F



USBF5000A Series Three-Bolt Flange Brackets - Adapter Mount

Bore Diameter inch	Part No.	Basic Dynamic Rating lb/N	Dimensions inch / mm													Unit Wt. lb/kg
			A	B	C	D	E	F	G	H*	J	L	M	P	Bolt Size	
1 7/16	USBF5000A-107	20368	4 1/4	3 1/4	2	2 3/8	6 1/8	1 1/4	5/8	3 7/16	3 11/32	2 47/64	3 3/4	2 1/4	1/2	6.1
		90597	108.0	82.6	50.8	60.3	155.6	31.8	15.9	87.3	84.9	69.5	95.3	57.2		2.76
1 15/16	USBF5000A-115	23520	5 3/16	4	2 3/4	2 15/16	7 5/16	1 5/8	11/16	3 37/64	3 1/2	3 11/64	4 1/4	2 3/8	1/2	8.0
		105370	131.8	101.6	69.9	74.6	185.7	41.3	17.5	90.9	88.9	80.6	108.0	60.3		3.63

USBF5000A Series Four-Bolt Flange Brackets - Adapter Mount

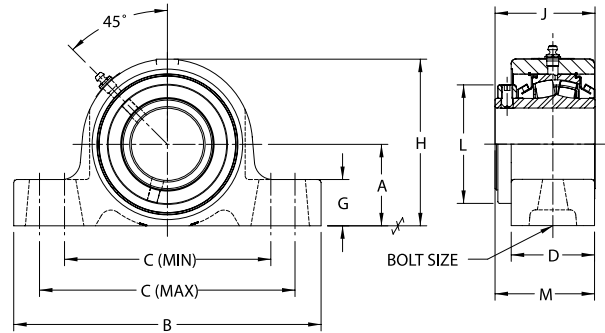
Bore Diameter inch	Part No.	Basic Dynamic Rating lb/N	Dimensions inch / mm													Unit Wt. lb/kg
			A	B	C	D	E	F	G	H*	J	L	M	P	Bolt Size	
2 7/16	USBFF5000A-207	44691	6 1/4	4 7/8	3	3 3/4	9 3/32	1 3/4	3/4	4 13/32	4 5/16	3 63/64	5 11/16	2 21/32	5/8	17.6
		198786	158.8	123.8	76.2	95.3	231.0	44.5	19.1	111.9	109.5	101.2	144.5	67.5		7.99

* One expansion unit is to be used in conjunction with one non-expansion unit for applications using an adapter lock unit. Failure to utilize one expansion and one non-expansion unit is likely to result in reduced bearing performance.

Mid. Spherical Bearings



- Rolling Elements:** Spherical Roller
- Housing:** Ductile Iron Two Bolt Pillow Block
- Self Alignment:** +/- 2 Degrees
- Lock:** Setscrew
- Seal:** Felt
- Optional Seal:** Double Lip Contact
- Temperature:** -20° to 220° F



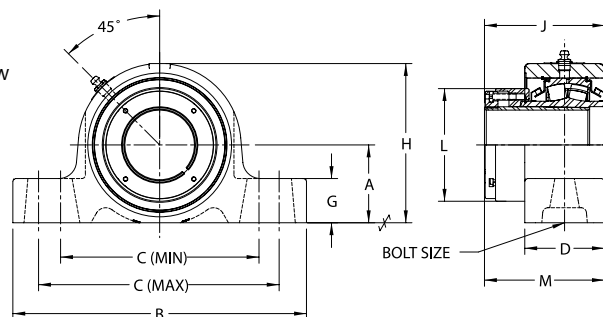
USRBE5000 Series Two-Bolt Base Pillow Blocks - Collar Mount, Type E Mounting Dimensions

Bore Diameter	Part No.	Basic Dynamic Rating lb/N	Dimensions inch / mm										Unit Wt. lb/kg													
			A	B	C		D	G	H	J	L	M*		Bolt Size												
					Min.	Max.																				
1 15/16	USRBE5000-115	23520	2 1/4	8 7/8	6	7 1/8	2 7/16	1 5/16	4 17/32	2 7/8	3	2 63/64	5/8	11.4												
2	USRBE5000-200	104617	57.2	225.4	152.4	181.0	61.9	33.3	115.1	73.0	76.2	75.8		5.18												
2 3/16	USRBE5000-203	28087	2 1/2	9 5/8	6 1/2	7 7/8	2 1/2	1 7/16	4 31/32	3 1/8	3 1/4	3 1/8	5/8	13.7												
		124931	63.5	244.5	165.1	200.0	63.5	36.5	126.2	79.4	82.6	79.4		6.21												
2 7/16	USRBE5000-207	44691	2 3/4	10 3/8	6 7/8	8 5/8	2 13/16	1 9/16	5 5/8	3 3/8	4	3 11/32	5/8	19.4												
2 1/2	USRBE5000-208	198786	69.9	263.5	174.6	219.1	71.4	39.7	142.9	85.7	101.6	84.5		8.82												
2 11/16	USRBE5000-211	211044	79.4	295.3	200.0	244.5	66.7	41.3	154.0	98.4	115.1	93.7	3/4	10.14												
2 3/4	USRBE5000-212														47447	3 1/8	11 5/8	7 7/8	9 5/8	2 5/8	1 5/8	6 1/16	3 7/8	4 17/32	3 11/16	22.3
2 15/16	USRBE5000-215																									
3	USRBE5000-300																									
3 3/16	USRBE5000-303	72640 323103	3 3/4	13 1/2	9 3/8	11 1/4	3 1/8	2 1/16	7 3/8	4 15/32	5 5/16	4 7/32	7/8	38.8 17.62												
3 7/16	USRBE5000-307														95.3	342.9	238.1	285.8	79.4	52.4	187.3	113.5	134.9	107.2		
3 1/2	USRBE5000-308																									
3 11/16	USRBE5000-311	96050 427230	4 1/8	14 1/4	10	11 3/4	3 9/16	2 1/4	8 1/2	4 15/16	6	4 23/32	1	55.4 25.19												
3 15/16	USRBE5000-315														104.8	362.0	254.0	298.5	90.5	57.2	215.9	125.4	152.4	119.9		
4	USRBE5000-400																									

Performance Mounted Spherical Roller Bearings **SEALMASTER**®



- Rolling Elements:** Spherical Roller
- Housing:** Ductile Iron Two Bolt Pillow Block
- Self Alignment:** +/- 2 Degrees
- Lock:** Adapter
- Seal:** Felt
- Optional Seal:** Double Lip Contact
- Temperature:** -20° to 220° F



USRBE5000A Series Two-Bolt Base Pillow Blocks - Adapter Mount, Type E Mounting Dimensions

Bore Diameter inch	Part No.	Basic Dynamic Rating lb/N	Dimensions inch / mm										Unit Wt. lb/kg												
			A	B	C		D	G	H	J	L	M *		Bolt Size											
					Min.	Max.																			
1 15/16	USRBE5000A-115	23520	2 1/4	8 7/8	6	7 1/8	2 7/16	1 5/16	4 17/32	3 1/2	3 11/64	3 19/32	5/8	11.9											
2	USRBE5000A-200	104617	57.2	225.4	152.4	181.0	61.9	33.3	115.1	88.9	80.6	91.3		5.41											
2 3/16	USRBE5000A-203	28087	2 1/2	9 5/8	6 1/2	7 7/8	2 1/2	1 7/16	4 31/32	3 7/8	3 7/16	3 7/8	5/8	14.3											
		124931	63.5	244.5	165.1	200.0	63.5	36.5	126.2	98.4	87.3	98.4		6.50											
2 7/16	USRBE5000A-207	44691	2 3/4	10 3/8	6 7/8	8 5/8	2 13/16	1 9/16	5 5/8	4 5/16	3 63/64	4 19/64	5/8	20.3											
2 1/2	USRBE5000A-208	198786	69.9	263.5	174.6	219.1	71.4	39.7	142.9	109.5	101.2	109.1		9.23											
2 11/16	USRBE5000A-211	211044	79.4	295.3	200.0	244.5	66.7	41.3	154.0	113.9	111.5	108.7	3/4	10.18											
2 3/4	USRBE5000A-212														47447	3 1/8	11 5/8	7 7/8	9 5/8	2 5/8	1 5/8	6 1/16	4 31/64	4 25/64	4 9/32
2 15/16	USRBE5000A-215																								
3	USRBE5000A-300																								
3 3/16	USRBE5000A-303	72640	3 3/4	13 1/2	9 3/8	11 1/4	3 1/8	2 1/16	7 3/8	5 35/64	5 15/32	5 19/64	7/8	40.7											
3 7/16	USRBE5000A-307	323103	95.3	342.9	238.1	285.8	79.4	52.4	187.3	140.9	138.9	134.5		18.50											
3 1/2	USRBE5000A-308																								
3 11/16	USRBE5000A-311	96050	4 1/8	14 1/4	10	11 3/4	3 9/16	2 1/4	8 1/2	5 15/16	5 13/16	5 23/32	1	56.2											
3 15/16	USRBE5000A-315	427230	104.8	362.0	254.0	298.5	90.5	57.2	215.9	150.8	147.6	145.3		25.55											
4	USRBE5000A-400																								

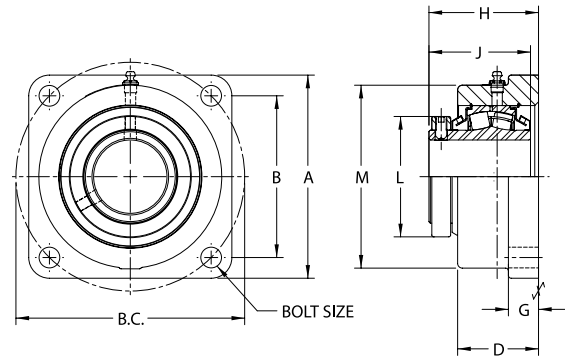
* One expansion unit is to be used in conjunction with one non-expansion unit for applications using an adapter lock unit. Failure to utilize one expansion and one non-expansion unit is likely to result in reduced bearing performance.

SEALMASTER® Performance Mounted Spherical Roller Bearings

Mid. Spherical Bearings



- Rolling Elements:** Spherical Roller
- Housing:** Ductile Iron Four Bolt Flange
- Self Alignment:** +/- 2 Degrees
- Lock:** Setscrew
- Seal:** Felt
- Optional Seal:** Double Lip Contact
- Temperature:** -20° to 220° F



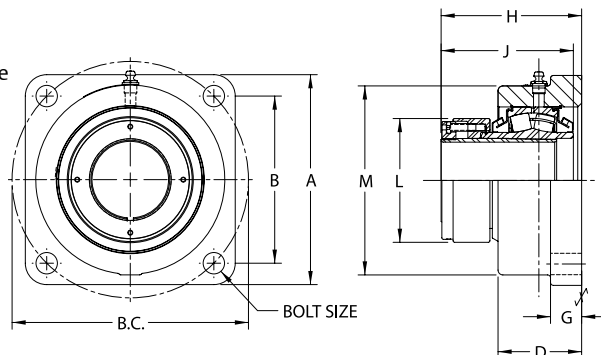
USFBE5000 Series Four-Bolt Flange Units - Collar Mount, Type E Mounting Dimensions

Bore Diameter inch	Part No.	Basic Dynamic Rating lb/N	Dimensions inch / mm										Unit Wt. lb/kg	
			A	B	B.C.	D	G	H *	J	L	M	Bolt Size		
1 15/16	USFBE5000-115	23520	5 1/2	4 3/8	6 3/16	2 9/16	7/8	3 3/16	2 7/8	3	4 31/32	1/2	11.6	
2	USFBE5000-200	104617	139.7	111.1	157.2	65.1	22.2	81.0	73.0	76.2	126.2		5.25	
2 3/16	USFBE5000-203	28087	6 3/16	4 7/8	6 57/64	2 5/8	1	3 5/16	3 1/8	3 1/4	5 15/32	5/8	14.8	
		124931	157.2	123.8	175.0	66.7	25.4	84.1	79.4	82.6	138.9		6.75	
2 7/16	USFBE5000-207	44691	6 3/4	5 3/8	7 19/32	2 11/16	1	3 31/64	3 3/8	4	6 3/32	5/8	19.1	
2 1/2	USFBE5000-208	198786	171.5	136.5	192.9	68.3	25.4	88.5	85.7	101.6	154.8		8.68	
2 11/16	USFBE5000-211	47447	7 5/8	6	8 31/64	2 3/4	1 1/16	3 63/64	3 7/8	4 17/32	6 53/64	3/4	26.4	
2 3/4	USFBE5000-212													211044
2 15/16	USFBE5000-215													193.7
3	USFBE5000-300													
3 3/16	USFBE5000-303	72640	8 5/8	7	9 29/32	3 1/4	1 1/4	4 19/32	4 15/32	5 5/16	7 31/32	3/4	40.3	
3 7/16	USFBE5000-307	323103	219.1	177.8	251.6	82.6	31.8	116.7	113.5	134.9	202.4		18.34	
3 1/2	USFBE5000-308													
3 11/16	USFBE5000-311	96050	9 1/2	7 19/32	10 3/4	3 11/16	1 1/4	5 5/64	4 15/16	6	8 7/8	7/8	52.3	
3 15/16	USFBE5000-315	427230	241.3	192.9	273.1	93.7	31.8	129.0	125.4	152.4	225.4		23.76	
4	USFBE5000-400													

Performance Mounted Spherical Roller Bearings **SEALMASTER®**



- Rolling Elements:** Spherical Roller
- Housing:** Ductile Iron Four Bolt Flange
- Self Alignment:** +/- 2 Degrees
- Lock:** Adapter
- Seal:** Felt
- Optional Seal:** Double Lip Contact
- Temperature:** -20° to 220° F



USFBE5000A Series Four-Bolt Flange Units - Adapter Mount, Type E Mounting Dimensions

Bore Diameter inch	Part No.	Basic Dynamic Rating lb/N	Dimensions inch / mm										Unit Wt. lb/kg										
			A	B	B.C.	D	G	H *	J	L	M	Bolt Size											
1 15/16	USFBE5000A-115	23520	5 1/2	4 3/8	6 3/16	2 9/16	7/8	3 51/64	3 1/2	3 11/64	4 31/32	1/2	12.0										
2	USFBE5000A-200	104617	139.7	111.1	157.2	65.1	22.2	96.4	88.9	80.6	126.2		5.48										
2 3/16	USFBE5000A-203	28087	6 3/16	4 7/8	6 57/64	2 5/8	1	4 1/16	3 7/8	3 7/16	5 15/32	5/8	15.5										
		124931	157.2	123.8	175.0	66.7	25.4	103.2	98.4	87.3	138.9		7.04										
2 7/16	USFBE5000A-207	44691	6 3/4	5 3/8	7 19/32	2 11/16	1	4 13/32	4 5/16	3 63/64	6 3/32	5/8	20.0										
2 1/2	USFBE5000A-208	198786	171.5	136.5	192.9	68.3	25.4	111.9	109.5	101.2	154.8		9.10										
2 11/16	USFBE5000A-211	211044	193.7	152.4	215.5	69.9	27.0	116.7	113.9	111.5	173.4	3/4	12.04										
2 3/4	USFBE5000A-212													47447	7 5/8	6	8 31/64	2 3/4	1 1/16	4 19/32	4 31/64	4 25/64	6 53/64
2 15/16	USFBE5000A-215																						
3	USFBE5000A-300																						
3 3/16	USFBE5000A-303	72640	8 5/8	7	9 29/32	3 1/4	1 1/4	5 43/64	5 35/64	5 15/32	7 31/32	3/4	42.3										
3 7/16	USFBE5000A-307	323103	219.1	177.8	251.6	82.6	31.8	144.1	140.9	138.9	202.4		19.23										
3 1/2	USFBE5000A-308																						
3 11/16	USFBE5000A-311	96050	9 1/2	7 19/32	10 3/4	3 11/16	1 1/4	6 5/64	5 15/16	5 13/16	8 7/8	7/8	53.0										
3 15/16	USFBE5000A-315	427230	241.3	192.9	273.1	93.7	31.8	154.4	150.8	147.6	225.4		24.10										
4	USFBE5000A-400																						

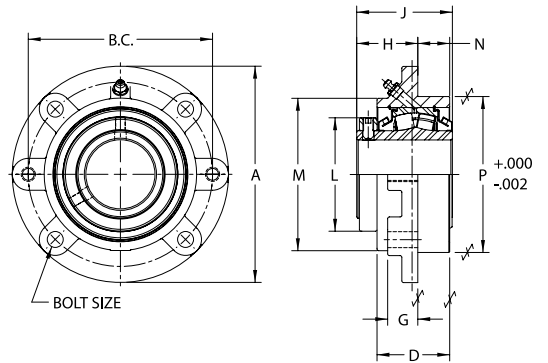
* One expansion unit is to be used in conjunction with one non-expansion unit for applications using an adapter lock unit. Failure to utilize one expansion and one non-expansion unit is likely to result in reduced bearing performance.

SEALMASTER® Performance Mounted Spherical Roller Bearings

Mid. Spherical Bearings



- Rolling Elements:** Spherical Roller
- Housing:** Ductile Iron Piloted Flange Cartridge
- Self Alignment:** +/- 2 Degrees
- Lock:** Setscrew
- Seal:** Felt
- Optional Seal:** Double Lip Contact
- Temperature:** -20° to 220° F



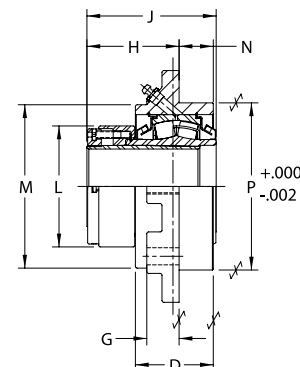
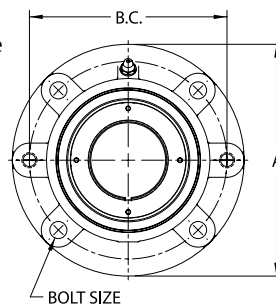
USFCE5000 Series Flange Cartridge Units - Collar Mount, Type E Mounting Dimensions

Bore Diameter	Part No.	Basic Dynamic Rating lb/N	Dimensions inch / mm										Unit Wt. lb/kg												
			A	B.C.	D	G	H *	J	L	M	N *	P		Bolt Size											
1 15/16	USFCE5000-115	23520	6 3/8	5 3/8	2 7/16	1	1 31/32	2 7/8	3	4 1/2	1 1/16	4 1/2	3/8	9.6											
2	USFCE5000-200	104617	161.9	136.5	61.9	25.4	50.0	73.0	76.2	114.3	27.0	114.3		4.35											
2 3/16	USFCE5000-203	28087	7 1/8	6	2 1/2	1	2 1/16	3 1/8	3 1/4	4 7/8	1 1/8	5	1/2	11.8											
		124931	181.0	152.4	63.5	25.4	52.4	79.4	82.6	123.8	28.6	127.0		5.35											
2 7/16	USFCE5000-207	44691	7 5/8	6 1/2	2 9/16	1 1/16	2 5/32	3 3/8	4	5 3/8	1 1/8	5 1/2	1/2	15.0											
2 1/2	USFCE5000-208	198786	193.7	165.1	65.1	27.0	54.8	85.7	101.6	136.5	28.6	139.7		6.83											
2 11/16	USFCE5000-211	211044	222.3	190.5	65.1	23.8	61.9	98.4	115.1	158.8	31.8	161.9	5/8	10.02											
2 3/4	USFCE5000-212														47447	8 3/4	7 1/2	2 9/16	15/16	2 7/16	3 7/8	4 17/32	6 1/4	1 1/4	6 3/8
2 15/16	USFCE5000-215																								
3	USFCE5000-300																								
3 3/16	USFCE5000-303	72640	10 1/4	8 5/8	3 1/8	1 7/16	2 15/16	4 15/32	5 5/16	7 1/8	1 5/16	7 3/8	3/4	36.5											
3 7/16	USFCE5000-307	323103	260.4	219.1	79.4	36.5	74.6	113.5	134.9	181.0	33.3	187.3		16.59											
3 1/2	USFCE5000-308																								
3 11/16	USFCE5000-311	96050	10 7/8	9 3/8	3 1/2	1 1/16	2 21/32	4 15/16	6	7 3/4	2 1/16	8 1/8	3/4	42.7											
3 15/16	USFCE5000-315	427230	276.2	238.1	88.9	27.0	67.5	125.4	152.4	196.9	52.4	206.4		19.40											
4	USFCE5000-400																								

Performance Mounted Spherical Roller Bearings **SEALMASTER®**



- Rolling Elements:** Spherical Roller
- Housing:** Ductile Iron Piloted Flange Cartridge
- Self Alignment:** +/- 2 Degrees
- Lock:** Adapter
- Seal:** Felt
- Optional Seal:** Double Lip Contact
- Temperature:** -20° to 220° F



USFCE5000A Series Flange Cartridge Units - Adapter Mount, Type E Mounting Dimensions

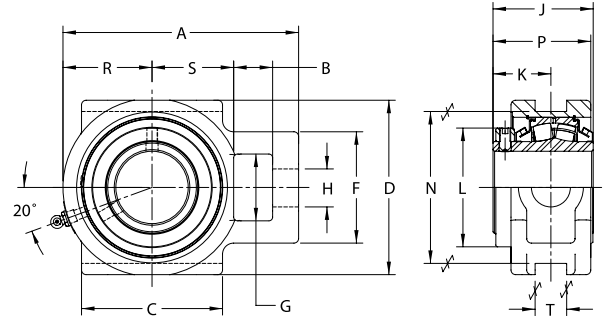
Bore Diameter inch	Part No.	Basic Dynamic Rating lb/N	Dimensions inch / mm										Unit Wt. lb/kg													
			A	B.C.	D	G	H*	J	L	M	N*	P		Bolt Size												
1 15/16	USFCE5000A-115	23520	6 3/8	5 3/8	2 7/16	1	2 19/32	3 1/2	3 11/64	4 1/2	1 1/16	4 1/2	3/8	10.1												
2	USFCE5000A-200	104617	161.9	136.5	61.9	25.4	65.9	88.9	80.6	114.3	27.0	114.3		4.57												
2 3/16	USFCE5000A-203	28087	7 1/8	6	2 1/2	1	2 7/8	3 7/8	3 7/16	4 7/8	1 1/8	5	1/2	12.4												
		124931	181.0	152.4	63.5	25.4	73.0	98.4	87.3	123.8	28.6	127.0		5.65												
2 7/16	USFCE5000A-207	44691	7 5/8	6 1/2	2 9/16	1 1/16	3 5/64	4 5/16	3 63/64	5 3/8	1 1/8	5 1/2	1/2	15.9												
2 1/2	USFCE5000A-208	198786	193.7	165.1	65.1	27.0	78.2	109.5	101.2	136.5	28.6	139.7		7.24												
2 11/16	USFCE5000A-211	211044	222.3	190.5	65.1	23.8	77.4	113.9	111.5	158.8	31.8	161.9	5/8	10.06												
2 3/4	USFCE5000A-212														47447	8 3/4	7 1/2	2 9/16	15/16	3 3/64	4 31/64	4 25/64	6 1/4	1 1/4	6 3/8	22.1
2 15/16	USFCE5000A-215																									
3	USFCE5000A-300																									
3 3/16	USFCE5000A-303	72640	10 1/4	8 5/8	3 1/8	1 7/16	4 1/32	5 35/64	5 15/32	7 1/8	1 5/16	7 3/8	3/4	38.5												
3 7/16	USFCE5000A-307	323103	260.4	219.1	79.4	36.5	102.4	140.9	138.9	181.0	33.3	187.3		17.49												
3 1/2	USFCE5000A-308																									
3 11/16	USFCE5000A-311	96050	10 7/8	9 3/8	3 1/2	1 1/16	3 21/32	5 15/16	5 13/16	7 3/4	2 1/16	8 1/8	3/4	43.4												
3 15/16	USFCE5000A-315	427230	276.2	238.1	88.9	27.0	92.9	150.8	147.6	196.9	52.4	206.4		19.75												
4	USFCE5000A-400																									

* One expansion unit is to be used in conjunction with one non-expansion unit for applications using an adapter lock unit. Failure to utilize one expansion and one non-expansion unit is likely to result in reduced bearing performance.

Mid. Spherical Bearings



- Rolling Elements:** Spherical Roller
- Housing:** Cast Iron Take-Up
- Self Alignment:** +/- 2 Degrees
- Lock:** Setscrew
- Seal:** Felt
- Optional Seal:** Double Lip Contact
- Temperature:** -20° to 220° F



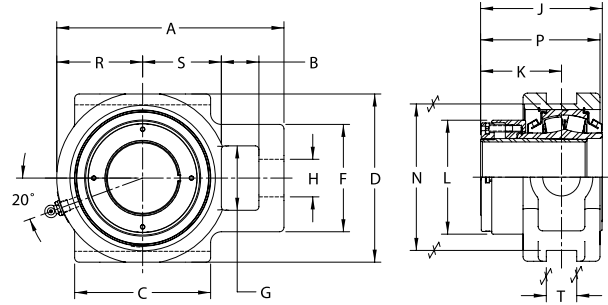
USTU5000 Series Take-Up Units - Collar Mount

Bore Diameter	Part No.	Basic Dynamic Rating lb/N	Dimensions inch / mm														Unit Wt. lb/kg	
			A	B	C	D	F	G	H	J	K	L	N	P	R	S		T
1 15/16	USTU5000-115	23520	6 3/16	1 1/16	3 1/2	4 3/4	2 7/8	1 15/16	1 1/16	2 7/8	1 3/4	3	4	2 61/64	2 1/4	2 1/8	11/16	8.3
2	USTU5000-200	104617	157.2	27.0	88.9	120.7	73.0	49.2	27.0	73.0	44.5	76.2	101.6	75.0	57.2	54.0	17.5	3.76
2 3/16	USTU5000-203	28087 124931	6 13/16	1 3/16	3 3/4	5 1/4	3 1/2	2 1/4	1 3/16	3 1/8	1 15/16	3 1/4	4 1/2	3 15/64	2 1/2	2 3/8	13/16	10.7 4.86
2 7/16	USTU5000-207	44691	7 15/16	1 5/16	4 3/4	5 7/8	3 3/4	2 1/4	1 5/16	3 3/8	1 15/16	4	5 1/8	3 19/64	3	2 3/4	1 1/16	16.8
2 1/2	USTU5000-208	198786	201.6	33.3	120.7	149.2	95.3	57.2	33.3	85.7	49.2	101.6	130.2	83.7	76.2	69.9	27.0	7.63
2 11/16	USTU5000-211	47447	8 3/4	1 9/16	4 3/4	6 3/4	4 1/4	2 3/4	1 9/16	3 7/8	2 3/8	4 17/32	5 15/16	3 55/64	3 3/16	3	1 13/16	24.6
2 3/4	USTU5000-212	211044	222.3	39.7	120.7	171.5	108.0	69.9	39.7	98.4	60.3	115.1	150.8	98.0	81.0	76.2	46.0	11.16
2 15/16	USTU5000-215	USTU5000-300																
3	USTU5000-300																	
3 3/16	USTU5000-303	72640	10 7/16	1 13/16	6 1/4	7 5/8	4 7/8	2 7/8	1 13/16	4 15/32	2 21/32	5 5/16	6 13/16	4 29/64	4	3 5/8	1 13/16	40.9
3 7/16	USTU5000-307	323103	265.1	46.0	158.8	193.7	123.8	73.0	46.0	113.5	67.5	134.9	173.0	113.1	101.6	92.1	46.0	18.60
3 1/2	USTU5000-308																	
3 11/16	USTU5000-311	96050	11 13/16	2 1/8	7	9 7/16	5 5/8	3 3/8	2 3/16	4 15/16	2 15/16	6	8 5/8	5 3/16	4 7/16	4 1/8	2 1/16	66.6
3 15/16	USTU5000-315	427230	300.0	54.0	177.8	239.7	142.9	85.7	55.6	125.4	74.6	152.4	219.1	131.8	112.7	104.8	52.4	30.26
4	USTU5000-400																	

Performance Mounted Spherical Roller Bearings **SEALMASTER**[®]



- Rolling Elements:** Spherical Roller
- Housing:** Cast Iron Take-Up
- Self Alignment:** +/- 2 Degrees
- Lock:** Adapter
- Seal:** Felt
- Optional Seal:** Double Lip Contact
- Temperature:** -20° to 220° F



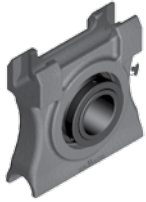
USTU5000A Series Take-Up Units - Adapter Mount

Bore Diameter	Part No.	Basic Dynamic Rating lb/N	Dimensions inch / mm															Unit Wt. lb/kg
			A	B	C	D	F	G	H	J	K	L	N	P	R	S	T	
1 15/16	USTU5000A-115	23520	6 3/16	1 1/16	3 1/2	4 3/4	2 7/8	1 15/16	1 1/16	3 1/2	2 11/32	3 3/16	4	3 9/16	2 1/4	2 1/8	11/16	8.8
2	USTU5000A-200	104617	157.2	27.0	88.9	120.7	73.0	49.2	27.0	88.9	59.5	81.0	101.6	90.5	57.2	54.0	17.5	3.99
2 3/16	USTU5000A-203	28087	6 13/16	1 3/16	3 3/4	5 1/4	3 1/2	2 1/4	1 3/16	3 7/8	2 45/64	3 7/16	4 1/2	3 63/64	2 1/2	2 3/8	13/16	11.3
		124931	173.0	30.2	95.3	133.4	88.9	57.2	30.2	98.4	68.7	87.3	114.3	101.2	63.5	60.3	20.6	5.14
2 7/16	USTU5000A-207	44691	7 15/16	1 5/16	4 3/4	5 7/8	3 3/4	2 1/4	1 5/16	4 5/16	2 7/8	3 63/64	5 1/8	4 15/64	3	2 3/4	1 1/16	17.7
2 1/2	USTU5000A-208	198786	201.6	33.3	120.7	149.2	95.3	57.2	33.3	109.5	73.0	101.2	130.2	107.6	76.2	69.9	27.0	8.04
2 11/16	USTU5000A-211	47447	8 3/4	1 9/16	4 3/4	6 3/4	4 1/4	2 3/4	1 9/16	4 31/64	2 31/32	4 25/64	5 15/16	4 15/32	3 3/16	3	1 13/16	24.6
2 3/4	USTU5000A-212																	11.20
2 15/16	USTU5000A-215	211044	222.3	39.7	120.7	171.5	108.0	69.9	39.7	113.9	75.4	111.5	150.8	113.5	81.0	76.2	46.0	11.20
3	USTU5000A-300	211044	222.3	39.7	120.7	171.5	108.0	69.9	39.7	113.9	75.4	111.5	150.8	113.5	81.0	76.2	46.0	11.20
																		11.20
3 3/16	USTU5000A-303	72640	10 7/16	1 13/16	6 1/4	7 5/8	4 7/8	2 7/8	1 13/16	5 35/64	3 47/64	5 15/32	6 13/16	5 35/64	4	3 5/8	1 13/16	42.9
3 7/16	USTU5000A-307	323103	265.1	46.0	158.8	193.7	123.8	73.0	46.0	140.9	94.9	138.9	173.0	140.9	101.6	92.1	46.0	19.50
3 1/2	USTU5000A-308																	
3 11/16	USTU5000A-311	96050	11 13/16	2 1/8	7	9 7/16	5 5/8	3 3/8	2 3/16	5 15/16	3 15/16	5 13/16	8 5/8	6 3/16	4 7/16	4 1/8	2 1/16	67.3
3 15/16	USTU5000A-315	427230	300.0	54.0	177.8	239.7	142.9	85.7	55.6	150.8	100.0	147.6	219.1	157.2	112.7	104.8	52.4	30.61
4	USTU5000A-400																	

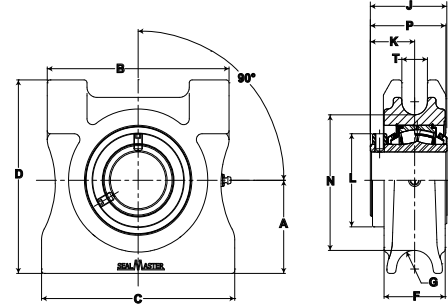
One expansion unit is to be used in conjunction with one non-expansion unit for applications using an adapter lock unit. Failure to utilize one expansion and one non-expansion unit is likely to result in reduced bearing performance.

SEALMASTER® Performance Mounted Spherical Roller Bearings

Mid. Spherical Bearings



- Rolling Elements:** Spherical Roller
- Housing:** Cast Iron Top Angle Take-Up
- Self Alignment:** +/- 2 Degrees
- Lock:** Setscrew
- Seal:** Felt
- Optional Seal:** Double Lip Contact
- Temperature:** -20° to 220° F

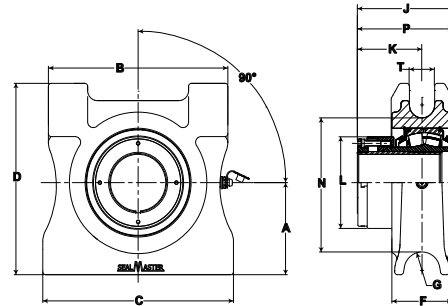


USTA5000 Series Top Angle Take-Up Units - Collar Mount

Bore Diameter inch	Part No.	Basic Dynamic Rating lb/N	Dimensions inch / mm												Unit Wt. lb/kg
			A	B	C	D	F	G	J	K	L	N	P	T	
1 15/16	USTA5000-115	23520 104617	3 1/4 82.6	6 152.4	6 1/2 165.1	6 3/8 162.1	2 7/16 62.0	51/64 20.3	2 7/8 73.0	1 11/16 42.9	3 76.2	3 33/64 89.3	2 7/8 73.2	7/8 22.4	12.1 5.49
2 3/16	USTA5000-203	28087 124931	3 1/2 88.9	7 177.8	7 1/2 190.5	7 7/16 189.0	2 7/16 62.0	51/64 20.3	3 1/8 79.7	1 7/8 47.5	3 1/4 82.6	4 57/64 124.2	3 1/4 82.3	1 1/8 28.4	18.0 8.16
2 7/16	USTA5000-207	44691 198786	4 101.6	8 203.2	8 1/2 215.9	8 5/16 211.1	2 11/16 68.3	51/64 20.3	3 3/8 85.7	1 61/64 49.6	4 101.6	5 53/64 148.0	3 21/64 84.5	1 1/8 28.4	27.9 12.66
2 15/16	USTA5000-215	47447 211044	4 101.6	8 203.2	8 1/2 215.9	8 5/16 211.1	2 13/16 71.4	51/64 20.3	3 7/8 98.3	2 11/32 59.5	4 17/32 115.1	5 53/64 148.0	3 47/64 94.9	1 1/8 28.4	27.4 12.43
3 7/16	USTA5000-307	72640 323103	4 1/2 114.3	9 228.6	9 1/2 241.3	9 5/8 244.6	3 3/16 81.0	51/64 20.3	4 15/32 67.5	2 21/32 67.5	5 5/16 134.5	6 53/64 173.4	4 1/4 108.0	1 3/8 35.1	39.3 17.83
3 15/16	USTA5000-315	96050 427230	5 1/2 139.7	10 1/2 266.7	11 279.4	11 279.4	3 9/16 90.4	51/64 20.3	4 15/16 125.4	2 15/16 74.4	6 152.4	7 19/32 192.9	4 1/2 114.0	1 23/64 34.5	54.5 24.72
Type E Mounting Dimensions															
2 3/16	USTAE5000-203	28087 124931	3 1/16 77.7	6 3/4 171.5	7 177.8	6 7/8 174.8	2 1/2 63.5	51/64 20.3	3 1/8 79.7	1 55/64 47.2	3 1/4 82.6	4 37/64 116.3	3 3/64 77.4	7/8 22.4	11.3 5.13
2 7/16	USTAE5000-207	44691 198786	3 1/2 88.9	7 177.8	7 1/2 190.5	7 7/16 189.0	2 3/4 69.9	49/64 19.3	3 3/8 85.7	1 61/64 49.6	4 101.6	4 15/16 125.2	3 21/64 84.5	1 1/8 28.4	19.6 8.89



- Rolling Elements:** Spherical Roller
- Housing:** Cast Iron Top Angle Take-Up
- Self Alignment:** +/- 2 Degrees
- Lock:** Adapter
- Seal:** Felt
- Optional Seal:** Double Lip Contact
- Temperature:** -20° to 220° F



USTA5000A Series Top Angle Take-Up Units - Adapter Mount

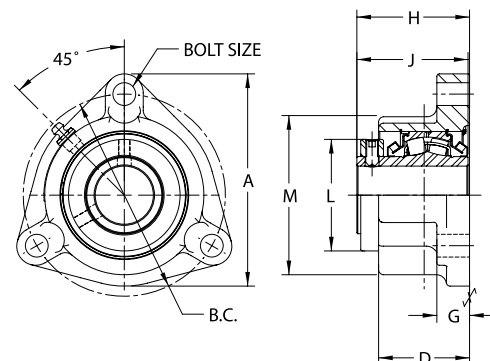
Bore Diameter inch	Part No.	Basic Dynamic Rating lb/N	Dimensions inch / mm												Unit Wt. lb/kg
			A	B	C	D	F	G	J	K	L	N	P	T	
1 15/16	USTA5000A-115	23520 104617	3 1/4 82.6	6 152.4	6 1/2 165.1	6 3/8 162.1	2 7/16 62.0	51/64 20.3	3 1/2 88.9	2 5/16 58.7	3 3/16 80.6	3 33/64 89.3	3 1/2 88.9	7/8 22.4	12.6 5.72
2 3/16	USTA5000A-203	28087 124931	3 1/2 88.9	7 177.8	7 1/2 190.5	7 7/16 189.0	2 7/16 62.0	51/64 20.3	3 7/8 98.4	2 5/8 66.5	3 7/16 87.4	4 57/64 124.2	4 101.6	1 1/8 28.4	18.7 8.48
2 7/16	USTA5000A-207	44691 198786	4 101.6	8 203.2	8 1/2 215.9	8 5/16 211.1	2 11/16 68.3	51/64 20.3	4 5/16 109.5	2 7/8 73.2	3 63/64 101.2	5 53/64 148.0	4 17/64 108.3	1 1/8 28.4	28.9 13.11
2 15/16	USTA5000A-215	47447 211044	4 101.6	8 203.2	8 1/2 215.9	8 5/16 211.1	2 13/16 71.4	51/64 20.3	4 31/64 113.9	2 31/32 75.4	4 25/64 111.5	5 53/64 148.0	4 11/32 110.3	1 1/8 28.4	27.6 12.52
3 7/16	USTA5000A-307	72640 323103	4 1/2 114.3	9 228.6	9 1/2 241.3	9 5/8 244.6	3 3/16 81.0	51/64 20.3	5 35/64 140.9	3 47/64 94.9	5 15/32 138.9	6 53/64 173.4	5 21/64 135.3	1 3/8 35.1	41.3 18.73
3 15/16	USTA5000A-315	96050 427230	5 1/2 139.7	10 1/2 266.7	11 279.4	11 279.4	3 9/16 90.4	51/64 20.3	5 15/16 150.8	3 15/16 99.8	5 37/64 141.7	7 19/32 192.9	5 1/2 139.7	1 23/64 34.5	55.4 25.13
Type E Mounting Dimensions															
2 3/16	USTAE5000A-203	28087 124931	3 3/8 85.7	6 3/4 171.5	7 177.8	6 7/8 174.8	2 1/2 63.5	51/64 20.3	3 7/8 98.4	2 5/8 66.5	3 7/16 87.4	4 37/64 116.3	3 13/16 96.8	7/8 22.4	15.7 7.12
2 7/16	USTAE5000A-207	44691 198786	3 1/2 88.9	7 177.8	7 1/2 190.5	7 7/16 189.0	2 3/4 69.9	49/64 19.3	4 5/16 109.5	2 7/8 73.2	3 63/64 101.2	4 15/16 125.2	4 17/64 108.3	1 1/8 28.4	20.6 9.34

Note: One expansion unit is to be used in conjunction with one non-expansion unit for applications using an adapter lock unit. Failure to utilize one expansion and one non-expansion unit is likely to result in reduced bearing performance. Metric dimensions for reference only.

Performance Mounted Spherical Roller Bearings **SEALMASTER**®



- Rolling Elements:** Spherical Roller
- Housing:** Cast Iron Three Bolt Flange
- Self Alignment:** +/- 2 Degrees
- Lock:** Setscrew
- Seal:** Felt
- Optional Seal:** Double Lip Contact
- Temperature:** -20° to 220° F



USF3B5000 Series Three-Bolt Flange Units - Collar Mount

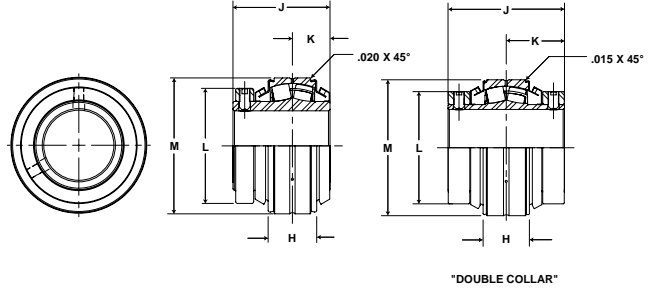
Bore Diameter inch	Part No.	Basic Dynamic Rating lb/N	Dimensions inch / mm									Unit Wt. lb/kg
			A	B.C.	D	G	H *	J	L	M	Bolt Size	
1 1/8	USF3B5000-102	20368	5 1/4	4 1/2	2 1/4	25/32	2 53/64	2 3/4	2 49/64	3 15/16	3/8	6.9
1 3/16	USF3B5000-103	90597	133.4	114.3	57.2	19.8	71.8	69.9	70.2	100.0		3.13
1 1/4	USF3B5000-104											
1 7/16	USF3B5000-107	20368	5 1/4	5	2 1/4	13/16	2 53/64	2 3/4	2 49/64	3 15/16	1/2	6.4
1 1/2	USF3B5000-108	90597	133.4	127.0	57.2	20.6	71.8	69.9	70.2	100.0		2.91

SEALMASTER® Performance Mounted Spherical Roller Bearings

Mid. Spherical Bearings



- Rolling Elements:** Spherical Roller
- Housing:** Insert Bearing
- Self Alignment:** +/- 2 Degrees
- Lock:** Setscrew
- Seal:** Felt
- Optional Seal:** Double Lip Contact
- Temperature:** -20° to 220° F



USI5000 Unitized Spherical Roller Bearing Inserts - Collar Mount

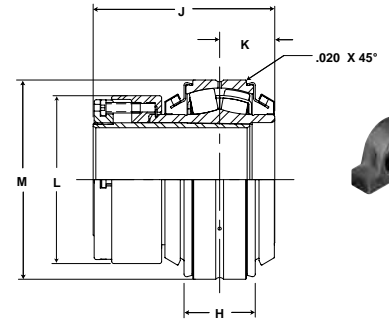
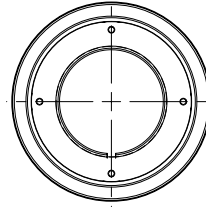
Bore Diameter	Part No.	Basic Dynamic Rating lb/N	Dimensions inch / mm					Unit Wt. lb/kg
			H	J	K	L	M (Nominal)	
1 1/8	USI5000-102	20368 90597	1 15/64 31.4	2 3/4 69.9	1 25.4	2 49/64 70.2	3.1493 80.0	3.3 1.50
1 3/16	USI5000-103							
1 1/4	USI5000-104							
1 7/16	USI5000-107							
1 1/2	USI5000-108							
1 11/16	USI5000-111	22689	1 7/32	2 7/8	1 3/64	2 3/4	3.3462	3.0
1 3/4	USI5000-112	100921	31.0	73.0	26.6	69.9	85.0	1.36
1 15/16	USI5000-115	23520	1 17/64	2 7/8	1 1/16	3	3.5430	3.2
2	USI5000-200	104617	32.1	73.0	27.0	76.2	90.0	1.45
2 3/16	USI5000-203	28087 124931	1 23/64 34.5	3 1/8 79.4	1 9/64 29.0	3 1/4 82.6	3.9367 100.0	3.9 1.77
2 7/16	USI5000-207	44691	1 11/16	3 3/8	1 5/16	4	4.7241	7.3
2 1/2	USI5000-208	198786	42.9	85.7	33.3	101.6	120.0	3.32
2 11/16	USI5000-211	47447 211044	1 23/32 43.7	3 7/8 98.4	1 25/64 35.3	4 17/32 115.1	5.1178 130.0	9.9 4.50
2 3/4	USI5000-212							
2 15/16	USI5000-215							
3	USI5000-300							
3 3/16	USI5000-303	72640 323103	2 1/8 54.0	4 15/32 113.5	1 45/64 43.3	5 5/16 134.9	6.2987 160.0	17.8 8.09
3 7/16	USI5000-307							
3 1/2	USI5000-308							
3 11/16	USI5000-311	96050	2 13/32	4 15/16	1 55/64	6	7.0861	15.8
3 15/16	USI5000-315	427230	61.1	125.4	47.2	152.4	180.0	7.18
4	USI5000-400							
4 7/16	USI5000-407	111537	2 11/16	6 3/4	3 3/8	6 1/2	7.8734	35.2
4 1/2	USI5000-408	496117	68.3	171.5	85.7	165.1	200.0	16.00
4 15/16	USI5000-415	158816 706414	3 21/64 84.5	7 27/64 188.5	3 23/32 94.5	7 1/2 190.5	9.0545 230.0	55.4 25.18
5 7/16	USI5000-507	196682 874842	3 21/32 92.9	9 1/32 229.4	4 33/64 114.7	8 1/2 215.9	9.8419 250.0	72.7 33.05
5 15/16	USI5000-515	196682 874842	4 25/64 111.5	9 25/32 248.4	4 57/64 124.2	10 254.0	11.4166 290.0	117.2 53.27
6 7/16	USI5000-608 USI5000-700	334229 1486651	4 55/64 123.4	10 1/2 266.7	5 1/4 133.4	11 279.4	12.5976 320.0	162.5 73.87
6 1/2								
6 15/16								
7								

Note: 1 1/8" - 4" bore sizes have a single lock collar.
4 7/16" - 7" bore sizes have a double lock collar.

Performance Mounted Spherical Roller Bearings **SEALMASTER**®



- Rolling Elements:** Spherical Roller
- Housing:** Insert Bearing
- Self Alignment:** +/- 2 Degrees
- Lock:** Adapter
- Seal:** Felt
- Optional Seal:** Double Lip Contact
- Temperature:** -20° to 220° F



Mid-Spherical Bearings



USI5000A Unitized Spherical Roller Bearing Inserts - Adapter Mount

Bore Diameter inch	Part No.	Basic Dynamic Rating lb/N	Dimensions inch / mm					Unit Wt. lb/kg
			H	J	K	L	M (Nominal)	
1 1/8	USI5000A-102	20368 90597	1 15/64 31.4	3 11/32 84.9	1 25.4	2 31/32 75.4	3.1493 80.0	3.3 1.50
1 3/16	USI5000A-103							
1 1/4	USI5000A-104							
1 7/16	USI5000A-107							
1 1/2	USI5000A-108							
1 11/16	USI5000A-111	22689 100921	1 7/32 29.9	3 29/64 84.6	1 3/64 25.6	2 63/64 73.1	3.3462 82.0	3.5 1.59
1 3/4	USI5000A-112							
1 15/16	USI5000A-115	23520 104617	1 17/64 32.1	3 1/2 88.9	1 1/16 27.0	3 11/64 80.6	3.5430 90.0	3.7 1.68
2	USI5000A-200							
2 3/16	USI5000A-203	28087 124931	1 23/64 33.3	3 7/8 94.9	1 9/64 27.9	3 7/16 84.2	3.9367 96.4	4.6 2.09
2 7/16	USI5000A-207							
2 1/2	USI5000A-208	44691 198786	1 11/16 42.9	4 5/16 109.5	1 5/16 33.3	3 63/64 101.2	4.7281 120.0	8.3 3.77
2 11/16	USI5000A-211							
2 3/4	USI5000A-212	47447 211044	1 23/32 42.1	4 31/64 109.9	1 25/64 34.1	4 25/64 107.6	5.1178 125.4	10.0 4.55
2 15/16	USI5000A-215							
3	USI5000A-300							
3 3/16	USI5000A-303	72640 323103	2 1/8 54.0	5 35/64 140.9	1 45/64 43.3	5 15/32 138.9	6.2987 160.0	19.8 9.00
3 7/16	USI5000A-307							
3 1/2	USI5000A-308							
3 11/16	USI5000A-311	96050 427230	2 13/32 59.0	5 15/16 150.8	1 55/64 45.6	5 13/16 142.4	7.0861 173.6	24.4 11.09
3 15/16	USI5000A-315							
4	USI5000A-400							
4 7/16	USI5000A-407	111537 496117	2 11/16 68.3	6 27/64 163.1	2 5/64 52.8	6 11/32 161.1	7.8734 200.0	28.7 13.05
4 1/2	USI5000A-408							
4 15/16	USI5000A-415	158816 706414	3 21/64 81.5	7 1/8 174.6	2 27/64 59.3	7 13/64 176.5	9.0545 221.8	46.7 21.23
5	USI5000A-500							
5 7/16	USI5000A-507	196682 874842	3 21/32 92.9	7 7/8 200.0	2 39/64 66.3	7 47/64 196.5	9.8419 250.0	57.7 26.23
5 15/16	USI5000A-515							
5 15/16	USI5000A-515	261346 1162467	4 25/64 111.5	8 11/16 220.7	3 1/64 76.6	8 1/2 215.9	11.1724 290.0	91.3 41.50
6 7/16	USI5000A-607							
6 1/2	USI5000A-608	334229 1486651	4 55/64 119.1	9 45/64 237.7	3 5/16 81.2	9 11/16 237.3	12.5976 308.6	118.7 53.95
6 15/16	USI5000A-615							
7	USI5000A-700							
7 1/2	USI5000A-708	363818 1618262	5 15/64 133.0	10 9/16 268.3	3 19/32 91.3	11 7/64 282.2	14.1732 360.0	178.9 81.32
7 15/16	USI5000A-715							
8	USI5000A-800							