

Welcome to the World



METRIC-SKWEZ™

MOUNTED BALL BEARINGS



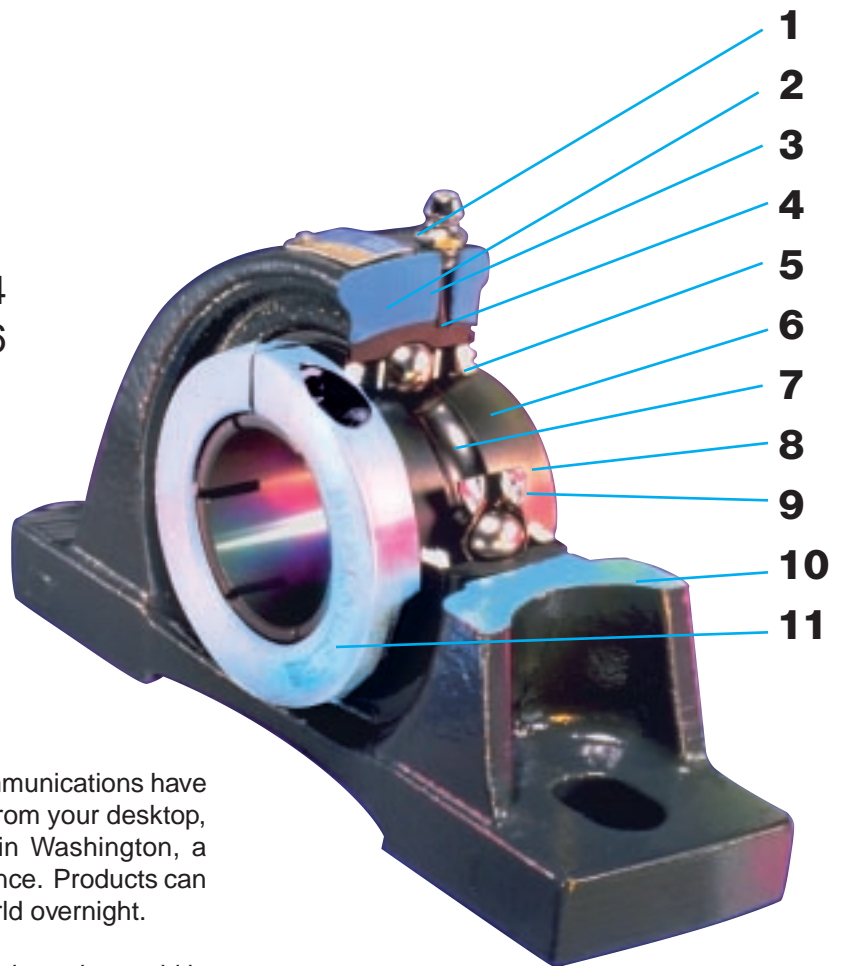
MS-98
version 2

METRIC-S MOUNTED BALL

Table of Contents

Benefits	2
Dimensions	
NP-TMC Pillow Block	3
SFT-TMC 2-Bolt Flange	4
SF-TMC 4-Bolt Flange	5
SFC-TMC Flange Cartridge ..	6
TB-TMC Tapped Base	7
FB-TMC Flange Bracket	8
SC-TMC Cartridge	9
AR-TMC Expansion Insert	10
INSERTS	11
ER-TMC & Housing Dimensions	12
Rating Tables	13-14
Installation Instructions	15-16

SEALMASTER®



We are entering a new era.

Faxing, video conferencing, and cellular communications have forever changed the way we do business. From your desktop, you can conduct research from a library in Washington, a Bibliotheca in Spain, or a Bibliotheque in France. Products can now be shipped almost anywhere in the world overnight.

With the continual introduction of new technology, the world is becoming smaller, and more companies are conducting business in the highly competitive international marketplace. Global operations with manufacturing plants in Asia need to have the flexibility to use and maintain all of their equipment worldwide. Similar companies in Europe do not use inch size components because they are difficult to obtain. Businesses in the United States now have equipment with metric componentry. Global leaders realize great competitive efficiencies can be obtained by aligning their world operations.

SKWEZ™ L BEARINGS

Welcomes you to the world...

SEALMASTER® recognizes the need for global standardization to make your everyday operations easier and more effective. Many of our customers are standardizing on high-performance, worldwide products to control overall costs. Standardization allows a maintenance person in Chicago to help another in Barcelona get a machine up and running quickly. This is why SEALMASTER has developed the METRIC SKWEZ™ “Hard Metric” Mounted Ball Bearings. These are mounted ball bearings with a powerful 360° shaft grip with ALL METRIC dimensions for easy installation and reduced shaft damage.

METRIC SKWEZ is ideal for replacing problematic bearings on imported machinery and is available for quick and easy assembly onto OEM equipment manufactured for international exportation. METRIC SKWEZ Mounted Ball Bearings have unique features such as:

- Metric Bore and Insert OD's
- “Hard Metric” Housing Dimensions Designed to ISO 3223 where applicable
- METRIC SKWEZLOC Collars in Distinctive Metallic Blue
- Metric Lubrication Fittings
- Special Metal Identification Nameplates
- Metric Torx™ Capscrew

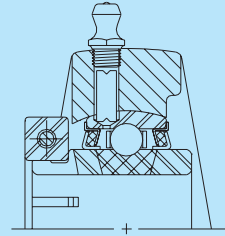
SEALMASTER Brand METRIC SKWEZ Mounted Ball bearings also have all of the standard Gold Line features that have literally made SEALMASTER **World Famous**: (see facing page)

1. Exclusive Locking Pin and Dimple Direct Lube System
2. $\pm 2-3^\circ$ misalignment allows easy installation
3. Extra wide inner and Outer Race for more stability
4. Heavy Contact Seals (SEALMASTER Brand Felt Seal available per request)
5. Zone Hardened Inner Race
6. Unique Land Riding Metal Retainer for added strength
7. Honed Races for quiet operation
8. High quality 52100 Vacuum Degassed Steel
9. Black Oxide Corrosion Resistant Race Coating
10. Solid Base Cast Iron Housings for a firm mount
11. SKWEZLOC® Concentric 360° shaft locking

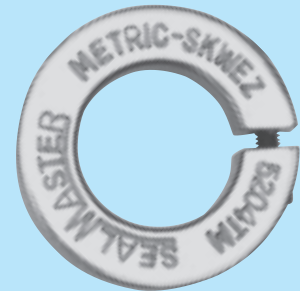


SKWEZLOC

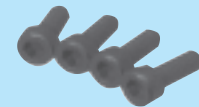
Metric Dimensions



Distinctive Metric Collar



Metric Capscrews



Special Nameplate



Metric Bore

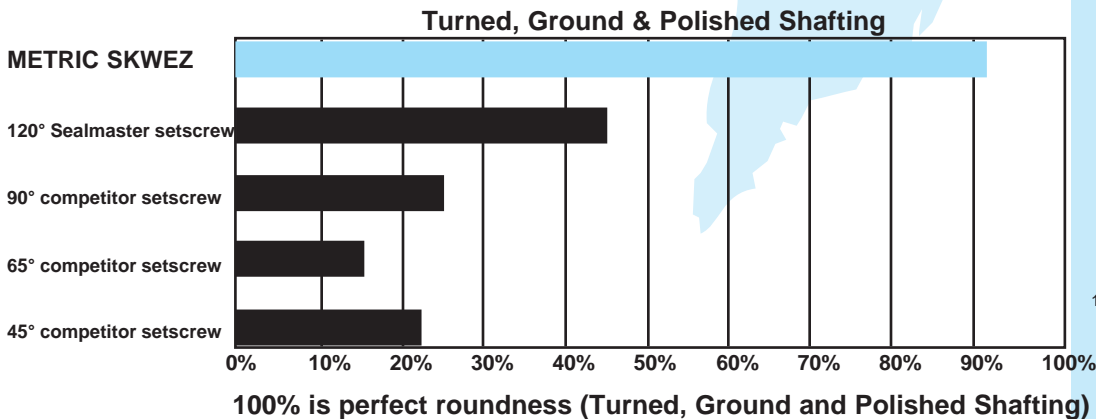
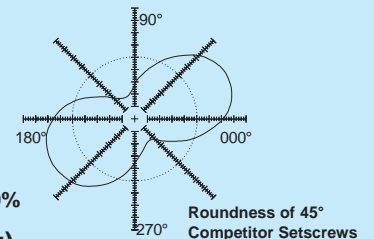
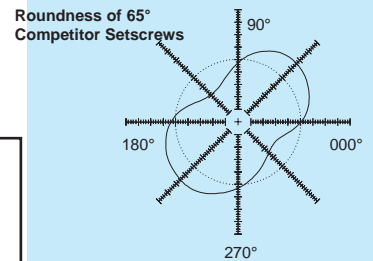
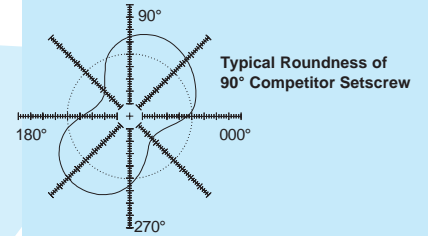
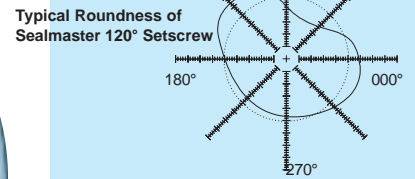
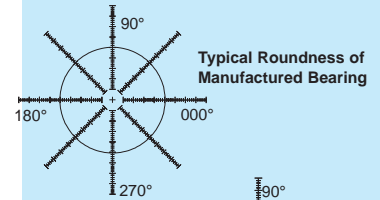
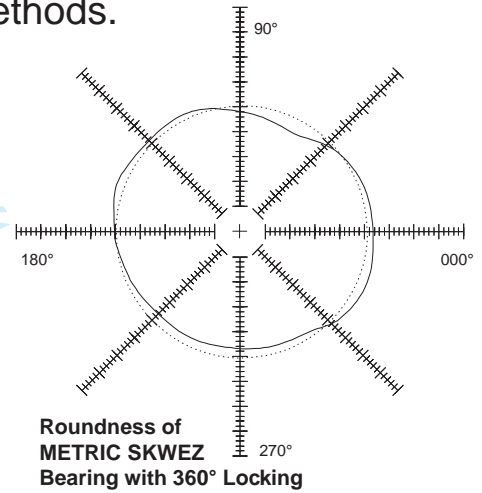


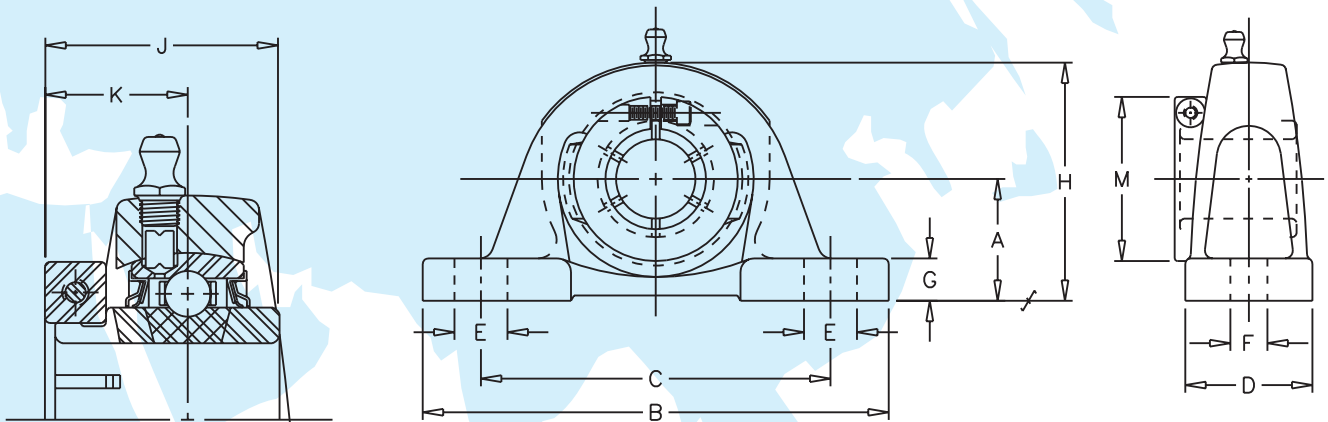
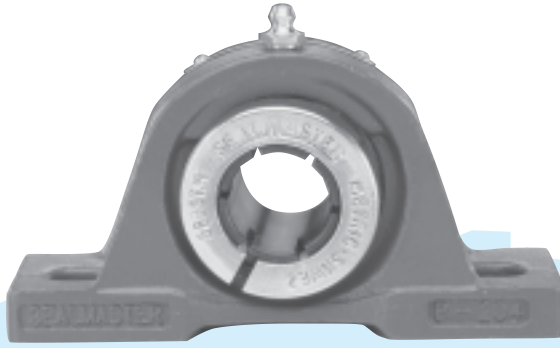
Now the rest of the world can enjoy the significant benefits of the patented SKWEZLOC® Locking Collar

Tests Show that the METRIC SKWEZ™ Design Maintains Ballpath Roundness up to 6-9 Times more effectively than Setscrew Methods.

360° OF LOCKING POWER

- 360° Shaft Grip
- Quieter Operation
- Attain High Speeds
- Protect Shafts from Burrs
- Minimize Vibration
- Fast, Easy Installation
- Reduced Fretting





NP-TMC

Standard Duty Pillow Blocks

CONTACT SEALS

SHAFT DIA.	UNIT NO.	BRG. NO.	Dimensions in Millimeters/Inches											BOLT SIZE	UNIT WT.	
			A	B	C		D	E	F	G	H	J	K			M
					MIN.	MAX.										
20MM	NP-204TMC	5204TMC	33.3 1-5/16	127 5	86 3-3/8	105 4-1/8	38 1-1/2	19 3/4	11 7/16	13 1/2	65 2-9/16	33 1-9/32	20 25/32	45 1-3/4	10MM	0.9 2.0
25MM	NP-205TMC	5205TMC	36.5 1-7/16	140 5-1/2	98 3-7/8	111 4-3/8	38 1-1/2	16 5/8	11 7/16	13 1/2	71 2-13/16	37 1-7/16	22 7/8	49 1-15/16	10MM	1.1 2.4
30MM	NP-206TMC	5206TMC	42.9 1-11/16	165 6-1/2	113 4-7/16	129 5-1/16	48 1-7/8	21 13/16	14 9/16	14 9/16	86 3-3/8	40 1-9/16	24 15/16	56 2-3/16	10MM	1.7 3.8
35MM	NP-207TMC	5207TMC	47.6 1-7/8	167 6-9/16	119 4-11/16	135 5-5/16	48 1-7/8	21 13/16	14 9/16	16 5/8	95 3-3/4	44 1-3/4	27 1-1/16	65 2-9/16	10MM	2.2 4.8
40MM	NP-208TMC	5208TMC	49.2 1-15/16	184 7-1/4	124 4-7/8	149 5-7/8	54 2-1/8	25 1	14 9/16	17 11/16	100 3-15/16	51 2	32 1-1/4	68 2-11/16	14MM	2.7 6.0
45MM	NP-209TMC	5209TMC	54.0 2-1/8	191 7-1/2	138 5-7/16	154 6-1/16	54 2-1/8	21 13/16	14 9/16	17 11/16	108 4-1/4	51 2	32 1-1/4	75 2-15/16	14MM	3.0 6.8
50MM	NP-210TMC	5210TMC	57.2 2-1/4	206 8-1/8	152 6	165 6-1/2	60 2-3/8	22 7/8	18 11/16	19 3/4	116 4-9/16	53 2-3/32	34 1-11/32	86 3-3/8	16MM	3.8 8.5
55MM	NP-211TMC	5211TMC	63.5 2-1/2	219 8-5/8	165 6-1/2	178 7	60 2-3/8	22 7/8	18 11/16	19 3/4	127 5	57 2-1/4	35 1-3/8	92 3-5/8	16MM	4.6 10.3
60MM	NP-212TMC	5212TMC	70.0 2-3/4	241 9-1/2	175 6-7/8	194 7-5/8	70 2-3/4	25 1	18 11/16	22 7/8	141 5-9/16	67 2-5/8	41 1-5/8	105 4-1/8	16MM	6.7 14.9



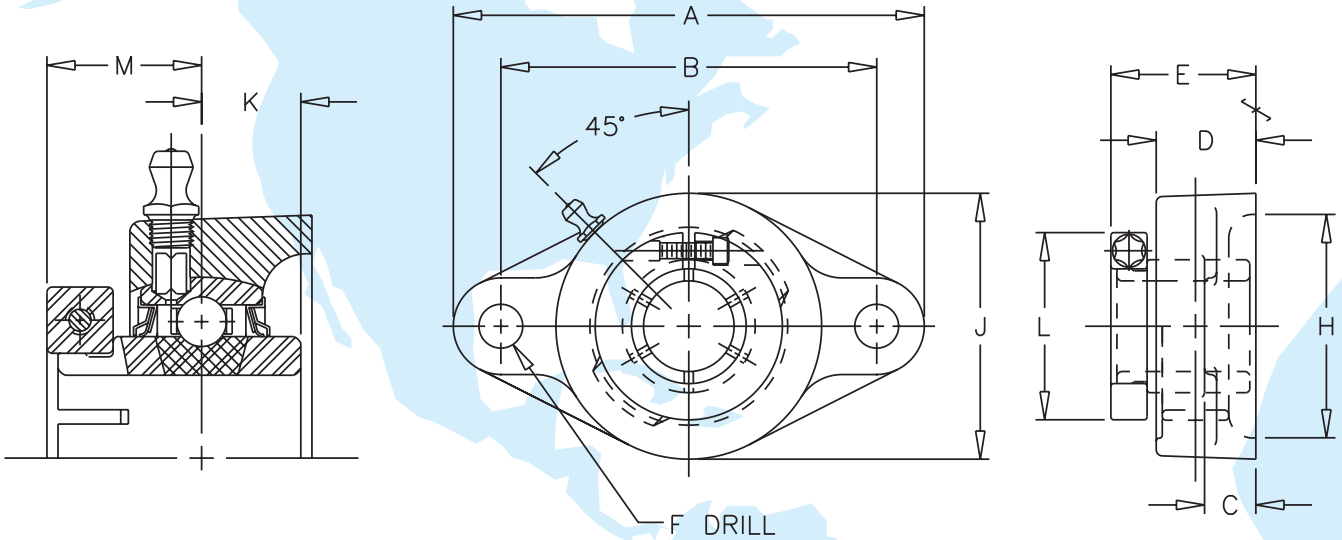
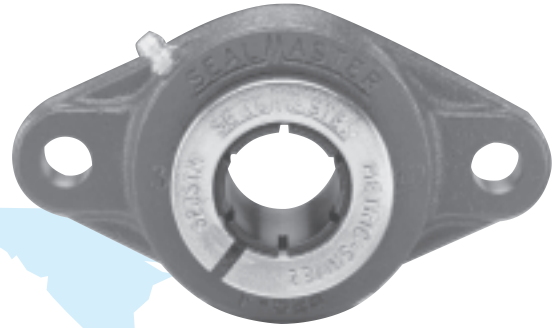
Felt Seals Optional.
To specify, remove C suffix, as NP-204TM, 5204TM, etc.
Consult SEALMASTER for availability.





SEALMASTER®

METRIC-SKWEZ™



SFT-TMC

Standard Duty Two-Bolt Flanges

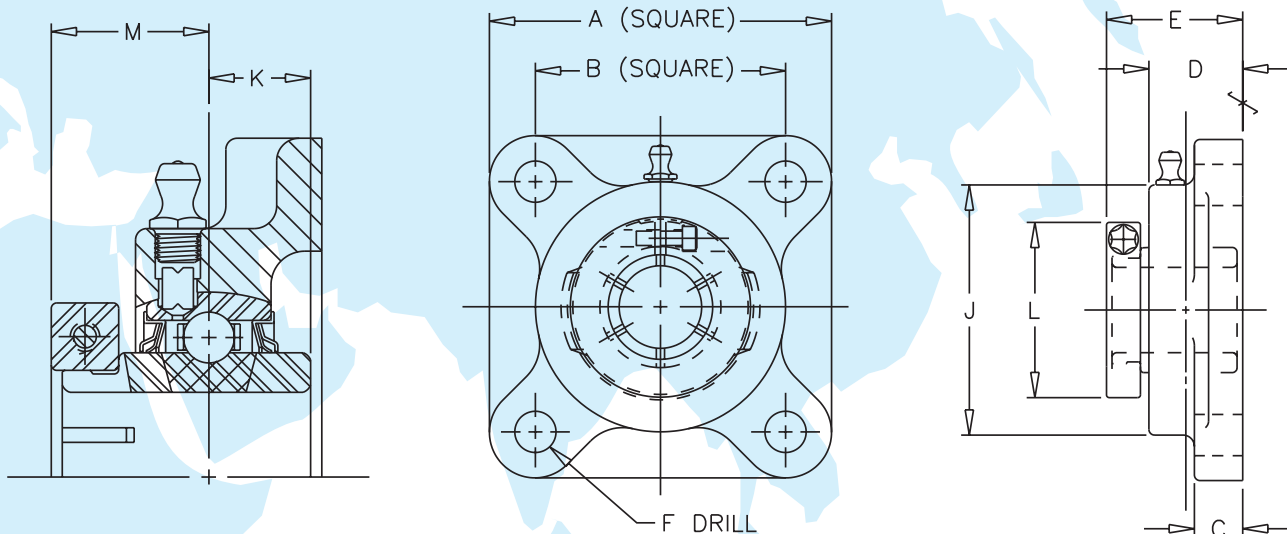
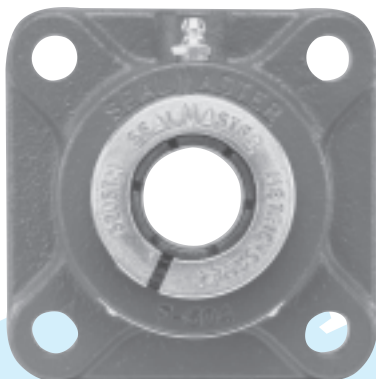
CONTACT SEALS

SHAFT DIA.	UNIT NO.	BRG. NO.	Dimensions in Millimeters/Inches											BOLT SIZE	UNIT WT.
			A	B	C	D	E	F	H CORED	J	K	L	M		
20MM	SFT-204TMC	5204TMC	112 4-13/32	89.7 3-17/32	11 7/16	4 15/16	34 1-11/32	11 .4331	51 2	60 2-3/8	13 1/2	44 1-3/4	20 25/32	10MM	0.5 1.3
25MM	SFT-205TMC	5205TMC	124 4-7/8	98.8 3-57/64	14 17/32	26 1-1/32	38 1-1/2	11 .4331	60 2-3/8	70 2-3/4	14 9/16	49 1-15/16	22 7/8	10MM	0.8 1.8
30MM	SFT-206TMC	5206TMC	141 5-9/16	116.7 4-19/32	14 17/32	30 1-3/16	41 1-5/8	13 .5118	73 2-7/8	83 3-1/4	16 5/8	56 2-3/16	24 15/16	12MM	1.0 2.4
35MM	SFT-207TMC	5207TMC	156 6-1/8	130.2 5-1/8	14 9/16	34 1-11/32	46 1-13/16	15 .5906	84 3-5/16	95 3-3/4	18 11/16	65 2-9/16	27 1-1/16	14MM	1.5 3.5
40MM	SFT-208TMC	5208TMC	171 6-3/4	143.7 5-21/32	14 9/16	38 1-1/2	53 2-5/64	15 .5906	89 3-1/2	105 4-1/8	19 3/4	68 2-11/16	32 1-1/4	14MM	2.1 4.8
45MM	SFT-209TMC	5209TMC	179 7-1/16	148.4 5-27/32	14 9/16	40 1-9/16	54 2-7/64	15 .5906	98 3-7/8	111 4-3/8	19 3/4	75 2-15/16	32 1-1/4	14MM	3.0 5.3
50MM	SFT-210TMC	5210TMC	189 7-7/16	157.2 6-3/16	14 9/16	40 1-9/16	56 2-7/32	17 .6693	102 4	116 4-9/16	19 3/4	86 3-3/8	34 1-11/32	16MM	2.7 6.0
55MM	SFT-211TMC	5211TMC	216 8-1/2	184.2 7-1/4	21 13/16	44 1-3/4	60 2-3/8	17 .6693	108 4-1/4	133 5-1/4	22 7/8	92 3-5/8	35 1-3/8	16MM	4.0 9.0



Felt Seals Optional.
To specify, remove C suffix, as SFT-204TM, 5204TM, etc.
Consult SEALMASTER for availability.





SF-TMC

Standard Duty Four-Bolt Flanges

CONTACT SEALS

SHAFT DIA.	UNIT NO.	BRG. NO.	Dimensions in Millimeters/Inches										BOLT SIZE	UNIT WT.
			A	B	C	D	E	F	J	K	L	M		
20MM	SF-204TMC	5204TMC	86 3-3/8	63.5 2-1/2	11 7/16	23 59/64	34 1-11/32	11 .4331	60 2-11/32	13 1/2	45 1-3/4	20 25/32	10	0.7 1.6
25MM	SF-205TMC	5205TMC	95 3-3/4	69.9 2-3/4	14 17/32	26 1-1/32	38 1-1/2	11 .4331	69 2-23/32	14 9/16	49 1-15/16	22 7/8	10	1.0 2.3
30MM	SF-206TMC	5206TMC	108 4-1/4	82.6 3-1/4	14 17/32	30 1-11/64	41 1-5/8	13 .5118	82 3-7/32	16 5/8	56 2-3/16	24 15/16	12	1.7 3.8
35MM	SF-207TMC	5207TMC	117 4-5/8	92.1 3-5/8	14 9/16	34 1-11/32	46 1-13/16	15 .5906	94 3-23/32	18 11/16	65 2-9/16	27 1-1/16	14	1.9 4.4
40MM	SF-208TMC	5208TMC	130 5-1/8	101.6 4	14 9/16	38 1-1/2	53 2-5/64	15 .5906	105 4-1/8	19 3/4	68 2-11/16	32 1-1/4	14	2.6 5.8
45MM	SF-209TMC	5209TMC	137 5-3/8	104.8 4-1/8	14 9/16	40 1-9/16	54 2-7/64	15 .5906	110 4-21/64	19 3/4	75 2-15/16	32 1-1/4	14	2.7 6.0
50MM	SF-210TMC	5210TMC	143 5-5/8	111.1 4-3/8	14 9/16	40 1-9/16	56 2-7/32	17 .6693	115 4-33/64	19 3/4	86 3-3/8	34 1-11/32	16	3.1 7.0
55MM	SF-211TMC	5211TMC	162 6-3/8	130.2 5-1/8	21 13/16	45 1-3/4	60 2-3/8	17 .6693	132 5-3/16	22 7/8	92 3-5/8	35 1-3/8	16	5.0 11.1
60MM	SF-212TMC	5212TMC	175 6-7/8	142.9 5-5/8	21 13/16	49 1-15/16	70 2-3/4	17 .6693	138 5-7/16	25 1	105 4-1/8	41 1-5/8	16	5.8 13.0



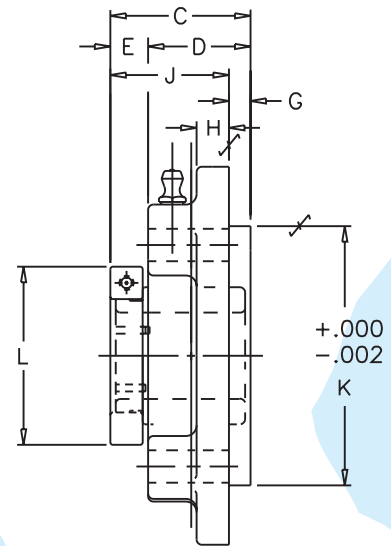
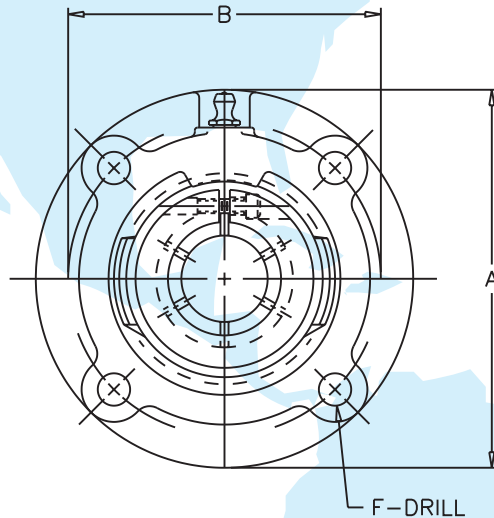
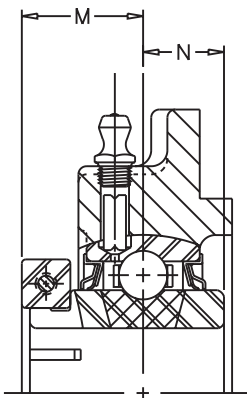
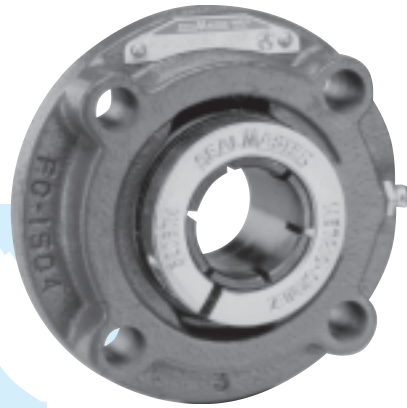
Felt Seals Optional.
To specify, remove C suffix, as SF-204TM, 5204TM, etc.
Consult SEALMASTER for availability.





SEALMASTER®

METRIC-SKWEZ™



SFC-TMC

Standard Duty Flange Cartridges

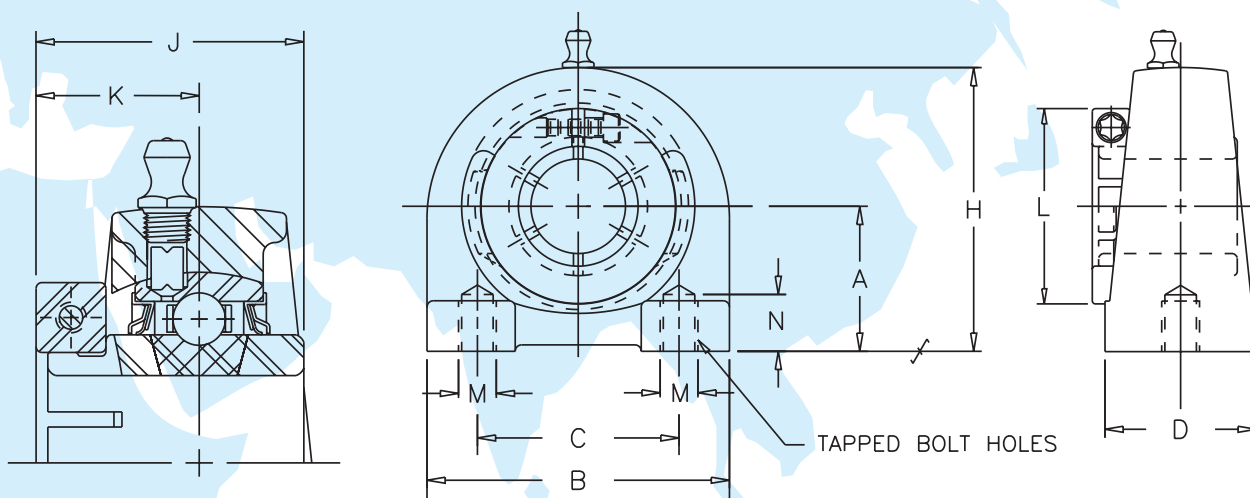
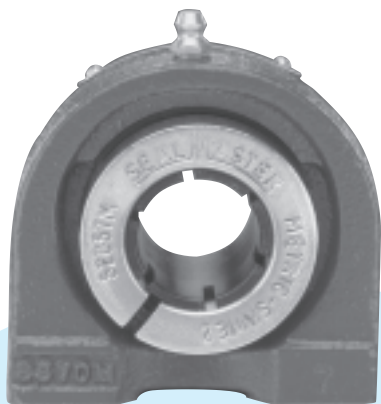
CONTACT SEALS

SHAFT DIA.	UNIT NO.	BRG. NO.	Dimensions in Millimeters/Inches										Weight in Kilograms/Pounds				BOLT SIZE	UNIT WT.
			A	B	C	D	E	F	G	H	J	K	L	M	N			
30MM	SFC-206TMC	5206TMC	111 4-3/8	92.1 3-5/8	41 1-5/8	30 1-3/16	11 7/16	12 .472	6 1/4	10 3/8	35 1-3/8	76.200 3.000	56 2-3/16	24 15/16	16 5/8	1.5 3.2		
35MM	SFC-207TMC	5207TMC	127 5	104.8 4-1/8	44 1-3/4	32 1-1/4	13 1/2	14 .551	10 3/8	10 3/8	35 1-3/8	85.725 3.375	65 2-9/16	27 1-1/16	18 11/16	1.9 4.2		
40MM	SFC-208TMC	5208TMC	133 5-1/4	111.1 4-3/8	51 2	37 1-15/32	14 17/32	14 .551	11 7/16	11 7/16	40 1-9/16	92.075 3.625	68 2-11/16	32 1-1/4	19 3/4	2.3 5.0		
45MM	SFC-209TMC	5209TMC	156 6-1/8	130.2 5-1/8	51 2	37 1-7/16	14 9/16	16 .630	11 7/16	11 7/16	40 1-9/16	107.950 4.250	75 2-15/16	32 1-1/4	19 3/4	2.9 6.3		
50MM	SFC-210TMC	5210TMC	156 6-1/8	130.2 5-1/8	53 2-3/32	37 1-15/32	16 5/8	16 .630	12 15/32	11 7/16	41 1-5/8	107.950 4.250	86 3-3/8	34 1-11/32	19 3/4	3.2 7.1		
55MM	SFC-211TMC	5211TMC	162 6-3/8	136.5 5-3/8	57 2-1/4	41 1-5/8	16 5/8	16 .630	16 5/8	11 7/16	41 1-5/8	114.300 4.500	92 3-5/8	35 1-3/8	22 7/8	3.7 8.1		
60MM	SFC-212TMC	5212TMC	181 7-1/8	152.4 6	67 2-5/8	48 1-7/8	19 3/4	18 .709	22 7/8	13 1/2	45 1-3/4	127.000 5.000	105 4-1/8	41 1-5/8	25 1	5.3 11.7		



Felt Seals Optional.
To specify, remove C suffix, as SFC-204TM, 5204TM, etc.
Consult SEALMASTER for availability.





TB-TMC

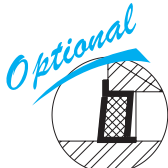
Tapped Base Pillow Blocks

CONTACT SEALS

SHAFT DIA.	UNIT NO.	BRG. NO.	Dimensions in Millimeters/Inches								N MIN. TAP DEPTH	M BOLT THREAD	UNIT WT.
			A	B	C	D	H	J	K	L			
20MM	*TB-204TMC	5204TMC	33.3 1-5/16	79 3-1/8	52 2-3/64	38 1-1/2	65 2-9/16	33 1-9/32	20 25/32	44 1-3/4	13 1/2	M10 X 1.5	.8 1.8
25MM	TB-205TMC	5205TMC	36.5 1-7/16	76 3	56 2-13/64	38 1-1/2	71 2-13/16	37 1-7/16	22 7/8	49 1-15/16	13 1/2	M10 X 1.5	.9 2.0
30MM	TB-206TMC	5206TMC	42.9 1-11/16	102 4	66 2-19/32	38 1-1/2	87 3-13/32	40 1-9/16	24 15/16	56 2-3/16	18 23/32	M14 X 2.0	1.7 3.7
35MM	TB-207TMC	5207TMC	47.6 1-7/8	108 4-1/4	80 3-5/32	48 1-7/8	95 3-3/4	44 1-3/4	27 1-1/16	65 2-9/16	20 25/32	M14 X 2.0	2.2 4.8
40MM	TB-208TMC	5208TMC	49.2 1-15/16	117 4-5/8	84 3-5/16	45 1-7/8	100 3-15/16	51 2	32 1-1/4	68 2-11/16	20 25/32	M14 X 2.0	2.9 6.3
45MM	TB-209TMC	5209TMC	54.0 2-1/8	127 5	90 3-35/64	51 2	108 4-1/4	51 2	32 1-1/4	75 2-15/16	25 63/64	M14 X 2.0	3.1 6.8
50MM	TB-210TMC	5210TMC	57.2 2-1/4	140 5-1/2	94 3-45/64	51 2	118 4-5/8	53 2-3/32	34 1-11/32	86 3-3/8	25 63/64	M16 X 2.0	3.9 8.6

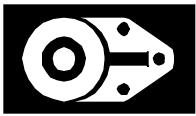
* Reversed Inner

*Misalignment Capability $\pm 1\ 1/2^\circ$

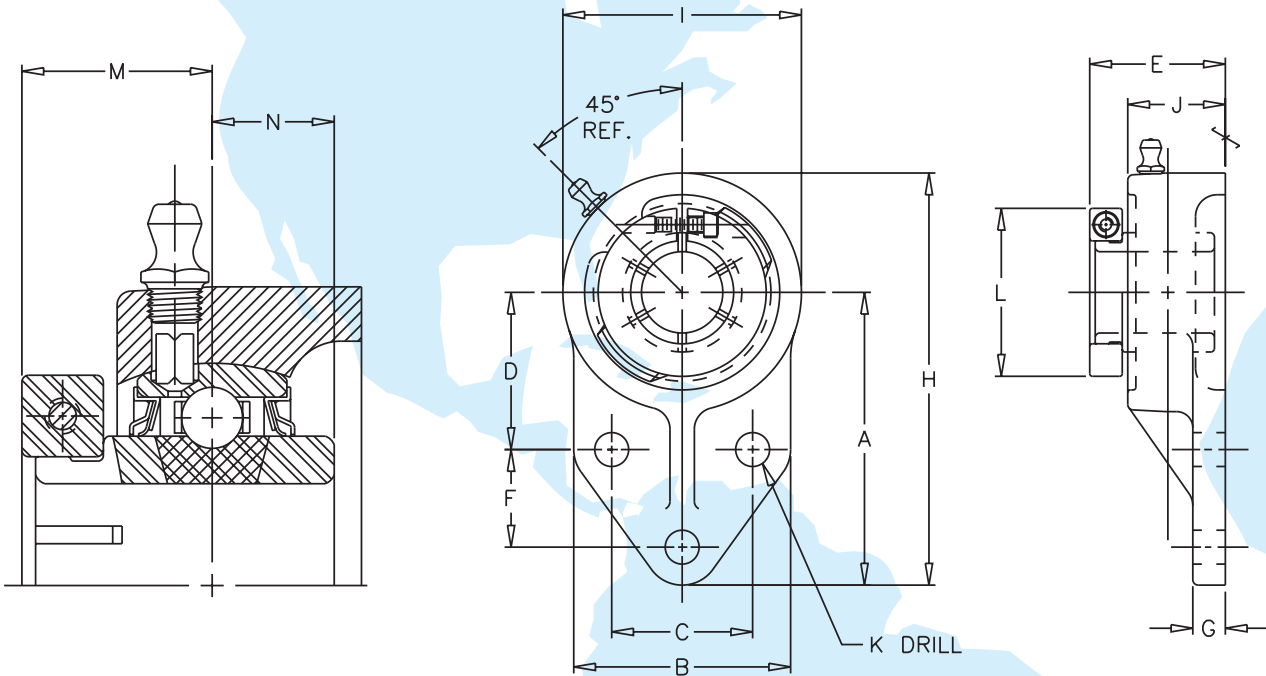


Felt Seals Optional.
To specify, remove C suffix, as TB-204TM, 5204TM, etc.
Consult SEALMASTER for availability.





METRIC-SKWEZ™

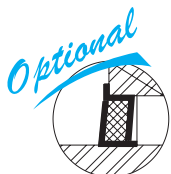


FB-TMC

Standard Duty Flange Brackets

CONTACT SEALS

SHAFT DIA.	UNIT NO.	BRG. NO.	Dimensions in Millimeters/Inches										Weight in Kilograms/Pounds				Unit Wt.
			A	B	C	D	E	F	G	H	I	J	K	L	M	N	
20MM	FB-204TM-C	5204T-MC	76	60	32	42	36	27	8	108	64	25.4	9	44	20	13	0.6
			3	2-3/8	1-17/64	1-21/32	1-13/32	1-1/16	5/16	4-1/4	2-1/2	1	.3543	1-3/4	25/32	1/2	1.4
25MM	FB-205TM-C	5205T-MC	86	64	34	45	40	27	10	121	70	28.6	9	49	22	14	1.0
			3-3/8	2-1/2	1-11/32	1-49/64	1-9/16	1-1/16	3/8	4-3/4	2-3/4	1-1/8	.3543	1-15/16	7/8	9/16	2.3
30MM	FB-206TM-C	5206T-MC	95	70	40	50	43	29	10	137	83	31.8	9	56	24	16	1.5
			3-3/4	2-3/4	1-37/64	1-31/32	1-11/16	1-9/64	3/8	5-3/8	3-1/4	1-1/4	.3543	2-3/16	15/16	5/8	3.2
35MM	FB-207TM-C	5207T-MC	108	83	46	55	49	32	13	156	95	36.5	9	65	27	17	1.5
			4-1/4	3-1/4	1-13/16	2-11/64	1-15/16	1-17/64	1/2	6-1/8	3-3/4	1-7/16	.3543	2-9/16	1-1/16	11/16	3.4
50MM	FB-210TM-C	5210T-MC	132	102	58	68	56	46	13	191	117	38.1	11	86	34	19	2.6
			5-3/16	4	2-9/32	2-43/64	2-7/32	1-13/16	1/2	7-1/2	4-5/8	1-1/2	.4331	3-3/8	1-11/32	3/4	5.7



Felt Seals Optional.
To specify, remove C suffix, as FB-204TM, 5204TM, etc.
Consult SEALMASTER for availability.





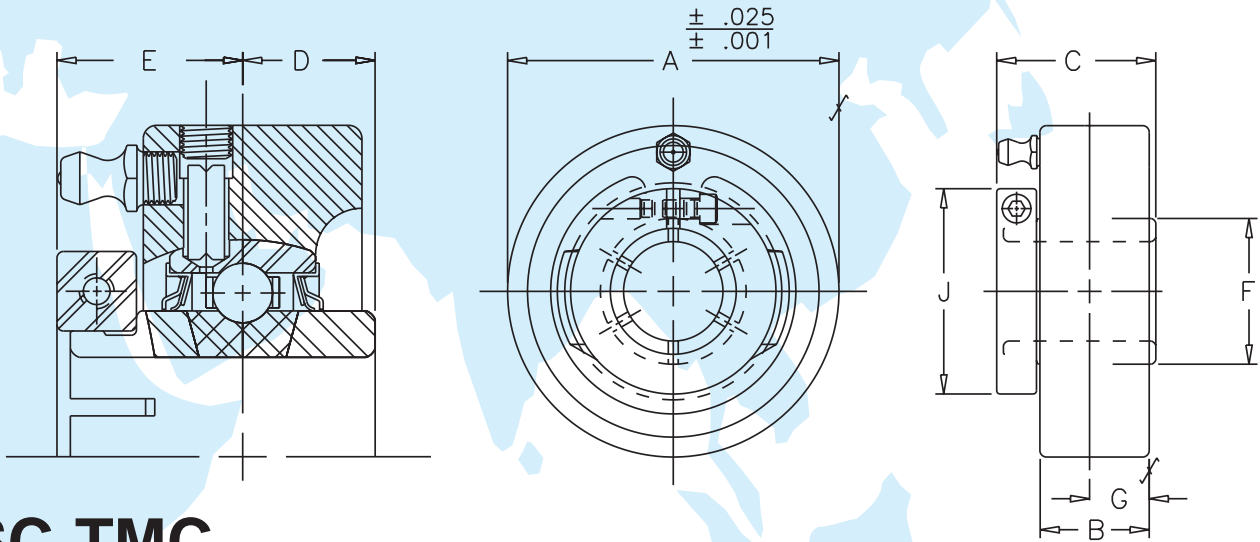
METRIC-SKWEZ™



SC Housing Dimension Recommendations

Shaft Sizes (mm)	Outside Dia. of Cartridge		Stationary Housing		Revolving Housing	
	Diameters		Diameters		Diameters	
	Max	Min	Max	Min	Max	Min
20	74.638	74.587	74.638	74.689	74.613	74.562
25	79.400	79.350	79.400	79.451	79.375	79.324
30	88.925	88.875	88.925	88.976	88.900	88.849
35	98.450	98.400	98.450	98.501	98.425	98.374
40	106.387	106.337	106.387	106.439	106.362	106.312
45	111.150	111.100	111.150	111.201	111.125	111.074
50	115.913	115.862	115.913	115.964	115.887	115.837
55	125.437	125.387	125.437	125.489	125.412	125.362
60	149.250	149.200	149.250	149.301	149.225	149.174

Note: Avoid excessive tightening of anchor bolts on SC casting



SC-TMC

Standard Duty Cartridges

CONTACT SEALS

SHAFT DIA.	UNIT NO.	BRG. NO.	Dimensions in Millimeters/Inches				Weight in Kilograms/Pounds				UNIT WT.
			A	B	C	D	E	F	G	J	
25MM*	SC-205TMC	5205TMC	79.375	26	37	14	22	35	14	49	0.9
			3.125	1-1/32	1-7/16	9/16	7/8	1-3/8	9/16	1-15/16	1.9
30MM*	SC-206TMC	5206TMC	88.900	28	40	16	24	40	14	56	1.1
			3.500	1-3/32	1-9/16	5/8	15/16	1-19/32	9/16	2-3/16	2.5
35MM	SC-207TMC	5207TMC	98.425	31	44	17	27	47	16	65	1.5
			3.875	1-7/32	1-3/4	11/16	1-1/16	1-55/64	5/8	2-9/16	3.2
40MM	SC-208TMC	5208TMC	106.375	37	51	19	32	52	19	68	1.9
			4.188	1-15/32	2	3/4	1-1/4	2-1/16	3/4	2-11/16	4.1
45MM	SC-209TMC	5209TMC	111.125	37	51	19	32	58	18	75	2.0
			4.375	1-7/16	2	3/4	1-1/4	2-19/64	23/32	2-15/16	4.5
50MM	SC-210TMC	5210TMC	115.900	37	53	19	34	63	19	86	2.2
			4.563	1-15/32	2-3/32	3/4	1-11/32	2-15/32	3/4	3-3/8	4.9
55MM	SC-211TMC	5211TMC	125.425	41	57	22	35	69	21	92	2.6
			4.938	1-19/32	2-1/4	7/8	1-3/8	2-23/32	27/32	3-5/8	5.8
60MM	SC-212TMC	5212TMC	149.225	41	67	25	41	76	21	105	4.1
			5.875	1-5/8	2-5/8	1	1-5/8	2-63/64	13/16	4-1/8	9.0

*Misalignment Capability ±1 1/2°

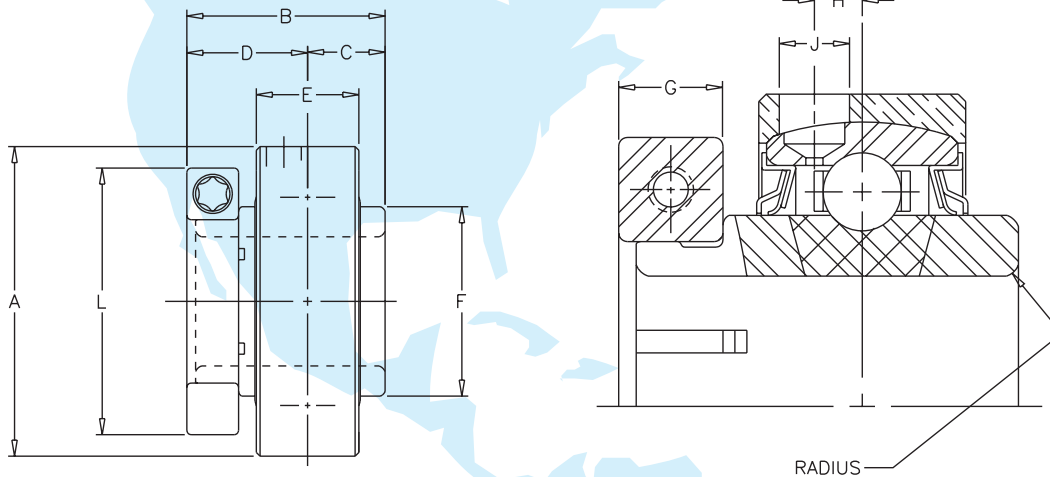
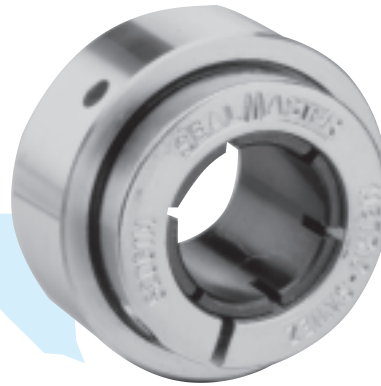


Felt Seals Optional.
To specify, remove C suffix, as SC-205TM, 5205TM, etc.
Consult SEALMASTER for availability.





METRIC-SKWEZ™



AR-TMC

Standard Duty Expansion Inserts

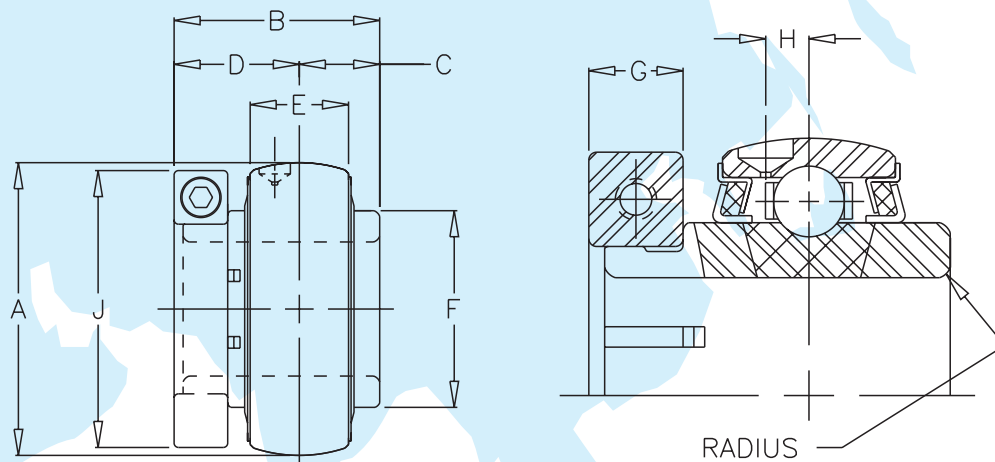
CONTACT SEALS

SHAFT DIA.	BRG. NO.	Dimensions in Millimeters/Inches											TORX CAP SCREW	UNIT WT.
		*A	B	C	D	E	F	G	H	J	L	RAD		
20MM	AR-204TMC	52.375 2.062	33 1-9/32	13 1/2	20 25/32	19 49/64	30 1.182	10 3/8	4 9/64	6 1/4	44 1-3/4	1 .040	M4 X .7 X 16MM	0.4 0.9
25MM	AR-205TMC	57.708 2.272	37 1-7/16	14 9/16	22 7/8	19 49/64	35 1.375	10 3/8	4 11/64	6 1/4	49 1-15/16	1 .040	M4 X .7 X 16MM	0.5 1.2
30MM	AR-206TMC	68.249 2.687	40 1-9/16	16 5/8	24 15/16	24 61/64	40 1.587	10 3/8	6 7/32	6 1/4	56 2-3/16	1 .040	M4 X .7 X 16MM	0.8 1.7
35MM	AR-207TMC	79.756 3.140	44 1-3/4	17 11/16	27 1-1/16	26 1-1/64	47 1.852	11 7/16	6 1/4	6 1/4	65 2-9/16	1 .040	M5 X .8 X 20MM	1.1 2.4
40MM	AR-208TMC	85.725 3.375	51 2	19 3/4	32 1-1/4	30 1-11/64	52 2.060	11 7/16	8 19/64	6 1/4	68 2-11/16	2 .062	M5 X .8 X 20MM	1.4 3.1
45MM	AR-209TMC	90.474 3.562	51 2	19 3/4	32 1-1/4	30 1-11/64	58 2.296	11 7/16	8 19/64	6 1/4	75 2-15/16	2 .062	M5 X .8 X 20MM	1.5 3.3
50MM	AR-210TMC	98.425 3.875	53 2-3/32	19 3/4	34 1-11/32	31 1-13/64	63 2.463	14 9/16	7 17/64	9 11/32	86 3-3/8	2 .062	M6 X 1 X 25MM	1.9 4.1
55MM	AR-211TMC	107.950 4.250	57 2-1/4	22 7/8	35 1-3/8	32 1-17/64	69 2.711	14 9/16	8 19/64	9 11/32	92 3-5/8	2 .080	M6 X 1 X 25MM	2.3 5.0
60MM	AR-212TMC	119.862 4.719	67 2-5/8	25 1	41 1-5/8	34 1-21/64	76 2.981	17 11/16	8 21/64	9 11/32	105 4-1/8	2 .080	M8 X 1.25 X 25MM	3.2 7.0



*Tolerance +.000/- .127mm \ +.000/- .005in
 Felt Seals Optional.
 To specify, remove C suffix, as AR-205TM, etc.
 Consult SEALMASTER for availability.





INSERTS

Standard Duty

CONTACT SEALS

SHAFT DIA.	BRG. NO.	Dimensions in Millimeters/Inches										TORX CAP SCREW	UNIT WT.
		A	B	C	D	E	F	G	H	J	RADIUS		
20MM	5204TMC	47MM 1.8504	33 1-9/32	13 1/2	20 25/32	16 5/8	30 1.182	10 3/8	4 9/64	44 1-3/4	1 .040	M4 X .7 X 16MM	0.3 0.6
25MM	5205TMC	52MM 2.0472	37 1-7/16	14 9/16	22 7/8	17 11/16	35 1.375	10 3/8	4 11/64	49 1-15/16	1 .040	M4 X .7 X 16MM	0.4 0.8
30MM	5206TMC	62MM 2.4409	40 1-9/16	16 5/8	24 15/16	22 7/8	40 1.587	10 3/8	6 7/32	56 2-3/16	1 .040	M4 X .7 X 16MM	0.5 1.2
35MM	5207TMC	72MM 2.8346	44 1-3/4	17 11/16	27 1-1/16	24 15/16	47 1.852	11 7/16	6 1/4	65 2-9/16	1 .040	M5 X .8 X 20MM	0.8 1.8
40MM	5208TMC	80MM 3.1496	51 2	19 3/4	32 1-1/4	28 1-3/32	52 2.060	11 7/16	8 19/64	68 2-11/16	2 .062	M5 X .8 X 20MM	1.0 2.2
45MM	5209TMC	85MM 3.3465	51 2	19 3/4	32 1-1/4	28 1-3/32	58 2.296	11 7/16	8 19/64	75 2-15/16	2 .062	M5 X .8 X 20MM	1.1 2.5
50MM	5210TMC	90MM 3.5433	53 2-3/32	19 3/4	34 1-11/32	29 1-1/8	63 2.463	14 9/16	7 17/64	86 3-3/8	2 .062	M6 X 1 X 25MM	1.4 3.0
55MM	5211TMC	100MM 3.9370	57 2-1/4	22 7/8	35 1-3/8	30 1-3/16	69 2.711	14 9/16	8 19/64	92 3-5/8	2 .080	M6 X 1 X 25MM	1.5 3.4
60MM	5212TMC	110MM 4.3307	67 2-5/8	25 1	41 1-5/8	32 1-1/4	76 2.981	17 11/16	8 21/64	105 4-1/8	2 .080	M8 X 1.25 X 25MM	2.2 4.9

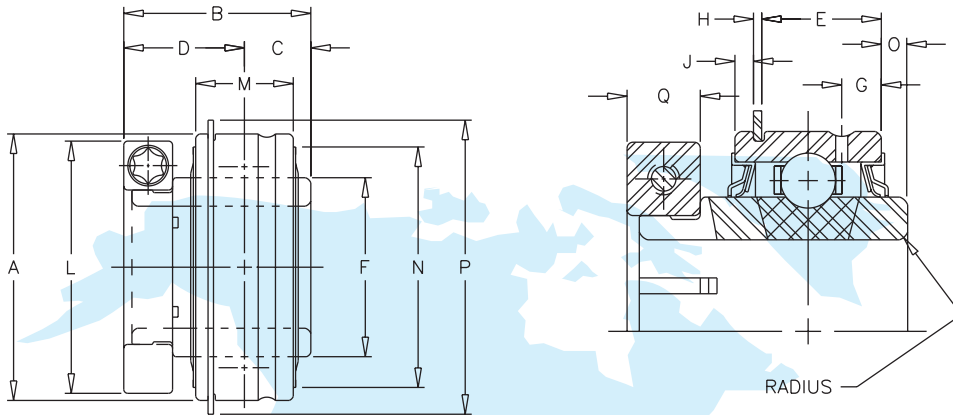


Felt Seals Optional.
To specify, remove C suffix, as 5204TM, etc.
Consult SEALMASTER for availability.





METRIC-SKWEZ™



ER-TMC

ER Style Extended Inner Ring Bearing Assembly

CONTACT SEALS

SHAFT DIA.	BRG. NO.	Dimensions in Millimeters/Inches										Weight in Kilograms/Pounds					UNIT WT.	
		A	B	C	D	E	F	G	H	J	L	M	N	RAD	O	P		Q
20MM	ER-204TMC	47MM	33	13	20	12	30	4	1	2	44	16	41	1	5	52	10	0.3
		1.8504	1-9/32	1/2	25/32	31/64	1.182	11/64	3/64	3/32	1-3/4	5/8	1-5/8	.040	.188	2-1/16	3/8	.56
25MM	ER-205TMC	52MM	37	14	22	15	35	5	1	2	49	19	47	1	5	58	10	0.3
		2.0472	1-7/16	9/16	7/8	39/64	1.375	13/64	3/64	3/32	1-15/16	3/4	1-55/64	.040	.188	2-17/64	3/8	.68
30MM	ER-206TMC	62MM	40	16	24	17	40	6	2	3	56	22	55	1	5	67	10	0.4
		2.4409	1-9/16	5/8	15/16	11/16	1.587	7/32	1/16	3/8	2-3/16	7/8	2-5/32	.040	.188	2-21/32	3/8	.93
35MM	ER-207TMC	72MM	44	17	27	19	47	6	2	3	65	24	65	1	6	78	11	0.6
		2.8346	1-3/4	11/16	1-1/16	3/4	1.852	7/32	1/16	3/8	2-9/16	15/16	2-9/16	.040	.219	3-5/64	7/16	1.37
40MM	ER-208TMC	80MM	51	19	32	23	52	6	2	3	68	28	72	2	5	87	11	0.9
		3.1496	2	3/4	1-1/4	29/32	2.060	1/4	1/16	3/8	2-11/16	1-3/32	2-53/64	.062	.203	3-13/32	7/16	2.00
45MM	ER-209TMC	85MM	51	19	32	23	58	6	2	3	75	28	78	2	5	91	11	1.0
		3.3465	2	3/4	1-1/4	29/32	2.296	1/4	1/16	3/8	2-15/16	1-3/32	3-1/16	.062	.203	3-19/32	7/16	2.31
50MM	ER-210TMC	90MM	53	19	34	23	63	8	2	3	86	29	82	2	5	96	14	1.1
		3.5433	2-3/32	3/4	1-11/32	29/32	2.463	19/64	3/32	1/8	3-3/8	1-1/8	3-7/32	.062	.188	3-25/32	9/16	2.43
55MM	ER-211TMC	100MM	57	22	35	25	69	8	2	3	92	30	90	2	7	106	14	1.4
		3.9370	2-1/4	7/8	1-3/8	31/32	2.711	19/64	3/32	1/8	3-5/8	1-3/16	3-9/16	.080	.281	4-3/16	9/16	3.00
60MM	ER-212TMC	110MM	67	25	41	32	76	8	2	3	105	32	100	2	10	116	17	1.8
		4.3307	2-5/8	1	1-5/8	1-1/32	2.981	19/64	3/32	1/8	4-1/8	1-1/4	3-15/16	.080	.375	4-37/64	11/16	4.00



Felt Seals Optional.

To specify, remove C suffix, as 5204TM, etc.

Consult SEALMASTER for availability.

ER HOUSING RECOMMENDATIONS

Cartridge No.	Dimensions in Millimeters/Inches									
	O.D. of Cartridge		Stationary Housing				Revolving Housing			
	Diameters		Diameters		Theoretical Fit		Diameters		Theoretical Fit	
	Min.	Max.	Min.	Max.	Tight	Loose	Min.	Max.	Tight	Loose
ER-204TMC	46.9875	47.0002	46.9976	47.0129	0.0025	0.0254	46.9849	47.0002	0.0152	0.0127
	1.8499	1.8504	1.8503	1.8509	.0001	.0010	1.8498	1.8504	.0006	.0005
ER-205TMC	51.9836	51.9989	51.9963	52.0090	0.0025	0.0254	51.9836	51.9963	0.0152	0.0127
	2.0466	2.0472	2.0471	2.0476	.0001	.0010	2.0466	2.0471	.0006	.0005
ER-206TMC	61.9836	61.9989	61.9963	62.0090	0.0025	0.0254	61.9836	61.9963	0.0152	0.0127
	2.4403	2.4409	2.4408	2.4413	.0001	.0010	2.4403	2.4408	.0006	.0005
ER-207TMC	71.9836	71.9988	71.9963	72.0090	0.0025	0.0254	71.9836	71.9963	0.0152	0.0127
	2.8340	2.8346	2.8345	2.8350	.0001	.0010	2.8340	2.8345	.0006	.0005
ER-208TMC	79.9846	79.9998	79.9973	80.0100	0.0025	0.0254	79.9846	79.9973	0.0152	0.0127
	3.1490	3.1496	3.1495	3.1500	.0001	.0010	3.1490	3.1495	.0006	.0005
ER-209TMC	84.9808	85.0011	84.9986	85.0138	0.0025	0.0330	84.9833	84.9986	0.0178	0.0178
	3.3457	3.3465	3.3464	3.3470	.0001	.0013	3.3458	3.3464	.0007	.0007
ER-210TMC	89.9795	89.9998	89.9973	90.0125	0.0025	0.0330	89.9820	89.9973	0.0178	0.0178
	3.5425	3.5433	3.5432	3.5438	.0001	.0013	3.5426	3.5432	.0007	.0007
ER-211TMC	99.9795	99.9998	99.9973	100.0125	0.0025	0.0330	99.9820	99.9973	0.0178	0.0178
	3.9362	3.9370	3.9369	3.9375	.0001	.0013	3.9363	3.9369	.0007	.0007
ER-212TMC	109.9795	109.9998	109.9972	110.0125	0.0025	0.0330	109.9820	109.9972	0.0178	0.0178
	4.3299	4.3307	4.3306	4.3312	.0001	.0013	4.3300	4.3306	.0007	.0007

This Table is to be used as a guide for machining housings using "ER" Style Extended Inner Ring Bearing



SEALMASTER® Gold Line™ METRIC SKWEZ Ball Bearing's load capacity per L₁₀ life, speed, and shaft size is indicated in this table. Grey shaded areas indicate the maximum speed ratings the optional felt seal. Values in the table represent loads at ideal conditions with press fit mounting to the shaft. ABMA recommends de-rating slip-fit bearings by dividing load by 1.3. Table values represent equivalent radial loads. Consult SEALMASTER Applications Engineering for load and speeds not published.

Metric Rating Tables

Standard Duty			REVOLUTIONS PER MINUTE																		LOAD NEWTONS
Shaft Size	Insert #	ER #	L10 Hours	50	150	500	1000	1750	2000	2500	3500	4000	4500	5000	5500	6000	6500	7500	8000	10000	
20mm	5204TM	ER-204TM	5000	2753	2753	2186	1735	1440	1377	1278	1143	1093	1051	1015	983	955	930	886	867	805	
			10000	2592	2592	1735	1377	1143	1093	1015	907	867	834	805	780	758	738	703	689	639	
			30000	2592	1797	1203	955	792	758	703	629	601	578	558	541	525	512	488	477	443	
			50000	2186	1516	1015	805	668	639	593	530	507	488	471	456	443	432	411	403	374	
			100000	1735	1203	805	639	530	507	471	421	403	387	374	362	352	342	327	320	297	
25mm	5205TM	ER-205TM	5000	2954	2954	2345	1861	1544	1477	1371	1226	1172	1127	1088	1054	1024	997	951	931	-	
			10000	2780	2780	1861	1477	1226	1172	1088	973	931	895	864	837	813	792	755	739	-	
			30000	2780	1928	1290	1024	850	813	755	675	645	620	599	580	564	549	523	512	-	
			50000	2345	1626	1088	864	717	686	637	569	544	523	505	489	475	463	441	432	-	
			100000	1861	1290	864	686	569	544	505	452	432	415	401	388	377	367	350	343	-	
30mm	5206TM	ER-206TM	5000	4621	4621	3668	2911	2416	2311	2145	1917	1834	1763	1702	1649	1602	1560	1487	1456	-	
			10000	4350	4350	2911	2311	1917	1834	1702	1522	1456	1400	1351	1309	1272	1238	1180	1155	-	
			30000	4350	3015	2018	1602	1329	1272	1180	1055	1009	970	937	908	882	858	818	801	-	
			50000	3668	2543	1702	1351	1121	1072	996	890	851	818	790	765	744	724	690	676	-	
			100000	2911	2018	1351	1072	890	851	790	706	676	650	627	608	590	575	548	536	-	
35mm	5207TM	ER-207TM	5000	5738	5738	4841	3842	3188	3049	2831	2530	2420	2327	2247	2177	2114	2059	-	-	-	
			10000	5738	5738	3842	3049	2530	2420	2247	2008	1921	1847	1783	1728	1678	1634	-	-	-	
			30000	5738	3979	2664	2114	1755	1678	1558	1393	1332	1281	1236	1198	1164	1133	-	-	-	
			50000	4841	3356	2247	1783	1480	1415	1314	1175	1123	1080	1043	1010	981	956	-	-	-	
			100000	3842	2664	1783	1415	1175	1123	1043	932	892	857	828	802	779	758	-	-	-	
40mm	5208TM	ER-208TM	5000	7286	7286	6145	4877	4047	3871	3594	3212	3072	2954	2852	2763	2684	-	-	-	-	
			10000	7286	7286	4877	3871	3212	3072	2852	2550	2439	2345	2264	2193	2130	-	-	-	-	
			30000	7286	5052	3382	2684	2227	2130	1978	1768	1691	1626	1570	1521	1477	-	-	-	-	
			50000	6145	4261	2852	2264	1879	1797	1668	1491	1426	1371	1324	1282	1246	-	-	-	-	
			100000	4877	3382	2264	1797	1491	1426	1324	1183	1132	1088	1051	1018	989	-	-	-	-	
45mm	5209TM	ER-209TM	5000	7843	7843	6615	5250	4357	4167	3868	3458	3307	3180	3070	2974	-	-	-	-	-	
			10000	7843	7843	5250	4167	3458	3307	3070	2745	2625	2524	2437	2361	-	-	-	-	-	
			30000	7843	5438	3640	2889	2398	2293	2129	1903	1820	1750	1690	1637	-	-	-	-	-	
			50000	6615	4586	3070	2437	2022	1934	1795	1605	1535	1476	1425	1381	-	-	-	-	-	
			100000	5250	3640	2437	1934	1605	1535	1425	1274	1218	1172	1131	1096	-	-	-	-	-	
50mm	5210TM	ER-210TM	5000	7831	7831	6605	5242	4350	4161	3862	3453	3302	3175	3066	-	-	-	-	-	-	
			10000	7831	7831	5242	4161	3453	3302	3066	2740	2621	2520	2433	-	-	-	-	-	-	
			30000	7831	5429	3635	2885	2394	2290	2126	1900	1817	1747	1687	-	-	-	-	-	-	
			50000	6605	4579	3066	2433	2019	1931	1793	1603	1533	1474	1423	-	-	-	-	-	-	
			100000	5242	3635	2433	1931	1603	1533	1423	1272	1217	1170	1129	-	-	-	-	-	-	
55mm	5211TM	ER-211TM	5000	9680	9680	8164	6480	5377	5143	4775	4268	4082	3925	-	-	-	-	-	-	-	
			10000	9680	9680	6480	5143	4268	4082	3790	3387	3240	3115	-	-	-	-	-	-	-	
			30000	9680	6712	4493	3566	2959	2830	2628	2349	2246	2160	-	-	-	-	-	-	-	
			50000	8164	5661	3790	3008	2496	2387	2216	1981	1895	1823	-	-	-	-	-	-	-	
			100000	6480	4493	3008	2387	1981	1895	1759	1572	1504	1446	-	-	-	-	-	-	-	
60mm	5212TM	ER-212TM	5000	11702	11702	9870	7834	6500	6218	5772	5159	4935	-	-	-	-	-	-	-	-	
			10000	11702	11702	7834	6218	5159	4935	4581	4095	3917	-	-	-	-	-	-	-	-	
			30000	11702	8114	5431	4311	3577	3422	3176	2839	2716	-	-	-	-	-	-	-	-	
			50000	9870	6843	4581	3636	3017	2886	2679	2395	2291	-	-	-	-	-	-	-	-	
			100000	7834	5431	3636	2886	2395	2291	2126	1901	1818	-	-	-	-	-	-	-	-	

This table displays load in Newtons.



METRIC-SKWEZ™

SEALMASTER® Gold Line™ METRIC SKWEZ Ball Bearing's load capacity per L_{10} life, speed, and shaft size is indicated in this table. Grey shaded areas indicate the maximum speed ratings the optional felt seal. Values in the table represent loads at ideal conditions with press fit mounting to the shaft. ABMA recommends de-rating slip-fit bearings by dividing load by 1.3. Table values represent equivalent radial loads. Consult SEALMASTER Applications Engineering for load and speeds not published.

English Rating Tables

Standard Duty			REVOLUTIONS PER MINUTE																	LOAD LBS		
Shaft Size	Insert #	ER #	L10 Hours	50	150	500	1000	1750	2000	2500	3500	4000	4500	5000	5500	6000	6500	7500	8000		10000	
20mm	5204TM	ER-204TM	5000	619	619	491	390	324	310	287	257	246	236	228	221	215	209	199	195	181	-	
			10000	583	583	390	310	257	246	228	204	195	188	181	175	170	166	158	154	143		
			30000	583	404	270	215	178	170	158	141	135	130	126	122	118	115	109	107	100		84
			50000	491	341	228	181	150	144	133	119	114	110	106	103	100	97	92	90	84		67
			100000	390	270	181	144	119	114	106	95	91	87	84	81	79	77	73	71	67		67
25mm	5205TM	ER-205TM	5000	664	664	527	418	347	332	308	276	264	253	245	237	230	224	213	209	-	-	
			10000	625	625	418	332	276	264	245	219	209	201	194	188	183	177	169	166	-		
			30000	625	433	290	230	191	183	170	152	145	139	135	130	127	123	117	115	-		
			50000	527	366	245	194	161	154	143	128	122	118	114	110	107	104	99	97	-		
			100000	418	290	194	154	128	122	114	102	97	93	90	87	85	82	78	77	-		
30mm	5206TM	ER-206TM	5000	1039	1039	825	654	543	519	482	431	412	396	383	370	360	351	334	327	-	-	
			10000	978	978	654	519	431	412	383	342	327	315	304	294	286	278	265	260	-		
			30000	978	678	454	360	299	286	265	237	227	218	211	204	198	193	184	180	-		
			50000	825	572	383	304	252	241	224	200	191	184	178	172	167	163	155	152	-		
			100000	654	454	304	241	200	191	178	159	152	146	141	136	133	129	123	121	-		
35mm	5207TM	ER-207TM	5000	1290	1290	1088	864	717	686	636	569	544	523	505	489	475	463	-	-	-	-	
			10000	1290	1290	864	686	569	544	505	452	432	415	401	388	377	367	-	-	-		
			30000	1290	895	599	475	394	377	350	313	299	288	278	269	262	255	-	-	-		
			50000	1088	755	505	401	333	318	295	264	253	243	234	227	221	215	-	-	-		
			100000	864	599	401	318	264	253	234	210	200	193	186	180	175	171	-	-	-		
40mm	5208TM	ER-208TM	5000	1638	1638	1381	1096	910	870	808	722	691	664	641	621	603	-	-	-	-	-	
			10000	1638	1638	1096	870	722	691	641	573	548	527	509	493	479	-	-	-	-		
			30000	1638	1136	760	603	501	479	445	397	380	365	353	342	332	-	-	-	-		
			50000	1381	958	641	509	422	404	375	335	321	308	298	288	280	-	-	-	-		
			100000	1096	760	509	404	335	321	298	266	254	245	236	229	222	-	-	-	-		
45mm	5209TM	ER-209TM	5000	1763	1763	1487	1180	979	937	870	777	744	715	690	669	-	-	-	-	-	-	
			10000	1763	1763	1180	937	777	744	690	617	590	567	548	531	-	-	-	-	-		
			30000	1763	1222	818	650	539	516	479	428	409	393	380	368	-	-	-	-	-		
			50000	1487	1031	690	548	455	435	404	361	345	332	320	310	-	-	-	-	-		
			100000	1180	818	548	435	361	345	320	286	274	263	254	246	-	-	-	-	-		
50mm	5210TM	ER-210TM	5000	1760	1760	1485	1178	978	935	868	776	742	714	689	-	-	-	-	-	-	-	
			10000	1760	1760	1178	935	776	742	689	616	589	567	547	-	-	-	-	-	-		
			30000	1760	1221	817	649	538	515	478	427	409	393	379	-	-	-	-	-	-		
			50000	1485	1029	689	547	454	434	403	360	345	331	320	-	-	-	-	-	-		
			100000	1178	817	547	434	360	345	320	286	273	263	254	-	-	-	-	-	-		
55mm	5211TM	ER-211TM	5000	2176	2176	1835	1457	1209	1156	1073	960	918	882	-	-	-	-	-	-	-	-	
			10000	2176	2176	1457	1156	959	918	852	762	728	700	-	-	-	-	-	-	-		
			30000	2176	1509	1010	802	665	636	591	528	505	486	-	-	-	-	-	-	-		
			50000	1835	1273	852	676	561	537	498	446	426	410	-	-	-	-	-	-	-		
			100000	1457	1010	676	537	445	426	395	354	338	325	-	-	-	-	-	-	-		
60mm	5212TM	ER-212TM	5000	2631	2631	2219	1761	1461	1398	1298	1160	1100	-	-	-	-	-	-	-	-	-	
			10000	2631	2631	1761	1398	1160	1109	1030	921	881	-	-	-	-	-	-	-	-		
			30000	2631	824	1221	969	804	769	714	638	611	-	-	-	-	-	-	-	-		
			50000	2219	1538	1030	817	678	649	602	538	515	-	-	-	-	-	-	-	-		
			100000	1761	1221	817	649	538	515	478	427	409	-	-	-	-	-	-	-	-		

This table displays load in Pounds.



⚠️ ACHTUNG

Beim Einstellen der Einheit die gesamte Stromzufuhr bzw alle Antriebe abschalten.

SKWEZLOC® SPERRKRAGEN

❶ WELLE ÜBERPRÜFEN ❷ LAGER AUF WELLE AUFZIEHEN

- Reinigen/Entgraten.
- Durchmesser nachprüfen.
- Montagefläche reinigen.
- Lager nicht mit einem Hammer auf die Welle schlagen.

❸ GEHÄUSE MIT GRUNDFLÄCHE VERSCHRAUBEN

- Lager und Welle müssen gefluchtet sein (weniger als 2° Abweichung).
- Welle drehen, um sicherzustellen, dass sie sich rucklos dreht.

❹ SPERRKRAGEN FEST AN DIE SCHULTER DES INNENRINGS ANDRÜCKEN

❺ KOPFSCHRAUBE AUF EMPFOHLENEM DREHMOMENTWERT FESTZIEHEN

⚠️ AVERTISSEMENT

Débrancher complètement le dispositif avant de procéder à tout réglage.

COLLIER DE VERROUILLAGE SKWEZLOC®:

❶ INSPECTER L'ARBRE

- Nettoyer/enlever toute bavure.
- Vérifier le diamètre.
- Nettoyer la surface d'appui.

❷ INSTALLER LE PALIER SUR L'ARBRE

- Ne pas enfoncer le palier sur l'arbre au moyen d'un marteau.

❸ BOULONNER LE BOITIER A LA SURFACE D'APPUI

- Le palier et l'arbre doivent être alignés à 2° près.
- Pivoter l'arbre pour vérifier qu'il tourne bien.

❹ POUSSER FERMEMENT LE COLLIER DE VERROUILLAGE SUR L'ÉPAULEMENT DE LA BAGUE INTÉRIEURE

❺ SERRER LA VIS A CHAPEAU JUSQU'AU NIVEAU DE SERRAGE RECOMMANDÉ

⚠️ ADVERTENCIA

Desconecte toda corriente eléctrica mientras ajusta las unidades.

SKWEZLOC® COLLAR DE SUJECION:

❶ INSPECCIONE LA FLECHA

- Limpie/remueve las rababas.
- Revise el diámetro.
- Limpie la superficie de montaje.

❷ COLOQUE LA CHUMACERA EN LA FLECHA

- No golpear la chumacera contra la flecha.

❸ ATORNILLE LA CAJA A LA SUPERFICIE DE SOPORTE

- La chumacera y la flecha deben estar paralelamente alineadas dentro de los 2°.
- Rote la flecha para asegurarse que de vueltas suavemente.

❹ EMPUJE EL COLLAR DE SUJECION AJUSTADAMENTE CONTRA EL HOMBRO DEL ANILLO

❺ DE EL TORQUE AL TORNILLO PRISIONERO AL VALOR RECOMENDADO

⚠️ WARNING

Disconnect all power while adjusting units

SKWEZLOC® LOCKING COLLAR:

❶ INSPECT SHAFT

- Clean/remove burrs.
- Check diameter.
- Clean Mounting Surface.

❷ PLACE BEARING ON SHAFT

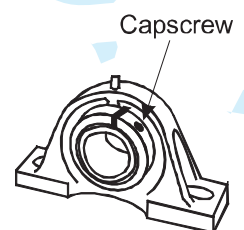
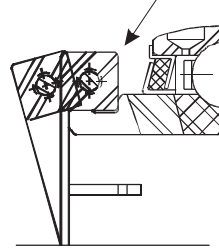
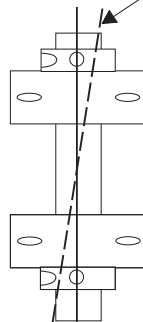
- Do not hammer bearing onto shaft.

❸ BOLT HOUSING TO SUPPORT SURFACE

- Bearing and shaft must be in alignment within 2°.
- Rotate shaft to make sure it turns smoothly.

❹ PUSH LOCKING COLLAR TIGHTLY AGAINST INNER RING SHOULDER

❺ TORQUE CAPSCREW TO RECOMMENDED VALUE



METRIC-SKWEZ™

Installation

ER Mounting Instructions

The ER insert is pressed into the customer-made housing. Pressure should only be applied to the face of the outer ring when installing in the housing. This avoids excessive forces being applied through the races and balls which can permanently indent the raceways. (See Figure 1)

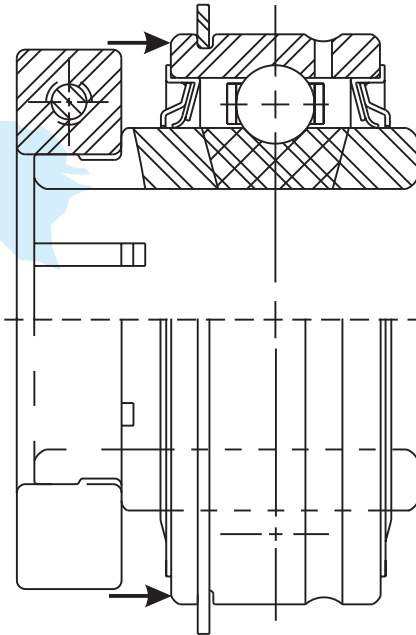


Figure 1

Table No. 14

Recommended Shaft Tolerances (Table)		
Shaft Size	Shaft Tolerance (in)	Shaft Tolerance (mm)
20-50mm	+0.0000 to -0.0005	+0.0000 to -0.0130
55-60mm	+0.0000 to -0.0010	+0.0000 to -0.0255

Table No. 15

Bore Tolerances		
Size	Bore Tolerance (in)	Bore Tolerance (mm)
20-30mm	+0.0006 - 0	+0.015 - 0
35-50mm	+0.0007 - 0	+0.017 - 0
55-60mm	+0.0008 - 0	+0.020 - 0

Table No. 16

Metric-Skwez Torque for Tightening (Table)				
Shaft Sizes	Cap Screw Size	Torx Size	Torque	
			Inch-Lbs	N-M
23-30mm	M4x0.7x16mm	T-25	65-70	7-8
35-45mm	M5x0.8x20mm	T-27	80-90	9-10
50-55mm	M6x1x25mm	T-30	160-180	18-20
60mm	M8x1.25x25mm	T-45	360-400	40-45

Table No. 17

Recommended Relubrication Amount	
Shaft Size	Amount Grams
20mm	0.6 g
25-30mm	1.7 g
35-40mm	2.6 g
45-50mm	5.5 g
55-60mm	8.0 g

Table No. 18

LUBRICATION INSTRUCTIONS				
SPEED	TEMPERATURE		GREASING INTERVALS	CLEANLINESS
	Min	Max		
100 RPM	-22°F/-30°C	122°F/50°C	6-12 Months	Clean
500 RPM	-22°F/-30°C	158°F/70°C	2-6 Months	
1000 RPM	-22°F/-30°C	212°F/100°C	2-8 Weeks	
1500 RPM	212°F/100°C	248°F/120°C	1-7 Days	
500 RPM	-22°F/-30°C	158°F/70°C	1-4 Weeks	Dirty
MAX.	158°F/70°C	248°F/120°C	1-14 Days	
500 RPM Max	-22°F/-30°C	248°F/120°C	1-14 Days	Very Dirty
500 RPM Max	-22°F/-30°C	248°F/120°C	1-14 Days	Extreme Conditions

RELUBRICATION

- SEALMASTER® Bearings can be relubricated with a high quality NLGI #2, lithium soap grease with petroleum oil.
- Consult SEALMASTER Application Engineering (630)898-9624 for METRIC SKWEZ™ grease specifications to insure grease compatibility.

Relubricatable SEALMASTER Bearings are supplied with grease fittings or zerks for ease of lubrication with hand or automatic grease guns. For safety, stop rotating equipment. Add grease slowly until a small bead of grease is present at the seals then start equipment slowly, if more purging of the grease is necessary, stop equipment and repeat above.

A temperature rise (sometimes 32°F/17°C) after relubrication is normal. Typically the temperature will decrease after a short operating time when excess grease has purged and the bearing has stabilized.



Conversion Tables

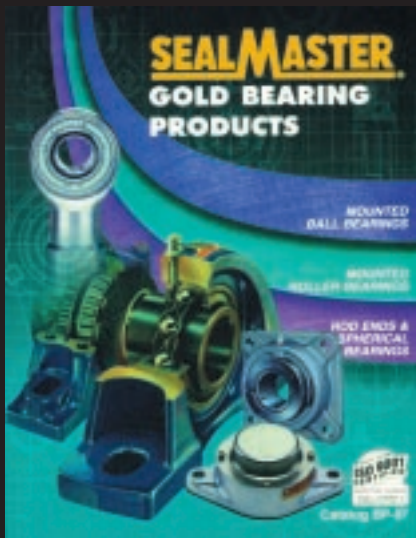
MULTIPLY INPUT X	BY FACTOR A	TO GET OUTPUT Y	MULTIPLY INPUT X	BY FACTOR A	TO GET OUTPUT Y
British thermal unit, Btu	1055	joule, J	moment of inertia, lbm • ft ²	0.0421	kilogram-meter ² , kg • m ²
Btu/second, Btu/s	1.05	kilowatt, kW	moment of inertia, lbm • in ²	293	kilogram-millimeter ² , kg • mm ²
calorie	4.19	joule, J	moment of section (second moment of area), in ⁴	41.6	centimeter ⁴ , cm ⁴
centimeter of mercury (0°C)	1.333	kilopascal, kPa	ounce-force, oz	0.278	newton, N
centipoise, cP	0.001	pascal-second, Pa • s	ounce-mass	0.0311	kilogram, kg
degree (angle)	0.0174	radian, rad	pound, lb†	4.45	newton, N
foot, ft	0.305	meter, m	pound-foot, lb • ft	1.36	newton-meter, N • m
foot ² , ft ²	0.0929	meter ² , m ²	pound/foot ² , lb/ft ²	47.9	pascal, Pa
foot/minute, ft/min	0.0051	meter/second, m/s	pound-inch, lb • in	0.113	joule, J
foot-pound, ft • lb	1.35	joule, J	pound-inch, lb • in	0.113	newton-meter N • m
foot-pound/second, ft • lb/s	1.35	watt, W	pound/inch, lb/in	175	newton/meter, N/m
foot/second, ft/s	0.305	meter/second, m/s	pound/inch ² , psi (lb/in ²)	6.89	kilopascal, kPa
gallon (U.S.), gal	3.785	liter, l	pound-mass, lbm	0.454	kilogram, kg
horsepower, hp	0.746	kilowatt, kW	pound-mass/second, lbm/s	0.454	kilogram/second, kg/s
inch, in	0.0254	meter, m	quart (U.S. liquid), qt	946	milliliter, ml
inch, in	25.4	millimeter, mm	section modulus, in ³	16.4	centimeter ³ , cm ³
inch ² , in ²	645	millimeter ² , mm ²	slug	14.6	kilogram, kg
inch of mercury (32°F)	3.386	kilopascal, kPa	ton (short 2000 lbm)	907	kilogram, kg
kilopound, kip	4.45	kilonewton, kN	yard, yd	0.914	meter, m
kilopound/inch ² , kpsi (ksi)	6.89	megapascal, MPa (N/mm ²)			
mass, lb • s ² /in	175	kilogram, kg			
mile, mi	1.610	kilometer, km			
mile/hour, mi/h	1.61	kilometer/hour, km/h			
mile/hour, mi/h	0.447	meter/second, m/s			

Length		Weight		Weight		Torque		Temperature	
in	mm	lbs	N	oz	g	in-lbs	N-m	F	C
0.0394	1	22.4719	100	0.0322	1	8.8496	1	-40	-40
0.0787	2	44.9438	200	0.0643	2	17.6991	2	-22	-30
0.1181	3	67.4157	300	0.0965	3	26.5487	3	-4	-20
0.1575	4	89.8876	400	0.1286	4	35.3982	4	14	-10
0.1969	5	112.3596	500	0.1608	5	44.2478	5	32	0
0.2362	6	134.8315	600	0.1929	6	53.0973	6	50	10
0.2756	7	157.3034	700	0.2251	7	61.9469	7	68	20
0.3150	8	179.7753	800	0.2572	8	70.7965	8	86	30
0.3543	9	202.2472	900	0.2894	9	79.6460	9	104	40
0.3937	10	224.7191	1000	0.3215	10	88.4956	10	122	50
0.5906	15	280.8989	1250	0.4823	15	132.7434	15	140	60
0.7874	20	337.0787	1500	0.6431	20	176.9912	20	158	70
0.9843	25	393.2584	1750	0.8039	25	221.2389	25	176	80
1.1811	30	449.4382	2000	0.9646	30	265.4867	30	194	90
1.3780	35	674.1573	3000	1.1254	35	309.7345	35	212	100
1.5748	40	898.8764	4000	1.2862	40	353.9823	40	230	110
1.7717	45	1123.5955	5000	1.4469	45	398.2301	45	248	120
1.9685	50	1348.3146	6000	1.6077	50	442.4779	50	266	130
2.1654	55	1573.0337	7000	1.7685	55	486.7257	55	284	140
2.3622	60	1797.7528	8000	1.9293	60	530.9735	60	302	150



SEALMASTER®

GOOD AS GOLD... NO EQUAL!



SEALMASTER® Gold Line™ standard and custom design ball bearings offer outstanding performance in a wide range of applications. Request Catalog BP-97.



SEALMASTER® Gold Line™ Beverage Bearings. Request Catalog SBB-97.



SEALMASTER® Gold Line™ Metric Mounted Roller Bearings. Request Catalog BP-97.

Ask your Authorized SEALMASTER Bearing distributor or any of the Customer Service Centers shown below for the latest product catalogs, engineering data and ordering information.

MORSE CUSTOMER SERVICE CENTERS - USA

Florence, KY 41022-0728
7120 Buffington Road
P.O. Box 728

Telephone: 606-342-7900
1-800-354-9825
Fax: 606-342-5652
606-342-5654

Los Angeles CA 91710-2977
3553 Placentia Court
Chino, CA 91710-2977

Telephone: (CA)
1-800-468-3751
(Other)
1-800-421-6047
Fax: 1-800-261-6516

EXPORT SALES DEPARTMENT

7120 Buffington Road
Florence, KY 41042
Telephone: 606-727-5273
Fax: 606-727-0721

SEALMASTER BEARINGS

1901 Bilter Road
Aurora, Illinois 60507
Telephone: 630-898-9620
Fax: 630-375-5173

McGILL MANUFACTURING

909 Lafayette Street
Valparaiso, Indiana 46383
Telephone: 219-465-2200
Fax: 219-465-2290

CUSTOMER SERVICE CENTER - CANADA

Markham, Ont., Canada
9999 Hwy. 48
Markham, ONT L3P 3J3
Telephone: 905-294-9330

1-800-268-4149
Fax: 1-800-668-9005

APPLICATION CONSIDERATIONS

The proper selection and application of power transmission products and components, including the related area of product safety, is the responsibility of the customer. Operating and performance requirements and potential associated issues will vary appreciably depending upon the use and application of such products and components. The scope of the technical and application information included in this publication is necessarily limited. Unusual operating environments and conditions, lubrication requirements, loading supports, and other factors can materially affect the application and operating results of the products and components and the customer should carefully review its requirements. Any technical advice or review furnished by Emerson Power Transmission Corp. and its divisions with respect to the use of products and components is given in good faith and without charge, and Emerson assumes no obligation or liability for the advice given, or results obtained, all such advice and review being given and accepted at customer's risk.

Refer to our Standard Terms and Conditions of Sale, Disclaimers of Warranty, Limitation of Liability and Remedy, located on inside back cover of the BP-97 catalog, or request a copy from one of the Service Centers shown at left. These terms and conditions of sale, disclaimers and limitations apply to any persons who may buy, acquire or use SEALMASTER bearings referred to herein, including any persons who buy from a licensed distributor of SEALMASTER products.



EMERSON POWER TRANSMISSION CORP.
620 S. AURORA STREET
ITHACA, NEW YORK 14850

EMERSON®