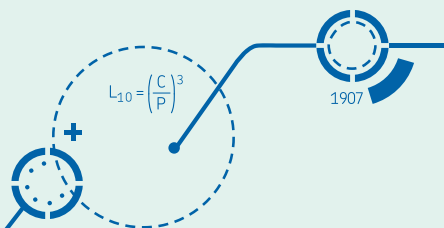


457018
2018

SKF Bearings & CR Seals Specification Handbook



$$M_{rr} = \varphi_{ish} \varphi_{rs} G_{rr} (v n)^{0.6}$$



CR Seals®

SKF Bearings Introduction

Agricultural Bearings

Ball Bearings

Center Support Bearings

Clutch Release Bearings

Cylindrical Bearings

Drivetrain Kits

Hub Bearings

Needle Bearings

Tapered Bearings

Timing Components



CR Seals Introduction

Hubcaps / Gaskets

Scotseals

Seals (includes Inch & Metric size listings)

Seal Kits

Speedi-Sleeves

V-Rings

SKF Bearings

Introduction

A bearing arrangement not only consists of a rolling bearing but includes the components associated with the bearing (shaft, housing, knuckle, etc.). For the proper choice of design of the rolling bearing it is necessary to select a suitable bearing type to create an appropriate fit and size to provide performance, economy, reliability, and safety. The sections of this catalog contain specification information for SKF's lines of standard and agricultural bearings.

Agricultural Bearings

These bearings are built for use in agricultural environments and applications like harvesters, tractors, food processing equipment, etc. They are grouped by type:

1. Adapter Bearings – Often called insert bearings. Adapter bearings are basically sealed deep groove ball bearings with a spherical or cylindrical outer ring, available with standard or extended inner ring.
2. Disc Harrow Bearings – Designed for lower speed applications in harsh agricultural environments, with round, square or hex bore.
3. Special Ball Bearings – Bearings with non-standard specifications for unique situations.
4. Housed & Housed Bearings – Ready to mount bearing housings with or without a matched adapter bearing. Available as pillow block or flanged units, in two materials: cast iron or steel.

Standard Bearings and Kits

1. Wheel Hub Bearings & Assemblies – Bearing and hub units intended specifically for use in automotive wheel applications. The hub assemblies are broken up into three sections: Hub bearings (Generation 1), Hub bearings (Generation 2 Special) and Hub assembly & Kits (Generation 2-3).
2. Roller Bearings section includes three rolling element shapes. These include Tapered Rollers, Cylindrical Rollers and Needle/Journal bearings.
3. Ball Bearings section includes sphere-shaped elements arranged in rows to carry loads and conduct motion. This section includes single & double row, clutch release, center support, timing belt tensioners, accessory & idler pulleys and hydraulic automatic tensioners.
4. Kit contents can include several different standard bearings as well as other components to offer an optional kit selection for a bearing rebuild for a vehicles differential, transmission or transfer case.

OUR TECHNICAL DEPARTMENT
IS AS CLOSE AS YOUR PHONE AND READY TO ASSIST YOU
CALL TOLL FREE

1-800-882-0008

www.vsm.skf.com

Table of contents — Bearings

Agricultural bearings.....	4
Adapter.....	5
Disc harrow.....	16
Special.....	22
Housed.....	26
Ball bearings.....	49
Center support bearings.....	70
Clutch bearings.....	76
Cylindrical bearings.....	87
Drivetrain kits.....	99
Crush sleeve kits.....	100
Differential kits.....	101
Transmission kits.....	171
Transfer case kits.....	193
Hub bearings.....	214
Hub bearings - Gen 1.....	215
Hub bearings - Gen 2 Special.....	225
Hub assemblies & kits - Gen 2 & 3.....	227
Needle roller bearings.....	247
Cage needle roller.....	249
Thrust needle roller.....	251
Loose needle roller/Bushings.....	252
Tapered bearings.....	253
Tapered roller series - Numerical listing.....	257
Tapered roller I.D. - Size listing.....	306
Tapered roller sets.....	346
Trailer repair kits.....	356
Timing components.....	357
Accessory pulleys/Tensioners.....	358
Timing belt tensioner pulleys.....	359
Timing belt hydraulic tensioners.....	363
Idler bearings.....	368

Agricultural bearings

Introduction

SKF agricultural bearings answer the requirements of the agricultural industry such as extreme temperatures, various loads, increased capacities and corrosive environments. With a variety of standard and custom bearing designs, SKF offers a complete line of adapter insert ball bearings with several proven seal design, from low torque shields to heavy-duty triple slip seals. Additionally, SKF agricultural bearings offer low maintenance and better sealing conditions in contaminated environments.



2 Hole cast iron flange with bearing



Extended inner ring adapter bearing with eccentric locking collar.



Pillow block with bearing and matching collar.

Adapter bearings

Introduction

Adapter bearings, also known as insert bearings, are primarily single row deep groove ball bearings designed for combination radial and axial loading. Their outside diameters are convex or cylindrical to allow for fitting to a housing. Because of their long life, versatility and cost effectiveness, adapter bearings are typically found in agricultural machinery, construction equipment, conveyor systems, textile machines, fans, and machines for food / beverage processing.

These bearings are categorized first by their inner diameter type, then by their locking ability, and finally by relubricatability.

Inner diameter type

SKF adapter bearings are available in two I.D. types: narrow (or standard) inner ring and wide (or extended) inner ring. Wide bearings have an inner ring that is extended to one or both sides for better stability and alignment.

Locking ability

There are two methods of bearing locking: set screw lock, and set screw with an eccentric locking collar that eliminates the need for locknuts, washers, shoulders, sleeves and adapters.

Relubricatability

Ball bearings must be lubricated to minimize friction between balls and their raceways and retainers.

Prelubricated (Non-relubricatable)

To provide for longer life while eliminating the need for regreasing, prelubricated ball bearings are factory packed with water-resistant grease and sealed so that they never need relubrication.

Relubricatable

While non-relubricatable bearings are successful in a majority of farm machinery applications, certain conditions of extreme moisture or temperature may require relubrication. In these cases, relubricatable adapter bearings are the right choice.



Extended inner ring adapter bearing with eccentric locking collar.

Narrow inner ring

Set screw lock

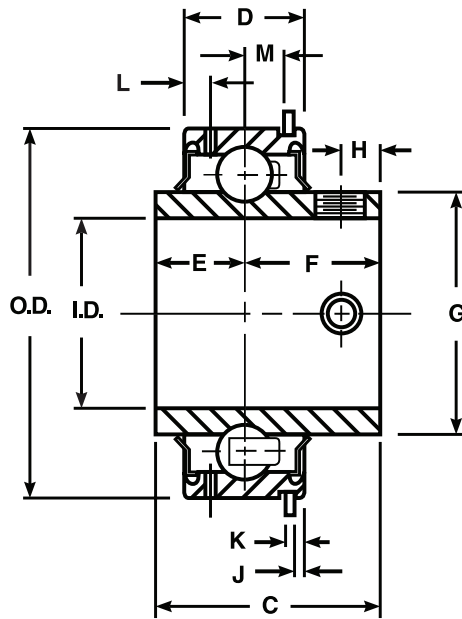
Relubricatable

I.D. size listing

ER Series

This series offers industry standard mounting dimensions and nomenclature. ER bearings are designed with a unique set screw locking device that locks bearing to shaft and is resistant to loosening during operation.

Positive contact landriding R seals retain lubricant and provide protection against harmful contaminants.



Bearing no.	Basic outer ring size	I.D.	O.D.	Ring widths		E	F	G	H	J	K	L	M
				C Inner	D Outer								
ER14	G205	.8750	2.0470	1.3750	.7500	.5625	.8125	1.3297	.2500	.1099	.0471	.1875	.1875
ER16	G205	1.0000	2.0470	1.3750	.7500	.5625	.8125	1.3281	.2500	.1094	.0469	.1875	.1875
ER19	G206	1.1880	2.4410	1.5000	.8750	.6094	.8960	1.5938	.2500	.1250	.0625	.1875	.2500
ER22	G207	1.3750	2.8350	1.6880	.9375	.6875	1.0000	1.8438	.3125	1.8438	.0625	.2188	.2813

Narrow inner ring

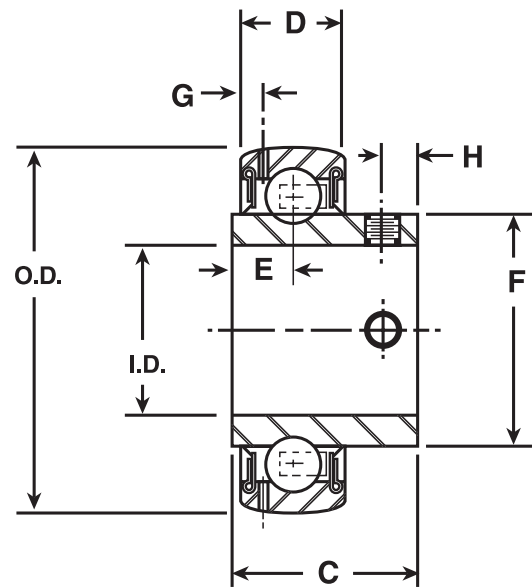
Set screw lock

Relubricatable

I.D. size listing

GYA-RRB Series

GYA-RRB bearings have spherical outside diameters for use in housings with a corresponding spherical inside surface to provide unrestricted initial alignment.



Bearing no.	Basic outer ring size	I.D.	O.D.	Ring widths		E	F	G	H
				C Inner	D Outer				
GYA010-RRB	G203	.6250	1.5748	.9380	.4720	.3130	.9688	.1070	.1870
GYA012-RRB	G204	.7500	1.8504	1.0630	.5510	.3490	1.1406	.1200	.2370
GYAE20-RRB	G204	.7874	1.8500	.9840	.5910	.2953	1.1300	.1772	.2370
GYA014-RRB	G205	.8750	2.0470	1.1090	.5910	.3480	1.3281	.1420	.2500
GYA015-RRB	G205	.9380	2.0470	1.1090	.5910	.3480	1.3281	.1420	.2500
GYA100-RRB	G205	1.0000	2.0472	1.1090	.5910	.3480	1.3281	.1420	.2500
GYA102-RRB	G206	1.1250	2.4410	1.2810	.7090	.3480	1.5781	.1640	.3100
GYA103-RRB	G206	1.1875	2.4409	1.2810	.7090	.3480	1.5870	.1640	.3100
GYA103RRB2	G206	1.2500	2.4409	1.2810	.7090	.3480	1.5871	.1640	.3100
GYA104-RRB	G207	1.2500	2.8346	1.2598	.7480	.4270	1.8440	.1450	.3100
GYA106-RRB	G207	1.3750	2.8350	1.4400	.7480	.4270	1.8438	.1450	.3100
GYA107-RRB	G207	1.4375	2.8346	1.3080	.7480	.4270	1.8440	.1450	.3100
GYA108-RRB	G208	1.5000	3.1500	1.5380	.8660	.4580	2.0630	.1640	.3100
GYA112-RRB	G209	1.7500	3.3465	1.7200	.8861	.5300	2.2820	.1790	.3100

Narrow inner ring

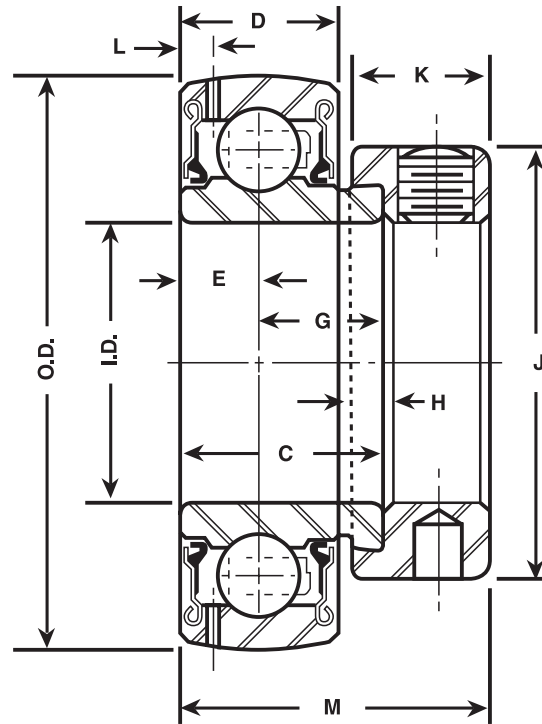
Set screw lock & collar

Relubricatable

I.D. size listing

GRA-RRB Series

GRA-RRB series bearings are the same as the RA-RRB series and have a provision for relubrication.



Bearing number includes collar

Bearing no. Spherical O.D.	Collar no.	Basic outer ring size	I.D.	O.D.	Ring widths		E	G	H	J	K	L	M
					C Inner	D Outer							
GRA008-RRB	S1008-K	G203	.5000	1.5750	.7500	.5120	.2560	.4940	.1563	1.1250	.5313	.1070	1.1250
GRA010-RRB	S1010-K	G203	.6250	1.5750	.7500	.5120	.2560	.4940	.1563	1.1250	.5313	.1070	1.1260
GRA012-RRB	S1012-K	G204	.7500	1.8500	.8440	.5910	.2560	.5480	.1563	1.3125	.5313	.1200	1.1270
GRA014-RRB	S1014-K	G205	.8750	2.0472	.8440	.5910	.2950	.5480	.1563	1.5000	.5313	.1420	1.1280
GRA015-RRB	-	G205	.9380	2.0470	.8440	.5910	.2950	.5480	.1563	1.5000	.5313	.1420	1.1290
GRA100-RRB	S1100-K	G205	1.0000	2.0470	.8440	.5910	.2950	.5480	.1563	1.5000	.6250	.1420	1.1300
GRA102-RRB	S1102-K	G206	1.1250	2.4400	.9280	.7090	.3540	.5830	.1563	1.7500	.6250	.1640	1.1310
GRA103-RRB	S1103-K	G206	1.1880	2.4400	.9280	.7090	.6540	.5830	.1563	1.7500	.6250	.1640	1.1320
GRA103RRB2	S1103-K3	G206	1.2500	2.4400	.9280	.7090	.6540	.5830	.1563	1.7500	.6719	.1640	1.1330
GRA104-RRB	S1104-K	G207	1.2500	2.8350	1.0000	.7480	.3740	.6260	.1563	2.1250	.6719	.1450	1.1340
GRA106-RRB	S1106-K	G207	1.3750	2.8350	1.0000	.7480	.3740	.6260	.1563	2.1250	.6719	.1450	1.1350
GRA107-RRB	S1107-K	G207	1.4380	2.8350	1.0000	.7480	.3740	.6260	.1563	2.1250	.7188	.1450	1.1360
GRA108-RRB	S1108-K	G208	1.5000	3.1500	1.1188	.8660	.4330	.7550	.1875	2.3750	.7188	.1640	1.1370
GRA111-RRB	S1111-K	G209	1.6880	3.3460	1.1190	.8660	.4330	.7550	.1875	2.5000	.7188	.1790	1.1380
GRA112-RRB	S1112-K	G209	1.7500	3.3460	1.1188	.8660	.4330	.7550	.1875	2.5000	.7188	.1790	1.1390
GRA115-RRB	S1115-K	G210	1.9380	3.5430	1.1188	.8660	.4330	.7550	.1875	2.7500	.7188	.1750	1.1400
GRA115RRB2	S1115-K2	G210	2.0000	3.5430	1.1190	.8660	.4330	.7550	.1875	2.7500	.8125	.1750	1.1410
GRA200-RRB	S1200-K	G211	2.0000	3.9370	1.2810	.9450	.4720	.8090	.1875	3.0000	.8125	.1930	1.1420
GRA203-RRB	S1203-K	G211	2.1880	3.9370	1.2810	.9450	.4720	.8090	.1875	3.0000	.8125	.1930	1.1430

Narrow inner ring

Set screw lock & collar

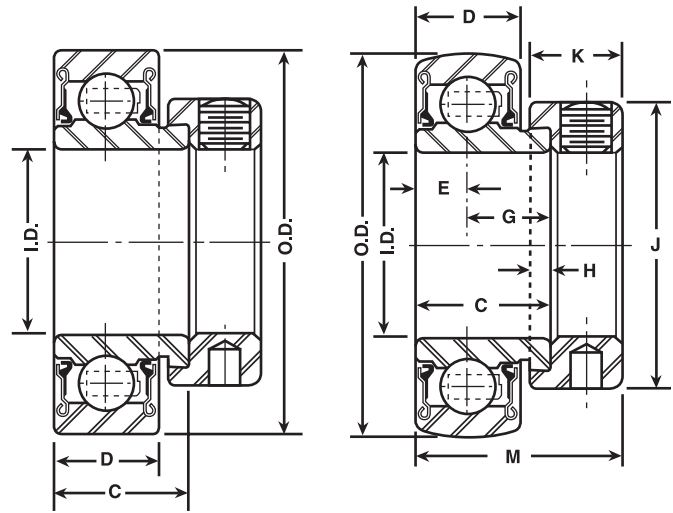
Non-relubricatable

I.D. size listing

RA-RR Series RA-RRB Series

The RA-RR series bearings are extended inner ring type with self-locking collar and cylindrical outside diameters. A completely new positive contact, land riding R-seal provides improved protection against harmful contaminants and effectively retains the lubricant under severe operating conditions. A molded nylon retainer has proven extremely effective under conditions of misalignment. RA-RR Series bearings are factory prelubricated.

RA-RRB series bearings are similar to the RA-RR series but with spherical outside diameters, for use in housings with corresponding spherical inside surfaces, to provide unrestricted initial alignment.



RA-RR Two Seals
Cylindrical O.D.

RA-RRB Two Seals
Spherical O.D.

Bearing number includes collar

Bearing number			Basic outer ring size	Ring widths									
Cylindrical O.D.	Spherical O.D.	Collar no.		I.D.	O.D.	C Inner	D Outer	E	G	H	J	K	M
RA008-RR	RA008-RRB	S1008-K	203	.5000	1.5750	.7500	.5120	.2560	.4940	.1563	1.1250	.5313	1.1250
RA010-RR	RA010-RRB	S1010-K	203	.6250	1.5750	.7500	.5120	.2560	.4940	.1563	1.1250	.5313	1.1250
RA012-RR	RA012-RRB	S1012-K	204	.7500	1.8504	.8440	.5910	.2950	.5480	.1563	1.3125	.5313	1.2188
RA014-RR	RA014-RRB	S1014-K	205	.8750	2.0472	.8440	.5910	.2950	.5480	.1563	1.5000	.5313	1.2188
-	RA015-RRB	-	205	.9380	2.0470	.8440	.5910	.2950	.5480	.1563	1.5000	.5313	1.2188
RA100-RR	RA100-RRB	S1100-K	205	1.0000	2.0470	.8440	.5910	.2950	.5480	.1563	1.5000	.5313	1.2188
-	RA101-RRB	S1101-K	206	1.0630	2.4410	.9380	.7090	.3540	.5830	.1563	1.7500	.6250	1.4063
RA102-RR	RA102-RRB	S1102-K	206	1.1250	2.4410	.9380	.7090	.3540	.5830	.1563	1.7500	.6250	1.4063
RA103-RR	RA103-RRB	S1103-K	206	1.1880	2.4410	.9380	.7090	.3540	.5830	.1563	1.7500	.6250	1.4063
RA103-RR2	RA103-RRB2	S1103-K3	206	1.2500	2.4410	.9380	.7090	.3540	.5830	.1563	1.7500	.6250	1.4063
RA104-RR	RA104-RRB	S1104-K	207	1.2500	2.8350	1.0000	.7480	.3740	.6260	.1563	2.1250	.6719	1.5313
-	RA105-RRB	S1105-K	207	1.3130	2.8350	1.0000	.7480	.3740	.6260	.1563	2.1250	.6719	1.5313
RA106-RR	RA106-RRB	S1106-K	207	1.3750	2.8350	1.0000	.7480	.3740	.6260	.1563	2.1250	.6719	1.5313
RA107-RR	RA107-RRB	S1107-K	207	1.4380	2.8350	1.0000	.7480	.3740	.6260	.1563	2.1250	.6719	1.5313
RA108-RR	RA108-RRB	S1108-K	208	1.5000	3.1500	1.1880	.8660	.4330	.7550	.1875	2.3750	.7188	1.7188
-	RA110-RRB	S1110-K	209	1.6250	3.3460	1.1880	.8660	.4330	.7550	.1875	2.5000	.7188	1.7188
-	RA111-RRB	S1111-K	209	1.6880	3.3460	1.1880	.8660	.4330	.7550	.1875	2.5000	.7188	1.7188
RA112-RR	RA112-RRB	S1112-K	209	1.7500	3.3460	1.1880	.8660	.4330	.7550	.1875	2.5000	.7188	1.7188
RA115-RR	RA115-RRB	S1115-K	210	1.9380	3.5430	1.1880	.8660	.4330	.7550	.1875	2.7500	.7188	1.7188
-	RA115-RRB2	S1115-K2	210	2.0000	3.5430	1.1880	.8660	.4330	.7550	.1875	2.7500	.7188	1.7188
-	RA200-RRB	S1200-K	211	2.0000	3.9370	1.2810	.9450	.4720	.8090	.1875	3.0000	.8125	1.9063

Narrow inner ring

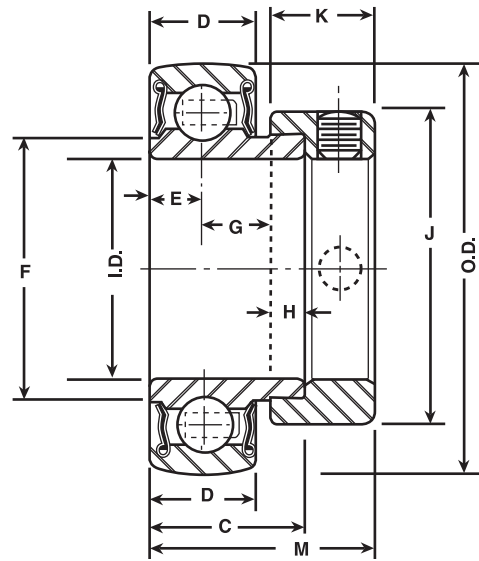
Set screw lock & collar

Non-relubricatable

RAL-PPB Series

RAL series bearings are high quality, compact, low cost and intended for use in lightly loaded applications. They are of the extended inner ring type with a self-locking collar. Prelubricated RAL bearings incorporate a special seal which has proved its effectiveness in the retention of lubricants and exclusion of foreign matter under extreme service conditions.

The RAL-PPB series has spherical outside diameters for use in housings with corresponding spherical inside surfaces to provide unrestricted initial self-alignment.



Bearing number includes collar

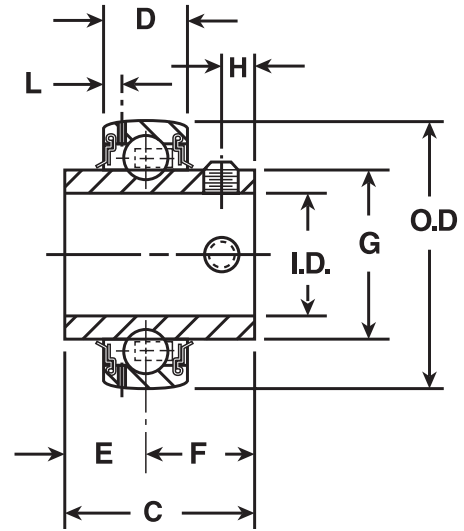
Bearing no.	Basic outer ring size	I.D.	O.D.	Ring widths		E	F	G	H	J	K	M
				C Inner	D Outer							
RAL010-PPB	6002	.6250	1.3780	.6250	.4330	.2166	.7900	.4084	.1562	1.0000	.4375	.9375
RAL012-PPB	6004	.7500	1.6540	.6560	.4720	.2362	.9900	.4198	.1250	1.6875	.4375	.9687
RAL100-PPB	6005	1.0000	1.8500	.6880	.4720	.2360	1.1680	.4518	.1562	1.8437	.4687	1.0000

Wide inner ring

Set screw lock
Relubricatable

GY-KRRB Series

GY-KRRB bearings have an extra wide inner ring with setscrew for increased shaft support. These bearings feature superfinished raceways, grade 10 balls, and antiback-out nylon patch setscrews. They are factory prelubricated and are relubricatable. The setscrew mounting feature is ideal for reversing load applications.



Bearing no.	Basic outer ring size	I.D.	O.D.	Ring widths		E	F	G	H	I
				C Inner	D Outer					
GY1100KRRB	205	1.0000	2.0472	1.3430	.5910	.5620	.7810	1.3320	.2480	.1520
GY1104KRRB	207	1.2500	2.8346	1.6880	.7480	.6880	1.0000	1.8160	.3080	.1450
GY1108KRRB	208	1.5000	3.1496	1.9380	.8270	.7500	1.1880	2.0580	.3150	.7600

Wide inner ring

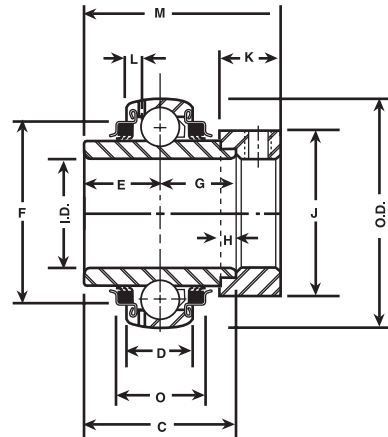
Set screw lock & collar

Relubricatable

G-PPB Series

Triple Lip Seal Series

The G-PPB series relubricatable Triple Lip Seal bearings are dimensionally interchangeable with the G-KRRB series bearings and can be used with standard housings.



Bearing number includes collar

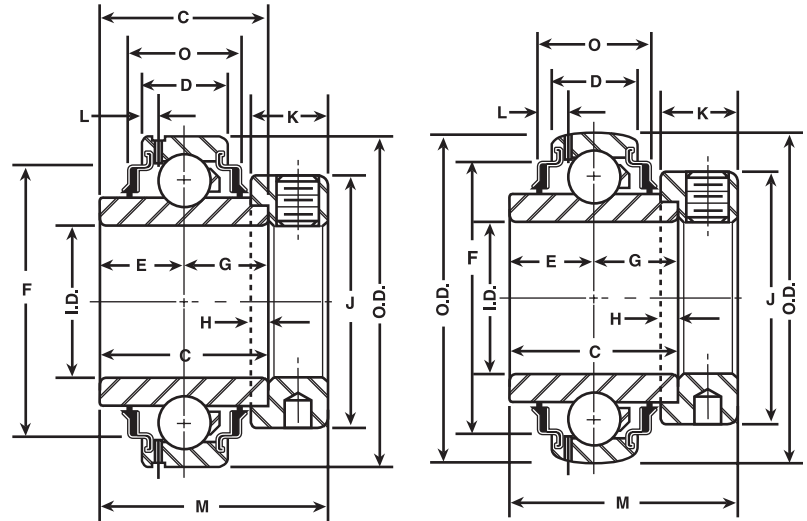
Bearing number Spherical O.D.	Collar no.	Basic outer ring size	I.D.	O.D.	Ring widths			F	H	J	K	L	M	O
					C Inner	D Outer	E & G							
G1100-PPB3	S1100-K	G205	1.0000	2.0470	1.3750	.5910	.6875	1.6800	.1563	1.5000	.5313	.1420	1.7500	.8030
G1103-PPB4	S1103-K3	G206	1.2500	2.4410	1.4380	.7090	.7188	2.0510	.1563	1.7500	.6250	.1560	1.9063	.8490
G1104-PPB2	S1104-K	G207	1.2500	2.8350	1.4840	.7480	.7420	2.3760	.1563	2.1250	.6719	.1450	2.0156	1.0000
G1106-PPB2	S1106-K	G207	1.3750	2.8350	1.4840	.7480	.7420	2.3760	.1563	2.1250	.6719	.1450	2.0156	1.0000
G1107-PPB2	S1107-K	G207	1.4380	2.8350	1.4840	.7480	.7420	2.3760	.1563	2.1250	.6719	.1450	2.0156	1.0000
G1108-PPB3	S1108-K	G208	1.5000	3.1500	1.6880	.8270	.8438	2.6950	.1875	2.3750	.7188	.2330	3.2188	1.0690
G1112-PPB4	S1112-K	G209	1.7500	3.3460	1.7500	.8660	.8438	2.8520	.1875	2.5000	.7188	.1790	3.2188	1.0820
G1115-PPB3	S1115-K	G210	1.9380	3.5430	1.9380	.9060	.9688	3.0510	.1875	2.7500	.7188	.1850	2.4688	1.0830
G1200-PPB4	S1200-K	G211	2.0000	3.9370	2.1880	.9840	1.0938	3.3890	.1875	3.0000	.8125	.2130	2.8125	1.1420
G1203-PPB4	S1203-K	G211	2.1880	3.9370	2.1880	.9840	1.0938	3.3890	.1875	3.0000	.8125	.2130	2.8125	1.1420

Wide inner ring
Set screw lock & collar
Relubricatable

G-KRR Series G-KRRB Series

The G-KRR series wide inner ring ball bearings are the same as the RR series and have a provision for relubrication. They are designed especially for extremely dirty or wet conditions.

These bearings feature R-seals with flared lips that firmly contact the ground O.D. of the inner ring to provide a positive seal against dust, dirt, and other contaminants while effectively retaining the lubricant. The extra wide design provides additional shaft support and extra large grease capacity.



G-KRR Two Seals Cylindrical O.D.

G-KRRB Two Seals Spherical O.D.

These bearings feature R-seals with flared lips that firmly contact the ground O.D. of the inner ring to provide a positive seal against dust, dirt, and other contaminants while effectively retaining the lubricant. The extra wide design provides additional shaft support and extra large grease capacity.

Bearing number includes collar

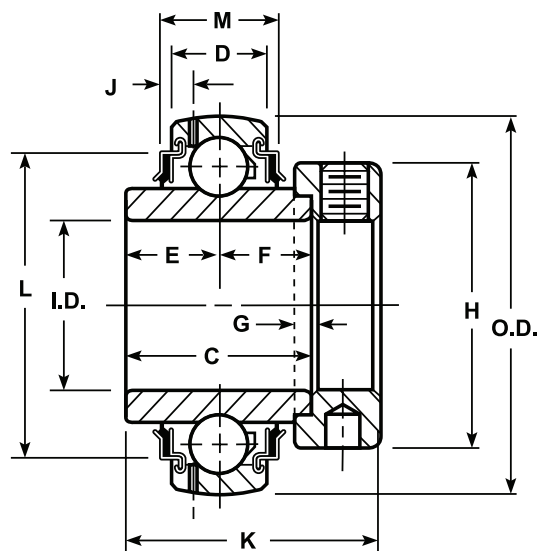
Bearing number			Basic outer ring size	Ring widths												
Cylindrical O.D.	Spherical O.D.	Collar no.		I.D.	O.D.	C Inner Outer		E & G	F	H	J	K	L	M	O	
G1010-KRR	G1010-KRRB	S1010-K	G203	.6250	1.5750	1.0938	.4720	.5469	1.3390	.1563	1.1250	.5313	.1070	1.4688	.6520	
-	G1012-KRRB	S1012-K	G204	.7500	1.8500	1.3437	.5510	.6719	1.5320	.1563	1.3125	.5313	.1350	1.7188	.6810	
-	G1013-KRRB	-	G205	.8130	2.0470	1.3750	.5910	.6875	1.7790	.1563	1.5000	.5313	.1520	1.7500	.6560	
-	G1014-KRRB	S1014-K	G205	.8750	2.0470	1.3750	.5910	.6875	1.7790	.1563	1.5000	.5313	.1520	1.7500	.6560	
-	G1015-KRRB	-	G205	.9380	2.0470	1.3750	.5910	.6875	1.7790	.1563	1.5000	.5313	.1520	1.7500	.6560	
G1100-KRR	G1100-KRRB	S1100-K	G205	1.0000	2.0470	1.3750	.5910	.6875	1.7790	.1563	1.5000	.5313	.1520	1.7500	.6560	
-	G1101-KRRB	S1101-K	G206	1.0625	2.4409	1.4375	.7090	.7188	2.0680	.1563	1.7500	.6250	.1560	1.9063	.8490	
-	G1102-KRRB	S1102-K	G206	1.1250	2.4410	1.4380	.7090	.7188	2.0680	.1563	1.7500	.6250	.1560	1.9063	.8490	
-	G1103-KRRB	S1103-K	G206	1.1870	2.4410	1.4375	.7090	.7188	2.0680	.1563	1.7500	.6250	.1560	1.9063	.8490	
-	G1103KRRB3	S1103-K3	G206	1.2500	2.4410	1.4375	.7090	.7188	2.0680	.1563	1.7500	.6250	.1560	1.9063	.8490	
G1104-KRR	G1104-KRRB	S1104-K	G207	1.2500	2.8350	1.4380	.7480	.7420	2.3840	.1563	2.1250	.6719	.1450	2.0156	.8560	
-	G1105-KRRB	S1105-K	G207	1.3130	2.8350	1.4380	.7480	.7420	2.3840	.1563	2.1250	.6719	.1450	2.0156	.8560	
-	G1106-KRRB	S1106-K	G207	1.3750	2.8350	1.4375	.7480	.7420	2.3840	.1563	2.1250	.6719	.1450	2.0156	.8560	
-	G1107-KRRB	S1107-K	G207	1.4380	2.8350	1.4375	.7480	.7420	2.3840	.1563	2.1250	.6719	.1450	2.0156	.8560	
G1108-KRR	G1108-KRRB	S1108-K	G208	1.5000	3.1500	1.6880	.8270	.8438	2.6690	.1875	2.3750	.7188	.1600	2.2188	.9230	
-	G1109-KRRB	-	208	1.5630	3.1500	1.6880	.8270	.8438	2.6690	.1875	2.3750	.7188	.1600	2.2188	.8660	
-	G1110-KRRB	S1110-K	G209	1.6250	3.3470	1.6880	.8660	.8438	2.9080	.1875	2.5000	.7188	.1790	2.2188	1.0700	
-	G1111-KRRB	S1111-K	G209	1.6875	3.3465	1.6875	.8660	.8438	2.9080	.1875	2.5000	.7188	.1790	2.2188	1.0700	
G1112-KRR	G1112-KRRB	S1112-K	G209	1.7500	3.3470	1.6880	.8660	.8438	2.9080	.1875	2.5000	.7188	.1790	2.2188	1.0700	
-	G1114-KRRB	S1114-K	G210	1.8750	3.5430	1.9380	.9060	.9688	3.0590	.1875	2.7500	.7188	.1850	2.4688	1.0830	
-	G1115-KRRB	S1115-K	G210	1.9375	3.5433	1.9375	.9060	.9688	3.0590	.1875	2.7500	.7188	.1850	2.4688	1.0830	
-	G1200-KRRB	S1200-K	G211	2.0000	3.9370	2.1875	.9840	1.0937	3.4320	.1875	3.0000	.8125	.1970	2.8125	1.1420	
-	G1203-KRRB	S1203-K	G211	2.1875	3.9370	2.1875	.9840	1.0937	3.4320	.1875	3.0000	.8125	.1970	2.8125	1.1420	
-	G1207-KRRB	-	G212	2.4380	4.3310	2.4380	1.0240	1.2187	3.7360	.2500	3.3125	.8750	.2020	3.0625	1.3790	

Wide inner ring

Set screw lock & collar
Relubricatable

GN-KRRB Series

This series is similar to the standard series but is capable of withstanding continuous, heavy or shock loads. The GN-KRRB series has a heavier cross section to accommodate the larger 300 series bearings, as well as a considerably thicker sealing member. This design assures complete retention of the lubricant and positive exclusion of all contaminants. These bearings are especially effective at slow-to-moderate speeds under the severest conditions of dirt and corrosion.



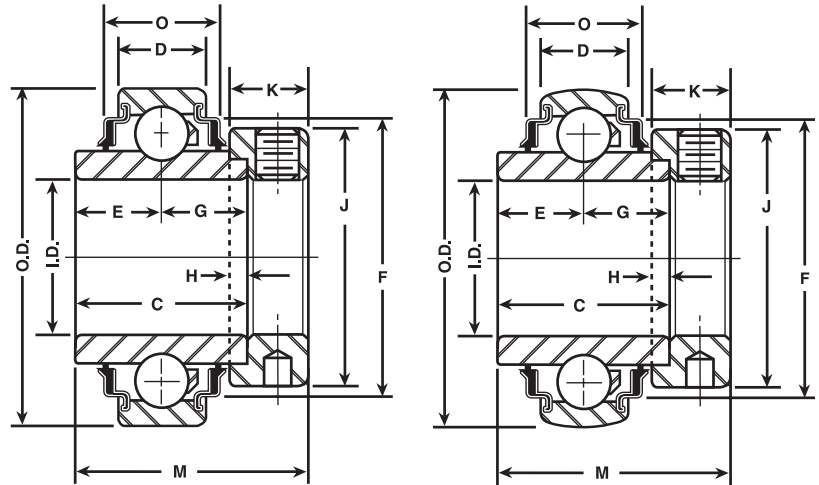
Bearing no.	Basic outer ring size	I.D.	O.D.	Ring widths		E	F	G	H	J	K	L	M
				C Inner	D Outer								
GN203-KRRB	G311	2.1880	4.7240	2.1880	1.2210	1.0938	-	1.1562	.1875	3.1250	.8750	.2160	2.8750

Wide inner ring
 Set screw lock & collar
 Non-relubricatable

KRR Series KRRB Series

The KRR series wide inner ring ball bearings are designed especially for extremely dirty or wet conditions.

These bearings feature R-seals with flared lips which firmly contact the ground O.D. of the inner ring to provide a positive seal against dust, dirt and other contaminants and effectively retain the lubricant. KRR series bearings are equipped with shroud-seals which provide extra effectiveness and protection. The extra wide design provides additional shaft support and extra large grease capacity.



Bearing number includes collar

Bearing number			Basic outer ring size	Ring widths										
Cylindrical O.D.	Spherical O.D.	Collar no.		I.D.	O.D.	C Inner D Outer		E & G	F	H	J	K	M	O
1012-KRR	-	S1012-K	204	.7500	1.8500	1.3440	.5510	.6719	1.5320	.1563	1.3125	.5313	.15625	.6520
-	1012-KRRB3	S1012-K	204	.7500	1.8500	1.3440	.5510	.6719	1.5320	.1563	1.3125	.5313	.15625	.6520
1014-KRR	G1014-KRRB	S1014-K	G205	.8750	2.0470	1.3750	.5910	.6875	1.7790	.1563	1.5000	.5313	.15625	.6560
-	G1015-KRRB	-	G205	.9380	2.0470	1.3750	.5910	.6875	1.7790	.1563	1.5000	.5313	.15625	.6560
-	1100-KRRB	S1100-K	205	1.0000	2.0470	1.3750	.5910	.6875	1.7790	.1563	1.5000	.5313	.15625	.6560
-	1102-KRRB	S1102-K	206	1.1250	2.4410	1.4380	.6300	.7188	2.0680	.1563	1.7500	.6250	.15625	.7700
1103-KRR	-	S1103-K	206	1.1880	2.4410	1.4380	.6300	.7188	2.0680	.1563	1.7500	.6250	.15625	.7700
1103-KRR3	1103-KRRB3	S1103-K3	206	1.2500	2.4410	1.4380	.6300	.7188	2.0680	.1563	1.7500	.6250	.15625	.7700
1104-KRR	1104-KRRB	S1104-K	207	1.2500	2.8350	1.4840	.7480	.7420	2.3840	.1563	2.1250	.6719	.15625	.7550
1106-KRR	1106-KRRB	S1106-K	207	1.3750	2.8350	1.4840	.6690	.7420	2.3840	.1563	2.1250	.6719	.15625	.7550
1107-KRR	1107-KRRB	S1107-K	207	1.4380	2.8350	1.4840	.6690	.7420	2.3840	.1563	2.1250	.6719	.15625	.7550
1108-KRR	1108-KRRB	S1108-K	208	1.5000	3.1500	1.6880	.8260	.8438	2.6690	.1875	2.3750	.7188	.1875	.8050
-	1110-KRRB	S1110-K	209	1.6250	3.3470	1.6880	.7480	.8438	2.9080	.1875	2.5000	.7188	.1875	.9520
1111-KRR	-	S1111-K	209	1.6880	3.3470	1.6880	.7480	.8438	2.9080	.1875	2.5000	.7188	.1875	.9520
1112-KRR	1112-KRRB	S1112-K	209	1.7500	3.3470	1.6880	.7480	.8438	2.9080	.1875	2.5000	.7188	.1875	.9520
1115-KRR	G1115-KRRB	S1115-K	G210	1.9380	3.5430	1.9375	.9060	.9688	3.0590	.1875	2.7500	.7188	.1875	1.0830
-	G1200-KRRB	S1200-K	G211	2.0000	3.9370	2.1875	.9840	1.0937	3.4320	.1875	3.0000	.8125	.1875	1.1420

Disc harrow bearings

Introduction

Whether cultivating soil or chopping weeds, disc harrows have to slice through a punishing mix of soil, dust and more.

While in operation, disc harrow bearings must withstand exposure to these materials as well as heavy loads and shock loads. During washdowns, bearing seals need to keep water and detergents out, and lubricants in.

Balanced design identified by deep races, large balls and extra wide, heavy duty shock resistant inner or outer rings, designed for use where severe contaminant conditions exist.

These bearings incorporate a highly effective seal design molded to an exterior shroud cap to provide exceptionally effective protection against the loss of lubricant and the entrance of wet or abrasive contaminants.

Round, square and hex bore bearings offered in spherical and cylindrical outside diameters, in both relubricatable and non-relubricatable configurations.



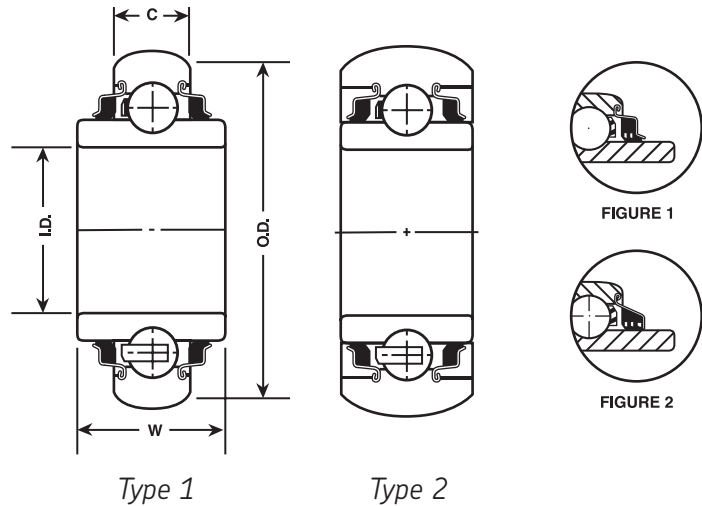
Disc harrow bearings

Round & square bore triple lip seal series

Non-relubricatable

Spherical O.D.

Triple lip seal ball bearings are designed for environments where severe contamination is present, such as agricultural tillage equipment. The new one-piece triple lip seals incorporate a highly effective seal design molded to an exterior shroud cap to provide exceptionally effective protection against loss of lubricant and entrance of wet or abrasive contaminants. A seven piece triple lip construction is standard on certain sizes. The shroud cap nests closely with the outside seal and helps protect the rubber seal members from abrasion.



A feature of these bearings is their balanced design identified by deep races, large balls and extra wide or heavy, shock resistant inner and outer rings. The use of triple lip seal bearings simplifies housing designs and their extra inner ring width provides greater support on the shaft.

Bearing no.	I.D.	O.D.	Ring width		Balls		Stamping size	Type/Fig.
			W Inner	C Outer	Quantity	Size		
Round Bore								
W208-PPB7	1.1880	3.1500	1.1880	.7090	9	1/2	80MS	1-1
W208-PPB23	1.5010	3.1500	1.6880	1.1880	9	15/32	80MS	1-1
W209-PPB2	1.7720	3.3460	1.1880	1.1880	–	1/2	85MS	2-2
W209-PPB4	1.5350	3.3460	1.1880	1.1880	9	1/2	85MS	2-2
W209-PPB5	1.2500	3.3470	1.4380	1.1880	–	1/2	85MS	1-2
W209-PPB6E	1.7690	3.3410	1.6870	1.3120	10	15/32	87MS	2-2
W210-PPB2	1.9380	3.5430	1.1880	1.1880	–	1/2	90MS	2
W210-PPB5	1.7850	3.5430	1.1880	1.1880	10	1/2	90MS	2
W211-PPB2	2.1880	3.9370	1.3120	1.3120	10	9/16	100MS	2-2
W211-PPB4	2.1880	3.9370	2.1870	1.3120	10	9/16	100MS	2-2
Square Bore								
W208-PPB5	1.1800	3.1500	1.4380	.7090	9	1/2	80MS	1-1
W208-PPB6	1.0000	3.1500	1.4380	.7090	9	1/2	80MS	1-1
W208-PPB13	.8750	3.1500	1.4380	.7090	9	1/2	80MS	1-1
W210-PPB4	1.1250	3.5430	1.1880	1.1880	9	1/2	90MS	2
W210-PPB6	1.1250	3.5430	1.4380	1.1880	9	1/2	90MS	1
W211-PPB3	1.5000	3.9370	1.3120	1.3120	10	9/16	100MS	2-2
W211-PPB6	1.5000	4.0770	1.7500	1.4375	–	9/16	100MS	1-2

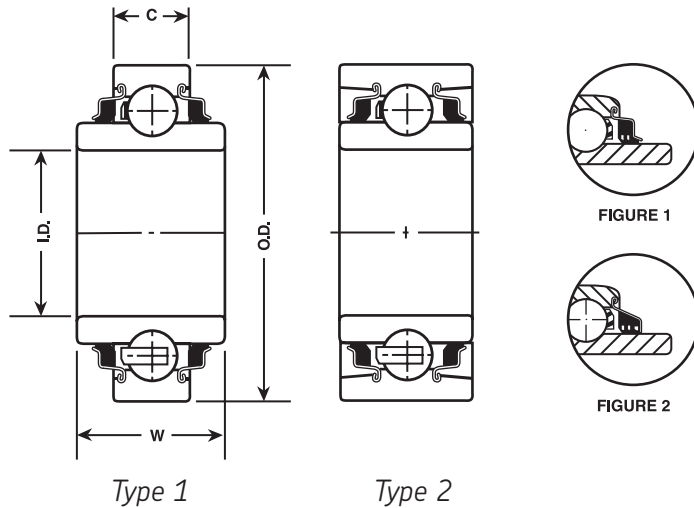
Disc harrow bearings

Round & square bore triple lip seal series

Non-relubricatable

Cylindrical O.D.

Triple lip seal ball bearings are designed for environments where severe contamination is present such as agricultural tillage equipment. The new one-piece triple lip seals incorporate a highly effective seal design molded to an exterior shroud cap to provide exceptionally effective protection against the loss of lubricant and the entrance of wet or abrasive contaminants. A seven piece triple lip construction is standard on certain sizes. The shroud cap nests closely with the outside seal and helps protect the rubber seal members from abrasion.



A feature of these bearings is their balanced design identified by deep races, large balls and extra wide or heavy, shock resistant inner and outer rings. The use of triple lip seal bearings simplifies housing design and their extra inner ring width provides greater support on the shaft.

Bearing no.	I.D.	O.D.	Ring width		Balls		Type/Fig.
			W Inner	C Outer	Quantity	Size	
Round Bore							
W208-PP10	1.5000	3.1500	1.6880	.8270	9	1/2	1-1
W211-PP2	2.1880	3.9370	1.3120	1.3120	10	9/16	2-2
W211-PP3	1.5000	3.9370	1.3120	1.3120	-	9/16	2-2
W211-PP5	1.5000	4.0000	1.7500	1.4380	-	9/16	1-2
Square Bore							
W208-K2	1.0000	3.1496	1.6875	.7090	9	1/2	1
W208-PP5	1.1250	3.1500	1.4380	.7090	9	1/2	1-1
W208-PP6	1.0000	3.1500	1.4380	.7090	9	1/2	1-1
W208-PP8	1.1250	3.1500	1.4380	1.1880	9	1/2	1-1
W210-PP	1.9380	3.5433	1.9375	.7874	-	1/2	1
W210-PP2	1.9380	3.5430	1.1880	1.1880	-	1/2	2
W210-PP10	1.9380	3.5433	1.9375	1.3550	-	1/2	1
W210-PP4	1.1250	3.5433	1.1875	1.1875	10	1/2	2

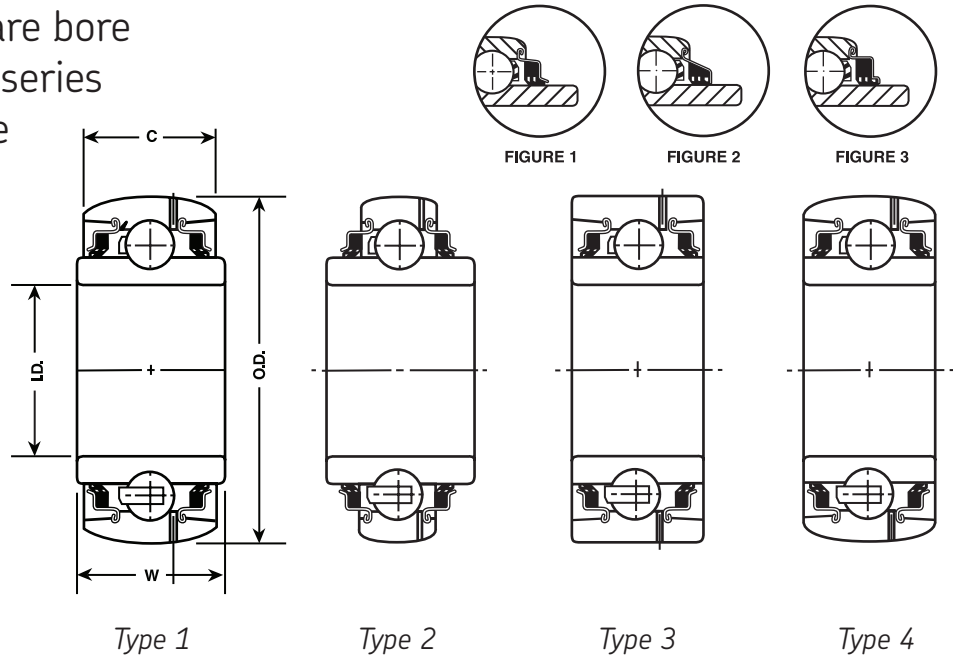
Disc harrow bearings

Round & square bore

Triple lip seal series

Relubricatable

These bearings are similar in design and features to the non-relubricatable triple lip seal harrow bearings on the preceding pages and have a provision for relubrication.



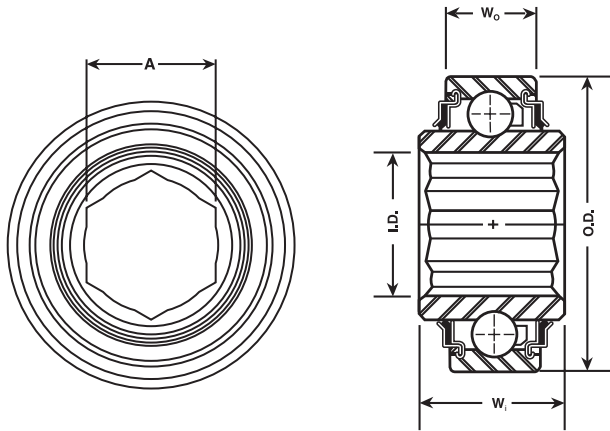
Bearing no.	I.D.	O.D.	Ring width		Balls		Type/Fig.
			W Inner	C Outer	Quantity	Size	
Round Bore							
GW209-PPB2	1.7720	3.3470	1.1880	1.1880	9	1/2	4-2
GW209-PPB4	1.5350	3.3470	1.1880	1.1880	9	1/2	4-2
GW209PPB11	1.7810	3.3465	1.4380	.8660	9	1/2	2-2
GW209PPB6P	1.5350	3.4920	1.6875	1.2500	10	15/32	2-2
GW209PPB23	1.7750	4.3000	1.6875	.7870	-	1/2	2
GW210-PPB5	1.7850	3.5430	1.1880	1.1880	10	1/2	4
GW210-PP9	1.9450	3.5430	1.4380	.9060	10	1/2	2
GW211-PPB2	2.1880	3.9370	1.3120	1.3120	10	9/16	4-2
GW211-PPB8	2.1880	3.9370	1.3120	.9840	10	9/16	2-2
GW211-PPB9	2.1950	3.9370	1.5620	.9840	10	9/16	2-2
GW211-PP2	2.1880	3.9370	1.3120	1.3120	10	9/16	3-2
GW211PPB13	1.7850	3.9370	1.3120	.9840	10	9/16	2-2
GW211PPB14	2.0150	3.9370	1.3120	.9840	10	9/16	2-2
GW211-PP25	1.7850	3.9370	1.7500	1.3125	-	9/16	3
GW214-PPB2	2.7560	4.9210	1.5620	1.5620	10	11/16	4
GW214-PPB5	2.7560	4.9213	2.4280	1.5620	10	11/16	1
GW214-PP2	2.7560	4.9213	1.5620	1.5620	10	11/16	3
Square Bore							
GW208-PP17	1.1250	3.3760	1.4380	1.1880	-	1/2	3-1
GW208-PPB5	1.1250	3.1500	1.4380	.8270	9	1/2	2-1
GW208-PPB6	1.0000	3.1500	1.4380	.8270	9	1/2	2-1
GW208-PPB8	1.1250	3.1500	1.4380	1.1880	-	1/2	1-1
GW209-PPB5	1.2800	3.3470	1.4380	1.1880	9	1/2	1-2
GW209-PPB8	1.2500	3.3470	1.4380	.8660	9	1/2	3-2
GW210-PPB2	1.9380	3.5430	1.1880	1.1880	-	1/2	4
GW210-PPB4	1.1250	3.5430	1.1880	1.1880	10	1/2	4
GW210-PP4	1.1250	3.5430	1.1880	1.1880	10	1/2	3
GW211-PPB3	1.5000	3.9370	1.3120	1.3120	10	9/16	4-2
GW211-PP17	1.5000	3.9370	1.7500	1.3120	10	9/16	3-2
GW211-PP3	1.5000	3.9370	1.3120	1.3120	10	9/16	3-2
GW216-PP2	2.2500	5.5118	2.5000	1.1810	11	23/32	2-3

Disc harrow bearings

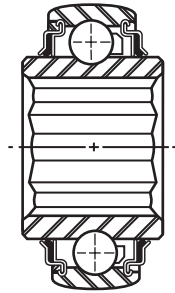
Hex bore series

This series is designed to be used either for outer or inner ring rotation in low speed, moderately loaded applications, primarily in implements and conveyors. The main advantage of these bearings is ease of mounting; except for end-wise positioning by adjacent parts, no collars, set screws or other locking devices are required to lock the inner ring to the hex shaft. The tolerances of the hex bores in this series are suitable for mounting on cold rolled hex shafting.

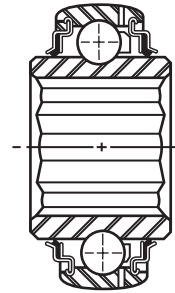
These bearings utilize the R type seal.



Type 1



Type 2

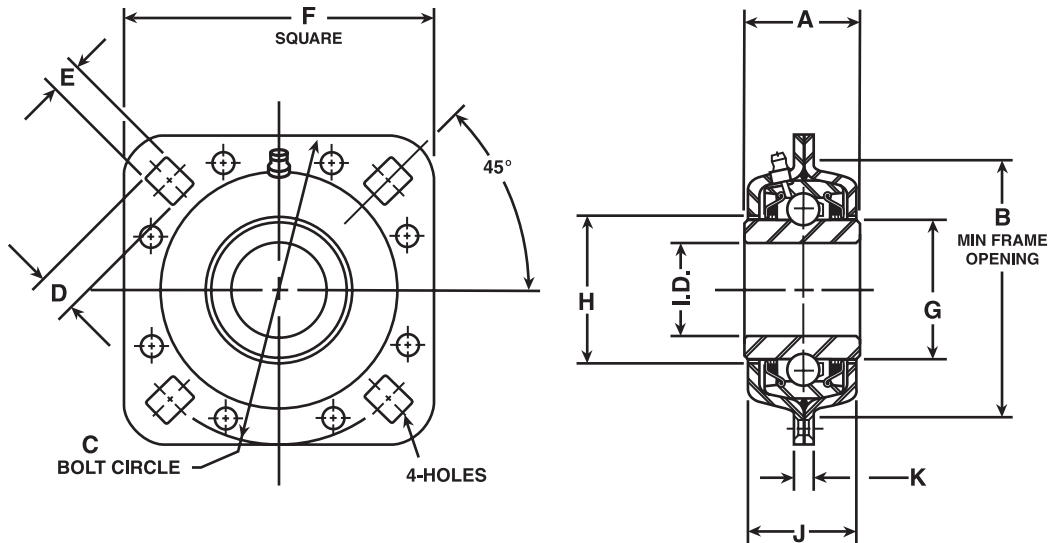


Type 4

Bearing no.	Hex I.D.	A Across flats	O.D.	Width		Type
				W _o Outer	W _i Inner	
202-KRR3	9/16	.5630	1.3780	.4330	.5120	1
204-KRR2	11/16	.6950	1.8500	.5510	.8250	1
205-KRRB2	.8750	.8760	2.0470	.5910	1.0000	2
205-KRR2	.8750	.8760	2.0470	.5910	1.0000	1
206-KPPB5	1.0000	1.0010	2.4409	.6300	1.0600	2
206-KPP3	1.0000	1.0010	2.4410	.6300	.9450	1
206-KRRB6	1.0000	1.0030	2.4410	.6299	.9449	2
206-KRR6	1.0000	1.0000	2.4410	.6300	.9450	1
207-KPPB3	1-1/4	1.2500	2.8346	.6690	1.4840	2
207-KRRB12	1.126	1.1250	2.8346	.7480	.9842	2
207-KRRB17	1-1/4	1.2510	2.8346	.9840	.7480	1
208-PPBA	1.2500	1.2500	3.1496	.7087	1.4370	1
W208-PPB16	1.2500	1.2510	3.1496	.7090	1.4380	4
209-KRRBB	1-1/2	1.5000	3.5430	.8660	1.1811	2
209-KRRB2	1-1/2	1.5000	3.3465	.7480	1.1811	2

Disc harrow bearings

Triple lip seal disc harrow units



The disc harrow unit is the answer to versatility in design. For your extra special design needs this unit incorporates a triple lip seal bearing mounted in two stampings riveted together with two O rings.

Units are available in two basic size groups, one incorporating a 209 bearing and one incorporating a 211 bearing.

Features:

- Dynamic alignment capability (± 3).
- Shroud effect for close clearance of stamping to inner ring.
- Relubricatability.
- One unit piece for ease of handling and assembly.
- Fitted flange mates with outer ring milled recess, removing possibility of outer ring circumferential movement.
- Stampings are case hardened to minimize wear.
- Units are equipped with nylon retainer, molded one piece seals and patented notched outer ring seal grooves.

Bearing no.	I.D.	A	B	C	D	E	F	G	H	J	K
Round Bore											
DHU 1-1/2R	1.5000	1-11/16	4.0000	5.0000	21/32	17/32	5.0000	2.2790	2-23/64	1-43/64	17/64
DHU 1-3/4E	1.7500	2-1/8	4-15/32	5-1/2	19/32	17/32	5-1/2	2.2460	2-7/8	1-15/16	19/64
DHU491-A	1.7500	1.6845	3.8650	5.0000	.5310	.5310	5.0000	-	-	1.6300	.2760
DHU211-RJA	1.9385	2.2500	4.4687	5.5000	.8125	.8125	5.5000	2.7460	2.8750	1.9375	.2968
DHU 2-3/16	2.1875	2.1845	4.4910	5.5000	.5310	.5310	5.5000	-	-	1.8110	.3150
Square Bore											
DHU 1-1/8	1.1250	1-11/16	4.0000	5.0000	21/32	17/32	5.0000	2.2790	2-23/32	1-43/64	17/64
DHU 1-1/4	1.2500	1-1/4	4.0000	5.0000	21/32	17/32	5.0000	2.2790	2-23/32	1-43/64	17/64

Special bearings

Introduction

A complete line featuring non-standard I.D., O.D. and radius dimensions, designed for a variety of applications such as cotton pickers, forage harvesters, cultivators and garden tractors.

Disc Opener



Gauge Wheel



Press Wheel

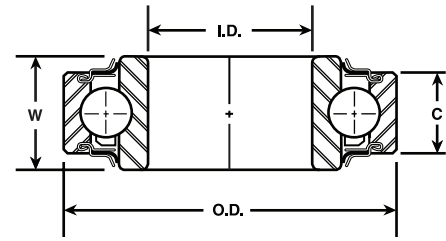


Closing Wheel



Special bearings

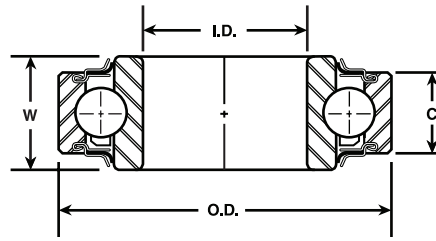
Numerical listing



Bearing no.	I.D.	O.D.	Ring width		Comments
			W Inner	C Outer	
200-KTD	.3937	1.1811	.4800	.5000	One shield, one seal
J202-KRR8	.5906	1.3780	.8800	.4331	Two seals, extended inner ring
202-NPP5	.6250	1.3780	.4330	.4331	Special seals, inch bore in metric series
202-NPP8	.6300	1.3780	.4331	.4331	Special bore, two seals
202-NPP9	.5000	1.5000	.4331	.4331	Cam follower, heavy seals, spherical O.D.
202-NPPB	.5906	1.3750	.4331	.4331	Basic 6202-J with spherical O.D.
203-KRR2	.6400	1.5750	.7200	.4724	Two seals, wide inner ring
P203-KRR3	.6260	2.0000	.5906	.5906	Cam follower guide rolls for baler plunger, thick outer ring
203-KRR5	.5150	1.5750	.7200	.4720	Special bore and width
203-KRR6	.6400	1.8500	.7200	.4724	Idler pulley, idler sprocket, thick outer ring
203-NPPB	.6693	1.5748	.4724	.4724	Basic 6203-J with spherical O.D.
P203-PP10	.6250	1.5748	.4724	.4724	Disc, mower, two seals 5/8" bore
204-KRD4	.6290	1.8500	.6860	.5512	Drill, two seals, 5/8" bore, extended inner ring
204-NPPB	.7870	1.8500	.5510	.5512	Basic 6204-J with spherical O.D.
P204-RR6	.7510	1.7810	.6100	.6100	Mower spindle, two seals
204-RR7	.7500	1.7805	.6100	.6100	Disk, two seals, 3/4" bore
204-RR8	.6260	1.7805	.6100	.6100	Two seals, special 5/8" bore
204-RY2	.6310	1.7810	.7350	.6100	Planter, double disk opener, special 5/8" bore, Gothic arch race
205-KP6	.7510	2.0472	.9210	.7000	Seal on extended inner ring
205-KR3	.7510	2.0472	.6400	.7000	Disk hiller, planter, cotton picker, one seal
205-KRP2	.7500	2.0472	.8280	.5906	Two seals, extended inner ring on one side
205-NPPB	.9843	2.0472	.5906	.5906	Basic 6205-J with spherical O.D.
205-PP10	.6250	2.0472	1.3750	.5906	Potato harvester, triple lip seals, extended inner ring
205-PP11	1.0000	2.0472	1.1875	.5906	Marker wheel, triple lip seals, wide inner ring
205-PP9	.7500	2.0472	1.3750	.5906	Wide inner ring, cultivator
205-PPB7	.9430	2.0470	1.3750	.5906	Cultivator, triple lip seals, wide inner ring
206-KPR4	.9700	2.4409	.8750	.7087	Two seal, with triple lip seal on extended inner ring
206-KRR13	.7550	2.4409	.9450	.6300	Idler sprocket for baler, extended inner ring
206-KRR8	1.1811	2.4409	.9450	.6300	Two seals, wide inner ring
206-NPPB	1.1810	2.4410	.6300	.6300	Basic 6206-J with spherical O.D.
207-KRR14	1.2500	2.8350	.9840	.6690	Disk harrow, two seals, wide inner ring
207-NPPB	1.3780	2.8346	.6693	.6693	Basic 6207-J with spherical O.D.
208-KP2	1.5000	3.1496	1.0625	.7087	Triple lip seal on extended inner ring
208-NPPB	1.5750	3.1500	.7087	.7087	Basic 6208-J with spherical O.D.
305-NPPB	.9843	2.4409	.6693	.6693	Basic 6305-J with spherical O.D.
407-22V	.5000	1.1250	.3750	.3750	Low speed ball bearing, unground
1630-DCTN VP	.7500	1.6250	.5000	.5000	Precision ground, two seals
5203-KYY2	.6400	1.5748	1.7300	1.5330	Planter, two seals, double row

Special bearings

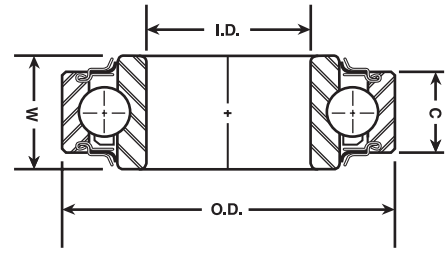
Numerical listing



Bearing no.	I.D.	O.D.	Ring width		Comments
			W Inner	C Outer	
6202-FFB	.6250	1.3750	.4331	.4331	Basic 6202-J, two seals with 5/8" bore
6202-FFLB	.6250	1.3750	.4331	.4331	Basic 6202-J, two seals with 5/8" bore and snap ring
6203-FFA	.7500	1.7500	.5000	.5000	Two seals, thick outer ring
6203-RR12	.7500	1.5740	.4700	.4700	Two seals, 3/4" bore
6203-VSP14	.6693	1.5748	.5512	.4724	Two seals, 17mm bore
6204-FREN	.6320	1.7805	.7350	.6100	Two seals, extended inner ring
6205-RVA	.7500	2.0472	.8280	.5906	Triple lip seal on extended inner ring
6206-GGH	.7560	2.4409	.9449	.6299	Special bore with two seals
9104-KDD	.7874	1.6535	.4724	.4724	Two shields
BR87504	.7874	1.8504	.6250	.5512	Extended inner ring on seal side only
A88107-BVV	1.3780	2.8350	.9840	.6693	Disc harrow, two double lip seals, wide inner ring

Special bearings

I.D. size listing



I.D.	O.D.	Ring width		Bearing no.
		W Inner	C Outer	
.3937	1.1811	.4800	.5000	200-KTD
.5000	1.5000	.4331	.4331	202-NPP9
.5000	1.1250	.3750	.3750	407-22V
.5150	1.5750	.7200	.4720	203-KRR5
.5906	1.3780	.8800	.4331	J202-KRR8
.5906	1.3750	.4331	.4331	202-NPPB
.6250	1.3780	.4330	.4331	202-NPP5
.6250	2.0472	1.3750	.5906	205-PP10
.6250	1.3750	.4331	.4331	6202-FFB
.6250	1.3750	.4331	.4331	6202-FFLB
.6250	1.5748	.4724	.4724	P203-PP10
.6260	2.0000	.5906	.5906	P203-KRR3
.6260	1.7805	.6100	.6100	204-RR8
.6290	1.8500	.6860	.5512	204-KRD4
.6300	1.3780	.4331	.4331	202-NPP8
.6310	1.7810	.7350	.6100	204-RY2
.6320	1.7805	.7350	.6100	6204-FREN
.6400	1.5750	.7200	.4724	203-KRR2
.6400	1.8500	.7200	.4724	203-KRR6
.6400	1.5748	1.7300	1.5330	5203-KYY2
.6693	1.5748	.4724	.4724	203-NPPB
.6693	1.5748	.5512	.4724	6203-VSP14
.7500	1.7805	.6100	.6100	204-RR7
.7500	2.0472	.8280	.5906	205-KRP2
.7500	2.0472	1.3750	.5906	205-PP9
.7500	1.6250	.5000	.5000	1630-DCTN VP
.7500	1.7500	.5000	.5000	6203-FFA
.7500	1.5740	.4700	.4700	6203-RR12

I.D.	O.D.	Ring width		Bearing no.
		W Inner	C Outer	
.7500	2.0472	.8280	.5906	6205-RVA
.7510	1.7810	.6100	.6100	P204-RR6
.7510	2.0472	.9210	.7000	205-KP6
.7510	2.0472	.6400	.7000	205-KR3
.7550	2.4409	.9450	.6300	206-KRR13
.7560	2.4409	.9449	.6299	6206-GGH
.7870	1.8500	.5510	.5512	204-NPPB
.7874	1.6535	.4724	.4724	9104-KDD
.7874	1.8504	.6250	.5512	BR87504
.9430	2.0470	1.3750	.5906	205-PPB7
.9700	2.4409	.8750	.7087	206-KPR4
.9843	2.0472	.5906	.5906	205-NPPB
.9843	2.4409	.6693	.6693	305-NPPB
1.0000	2.0472	1.1875	.5906	205-PP11
1.1810	2.4410	.6300	.6300	206-NPPB
1.1811	2.4409	.9450	.6300	206-KRR8
1.2500	2.8350	.9840	.6690	207-KRR14
1.3780	2.8346	.6693	.6693	207-NPPB
1.3780	2.8350	.9840	.6693	A88107-BVV
1.5000	3.1496	1.0625	.7087	208-KP2
1.5750	3.1500	.7087	.7087	208-NPPB

Housings & Housed bearings

Introduction

Available as pillow blocks and as 2- or 4-bolt flange blocks, SKF housings have an inside diameter shaped to accept and retain adapter bearings. They are ready to mount.

They are organized by type of housing, material, and bearing (if packaged together).

Type of housing

Generally, pillow blocks support a shaft running parallel to the mounting surface, whereas flange blocks usually support a shaft running perpendicular to the mounting surface.

Material

SKF housings are available in either grey cast iron or steel.

Bearing

Bearing types in this section are sorted by the same conventions as those in the adapter bearing section: I.D. type (narrow or wide), lock type (set screw or eccentric locking collar) and relubricatability.

Some housings are also sold individually.



4-bolt flange block with bearing and matching collar.



2-bolt flange block with bearing and matching collar.



Pillow block with bearing and matching collar.

Pillow blocks

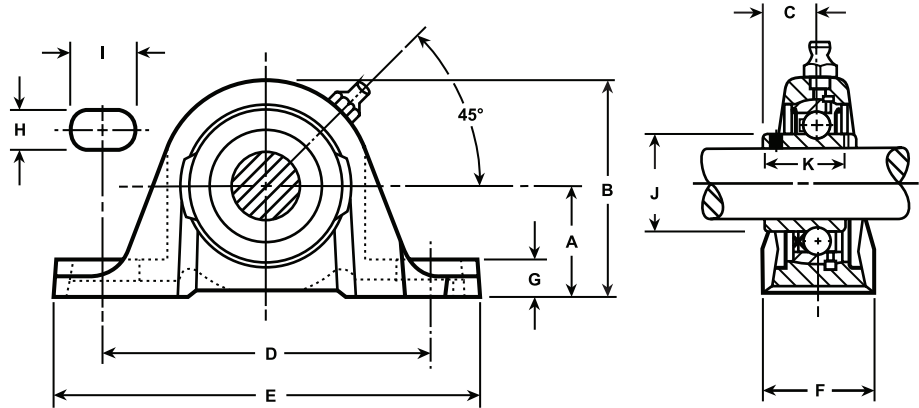
Cast iron housing

Narrow inner ring bearing

w/Set screw

SAS Series

This streamlined, one-piece pillow block unit combines a rugged iron housing and the GYA-RRB set screw bearing, which features features positive contact land-riding seals and specially designed set screws. The SAS pillow block mounts and operates in any position. Bearing housed units are factory prelubricated but a grease fitting is provided to allow for relubrication if required.



Bearing no.	I.D.	A	B	C	D	E	F	G	H	I	J	K	Bolt size	Bearing no.
SAS 1/2	.5000	1.1875	2.2500	.6093	3.6250	4.8750	1.2187	.4687	.4375	.8750	1.4687	.9375	3/8	-
SAS 5/8	.6250	1.1875	2.2500	.6093	3.6250	4.8750	1.2187	.4687	.4375	.8750	1.4687	1.0625	3/8	GYA010-RRB
SAS 3/4	.7500	1.3125	2.5625	.6718	3.7812	5.0000	1.3438	.5312	.4375	.7812	1.7187	.4375	3/8	GYA012-RRB
SAS 1	1.0000	1.4375	2.8125	.8750	5.1250	5.5000	1.4062	.5937	.4375	.8125	1.7500	1.1093	3/8	GYA100-RRB
SAS 1-1/8	1.1250	1.6875	3.3125	.8750	4.6250	6.1875	1.7500	.6562	.5625	.9375	1.9062	1.2812	1/2	GYA102-RRB
SAS 1-1/4	1.2500	1.8750	3.6875	.8750	5.0000	6.7500	1.7500	.7187	.5625	.8750	2.0156	1.2903	1/2	GYA104-RRB
SAS 1-3/8	1.3750	1.8750	3.6875	.8750	5.0000	6.7500	1.7500	.7187	.5625	.8750	2.0156	1.4375	1/2	GYA106-RRB
SAS 1-7/16	1.4375	1.8750	3.6875	.8750	5.0000	6.7500	1.7500	.7187	.5625	.8750	2.0156	1.4375	7/8	GYA107-RRB
SAS 1-3/4	1.7500	2.1250	3.6875	.8750	5.0000	6.7500	1.7500	.7187	.5625	.8750	2.0156	1.6562	1/2	GYA112-RRB
SAS 2-1/2	2.5000	3.0000	6.0000	1.3125	8.0000	10.1250	2.6250	1.5000	.5625	1.0000	2.7500	1.8281	3/4	-

Pillow blocks

Cast iron housing

Narrow inner ring bearing

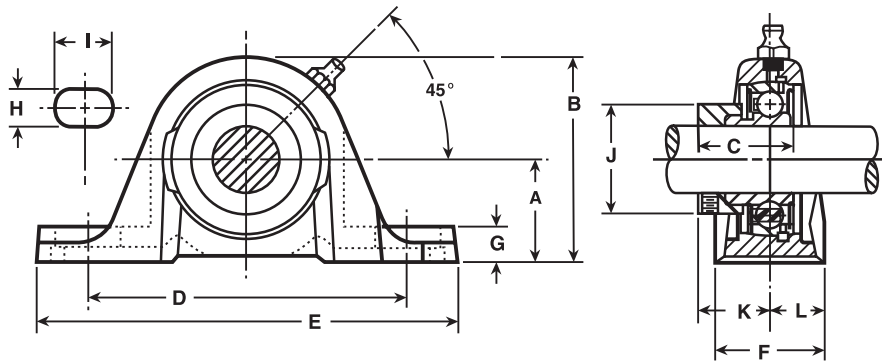
w/Set screw & collar

VAK Series VAS Series

The streamlined, rugged one-piece VAK pillow block unit combines our proven RAK housing and unique RA-RR extended inner ring bearing.

The RA-RR bearing employs a positive contact land-riding seal and a self-locking collar to assure positive shaft retention. The VAK pillow block can be mounted and will operate in any position. Bearing housed units are factory prelubricated but a grease fitting is provided to allow for relubrication if required.

VAS pillow block units are similar in design and features, and equal in load carrying capacity to the VAK series, but have slightly different base to center height dimensions to make them interchangeable with certain other makes. As with the VAK series they are prelubricated, with a grease fitting provided for relubrication if required.



Bearing no.	I.D.	A	B	C	D	E	F	G	H	I	J	K	L	Bolt size	Bearing no.	Collar no.
VAK 5/8	.6250	1.0625	2.0937	1.1250	3.6250	4.8750	1.1875	.3437	.4375	.8750	1.1250	.8750	1.1250	3/8	GRA010-RRB	S1010-K
VAK 3/4	.7500	1.2500	2.4687	1.2187	3.7812	5.0000	1.2500	.4687	.4375	.7812	1.3125	.7812	1.3125	3/8	GRA012-RRB	S1012-K
VAK 7/8	.8750	1.3125	2.6875	1.2187	4.1250	5.5000	1.4062	.4687	.4375	.8125	1.5000	.8125	1.5000	3/8	GRA014-RRB	S1014-K
VAK 15/16	.8125	1.3125	2.6875	1.2187	4.1250	5.5000	1.4062	.4687	.4375	.8125	1.5000	.8125	1.5000	3/8	GRA015-RRB	-
VAK 1	1.0000	1.3125	2.6875	1.2187	4.1250	5.5000	1.4062	.4687	.4375	.8125	1.5000	.8125	1.5000	3/8	GRA100-RRB	S1100-K
VAK 1-1/8	1.1250	1.5625	3.1562	1.4062	4.6250	6.1875	1.5625	.5312	.5625	.9375	1.7500	.9375	1.7500	1/2	GRA102-RRB	S1102-K
VAK1-3/16M	1.1875	1.5625	3.1562	1.4062	4.6250	6.1875	1.5625	.5312	.5625	-	1.7500	1.0625	1.7500	1/2	GRA103-RRB	S1103-K
VAK 1-1/4S	1.2500	1.5625	3.1562	1.4062	4.6250	6.1875	1.5625	.5312	.5625	-	1.7500	1.0625	1.7500	1/2	GRA103RRB2	S1103-K3
VAK 1-1/4	1.2500	1.1875	3.6250	1.5312	5.1250	6.5625	1.7812	.6562	.5625	-	2.1250	1.1563	2.1250	1/2	GRA104-RRB	S1104-K
VAK 1-3/8	1.3750	1.1875	3.6250	1.5312	5.1250	6.5625	1.7812	.6562	.5625	-	2.1250	1.1563	2.1250	1/2	GRA106-RRB	S1106-K
VAK 1-7/16	1.4375	1.1875	1.6250	1.5312	5.1250	6.5625	1.7812	.6562	.5625	-	2.1250	1.1563	2.1250	1/2	GRA107-RRB	S1107-K
VAK 1-1/2	1.5000	1.9375	3.9375	1.7187	5.3750	7.0625	1.8750	.7500	.5625	-	2.3750	1.2813	2.3750	1/2	GRA108-RRB	S1108-K

Bearing no.	I.D.	A	B	C	D	E	F	G	H	I	J	K	L	Bolt size	Bearing no.	Collar no.
VAS 1	1.0000	1.4375	2.8125	1.7500	4.1250	5.5000	1.0937	.5937	.4375	.8125	1.5000	.9218	.1718	3/8	GRA100-RRB	S1100-K

Pillow blocks

Cast iron housing

Wide inner ring bearing

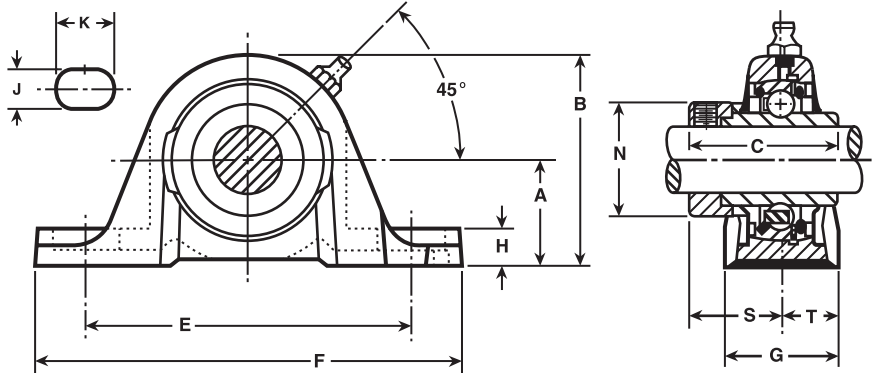
w/Set screw & collar

RAK Series

RAK pillow blocks are recommended for applications where normal loads are encountered. They assure the user the advantages of a compact, one-piece housing which can be mounted in any position. The pillow blocks are

self-aligning at mounting with the spherical outside diameter of the bearings fitting into a corresponding spherical housing seat. These units are prelubricated and ready for immediate installation. A grease fitting provides for relubrication if required. Self-locking collars are supplied with all units.

The RAK pillow block is equipped with G-KRRB (R-seal) wide inner ring bearings.



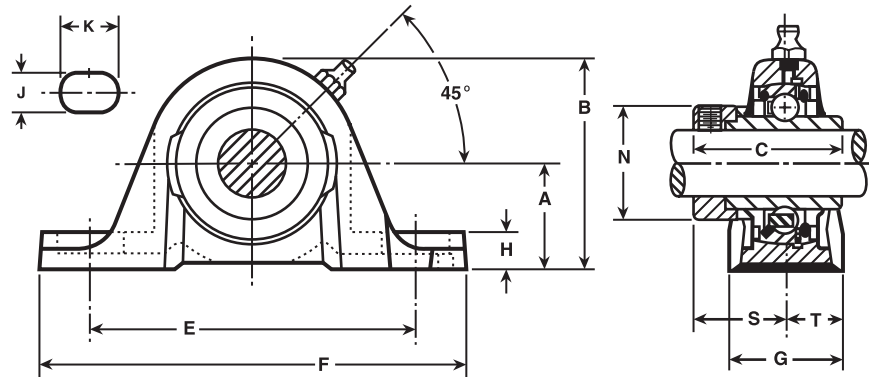
Bearing no.	I.D.	A	B	C	E	F	G	H	J	K	N	S	T	Bolt size	Bearing no.	Collar no.
RAK 1/2	.5000	1.0625	2.1250	1.9375	3.6250	4.8750	1.2188	.3438	.4375	.8750	1.1250	.9218	.6094	3/8	-	S1008-K
RAK 5/8	.6250	1.0625	2.1250	1.9375	3.6250	4.8750	1.2188	.3438	.4375	.8750	1.1250	.9218	.3750	3/8	G1010-KRRB	S1010-K
RAK 11/16	.6880	1.0625	2.1250	1.9375	3.6250	4.8750	1.2188	.3438	.4375	.8750	1.1250	.5625	.3750	3/8	-	S1011-K
RAK 3/4	.7500	1.2500	2.5000	1.7188	3.7813	5.0000	1.3438	.4688	.4375	.7813	1.3125	1.0469	.6719	3/8	G1012-KRRB	S1012-K
RAK 13/16	.8125	1.3125	2.6875	1.7500	4.1250	5.5000	1.4063	.4688	.4375	.7813	1.5000	1.0625	.7031	3/8	G1013-KRRB	-
RAK 7/8	.8750	1.3125	2.6875	1.7500	4.1250	5.5000	1.4063	.4688	.4375	.7813	1.5000	1.0625	.7031	3/8	G1014-KRRB	S1014-K
RAK 15/16	.8125	1.3125	2.6875	1.7500	4.1250	5.5000	1.4063	.4688	.4375	.7813	1.5000	1.0625	.7031	3/8	G1015-KRRB	-
RAK 1	1.0000	1.3125	2.6875	1.7500	4.1250	5.5000	1.4063	.4688	.4375	.7813	1.5000	1.0625	.7031	3/8	G1100-KRRB	S1100-K
RAK 1-1/8	1.1250	1.5625	3.1875	1.9063	4.6250	6.1875	1.7500	.5313	.5625	.9375	1.7500	1.1875	.8750	1/2	G1102-KRRB	S1102-K
RAK1-3/16M	1.1875	1.5625	3.1875	1.9063	4.6250	6.1875	1.7500	.5313	.5625	.9375	1.7500	1.1875	.8750	1/2	G1103-KRRB	S1103-K
RAK 1-1/4	1.2500	1.8125	3.6250	2.0156	5.0000	6.7500	1.7500	.6563	.5625	.8750	2.1250	1.2813	.8750	1/2	G1104-KRRB	S1104-K
RAK 1-3/8	1.3750	1.1875	3.6250	2.0156	5.0000	6.7500	1.7500	.6563	.5625	.8750	2.1250	1.2813	.8750	1/2	G1106-KRRB	S1106-K
RAK 1-7/16	1.4375	1.1875	3.6250	2.0156	5.0000	6.7500	1.7500	.6563	.5625	.8750	2.1250	1.2813	.8750	1/2	G1107-KRRB	S1107-K
RAK 1-1/2	1.5000	1.9375	3.9375	2.2188	5.3750	7.1250	1.9375	.7500	.5625	1.0000	2.3750	1.3750	.9688	1/2	G1108-KRRB	S1108-K
RAK 1-5/8	1.6250	2.0625	4.1250	2.2188	5.6563	7.3750	2.0000	.6875	.5625	.9063	2.5000	1.3750	1.0000	1/2	G1110-KRRB	S1110-K
RAK1-11/16	1.6875	2.0625	4.1250	2.2188	5.6563	7.3750	2.0000	.6875	.5625	.9063	2.5000	1.3750	1.0000	1/2	G1111-KRRB	S1111-K
RAK 1-3/4	1.7500	2.0625	4.1250	2.2188	5.6563	7.3750	2.0000	.6875	.5625	.9063	2.5000	1.3750	1.0000	1/2	G1112-KRRB	S1112-K
RAK 1-7/8	1.8750	2.1875	4.4375	2.4688	6.1875	8.0000	2.1875	.6875	.6875	.9375	2.7500	1.5000	1.0938	5/8	G1114-KRRB	S1114-K
RAK1-15/16	1.9375	2.1875	4.4375	2.4688	6.1875	8.0000	2.1875	.6875	.6875	.9375	2.7500	1.5000	1.0938	5/8	G1115-KRRB	S1115-K
RAK 2	2.0000	2.4375	4.9375	2.4063	6.9375	8.8125	2.3125	.7500	.6875	1.1250	3.0000	1.7188	1.1563	5/8	G1200-KRRB	S1200-K
RAK 2-3/16	2.1875	2.1875	4.9375	2.4063	6.9375	8.8125	2.3125	.7500	.6875	1.1250	3.0000	1.7188	1.1563	5/8	G1203-KRRB	S1203-K
RAK 2-7/16	2.4375	2.6875	5.4063	3.0625	7.4063	9.4375	2.3750	.8750	.6875	1.1562	3.3125	1.8438	1.1875	5/8	G1207-KRRB	-
RAK 3	3.0000	3.5000	6.9688	3.0625	9.0000	12.0000	3.0000	1.8750	-	1.0000	3.6380	1.8750	1.1875	7/8	-	-

Pillow blocks

Cast iron housing
Wide inner ring bearing
w/Set screw & collar

RAS Series

RAS pillow blocks are similar in design and equal in load carrying capacity to the RAK, TAK types, but have slightly different housing dimensions to make them interchangeable with certain other competitive designs. The RAS pillow block is equipped with G-KRRB (R-seal) wide inner ring bearings.



Bearing no.	I.D.	A	B	C	E	F	G	H	J	K	N	S	T	Bolt size	Bearing no.	Collar no.
RAS 11/16	.6880	1.1875	2.2500	1.4688	3.6250	4.8750	1.2188	.4688	.4375	.8750	1.1250	.9200	.6094	3/8	-	S1011-K
RAS 13/16	.8125	1.4375	2.8125	1.7500	4.1250	5.5000	1.4063	.5938	.4375	.8125	1.5000	1.0625	.7031	3/8	G1013-KRRB	-
RAS 1	1.0000	1.4375	2.8125	1.7500	4.1250	1.4063	1.4063	.5938	.4375	.8125	1.5000	1.0625	.7031	3/8	G1100-KRRB	S1100-K
RAS1-3/16M	1.1875	1.6875	1.6875	1.9063	4.6250	6.1875	1.7500	.6563	.5625	.9375	1.7500	1.1875	.8750	1/2	G1103-KRRB	S1103-K
RAS 1-1/4	1.2500	1.8750	3.6875	2.0156	5.0000	6.7500	1.7500	.7188	.5625	.8750	2.1250	1.2813	.8750	1/2	G1104-KRRB	S1104-K
RAS 1-1/2	1.5000	2.0000	3.9375	2.2188	5.3750	7.1250	1.9375	.7500	.5625	1.0000	2.3750	1.3750	.9688	1/2	G1108-KRRB	S1108-K
RAS 1-5/8	1.6250	2.1250	4.1875	2.2188	5.6563	7.3750	2.0000	.7500	.5625	.9063	2.5000	1.3750	1.0000	1/2	G1110-KRRB	S1110-K

Pillow blocks

Cast iron housing

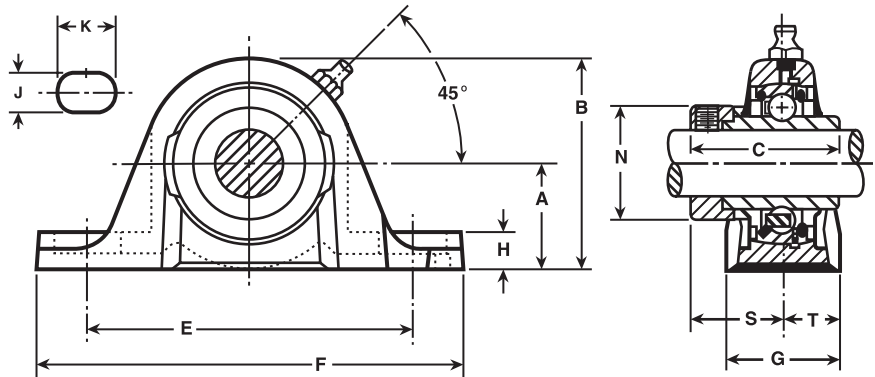
Wide inner ring bearing

w/Set screw & collar

TAK Series

TAK pillow blocks are identical to RAK units except the triple lip seal bearing is used. Triple lip units solve the most difficult sealing problems. They are capable of withstanding the hard usage encountered in the toughest environments of abrasive dirt and moisture—ideal

for fruit, vegetable, fiber and root harvesting equipment, food handling and processing equipment and all types of material handling equipment where abrasion and contamination exist.

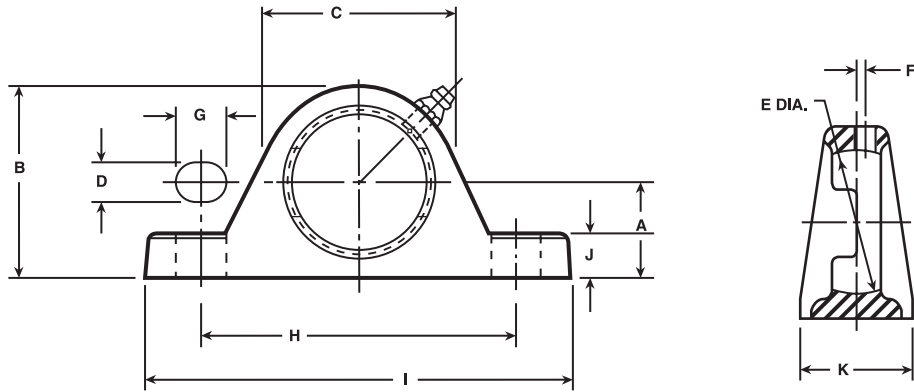


Bearing no.	I.D.	A	B	C	E	F	G	H	J	K	N	S	T	Bolt size	Bearing no.	Collar no.
TAK 1	1.0000	1.3125	2.6875	1.7500	4.1250	5.5000	1.4062	.5000	.4375	.8125	1.4843	1.0625	.7031	3/8	G1100-PPB3	S1100-K
TAK 1-1/2	1.5000	1.9375	3.9375	2.2187	5.3750	7.1250	1.9375	.7500	.5625	1.0000	2.3593	1.3750	.9687	1/2	G1108-PPB3	S1108-K

Pillow blocks

Cast iron housing only

AK Series



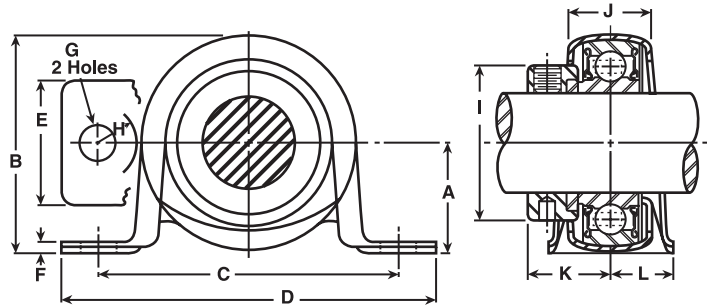
Bearing no.	Basic outer ring	A	B	C	D	E	F	G	H	I	J	K
AK04	204	1.2500	2.5000	2.5000	.4375	1.8504	.1200	.6250	3.8750	5.0000	.5625	1.5000
AK05	205	1.3125	2.6875	2.7500	.4375	2.0472	.1200	.6250	4.1250	5.5000	.6250	1.6250
AK06	206	1.5625	3.1563	3.1875	.5625	2.4409	.1440	.7500	4.7500	6.8125	.7500	1.7500
AK07	207	1.8125	3.6250	3.6250	.5625	2.8346	.1640	.7500	5.0000	6.7500	.8125	1.8750
AK08	208	1.9375	3.9375	4.0000	.5625	3.1496	.2380	.7500	5.5000	8.0000	.8750	2.0000
AK10	210	2.1875	4.4375	4.5000	.6875	3.9370	.2950	.9375	1.0625	8.8125	2.3750	2.2500
AK11	211	2.4375	4.9063	4.9375	.6875	3.9370	.2950	.9375	7.1250	9.4375	1.0625	2.3750

Pillow blocks

Pressed steel housing
w/Narrow inner ring bearing

PB Series

The PB type pillow block is designed for extra-light-duty applications to provide the advantages of ball bearings at low cost. The unit consists of a two-piece separable steel housing with spherical bearing seat. This allows the spherically ground bearing initial self-alignment in all directions.



The ball bearing is an RA-RRB extended inner ring type with positive contact land-riding seals and self-locking collar. It incorporates the shroud cap design and is permanently lubricated.

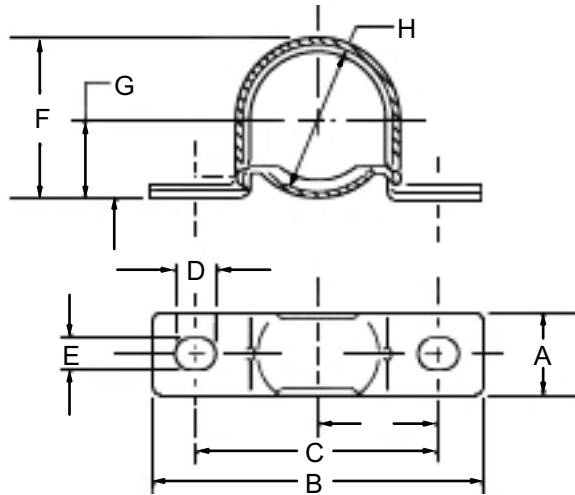
Bearing no.	I.D.	A	B	C	D	E	F	G	H	I	J	K	L	Bearing no.	Collar no.
PB 5/8	.6250	.8750	1.7187	2.6875	3.3750	1.0000	.1000	.3750	.4062	2.0625	.7187	.8690	.5000	RA010-RRB	S1010-K
PB 3/4	.7500	1.0000	1.9843	3.0000	3.8750	1.2500	.1000	.3750	.4062	2.2187	.8461	.9230	.6250	RA012-RRB	S1012-K
PB 1	1.0000	1.1250	2.2500	3.3750	4.5000	1.1250	.2000	.4062	.4687	2.6250	1.0000	.9230	.5625	RA100-RRB	S1100-K

Pillow blocks

Pressed steel
Housing only

Bolt-Together Design

The bolt-together pressed steel pillow block makes assembly easy. The two piece heavy-duty gauge steel housing is zinc plated and dipped in clear chromate to resist corrosion. Turned down edges on both the top and bottom straps provide added support for the bearing.



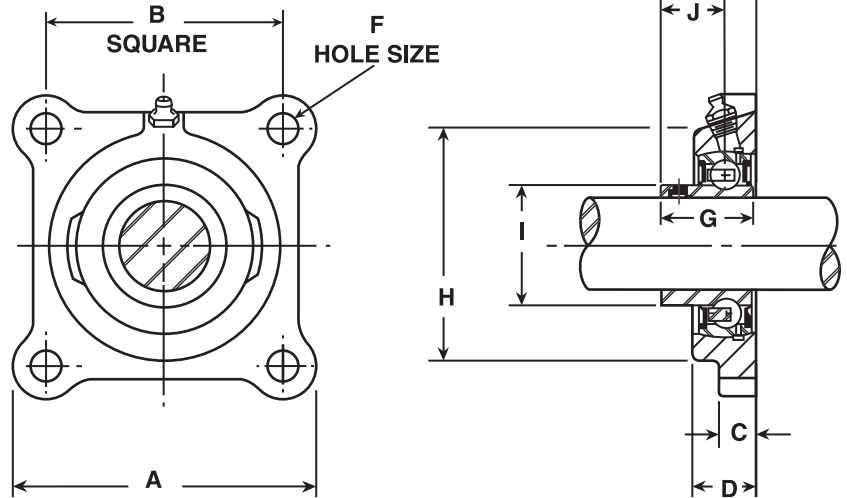
Bearing no.	A	B	C	D	E	F	G	H	For shaft diameters
40-MPB	1.0000	3.6250	2.6875	.5000	.3438	1.7500	.8750	40 MM	1/2, 9/16, 5/8
47-MPB	1.0000	4.1563	3.0000	.5000	.4063	2.0000	1.0000	47 MM	3/4
52-MPB	1.1250	4.5000	3.3750	.5625	.4063	2.21875	1.1250	52 MM	13/16, 7/8, 15/16, 1
62-MPB	1.2500	4.8750	3.7500	.5625	.4063	2.6250	1.3125	62 MM	1-1/16, 1-1/8, 1-3/16, 1-1/4
72-MPB	1.3125	5.7500	4.2500	.7500	.5313	3.1250	1.5625	72 MM	1-1/4, 1-5/16, 1-3/8, 1-7/16

Flange blocks

Cast iron housing
Narrow inner ring bearing
w/Set screw

SCJ Series

The SCJ flange cartridges are assembled with the new GYA-RRB setscrew bearing, featuring a positive contact land-riding seal. The units are furnished, assembled and ready for mounting by means of four bolts through the flange. They are ideal for applications where a minimum shaft length is required. All units are lubricated at the factory, and furnished with a grease fitting for relubrication if required.



Bearing no.	I.D.	A	B	C	D	E	F	G	H	I	J	Bearing no.
SCJ 1	1.0000	3.7500	2.7500	1.2188	2.1563	1.1719	.4531	1.4375	2.5625	.7656	.7656	GYA100-RRB
SCJ 1-1/8	1.1250	4.5000	3.2500	.5625	.8437	1.3438	.4531	1.2813	3.0000	.9062	.9062	GYA102-RRB
SCJ 1-1/4	1.2500	4.6250	3.6250	1.2813	3.0313	1.5000	.5156	1.4375	3.5000	1.0156	1.0156	GYA104-RRB
SCJ 1-1/2	1.5000	5.1250	4.0000	.6250	1.0313	1.6094	.5156	1.5469	3.8750	1.0938	1.0937	GYA108-RRB
SCJ-40MM	1.5748	5.1250	4.0000	.6250	1.0313	1.4960	.5781	1.4930	-	1.0600	.8710	-
SCJ1-15/16	1.9375	5.6250	4.5000	2.0938	1.6667	2.4000	.6719	1.7500	4.5000	1.2188	1.2187	-

Flange blocks

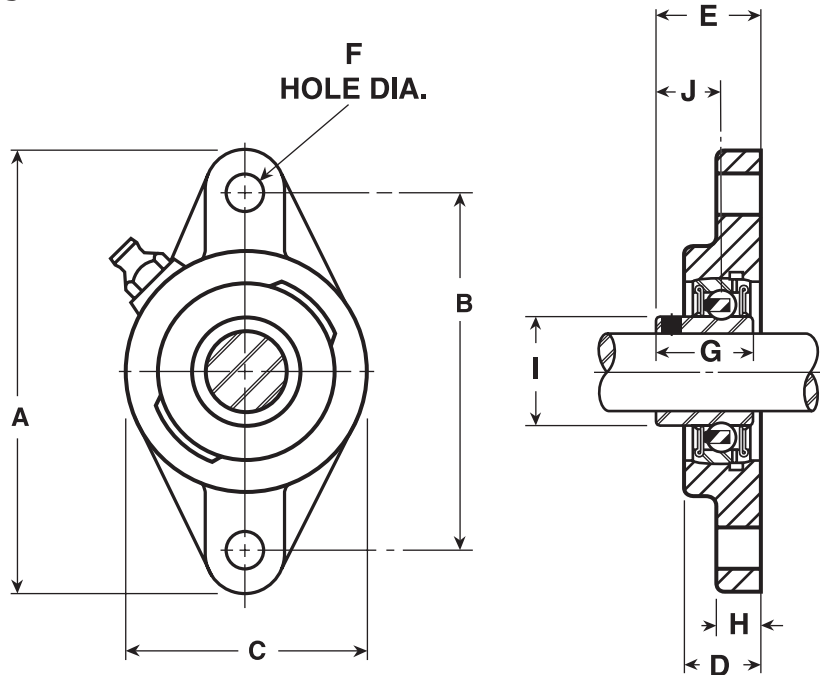
Cast iron housing

Narrow inner ring bearing

w/Set screw

SCJT Series

SCJT Flange cartridges are basically the same in design and construction features as the SCJ types, but have only two bolt holes (instead of four) for mounting in restricted areas. These units are assembled with GYA-RRB set screw bearings and positive contact land-riding R-seals. All flange cartridges are lubricated at the factory, and furnished with a grease fitting for relubrication if required.



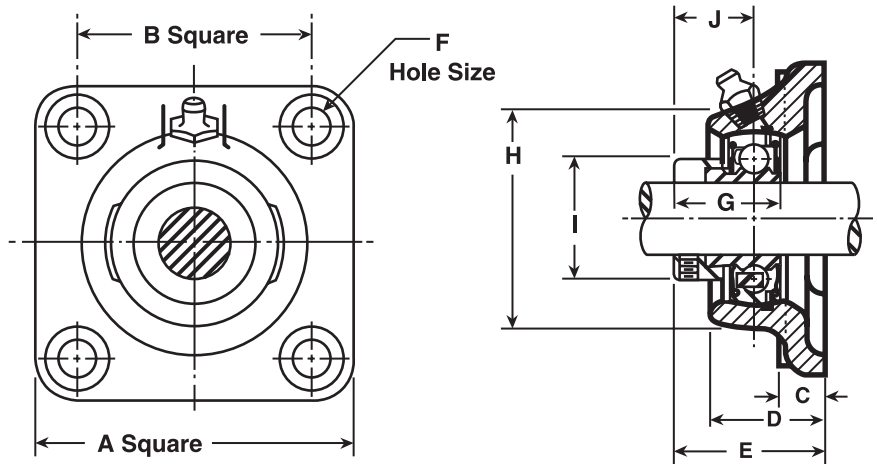
Bearing no.	I.D.	A	B	C	D	E	F	G	H	I	J	Bearing no.
SCJT 5/8	.6250	3.8750	3.0000	2.3750	1.2500	1.0000	.3906	.9375	.4375	.9688	.6250	GYA010-RRB
SCJT 3/4	.7500	4.4063	3.5313	2.5625	1.2500	1.1250	.3906	1.0625	.4375	1.1406	.7188	GYA012-RRB
SCJT 1	1.0000	4.8750	3.8906	2.7500	1.3125	1.1719	.4688	1.1094	.4375	1.3281	.7656	GYA100-RRB
SCJT1-1/4S	1.2500	5.5625	4.5938	3.1250	1.3750	1.3438	.4531	1.2813	.5313	1.5781	.9063	GYA103RRB2
SCJT 1-1/4	1.2500	6.1250	5.1250	3.6250	1.4688	1.5000	.5156	1.4375	.5625	1.8438	1.0156	GYA104-RRB
SCJT1-7/16	1.4375	6.1250	5.1250	3.6250	1.4688	1.5000	.5156	1.4375	.5625	1.8438	1.0156	GYA107-RRB
SCJT-40MM	1.5748	6.8750	5.6563	3.9375	1.4063	2.0200	.5781	1.9370	.5625	1.8438	-	-

Flange blocks

Cast iron housing
Narrow inner ring bearing
w/Set screw & collar

VCJ Series

The VCJ flange cartridges are furnished assembled and ready for mounting by means of four bolts through the flange. VCJ series flange blocks are ideal for applications where minimum machining is to be done. The units are assembled with GRA-RRB bearings with positive contact land-riding seals and self locking collars. A grease fitting provides for relubrication if required.



Bearing no.	I.D.	A	B	C	D	E	F	G	H	I	J	Bearing no.	Collar no.
VCJ 1	1.0000	3.7500	2.7500	.5000	1.1875	1.6875	.4531	1.2188	2.5625	1.5000	.9218	GRA100 RRB	S1100 K
VCJ 1-1/4S	1.2500	4.2500	3.2500	1.2188	1.2813	1.8438	.4531	1.4063	3.0000	1.7500	1.0625	GRA103RRB2	S1103-K3
VCJ 1-1/4	1.2500	4.6250	3.6250	1.2188	1.3438	1.9688	.5156	1.5313	3.5000	2.1250	1.1563	GRA104-RRB	S1104-K
VCJ 1-3/8	1.3750	4.6250	3.6250	.5312	1.3438	1.9394	.5156	1.5313	3.5000	2.1250	1.1563	GRA106-RRB	S1106-K
VCJ 1-7/16	1.4375	4.6250	3.6250	1.2188	1.3438	1.9688	.5156	1.5313	3.5000	2.1250	1.1563	GRA107-RRB	S1107-K
VCJ 1-1/2	1.5000	5.1250	4.0000	.5625	1.5000	2.2188	.5156	1.7188	3.8750	2.3750	1.2813	GRA108-RRB	-
VCJ 1-3/4	1.7500	5.3750	4.1250	.5625	1.5313	2.2188	.5156	1.7188	4.1250	2.5000	1.2813	GRA112-RRB	S1112-K
VCJ 2-7/16	2.4380	6.8750	5.6250	.7187	1.8750	2.7200	.7031	2.5630	-	-	1.1560	-	-

Flange blocks

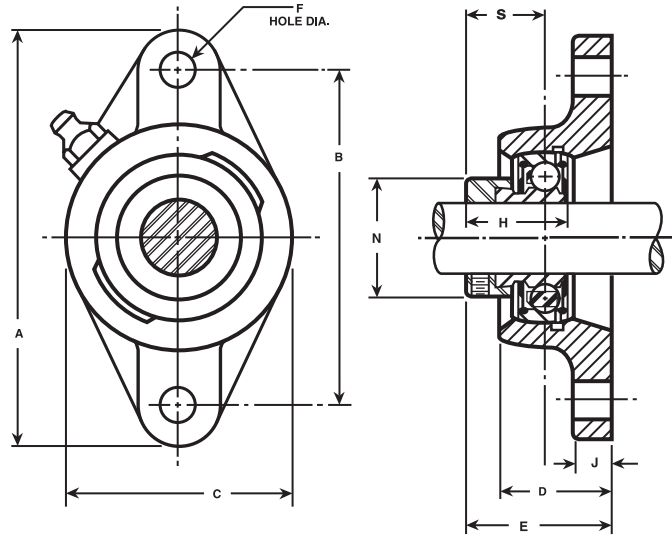
Cast iron housing

Narrow inner ring bearing

w/Set screw & collar

VCJT Series

VCJT flange blocks are basically the same in design as the RCJ types except that they have two bolt holes instead of four. This allows for mounting in restricted areas. The units are assembled with GRA-RRB bearings and self-locking collars. A grease fitting allows for relubrication if required.



Bearing no.	I.D.	A	B	C	D	E	F	H	J	N	S	Bearing no.	Collar no.
VCJT 5/8	.6250	3.8750	3.0000	2.1250	1.2500	1.6250	.3906	1.1250	.4375	1.1250	.8750	GRA010-RRB	S1010-K
VCJT 3/4	.7500	4.4063	3.5313	2.3750	1.2500	1.7969	.3906	1.2188	.4375	1.3125	.9218	GRA012-RRB	S1012-K
VCJT 7/8	.8750	4.8750	3.8906	2.7500	1.3125	1.6719	.5313	1.2188	.5313	1.5000	.9218	GRA014-RRB	S1014-K
VCJT 1	1.0000	4.8750	3.8906	2.7500	1.3125	1.6719	.4688	1.2188	.5313	1.5000	.9218	GRA100-RRB	S1100-K
VCJT 1-1/8	1.1250	5.5625	4.5938	3.1250	1.3750	1.8750	.4531	1.4063	.5313	1.5000	.9218	GRA102-RRB	S1102-K
VCJT1-3/16	1.1875	5.5625	4.5938	3.1250	1.1250	1.8750	.4531	1.4063	.5313	1.5000	.9218	GRA103-RRB	S1103-K
VCJT 1-1/4	1.2500	6.1250	5.1250	3.6250	1.4688	2.0000	.5156	1.5313	.5625	2.1250	1.1563	GRA104-RRB	S1104-K
VCJT1-1/4S	1.2500	5.5625	4.5938	3.1250	1.3750	1.8750	.4531	1.4063	.5313	1.5000	.9218	GRA103RRB2	S1103-K3
VCJT 1-3/8	1.3750	1.3750	6.1250	5.1250	1.4688	2.0000	.5156	1.5313	.5625	2.1250	1.1563	GRA106-RRB	S1107-K
VCJT1-7/16	1.4375	6.1250	5.1250	3.6250	1.4688	2.0000	.5156	1.5313	.5625	2.1250	1.1563	GRA107-RRB	S1107-K
VCJT 1-1/2	1.5000	6.7500	5.6563	4.1250	1.6875	2.2188	.5156	1.7188	.5625	2.3750	1.2813	GRA108-RRB	S1108-K
VCJT 1-3/4	1.7500	7.0625	5.8438	4.3750	1.7500	2.2188	.5938	1.7188	.5625	2.5000	1.2813	GRA112-RRB	S1112-K

Flange blocks

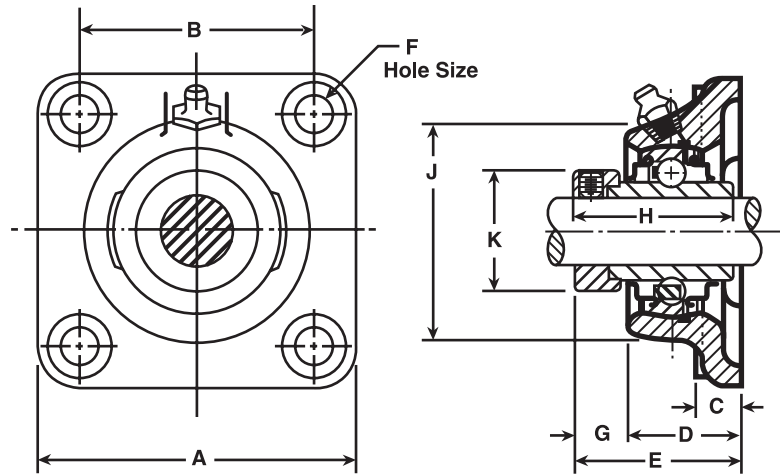
Cast iron housing

Wide inner ring bearing

w/Set screw & collar

RCJ Series

RCJ flange blocks are used in applications where a minimum amount of machining is to be done. Each unit is furnished assembled and ready for mounting by means of bolts through the flange. They use a wide inner ring bearing, self-aligning B type, which compensates for shaft misalignment. RCJ type flange units are equipped with G-KRRB (R-seal) wide inner ring bearings.



These units are factory prelubricated, but a grease fitting is provided for relubrication if required. All units are supplied with self-locking collars.

Bearing no.	I.D.	A	B	C	D	E	F	G	H	J	K	Bearing no.	Collar no.
RCJ 3/4	.7500	3.3750	2.5000	.5000	1.2500	1.7969	.4531	.5469	1.7188	2.3750	1.3125	G1012-KRRB	S1012-K
RCJ 1	1.0000	3.7500	2.7500	.5625	1.9375	1.8438	.4531	.5313	1.7500	2.5625	1.5000	G1100-KRRB	S1100-K
RCJ 1-1/8	1.1250	4.5000	3.2500	.6250	1.3750	2.0000	.4531	.6250	1.9063	3.0000	1.7500	G1102-KRRB	S1102-K
RCJ1-3/16M	1.1875	4.5000	3.2500	.6250	1.3750	2.0000	.4531	.6250	1.9063	3.0000	1.7500	G1103-KRRB	S1103-K
RCJ 1-1/4	1.2500	4.6250	3.6250	2.0313	1.4688	2.1250	.5469	.6563	2.0156	3.5000	2.1875	G1104-KRRB	S1104-K
RCJ 1-3/8	1.3750	4.6250	3.6250	2.0313	1.4688	2.1250	.5469	.6563	2.0156	3.5000	2.1875	G1106-KRRB	S1106-K
RCJ 1-7/16	1.4375	4.6250	3.6250	2.0313	1.4688	2.1250	.5469	.6563	2.0156	3.5000	2.1875	G1107-KRRB	S1107-K
RCJ 1-1/2	1.5000	5.1250	4.0000	1.6875	1.5938	2.3125	.5469	.7188	2.2188	3.8750	2.3750	G1108-KRRB	S1108-K
RCJ 1-9/16	1.5625	5.1250	4.0000	.6875	1.5938	2.3125	.5469	.7188	2.2188	3.8750	2.3750	G1109-KRRB	-
RCJ 1-5/8	1.6250	5.3750	4.1250	.6875	1.6250	2.3125	.5469	.6875	2.2188	4.1250	2.5000	G1110-KRRB	S1110-K
RCJ1-11/16	1.6875	5.3750	4.1250	1.0625	1.6250	2.3125	.5469	.6875	2.2188	4.1250	2.5000	G1111-KRRB	S1111-K
RCJ 1-3/4	1.7500	5.3750	4.1250	1.0625	1.6250	2.3125	.5469	.6875	2.2188	4.1250	2.5000	G1112-KRRB	S1112-K
RCJ1-15/16	1.9375	5.6250	4.3750	2.0938	1.8750	2.6250	.7031	.7500	2.4688	4.4375	2.7500	G1115-KRRB	S1115-K
RCJ 2	2.0000	6.3750	5.1250	2.0938	2.0000	2.9688	.7500	.9688	2.8125	4.7500	3.0000	G1200-KRRB	S1200-K
RCJ 2-3/16	2.1875	6.3750	5.1250	2.0938	2.0000	2.9688	.7031	.9688	2.8125	4.7500	3.0000	G1203-KRRB	S1203-K
RCJ 2-7/16	2.4375	6.8750	5.6250	1.0625	1.9375	5.3750	.7031	1.2500	1.8438	5.3750	3.3125	G1207-KRRB	S1207-K

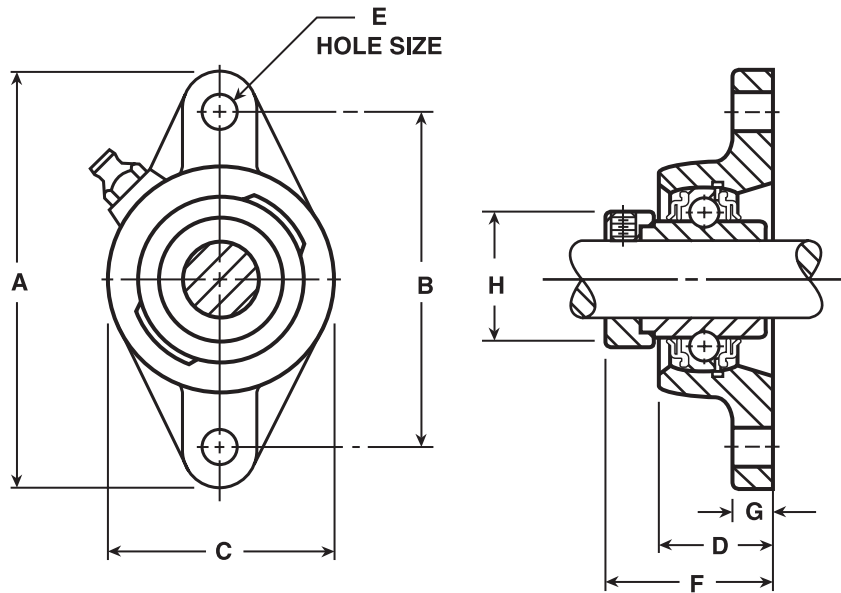
Flange blocks

Cast iron housing
Wide inner ring bearing
w/Set screw & collar

RCJT Series

The RCJT flange cartridges are basically the same design as the RCJ type except that they have two bolt holes instead of four. They are designed chiefly to fill the need for applications where the mounting area is restricted.

The RCJT type flange cartridges incorporate the G-KRRB (R-seal) wide inner ring bearings. These units are factory prelubricated, but a grease fitting is provided for relubrication if required. All units are supplied with self-locking collars.



Bearing no.	I.D.	A	B	C	D	E	F	G	H	Bearing no.	Collar no.
RCJT 3/4	.7500	4.4063	3.5313	2.5625	1.0938	2.1094	1.7969	.4063	1.3125	G1012-KRRB	S1012-K
RCJT 1	1.0000	4.8750	3.9063	2.7500	1.1406	1.1563	1.7813	.4375	1.5000	G1100-KRRB	S1100-K
RCJT 1-1/4	1.2500	6.1250	5.1250	3.6250	1.3438	3.0469	2.0938	.4688	2.1875	G1104-KRRB	S1104-K
RCJT1-7/16	1.4375	6.1250	5.1250	3.6250	1.3438	3.0469	2.0938	.4688	2.1875	G1107-KRRB	S1107-K
RCJT 1-1/2	1.5000	6.7500	5.6563	4.1250	1.5000	3.0469	2.3125	.5000	2.3750	G1108-KRRB	S1108-K
RCJT 1-3/4	1.7500	7.0625	5.8281	4.3750	1.5313	3.0469	2.3125	.5000	2.5000	G1112-KRRB	S1112-K
RCJT1-15/16	1.9375	7.4375	6.1875	4.5625	1.8750	4.0469	2.5938	.5000	2.7500	G1115-KRRB	S1115-K

Flange blocks

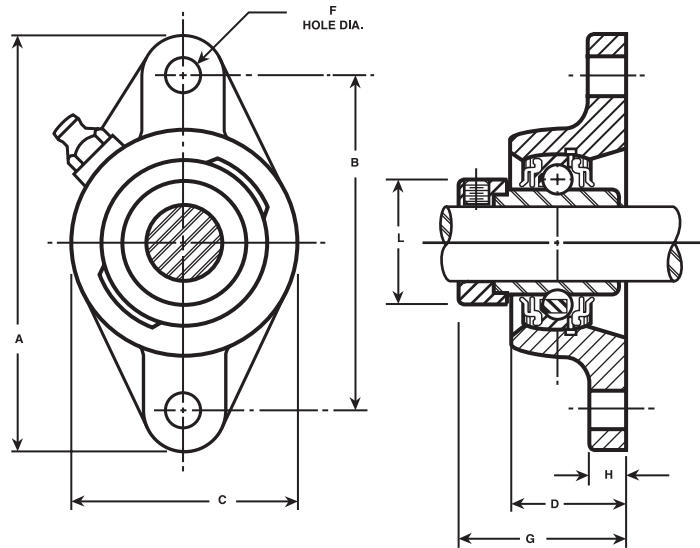
Cast iron housing
Wide inner ring bearing
w/Set screw & collar

TCJT Series

TCJT flange blocks are basically the same design as the RCJ types except that they have two bolt holes instead of four. They are designed chiefly to fill the need for applications where the mounting area is restricted.

The TCJT type flange blocks incorporate the G-PPB (triple lip seal) wide inner ring bearings.

These units are factory prelubricated, but a grease fitting is provided for relubrication if required. All units are supplied with self-locking collars.

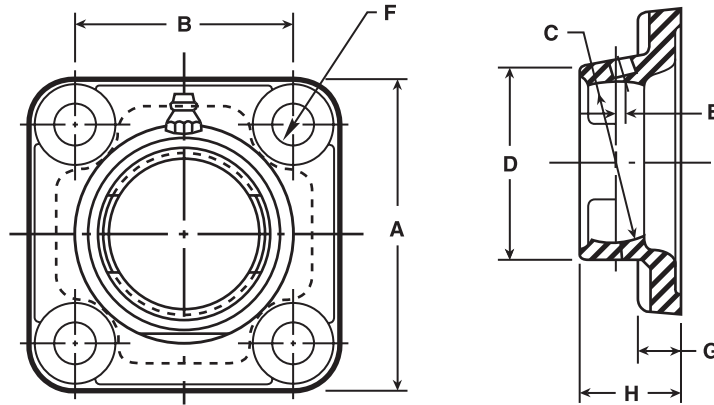


Bearing no.	I.D.	A	B	C	D	F	G	H	L	Bearing no.	Collar no.
TCJT 1	1.0000	4.8750	3.8906	2.7500	1.3125	.4687	1.8125	.5312	1.5000	G1100-PPB3	S1100-K

Flange blocks

Cast iron housing only

CJ Series

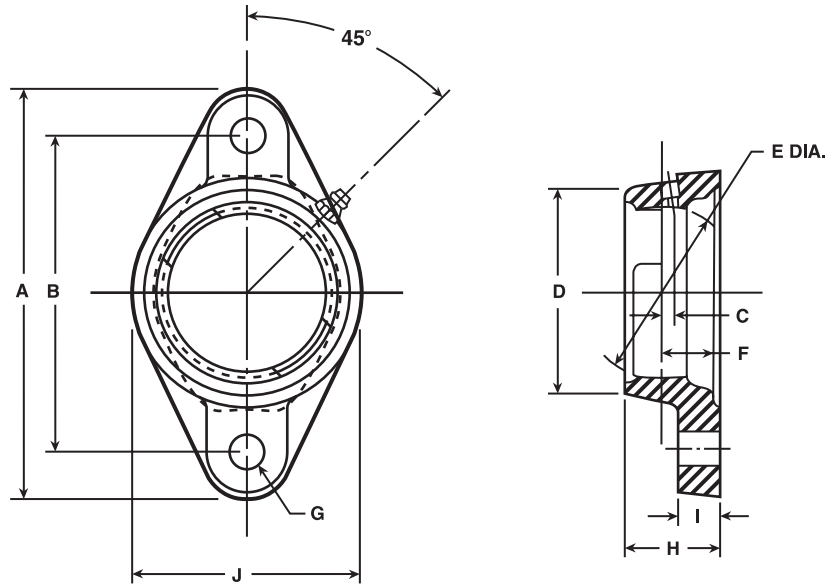


Bearing no.	Basic outer ring	A	B	C	D	E	F		G	H
							Hole	Bolt		
CJ03	203	3.0000	2.1250	1.5748	1.8750	.0980	.4531	3/8	.4375	1.0156
CJ04	204	3.3750	2.5000	1.8504	2.1875	.1200	.4531	3/8	.4375	1.0938
CJ05	205	3.7500	2.7500	2.0472	2.5313	.1200	.4531	7/16	.5000	1.1563
CJ06	206	4.2500	3.2500	2.4409	3.0000	.1440	.4531	7/16	.5625	1.3125
CJ07	207	4.6250	3.6250	2.8346	3.4375	.1640	.5469	1/2	.6250	1.9375
CJ08	208	5.1250	4.0000	3.1496	3.7500	.2380	.5469	1/2	.6250	1.4063
CJ09	209	5.3750	4.1250	3.3465	4.0000	.2130	.5469	9/16	.6875	1.5313
CJ10	210	5.6250	4.3750	3.5431	4.2813	.2130	.7031	9/16	.7188	1.8750
CJ11	211	6.3750	5.1250	3.9370	4.7500	2.9500	.7031	5/8	.7813	1.9375

Flange blocks

Cast iron housing only

CJT Series

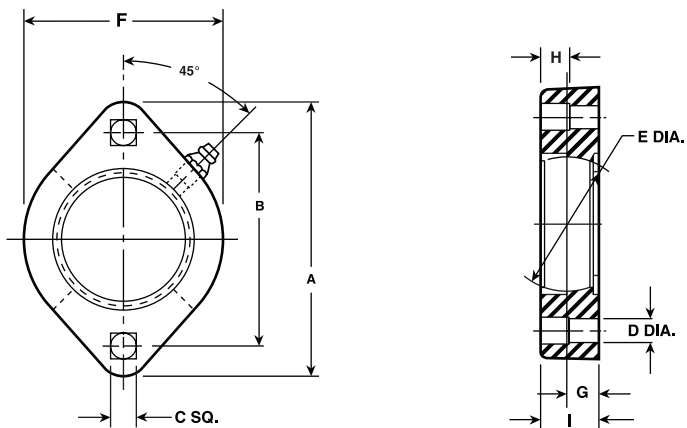


Bearing no.	Basic outer ring	A	B	C	D	E	F	G		H	I	J
								Hole	Bolt			
CJT03	203	3.8750	3.0000	.0980	1.8750	1.5748	.6563	.4063	3/8	1.0156	.9176	2.3125
CJT04	204	4.4063	3.5313	.1520	2.1563	1.8504	.6875	.4063	3/8	1.0938	.9418	2.3750
CJT05	205	4.8750	3.5313	.1520	2.4688	2.0472	.7188	.4688	7/16	1.1563	1.0043	2.7500
CJT06	206	5.5625	4.5938	.1900	3.0000	2.4409	.8438	.4688	7/16	1.3125	1.1225	3.2500
CJT07	207	6.1250	5.1250	.2030	3.4063	2.8346	.9375	.5313	1/2	1.4688	1.2658	3.7500
CJT08	208	6.7500	5.6563	.2240	3.7188	3.1496	.8750	.5313	1/2	1.4063	1.1823	4.1250

Flange blocks

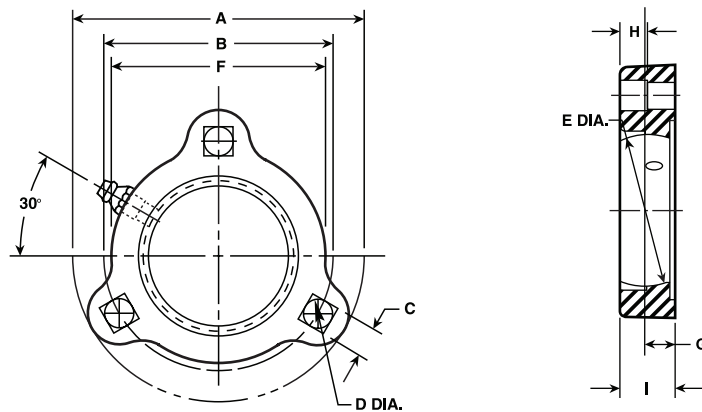
Housing only
Light duty

Two Bolt Series



Bearing no.	Basic outer ring	A	B	C	D	E	F	G	H	I
FB52-R	205	3.7500	3.0000	.3750	.3437	2.0472	2.7968	.3750	.3437	.7187

Three Bolt Series

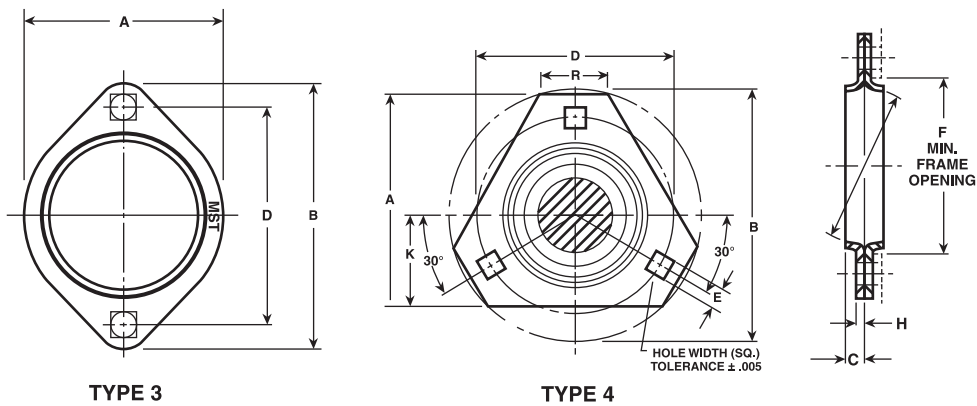
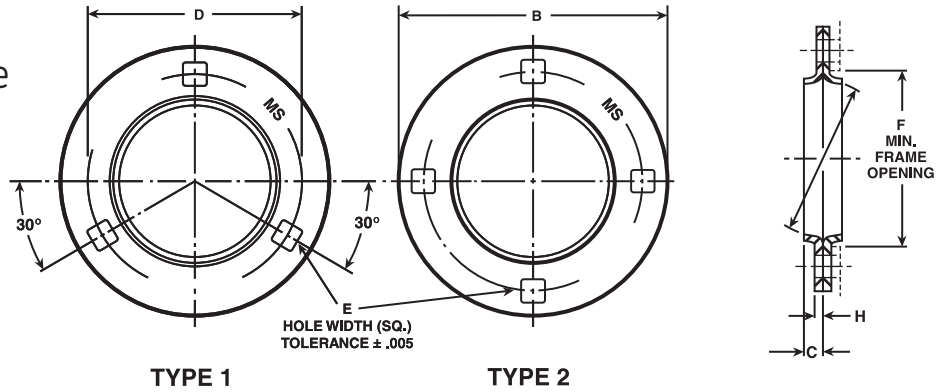


Bearing no.	Basic outer ring	A	B	C	D	E	F	G	H	I
FB3-47-R	204	3.5625	2.8125	.3750	.3437	1.8504	2.6250	.3750	.3437	.7187
FB3-52-R	205	3.7500	3.0000	.3750	.3437	2.0472	2.7968	.3750	.3437	.7187
FB3-62-R	206	4.4375	3.5625	.4375	.4062	2.4409	3.3125	.4687	.4062	.8750

Pressed steel flange housings

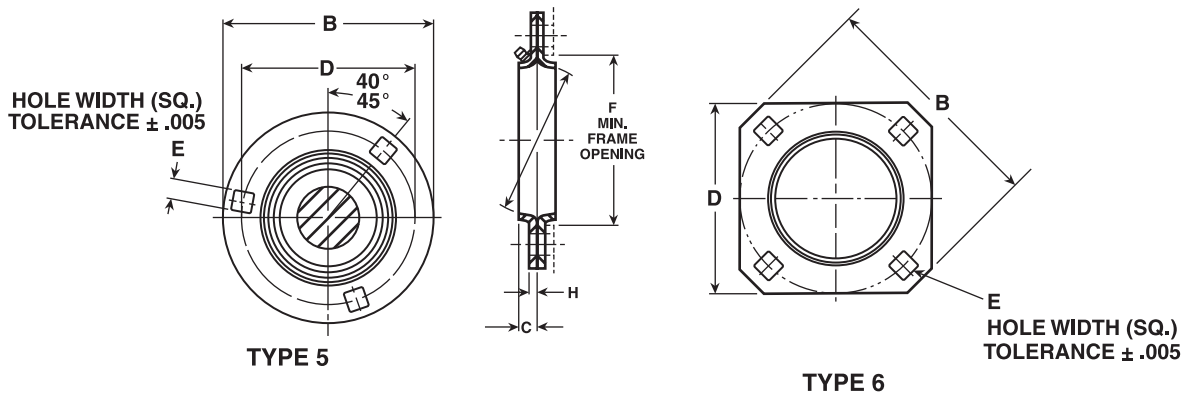
Types

Non-Relubricatable



Relubricatable

These flanges were designed to meet the need for relubrication in specific applications where excessive moisture and severe contamination are present. Relubricatable flanges are dimensionally interchangeable with the non-relubricatable type. Load ratings are also the same.



Pressed steel flange housings

Numerical listing

Bearing no.	A	B	C	D	E	F	H	Radial load rating	Type
40-MS	1.5750	3.1875	.2813	2.5000	.28125	1.9375	.0750	600	1
40-MST	2.8333	3.1875	.2813	2.5000	.28125	1.9375	.0750	600	3
47-MS	1.8500	3.1875	.3125	2.8125	.34375	2.1875	.0830	600	1
47-MST	1.8500	3.5625	.3125	2.8125	.34375	2.1875	.0830	700	3
47-MSTR	1.8500	3.5625	.3125	2.8125	.34375	2.1875	.0830	700	4
52-MS	2.0470	3.7500	.3438	3.0000	.34375	2.3750	.0830	800	1
52-MST	2.0470	3.7500	.3438	3.0000	.34375	2.3750	.0830	800	3
52-MSTR	2.0470	3.7500	.3438	3.0000	.34375	2.3750	.0830	800	4
G52-MSA	2.0470	3.7500	.3438	3.0000	.34375	2.3750	.0830	800	5
62-MS	2.4410	4.4375	.3438	3.5625	.40625	2.8125	.1040	1100	1
62-MST	3.3125	4.4375	.3438	3.5625	.40625	2.8125	.1040	1100	3
62-MSTR	2.4410	4.4375	.3438	3.5625	.40625	2.8125	.1040	1100	4
G62-MSA	2.4410	4.4375	.3750	3.5625	.40625	2.8125	.1040	1100	5
72-MS	2.8350	4.8125	.3750	3.9375	.40625	3.1875	.1040	1400	1
72-MST	3.6875	4.9375	.4375	3.9375	.40625	3.1875	.1040	1400	3
72-MSTR	2.8340	5.5000	.3750	3.9375	.40625	3.1875	.1040	1400	4
G72-MSA	2.8340	4.8125	.4375	3.9375	.40625	3.1875	.1340	1400	5
80-MS	3.1490	5.8125	.4063	4.6875	.53125	3.5625	.1340	2100	2
G80-MSA	3.1490	5.8125	.6250	4.6875	.53125	3.5625	.1490	1700	6
85-MS	3.3460	5.8750	.4375	4.7500	.53125	3.8125	.1340	1700	2
G85-MSA	3.3460	5.8750	.6250	4.7500	.53125	3.8125	.1490	1700	6
87-MS	3.4250	5.7500	.6563	4.7500	.53125	3.8750	.1340	1700	2
90-MS	3.5430	6.1250	.4375	5.0000	.53125	4.0000	.1490	1900	2
G90-MSA	3.5430	6.1250	.5000	5.0000	.53125	4.0000	.1640	1900	5
100-MS	3.9370	6.5625	.4688	5.4375	.53125	4.4375	.1490	2900	2
G100-MSA	3.9370	6.5625	.6250	5.4375	.53125	4.4375	.1640	2300	2

Housing reference charts

Basic outer ring to bearing quick-reference

Mounting flange number	Narrow inner ring		Wide inner ring		Disc harrow bearing	Basic outer ring
	GRA-RRB Series RA-RRB Series	GYA-RRB Series	G-KRRB Series	-KRRB Series		
40-MPB 40-MS 40-MST	RA008-RRB RA010-RRB GRA008-RRB GRA010-RRB	GYA010-RRB	G1010-KRRB			203
47-MPB 47-MS 47-MST 47-MSTR	RA012-RRB	GYA012-RRB GYAE20-RRB				204
52-MPB 52-MS 52-MST 52-MSTR	RA014-RRB RA015-RRB RA100-RRB			1100-KRRB 1014-KRRB 1015-KRRB		205
G52-MSA	GRA014-RRB GRA015-RRB GRA100-RRB	GYA014-RRB GYA015-RRB GYA100-RRB	G1013-KRRB G1014-KRRB G1015-KRRB G1100-KRRB			205
62-MPB 62-MS 62-MST 62-MSTR	RA101-RRB RA102-RRB RA103-RRB RA103-RRB2			1102-KRRB 1103-KRRB 1103-KRRB		206
G62-MSA	GRA102-RRB GRA103-RRB GRA103RRB2	GYA102-RRB GYA103-RRB GYA103RRB2	G1102-KRRB G1103-KRRB G1103KRRB3		206-KRRB6	206
72-MS 72-MST 72-MSTR	RA104-RRB RA105-RRB RA106-RRB RA107-RRB			1104-KRRB 1106-KRRB 1107-KRRB		207
G72-MSA	GRA104-RRB GRA106-RRB GRA107-RRB	GYA104-RRB GYA106-RRB GYA107-RRB	G1104-KRRB G1106-KRRB G1107-KRRB			207
80-MS	RA108-RRB			1108-KRRB	W208-PPB5 W208-PPB6 W208-PPB7 W208-PPB13 W208-PPB23	208
G80-MSA	GRA108-RRB	GYA108-RRB GYAE40-RRB	G1108-KRRB		GW208-PPB5 GW208-PPB6 GW208-PPB8	208
85-MS	RA110-RRB RA111-RRB RA112-RRB			1110-KRRB 1112-KRRB	W209-PPB2 W209-PPB4 W209-PPB5 W209-PPB6E 209-KRRB2	209
G85-MSA	GRA111-RRB GRA112-RRB	GYA112-RRB	G1110-KRRB G1111-KRRB G1112-KRRB		GW209-PPB2 GW209-PPB5 GW209-PPB8 GW209-PPB11	209

Housing reference charts

Basic outer ring to bearing quick-reference

Mounting flange number	Narrow inner ring		Wide inner ring		Disc harrow bearing	Basic outer ring
87-MS					W208-PPB6 W208-PPB7 W208-PPB11 W208-PPB12 W209-PPB6E	
90-MS	RA115-RRB RA115-RRB2				W210-PPB2 W210-PPB4 W210-PPB5 W210-PPB6	210
G90-MSA	GRA115-RRB GRA115RRB2		G1114-KRRB G1115-KRRB		GW210-PPB2 GW210-PPB4 GW210-PPB5 W210-PPB5	210
100-MS	RA200-RRB				W211-PPB2 W211-PPB3 W211-PPB6	211
G100-MSA	GRA200-RRB GRA203-RRB		G1200-KRRB G1203-KRRB		GW211-PPB2 GW211-PPB3 GW211-PPB9 GW211PPB13	211

Ball bearings

Introduction

SKF ball bearings provide a comprehensive range of designs that can provide a specific fit for diverse applications. From light duty to heavy duty, deep groove and angular contact and different variants, the following ball bearing specifications offer suitable types for an array of demands.

Several key factors are important when choosing the correct ball bearing. Determine the dimensional specifications needed and the types of loads the bearing may encounter during operation. The bearing may encounter axial loads or radial loads or a combination of both. The bearing may be operating in one direction or two with specific speed and stiffness characteristics needed.

During installation, it's important to be sure you have the correct sealing arrangement, correct lubrication and tools and follow manufacturer guidelines for safety and installation.



Single row angular contact ball bearing with shield



Maximum load type ball bearing



Double row ball bearing

Ball bearings

Nomenclature

Prefixes

Prefix	Description
AB	Alternator bearings.
AC	Air conditioning clutch bearing.
BR	Bearings.
B	Bearings.
FW	Front wheel applications.
GRW	Rear wheel bearings with variations in widths.
GWC	Generator bearing.
N	Bearing inner and outer ring narrower than standard.
RLS	Light series, inch type.
RWC	Rear wheel bearing, including locking ring.
RWF	Rear wheel bearing, including locking ring.
RW	Rear wheel with variation of basic design.
R	Extra light inch series.
TBT	Timing belt tensioner.
W	Inner and outer rings wider than standard.
XLS	Extra light series.

Suffixes

Suffix	Description
A	Special inner and outer ring corners.
A	Double row, Conrad type, open.
ANR	Double row, Conrad type, snap ring.
ANRH	Double row, Conrad type, snap ring, special features.
AR	Special inner and outer ring corners, locking ring for rear wheel applications.
AZ	Double row, Conrad type, one shield.
AZZ	Double row, Conrad type, two shields.
B	Internal design change or special bearing dimensions.
BEP	40° angular contact, hi cap, polyamide cage.
BR	Special dimension, locking ring for rear wheel applications.
BY	Single row angular contact ball bearing.
C	Two-piece wiping seal on one side.
CDR	Two-piece wiping seal on both sides of bearing, locking ring included.
CCRA	Two-piece wiping seal on both sides of bearing, locking ring with special dimensions.
CR	Locking ring.
E	Double row, maximum capacity, open.
ER	Locking ring.
ENR	Double row, maximum capacity, snap ring.
EZ	Double row, maximum capacity, one shield.
EZZ	Double row, maximum capacity, two shields.
EZNR	Double row, maximum capacity, snap ring, one shield.
FR	Locking ring.
GR	Locking ring.
H	Double row ball bearing, Conrad type.

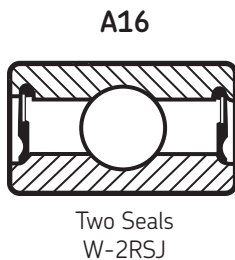
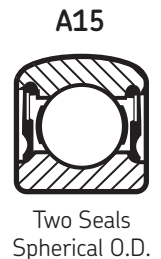
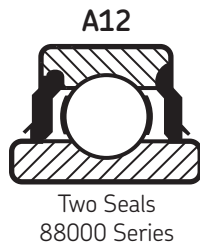
Suffixes-cont.

Suffix	Description
J	Stamped unhardened steel cage.
M	Machine brass cage.
NBRJ	Snap ring on opposite side of filling slot.
NJ	Snap ring groove on O.D. of bearing, stamped steel cage, snap ring not included.
NJX	Snap ring groove, stamped steel cage, special dimensions, snap ring not included.
NRJ	Snap ring groove, snap ring, stamped steel cage.
NRJ1	Snap ring, stamped steel cage, special O.D. and I.D.
NRJX	Snap ring, steel cage, special features.
P	Polyamide cage.
R	Locking ring.
RA	Locking ring with special dimensions.
RB	Locking ring with special dimensions.
RSJ	Sealed one side, steel cage.
2RSJ	Sealed both sides, steel cage.
2RSNR	Sealed both sides, snap ring.
2RS2	Two fluoroelastomer seals, C3 clearance, mineral base grease.
2RS2S	Two fluoroelastomer seals, C3 clearance, synthetic grease.
S	Shield on opposite side of filling slot.
VAL	Modification of original design, sealed both sides.
VAW	Special features.
VSP	Various special designs.
W	Double row, maximum capacity type.
WA	Double row, maximum capacity, with special inner and outer ring corners.
WCC	Double row bearing with vertex of contact angles inside the bearing, maximum capacity. Two-piece wiping seal on both sides.
WNR	Maximum capacity, snap ring.
WNRX	Maximum capacity, snap ring, special dimensions.
YYR	Single lip molded seal on both sides. Locking ring supplies with rear wheel types.
ZBJ	Shield opposite standard side, steel cage.
ZJ	Shield on one side, steel cage.
ZNBRJ	Shield on one side, snap ring on same side as shield, steel cage.
ZNBRJX	Shield on one side, snap ring on same side as shield, steel cage, special dimensions.
ZNJ	Shield on one side, snap ring groove opposite shield, steel cage. Snap ring not included.
ZNRJ	Shield on one side, snap ring opposite shield, steel cage.
ZNRJ2	Shield on one side, snap ring opposite shield, special inner and outer ring corners.
ZNRJX	Shield on one side, snap ring opposite shield, special dimensions.
ZZJ	Shields on both sides, steel cage.
ZZJ1	Two-piece wiping seal on both sides of bearing. Special 5/8" inner dimension.
ZZNRJ	Shield on both sides of bearing, snap ring, steel cage.
1J	I.D. 1mm larger than standard I.D.

Ball bearings

Types

Type A – Conrad Type

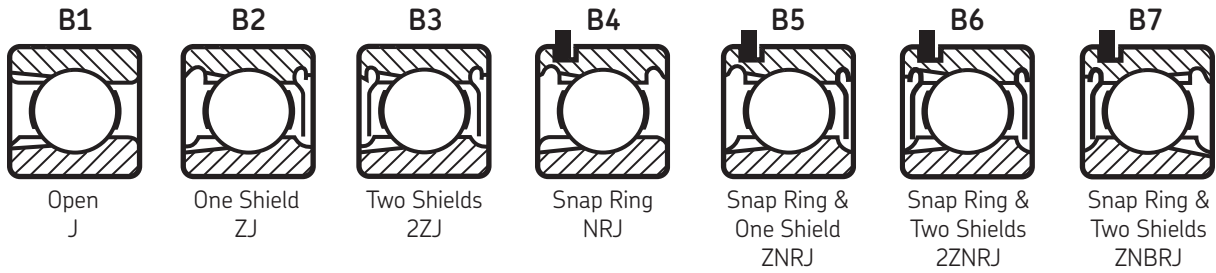


A17
Miscellaneous
Designs

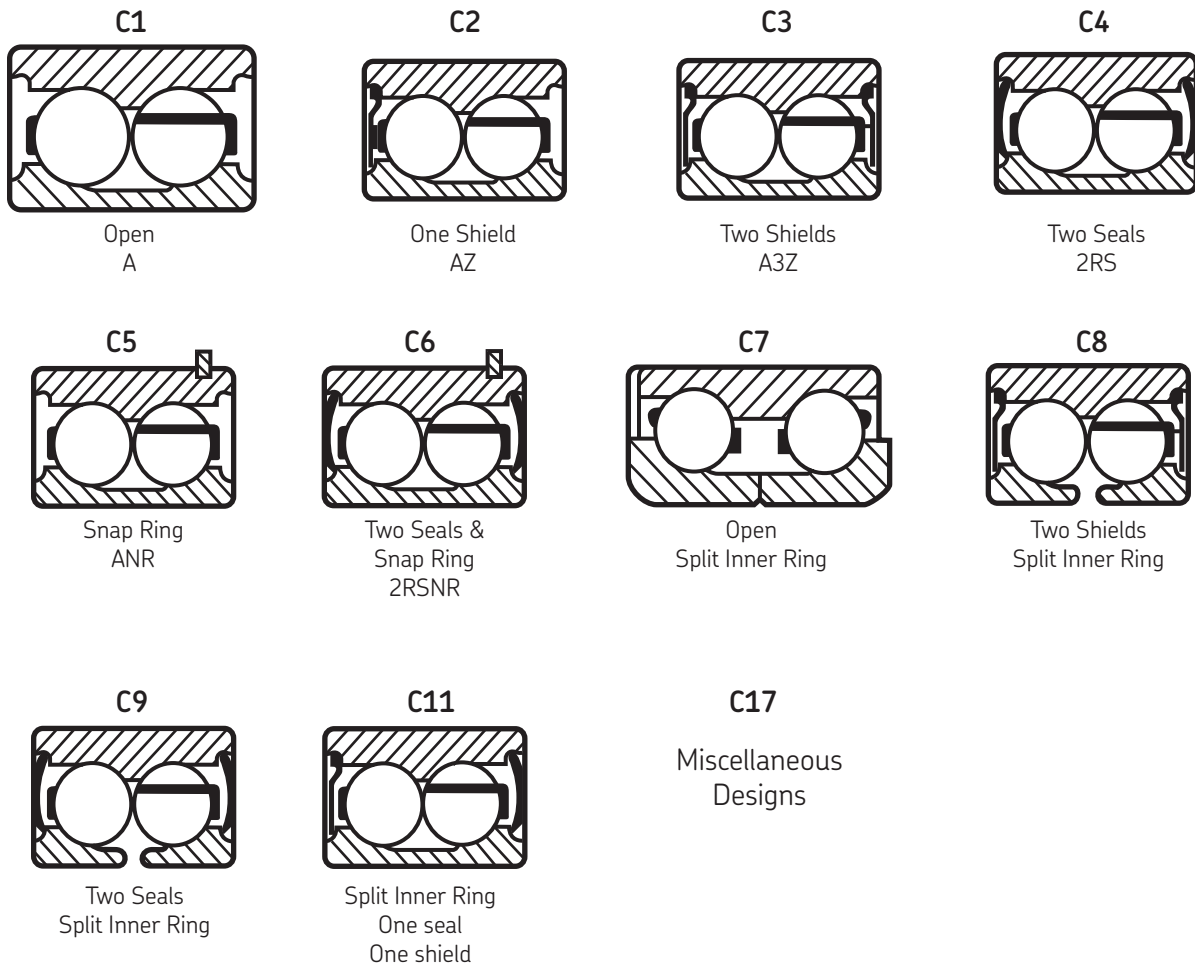
Ball bearings

Types

Type B – Maximum Load



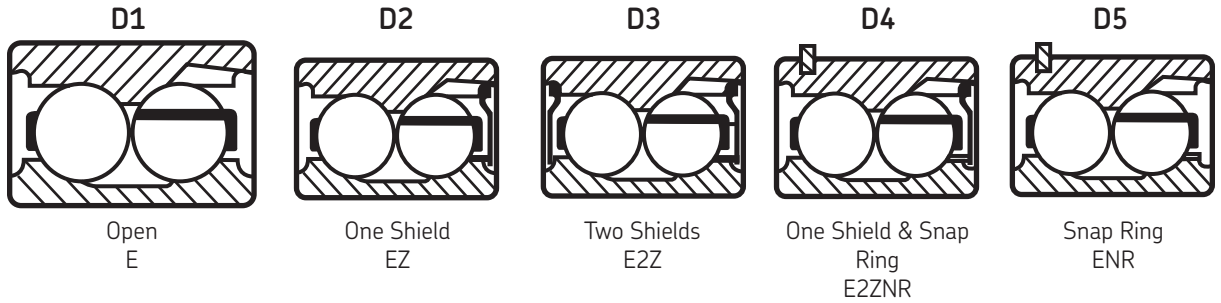
Type C – Double Row Angular Contact



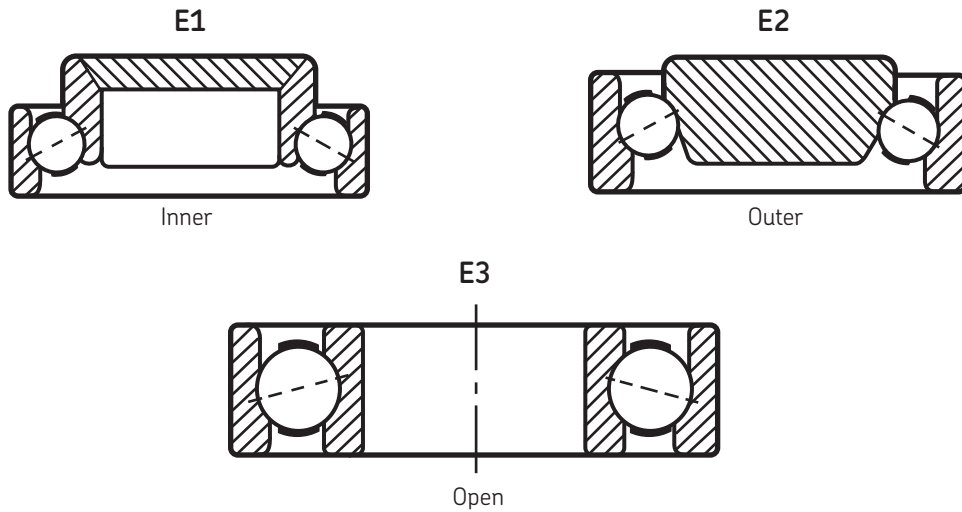
Ball bearings

Types

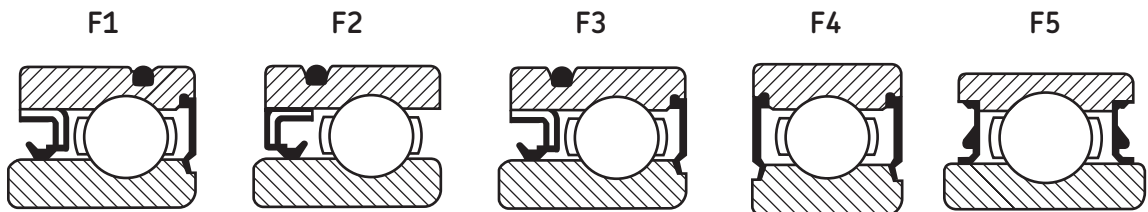
Type D – Double Row Angular Contact Maximum Capacity



Type E – Single Row Angular Contact



Type F – Rear Wheel Bearing Design



Ball bearings

Numbering system

Numbers: basic type series

30	Single row, extra-small, metric
6000	Single row, extra-light, metric
6200	Single row, light, metric
6300	Single row, medium, metric
5200	Double row, light, metric
5300	Double row, medium, metric
7200	Single row, angular-contact, metric
XLS	Extra light, inch-dimension

Bore sizes: (04 and up: multiply last two numbers by 5 to get bore in millimeters)

00	10 mm
01	12 mm
02	15 mm
03	17 mm
04	20 mm
05	25 mm
12	60 mm
20	100 mm
22	110 mm

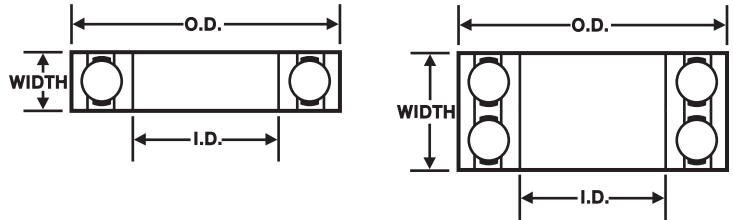
62 05 - 2RSJ

Suffixes:

J	Steel cage
N	Snap ring groove on outer ring
NR	Snap ring groove on outer ring ring included
RS	One seal
RSZ	Seal on one size, shield on the other
Z	One Shield
ZBNR	Shield and snap ring on same side
ZNJ	Shield on side opposite snap ring groove
ZNRJ	Shield on side opposite snap ring
Note:	The number 2 preceding a suffix (i.e. 2RSJ, 2ZJ) indicates a double seal or double shield

Single & double row ball bearings

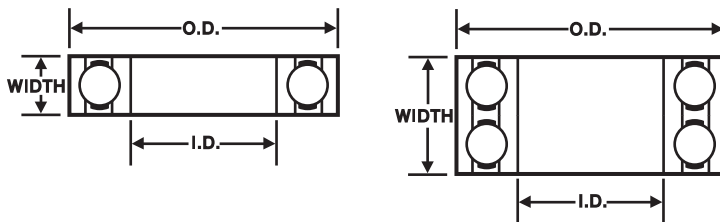
I.D. size listing



Bearing no.	Inch			Metric			Type
	I.D.	O.D.	Width	I.D.	O.D.	Width	
35-2ZJ	.1968	.7480	.2362	5.0000	19.0000	6.0000	A3
36-2ZJ	.2362	.7480	.2362	6.0000	19.0000	6.0000	A3
626-J VP	.2362	.7480	.2362	6.0000	19.0000	6.0000	A1
626-ZJ	.2362	.7480	.2362	6.0000	19.0000	6.0000	A2
R4-2RSJ	.2500	.6250	.1960	6.3500	15.8750	4.9784	A5
R4-2ZJ	.2500	.6250	.1960	6.3500	15.8750	4.9784	A3
37-2ZJ	.2756	.8661	.2756	7.0000	22.0000	7.0000	A3
38-2RSJ	.3150	.8661	.2756	8.0000	22.0000	7.0000	A5
38-2ZJ	.3150	.8661	.2756	8.0000	22.0000	7.0000	A3
38-J	.3150	.8661	.2756	8.0000	22.0000	7.0000	A1
38-ZJ	.3150	.8661	.2756	8.0000	22.0000	7.0000	A2
AB4	.3150	.9055	.5512	8.0000	23.0000	14.0000	A5
BR87008	.3150	.9449	.4060	8.0000	24.0000	10.3124	A14
39-2ZJ	.3543	1.0236	.3150	9.0000	26.0000	8.0000	A3
629-2RSJ	.3543	1.0236	.3150	9.0000	26.0000	8.0000	A5
629-J VP	.3543	1.0236	.3150	9.0000	26.0000	8.0000	A1
R6-2RSJ	.3750	.8750	.2812	9.5250	22.2250	7.1425	A5
R6-2ZJ	.3750	.8750	.2812	9.5250	22.2250	7.1425	A3
6000-2RSJ	.3937	1.0236	.3150	10.0000	26.0000	8.0000	A5
6000-2ZJ	.3937	1.0236	.3150	10.0000	26.0000	8.0000	A3
6000-ZJ	.3937	1.0236	.3250	10.0000	26.0000	8.0000	A2
6200-2RSJ	.3937	1.1811	.3543	10.0000	30.0000	9.0000	A5
6200-2ZJ	.3937	1.1811	.3543	10.0000	30.0000	9.0000	A3
6200-J	.3937	1.1811	.3543	10.0000	30.0000	9.0000	A1
6200-RSJ	.3937	1.1811	.3543	10.0000	30.0000	9.0000	A4
6200-ZJ	.3937	1.1811	.3543	10.0000	30.0000	9.0000	A2
6200-ZNRJ	.3937	1.1811	.3543	10.0000	30.0000	9.0000	A8
AB14	.3937	1.0236	.3937	10.0000	26.0000	10.0000	A5
AB7	.3937	1.0630	.4330	10.0000	27.0000	11.0000	A11
BR87500	.3937	1.1811	.5000	10.0000	30.0000	12.7000	A14
W6000-2RSJ	.3937	1.0236	.5118	10.0000	26.0000	13.0000	A16
6001-2RSJ	.4724	1.1020	.3150	12.0000	28.0000	8.0000	A5
6001-2ZJ	.4724	1.1020	.3150	12.0000	28.0000	8.0000	A3
6201-2RSJ	.4724	1.2598	.3937	12.0000	32.0000	10.0000	A5
6201-2ZJ	.4724	1.2598	.3937	12.0000	32.0000	10.0000	A3
6201-J	.4724	1.2598	.3937	12.0000	32.0000	10.0000	A1
6201-ZJ	.4724	1.2598	.3937	12.0000	32.0000	10.0000	A2
6301-2ZJ	.4724	1.4567	.4724	12.0000	37.0000	12.0000	A3

Single & double row ball bearings

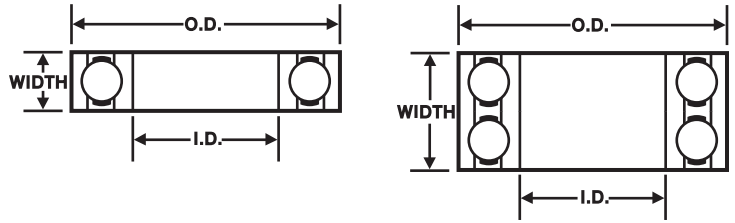
I.D. size listing



Bearing no.	Inch			Metric			Type
	I.D.	O.D.	Width	I.D.	O.D.	Width	
6301-J	.4724	1.4567	.4724	12.0000	37.0000	12.0000	A1
BR87501	.4724	1.2598	.5000	12.0000	32.0000	12.7000	A14
BR88501	.4724	1.2598	.6063	12.0000	32.0000	15.4000	A12
R8-2RSJ	.5000	1.1250	.3125	12.7000	28.5750	7.9375	A5
R8-2ZJ	.5000	1.1250	.3125	12.7000	28.5750	7.9375	A3
6302-VSP43	.5905	1.7040	.5118	15.0000	43.3000	13.0000	A5
6002-2RSJ	.5906	1.2598	.3543	15.0000	32.0000	9.0000	A5
6002-2ZJ	.5906	1.2598	.3540	15.0000	32.0000	9.0000	A3
6002-VSP	.5906	1.2598	.3937	15.0000	32.0000	10.0000	A5
6202-2RSJ	.5906	1.3780	.4331	15.0000	35.0000	11.0000	A5
6202-2ZJ	.5906	1.3780	.4331	15.0000	35.0000	11.0000	A3
6202-J	.5906	1.3780	.4331	15.0000	35.0000	11.0000	A1
6202-RSJ	.5906	1.3780	.4331	15.0000	35.0000	11.0000	A4
6202-ZJ	.5906	1.3780	.4331	15.0000	35.0000	11.0000	A2
6302-2RSJ	.5906	1.6535	.5118	15.0000	42.0000	13.0000	A5
6302-2ZJ	.5906	1.6535	.5118	15.0000	42.0000	13.0000	A3
6302-J	.5906	1.6535	.5118	15.0000	42.0000	13.0000	A1
6302-ZJ	.5906	1.6535	.5118	15.0000	42.0000	13.0000	A2
AB10	.5906	1.8504	.5512	15.0000	47.0000	14.0000	A5
AB6	.5906	1.8504	.5512	15.0000	47.0000	14.0000	A5
BR7109	.5906	1.3780	.3540	15.0000	35.0000	9.0000	A2
BR8502	.5906	1.3780	.5000	15.0000	35.0000	12.7000	A13
BR87502	.5906	1.3780	.5000	15.0000	35.0000	12.7000	A14
BR88502	.5906	1.3780	.5669	15.0000	35.0000	14.4000	A12
6203-2RS15	.6250	1.5748	.4724	15.8750	40.0000	12.0000	A5
R10-2RSJ	.6250	1.3750	.3438	15.8750	34.9250	8.7325	A5
R10-2ZJ	.6250	1.3750	.3438	15.8750	34.9250	8.7325	A3
BR8016	.6299	1.3780	.5000	16.0000	35.0000	12.7000	A13
BR88016	.6299	1.3780	.5669	16.0000	35.0000	14.4000	A12
6203-VSP20	.6692	1.5750	.7874	17.0000	40.0000	20.0000	A12
6403-J	.6692	2.4409	.6693	17.0000	62.0000	17.0000	A1
3203 A-2ZTN9 VP	.6693	1.5748	.6875	17.0000	40.0000	17.4600	C3
3203 ATN9 VP	.6693	1.5748	.6875	17.0000	40.0000	17.4600	C1
6003-2RSJ	.6693	1.3780	.3937	17.0000	35.0000	10.0000	A5
6003-2ZJ	.6693	1.3780	.3937	17.0000	35.0000	10.0000	A3
61903-J	.6693	1.1811	.2756	17.0000	30.0000	7.0000	A1
6203-2RSJ	.6693	1.5748	.4724	17.0000	40.0000	12.0000	A5
62032RSNRJ	.6693	1.5748	.4724	17.0000	40.0000	12.0000	A11

Single & double row ball bearings

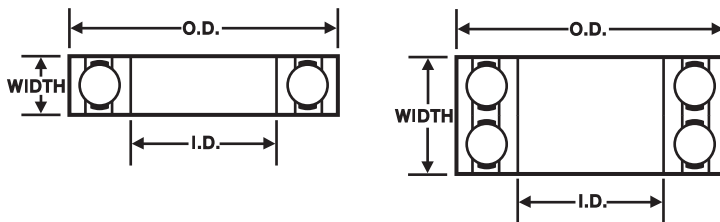
I.D. size listing



Bearing no.	Inch			Metric			Type
	I.D.	O.D.	Width	I.D.	O.D.	Width	
6203-2ZJ	.6693	1.5748	.4724	17.0000	40.0000	12.0000	A3
6203-2ZNRJ	.6693	1.5748	.4724	17.0000	40.0000	12.0000	A9
6203-J	.6693	1.5748	.4724	17.0000	40.0000	12.0000	A1
6203-NRJ	.6693	1.5748	.4724	17.0000	40.0000	12.0000	A7
6203-RSJ	.6693	1.5748	.4724	17.0000	40.0000	12.0000	A4
6203-ZJ	.6693	1.5748	.4724	17.0000	40.0000	12.0000	A2
6303-2RSJ	.6693	1.8504	.5512	17.0000	47.0000	14.0000	A5
6303-2ZJ	.6693	1.8504	.5512	17.0000	47.0000	14.0000	A3
6303-J	.6693	1.8504	.5512	17.0000	47.0000	14.0000	A1
6303-ZJ	.6693	1.8504	.5512	17.0000	47.0000	14.0000	A2
7303-BY	.6693	1.8504	.5512	17.0000	47.0000	14.0000	E3
AB1	.6693	2.0472	.7087	17.0000	52.0000	18.0000	A5
AB9	.6693	1.8504	.5512	17.0000	47.0000	14.0000	A5
BR8503	.6693	1.5748	.5630	17.0000	40.0000	14.3000	A13
BR88503	.6693	1.5748	.6536	17.0000	40.0000	16.6014	A12
GWC87503	.6693	1.5748	.5630	17.0002	39.9999	14.3002	A14
B01	.7498	2.0805	.7180	19.0449	52.8447	18.2372	E2
B67	.7498	2.0800	.7180	19.0449	52.8320	18.2372	E2
R12-2ZJ	.7500	1.6250	.4375	19.0000	41.2750	11.1125	A3
3204 A VP	.7874	1.8504	.8125	20.0000	47.0000	20.6375	C1
3304 A VP	.7874	2.0472	.8740	20.0000	52.0000	22.2000	C1
6004-2RSJ	.7874	1.6535	.4724	20.0000	42.0000	12.0000	A5
6004-J	.7874	1.6535	.4724	20.0000	42.0000	12.0000	A1
6004-RSJ	.7874	1.6535	.4724	20.0000	42.0000	12.0000	A4
6204-2RSJ	.7874	1.8504	.5512	20.0000	47.0000	14.0000	A5
6204-2ZJ	.7874	1.8504	.5512	20.0000	47.0000	14.0000	A3
6204-2ZNRJ	.7874	1.8504	.5512	20.0000	47.0000	14.0000	A9
6204-J	.7874	1.8504	.5512	20.0000	47.0000	14.0000	A1
6204-NRJ	.7874	1.8504	.5512	20.0000	47.0000	14.0000	A7
6204-RSJ	.7874	1.8504	.5512	20.0000	47.0000	14.0000	A4
6204-ZJ	.7874	1.8504	.5512	20.0000	47.0000	14.0000	A2
6206-VSP20	.7874	2.4409	.6299	20.0000	62.0000	16.0000	A1
63042RSC3	.7874	2.0472	.5906	20.0000	52.0000	15.0000	A5
6304-2RSJ	.7874	2.0472	.5906	20.0000	52.0000	15.0000	A5
6304-2ZJ	.7874	2.0472	.5906	20.0000	52.0000	15.0000	A3
6304-2ZNRJ	.7874	2.0472	.5906	20.0000	52.0000	15.0000	A9
6304-J	.7874	2.0472	.5906	20.0000	52.0000	15.0000	A1
6304-NRJ	.7874	2.0472	.5906	20.0000	52.0000	15.0000	A7

Single & double row ball bearings

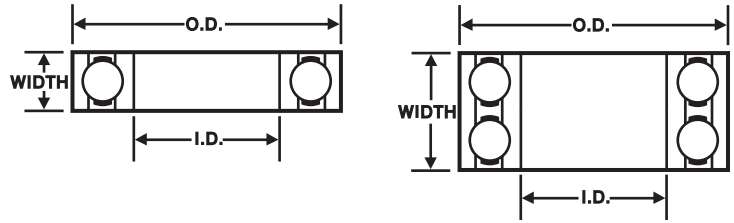
I.D. size listing



Bearing no.	Inch			Metric			Type
	I.D.	O.D.	Width	I.D.	O.D.	Width	
6304-RSJ	.7874	2.0472	.5906	20.0000	52.0000	15.0000	A4
6304-ZJ	.7874	2.0472	.5906	20.0000	52.0000	15.0000	A2
6904-2RSC4	.7874	1.4567	.3543	20.0000	37.0000	9.0000	A17
BR8504	.7874	1.8504	.6250	20.0000	47.0000	15.8750	A13
BR88504	.7874	1.8504	.6988	20.0000	47.0000	17.7495	A12
W6204-2RSJ	.7874	1.8504	.8125	20.0000	47.0000	20.6375	A5
6205-VSP22	.8660	2.0470	.5910	22.0000	52.0000	15.0000	A1
62/22-2RSJ	.8661	1.9685	.5512	22.0000	50.0000	14.0000	A5
R14-2RSJ	.8750	1.8750	.5000	22.2250	47.6250	12.7000	A5
R14-2ZJ	.8750	1.8750	.5000	22.2250	47.6250	12.7000	A3
RLS7-J	.8750	2.0000	.5625	22.2250	50.8000	14.2875	A1
BR10016	.9055	1.9685	.5511	23.0000	50.0000	14.0000	A5
B45	.9058	2.2503	.8000	23.0073	57.1576	20.3200	E2
6305-NSP19	.9842	2.6771	.7480	25.0000	68.0000	19.0000	A7
305-J	.9843	2.4409	.6693	25.0000	62.0000	17.0000	B1
3205 A VP	.9843	2.0472	.8125	25.0000	52.0000	20.6375	C1
3205 A-2Z VP	.9843	2.0472	.8125	25.0000	52.0000	20.6375	C3
3205 ANR VP	.9843	2.0472	.8100	25.0000	52.0000	20.5740	C5
3305 A VP	.9843	2.4409	1.0000	25.0000	62.0000	25.4000	C1
6005-2RSJ	.9843	1.8504	.4724	25.0000	47.0000	12.0000	A5
6005-J	.9843	1.8504	.4724	25.0000	47.0000	12.0000	A1
6205-2RS2	.9843	2.0472	.5906	25.0000	52.0000	15.0000	A5
6205-2RSJ	.9843	2.0472	.5906	25.0000	52.0000	15.0000	A5
6205-2RSNRJ	.9843	2.0472	.5906	25.0000	52.0000	15.0000	A11
6205-2ZJ	.9843	2.0472	.5906	25.0000	52.0000	15.0000	A3
6205-2ZNRJ	.9843	2.0472	.5906	25.0000	52.0000	15.0000	A9
6205-J	.9843	2.0472	.5906	25.0000	52.0000	15.0000	A1
6205-NRJ	.9843	2.0472	.5906	25.0000	52.0000	15.0000	A7
6205-RSJ	.9843	2.0472	.5906	25.0000	52.0000	15.0000	A4
6205-ZJ	.9843	2.0472	.5906	25.0000	52.0000	15.0000	A2
6205-ZNRJ	.9843	2.0472	.5906	25.0000	52.0000	15.0000	A8
6305-2RS2	.9843	2.4409	.6693	25.0000	62.0000	17.0000	A5
6305-2RSJ	.9843	2.4409	.6693	25.0000	62.0000	17.0000	A5
6305-2RSNRJ	.9843	2.4409	.6693	25.0000	62.0000	17.0000	A11
6305-2ZJ	.9843	2.4409	.6693	25.0000	62.0000	17.0000	A3
6305-2ZNRJ	.9843	2.4409	.6693	25.0000	62.0000	17.0000	A9
6305-J	.9843	2.4409	.6693	25.0000	62.0000	17.0000	A1
6305-NRJ	.9843	2.4409	.6693	25.0000	62.0000	17.0000	A7

Single & double row ball bearings

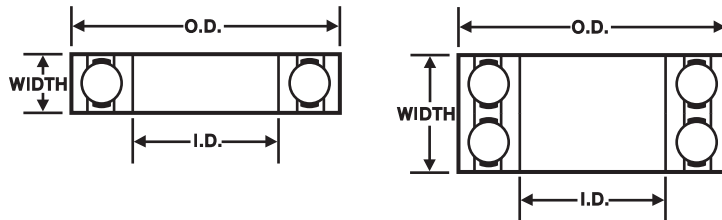
I.D. size listing



Bearing no.	Inch			Metric			Type
	I.D.	O.D.	Width	I.D.	O.D.	Width	
6305-RSJ	.9843	2.4409	.6693	25.0000	62.0000	17.0000	A4
6305-VSP65	.9843	2.5591	.6693	25.0000	65.0000	17.0000	A17
6305-VSP68	.9843	2.6772	.7087	25.0000	68.0000	18.0000	A1
6305-ZJ	.9843	2.4409	.6693	25.0000	62.0000	17.0000	A2
6405-J	.9843	3.1496	.8268	25.0000	80.0000	21.0000	A1
7205-J	.9843	2.0472	.5906	25.0000	52.0000	15.0000	E3
BR8505	.9843	2.0472	.6250	25.0000	52.0000	15.8750	A13
BR8605	.9843	2.4409	.8270	25.0000	62.0000	21.0058	A13
BR87505	.9843	2.0472	.6250	25.0000	52.0000	15.8750	A14
W6205-2RSJ	.9843	2.0472	.8125	25.0000	52.0000	20.6375	A16
W6305-2RSJ	.9843	2.4409	1.0000	25.0000	62.0000	25.4000	A16
3041-DSTN VP	1.0000	2.0000	.5620	25.4000	50.8000	14.2748	A2
6205-VSP25	1.0000	2.0470	.5910	25.4000	52.0000	15.0000	A5
R16-2ZJ	1.0000	2.0000	.5000	25.4000	50.8000	12.7000	A3
RLS8-J	1.0000	2.2500	.6250	25.4000	57.1500	15.8750	A1
62/282RSNR	1.1024	2.2835	.6299	28.0000	58.0000	16.0000	A11
63/28-2RSJ	1.1024	2.6772	.7087	28.0000	68.0000	18.0000	A5
63/28-2RSN	1.1024	2.6772	.7087	28.0000	68.0000	18.0000	A5
63/28-2RSNJ	1.1024	2.6772	.7087	28.0000	68.0000	18.0000	A11
63/28-J	1.1024	2.6772	.7087	28.0000	68.0000	18.0000	A1
63/28-NRJ	1.1024	2.6772	.7087	28.0000	68.0000	18.0000	A7
GRW122	1.1024	2.2835	.6299	28.0000	58.0000	16.0000	A1
GRW163	1.1024	2.2835	.6299	28.0010	58.0000	16.0000	A16
6206-VSP55	1.1791	2.1653	.6122	29.9500	55.0000	15.5500	A11
206-J	1.1811	2.4409	.6299	30.0000	62.0000	16.0000	B1
206-NRJ	1.1811	2.4409	.6299	30.0000	62.0000	16.0000	B4
306-2ZJ	1.1811	2.8346	.7480	30.0000	72.0000	19.0000	B3
306-J	1.1811	2.8346	.7480	30.0000	72.0000	19.0000	B1
306-NJ	1.1811	2.8346	.7480	30.0000	72.0000	19.0000	B4
306-NRJ	1.1811	2.8346	.7480	30.0000	72.0000	19.0000	B4
3206 A VP	1.1811	2.4409	.9375	30.0000	62.0000	23.8125	C1
3206 A-2RS1 VP	1.1811	2.4409	.9370	30.0000	62.0000	23.8000	C4
3206 A-2Z VP	1.1811	2.4409	.9375	30.0000	62.0000	23.8125	C1
3306 E/C3 VP	1.1811	2.8346	1.1875	30.0000	72.0000	30.1625	D1
3306 E-2Z/C3 VP	1.1811	2.8346	1.1875	30.0000	72.0000	30.1625	D3
5106-WCC	1.1811	2.1654	.9020	30.0000	55.0000	22.9108	C4
5206A2RSNRG	1.1811	2.4409	.9370	30.0000	62.0000	23.7500	C6
5206-A2RSX	1.1811	2.4409	1.0625	30.0000	62.0000	27.0000	C4

Single & double row ball bearings

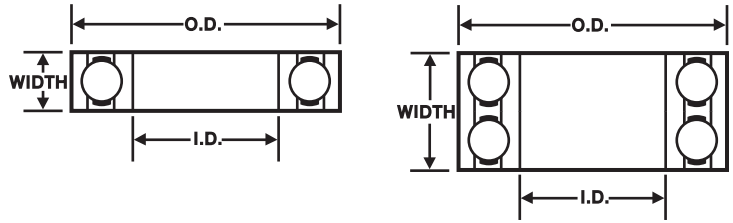
I.D. size listing



Bearing no.	Inch			Metric			Type
	I.D.	O.D.	Width	I.D.	O.D.	Width	
6006-2RSJ	1.1811	2.1654	.5118	30.0000	55.0000	13.0000	A5
6006-2ZJ	1.1811	2.1654	.5118	30.0000	55.0000	13.0000	A3
6006-J	1.1811	2.1654	.5118	30.0000	55.0000	13.0000	A1
6006-RSJ	1.1811	2.1654	.5118	30.0000	55.0000	13.0000	A4
6006-RSNRJ	1.1811	2.1654	.5118	30.0000	55.0000	13.0000	A17
6206-2RS2/C3GWP	1.1811	2.4409	.6299	30.0000	62.0000	16.0000	A5
6206-2RS2/C5GJB	1.1811	2.4409	.6299	30.0000	62.0000	16.0000	A5
6206-2RSJ	1.1811	2.4409	.6299	30.0000	62.0000	16.0000	A5
6206-2ZJ	1.1811	2.4409	.6299	30.0000	62.0000	16.0000	A3
6206-2ZNRJ	1.1811	2.4409	.6299	30.0000	62.0000	16.0000	A9
6206-J	1.1811	2.4409	.6299	30.0000	62.0000	16.0000	A1
6206-NJ	1.1811	2.4409	.6299	30.0000	62.0000	16.0000	A17
6206-NRJ	1.1811	2.4409	.6299	30.0000	62.0000	16.0000	A7
6206-RSJ	1.1811	2.4409	.6299	30.0000	62.0000	16.0000	A4
6206-ZJ	1.1811	2.4409	.6299	30.0000	62.0000	16.0000	A2
6206-ZNRJ	1.1811	2.4409	.6299	30.0000	62.0000	16.0000	A8
6306-2RS2	1.1811	2.8346	.7480	30.0000	72.0000	19.0000	A5
6306-2RS2/C5	1.1811	2.8346	.7480	30.0000	72.0000	19.0000	A5
63062RS2NR	1.1811	2.8346	.7480	30.0000	72.0000	19.0000	A11
6306-2RSJ	1.1811	2.8346	.7480	30.0000	72.0000	19.0000	A5
6306-2RSNR	1.1811	2.8346	.7480	30.0000	72.0000	19.0000	A5
6306-2ZJ	1.1811	2.8346	.7480	30.0000	72.0000	19.0000	A3
6306-2ZNRJ	1.1811	2.8346	.7480	30.0000	72.0000	19.0000	A9
6306-J	1.1811	2.8346	.7480	30.0000	72.0000	19.0000	A1
6306-NJ	1.1811	2.8346	.7480	30.0000	72.0000	19.0000	A7
6306-NRJ	1.1811	2.8346	.7480	30.0000	72.0000	19.0000	A7
6306-RSJ	1.1811	2.8346	.7480	30.0000	72.0000	19.0000	A4
6306-VSP1	1.1811	2.9530	.7874	30.0000	76.0000	20.0000	A17
6306-ZJ	1.1811	2.8346	.7480	30.0000	72.0000	19.0000	A2
6306-ZNBRJ	1.1811	2.8346	.7480	30.0000	72.0000	19.0000	A10
6306-ZNRJ	1.1811	2.8346	.7480	30.0000	72.0000	19.0000	A8
6307-VSP30	1.1811	2.8346	.6693	30.0000	72.0000	17.0000	A11
6307-VSP75	1.1811	2.9523	.8268	30.0000	75.0000	21.0000	A17
6406-J	1.1811	3.5433	.9055	30.0000	90.0000	23.0000	A1
88506-AR	1.1811	2.4409	.9449	30.0000	62.0000	24.0000	F5
88506-BR	1.1811	2.4409	.9449	30.0000	62.0000	24.0000	F5
B37	1.1811	2.4409	.6299	30.0000	62.0000	16.0000	A5
BR8506	1.1811	2.4409	.7874	30.0000	62.0000	19.9898	A13

Single & double row ball bearings

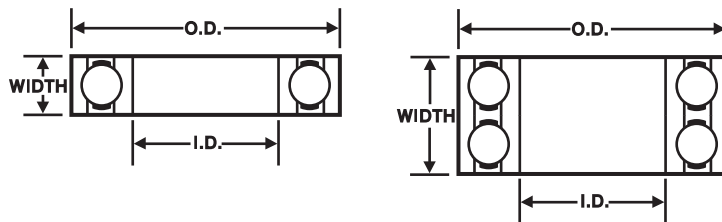
I.D. size listing



Bearing no.	Inch			Metric			Type
	I.D.	O.D.	Width	I.D.	O.D.	Width	
BR87506	1.1811	2.4409	.7470	30.0000	62.0000	19.9898	A14
BR88506	1.1811	2.4409	.9449	30.0000	62.0000	24.0000	A12
GRW101	1.1811	2.4409	.6299	30.0000	62.0000	16.0000	A4
GRW102-R	1.1811	2.4409	1.2540	30.0000	62.0000	31.8500	F5
GRW125	1.1811	2.8346	.7480	30.0000	72.0000	19.0000	A4
GRW129-R	1.1811	2.6378	.9843	30.4000	67.0000	25.0000	F5
W6206-2RSJ	1.1811	2.4409	.9375	30.0000	62.0000	23.8125	A16
W6306-2RSJ	1.1811	2.8346	1.1875	30.0000	72.0000	30.1625	A16
6306-JX	1.2030	2.8350	.7480	30.5500	72.0000	19.0000	A1
GRW116	1.2500	2.7500	.6870	31.7500	70.0000	17.4625	A1
GRW117	1.2500	2.7500	.8646	31.7500	70.0000	21.9608	A17
GRW118	1.2500	3.1250	.8750	31.7500	79.0000	22.2250	A1
63/322RSNR	1.2598	2.9527	.7874	32.0000	75.0000	20.0000	A11
63/32-NJ	1.2598	2.9527	.7874	32.0000	75.0000	20.0000	A1
63/32VSP80	1.2598	3.1496	.9055	32.0000	80.0000	23.0000	A17
63/32-ZJ	1.2598	2.9527	.7874	32.0000	75.0000	20.0000	B2
GRW114-R	1.2598	2.8346	.7480	32.0000	72.0000	19.0000	F5
B52	1.2810	2.9630	1.1500	32.5374	75.2602	29.2100	E1
6207-VSP33	1.2980	2.8350	.6700	33.0000	72.0000	17.0000	A1
RWF34-R	1.3386	2.6772	.9449	34.0000	68.0000	24.0000	F5
GRW124-R	1.3730	2.8346	1.7236	34.8742	72.0000	43.7794	F5
GRW165	1.3765	2.8460	.6675	35.0000	72.0000	17.0000	A16
AC3	1.3779	1.9685	.7874	35.0000	50.0000	20.0000	C4
AC4	1.3779	2.1653	.7874	35.0000	55.0000	20.0000	C4
207-J	1.3780	2.8346	.6693	35.0000	72.0000	17.0000	B1
207-NRJ	1.3780	2.8346	.6693	35.0000	72.0000	17.0000	B4
207-ZNRJ	1.3780	2.8346	.6693	35.0000	72.0000	17.0000	B5
307-J	1.3780	3.1496	.8268	35.0000	80.0000	21.0000	B1
307-NRJ	1.3780	3.1496	.8268	35.0000	80.0000	21.0000	B4
307-VSP82	1.3780	3.1496	.6693	35.0000	80.0000	17.0000	B4
307-ZJ	1.3780	3.1496	.8268	35.0000	80.0000	21.0000	B2
307-ZNRJ	1.3780	3.1496	.8268	35.0000	80.0000	21.0000	B5
3207 A VP	1.3780	2.8346	1.0629	35.0000	72.0000	27.0000	C1
3207 A-2Z VP	1.3780	2.8346	1.0629	35.0000	72.0000	27.0000	C3
3207 E/C3 VP	1.3780	2.8346	1.0629	35.0000	72.0000	27.0000	D1
3207 E-2Z/C3 VP	1.3780	2.8346	1.0629	35.0000	72.0000	27.0000	D3
3307 A VP	1.3780	3.1496	1.3750	35.0000	80.0000	34.9250	C1
6007-2RSJ	1.3780	2.4409	.5512	35.0000	62.0000	14.0000	A5

Single & double row ball bearings

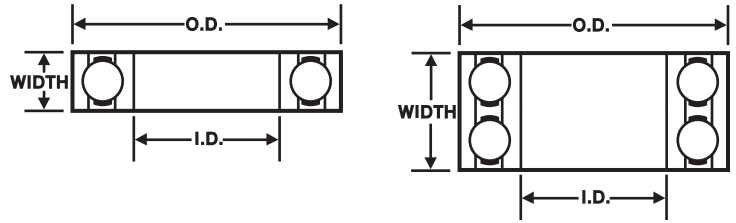
I.D. size listing



Bearing no.	Inch			Metric			Type
	I.D.	O.D.	Width	I.D.	O.D.	Width	
6007-J	1.3780	2.4409	.5512	35.0000	62.0000	14.0000	A1
6007-NRJ	1.3780	2.4409	.5512	35.0000	62.0000	14.0000	A7
6007-RSJ	1.3780	2.4409	.5512	35.0000	62.0000	14.0000	A4
6207-2RSJ	1.3780	2.8346	.6693	35.0000	72.0000	17.0000	A5
6207-2ZJ	1.3780	2.8346	.6693	35.0000	72.0000	17.0000	A3
6207-2ZNRJ	1.3780	2.8346	.6693	35.0000	72.0000	17.0000	A9
6207-J	1.3780	2.8346	.6693	35.0000	72.0000	17.0000	A1
6207-NJ	1.3780	2.8346	.6693	35.0000	72.0000	17.0000	A7
6207-NRJ	1.3780	2.8346	.6693	35.0000	72.0000	17.0000	A7
6207-RSJ	1.3780	2.8346	.6693	35.0000	72.0000	17.0000	A4
6207-VSP55	1.3780	2.8346	.6693	35.0000	72.0000	17.0000	A7
6207-VSP96	1.3780	2.8346	.5288	35.0000	72.0000	13.4315	A1
6207-ZJ	1.3780	2.8346	.6693	35.0000	72.0000	17.0000	A2
6207-ZNJ	1.3780	2.8346	.6693	35.0000	72.0000	17.0000	A8
6207-ZNRJ	1.3780	2.8346	.6693	35.0000	72.0000	17.0000	A8
6307-2RSJ	1.3780	3.1496	.8268	35.0000	80.0000	21.0000	A5
6307-2RSNRX	1.3780	3.1496	.9055	35.0000	80.0000	23.0000	A11
6307-2ZJ	1.3780	3.1496	.8268	35.0000	80.0000	21.0000	A3
6307-2ZNRJ	1.3780	3.1496	.8268	35.0000	80.0000	21.0000	A9
6307-J	1.3780	3.1496	.8268	35.0000	80.0000	21.0000	A1
6307-NJ	1.3780	3.1496	.8268	35.0000	80.0000	21.0000	A7
6307-NRJ	1.3780	3.1496	.8268	35.0000	80.0000	21.0000	A7
6307-RSJ	1.3780	3.1496	.8268	35.0000	80.0000	21.0000	A4
6307-VSP23	1.3780	3.3460	.9060	35.0000	85.0000	23.0000	A5
6307-VSP35	1.3780	3.1496	.9449	35.0000	80.0000	24.0000	A17
6307-VSP85	1.3780	3.3460	.8268	35.0000	85.0000	21.0000	A17
6307-ZJ	1.3780	3.1496	.8268	35.0000	80.0000	21.0000	A2
6307-ZNRJ	1.3780	3.1496	.8268	35.0000	80.0000	21.0000	A8
6907-VAW	1.3780	2.4409	.6299	35.0000	62.0000	16.0000	A15
88107-AR	1.3780	2.8346	.9843	35.0000	72.0000	25.0000	F5
BR3507	1.3780	2.8346	1.3780	35.0000	72.0000	35.0000	C5
BR8507	1.3780	2.8346	.8268	35.0000	72.0000	21.0007	A13
BR88107	1.3780	2.8346	.9843	35.0000	72.0000	25.0000	A12
GRW124-RA	1.3780	2.8346	1.7236	35.0000	72.0000	26.0000	F5
GRW128-R	1.3780	2.8346	.6693	35.0000	72.0000	34.7802	F5
GRW158-R	1.3780	3.1496	1.1040	35.0000	80.0000	28.0000	A17
GRW167-R	1.3780	2.8346	.6693	35.0000	72.0000	34.7802	F5
GRW185-R	1.3780	2.8346	.8270	35.0000	72.0000	21.0058	F3

Single & double row ball bearings

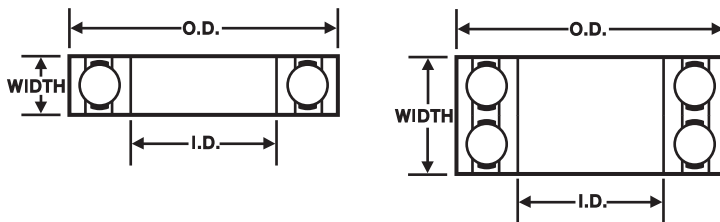
I.D. size listing



Bearing no.	Inch			Metric			Type
	I.D.	O.D.	Width	I.D.	O.D.	Width	
GRW186-R	1.3780	3.1496	.8270	35.0000	80.0000	21.0000	F5
GRW232-R	1.3780	3.1496	1.0236	35.0000	80.0000	26.0000	A17
N6307-NJX	1.3780	3.1496	.6693	35.0000	80.0000	17.0000	A7
RW207-CCRA	1.3780	2.8346	.8449	35.0000	72.0000	21.4605	F5
RW307-R	1.3780	3.0000	.9055	35.0000	76.2000	23.0000	F3
RW507-CR	1.3780	2.7475	.7000	35.0000	69.7865	17.7800	F4
RW507-ER	1.3780	2.8346	.9250	35.0000	72.0000	23.5000	F2
RW607-BR	1.3780	3.0000	1.0320	35.0000	76.2000	26.2138	F1
W6207-2RSJ	1.3780	2.8346	1.0630	35.0000	72.0000	27.0000	A16
W6307-2RSJ	1.3780	3.1496	1.3750	35.0000	80.0000	34.9250	A16
BD35	1.3783	2.5200	1.4570	35.0000	64.0000	37.0000	C4
BR3610	1.4173	2.6378	1.1417	36.0000	67.0000	29.0000	C4
BR4117	1.4173	2.6378	.6690	36.0000	67.0000	29.0000	C4
RWC35-YYR	1.4320	2.8760	.9300	36.3728	73.0504	23.6220	A12
6208-VSP37	1.4567	3.1496	.7087	37.0000	80.0000	18.0000	A1
SC0889	1.4961	2.2835	.5906	38.0000	58.0000	15.0000	A5
B48	1.4995	3.1500	.9100	38.0873	80.0100	23.1140	E1
88128-R	1.5312	3.1496	1.0830	38.8925	80.0000	27.5082	F5
88128-RA	1.5312	3.1496	1.0830	38.8925	80.0000	27.5082	F5
88128-RB	1.5312	3.1496	1.0830	38.8925	80.0000	27.5082	F5
RW508-BR	1.5312	3.0623	.7750	38.8925	77.7824	19.6850	F4
208-J	1.5748	3.1496	.7087	40.0000	80.0000	18.0000	B1
208-NRJ	1.5748	3.1496	.7087	40.0000	80.0000	18.0000	B4
208-ZJ	1.5748	3.1496	.7087	40.0000	80.0000	18.0000	B2
308-J	1.5748	3.5433	.9055	40.0000	90.0000	23.0000	B1
308-NRJ	1.5748	3.5433	.9055	40.0000	90.0000	23.0000	B4
308-ZJ	1.5748	3.5433	.9055	40.0000	90.0000	23.0000	B2
308-ZNRJ	1.5748	3.5433	.9055	40.0000	90.0000	23.0000	B5
3208 A-2Z VP	1.5748	3.1496	1.1889	40.0000	80.0000	30.2000	C3
3208 E/C3 VP	1.5748	3.1496	1.1889	40.0000	80.0000	30.2000	D1
3308 E VP	1.5748	3.5433	1.4375	40.0000	90.0000	36.5125	D1
5208-VSP40	1.5748	3.0314	1.9291	40.0000	77.0000	49.0000	C1
5908-VAW	1.5748	2.4409	.8125	40.0000	62.0000	20.6375	C4
60082RS1VP23	1.5748	2.6772	.5906	40.0000	68.0000	15.0000	A5
6008-2RSJ	1.5748	2.6772	.5906	40.0000	68.0000	15.0000	A5
6008-2RSNR	1.5748	2.6772	.5906	40.0000	68.0000	15.0000	A11
6008-2ZJ	1.5748	2.6772	.5906	40.0000	68.0000	15.0000	A3
6008-J	1.5748	2.6772	.5906	40.0000	68.0000	15.0000	A1

Single & double row ball bearings

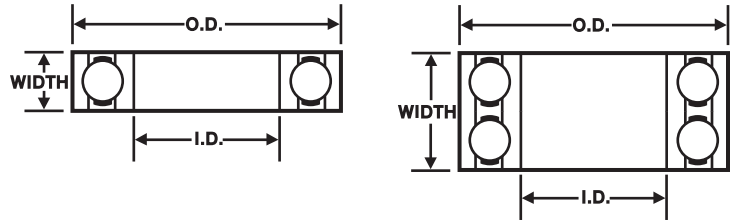
I.D. size listing



Bearing no.	Inch			Metric			Type
	I.D.	O.D.	Width	I.D.	O.D.	Width	
6008-NRJ	1.5748	2.6772	.5906	40.0000	68.0000	15.0000	A7
6208-2RSJ	1.5748	3.1490	.7087	40.0000	80.0000	18.0000	A5
6208-2ZJ	1.5748	3.1496	.7087	40.0000	80.0000	18.0000	A3
6208-2ZNRJ	1.5748	3.1496	.7087	40.0000	80.0000	18.0000	A9
6208-J	1.5748	3.1496	.7087	40.0000	80.0000	18.0000	A1
6208-NJ	1.5748	3.1496	.7087	40.0000	80.0000	18.0000	A7
6208-NRJ	1.5748	3.1496	.7087	40.0000	80.0000	18.0000	A7
6208-RSJ	1.5748	3.1496	.7087	40.0000	80.0000	18.0000	A4
6208-ZJ	1.5748	3.1496	.7087	40.0000	80.0000	18.0000	A2
6208-ZNJ	1.5748	3.1496	.7087	40.0000	80.0000	18.0000	A8
6208-ZNRJ	1.5748	3.1496	.7087	40.0000	80.0000	18.0000	A8
6308-2RSJ	1.5748	3.5433	.9055	40.0000	90.0000	23.0000	A5
6308-2RSNR	1.5748	3.5433	.9055	40.0000	90.0000	23.0000	A11
6308-2ZJ	1.5748	3.5433	.9055	40.0000	90.0000	23.0000	A3
6308-2ZNRJ	1.5748	3.5433	.9055	40.0000	90.0000	23.0000	A9
6308-J	1.5748	3.5433	.9055	40.0000	90.0000	23.0000	A1
6308-NJ	1.5748	3.5433	.9055	40.0000	90.0000	23.0000	A7
6308-NJX1	1.5748	3.5433	.7874	40.0000	90.0000	20.0000	A17
6308-NRJ	1.5748	3.5433	.9055	40.0000	90.0000	23.0000	A7
6308-VSP65	1.5748	3.5433	.9055	40.0000	90.0000	23.0000	A7
6308-VSP92	1.5748	3.6220	1.0020	40.0000	92.0000	25.4508	A17
6308-ZJ	1.5748	3.5433	.9055	40.0000	90.0000	23.0000	A2
6308-ZNRJ	1.5748	3.5433	.9055	40.0000	90.0000	23.0000	A8
6408-J	1.5748	4.3307	1.0630	40.0000	110.0000	27.0000	A1
6908-VAL	1.5748	2.4409	.5906	40.0000	62.0000	15.0000	A5
AC1	1.5748	2.4409	.8120	40.0000	62.0000	20.6250	C4
AC2	1.5748	2.4409	.9449	40.0000	62.0000	24.0000	C4
GRW130-R	1.5748	3.5433	.9055	40.0000	90.0000	23.0000	F5
GRW130-R2	1.5748	3.5433	.9055	40.0000	90.0000	23.0000	F5
GRW155	1.5748	3.5433	1.0230	40.0000	90.0000	26.0000	A5
GRW155-R	1.5748	3.5433	1.0236	40.0000	90.0000	26.0000	A5
GRW248	1.5748	3.5236	1.1023	40.0000	89.5000	28.0000	A17
16008-J	1.5750	2.6771	.3540	40.0000	68.0000	9.0000	A1
6308-2RS1/C4	1.5750	3.5430	.9060	40.0000	90.0000	23.0000	A5
GRW108 VP	1.5750	3.1500	.9380	40.0000	80.0000	23.0000	A4
RW509-FR	1.6250	3.2677	1.0236	41.2750	83.0000	26.0000	F2
BR4317	1.6929	3.1496	.6693	43.0000	80.0000	17.0000	C4
209-J	1.7717	3.3465	.7480	45.0000	85.0000	19.0000	B1

Single & double row ball bearings

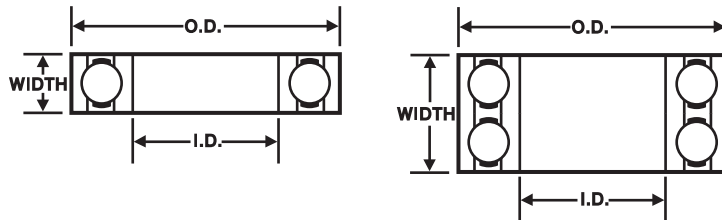
I.D. size listing



Bearing no.	Inch			Metric			Type
	I.D.	O.D.	Width	I.D.	O.D.	Width	
209-NRJ	1.7717	3.3465	.7480	45.0000	85.0000	19.0000	B4
209-ZJ	1.7717	3.3465	.7480	45.0000	85.0000	19.0000	B2
209-ZNRJ	1.7717	3.3465	.7480	45.0000	85.0000	19.0000	B5
309-J	1.7717	3.9370	.9843	45.0000	100.0000	25.0000	B1
309-NRJ	1.7717	3.9370	.9843	45.0000	100.0000	25.0000	B4
309-ZNRJ	1.7717	3.9370	.9843	45.0000	100.0000	25.0000	B5
3209 E VP	1.7717	3.3465	1.1889	45.0000	85.0000	30.2000	D1
3309 E VP	1.7717	3.9370	1.5625	45.0000	100.0000	39.6875	D1
6009-2RSJ	1.7717	2.9528	.6299	45.0000	75.0000	16.0000	A5
6009-J	1.7717	2.9528	.6299	45.0000	75.0000	16.0000	A1
6009-NRJ	1.7717	2.9528	.6299	45.0000	75.0000	16.0000	A7
6009-ZJ	1.7717	2.9528	.6299	45.0000	75.0000	16.0000	A2
6209-2RSJ	1.7717	3.3465	.7480	45.0000	85.0000	19.0000	A5
6209-2ZJ	1.7717	3.3465	.7480	45.0000	85.0000	19.0000	A3
6209-J	1.7717	3.3465	.7480	45.0000	85.0000	19.0000	A1
6209-NRJ	1.7717	3.3465	.7480	45.0000	85.0000	19.0000	A7
6209-RSJ	1.7717	3.3465	.7480	45.0000	85.0000	19.0000	A4
6209-ZJ	1.7717	3.3465	.7480	45.0000	85.0000	19.0000	A2
6209-ZNBRJ	1.7717	3.3465	.7480	45.0000	85.0000	19.0000	A10
6209-ZNRJ	1.7717	3.3465	.7480	45.0000	85.0000	19.0000	A8
6309-2RSJ	1.7717	3.9370	.9843	45.0000	100.0000	25.0000	A5
6309-2ZJ	1.7717	3.9370	.9843	45.0000	100.0000	25.0000	A3
6309-J	1.7717	3.9370	.9843	45.0000	100.0000	25.0000	A1
6309-NRJ	1.7717	3.9370	.9843	45.0000	100.0000	25.0000	A7
6309-RSJ	1.7717	3.9370	.9843	45.0000	100.0000	25.0000	A4
6309-ZJ	1.7717	3.9370	.9843	45.0000	100.0000	25.0000	A2
6309-ZNRJ	1.7717	3.9370	.9843	45.0000	100.0000	25.0000	A8
BR3310	1.7717	4.3307	1.7500	45.0000	110.0000	44.4500	D5
BR88509	1.7717	3.3465	1.0630	45.0000	85.0000	27.0000	A12
N6309-NRJ	1.7717	3.9370	.8270	45.0000	100.0000	21.0000	A7
6210-VSP31	1.9375	3.5433	1.9375	49.2125	90.0000	49.2125	A17
210-J	1.9685	3.5433	.7874	50.0000	90.0000	20.0000	B1
210-NRJ	1.9685	3.5433	.7874	50.0000	90.0000	20.0000	B4
310-J	1.9685	4.3307	1.0630	50.0000	110.0000	27.0000	B1
310-NRJ	1.9685	4.3307	1.0630	50.0000	110.0000	27.0000	B4
310-ZNBR VP	1.9685	4.3307	1.0630	50.0000	110.0000	27.0000	B7
310-ZNRJ	1.9685	4.3307	1.0630	50.0000	110.0000	27.0000	B5
3210 E VP	1.9685	3.5433	1.1889	50.0000	90.0000	30.2000	D1

Single & double row ball bearings

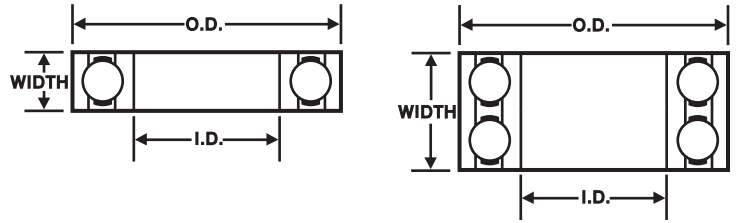
I.D. size listing



Bearing no.	Inch			Metric			Type
	I.D.	O.D.	Width	I.D.	O.D.	Width	
3210 E-2Z VP	1.9685	3.5433	1.1889	50.0000	90.0000	30.2000	D3
3310 E VP	1.9685	4.3307	1.7500	50.0000	110.0000	44.4500	D1
5210-ANRX	1.9685	3.1496	.9370	50.0000	80.0000	23.7998	C5
5310-WA	1.9685	4.3307	1.7500	50.0000	110.0000	44.4500	D1
6010-2RSJ	1.9685	3.1496	.6299	50.0000	80.0000	16.0000	A5
6010-2ZJ	1.9685	3.1496	.6299	50.0000	80.0000	16.0000	A3
6010-J	1.9685	3.1496	.6299	50.0000	80.0000	16.0000	A1
6010-NRJ	1.9685	3.1496	.6299	50.0000	80.0000	16.0000	A7
6010-ZJ	1.9685	3.1496	.6299	50.0000	80.0000	16.0000	A2
6210-2RSJ	1.9685	3.5433	.7874	50.0000	90.0000	20.0000	A5
6210-2ZJ	1.9685	3.5433	.7874	50.0000	90.0000	20.0000	A3
6210-2ZNRJ	1.9685	3.5433	.7874	50.0000	90.0000	20.0000	A9
6210-J	1.9685	3.5433	.7874	50.0000	90.0000	20.0000	A1
6210-NRJ	1.9685	3.5433	.7874	50.0000	90.0000	20.0000	A7
6210-ZJ	1.9685	3.5433	.7874	50.0000	90.0000	20.0000	A2
6210-ZNRJ	1.9685	3.5433	.7874	50.0000	90.0000	20.0000	A8
6310-2RSJ	1.9685	4.3307	1.0630	50.0000	110.0000	27.0000	A5
6310-2ZJ	1.9685	4.3307	1.0630	50.0000	110.0000	27.0000	A3
6310-B	1.9685	4.3307	1.0630	50.0000	110.0000	27.0000	A1
6310-J	1.9685	4.3307	1.0630	50.0000	110.0000	27.0000	A1
6310-NRJ	1.9685	4.3307	1.0630	50.0000	110.0000	27.0000	A7
6310-ZJ	1.9685	4.3307	1.0630	50.0000	110.0000	27.0000	A2
6310-ZNRJ	1.9685	4.3307	1.0630	50.0000	110.0000	27.0000	A8
7210-BEP VP	1.9685	3.5433	.7874	50.0000	90.0000	20.0000	E3
GEZ200ES VP	2.0000	3.1875	1.7500	50.8000	80.9630	44.4500	A1
211-2ZJ	2.1654	3.9370	.8268	55.0000	100.0000	21.0000	B3
211-J	2.1654	3.9370	.8268	55.0000	100.0000	21.0000	B1
211-NRJ	2.1654	3.9370	.8268	55.0000	100.0000	21.0000	B4
211-ZNRJ	2.1654	3.9370	.8268	55.0000	100.0000	21.0000	B5
311-J	2.1654	4.7244	1.1417	55.0000	120.0000	29.0000	B1
311-NRJ	2.1654	4.7244	1.1417	55.0000	120.0000	29.0000	B4
311-ZNRJ	2.1654	4.7244	1.1417	55.0000	120.0000	29.0000	B5
6011-2RSJ	2.1654	3.5433	.7087	55.0000	90.0000	18.0000	A5
6011-2ZJ	2.1654	3.5433	.7087	55.0000	90.0000	18.0000	A3
6011-J	2.1654	3.5433	.7087	55.0000	90.0000	18.0000	A1
6011-NRJ	2.1654	3.5433	.7087	55.0000	90.0000	18.0000	A7
6211-2RSJ	2.1654	3.9370	.8268	55.0000	100.0000	21.0000	A5
6211-2RSNX	2.1654	3.9370	.8268	55.0000	100.0000	21.0000	A11

Single & double row ball bearings

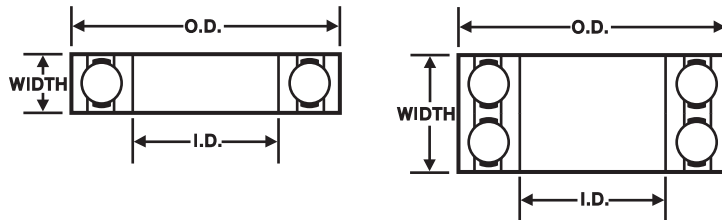
I.D. size listing



Bearing no.	Inch			Metric			Type
	I.D.	O.D.	Width	I.D.	O.D.	Width	
6211-2ZJ	2.1654	3.9370	.8268	55.0000	100.0000	21.0000	A3
6211-2ZNRJ	2.1654	3.9370	.8268	55.0000	100.0000	21.0000	A9
6211-J	2.1654	3.9370	.8268	55.0000	100.0000	21.0000	A1
6211-NRJ	2.1654	3.9370	.8268	55.0000	100.0000	21.0000	A7
6211-ZJ	2.1654	3.9370	.8268	55.0000	100.0000	21.0000	A2
6211-ZNRJ	2.1654	3.9370	.8268	55.0000	100.0000	21.0000	A8
6311-2ZJ	2.1654	4.7244	1.1417	55.0000	120.0000	29.0000	A3
6311-J	2.1654	4.7244	1.1417	55.0000	120.0000	29.0000	A1
6311-NRJ	2.1654	4.7244	1.1417	55.0000	120.0000	29.0000	A7
6311-ZJ	2.1654	4.7244	1.1417	55.0000	120.0000	29.0000	A2
N211-NRJ	2.1654	3.9370	.6870	55.0000	100.0000	17.4498	B4
6312-RSJ	2.3620	5.1181	1.2205	60.0000	130.0000	31.0000	A4
212-2ZJ	2.3622	4.3307	.8661	60.0000	110.0000	22.0000	B3
212-2ZNRJ	2.3622	4.3307	.8661	60.0000	110.0000	22.0000	B6
212-J	2.3622	4.3307	.8661	60.0000	110.0000	22.0000	B1
212-NRJ	2.3622	4.3307	.8661	60.0000	110.0000	22.0000	B4
212-ZNBRJ	2.3622	4.3307	.8661	60.0000	110.0000	22.0000	B7
212-ZNRJ	2.3622	4.3307	.8661	60.0000	110.0000	22.0000	B5
312-NRJ	2.3622	5.1181	1.2205	60.0000	130.0000	31.0000	B4
312-ZNRJ	2.3622	5.1181	1.2205	60.0000	130.0000	31.0000	B5
3212 E VP	2.3622	4.3307	1.4370	60.0000	110.0000	36.5000	D1
6012-2RSJ	2.3622	3.7402	.7087	60.0000	95.0000	18.0000	A5
6012-J	2.3622	3.7402	.7087	60.0000	95.0000	18.0000	A1
6212-2RSJ	2.3622	4.3307	.8661	60.0000	110.0000	22.0000	A5
6212-2ZJ	2.3622	4.3307	.8661	60.0000	110.0000	22.0000	A3
6212-2ZNRJ	2.3622	4.3307	.8661	60.0000	110.0000	22.0000	A9
6212-J	2.3622	4.3307	.8661	60.0000	110.0000	22.0000	A1
6212-NRJ	2.3622	4.3307	.8661	60.0000	110.0000	22.0000	A7
6212-ZJ	2.3622	4.3307	.8661	60.0000	110.0000	22.0000	A2
6212-ZNBRJ	2.3622	4.3307	.8661	60.0000	110.0000	22.0000	A10
6212-ZNRJ	2.3622	4.3307	.8661	60.0000	110.0000	22.0000	A8
6212-ZNRJ2	2.3622	4.3307	.8661	60.0000	110.0000	22.0000	A8
6312-2RSJ	2.3622	5.1181	1.2205	60.0000	130.0000	31.0000	A5
6312-2ZJ	2.3622	5.1181	1.2205	60.0000	130.0000	31.0000	A3
6312-J	2.3622	5.1181	1.2205	60.0000	130.0000	31.0000	A1
6312-NRJX	2.3622	5.1181	1.2205	60.0000	130.0000	31.0000	A7
6312-ZNRJ	2.3622	5.1181	1.2205	60.0000	130.0000	31.0000	A8
6313-A	2.3622	5.5118	1.2992	60.0000	140.0000	33.0000	A1

Single & double row ball bearings

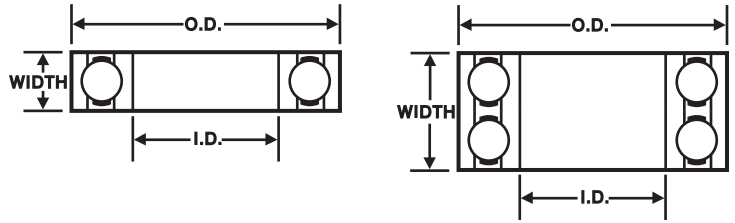
I.D. size listing



Bearing no.	Inch			Metric			Type
	I.D.	O.D.	Width	I.D.	O.D.	Width	
213-J	2.5591	4.7244	.9055	65.0000	120.0000	23.0000	B1
213-NRJ	2.5591	4.7244	.9055	65.0000	120.0000	23.0000	B4
213-ZNRJ	2.5591	4.7244	.9055	65.0000	120.0000	23.0000	B5
313-J	2.5591	5.5118	1.2992	65.0000	140.0000	33.0000	B1
6013-2ZJ	2.5591	3.9370	.7087	65.0000	100.0000	18.0000	A3
6013-J	2.5591	3.9370	.7087	65.0000	100.0000	18.0000	A1
6213-2ZJ	2.5591	4.7244	.9055	65.0000	120.0000	23.0000	A3
6213-J	2.5591	4.7244	.9055	65.0000	120.0000	23.0000	A1
6213-NRJ	2.5591	4.7244	.9055	65.0000	120.0000	23.0000	A7
6213-ZNRJ	2.5591	4.7244	.9055	65.0000	120.0000	23.0000	A8
6313-J	2.5591	5.5118	1.2992	65.0000	140.0000	33.0000	A1
6313-ZNRJ	2.5591	5.5118	1.2992	65.0000	140.0000	33.0000	A8
214-J	2.7559	4.9213	.9449	70.0000	125.0000	24.0000	B1
214-ZNRJ	2.7559	4.9213	.9449	70.0000	125.0000	24.0000	B5
6014-2RSJ	2.7559	4.3307	.7874	70.0000	110.0000	20.0000	A5
6014-J	2.7559	4.3307	.7874	70.0000	110.0000	20.0000	A1
6014-NRJ	2.7559	4.3307	.7874	70.0000	110.0000	20.0000	A7
6214-2ZJ	2.7559	4.9213	.9449	70.0000	125.0000	24.0000	A3
6214-J	2.7559	4.9213	.9449	70.0000	125.0000	24.0000	A1
6214-NRJ	2.7559	4.9213	.9449	70.0000	125.0000	24.0000	A7
6214-NRJX	2.7559	4.9213	.9449	70.0000	125.0000	24.0000	A7
6214-ZJ	2.7559	4.9213	.9449	70.0000	125.0000	24.0000	A2
6214-ZNRJ	2.7559	4.9213	.9449	70.0000	125.0000	24.0000	A8
6314-2ZJ	2.7559	5.9055	1.3780	70.0000	150.0000	35.0000	A3
6314-J	2.7559	5.9055	1.3780	70.0000	150.0000	35.0000	A1
215-J	2.9528	5.1181	.9843	75.0000	130.0000	25.0000	B1
6015-2ZJ	2.9528	4.5276	.7874	75.0000	115.0000	20.0000	A3
6015-J	2.9528	4.5276	.7874	75.0000	115.0000	20.0000	A1
6215-2ZJ	2.9528	5.1181	.9843	75.0000	130.0000	25.0000	A3
6215-J	2.9528	5.1181	.9843	75.0000	130.0000	25.0000	A1
3216 EW/C3	3.1496	5.5118	1.7500	80.0000	140.0000	44.4500	D1
6016-2ZJ	3.1496	4.9213	.8661	80.0000	125.0000	22.0000	A3
6016-J	3.1496	4.9213	.8661	80.0000	125.0000	22.0000	A1
6016-NRJ	3.1496	4.9213	.8661	80.0000	125.0000	22.0000	A7
6216-J	3.1496	5.5118	1.0236	80.0000	140.0000	26.0000	A1
6017-J	3.3465	5.1181	.8661	85.0000	130.0000	22.0000	A1
6017-NRJ	3.3465	5.1181	.8661	85.0000	130.0000	22.0000	A7
6217-ZNRJ	3.3465	5.9055	1.1024	85.0000	150.0000	28.0000	A8

Single & double row ball bearings

I.D. size listing



Bearing no.	Inch			Metric			Type
	I.D.	O.D.	Width	I.D.	O.D.	Width	
6018-NRJ	3.5433	5.5118	.9449	90.0000	140.0000	24.0000	A7
6218-J	3.5433	6.2992	1.1811	90.0000	160.0000	30.0000	A1
6022-ZNRJ	4.3307	6.6929	1.1024	110.0000	170.0000	28.0000	A8
XLS5-1/8A	5.1181	7.0866	.9449	130.0000	180.0000	24.0000	A1

Center support bearings

Introduction

These units use ball or needle bearings housed in an assembly that supports the drive shaft. Rubber mounting of the bearing absorbs shock and drive line vibration.

They are pre-lubricated and sealed with metal reinforced seals to prevent contamination.

Rubber support cushions are manufactured from durable rubber compounds that provide maximum support while isolating the driveline shaft from damaging vibration.

Center support frames are constructed from high quality steel or aluminum that provides additional strength and long life in harsh environments.



Type 5



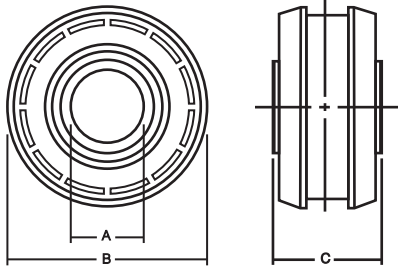
Type 8



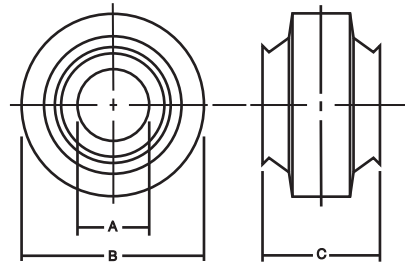
Type 12

Center support bearings

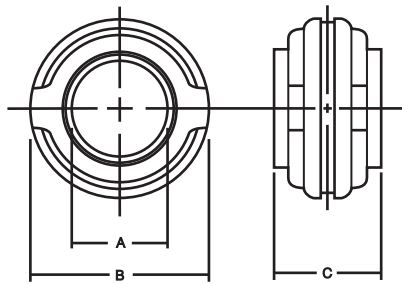
Types



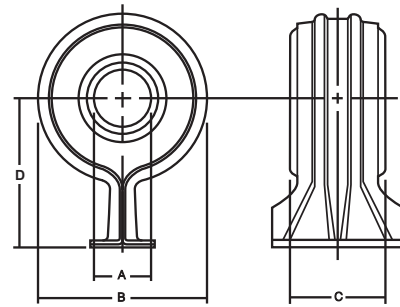
Type 1



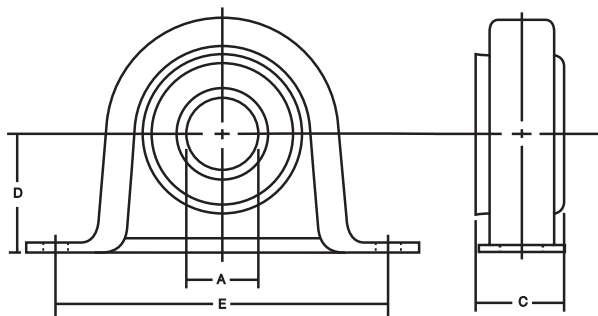
Type 2



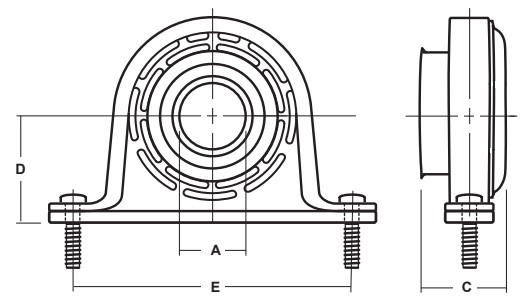
Type 3



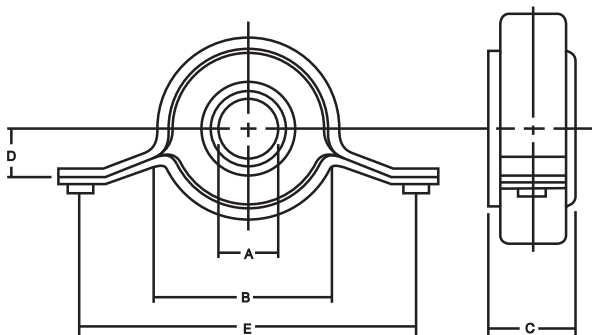
Type 4



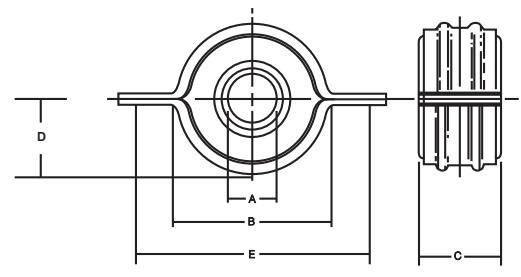
Type 5



Type 6



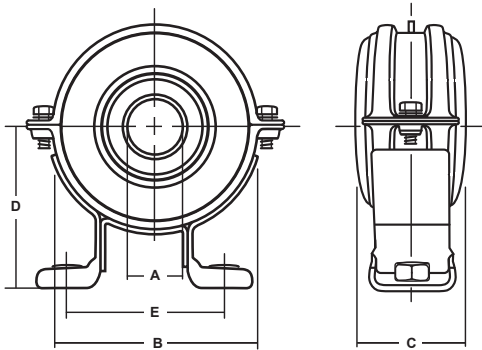
Type 7



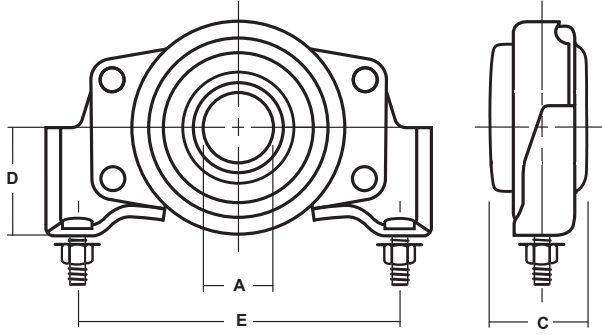
Type 8

Center support bearings

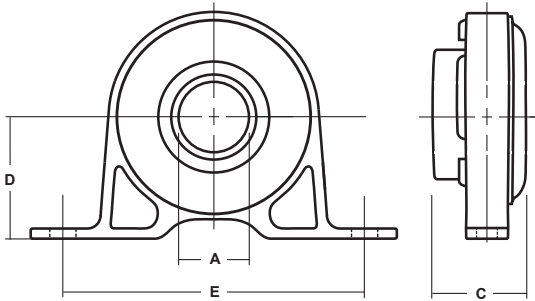
Types



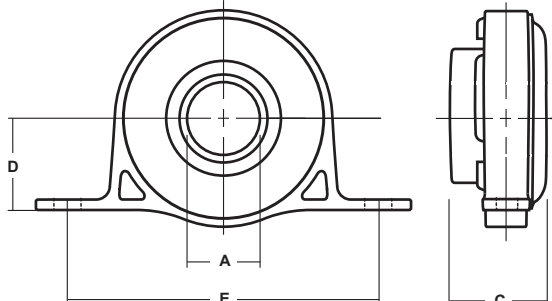
Type 9



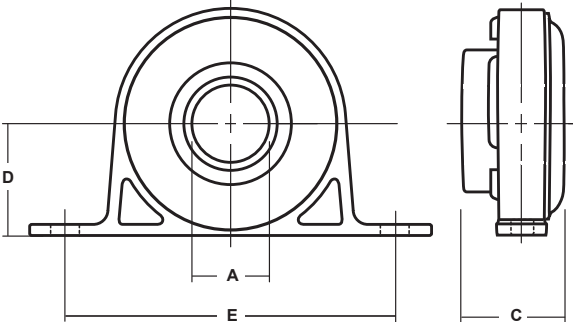
Type 10



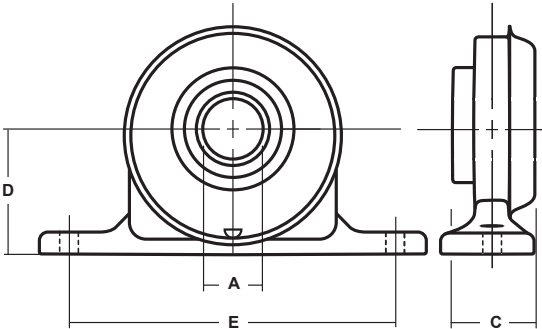
Type 11



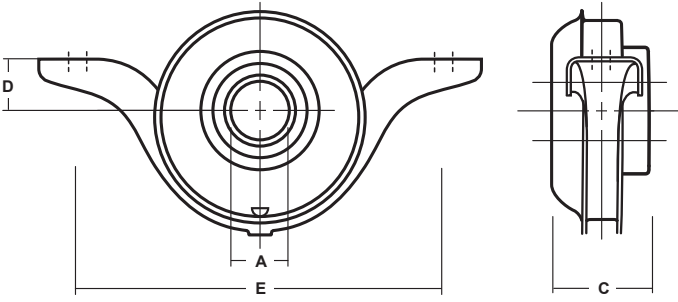
Type 12



Type 13



Type 14



Type 15

Center support bearings

Numerical listing

Support no.	I.D. A	O.D. B	Width C	Center line height D	Bolt hole center E	Type	Slinger* (small)	Qty.	Slinger* (large)	Qty.	Accessory*	Qty.
88558BK	2.1100	2.6400	4.2200	N/A	N/A	-	-	-	-	-	-	-
HB106-FF	1.2600	6.9100	.9450	1.9100	5.9130	5	231696	1	-	-	-	-
HB108	1.5748	2.9400	1.2380	N/A	N/A	3	-	-	-	-	-	-
HB1280-10	1.1810	4.7240	2.4410	2.3600	N/A	2	-	-	-	-	-	-
HB1280-20	1.1810	4.7130	1.9290	N/A	N/A	2	-	-	-	-	-	-
HB1280-30	1.1810	4.3160	2.1350	N/A	N/A	2	-	-	-	-	-	-
HB1280-40	1.1810	4.8420	1.3780	2.4210	N/A	2	-	-	-	-	-	-
HB1280-50	1.1810	4.7240	2.4410	2.3600	N/A	2	-	-	-	-	-	-
HB1280-60	1.1750	4.5000	2.0000	3.2500	3.7000	9	-	-	-	-	-	-
HB1280-70	1.1250	4.5000	1.9500	4.2500	3.7000	9	-	-	-	-	-	-
HB1350-10	1.1810	5.5200	2.7190	2.1250	3.1500	9	-	-	-	-	-	-
HB1380-10	1.1810	4.5670	2.3360	2.2740	5.6145	8	-	-	-	-	-	-
HB1380-20	1.1810	4.4090	2.3230	2.6181	9.0550	7	-	-	-	-	-	-
HB1380-30	1.2200	4.2670	2.3360	.2500	5.9448	8	-	-	-	-	-	-
HB1380-40	1.1810	6.9350	2.2150	.2500	5.8664	8	-	-	-	-	-	-
HB1380-50	1.1810	6.8750	2.1500	.2500	5.9100	8	-	-	-	-	-	-
HB1380-60	1.1810	4.2890	2.3360	2.1180	5.9055	8	-	-	-	-	-	-
HB1380-70	1.1810	6.8750	2.1500	.2500	5.9000	8	-	-	-	-	-	-
HB1380-80	1.1811	7.3450	2.2860	2.1080	6.2200	8	-	-	-	-	-	-
HB1400-10	1.1810	4.6450	1.9400	2.3065	7.0670	7	-	-	-	-	-	-
HB1420-10	1.0000	4.5200	2.5500	2.6771	7.4409	8	-	-	-	-	-	-
HB1500-40	1.1810	4.2100	2.3300	2.0910	6.4500	8	-	-	-	-	-	-
HB1550-10	1.1810	5.6250	2.2500	3.3070	3.7500	9	-	-	-	-	-	-
HB1590-10	1.1810	5.6250	2.2500	3.5820	3.7500	9	-	-	-	-	-	-
HB1595-10	1.1810	4.4488	2.1653	3.8976	3.7401	5	-	-	-	-	-	-
HB1600-10	1.1810	9.3420	2.4650	2.5000	8.2450	7	-	-	-	-	-	-
HB1650-10	1.5740	5.0000	1.7500	3.2480	3.7500	8	230165-10	1	230650-10	1	-	-
HB1680-10	1.1810	4.6340	2.0472	2.3230	7.5720	8	-	-	-	-	-	-
HB1680-20	1.1810	4.6340	2.0472	.1250	6.3779	8	-	-	-	-	-	-
HB1700-10	1.1810	3.9010	1.9860	1.9685	5.1370	7	-	-	-	-	-	-
HB1710-10	1.1810	4.0000	1.7320	2.3620	6.3030	7	-	-	-	-	-	-
HB1720-10	1.1810	4.0000	1.7320	2.3620	6.3030	5	-	-	-	-	-	-
HB1750-10	1.1810	4.3470	2.4470	2.2150	N/A	1	-	-	-	-	-	-
HB1820-10	1.1815	4.2010	2.4120	1.9520	6.9340	7	-	-	-	-	-	-
HB1850-10	1.1970	4.1525	2.3960	1.7740	6.8500	7	-	-	-	-	-	-
HB20	.9840	2.1440	1.6040	N/A	N/A	3	-	-	-	-	-	-
HB2020-10	1.1810	4.2970	2.3440	.3750	5.8030	8	-	-	-	-	-	-
HB2025-10	1.1810	4.4488	2.7952	1.4370	6.9090	5	-	-	-	-	-	-
HB206-FF	1.1811	3.8515	.6300	N/A	6.7800	4	-	-	-	-	-	-
HB209-KF	1.1810	6.9100	1.2700	1.9100	5.9065	5	-	-	231696	1	-	-
HB21	.9840	2.1260	1.6340	N/A	N/A	3	-	-	-	-	-	-
HB2380-20	1.1810	4.2130	2.2830	1.9740	5.9380	8	-	-	-	-	-	-
HB2380-40	1.1810	4.2860	2.3085	2.1180	5.7740	7	-	-	-	-	-	-
HB2390-10	1.5750	2.0120	3.1100	2.3700	N/A	5	-	-	-	-	-	-
HB2390-30	1.7720	5.2750	2.8680	2.5600	6.0880	5	-	-	-	-	-	-
HB2780-10	1.1810	3.9700	1.5480	2.0550	5.2130	5	-	-	-	-	-	-
HB2780-20	1.1810	3.8200	2.1450	2.5000	5.5000	5	-	-	-	-	-	-
HB2780-60	1.1811	3.8980	1.1420	2.0185	6.2590	5	-	-	-	-	-	-
HB2780-80	1.1810	4.0000	1.7500	1.8480	6.6304	5	-	-	-	-	-	-
HB2790-10	1.1810	4.0000	1.7200	1.9345	6.6304	5	-	-	-	-	-	-
HB2790-20	1.3780	3.9961	1.1417	1.6339	6.2992	14	-	-	-	-	-	-
HB2790-30	1.1811	3.9961	1.1417	1.7520	5.1181	14	-	-	-	-	-	-
HB2800-10	1.3780	4.2126	1.3780	1.9094	4.9213	12	-	-	-	-	-	-
HB2800-20	1.3780	4.2126	1.3780	1.8898	6.8898	12	-	-	-	-	-	-
HB2800-30	1.1811	3.9764	1.3780	1.7913	6.2992	12	-	-	-	-	-	-
HB2800-40	1.1811	4.2126	1.3780	1.8898	6.2992	12	-	-	-	-	-	-
HB2800-50	1.1811	4.1732	1.4567	.2756	6.2992	8	-	-	-	-	-	-
HB2800-60	1.1811	4.1339	1.4567	.6890	6.2992	8	-	-	-	-	-	-
HB2800-70	1.3780	4.1339	1.4567	.6890	6.2992	8	-	-	-	-	-	-

* Not sold separately
✓ Check for availability

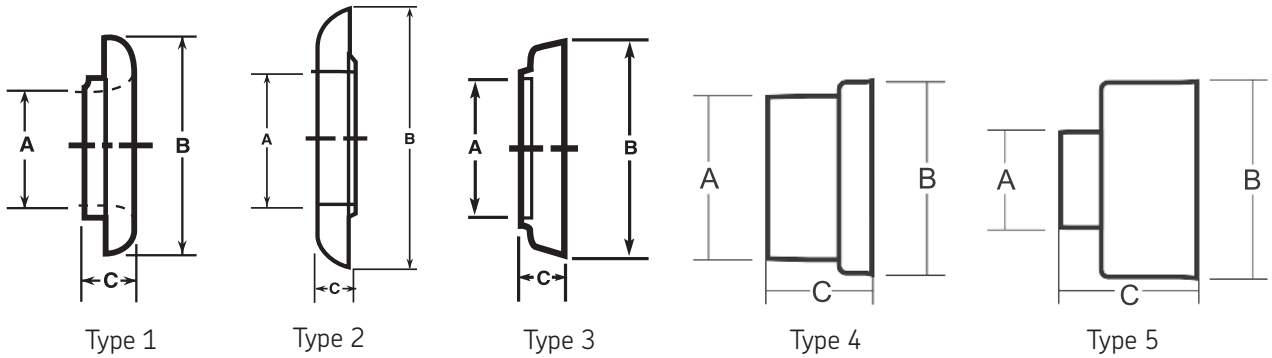
Center support bearings

Numerical listing

Support no.	I.D. A	O.D. B	Width C	Center line height D	Bolt hole center E	Type	Slinger* (small)	Qty.	Slinger* (large)	Qty.	Accessory*	Qty.
HB2800-80	1.1810	4.3110	2.1850	.2760	5.8860	8	-	-	-	-	-	-
HB2800-90	1.1810	4.2910	1.7720	.3900	8.0510	8	-	-	-	-	-	-
HB2900-10	1.1810	4.1460	1.8780	.9650	7.1260	7	-	-	-	-	-	-
HB3074-A	1.1811	3.9685	1.5205	2.4016	6.8110	14	SL544685	1	-	-	-	-
HB4037-A	1.5750	4.9740	1.6930	2.5200	7.7170	13	-	-	-	-	-	-
HB88107-A	1.3780	4.0847	.9840	2.2500	6.6250	5	-	-	-	-	R108	1
HB88107-B	1.3780	4.0847	.9840	2.2500	6.6250	5	230121	1	230118	1	-	-
HB88107-D	1.3780	4.0847	.9840	2.2500	6.6250	5	98-1473	1	230141	2	-	-
HB88107-E	1.3780	4.0847	.9840	2.2500	6.6250	5	98-1473 & 230104	2	230141	1	-	-
HB88505	1.5748	4.8190	1.8500	2.2283	6.6160	5	-	-	232817	1	-	-
HB88506	1.5748	4.8190	1.8500	2.2283	6.6160	5	230214	1	-	-	-	-
HB88508	1.5748	5.0660	1.0630	2.5000	6.6250	5	-	-	-	-	-	-
HB88508-A	1.5748	4.9085	1.9680	2.2500	6.6250	5	-	-	-	-	-	-
HB88508-AA	1.5748	4.9085	1.9680	2.2500	6.6250	5	-	-	231004	2	-	-
HB88508-AB	1.5748	4.9608	.9840	2.2440	6.6250	6	231000	1	231004	1	-	-
HB88508-B	1.5748	5.9475	2.2500	2.5000	6.6250	5	230209	1	230124	1	-	-
HB88508-C	1.5748	5.9475	2.2500	2.5000	6.6250	5	230208	1	230207	1	-	-
HB88508-D	1.5748	5.9478	2.2500	2.5000	6.6250	5	-	-	230207	2	-	-
HB88508-E	1.5748	5.0660	1.0630	2.5000	6.6250	5	-	-	230124	2	-	-
HB88508-F	1.5748	5.9478	2.1035	2.5000	6.6250	5	-	-	231005	1	-	-
HB88508-G	1.5748	5.9478	2.1035	2.5000	6.6250	5	230215	1	231005	1	-	-
HB88509	1.7717	6.7170	2.3000	2.6908	7.6250	5	-	-	-	-	-	-
HB88509-A	1.7717	6.7170	2.3000	2.6900	7.6250	5	-	-	230151	2	-	-
HB88509-B	1.7717	6.7170	2.3000	2.6900	7.6250	5	-	-	-	-	-	-
HB88509-C	1.7717	6.7170	2.3000	2.6900	7.6250	5	230363	1	230151	1	-	-
HB88510	1.9685	7.1375	2.3305	2.7800	7.6250	5	-	-	230166	2	-	-
HB88510-S	1.9685	7.1375	2.3305	2.6900	7.6250	5	-	-	230166	2	-	-
HB88512-A	2.3622	8.5900	1.4170	3.3750	8.6250	5	-	-	230746	2	-	-
HB88512-AS	2.3622	8.1010	2.6730	3.3750	8.6250	5	-	-	230746	2	-	-
HB88512-SA	2.3622	8.5900	1.4170	3.3750	8.6250	5	-	-	-	-	-	-
HB88514	1.3780	4.6870	1.8500	2.3440	6.6160	5	-	-	231005	1	-	-
HB88515	1.5750	4.6870	1.8500	2.5787	6.6160	6	-	-	232817	1	-	-
HB88517	1.1810	4.3350	1.8680	2.1750	6.7150	1	-	-	-	-	-	-
HB88518	1.5748	4.8600	1.8900	2.7000	6.6220	5	230210	1	231286	1	-	-
HB88520	1.3780	4.4300	2.1340	2.1130	6.6640	5	-	-	-	-	R108	1
HB88523	1.5740	4.9800	1.8900	2.3070	6.8960	5	231000A	1	-	-	-	-
HB88526	1.5740	4.9800	1.8900	2.2500	6.6250	5	231000A	1	231286A	1	-	-
HB88528	1.3780	4.9800	1.9410	2.2519	6.6290	5	231256	1	231286	1	-	-
HB88532	1.3779	4.2990	1.8890	2.2000	6.6140	5	-	-	-	-	R108	1
HB88536	1.5740	5.0000	1.4125	2.2390	6.6160	5	-	-	-	-	-	-
HB88540	1.5740	7.7560	1.8500	2.2440	6.6220	6	-	-	232817	1	-	-
HB88547	1.5740	4.8640	3.1000	2.5560	6.7480	5	-	-	231002	1	-	-
HB88554	1.7710	5.3050	1.6210	2.8430	7.6470	5	231574	2	-	-	-	-
HB88555	1.1810	4.9800	2.1630	1.0610	7.4800	15	-	-	-	-	-	-
HB88555-UJ	1.1810	4.9800	2.1630	1.0610	7.4800	5	-	-	-	-	-	-
HB88558	1.3780	4.9800	1.9410	7.6380	6.6290	5	544124	1	544123	1	-	-
HB88560	1.5750	4.4300	2.1340	2.1130	6.6640	5	231002B	1	-	-	-	-
HB88561	1.7710	4.4300	2.1340	2.7670	7.5980	5	-	-	-	-	-	-
HB88562 ✓	1.5750	4.6060	2.1650	2.7800	6.6180	11	231000A	1	232817A	1	-	-
HB88563 ✓	1.5750	4.6060	2.1650	2.4920	6.6180	11	231000A	1	232817A	1	-	-
HB88564 ✓	1.5750	4.6060	2.1650	2.2500	6.6180	13	231000A	1	232817A	1	-	-
HB88565 ✓	1.5750	4.6060	2.1650	1.4760	6.6180	12	231000A	1	232817A	1	-	-

* Not sold separately
 ✓ Check for availability

Center support bearings — Slinger specifications



Slinger no.	Bearing used with	Slinger			
		Bore A	O.D. B	Width C	Type
230000	HB88517	1.1174	1.9470	.4870	1
230104	HB88107-E	1.3740	2.5620	.7500	1
230118	HB88107-B	2.0570	4.0000	.5620	2
230121	HB88107-B	1.3740	2.4370	.6250	1
230124	HB88508-B HB88508-E	2.3060	4.3750	.5620	2
230141	HB88107-D HB88107-E	1.7570	4.0000	.8280	2
230151	HB88509-A HB88509-C	2.5560	4.5620	.5620	2
230165-10	HB1650-10	1.5690	2.1230	.7140	1
230166	HB88510 HB88510-S	2.8070	4.8120	.5620	2
230207	HB88508-C HB88508-D	2.5250	4.3750	.8750	2
230208	HB88508-C	1.5690	2.8750	.9380	1
230209	HB88508-B	1.5690	2.6250	.5940	1
230210	HB88518	1.5630	2.4450	.6250	1
230211	HB88514 HB88515	1.3750	2.3950	.6090	1
230214	HB88506	1.5750	2.9130	1.6000	1
230215	HB88508-G	1.5700	2.2200	.7050	1
230363	HB88509-C	1.7650	2.8750	.5940	1
230650-10	HB1650-10	2.0450	3.6850	.3020	1
230746	HB88512-A HB88512-AS	3.3120	5.5620	.5780	2
231000	HB88508-AB	1.5690	2.4370	.6410	1
231000A	HB88523 HB88526 HB88529 HB88550 HB88551 HB88557 HB88562 ✓ HB88563 ✓ HB88564 ✓ HB88565 ✓	1.5750	2.4800	.5510	1
231002	HB88547	1.5690	2.1925	1.2210	4
231002B	HB88560	1.5690	2.1925	1.2210	4
231004	HB88508-AA HB88508-AB	2.1490	4.0000	.5620	2
231005	HB88508-F HB88508-G HB88514	2.0530	3.7010	.3070	1
231256	HB88528	1.5740	2.1200	.5870	1
231286	HB88518 HB88528	2.0550	3.7000	.2990	1
231286A	HB885262	2.0550	3.7000	.2990	2
231574	HB88554	1.5690	2.1925	1.2210	4
231696	HB106-FF HB209-KF	1.6930	3.0100	.4724	1
232817	HB88540 HB88505 HB88515	1.5690	2.3305	1.5925	5
232817A	HB88525 HB88549 HB88552 HB88553 HB88562 ✓ HB88563 ✓ HB88564 ✓ HB88565 ✓	1.5690	2.3310	1.5930	5
544123	HB88558	1.8480	3.0710	.2090	1
544124	HB88558	1.7600	3.0710	.2760	1
98-1473	HB88107-D HB88107-E	1.7470	2.5000	.5000	1
R108	HB88520 HB88532 HB88107-A	1.3730	1.6300	1.8890	Lock Ring
SL544685	HB3074-A	1.1811	2.0787	1.1811	SPL

Note: Slings available only with center support bearing. Not sold separately.

SPL- Special

✓ Check for availability

Clutch release bearings

Introduction

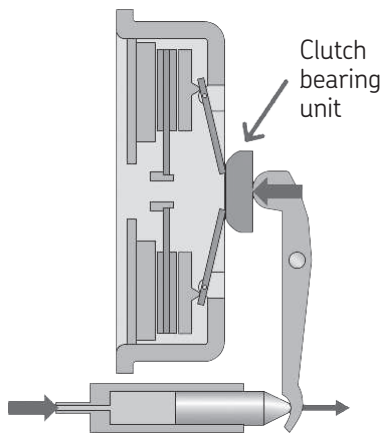
SKF clutch release bearing designs:

- Bearing only
- Bearing assemblies
- Bearing self-aligning assemblies
- Bearing hydraulic assemblies

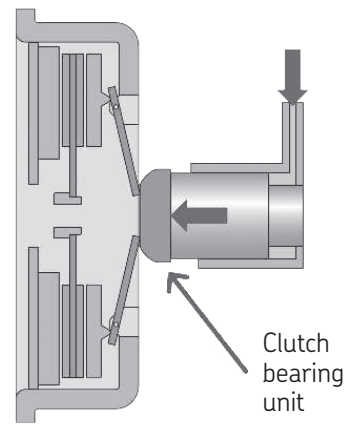
The clutch release bearing or bearing assemblies work as an integral unit with the release lever, pressure plate, and flywheel to provide smooth shifting and operation. The clutch release bearing, also known as throw-out bearing is the interface that enables pressure on the clutch pedal to pullback the pressure plate from the clutch disc and disengage drive.

The clutch release self-aligning bearing assembly offers an improved feature to the standard clutch release bearing assembly. The clutch release self-aligning assembly helps control certain clutch conditions associated with misalignment of driveline components.

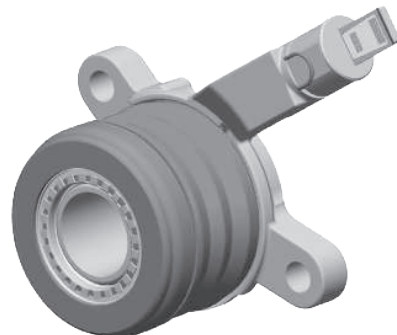
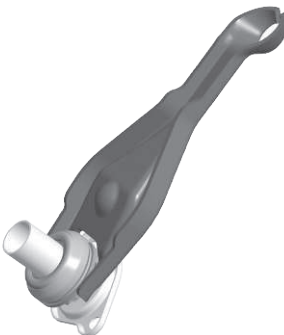
The clutch release hydraulic bearing eliminates the need of a clutch fork, provides smooth shift operation and most are self-adjusting.



Clutch bearing

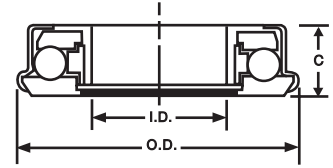


Hydraulic clutch bearing



Clutch release bearings

Numerical listing

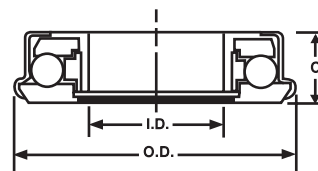


Bearing no.	I.D.	O.D.	Overall length C
N833 VP	2.0630	3.3750	.8150
N906	2.1350	3.5770	.8060
N0404	1.8700	2.9437	.5019
N1054	1.5000	2.8380	.6820
N1055	1.8750	3.3281	.7500
N1059	2.2500	3.8220	.8110
N1081	2.0000	3.7000	.8075
N1085	1.6910	2.7650	.7440
N1087	2.0625	3.5770	.8070
N1114	2.7500	4.0625	.8175
N1136	1.7510	3.1350	.7445
N1166	2.0000	3.6400	.8110
N1167	2.0625	3.5770	.8070
N1171	2.2500	3.8220	.8110
N1173	2.7500	4.5110	.8700
N1181	1.6250	3.1400	.7650
N1509	2.5000	4.1400	.8700
N1519	2.7500	4.5150	1.0100
N1536	2.7500	4.0700	.8125
N1572	2.5000	4.1400	1.5260
N1585	2.4995	4.0625	.8850
N1586	1.6250	3.1150	.7340
N1610	2.0000	3.6400	.8070
N1611	2.2495	3.8220	.8110
N1613	2.0625	3.5770	.8070
N1722	1.5748	2.7900	.7250
N1723	1.5748	2.5300	.7250
N1728	1.7720	2.8800	.6250

Bearing no.	I.D.	O.D.	Overall length C
N1743	2.2600	3.7960	.8110
N1752T	1.7505	3.0625	.7715
N1845	1.5750	2.6340	.7700
N2043	1.5746	2.5130	.6300
N2106	1.5746	2.8900	.7470
N3005	1.3765	2.2345	.5865
N3039	1.2990	2.3000	.6750
N3042	1.5000	2.6902	.7728
N3043	1.5000	2.6902	.7728
N3054	1.2992	2.3720	.5886
N3055	1.4996	2.5130	.6440
N3061	1.3780	2.7425	.7000
N3064	1.5748	2.6210	.7795
N3072	2.4997	4.0700	.8700
N3073	1.3780	2.5040	.7125
N3074	1.7715	3.4650	.7480
N3075	2.0630	3.6220	1.0240
N3076	1.6500	3.2055	.7495
N3077	2.1640	3.4480	.7660
N3078	2.5590	4.0160	.8660
N3079	2.1220	3.5470	.8940
N3565	1.5640	3.2010	.8885
N4006	1.5200	2.4850	.5750
N4012	1.5700	2.5025	.6300
N4013	1.4480	2.6210	.4800
N4078	2.3750	3.8550	.8110
N4121	2.0000	3.1100	.7480

Clutch release bearings

I.D. size listing

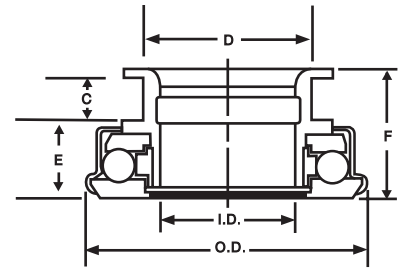


Bearing no.	I.D.	O.D.	Overall length C
N3039	1.2990	2.3000	.6750
N3054	1.2992	2.3720	.5886
N3005	1.3765	2.2345	.5865
N3061	1.3780	2.7425	.7000
N3073	1.3780	2.5040	.7125
N4013	1.4480	2.6210	.4800
N3055	1.4996	2.5130	.6440
N1054	1.5000	2.8380	.6820
N3042	1.5000	2.6902	.7728
N3043	1.5000	2.6902	.7728
N4006	1.5200	2.4850	.5750
N3565	1.5640	3.2010	.8885
N4012	1.5700	2.5025	.6300
N2043	1.5746	2.5130	.6300
N2106	1.5746	2.8900	.7470
N1722	1.5748	2.7900	.7250
N1723	1.5748	2.5300	.7250
N3064	1.5748	2.6210	.7795
N1845	1.5750	2.6340	.7700
N1181	1.6250	3.1400	.7650
N1586	1.6250	3.1150	.7340
N3076	1.6500	3.2055	.7495
N1085	1.6910	2.7650	.7440
N1752T	1.7505	3.0625	.7715
N1136	1.7510	3.1350	.7445
N3074	1.7715	3.4650	.7480
N1728	1.7720	2.8800	.6250
N0404	1.8700	2.9437	.5019

Bearing no.	I.D.	O.D.	Overall length C
N1055	1.8750	3.3281	.7500
N1081	2.0000	3.7000	.8075
N1166	2.0000	3.6400	.8110
N1610	2.0000	3.6400	.8070
N4121	2.0000	3.1100	.7480
N1087	2.0625	3.5770	.8070
N1167	2.0625	3.5770	.8070
N1613	2.0625	3.5770	.8070
N833 VP	2.0630	3.3750	.8150
N3075	2.0630	3.6220	1.0240
N3079	2.1220	3.5470	.8940
N906	2.1350	3.5770	.8060
N3077	2.1640	3.4480	.7660
N1611	2.2495	3.8220	.8110
N1059	2.2500	3.8220	.8110
N1171	2.2500	3.8220	.8110
N1743	2.2600	3.7960	.8110
N4078	2.3750	3.8550	.8110
N1585	2.4995	4.0625	.8850
N3072	2.4997	4.0700	.8700
N1509	2.5000	4.1400	.8700
N1572	2.5000	4.1400	1.5260
N3078	2.5590	4.0160	.8660
N1114	2.7500	4.0625	.8175
N1173	2.7500	4.5110	.8700
N1519	2.7500	4.5150	1.0100
N1536	2.7500	4.0700	.8125

Clutch release bearing assemblies

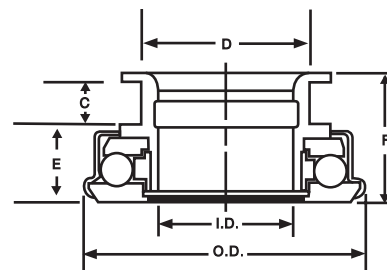
Numerical listing



Bearing no.	I.D.	O.D.	Fork groove width C	Fork groove diameter D	Fork to face E	Overall length F
N1086-SA	1.3775	2.9040	.5050	1.6250	1.2500	1.8080
N1341	1.2500	3.0100	-	1.8045	1.8438	2.2338
N1346	1.1895	3.9100	-	3.2500	.7180	1.0000
N1402	1.6265	3.6875	.8750	2.2500	1.7500	2.8388
N1425	1.7500	3.5507	.5000	2.1200	1.4300	2.1250
N1439	1.4390	3.0625	-	1.6400	.9700	1.4100
N1444	1.4375	3.0150	-	1.6400	.9700	1.2180
N1444-SA	1.4375	2.9000	-	1.6400	.9770	1.2180
N1451	1.3800	2.7344	.5025	1.6250	.8000	1.4100
N1456	1.8775	3.5000	.5030	2.1400	2.1845	2.8230
N1458	1.6265	3.6875	.8750	2.2500	2.2500	3.3850
N1459	1.7490	3.5000	-	2.1435	2.0310	2.5625
N1463	1.2525	2.8200	-	1.9335	1.6250	2.2025
N1463-SA	1.2525	3.0600	-	1.9335	1.6250	2.0450
N1466	1.3775	3.0625	.5130	1.6250	1.0440	1.6990
N1488	1.3750	2.8130	.5040	1.6250	.6830	1.2575
N1491	1.3175	2.7340	.3775	1.6950	1.1920	1.6562
N1493	1.7475	3.5620	-	-	1.2020	1.4375
N1495	1.7515	3.5000	.5200	2.0800	1.3150	2.0060
N1701	1.4140	3.1400	.3775	1.6960	1.4400	1.9375
N1705-SA	1.3298	2.7600	.6000	1.6750	.6800	1.3620
N1706	1.7498	3.4400	.5200	2.0800	1.3060	1.9300
N1707	1.7508	3.7960	.5200	2.0800	1.3700	2.0625
N1714	1.4380	3.0200	.6000	1.6750	.6800	1.4375
N1714-SA	1.4380	2.9150	.5900	1.6550	.7150	1.4375
N1741-SA	1.3770	2.7343	.5030	1.6260	.9925	1.6250
N2002	1.4449	3.0118	-	2.4016	.9685	1.3898
N2456 VP	1.8775	3.5000	.5030	2.1400	2.1845	2.8230
N3010	1.1050	2.3010	-	1.4200	1.0540	1.4080
N3013-SA	1.1870	2.7740	-	2.2640	.7340	1.1880
N3015-SA	1.3750	2.7600	.3800	1.6250	.6350	1.0880
N3022	1.3307	2.7850	-	1.9675	.8622	1.3150
N3031	1.0320	2.7850	.3300	-	1.3500	1.8570
N3034	1.1420	2.3000	-	1.4080	.8330	1.3437
N3051	1.3030	2.8900	-	1.6500	1.6940	2.1140
N3052	1.3030	2.8900	-	1.6500	1.8500	2.2700
N3060	1.4380	3.3500	-	1.6710	1.3800	1.8250

Clutch release bearing assemblies

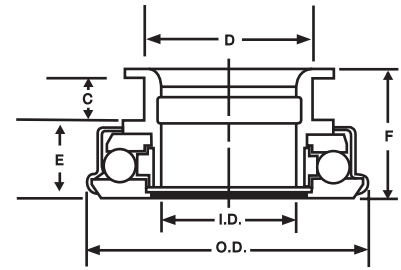
Numerical listing



Bearing no.	I.D.	O.D.	Fork groove width C	Fork groove diameter D	Fork to face E	Overall length F
N3063	1.3000	2.6820	–	2.6733	.5118	.9000
N3067	1.2510	2.7750	–	2.3670	.8300	1.3328
N3068-SA	1.3775	2.7600	.5040	1.6250	.6500	1.2460
N3652	1.1810	3.5430	–	–	.5120	–
N4005-SA	1.1950	3.1700	–	2.6690	.2760	1.0000
N4008-SA	1.3775	2.7700	.4760	1.6250	.6500	1.2100
N4015	1.2230	2.8405	–	–	.9080	1.5260
N4018	1.3850	2.7580	–	–	.9500	1.4970
N4020-SA	1.3300	3.7870	–	3.5526	.9450	1.4580
N4021-SA	1.3290	1.9390	–	–	–	1.2810
N4022	1.2610	2.3701	–	1.5748	.8858	1.3976
N4024	1.2992	2.9193	–	2.7648	.8651	1.1201
N4027	1.3024	3.5430	–	2.6733	.5118	.9060
N4028	1.3024	3.5430	–	2.6733	.7087	1.1160
N4029 VP	1.3024	3.5430	–	2.6773	.7874	1.1950
N4030	1.2500	2.6500	–	1.8091	1.2600	1.5640
N4032	1.3035	2.8860	.4720	1.6500	.9840	1.5390
N4033	1.3020	3.1740	.4720	3.0430	.9840	1.5850
N4034	1.4173	3.0315	–	–	1.0630	1.6250
N4035	1.4470	3.2283	.3800	1.6000	.7400	2.3346
N4037	1.1417	2.2441	–	1.8504	.8268	1.2205
N4038	.9311	2.6772	–	1.9587	.9409	1.4567
N4041	1.2205	2.2441	–	–	.8661	1.5000
N4042	1.2520	3.0500	–	2.1930	.6840	.9690
N4044 VP	1.2222	2.5130	–	2.0930	.9060	1.4060
N4045	1.3793	3.0315	.5118	2.8425	.9449	1.5945
N4048	1.5000	2.8300	–	–	–	1.9450
N4050	1.3785	2.9175	.7675	.8580	.6125	1.5900
N4051	1.3010	3.5425	–	–	.6400	1.0165
N4052	1.4370	3.3500	–	–	1.7500	2.1950
N4053	1.2500	2.8300	–	1.8051	1.0630	1.3580
N4055	1.1490	2.2520	.4360	1.4855	.8360	1.1675
N4057	1.8160	3.5450	.5118	2.1449	2.2047	2.8190
N4058	1.4210	3.2040	–	–	1.0710	1.6315
N4059	1.3050	3.1500	–	2.6929	.9060	1.2600
N4060	1.3300	3.2200	–	2.9856	.7680	1.2700
N4061	1.4470	3.1075	–	–	–	2.3976

Clutch release bearing assemblies

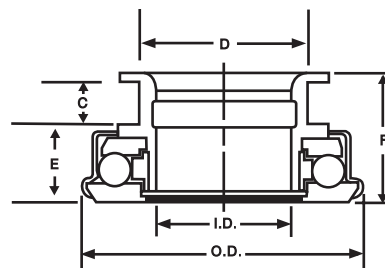
Numerical listing



Bearing no.	I.D.	O.D.	Fork groove width C	Fork groove diameter D	Fork to face E	Overall length F
N4062	1.7434	3.8420	.7050	2.2070	.9120	1.7220
N4063	1.3085	2.8260	–	1.6500	.9860	1.5500
N4068	1.3750	2.8270	.5000	1.6200	.6800	1.2720
N4069	1.1000	2.3500	–	–	.8685	1.2600
N4070	1.7498	3.5598	–	1.9335	1.4437	1.8941
N4071	1.2260	2.6560	–	–	–	1.5190
N4072	1.3000	3.5350	–	–	.8720	1.2525
N4073	1.3780	2.9921	–	1.7323	1.1811	1.5945
N4074	1.3050	2.9100	–	–	.9800	1.5000
N4075	.3230	1.2900	–	–	.2940	.7340
N4079	1.8785	3.5460	–	3.3750	1.4120	1.7950
N4081	1.4220	3.2010	1.5000	–	.9890	1.5000
N4084	1.1685	2.3710	–	–	.9530	1.2500
N4085	1.4173	3.1102	–	–	.9842	1.2050
N4086	1.5160	2.5850	–	–	.6660	1.1930
N4087	1.3780	2.7500	–	–	.9843	.9850
N4088	1.4550	3.5600	–	–	1.2500	1.6875
N4089	1.3780	2.9000	.5250	2.3265	.4225	1.6140
N4092	1.3067	2.9015	–	2.7756	.9840	1.3780
N4093	1.4390	2.9150	–	–	1.6530	2.0920
N4094	1.2570	2.5000	–	–	.8865	1.3650
N4095	1.3000	3.3280	3.1190	–	.8650	1.2200
N4098	1.3000	3.5400	–	–	.9500	1.3340
N4099	1.3800	3.0000	–	–	1.3300	1.7575
N4100	1.3406	3.6400	–	2.8445	.5571	1.2420
N4101	1.5750	4.5345	–	–	1.2540	1.9550
N4102	1.3990	3.3000	–	–	.9830	1.2160
N4104	1.3920	2.5845	1.2850	1.6250	.7135	1.2645
N4108	1.3810	3.3370	.2230	2.5880	.9810	1.2220
N4111	1.3050	3.1500	–	–	1.0080	.5060
N4112	1.3780	2.6690	–	–	1.0080	1.4850
N4115	1.1417	2.5591	–	–	.8385	1.3680
N4119	1.4425	3.1496	–	–	.7031	2.2106
N4144	1.2500	2.7717	–	1.8071	1.3976	1.6930
N4158	1.7485	3.4650	.5200	2.3400	1.2290	1.8780
N4160	1.1090	2.2390	–	–	–	1.1870
N4166	1.2170	2.5640	1.7620	.2280	.8170	1.0620

Clutch release bearing assemblies

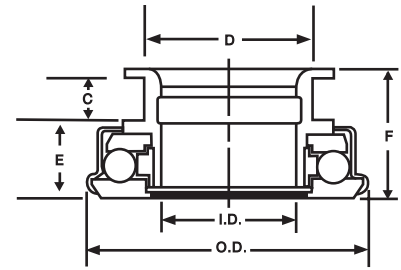
Numerical listing



Bearing no.	I.D.	O.D.	Fork groove width C	Fork groove diameter D	Fork to face E	Overall length F
N4169	1.4500	3.2450	–	–	–	1.8350
N4170	1.7380	3.1100	–	2.0410	.1970	1.9690
N4171	1.3875	2.9860	.5360	–	1.9730	2.3920
N4172	1.3800	2.6000	.7340	1.6730	.4760	1.2100
N4173	1.1889	2.5787	1.7700	1.1889	.8464	1.1811
N4174	1.3810	2.6450	.5245	1.6090	.6960	1.0005
N4177	1.2990	2.5980	.8780	2.5980	.9650	.8785
N4178	1.2990	2.4930	.8855	2.4615	.8920	.8920
Hydraulic clutch release assemblies:						
N4901	1.2000	3.2300	–	–	–	2.6760
N4902	1.2000	3.2300	–	–	–	2.6760
N4903	1.2000	3.2300	–	–	–	2.6760
N4904	1.2000	3.2300	–	–	–	2.6700
N4905	1.0800	2.9430	–	–	–	1.7910
N4906	1.0800	2.9430	–	–	–	1.7910
N4907	1.2000	5.7670	–	–	–	5.7600
N4908	1.1614	2.6693	–	–	–	2.3563
N4909	1.1614	2.6693	–	–	–	2.3563
N4910	1.1614	4.4136	–	–	–	3.9370

Clutch release bearing assemblies

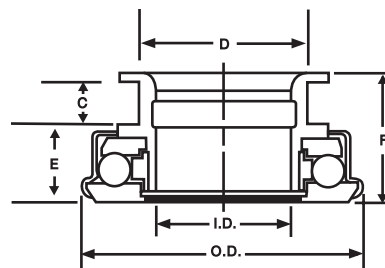
I.D. size listing



Bearing no.	I.D.	O.D.	Fork groove width C	Fork groove diameter D	Fork to face E	Overall length F
N4075	.3230	1.2900	-	-	.2940	.7340
N4038	.9311	2.6772	-	1.9587	.9409	1.4567
N3031	1.0320	2.7850	.3300	-	1.3500	1.8570
N4905	1.0800	2.9430	-	-	-	1.7910
N4906	1.0800	2.9430	-	-	-	1.7910
N4069	1.1000	2.3500	-	-	.8685	1.2600
N3010	1.1050	2.3010	-	1.4200	1.0540	1.4080
N4160	1.1090	2.2390	-	-	-	1.1870
N4037	1.1417	2.2441	-	1.8504	.8268	1.2205
N4115	1.1417	2.5591	-	-	.8385	1.3680
N3034	1.1420	2.3000	-	1.4080	.8330	1.3437
N4055	1.1490	2.2520	.4360	1.4855	.8360	1.1675
N4908	1.1614	2.6693	-	-	-	2.3563
N4909	1.1614	2.6693	-	-	-	2.3563
N4910	1.1614	4.4136	-	-	-	3.9370
N4084	1.1685	2.3710	-	-	.9530	1.2500
N3652	1.1810	3.5430	-	-	.5120	-
N3013-SA	1.1870	2.7740	-	2.2640	.7340	1.1880
N4173	1.1889	2.5787	1.7700	1.1889	.8464	1.1811
N1346	1.1895	3.9100	-	3.2500	.7180	1.0000
N4005-SA	1.1950	3.1700	-	2.6690	.2760	1.0000
N4901	1.2000	3.2300	-	-	-	2.6760
N4902	1.2000	3.2300	-	-	-	2.6760
N4903	1.2000	3.2300	-	-	-	2.6760
N4904	1.2000	3.2300	-	-	-	2.6700
N4907	1.2000	5.7670	-	-	-	-
N4166	1.2170	2.5640	1.7620	.2280	.8170	1.0620
N4041	1.2205	2.2441	-	-	.8661	1.5000
N4044 VP	1.2222	2.5130	-	2.0930	.9060	1.4060
N4015	1.2230	2.8405	-	-	.9080	1.5260
N4071	1.2260	2.6560	-	-	-	1.5190
N1341	1.2500	3.0100	-	1.8045	1.8438	2.2338
N4030	1.2500	2.6500	-	1.8091	1.2600	1.5640
N4053	1.2500	2.8300	-	1.8051	1.0630	1.3580
N4144	1.2500	2.7717	-	1.8071	1.3976	1.6930
N3067	1.2510	2.7750	-	2.3670	.8300	1.3328
N4042	1.2520	3.0500	-	2.1930	.6840	.9690

Clutch release bearing assemblies

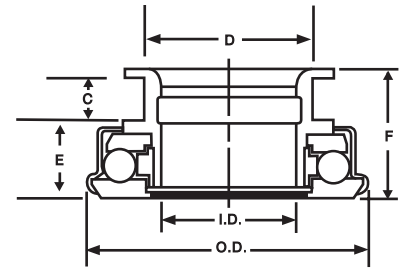
I.D. size listing



Bearing no.	I.D.	O.D.	Fork groove width C	Fork groove diameter D	Fork to face E	Overall length F
N1463	1.2525	2.8200	-	1.9335	1.6250	2.2025
N1463-SA	1.2525	3.0600	-	1.9335	1.6250	2.0450
N4094	1.2570	2.5000	-	-	.8865	1.3650
N4022	1.2610	2.3701	-	1.5748	.8858	1.3976
N4177	1.2990	2.5980	.8780	2.5980	.9650	.8785
N4178	1.2990	2.4930	.8855	2.4615	.8920	.8920
N4024	1.2992	2.9193	-	2.7648	.8651	1.1201
N3063	1.3000	2.6820	-	2.6733	.5118	.9000
N4072	1.3000	3.5350	-	-	.8720	1.2525
N4095	1.3000	3.3280	3.1190	-	.8650	1.2200
N4098	1.3000	3.5400	-	-	.9500	1.3340
N4051	1.3010	3.5425	-	-	.6400	1.0165
N4033	1.3020	3.1740	.4720	3.0430	.9840	1.5850
N4027	1.3024	3.5430	-	2.6733	.5118	.9060
N4028	1.3024	3.5430	-	2.6733	.7087	1.1160
N4029 VP	1.3024	3.5430	-	2.6773	.7874	1.1950
N3051	1.3030	2.8900	-	1.6500	1.6940	2.1140
N3052	1.3030	2.8900	-	1.6500	1.8500	2.2700
N4032	1.3035	2.8860	.4720	1.6500	.9840	1.5390
N4059	1.3050	3.1500	-	2.6929	.9060	1.2600
N4074	1.3050	2.9100	-	-	.9800	1.5000
N4111	1.3050	3.1500	-	-	1.0080	.5060
N4092	1.3067	2.9015	-	2.7756	.9840	1.3780
N4063	1.3085	2.8260	-	1.6500	.9860	1.5500
N1491	1.3175	2.7340	.3775	1.6950	1.1920	1.6562
N4021-SA	1.3290	1.9390	-	-	-	1.2810
N1705-SA	1.3298	2.7600	.6000	1.6750	.6800	1.3620
N4020-SA	1.3300	3.7870	-	3.5526	.9450	1.4580
N4060	1.3300	3.2200	-	2.9856	.7680	1.2700
N3022	1.3307	2.7850	-	1.9675	.8622	1.3150
N4100	1.3406	3.6400	-	2.8445	.5571	1.2420
N1488	1.3750	2.8130	.5040	1.6250	.6830	1.2575
N3015-SA	1.3750	2.7600	.3800	1.6250	.6350	1.0880
N4068	1.3750	2.8270	.5000	1.6200	.6800	1.2720
N1741-SA	1.3770	2.7343	.5030	1.6260	.9925	1.6250
N1086-SA	1.3775	2.9040	.5050	1.6250	1.2500	1.8080
N1466	1.3775	3.0625	.5130	1.6250	1.0440	1.6990

Clutch release bearing assemblies

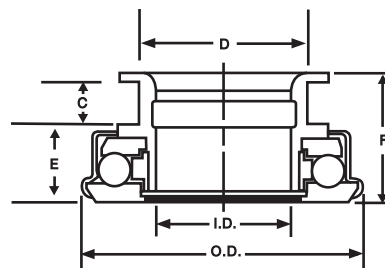
I.D. size listing



Bearing no.	I.D.	O.D.	Fork groove width C	Fork groove diameter D	Fork to face E	Overall length F
N3068-SA	1.3775	2.7600	.5040	1.6250	.6500	1.2460
N4008-SA	1.3775	2.7700	.4760	1.6250	.6500	1.2100
N4073	1.3780	2.9921	-	1.7323	1.1811	1.5945
N4087	1.3780	2.7500	-	-	.9843	.9850
N4089	1.3780	2.9000	.5250	2.3265	.4225	1.6140
N4112	1.3780	2.6690	-	-	1.0080	1.4850
N4050	1.3785	2.9175	.7675	.8580	.6125	1.5900
N4045	1.3793	3.0315	.5118	2.8425	.9449	1.5945
N1451	1.3800	2.7344	.5025	1.6250	.8000	1.4100
N4099	1.3800	3.0000	-	-	1.3300	1.7575
N4172	1.3800	2.6000	.7340	1.6730	.4760	1.2100
N4108	1.3810	3.3370	.2230	2.5880	.9810	1.2220
N4174	1.3810	2.6450	.5245	1.6090	.6960	1.0005
N4018	1.3850	2.7580	-	-	.9500	1.4970
N4171	1.3875	2.9860	.5360	-	1.9730	2.3920
N4104	1.3920	2.5845	1.2850	1.6250	.7135	1.2645
N4102	1.3990	3.3000	-	-	.9830	1.2160
N1701	1.4140	3.1400	.3775	1.6960	1.4400	1.9375
N4034	1.4173	3.0315	-	-	1.0630	1.6250
N4085	1.4173	3.1102	-	-	.9842	1.2050
N4058	1.4210	3.2040	-	-	1.0710	1.6315
N4081	1.4220	3.2010	1.5000	-	.9890	1.5000
N4052	1.4370	3.3500	-	-	1.7500	2.1950
N1444	1.4375	3.0150	-	1.6400	.9700	1.2180
N1444-SA	1.4375	2.9000	-	1.6400	.9770	1.2180
N1714	1.4380	3.0200	.6000	1.6750	.6800	1.4375
N1714-SA	1.4380	2.9150	.5900	1.6550	.7150	1.4375
N3060	1.4380	3.3500	-	1.6710	1.3800	1.8250
N1439	1.4390	3.0625	-	1.6400	.9700	1.4100
N4093	1.4390	2.9150	-	-	1.6530	2.0920
N4119	1.4425	3.1496	-	-	.7031	2.2106
N2002	1.4449	3.0118	-	2.4016	.9685	1.3898
N4035	1.4470	3.2283	.3800	1.6000	.7400	2.3346
N4061	1.4470	3.1075	-	-	-	2.3976
N4169	1.4500	3.2450	-	-	-	1.8350
N4088	1.4550	3.5600	-	-	1.2500	1.6875
N4048	1.5000	2.8300	-	-	-	1.9450

Clutch release bearing assemblies

I.D. size listing



Bearing no.	I.D.	O.D.	Fork groove width C	Fork groove diameter D	Fork to face E	Overall length F
N4086	1.5160	2.5850	-	-	.6660	1.1930
N4101	1.5750	4.5345	-	-	1.2540	1.9550
N1402	1.6265	3.6875	.8750	2.2500	1.7500	2.8388
N1458	1.6265	3.6875	.8750	2.2500	2.2500	3.3850
N4170	1.7380	3.1100	-	2.0410	.1970	1.9690
N4062	1.7434	3.8420	.7050	2.2070	.9120	1.7220
N1493	1.7475	3.5620	-	-	1.2020	1.4375
N4158	1.7485	3.4650	.5200	2.3400	1.2290	1.8780
N1459	1.7490	3.5000	-	2.1435	2.0310	2.5625
N1706	1.7498	3.4400	.5200	2.0800	1.3060	1.9300
N4070	1.7498	3.5598	-	1.9335	1.4437	1.8941
N1425	1.7500	3.5507	.5000	2.1200	1.4300	2.1250
N1707	1.7508	3.7960	.5200	2.0800	1.3700	2.0625
N1495	1.7515	3.5000	.5200	2.0800	1.3150	2.0060
N4057	1.8160	3.5450	.5118	2.1449	2.2047	2.8190
N1456	1.8775	3.5000	.5030	2.1400	2.1845	2.8230
N2456 VP	1.8775	3.5000	.5030	2.1400	2.1845	2.8230
N4079	1.8785	3.5460	-	3.3750	1.4120	1.7950

Cylindrical roller bearings

Introduction

SKF cylindrical bearings are made from high quality steel specifically designed for strength and durability. The micro finished raceway assures smooth operation. Crowned rollers optimize raceway contact yielding increased capacity, while structural retainers provide positive roller spacing and guidance.

SKF contact geometry profile between roller and raceway optimizes stress distribution for smooth operation. Components may include an inner/outer ring, rollers and a steel cage or phenolic separator.



Non-separable
Type NS



Inner ring excluded
Type OR



Separable outer ring
Type SO



Cylindrical roller bearings

Nomenclature

Prefixes

Prefix	Description
BR	Bearings.
C	Special features.
DB	Drawn cup.
GRW	Rear wheel bearings with variations in widths.
M	Metric series.
MA	Plain cylindrical inner ring.
MR	Single rib inner ring.
MRB	Single rib inner ring, special features.
MS	Short single rib inner ring.
MSN	Short single rib inner ring, with inner ring side plate.
MU	Double rib inner ring.
MUB	Double rib inner ring. Special features.
MUC	Double rib inner ring. Special features.
MUS	Double rib inner ring. I.D. 5 or 10mm smaller.
NUPK	Single inner rib with loose rib. Double ribbed outer ring with snap ring groove.
R	Non-standard.
RR	Non-standard. Single rib inner ring.
RS	Non-standard. Short single rib inner ring.
RSN	Non-standard. Short single rib with inner ring side plate.
RU	Non-standard. Double rib inner ring.
SRA	Special features.
WSN	High capacity. Short single rib with inner ring side plate.

Suffixes

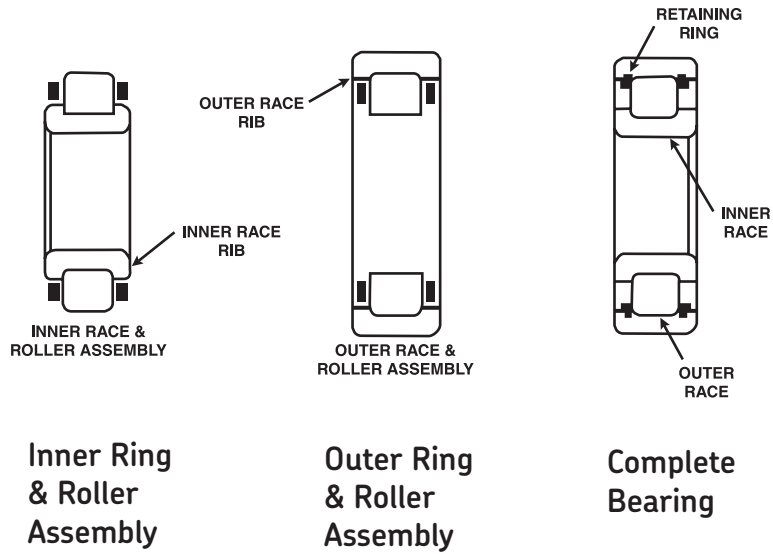
Suffix	Description
B	Molded polymeric retainer.
CAHX	Plain cylindrical outer ring, oversized O.D. for heavy press fit, blind hole in O.D. center. Segmented retainer.
CJWX	Spherical roller bearing.
CX	Plain cylindrical outer ring. Segmented retainer.
DX	Single rib outer ring. Segmented retainer.
DX9	Single rib outer ring. Segmented retainer. Special features.
EL	Double rib outer ring.
EV	Double rib outer ring. Formed steel retainer.
EX	Double rib outer ring. Segmented retainer.
EX1	Double rib outer ring. Segmented retainer. Roller and rib dimensions modified for greater radial load.
GEAB	Snap ring groove in outer ring O.D., double rib outer ring, oversized O.D. for heavy press fit. Molded polymeric retainer.
GEX	Snap ring groove in outer ring O.D., double rib outer ring. Segmented retainer.
GGTV1	Two snap ring grooves on outer ring O.D. Outer ring with two snap rings in I.D. Formed steel retainer. Snap ring groove diameters .043" oversized.
GUM	Snap ring groove in outer ring O.D., single rib outer ring, one snap ring in I.D. Full complement.
GUV	Snap ring groove in outer ring O.D., single rib outer ring, one snap ring in I.D. Formed steel retainer.
GUV6	Snap ring groove in outer ring O.D., single rib outer ring, one snap ring in I.D. of outer ring. Formed steel retainer. Snap ring groove on outer ring O.D. opposite rib ring.

Suffixes-cont.

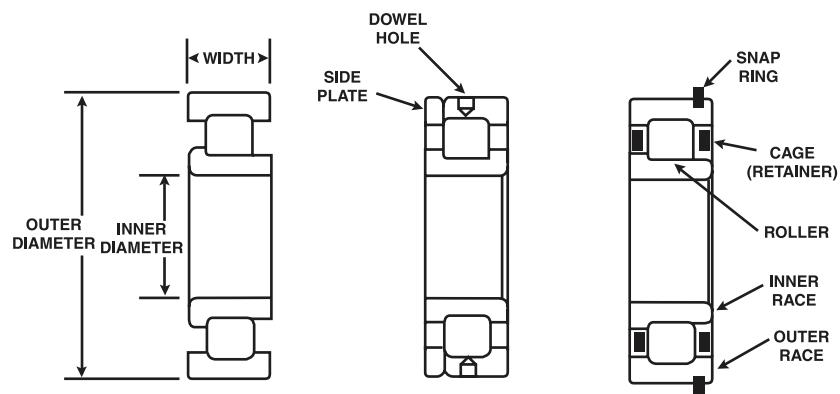
Suffix	Description
J	Bronze cage.
JB	Bronze cage. Special features.
L	Riveted steel retainer. Flange guided.
R	Locking ring.
REAB	Snap ring groove in outer ring O.D., snap ring included. Double rib outer ring. Oversized O.D. for heavy press fit. Molded polymeric retainer.
REAX	Snap ring groove in outer ring O.D., snap ring included. Double rib outer ring. Oversized O.D. for heavy press fit. Segmented retainer.
REB	Snap ring groove in outer ring O.D., snap ring included. Double rib outer ring. Molded polymeric retainer.
REX	Snap ring groove in outer ring O.D., snap ring included. Double rib outer ring. Segmented retainer.
RUGV	Snap ring groove in outer ring O.D., snap ring included. Single rib outer ring. One snap ring in I.D. of outer ring. Formed steel retainer.
RUM	Snap ring groove in outer ring O.D., snap ring included. Single rib outer ring. One snap ring in I.D. of outer ring. Full complement.
SGNV	Short single rib outer ring. Snap ring groove in outer ring O.D., with outer face plate. Formed steel retainer.
TAV	Outer ring with two snap rings in I.D. Oversized O.D. for heavy press fit. Formed steel retainer.
TDHM	Outer ring with two snap rings in I.D. Special features. Blind hole in O.D. Full complement.
TDM	Outer ring with two snap rings in I.D. Special features. Full complement.
TM	Outer ring with two snap rings in I.D. Full complement.
TM1	Outer ring with two snap rings in I.D. Full complement. Inner ring I.D. radius .080".
TM2	Outer ring with two snap rings in I.D. Full complement I.D. .1969" undersized. Inner ring radius .250".
TM12	Outer ring with two snap rings in I.D. Full complement. Inner ring I.D. radius .156".
TM17	Outer ring with two snap rings in I.D. Full complement. Outer ring width .0787" oversized. Inner ring radius .060".
TM19	Outer ring with two snap rings in I.D. Full complement. Inner ring radius .187".
TV	Outer ring with two snap rings in I.D. Formed steel retainer.
UBM	Single rib outer ring. One snap ring in I.D. of outer ring. Molded polymeric retainer. Full complement.
UM	Single rib outer ring. One snap ring in I.D. of outer ring. Full complement.
UM18	Single rib outer ring. One snap ring in I.D. of outer ring. Full complement. Inner and outer ring .0410" wider than standard inner ring. Rib dia. .040" oversized. Inner ring I.D. .1087" oversized.
UM23	Single rib outer ring. One snap ring in I.D. of outer ring. Full complement. Outer ring width .0787" oversized.
UM26	Single rib outer ring. One snap ring in I.D. of outer ring. Full complement. Inner ring radius .100".
UV	Single rib outer ring. One snap ring in I.D. of outer ring. Formed steel retainer.
V	Formed steel retainer.
W	Non-standard.
X	Segmented retainer.

Cylindrical roller bearings

Components

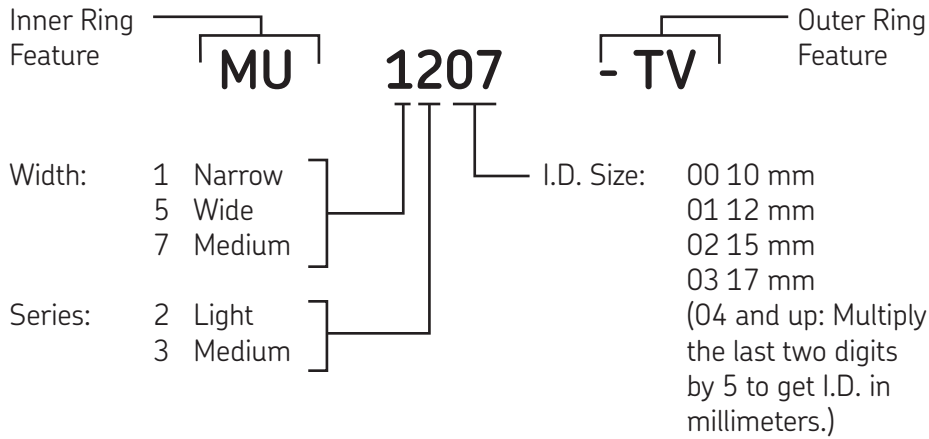


Component Terminology



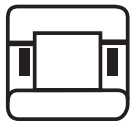
Cylindrical Roller Bearings

Numbering System



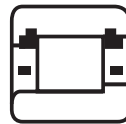
Types

Separable Inner Ring - Type SI



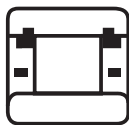
MA-EX

- M** Metric series
- A** Plain cylindrical inner ring
- E** Double rib outer ring
- X** Segmented retainer



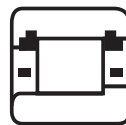
MR-TV

- M** Metric series
- R** Single rib inner ring
- T** Outer ring with two snap rings in I.D.
- V** Formed steel retainer



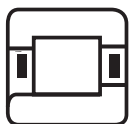
MA-TV

- M** Metric series
- A** Plain cylindrical inner ring
- T** Outer ring with two snap rings in I.D.
- V** Formed steel retainer



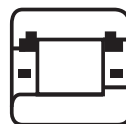
MR-UV

- M** Metric series
- R** Single rib inner ring
- U** Single rib outer ring, with one snap ring in I.D.
- V** Formed steel retainer



MR-EX

- M** Metric series
- R** Single rib inner ring
- E** Double rib outer ring
- X** Segmented retainer



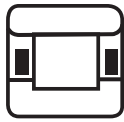
MSN-EX

- M** Metric series
- S** Short single rib inner ring
- N** Inner ring side plate
- E** Double rib outer ring
- X** Segmented retainer

Cylindrical roller bearings

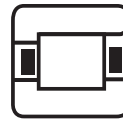
Types

Separable Outer Ring - Type SO



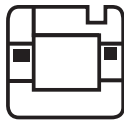
MU-CX

- M** Metric series
- U** Double rib inner ring
- C** Plain cylindrical outer ring
- X** Segmented retainer



MU-DX

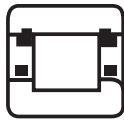
- M** Metric Series
- U** Double rib inner ring
- D** Single rib outer ring
- X** Segmented retainer



MU-SGNV

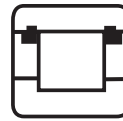
- M** Metric Series
- U** Double rib inner ring
- S** Short single rib inner ring
- G** Snap ring groove in outer ring O.D.
- N** Outer ring side plate
- V** Formed steel retainer

Non-Separable – Type NS



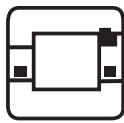
MU-TV

- M** Metric series
- U** Double rib inner ring
- T** Outer ring with two snap rings in I.D.
- V** Formed steel retainer



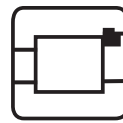
MU-TM

- M** Metric series
- U** Double rib inner ring
- T** Outer ring with two snap rings in I.D.
- M** Full complement



MU-UV

- M** Metric series
- U** Double rib inner ring
- U** Single rib outer ring, one snap ring in the I.D.
- V** Formed steel retainer



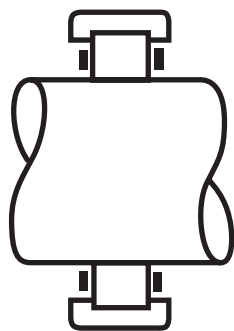
MU-UM

- M** Metric series
- U** Double rib inner ring
- U** Single rib outer ring, one snap ring in the I.D.
- M** Full complement

Cylindrical roller bearings

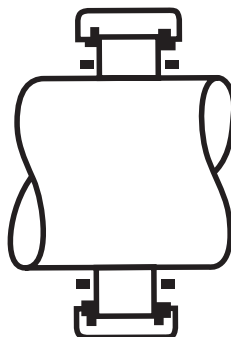
Types

Inner Ring Excluded – Type OR



- M Metric series
- E Double rib outer ring
- X Segmented retainer

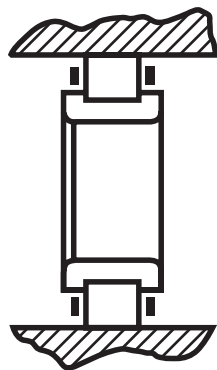
M-EX



- M Metric series
- T Outer ring with two snap rings in I.D.
- V Formed steel cage

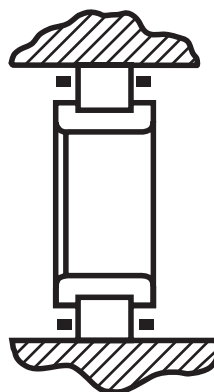
M-TV

Outer Ring Excluded – Type IR



- M Metric series
- U Double rib inner ring
- X Segmented retainer

MU-X

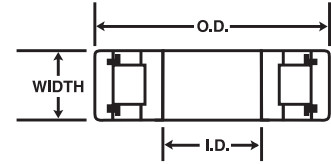


- M Metric series
- U Double rib inner ring
- V Formed steel cage

MU-V

Cylindrical roller bearings

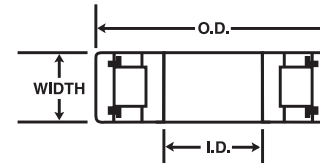
Numerical listing



Bearing no.	Inch			Metric			Type	Comment
	I.D.	O.D.	Width	I.D.	O.D.	Width		
DK57509	1.3950	2.4460	.8600	35.4330	62.1284	21.8440	NS	
DK59047	1.6253	2.8040	1.0240	41.2826	71.2216	26.0000	OR	
F390112	1.0430	1.8700	1.0830	26.4920	47.5000	27.5000	—	With attached tube
F391315	1.7057	2.5324	.8230	43.3250	64.3220	20.9100	OR	
FC68009	1.3040	2.3760	.9810	33.1216	60.3504	24.9174	OR	
FC68096	1.6360	2.5330	.5940	41.5544	64.3382	15.0876	OR	
FC68336	1.2598	2.2889	.9882	31.9990	58.1380	25.1000	SO	
GRW123	1.5313	2.7813	1.5354	39.0000	71.0000	39.0000	SI	
GRW146	1.8700	2.7812	1.0630	47.5000	70.6400	27.0000	NS	
M1205-TV	1.2677	2.0472	.5906	32.1996	52.0000	15.0000	OR	
M1206-UV	1.4999	2.4409	.6299	38.1000	62.0000	16.0000	OR	
M1207-TV	1.7327	2.8346	.6693	44.0000	72.0000	17.0000	OR	
M1209-TV	2.1877	3.3465	.7480	55.5700	85.0000	19.0000	OR	
M1305GGTV1	1.3388	2.4409	.6693	34.0000	62.0000	17.0000	OR	Two snap ring grooves on outer ring O.D. groove Dia. .043" oversized.
M1305-GUV	1.3388	2.4409	.6693	34.0000	62.0000	17.0000	OR	
M1306-TV	1.6029	2.8346	.7480	40.7137	72.0000	19.0000	OR	
M1307-TV	1.8457	3.1496	.8268	46.8800	80.0000	21.0000	OR	
M1308-TV	2.0606	3.5433	.9055	52.3400	90.0000	23.0000	OR	
M5205-UV	1.2677	2.0472	.8125	32.2000	52.0000	20.6375	OR	
M5209-TV	2.1877	3.3465	1.1875	55.5700	85.0000	30.1625	OR	
M5305-TV	1.3400	2.4409	1.0000	35.0360	62.0000	25.4000	OR	
MA1205-TV	.9843	2.0472	.5906	25.0000	52.0000	15.0000	SI	
MA1206-UV	1.1811	2.4409	.6300	30.0000	62.0000	16.0000	SI	
MA1209-TV	1.7717	3.3465	.7480	45.0000	85.0000	19.0000	SI	
MA1211-UV	2.1654	3.9370	.8268	55.0000	100.0000	21.0000	SI	
MA1213-TV	2.5591	4.7244	.9055	65.0000	120.0000	23.0000	SI	
MR1205-EX	.9840	2.0470	.7090	24.9936	51.9938	18.0086	SI	
MR1205-TV	.9843	2.0472	.5906	25.0000	52.0000	15.0000	SI	
MR1206-EX	1.1780	2.3615	.6285	29.9212	59.9821	15.9639	SI	
MR1206RUGV	1.1811	2.4409	.6299	30.0000	62.0000	16.0000	SI	
MR1206TV3	1.2921	2.3622	.8031	33.0000	60.0000	20.4000	SI	
MR1207-EL	1.3780	2.8346	.6693	35.0000	72.0000	17.0000	SI	
MR1209-EX1	1.7717	3.3465	.7480	45.0000	85.0000	19.0000	SO	Roller rib dimensions modified for greater radial load.
MR1213-TV	2.5591	4.7244	.9055	65.0000	120.0000	23.0000	SI	
MR1307-EX	1.3780	3.1496	.8268	35.0000	80.0000	21.0000	SI	
MR1307-TV	1.3780	3.1496	.8268	35.0000	80.0000	21.0000	SI	
MR1308-TV	1.5748	3.5433	.9055	40.0000	90.0000	23.0000	SI	
MR1309-TAV	1.7717	3.9388	.9843	45.0000	100.0400	25.0000	SI	Outer ring O.D. of .0018" Oversized

Cylindrical roller bearings

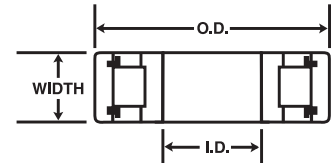
Numerical listing



Bearing no.	Inch			Metric			Type	Comment
	I.D.	O.D.	Width	I.D.	O.D.	Width		
MR1312REAX	2.3622	5.1204	1.2205	60.0000	130.0582	31.0000	SI	O.D. of .023 oversized
MR1313-EX	2.5591	5.5118	1.2992	65.0000	140.0000	33.0000	SI	
MR5206-UV	1.1811	2.4409	.9375	30.0000	62.0000	23.8125	SI	
MR5208	1.5748	3.1496	1.1875	40.0000	80.0000	30.1625	IR	
MR5208-TV	1.5748	3.1496	1.1875	40.0000	80.0000	30.1625	SI	
MRB1313-EL	2.7559	5.5118	1.2992	70.0000	140.0000	33.0000	SI	
MS1309-REX	1.7717	3.9370	.9843	45.0000	100.0000	25.0000	SI	
MSN1211REX	2.1654	3.9370	.8268	55.0000	100.0000	21.0000	SI	
MSN1311REB	2.1654	4.7244	1.1417	55.0000	120.0000	29.0000	SI	
MU1207-CX	1.3780	2.8346	.6693	35.0000	72.0000	17.0000	SO	
MU1207-GUV	1.3780	2.8346	.6693	35.0000	72.0000	17.0000	NS	
MU1209-TM	1.7717	3.3465	.7480	45.0000	85.0000	19.0000	NS	
MU1221-TM	4.1339	7.4803	1.4173	105.0000	190.0000	36.0000	NS	
MU1305-TM	.9843	2.4409	.6693	25.0000	62.0000	17.0000	NS	
MU1305TM17	.9843	2.4409	.7470	25.0000	62.0000	19.0000	NS	Outer ring width .0787" oversized , inner ring radius .060"
MU1305UM18	1.0930	2.4409	.7080	27.7620	62.0000	18.0000	NS	Inner outer ring .0414" wider than standard inner ring rib Dia. .040".
MU1306-GUV	1.1811	2.8346	.7480	30.0000	72.0000	19.0000	NS	
MU1306-UM	1.1811	2.8346	.7480	30.0000	72.0000	19.0000	NS	
MU1306UM23	1.1811	2.8346	.8268	30.0000	72.0000	21.0000	NS	
MU1306-UV	1.1811	2.8346	.7480	30.0000	72.0000	19.0000	NS	
MU1307-TM	1.3780	3.1496	.8268	35.0000	80.0000	21.0000	NS	
MU1307-UM	1.3780	3.1496	.8268	35.0000	80.0000	21.0000	NS	
MU1307-X	1.3780	2.6743	.8268	35.0000	67.9000	21.0000	IR	
MU1308-TM	1.5748	3.5433	.9055	40.0000	90.0000	23.0000	NS	
MU1308-TV	1.5748	3.5433	.9055	40.0000	90.0000	23.0000	NS	
MU1308-UM	1.5748	3.5433	.9055	40.0000	90.0000	23.0000	NS	
MU1309-CX	1.7717	3.9370	.9843	45.0000	100.0000	25.0000	SO	
MU1309-GUM	1.7717	4.1888	.9843	45.0000	106.3900	25.0000	NS	
MU1309-TM	1.7717	3.9370	.9843	45.0000	100.0000	25.0000	NS	
MU1309-TV	1.7717	3.9370	.9843	45.0000	100.0000	25.0000	NS	
MU5205UM26	.9843	2.0472	.8125	25.0000	52.0000	20.6375	NS	Inner ring radius .100"
MU5206UM26	1.1811	2.4409	.9375	30.0000	62.0000	23.8125	NS	Inner ring radius .100"
MU5207-UM	1.3780	2.8346	1.0625	35.0000	72.0000	27.0000	NS	
MU5208-TM	1.5748	3.1496	1.1875	40.0000	80.0000	30.1625	NS	
MUS1307TM1	1.1811	3.1496	.8268	30.0000	80.0000	21.0000	NS	I.D. of .1970" undersized inner ring radius .080".
MUS1307-UM	1.1811	3.1496	.8268	30.0000	80.0000	21.0000	NS	
MUS1308TM1	1.3780	3.5433	.9055	35.0000	90.0000	23.0000	NS	I.D. of .1969" undersized inner ring radius .080".

Cylindrical roller bearings

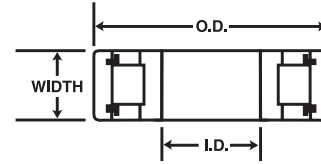
Numerical listing



Bearing no.	Inch			Metric			Type	Comment
	I.D.	O.D.	Width	I.D.	O.D.	Width		
MUS1308-UM	1.3780	3.5433	.9055	35.0000	90.0000	23.0000	NS	
MUSB7307UM	1.1811	3.1496	1.0236	30.0000	80.0000	26.0000	NS	
N308-ECP VP	1.5748	3.5433	.9055	40.0000	90.0000	23.0000	NS	
NJ207-ECP VP	1.3780	2.8346	.6693	35.0000	72.0000	17.0000	SI	
NJ304-ECP VP	.7874	2.0472	.5905	20.0000	52.0000	15.0000	SI	
NU206-ECP/C3 VP	1.1811	2.4409	.6300	30.0000	62.0000	16.0000	SI	
R1304VSR32	1.0004	2.0472	.5906	25.4102	52.0000	15.0000	OR	
R1500-EL	1.5800	2.4062	.7500	40.1320	61.1100	19.0500	OR	
R1502-EL	1.8779	2.7818	.8750	47.6990	70.6500	22.2250	OR	
R1535-TAV	1.1092	1.8504	.6560	28.1690	47.0000	16.6600	OR	
R1558-TAV	.7515	1.2508	.6050	19.0880	31.7700	15.3600	OR	
R1559	1.6180	2.5778	1.3030	41.0972	65.4761	33.0962	OR	Rear axle repair bearing.
R1559-TV	1.6180	2.5330	.8300	41.1000	64.3382	21.0800	OR	
R1561-F	1.7080	3.0370	1.3200	43.3832	77.1398	33.5280	OR	Rear axle repair bearing.
R1561-G	1.7080	3.0880	1.3200	43.3832	78.4352	33.5280	OR	Rear axle repair bearing.
R1561-TV	1.7055	2.9920	1.1920	43.3070	75.9400	30.3500	OR	
R1563	1.3990	2.2948	1.2110	35.5346	58.2879	30.7594	OR	Rear axle repair bearing.
R1563-TAV	1.3998	2.2500	.7000	35.5473	57.1500	17.7800	OR	
R1581-TV	1.2370	2.0472	.7650	31.4200	52.0000	19.4300	OR	
R57509	1.3950	2.4380	1.4600	35.4330	61.9252	37.0840	OR	Rear axle repair bearing.
R59047	1.6254	2.8420	1.1650	41.2852	72.1868	29.5910	OR	Rear axle repair bearing.
RA1502	1.5308	1.8745	1.3440	38.8823	47.6123	34.1376	IR	
RNU070620-1	1.2992	2.3622	.8031	33.0000	60.0000	20.4000	OR	
RSN1584-EV	1.7717	3.1496	1.5294	45.0000	80.0000	38.8400	SI	
RU1570-UBM	1.3771	2.8841	.8130	34.9783	73.2561	20.6500	NS	
RU1570-UM	1.3780	2.8346	.8130	35.0000	72.0000	20.6500	NS	
RU9008-UM	1.5750	3.5430	.9840	40.0000	90.0000	25.0000	NS	
SRA5304	1.1005	1.7295	.7260	27.9500	43.9300	18.4400	OR	

Cylindrical roller bearings

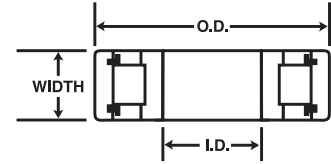
I.D. size listing



Inch			Metric			Bearing no.	Type	Comment
I.D.	O.D.	Width	I.D.	O.D.	Width			
.7515	1.2508	.6050	19.0880	31.7700	15.3600	R1558-TAV	OR	
.7874	2.0472	.5905	20.0000	52.0000	15.0000	NJ304-ECP VP	SI	
.9840	2.0470	.7090	24.9936	51.9938	18.0086	MR1205-EX	SI	
.9843	2.0472	.5906	25.0000	52.0000	15.0000	MA1205-TV	SI	
.9843	2.0472	.5906	25.0000	52.0000	15.0000	MR1205-TV	SI	
.9843	2.4409	.6693	25.0000	62.0000	17.0000	MU1305-TM	NS	
.9843	2.4409	.7470	25.0000	62.0000	19.0000	MU1305TM17	NS	Outer ring width .0787" oversized, inner ring radius .060"
.9843	2.0472	.8125	25.0000	52.0000	20.6375	MU5205UM26	NS	Inner ring radius .100"
1.0004	2.0472	.5906	25.4102	52.0000	15.0000	R1304VSR32	OR	
1.0430	1.8700	1.0830	26.4920	47.5000	27.5000	F390112	—	With attached tube
1.0930	2.4409	.7080	27.7620	62.0000	18.0000	MU1305UM18	NS	Inner outer ring .0414" wider than standard inner ring rib Dia. .040".
1.1005	1.7295	.7260	27.9500	43.9300	18.4400	SRA5304	OR	
1.1092	1.8504	.6560	28.1690	47.0000	16.6600	R1535-TAV	OR	
1.1780	2.3615	.6285	29.9212	59.9821	15.9639	MR1206-EX	SI	
1.1811	2.4409	.6300	30.0000	62.0000	16.0000	MA1206-UV	SI	
1.1811	2.4409	.6299	30.0000	62.0000	16.0000	MR1206RUGV	SI	
1.1811	2.4409	.9375	30.0000	62.0000	23.8125	MR5206-UV	SI	
1.1811	2.8346	.7480	30.0000	72.0000	19.0000	MU1306-GUV	NS	
1.1811	2.8346	.7480	30.0000	72.0000	19.0000	MU1306-UM	NS	
1.1811	2.8346	.8268	30.0000	72.0000	21.0000	MU1306UM23	NS	
1.1811	2.8346	.7480	30.0000	72.0000	19.0000	MU1306-UV	NS	
1.1811	2.4409	.9375	30.0000	62.0000	23.8125	MU5206UM26	NS	Inner ring radius .100"
1.1811	3.1496	.8268	30.0000	80.0000	21.0000	MUS1307TM1	NS	I.D. of .1970" undersized inner ring radius .080".
1.1811	3.1496	.8268	30.0000	80.0000	21.0000	MUS1307-UM	NS	
1.1811	3.1496	1.0236	30.0000	80.0000	26.0000	MUSB7307UM	NS	
1.1811	2.4409	.6300	30.0000	62.0000	16.0000	NU206-ECP/C3 VP	SI	
1.2370	2.0472	.7650	31.4200	52.0000	19.4300	R1581-TV	OR	
1.2598	2.2889	.9882	31.9990	58.1380	25.1000	FC68336	SO	
1.2677	2.0472	.5906	32.1996	52.0000	15.0000	M1205-TV	OR	
1.2677	2.0472	.8125	32.2000	52.0000	20.6375	M5205-UV	OR	
1.2921	2.3622	.8031	33.0000	60.0000	20.4000	MR1206TV3	SI	
1.2992	2.3622	.8031	33.0000	60.0000	20.4000	RNU070620-1	OR	
1.3040	2.3760	.9810	33.1216	60.3504	24.9174	FC68009	OR	
1.3388	2.4409	.6693	34.0060	62.0000	17.0000	M1305GGTV1	OR	Two snap ring grooves on outer ring O.D. groove Dia. .043" oversized.
1.3388	2.4409	.6693	34.0060	62.0000	17.0000	M1305-GUV	OR	
1.3400	2.4409	1.0000	35.0360	62.0000	25.4000	M5305-TV	OR	
1.3771	2.8841	.8130	34.9783	73.2561	20.6500	RU1570-UBM	NS	

Cylindrical roller bearings

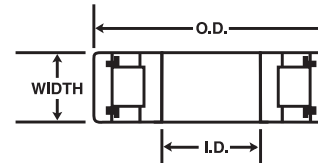
I.D. size listing



Inch			Metric			Bearing no.	Type	Comment
I.D.	O.D.	Width	I.D.	O.D.	Width			
1.3780	2.8346	.6693	35.0000	72.0000	17.0000	MR1207-EL	SI	
1.3780	3.1496	.8268	35.0000	80.0000	21.0000	MR1307-EX	SI	
1.3780	3.1496	.8268	35.0000	80.0000	21.0000	MR1307-TV	SI	
1.3780	2.8346	.6693	35.0000	72.0000	17.0000	MU1207-CX	SO	
1.3780	2.8346	.6693	35.0000	72.0000	17.0000	MU1207-GUV	NS	
1.3780	3.1496	.8268	35.0000	80.0000	21.0000	MU1307-TM	NS	
1.3780	3.1496	.8268	35.0000	80.0000	21.0000	MU1307-UM	NS	
1.3780	2.6743	.8268	35.0000	67.9000	21.0000	MU1307-X	IR	
1.3780	2.8346	1.0625	35.0000	72.0000	27.0000	MU5207-UM	NS	
1.3780	3.5433	.9055	35.0000	90.0000	23.0000	MUS1308TM1	NS	I.D. of .1969" undersized inner ring radius .080".
1.3780	3.5433	.9055	35.0000	90.0000	23.0000	MUS1308-UM	NS	
1.3780	2.8346	.6693	35.0000	72.0000	17.0000	NJ207-ECP VP	SI	
1.3780	2.8346	.8130	35.0000	72.0000	20.6500	RU1570-UM	NS	
1.3950	2.4460	.8600	35.4330	62.1284	21.8440	DK57509	NS	
1.3950	2.4380	1.4600	35.4330	61.9252	37.0840	R57509	OR	Rear axle repair bearing.
1.3990	2.2948	1.2110	35.5346	58.2879	30.7594	R1563	OR	Rear axle repair bearing.
1.3998	2.2500	.7000	35.5473	57.1500	17.7800	R1563-TAV	OR	
1.4999	2.4409	.6299	38.1000	62.0000	16.0000	M1206-UV	OR	
1.5308	1.8745	1.3440	38.8823	47.6123	34.1376	RA1502	IR	
1.5313	2.7813	1.5354	39.0000	71.0000	39.0000	GRW123	SI	
1.5748	3.5433	.9055	40.0000	90.0000	23.0000	MR1308-TV	SI	
1.5748	3.1496	1.1875	40.0000	80.0000	30.1625	MR5208	IR	
1.5748	3.1496	1.1875	40.0000	80.0000	30.1625	MR5208-TV	SI	
1.5748	3.5433	.9055	40.0000	90.0000	23.0000	MU1308-TM	NS	
1.5748	3.5433	.9055	40.0000	90.0000	23.0000	MU1308-TV	NS	
1.5748	3.5433	.9055	40.0000	90.0000	23.0000	MU1308-UM	NS	
1.5748	3.1496	1.1875	40.0000	80.0000	30.1625	MU5208-TM	NS	
1.5748	3.5433	.9055	40.0000	90.0000	23.0000	N308-ECP VP	NS	
1.5750	3.5430	.9840	40.0000	89.9922	25.0000	RU9008-UM	NS	
1.5800	2.4062	.7500	40.1320	61.1100	19.0500	R1500-EL	OR	
1.6029	2.8346	.7480	40.7137	72.0000	19.0000	M1306-TV	OR	
1.6180	2.5778	1.3030	41.0972	65.4761	33.0962	R1559	OR	Rear axle repair bearing.
1.6180	2.5330	.8300	41.1000	64.3382	21.0800	R1559-TV	OR	
1.6253	2.8040	1.0240	41.2826	71.2216	26.0000	DK59047	OR	
1.6254	2.8420	1.1650	41.2852	72.1868	29.5910	R59047	OR	Rear axle repair bearing.
1.6360	2.5330	.5940	41.5544	64.3382	15.0876	FC68096	OR	
1.7055	2.9920	1.1920	43.3070	75.9400	30.3500	R1561-TV	OR	
1.7057	2.5324	.8230	43.3250	64.3220	20.9100	F391315	OR	
1.7080	3.0370	1.3200	48.3832	77.1398	33.5280	R1561-F	OR	Rear axle repair bearing.

Cylindrical roller bearings

I.D. size listing



Inch			Metric			Bearing no.	Type	Comment
I.D.	O.D.	Width	I.D.	O.D.	Width			
1.7080	3.0880	1.3200	43.3832	78.4352	33.5280	R1561-G	OR	Rear axle repair bearing.
1.7327	2.8346	.6693	44.0106	72.0000	17.0000	M1207-TV	OR	
1.7717	3.3465	.7480	45.0000	85.0000	19.0000	MA1209-TV	SI	
1.7717	3.3465	.7480	45.0000	85.0000	19.0000	MR1209-EX1	SO	Roller rib dimensions modified for greater radial load.
1.7717	3.9388	.9843	45.0000	100.0400	25.0000	MR1309-TAV	SI	Outer ring O.D. of .0018" oversized
1.7717	3.9370	.9843	45.0000	100.0000	25.0000	MS1309-REX	SI	
1.7717	3.3465	.7480	45.0000	85.0000	19.0000	MU1209-TM	NS	
1.7717	3.9370	.9843	45.0000	100.0000	25.0000	MU1309-CX	SO	
1.7717	4.1888	.9843	45.0000	106.3900	25.0000	MU1309-GUM	NS	
1.7717	3.9370	.9843	45.0000	100.0000	25.0000	MU1309-TM	NS	
1.7717	3.9370	.9843	45.0000	100.0000	25.0000	MU1309-TV	NS	
1.7717	3.1496	1.5294	45.0000	80.0000	38.8400	RSN1584-EV	SI	
1.8457	3.1496	.8268	46.8800	80.0000	21.0000	M1307-TV	OR	
1.8700	2.7812	1.0630	47.5000	70.6400	27.0000	GRW146	NS	
1.8779	2.7818	.8750	47.6990	70.6500	22.2250	R1502-EL	OR	
2.0606	3.5433	.9055	52.3400	90.0000	23.0000	M1308-TV	OR	
2.1654	3.9370	.8268	55.0000	100.0000	21.0000	MA1211-UV	SI	
2.1654	3.9370	.8268	55.0000	100.0000	21.0000	MSN1211REX	SI	
2.1654	4.7244	1.1417	55.0000	120.0000	29.0000	MSN1311REB	SI	
2.1877	3.3465	.7480	55.5700	85.0000	19.0000	M1209-TV	OR	
2.1877	3.3465	1.1875	55.5700	85.0000	30.1625	M5209-TV	OR	
2.3622	5.1204	1.2205	60.0000	130.0582	31.0000	MR1312REAX	SI	O.D. of .023 oversized
2.5591	4.7244	.9055	65.0000	120.0000	23.0000	MA1213-TV	SI	
2.5591	4.7244	.9055	65.0000	120.0000	23.0000	MR1213-TV	SI	
2.5591	5.5118	1.2992	65.0000	140.000	33.0000	MR1313-EX	SI	
2.7559	5.5118	1.2992	70.0000	140.000	33.0000	MRB1313-EL	SI	
4.1339	7.4803	1.4173	105.0000	190.0000	36.0000	MU1221-TM	NS	

Differential, Transmission kits & Transfer Case

Introduction

Differential kits

SKF differential kits come in either a standard kit or a master kit. Standard differential kits from SKF contain all the components needed for a complete repair, including:

- Pinion bearings
- Differential bearings
- Pinion seal
- Pinion nut
- Crush sleeve (where applicable)
- Gear marking compound and brush
- Thread locker
- Silicone sealant

Master differential kits from SKF contain all the elements that come with the standard differential kits, as well as:

- Pinion shims (where applicable)
- Pinion adjusting shims
- Differential shims
- Ring gear bolts

Transmission kits

SKF transmission kits contain all the components needed to help maintenance personnel save time during the installation process.

Each kit contains:

- Ball bearings
- Cylindrical roller bearings
- Needle bearings
- Tapered roller bearings
- Seals
- O-Rings
- Gaskets
- Snap rings (where applicable)
- Bushings (where applicable)
- Clutch nuts (where applicable)
- Fork pads (where applicable)

Transfer case kits

Engineered for light duty vehicles, SKF transfer case kits contain all the components needed to rebuild to original equipment specifications, including:

- Input and output shaft bearings and seals
- Shift shaft bearings and seals
- Oil pump seals
- O-Rings
- Gaskets
- Washers (where applicable)
- Fork pads (where applicable)

Crush sleeve kits



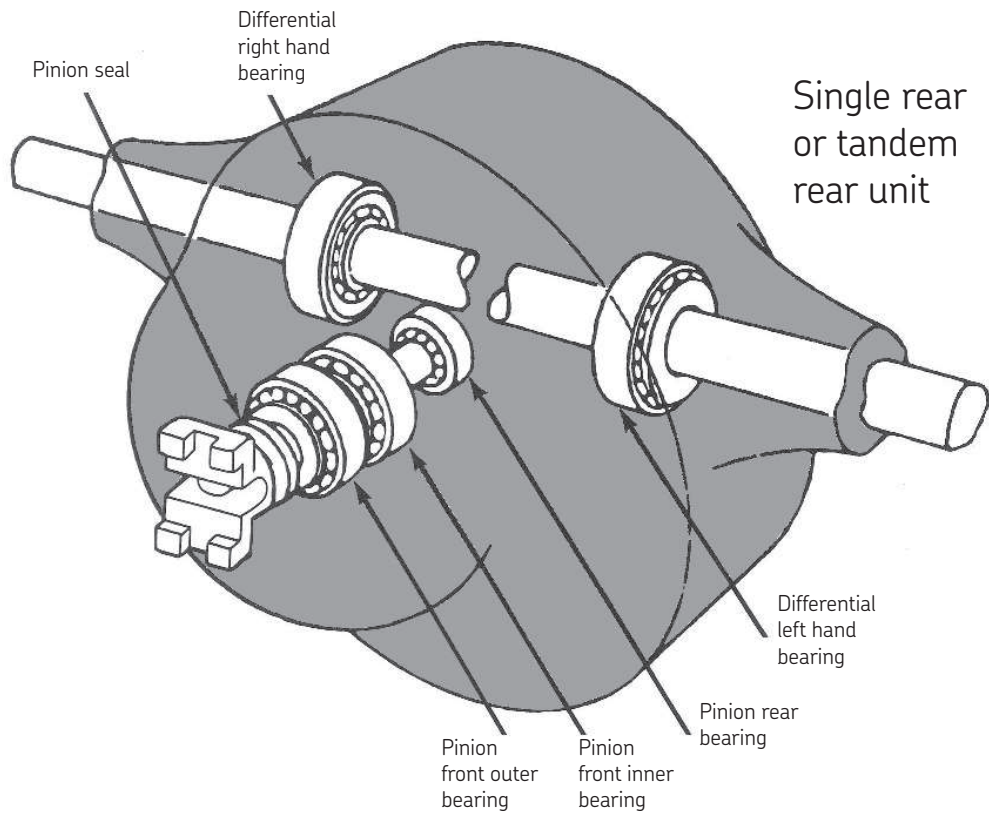
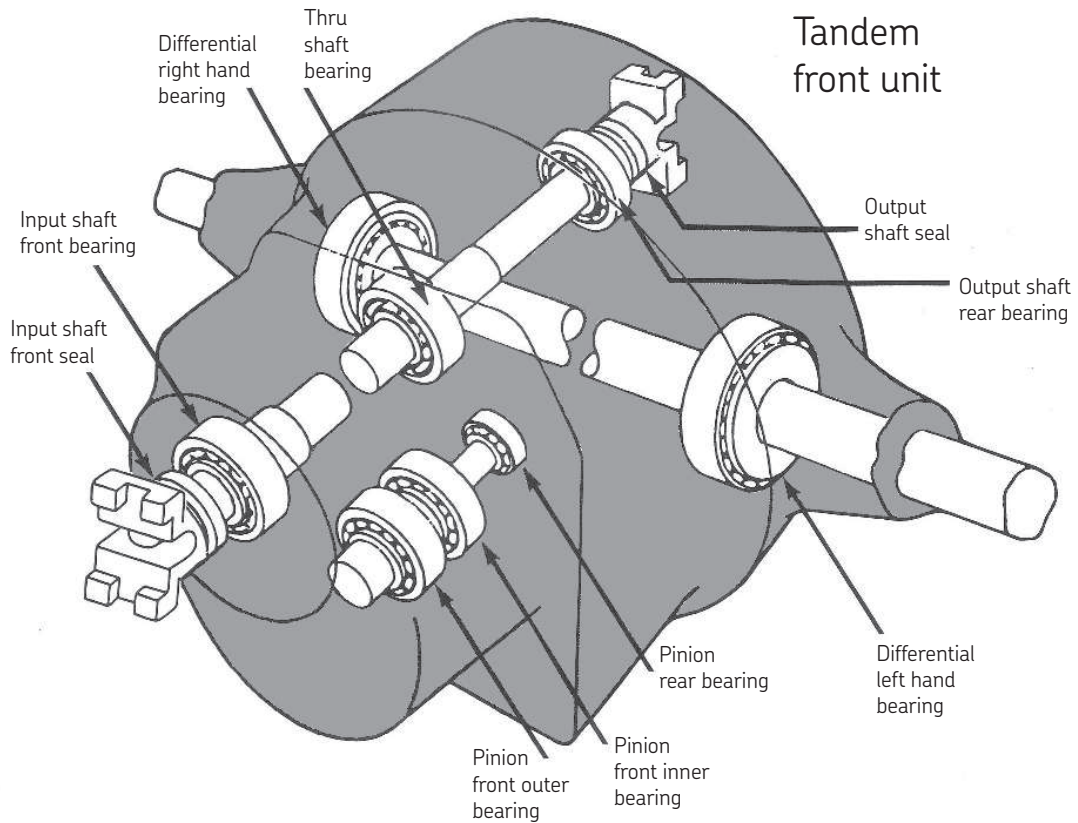
Crush sleeve kit	Component part no.	Component product	Crush sleeve kit	Component part no.	Component product	Crush sleeve kit	Component part no.	Component product
KRS111	<i>PN3</i>	Nut	KRS125	<i>PN4</i>	Nut	KRS142*	<i>PN15</i>	Nut
	<i>CS310</i>	Sleeve		<i>CS320</i>	Sleeve		<i>CS327</i>	Sleeve
	<i>30275</i>	Washer		KRS126	<i>PN3</i>		Nut	KRS143*
KRS112	<i>PN8-F</i>	Nut	<i>CS321</i>		Sleeve	<i>CS334</i>	Sleeve	
	<i>SK2</i>	Shim	KRS127		<i>PN4</i>	Nut	KRS144*	
KRS113	<i>PN3</i>	Nut		<i>CS323-C</i>	Sleeve	<i>CS335</i>		Sleeve
	<i>PN8-F</i>	Nut	KRS128	<i>PN4</i>	Nut	KRS145*	<i>PN8-F</i>	Nut
	<i>CS301</i>	Sleeve		<i>CS322</i>	Sleeve		<i>CS338</i>	Sleeve
KRS114	<i>PN3</i>	Nut	KRS129	<i>PN3</i>	Nut	KRS146*	<i>PN17</i>	Nut
	<i>CS303</i>	Sleeve		<i>CS324</i>	Sleeve		<i>CS341</i>	Sleeve
	<i>30275</i>	Washer	KRS132	<i>PN11</i>	Nut	KRS147*	<i>PN5</i>	Nut
KRS115	<i>PN6</i>	Nut		<i>CS332</i>	Sleeve		<i>CS342</i>	Sleeve
	<i>CS311</i>	Sleeve	KRS133	<i>PN9</i>	Nut	KRS148*	<i>PN6</i>	Nut
KRS116	<i>PN8-F</i>	Nut		<i>CS331</i>	Sleeve		<i>CS344</i>	Sleeve
	<i>CS330</i>	Sleeve	KRS134	<i>PN5</i>	Nut	KRS149*	<i>PN5</i>	Nut
KRS117	<i>PN8-F</i>	Nut		<i>SK17</i>	Shim		<i>CS349</i>	Sleeve
	<i>SK5</i>	Shim		<i>30275</i>	Washer		<i>DS30275</i>	Washer
KRS119	<i>PN6</i>	Nut	KRS135	<i>PN10</i>	Nut	KRS150*	<i>PN19</i>	Nut
	<i>CS310</i>	Sleeve		<i>SK44</i>	Shim		<i>CS352</i>	Sleeve
KRS120	<i>PN5</i>	Nut	KRS136	<i>PN7</i>	Nut	KRS151*	<i>PN6</i>	Nut
	<i>CS333</i>	Sleeve		<i>CS325</i>	Sleeve		<i>CS355</i>	Sleeve
	<i>30275</i>	Washer		KRS137	<i>PN7</i>		Nut	KRS152*
KRS121	<i>PN2</i>	Nut	<i>CS325-A</i>		Sleeve	<i>CS358</i>	Sleeve	
	<i>CS311</i>	Sleeve	KRS138	<i>PN4</i>	Nut	KRS153*	<i>PN24</i>	Nut
KRS122	<i>PN2</i>	Nut		<i>CS323-C</i>	Sleeve		<i>CS359</i>	Sleeve
	<i>CS310</i>	Sleeve	KRS139*	<i>PN19</i>	Nut	KRS154*	<i>PN13</i>	Nut
KRS123	<i>PN3</i>	Nut		<i>CS304</i>	Sleeve		<i>CS361</i>	Sleeve
	<i>CS326</i>	Sleeve	KRS141*	<i>PN13</i>	Nut	KRS155*	<i>PN24</i>	Nut
KRS124	<i>PN3</i>	Nut		<i>CS313</i>	Sleeve		<i>CS362</i>	Sleeve
	<i>CS320</i>	Sleeve						

* Check for availability

Italicized numbers are Not Sold Separately

For additional crush sleeve kits contact SKF

Rear axle differential bearing & seal locations



Differential kit contents

	Location	Description	Part no.	Qty
SDK1	Differential L.H.	Tapered Roller Bearing Cone	BR56425	1
	Differential L.H.	Tapered Roller Bearing Cup	BR56650	1
	Differential R.H.	Tapered Roller Bearing Cup	BR493	1
	Differential R.H.	Tapered Roller Bearing Cone	BR497	1
	Misc.	Sealant	<i>3 oz Silicone Blue</i>	1
	Pinion	Seal	26378	1
	Pinion Inner/Outer	Tapered Roller Bearing Cone	55200-C VP	2
	Pinion Inner/Outer	Tapered Roller Bearing Cup	BR55437	2
	Pinion Pilot	Cylindrical Roller Bearing	<i>MUSB1307-UM</i>	1
SDK1-A	Differential L.H.	Tapered Roller Bearing Cup	BR563	1
	Differential L.H.	Tapered Roller Bearing Cone	BR567	1
	Differential R.H.	Tapered Roller Bearing Cup	BR493	1
	Differential R.H.	Tapered Roller Bearing Cone	BR497	1
	Misc.	Sealant	<i>3 oz Silicone Blue</i>	1
	Pinion	Seal	26378	1
	Pinion Inner/Outer	Tapered Roller Bearing Cone	55200-CVP	2
	Pinion Inner/Outer	Tapered Roller Bearing Cup	BR55437	2
	Pinion Pilot	Cylindrical Roller Bearing	<i>MUSB1307-UM</i>	1
SDK9-RC	Differential L.H.	Tapered Roller Bearing Cone	BR497	1
	Differential L.H./R.H.	Tapered Roller Bearing Cup	BR493	2
	Differential R.H.	Tapered Roller Bearing Cone	BR496	1
	Misc.	Sealant	<i>3 oz Silicone Blue</i>	1
	Pinion	Seal	27452	1
	Pinion Inner	Tapered Roller Bearing Cone	72200-CVP	1
	Pinion Inner	Tapered Roller Bearing Cup	BR72487	1
	Pinion Outer	Tapered Roller Bearing Cone	72188-CVP	1
	Pinion Outer	Tapered Roller Bearing Cup	BR72487	1
Pinion Pilot	Cylindrical Roller Bearing	<i>RU1570-UM</i>	1	
SDK11-R	Cross Shaft Left	Cylindrical Roller Bearing	<i>MU1218TDHM</i>	1
	Cross Shaft Right	Tapered Roller Bearing Cup	BR66462	2
	Cross Shaft Right	Tapered Roller Bearing Cone	BR66225	2
	Differential L.H./R.H.	Tapered Roller Bearing Cup	BR572	2
	Differential L.H./R.H.	Tapered Roller Bearing Cone	BR581	2
	Misc.	Sealant	<i>3 oz Silicone Blue</i>	1
	Pinion	Seal	30144	1
	Pinion Inner	Tapered Roller Bearing Cone	BR42350	1
	Pinion Inner	Tapered Roller Bearing Cup	BR42584	1
	Pinion Outer	Tapered Roller Bearing Cup	BR493	1
	Pinion Outer	Tapered Roller Bearing Cone	BR497	1
	Pinion Output	Seal	29192	1
	Pinion Pilot	Cylindrical Roller Bearing	<i>MR1212-EX</i>	1

Differential kit contents

	Location	Description	Part no.	Qty
SDK18-E	Differential L.H.	Tapered Roller Bearing Cup	BR653	1
	Differential L.H.	Tapered Roller Bearing Cone	BR665	1
	Differential R.H.	Tapered Roller Bearing Cone	BR42381	1
	Differential R.H.	Tapered Roller Bearing Cup	BR42584	1
	Misc.	Sealant	<i>3 oz Silicone Blue</i>	1
	Pinion	Seal	29471	1
	Pinion Inner	Tapered Roller Bearing Cone	78215-C	1
	Pinion Inner	Tapered Roller Bearing Cup	BR78551	1
	Pinion Outer	Tapered Roller Bearing Cup	BR72487	1
	Pinion Outer	Tapered Roller Bearing Cone	72212-C	1
	Pinion Pilot	Cylindrical Roller Bearing	MUS1308-UM	1
SDK23-D	Differential L.H.	Tapered Roller Bearing Cone	BR42381	1
	Differential L.H.	Tapered Roller Bearing Cup	BR42584	1
	Differential R.H.	Tapered Roller Bearing Cup	BR493	1
	Differential R.H.	Tapered Roller Bearing Cone	495-AVP	1
	Misc.	Sealant	<i>3 oz Silicone Blue</i>	1
	Pinion (2.375" I.D.)	Seal	23770	1
	Pinion (2.375" I.D.)	Seal	26378	1
	Pinion Inner/Outer	Tapered Roller Bearing Cone	55175-CVP	2
	Pinion Inner/Outer	Tapered Roller Bearing Cup	BR55437	2
	Pinion Pilot	Cylindrical Roller Bearing	<i>MUSB1307-UM</i>	1
SDK24	Differential L.H.	Tapered Roller Bearing Cup	BR493	1
	Differential L.H.	Tapered Roller Bearing Cone	BR498	1
	Differential R.H.	Tapered Roller Bearing Cone	BR33275	1
	Differential R.H.	Tapered Roller Bearing Cup	BR33472	1
	Misc.	Sealant	<i>3 oz Silicone Blue</i>	1
	Pinion (2.250" x 4.068")	Seal	22653	1
	Pinion Inner/Outer	Seal	22425	1
	Pinion Inner/Outer	Tapered Roller Bearing Cup	HM903210	2
	Pinion Inner/Outer	Tapered Roller Bearing Cone	HM903249	2
	Pinion Pilot	Cylindrical Roller Bearing	MU1305TM17	1
SDK50	Differential L.H.	Tapered Roller Bearing Cone	BR52387	1
	Differential L.H.	Tapered Roller Bearing Cup	BR52618	1
	Differential R.H.	Tapered Roller Bearing Cup	592-AVP	1
	Differential R.H.	Tapered Roller Bearing Cone	BR598	1
	Misc.	Sealant	<i>3 oz Silicone Blue</i>	1
	Pinion	Seal	30057	1
	Pinion Inner	Tapered Roller Bearing Cup	H715311 VP	1
	Pinion Inner	Tapered Roller Bearing Cone	H715343 VP	1
	Pinion Outer	Tapered Roller Bearing Cup	H715311 VP	1
	Pinion Outer	Tapered Roller Bearing Cone	H715334 VP	1
	Pinion Pilot	Cylindrical Roller Bearing	<i>MU1309TM19</i>	1

Differential kit contents

	Location	Description	Part no.	Qty
SDK64-FD	Differential L.H.	Tapered Roller Bearing Cup	BR493	1
	Differential L.H.	Tapered Roller Bearing Cone	BR497	1
	Differential R.H.	Tapered Roller Bearing Cup	BR563	1
	Differential R.H.	Tapered Roller Bearing Cone	BR567	1
	Input Shaft Front	Tapered Roller Bearing Cup	JM207010	1
	Input Shaft Front	Tapered Roller Bearing Cone	JM207049	1
	Misc.	Sealant	<i>3 oz Silicone Blue</i>	1
	Output Shaft Front	Tapered Roller Bearing Cone	BR34274	1
	Output Shaft Front	Tapered Roller Bearing Cup	34492-A	1
	Output Shaft Rear	Cylindrical Roller Bearing	MA1209-TV	1
	Pinion	Seal	26239	2
	Pinion Inner/Outer	Tapered Roller Bearing Cone	72200-CVP	2
	Pinion Inner/Outer	Tapered Roller Bearing Cup	BR72487	2
	Pinion Pilot	Cylindrical Roller Bearing	<i>MUSB1307-UM</i>	1
	SDK64-FE	Differential L.H.	Tapered Roller Bearing Cup	BR493
Differential L.H.		Tapered Roller Bearing Cone	BR497	1
Differential R.H.		Tapered Roller Bearing Cone	BR56425	1
Differential R.H.		Tapered Roller Bearing Cup	BR56650	1
Input Shaft Front		Tapered Roller Bearing Cup	JM207010	1
Input Shaft Front		Tapered Roller Bearing Cone	JM207049	1
Misc.		Sealant	<i>3 oz Silicone Blue</i>	1
Output Shaft Front		Tapered Roller Bearing Cone	BR34274	1
Output Shaft Front		Tapered Roller Bearing Cup	34492-A	1
Output Shaft Rear		Cylindrical Roller Bearing	MA1209-TV	1
Pinion		Seal	26239	2
Pinion Inner/Outer		Tapered Roller Bearing Cone	72200-CVP	2
Pinion Inner/Outer		Tapered Roller Bearing Cup	BR72487	2
Pinion Pilot		Cylindrical Roller Bearing	<i>MUSB1307-UM</i>	1
SDK72		Differential L.H.	Tapered Roller Bearing Cone	BR68450
	Differential L.H.	Tapered Roller Bearing Cup	BR68712	1
	Differential R.H.	Tapered Roller Bearing Cone	BR42346	1
	Differential R.H.	Tapered Roller Bearing Cup	BR42584	1
	Misc.	Sealant	<i>3 oz Silicone Blue</i>	1
	Pinion	Seal	26239	1
	Pinion Inner/Outer	Tapered Roller Bearing Cup	BR72487	2
	Pinion Inner/Outer	Tapered Roller Bearing Cone	72212-C	2
	Pinion Pilot	Cylindrical Roller Bearing	MUS1308-UM	1

Differential kit contents

	Location	Description	Part no.	Qty
SDK72-A	Differential L.H.	Tapered Roller Bearing Cone	BR68450	1
	Differential L.H.	Tapered Roller Bearing Cup	BR68712	1
	Differential R.H.	Tapered Roller Bearing Cone	BR42346	1
	Differential R.H.	Tapered Roller Bearing Cup	BR42584	1
	Misc.	Sealant	<i>3 oz Silicone Blue</i>	1
	Pinion	Seal	29471	1
	Pinion Inner	Tapered Roller Bearing Cone	78215-C	1
	Pinion Inner	Tapered Roller Bearing Cup	BR78551	1
	Pinion Outer	Tapered Roller Bearing Cup	BR72487	1
	Pinion Outer	Tapered Roller Bearing Cone	72212-C	1
	Pinion Pilot	Cylindrical Roller Bearing	MUS1308-UM	1
	SDK170	Differential L.H.	Tapered Roller Bearing Cone	BR42381
Differential L.H.		Tapered Roller Bearing Cup	BR42584	1
Differential R.H.		Tapered Roller Bearing Cone	BR33287	1
Differential R.H.		Tapered Roller Bearing Cup	BR33472	1
Misc.		Sealant	<i>3 oz Silicone Blue</i>	1
Pinion		Seal	25990	1
Pinion Inner		Tapered Roller Bearing Cone	55200-C VP	1
Pinion Inner		Tapered Roller Bearing Cup	BR55437	1
Pinion Outer		Tapered Roller Bearing Cup	HM804810 VP	1
Pinion Outer		Tapered Roller Bearing Cone	HM804848 VP	1
Pinion Pilot		Cylindrical Roller Bearing	M5305-TV	1
SDK172-F		Differential L.H./R.H.	Tapered Roller Bearing Cup	BR47820
	Differential L.H./R.H.	Tapered Roller Bearing Cone	BR47890	2
	Drive Gear Front	Cylindrical Roller Bearing	<i>MU1015-DX9</i>	1
	Input Shaft	Ball Bearing	6313-J	2
	Misc.	Sealant	<i>3 oz Silicone Blue</i>	1
	Output Shaft	Ball Bearing	6210-J	1
	Output Shaft (2.750" I.D.)	Seal	27558	1
	Output Shaft (3.000" I.D.)	Seal	30057	1
	Pinion Inner	Tapered Roller Bearing Cup	H715311 VP	1
	Pinion Inner	Tapered Roller Bearing Cone	H715343 VP	1
	Pinion Outer	Tapered Roller Bearing Cone	BR65237	1
	Pinion Outer	Tapered Roller Bearing Cup	BR65500	1
	SDK172-FA	Differential L.H./R.H.	Tapered Roller Bearing Cup	BR47820
Differential L.H./R.H.		Tapered Roller Bearing Cone	BR47890	2
Drive Gear Front		Cylindrical Roller Bearing	<i>MU1015-DX9</i>	1
Input Shaft		Ball Bearing	6313-A	1
Misc.		Sealant	<i>3 oz Silicone Blue</i>	1
Output Shaft		Ball Bearing	6210-J	1
Output Shaft (2.750" I.D.)		Seal	27558	1
Output Shaft (3.000" I.D.)		Seal	30057	1
Pinion Inner		Tapered Roller Bearing Cup	H715311 VP	1
Pinion Inner		Tapered Roller Bearing Cone	H715343 VP	1
Pinion Outer		Tapered Roller Bearing Cone	BR65237	1
Pinion Outer		Tapered Roller Bearing Cup	BR65500	1

Differential kit contents

	Location	Description	Part no.	Qty	
SDK172-FB	Differential L.H./R.H.	Tapered Roller Bearing Cup	BR47820	2	
	Differential L.H./R.H.	Tapered Roller Bearing Cone	BR47890	2	
	Input Shaft	Tapered Roller Bearing Cup	JH211710	1	
	Input Shaft	Tapered Roller Bearing Cone	JH211749	1	
	Input Shaft	Seal	32410	1	
	Inter-Axle Differential	Tapered Roller Bearing Cup	JLM714110	1	
	Inter-Axle Differential	Tapered Roller Bearing Cone	JLM714149	1	
	Misc.	Sealant	<i>3 oz Silicone Blue</i>	1	
	Output Shaft	Seal	27558	1	
	Pinion Inner	Tapered Roller Bearing Cup	H715311 VP	1	
	Pinion Inner	Tapered Roller Bearing Cone	H715343 VP	1	
	Pinion Outer	Tapered Roller Bearing Cone	BR65237	1	
	Pinion Outer	Tapered Roller Bearing Cup	BR65500	1	
	Thrustshaft	Tapered Roller Bearing Cup	JLM104910	2	
	Thrustshaft	Tapered Roller Bearing Cone	LM104949 VP	2	
	SDK172-R	Differential L.H./R.H.	Tapered Roller Bearing Cup	BR47820	2
		Differential L.H./R.H.	Tapered Roller Bearing Cone	BR47890	2
		Misc.	Sealant	<i>3 oz Silicone Blue</i>	1
Pinion		Seal	27642	1	
Pinion Inner		Tapered Roller Bearing Cup	H715311 VP	1	
Pinion Inner		Tapered Roller Bearing Cone	H715343 VP	1	
Pinion Outer		Tapered Roller Bearing Cup	H715311 VP	1	
Pinion Outer		Tapered Roller Bearing Cone	H715334 VP	1	
Pinion Pilot		Cylindrical Roller Bearing	MU1308-UM	1	
SDK187-R		Cross Shaft Right	Tapered Roller Bearing Cup	BR66462	2
	Cross Shaft Right	Tapered Roller Bearing Cone	BR66225	2	
	Cross Shaft Left	Cylindrical Roller Bearing	<i>MU1218TDHM</i>	1	
	Differential L.H./R.H.	Tapered Roller Bearing Cup	HM516410 VP	2	
	Differential L.H./R.H.	Tapered Roller Bearing Cone	HM516449-CVP	2	
	Misc.	Sealant	<i>3 oz Silicone Blue</i>	1	
	Output Shaft	Seal	29961	1	
	Pinion	Seal	30144	1	
	Pinion Inner	Tapered Roller Bearing Cone	BR42350	1	
	Pinion Inner	Tapered Roller Bearing Cup	BR42584	1	
	Pinion Outer	Tapered Roller Bearing Cup	BR493	1	
	Pinion Outer	Tapered Roller Bearing Cone	BR497	1	
	Pinion Pilot	Cylindrical Roller Bearing	MR1212-EX	1	

Differential kit contents

	Location	Description	Part no.	Qty	
SDK192-FA	Differential L.H./R.H.	Tapered Roller Bearing Cup	BR47820	2	
	Differential L.H./R.H.	Tapered Roller Bearing Cone	BR47890	2	
	Driveshaft	Tapered Roller Bearing Cone	L610549	2	
	Driveshaft	Tapered Roller Bearing Cup	L610510	2	
	Idler Gear	Tapered Roller Bearing Cup	BR25821	2	
	Idler Gear	Tapered Roller Bearing Cone	BR25877	2	
	Input Shaft	Seal	30007	1	
	Input Shaft Front	Ball Bearing	6310-B	1	
	Input Shaft Rear	Ball Bearing	6022-ZNRJ	1	
	Misc.	Sealant	<i>3 oz Silicone Blue</i>	1	
	Output Shaft	Ball Bearing	6210-J	1	
	Pinion Inner/Outer	Tapered Roller Bearing Cone	72225-C VP	2	
	Pinion Inner/Outer	Tapered Roller Bearing Cup	BR72487	2	
	Pinion Pilot	Cylindrical Roller Bearing	<i>MUB1307-UM</i>	1	
	Thrust Washer	Needle Bearing	TRA2840	2	
	Thrust Washer Shim	Needle Bearing	W2840	1	
	Thrustshaft	Seal	24988	1	
	SDK192-FB	Differential L.H./R.H.	Tapered Roller Bearing Cup	BR47820	2
		Differential L.H./R.H.	Tapered Roller Bearing Cone	BR47890	2
		Driveshaft	Tapered Roller Bearing Cone	L610549	2
Driveshaft		Tapered Roller Bearing Cup	L610510	2	
Idler Gear		Tapered Roller Bearing Cup	BR25821	2	
Idler Gear		Tapered Roller Bearing Cone	BR25877	2	
Input Shaft Front		Ball Bearing	6310-B	1	
Input Shaft Rear		Ball Bearing	6022-ZNRJ	1	
Misc.		Sealant	<i>3 oz Silicone Blue</i>	1	
Pinion		Seal	29872	1	
Pinion Inner/Outer		Tapered Roller Bearing Cone	72225-C VP	2	
Pinion Inner/Outer		Tapered Roller Bearing Cup	BR72487	2	
Pinion Pilot		Cylindrical Roller Bearing	<i>MUB1307-UM</i>	1	
Thrust Washer		Needle Thrust Washer	TRA2840	2	
Thrust Washer Shim		Needle Thrust Washer	W2840	1	
Thrustshaft		Seal	24989	1	
Thrustshaft		Ball Bearing	6210-J	1	
SDK192-RB		Differential L.H./R.H.	Tapered Roller Bearing Cup	BR47820	2
		Differential L.H./R.H.	Tapered Roller Bearing Cone	BR47890	2
		Misc.	Sealant	<i>3 oz Silicone Blue</i>	1
	Pinion	Seal	30140	1	
	Pinion Inner/Outer	Tapered Roller Bearing Cone	72225-C VP	2	
	Pinion Inner/Outer	Tapered Roller Bearing Cup	BR72487	2	
	Pinion Pilot	Cylindrical Roller Bearing	<i>MUB1307-UM</i>	1	

Differential kit contents

	Location	Description	Part no.	Qty	
SDK194-F	Differential L.H./R.H.	Tapered Roller Bearing Cone	JM716649	2	
	Differential L.H./R.H.	Tapered Roller Bearing Cup	JM716610 VP	2	
	Input Shaft Front	Tapered Roller Bearing Cup	JM511910 VP	1	
	Input Shaft Front	Tapered Roller Bearing Cone	JM511946 VP	1	
	Input Shaft Rear	Tapered Roller Bearing Cone	JLM710949 VP	1	
	Input Shaft Rear	Tapered Roller Bearing Cup	JLM710910 VP	1	
	Misc.	Sealant	<i>3 oz Silicone Blue</i>	1	
	Pinion	Seal	30007	1	
	Pinion Inner/Outer	Tapered Roller Bearing Cup	BR72487	2	
	Pinion Inner/Outer	Tapered Roller Bearing Cone	72212-C	2	
	Pinion Pilot	Cylindrical Roller Bearing	RU1570-UM	1	
	Thrustshaft	Seal	24964	1	
	SDK194-RA	Differential L.H./R.H.	Tapered Roller Bearing Cone	JM716649	2
		Differential L.H./R.H.	Tapered Roller Bearing Cup	JM716610 VP	2
Misc.		Sealant	<i>3 oz Silicone Blue</i>	1	
Pinion		Seal	30153	1	
Pinion Inner		Tapered Roller Bearing Cone	BR65237	1	
Pinion Inner		Tapered Roller Bearing Cup	BR65500	1	
Pinion Outer		Tapered Roller Bearing Cone	72225-CVP	1	
Pinion Outer		Tapered Roller Bearing Cup	BR72487	1	
SDK194-RB	Differential L.H./R.H.	Tapered Roller Bearing Cone	JM716649	2	
	Differential L.H./R.H.	Tapered Roller Bearing Cup	JM716610 VP	2	
	Misc.	Sealant	<i>3 oz Silicone Blue</i>	1	
	Pinion	Seal	30153	1	
	Pinion Inner/Outer	Tapered Roller Bearing Cup	BR72487	2	
	Pinion Inner/Outer	Tapered Roller Bearing Cone	72212-C	2	
	Pinion Pilot	Cylindrical Roller Bearing	RU1570-UM	1	
SDK196	Differential L.H.	Tapered Roller Bearing Cup	BR493	1	
	Differential L.H.	Tapered Roller Bearing Cone	BR497	1	
	Differential R.H.	Tapered Roller Bearing Cup	BR563	1	
	Differential R.H.	Tapered Roller Bearing Cone	BR567	1	
	Input Shaft	Tapered Roller Bearing Cone	BR3979	1	
	Input Shaft	Tapered Roller Bearing Cup	JM511910 VP	1	
	Input Shaft	Seal	29192	1	
	Misc.	Sealant	<i>3 oz Silicone Blue</i>	1	
	Misc.	Spacer	<i>29621-B</i>	1	
	Output Shaft Front	Tapered Roller Bearing Cone	BR29675	1	
	Output Shaft Front	Tapered Roller Bearing Cup	BR29620	1	
	Output Shaft Rear	Cylindrical Roller Bearing	MA1209-TV	1	
	Pinion Inner	Tapered Roller Bearing Cone	72218-CVP	1	
	Pinion Inner	Tapered Roller Bearing Cup	BR72487	1	
	Pinion Outer	Tapered Roller Bearing Cup	HM807010 VP	1	
	Pinion Outer	Tapered Roller Bearing Cone	HM807049 VP	1	
	Pinion Pilot	Cylindrical Roller Bearing	<i>MUSB1307-UM</i>	1	
	Thrustshaft	Seal	26239	1	

Differential kit contents

	Location	Description	Part no.	Qty	
SDK200-F	Differential L.H./R.H.	Tapered Roller Bearing Cup	BR47820	2	
	Differential L.H./R.H.	Tapered Roller Bearing Cone	BR47890	2	
	Idler Gear	Tapered Roller Bearing Cup	BR3820	2	
	Idler Gear	Tapered Roller Bearing Cone	BR3877	2	
	Input Shaft	Seal	30007	1	
	Misc.	Sealant	<i>3 oz Silicone Blue</i>	1	
	Output Shaft	Ball Bearing	6210-J	1	
	Pinion Inner/Outer	Tapered Roller Bearing Cone	72225-C VP	2	
	Pinion Inner/Outer	Tapered Roller Bearing Cup	BR72487	2	
	Pinion Pilot	Cylindrical Roller Bearing	<i>MUB1307-UM</i>	1	
	Power Divider	Tapered Roller Bearing Cone	JLM710949 VP	2	
	Power Divider	Tapered Roller Bearing Cup	JLM710910 VP	2	
	Power Divider Case Intermediate	Tapered Roller Bearing Cup	BR28921	1	
	Power Divider Case Intermediate	Tapered Roller Bearing Cone	BR28985	1	
	Power Divider Frt. Side Gear	Needle Bearing	<i>W4860</i>	1	
	Power Divider Rear	Ball Bearing	<i>XLS5-1/8-AF</i>	1	
	Power Divider Thrust	Needle Thrust Washer	TRA4860	2	
	Thrustshaft	Seal	29961	1	
	SDK200-FA	Differential L.H./R.H.	Tapered Roller Bearing Cup	BR47820	2
		Differential L.H./R.H.	Tapered Roller Bearing Cone	BR47890	2
Idler Gear		Tapered Roller Bearing Cup/Cone	M802011 VP/M802048 VP	1	
Input Shaft		Seal	30007	1	
Misc.		Sealant	<i>3 oz Silicone Blue</i>	1	
Output Shaft		Ball Bearing	6210-J	1	
Pinion Inner/Outer		Tapered Roller Bearing Cone	72225-C VP	2	
Pinion Inner/Outer		Tapered Roller Bearing Cup	BR72487	2	
Pinion Pilot		Cylindrical Roller Bearing	<i>MUB1307-UM</i>	1	
Power Divider		Tapered Roller Bearing Cone	JLM710949 VP	2	
Power Divider		Tapered Roller Bearing Cup	JLM710910 VP	2	
Power Divider Case Intermediate		Tapered Roller Bearing Cup	BR28921	1	
Power Divider Case Intermediate		Tapered Roller Bearing Cone	BR28985	1	
Power Divider Frt. Side Gear		Needle Bearing	<i>W4860</i>	1	
Power Divider Rear		Ball Bearing	<i>XLS5-1/8-AF</i>	1	
Power Divider Thrust		Needle Thrust Washer	TRA4860	2	
Thrustshaft		Seal	29961	1	

Differential kit contents

	Location	Description	Part no.	Qty
SDK201-F	Differential L.H./R.H.	Tapered Roller Bearing Cone	BR56425	2
	Differential L.H./R.H.	Tapered Roller Bearing Cup	BR56650	2
	Idler Gear	Tapered Roller Bearing Cup	BR3820	2
	Idler Gear	Tapered Roller Bearing Cone	BR3877	2
	Input Shaft	Seal	30007	1
	Misc.	Sealant	<i>3 oz Silicone Blue</i>	1
	Output Shaft	Ball Bearing	6210-J	1
	Pinion Inner	Tapered Roller Bearing Cup	H715311 VP	1
	Pinion Inner	Tapered Roller Bearing Cone	H715343 VP	1
	Pinion Outer	Tapered Roller Bearing Cone	HM813844 VP	1
	Pinion Outer	Tapered Roller Bearing Cup	HM813810 VP	1
	Pinion Pilot	Cylindrical Roller Bearing	MU1308-UM	1
	Power Divider	Tapered Roller Bearing Cone	JLM710949 VP	2
	Power Divider	Tapered Roller Bearing Cup	JLM710910 VP	2
	Power Divider Case Intermediate	Tapered Roller Bearing Cup	BR28921	1
	Power Divider Case Intermediate	Tapered Roller Bearing Cone	BR28985	1
	Power Divider Frt. Side Gear	Needle Bearing	<i>W4860</i>	1
	Power Divider Rear	Ball Bearing	<i>XLS5-1/8-AF</i>	1
	Power Divider Thrust	Needle Thrust Washer	TRA4860	2
	Thrustshaft	Seal	29961	1
SDK201-FA	Differential L.H./R.H.	Tapered Roller Bearing Cone	BR56425	2
	Differential L.H./R.H.	Tapered Roller Bearing Cup	BR56650	2
	Idler Gear	Tapered Roller Bearing Cup/Cone	M802011 VP/M802048 VP	1
	Input Shaft	Seal	30007	1
	Misc.	Sealant	<i>3 oz Silicone Blue</i>	1
	Output Shaft	Ball Bearing	6210-J	1
	Pinion Inner	Tapered Roller Bearing Cup	H715311 VP	1
	Pinion Inner	Tapered Roller Bearing Cone	H715343 VP	1
	Pinion Outer	Tapered Roller Bearing Cone	HM813844 VP	1
	Pinion Outer	Tapered Roller Bearing Cup	HM813810 VP	1
	Pinion Pilot	Cylindrical Roller Bearing	MU1308-UM	1
	Power Divider	Tapered Roller Bearing Cone	JLM710949 VP	2
	Power Divider	Tapered Roller Bearing Cup	JLM710910 VP	2
	Power Divider Case Intermediate	Tapered Roller Bearing Cup	BR28921	1
	Power Divider Case Intermediate	Tapered Roller Bearing Cone	BR28985	1
	Power Divider Frt. Side Gear	Needle Bearing	<i>W4860</i>	1
	Power Divider Rear	Ball Bearing	<i>XLS5-1/8-AF</i>	1
	Power Divider Thrust	Needle Thrust Washer	TRA4860	2
	Thrustshaft	Seal	29961	1
	SDK201-R	Differential L.H./R.H.	Tapered Roller Bearing Cone	BR56425
Differential L.H./R.H.		Tapered Roller Bearing Cup	BR56650	2
Misc.		Sealant	<i>3 oz Silicone Blue</i>	1
Pinion		Seal	30140	1
Pinion Inner		Tapered Roller Bearing Cup	H715311 VP	1
Pinion Inner		Tapered Roller Bearing Cone	H715343 VP	1
Pinion Outer		Tapered Roller Bearing Cone	HM813844 VP	1
Pinion Outer		Tapered Roller Bearing Cup	HM813810 VP	1
Pinion Pilot		Cylindrical Roller Bearing	MU1308-UM	1

Differential kit contents

	Location	Description	Part no.	Qty
SDK202	Differential L.H./R.H.	Tapered Roller Bearing Cup	BR3925	2
	Differential L.H./R.H.	Tapered Roller Bearing Cone	BR3984	2
	Misc.	Sealant	<i>3 oz Silicone Blue</i>	1
	Pinion (3.486" O.D.)	Seal	23755	1
	Pinion (3.881" O.D.)	Seal	23806	1
	Pinion Inner/Outer	Tapered Roller Bearing Cone	HM903249-A	2
	Pinion Inner/Outer	Tapered Roller Bearing Cup	HM903210	2
	Pinion Pilot	Cylindrical Roller Bearing	MU5205UM26	1
SDK203-F	Differential L.H.	Tapered Roller Bearing Cone	BR52387	1
	Differential L.H.	Tapered Roller Bearing Cup	BR52618	1
	Differential R.H.	Tapered Roller Bearing Cup	592-AVP	1
	Differential R.H.	Tapered Roller Bearing Cone	BR598	1
	Input Shaft	Seal	32410	1
	Input Shaft Front	Tapered Roller Bearing Cone	HM813841 VP	1
	Input Shaft Front	Tapered Roller Bearing Cup	HM813810 VP	1
	Input Shaft Rear	Tapered Roller Bearing Cone	JM515649 VP	1
	Input Shaft Rear	Tapered Roller Bearing Cup	JM515610 VP	1
	Misc.	Sealant	<i>3 oz Silicone Blue</i>	1
	Oil Pump Idler Gear	Ball Bearing	3204 A VP	1
	Pinion Inner/Outer	Tapered Roller Bearing Cup	BR78551	2
	Pinion Inner/Outer	Tapered Roller Bearing Cone	78250-AC	2
	Pinion Pilot	Cylindrical Roller Bearing	<i>MU1309TM19</i>	1
	Thrustshaft	Tapered Roller Bearing Cup	382-AVP	2
	Thrustshaft	Tapered Roller Bearing Cone	385-A	2
	Thrustshaft	Seal	29961	1
	SDK205	Cross Shaft Left	Tapered Roller Bearing Cone	H715345 VP
Cross Shaft Left		Tapered Roller Bearing Cup	H715313-W	1
Cross Shaft Right		Tapered Roller Bearing Cup	BR612	1
Cross Shaft Right		Tapered Roller Bearing Cone	BR621	1
Differential L.H.		Tapered Roller Bearing Cup	HM516414-B VP	1
Differential L.H.		Tapered Roller Bearing Cone	HM516448 VP	1
Differential R.H.		Tapered Roller Bearing Cup	47623-A	1
Differential R.H.		Tapered Roller Bearing Cone	BR47687	1
Misc.		O-Ring Set	<i>OK-205</i>	1
Misc.		Sealant	<i>3 oz Silicone Blue</i>	1
Pinion		Seal	27565	1
Pinion Inner		Tapered Roller Bearing Cup	BR5735	1
Pinion Inner		Tapered Roller Bearing Cone	BR5760	1
Pinion Outer		Tapered Roller Bearing Cup	552-AVP	1
Pinion Outer		Tapered Roller Bearing Cone	557-S VP	1

Differential kit contents

	Location	Description	Part no.	Qty	
SDK206	Cross Shaft Left	Tapered Roller Bearing Cone	H715345 VP	1	
	Cross Shaft Left	Tapered Roller Bearing Cup	H715313-W	1	
	Cross Shaft Right	Tapered Roller Bearing Cup	BR612	1	
	Cross Shaft Right	Tapered Roller Bearing Cone	BR621	1	
	Differential L.H.	Tapered Roller Bearing Cup	HM516414-B VP	1	
	Differential L.H.	Tapered Roller Bearing Cone	HM516448 VP	1	
	Differential R.H.	Tapered Roller Bearing Cup	47623-A	1	
	Differential R.H.	Tapered Roller Bearing Cone	BR47687	1	
	Drive Gear Front	Ball Bearing	211-J	1	
	Input Shaft	Ball Bearing	213-NRJ	1	
	Input Shaft	Seal	34891	1	
	Misc.	O-Ring Set	<i>OK-206</i>	1	
	Misc.	Sealant	<i>3 oz Silicone Blue</i>	1	
	Pinion Inner	Tapered Roller Bearing Cup	492-A VP	1	
	Pinion Inner	Tapered Roller Bearing Cone	BR497	1	
	Pinion Outer	Tapered Roller Bearing Cup	BR572	1	
	Pinion Outer	Tapered Roller Bearing Cone	BR576	1	
	Thrustshaft	Seal	27558	1	
	SDK207	Differential L.H.	Tapered Roller Bearing Cup	BR493	1
		Differential L.H.	Tapered Roller Bearing Cone	BR497	1
Differential R.H.		Tapered Roller Bearing Cone	BR56425	1	
Differential R.H.		Tapered Roller Bearing Cup	BR56650	1	
Input Shaft		Tapered Roller Bearing Cone	BR3979	1	
Input Shaft		Tapered Roller Bearing Cup	JM511910 VP	1	
Input Shaft		Seal	29192	1	
Misc.		Sealant	<i>3 oz Silicone Blue</i>	1	
Output Shaft Front		Tapered Roller Bearing Cone	BR29675	1	
Output Shaft Front		Tapered Roller Bearing Cup	BR29620	1	
Output Shaft Rear		Cylindrical Roller Bearing	MA1209-TV	1	
Pinion Inner		Tapered Roller Bearing Cone	72218-CVP	1	
Pinion Inner		Tapered Roller Bearing Cup	BR72487	1	
Pinion Outer		Tapered Roller Bearing Cup	HM807010 VP	1	
Pinion Outer		Tapered Roller Bearing Cone	HM807049 VP	1	
Pinion Pilot		Cylindrical Roller Bearing	<i>MUSB1307-UM</i>	1	
Thrustshaft		Seal	26239	1	

Differential kit contents

	Location	Description	Part no.	Qty	
SDK208	Differential L.H.	Tapered Roller Bearing Cone	BR42381	1	
	Differential L.H.	Tapered Roller Bearing Cup	BR42584	1	
	Differential R.H.	Tapered Roller Bearing Cup	BR653	1	
	Differential R.H.	Tapered Roller Bearing Cone	BR665	1	
	Input Shaft	Tapered Roller Bearing Cup	JM511910 VP	1	
	Input Shaft	Tapered Roller Bearing Cone	JM511946 VP	1	
	Input Shaft	Seal	33699	1	
	Misc.	Sealant	<i>3 oz Silicone Blue</i>	1	
	Output Shaft	Cylindrical Roller Bearing	MA1211-UV	1	
	Output Shaft Front	Tapered Roller Bearing Cone	BR33275	1	
	Output Shaft Front	Tapered Roller Bearing Cup	BR33472	1	
	Pinion Inner	Cylindrical Roller Bearing	MU1309-CX	1	
	Pinion Inner/Outer	Tapered Roller Bearing Cup	BR72487	2	
	Pinion Inner/Outer	Tapered Roller Bearing Cone	72212-C	2	
	Pinion Pilot	Cylindrical Roller Bearing	MUS1308-UM	1	
	Thrustshaft	Seal	29192	1	
	SDK210	Differential L.H.	Tapered Roller Bearing Cup	BR42584	1
		Differential L.H.	Tapered Roller Bearing Cone	BR42346	1
Differential R.H.		Tapered Roller Bearing Cone	BR68462	1	
Differential R.H.		Tapered Roller Bearing Cup	BR68712	1	
Input Shaft		Tapered Roller Bearing Cup	JM511910 VP	1	
Input Shaft		Tapered Roller Bearing Cone	JM511946 VP	1	
Input Shaft		Seal	33699	1	
Misc.		Sealant	<i>3 oz Silicone Blue</i>	1	
Output Shaft Front		Tapered Roller Bearing Cone	BR33275	1	
Output Shaft Front		Tapered Roller Bearing Cup	BR33472	1	
Output Shaft Rear		Cylindrical Roller Bearing	MA1211-UV	1	
Pinion Inner		Cylindrical Roller Bearing	MU1309-CX	1	
Pinion Inner/Outer		Tapered Roller Bearing Cup	BR72487	2	
Pinion Inner/Outer		Tapered Roller Bearing Cone	72212-C	2	
Pinion Pilot		Cylindrical Roller Bearing	MUS1308-UM	1	
Thrustshaft		Seal	29192	1	

Differential kit contents

	Location	Description	Part no.	Qty	
SDK211-F	Differential L.H.	Tapered Roller Bearing Cone	BR42381	1	
	Differential L.H.	Tapered Roller Bearing Cup	BR42584	1	
	Differential R.H.	Tapered Roller Bearing Cone	BR68462	1	
	Differential R.H.	Tapered Roller Bearing Cup	BR68712	1	
	Input Shaft	Tapered Roller Bearing Cup	JM511910 VP	1	
	Input Shaft	Tapered Roller Bearing Cone	JM511946 VP	1	
	Input Shaft	Seal	33699	1	
	Misc.	Sealant	<i>3 oz Silicone Blue</i>	1	
	Output Shaft Front	Tapered Roller Bearing Cone	BR33275	1	
	Output Shaft Front	Tapered Roller Bearing Cup	BR33472	1	
	Output Shaft Rear	Cylindrical Roller Bearing	MA1211-UV	1	
	Pinion Forward	Cylindrical Roller Bearing	MU1309-CX	1	
	Pinion Inner	Tapered Roller Bearing Cup	BR72487	2	
	Pinion Inner	Tapered Roller Bearing Cone	72212-C	2	
	Pinion Pilot	Cylindrical Roller Bearing	MUS1308-UM	1	
	Thrustshaft	Seal	29192	1	
	SDK214	Differential L.H.	Tapered Roller Bearing Cup	JM822010 VP	1
		Differential L.H.	Tapered Roller Bearing Cone	JM822049 VP	1
		Differential R.H.	Tapered Roller Bearing Cone	JM716649	1
		Differential R.H.	Tapered Roller Bearing Cup	JM716610 VP	1
Misc.		Sealant	<i>3 oz Silicone Blue</i>	1	
Pinion		Seal	30100	1	
Pinion Inner		Tapered Roller Bearing Cone	72225-CVP	1	
Pinion Inner		Tapered Roller Bearing Cup	BR72487	1	
Pinion Outer		Tapered Roller Bearing Cone	55200-CVP	1	
Pinion Outer		Tapered Roller Bearing Cup	BR55437	1	
Pinion Pilot		Cylindrical Roller Bearing	MUS1308-UM	1	
SDK216		Differential L.H.	Tapered Roller Bearing Cone	BR42381	1
	Differential L.H.	Tapered Roller Bearing Cup	BR42584	1	
	Differential R.H.	Tapered Roller Bearing Cup	JLM714110	1	
	Differential R.H.	Tapered Roller Bearing Cone	JLM714149	1	
	Misc.	Sealant	<i>3 oz Silicone Blue</i>	1	
	Pinion	Seal	25106	1	
	Pinion Inner	Tapered Roller Bearing Cone	55200-CVP	1	
	Pinion Inner	Tapered Roller Bearing Cup	BR55437	1	
	Pinion Outer	Tapered Roller Bearing Cup	M804010	1	
	Pinion Outer	Tapered Roller Bearing Cone	M804049	1	
	Pinion Pilot	Cylindrical Roller Bearing	RU1570-UM	1	

Differential kit contents

	Location	Description	Part no.	Qty	
SDK217-F	Differential L.H./R.H.	Tapered Roller Bearing Cone	JM716649	2	
	Differential L.H./R.H.	Tapered Roller Bearing Cup	JM716610 VP	2	
	Input Shaft Front	Tapered Roller Bearing Cup	JM511910 VP	1	
	Input Shaft Front	Tapered Roller Bearing Cone	JM511946 VP	1	
	Input Shaft Rear	Tapered Roller Bearing Cone	JLM710949 VP	1	
	Input Shaft Rear	Tapered Roller Bearing Cup	JLM710910 VP	1	
	Input/Thrushaft	Seal	30007	2	
	Misc.	Sealant	<i>3 oz Silicone Blue</i>	1	
	Misc.	O-Ring	5X1034	2	
	Output Shaft	Tapered Roller Bearing Cup	JLM104910	2	
	Output Shaft	Tapered Roller Bearing Cone	LM104949 VP	2	
	Pinion Inner	Tapered Roller Bearing Cup	H715311 VP	1	
	Pinion Inner	Tapered Roller Bearing Cone	H715334 VP	1	
	Pinion Outer	Tapered Roller Bearing Cup	BR72487	1	
	Pinion Outer	Tapered Roller Bearing Cone	72212-C	1	
	SDK217-R	Differential L.H./R.H.	Tapered Roller Bearing Cone	JM716649	2
		Differential L.H./R.H.	Tapered Roller Bearing Cup	JM716610 VP	2
		Misc.	Sealant	<i>3 oz Silicone Blue</i>	1
Pinion		Seal	30153	1	
Pinion Inner		Tapered Roller Bearing Cup	BR72487	1	
Pinion Inner		Tapered Roller Bearing Cone	72212-C	1	
Pinion Outer		Tapered Roller Bearing Cone	55206-C	1	
Pinion Outer		Tapered Roller Bearing Cup	BR55437	1	
Pinion Pilot		Cylindrical Roller Bearing	RU1570-UM	1	
SDK218	Differential L.H.	Tapered Roller Bearing Cone	BR3994	1	
	Differential L.H.	Tapered Roller Bearing Cup	JM511910 VP	1	
	Differential R.H.	Tapered Roller Bearing Cone	BR34306	1	
	Differential R.H.	Tapered Roller Bearing Cup	BR34478	1	
	Misc.	Sealant	<i>3 oz Silicone Blue</i>	1	
	Pinion	Seal	25106	1	
	Pinion Inner	Tapered Roller Bearing Cone	55200-C VP	1	
	Pinion Inner	Tapered Roller Bearing Cup	BR55437	1	
	Pinion Outer	Tapered Roller Bearing Cup	HM804810 VP	1	
	Pinion Outer	Tapered Roller Bearing Cone	HM804846	1	
	Pinion Pilot	Cylindrical Roller Bearing	MU1305UM18	1	
SDK219-R	Differential L.H.	Tapered Roller Bearing Cone	BR68462	1	
	Differential L.H.	Tapered Roller Bearing Cup	BR68712	1	
	Differential R.H.	Tapered Roller Bearing Cone	BR42381	1	
	Differential R.H.	Tapered Roller Bearing Cup	BR42584	1	
	Misc.	Sealant	<i>3 oz Silicone Blue</i>	1	
	Pinion	Seal	29471	1	
	Pinion Inner	Tapered Roller Bearing Cone	78215-C	1	
	Pinion Inner	Tapered Roller Bearing Cup	BR78551	1	
	Pinion Outer	Tapered Roller Bearing Cone	72212-C	1	
	Pinion Outer	Tapered Roller Bearing Cup	BR72487	1	
	Pinion Pilot	Cylindrical Roller Bearing	MUS1308-UM	1	

Differential kit contents

	Location	Description	Part no.	Qty
SDK221	Differential L.H.	Tapered Roller Bearing Cup	BR493	1
	Differential L.H.	Tapered Roller Bearing Cone	BR497	1
	Differential R.H.	Tapered Roller Bearing Cup	BR3920	1
	Differential R.H.	Tapered Roller Bearing Cone	BR3994	1
	Misc.	Sealant	<i>3 oz Silicone Blue</i>	1
	Pinion	Seal	26378	1
	Pinion Inner	Tapered Roller Bearing Cone	72200-CVP	1
	Pinion Inner	Tapered Roller Bearing Cup	BR72487	1
	Pinion Outer	Tapered Roller Bearing Cup	HM903210	1
	Pinion Outer	Tapered Roller Bearing Cone	HM903249	1
	Pinion Pilot	Cylindrical Roller Bearing	<i>RUB1570-UM</i>	1
SDK222-F	Differential L.H.	Tapered Roller Bearing Cup	BR493	1
	Differential L.H.	Tapered Roller Bearing Cone	BR497	1
	Differential R.H.	Tapered Roller Bearing Cup	BR563	1
	Differential R.H.	Tapered Roller Bearing Cone	BR567	1
	Input Shaft	Tapered Roller Bearing Cone	BR3979	1
	Input Shaft	Tapered Roller Bearing Cup	JM511910 VP	1
	Input Shaft	Seal	29192	1
	Misc.	Sealant	<i>3 oz Silicone Blue</i>	1
	Output Shaft Front	Tapered Roller Bearing Cone	BR29675	1
	Output Shaft Front	Tapered Roller Bearing Cup	BR29620	1
	Output Shaft Rear	Cylindrical Roller Bearing	MA1209-TV	1
	Pinion Inner	Tapered Roller Bearing Cone	72218-CVP	1
	Pinion Inner	Tapered Roller Bearing Cup	BR72487	1
	Pinion Outer	Tapered Roller Bearing Cup	HM807010 VP	1
	Pinion Outer	Tapered Roller Bearing Cone	HM807049 VP	1
	Pinion Pilot	Cylindrical Roller Bearing	<i>MUSB1307-UM</i>	1
	Thrustshaft	Seal	26239	1
SDK222-R	Differential L.H.	Tapered Roller Bearing Cup	BR563	1
	Differential L.H.	Tapered Roller Bearing Cone	BR567	1
	Differential R.H.	Tapered Roller Bearing Cup	BR493	1
	Differential R.H.	Tapered Roller Bearing Cone	BR497	1
	Misc.	Sealant	<i>3 oz Silicone Blue</i>	1
	Pinion	Seal	26378	1
	Pinion Inner	Tapered Roller Bearing Cone	72200-CVP	1
	Pinion Inner	Tapered Roller Bearing Cup	BR72487	1
	Pinion Outer	Tapered Roller Bearing Cone	55200-C VP	1
	Pinion Outer	Tapered Roller Bearing Cup	BR55437	1
	Pinion Pilot	Cylindrical Roller Bearing	<i>MUSB1307-UM</i>	1

Differential kit contents

	Location	Description	Part no.	Qty
SDK223-F	Differential L.H./R.H.	Tapered Roller Bearing Cup	BR493	2
	Differential L.H./R.H.	Tapered Roller Bearing Cup	BR495	2
	Input Gear	Needle Bearing	<i>J3624</i>	1
	Input Shaft	Tapered Roller Bearing Cup	HM807010 VP	1
	Input Shaft	Tapered Roller Bearing Cone	HM807049 VP	1
	Inter. Axle	Tapered Roller Bearing Cone	JLM710949 VP	1
	Inter. Axle	Tapered Roller Bearing Cup	JLM710910 VP	1
	Misc.	O-Ring	<i>OR-230</i>	1
	Misc.	Sealant	<i>3 oz Silicone Blue</i>	1
	Output Shaft	Taper Roller Bearing Set	<i>A1400</i>	1
	Pinion	Seal	25005	1
	Pinion Inner/Outer	Tapered Roller Bearing Cone	72225-C VP	2
	Pinion Inner/Outer	Tapered Roller Bearing Cup	BR72487	2
	Pinion Pilot	Cylindrical Roller Bearing	RU1570-UM	1
	Thrustshaft	Seal	29925	1
	SDK223-R	Differential L.H./R.H.	Tapered Roller Bearing Cup	BR493
Differential L.H./R.H.		Tapered Roller Bearing Cup	BR495	2
Misc.		Sealant	<i>3 oz Silicone Blue</i>	1
Pinion		Seal	30140	1
Pinion Inner/Outer		Tapered Roller Bearing Cone	72225-C VP	2
Pinion Inner/Outer		Tapered Roller Bearing Cup	BR72487	2
Pinion Pilot		Cylindrical Roller Bearing	RU1570-UM	1
SDK300	Differential L.H./R.H.	Tapered Roller Bearing Cup	BR25520	2
	Differential L.H./R.H.	Tapered Roller Bearing Cone	BR25590	2
	Misc.	Brush	<i>Brush1</i>	1
	Misc.	Pinion Nut	<i>PN8-F</i>	1
	Misc.	Sealant	<i>3 oz Silicone Blue</i>	1
	Misc.	Thread Locker	<i>TL1</i>	1
	Misc.	Gear Marking Compound	<i>35V05</i>	1
	Pinion	Seal	18912	1
	Pinion Inner	Tapered Roller Bearing Cup	HM803110	1
	Pinion Inner	Tapered Roller Bearing Cone	HM803149 VP	1
	Pinion Outer	Tapered Roller Bearing Cup	HM89410 VP	1
	Pinion Outer	Tapered Roller Bearing Cone	HM89443	1
SDK301	Differential L.H./R.H.	Tapered Roller Bearing Cone	LM104949 VP	1
	Differential L.H./R.H.	Tapered Roller Bearing Cup	LM104912	2
	Misc.	Brush	<i>Brush1</i>	1
	Misc.	Crush Sleeve	<i>CS301</i>	1
	Misc.	Pinion Nut	<i>PN3</i>	1
	Misc.	Pinion Nut	<i>PN8-F</i>	1
	Misc.	Sealant	<i>3 oz Silicone Blue</i>	1
	Misc.	Thread Locker	<i>TL1</i>	1
	Misc.	Gear Marking Compound	<i>35V05</i>	1
	Pinion	Seal	18708	1
	Pinion Inner	Tapered Roller Bearing Cup	M804010	1
	Pinion Inner	Tapered Roller Bearing Cone	M804049	1
	Pinion Outer	Tapered Roller Bearing Cup/Cone	M88010 VP/M88048 VP (BR52)	1

Differential kit contents

	Location	Description	Part no.	Qty
SDK302	Differential L.H./R.H.	Tapered Roller Bearing Cup/Cone	LM501314 VP/LM501349 VP (BR72)	2
	Misc.	Brush	<i>Brush1</i>	1
	Misc.	Crush Sleeve	<i>CS310</i>	1
	Misc.	Pinion Nut	<i>PN3</i>	1
	Misc.	Sealant	<i>3 oz Silicone Blue</i>	1
	Misc.	Thread Locker	<i>TL1</i>	1
	Misc.	Washer	<i>30275</i>	1
	Misc.	Gear Marking Compound	<i>35V05</i>	1
	Pinion	Seal	16805	1
	Pinion Inner	Tapered Roller Bearing Cup	HM88610	1
	Pinion Inner	Tapered Roller Bearing Cone	HM88649	1
	Pinion Outer	Tapered Roller Bearing Cup	M86610 VP	1
	Pinion Outer	Tapered Roller Bearing Cone	M86649 VP	1
SDK303	Differential L.H./R.H.	Tapered Roller Bearing Cup/Cone	LM603012/LM603049 VP (BR36)	2
	Misc.	Brush	<i>Brush1</i>	1
	Misc.	Crush Sleeve	<i>CS310</i>	1
	Misc.	Pinion Nut	<i>PN3</i>	1
	Misc.	Sealant	<i>3 oz Silicone Blue</i>	1
	Misc.	Thread Locker	<i>TL1</i>	1
	Misc.	Washer	<i>30275</i>	1
	Misc.	Gear Marking Compound	<i>35V05</i>	1
	Pinion (1.125" I.D.)	Seal	11111	1
	Pinion (1.688" I.D.)	Seal	16805	1
	Pinion Inner	Tapered Roller Bearing Cup/Cone	M802011 VP/M802048 VP	1
	Pinion Outer	Tapered Roller Bearing Cup	M86610 VP	1
	Pinion Outer	Tapered Roller Bearing Cone	M86649 VP	1
SDK303-MK	Differential L.H./R.H.	Tapered Roller Bearing Cup/Cone	LM603012/LM603049 VP (BR36)	2
	Misc.	Brush	<i>Brush1</i>	1
	Misc.	Crush Sleeve	<i>CS310</i>	1
	Misc.	Pinion Nut	<i>PN3</i>	1
	Misc.	Ring Gear Bolt	<i>RGB1</i>	10
	Misc.	Sealant	<i>3 oz Silicone Blue</i>	1
	Misc.	Pinion Shim Set	<i>SK4</i>	1
	Misc.	Thread Locker	<i>TL1</i>	1
	Misc.	Washer	<i>30275</i>	1
	Misc.	Gear Marking Compound	<i>35V05</i>	1
	Pinion (1.125" I.D.)	Seal	11111	1
	Pinion (1.688" I.D.)	Seal	16805	1
	Pinion Inner	Tapered Roller Bearing Cup/Cone	M802011 VP/M802048 VP	1
	Pinion Outer	Tapered Roller Bearing Cup	M86610 VP	1
	Pinion Outer	Tapered Roller Bearing Cone	M86649 VP	1

Differential kit contents

	Location	Description	Part no.	Qty
SDK303-B	Differential L.H./R.H.	Tapered Roller Bearing Cup/Cone	LM603012/LM603049 VP (BR36)	2
	Misc.	Brush	<i>Brush1</i>	1
	Misc.	Crush Sleeve	<i>CS310</i>	1
	Misc.	Pinion Nut	<i>PN3</i>	1
	Misc.	Sealant	<i>3 oz Silicone Blue</i>	1
	Misc.	Thread Locker	<i>TL1</i>	1
	Misc.	Washer	<i>30275</i>	1
	Misc.	Gear Marking Compound	<i>35V05</i>	1
	Pinion	Seal	17307	1
	Pinion Inner	Tapered Roller Bearing Cup/Cone	M802011 VP/M802048 VP	1
	Pinion Outer	Tapered Roller Bearing Cup	M86610 VP	1
	Pinion Outer	Tapered Roller Bearing Cone	M86649 VP	1
	SDK303-BMK	Differential L.H./R.H.	Tapered Roller Bearing Cup/Cone	LM603012/LM603049 VP (BR36)
Misc.		Brush	<i>Brush1</i>	1
Misc.		Crush Sleeve	<i>CS310</i>	1
Misc.		Pinion Nut	<i>PN3</i>	1
Misc.		Ring Gear Bolt	<i>RGB1</i>	10
Misc.		Sealant	<i>3 oz Silicone Blue</i>	1
Misc.		Pinion Shim Set	<i>SK4</i>	1
Misc.		Thread Locker	<i>TL1</i>	1
Misc.		Washer	<i>30275</i>	1
Misc.		Gear Marking Compound	<i>35V05</i>	1
Pinion		Seal	17307	1
Pinion Inner		Tapered Roller Bearing Cup/Cone	M802011 VP/M802048 VP	1
Pinion Outer		Tapered Roller Bearing Cup	M86610 VP	1
Pinion Outer	Tapered Roller Bearing Cone	M86649 VP	1	
SDK304	Differential L.H./R.H.	Tapered Roller Bearing Cup	JLM704610	2
	Differential L.H./R.H.	Tapered Roller Bearing Cone	JLM704649	2
	Misc.	Brush	<i>Brush1</i>	1
	Misc.	Crush Sleeve	<i>CS303</i>	1
	Misc.	Pinion Nut	<i>PN3</i>	1
	Misc.	Sealant	<i>3 oz Silicone Blue</i>	1
	Misc.	Thread Locker	<i>TL1</i>	1
	Misc.	Washer	<i>30275</i>	1
	Misc.	Gear Marking Compound	<i>35V05</i>	1
	Pinion	Seal	18708	1
	Pinion Inner	Tapered Roller Bearing Cup	M804010	1
	Pinion Inner	Tapered Roller Bearing Cone	M804049	1
	Pinion Outer	Tapered Roller Bearing Cup/Cone	M88010 VP/M88048 VP (BR52)	1

Differential kit contents

	Location	Description	Part no.	Qty	
SDK304-MK	Differential L.H./R.H.	Tapered Roller Bearing Cup	JLM704610	2	
	Differential L.H./R.H.	Tapered Roller Bearing Cone	JLM704649	2	
	Misc.	Brush	<i>Brush1</i>	1	
	Misc.	Crush Sleeve	<i>CS303</i>	1	
	Misc.	Pinion Nut	<i>PN3</i>	1	
	Misc.	Ring Gear Bolt	<i>RGB2</i>	12	
	Misc.	Sealant	<i>3 oz Silicone Blue</i>	1	
	Misc.	Pinion Shim Set	<i>SK3</i>	1	
	Misc.	Thread Locker	<i>TL1</i>	1	
	Misc.	Washer	<i>30275</i>	1	
	Misc.	Gear Marking Compound	<i>35V05</i>	1	
	Pinion	Seal	18708	1	
	Pinion Inner	Tapered Roller Bearing Cup	M804010	1	
	Pinion Inner	Tapered Roller Bearing Cone	M804049	1	
	Pinion Outer	Tapered Roller Bearing Cup/Cone	M88010 VP/M88048 VP (BR52)	1	
SDK304-A	Differential L.H./R.H.	Tapered Roller Bearing Cup	JLM704610	2	
	Differential L.H./R.H.	Tapered Roller Bearing Cone	JLM704649	2	
	Misc.	Brush	<i>Brush1</i>	1	
	Misc.	Crush Sleeve	<i>CS303</i>	1	
	Misc.	Pinion Nut	<i>PN3</i>	1	
	Misc.	Sealant	<i>3 oz Silicone Blue</i>	1	
	Misc.	Thread Locker	<i>TL1</i>	1	
	Misc.	Washer	<i>30275</i>	1	
	Misc.	Gear Marking Compound	<i>35V05</i>	1	
	Pinion	Seal	18852	1	
	Pinion Inner	Tapered Roller Bearing Cup	M804010	1	
	Pinion Inner	Tapered Roller Bearing Cone	M804049	1	
	Pinion Outer	Tapered Roller Bearing Cup/Cone	M88010 VP/M88048 VP (BR52)	1	
	SDK304-AMK	Differential L.H./R.H.	Tapered Roller Bearing Cup	JLM704610	2
		Differential L.H./R.H.	Tapered Roller Bearing Cone	JLM704649	2
Misc.		Brush	<i>Brush1</i>	1	
Misc.		Crush Sleeve	<i>CS303</i>	1	
Misc.		Pinion Nut	<i>PN3</i>	1	
Misc.		Ring Gear Bolt	<i>RGB2</i>	12	
Misc.		Sealant	<i>3 oz Silicone Blue</i>	1	
Misc.		Pinion Shim Set	<i>SK3</i>	1	
Misc.		Thread Locker	<i>TL1</i>	1	
Misc.		Washer	<i>30275</i>	1	
Misc.		Gear Marking Compound	<i>35V05</i>	1	
Pinion		Seal	18852	1	
Pinion Inner		Tapered Roller Bearing Cup	M804010	1	
Pinion Inner		Tapered Roller Bearing Cone	M804049	1	
Pinion Outer		Tapered Roller Bearing Cup/Cone	M88010 VP/M88048 VP (BR52)	1	

Differential kit contents

	Location	Description	Part no.	Qty
SDK305-A	Differential L.H./R.H.	Tapered Roller Bearing Cup	LM102911	2
	Differential L.H./R.H.	Tapered Roller Bearing Cone	LM102949 VP	2
	Misc.	Brush	<i>Brush1</i>	1
	Misc.	Crush Sleeve	<i>CS303</i>	1
	Misc.	Pinion Nut	<i>PN3</i>	1
	Misc.	Sealant	<i>3 oz Silicone Blue</i>	1
	Misc.	Thread Locker	<i>TL1</i>	1
	Misc.	Gear Marking Compound	<i>35V05</i>	1
	Pinion	Seal	16993	1
	Pinion Inner	Tapered Roller Bearing Cone	NP682887	1
	Pinion Inner	Tapered Roller Bearing Cup	NP307044	1
	Pinion Outer	Tapered Roller Bearing Cone	NP270758	1
	Pinion Outer	Tapered Roller Bearing Cup	NP378971	1
	SDK305-AMK	Differential L.H./R.H.	Tapered Roller Bearing Cup	LM102911
Differential L.H./R.H.		Tapered Roller Bearing Cone	LM102949 VP	2
Misc.		Brush	<i>Brush1</i>	1
Misc.		Crush Sleeve	<i>CS303</i>	1
Misc.		Pinion Nut	<i>PN3</i>	1
Misc.		Ring Gear Bolt	<i>RGB1</i>	1
Misc.		Sealant	<i>3 oz Silicone Blue</i>	1
Misc.		Pinion Shim Set	<i>SK11</i>	1
Misc.		Pinion Shim Set	<i>SK20</i>	1
Misc.		Thread Locker	<i>TL1</i>	1
Misc.		Gear Marking Compound	<i>35V05</i>	1
Pinion		Seal	16993	1
Pinion Inner		Tapered Roller Bearing Cone	NP682887	1
Pinion Inner		Tapered Roller Bearing Cup	NP307044	1
Pinion Outer	Tapered Roller Bearing Cone	NP270758	1	
Pinion Outer	Tapered Roller Bearing Cup	NP378971	1	
SDK307	Differential L.H./R.H.	Tapered Roller Bearing Cup	LM806610 VP	2
	Differential L.H./R.H.	Tapered Roller Bearing Cone	LM806649 VP	2
	Misc.	Brush	<i>Brush1</i>	1
	Misc.	Crush Sleeve	<i>CS352</i>	1
	Misc.	Pinion Nut	<i>PN19</i>	1
	Misc.	Sealant	<i>3 oz Silicone Blue</i>	1
	Misc.	Thread Locker	<i>TL1</i>	1
	Misc.	Gear Marking Compound	<i>35V05</i>	1
	Pinion	Seal	<i>5103900AA</i>	1
	Pinion Inner	Tapered Roller Bearing Cup	HM803110	1
	Pinion Inner	Tapered Roller Bearing Cone	HM803146 VP	1
	Pinion Outer	Tapered Roller Bearing Cup	M88010 VP	1
	Pinion Outer	Tapered Roller Bearing Cone	M88043 VP	1

Differential kit contents

	Location	Description	Part no.	Qty
SDK307-MK	Differential L.H./R.H.	Tapered Roller Bearing Cup	LM806610 VP	2
	Differential L.H./R.H.	Tapered Roller Bearing Cone	LM806649 VP	2
	Misc.	Brush	<i>Brush1</i>	1
	Misc.	Crush Sleeve	<i>CS352</i>	1
	Misc.	Pinion Nut	<i>PN19</i>	1
	Misc.	Ring Gear Bolt	<i>RGB26</i>	10
	Misc.	Sealant	<i>3 oz Silicone Blue</i>	1
	Misc.	Pinion Shim Set	<i>SK1</i>	1
	Misc.	Pinion Shim Set	<i>SK13</i>	1
	Misc.	Thread Locker	<i>TL1</i>	1
	Misc.	Gear Marking Compound	<i>35V05</i>	1
	Pinion	Seal	<i>5103900AA</i>	1
	Pinion Inner	Tapered Roller Bearing Cup	HM803110	1
	Pinion Inner	Tapered Roller Bearing Cone	HM803146 VP	1
	Pinion Outer	Tapered Roller Bearing Cup	M88010 VP	1
	Pinion Outer	Tapered Roller Bearing Cone	M88043 VP	1
SDK307-A	Differential L.H./R.H.	Tapered Roller Bearing Set	<i>32012-JR/1B</i>	2
	Misc.	Brush	<i>Brush1</i>	1
	Misc.	Crush Sleeve	<i>CS352</i>	1
	Misc.	Pinion Nut	<i>PN19</i>	1
	Misc.	Sealant	<i>3 oz Silicone Blue</i>	1
	Misc.	Thread Locker	<i>TL1</i>	1
	Misc.	Gear Marking Compound	<i>35V05</i>	1
	Pinion	Seal	<i>5103900AA</i>	1
	Pinion Inner	Tapered Roller Bearing Set	T7FC045	1
	Pinion Outer	Tapered Roller Bearing Set	<i>30307-DJR</i>	1
SDK307-AMK	Differential L.H./R.H.	Tapered Roller Bearing Set	<i>32012-JR/1B</i>	2
	Misc.	Brush	<i>Brush1</i>	1
	Misc.	Crush Sleeve	<i>CS352</i>	1
	Misc.	Pinion Nut	<i>PN19</i>	1
	Misc.	Ring Gear Bolt	<i>RGB26</i>	10
	Misc.	Sealant	<i>3 oz Silicone Blue</i>	1
	Misc.	Pinion Shim Set	<i>SK1</i>	1
	Misc.	Pinion Shim Set	<i>SK13</i>	1
	Misc.	Thread Locker	<i>TL1</i>	1
	Misc.	Gear Marking Compound	<i>35V05</i>	1
	Pinion	Seal	<i>5103900AA</i>	1
	Pinion Inner	Tapered Roller Bearing Set	T7FC045	1
	Pinion Outer	Tapered Roller Bearing Set	<i>30307-DJR</i>	1
	Seal	Seal	<i>68019031AB</i>	1

Differential kit contents

	Location	Description	Part no.	Qty
SDK308	Differential L.H./R.H.	Tapered Roller Bearing Set	BR182	2
	Misc.	Brush	<i>Brush1</i>	1
	Misc.	Crush Sleeve	<i>CS304</i>	1
	Misc.	Pinion Nut	<i>PN19</i>	1
	Misc.	Sealant	<i>3 oz Silicone Blue</i>	1
	Misc.	Thread Locker	<i>TL1</i>	1
	Misc.	Gear Marking Compound	<i>35V05</i>	1
	Pinion	Seal	15754	1
	Pinion Inner	Tapered Roller Bearing Cup	HM803110	1
	Pinion Inner	Tapered Roller Bearing Cone	HM803146 VP	1
	Pinion Outer	Tapered Roller Bearing Cup	M88010 VP	1
	Pinion Outer	Tapered Roller Bearing Cone	M88043 VP	1
	SDK310	Differential L.H./R.H.	Tapered Roller Bearing Cup/Cone	LM501314 VP/LM501349 VP (BR72)
Misc.		Brush	<i>Brush1</i>	1
Misc.		Crush Sleeve	<i>CS310</i>	1
Misc.		O-Ring	<i>OR-241</i>	1
Misc.		Pinion Nut	<i>PN2</i>	1
Misc.		Sealant	<i>3 oz Silicone Blue</i>	1
Misc.		Thread Locker	<i>TL1</i>	1
Misc.		Gear Marking Compound	<i>35V05</i>	1
Pinion		Seal	18100	1
Pinion Inner/Outer		Tapered Roller Bearing Cup	M86610 VP	2
Pinion Inner/Outer		Tapered Roller Bearing Cone	M86649 VP	2
Pinion Pilot		Cylindrical Roller Bearing	R1558-TAV	1
SDK310-MK	Differential L.H./R.H.	Tapered Roller Bearing Cup/Cone	LM501314 VP/LM501349 VP (BR72)	2
	Misc.	Brush	<i>Brush1</i>	1
	Misc.	Crush Sleeve	<i>CS310</i>	1
	Misc.	O-Ring	<i>OR-241</i>	1
	Misc.	Pinion Nut	<i>PN2</i>	1
	Misc.	Ring Gear Bolt	<i>RGB3</i>	10
	Misc.	Sealant	<i>3 oz Silicone Blue</i>	1
	Misc.	Pinion Shim Set	<i>SK6</i>	1
	Misc.	Thread Locker	<i>TL1</i>	1
	Misc.	Gear Marking Compound	<i>35V05</i>	1
	Pinion	Seal	18100	1
	Pinion Inner/Outer	Tapered Roller Bearing Cup	M86610 VP	2
	Pinion Inner/Outer	Tapered Roller Bearing Cone	M86649 VP	2
	Pinion Pilot	Cylindrical Roller Bearing	R1558-TAV	1

Differential kit contents

	Location	Description	Part no.	Qty
SDK311	Differential L.H./R.H.	Tapered Roller Bearing Cup/Cone	LM603012/LM603049 VP (BR36)	2
	Misc.	Brush	<i>Brush1</i>	1
	Misc.	Crush Sleeve	<i>CS311</i>	1
	Misc.	Pinion Nut	<i>PN2</i>	1
	Misc.	Sealant	<i>3 oz Silicone Blue</i>	1
	Misc.	Thread Locker	<i>TL1</i>	1
	Misc.	Gear Marking Compound	<i>35V05</i>	1
	Pinion	Seal	18190	1
	Pinion Inner/Outer	Tapered Roller Bearing Cup/Cone	M802011 VP/M802048 VP	1
	Pinion Inner/Outer	Tapered Roller Bearing Cup/Cone	M88010 VP/M88048 VP (BR52)	1
SDK311-MK	Differential L.H./R.H.	Tapered Roller Bearing Cup/Cone	LM603012/LM603049 VP (BR36)	2
	Misc.	Brush	<i>Brush1</i>	1
	Misc.	Crush Sleeve	<i>CS311</i>	1
	Misc.	Pinion Nut	<i>PN2</i>	1
	Misc.	Ring Gear Bolt	<i>RGB3</i>	10
	Misc.	Sealant	<i>3 oz Silicone Blue</i>	1
	Misc.	Pinion Shim Set	<i>SK4</i>	1
	Misc.	Pinion Shim Set	<i>SK7</i>	1
	Misc.	Thread Locker	<i>TL1</i>	1
	Misc.	Gear Marking Compound	<i>35V05</i>	1
	Pinion	Seal	18190	1
	Pinion Inner	Tapered Roller Bearing Cup/Cone	M802011 VP/M802048 VP	1
	Pinion Outer	Tapered Roller Bearing Cup/Cone	M88010 VP/M88048 VP (BR52)	1
	SDK311-D	Differential L.H./R.H.	Tapered Roller Bearing Cup/Cone	LM603012/LM603049 VP (BR36)
Misc.		Brush	<i>Brush1</i>	1
Misc.		Crush Sleeve	<i>CS311</i>	1
Misc.		Pinion Nut	<i>PN2</i>	1
Misc.		Sealant	<i>3 oz Silicone Blue</i>	1
Misc.		Thread Locker	<i>TL1</i>	1
Misc.		Gear Marking Compound	<i>35V05</i>	1
Pinion		Seal	18190	1
Pinion Inner		Tapered Roller Bearing Set	<i>ST4190LFT</i>	1
Pinion Outer		Tapered Roller Bearing Cup	NP759177	1
Pinion Outer		Tapered Roller Bearing Cone	NP966883	1

Differential kit contents

	Location	Description	Part no.	Qty
SDK311-DMK	Differential L.H./R.H.	Tapered Roller Bearing Cup/Cone	LM603012/LM603049 VP (BR36)	2
	Misc.	Brush	<i>Brush1</i>	1
	Misc.	Crush Sleeve	<i>CS311</i>	1
	Misc.	Pinion Nut	<i>PN2</i>	1
	Misc.	Ring Gear Bolt	<i>RGB3</i>	10
	Misc.	Sealant	<i>3 oz Silicone Blue</i>	1
	Misc.	Pinion Shim Set	<i>SK4</i>	1
	Misc.	Pinion Shim Set	<i>SK7</i>	1
	Misc.	Thread Locker	<i>TL1</i>	1
	Misc.	Gear Marking Compound	<i>35V05</i>	1
	Pinion	Seal	18190	1
	Pinion Inner	Tapered Roller Bearing Set	<i>ST4190LFT</i>	1
	Pinion Outer	Tapered Roller Bearing Cup	NP759177	1
	Pinion Outer	Tapered Roller Bearing Cone	NP966883	1
	SDK311-E	Differential L.H./R.H.	Tapered Roller Bearing Cup/Cone	LM603012/LM603049 VP (BR36)
Misc.		Brush	<i>Brush1</i>	1
Misc.		Crush Sleeve	<i>CS311</i>	1
Misc.		Pinion Nut	<i>PN2</i>	1
Misc.		Sealant	<i>3 oz Silicone Blue</i>	1
Misc.		Thread Locker	<i>TL1</i>	1
Misc.		Gear Marking Compound	<i>35V05</i>	1
Pinion		Seal	18190	1
Pinion Inner		Tapered Roller Bearing Set	<i>STD4183KELFT</i>	1
Pinion Outer		Tapered Roller Bearing Cup/Cone	M88010 VP/M88048 VP (BR52)	1
SDK311-EMK	Differential L.H./R.H.	Tapered Roller Bearing Cup/Cone	LM603012/LM603049 VP (BR36)	2
	Misc.	Brush	<i>Brush1</i>	1
	Misc.	Crush Sleeve	<i>CS311</i>	1
	Misc.	Pinion Nut	<i>PN2</i>	1
	Misc.	Ring Gear Bolt	<i>RGB3</i>	10
	Misc.	Sealant	<i>3 oz Silicone Blue</i>	1
	Misc.	Pinion Shim Set	<i>SK4</i>	1
	Misc.	Pinion Shim Set	<i>SK7</i>	1
	Misc.	Thread Locker	<i>TL1</i>	1
	Misc.	Gear Marking Compound	<i>35V05</i>	1
	Pinion	Seal	18190	1
	Pinion Inner	Tapered Roller Bearing Set	<i>STD4183KELFT</i>	1
	Pinion Outer	Tapered Roller Bearing Cup/Cone	M88010 VP/M88048 VP (BR52)	1

Differential kit contents

	Location	Description	Part no.	Qty
SDK311-G	Differential L.H./R.H.	Tapered Roller Bearing Cup/Cone	LM603012/LM603049 VP (BR36)	2
	Misc.	Brush	<i>Brush1</i>	1
	Misc.	Crush Sleeve	<i>CS311</i>	1
	Misc.	Pinion Nut	<i>PN2</i>	1
	Misc.	Sealant	<i>3 oz Silicone Blue</i>	1
	Misc.	Thread Locker	<i>TL1</i>	1
	Misc.	Gear Marking Compound	<i>35V05</i>	1
	Pinion	Seal	18190	1
	Pinion Inner	Tapered Roller Bearing Set	<i>STD4183KELFT</i>	1
	Pinion Outer	Tapered Roller Bearing Cup	NP759177	1
	Pinion Outer	Tapered Roller Bearing Cone	NP966883	1
SDK311-GMK	Differential L.H./R.H.	Tapered Roller Bearing Cup/Cone	LM603012/LM603049 VP (BR36)	2
	Misc.	Brush	<i>Brush1</i>	1
	Misc.	Crush Sleeve	<i>CS311</i>	1
	Misc.	Pinion Nut	<i>PN2</i>	1
	Misc.	Ring Gear Bolt	<i>RGB3</i>	10
	Misc.	Sealant	<i>3 oz Silicone Blue</i>	1
	Misc.	Pinion Shim Set	<i>SK4</i>	1
	Misc.	Pinion Shim Set	<i>SK7</i>	1
	Misc.	Thread Locker	<i>TL1</i>	1
	Misc.	Gear Marking Compound	<i>35V05</i>	1
	Pinion	Seal	18190	1
	Pinion Inner	Tapered Roller Bearing Set	<i>STD4183KELFT</i>	1
	Pinion Outer	Tapered Roller Bearing Cup	NP759177	1
	Pinion Outer	Tapered Roller Bearing Cone	NP966883	1
SDK311-J	Differential L.H./R.H.	Tapered Roller Bearing Cup/Cone	LM603012/LM603049 VP (BR36)	2
	Misc.	Brush	<i>Brush1</i>	1
	Misc.	Crush Sleeve	<i>CS311</i>	1
	Misc.	Pinion Nut	<i>PN6</i>	1
	Misc.	Sealant	<i>3 oz Silicone Blue</i>	1
	Misc.	Thread Locker	<i>TL1</i>	1
	Misc.	Gear Marking Compound	<i>35V05</i>	1
	Pinion	Seal	18444	1
	Pinion Inner	Tapered Roller Bearing Cup/Cone	M802011 VP/M802048 VP	1
	Pinion Outer	Tapered Roller Bearing Cup/Cone	M88010 VP/M88048 VP (BR52)	1
	SDK311-K	Differential L.H./R.H.	Tapered Roller Bearing Cup/Cone	LM603012/LM603049 VP (BR36)
Misc.		Brush	<i>Brush1</i>	1
Misc.		Crush Sleeve	<i>CS311</i>	1
Misc.		Pinion Nut	<i>PN2</i>	1
Misc.		Sealant	<i>3 oz Silicone Blue</i>	1
Misc.		Thread Locker	<i>TL1</i>	1
Misc.		Gear Marking Compound	<i>35V05</i>	1
Pinion		Seal	18190	1
Pinion Inner		Tapered Roller Bearing Set	<i>ST4190LFT</i>	1
Pinion Outer		Tapered Roller Bearing Cup/Cone	M88010 VP/M88048 VP (BR52)	1

Differential kit contents

	Location	Description	Part no.	Qty
SDK311-KMK	Differential L.H./R.H.	Tapered Roller Bearing Cup/Cone	LM603012/LM603049 VP (BR36)	2
	Misc.	Brush	<i>Brush1</i>	1
	Misc.	Crush Sleeve	<i>CS311</i>	1
	Misc.	Pinion Nut	<i>PN2</i>	1
	Misc.	Ring Gear Bolt	<i>RGB3</i>	10
	Misc.	Sealant	<i>3 oz Silicone Blue</i>	1
	Misc.	Pinion Shim Set	<i>SK4</i>	1
	Misc.	Pinion Shim Set	<i>SK7</i>	1
	Misc.	Thread Locker	<i>TL1</i>	1
	Misc.	Gear Marking Compound	<i>35V05</i>	1
	Pinion	Seal	18190	1
	Pinion Inner	Tapered Roller Bearing Set	<i>ST4190LFT</i>	1
	Pinion Outer	Tapered Roller Bearing Cup/Cone	M88010 VP/M88048 VP (BR52)	1
	SDK312	Differential L.H./R.H.	Tapered Roller Bearing Cup/Cone	LM501314 VP/LM501349 VP (BR72)
Misc.		Brush	<i>Brush1</i>	1
Misc.		Crush Sleeve	<i>CS311</i>	1
Misc.		O-Ring	<i>OR-248</i>	1
Misc.		Pinion Nut	<i>PN2</i>	1
Misc.		Retaining Ring	<i>R1535-CLIP</i>	1
Misc.		Sealant	<i>3 oz Silicone Blue</i>	1
Misc.		Thread Locker	<i>TL1</i>	1
Misc.		Gear Marking Compound	<i>35V05</i>	1
Pinion		Seal	18833	1
Pinion Inner/Outer		Tapered Roller Bearing Cup/Cone	M88010 VP/M88048 VP (BR52)	2
Pinion Pilot		Cylindrical Roller Bearing	R1535-TAV	1
SDK312-MK	Differential L.H./R.H.	Tapered Roller Bearing Cup/Cone	LM501314 VP/LM501349 VP (BR72)	2
	Misc.	Brush	<i>Brush1</i>	1
	Misc.	Crush Sleeve	<i>CS311</i>	1
	Misc.	O-Ring	<i>OR-248</i>	1
	Misc.	Pinion Nut	<i>PN2</i>	1
	Misc.	Ring Gear Bolt	<i>RGB4</i>	10
	Misc.	Retaining Ring	<i>R1535-CLIP</i>	1
	Misc.	Sealant	<i>3 oz Silicone Blue</i>	1
	Misc.	Pinion Shim Set	<i>SK8</i>	1
	Misc.	Thread Locker	<i>TL1</i>	1
	Misc.	Gear Marking Compound	<i>35V05</i>	1
	Pinion	Seal	18833	1
	Pinion Inner/Outer	Tapered Roller Bearing Cup/Cone	M88010 VP/M88048 VP (BR52)	2
	Pinion Pilot	Cylindrical Roller Bearing	R1535-TAV	1

Differential kit contents

	Location	Description	Part no.	Qty
SDK313	Differential L.H./R.H.	Tapered Roller Bearing Cup/Cone	LM102910 VP/LM102949 VP (BR50)	2
	Misc.	Brush	<i>Brush1</i>	1
	Misc.	Crush Sleeve	<i>CS311</i>	1
	Misc.	O-Ring	<i>OR-248</i>	1
	Misc.	Pinion Nut	<i>PN2</i>	1
	Misc.	Retaining Ring	<i>R1535-CLIP</i>	1
	Misc.	Sealant	<i>3 oz Silicone Blue</i>	1
	Misc.	Thread Locker	<i>TL1</i>	1
	Misc.	Gear Marking Compound	<i>35V05</i>	1
	Pinion (2.781" O.D.)	Seal	18190	1
	Pinion (3.006" O.D.)	Seal	18833	1
	Pinion Inner/Outer	Tapered Roller Bearing Cup/Cone	M88010 VP/M88048 VP (BR52)	2
	Pinion Pilot	Cylindrical Roller Bearing	R1535-TAV	1
	SDK313-MK	Differential L.H./R.H.	Tapered Roller Bearing Cup/Cone	LM102910 VP/LM102949 VP (BR50)
Misc.		Brush	<i>Brush1</i>	1
Misc.		Crush Sleeve	<i>CS311</i>	1
Misc.		O-Ring	<i>OR-248</i>	1
Misc.		Pinion Nut	<i>PN2</i>	1
Misc.		Ring Gear Bolt	<i>RGB4</i>	1
Misc.		Retaining Ring	<i>R1535-CLIP</i>	1
Misc.		Sealant	<i>3 oz Silicone Blue</i>	1
Misc.		Pinion Shim Set	<i>SK8</i>	1
Misc.		Thread Locker	<i>TL1</i>	1
Misc.		Gear Marking Compound	<i>35V05</i>	1
Pinion (2.781" O.D.)		Seal	18190	1
Pinion (3.006" O.D.)		Seal	18833	1
Pinion Inner/Outer		Tapered Roller Bearing Cup/Cone	M88010 VP/M88048 VP (BR52)	2
Pinion Pilot	Cylindrical Roller Bearing	R1535-TAV	1	
SDK314	Differential L.H./R.H.	Tapered Roller Bearing Cup	453-XVP	2
	Differential L.H./R.H.	Tapered Roller Bearing Cone	BR469	2
	Misc.	Brush	<i>Brush1</i>	1
	Misc.	Crush Sleeve	<i>CS311</i>	1
	Misc.	Pinion Nut	<i>PN6</i>	1
	Misc.	Sealant	<i>3 oz Silicone Blue</i>	1
	Misc.	Thread Locker	<i>TL1</i>	1
	Misc.	Gear Marking Compound	<i>35V05</i>	1
	Pinion	Seal	18024	1
	Pinion Inner	Tapered Roller Bearing Cup	HM807010 VP	1
	Pinion Inner	Tapered Roller Bearing Cone	HM807044	1
	Pinion Outer	Tapered Roller Bearing Cup	HM89411	1
	Pinion Outer	Tapered Roller Bearing Cone	HM89443	1

Differential kit contents

	Location	Description	Part no.	Qty
SDK314-MK	Differential L.H./R.H.	Tapered Roller Bearing Cup	453-XVP	2
	Differential L.H./R.H.	Tapered Roller Bearing Cone	BR469	2
	Misc.	Brush	<i>Brush1</i>	1
	Misc.	Crush Sleeve	<i>CS311</i>	1
	Misc.	Pinion Nut	<i>PN6</i>	1
	Misc.	Ring Gear Bolt	<i>RGB6</i>	12
	Misc.	Sealant	<i>3 oz Silicone Blue</i>	1
	Misc.	Pinion Shim Set	<i>SK10</i>	1
	Misc.	Pinion Shim Set	<i>SK3</i>	1
	Misc.	Thread Locker	<i>TL1</i>	1
	Misc.	Gear Marking Compound	<i>35V05</i>	1
	Pinion	Seal	18024	1
	Pinion Inner	Tapered Roller Bearing Cup	HM807010 VP	1
	Pinion Inner	Tapered Roller Bearing Cone	HM807044	1
	Pinion Outer	Tapered Roller Bearing Cup	HM89411	1
	Pinion Outer	Tapered Roller Bearing Cone	HM89443	1
SDK315	Differential L.H./R.H.	Tapered Roller Bearing Cup/Cone	LM501314 VP/LM501349 VP (BR72)	2
	Misc.	Brush	<i>Brush1</i>	1
	Misc.	Crush Sleeve	<i>CS311</i>	1
	Misc.	Pinion Nut	<i>PN2</i>	1
	Misc.	Sealant	<i>3 oz Silicone Blue</i>	1
	Misc.	Thread Locker	<i>TL1</i>	1
	Misc.	Gear Marking Compound	<i>35V05</i>	1
	Pinion	Seal	18190	1
	Pinion Inner	Tapered Roller Bearing Cup/Cone	M802011 VP/M802048 VP	1
	Pinion Outer	Tapered Roller Bearing Cup/Cone	M88010 VP/M88048 VP (BR52)	1
SDK315-MK	Differential L.H./R.H.	Tapered Roller Bearing Cup/Cone	LM501314 VP/LM501349 VP (BR72)	2
	Misc.	Brush	<i>Brush1</i>	1
	Misc.	Crush Sleeve	<i>CS311</i>	1
	Misc.	Pinion Nut	<i>PN2</i>	1
	Misc.	Ring Gear Bolt	<i>RGB3</i>	10
	Misc.	Sealant	<i>3 oz Silicone Blue</i>	1
	Misc.	Pinion Shim Set	<i>SK11</i>	1
	Misc.	Pinion Shim Set	<i>SK4</i>	1
	Misc.	Thread Locker	<i>TL1</i>	1
	Misc.	Gear Marking Compound	<i>35V05</i>	1
	Pinion	Seal	18190	1
	Pinion Inner	Tapered Roller Bearing Cup/Cone	M802011 VP/M802048 VP	1
	Pinion Outer	Tapered Roller Bearing Cup/Cone	M88010 VP/M88048 VP (BR52)	1

Differential kit contents

	Location	Description	Part no.	Qty
SDK316-A	Differential L.H./R.H.	Tapered Roller Bearing Cone	NP343847	2
	Differential L.H./R.H.	Tapered Roller Bearing Cup	NP372019	2
	Misc.	Brush	<i>Brush1</i>	1
	Misc.	Crush Sleeve	<i>CS311</i>	1
	Misc.	Pinion Nut	<i>PN6</i>	1
	Misc.	Sealant	<i>3 oz Silicone Blue</i>	1
	Misc.	Thread Locker	<i>TL1</i>	1
	Misc.	Gear Marking Compound	<i>35V05</i>	1
	Pinion	Seal	18024	1
	Pinion Inner	Tapered Roller Bearing Cup	NP434567	1
	Pinion Inner	Tapered Roller Bearing Cone	NP576375	1
	Pinion Outer	Tapered Roller Bearing Cup	HM89411	1
	Pinion Outer	Tapered Roller Bearing Cone	HM89443	1
SDK316-AMK	Differential L.H./R.H.	Tapered Roller Bearing Cone	NP343847	2
	Differential L.H./R.H.	Tapered Roller Bearing Cup	NP372019	2
	Misc.	Brush	<i>Brush1</i>	1
	Misc.	Crush Sleeve	<i>CS311</i>	1
	Misc.	Pinion Nut	<i>PN6</i>	1
	Misc.	Ring Gear Bolt	<i>RGB18</i>	12
	Misc.	Sealant	<i>3 oz Silicone Blue</i>	1
	Misc.	Pinion Shim Set	<i>SK41</i>	1
	Misc.	Pinion Shim Set	<i>SK42</i>	1
	Misc.	Thread Locker	<i>TL1</i>	1
	Misc.	Gear Marking Compound	<i>35V05</i>	1
	Pinion	Seal	18024	1
	Pinion Inner	Tapered Roller Bearing Cup	NP434567	1
	Pinion Inner	Tapered Roller Bearing Cone	NP576375	1
	Pinion Outer	Tapered Roller Bearing Cup	HM89411	1
Pinion Outer	Tapered Roller Bearing Cone	HM89443	1	
SDK316-B	Differential L.H./R.H.	Tapered Roller Bearing Cup	<i>NP847706</i>	2
	Differential L.H./R.H.	Tapered Roller Bearing Cone	<i>NP912771</i>	2
	Misc.	Brush	<i>Brush1</i>	1
	Misc.	Crush Sleeve	<i>CS311</i>	1
	Misc.	Pinion Nut	<i>PN6</i>	1
	Misc.	Sealant	<i>3 oz Silicone Blue</i>	1
	Misc.	Thread Locker	<i>TL1</i>	1
	Misc.	Gear Marking Compound	<i>35V05</i>	1
	Pinion	Seal	18024	1
	Pinion Inner	Tapered Roller Bearing Cup	<i>NP244986</i>	1
	Pinion Inner	Tapered Roller Bearing Cone	<i>NP665996</i>	1
	Pinion Outer	Tapered Roller Bearing Cup	HM89411	1
	Pinion Outer	Tapered Roller Bearing Cone	HM89443	1

Differential kit contents

	Location	Description	Part no.	Qty
SDK316-BMK	Differential L.H./R.H.	Tapered Roller Bearing Cup	<i>NP847706</i>	2
	Differential L.H./R.H.	Tapered Roller Bearing Cone	<i>NP912771</i>	2
	Misc.	Brush	<i>Brush1</i>	1
	Misc.	Crush Sleeve	<i>CS311</i>	1
	Misc.	Pinion Nut	<i>PN6</i>	1
	Misc.	Ring Gear Bolt	<i>RGB18</i>	12
	Misc.	Sealant	<i>3 oz Silicone Blue</i>	1
	Misc.	Pinion Shim Set	<i>SK41</i>	1
	Misc.	Pinion Shim Set	<i>SK42</i>	1
	Misc.	Thread Locker	<i>TL1</i>	1
	Misc.	Gear Marking Compound	<i>35V05</i>	1
	Pinion	Seal	<i>18024</i>	1
	Pinion Inner	Tapered Roller Bearing Cup	<i>NP244986</i>	1
	Pinion Inner	Tapered Roller Bearing Cone	<i>NP665996</i>	1
	Pinion Outer	Tapered Roller Bearing Cup	<i>HM89411</i>	1
	Pinion Outer	Tapered Roller Bearing Cone	<i>HM89443</i>	1
SDK316-E	Differential L.H./R.H.	Tapered Roller Bearing Cup	<i>NP847706</i>	2
	Differential L.H./R.H.	Tapered Roller Bearing Cone	<i>NP912771</i>	2
	Misc.	Brush	<i>Brush1</i>	1
	Misc.	Crush Sleeve	<i>CS355</i>	1
	Misc.	Pinion Nut	<i>PN6</i>	1
	Misc.	Sealant	<i>3 oz Silicone Blue</i>	1
	Misc.	Thread Locker	<i>TL1</i>	1
	Misc.	Gear Marking Compound	<i>35V05</i>	1
	Pinion	Seal	<i>18024</i>	1
	Pinion Inner	Tapered Roller Bearing Set	<i>TRD101004UR4</i>	1
	Pinion Outer	Tapered Roller Bearing Set	<i>STD3776-2</i>	1
SDK316-EMK	Differential L.H./R.H.	Tapered Roller Bearing Cup	<i>NP847706</i>	2
	Differential L.H./R.H.	Tapered Roller Bearing Cone	<i>NP912771</i>	2
	Misc.	Brush	<i>Brush1</i>	1
	Misc.	Crush Sleeve	<i>CS355</i>	1
	Misc.	Pinion Nut	<i>PN6</i>	1
	Misc.	Ring Gear Bolt	<i>RGB18</i>	12
	Misc.	Sealant	<i>3 oz Silicone Blue</i>	1
	Misc.	Pinion Shim Set	<i>SK24</i>	1
	Misc.	Pinion Shim Set	<i>SK42</i>	1
	Misc.	Thread Locker	<i>TL1</i>	1
	Misc.	Gear Marking Compound	<i>35V05</i>	1
	Pinion	Seal	<i>18024</i>	1
	Pinion Inner	Tapered Roller Bearing Set	<i>TRD101004UR4</i>	1
	Pinion Outer	Tapered Roller Bearing Set	<i>STD3776-2</i>	1

Differential kit contents

	Location	Description	Part no.	Qty
SDK317	Differential L.H./R.H.	Tapered Roller Bearing Cup	453-XVP	2
	Differential L.H./R.H.	Tapered Roller Bearing Cone	BR469	2
	Misc.	Brush	<i>Brush1</i>	1
	Misc.	Crush Sleeve	<i>CS311</i>	1
	Misc.	Pinion Nut	<i>PN6</i>	1
	Misc.	Sealant	<i>3 oz Silicone Blue</i>	1
	Misc.	Thread Locker	<i>TL1</i>	1
	Misc.	Gear Marking Compound	<i>35V05</i>	1
	Pinion	Seal	18024	1
	Pinion Inner	Tapered Roller Bearing Cone	NP504493	1
	Pinion Inner	Tapered Roller Bearing Cup	NP949481	1
	Pinion Outer	Tapered Roller Bearing Cup	HM89411	1
	Pinion Outer	Tapered Roller Bearing Cone	HM89443	1
	SDK317-MK	Differential L.H./R.H.	Tapered Roller Bearing Cup	453-XVP
Differential L.H./R.H.		Tapered Roller Bearing Cone	BR469	2
Misc.		Brush	<i>Brush1</i>	1
Misc.		Crush Sleeve	<i>CS311</i>	1
Misc.		Pinion Nut	<i>PN6</i>	1
Misc.		Ring Gear Bolt	<i>RGB6</i>	12
Misc.		Sealant	<i>3 oz Silicone Blue</i>	1
Misc.		Pinion Shim Set	<i>SK10</i>	1
Misc.		Pinion Shim Set	<i>SK3</i>	1
Misc.		Thread Locker	<i>TL1</i>	1
Misc.		Gear Marking Compound	<i>35V05</i>	1
Pinion		Seal	18024	1
Pinion Inner		Tapered Roller Bearing Cone	NP504493	1
Pinion Inner		Tapered Roller Bearing Cup	NP949481	1
Pinion Outer		Tapered Roller Bearing Cup	HM89411	1
Pinion Outer		Tapered Roller Bearing Cone	HM89443	1
SDK317-A	Differential L.H./R.H.	Tapered Roller Bearing Cup	453-XVP	2
	Differential L.H./R.H.	Tapered Roller Bearing Cone	BR469	2
	Misc.	Brush	<i>Brush1</i>	1
	Misc.	Crush Sleeve	<i>CS311</i>	1
	Misc.	Pinion Nut	<i>PN6</i>	1
	Misc.	Sealant	<i>3 oz Silicone Blue</i>	1
	Misc.	Thread Locker	<i>TL1</i>	1
	Misc.	Gear Marking Compound	<i>35V05</i>	1
	Pinion	Seal	18024	1
	Pinion Inner	Tapered Roller Bearing Cone	<i>NP761271</i>	1
	Pinion Inner	Tapered Roller Bearing Cup	<i>NP998236</i>	1
	Pinion Outer	Tapered Roller Bearing Cup	HM89411	1
	Pinion Outer	Tapered Roller Bearing Cone	HM89443	1

Differential kit contents

	Location	Description	Part no.	Qty
SDK317-AMK	Differential L.H./R.H.	Tapered Roller Bearing Cup	453-XVP	2
	Differential L.H./R.H.	Tapered Roller Bearing Cone	BR469	2
	Misc.	Brush	<i>Brush1</i>	1
	Misc.	Crush Sleeve	<i>CS311</i>	1
	Misc.	Pinion Nut	<i>PN6</i>	1
	Misc.	Ring Gear Bolt	<i>RGB6</i>	12
	Misc.	Sealant	<i>3 oz Silicone Blue</i>	1
	Misc.	Pinion Shim Set	<i>SK10</i>	1
	Misc.	Pinion Shim Set	<i>SK3</i>	1
	Misc.	Thread Locker	<i>TL1</i>	1
	Misc.	Gear Marking Compound	<i>35V05</i>	1
	Pinion	Seal	18024	1
	Pinion Inner	Tapered Roller Bearing Cone	<i>NP761271</i>	1
	Pinion Inner	Tapered Roller Bearing Cup	<i>NP998236</i>	1
	Pinion Outer	Tapered Roller Bearing Cup	HM89411	1
	Pinion Outer	Tapered Roller Bearing Cone	HM89443	1
	SDK320	Differential L.H./R.H.	Tapered Roller Bearing Cup/Cone	LM501314 VP/LM501349 VP (BR72)
Misc.		Brush	<i>Brush1</i>	1
Misc.		Crush Sleeve	<i>CS320</i>	1
Misc.		Pinion Nut	<i>PN3</i>	1
Misc.		Sealant	<i>3 oz Silicone Blue</i>	1
Misc.		Thread Locker	<i>TL1</i>	1
Misc.		Gear Marking Compound	<i>35V05</i>	1
Pinion		Seal	15315	1
Pinion Inner		Tapered Roller Bearing Cup	HM89210	1
Pinion Inner		Tapered Roller Bearing Cone	HM89249	1
Pinion Outer		Tapered Roller Bearing Cup	M86610 VP	1
Pinion Outer	Tapered Roller Bearing Cone	M86649 VP	1	
SDK320-MK	Differential L.H./R.H.	Tapered Roller Bearing Cup/Cone	LM501314 VP/LM501349 VP (BR72)	2
	Misc.	Brush	<i>Brush1</i>	1
	Misc.	Crush Sleeve	<i>CS320</i>	1
	Misc.	Pinion Nut	<i>PN3</i>	1
	Misc.	Ring Gear Bolt	<i>RGB2</i>	10
	Misc.	Sealant	<i>3 oz Silicone Blue</i>	1
	Misc.	Pinion Shim Set	<i>SK11</i>	1
	Misc.	Pinion Shim Set	<i>SK12</i>	1
	Misc.	Thread Locker	<i>TL1</i>	1
	Misc.	Gear Marking Compound	<i>35V05</i>	1
	Pinion	Seal	15315	1
	Pinion Inner	Tapered Roller Bearing Cup	HM89210	1
	Pinion Inner	Tapered Roller Bearing Cone	HM89249	1
	Pinion Outer	Tapered Roller Bearing Cup	M86610 VP	1
	Pinion Outer	Tapered Roller Bearing Cone	M86649 VP	1

Differential kit contents

	Location	Description	Part no.	Qty
SDK320-A	Differential L.H./R.H.	Tapered Roller Bearing Cup/Cone	JL69310 VP/JL69349 VP	2
	Misc.	Brush	<i>Brush1</i>	1
	Misc.	Crush Sleeve	<i>CS326</i>	1
	Misc.	Pinion Nut	<i>PN3</i>	1
	Misc.	Sealant	<i>3 oz Silicone Blue</i>	1
	Misc.	Thread Locker	<i>TL1</i>	1
	Misc.	Gear Marking Compound	<i>35V05</i>	1
	Pinion	Seal	15306	1
	Pinion Inner	Tapered Roller Bearing Cup	M88010 VP	1
	Pinion Inner	Tapered Roller Bearing Cone	M88048-S	1
	Pinion Outer	Tapered Roller Bearing Cup	M86610 VP	1
	Pinion Outer	Tapered Roller Bearing Cone	M86649 VP	1
	SDK320-AMK	Differential L.H./R.H.	Tapered Roller Bearing Cup/Cone	JL69310 VP/JL69349 VP
Misc.		Brush	<i>Brush1</i>	1
Misc.		Crush Sleeve	<i>CS326</i>	1
Misc.		Pinion Nut	<i>PN3</i>	1
Misc.		Ring Gear Bolt	<i>RGB2</i>	10
Misc.		Sealant	<i>3 oz Silicone Blue</i>	1
Misc.		Pinion Shim Set	<i>SK12</i>	1
Misc.		Thread Locker	<i>TL1</i>	1
Misc.		Gear Marking Compound	<i>35V05</i>	1
Pinion		Seal	15306	1
Pinion Inner		Tapered Roller Bearing Cup	M88010 VP	1
Pinion Inner		Tapered Roller Bearing Cone	M88048-S	1
Pinion Outer		Tapered Roller Bearing Cup	M86610 VP	1
Pinion Outer	Tapered Roller Bearing Cone	M86649 VP	1	
SDK320-C	Differential L.H./R.H.	Tapered Roller Bearing Cup/Cone	LM501314 VP/LM501349 VP (BR72)	2
	Misc.	Brush	<i>Brush1</i>	1
	Misc.	Crush Sleeve	<i>CS320</i>	1
	Misc.	Pinion Nut	<i>PN3</i>	1
	Misc.	Sealant	<i>3 oz Silicone Blue</i>	1
	Misc.	Thread Locker	<i>TL1</i>	1
	Misc.	Gear Marking Compound	<i>35V05</i>	1
	Pinion	Seal	17407	1
	Pinion Inner	Tapered Roller Bearing Cup	HM89210	1
	Pinion Inner	Tapered Roller Bearing Cone	HM89249	1
	Pinion Outer	Tapered Roller Bearing Cup	M86610 VP	1
	Pinion Outer	Tapered Roller Bearing Cone	M86649 VP	1

Differential kit contents

	Location	Description	Part no.	Qty
SDK320-CMK	Differential L.H./R.H.	Tapered Roller Bearing Cup/Cone	LM501314 VP/LM501349 VP (BR72)	2
	Misc.	Brush	<i>Brush1</i>	1
	Misc.	Crush Sleeve	<i>CS320</i>	1
	Misc.	Pinion Nut	<i>PN3</i>	1
	Misc.	Ring Gear Bolt	<i>RGB2</i>	10
	Misc.	Sealant	<i>3 oz Silicone Blue</i>	1
	Misc.	Pinion Shim Set	<i>SK11</i>	1
	Misc.	Pinion Shim Set	<i>SK12</i>	1
	Misc.	Thread Locker	<i>TL1</i>	1
	Misc.	Gear Marking Compound	<i>35V05</i>	1
	Pinion	Seal	17407	1
	Pinion Inner	Tapered Roller Bearing Cup	HM89210	1
	Pinion Inner	Tapered Roller Bearing Cone	HM89249	1
	Pinion Outer	Tapered Roller Bearing Cup	M86610 VP	1
	Pinion Outer	Tapered Roller Bearing Cone	M86649 VP	1
SDK320-D	Differential L.H./R.H.	Tapered Roller Bearing Cup/Cone	LM603012/LM603049 VP (BR36)	2
	Misc.	Brush	<i>Brush1</i>	1
	Misc.	Crush Sleeve	<i>CS320</i>	1
	Misc.	Pinion Nut	<i>PN3</i>	1
	Misc.	Sealant	<i>3 oz Silicone Blue</i>	1
	Misc.	Thread Locker	<i>TL1</i>	1
	Misc.	Gear Marking Compound	<i>35V05</i>	1
	Pinion	Seal	17407	1
	Pinion Inner	Tapered Roller Bearing Cup/Cone	M802011 VP/M802048 VP	1
	Pinion Outer	Tapered Roller Bearing Cup	M86610 VP	1
	Pinion Outer	Tapered Roller Bearing Cone	M86649 VP	1
SDK320-DMK	Differential L.H./R.H.	Tapered Roller Bearing Cup/Cone	LM603012/LM603049 VP (BR36)	2
	Misc.	Brush	<i>Brush1</i>	1
	Misc.	Crush Sleeve	<i>CS320</i>	1
	Misc.	Pinion Nut	<i>PN3</i>	1
	Misc.	Ring Gear Bolt	<i>RGB22</i>	10
	Misc.	Sealant	<i>3 oz Silicone Blue</i>	1
	Misc.	Pinion Shim Set	<i>SK4</i>	1
	Misc.	Pinion Shim Set	<i>SK7</i>	1
	Misc.	Thread Locker	<i>TL1</i>	1
	Misc.	Gear Marking Compound	<i>35V05</i>	1
	Pinion	Seal	17407	1
	Pinion Inner	Tapered Roller Bearing Cup/Cone	M802011 VP/M802048 VP	1
	Pinion Outer	Tapered Roller Bearing Cup	M86610 VP	1
	Pinion Outer	Tapered Roller Bearing Cone	M86649 VP	1

Differential kit contents

	Location	Description	Part no.	Qty
SDK320-J	Differential L.H./R.H.	Tapered Roller Bearing Cup/Cone	LM501314 VP/LM501349 VP (BR72)	2
	Misc.	Brush	<i>Brush1</i>	1
	Misc.	Crush Sleeve	<i>CS320</i>	1
	Misc.	Pinion Nut	<i>PN13</i>	1
	Misc.	Sealant	<i>3 oz Silicone Blue</i>	1
	Misc.	Thread Locker	<i>TL1</i>	1
	Misc.	Gear Marking Compound	<i>35V05</i>	1
	Pinion	Seal	16965	1
	Pinion Inner	Tapered Roller Bearing Cup	HM89210	1
	Pinion Inner	Tapered Roller Bearing Cone	HM89249	1
	Pinion Outer	Tapered Cup/Cone	M86649/610	1
SDK320-JMK	Differential L.H./R.H.	Tapered Roller Bearing Cup/Cone	LM501314 VP/LM501349 VP (BR72)	2
	Misc.	Brush	<i>Brush1</i>	1
	Misc.	Crush Sleeve	<i>CS320</i>	1
	Misc.	Pinion Nut	<i>PN13</i>	1
	Misc.	Ring Gear Bolt	<i>RGB2</i>	10
	Misc.	Sealant	<i>3 oz Silicone Blue</i>	1
	Misc.	Pinion Shim Set	<i>SK11</i>	1
	Misc.	Pinion Shim Set	<i>SK12</i>	1
	Misc.	Thread Locker	<i>TL1</i>	1
	Misc.	Gear Marking Compound	<i>35V05</i>	1
	Pinion	Seal	16965	1
	Pinion Inner	Tapered Roller Bearing Cup	HM89210	1
	Pinion Inner	Tapered Roller Bearing Cone	HM89249	1
	Pinion Outer	Tapered Cup/Cone	M86649/610	1
SDK321	Differential L.H./R.H.	Tapered Roller Bearing Cup/Cone	LM501314 VP/LM501349 VP (BR72)	2
	Misc.	Brush	<i>Brush1</i>	1
	Misc.	Crush Sleeve	<i>CS321</i>	1
	Misc.	Pinion Nut	<i>PN3</i>	1
	Misc.	Sealant	<i>3 oz Silicone Blue</i>	1
	Misc.	Thread Locker	<i>TL1</i>	1
	Misc.	Gear Marking Compound	<i>35V05</i>	1
	Pinion (2.766" O.D.)	Seal	19273	1
	Pinion (2.817" O.D.)	Seal	19277	1
	Pinion Inner	Tapered Roller Bearing Cup/Cone	M802011 VP/M802048 VP	1
	Pinion Outer	Tapered Roller Bearing Cup/Cone	M88010 VP/M88048 VP (BR52)	1

Differential kit contents

	Location	Description	Part no.	Qty	
SDK321-MK	Differential L.H./R.H.	Tapered Roller Bearing Cup/Cone	LM501314 VP/LM501349 VP (BR72)	2	
	Misc.	Brush	<i>Brush1</i>	1	
	Misc.	Crush Sleeve	<i>CS321</i>	1	
	Misc.	Pinion Nut	<i>PN3</i>	1	
	Misc.	Ring Gear Bolt	<i>RGB2</i>	10	
	Misc.	Sealant	<i>3 oz Silicone Blue</i>	1	
	Misc.	Pinion Shim Set	<i>SK11</i>	1	
	Misc.	Pinion Shim Set	<i>SK4</i>	1	
	Misc.	Thread Locker	<i>TL1</i>	1	
	Misc.	Gear Marking Compound	<i>35V05</i>	1	
	Pinion (2.766" O.D.)	Seal	19273	1	
	Pinion (2.817" O.D.)	Seal	19277	1	
	Pinion Inner	Tapered Roller Bearing Cup/Cone	M802011 VP/M802048 VP	1	
	Pinion Outer	Tapered Roller Bearing Cup/Cone	M88010 VP/M88048 VP (BR52)	1	
SDK321-A	Differential L.H./R.H.	Tapered Roller Bearing Cup/Cone	LM501314 VP/LM501349 VP (BR72)	2	
	Misc.	Brush	<i>Brush1</i>	1	
	Misc.	Crush Sleeve	<i>CS321</i>	1	
	Misc.	Pinion Nut	<i>PN3</i>	1	
	Misc.	Sealant	<i>3 oz Silicone Blue</i>	1	
	Misc.	Thread Locker	<i>TL1</i>	1	
	Misc.	Gear Marking Compound	<i>35V05</i>	1	
	Pinion	Seal	19428	1	
	Pinion Inner	Tapered Roller Bearing Cup/Cone	M802011 VP/M802048 VP	1	
	Pinion Outer	Tapered Roller Bearing Cup/Cone	M88010 VP/M88048 VP (BR52)	1	
SDK321-AMK	Differential L.H./R.H.	Tapered Roller Bearing Cup/Cone	LM501314 VP/LM501349 VP (BR72)	2	
	Misc.	Brush	<i>Brush1</i>	1	
	Misc.	Crush Sleeve	<i>CS321</i>	1	
	Misc.	Pinion Nut	<i>PN3</i>	1	
	Misc.	Ring Gear Bolt	<i>RGB2</i>	10	
	Misc.	Sealant	<i>3 oz Silicone Blue</i>	1	
	Misc.	Pinion Shim Set	<i>SK4</i>	1	
	Misc.	Thread Locker	<i>TL1</i>	1	
	Misc.	Gear Marking Compound	<i>35V05</i>	1	
	Pinion	Seal	19428	1	
	Pinion Inner	Tapered Roller Bearing Cup/Cone	M802011 VP/M802048 VP	1	
	Pinion Outer	Tapered Roller Bearing Cup/Cone	M88010 VP/M88048 VP (BR52)	1	
	SDK321-C	Differential L.H./R.H.	Tapered Roller Bearing Cup/Cone	LM603012/LM603049 VP (BR36)	2
		Misc.	Brush	<i>Brush1</i>	1
Misc.		Crush Sleeve	<i>CS321</i>	1	
Misc.		Pinion Nut	<i>PN3</i>	1	
Misc.		Sealant	<i>3 oz Silicone Blue</i>	1	
Misc.		Thread Locker	<i>TL1</i>	1	
Misc.		Gear Marking Compound	<i>35V05</i>	1	
Pinion		Seal	21285	1	
Pinion Inner		Tapered Roller Bearing Cup/Cone	M802011 VP/M802048 VP	1	
Pinion Outer		Tapered Roller Bearing Cup/Cone	M88010 VP/M88048 VP (BR52)	1	

Differential kit contents

	Location	Description	Part no.	Qty
SDK321-CMK	Differential L.H./R.H.	Tapered Roller Bearing Cup/Cone	LM603012/LM603049 VP (BR36)	2
	Misc.	Brush	<i>Brush1</i>	1
	Misc.	Crush Sleeve	<i>CS321</i>	1
	Misc.	Pinion Nut	<i>PN3</i>	1
	Misc.	Ring Gear Bolt	<i>RGB2</i>	10
	Misc.	Sealant	<i>3 oz Silicone Blue</i>	1
	Misc.	Pinion Shim Set	<i>SK4</i>	1
	Misc.	Pinion Shim Set	<i>SK7</i>	1
	Misc.	Thread Locker	<i>TL1</i>	1
	Misc.	Gear Marking Compound	<i>35V05</i>	1
	Pinion	Seal	21285	1
	Pinion Inner	Tapered Roller Bearing Cup/Cone	M802011 VP/M802048 VP	1
	Pinion Outer	Tapered Roller Bearing Cup/Cone	M88010 VP/M88048 VP (BR52)	1
SDK321-J	Differential L.H./R.H.	Tapered Roller Bearing Cup/Cone	LM501314 VP/LM501349 VP (BR72)	2
	Misc.	Brush	<i>Brush1</i>	1
	Misc.	Crush Sleeve	<i>CS321</i>	1
	Misc.	Pinion Nut	<i>PN3</i>	1
	Misc.	Sealant	<i>3 oz Silicone Blue</i>	1
	Misc.	Thread Locker	<i>TL1</i>	1
	Misc.	Gear Marking Compound	<i>35V05</i>	1
	Pinion	Seal	710536	1
	Pinion Inner	Tapered Roller Bearing Cup/Cone	M802011 VP/M802048 VP	1
	Pinion Outer	Tapered Roller Bearing Cup/Cone	M88010 VP/M88048 VP (BR52)	1
SDK321-JMK	Differential L.H./R.H.	Tapered Roller Bearing Cup/Cone	LM501314 VP/LM501349 VP (BR72)	2
	Misc.	Brush	<i>Brush1</i>	1
	Misc.	Crush Sleeve	<i>CS321</i>	1
	Misc.	Pinion Nut	<i>PN3</i>	1
	Misc.	Ring Gear Bolt	<i>RGB2</i>	10
	Misc.	Sealant	<i>3 oz Silicone Blue</i>	1
	Misc.	Pinion Shim Set	<i>SK4</i>	1
	Misc.	Thread Locker	<i>TL1</i>	1
	Misc.	Gear Marking Compound	<i>35V05</i>	1
	Pinion	Seal	710536	1
	Pinion Inner	Tapered Roller Bearing Cup/Cone	M802011 VP/M802048 VP	1
	Pinion Outer	Tapered Roller Bearing Cup/Cone	M88010 VP/M88048 VP (BR52)	1
	SDK321-K	Differential L.H./R.H.	Tapered Roller Bearing Cup/Cone	LM603012/LM603049 VP (BR36)
Misc.		Brush	<i>Brush1</i>	1
Misc.		Crush Sleeve	<i>CS321</i>	1
Misc.		Pinion Nut	<i>PN3</i>	1
Misc.		Sealant	<i>3 oz Silicone Blue</i>	1
Misc.		Thread Locker	<i>TL1</i>	1
Misc.		Gear Marking Compound	<i>35V05</i>	1
Pinion		Seal	21285	1
Pinion Inner		Tapered Roller Bearing Set	<i>STD4183KELFT</i>	1
Pinion Outer		Tapered Roller Bearing Cup/Cone	M88010 VP/M88048 VP (BR52)	1

Differential kit contents

	Location	Description	Part no.	Qty
SDK321-KMK	Differential L.H./R.H.	Tapered Roller Bearing Cup/Cone	LM603012/LM603049 VP (BR36)	2
	Misc.	Brush	<i>Brush1</i>	1
	Misc.	Crush Sleeve	<i>CS321</i>	1
	Misc.	Pinion Nut	<i>PN3</i>	1
	Misc.	Ring Gear Bolt	<i>RGB2</i>	10
	Misc.	Sealant	<i>3 oz Silicone Blue</i>	1
	Misc.	Pinion Shim Set	<i>SK4</i>	1
	Misc.	Pinion Shim Set	<i>SK7</i>	1
	Misc.	Thread Locker	<i>TL1</i>	1
	Misc.	Gear Marking Compound	<i>35V05</i>	1
	Pinion	Seal	<i>21285</i>	1
	Pinion Inner	Tapered Roller Bearing Set	<i>STD4183KELFT</i>	1
	Pinion Outer	Tapered Roller Bearing Cup/Cone	M88010 VP/M88048 VP (BR52)	1
	SDK321-Q	Differential L.H./R.H.	Tapered Roller Bearing Cup/Cone	LM603012/LM603049 VP (BR36)
Misc.		Brush	<i>Brush1</i>	1
Misc.		Crush Sleeve	<i>CS321</i>	1
Misc.		Pinion Nut	<i>PN3</i>	1
Misc.		Sealant	<i>3 oz Silicone Blue</i>	1
Misc.		Thread Locker	<i>TL1</i>	1
Misc.		Gear Marking Compound	<i>35V05</i>	1
Pinion		Seal	<i>710507</i>	1
Pinion Inner		Tapered Roller Bearing Set	<i>STA4195</i>	1
Pinion Outer		Tapered Roller Bearing Set	<i>STB3372</i>	1
SDK321-QMK	Differential L.H./R.H.	Tapered Roller Bearing Cup/Cone	LM603012/LM603049 VP (BR36)	2
	Misc.	Brush	<i>Brush1</i>	1
	Misc.	Crush Sleeve	<i>CS321</i>	1
	Misc.	Pinion Nut	<i>PN3</i>	1
	Misc.	Ring Gear Bolt	<i>RGB2</i>	10
	Misc.	Sealant	<i>3 oz Silicone Blue</i>	1
	Misc.	Pinion Shim Set	<i>SK4</i>	1
	Misc.	Pinion Shim Set	<i>SK7</i>	1
	Misc.	Thread Locker	<i>TL1</i>	1
	Misc.	Gear Marking Compound	<i>35V05</i>	1
	Pinion	Seal	<i>710507</i>	1
	Pinion Inner	Tapered Roller Bearing Set	<i>STA4195</i>	1
	Pinion Outer	Tapered Roller Bearing Set	<i>STB3372</i>	1

Differential kit contents

	Location	Description	Part no.	Qty
SDK321-S	Differential L.H./R.H.	Tapered Roller Bearing Set	BR1008	2
	Misc.	Brush	<i>Brush1</i>	1
	Misc.	Crush Sleeve	<i>CS324</i>	1
	Misc.	Pinion Nut	<i>PN13</i>	1
	Misc.	Sealant	<i>3 oz Silicone Blue</i>	1
	Misc.	Thread Locker	<i>TL1</i>	1
	Misc.	Gear Marking Compound	<i>35V05</i>	1
	Pinion	Seal	21135	1
	Pinion Inner	Tapered Roller Bearing Cup	HM804810 VP	1
	Pinion Inner	Tapered Roller Bearing Cone	HM804846	1
	Pinion Outer	Tapered Roller Bearing Set	BR32207	1
SDK321-SMK	Differential L.H./R.H.	Tapered Roller Bearing Set	BR1008	2
	Misc.	Brush	<i>Brush1</i>	1
	Misc.	Crush Sleeve	<i>CS324</i>	1
	Misc.	Pinion Nut	<i>PN13</i>	1
	Misc.	Ring Gear Bolt	<i>RGB2</i>	10
	Misc.	Sealant	<i>3 oz Silicone Blue</i>	1
	Misc.	Pinion Shim Set	<i>SK3</i>	1
	Misc.	Pinion Shim Set	<i>SK7</i>	1
	Misc.	Thread Locker	<i>TL1</i>	1
	Misc.	Gear Marking Compound	<i>35V05</i>	1
	Pinion	Seal	21135	1
	Pinion Inner	Tapered Roller Bearing Cup	HM804810 VP	1
	Pinion Inner	Tapered Roller Bearing Cone	HM804846	1
	Pinion Outer	Tapered Roller Bearing Set	BR32207	1
SDK322	Differential L.H./R.H.	Tapered Roller Bearing Cup/Cone	LM603012/LM603049 VP (BR36)	2
	Misc.	Brush	<i>Brush1</i>	1
	Misc.	Crush Sleeve	<i>CS322</i>	1
	Misc.	Pinion Nut	<i>PN4</i>	1
	Misc.	Sealant	<i>3 oz Silicone Blue</i>	1
	Misc.	Thread Locker	<i>TL1</i>	1
	Misc.	Gear Marking Compound	<i>35V05</i>	1
	Pinion	Seal	17190	1
	Pinion Inner	Tapered Roller Bearing Cone	HM89449 VP	1
	Pinion Inner	Tapered Roller Bearing Cup	HM89410 VP	1
	Pinion Outer	Tapered Roller Bearing Cup/Cone	M88010 VP/M88048 VP (BR52)	1

Differential kit contents

	Location	Description	Part no.	Qty
SDK322-MK	Differential L.H./R.H.	Tapered Roller Bearing Cup/Cone	LM603012/LM603049 VP (BR36)	2
	Misc.	Brush	<i>Brush1</i>	1
	Misc.	Crush Sleeve	<i>CS322</i>	1
	Misc.	Pinion Nut	<i>PN4</i>	1
	Misc.	Ring Gear Bolt	<i>RGB5</i>	12
	Misc.	Sealant	<i>3 oz Silicone Blue</i>	1
	Misc.	Pinion Shim Set	<i>SK12</i>	1
	Misc.	Pinion Shim Set	<i>SK7</i>	1
	Misc.	Thread Locker	<i>TL1</i>	1
	Misc.	Gear Marking Compound	<i>35V05</i>	1
	Pinion	Seal	17190	1
	Pinion Inner	Tapered Roller Bearing Cone	HM89449 VP	1
	Pinion Inner	Tapered Roller Bearing Cup	HM89410 VP	1
	Pinion Outer	Tapered Roller Bearing Cup/Cone	M88010 VP/M88048 VP (BR52)	1
SDK323	Differential L.H./R.H.	Tapered Roller Bearing Cup/Cone	LM603012/LM603049 VP (BR36)	2
	Misc.	Brush	<i>Brush1</i>	1
	Misc.	Crush Sleeve	<i>CS323-C</i>	1
	Misc.	Pinion Nut	<i>PN4</i>	1
	Misc.	Sealant	<i>3 oz Silicone Blue</i>	1
	Misc.	Thread Locker	<i>TL1</i>	1
	Misc.	Gear Marking Compound	<i>35V05</i>	1
	Pinion Inner	Tapered Roller Bearing Cup/Cone	M802011 VP/M802048 VP	1
	Pinion Outer	Tapered Roller Bearing Cup/Cone	M88010 VP/M88048 VP (BR52)	1
	Pinion Seal (2.766" O.D.)	Seal	19273	1
	Pinion Seal (2.816" O.D.)	Seal	17190	1
SDK323-A	Differential L.H./R.H.	Tapered Roller Bearing Cup/Cone	LM603012/LM603049 VP (BR36)	2
	Misc.	Brush	<i>Brush1</i>	1
	Misc.	Crush Sleeve	<i>CS323</i>	1
	Misc.	Pinion Nut	<i>PN4</i>	1
	Misc.	Sealant	<i>3 oz Silicone Blue</i>	1
	Misc.	Thread Locker	<i>TL1</i>	1
	Misc.	Gear Marking Compound	<i>35V05</i>	1
	Pinion	Seal	17190	1
	Pinion Inner	Tapered Roller Bearing Cup/Cone	M802011 VP/M802048 VP	1
	Pinion Outer	Tapered Roller Bearing Cup/Cone	M88010 VP/M88048 VP (BR52)	1
	SDK323-AMK	Differential L.H./R.H.	Tapered Roller Bearing Cup/Cone	LM603012/LM603049 VP (BR36)
Misc.		Brush	<i>Brush1</i>	1
Misc.		Crush Sleeve	<i>CS323</i>	1
Misc.		Pinion Nut	<i>PN4</i>	1
Misc.		Ring Gear Bolt	<i>RGB5</i>	12
Misc.		Sealant	<i>3 oz Silicone Blue</i>	1
Misc.		Pinion Shim Set	<i>SK4</i>	1
Misc.		Pinion Shim Set	<i>SK7</i>	1
Misc.		Thread Locker	<i>TL1</i>	1
Pinion		Seal	17190	1
Pinion Inner		Tapered Roller Bearing Cup/Cone	M802011 VP/M802048 VP	1
Pinion Outer		Tapered Roller Bearing Cup/Cone	M88010 VP/M88048 VP (BR52)	1

Differential kit contents

	Location	Description	Part no.	Qty
SDK323-MK	Differential L.H./R.H.	Tapered Roller Bearing Cup/Cone	LM603012/LM603049 VP (BR36)	2
	Misc.	Brush	<i>Brush1</i>	1
	Misc.	Crush Sleeve	<i>CS323-C</i>	1
	Misc.	Pinion Nut	<i>PN4</i>	1
	Misc.	Ring Gear Bolt	<i>RGB5</i>	12
	Misc.	Sealant	<i>3 oz Silicone Blue</i>	1
	Misc.	Pinion Shim Set	<i>SK4</i>	1
	Misc.	Pinion Shim Set	<i>SK7</i>	1
	Misc.	Thread Locker	<i>TL1</i>	1
	Misc.	Gear Marking Compound	<i>35V05</i>	1
	Pinion Inner	Tapered Roller Bearing Cup/Cone	M802011 VP/M802048 VP	1
	Pinion Outer	Tapered Roller Bearing Cup/Cone	M88010 VP/M88048 VP (BR52)	1
	Pinion Seal (2.766" O.D.)	Seal	19273	1
	Pinion Seal (2.816" O.D.)	Seal	17190	1
SDK324	Differential L.H./R.H.	Tapered Roller Bearing Cup	JLM506811	2
	Differential L.H./R.H.	Tapered Roller Bearing Cone	JLM506849A	2
	Misc.	Brush	<i>Brush1</i>	1
	Misc.	Crush Sleeve	<i>CS324</i>	1
	Misc.	Pinion Nut	<i>PN3</i>	1
	Misc.	Sealant	<i>3 oz Silicone Blue</i>	1
	Misc.	Thread Locker	<i>TL1</i>	1
	Misc.	Gear Marking Compound	<i>35V05</i>	1
	Pinion	Seal	19314	1
	Pinion Inner	Tapered Roller Bearing Cup	HM804810 VP	1
	Pinion Inner	Tapered Roller Bearing Cone	HM804846	1
	Pinion Outer	Tapered Roller Bearing Cup	HM88610	1
	Pinion Outer	Tapered Roller Bearing Cone	HM88649	1
	SDK324-MK	Differential L.H./R.H.	Tapered Roller Bearing Cup	JLM506811
Differential L.H./R.H.		Tapered Roller Bearing Cone	JLM506849A	2
Misc.		Brush	<i>Brush1</i>	1
Misc.		Crush Sleeve	<i>CS324</i>	1
Misc.		Pinion Nut	<i>PN3</i>	1
Misc.		Ring Gear Bolt	<i>RGB8</i>	12
Misc.		Sealant	<i>3 oz Silicone Blue</i>	1
Misc.		Pinion Shim Set	<i>SK13</i>	1
Misc.		Pinion Shim Set	<i>SK3</i>	1
Misc.		Thread Locker	<i>TL1</i>	1
Misc.		Gear Marking Compound	<i>35V05</i>	1
Pinion		Seal	19314	1
Pinion Inner		Tapered Roller Bearing Cup	HM804810 VP	1
Pinion Inner		Tapered Roller Bearing Cone	HM804846	1
Pinion Outer		Tapered Roller Bearing Cup	HM88610	1
Pinion Outer		Tapered Roller Bearing Cone	HM88649	1

Differential kit contents

	Location	Description	Part no.	Qty
SDK324-A	Differential L.H./R.H.	Tapered Roller Bearing Cup	JLM506811	2
	Differential L.H./R.H.	Tapered Roller Bearing Cone	JLM506849A	2
	Misc.	Brush	<i>Brush1</i>	1
	Misc.	Crush Sleeve	<i>CS324</i>	1
	Misc.	Pinion Nut	<i>PN3</i>	1
	Misc.	Sealant	<i>3 oz Silicone Blue</i>	1
	Misc.	Thread Locker	<i>TL1</i>	1
	Misc.	Gear Marking Compound	<i>35V05</i>	1
	Pinion	Seal	19428	1
	Pinion Inner	Tapered Roller Bearing Cup	HM804810 VP	1
	Pinion Inner	Tapered Roller Bearing Cone	HM804846	1
	Pinion Outer	Tapered Roller Bearing Cup	HM88610	1
	Pinion Outer	Tapered Roller Bearing Cone	HM88649	1
	SDK324-B	Differential L.H./R.H.	Tapered Roller Bearing Cup	JLM506811
Differential L.H./R.H.		Tapered Roller Bearing Cone	JLM506849A	2
Misc.		Brush	<i>Brush1</i>	1
Misc.		Crush Sleeve	<i>CS324</i>	1
Misc.		Pinion Nut	<i>PN3</i>	1
Misc.		Sealant	<i>3 oz Silicone Blue</i>	1
Misc.		Thread Locker	<i>TL1</i>	1
Misc.		Gear Marking Compound	<i>35V05</i>	1
Pinion		Seal	20880	1
Pinion Inner		Tapered Roller Bearing Cup	HM804810 VP	1
Pinion Inner		Tapered Roller Bearing Cone	HM804846	1
Pinion Outer		Tapered Roller Bearing Cup	HM88610	1
Pinion Outer		Tapered Roller Bearing Cone	HM88649	1
SDK324-BMK		Differential L.H./R.H.	Tapered Roller Bearing Cup	JLM506811
	Differential L.H./R.H.	Tapered Roller Bearing Cone	JLM506849A	2
	Misc.	Brush	<i>Brush1</i>	1
	Misc.	Crush Sleeve	<i>CS324</i>	1
	Misc.	Pinion Nut	<i>PN3</i>	1
	Misc.	Ring Gear Bolt	<i>RGB8</i>	12
	Misc.	Sealant	<i>3 oz Silicone Blue</i>	1
	Misc.	Pinion Shim Set	<i>SK13</i>	1
	Misc.	Pinion Shim Set	<i>SK3</i>	1
	Misc.	Thread Locker	<i>TL1</i>	1
	Misc.	Gear Marking Compound	<i>35V05</i>	1
	Pinion	Seal	20880	1
	Pinion Inner	Tapered Roller Bearing Cup	HM804810 VP	1
	Pinion Inner	Tapered Roller Bearing Cone	HM804846	1
	Pinion Outer	Tapered Roller Bearing Cup	HM88610	1
	Pinion Outer	Tapered Roller Bearing Cone	HM88649	1

Differential kit contents

	Location	Description	Part no.	Qty
SDK324-D	Differential L.H./R.H.	Tapered Roller Bearing Cup	JLM506811	2
	Differential L.H./R.H.	Tapered Roller Bearing Cone	JLM506849A	2
	Misc.	Brush	<i>Brush1</i>	1
	Misc.	Crush Sleeve	<i>CS324</i>	1
	Misc.	Pinion Nut	<i>PN3</i>	1
	Misc.	Sealant	<i>3 oz Silicone Blue</i>	1
	Misc.	Pinion Shim Set	<i>SK13</i>	1
	Misc.	Pinion Shim Set	<i>SK3</i>	1
	Misc.	Thread Locker	<i>TL1</i>	1
	Misc.	Gear Marking Compound	<i>35V05</i>	1
	Pinion	Seal	19428	1
	Pinion Inner	Tapered Roller Bearing Cone	NP256771	1
	Pinion Inner	Tapered Roller Bearing Cup	NP468253	1
	Pinion Outer	Tapered Roller Bearing Cup	HM88610	1
	Pinion Outer	Tapered Roller Bearing Cone	HM88649	1
SDK324-DMK	Differential L.H./R.H.	Tapered Roller Bearing Cup	JLM506811	2
	Differential L.H./R.H.	Tapered Roller Bearing Cone	JLM506849A	2
	Misc.	Brush	<i>Brush1</i>	1
	Misc.	Crush Sleeve	<i>CS324</i>	1
	Misc.	Pinion Nut	<i>PN3</i>	1
	Misc.	Ring Gear Bolt	<i>RGB8</i>	1
	Misc.	Sealant	<i>3 oz Silicone Blue</i>	1
	Misc.	Pinion Shim Set	<i>SK13</i>	1
	Misc.	Pinion Shim Set	<i>SK3</i>	1
	Misc.	Thread Locker	<i>TL1</i>	1
	Misc.	Gear Marking Compound	<i>35V05</i>	1
	Pinion	Seal	19428	1
	Pinion Inner	Tapered Roller Bearing Cone	NP256771	1
	Pinion Inner	Tapered Roller Bearing Cup	NP468253	1
	Pinion Outer	Tapered Roller Bearing Cup	HM88610	1
Pinion Outer	Tapered Roller Bearing Cone	HM88649	1	
SDK324-E	Differential L.H./R.H.	Tapered Roller Bearing Cup	JLM506811	2
	Differential L.H./R.H.	Tapered Roller Bearing Cone	JLM506849A	2
	Misc.	Brush	<i>Brush1</i>	1
	Misc.	Crush Sleeve	<i>CS361</i>	1
	Misc.	Pinion Nut	<i>PN13</i>	1
	Misc.	Sealant	<i>3 oz Silicone Blue</i>	1
	Misc.	Thread Locker	<i>TL1</i>	1
	Misc.	Gear Marking Compound	<i>35V05</i>	1
	Pinion	Seal	22943111	1
	Pinion Inner	Tapered Roller Bearing Set	<i>STA4895-1</i>	1
	Pinion Outer	Tapered Roller Bearing Cup	HM89210	1
	Pinion Outer	Tapered Roller Bearing Cone	HM89249	1

Differential kit contents

	Location	Description	Part no.	Qty
SDK324-EMK	Differential L.H./R.H.	Tapered Roller Bearing Cup	JLM506811	2
	Differential L.H./R.H.	Tapered Roller Bearing Cone	JLM506849A	2
	Misc.	Brush	<i>Brush1</i>	1
	Misc.	Crush Sleeve	<i>CS361</i>	1
	Misc.	Pinion Nut	<i>PN13</i>	1
	Misc.	Ring Gear Bolt	<i>RGB8</i>	12
	Misc.	Sealant	<i>3 oz Silicone Blue</i>	1
	Misc.	Pinion Shim Set	<i>SK13</i>	1
	Misc.	Pinion Shim Set	<i>SK3</i>	1
	Misc.	Thread Locker	<i>TL1</i>	1
	Misc.	Gear Marking Compound	<i>35V05</i>	1
	Pinion	Seal	<i>22943111</i>	1
	Pinion Inner	Tapered Roller Bearing Set	<i>STA4895-1</i>	1
	Pinion Outer	Tapered Roller Bearing Cup	HM89210	1
	Pinion Outer	Tapered Roller Bearing Cone	HM89249	1
SDK324-H	Differential L.H./R.H.	Tapered Roller Bearing Cup	JLM506811	2
	Differential L.H./R.H.	Tapered Roller Bearing Cone	JLM506849A	2
	Misc.	Brush	<i>Brush1</i>	1
	Misc.	Crush Sleeve	<i>CS313</i>	1
	Misc.	Pinion Nut	<i>PN13</i>	1
	Misc.	Sealant	<i>3 oz Silicone Blue</i>	1
	Misc.	Thread Locker	<i>TL1</i>	1
	Misc.	Gear Marking Compound	<i>35V05</i>	1
	Pinion	Seal	<i>22943111</i>	1
	Pinion Inner	Tapered Roller Bearing Set	<i>HM907643/HM907614</i>	1
	Pinion Outer	Tapered Roller Bearing Cup	HM89210	1
	Pinion Outer	Tapered Roller Bearing Cone	HM89249	1
SDK324-HMK	Differential L.H./R.H.	Tapered Roller Bearing Cup	JLM506811	2
	Differential L.H./R.H.	Tapered Roller Bearing Cone	JLM506849A	2
	Misc.	Brush	<i>Brush1</i>	1
	Misc.	Crush Sleeve	<i>CS313</i>	1
	Misc.	Pinion Nut	<i>PN13</i>	1
	Misc.	Ring Gear Bolt	<i>RGB8</i>	12
	Misc.	Sealant	<i>3 oz Silicone Blue</i>	1
	Misc.	Pinion Shim Set	<i>SK13</i>	1
	Misc.	Pinion Shim Set	<i>SK22</i>	1
	Misc.	Thread Locker	<i>TL1</i>	1
	Misc.	Gear Marking Compound	<i>35V05</i>	1
	Pinion	Seal	<i>22943111</i>	1
	Pinion Inner	Tapered Roller Bearing Set	<i>HM907643/HM907614</i>	1
	Pinion Outer	Tapered Roller Bearing Cup	HM89210	1
	Pinion Outer	Tapered Roller Bearing Cone	HM89249	1

Differential kit contents

	Location	Description	Part no.	Qty
SDK325	Differential L.H./R.H.	Tapered Roller Bearing Cone	387-AS VP	2
	Differential L.H./R.H.	Tapered Roller Bearing Cup	382-AVP	2
	Misc.	Brush	<i>Brush1</i>	1
	Misc.	Crush Sleeve	<i>CS325</i>	1
	Misc.	Pinion Nut	<i>PN7</i>	1
	Misc.	Sealant	<i>3 oz Silicone Blue</i>	1
	Misc.	Thread Locker	<i>TL1</i>	1
	Misc.	Gear Marking Compound	<i>35V05</i>	1
	Pinion	Seal	21955	1
	Pinion Inner	Tapered Roller Bearing Cup	HM803110	1
	Pinion Inner	Tapered Roller Bearing Cone	HM803149 VP	1
	Pinion Outer	Tapered Roller Bearing Cup/Cone	M802011 VP/M802048 VP	1
	Pinion Pilot	Cylindrical Roller Bearing	R1581-TV	1
SDK325-MK	Differential L.H./R.H.	Tapered Roller Bearing Cone	387-AS VP	2
	Differential L.H./R.H.	Tapered Roller Bearing Cup	382-AVP	2
	Misc.	Brush	<i>Brush1</i>	1
	Misc.	Crush Sleeve	<i>CS325</i>	1
	Misc.	Pinion Nut	<i>PN7</i>	1
	Misc.	Ring Gear Bolt	<i>RGB9</i>	12
	Misc.	Sealant	<i>3 oz Silicone Blue</i>	1
	Misc.	Pinion Shim Set	<i>SK14</i>	1
	Misc.	Thread Locker	<i>TL1</i>	1
	Misc.	Gear Marking Compound	<i>35V05</i>	1
	Pinion	Seal	21955	1
	Pinion Inner	Tapered Roller Bearing Cup	HM803110	1
	Pinion Inner	Tapered Roller Bearing Cone	HM803149 VP	1
Pinion Outer	Tapered Roller Bearing Cup/Cone	M802011 VP/M802048 VP	1	
Pinion Pilot	Cylindrical Roller Bearing	R1581-TV	1	
SDK325-A	Differential L.H./R.H.	Tapered Roller Bearing Cone	387-AS VP	2
	Differential L.H./R.H.	Tapered Roller Bearing Cup	382-AVP	2
	Misc.	Brush	<i>Brush1</i>	1
	Misc.	Crush Sleeve	<i>CS325-A</i>	1
	Misc.	Pinion Nut	<i>PN7</i>	1
	Misc.	Sealant	<i>3 oz Silicone Blue</i>	1
	Misc.	Thread Locker	<i>TL1</i>	1
	Misc.	Gear Marking Compound	<i>35V05</i>	1
	Pinion	Seal	21955	1
	Pinion Inner	Tapered Roller Bearing Cup	HM903210	1
	Pinion Inner	Tapered Roller Bearing Cone	HM903249	1
	Pinion Outer	Tapered Roller Bearing Cup/Cone	M802011 VP/M802048 VP	1
	Pinion Pilot	Cylindrical Roller Bearing	R1581-TV	1

Differential kit contents

	Location	Description	Part no.	Qty	
SDK325-AMK	Differential L.H./R.H.	Tapered Roller Bearing Cone	387-AS VP	2	
	Differential L.H./R.H.	Tapered Roller Bearing Cup	382-AVP	2	
	Misc.	Brush	<i>Brush1</i>	1	
	Misc.	Crush Sleeve	<i>CS325-A</i>	1	
	Misc.	Pinion Nut	<i>PN7</i>	1	
	Misc.	Ring Gear Bolt	<i>RGB9</i>	12	
	Misc.	Sealant	<i>3 oz Silicone Blue</i>	1	
	Misc.	Pinion Shim Set	<i>SK14</i>	1	
	Misc.	Thread Locker	<i>TL1</i>	1	
	Misc.	Gear Marking Compound	<i>35V05</i>	1	
	Pinion	Seal	21955	1	
	Pinion Inner	Tapered Roller Bearing Cup	HM903210	1	
	Pinion Inner	Tapered Roller Bearing Cone	HM903249	1	
	Pinion Outer	Tapered Roller Bearing Cup/Cone	M802011 VP/M802048 VP	1	
	Pinion Pilot	Cylindrical Roller Bearing	R1581-TV	1	
SDK325-B	Differential L.H./R.H.	Tapered Roller Bearing Cone	387-AS VP	2	
	Differential L.H./R.H.	Tapered Roller Bearing Cup	382-AVP	2	
	Misc.	Brush	<i>Brush1</i>	1	
	Misc.	Crush Sleeve	<i>CS325-A</i>	1	
	Misc.	Pinion Nut	<i>PN7</i>	1	
	Misc.	Sealant	<i>3 oz Silicone Blue</i>	1	
	Misc.	Thread Locker	<i>TL1</i>	1	
	Misc.	Gear Marking Compound	<i>35V05</i>	1	
	Pinion	Seal	23244	1	
	Pinion Inner	Tapered Roller Bearing Cup	HM903210	1	
	Pinion Inner	Tapered Roller Bearing Cone	HM903249	1	
	Pinion Outer	Tapered Roller Bearing Cup/Cone	M802011 VP/M802048 VP	1	
	Pinion Pilot	Cylindrical Roller Bearing	R1581-TV	1	
	SDK325-BMK	Differential L.H./R.H.	Tapered Roller Bearing Cone	387-AS VP	2
		Differential L.H./R.H.	Tapered Roller Bearing Cup	382-AVP	2
Misc.		Brush	<i>Brush1</i>	1	
Misc.		Crush Sleeve	<i>CS325-A</i>	1	
Misc.		Pinion Nut	<i>PN7</i>	1	
Misc.		Ring Gear Bolt	<i>RGB9</i>	12	
Misc.		Sealant	<i>3 oz Silicone Blue</i>	1	
Misc.		Pinion Shim Set	<i>SK14</i>	1	
Misc.		Thread Locker	<i>TL1</i>	1	
Misc.		Gear Marking Compound	<i>35V05</i>	1	
Pinion		Seal	23244	1	
Pinion Inner		Tapered Roller Bearing Cup	HM903210	1	
Pinion Inner		Tapered Roller Bearing Cone	HM903249	1	
Pinion Outer		Tapered Roller Bearing Cup/Cone	M802011 VP/M802048 VP	1	
Pinion Pilot		Cylindrical Roller Bearing	R1581-TV	1	

Differential kit contents

	Location	Description	Part no.	Qty
SDK327	Differential L.H./R.H.	Tapered Roller Bearing Cup	BR3920	2
	Differential L.H./R.H.	Tapered Roller Bearing Cone	BR3984	2
	Misc.	Brush	<i>Brush1</i>	1
	Misc.	Crush Sleeve	<i>CS341</i>	1
	Misc.	Pinion Nut	<i>PN17</i>	1
	Misc.	Sealant	<i>3 oz Silicone Blue</i>	1
	Misc.	Thread Locker	<i>TL1</i>	1
	Misc.	Gear Marking Compound	<i>35V05</i>	1
	Pinion	Seal	23244	1
	Pinion Inner	Tapered Roller Bearing Cup	HM807010 VP	1
	Pinion Inner	Tapered Roller Bearing Cone	HM807046 VP	1
	Pinion Outer	Tapered Roller Bearing Cup/Cone	M802011 VP/M802048 VP	1
	SDK327-MK	Differential L.H./R.H.	Tapered Roller Bearing Cup	BR3920
Differential L.H./R.H.		Tapered Roller Bearing Cone	BR3984	2
Misc.		Brush	<i>Brush1</i>	1
Misc.		Crush Sleeve	<i>CS341</i>	1
Misc.		Pinion Nut	<i>PN17</i>	1
Misc.		Ring Gear Bolt	<i>RGB21</i>	12
Misc.		Sealant	<i>3 oz Silicone Blue</i>	1
Misc.		Pinion Shim Set	<i>SK54</i>	1
Misc.		Thread Locker	<i>TL1</i>	1
Misc.		Gear Marking Compound	<i>35V05</i>	1
Pinion		Seal	23244	1
Pinion Inner		Tapered Roller Bearing Cup	HM807010 VP	1
Pinion Inner		Tapered Roller Bearing Cone	HM807046 VP	1
Pinion Outer		Tapered Roller Bearing Cup/Cone	M802011 VP/M802048 VP	1
SDK331	Differential L.H./R.H.	Tapered Roller Bearing Cup	382-S VP	2
	Differential L.H./R.H.	Tapered Roller Bearing Cone	387-A VP	2
	Misc.	Brush	<i>Brush1</i>	1
	Misc.	Pinion Nut	<i>PN5</i>	1
	Misc.	Sealant	<i>3 oz Silicone Blue</i>	1
	Misc.	Pinion Shim Set	<i>SK15</i>	1
	Misc.	Pinion Shim Set	<i>SK17</i>	1
	Misc.	Pinion Shim Set	<i>SK54</i>	1
	Misc.	Thread Locker	<i>TL1</i>	1
	Misc.	Gear Marking Compound	<i>35V05</i>	1
	Pinion (.531" Width)	Seal	18888	1
	Pinion (.770" Width)	Seal	18891	1
	Pinion Inner	Tapered Roller Bearing Cup	HM803110	1
	Pinion Inner	Tapered Roller Bearing Cone	HM803146 VP	1
	Pinion Outer	Tapered Roller Bearing Cup	HM88510	1
	Pinion Outer	Tapered Roller Bearing Cone	HM88542 VP	1

Differential kit contents

	Location	Description	Part no.	Qty
SDK331-A	Differential L.H./R.H.	Tapered Roller Bearing Cup	382-S VP	2
	Differential L.H./R.H.	Tapered Roller Bearing Cone	387-AVP	2
	Misc.	Brush	<i>Brush1</i>	1
	Misc.	Crush Sleeve	<i>CS342</i>	1
	Misc.	Pinion Nut	<i>PN5</i>	1
	Misc.	Sealant	<i>3 oz Silicone Blue</i>	1
	Misc.	Thread Locker	<i>TL1</i>	1
	Misc.	Gear Marking Compound	<i>35V05</i>	1
	Pinion	Seal	18891	1
	Pinion (w/End Yoke)	Seal	<i>DS50574</i>	1
	Pinion Inner	Tapered Roller Bearing Cup	HM803110	1
	Pinion Inner	Tapered Roller Bearing Cone	HM803146 VP	1
	Pinion Outer	Tapered Roller Bearing Cup	HM88510	1
	Pinion Outer	Tapered Roller Bearing Cone	HM88542 VP	1
SDK331-AMK	Differential L.H./R.H.	Tapered Roller Bearing Cup	382-S VP	2
	Differential L.H./R.H.	Tapered Roller Bearing Cone	387-AVP	2
	Misc.	Brush	<i>Brush1</i>	1
	Misc.	Crush Sleeve	<i>CS342</i>	1
	Misc.	Pinion Nut	<i>PN5</i>	1
	Misc.	Ring Gear Bolt	<i>RGB6</i>	12
	Misc.	Sealant	<i>3 oz Silicone Blue</i>	1
	Misc.	Pinion Shim Set	<i>SK15</i>	1
	Misc.	Pinion Shim Set	<i>SK54</i>	1
	Misc.	Thread Locker	<i>TL1</i>	1
	Misc.	Gear Marking Compound	<i>35V05</i>	1
	Pinion	Seal	18891	1
	Pinion (w/End Yoke)	Seal	<i>DS50574</i>	1
	Pinion Inner	Tapered Roller Bearing Cup	HM803110	1
	Pinion Inner	Tapered Roller Bearing Cone	HM803146 VP	1
	Pinion Outer	Tapered Roller Bearing Cup	HM88510	1
	Pinion Outer	Tapered Roller Bearing Cone	HM88542 VP	1
SDK331-B	Differential L.H./R.H.	Tapered Roller Bearing Cone	NP197868	2
	Differential L.H./R.H.	Tapered Roller Bearing Cup	NP802507	2
	Misc.	Brush	<i>Brush1</i>	1
	Misc.	Pinion Nut	<i>PN5</i>	1
	Misc.	Sealant	<i>3 oz Silicone Blue</i>	1
	Misc.	Thread Locker	<i>TL1</i>	1
	Misc.	Gear Marking Compound	<i>35V05</i>	1
	Pinion (1.874" x 3.159")	Seal	18741	1
	Pinion (1.875" x 3.160")	Seal	18896	1
	Pinion Inner	Tapered Roller Bearing Cone	HM803146 VP	1
	Pinion Inner	Tapered Roller Bearing Cup	HM803110	1
	Pinion Outer	Tapered Roller Bearing Cup	HM88510	1
	Pinion Outer	Tapered Roller Bearing Cone	HM88542 VP	1

Differential kit contents

	Location	Description	Part no.	Qty
SDK331-BMK	Differential L.H./R.H.	Tapered Roller Bearing Cone	NP197868	2
	Differential L.H./R.H.	Tapered Roller Bearing Cup	NP802507	2
	Misc.	Brush	<i>Brush1</i>	1
	Misc.	Pinion Nut	<i>PN5</i>	1
	Misc.	Ring Gear Bolt	<i>RGB6</i>	12
	Misc.	Sealant	<i>3 oz Silicone Blue</i>	1
	Misc.	Pinion Shim Set	<i>SK15</i>	1
	Misc.	Pinion Shim Set	<i>SK17</i>	1
	Misc.	Pinion Shim Set	<i>SK54</i>	1
	Misc.	Thread Locker	<i>TL1</i>	1
	Misc.	Gear Marking Compound	<i>35V05</i>	1
	Pinion (1.874" x 3.159")	Seal	18741	1
	Pinion (1.875" x 3.160")	Seal	18896	1
	Pinion Inner	Tapered Roller Bearing Cone	HM803146 VP	1
	Pinion Inner	Tapered Roller Bearing Cup	HM803110	1
	Pinion Outer	Tapered Roller Bearing Cup	HM88510	1
	Pinion Outer	Tapered Roller Bearing Cone	HM88542 VP	1
	SDK331-MK	Differential L.H./R.H.	Tapered Roller Bearing Cup	382-SVP
Differential L.H./R.H.		Tapered Roller Bearing Cone	387-AVP	2
Misc.		Brush	<i>Brush1</i>	1
Misc.		Pinion Nut	<i>PN5</i>	1
Misc.		Ring Gear Bolt	<i>RGB6</i>	12
Misc.		Sealant	<i>3 oz Silicone Blue</i>	1
Misc.		Pinion Shim Set	<i>SK15</i>	1
Misc.		Pinion Shim Set	<i>SK17</i>	1
Misc.		Pinion Shim Set	<i>SK24</i>	1
Misc.		Thread Locker	<i>TL1</i>	1
Misc.		Gear Marking Compound	<i>35V05</i>	1
Pinion (.531" Width)		Seal	18888	1
Pinion (.770" Width)		Seal	18891	1
Pinion Inner		Tapered Roller Bearing Cup	HM803110	1
Pinion Inner		Tapered Roller Bearing Cone	HM803146 VP	1
Pinion Outer		Tapered Roller Bearing Cup	HM88510	1
Pinion Outer		Tapered Roller Bearing Cone	HM88542 VP	1

Differential kit contents

	Location	Description	Part no.	Qty
SDK332	Differential L.H./R.H.	Tapered Roller Bearing Cup	382-SVP	2
	Differential L.H./R.H.	Tapered Roller Bearing Cone	387-AVP	2
	Misc.	Brush	<i>Brush1</i>	1
	Misc.	Pinion Nut	<i>PN5</i>	1
	Misc.	Sealant	<i>3 oz Silicone Blue</i>	1
	Misc.	Pinion Shim Set	<i>SK17</i>	1
	Misc.	Pinion Shim Set	<i>SK18</i>	1
	Misc.	Pinion Shim Set	<i>SK54</i>	1
	Misc.	Thread Locker	<i>TL1</i>	1
	Misc.	Gear Marking Compound	<i>35V05</i>	1
	Pinion (.531" Width)	Seal	18888	1
	Pinion (.770" Width)	Seal	18891	1
	Pinion Inner	Tapered Roller Bearing Cup	HM807010 VP	1
	Pinion Inner	Tapered Roller Bearing Cone	HM807040 VP	1
	Pinion Outer	Tapered Roller Bearing Cup	HM88510	1
	Pinion Outer	Tapered Roller Bearing Cone	HM88542 VP	1
	SDK332-A	Differential L.H./R.H.	Tapered Roller Bearing Cone	NP197868
Differential L.H./R.H.		Tapered Roller Bearing Cup	NP802507	2
Misc.		Brush	<i>Brush1</i>	1
Misc.		Spacer	<i>DS46176</i>	1
Misc.		Pinion Nut	<i>PN5</i>	1
Misc.		Sealant	<i>3 oz Silicone Blue</i>	1
Misc.		Pinion Shim Set	<i>SK15</i>	1
Misc.		Pinion Shim Set	<i>SK17</i>	1
Misc.		Pinion Shim Set	<i>SK54</i>	1
Misc.		Thread Locker	<i>TL1</i>	1
Misc.		Gear Marking Compound	<i>35V05</i>	1
Pinion		Seal	18896	1
Pinion Inner		Tapered Roller Bearing Cup	HM803110	1
Pinion Inner		Tapered Roller Bearing Cone	HM803149 VP	1
Pinion Outer		Tapered Roller Bearing Cup	HM88510	1
Pinion Outer		Tapered Roller Bearing Cone	HM88542 VP	1
SDK332-HD		Differential L.H./R.H.	Tapered Roller Bearing Cup	453-XVP
	Differential L.H./R.H.	Tapered Roller Bearing Cone	BR469	2
	Misc.	Brush	<i>Brush1</i>	1
	Misc.	Pinion Nut	<i>PN5</i>	1
	Misc.	Sealant	<i>3 oz Silicone Blue</i>	1
	Misc.	Pinion Shim Set	<i>SK17</i>	1
	Misc.	Pinion Shim Set	<i>SK18</i>	1
	Misc.	Pinion Shim Set	<i>SK54</i>	1
	Misc.	Thread Locker	<i>TL1</i>	1
	Misc.	Gear Marking Compound	<i>35V05</i>	1
	Pinion	Seal	18891	1
	Pinion Inner	Tapered Roller Bearing Cup	HM807010 VP	1
	Pinion Inner	Tapered Roller Bearing Cone	HM807040 VP	1
	Pinion Outer	Tapered Roller Bearing Cup	HM88510	1
	Pinion Outer	Tapered Roller Bearing Cone	HM88542 VP	1

Differential kit contents

	Location	Description	Part no.	Qty
SDK332-U	Differential L.H./R.H.	Tapered Roller Bearing Cup	382-S VP	2
	Differential L.H./R.H.	Tapered Roller Bearing Cone	387-A VP	2
	Misc.	Brush	<i>Brush1</i>	1
	Misc.	Pinion Nut	<i>PN5</i>	1
	Misc.	Sealant	<i>3 oz Silicone Blue</i>	1
	Misc.	Pinion Shim Set	<i>SK15</i>	1
	Misc.	Pinion Shim Set	<i>SK17</i>	1
	Misc.	Pinion Shim Set	<i>SK54</i>	1
	Misc.	Thread Locker	<i>TL1</i>	1
	Pinion	Seal	18891	1
	Pinion Inner	Tapered Roller Bearing Cup	HM803110	1
	Pinion Inner	Tapered Roller Bearing Cone	HM803149 VP	1
	Pinion Outer	Tapered Roller Bearing Cup	HM88510	1
	Pinion Outer	Tapered Roller Bearing Cone	HM88542 VP	1
SDK332-UMK	Differential L.H./R.H.	Tapered Roller Bearing Cup	382-S VP	2
	Differential L.H./R.H.	Tapered Roller Bearing Cone	387-A VP	2
	Misc.	Brush	<i>Brush1</i>	1
	Misc.	Pinion Nut	<i>PN5</i>	1
	Misc.	Ring Gear Bolt	<i>RGB12</i>	12
	Misc.	Sealant	<i>3 oz Silicone Blue</i>	1
	Misc.	Pinion Shim Set	<i>SK15</i>	1
	Misc.	Pinion Shim Set	<i>SK17</i>	1
	Misc.	Pinion Shim Set	<i>SK54</i>	1
	Misc.	Thread Locker	<i>TL1</i>	1
	Pinion	Seal	18891	1
	Pinion Inner	Tapered Roller Bearing Cup	HM803110	1
	Pinion Inner	Tapered Roller Bearing Cone	HM803149 VP	1
	Pinion Outer	Tapered Roller Bearing Cup	HM88510	1
Pinion Outer	Tapered Roller Bearing Cone	HM88542 VP	1	
SDK333	Differential L.H./R.H.	Tapered Roller Bearing Cup/Cone	LM29710 VP/LM29749 VP	2
	Misc.	Brush	<i>Brush1</i>	1
	Misc.	Crush Sleeve	<i>CS330</i>	1
	Misc.	Pinion Nut	<i>PN8-F</i>	1
	Misc.	Sealant	<i>3 oz Silicone Blue</i>	1
	Misc.	Thread Locker	<i>TL1</i>	1
	Misc.	Gear Marking Compound	<i>35V05</i>	1
	Pinion	Seal	15502	1
	Pinion Inner	Tapered Roller Bearing Cup/Cone	M88010 VP/M88048 VP (BR52)	1
	Pinion Outer	Tapered Roller Bearing Cup	M86610 VP	1
	Pinion Outer	Tapered Roller Bearing Cone	M86649 VP	1

Differential kit contents

	Location	Description	Part no.	Qty
SDK333-A	Differential L.H./R.H.	Tapered Roller Bearing Cup	LM29710 VP	2
	Differential L.H./R.H.	Tapered Roller Bearing Cone	LM29749 VP	2
	Misc.	Brush	<i>Brush1</i>	1
	Misc.	Crush Sleeve	<i>CS336K</i>	1
	Misc.	Sealant	<i>3 oz Silicone Blue</i>	1
	Misc.	Pinion Shim Set	<i>SK24</i>	1
	Misc.	Pinion Shim Set	<i>SK25</i>	1
	Misc.	Thread Locker	<i>TL1</i>	1
	Misc.	Gear Marking Compound	<i>35V05</i>	1
	Pinion	Seal	18442	1
	Pinion Inner	Tapered Roller Bearing Cup/Cone	M86610 VP/M86649 VP	1
	Pinion Outer	Ball Bearing	6207-J	1
	Pinion Outer	Tapered Roller Bearing Cup/Cone	M88010 VP/M88048 VP (BR52)	1
	SDK333-AMK	Differential L.H./R.H.	Tapered Roller Bearing Cup	LM29710 VP
Differential L.H./R.H.		Tapered Roller Bearing Cone	LM29749 VP	2
Misc.		Brush	<i>Brush1</i>	1
Misc.		Crush Sleeve	<i>CS336K</i>	1
Misc.		Ring Gear Bolt	<i>RGB5-D</i>	10
Misc.		Sealant	<i>3 oz Silicone Blue</i>	1
Misc.		Pinion Shim Set	<i>SK24</i>	1
Misc.		Pinion Shim Set	<i>SK25</i>	1
Misc.		Thread Locker	<i>TL1</i>	1
Misc.		Gear Marking Compound	<i>35V05</i>	1
Pinion		Seal	18442	1
Pinion Inner		Tapered Roller Bearing Cup/Cone	M86610 VP/M86649 VP	1
Pinion Outer		Tapered Roller Bearing Cup/Cone	M88010 VP/M88048 VP (BR52)	1
Pinion Pilot		Ball Bearing	6207-J	1
SDK334	Differential L.H./R.H.	Tapered Roller Bearing Cup/Cone	LM501314 VP/LM501349 VP (BR72)	2
	Misc.	Brush	<i>Brush1</i>	1
	Misc.	Pinion Nut	<i>PN8-F</i>	1
	Misc.	Sealant	<i>3 oz Silicone Blue</i>	1
	Misc.	Thread Locker	<i>TL1</i>	1
	Misc.	Gear Marking Compound	<i>35V05</i>	1
	Pinion	Seal	15788	1
	Pinion Inner	Tapered Roller Bearing Cup	HM88610	1
	Pinion Inner	Tapered Roller Bearing Cone	HM88649	1
	Pinion Outer	Tapered Roller Bearing Cup	BR02820	1
	Pinion Outer	Tapered Roller Bearing Cone	BR02872	1

Differential kit contents

	Location	Description	Part no.	Qty	
SDK334-MK	Differential L.H./R.H.	Tapered Roller Bearing Cup/Cone	LM501314 VP/LM501349 VP (BR72)	2	
	Misc.	Brush	<i>Brush1</i>	1	
	Misc.	Pinion Nut	<i>PN8-F</i>	1	
	Misc.	Ring Gear Bolt	<i>RGB5</i>	10	
	Misc.	Sealant	<i>3 oz Silicone Blue</i>	1	
	Misc.	Pinion Shim Set	<i>SK20</i>	1	
	Misc.	Pinion Shim Set	<i>SK5</i>	1	
	Misc.	Pinion Shim Set	<i>SK54</i>	1	
	Misc.	Thread Locker	<i>TL1</i>	1	
	Misc.	Gear Marking Compound	<i>35V05</i>	1	
	Pinion	Seal	15788	1	
	Pinion Inner	Tapered Roller Bearing Cup	HM88610	1	
	Pinion Inner	Tapered Roller Bearing Cone	HM88649	1	
	Pinion Outer	Tapered Roller Bearing Cup	BR02820	1	
	Pinion Outer	Tapered Roller Bearing Cone	BR02872	1	
SDK334-TJ	Differential L.H./R.H.	Tapered Roller Bearing Cup/Cone	LM501314 VP/LM501349 VP (BR72)	2	
	Misc.	Brush	<i>Brush1</i>	1	
	Misc.	Crush Sleeve	<i>CS335</i>	1	
	Misc.	Pinion Nut	<i>PN8-F</i>	1	
	Misc.	Sealant	<i>3 oz Silicone Blue</i>	1	
	Misc.	Thread Locker	<i>TL1</i>	1	
	Misc.	Gear Marking Compound	<i>35V05</i>	1	
	Pinion	Seal	15788	1	
	Pinion	Seal	<i>DS50660</i>	1	
	Pinion Inner	Tapered Roller Bearing Cup	HM88610	1	
	Pinion Inner	Tapered Roller Bearing Cone	HM88649	1	
	Pinion Outer	Tapered Roller Bearing Cup	M86610 VP	1	
	Pinion Outer	Tapered Roller Bearing Cone	M86649 VP	1	
	SDK334-TJMK	Differential L.H./R.H.	Tapered Roller Bearing Cup/Cone	LM501314 VP/LM501349 VP (BR72)	2
		Misc.	Brush	<i>Brush1</i>	1
Misc.		Crush Sleeve	<i>CS335</i>	1	
Misc.		Pinion Nut	<i>PN8-F</i>	1	
Misc.		Ring Gear Bolt	<i>RGB5</i>	10	
Misc.		Sealant	<i>3 oz Silicone Blue</i>	1	
Misc.		Pinion Shim Set	<i>SK20</i>	1	
Misc.		Pinion Shim Set	<i>SK54</i>	1	
Misc.		Thread Locker	<i>TL1</i>	1	
Misc.		Slinger	<i>230747</i>	1	
Misc.		Washer	<i>30186</i>	1	
Misc.		Gear Marking Compound	<i>35V05</i>	1	
Pinion		Seal	<i>DS50660</i>	1	
Pinion		Seal	15788	1	
Pinion Inner		Tapered Roller Bearing Cup	HM88610	1	
Pinion Inner		Tapered Roller Bearing Cone	HM88649	1	
Pinion Outer		Tapered Roller Bearing Cup	M86610 VP	1	
Pinion Outer		Tapered Roller Bearing Cone	M86649 VP	1	

Differential kit contents

	Location	Description	Part no.	Qty
SDK335	Differential L.H./R.H.	Tapered Roller Bearing Cup/Cone	LM501314 VP/LM501349 VP (BR72)	2
	Misc.	Brush	<i>Brush1</i>	1
	Misc.	Crush Sleeve	<i>CS310</i>	1
	Misc.	Pinion Nut	<i>PN6</i>	1
	Misc.	Sealant	<i>3 oz Silicone Blue</i>	1
	Misc.	Thread Locker	<i>TL1</i>	1
	Misc.	Gear Marking Compound	<i>35V05</i>	1
	Pinion	Seal	<i>43085</i>	1
	Pinion	Seal	<i>18444</i>	1
	Pinion Inner	Tapered Roller Bearing Cup	HM88610	1
	Pinion Inner	Tapered Roller Bearing Cone	HM88648 VP	1
	Pinion Outer	Tapered Roller Bearing Cup	M86610 VP	1
	Pinion Outer	Tapered Roller Bearing Cone	M86649 VP	1
	SDK335-MK	Differential L.H./R.H.	Tapered Roller Bearing Cup/Cone	LM501314 VP/LM501349 VP (BR72)
Misc.		Brush	<i>Brush1</i>	1
Misc.		Crush Sleeve	<i>CS310</i>	1
Misc.		Pinion Nut	<i>PN6</i>	1
Misc.		Ring Gear Bolt	<i>RGB5</i>	8
Misc.		Sealant	<i>3 oz Silicone Blue</i>	1
Misc.		Pinion Shim Set	<i>SK28</i>	1
Misc.		Pinion Shim Set	<i>SK54</i>	1
Misc.		Thread Locker	<i>TL1</i>	1
Misc.		Gear Marking Compound	<i>35V05</i>	1
Pinion		Seal	<i>43085</i>	1
Pinion Inner		Tapered Roller Bearing Cup	HM88610	1
Pinion Inner		Tapered Roller Bearing Cone	HM88648 VP	1
Pinion Outer		Tapered Roller Bearing Cup	M86610 VP	1
Pinion Outer	Tapered Roller Bearing Cone	M86649 VP	1	
SDK335-C	Differential L.H./R.H.	Tapered Roller Bearing Cup/Cone	LM501314 VP/LM501349 VP (BR72)	2
	Misc.	Brush	<i>Brush1</i>	1
	Misc.	Crush Sleeve	<i>CS344</i>	1
	Misc.	Pinion Nut	<i>PN6</i>	1
	Misc.	Sealant	<i>3 oz Silicone Blue</i>	1
	Misc.	Thread Locker	<i>TL1</i>	1
	Misc.	Gear Marking Compound	<i>35V05</i>	1
	Pinion	Seal	<i>DS49153</i>	1
	Pinion Inner	Tapered Roller Bearing Cup	HM88610	1
	Pinion Inner	Tapered Roller Bearing Cone	HM88648 VP	1
	Pinion Outer	Tapered Roller Bearing Cup	M86610 VP	1
	Pinion Outer	Tapered Roller Bearing Cone	M86649 VP	1

Differential kit contents

	Location	Description	Part no.	Qty
SDK335-CMK	Differential L.H./R.H.	Tapered Roller Bearing Cup/Cone	LM501314 VP/LM501349 VP (BR72)	2
	Misc.	Brush	<i>Brush1</i>	1
	Misc.	Crush Sleeve	<i>CS344</i>	1
	Misc.	Pinion Nut	<i>PN6</i>	1
	Misc.	Ring Gear Bolt	<i>RGB5</i>	8
	Misc.	Sealant	<i>3 oz Silicone Blue</i>	1
	Misc.	Pinion Shim Set	<i>SK28</i>	1
	Misc.	Pinion Shim Set	<i>SK54</i>	1
	Misc.	Thread Locker	<i>TL1</i>	1
	Misc.	Gear Marking Compound	<i>35V05</i>	1
	Pinion	Seal	<i>DS49153</i>	1
	Pinion Inner	Tapered Roller Bearing Cup	HM88610	1
	Pinion Inner	Tapered Roller Bearing Cone	HM88648 VP	1
	Pinion Outer	Tapered Roller Bearing Cup	M86610 VP	1
	Pinion Outer	Tapered Roller Bearing Cone	M86649 VP	1
SDK336	Differential L.H./R.H.	Tapered Roller Bearing Cone	JLM104948	2
	Differential L.H./R.H.	Tapered Roller Bearing Cup	LM104911-A	2
	Misc.	Brush	<i>Brush1</i>	1
	Misc.	Pinion Nut	<i>PN8-F</i>	1
	Misc.	Sealant	<i>3 oz Silicone Blue</i>	1
	Misc.	Thread Locker	<i>TL1</i>	1
	Misc.	Gear Marking Compound	<i>35V05</i>	1
	Pinion	Seal	15788	1
	Pinion Inner	Tapered Roller Bearing Cup	HM88610	1
	Pinion Inner	Tapered Roller Bearing Cone	HM88649	1
	Pinion Outer	Tapered Roller Bearing Cup	BR02820	1
Pinion Outer	Tapered Roller Bearing Cone	BR02872	1	
SDK337	Differential L.H./R.H.	Tapered Roller Bearing Cup	453-XVP	2
	Differential L.H./R.H.	Tapered Roller Bearing Cone	BR469	2
	Misc.	Brush	<i>Brush1</i>	1
	Misc.	Pinion Nut	<i>PN10</i>	1
	Misc.	Sealant	<i>3 oz Silicone Blue</i>	1
	Misc.	Thread Locker	<i>TL1</i>	1
	Misc.	Gear Marking Compound	<i>35V05</i>	1
	Pinion	Seal	25140	1
	Pinion Inner	Tapered Roller Bearing Cup	HM807010 VP	1
	Pinion Inner	Tapered Roller Bearing Cone	HM807046 VP	1
	Pinion Outer	Tapered Roller Bearing Cup/Cone	M802011 VP/M802048 VP	1

Differential kit contents

	Location	Description	Part no.	Qty
SDK337-MK	Differential L.H./R.H.	Tapered Roller Bearing Cup	453-XVP	2
	Differential L.H./R.H.	Tapered Roller Bearing Cone	BR469	2
	Misc.	Brush	<i>Brush1</i>	1
	Misc.	Pinion Nut	<i>PN10</i>	1
	Misc.	Ring Gear Bolt	<i>RGB13</i>	12
	Misc.	Sealant	<i>3 oz Silicone Blue</i>	1
	Misc.	Pinion Shim Set	<i>SK31</i>	1
	Misc.	Pinion Shim Set	<i>SK43</i>	1
	Misc.	Pinion Shim Set	<i>SK44</i>	1
	Misc.	Thread Locker	<i>TL1</i>	1
	Misc.	Gear Marking Compound	<i>35V05</i>	1
	Pinion	Seal	25140	1
	Pinion Inner	Tapered Roller Bearing Cup	HM807010 VP	1
	Pinion Inner	Tapered Roller Bearing Cone	HM807046 VP	1
	Pinion Outer	Tapered Roller Bearing Cup/Cone	M802011 VP/M802048 VP	1
SDK337-A	Differential L.H./R.H.	Tapered Roller Bearing Cup	453-XVP	2
	Differential L.H./R.H.	Tapered Roller Bearing Cone	BR469	2
	Misc.	Brush	<i>Brush1</i>	1
	Misc.	Pinion Nut	<i>PN10</i>	1
	Misc.	Sealant	<i>3 oz Silicone Blue</i>	1
	Misc.	Thread Locker	<i>TL1</i>	1
	Misc.	Gear Marking Compound	<i>35V05</i>	1
	Pinion	Seal	25026	1
	Pinion Inner	Tapered Roller Bearing Cone	NP516549	1
	Pinion Inner	Tapered Roller Bearing Cup	NP673386	1
	Pinion Outer	Tapered Roller Bearing Cup/Cone	M802011 VP/M802048 VP	1
SDK337-AMK	Differential L.H./R.H.	Tapered Roller Bearing Cup	453-XVP	2
	Differential L.H./R.H.	Tapered Roller Bearing Cone	BR469	2
	Misc.	Brush	<i>Brush1</i>	1
	Misc.	Pinion Nut	<i>PN10</i>	1
	Misc.	Ring Gear Bolt	<i>RGB13</i>	12
	Misc.	Sealant	<i>3 oz Silicone Blue</i>	1
	Misc.	Pinion Shim Set	<i>SK44</i>	1
	Misc.	Pinion Shim Set	<i>SK54</i>	4
	Misc.	Thread Locker	<i>TL1</i>	1
	Misc.	Gear Marking Compound	<i>35V05</i>	1
	Pinion	Seal	25026	1
	Pinion Inner	Tapered Roller Bearing Cone	NP516549	1
	Pinion Inner	Tapered Roller Bearing Cup	NP673386	1
	Pinion Outer	Tapered Roller Bearing Cup/Cone	M802011 VP/M802048 VP	1

Differential kit contents

	Location	Description	Part no.	Qty
SDK339	Differential L.H./R.H.	Tapered Roller Bearing Cup/Cone	LM603011 VP/LM603049 VP (BR37)	2
	Misc.	Brush	<i>Brush1</i>	1
	Misc.	Pinion Nut	<i>PN8-F</i>	1
	Misc.	Sealant	<i>3 oz Silicone Blue</i>	1
	Misc.	Thread Locker	<i>TL1</i>	1
	Misc.	Gear Marking Compound	<i>35V05</i>	1
	Pinion	Seal	15788	1
	Pinion Inner	Tapered Roller Bearing Cup	HM88610	1
	Pinion Inner	Tapered Roller Bearing Cone	HM88649	1
	Pinion Outer	Tapered Roller Bearing Cup	M86610 VP	1
	Pinion Outer	Tapered Roller Bearing Cone	M86647 VP	1
SDK339-A	Differential L.H./R.H.	Tapered Roller Bearing Cup/Cone	LM603012/LM603049 VP (BR36)	2
	Misc.	Brush	<i>Brush1</i>	1
	Misc.	Crush Sleeve	<i>CS333</i>	1
	Misc.	Pinion Nut	<i>PN5</i>	1
	Misc.	Sealant	<i>3 oz Silicone Blue</i>	1
	Misc.	Thread Locker	<i>TL1</i>	1
	Misc.	Gear Marking Compound	<i>35V05</i>	1
	Pinion	Seal	18891	1
	Pinion Inner	Tapered Roller Bearing Cup/Cone	M802011 VP/M802048 VP	1
	Pinion Outer	Tapered Roller Bearing Cup/Cone	M88010 VP/M88048 VP (BR52)	1
	SDK339-AMK	Differential L.H./R.H.	Tapered Roller Bearing Cup/Cone	LM603012/LM603049 VP (BR36)
Misc.		Brush	<i>Brush1</i>	1
Misc.		Crush Sleeve	<i>CS333</i>	1
Misc.		Pinion Nut	<i>PN8-F</i>	1
Misc.		Ring Gear Bolt	<i>RGB5</i>	10
Misc.		Sealant	<i>3 oz Silicone Blue</i>	1
Misc.		Pinion Shim Set	<i>SK4</i>	1
Misc.		Pinion Shim Set	<i>SK7</i>	1
Misc.		Thread Locker	<i>TL1</i>	1
Misc.		Gear Marking Compound	<i>35V05</i>	1
Pinion		Seal	18891	1
Pinion Inner		Tapered Roller Bearing Cup/Cone	M802011 VP/M802048 VP	1
Pinion Outer		Tapered Roller Bearing Cup/Cone	M88010 VP/M88048 VP (BR52)	1
SDK339-B		Differential L.H./R.H.	Tapered Roller Bearing Cup	BR25523
	Differential L.H./R.H.	Tapered Roller Bearing Cone	BR25590	2
	Misc.	Brush	<i>Brush1</i>	1
	Misc.	Pinion Nut	<i>PN8-F</i>	1
	Misc.	Sealant	<i>3 oz Silicone Blue</i>	1
	Misc.	Thread Locker	<i>TL1</i>	1
	Misc.	Gear Marking Compound	<i>35V05</i>	1
	Pinion	Seal	15788	1
	Pinion Inner	Tapered Roller Bearing Cup	BR31520	1
	Pinion Inner	Tapered Roller Bearing Cone	BR31594	1
	Pinion Outer	Tapered Roller Bearing Cup	BR02820	1
	Pinion Outer	Tapered Roller Bearing Cone	BR02872	1

Differential kit contents

	Location	Description	Part no.	Qty
SDK339-BMK	Differential L.H./R.H.	Tapered Roller Bearing Cup	BR25523	2
	Differential L.H./R.H.	Tapered Roller Bearing Cone	BR25590	2
	Misc.	Brush	<i>Brush1</i>	1
	Misc.	Pinion Nut	<i>PN8-F</i>	1
	Misc.	Ring Gear Bolt	<i>RGB5</i>	10
	Misc.	Sealant	<i>3 oz Silicone Blue</i>	1
	Misc.	Pinion Shim Set	<i>SK22</i>	1
	Misc.	Pinion Shim Set	<i>SK23</i>	1
	Misc.	Pinion Shim Set	<i>SK5</i>	1
	Misc.	Thread Locker	<i>TL1</i>	1
	Misc.	Gear Marking Compound	<i>35V05</i>	1
	Pinion	Seal	15788	1
	Pinion Inner	Tapered Roller Bearing Cup	BR31520	1
	Pinion Inner	Tapered Roller Bearing Cone	BR31594	1
	Pinion Outer	Tapered Roller Bearing Cup	BR02820	1
	Pinion Outer	Tapered Roller Bearing Cone	BR02872	1
	SDK339-C	Differential L.H./R.H.	Tapered Roller Bearing Cup	BR25523
Differential L.H./R.H.		Tapered Roller Bearing Cone	BR25590	2
Misc.		Brush	<i>Brush1</i>	1
Misc.		Crush Sleeve	<i>CS338</i>	1
Misc.		Pinion Nut	<i>PN8-F</i>	1
Misc.		Sealant	<i>3 oz Silicone Blue</i>	1
Misc.		Thread Locker	<i>TL1</i>	1
Misc.		Gear Marking Compound	<i>35V05</i>	1
Pinion		Seal	15788	1
Pinion Inner		Tapered Roller Bearing Cup	HM88610	1
Pinion Inner		Tapered Roller Bearing Cone	HM88649	1
Pinion Outer		Tapered Roller Bearing Cup	BR02820	1
Pinion Outer		Tapered Roller Bearing Cone	BR02872	1
SDK339-CMK	Differential L.H./R.H.	Tapered Roller Bearing Cup	BR25523	2
	Differential L.H./R.H.	Tapered Roller Bearing Cone	BR25590	2
	Misc.	Brush	<i>Brush1</i>	1
	Misc.	Crush Sleeve	<i>CS338</i>	1
	Misc.	Pinion Nut	<i>PN8-F</i>	1
	Misc.	Ring Gear Bolt	<i>RGB5-D</i>	10
	Misc.	Sealant	<i>3 oz Silicone Blue</i>	1
	Misc.	Pinion Shim Set	<i>SK23</i>	1
	Misc.	Pinion Shim Set	<i>SK32</i>	2
	Misc.	Thread Locker	<i>TL1</i>	1
	Misc.	Gear Marking Compound	<i>35V05</i>	1
	Pinion	Seal	15788	1
	Pinion Inner	Tapered Roller Bearing Cup	HM88610	1
	Pinion Inner	Tapered Roller Bearing Cone	HM88649	1
	Pinion Outer	Tapered Roller Bearing Cup	BR02820	1
	Pinion Outer	Tapered Roller Bearing Cone	BR02872	1

Differential kit contents

	Location	Description	Part no.	Qty
SDK339-N	Differential L.H./R.H.	Tapered Roller Bearing Cup	JLM704610	2
	Differential L.H./R.H.	Tapered Roller Bearing Cone	JLM704649	2
	Misc.	Brush	<i>Brush1</i>	1
	Misc.	Crush Sleeve	<i>CS349</i>	1
	Misc.	Washer	<i>DS30275</i>	1
	Misc.	Pinion Nut	<i>PN5</i>	1
	Misc.	Sealant	<i>3 oz Silicone Blue</i>	1
	Misc.	Pinion Shim Set	<i>SK4</i>	1
	Misc.	Pinion Shim Set	<i>SK47</i>	1
	Misc.	Thread Locker	<i>TL1</i>	1
	Pinion	Seal	<i>DS50574</i>	1
	Pinion Inner	Tapered Roller Bearing Cup	HM803110	1
	Pinion Inner	Tapered Roller Bearing Cone	HM803146 VP	1
	Pinion Outer	Tapered Roller Bearing Cup/Cone	M88010 VP/M88048 VP (BR52)	1
SDK339-NMK	Differential L.H./R.H.	Tapered Roller Bearing Cup	JLM704610	2
	Differential L.H./R.H.	Tapered Roller Bearing Cone	JLM704649	2
	Misc.	Brush	<i>Brush1</i>	1
	Misc.	Crush Sleeve	<i>CS349</i>	1
	Misc.	Washer	<i>DS30275</i>	1
	Misc.	Pinion Nut	<i>PN5</i>	1
	Misc.	Ring Gear Bolt	<i>RGB25</i>	10
	Misc.	Sealant	<i>3 oz Silicone Blue</i>	1
	Misc.	Pinion Shim Set	<i>SK4</i>	1
	Misc.	Pinion Shim Set	<i>SK47</i>	1
	Misc.	Thread Locker	<i>TL1</i>	1
	Pinion	Seal	<i>DS50574</i>	1
	Pinion Inner	Tapered Roller Bearing Cup	HM803110	1
	Pinion Inner	Tapered Roller Bearing Cone	HM803146 VP	1
Pinion Outer	Tapered Roller Bearing Cup/Cone	M88010 VP/M88048 VP (BR52)	2	
SDK350	Differential L.H./R.H.	Tapered Roller Bearing Cone	LM603049 VP	2
	Differential L.H./R.H.	Tapered Roller Bearing Cup	LM603014	2
	Misc.	Brush	<i>Brush1</i>	1
	Misc.	Crush Sleeve	<i>CS332</i>	1
	Misc.	Pinion Nut	<i>PN11</i>	1
	Misc.	Sealant	<i>3 oz Silicone Blue</i>	1
	Misc.	Thread Locker	<i>TL1</i>	1
	Misc.	Gear Marking Compound	<i>35V05</i>	1
	Pinion	Seal	<i>14768</i>	1
	Pinion Inner	Tapered Roller Bearing Set	<i>BR32307-C</i>	1
	Pinion Outer	Tapered Roller Bearing Set	BR30306	1

Differential kit contents

	Location	Description	Part no.	Qty
SDK350-MK	Differential L.H./R.H.	Tapered Roller Bearing Cone	LM603049 VP	2
	Differential L.H./R.H.	Tapered Roller Bearing Cup	LM603014	2
	Misc.	Brush	<i>Brush1</i>	1
	Misc.	Crush Sleeve	<i>CS332</i>	1
	Misc.	Pinion Nut	<i>PN11</i>	1
	Misc.	Ring Gear Bolt	<i>RGB15</i>	10
	Misc.	Sealant	<i>3 oz Silicone Blue</i>	1
	Misc.	Pinion Shim Set	<i>SK32</i>	1
	Misc.	Thread Locker	<i>TL1</i>	1
	Misc.	Gear Marking Compound	<i>35V05</i>	1
	Pinion	Seal	14768	1
	Pinion Inner	Tapered Roller Bearing Set	<i>BR32307-C</i>	1
	Pinion Outer	Tapered Roller Bearing Set	BR30306	1
	SDK351	Differential L.H./R.H.	Tapered Roller Bearing Cone	LM603049 VP
Differential L.H./R.H.		Tapered Roller Bearing Cup	LM603014	2
Misc.		Brush	<i>Brush1</i>	1
Misc.		Crush Sleeve	<i>CS331</i>	1
Misc.		Pinion Nut	<i>PN14</i>	1
Misc.		Sealant	<i>3 oz Silicone Blue</i>	1
Misc.		Thread Locker	<i>TL1</i>	1
Misc.		Gear Marking Compound	<i>35V05</i>	1
Pinion		Seal	14768	1
Pinion Inner		Tapered Roller Bearing Set	<i>BR32307-C</i>	1
Pinion Outer		Tapered Roller Bearing Set	BR30306	1
SDK351-MK		Differential L.H./R.H.	Tapered Roller Bearing Cone	LM603049 VP
	Differential L.H./R.H.	Tapered Roller Bearing Cup	LM603014	2
	Misc.	Brush	<i>Brush1</i>	1
	Misc.	Crush Sleeve	<i>CS331</i>	1
	Misc.	Pinion Nut	<i>PN14</i>	1
	Misc.	Ring Gear Bolt	<i>RGB15</i>	10
	Misc.	Sealant	<i>3 oz Silicone Blue</i>	1
	Misc.	Pinion Shim Set	<i>SK32</i>	1
	Misc.	Thread Locker	<i>TL1</i>	1
	Misc.	Gear Marking Compound	<i>35V05</i>	1
	Pinion	Seal	14768	1
	Pinion Inner	Tapered Roller Bearing Set	<i>BR32307-C</i>	1
	Pinion Outer	Tapered Roller Bearing Set	BR30306	1

Differential kit contents

	Location	Description	Part no.	Qty
SDK352	Differential L.H./R.H.	Tapered Roller Bearing Cone	JLM104948	2
	Differential L.H./R.H.	Tapered Roller Bearing Cup	LM104912	2
	Misc.	Brush	<i>Brush1</i>	1
	Misc.	Crush Sleeve	<i>CS334</i>	1
	Misc.	Pinion Nut	<i>PN14</i>	1
	Misc.	Sealant	<i>3 oz Silicone Blue</i>	1
	Misc.	Thread Locker	<i>TL1</i>	1
	Misc.	Gear Marking Compound	<i>35V05</i>	1
	Pinion	Seal	14768	1
	Pinion Inner	Tapered Roller Bearing Set	32307-A89	1
	Pinion Outer	Tapered Roller Bearing Set	BR114	1
SDK352-MK	Differential L.H./R.H.	Tapered Roller Bearing Cone	JLM104948	2
	Differential L.H./R.H.	Tapered Roller Bearing Cup	LM104912	2
	Misc.	Brush	<i>Brush1</i>	1
	Misc.	Crush Sleeve	<i>CS334</i>	1
	Misc.	Pinion Nut	<i>PN14</i>	1
	Misc.	Ring Gear Bolt	<i>RGB15</i>	10
	Misc.	Sealant	<i>3 oz Silicone Blue</i>	1
	Misc.	Pinion Shim Set	<i>SK32</i>	1
	Misc.	SPACER	<i>SP2043</i>	1
	Misc.	Thread Locker	<i>TL1</i>	1
	Misc.	Gear Marking Compound	<i>35V05</i>	1
	Pinion	Seal	14768	1
	Pinion Inner	Tapered Roller Bearing Set	32307-A89	1
	Pinion Outer	Tapered Roller Bearing Set	BR114	1
SDK355	Differential L.H./R.H.	Tapered Roller Bearing Set	BR135	2
	Misc.	Brush	<i>Brush1</i>	1
	Misc.	Crush Sleeve	<i>CS327</i>	1
	Misc.	Pinion Nut	<i>PN15</i>	1
	Misc.	Sealant	<i>3 oz Silicone Blue</i>	1
	Misc.	Thread Locker	<i>TL1</i>	1
	Misc.	Gear Marking Compound	<i>35V05</i>	1
	Pinion	Seal	17803	1
	Pinion Inner	Tapered Roller Bearing Cup	HM88610 (BR90)	1
	Pinion Inner	Tapered Roller Bearing Cone	HM88649 (BR90)	1
	Pinion Outer	Tapered Roller Bearing Set	90366-40068	1

Differential kit contents

	Location	Description	Part no.	Qty
SDK355-MK	Differential L.H./R.H.	Tapered Roller Bearing Set	BR135	2
	Misc.	Crush Sleeve	<i>CS327</i>	1
	Misc.	Pinion Nut	<i>PN15</i>	1
	Misc.	Ring Gear Bolt	<i>RGB19</i>	12
	Misc.	Sealant	<i>3 oz Silicone Blue</i>	1
	Misc.	Pinion Shim Set	<i>SK49</i>	1
	Misc.	Thread Locker	<i>TL1</i>	1
	Misc.	Gear Marking Compound	<i>35V05</i>	1
	Pinion	Seal	17803	1
	Pinion Inner	Tapered Roller Bearing Cup	HM88610 (BR90)	1
	Pinion Inner	Tapered Roller Bearing Cone	HM88649 (BR90)	1
	Pinion Outer	Tapered Roller Bearing Set	90366-40068	1
	SDK381	Differential L.H./R.H.	Tapered Roller Bearing Set	32010-XVP
Misc.		Brush	<i>Brush1</i>	1
Misc.		Crush Sleeve	<i>CS358</i>	1
Misc.		Pinion Nut	<i>PN24</i>	1
Misc.		Sealant	<i>3 oz Silicone Blue</i>	1
Misc.		Thread Locker	<i>TL1</i>	1
Misc.		Gear Marking Compound	<i>35V05</i>	1
Pinion		Seal	17779A	1
Pinion Inner		Tapered Roller Bearing Set	BR30308	1
Pinion Outer		Tapered Roller Bearing Set	BR3360	1
SDK381-MK	Differential L.H./R.H.	Tapered Roller Bearing Set	32010-XVP	2
	Misc.	Brush	<i>Brush1</i>	1
	Misc.	Crush Sleeve	<i>CS358</i>	1
	Misc.	Pinion Nut	<i>PN24</i>	1
	Misc.	Ring Gear Bolt	<i>RGB31</i>	1
	Misc.	Sealant	<i>3 oz Silicone Blue</i>	1
	Misc.	Pinion Shim Set	<i>SK4</i>	1
	Misc.	Thread Locker	<i>TL1</i>	1
	Misc.	Gear Marking Compound	<i>35V05</i>	1
	Pinion	Seal	17779A	1
	Pinion Inner	Tapered Roller Bearing Set	BR30308	1
	Pinion Outer	Tapered Roller Bearing Set	BR3360	1
	SDK382	Differential L.H./R.H.	Tapered Roller Bearing Set	BR5534
Misc.		Brush	<i>Brush1</i>	1
Misc.		Crush Sleeve	<i>CS359</i>	1
Misc.		Pinion Nut	<i>PN24</i>	1
Misc.		Sealant	<i>3 oz Silicone Blue</i>	1
Misc.		Thread Locker	<i>TL1</i>	1
Misc.		Gear Marking Compound	<i>35V05</i>	1
Pinion		Seal	19802	1
Pinion Inner		Tapered Roller Bearing Set	90366-A0017	1
Pinion Outer		Tapered Roller Bearing Set	90366-A0023	1

Differential kit contents

	Location	Description	Part no.	Qty	
SDK382-MK	Differential L.H./R.H.	Tapered Roller Bearing Set	BR5534	2	
	Misc.	Brush	<i>Brush1</i>	1	
	Misc.	Crush Sleeve	<i>CS359</i>	1	
	Misc.	Pinion Nut	<i>PN24</i>	1	
	Misc.	Ring Gear Bolt	<i>RGB33</i>	1	
	Misc.	Sealant	<i>3 oz Silicone Blue</i>	1	
	Misc.	Pinion Shim Set	<i>SK13</i>	1	
	Misc.	Pinion Shim Set	<i>SK23</i>	1	
	Misc.	Pinion Shim Set	<i>SK44</i>	1	
	Misc.	Thread Locker	<i>TL1</i>	1	
	Misc.	Gear Marking Compound	<i>35V05</i>	1	
	Pinion	Seal	19802	1	
	Pinion Inner	Tapered Roller Bearing Set	90366-A0017	1	
	Pinion Outer	Tapered Roller Bearing Set	90366-A0023	1	
SDK383	Differential L.H./R.H.	Tapered Roller Bearing Set	BR5083	2	
	Misc.	Brush	<i>Brush1</i>	1	
	Misc.	Crush Sleeve	<i>CS362</i>	1	
	Misc.	Pinion Nut	<i>PN24</i>	1	
	Misc.	Sealant	<i>3 oz Silicone Blue</i>	1	
	Misc.	Thread Locker	<i>TL1</i>	1	
	Misc.	Gear Marking Compound	<i>35V05</i>	1	
	Pinion	Seal	544789	1	
	Pinion Inner	Tapered Roller Bearing Set	BR122	1	
	Pinion Outer	Tapered Roller Bearing Set	BR121	1	
SDK383-MK	Differential L.H./R.H.	Tapered Roller Bearing Set	BR5083	2	
	Misc.	Brush	<i>Brush1</i>	1	
	Misc.	Crush Sleeve	<i>CS362</i>	1	
	Misc.	Pinion Nut	<i>PN24</i>	1	
	Misc.	Ring Gear Bolt	<i>RGB15</i>	12	
	Misc.	Sealant	<i>3 oz Silicone Blue</i>	1	
	Misc.	Pinion Shim Set	<i>SK23</i>	1	
	Misc.	Thread Locker	<i>TL1</i>	1	
	Misc.	Gear Marking Compound	<i>35V05</i>	1	
	Pinion	Seal	544789	1	
	Pinion Inner	Tapered Roller Bearing Set	BR122	1	
	Pinion Outer	Tapered Roller Bearing Set	BR121	1	
	SDK402	Differential L.H.	Tapered Roller Bearing Cone	BR52400	1
		Differential L.H.	Tapered Roller Bearing Cup	BR52618	1
Differential R.H.		Tapered Roller Bearing Cup	JM822010 VP	1	
Differential R.H.		Tapered Roller Bearing Cone	JM822049 VP	1	
Misc.		Sealant	<i>3 oz Silicone Blue</i>	1	
Pinion		Seal	30153	1	
Pinion Inner		Tapered Roller Bearing Cone	<i>H914811</i>	1	
Pinion Inner		Tapered Roller Bearing Cup	<i>H914841</i>	1	
Pinion Pilot		Cylindrical Roller Bearing	MU1309-GUM	1	
Pinion Outer		Tapered Roller Bearing Cone	HM813841 VP	1	
Pinion Outer		Tapered Roller Bearing Cup	HM813810 VP	1	

Differential kit contents

	Location	Description	Part no.	Qty
SDK404-F	Differential L.H.	Tapered Roller Bearing Cup	BR493	1
	Differential L.H.	Tapered Roller Bearing Cone	BR497	1
	Differential R.H.	Tapered Roller Bearing Cup	BR563	1
	Differential R.H.	Tapered Roller Bearing Cone	BR567	1
	Input Shaft	Seal	29528	1
	Input Shaft Front	Tapered Roller Bearing Cup	552-A VP	1
	Input Shaft Front	Tapered Roller Bearing Cone	555-S VP	1
	Input Shaft Rear	Tapered Roller Bearing Cup	BR29630	1
	Input Shaft Rear	Tapered Roller Bearing Cone	BR29675	1
	Input Shaft	V-Ring	401300	1
	Misc.	Sealant	<i>3 oz Silicone Blue</i>	1
	Pinion Inner	Tapered Roller Bearing Cone	72218-C VP	1
	Pinion Inner	Tapered Roller Bearing Cup	BR72487	1
	Pinion Pilot	Cylindrical Roller Bearing	<i>MUB1307-UM</i>	1
	Pinion Outer	Tapered Roller Bearing Cone	<i>55212-C</i>	1
	Pinion Outer	Tapered Roller Bearing Cup	BR55437	1
	Thrustshaft	Seal	26762	1
	SDK404-R	Differential L.H.	Tapered Roller Bearing Cup	BR493
Differential L.H.		Tapered Roller Bearing Cone	BR497	1
Differential R.H.		Tapered Roller Bearing Cup	BR563	1
Differential R.H.		Tapered Roller Bearing Cone	BR567	1
Input Shaft		Seal	29528	1
Misc.		Sealant	<i>3 oz Silicone Blue</i>	1
Misc.		O-Ring	<i>610000</i>	1
Pinion Inner		Tapered Roller Bearing Cup	BR72487	1
Pinion Inner		Tapered Roller Bearing Cone	72212-C	1
Pinion Pilot		Cylindrical Roller Bearing	<i>MUB7307-UM</i>	1
Pinion Outer		Tapered Roller Bearing Cone	55200-C VP	1
Pinion Outer		Tapered Roller Bearing Cup	BR55437	1
SDK434	Differential L.H./R.H.	Tapered Roller Bearing Cup	BR3920	1
	Differential L.H./R.H.	Tapered Roller Bearing Cone	BR3984	1
	Misc.	Sealant	<i>3 oz Silicone Blue</i>	1
	Pinion	Seal	29528	1
	Pinion Inner	Tapered Roller Bearing Cup	BR72487	1
	Pinion Inner	Tapered Roller Bearing Cone	72212-C	1
	Pinion Outer	Tapered Roller Bearing Cone	55200-C VP	1
	Pinion Outer	Tapered Roller Bearing Cup	BR55437	1

Differential kit contents

	Location	Description	Part no.	Qty
SDK900-F	Differential L.H.	Tapered Roller Bearing Cone	BR497	1
	Differential L.H./R.H.	Tapered Roller Bearing Cup	BR493	2
	Differential R.H.	Tapered Roller Bearing Cone	BR496	1
	Drive Gear Front/Rear	Tapered Roller Bearing Cup	BR29630	2
	Drive Gear Front/Rear	Tapered Roller Bearing Cone	BR29675	2
	Idler Gear	Tapered Roller Bearing Cone	BR31597	2
	Input Shaft	Seal	29273	1
	Input Shaft	Ball Bearing	6211-J	1
	Misc.	Sealant	<i>3 oz Silicone Blue</i>	1
	Pinion Inner/Outer	Tapered Roller Bearing Cone	72200-CVP	2
	Pinion Inner/Outer	Tapered Roller Bearing Cup	BR72487	2
	Pinion Pilot	Cylindrical Roller Bearing	RU1570-UM	1
	SDK900-FA	Differential L.H.	Tapered Roller Bearing Cone	BR497
Differential L.H./R.H.		Tapered Roller Bearing Cup	BR493	2
Differential R.H.		Tapered Roller Bearing Cone	BR496	1
Drive Gear Front/Rear		Tapered Roller Bearing Cup	BR29630	2
Drive Gear Front/Rear		Tapered Roller Bearing Cone	BR29675	2
Idler Gear		Tapered Roller Bearing Cup	BR31520	2
Idler Gear		Tapered Roller Bearing Cone	BR31597	2
Input Shaft		Seal	29273	1
Input Shaft		Ball Bearing	6211-J	1
Misc.		Sealant	<i>3 oz Silicone Blue</i>	1
Pinion		Seal	27295	1
Pinion Inner/Outer		Tapered Roller Bearing Cone	72200-CVP	2
Pinion Inner/Outer		Tapered Roller Bearing Cup	BR72487	2
Pinion Pilot		Cylindrical Roller Bearing	RU1570-UM	1
Thrustshaft		Taper Roller Bearing Set	BR37	2
SDK1910	Cross Shaft Left	Cylindrical Roller Bearing	MU1221-TM	1
	Cross Shaft Right	Tapered Roller Bearing Cup	BR632	2
	Cross Shaft Right	Tapered Roller Bearing Cone	BR641	2
	Differential L.H./R.H.	Tapered Roller Bearing Cup	BR672	2
	Differential L.H./R.H.	Tapered Roller Bearing Cone	BR683	2
	Misc.	Sealant	<i>3 oz Silicone Blue</i>	1
	Pinion	Seal	30056	2
	Pinion Inner/Outer	Tapered Roller Bearing Cone	BR42350	2
	Pinion Inner/Outer	Tapered Roller Bearing Cup	BR42584	2
	Pinion Pilot	Cylindrical Roller Bearing	MR1213-TV	1

Differential kit contents

	Location	Description	Part no.	Qty
SDK4360	Differential L.H.	Tapered Bearing Cup	<i>JP10010-A</i>	1
	Differential L.H.	Tapered Bearing Cup	<i>JP10049</i>	1
	Differential R.H.	Tapered Roller Bearing Cup	JLM714110	1
	Differential R.H.	Tapered Roller Bearing Cone	JLM714149	1
	Misc.	Sealant	<i>3 oz Silicone Blue</i>	1
	Misc.	Thread Locker	<i>TL1</i>	1
	Pinion	Seal	25102	1
	Pinion Inner	Tapered Roller Bearing Cup	BR55437	1
	Pinion Inner	Tapered Roller Bearing Cone	55200-C VP	1
	Pinion Pilot	Cylindrical Roller Bearing	MU1305UM18	1
	Pinion Outer	Tapered Roller Bearing Cup	M804010	1
	Pinion Outer	Tapered Roller Bearing Cone	M804049	1
	SDK4390	Differential L.H.	Tapered Bearing Cup	<i>JP10010</i>
Differential L.H.		Tapered Bearing Cup	<i>JP10049</i>	1
Differential R.H.		Tapered Roller Bearing Cone	JM716649	1
Differential R.H.		Tapered Roller Bearing Cup	JM716610 VP	1
Misc.		Sealant	<i>3 oz Silicone Blue</i>	1
Misc.		Thread Locker	<i>TL1</i>	1
Pinion		Seal	30145	1
Pinion Inner		Tapered Roller Bearing Cup	BR72487	1
Pinion Inner		Tapered Roller Bearing Cone	72212-C	1
Pinion Pilot		Cylindrical Roller Bearing	RU1570-UM	1
Pinion Outer		Tapered Roller Bearing Cone	55206-C	1
Pinion Outer		Tapered Roller Bearing Cup	BR55437	1
SDK4395		Differential L.H./R.H.	Tapered Roller Bearing Cone	JM716649
	Differential L.H./R.H.	Tapered Roller Bearing Cup	JM716610 VP	2
	Input Shaft Front	Tapered Roller Bearing Cup	BR3920	1
	Input Shaft Front	Tapered Roller Bearing Cone	JM511946 VP	1
	Input Shaft Rear	Tapered Roller Bearing Cone	JLM710949 VP	1
	Input Shaft Rear	Tapered Roller Bearing Cup	JLM710910 VP	1
	Misc.	Sealant	<i>3 oz Silicone Blue</i>	1
	Misc.	Thread Locker	<i>TL1</i>	1
	Misc.	O-Ring	<i>5X1034</i>	2
	Output Shaft	Tapered Roller Bearing Cup	JLM104910	2
	Output Shaft	Tapered Roller Bearing Cone	LM104949 VP	2
	Pinion & Thrushaft	Seal	30007	2
	Pinion Inner	Tapered Roller Bearing Cup	H715311 VP	1
	Pinion Inner	Tapered Roller Bearing Cone	H715334 VP	1
	Pinion Outer	Tapered Roller Bearing Cup	BR72487	1
	Pinion Outer	Tapered Roller Bearing Cone	72212-C	1

Differential kit contents

	Location	Description	Part no.	Qty	
SDK4396	Differential L.H./R.H.	Tapered Roller Bearing Cone	JM716649	2	
	Differential L.H./R.H.	Tapered Roller Bearing Cup	JM716610 VP	2	
	Input Shaft	Seal	32410	1	
	Input Shaft Front	Tapered Roller Bearing Cup	BR3920	1	
	Input Shaft Front	Tapered Roller Bearing Cone	JM511945	1	
	Input Shaft Rear	Tapered Roller Bearing Cone	JLM710949 VP	1	
	Input Shaft Rear	Tapered Roller Bearing Cup	JLM710910 VP	1	
	Misc.	Sealant	<i>3 oz Silicone Blue</i>	1	
	Misc.	Thread Locker	<i>TL1</i>	1	
	Misc.	O-Ring	<i>5X1034</i>	2	
	Output Shaft	Tapered Roller Bearing Cup	JLM104910	2	
	Output Shaft	Tapered Roller Bearing Cone	LM104949 VP	2	
	Pinion Inner	Tapered Roller Bearing Cup	H715311 VP	1	
	Pinion Inner	Tapered Roller Bearing Cone	H715334 VP	1	
	Pinion Outer	Tapered Roller Bearing Cup	BR72487	1	
	Pinion Outer	Tapered Roller Bearing Cone	72212-C	1	
	Thrustshaft	Seal	30007	1	
	SDK4405	Differential L.H.	Tapered Roller Bearing Cone	<i>JP10010-A</i>	1
		Differential L.H.	Tapered Roller Bearing Cup	<i>JP10049</i>	1
		Differential R.H.	Tapered Roller Bearing Cone	JM716649	1
Differential R.H.		Tapered Roller Bearing Cup	JM716610 VP	1	
Input Shaft		Seal	32410	1	
Input Shaft Front		Tapered Roller Bearing Cup	JM511910 VP	1	
Input Shaft Front		Tapered Roller Bearing Cone	JM511946 VP	1	
Input Shaft Front		Tapered Roller Bearing Cup	BR3920	1	
Input Shaft Rear		Tapered Roller Bearing Cone	JLM710949 VP	1	
Input Shaft Rear		Tapered Roller Bearing Cup	JLM710910 VP	1	
Input Shaft Rear		Tapered Roller Bearing Cup	JLM104910	2	
Input Shaft Rear		Tapered Roller Bearing Cone	LM104949 VP	2	
Misc.		Sealant	<i>3 oz Silicone Blue</i>	1	
Misc.		Thread Locker	<i>TL1</i>	1	
Misc.		O-Ring	<i>5X1034</i>	2	
Pinion Inner		Tapered Roller Bearing Cup	H715311 VP	1	
Pinion Inner		Tapered Roller Bearing Cone	H715334 VP	1	
Pinion Outer		Tapered Roller Bearing Cup	BR72487	1	
Pinion Outer		Tapered Roller Bearing Cone	72212-C	1	
Thrustshaft		Seal	30007	1	

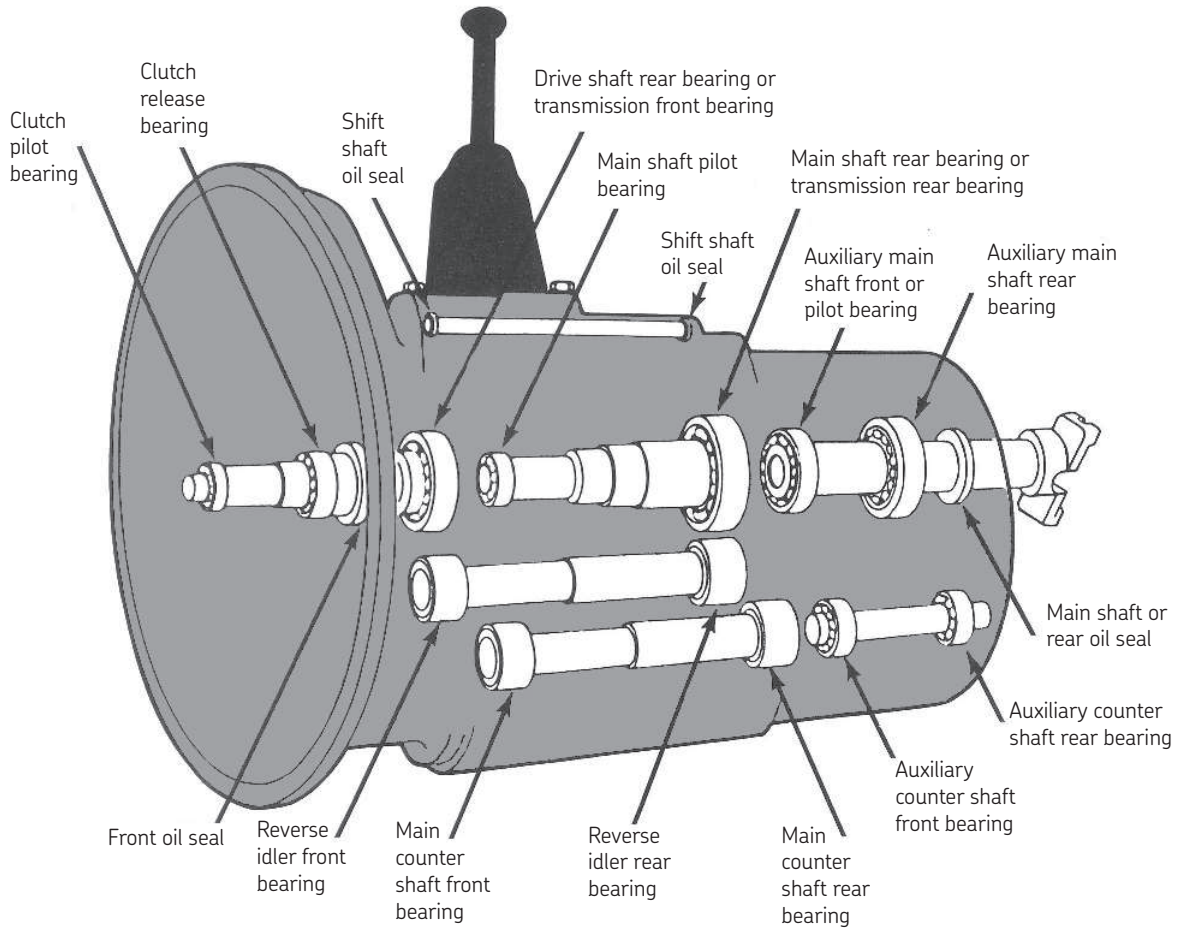
Differential kit contents

	Location	Description	Part no.	Qty	
SDK4406	Differential L.H.	Tapered Roller Bearing Cone	<i>JP10010-A</i>	1	
	Differential L.H.	Tapered Roller Bearing Cup	<i>JP10049</i>	1	
	Differential R.H.	Tapered Roller Bearing Cone	JM716649	1	
	Differential R.H.	Tapered Roller Bearing Cup	JM716610 VP	1	
	Input Shaft	Seal	32410	1	
	Input Shaft Front	Tapered Roller Bearing Cup	BR3920	1	
	Input Shaft Front	Tapered Roller Bearing Cone	JM511945	1	
	Input Shaft Rear	Tapered Roller Bearing Cone	JLM710949 VP	1	
	Input Shaft Rear	Tapered Roller Bearing Cup	JLM710910 VP	1	
	Misc.	Sealant	<i>3 oz Silicone Blue</i>	1	
	Misc.	Thread Locker	<i>TL1</i>	1	
	Misc.	O-Ring	<i>5X1034</i>	2	
	Output Shaft	Tapered Roller Bearing Cup	JLM104910	2	
	Output Shaft	Tapered Roller Bearing Cone	LM104949 VP	2	
	Pinion Inner	Tapered Roller Bearing Cup	H715311 VP	1	
	Pinion Inner	Tapered Roller Bearing Cone	H715334 VP	1	
	Pinion Outer	Tapered Roller Bearing Cup	BR72487	1	
	Pinion Outer	Tapered Roller Bearing Cone	72212-C	1	
	Thrustshaft	Seal	30007	1	
	SDK4422	Differential L.H./R.H.	Tapered Roller Bearing Cup/Cone	592-A VP/594-A VP	2
Input Shaft Front		Tapered Roller Bearing Cone	HM813843	1	
Input Shaft Front		Tapered Roller Bearing Cup	HM813810 VP	1	
Input Shaft Rear		Tapered Roller Bearing Cup	JLM714110	1	
Input Shaft Rear		Tapered Roller Bearing Cone	JLM714149	1	
Misc.		Sealant	<i>3 oz Silicone Blue</i>	1	
Misc.		Thread Locker	<i>TL1</i>	1	
Misc.		O-Ring	<i>5X1034</i>	1	
Pinion		Seal	32410	1	
Pinion Inner		Tapered Roller Bearing Cup	H715311 VP	1	
Pinion Inner		Tapered Roller Bearing Cone	H715343 VP	1	
Pinion Outer		Tapered Roller Bearing Cone	BR65237	1	
Pinion Outer		Tapered Roller Bearing Cup	BR65500	1	
SDK4423		Differential L.H.	Tapered Roller Bearing Cone	BR52400	1
		Differential L.H.	Tapered Roller Bearing Cup	BR52618	1
	Differential R.H.	Tapered Roller Bearing Cup/Cone	592-A VP/594-A VP	1	
	Input Shaft	Seal	32410	1	
	Input Shaft Front	Tapered Roller Bearing Cone	HM813843	1	
	Input Shaft Front	Tapered Roller Bearing Cup	HM813810 VP	1	
	Input Shaft Rear	Tapered Roller Bearing Cup	JLM714110	1	
	Input Shaft Rear	Tapered Roller Bearing Cone	JLM714149	1	
	Misc.	Sealant	<i>3 oz Silicone Blue</i>	1	
	Misc.	Thread Locker	<i>TL1</i>	1	
	Misc.	O-Ring	<i>5X1034</i>	1	
	Pinion Inner	Tapered Roller Bearing Cup	H715311 VP	1	
	Pinion Inner	Tapered Roller Bearing Cone	H715343 VP	1	
	Pinion Outer	Tapered Roller Bearing Cone	BR65237	1	
	Pinion Outer	Tapered Roller Bearing Cup	BR65500	1	

Differential kit contents

	Location	Description	Part no.	Qty
SDK4426	Differential L.H./R.H.	Tapered Roller Bearing Cup/Cone	592-A VP/594-A VP	2
	Misc.	Sealant	<i>3 oz Silicone Blue</i>	1
	Misc.	Thread Locker	<i>TL1</i>	1
	Pinion	Seal	<i>DTQ2591</i>	1
	Pinion Inner	Tapered Roller Bearing Cup	BR9220	1
	Pinion Inner	Tapered Roller Bearing Cone	BR9278	1
	Pinion Pilot	Cylindrical Roller Bearing	RU9008-UM	1
	Pinion Outer	Tapered Roller Bearing Cone	HM813843	1
	Pinion Outer	Tapered Roller Bearing Cup	HM813810 VP	1
	SDK4428	Differential L.H.	Tapered Roller Bearing Cone	BR52400
Differential L.H.		Tapered Roller Bearing Cup	BR52618	1
Differential R.H.		Tapered Roller Bearing Cup	592-A VP	1
Differential R.H.		Tapered Roller Bearing Cone	594-A VP	1
Misc.		Sealant	<i>3 oz Silicone Blue</i>	1
Misc.		Thread Locker	<i>TL1</i>	1
Pinion		Seal	<i>DTQ2591</i>	1
Pinion Inner		Tapered Roller Bearing Cup	BR9220	1
Pinion Inner		Tapered Roller Bearing Cone	BR9278	1
Pinion Pilot		Cylindrical Roller Bearing	RU9008-UM	1
Pinion Outer		Tapered Roller Bearing Cone	HM813843	1
Pinion Outer		Tapered Roller Bearing Cup	HM813810 VP	1

Main transmission typical bearing & seal locations



Transmission kit contents

	Location	Description	Part no.	Qty
STK3	1st. & 2nd. & 3rd. Gear	Loose Needle Bearings	<i>S444-Q</i>	3
	1st. & 2nd. & 3rd. Gear	Needle Bearing Assembly	<i>F53543</i>	2
	3rd. Speed Gear	Needle Bearing Assembly	<i>F53542</i>	1
	Countershaft (Front)	Cylindrical Roller Bearing	<i>MSN1311REX</i>	1
	Countershaft (Rear)	Cylindrical Roller Bearing	<i>MR1311GEAX</i>	1
	Input Shaft Front	Ball Bearing	3212 E VP	1
	Input Shaft Pilot	Cylindrical Roller Bearing	MR1308-TV	1
	Input Shaft Rear	Cylindrical Roller Bearing	<i>MR1313-UV</i>	1
	Input/Output Shaft	Seal	29870	2
	Misc.	Gasket Set	<i>GT-155</i>	1
	Output Shaft	Max Ball Bearing	<i>412-NRJ</i>	1
	Output Shaft	Seal	29925	1
	STK5	Countershaft (Front)	Needle Bearing Assembly	DK55836
Countershaft (Rear)		Cylindrical Roller Bearing	R1563-TAV	1
Input Shaft		Seal	<i>SPK-5</i>	1
Input Shaft		Tapered Roller Bearing (Cone/Cup)	LM48548 VP / LM48510 VP	1
Output Shaft (I.D. 1.250")		Seal	12363	1
Output Shaft (I.D. 1.500")		Seal	15041	1
Output Shaft (I.D. 1.875")		Seal	18581	1
Output Shaft		Tapered Roller Bearing (Cone/Cup)	BR25877 / BR25821	1
Transfer Case		Adapter Seal	<i>GTC-NP1</i>	1
STKS6-650ZF	Countershaft (Center)	Tapered Roller Bearing	<i>NP043905</i>	1
	Countershaft (Center)	Tapered Roller Bearing	<i>NP547779</i>	1
	Countershaft (Front)	Tapered Roller Bearing	<i>DTP2074</i>	1
	Countershaft (Rear)	Needle Bearing	FC69178	1
	Input Shaft	Tapered Roller Bearing	<i>NP007430</i>	1
	Input Shaft	Tapered Roller Bearing	<i>NP423135</i>	1
	Input Shaft	Seal (40x55)	<i>UH5019-E0</i>	1
	Mainshaft Center	Tapered Roller Bearing	<i>NP771105</i>	1
	Mainshaft Center	Tapered Roller Bearing	<i>NP957859</i>	1
	Mainshaft Pilot	Tapered Roller Bearing (Cone)	JH13349	1
	Mainshaft Rear	Ball Bearing	6309-NRJ	1
	Misc.	Oil Baffle	<i>F81Z7046AA</i>	1
	Oil Ring	Seal	<i>F4TZ7046A</i>	1
	Output Shaft	Seal (57x73)	<i>UH5020-G0</i>	1
	Output Shaft	Seal (42x55)	<i>UH5021-E0</i>	1
	PTO Cover	Gasket	<i>GT-PT055</i>	1
	STK27	Countershaft (Front)	Max Ball Bearing	207-NRJ
Countershaft (Rear)		Needle Bearing Assembly	B2816	1
Input Shaft		Max Ball Bearing	211-ZNRJ	1
Input Shaft		Seal	12363	1
Input Shaft Pilot		Needle Bearing	<i>Q15902-F</i>	1
Misc.		Gasket Set	<i>GT-26</i>	1
Output Shaft		Seal	21103	1
Output Shaft		Ball Bearing	308-NRJ	1
Remote Control		Seal	7440	1

Transmission kit contents

	Location	Description	Part no.	Qty
STK28	Countershaft (Front)	Cylindrical Roller Bearing	<i>M1208-UV</i>	1
	Countershaft (Rear)	Max Ball Bearing	308-ZNRJ	1
	Input Shaft	Seal	16054	1
	Input Shaft	Max Ball Bearing	213-ZNRJ	1
	Input Shaft Pilot	Loose Needle Bearings	<i>0513-Q</i>	1
	Misc.	Gasket Set	<i>GT-28</i>	1
	Output Shaft	Seal	24910	1
	Output Shaft	Max Ball Bearing	310-NRJ	1
	Reverse Idler Gear	Journal Bearing Assembly	<i>J32-2064</i>	2
STK29	Countershaft (Front)	Max Ball Bearing	208-NRJ	1
	Countershaft (Rear)	Needle Bearing	<i>Q15902-F</i>	2
	Input Shaft	Seal	16054	1
	Input Shaft	Max Ball Bearing	211-ZNRJ	1
	Input Shaft Pilot	Needle Bearing	<i>Q15902-F</i>	1
	Misc.	Gasket Set	<i>GT-26</i>	1
	Output Shaft	Seal (2.500" I.D.)	24910	1
	Output Shaft	Seal (2.125" I.D.)	21103	1
	Output Shaft	Ball Bearing	308-NRJ	1
	Reverse Idler Front	Needle Bearing Assembly	B1412	1
	Reverse Idler Rear	Needle Bearing Assembly	B1816	1
	Reverse Idler Thrust	Needle Bearing Assembly	NTA815	1
	STK29-B	Countershaft (Front)	Max Ball Bearing	208-NRJ
Countershaft (Rear)		Needle Bearing	<i>Q15902-F</i>	2
Input Shaft		Max Ball Bearing	211-ZNRJ	1
Input Shaft Pilot		Needle Bearing	<i>Q15902-F</i>	1
Misc.		Gasket Set	<i>GT-26</i>	1
Output Shaft		Ball Bearing	6309-NRJ	1
Output Shaft		Seal	24910	1
Reverse Idler Front		Needle Bearing Assembly	B1412	1
Reverse Idler Rear		Needle Bearing Assembly	B1816	1
Reverse Idler Thrust		Needle Bearing Assembly	NTA815	1
STK50	Countershaft (Rear)	Ball Bearing	<i>ZB1062</i>	1
	Front Center Cluster	Tapered Roller Bearing	BR30205	2
	Input Shaft	Bearing	<i>ZB1085</i>	1
	Input Shaft	Seal	11592	1
	Mainshaft (Front)	Ball Bearing	<i>ZB1052</i>	1
	Mainshaft Pilot	Bearing	<i>ZN1043</i>	1
	Mainshaft Rear	Bearing	6206-2RSJ	1
	Misc.	Gasket Set	<i>GT-50</i>	1
	Output Shaft	Seal (1.375" I.D.)	13685	1
	Output Shaft	Seal (1.378" I.D.)	13907	1

Transmission kit contents

	Location	Description	Part no.	Qty
STK56	Countershaft (Center)	Cylindrical Roller Bearing	ZC1033	1
	Countershaft (Front)	Tapered Roller Bearing (Cone/Cup)	LM48548 VP/LM48510 VP	1
	Countershaft (Rear)	Tapered Roller Bearing (Cone/Cup)	LM12749 VP/LM12711 VP	1
	Input Shaft	Tapered Roller Bearing (Cone/Cup)	M88048 VP/M88010	2
	Input Shaft	Seal	12363	1
	Mainshaft Center	Tapered Roller Bearing (Cone/Cup)	BR25572/BR25520	1
	Mainshaft Front	Tapered Roller Bearing (Cone/Cup)	LM12749 VP/LM12711 VP	1
	Misc.	O-Ring	OR-028	1
	Misc.	O-Ring	OR-134	1
	Misc.	Fork Pads	1000-127-006	4
	Misc.	Fork Pads	1345-235-001	4
	Misc.	O-Ring	OR-117	1
	Output Shaft	Seal (1.688" I.D.)	16871	1
	Output Shaft	Seal (1.500" I.D.)	14978	1
STK58	Countershaft (Front)	Cylindrical Roller Bearing	MSN1211REX	2
	Countershaft (Rear)	Cylindrical Roller Bearing	MU1308TWWS	2
	Input Shaft	Ball Bearing	6212-ZNBRJ	1
	Input Shaft Pilot	Bushing	BS59	1
	Misc.	Gasket Set	GT-58	1
	Misc.	Snap Ring Set	SR-58	1
	Output Shaft	Seal	34891	1
	Output Shaft Center	Ball Bearing	6018-NRJ	1
	Output Shaft Rear	Ball Bearing	213-NRJ	1
	Reverse Idler	Needle Bearing Assembly	F500082	2
STK70				1
	Countershaft Front/Rear	Tapered Roller Bearing (Cup)	BR3420	2
	Countershaft Front/Rear	Tapered Roller Bearing (Cone)	BR3479	2
	Input Shaft	Tapered Roller Bearing (Cone)	BR28580	2
	Input Shaft Front/Rear	Tapered Roller Bearing (Cup)	BR25821	2
	Input Shaft Pilot	Ball Bearing	209-NRJ	1
	Input/Output Shaft	Seal	27295	2
	Misc.	Gasket Set	GT-70	1
	Output Shaft	Max Ball Bearing	310-NRJ	1

Transmission kit contents

	Location	Description	Part no.	Qty	
STK73	Countershaft (Front)	Tapered Roller Bearing (Cup)	BR3820	1	
	Countershaft (Front)	Tapered Roller Bearing (Cone)	BR3877	1	
	Countershaft (Rear)	Tapered Roller Bearing (Cup)	453-A	1	
	Countershaft (Rear)	Tapered Roller Bearing (Cone)	BR462	1	
	Input Shaft	Seal (3.548" O.D.)	27295	1	
	Input Shaft	Seal (3.756" O.D.)	27370	1	
	Input Shaft Front	Ball Bearing	6210-NRJ	1	
	Input Shaft Pilot	Cylindrical Roller Bearing	<i>MU1209-TV</i>	1	
	Input Shaft Rear	Cylindrical Roller Bearing	<i>MSN1312-EX</i>	1	
	Misc.	Gasket Set	<i>GT-73</i>	1	
	Output Shaft	Seal (3.756" O.D.)	29870	1	
	Output Shaft	Seal (4.008" O.D.)	29925	1	
	Output Shaft	Ball Bearing	312-ZNRJ	1	
	Remote Control	Seal	8702	2	
	Speed Gear	Needle Bearing Assembly	<i>F54540</i>	1	
	STK82	2nd. Gear	Loose Needle Bearings	<i>Q6086</i>	1
		Countershaft Front/Rear	Loose Needle Bearings	C436-Q	2
		Input Shaft	Seal	12364	1
Input Shaft		Ball Bearing	6308-NRJ	1	
Input Shaft Pilot		Loose Needle Bearings	<i>W1590-Q</i>	1	
Misc.		Gasket Set	<i>GT-82D</i>	1	
Output Shaft		Seal	20045	1	
Output Shaft		Ball Bearing	308-NRJ	1	
Reverse Idler Gear		Loose Needle Bearings	B1316-Q	2	
STK82-F		Input Shaft Pilot	Loose Needle Bearings	C436-Q	3
	Input Shaft	Ball Bearing	<i>DTP308-L1</i>	1	
	Input Shaft	Seal	12363	1	
	Misc.	Gasket Set	<i>GT-82D</i>	1	
	Output Shaft	Seal (2.378" O.D.)	15005	1	
	Output Shaft	Seal (3.256" O.D.)	24910	1	
	Output Shaft	Seal (3.066" O.D.)	21210	1	
	Output Shaft	Seal (2.879" O.D.)	15773	1	
	Output Shaft	Ball Bearing	308-NRJ	1	
	Reverse Idler Gear	Loose Needle Bearings	B1316-Q	2	
	STK86	Countershaft Front/Rear	Tapered Roller Bearing (Cup)	BR3420	2
		Countershaft Front/Rear	Tapered Roller Bearing (Cone)	BR3479	2
Input Shaft		Seal	27370	2	
Input Shaft Front		Ball Bearing	6210-J	1	
Input Shaft Pilot		Cylindrical Roller Bearing	<i>MU1209-TV</i>	1	
Misc.		Gasket Set	<i>GT-86</i>	1	
Output Shaft		Seal	27295	1	
Output Shaft		Max Ball Bearing	311-NRJ	2	

Transmission kit contents

	Location	Description	Part no.	Qty
STK127	Countershaft (Front)	Needle Bearing Assembly	M24161-X1	1
	Countershaft Rear Thrust	Needle Thrust Bearing	NTA2031	1
	Countershaft (Rear)	Needle Bearing Assembly	B3216	1
	Input Shaft	Seal (2.125" I.D.)	21100	1
	Input Shaft	Seal (1.375" I.D.)	13557	1
	Input Shaft	Tapered Roller Bearing (Cup)	HM88610	1
	Input Shaft	Tapered Roller Bearing (Cone)	HM88649	1
	Input Shaft	Seal (1.500" I.D.)	15005	1
	Input Shaft Pilot	Needle Bearing	<i>Q15902-F</i>	1
	Misc.	Gasket Set	<i>GT-127</i>	1
	Output Shaft	Seal	24898	1
	Output Shaft	Ball Bearing	308-NRJ	1
	Synchro Hub Thrust (3rd & 4th Gears)	Needle Bearing Assembly	<i>FA35688</i>	1
	STK127-G	Countershaft (Front)	Needle Bearing Assembly	M24161-X1
Countershaft (Rear)		Needle Bearing Assembly	B3216	1
Countershaft Rear Thrust		Needle Thrust Bearing	NTA2031	1
Input Shaft		Seal (2.125" I.D.)	21100	1
Input Shaft		Seal (1.500" I.D.)	15005	1
Input Shaft		Ball Bearing	308-NRJ	1
Input Shaft Pilot		Needle Bearing	<i>Q15902-F</i>	1
Misc.		Gasket Set	<i>GT-127</i>	1
Output Shaft		Seal	24898	1
Output Shaft		Ball Bearing	308-NRJ	1
Synchro Hub Thrust (3rd & 4th Gears)		Needle Bearing Assembly	<i>FA35688</i>	1
STK145-A		Aux. Countershaft Front	Cylindrical Roller Bearing	MR1206RUGV
	Aux. Countershaft Rear	Cylindrical Roller Bearing	MR1308-TV	2
	Aux. Drive Gear	Ball Bearing	6017-NRJ	1
	Aux. Mainshaft Front	Cylindrical Roller Bearing	MU1307-X	1
	Aux. Output Shaft	Seal	34891	1
	Countershaft (Front)	Cylindrical Roller Bearing	MU1207-GUV	2
	Countershaft (Rear)	Cylindrical Roller Bearing	MU1306-GUV	2
	Input Shaft	Cylindrical Roller Bearing	<i>MU1209UGMR</i>	1
	Input Shaft	Max Ball Bearing	211-ZNRJ	1
	Misc.	Gasket Set	<i>GT-131A</i>	1
	Misc.	O-Ring Set	<i>OK-15092</i>	1
	Misc.	O-Ring Set	<i>OK-15093</i>	1
	Misc.	Snap Ring Set	<i>SR-145A</i>	1
	Output Shaft	Seal	30098	1
	Reverse Idler Gear	Needle Bearing Assembly	WJ162116	2

Transmission kit contents

	Location	Description	Part no.	Qty
STK146	Aux. Countershaft Front	Cylindrical Roller Bearing	MU1306-GUV	2
	Aux. Countershaft Rear	Max Ball Bearing	310-NRJ	2
	Aux. Drive Gear	Ball Bearing	6017-NRJ	1
	Aux. Mainshaft	Tapered Roller Bearing Assembly	A3071	1
	Aux. Output Shaft	Seal	37330	1
	Countershaft (Front)	Cylindrical Roller Bearing	MU1207-GUV	2
	Countershaft (Rear)	Cylindrical Roller Bearing	MU1306-GUV	2
	Input Shaft	Cylindrical Roller Bearing	<i>MU1209UGMR</i>	1
	Input Shaft	Seal	14832	1
	Misc.	Gasket Set	<i>GT-146</i>	1
	Misc.	O-Ring Set	<i>OK-1000V</i>	1
	Misc.	Snap Ring Set	<i>SR-146</i>	1
	Output Shaft	Seal	30098	1
	Reverse Idler Gear	Needle Bearing Assembly	WJ162116	2
	STK147	Countershaft (Front)	Ball Bearing	311-NRJ
Countershaft (Rear)		Cylindrical Roller Bearing	MR1209-EX1	2
Input Shaft		Seal	21167	1
Input Shaft		Ball Bearing	6217-ZNRJX	1
Input Shaft Pilot		Needle Bearing Assembly	JH1812	1
Misc.		Gasket Set	<i>GT-147</i>	1
Countershaft (Rear)		Snap Ring Set	<i>SR348-1</i>	2
Output Shaft		Seal	37405	1
Output Shaft		Ball Bearing	312-ZNRJ	1
Reverse Idler Gear		Needle Bearing Assembly	WJ162116	4
STK148		Countershaft (Front)	Needle Bearing Assembly	M28161
	Countershaft (Rear)	Ball Bearing	N6309-NRJ	1
	Input shaft	Ball Bearing	N6309-NRJ	1
	Input shaft	Seal	17387	1
	Input shaft Pilot	Cylindrical Roller Bearing	SRA5304	1
	Misc.	Gasket Set	<i>GT-148</i>	1
	Output Shaft	Seal (2.500" I.D.)	24910	1
	Output Shaft	Seal (2.250" I.D.)	22446	1
	Output Shaft	Ball Bearing	N6309-NRJ	1
	Reverse Idler Gear	Needle Bearing Assembly	F54970	2

Transmission kit contents

	Location	Description	Part no.	Qty	
STK149	Aux. Countershaft Front	Cylindrical Roller Bearing	<i>MU61307GUM</i>	2	
	Aux. Countershaft Rear	Ball Bearing	310-ZNBR VP	2	
	Aux. Drive Gear	Ball Bearing	6018-NRJ	1	
	Aux. Mainshaft	Tapered Roller Bearing	A2892	1	
	Aux. Output Shaft	Seal (3.500" I.D.)	34891	1	
	Aux. Range Shaft Quill Front	Ball Bearing	6204-J	1	
	Aux. Range Shaft Quill Rear	Bushing	<i>BS60</i>	1	
	Countershaft (Front)	Cylindrical Roller Bearing	MSN1211REX	2	
	Countershaft (Rear)	Cylindrical Roller Bearing	<i>MU1308TVWS</i>	2	
	Input Shaft	Ball Bearing	6212-ZNBRJ	1	
	Input Shaft Pilot	Bushing	<i>BS59</i>	1	
	Misc.	Gasket Set	<i>GT-200N</i>	1	
	Misc.	O-Ring Set	<i>OK-1000V</i>	1	
	Misc.	O-Ring Set	<i>OK-17453</i>	1	
	Misc.	O-Ring	<i>OR-217V</i>	1	
	Misc.	O-Ring	<i>OR-221V</i>	1	
	Misc.	Snap Ring Set	<i>SR-149</i>	1	
	Output Shaft	Seal	37330	1	
	Reverse Idler Gear	Needle Bearing Assembly	F500082	2	
	STK152	Countershaft (Rear)	Cylindrical Roller Bearing	MR1209-EX1	2
Input Shaft		Seal	21167	1	
Input Shaft Front		Bearing	6217-ZNRJX	1	
Input Shaft Pilot		Needle Bearing Assembly	JH1812	1	
Input Shaft Rear		Ball Bearing	<i>1911-S</i>	1	
Misc.		Gasket Set	<i>GT-147</i>	1	
Countershaft (Rear)		Snap Ring Set	<i>SR348-1</i>	2	
Output Shaft		Seal	37405	1	
Output Shaft		Max Ball Bearing	311-NRJ	2	
Output Shaft		Bearing	6312-ZNRJ	1	
Reverse Idler Gear		Needle Bearing Assembly	WJ162116	4	
STK155		Countershaft Front/Rear	Cylindrical Roller Bearing	<i>MR1311GEAX</i>	2
		Input Shaft Front	Cylindrical Roller Bearing	<i>MR1212-EX</i>	1
	Input Shaft Pilot	Cylindrical Roller Bearing	MR1308-TV	1	
	Input Shaft Rear	Cylindrical Roller Bearing	MRB1313-EL	1	
	Input/Output Shaft	Seal (3.756" O.D.)	29870	2	
	Mainshaft 1st. Gear	Bearing	<i>F53543</i>	1	
	Mainshaft 2nd. Gear	Bearing	<i>F53543</i>	1	
	Mainshaft 3rd. Speed Gear	Bearing	<i>F53542</i>	1	
	Misc.	Gasket Set	<i>GT-155</i>	1	
	Output Shaft	Max Ball Bearing	<i>412-NRJ</i>	1	

Transmission kit contents

	Location	Description	Part no.	Qty	
STK156	Countershaft (Front)	Cylindrical Roller Bearing	M1207-TV	1	
	Countershaft (Rear)	Max Ball Bearing	308-ZNRJ	1	
	Input Shaft	Seal (1.250" I.D.)	12364	1	
	Input Shaft	Seal (1.500" I.D.)	14832	1	
	Input Shaft	Ball Bearing	6212-ZNRJ2	1	
	Input Shaft Pilot	Journal Bearing	J36-2048	1	
	Input Shaft Pilot	Needle Bearing Assembly	WJ182420	1	
	Misc.	Gasket Set	GT-156	1	
	Output Shaft	Ball Bearing	6309-NRJ	1	
	Remote Control	Seal	7440	1	
	Reverse Idler	Journal Bearing	J36-1652	2	
	Shift Shaft	Seal	7409	1	
	STK157	Countershaft (Front)	Cylindrical Roller Bearing (1.3388" I.D.)	M1305GGTV1	1
		Countershaft (Front)	Cylindrical Roller Bearing (1.3998" I.D.)	R1563-TAV	1
Countershaft (Rear)		Ball Bearing	308-NRJ	2	
Input Shaft		Seal	16054	1	
Input Shaft		Ball Bearing	N211-NRJ	1	
Input Shaft Pilot		Loose Needle Roller	QAR34604	1	
Misc.		Gasket Set	GT-157	1	
Output Shaft		Seal	19970	1	
STK158	Countershaft (Front)	Cylindrical Roller Bearing	<i>MU1311-RUM</i>	2	
	Countershaft (Rear)	Cylindrical Roller Bearing	MR1309-TAV	2	
	Input Shaft	Seal	29870	1	
	Input Shaft Front	Ball Bearing	6212-J	1	
	Input Shaft Pilot	Needle Bearing Assembly	JH1812	1	
	Input Shaft Rear	Cylindrical Roller Bearing	MR1213-TV	1	
	Misc.	Gasket Set	GT-158	1	
	Output Shaft	Seal	39934	1	
	Output Shaft	Ball Bearing	6214-NRJX	1	
	Shift Rail	Seal	8703	2	
STK159	Aux. Countershaft Front	Cylindrical Roller Bearing	MR1307-TV	2	
	Aux. Countershaft Rear	Ball Bearing	5310-ENR	2	
	Aux. Drive Gear	Ball Bearing	6018-NRJ	1	
	Aux. Mainshaft	Tapered Roller Bearing	A2892	1	
	Countershaft (Front)	Cylindrical Roller Bearing	MSN1211REX	2	
	Countershaft (Rear)	Cylindrical Roller Bearing	<i>MU1308TVWS</i>	2	
	Input Shaft	Ball Bearing	6212-ZNBRJ	1	
	Input Shaft Pilot	Bushing	BS59	1	
	Misc.	Gasket Set	GT-200N	1	
	Misc.	O-Ring Set	OK-1000V	1	
	Misc.	Snap Ring Set	SR-159	1	
	Output Shaft	Seal	37330	1	
	Range Shaft Quill Front	Ball Bearing	6204-J	1	
	Range Shaft Quill Rear	Bushing	BS60	1	
	Reverse Idler Gear	Needle Bearing Assembly	F500082	2	

Transmission kit contents

	Location	Description	Part no.	Qty
STK159-A	Aux. Countershaft	Cylindrical Roller Bearing	MR1307-TV	2
	Aux. Countershaft Rear	Ball Bearing	5310-ENR	2
	Aux. Drive Gear	Ball Bearing	6018-NRJ	1
	Aux. Mainshaft	Tapered Roller Bearing	A2892	1
	Range Shaft Quill Front	Ball Bearing	6204-J	1
	Range Shaft Quill Rear	Bushing	BS60	1
	Countershaft (Front)	Cylindrical Roller Bearing	BS500192SX	2
	Countershaft (Rear)	Cylindrical Roller Bearing	MU1308TVWS	2
	Input Shaft	Ball Bearing	6212-ZNBRJ	1
	Misc.	Gasket Set	GT-200N	1
	Misc.	O-Ring Set	OK-1000V	1
	Misc.	Snap Ring Set	SR-159	1
	Output Shaft	Seal	37330	1
	Reverse Idler Gear	Needle Bearing Assembly	F500082	2
STK167	Idler Gear Front	Tapered Roller Bearing (Cup)	HM89411	1
	Idler Gear Front	Tapered Roller Bearing (Cone)	HM89449 VP	1
	Idler Gear Rear	Tapered Roller Bearing (Cup)	BR31521	1
	Idler Gear Rear	Tapered Roller Bearing (Cone)	BR31597	1
	Input Shaft Front	Ball Bearing	309-ZNRJ	1
	Input Shaft Rear	Ball Bearing	307-ZNRJ	1
	Input Shaft/Rear Output Shaft	Seal	22340	2
	Lower Output Shaft Front	Max Ball Bearing	208-NRJ	1
	Lower Output Shaft Rear	Max Ball Bearing	211-ZNRJ	1
	Misc.	3 oz. Silicone Blue	Sealant	1
	PTO Shaft	Seal	21100	1
	Shift Shaft	Seal	7440	2
	Upper Output Shaft Front	Tapered Roller Bearing (Cone)	BR25878	1
	Upper Output Shaft Front	Tapered Roller Bearing (Cup)	BR25821	1
	Upper Output Shaft Rear	Tapered Roller Bearing (Cup)	BR25520	1
	Upper Output Shaft Rear	Tapered Roller Bearing (Cone)	BR25584	1
STK180	Countershaft Front/Rear	Tapered Roller Bearing (Cone)	BR25584	2
	Countershaft Front/Rear	Tapered Roller Bearing (Cup)	BR25520	2
	Input Shaft	Seal	17810	1
	Input Shaft Pilot	Tapered Roller Bearing (Cone)	BR2580	1
	Input/Output Shaft	Tapered Roller Bearing (Cup)	JM511910 VP	2
	Input/Output Shaft	Tapered Roller Bearing (Cone)	JM511946 VP	2
	Mainshaft 1st. Gear	Needle Bearing Assembly	F81205	1
	Mainshaft 2nd. Gear	Loose Needle Bearings	C437-Q	1
	Mainshaft Reverse Gear	Needle Bearing Assembly	F81205	2
	Misc.	Gasket Set	GT-180	1
	Output Shaft	Seal (2.750" I.D.)	27370	1
	Output Shaft	Seal (2.500" I.D.)	24910	1
	Reverse Idler Gear	Needle Bearing Assembly	WJ162116	2

Transmission kit contents

	Location	Description	Part no.	Qty
STK183	1st. Gear	Loose Needle Bearings	<i>Q8308</i>	1
	2nd. Gear	Loose Needle Bearings	Q8371	1
	Countershaft (Front)	Cylindrical Roller Bearing	M1207-TV	1
	Countershaft (Rear)	Max Ball Bearing	308-ZNRJ	1
	Input Shaft	Seal (1.250" I.D.)	12364	1
	Input Shaft	Seal (1.500" I.D.)	14832	1
	Input Shaft	Ball Bearing	6212-ZNRJ2	1
	Input Shaft Pilot	Needle Bearing Assembly	WJ182420	1
	Misc.	Gasket Set	<i>GT-156</i>	1
	Output Shaft	Ball Bearing	6309-NRJ	1
	Reverse Gear	Loose Needle Bearings	<i>Q8308</i>	1
	Reverse Idler Gear	Journal Bearing	J36-1652	4
	Thrust Bearing	Spacer	<i>JB53851</i>	1
	STK187	Clutch Release Shaft	Seal	12330
Countershaft (Front)		Ball Bearing	6308-NRJ	3
Countershaft (Rear)		Cylindrical Roller Bearing	<i>MAR5209</i>	3
Countershaft (Rear)		Cylindrical Roller Bearing	M5209-TV	3
Input Shaft		Seal	35083	1
Input Shaft		Ball Bearing	6214-ZNRJ	2
Input Shaft Pilot		Ball Bearing	7205-J	1
Misc.		Gasket Set	<i>GT-213</i>	1
Misc.		O-Ring Set	<i>OK-6561</i>	1
Misc.		Snap Ring Set	<i>SR-187</i>	1
Output Shaft		Seal	20596	1
Output Shaft Pilot		Needle Bearing	B2416	1
Output Shaft Pilot		Needle Bearing	IR2016	1
Output Shaft Rear		Cylindrical Roller Bearing	MA1213-TV	1
Rear Countershaft Front		Cylindrical Roller Bearing	M1209-TV	3
Rear Countershaft Front		Cylindrical Roller Bearing	<i>MAR5209</i>	3
Rear Countershaft Rear		Max Ball Bearing	208-NRJ	3
Reverse Idler Gear		Needle Bearing	J36-1648	3
Shift Rail		Needle Bearing Assembly	SCE2014-P	3
STK190		4th. & 5th. Shift Hub Bearing	Needle Bearing Assembly	<i>FA35688</i>
	4th. & 5th. Shift Hub Race	Needle Bearing	<i>TR235383</i>	1
	Countershaft (Front)	Needle Bearing Assembly	M28161	1
	Countershaft (Rear)	Cylindrical Roller Bearing	<i>MU1309SGNV</i>	1
	Input Shaft	Seal	16247	1
	Input Shaft	Tapered Roller Bearing (Cup)	M802011 VP	1
	Input Shaft	Tapered Roller Bearing (Cone)	M802048 VP	1
	Misc.	Gasket Set	<i>GT-148</i>	1
	Output Shaft	Seal (2.500" I.D.)	24910	1
	Output Shaft	Seal (2.750" I.D.)	27292	1
	Output Shaft	Tapered Roller Bearing (Cup)	25547-RB	1
	Output Shaft	Tapered Roller Bearing (Cone)	BR25584	1
	Reverse Idler Gear	Needle Bearing	J36-1644	1

Transmission kit contents

	Location	Description	Part no.	Qty
STK192	Countershaft (Front)	Max Ball Bearing	311-NRJ	2
	Countershaft (Rear)	Snap Ring Set	<i>SR348-1</i>	2
	Countershaft (Rear)	Cylindrical Roller Bearing	MR1209-EX1	2
	Input Shaft	Cylindrical Roller Bearing	<i>MR1211-GEX</i>	1
	Input Shaft	Seal (2.125" I.D.)	21167	1
	Input Shaft	Seal (1.625" I.D.)	16247	1
	Input Shaft	Ball Bearing	6214-ZNRJ	1
	Input Shaft Pilot	Cylindrical Roller Bearing	MR1205-TV	1
	Mainshaft Rear	Seal	37405	1
	Misc.	Gasket Set	<i>GT-192</i>	1
	Reverse Idler Gear	Needle Bearing Assembly	WJ162116	4
STKFC200	Countershaft (Front)	Tapered Roller Bearing	BR30307	1
	Countershaft (Rear)	Tapered Roller Bearing	BR32208	1
	Input Shaft	Tapered Roller Bearing	BR32210	1
	Input Shaft	Seal	<i>710904</i>	1
	Input Shaft	Oil Ring	<i>C1307</i>	1
	Input Shaft Pilot	Tapered Roller Bearing	BR33206	1
	Output Shaft	Seal	24630A	1
	Output Shaft	Seal	<i>710905</i>	1
	Output Shaft Rear	Tapered Roller Bearing	BR32210	1
STK202	Aux. Countershaft Front	Cylindrical Roller Bearing	MR1307-TV	2
	Aux. Countershaft Rear	Ball Bearing	BR3310	2
	Aux. Mainshaft	Tapered Roller Bearing	A2892	1
	Aux. Mainshaft Rear	Seal	37330	1
	Aux. Range Shaft Quill Front	Ball Bearing	6204-J	1
	Aux. Range Shaft Quill Rear	Bushing	<i>BS60</i>	1
	Countershaft (Front)	Cylindrical Roller Bearing	<i>BS500192SX</i>	2
	Countershaft (Rear)	Cylindrical Roller Bearing	<i>MU1308TVWS</i>	2
	Input Shaft	Ball Bearing	6212-ZNBRJ	1
	Input Shaft Pilot	Bushing	<i>BS59</i>	1
	Misc.	Gasket Set	<i>GT-200N</i>	1
	Misc.	O-Ring Set	<i>OK-1000V</i>	1
	Misc.	O-Ring Set	<i>OK-17453</i>	1
	Misc.	Snap Ring Set	<i>SR-202</i>	1
	Output Shaft Center	Ball Bearing	6018-NRJ	1
	Reverse Idler	Needle Bearing Assembly	F500082	2

Transmission kit contents

	Location	Description	Part no.	Qty	
STK203	Aux. Countershaft Front	Cylindrical Roller Bearing	MR1307-TV	2	
	Aux. Countershaft Rear	Max Ball Bearing	310-NRJ	2	
	Aux. Drive Gear	Ball Bearing	6018-NRJ	1	
	Aux. Mainshaft	Tapered Roller Bearing Assembly	A3071	1	
	Aux. Mainshaft Rear	Seal	37330	1	
	Countershaft (Front)	Cylindrical Roller Bearing	<i>BS500192SX</i>	2	
	Countershaft (Rear)	Cylindrical Roller Bearing	<i>MU1308TVWS</i>	2	
	Input Shaft	Ball Bearing	6212-ZNBRJ	1	
	Input Shaft Pilot	Bushing	<i>BS59</i>	1	
	Misc.	Gasket Set	<i>GT-200N</i>	1	
	Misc.	O-Ring Set	<i>OK-1000V</i>	1	
	Misc.	O-Ring Set	<i>OK-17453</i>	1	
	Misc.	Snap Ring Set	<i>SR-159</i>	1	
	Range Shaft Quill Front	Ball Bearing	6204-J	1	
	Range Shaft Quill Rear	Bushing	<i>BS60</i>	1	
	Reverse Idler Gear	Needle Bearing Assembly	F500082	2	
	STK205	Aux. Countershaft Front	Cylindrical Roller Bearing	MR1307-TV	2
Aux. Countershaft Rear		Max Ball Bearing	311-NRJ	2	
Aux. Drive Gear		Ball Bearing	6018-NRJ	1	
Aux. Mainshaft		Tapered Roller Bearing	A2892	1	
Aux. Mainshaft Rear		Seal	37330	1	
Countershaft (Front)		Cylindrical Roller Bearing	<i>BS500192SX</i>	2	
Countershaft (Rear)		Cylindrical Roller Bearing	<i>MU1308TVWS</i>	2	
Input Shaft		Ball Bearing	6212-ZNBRJ	1	
Input Shaft Pilot		Bushing	<i>BS59</i>	1	
Misc.		Gasket Set	<i>GT-200N</i>	1	
Misc.		O-Ring Set	<i>OK-1000V</i>	1	
Misc.		O-Ring Set	<i>OK-17453</i>	1	
Misc.		Snap Ring Set	<i>SR-160</i>	1	
Reverse Idler Gear		Needle Bearing Assembly	F500082	2	
STK206		Aux. Countershaft Front	Cylindrical Roller Bearing	<i>MU61307GUM</i>	2
		Aux. Countershaft Rear	Ball Bearing	310-ZNBR VP	2
		Aux. Drive Gear	Ball Bearing	6018-NRJ	1
	Aux. Mainshaft	Tapered Roller Bearing	A2892	1	
	Aux. Mainshaft	Seal	37330	1	
	Countershaft (Front)	Cylindrical Roller Bearing	<i>BS500192SX</i>	2	
	Countershaft (Rear)	Cylindrical Roller Bearing	<i>MU1308TVWS</i>	2	
	Input Shaft	Ball Bearing	6212-ZNBRJ	1	
	Input Shaft Pilot	Bushing	<i>BS59</i>	1	
	Misc.	Gasket Set	<i>GT-200N</i>	1	
	Misc.	O-Ring Set	<i>OK-1000V</i>	1	
	Misc.	O-Ring Set	<i>OK-17453</i>	1	
	Misc.	O-Ring	<i>OR-217V</i>	1	
	Misc.	O-Ring	<i>OR-221V</i>	1	
	Misc.	Snap Ring Set	<i>SR-159</i>	1	
	Range Shaft Quill Front	Ball Bearing	6204-J	1	
	Range Shaft Quill Rear	Bushing	<i>BS60</i>	1	
Reverse Idler Gear	Needle Bearing Assembly	F500082	2		

Transmission kit contents

	Location	Description	Part no.	Qty
STK207	Aux. Countershaft Front	Cylindrical Roller Bearing	MR1307-TV	2
	Aux. Countershaft Rear	Ball Bearing	BR3310	2
	Aux. Drive Gear	Ball Bearing	6018-NRJ	1
	Aux. Mainshaft	Tapered Roller Bearing	A2892	1
	Aux. Mainshaft Rear	Seal	37330	1
	Countershaft (Front)	Cylindrical Roller Bearing	<i>BS500192SX</i>	2
	Countershaft (Rear)	Cylindrical Roller Bearing	<i>MU1308TVWS</i>	2
	Input Shaft	Ball Bearing	6212-ZNBRJ	1
	Input Shaft Pilot	Bushing	<i>BS59</i>	1
	Misc.	Gasket Set	<i>GT-200N</i>	1
	Misc.	O-Ring Set	<i>OK-1000V</i>	1
	Misc.	O-Ring Set	<i>OK-17453</i>	1
	Misc.	Snap Ring Set	<i>SR-207</i>	1
	Range Shaft Quill Front	Ball Bearing	6204-J	1
	Range Shaft Quill Rear	Bushing	<i>BS60</i>	1
	Reverse Idler Gear	Needle Bearing Assembly	F500082	2
	STK208	4th. & 5th. Shift Hub Bearing	Needle Bearing Assembly	<i>FA35688</i>
4th. & 5th. Shift Hub Race		Needle Bearing	<i>TR235383</i>	1
Countershaft (Front)		Tapered Roller Bearing (Cone)	BR25877	1
Countershaft (Front)		Tapered Roller Bearing (Cup)	BR25821	1
Countershaft (Rear)		Tapered Roller Bearing (Cone)	BR2689	1
Countershaft (Rear)		Tapered Roller Bearing (Cup)	BR2631	1
Input Shaft		Seal	16247	1
Input Shaft		Tapered Roller Bearing (Cup)	M802011 VP	1
Input Shaft		Tapered Roller Bearing (Cone)	M802048 VP	1
Input Shaft Pilot		Loose Needle Bearings	<i>QBR49845</i>	1
Mainshaft 1st. & 2nd. Gear		Needle Bearing Assembly	F94490	2
Mainshaft 3rd. & Rev. Gear		Needle Bearing Assembly	F84003	2
Mainshaft 4th. Gear		Needle Bearing Assembly	F94488	1
Misc.		Gasket Set	<i>GT-208</i>	1
Output Shaft		Tapered Roller Bearing (Cone)	BR25581	1
Output Shaft		Tapered Roller Bearing (Cup)	BR25520	1
Output Shaft		Seal (2.500" I.D.)	24910	1
Output Shaft		Seal (2.250" I.D.)	22640	1

Transmission kit contents

	Location	Description	Part no.	Qty	
STK208-D	4th. & 5th. Shift Hub Bearing	Needle Bearing Assembly	<i>FA35688</i>	1	
	4th. & 5th. Shift Hub Race	Needle Bearing	<i>TR235383</i>	1	
	Countershaft (Front)	Tapered Roller Bearing (Cone)	BR25877	1	
	Countershaft (Front)	Tapered Roller Bearing (Cup)	BR25821	1	
	Countershaft (Rear)	Tapered Roller Bearing (Cone)	BR2689	1	
	Countershaft (Rear)	Tapered Roller Bearing (Cup)	BR2631	1	
	Input Shaft	Seal	18763	1	
	Input Shaft	Tapered Roller Bearing (Cup)	M804010	1	
	Input Shaft	Tapered Roller Bearing (Cone)	M804049	1	
	Input Shaft Pilot	Loose Needle Bearings	<i>QBR49845</i>	1	
	Mainshaft 1st. & 2nd. Gear	Needle Bearing Assembly	F94490	2	
	Mainshaft 3rd. & Rev. Gear	Needle Bearing Assembly	F84003	2	
	Mainshaft 4th. Gear	Needle Bearing Assembly	F94488	1	
	Misc.	Gasket Set	<i>GT-208</i>	1	
	Output Shaft	Seal	22640	1	
	Output Shaft	Tapered Roller Bearing (Cone)	BR25581	1	
	Output Shaft	Tapered Roller Bearing (Cup)	BR25520	1	
	Reverse Idler Gear	Loose Needle Bearings	QA48181	1	
	STK210	Countershaft (Front)	Tapered Roller Bearing (Cone)	LM48548 VP	1
		Countershaft (Front)	Tapered Roller Bearing (Cup)	LM48510 VP	1
Countershaft (Rear)		Tapered Roller Bearing (Cup)	LM102910 VP	1	
Countershaft (Rear)		Tapered Roller Bearing (Cone)	LM102949 VP	1	
Input Shaft Pilot		Needle Bearing Assembly	SCE2420 VP	1	
Input/Output Shaft		Ball Bearing	<i>BB1-1211-RS1NRVFPS</i>	2	
Mainshaft 1st./Reverse Gear		Needle Bearing Assembly	F93290	2	
Mainshaft 2nd. Gear		Needle Bearing Assembly	F95407	1	
Misc.		Gasket Set	<i>GT-210</i>	1	
Output Shaft		Seal	27293	1	
Reverse Idler Gear		Needle Bearing Assembly	WJ162116	2	

Transmission kit contents

	Location	Description	Part no.	Qty
STK213	Clutch Release Shaft	Seal	12330	1
	Compound Case Countershaft Front	Ball Bearing	6308-NRJ	3
	Compound Case Countershaft Rear	Ball Bearing	6206-J	3
	Countershaft (Front)	Ball Bearing	6308-NRJ	3
	Countershaft (Rear)	Cylindrical Roller Bearing	MAR5209	3
	Countershaft (Rear)	Cylindrical Roller Bearing	M5209-TV	3
	Input Shaft	Ball Bearing	6214-ZNRJ	3
	Input Shaft	Seal	20596	1
	Input Shaft Pilot	Cylindrical Roller Bearing	MA1205-TV	1
	Main Drive Gear Pilot	Ball Bearing	7205-J	1
	Misc.	Gasket Set	GT-213	1
	Misc.	Snap Ring Set	SR-213	1
	Output Shaft	Seal	35083	1
	Output Shaft Pilot	Needle Bearing	B2416	1
	Output Shaft Pilot	Needle Bearing	IR2016	1
	Output Shaft Rear	Cylindrical Roller Bearing	MA1213-TV	1
	Rear Countershaft Front	Cylindrical Roller Bearing	MAR5209	3
	Rear Countershaft Front	Max Ball Bearing	208-NRJ	3
	Rear Countershaft Front	Cylindrical Roller Bearing	MA1209-TV	3
	Reverse Idler Gear	Journal Bearing	J36-1648	3
Shift Rail	Needle Bearing Assembly	SCE2014-P	2	
STK235-B	Countershaft (Front)	Needle Bearing	ZN1037	2
	Input Shaft	Ball Bearing	ZB1055	2
	Input Shaft	Seal	13888	1
	Mainshaft Pilot	Needle Bearing	ZN1036	1
	Output Shaft	Seal (1.875" I.D.)	18546	1
	Output Shaft	Seal (1.496" I.D.)	14708	1
	Output Shaft	Seal (1.496" I.D.)	14712	1
	Misc.	Shim Kit	SPK-235	1
	STK247	Countershaft (Center)	Cylindrical Roller Bearing	ZC1033
Countershaft (Front)		Bearing	ZC1021	1
Countershaft (Rear)		Ball Bearing	6304-NRJ	1
Input Shaft		Seal	10640	1
Input Shaft		Tapered Roller Bearing	ZT1047	1
Input Shaft		Oil Baffle	ZM1014	1
Input Shaft Oil Ring		Seal	BZ3541E	1
Mainshaft Front		Tapered Roller Bearing	BR30207	1
Mainshaft Pilot		Needle Bearing	ZN1044	1
Mainshaft Rear		Bearing	ZB1060	1
Mainshaft Thrust		Needle Bearing	ZN1028	1
Misc.		Seal	BZ3421E	1
Misc.		Gasket Set	GT-247	1
Misc.		Shift Socket	ZM1008	2
Misc.		Expansion Plug	ZM1013	1
Output Shaft		Seal (1.496" I.D.)	14900	1
Output Shaft		Seal (1.181" I.D.)	11592	1
Top Cover		Gasket	GT-247R	1

Transmission kit contents

	Location	Description	Part no.	Qty	
STK248	Countershaft (Center)	Bearing	<i>ZC1023</i>	1	
	Countershaft (Front)	Cylindrical Roller Bearing	<i>ZC1010</i>	1	
	Countershaft (Rear)	Ball Bearing	6304-NRJ	1	
	Input Shaft	Seal	11612	1	
	Input Shaft	Oil Baffle	<i>ZM1015</i>	1	
	Input Shaft	Tapered Roller Bearing	<i>ZT1087</i>	1	
	Input Shaft	Oil Ring	<i>BZ3421E</i>	1	
	Mainshaft Center	Tapered Roller Bearing	<i>ZT1088</i>	1	
	Mainshaft Pilot	Needle Bearing	<i>ZN1034</i>	1	
	Mainshaft Rear	Bearing	<i>ZB1061</i>	1	
	Mainshaft Thrust	Needle Bearing	<i>ZN1035</i>	1	
	Misc.	Gasket Set	<i>GT-248</i>	1	
	Misc.	Shift Socket	<i>ZM1008</i>	2	
	Misc.	Expansion Plug	<i>ZM1013</i>	4	
	Output Shaft	Seal (1.496" I.D.)	14900	1	
	Output Shaft	Seal (1.417" I.D.)	14012	1	
	Top Cover	Gasket	<i>GT-248R</i>	1	
	STK300-ZF	Countershaft Front/Rear	Tapered Roller Bearing (Cone)	BR2580	2
		Countershaft Front/Rear	Tapered Roller Bearing (Cup)	BR2520	2
		Input Shaft	Seal (1.378" I.D.)	13943	1
Input Shaft		Seal (1.496" I.D.)	14703	1	
Input Shaft		Tapered Roller Bearing (Cone)	BR28580	1	
Input Shaft & Output Shaft		Tapered Roller Bearing (Cup)	BR28521	2	
Mainshaft 2nd. & 3rd. Gear		Needle Bearing	<i>F206755</i>	2	
Mainshaft 3rd. Gear (Inner Race)		Bearing	<i>ZN1056</i>	1	
Mainshaft 5th. Gear		Needle Bearing	<i>F209031</i>	1	
Mainshaft Pilot		Tapered Roller Bearing (Cone)	JH13349	1	
Mainshaft Reverse & 1st. Gear		Needle Bearing	<i>F206756</i>	2	
Misc.		Gasket Set	<i>GT-300ZF</i>	1	
Misc.		Oil Baffle	<i>E7TZ7040A</i>	1	
Misc.		Oil Ring	<i>F4TZ7046A</i>	1	
Output Shaft		Seal	15803	1	
Output Shaft		Tapered Roller Bearing (Cone)	J28573	1	
Reverse Idler Gear		Bearing	<i>F597071</i>	2	
Shift Rail		Needle Bearing	FC66880	2	
STK355		Input Shaft	Seal	9646	1
		Misc.	Cylindrical Roller Bearing	<i>NU2205ECP</i>	1
	Misc.	Ball Bearing	<i>ZB1179</i>	1	
	Misc.	Tapered Roller Bearing (Cone)	JL69349 VP	1	
	Misc.	Tapered Roller Bearing (Cup)	JL69310 VP	1	
	Output Shaft	Cylindrical Roller Bearing	R1559-TV	1	
	Output Shaft	Seal	16194	2	
	Shift Shaft	Seal	5806	1	

Transmission kit contents

	Location	Description	Part no.	Qty
STK390-F	4th. & 5th. Shift Hub Bearing	Needle Bearing Assembly	<i>FA35688</i>	1
	4th. & 5th. Shift Hub Race	Needle Bearing	<i>TR235383</i>	1
	Countershaft (Front)	Needle Bearing Assembly	<i>DD46386</i>	1
	Countershaft (Rear)	Cylindrical Roller Bearing	<i>MU1309-GUM</i>	1
	Input Shaft	Seal	<i>16247</i>	1
	Input Shaft	Tapered Roller Bearing (Cup)	<i>M802011 VP</i>	1
	Input Shaft	Tapered Roller Bearing (Cone)	<i>M802048 VP</i>	1
	Input Shaft Pilot	Loose Needle Bearings	<i>QBR49845</i>	1
	Mainshaft 2nd., 3rd., & Rev. Gear	Needle Bearing Assembly	<i>F94490</i>	3
	Mainshaft 4th. Gear	Needle Bearing Assembly	<i>F94488</i>	1
	Mainshaft Gear	Loose Needle Bearings	<i>QA48181</i>	1
	Mainshaft Rear	Seal	<i>27295</i>	1
	Misc.	Gasket Set	<i>GT-390FGH</i>	1
	Output Shaft	Tapered Roller Bearing (Cone)	<i>BR28580</i>	1
	Output Shaft	Tapered Roller Bearing (Cup)	<i>28527-RB</i>	1
	Reverse Idler Gear	Loose Needle Bearings	<i>QA47838</i>	1
STK390-G	4th. & 5th. Shift Hub Bearing	Needle Bearing Assembly	<i>FA35688</i>	1
	4th. & 5th. Shift Hub Race	Needle Bearing	<i>TR235383</i>	1
	Countershaft (Front)	Needle Bearing Assembly	<i>DD46386</i>	1
	Countershaft (Rear)	Cylindrical Roller Bearing	<i>MU1309-GUM</i>	1
	Input Shaft (1.875" I.D.)	Seal	<i>18555</i>	1
	Input Shaft (1.625" I.D.)	Seal	<i>16247</i>	1
	Input Shaft	Tapered Roller Bearing (Cup)	<i>M802011 VP</i>	1
	Input Shaft	Tapered Roller Bearing (Cone)	<i>M802048 VP</i>	1
	Input Shaft Pilot	Loose Needle Bearings	<i>QBR49845</i>	1
	Mainshaft 2nd., 3rd., & Rev. Gear	Needle Bearing Assembly	<i>F94490</i>	3
	Mainshaft 4th. Gear	Needle Bearing Assembly	<i>F94488</i>	1
	Mainshaft Gear	Loose Needle Bearings	<i>QA48181</i>	1
	Misc.	Gasket Set	<i>GT-390FGH</i>	1
	Output Shaft	Seal	<i>24910</i>	1
	Output Shaft	Tapered Roller Bearing (Cup)	<i>25547-RB</i>	1
	Output Shaft	Tapered Roller Bearing (Cone)	<i>BR25584</i>	1
Reverse Idler Gear	Loose Needle Bearings	<i>QA47838</i>	1	
STK390-H	4th. & 5th. Shift Hub Bearing	Needle Bearing Assembly	<i>FA35688</i>	1
	4th. & 5th. Shift Hub Race	Needle Bearing	<i>TR235383</i>	1
	Countershaft (Front)	Needle Bearing Assembly	<i>DD46386</i>	1
	Countershaft (Rear)	Cylindrical Roller Bearing	<i>MU1309-GUM</i>	1
	Input Shaft	Seal	<i>18555</i>	1
	Input Shaft	Tapered Roller Bearing (Cup)	<i>M804010</i>	1
	Input Shaft	Tapered Roller Bearing (Cone)	<i>M804049</i>	1
	Input Shaft Pilot	Loose Needle Bearings	<i>QBR49845</i>	1
	Mainshaft 2nd., 3rd., & Rev. Gear	Needle Bearing Assembly	<i>F94490</i>	3
	Mainshaft 4th. Gear	Needle Bearing Assembly	<i>F94488</i>	1
	Mainshaft Gear	Loose Needle Bearings	<i>QA48181</i>	1
	Misc.	Gasket Set	<i>GT-390FGH</i>	1
	Output Shaft	Tapered Roller Bearing (Cone)	<i>BR28580</i>	1
	Output Shaft	Tapered Roller Bearing (Cup)	<i>28527-RB</i>	1
	Reverse Idler Gear	Loose Needle Bearings	<i>QA47838</i>	1

Transmission kit contents

	Location	Description	Part no.	Qty	
STK395-F	4th. & 5th. Shift Hub Bearing	Needle Bearing Assembly	<i>FA35688</i>	1	
	4th. & 5th. Shift Hub Race	Needle Bearing	<i>TR235383</i>	1	
	Countershaft Front/Rear	Tapered Roller Bearing (Cone)	BR25590	2	
	Countershaft Front/Rear	Tapered Roller Bearing (Cup)	BR25520	2	
	Input Shaft	Seal	16247	1	
	Input Shaft	Tapered Roller Bearing (Cup)	M802011 VP	1	
	Input Shaft	Tapered Roller Bearing (Cone)	M802048 VP	1	
	Input Shaft Pilot	Loose Needle Bearings	<i>QBR49845</i>	1	
	Mainshaft 2nd., 3rd., & Rev. Gear	Needle Bearing Assembly	F94490	3	
	Mainshaft 1st. Gear	Loose Needle Bearings	QA48181	1	
	Mainshaft 4th. Gear	Needle Bearing Assembly	F94488	1	
	Misc.	Gasket Set	<i>GT-390FGH</i>	1	
	Output Shaft	Seal	27295	1	
	Output Shaft	Tapered Roller Bearing (Cone)	BR28580	1	
	Output Shaft	Tapered Roller Bearing (Cup)	28527-RB	1	
	Reverse Idler Gear	Loose Needle Bearings	QA47838	1	
	STK395-G	4th. & 5th. Shift Hub Bearing	Needle Bearing Assembly	<i>FA35688</i>	1
		4th. & 5th. Shift Hub Race	Needle Bearing	<i>TR235383</i>	1
		Countershaft Front/Rear	Tapered Roller Bearing (Cone)	BR25590	2
		Countershaft Front/Rear	Tapered Roller Bearing (Cup)	BR25520	2
Input Shaft		Seal	16247	1	
Input Shaft		Tapered Roller Bearing (Cup)	M802011 VP	1	
Input Shaft		Tapered Roller Bearing (Cone)	M802048 VP	1	
Input Shaft Pilot		Loose Needle Bearings	<i>QBR49845</i>	1	
Mainshaft 1st. Gear		Loose Needle Bearings	QA48181	1	
Mainshaft 2nd., 3rd., & Rev. Gear		Needle Bearing Assembly	F94490	3	
Mainshaft 4th. Gear		Needle Bearing Assembly	F94488	1	
Misc.		Gasket Set	<i>GT-390FGH</i>	1	
Output Shaft		Seal	22640	1	
Output Shaft		Tapered Roller Bearing (Cup)	25547-RB	1	
Output Shaft		Tapered Roller Bearing (Cone)	BR25584	1	
Reverse Idler Gear		Loose Needle Bearings	QA47838	1	
STK395-H		4th. & 5th. Shift Hub Bearing	Needle Bearing Assembly	<i>FA35688</i>	1
		4th. & 5th. Shift Hub Race	Needle Bearing	<i>TR235383</i>	1
		Countershaft Front/Rear	Tapered Roller Bearing (Cone)	BR25590	2
		Countershaft Front/Rear	Tapered Roller Bearing (Cup)	BR25520	2
	Input Shaft	Seal	18555	1	
	Input Shaft	Tapered Roller Bearing (Cup)	M804010	1	
	Input Shaft	Tapered Roller Bearing (Cone)	M804049	1	
	Input Shaft Pilot	Loose Needle Bearings	<i>QBR49845</i>	1	
	Mainshaft 1st. Gear	Loose Needle Bearings	QA48181	1	
	Mainshaft 2nd., 3rd., & Rev. Gear	Needle Bearing Assembly	F94490	3	
	Mainshaft 4th. Gear	Needle Bearing Assembly	F94488	1	
	Misc.	Gasket Set	<i>GT-390FGH</i>	1	
	Output Shaft	Seal	27295	1	
	Output Shaft	Tapered Roller Bearing (Cup)	28527-RB	1	
	Output Shaft	Tapered Roller Bearing (Cone)	BR28580	1	
	Reverse Idler Gear	Loose Needle Bearings	QA47838	1	

Transmission kit contents

	Location	Description	Part no.	Qty
STK1000	Aux. Countershaft Front	Cylindrical Roller Bearing	MR1307-TV	2
	Aux. Countershaft Rear	Max Ball Bearing	310-NRJ	2
	Aux. Drive Gear	Ball Bearing	6017-NRJ	1
	Aux. Drive Gear Bearing Retainer	Seal	14832	1
	Aux. Mainshaft	Tapered Roller Bearing Assembly	A3071	1
	Aux. Output Shaft	Seal	37330	1
	Aux. Range Shaft Quill Front	Ball Bearing	6204-J	1
	Aux. Range Shaft Quill Rear	Bushing	BS60	1
	Countershaft (Front)	Cylindrical Roller Bearing	MSN1211REX	2
	Countershaft (Rear)	Cylindrical Roller Bearing	MU1308TVWS	2
	Input Shaft	Ball Bearing	6212-ZNBRJ	1
	Input Shaft Pilot	Bushing	BS59	1
	Misc.	Gasket Set	GT-200N	1
	Misc.	O-Ring Set	OK-1000V	1
	Misc.	Snap Ring Set	SR-1000	1
	Reverse Idler Gear	Needle Bearing Assembly	F500082	2
STK2043	Aux. Drive Gear	Ball Bearing	DTP6507	1
	Aux. Mainshaft	Tapered Roller Bearing	DTP356	1
	Countershaft (Front)	Tapered Roller Bearing	DTP2074	1
	Countershaft (Front)	Cylindrical Roller Bearing	BS500192SX	2
	Countershaft (Rear)	Cylindrical Roller Bearing	MU1308TVWS	1
	Input Shaft	Cylindrical Roller Bearing	MU1212RUMW3	1
	Input Shaft Pilot	Bushing	BS59	1
	Misc.	Seal & Gasket Set	DTK2262	1
	Misc.	Bushing	AA1512-12	2
	Misc.	Insert Valve	IV19974	1
	Misc.	O-Ring Kit	K-2054	1
	Misc.	Gasket Set	K-2061	1
	Misc.	Shims	K-2805	1
	Misc.	Spring	SG14897	1
	Misc.	Snap Ring Set	SR-2043	1
	Misc.	Snap Ring Set	SR-21320	1
Reverse Idler Gear	Needle Bearing Assembly	F500082	1	
STK2924	Aux. Countershaft Front/Rear	Tapered Roller Bearing	DTP2074	4
	Aux. Drive Gear	Ball Bearing	DTP6507	1
	Aux. Mainshaft	Tapered Roller Bearing	DTP6503	1
	Countershaft Front/Rear	Cylindrical Roller Bearing	BS226539V	4
	Input Shaft	Cylindrical Roller Bearing	MU1212RUMW3	1
	Input Shaft Pilot	Bushing	BS59	1
	Misc.	Seal & Gasket Set	DTK2918	1
	Misc.	Shims	K-2805	1
	Misc.	Gasket Set	K-2921	1
	Misc.	Spring	SG14897	3
	Misc.	Snap Ring Set	SR-17399	1
	Misc.	Snap Ring Set	4302082	2
	Misc.	Snap Ring Set	4303362	2
	Reverse Idler Gear	Needle Bearing Assembly	F500082	2

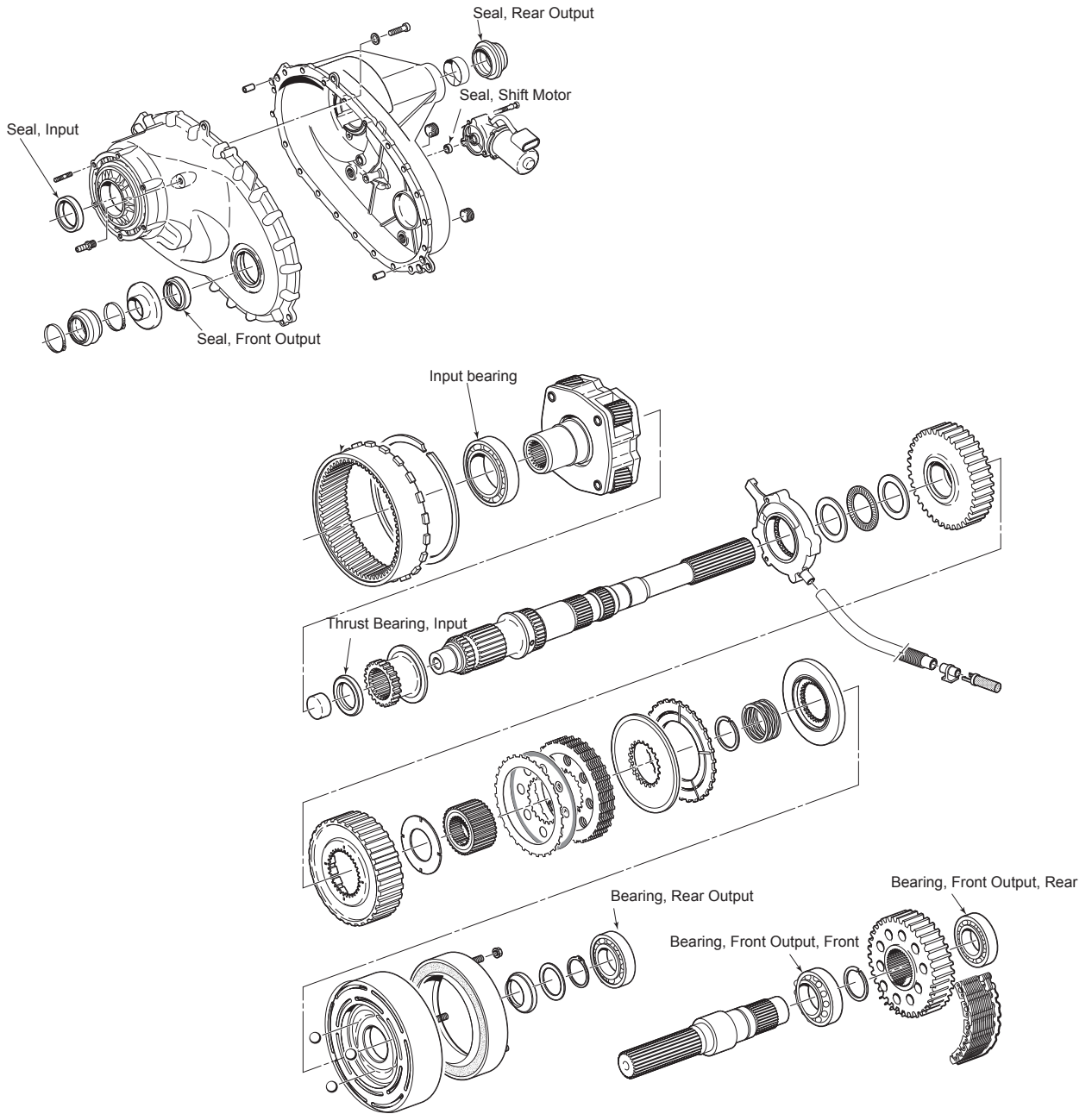
Transmission kit contents

	Location	Description	Part no.	Qty	
STK3340	Aux. Countershaft Front/Rear	Tapered Roller Bearing	<i>NP656227</i>	4	
	Aux. Countershaft Front/Rear	Tapered Roller Bearing	<i>NP896049</i>	4	
	Aux. Drive Gear	Tapered Roller Bearing	<i>DTP6510</i>	1	
	Aux. Mainshaft	Tapered Roller Bearing	<i>DTP6503</i>	1	
	Countershaft (Front)	Cylindrical Roller Bearing	<i>BS500192SX</i>	2	
	Countershaft (Rear)	Cylindrical Roller Bearing	<i>BS500052V</i>	2	
	Input Shaft	Ball Bearing	<i>6212-ZNBRJ</i>	1	
	Input Shaft Pilot	Bushing	<i>BS59</i>	1	
	Misc.	Seal & Gasket Set	<i>DTK2918</i>	1	
	Misc.	Shims	<i>K-2805</i>	1	
	Misc.	Gasket Set	<i>K-3288</i>	1	
	Misc.	O-Ring Kit	<i>K-3341-OE</i>	1	
	Misc.	Spring	<i>SG14897</i>	3	
	Misc.	Snap Ring Set	<i>SR-3340</i>	1	
	Misc.	Snap Ring Set	<i>4302082</i>	2	
	Misc.	Snap Ring Set	<i>4303424</i>	1	
	Reverse Idler Gear	Needle Bearing Assembly	<i>F500082</i>	2	
	Splitter Gear	Bearing	<i>DTP0902</i>	1	
	STK3343	Aux. Drive Gear	Ball Bearing	<i>DTP6508</i>	1
		Aux. Mainshaft	Tapered Roller Bearing	<i>DTP6503</i>	1
Countershaft (Front)		Tapered Roller Bearing	<i>DTP2074</i>	4	
Countershaft (Front)		Cylindrical Roller Bearing	<i>BS500192SX</i>	2	
Countershaft (Rear)		Cylindrical Roller Bearing	<i>BS500052V</i>	2	
Input Shaft		Ball Bearing	<i>6212-ZNBRJ</i>	1	
Input Shaft Pilot		Bushing	<i>BS59</i>	1	
Misc.		Seal & Gasket Set	<i>DTK2918</i>	1	
Misc.		Shims	<i>K-2805</i>	1	
Misc.		Gasket Set	<i>K-3288</i>	1	
Misc.		Spring	<i>SG14897</i>	1	
Misc.		Snap Ring Set	<i>SR-3340</i>	3	
Misc.		Snap Ring Set	<i>SR-3340</i>	1	
Misc.		Snap Ring Set	<i>4302082</i>	2	
Reverse Idler Gear		Needle Bearing Assembly	<i>F500082</i>	2	
STK3650		Countershaft (Front)	Tapered Roller Bearing (Cone/Cup)	<i>LM501349 VP/LM501310 VP</i>	1
		Countershaft (Rear)	Tapered Roller Bearing (Cone/Cup)	<i>NP111385/NP850439</i>	1
	Input Shaft	Seal	<i>12363</i>	1	
	Input Shaft Front	Tapered Roller Bearing (Cone/Cup)	<i>M88048 VP/M88010 VP</i>	1	
	Input Shaft Pilot	Bearing	<i>ZN1003</i>	1	
	Misc.	Fork Pads	<i>1386-235-001</i>	9	
	Output Shaft	Seal	<i>16926</i>	1	
	Output Shaft Pocket	Bearing	<i>ZN1177</i>	1	
	Output Shaft Rear	Bearing	<i>350-354A</i>	1	

Transmission kit contents

	Location	Description	Part no.	Qty
STK4500-D	Countershaft (Front)	Tapered Roller Bearing	<i>ZT1005</i>	1
	Countershaft (Front)	Tapered Roller Bearing	<i>ZT1006</i>	1
	Countershaft (Rear)	Tapered Roller Bearing	<i>ZT1007</i>	1
	Countershaft (Rear)	Tapered Roller Bearing	<i>ZT1008</i>	1
	Extension Housing	Needle Bearing	B5020	1
	Input Shaft	Tapered Roller Bearing	<i>ZT1009</i>	1
	Input Shaft	Tapered Roller Bearing	<i>ZT1010</i>	1
	Input Shaft	Seal (1.375" I.D.)	13557	1
	Mainshaft Pilot	Needle Bearing	<i>ZN1003</i>	1
	Mainshaft Rear	Tapered Roller Bearing (Cup)	M804010	1
	Mainshaft Rear	Tapered Roller Bearing (Cone)	M804049	1
	Mainshaft Thrust	Needle Bearing	<i>ZN1013</i>	1
	Misc.	Fork Pads	<i>ZM1049</i>	2
	Misc.	Fork Pads	<i>4219073</i>	1
	Output Shaft	Seal (1.938" I.D.)	19211	1
	Output Shaft	Seal (1.687" I.D.)	16567	1
	Output Shaft	Seal (2.205" I.D.)	22029	1
	PTO Cover	Gasket	<i>GT-PT055</i>	2
	Transfer Case Adapter	Gasket	<i>GTC-NP1</i>	1
	STK4500-GM	Countershaft (Front)	Tapered Roller Bearing	<i>ZT1005</i>
Countershaft (Front)		Tapered Roller Bearing	<i>ZT1006</i>	1
countershaft (Rear)		Tapered Roller Bearing	<i>ZT1007</i>	1
Countershaft (Rear)		Tapered Roller Bearing	<i>ZT1008</i>	1
Extension Housing		Needle Bearing	B5020	1
Input Shaft		Tapered Roller Bearing	<i>ZT1009</i>	1
Input Shaft		Tapered Roller Bearing	<i>ZT1010</i>	1
Input Shaft		Seal (1.375" I.D.)	13557	1
Mainshaft Pilot		Needle Bearing	<i>ZN1003</i>	1
Mainshaft Rear		Tapered Roller Bearing (Cup)	M804010	1
Mainshaft Rear		Tapered Roller Bearing (Cone)	M804049	1
Mainshaft Thrust		Needle Bearing	<i>ZN1013</i>	1
Misc.		Fork Pads	<i>4219073</i>	1
Output Shaft		Seal (2.500" I.D.)	24982	1
Output Shaft		Seal (2.000" I.D.)	19970	1
Output Shaft		Seal (1.772" I.D.)	17818	1
Output Shaft		Seal (1.890" I.D.)	18972	1
PTO Cover		Gasket	<i>GT-PT055</i>	2
Transfer Case Adapter		Gasket	<i>GTC-NP1</i>	1

Transfer case typical bearing & seal locations



Transfer case kit contents

	Location	Description	Part no.	Qty
STCK205-D	Front Output (Fr./Rr. Output (Rr.))	Ball Bearing	6307-NRJ	2
	Front Output Shaft	Seal	17720	1
	Front Output Shaft (Rr.)	Needle Bearing Assembly	M28161	1
	Idler Shaft	Tapered Roller Bearing (Cup)	BR2720	2
	Idler Shaft	Tapered Roller Bearing (Cone)	BR2793	2
	Input Shaft	Seal	13557	2
	Input Shaft	Ball Bearing	6210-NRJ	1
	Misc.	Gasket Set	<i>GTK-205-1</i>	1
	Misc.	Gasket Set	<i>GTK-205GDM</i>	1
	Misc.	O-Ring	<i>OR-216</i>	1
	Rear Output Shaft	Seal	21213	1
	Rear Output Shaft (Fr.)	Needle Bearing Assembly	B3216	1
	Shift Shaft	Seal	7440	2
	STCK205-F	Front Output (Fr./Rr. Output (Rr.))	Ball Bearing	6307-NRJ
Front Output Shaft (Rr.)		Needle Bearing Assembly	M28161	1
Idler Shaft		Tapered Roller Bearing (Cup)	BR2720	2
Idler Shaft		Tapered Roller Bearing (Cone)	BR2793	2
Input Shaft		Ball Bearing	6210-NRJ	1
Low Gear		Loose Needle Rollers	QBR23549	8
Mainshaft Pilot		Loose Needle Rollers	QAR29523	1
Misc.		Gasket Set	<i>GTK105-901C</i>	1
Rear Output Shaft		Seal (2.125" I.D.)	21213	3
Rear Output Shaft		Seal (1.875" I.D.)	18872	1
Rear Output Shaft (Fr.)		Needle Bearing Assembly	B3216	1
Shift Shaft		Seal	7443	2
STCK205-FA		Front Output (Fr./Rr. Output (Rr.))	Ball Bearing	6307-NRJ
	Front Output Shaft (Rr.)	Needle Bearing Assembly	M28161	1
	Idler Shaft	Tapered Roller Bearing (Cup)	BR2720	2
	Idler Shaft	Tapered Roller Bearing (Cone)	BR2793	2
	Low Gear	Loose Needle Rollers	QBR23549	8
	Mainshaft Pilot	Loose Needle Rollers	QAR29523	1
	Misc.	Gasket Set	<i>GTK105-901C</i>	1
	Rear Output Shaft	Seal	21213	3
	Rear Output Shaft (Fr.)	Needle Bearing Assembly	B3216	1
	Shift Shaft	Seal	7443	2

Transfer case kit contents

	Location	Description	Part no.	Qty
STCK205-G	Front Output (Fr.)/Rr. Output (Rr.)	Ball Bearing	6307-NRJ	3
	Front Output Shaft	Seal	17720	1
	Front Output Shaft (Rr.)	Needle Bearing Assembly	M28161	1
	Idler Shaft	Tapered Roller Bearing (Cup)	BR2720	2
	Idler Shaft	Tapered Roller Bearing (Cone)	BR2793	2
	Misc.	Gasket Set	<i>GT-172</i>	1
	Misc.	O-Ring	<i>OR-216</i>	1
	Rear Output Shaft	Seal (1.886" I.D.)	18992	1
	Rear Output Shaft	Seal (2.125" I.D.)	21213	1
	Rear Output Shaft (Fr.)	Needle Bearing Assembly	B3216	1
	Shift Shaft	Seal	7440	2
	Yoke	Washer	<i>GTK-205STAR</i>	1
	STCK205-GDM4	Front Output (Fr.)/Rr. Output (Rr.)	Ball Bearing	6307-NRJ
Front Output Shaft		Seal	17720	1
Front Output Shaft (Rr.)		Needle Bearing Assembly	M28161	1
Idler Shaft		Tapered Roller Bearing (Cup)	BR2720	2
Idler Shaft		Tapered Roller Bearing (Cone)	BR2793	2
Input Shaft		Ball Bearing	6210-NRJ	1
Misc.		Gasket Set	<i>GTK-205GDM</i>	1
Misc.		O-Ring	<i>OR-216</i>	1
Rear Output Shaft		Seal (1.886" I.D.)	18992	1
Rear Output Shaft		Seal (2.125" I.D.)	21213	1
Rear Output Shaft (Fr.)		Needle Bearing Assembly	B3216	1
Shift Shaft		Seal	7440	2
STCK207		Front Output Shaft	Seal	15729
	Front Output Shaft (Rr.)	Needle Bearing	B228	1
	Input Shaft (Fr.)	Needle Bearing	<i>J3210</i>	2
	Input Shaft Thrust	Needle Bearing	<i>NTA3244</i>	1
	Input Shaft Thrust	Needle Thrust Washer	TRC3244	1
	Mainshaft (Fr.)	Needle Bearing	HK4020VP	2
	Mainshaft (Rr.)/Front Output Shaft (Fr.)	Ball Bearing	6206-2RSJ	2
	Mainshaft Pilot	Needle Bearing	<i>JH1810</i>	1
	Misc.	Gasket Set	<i>GTK-207</i>	1
	Misc.	Fork Pads	<i>4219073</i>	1
	Oil Pump	Seal	22306	1
	Rear Output Shaft	Seal	15041	1

Transfer case kit contents

	Location	Description	Part no.	Qty	
STCK208	Front Output Shaft	Seal	18662	1	
	Front Output Shaft (Fr.)	Needle Bearing Assembly	B2816	1	
	Front Output Shaft (Rr.)	Needle Bearing	B2416	1	
	Front Output Shaft Thrust (Fr. & Rr.)	Needle Thrust Bearing	NTA2840	2	
	Input Shaft	Needle Bearing Assembly	B5020	2	
	Input Shaft Thrust	Needle Bearing Assembly	AXK5070 VP	1	
	Mainshaft (Fr.)	Max Ball Bearing	207-NRJ	1	
	Mainshaft Pilot	Needle Bearing Assembly	B2012	1	
	Mainshaft Thrust	Needle Thrust Bearing	NTA2435	1	
	Misc.	Gasket Set	GTK-208	1	
	Misc.	Fork Pads	4167970	1	
	Misc.	Fork Pads	4219073	1	
	Oil Pump	Seal	22306	1	
	Rear Output Shaft	Seal (1.886" I.D.)	18992	1	
	Rear Output Shaft	Seal (1.875" I.D.)	18658	1	
	Sprocket	Loose Needle Rollers	C1086-Q	6	
	STCK226	Clutch Housing	Needle Bearing	ZN1146	1
		Clutch Housing Thrust	Needle Bearing	ZN1182	1
		Front Output Shaft	Seal	NV29869	1
Front Output Shaft (Fr./Rr.)		Ball Bearing	6007-J	2	
Input Shaft		Seal	NV29870	1	
Input Shaft		Ball Bearing	5210-ANRX	1	
Input Shaft Thrust (Fr.)		Washer	NV29133	1	
Input Shaft Thrust (Rr.)		Washer	NV30334	1	
Misc.		O-Ring	OR-013	1	
Rear Output Shaft		Seal	NV22452	1	
Rear Output Shaft		Seal (1.886" I.D.)	18860	1	
Rear Output Shaft (Rr.)		Ball Bearing	ZB1061	1	
Rear Output Shaft (Pilot)		Needle Bearing	ZN1180	1	
Shift Shaft		Needle Bearing	ZN1183	1	
STCK231	Front Output (Fr.)/Rr. Output (Rr.)	Ball Bearing	6206-NRJ	2	
	Front Output Shaft (Rr.)	Needle Bearing	B2416	1	
	Input Shaft	Needle Bearing Assembly	B5020	2	
	Input Shaft	Ball Bearing	5210-ANRX	1	
	Input Shaft Pilot	Needle Bearing	ZN1065	1	
	Misc.	Gasket Set	GT-243	1	
	Misc.	Gasket Set	GTK-207-1	1	
	Misc.	O-Ring	OR-013	2	
	Misc.	O-Ring	OR-015	1	
	Misc.	O-Ring	OR-109	1	
	Misc.	O-Ring	OR-116	1	
	Misc.	Fork Pads	4167970	1	
	Misc.	Fork Pads	4219073	1	
	Oil Pump	Seal	22306	1	
	Rear Output Shaft	Seal (1.563" I.D.)	15546	1	
	Rear Output Shaft	Seal (1.500" I.D.)	15041	1	
	Yoke	Washer	GTK-207STAR	1	

Transfer case kit contents

	Location	Description	Part no.	Qty	
STCK231-BB	Front Output (Fr.)/Rr. Output (Rr.)	Ball Bearing	6206-NRJ	1	
	Front Output Shaft (Rr.)	Needle Bearing	B2416	1	
	Input Shaft	Needle Bearing Assembly	B5020	2	
	Input Shaft	Ball Bearing	5210-ANRX	1	
	Input Shaft Pilot	Needle Bearing	<i>ZN1065</i>	1	
	Misc.	Gasket Set	<i>GTK-207-1</i>	1	
	Misc.	O-Ring	<i>OR-013</i>	2	
	Misc.	O-Ring	<i>OR-015</i>	1	
	Misc.	O-Ring	<i>OR-109</i>	1	
	Misc.	O-Ring	<i>OR-116</i>	1	
	Misc.	Fork Pads	<i>4167970</i>	1	
	Misc.	Fork Pads	<i>4219073</i>	1	
	Oil Pump	Seal	22306	1	
	Rear Output Shaft	Seal	15041	1	
	Rear Output Shaft (Rr.)	Max Ball Bearing	6207-J	1	
	Yoke	Washer	<i>GTK-207STAR</i>	1	
	STCK231-CC	Front Output (Fr.)/Rr. Output (Rr.)	Ball Bearing	6307-NRJ	2
		Front Output (Fr.)/Rr. Output (Rr.)	Ball Bearing	6206-NRJ	1
Front Output Shaft		Seal	17720	1	
Front Output Shaft		Seal	11778	1	
Front Output Shaft (Rr.)		Needle Bearing Assembly	M28161	1	
Front Output Shaft (Rr.)		Needle Bearing	B2416	1	
Idler Shaft		Tapered Roller Bearing (Cup)	BR2720	2	
Idler Shaft		Tapered Roller Bearing (Cone)	BR2793	2	
Input Shaft		Seal	13557	2	
Input Shaft		Ball Bearing	6210-NRJ	1	
Input Shaft		Needle Bearing Assembly	B5020	2	
Input Shaft		Ball Bearing	6010-NRJ	1	
Input Shaft Pilot		Needle Bearing	<i>ZN1065</i>	1	
Misc.		Gasket Set	<i>GTK-205-1</i>	1	
Misc.		Gasket Set	<i>GTK-205GDM</i>	1	
Misc.		Gasket Set	<i>GTK-207-1</i>	1	
Misc.		O-Ring	<i>OR-013</i>	2	
Misc.		O-Ring	<i>OR-015</i>	1	
Misc.		O-Ring	<i>OR-109</i>	1	
Misc.		O-Ring	<i>OR-116</i>	1	
Misc.		O-Ring	<i>OR-216</i>	1	
Misc.		Fork Pads	<i>4167970</i>	1	
Misc.		Fork Pads	<i>4219073</i>	1	
Oil Pump		Seal	22306	1	
Rear Output Shaft		Seal (1.886" I.D.)	18992	1	
Rear Output Shaft		Seal (2.125" I.D.)	21213	1	
Rear Output Shaft		Seal (1.500" I.D.)	15041	1	
Rear Output Shaft (Fr.)		Needle Bearing Assembly	B3216	1	
Rear Output Shaft (Rr.)		Max Ball Bearing	6207-J	1	
Shift Shaft		Seal	7440	2	
Yoke		Washer	<i>GTK-207STAR</i>	1	

Transfer case kit contents

	Location	Description	Part no.	Qty	
STCK231-DD	Front Output (Frnt.)/Rr. Output (Rr.)	Ball Bearing	6206-NRJ	1	
	Front Output Shaft	Seal	11778	1	
	Front Output Shaft (Rr.)	Needle Bearing	B2416	1	
	Input Shaft	Needle Bearing Assembly	B5020	1	
	Input Shaft	Ball Bearing	6010-NRJ	1	
	Input Shaft Pilot	Needle Bearing	<i>ZN1065</i>	1	
	Misc.	Gasket Set	<i>GT-243</i>	1	
	Misc.	O-Ring	<i>OR-013</i>	2	
	Misc.	O-Ring	<i>OR-015</i>	1	
	Misc.	O-Ring	<i>OR-109</i>	1	
	Misc.	O-Ring	<i>OR-116</i>	1	
	Misc.	Fork Pads	<i>4167970</i>	1	
	Misc.	Fork Pads	<i>4219073</i>	1	
	Oil Pump	Seal	22306	1	
	Rear Output Shaft	Seal	18992	1	
	Rear Output Shaft (Rr.)	Max Ball Bearing	6207-J	1	
	Yoke	Washer	<i>GTK-207STAR</i>	1	
	STCK231-EE	Front Output (Frnt.)/Rr. Output (Rr.)	Ball Bearing	6206-NRJ	2
		Front Output Shaft (Rr.)	Needle Bearing	B2416	1
Input Shaft		Needle Bearing Assembly	B5020	2	
Input Shaft		Ball Bearing	6010-NRJ	1	
Input Shaft Pilot		Needle Bearing	<i>ZN1065</i>	1	
Misc.		Gasket Set	<i>GT-243</i>	1	
Misc.		O-Ring	<i>OR-013</i>	2	
Misc.		O-Ring	<i>OR-015</i>	1	
Misc.		O-Ring	<i>OR-109</i>	1	
Misc.		O-Ring	<i>OR-116</i>	1	
Misc.		Fork Pads	<i>4167970</i>	1	
Misc.		Fork Pads	<i>4219073</i>	1	
Oil Pump		Seal	22306	1	
Rear Output Shaft		Seal (1.886" I.D.)	18992	1	
Rear Output Shaft		Seal (1.500" I.D.)	15041	1	
Yoke		Washer	<i>GTK-207STAR</i>	1	

Transfer case kit contents

	Location	Description	Part no.	Qty
STCK231-FF	Front Output (Fr.)/Rr. Output (Rr.)	Ball Bearing	6206-NRJ	2
	Front Output Shaft (Rr.)	Needle Bearing	B2416	1
	Input Shaft	Needle Bearing Assembly	B5020	2
	Input Shaft	Ball Bearing	6010-NRJ	1
	Input Shaft Pilot	Needle Bearing	<i>ZN1065</i>	1
	Misc.	Gasket Set	<i>GT-243</i>	1
	Misc.	O-Ring	<i>OR-013</i>	2
	Misc.	O-Ring	<i>OR-015</i>	1
	Misc.	O-Ring	<i>OR-109</i>	1
	Misc.	O-Ring	<i>OR-116</i>	1
	Misc.	Fork Pads	<i>4167970</i>	1
	Misc.	Fork Pads	<i>4219073</i>	1
	Oil Pump	Seal	22306	1
	Rear Output Shaft	Seal	<i>NV19129</i>	1
	Rear Output Shaft	Seal (1.500" I.D.)	15041	1
	Yoke	Washer	<i>GTK-207STAR</i>	1
	STCK241	Front Output Shaft	Seal	18662
Front Output Shaft (Rr.)		Needle Bearing	B2416	1
Input Shaft		Needle Bearing Assembly	B5020	2
Input Shaft		Ball Bearing	5210-ANRX	1
Input Shaft Pilot		Needle Bearing	<i>ZN1065</i>	1
Misc.		Gasket Set	<i>GT-243</i>	1
Misc.		O-Ring	<i>OR-012</i>	1
Misc.		O-Ring	<i>OR-014</i>	2
Misc.		O-Ring	<i>OR-109</i>	1
Misc.		O-Ring	<i>OR-116</i>	1
Misc.		Fork Pads	<i>4219073</i>	1
Oil Pump		Seal	22306	1
Rear Output Shaft		Seal	18992	1
Rear Output Shaft (Rr.)		Max Ball Bearing	6207-J	2
Yoke		Washer	<i>GTK-205STAR</i>	1
STCK241-BB	Front Output Shaft	Seal	18662	1
	Front Output Shaft (Rr.)	Needle Bearing	B2416	1
	Input Shaft	Needle Bearing Assembly	B5020	2
	Input Shaft	Ball Bearing	6010-NRJ	1
	Input Shaft Pilot	Needle Bearing	<i>ZN1065</i>	1
	Misc.	Gasket Set	<i>GT-243</i>	1
	Misc.	O-Ring	<i>OR-012</i>	1
	Misc.	O-Ring	<i>OR-014</i>	2
	Misc.	O-Ring	<i>OR-109</i>	1
	Misc.	O-Ring	<i>OR-116</i>	1
	Misc.	Fork Pads	<i>4219073</i>	1
	Oil Pump	Seal	22306	1
	Rear Output Shaft	Seal	18992	1
	Rear Output Shaft (Rr.)	Max Ball Bearing	6207-J	2
	Yoke	Washer	<i>GTK-205STAR</i>	1

Transfer case kit contents

	Location	Description	Part no.	Qty
STCK241-CC	Front Output Shaft	Seal	18662	2
	Front Output Shaft (Rr.)	Needle Bearing	B2416	1
	Input Shaft	Ball Bearing	ZB1180	1
	Input Shaft	Needle Bearing Assembly	B5020	2
	Input Shaft Pilot	Needle Bearing	ZN1174	1
	Misc.	Gasket Set	GT-243	1
	Misc.	O-Ring	OR-012	1
	Misc.	O-Ring	OR-014	2
	Misc.	O-Ring	OR-109	1
	Misc.	O-Ring	OR-116	1
	Misc.	Fork Pads	4219073	1
	Oil Pump	Seal	22306	1
	Rear Output Shaft	Seal	18992	1
	Rear Output Shaft (Rr.)	Max Ball Bearing	6207-J	2
	Yoke	Washer	GTK-205STAR	1
STCK241-DD	Front Output Shaft	Seal	18662	1
	Front Output Shaft (Rr.)	Needle Bearing	B2416	1
	Input Shaft	Needle Bearing Assembly	B5020	2
	Input Shaft	Ball Bearing	5210-ANRX	1
	Input Shaft Pilot	Needle Bearing	ZN1174	1
	Misc.	Needle Bearing	B3612	1
	Misc.	Gasket Set	GT-243	1
	Misc.	O-Ring	OR-012	1
	Misc.	O-Ring	OR-014	2
	Misc.	O-Ring	OR-109	1
	Misc.	O-Ring	OR-116	1
	Misc.	Fork Pads	4219073	1
	Oil Pump	Seal	22306	1
	Rear Output Shaft	Seal	22029	1
	Rear Output Shaft (Rr.)	Ball Bearing	BB1-1015	1
Rear Output Shaft (Rr.)	Max Ball Bearing	6207-J	1	
Yoke	Washer	GTK-205STAR	1	
STCK241-EE	Front Output Shaft	Seal	18662	1
	Front Output Shaft (Rr.)	Needle Bearing	B2416	1
	Input Shaft	Ball Bearing	6010-NRJ	1
	Input Shaft	Needle Bearing Assembly	B5020	2
	Input Shaft Pilot	Needle Bearing	ZN1174	1
	Misc.	Gasket Set	GT-243	1
	Misc.	O-Ring	OR-012	1
	Misc.	O-Ring	OR-014	2
	Misc.	O-Ring	OR-109	1
	Misc.	O-Ring	OR-116	1
	Misc.	Fork Pads	4219073	1
	Oil Pump	Seal	22306	1
	Rear Output Shaft	Seal	18992	1
	Rear Output Shaft (Rr.)	Max Ball Bearing	6207-J	2
	Yoke	Washer	GTK-205STAR	1

Transfer case kit contents

	Location	Description	Part no.	Qty
STCK241-FF	Front Output Shaft	Seal	18662	1
	Front Output Shaft (Rr.)	Needle Bearing	B2416	1
	Input Shaft	Needle Bearing Assembly	B5020	2
	Input Shaft	Ball Bearing	6010-NRJ	1
	Input Shaft Pilot	Needle Bearing	<i>ZN1174</i>	1
	Misc.	Needle Bearing	<i>B3612</i>	1
	Misc.	Gasket Set	<i>GT-243</i>	1
	Misc.	O-Ring	<i>OR-012</i>	1
	Misc.	O-Ring	<i>OR-014</i>	2
	Misc.	O-Ring	<i>OR-109</i>	1
	Misc.	O-Ring	<i>OR-116</i>	1
	Misc.	Fork Pads	<i>4219073</i>	1
	Oil Pump	Seal	22306	1
	Rear Output Shaft	Seal	22029	1
	Rear Output Shaft (Rr.)	Ball Bearing	<i>BB1-1015</i>	1
	Rear Output Shaft (Rr.)	Max Ball Bearing	6207-J	1
	Yoke	Washer	<i>GTK-205STAR</i>	1
	STCK241-GG	Chain Sprocket	Needle Bearing Assembly	B5020
Front & Rear Output Shaft		Seal	18758	2
Front & Rear Output Shaft		Ball Bearing	6207-J	2
Front Output Shaft (Rr.)		Needle Bearing	B2416	1
Input Shaft		Ball Bearing	<i>ZB1180</i>	1
Input Shaft		Seal	19255	1
Input Shaft Pilot		Needle Bearing	<i>ZN1174</i>	1
Misc.		Gasket Set	<i>GT-243</i>	1
Misc.		O-Ring	<i>OR-012</i>	1
Misc.		O-Ring	<i>OR-013</i>	1
Misc.		O-Ring	<i>OR-014</i>	2
Misc.		Fork Pads	<i>4167969</i>	4
Misc.		Fork Pads	<i>4219073</i>	1
Misc.		Plug	<i>640494</i>	2
Misc.		Fork Pads	<i>ZM1000</i>	1
Misc.		O-Ring	<i>OR-117</i>	1
Oil Pump		Seal	22306	1
Shift Shaft		Seal	7410	1
Yoke		Washer	<i>GTK-205STAR</i>	1

Transfer case kit contents

	Location	Description	Part no.	Qty
STCK242	Drive Sprocket	Needle Bearing	<i>08308</i>	1
	Front Output (Frnt.)/Rr. Output (Rr.)	Ball Bearing	6206-NRJ	1
	Front Output Shaft	Seal	18662	1
	Front Output Shaft (Rr.)	Needle Bearing	B2416	1
	Input Shaft	Ball Bearing	5210-ANRX	1
	Input Shaft Pilot	Needle Bearing	<i>ZN1065</i>	1
	Misc.	Gasket Set	<i>GT-243</i>	1
	Misc.	O-Ring	<i>OR-014</i>	2
	Misc.	O-Ring	<i>OR-109</i>	1
	Misc.	O-Ring	<i>OR-116</i>	1
	Misc.	Fork Pads	<i>4167970</i>	1
	Oil Pump	Seal	22306	1
	Rear Output Shaft	Seal	15041	1
	Rear Output Shaft (Rr.)	Max Ball Bearing	6207-J	1
	Yoke	Washer	<i>GTK-205STAR</i>	1
	STCK242-AA	Drive Sprocket	Needle Bearing	<i>08308</i>
Front Output Shaft (Frnt.)		Ball Bearing	6207-NRJ	1
Front Output Shaft (Rr.)		Needle Bearing	B2416	1
Input Shaft		Ball Bearing	5210-ANRX	1
Input Shaft Pilot		Needle Bearing	<i>ZN1065</i>	1
Misc.		Gasket Set	<i>GT-243</i>	1
Misc.		O-Ring	<i>OR-014</i>	2
Misc.		O-Ring	<i>OR-108</i>	1
Misc.		O-Ring	<i>OR-109</i>	1
Misc.		O-Ring	<i>OR-116</i>	1
Misc.		Fork Pads	<i>4167970</i>	1
Oil Pump		Seal	22306	1
Rear Output Shaft		Seal (1.500" I.D.)	15041	1
Rear Output Shaft		Seal (1.886" I.D.)	18994	1
Rear Output Shaft		Seal (1.850" I.D.)	18507	1
Rear Output Shaft (Rr.)		Ball Bearing	6206-NRJ	1
Yoke	Washer	<i>GTK-205STAR</i>	1	

Transfer case kit contents

	Location	Description	Part no.	Qty
STCK242-BB	Drive Sprocket	Needle Bearing	<i>Q8308</i>	1
	Front Output (Fr.)/Rr. Output (Rr.)	Ball Bearing	6206-NRJ	1
	Front Output Shaft	Seal	18758	1
	Front Output Shaft	Seal	18662	1
	Front Output Shaft (Rr.)	Needle Bearing	B2416	1
	Input Shaft	Ball Bearing	6010-NRJ	1
	Input Shaft Pilot	Needle Bearing	<i>ZN1065</i>	1
	Misc.	Gasket Set	<i>GT-243</i>	1
	Misc.	O-Ring	<i>OR-014</i>	2
	Misc.	O-Ring	<i>OR-109</i>	1
	Misc.	O-Ring	<i>OR-116</i>	1
	Misc.	Fork Pads	<i>4167970</i>	1
	Misc.	Brush	<i>610182</i>	1
	Oil Pump	Seal	22306	1
	Rear Output Shaft	Seal	<i>NV19129</i>	1
	Rear Output Shaft	Seal (1.500" I.D.)	15041	1
	Rear Output Shaft (Rr.)	Max Ball Bearing	6207-J	1
	Shift Shaft	Needle Bearing	<i>J1212</i>	1
	Shift Shaft	Seal	7410	1
	Yoke	Washer	<i>GTK-205STAR</i>	1
STCK242-CC	Drive Sprocket	Needle Bearing	<i>Q8308</i>	1
	Front Output Shaft	Seal	18758	1
	Front Output Shaft (Rr.)	Needle Bearing	B2416	1
	Input Shaft	Ball Bearing	6010-NRJ	1
	Input Shaft Pilot	Needle Bearing	<i>ZN1065</i>	1
	Misc.	Gasket Set	<i>GT-243</i>	1
	Misc.	O-Ring	<i>OR-014</i>	2
	Misc.	O-Ring	<i>OR-109</i>	1
	Misc.	O-Ring	<i>OR-116</i>	1
	Misc.	Fork Pads	<i>4167970</i>	1
	Misc.	Fitting	<i>610184</i>	1
	Oil Pump	Seal	22306	1
	Rear Output Shaft	Seal	<i>NV30138</i>	1
	Rear Output Shaft (Rr.)	Ball Bearing	<i>BB1-1015</i>	1
	Rear Output Shaft (Rr.)	Max Ball Bearing	6207-J	1
	Shift Shaft	Needle Bearing	<i>J1212</i>	1
	Shift Shaft	Seal	7410	1
	Yoke	Washer	<i>GTK-205STAR</i>	1

Transfer case kit contents

	Location	Description	Part no.	Qty
STCK242-DD	Drive Sprocket	Needle Bearing	<i>Q8308</i>	1
	Front Output Shaft	Seal	18758	1
	Front Output Shaft (Rr.)	Needle Bearing	B2416	1
	Input Shaft	Ball Bearing	6010-NRJ	1
	Input Shaft Pilot	Needle Bearing	<i>ZN1065</i>	1
	Misc.	Gasket Set	<i>GT-243</i>	1
	Misc.	O-Ring	<i>OR-014</i>	2
	Misc.	O-Ring	<i>OR-109</i>	1
	Misc.	O-Ring	<i>OR-116</i>	1
	Misc.	Fork Pads	4167970	1
	Misc.	Tube	610185	1
	Oil Pump	Seal	22306	1
	Rear Output Shaft	Seal	<i>NV22507</i>	1
	Rear Output Shaft (Rr.)	Max Ball Bearing	6207-J	2
	Shift Shaft	Needle Bearing	<i>J1212</i>	1
	Shift Shaft	Seal	7410	1
	Yoke	Washer	<i>GTK-205STAR</i>	1
STCK242-EE	Drive Sprocket	Needle Bearing	<i>Q8308</i>	1
	Front Output Shaft	Seal	18758	2
	Front Output Shaft (Rr.)	Needle Bearing	B2416	1
	Input Shaft	Ball Bearing	5210-ANRX	1
	Input Shaft Pilot	Needle Bearing	<i>ZN1065</i>	1
	Misc.	Gasket Set	<i>GT-243</i>	1
	Misc.	O-Ring	<i>OR-014</i>	2
	Misc.	O-Ring	<i>OR-109</i>	1
	Misc.	O-Ring	<i>OR-116</i>	1
	Misc.	Fork Pads	4167970	1
	Oil Pump	Seal	22306	1
	Rear Output Shaft	Seal	<i>NV22507</i>	1
	Rear Output Shaft (Rr.)	Max Ball Bearing	6207-J	2
	Shift Shaft	Needle Bearing	<i>J1212</i>	1
	Shift Shaft	Seal	7410	1
	Yoke	Washer	<i>GTK-205STAR</i>	1
	STCK246	Clutch Housing	Needle Bearing	<i>ZN1146</i>
Input Shaft		Seal	<i>NV22441</i>	1
Input Shaft		Needle Bearing Assembly	B5020	1
Input Shaft Pilot		Needle Bearing	<i>ZN1065</i>	1
Input/Front Output Shaft (Frt.)		Ball Bearing	6010-J	2
Misc.		Gasket Set	<i>GT-243</i>	1
Misc.		O-Ring	<i>OR-015</i>	1
Misc.		O-Ring	<i>OR-109</i>	1
Misc.		O-Ring	<i>OR-116</i>	1
Oil Pump		Seal	22306	1
Rear Output Shaft		Seal	<i>NV22507</i>	1
Rear Output Shaft		Seal	<i>NV30138</i>	1
Rear Output Shaft (Center)		Ball Bearing	6011-J	1
Rear Output Shaft (Rr.)		Ball Bearing	<i>ZB1055</i>	1
Shift Shaft	Needle Bearing	<i>ZN1147</i>	1	

Transfer case kit contents

	Location	Description	Part no.	Qty
STCK246-AA	Clutch Housing	Needle Bearing	<i>ZN1146</i>	1
	Front Output Shaft	Seal	13712	1
	Front Output Shaft (Fr.)	Ball Bearing	6010-J	1
	Front Output Shaft (Rr.)	Needle Bearing	B2416	1
	Input Shaft	Seal	18878	1
	Input Shaft	Ball Bearing	6010-NRJ	
	Misc.	Gasket Set	<i>GT-243</i>	1
	Misc.	O-Ring	<i>OR-109</i>	1
	Misc.	Fork Pads	<i>ZM1048</i>	2
	Misc.	Washer	<i>911161</i>	2
	Oil Pump	Seal	22306	1
	Rear Output Shaft (Pilot)	Needle Bearing	<i>ZN1065</i>	1
	Rear Output Shaft	Seal	19317	1
	Rear Output Shaft (Rr.)	Ball Bearing	<i>ZB1055</i>	1
	Rear Output Shaft (Center)	Ball Bearing	6011-J	1
	Shift Shaft	Needle Bearing	<i>ZN1147</i>	1
STCK247	Drive Sprocket	Needle Bearing	<i>Q8308</i>	1
	Front Output (Fr.)/Rr. Output (Rr.)	Ball Bearing	6206-NRJ	1
	Front Output Shaft	Seal	18758	1
	Front Output Shaft (Rr.)	Needle Bearing	B2416	1
	Input Shaft	Ball Bearing	6010-NRJ	1
	Input Shaft Pilot	Needle Bearing	<i>ZN1065</i>	1
	Misc.	Gasket Set	<i>GT-243</i>	1
	Misc.	O-Ring	<i>OR-013</i>	1
	Misc.	O-Ring	<i>OR-014</i>	1
	Misc.	O-Ring	<i>OR-109</i>	1
	Misc.	O-Ring	<i>OR-116</i>	1
	Oil Pump	Seal	22306	1
	Rear Output Shaft	Seal	15031	1
	Rear Output Shaft (Rr.)	Max Ball Bearing	6207-J	1
STCK261	Input Shaft	Seal	<i>NV22441</i>	1
	Input Shaft	Needle Bearing Assembly	B5020	1
	Input Shaft Pilot	Needle Bearing	<i>ZN1174</i>	1
	Input/Front Output Shaft (Fr.)	Ball Bearing	6010-J	2
	Misc.	Gasket Set	<i>GT-243</i>	1
	Misc.	O-Ring	<i>OR-012</i>	1
	Misc.	O-Ring	<i>OR-015</i>	2
	Misc.	O-Ring	<i>OR-109</i>	1
	Misc.	O-Ring	<i>OR-116</i>	2
	Misc.	O-Ring	<i>OR-220</i>	1
	Rear Output Shaft	Seal	<i>NV22507</i>	1
	Rear Output Shaft	Seal	<i>NV30138</i>	1
	Rear Output Shaft (Rr.)	Ball Bearing	6208-NRJ	1
	Shift Detent	Needle Bearing	<i>B126</i>	1
Shift Shaft	Seal	7410	1	
Yoke	Washer	<i>GTK-205STAR</i>	1	

Transfer case kit contents

	Location	Description	Part no.	Qty
STCK261-AA	Input Shaft	Seal	<i>NV22441</i>	1
	Input Shaft	Needle Bearing Assembly	B5020	1
	Input Shaft Pilot	Needle Bearing	<i>ZN1174</i>	1
	Input/Front Output Shaft (Fr.)	Ball Bearing	6010-J	2
	Misc.	Gasket Set	<i>GT-243</i>	1
	Misc.	O-Ring	<i>OR-012</i>	1
	Misc.	O-Ring	<i>OR-015</i>	2
	Misc.	O-Ring	<i>OR-109</i>	1
	Misc.	O-Ring	<i>OR-116</i>	2
	Misc.	O-Ring	<i>OR-220</i>	1
	Rear Output Shaft	Seal	<i>NV30138</i>	1
	Rear Output Shaft	Seal (2.205" I.D.)	22029	1
	Rear Output Shaft (Rr.)	Ball Bearing	<i>ZB1151</i>	1
	Shift Detent	Needle Bearing	<i>B126</i>	1
	Shift Shaft	Seal	7410	1
	Yoke	Washer	<i>GTK-205STAR</i>	1
STCK261-BB	Input Shaft	Seal	<i>NV22441</i>	1
	Input Shaft	Needle Bearing Assembly	B5020	1
	Input Shaft	Ball Bearing	5210-ANRX	1
	Input Shaft Pilot	Needle Bearing	<i>ZN1174</i>	1
	Input/Front Output Shaft (Fr.)	Ball Bearing	6010-J	1
	Misc.	Gasket Set	<i>GT-243</i>	1
	Misc.	O-Ring	<i>OR-012</i>	1
	Misc.	O-Ring	<i>OR-015</i>	2
	Misc.	O-Ring	<i>OR-109</i>	1
	Misc.	O-Ring	<i>OR-116</i>	2
	Misc.	O-Ring	<i>OR-220</i>	1
	Rear Output Shaft	Seal	<i>NV30138</i>	1
	Rear Output Shaft	Seal (2.205" I.D.)	22029	1
	Rear Output Shaft (Rr.)	Ball Bearing	<i>ZB1151</i>	1
	Shift Detent	Needle Bearing	<i>B126</i>	1
	Shift Shaft	Seal	7410	1
Yoke	Washer	<i>GTK-205STAR</i>	1	
STCK271	Extension Housing	Needle Bearing	<i>B3416</i>	1
	Front Output Shaft	Seal	21241	2
	Front Output Shaft (Rr.)	Needle Bearing	B2416	1
	Input Shaft	Seal	21239	1
	Input Shaft	Ball Bearing	6211-J	1
	Input Shaft Pilot	Needle Bearing	<i>NV24260</i>	1
	Misc.	Gasket Set	<i>GTC-NP1</i>	1
	Misc.	O-Ring	<i>OR-109</i>	1
	Misc.	O-Ring	<i>OR-116</i>	1
	Misc.	Fork Pads	<i>4219073</i>	1
	Oil Pump	Seal	22306	1
	Rear Output Shaft (Center)	Ball Bearing	6011-J	1
	Rear Output Shaft (Rr.)	Ball Bearing	6212-ZNBRJ	1

Transfer case kit contents

	Location	Description	Part no.	Qty
STCK271-AA	Extension Housing	Needle Bearing	<i>B3416</i>	1
	Front Output Shaft	Seal	21241	1
	Front Output Shaft (Rr.)	Needle Bearing	B2416	1
	Input Shaft	Seal	21239	1
	Input Shaft	Ball Bearing	6211-J	1
	Input Shaft Pilot	Needle Bearing	<i>NV24260</i>	1
	Misc.	Gasket Set	<i>GTC-NP1</i>	1
	Misc.	O-Ring	<i>OR-109</i>	1
	Misc.	O-Ring	<i>OR-116</i>	1
	Misc.	Fork Pads	<i>ZM1048</i>	2
	Misc.	Fork Pads	<i>4219073</i>	1
	Oil Pump	Seal	22306	1
	Rear Output Shaft	Seal	23300	1
	Rear Output Shaft (Center)	Ball Bearing	6011-J	1
	Rear Output Shaft (Rr.)	Ball Bearing	6212-ZNBRJ	1
STCK300	Front Output Shaft (Fr./Rr.)	Tapered Roller Bearing (Cup)	M86610 VP	2
	Front Output Shaft (Fr./Rr.)	Tapered Roller Bearing (Cone)	M86649 VP	2
	Input Shaft	Ball Bearing	6209-NRJ	1
	Intermediate Shaft	Needle Bearing	<i>Q13367</i>	1
	Misc.	Gasket Set	<i>DTK-300</i>	1
	Rear Output Shaft (Fr.)	Tapered Roller Bearing (Cup)	BR25821	1
	Rear Output Shaft (Fr.)	Tapered Roller Bearing (Cone)	BR25877	1
	Rear Output Shaft (Pilot)	Needle Bearing Assembly	JH1612	1
	Rear Output Shaft (Rr.)	Tapered Roller Bearing (Cone)	BR15117	1
Rear Output Shaft (Rr.)	Tapered Roller Bearing (Cup)	BR15245	1	
STCK1222	Case Adapter	Plug	<i>ZM1054</i>	2
	Chain Sprocket	Bearing	<i>ZN1219</i>	2
	Front Output Shaft	Seal	17377	1
	Front Output Shaft (Rr.)	Bearing	<i>ZB1188</i>	2
	Input Shaft	Seal	18531	1
	Input Shaft	Ball Bearing	6010-J	1
	Misc.	Gasket Set	<i>GT-243</i>	1
	Misc.	O-Ring	<i>OR-015</i>	1
	Misc.	Washer	<i>ZM1050</i>	2
	Misc.	Fork Pads	<i>ZM1052</i>	3
	Misc.	Fork Pads	<i>ZM1051</i>	3
	Misc.	Fork Pads	<i>ZM1053</i>	3
	Misc.	O-RING	<i>OR-019</i>	1
	Misc.	O-Ring	<i>OR-015</i>	1
	Rear Output Shaft	Seal	15977	1
	Rear Output Shaft (Pilot)	Bearing	<i>ZN1215</i>	1
	Rear Output Shaft (Rr.)	Ball Bearing	208-NRJ	1
	Shift Shaft	Seal	7813	1
	Shift Shaft	Bearing	<i>HK2010</i>	2

Transfer case kit contents

	Location	Description	Part no.	Qty
STCK1225	Case Adapter	Plug	ZM1054	2
	Chain Sprocket	Bearing	ZN1219	2
	Front Output Shaft	Seal	17377	1
	Front Output Shaft (Rr.)	Bearing	ZB1188	2
	Input Shaft	Seal	18531	1
	Input Shaft	Ball Bearing	6010-J	1
	Misc.	Gasket Set	GT-243	1
	Misc.	O-Ring	OR-015	1
	Misc.	Washer	ZM1050	5
	Misc.	Fork Pads	ZM1052	3
	Misc.	Fork Pads	ZM1051	3
	Misc.	Fork Pads	ZM1053	2
	Misc.	O-RING	OR-31X1.5	1
	Misc.	O-Ring	OR-019	1
	Rear Output Shaft	Seal	21768	1
	Rear Output Shaft (Pilot)	Bearing	ZN1216	1
	Rear Output Shaft (Rr.)	Ball Bearing	ZB1151	1
	Shift Shaft	Bearing	HK2010	2
	Shift Shaft	Seal	7813	1
STCK1345	Front Output Shaft	Seal	18662	1
	Input Shaft	Seal	17502	1
	Mainshaft Pilot	Needle Bearing Assembly	B2012	1
	Misc.	Gasket Set	GTC-NP1	1
	Misc.	O-Ring	OR-111	1
	Misc.	Fork Pads	1345-235-001	4
	Pilot	Bushing	AA1512-12	1
	Rear Output Shaft	Seal	18994	1
	Rear Output Shaft (Frt.)	Needle Bearing Assembly	B2812	1
Rear Output Shaft (Rr.)	Max Ball Bearing	6207-J	2	
STCK1354	Misc.	Gasket Set	GT-1350	1
	Front Output (Frt.)/Rr. Output (Rr.)	Ball Bearing	6206-NRJ	2
	Input Shaft	Ball Bearing	6009-NRJ	1
	Input Shaft Pilot	Needle Bearing	M18161	1
	Input/Front Output/Rear Output	Seal	16043	3
	Misc.	O-Ring	OR-014	1
	Misc.	O-Ring	OR-111	1
	Misc.	Fork Pads	1356-235-001	4
	Pilot	Bushing	AA1512-12	1
	Rear Output Shaft (Rr.)	Needle Bearing Assembly	JH1612	1
	Shift Rail	Seal	3687	1
	Yoke	Washer	ZM1043	2

Transfer case kit contents

	Location	Description	Part no.	Qty	
STCK1356	Input/Front Output Shaft (Frt.)	Ball Bearing	6010-J	1	
	Mainshaft Pilot	Needle Bearing	<i>BK3026</i>	1	
	Mainshaft Pilot	Needle Bearing Assembly	B2012	1	
	Misc.	Gasket Set	<i>GTC-NP1</i>	1	
	Misc.	O-Ring	<i>OR-014</i>	1	
	Mode	Fork Pads	<i>1345-235-001</i>	2	
	Pilot	Bushing	<i>AA1512-12</i>	1	
	PTO	Gasket Set	<i>GT-PT055</i>	1	
	Range	Fork Pads	<i>1356-235-001</i>	2	
	Input/Front Output/Rear Output (Fixed Yoke)	Seal	18994	3	
	Rear Output Shaft (Slip Yoke)	Seal	18507	1	
	Rear Output Shaft (Rr.)	Max Ball Bearing	6207-J	2	
	Shift Shaft (Electric Shift)	Seal	3687	1	
	Shift Shaft (Manual Shift)	Seal	6130	1	
	STCK1625	Case Access	Plug	<i>ZM1054</i>	2
		Chain Sprocket	Bearing	<i>ZN1219</i>	2
Front Output Shaft		Seal	17377	1	
Front Output Shaft (Frt./Rr.)		Bearing	<i>ZB1188</i>	2	
Input Shaft		Seal	18531	1	
Input Shaft		Ball Bearing	6010-J	1	
Misc.		Gasket Set	<i>GT-243</i>	1	
Misc.		Washer	<i>ZM1050</i>	2	
Misc.		Fork Pads	<i>ZM1052</i>	3	
Misc.		Fork Pads	<i>ZM1051</i>	3	
Misc.		O-Ring	<i>OR-31X1.5</i>	1	
Misc.		O-Ring	<i>OR-019</i>	1	
Rear Output Shaft		Seal	21768	1	
Rear Output Shaft (Pilot)		Bearing	<i>ZN1216</i>	1	
Rear Output Shaft (Rr.)		Ball Bearing	<i>ZB1151</i>	1	
Shift Actuator		Bearing	<i>ZB1187</i>	2	
Shift Motor		Seal	<i>922922</i>	1	

Transfer case kit contents

	Location	Description	Part no.	Qty
STCK3023	Case Access	Plug	ZM1054	2
	Chain Sprocket	Bearing	ZN1219	2
	Front Output Shaft	Seal	17377	1
	Front Output Shaft (Fr./Rr.)	Bearing	ZB1188	2
	Input Shaft	Seal	18531	1
	Input Shaft	Ball Bearing	6010-J	1
	Misc.	Gasket Set	GT-243	1
	Misc.	Washer	ZM1050	2
	Misc.	Fork Pads	ZM1051	3
	Misc.	O-Ring	922912	1
	Misc.	O-Ring	922913	1
	Misc.	O-Ring	922918	1
	Rear Output Shaft	Seal	710695	1
	Rear Output Shaft (Rr.)	Ball Bearing	ZB1055	1
	Rear Output Shaft (Pilot)	Bearing	ZN1215	1
	Rear Output Shaft (Rr.)	Ball Bearing	6208-NRJ	1
	Shift Actuator	Bearing	ZB1187	2
	Shift Motor	Seal	13708A	1
STCK3024	Case Adapter	Plug	ZM1054	2
	Chain Sprocket	Bearing	ZN1219	1
	Front Output Shaft	Seal	17377	1
	Front Output Shaft (Fr./Rr.)	Bearing	ZB1188	2
	Input Shaft	Seal	18531	1
	Input Shaft	Ball Bearing	6010-J	1
	Misc.	Gasket Set	GT-243	1
	Misc.	Fork Pads	ZM1051	3
	Misc.	O-Ring	922912	1
	Misc.	O-Ring	922913	1
	Misc.	O-Ring	922918	1
	Planetary Thrust	Washer	ZM1050	2
	Rear Output Shaft	Seal	21768	1
	Rear Output Shaft (Pilot)	Bearing	ZN1216	1
	Rear Output Shaft (Rr.)	Ball Bearing	ZB1151	1
	Shift Actuator	Bearing	ZB1187	1
	Shift Control Lever Thrust	Bearing	ZN1217	2
	Shift Motor	Seal	13708A	1
STCK4405	Front Output (Fr./Rr. Output (Rr.)	Ball Bearing	6306-NRJ	2
	Front Output Shaft (Rr.)	Ball Bearing	6206-NRJ	1
	Input Shaft	Ball Bearing	6209-NRJ	1
	Input/Front Output/Rear Output	Seal	16043	3
	Main Shaft Pilot	Needle Bearing	M18161	1
	Misc.	Gasket Set	GT-1350	1
	Misc.	Fork Pads	1356-235-001	2
	Pilot	Bushing	AA1512-12	1
	Shift Shaft (Electric Shift)	Seal	3687	1
	Yoke	Washer	ZM1043	2

Transfer case kit contents

	Location	Description	Part no.	Qty
STCK4405-AA	Front Output Shaft (Fr.)	Ball Bearing	6206-NRJ	1
	Front Output Shaft (Rr.)	Max Ball Bearing	6207-J	1
	Input Shaft	Ball Bearing	6209-NRJ	1
	Input/Front Output/Rear Output	Seal	16043	3
	Main Shaft Pilot	Needle Bearing	<i>M18161</i>	1
	Misc.	Gasket Set	<i>GT-1350</i>	1
	Misc.	Fork Pads	<i>1356-235-001</i>	2
	Pilot	Bushing	<i>AA1512-12</i>	1
	Rear Output Shaft (Rr.)	Ball Bearing	6306-NRJ	1
	Shift Shaft (Electric Shift)	Seal	3687	1
	Yoke	Washer	<i>ZM1043</i>	2
	STCK4406	Driveshaft Front	Max Ball Bearing	211-ZNRJ
Front Output Shaft (Fr./Rr.)		Max Ball Bearing	6207-J	2
Input Shaft		Seal	18676	1
Mainshaft Pilot		Needle Bearing	<i>BK3026</i>	1
Misc.		Gasket Set	<i>GTC-NP1</i>	1
Misc.		Fork Pads	<i>1356-235-001</i>	2
Misc.		Seal	533427	1
Pilot		Bushing	<i>AA1512-12</i>	1
Planetary Thrust		Needle Bearing	<i>NTA2233</i>	1
Planetary Thrust		Needle Bearing	<i>ZN1177</i>	1
Rear Output Shaft		Seal (1.886" I.D.)	18994	1
Rear Output Shaft		Seal (1.850" I.D.)	18507	1
Rear Output Shaft (Rr.)		Ball Bearing	6208-J	1
Shift Shaft (Electric Shift)		Seal	3687	1
STCK4407	Front Output Shaft (Fr.)	Ball Bearing	6208-J	1
	Front Output Shaft (Rr.)	Max Ball Bearing	6207-J	1
	Input Shaft	Ball Bearing	6211-J	1
	Main Shaft (Rr.)	Ball Bearing	6308-NRJ	1
	Misc.	Gasket Set	<i>GTC-NP1</i>	1
	Misc.	Fork Pads	<i>1356-235-001</i>	2
	Misc.	Seal	533427	1
	Pilot	Bushing	<i>AA1512-12</i>	1
	Planetary Thrust	Needle Bearing	<i>NTA2233</i>	1
	Rear Output Shaft	Seal	18994	3
	Rear Output Shaft (Fr.)	Ball Bearing	6210-J	1
	STCK4412	Front Output Shaft	Ball Bearing	6306-J
Input Shaft (Fr.)		Ball Bearing	6209-NRJ	1
Input Shaft Pilot		Needle Bearing	<i>M18161</i>	1
Input Shaft (Rr.)		Ball Bearing	6206-J	1
Input/Front/Rear Output Shaft		Seal	16485	3
Misc.		Fork Pads	<i>1356-235-001</i>	2
Planetary Thrust		Washer	<i>922920</i>	1
Rear Output Shaft		Ball Bearing	6207-J	1
Shift Actuator		Seal	3687	1
Yoke		Washer	<i>ZM1043</i>	1

Transfer case kit contents

	Location	Description	Part no.	Qty
STCK4412-A	Front Output Shaft	Seal	16485	1
	Front Output Shaft	Ball Bearing	6306-J	1
	Input Shaft (Frt.)	Ball Bearing	6209-NRJ	1
	Input Shaft Pilot	Bearing	<i>MJH18121</i>	1
	Input Shaft (Rr.)	Ball Bearing	6206-J	1
	Misc.	Fork Pads	<i>1356-235-001</i>	2
	Planetary Thrust	Washer	922920	1
	Rear Output Shaft	Seal	16485	1
	Rear Output Shaft	Ball Bearing	6207-J	1
	Shift Actuator	Seal	3687	1
	Yoke	Washer	<i>ZM1043</i>	1
STCK4417	Front Output Shaft	Seal	18992	1
	Front Output Shaft (Frt.)	Ball Bearing	6208-J	1
	Front Output Shaft (Rr.)	Ball Bearing	6207-J	1
	Input shaft	Seal	18662	1
	Input shaft	Ball Bearing	6011-J	1
	Misc.	Fork Pads	<i>1356-235-001</i>	2
	Planetary Thrust	Washer	922920	1
	Planetary Thrust	Needle Bearing	<i>NTA2233</i>	1
	Rear Output Shaft	Seal	18687	1
	Rear Output Shaft	Ball Bearing	6307-J	1
	Shift Shaft	Seal	3687	1
STCK4419	Front Output Shaft	Seal	18860	1
	Front Output Shaft	Ball Bearing	6208-J	1
	Input shaft	Seal	18662	1
	Input shaft	Ball Bearing	6011-J	1
	Mainshaft Pilot	Needle Bearing	<i>BK3026</i>	1
	Misc.	Fork Pads	<i>1356-235-001</i>	2
	Planetary Thrust	Needle Bearing	<i>NTA2233</i>	2
	Rear Output Shaft	Seal	18687	1
	Rear Output Shaft	Ball Bearing	6207-J	1
	Rear Output Shaft	Ball Bearing	6307-J	1
	Shift Shaft	Seal	3687	1

Transfer case kit contents

	Location	Description	Part no.	Qty
STCK4470	Front Output Shaft (Frt.)	Max Ball Bearing	6207-J	1
	Front Output Shaft (Rr.)	Cylindrical Bearing	<i>RNU204</i>	1
	Input Shaft	Ball Bearing	6010-J	1
	Input Shaft Pilot	Needle Bearing	<i>B3026</i>	1
	Input/Front Output/Rear Output	Seal	18994	3
	Intermediate Pump	Needle Bearing	<i>B3012</i>	1
	Misc.	Gasket Set	<i>GTC-NP1</i>	1
	Misc.	Fork Pads	<i>1356-235-001</i>	4
	Pilot	Bushing	<i>AA1512-12</i>	1
	PTO	Gasket PTO	<i>GT-PT055</i>	1
	Rear Output Shaft	Ball Bearing	6208-J	1
	Shift Rail	Seal	6130	1

Hub bearings

Introduction

Hub Bearings (Generation 1)

Based primarily on a double row angular contact ball bearing, generation 1 wheel end bearings have no integral flange; they are optimized for the special operating characteristics encountered on car wheel applications, offering specific support the moment load is applied to the bearing during cornering. They typically mount with the original manufacturer's suspension and wheel flanges.

Generation 1 bearings have a one-piece outer ring and two inner rings, matched to the ball set for the correct clearance. The cages for the two ball rows are usually made from glass-fiber-reinforced polyamide.

Compact generation 1 tapered roller bearing units are also available for various applications.



Generation 1



Generation 2 Special

Hub Bearing (Generation 2 Special)

Are a double row angular contact ball or taper bearing built into a 4 bolt housing. The housing mounting bolt holes may be drilled or threaded. Some housings will contain a port hole for the ABS sensor while others may include an ABS magnetic encoder ring built into the seal on the bearing.

Hub Assemblies (Generation 2 & 3)

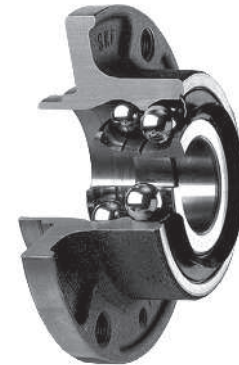
Hub assemblies represent a higher level of integration and unitization, reducing the number of separable components

Generation 2 Hub Assemblies

Generation 2 hub units have a double-row angular contact ball bearing with a tough flanged outer ring. This outer flange contains threaded holes or studs and a spigot (consisting of a wheel and brake pilot) to center and mount brake and wheel.

Generation 3 Hub Assemblies

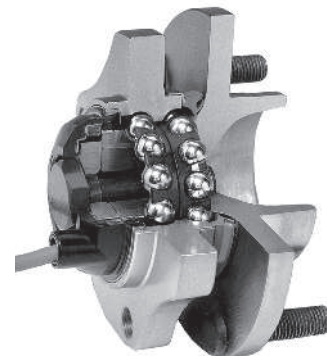
Generation 3 units also have a flange for wheel and brake rotor attachment, and add a second flange for mounting the unit to the suspension.



Generation 2

Hub Bearing & Assembly Kits

These kits contain a bearing and/or additional hardware like wheel flanges, retaining rings, gaskets, mounting nuts, etc.



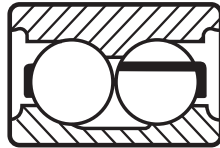
Generation 3

Hub bearings - Gen 1

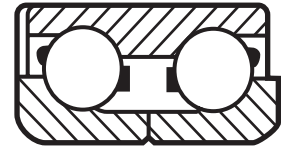
Types

Ball types (C)

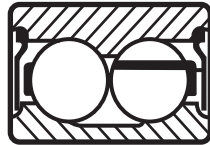
C1
Open



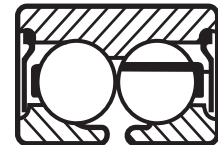
C7
Open
Split Inner Ring



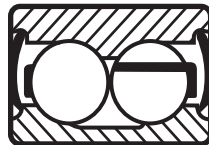
C3
Two Shields



C8
Two Shields
Split Inner Ring



C4
Two Seals



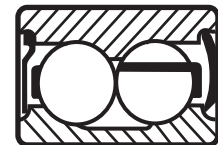
C9
Two Seals
Split Inner Ring



C10
Two Seals
Split Inner Ring
w/ABS sensor built
into seal on one
side



C11
Split Inner Ring
One seal
One shield



C17
Miscellaneous
Designs

Hub bearings - Gen 1

Types

Tapered roller types (T)

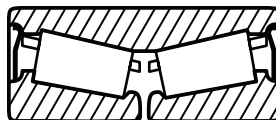
T7

Open
Split Inner Ring



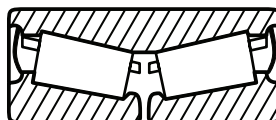
T8

Two Shields
Split Inner Ring



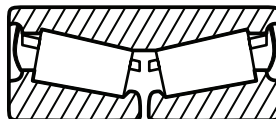
T9

Two Seals
Split Inner Ring



T10

Two Seals
Split Inner Ring
w/ABS sensor ring built into
seal on one side

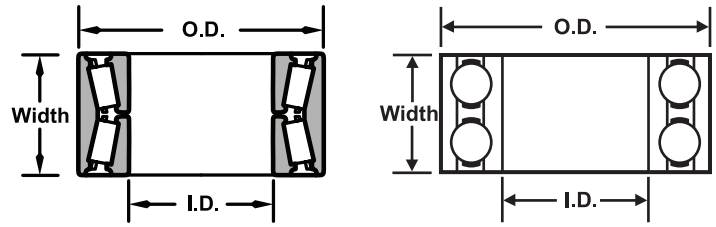


T17

Miscellaneous
Designs

Hub bearings - Gen 1

Ball and Taper types
I.D. size listing

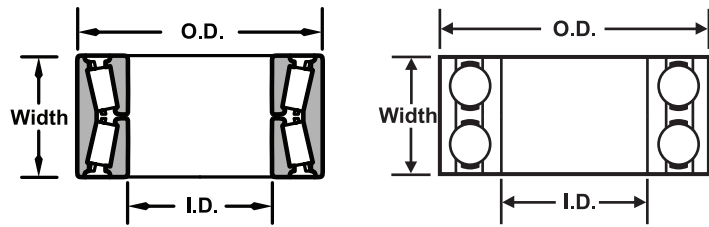


Bearing no.	Inch			Metric			Type
	I.D.	O.D.	Width	I.D.	O.D.	Width	
GRW275	.9842	2.0472	1.4566	25.0000	52.0000	37.0000	C9
GRW183	.9842	2.0472	1.4566	25.0000	52.0000	37.0000	T9
GRW40	.9842	2.1653	1.8897	25.0000	55.0000	48.0000	C17
FW120	1.0620	2.3622	1.9685	27.0000	60.0000	50.0000	C9
GRW164	1.1023	1.9800	.6584	28.0000	50.2920	16.0000	T9
GRW28	1.1023	2.2834	1.8897	28.0000	58.0000	48.0000	C10
GRW141	1.1024	2.4016	1.6535	28.0000	61.0000	42.0000	C7
FW114	1.1200	2.9100	1.4200	28.4480	74.0000	36.0000	C7
GRW239	1.1417	2.0866	2.0866	29.0000	53.0000	53.0000	T17
GRW502	1.1417	2.2440	1.8503	29.0000	57.0000	47.0000	T8
FW123	1.1811	2.6772	1.7717	30.0000	68.0000	45.0000	C9
GRW120	1.1811	2.3622	1.4567	30.0000	60.0000	37.0000	C9
GRW166	1.1811	2.4803	1.6530	30.0000	63.0000	42.0000	C7
GRW154	1.1811	2.2835	1.6535	30.0000	58.0000	42.0000	T8
FW132	1.2598	2.8346	1.7717	32.0000	72.0000	45.0000	C7
GRW142	1.2598	2.2835	2.5590	32.0000	58.0000	65.0000	C7
FW216	1.3385	2.6692	1.6929	34.0000	67.8000	43.0000	C7
B35	1.3386	2.5197	1.4567	34.0000	64.0000	37.0000	C7
FW150	1.3386	2.6772	1.4567	34.0000	68.0000	37.0000	C9
GRW149	1.3386	2.6772	1.6535	34.0000	68.0000	42.0000	C8
GRW156	1.3386	2.6772	1.4650	34.0000	68.0000	37.2500	C9
FW126	1.3779	2.9921	2.1259	35.0000	76.0000	54.0000	C8
FW14	1.3779	2.5196	1.4566	35.0000	64.0000	37.0000	C9
GRW62	1.3779	2.4330	1.2204	35.0000	61.8000	31.0000	C7
B33	1.3780	2.6772	1.4567	35.0000	68.0000	37.0000	C7
B36	1.3780	2.8346	1.3386	35.0000	72.0000	34.0000	C7
FW104	1.3780	2.8346	1.2992	35.0000	72.0000	33.0000	C7
FW107	1.3780	2.5984	1.4567	35.0000	66.0000	37.0000	C8
FW149	1.3780	3.0310	1.6535	35.0000	77.0000	42.0000	C7
GRW147-R	1.3780	2.8346	2.4803	35.0000	72.0000	63.0000	C8
GRW159	1.3780	2.8346	.9449	35.0000	72.0000	24.0000	C17
GRW181-R	1.3780	3.1496	1.8504	35.0000	80.0000	47.0000	C9
B31	1.3780	2.5591	1.3780	35.0000	65.0000	35.0000	T9
GRW172	1.4170	2.5200	1.6535	36.0000	64.0000	42.0000	T9

Hub bearings - Gen 1

Ball and Taper types

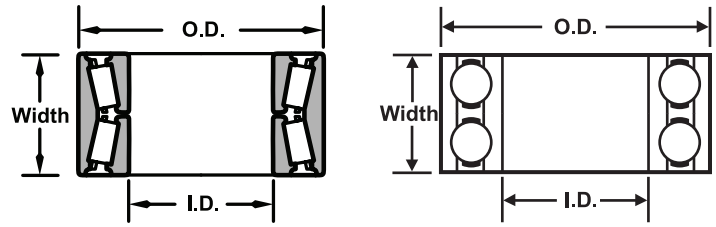
I.D. size listing



Bearing no.	Inch			Metric			Type
	I.D.	O.D.	Width	I.D.	O.D.	Width	
B32 VP	1.4173	2.8346	1.3386	36.0000	72.0000	34.0000	C7
FW22	1.4173	2.6772	1.2992	36.0000	68.0000	33.0000	C7
FW503	1.4566	2.8346	1.4567	37.0000	72.0000	37.0000	C10
FW527	1.5750	2.8740	2.1650	40.0050	72.0000	54.9910	C10
FW551	1.4566	2.8346	2.2992	37.0000	72.0000	58.4000	C9
GRW213	1.4567	2.9134	1.7717	37.0000	74.0000	45.0000	C9
FW12	1.4960	2.7559	1.4960	38.0000	70.0000	38.0000	C9
FW30	1.4960	2.7950	1.5350	38.0000	71.0000	39.0000	C8
FW199	1.4960	2.8350	1.4570	38.0000	72.0000	37.0080	C8
FW98	1.4960	2.9133	1.5748	38.0000	74.0000	40.0000	C10
GRW38	1.4960	2.8740	1.5748	38.0000	73.0000	40.0000	C10
GRW496	1.4960	3.1102	1.7720	38.0000	79.0000	45.0000	C8
FW121	1.4960	2.9921	1.6929	38.0000	76.0000	43.0000	T7
GRW175	1.4960	2.5590	2.0472	38.0000	65.0000	52.0000	T7
FW102	1.4961	2.8346	1.5748	38.0000	72.0000	40.0000	C8
FW111	1.4961	2.8346	1.3386	38.0000	72.0000	34.0000	C7
FW128	1.4961	2.8346	1.4173	38.0000	72.0000	36.0000	C7
FW135	1.4961	2.7970	1.2992	38.0000	71.0000	33.0000	C7
FW152	1.4961	2.8740	1.5748	38.0000	73.0000	40.0000	C9
FW162	1.4961	2.5197	1.4567	38.0000	64.0000	37.0000	C9
FW164	1.4961	2.9134	1.5748	38.0000	74.0000	40.0000	C9
FW178	1.5000	2.7560	1.4567	38.0000	70.0000	37.0000	C9
FW20	1.4961	2.6772	1.4567	38.0000	68.0000	37.0000	C8
GRW173	1.4961	2.5590	2.0472	38.0000	65.0000	52.0000	C7
FW63	1.5350	2.8346	1.4566	39.0000	72.0000	37.0000	C10
B38	1.5354	2.6772	1.4567	39.0000	68.0000	37.0000	C9
FW113	1.5354	2.6772	1.4567	39.0000	68.0000	37.0000	C9
FW131	1.5354	2.8346	1.4567	39.0000	72.0000	37.0000	C9
FW167	1.5354	2.9527	1.4567	39.0000	75.0000	37.0000	C9
FW168	1.5354	2.6772	1.4764	39.0000	68.0000	37.5000	C9
FW180	1.5354	2.9134	1.5354	39.0000	74.0000	39.0000	C9
FW183	1.5354	2.8346	1.4566	39.0000	72.0000	37.0000	C9
GRW396	1.5354	2.9133	2.1650	39.0000	74.0000	54.9910	T9
FW40	1.5354	2.9133	1.4173	39.0000	74.0000	36.0000	C8
GRW133	1.5354	2.9527	1.4567	39.0000	75.0000	37.0000	C9
GRW230	1.5700	2.8346	1.4567	39.0000	72.0000	37.0000	C9

Hub bearings - Gen 1

Ball and Taper types
I.D. size listing

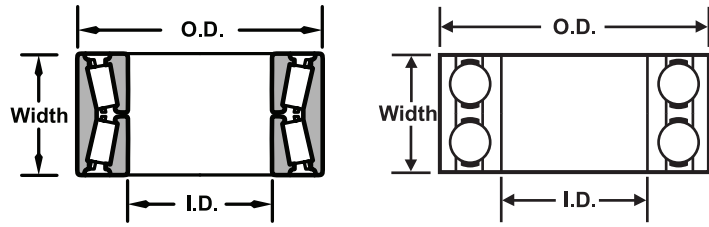


Bearing no.	Inch			Metric			Type
	I.D.	O.D.	Width	I.D.	O.D.	Width	
GRW237	1.5700	2.9134	1.5748	40.0000	74.0000	40.0000	C9
B39	1.5748	2.9921	1.2992	40.0000	76.0000	33.0000	C8
FW101	1.5748	3.1496	1.4173	40.0000	80.0000	36.0000	C7
FW124	1.5748	2.9921	1.4960	40.0000	76.0000	38.0000	C9
FW130	1.5748	2.8346	1.4567	40.0000	72.0000	37.0000	C9
FW143	1.5748	2.9134	1.5748	40.0000	74.0000	40.0000	C9
FW146	1.5748	2.8346	1.4173	40.0000	72.0000	36.0000	C7
FW169	1.5748	2.9921	1.2992	40.0000	76.0000	33.0000	C9
FW170	1.5748	2.9134	1.4173	40.0000	74.0000	36.0000	C7
FW177	1.5748	2.9527	1.4567	40.0000	75.0000	37.0000	C9
FW185	1.5748	3.1496	1.4173	40.0000	80.0000	36.0000	C9
FW21	1.5748	2.9527	1.5354	40.0000	75.0000	39.0000	C10
FW219	1.5748	3.0708	1.5748	40.0000	78.0000	40.0000	C10
FW32	1.5748	2.9130	1.4170	40.0000	74.0000	36.0000	C8
FW34	1.5748	3.1496	1.5748	40.0000	80.0000	40.0000	C8
FW501	1.5748	2.9527	1.4566	40.0000	75.0000	37.0000	C10
FW72	1.5748	2.8346	1.4173	40.0000	72.0000	36.0000	C9
FW86	1.5748	2.9527	1.4567	40.0000	75.0000	37.0000	C9
GRW244	1.5748	3.1496	1.7322	40.0000	80.0000	44.0000	C9
GRW260	1.5748	2.7559	1.9629	40.0000	70.0000	43.0000	C17
GRW266	1.5748	2.9527	1.4567	40.0000	75.0000	37.0000	C8
GRW39	1.5748	2.9134	1.4173	40.0000	74.0000	36.0000	C17
FW181	1.5748	3.1500	1.7720	40.0000	80.0000	45.0000	T9
GRW170	1.5748	3.1496	1.4961	40.0000	80.0000	38.0000	T7
FW141	1.6120	2.6770	.7480	41.0000	68.0000	18.0000	T9
FW151	1.6142	2.6772	1.5748	41.0000	68.0000	40.0000	T7
FW188	1.6393	2.9133	1.6535	40.0000	74.0000	42.0000	C8
FW176	1.6530	2.8346	1.4961	42.0000	72.0000	35.0000/38.0000	T7
B42	1.6535	2.9921	1.4567	42.0000	76.0000	37.0000	C9
FW109	1.6535	2.9528	1.4567	42.0000	75.0000	37.0000	C8
FW117	1.6535	3.0709	1.4960	42.0000	78.0000	38.0000	C9
FW118	1.6535	3.0709	1.6141	42.0000	78.0000	41.0000	C9
FW119	1.6535	2.9921	1.4960	42.0000	76.0000	38.0000	C7
FW129	1.6535	2.9921	1.2992	42.0000	76.0000	33.0000	C9
FW161	1.6535	3.1496	1.6535	42.0000	80.0000	42.0000	C9
FW166	1.6535	3.1496	1.7717	42.0000	80.0000	45.0000	C9

Hub bearings - Gen 1

Ball and Taper types

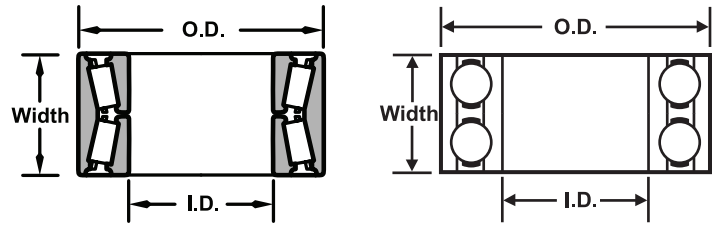
I.D. size listing



Bearing no.	Inch			Metric			Type
	I.D.	O.D.	Width	I.D.	O.D.	Width	
FW186	1.6535	3.0708	1.7716	42.0000	78.0000	45.0000	C9
FW191	1.6535	3.1496	1.3385	42.0000	80.0000	34.0000	C8
FW201	1.6535	3.1496	1.7716	42.0000	80.0000	45.0000	C10
FW25	1.6535	3.1496	1.6535	42.0000	80.0000	42.0000	C10
FW27	1.6535	3.1496	1.7716	42.0000	80.0000	45.0000	C10
FW47	1.6535	3.2283	1.4173	42.0000	82.0000	36.0000	C9
FW55	1.6535	3.0708	1.5748	42.0000	78.0000	40.0000	C8
GRW231	1.6535	2.9528	1.4567	42.0000	75.0000	37.0000	C9
FW115	1.6535	2.9920	1.5354	42.0000	76.0000	39.0000	T9
FW127	1.6535	2.8346	1.4961	42.0000	72.0000	38.0000	T9
GRW190	1.6535	3.1496	1.4961	42.0000	80.0000	38.0000	T7
GRW330	1.6535	3.1496	1.4960	42.0000	80.0000	38.0000	T7
GRW186	1.6540	3.1496	1.8110	42.0000	80.0000	46.0000	C9
GRW178	1.6540	2.8346	1.7950	43.0000	72.0000	45.0000	T7
GRW182	1.6540	2.8340	2.0540	42.0000	72.0000	52.0000	T7
FW136	1.6929	3.2283	1.4567	43.0000	82.0000	37.0000	C17
FW153	1.6929	3.2283	1.7717	43.0000	82.0000	45.0000	C9
FW171	1.6929	3.1100	1.6142	39.0000	79.0000	41.0000	C9
FW24	1.6929	3.0314	1.7913	43.0000	77.0000	45.5000	C10
FW36	1.6929	3.1102	1.6141	43.0000	79.0000	41.0000	C10
FW78	1.6929	3.0708	1.7322	43.0000	78.0000	44.0000	C10
FW88	1.6929	3.2283	1.8503	43.0000	82.0000	47.0000	C10
FW93	1.6929	3.1496	1.5748	43.0000	80.0000	40.0000	C10
FW94	1.6929	3.1496	1.5748	43.0000	80.0000	40.0000	C9
GRW132	1.6929	3.1496	1.9685	43.0000	80.0000	50.0000	C9
GRW274	1.6929	3.1102	1.7716	43.0000	79.0000	45.0000	C8
FW148	1.6929	3.0315	1.6535	43.0000	77.0000	42.0000	T7
FW60	1.6929	2.9921	1.6929	43.0000	76.0000	43.0000	T8
FW125	1.7320	3.3071	1.6535	44.0000	84.0000	42.0000	C9
FW44	1.7322	3.2480	1.4566	44.0000	82.5000	37.0000	C10
GRW200	1.7700	3.3000	1.5354	45.0000	84.0000	39.0000	C8
FW122	1.7716	3.2283	1.6535	45.0000	82.0000	42.0000	C10
FW145	1.7716	3.3071	1.5748	45.0000	84.0000	40.0000	C9
FW212	1.7716	3.3858	1.7716	45.0000	86.0000	45.0000	C8
FW28	1.7716	3.3070	1.7716	45.0000	84.0000	45.0000	C10
FW29	1.7716	3.3070	1.5354	45.0000	84.0000	39.0000	C10

Hub bearings - Gen 1

Ball and Taper types
I.D. size listing

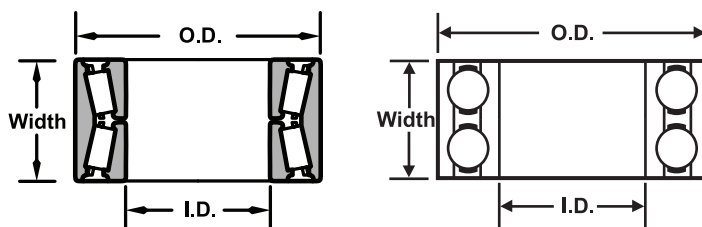


Bearing no.	Inch			Metric			Type
	I.D.	O.D.	Width	I.D.	O.D.	Width	
FW38	1.7716	3.3070	1.5748	45.0000	84.0000	40.0000	C10
FW45	1.7716	3.3070	1.6535	45.0000	84.0000	42.0000	C8
FW50	1.7716	3.3070	1.7716	45.0000	84.0000	45.0000	C8
FW51	1.7716	3.1490	1.9680	45.0000	80.0000	50.0000	C8
FW70	1.7716	3.3070	1.5354	45.0000	84.0000	39.0000	C8
FW80	1.7716	3.3460	1.6141	45.0000	85.0000	41.0000	C9
FW87	1.7716	3.4251	1.5354	45.0000	87.0000	39.0000	C8
GRW276	1.7716	3.5433	1.6250	45.0000	90.0000	41.2750	C10
GRW328	1.7716	3.3464	1.8503	45.0000	85.0000	47.0000	C10
GRW503	1.7716	3.3070	1.6140	45.0000	84.0000	41.0000	C10
GRW508	1.7716	3.3464	1.6141	45.0000	85.0000	41.0000	C10
FW23	1.7716	3.3464	2.0078	45.0000	85.0000	51.0000	T8
FW155	1.7717	3.1496	1.7717	45.0000	80.0000	45.0000	C9
GRW140	1.7717	3.3465	1.8504	45.0000	85.0000	47.0000	C9
GRW192	1.7717	3.3465	1.6142	45.0000	85.0000	41.0000	C9
GRW218	1.7717	3.3071	1.6142	45.0000	84.0000	41.0000	C9
GRW219	1.7717	3.3071	1.5354	45.0000	84.0000	39.0000	C9
GRW234	1.7717	3.2677	1.7717	45.0000	83.0000	45.0000	C9
FW172	1.7720	3.0700	1.5157	45.0000	78.0000	38.5000	T7
FW218	1.8500	3.3460	2.0470	47.0000	85.0000	52.0000	C10
GRW259	1.8503	3.3460	1.7716	47.0000	85.0000	45.0000	T8
FW154	1.8504	3.1890	2.0866	47.0000	81.0000	53.0000	C7
FW133	1.8897	3.5000	1.7322	48.0000	89.0000	44.0000	C9
FW48	1.8897	3.3858	1.5748	48.0000	86.0000	40.0000	C10
FW147	1.8898	3.5039	1.7323	48.0000	89.0000	44.0000	C9
FW187	1.9280	3.4650	1.8110	49.0000	88.0000	46.0000	C9
GRW329	1.9290	3.3078	1.8876	49.0000	84.0000	48.0000	C7
GRW506	1.9290	3.4640	1.8110	49.0000	88.0000	46.0000	C9
GRW507	1.9290	3.4600	1.8110	49.0000	88.0000	46.0000	C9
FW500	1.9291	3.4645	1.8110	49.0000	88.0000	46.0000	C8
FW505	1.9291	3.5430	2.1260	49.0000	90.0000	54.0000	C10
FW192	1.9291	3.5433	1.7717	49.0000	90.0000	45.0000	C9
GRW280	1.9291	3.3070	1.6535	49.0000	84.0000	42.0000	C8
GRW251	1.9291	3.3070	1.8897	49.0000	84.0000	48.0000	T9
GRW258	1.9293	3.3070	1.9685	49.0000	84.0000	50.0000	C17
FW202	2.0078	3.5826	1.7322	51.0000	91.0000	44.0000	C10

Hub bearings - Gen 1

Ball and Taper types

I.D. size listing

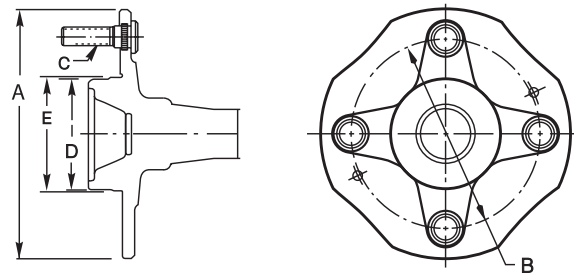


Bearing no.	Inch			Metric			Type
	I.D.	O.D.	Width	I.D.	O.D.	Width	
FW207	2.0078	3.5039	1.7322	51.0000	89.0000	44.0000	C8
FW33	2.0078	3.7795	1.9685	51.0000	96.0000	50.0000	C10
FW97	2.0078	3.5826	1.7322	51.0000	91.0000	44.0000	C10
GRW77	2.0078	3.5039	1.7322	51.0000	89.0000	44.0000	C10
GRW25	2.0470	3.7800	1.9690	52.0000	96.0000	50.0000	C10
FW26	2.0472	3.5826	1.5748	52.0000	91.0000	40.0000	C10
FW214	2.1259	3.5433	1.9685	54.0000	90.0000	50.0000	C10
FW215	2.1259	3.8582	1.9685	54.0000	98.0000	50.0000	C10
FW35	2.1259	3.6220	1.9685	54.0000	92.0000	50.0000	C10
FW77	2.1259	3.7401	1.8897	54.0000	95.0000	48.0000	C10
FW189	2.1260	3.7795	2.0079	54.0000	96.0000	51.0000	T17

Hub assembly - Gen 1

Kits

Numerical listing

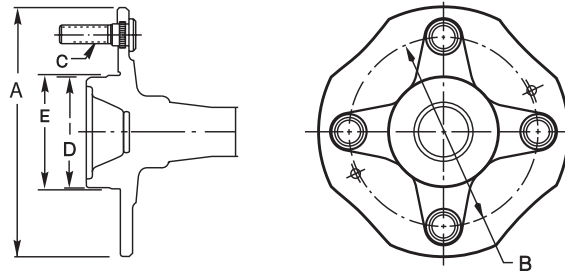


Bearing no.	Flange Diameter A	Bolt circle Wheel flange B	Bolt size C	Wheel pilot D	Brake pilot E	No. of spline	Bearing with encoder ring	Bearing	Contents
BR930151K	5.4331	4.2520	M12X1.5 (5)	2.5198	2.5984	26	N	FW115	flange,brg,axle nut,clip
BR930152K	5.4331	4.2520	M12X1.5 (5)	2.4803	2.8102	26	N	FW115	flange,brg,axle nut,clip
BR930153K	5.1299	4.2500	M12X1.5 (4)	2.4890	2.5420	26	N	FW113	flange,brg,axle nut,clip
BR930154K	4.7500	3.9496	M12X1.5 (4)	2.2071	2.4173	24	N	B32 VP	flange,brg,axle nut,seals
BR930155K	5.4300	3.9370	M12X1.5 (4)	2.2440	2.3520	31	N	B38	flange,brg,axle nut,clip
BR930156K	5.4300	3.9370	M12X1.5 (4)	2.3520	2.2440	33	N	B38	flange,brg,axle nut,clip
BR930157K	5.3100	4.5000	M12X1.5 (5)	2.3390	2.5180	26	N	FW127	flange,brg,axle nut,clip
BR930166K	4.7820	3.9370	M12X1.5 (4)	2.2135	2.4190	26	N	FW124	flange,brg,axle nut,seal
BR930177K	5.5118	4.5000	M12X1.5 (5)	2.6339	2.8346	28	N	FW166	flange,brg,axle nut,clip
BR930181K	4.9500	3.9260	M12X1.5 (4)	2.2440	2.4000	23	N	FW169	flange,brg,clip
BR930182K	4.9500	3.9370	M12X1.5 (5)	2.2440	2.4000	23	N	FW169	flange,brg,clip
BR930200K	4.9213	3.6000	M12X1.5 (5)	2.1250	2.1250	26	N	FW114	flange,brg,seal kit
BR930247K	5.4527	3.9400	M12X1.5 (4)	2.2135	2.4190	26	N	FW124	flange,brg,axle nut
BR930259K	6.3025	4.4960	1/2-20 (5)	2.7785	3.3045	29	N	GRW259	flange,brg,clip
BR930263K	5.1680	4.2695	M12X1.5 (4)	2.4890	2.5000	25	Y	FW63	flange,brg,axle nut,clip
BR930286	5.5000	4.5000	M12X1.5 (5)	2.6335	2.8319	28	N	FW186	flange,brg,axle nut,clip
BR930300K	5.0000	3.9370	M12X1.5 (4)	2.1250	2.1250	26	N	FW128	flange,brg,seal kit
BR930301K	5.0000	3.6000	M12X1.5 (4)	2.1250	2.1250	26	N	FW114	flange,brg,seal kit
BR930302K	5.4730	3.4760	M12X1.5 (5)	2.3610	2.4400	30	N	FW153	flange,brg,axle nut,clip
BR930303K	5.4730	4.5100	M12X1.5 (5)	2.3610	2.4400	26	N	FW153	flange,brg,axle nut,clip
BR930511K	5.2756	4.2500	M12X1.5 (4)	2.4906	2.5000	27	N	FW177	flange,brg,axle nut,clips
BR930527K	4.7244	3.9370	M12X1.5 (4)	2.2213	2.3185	22	N	B35	flange,brg,axle nut,clip
BR930529K	5.1654	4.2520	M12X1.5 (5)	2.4882	2.4961	25	Y	WKH6520	flange,brg,axle nut,clip
BR930541K	4.9606	3.9370	M12X1.5 (5)	2.2374	2.3969	26	N	FW115	flange,brg,axle nut
BR930542K	4.9606	3.9370	M12X1.5 (5)	2.2374	2.3969	26	N	FW129	flange,brg,axle nuts
BR930545K	5.4840	4.5000	M12X1.5 (5)	2.3622	2.4390	30	N	FW212	flange,brg,axle nut,clip
BR930554K	5.4724	4.5000	M12X1.5 (5)	2.6331	2.7126	30	N	FW87	flange,brg,axle nut,clip
BR930556K	5.4840	4.5000	M12X1.5 (5)	2.3620	2.4390	26	N	FW212	flange,brg,axle nut,clip
BR930557K	4.8819	3.9370	M12X1.25 (5)	2.2020	2.2803	27	N	FW176	flange,brg,axle nut,clip
BR930558K	5.5000	4.5000	M12X1.5 (5)	2.6339	2.7134	28	N	FW93	flange,brg,axle nut,clip
BR930559K	5.3937	4.5000	(5)	2.5559	2.7520	33	N	FW180	flange,brg,axle nuts,clip
BR930560K	5.3543	4.5000	M12X1.25 (4)	2.6331	2.7126	27	N	FW32	flange,brg,axle nut,clip
BR930561K	5.3543	4.5000	M12X1.25 (4)	2.6331	2.7126	25	N	FW32	flange,brg,axle nut,clip
BR930562K	5.3937	4.5000	M12X1.5 (4)	2.6331	2.7126	27	N	FW70	flange,brg,axle nut,clip
BR930564K	5.3940	4.5000	M12X1.5 (5)	2.6330	2.7126	27	N	FW70	flange,brg,axle nut,clip
BR930565K	5.4724	4.5000	M12X1.5 (5)	2.6331	2.7126	30	N	FW70	flange,brg,axle nut,clip

Hub assembly - Gen 1

Kits

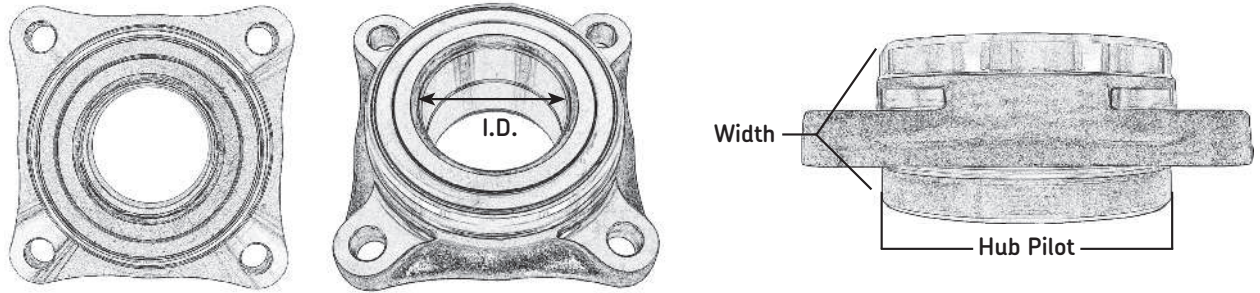
Numerical listing



Bearing no.	Flange Diameter A	Bolt circle Wheel flange B	Bolt size C	Wheel pilot D	Brake pilot E	No. of spline	Bearing with encoder ring	Bearing	Contents
BR930566K	5.3937	4.5000	M12X1.5 (5)	2.6331	2.7126	27	N	FW70	flange,brg,axle nut,clip
BR930567K	5.5000	4.5000	M12X1.5 (5)	2.6335	2.8319	26	N	GRW266	flange,brg,axle nut,clip
BR930568K	5.4843	4.5000	M12X1.5 (5)	2.3622	2.4390	30	N	FW50	flange,brg,axle nut,clip
BR930569K	5.4843	4.5000	M12X1.5 (5)	2.3622	2.4390	26	N	FW50	flange,brg,axle nut,clip
BR930570K	5.4331	4.5000	M12X1.5 (5)	2.6339	2.8346	28	Y	FW201	flange,brg,axle nut,clip
BR930571K	5.4331	4.5000	M12X1.5 (5)	2.6339	2.8346	28	N	FW166	flange,brg,axle nut,clip
BR930572K	4.7953	3.9370	M12X1.5 (4)	2.1260	2.1654	26	N	GRW237	flange,brg,axle nut,clip
BR930573K	4.7953	3.9370	M12X1.5 (4)	2.1260	2.1654	26	N	FW143	flange,brg,axle nut,clip,seal
BR930574K	5.3543	4.5000	M12X1.25 (5)	2.5984	2.6772	27	N	FW60	flange,brg,axle nut,clip
BR930575K	5.4843	4.5000	M12X1.5 (5)	2.5197	2.5197	28	Y	FW48	flange,brg,axle nut,clip
BR930576K	5.4842	4.5000	M12X1.5 (5)	2.5196	2.5196	26	Y	FW48	flange,brg,axle nut,clip
BR930577K	4.8819	3.9370	M12X1.25 (5)	2.2059	2.2795	24	N	GRW175	flange,brg,axle nut,clip,seals
BR930579K	5.4843	4.5000	M12X1.5 (5)	2.5197	2.5197	28	N	FW145	flange,brg,axle nut,clip
BR930580K	5.4843	4.5000	M12X1.5 (5)	2.5197	2.5197	28	Y	FW38	flange,brg,axle nut,clip
BR930581K	5.4843	3.9370	M12X1.5 (4)	2.2047	2.5197	26	Y	FW36	flange,brg,axle nut,clip
BR930582K	5.9961	4.7244	M14X1.5 (5)	2.5197	2.7559	30	Y	FW97	flange,brg,axle nut,clip
BR930583K	5.9961	4.5000	M12X1.5 (5)	2.5197	2.5197	30	Y	FW97	flange,brg,axle nut,clip
BR930588K	5.4843	3.9370	M12X1.5 (4)	2.2047	2.5197	26	N	FW171	flange,brg,axle nut,clip
BR930589K	5.4843	3.9370	M12X1.5 (4)	2.2047	2.5197	26	N	FW171	flange,brg,axle nut,clip
BR930590K	5.4843	4.5000	M12X1.5(5)	2.5197	2.5197	28	N	FW45	flange,brg,axle nut,clip
BR930591K	5.4843	4.5000	M12X1.5 (4)	2.5197	2.5197	28	N	FW45	flange,brg,axle nut,clip
BR930592K	4.7244	3.9370	M12X1.5 (4)	2.1220	2.4409	25	N	FW178	flange,brg,axle nut,clip
BR930593K	5.3937	4.5000	M12X1.5 (4)	2.6378	2.7165	25	N	FW178	flange,brg,axle nut,clip
BR930594K	5.3937	4.5000	M12X1.5 (4)	2.6260	2.7165	25	N	FW40	flange,brg,axle nut,clip
BR930595K	5.3937	4.5000	M12X1.5 (5)	2.6259	2.7165	25	N	FW40	flange,brg,axle nut,clip
BR930596K	5.3937	4.5000	M12X1.5 (4)	2.6260	2.7165	25	N	FW40	flange,brg,axle nut,clip
BR930597K	4.9213	3.9370	M12X1.5 (4)	2.1260	2.1654	26	N	FW188	flange,brg,axle nut,clip
BR930598K	4.9213	3.9370	M12X1.5 (5)	2.1260	2.1654	26	N	FW188	flange,brg,axle nut,clip
BR930599K	4.9213	3.9370	M12X1.5 (4)	2.1260	2.1654	24	N	FW30	flange,brg,axle nut,clip
BR930600K	5.3543	4.3307	M12X1.25 (5)	2.5906	2.6693	29	N	FW60	flange,brg,axle nut,clip
BR930676K	5.5118	4.4783	1/2-20 (5)	2.7756	2.8346	31	N	FW50	flange,brg,axle nut,clip
BR930876K	5.5079	4.5000	M12X1.5 (5)	2.4902	2.8543	31	N	FW50	flange,brg,axle nut,clip
BR930893K	5.5079	4.5000	M12X1.5 (5)	2.3622	2.4409	26	N	FW212	flange,brg,axle nut,clip
BR930894K	5.5079	4.5000	M12X1.5 (5)	2.3622	2.4409	30	N	FW212	flange,brg,axle nut,clip
BR930912K	5.5079	4.5000	M12X1.5 (5)	2.3622	2.4409	26	N	FW50	flange,brg,axle nut,clip

Hub bearings - Gen 2 Special

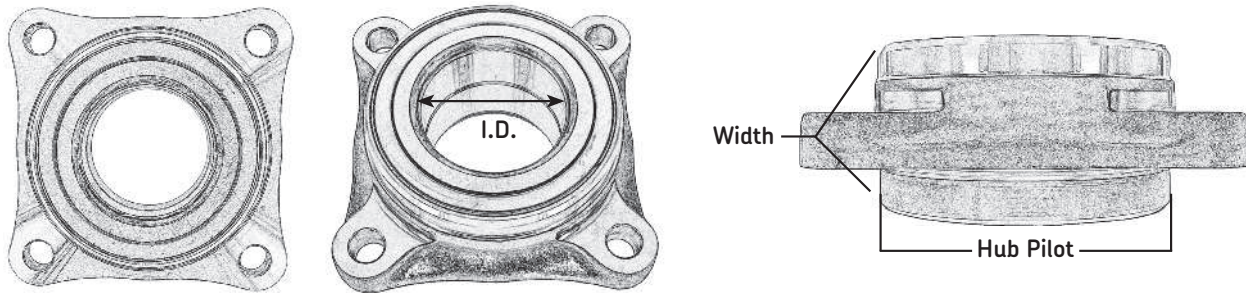
Numerical listing



Part no.	Inch			Metric			Magenetic encoder
	I.D.	Hub Pilot	Width	I.D.	Hub Pilot	Width	
FW81	1.7720	3.6220	1.6633	45.0000	92.0000	42.2500	Y
FW142	1.6929	3.2677	1.9290	43.0000	83.0000	49.0000	N
FW156	1.6929	3.2677	1.7323	43.0000	83.0000	44.0000	N
FW179	1.6900/1.7700	3.3460	1.5846	43.0000/45.0000	85.0000	40.2500	N
FW184	1.7720	3.3660	1.8504	45.0000	85.4964	47.0000	N
FW194	2.1259	3.7790	2.0000	54.0000	96.0000	50.9000	Y
FW195	1.3385	2.7165	1.4560	34.0000	69.0000	37.0000	N
FW211	2.2834	4.1653	2.4370	58.0000	105.8000	61.9000	Y
GRW81	1.6929	3.3464	1.5846	43.0000	85.0000	40.2500	Y
GRW100	1.4960	3.3070	2.3000	38.0000	84.0000	58.4200	N
GRW168	1.1811	2.9527	2.0393	30.0000	75.0000	51.8000	N
GRW176	1.5748	3.3070	1.9490	40.0000	84.0000	49.5000	Y
GRW233	1.8105	3.5433	1.9291	46.0000	90.0000	49.0000	N
GRW241	1.5748	3.3070	2.2047	40.0000	84.0000	56.0000	N
GRW261	1.6929	3.3071	2.2047	43.0000	84.0000	56.0000	N
GRW270	1.7322	3.3464	2.6377	44.0000	85.0000	67.0000	Y
GRW271	1.7322	3.5000	2.6377	44.0000	89.0000	67.0000	Y
GRW272	1.6929	3.3070	1.7720	43.0000	84.0000	56.0000	N
GRW273	1.9685	3.3070	2.1653	50.0000	84.0000	55.0000	N
GRW309	1.6929	3.1890	2.2440	43.0000	81.0000	57.0000	N
GRW494	1.7519	3.5433	1.7716	44.5000	90.0000	45.0000	N
GRW495	1.7716	3.5433	1.6141	45.0000	90.0000	41.0000	N
BR930292	1.8803	3.7401	2.3425	47.7600	95.0000	59.5000	N
BR930319	1.6870	3.1730	2.1653	42.8500	80.6000	55.0000	Y
BR930401	1.7322	3.3464	2.5078	44.0000	85.0000	63.7000	Y
BR930402	1.7322	3.3464	2.5078	44.0000	85.0000	63.7000	Y
BR930434	1.6929	3.1730	2.1653	43.0000	80.6000	55.0000	N
BR930444	1.6929	3.1730	2.1653	43.0000	80.6000	55.0000	N
BR930496	1.6929	3.1730	2.8149	43.0000	80.6000	71.5000	N
BR930525	1.9291	3.6220	1.7716	49.0000	92.0000	45.0000	Y
BR930616	1.9291	3.8582	2.6377	49.0000	98.0000	67.0000	Y
BR930617	1.9291	3.8582	2.6377	49.0000	98.0000	67.0000	Y

Hub bearings - Gen 2 Special

Numerical listing

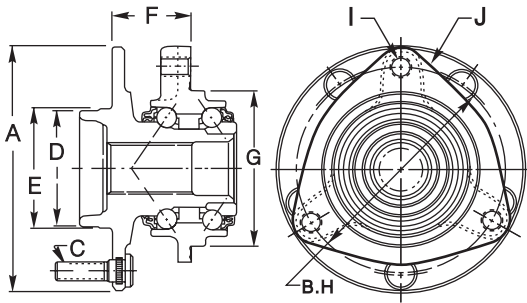


Part no.	Inch			Metric			Magenetic encoder
	I.D.	Hub Pilot	Width	I.D.	Hub Pilot	Width	
BR930619	1.6929	3.1730	2.8149	43.0000	80.6000	71.5000	Y
BR930707	1.6929	3.3070	1.7716	43.0000	84.0000	45.0000	N
BR930751	2.0078	3.8582	1.9685	51.0000	98.0000	50.0000	Y
BR930752	1.6535	3.1889	2.2047	42.0000	81.0000	56.0000	N
BR930813	1.9291	3.5826	1.9685	49.0000	91.0000	50.0000	N
BR930817	2.4000/2.4400	4.0157	1.5944	61.0000/62.0000	102.0000	40.5000	Y
BR930847	1.9300	3.6220	1.7716	49.0000	92.0000	45.0000	Y
BR930855	1.9290	3.6220	1.6535	49.0000	92.0000	42.0000	N
BR930908	1.6930	3.3070	1.6929	43.0000	84.0000	43.0000	N
BR930934	1.7717	3.5433	1.6142	45.0000	90.0000	41.0000	Y

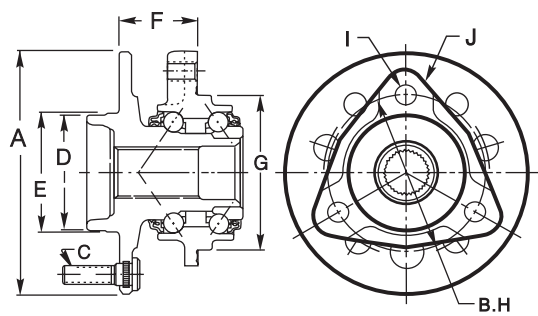
Hub assemblies & kits - Gen 2 & 3

Types

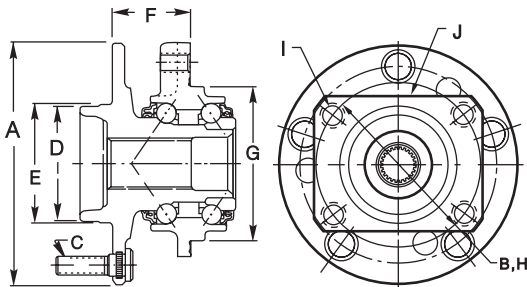
Type 1: Driven Shaft Designs



E1



E2



E3

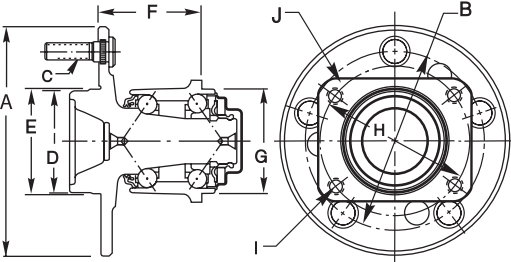
Miscellaneous Designs

E4

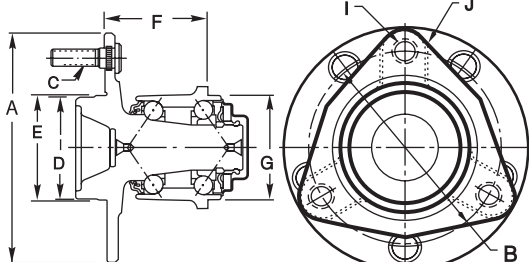
Hub assemblies & kits - Gen 2 & 3

Types

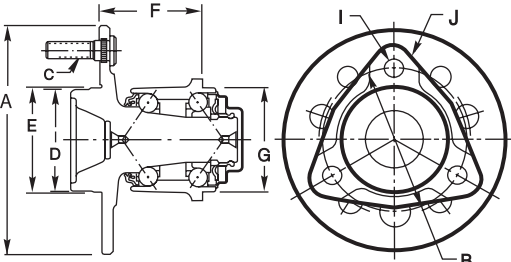
Type 2: Non-Driven Shaft Designs



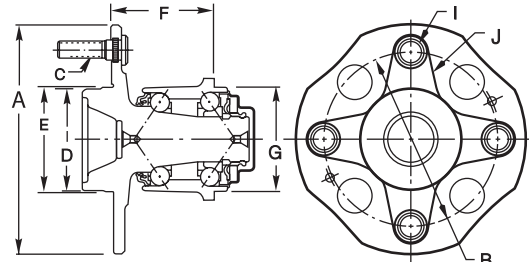
E5



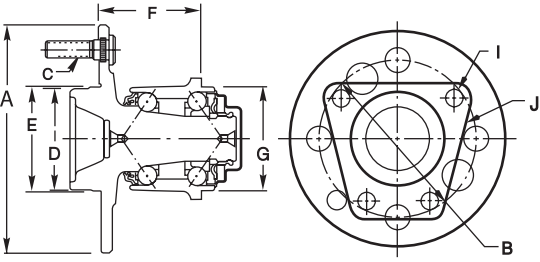
E6



E7



E8



E9

Miscellaneous Designs

E10

Hub assemblies & kits - Gen 2 & 3

Numerical listing

Bearing no.	Wheel flange bolt circle dia.		Bolt size qty.	Wheel pilot dia.	Brake pilot dia.	Flange offset	Hub pilot dia.	Mounting flange bolt circle dia.	Bolt hole size / qty.	Flange shape	No. of splines	Type / Fig.	ABS ring and/or sensor (Y/N)
	A	B											
BR930000	4.8000	3.9370	M12X1.5 (5)	2.2380	2.3960	-	2.9920	3.7010	-	-	26	1/E4	N
BR930001	4.9500	3.9370	M12X1.5 (5)	2.2380	2.3960	-	2.9920	4.4490	-	-	26	1/E4	N
BR930002	4.9500	3.9370	M12X1.5 (5)	2.2380	2.3960	-	2.9920	4.4490	-	-	26	1/E4	N
BR930003	5.4720	-	M12X1.5 (5)	2.4910	2.5300	-	3.2650	-	-	-	-	2/E9	N
BR930004	5.4720	-	M12X1.5 (5)	2.4910	2.5300	-	3.3860	-	-	-	-	2/E9	Y
BR930008	5.6690	4.5000	1/2-20U-2A (5)	2.8120	2.8870	2.2680	3.3860	4.5000	(4)	ROUND	26	1/E3	N
BR930010	5.3540	3.9370	M12X1.5 (4)	2.2050	2.4020	-	-	-	-	-	-	2/E10	N
BR930013	4.9610	3.9370	M12X1.5 (5)	2.2050	2.4020	1.4720	3.3940	4.4090	M10X1.5 (4)	RECTANGULAR	26	1/E3	N
BR930014	6.0430	4.5000	1/20UNF-2A (5)	2.8120	2.8320	2.1330	3.9420	4.7500	M12X1.75 (3)	TRIANGULAR	27	1/E1	N
BR930016	5.4330	3.9370	M12X1.5 (5)	2.2430	2.2620	2.5500	2.8250	3.9610	.456 (4)	RECTANGULAR	-	2/E5	N
BR930017	5.5410	4.5000	M12X1.5 (4)	2.6380	3.5430	.8400	2.6130	-	-	-	-	2/E10	N
BR930021K	5.5039	4.5000	M12X1.5 (5)	2.8100	2.8858	1.4803	3.4252	4.4094	M10X1.56H	MOD RECTANGULAR	26	1/E4	N
BR930022K	5.7870	4.5270	M12X1.5	2.7600	2.7800	1.6500	3.5440	4.5670	.501	MOD TRIANGULAR	27	1/E2	N
BR930024	5.6890	4.7500	M12X1.5 (5)	2.7600	2.7800	1.8500	3.6180	4.7500	M12X1.75 (3)	MOD TRIANGULAR	27	1/E2	N
BR930025	5.4650	4.5000	M12X1.5 (4)	2.5250	2.5250	-	-	-	-	-	-	2/E8	Y
BR930026	5.9060	4.5280	M12X1.5 (5)	2.7600	2.7800	2.5500	2.8250	3.9610	.460 (4)	RECTANGULAR	-	2/E5	N
BR930028K	4.9210	3.9370	M12X1.5	2.2420	2.2950	1.7400	2.8930	3.8580	.501	MOD TRIANGULAR	33	1/E2	N
BR930032	5.2650	3.9380	M12X1.5 (4)	2.2050	2.4050	-	2.4650	-	-	-	-	2/E10	N
BR930033	5.2800	3.9350	M12X1.5 (4)	2.2000	2.4000	-	2.4800	-	-	-	-	2/E10	N
BR930035	7.0900	5.5000	M14X1.5 (6)	3.0675	3.1050	1.9600	3.9375	5.0000	.578 (3)	MOD TRIANGULAR	33	1/E2	N
BR930037	5.5200	4.5000	M12X1.5 (5)	2.6370	3.5450	-	-	-	-	-	-	2/E10	Y
BR930040	5.6850	4.5000	1/2X1.6 (5)	2.8150	2.8350	1.8150	3.9450	4.7500	.402 (3)	TRIANGULAR	27	1/E1	N
BR930043	4.7880	3.9380	M12X1.5 (4)	2.1250	2.1650	1.9650	2.5200	3.9370	-	-	-	2/E10	N
BR930045	5.6693	4.5000	M12X1.5 (6)	2.8080	2.9080	2.1080	3.8100	4.5000	.436 (4)	SQUARE	-	2/E5	N
BR930048	5.4750	4.2260	M12X1.5 (5)	2.4930	2.7950	-	3.2680	-	(5)	-	-	2/E10	Y
BR930049	5.9060	4.5280	M12X1.5 (5)	2.7610	2.7810	2.5630	2.8270	-	.470 (4)	RECTANGULAR	-	2/E5	Y
BR930050	4.7250	-	M12X1.5 (4)	2.2490	2.5950	-	-	-	-	-	-	2/E10	N
BR930052K	5.6890	4.7500	M12X1.5 (5)	2.7610	2.7810	1.8610	3.6210	4.7500	M12X1.75	MOD TRIANGULAR	27	1/E2	N
BR930053	5.4330	3.9370	M12X1.5 (4)	2.2440	2.2630	2.5650	2.4020	-	.433 (4)	TRAPEZOID	-	2/E9	N
BR930054	5.3880	-	M12X1.5 (5)	2.5580	2.6750	-	-	4.2500	-	-	-	2/E10	Y
BR930055K	5.3880	-	M12X1.5	2.5580	2.6750	-	-	4.2500	-	-	-	2/E8	Y
BR930056K	5.3880	-	M12X1.5	2.5580	2.6750	-	-	4.2500	-	-	-	2/E8	Y
BR930059	4.9400	3.9345	M12X1.5 (4)	2.2050	2.5175	-	-	-	-	-	-	2/E10	N
BR930060	5.9850	-	.5-20 (5)	2.7740	2.8200	3.6800	-	4.5000	-	-	-	2/E10	Y
BR930061	5.7680	4.5280	M12X1.5 (5)	2.7610	2.7810	1.6600	3.5450	4.5670	.510 (3)	TRIANGULAR	33	1/E2	N
BR930064	5.6890	4.7500	M12X1.5 (5)	2.7610	2.7810	1.8600	3.2090	4.7500	M12X1.75 (3)	TRIANGULAR	27	1/E2	Y
BR930066	5.4675	4.2670	M12X1.35 (5)	2.7850	2.8200	1.8875	3.3840	3.5100	.410	MOD RECTANGULAR	-	1/E3	N
BR930067	5.5200	4.5000	M12X1.5 (5)	2.8100	2.8360	1.8900	3.3825	4.2350	.387 (4)	MOD RECTANGULAR	-	2/E5	Y
BR930068	5.9060	4.5280	M12X1.5 (5)	2.7610	2.7810	2.5650	2.8270	-	.470 (4)	RECTANGULAR	-	2/E5	Y
BR930069	4.9700	3.9370	M12X1.4 (5)	2.2500	2.2650	1.9100	3.3840	4.2350	.400 (4)	MOD RECTANGULAR	-	2/E5	Y
BR930070	5.4330	3.9370	M12X1.5 (5)	2.2440	2.2630	2.5650	2.4020	-	.433 (4)	TRAPEZOID	-	2/E9	Y

Hub assemblies & kits - Gen 2 & 3

Numerical listing

Bearing no.	Flange dia.	Wheel flange bolt circle dia.	Bolt size qty.	Wheel pilot dia.	Brake pilot dia.	Flange offset	Hub pilot dia.	Mounting flange bolt circle dia.	Bolt hole size / qty.	Flange shape	No. of splines	Type / Fig.	ABS ring and/or sensor (Y/N)
	A	B	C	D	E	F	G	H	I	J			
BR930071	5.9740	4.4945	M12X1.5 (5)	2.5060	2.5280		2.5985	-	-	-	-	2/E10	Y
BR930072	5.7680	4.5280	M12X1.5 (5)	2.7610	2.7810	1.6600	3.5450	4.5670	.510 (3)	TRIANGULAR	33	1/E2	N
BR930074	5.9200	4.5280	M12X1.5 (5)	2.7600	2.7800	2.5650	2.8270	2.4720	.470 (4)	RECTANGULAR	-	2/E5	Y
BR930075	5.9200	-	M12X2.0 (5)	-	2.7800	-	2.6200	2.4720	(4)	RECTANGULAR	-	2/E5	Y
BR930076	5.7280	4.5280	M12X1.5 (5)	2.7610	2.7810	1.6600	3.5960	4.5670	.510 (3)	TRIANGULAR	33	1/E1	Y
BR930077	5.7280	4.5280	M12X1.5 (5)	2.7610	2.7810	1.6600	3.5960	4.5670	.510 (3)	TRIANGULAR	33	1/E1	Y
BR930078	5.9250	-	M12X1.5 (5)	-	2.7800	-	2.6200	2.4720	(4)	RECTANGULAR	-	2/E5	Y
BR930079	5.7295	4.5065	M12X1.5 (5)	2.5140	2.5395	-	2.6225	-	-	-	-	2/E8	Y
BR930080 ¹	5.7280	-	M12X2.0 (5)	-	2.7810	-	3.5960	4.5670	(3)	TRIANGULAR	30	1/E2	Y
BR930081 ¹	5.7280	-	M12X1.5 (5)	-	2.7810	-	3.5960	4.5670	(3)	TRIANGULAR	30	1/E2	Y
BR930083K	5.6890	4.5280	M12X1.5 (5)	2.7610	2.7810	1.7720	3.5830	5.7480	M10X1.5	RECTANGULAR	-	1/E3	Y
BR930089	5.4330	3.9370	M12X1.5 (4)	2.2440	2.2630	2.5650	2.4020	-	.433 (4)	TRAPEZOID	-	2/E9	Y
BR930091K	4.9213	3.9370	M12X1.5 (5)	2.2429	2.2730	1.6500	2.7953	4.0157	-	MOD TRIANGULAR	-	1/E2	N
BR930093	5.4330	3.9370	M12X1.5 (5)	2.2430	2.2620	2.5500	2.3980	3.4970	.407 (4)	TRAPEZOID	-	2/E9	N
BR930094	7.0900	5.5000	M14X1.5 (6)	3.0675	3.1050	2.2360	3.9375	5.0000	.578 (3)	TRIANGULAR	33	1/E2	N
BR930096	5.9060	4.5280	M12X1.5 (5)	2.7610	2.7810	2.5650	2.8270	-	.470 (4)	RECTANGULAR	-	2/E5	Y
BR930097 ¹	5.7000	4.5250	M12X1.3 (5)	2.7600	2.7730	1.8500	3.1780	4.1100	.400 (3)	TRIANGULAR	27	1/E1	N
BR930098	5.9200	4.3000	M12X1.5 (5)	2.7600	2.7750	2.5700	2.8250	3.9600	.460 (4)	RECTANGULAR	-	2/E5	N
BR930099	5.7150	4.4850	M12X1.5 (5)	2.7580	2.7780	1.6670	3.5930	3.9500	.405 (3)	TRIANGULAR	-	2/E6	N
BR930100	5.1760	4.2340	.415(4)	2.5560	2.6740	1.4610	3.1825	-	-	RECTANGULAR	26	1/E3	N
BR930105	5.4750	4.2500	M12X1.5 (5)	2.4910	2.5380	-	2.9130	-	-	-	-	2/E8	Y
BR930106	5.4730	4.2500	M12X1.5 (5)	2.4920	2.5370	-	-	-	-	-	-	2/E10	N
BR930107	5.4720	4.2520	M12X1.5 (5)	2.4803	2.5394	-	-	-	-	-	-	2/E10	Y
BR930108	4.7250	3.7200	-	2.2420	2.5750	-	-	-	-	-	-	2/E10	Y
BR930113	5.3490	4.4250	M12X1.5 (4)	2.2060	2.4000	1.6285	3.6010	4.2360	(3)	RECTANGULAR	26	2/E10	Y
BR930114	5.5118	4.5000	M12X1.5 (5)	2.6377	2.8346	-	3.0708	-	-	-	-	2/E10	Y
BR930115	5.2760	4.5000	12X1.5 (4)	2.3614	2.5197	-	1.6690	-	-	-	-	2/E8	N
BR930116	5.6890	4.4100	M12.5X1.25	2.5100	2.5300	2.0130	3.9370	5.1980	10M	TRIANGULAR	26	1/E2	N
BR930117	4.7990	3.9380	M12X1.5 (4)	2.1200	2.1650	1.9650	2.5200	-	-	-	-	2/E10	N
BR930118	5.4920	4.5000	M12X1.5 (5)	2.3635	2.8346	-	2.7950	-	-	-	-	1/E4	Y
BR930119	5.5120	4.5000	M12X1.5 (5)	2.6358	2.8346	-	2.7950	-	-	-	-	2/E8	N
BR930120	5.9840	4.5040	M12X1.5 (4)	2.5232	2.5232	-	2.7680	-	-	-	-	2/E8	N
BR930121	5.9840	4.5040	M12X1.5 (4)	2.5180	2.5200	-	2.5980	-	-	-	-	2/E8	N
BR930122	5.9840	4.5000	M12X1.5 (4)	2.5210	2.5210	-	2.7640	-	.906 (4)	-	-	2/E8	Y
BR930123	5.7490	4.4910	M12X1.5 (5)	2.7560	2.7560	-	-	-	-	-	-	2/E10	Y
BR930124	5.9840	4.4980	M12X1.5 (4)	2.5210	2.5230	-	2.7680	-	.945 (4)	-	-	2/E10	Y
BR930126	5.9840	4.5000	M12X1.5 (4)	2.5232	2.5232	-	2.7950	-	.906 (4)	-	-	1/E4	Y
BR930127	5.3600	3.9370	M12X1.5 (4)	2.2050	2.4020	-	-	-	-	-	-	2/E10	N
BR930128	5.2670	3.9520	M12X1.5 (4)	2.2095	2.3995	-	2.3650	-	-	-	-	2/E8	N
BR930129	5.9800	4.4980	M12X1.5 (4)	2.5210	2.5230	-	2.6000	-	-	-	-	2/E10	Y
BR930130	5.8268	4.5000	M12X1.5 (4)	2.5957	2.6760	-	2.8350	-	-	-	-	2/E10	N

Hub assemblies & kits - Gen 2 & 3

Numerical listing

Bearing no.	Wheel flange bolt circle dia.		Bolt size qty.	Wheel pilot dia.	Brake pilot dia.	Flange offset	Hub pilot dia.	Mounting flange bolt circle dia.	Bolt hole size / qty.	Flange shape	No. of splines	Type / Fig.	ABS ring and/or sensor (Y/N)
	A	B											
BR930134	5.2710	-	M12X1.5 (4)	2.6900	2.3190	-	2.4530	3.9410	(4)	-	-	2/E10	N
BR930136	5.9840	4.5000	M12X1.5 (4)	2.5232	2.5232	-	2.7950	-	.906	-	-	1/E4	Y
BR930138	4.9630	3.7430	M12X1.5 (5)	2.2360	2.4100	1.4750	3.4230	4.2330	.402 (3)	TRIANGULAR	26	1/E1	N
BR930143	4.7930	3.9390	M12X1.5 (4)	2.1240	2.1655	-	2.4655	-	(4)	-	-	2/E8	N
BR930144	5.4710	4.6895	M12X2.0 (5)	2.8520	3.1020	2.0195	3.5370	4.6295	.390 (4)	-	-	2/E5	N
BR930145	5.9450	-	M12X1.5 (5)	-	2.7810	-	2.8270	-	(4)	RECTANGULAR	-	2/E5	Y
BR930150	5.3500	4.2260	MR4.5 (4)	2.5000	2.5050	1.4660	2.9100	-	-	-	-	2/E8	Y
BR930159	5.9700	4.4785	M12X1.5 (5)	2.5210	2.5320	-	2.8730	-	-	-	-	2/E10	Y
BR930160	5.1020	3.9380	M12X1.6 (4)	2.1220	2.3000	-	-	-	-	-	-	2/E10	N
BR930161	5.4724	4.7244	N/A (5)	2.8543	3.1102	-	3.1102	-	-	-	-	2/E10	Y
BR930164	5.4665	4.7505	M12X2.0 (5)	2.8880	3.2265	-	3.2125	-	-	-	-	2/E10	N
BR930165	4.7880	3.9475	M12X1.5 (4)	2.2025	2.2710	-	2.6415	-	-	-	-	2/E10	N
BR930167	5.9740	4.5240	M12X1.5 (4)	2.5200	2.5725	-	2.6025	-	-	-	-	2/E10	N
BR930168	5.9750	4.2650	M12X2.4 (5)	2.7700	2.8200	2.1780	-	-	-	-	-	2/E8	Y
BR930169	5.3937	-	N/A (5)	2.5590	2.7559	-	2.9921	-	-	-	-	2/E10	Y
BR930170	5.5115	4.4910	M12X1.5 (5)	2.6380	3.5430	-	-	-	-	-	-	2/E10	N
BR930172	5.3940	4.5000	M12X1.5 (5)	2.5980	3.5430	2.3280	2.5980	3.5433	(4)	-	-	2/E10	Y
BR930173	5.3260	2.9515	M12X1.5 (5)	2.2390	2.3190	-	2.7140	-	-	-	-	2/E10	Y
BR930174	5.9775	4.5045	M12X1.0 (4)	2.5230	2.5230	-	-	-	-	-	-	2/E10	Y
BR930175	5.4760	4.5000	M12X1.3 (4)	2.6460	3.5460	-	2.4740	-	-	-	-	2/E10	Y
BR930176	5.3230	3.7430	N/A (5)	2.2400	2.2840	-	2.6000	-	-	-	-	2/E10	Y
BR930178	5.7500	4.2810	M12X1.9 (5)	2.5200	2.7500	-	-	-	-	-	-	2/E8	Y
BR930179	5.4800	2.6510	M14X2.2 (5)	2.4870	2.8000	1.4200	3.3000	2.9040	.408 (3)	TRIANGULAR	26	2/E2	N
BR930183	5.4630	4.4950	M12X1.7 (4)	2.5200	2.5200	-	-	-	-	-	-	2/E10	Y
BR930184 ¹	5.7385	4.4915	M12X1.5 (5)	2.7598	2.7795	1.6510	3.5992	4.4285	-	TRIANGULAR	33	2/E6	N
BR930185	5.7500	4.9212	M12X1.9 (5)	2.5000	2.7500	-	-	-	-	-	-	2/E10	Y
BR930186	5.7850	4.6400	M12X1.5 (5)	2.7550	2.7800	2.7460	2.8200	4.3100	M8 (4)	RECTANGULAR	-	2/E5	Y
BR930188	5.5115	4.4010	M12X1.5 (5)	2.8350	2.9130	-	2.9920	-	-	-	-	2/E10	N
BR930189	5.5115	4.4010	M12X1.5 (5)	2.8350	2.9130	-	2.9920	-	-	-	-	2/E10	Y
BR930190K	5.7480	4.4882	N/A (5)	2.8110	2.8898	1.6535	3.5906	4.5669	.470 (3)	TRIANGULAR	33	1/E2	Y
BR930191	5.9030	-	M12X1.1 (5)	2.7590	2.7750	2.5510	2.8200	4.6410	M10 (4)	RECTANGULAR	-	2/E5	Y
BR930193	5.4560	4.2900	M12X1.5 (5)	2.7700	2.8140	2.3390	3.3850	4.2500	.375 (5)	-	26	1/E4	N
BR930194	5.3230	3.7430	M12X1.5 (5)	2.2400	2.2540	-	2.6000	-	-	-	-	2/E10	N
BR930195	5.3280	-	M12X1.5 (4)	2.2380	2.2580	-	2.6000	3.9430	-	-	-	2/E10	Y
BR930196	5.3280	-	M12X1.5 (5)	-	2.2580	-	2.6000	3.7470	-	-	-	2/E10	Y
BR930198	5.7280	4.7500	M12X2.8 (5)	2.7610	2.7810	1.6600	3.9596	4.5670	.510 (3)	TRIANGULAR	30	2/E7	Y
BR930199	5.3270	3.9370	M12X1.5 (5)	2.2400	2.3285	-	2.5910	-	-	-	-	2/E10	Y
BR930203	8.0465	6.4765	9/16-18 (8)	4.7690	4.8220	2.1500	4.4910	4.3770	14X2.0	-	33	-	Y
BR930204	6.3050	4.5000	M12X1.5 (6)	2.8075	2.8850	2.1050	3.5300	-	M14X1.5 (3)	TRIANGULAR	31	1/E2	Y
BR930205	6.3050	4.5000	M12X1.5 (6)	2.8075	2.8850	2.1050	3.5300	-	M14X1.5 (3)	TRIANGULAR	31	1/E2	Y
BR930206	5.3280	-	M12X1.5 (5)	2.2380	2.2580	-	2.6000	3.7470	-	-	-	2/E10	Y

Hub assemblies & kits - Gen 2 & 3

Numerical listing

Bearing no.	Flange dia.	Wheel flange bolt circle dia.	Bolt size qty.	Wheel pilot dia.	Brake pilot dia.	Flange offset	Hub pilot dia.	Mounting flange bolt circle dia.	Bolt hole size / qty.	Flange shape	No. of splines	Type / Fig.	ABS ring and/or sensor (Y/N)
	A	B	C	D	E	F	G	H	I	J			
BR930207	6.3050	4.5000	M12X1.5 (6)	2.8075	2.8850	2.1050	3.5300	-	M14X1.5 (3)	TRIANGULAR	31	1/E2	N
BR930208	7.1259	5.2630	M12X1.75 (5)	3.4141	3.6334	1.9685	3.9090	4.8500	M14X1.5 (3)	TRIANGULAR	33	1/E2	Y
BR930209	6.6170	4.9380	M15X1.5 (5)	3.0590	3.0866	2.9410	3.9190	4.9230	.5695 (3)	TRIANGULAR	33	1/E2	Y
BR930210	5.4200	-	M12X1.5 (4)	2.6350	3.5480	2.3300	2.8215	4.4620	-	RECTANGULAR	-	2/E10	Y
BR930211	4.9606	-	M12X1.5 (5)	2.2030	2.2800	-	2.4875	3.7500	-	-	-	2/E8	N
BR930212	4.9600	-	M12X1.5 (5)	2.2030	2.2800	2.1250	2.4875	3.7500	-	-	-	2/E8	N
BR930213	5.4660	4.2340	M12X1.5 (5)	2.4935	2.8025	1.7935	2.9860	2.5450	.409	MOD RECTANGULAR	-	1/E4	Y
BR930214	5.5900	4.4585	M12X1.5 (5)	2.6340	2.7120	1.5980	3.3070	3.7365	.414 (4)	MOD RECTANGULAR	25	1/E3	N
BR930215	5.4730	4.2670	M12X1.5 (5)	2.8100	2.8950	1.4800	3.4240	3.7510	.332 (4)	SQUARE	26	1/E3	N
BR930216	4.9670	3.7310	M12X1.5 (5)	2.2370	2.3930	1.4800	3.4240	3.7560	.332 (4)	SQUARE	26	1/E3	N
BR930217	5.4660	4.2340	M12X1.5 (5)	2.4935	2.8025	1.7935	2.9860	2.5450	.409	MOD RECTANGULAR	-	1/E4	Y
BR930218	7.2260	-	-	-	3.5420	1.9400	3.5420	-	-	TRIANGULAR	33	1/E2	N
BR930219	6.0430	4.5700	M12.5X2 (5)	2.8100	2.8600	1.9250	3.7100	4.5000	.3955 (3)	TRIANGULAR	27	1/E1	N
BR930222	5.4750	4.2410	M12X1.5 (5)	2.5070	2.5210	-	2.9135	-	-	-	-	2/E8	Y
BR930223	5.4730	4.2060	M12X1.5 (5)	2.4930	2.5285	-	2.9100	-	-	-	-	2/E8	Y
BR930224	6.0420	4.4675	M12X1.5 (5)	2.8120	2.8600	2.1210	3.7360	4.6290	.392 (3)	TRIANGULAR	27	1/E2	Y
BR930226	5.1410	4.2660	.492 (4)	2.6750	2.5550	1.4570	3.2630	4.0640	.334 (4)	RECTANGULAR	26	2/E3	N
BR930227	5.5100	-	N/A (5)	2.5760	2.5630	-	-	4.1340	-	-	-	2/E9	Y
BR930228	5.5100	4.1340	N/A (5)	2.5760	2.5630	-	4.1340	4.1340	.407	-	-	2/E9	Y
BR930229	5.9750	-	M12X2.08 (5)	2.5190	2.5390	-	-	-	-	-	-	2/E10	Y
BR930230	5.3140	-	M12X1.5 (5)	2.2400	2.2580	-	2.6100	3.9420	-	-	-	2/E10	Y
BR930231	4.8000	-	M12X1.5 (4)	2.2200	2.2400	2.5180	-	3.9370	.347 (4)	-	-	2/E5	N
BR930232	5.9840	4.4730	M12X1.5 (5)	2.3620	2.4600	2.9330	2.9130	3.9400	1.4 MM (4)	MOD RECTANGULAR	-	2/E5	N
BR930233	5.4920	4.5000	M12X1.5 (5)	2.3635	2.8346	-	2.7950	-	-	-	-	1/E4	Y
BR930234	5.9740	4.5240	M12X1.5 (4)	2.5200	2.5725	-	2.6025	-	-	-	-	2/E10	Y
BR930235	5.9842	4.5000	M12X1.5 (5)	2.5200	2.5300	-	2.6000	-	-	-	-	2/E10	Y
BR930236	7.1260	5.3150	M12X1.75 (5)	3.4142	3.6335	1.9685	3.9091	4.9606	M14X1.5 (3)	TRIANGULAR	33	1/E2	Y
BR930237	4.7930	-	M12X1.5 (4)	-	2.1655	-	2.4655	-	-	-	-	2/E8	Y
BR930240	5.5900	4.4585	M12X1.5 (4)	2.6340	2.7120	1.5980	3.3070	3.7365	.414 (4)	MOD RECTANGULAR	25	1/E3	N
BR930241K	5.3460	-	N/A (5)	2.5510	2.6920	1.5000	2.9300	4.0350	-	-	-	2/E8	Y
BR930242	5.3540	-	N/A (5)	2.5580	2.6930	-	3.0070	4.2500	.394 (4)	-	-	2/E10	Y
BR930243	4.7970	3.9400	M12X1.25 (4)	2.1250	2.1655	-	-	-	-	-	-	2/E10	Y
BR930244	5.4760	4.2500	M12X1.5 (5)	2.4910	2.7950	1.7500	2.9860	3.9760	.409	MOD RECTANGULAR	-	1/E4	Y
BR930245	5.3540	4.2519	N/A (5)	2.5590	2.6771	1.6929	3.2870	4.0551	(4)	MOD RECTANGULAR	26	1/E3	N
BR930246	5.4650	4.2130	M12X1.5 (5)	2.5000	2.8170	1.6345	3.5230	4.5118	1.290 (3)	TRIANGULAR	26	1/E1	N
BR930249	5.3543	4.2520	N/A (5)	2.5590	2.6771	1.6929	3.2874	4.0551	-	RECTANGULAR	26	1/E3	N
BR930250	5.4720	4.5000	1/2-20UNRF (5)	2.7750	2.7950	-	-	-	.406	-	-	2/E10	Y
BR930252 ¹	5.8820	3.5780	.5-20 (5)	2.7700	2.8360	2.2140	3.3900	4.7500	.395 (3)	TRIANGULAR	27	2/E6	Y
BR930253	5.8267	4.5000	M12X1.5 (4)	2.6370	2.9921	2.3220	2.5984	3.9370	8.6 (4)	MOD RECTANGULAR	-	2/E5	N
BR930254	5.4620	3.9370	M12X1.5 (4)	2.2000	2.4000	-	2.5980	-	-	-	-	2/E10	N
BR930255	5.4625	3.9300	M12X1.5 (4)	2.2040	2.4000	-	2.5900	-	-	-	-	2/E10	Y

Hub assemblies & kits - Gen 2 & 3

Numerical listing

Bearing no.	Wheel flange bolt circle dia.		Bolt size qty.	Wheel pilot dia.	Brake pilot dia.	Flange offset	Hub pilot dia.	Mounting flange bolt circle dia.	Bolt hole size / qty.	Flange shape	No. of splines	Type / Fig.	ABS ring and/or sensor (Y/N)
	A	B											
BR930256	6.7780	5.2225	M12X1.5 (5)	3.0550	3.0825	2.0000	3.8450	4.3050	.485 (3)	TRIANGULAR	33	1/E2	N
BR930257	5.5190	3.1440	M12X1.5 (4)	2.6370	2.7160	-	2.7480	-	-	-	-	2/E8	N
BR930258	5.5110	4.5100	M12X1.5 (4)	2.6360	2.6360	-	2.6195	-	-	-	-	2/E8	Y
BR930260	5.4724	4.5000	M12X1.5 (4)	2.6370	2.9921	-	2.9133	-	-	-	-	2/E10	Y
BR930262	5.4724	4.5000	M12X1.5 (4)	2.6370	2.9921	-	2.9133	-	-	-	-	2/E10	N
BR930266	5.9800	4.4700	M12X1.5 (5)	2.3600	2.4600	2.9330	2.9100	3.9400	1.40 (4)	MOD RECTANGULAR	-	2/E5	Y
BR930267	5.9842	4.4736	M12X1.5 (5)	2.3622	2.4606	2.9330	2.9133	3.9484	(4)	MOD RECTANGULAR	-	2/E5	Y
BR930268	4.9430	3.9010	M12X1.5 (4)	2.2060	2.5190	-	2.5060	-	-	-	-	2/E10	N
BR930269	5.3543	4.2520	N/A (5)	2.5590	2.6771	1.6929	3.2874	4.0551	-	RECTANGULAR	36	1/E3	N
BR930271	4.9430	3.9010	M12X1.5 (4)	2.2060	2.5190	-	2.5060	-	-	-	-	2/E10	N
BR930273	5.4700	4.7330	M12X1.5 (4)	2.6350	3.0000	-	-	-	-	-	-	2/E10	Y
BR930275	5.4750	4.7330	M12X1.5 (4)	2.6400	3.5700	-	-	-	-	-	-	2/E10	Y
BR930276	5.9600	4.5098	M12X1.5 (4)	2.5100	2.5780	-	2.5770	-	-	-	-	2/E8	Y
BR930277	5.3400	4.2519	N/A (5)	2.5590	2.6771	1.6930	3.4448	4.4094	(4)	RECTANGULAR	-	1/E3	N
BR930278	5.5250	4.4400	M12X1.4 (5)	2.8000	2.8380	1.8950	3.3830	4.4070	.400 (4)	MOD RECTANGULAR	-	2/E5	Y
BR930279	5.5250	4.4400	M12X1.4 (5)	2.8000	2.8380	1.8950	3.3830	4.4070	.400 (4)	MOD RECTANGULAR	-	2/E5	N
BR930280	5.5118	3.9370	M12X1.15 (4)	2.1259	2.4606	-	2.7559	-	-	-	-	2/E10	N
BR930281	5.5118	3.9370	M12X1.15 (4)	2.1259	2.4600	-	2.7559	-	-	-	-	2/E10	Y
BR930282	5.8267	3.9370	M12X1.15 (4)	2.6377	2.9921	2.3220	2.5984	2.8740	-	-	-	2/E10	Y
BR930283	5.8267	4.5000	M12X1.15 (4)	2.6377	2.9921	2.3220	2.5984	3.9370	8.6 (4)	MOD RECTANGULAR	-	2/E5	N
BR930284 ²	7.2025	5.4850	9/16-18 (5)	3.0560	3.0825	1.8400	3.5445	4.8710	.4845	TRIANGULAR	33	1/E2	N
BR930285 ²	7.2025	5.4850	M12X2.5 (5)	3.0560	3.0825	1.8400	3.5245	4.8710	.4845	TRIANGULAR	33	1/E2	Y
BR930287	5.8350	4.4985	M12X1.15 (5)	2.6360	3.0245	2.3185	2.5970	3.8550	.334 (4)	RECTANGULAR	-	2/E5	Y
BR930288	5.4575	4.5300	M12X1.15 (4)	2.6360	3.0000	-	2.9120	-	-	-	-	2/E10	N
BR930289	5.4710	4.6895	M12X2.0 (5)	2.8520	3.1020	2.0195	3.5370	4.6295	.390 (4)	-	-	2/E5	N
BR930290	5.1574	4.4094	N/A (5)	2.2440	2.6771	2.7618	1.5350	3.7401	.4215 (5)	-	-	2/E10	N
BR930291	4.9212	3.9370	M12X1.5 (4)	2.1250	2.1650	2.1850	2.6370	3.6220	.335 (4)	RECTANGULAR	-	2/E5	Y
BR930293	5.5118	4.5000	M12X1.5 (5)	2.3622	2.4409	2.1653	2.9130	4.4094	(4)	RECTANGULAR	-	2/E5	Y
BR930294	6.0629	4.5000	M12X1.5 (5)	2.3622	2.4409	2.6574	3.3070	4.4094	(4)	RECTANGULAR	-	1/E3	Y
BR930295	5.9842	4.5000	M12X1.5 (5)	2.3622	2.4409	2.7165	3.3070	4.1734	(4)	RECTANGULAR	-	2/E5	N
BR930296	5.9842	4.5000	M12X1.5 (5)	2.3622	2.4409	2.7165	3.3070	4.1734	(4)	RECTANGULAR	-	2/E5	Y
BR930298	5.7280	4.5669	M12X1.5 (5)	2.7598	2.7810	1.6600	3.5992	4.5669	(3)	TRIANGULAR	-	2/E6	Y
BR930299	5.5118	4.1732	N/A (5)	2.5586	2.5568	3.0708	2.3622	3.6377	.393 (4)	RECTANGULAR	-	2/E9	N
BR930304	7.0530	-	M14X2.8 (6)	-	3.1085	-	3.8445	4.3780	-	TRIANGULAR	33	1/E2	Y
BR930305	7.1895	-	M12X2 (5)	-	3.0825	1.9660	3.8445	4.3510	-	TRIANGULAR	33	1/E2	Y
BR930307	7.0860	5.5000	N/A (6)	3.0850	3.2280	1.9457	3.9090	4.9600	-	TRIANGULAR	-	2/E7	Y
BR930308	6.6929	5.5000	M12X1.5 (5)	4.1338	4.2618	-	3.0964	-	-	-	-	2/E8	Y
BR930311	5.5118	4.1732	N/A (5)	2.5586	2.5568	3.0708	2.3622	3.6377	.393 (4)	RECTANGULAR	-	2/E9	Y
BR930312	5.7280	4.5670	M12X1.5 (5)	2.7610	2.7810	1.6600	3.5960	4.5670	.510 (3)	TRIANGULAR	-	2/E6	N
BR930313	5.7280	4.5670	M12X1.5 (6)	2.7610	2.7810	1.6600	3.5960	4.5670	.510 (3)	TRIANGULAR	-	2/E6	Y
BR930314	5.3937	4.4910	M12X1.5 (5)	2.5577	2.5766	1.5350	3.4566	4.4910	.419 (3)	TRIANGULAR	30	1/E2	N

Hub assemblies & kits - Gen 2 & 3

Numerical listing

Bearing no.	Flange dia.	Wheel flange bolt circle dia.	Bolt size qty.	Wheel pilot dia.	Brake pilot dia.	Flange offset	Hub pilot dia.	Mounting flange bolt circle dia.	Bolt hole size / qty.	Flange shape	No. of splines	Type / Fig.	ABS ring and/or sensor (Y/N)
	A	B	C	D	E	F	G	H	I	J			
BR930315	5.2017	3.9370	M12X1.5 (4)	2.2238	2.3601	1.5334	3.3464	4.3307	.418 (3)	TRIANGULAR	33	1/E2	N
BR930316	5.2017	3.9370	M12X1.5 (4)	-	2.3601	1.5334	3.3464	4.3307	.016 (3)	TRIANGULAR	33	1/E2	Y
BR930317	5.3937	4.4881	M12X1.5 (4)	2.5577	2.5766	1.5354	3.5433	4.4881	.403 (3)	TRIANGULAR	30	1/E2	Y
BR930318	7.1260	5.3150	M12X1.75 (5)	3.4142	3.6335	1.9685	3.9091	4.9606	M14X1.5 (3)	TRIANGULAR	33	1/E2	Y
BR930320	5.4724	4.5000	M12X1.5 (5)	2.6377	2.9921	-	3.0118	-	-	-	-	2/E6	Y
BR930321	5.8267	4.5000	M12X1.75 (5)	2.6377	2.9912	2.3228	3.3070	3.9370	.3448	RECTANGULAR	32	1/E3	Y
BR930323 ¹	5.9055	4.5275	M12X1.5 (5)	2.7600	2.7795	1.6560	3.5925	4.5669	-	TRIANGULAR	33	1/E2	N
BR930324	5.3149	3.9030	M12X1.5 (5)	2.1250	2.1653	2.1259	2.9133	3.0380	.320 (4)	RECTANGULAR	-	2/E5	Y
BR930325	6.0420	4.4675	M12X1.5 (5)	2.8120	2.8600	2.1210	3.7360	4.6290	.392 (3)	TRIANGULAR	-	1/E2	N
BR930326 ¹	5.9050	4.5270	M12X1.5 (5)	2.7600	2.7790	1.6560	3.5920	4.5660	-	TRIANGULAR	33	1/E2	Y
BR930327	5.9055	4.4460	M12X1.5 (5)	2.7600	2.7795	2.5610	3.1120	3.1885	-	RECTANGULAR	33	2/E5	Y
BR930328	5.9055	4.4460	M12X1.5 (5)	2.7600	2.7795	2.5610	3.1120	3.1885	-	RECTANGULAR	33	2/E5	N
BR930329	5.3149	3.9030	M12X1.5 (5)	2.1250	2.1653	2.1259	2.9133	3.0380	.3205 (4)	RECTANGULAR	-	2/E5	N
BR930334	5.5118	3.9370	M12X1.95 (4)	2.1259	2.4606	2.2834	2.6377	3.6220	.3937	RECTANGULAR	-	2/E5	N
BR930335	6.4692	4.5660	M12X1.5 (5)	2.8160	2.8559	2.1208	3.7149	4.9484	.4074	TRIANGULAR	27	1/E1	N
BR930336	5.5120	3.9100	M12X1.5 (4)	2.1250	2.1630	2.9400	-	3.9100	.410 (4)	RECTANGULAR	-	2/E9	N
BR930338	5.9842	4.5000	M12X1.5 (5)	2.3622	2.4409	2.8346	3.3070	4.3307	M12.5 (4)	MOD RECTANGULAR	26	2/E8	N
BR930339	5.9842	4.5000	M12X1.5 (5)	2.3622	2.4409	2.8346	3.3070	4.3307	M12.5 (4)	MOD RECTANGULAR	26	2/E8	N
BR930340	5.4921	4.6456	M12X1.5 (5)	2.5196	2.5787	2.1692	2.7559	3.9370	.862 (4)	MOD RECTANGULAR	-	2/E5	Y
BR930341	5.8850	-	M12X1.5 (5)	-	2.8400	-	3.9400	4.1000	-	TRIANGULAR	-	1/E2	N
BR930342	5.8850	-	M12X1.5 (5)	-	2.8400	-	3.9400	4.1000	-	TRIANGULAR	-	2/E6	Y
BR930343 ¹	5.8850	4.4700	M12X1.5 (5)	2.7700	2.8400	2.2170	3.9400	4.1000	(3)	TRIANGULAR	27	2/E6	Y
BR930344 ¹	5.8850	4.4700	M12X1.5 (5)	2.7700	2.8400	2.2170	3.9400	4.1000	(3)	TRIANGULAR	27	1/E2	N
BR930346	7.1650	5.5000	M14X1.5 (6)	3.0500	3.0750	2.2350	3.9080	5.0000	.578 (3)	TRIANGULAR	33	1/E2	Y
BR930347	5.8267	4.4881	M12X1.5 (5)	2.6377	2.9921	2.5196	2.8346	3.9370	-	RECTANGULAR	-	2/E5	Y
BR930348	5.3940	4.5000	M12X1.5 (5)	2.5980	3.5430	2.3280	2.5980	3.5433	(4)	-	-	2/E10	Y
BR930349	5.6299	4.7200	N/A (5)	2.8543	3.1100	-	3.1100	-	.349 (5)	-	-	2/E10	Y
BR930350	5.4720	4.5000	M12X1.5 (6)	2.8080	2.8960	1.5000	3.4260	4.4050	.314 (4)	RECTANGULAR	26	1/E3	N
BR930352	7.8460	5.5118	M14X1.5 (8)	4.5921	4.6393	2.5728	3.4771	6.5000	(4)	-	-	1/E3	Y
BR930353	5.0620	3.5560	M14X1.5 (8)	2.9620	2.9930	1.6590	2.2400	4.1930	-	-	-	1/E3	Y
BR930354	5.4710	4.4805	M12X1.5 (5)	2.6490	2.7740	1.5250	3.4250	3.9065	.415 (4)	RECTANGULAR	27	1/E3	N
BR930355	6.5900	4.9000	M12X1.5 (5)	2.8100	3.3300	1.9400	3.3450	3.9700	.321	RECTANGULAR	26	1/E3	Y
BR930356	6.5900	4.9000	M12X1.5 (5)	2.8100	3.3300	1.9400	3.3450	3.9700	.321 (4)	RECTANGULAR	26	1/E3	Y
BR930357	5.3190	3.9370	M12X1.5 (4)	2.1259	2.1653	2.1456	2.6377	3.6220	.417	RECTANGULAR	-	2/E8	N
BR930358	5.3190	3.9370	M12X1.5 (4)	2.1259	2.1653	2.1456	2.6377	3.6220	.417	RECTANGULAR	-	1/E4	Y
BR930359	5.8268	-	M12X1.5 (5)	2.8110	2.8540	2.8140	3.3380	-	-	-	-	2/E2	Y
BR930360	6.3100	4.5000	M12X1.5 (6)	2.8100	2.8850	-	3.9375	-	.578 (3)	-	-	2/E10	Y
BR930361	6.3100	4.5000	M12X1.5 (6)	2.8100	2.8850	-	3.9375	-	.578 (3)	-	-	2/E10	N
BR930362	5.8267	4.5000	M12X1.5 (5)	2.6190	2.6771	2.7160	3.3070	-	.422	RECTANGULAR	-	1/E5	Y
BR930363	5.7280	4.5280	M12X2.0 (6)	2.7610	2.7810	1.6600	3.5960	4.5670	.510 (3)	TRIANGULAR	30	1/E2	Y
BR930364	5.5118	3.9370	M12X1.5 (4)	2.2007	2.2630	3.0846	2.3622	-	.433 (4)	TRAPEZOID	-	2/E9	N

Hub assemblies & kits - Gen 2 & 3

Numerical listing

Bearing no.	Wheel flange bolt circle dia.		Bolt size qty.	Wheel pilot dia.	Brake pilot dia.	Flange offset	Hub pilot dia.	Mounting flange bolt circle dia.	Bolt hole size / qty.	Flange shape	No. of splines	Type / Fig.	ABS ring and/or sensor (Y/N)
	A	B											
BR930365	5.5118	3.9370	M12X1.5 (4)	2.2223	2.2400	3.0846	2.3622	-	.433 (4)	TRAPEZOID	-	2/E9	Y
BR930366	5.4724	4.2410	M12X1.5 (5)	2.4889	2.5346	-	2.5929	-	-	-	-	2/E8	Y
BR930367	5.8267	4.5000	M12X1.15 (5)	2.6377	2.9912	-	3.0700	-	-	-	-	2/E10	Y
BR930368	5.7280	4.5660	M12X1.5 (6)	2.7610	2.7810	1.6600	3.5960	4.5670	.510 (3)	TRIANGULAR	30	1/E2	Y
BR930369	5.5118	4.3307	M12X1.5 (5)	2.5577	2.5766	3.0905	2.3622	-	M10X1.5 (4)	RECTANGULAR	-	2/E9	N
BR930370	5.9800	4.5275	M12X1.5 (5)	2.4381	2.3610	2.9400	3.8976	3.8976	.4133 (4)	MOD RECTANGULAR	-	2/E9	Y
BR930371	5.9800	4.5275	M12X1.5 (5)	2.4381	2.3610	2.9400	3.8976	3.8976	.4133 (4)	MOD RECTANGULAR	-	2/E9	N
BR930372	5.5118	4.7244	M12X1.5 (5)	2.7362	2.8149	1.6929	2.9921	4.2519	-	CIRCULAR	-	2/E10	Y
BR930373	5.5118	4.7244	M12X1.5 (5)	2.7362	2.8149	1.6929	2.9921	4.2519	-	CIRCULAR	-	2/E10	Y
BR930374	5.4133	3.9370	N/A (4)	2.2047	2.5196	1.7322	3.1889	4.0157	(4)	MOD RECTANGULAR	26	1/E3	N
BR930375	5.4133	3.9370	10.55 (4)	2.2047	2.5196	2.2047	2.9133	3.6614	8.41 (4)	MOD RECTANGULAR	-	1/E3	N
BR930376	5.9842	4.5000	M12X1.5 (5)	2.3622	2.4409	2.8346	3.3070	4.3307	.480 (4)	MOD RECTANGULAR	-	2/E5	Y
BR930377	5.9842	4.5000	M12X1.5 (5)	2.3622	2.4409	2.8346	3.3070	4.3307	.480 (4)	MOD RECTANGULAR	-	2/E5	Y
BR930378	5.8267	4.5000	M12X1.15 (5)	2.6377	2.9912	-	3.0700	-	-	-	-	2/E10	N
BR930379	5.8267	4.5000	N/A (4)	2.5984	2.6771	2.0670	2.5196	-	-	-	-	2/E8	-
BR930380	5.2755	3.9370	M12X1.5 (4)	2.2047	2.4015	-	2.1161	-	-	-	-	2/E8	Y
BR930381	5.4625	3.9300	M12X1.5 (4)	2.2040	2.4000	-	2.5900	-	-	-	-	2/E10	Y
BR930382	5.9842	4.5000	M12X1.5 (5)	2.2834	2.5196	-	2.7165	-	-	-	-	2/E10	Y
BR930383	5.4921	4.5600	M12X1.5 (5)	2.2830	2.5196	-	2.7165	-	.422	-	-	2/E8	Y
BR930384	5.5118	4.1338	N/A (5)	2.5586	2.5775	2.6960	2.7401	-	(4)	-	-	2/E9	Y
BR930386	5.5118	4.5000	M12X1.5 (5)	2.6377	2.8346	-	3.0708	-	-	-	-	2/E10	Y
BR930387	5.4724	4.7240	N/A (5)	2.8542	3.1697	-	2.8740	-	-	-	-	2/E8	Y
BR930388	5.7086	4.7240	N/A (5)	2.8543	3.1496	2.1653	3.6161	-	-	RECTANGULAR	-	2/E10	N
BR930389	5.3540	4.3300	N/A (5)	2.5590	2.6770	2.3220	3.4440	4.4881	(4)	RECTANGULAR	36	2/E9	Y
BR930392	5.3540	4.4488	N/A (5)	2.5590	2.6770	2.3188	3.4440	4.2519	(4)	RECTANGULAR	-	2/E9	N
BR930394	5.3937	4.3307	N/A (5)	2.5196	2.7559	1.5354	3.5433	4.4881	(3)	TRIANGULAR	30	1/E2	N
BR930395	5.3937	4.3307	N/A (5)	2.5586	2.7559	1.5452	3.5433	4.4881	(3)	TRIANGULAR	30	1/E2	Y
BR930396	5.6299	4.7244	N/A (5)	2.8543	3.1102	2.0078	3.5433	4.0944	(4)	RECTANGULAR	30	2/E5	N
BR930398	5.4724	4.5000	M12X2 (5)	2.6377	2.9912	1.8543	2.9133	-	-	-	-	2/E8	Y
BR930399	5.4724	4.5000	M12X2 (5)	2.6377	2.9912	1.8543	2.9133	-	-	-	-	2/E8	N
BR930400	8.1900	6.5000	M15X2.75(8)	4.7660	-	2.1950	3.9100	-	.551	TRIANGULAR	-	2/E2	N
BR930405	8.4400	6.5000	-	4.7950	-	3.0500	4.4800	5.5000	.600	SQUARE	33	1/E3	N
BR930406	8.1900	-	-	-	-	-	4.1250	-	-	SQUARE	33	2/E3	Y
BR930407	8.3000	6.5365	M14X2.8 (8)	4.7650	4.8920	2.9795	4.4830	3.8400	.480	RECTANGULAR	33	1/E3	Y
BR930408	8.3000	6.5365	M14X2.8 (8)	4.7650	4.8920	2.9795	4.4830	3.8400	.480	RECTANGULAR	33	1/E3	Y
BR930409	7.2125	-	M14X1.5 (5)	-	3.0905	1.9950	3.9000	4.8110	-	TRIANGULAR	33	1/E2	N
BR930410	6.7800	5.5000	M14X1.5 (5)	3.0600	3.0900	2.0070	3.9080	4.9600	.578 (3)	TRIANGULAR	33	2/E6	Y
BR930411	5.5118	4.5000	M12X1.5 (5)	2.6377	2.8346	2.4015	3.0708	-	-	-	-	2/E10	Y
BR930412	5.5118	4.5000	M12X1.5 (5)	2.6377	2.8346	2.4015	3.0708	-	-	-	-	2/E10	N
BR930413	5.5905	4.4090	M12X1.5 (5)	2.6377	2.7165	1.5944	3.3937	4.0150	.4133	RECTANGULAR	27	1/E5	N
BR930414	5.4330	4.4090	M12X1.5 (5)	2.6377	2.7165	2.3307	3.4645	3.9370	.4133	RECTANGULAR	25	1/E5	N

Hub assemblies & kits - Gen 2 & 3

Numerical listing

Bearing no.	Flange dia.	Wheel flange bolt circle dia.	Bolt size qty.	Wheel pilot dia.	Brake pilot dia.	Flange offset	Hub pilot dia.	Mounting flange bolt circle dia.	Bolt hole size / qty.	Flange shape	No. of splines	Type / Fig.	ABS ring and/or sensor (Y/N)
	A	B	C	D	E	F	G	H	I	J			
BR930415	6.7800	5.5000	M14X1.5 (5)	3.0600	3.0900	2.0070	3.9080	4.9600	.578 (3)	TRIANGULAR	33	2/E6	Y
BR930417	7.0875	5.5000	M12X2 (6)	3.0600	3.0850	1.9650	3.9100	4.3000	.468 (3)	TRIANGULAR	-	2/E7	Y
BR930418	7.2000	-	M12X1.5 (7)	-	3.6350	1.9325	3.9075	4.8510	-	TRIANGULAR	33	1/E2	N
BR930419	7.1259	5.9055	M12X1.75 (7)	3.4141	3.6334	1.9685	3.9075	4.9600	M14X1.5 (3)	TRIANGULAR	33	1/E2	Y
BR930420	7.9921	6.6929	M14X2.0 (8)	4.9193	5.0787	2.1453	4.4823	5.5118	M14X1.5 (4)	RECTANGULAR	-	1/E3	Y
BR930421	8.0000	-	M14X2.5 (8)	-	5.0410	-	4.4875	4.4210	-	RECTANGULAR	55	1/E3	Y
BR930422	7.1315	-	(5)	-	3.5325	1.9480	3.9110	4.8500	-	TRIANGULAR	-	1/E2	N
BR930423	7.1315	5.3149	M12X1.75 (5)	3.4170	3.5362	1.9685	3.9090	4.9606	M14X1.5 (3)	TRIANGULAR	33	1/E2	Y
BR930424	8.0300	-	M14X3 (8)	-	-	-	4.4160	3.9265	(4)	-	-	1/E3	N
BR930425	8.0000	-	M14X2.0 (8)	-	5.0410	-	4.4875	4.4210	(4)	RECTANGULAR	55	1/E3	Y
BR930426	8.0000	-	M14X2.8 (8)	-	5.0410	-	4.4800	4.4210	(4)	RECTANGULAR	-	1/E3	Y
BR930427	8.0000	-	M14X2.8 (8)	-	5.0410	-	4.4800	4.4210	(4)	RECTANGULAR	-	1/E3	N
BR930428	8.0000	-	M14X2.5 (7)	-	5.0787	-	4.4881	5.5511	(4)	RECTANGULAR	-	1/E3	Y
BR930429	5.3937	4.3300	M12X1.50 (5)	2.5577	2.5766	1.5354	3.3464	4.3300	.472 (4)	TRIANGULAR	33	1/E2	N
BR930430	5.5118	4.3307	M12X1.50 (5)	2.5577	2.5766	3.0905	2.3622	2.6574	M10X1.5 (4)	RECTANGULAR	-	2/E9	Y
BR930431	5.4330	4.4090	M12X1.5 (5)	2.6377	2.7165	2.3307	3.4645	3.9370	.4133	RECTANGULAR	-	2/E5	Y
BR930433	5.3937	4.3300	M12X1.50 (5)	2.5577	2.5766	1.5350	3.3464	4.3300	.472 (3)	TRIANGULAR	33	1/E2	Y
BR930435	6.1450	4.4250	M12X1.5 (5)	2.4890	2.8300	1.6285	3.6010	4.2360	(3)	RECTANGULAR	26	2/E7	Y
BR930436	5.5120	3.9100	M12X1.5 (4)	2.1250	2.1630	2.9400	2.4010	3.9100	.410 (4)	RECTANGULAR	-	2/E5	Y
BR930437	5.9842	4.5000	M12X1.5 (5)	2.3622	2.4409	2.7165	3.3070	4.3307	M12.5 (4)	MOD RECTANGULAR	-	2/E8	Y
BR930438	8.0000	-	M14X1.5 (8)	-	5.0410	-	4.4800	4.4210	(4)	RECTANGULAR	-	1/E3	Y
BR930439	4.8425	3.9370	M12X1.5 (4)	2.2047	2.5196	-	2.5590	-	-	-	-	2/E8	Y
BR930440	5.4133	4.5000	M12X1.5 (4)	2.6377	2.6377	-	2.5590	-	-	-	-	2/E8	Y
BR930441	6.6580	5.4770	M12X1.89 (6)	2.6375	3.7130	1.5180	3.3845	4.4090	.4185 (4)	RECTANGULAR	30	1/E4	N
BR930442	5.8270	4.5000	M12X1.25 (5)	2.5984	2.6771	2.7165	3.3070	4.2263	-	TRAPEZOID	-	2/E5	Y
BR930443	5.9800	4.5000	M12X1.5 (5)	2.3620	2.4370	2.7220	3.3000	4.1610	(4)	RECTANGULAR	26	1/E3	N
BR930445	5.1515	4.4645	N/A (5)	2.2125	2.3137	-	2.8976	-	-	-	-	2/E8	Y
BR930446	5.8956	4.4881	M12X1.5 (5)	2.8110	2.8543	2.3818	3.5582	4.3476	.332	RECTANGULAR	27	2/E5	N
BR930447	5.8956	4.4881	M12X1.5 (5)	2.8110	2.8543	2.3818	3.5582	4.3476	.332	RECTANGULAR	27	2/E5	N
BR930451	8.1900	6.5000	-	4.5900	-	2.6900	4.4800	5.5100	.4825	SQUARE	33	1/E3	N
BR930452 ¹	5.8820	4.5000	M12X2.5 (5)	2.7746	2.8303	2.2170	3.9370	4.7500	.395 (3)	TRIANGULAR	27	1/E2	Y
BR930453	7.2047	5.2755	M14X2.5 (6)	3.4173	3.5433	1.7913	3.8976	6.3188	.492 (4)	RECTANGULAR	-	2/E10	Y
BR930454	7.4803	5.9988	M12X2.0 (7)	3.4153	3.5433	1.8110	3.9133	6.3511	.489 (4)	RECTANGULAR	-	1/E4	Y
BR930455	7.2047	5.5118	M12X2 (6)	3.4153	3.5433	1.7913	3.9133	6.3511	.489 (4)	RECTANGULAR	-	1/E4	Y
BR930456 ¹	6.2992	-	M12X2.5 (5)	-	3.2244	-	3.3464	4.2125	(3)	TRIANGULAR	27	1/E2	Y
BR930457	7.2040	5.2750	M14X2 (6)	3.4170	3.5430	1.7910	3.8970	6.3180	.492 (4)	RECTANGULAR	-	2/E10	Y
BR930458	5.7280	4.5660	M12X1.5 (6)	2.7610	2.7810	1.6600	3.5960	4.5670	.510 (3)	TRIANGULAR	30	1/E2	Y
BR930459	7.4803	5.9988	M14X2 (7)	3.4153	3.5433	1.8110	3.9133	6.3511	.489 (4)	RECTANGULAR	-	1/E4	Y
BR930460	7.2047	5.3149	M14X2 (6)	3.4153	3.5433	1.7913	3.9133	6.2990	.489 (4)	RECTANGULAR	-	1/E4	Y
BR930461	6.4862	-	M12X 1.5 (5)	-	2.8320	-	3.3440	3.3600	(4)	RECTANGULAR	29	1/E3	Y
BR930462	6.3385	5.7086	M12X1.5 (6)	3.6318	3.7913	1.8976	3.5039	4.1141	.4955	RECTANGULAR	31	1/E1	Y

Hub assemblies & kits - Gen 2 & 3

Numerical listing

Bearing no.	Wheel flange bolt circle dia.		Bolt size qty.	Wheel pilot dia.	Brake pilot dia.	Flange offset	Hub pilot dia.	Mounting flange bolt circle dia.	Bolt hole size / qty.	Flange shape	No. of splines	Type / Fig.	ABS ring and/or sensor (Y/N)
	A	B											
BR930463	5.8270	4.5000	M12X1.25 (5)	2.5984	2.6771	2.7165	3.3070	4.2263	-	TRAPEZOID	-	2/E5	Y
BR930464	5.4800	4.4825	M12X1.5 (4)	2.2230	2.3550	1.4620	3.5880	3.9300	.4045	TRIANGULAR	28	1/E2	N
BR930465	6.1450	4.4250	M12X1.5 (5)	2.4890	2.8300	1.6285	3.6010	4.2360	(3)	RECTANGULAR	26	2/E7	Y
BR930466	5.4800	4.4825	M12X1.5 (4)	2.2230	2.3550	1.4620	3.5880	3.9300	.4045	TRIANGULAR	28	1/E2	Y
BR930467	5.4800	4.4825	M12X1.5 (4)	2.2230	2.3550	2.4815	2.5975	3.3600	.348	RECTANGULAR	-	2/E5	N
BR930468	5.5118	3.9370	M12X1.95 (4)	2.1259	2.4606	2.2834	2.6377	3.6220	.3937	RECTANGULAR	-	2/E5	Y
BR930469	5.4800	4.4825	M12X1.5 (4)	2.2230	2.3550	2.4815	2.5975	3.3600	.348	RECTANGULAR	-	2/E5	Y
BR930470 ¹	5.9350	4.9875	M12X2 (6)	3.0623	3.1095	1.8535	3.2815	4.7500	.392 (3)	TRIANGULAR	27	1/E2	N
BR930471	5.9251	4.5275	M12X1.5 (5)	2.7598	2.7795	2.5496	2.8253	2.4720	.470 (4)	RECTANGULAR	-	2/E5	Y
BR930473	4.8818	3.9370	M12X1.25 (5)	2.2047	2.2834	1.9291	2.9921	3.9370	M12X1.25 (4)	MOD RECTANGULAR	27	1/E4	Y
BR930474	4.8818	3.9370	M12X1.25 (5)	2.2047	2.2834	2.5787	3.3070	3.9370	-	MOD RECTANGULAR	27	1/E4	Y
BR930475 ²	8.0800	6.4763	M14X2.8 (8)	4.7637	4.8098	1.9665	3.9094	4.2066	.475 (3)	TRIANGULAR	-	1/E2	Y
BR930476	8.0800	-	M14X2.7(8)	-	4.8098	-	3.9094	-	-	-	-	2/E10	Y
BR930477	5.8270	4.5000	M12X1.25 (5)	2.5967	2.6755	2.7251	3.3060	4.2444	.417 (4)	-	29	2/E10	Y
BR930479	5.8237	4.5000	M12X2 (5)	2.6377	2.9912	2.3228	2.8740	3.9370	.393	RECTANGULAR	-	2/E5	N
BR930480	5.2800	3.9350	M12X1.5 (4)	2.2000	2.4000	-	2.4800	-	-	-	-	2/E10	Y
BR930481	5.6299	4.1732	N/A (5)	2.8543	3.1102	2.0007	3.5433	-	.4059	MOD RECTANGULAR	-	2/E5	N
BR930485	5.4921	4.5000	M12X1.25 (5)	2.5000	2.5196	2.3149	2.8346	3.9370	.4225	RECTANGULAR	-	2/E5	Y
BR930488	5.5118	4.3307	M12X1.5 (5)	2.5577	2.5766	3.0850	2.3622	-	(4)	RECTANGULAR	-	2/E5	Y
BR930489	6.1400	4.5100	M12X2.50 (5)	2.5000	2.5500	2.4000	2.9200	4.2100	M12X2.30 (4)	RECTANGULAR	-	2/E5	Y
BR930490	6.1400	4.5100	M12X2.50 (5)	2.5000	2.5500	2.4000	2.9200	4.2100	M12X2.30 (4)	RECTANGULAR	-	2/E5	Y
BR930491	8.1900	-	M14X2.8	-	-	-	4.4800	5.5100	(4)	RECTANGULAR	33	1/E3	Y
BR930492	8.1900	-	M14X2.8	-	-	-	4.4800	5.5100	(4)	RECTANGULAR	33	1/E3	Y
BR930493	5.8200	4.3170	M12X2.5 (5)	2.7750	2.7950	-	3.1485	-	-	-	-	2/E8	N
BR930494	5.8200	4.3170	(5)	2.7750	2.7950	-	3.1485	-	1/2-20	-	-	2/E8	Y
BR930495	5.9842	4.5000	M12X1.5 (5)	2.3622	2.4409	2.7165	3.3070	4.3307	12.5 (4)	MOD RECTANGULAR	-	2/E-8	Y
BR930497	5.7480	4.7570	M12X1.5 (5)	2.7598	2.7755	2.8740	3.5000	4.7480	.472	TRIANGULAR	-	1/E1	Y
BR930498	5.4330	4.4880	M12X1.5 (5)	2.6377	2.7165	2.3220	2.5980	4.2510	.3937	MOD RECTANGULAR	-	2/E10	N
BR930499	5.4330	4.4880	M12X1.5 (5)	2.6377	2.7165	2.3220	2.5980	4.2510	.3937	MOD RECTANGULAR	-	2/E10	Y
BR930500	4.8031	4.4094	M14X1.5 (4)	2.2047	2.2637	-	2.7559	-	-	-	-	2/E10	Y
BR930501	5.3543	4.2500	N/A (5)	2.4910	2.5000	2.8780	3.2874	4.5291	-	RECTANGULAR	-	2/E5	Y
BR930502	8.0465	6.4765	9/16-18 (8)	4.7690	4.8220	2.1500	4.4910	4.3770	(4)	-	-	-	Y
BR930503	8.0465	6.4765	9/16-18 (8)	4.7690	4.8220	2.1500	4.4910	4.3770	(4)	-	18	-	N
BR930504	5.3543	4.3169	N/A (5)	2.5586	2.6818	1.6929	3.5433	-	(4)	RECTANGULAR	36	1/E3	N
BR930505	5.3543	4.3169	N/A (5)	2.5586	2.6818	1.6929	3.5433	-	(4)	RECTANGULAR	-	1/E3	Y
BR930506	5.9842	4.4455	N/A (5)	2.7742	2.8200	1.4763	3.4275	3.8615	(4)	RECTANGULAR	-	1/E3	Y
BR930507	8.0465	6.4765	9/16-18 (8)	4.7690	4.8220	2.1500	4.4910	4.3770	-	SQUARE	33	-	Y
BR930508	7.7840	6.6929	M14X1.5 (10)	4.7637	4.9212	3.4251	4.7244	6.6929	-	SQUARE	35	1/E3	Y
BR930509	5.5118	4.3307	N/A (5)	2.5586	2.5775	3.0708	2.3543	3.2480	-	RECTANGULAR	-	2/E9	Y
BR930510	5.7086	4.7244	N/A (5)	2.8543	2.9527	1.7322	3.8582	4.3307	(4)	RECTANGULAR	-	2/E10	N
BR930512	5.5900	4.5000	M12X1.5 (5)	2.2400	2.2440	-	2.6770	-	-	-	-	2/E10	Y

Hub assemblies & kits - Gen 2 & 3

Numerical listing

Bearing no.	Flange dia.	Wheel flange bolt circle dia.	Bolt size qty.	Wheel pilot dia.	Brake pilot dia.	Flange offset	Hub pilot dia.	Mounting flange bolt circle dia.	Bolt hole size / qty.	Flange shape	No. of splines	Type / Fig.	ABS ring and/or sensor (Y/N)
	A	B	C	D	E	F	G	H	I	J			
BR930513 ¹	7.2040	5.5000	M12X1.5 (5)	3.0574	3.0854	1.9212	4.1330	5.2360	(3)	TRIANGULAR	-	1/E2	Y
BR930514 ¹	7.2040	5.5000	M12X1.5 (5)	3.0500	3.0800	3.000	4.1300	5.2362	-	TRIANGULAR	33	1/E2	Y
BR930515 ¹	7.2047	5.5000	M12X1.5 (5)	3.0500	3.0800	1.9213	4.1300	5.2362	M14X1.5	TRIANGULAR	33	1/E2	N
BR930516	4.8031	3.9370	N/A (4)	2.2047	2.2440	2.7559	2.6377	-	-	CIRCULAR	-	1/E4	Y
BR930517	5.3444	4.3110	N/A (5)	2.6358	2.6771	2.3228	3.4448	4.3897	(4)	RECTANGULAR	-	1/E4	Y
BR930518	5.3543	4.2500	N/A (5)	2.4921	2.5000	2.4921	3.2047	4.4035	(4)	RECTANGULAR	36	2/E5	N
BR930519	5.3543	4.2519	M12X1.5 (5)	2.4921	2.5000	2.4921	3.2047	3.8507	-	RECTANGULAR	36	2/E5	Y
BR930520	5.3543	4.2618	N/A (5)	2.4905	2.5000	2.8779	3.2047	4.2507	-	RECTANGULAR	36	1/E4	N
BR930522	5.3543	4.2500	M12X1.5 (5)	2.4905	2.5000	2.4842	3.2677	4.2618	-	RECTANGULAR	26	1/E3	N
BR930523 ¹	7.2047	5.5000	M12X1.5 (5)	3.0574	3.0854	1.9213	4.1023	5.2362	-	TRIANGULAR	-	1/E1	Y
BR930524	5.3540	4.4090	N/A (5)	2.2440	2.5588	-	2.9130	-	-	-	-	-	Y
BR930526	5.7087	-	.500X1.96	2.8543	2.9528	1.7323	3.6220	4.3307	(4)	-	33	2/E10	Y
BR930528	8.0000	6.7087	M14X2.5 (8)	4.9213	5.0787	2.1654	4.4881	5.5511	(4)	RECTANGULAR	-	1/E3	Y
BR930532	6.6043	5.1968	M14X1.5 (6)	2.9269	2.9742	1.8503	3.7381	4.7500	.472	TRIANGULAR	33	1/E1	Y
BR930533	5.3937	4.3307	-	2.5590	2.7559	1.4940	3.3464	4.2510	-	TRIANGULAR	33	1/E2	Y
BR930537 ¹	5.7086	4.5669	M12X1.5 (6)	2.7598	2.7795	2.6732	3.5992	4.5669	-	TRIANGULAR	30	1/E2	Y
BR930539 ¹	5.7086	4.5669	M12X1.5 (6)	2.7598	2.7795	1.6559	3.5992	4.5669	-	TRIANGULAR	30	-	Y
BR930540	4.6062	3.8582	N/A (4)	2.2834	2.3228	-	3.5826	-	-	-	-	-	Y
BR930544 ¹	5.7283	4.7500	M12X1.5 (5)	2.7598	2.7795	1.6551	3.5992	4.5669	-	TRIANGULAR	33	1/E2	Y
BR930546	8.0708	6.4960	9/16X2.75 (8)	4.7653	4.8393	2.2188	4.7244	6.4960	M14X1.5	RECTANGULAR	35	-	Y
BR930547	8.0708	6.4960	9/16X2.75 (8)	4.7653	4.8393	2.2188	4.7244	6.4960	M14X1.5	RECTANGULAR	-	-	Y
BR930548K ¹	5.7280	4.5270	M12X1.5 (5)	2.7590	2.7790	1.6550	3.5990	4.5660	M12X1.75 (3)	TRIANGULAR	33	1/E2	Y
BR930549	5.2755	4.4094	N/A (3)	2.2440	2.2834	2.1259	2.6771	-	8.4MM (4)	SQUARE	33	1/E3	N
BR930550	5.3543	4.2510	N/A (5)	2.5586	2.6818	1.6929	3.5433	-	(4)	RECTANGULAR	40	1/E3	N
BR930551	8.0708	6.4960	M14X1.5 (8)	4.7653	4.8393	2.2188	4.7244	6.4960	M14X1.5	RECTANGULAR	35	-	Y
BR930552	8.0708	6.4960	M14X1.5 (8)	4.7653	4.8393	2.2188	4.7244	6.4960	M14X1.5	RECTANGULAR	-	-	Y
BR930553	8.0708	6.4960	M14X1.5 (8)	4.7653	4.8393	2.2188	4.7244	6.4960	M14X1.5	RECTANGULAR	35	-	Y
BR930555 ¹	6.1811	4.7244	M12X1.5 (5)	2.7098	2.6507	1.6559	3.5925	4.5669	-	TRIANGULAR	33	1/E2	Y
BR930563	5.3543	4.2500	N/A (5)	2.4905	2.5000	2.4842	3.2047	4.4035	10.4MM (4)	RECTANGULAR	-	2/E5	Y
BR930578	5.9448	6.1023	M14X1.5 (5)	2.8110	2.8653	2.1724	3.7992	4.7830	-	TRIANGULAR	-	-	-
BR930587	5.4724	4.5000	M12X1.5 (5)	2.6377	2.7165	2.1023	3.6220	4.5000	.421	MOD RECTANGULAR	30	1/E3	Y
BR930601	5.5118	4.5000	M12X1.5 (5)	2.6377	2.8346	-	3.0708	-	-	-	-	2/E8	Y
BR930603	5.4330	4.5000	M12X1.5 (5)	-	2.6771	-	3.0708	-	-	-	36	2/E8	Y
BR930604	6.3000	4.7180	M14X1.5 (5)	2.8600	3.1075	2.2800	3.5055	5.1180	.390	MOD RECTANGULAR	29	1/E4	N
BR930605	5.8267	4.5000	M12X1.5 (6)	2.5948	2.6751	2.7165	3.5055	4.4881	-	RECTANGULAR	32	1/E3	N
BR930606	6.0039	4.6456	M14X1.5 (5)	2.7559	2.5196	2.3976	3.2125	3.7795	10MM (4)	SQUARE	28	1/E3	Y
BR930607	5.4921	4.6456	M12X1.6 (5)	2.5196	2.5196	2.3149	2.9133	3.9370	8.7MM (4)	SQUARE	-	2/E5	Y
BR930608	5.7150	4.4850	M12X1.5 (5)	2.7580	2.7780	1.6670	3.5930	3.9500	.405 (3)	TRIANGULAR	-	2/E6	N
BR930609	5.5118	4.5000	M12X2.0 (5)	2.6377	3.1496	2.3858	2.9133	3.8956	10.7MM (4)	MOD RECTANGULAR	-	2/E5	Y
BR930610	6.3385	5.4700	M12X1.5 (5)	3.6338	3.7913	-	2.9862	-	-	-	-	2/E8	Y
BR930611	6.7750	5.4340	M12X1.5 (5)	3.0600	3.1400	-	3.8250	-	-	-	-	1/E10	Y

Hub assemblies & kits - Gen 2 & 3

Numerical listing

Bearing no.	Wheel flange bolt circle dia.		Bolt size qty.	Wheel pilot dia.	Brake pilot dia.	Flange offset	Hub pilot dia.	Mounting flange bolt circle dia.	Bolt hole size / qty.	Flange shape	No. of splines	Type / Fig.	ABS ring and/or sensor (Y/N)
	A	B											
BR930612	6.3582	5.0000	M12X2.0 (5)	2.8122	2.8318	1.9133	3.9429	4.7500	.376 (3)	TRIANGULAR	32	1/E2	Y
BR930613	5.4724	3.9370	M12X1.5 (4)	2.2047	2.4015	-	2.7519	-	-	-	-	2/E8	Y
BR930614	5.4724	4.4881	M12X1.5 (5)	2.3622	2.4409	1.8700	3.5433	4.5000	-	MOD RECTANGULAR	30	1/E3	Y
BR930615	5.4724	4.4881	M12X1.5 (5)	2.3622	2.4409	1.8700	3.5433	4.5000	-	MOD RECTANGULAR	28	1/E3	Y
BR930618	5.7677	4.6456	M12X1.9 (5)	2.5196	2.5196	-	3.3070	-	-	-	-	2/E10	Y
BR930620	5.4724	4.5000	M12X1.5 (5)	2.5196	2.5196	-	2.5984	-	-	-	-	2/E8	Y
BR930621	5.7874	4.6456	N/A (5)	2.8543	3.1200	2.0078	3.5433	4.1732	.3937 (4)	MOD RECTANGULAR	-	2/E5	N
BR930622	5.3877	4.4586	N/A (5)	2.2440	2.5590	-	3.1496	-	(5)	-	-	2/E10	Y
BR930623	5.3740	4.4094	N/A (5)	2.2440	2.5590	1.8897	3.3464	4.2125	.3937	MOD RECTANGULAR	36	1/E3	Y
BR930624	5.5118	4.5000	M12X2.5 (5)	2.7755	2.8346	2.4803	3.0708	4.0511	.456 (4)	RECTANGULAR	-	2/E5	Y
BR930625	6.7320	5.5000	M12X1.5 (6)	3.0590	3.2283	2.2165	4.1425	4.4803	.397 (4)	RECTANGULAR	32	1/E3	Y
BR930627 ¹	5.7283	-	M12X1.5 (6)	-	2.7795	-	3.5992	4.5669	(3)	TRIANGULAR	33	2/E6	Y
BR930628	6.2992	4.7244	M14X1.5 (5)	2.5196	2.7559	2.4488	3.1102	4.6456	.420 (4)	RECTANGULAR	-	2/E5	Y
BR930629	5.9842	4.5000	M12X1.5 (5)	2.5196	2.5196	2.3031	2.7559	3.9370	.393 (4)	RECTANGULAR	-	2/E5	Y
BR930630	5.4921	4.5000	M12X1.5 (5)	2.5196	2.5196	2.1692	2.7559	3.9370	.862 (4)	RECTANGULAR	-	2/E5	Y
BR930631	5.9251	4.5275	M12X1.5 (6)	2.7598	2.7800	2.5496	2.8253	4.1338	.460 (4)	RECTANGULAR	-	2/E5	Y
BR930632	5.7283	4.5275	M12X1.5 (6)	2.7598	2.7800	1.6559	3.5992	4.5669	.472 (3)	TRIANGULAR	-	2/E5	Y
BR930633	5.4133	4.5000	M12X1.5 (5)	2.6370	3.5430	-	2.5590	-	-	-	-	2/E8	Y
BR930634	6.4862	4.9606	M12X1.5 (5)	2.8110	2.8307	2.0472	3.9370	4.1732	.365	TRIANGULAR	29	1/E1	Y
BR930635	7.1980	5.5118	M14X2 (6)	3.4173	3.5433	2.1870	3.9098	5.4448	.492 (4)	RECTANGULAR	33	2/E5	Y
BR930636	5.5039	4.4566	M12X2.5 (5)	2.7755	2.8326	2.4862	3.0708	4.1421	.462 (4)	RECTANGULAR	28	2/E5	N
BR930637	6.7322	5.7007	M12X1.25 (6)	3.0590	3.2283	1.7952	3.5039	4.1338	.4925	TRIANGULAR	29	1/E2	Y
BR930638	5.5025	4.4720	M12X1.5 (6)	2.5950	2.6880	1.8195	3.6605	4.7250	.423 (4)	RECTANGULAR	29	1/E3	Y
BR930639	8.0000	6.6929	M14X2.5 (10)	4.9188	5.0748	1.8110	5.5118	6.4960	.492 (4)	RECTANGULAR	32	2/E5	Y
BR930640	6.0629	4.4881	M12X1.5 (5)	2.3622	2.4409	2.6574	3.3070	4.3228	-	MOD RECTANGULAR	30	1/E3	Y
BR930641	4.9212	4.0551	M12X1.5 (5)	2.1259	2.1653	1.6535	3.0708	3.9370	-	MOD RECTANGULAR	26	1/E3	N
BR930642	5.3937	4.2803	M12X1.5 (5)	2.5590	2.7559	1.5354	3.5433	4.0157	.3955	TRIANGULAR	30	1/E1	Y
BR930643	5.3937	4.2803	M12X1.5 (5)	2.5590	2.7559	1.5354	3.5433	4.0157	.3955	TRIANGULAR	30	1/E1	N
BR930644	6.5900	5.0780	M12X1.5 (5)	2.8100	3.2244	1.9400	3.3450	4.3307	.393	RECTANGULAR	32	1/E3	Y
BR930645	6.5900	5.0780	M12X1.5 (5)	2.8100	3.2244	1.9400	3.3450	4.3307	.393	RECTANGULAR	32	1/E3	Y
BR930646	5.4822	4.5275	M12X1.5 (5)	2.6377	2.7165	2.1062	3.6220	4.5511	.3937	RECTANGULAR	-	2/E5	Y
BR930648	5.5118	4.5000	M12X2.0 (5)	2.6377	3.1496	2.3858	2.9133	3.8956	10.7MM (4)	MOD RECTANGULAR	-	2/E5	N
BR930649	5.5314	4.4094	M12X1.25 (5)	2.6377	3.1496	1.9400	3.3450	3.8818	.472	RECTANGULAR	25	1/E3	Y
BR930650	5.9842	4.5000	M12X1.50 (5)	2.5196	2.5196	2.4173	3.2283	4.0944	.421	RECTANGULAR	28	1/E3	Y
BR930651	5.1181	3.9370	M12X1.25 (4)	2.1259	2.2834	-	2.4803	-	-	-	-	2/E10	Y
BR930652	5.8267	4.5000	M12X1.5 (5)	2.6377	2.9921	2.3228	3.6220	3.9370	.3937	RECTANGULAR	-	2/E5	Y
BR930653	5.8267	4.5000	M12X1.5 (5)	2.6377	2.9921	2.3228	3.6220	3.9370	.3937	RECTANGULAR	-	2/E5	Y
BR930654	5.8267	4.5000	M12X1.5 (5)	2.6377	2.9921	2.3228	3.6220	3.9370	.3937	RECTANGULAR	-	2/E5	N
BR930655	5.3543	3.9370	M12X1.25 (5)	2.5984	2.6771	1.6023	3.6614	4.5660	.3976	RECTANGULAR	29	1/E3	Y
BR930657	5.3543	3.9370	M12X1.25 (5)	2.5984	2.6771	2.7165	3.3070	4.2125	.3976	RECTANGULAR	-	2/E5	Y
BR930658	7.9920	6.4960	M14X3.0 (8)	4.9181	5.0810	1.8310	5.5130	6.6930	(4)	-	-	1/E3	Y

Hub assemblies & kits - Gen 2 & 3

Numerical listing

Bearing no.	Flange dia.	Wheel flange bolt circle dia.	Bolt size qty.	Wheel pilot dia.	Brake pilot dia.	Flange offset	Hub pilot dia.	Mounting flange bolt circle dia.	Bolt hole size / qty.	Flange shape	No. of splines	Type / Fig.	ABS ring and/or sensor (Y/N)
	A	B	C	D	E	F	G	H	I	J			
BR930659	5.5025	4.4720	M12X1.5 (6)	2.5950	2.6880	1.8195	3.6605	4.7250	.423 (4)	RECTANGULAR	-	2/E5	Y
BR930660	4.9212	4.0157	M12X1.5 (5)	2.1259	2.1653	1.8503	3.3070	4.2913	-	MOD RECTANGULAR	26	1/E3	Y
BR930661 ²	7.0472	5.5000	M14X1.5 (6)	3.0622	3.0870	1.9488	3.9098	4.9600	.475 (3)	TRIANGULAR	33	2/E5	Y
BR930662 ²	7.8500	6.5000	M14X2.8 (8)	4.5900	4.6500	2.2972	4.1650	5.5100	.489 (4)	RECTANGULAR	33	2/E5	Y
BR930663	5.9448	4.5270	M12X1.5 (5)	2.7600	2.7790	1.6560	3.5920	4.5660	-	TRIANGULAR	33	1/E2	Y
BR930664	5.8220	4.5000	M12X1.25 (4)	2.5984	2.6771	2.7165	3.3070	3.7007	-	RECTANGULAR	-	2/E5	N
BR930665	7.2050	5.3149	M14X2 (6)	3.4173	3.5440	1.8110	3.9110	6.2992	.474 (4)	RECTANGULAR	-	2/E10	Y
BR930667 ²	7.8500	6.5000	M14X2.5 (8)	4.5900	4.6500	2.3000	4.1700	5.5100	.489 (4)	RECTANGULAR	-	2/E5	Y
BR930668	-	-	-	-	-	-	4.4685	5.5905	(4)	MOD RECTANGULAR	-	2/10	Y
BR930670	7.0866	5.5000	N/A (6)	3.0610	3.0944	1.9645	3.9102	4.9377	.4842	TRIANGULAR	33	1/E2	Y
BR930671	7.0866	5.5000	N/A (6)	3.0610	3.0944	1.9645	3.9102	4.9377	.4842	TRIANGULAR	33	1/E2	Y
BR930674 ¹	6.1800	4.6920	M14X2.5 (5)	2.6311	2.6630	1.6559	3.5925	3.9570	.472 (3)	TRIANGULAR	30	2/E6	Y
BR930675	5.1690	4.2500	M12X1.5 (5)	2.2050	2.4920	-	3.0710	-	-	-	36	2/E8	Y
BR930677	5.4133	3.9370	N/A (4)	2.2047	2.5196	1.7322	3.1889	4.0157	(4)	MOD RECTANGULAR	26	1/E3	N
BR930678	5.4330	4.5000	M12X1.25 (5)	2.2047	2.2834	1.8307	3.3070	3.6023	.4129	RECTANGULAR	27	1/E3	Y
BR930679	5.3543	4.5000	M12X1.25 (5)	2.5984	2.6968	1.6023	3.3070	4.2177	.4145	RECTANGULAR	-	1/E3	Y
BR930680	5.5905	4.5275	M12X1.25 (5)	2.6377	2.8346	2.4842	2.9133	3.8385	.3397	RECTANGULAR	-	2/E5	N
BR930681	5.5905	4.5275	M12X1.25 (5)	2.6377	2.8346	2.4842	2.9133	3.8385	.3397	RECTANGULAR	-	2/E5	Y
BR930682	5.3543	4.5118	M12X1.25 (4)	2.5984	2.6771	1.6023	3.1496	3.9605	.4232	RECTANGULAR	25	2/E5	Y
BR930683	5.3543	4.5118	M12X1.25 (4)	2.5984	2.6771	1.6023	3.1496	3.9605	.4232	RECTANGULAR	25	2/E5	N
BR930684	5.3543	4.5118	M12X1.25 (4)	2.5984	2.6771	1.6023	3.1496	3.9605	.4232	RECTANGULAR	29	2/E5	Y
BR930685	5.9448	4.5270	M12X1.5 (5)	2.7600	2.7790	2.5496	3.3070	4.1535	-	RECTANGULAR	30	1/E3	Y
BR930686	5.3149	3.9370	M12X1.5 (4)	2.1259	2.1653	2.3622	2.9133	3.6964	-	MOD RECTANGULAR	-	1/E3	Y
BR930687	5.3149	3.9370	M12X1.5 (4)	2.1259	2.1653	2.3622	2.9133	3.6964	-	MOD RECTANGULAR	-	1/E3	N
BR930688	6.3582	5.0000	M12X1.5 (5)	2.8110	2.8519	1.9133	3.3464	4.3188	.332 (4)	SQUARE	32	1/E3	Y
BR930690 ²	7.2025	5.4850	9/16-18 (5)	3.0560	3.0825	1.8400	3.5245	4.8710	.4845	TRIANGULAR	33	1/E2	Y
BR930691	5.8220	4.5000	M12X1.25 (4)	2.5984	2.6771	2.7165	3.3070	3.7007	.422	RECTANGULAR	-	2/E5	Y
BR930692	5.4724	4.5000	M12X1.5 (4)	2.6370	2.9921	-	2.9133	-	-	-	-	2/E10	N
BR930693 ²	7.0279	-	N/A (6)	3.0610	3.0880	1.9510	3.9130	4.9610	-	-	-	-	-
BR930694	5.8956	4.4881	M14X1.5 (5)	2.8110	2.8543	2.3818	3.5582	4.3476	.320	RECTANGULAR	32	2/E5	N
BR930695	7.9920	6.4960	M14X3.1 (8)	4.9181	5.0810	1.8310	5.5130	6.6930	.4895 (4)	RECTANGULAR	32	1/E3	Y
BR930696 ²	8.0800	6.4763	M14X2.8 (8)	4.7637	4.8098	1.9665	3.9094	4.2066	.475 (3)	TRIANGULAR	-	1/E2	Y
BR930697	6.0748	4.5000	M12X1.5 (5)	2.8110	2.8543	1.9133	3.6220	4.7500	.4153	TRIANGULAR	32	1/E2	Y
BR930698	5.3543	4.5000	M12X1.25 (5)	2.5984	2.6771	2.7165	3.3070	3.8185	.3976	RECTANGULAR	-	2/E5	Y
BR930699	5.8267	4.5000	M12X1.25 (5)	2.5984	2.6771	2.7165	3.3070	3.7007	-	RECTANGULAR	-	2/E5	Y
BR930700	6.3700	5.0000	M12X1.5 (5)	2.8110	2.8523	1.9192	3.3464	4.3307	.3303	RECTANGULAR	32	1/E1	Y
BR930701	5.8267	4.5000	N/A (5)	2.5984	2.6770	-	2.6692	-	-	-	-	2/E8	N
BR930702	7.2440	5.7081	M12X1.5 (6)	3.9173	3.9370	1.6535	3.3464	4.3826	-	MOD RECTANGULAR	-	2/E5	Y
BR930703	7.2440	5.7081	M12X1.5 (6)	3.9173	3.9370	1.6535	3.3464	4.3826	-	MOD RECTANGULAR	27	1/E3	Y
BR930704	5.7413	4.4586	M12X1.5 (5)	2.4890	2.6771	2.3188	3.4377	4.4161	.399	TRIANGULAR	38	2/E5	Y
BR930705	5.3543	4.2362	M12X1.5 (5)	2.4905	2.5000	2.4881	3.2677	4.3937	.4248	MOD RECTANGULAR	36	1/E3	N

Hub assemblies & kits - Gen 2 & 3

Numerical listing

Bearing no.	Wheel flange bolt circle dia.		Bolt size qty.	Wheel pilot dia.	Brake pilot dia.	Flange offset	Hub pilot dia.	Mounting flange bolt circle dia.	Bolt hole size / qty.	Flange shape	No. of splines	Type / Fig.	ABS ring and/or sensor (Y/N)
	A	B											
BR930706	5.5118	4.5000	M12X1.5 (5)	2.6377	2.8346	2.4803	3.0708	4.1338	-	MOD RECTANGULAR	-	2/E5	Y
BR930708	5.4330	4.5000	M12X1.25 (5)	2.2047	2.2834	2.4980	3.3070	4.3307	.41259	RECTANGULAR	27	1/E3	Y
BR930709	5.7413	4.4586	M12X1.5 (5)	2.4890	2.6771	1.7118	3.4377	4.4161	.399	RECTANGULAR	-	2/E5	Y
BR930710	5.5118	4.5000	M12X1.5 (5)	2.6377	2.8346	2.4803	3.0708	4.1338	-	MOD RECTANGULAR	28	1/E3	N
BR930711	5.5511	4.3300	M12X1.5 (5)	2.6377	2.7165	1.9133	3.3464	4.3169	(4)	MOD RECTANGULAR	32	1/E3	Y
BR930713	5.3149	3.9370	M12X1.5 (5)	2.1259	2.1653	2.3622	2.9133	3.8976	-	MOD RECTANGULAR	-	2/E5	Y
BR930714	5.9842	4.4881	M12X1.5 (5)	2.3622	2.4409	2.3622	2.9133	3.6614	(4)	MOD RECTANGULAR	-	2/E5	Y
BR930715	5.3543	4.4881	M12X1.5 (5)	2.5984	2.6771	1.6062	3.6614	4.7736	(4)	MOD RECTANGULAR	29	1/E4	Y
BR930716	5.9842	4.4881	M12X1.5 (5)	2.3622	2.4409	2.3622	2.9133	3.6614	(4)	MOD RECTANGULAR	-	2/E5	Y
BR930717	5.9842	4.4881	M12X1.5 (5)	2.3622	2.4409	2.3622	2.3622	3.6614	(4)	MOD RECTANGULAR	26	2/E5	N
BR930718	5.1574	4.4094	N/A (5)	2.2440	2.6771	2.4881	3.3464	4.2159	.4094	MOD RECTANGULAR	-	2/E5	Y
BR930719	5.9842	4.8425	M12X1.5 (5)	2.5196	2.5196	2.4173	3.2283	4.1141	(4)	MOD RECTANGULAR	-	2/E5	Y
BR930720	5.9842	4.7244	M12X1.25 (5)	2.5196	2.7559	1.8582	3.4960	4.9212	.41811	RECTANGULAR	30	1/E3	Y
BR930721	5.5019	4.4566	M12X2.5 (5)	2.7755	2.8346	2.4803	3.0708	4.0511	.456 (4)	RECTANGULAR	-	2/E5	Y
BR930722	8.0000	6.6800	M14X3 (10)	4.9100	5.0410	1.8307	4.4800	4.4210	.4895 (4)	RECTANGULAR	-	1/E3	Y
BR930723	5.5118	4.4094	M12X2.0 (5)	2.6377	3.1496	2.3858	2.9133	3.8956	10.7MM (4)	MOD RECTANGULAR	25	2/E5	Y
BR930724	5.5118	4.4094	M12X2.0 (5)	2.6377	3.1496	2.3858	2.9133	3.8956	17.4MM (4)	MOD RECTANGULAR	25	2/E5	Y
BR930725	5.4724	4.5000	M12X1.5 (5)	2.6377	2.7165	2.1023	3.1496	-	(4)	RECTANGULAR	-	1/E3	Y
BR930726	5.4724	4.5000	M12X1.5 (5)	2.6377	2.7165	2.1023	3.5433	-	(4)	RECTANGULAR	30	1/E3	Y
BR930727	5.7413	4.4586	M12X1.5 (5)	2.4890	2.6771	1.7118	3.4377	4.4161	.399	RECTANGULAR	38	1/E3	Y
BR930728	6.2992	4.6456	M12X1.25 (5)	2.5196	2.7559	2.4488	3.5118	3.9370	.41811	RECTANGULAR	-	1/E3	Y
BR930729	5.4724	4.5000	M12X1.5 (5)	2.6377	2.7165	2.1023	3.6220	3.8956	.4251 (4)	RECTANGULAR	30	1/E3	N
BR930730	5.8267	4.5000	M12X1.25 (5)	2.5984	2.6771	2.7165	3.3070	4.2125	.42125	RECTANGULAR	32	1/E4	N
BR930731	5.8267	4.5000	M12X1.25 (5)	2.5984	2.6771	2.7165	3.3070	4.2125	.41181	RECTANGULAR	-	1/E4	Y
BR930732	5.8267	4.5000	M12X1.25 (5)	2.5984	2.6771	2.7165	3.3070	4.2125	.42125	RECTANGULAR	25	1/E4	N
BR930733	5.8267	4.5000	M12X1.75 (5)	2.6377	2.9912	2.3228	3.3070	3.9370	.3448	RECTANGULAR	32	1/E3	Y
BR930734	5.8267	4.5000	M12X1.25 (5)	2.5984	2.6771	2.7165	3.3070	4.0551	.41929	RECTANGULAR	32	1/E4	N
BR930735	5.8267	4.5000	M12X1.25 (5)	2.5984	2.6771	2.7165	3.3070	4.0551	.41929	RECTANGULAR	29	1/E4	Y
BR930736	5.5118	4.5000	M12X1.5 (5)	2.3622	2.4409	2.1653	2.9133	4.4094	-	MOD RECTANGULAR	-	2/E5	Y
BR930737	5.5118	4.5000	M12X1.5 (5)	2.3622	2.4409	2.1653	2.9133	4.4094	-	MOD RECTANGULAR	-	2/E5	Y
BR930738	6.2204	4.9606	M12X1.5 (5)	2.3622	2.4409	2.7125	3.4251	4.4291	-	MOD RECTANGULAR	30	1/E2	Y
BR930739	5.8267	4.5000	M12X1.25 (4)	2.5984	2.6771	2.7165	2.7165	3.6614	.3374	RECTANGULAR	-	2/E5	N
BR930740	5.8267	4.5000	M12X1.25 (4)	2.5984	2.6771	2.7165	2.7165	3.6614	.3374	RECTANGULAR	-	2/E5	Y
BR930741 ¹	6.2992	4.5078	M12X2.5 (5)	2.7952	3.2480	1.9094	3.3464	4.2125	.397 (3)	TRIANGULAR	27	1/E2	Y
BR930742	5.7381	-	M12X1.5 (5)	-	2.6771	-	3.6220	4.6850	(3)	RECTANGULAR	38	1/E3	Y
BR930743	7.2050	5.3150	M14X2 (6)	3.4220	3.5433	1.8110	3.9110	6.2990	.491 (4)	RECTANGULAR	-	1/E4	Y
BR930744	7.0350	5.5000	M12X1.5 (6)	3.9350	3.9630	1.9763	3.9110	4.9610	.487 (3)	TRIANGULAR	33	1/E2	Y
BR930745	5.3543	3.9370	M12X1.25 (5)	2.5984	2.6771	1.6023	3.6614	4.5660	.3976	RECTANGULAR	32	1/E3	Y
BR930746	5.3543	4.5000	M12X1.25 (5)	2.5984	2.6771	2.7165	3.3070	3.8185	.3976	RECTANGULAR	-	2/E5	Y
BR930747	5.5118	4.5000	M12X1.25 (5)	2.6377	2.8346	2.7165	3.0708	4.1204	.4157	RECTANGULAR	-	2/E5	Y
BR930748	5.9842	4.5000	M12X1.5 (5)	2.3622	2.4409	2.8345	3.3070	4.3307	-	MOD RECTANGULAR	-	2/E5	Y

Hub assemblies & kits - Gen 2 & 3

Numerical listing

Bearing no.	Flange dia.	Wheel flange bolt circle dia.	Bolt size qty.	Wheel pilot dia.	Brake pilot dia.	Flange offset	Hub pilot dia.	Mounting flange bolt circle dia.	Bolt hole size / qty.	Flange shape	No. of splines	Type / Fig.	ABS ring and/or sensor (Y/N)
	A	B	C	D	E	F	G	H	I	J			
BR930749	5.9842	4.5000	M12X1.5 (5)	2.3622	2.4409	2.8345	3.3070	4.3307	-	MOD RECTANGULAR	-	2/E5	Y
BR930750	5.9842	4.5000	M12X1.5 (5)	2.3622	2.4409	2.3622	2.9133	3.2677	-	MOD RECTANGULAR	-	2/E5	Y
BR930755	6.0039	4.7244	M12X1.25 (5)	2.5196	2.7559	1.8700	3.5826	5.0393	.4208	RECTANGULAR	30	1/E3	Y
BR930756	5.7283	4.7500	M12X1.5 (5)	2.7598	2.7795	1.6559	3.5992	4.5669	.405 (3)	TRIANGULAR	-	2/E6	N
BR930757	5.7283	4.7500	M12X2.0 (5)	2.7795	2.7598	1.6559	3.5992	4.5669	.392 (3)	TRIANGULAR	30	1/E2	Y
BR930758 ²	7.0393	5.4582	M14X2.8 (6)	3.0610	3.0937	1.9566	3.9094	4.2480	-	TRIANGULAR	33	1/E2	Y
BR930759	7.2047	5.3149	M14X2 (6)	3.4192	3.5531	1.8011	3.9133	6.3090	.487	MOD RECTANGULAR	-	1/E4	Y
BR930760	7.4803	5.9055	M14X2 (7)	3.4192	3.5531	1.8011	3.9133	6.3090	.487	MOD RECTANGULAR	-	1/E4	Y
BR930761	7.2047	5.3149	M14X2 (6)	3.4192	3.5531	1.8011	3.9133	6.3090	.487	MOD RECTANGULAR	-	2/E10	Y
BR930762 ²	7.0393	5.4582	M14X2.8 (6)	3.0610	3.0937	1.9566	3.9094	4.2480	.488 (3)	TRIANGULAR	-	2/E7	Y
BR930763	5.4133	3.9370	N/A (4)	2.2047	2.5196	2.2244	2.9133	3.6614	(4)	MOD RECTANGULAR	-	2/E5	Y
BR930764	5.9842	4.4881	M12X1.5 (5)	2.3622	2.4409	2.3622	2.9921	3.8188	(4)	MOD RECTANGULAR	-	2/E5	Y
BR930765	5.9842	4.4881	M12X1.5 (5)	2.3622	2.4409	2.3622	2.9921	3.8188	(4)	MOD RECTANGULAR	26	1/E3	Y
BR930766	4.8818	3.9370	M12X1.25 (5)	2.2047	2.2834	2.6181	3.3070	4.3110	.4129	RECTANGULAR	27	1/E3	Y
BR930767	5.3543	3.9370	M12X1.25 (5)	2.5984	2.6771	1.6023	3.6614	4.5660	.4165	RECTANGULAR	32	1/E3	Y
BR930768	5.4330	2.9032	M12X1.25 (5)	2.2047	2.2834	2.6181	3.3070	4.4330	.4129	RECTANGULAR	27	1/E3	Y
BR930769	5.4330	4.5000	M12X1.25 (5)	2.2047	2.2834	1.8307	3.3070	3.6023	.4129	RECTANGULAR	27	1/E3	Y
BR930770	5.5118	4.5000	M12X1.25 (5)	2.6377	2.8346	2.4803	3.8582	4.0944	-	MOD RECTANGULAR	28	1/E3	N
BR930771	5.3149	3.9370	M12X1.5 (5)	2.1259	2.1653	2.3622	2.9133	3.7007	-	MOD RECTANGULAR	-	2/E5	Y
BR930772	4.8818	4.4881	M12X1.50 (5)	2.5984	2.6771	1.6023	3.1496	4.0551	.415	RECTANGULAR	30	1/E3	N
BR930774	5.9842	4.6456	M12X1.5 (5)	2.5196	2.5196	2.4173	3.1889	4.1338	(4)	MOD RECTANGULAR	28	1/E3	Y
BR930775	5.9842	4.4881	M12X1.5 (5)	2.3622	2.4409	2.5590	3.4251	4.3307	(4)	MOD RECTANGULAR	26	1/E3	Y
BR930776	5.9842	4.4881	M12X1.5 (5)	2.3622	2.4409	2.5590	3.3858	4.3307	(4)	MOD RECTANGULAR	-	2/E5	Y
BR930777	6.1811	4.7244	M14X2.5 (5)	2.6311	2.6507	1.6559	3.5925	4.5669	.472 (3)	TRIANGULAR	30	2/E6	Y
BR930778	6.1811	4.7244	M14X1.5 (6)	2.6311	2.6507	1.6559	3.5925	4.5669	.472 (3)	TRIANGULAR	30	2/E6	Y
BR930779	6.2992	4.6456	M14X1.77 (5)	2.5196	2.7559	2.4488	3.1496	4.1732	.4155	RECTANGULAR	-	2/E5	Y
BR930780	6.1811	4.5669	M14X2.5 (5)	2.6311	2.6507	1.6559	3.5925	4.5669	.472 (3)	TRIANGULAR	33	2/E6	Y
BR930781	5.5118	4.5000	M12X1.25 (5)	2.3622	2.4409	2.3622	2.8346	4.1437	.4173	RECTANGULAR	24	1/E3	Y
BR930782	5.6889	4.7244	M14X1.5 (5)	2.6318	2.6515	1.6771	3.5925	4.5669	.405 (3)	TRIANGULAR	-	2/E7	Y
BR930783 ²	7.8500	6.5000	M14X1.5 (8)	4.5900	4.6500	2.2775	4.1650	5.5100	.489 (4)	RECTANGULAR	33	2/E5	Y
BR930784	5.1653	4.2519	M12X1.5 (4)	2.4881	2.5000	2.6968	-	3.5944	.433 (4)	RECTANGULAR	-	2/E5	Y
BR930785	5.9842	4.5000	M12X1.5 (5)	2.3622	2.4409	2.8346	3.3070	4.3307	M12.5 (4)	MOD RECTANGULAR	-	2/E8	Y
BR930786	5.6692	4.5669	N/A (5)	2.9133	2.9527	2.3622	3.8582	4.0944	-	MOD RECTANGULAR	30	1/E3	Y
BR930787	5.5118	4.5000	M12X1.5 (5)	2.6377	2.8346	2.4803	3.0708	4.1338	-	MOD RECTANGULAR	-	2/E5	Y
BR930788	5.7283	4.7500	M12X2.0 (5)	2.7795	2.7598	1.6559	3.5992	4.5669	.392 (3)	TRIANGULAR	33	1/E2	Y
BR930789	7.1980	5.5118	M14X2 (6)	3.4173	3.5433	2.1870	3.9098	5.4448	.492 (4)	RECTANGULAR	33	2/E5	Y
BR930790	7.2047	5.2755	M14X2 (6)	3.4173	3.5433	1.7913	3.8976	6.3188	.492 (4)	RECTANGULAR	-	2/E10	Y
BR930791	7.2040	5.2750	M14X2 (6)	3.4170	3.5430	1.7910	3.8970	6.3180	.492 (4)	RECTANGULAR	-	2/E10	Y
BR930792 ¹	5.8820	4.5000	M12X2.5 (5)	2.7746	2.8303	2.2140	3.9370	4.7500	.395 (3)	TRIANGULAR	27	1/E2	Y
BR930793	7.9920	6.6930	M14X3.1 (8)	4.9181	5.0810	1.8310	5.5130	6.4960	.4895 (4)	RECTANGULAR	32	1/E3	Y
BR930794	6.2204	4.7244	M12X1.5 (5)	2.3622	2.4409	1.6535	3.3070	4.3307	1.5 (4)	MOD RECTANGULAR	-	2/E8	Y

Hub assemblies & kits - Gen 2 & 3

Numerical listing

Bearing no.	Wheel flange bolt circle dia.		Bolt size qty.	Wheel pilot dia.	Brake pilot dia.	Flange offset	Hub pilot dia.	Mounting flange bolt circle dia.	Bolt hole size / qty.	Flange shape	No. of splines	Type / Fig.	ABS ring and/or sensor (Y/N)
	A	B											
BR930795	6.2204	4.7244	M12X1.5 (5)	2.3622	2.4409	1.6535	3.3070	4.3307	1.5 (4)	MOD RECTANGULAR	-	2/E8	Y
BR930796	8.0300	6.8635	M14X3 (8)	4.8885	-	2.1360	4.4160	3.9265	(4)	-	-	1/E3	N
BR930797	5.9842	4.5000	M12X1.5 (5)	2.3622	2.4409	2.8346	3.3070	4.3307	.480 (4)	MOD RECTANGULAR	-	2/E5	Y
BR930798	5.9842	4.5000	M12X1.5 (5)	2.3622	2.4409	2.8346	3.3070	4.3307	.480 (4)	MOD RECTANGULAR	-	2/E5	Y
BR930799	5.4724	4.5000	M12X1.5 (5)	2.6377	2.7165	1.5157	3.4251	4.3996	.419 (4)	RECTANGULAR	28	1/E3	Y
BR930800	5.6692	4.6456	N/A (5)	2.9133	2.9527	2.6692	3.8582	4.0944	-	MOD RECTANGULAR	30	1/E3	Y
BR930801	7.4803	5.9842	M14X2.5 (7)	3.4192	3.5531	1.8011	3.9133	6.3779	.487	MOD RECTANGULAR	-	1/E4	Y
BR930802	7.9920	6.6930	M14X2.5 (8)	4.9181	5.0810	1.8310	5.5130	6.4960	.4895 (4)	RECTANGULAR	32	1/E3	Y
BR930803	7.9920	6.6930	M14X2.5 (10)	4.9181	5.0810	1.8310	5.5130	6.4960	.4895 (4)	RECTANGULAR	32	1/E3	Y
BR930804	8.0000	6.6800	M14X3.0 (10)	4.9100	5.0410	2.1580	4.4800	4.4210	.4895 (4)	RECTANGULAR	-	1/E3	Y
BR930805	5.8267	4.7244	M14X1.5 (5)	2.6377	2.9921	2.3228	2.8740	4.5669	.348 (4)	RECTANGULAR	-	2/E5	Y
BR930806	5.4724	4.5000	M14X1.5 (5)	2.6377	2.9921	2.3228	2.7165	3.6220	.348 (4)	RECTANGULAR	-	2/E5	Y
BR930807	5.4724	4.5000	M14X1.5 (5)	2.6377	2.9921	2.3228	2.7165	3.6220	.348 (4)	RECTANGULAR	-	2/E5	N
BR930808 ²	7.2047	5.5000	9/16-18 (5)	3.0604	3.0875	1.8425	3.5433	4.9606	M14X1.5	TRIANGULAR	33	1/E2	Y
BR930809	5.7380	4.4800	M12X1.25 (5)	2.4900	2.6770	1.6930	3.6220	4.7520	M14X1.5 (4)	RECTANGULAR	38	1/E3	Y
BR930810	5.3540	4.1340	M14X1.5 (5)	2.2240	2.3600	2.5496	3.6220	4.2520	.333 (4)	RECTANGULAR	-	2/E9	Y
BR930811	5.7480	4.5275	M12X1.5 (5)	2.7602	2.7795	2.5496	3.2480	4.2520	.333 (4)	RECTANGULAR	-	2/E9	Y
BR930812	6.0040	4.6460	M14X1.5 (5)	2.5200	2.7560	2.3980	2.8346	4.2520	.416	RECTANGULAR	-	2/E9	Y
BR930814	5.7480	4.5275	M12X1.5 (5)	2.7602	2.7795	1.6559	3.5925	4.4669	.333 (4)	RECTANGULAR	30	2/E9	Y
BR930815	5.3540	4.5670	M12X1.5 (5)	2.2240	2.3600	1.6560	3.3960	4.5670	.400 (3)	RECTANGULAR	33	1/E2	Y
BR930816	5.5120	4.6460	M12X1.5 (5)	2.3620	2.4410	2.1060	3.3070	3.6220	.341	RECTANGULAR	28	1/E3	Y
BR930818	5.4724	4.5180	M12X1.5 (5)	2.6377	2.7170	2.1020	3.5433	4.5180	.420 (4)	RECTANGULAR	30	1/E3	N
BR930819	5.5120	4.6460	M14X1.5 (5)	2.3620	2.4410	2.1060	3.3070	4.3653	.341	RECTANGULAR	-	2/E5	Y
BR930820	5.5120	4.6460	M14X1.5 (5)	2.3620	2.4410	2.3622	2.8346	4.3653	.4173	RECTANGULAR	-	2/E5	Y
BR930821	5.6692	4.6460	M14X1.5 (5)	2.3620	2.4410	1.9212	3.5433	4.7244	.4173	TRIANGULAR	31	1/E1	Y
BR930822	5.5118	4.6460	M14X1.5 (5)	2.6377	3.1496	2.3858	2.9133	3.8897	.3897	RECTANGULAR	-	2/E5	N
BR930823	5.3740	4.4094	N/A (5)	2.3622	2.4409	2.5590	3.1496	4.0157	(3)	RECTANGULAR	36	1/E2	Y
BR930824	8.7125	7.0870	M14X3 (8)	4.8814	4.9980	2.9727	4.4900	5.8270	.472 (4)	RECTANGULAR	36	1/E3	Y
BR930825	3.9370	5.5000	M12X2 (6)	3.9366	3.9630	1.9760	3.9110	4.9610	.472 (4)	TRIANGULAR	33	1/E2	Y
BR930826	8.7125	7.0870	M14X2.6 (8)	4.8814	4.9980	2.9727	4.4900	5.8270	(4)	RECTANGULAR	36	1/E3	Y
BR930827	8.7125	7.0870	M14X3 (8)	4.8814	4.9980	2.9727	4.4900	5.8270	.472 (4)	RECTANGULAR	-	1/E3	Y
BR930828	7.1980	5.3230	M14X2 (6)	3.4190	3.5430	2.1870	3.9110	5.3660	.472 (4)	RECTANGULAR	33	1/E3	Y
BR930829	6.7520	5.5000	M12X1.25 (6)	3.0590	3.5430	1.8030	3.5050	5.3660	.472 (3)	TRIANGULAR	29	1/E2	Y
BR930830	8.7125	7.0870	M14X2.6 (8)	4.8814	4.9980	2.9727	4.4900	5.8270	.472 (3)	RECTANGULAR	-	1/E3	Y
BR930831	5.9840	4.5000	N/A (5)	2.3620	2.4410	2.8350	3.3070	4.2420	-	MOD RECTANGULAR	26	1/E3	N
BR930832	4.8030	3.5830	M12X1.5 (4)	2.1260	2.1650	2.6970	-	3.5940	.472	RECTANGULAR	-	2/E5	Y
BR930833	4.8030	4.6456	M12X1.5 (5)	2.1260	2.1650	-	3.0550	-	-	-	-	2/E10	Y
BR930834	7.8110	6.5000	M14X1.5 (8)	4.7653	4.8393	2.9133	4.1338	5.7086	-	MOD RECTANGULAR	-	2/E5	Y
BR930835	5.4724	4.5000	M12X1.5 (5)	2.6377	2.9921	2.3228	2.7165	3.6220	.393 (4)	RECTANGULAR	-	2/E5	Y
BR930836	5.3543	4.1338	M12X1.5 (5)	2.2238	2.3610	2.5496	2.7559	3.6547	.334 (4)	RECTANGULAR	-	2/E5	Y
BR930837	7.2047	5.3149	M14X2 (6)	3.4173	3.5442	1.8011	3.9110	6.2992	.487	MOD RECTANGULAR	-	1/E4	Y

Hub assemblies & kits - Gen 2 & 3

Numerical listing

Bearing no.	Flange dia.	Wheel flange bolt circle dia.	Bolt size qty.	Wheel pilot dia.	Brake pilot dia.	Flange offset	Hub pilot dia.	Mounting flange bolt circle dia.	Bolt hole size / qty.	Flange shape	No. of splines	Type / Fig.	ABS ring and/or sensor (Y/N)
	A	B	C	D	E	F	G	H	I	J			
BR930838	6.1810	4.7240	M14X1.5 (5)	2.6330	2.6520	2.5492	3.3070	4.2240	.3149	RECTANGULAR	30	1/E4	Y
BR930839	6.3582	5.0000	1/2-20 (5)	2.8122	2.8318	1.9133	3.9429	4.7500	-	TRIANGULAR	32	1/E4	Y
BR930840	5.4921	4.6456	M12X1.5 (5)	2.5196	2.5787	2.1692	2.7559	3.9370	.862 (4)	MOD RECTANGULAR	-	2/E5	Y
BR930841	5.9800	4.5000	M12X1.5 (5)	2.3600	2.4409	2.6574	2.9100	4.0944	M10X1.25 (4)	MOD RECTANGULAR	-	2/E5	Y
BR930842	5.9800	4.5000	M12X1.5 (5)	2.3600	2.4409	2.6574	2.9100	4.0944	M10X1.25 (4)	MOD RECTANGULAR	-	2/E5	Y
BR930843	5.9800	4.5000	M12X1.5 (5)	2.5196	2.5196	2.4173	3.2283	4.0944	1.70 (4)	MOD RECTANGULAR	-	2/E5	N
BR930844	5.9800	4.7244	M12X1.5 (5)	2.5196	2.7559	1.8582	3.4645	4.8700	1.75 (4)	MOD RECTANGULAR	30	1/E3	Y
BR930845	5.8267	4.5000	M12X1.75 (5)	2.6377	2.9912	2.3228	2.8740	4.0551	.3937	RECTANGULAR	-	2/E5	Y
BR930846	5.4724	4.5000	M12X1.50 (5)	2.6377	2.7165	2.3228	2.8740	3.9370	.4724	RECTANGULAR	-	2/E5	Y
BR930848	5.3150	3.9370	M12X1.5 (4)	2.1260	2.1650	2.3620	2.9130	3.7400	.3149	RECTANGULAR	-	2/E5	Y
BR930850	6.3680	5.0000	M12X1.5 (5)	2.8108	2.8517	1.9133	3.3464	4.3310	.472 (4)	MOD RECTANGULAR	-	1/E3	Y
BR930851	5.4724	4.5000	M12X1.5 (5)	2.6377	2.9921	2.3228	2.8740	4.0157	.401 (4)	MOD RECTANGULAR	-	2/E5	Y
BR930852	5.1181	4.3307	N/A (5)	2.5590	2.7559	-	2.7952	4.0157	-	-	-	2/E10	Y
BR930853	5.1690	4.2500	M12X1.5 (5)	2.2050	2.4920	-	3.0710	-	-	-	36	2/E8	Y
BR930854	5.1970	3.9370	M12X1.95 (4)	2.1259	2.4606	2.3230	2.6377	3.6220	.3937	RECTANGULAR	-	2/E5	Y
BR930856	5.4921	4.5000	M12X1.25 (5)	2.5000	2.5196	2.3149	2.8346	3.9370	.4225	RECTANGULAR	-	2/E5	N
BR930857	5.3740	4.3310	M12X1.5 (5)	2.4900	2.5000	-	-	-	-	-	40	1/E4	Y
BR930858	7.2047	5.5000	M14X1.5 (5)	3.0604	3.0875	1.8425	3.5433	4.9606	.4845	TRIANGULAR	33	1/E2	Y
BR930859	5.7480	4.5275	M12X1.5 (5)	2.7602	2.7795	2.5496	3.2320	4.2520	.333 (4)	RECTANGULAR	-	2/E10	N
BR930860	5.3540	4.1340	M14X1.5 (5)	2.2240	2.3600	2.5496	3.6220	4.2520	.333 (4)	RECTANGULAR	-	2/E9	Y
BR930861K	5.2755	4.0551	N/A (3)	2.2440	2.2834	-	-	-	8.4MM (4)	-	-	2/E10	Y
BR930862	5.4921	4.6456	M12X1.5 (5)	2.5196	2.5787	2.1692	2.7559	3.9370	.862 (4)	MOD RECTANGULAR	-	2/E5	N
BR930863	5.3641	4.3300	M12X1.5 (5)	2.4900	2.5039	-	3.2283	-	-	-	40	2/E8	Y
BR930864	5.6300	4.0940	N/A (4)	2.8540	3.1220	2.0160	3.4720	4.0157	(4)	RECTANGULAR	26	1/E3	Y
BR930865	5.6300	4.0940	N/A (4)	2.8540	3.1220	2.0160	3.4720	4.0157	(4)	RECTANGULAR	-	1/E3	Y
BR930866	5.5118	4.5000	M12X1.25 (5)	2.6377	3.1496	2.3307	3.4645	4.4094	.4192	RECTANGULAR	27	2/E3	Y
BR930868	5.8270	4.5000	M12X1.5 (5)	2.5980	2.6770	2.7170	3.3070	-	M12X1.25	RECTANGULAR	29	1/E3	Y
BR930869	6.3680	4.9610	M12X1.5 (5)	2.8120	2.8520	1.9490	3.2280	4.3310	.472 (4)	MOD RECTANGULAR	32	1/E3	Y
BR930870	5.3543	4.5118	M12X1.25 (4)	2.5984	2.6771	1.6023	3.1496	3.9605	.4232	RECTANGULAR	29	2/E5	Y
BR930872	5.3543	4.5118	M12X1.25 (5)	2.5984	2.6771	1.6023	3.1496	3.9605	.4232	RECTANGULAR	29	1/E3	Y
BR930873	5.3543	4.5118	M12X1.25 (5)	2.5984	2.6771	1.6023	3.1496	3.9605	.4232	RECTANGULAR	29	2/E5	Y
BR930874	5.3440	4.2520	M12X1.5 (5)	2.4900	2.5100	1.8900	3.1500	4.0160	.4133	RECTANGULAR	-	2/E5	Y
BR930875	5.8270	4.5000	M12X1.25 (5)	2.5984	2.6771	2.7170	3.3070	4.2520	.421	RECTANGULAR	-	2/E5	Y
BR930877	5.5910	4.5000	N/A (5)	2.6140	2.6770	2.2500	3.1500	-	(5)	-	-	2/E10	Y
BR930878	5.9840	4.5000	N/A (5)	2.6140	2.6380	2.3230	3.1500	4.8430	.4149 (5)	MOD RECTANGULAR	30	1/E3	Y
BR930879	6.3680	4.9610	M12X1.5 (5)	2.8120	2.8520	1.9490	3.2280	4.3310	.472 (4)	MOD RECTANGULAR	32	1/E3	Y
BR930880	4.8820	3.9370	M12X1.25 (5)	2.2050	2.2830	1.9290	2.9920	3.8980	.413	MOD RECTANGULAR	-	2/E5	Y
BR930881	5.1180	4.3310	N/A (5)	2.5590	2.7560	1.6540	3.3070	4.2520	.386	MOD RECTANGULAR	27	1/E5	Y
BR930882	6.3582	5.0000	M12X1.5 (5)	2.8110	2.8519	1.9133	3.3464	4.3188	.332 (4)	SQUARE	-	2/E5	Y
BR930883	7.9920	6.6930	M14X2.5 (8)	4.9181	5.0810	1.8310	5.5130	6.4960	.4895 (4)	RECTANGULAR	32	1/E3	Y
BR930884	6.3582	5.0000	M12X1.5 (5)	2.8110	2.8519	1.9133	3.3464	4.3188	.332 (4)	SQUARE	32	1/E3	Y

Hub assemblies & kits - Gen 2 & 3

Numerical listing

Bearing no.	Wheel flange bolt circle dia.		Bolt size qty.	Wheel pilot dia.	Brake pilot dia.	Flange offset	Hub pilot dia.	Mounting flange bolt circle dia.	Bolt hole size / qty.	Flange shape	No. of splines	Type / Fig.	ABS ring and/or sensor (Y/N)
	A	B											
BR930885	5.7870	4.7240	N/A (5)	2.8540	3.1100	2.0080	3.5430	4.1730	.402 (4)	RECTANGULAR	-	2/E5	N
BR930886	6.7322	5.5000	M12X1.25 (6)	3.0578	3.5430	1.7889	3.5039	4.7500	.472 (3)	TRIANGULAR	29	1/E2	Y
BR930887	6.7322	5.7240	M12X1.50 (6)	3.0590	3.2360	2.2204	3.5430	4.7500	.472 (4)	RECTANGULAR	32	1/E3	Y
BR930888	5.3540	4.5000	M12X1.25 (5)	2.5980	2.6770	1.6020	3.1500	4.0550	.408 (4)	MOD RECTANGULAR	29	1/E3	Y
BR930889	5.8270	4.5000	M12X1.25 (5)	2.5980	2.6770	2.7170	3.3070	4.2620	.403 (4)	MOD RECTANGULAR	-	2/E5	Y
BR930890	5.3540	4.5000	M12X1.25 (5)	2.5980	2.6770	1.6020	3.6610	4.7050	.422 (4)	MOD RECTANGULAR	-	2/E5	Y
BR930891	5.4920	4.5000	M12X1.50 (5)	2.1260	2.5200	2.3150	3.0710	4.6460	.422 (4)	MOD RECTANGULAR	-	2/E5	Y
BR930892	5.3450	4.5000	M12X1.25 (5)	2.5980	2.6770	1.6020	3.6610	4.0550	.418 (4)	MOD RECTANGULAR	27	1/E3	Y
BR930895	5.6690	4.5000	M12X1.5 (5)	2.5200	2.5200	2.4490	3.5120	3.9370	.415	MOD RECTANGULAR	-	1/E3	N
BR930896	5.6690	4.5000	M12X1.5 (5)	2.5200	2.5200	2.4490	3.5120	3.9370	.415	MOD RECTANGULAR	28	1/E3	Y
BR930897	5.5120	4.5000	M12X1.5 (5)	2.6380	3.1500	2.3310	3.4650	4.5000	.415	MOD RECTANGULAR	-	2/E5	Y
BR930898	5.1180	4.3310	M12X1.25	2.5570	2.7560	1.9130	3.6220	4.6060	.403	RECTANGULAR	-	2/E5	N
BR930899	5.1180	4.3310	M12X1.25	2.5570	2.7560	1.9130	3.6220	4.6060	.403 (5)	RECTANGULAR	32	1/E3	Y
BR930900	5.7480	4.5669	M12X1.5 (6)	2.7598	2.7795	1.6590	3.5940	4.6062	.395 (3)	TRIANGULAR	30	2/E2	Y
BR930907	6.4860	5.0000	M14X1.5 (5)	2.8080	2.8130	2.0460	4.0150	4.9610	-	TRIANGULAR	32	1/E1	Y
BR930909	5.9840	4.5000	M12X1.5 (5)	2.5200	2.5200	2.4170	3.2280	4.1630	-	RECTANGULAR	23	1/E3	Y
BR930910	5.9055	4.5275	M14X1.5 (5)	2.8110	2.8543	2.3818	3.5582	4.3307	.320	RECTANGULAR	35	2/E5	N
BR930911	5.3540	4.5000	M12X1.5 (5)	2.5980	2.6770	1.6020	3.6610	4.6800	-	RECTANGULAR	27	1/E3	Y
BR930913	5.3440	4.3310	M12X1.5 (5)	2.4920	2.5400	1.8900	3.1500	4.0550	.433	RECTANGULAR	27	1/E3	Y
BR930914	7.0472	5.5000	M14X1.5 (6)	3.0622	3.0870	1.9488	3.9098	4.9600	.475 (3)	TRIANGULAR	33	2/E5	Y
BR930915	7.0472	5.5000	M14X1.5 (6)	3.0622	3.0870	1.9488	3.9098	4.9600	.475 (3)	TRIANGULAR	-	1/E6	Y
BR930916	5.7480	4.5000	M12X1.5 (5)	2.4900	2.6770	1.7030	3.8190	4.9210	-	RECTANGULAR	38	1/E3	Y
BR930917	5.7870	4.7640	N/A (5)	2.8540	3.1100	2.0180	3.5770	4.1570	(5)	RECTANGULAR	-	2/E5	Y
BR930918	5.7870	4.7640	N/A (5)	2.8540	3.1100	2.0180	3.5770	4.1570	(5)	RECTANGULAR	-	2/E5	Y
BR930919	5.7381	4.5000	M14X1.5 (5)	2.4901	2.6771	1.7125	3.8188	4.6850	.413 (3)	RECTANGULAR	38	1/E3	Y
BR930920	5.3149	3.9370	M12X1.5 (5)	2.1260	2.1653	2.1460	2.9133	3.6730	(4)	RECTANGULAR	26	1/E3	N
BR930921	5.4720	4.5000	M12X1.5 (5)	2.6380	2.7170	2.1020	3.8192	4.8820	-	RECTANGULAR	-	2/E5	Y
BR930922	5.4720	4.5000	M12X1.5 (5)	2.6380	2.7170	2.1020	3.8192	4.8820	-	RECTANGULAR	30	2/E5	N
BR930923	5.4720	4.5000	M12X1.5 (5)	2.6380	2.7170	2.1020	3.8192	4.8820	-	RECTANGULAR	30	1/E3	N
BR930924	5.4720	4.5000	M12X1.5 (5)	2.6380	2.7170	2.1020	3.8192	4.8820	-	RECTANGULAR	30	1/E3	N
BR930925	5.6300	4.5000	M12X1.5 (5)	2.6380	2.9920	2.3230	3.1890	3.9370	-	RECTANGULAR	-	1/E3	Y
BR930926	6.7322	5.5000	M14X1.5 (6)	3.0578	3.5430	1.8031	3.5039	4.7500	.472 (3)	TRIANGULAR	29	1/E2	Y
BR930927	5.3450	4.5000	M12X1.25 (5)	2.5980	2.6770	1.6020	3.6610	4.0550	.418 (4)	MOD RECTANGULAR	27	1/E3	Y
BR930928	4.8819	3.9370	M12X1.25 (5)	2.2047	2.2835	2.6181	3.3071	-	.418 (4)	RECTANGULAR	27	1/E3	Y
BR930929K	5.7090	4.7500	N/A (5)	2.8540	2.9530	1.7400	3.8580	4.1570	(4)	RECTANGULAR	-	2/E10	Y
BR930930	5.4720	4.7240	M14X1.5 (5)	2.6380	2.7170	2.1020	3.8192	4.5670	M12X1.75	TRIANGULAR	30	1/E3	Y
BR930931	5.3149	3.9370	M12X1.5 (4)	2.1259	2.1653	2.3622	2.9133	3.6964	(4)	MOD RECTANGULAR	-	1/E3	Y
BR930932	5.3740	4.2320	M12X1.5 (5)	2.4910	2.5050	2.8810	3.2010	4.7520	.490 (4)	RECTANGULAR	38	2/E5	Y
BR930933	5.3540	4.2720	M12X1.5 (5)	2.4880	2.4980	2.5000	3.2010	4.2716	(4)	RECTANGULAR	-	2/E5	Y
BR930935	5.7480	4.5276	N/A (5)	2.7598	2.7795	1.6559	3.5925	4.5569	(3)	TRIANGULAR	30	1/E2	Y
BR930936	8.1890	6.2992	14X1.5 (5)	2.5555	2.5555	3.0709	3.4449	4.2520	(4)	RECTANGULAR	-	2/E5	Y

Hub assemblies & kits - Gen 2 & 3

Numerical listing

Bearing no.	Flange dia.	Wheel flange bolt circle dia.	Bolt size qty.	Wheel pilot dia.	Brake pilot dia.	Flange offset	Hub pilot dia.	Mounting flange bolt circle dia.	Bolt hole size / qty.	Flange shape	No. of splines	Type / Fig.	ABS ring and/or sensor (Y/N)
	A	B	C	D	E	F	G	H	I	J			
BR930937	8.4843	7.0866	14X1.25 (6)	5.4610	5.4610	4.9409	3.4449	4.2520	-	SPECIAL	-	1/E4	Y
BR930938	5.6299	4.4094	N/A (5)	2.6181	2.6378	2.5394	3.3268	4.0354	(4)	RECTANGULAR	-	2/E5	Y
BR930939	5.4724	3.9370	M12X1.5 (4)	2.2238	2.3610	2.5496	2.7559	-	(4)	RECTANGULAR	-	2/E5	Y
BR930940	5.3540	4.2320	M12X1.5 (5)	2.4880	2.4960	2.4840	3.2010	4.3430	(4)	CIRCULAR	-	2/E10	Y
BR930941	5.5118	5.5118	M14X1.25 (5)	2.6181	2.6181	1.7323	3.8583	4.4049	M12X1.25 (4)	RECTANGULAR	-	2/E5	Y
BR930942	5.5118	4.5000	M12X1.25 (5)	2.3622	2.4409	1.6020	3.6610	5.1181	.406 (4)	MOD RECTANGULAR	30	1/E3	Y
BR930943	5.5118	4.5000	M12X1.25 (5)	2.3622	2.4409	1.6020	3.5430	5.1181	.406 (4)	MOD RECTANGULAR	30	1/E3	Y
BR930944	5.8268	4.5000	M12X1.25 (4)	2.5984	2.6772	2.7165	2.7165	3.6220	.3435 (4)	MOD RECTANGULAR	-	2/E5	Y
BR930945	5.4724	4.5000	M12X1.5 (5)	2.6378	2.7165	2.1024	3.8189	-	(4)	RECTANGULAR	30	2/E5	Y
BR930946	5.4724	4.5000	M12X1.5 (5)	2.6378	2.7165	2.1024	3.8189	-	(4)	RECTANGULAR	30	2/E5	Y
BR930947	5.4724	4.5000	M12X1.5 (5)	2.6378	2.9921	2.3228	3.3858	-	(4)	RECTANGULAR	27	1/E3	Y
BR930949	6.3680	5.0000	N/A (5)	2.8130	2.8510	1.9130	3.3460	-	M10X1.5 (4)	RECTANGULAR	-	2/E5	Y
BR930950	6.3680	5.0000	N/A (5)	2.8130	2.8510	1.9130	3.3460	-	M10X1.5 (4)	RECTANGULAR	-	2/E5	Y
BR930951	6.3680	5.0000	(5)	2.8130	2.8510	1.9130	3.3464	-	M10X1.5 (4)	RECTANGULAR	32	1/E3	Y
BR930952	5.3720	4.2520	M12X1.5 (5)	2.4780	2.5070	2.8790	3.2020	-	M12X1.5 (4)	-	27	1/E3	N
BR930953	5.8200	4.5000	M14X1.5 (5)	2.7750	2.7950	-	3.1480	-	-	-	-	2/E8	Y
BR930954	5.7480	4.5280	M12X1.5 (5)	2.7600	2.7800	1.6560	3.5930	4.5670	(3)	TRIANGULAR	30	1/E2	Y
BR930955	5.8200	4.5000	M14X1.5 (5)	2.7750	2.7950	1.8110	3.5780	-	(4)	RECTANGULAR	32	1/E3	Y
BR930956	5.1180	3.9370	N/A (4)	2.2240	2.3610	2.5500	2.7280	-	.406 (4)	RECTANGULAR	-	2/E10	Y
BR930957	5.8200	4.2520	M12X1.5 (5)	2.4920	2.5030	2.9010	3.1890	-	(4)	RECTANGULAR	-	2/E10	Y
BR930958	5.3680	4.2520	M12X1.5 (5)	2.4890	2.5000	2.8810	3.2000	-	(4)	RECTANGULAR	-	2/E10	Y
BR930959	5.3540	4.1330	M12X1.5 (5)	2.3590	2.2230	2.5490	3.2710	-	M10X1.5 (4)	RECTANGULAR	-	2/E10	N
BR930960	5.3540	4.1340	M12X1.5 (5)	2.2240	2.3600	1.6560	3.4650	4.5670	M12X1.75 (4)	TRIANGULAR	33	1/E2	Y
BR930965	5.4720	4.5000	M12X1.5 (5)	2.6380	2.9920	2.4020	2.7090	3.9370	.402 (4)	-	-	2/E10	Y
BR930966	5.3740	4.4090	M12X1.5	2.2440	2.5590	1.8890	3.3460	4.2120	M14X 1.5 (3)	TRIANGULAR	36	1/E2	Y
BR930969	5.3540	4.5000	M12X1.5 (4)	2.5940	2.6890	1.6020	3.1490	4.0550	M12X 1.5 (3)	MOD RECTANGULAR	25	1/E4	Y
BR930971	4.8030	3.9370	M12X1.5 (4)	2.1260	2.1650	1.6810	3.1500	4.1730	(3)	TRIANGULAR	26	1/E1	Y
BR930972	5.4720	4.5000	M12X1.5 (5)	2.6370	2.6770	2.3740	2.9520	4.0100	M12X1.5 (4)	RECTANGULAR	-	2/E5	Y
BR930973	5.7380	4.5000	14X1.5 (5)	2.4920	2.6770	2.1690	3.8190	-	(3)	-	38	1/E2	Y
BR930974	5.3150	4.0940	M12X1.5 (5)	2.1260	2.1650	2.3620	2.9920	3.8190	(4)	-	-	2/E5	Y
BR931000 ²	7.8500	6.5000	M14X2.8 (8)	4.5900	4.6500	2.2972	4.1650	5.5100	.489 (4)	RECTANGULAR	33	2/E5	Y
BR931001 ¹	5.7283	4.7500	M12X1.5 (5)	2.7600	2.7800	1.6551	3.5925	4.5669	-	TRIANGULAR	33	1/E2	Y
BR931002 ¹	5.7283	4.7500	M12X1.5 (5)	2.7600	2.7800	1.6551	3.5925	4.5669	-	TRIANGULAR	-	1/E2	Y
BR931003	5.3150	4.3310	N/A (5)	2.5590	2.7560	1.6540	3.3070	4.2520	(5)	RECTANGULAR	27	1/E3	Y
BR931004	5.3150	4.3310	N/A (5)	2.5590	2.7560	1.6540	3.3070	4.2520	(5)	RECTANGULAR	-	2/E5	Y
BR931005	5.3150	4.3310	M12X1.5(5)	2.5590	2.7560	1.6540	3.3070	4.2520	(4)	RECTANGULAR	-	2/E5	Y
BR931006	5.6300	4.4100	N/A (5)	2.6180	2.6380	2.5400	2.8000	3.7000	M10X1.56H (4)	RECTANGULAR	27	2/E5	Y

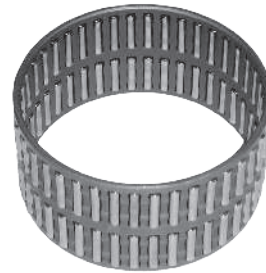
Needle roller bearings

Introduction

Needle roller bearings are roller bearings with cylindrical rollers which are thin and long in relation to their diameter. Despite their low cross section, the bearings have a high load carrying capacity and are eminently suitable for bearing arrangement where radial space is limited.

These types of bearing may be held by a cage/ separator or packed closely together in what is called a “full complement design”. The bearings can use the housing or shaft for either its inner or outer race. Drawn cup needle roller bearing are another popular design. They are typically used where the housing bore cannot serve as a raceway for the needle roller and cage.

Thrust needle bearings have needles laid in a flat circular cage, aligned to the center, providing maximum thrust capacity instead of radial capacity.



Caged needle bearing



Thrust needle bearing



Housed needle bearing

Needle roller bearings

Nomenclature

Prefixes

Prefix	Type	Description
AXK	Thrust	Thrust needle roller and assembly.
B	Loose	Packaged loose needle bearing.
B	Caged	Drawn cup needle bearing, full complement mechanically retained, inch series, small roller.
BA	Caged	Drawn cup needle bearing, closed end.
BH	Caged	Drawn cup needle bearing, full complement, mechanically retained, inch series, large rollers.
BK	Caged	Metric series caged, closed end.
C	Loose	Packaged loose needle bearings.
DB	Caged	Drawn cup needle bearing.
DD	Caged	Drawn cup needle bearing, closed end.
DK	Caged	Drawn cup needle bearing.
F	Caged	Drawn cup needle bearing, full complement mechanically retained, inch series, small roller.
F	Caged	Caged needle bearing assembly.
FA	Thrust	Thrust needle roller and cage assembly.
FC	Caged	Sealed shell needle roller bearing with cage.
HJ	Caged	Heavy Duty needle roller bearing without inner race.
HK	Caged	Metric series caged, open end.
IR	Caged	Inner race.
J	Caged	Drawn cup needle roller bearing, caged, inch series, small rollers.
JB	Thrust	Thrust race.
JF	Thrust	Thrust race.
JH	Caged	Drawn cup needle roller bearing, caged, inch series, small rollers.
M	Caged	Drawn cup needle bearing, closed end.

Prefixes-cont.

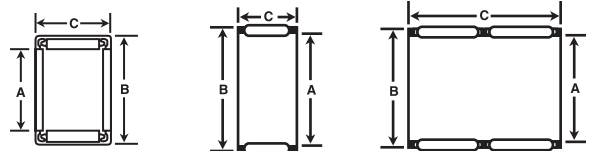
Prefix	Type	Description
MJH	Caged	Metric series, drawn cup needle bearing, caged, large rollers.
MNJ	Caged	Metric series, drawn cup needle bearing, closed end.
NTA	Thrust	Needle thrust assembly.
O	Loose	Packaged loose needle bearing.
Q	Loose	Packaged loose needle bearing.
QA	Loose	Packaged loose needle bearing.
QAR	Loose	Packaged loose needle bearing.
QBR	Loose	Packaged loose needle bearing.
RA	Thrust	Inner ring.
SCE	Caged	Drawn cup needle bearing, open end, inch series.
S	Loose	Packaged loose needle bearings.
TC	Thrust	Thrust needle roller and cage assembly.
TR	Thrust	Thrust race.
TRA	Thrust	Thrust race.
W	Thrust	Thrust shim.
W	Loose	Packaged loose needle bearings.
WJ	Caged	Caged roller assembly, inch series.

Suffixes

Suffix	Type	Description
OH	Caged	Oil hole.
P	Caged	Seal.
S	Caged	Seal.
Q	Loose	Packaged loose needle bearings.
TN	Caged	Polyamide cage
X1	Caged	Oil hole off center.
ZW	Caged	Double row.

Caged needle roller bearings

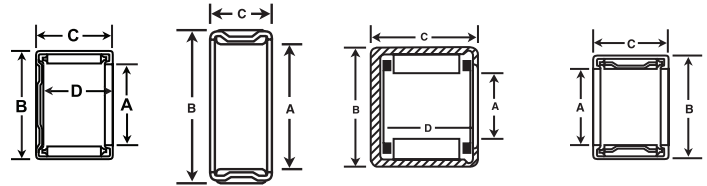
I.D. listing



B, HK

F

FF



M

WJ

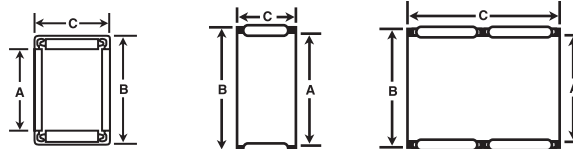
MM

J, JH

I.D. A	O.D. B	Length C	Minimum Inside Depth D	Type	Bearing no.
.4375	.6875	.5000	–	B	BH78
.4720	.6300	.3900	–	HK	HK1210 VP
.5000	.6875	.5000	–	J	B88
.5000	.6880	.5000	–	M	M881
.5855	.9475	1.0290	–	M	F212285
.5900	1.1000	.7190	–	B	B657
.5906	.7874	.6300	–	B	B152016
.5910	.8270	.5910	–	F	F86827
.5910	.8270	.5870	–	JH	FC65354
.5910	.9450	.6100	–	B	FC65446
.5933	.8268	.5910	–	JH	N3057
.6130	1.0550	.7200	–	B	B041
.6250	.8750	.5000	–	B	BH108
.6300	.8660	.6300	–	HK	HK1616 VP
.6699	.9370	.6700	.5780	M	MNJ471-S
.6720	1.3790	.7320	–	MM	FC68329
.6721	1.3790	.6200	–	NDL	N3058
.6732	1.3790	.6920	–	B	B65174
.6750	.9395	.6850	.6850	M	BA608
.6950	1.8525	.6630	–	B	B66067
.7250	.9450	.9420	–	MM	FC66880
.7500	1.0000	.7500	–	JH	B1212
.7500	1.0000	.5000	–	B	B128
.7500	1.0000	1.0000	–	WJ	WJ121616
.7595	1.0025	.7490	–	MM	F390006
.7630	1.8200	.5765	–	MM	FC69907
.7677	1.0230	.4291	–	MM	FC68828
.7720	1.0020	.6835	–	J	SCE1211P
.7850	1.0240	.7800	–	HK	HK2020 VP
.7874	1.0010	.5550	–	J	SCE129
.8125	1.1250	.6250	–	J	SCH1310
.8750	1.1250	.7500	–	B	B1412
.8750	1.1250	.3750	–	B	B146
.8750	1.1250	.5000	–	B	B148
.8750	1.1870	.7500	–	JH	JH1412
.8750	1.1870	.8060	–	J	JHT1413
.9860	1.2610	.7810	–	HK	HK2520 VP
1.0000	1.2500	.7500	–	B	B1612
1.0000	1.2500	1.0000	–	B	B1616
1.0000	1.2500	.5000	–	B	B168
1.0000	1.3125	.7500	–	JH	JH1612
1.0000	1.2500	.7500	–	B	JL1612
1.0000	1.3125	1.0000	–	WJ	WJ162116
1.1060	1.3790	.6230	–	HK	HK2816 VP
1.1125	1.5000	1.1250	–	JH	JH1818
1.1240	1.8750	1.2600	–	F	F500082
1.1250	1.3750	1.0000	–	B	B1816
1.1250	1.5000	.6250	–	B	BH1810
1.1250	1.6250	1.3120	–	F	F54970
1.1250	1.5000	.7500	–	JH	JH1812
1.1250	1.3750	.5000	–	J	SCE188
1.1250	1.5000	1.2500	–	WJ	WJ182420
1.1500	1.5000	.9020	–	J	FC69915
1.1811	1.4566	.4700	–	HK	HK2210 VP
1.1811	1.4566	.4700	–	HK	HK3012 VP
1.1930	1.4570	.6250	–	HK	HK3016 VP
1.2500	1.5040	.6250	–	JH	B2010
1.2500	1.5000	.7500	–	B	B2012
1.2500	1.6250	1.2500	–	B	BH1250
1.2500	1.5000	.7500	–	B	BH2012
1.2500	1.6300	.4900	–	B	BH208
1.2500	1.5000	.8750	–	B	SCE2014-P
1.2750	2.0250	.7210	–	MM	FC69178
1.2824	2.2520	.6900	–	C	DK55836
1.3125	1.6250	.6250	–	B	B2110
1.3420	1.6270	.5000	–	B	SCE228

Caged needle roller bearings

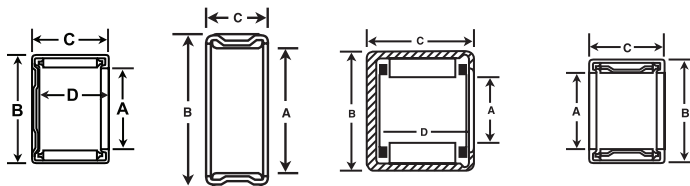
I.D. listing



B, HK

F

FF



M

WJ

MM

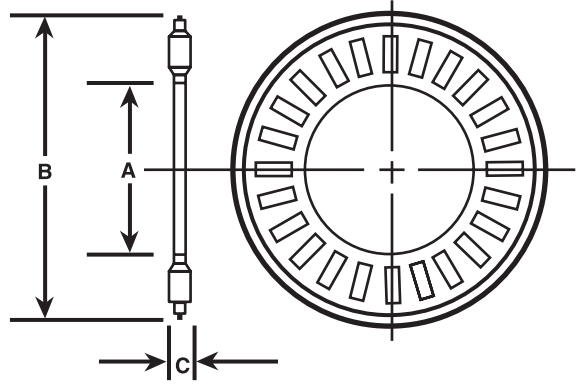
J, JH

I.D. A	O.D. B	Length C	Minimum Inside Depth D	Type	Bearing no.
1.3750	1.6250	.5000	–	B	B228
1.3750	1.7500	.7500	–	B	BH2212
1.3750	1.7500	1.0000	–	HK	HK2216 VP
1.3750	1.7500	1.0000	–	B	SCH2216
1.3780	1.6535	.7870	–	HK	HK3520 VP
1.3940	1.6570	.4680	–	HK	HK3512 VP
1.5000	1.8715	.6250	–	B	B2410
1.5000	1.8750	.7500	–	B	B2412
1.5000	1.8750	.8750	–	B	B2414
1.5000	1.8750	1.0000	–	B	B2416
1.5000	1.8750	1.0000	–	J	J2416
1.5000	1.8750	1.0000	.8600	M	M24161-X1
1.5000	1.8750	1.2500	–	JH	SCE2420 VP
1.5000	1.8750	1.0000	–	WJ	WJ243016
1.5175	2.4800	.1600	–	J	JF22978
1.5568	1.8699	1.4720	–	FF	F94488
1.5750	1.9690	.5850	–	JH	BH4015
1.5750	1.9690	.6000	–	MM	FC66998
1.5750	1.8500	.4720	–	HK	HK4012 VP
1.5750	1.8500	.7870	–	HK	HK4020 VP
1.6250	2.0000	.6250	–	B	B2610A
1.6250	2.0000	.5000	–	JH	B268
1.7500	2.1250	.7500	–	B	B2812
1.7500	2.1250	1.0000	–	B	B2816
1.7500	2.1250	1.0000	.8600	M	M28161
1.7500	2.1380	.9850	–	WJ	WJ283416
1.8897	2.4409	1.5748	–	J	RNA6908 VP
1.9027	2.3960	.8385	–	F	F222983-7
1.9114	2.6039	.1410	–	MM	FC69598
2.0000	2.3750	1.0000	–	B	B3216
2.0000	2.3750	.7860	–	B	B5020
2.0472	2.3228	1.4960	–	FF	F84003
2.1140	2.6250	1.0000	.9300	M	DD46386

I.D. A	O.D. B	Length C	Minimum Inside Depth D	Type	Bearing no.
2.1650	2.4800	.7870	–	HK	HK5520 VP
2.2555	2.5686	1.5550	–	FF	F94490
2.2835	2.5590	1.9610	–	FF	F95407
2.7490	2.9998	2.8320	–	FF	F53539
2.9508	3.1892	1.5470	–	FF	F81205
2.9865	3.2373	2.8320	–	F	F53541
3.1500	3.4650	1.7910	–	FF	F56619
3.2500	4.2500	1.7500	–	WJ	HJ526828
3.5000	4.5000	2.0000	–	WJ	HJ567232

Thrust needle roller bearings

I.D. size listing



Bearing no.	I.D. A	O.D. B	Width C	Washer no.	Washer thickness	Roller qty.
TBT5*	.4840	1.0220	1.1500	-	-	-
NTA815	.5000	.9375	.0781	-	-	16
NTA1625	1.0000	1.5625	.0781	-	-	30
NTA2031	1.2520	1.9270	.0781	-	-	18
NTA2435	1.5000	2.1875	.0781	-	-	48
TC2435	1.5020	2.1770	.0781	-	-	44
JF22978	1.5175	2.4800	.1610	-	-	-
NTA2840	1.7500	2.5000	.0781	TRA2840	.0310	48
TRA2840	1.7500	2.5000	.0312	-	-	-
W2840	1.7500	2.5000	.0790	-	-	-
AXK5070 VP	1.9685	2.7550	.1181	-	-	40
NTA4860	3.0000	3.7500	.0781	TRA4860	.0320	-

* Thrust Unit

Loose needle roller bearings

I.D. size listing

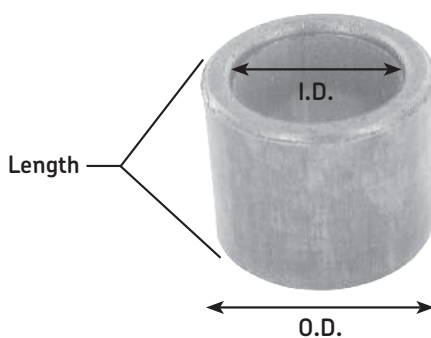


Type S
Spherical End



Type F
Flat End

Bearing no.	I.D.	Length	Package quantity	Type
C407-Q	.1250	.7500	52	S
B1316-Q	.1250	1.0000	52	S
C1086-Q	.1250	.9380	23	S
Q8371	.1250	.6140	110	S
QA47838	.1540	1.2520	52	S
QA48181	.1561	.6580	444	S
C436-Q	.1875	1.0000	45	S
QBR23549	.2182	.5380	16	F
W1518-Q	.2182	.7520	20	S
Q15902	.2812	.6870	14	S



Bushings

I.D. size listing

Bearing no.	I.D.	O.D.	Length
B21	.4800	.6700	.7120
B22	.6300	.8120	.6900
B286	.7525	.9395	.8800
B286HD	.7540	.9410	.8750
B50D	.6700	1.8500	.5000
B50DHD	.6700	1.8500	.5000
B50F	.6710	1.3790	.5000
B50G	.9880	1.8520	.5770
B50-HD	.6725	1.8530	.4970
B50-J	.6725	1.3785	.5610
B650	.8280	1.4990	1.0610

Bearing no.	I.D.	O.D.	Length
B651	1.0940	1.4990	1.2590
B652	.5910	.8310	.7500
B652HD	.5930	.8260	.7500
B656	.5935	1.0935	.7530
B661	.5940	1.0930	.7450
B76	.6750	1.0570	.6250
B76HD	.6750	1.0570	.6250
B77	.7530	1.0550	.8750
B79	.5950	1.0570	.6620
BP37	.4750	.6310	.7820

Tapered roller bearings

Introduction

The tapered roller bearing design can handle heavy radial loads as well as single direction thrust loads. Unlike the non-separable ball bearing, the basic tapered roller bearing consists of two separate components: the cone (the inner race, rollers and cage) and the cup (the outer ring).

All the components are specially angled or tapered to a common point known as the apex (Figure A) so all the elements can roll along the same axis.



Tapered roller bearing cup and matching cone.

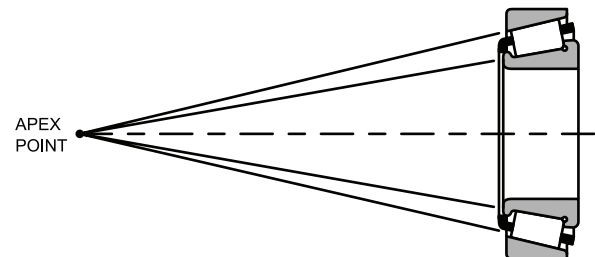


Figure A – All elements are angled to a common point, known as the apex point.

Tapered roller bearings

Nomenclature

Prefixes

Prefix	Type	Description
A	Assembly	Complete assembly cups, cones and spacers.
A	Cone/Cup	Standard basic series part number.
B	Assembly	Non-separable bearing with rollers assembled with the inner race.
BR	Cone/Cup	Bearing.
H	Cone/Cup	Heavy series. (Non-interchangeable with other cones or cups with same basic part number)
HH	Cone/Cup	Heavy-heavy series. (Non-interchangeable with other cones or cups with same basic part number)
HM	Cone/Cup	Heavy-medium series. (Non-interchangeable with other cones or cups with same basic part number)
JH	Cone/Cup	Metric heavy series.
JHM	Cone/Cup	Metric heavy-medium series.
JL	Cone/Cup	Metric light series.
JLM	Cone/Cup	Metric light-medium series.
JM	Cone/Cup	Metric medium series.
KA	Assembly	Separable bearing with rollers assembled with the inner race.
KB	Assembly	
KC	Assembly	
KD	Assembly	
KR	Assembly	
L	Cone/Cup	Light series.
LL	Cone/Cup	Light/light series.
LM	Cone/Cup	Light-medium series.
M	Cone/Cup	Medium series.

Suffixes

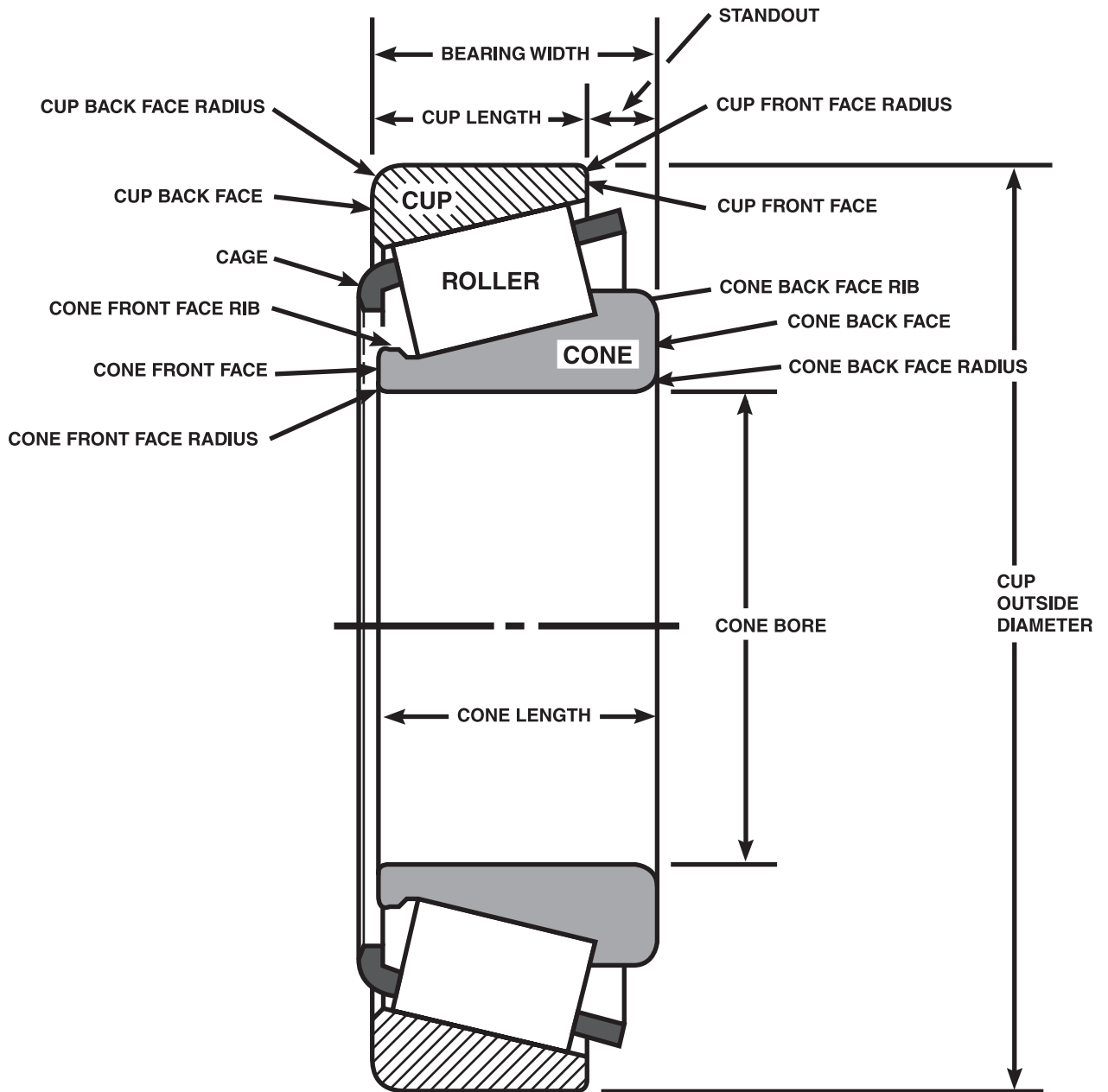
Suffix	Type	Description
A	Cone/Cup	Bearing I.D., O.D., width or radius could be different from basic part number.
AA	Cone/Cup	Ground O.D., bearing I.D., O.D., width or radius could be different from basic part number.
AB	Cone/Cup	Bearing I.D., O.D., width or radius could be different from basic part number. Flanged cup. (Non-interchangeable)
AC	Cone/Cup	Bearing I.D., O.D., width or radius could be different from basic part number. Different internal geometry.
AS	Cone/Cup	Bearing I.D., O.D., width or radius could be different from basic part number.
AX	Cone/Cup	Bearing I.D., O.D., width or radius could be different from basic part number.

Suffixes-cont.

Suffix	Type	Description
B	Cone	Assembled with brass cage.
B	Cup	Flanged cup. (Non-interchangeable with basic part number)
BA	Cup	Flanged cup. (Non-interchangeable with basic part number)
BW	Cup	Flanged cup with slot. (Non-interchangeable with basic part number)
C	Cone	High capacity cone. Envelope dimensions same as basic part number. Different internal geometry.
C	Cup	Dimensionally different from basic part number. (Non-interchangeable)
D	Cone/Cup	Double cone or double cup. (Non-interchangeable with basic part number)
DB	Cone	Double cone assembled with brass cages.
DB	Cup	Double cup with flange. (Non-interchangeable with basic part number)
F	Cone	Polymer cage.
H	Cone	Assembled with special cage, rollers, and /or internal geometry.
J	Cone	Steel cage.
LA	Cone	Assembled with seal.
LB	Cone	Assembled with seal.
R	Cone/Cup	Special features. (Non-interchangeable with basic part number)
RB	Cup	Snap ring on O.D.
S	Cone/Cup	Special features. (Non-interchangeable with basic part number)
SD	Cone/Cup	Double cone with square I.D. or double cup.
T	Cone/Cup	Tapered I.D. or O.D.
W	Cone/Cup	Keyway(s) in cone or cup.
X	Cone/Cup	Special features. (Non-interchangeable with basic part number)
X	Cone/Cup	ISO bearing with same boundary dimensions. Different internal geometry. Higher load rating.
XA	Cone/Cup	Special features. (Non-interchangeable with basic part number)
XB	Cone	Different I.D. width or radius from basic part number. Assembled with brass cage.
XB	Cup	Special features. (Non-interchangeable with basic part number)
XJA	Cone/Cup	ISO bearing, steel cage centered on outer ring.
XVB	Cone/Cup	ISO bearing, modified external dimensions.
Y	Cup	Oil holes in O.D.
YK	Assembly	Bearing assembly.
Z	Cone/Cup	Close stand part.

Tapered roller bearings

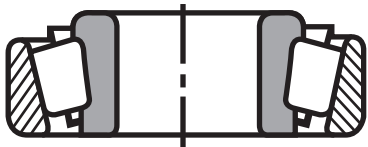
Terminology



Tapered roller bearings

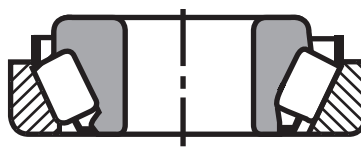
Types

Single Row



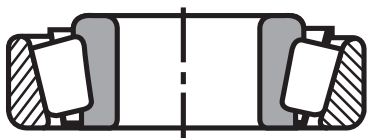
Type TS

Standard straight I.D. bearing; supports equal radial and thrust loads.



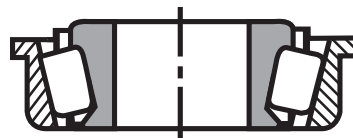
Type TSS

Straight I.D., steep angle bearing; supports greater thrust but less radial load.



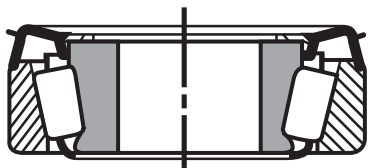
Type TST

Tapered I.D. bearing; used with tapered shaft.



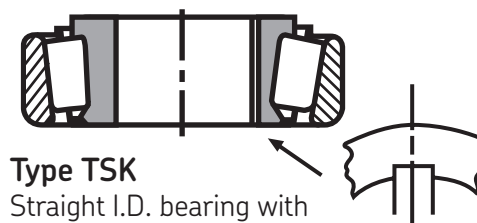
Type TSF

Straight I.D. with flanged cup.



Type TSL

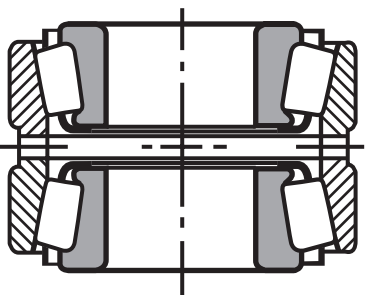
Standard straight I.D. bearing; supports equal radial and thrust loads; sealed bearing.



Type TSK

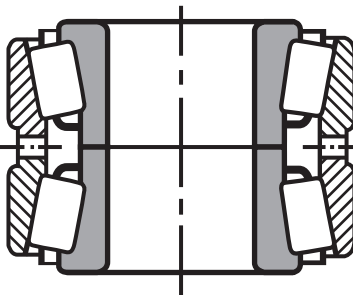
Straight I.D. bearing with keyway.

Double Row



Type TDO

Double cup, two single cones. Cones may be adjusted on installation, or may be factory adjusted.

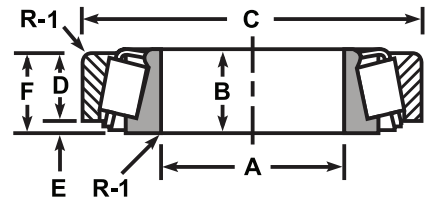


Type TNA

Double cup, two single cones; front face of cones ground to a predetermined tolerance at the factory.

Tapered roller bearings

Series / Numerical listing



Bearing no.		Cone dimensions			Cup dimensions				
Cone	Cup	I.D. A	Length B	Radius R-1	O.D. C	Length D	Radius R-1	Standout E	Width F

Series 5C

4-A	M6	.7500	.4688	.0600	1.7500	.3750	.0600	.1250	.5000
4CB	M6	.8125	.4760	.0500	1.7500	.3750	.0600	.1250	.5000
<i>4CB is cone raceway only-requires 5BC cage & roller assembly, use with M6 cup</i>									
5BC	M6	1.1147	.3092	—	1.7500	.3750	.0600	.1250	.5000
<i>5BC is cage and roller assembly-requires 4CB cone raceway & M6 cup</i>									

Series 335

BR335	BR332	1.3750	.8820	.0300	3.1500	.7018	.0500	.1250	.8268
BR336	BR332	1.6250	.8820	.0300	3.1500	.7018	.0500	.1250	.8268
BR339	BR332	1.3780	.8820	.0300	3.1500	.7018	.0500	.1250	.8268
342-A	BR332	1.6250	1.1802	.1400	3.1500	.7018	.0500	.1250	.8268
342-S	BR332	1.6880	.8820	.1400	3.1500	.7018	.0500	.1250	.8268
BR342	BR332	1.6250	.8820	.1400	3.1500	.7018	.0500	.1250	.8268
344-A	BR332	1.5748	.8268	.0300	3.1500	.7018	.0500	.1250	.8268

Series 355

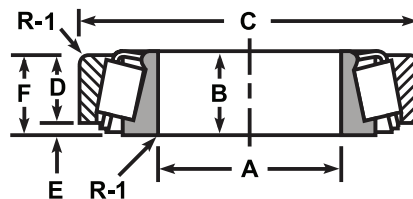
355-A	BR352	1.7500	.8540	.0300	3.5480	.8586	.0900	.0469	.9055
355-A	354-A VP	1.7500	.8540	.0300	3.3470	.6875	.0500	.1250	.8125
355-X VP	BR352	1.7500	.8540	.1400	3.5480	.8586	.0900	.0469	.9055
355-X VP	354-A VP	1.7500	.8540	.1400	3.3470	.6875	.0500	.1250	.8125
BR355	354-A VP	1.7500	.8540	.0900	3.3465	.6875	.0500	.1250	.8125
BR358	354-A VP	1.7717	1.1203	.0600	3.3470	.6875	.0500	.1250	.8125
359-A	BR352	1.8130	.8540	.1400	3.5480	.8586	.0900	.0469	.9055
359-A	354-A VP	1.8130	.8540	.1400	3.3470	.6875	.0500	.1250	.8125
359-S VP	BR352	1.8125	.8540	.0900	3.5480	.8586	.0900	.0469	.9055
359-S VP	354-A VP	1.8125	.8540	.0900	3.3470	.6875	.0500	.1250	.8125

Series 365

365-A	362-A VP	1.6250	.8750	.1400	3.5000	.6501	.0500	.1624	.7874
365-A	BR362	1.6250	.8750	.1400	3.5433	.6250	.0800	.1624	.7874
365-A	BR363	1.6250	.8750	.1400	3.5433	.7874	.0300	—	.7874
BR366	362-A VP	1.9685	.8750	.0900	3.5000	.6501	.0500	.1624	.7874
BR366	BR362	1.9685	.8750	.0900	3.5433	.6250	.0800	.1875	.8125
BR366	BR363	1.9685	.8750	.0900	3.5433	.7874	.0300	—	.7874
368-A VP	362-A VP	2.0000	.8750	.1400	3.5000	.6501	.0500	.1624	.7874
368-A VP	BR362	2.0000	.8750	.1400	3.5433	.6250	.0800	.1624	.7874
368-A VP	BR363	2.0000	.8750	.1400	3.5433	.7874	.0300	—	.7874
368-S	362-A VP	2.0312	.8750	.0800	3.5000	.6501	.0500	.1624	.7874

Tapered roller bearings

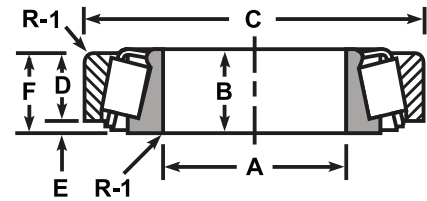
Series / Numerical listing



Bearing no.		Cone dimensions			Cup dimensions				
Cone	Cup	I.D. A	Length B	Radius R-1	O.D. C	Length D	Radius R-1	Standout E	Width F
368-S	BR362	2.0312	.8750	.0800	3.5433	.6250	.0800	.1624	.7874
<i>Components of KB11630-Z</i>									
368-S	BR363	2.0312	.8750	.0800	3.5433	.7874	.0300	—	.7874
BR368	362-A VP	2.0000	.8750	.0600	3.5000	.6501	.0500	.1624	.7874
BR368	BR362	2.0000	.8750	.0600	3.5433	.6250	.0800	.1875	.8125
BR368	BR363	2.0000	.8750	.0600	3.5433	.7874	.0300	—	.7874
369-A	362-A VP	1.8750	.8750	.1400	3.5000	.6501	.0500	.1624	.7874
369-A	BR362	1.8750	.8750	.1400	3.5433	.6250	.0800	.1624	.7874
369-A	BR363	1.8750	.8750	.1400	3.5433	.7874	.0300	—	.7874
Series 375									
370-A	362-A VP	2.0000	.8750	.2000	3.5000	.6501	.0500	.1624	.7874
370-A	BR362	2.0000	.8750	.2000	3.5433	.6250	.0800	.1624	.7874
370-A	BR363	2.0000	.8750	.2000	3.5433	.7874	.0300	—	.7874
BR375	372-A	2.0000	.8750	.0900	3.8125	.7500	.0600	.1250	.8750
BR375	BR372	2.0000	.8750	.0900	3.9700	.8268	.0800	.1250	.9842
BR375	BR374	2.0000	.8750	.0900	3.6720	.5938	.0500	1.3752	1.9690
BR377	372-A	2.0625	.8750	.0900	3.8130	.7500	.0600	.1250	.8750
BR377	BR372	2.0625	.8750	.0900	3.9700	.8268	.0800	.1250	.9842
BR377	BR374	2.0625	.8750	.0900	3.6720	.5938	.0500	1.3752	1.9690
Series 385									
385-A	382-A VP	2.0000	.8640	.0900	3.8130	.6250	.0300	.2018	.8268
<i>385-A Front Face Radius .06"</i>									
385-A	382-S VP	2.0000	.8640	.0900	3.8130	.7980	.0900	.2018	1.0000
<i>385-A Front Face Radius .06"</i>									
385-A	BR382	2.0000	.8640	.0900	3.8750	.7018	.0300	.1250	.8268
<i>385-A Front Face Radius .06"</i>									
385-A	383-A	2.0000	.8640	.0900	3.9370	.7018	.0800	.1250	.8268
<i>385-A Front Face Radius .06"</i>									
385-SD	382-A VP	1.5310	3.0000	.0200	3.8130	.6250	.0300	.2018	.8268
<i>385-SD, Double cone, square bore, extended small end ribs</i>									
385-SD	382-S VP	1.5310	3.0000	.0200	3.8130	.7980	.0900	.2018	1.0000
<i>385-SD, Double cone, square bore, extended small end ribs</i>									
385-SD	BR382	1.5310	3.0000	.0200	3.8750	.7018	.0300	.1250	.8268
<i>385-SD, Double cone, square bore, extended small end ribs</i>									
385-SD	383-A	1.5310	3.0000	.0200	3.9370	.7018	.0800	.1250	.8268
<i>385-SD, Double cone, square bore, extended small end ribs</i>									
BR385	BR382	2.1654	.8640	.0900	3.8750	.7018	.0300	.1250	.8268

Tapered roller bearings

Series / Numerical listing



Bearing no.		Cone dimensions			Cup dimensions			Standout E	Width F
Cone	Cup	I.D. A	Length B	Radius R-1	O.D. C	Length D	Radius R-1		
386-A	382-A VP	1.8750	.8270	.0300	3.8130	.6250	.0300	.2018	.8268
386-A	382-S VP	1.8750	.8270	.0300	3.8130	.7980	.0900	.2018	1.0000
386-A	BR382	1.8750	.8270	.0300	3.8750	.7018	.0300	.1250	.8268
386-A	383-A	1.8750	.8270	.0300	3.9370	.7018	.0800	.1250	.8268
387-A VP	382-A VP	2.2500	.8640	.1400	3.8130	.6250	.0300	.2018	.8268
387-A VP	382-S VP	2.2500	.8640	.1400	3.8130	.7980	.0900	.2018	1.0000
387-A VP	BR382	2.2500	.8640	.1400	3.8750	.7018	.0300	.1250	.8268
387-A VP	383-A	2.2500	.8640	.1400	3.9370	.7018	.0800	.1250	.8268
387-AS VP	382-A VP	2.2500	.8640	.2000	3.8130	.6250	.0300	.2018	.8268
387-AS VP	382-S VP	2.2500	.8640	.2000	3.8130	.7980	.0900	.2018	1.0000
387-AS VP	BR382	2.2500	.8640	.2000	3.8750	.7018	.0300	.1250	.8268
387-AS VP	383-A	2.2500	.8640	.2000	3.9370	.7018	.0800	.1250	.8268
387-S	382-A VP	2.2500	.8640	.0300	3.8130	.6250	.0300	.2018	.8268
387-S	382-S VP	2.2500	.8640	.0300	3.8130	.7980	.0900	.2018	1.0000
387-S	BR382	2.2500	.8640	.0300	3.8750	.7018	.0300	.1250	.8268
387-S	383-A	2.2500	.8640	.0300	3.9370	.7018	.0800	.1250	.8268
BR387	382-A VP	2.2500	.8640	.0900	3.8130	.6250	.0300	.2018	.8268
BR387	382-S VP	2.2500	.8640	.0900	3.8130	.7980	.0900	.2018	1.0000
BR387	BR382	2.2500	.8640	.0900	3.8750	.7018	.0300	.1250	.8268
388-A VP	382-A VP	2.2650	.8640	.1400	3.8130	.6250	.0300	.2018	.8268
388-A VP	382-S VP	2.2650	.8640	.1400	3.8130	.7980	.0900	.2018	1.0000
388-A VP	BR382	2.2650	.8640	.1400	3.8750	.7018	.0300	.1250	.8268
388-A VP	383-A	2.2650	.8640	.1400	3.9370	.7018	.0800	.1250	.8268

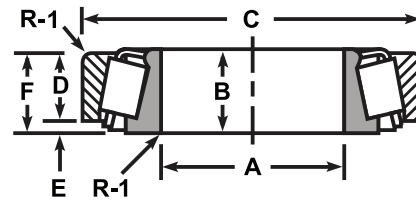
Components of KD11786-Y

Series 395

390-A	394-A VP	2.5000	.8660	.0600	4.3310	.7411	.0500	.1250	.8661
390-A	394-AB	2.5000	.8660	.0600	4.3307	.7411	.0400	.1250	.8661
390-A	394-AS VP	2.5000	.8660	.0600	4.3307	.7411	.0500	.1250	.8661
BR390	394-A VP	2.2500	.8660	.0900	4.3310	.7411	.0500	.1250	.8661
BR390	394-AB	2.2500	.8660	.0900	4.3307	.7411	.0400	.1250	.8661
BR390	394-AS VP	2.2500	.8660	.0900	4.3307	.7411	.0500	.1250	.8661
BR392	394-A VP	2.4375	.8660	.0300	4.3310	.7411	.0500	.1250	.8661
BR392	394-AB	2.4375	.8660	.0300	4.3307	.7411	.0400	.1250	.8661
BR392	394-AS VP	2.4375	.8660	.0300	4.3307	.7411	.0500	.1250	.8661
395-A VP	394-A VP	2.6250	.8660	.0300	4.3310	.7411	.0500	.1250	.8661
395-A VP	394-AB	2.6250	.8660	.0300	4.3307	.7411	.0400	.1250	.8661
395-A VP	394-AS VP	2.6250	.8660	.0300	4.3307	.7411	.0500	.1250	.8661
395-CS	394-CS	2.6250	.9230	.1400	4.4680	.7411	.0500	—	—

Tapered roller bearings

Series / Numerical listing



Bearing no.		Cone dimensions			Cup dimensions				
Cone	Cup	I.D. A	Length B	Radius R-1	O.D. C	Length D	Radius R-1	Standout E	Width F
395-S	394-A VP	2.6250	.8660	.1400	4.3310	.7411	.0500	.1250	.8661
395-S	394-AB	2.6250	.8660	.1400	4.3307	.7411	.0400	.1250	.8661
395-S	394-AS VP	2.6250	.8660	.1400	4.3307	.7411	.0500	.1250	.8661
BR395	394-A VP	2.5000	.8660	.1400	4.3310	.7411	.0500	.1250	.8661
BR395	394-AB	2.5000	.8660	.1400	4.3307	.7411	.0400	.1250	.8661
BR395	394-AS VP	2.5000	.8660	.1400	4.3307	.7411	.0500	.1250	.8661
BR397	394-A VP	2.3620	.8660	.0300	4.3310	.7411	.0500	.1250	.8661
BR397	394-AB	2.3620	.8660	.0300	4.3307	.7411	.0400	.1250	.8661
BR397	394-AS VP	2.3620	.8660	.0300	4.3307	.7411	.0500	.1250	.8661
399-A	394-A VP	2.6875	.8660	.0900	4.3310	.7411	.0500	.1250	.8661
399-A	394-AB	2.6875	.8660	.0900	4.3307	.7411	.0400	.1250	.8661
399-A	394-AS VP	2.6875	.8660	.0900	4.3307	.7411	.0500	.1250	.8661
399-AS	394-A VP	2.6875	.8660	.2000	4.3310	.7411	.0500	.1250	.8661

Series 415

BR418	BR414	1.5000	1.1450	.1400	3.4840	.8750	.0600	.1875	1.0625
BR419	BR414	1.6250	1.1450	.1400	3.4840	.8750	.0600	.1875	1.0625
BR420	BR414	1.5750	1.1450	.1400	3.4840	.8750	.0600	.1875	1.0625

Series 435

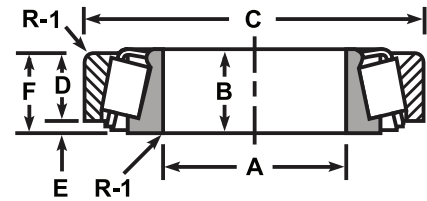
BR438	BR432	1.7500	1.1772	.1400	3.7500	.8750	.0900	.2188	1.0938
-------	-------	--------	--------	-------	--------	-------	-------	-------	--------

Series 455

455-S	452-A	2.0000	1.1542	.1400	4.2500	1.0630	.1300	.2188	1.2818
455-S	452-B	2.0000	1.1542	.1400	4.2500	1.1250	.0300	—	1.0938
455-S	453-A	2.0000	1.1542	.1400	4.2500	.8750	.0300	.2188	1.0938
455-S	453-B	2.0000	1.1542	.1400	4.2500	.8750	.0300	.2188	1.0938
455-S	453-X VP	2.0000	1.1542	.1400	4.1250	.9687	.1300	.2188	1.1875
455-S	453-XB	2.0000	1.1542	.1400	4.2500	.9687	.0300	.1251	1.0938
455-S	BR453	2.0000	1.1542	.1400	4.2500	1.0630	.0300	.0313	1.0943
BR455	452-A	2.0000	1.1532	.0300	4.2500	1.0630	.1300	.2188	1.2818
BR455	452-B	2.0000	1.1532	.0300	4.2500	1.1250	.0300	—	1.0938
BR455	453-A	2.0000	1.1532	.0300	4.2500	.8750	.0300	.2188	1.0938
BR455	453-B	2.0000	1.1532	.0300	4.2500	.8750	.0300	.2188	1.0938
BR455	453-X VP	2.0000	1.1532	.0300	4.1250	.9687	.1300	.2188	1.1875
BR455	453-XB	2.0000	1.1532	.0300	4.2500	.9687	.0300	.1251	1.0938
BR455	BR453	2.0000	1.1532	.0300	4.2500	1.0630	.0300	.0313	1.0943
BR460	452-A	1.7500	1.1542	.1400	4.2500	1.0630	.1300	.2188	1.2818
BR460	452-B	1.7500	1.1542	.1400	4.2500	1.1250	.0300	—	1.0938
BR460	453-A	1.7500	1.1542	.1400	4.2500	.8750	.0300	.2188	1.0938

Tapered roller bearings

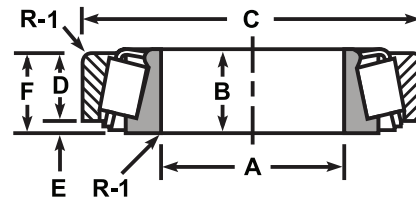
Series / Numerical listing



Bearing no.		Cone dimensions			Cup dimensions				
Cone	Cup	I.D. A	Length B	Radius R-1	O.D. C	Length D	Radius R-1	Standout E	Width F
BR460	453-B	1.7500	1.1542	.1400	4.2500	.8750	.0300	.2188	1.0938
BR460	453-X VP	1.7500	1.1542	.1400	4.1250	.9687	.1300	.2188	1.1875
BR460	453-XB	1.7500	1.1542	.1400	4.2500	.9687	.0300	.1251	1.0938
BR460	BR453	1.7500	1.1542	.1400	4.2500	1.0630	.0300	.0313	1.0943
BR462	452-A	2.2500	1.1542	.0900	4.2500	1.0630	.1300	.2188	1.2818
BR462	452-B	2.2500	1.1542	.0900	4.2500	1.1250	.0300	—	1.0938
BR462	453-A	2.2500	1.1542	.0900	4.2500	.8750	.0300	.2188	1.0938
BR462	453-B	2.2500	1.1542	.0900	4.2500	.8750	.0300	.2188	1.0938
BR462	453-X VP	2.2500	1.1542	.0900	4.1250	.9687	.1300	.2188	1.1875
BR462	453-XB	2.2500	1.1542	.0900	4.2500	.9687	.0300	.1251	1.0938
BR462	BR453	2.2500	1.1542	.0900	4.2500	1.0630	.0300	.0313	1.0943
BR469	452-A	2.2500	1.1542	.1400	4.2500	1.0630	.1300	.2188	1.2818
BR469	452-B	2.2500	1.1542	.1400	4.2500	1.1250	.0300	—	1.0938
BR469	453-A	2.2500	1.1542	.1400	4.2500	.8750	.0300	.2188	1.0938
BR469	453-B	2.2500	1.1542	.1400	4.2500	.8750	.0300	.2188	1.0938
BR469	453-X VP	2.2500	1.1542	.1400	4.1250	.9687	.1300	.2188	1.1875
BR469	453-XB	2.2500	1.1542	.1400	4.2500	.9687	.0300	.1251	1.0938
BR469	BR453	2.2500	1.1542	.1400	4.2500	1.0630	.0300	.0313	1.0943
Series 475									
BR478	472-A	2.5591	1.1420	.0900	4.7240	.9230	.1300	.2188	1.1418
BR478	472-X	2.5591	1.1420	.0900	4.8750	.9687	.1250	.2188	1.1875
BR478	BR472	2.5591	1.1420	.0900	4.7240	.9542	.0800	.2188	1.1730
BR482	472-A	2.7500	1.1420	.1400	4.7240	.9230	.1300	.2188	1.1418
BR482	472-X	2.7500	1.1420	.1400	4.8750	.9687	.1250	.2188	1.1875
BR482	BR472	2.7500	1.1420	.1400	4.7240	.9542	.0800	.2188	1.1730
485-T	472-A	2.8447	1.1420	.1400	4.7240	.9230	.1300	.2188	1.1418
485-T	472-X	2.8447	1.1420	.1400	4.7250	.9687	.1250	.2188	1.1418
485-T	BR472	2.8447	1.1420	.1400	4.7240	.9542	.0800	.2188	1.1730
Series 495									
495-A VP	492-A VP	3.0000	1.1720	.1400	5.2500	.8750	.1300	.3125	1.1875
495-A VP	492-W	3.0000	1.1720	.1400	5.2500	1.0000	.1300	.3125	1.3125
495-A VP	493-XB	3.0000	1.1720	.1400	5.4375	.8750	.1300	.3125	1.3125
495-A VP	BR493	3.0000	1.1720	.1400	5.3750	.8750	.1300	.3125	1.1875
495-AX VP	492-A VP	3.0000	1.1720	.2500	5.2500	.8750	.1300	.3125	1.1875
495-AX VP	492-W	3.0000	1.1720	.2500	5.2500	1.0000	.1300	.3125	1.3125
495-AX VP	493-XB	3.0000	1.1720	.2500	5.4375	.8750	.1300	.3125	1.3125
495-AX VP	BR493	3.0000	1.1720	.2500	5.3750	.8750	.1300	.3125	1.1875

Tapered roller bearings

Series / Numerical listing



Bearing no.		Cone dimensions			Cup dimensions				
Cone	Cup	I.D. A	Length B	Radius R-1	O.D. C	Length D	Radius R-1	Standout E	Width F
495-S	492-A VP	2.8125	1.1720	.1400	5.2500	.8750	.1300	.3125	1.1875
495-S	492-W	2.8125	1.1720	.1400	5.2500	1.0000	.1300	.3125	1.3125
495-S	493-XB	2.8125	1.1720	.1400	5.4375	.8750	.1300	.3125	1.3125
495-S	BR493	2.8125	1.1720	.1400	5.3750	.8750	.1300	.3125	1.1875
BR495	492-A VP	3.2500	1.1720	.1400	5.2500	.8750	.1300	.3125	1.1875
BR495	492-W	3.2500	1.1720	.1400	5.2500	1.0000	.1300	.3125	1.3125
BR495	493-XB	3.2500	1.1720	.1400	5.4375	.8750	.1300	.3125	1.3125
BR495	BR493	3.2500	1.1720	.1400	5.3750	.8750	.1300	.3125	1.1875
BR496	492-A VP	3.1875	1.1720	.1400	5.2500	.8750	.1300	.3125	1.1875
BR496	492-W	3.1875	1.1720	.1400	5.2500	1.0000	.1300	.3125	1.3125
BR496	493-XB	3.1875	1.1720	.1400	5.4375	.8750	.1300	.3125	1.3125
BR496	BR493	3.1875	1.1720	.1400	5.3750	.8750	.1300	.3125	1.1875
497-A	492-W	3.3750	1.1720	.2500	5.2500	1.0000	.1300	.3125	1.3125
497-A	493-XB	3.3750	1.1720	.2500	5.4375	.8750	.1300	.3125	1.3125
497-A	BR493	3.3750	1.1720	.2500	5.3750	.8750	.1300	.3125	1.1875
BR497	492-A VP	3.3750	1.1720	.1400	5.2500	.8750	.1300	.3125	1.1875
BR497	492-W	3.3750	1.1720	.1400	5.2500	1.0000	.1300	.3125	1.3125
BR498	492-A VP	3.3125	1.1720	.1400	5.2500	.8750	.1300	.3125	1.1875
BR498	492-W	3.3125	1.1720	.1400	5.2500	1.0000	.1300	.3125	1.3125
BR498	493-XB	3.3125	1.1720	.1400	5.4375	.8750	.1300	.3125	1.3125
BR498	BR493	3.3125	1.1720	.1400	5.3750	.8750	.1300	.3125	1.1875

Series 525

BR525	BR522	1.5000	1.4200	.1400	4.0000	1.0625	.1300	.3125	1.3750
BR527	BR522	1.7500	1.4200	.1400	4.0000	1.0625	.1300	.3125	1.3750
BR528	BR522	1.8750	1.4200	.1400	4.0000	1.0625	.1300	.3125	1.3750
529-X VP	BR522	2.0000	1.4200	.1400	4.0000	1.0625	.1300	.3125	1.3750
BR529	BR522	2.0000	1.4200	.0310	4.0000	1.0625	.1300	.3125	1.3750

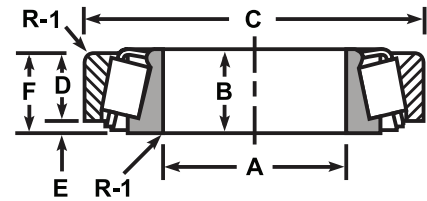
Series 555

555-S	552-A VP	2.2500	1.4440	.1400	4.8750	1.1875	.1300	.3125	1.5000
555-S VP	BR552	2.2500	1.4440	.1400	4.8750	1.3125	.1300	.1875	1.5000
555-S VP	553-BA	2.2500	1.4440	.1400	5.0000	1.3750	.1300	.0310	1.4060
<i>553-BA, Flanged Cup</i>									
555-S VP	553-X	2.2500	1.4440	.1400	4.8125	1.1875	.1300	.3125	1.5000
BR555	552-A VP	2.0000	1.4440	.0900	4.8750	1.1875	.1300	.3125	1.5000
BR555	BR552	2.0000	1.4440	.0900	4.8750	1.3125	.1300	.1875	1.5000
BR555	553-BA	2.0000	1.4440	.0900	5.0000	1.3750	.1300	.0310	1.4060

553-BA, Flanged cup

Tapered roller bearings

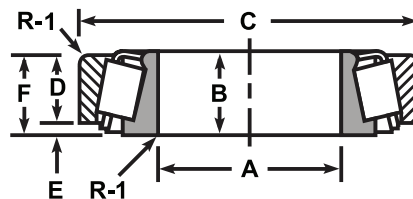
Series / Numerical listing



Bearing no.		Cone dimensions			Cup dimensions				
Cone	Cup	I.D. A	Length B	Radius R-1	O.D. C	Length D	Radius R-1	Standout E	Width F
BR555	553-X	2.0000	1.4440	.0900	4.8125	1.1875	.1300	.3125	1.5000
557-A	552-A VP	2.3750	1.4440	.3100	4.8750	1.1875	.1300	.3125	1.5000
557-A	BR552	2.3750	1.4440	.3100	4.8750	1.3125	.1300	.1875	1.5000
557-A	553-BA	2.3750	1.4440	.3100	5.0000	1.3750	.1300	.0310	1.4060
<i>553-BA, Flanged Cup</i>									
557-A	553-X	2.3750	1.4440	.3100	4.8125	1.1875	.1300	.3125	1.5000
557-S VP	552-A VP	2.1250	1.4440	.1400	4.8750	1.1875	.1300	.3125	1.5000
557-S VP	BR552	2.1250	1.4440	.1400	4.8750	1.3125	.1300	.1875	1.5000
557-S VP	553-BA	2.1250	1.4440	.1400	5.0000	1.3750	.1300	.0310	1.4060
<i>553-BA, Flanged Cup</i>									
557-S VP	553-X	2.1250	1.4440	.1400	4.8125	1.1875	.1300	.3125	1.5000
558-A	552-A VP	2.3750	1.4440	.1400	4.8750	1.1875	.1300	.3125	1.5000
558-A	BR552	2.3750	1.4440	.1400	4.8750	1.3125	.1300	.1875	1.5000
558-A	553-BA	2.3750	1.4440	.1400	5.0000	1.3750	.1300	.0310	1.4060
<i>553-BA, Flanged Cup</i>									
558-A	553-X	2.3750	1.4440	.1400	4.8125	1.1875	.1300	.3125	1.5000
BR559	552-A VP	2.5000	1.4440	.1400	4.8750	1.1875	.1300	.3125	1.5000
BR559	BR552	2.5000	1.4440	.1400	4.8750	1.3125	.1300	.1875	1.5000
BR559	553-BA	2.5000	1.4440	.1400	5.0000	1.3750	.1300	.0310	1.4060
<i>553-BA, Flanged cup</i>									
BR559	553-X	2.5000	1.4440	.1400	4.8125	1.1875	.1300	.3125	1.5000
560-S	552-A VP	2.6875	1.4440	.1400	4.8750	1.1875	.1300	.3125	1.5000
560-S	BR552	2.6875	1.4440	.1400	4.8750	1.3125	.1300	.1875	1.5000
560-S	553-BA	2.6875	1.4440	.1400	5.0000	1.3750	.1300	.0310	1.4060
<i>553-BA, Flanged Cup</i>									
560-S	553-X	2.6875	1.4440	.1400	4.8125	1.1875	.1300	.3125	1.5000
BR560	552-A VP	2.6250	1.4440	.1400	4.8750	1.1875	.1300	.3125	1.5000
BR560	BR552	2.6250	1.4440	.1400	4.8750	1.3125	.1300	.1875	1.5000
BR560	553-BA	2.6250	1.4440	.1400	5.0000	1.3750	.1300	.0310	1.4060
<i>553-BA, Flanged cup</i>									
BR560	553-X	2.6250	1.4440	.1400	4.8125	1.1875	.1300	.3125	1.5000
Series 565									
BR565	BR563	2.5000	1.4240	.1400	5.0000	1.1250	.1300	.3125	1.4375
566-S	BR563	2.7500	1.4240	.0300	5.0000	1.1250	.1300	.3125	1.4375
BR566	BR563	2.7500	1.4240	.0300	5.0000	1.1250	.1300	.3125	1.4375
567-A	BR563	2.8130	1.4240	.1400	5.0000	1.1250	.1300	.3125	1.4375
BR567	BR563	2.8750	1.4240	.1400	5.0000	1.1250	.1300	.3125	1.4375
BR568	BR563	2.9062	1.4240	.0300	5.0000	1.1250	.1300	.3125	1.4375

Tapered roller bearings

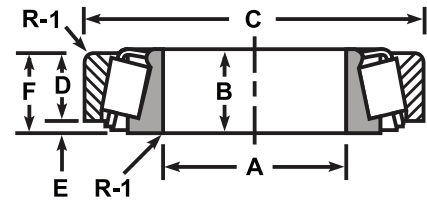
Series / Numerical listing



Bearing no.		Cone dimensions			Cup dimensions				
Cone	Cup	I.D. A	Length B	Radius R-1	O.D. C	Length D	Radius R-1	Standout E	Width F
Series 575									
BR575	572-A	3.0000	1.4212	.1400	5.5110	1.1250	.1300	.3125	1.4375
BR575	572-X VP	3.0000	1.4212	.1400	5.5000	1.1250	.1300	.3125	1.4375
BR575	BR572	3.0000	1.4212	.1400	5.5115	1.1250	.1300	.3125	1.4375
BR576	572-A	2.8750	1.4212	.1400	5.5110	1.1250	.1300	.3125	1.4375
BR576	572-X VP	2.8750	1.4212	.1400	5.5000	1.1250	.1300	.3125	1.4375
BR576	BR572	2.8750	1.4212	.1400	5.5115	1.1250	.1300	.3125	1.4375
BR580	572-A	3.2500	1.4212	.1400	5.5110	1.1250	.1300	.3125	1.4375
BR580	572-X VP	3.2500	1.4212	.1400	5.5000	1.1250	.1300	.3125	1.4375
BR580	BR572	3.2500	1.4212	.1400	5.5110	1.1250	.1300	.3125	1.4375
BR581	572-A	3.1875	1.4212	.1400	5.5110	1.1250	.1300	.3125	1.4375
BR581	572-X VP	3.1875	1.4212	.1400	5.5000	1.1250	.1300	.3125	1.4375
BR581	BR572	3.1875	1.4212	.1400	5.5115	1.1250	.1300	.3125	1.4375
BR582	572-A	3.2500	1.4212	.2700	5.5110	1.1250	.1300	.3125	1.4375
BR582	572-X VP	3.2500	1.4212	.2700	5.5000	1.1250	.1300	.3125	1.4375
BR582	BR572	3.2500	1.4212	.2700	5.5115	1.1250	.1300	.3125	1.4375
Series 595									
590-A	592-A VP	3.0000	1.4300	.1400	6.0000	1.1875	.1300	.3750	1.5625
590-A	592-D	3.0000	1.4300	.1400	6.0000	2.5000	.0300	.7500	3.2500
590-A	BR592	3.0000	1.4300	.1400	6.0000	1.3125	.1300	.2500	1.5625
590-A	593-X VP	3.0000	1.4300	.1400	5.9060	1.0630	.1200	.3540	1.4170
593-A	592-A VP	3.5000	1.4300	.2500	6.0000	1.1875	.1300	.3750	1.5625
593-A	592-D	3.5000	1.4300	.2500	6.0000	2.5000	.0300	.7500	3.2500
593-A	BR592	3.5000	1.4300	.2500	6.0000	1.3125	.1300	.2500	1.5625
593-A	593-X VP	3.5000	1.4300	.2500	5.9060	1.0630	.1200	.3540	1.4170
BR593	592-A VP	3.5000	1.4300	.1400	6.0000	1.1875	.1300	.3750	1.5625
594-A VP	592-A VP	3.7500	1.4300	.2000	6.0000	1.1875	.1300	.3750	1.5625
594-A VP	592-D	3.7500	1.4300	.2000	6.0000	2.5000	.0300	.7500	3.2500
594-A VP	BR592	3.7500	1.4300	.2000	6.0000	1.3125	.1300	.2500	1.5625
594-A VP	593-X VP	3.7500	1.4300	.2000	5.9060	1.0630	.1200	.3540	1.4170
BR594	592-A VP	3.7500	1.4300	.1400	6.0000	1.1875	.1300	.3750	1.5625
595-A	592-A VP	3.1250	1.4300	.1400	6.0000	1.1875	.1300	.3750	1.5625
595-A	592-D	3.1250	1.4300	.1400	6.0000	2.5000	.0300	.7500	3.2500
595-A	BR592	3.1250	1.4300	.1400	6.0000	1.3125	.1300	.2500	1.5625
595-A	593-X VP	3.1250	1.4300	.1400	5.9060	1.0630	.1200	.3540	1.4170
BR595	592-A VP	3.2500	1.4300	.1400	6.0000	1.1875	.1300	.3750	1.5625
BR596	592-A VP	3.3750	1.4300	.1400	6.0000	1.1875	.1300	.3750	1.5625

Tapered roller bearings

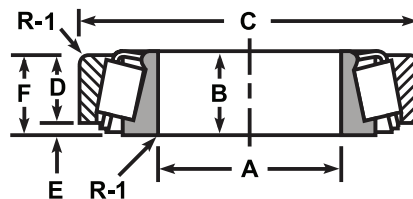
Series / Numerical listing



Bearing no.		Cone dimensions			Cup dimensions				
Cone	Cup	I.D. A	Length B	Radius R-1	O.D. C	Length D	Radius R-1	Standout E	Width F
598-A VP	592-A VP	3.6250	1.4300	.2500	6.0000	1.1875	.1300	.3750	1.5625
598-A VP	592-D	3.6250	1.4300	.2500	6.0000	2.5000	.0300	.7500	3.2500
598-A VP	BR592	3.6250	1.4300	.2500	6.0000	1.3125	.1300	.2500	1.5625
598-A VP	593-X VP	3.6250	1.4300	.2500	5.9060	1.0630	.1200	.3540	1.4170
BR598	592-A VP	3.6250	1.4300	.1400	6.0000	1.1875	.1300	.3750	1.5625
Series 615									
BR617	612-X	1.8750	1.6250	.1400	4.7500	1.2500	.1300	.3750	1.6250
BR617	BR612	1.8750	1.6250	.1400	4.7500	1.2500	.1300	.3750	1.6250
BR617	613-B	1.8750	1.6250	.1400	4.7500	1.3750	.1300	.2500	1.6250
BR619	612-X	2.0000	1.6250	.1400	4.7500	1.2500	.1300	.3750	1.6250
BR619	BR612	2.0000	1.6250	.1400	4.7500	1.2500	.1300	.3750	1.6250
BR619	613-B	2.0000	1.6250	.1400	4.7500	1.3750	.1300	.2500	1.6250
BR623	612-X	2.2500	1.6250	.1400	4.7500	1.2500	.1300	.3750	1.6250
BR623	BR612	2.2500	1.6250	.1400	4.7500	1.2500	.1300	.3750	1.6250
BR623	613-B	2.2500	1.6250	.1400	4.7500	1.3750	.1300	.2500	1.6250
BR624	612-X	2.1250	1.6250	.0300	4.7500	1.2500	.1300	.3750	1.6250
BR624	BR612	2.1250	1.6250	.0300	4.7500	1.2500	.1300	.3750	1.6250
BR624	613-B	2.1250	1.6250	.0300	4.7500	1.3750	.1300	.2500	1.6250
Series 635									
BR639	632-D	2.5000	1.6250	.1400	5.3750	3.0000	.0600	.7500	3.7500
BR639	BR632	2.5000	1.6250	.1400	5.3750	1.2500	.1300	.3750	1.6250
BR639	BR633	2.5000	1.6250	.1400	5.1250	1.2500	.1300	.3750	1.6250
BR639	634-W	2.5000	1.6250	.1400	5.3750	1.4063	.0600	.3750	1.7813
BR641	632-D	2.6250	1.6250	.1400	5.3750	3.0000	.0600	.7500	3.7500
BR641	BR632	2.6250	1.6250	.1400	5.3750	1.2500	.1300	.3750	1.6250
BR641	BR633	2.6250	1.6250	.1400	5.1250	1.2500	.1300	.3750	1.6250
BR641	634-W	2.6250	1.6250	.1400	5.3750	1.4063	.0600	.3750	1.7813
BR643	632-D	2.7500	1.6250	.1400	5.3750	3.0000	.0600	.7500	3.7500
BR643	BR632	2.7500	1.6250	.1400	5.3750	1.2500	.1300	.3750	1.6250
BR643	BR633	2.7500	1.6250	.1400	5.1250	1.2500	.1300	.3750	1.6250
BR643	634-W	2.7500	1.6250	.1400	5.3750	1.4063	.0600	.3750	1.7813
Series 655									
663-A	BR653	3.2500	1.6250	.2700	5.7500	1.2500	.1300	.3750	1.6250
BR663	BR653	3.2500	1.6250	.1400	5.7500	1.2500	.1300	.3750	1.6250
665-A VP	BR652	3.3750	1.6250	.2500	6.0000	1.2500	.1300	.3750	1.6250
665-A VP	653-X	3.3750	1.6250	.2500	5.9060	1.2500	.1200	.3750	1.6250

Tapered roller bearings

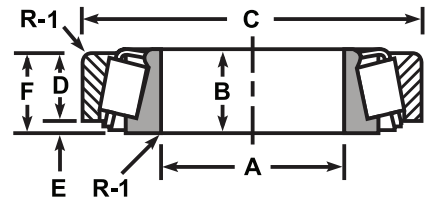
Series / Numerical listing



Bearing no.		Cone dimensions			Cup dimensions				
Cone	Cup	I.D. A	Length B	Radius R-1	O.D. C	Length D	Radius R-1	Standout E	Width F
665-A VP	BR653	3.3750	1.6250	.2500	5.7500	1.2500	.1300	.3750	1.6250
BR665	BR653	3.3750	1.6250	.1400	5.7500	1.2500	.1300	.3750	1.6250
Series 663									
663-A	BR652	3.2500	1.6250	.2700	6.0000	1.2500	.1300	.3750	1.6250
663-A	653-X	3.2500	1.6250	.2700	5.9060	1.2500	.1200	.3750	1.6250
Series 675									
BR679	BR672	3.5000	1.6250	.1400	6.6250	1.1875	.1300	.4375	1.6250
681-A VP	BR672	3.6250	1.6250	.2500	6.6250	1.1875	.1300	.4375	1.6250
683-XA	BR672	3.7500	1.6250	.2000	6.6250	1.1875	.1300	.4375	1.6250
BR683	BR672	3.7500	1.6250	.1400	6.6250	1.1875	.1300	.4375	1.6250
BR685	BR672	3.8750	1.6250	.1400	6.6250	1.1875	.1300	.4375	1.6250
BR687	BR672	4.0000	1.6250	.1400	6.6250	1.1875	.1300	.4375	1.6250
Series 745									
BR740	BR742	3.1875	1.8375	.2000	5.9090	1.4375	.1300	.3125	1.7500
744-A	BR742	2.7500	1.8375	.2000	5.9090	1.4375	.1300	.3125	1.7500
745-A	BR742	2.7500	1.8375	.1400	5.9090	1.4375	.1300	.3125	1.7500
748-S	BR742	3.0000	1.8375	.1400	5.9090	1.4375	.1300	.3125	1.7500
749-A VP	BR742	3.2500	1.8375	.1400	5.9090	1.4375	.1300	.3125	1.7500
749-S	BR742	3.3475	1.8375	.2000	5.9090	1.4375	.1300	.3125	1.7500
BR749	BR742	3.3475	1.8375	.1400	5.9090	1.4375	.1300	.3125	1.7500
750-A	BR742	3.2500	1.8375	.2700	5.9090	1.4375	.1300	.3125	1.7500
Series 755									
756-A	BR752	3.1250	1.9000	.3100	6.3750	1.5000	.1300	.3750	1.8750
756-A	754-W	3.1250	1.9000	.3100	6.6250	2.2500	.1300	.1250	2.1250
<i>754-W Threaded OD, special keyway</i>									
BR759	BR752	3.5000	1.9000	.1400	6.3750	1.5000	.1300	.3750	1.8750
BR759	754-W	3.5000	1.9000	.1400	6.6250	2.2500	.1300	.1250	2.1250
<i>754-W Threaded OD, special keyway</i>									
BR760	BR752	3.5625	1.9000	.1400	6.3750	1.5000	.1300	.3750	1.8750
BR760	754-W	3.5625	1.9000	.1400	6.6250	2.2500	.1300	.1250	2.1250
<i>754-W Threaded OD, special keyway</i>									
BR766	BR752	3.5000	1.9000	.2800	6.3750	1.5000	.1300	.3750	1.8750
BR766	754-W	3.5000	1.9000	.2800	6.6250	2.2500	.1300	.1250	2.1250
<i>754-W Threaded OD, special keyway</i>									
BR776	BR772	3.7500	1.8900	.1400	7.1250	1.5000	.1300	.3750	1.8750
BR776	774-BW	3.7500	1.8900	.1400	7.2500	1.8750	.1300	.3750	1.8750

Tapered roller bearings

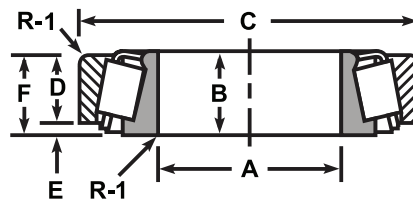
Series / Numerical listing



Bearing no.		Cone dimensions			Cup dimensions				
Cone	Cup	I.D. A	Length B	Radius R-1	O.D. C	Length D	Radius R-1	Standout E	Width F
BR780	BR772	4.0000	1.8900	.1400	7.1250	1.5000	.1300	.3750	1.8750
BR780	774-BW	4.0000	1.8900	.1400	7.2500	1.8750	.1300	.3750	1.8750
BR782	BR772	4.1250	1.8900	.1400	7.1250	1.5000	.1300	.3750	1.8750
BR782	774-BW	4.1250	1.8900	.1400	7.2500	1.8750	.1300	.3750	1.8750
BR787	BR772	4.1250	1.8900	.2800	7.1250	1.5000	.1300	.3750	1.8750
BR787	774-BW	4.1250	1.8900	.2800	7.2500	1.8750	.1300	.3750	1.8750
Series 1200									
BR1280	BR1220	.8750	.8750	.0300	2.2500	.6875	.0600	.1875	.8750
Series 1300									
BR1380	BR1328	.8750	.7640	.0600	2.0625	.5625	.0600	.2000	.7625
BR1380	BR1329	.8750	.7640	.0600	2.1250	.5630	.0600	.2000	.7625
Series 1700									
BR1755	1729-X	.8750	.7810	.0500	2.2400	.6250	.0600	.1375	.7625
BR1755	BR1729	.8750	.7810	.0500	2.2400	.6250	.0500	.1375	.7625
BR1779	1729-X	.9380	.7810	.0300	2.2400	.6250	.0600	.1375	.7625
BR1779	BR1729	.9380	.7810	.0300	2.2400	.6250	.0500	.1375	.7625
BR1780	1729-X	1.0000	.7810	.0300	2.2400	.6250	.0600	.1375	.7625
BR1780	BR1729	1.0000	.7810	.0300	2.2400	.6250	.0500	.1375	.7625
Series 1900									
BR1985	BR1930	1.1250	.7620	.0300	2.2400	.6250	.0300	.1563	.7813
BR1985	BR1932	1.1250	.7620	.0300	2.3125	.5937	.0500	.1563	.7500
BR1986	BR1922	1.0000	.7620	.0500	2.2500	.6250	.0600	.1563	.7813
BR1986	BR1932	1.0000	.7620	.0500	2.3125	.5937	.0500	.1563	.7500
BR1987	BR1922	1.0620	.7620	.0300	2.2500	.6250	.0600	.1563	.7813
<i>Components of BR21</i>									
BR1987	BR1930	1.0620	.7620	.0300	2.2400	.6250	.0300	.1563	.7813
BR1987	BR1931	1.0620	.7620	.0300	2.3750	.6250	.0500	.1563	.7813
BR1988	BR1922	1.1250	.7620	.1400	2.2500	.6250	.0600	.1563	.7813
BR1988	BR1930	1.1250	.7620	.1400	2.2400	.6250	.0300	.1563	.7813
BR1988	BR1931	1.1250	.7620	.1400	2.3750	.6250	.0500	.1563	.7813
Series 02400									
BR02474	BR02420	1.1250	.8750	.0300	2.6875	.6875	.0600	.1875	.8750
BR02475	BR02420	1.2500	.8750	.1400	2.6875	.6875	.0600	.1875	.8750
BR02476	BR02420	1.2500	.8750	.0300	2.6875	.6875	.0600	.1875	.8750

Tapered roller bearings

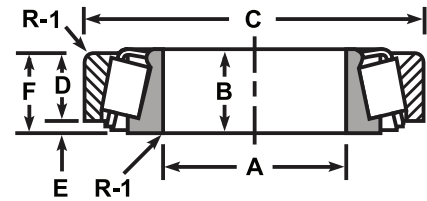
Series / Numerical listing



Bearing no.		Cone dimensions			Cup dimensions				
Cone	Cup	I.D. A	Length B	Radius R-1	O.D. C	Length D	Radius R-1	Standout E	Width F
Series 2500									
BR2578	BR2520	1.1250	.9983	.0900	2.6150	.8125	.1300	.1875	1.0000
BR2578	2523-S	1.1250	.9983	.0900	2.7500	.7500	.0600	.1875	.9375
BR2578	BR2523	1.1250	.9983	.0900	2.7500	.7500	.0500	.1875	.9375
BR2580	BR2520	1.2500	.9983	.0300	2.6150	.8125	.1300	.1875	1.0000
BR2580	2523-S	1.2500	.9983	.0300	2.7500	.7500	.0600	.1875	.9375
BR2580	BR2523	1.2500	.9983	.0300	2.7500	.7500	.0500	.1875	.9375
BR2581	BR2520	1.3130	.9983	.0300	2.6150	.8125	.1300	.1875	1.0000
BR2581	2523-S	1.3130	.9983	.0300	2.7500	.7500	.0600	.1875	.9375
BR2581	BR2523	1.3130	.9983	.0300	2.7500	.7500	.0500	.1875	.9375
BR2582	BR2520	1.2500	1.000	.1400	2.6150	.8125	.1300	.1875	1.0000
BR2585	BR2520	1.3130	.9983	.1400	2.6150	.8125	.1300	.1875	1.0000
BR2585	2523-S	1.3130	.9983	.1400	2.7500	.7500	.0600	.1875	.9375
BR2585	BR2523	1.3130	.9983	.1400	2.7500	.7500	.0500	.1875	.9375
Series 2600									
BR2687	BR2620	1.0000	1.0013	.0500	2.4843	.7500	.1300	.1875	.9375
BR2687	BR2631	1.0000	1.0013	.0500	2.6150	.7500	.0500	.1875	.9375
BR2689	BR2620	1.1250	1.0013	.0500	2.4843	.7500	.1300	.1875	.9375
BR2689	BR2631	1.1250	1.0013	.0500	2.6150	.7500	.0500	.1875	.9375
BR2691	BR2620	1.1562	.9375	.0300	2.4843	.7500	.1300	.1875	.9375
Series 2700									
BR2776	BR2720	1.5000	1.0100	.1700	3.0000	.7500	.1300	.1875	.9375
BR2776	BR2726	1.5000	1.0100	.1700	2.8750	.7500	.1300	.1875	.9375
BR2776	2729-X	1.5000	1.0100	.1700	3.0000	.7500	.0600	.1875	.9375
BR2776	BR2729	1.5000	1.0100	.1700	3.0000	.7500	.0300	.1875	.9375
BR2776	2735-X VP	1.5000	1.0100	.1700	2.8750	.7500	.0300	.1875	.9375
BR2777	BR2720	1.5000	1.0100	.2200	3.0000	.7500	.1300	.1875	.9375
BR2777	BR2726	1.5000	1.0100	.2200	2.8750	.7500	.1300	.1875	.9375
BR2777	2729-X	1.5000	1.0100	.2200	3.0000	.7500	.0600	.1875	.9375
BR2777	BR2729	1.5000	1.0100	.2200	3.0000	.7500	.0300	.1875	.9375
BR2777	2735-X VP	1.5000	1.0100	.2200	2.8750	.7500	.0300	.1875	.9375
BR2780	BR2720	1.4370	1.0100	.0600	3.0000	.7500	.1300	.1875	.9375
BR2780	BR2726	1.4370	1.0100	.0600	2.8750	.7500	.1300	.1875	.9375
BR2780	2729-X	1.4370	1.0100	.0600	3.0000	.7500	.0600	.1875	.9375
BR2780	BR2729	1.4370	1.0100	.0600	3.0000	.7500	.0300	.1875	.9375
BR2780	2735-X VP	1.4370	1.0100	.0600	2.8750	.7500	.0300	.1875	.9375
BR2785	BR2720	1.3130	1.0100	.1400	3.0000	.7500	.1300	.1875	.9375

Tapered roller bearings

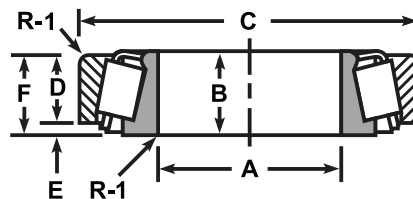
Series / Numerical listing



Bearing no.		Cone dimensions			Cup dimensions			Standout E	Width F
Cone	Cup	I.D. A	Length B	Radius R-1	O.D. C	Length D	Radius R-1		
BR2785	BR2726	1.3130	1.0100	.1400	2.8750	.7500	.1300	.1875	.9375
BR2785	2729-X	1.3130	1.0100	.1400	3.0000	.7500	.0600	.1875	.9375
BR2785	BR2729	1.3130	1.0100	.1400	3.0000	.7500	.0300	.1875	.9375
BR2785	2735-X VP	1.3130	1.0100	.1400	2.8750	.7500	.0300	.1875	.9375
BR2786	BR2720	1.3750	1.0100	.2000	3.0000	.7500	.1300	.1875	.9375
BR2786	BR2726	1.3750	1.0100	.2000	2.8750	.7500	.1300	.1875	.9375
BR2786	2729-X	1.3750	1.0100	.2000	3.0000	.7500	.0600	.1875	.9375
BR2786	BR2729	1.3750	1.0100	.2000	3.0000	.7500	.0300	.1875	.9375
BR2786	2735-X VP	1.3750	1.0100	.2000	2.8750	.7500	.0300	.1875	.9375
2788-A VP	BR2720	1.5000	1.0100	.0600	3.0000	.7500	.1300	.1875	.9375
2788-A VP	BR2726	1.5000	1.0100	.0600	2.8750	.7500	.1300	.1875	.9375
2788-A VP	2729-X	1.5000	1.0100	.0600	3.0000	.7500	.0600	.1875	.9375
2788-A VP	BR2729	1.5000	1.0100	.0600	3.0000	.7500	.0300	.1875	.9375
2788-A VP	2735-X VP	1.5000	1.0100	.0600	2.8750	.7500	.0300	.1875	.9375
BR2788	BR2720	1.5000	1.0100	.1400	3.0000	.7500	.1300	.1875	.9375
BR2788	BR2726	1.5000	1.0100	.1400	2.8750	.7500	.1300	.1875	.9375
BR2788	2729-X	1.5000	1.0100	.1400	3.0000	.7500	.0600	.1875	.9375
BR2788	BR2729	1.5000	1.0100	.1400	3.0000	.7500	.0300	.1875	.9375
BR2788	2735-X VP	1.5000	1.0100	.1400	2.8750	.7500	.0300	.1875	.9375
BR2789	BR2720	1.5625	1.0100	.1400	3.0000	.7500	.1300	.1875	.9375
BR2789	BR2726	1.5625	1.0100	.1400	2.8750	.7500	.1300	.1875	.9375
BR2789	2729-X	1.5625	1.0100	.1400	3.0000	.7500	.0600	.1875	.9375
BR2789	BR2729	1.5625	1.0100	.1400	3.0000	.7500	.0300	.1875	.9375
BR2789	2735-X VP	1.5625	1.0100	.1400	2.8750	.7500	.0300	.1875	.9375
BR2790	BR2720	1.3130	1.0100	.0600	3.0000	.7500	.1300	.1875	.9375
BR2790	BR2726	1.3130	1.0100	.0600	2.8750	.7500	.1300	.1875	.9375
BR2790	2729-X	1.3130	1.0100	.0600	3.0000	.7500	.0600	.1875	.9375
BR2790	BR2729	1.3130	1.0100	.0600	3.0000	.7500	.0300	.1875	.9375
BR2790	2735-X VP	1.3130	1.0100	.0600	2.8750	.7500	.0300	.1875	.9375
BR2793	BR2720	1.3750	1.0100	.0300	3.0000	.7500	.1300	.1875	.9375
BR2793	BR2726	1.3750	1.0100	.0300	2.8750	.7500	.1300	.1875	.9375
BR2793	2729-X	1.3750	1.0100	.0300	3.0000	.7500	.0600	.1875	.9375
BR2793	BR2729	1.3750	1.0100	.0300	3.0000	.7500	.0300	.1875	.9375
BR2793	2735-X VP	1.3750	1.0100	.0300	2.8750	.7500	.0300	.1875	.9375
BR2794	BR2720	1.4370	1.0100	.1400	3.0000	.7500	.1300	.1875	.9375
BR2794	BR2726	1.4370	1.0100	.1400	2.8750	.7500	.1300	.1875	.9375
BR2794	2729-X	1.4370	1.0100	.1400	3.0000	.7500	.0600	.1875	.9375
BR2794	BR2729	1.4370	1.0100	.1400	3.0000	.7500	.0300	.1875	.9375

Tapered roller bearings

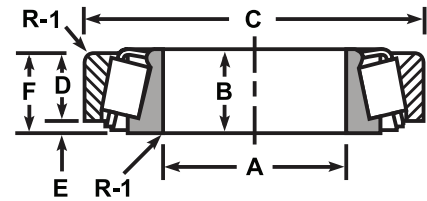
Series / Numerical listing



Bearing no.		Cone dimensions			Cup dimensions				
Cone	Cup	I.D. A	Length B	Radius R-1	O.D. C	Length D	Radius R-1	Standout E	Width F
BR2794	2735-X VP	1.4370	1.0100	.1400	2.8750	.7500	.0300	.1875	.9375
BR2796	BR2720	1.3750	1.0100	.1400	3.0000	.7500	.1300	.1875	.9375
BR2796	BR2726	1.3750	1.0100	.1400	2.8750	.7500	.1300	.1875	.9375
BR2796	2729-X	1.3750	1.0100	.1400	3.0000	.7500	.0600	.1875	.9375
BR2796	BR2729	1.3750	1.0100	.1400	3.0000	.7500	.0300	.1875	.9375
BR2796	2735-X VP	1.3750	1.0100	.1400	2.8750	.7500	.0300	.1875	.9375
Series 02800									
BR02872	BR02820	1.1250	.8750	.0300	2.8750	.6875	.1300	.1875	.8750
BR02877	BR02820	1.3750	.8750	.1400	2.8750	.6875	.1300	.1875	.8750
Series 2800									
BR2878	BR2820	1.3750	.9375	.0300	2.8750	.6875	.1300	.1875	.8750
BR2879	BR2820	1.2500	.9375	.0300	2.8750	.6875	.1300	.1875	.8750
Series 2900									
BR2984	BR2924	1.1825	1.0082	.1400	3.3465	.8125	.0500	.1875	1.0000
Series 03000									
BR03062	BR03162	.6250	.5780	.0500	1.6250	.4375	.0800	.1250	.5625
Series 3100									
3188-S	BR3120	1.2500	1.1810	.0600	2.8593	.9375	.1300	.2500	1.1875
BR3188	BR3120	1.2500	1.1810	.0300	2.8593	.9375	.1300	.2500	1.1875
BR3196	BR3120	1.3125	1.1810	.1400	2.8593	.9375	.1300	.2500	1.1875
Series 3300									
BR3379	BR3320	1.3750	1.1960	.1400	3.1560	.9375	.1300	.2188	1.1563
BR3381	BR3320	1.5000	1.1965	.1400	3.1560	.9375	.1300	.2188	1.1563
3382-T	BR3320	1.5625	1.1965	—	3.1560	.9375	.1300	.2188	1.1563
<i>3382-T, Tapered Bore 1" per foot</i>									
3382-T	BR3328	1.5625	1.1965	—	3.3125	.9375	.1300	.2188	1.1563
<i>3382-T, Tapered Bore 1" per foot</i>									
BR3382	BR3320	1.5625	1.1965	.1400	3.1560	.9375	.1300	.2188	1.1563
BR3382	BR3328	1.5625	1.1965	.1400	3.3125	.9375	.1300	.2188	1.1563
BR3383	BR3320	1.6250	1.1965	.1400	3.1560	.9375	.1300	.2188	1.1563
BR3383	BR3328	1.6250	1.1965	.1400	3.3125	.9375	.1300	.2188	1.1563
BR3386	BR3320	1.5625	1.1965	.0300	3.1560	.9375	.1300	.2188	1.1563

Tapered roller bearings

Series / Numerical listing

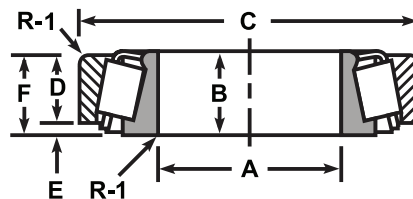


Bearing no.		Cone dimensions			Cup dimensions				
Cone	Cup	I.D. A	Length B	Radius R-1	O.D. C	Length D	Radius R-1	Standout E	Width F
Series 3400									
BR3478	BR3420	1.3750	1.1721	.1400	3.1250	.9375	.1300	.2188	1.1563
BR3479	BR3420	1.4375	1.1721	.0300	3.1250	.9375	.1300	.2188	1.1563
BR3490	BR3420	1.5000	1.1721	.1400	3.1250	.9375	.1300	.2188	1.1563
Series 3500									
BR3577	BR3525	1.6250	1.2160	.1400	3.4375	.9375	.1300	.2500	1.1875
3578-A	BR3525	1.7500	1.2160	.2200	3.4375	.9375	.1300	.2500	1.1875
BR3578	BR3525	1.7500	1.2160	.1400	3.4375	.9375	.1300	.2500	1.1875
BR3579	BR3525	1.6875	1.2160	.1400	3.4375	.9375	.1300	.2500	1.1875
BR3585	BR3525	1.6250	1.2160	.0600	3.4375	.9375	.1300	.2500	1.1875
BR3586	BR3525	1.7810	1.2160	.1400	3.4375	.9375	.1300	.2500	1.1875
Series 3700									
BR3767	BR3720	2.0625	1.1930	.0900	3.6718	.9375	.1300	.2500	1.1875
BR3767	BR3730	2.0625	1.1930	.0900	3.6720	.9375	.0300	.2500	1.1875
BR3767	BR3732	2.0625	1.1930	.0900	3.8750	.9375	.1300	.2500	1.1875
BR3775	BR3720	2.0000	1.1930	.0300	3.6718	.9375	.1300	.2500	1.1875
BR3775	BR3730	2.0000	1.1930	.0300	3.6720	.9375	.0300	.2500	1.1875
BR3775	BR3732	2.0000	1.1930	.0300	3.8750	.9375	.1300	.2500	1.1875
BR3776	BR3720	1.7710	1.1930	.1400	3.6718	.9375	.1300	.2500	1.1875
BR3776	BR3730	1.7710	1.1930	.1400	3.6720	.9375	.0300	.2500	1.1875
BR3776	BR3732	1.7710	1.1930	.1400	3.8750	.9375	.1300	.2500	1.1875
BR3778	BR3720	1.8750	1.1930	.2500	3.6718	.9375	.1300	.2500	1.1875
BR3778	BR3730	1.8750	1.1930	.2500	3.6720	.9375	.0300	.2500	1.1875
BR3778	BR3732	1.8750	1.1930	.2500	3.8750	.9375	.1300	.2500	1.1875
BR3779	BR3720	1.8750	1.1930	.1400	3.6718	.9375	.1300	.2500	1.1875
BR3779	BR3730	1.8750	1.1930	.1400	3.6720	.9375	.0300	.2500	1.1875
BR3779	BR3732	1.8750	1.1930	.1400	3.8750	.9375	.1300	.2500	1.1875
BR3780	BR3720	2.0000	1.1930	.1400	3.6718	.9375	.1300	.2500	1.1875
BR3780	BR3730	2.0000	1.1930	.1400	3.6720	.9375	.0300	.2500	1.1875
BR3780	BR3732	2.0000	1.1930	.1400	3.8750	.9375	.1300	.2500	1.1875
BR3782	BR3730	1.7500	1.1930	.1400	3.6720	.9375	.0300	.2500	1.1875
BR3783	BR3720	1.7500	1.1930	.2500	3.6718	.9375	.1300	.2500	1.1875
BR3783	BR3730	1.7500	1.1930	.2500	3.6720	.9375	.0300	.2500	1.1875
BR3783	BR3732	1.7500	1.1930	.2500	3.8750	.9375	.1300	.2500	1.1875
BR3795	BR3720	2.0000	1.1930	.1400	3.6718	.9375	.1300	.2500	1.1875

BR3795, Front face radius .1400"

Tapered roller bearings

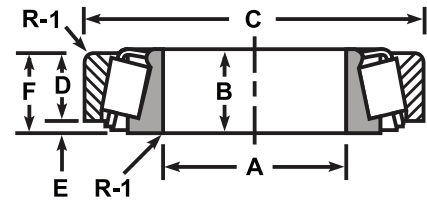
Series / Numerical listing



Bearing no.		Cone dimensions			Cup dimensions				
Cone	Cup	I.D. A	Length B	Radius R-1	O.D. C	Length D	Radius R-1	Standout E	Width F
BR3795	BR3730	2.0000	1.1930	.1400	3.6720	.9375	.0300	.2500	1.1875
<i>BR3795, Front face radius .1400"</i>									
BR3795	BR3732	2.0000	1.1930	.1400	3.8750	.9375	.1300	.2500	1.1875
<i>BR3795, Front face radius .1400"</i>									
Series 3800									
BR3872	BR3820	1.3750	1.1875	.1400	3.3750	.9375	.1300	.2500	1.1875
BR3876	3820-W	1.5000	1.1875	.1400	3.3750	.9375	.1300	.2500	1.1875
<i>Keyway backface</i>									
BR3876	BR3820	1.5000	1.1875	.1400	3.3750	.9375	.1300	.2500	1.1875
BR3877	3820-W	1.6250	1.1875	.1400	3.3750	.9375	.1300	.2500	1.1875
<i>Keyway backface</i>									
BR3877	BR3820	1.6250	1.1875	.1400	3.3750	.9375	.1300	.2500	1.1875
BR3878	BR3820	1.4375	1.1875	.0300	3.3750	.9375	.1300	.2500	1.1875
Series 3900									
BR3975	BR3920	2.0000	1.1830	.1400	4.4375	.9375	.1300	.2500	1.1875
BR3975	BR3925	2.0000	1.1830	.1400	4.4380	.9375	.0300	.2500	1.1875
BR3975	BR3926	2.0000	1.1830	.1400	4.4380	1.0625	.1300	.2500	1.3125
BR3979	BR3920	2.2500	1.1830	.1400	4.4375	.9375	.1300	.2500	1.1875
BR3979	BR3925	2.2500	1.1830	.1400	4.4380	.9375	.0300	.2500	1.1875
BR3979	BR3926	2.2500	1.1830	.1400	4.4380	1.0625	.1300	.2500	1.3125
BR3980	BR3920	2.3750	1.1830	.1400	4.4375	.9375	.1300	.2500	1.1875
BR3980	BR3925	2.3750	1.1830	.1400	4.4380	.9375	.0300	.2500	1.1875
BR3980	BR3926	2.3750	1.1830	.1400	4.4380	1.0625	.1300	.2500	1.3125
BR3982	BR3920	2.5000	1.1830	.1400	4.4375	.9375	.1300	.2500	1.1875
BR3982	BR3925	2.5000	1.1830	.1400	4.4380	.9375	.0300	.2500	1.1875
BR3982	BR3926	2.5000	1.1830	.1400	4.4380	1.0625	.1300	.2500	1.3125
BR3984	BR3920	2.6250	1.1830	.1400	4.4375	.9375	.1300	.2500	1.1875
BR3984	BR3925	2.6250	1.1830	.1400	4.4380	.9375	.0300	.2500	1.1875
BR3984	BR3926	2.6250	1.1830	.1400	4.4380	1.0625	.1300	.2500	1.3125
BR3992	BR3920	2.6250	1.1505	.2200	4.4375	.9375	.1300	.2500	1.1875
BR3992	BR3925	2.6250	1.1505	.2200	4.4380	.9375	.0300	.2500	1.1875
BR3992	BR3926	2.6250	1.1505	.2200	4.4380	1.0625	.1300	.2500	1.3125
BR3994	BR3920	2.6250	1.1830	.2200	4.4375	.9375	.1300	.2500	1.1875
BR3994	BR3925	2.6250	1.1830	.2200	4.4380	.9375	.0300	.2500	1.1875
BR3994	BR3926	2.6250	1.1830	.2200	4.4380	1.0625	.1300	.2500	1.3125

Tapered roller bearings

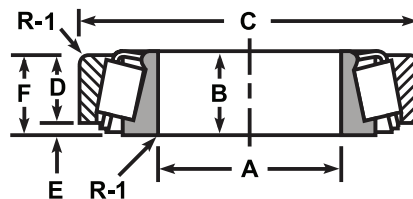
Series / Numerical listing



Bearing no.		Cone dimensions			Cup dimensions				
Cone	Cup	I.D. A	Length B	Radius R-1	O.D. C	Length D	Radius R-1	Standout E	Width F
Series A4000									
A4050	A4138 VP	.5000	.4326	.0500	1.3775	.3437	.0500	.0893	.4430
A 4059	A4138 VP	.5900	.4326	.0300	1.3775	.3437	.0500	.0893	.4430
Series 05000									
BR05062	BR05185	.6250	.5662	.0600	1.8500	.4724	.0600	.1287	.5662
BR05075	BR05185	.7500	.5662	.0500	1.8500	.4724	.0600	.1287	.5662
BR05079	BR05185	.7869	.5662	.0600	1.8500	.4724	.0600	.1287	.5662
Series 5500									
BR5566	BR5520	2.1880	1.7230	.0500	4.7343	1.4375	.1300	.2813	1.7188
BR5566	BR5535	2.1880	1.7230	.0500	4.8130	1.4375	.1300	.2813	1.7188
Series 5700									
BR5755	BR5735	3.0000	2.0650	.1400	5.3438	1.3750	.1300	.6250	2.0000
5757-T	BR5735	3.1875	2.0650	.1300	5.3438	1.3750	.1300	.6250	2.0000
BR5760	BR5735	3.0000	1.8150	.1400	5.3438	1.3750	.1300	.6250	2.0000
Series A6000									
A6062	A6157	.6250	.4390	.0500	1.5750	.3750	.0500	.0980	.4730
A6067	A6157	.6690	.4391	.0300	1.5750	.3750	.0500	.0980	.4730
A6075	A6157	.7500	.4391	.0400	1.5750	.3750	.0500	.0980	.4730
Series 6300									
BR6379	BR6320	2.5625	2.2050	.1400	5.3447	1.7500	.1300	.3750	2.1250
6386-A	BR6320	2.6250	2.2050	.3400	5.3447	1.7500	.1300	.3750	2.1250
BR6386	BR6320	2.6250	2.2050	.1700	5.3447	1.7500	.1300	.3750	2.1250
BR6389	BR6320	2.6250	2.2050	.2500	5.3447	1.7500	.1300	.3750	2.1250
Series 6400									
6461-A VP	BR6420	3.0000	2.1350	.3800	5.8750	1.7500	.1300	.3750	2.1250
BR6461	BR6420	3.0000	2.1350	.1400	5.8750	1.7500	.1300	.3750	2.1250
BR6466	BR6420	3.0000	2.1350	.2500	5.8750	1.7500	.1300	.3750	2.1250
Series 6500									
BR6580	BR6535	3.5000	2.1693	.1400	6.3750	1.6875	.1300	.4375	2.1250
6581-X	6535-W	3.5433	2.1693	.1200	6.3750	1.6875	.1300	.4375	2.1250
6581-X	BR6535	3.5433	2.1693	.1200	6.3750	1.6875	.1300	.4375	2.1250
Series 07000									
BR07087	BR07196	.8750	.5614	.0500	1.9687	.3750	.0400	.1563	.5313
BR07087	BR07204	.8750	.5614	.0500	2.0470	.5000	.0500	.0910	.5910

Tapered roller bearings

Series / Numerical listing



Bearing no.		Cone dimensions			Cup dimensions				
Cone	Cup	I.D. A	Length B	Radius R-1	O.D. C	Length D	Radius R-1	Standout E	Width F
BR07087	07210-X VP	.8750	.5614	.0500	2.0000	.5000	.0600	.0910	.5910
BR07093	BR07196	.9375	.5614	.0600	1.9687	.3750	.0400	.1563	.5313
BR07093	BR07204	.9375	.5614	.0600	2.0470	.5000	.0500	.0910	.5910
BR07093	07210-X VP	.9375	.5614	.0600	2.0000	.5000	.0600	.0910	.5910
BR07097	BR07196	.9843	.5614	.0600	1.9687	.3750	.0400	.1563	.5313
BR07097	BR07204	.9843	.5614	.0600	2.0470	.5000	.0500	.0910	.5910
BR07097	07210-X VP	.9843	.5614	.0600	2.0000	.5000	.0600	.0910	.5910
BR07098	BR07196	.9835	.5614	.0600	1.9687	.3750	.0400	.1563	.5313
BR07098	BR07204	.9835	.5614	.0600	2.0470	.5000	.0500	.0910	.5910
BR07098	07210-X VP	.9835	.5614	.0600	2.0000	.5000	.0600	.0910	.5910
BR07100	BR07196	1.0000	.5614	.0400	1.9687	.3750	.0400	.1563	.5313
BR07100	BR07204	1.0000	.5614	.0400	2.0470	.5000	.0500	.0910	.5910
BR07100	07210-X VP	1.0000	.5614	.0400	2.0000	.5000	.0600	.0910	.5910
BR08125	BR08231	1.2500	.5930	.0400	2.3120	.4219	.0394	.1571	.5781

Series 7000

07000-LA	BR07196	1.0000	.5614	.0600	1.9687	.3750	.0400	.1563	.5313
<i>Sealed Bearing (TSL)</i>									
07100-S	BR07196	1.0000	.5614	.0600	1.9687	.3750	.0400	.1563	.5313
07100-S	BR07204	1.0000	.5614	.0600	2.0470	.5000	.0500	.0910	.5910

Series JF7000

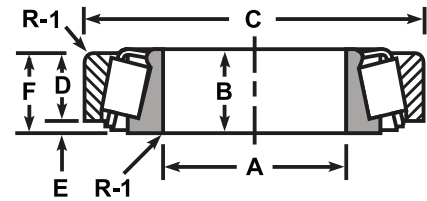
JF7049A	JF7010	2.7559	1.6535	.2800	5.1181	1.3780	.1000	.3149	1.6929
---------	--------	--------	--------	-------	--------	--------	-------	-------	--------

Series 09000

BR09067	BR09194	.7500	.7500	.0500	1.9380	.6875	.1400	.2188	.9063
<i>When BR09067 is used with single cups E & F dim are .0713" smaller</i>									
BR09067	BR09195	.7500	.7500	.0500	1.9380	.5625	.0500	.2188	.7813
<i>When BR09067 is used with single cups E & F dim are .0713" smaller</i>									
BR09067	BR09196	.7500	.7500	.0500	1.9380	.6875	.0600	.2188	.9063
<i>When BR09067 is used with single cups E & F dim are .0713" smaller</i>									
BR09074	BR09194	.7500	.8480	.0600	1.9380	.6875	.1400	.2188	.9063
<i>BR09074, .06" x 45° chamfer</i>									
BR09074	BR09195	.7500	.8480	.0600	1.9380	.5625	.0500	.2188	.7813
<i>BR09074, .06" x 45° chamfer</i>									
BR09074	BR09196	.7500	.8480	.0600	1.9380	.6875	.0600	.2188	.9063
<i>BR09074, .06" x 45° chamfer</i>									
BR09078	BR09194	.7500	.8480	.0500	1.9380	.6875	.1400	.2188	.9063
BR09078	BR09195	.7500	.8480	.0500	1.9380	.5625	.0500	.2188	.7813

Tapered roller bearings

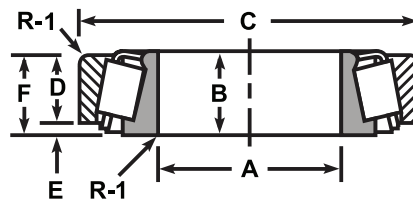
Series / Numerical listing



Bearing no.		Cone dimensions			Cup dimensions				
Cone	Cup	I.D. A	Length B	Radius R-1	O.D. C	Length D	Radius R-1	Standout E	Width F
BR09078	BR09196	.7500	.8480	.0500	1.9380	.6875	.0600	.2188	.9063
BR09081	BR09194	.8120	.8480	.0600	1.9380	.6875	.1400	.2188	.9063
<i>BR09081, cone .062" x 45° chamfer</i>									
BR09081	BR09195	.8120	.8480	.0600	1.9380	.5625	.0500	.2188	.7813
<i>BR09081, cone .062" x 45° chamfer</i>									
BR09081	BR09196	.8120	.8480	.0600	1.9380	.6875	.0600	.2188	.9063
<i>BR09081, cone .062" x 45° chamfer</i>									
Series 9200									
BR9278	BR9220	2.6875	1.8125	.1400	6.3750	1.2500	.1300	.6875	1.9375
Series 11500									
BR11590	BR11520	.6250	.5625	.0600	1.6875	.3750	.0600	.1875	.5625
<i>Type TSS</i>									
Series LM11700									
LM11749 VP	LM11710 VP	.6875	.5750	.0500	1.5700	.4200	.0500	.1250	.5450
<i>Components of BR1</i>									
Series LM11900									
LM11900-LA	LM11910 VP	.7500	.6500	.0500	1.7810	.4750	.0500	.1350	.6100
<i>Sealed Bearing (TSL)</i>									
LM11949 VP	LM11910 VP	.7500	.6550	.0500	1.7810	.4750	.0500	.1350	.6100
<i>Components of BR2</i>									
Series 12000									
BR12175	BR12303	1.750	.6750	.0600	3.0312	.4688	.0600	.2188	.6875
Series 12500									
BR12580	BR12520	.8125	.7813	.0600	1.9380	0.6250	.0600	.1563	.7813
Series M12600									
M12600-LA	M12610 VP	.8437	.7200	.0500	1.9687	.5500	.0500	.1400	.6900
<i>Sealed Bearing (TSL)</i>									
M12649 VP	M12610 VP	.8440	.7200	.0500	1.9687	.5500	.0500	.1400	.6900
<i>Components of BR3</i>									
Series LM12700									
LM12748 VP	LM12710 VP	.8437	.6550	.0500	1.7810	.4750	.0500	.1350	.6100
<i>Components of BR34</i>									
LM12748 VP	LM12711 VP	.8437	.6550	.0500	1.8100	.4750	.0500	.1350	.6100

Tapered roller bearings

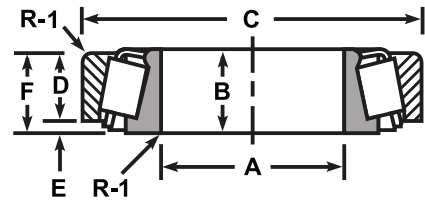
Series / Numerical listing



Bearing no.		Cone dimensions			Cup dimensions				
Cone	Cup	I.D. A	Length B	Radius R-1	O.D. C	Length D	Radius R-1	Standout E	Width F
LM12749 VP	LM12710 VP	.8656	.6550	.0500	1.7810	.4750	.0500	.1350	.6100
<i>Components of BR12 VP</i>									
LM12749 VP	LM12711 VP	.8656	.6550	.0500	1.8100	.4750	.0500	.1350	.6100
<i>Components of BR16</i>									
LM12749-F	LM12710 VP	.8656	.6550	.0500	1.7810	.4750	.0500	.1350	.6100
LM12749-F	LM12711 VP	.8656	.6550	.0500	1.8100	.4750	.0500	.1350	.6100
Series 13600									
13600-LA	BR13621	1.5000	.7500	.1400	2.7170	.5938	.0900	.1562	.7500
<i>Sealed Bearing (TSL)</i>									
13678-SD	BR13620	1.5570	2.8750	.0200	2.7170	.5938	.0300	.1562	.7500
<i>13678-SD Square bore</i>									
BR13685	BR13620	1.5000	.7500	.1400	2.7170	.5938	.0300	.1562	.7500
BR13685	BR13621	1.5000	.7500	.1400	2.7170	.5938	.0900	.1562	.7500
BR13686	BR13620	1.5000	1.0313	.0600	2.7170	.5938	.0300	.1562	.7500
<i>BR13686, extended large end rib, ground OD, when used with single cups E & F dim are .2813" larger</i>									
BR13686	BR13621	1.5000	1.0313	.0600	2.7170	.5938	.0900	.1562	.7500
<i>BR13686, extended large end rib, ground OD, when used with single cups E & F dim are .2813" larger</i>									
BR13687	BR13620	1.5000	.7500	.0800	2.7170	.5938	.0300	.1562	.7500
BR13687	BR13621	1.5000	.7500	.0800	2.7170	.5938	.0900	.1562	.7500
Series 13800									
BR13889	BR13836	1.5000	.5000	.0600	2.5620	.3750	.0300	.1250	.5000
Series 14000									
BR14116	BR14273	1.1900	.7710	.0300	2.7170	.6670	—	.0943	.7613
<i>BR14273, special radius on back face OD</i>									
BR14116	BR14274	1.1900	.7710	.0300	2.7170	.6250	.1300	.1563	.6250
BR14116	BR14276	1.1900	.7710	.0300	2.7170	.6250	.0500	.1563	.6250
BR14116	BR14277	1.1900	.7710	.0300	2.7170	.7250	.0900	.1563	.7250
BR14116	BR14283	1.1900	.7710	.0300	2.8380	.7250	.0900	.1563	.7250
14117-A	BR14276	1.1811	.7710	.1400	2.7170	.6250	.0500	.1563	.6250
<i>14117-A Front face chamfer</i>									
BR14118	BR14274	1.1811	.7560	.0300	2.7170	.6250	.1300	.1563	.6250
<i>BR14118 Front face chamfer</i>									
BR14118	BR14276	1.1811	.7560	.0300	2.7170	.6250	.0500	.1563	.6250
<i>BR14118 Front face chamfer</i>									
BR14118	BR14277	1.1811	.7560	.0300	2.7170	.7250	.0900	.1563	.7250
<i>BR14118 Front face chamfer</i>									

Tapered roller bearings

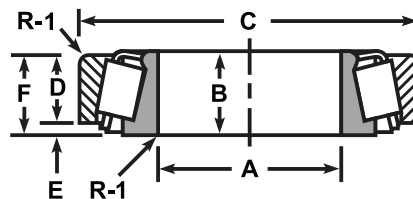
Series / Numerical listing



Bearing no.		Cone dimensions			Cup dimensions				
Cone	Cup	I.D. A	Length B	Radius R-1	O.D. C	Length D	Radius R-1	Standout E	Width F
BR14120	BR14273	1.1900	1.0520	.1700	2.7170	.6670	—	—	—
<i>BR14273, special radius on back face OD</i>									
BR14120	BR14274	1.1900	1.0520	.1700	2.7170	.6250	.1300	.4373	.6250
<i>BR14273, special radius on back face OD</i>									
BR14120	BR14276	1.1900	1.0520	.1700	2.7170	.6250	.0500	.1563	.6250
BR14120	BR14277	1.1900	1.0520	.1700	2.7170	.7250	.0900	.1563	.7250
BR14120	BR14283	1.1900	1.0520	.1700	2.8380	.7250	.0900	.1563	.7250
14123-A	BR14273	1.2500	1.0520	.1700	2.7170	.6670	—	—	—
<i>BR14273, special radius on back face OD</i>									
14123-A	BR14274	1.2500	1.0520	.1700	2.7170	.6250	.1300	.1563	.6250
<i>14123-A, extended shoulder on back face, when used with single cups E & F dim are .2810" larger</i>									
14123-A	BR14276	1.2500	1.0520	.1700	2.7170	.6250	.0500	.1563	.6250
<i>14123-A, extended shoulder on back face, when used with single cups E & F dim are .2810" larger</i>									
14123-A	BR14277	1.2500	1.0520	.1700	2.7170	.7250	.0900	.1563	.7250
<i>14123-A, extended shoulder on back face, when used with single cups E & F dim are .2810" larger</i>									
14123-A	BR14283	1.2500	1.0520	.1700	2.8380	.7250	.0900	.1563	.7250
<i>14123-A, extended shoulder on back face, when used with single cups E & F dim are .2810" larger</i>									
BR14124	BR14273	1.2500	.7716	.0300	2.7170	.6670	—	—	—
<i>BR14273, special radius on back face OD</i>									
BR14124	BR14274	1.2500	.7716	.0300	2.7170	.6250	.1300	.1563	.6250
BR14124	BR14276	1.2500	.7716	.0300	2.7170	.6250	.0500	.1563	.6250
BR14124	BR14277	1.2500	.7716	.0300	2.7170	.7250	.0900	.1563	.7250
BR14124	BR14283	1.2500	.7716	.0300	2.8380	.7250	.0900	.1563	.7250
14125-A	BR14273	1.2500	.7710	.1400	2.7170	.6670	—	—	—
<i>BR14273, special radius on back face OD</i>									
14125-A	BR14274	1.2500	.7710	.1400	2.7170	.6250	.1300	.1563	.6250
14125-A	BR14276	1.2500	.7710	.1400	2.7170	.6250	.0500	.1563	.6250
14125-A	BR14277	1.2500	.7710	.1400	2.7170	.7250	.0900	.1563	.7250
14125-A	BR14283	1.2500	.7710	.1400	2.8380	.7250	.0900	.1563	.7250
BR14130	BR14273	1.3125	.7710	.1400	2.7170	.6670	—	—	—
<i>BR14273, special radius on back face OD</i>									
BR14130	BR14274	1.3125	.7710	.1400	2.7170	.6250	.1300	.1563	.6250
BR14130	BR14276	1.3125	.7710	.1400	2.7170	.6250	.0500	.1563	.6250
BR14130	BR14277	1.3125	.7710	.1400	2.7170	.7250	.0900	.1563	.7250
BR14130	BR14283	1.3125	.7710	.1400	2.8380	.7250	.0900	.1563	.7250
BR14131	BR14273	1.3125	.7710	.0300	2.7170	.6670	—	—	—
<i>BR14273, special radius on back face OD</i>									

Tapered roller bearings

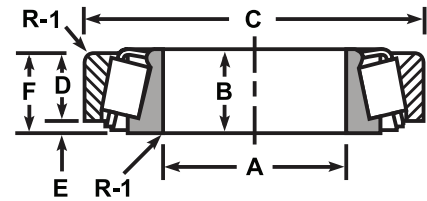
Series / Numerical listing



Bearing no.		Cone dimensions			Cup dimensions				
Cone	Cup	I.D. A	Length B	Radius R-1	O.D. C	Length D	Radius R-1	Standout E	Width F
BR14131	BR14274	1.3125	.7710	.0300	2.7170	.6250	.1300	.1563	.6250
BR14131	BR14276	1.3125	.7710	.0300	2.7170	.6250	.0500	.1563	.6250
BR14131	BR14277	1.3125	.7710	.0300	2.7170	.7250	.0900	.1563	.7250
BR14131	BR14283	1.3125	.7710	.0300	2.8380	.7250	.0900	.1563	.7250
14132-T VP	BR14273	1.3125	.7710	.0600	2.7170	.6670	—	—	—
<i>BR14273, special radius on back face OD</i>									
14132-T VP	BR14274	1.3125	.7710	.0600	2.7170	.6250	.1300	.4373	1.0623
14132-T VP	BR14276	1.3125	.7710	.0600	2.7170	.6250	.0500	.1563	.6250
14132-T VP	BR14277	1.3125	.7710	.0600	2.7170	.7250	.0900	.1563	.7250
14132-T VP	BR14283	1.3125	.7710	.0600	2.8380	.7250	.0900	.1563	.7250
14136-A VP	BR14273	1.3750	1.0520	.0300	2.7170	.6670	—	—	—
<i>14136-A VP, extended shoulder on back face, when used with single cups E & F dim are .2810" larger</i>									
14136-A VP	BR14274	1.3750	1.0520	.0300	2.7170	.6250	.1300	.1563	.7813
<i>14136-A VP, extended shoulder on back face, when used with single cups E & F dim are .2810" larger</i>									
14136-A VP	BR14276	1.3750	1.0520	.0300	2.7170	.6250	.0500	.1563	.6250
<i>14136-A VP, extended shoulder on back face, when used with single cups E & F dim are .2810" larger</i>									
14136-A VP	BR14277	1.3750	1.0520	.0300	2.7170	.7250	.0900	.1563	.7250
<i>14136-A VP, extended shoulder on back face, when used with single cups E & F dim are .2810" larger</i>									
14136-A VP	BR14283	1.3750	1.0520	.0300	2.8380	.7250	.0900	.1563	.7250
<i>14136-A VP, extended shoulder on back face, when used with single cups E & F dim are .2810" larger</i>									
14136-AA	BR14273	1.3750	1.0520	.0300	2.7170	.6670	—	—	—
<i>BR14273, special radius on back face OD</i>									
14136-AA	BR14274	1.3750	1.0520	.0300	2.7170	.6250	.1300	.7813	.1563
<i>14136-AA, extended shoulder on back face, when used with single cups E & F dim are .2810" larger</i>									
14136-AA	BR14276	1.3750	1.0520	.0300	2.7170	.6250	.0500	.1563	.6250
<i>14136-AA, extended shoulder on back face, when used with single cups E & F dim are .2810" larger</i>									
14136-AA	BR14277	1.3750	1.0520	.0300	2.7170	.7250	.0900	.1563	.7250
<i>14136-AA, extended shoulder on back face, when used with single cups E & F dim are .2810" larger</i>									
14136-AA	BR14283	1.3750	1.0520	.0300	2.8380	.7250	.0900	.1563	.7250
<i>14136-AA, extended shoulder on back face, when used with single cups E & F dim are .2810" larger</i>									
14137-A VP	BR14273	1.3750	.7710	.0600	2.7170	.6670	—	—	—
<i>BR14273, special radius on back face OD</i>									
14137-A VP	BR14274	1.3750	.7710	.0600	2.7170	.6250	.1300	.7813	.1563
14137-A VP	BR14276	1.3750	.7710	.0600	2.7170	.6250	.0500	.1563	.6250
14137-A VP	BR14277	1.3750	.7710	.0600	2.7170	.7250	.0900	.1563	.7250
14137-A VP	BR14283	1.3750	.7710	.0600	2.8380	.7250	.0900	.1563	.7250
14138-A	BR14273	1.3750	.7710	.1400	2.7170	.6670	—	—	—
<i>BR14273, special radius on back face OD</i>									

Tapered roller bearings

Series / Numerical listing



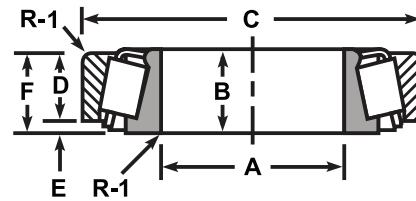
Bearing no.		Cone dimensions			Cup dimensions				
Cone	Cup	I.D. A	Length B	Radius R-1	O.D. C	Length D	Radius R-1	Standout E	Width F
14138-A	BR14274	1.3750	.7710	.1400	2.7170	.6250	.1300	.1563	.7813
14138-A	BR14276	1.3750	.7710	.1400	2.7170	.6250	.0500	.1563	.6250
14138-A	BR14277	1.3750	.7710	.1400	2.7170	.7250	.0900	.1563	.7250
14138-A	BR14283	1.3750	.7710	.1400	2.8380	.7250	.0900	.1563	.7250
BR14139	BR14273	1.3770	.7710	.0500	2.7170	.6670	—	—	—
<i>BR14273, special radius on back face OD</i>									
BR14139	BR14274	1.3770	.7710	.0500	2.7170	.6250	.1300	.1563	.6250
BR14139	BR14276	1.3770	.7710	.0500	2.7170	.6250	.0500	.1563	.7250
BR14139	BR14277	1.3770	.7710	.0500	2.7170	.7250	.0900	.1563	.7250
BR14139	BR14283	1.3770	.7710	.0500	2.8380	.7250	.0900	.1563	.7250

Series 15000

15100-S	BR15243	1.0000	.8125	.0500	2.4375	.5625	.0800	—	.5630
15100-S	BR15244	1.0000	.8125	.0500	2.4409	.6250	.0500	.1875	.6250
15100-S	BR15245	1.0000	.8125	.0500	2.4409	.5625	.0500	.1875	.5630
15100-S	15250-X VP	1.0000	.8125	.0500	2.5000	.6250	.0600	.1875	.6250
15100-S	BR15250	1.0000	.8125	.0500	2.5000	.6250	.0500	.1875	.8125
BR15100	BR15243	1.0000	.8125	.0500	2.4375	.5625	.0800	—	.5630
BR15100	BR15244	1.0000	.8125	.0500	2.4409	.6250	.0500	.1875	.6250
BR15100	BR15245	1.0000	.8125	.0500	2.4409	.5625	.0500	.1875	.5630
BR15100	15250-X VP	1.0000	.8125	.0500	2.5000	.6250	.0600	.1875	.6250
BR15100	BR15250	1.0000	.8125	.0500	2.5000	.6250	.0500	.1875	.8125
BR15101	BR15243	1.0000	.8125	.0300	2.4375	.5625	.0800	—	.5630
BR15101	BR15244	1.0000	.8125	.0300	2.4409	.6250	.0500	.1875	.6250
BR15101	BR15245	1.0000	.8125	.0300	2.4409	.5625	.0500	.1875	.5630
BR15101	15250-X VP	1.0000	.8125	.0300	2.5000	.6250	.0600	.1875	.6250
BR15101	BR15250	1.0000	.8125	.0300	2.5000	.6250	.0500	.1875	.8125
15103-S VP	BR15243	1.0300	.7850	.0300	2.4375	.5625	.0800	—	.5630
<i>15103-S VP, Front face radius .0300"</i>									
15103-S VP	BR15244	1.0300	.7850	.0300	2.4409	.6250	.0500	.1875	.6250
<i>15103-S VP, Front face radius .0300"</i>									
15103-S VP	BR15245	1.0300	.7850	.0300	2.4409	.5625	.0500	.1875	.5630
<i>15103-S VP, Front face radius .0300"</i>									
15103-S VP	15250-X VP	1.0300	.7850	.0300	2.5000	.6250	.0600	.1875	.6250
<i>15103-S VP, Front face radius .0300"</i>									
15103-S VP	BR15250	1.0300	.7850	.0300	2.5000	.6250	.0500	.1875	.8125
<i>15103-S VP, Front face radius .0300"</i>									
BR15103	BR15243	1.0298	.8125	.0300	2.4375	.5625	.0800	—	.5630
BR15103	BR15244	1.0298	.8125	.0300	2.4409	.6250	.0500	.1875	.6250

Tapered roller bearings

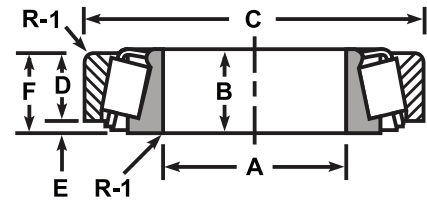
Series / Numerical listing



Bearing no.		Cone dimensions			Cup dimensions				
Cone	Cup	I.D. A	Length B	Radius R-1	O.D. C	Length D	Radius R-1	Standout E	Width F
BR15103	BR15245	1.0298	.8125	.0300	2.4409	.5625	.0500	.1875	.5630
BR15103	15250-X VP	1.0298	.8125	.0300	2.5000	.6250	.0600	.1875	.6250
BR15103	BR15250	1.0298	.8125	.0300	2.5000	.6250	.0500	.1875	.8125
BR15106	BR15243	1.0625	.8125	.0300	2.4375	.5625	.0800	—	.5630
BR15106	BR15244	1.0625	.8125	.0300	2.4409	.6250	.0500	.1875	.6250
BR15106	BR15245	1.0625	.8125	.0300	2.4409	.5625	.0500	.1875	.5630
BR15106	15250-X VP	1.0625	.8125	.0300	2.5000	.6250	.0600	.1875	.6250
BR15106	BR15250	1.0625	.8125	.0300	2.5000	.6250	.0500	.1875	.8125
BR15112	BR15243	1.1250	.8125	.1400	2.4375	.5625	.0800	—	.5630
BR15112	BR15244	1.1250	.8125	.1400	2.4409	.6250	.0500	.1875	.6250
BR15112	BR15245	1.1250	.8125	.1400	2.4409	.5625	.0500	.1875	.5630
BR15112	15250-X VP	1.1250	.8125	.1400	2.5000	.6250	.0600	.1875	.6250
BR15112	BR15250	1.1250	.8125	.1400	2.5000	.6250	.0500	.1875	.8125
BR15113	BR15243	1.1250	.8125	.0300	2.4375	.5625	.0800	—	.5630
BR15113	BR15244	1.1250	.8125	.0300	2.4409	.6250	.0500	.1875	.6250
BR15113	BR15245	1.1250	.8125	.0300	2.4409	.5625	.0500	.1875	.5630
BR15113	15250-X VP	1.1250	.8125	.0300	2.5000	.6250	.0600	.1875	.6250
BR15113	BR15250	1.1250	.8125	.0300	2.5000	.6250	.0500	.1875	.8125
BR15116	BR15243	1.1855	.8125	.0300	2.4375	.5625	.0800	—	.5630
BR15116	BR15244	1.1855	.8125	.0300	2.4409	.6250	.0500	.1875	.6250
BR15116	BR15245	1.1855	.8125	.0300	2.4409	.5625	.0500	.1875	.5630
BR15116	15250-X VP	1.1855	.8125	.0300	2.5000	.6250	.0600	.1875	.6250
BR15116	BR15250	1.1855	.8125	.0300	2.5000	.6250	.0500	.1875	.8125
BR15117	BR15243	1.1811	.8125	.0500	2.4375	.5625	.0800	—	.5630
BR15117	BR15244	1.1811	.8125	.0500	2.4409	.6250	.0500	.1875	.6250
BR15117	BR15245	1.1811	.8125	.0500	2.4409	.5625	.0500	.1875	.5630
BR15117	15250-X VP	1.1811	.8125	.0500	2.5000	.6250	.0600	.1875	.6250
BR15117	BR15250	1.1811	.8125	.0500	2.5000	.6250	.0500	.1875	.8125
BR15118	BR15243	1.1895	.8125	.1400	2.4375	.5625	.0800	—	.5630
BR15118	BR15244	1.1895	.8125	.1400	2.4409	.6250	.0500	.1875	.6250
BR15118	BR15245	1.1895	.8125	.1400	2.4409	.5625	.0500	.1875	.5630
BR15118	15250-X VP	1.1895	.8125	.1400	2.5000	.6250	.0600	.1875	.6250
BR15118	BR15250	1.1895	.8125	.1400	2.5000	.6250	.0500	.1875	.8125
BR15119	BR15243	1.1895	.8125	.0600	2.4375	.5625	.0800	—	.5630
BR15119	BR15244	1.1895	.8125	.0600	2.4409	.6250	.0500	.1875	.6250
BR15119	BR15245	1.1895	.8125	.0600	2.4409	.5625	.0500	.1875	.5630
BR15119	15250-X VP	1.1895	.8125	.0600	2.5000	.6250	.0600	.1875	.6250
BR15119	BR15250	1.1895	.8125	.0600	2.5000	.6250	.0500	.1875	.8125

Tapered roller bearings

Series / Numerical listing



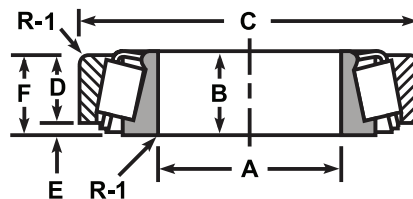
Bearing no.		Cone dimensions			Cup dimensions				
Cone	Cup	I.D. A	Length B	Radius R-1	O.D. C	Length D	Radius R-1	Standout E	Width F
BR15120	BR15243	1.1895	.8125	.0300	2.4375	.5625	.0800	—	.5630
BR15120	BR15244	1.1895	.8125	.0300	2.4409	.6250	.0500	.1875	.6250
BR15120	BR15245	1.1895	.8125	.0300	2.4409	.5625	.0500	.1875	.5630
BR15120	15250-X VP	1.1895	.8125	.0300	2.5000	.6250	.0600	.1875	.6250
BR15120	BR15250	1.1895	.8125	.0300	2.5000	.6250	.0500	.1875	.8125
15121-T	BR15243	1.2188	.7500	—	2.4375	.5625	.0800	—	.5630
<i>Tapered bore</i>									
15121-T	BR15244	1.2188	.7500	—	2.4409	.6250	.0500	.1875	.6250
<i>Tapered bore</i>									
15121-T	BR15245	1.2188	.7500	—	2.4409	.5625	.0500	.1875	.5630
<i>Tapered bore</i>									
15121-T	15250-X VP	1.2188	.7500	—	2.5000	.6250	.0600	.1875	.6250
<i>Tapered bore</i>									
15121-T	BR15250	1.2188	.7500	—	2.5000	.6250	.0500	.1875	.8125
<i>Tapered bore</i>									
BR15123	BR15243	1.2500	.7500	—	2.4375	.5625	.0800	—	.5630
<i>Special back face radius</i>									
BR15123	BR15244	1.2500	.7500	—	2.4409	.6250	.0500	.1875	.6250
<i>Special back face radius</i>									
BR15123	BR15245	1.2500	.7500	—	2.4409	.5625	.0500	.1875	.5630
<i>Special back face radius</i>									
BR15123	15250-X VP	1.2500	.7500	—	2.5000	.6250	.0600	.1875	.6250
<i>Special back face radius</i>									
BR15123	BR15250	1.2500	.7500	—	2.5000	.6250	.0500	.1875	.8125
<i>Special back face radius</i>									
BR15125	BR15243	1.2500	.8125	.1400	2.4375	.5625	.0800	—	.5630
BR15125	BR15244	1.2500	.8125	.1400	2.4409	.6250	.0500	.1875	.6250
BR15125	BR15245	1.2500	.8125	.1400	2.4409	.5625	.0500	.1875	.5630
BR15125	15250-X VP	1.2500	.8125	.1400	2.5000	.6250	.0600	.1875	.6250
BR15125	BR15250	1.2500	.8125	.1400	2.5000	.6250	.0500	.1875	.8125
BR15126	BR15243	1.2500	.8125	.0300	2.4375	.5625	.0800	—	.5630
BR15126	BR15244	1.2500	.8125	.0300	2.4409	.6250	.0500	.1875	.6250
BR15126	BR15245	1.2500	.8125	.0300	2.4409	.5625	.0500	.1875	.5630
BR15126	15250-X VP	1.2500	.8125	.0300	2.5000	.6250	.0600	.1875	.6250
BR15126	BR15250	1.2500	.8125	.0300	2.5000	.6250	.0500	.1875	.8125

Series 15500

BR15578	BR15520	1.0000	.6875	.0500	2.2500	.5313	.0600	.1562	.6875
BR15578	BR15523	1.0000	.6875	.0500	2.3750	.6250	.0600	.1562	.7812

Tapered roller bearings

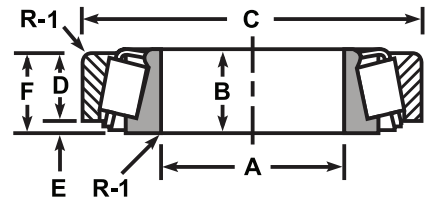
Series / Numerical listing



Bearing no.		Cone dimensions			Cup dimensions				
Cone	Cup	I.D. A	Length B	Radius R-1	O.D. C	Length D	Radius R-1	Standout E	Width F
15579-X	BR15520	1.0230	.6875	.1400	2.2500	.5313	.0600	.1562	.6875
15579-X	BR15523	1.0230	.6875	.1400	2.3750	.6250	.0600	.1562	.7812
BR15580	BR15520	1.0625	.6875	.1400	2.2500	.5313	.0600	.1562	.6875
BR15580	BR15523	1.0625	.6875	.1400	2.3750	.6250	.0600	.1562	.7812
BR15590	BR15520	1.1250	.6875	.1400	2.2500	.5313	.0600	.1562	.6875
BR15590	BR15523	1.1250	.6875	.1400	2.3750	.6250	.0600	.1562	.7812
Series 16000									
BR16150	BR16282	1.5000	.8125	.1400	2.8346	.5605	.0600	.1875	.7480
BR16150	BR16283	1.5000	.8125	.1400	2.8440	.7500	.0900	.1875	.9380
BR16150	BR16284	1.5000	.8125	.1400	2.8440	.6250	.0500	.1875	.8130
Series 17000									
BR17118	BR17244	1.1806	.6522	.0600	2.4409	.5625	.0500	1.8750	—
Series 17500									
BR17580	BR17520	.6250	.6563	.0600	1.6875	.5313	.0600	.1250	.6563
Series 17800									
BR17887	BR17831	1.7807	.8125	.0800	3.1490	.5934	.0500	.1874	.7812
<i>Components of KC11445-Y</i>									
BR17888	BR17830	1.7500	1.2344	—	3.1250	.6250	.0800	—	—
<i>BR17188 Extended large rib, shoulder on OD back face, special back face chamfer</i>									
BR17888	BR17831	1.7500	1.2344	—	3.1490	.5937	.0500	.1874	.7812
Series 18000									
BR18200	BR18337	2.0000	.7190	.0600	3.3750	.5000	.0600	—	—
Series 18500									
BR18590	BR18520	1.6250	.6875	.1400	2.8750	.5000	.0600	.1562	.6562
Series 18600									
BR18685	BR18620	1.7500	.6875	.1100	3.1250	.5313	.0600	.1562	.6875
BR18690	BR18620	1.8125	.6875	.1100	3.1250	.5313	.0600	.1562	.6875
Series 18700									
BR18780	BR18720	1.8125	.6875	.0900	3.3465	.5313	.0600	.1562	.6875
BR18780	BR18723	1.8125	.6875	.0900	3.5000	.6563	.0500	.1562	.8130
BR18790	BR18720	2.0000	.6875	.1400	3.3465	.5313	.0600	.1562	.6875
BR18790	BR18723	2.0000	.6875	.1400	3.5000	.6563	.0500	.1562	.8125

Tapered roller bearings

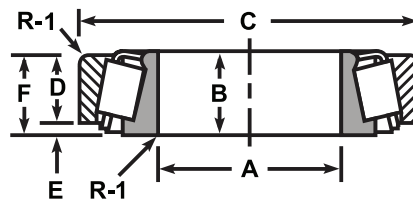
Series / Numerical listing



Bearing no.		Cone dimensions			Cup dimensions				
Cone	Cup	I.D. A	Length B	Radius R-1	O.D. C	Length D	Radius R-1	Standout E	Width F
Series 19000									
BR19150	BR19268	1.5000	.6500	.0600	2.6875	.6504	.0600	—	—
Series 21000									
BR21075	BR21212	.7500	.8598	.0600	2.1250	.6250	.0900	.2500	.8750
<i>Type TSS</i>									
Series L21000									
L21549	L21511	.6250	.4330	.0500	1.3775	.3430	.0500	—	—
Series 22700									
BR22780	BR22720	1.6875	1.0625	.1400	3.2500	.8125	.1300	.2188	1.0313
Series 23000									
BR23100	BR23256	1.0000	.8450	.0600	2.5630	.6250	.0600	.2500	.8750
Series 24700									
BR24780	BR24720	1.6250	.9063	.1400	3.0000	.6875	.0300	.1875	.8750
BR24780	BR24721	1.6250	.9063	.1400	3.0000	.8125	.0900	.1875	1.0000
Series 25500									
BR25572	BR25519	1.5000	1.0000	.0300	3.2500	.7500	.0800	.1875	.9375
BR25572	BR25520	1.5000	1.0000	.0300	3.2650	.7500	.0300	.1875	.9375
BR25572	BR25521	1.5000	1.0000	.0300	3.2700	.7500	.1300	.1875	.9375
BR25572	BR25522	1.5000	1.0000	.0300	3.2700	.7525	.0800	.1875	.9400
BR25572	BR25523	1.5000	1.0000	.0300	3.2650	.8750	.0900	.1875	1.0625
BR25572	BR25526	1.5000	1.0000	.0300	3.3470	.7500	.0900	.1875	.9375
BR25572	BR25527	1.5000	1.0000	.0300	3.3470	.8750	.0900	.1875	1.0625
BR25572	25547-RB	1.5000	1.0000	.0300	3.9368	.8125	.0200	.1875	1.0000
<i>25547-RB Snap Ring groove on OD</i>									
BR25577	BR25519	1.6880	1.0000	.1400	3.2500	.7500	.0800	.1875	.9375
BR25577	BR25520	1.6880	1.0000	.1400	3.2650	.7500	.0300	.1875	.9375
BR25577	BR25521	1.6880	1.0000	.1400	3.2700	.7500	.1300	.1875	.9375
BR25577	BR25522	1.6880	1.0000	.1400	3.2700	.7525	.0800	.1875	.9400
BR25577	BR25523	1.6880	1.0000	.1400	3.2650	.8750	.0900	.1875	1.0625
BR25577	BR25526	1.6880	1.0000	.1400	3.3470	.7500	.0900	.1875	.9375
BR25577	BR25527	1.6880	1.0000	.1400	3.3470	.8750	.0900	.1875	1.0625
BR25577	25547-RB	1.6880	1.0000	.1400	3.9368	.8125	.0200	.1875	1.0000
<i>25547-RB Snap Ring groove on OD</i>									
BR25578	BR25520	1.6875	1.0000	.0900	3.2650	.7500	.0300	.1875	.9375
<i>BR25578, .03" x 45° front face chamfer</i>									

Tapered roller bearings

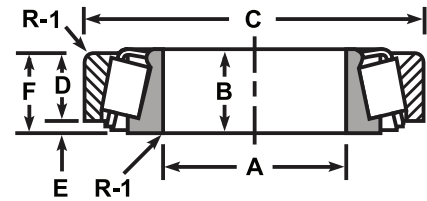
Series / Numerical listing



Bearing no.		Cone dimensions			Cup dimensions				
Cone	Cup	I.D. A	Length B	Radius R-1	O.D. C	Length D	Radius R-1	Standout E	Width F
BR25578	BR25521	1.6875	1.0000	.0900	3.2700	.7500	.1300	.1875	.9375
<i>BR25578, .03" x 45° front face chamfer</i>									
BR25578	BR25522	1.6875	1.0000	.0900	3.2700	.7525	.0800	.1875	.9400
<i>BR25578, .03" x 45° front face chamfer</i>									
BR25578	BR25523	1.6875	1.0000	.0900	3.2650	.8750	.0900	.1875	1.0625
<i>BR25578, .03" x 45° front face chamfer</i>									
BR25578	BR25526	1.6875	1.0000	.0900	3.3470	.7500	.0900	.1875	.9375
<i>BR25578, .03" x 45° front face chamfer</i>									
BR25578	BR25527	1.6875	1.0000	.0900	3.3470	.8750	.0900	.1875	1.0625
<i>BR25578, .03" x 45° front face chamfer</i>									
BR25578	25547-RB	1.6875	1.0000	.0900	3.9368	.8125	.0200	.1875	1.0000
<i>BR25578, .03" x 45° front face chamfer; 25547-RB Snap Ring groove on OD</i>									
BR25580	BR25519	1.7500	1.0000	.1400	3.2500	.7500	.0800	.1875	.9375
BR25580	BR25520	1.7500	1.0000	.1400	3.2650	.7500	.0300	.1875	.9375
BR25580	BR25521	1.7500	1.0000	.1400	3.2700	.7500	.1300	.1875	.9375
BR25580	BR25522	1.7500	1.0000	.1400	3.2700	.7525	.0800	.1875	.9400
BR25580	BR25523	1.7500	1.0000	.1400	3.2650	.8750	.0900	.1875	1.0625
BR25580	BR25526	1.7500	1.0000	.1400	3.3470	.7500	.0900	.1875	.9375
BR25580	BR25527	1.7500	1.0000	.1400	3.3470	.8750	.0900	.1875	1.0625
BR25580	25547-RB	1.7500	1.0000	.1400	3.9368	.8125	.0200	.1875	1.0000
<i>25547-RB Snap Ring groove on OD</i>									
BR25581	BR25519	1.7500	1.0000	.0200	3.2500	.7500	.0800	.1875	.9375
BR25581	BR25520	1.7500	1.0000	.0200	3.2650	.7500	.0300	.1875	.9375
BR25581	BR25521	1.7500	1.0000	.0200	3.2700	.7500	.1300	.1875	.9375
BR25581	BR25522	1.7500	1.0000	.0200	3.2700	.7525	.0800	.1875	.9400
BR25581	BR25523	1.7500	1.0000	.0200	3.2650	.8750	.0900	.1875	1.0625
BR25581	BR25526	1.7500	1.0000	.0200	3.3470	.7500	.0900	.1875	.9375
BR25581	BR25527	1.7500	1.0000	.0200	3.3470	.8750	.0900	.1875	1.0625
BR25581	25547-RB	1.7500	1.0000	.0200	3.9368	.8125	.0200	.1875	1.0000
<i>25547-RB Snap Ring groove on OD</i>									
BR25582	BR25519	1.7500	1.0000	.2000	3.2500	.7500	.0800	.1875	.9375
BR25582	BR25520	1.7500	1.0000	.2000	3.2650	.7500	.0300	.1875	.9375
BR25582	BR25521	1.7500	1.0000	.2000	3.2700	.7500	.1300	.1875	.9375
BR25582	BR25522	1.7500	1.0000	.2000	3.2700	.7525	.0800	.1875	.9400
BR25582	BR25523	1.7500	1.0000	.2000	3.2650	.8750	.0900	.1875	1.0625
BR25582	BR25526	1.7500	1.0000	.2000	3.3470	.7500	.0900	.1875	.9375
BR25582	BR25527	1.7500	1.0000	.2000	3.3470	.8750	.0900	.1875	1.0625

Tapered roller bearings

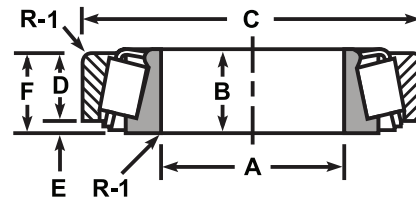
Series / Numerical listing



Bearing no.		Cone dimensions			Cup dimensions			Standout E	Width F
Cone	Cup	I.D. A	Length B	Radius R-1	O.D. C	Length D	Radius R-1		
BR25582	25547-RB	1.7500	1.0000	.2000	3.9368	.8125	.0200	.1875	1.0000
	<i>25547-RB Snap Ring groove on OD</i>								
BR25583	BR25519	1.7500	1.4125	—	3.2500	.7500	.0800	.1875	.9375
	<i>BR25583 Special back face radius, large rib OD ground, when used with single cups E&F dim are .4125" larger</i>								
BR25583	BR25520	1.7500	1.4125	—	3.2650	.7500	.0300	.1875	.9375
	<i>BR25583 Special back face radius, large rib OD ground, when used with single cups E&F dim are .4125" larger</i>								
BR25583	BR25521	1.7500	1.4125	—	3.2700	.7500	.1300	.1875	.9375
	<i>BR25583 Special back face radius, large rib OD ground, when used with single cups E&F dim are .4125" larger</i>								
BR25583	BR25522	1.7500	1.4125	—	3.2700	.7525	.0800	.1875	.9400
	<i>BR25583 Special back face radius, large rib OD ground, when used with single cups E&F dim are .4125" larger</i>								
BR25583	BR25523	1.7500	1.4125	—	3.2650	.8750	.0900	.1875	1.0625
	<i>BR25583 Special back face radius, large rib OD ground, when used with single cups E&F dim are .4125" larger</i>								
BR25583	BR25526	1.7500	1.4125	—	3.3470	.7500	.0900	.1875	.9375
	<i>BR25583 Special back face radius, large rib OD ground, when used with single cups E&F dim are .4125" larger</i>								
BR25583	BR25527	1.7500	1.4125	—	3.3470	.8750	.0900	.1875	1.0625
	<i>BR25583 Special back face radius, large rib OD ground, when used with single cups E&F dim are .4125" larger</i>								
BR25583	25547-RB	1.7500	1.4125	—	3.9368	.8125	.0200	.1875	1.0000
	<i>BR25583 Special back face radius, large rib OD ground, when used with single cups E&F dim are .4125" larger - 25547RB, Snap ring groove on OD</i>								
BR25584	BR25519	1.7710	1.0000	.0600	3.2500	.7500	.0800	.1875	.9375
BR25584	BR25520	1.7710	1.0000	.0600	3.2650	.7500	.0300	.1875	.9375
BR25584	BR25521	1.7710	1.0000	.0600	3.2700	.7500	.1300	.1875	.9375
BR25584	BR25522	1.7710	1.0000	.0600	3.2700	.7525	.0800	.1875	.9400
BR25584	BR25523	1.7710	1.0000	.0600	3.2650	.8750	.0900	.1875	1.0625
BR25584	BR25526	1.7710	1.0000	.0600	3.3470	.7500	.0900	.1875	.9375
BR25584	BR25527	1.7710	1.0000	.0600	3.3470	.8750	.0900	.1875	1.0625
BR25584	25547-RB	1.7710	1.0000	.0600	3.9368	.8125	.0200	.1875	1.0000
	<i>25547-RB Snap Ring groove on OD</i>								
BR25590	BR25519	1.7960	1.0000	.1400	3.2500	.7500	.0800	.1875	.9375
BR25590	BR25520	1.7960	1.0000	.1400	3.2650	.7500	.0300	.1875	.9375
BR25590	BR25521	1.7960	1.0000	.1400	3.2700	.7500	.1300	.1875	.9375
BR25590	BR25522	1.7960	1.0000	.1400	3.2700	.7525	.0800	.1875	.9400
BR25590	BR25523	1.7960	1.0000	.1400	3.2650	.8750	.0900	.1875	1.0625
BR25590	BR25526	1.7960	1.0000	.1400	3.3470	.7500	.0900	.1875	.9375
BR25590	BR25527	1.7960	1.0000	.1400	3.3470	.8750	.0900	.1875	1.0625
BR25590	25547-RB	1.7960	1.0000	.1400	3.9368	.8125	.0200	.1875	1.0000
	<i>25547-RB Snap Ring groove on OD</i>								
BR25592	BR25519	1.8125	1.0000	.1400	3.2500	.7500	.0800	.1875	.9375

Tapered roller bearings

Series / Numerical listing



Bearing no.		Cone dimensions			Cup dimensions				
Cone	Cup	I.D. A	Length B	Radius R-1	O.D. C	Length D	Radius R-1	Standout E	Width F
BR25592	BR25520	1.8125	1.0000	.1400	3.2650	.7500	.0300	.1875	.9375
BR25592	BR25521	1.8125	1.0000	.1400	3.2700	.7500	.1300	.1875	.9375
BR25592	BR25522	1.8125	1.0000	.1400	3.2700	.7525	.0800	.1875	.9400
BR25592	BR25523	1.8125	1.0000	.1400	3.2650	.8750	.0900	.1875	1.0625
BR25592	BR25526	1.8125	1.0000	.1400	3.3470	.7500	.0900	.1875	.9375
BR25592	BR25527	1.8125	1.0000	.1400	3.3470	.8750	.0900	.1875	1.0625
BR25592	25547-RB	1.8125	1.0000	.1400	3.9368	.8125	.0200	.1875	1.0000

25547-RB Snap Ring groove on OD

Series 25800

BR25877	BR25820	1.3750	.9688	.0600	2.8750	.7500	.0900	.1875	.9375
BR25877	BR25821	1.3750	.9688	.0600	2.8750	.7500	.0300	.1875	.9375
BR25878	BR25820	1.3750	.9688	.1400	2.8750	.7500	.0900	.1875	.9375
BR25878	BR25821	1.3750	.9688	.1400	2.8750	.7500	.0300	.1875	.9375
BR25880	BR25820	1.4370	.9688	.0600	2.8750	.7500	.0900	.1875	.9375
BR25880	BR25821	1.4370	.9688	.0600	2.8750	.7500	.0300	.1875	.9375

Series JL26000

JL26749-F VP	JL26710	1.2598	.5906	—	2.0866	.4530	.0500	—	.4530
--------------	---------	--------	-------	---	--------	-------	-------	---	-------

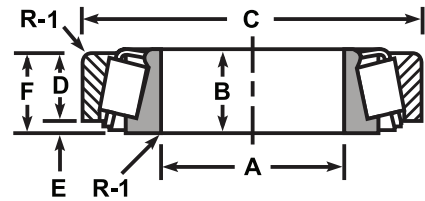
Components of BR39

Series 26800

BR26878	BR26820	1.5000	1.0000	.0300	3.1560	.8125	.1300	.1875	.9375
BR26878	BR26822	1.5000	1.0000	.0300	3.1250	.7500	.0300	.1875	1.0000
BR26878	BR26823	1.5000	1.0000	.0300	3.0000	.8125	.0600	.1875	1.0000
BR26878	BR26824	1.5000	1.0000	.0300	3.1500	.7500	.0500	.1875	.9375
BR26881	BR26820	1.5625	1.0000	.1400	3.1560	.8125	.1300	.1875	.9375
BR26881	BR26822	1.5625	1.0000	.1400	3.1250	.7500	.0300	.1875	1.0000
BR26881	BR26823	1.5625	1.0000	.1400	3.0000	.8125	.0600	.1875	1.0000
BR26881	BR26824	1.5625	1.0000	.1400	3.1500	.7500	.0500	.1875	.9375
26882-T	BR26820	1.6250	1.0000	.0600	3.1560	.8125	.1300	.1875	.9375
26882-T	26822-A	1.6250	1.0000	.0600	3.1250	.7500	.0900	.1875	.9375
26882-T	BR26822	1.6250	1.0000	.0600	3.1250	.7500	.0300	.1875	1.0000
26882-T	BR26823	1.6250	1.0000	.0600	3.0000	.8125	.0600	.1875	1.0000
26882-T	BR26824	1.6250	1.0000	.0600	3.1500	.7500	.0500	.1875	.9375
BR26882	BR26820	1.6250	1.0000	.1400	3.1560	.8125	.1300	.1875	.9375
BR26882	BR26822	1.6250	1.0000	.1400	3.1250	.7500	.0300	.1875	1.0000
BR26882	BR26823	1.6250	1.0000	.1400	3.0000	.8125	.0600	.1875	1.0000
BR26882	BR26824	1.6250	1.0000	.1400	3.1500	.7500	.0500	.1875	.9375

Tapered roller bearings

Series / Numerical listing



Bearing no.		Cone dimensions			Cup dimensions				
Cone	Cup	I.D. A	Length B	Radius R-1	O.D. C	Length D	Radius R-1	Standout E	Width F
BR26883	BR26820	1.3780	1.0000	.0300	3.1560	.8125	.1300	.1875	.9375
BR26883	BR26822	1.3780	1.0000	.0300	3.1250	.7500	.0300	.1875	1.0000
BR26883	BR26823	1.3780	1.0000	.0300	3.0000	.8125	.0600	.1875	1.0000
BR26883	BR26824	1.3780	1.0000	.0300	3.1500	.7500	.0500	.1875	.9375
BR26884	BR26820	1.6880	1.0000	.1400	3.1560	.8125	.1300	.1875	.9375
BR26884	BR26822	1.6880	1.0000	.1400	3.1250	.7500	.0300	.1875	1.0000
BR26884	BR26823	1.6880	1.0000	.1400	3.0000	.8125	.0600	.1875	1.0000
BR26884	BR26824	1.6880	1.0000	.1400	3.1500	.7500	.0500	.1875	.9375

Series 27600

BR27687	BR27620	3.2500	1.0000	.1400	4.9380	.7813	.0600	.2187	1.0000
BR27690	BR27620	3.2813	1.0000	.1400	4.9380	.7813	.0600	.2187	1.0000

Series 27800

BR27875	27820-D	1.3750	.9930	.0300	3.1510	1.7700	.0300	.4800	2.2500
BR27875	BR27820	1.3750	.9930	.0300	3.1510	.7288	.0600	.2400	.9688
BR27880	27820-D	1.5000	.9330	.0300	3.1510	1.7700	.0300	.4800	2.2500
BR27880	BR27820	1.5000	.9330	.0300	3.1510	.7288	.0600	.2400	.9688
BR27881	27820-D	1.5000	.9330	.1400	3.1510	1.7700	.0300	.4800	2.2500
BR27881	BR27820	1.5000	.9330	.1400	3.1510	.7288	.0600	.2400	.9688

Series 28000

BR28150	BR28300	1.5000	.8244	.0600	3.0000	.6105	.0500	.2020	.8125
BR28156	BR28300	1.5740	.7736	.0900	3.0000	.6105	.0500	.2020	.8125

BR28156, when used with single cup, E & F dim are .0508" smaller

Series J28000

J28573	BR28520	1.6530	.9965	.0300	3.5430	.7869	.0900	.1875	.9744
J28573	BR28521	1.6530	.9965	.0300	3.6250	.7813	.0300	.1875	.9688
J28573	28527-RB	1.6530	.9965	.0300	3.9370	.7813	.0200	.1875	.9688

28527-RB, snap ring groove on OD

Series 28500

BR28580	BR28520	2.0000	1.0000	.1400	3.5430	.7869	.0900	.1875	.9744
BR28580	BR28521	2.0000	1.0000	.1400	3.6250	.7813	.0300	.1875	.9688
BR28580	28527-RB	2.0000	1.0000	.1400	3.9370	.7813	.0200	.1875	.9688

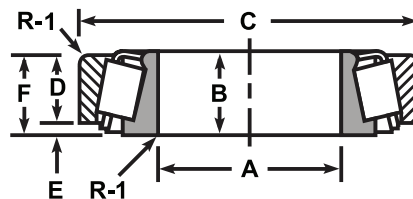
28527-RB, snap ring groove on OD

BR28584	BR28520	2.0651	1.0000	.1400	3.5430	.7869	.0900	.1875	.9744
BR28584	BR28521	2.0651	1.0000	.1400	3.6250	.7813	.0300	.1875	.9688
BR28584	28527-RB	2.0651	1.0000	.1400	3.9370	.7813	.0200	.1875	.9688

28527-RB, snap ring groove on OD

Tapered roller bearings

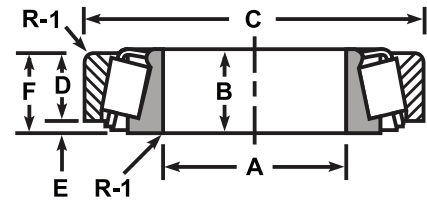
Series / Numerical listing



Bearing no.		Cone dimensions			Cup dimensions				
Cone	Cup	I.D. A	Length B	Radius R-1	O.D. C	Length D	Radius R-1	Standout E	Width F
Series 28600									
BR28678	BR28622	2.0000	.9688	.1400	3.8437	.7656	.0300	.2032	.9688
BR28680	BR28622	2.1875	.9688	.1400	3.8437	.7656	.0300	.2032	.9688
BR28682	BR28622	2.2500	.9688	.1400	3.8437	.7656	.0300	.2032	.9688
Series 28900									
BR28985	BR28919	2.3750	1.0000	.1300	3.9362	.7500	.0600	.2187	.9687
<i>Components of KA11820-Z</i>									
BR28985	BR28920	2.3750	1.0000	.1300	4.0000	.7813	.1200	.2187	1.0000
BR28985	BR28921	2.3750	1.0000	.1300	3.9370	.7813	.1300	.2187	1.0000
BR28995	BR28919	2.4700	1.0000	.1400	3.9362	.7500	.0600	.2187	.9687
BR28995	BR28920	2.4700	1.0000	.1400	4.0000	.7813	.1200	.2187	1.0000
BR28995	BR28921	2.4700	1.0000	.1400	3.9370	.7813	.1300	.2187	1.0000
Series 29500									
BR29580	BR29520	2.3620	1.0000	.1400	4.2500	.7500	.1300	.2500	1.0000
BR29580	BR29522	2.3620	1.0000	.1400	4.2500	.7500	.0300	.2500	1.0000
BR29585	BR29520	2.5000	1.0000	.1400	4.2500	.7500	.1300	.2500	1.0000
BR29585	BR29522	2.5000	1.0000	.1400	4.2500	.7500	.0300	.2500	1.0000
BR29586	BR29520	2.5000	1.0000	.0600	4.2500	.7500	.1300	.2500	1.0000
BR29586	BR29522	2.5000	1.0000	.0600	4.2500	.7500	.0300	.2500	1.0000
BR29590	BR29520	2.6250	1.0000	.1400	4.2500	.7500	.1300	.2500	1.0000
BR29590	BR29522	2.6250	1.0000	.1400	4.2500	.7500	.0300	.2500	1.0000
Series 29600									
BR29675	BR29620	2.7500	1.0000	.0600	4.4380	.7500	.1300	.2500	1.0000
BR29675	BR29630	2.7500	1.0000	.0600	4.7500	.7500	.1300	.2500	1.0000
BR29685	BR29620	2.8750	1.0000	.1400	4.4380	.7500	.1300	.2500	1.0000
BR29685	BR29630	2.8750	1.0000	.1400	4.7500	.7500	.1300	.2500	1.0000
Series LM29700									
LM29700-LA	LM29710 VP	1.5000	.7200	—	2.5630	.5500	.0500	.1600	.7100
<i>Sealed bearing (TSL), cone radius 45° face chamfer</i>									
LM29748 VP	LM29710 VP	1.5000	.7200	.1300	2.5630	.5500	.0500	.1600	.7100
<i>LM29748 VP Special back face radius, 45° face chamfer</i>									
LM29748 VP	LM29711 VP	1.5000	.7200	.1300	2.5630	.6200	.0500	.1600	.7800
<i>Cone 45° face chamfer</i>									
LM29749 VP	LM29710 VP	1.5000	.7200	.0900	2.5630	.5500	.0500	.1600	.7100
LM29749 VP	LM29711 VP	1.5000	.7200	.0900	2.5630	.6200	.0500	.1600	.7800

Tapered roller bearings

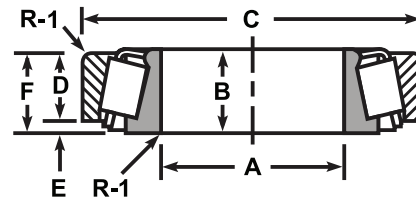
Series / Numerical listing



Bearing no.		Cone dimensions			Cup dimensions				
Cone	Cup	I.D. A	Length B	Radius R-1	O.D. C	Length D	Radius R-1	Standout E	Width F
Series 31500									
BR31590	BR31520	1.3130	1.1250	.0300	3.0000	.9375	.1300	.2188	1.1563
BR31590	BR31521	1.3130	1.1250	.0300	3.0000	.9375	.0500	.2188	1.1563
BR31593	BR31520	1.3750	1.1250	.1400	3.0000	.9375	.1300	.2188	1.1563
BR31593	BR31521	1.3750	1.1250	.1400	3.0000	.9375	.0500	.2188	1.1563
BR31594	BR31520	1.3750	1.1250	.0600	3.0000	.9375	.1300	.2188	1.1563
BR31594	BR31521	1.3750	1.1250	.0600	3.0000	.9375	.0500	.2188	1.1563
BR31597	BR31520	1.4380	1.1250	.1400	3.0000	.9375	.1300	.2188	1.1563
BR31597	BR31521	1.4380	1.1250	.1400	3.0000	.9375	.0500	.2188	1.1563
Series 33000									
BR33225	BR33462	2.2500	1.1875	.1400	4.6250	.9375	.1300	.2500	1.1875
BR33225	BR33472	2.2500	1.1875	.1400	4.7240	.9230	.0300	.2500	1.1875
BR33262	BR33462	2.6250	1.1875	.1400	4.6250	.9375	.1300	.2500	1.1875
BR33262	BR33472	2.6250	1.1875	.1400	4.7240	.9230	.0300	.2500	1.1875
BR33269	BR33462	2.6875	1.1875	.1400	4.6250	.9375	.1300	.2500	1.1875
BR33269	BR33472	2.6875	1.1875	.1400	4.7240	.9230	.0300	.2500	1.1875
BR33275	BR33462	2.7500	1.1875	.1400	4.6250	.9375	.1300	.2500	1.1875
BR33275	BR33472	2.7500	1.1875	.1400	4.7240	.9230	.0300	.2500	1.1875
BR33281	BR33462	2.8125	1.1875	.1400	4.6250	.9375	.1300	.2500	1.1875
BR33281	BR33472	2.8125	1.1875	.1400	4.7240	.9230	.0300	.2500	1.1875
BR33287	BR33462	2.8750	1.1875	.1400	4.6250	.9375	.1300	.2500	1.1875
BR33287	BR33472	2.8750	1.1875	.1400	4.7240	.9230	.0300	.2500	1.1875
Series 33800									
BR33889	BR33821	2.0000	1.1250	.1400	3.7500	.8750	.0900	.2188	1.9380
BR33891	BR33821	2.0625	1.1250	.1400	3.7500	.8750	.0900	.2188	1.9380
BR33895	BR33821	2.1250	1.1250	.0600	3.7500	.8750	.0900	.2188	1.9380
Series 34000									
BR34274	BR34478	2.7540	.9060	.0800	4.7810	.6875	.0800	.2813	.9688
BR34274	34492-A	2.7540	.9060	.0800	4.9233	.6457	.0800	.2886	.9343
BR34274	BR34500	2.7540	.9060	.0800	5.0000	.7812	.1300	.2813	1.0625
BR34300	BR34478	3.0000	.9060	.0800	4.7810	.6875	.0800	.2813	.9688
BR34300	34492-A	3.0000	.9060	.0800	4.9233	.6457	.0800	.2886	.9343
BR34300	BR34500	3.0000	.9060	.0800	5.0000	.7812	.1300	.2813	1.0625
BR34301	BR34478	3.0000	.9060	.1400	4.7810	.6875	.0800	.2813	.9688
BR34301	34492-A	3.0000	.9060	.1400	4.9233	.6457	.0800	.2886	.9343
BR34301	BR34500	3.0000	.9060	.1400	5.0000	.7812	.1300	.2813	1.0625

Tapered roller bearings

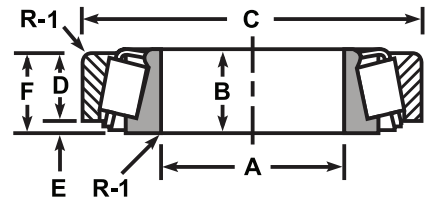
Series / Numerical listing



Bearing no.		Cone dimensions			Cup dimensions				
Cone	Cup	I.D. A	Length B	Radius R-1	O.D. C	Length D	Radius R-1	Standout E	Width F
BR34306	BR34478	3.0625	.9060	.1400	4.7810	.6875	.0800	.2813	.9688
BR34306	34492-A	3.0625	.9060	.1400	4.9233	.6457	.0800	.2886	.9343
BR34306	BR34500	3.0625	.9060	.1400	5.0000	.7812	.1300	.2813	1.0625
Series 36600									
BR36690	BR36620	5.7500	1.1250	.0600	7.6250	.9063	.0600	.2187	1.1250
BR36691	BR36620	5.7500	1.1250	.1900	7.6250	.9063	.0600	.2187	1.1250
Series 37000									
BR37425	BR37625	4.2500	.8440	.1400	6.2500	.6250	.1300	.2813	.9063
BR37431	BR37625	4.3125	.8440	.1400	6.2500	.6250	.1300	.2813	.9063
Series 39000									
BR39250	BR39412	2.5000	.8661	.0800	4.1250	.6250	.0800	.2188	.8438
Series 39500									
BR39580	BR39520	2.2500	1.1875	.1400	4.4375	.9675	.1300	.2500	1.1875
BR39580	BR39521	2.2500	1.1875	.1400	4.4375	.9375	.0300	.2500	1.1875
BR39581	BR39520	2.2500	1.1875	.3100	4.4375	.9675	.1300	.2500	1.1875
BR39581	BR39521	2.2500	1.1875	.3100	4.4375	.9375	.0300	.2500	1.1875
BR39585	BR39520	2.5000	1.1875	.1400	4.4375	.9675	.1300	.2500	1.1875
BR39585	BR39521	2.5000	1.1875	.1400	4.4375	.9375	.0300	.2500	1.1875
BR39590	BR39520	2.6250	1.1875	.1400	4.4375	.9675	.1300	.2500	1.1875
BR39590	BR39521	2.6250	1.1875	.1400	4.4375	.9375	.0300	.2500	1.1875
Series 41000									
BR41125	BR41286	1.1250	.9550	.1900	2.8593	.6875	.0600	.2813	.9688
Series 42000									
BR42346	BR42584	3.4630	1.1406	.1200	5.8440	.8438	.1200	.2812	1.1250
BR42350	BR42584	3.5000	1.1406	.1200	5.8440	.8438	.1200	.2812	1.1250
BR42362	BR42584	3.6250	1.1406	.1378	5.8440	.8438	.1200	.2812	1.1250
BR42381	BR42584	3.8125	1.1406	.1400	5.8440	.8438	.1200	.2812	1.1250
Series 42600									
BR42687	BR42620	3.0000	1.2205	.1400	5.0000	.8750	.1300	.3125	1.1875
BR42688	BR42620	3.0000	1.2205	.2500	5.0000	.8750	.1300	.3125	1.1875
BR42690	BR42620	3.0625	1.2250	.1400	5.0000	.8750	.1300	.3125	1.1875

Tapered roller bearings

Series / Numerical listing



Bearing no.		Cone dimensions			Cup dimensions			Standout E	Width F
Cone	Cup	I.D. A	Length B	Radius R-1	O.D. C	Length D	Radius R-1		

Series 43000

BR43125	BR43312	1.2500	.9470	.0600	3.1250	.6875	.0600	—	1.0000
BR43131	BR43312	1.3130	.9480	.1400	3.1250	.6875	.0600	—	1.0000

Broken front face ID, special backface radius

Series 44000

BR44143	BR44348	1.4380	.9330	.0900	3.4840	.6875	.0600	.3125	1.0000
BR44143	44363-D	1.4380	.9330	.0900	3.6250	1.5625	.0600	—	—
BR44150	BR44348	1.5000	.9330	.0900	3.4840	.6875	.0600	.3125	1.0000
BR44150	44363-D	1.5000	.9330	.0900	3.6250	1.5625	.0600	—	—
BR44158	BR44348	1.5625	.9330	.1400	3.4843	.6875	.0600	.3125	1.0000
BR44158	44363-D	1.5625	.9330	.1400	3.6250	1.5625	.0600	—	—

Series L44600

L44600-LA	L44610 VP	.9990	.6210	—	1.9800	.4200	.0500	.1400	.5600
------------------	------------------	-------	-------	---	--------	-------	-------	-------	-------

Sealed bearing (TSL)

L44600-LB	L44610 VP	1.0000	.5800	.0600	1.9800	.4200	.0500	.1400	.5600
------------------	------------------	--------	-------	-------	--------	-------	-------	-------	-------

Sealed Bearing (TSL)

L44640	L44610 VP	.9380	.5800	.0600	1.9800	.4200	.0500	.1400	.5600
---------------	------------------	-------	-------	-------	--------	-------	-------	-------	-------

L44643 VP	L44610 VP	1.0000	.5800	.0500	1.9800	.4200	.0500	.1400	.5600
------------------	------------------	--------	-------	-------	--------	-------	-------	-------	-------

Components of BR14

L44649 VP	L44610 VP	1.0625	.5800	.1400	1.9800	.4200	.0500	.1400	.5600
------------------	------------------	--------	-------	-------	--------	-------	-------	-------	-------

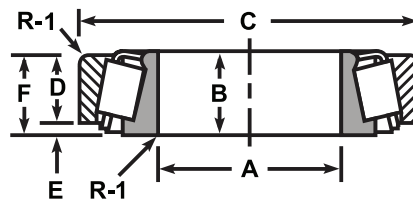
Components of BR4

Series 45200

BR45280	BR45220	1.7500	1.2188	.0300	4.1250	.9375	.1300	.2500	1.1875
BR45280	BR45221	1.7500	1.2188	.0300	4.1250	.9375	.0300	.2500	1.1875
BR45282	BR45220	1.8750	1.2188	.1400	4.1250	.9375	.1300	.2500	1.1875
BR45282	BR45221	1.8750	1.2188	.1400	4.1250	.9375	.0300	.2500	1.1875
BR45284	BR45220	2.0000	1.2188	.2500	4.1250	.9375	.1300	.2500	1.1875
BR45284	BR45221	2.0000	1.2188	.2500	4.1250	.9375	.0300	.2500	1.1875
BR45285	BR45220	2.0000	1.2188	.0900	4.1250	.9375	.1300	.2500	1.1875
BR45285	BR45221	2.0000	1.2188	.0900	4.1250	.9375	.0300	.2500	1.1875
BR45287	BR45220	2.1250	1.2188	.0300	4.1250	.9375	.1300	.2500	1.1875
BR45287	BR45221	2.1250	1.2188	.0300	4.1250	.9375	.0300	.2500	1.1875
BR45290	BR45220	2.2500	1.2188	.0900	4.1250	.9375	.1300	.2500	1.1875
BR45290	BR45221	2.2500	1.2188	.0900	4.1250	.9375	.0300	.2500	1.1875
BR45291	BR45220	2.2500	1.2188	.2500	4.1250	.9375	.1300	.2500	1.1875
BR45291	BR45221	2.2500	1.2188	.2500	4.1250	.9375	.0300	.2500	1.1875

Tapered roller bearings

Series / Numerical listing



Bearing no.		Cone dimensions			Cup dimensions				
Cone	Cup	I.D. A	Length B	Radius R-1	O.D. C	Length D	Radius R-1	Standout E	Width F

Series L45400

L45449 VP	L45410 VP	1.4117	.5800	.1400	1.9800	.4200	.0500	.1400	.5600
------------------	------------------	--------	-------	-------	--------	-------	-------	-------	-------

Components of BR8

Series 46000

BR46162	BR46368	1.6250	1.2500	.0300	3.6880	1.0313	.1300	.2187	1.2500
----------------	----------------	--------	--------	-------	--------	--------	-------	-------	--------

Series 46700

BR46790	BR46720	6.5000	1.5625	.1400	8.8750	1.3125	.1250	.3125	1.6250
----------------	----------------	--------	--------	-------	--------	--------	-------	-------	--------

Series 47400

BR47487	BR47420	2.7500	1.2813	.1400	4.7240	1.0313	.1300	.2500	1.2813
BR47490	BR47420	2.8125	1.2813	.1400	4.7240	1.0313	.1300	.2500	1.2810

Series 47600

BR47678	BR47620	3.0000	1.3125	.2500	5.2500	1.0313	.1300	.2812	1.3125
BR47678	47622-BW	3.0000	1.3125	.2500	5.3750	2.0313	.1300	.1406	2.1719
BR47678	47623-A	3.0000	1.3125	.2500	5.3750	1.7500	.0300	—	1.7500

47623-A, .03" x 45° back face chamfer, threaded OD

BR47678	47623-AB	3.0000	1.3125	.2500	5.3750	1.5000	.0300	.2350	1.7350
----------------	-----------------	--------	--------	-------	--------	--------	-------	-------	--------

47623-AB, .03" x 45° back face chamfer, threaded OD

BR47679	BR47620	3.0000	1.3125	.1400	5.2500	1.0313	.1300	.2812	1.3125
BR47679	47622-BW	3.0000	1.3125	.1400	5.3750	2.0313	.1300	.1406	2.1719
BR47679	47623-A	3.0000	1.3125	.1400	5.3750	1.7500	.0300	—	1.7500

47623-A, .03" x 45° back face chamfer, threaded OD

BR47679	47623-AB	3.0000	1.3125	.1400	5.3750	1.5000	.0300	.2350	1.7350
----------------	-----------------	--------	--------	-------	--------	--------	-------	-------	--------

47623-AB, .03" x 45° back face chamfer, threaded OD

BR47686	BR47620	3.2500	1.3125	.1400	5.2500	1.0313	.1300	.2812	1.3125
BR47686	47623-A	3.2500	1.3125	.1400	5.3750	1.7500	.0300	—	1.7500

47623-A, .03" x 45° back face chamfer, threaded OD

BR47686	47623-AB	3.2500	1.3125	.1400	5.3750	1.5000	.0300	.2350	1.7350
----------------	-----------------	--------	--------	-------	--------	--------	-------	-------	--------

47623-AB, .03" x 45° back face chamfer, threaded OD

BR47687	BR47620	3.2500	1.3125	.2700	5.2500	1.0313	.1300	.2812	1.3125
BR47687	47622-BW	3.2500	1.3125	.2700	5.3750	2.0313	.1300	.1406	2.1719
BR47687	47623-A	3.2500	1.3125	.2700	5.3750	1.7500	.0300	—	1.7500

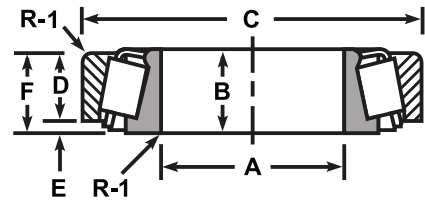
47623-A, .03" x 45° back face chamfer, threaded OD

BR47687	47623-AB	3.2500	1.3125	.2700	5.3750	1.5000	.0300	.2350	1.7350
----------------	-----------------	--------	--------	-------	--------	--------	-------	-------	--------

47623-AB, .03" x 45° back face chamfer, threaded OD

Tapered roller bearings

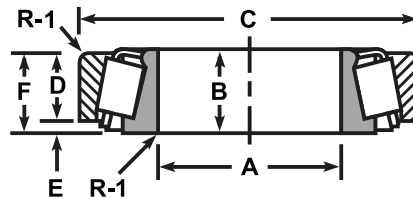
Series / Numerical listing



Bearing no.		Cone dimensions			Cup dimensions				
Cone	Cup	I.D. A	Length B	Radius R-1	O.D. C	Length D	Radius R-1	Standout E	Width F
Series 47800									
BR47890	BR47820	3.6250	1.3750	.1400	5.7500	1.0313	.1300	.2812	1.3125
BR47896	BR47820	3.7500	1.3750	.1400	5.7500	1.0313	.1300	.2812	1.3125
Series 48100									
BR48190	BR48120	4.2500	1.3750	.1400	6.3750	1.0625	.1300	.3125	1.3750
Series 48200									
BR48286	BR48220	4.8750	1.5000	.1400	7.1875	1.3125	.1300	.2500	1.5625
BR48290	BR48220	5.0000	1.5000	.1400	7.1875	1.3125	.1300	.2500	1.5625
Series 48300									
BR48385	BR48320	5.2500	1.5625	.1400	7.5000	1.3125	.1300	.2500	1.5625
BR48393	BR48320	5.3750	1.5625	.1400	7.5000	1.3125	.1300	.2500	1.5625
Series LM48500									
LM48500-LA	LM48510 VP	1.3750	.7200	.1400	2.5630	.5500	.0500	.1600	.7100
<i>Sealed Bearing (TSL)</i>									
LM48548 VP	LM48510 VP	1.3750	.7200	.1400	2.5630	.5500	.0500	.1600	.7100
<i>Components of BR5</i>									
LM48548 VP	LM48511	1.3750	.7200	.1400	2.5630	.6400	.0500	.1600	.8000
LM48548-A	LM48510 VP	1.3750	.7200	.0300	2.5630	.5500	.0500	.1600	.7100
LM48548-XL	LM48510-XL	1.3750	.7200	.0900	2.5630	.5500	.0600	.2313	.7813
<i>Sealed Bearing (TSL), LM48548-XL has non-standard radius</i>									
Series 48600									
BR48684	BR48620	5.6250	1.5625	.3100	7.8750	1.3437	.1300	.2813	1.6250
Series 52000									
BR52375	BR52618	3.7500	1.4219	.1400	6.1875	1.0313	.1300	.4062	1.4375
BR52375	BR52637	3.7500	1.4219	.1400	6.3750	1.0313	.1300	.4062	1.5625
BR52387	BR52618	3.8750	1.4219	.1400	6.1875	1.0313	.1300	.4062	1.4375
BR52387	BR52637	3.8750	1.4219	.1400	6.3750	1.0313	.1300	.4062	1.5625
BR52400	BR52618	4.0000	1.4219	.1400	6.1875	1.0313	.1300	.4062	1.4375
BR52400	BR52637	4.0000	1.4219	.1400	6.3750	1.0313	.1300	.4062	1.5625
BR52401	BR52618	4.0000	1.4219	.3100	6.1875	1.0313	.1300	.4062	1.4375
BR52401	BR52637	4.0000	1.4219	.3100	6.3750	1.0313	.1300	.4062	1.5625

Tapered roller bearings

Series / Numerical listing



Bearing no.		Cone dimensions			Cup dimensions				
Cone	Cup	I.D. A	Length B	Radius R-1	O.D. C	Length D	Radius R-1	Standout E	Width F

Series 53000

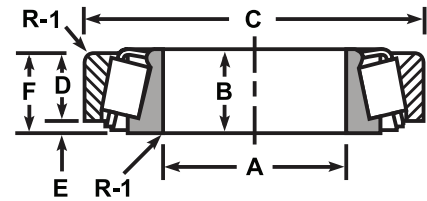
BR53176	BR53375	1.7500	1.1142	.0500	3.7500	.8125	.0300	.4063	1.2188
<i>Type TSS</i>									
BR53176	53376-D	1.7500	1.1142	.0500	3.7500	1.7500	.0300	.8126	2.5628
<i>Type TSS</i>									
BR53177	BR53375	1.7500	1.1142	.1400	3.7500	.8125	.0300	.4063	1.2188
<i>Type TSS</i>									
BR53177	53376-D	1.7500	1.1142	.1400	3.7500	1.7500	.0300	.8126	2.5628
<i>Type TSS</i>									
BR53178	BR53375	1.7500	1.1142	.0800	3.7500	.8125	.0300	.4063	1.2188
<i>Type TSS</i>									
BR53178	53376-D	1.7500	1.1142	.0800	3.7500	1.7500	.0300	.8126	2.5628
<i>Type TSS</i>									

Series 55000C

55175-C VP	BR55437	1.7500	1.0594	.1400	4.3750	.8125	.1300	.3750	1.1875
<i>Type TSS</i>									
55175-C VP	BR55443	1.7500	1.0594	.1400	4.4380	.8125	.1300	.3750	1.1875
<i>Type TSS</i>									
55176-C	BR55437	1.7500	1.0594	.0300	4.3750	.8125	.1300	.3750	1.1875
<i>55176-C, front face radius .06" (TSS)</i>									
55176-C	BR55443	1.7500	1.0594	.0300	4.4380	.8125	.1300	.3750	1.1875
<i>55176-C, front face radius .06" (TSS)</i>									
55187-C	BR55437	1.8750	1.0594	.1400	4.3750	.8125	.1300	.3750	1.1875
<i>Type TSS</i>									
55187-C	BR55443	1.8750	1.0594	.1400	4.4380	.8125	.1300	.3750	1.1875
<i>Type TSS</i>									
55200-C VP	BR55437	2.0000	1.0594	.1400	4.3750	.8125	.1300	.3750	1.1875
<i>Type TSS</i>									
55200-C VP	BR55443	2.0000	1.0594	.1400	4.4380	.8125	.1300	.3750	1.1875
<i>Type TSS</i>									
55206-C	BR55437	2.0625	1.0594	.1400	4.3750	.8125	.1300	.3750	1.1875
<i>Type TSS</i>									
55206-C	BR55443	2.0625	1.0594	.1400	4.4380	.8125	.1300	.3750	1.1875
<i>Type TSS</i>									

Tapered roller bearings

Series / Numerical listing



Bearing no.		Cone dimensions			Cup dimensions				
Cone	Cup	I.D. A	Length B	Radius R-1	O.D. C	Length D	Radius R-1	Standout E	Width F

Series 56000

BR56425	BR56650	4.2500	1.4375	.1400	6.5000	1.0625	.1300	.3750	1.4375
----------------	----------------	--------	--------	-------	--------	--------	-------	-------	--------

Series 59000

BR59175	BR59412	1.7500	1.4375	.1400	4.1250	1.1250	.1300	.3750	1.4375
BR59187	BR59412	1.8750	1.4375	.1400	4.1250	1.1250	.1300	.3750	1.4375
BR59201	BR59412	2.0000	1.4375	.0300	4.1250	1.1250	.1300	.3750	1.4375

Series 64000

BR64450	BR64700	4.5000	1.6250	.1400	7.0000	1.1875	.1300	.4375	1.6250
----------------	----------------	--------	--------	-------	--------	--------	-------	-------	--------

Series 65000

BR65212	BR65500	2.1250	1.7500	.1400	5.0000	1.3750	.1200	.3750	1.7500
BR65225	BR65500	2.2500	1.7500	.1400	5.0000	1.3750	.1200	.3750	1.7500
BR65237	BR65500	2.3750	1.7500	.1400	5.0000	1.3750	.1200	.3750	1.7500

Series 65300

BR65390	65320-B	1.9375	.1750	.1400	4.5000	1.3750	.1300	.3750	1.7500
BR65390	BR65320	1.9375	.1750	.1400	4.5000	1.3750	.1300	.3750	1.7500

Series 66000

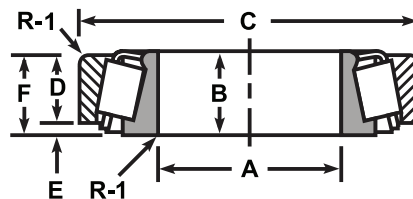
BR66212	BR66462	2.1250	1.2500	.1400	4.6250	.9375	.1300	.3750	1.7500
<i>Type TSS</i>									
BR66225	BR66462	2.2500	1.2500	.1400	4.6250	.9375	.1300	.3750	1.7500
<i>Type TSS</i>									

Series LM67000

LM67000-LA	LM67010 VP	1.2500	.6600	.0900	2.3280	.4650	.0500	.1600	.6250
<i>Sealed Bearing (TSL)</i>									
LM67048 VP	LM67010 VP	1.2500	.6600	.0900	2.3280	.4650	.0500	.1600	.6250
<i>LM67048 VP special back face radius, components of BR6</i>									
LM67048 VP	LM67010BCE	1.2500	.6600	.0900	2.5600	.6685	—	—	.6685
<i>LM67048 VP special back face radius, components of BR6. LM67010-BCE Flange on OD front face, groove in OD backface, O-ring in OD</i>									
LM67048-XL	LM67010-XL	1.2500	.6600	.0900	2.3280	.4650	1.3000	.2380	.7030
<i>Sealed Bearing (TSL)</i>									
LM67049-A VP	LM67010 VP	1.2500	.6600	.0300	2.3280	.4650	.0500	.1600	.6250
LM67049-A VP	LM67010BCE	1.2500	.6600	.0300	2.5600	.6685	—	—	.6685
<i>LM67048 VP special back face radius, components of BR6. LM67010-BCE Flange on OD front face, groove in OD backface, O-ring in OD</i>									

Tapered roller bearings

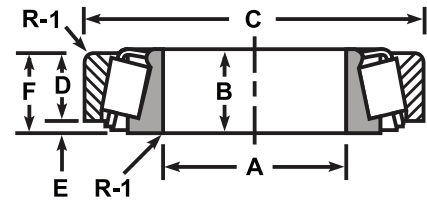
Series / Numerical listing



Bearing no.		Cone dimensions			Cup dimensions				
Cone	Cup	I.D. A	Length B	Radius R-1	O.D. C	Length D	Radius R-1	Standout E	Width F
Series 67300									
BR67388	BR67322	5.0000	1.8125	.1400	7.7500	1.5000	.1300	.3125	1.8125
BR67390	BR67322	5.2500	1.8125	.1400	7.7500	1.5000	.1300	.3125	1.8125
Series 67700									
BR67787	BR67720	6.8750	1.8750	.1400	9.7500	1.5000	.1300	.3750	1.8750
Series 68000									
BR68450	BR68712	4.5000	1.2500	.1400	7.1250	1.0000	.1300	.3750	1.3750
BR68462	BR68712	4.6250	1.2500	.1400	7.1250	1.0000	.1300	.3750	1.3750
Series L68100									
L68149 VP	L68110 VP	1.3775	.6600	.1400	2.3280	.4700	.0500	.1550	.6250
<i>Components of BR13</i>									
L68149 VP	L68111 VP	1.3775	.6600	.1400	2.3612	.4700	.0500	.1550	.6250
<i>Components of BR17</i>									
Series JL69300									
JL69348	JL69310 VP	1.4960	.6693	.1300	2.4800	.5315	.0500	.1378	.6693
JL69349 VP	JL69310 VP	1.4960	.6693	.0500	2.4800	.5315	.0500	.1378	.6693
<i>Components of BR17</i>									
JL69349H	JL69310 VP	1.4960	.6693	.1300	2.4800	.5315	.0500	.1378	.6693
Series 71000									
BR71450	BR71750	4.500	1.9375	.1400	7.500	1.3750	.1300	0.500	1.8750
Series 72000C									
72187-C VP	BR72487	1.8750	1.2910	.1400	4.8750	1.0000	.1300	.4375	1.4375
<i>Type TSS</i>									
72187-C VP	72488-D	1.8750	1.2910	.1400	4.8750	2.1875	.0600	.8750	3.0625
72188-C VP	BR72487	1.8750	1.2910	.0300	4.8750	1.0000	.1300	.4375	1.4375
<i>72188-C VP, Front face radius .06" (TSS)</i>									
72188-C VP	72488-D	1.8750	1.2910	.0300	4.8750	2.1875	.0600	.8750	3.0625
<i>72188-C VP, Front face radius .06" (TSS)</i>									
72200-C VP	BR72487	2.0000	1.2910	.1400	4.8750	1.0000	.1300	.4375	1.4375
<i>Type TSS</i>									
72200-C VP	72488-D	2.0000	1.2910	.1400	4.8750	2.1875	.0600	.8750	3.0625
72201-C VP	BR72487	2.0000	1.2910	.0300	4.8750	1.0000	.1300	.4375	1.4375
<i>Type TSS</i>									

Tapered roller bearings

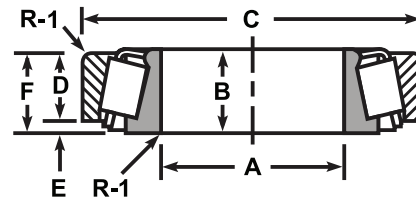
Series / Numerical listing



Bearing no.		Cone dimensions			Cup dimensions				
Cone	Cup	I.D. A	Length B	Radius R-1	O.D. C	Length D	Radius R-1	Standout E	Width F
72201-C VP	72488-D	2.0000	1.2910	.0300	4.8750	2.1875	.0600	.8750	3.0625
72212-C	BR72487	2.1250	1.2910	.1400	4.8750	1.0000	.1300	.4375	1.4375
<i>Type TSS</i>									
72212-C	72488-D	2.1250	1.2910	.1400	4.8750	2.1875	.0600	.8750	3.0625
72218-C VP	BR72487	2.1880	1.2910	.1400	4.8750	1.0000	.1300	.4375	1.4375
<i>Type TSS</i>									
72218-C VP	72488-D	2.1880	1.2910	.1400	4.8750	2.1875	.0600	.8750	3.0625
72225-C VP	BR72487	2.2500	1.2910	.1400	4.8750	1.0000	.1300	.4375	1.4375
<i>Type TSS</i>									
72225-C VP	72488-D	2.2500	1.2910	.1400	4.8750	2.1875	.0600	.8750	3.0625
Series LM72800									
LM72849	LM72810	.890	1.8500	.0600	1.8504	.4724	.0400	—	—
Series 78000C									
78215-C	BR78551	2.1250	1.3085	.1400	5.5130	.9260	.0900	.5115	1.4375
<i>Type TSS</i>									
78225-C	BR78551	2.2500	1.3085	.1400	5.5130	.9260	.0900	.5115	1.4375
<i>Type TSS</i>									
78250-AC	BR78551	2.5000	1.3085	.2000	5.5130	.9260	.0900	.5115	1.4375
<i>Type TSS</i>									
Series LM78300									
LM78349	LM78310-A	1.3775	.6693	.1400	2.4410	.5354	.0600	.1221	.6575
Series HM81600									
HM81649	HM81610	.6294	.8268	.0400	1.8494	.6299	.0800	—	—
Series M84200									
M84249 VP	M84210 VP	1.000	.9100	.0300	2.3437	.7200	.0600	—	—
Series M84500									
M84548 VP	M84510 VP	1.0000	.7650	.0600	2.2500	.5800	.0600	.1875	.7650
Series M86600									
M86647 VP	M86610 VP	1.1250	.8438	.0600	2.5310	.6563	.0600	.1785	.8438
M86648	M86610 VP	1.2190	.8438	.0900	2.5310	.6563	.0600	.1785	.8438
M86649 VP	M86610 VP	1.1880	.8438	.0600	2.5310	.6563	.0600	.1785	.8438
Series M88000									
M88043 VP	M88010 VP	1.1880	.8750	.0900	2.6880	.6875	.0600	.1875	.8750

Tapered roller bearings

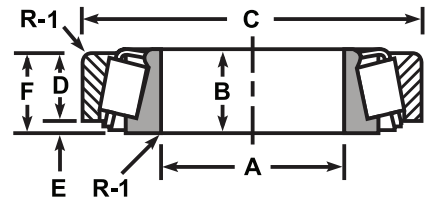
Series / Numerical listing



Bearing no.		Cone dimensions			Cup dimensions				
Cone	Cup	I.D. A	Length B	Radius R-1	O.D. C	Length D	Radius R-1	Standout E	Width F
M88046	M88010 VP	1.2500	.8750	.0600	2.6880	.6875	.0600	.1875	.8750
M88047	M88010 VP	1.3130	.8750	.2200	2.6880	.6875	.0600	.1875	.8750
<i>Components of BR52</i>									
M88048 VP	M88010 VP	1.3130	.8750	.0300	2.6880	.6875	.0600	.1875	.8750
<i>M88048-A, Front face radius .03"</i>									
M88048-A	M88010 VP	1.3125	.8750	.0500	2.6880	.6875	.0600	.1875	.8750
Series HM88500									
HM88542 VP	HM88510	1.2500	1.0938	.0500	2.8750	.9063	.1300	.2500	1.1563
HM88547	HM88510	1.3130	1.0938	.0300	2.8750	.9063	.1300	.2500	1.1563
Series HM88600									
HM88648 VP	HM88610	1.4060	1.0000	.1400	2.8438	.7812	.0900	.2188	1.0000
HM88649	HM88610	1.3750	1.0000	.0900	2.8438	.7812	.0900	.2188	1.0000
Series HM89200									
HM89249	HM89210	1.4375	1.1350	.1400	3.1260	.8923	.1300	.2500	1.1563
Series HM89400									
HM89443	HM89410 VP	1.3130	1.1250	.0300	3.0000	.9063	.1300	.2500	1.1563
HM89443	HM89411	1.3130	1.1250	.0300	3.0000	.9063	.0300	.2500	1.1563
HM89444	HM89410 VP	1.3130	1.1250	.1500	3.0000	.9063	.1300	.2500	1.1563
HM89444	HM89411	1.3130	1.1250	.1500	3.0000	.9063	.0300	.2500	1.1563
HM89446 VP	HM89410 VP	1.3750	1.1250	.1400	3.0000	.9063	.1300	.2500	1.1563
HM89446 VP	HM89411	1.3750	1.1250	.1400	3.0000	.9063	.0300	.2500	1.1563
HM89448 VP	HM89410 VP	1.4380	1.1250	.0300	3.0000	.9063	.1300	.2500	1.1563
HM89448 VP	HM89411	1.4380	1.1250	.0300	3.0000	.9063	.0300	.2500	1.1563
HM89449 VP	HM89410 VP	1.4380	1.1250	.1400	3.0000	.9063	.1300	.2500	1.1563
HM89449 VP	HM89411	1.4380	1.1250	.1400	3.0000	.9063	.0300	.2500	1.1563
Series LM102900									
LM102949 VP	LM102910 VP	1.7810	.7800	.1400	2.8910	.6200	.0300	.1500	.7700
<i>Components of BR50</i>									
LM102949 VP	LM102911	1.7810	.7800	.1400	2.8910	.6937	.0300	.1500	.8437
Series LM104900									
JLM104948	JLM104910	1.9690	.8465	.1200	3.2280	.6693	.0200	.1772	.8465
<i>JLM104948, when used with cups in this series subtract .187" from D dimension</i>									
JLM104948	LM104911	1.9690	.8465	.1200	3.2500	.6500	.0500	.1813	.8313
<i>JLM104948, when used with cups in this series subtract .187" from D dimension</i>									

Tapered roller bearings

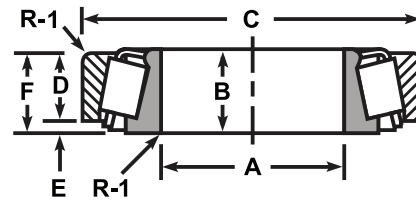
Series / Numerical listing



Bearing no.		Cone dimensions			Cup dimensions				
Cone	Cup	I.D. A	Length B	Radius R-1	O.D. C	Length D	Radius R-1	Standout E	Width F
JLM104948	LM104911-A	1.9690	.8465	.1200	3.2500	.7300	.0300	.1813	.9113
<i>JLM104948, when used with cups in this series subtract .187" from D dimension</i>									
JLM104948	LM104912	1.9690	.8465	.1200	3.2650	.6500	.0500	.1813	.8313
<i>JLM104948, when used with cups in this series subtract .187" from D dimension</i>									
LM104949 VP	JLM104910	2.0000	.8750	.1400	3.2280	.6693	.0200	.1772	.8465
LM104949 VP	LM104911	2.0000	.8750	.1400	3.2500	.6500	.0500	.1813	.8313
<i>Components of BR38</i>									
LM104949 VP	LM104911-A	2.0000	.8750	.1400	3.2500	.7300	.0300	.1813	.9113
LM104949 VP	LM104912	2.0000	.8750	.1400	3.2650	.6500	.0500	.1813	.8313
Series M201000									
M201047 VP	M201011 VP	1.5625	.8700	.0300	2.8750	.8400	.0900	.1700	1.0100
M201047-S	M201011 VP	1.5625	1.0100	.1400	2.8750	.8400	.0900	.1700	1.0100
<i>Components of BR7; M201047-S, front face radius .093"</i>									
Series M205100									
JM205149 VP	JM205110 VP	1.9685	1.1024	.1200	3.5430	.9055	.1000	.1185	1.0240
JM205149-A	JM205110 VP	1.9685	1.1024	.2000	3.5430	.9055	.1000	.1185	1.0240
JM205149AS	JM205110 VP	1.9685	1.1024	.1000	3.5433	.9055	.1000	.1969	1.1024
Series M207000									
JM207049	JM207010	2.1624	1.1417	.0600	3.7402	.9250	.1000	.2167	1.1417
JM207049-A VP	JM207010	2.1654	1.1417	.2400	3.7402	.9250	.1000	.2167	1.1417
Series H211700									
JH211749	JH211710	2.5590	1.5157	.1200	4.7240	1.2598	.1000	.2756	1.5354
Series HM212000									
HM212044 VP	HM212010 VP	2.3750	1.5100	.3100	4.8130	1.1700	.0600	.3300	1.5000
HM212044 VP	HM212011 VP	2.3750	1.5100	.3100	4.8125	1.1700	.1300	.3300	1.5000
HM212046	HM212010 VP	2.5000	1.5100	.1400	4.8130	1.1700	.0600	.3300	1.5000
HM212046	HM212011 VP	2.5000	1.5100	.1400	4.8125	1.1700	.1300	.3300	1.5000
HM212047 VP	HM212010 VP	2.5000	1.5100	.2800	4.8130	1.1700	.0600	.3300	1.5000
HM212047 VP	HM212011 VP	2.5000	1.5100	.2800	4.8125	1.1700	.1300	.3300	1.5000
HM212049 VP	HM212010 VP	2.6250	1.5100	.1400	4.8130	1.1700	.0600	.3300	1.5000
HM212049 VP	HM212011 VP	2.6250	1.5100	.1400	4.8125	1.1700	.1300	.3300	1.5000
HM212049-X VP	HM212010 VP	2.6250	1.5100	.2800	4.8130	1.1700	.0600	.3300	1.5000
HM212049-X VP	HM212011 VP	2.6250	1.5100	.2800	4.8125	1.1700	.1300	.3300	1.5000
Series H217200									
JH217249	JH217210	3.3465	1.8110	.1200	5.9055	1.4961	.1000	—	—

Tapered roller bearings

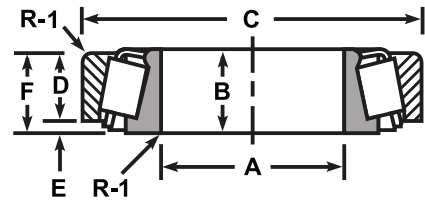
Series / Numerical listing



Bearing no.		Cone dimensions			Cup dimensions				
Cone	Cup	I.D. A	Length B	Radius R-1	O.D. C	Length D	Radius R-1	Standout E	Width F
Series HM218200									
HM218248 VP	HM218210 VP	3.5430	1.5748	.2800	5.7874	1.2795	.1400	.2953	1.5748
Series LM300800									
LM300849 VP	LM300811 VP	1.6140	.7087	.0900	2.6770	.5315	.0600	.1575	.6890
<i>LM300849 VP Special back face radius</i>									
Series JH307700									
JH307749	JH307710	2.1650	1.5354	.1200	4.3307	1.2598	.1000	.2756	1.5354
Series H414200									
H414249 VP	H414210	2.8125	1.6250	.1400	5.3750	1.2500	.1300	.3750	1.6250
Series LM501300									
LM501334SD	LM501310 VP	1.2850	2.8750	—	2.8910	.5800	.0300	.1900	.7700
<i>LM501334SD, double cone with square bore & threaded small end ribs</i>									
LM501334SD	LM501311 VP	1.2850	2.8750	—	2.8910	.7160	.0900	.1900	.9060
<i>LM501334SD, double cone with square bore & threaded small end ribs</i>									
LM501334SD	LM501314 VP	1.2850	2.8750	—	2.8910	.6537	.0300	.1900	.8437
<i>LM501334SD, double cone with square bore & threaded small end ribs</i>									
LM501349 VP	LM501310 VP	1.6250	.7800	.1400	2.8910	.5800	.0300	.1900	.7700
<i>Components of BR35</i>									
LM501349 VP	LM501311 VP	1.6250	.7800	.1400	2.8910	.7160	.0900	.1900	.9060
LM501349 VP	LM501314 VP	1.6250	.7800	.1400	2.8910	.6537	.0300	.1900	.8437
LM503349 VP	LM503310 VP	1.8110	.7087	.0900	2.9528	.5512	.0600	.1575	.7087
LM503349-A VP	LM503310 VP	1.8110	.7087	—	2.9528	.5512	.0600	.1575	.7087
<i>LM503349-A VP Front face chamfer; special back face radius</i>									
Series HH506300									
HH506348	HH506310	1.9375	1.7500	.1400	4.5000	1.4200	.1300	.3300	1.7500
Series JLM506800									
JLM506849	JLM506810	2.1654	.9055	.0600	3.5430	.7283	.0200	.1772	.9055
JLM506849	JLM506811	2.1654	.9055	.0600	3.5430	.8071	.0200	.1772	.9843
JLM506849A	JLM506810	2.1654	.9055	.1400	3.5430	.7283	.0200	.1772	.9055
JLM506849A	JLM506811	2.1654	.9055	.1400	3.5430	.8071	.0200	.1772	.9843
<i>Components of BR42</i>									
Series LM508700									
JLM508748 VP	JLM508710 VP	2.3622	.9449	.2000	3.7402	.7480	.1000	—	.9449

Tapered roller bearings

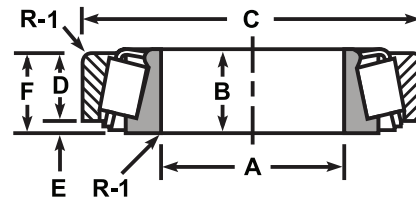
Series / Numerical listing



Bearing no.		Cone dimensions			Cup dimensions				
Cone	Cup	I.D. A	Length B	Radius R-1	O.D. C	Length D	Radius R-1	Standout E	Width F
Series M511900									
JM511945	JM511910 VP	2.5591	.8858	.1000	4.3307	.8858	.1000	.2166	1.1024
JM511946 VP	JM511910 VP	2.5591	1.1024	.1200	4.3307	.8858	.1000	.2166	1.1024
Series M515600									
JM515649 VP	JM515610 VP	3.1496	1.3386	.1200	5.1180	1.2200	.1000	.2560	1.3780
Series HM516400									
HM516448 VP	HM516410 VP	3.2500	1.5625	.2700	5.2500	1.2813	.1300	.2812	1.5625
HM516448 VP	HM516414-B VP	3.2500	1.5625	.2700	5.3750	1.2813	.0600	.2812	1.5625
<i>HM516414-B VP Flange on OD front face</i>									
HM516449-A VP	HM516410 VP	3.2500	1.5625	.3280	5.2500	1.2813	.1300	.2812	1.5625
HM516449-A VP	HM516414-B VP	3.2500	1.5625	.3280	5.3750	1.2813	.0600	.2812	1.5625
<i>HM516414-B VP Flange on OD front face</i>									
HM516449-C VP	HM516410 VP	3.2500	1.5625	.1400	5.2500	1.2813	.1300	.2812	1.5625
HM516449-C VP	HM516414-B VP	3.2500	1.5625	.1400	5.3750	1.2813	.0600	.2812	1.5625
<i>HM516414-B VP Flange on OD front face</i>									
Series HM518400									
HM518445 VP	HM518410 VP	3.500	1.5625	.2500	6.000	1.1875	.1300	.3750	1.5625
Series HM526400									
HM516448 VP	HM516410 VP	3.250	1.5625	.2700	5.250	1.2813	.1300	.2812	1.5625
Series HM534100									
JHM534149	JHM534110	6.6929	1.4961	.1200	9.0551	1.2205	.1000	—	—
Series LM603000									
JLM603048F	LM603011	1.7720	.9449	.1400	3.0630	.5937	.0300	.1875	.7812
JLM603048F	LM603012	1.7720	.9449	.1400	3.0630	.6562	.0300	.1875	.8437
JLM603048F	JLM603013Z	1.7720	.9449	.1400	3.0710	.5906	.0900	.2559	.8465
JLM603048F	LM603014	1.7720	.9449	.1400	3.1500	.5937	.0300	.1875	.7812
LM603049 VP	LM603011	1.7810	.7812	.1400	3.0630	.5937	.0300	.1875	.7812
<i>Components of BR37</i>									
LM603049 VP	LM603012	1.7810	.7812	.1400	3.0630	.6562	.0300	.1875	.8437
<i>Components of BR36</i>									
LM603049 VP	JLM603013Z	1.7810	.7812	.1400	3.0710	.5906	.0900	.2559	.8465
LM603049 VP	LM603014	1.7810	.7812	.1400	3.1500	.5937	.0300	.1875	.7812
LM603049 VP	LM603019	1.7810	.7812	.1400	3.0610	.6496	.0300	—	.6496

Tapered roller bearings

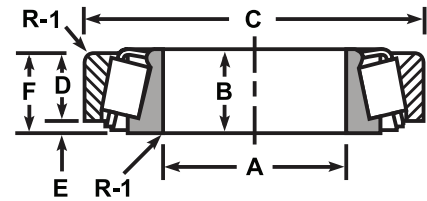
Series / Numerical listing



Bearing no.		Cone dimensions			Cup dimensions				
Cone	Cup	I.D. A	Length B	Radius R-1	O.D. C	Length D	Radius R-1	Standout E	Width F
Series L610500									
L610549	L610510	2.5000	.7500	.0600	3.7190	.5938	.0600	.1562	.7500
Series LM613000									
LM613449	LM613410	2.7500	.8660	.0600	4.4375	.6250	.0300	—	—
Series HM617000									
HM617049	HM617010	3.3750	1.6875	.1900	5.5960	1.3438	.1200	.3437	1.6875
Series L623100									
L623149	L623110	4.5000	.8438	.0600	6.0000	.6563	.0600	.1875	.8438
Series LM704600									
JLM704649	JLM704610	1.9685	.8661	.1400	3.3070	.6890	.0600	.1771	.8611
Series LM710900									
JLM710949 VP	JLM710910 VP	2.5590	.9055	.1200	4.1340	.7283	.0400	.1166	.9449
Series LM714100									
JLM714149	JLM714110	2.9528	.9843	.1200	4.5276	.7480	.1000	.2363	.9843
Series M714200									
JM714249 VP	JM714210 VP	2.9528	1.1614	.1200	4.7240	.9843	.1000	.2362	1.2205
Series H715300									
H715332	H715310	2.3750	1.8125	.1400	5.5000	1.4375	.1300	.3750	1.8125
H715332	H715311 VP	2.3750	1.8125	.1400	5.3750	1.4375	.1300	.3750	1.1825
H715334 VP	H715310	2.4375	1.8125	.1400	5.5000	1.4375	.1300	.3750	1.8125
H715334 VP	H715311 VP	2.4375	1.8125	.1400	5.3750	1.4375	.1300	.3750	1.8125
H715340	H715310	2.5650	1.8125	.1400	5.5000	1.4375	.1300	.3750	1.8125
H715340	H715311 VP	2.5650	1.8125	.1400	5.3750	1.4375	.1300	.3750	1.8125
H715341	H715310	2.6267	1.8125	.1400	5.5000	1.4375	.1300	.3750	1.8125
H715341	H715311 VP	2.6267	1.8125	.1400	5.3750	1.4375	.1300	.3750	1.8125
H715343 VP	H715310	2.6875	1.8125	.1400	5.5000	1.4375	.1300	.3750	1.8125
H715343 VP	H715311 VP	2.6875	1.8125	.1400	5.3750	1.4375	.1300	.3750	1.8125
H715345 VP	H715310	2.8125	1.8125	.1400	5.5000	1.4375	.1300	.3750	1.8125
H715345 VP	H715311 VP	2.8125	1.8125	.1400	5.3750	1.4375	.1300	.3750	1.8125
Series JM716600									
JM716649	JM716610 VP	3.3465	1.1417	.1200	5.1180	.9449	.1000	.2362	1.1811
JM716649	JM716612-A	3.3465	1.1417	.1200	5.1806	.9449	.1800	.2369	1.1811

Tapered roller bearings

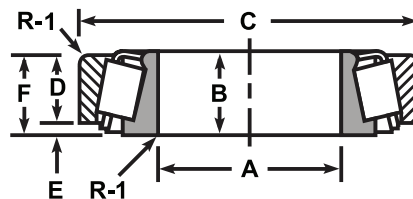
Series / Numerical listing



Bearing no.		Cone dimensions			Cup dimensions				
Cone	Cup	I.D. A	Length B	Radius R-1	O.D. C	Length D	Radius R-1	Standout E	Width F
Series M718100									
JM718149 VP	JM718110 VP	3.5430	1.3386	.1200	5.7087	1.0630	.1000	.3150	1.3780
Series M719100									
JM719149	JM719113	3.7402	1.3386	.1200	5.9055	1.0630	.1000	.3150	1.3780
Series HM720200									
JHM720249 VP	JHM720210 VP	3.9370	1.5748	.1200	6.2992	1.2598	.1000	.3544	1.6142
Series M720200									
JM720249	JM720210	3.9370	1.3780	.1200	6.1024	1.1024	.1000	.3149	1.4173
Series XR736000									
JM736149	JM736110	7.0866	1.7717	.1200	9.8425	1.4567	.1000	—	—
Series HM801300									
HM801346 VP	HM801310 VP	1.5000	1.1250	.0300	3.2500	.9063	.1300	.2500	1.1563
HM801349	HM801310 VP	1.5938	1.1250	.1400	3.2500	.9063	.1300	.2500	1.1563
Series M802000									
M802048 VP	M802011 VP	1.6250	1.0100	.1400	3.2500	.7950	.1300	.2500	1.0450
Series HM803100									
HM803145	HM803110	1.6250	1.1563	.0300	3.5000	.9063	.1300	.2812	1.1875
HM803146 VP	HM803110	1.6250	1.1563	.1400	3.5000	.9063	.1300	.2812	1.1875
HM803146 VP	HM803111	1.6250	1.1563	.1400	3.5000	.9060	.0310	.2812	1.1875
HM803149 VP	HM803110	1.7500	1.1563	.1400	3.5000	.9063	.1300	.2812	1.1875
Series M804000									
M804048	M804010	1.8750	1.0000	.0300	3.5000	.7500	.1300	.2500	1.0000
M804049	M804010	1.8750	1.0000	.1400	3.5000	.7500	.1300	.2500	1.0000
Series HM804800									
HM804840	HM804810 VP	1.6250	1.1563	.1400	3.7500	.9063	.1300	.2812	1.1875
HM804846	HM804810 VP	1.8750	1.1563	.1400	3.7500	.9063	.1300	.2812	1.1875
HM804848 VP	HM804810 VP	1.9060	1.1563	.0900	3.7500	.9063	.1300	.2812	1.1875
HM804849	HM804810 VP	1.9060	1.1563	.1400	3.7500	.9063	.1300	.2812	1.1875
Series LM806300									
LM806349-C	LM806310	2.1250	.7970	.1000	3.5000	.5781	.0800	.2188	.7969
Series LM806600									
LM806649 VP	LM806610 VP	2.1250	.7500	.0900	3.5000	.5312	.0800	.2188	.7500

Tapered roller bearings

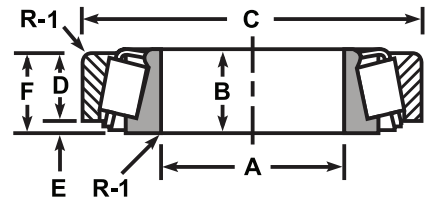
Series / Numerical listing



Bearing no.		Cone dimensions			Cup dimensions				
Cone	Cup	I.D. A	Length B	Radius R-1	O.D. C	Length D	Radius R-1	Standout E	Width F
Series HM807000									
HM807040 VP	HM807010 VP	1.7500	1.4375	.1400	4.1250	1.1250	.1300	.3125	1.4375
HM807044	HM807010 VP	1.9375	1.4375	.1400	4.1250	1.1250	.1300	.3125	1.4375
HM807046 VP	HM807010 VP	2.0000	1.4375	.1400	4.1250	1.1250	.1300	.3125	1.4375
HM807049 VP	HM807010 VP	2.1250	1.4375	.1400	4.1250	1.1250	.1300	.3125	1.4375
Series HM813800									
HM813841 VP	HM813810 VP	2.3750	1.4375	.1400	5.0000	1.0625	.1300	.3750	1.4375
HM813843	HM813810 VP	2.4375	1.4375	.1400	5.0000	1.0625	.1300	.3750	1.4375
HM813844 VP	HM813810 VP	2.6250	1.4375	.1400	5.0000	1.0625	.1300	.3750	1.4375
Series LM814800									
LM814849 VP	LM814810 VP	3.0625	1.0000	.1400	4.6250	.7550	.1300	.2500	1.0000
Series M822000									
JM822049 VP	JM822010 VP	4.3307	1.3780	.1200	6.4960	1.0433	.1000	.3347	1.3780
Series HM903200									
HM903244	HM903216	1.6250	1.1142	.0600	3.8750	.8750	.0300	.3438	1.2188
<i>Type TSS</i>									
HM903247	HM903210	1.7500	1.1142	.0500	3.7500	.8750	.0300	.3438	1.2188
<i>Type TSS</i>									
HM903247	HM903216	1.7500	1.1142	.0500	3.8750	.8750	.0300	.3438	1.2188
<i>Type TSS</i>									
HM903249	HM903210	1.7500	1.1250	.1400	3.7500	.8750	.0300	.3438	1.2188
<i>Type TSS</i>									
HM903249	HM903216	1.7500	1.1250	.1400	3.8750	.8750	.0300	.3438	1.2188
<i>Type TSS</i>									
HM903249-A	HM903210	1.7500	1.1420	.1400	3.7500	.8750	.0300	.3438	1.2188
<i>Type TSS</i>									
HM903249-A	HM903216	1.7500	1.1420	.1400	3.8750	.8750	.0300	.3438	1.2188
<i>Type TSS</i>									
Series M903300									
M903345	M903310	1.6250	.9375	.1400	3.6250	.6563	.0600	.3750	1.0313
Series HM911200									
HM911242	HM911210 VP	2.1250	1.3125	.1400	5.1250	.9375	.1300	.5000	1.4375
<i>Type TSS</i>									
HM911245 VP	HM911210 VP	2.3750	1.3125	.2000	5.1250	.9375	.1300	.5000	1.4375
<i>Type TSS</i>									

Tapered roller bearings

Series / Numerical listing



Bearing no.		Cone dimensions			Cup dimensions				
Cone	Cup	I.D. A	Length B	Radius R-1	O.D. C	Length D	Radius R-1	Standout E	Width F

Series H913800

H913842 VP	H913810 VP	2.4375	1.5625	.1400	5.7500	1.000	.1300	.6250	1.6250
------------	------------	--------	--------	-------	--------	-------	-------	-------	--------

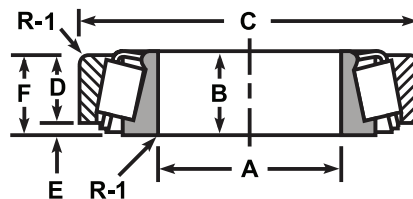
Type TSS

Series NP

NP080525	NP543803	2.3622	1.0000	.1400	3.9370	.7795	—	—	—
NP114036	NP064306	2.2500	.8640	.2000	3.8125	.6250	.0300	—	—
NP123221	NP787333	1.7913	1.0000	.1400	3.2677	.7480	.0500	—	.7480
NP197868	NP802507	2.2500	.8640	.1378	3.8130	.7930	.0900	—	.8750
NP201062	NP101912	2.5580	1.000	.0600	4.4382	.7500	.1300	—	—
NP244401	LM67010 VP	1.2500	.6600	.1400	2.3280	.4650	.0500	.1600	.6250
NP258107	NP261058	1.5040	.6496	.0900	2.6380	.4410	—	—	—
NP270758	NP378971	.6875	.5750	.0500	.6875	.5750	.0500	.1250	.5450
NP343847	NP372019	2.2840	.8660	.1600	3.7800	.7290	.0600	.1875	.8752
NP457992	NP926068	1.6250	1.0100	.1400	3.2500	.7950	.1300	—	—
NP504493	NP949481	1.9375	1.2187	.1400	4.1250	.8900	.1300	.1875	.8750
NP516549	NP673386	2.0000	1.0594	.1400	4.3750	.8125	.1300	—	.8125
NP559445	NP254157	.6875	.5750	.0500	3.2500	.5910	—	.1250	.8268
NP559445	NP945727	.6875	.5750	.0500	3.2500	.5910	.1300	.1250	.8268
NP568415	NP908986	2.5555	.9055	.0600	3.9390	.6880	.0600	—	—
NP576375	NP434567	1.9685	1.2795	.1600	3.7402	.8268	.0600	—	—
NP622157	NP382209	2.1650	.9055	.0600	3.5039	.7244	—	—	—
NP678813	BR39412	2.5000	.8661	.0200	4.1250	.6250	.0800	.2188	.8438
NP682887	NP307044	1.6200	.9555	.1400	3.0000	.7600	—	—	—
NP722065	NP013743	1.6250	.9063	—	3.0000	.6875	—	—	—
NP848872	NP673386	2.1250	1.0594	.1400	4.3750	.8125	.1300	—	.8125
NP889967	NP178207	1.6142	.7800	.1400	2.8910	.5800	.0300	—	—
NP903590	NP640324	1.3740	.9688	.0600	2.8740	.7480	—	—	—
NP952605	JL69310 VP	1.4961	.6693	.1300	2.4800	.5315	.0500	.1378	.6693
NP966883	NP759177	1.3100	.8750	.1300	2.6875	.6328	—	1.3100	.8750

Tapered roller bearings

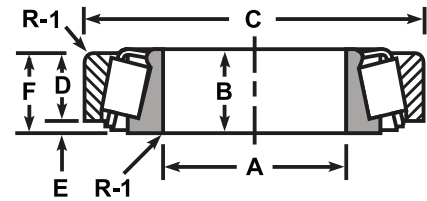
I.D. size listing



Cup dimensions			Cone dimensions				Bearing no.			
O.D. C	Length D	Radius R-1	I.D. A	Length B	Radius R-1	Standout E	Width F	Cone	Cup	
.5000										
1.3775	.3437	.0500	.5000	.4326	.0500	.0893	.4430	A4050	A4138 VP	
.5900										
1.3775	.3437	.0500	.5900	.4326	.0300	.0893	.4430	A 4059	A4138 VP	
.6250										
1.3775	.3430	.0500	.6250	.4330	.0500	.0900	.4330	L21549	L21511	
1.5750	.3750	.0500	.6250	.4390	.0500	.0980	.4730	A6062	A6157	
1.6250	.4375	.0800	.6250	.5780	.0500	.1250	.5625	BR03062	BR03162	
1.6875	.3750	.0600	.6250	.5625	.0600	.1875	.5625	BR11590	BR11520	
1.6875	.5313	.0600	.6250	.6563	.0600	.1250	.6563	BR17580	BR17520	
1.8500	.4724	.0600	.6250	.5662	.0600	.1287	.5662	BR05062	BR05185	
.6294										
1.8494	.6299	.0800	.6294	.8268	.0400	.1969	.8268	HM81649	HM81610	
.6690										
1.5750	.3750	.0500	.6690	.4391	.0300	.0980	.4730	A6067	A6157	
.6875										
-	-	-	.6875	.5750	.0500	.1250	.5450	NP270758	NP378971	
1.5700	.4200	.0500	.6875	.5750	.0500	.1250	.5450	LM11749 VP	LM11710 VP	
3.2500	.5910	-	.6875	.5750	.0500	.1250	.8268	NP559445	NP254157	
3.2500	.5910	.1300	.6875	.5750	.0500	.1250	.8268	NP559445	NP945727	
.7500										
1.5750	.3750	.0500	.7500	.4391	.0400	.0980	.4730	A6075	A6157	
1.7500	.3750	.0600	.7500	.4688	.0600	.1250	.5000	4-A	M6	
1.8500	.4724	.0600	.7500	.5662	.0500	.1287	.5662	BR05075	BR05185	
1.9380	.6875	.1400	.7500	.7500	.0500	.2188	.9063	BR09067	BR09194	
1.9380	.5625	.0500	.7500	.7500	.0500	.2188	.7813	BR09067	BR09195	
1.9380	.6875	.0600	.7500	.7500	.0500	.2188	.9063	BR09067	BR09196	
1.9380	.6875	.1400	.7500	.8480	.0600	.2188	.9063	BR09074	BR09194	
1.9380	.5625	.0500	.7500	.8480	.0600	.2188	.7813	BR09074	BR09195	
1.9380	.6875	.0600	.7500	.8480	.0600	.2188	.9063	BR09074	BR09196	
1.9380	.6875	.1400	.7500	.8480	.0500	.2188	.9063	BR09078	BR09194	
1.9380	.5625	.0500	.7500	.8480	.0500	.2188	.7813	BR09078	BR09195	
1.9380	.6875	.0600	.7500	.8480	.0500	.2188	.9063	BR09078	BR09196	
1.7810	.4750	.0500	.7500	.6550	.0500	.1350	.6100	LM11949 VP	LM11910 VP	
1.7810	.4750	.0500	.7500	.6500	.0500	.1350	.6100	LM11900-LA	LM11910 VP	
2.1250	.6250	.0900	.7500	.8598	.0600	.2500	.8750	BR21075	BR21212	

Tapered roller bearings

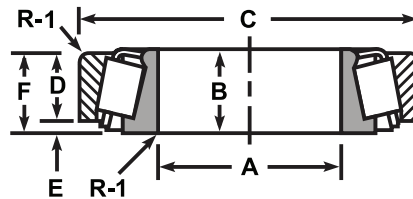
I.D. size listing



Cup dimensions			Cone dimensions			Bearing no.			
O.D. C	Length D	Radius R-1	I.D. A	Length B	Radius R-1	Standout E	Width F	Cone	Cup
.7869									
1.8500	.4724	.0600	.7869	.5662	.0600	.1287	.5662	BR05079	BR05185
.8120									
1.9380	.5625	.0500	.8120	.8480	.0600	.2188	.7813	BR09081	BR09195
1.9380	.6875	.1400	.8120	.8480	.0600	.2188	.9063	BR09081	BR09194
1.9380	.6875	.0600	.8120	.8480	.0600	.2188	.9063	BR09081	BR09196
.8125									
1.7500	.3750	.0600	.8125	.4760	.0500	.1250	.5000	4CB	M6
1.9380	.6250	.0600	.8125	.7813	.0600	.1563	.7813	BR12580	BR12520
.8437									
1.7810	.4750	.0500	.8437	.6550	.0500	.1350	.6100	LM12748 VP	LM12710 VP
1.8100	.4750	.0500	.8437	.6550	.0500	.1350	.6100	LM12748 VP	LM12711 VP
1.9687	.5500	.0500	.8437	.7200	.0500	.1400	.6900	M12600-LA	M12610 VP
.8440									
1.9687	.5500	.0500	.8440	.7200	.0500	.1400	.6900	M12649 VP	M12610 VP
.8656									
1.7810	.4750	.0500	.8656	.6550	.0500	.1350	.6100	LM12749 VP	LM12710 VP
1.7810	.4750	.0500	.8656	.6550	.0500	.1350	.6100	LM12749-F	LM12710 VP
1.8100	.4750	.0500	.8656	.6550	.0500	.1350	.6100	LM12749 VP	LM12711 VP
1.8100	.4750	.0500	.8656	.6550	.0500	.1350	.6100	LM12749-F	LM12711 VP
.8750									
1.9687	.3750	.0400	.8750	.5614	.0500	.1563	.5313	BR07087	BR07196
2.0000	.5000	.0600	.8750	.5614	.0500	.0910	.5910	BR07087	07210-X VP
2.0470	.5000	.0500	.8750	.5614	.0500	.0910	.5910	BR07087	BR07204
2.0625	.5625	.0600	.8750	.7640	.0600	.2000	.7625	BR1380	BR1328
2.1250	.5630	.0600	.8750	.7640	.0600	.2000	.7625	BR1380	BR1329
2.2400	.6250	.0600	.8750	.7810	.0500	.1375	.7625	BR1755	1729-X
2.2400	.6250	.0500	.8750	.7810	.0500	.1375	.7625	BR1755	BR1729
2.2500	.6875	.0600	.8750	.8750	.0300	.1875	.8750	BR1280	BR1220
.8900									
1.8504	.4724	.0400	.8900	.6102	.0600	.3378	.8102	LM72849	LM72810
.9375									
1.9687	.3750	.0400	.9375	.5614	.0600	.1563	.5313	BR07093	BR07196
2.0000	.5000	.0600	.9375	.5614	.0600	.0910	.5910	BR07093	07210-X VP
2.0470	.5000	.0500	.9375	.5614	.0600	.0910	.5910	BR07093	BR07204

Tapered roller bearings

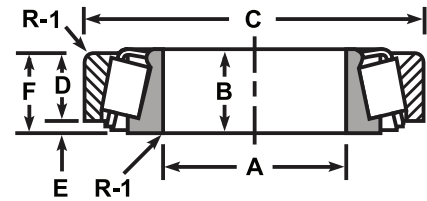
I.D. size listing



Cup dimensions			Cone dimensions				Bearing no.			
O.D. C	Length D	Radius R-1	I.D. A	Length B	Radius R-1	Standout E	Width F	Cone	Cup	
.9380										
1.9800	.4200	.0500	.9380	.5800	.0600	.1400	.5600	L44640	L44610 VP	
2.2400	.6250	.0600	.9380	.7810	.0300	.1375	.7625	BR1779	1729-X	
2.2400	.6250	.0500	.9380	.7810	.0300	.1375	.7625	BR1779	BR1729	
.9835										
1.9687	.3750	.0400	.9835	.5614	.0600	.1563	.5313	BR07098	BR07196	
2.0000	.5000	.0600	.9835	.5614	.0600	.0910	.5910	BR07098	07210-X VP	
2.0470	.5000	.0500	.9835	.5614	.0600	.0910	.5910	BR07098	BR07204	
.9843										
1.9687	.3750	.0400	.9843	.5614	.0600	.1563	.5313	BR07097	BR07196	
2.0000	.5000	.0600	.9843	.5614	.0600	.0910	.5910	BR07097	07210-X VP	
2.0470	.5000	.0500	.9843	.5614	.0600	.0910	.5910	BR07097	BR07204	
.9990										
1.9800	.4200	.0500	.9990	.6210	-	.1400	.5600	L44600-LA	L44610 VP	
1.0000										
1.9687	.3750	.0400	1.0000	.5614	.0400	.1563	.5313	BR07100	BR07196	
1.9687	.3750	.0400	1.0000	.5614	.0600	.1563	.5313	07000-LA	BR07196	
1.9687	.3750	.0400	1.0000	.5614	.0600	.1563	.5313	07100-S	BR07196	
1.9800	.4200	.0500	1.0000	.5800	.0600	.1400	.5600	L44600-LB	L44610 VP	
1.9800	.4200	.0500	1.0000	.5800	.0500	.1400	.5600	L44643 VP	L44610 VP	
2.0000	.5000	.0600	1.0000	.5614	.0400	.0910	.5910	BR07100	07210-X VP	
2.0470	.5000	.0500	1.0000	.5614	.0400	.0910	.5910	BR07100	BR07204	
2.0470	.5000	.0500	1.0000	.5614	.0600	.0910	.5910	07100-S	BR07204	
2.2400	.6250	.0600	1.0000	.7810	.0300	.1375	.7625	BR1780	1729-X	
2.2400	.6250	.0500	1.0000	.7810	.0300	.1375	.7625	BR1780	BR1729	
2.2500	.6250	.0600	1.0000	.7620	.0500	.1563	.7813	BR1986	BR1922	
2.2500	.5313	.0600	1.0000	.6875	.0500	.1562	.6875	BR15578	BR15520	
2.2500	.5800	.0600	1.0000	.7650	.0600	.1875	.7650	M84548 VP	M84510 VP	
2.3125	.5937	.0500	1.0000	.7620	.0500	.1563	.7500	BR1986	BR1932	
2.3437	.7200	.0600	1.0000	.9100	.0300	.2000	.9200	M84249 VP	M84210 VP	
2.3750	.6250	.0600	1.0000	.6875	.0500	.1562	.7812	BR15578	BR15523	
2.4375	.5625	.0800	1.0000	.8125	.0500	.1875	.7500	15100-S	BR15243	
2.4375	.5625	.0800	1.0000	.8125	.0500	.1875	.7500	BR15100	BR15243	
2.4375	.5625	.0800	1.0000	.8125	.0300	.1875	.7500	BR15101	BR15243	
2.4409	.6250	.0500	1.0000	.8125	.0500	.1875	.6250	15100-S	BR15244	
2.4409	.5625	.0500	1.0000	.8125	.0500	.1875	.5630	15100-S	BR15245	
2.4409	.6250	.0500	1.0000	.8125	.0500	.1875	.6250	BR15100	BR15244	

Tapered roller bearings

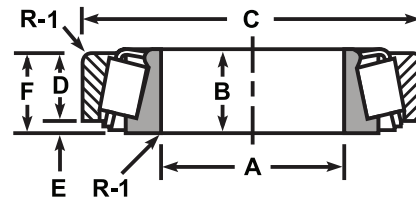
I.D. size listing



Cup dimensions			Cone dimensions			Bearing no.			
O.D. C	Length D	Radius R-1	I.D. A	Length B	Radius R-1	Standout E	Width F	Cone	Cup
2.4409	.5625	.0500	1.0000	.8125	.0500	.1875	.5630	BR15100	BR15245
2.4409	.6250	.0500	1.0000	.8125	.0300	.1875	.6250	BR15101	BR15244
2.4409	.5625	.0500	1.0000	.8125	.0300	.1875	.5630	BR15101	BR15245
2.4843	.7500	.1300	1.0000	1.0013	.0500	.1875	.9375	BR2687	BR2620
2.5000	.6250	.0600	1.0000	.8125	.0500	.1875	.6250	15100-S	15250-X VP
2.5000	.6250	.0500	1.0000	.8125	.0500	.1875	.8125	15100-S	BR15250
2.5000	.6250	.0600	1.0000	.8125	.0500	.1875	.6250	BR15100	15250-X VP
2.5000	.6250	.0500	1.0000	.8125	.0500	.1875	.8125	BR15100	BR15250
2.5000	.6250	.0600	1.0000	.8125	.0300	.1875	.6250	BR15101	15250-X VP
2.5000	.6250	.0500	1.0000	.8125	.0300	.1875	.8125	BR15101	BR15250
2.5630	.6250	.0600	1.0000	.8450	.0600	.2500	.8750	BR23100	BR23256
2.6150	.7500	.0500	1.0000	1.0013	.0500	.1875	.9375	BR2687	BR2631
1.0230									
2.2500	.5313	.0600	1.0230	.6875	.1400	.1562	.6875	15579-X	BR15520
2.3750	.6250	.0600	1.0230	.6875	.1400	.1562	.7812	15579-X	BR15523
1.0298									
2.4375	.5625	.0800	1.0298	.8125	.0300	.1875	.7500	BR15103	BR15243
2.4409	.6250	.0500	1.0298	.8125	.0300	.1875	.6250	BR15103	BR15244
2.4409	.5625	.0500	1.0298	.8125	.0300	.1875	.5630	BR15103	BR15245
2.5000	.6250	.0600	1.0298	.8125	.0300	.1875	.6250	BR15103	15250-X VP
2.5000	.6250	.0500	1.0298	.8125	.0300	.1875	.8125	BR15103	BR15250
1.0300									
2.4375	.5625	.0800	1.0300	.7850	.0300	.1875	.7500	15103-S VP	BR15243
2.4409	.6250	.0500	1.0300	.7850	.0300	.1875	.6250	15103-S VP	BR15244
2.4409	.5625	.0500	1.0300	.7850	.0300	.1875	.5630	15103-S VP	BR15245
2.5000	.6250	.0600	1.0300	.7850	.0300	.1875	.6250	15103-S VP	15250-X VP
2.5000	.6250	.0500	1.0300	.7850	.0300	.1875	.8125	15103-S VP	BR15250
1.0620									
2.2400	.6250	.0300	1.0620	.7620	.0300	.1563	.7813	BR1987	BR1930
2.2500	.6250	.0600	1.0620	.7620	.0300	.1563	.7813	BR1987	BR1922
2.3750	.6250	.0500	1.0620	.7620	.0300	.1563	.7813	BR1987	BR1931
1.0625									
1.9800	.4200	.0500	1.0625	.5800	.1400	.1400	.5600	L44649 VP	L44610 VP
2.2500	.5313	.0600	1.0625	.6875	.1400	.1562	.6875	BR15580	BR15520
2.3750	.6250	.0600	1.0625	.6875	.1400	.1562	.7812	BR15580	BR15523
2.4375	.5625	.0800	1.0625	.8125	.0300	.1875	.7500	BR15106	BR15243
2.4409	.6250	.0500	1.0625	.8125	.0300	.1875	.6250	BR15106	BR15244

Tapered roller bearings

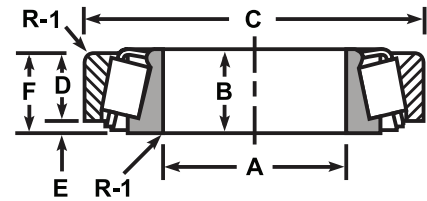
I.D. size listing



Cup dimensions			Cone dimensions				Bearing no.		
O.D. C	Length D	Radius R-1	I.D. A	Length B	Radius R-1	Standout E	Width F	Cone	Cup
2.4409	.5625	.0500	1.0625	.8125	.0300	.1875	.5630	BR15106	BR15245
2.5000	.6250	.0600	1.0625	.8125	.0300	.1875	.6250	BR15106	15250-X VP
2.5000	.6250	.0500	1.0625	.8125	.0300	.1875	.8125	BR15106	BR15250
1.1147									
1.7500	.3750	.0600	1.1147	.3092	-	.1250	.5000	5BC	M6
1.1250									
2.2400	.6250	.0300	1.1250	.7620	.0300	.1563	.7813	BR1985	BR1930
2.2400	.6250	.0300	1.1250	.7620	.1400	.1563	.7813	BR1988	BR1930
2.2500	.6250	.0600	1.1250	.7620	.1400	.1563	.7813	BR1988	BR1922
2.2500	.5313	.0600	1.1250	.6875	.1400	.1562	.6875	BR15590	BR15520
2.3125	.5937	.0500	1.1250	.7620	.0300	.1563	.7500	BR1985	BR1932
2.3750	.6250	.0500	1.1250	.7620	.1400	.1563	.7813	BR1988	BR1931
2.3750	.6250	.0600	1.1250	.6875	.1400	.1562	.7812	BR15590	BR15523
2.4375	.5625	.0800	1.1250	.8125	.1400	.1875	.7500	BR15112	BR15243
2.4375	.5625	.0800	1.1250	.8125	.0300	.1875	.7500	BR15113	BR15243
2.4409	.6250	.0500	1.1250	.8125	.1400	.1875	.6250	BR15112	BR15244
2.4409	.5625	.0500	1.1250	.8125	.1400	.1875	.5630	BR15112	BR15245
2.4409	.6250	.0500	1.1250	.8125	.0300	.1875	.6250	BR15113	BR15244
2.4409	.5625	.0500	1.1250	.8125	.0300	.1875	.5630	BR15113	BR15245
2.4843	.7500	.1300	1.1250	1.0013	.0500	.1875	.9375	BR2689	BR2620
2.5000	.6250	.0600	1.1250	.8125	.1400	.1875	.6250	BR15112	15250-X VP
2.5000	.6250	.0500	1.1250	.8125	.1400	.1875	.8125	BR15112	BR15250
2.5000	.6250	.0600	1.1250	.8125	.0300	.1875	.6250	BR15113	15250-X VP
2.5000	.6250	.0500	1.1250	.8125	.0300	.1875	.8125	BR15113	BR15250
2.5310	.6563	.0600	1.1250	.8438	.0600	.1785	.8438	M86647 VP	M86610 VP
2.6150	.8125	.1300	1.1250	.9983	.0900	.1875	1.0000	BR2578	BR2520
2.6150	.7500	.0500	1.1250	1.0013	.0500	.1875	.9375	BR2689	BR2631
2.6875	.6875	.0600	1.1250	.8750	.0300	.1875	.8750	BR02474	BR02420
2.7500	.7500	.0600	1.1250	.9983	.0900	.1875	.9375	BR2578	2523-S
2.7500	.7500	.0500	1.1250	.9983	.0900	.1875	.9375	BR2578	BR2523
2.8593	.6875	.0600	1.1250	.9550	.1900	.2813	.9688	BR41125	BR41286
2.8750	.6875	.1300	1.1250	.8750	.0300	.1875	.8750	BR02872	BR02820
1.1562									
2.4843	.7500	.1300	1.1562	.9375	.0300	.1875	.9375	BR2691	BR2620
1.1806									
2.4409	.5625	.0600	1.1806	.6522	.0500	.1875	-	BR17118	BR17244

Tapered roller bearings

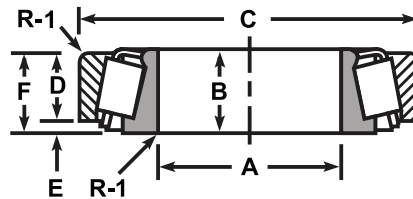
I.D. size listing



Cup dimensions			Cone dimensions			Bearing no.			
O.D. C	Length D	Radius R-1	I.D. A	Length B	Radius R-1	Standout E	Width F	Cone	Cup
1.1811									
2.4375	.5625	.0800	1.1811	.8125	.0500	.1875	.7500	BR15117	BR15243
2.4409	.6250	.0500	1.1811	.8125	.0500	.1875	.6250	BR15117	BR15244
2.4409	.5625	.0500	1.1811	.8125	.0500	.1875	.5630	BR15117	BR15245
2.5000	.6250	.0600	1.1811	.8125	.0500	.1875	.6250	BR15117	15250-X VP
2.5000	.6250	.0500	1.1811	.8125	.0500	.1875	.8125	BR15117	BR15250
2.7170	.6250	.0500	1.1811	.7710	.1400	.1563	.6250	14117-A	BR14276
2.7170	.6250	.1300	1.1811	.7560	.0300	.1563	.6250	BR14118	BR14274
2.7170	.6250	.0500	1.1811	.7560	.0300	.1563	.6250	BR14118	BR14276
2.7170	.7250	.0900	1.1811	.7560	.0300	.1563	.7250	BR14118	BR14277
1.1825									
3.3465	.8125	.0500	1.1825	1.0082	.1400	.1875	1.0000	BR2984	BR2924
1.1855									
2.4375	.5625	.0800	1.1855	.8125	.0300	.1875	.7500	BR15116	BR15243
2.4409	.6250	.0500	1.1855	.8125	.0300	.1875	.6250	BR15116	BR15244
2.4409	.5625	.0500	1.1855	.8125	.0300	.1875	.5630	BR15116	BR15245
2.5000	.6250	.0600	1.1855	.8125	.0300	.1875	.6250	BR15116	15250-X VP
2.5000	.6250	.0500	1.1855	.8125	.0300	.1875	.8125	BR15116	BR15250
1.1880									
2.5310	.6563	.0600	1.1880	.8438	.0600	.1785	.8438	M86649 VP	M86610 VP
2.6880	.6875	.0600	1.1880	.8750	.0900	.1875	.8750	M88043 VP	M88010 VP
1.1895									
2.4375	.5625	.0800	1.1895	.8125	.1400	.1875	.7500	BR15118	BR15243
2.4375	.5625	.0800	1.1895	.8125	.0600	.1875	.7500	BR15119	BR15243
2.4375	.5625	.0800	1.1895	.8125	.0300	.1875	.7500	BR15120	BR15243
2.4409	.6250	.0500	1.1895	.8125	.1400	.1875	.6250	BR15118	BR15244
2.4409	.5625	.0500	1.1895	.8125	.1400	.1875	.5630	BR15118	BR15245
2.4409	.6250	.0500	1.1895	.8125	.0600	.1875	.6250	BR15119	BR15244
2.4409	.5625	.0500	1.1895	.8125	.0600	.1875	.5630	BR15119	BR15245
2.4409	.6250	.0500	1.1895	.8125	.0300	.1875	.6250	BR15120	BR15244
2.4409	.5625	.0500	1.1895	.8125	.0300	.1875	.5630	BR15120	BR15245
2.5000	.6250	.0600	1.1895	.8125	.1400	.1875	.6250	BR15118	15250-X VP
2.5000	.6250	.0500	1.1895	.8125	.1400	.1875	.8125	BR15118	BR15250
2.5000	.6250	.0600	1.1895	.8125	.0600	.1875	.6250	BR15119	15250-X VP
2.5000	.6250	.0500	1.1895	.8125	.0600	.1875	.8125	BR15119	BR15250
2.5000	.6250	.0600	1.1895	.8125	.0300	.1875	.6250	BR15120	15250-X VP
2.5000	.6250	.0500	1.1895	.8125	.0300	.1875	.8125	BR15120	BR15250

Tapered roller bearings

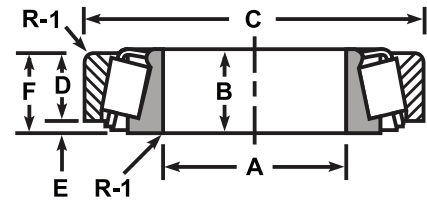
I.D. size listing



Cup dimensions			Cone dimensions				Bearing no.		
O.D. C	Length D	Radius R-1	I.D. A	Length B	Radius R-1	Standout E	Width F	Cone	Cup
1.1900									
2.7170	.6670	–	1.1900	.7710	.0300	.0943	.7613	BR14116	BR14273
2.7170	.6250	.1300	1.1900	.7710	.0300	.1563	.6250	BR14116	BR14274
2.7170	.6250	.0500	1.1900	.7710	.0300	.1563	.6250	BR14116	BR14276
2.7170	.7250	.0900	1.1900	.7710	.0300	.1563	.7250	BR14116	BR14277
2.7170	.6670	–	1.1900	1.0520	.1700	.3953	1.0623	BR14120	BR14273
2.7170	.6250	.1300	1.1900	1.0520	.1700	.4373	.6250	BR14120	BR14274
2.7170	.6250	.0500	1.1900	1.0520	.1700	.1563	.6250	BR14120	BR14276
2.7170	.7250	.0900	1.1900	1.0520	.1700	.1563	.7250	BR14120	BR14277
2.8380	.7250	.0900	1.1900	.7710	.0300	.1563	.7250	BR14116	BR14283
2.8380	.7250	.0900	1.1900	1.0520	.1700	.1563	.7250	BR14120	BR14283
1.2188									
2.4375	.5625	.0800	1.2188	.7500	–	.1875	.5630	15121-T	BR15243
2.4409	.6250	.0500	1.2188	.7500	–	.1875	.6250	15121-T	BR15244
2.4409	.5625	.0500	1.2188	.7500	–	.1875	.5630	15121-T	BR15245
2.5000	.6250	.0600	1.2188	.7500	–	.1875	.6250	15121-T	15250-X VP
2.5000	.6250	.0500	1.2188	.7500	–	.1875	.8125	15121-T	BR15250
1.2190									
2.5310	.6563	.0600	1.2190	.8438	.0900	.1785	.8438	M86648	M86610 VP
1.2500									
2.3120	.4219	.0394	1.2500	.5930	.0400	.1571	.5781	BR08125	BR08231
2.3280	.4650	.0500	1.2500	.6600	–	.1600	.6250	LM67000-LA	LM67010 VP
2.3280	.4650	.0500	1.2500	.6600	.0900	.1600	.6250	LM67048 VP	LM67010 VP
2.3280	.4650	1.3000	1.2500	.6600	.0900	.2380	.7030	LM67048-XL	LM67010-XL
2.3280	.4650	.0500	1.2500	.6600	.0300	.1600	.6250	LM67049-A VP	LM67010 VP
2.3280	.4650	.0500	1.2500	.6600	.1400	.1600	.6250	NP244401	LM67010 VP
2.4375	.5625	.0800	1.2500	.7500	–	.1875	.7500	BR15123	BR15243
2.4375	.5625	.0800	1.2500	.8125	.1400	.1875	.7500	BR15125	BR15243
2.4375	.5625	.0800	1.2500	.8125	.0300	.1875	.7500	BR15126	BR15243
2.4409	.6250	.0500	1.2500	.7500	–	.1875	.6250	BR15123	BR15244
2.4409	.5625	.0500	1.2500	.7500	–	.1875	.5630	BR15123	BR15245
2.4409	.6250	.0500	1.2500	.8125	.1400	.1875	.6250	BR15125	BR15244
2.4409	.5625	.0500	1.2500	.8125	.1400	.1875	.5630	BR15125	BR15245
2.4409	.6250	.0500	1.2500	.8125	.0300	.1875	.6250	BR15126	BR15244
2.4409	.5625	.0500	1.2500	.8125	.0300	.1875	.5630	BR15126	BR15245
2.5000	.6250	.0600	1.2500	.7500	–	.1875	.6250	BR15123	15250-X VP
2.5000	.6250	.0500	1.2500	.7500	–	.1875	.8125	BR15123	BR15250
2.5000	.6250	.0600	1.2500	.8125	.1400	.1875	.6250	BR15125	15250-X VP

Tapered roller bearings

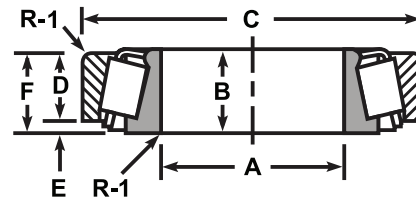
I.D. size listing



Cup dimensions			Cone dimensions			Bearing no.			
O.D. C	Length D	Radius R-1	I.D. A	Length B	Radius R-1	Standout E	Width F	Cone	Cup
2.5000	.6250	.0500	1.2500	.8125	.1400	.1875	.8125	BR15125	BR15250
2.5000	.6250	.0600	1.2500	.8125	.0300	.1875	.6250	BR15126	15250-X VP
2.5000	.6250	.0500	1.2500	.8125	.0300	.1875	.8125	BR15126	BR15250
2.5600	.6685	–	1.2500	.6600	.0300	.1600	.6685	LM67049-A VP	LM67010BCE
2.6150	.8125	.1300	1.2500	.9983	.0300	.1875	1.0000	BR2580	BR2520
2.6150	.8125	.1300	1.2500	1.0000	.1400	.1875	1.0000	BR2582	BR2520
2.6875	.6875	.0600	1.2500	.8750	.1400	.1875	.8750	BR02475	BR02420
2.6875	.6875	.0600	1.2500	.8750	.0300	.1875	.8750	BR02476	BR02420
2.6880	.6875	.0600	1.2500	.8750	.0600	.1875	.8750	M88046	M88010 VP
2.7170	.6670	–	1.2500	1.0520	.1700	–	–	14123-A	BR14273
2.7170	.6250	.1300	1.2500	1.0520	.1700	.1563	.6250	14123-A	BR14274
2.7170	.6250	.0500	1.2500	1.0520	.1700	.1563	.6250	14123-A	BR14276
2.7170	.7250	.0900	1.2500	1.0520	.1700	.1563	.7250	14123-A	BR14277
2.7170	.6670	–	1.2500	.7716	.0300	.0943	.7613	BR14124	BR14273
2.7170	.6250	.1300	1.2500	.7716	.0300	.1563	.6250	BR14124	BR14274
2.7170	.6250	.0500	1.2500	.7716	.0300	.1563	.6250	BR14124	BR14276
2.7170	.7250	.0900	1.2500	.7716	.0300	.1563	.7250	BR14124	BR14277
2.7170	.6670	–	1.2500	.7710	.1400	.0943	.7613	14125-A	BR14273
2.7170	.6250	.1300	1.2500	.7710	.1400	.1563	.6250	14125-A	BR14274
2.7170	.6250	.0500	1.2500	.7710	.1400	.1563	.6250	14125-A	BR14276
2.7170	.7250	.0900	1.2500	.7710	.1400	.1563	.7250	14125-A	BR14277
2.7500	.7500	.0600	1.2500	.9983	.0300	.1875	.9375	BR2580	2523-S
2.7500	.7500	.0500	1.2500	.9983	.0300	.1875	.9375	BR2580	BR2523
2.8380	.7250	.0900	1.2500	1.0520	.1700	.1563	.7250	14123-A	BR14283
2.8380	.7250	.0900	1.2500	.7716	.0300	.1563	.7250	BR14124	BR14283
2.8380	.7250	.0900	1.2500	.7710	.1400	.1563	.7250	14125-A	BR14283
2.8593	.9375	.1300	1.2500	1.1810	.0600	.2500	1.1875	3188-S	BR3120
2.8593	.9375	.1300	1.2500	1.1810	.0300	.2500	1.1875	BR3188	BR3120
2.8750	.6875	.1300	1.2500	.9375	.0300	.1875	.8750	BR2879	BR2820
2.8750	.9063	.1300	1.2500	1.0938	.0500	.2500	1.1563	HM88542 VP	HM88510
3.1250	.6875	.0600	1.2500	.9470	.0600	–	1.0000	BR43125	BR43312
1.2598									
2.0866	.4530	.0500	1.2598	.5906	–	–	.4530	JL26749-F VP	JL26710

Tapered roller bearings

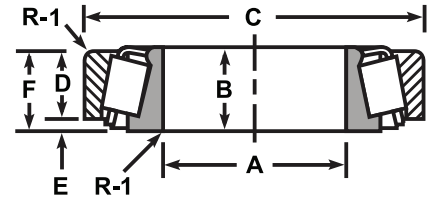
I.D. size listing



Cup dimensions			Cone dimensions			Bearing no.			
O.D. C	Length D	Radius R-1	I.D. A	Length B	Radius R-1	Standout E	Width F	Cone	Cup
1.2850									
2.8910	.5800	.0300	1.2850	2.8750	–	.1900	.7700	LM501334SD	LM501310 VP
<i>LM501334SD, double cone with square bore & threaded small end ribs</i>									
2.8910	.7160	.0900	1.2850	2.8750	–	.1900	.9060	LM501334SD	LM501311 VP
<i>LM501334SD, double cone with square bore & threaded small end ribs</i>									
2.8910	.6537	.0300	1.2850	2.8750	–	.1900	.8437	LM501334SD	LM501314 VP
<i>LM501334SD, double cone with square bore & threaded small end ribs</i>									
1.3100									
2.6875	.6328	–	1.3100	.8750	.1300	1.3100	.8750	NP759177	NP966883
1.3125									
2.6880	.6875	.0600	1.3125	.8750	.0500	.1875	.8750	M88048-A	M88010 VP
2.7170	.6670	–	1.3125	.7710	.1400	–	–	BR14130	BR14273
2.7170	.6250	.1300	1.3125	.7710	.1400	.1563	.6250	BR14130	BR14274
2.7170	.7250	.0900	1.3125	.7710	.1400	.1563	.7250	BR14130	BR14276
2.7170	.7250	.0900	1.3125	.7710	.1400	.1563	.7250	BR14130	BR14277
2.7170	.6670	–	1.3125	.7710	.0300	–	–	BR14131	BR14273
2.7170	.6250	.0500	1.3125	.7710	.0300	.1563	.6250	BR14131	BR14274
2.7170	.6250	.0500	1.3125	.7710	.0300	.1563	.6250	BR14131	BR14276
2.7170	.7250	.0900	1.3125	.7710	.0300	.1563	.7250	BR14131	BR14277
2.7170	.6670	–	1.3125	.7710	.0600	.0943	.7613	14132-T VP	BR14273
2.7170	.6250	.1300	1.3125	.7710	.0600	.4373	1.0623	14132-T VP	BR14274
2.7170	.6250	.0500	1.3125	.7710	.0600	.1563	.6250	14132-T VP	BR14276
2.7170	.7250	.0900	1.3125	.7710	.0600	.1563	.7250	14132-T VP	BR14277
2.8380	.7250	.0900	1.3125	.7710	.1400	.1563	.8813	BR14130	BR14283
2.8380	.7250	.0900	1.3125	.7710	.0300	.1563	.7250	BR14131	BR14283
2.8380	.7250	.0900	1.3125	.7710	.0600	.1563	.7250	14132-T VP	BR14283
2.8593	.9375	.1300	1.3125	1.1810	.1400	.2500	1.1875	BR3196	BR3120
1.3130									
2.6150	.8125	.1300	1.3130	.9983	.0300	.1875	1.0000	BR2581	BR2520
2.6150	.8125	.1300	1.3130	.9983	.1400	.1875	1.0000	BR2585	BR2520
2.6880	.6875	.0600	1.3130	.8750	.2200	.1875	.8750	M88047	M88010 VP
2.6880	.6875	.0600	1.3130	.8750	.0300	.1875	.8750	M88048 VP	M88010 VP
2.7500	.7500	.0600	1.3130	.9983	.0300	.1875	.9375	BR2581	2523-S
2.7500	.7500	.0500	1.3130	.9983	.0300	.1875	.9375	BR2581	BR2523
2.7500	.7500	.0600	1.3130	.9983	.1400	.1875	.9375	BR2585	2523-S
2.7500	.7500	.0500	1.3130	.9983	.1400	.1875	.9375	BR2585	BR2523
2.8750	.7500	.1300	1.3130	1.0100	.1400	.1875	.9375	BR2785	BR2726
2.8750	.7500	.0300	1.3130	1.0100	.1400	.1875	.9375	BR2785	2735-X VP

Tapered roller bearings

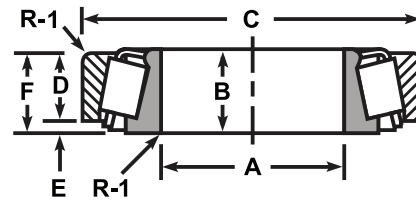
I.D. size listing



Cup dimensions			Cone dimensions			Bearing no.			
O.D. C	Length D	Radius R-1	I.D. A	Length B	Radius R-1	Standout E	Width F	Cone	Cup
2.8750	.7500	.1300	1.3130	1.0100	.0600	.1875	.9375	BR2790	BR2726
2.8750	.7500	.0300	1.3130	1.0100	.0600	.1875	.9375	BR2790	2735-X VP
2.8750	.9063	.1300	1.3130	1.0938	.0300	.2500	1.1563	HM88547	HM88510
3.0000	.7500	.1300	1.3130	1.0100	.1400	.1875	.9375	BR2785	BR2720
3.0000	.7500	.0600	1.3130	1.0100	.1400	.1875	.9375	BR2785	2729-X
3.0000	.7500	.0300	1.3130	1.0100	.1400	.1875	.9375	BR2785	BR2729
3.0000	.7500	.1300	1.3130	1.0100	.0600	.1875	.9375	BR2790	BR2720
3.0000	.7500	.0600	1.3130	1.0100	.0600	.1875	.9375	BR2790	2729-X
3.0000	.7500	.0300	1.3130	1.0100	.0600	.1875	.9375	BR2790	BR2729
3.0000	.9375	.1300	1.3130	1.1250	.0300	.2188	1.1563	BR31590	BR31520
3.0000	.9375	.0500	1.3130	1.1250	.0300	.2188	1.1563	BR31590	BR31521
3.0000	.9063	.1300	1.3130	1.1250	.0300	.2500	1.1563	HM89443	HM89410 VP
3.0000	.9063	.0300	1.3130	1.1250	.0300	.2500	1.1563	HM89443	HM89411
3.0000	.9063	.1300	1.3130	1.1250	.1500	.2500	1.1563	HM89444	HM89410 VP
3.0000	.9063	.0300	1.3130	1.1250	.1500	.2500	1.1563	HM89444	HM89411
3.1250	.6875	.0600	1.3130	.9480	.1400	-	1.0000	BR43131	BR43312
1.3740									
2.8740	.7480	-	1.3740	.9688	.0600	-	-	NP903590	NP640324
1.3750									
2.5630	.5500	.0500	1.3750	.7200	.1400	.1600	.7100	LM48500-LA	LM48510 VP
2.5630	.5500	.0500	1.3750	.7200	.1400	.1600	.7100	LM48548 VP	LM48510 VP
2.5630	.6400	.0500	1.3750	.7200	.1400	.1600	.8000	LM48548 VP	LM48511
2.5630	.5500	.0500	1.3750	.7200	.0300	.1600	.7100	LM48548-A	LM48510 VP
2.5630	.5500	.0600	1.3750	.7200	.0900	.2313	.7813	LM48548-XL	LM48510-XL
2.7170	.6670	-	1.3750	1.0520	.0300	.3753	1.0423	14136-A VP	BR14273
2.7170	.6250	.1300	1.3750	1.0520	.0300	.1563	.7813	14136-A VP	BR14274
2.7170	.6250	.0500	1.3750	1.0520	.0300	.1563	.6250	14136-A VP	BR14276
2.7170	.7250	.0900	1.3750	1.0520	.0300	.1563	.7250	14136-A VP	BR14277
2.7170	.6670	-	1.3750	1.0520	.0300	.3753	1.0423	14136-AA	BR14273
2.7170	.6250	.1300	1.3750	1.0520	.0300	.7813	.1563	14136-AA	BR14274
2.7170	.6250	.0500	1.3750	1.0520	.0300	.1563	.6250	14136-AA	BR14276
2.7170	.7250	.0900	1.3750	1.0520	.0300	.1563	.7250	14136-AA	BR14277
2.7170	.6670	-	1.3750	.7710	.0600	.0943	.7613	14137-A VP	BR14273
2.7170	.6250	.1300	1.3750	.7710	.0600	.7813	.1563	14137-A VP	BR14274
2.7170	.6250	.0500	1.3750	.7710	.0600	.1563	.6250	14137-A VP	BR14276
2.7170	.7250	.0900	1.3750	.7710	.0600	.1563	.7250	14137-A VP	BR14277
2.7170	.6670	-	1.3750	.7710	.1400	.0943	.7613	14138-A	BR14273
2.7170	.6250	.1300	1.3750	.7710	.1400	.1563	.7813	14138-A	BR14274

Tapered roller bearings

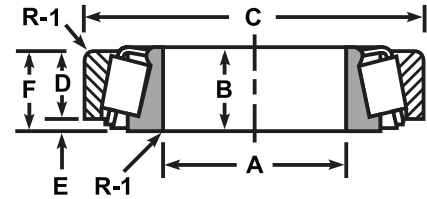
I.D. size listing



Cup dimensions			Cone dimensions				Bearing no.		
O.D. C	Length D	Radius R-1	I.D. A	Length B	Radius R-1	Standout E	Width F	Cone	Cup
2.7170	.6250	.0500	1.3750	.7710	.1400	.1563	.6250	14138-A	BR14276
2.7170	.7250	.0900	1.3750	.7710	.1400	.1563	.7250	14138-A	BR14277
2.8380	.7250	.0900	1.3750	1.0520	.0300	.1563	.7250	14136-A VP	BR14283
2.8380	.7250	.0900	1.3750	1.0520	.0300	.1563	.7250	14136-AA	BR14283
2.8380	.7250	.0900	1.3750	.7710	.0600	.1563	.7250	14137-A VP	BR14283
2.8380	.7250	.0900	1.3750	.7710	.1400	.1563	.7250	14138-A	BR14283
2.8438	.7812	.0900	1.3750	1.0000	.0900	.2188	1.0000	HM88649	HM88610
2.8750	.7500	.1300	1.3750	1.0100	.2000	.1875	.9375	BR2786	BR2726
2.8750	.7500	.0300	1.3750	1.0100	.2000	.1875	.9375	BR2786	2735-X VP
2.8750	.7500	.1300	1.3750	1.0100	.0300	.1875	.9375	BR2793	BR2726
2.8750	.7500	.0300	1.3750	1.0100	.0300	.1875	.9375	BR2793	2735-X VP
2.8750	.7500	.1300	1.3750	1.0100	.1400	.1875	.9375	BR2796	BR2726
2.8750	.7500	.0300	1.3750	1.0100	.1400	.1875	.9375	BR2796	2735-X VP
2.8750	.6875	.1300	1.3750	.8750	.1400	.1875	.8750	BR02877	BR02820
2.8750	.6875	.1300	1.3750	.9375	.0300	.1875	.8750	BR2878	BR2820
2.8750	.7500	.0900	1.3750	.9688	.0600	.1875	.9375	BR25877	BR25820
2.8750	.7500	.0300	1.3750	.9688	.0600	.1875	.9375	BR25877	BR25821
2.8750	.7500	.0900	1.3750	.9688	.1400	.1875	.9375	BR25878	BR25820
2.8750	.7500	.0300	1.3750	.9688	.1400	.1875	.9375	BR25878	BR25821
3.0000	.7500	.1300	1.3750	1.0100	.2000	.1875	.9375	BR2786	BR2720
3.0000	.7500	.0600	1.3750	1.0100	.2000	.1875	.9375	BR2786	2729-X
3.0000	.7500	.0300	1.3750	1.0100	.2000	.1875	.9375	BR2786	BR2729
3.0000	.7500	.1300	1.3750	1.0100	.0300	.1875	.9375	BR2793	BR2720
3.0000	.7500	.0600	1.3750	1.0100	.0300	.1875	.9375	BR2793	2729-X
3.0000	.7500	.0300	1.3750	1.0100	.0300	.1875	.9375	BR2793	BR2729
3.0000	.7500	.1300	1.3750	1.0100	.1400	.1875	.9375	BR2796	BR2720
3.0000	.7500	.0600	1.3750	1.0100	.1400	.1875	.9375	BR2796	2729-X
3.0000	.7500	.0300	1.3750	1.0100	.1400	.1875	.9375	BR2796	BR2729
3.0000	.9375	.1300	1.3750	1.1250	.1400	.2188	1.1563	BR31593	BR31520
3.0000	.9375	.0500	1.3750	1.1250	.1400	.2188	1.1563	BR31593	BR31521
3.0000	.9375	.1300	1.3750	1.1250	.0600	.2188	1.1563	BR31594	BR31520
3.0000	.9375	.0500	1.3750	1.1250	.0600	.2188	1.1563	BR31594	BR31521
3.0000	.9063	.1300	1.3750	1.1250	.1400	.2500	1.1563	HM89446 VP	HM89410 VP
3.0000	.9063	.0300	1.3750	1.1250	.1400	.2500	1.1563	HM89446 VP	HM89411
3.1250	.9375	.1300	1.3750	1.1721	.1400	.2188	1.1563	BR3478	BR3420
3.1500	.7018	.0500	1.3750	.8820	.0300	.1250	.8268	BR335	BR332
3.1510	1.7700	.0300	1.3750	.9930	.0300	.4800	2.2500	BR27875	27820-D

Tapered roller bearings

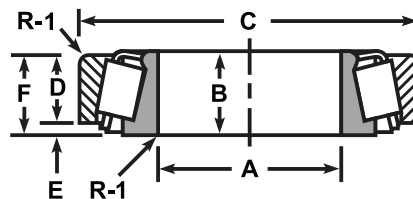
I.D. size listing



Cup dimensions			Cone dimensions			Bearing no.			
O.D. C	Length D	Radius R-1	I.D. A	Length B	Radius R-1	Standout E	Width F	Cone	Cup
3.1510	.7288	.0600	1.3750	.9930	.0300	.2400	.9688	BR27875	BR27820
3.1560	.9375	.1300	1.3750	1.1960	.1400	.2188	1.1563	BR3379	BR3320
1.3770									
2.7170	.6670	-	1.3770	.7710	.0500	.1563	.7813	BR14139	BR14273
2.7170	.6250	.1300	1.3770	.7710	.0500	.1563	.7813	BR14139	BR14274
2.7170	.6250	.0500	1.3770	.7710	.0500	.1563	.7250	BR14139	BR14276
2.7170	.7250	.0900	1.3770	.7710	.0500	.1563	.7250	BR14139	BR14277
2.8380	.7250	.0900	1.3770	.7710	.0500	.1563	.7250	BR14139	BR14283
1.3775									
2.3280	.4700	.0500	1.3775	.6600	.1400	.1550	.6250	L68149 VP	L68110 VP
2.3612	.4700	.0500	1.3775	.6600	.1400	.1550	.6250	L68149 VP	L68111 VP
1.3780									
2.4410	.5354	.0600	1.3780	.6693	.1400	.1221	.6575	LM78349	LM78310-A
2.8750	.8750	.0600	1.3780	1.0620	.1400	.1875	1.0625	BR23691	BR23620
3.0000	.8125	.0600	1.3780	1.0000	.0300	.1875	1.0000	BR26883	BR26823
3.1250	.7500	.0300	1.3780	1.0000	.0300	.1875	1.0000	BR26883	BR26822
3.1500	.7018	.0500	1.3780	.8820	.0300	.1250	.8268	BR339	BR332
3.1500	.7500	.0500	1.3780	1.0000	.0300	.1875	.9375	BR26883	BR26824
3.1560	.8125	.1300	1.3780	1.0000	.0300	.1875	.9375	BR26883	BR26820
1.4060									
2.8438	.7812	.0900	1.4060	1.0000	.1400	.2188	1.0000	HM88648 VP	HM88610
1.4117									
1.9800	.4200	.0500	1.4117	.5800	.1400	.1400	.5600	L45449 VP	L45410 VP
1.4370									
2.8750	.7500	.1300	1.4370	1.0100	.0600	.1875	.9375	BR2780	BR2726
2.8750	.7500	.0300	1.4370	1.0100	.0600	.1875	.9375	BR2780	2735-X VP
2.8750	.7500	.1300	1.4370	1.0100	.1400	.1875	.9375	BR2794	BR2726
2.8750	.7500	.0300	1.4370	1.0100	.1400	.1875	.9375	BR2794	2735-X VP
2.8750	.7500	.0900	1.4370	.9688	.0600	.1875	.9375	BR25880	BR25820
2.8750	.7500	.0300	1.4370	.9688	.0600	.1875	.9375	BR25880	BR25821
3.0000	.7500	.1300	1.4370	1.0100	.0600	.1875	.9375	BR2780	BR2720
3.0000	.7500	.0600	1.4370	1.0100	.0600	.1875	.9375	BR2780	2729-X
3.0000	.7500	.0300	1.4370	1.0100	.0600	.1875	.9375	BR2780	BR2729
3.0000	.7500	.1300	1.4370	1.0100	.1400	.1875	.9375	BR2794	BR2720
3.0000	.7500	.0600	1.4370	1.0100	.1400	.1875	.9375	BR2794	2729-X
3.0000	.7500	.0300	1.4370	1.0100	.1400	.1875	.9375	BR2794	BR2729

Tapered roller bearings

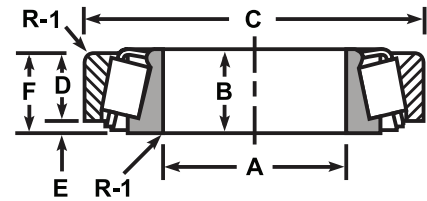
I.D. size listing



Cup dimensions			Cone dimensions				Bearing no.		
O.D. C	Length D	Radius R-1	I.D. A	Length B	Radius R-1	Standout E	Width F	Cone	Cup
1.4375									
3.1250	.9375	.1300	1.4375	1.1721	.0300	.2188	1.1563	BR3479	BR3420
3.1260	.8923	.1300	1.4375	1.1350	.1400	.2500	1.1563	HM89249	HM89210
3.3750	.9375	.1300	1.4375	1.1875	.0300	.2500	1.1875	BR3878	BR3820
1.4380									
3.0000	.9375	.1300	1.4380	1.1250	.1400	.2188	1.1563	BR31597	BR31520
3.0000	.9375	.0500	1.4380	1.1250	.1400	.2188	1.1563	BR31597	BR31521
3.0000	.9063	.1300	1.4380	1.1250	.0300	.2500	1.1563	HM89448 VP	HM89410 VP
3.0000	.9063	.0300	1.4380	1.1250	.0300	.2500	1.1563	HM89448 VP	HM89411
3.0000	.9063	.1300	1.4380	1.1250	.1400	.2500	1.1563	HM89449 VP	HM89410 VP
3.0000	.9063	.0300	1.4380	1.1250	.1400	.2500	1.1563	HM89449 VP	HM89411
3.4840	.6875	.0600	1.4380	.9330	.0900	.3125	1.0000	BR44143	BR44348
3.6250	1.5625	.0600	1.4380	.9330	.0900	-	-	BR44143	44363-D
1.4960									
2.4800	.5315	.0500	1.4960	.6693	.0500	.1378	.6693	JL69349 VP	JL69310 VP
2.4800	.5315	.0500	1.4960	.6693	.1300	.1378	.6693	JL69349H	JL69310 VP
2.4803	.5315	.0500	1.4960	.6693	.1300	.1378	.6693	JL69348	JL69310 VP
1.4961									
2.4800	.5315	.0500	1.4961	.6693	.1300	.1378	.6693	NP952605	JL69310 VP
1.5000									
2.5620	.3750	.0300	1.5000	.5000	.0600	.1250	.5000	BR13889	BR13836
2.5630	.5500	.0500	1.5000	.7200	-	.1600	.7100	LM29700-LA	LM29710 VP
2.5630	.5500	.0500	1.5000	.7200	.1300	.1600	.7100	LM29748 VP	LM29710 VP
2.5630	.6200	.0500	1.5000	.7200	.1300	.1600	.7800	LM29748 VP	LM29711 VP
2.5630	.5500	.0500	1.5000	.7200	.0900	.1600	.7100	LM29749 VP	LM29710 VP
2.5630	.6200	.0500	1.5000	.7200	.0900	.1600	.7800	LM29749 VP	LM29711 VP
2.6875	.6504	.0600	1.5000	.6500	.0600	-	-	BR19150	BR19268
2.7170	.5938	.0900	1.5000	.7500	.1400	.1562	.7500	13600-LA	BR13621
2.7170	.5938	.0300	1.5000	.7500	.1400	.1562	.7500	BR13685	BR13620
2.7170	.5938	.0900	1.5000	.7500	.1400	.1562	.7500	BR13685	BR13621
2.7170	.5938	.0300	1.5000	1.0313	.0600	.1562	.7500	BR13686	BR13620
2.7170	.5938	.0900	1.5000	1.0313	.0600	.1562	.7500	BR13686	BR13621
2.7170	.5938	.0300	1.5000	.7500	.0800	.1562	.7500	BR13687	BR13620
2.7170	.5938	.0900	1.5000	.7500	.0800	.1562	.7500	BR13687	BR13621
2.8346	.5605	.0600	1.5000	.8125	.1400	.1875	.7480	BR16150	BR16282
2.8440	.7500	.0900	1.5000	.8125	.1400	.1875	.9380	BR16150	BR16283
2.8440	.6250	.0500	1.5000	.8125	.1400	.1875	.8130	BR16150	BR16284

Tapered roller bearings

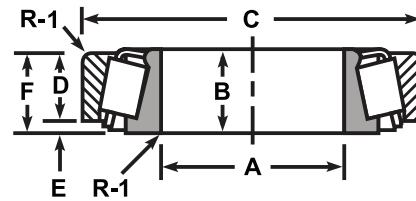
I.D. size listing



Cup dimensions			Cone dimensions			Bearing no.			
O.D. C	Length D	Radius R-1	I.D. A	Length B	Radius R-1	Standout E	Width F	Cone	Cup
2.8750	.7500	.1300	1.5000	1.0100	.1700	.1875	.9375	BR2776	BR2726
2.8750	.7500	.0300	1.5000	1.0100	.1700	.1875	.9375	BR2776	2735-X VP
2.8750	.7500	.1300	1.5000	1.0100	.2200	.1875	.9375	BR2777	BR2726
2.8750	.7500	.0300	1.5000	1.0100	.2200	.1875	.9375	BR2777	2735-X VP
2.8750	.7500	.1300	1.5000	1.0100	.0600	.1875	.9375	2788-A VP	BR2726
2.8750	.7500	.0300	1.5000	1.0100	.0600	.1875	.9375	2788-A VP	2735-X VP
2.8750	.7500	.1300	1.5000	1.0100	.1400	.1875	.9375	BR2788	BR2726
2.8750	.7500	.0300	1.5000	1.0100	.1400	.1875	.9375	BR2788	2735-X VP
3.0000	.7500	.1300	1.5000	1.0100	.1700	.1875	.9375	BR2776	BR2720
3.0000	.7500	.0600	1.5000	1.0100	.1700	.1875	.9375	BR2776	2729-X
3.0000	.7500	.0300	1.5000	1.0100	.1700	.1875	.9375	BR2776	BR2729
3.0000	.7500	.1300	1.5000	1.0100	.2200	.1875	.9375	BR2777	BR2720
3.0000	.7500	.0600	1.5000	1.0100	.2200	.1875	.9375	BR2777	2729-X
3.0000	.7500	.0300	1.5000	1.0100	.2200	.1875	.9375	BR2777	BR2729
3.0000	.7500	.1300	1.5000	1.0100	.0600	.1875	.9375	2788-A VP	BR2720
3.0000	.7500	.0600	1.5000	1.0100	.0600	.1875	.9375	2788-A VP	2729-X
3.0000	.7500	.0300	1.5000	1.0100	.0600	.1875	.9375	2788-A VP	BR2729
3.0000	.7500	.1300	1.5000	1.0100	.1400	.1875	.9375	BR2788	BR2720
3.0000	.7500	.0600	1.5000	1.0100	.1400	.1875	.9375	BR2788	2729-X
3.0000	.7500	.0300	1.5000	1.0100	.1400	.1875	.9375	BR2788	BR2729
3.0000	.8125	.0600	1.5000	1.0000	.0300	.1875	1.0000	BR26878	BR26823
3.0000	.6105	.0500	1.5000	.8244	.0600	.2020	.8125	BR28150	BR28300
3.1250	.9375	.1300	1.5000	1.1721	.1400	.2188	1.1563	BR3490	BR3420
3.1250	.7500	.0300	1.5000	1.0000	.0300	.1875	1.0000	BR26878	BR26822
3.1500	.7500	.0500	1.5000	1.0000	.0300	.1875	.9375	BR26878	BR26824
3.1510	1.7700	.0300	1.5000	.9330	.0300	.4800	2.2500	BR27880	27820-D
3.1510	.7288	.0600	1.5000	.9330	.0300	.2400	.9688	BR27880	BR27820
3.1510	1.7700	.0300	1.5000	.9330	.1400	.4800	2.2500	BR27881	27820-D
3.1510	.7288	.0600	1.5000	.9330	.1400	.2400	.9688	BR27881	BR27820
3.1560	.8125	.1300	1.5000	1.0000	.0300	.1875	.9375	BR26878	BR26820
3.1560	.9375	.1300	1.5000	1.1965	.1400	.2188	1.1563	BR3381	BR3320
3.2500	.7500	.0800	1.5000	1.0000	.0300	.1875	.9375	BR25572	BR25519
3.2500	.9063	.1300	1.5000	1.1250	.0300	.2500	1.1563	HM801346 VP	HM801310 VP
3.2650	.7500	.0300	1.5000	1.0000	.0300	.1875	.9375	BR25572	BR25520
3.2650	.8750	.0900	1.5000	1.0000	.0300	.1875	1.0625	BR25572	BR25523
3.2700	.7500	.1300	1.5000	1.0000	.0300	.1875	.9375	BR25572	BR25521
3.2700	.7525	.0800	1.5000	1.0000	.0300	.1875	.9400	BR25572	BR25522
3.3470	.7500	.0900	1.5000	1.0000	.0300	.1875	.9375	BR25572	BR25526

Tapered roller bearings

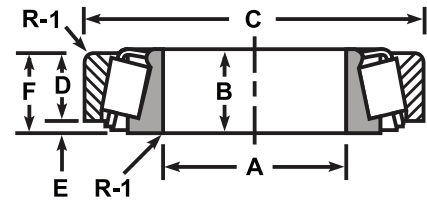
I.D. size listing



Cup dimensions			Cone dimensions				Bearing no.			
O.D. C	Length D	Radius R-1	I.D. A	Length B	Radius R-1	Standout E	Width F	Cone	Cup	
3.3470	.8750	.0900	1.5000	1.0000	.0300	.1875	1.0625	BR25572	BR25527	
3.3750	.9375	.1300	1.5000	1.1875	.1400	.2500	1.1875	BR3876	3820-W	
3.3750	.9375	.1300	1.5000	1.1875	.1400	.2500	1.1875	BR3876	BR3820	
3.4840	.8750	.0600	1.5000	1.1450	.1400	.1875	1.0625	BR418	BR414	
3.4840	.6875	.0600	1.5000	.9330	.0900	.3125	1.0000	BR44150	BR44348	
3.6250	1.5625	.0600	1.5000	.9330	.0900	-	-	BR44150	44363-D	
3.9368	.8125	.0200	1.5000	1.0000	.0300	.1875	1.0000	BR25572	25547-RB	
4.0000	1.0625	.1300	1.5000	1.4200	.1400	.3125	1.3750	BR525	BR522	
1.5040										
2.6380	.4410	-	1.5040	.6496	.0900	-	-	NP258107	NP261058	
1.5310										
3.8130	.6250	.0300	1.5310	3.0000	.0200	.2018	.8268	385-SD	382-A VP	
3.8130	.7980	.0900	1.5310	3.0000	.0200	.2018	1.0000	385-SD	382-S VP	
3.8750	.7018	.0300	1.5310	3.0000	.0200	.1250	.8268	385-SD	BR382	
3.9370	.7018	.0800	1.5310	3.0000	.0200	.1250	.8268	385-SD	383-A	
1.5570										
2.7170	.5938	.0300	1.5570	2.8750	.0200	.1562	.7500	13678-SD	BR13620	
1.5625										
2.8750	.7500	.1300	1.5625	1.0100	.1400	.1875	.9375	BR2789	BR2726	
2.8750	.7500	.0300	1.5625	1.0100	.1400	.1875	.9375	BR2789	2735-X VP	
2.8750	.8400	.0900	1.5625	.8700	.0300	.1700	1.0100	M201047 VP	M201011 VP	
2.8750	.8400	.0900	1.5625	1.0100	.1400	.1700	1.0100	M201047-S	M201011 VP	
3.0000	.7500	.1300	1.5625	1.0100	.1400	.1875	.9375	BR2789	BR2720	
3.0000	.7500	.0600	1.5625	1.0100	.1400	.1875	.9375	BR2789	2729-X	
3.0000	.7500	.0300	1.5625	1.0100	.1400	.1875	.9375	BR2789	BR2729	
3.0000	.8125	.0600	1.5625	1.0000	.1400	.1875	1.0000	BR26881	BR26823	
3.1250	.7500	.0300	1.5625	1.0000	.1400	.1875	1.0000	BR26881	BR26822	
3.1500	.7500	.0500	1.5625	1.0000	.1400	.1875	.9375	BR26881	BR26824	
3.1560	.8125	.1300	1.5625	1.0000	.1400	.1875	.9375	BR26881	BR26820	
3.1560	.9375	.1300	1.5625	1.1965	-	.2188	1.1563	3382-T	BR3320	
3.1560	.9375	.1300	1.5625	1.1965	.1400	.2188	1.1563	BR3382	BR3320	
3.1560	.9375	.1300	1.5625	1.1965	.0300	.2188	1.1563	BR3386	BR3320	
3.3125	.9375	.1300	1.5625	1.1965	-	.2188	1.1563	3382-T	BR3328	
3.3125	.9375	.1300	1.5625	1.1965	.1400	.2188	1.1563	BR3382	BR3328	
3.4843	.6875	.0600	1.5625	.9330	.1400	.3125	1.0000	BR44158	BR44348	
3.6250	1.5625	.0600	1.5625	.9330	.1400	-	-	BR44158	44363-D	

Tapered roller bearings

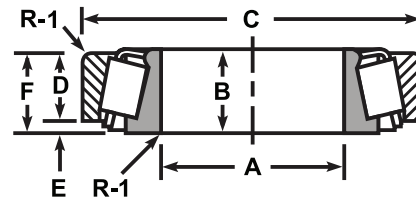
I.D. size listing



Cup dimensions			Cone dimensions			Bearing no.			
O.D. C	Length D	Radius R-1	I.D. A	Length B	Radius R-1	Standout E	Width F	Cone	Cup
1.5740									
3.0000	.6105	.0500	1.5740	.7736	.0900	.2020	.8125	BR28156	BR28300
1.5748									
3.1500	.7018	.0500	1.5748	.8268	.0300	.1250	.8268	344-A	BR332
1.5750									
3.4840	.8750	.0600	1.5750	1.1450	.1400	.1875	1.0625	BR420	BR414
1.5938									
3.2500	.9063	.1300	1.5938	1.1250	.1400	.2500	1.1563	HM801349	HM801310 VP
1.6140									
2.6770	.5315	.0600	1.6140	.7087	.0900	.1575	.6890	LM300849 VP	LM300811 VP
1.6142									
2.8900	.5800	.0300	1.6142	.7800	.1400	-	-	NP889967	NP178207
1.6200									
3.0000	.7600	-	1.6200	.9555	.1400	-	-	NP682887	NP307044
1.6250									
3.1500	.7018	.0500	1.6250	.8820	.1400	.1250	.8268	BR342	BR332
2.8750	.5000	.0600	1.6250	.6875	.1400	.1562	.6562	BR18590	BR18520
2.8910	.5800	.0300	1.6250	.7800	.1400	.1900	.7700	LM501349 VP	LM501310 VP
2.8910	.7160	.0900	1.6250	.7800	.1400	.1900	.9060	LM501349 VP	LM501311 VP
2.8910	.6537	.0300	1.6250	.7800	.1400	.1900	.8437	LM501349 VP	LM501314 VP
3.0000	.6875	.0300	1.6250	.9063	.1400	.1875	.8750	BR24780	BR24720
3.0000	.8125	.0900	1.6250	.9063	.1400	.1875	1.0000	BR24780	BR24721
3.0000	.8125	.0600	1.6250	1.0000	.0600	.1875	1.0000	26882-T	BR26823
3.0000	.8125	.0600	1.6250	1.0000	.1400	.1875	1.0000	BR26882	BR26823
3.1250	.7500	.0900	1.6250	1.0000	.0600	.1875	.9375	26882-T	26822-A
3.1250	.7500	.0300	1.6250	1.0000	.0600	.1875	1.0000	26882-T	BR26822
3.1250	.7500	.0300	1.6250	1.0000	.1400	.1875	1.0000	BR26882	BR26822
3.1500	.7018	.0500	1.6250	.8820	.0300	.1250	.8268	BR336	BR332
3.1500	.7018	.0500	1.6250	1.1802	.1400	.1250	.8268	342-A	BR332
3.1500	.7500	.0500	1.6250	1.0000	.0600	.1875	.9375	26882-T	BR26824
3.1500	.7500	.0500	1.6250	1.0000	.1400	.1875	.9375	BR26882	BR26824
3.1560	.8125	.1300	1.6250	1.0000	.0600	.1875	.9375	26882-T	BR26820
3.1560	.8125	.1300	1.6250	1.0000	.1400	.1875	.9375	BR26882	BR26820
3.1560	.9375	.1300	1.6250	1.1965	.1400	.2188	1.1563	BR3383	BR3320
3.2500	.7950	.1300	1.6250	1.0100	.1400	.2500	1.0450	M802048 VP	M802011 VP
3.2500	.7950	.1300	1.6250	1.0100	.1400	-	-	NP457992	NP926068
3.3125	.9375	.1300	1.6250	1.1965	.1400	.2188	1.1563	BR3383	BR3328

Tapered roller bearings

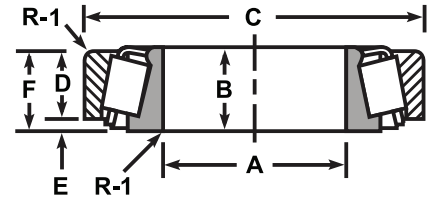
I.D. size listing



Cup dimensions			Cone dimensions				Bearing no.		
O.D. C	Length D	Radius R-1	I.D. A	Length B	Radius R-1	Standout E	Width F	Cone	Cup
3.3750	.9375	.1300	1.6250	1.1875	.1400	.2500	1.1875	BR3877	3820-W
3.3750	.9375	.1300	1.6250	1.1875	.1400	.2500	1.1875	BR3877	BR3820
3.4375	.9375	.1300	1.6250	1.2160	.1400	.2500	1.1875	BR3577	BR3525
3.4375	.9375	.1300	1.6250	1.2160	.0600	.2500	1.1875	BR3585	BR3525
3.4840	.8750	.0600	1.6250	1.1450	.1400	.1875	1.0625	BR419	BR414
3.5000	.6501	.0500	1.6250	.8750	.1400	.1624	.7874	365-A	362-A VP
3.5000	.9063	.1300	1.6250	1.1563	.0300	.2812	1.1875	HM803145	HM803110
3.5000	.9063	.1300	1.6250	1.1563	.1400	.2812	1.1875	HM803146 VP	HM803110
3.5000	.9060	.0310	1.6250	1.1563	.1400	.2812	1.1875	HM803146 VP	HM803111
3.5433	.6250	.0800	1.6250	.8750	.1400	.1624	.7874	365-A	BR362
3.5433	.7874	.0300	1.6250	.8750	.1400	-	.7874	365-A	BR363
3.6250	.6563	.0600	1.6250	.9375	.1400	.3750	1.0313	M903345	M903310
3.6880	1.0313	.1300	1.6250	1.2500	.0300	.2187	1.2500	BR46162	BR46368
3.7500	.9063	.1300	1.6250	1.1563	.1400	.2812	1.1875	HM804840	HM804810 VP
3.8750	.8750	.0300	1.6250	1.1142	.0600	.3438	1.2188	HM903244	HM903216
1.6530									
3.5430	.7869	.0900	1.6530	.9965	.0300	.1875	.9744	J28573	BR28520
3.6250	.7813	.0300	1.6530	.9965	.0300	.1875	.9688	J28573	BR28521
3.9370	.7813	.0200	1.6530	.9965	.0300	.1875	.9688	J28573	28527-RB
1.6875									
3.4375	.9375	.1300	1.6875	1.2160	.1400	.2500	1.1875	BR3579	BR3525
3.2500	.8125	.1300	1.6875	1.0625	.1400	.2188	1.0313	BR22780	BR22720
3.2650	.7500	.0300	1.6875	1.0000	.0900	.1875	.9375	BR25578	BR25520
3.2700	.7500	.1300	1.6875	1.0000	.0900	.1875	.9375	BR25578	BR25521
3.2700	.7525	.0800	1.6875	1.0000	.0900	.1875	.9400	BR25578	BR25522
3.2650	.8750	.0900	1.6875	1.0000	.0900	.1875	1.0625	BR25578	BR25523
3.3470	.7500	.0900	1.6875	1.0000	.0900	.1875	.9375	BR25578	BR25526
3.3470	.8750	.0900	1.6875	1.0000	.0900	.1875	1.0625	BR25578	BR25527
3.9368	.8125	.0200	1.6875	1.0000	.0900	.1875	1.0000	BR25578	25547-RB
1.6880									
3.1500	.7018	.0500	1.6880	.8820	.1400	.1250	.8268	342-S	BR332
3.2500	.7500	.0800	1.6880	1.0000	.1400	.1875	.9375	BR25572	BR25519
3.2500	.7500	.0800	1.6880	1.0000	.1400	.1875	.9375	BR25577	BR25519
3.2650	.7500	.0300	1.6880	1.0000	.1400	.1875	.9375	BR25577	BR25520
3.2700	.7500	.1300	1.6880	1.0000	.1400	.1875	.9375	BR25577	BR25521
3.2700	.7525	.0800	1.6880	1.0000	.1400	.1875	.9400	BR25577	BR25522
3.2650	.8750	.0900	1.6880	1.0000	.1400	.1875	1.0625	BR25577	BR25523
3.3470	.7500	.0900	1.6880	1.0000	.1400	.1875	.9375	BR25577	BR25526

Tapered roller bearings

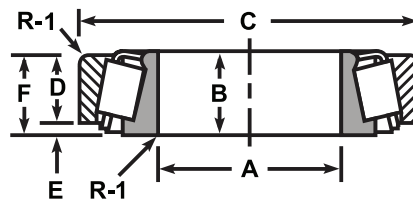
I.D. size listing



Cup dimensions			Cone dimensions			Bearing no.			
O.D. C	Length D	Radius R-1	I.D. A	Length B	Radius R-1	Standout E	Width F	Cone	Cup
3.3470	.8750	.0900	1.6880	1.0000	.1400	.1875	1.0625	BR25577	BR25527
3.9368	.8125	.0200	1.6880	1.0000	.1400	.1875	1.0000	BR25577	25547-RB
3.1560	.8125	.1300	1.6880	1.0000	.1400	.1875	.9375	BR26884	BR26820
3.1250	.7500	.0300	1.6880	1.0000	.1400	.1875	1.0000	BR26884	BR26822
3.0000	.8125	.0600	1.6880	1.0000	.1400	.1875	1.0000	BR26884	BR26823
3.1500	.7500	.0500	1.6880	1.0000	.1400	.1875	.9375	BR26884	BR26824
1.7500									
3.5480	.8586	.0900	1.7500	.8540	.0300	.0469	.9055	355-A	BR352
3.3470	.6875	.0500	1.7500	.8540	.0300	.1250	.8125	355-A	354-A VP
3.5480	.8586	.0900	1.7500	.8540	.1400	.0469	.9055	355-X VP	BR352
3.3470	.6875	.0500	1.7500	.8540	.1400	.1250	.8125	355-X VP	354-A VP
3.3465	.6875	.0500	1.7500	.8540	.0900	.1250	.8125	BR355	354-A VP
3.7500	.8750	.0900	1.7500	1.1772	.1400	.2188	1.0938	BR438	BR432
4.2500	1.0630	.1300	1.7500	1.1542	.1400	.2188	1.2818	BR460	452-A
4.2500	1.1250	.0300	1.7500	1.1542	.1400	-	1.0938	BR460	452-B
4.2500	.8750	.0300	1.7500	1.1542	.1400	.2188	1.0938	BR460	453-A
4.2500	.8750	.0300	1.7500	1.1542	.1400	.2188	1.0938	BR460	453-B
4.1250	.9687	.1300	1.7500	1.1542	.1400	.2188	1.1875	BR460	453-X VP
4.2500	.9687	.0300	1.7500	1.1542	.1400	.1251	1.0938	BR460	453-XB
4.2500	1.0630	.0300	1.7500	1.1542	.1400	.0313	1.0943	BR460	BR453
4.0000	1.0625	.1300	1.7500	1.4200	.1400	.3125	1.3750	BR527	BR522
3.4375	.9375	.1300	1.7500	1.2160	.2200	.2500	1.1875	3578-A	BR3525
3.4375	.9375	.1300	1.7500	1.2160	.1400	.2500	1.1875	BR3578	BR3525
3.6720	.9375	.0300	1.7500	1.1930	.1400	.2500	1.1875	BR3782	BR3730
3.6718	.9375	.1300	1.7500	1.1930	.2500	.2500	1.1875	BR3783	BR3720
3.6720	.9375	.0300	1.7500	1.1930	.2500	.2500	1.1875	BR3783	BR3730
3.8750	.9375	.1300	1.7500	1.1930	.2500	.2500	1.1875	BR3783	BR3732
3.3750	.9375	.1300	1.7500	1.1930	.1400	.2500	1.1875	BR3872	BR3820
3.0312	.4688	.0600	1.7500	.6750	.0600	.2188	.6875	BR12175	BR12303
3.1250	.6250	.0800	1.7500	1.2344	-	-	-	BR17888	BR17830
3.1490	.5937	.0500	1.7500	1.2344	-	.1874	.7812	BR17888	BR17831
3.1250	.5313	.0600	1.7500	.6875	.1100	.1562	.6875	BR18685	BR18620
3.2500	.7500	.0800	1.7500	1.0000	.1400	.1875	.9375	BR25580	BR25519
3.2650	.7500	.0300	1.7500	1.0000	.1400	.1875	.9375	BR25580	BR25520
3.2700	.7500	.1300	1.7500	1.0000	.1400	.1875	.9375	BR25580	BR25521
3.2700	.7525	.0800	1.7500	1.0000	.1400	.1875	.9400	BR25580	BR25522
3.2650	.8750	.0900	1.7500	1.0000	.1400	.1875	1.0625	BR25580	BR25523
3.3470	.7500	.0900	1.7500	1.0000	.1400	.1875	.9375	BR25580	BR25526

Tapered roller bearings

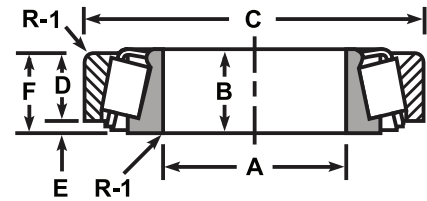
I.D. size listing



Cup dimensions			Cone dimensions				Bearing no.		
O.D. C	Length D	Radius R-1	I.D. A	Length B	Radius R-1	Standout E	Width F	Cone	Cup
3.3470	.8750	.0900	1.7500	1.0000	.1400	.1875	1.0625	BR25580	BR25527
3.9368	.8125	.0200	1.7500	1.0000	.1400	.1875	1.0000	BR25580	25547-RB
3.2500	.7500	.0800	1.7500	1.0000	.0200	.1875	.9375	BR25581	BR25519
3.2650	.7500	.0300	1.7500	1.0000	.0200	.1875	.9375	BR25581	BR25520
3.2700	.7500	.1300	1.7500	1.0000	.0200	.1875	.9375	BR25581	BR25521
3.2700	.7525	.0800	1.7500	1.0000	.0200	.1875	.9400	BR25581	BR25522
3.2650	.8750	.0900	1.7500	1.0000	.0200	.1875	1.0625	BR25581	BR25523
3.3470	.7500	.0900	1.7500	1.0000	.0200	.1875	.9375	BR25581	BR25526
3.3470	.8750	.0900	1.7500	1.0000	.0200	.1875	1.0625	BR25581	BR25527
3.9368	.8125	.0200	1.7500	1.0000	.0200	.1875	1.0000	BR25581	25547-RB
3.2500	.7500	.0800	1.7500	1.0000	.2000	.1875	.9375	BR25582	BR25519
3.2650	.7500	.0300	1.7500	1.0000	.2000	.1875	.9375	BR25582	BR25520
3.2700	.7500	.1300	1.7500	1.0000	.2000	.1875	.9375	BR25582	BR25521
3.2700	.7525	.0800	1.7500	1.0000	.2000	.1875	.9400	BR25582	BR25522
3.2650	.8750	.0900	1.7500	1.0000	.2000	.1875	1.0625	BR25582	BR25523
3.3470	.7500	.0900	1.7500	1.0000	.2000	.1875	.9375	BR25582	BR25526
3.3470	.8750	.0900	1.7500	1.0000	.2000	.1875	1.0625	BR25582	BR25527
3.9368	.8125	.0200	1.7500	1.0000	.2000	.1875	1.0000	BR25582	25547-RB
3.2500	.7500	.0800	1.7500	1.4125	-	.1875	.9375	BR25583	BR25519
3.2650	.7500	.0300	1.7500	1.4125	-	.1875	.9375	BR25583	BR25520
3.2700	.7500	.1300	1.7500	1.4125	-	.1875	.9375	BR25583	BR25521
3.2700	.7525	.0800	1.7500	1.4125	-	.1875	.9400	BR25583	BR25522
3.2650	.8750	.0900	1.7500	1.4125	-	.1875	1.0625	BR25583	BR25523
3.3470	.7500	.0900	1.7500	1.4125	-	.1875	.9375	BR25583	BR25526
3.3470	.8750	.0900	1.7500	1.4125	-	.1875	1.0625	BR25583	BR25527
3.9368	.8125	.0200	1.7500	1.4125	-	.1875	1.0000	BR25583	25547-RB
4.1250	.9375	.1300	1.7500	1.2188	.0300	.2500	1.1875	BR45280	BR45220
4.1250	.9375	.0300	1.7500	1.2188	.0300	.2500	1.1875	BR45280	BR45221
3.7500	.8125	.0300	1.7500	1.1142	.0500	.4063	1.2188	BR53176	BR53375
3.7500	1.7500	.0300	1.7500	1.1142	.0500	.8126	2.5628	BR53176	53376-D
3.7500	.8125	.0300	1.7500	1.1142	.1400	.4063	1.2188	BR53177	BR53375
3.7500	1.7500	.0300	1.7500	1.1142	.1400	.8126	2.5628	BR53177	53376-D
3.7500	.8125	.0300	1.7500	1.1142	.0800	.4063	1.2188	BR53178	BR53375
3.7500	1.7500	.0300	1.7500	1.1142	.0800	.8126	2.5628	BR53178	53376-D
4.3750	.8125	.1300	1.7500	1.0594	.1400	.3750	1.1875	55175-C VP	BR55437
4.4380	.8125	.1300	1.7500	1.0594	.1400	.3750	1.1875	55175-C VP	BR55443
4.3750	.8125	.1300	1.7500	1.0594	.0300	.3750	1.1875	55176-C	BR55437
4.4380	.8125	.1300	1.7500	1.0594	.0300	.3750	1.1875	55176-C	BR55443

Tapered roller bearings

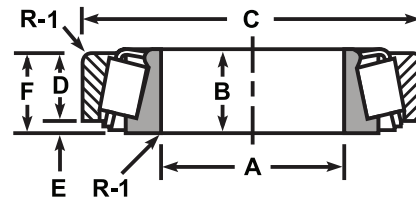
I.D. size listing



Cup dimensions			Cone dimensions			Bearing no.			
O.D. C	Length D	Radius R-1	I.D. A	Length B	Radius R-1	Standout E	Width F	Cone	Cup
4.1250	1.1250	.1300	1.7500	1.4375	.1400	.3750	1.4375	BR59175	BR59412
3.5000	.9063	.1300	1.7500	1.1563	.1400	.2812	1.1875	HM803149 VP	HM803110
4.1250	1.1250	.1300	1.7500	1.4375	.1400	.3125	1.4375	HM807040 VP	HM807010 VP
3.7500	.8750	.0300	1.7500	1.1142	.0500	.3438	1.2188	HM903247	HM903210
3.8750	.8750	.0300	1.7500	1.1142	.0500	.3438	1.2188	HM903247	HM903216
3.7500	.8750	.0300	1.7500	1.1250	.1400	.3438	1.2188	HM903249	HM903210
3.8750	.8750	.0300	1.7500	1.1250	.1400	.3438	1.2188	HM903249	HM903216
3.7500	.8750	.0300	1.7500	1.1420	.1400	.3438	1.2188	HM903249-A	HM903210
3.8750	.8750	.0300	1.7500	1.1420	.1400	.3438	1.2188	HM903249-A	HM903216
1.7710									
3.6718	.9375	.1300	1.7710	1.1930	.1400	.2500	1.1875	BR3776	BR3720
3.6720	.9375	.0300	1.7710	1.1930	.1400	.2500	1.1875	BR3776	BR3730
3.8750	.9375	.1300	1.7710	1.1930	.1400	.2500	1.1875	BR3776	BR3732
3.2500	.7500	.0800	1.7710	1.0000	.0600	.1875	.9375	BR25584	BR25519
3.2650	.7500	.0300	1.7710	1.0000	.0600	.1875	.9375	BR25584	BR25520
3.2700	.7500	.1300	1.7710	1.0000	.0600	.1875	.9375	BR25584	BR25521
3.2700	.7525	.0800	1.7710	1.0000	.0600	.1875	.9400	BR25584	BR25522
3.2650	.8750	.0900	1.7710	1.0000	.0600	.1875	1.0625	BR25584	BR25523
3.3470	.7500	.0900	1.7710	1.0000	.0600	.1875	.9375	BR25584	BR25526
3.3470	.8750	.0900	1.7710	1.0000	.0600	.1875	1.0625	BR25584	BR25527
3.9368	.8125	.0200	1.7710	1.0000	.0600	.1875	1.0000	BR25584	25547-RB
1.7717									
3.3470	.6875	.0500	1.7717	1.1203	.0600	.1250	.8125	BR358	354-A VP
1.7720									
3.0630	.5937	.0300	1.7720	.9449	.1400	.1875	.7812	JLM603048F	LM603011
3.0630	.6562	.0300	1.7720	.9449	.1400	.1875	.8437	JLM603048F	LM603012
3.0710	.5906	.0900	1.7720	.9449	.1400	.2559	.8465	JLM603048F	JLM603013Z
3.1500	.5937	.0300	1.7720	.9449	.1400	.1875	.7812	JLM603048F	LM603014
1.7807									
3.1490	.5934	.0500	1.7807	.8125	.0800	.1874	.7812	BR17887	BR17831
1.7810									
3.4375	.9375	.1300	1.7810	1.2160	.1400	.2500	1.1875	BR3586	BR3525
2.8910	.6200	.0300	1.7810	.7800	.1400	.1500	.7700	LM102949 VP	LM102910 VP
2.8910	.6937	.0300	1.7810	.7800	.1400	.1500	.8437	LM102949 VP	LM102911
3.0630	.5937	.0300	1.7810	.7812	.1400	.1875	.7812	LM603049 VP	LM603011
3.0630	.6562	.0300	1.7810	.7812	.1400	.1875	.8437	LM603049 VP	LM603012
3.0710	.5906	.0900	1.7810	.7812	.1400	.2559	.8465	LM603049 VP	JLM603013Z

Tapered roller bearings

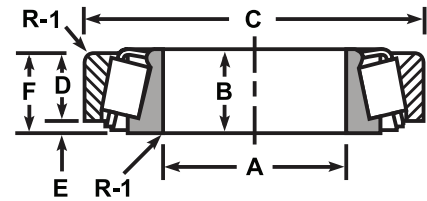
I.D. size listing



Cup dimensions			Cone dimensions				Bearing no.			
O.D. C	Length D	Radius R-1	I.D. A	Length B	Radius R-1	Standout E	Width F	Cone	Cup	
3.1500	.5937	.0300	1.7810	.7812	.1400	.1875	.7812	LM603049 VP	LM603014	
3.0610	.6496	.0300	1.7810	.7812	.1400	-	.6496	LM603049 VP	LM603019	
1.7913										
3.2677	.7480	.0500	1.7913	1.0000	.1400	-	.7480	NP123221	NP787333	
1.7960										
3.2500	.7500	.0800	1.7960	1.0000	.1400	.1875	.9375	BR25590	BR25519	
3.2650	.7500	.0300	1.7960	1.0000	.1400	.1875	.9375	BR25590	BR25520	
3.2700	.7500	.1300	1.7960	1.0000	.1400	.1875	.9375	BR25590	BR25521	
3.2700	.7525	.0800	1.7960	1.0000	.1400	.1875	.9400	BR25590	BR25522	
3.2650	.8750	.0900	1.7960	1.0000	.1400	.1875	1.0625	BR25590	BR25523	
3.3470	.7500	.0900	1.7960	1.0000	.1400	.1875	.9375	BR25590	BR25526	
3.3470	.8750	.0900	1.7960	1.0000	.1400	.1875	1.0625	BR25590	BR25527	
3.9368	.8125	.0200	1.7960	1.0000	.1400	.1875	1.0000	BR25590	25547-RB	
1.8110										
2.9528	.5512	.0600	1.8110	.7087	.0900	.1575	.7087	LM503349 VP	LM503310 VP	
2.9528	.5512	.0600	1.8110	.7087	-	.1575	.7087	LM503349-A VP	LM503310 VP	
1.8125										
3.5480	.8586	.0900	1.8125	.8540	.0900	.0469	.9055	359-S VP	BR352	
3.3470	.6875	.0500	1.8125	.8540	.0900	.1250	.8125	359-S VP	354-A VP	
3.1250	.5313	.0600	1.8125	.6875	.1100	.1562	.6875	BR18690	BR18620	
3.3465	.5313	.0600	1.8125	.6875	.0900	.1562	.6875	BR18780	BR18720	
3.5000	.6563	.0500	1.8125	.6875	.0900	.1562	.8130	BR18780	BR18723	
3.2500	.7500	.0800	1.8125	1.0000	.1400	.1875	.9375	BR25592	BR25519	
3.2650	.7500	.0300	1.8125	1.0000	.1400	.1875	.9375	BR25592	BR25520	
3.2700	.7500	.1300	1.8125	1.0000	.1400	.1875	.9375	BR25592	BR25521	
3.2700	.7525	.0800	1.8125	1.0000	.1400	.1875	.9400	BR25592	BR25522	
3.2650	.8750	.0900	1.8125	1.0000	.1400	.1875	1.0625	BR25592	BR25523	
3.3470	.7500	.0900	1.8125	1.0000	.1400	.1875	.9375	BR25592	BR25526	
3.3470	.8750	.0900	1.8125	1.0000	.1400	.1875	1.0625	BR25592	BR25527	
3.9368	.8125	.0200	1.8125	1.0000	.1400	.1875	1.0000	BR25592	25547-RB	
1.8130										
3.5480	.8586	.0900	1.8130	.8540	.1400	.0469	.9055	359-A	BR352	
3.3470	.6875	.0500	1.8130	.8540	.1400	.1250	.8125	359-A	354-A VP	
1.8750										
3.5000	.6501	.0500	1.8750	.8750	.1400	.1624	.7874	369-A	362-A VP	
3.5433	.6250	.0800	1.8750	.8750	.1400	.1624	.7874	369-A	BR362	
3.5433	.7874	.0300	1.8750	.8750	.1400	-	.7874	369-A	BR363	

Tapered roller bearings

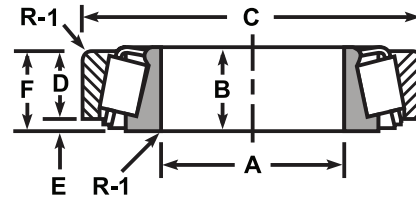
I.D. size listing



Cup dimensions			Cone dimensions			Bearing no.			
O.D. C	Length D	Radius R-1	I.D. A	Length B	Radius R-1	Standout E	Width F	Cone	Cup
3.8130	.6250	.0300	1.8750	.8270	.0300	.2018	.8268	386-A	382-A VP
3.8130	.7980	.0900	1.8750	.8270	.0300	.2018	1.0000	386-A	382-S VP
3.8750	.7018	.0300	1.8750	.8270	.0300	.1250	.8268	386-A	BR382
3.9370	.7018	.0800	1.8750	.8270	.0300	.1250	.8268	386-A	383-A
4.0000	1.0625	.1300	1.8750	1.4200	.1400	.3125	1.3750	BR528	BR522
4.7500	1.2500	.1300	1.8750	1.6250	.1400	.3750	1.6250	BR617	612-X
4.7500	1.2500	.1300	1.8750	1.6250	.1400	.3750	1.6250	BR617	BR612
4.7500	1.3750	.1300	1.8750	1.6250	.1400	.2500	1.6250	BR617	613-B
3.6718	.9375	.1300	1.8750	1.1930	.2500	.2500	1.1875	BR3778	BR3720
3.6720	.9375	.0300	1.8750	1.1930	.2500	.2500	1.1875	BR3778	BR3730
3.8750	.9375	.1300	1.8750	1.1930	.2500	.2500	1.1875	BR3778	BR3732
3.6718	.9375	.1300	1.8750	1.1930	.1400	.2500	1.1875	BR3779	BR3720
3.6720	.9375	.0300	1.8750	1.1930	.1400	.2500	1.1875	BR3779	BR3730
3.8750	.9375	.1300	1.8750	1.1930	.1400	.2500	1.1875	BR3779	BR3732
4.1250	.9375	.1300	1.8750	1.2188	.1400	.2500	1.1875	BR45282	BR45220
4.1250	.9375	.0300	1.8750	1.2188	.1400	.2500	1.1875	BR45282	BR45221
4.3750	.8125	.1300	1.8750	1.0594	.1400	.3750	1.1875	55187-C	BR55437
4.4380	.8125	.1300	1.8750	1.0594	.1400	.3750	1.1875	55187-C	BR55443
4.1250	1.1250	.1300	1.8750	1.4375	.1400	.3750	1.4375	BR59187	BR59412
4.8750	1.0000	.1300	1.8750	1.2910	.1400	.4375	1.4375	72187-C VP	BR72487
4.8750	2.1875	.0600	1.8750	1.2910	.1400	.8750	3.0625	72187-C VP	72488-D
4.8750	1.0000	.1300	1.8750	1.2910	.0300	.4375	1.4375	72188-C VP	BR72487
4.8750	2.1875	.0600	1.8750	1.2910	.0300	.8750	3.0625	72188-C VP	72488-D
3.5000	.7500	.1300	1.8750	1.0000	.0300	.2500	1.0000	M804048	M804010
3.5000	.7500	.1300	1.8750	1.0000	.1400	.2500	1.0000	M804049	M804010
3.7500	.9063	.1300	1.8750	1.1563	.1400	.2812	1.1875	HM804846	HM804810 VP
1.9060									
3.7500	.9063	.1300	1.9060	1.1563	.0900	.2812	1.1875	HM804848 VP	HM804810 VP
3.7500	.9063	.1300	1.9060	1.1563	.1400	.2812	1.1875	HM804849	HM804810 VP
1.9375									
4.5000	1.3750	.1300	1.9375	.1750	.1400	.3750	1.7500	BR65390	65320-B
4.5000	1.3750	.1300	1.9375	.1750	.1400	.3750	1.7500	BR65390	BR65320
4.5000	1.4200	.1300	1.9375	1.7500	.1400	.3300	1.7500	HH506348	HH506310
4.1250	1.1250	.1300	1.9375	1.4375	.1400	.3125	1.4375	HM807044	HM807010 VP
4.1250	.8900	.1300	1.9375	1.2187	.1400	.1875	.8750	NP504493	NP949481

Tapered roller bearings

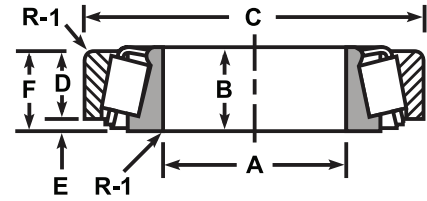
I.D. size listing



Cup dimensions			Cone dimensions				Bearing no.		
O.D. C	Length D	Radius R-1	I.D. A	Length B	Radius R-1	Standout E	Width F	Cone	Cup
1.9685									
3.5000	.6501	.0500	1.9685	.8750	.0900	.1624	.7874	BR366	362-A VP
3.5433	.6250	.0800	1.9685	.8750	.0900	.1875	.8125	BR366	BR362
3.5433	.7874	.0300	1.9685	.8750	.0900	–	.7874	BR366	BR363
3.5430	.9055	.1000	1.9685	1.1024	.1200	.1185	1.0240	JM205149 VP	JM205110 VP
3.5430	.9055	.1000	1.9685	1.1024	.2000	.1185	1.0240	JM205149-A	JM205110 VP
3.5433	.9055	.1000	1.9685	1.1024	.1000	.1969	1.1024	JM205149AS	JM205110 VP
3.3070	.6890	.0600	1.9685	.8661	.1400	.1771	.8611	JLM704649	JLM704610
3.7402	.8268	.0600	1.9685	1.2795	.1600	–	–	NP576375	NP434567
1.9690									
3.2280	.6693	.0200	1.9690	.8465	.1200	.1772	.8465	JLM104948	JLM104910
3.2500	.6500	.0500	1.9690	.8465	.1200	.1813	.8313	JLM104948	LM104911
3.2500	.7300	.0300	1.9690	.8465	.1200	.1813	.9113	JLM104948	LM104911-A
3.2650	.6500	.0500	1.9690	.8465	.1200	.1813	.8313	JLM104948	LM104912
2.0000									
3.5000	.6501	.0500	2.0000	.8750	.1400	.1624	.7874	368-A VP	362-A VP
3.5433	.6250	.0800	2.0000	.8750	.1400	.1624	.7874	368-A VP	BR362
3.5433	.7874	.0300	2.0000	.8750	.1400	–	.7874	368-A VP	BR363
3.5000	.6501	.0500	2.0000	.8750	.0600	.1624	.7874	BR368	362-A VP
3.5433	.6250	.0800	2.0000	.8750	.0600	.1875	.8125	BR368	BR362
3.5433	.7874	.0300	2.0000	.8750	.0600	–	.7874	BR368	BR363
3.5000	.6501	.0500	2.0000	.8750	.2000	.1624	.7874	370-A	362-A VP
3.5433	.6250	.0800	2.0000	.8750	.2000	.1624	.7874	370-A	BR362
3.5433	.7874	.0300	2.0000	.8750	.2000	–	.7874	370-A	BR363
3.8125	.7500	.0600	2.0000	.8750	.0900	.1250	.8750	BR375	372-A
3.9700	.8268	.0800	2.0000	.8750	.0900	.1250	.9842	BR375	BR372
3.6720	.5938	.0500	2.0000	.8750	.0900	1.3752	1.9690	BR375	BR374
3.8130	.6250	.0300	2.0000	.8640	.0900	.2018	.8268	385-A	382-A VP
3.8130	.7980	.0900	2.0000	.8640	.0900	.2018	1.0000	385-A	382-S VP
3.8750	.7018	.0300	2.0000	.8640	.0900	.1250	.8268	385-A	BR382
3.9370	.7018	.0800	2.0000	.8640	.0900	.1250	.8268	385-A	383-A
4.2500	1.0630	.1300	2.0000	1.1542	.1400	.2188	1.2818	455-S	452-A
4.2500	1.1250	.0300	2.0000	1.1542	.1400	–	1.0938	455-S	452-B
4.2500	.8750	.0300	2.0000	1.1542	.1400	.2188	1.0938	455-S	453-A
4.2500	.8750	.0300	2.0000	1.1542	.1400	.2188	1.0938	455-S	453-B
4.1250	.9687	.1300	2.0000	1.1542	.1400	.2188	1.1875	455-S	453-X VP
4.2500	.9687	.0300	2.0000	1.1542	.1400	.1251	1.0938	455-S	453-XB

Tapered roller bearings

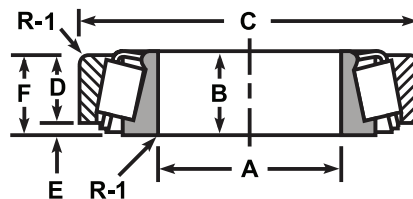
I.D. size listing



Cup dimensions			Cone dimensions			Bearing no.			
O.D. C	Length D	Radius R-1	I.D. A	Length B	Radius R-1	Standout E	Width F	Cone	Cup
4.2500	1.0630	.0300	2.0000	1.1542	.1400	.0313	1.0943	455-S	BR453
4.2500	1.0630	.1300	2.0000	1.1532	.0300	.2188	1.2818	BR455	452-A
4.2500	1.1250	.0300	2.0000	1.1532	.0300	-	1.0938	BR455	452-B
4.2500	.8750	.0300	2.0000	1.1532	.0300	.2188	1.0938	BR455	453-A
4.2500	.8750	.0300	2.0000	1.1532	.0300	.2188	1.0938	BR455	453-B
4.1250	.9687	.1300	2.0000	1.1532	.0300	.2188	1.1875	BR455	453-X VP
4.2500	.9687	.0300	2.0000	1.1532	.0300	.1251	1.0938	BR455	453-XB
4.2500	1.0630	.0300	2.0000	1.1532	.0300	.0313	1.0943	BR455	BR453
4.0000	1.0625	.1300	2.0000	1.4200	.1400	.3125	1.3750	529-X VP	BR522
4.0000	1.0625	.1300	2.0000	1.4200	.0310	.3125	1.3750	BR529	BR522
4.3750	.8125	.1300	2.0000	1.0594	.1400	-	1.0594	NP516549	NP673386
4.8750	1.1875	.1300	2.0000	1.4440	.0900	.3125	1.5000	BR555	552-A VP
4.8750	1.3125	.1300	2.0000	1.4440	.0900	.1875	1.5000	BR555	BR552
5.0000	1.3750	.1300	2.0000	1.4440	.0900	.0310	1.4060	BR555	553-BA
4.8125	1.1875	.1300	2.0000	1.4440	.0900	.3125	1.5000	BR555	553-X
4.7500	1.2500	.1300	2.0000	1.6250	.1400	.3750	1.6250	BR619	612-X
4.7500	1.2500	.1300	2.0000	1.6250	.1400	.3750	1.6250	BR619	BR612
4.7500	1.3750	.1300	2.0000	1.6250	.1400	.2500	1.6250	BR619	613-B
3.6718	.9375	.1300	2.0000	1.1930	.0300	.2500	1.1875	BR3775	BR3720
3.6720	.9375	.0300	2.0000	1.1930	.0300	.2500	1.1875	BR3775	BR3730
3.8750	.9375	.1300	2.0000	1.1930	.0300	.2500	1.1875	BR3775	BR3732
3.6718	.9375	.1300	2.0000	1.1930	.1400	.2500	1.1875	BR3780	BR3720
3.6720	.9375	.0300	2.0000	1.1930	.1400	.2500	1.1875	BR3780	BR3730
3.8750	.9375	.1300	2.0000	1.1930	.1400	.2500	1.1875	BR3780	BR3732
3.6718	.9375	.1300	2.0000	1.1930	.1400	.2500	1.1875	BR3795	BR3720
3.6720	.9375	.0300	2.0000	1.1930	.1400	.2500	1.1875	BR3795	BR3730
3.8750	.9375	.1300	2.0000	1.1930	.1400	.2500	1.1875	BR3795	BR3732
4.4375	.9375	.1300	2.0000	1.1830	.1400	.2500	1.1875	BR3975	BR3920
4.4380	.9375	.0300	2.0000	1.1830	.1400	.2500	1.1875	BR3975	BR3925
4.4380	1.0625	.1300	2.0000	1.1830	.1400	.2500	1.3125	BR3975	BR3926
3.3750	.5000	.0600	2.0000	.7190	.0600	-	-	BR18200	BR18337
3.3465	.5313	.0600	2.0000	.6875	.1400	.1562	.6875	BR18790	BR18720
3.5000	.6563	.0500	2.0000	.6875	.1400	.1562	.8125	BR18790	BR18723
3.5430	.7869	.0900	2.0000	1.0000	.1400	.1875	.9744	BR28580	BR28520
3.6250	.7813	.0300	2.0000	1.0000	.1400	.1875	.9688	BR28580	BR28521
3.9370	.7813	.0200	2.0000	1.0000	.1400	.1875	.9688	BR28580	28527-RB
3.8437	.7656	.0300	2.0000	.9688	.1400	.2032	.9688	BR28678	BR28622
3.7500	.8750	.0900	2.0000	1.1250	.1400	.2188	1.9380	BR33889	BR33821

Tapered roller bearings

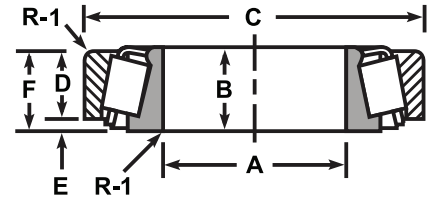
I.D. size listing



Cup dimensions			Cone dimensions				Bearing no.			
O.D. C	Length D	Radius R-1	I.D. A	Length B	Radius R-1	Standout E	Width F	Cone	Cup	
4.1250	.9375	.1300	2.0000	1.2188	.2500	.2500	1.1875	BR45284	BR45220	
4.1250	.9375	.0300	2.0000	1.2188	.2500	.2500	1.1875	BR45284	BR45221	
4.1250	.9375	.1300	2.0000	1.2188	.0900	.2500	1.1875	BR45285	BR45220	
4.1250	.9375	.0300	2.0000	1.2188	.0900	.2500	1.1875	BR45285	BR45221	
4.3750	.8125	.1300	2.0000	1.0594	.1400	.3750	1.1875	55200-C VP	BR55437	
4.4380	.8125	.1300	2.0000	1.0594	.1400	.3750	1.1875	55200-C VP	BR55443	
4.1250	1.1250	.1300	2.0000	1.4375	.0300	.3750	1.4375	BR59201	BR59412	
4.8750	1.0000	.1300	2.0000	1.2910	.1400	.4375	1.4375	72200-C VP	BR72487	
4.8750	2.1875	.0600	2.0000	1.2910	.1400	.8750	3.0625	72200-C VP	72488-D	
4.8750	1.0000	.1300	2.0000	1.2910	.0300	.4375	1.4375	72201-C VP	BR72487	
4.8750	2.1875	.0600	2.0000	1.2910	.0300	.8750	3.0625	72201-C VP	72488-D	
3.2280	.6693	.0200	2.0000	.8750	.1400	.1772	.8465	LM104949 VP	JLM104910	
3.2500	.6500	.0500	2.0000	.8750	.1400	.1813	.8313	LM104949 VP	LM104911	
3.2500	.7300	.0300	2.0000	.8750	.1400	.1813	.9113	LM104949 VP	LM104911-A	
3.2650	.6500	.0500	2.0000	.8750	.1400	.1813	.8313	LM104949 VP	LM104912	
4.1250	1.1250	.1300	2.0000	1.4375	.1400	.3125	1.4375	HM807046 VP	HM807010 VP	
4.3750	.8125	.1300	2.0000	1.0594	.1400	-	1.0594	NP516549	NP673386	
2.0312										
3.5000	.6501	.0500	2.0312	.8750	.0800	.1624	.7874	368-S	362-A VP	
3.5433	.6250	.0800	2.0312	.8750	.0800	.1624	.7874	368-S	BR362	
3.5433	.7874	.0300	2.0312	.8750	.0800	-	.7874	368-S	BR363	
2.0625										
3.8130	.7500	.0600	2.0625	.8750	.0900	.1250	.8750	BR377	372-A	
3.9700	.8268	.0800	2.0625	.8750	.0900	.1250	.9842	BR377	BR372	
3.6720	.5938	.0500	2.0625	.8750	.0900	1.3752	1.9690	BR377	BR374	
3.6720	.9375	.1300	2.0625	1.1930	.0900	.2500	1.1875	BR3767	BR3720	
3.6718	.9375	.0300	2.0625	1.1930	.0900	.2500	1.1875	BR3767	BR3730	
3.8750	.9375	.1300	2.0625	1.1930	.0900	.2500	1.1875	BR3767	BR3732	
3.7500	.8750	.0900	2.0625	1.1250	.1400	.2188	1.9380	BR33891	BR33821	
4.3750	.8125	.1300	2.0625	1.0594	.1400	.3750	1.1875	55206-C	BR55437	
4.4380	.8125	.1300	2.0625	1.0594	.1400	.3750	1.1875	55206-C	BR55443	
2.0651										
3.5430	.7869	.0900	2.0651	1.0000	.1400	.1875	.9744	BR28584	BR28520	
3.6250	.7813	.0300	2.0651	1.0000	.1400	.1875	.9688	BR28584	BR28521	
3.9370	.7813	.0200	2.0651	1.0000	.1400	.1875	.9688	BR28584	28527-RB	

Tapered roller bearings

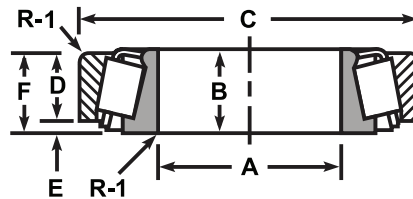
I.D. size listing



Cup dimensions			Cone dimensions			Bearing no.			
O.D. C	Length D	Radius R-1	I.D. A	Length B	Radius R-1	Standout E	Width F	Cone	Cup
2.1250									
4.8750	1.1875	.1300	2.1250	1.4440	.1400	.3125	1.5000	557-S VP	552-A VP
4.8750	1.3125	.1300	2.1250	1.4440	.1400	.1875	1.5000	557-S VP	BR552
5.0000	1.3750	.1300	2.1250	1.4440	.1400	.0310	1.4060	557-S VP	553-BA
4.8125	1.1875	.1300	2.1250	1.4440	.1400	.3125	1.5000	557-S VP	553-X
4.7500	1.2500	.1300	2.1250	1.6250	.0300	.3750	1.6250	BR624	612-X
4.7500	1.2500	.1300	2.1250	1.6250	.0300	.3750	1.6250	BR624	BR612
4.7500	1.3750	.1300	2.1250	1.6250	.0300	.2500	1.6250	BR624	613-B
3.7500	.8750	.0900	2.1250	1.1250	.0600	.2188	1.9380	BR33895	BR33821
4.1250	.9375	.1300	2.1250	1.2188	.0300	.2500	1.1875	BR45287	BR45220
4.1250	.9375	.0300	2.1250	1.2188	.0300	.2500	1.1875	BR45287	BR45221
4.3750	.8125	.1300	2.1250	1.0594	.1400	-	.8125	NP848872	NP673386
5.0000	1.3750	.1200	2.1250	1.7500	.1400	.3750	1.7500	BR65212	BR65500
4.6250	.9375	.1300	2.1250	1.2500	.1400	.3750	1.7500	BR66212	BR66462
4.8750	1.0000	.1300	2.1250	1.2910	.1400	.4375	1.4375	72212-C	BR72487
4.8750	2.1875	.0600	2.1250	1.2910	.1400	.8750	3.0625	72212-C	72488-D
5.5130	.9260	.0900	2.1250	1.3085	.1400	.5115	1.4375	78215-C	BR78551
3.5000	.5781	.0800	2.1250	.7970	.1000	.2188	.7969	LM806349-C	LM806310
3.5000	.5312	.0800	2.1250	.7500	.0900	.2188	.7500	LM806649 VP	LM806610 VP
4.1250	1.1250	.1300	2.1250	1.4375	.1400	.3125	1.4375	HM807049 VP	HM807010 VP
5.1250	.9375	.1300	2.1250	1.3125	.1400	.5000	1.4375	HM911242	HM911210 VP
2.1624									
3.7402	.9250	.1000	2.1624	1.1417	.0600	.2167	1.1417	JM207049	JM207010
2.1650									
3.5039	.7244	-	2.1650	.9055	.0600	-	-	NP622157	NP382209
4.3307	1.2598	.1000	2.1650	1.5354	.1200	.2756	1.5350	JH307749	JH307710
2.1654									
3.8750	.7018	.0300	2.1654	.8640	.0900	.1250	.8268	BR385	BR382
3.7402	.9250	.1000	2.1654	1.1417	.2400	.2167	1.1417	JM207049-A VP	JM207010
3.5430	.7283	.0200	2.1654	.9055	.0600	.1772	.9055	JLM506849	JLM506810
3.5430	.8071	.0200	2.1654	.9055	.0600	.1772	.9843	JLM506849	JLM506811
3.5430	.7283	.0200	2.1654	.9055	.1400	.1772	.9055	JLM506849A	JLM506810
3.5430	.8071	.0200	2.1654	.9055	.1400	.1772	.9843	JLM506849A	JLM506811
2.1875									
3.8437	.7656	.0300	2.1875	.9688	.1400	.2032	.9688	BR28680	BR28622

Tapered roller bearings

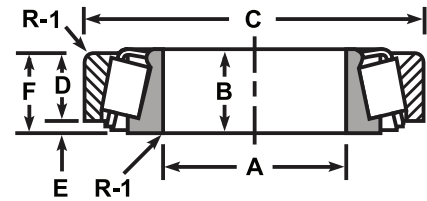
I.D. size listing



Cup dimensions			Cone dimensions			Bearing no.			
O.D. C	Length D	Radius R-1	I.D. A	Length B	Radius R-1	Standout E	Width F	Cone	Cup
2.1880									
4.7343	1.4375	.1300	2.1880	1.7230	.0500	.2813	1.7188	BR5566	BR5520
4.8130	1.4375	.1300	2.1880	1.7230	.0500	.2813	1.7188	BR5566	BR5535
4.8750	1.0000	.1300	2.1880	1.2910	.1400	.4375	1.4375	72218-C VP	BR72487
4.8750	2.1875	.0600	2.1880	1.2910	.1400	.8750	3.0625	72218-C VP	72488-D
2.2500									
3.8125	.6250	.0300	2.2500	.8640	.2000	-	-	NP114036	NP064306
3.8130	.7930	.0900	2.2500	.8640	.1378	-	.8750	NP197868	NP802507
3.8130	.6250	.0300	2.2500	.8640	.1400	.2018	.8268	387-A VP	382-A VP
3.8130	.7980	.0900	2.2500	.8640	.1400	.2018	1.0000	387-A VP	382-S VP
3.8750	.7018	.0300	2.2500	.8640	.1400	.1250	.8268	387-A VP	BR382
3.9370	.7018	.0800	2.2500	.8640	.1400	.1250	.8268	387-A VP	383-A
3.8130	.6250	.0300	2.2500	.8640	.2000	.2018	.8268	387-AS VP	382-A VP
3.8130	.7980	.0900	2.2500	.8640	.2000	.2018	1.0000	387-AS VP	382-S VP
3.8750	.7018	.0300	2.2500	.8640	.2000	.1250	.8268	387-AS VP	BR382
3.9370	.7018	.0800	2.2500	.8640	.2000	.1250	.8268	387-AS VP	383-A
3.8130	.6250	.0300	2.2500	.8640	.0300	.2018	.8268	387-S	382-A VP
3.8130	.7980	.0900	2.2500	.8640	.0300	.2018	1.0000	387-S	382-S VP
3.8750	.7018	.0300	2.2500	.8640	.0300	.1250	.8268	387-S	BR382
3.9370	.7018	.0800	2.2500	.8640	.0300	.1250	.8268	387-S	383-A
3.8130	.6250	.0300	2.2500	.8640	.0900	.2018	.8268	BR387	382-A VP
3.8130	.7980	.0900	2.2500	.8640	.0900	.2018	1.0000	BR387	382-S VP
3.8750	.7018	.0300	2.2500	.8640	.0900	.1250	.8268	BR387	BR382
4.3310	.7411	.0500	2.2500	.8660	.0900	.1250	.8661	BR390	394-A VP
4.3307	.7411	.0400	2.2500	.8660	.0900	.1250	.8661	BR390	394-AB
4.3307	.7411	.0500	2.2500	.8660	.0900	.1250	.8661	BR390	394-AS VP
4.2500	1.0630	.1300	2.2500	1.1542	.0900	.2188	1.2818	BR462	452-A
4.2500	1.1250	.0300	2.2500	1.1542	.0900	-	1.0938	BR462	452-B
4.2500	.8750	.0300	2.2500	1.1542	.0900	.2188	1.0938	BR462	453-A
4.2500	.8750	.0300	2.2500	1.1542	.0900	.2188	1.0938	BR462	453-B
4.1250	.9687	.1300	2.2500	1.1542	.0900	.2188	1.1875	BR462	453-X VP
4.2500	.9687	.0300	2.2500	1.1542	.0900	.1251	1.0938	BR462	453-XB
4.2500	1.0630	.0300	2.2500	1.1542	.0900	.0313	1.0943	BR462	BR453
4.2500	1.0630	.1300	2.2500	1.1542	.1400	.2188	1.2818	BR469	452-A
4.2500	1.1250	.0300	2.2500	1.1542	.1400	-	1.0938	BR469	452-B
4.2500	.8750	.0300	2.2500	1.1542	.1400	.2188	1.0938	BR469	453-A
4.2500	.8750	.0300	2.2500	1.1542	.1400	.2188	1.0938	BR469	453-B
4.1250	.9687	.1300	2.2500	1.1542	.1400	.2188	1.1875	BR469	453-X VP

Tapered roller bearings

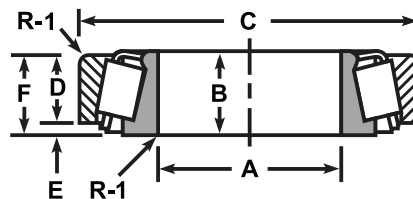
I.D. size listing



Cup dimensions			Cone dimensions			Bearing no.			
O.D. C	Length D	Radius R-1	I.D. A	Length B	Radius R-1	Standout E	Width F	Cone	Cup
4.2500	.9687	.0300	2.2500	1.1542	.1400	.1251	1.0938	BR469	453-XB
4.2500	1.0630	.0300	2.2500	1.1542	.1400	.0313	1.0943	BR469	BR453
4.8750	1.1875	.1300	2.2500	1.4440	.1400	.3125	1.5000	555-S	552-A VP
4.8750	1.3125	.1300	2.2500	1.4440	.1400	.1875	1.5000	555-S VP	BR552
5.0000	1.3750	.1300	2.2500	1.4440	.1400	.0310	1.4060	555-S VP	553-BA
4.8125	1.1875	.1300	2.2500	1.4440	.1400	.3125	1.5000	555-S VP	553-X
4.7500	1.2500	.1300	2.2500	1.6250	.1400	.3750	1.6250	BR623	612-X
4.7500	1.2500	.1300	2.2500	1.6250	.1400	.3750	1.6250	BR623	BR612
4.7500	1.3750	.1300	2.2500	1.6250	.1400	.2500	1.6250	BR623	613-B
4.4375	.9375	.1300	2.2500	1.1830	.1400	.2500	1.1875	BR3979	BR3920
4.4380	.9375	.0300	2.2500	1.1830	.1400	.2500	1.1875	BR3979	BR3925
4.4380	1.0625	.1300	2.2500	1.1830	.1400	.2500	1.3125	BR3979	BR3926
3.8437	.7656	.0300	2.2500	.9688	.1400	.2032	.9688	BR28682	BR28622
4.6250	.9375	.1300	2.2500	1.1875	.1400	.2500	1.1875	BR33225	BR33462
4.7240	.9230	.0300	2.2500	1.1875	.1400	.2500	1.1875	BR33225	BR33472
4.4375	.9675	.1300	2.2500	1.1875	.1400	.2500	1.1875	BR39580	BR39520
4.4375	.9375	.0300	2.2500	1.1875	.1400	.2500	1.1875	BR39580	BR39521
4.4375	.9675	.1300	2.2500	1.1875	.3100	.2500	1.1875	BR39581	BR39520
4.4375	.9375	.0300	2.2500	1.1875	.3100	.2500	1.1875	BR39581	BR39521
4.1250	.9375	.1300	2.2500	1.2188	.0900	.2500	1.1875	BR45290	BR45220
4.1250	.9375	.0300	2.2500	1.2188	.0900	.2500	1.1875	BR45290	BR45221
4.1250	.9375	.1300	2.2500	1.2188	.2500	.2500	1.1875	BR45291	BR45220
4.1250	.9375	.0300	2.2500	1.2188	.2500	.2500	1.1875	BR45291	BR45221
5.0000	1.3750	.1200	2.2500	1.7500	.1400	.3750	1.7500	BR65225	BR65500
4.6250	.9375	.1300	2.2500	1.2500	.1400	.3750	1.7500	BR66225	BR66462
4.8750	1.0000	.1300	2.2500	1.2910	.1400	.4375	1.4375	72225-C VP	BR72487
4.8750	2.1875	.0600	2.2500	1.2910	.1400	.8750	3.0625	72225-C VP	72488-D
5.5130	.9260	.0900	2.2500	1.3085	.1400	.5115	1.4375	78225-C	BR78551
3.8130	.7930	.0900	2.2500	.8640	3.5000	.0710	.8640	NP197868	NP802507
2.2650									
3.8130	.6250	.0300	2.2650	.8640	.1400	.2018	.8268	388-A VP	382-A VP
3.8130	.7980	.0900	2.2650	.8640	.1400	.2018	1.0000	388-A VP	382-S VP
3.8750	.7018	.0300	2.2650	.8640	.1400	.1250	.8268	388-A VP	BR382
3.9370	.7018	.0800	2.2650	.8640	.1400	.1250	.8268	388-A VP	383-A
2.2840									
3.7800	.7290	.0600	2.2840	.8660	.1600	.1875	.8752	NP343847	NP372019

Tapered roller bearings

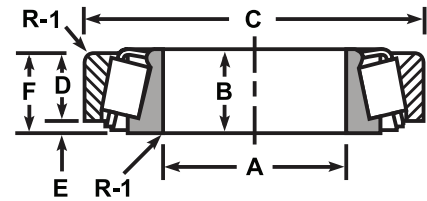
I.D. size listing



Cup dimensions			Cone dimensions			Bearing no.			
O.D. C	Length D	Radius R-1	I.D. A	Length B	Radius R-1	Standout E	Width F	Cone	Cup
2.3620									
4.2500	.7500	.1300	2.3620	1.0000	.1400	.2500	1.0000	BR29580	BR29520
4.2500	.7500	.0300	2.3620	1.0000	.1400	.2500	1.0000	BR29580	BR29522
4.3310	.7411	.0500	2.3620	.8660	.0300	.1250	.8661	BR397	394-A VP
4.3307	.7411	.0400	2.3620	.8660	.0300	.1250	.8661	BR397	394-AB
4.3307	.7411	.0500	2.3620	.8660	.0300	.1250	.8661	BR397	394-AS VP
2.3622									
3.9370	.7795	-	2.3622	1.0000	.1400	-	-	NP080525	NP543803
3.7402	.7480	.1000	2.3622	.9449	.2000	-	.9449	JLM508748 VP	JLM508710 VP
2.3750									
4.8750	1.1875	.1300	2.3750	1.4440	.3100	.3125	1.5000	557-A	552-A VP
4.8750	1.3125	.1300	2.3750	1.4440	.3100	.1875	1.5000	557-A	BR552
5.0000	1.3750	.1300	2.3750	1.4440	.3100	.0310	1.4060	557-A	553-BA
4.8125	1.1875	.1300	2.3750	1.4440	.3100	.3125	1.5000	557-A	553-X
4.8750	1.1875	.1300	2.3750	1.4440	.1400	.3125	1.5000	558-A	552-A VP
4.8750	1.3125	.1300	2.3750	1.4440	.1400	.1875	1.5000	558-A	BR552
5.0000	1.3750	.1300	2.3750	1.4440	.1400	.0310	1.4060	558-A	553-BA
4.8125	1.1875	.1300	2.3750	1.4440	.1400	.3125	1.5000	558-A	553-X
4.4375	.9375	.1300	2.3750	1.1830	.1400	.2500	1.1875	BR3980	BR3920
4.4380	.9375	.0300	2.3750	1.1830	.1400	.2500	1.1875	BR3980	BR3925
4.4380	1.0625	.1300	2.3750	1.1830	.1400	.2500	1.3125	BR3980	BR3926
3.9362	.7500	.0600	2.3750	1.0000	.1300	.2187	.9687	BR28985	BR28919
4.0000	.7813	.1200	2.3750	1.0000	.1300	.2187	1.0000	BR28985	BR28920
3.9370	.7813	.1300	2.3750	1.0000	.1300	.2187	1.0000	BR28985	BR28921
5.0000	1.3750	.1200	2.3750	1.7500	.1400	.3750	1.7500	BR65237	BR65500
4.8130	1.1700	.0600	2.3750	1.5100	.3100	.3300	1.5000	HM212044 VP	HM212010 VP
4.8125	1.1700	.1300	2.3750	1.5100	.3100	.3300	1.5000	HM212044 VP	HM212011 VP
5.5000	1.4375	.1300	2.3750	1.8125	.1400	.3750	1.1825	H715332	H715310
5.3750	1.4375	.1300	2.3750	1.8125	.1400	.3750	1.1825	H715332	H715311 VP
5.0000	1.0625	.1300	2.3750	1.4375	.1400	.3750	1.4375	HM813841 VP	HM813810 VP
5.1250	.9375	.1300	2.3750	1.3125	.2000	.5000	1.4375	HM911245 VP	HM911210 VP
2.4375									
4.3310	.7411	.0500	2.4375	.8660	.0300	.1250	.8661	BR392	394-A VP
4.3307	.7411	.0400	2.4375	.8660	.0300	.1250	.8661	BR392	394-AB
4.3307	.7411	.0500	2.4375	.8660	.0300	.1250	.8661	BR392	394-AS VP
5.5000	1.4375	.1300	2.4375	1.8125	.1400	.3750	1.8125	H715334 VP	H715310
5.3750	1.4375	.1300	2.4375	1.8125	.1400	.3750	1.8125	H715334 VP	H715311 VP

Tapered roller bearings

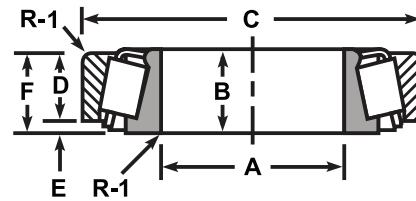
I.D. size listing



Cup dimensions			Cone dimensions			Bearing no.			
O.D. C	Length D	Radius R-1	I.D. A	Length B	Radius R-1	Standout E	Width F	Cone	Cup
5.0000	1.0625	.1300	2.4375	1.4375	.1400	.3750	1.4375	HM813843	HM813810 VP
5.7500	1.0000	.1300	2.4375	1.5625	.1400	.6250	1.6250	H913842 VP	H913810 VP
2.4700									
3.9362	.7500	.0600	2.4700	1.0000	.1400	.2187	.9687	BR28995	BR28919
4.0000	.7813	.1200	2.4700	1.0000	.1400	.2187	1.0000	BR28995	BR28920
3.9370	.7813	.1300	2.4700	1.0000	.1400	.2187	1.0000	BR28995	BR28921
2.5000									
4.1250	.6250	.0800	2.5000	.8661	.2000	.2188	.8438	NP678813	BR39412
4.3310	.7411	.0500	2.5000	.8660	.0600	.1250	.8661	390-A	394-A VP
4.3307	.7411	.0400	2.5000	.8660	.0600	.1250	.8661	390-A	394-AB
4.3307	.7411	.0500	2.5000	.8660	.0600	.1250	.8661	390-A	394-AS VP
4.3310	.7411	.0500	2.5000	.8660	.1400	.1250	.8661	BR395	394-A VP
4.3307	.7411	.0400	2.5000	.8660	.1400	.1250	.8661	BR395	394-AB
4.3307	.7411	.0500	2.5000	.8660	.1400	.1250	.8661	BR395	394-AS VP
4.8750	1.1875	.1300	2.5000	1.4440	.1400	.3125	1.5000	BR559	552-A VP
4.8750	1.3125	.1300	2.5000	1.4440	.1400	.1875	1.5000	BR559	BR552
5.0000	1.3750	.1300	2.5000	1.4440	.1400	.0310	1.4060	BR559	553-BA
4.8125	1.1875	.1300	2.5000	1.4440	.1400	.3125	1.5000	BR559	553-X
5.0000	1.1250	.1300	2.5000	1.4240	.1400	.3125	1.4375	BR565	BR563
5.3750	3.0000	.0600	2.5000	1.6250	.1400	.7500	3.7500	BR639	632-D
5.3750	1.2500	.1300	2.5000	1.6250	.1400	.3750	1.6250	BR639	BR632
5.1250	1.2500	.1300	2.5000	1.6250	.1400	.3750	1.6250	BR639	BR633
5.3750	1.4063	.0600	2.5000	1.6250	.1400	.3750	1.7813	BR639	634-W
4.4375	.9375	.1300	2.5000	1.1830	.1400	.2500	1.1875	BR3982	BR3920
4.4380	.9375	.0300	2.5000	1.1830	.1400	.2500	1.1875	BR3982	BR3925
4.4380	1.0625	.1300	2.5000	1.1830	.1400	.2500	1.3125	BR3982	BR3926
4.2500	.7500	.1300	2.5000	1.0000	.1400	.2500	1.0000	BR29585	BR29520
4.2500	.7500	.0300	2.5000	1.0000	.1400	.2500	1.0000	BR29585	BR29522
4.2500	.7500	.1300	2.5000	1.0000	.0600	.2500	1.0000	BR29586	BR29520
4.2500	.7500	.0300	2.5000	1.0000	.0600	.2500	1.0000	BR29586	BR29522
4.1250	.6250	.0800	2.5000	.8661	.0800	.2188	.8438	BR39250	BR39412
4.4375	.9675	.1300	2.5000	1.1875	.1400	.2500	1.1875	BR39585	BR39520
4.4375	.9375	.0300	2.5000	1.1875	.1400	.2500	1.1875	BR39585	BR39521
5.5130	.9260	.0900	2.5000	1.3085	.2000	.5115	1.4375	78250-AC	BR78551
4.8130	1.1700	.0600	2.5000	1.5100	.1400	.3300	1.5000	HM212046	HM212010 VP
4.8125	1.1700	.1300	2.5000	1.5100	.1400	.3300	1.5000	HM212046	HM212011 VP
4.8130	1.1700	.0600	2.5000	1.5100	.2800	.3300	1.5000	HM212047 VP	HM212010 VP

Tapered roller bearings

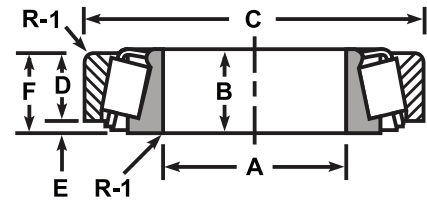
I.D. size listing



Cup dimensions			Cone dimensions			Bearing no.			
O.D. C	Length D	Radius R-1	I.D. A	Length B	Radius R-1	Standout E	Width F	Cone	Cup
4.8125	1.1700	.1300	2.5000	1.5100	.2800	.3300	1.5000	HM212047 VP	HM212011 VP
3.7190	.5938	.0600	2.5000	.7500	.0600	.1562	.7500	L610549	L610510
2.5555									
3.9390	.6880	.0600	2.5555	.9055	.0600	-	-	NP568415	NP908986
2.5580									
4.4382	.7500	.1300	2.5580	1.0000	.0600	-	-	NP201062	NP101912
2.5590									
4.7240	1.2598	.1000	2.5590	1.5157	.1200	.2756	1.5354	JH211749	JH211710
4.1340	.7283	.0400	2.5590	.9055	.1200	.1166	.9449	JLM710949 VP	JLM710910 VP
2.5591									
4.7240	.9230	.1300	2.5591	1.1420	.0900	.2188	1.1418	BR478	472-A
4.8750	.9687	.1250	2.5591	1.1420	.0900	.2188	1.1875	BR478	472-X
4.7240	.9542	.0800	2.5591	1.1420	.0900	.2188	1.1730	BR478	BR472
4.3307	.8858	.1000	2.5591	.8858	.1000	.2166	1.1024	JM511945	JM511910 VP
4.3307	.8858	.1000	2.5591	1.1024	.1200	.2166	1.1024	JM511946 VP	JM511910 VP
2.5625									
5.3447	1.7500	.1300	2.5625	2.2050	.1400	.3750	2.1250	BR6379	BR6320
2.5650									
5.5000	1.4375	.1300	2.5650	1.8125	.1400	.3750	1.8125	H715340	H715310
5.3750	1.4375	.1300	2.5650	1.8125	.1400	.3750	1.8125	H715340	H715311 VP
4.3310	.7411	.0500	2.6250	.8660	.0300	.1250	.8661	395-A VP	394-A VP
4.3307	.7411	.0400	2.6250	.8660	.0300	.1250	.8661	395-A VP	394-AB
4.3307	.7411	.0500	2.6250	.8660	.0300	.1250	.8661	395-A VP	394-AS VP
4.4680	.7411	.0500	2.6250	.9230	.1400	-	-	395-CS	394-CS
4.3310	.7411	.0500	2.6250	.8660	.1400	.1250	.8661	395-S	394-A VP
4.3307	.7411	.0400	2.6250	.8660	.1400	.1250	.8661	395-S	394-AB
4.3307	.7411	.0500	2.6250	.8660	.1400	.1250	.8661	395-S	394-AS VP
4.8750	1.1875	.1300	2.6250	1.4440	.1400	.3125	1.5000	BR560	552-A VP
4.8750	1.3125	.1300	2.6250	1.4440	.1400	.1875	1.5000	BR560	BR552
5.0000	1.3750	.1300	2.6250	1.4440	.1400	.0310	1.4060	BR560	553-BA
4.8125	1.1875	.1300	2.6250	1.4440	.1400	.3125	1.5000	BR560	553-X
5.3750	3.0000	.0600	2.6250	1.6250	.1400	.7500	3.7500	BR641	632-D
5.3750	1.2500	.1300	2.6250	1.6250	.1400	.3750	1.6250	BR641	BR632
5.1250	1.2500	.1300	2.6250	1.6250	.1400	.3750	1.6250	BR641	BR633
5.3750	1.4063	.0600	2.6250	1.6250	.1400	.3750	1.7813	BR641	634-W
4.4375	.9375	.1300	2.6250	1.1830	.1400	.2500	1.1875	BR3984	BR3920
4.4380	.9375	.0300	2.6250	1.1830	.1400	.2500	1.1875	BR3984	BR3925

Tapered roller bearings

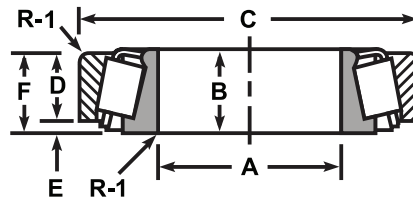
I.D. size listing



Cup dimensions			Cone dimensions			Bearing no.			
O.D. C	Length D	Radius R-1	I.D. A	Length B	Radius R-1	Standout E	Width F	Cone	Cup
4.4380	1.0625	.1300	2.6250	1.1830	.1400	.2500	1.3125	BR3984	BR3926
4.4375	.9375	.1300	2.6250	1.1505	.2200	.2500	1.1875	BR3992	BR3920
4.4380	.9375	.0300	2.6250	1.1505	.2200	.2500	1.1875	BR3992	BR3925
4.4380	1.0625	.1300	2.6250	1.1505	.2200	.2500	1.3125	BR3992	BR3926
4.4375	.9375	.1300	2.6250	1.1830	.2200	.2500	1.1875	BR3994	BR3920
4.4380	.9375	.0300	2.6250	1.1830	.2200	.2500	1.1875	BR3994	BR3925
4.4380	1.0625	.1300	2.6250	1.1830	.2200	.2500	1.3125	BR3994	BR3926
5.3447	1.7500	.1300	2.6250	2.2050	.3400	.3750	2.1250	6386-A	BR6320
5.3447	1.7500	.1300	2.6250	2.2050	.1700	.3750	2.1250	BR6386	BR6320
5.3447	1.7500	.1300	2.6250	2.2050	.2500	.3750	2.1250	BR6389	BR6320
4.2500	.7500	.1300	2.6250	1.0000	.1400	.2500	1.0000	BR29590	BR29520
4.2500	.7500	.0300	2.6250	1.0000	.1400	.2500	1.0000	BR29590	BR29522
4.6250	.9375	.1300	2.6250	1.1875	.1400	.2500	1.1875	BR33262	BR33462
4.7240	.9230	.0300	2.6250	1.1875	.1400	.2500	1.1875	BR33262	BR33472
4.4375	.9675	.1300	2.6250	1.1875	.1400	.2500	1.1875	BR39590	BR39520
4.4375	.9375	.0300	2.6250	1.1875	.1400	.2500	1.1875	BR39590	BR39521
4.8130	1.1700	.0600	2.6250	1.5100	.1400	.3300	1.5000	HM212049 VP	HM212010 VP
4.8125	1.1700	.1300	2.6250	1.5100	.1400	.3300	1.5000	HM212049 VP	HM212011 VP
4.8130	1.1700	.0600	2.6250	1.5100	.2800	.3300	1.5000	HM212049-X VP	HM212010 VP
4.8125	1.1700	.1300	2.6250	1.5100	.2800	.3300	1.5000	HM212049-X VP	HM212011 VP
5.0000	1.0625	.1300	2.6250	1.4375	.1400	.3750	1.4375	HM813844 VP	HM813810 VP
2.6267									
5.5000	1.4375	.1300	2.6267	1.8125	.1400	.3750	1.8125	H715341	H715310
5.3750	1.4375	.1300	2.6267	1.8125	.1400	.3750	1.8125	H715341	H715311 VP
2.6875									
4.3310	.7411	.0500	2.6875	.8660	.0900	.1250	.8661	399-A	394-A VP
4.3307	.7411	.0400	2.6875	.8660	.0900	.1250	.8661	399-A	394-AB
4.3307	.7411	.0500	2.6875	.8660	.0900	.1250	.8661	399-A	394-AS VP
4.3310	.7411	.0500	2.6875	.8660	.2000	.1250	.8661	399-AS	394-A VP
4.8750	1.1875	.1300	2.6875	1.4440	.1400	.3125	1.5000	560-S	552-A VP
4.8750	1.3125	.1300	2.6875	1.4440	.1400	.1875	1.5000	560-S	BR552
5.0000	1.3750	.1300	2.6875	1.4440	.1400	.0310	1.4060	560-S	553-BA
4.8125	1.1875	.1300	2.6875	1.4440	.1400	.3125	1.5000	560-S	553-X
6.3750	1.2500	.1300	2.6875	1.8125	.1400	.6875	1.9375	BR9278	BR9220
4.6250	.9375	.1300	2.6875	1.1875	.1400	.2500	1.1875	BR33269	BR33462
4.7240	.9230	.0300	2.6875	1.1875	.1400	.2500	1.1875	BR33269	BR33472
5.5000	1.4375	.1300	2.6875	1.8125	.1400	.3750	1.8125	H715343 VP	H715310
5.3750	1.4375	.1300	2.6875	1.8125	.1400	.3750	1.8125	H715343 VP	H715311 VP

Tapered roller bearings

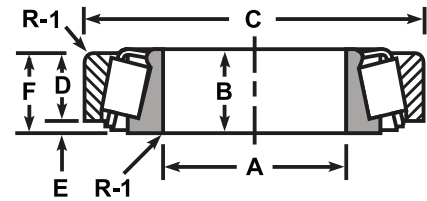
I.D. size listing



Cup dimensions			Cone dimensions			Bearing no.			
O.D. C	Length D	Radius R-1	I.D. A	Length B	Radius R-1	Standout E	Width F	Cone	Cup
2.7500									
4.7240	.9230	.1300	2.7500	1.1420	.1400	.2188	1.1418	BR482	472-A
4.8750	.9687	.1250	2.7500	1.1420	.1400	.2188	1.1875	BR482	472-X
4.7240	.9542	.0800	2.7500	1.1420	.1400	.2188	1.1730	BR482	BR472
5.0000	1.1250	.1300	2.7500	1.4240	.0300	.3125	1.4375	566-S	BR563
5.0000	1.1250	.1300	2.7500	1.4240	.0300	.3125	1.4375	BR566	BR563
5.3750	3.0000	.0600	2.7500	1.6250	.1400	.7500	3.7500	BR643	632-D
5.3750	1.2500	.1300	2.7500	1.6250	.1400	.3750	1.6250	BR643	BR632
5.1250	1.2500	.1300	2.7500	1.6250	.1400	.3750	1.6250	BR643	BR633
5.3750	1.4063	.0600	2.7500	1.6250	.1400	.3750	1.7813	BR643	634-W
5.9090	1.4375	.1300	2.7500	1.8375	.2000	.3125	1.7500	744-A	BR742
5.9090	1.4375	.1300	2.7500	1.8375	.1400	.3125	1.7500	745-A	BR742
4.4380	.7500	.1300	2.7500	1.0000	.0600	.2500	1.0000	BR29675	BR29620
4.7500	.7500	.1300	2.7500	1.0000	.0600	.2500	1.0000	BR29675	BR29630
4.6250	.9375	.1300	2.7500	1.1875	.1400	.2500	1.1875	BR33275	BR33462
4.7240	.9230	.0300	2.7500	1.1875	.1400	.2500	1.1875	BR33275	BR33472
4.7240	1.0313	.1300	2.7500	1.2813	.1400	.2500	1.2813	BR47487	BR47420
4.4375	.6250	.0300	2.7500	.8660	.0600	-	-	LM613449	LM613410
2.7540									
4.7810	.6875	.0800	2.7540	.9060	.0800	.2813	.9688	BR34274	BR34478
4.9233	.6457	.0800	2.7540	.9060	.0800	.2886	.9343	BR34274	34492-A
5.0000	.7812	.1300	2.7540	.9060	.0800	.2813	1.0625	BR34274	BR34500
2.7559									
5.1181	1.3780	.1000	2.7559	1.6535	.2800	.3149	1.6929	JF7049A	JF7010
2.8125									
5.2500	.8750	.1300	2.8125	1.1720	.1400	.3125	1.1875	495-S	492-A VP
5.2500	1.0000	.1300	2.8125	1.1720	.1400	.3125	1.3125	495-S	492-W
5.4375	.8750	.1300	2.8125	1.1720	.1400	.3125	1.3125	495-S	493-XB
5.3750	.8750	.1300	2.8125	1.1720	.1400	.3125	1.1875	495-S	BR493
4.6250	.9375	.1300	2.8125	1.1875	.1400	.2500	1.1875	BR33281	BR33462
4.7240	.9230	.0300	2.8125	1.1875	.1400	.2500	1.1875	BR33281	BR33472
4.7240	1.0313	.1300	2.8125	1.2813	.1400	.2500	1.2810	BR47490	BR47420
5.3750	1.2500	.1300	2.8125	1.6250	.1400	.3750	1.6250	H414249 VP	H414210
5.5000	1.4375	.1300	2.8125	1.8125	.1400	.3750	1.8125	H715345 VP	H715310
5.3750	1.4375	.1300	2.8125	1.8125	.1400	.3750	1.8125	H715345 VP	H715311 VP
2.8130									
5.0000	1.1250	.1300	2.8130	1.4240	.1400	.3125	1.4375	567-A	BR563

Tapered roller bearings

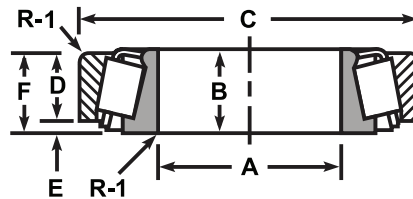
I.D. size listing



Cup dimensions			Cone dimensions			Bearing no.			
O.D. C	Length D	Radius R-1	I.D. A	Length B	Radius R-1	Standout E	Width F	Cone	Cup
2.8447									
4.7240	.9230	.1300	2.8447	1.1420	.1400	.2188	1.1418	485-T	472-A
4.7250	.9230	.1250	2.8447	1.1420	.1400	.2188	1.1418	485-T	472-X
4.7240	.9542	.0800	2.8447	1.1420	.1400	.2188	1.1730	485-T	BR472
2.8750									
5.0000	1.1250	.1300	2.8750	1.4240	.1400	.3125	1.4375	BR567	BR563
5.5110	1.1250	.1300	2.8750	1.4212	.1400	.3125	1.4375	BR576	572-A
5.5000	1.1250	.1300	2.8750	1.4212	.1400	.3125	1.4375	BR576	572-X VP
5.5115	1.1250	.1300	2.8750	1.4212	.1400	.3125	1.4375	BR576	BR572
5.7500	1.2500	.1300	2.8750	1.6250	.1400	.3750	1.6250	BR657	BR653
4.4380	.7500	.1300	2.8750	1.0000	.1400	.2500	1.0000	BR29685	BR29620
4.7500	.7500	.1300	2.8750	1.0000	.1400	.2500	1.0000	BR29685	BR29630
4.6250	.9375	.1300	2.8750	1.1875	.1400	.2500	1.1875	BR33287	BR33462
4.7240	.9230	.0300	2.8750	1.1875	.1400	.2500	1.1875	BR33287	BR33472
2.9062									
5.0000	1.1250	.1300	2.9062	1.4240	.0300	.3125	1.4375	BR568	BR563
2.9528									
4.5276	.7480	.1000	2.9528	.9843	.1200	.2363	.9843	JLM714149	JLM714110
4.7240	.9843	.1000	2.9528	1.1614	.1200	.2362	1.2205	JM714249 VP	JM714210 VP
3.0000									
5.2500	.8750	.1300	3.0000	1.1720	.1400	.3125	1.1875	495-A VP	492-A VP
5.2500	1.0000	.1300	3.0000	1.1720	.1400	.3125	1.3125	495-A VP	492-W
5.4375	.8750	.1300	3.0000	1.1720	.1400	.3125	1.3125	495-A VP	493-XB
5.3750	.8750	.1300	3.0000	1.1720	.1400	.3125	1.1875	495-A VP	BR493
5.2500	.8750	.1300	3.0000	1.1720	.2500	.3125	1.1875	495-AX VP	492-A VP
5.2500	1.0000	.1300	3.0000	1.1720	.2500	.3125	1.3125	495-AX VP	492-W
5.4375	.8750	.1300	3.0000	1.1720	.2500	.3125	1.3125	495-AX VP	493-XB
5.3750	.8750	.1300	3.0000	1.1720	.2500	.3125	1.1875	495-AX VP	BR493
5.5110	1.1250	.1300	3.0000	1.4212	.1400	.3125	1.4375	BR575	572-A
5.5000	1.1250	.1300	3.0000	1.4212	.1400	.3125	1.4375	BR575	572-X VP
5.5115	1.1250	.1300	3.0000	1.4212	.1400	.3125	1.4375	BR575	BR572
6.0000	1.1875	.1300	3.0000	1.4300	.1400	.3750	1.5625	590-A	592-A VP
6.0000	2.5000	.0300	3.0000	1.4300	.1400	.7500	3.2500	590-A	592-D
6.0000	1.3125	.1300	3.0000	1.4300	.1400	.2500	1.5625	590-A	BR592
5.9060	1.0630	.1200	3.0000	1.4300	.1400	.3540	1.4170	590-A	593-X VP
5.9090	1.4375	.1300	3.0000	1.8375	.1400	.3125	1.7500	748-S	BR742
5.3438	1.3750	.1300	3.0000	2.0650	.1400	.6250	2.0000	BR5755	BR5735

Tapered roller bearings

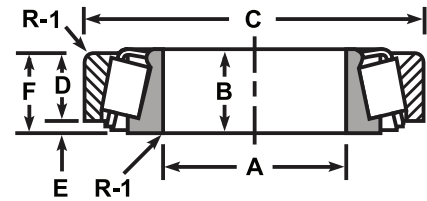
I.D. size listing



Cup dimensions			Cone dimensions				Bearing no.		
O.D. C	Length D	Radius R-1	I.D. A	Length B	Radius R-1	Standout E	Width F	Cone	Cup
5.3438	1.3750	.1300	3.0000	1.8150	.1400	.6250	2.0000	BR5760	BR5735
5.8750	1.7500	.1300	3.0000	2.1350	.3800	.3750	2.1250	6461-A VP	BR6420
5.8750	1.7500	.1300	3.0000	2.1350	.1400	.3750	2.1250	BR6461	BR6420
5.8750	1.7500	.1300	3.0000	2.1350	.2500	.3750	2.1250	BR6466	BR6420
4.7810	.6875	.0800	3.0000	.9060	.0800	.2813	.9688	BR34300	BR34478
4.9233	.6457	.0800	3.0000	.9060	.0800	.2886	.9343	BR34300	34492-A
5.0000	.7812	.1300	3.0000	.9060	.0800	.2813	1.0625	BR34300	BR34500
4.7810	.6875	.0800	3.0000	.9060	.1400	.2813	.9688	BR34301	BR34478
4.9233	.6457	.0800	3.0000	.9060	.1400	.2886	.9343	BR34301	34492-A
5.0000	.7812	.1300	3.0000	.9060	.1400	.2813	1.0625	BR34301	BR34500
5.0000	.8750	.1300	3.0000	1.2205	.1400	.3125	1.1875	BR42687	BR42620
5.0000	.8750	.1300	3.0000	1.2205	.2500	.3125	1.1875	BR42688	BR42620
5.2500	1.0313	.1300	3.0000	1.3125	.2500	.2812	1.3125	BR47678	BR47620
5.3750	2.0313	.1300	3.0000	1.3125	.2500	.1406	2.1719	BR47678	47622-BW
5.3750	1.7500	.0300	3.0000	1.3125	.2500	-	1.7500	BR47678	47623-A
5.3750	1.5000	.0300	3.0000	1.3125	.2500	.2350	1.7350	BR47678	47623-AB
5.2500	1.0313	.1300	3.0000	1.3125	.1400	.2812	1.3125	BR47679	BR47620
5.3750	2.0313	.1300	3.0000	1.3125	.1400	.1406	2.1719	BR47679	47622-BW
5.3750	1.7500	.0300	3.0000	1.3125	.1400	-	1.7500	BR47679	47623-A
5.3750	1.5000	.0300	3.0000	1.3125	.1400	.2350	1.7350	BR47679	47623-AB
3.0625									
4.7812	.6875	.0800	3.0625	.9060	.1400	.2813	.9688	BR34306	BR34478
4.9233	.6457	.0800	3.0625	.9060	.1400	.2886	.9343	BR34306	34492-A
5.0000	.7812	.1300	3.0625	.9060	.1400	.2813	1.0625	BR34306	BR34500
5.0000	.8750	.1300	3.0625	1.2250	.1400	.3125	1.1875	BR42690	BR42620
4.6250	.7550	.1300	3.0625	1.0000	.1400	.2500	1.0000	LM814849 VP	LM814810 VP
3.1250									
6.0000	1.1875	.1300	3.1250	1.4300	.1400	.3750	1.5625	595-A	592-A VP
6.0000	2.5000	.0300	3.1250	1.4300	.1400	.7500	3.2500	595-A	592-D
6.0000	1.3125	.1300	3.1250	1.4300	.1400	.2500	1.5625	595-A	BR592
5.9060	1.0630	.1200	3.1250	1.4300	.1400	.3540	1.4170	595-A	593-X VP
6.3750	1.5000	.1300	3.1250	1.9000	.3100	.3750	1.8750	756-A	BR752
6.6250	2.2500	.1300	3.1250	1.9000	.3100	.1250	2.1250	756-A	754-W
3.1496									
5.1180	1.2200	.1000	3.1496	1.3386	.1200	.2560	1.3780	JM515649 VP	JM515610 VP
3.1875									
5.2500	.8750	.1300	3.1875	1.1720	.1400	.3125	1.1875	BR496	492-A VP
5.2500	1.0000	.1300	3.1875	1.1720	.1400	.3125	1.3125	BR496	492-W

Tapered roller bearings

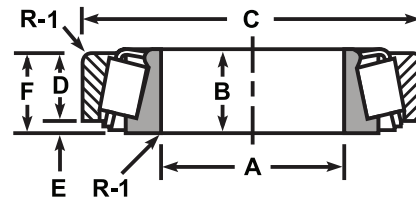
I.D. size listing



Cup dimensions			Cone dimensions			Bearing no.			
O.D. C	Length D	Radius R-1	I.D. A	Length B	Radius R-1	Standout E	Width F	Cone	Cup
5.4375	.8750	.1300	3.1875	1.1720	.1400	.3125	1.3125	BR496	493-XB
5.3750	.8750	.1300	3.1875	1.1720	.1400	.3125	1.1875	BR496	BR493
5.5110	1.1250	.1300	3.1875	1.4212	.1400	.3125	1.4375	BR581	572-A
5.5000	1.1250	.1300	3.1875	1.4212	.1400	.3125	1.4375	BR581	572-X VP
5.5115	1.1250	.1300	3.1875	1.4212	.1400	.3125	1.4375	BR581	BR572
5.9090	1.4375	.1300	3.1875	1.8375	.2000	.3125	1.7500	BR740	BR742
5.3438	1.3750	.1300	3.1875	2.0650	.1300	.6250	2.0000	5757-T	BR5735
3.2500									
5.2500	.8750	.1300	3.2500	1.1720	.1400	.3125	1.1875	BR495	492-A VP
5.2500	1.0000	.1300	3.2500	1.1720	.1400	.3125	1.3125	BR495	492-W
5.4375	.8750	.1300	3.2500	1.1720	.1400	.3125	1.3125	BR495	493-XB
5.3750	.8750	.1300	3.2500	1.1720	.1400	.3125	1.1875	BR495	BR493
5.5110	1.1250	.1300	3.2500	1.4212	.1400	.3125	1.4375	BR580	572-A
5.5000	1.1250	.1300	3.2500	1.4212	.1400	.3125	1.4375	BR580	572-X VP
5.5115	1.1250	.1300	3.2500	1.4212	.1400	.3125	1.4375	BR580	BR572
5.5110	1.1250	.1300	3.2500	1.4212	.2700	.3125	1.4375	BR582	572-A
5.5000	1.1250	.1300	3.2500	1.4212	.2700	.3125	1.4375	BR582	572-X VP
5.5115	1.1250	.1300	3.2500	1.4212	.2700	.3125	1.4375	BR582	BR572
6.0000	1.1875	.1300	3.2500	1.4300	.1400	.3750	1.5625	BR595	592-A VP
5.7500	1.2500	.1300	3.2500	1.6250	.2700	.3750	1.6250	663-A	BR653
5.7500	1.2500	.1300	3.2500	1.6250	.1400	.3750	1.6250	BR663	BR653
6.0000	1.2500	.1300	3.2500	1.6250	.2700	.3750	1.6250	663-A	BR652
5.9060	1.2500	.1200	3.2500	1.6250	.2700	.3750	1.6250	663-A	653-X
5.9090	1.4375	.1300	3.2500	1.8375	.1400	.3125	1.7500	749-A VP	BR742
5.9090	1.4375	.1300	3.2500	1.8375	.2700	.3125	1.7500	750-A	BR742
4.9380	.7813	.0600	3.2500	1.0000	.1400	.2187	1.0000	BR27687	BR27620
5.2500	1.0313	.1300	3.2500	1.3125	.1400	.2812	1.3125	BR47686	BR47620
5.3750	2.0313	.1300	3.2500	1.3125	.1400	.1406	2.1719	BR47686	47622-BW
5.3750	1.7500	.0300	3.2500	1.3125	.1400	-	1.7500	BR47686	47623-A
5.3750	1.5000	.0300	3.2500	1.3125	.1400	.2350	1.7350	BR47686	47623-AB
5.2500	1.0313	.1300	3.2500	1.3125	.2700	.2812	1.3125	BR47687	BR47620
5.3750	2.0313	.1300	3.2500	1.3125	.2700	.1406	2.1719	BR47687	47622-BW
5.3750	2.1875	.1300	3.2500	1.3125	.2700	-	2.1875	BR47687	47622-W
5.3750	1.7500	.0300	3.2500	1.3125	.2700	-	1.7500	BR47687	47623-A
5.3750	1.5000	.0300	3.2500	1.3125	.2700	.2350	1.7350	BR47687	47623-AB
5.2500	1.2813	.1300	3.2500	1.5625	.2700	.2812	1.5625	HM516448 VP	HM516410 VP
5.3750	1.2813	.0600	3.2500	1.5625	.2700	.2812	1.5625	HM516448 VP	HM516414-B VP

Tapered roller bearings

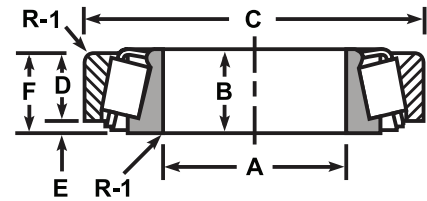
I.D. size listing



Cup dimensions			Cone dimensions			Bearing no.			
O.D. C	Length D	Radius R-1	I.D. A	Length B	Radius R-1	Standout E	Width F	Cone	Cup
5.2500	1.2813	.1300	3.2500	1.5625	.3280	.2812	1.5625	HM516449-A VP	HM516410 VP
5.3750	1.2813	.0600	3.2500	1.5625	.3280	.2812	1.5625	HM516449-A VP	HM516414-B VP
5.2500	1.2813	.1300	3.2500	1.5625	.1400	.2812	1.5625	HM516449-C VP	HM516410 VP
5.3750	1.2813	.0600	3.2500	1.5625	.1400	.2812	1.5625	HM516449-C VP	HM516414-B VP
5.2500	1.2813	.1300	3.2500	1.5625	.2700	.2812	1.5625	HM516448 VP	HM516410 VP
3.2813									
4.9380	.7813	.0600	3.2813	1.0000	.1400	.2187	1.0000	BR27690	BR27620
3.3125									
5.2500	.8750	.1300	3.3125	1.1720	.1400	.3125	1.1875	BR498	492-A VP
5.2500	1.0000	.1300	3.3125	1.1720	.1400	.3125	1.3125	BR498	492-W
5.4375	.8750	.1300	3.3125	1.1720	.1400	.3125	1.3125	BR498	493-XB
5.3750	.8750	.1300	3.3125	1.1720	.1400	.3125	1.1875	BR498	BR493
3.3465									
5.9055	1.4961	.1000	3.3465	1.8110	.1200	-	-	JH217249	JH217210
5.1180	.9449	.1000	3.3465	1.1417	.1200	.2362	1.1811	JM716649	JM716610 VP
5.1806	.9449	.1800	3.3465	1.1417	.1200	.2369	1.1811	JM716649	JM716612-A
3.3475									
5.9090	1.4375	.1300	3.3475	1.8375	.2000	.3125	1.7500	749-S	BR742
5.9090	1.4375	.1300	3.3475	1.8375	.1400	.3125	1.7500	BR749	BR742
3.3750									
5.2500	1.0000	.1300	3.3750	1.1720	.2500	.3125	1.3125	497-A	492-W
5.4375	.8750	.1300	3.3750	1.1720	.2500	.3125	1.3125	497-A	493-XB
5.3750	.8750	.1300	3.3750	1.1720	.2500	.3125	1.1875	497-A	BR493
5.2500	.8750	.1300	3.3750	1.1720	.1400	.3125	1.1875	BR497	492-A VP
5.2500	1.0000	.1300	3.3750	1.1720	.1400	.3125	1.3125	BR497	492-W
6.0000	1.1875	.1300	3.3750	1.4300	.1400	.3750	1.5625	BR596	592-A VP
6.0000	1.2500	.1300	3.3750	1.6250	.2500	.3750	1.6250	665-A VP	BR652
5.9060	1.2500	.1200	3.3750	1.6250	.2500	.3750	1.6250	665-A VP	653-X
5.7500	1.2500	.1300	3.3750	1.6250	.2500	.3750	1.6250	665-A VP	BR653
5.7500	1.2500	.1300	3.3750	1.6250	.1400	.3750	1.6250	BR665	BR653
5.5960	1.3438	.1200	3.3750	1.6875	.1900	.3437	1.6875	HM617049	HM617010
3.4630									
5.8440	.8438	.1200	3.4630	1.1406	.1200	.2812	1.1250	BR42346	BR42584
3.5000									
6.0000	1.1875	.1300	3.5000	1.4300	.2500	.3750	1.5625	593-A	592-A VP
6.0000	2.5000	.0300	3.5000	1.4300	.2500	.7500	3.2500	593-A	592-D
6.0000	1.3125	.1300	3.5000	1.4300	.2500	.2500	1.5625	593-A	BR592

Tapered roller bearings

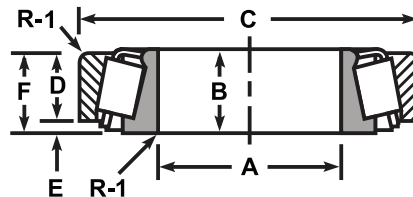
I.D. size listing



Cup dimensions			Cone dimensions			Bearing no.			
O.D. C	Length D	Radius R-1	I.D. A	Length B	Radius R-1	Standout E	Width F	Cone	Cup
5.9060	1.0630	.1200	3.5000	1.4300	.2500	.3540	1.4170	593-A	593-X VP
6.0000	1.1875	.1300	3.5000	1.4300	.1400	.3750	1.5625	BR593	592-A VP
6.6250	1.1875	.1300	3.5000	1.6250	.1400	.4375	1.6250	BR679	BR672
6.3750	1.5000	.1300	3.5000	1.9000	.1400	.3750	1.8750	BR759	BR752
6.6250	2.2500	.1300	3.5000	1.9000	.1400	.1250	2.1250	BR759	754-W
6.3750	1.5000	.1300	3.5000	1.9000	.2800	.3750	1.8750	BR766	BR752
6.6250	2.2500	.1300	3.5000	1.9000	.2800	.1250	2.1250	BR766	754-W
6.3750	1.6875	.1300	3.5000	2.1693	.1400	.4375	2.1250	BR6580	BR6535
5.8440	.8438	.1200	3.5000	1.1406	.1200	.2812	1.1250	BR42350	BR42584
6.0000	1.1875	.1300	3.5000	1.5625	.2500	.3750	1.5625	HM518445 VP	HM518410 VP
3.5430									
5.7874	1.2795	.1400	3.5430	1.5748	.2800	.2953	1.5748	HM218248 VP	HM218210 VP
5.7087	1.0630	.1000	3.5430	1.3386	.1200	.3150	1.3780	JM718149 VP	JM718110 VP
3.5433									
6.3750	1.6875	.1300	3.5433	2.1693	.1200	.4375	2.1250	6581-X	6535-W
6.3750	1.6875	.1300	3.5433	2.1693	.1200	.4375	2.1250	6581-X	BR6535
3.5625									
6.3750	1.5000	.1300	3.5625	1.9000	.1400	.3750	1.8750	BR760	BR752
6.6250	2.2500	.1300	3.5625	1.9000	.1400	.1250	2.1250	BR760	754-W
3.6250									
6.0000	1.1875	.1300	3.6250	1.4300	.2500	.3750	1.5625	598-A VP	592-A VP
6.0000	2.5000	.0300	3.6250	1.4300	.2500	.7500	3.2500	598-A VP	592-D
6.0000	1.3125	.1300	3.6250	1.4300	.2500	.2500	1.5625	598-A VP	BR592
5.9060	1.0630	.1200	3.6250	1.4300	.2500	.3540	1.4170	598-A VP	593-X VP
6.0000	1.1875	.1300	3.6250	1.4300	.1400	.3750	1.5625	BR598	592-A VP
6.6250	1.1875	.1300	3.6250	1.6250	.2500	.4375	1.6250	681-A VP	BR672
5.8440	.8438	.1200	3.6250	1.1406	.1378	.2812	1.1250	BR42362	BR42584
5.7500	1.0313	.1300	3.6250	1.3750	.1400	.2812	1.3125	BR47890	BR47820
3.7402									
5.9055	1.0630	.1000	3.7402	1.3386	.1200	.3150	1.3780	JM719149	JM719113
3.7500									
6.0000	1.1875	.1300	3.7500	1.4300	.2000	.3750	1.5625	594-A VP	592-A VP
6.0000	2.5000	.0300	3.7500	1.4300	.2000	.7500	3.2500	594-A VP	592-D
6.0000	1.3125	.1300	3.7500	1.4300	.2000	.2500	1.5625	594-A VP	BR592
5.9060	1.0630	.1200	3.7500	1.4300	.2000	.3540	1.4170	594-A VP	593-X VP
6.0000	1.1875	.1300	3.7500	1.4300	.1400	.3750	1.5625	BR594	592-A VP
6.6250	1.1875	.1300	3.7500	1.6250	.2000	.4375	1.6250	683-XA	BR672

Tapered roller bearings

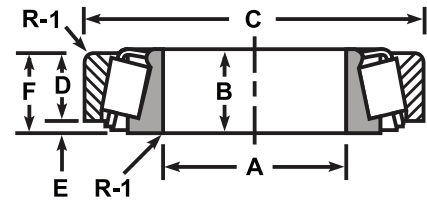
I.D. size listing



Cup dimensions			Cone dimensions				Bearing no.			
O.D. C	Length D	Radius R-1	I.D. A	Length B	Radius R-1	Standout E	Width F	Cone	Cup	
6.6250	1.1875	.1300	3.7500	1.6250	.1400	.4375	1.6250	BR683	BR672	
7.1250	1.5000	.1300	3.7500	1.8900	.1400	.3750	1.8750	BR776	BR772	
7.2500	1.8750	.1300	3.7500	1.8900	.1400	.3750	1.8750	BR776	774-BW	
5.7500	1.0313	.1300	3.7500	1.3750	.1400	.2812	1.3125	BR47896	BR47820	
6.1875	1.0313	.1300	3.7500	1.4219	.1400	.4062	1.4375	BR52375	BR52618	
6.3750	1.0313	.1300	3.7500	1.4219	.1400	.4062	1.5625	BR52375	BR52637	
3.8125										
5.8440	.8438	.1200	3.8125	1.1406	.1400	.2812	1.1250	BR42381	BR42584	
3.8750										
6.6250	1.1875	.1300	3.8750	1.6250	.1400	.4375	1.6250	BR685	BR672	
6.1875	1.0313	.1300	3.8750	1.4219	.1400	.4062	1.4375	BR52387	BR52618	
6.3750	1.0313	.1300	3.8750	1.4219	.1400	.4062	1.5625	BR52387	BR52637	
3.9370										
6.2992	1.2598	.1000	3.9370	1.5748	.1200	.3544	1.6142	JHM720249 VP	JHM720210 VP	
6.1024	1.1024	.1000	3.9370	1.3780	.1200	.3149	1.4173	JM720249	JM720210	
4.0000										
6.6250	1.1875	.1300	4.0000	1.6250	.1400	.4375	1.6250	BR687	BR672	
7.1250	1.5000	.1300	4.0000	1.8900	.1400	.3750	1.8750	BR780	BR772	
7.2500	1.8750	.1300	4.0000	1.8900	.1400	.3750	1.8750	BR780	774-BW	
6.1875	1.0313	.1300	4.0000	1.4219	.1400	.4062	1.4375	BR52400	BR52618	
6.3750	1.0313	.1300	4.0000	1.4219	.1400	.4062	1.5625	BR52400	BR52637	
6.1875	1.0313	.1300	4.0000	1.4219	.3100	.4062	1.4375	BR52401	BR52618	
6.3750	1.0313	.1300	4.0000	1.4219	.3100	.4062	1.5625	BR52401	BR52637	
4.1250										
7.1250	1.5000	.1300	4.1250	1.8900	.1400	.3750	1.8750	BR782	BR772	
7.2500	1.8750	.1300	4.1250	1.8900	.1400	.3750	1.8750	BR782	774-BW	
7.1250	1.5000	.1300	4.1250	1.8900	.2800	.3750	1.8750	BR787	BR772	
7.2500	1.8750	.1300	4.1250	1.8900	.2800	.3750	1.8750	BR787	774-BW	
4.2500										
6.2500	.6250	.1300	4.2500	.8440	.1400	.2813	.9063	BR37425	BR37625	
6.3750	1.0625	.1300	4.2500	1.3750	.1400	.3125	1.3750	BR48190	BR48120	
6.5000	1.0625	.1300	4.2500	1.4375	.1400	.3750	1.4375	BR56425	BR56650	
4.3125										
6.2500	.6250	.1300	4.3125	.8440	.1400	.2813	.9063	BR37431	BR37625	
4.3307										
6.4960	1.0433	.1000	4.3307	1.3780	.1200	.3347	1.3780	JM822049 VP	JM822010 VP	

Tapered roller bearings

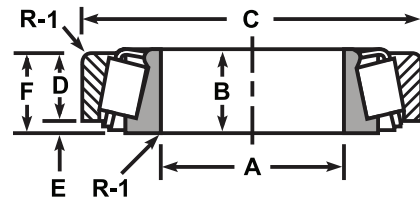
I.D. size listing



Cup dimensions			Cone dimensions			Bearing no.			
O.D. C	Length D	Radius R-1	I.D. A	Length B	Radius R-1	Standout E	Width F	Cone	Cup
4.5000									
7.0000	1.1875	.1300	4.5000	1.6250	.1400	.4375	1.6250	BR64450	BR64700
7.1250	1.0000	.1300	4.5000	1.2500	.1400	.3750	1.3750	BR68450	BR68712
7.5000	1.3750	.1300	4.5000	1.9375	.1400	.5000	1.8750	BR71450	BR71750
6.0000	.6563	.0600	4.5000	.8438	.0600	.1875	.8438	L623149	L623110
4.6250									
7.1250	1.0000	.1300	4.6250	1.2500	.1400	.3750	1.3750	BR68462	BR68712
4.8750									
7.1875	1.3125	.1300	4.8750	1.5000	.1400	.2500	1.5625	BR48286	BR48220
5.0000									
7.1875	1.3125	.1300	5.0000	1.5000	.1400	.2500	1.5625	BR48290	BR48220
7.7500	1.5000	.1300	5.0000	1.8125	.1400	.3125	1.8125	BR67388	BR67322
5.2500									
7.5000	1.3125	.1300	5.2500	1.5625	.1400	.2500	1.5625	BR48385	BR48320
7.7500	1.5000	.1300	5.2500	1.8125	.1400	.3125	1.8125	BR67390	BR67322
5.3750									
7.5000	1.3125	.1300	5.3750	1.5625	.1400	.2500	1.5625	BR48393	BR48320
5.6250									
7.8750	1.3437	.1300	5.6250	1.5625	.3100	.2813	1.6250	BR48684	BR48620
5.7500									
7.6250	.9063	.0600	5.7500	1.1250	.0600	.2187	1.1250	BR36690	BR36620
7.6250	.9063	.0600	5.7500	1.1250	.1900	.2187	1.1250	BR36691	BR36620
6.5000									
8.8750	1.3125	.1250	6.5000	1.5625	.1400	.3125	1.6250	BR46790	BR46720
6.6929									
9.0551	1.2205	.1000	6.6929	1.4961	.1200	-	-	JHM534149	JHM534110
6.8750									
9.7500	1.5000	.1300	6.8750	1.8750	.1400	.3750	1.8750	BR67787	BR67720
7.0866									
9.8425	1.4567	.1000	7.0866	1.7717	.1200	-	-	JM736149	JM736110

Tapered roller bearing Sets

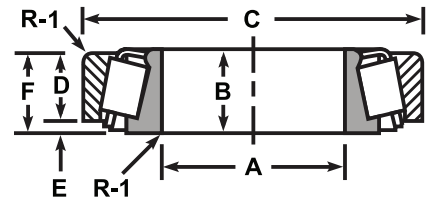
Numerical listing



Set no.	Cone dimensions			Cup dimensions			Standout E	Width F	Comment
	I.D. A	Length B	Radius R-1	O.D. C	Length D	Radius R-1			
BR1	.6880 <i>17.4750</i>	.5750 <i>14.6050</i>	.0500 <i>1.2700</i>	1.5700 <i>39.8800</i>	.4200 <i>10.6680</i>	.0500 <i>1.2700</i>	.1250 <i>3.1750</i>	.5450 <i>13.8430</i>	Consists of LM11749 VP/LM11710 VP
BR2	.7500 <i>19.0500</i>	.6550 <i>16.6370</i>	.0500 <i>1.2700</i>	1.7810 <i>45.2374</i>	.4750 <i>12.0650</i>	.0500 <i>1.2700</i>	.1350 <i>3.4290</i>	.6100 <i>15.4940</i>	Consists of LM11949 VP/LM11910 VP
BR3	.8437 <i>21.4300</i>	.7200 <i>18.2880</i>	.0500 <i>1.3000</i>	1.9687 <i>50.0050</i>	.5500 <i>13.9700</i>	.0500 <i>1.3000</i>	.1400 <i>3.5560</i>	.6900 <i>17.5260</i>	Consists of M12649 VP/M12610 VP
BR4	1.0630 <i>26.9900</i>	.5800 <i>14.7320</i>	.1400 <i>3.5560</i>	1.9800 <i>50.2900</i>	.4200 <i>10.6680</i>	.0500 <i>1.2700</i>	.1400 <i>3.5560</i>	.5600 <i>14.2240</i>	Consists of L44649 VP/L44610 VP
BR5	1.3750 <i>34.9250</i>	.7200 <i>18.2880</i>	.1400 <i>3.5560</i>	2.5630 <i>65.0900</i>	.5500 <i>13.9700</i>	.0500 <i>1.2700</i>	.1600 <i>4.0640</i>	.7100 <i>18.0340</i>	Consists of LM48548 VP/LM48510 VP
BR6 VP	1.2500 <i>31.7500</i>	.6600 <i>16.7640</i>	.0900 <i>2.2860</i>	2.3280 <i>59.2300</i>	.4650 <i>11.8110</i>	.0500 <i>1.2700</i>	.1600 <i>4.0640</i>	.6250 <i>15.8750</i>	Consists of LM67048 VP/LM67010 VP
BR7	1.5625 <i>39.6875</i>	.8700 <i>22.0980</i>	.0300 <i>.7620</i>	2.8750 <i>73.0250</i>	.8400 <i>21.3360</i>	.0900 <i>2.2860</i>	.1700 <i>4.3180</i>	1.0100 <i>25.6540</i>	Consists of M201047-S/M201011 VP
BR8	1.1420 <i>29.0070</i>	.5800 <i>14.7320</i>	.1400 <i>3.5560</i>	1.9800 <i>50.2900</i>	.4200 <i>10.6680</i>	.0500 <i>1.2700</i>	.1400 <i>3.5560</i>	.5600 <i>14.2240</i>	Consists of L45449 VP/L45410 VP
BR9 VP	1.3780 <i>35.0012</i>	.8110 <i>20.5994</i>	.0900 <i>2.2860</i>	2.5591 <i>65.0011</i>	.5512 <i>14.0005</i>	.0500 <i>1.2700</i>	.1614 <i>4.0996</i>	.7126 <i>18.1000</i>	Components not sold separately
BR10	1.5630 <i>39.7002</i>	.8700 <i>22.1000</i>	.0905 <i>2.3000</i>	2.8760 <i>73.0504</i>	.7283 <i>18.5000</i>	.0511 <i>1.3000</i>	.0352 <i>.8950</i>	.7660 <i>19.4564</i>	Components not sold separately
BR11	1.4960 <i>38.0000</i>	.6693 <i>17.0002</i>	.0500 <i>1.2700</i>	2.4803 <i>62.9996</i>	.5315 <i>13.5001</i>	.0500 <i>1.2700</i>	.1378 <i>3.5001</i>	.6693 <i>17.0002</i>	Consists of JL69349 VP/JL69310 VP
BR12 VP	.8650 <i>21.9710</i>	.6550 <i>16.6370</i>	.0500 <i>1.2700</i>	1.7810 <i>45.2400</i>	.7450 <i>18.9230</i>	.0500 <i>1.2700</i>	.1350 <i>3.4290</i>	.6100 <i>15.4940</i>	Consists of LM12749 VP/LM12710 VP
BR13	1.3780 <i>35.0000</i>	.6600 <i>16.7640</i>	.2000 <i>5.0800</i>	2.3280 <i>59.1300</i>	.4700 <i>11.9380</i>	.0500 <i>1.2700</i>	.1550 <i>3.9370</i>	.6250 <i>15.8750</i>	Consists of L68149 VP/L68110 VP
BR14	1.0000 <i>25.4000</i>	.5800 <i>14.7320</i>	.0500 <i>1.2700</i>	1.9800 <i>50.2900</i>	.4200 <i>10.6680</i>	.0500 <i>1.2700</i>	.1400 <i>3.5560</i>	.5600 <i>14.2240</i>	Consists of L44643 VP/L44610 VP
BR15 VP	1.0000 <i>25.4000</i>	.5614 <i>14.2596</i>	.0400 <i>1.0160</i>	1.9690 <i>50.0100</i>	.3750 <i>9.5250</i>	.0400 <i>1.0160</i>	.1400 <i>3.5560</i>	.5313 <i>13.4950</i>	Consists of BR07100/BR07196
BR16	.8656 <i>21.9862</i>	.6550 <i>16.6370</i>	.0500 <i>1.2700</i>	1.8110 <i>45.9994</i>	.4750 <i>12.0650</i>	.0500 <i>1.2700</i>	.1350 <i>3.4290</i>	.6100 <i>15.4940</i>	Consists of LM12749 VP/LM12711 VP
BR17	1.3775 <i>34.9885</i>	.6600 <i>16.7640</i>	.1400 <i>3.5560</i>	2.3612 <i>59.9745</i>	.4700 <i>11.9380</i>	.0500 <i>1.2700</i>	.1550 <i>3.9370</i>	.6250 <i>15.8750</i>	Consists of L68149 VP/L68111 VP
BR20	1.5630 <i>39.7002</i>	.8720 <i>22.1488</i>	.1080 <i>2.7432</i>	3.1490 <i>79.9846</i>	.6010 <i>15.2654</i>	.0730 <i>1.8542</i>	.7950 <i>20.1930</i>	.7656 <i>19.4462</i>	Components not sold separately
BR21	1.1250 <i>28.5750</i>	.7620 <i>19.3548</i>	.1400 <i>3.5560</i>	2.2500 <i>57.1500</i>	.6250 <i>15.8750</i>	.0600 <i>1.5240</i>	.1563 <i>3.9700</i>	.7813 <i>19.8450</i>	Consists of BR1988/BR1922
BR22	1.2500 <i>31.7500</i>	.7283 <i>18.4988</i>	.0800 <i>2.0320</i>	2.3280 <i>59.1300</i>	.4650 <i>11.8110</i>	.0500 <i>1.2700</i>	.1772 <i>4.5009</i>	.6250 <i>15.8750</i>	Consists of LM67045 VP/LM67010 VP
BR23	2.0000 <i>50.8000</i>	2.0380 <i>51.7652</i>	.1400 <i>3.5560</i>	3.2500 <i>82.5500</i>	1.6380 <i>41.6052</i>	.0500 <i>1.2700</i>	.2000 <i>5.0800</i>	2.0380 <i>51.7700</i>	Components not sold separately
BR24	1.3780 <i>35.0000</i>	.7268 <i>18.4607</i>	.0800 <i>2.0320</i>	2.3620 <i>59.9948</i>	.4700 <i>11.9380</i>	.0500 <i>1.2700</i>	.1550 <i>3.9370</i>	.6250 <i>15.8750</i>	Components not sold separately
BR25	2.1640 <i>54.9656</i>	1.0236 <i>25.9994</i>	.1400 <i>3.5560</i>	3.5433 <i>89.9998</i>	.7283 <i>18.4988</i>	.0200 <i>.5080</i>	.1722 <i>4.3739</i>	2.0700 <i>52.5780</i>	Components not sold separately
BR26	1.9685 <i>49.9999</i>	.9446 <i>23.9928</i>	.1400 <i>3.5560</i>	3.2283 <i>81.9988</i>	.6693 <i>17.0002</i>	.0200 <i>.5080</i>	.1959 <i>4.9759</i>	.8465 <i>21.5011</i>	Components not sold separately
BR27	1.7720 <i>45.0000</i>	1.0240 <i>26.0000</i>	-	3.1500 <i>80.0000</i>	.6693 <i>17.0000</i>	-	-	1.0240 <i>26.0000</i>	Components not sold separately
BR28	1.1024 <i>28.0010</i>	.6875 <i>17.4625</i>	.1400 <i>3.5000</i>	2.2500 <i>57.1500</i>	.5313 <i>13.4950</i>	-	.1562 <i>3.9675</i>	.6875 <i>17.4625</i>	Components not sold separately
BR31	1.2600 <i>32.0000</i>	1.0236 <i>25.9994</i>	.0800 <i>2.0320</i>	2.5590 <i>64.9986</i>	.5905 <i>14.9987</i>	.0500 <i>1.2700</i>	.4823 <i>12.2504</i>	1.0728 <i>27.2491</i>	Components not sold separately

Tapered roller bearing Sets

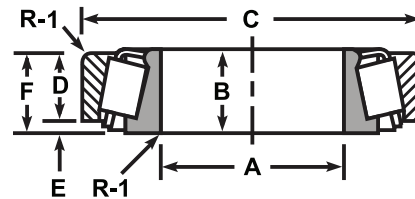
Numerical listing



Set no.	Cone dimensions			Cup dimensions			Standout E	Width F	Comment
	I.D. A	Length B	Radius R-1	O.D. C	Length D	Radius R-1			
BR32	1.1024 <i>28.0010</i>	.6299 <i>15.9995</i>	-	2.0472 <i>51.9989</i>	.7424 <i>18.8570</i>	-	.1575 <i>4.0005</i>	.6299 <i>15.9995</i>	Components not sold separately
BR33	1.2570 <i>31.9300</i>	.6693 <i>17.0002</i>	-	2.2890 <i>58.1400</i>	.5118 <i>13.0000</i>	-	.1575 <i>4.0005</i>	.6693 <i>17.0002</i>	Components not sold separately
BR34	.8437 <i>21.4300</i>	.6550 <i>16.6370</i>	.0500 <i>1.2700</i>	1.7810 <i>45.2374</i>	.4750 <i>12.0650</i>	.0500 <i>1.2700</i>	.1350 <i>3.4290</i>	.6100 <i>15.4940</i>	Consists of LM12748 VP/LM12710 VP
BR35	1.6250 <i>41.2750</i>	.7800 <i>19.8120</i>	.1400 <i>3.5560</i>	2.8910 <i>73.4100</i>	.5800 <i>14.7320</i>	.0300 <i>.7620</i>	.1900 <i>4.8260</i>	.7700 <i>19.5580</i>	Consists of LM501349 VP/LM501310 VP
BR36	1.7810 <i>45.2370</i>	.7812 <i>19.8425</i>	.1400 <i>3.5000</i>	3.0625 <i>77.7875</i>	.6562 <i>16.6675</i>	.0300 <i>.7620</i>	.1875 <i>4.7625</i>	.8437 <i>21.4300</i>	Consists of LM603049 VP/LM603012
BR37	1.7812 <i>45.2400</i>	.7812 <i>19.8425</i>	.1400 <i>3.5560</i>	3.0625 <i>77.7875</i>	.5937 <i>15.0800</i>	.0300 <i>.7620</i>	.1875 <i>4.7625</i>	.7812 <i>19.8425</i>	Consists of LM603049 VP/LM603011
BR38	2.0000 <i>50.8000</i>	.8750 <i>22.2250</i>	.1400 <i>3.5560</i>	3.2500 <i>82.5500</i>	.6500 <i>16.5100</i>	.0500 <i>1.2700</i>	.2000 <i>5.0800</i>	.8500 <i>21.5900</i>	Consists of LM104949 VP/LM104911
BR39	1.2590 <i>31.9786</i>	.5910 <i>15.0114</i>	.1400 <i>3.5560</i>	2.0870 <i>53.0098</i>	.4530 <i>11.5062</i>	.0500 <i>1.2700</i>	.1180 <i>2.9972</i>	.5710 <i>14.5034</i>	Consists of JL26749-F VP/JL26710 VP
BR41	1.5000 <i>38.1000</i>	.8300 <i>21.0820</i>	.2190 <i>5.5630</i>	2.5630 <i>65.1002</i>	.5490 <i>13.9446</i>	.0470 <i>1.1938</i>	.0950 <i>2.4130</i>	.8320 <i>21.1328</i>	Components not sold separately
BR42	2.1654 <i>55.0012</i>	.9055 <i>22.9997</i>	.1400 <i>3.5560</i>	3.5433 <i>89.9998</i>	.8071 <i>20.5003</i>	.0200 <i>.5080</i>	.1772 <i>4.5009</i>	.9843 <i>25.0012</i>	Consists of JLM506849A/JLM506811
BR43	1.3780 <i>35.0012</i>	1.2205 <i>31.0007</i>	.0800 <i>2.0320</i>	3.1496 <i>79.9998</i>	.9843 <i>25.0012</i>	.0600 <i>1.5240</i>	.3337 <i>8.4760</i>	1.3180 <i>33.4772</i>	Components not sold separately
BR44	1.5748 <i>40.0000</i>	1.1417 <i>28.9992</i>	-	3.1496 <i>80.0000</i>	.9055 <i>22.9997</i>	.0900 <i>2.2860</i>	.3091 <i>7.8511</i>	1.2146 <i>30.8508</i>	Components not sold separately
BR45	1.5748 <i>40.0000</i>	1.3470 <i>34.2138</i>	.0800 <i>2.0320</i>	3.1496 <i>80.0000</i>	1.0605 <i>26.9370</i>	.0800 <i>2.0320</i>	.2832 <i>7.1933</i>	1.3437 <i>34.1300</i>	Components not sold separately
BR46	2.1654 <i>55.0012</i>	1.4525 <i>36.8935</i>	.1100 <i>2.7940</i>	4.1339 <i>105.0011</i>	1.1200 <i>28.4480</i>	.1100 <i>2.7940</i>	.2973 <i>7.5514</i>	1.4173 <i>35.9994</i>	Components not sold separately
BR47	2.1653 <i>55.0000</i>	1.6075 <i>40.8305</i>	-	4.3307 <i>110.0000</i>	1.3005 <i>33.0327</i>	.1400 <i>3.5560</i>	.3655 <i>9.2837</i>	1.6633 <i>42.2500</i>	Components not sold separately
BR50	1.7812 <i>45.2425</i>	.7800 <i>19.8120</i>	.1400 <i>3.5560</i>	2.8910 <i>73.4314</i>	.6200 <i>15.7480</i>	.0300 <i>.7620</i>	.1500 <i>3.8100</i>	.7700 <i>19.5580</i>	Consists of LM102949 VP/LM102910 VP
BR51	1.5000 <i>38.1000</i>	.7200 <i>18.2880</i>	-	2.5625 <i>65.0875</i>	.5500 <i>13.9700</i>	.0500 <i>1.2700</i>	.1600 <i>4.0640</i>	.7100 <i>18.0340</i>	Consists of LM29748 VP/LM29710 VP
BR52	1.3125 <i>33.3375</i>	.8750 <i>22.2250</i>	.0300 <i>.7620</i>	2.6875 <i>68.2625</i>	.6875 <i>17.4625</i>	.0600 <i>1.5240</i>	.1875 <i>4.7625</i>	.8750 <i>22.2250</i>	Consists of M88048 VP/M88010 VP
BR54	1.3750 <i>34.9250</i>	.7610 <i>19.3294</i>	.0200 <i>.5080</i>	3.1476 <i>79.9490</i>	.5880 <i>14.9352</i>	.0200 <i>.5080</i>	.1730 <i>4.3942</i>	.7630 <i>19.3802</i>	Components not sold separately
BR55	1.5620 <i>39.6748</i>	.8860 <i>22.5044</i>	.0300 <i>.7620</i>	3.5430 <i>89.9922</i>	.8380 <i>21.2852</i>	.0300 <i>.7620</i>	.0480 <i>1.2192</i>	1.0250 <i>26.0350</i>	Components not sold separately
BR56	1.6142 <i>41.0007</i>	.8724 <i>22.1590</i>	.1700 <i>4.3180</i>	2.6772 <i>68.0009</i>	.6300 <i>16.0020</i>	.0900 <i>2.2860</i>	.2413 <i>6.1290</i>	.8495 <i>21.5773</i>	Components not sold separately
BR57	2.6380 <i>67.0052</i>	.6390 <i>16.2306</i>	-	3.6220 <i>91.9988</i>	.5910 <i>15.0114</i>	.1000 <i>2.5400</i>	.0480 <i>1.2192</i>	.6390 <i>16.2306</i>	Components not sold separately
BR59	1.7720 <i>45.0088</i>	.7450 <i>18.9230</i>	-	3.3460 <i>84.9884</i>	.6260 <i>15.9004</i>	.0800 <i>2.0320</i>	.1190 <i>3.0226</i>	.7870 <i>19.9898</i>	Components not sold separately
BR63	1.3780 <i>35.0012</i>	.8440 <i>21.4376</i>	.0400 <i>1.0160</i>	3.3470 <i>85.0138</i>	.6890 <i>17.5006</i>	.0600 <i>1.5240</i>	.1510 <i>3.8354</i>	.8285 <i>21.0439</i>	Components not sold separately
BR67	1.3270 <i>33.7058</i>	1.5340 <i>38.9636</i>	.0200 <i>.5080</i>	3.5040 <i>89.0016</i>	1.0790 <i>27.4066</i>	.1250 <i>3.1750</i>	.4550 <i>11.5570</i>	1.5340 <i>38.9636</i>	Components not sold separately
BR69	1.5710 <i>39.9034</i>	.8510 <i>21.6154</i>	.0900 <i>2.2860</i>	2.8750 <i>73.0250</i>	.6270 <i>15.9258</i>	.0900 <i>2.2860</i>	.2240 <i>5.6896</i>	.8310 <i>21.1074</i>	Components not sold separately
BR72	1.6250 <i>40.0000</i>	.7800 <i>19.8120</i>	.1400 <i>3.5560</i>	2.8910 <i>73.4300</i>	.6537 <i>16.6040</i>	.0300 <i>.7620</i>	.1900 <i>4.8260</i>	.8437 <i>21.4300</i>	Consists of LM501349 VP/LM501314 VP

Tapered roller bearing Sets

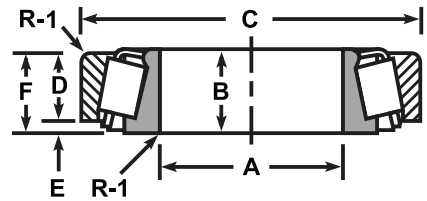
Numerical listing



Set no.	Cone dimensions			Cup dimensions			Standout E	Width F	Comment
	I.D. A	Length B	Radius R-1	O.D. C	Length D	Radius R-1			
BR73	2.3565	.7950	.1000	3.3445	.7030	.1000	.0350	.8300	Components not sold separately
	<i>59.8551</i>	<i>20.1930</i>	<i>2.5400</i>	<i>84.9503</i>	<i>17.8562</i>	<i>2.5400</i>	<i>.8890</i>	<i>21.0820</i>	
SET75	2.2500	.8640	.1400	3.8130	.7980	.0900	.2018	1.0000	Consists of 387-A VP/382-S VP
	<i>57.1500</i>	<i>21.9456</i>	<i>3.5560</i>	<i>96.8502</i>	<i>20.2692</i>	<i>2.2860</i>	<i>5.1257</i>	<i>25.4000</i>	
BR79	1.6141	-	.0890	2.6772	-	.0394	-	.6890	Components not sold separately
	<i>40.9980</i>	-	<i>2.2600</i>	<i>68.0000</i>	-	<i>1.0000</i>	-	<i>17.5000</i>	
BR80	.9840	.5900	-	2.0470	.7400	.1000	.1503	.8903	Components not sold separately
	<i>24.9936</i>	<i>14.9860</i>	-	<i>51.9938</i>	<i>18.7960</i>	<i>2.5400</i>	<i>3.8176</i>	<i>22.6136</i>	
BR85	1.0830	.7930	.1250	2.2250	.7940	.0900	.1680	.7930	Components not sold separately
	<i>27.5082</i>	<i>20.1422</i>	<i>3.1750</i>	<i>56.5150</i>	<i>20.1676</i>	<i>2.2860</i>	<i>4.2672</i>	<i>20.1422</i>	
BR90	1.4060	1.0000	.1400	2.8440	.7812	.0900	.2188	1.2188	Consists of HM88648 VP/HM88610
	<i>35.7124</i>	<i>25.4000</i>	<i>3.5560</i>	<i>72.2376</i>	<i>19.8425</i>	<i>2.2860</i>	<i>5.5575</i>	<i>30.9575</i>	
BR91	1.4960	.6693	.1300	2.4800	.5315	.0500	.1378	.6693	Consists of JL69348/JL69310 VP
	<i>37.9984</i>	<i>17.0002</i>	<i>3.3020</i>	<i>62.9920</i>	<i>13.5001</i>	<i>1.2700</i>	<i>3.5001</i>	<i>17.0002</i>	
BR92	1.6465	.7795	.0700	2.7565	.5665	.1000	-	.7795	Components not sold separately
	<i>41.8300</i>	<i>19.8000</i>	<i>1.7780</i>	<i>70.0150</i>	<i>14.4300</i>	<i>2.5400</i>	-	<i>19.7993</i>	
BR94	1.5730	.5785	.0900	3.0000	.5105	.0900	-	.5105	Components not sold separately
	<i>39.9600</i>	<i>14.7000</i>	<i>2.2860</i>	<i>76.2300</i>	<i>12.9700</i>	<i>2.2860</i>	-	<i>12.9667</i>	
BR95	1.5730	.6815	.1000	3.1495	.5395	.1000	-	.5395	Components not sold separately
	<i>39.9600</i>	<i>17.3100</i>	<i>2.5400</i>	<i>80.0000</i>	<i>13.7100</i>	<i>2.5400</i>	-	<i>13.7033</i>	
BR96	1.7690	.7175	.1250	3.1495	.5510	.1000	-	.5510	Components not sold separately
	<i>44.9400</i>	<i>18.2300</i>	<i>3.1750</i>	<i>80.0000</i>	<i>14.0000</i>	<i>2.5400</i>	-	<i>13.9954</i>	
BR97	1.7700	.5740	.1250	3.1895	.4895	.1000	-	.6614	Components not sold separately
	<i>44.9600</i>	<i>14.5800</i>	<i>3.1750</i>	<i>81.0200</i>	<i>12.4400</i>	<i>2.5400</i>	-	<i>16.8000</i>	
BR98	1.7807	.8125	-	3.1490	.5937	-	-	.5937	Components not sold separately
	<i>45.2300</i>	<i>20.6380</i>	-	<i>79.9858</i>	<i>15.0800</i>	-	-	<i>15.0800</i>	
BR104	1.3681	-	-	2.8346	-	-	.1300	.9606	Components not sold separately
	<i>34.7497</i>	-	-	<i>71.9988</i>	-	-	<i>3.3020</i>	<i>24.3992</i>	
BR107	1.1024	.7972	.0110	2.2835	.6299	.0200	.1673	.7972	Components not sold separately
	<i>28.0000</i>	<i>20.2500</i>	<i>.2794</i>	<i>58.0000</i>	<i>16.0000</i>	<i>.5080</i>	<i>4.2500</i>	<i>20.2500</i>	
BR110	1.5748	.9055	.0787	3.5433	.8858	.0787	.2461	1.5354	Components not sold separately
	<i>40.0000</i>	<i>23.0000</i>	<i>2.0000</i>	<i>90.0000</i>	<i>22.5000</i>	<i>2.0000</i>	<i>6.2500</i>	<i>39.0000</i>	
BR111	1.3788	-	-	2.4410	-	-	.1221	.6575	Components not sold separately
	<i>35.0215</i>	-	-	<i>62.0014</i>	-	-	<i>3.1013</i>	<i>16.7005</i>	
BR112	1.8898	.6693	.0591	2.7559	.5315	.0591	.2559	.7480	Components not sold separately
	<i>48.0000</i>	<i>17.0000</i>	<i>1.5000</i>	<i>70.0000</i>	<i>13.5000</i>	<i>1.5000</i>	<i>6.5000</i>	<i>19.0000</i>	
BR113	1.9685	.8780	.0787	3.1496	.7087	.0787	.1181	.8661	Components not sold separately
	<i>50.0000</i>	<i>22.3000</i>	<i>2.0000</i>	<i>80.0000</i>	<i>18.0000</i>	<i>2.0000</i>	<i>3.0000</i>	<i>22.0000</i>	
BR114	1.1811	.9055	.0591	2.8346	.6496	.0591	.2953	.9449	Components not sold separately
	<i>30.0000</i>	<i>23.0000</i>	<i>1.5000</i>	<i>72.0000</i>	<i>16.5000</i>	<i>1.5000</i>	<i>7.5000</i>	<i>24.0000</i>	
BR115	1.9685	.9055	.0591	2.9921	.6299	.0591	.2953	.9252	Components not sold separately
	<i>50.0000</i>	<i>23.0000</i>	<i>1.5000</i>	<i>76.0000</i>	<i>16.0000</i>	<i>1.5000</i>	<i>7.5000</i>	<i>23.5000</i>	
BR116	1.9685	.8780	.0787	4.1339	.8780	.0787	.3937	1.4567	Components not sold separately
	<i>50.0000</i>	<i>22.3000</i>	<i>2.0000</i>	<i>105.0000</i>	<i>22.3000</i>	<i>2.0000</i>	<i>10.0000</i>	<i>37.0000</i>	
BR118	1.7807	.7811	.0787	3.1496	.5906	.0787	.1220	.7811	Components not sold separately
	<i>45.2300</i>	<i>19.8400</i>	<i>2.0000</i>	<i>80.0000</i>	<i>15.0000</i>	<i>2.0000</i>	<i>3.1000</i>	<i>19.8400</i>	
BR119	1.5748	.9744	.0787	3.3465	.6496	.0787	.1457	.9744	Components not sold separately
	<i>40.0000</i>	<i>24.7500</i>	<i>2.0000</i>	<i>85.0000</i>	<i>16.5000</i>	<i>2.0000</i>	<i>3.7000</i>	<i>24.7500</i>	
BR120	1.6250	1.0100	.0300	3.2500	.7950	.1300	.2500	1.0450	Components not sold separately
	<i>41.2750</i>	<i>25.6540</i>	<i>.8000</i>	<i>82.5500</i>	<i>20.1930</i>	<i>3.3000</i>	<i>6.3600</i>	<i>26.5430</i>	
BR128	1.1874	.8750	.0393	2.6875	.6874	.0629	.1771	.8750	Components not sold separately
	<i>30.1620</i>	<i>22.2250</i>	<i>1.0000</i>	<i>68.2630</i>	<i>17.4620</i>	<i>1.6000</i>	<i>4.5000</i>	<i>22.2250</i>	
GRW131-R	1.5625	.7283	.0900	2.8750	.6010	.0500	.1273	.8700	Components not sold separately
	<i>39.6875</i>	<i>18.4990</i>	<i>2.2860</i>	<i>73.0250</i>	<i>15.2654</i>	<i>1.2700</i>	<i>3.2334</i>	<i>22.0980</i>	

Tapered roller bearing Sets

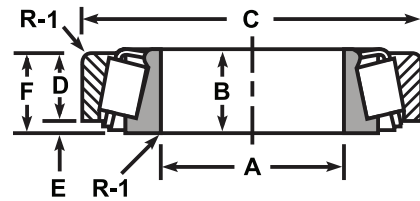
Numerical listing



Set no.	Cone dimensions			Cup dimensions			Standout E	Width F	Comment
	I.D. A	Length B	Radius R-1	O.D. C	Length D	Radius R-1			
BR135	2.0000 <i>51.0000</i>	.8268 <i>21.0000</i>	.0787 <i>2.0000</i>	3.3858 <i>86.0000</i>	.7087 <i>18.0000</i>	.0787 <i>2.0000</i>	.1181 <i>2.9997</i>	.8866 <i>22.5200</i>	Components not sold separately
FW138	1.6135 <i>41.0000</i>	.6900 <i>17.5260</i>	.0590 <i>1.4986</i>	2.6770 <i>68.0000</i>	.5957 <i>15.1308</i>	.0630 <i>1.6002</i>	.0950 <i>2.4130</i>	.7090 <i>18.0000</i>	Components not sold separately
FW139	1.4960 <i>37.9984</i>	.7480 <i>18.9992</i>	- -	2.4803 <i>62.9996</i>	.5310 <i>13.4874</i>	- -	- -	.7480 <i>18.9992</i>	Components not sold separately
BR140	1.9685 <i>50.0000</i>	.8476 <i>21.5300</i>	.2000 <i>5.0800</i>	3.2677 <i>83.0000</i>	.6083 <i>15.4500</i>	.0800 <i>2.0320</i>	6.0200 <i>152.9080</i>	.8516 <i>21.6300</i>	Components not sold separately
BR145	2.9528 <i>75.0000</i>	.8094 <i>20.5600</i>	1.7500 <i>44.4500</i>	4.1339 <i>105.0000</i>	.6299 <i>16.0000</i>	.0800 <i>2.0320</i>	.1819 <i>4.6200</i>	.8118 <i>20.6200</i>	Components not sold separately
GRW148	1.2500 <i>31.7500</i>	.5905 <i>14.9987</i>	- -	2.1260 <i>54.0000</i>	.4724 <i>11.9990</i>	.0500 <i>1.2700</i>	.1181 <i>2.9997</i>	.5905 <i>15.0000</i>	Components not sold separately
BR150	1.8898 <i>48.0000</i>	.7291 <i>18.5200</i>	.1250 <i>3.1750</i>	2.9921 <i>76.0000</i>	.7087 <i>18.0000</i>	.0500 <i>1.2700</i>	.1469 <i>3.7300</i>	.7087 <i>18.0000</i>	Components not sold separately
GRW152	1.1023 <i>28.0000</i>	.7340 <i>18.6436</i>	.1400 <i>3.5560</i>	1.9800 <i>50.2920</i>	.4200 <i>10.6680</i>	- -	.1771 <i>4.4983</i>	.7340 <i>18.6436</i>	Components not sold separately
GRW153	1.0950 <i>28.0000</i>	.7283 <i>18.4988</i>	- -	2.0460 <i>52.0000</i>	.6299 <i>16.0000</i>	- -	.0984 <i>2.5000</i>	.6299 <i>16.0000</i>	Components not sold separately
GRW161	1.5750 <i>40.0050</i>	.7750 <i>19.6850</i>	.0790 <i>2.0066</i>	3.1496 <i>80.0000</i>	- -	- -	- -	- -	Components not sold separately
GRW164	1.1023 <i>28.0000</i>	.6584 <i>16.7234</i>	.1400 <i>3.5560</i>	1.9800 <i>50.2920</i>	.4200 <i>10.6680</i>	- -	.1771 <i>4.4983</i>	.6584 <i>16.0000</i>	Components not sold separately
BR182	1.7810 <i>45.2400</i>	.7812 <i>19.8425</i>	.1400 <i>3.5560</i>	3.2500 <i>82.5500</i>	.6562 <i>16.6675</i>	.0300 <i>.7620</i>	.1875 <i>4.7625</i>	.8437 <i>21.4300</i>	Components not sold separately
GRW250	1.0630 <i>27.0000</i>	.5910 <i>15.0000</i>	.1230 <i>3.1242</i>	1.9290 <i>49.0000</i>	.4520 <i>11.4810</i>	.0250 <i>.6350</i>	- -	.5910 <i>15.0000</i>	Components not sold separately
SET267	2.8750 <i>73.0250</i>	1.0000 <i>25.4000</i>	.1400 <i>3.5560</i>	4.4380 <i>112.7252</i>	.7500 <i>19.0500</i>	.1300 <i>3.3020</i>	.2500 <i>6.3500</i>	.6750 <i>17.1450</i>	Consists of BR29685/BR29620
323/32-C	1.2600 <i>32.0040</i>	1.1650 <i>29.5910</i>	- -	2.9520 <i>74.9808</i>	.9020 <i>22.9108</i>	.1250 <i>3.1750</i>	.2630 <i>6.6802</i>	1.1650 <i>29.5910</i>	Components not sold separately
SET361	3.3465 <i>85.0011</i>	1.1417 <i>28.9992</i>	.1200 <i>3.0480</i>	5.1180 <i>129.9972</i>	.9449 <i>24.0005</i>	1.000 <i>2.5400</i>	1.1811 <i>30.0000</i>	.2362 <i>5.9995</i>	Consists of JM716649/JM716610 UP
SET401	3.2500 <i>82.5500</i>	1.4212 <i>36.0985</i>	- -	5.5120 <i>140.0048</i>	1.1250 <i>28.5750</i>	.1300 <i>3.3020</i>	.3125 <i>7.9375</i>	1.4375 <i>36.5125</i>	Consists of BR580/BR572
SET402	3.2500 <i>82.5500</i>	1.4212 <i>36.0985</i>	.2700 <i>6.8580</i>	5.5115 <i>139.9921</i>	1.1250 <i>28.5750</i>	.1300 <i>3.3020</i>	.3125 <i>7.9375</i>	1.4375 <i>36.5125</i>	Consists of BR582/BR572
SET403	3.7500 <i>95.2500</i>	1.4300 <i>36.3220</i>	- -	6.0000 <i>152.4000</i>	1.1875 <i>30.1625</i>	.1300 <i>3.3020</i>	.3750 <i>9.5250</i>	1.5625 <i>39.6875</i>	Consists of 594-A VP/592-A VP
SET404	3.6250 <i>92.0750</i>	1.4300 <i>36.3220</i>	.2500 <i>6.4000</i>	6.0000 <i>152.4000</i>	1.1875 <i>30.1625</i>	.1300 <i>3.3300</i>	.3750 <i>9.5250</i>	1.5625 <i>39.6875</i>	Consists of 598-A VP/592-A VP
SET405	3.2500 <i>82.5500</i>	1.6250 <i>41.2750</i>	.1400 <i>3.5560</i>	5.7500 <i>146.0500</i>	1.2500 <i>31.7500</i>	.1300 <i>3.3020</i>	.3750 <i>9.5250</i>	1.6250 <i>41.2750</i>	Consists of BR663/BR653
SET406	1.7500 <i>44.4500</i>	1.1930 <i>30.3022</i>	.1400 <i>3.5560</i>	3.6720 <i>93.2688</i>	.9375 <i>23.8125</i>	.1300 <i>3.3020</i>	.2500 <i>6.3500</i>	1.1875 <i>30.1625</i>	Consists of BR3782/BR3720
SET407	2.2500 <i>57.1500</i>	.9688 <i>24.6075</i>	.1400 <i>3.5560</i>	3.8437 <i>97.6300</i>	.9675 <i>24.5745</i>	.1300 <i>3.3000</i>	.2032 <i>5.1613</i>	.9688 <i>24.6075</i>	Consists of BR28682/BR28622
SET408	2.6250 <i>66.6750</i>	1.1875 <i>30.1625</i>	.1400 <i>3.5560</i>	4.4375 <i>112.7125</i>	.9675 <i>24.5745</i>	.1300 <i>3.3000</i>	.2500 <i>6.3500</i>	1.1875 <i>30.1625</i>	Consists of BR39590/BR39520
SET409	1.7500 <i>44.4500</i>	1.2188 <i>30.9575</i>	.0300 <i>.7620</i>	4.1250 <i>104.7750</i>	.9375 <i>23.8125</i>	.1300 <i>3.3020</i>	.2500 <i>6.3500</i>	1.1875 <i>30.1625</i>	Consists of BR45280/BR45220
SET410	2.0000 <i>50.8000</i>	1.2188 <i>30.9575</i>	.2500 <i>6.3500</i>	4.1250 <i>104.7750</i>	.9375 <i>23.8125</i>	.1300 <i>3.3020</i>	.2500 <i>6.3500</i>	1.1875 <i>30.1625</i>	Consists of BR45284/BR45220
SET411	3.2500 <i>82.5500</i>	1.3125 <i>33.3375</i>	.1400 <i>3.5560</i>	5.2500 <i>133.3500</i>	1.0313 <i>26.1950</i>	.1300 <i>3.3020</i>	.2812 <i>7.1425</i>	1.3125 <i>33.3375</i>	Consists of BR47686/BR47620

Tapered roller bearing Sets

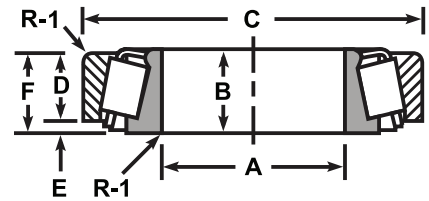
Numerical listing



Set no.	Cone dimensions			Cup dimensions			Standout E	Width F	Comment
	I.D. A	Length B	Radius R-1	O.D. C	Length D	Radius R-1			
SET412	2.5000	1.5100	.2800	4.8125	1.1700	.1300	.3300	1.5000	Consists of HM212047 VP/HM212011 VP
	<i>63.5000</i>	<i>38.3540</i>	<i>7.1120</i>	<i>122.2375</i>	<i>29.7180</i>	<i>3.3020</i>	<i>8.3820</i>	<i>38.1000</i>	
SET413	2.6250	1.5100	.1400	4.8125	1.1700	.1300	.3300	1.5100	Consists of HM212049 VP/HM212011 VP
	<i>66.6750</i>	<i>38.3540</i>	<i>3.5560</i>	<i>122.2375</i>	<i>29.7180</i>	<i>3.3020</i>	<i>8.3820</i>	<i>38.3540</i>	
SET414	3.5433	1.5748	.2800	5.7874	1.2795	.1400	.2953	1.5748	Consists of HM218248 VP/HM218210 VP
	<i>90.0000</i>	<i>40.0000</i>	<i>7.1120</i>	<i>147.0000</i>	<i>32.4993</i>	<i>3.5560</i>	<i>7.5006</i>	<i>40.0000</i>	
SET415	3.5000	1.5625	.2500	6.0000	1.1875	.1300	.3750	1.5625	Consists of HM518445 VP/HM518410 VP
	<i>88.9000</i>	<i>39.6875</i>	<i>6.3500</i>	<i>152.4000</i>	<i>30.1625</i>	<i>3.3020</i>	<i>9.5250</i>	<i>39.6875</i>	
SET416	2.2500	1.2188	.2500	4.1250	.9375	.1300	.2500	1.1875	Consists of BR45291/BR45220
	<i>57.1500</i>	<i>30.9575</i>	<i>6.3500</i>	<i>104.7750</i>	<i>23.8125</i>	<i>3.3020</i>	<i>6.3500</i>	<i>30.1625</i>	
SET417	3.6250	1.3750	.1400	5.7500	1.0313	.1300	.2812	1.3125	Consists of BR47890/BR47820
	<i>92.0750</i>	<i>34.9250</i>	<i>3.5560</i>	<i>146.0500</i>	<i>26.1950</i>	<i>3.3020</i>	<i>7.1425</i>	<i>33.3375</i>	
SET418	2.4375	1.8125	.1400	5.3750	1.4375	.1300	.3750	1.8125	Consists of H715334 VP/H715311 VP
	<i>61.9125</i>	<i>46.0375</i>	<i>3.5560</i>	<i>136.5250</i>	<i>36.5125</i>	<i>3.3020</i>	<i>9.5250</i>	<i>46.0375</i>	
SET419	2.6875	1.8125	.1400	5.3750	1.4375	.1300	.3750	1.8125	Consists of H715343 VP/H715311 VP
	<i>68.2625</i>	<i>46.0375</i>	<i>3.5560</i>	<i>136.5250</i>	<i>36.5125</i>	<i>3.3020</i>	<i>9.5250</i>	<i>46.0375</i>	
SET420	2.8125	1.8125	.1400	5.3750	1.4375	.1300	.3750	1.8125	Consists of H715345 VP/H715311 VP
	<i>71.4375</i>	<i>46.0375</i>	<i>3.5560</i>	<i>136.5250</i>	<i>36.5125</i>	<i>3.3020</i>	<i>9.5250</i>	<i>46.0375</i>	
SET421	3.2500	1.5625	.3280	5.2500	1.2813	.1300	.2812	1.5625	Consists of HM516449-A VP/HM516410 VP
	<i>82.5500</i>	<i>39.6875</i>	<i>8.3312</i>	<i>133.3500</i>	<i>32.5450</i>	<i>3.3020</i>	<i>7.1425</i>	<i>39.6875</i>	
SET422	3.2500	1.5625	.1400	5.2500	1.2813	.1300	.2812	1.5625	Consists of HM516449-C VP/ HM516410 VP
	<i>82.5500</i>	<i>39.6875</i>	<i>3.5560</i>	<i>133.3500</i>	<i>32.5450</i>	<i>3.3020</i>	<i>7.1425</i>	<i>39.6875</i>	
SET423	3.0000	2.1350	.3800	5.8750	1.7500	.1300	.3750	2.1250	Consists of 6461-A VP/BR6420
	<i>76.2000</i>	<i>54.2290</i>	<i>9.6520</i>	<i>149.2300</i>	<i>44.4500</i>	<i>3.3020</i>	<i>9.5250</i>	<i>53.9750</i>	
SET424	2.2500	1.4440	.1400	4.8750	1.1875	.0130	.3125	1.5000	Consists of 555-S VP/552-A VP
	<i>57.1500</i>	<i>36.6780</i>	<i>3.5000</i>	<i>123.8250</i>	<i>30.1620</i>	<i>3.3000</i>	<i>7.9380</i>	<i>38.1000</i>	
SET425	2.8750	1.4200	.1400	5.0000	1.1250	.0130	.3125	1.4375	Consists of BR567/BR563
	<i>73.0250</i>	<i>36.1700</i>	<i>3.5000</i>	<i>127.0000</i>	<i>28.5750</i>	<i>3.3000</i>	<i>7.9375</i>	<i>36.5125</i>	
SET426	3.0000	1.3125	.1400	5.2500	1.0313	.1300	.2812	1.3125	Consists of BR47679/BR47620
	<i>76.2000</i>	<i>33.3375</i>	<i>3.5560</i>	<i>133.3500</i>	<i>26.1950</i>	<i>3.3020</i>	<i>7.1425</i>	<i>33.3375</i>	
SET427	2.6250	1.5100	.1400	4.8125	1.1700	.1300	.3300	1.5100	Components not sold separately
	<i>66.6750</i>	<i>38.3540</i>	<i>3.5560</i>	<i>122.2375</i>	<i>29.7180</i>	<i>3.3020</i>	<i>8.3820</i>	<i>38.3540</i>	
SET428	1.7500	1.1930	.1400	3.6720	.9375	.1300	.2500	1.1875	Components not sold separately
	<i>44.4500</i>	<i>30.3022</i>	<i>3.5560</i>	<i>93.2688</i>	<i>23.8125</i>	<i>3.3020</i>	<i>6.3500</i>	<i>30.1620</i>	
SET429	3.7500	1.4300	.2000	6.0000	1.1875	.1300	.3750	1.1880	Components not sold separately
	<i>95.2500</i>	<i>36.0985</i>	<i>5.0800</i>	<i>152.4000</i>	<i>30.1752</i>	<i>3.3020</i>	<i>9.5250</i>	<i>30.1752</i>	
SET430	3.2500	1.4300	.1400	5.5115	1.1875	.1300	.3125	1.5625	Components not sold separately
	<i>82.5500</i>	<i>36.3220</i>	<i>3.5560</i>	<i>139.9921</i>	<i>30.1625</i>	<i>3.3020</i>	<i>7.9375</i>	<i>39.6875</i>	
SET431	3.5433	1.5748	.2800	5.7874	1.2795	.1400	.2953	1.5748	Components not sold separately
	<i>90.0000</i>	<i>40.0000</i>	<i>7.1120</i>	<i>147.0000</i>	<i>32.4993</i>	<i>3.5560</i>	<i>7.5006</i>	<i>40.0000</i>	
SET432	3.5433	1.5748	.2500	5.7874	1.2795	.1400	.2953	1.5620	Components not sold separately
	<i>90.0000</i>	<i>40.0000</i>	<i>6.3500</i>	<i>152.4000</i>	<i>32.4990</i>	<i>3.5560</i>	<i>7.5006</i>	<i>40.0000</i>	
SET433	3.7500	1.4300	.1400	6.0000	1.1875	.1300	.3750	1.5625	Consists of BR594/592-A VP
	<i>95.2500</i>	<i>36.3220</i>	<i>3.5000</i>	<i>152.4000</i>	<i>30.1620</i>	<i>3.3000</i>	<i>9.5250</i>	<i>39.6875</i>	
SET439	2.6250	1.5100	.2800	4.8125	1.1700	.1300	.3300	1.5100	Consists of HM212049-X VP/ HM212011 VP
	<i>66.6750</i>	<i>38.3540</i>	<i>7.0000</i>	<i>122.2375</i>	<i>29.7180</i>	<i>3.3020</i>	<i>8.3820</i>	<i>38.3540</i>	
SET499	4.0000	1.6250	.1400	6.6250	1.1875	.1300	.4475	1.6350	Consists of BR687/BR672
	<i>101.6000</i>	<i>41.2750</i>	<i>3.5560</i>	<i>168.2750</i>	<i>30.1625</i>	<i>3.3020</i>	<i>11.3665</i>	<i>41.5290</i>	
BR911	1.7716	1.3464	-	4.2519	.9251	-	.4921	1.4173	Components not sold separately
	<i>45.0000</i>	<i>34.2000</i>	-	<i>108.0000</i>	<i>23.5000</i>	-	<i>12.5000</i>	<i>36.0000</i>	
BR996	1.9685	1.0100	-	3.7401	.8704	-	-	-	Components not sold separately
	<i>50.0000</i>	<i>25.6800</i>	-	<i>95.0000</i>	<i>22.1100</i>	-	-	-	
BR1008	1.9685	.7677	-	3.0625	.6889	-	.1377	.8661	Components not sold separately
	<i>50.0000</i>	<i>19.5000</i>	-	<i>77.7880</i>	<i>17.5000</i>	-	<i>3.5000</i>	<i>22.0000</i>	

Tapered roller bearing Sets

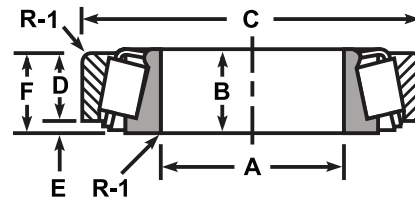
Numerical listing



Set no.	Cone dimensions			Cup dimensions			Standout E	Width F	Comment
	I.D. A	Length B	Radius R-1	O.D. C	Length D	Radius R-1			
A1011	1.9675	2.5000	.0800	4.3300	1.6876	.0200	.8124	2.5000	Components not sold separately
	<i>49.9745</i>	<i>63.5000</i>	<i>2.0320</i>	<i>109.9820</i>	<i>42.8650</i>	<i>.5080</i>	<i>20.6350</i>	<i>63.5000</i>	
A2892	2.7500	3.0330	.0600	4.5900	2.5000	.1200	-	3.0330	Components not sold separately
	<i>69.8500</i>	<i>77.0382</i>	<i>1.5240</i>	<i>116.5860</i>	<i>63.5000</i>	<i>3.0480</i>	-	<i>77.0382</i>	
BR3062	1.1870	.6299	.0393	2.4400	.5118	.0590	.1968	.7086	Components not sold separately
	<i>30.1750</i>	<i>16.0000</i>	<i>1.0000</i>	<i>62.0000</i>	<i>13.0000</i>	<i>1.5000</i>	<i>5.0000</i>	<i>18.0000</i>	
A3071	2.5000	2.7152	.0600	4.5147	2.4332	.0500	-	2.7152	Components not sold separately
	<i>63.5000</i>	<i>68.9661</i>	<i>1.5240</i>	<i>114.6734</i>	<i>61.8033</i>	<i>1.2700</i>	-	<i>68.9661</i>	
BR3372	2.1650	.6650	.0500	-	.4750	.0500	.1350	.6100	Components not sold separately
	<i>54.9910</i>	<i>16.6370</i>	<i>1.2700</i>	-	<i>12.0650</i>	<i>1.2700</i>	<i>3.4290</i>	<i>15.4940</i>	
BR3568	2.1640	1.0236	.1400	3.5433	.7283	.0200	.1722	2.0700	Components not sold separately
	<i>54.9656</i>	<i>25.9994</i>	<i>3.5560</i>	<i>89.9998</i>	<i>18.4988</i>	<i>.5080</i>	<i>4.3739</i>	<i>52.5780</i>	
BR3992K	2.6250	1.1505	.2200	4.4380	.9375	-	.2175	1.1875	Consists of BR3992/BR3920
	<i>66.6750</i>	<i>29.2227</i>	<i>5.5880</i>	<i>112.7252</i>	<i>23.8125</i>	-	<i>5.5245</i>	<i>30.1625</i>	
BR4090	1.5750	1.0240	-	3.5430	.7283	-	-	-	Components not sold separately
	<i>40.0000</i>	<i>26.0000</i>	-	<i>90.0000</i>	<i>18.4990</i>	-	-	-	
BR4195	1.6244	1.1417	.1470	3.7500	.6693	.1299	.1299	1.1875	Components not sold separately
	<i>41.2600</i>	<i>29.0000</i>	<i>3.6000</i>	<i>95.2500</i>	<i>17.0000</i>	<i>3.3000</i>	<i>3.3000</i>	<i>30.1620</i>	
BR4276	1.6535	-	-	2.9920	-	-	-	-	Components not sold separately
	<i>41.9989</i>	-	-	<i>75.9968</i>	-	-	-	-	
BR4895	2.1650	.6550	.0500	1.7810	.4750	.0500	.1350	.6100	Components not sold separately
	<i>54.9910</i>	<i>16.6370</i>	<i>1.2700</i>	<i>45.2374</i>	<i>12.0650</i>	<i>1.2700</i>	<i>3.4290</i>	<i>15.4940</i>	
BR5083	1.9690	.7677	-	3.2680	.7677	-	-	-	Components not sold separately
	<i>50.0126</i>	<i>19.4996</i>	-	<i>83.0072</i>	<i>19.4996</i>	-	-	-	
BR5534	.8437	.6550	.0500	1.7810	.4750	.0500	.1350	.6100	Components not sold separately
	<i>21.4300</i>	<i>16.3700</i>	<i>1.2700</i>	<i>45.2374</i>	<i>12.0650</i>	<i>1.2700</i>	<i>3.4290</i>	<i>15.4940</i>	
BR5590	2.1640	1.0236	.1400	3.5433	.7283	.0200	.1722	2.0700	Components not sold separately
	<i>54.9656</i>	<i>25.9994</i>	<i>3.5560</i>	<i>89.9998</i>	<i>18.4988</i>	<i>.5080</i>	<i>4.3739</i>	<i>52.5780</i>	
JF7049A/7010	2.7559	1.6535	.2800	5.1181	1.3780	.1000	-	1.6929	Components not sold separately
	<i>70.0000</i>	<i>42.0000</i>	<i>7.0000</i>	<i>130.0000</i>	<i>35.0000</i>	<i>2.5000</i>	-	<i>43.0000</i>	
KA11020-Z	.9380	.7344	.0300	2.3440	.5938	.1300	.1406	.7656	Components not sold separately
	<i>23.8100</i>	<i>18.6538</i>	<i>.7620</i>	<i>59.5300</i>	<i>15.0825</i>	<i>3.3020</i>	<i>3.5712</i>	<i>19.4462</i>	
KA11410-Z	1.5625	1.2344	.0800	3.1250	.6250	.0800	.6094	1.2344	Components not sold separately
	<i>39.6900</i>	<i>31.3538</i>	<i>2.0320</i>	<i>79.3800</i>	<i>15.8750</i>	<i>2.0320</i>	<i>15.4788</i>	<i>31.3538</i>	
KC11445-Y	1.7807	.8125	.0800	3.1490	.5937	.0500	.1874	.7811	Consists of BR17887/BR17831
	<i>45.2298</i>	<i>20.6375</i>	<i>2.0320</i>	<i>79.9846</i>	<i>15.0800</i>	<i>1.2700</i>	<i>4.7600</i>	<i>19.8399</i>	
KB11630-Z	2.0312	.8750	.0800	3.5433	.6250	.0800	.1624	.7874	Consists of 368-S/BR362
	<i>51.5920</i>	<i>22.2250</i>	<i>2.0000</i>	<i>90.0000</i>	<i>15.8750</i>	<i>2.0000</i>	<i>4.1250</i>	<i>20.0000</i>	
KB11786-Y	2.2500	.8640	.9000	3.8750	.7018	.0300	.1622	1.6560	Consists of BR387/BR382
	<i>57.1500</i>	<i>21.9456</i>	<i>2.3000</i>	<i>98.4250</i>	<i>17.8257</i>	<i>.7620</i>	<i>4.1199</i>	<i>42.0624</i>	
KD11786-Y	2.2650	.8640	.1400	3.8750	.7018	.0300	.1250	.8268	Consists of 388-A VP/BR382
	<i>57.5310</i>	<i>21.9456</i>	<i>3.5560</i>	<i>98.4250</i>	<i>17.8257</i>	<i>.7620</i>	<i>3.1750</i>	<i>21.0007</i>	
KA11820-Z	2.4400	.9688	.0800	3.9362	.7500	.0600	.2188	.9375	Components not sold separately
	<i>61.9800</i>	<i>24.6075</i>	<i>2.0320</i>	<i>99.9795</i>	<i>19.0500</i>	<i>1.5240</i>	<i>5.5575</i>	<i>23.8125</i>	
KA11950-Z	2.5000	1.0200	.0300	4.2500	.8000	.0300	.2200	1.0000	Components not sold separately
	<i>63.5000</i>	<i>25.9080</i>	<i>.7620</i>	<i>107.9500</i>	<i>20.3200</i>	<i>.7620</i>	<i>5.5880</i>	<i>25.4000</i>	
KD12051-Z	2.6250	.9230	.1400	4.4680	.7411	.0500	.6900	.8661	Consists of 395-CS/394-CS
	<i>66.6800</i>	<i>23.4442</i>	<i>3.5560</i>	<i>113.4900</i>	<i>18.8239</i>	<i>1.2700</i>	<i>17.5260</i>	<i>21.9989</i>	
KR12051-Z	2.6250	.9230	.1400	4.4680	.7410	.0500	.1819	.9230	Components not sold separately
	<i>66.6750</i>	<i>23.4442</i>	<i>3.5560</i>	<i>113.4872</i>	<i>18.8239</i>	<i>1.2700</i>	<i>4.6203</i>	<i>23.4442</i>	
B12235-YK	2.8750	1.5500	-	4.8750	1.0310	.0800	1.2400	1.5310	Components not sold separately
	<i>73.0300</i>	<i>39.3700</i>	-	<i>123.8300</i>	<i>26.1874</i>	<i>2.0320</i>	<i>31.4960</i>	<i>38.8900</i>	
BR14585/525	1.3750	.8120	.1400	2.6870	.6250	.0900	-	.8120	Components not sold separately
	<i>34.9250</i>	<i>20.6248</i>	<i>3.5560</i>	<i>68.2498</i>	<i>15.8750</i>	<i>2.2860</i>	-	<i>20.6248</i>	

Tapered roller bearing Sets

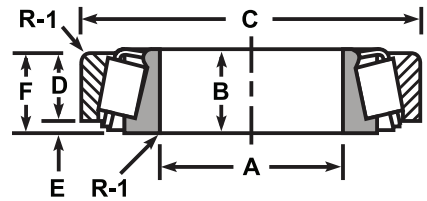
Numerical listing



Set no.	Cone dimensions			Cup dimensions			Standout E	Width F	Comment
	I.D. A	Length B	Radius R-1	O.D. C	Length D	Radius R-1			
LM29749/710 VP	1.5000	.7200	-	2.5625	.5500	.0500	.1600	.7100	Consists of LM29749 VP/LM29710 VP
	<i>38.1000</i>	<i>18.2880</i>	-	<i>65.0875</i>	<i>13.9700</i>	<i>1.2700</i>	<i>4.0640</i>	<i>18.0340</i>	
BR30203	.6690	.4724	.0394	1.5750	.4331	.0394	.0886	.5217	Components not sold separately
	<i>17.0000</i>	<i>12.0000</i>	<i>1.0000</i>	<i>40.0000</i>	<i>11.0000</i>	<i>1.0000</i>	<i>2.2500</i>	<i>13.2500</i>	
BR30204	.7870	.5512	.0394	1.8500	.4724	.0394	.1280	.6004	Components not sold separately
	<i>20.0000</i>	<i>14.0000</i>	<i>1.0000</i>	<i>47.0000</i>	<i>12.0000</i>	<i>1.0000</i>	<i>3.2500</i>	<i>15.2500</i>	
30205-X	.9840	.5906	.1673	2.0470	.5118	.0598	.1280	.6400	Components not sold separately
	<i>25.0000</i>	<i>15.0000</i>	<i>4.2500</i>	<i>52.0000</i>	<i>13.0000</i>	<i>1.5200</i>	<i>3.2500</i>	<i>16.2500</i>	
BR30205	.9840	.5906	.0394	2.0470	.5118	.0394	.1280	.6398	Components not sold separately
	<i>25.4000</i>	<i>15.0000</i>	<i>1.0010</i>	<i>52.0000</i>	<i>13.0000</i>	<i>1.0000</i>	<i>3.2500</i>	<i>16.2500</i>	
BR30206	1.1810	.6299	.0394	2.4410	.5512	.0394	.1280	.6790	Components not sold separately
	<i>30.0000</i>	<i>16.0000</i>	<i>1.0000</i>	<i>62.0000</i>	<i>14.0000</i>	<i>1.0000</i>	<i>3.2500</i>	<i>17.2500</i>	
BR30207	1.3780	.6693	.0591	2.8350	.5906	.0591	.1280	.7190	Components not sold separately
	<i>25.0000</i>	<i>17.0000</i>	<i>1.5000</i>	<i>72.0000</i>	<i>15.0000</i>	<i>1.5000</i>	<i>3.2500</i>	<i>18.2500</i>	
BR30208	1.5750	.7087	.0591	3.1500	.6299	.0591	.1476	.7780	Components not sold separately
	<i>40.0050</i>	<i>18.0000</i>	<i>1.5000</i>	<i>80.0000</i>	<i>16.0000</i>	<i>1.5000</i>	<i>3.7500</i>	<i>19.7500</i>	
30209-C	1.7710	.7480	.0590	3.3460	.6299	.0590	.1280	-	Components not sold separately
	<i>45.0000</i>	<i>19.0000</i>	<i>1.5000</i>	<i>85.0000</i>	<i>16.0000</i>	<i>1.5000</i>	<i>3.2512</i>	-	
BR30210	1.9685	.7874	.0591	3.5433	.6693	.0591	.1870	.8563	Components not sold separately
	<i>50.0000</i>	<i>20.0000</i>	<i>1.5010</i>	<i>90.0000</i>	<i>17.0000</i>	<i>1.5000</i>	<i>4.7500</i>	<i>21.7500</i>	
BR30211Q	2.1650	.8960	-	3.9370	.7087	-	.1772	.8957	Components not sold separately
	<i>55.0000</i>	<i>22.7500</i>	-	<i>100.0000</i>	<i>18.0000</i>	-	<i>4.5000</i>	<i>22.7500</i>	
BR30302	.5910	.5118	.0394	1.6540	.4331	.0394	.1280	.5610	Components not sold separately
	<i>15.0000</i>	<i>13.0000</i>	<i>1.0000</i>	<i>42.0000</i>	<i>11.0000</i>	<i>1.0000</i>	<i>3.2500</i>	<i>14.2500</i>	
BR30303	.6690	.5512	.0394	1.8504	.4724	.0394	.1280	.6000	Components not sold separately
	<i>17.0000</i>	<i>14.0000</i>	<i>1.0000</i>	<i>47.0000</i>	<i>12.0000</i>	<i>1.0000</i>	<i>3.2500</i>	<i>15.2500</i>	
BR30304	.7874	.5906	.0591	2.0470	.5118	.0591	-	-	Components not sold separately
	<i>20.0000</i>	<i>15.0000</i>	<i>1.5000</i>	<i>52.0000</i>	<i>15.0000</i>	<i>1.5000</i>	-	-	
30305-C VP	.9840	.6693	.0787	2.4410	.5512	.0787	.1280	.7190	Components not sold separately
	<i>25.0000</i>	<i>17.0000</i>	<i>2.0000</i>	<i>62.0000</i>	<i>14.0000</i>	<i>2.0000</i>	<i>3.2500</i>	<i>18.2500</i>	
BR30305	.9840	.6693	.0591	2.4410	.5906	.0591	.1673	.7190	Components not sold separately
	<i>25.0000</i>	<i>17.0000</i>	<i>1.5000</i>	<i>62.0000</i>	<i>15.0000</i>	<i>1.5000</i>	<i>4.2500</i>	<i>18.2500</i>	
BR30306	1.1810	.7480	.0591	2.8350	.6299	.0591	.1673	.8170	Components not sold separately
	<i>30.0000</i>	<i>19.0000</i>	<i>1.5000</i>	<i>72.0000</i>	<i>16.0000</i>	<i>1.5000</i>	<i>4.2500</i>	<i>20.7500</i>	
BR30307	1.3780	.7874	.0787	3.1500	.7087	.0591	.1673	.8960	Components not sold separately
	<i>35.0000</i>	<i>20.0000</i>	<i>2.0000</i>	<i>80.0000</i>	<i>18.0010</i>	<i>1.5000</i>	<i>4.2500</i>	<i>22.7500</i>	
BR30308	1.5750	.9055	.0790	3.5433	.7874	.0240	.2066	.9941	Components not sold separately
	<i>40.0000</i>	<i>23.0000</i>	<i>2.0000</i>	<i>90.0000</i>	<i>20.0000</i>	<i>.6000</i>	<i>5.2500</i>	<i>25.2500</i>	
BR30309	1.7717	.9843	.0787	3.9370	.8661	.0591	.2066	1.0725	Components not sold separately
	<i>45.0000</i>	<i>25.0000</i>	<i>2.0000</i>	<i>100.0000</i>	<i>22.0000</i>	<i>1.5000</i>	<i>5.2500</i>	<i>27.2500</i>	
BR30310	1.9685	1.0630	.0984	4.3307	.9055	.0787	.2067	1.1516	Components not sold separately
	<i>50.0000</i>	<i>27.0000</i>	<i>2.5000</i>	<i>110.0000</i>	<i>23.0000</i>	<i>2.0000</i>	<i>5.2500</i>	<i>29.2500</i>	
31315 J2	2.9527	1.4570	.1180	6.2990	1.0240	.0980	.5510	1.5748	Components not sold separately
	<i>75.0000</i>	<i>37.0000</i>	<i>3.0000</i>	<i>160.0000</i>	<i>26.0000</i>	<i>2.5000</i>	<i>14.0000</i>	<i>40.0000</i>	
BR32004	.7874	.5906	.0024	1.6540	.5905	-	-	-	Components not sold separately
	<i>20.0000</i>	<i>15.0000</i>	<i>.0600</i>	<i>42.0116</i>	<i>15.0000</i>	-	-	-	
32005-XVB	.9840	.6150	.1290	-	.4500	.0390	.1370	-	Components not sold separately
	<i>24.9940</i>	<i>15.6210</i>	<i>3.2770</i>	-	<i>11.4300</i>	<i>.9910</i>	<i>3.4800</i>	-	
BR32005	.9840	.5906	.0024	1.8500	.4528	.0024	.1378	.5910	Components not sold separately
	<i>25.0000</i>	<i>15.0012</i>	<i>.0600</i>	<i>47.0000</i>	<i>11.5010</i>	<i>.0600</i>	<i>3.5000</i>	<i>15.8600</i>	
BR32006	1.1810	.6693	.0394	2.1650	.5118	.0394	.1575	.6690	Components not sold separately
	<i>30.0000</i>	<i>17.0000</i>	<i>1.0000</i>	<i>55.0000</i>	<i>13.0000</i>	<i>1.0000</i>	<i>4.0000</i>	<i>17.0000</i>	
BR32007	1.3780	.7087	.0394	2.4410	.5512	.0591	.1575	.7090	Components not sold separately
	<i>35.0010</i>	<i>18.0000</i>	<i>1.0010</i>	<i>62.0000</i>	<i>14.0000</i>	<i>1.5000</i>	<i>4.0000</i>	<i>18.0000</i>	

Tapered roller bearing Sets

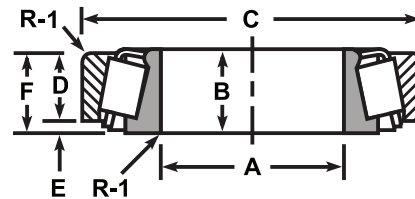
Numerical listing



Set no.	Cone dimensions			Cup dimensions			Standout E	Width F	Comment
	I.D. A	Length B	Radius R-1	O.D. C	Length D	Radius R-1			
32008-C	1.5750	.8350	.1250	2.9528	.6299	.0700	.2050	.8350	Components not sold separately
	<i>40.0050</i>	<i>21.2090</i>	<i>3.0000</i>	<i>75.0000</i>	<i>16.0000</i>	<i>1.7780</i>	<i>5.2070</i>	<i>21.2090</i>	
32008-X VP	1.5750	.7480	.0394	2.6770	.5710	.0394	.1378	.7480	Components not sold separately
	<i>40.0000</i>	<i>19.0000</i>	<i>1.0000</i>	<i>68.0000</i>	<i>14.5000</i>	<i>1.0000</i>	<i>3.5000</i>	<i>19.0000</i>	
BR32008XQVB	1.5750	.7480	.1378	2.6770	.5710	.0394	.1378	.6100	Components not sold separately
	<i>40.0000</i>	<i>19.0000</i>	<i>3.5000</i>	<i>68.0000</i>	<i>14.5000</i>	<i>1.0000</i>	<i>3.5000</i>	<i>15.4940</i>	
32009-X VP	1.7717	.7874	.0394	2.9528	.6102	.0394	.1772	.7874	Components not sold separately
	<i>45.0000</i>	<i>20.0000</i>	<i>1.0000</i>	<i>75.0000</i>	<i>15.4990</i>	<i>1.0000</i>	<i>4.5000</i>	<i>20.0000</i>	
32009-XJA	1.7720	.7870	.1880	2.9530	.6100	.0040	.1770	.7870	Components not sold separately
	<i>45.0088</i>	<i>19.9898</i>	<i>4.7752</i>	<i>75.0062</i>	<i>15.4940</i>	<i>.1016</i>	<i>4.4958</i>	<i>19.9898</i>	
32010-C	1.9685	.7874	.1750	3.0315	.5906	.0700	.1970	.8673	Components not sold separately
	<i>50.0000</i>	<i>20.0000</i>	<i>4.4450</i>	<i>77.0000</i>	<i>15.0000</i>	<i>1.7780</i>	<i>5.0038</i>	<i>22.0300</i>	
32010-X VP	1.9690	.7874	.0591	3.1490	.6102	.0024	.1772	.7870	Components not sold separately
	<i>50.0000</i>	<i>20.0000</i>	<i>1.5000</i>	<i>80.0000</i>	<i>15.4990</i>	<i>.0600</i>	<i>4.5000</i>	<i>20.0000</i>	
32011 X/QVB206	2.1653	.9050	.1880	3.5433	.6880	.0590	.2160	.9055	Components not sold separately
	<i>55.0000</i>	<i>23.0000</i>	<i>4.8000</i>	<i>90.0000</i>	<i>17.5000</i>	<i>1.5000</i>	<i>5.5000</i>	<i>23.0000</i>	
BR32011	2.1653	.9055	.0600	3.5433	.6890	.0600	-	-	Components not sold separately
	<i>55.0000</i>	<i>23.0000</i>	<i>1.5240</i>	<i>90.0000</i>	<i>17.5000</i>	<i>1.5240</i>	-	-	
32012-X VP	2.3622	.9055	.0590	3.7402	.6880	.0590	.2165	.9005	Components not sold separately
	<i>60.0000</i>	<i>23.0000</i>	<i>1.5000</i>	<i>95.0000</i>	<i>17.5000</i>	<i>1.5000</i>	<i>5.5000</i>	<i>22.8700</i>	
32013-X VP	2.5591	.9055	.0600	3.9370	.6890	.0590	.2165	.9055	Components not sold separately
	<i>65.0011</i>	<i>22.9997</i>	<i>1.5240</i>	<i>99.9998</i>	<i>17.5000</i>	<i>1.5000</i>	<i>5.5000</i>	<i>23.0000</i>	
32014-X VP	2.7559	.9843	.0600	4.3307	.7480	.0600	.2165	.9843	Components not sold separately
	<i>70.0000</i>	<i>25.0012</i>	<i>1.5240</i>	<i>110.0000</i>	<i>19.0000</i>	<i>1.5240</i>	<i>5.5000</i>	<i>25.0000</i>	
BR32017	3.3465	1.1024	-	5.1181	.8661	-	-	1.2598	Components not sold separately
	<i>85.0000</i>	<i>28.0000</i>	-	<i>130.0000</i>	<i>22.0000</i>	-	-	<i>31.9990</i>	
32020-X/Q	3.9370	1.2598	.0590	5.9055	.9449	.0590	.2650	1.5298	Components not sold separately
	<i>99.9998</i>	<i>31.9989</i>	<i>1.4986</i>	<i>149.9997</i>	<i>24.0005</i>	<i>1.4986</i>	<i>6.7310</i>	<i>38.8569</i>	
32021-X VP	4.1320	1.3780	.2400	6.2992	1.0236	.0800	.3543	1.3780	Components not sold separately
	<i>105.0000</i>	<i>35.0000</i>	<i>6.0960</i>	<i>160.0000</i>	<i>26.0000</i>	<i>2.0000</i>	<i>9.0000</i>	<i>35.0000</i>	
BR32204	.7870	.7087	.0591	1.8500	.5906	.0197	.1673	.7579	Components not sold separately
	<i>19.9990</i>	<i>18.0000</i>	<i>1.5010</i>	<i>47.0000</i>	<i>15.0000</i>	<i>.5000</i>	<i>4.2500</i>	<i>19.2500</i>	
BR32205	.9840	.7087	.0394	2.0472	.5906	.0394	.1673	.7579	Components not sold separately
	<i>25.0000</i>	<i>18.0000</i>	<i>1.0000</i>	<i>52.0000</i>	<i>15.0000</i>	<i>1.0000</i>	<i>4.2500</i>	<i>19.2500</i>	
BR32206	1.1810	.7874	.0394	2.4410	.6693	.0394	.1673	.8370	Components not sold separately
	<i>29.9970</i>	<i>20.0000</i>	<i>1.0010</i>	<i>62.0000</i>	<i>17.0000</i>	<i>1.0000</i>	<i>4.2500</i>	<i>21.2500</i>	
BR32207	1.3780	.9055	.0591	2.8350	.7480	.0591	.2067	.9550	Components not sold separately
	<i>35.0000</i>	<i>23.0000</i>	<i>1.5000</i>	<i>72.0000</i>	<i>19.0000</i>	<i>1.5000</i>	<i>5.2500</i>	<i>24.2500</i>	
BR32208	1.5748	.9055	.0591	3.1496	.7480	.0591	.2264	.9744	Components not sold separately
	<i>40.0000</i>	<i>23.0000</i>	<i>1.5000</i>	<i>80.0000</i>	<i>19.0000</i>	<i>1.5000</i>	<i>5.7500</i>	<i>24.7500</i>	
BR32209	1.7717	.9055	.0591	3.3465	.7480	.0591	.2264	.9744	Components not sold separately
	<i>45.0000</i>	<i>23.0000</i>	<i>1.5000</i>	<i>85.0000</i>	<i>19.0000</i>	<i>1.5000</i>	<i>5.7500</i>	<i>24.7500</i>	
BR32210	1.9685	.9055	.0591	3.5433	.7480	.0591	.2264	.9744	Components not sold separately
	<i>50.0000</i>	<i>23.0000</i>	<i>1.5010</i>	<i>90.0000</i>	<i>19.0000</i>	<i>1.5000</i>	<i>5.7500</i>	<i>24.7500</i>	
BR32211	2.1654	.9843	.0787	3.9370	.8268	.0591	.2264	1.0531	Components not sold separately
	<i>55.0000</i>	<i>25.0000</i>	<i>2.0000</i>	<i>100.0000</i>	<i>21.0010</i>	<i>1.5000</i>	<i>5.7500</i>	<i>26.7500</i>	
BR32213	2.5591	1.2205	.0787	4.7244	1.0630	.0591	.2264	1.2894	Components not sold separately
	<i>65.0000</i>	<i>31.0000</i>	<i>2.0000</i>	<i>120.0000</i>	<i>27.0000</i>	<i>1.5000</i>	<i>5.7500</i>	<i>32.7500</i>	
BR32215	2.9527	1.2200	.0800	5.1181	1.0630	.0600	.2854	1.3091	Components not sold separately
	<i>75.0000</i>	<i>31.0000</i>	<i>2.0320</i>	<i>130.0000</i>	<i>27.0000</i>	<i>1.5000</i>	<i>7.2500</i>	<i>33.2500</i>	
BR32217Q	3.3465	1.4173	.0984	5.9055	1.1811	.0787	.3346	1.5157	Components not sold separately
	<i>85.0000</i>	<i>36.0000</i>	<i>2.5000</i>	<i>150.0000</i>	<i>30.0000</i>	<i>2.0000</i>	<i>8.5000</i>	<i>38.5000</i>	
BR32218	3.5433	1.5748	.1000	6.2992	1.3386	.0800	-	1.6732	Components not sold separately
	<i>90.0000</i>	<i>40.0000</i>	<i>2.5400</i>	<i>160.0000</i>	<i>34.0000</i>	<i>2.0320</i>	-	<i>42.4993</i>	

Tapered roller bearing Sets

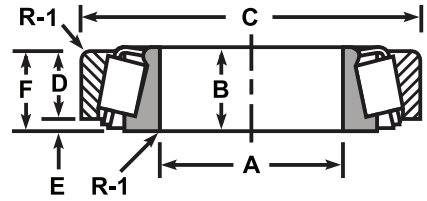
Numerical listing



Set no.	Cone dimensions			Cup dimensions			Standout E	Width F	Comment
	I.D. A	Length B	Radius R-1	O.D. C	Length D	Radius R-1			
BR32303	.6693 17.0000	.7480 19.0000	.0394 1.0000	1.8504 47.0000	.6299 16.0000	.0394 1.0000	.1673 4.2500	.7972 20.2500	Components not sold separately
BR32304	.7870 20.0000	.8268 21.0000	.0591 1.5000	2.0470 52.0000	.7087 18.0000	.0591 1.5000	.1673 4.2500	.8760 22.2500	Components not sold separately
BR32305	.9840 25.0000	.9449 24.0000	.0591 1.5000	2.4410 62.0000	.7874 20.0000	.0591 1.5000	.2067 5.2500	.9940 25.2500	Components not sold separately
BR32306	1.1810 30.0000	1.0630 27.0000	.0591 1.5000	2.8350 72.0000	.9055 23.0000	.0591 1.5000	.2264 5.7500	1.1320 28.7500	Components not sold separately
32307-A31	1.3780 35.0012	1.2270 31.1658	1.000 2.5400	3.1500 80.0100	.8680 22.0472	1.000 2.5400	.3590 9.1186	1.1635 29.5529	Components not sold separately
32307-A89	1.3780 35.0000	1.5630 39.7000	.0700 1.7700	3.5030 89.0000	1.0770 27.3558	.0600 1.5240	.4860 12.3444	1.5055 38.2397	Components not sold separately
BR32307	1.3780 35.0000	1.2205 31.0000	.0787 2.0000	3.1500 80.0000	.9843 25.0000	.0591 1.5000	.3051 7.7500	1.2890 32.7500	Components not sold separately
BR32308	1.5748 40.0000	1.2992 33.0000	.0787 2.0000	3.5433 90.0000	1.0630 27.0000	.0591 1.5000	.3051 7.7500	1.3878 35.2500	Components not sold separately
BR32310	1.9685 50.0000	1.5750 40.0000	.0980 2.5000	4.3307 110.0000	1.2990 33.0000	.0787 2.0000	.3642 9.2500	1.6634 42.2500	Components not sold separately
32314-J2 VP	2.7559 70.0000	- -	- -	5.9055 150.0000	1.6540 42.0116	1.000 2.5400	- -	2.2160 54.0000	Components not sold separately
BR33005	.9840 24.9936	.6780 17.2212	- -	1.8500 46.9900	.5510 13.9954	.0300 .7620	.1270 3.2258	.6780 17.2212	Components not sold separately
BR33018	3.5433 90.0000	1.5354 39.0000	.0787 2.0000	5.5118 140.0000	1.2795 32.4990	.0591 1.5000	.2559 6.5000	1.5354 39.0000	Components not sold separately
BR33021	4.1339 105.0010	- -	- -	6.2990 160.0000	- -	- -	- -	1.6929 43.0000	Components not sold separately
BR33113	2.5591 65.0011	1.0236 25.9994	.0620 1.5748	4.3307 109.9998	1.0433 26.4998	.0620 1.5748	.2953 7.5006	1.3386 34.0004	Components not sold separately
BR33115	2.9528 75.0000	- -	- -	4.9212 125.0000	- -	- -	- -	1.2205 31.0000	Components not sold separately
BR331933	2.7560 70.0024	- -	- -	5.1180 129.9972	2.2440 56.9976	- -	- -	2.2440 56.9976	Components not sold separately
33205J	.9843 25.0000	.8661 22.0000	.0394 1.0000	2.0472 52.0000	.7087 18.0010	.0394 1.0000	.1575 4.0000	.8661 22.0000	Components not sold separately
BR33205QVQ	.9843 25.0000	.8661 22.0000	.0394 1.0000	2.0472 52.0000	.7087 18.0010	.0394 1.0000	.1575 4.0000	.8661 22.0000	Components not sold separately
BR33206	1.1811 30.0000	.7870 19.9898	1.0000 25.4000	2.4409 62.0000	.6440 16.3576	.0300 .7620	.2165 5.5000	.9843 25.0000	Components not sold separately
BR33208	1.5750 40.0000	1.2598 32.0000	.0600 1.5000	3.1496 80.0000	.9843 25.0010	.0600 1.5000	.2756 7.0000	1.2598 32.0000	Components not sold separately
BR33209	1.7716 45.0000	- -	- -	3.3460 85.0000	- -	- -	- -	1.2598 32.0000	Components not sold separately
BR33210	1.9685 50.0000	1.2598 32.0000	.0591 1.5000	3.5433 90.0000	.9646 24.5010	.0591 1.5000	.1772 4.5000	1.2598 32.0000	Components not sold separately
BR33211	2.1650 55.0000	1.3780 35.0000	.0787 2.0000	3.9370 100.0000	1.0630 27.0000	.0591 1.5000	.3150 8.0000	1.3780 35.0000	Components not sold separately
33212-X	2.3622 60.0000	1.4961 38.0000	.0800 2.0000	4.3310 110.0074	1.1380 28.9050	.0600 1.5240	.3580 9.0932	1.5350 38.9890	Components not sold separately
42362/42584	3.6250 92.0750	- -	- -	5.8437 148.4300	- -	- -	.2812 7.1425	1.1250 28.5750	Components not sold separately
M84548/510	1.0000 25.4000	.7650 19.4300	.0600 1.5240	2.2500 57.1500	.5800 14.7320	- -	- -	.7650 19.4300	Consists of M84548 VP/M84510 VP
M86649/610	1.1880 30.1752	.8438 21.4325	.0600 1.5240	2.5310 64.2874	.6560 16.6624	.0600 1.5240	.1785 4.5339	.8438 21.4325	Consists of M86649 VP/M86610 VP

Tapered roller bearing Sets

Numerical listing



Set no.	Cone dimensions			Cup dimensions			Standout E	Width F	Comment
	I.D.	Length	Radius	O.D.	Length	Radius			
	A	B	R-1	C	D	R-1			
JLM104948/910	1.9690 <i>50.0126</i>	.8465 <i>21.5011</i>	.1200 <i>3.0480</i>	3.2280 <i>81.9912</i>	.6693 <i>17.0002</i>	.0200 <i>.5080</i>	-	-	Consists of JLM104948/JLM104910
JM205149AS/110	1.9685 <i>50.0000</i>	1.1024 <i>28.0010</i>	.1000 <i>2.5400</i>	3.5433 <i>90.0000</i>	.9055 <i>22.9997</i>	.1000 <i>2.5400</i>	.1185 <i>3.0099</i>	1.1024 <i>28.0010</i>	Consists of JM205149AS/JM205110 VP
LM300849/811	1.6141 <i>41.0000</i>	.7279 <i>18.4900</i>	-	2.6771 <i>68.0000</i>	.5315 <i>13.5001</i>	-	.1575 <i>4.0005</i>	.6890 <i>17.5006</i>	Consists of LM300849 VP/LM300811 VP
NQ356520	1.6250 <i>41.2750</i>	.7800 <i>19.8120</i>	.1400 <i>3.5560</i>	2.8910 <i>73.4100</i>	.5800 <i>14.7320</i>	.0300 <i>.7620</i>	.1900 <i>4.8260</i>	.7700 <i>19.5580</i>	Components not sold separately
LM503349/310	1.8105 <i>45.9867</i>	.7087 <i>18.0010</i>	.0900 <i>2.2860</i>	2.9518 <i>74.9757</i>	.5512 <i>14.0005</i>	.0600 <i>1.5240</i>	.7087 <i>18.0010</i>	1.2602 <i>32.0091</i>	Consists of LM503349 VP/LM503310 VP
BR578571	1.6250 <i>41.2750</i>	.7800 <i>19.8120</i>	.1400 <i>3.5560</i>	3.4243 <i>86.9780</i>	-	-	-	1.4764 <i>37.5000</i>	Components not sold separately
HM801346X/310	1.5000 <i>38.1000</i>	1.1250 <i>28.5750</i>	-	3.2500 <i>82.5500</i>	.9063 <i>23.0200</i>	.1300 <i>3.3020</i>	-	.9060 <i>23.0124</i>	Components not sold separately
M802048/011	1.6250 <i>41.2750</i>	1.0100 <i>25.6540</i>	.1400 <i>3.5560</i>	3.2500 <i>82.5500</i>	.7950 <i>20.1930</i>	.1300 <i>3.3020</i>	.2150 <i>5.4610</i>	1.0100 <i>25.6540</i>	Consists of M802048 VP/M802011 VP

Trailer repair kits

Boat, Motorcycle, Snowmobile, Camper & Utility wheels

Each SKF Trailer bearing repair kit contains all the components needed to do a complete repair: inner & outer bearings, grease seal, cotter pin, dust cap and bearing grease (packaged inside dust cap).

The products in each kit come shrink wrapped on SKF graphic boards designed to reduce shelf storage space and the occurrence of missing components.

Kit no.	Axle size	Seals	Bearing(s)
21	1"	12165	L44643 VP/L44610 VP
22	3/4"	11164	LM11949 VP/LM11910 VP
23	1-1/4"	14974	LM67048 VP/LM67010 VP
24	1"	12437	L44643 VP/L44610 VP
27	1-11/16" 1-3/8"	17146	L44649 VP/L44610 VP L68149 VP/L68111 VP
28	1-1/16"	12404	L44649 VP/L44610 VP



Timing components

Introduction

Accessory & Idler Pulleys

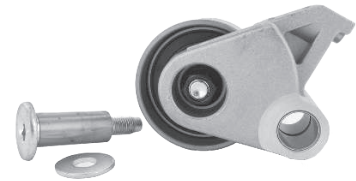
Premium quality accessory & idler pulleys help to assure correct tension and operation. Precise engineering helps eliminate over-or-under-tension that can cause noise, vibration and early belt failure.



Accessory pulley & Idler pulley

Timing Belt Tensioners

Premium quality tensioners provide the correct amount of tension, so the timing belt doesn't slip or jump off track, which could cause a catastrophic failure.



Timing belt tensioner

Hydraulic Automatic Tensioners

SKF hydraulic automatic tensioners utilize a pressuring mechanism that effectively dampens timing belt vibrations. Each tensioner delivers ideal tension to the timing belt by automatically adjusting to engine speed and vibration. Timing belt life is increased, along with other drivetrain components such as pulleys and bearings by using OE quality SKF hydraulic automatic tensioners.



Hydraulic automatic tensioner

Idler bearings

Idlers are used in belt drives to guide the belt and to allow a flexible drive layout with sufficient belt wrap angles for each driven unit.



Idler bearing

Accessory pulleys

Numerical listing



Part no.	O.D. (inch)	Width (inch)	O.D. (metric)	Width (metric)	Description	Product family
ACP31315	3.5433	.9843	90.0000	25.0000	-	Deflection/Guide Pulley
ACP34501	2.5590	.9055	65.0000	23.0000	-	Deflection/Guide Pulley
ACP34502	3.1496	.9448	80.0000	24.0000	-	Deflection/Guide Pulley
ACP36003	3.4645	.9448	88.0000	24.0000	-	Deflection/Guide Pulley
ACP36122	2.9921	1.0236	76.0000	26.0000	-	Deflection/Guide Pulley
ACP36243	3.0000	.9370	76.2000	23.8000	-	Deflection/Guide Pulley
ACP38001	3.1496	.9843	80.0000	25.0000	M-Manual Tensioner	Tensioner Pulley
ACP38004	2.7559	.9843	70.0000	25.0000	-	Deflection/Guide Pulley
ACP38062	2.4527	.8897	62.3000	22.6000	-	Deflection/Guide Pulley
ACP38079	2.7559	.8543	70.0000	21.7000	-	Deflection/Guide Pulley
ACP63002	3.1496	1.0157	80.0000	25.8000	-	Deflection/Guide Pulley
ACT31002	2.5590	.9843	65.0000	25.0000	-	Deflection/Guide Pulley

Accessory tensioners

Numerical listing

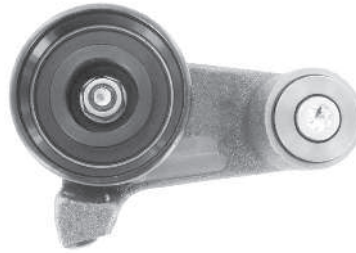
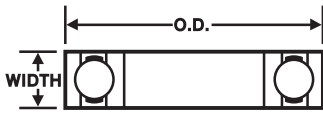


Part no.	O.D. (inch)	Width (inch)	O.D. (metric)	Width (metric)	Description	Product family
ACT31011C	2.7599	.9449	70.0000	24.0000	A-Automatic Tensioner	Tensioner Pulley
ACT31012C	2.7599	.9449	70.0000	24.0000	A-Automatic Tensioner	Tensioner Pulley
ACT31019	2.7599	.9449	70.0000	24.0000	A-Automatic Tensioner	Tensioner Pulley
ACT31033C	2.9921	.8267	76.0000	21.0000	A-Automatic Tensioner	Tensioner Pulley
ACT31059	2.3622	.6299	60.0000	16.0000	M-Manual Tensioner	Tensioner Pulley
ACT31060C	2.4409	1.0236	62.0000	26.0000	A-Automatic Tensioner	Tensioner Pulley
ACT31061C	2.9921	.9842	76.0000	25.0000	A-Automatic Tensioner	Tensioner Pulley
ACT31070	2.4488	.8897	62.2000	22.6000	A-Automatic Tensioner	Tensioner Pulley
ACT31223	2.7599	.9685	70.0000	24.6000	A-Automatic Tensioner	Tensioner Pulley
ACT31231	2.7086	.8661	68.8000	22.0000	A-Automatic Tensioner	Tensioner Pulley
ACT34027	3.2283	.8661	82.0000	22.0000	A-Automatic Tensioner	Tensioner Pulley
ACT34510	3.5433	.9055	90.0000	23.0000	A-Automatic Tensioner	Tensioner Pulley
ACT36120	2.9921	1.0236	76.0000	26.0000	A-Automatic Tensioner	Tensioner Pulley
ACT38003	3.1496	.9842	80.0000	25.0000	M-Manual Tensioner	Tensioner Pulley
ACT38005	2.7599	.9842	70.0000	25.0000	M-Manual Tensioner	*Tensioner Pulley W/Shock
ACT38006	2.7599	.9842	70.0000	25.0000	M-Manual Tensioner	*Tensioner Pulley W/Shock
ACT38016	2.7599	.9842	70.0000	25.0000	M-Manual Tensioner	*Tensioner Pulley W/Shock
ACT38070	2.5590	1.1811	65.0000	30.0000	A-Automatic Tensioner	Tensioner Pulley
ACT38077	2.9921	1.0157	76.0000	25.8000	A-Automatic Tensioner	Tensioner Pulley
ACT38202	2.7599	1.0236	70.0000	26.0000	A-Automatic Tensioner	Tensioner Pulley
ACT61014	2.7599	1.0236	70.0000	26.0000	A-Automatic Tensioner	Tensioner Pulley
ACT63015	3.3464	1.2204	85.0000	31.0000	M-Manual Tensioner	Tensioner Pulley
ACT63021	2.7599	1.0629	70.0000	27.0000	A-Automatic Tensioner	Tensioner Pulley

*Type 1 includes a shock

Timing belt tensioner pulleys

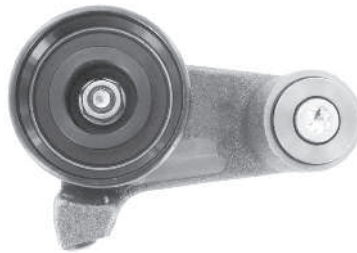
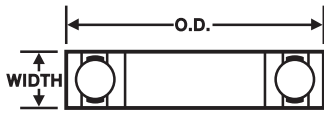
Numerical listing



Part no.	O.D. (inch)	Width (inch)	O.D. (metric)	Width (metric)	Description	Product family
TBT11000	2.8346	.7874	72.0000	20.0000	M-Manual Tensioner	Tensioner Pulley
TBT11001	2.8346	.7480	72.0000	19.0000	M-Manual Tensioner	Tensioner Pulley
TBT11003	2.5984	.6693	66.0000	17.0000	M-Manual Tensioner	Tensioner Pulley
TBT11006	2.3228	1.4709	59.0000	37.3600	M-Manual Tensioner	Tensioner Pulley
TBT11007	2.8346	1.0630	72.0000	27.0000	HT-Hydraulic Tensioner	Tensioner Pulley
TBT11008	2.8346	1.0630	72.0000	27.0000	HT-Hydraulic Tensioner	Tensioner Pulley
TBT11010	2.8346	1.0236	72.0000	26.0000	M-Manual Tensioner	Tensioner Pulley
TBT11012C	2.6378	1.0236	67.0000	26.0000	A-Automatic Tensioner	Tensioner Pulley
TBT11014C	2.6378	1.0236	67.0000	26.0000	A-Automatic Tensioner	Tensioner Pulley
TBT11018	2.8346	.9843	72.0000	25.0000	HT-Hydraulic Tensioner	Tensioner Pulley
TBT11020	2.8346	1.0236	72.0000	26.0000	M-Manual Tensioner	Tensioner Pulley
TBT11113	2.8346	.9843	72.0000	25.0000	A-Automatic Tensioner	Tensioner Pulley
TBT11115	2.8346	.9843	72.0000	25.0000	HT-Hydraulic Tensioner	Tensioner Pulley
TBT11116	2.8346	.9843	72.0000	25.0000	HT-Hydraulic Tensioner	Tensioner Pulley
TBT11117	2.3228	1.0630	59.0000	27.0000	HT-Hydraulic Tensioner	Tensioner Pulley
TBT11130C	2.6772	1.0236	68.0000	26.0000	A-Automatic Tensioner	Tensioner Pulley
TBT11200	2.8346	1.0630	72.0000	27.0000	M-Manual Tensioner	Tensioner Pulley
TBT11201	2.8346	1.0630	72.0000	27.0000	M-Manual Tensioner	Tensioner Pulley
TBT11202	2.8346	1.2598	72.0000	32.0000	M-Manual Tensioner	Tensioner Pulley
TBT11204	2.4409	1.3386	62.0000	34.0000	HT-Hydraulic Tensioner	Tensioner Pulley
TBT11207	2.4409	1.3386	62.0000	34.0000	HT-Hydraulic Tensioner	Tensioner Pulley
TBT11222	2.6378	1.1811	67.0000	30.0000	A-Automatic Tensioner	Tensioner Pulley
TBT11250	2.6378	1.2205	67.0000	31.0000	A-Automatic Tensioner	Tensioner Pulley
TBT11300	2.5591	1.2953	65.0000	32.9000	HT-Hydraulic Tensioner	Tensioner Pulley
TBT14224	2.4409	1.0433	62.0000	26.5000	A-Automatic Tensioner	Tensioner Pulley
TBT15121	2.3228	.7480	59.0000	19.0000	A-Automatic Tensioner	Tensioner Pulley
TBT15140	2.3228	1.0236	59.0000	26.0000	A-Automatic Tensioner	Tensioner Pulley
TBT15202	2.3228	1.0236	59.0000	26.0000	A-Automatic Tensioner	Tensioner Pulley
TBT15260	2.5984	1.1417	66.0000	29.0000	A-Automatic Tensioner	Tensioner Pulley
TBT15402	2.3228	.8661	59.0000	22.0000	A-Automatic Tensioner	Tensioner Pulley
TBT15500*	D1=2.5984/ D2=2.2047	W1=1.2204/ W2=1.2204	D1= 66.0000/ D2=56.0000	W1=31.0000/ W2=31.0000	M-Manual Tensioner	Tensioner Pulley
TBT16020	2.5591	1.2598	65.0000	32.0000	A-Automatic Tensioner	Tensioner Pulley
TBT16040	2.3622	1.0630	60.0000	27.0000	A-Automatic Tensioner	Tensioner Pulley
TBT16220	2.3228	1.2598	59.0000	32.0000	A-Automatic Tensioner	Tensioner Pulley
TBT16300	1.8504	1.2205	47.0000	31.0000	HT-Hydraulic Tensioner	Tensioner Pulley
TBT16409	2.2146	.8661	56.2500	22.0000	-	Tensioner Pulley Sprocket
TBT16410	1.4173	.8268	36.0000	21.0000	M-Manual Tensioner	Tensioner Pulley
TBT16550	2.5984	1.2598	66.0000	32.0000	A-Automatic Tensioner	Tensioner Pulley
TBT16600	1.8504	1.0630	47.0000	27.0000	HT-Hydraulic Tensioner	Tensioner Pulley
TBT16602	2.0866	1.0630	53.0000	27.0000	HT-Hydraulic Tensioner	Tensioner Pulley
TBT16604	2.3228	1.0630	59.0000	27.0000	A-Automatic Tensioner	Tensioner Pulley
TBT16612	2.0866	1.2598	53.0000	32.0000	M-Manual Tensioner	Tensioner Pulley
TBT16800	2.3228	1.2598	59.0000	32.0000	A-Automatic Tensioner	Tensioner Pulley
TBT18013	2.3622	.7874	60.0000	20.0000	-	Tensioner Pulley Sprocket
TBT18015	1.9528	.8898	49.6000	22.6000	-	Tensioner Pulley Sprocket
TBT18100	1.9685	1.1811	50.0000	30.0000	M-Manual Tensioner	Tensioner Pulley
TBT21115	1.1417	1.0630	29.0000	27.0000	-	Deflection/Guide Pulley
TBT21147	1.5748	1.4173	40.0000	36.0000	-	Deflection/Guide Pulley
TBT21151	2.7559	1.3386	70.0000	34.0000	-	Deflection/Guide Pulley
TBT22541	2.6772	1.3386	68.0000	34.0000	-	Deflection/Guide Pulley
TBT25212	2.0472	1.0630	52.0000	27.0000	-	Deflection/Guide Pulley

Timing belt tensioner pulleys

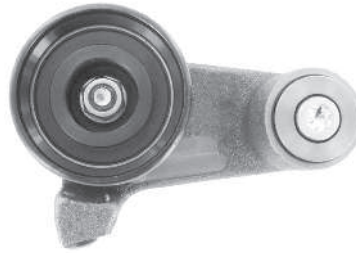
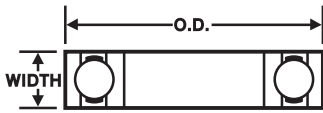
Numerical listing



Part no.	O.D. (inch)	Width (inch)	O.D. (metric)	Width (metric)	Description	Product family
TBT25500	2.1969	1.2598	55.8000	32.0000	-	Deflection/Guide Pulley
TBT26020	2.1260	1.2598	54.0000	32.0000	-	Deflection/Guide Pulley
TBT26220	2.0866	1.2598	53.0000	32.0000	-	Deflection/Guide Pulley
TBT26400	2.0866	1.1811	53.0000	30.0000	-	Deflection/Guide Pulley
TBT26612	2.0866	1.2598	53.0000	32.0000	-	Deflection/Guide Pulley
TBT28020	1.9528	.8898	49.6000	22.6000	-	Tensioner Pulley
TBT51001	2.4409	1.3780	62.0000	35.0000	-	Deflection/Guide Pulley
TBT51002	2.1260	1.8504	54.0000	47.0000	-	Tensioner Pulley
TBT51003	2.4409	1.3780	62.0000	35.0000	-	Tensioner Pulley
TBT51004	2.6378	2.6772	67.0000	68.0000	-	Tensioner Pulley
TBT51005	2.6378	1.7717	67.0000	45.0000	-	Tensioner Pulley
TBT51006	2.6378	1.7717	67.0000	45.0000	-	Tensioner Pulley
TBT51009	2.4409	1.3780	62.0000	35.0000	-	Tensioner Pulley
TBT51016	2.4409	1.7717	62.0000	45.0000	-	Tensioner Pulley
TBT54000	1.8398	2.2299	46.7300	56.6400	-	Tensioner Pulley
TBT54001	1.8504	1.1811	47.0000	30.0000	-	Tensioner Pulley
TBT54002	3.3465	1.1811	85.0000	30.0000	-	Tensioner Pulley
TBT54003	2.3622	1.1417	60.0000	29.0000	-	Tensioner Pulley
TBT54004	2.5591	1.2598	65.0000	32.0000	-	Tensioner Pulley
TBT55001*	D1=56.0000/ D2=66.5000	W1=37.0000/ W2=37.5000	D1=56.0000/ D2=66.5000	W1=37.0000/ W2=37.5000	-	Tensioner Assembly
TBT55002*	D1=56.0000/ D2=66.5000	W1=37.0000/ W2=37.5000	D1=56.0000/ D2=66.5000	W1=37.0000/ W2=37.5000	-	Tensioner Assembly
TBT55003	2.0472	1.1181	52.0000	28.4000	-	Tensioner Pulley
TBT55004	2.6772	1.5945	68.0000	40.5000	-	Tensioner Pulley
TBT55006	2.0472	.8661	52.0000	22.0000	-	Tensioner Pulley
TBT55007	2.8150	.8504	71.5000	21.6000	-	Tensioner Pulley
TBT55008	2.4409	1.3780	62.0000	35.0000	-	Tensioner Pulley
TBT55016	2.6378	1.7717	67.0000	45.0000	-	Tensioner Pulley
TBT70000	2.3622	1.1417	60.0000	29.0000	A-Automatic Tensioner	Tensioner Pulley
TBT70001	2.8346	.8661	72.0000	22.0000	A-Automatic Tensioner	Tensioner Pulley
TBT71002	2.4409	1.3780	62.0000	35.0000	M-Manual Tensioner	Tensioner Pulley
TBT71003	2.2835	1.1417	58.0000	29.0000	M-Manual Tensioner	Tensioner Pulley
TBT71004	2.4409	1.4567	62.0000	37.0000	HT-Hydraulic Tensioner	Tensioner Pulley
TBT71006	2.2835	1.1811	58.0000	30.0000	HT-Hydraulic Tensioner	Tensioner Pulley
TBT71007	2.2441	.9843	57.0000	25.0000	M-Manual Tensioner	Tensioner Pulley
TBT71008	2.4409	1.4764	62.0000	37.5000	-	Tensioner Pulley
TBT71010	2.4409	1.1417	62.0000	29.0000	HT-Hydraulic Tensioner	Tensioner Pulley
TBT71011	2.4409	1.5748	62.0000	40.0000	-	Tensioner Pulley
TBT71100	2.4409	1.0236	62.0000	26.0000	M-Manual Tensioner	Tensioner Pulley
TBT71101	2.2835	1.1417	58.0000	29.0000	M-Manual Tensioner	Tensioner Pulley
TBT71200	1.9685	.9055	50.0000	23.0000	M-Manual Tensioner	Tensioner Pulley
TBT71201	1.9685	1.0630	50.0000	27.0000	M-Manual Tensioner	Tensioner Pulley
TBT71202	2.0472	.9055	52.0000	23.0000	M-Manual Tensioner	Tensioner Pulley
TBT71302	2.2835	1.1417	58.0000	29.0000	M-Manual Tensioner	Tensioner Pulley
TBT71304	2.4409	1.4173	62.0000	36.0000	HT-Hydraulic Tensioner	Tensioner Pulley
TBT71400	2.2047	1.1417	56.0000	29.0000	M-Manual Tensioner	Tensioner Pulley
TBT71401	2.1654	.9055	55.0000	23.0000	M-Manual Tensioner	Tensioner Pulley
TBT71404	2.4409	1.1220	62.0000	28.5000	-	Tensioner Pulley
TBT71700	2.5197	1.1417	64.0000	29.0000	M-Manual Tensioner	Tensioner Pulley
TBT71701	2.4409	1.5945	62.0000	40.5000	HT-Hydraulic Tensioner	Tensioner Pulley
TBT71703	2.4409	1.1220	62.0000	28.5000	-	Tensioner Pulley

Timing belt tensioner pulleys

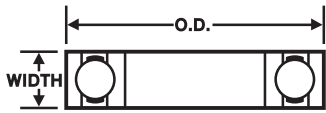
Numerical listing



Part no.	O.D. (inch)	Width (inch)	O.D. (metric)	Width (metric)	Description	Product family
TBT71800	2.4409	1.5748	62.0000	40.0000	-	Tensioner Pulley
TBT71806	2.4409	1.4764	62.0000	37.5000	HT-Hydraulic Tensioner	Tensioner Pulley
TBT72000	2.3622	.8661	60.0000	22.0000	M-Manual Tensioner	Tensioner Pulley
TBT72004	2.3622	1.2205	60.0000	31.0000	M-Manual Tensioner	Tensioner Pulley
TBT72100	2.3622	.9449	60.0000	24.0000	M-Manual Tensioner	Tensioner Pulley
TBT72200	2.3622	1.0630	60.0000	27.0000	M-Manual Tensioner	Tensioner Pulley
TBT72300	2.5591	1.1417	65.0000	29.0000	M-Manual Tensioner	Tensioner Pulley
TBT73000	2.2441	1.0236	57.0000	26.0000	M-Manual Tensioner	Tensioner Pulley
TBT73001	2.5591	1.2598	65.0000	32.0000	M-Manual Tensioner	Tensioner Pulley
TBT73002	2.1654	1.1024	55.0000	28.0000	M-Manual Tensioner	Tensioner Pulley
TBT73003	2.3622	1.1024	60.0000	28.0000	M-Manual Tensioner	Tensioner Pulley
TBT73004	2.1654	1.2598	55.0000	32.0000	M-Manual Tensioner	Tensioner Pulley
TBT73005	2.0866	1.0236	53.0000	26.0000	M-Manual Tensioner	Tensioner Pulley
TBT73006	2.1654	1.0630	55.0000	27.0000	HT-Hydraulic Tensioner	Tensioner Pulley
TBT73007	2.7559	.7480	70.0000	19.0000	M-Manual Tensioner	Tensioner Pulley
TBT73008	2.3622	1.0039	60.0000	25.5000	-	Tensioner Pulley
TBT73011	2.7559	.7480	70.0000	19.0000	M-Manual Tensioner	Tensioner Pulley
TBT73101	2.1654	1.1024	55.0000	28.0000	M-Manual Tensioner	Tensioner Pulley
TBT73102	2.3622	1.0630	60.0000	27.0000	-	Tensioner Pulley
TBT73200	2.1654	1.1024	55.0000	28.0000	M-Manual Tensioner	Tensioner Pulley
TBT73201	2.1654	1.1811	55.0000	30.0000	M-Manual Tensioner	Tensioner Pulley
TBT73600	2.4409	1.0630	62.0000	27.0000	M-Manual Tensioner	Tensioner Pulley
TBT73601	2.5591	1.2598	65.0000	32.0000	-	Tensioner Pulley
TBT73602	2.1654	.9449	55.0000	24.0000	-	Tensioner Pulley
TBT73605	2.1654	1.1811	55.0000	30.0000	HT-Hydraulic Tensioner	Tensioner Pulley
TBT73606	2.1654	.9449	55.0000	24.0000	-	Tensioner Pulley
TBT73607	2.1654	.9449	55.0000	24.0000	A-Automatic Tensioner	Tensioner Pulley
TBT73608	1.9685	.7480	50.0000	19.0000	-	Tensioner Pulley
TBT73610	2.5591	1.0236	65.0000	26.0000	-	Tensioner Pulley
TBT74000	2.3622	1.2992	60.0000	33.0000	HT-Hydraulic Tensioner	Tensioner Pulley
TBT74001	2.0472	1.0236	52.0000	26.0000	M-Manual Tensioner	Tensioner Pulley
TBT74002	2.4409	1.1417	62.0000	29.0000	A-Automatic Tensioner	Tensioner Pulley
TBT74005	2.3622	1.4961	60.0000	38.0000	-	Tensioner Pulley
TBT74006	2.4409	1.1220	62.0000	28.5000	HT-Hydraulic Tensioner	Tensioner Pulley
TBT74007	2.0472	1.3780	52.0000	35.0000	HT-Hydraulic Tensioner	Tensioner Pulley
TBT74200	2.0472	.9843	52.0000	25.0000	M-Manual Tensioner	Tensioner Pulley
TBT74201	2.0472	.9843	52.0000	25.0000	M-Manual Tensioner	Tensioner Pulley
TBT74202	2.4409	1.4488	62.0000	36.8000	-	Tensioner Pulley
TBT74300	2.2835	1.2205	58.0000	31.0000	M-Manual Tensioner	Tensioner Pulley
TBT74501	2.0472	.9055	52.0000	23.0000	M-Manual Tensioner	Tensioner Pulley
TBT74600	2.0472	1.1417	52.0000	29.0000	M-Manual Tensioner	Tensioner Pulley
TBT74603	2.0472	1.3150	52.0000	33.4000	-	Tensioner Pulley
TBT74611	2.3622	1.2992	60.0000	33.0000	-	Tensioner Pulley
TBT75000	2.3622	1.3780	60.0000	35.0000	M-Manual Tensioner	Tensioner Pulley
TBT75001	2.3622	.9843	60.0000	25.0000	M-Manual Tensioner	Tensioner Pulley
TBT75002	2.2835	1.1811	58.0000	30.0000	M-Manual Tensioner	Tensioner Pulley
TBT75004	2.3622	1.2598	60.0000	32.0000	M-Manual Tensioner	Tensioner Pulley
TBT75006	2.3622	1.0236	60.0000	26.0000	M-Manual Tensioner	Tensioner Pulley
TBT75008	2.3622	.6299	60.0000	16.0000	M-Manual Tensioner	Tensioner Pulley
TBT75033	2.3622	.8661	60.0000	22.0000	M-Manual Tensioner	Tensioner Pulley
TBT75044	2.1654	.6299	55.0000	16.0000	M-Manual Tensioner	Tensioner Pulley
TBT75064	2.3622	1.2205	60.0000	31.0000	M-Manual Tensioner	Tensioner Pulley








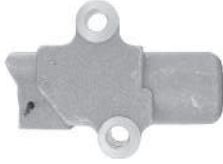
Timing belt tensioner pulleys

Numerical listing



Part no.	O.D. (inch)	Width (inch)	O.D. (metric)	Width (metric)	Description	Product family
TBT75100	2.3622	.8268	60.0000	21.0000	M-Manual Tensioner	Tensioner Pulley
TBT75101	2.3622	.8661	60.0000	22.0000	M-Manual Tensioner	Tensioner Pulley
TBT75108	2.3622	.8661	60.0000	22.0000	M-Manual Tensioner	Tensioner Pulley
TBT75113	2.3622	.6299	60.0000	16.0000	M-Manual Tensioner	Tensioner Pulley
TBT75119	2.3622	.5906	60.0000	15.0000	M-Manual Tensioner	Tensioner Pulley
TBT75130	2.3622	1.0236	60.0000	26.0000	M-Manual Tensioner	Tensioner Pulley
TBT75144	2.3622	1.2205	60.0000	31.0000	M-Manual Tensioner	Tensioner Pulley
TBT75613	2.1654	.7087	55.0000	18.0000	M-Manual Tensioner	Tensioner Pulley
TBT75615	2.2441	1.1024	57.0000	28.0000	M-Manual Tensioner	Tensioner Pulley
TBT75616	2.2835	1.1417	58.0000	29.0000	M-Manual Tensioner	Tensioner Pulley
TBT75618	2.3622	1.3780	60.0000	35.0000	-	Tensioner Pulley
TBT75621	2.2441	.8661	57.0000	22.0000	M-Manual Tensioner	Tensioner Pulley
TBT75622	2.7559	1.5630	70.0000	39.7000	-	Tensioner Pulley
TBT75633	2.3622	1.2598	60.0000	32.0000	M-Manual Tensioner	Tensioner Pulley
TBT75636	2.7559	1.2205	70.0000	31.0000	A-Automatic Tensioner	Tensioner Pulley
TBT75675	2.3622	.9449	60.0000	24.0000	M-Manual Tensioner	Tensioner Pulley
TBT76001	2.0079	1.1024	51.0000	28.0000	M-Manual Tensioner	Tensioner Pulley
TBT76103	2.0472	.8661	52.0000	22.0000	M-Manual Tensioner	Tensioner Pulley
TBT76200	1.6535	1.1811	42.0000	30.0000	M-Manual Tensioner	Tensioner Pulley
TBT76202	2.2835	.9449	58.0000	24.0000	M-Manual Tensioner	Tensioner Pulley
TBT76203	1.6535	.9449	42.0000	24.0000	M-Manual Tensioner	Tensioner Pulley
TBT77300	1.9685	.8268	50.0000	21.0000	M-Manual Tensioner	Tensioner Pulley
TBT78000	2.7559	1.3386	70.0000	34.0000	HT-Hydraulic Tensioner	Tensioner Pulley
TBT78001	2.0472	.8268	52.0000	21.0000	M-Manual Tensioner	Tensioner Pulley
TBT78002	2.0472	.8661	52.0000	22.0000	M-Manual Tensioner	Tensioner Pulley
TBT78003	2.7559	1.3386	70.0000	34.0000	M-Manual Tensioner	Tensioner Pulley
TBT78005	2.3622	1.3386	60.0000	34.0000	A-Automatic Tensioner	Tensioner Pulley
TBT78105	2.0472	1.0630	52.0000	27.0000	M-Manual Tensioner	Tensioner Pulley
TBT78812	2.7559	1.4764	70.0000	37.5000	-	Tensioner Pulley
TBT79000	2.3622	1.1811	60.0000	30.0000	M-Manual Tensioner	Tensioner Pulley
TBT79001	2.3622	1.0236	60.0000	26.0000	M-Manual Tensioner	Tensioner Pulley
TBT79003	2.4409	1.4961	62.0000	38.0000	M-Manual Tensioner	Tensioner Pulley
TBT79004	2.3622	1.4173	60.0000	36.0000	-	Tensioner Pulley
TBT79005	2.3622	1.2008	60.0000	30.5000	-	Tensioner Pulley
TBT79007	2.3622	1.4173	60.0000	36.0000	HT-Hydraulic Tensioner	Tensioner Pulley
TBT80000	2.5197	1.1811	64.0000	30.0000	-	Deflection/Guide Pulley
TBT84606	2.7559	1.4764	70.0000	37.5000	-	Tensioner Pulley
TBT85146	2.2835	1.2598	58.0000	32.0000	-	Deflection/Guide Pulley
TBT88005	2.3622	1.5354	60.0000	39.0000	-	Tensioner Pulley
TBT88006	2.3622	1.5354	60.0000	39.0000	-	Tensioner Pulley

Timing belt hydraulic tensioners

Part no.	Length (inch)	Length (metric)	Mounting holes	Family class	Image
TBH01001	3.7984	96.4800	2	HT-Hydraulic Tensioner	
TBH01002	3.6606	92.9800	2	HT-Hydraulic Tensioner	
TBH01003A	4.3464	110.4000	2	HT-Hydraulic Tensioner	
TBH01003C	4.3464	110.4000	2	HT-Hydraulic Tensioner	
TBH01004	4.2272	107.3700	2	HT-Hydraulic Tensioner	
TBH01005	3.7130	94.3104	2	HT-Hydraulic Tensioner	
TBH01006	4.2770	108.6360	2	HT-Hydraulic Tensioner	
TBH01008	3.6587	92.9300	2	HT-Hydraulic Tensioner	




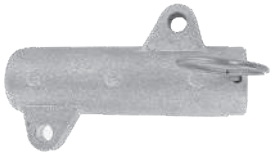




Timing belt hydraulic tensioners

Part no.	Length (inch)	Length (metric)	Mounting holes	Family class	Image
TBH01011	2.9134	74.000	2	HT-Hydraulic Tensioner	
TBH01014	3.1350	79.6292	2	HT-Hydraulic Tensioner	
TBH01016	3.9370	100.0000	3	HT-Hydraulic Tensioner	
TBH01019	4.4823	113.8500	2	HT-Hydraulic Tensioner	
TBH01020	3.9130	99.3900	3	HT-Hydraulic Tensioner	
TBH01021	4.0083	101.8100	3	HT-Hydraulic Tensioner	
TBH01024	4.3614	110.7800	2	HT-Hydraulic Tensioner	
TBH01025	4.1634	105.7500	2	HT-Hydraulic Tensioner	





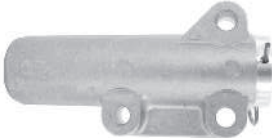

Timing belt hydraulic tensioners

Part no.	Length (inch)	Length (metric)	Mounting holes	Family class	Image
TBH01027	3.1496	80.0000	2	HT-Hydraulic Tensioner	
TBH01030	3.1350	79.6292	3	HT-Hydraulic Tensioner	
TBH01033	4.0543	102.9800	2	HT-Hydraulic Tensioner	
TBH01036	4.2170	107.1120	2	HT-Hydraulic Tensioner	
TBH01038	4.8530	123.2664	2	HT-Hydraulic Tensioner	
TBH01040	4.9775	126.4300	2	HT-Hydraulic Tensioner	
TBH01043	3.7250	94.6152	3	HT-Hydraulic Tensioner	
TBH01046	3.8807	98.5700	2	HT-Hydraulic Tensioner	

Timing belt hydraulic tensioners

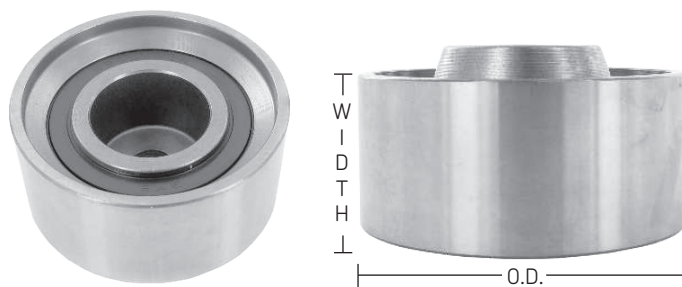
Part no.	Length (inch)	Length (metric)	Mounting holes	Family class	Image
TBH01052	4.8374	122.8700	2	HT-Hydraulic Tensioner	
TBH01072	4.0122	101.9100	2	HT-Hydraulic Tensioner	
TBH01077	2.3150	58.8000	2	HT-Hydraulic Tensioner	
TBH01079	2.3150	58.8000	2	HT-Hydraulic Tensioner	
TBH01082	3.6315	92.2400	2	HT-Hydraulic Tensioner	
TBH01088	2.8760	73.0500	2	HT-Hydraulic Tensioner	
TBH01090	3.6583	92.9200	2	HT-Hydraulic Tensioner	
TBH01092	2.1930	55.7023	4	HT-Hydraulic Tensioner	

Timing belt hydraulic tensioners

Part no.	Length (inch)	Length (metric)	Mounting holes	Family class	Image
TBH01095	4.0008	101.6200	3	HT-Hydraulic Tensioner	
TBH01099	2.9378	74.6200	2	HT-Hydraulic Tensioner	
TBH10080	-	-	3	HT-Hydraulic Tensioner	
TBH11154	3.7125	94.2977	3	HT-Hydraulic Tensioner	
TBH11209	3.6614	93.0000	3	HT-Hydraulic Tensioner	
TBH51003	5.1910	131.8517	2	HT-Hydraulic Tensioner	

Idler bearings

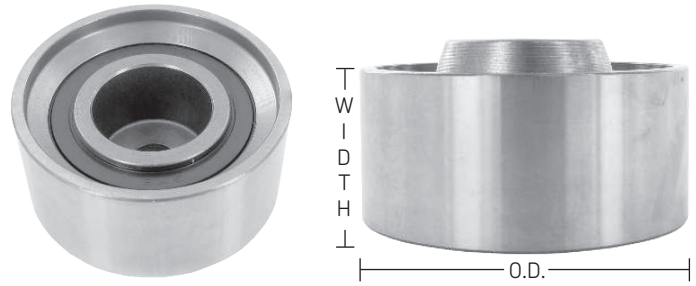
Numerical listing



Bearing no.	O.D. (inch)	Width (inch)	O.D. (metric)	Width (metric)	Description	Product family
TBP16402	2.0866	1.1811	53.0000	30.0000	HT-Hydraulic Tensioner	Tensioner Pulley
TBP21004	1.1417	1.1417	29.0000	29.0000	-	Deflection/Guide Pulley
TBP21012	1.1417	1.1417	29.0000	29.0000	-	Deflection/Guide Pulley
TBP21031	2.9527	1.1023	75.0000	28.0000	-	Deflection/Guide Pulley
TBP21032	2.7165	1.0629	69.0000	27.0000	-	Deflection/Guide Pulley
TBP21052	2.3228	1.1417	59.0000	29.0000	-	Deflection/Guide Pulley
TBP21130	3.1496	1.1417	80.0000	29.0000	-	Deflection/Guide Pulley
TBP21131	1.1417	1.1417	29.0000	29.0000	-	Deflection/Guide Pulley
TBP21149	1.1157	1.3090	28.3400	33.2500	-	Idler Bearing
TBP21201	2.3228	1.0236	59.0000	26.0000	-	Deflection/Guide Pulley
TBP21202	2.3228	1.2204	59.0000	31.0000	-	Deflection/Guide Pulley
TBP21203	1.1023	1.3385	28.0000	34.0000	-	Deflection/Guide Pulley
TBP21204	2.2834	1.4173	58.0000	36.0000	-	Deflection/Guide Pulley
TBP21220	1.1417	1.0629	29.0000	27.0000	-	Deflection/Guide Pulley
TBP21302	2.3228	1.3385	59.0000	34.0000	-	Deflection/Guide Pulley
TBP22380	2.5196	1.3385	64.0000	34.0000	-	Deflection/Guide Pulley
TBP25260	2.4015	1.0236	61.0000	26.0000	-	Deflection/Guide Pulley
TBP26402	2.0866	1.1850	53.0000	30.1000	-	Idler Bearing
TBP26600	1.8503	1.0629	47.0000	27.0000	-	Deflection/Guide Pulley
TBP26602	2.0866	1.0629	53.0000	27.0000	-	Deflection/Guide Pulley
TBP26610	2.0866	1.0629	53.0000	27.0000	-	Deflection/Guide Pulley
TBP51007	2.2835	1.3780	58.0000	35.0000	-	Idler Bearing
TBP55005	3.1102	1.6535	79.0000	42.0000	-	Idler Bearing
TBP61000	2.9527	.7677	75.0000	19.5000	-	Deflection/Guide Pulley
TBP61001	2.8350	1.8550	72.0091	47.1171	-	Idler Bearing
TBP64000	2.9527	.8267	75.0000	21.0000	-	Deflection/Guide Pulley
TBP64001	2.3622	1.1220	60.0000	28.5000	-	Idler Bearing
TBP64002	1.8898	1.1614	68.9000	22.1000	A-Automatic Tensioner	Tensioner Pulley
TBP64003	2.7559	.9842	70.0000	25.0000	-	Deflection/Guide Pulley
TBP64004	2.7992	1.4212	71.1000	36.1000	A-Automatic Tensioner	Tensioner Pulley
TBP64005	2.7913	1.3622	70.9000	34.6000	-	Deflection/Guide Pulley
TBP64100	1.8430	1.3260	46.8123	33.6805	-	Idler Bearing
TBP75623	2.3622	1.1752	60.0000	29.8500	-	Tensioner Pulley
TBP81000	2.4409	1.4566	62.0000	37.0000	-	Deflection/Guide Pulley
TBP81001	2.3622	1.1811	60.0000	30.0000	-	Deflection/Guide Pulley
TBP81004	2.2834	1.1417	58.0000	29.0000	-	Deflection/Guide Pulley
TBP81005	2.5984	1.4960	66.0000	38.0000	-	Deflection/Guide Pulley
TBP81007	3.6614	1.5748	93.0000	40.0000	-	Idler Bearing
TBP81200	1.9690	1.0630	50.0127	27.0000	-	Idler Bearing
TBP81400	2.1259	1.0629	54.0000	27.0000	-	Deflection/Guide Pulley
TBP81401	2.4409	1.6141	62.0000	41.0000	-	Deflection/Guide Pulley
TBP82000	2.3622	1.4173	60.0000	36.0000	-	Idler Bearing
TBP82001	2.3620	1.4173	59.9949	36.0000	-	Idler Bearing
TBP82101	2.0472	.9448	52.0000	24.0000	-	Idler Bearing
TBP82501	2.3622	1.4173	60.0000	36.0000	-	Idler Bearing
TBP83003	2.1653	1.1811	55.0000	30.0000	-	Deflection/Guide Pulley
TBP83004	2.1653	.9843	55.0000	25.0000	-	Idler Bearing
TBP84000	2.0472	1.1417	52.0000	29.0000	-	Deflection/Guide Pulley
TBP84001	2.3622	1.2992	60.0000	33.0000	-	Deflection/Guide Pulley
TBP84002	2.3622	1.2598	60.0000	32.0000	-	Deflection/Guide Pulley
TBP84003	2.3620	1.6339	59.9949	41.5000	-	Idler Bearing
TBP84004	2.3620	1.6142	59.9949	41.0000	-	Idler Bearing
TBP84005	2.3622	1.6339	60.0000	41.5000	-	Idler Bearing
TBP84006	2.3622	1.6339	60.0000	41.5000	-	Idler Bearing

Idler bearings

Numerical listing



Bearing no.	O.D. (inch)	Width (inch)	O.D. (metric)	Width (metric)	Description	Product family
TBP84007	2.0472	1.2204	52.0000	31.0000	-	Idler Bearing
TBP84201	2.0472	.9842	52.0000	25.0000	-	Deflection/Guide Pulley
TBP84600	2.3622	1.1417	60.0000	29.0000	-	Deflection/Guide Pulley
TBP84601	2.3622	1.1811	60.0000	30.0000	-	Deflection/Guide Pulley
TBP84604	2.2440	.9842	57.0000	25.0000	-	Deflection/Guide Pulley
TBP84607	2.0472	1.4370	52.0000	36.5000	-	Idler Bearing
TBP85000	2.3622	1.2598	60.0000	32.0000	-	Deflection/Guide Pulley
TBP85002	2.2834	1.3779	58.0000	35.0000	-	Deflection/Guide Pulley
TBP85145	2.1653	.9842	55.0000	25.0000	-	Deflection/Guide Pulley
TBP85152	2.3622	.9448	60.0000	24.0000	-	Deflection/Guide Pulley
TBP85153	2.3622	1.1220	60.0000	28.5000	M-Manual Tensioner	Deflection/Guide Pulley
TBP85712	3.5433	1.2953	90.0000	32.9000	-	Idler Bearing
TBP85882	3.5433	1.0827	90.0000	27.5000	-	Idler Bearing
TBP88000	2.3622	1.3779	60.0000	35.0000	-	Deflection/Guide Pulley
TBP88001	2.3622	1.3779	60.0000	35.0000	-	Deflection/Guide Pulley
TBP88002	2.0866	.9842	53.0000	25.0000	-	Idler Bearing
TBP88004	2.3622	1.2204	60.0000	31.0000	-	Deflection/Guide Pulley
TBP88008	1.2204	1.3385	31.0000	34.0000	-	Deflection/Guide Pulley
TBP88072	1.1220	1.1417	28.5000	29.0000	-	Idler Bearing
TBP89000	2.7559	2.1575	70.0000	54.8000	-	Idler Bearing
TBP89006	2.3622	1.4173	60.0000	36.0000	-	Deflection/Guide Pulley
TBP89007	2.3622	1.2008	60.0000	30.5000	-	Idler Bearing

NOTES

CR Seals

Introduction

The seal section contains complete product data for the selection of CR shaft seals, Speedi-Sleeves, Hydraulic/Pneumatic products, V-Rings and Heavy Duty DF (HDDF) seals. Size listings for each style and type of seal or sleeve, material and compound selection guide and recommended operating conditions charts complement the product data. Installation instruction and troubleshooting guidelines are also provided.

Reference tables and complete size listings enable fast selection of the correct shaft seal. Concise description and expanded technical data enable the user to find the correct product for their specific application.

The seal section contains an introduction, product sections and complete size listings (inches and metric) and seal design illustrations.

Recommendations for style, types, materials/compounds, as well as typical operating conditions appear in each basic seal or sleeve section. These will assist you in choosing the correct sealing device for your applications.

These features make the seal section your most valued tool in the selection, application, trouble detection and specification of CR fluid sealing devices.

1. **Axle flange gaskets & Hubcaps section** will contain all specifications for Trouble-Free (TF), Tamper-proof (TP) and Steel hubcaps.
2. **CR Scotseal family of seals** features four product variations that are suited to your particular preference. This section will cover the CR Scotseal Classic, CR Scotseal PlusXL, CR Scotseal Hybrid & CR Scotseal X-Treme.
3. **Small Diameter seal section** will contain all information and specifications on small diameter seals ranging from .118" to 12.750" (3.00 mm to 324.00 mm).
4. **Heavy duty DF seals (HDDF) section** are the mechanical seals used for positive sealing.
5. **Waveseal section** is the only standard stock line of molded lip, bi-rotational hydrodynamic shaft seal available anywhere.
6. **Hydraulic/pneumatic product section** includes block vees, wiper-scraper seals and sirvon rings.
7. **Speedi-Sleeve section** will cover not only Speedi-Sleeve installation but a complete size listing in inches and metric.
8. **V-ring seal section** is an all-rubber seal that mounts directly on the shaft and seals axially against a counterface, housing, seal case or similar surface.
9. **Complete seal size kit listing** for easy look up. Available for inches and metric.

OUR TECHNICAL DEPARTMENT
IS AS CLOSE AS YOUR PHONE AND READY TO ASSIST YOU
CALL TOLL FREE

1-800-882-0008

www.vsm.skf.com

Table of contents — Seals

Axle flange gaskets	374
Hubcaps/Gaskets references and specifications	376
CR Scotseal Family	382
The seal and its function	388
Material and compound selection guide.....	389
Fluoroelastomer story.....	391
Small diameter seals operating conditions	392
Selecting replacement seals.....	394
The bore requirements	395
The shaft requirements	396
Pressure seal size listing.....	400
Type-J size listing.....	402
HDDF seals	404
Wavesal	407
Hydraulic/pneumatic products.....	408
Type and style illustrations	414
Part numbering system and seal finder	417
Size listing - Inches	418
Size listing - Metric.....	525
Seal kits.....	632
Speedi-Sleeve selection and installation.....	637
Speedi-Sleeve grease seal kit size listing.....	640
Speedi-Sleeve size listing - Inches	641
Speedi-Sleeve size listing - Metric.....	649
V-ring seals size listing	657
Glossary of seal terms.....	665
Fractional/decimal/metric equivalents	666
RPM/FPM/MPM by shaft diameter	667

Abbreviation list

ADJ.....	Adjustable
ASTM	American society of testing materials
AUTO	Automotive
AUX.....	Auxilliary
B.C.	Bolt circle
BI-DIR	Bi-directional
BMP.....	Bumper
CAD.....	Cadmium
CCW.....	Counter-clockwise
CONST.	Construction (type and style)
CW	Clockwise
DIA	Diameter
DIAM.....	Diameter
DIN.....	German industrial standard
DRO.....	Dynamic runout
EA.....	Each
FL.....	Flange
FPM	Feet per minute
FR HSG.....	From housing
GRD.....	Ground
I.D.....	Inside diameter
ISO	International standardization organization
LT.....	Light
MAX.....	Maximum
MIN	Minimum
MM.....	Millimeters
MPM	Meters per minute
M/S	Meters per second
NO	Number
OAL	Over all length
O.D.	Outside diameter
P.F.....	Press fit
PSI.....	Pounds per square inch
PV.....	Pressure x velocity
RA.....	Arithmetic average
RC.....	Rubber covered
RMA	Rubber manufacturers assoc., inc.
RMS	Root mean square
RPM	Revolutions per minute
S-K.....	Spring-Kover
SAE	Society of automotive engineers, inc.
SH	Shaft
SLV.....	Sleeve
SPEC.....	Special
SPL	Special
SS.....	Stainless steel
STBM.....	Shaft-to-bore misalignment
SZ.....	Size
THK.....	Thick
TIR.....	Total indicator reading
TYP	Typical
W/.....	With
W/O.....	Without
WD	Width
WS	Wiperseal

Axle flange gaskets



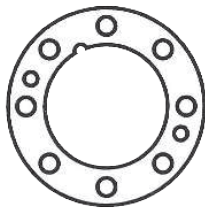
Style 1



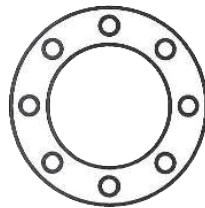
Style 6

No. bolt holes	Hole dia.	Bolt Circle	Gasket O.D.	Gasket I.D.	Stock no.	Used in kit	Style no.
–	–	–	3.187	2.781	*450163	21820	1
4	.328	3.000	3.688	2.688	450166-10	15246	6
6	.406	3.688	4.313	2.000	450176-10	20168	1
6	.469	5.250	6.200	3.875	450189-10	–	1
6	.469	4.000	4.688	3.185	450194-10	20766	1
8	.344	–	6.203	4.484	401526-8	–	1
8	.531	5.312	6.203	4.484	450023-10	25160	1
8	.516	5.125	5.938	4.406	450024-10	23870	1
8	.688	7.000	8.250	6.031	450155-10	31385	1
8	.531	5.047	5.750	5.046	450431-10	31361	1
8	.688	7.000	8.300	5.688	450447-10	31378 & 1240	1
10	.625	7.063	8.250	–	450249-10	–	1
10	.656	7.250	8.250	7.250	450158-10	31390	1
12	.625	10.250	11.250	8.750	450173	75090	1

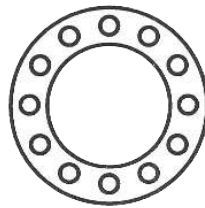
* Component item not sold separately



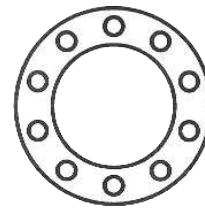
Type 1
8 Hole



Type 2
8 Hole



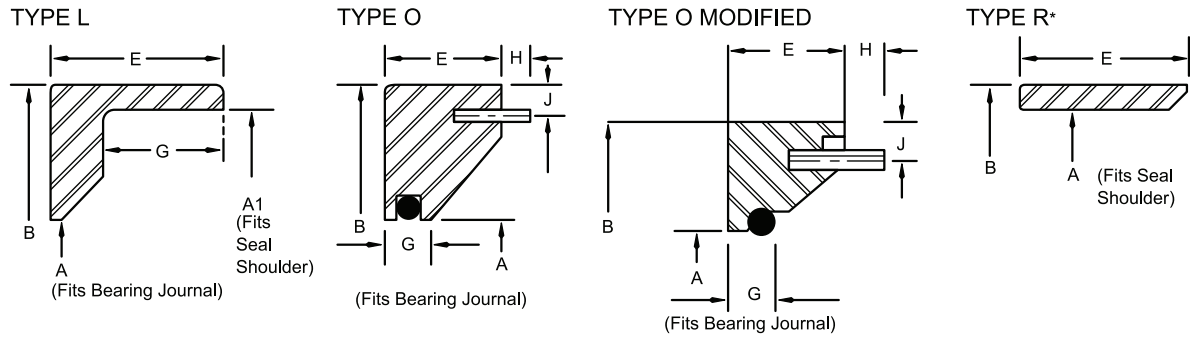
Type 3
12 Hole



Type 4
10 Hole

Part no.	Type	I.D.	O.D.	Bolt circle	Hole size	No. of holes
450802-10	4	5.875	8.500	7.250	.609	10
450874-10	2	5.500	8.625	7.000	.813	8
450876-10	2	6.000	8.250	7.000	.625	8
450877-10	1	5.625	8.500	7.000	.750	8
450879-10	2	4.500	6.125	5.313	.500	8
450980-10	2	5.375	7.375	6.375	.563	8
450981-10	2	5.750	8.375	7.000	.625	8
450982-10	2	4.000	6.438	5.500	.625	8
450983-10	3	4.500	6.063	5.250	.500	12

Bearing spacers



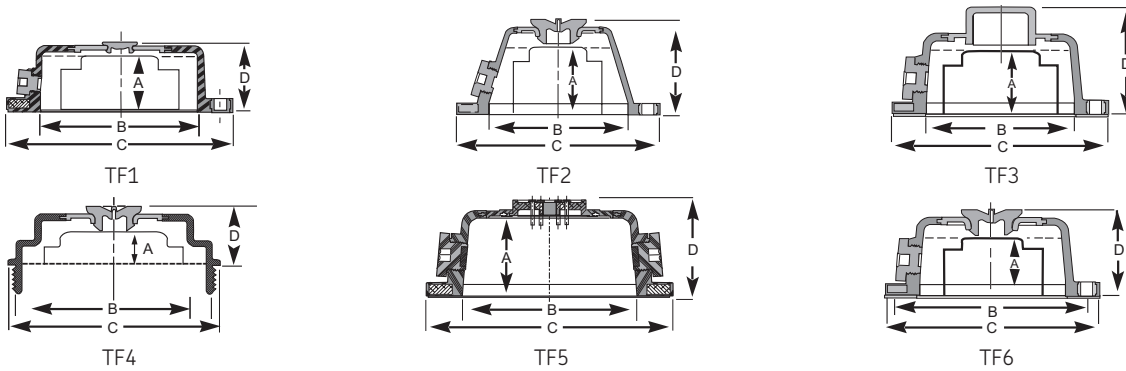
Part no.	Replacement O-ring		I.D. (A)	O.D. (B)	Overall width (E)	Width (G)	Ext. (H)	(J)	Type
	Part no.	Std. ARP no. (2)							
450208	717152 ◇	6230-16	3.5020	4.6350	.6250	.3130	.2500	.1920	O
455019	(1)	—	3.5830 (A1) 4.5570	4.8750	.7500	.5940	—	—	L
455024*	(1)	—	3.8360	4.2500	.9400	—	—	—	R*
455031	717155-4	568-231	2.6290	4.0000	.7500	.3750	.2500	.2500	O (Mod.)
455054	(1)	—	4.7520 (A1) 5.2260	5.5000	.8120	.6620	—	—	L
456301	717155-4	568-231	2.6290	4.0000	.7500	.2370	.2500	.2500	O

(1) No O-ring required

* Adhesive recommended

◇ Component item only, not sold separately

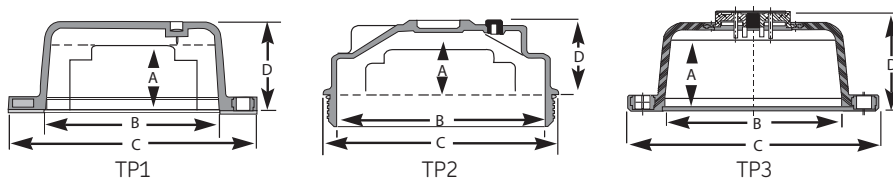
Trouble-Free (TF) hubcaps (oil bath)



Bolt holes	Hole size	Bolt circle	Max. axle		Hubcap size			Type	SKF number				
			Ext. (A)	I.D. (B)	O.D. (C)	Height (D)	Hubcap kit		Gasket ⁶	Std. Plug ⁶	Splashguard plug ⁶	Side fill ⁶	
3	0.416	5.250	2.125	4.132	6.000	2.632	TF6	1627	453912-8	450434-4	450439-4	453770-4	
4	0.349	3.625	1.808	2.400	4.313	2.024	TF6	1608²	453868-8	453879-4	-	453811-4	
4	0.349	5.000	1.375	4.060	5.615	1.880	TF6	1681	453915-8	450434-4	450439-4	453770	
5	0.349	5.500	1.730	4.440	6.250	2.469	TF6	1642	453818-4	450434-4	450439-4	453770-4	
6	0.286	6.625	1.775	5.526	7.344	2.564	TF6	1670²	453825-8	450434-4	450439-4	453770-4	
6	0.349	5.500-5.562	1.990	4.432	6.250	3.082	TF3	1600⁴	453795-8	-	-	453770-4	
6	0.349	4.500	1.880	3.500	5.250	2.609	TF6	1612^{2,5}	453869-8	453807-4	450438-4	453811-4	
6	0.349	5.500-5.562	1.586	4.385	6.250	1.643	TF1	1613²	453795-8	453879-4	-	453942-4	
6	0.349	5.125-5.250	2.125	4.132	6.000	2.632	TF6	1623	453909-8	450434-4	450439-4	453770-4	
6	0.349	5.500-5.562	2.220	4.290	6.250	2.727	TF2	1630²	453795-8	453807-4	450438-4	453811-4	
6	0.349	5.500-5.562	1.730	4.440	6.250	2.469	TF6	1643⁵	453795-8	450434-4	450439-4	453770-4	
6	0.349	5.500-5.562	1.730	4.440	6.250	2.469	TF6	1644^{2,5}	453795-8	453807-4	450438-4	453811-4	
6	0.349	5.125-5.250	1.400	4.132	6.000	1.905	TF6	1665	453909-8	450434-4	450439-4	453770-4	
6	0.349	5.875	1.323	4.715	6.580	1.600	TF6	1669²	453918-8	453813-4	-	453819-4	
6	0.349	5.500-5.562	1.120	4.257	6.250	1.397	TF1	1691²	453795-8	453879-4	-	453942-4	
6	0.349	6.750	2.887	5.625	7.500	3.688	TF6	1696⁵	450799-8	450434-4	450439-4	453770	
6	0.349	5.500-5.562	1.703	4.420	6.250	2.441	TF5	1943³	453795-8	-	-	453770(2)	
6	0.349	5.500-5.562	1.703	4.420	6.250	2.441	TF5	1945^{2,3}	453795-8	-	-	453770(2)	
6	0.349	6.750	2.805	5.627	7.500	3.650	TF5	1996³	453795-8	-	-	453770(2)	
6	0.349	6.750	2.805	5.627	7.500	3.650	TF5	1995^{2,3}	453795-8	-	-	453770(2)	
6	0.416	6.000	2.000	5.000	6.750	2.507	TF6	1698	453906-8	450434-4	450439-4	453770	
6.250 x 8 O.D.	Threaded		1.886	6.060	6.465	1.750	TF4	1282¹	454051-4	450434-4	450439-4	-	

1-Lexan design 2-Black design 3-Designed for PSI system 4-Hubodometer mount design 5-Available as Splashguard caps (i.e. 1612-5G) 6-Order in multi-pack part nos.

Tamper-proof (TP) hubcaps (grease packed)



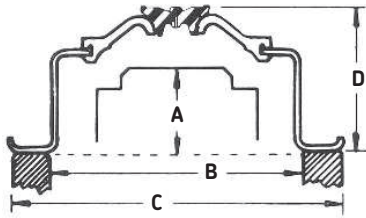
Bolt holes	Hole size	Bolt circle	Max. axle		Hubcap size			Type	SKF number	
			Ext. (A)	I.D. (B)	O.D. (C)	Height (D)	Hubcap kit		Replacement gasket ⁴	
6	0.349	4.500	1.878	3.480	5.250	2.370	TP1	1326	453869-8	
6	0.349	5.500	1.703	4.440	6.250	2.161	TP1	1327	453795-8	
6	0.349	5.500-5.562	1.703	4.420	6.250	2.161	TP1	1343	453795-8	
6	0.349	5.500-5.562	1.703	4.420	6.250	2.431	TP3	1443³	453795-8	
6	0.349	6.750	2.805	5.627	7.500	3.370	TP1	1396	450799-8	
6	0.349	6.750	2.805	5.627	7.500	3.370	TP1	1399	450799-8	
6	0.349	6.750	2.805	5.627	7.500	3.640	TP3	1499³	450799-8	
6.250 x 8 O.D.	Threaded		1.500	6.060	6.875	1.875	TP2	1284^{1,2}	454051-4	

1-Lexan design 2-Black design 3-Designed for PSI system 4-Order in multi-pack part numbers

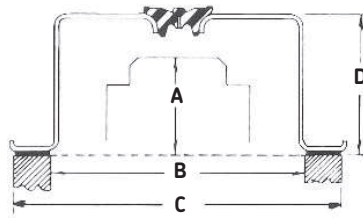
Steel hubcap specifications numerical list

How to determine correct hubcap for mounting

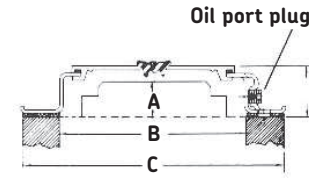
Bolt-on-caps: Count the number of mounting holes, measure diameter of bolts; measure bolt circle (select 2 holes opposite each other and measure from the center of one bolt hole to the center of the one opposite).



Type H3



Type H4



Type H6

Hubcap kit	Part no.		Bolt holes	Bolt size	Bolt circle	Max. axle Ext. (A)	Hubcap size			Type
	Gasket	Plug					I.D. (B)	O.D. (C)	Height (D)	
1700	453795-8	450434-4	6	.349	5.500	1.835	4.525	6.320	2.704	H4
1702	—	450434-4	6	.349	5.875	1.835	4.525	7.000	2.790	H3
1703	450781-8	453813-4	6	.349	5.562	1.625	4.540	6.625	1.943	H6
1711	450755-8	450434-4	6	.349	4.500	1.688	3.413	5.250	2.671	H3
1715	—	450434-4	4	.281	5.000	2.315	3.912	6.250	3.266	H3
1723	450748-8	450434-4	6	.344	5.125	2.315	3.912	6.000	3.270	H3
1727	450777-8	450434-4	3	.346	5.250	2.315	3.912	6.250	3.270	H3
1742	450775-8	450434-4	5	.344	5.500	1.835	4.525	6.313	2.820	H3
1743	453795-8	450434-4	6	.313	5.500	1.835	4.525	6.313	2.790	H3
1744 ¹	453795-8	450434-4	6	.349	5.500	1.742	4.525	6.313	2.683	H3
1753	453795-8	450434-4	6	.349	5.500	1.835	4.525	6.320	2.704	H4
1754	—	450434-4	8	.406	7.750	2.000	5.625	8.750	2.919	H3
1765	450748-8	450434-4	6	.344	5.125	1.190	4.288	6.625	2.145	H3
1770	450768-8	450434-4	6	.281	6.625	1.835	4.540	7.313	2.655	H3
1787	—	453813-4	6	.344	5.875	1.485	4.540	6.875	1.808	H6
1788	450788-8	453813-4	6	.344	5.500	1.485	4.540	6.625	1.808	H6
1790	450788-8	453813-4	6	.344	5.500	.995	4.540	6.625	1.333	H6
1796	450799-8	450434-4	6	.328	6.750	2.192	5.290	7.710	3.040	H4
1798	450752-8	450617-4	6	.406	6.000	2.250	4.970	6.938	3.205	H3
1799	450799-8	450434-4	6	.328	6.750	2.086	5.290	7.710	3.147	H3

1-Black

Hubcap bolt circle reference

Bolt-on-caps: Count the number of mounting holes, measure diameter of bolts; measure bolt circle (select 2 holes opposite each other and measure from the center of one bolt hole to the center of the one opposite).

Screw-on-caps: Male threads; measure O.D. and determine the number of threads per inch.

Bolt circle	Bolt holes	Hole size	Max. axle	Hubcap size			Type	Hubcap kit	Style	Application
			Ext. (A)	I.D. (B)	O.D. (C)	Height (D)				
3.625	4	.349	1.745	2.380	4.313	2.024	TF8	1608 ²	Nylon composite	Oil
4.500	6	.349	1.688	3.413	5.250	2.671	H3	1711	Steel	Oil
4.500	6	.349	1.817	3.480	5.250	2.609	TF8	1612 ²	Nylon composite	Oil
5.000	4	.281	2.315	3.912	6.250	3.266	H3	1715	Steel	Oil
5.125	6	.344	2.315	3.912	6.000	3.270	H3	1723	Steel	Oil
5.125	6	.344	1.190	4.288	6.625	2.145	H3	1765	Steel	Oil
5.125-5.250	6	.349	1.337	4.112	6.000	1.905	TF8	1665	Nylon composite	Oil
5.125-5.250	6	.349	2.064	4.112	6.000	2.632	TF8	1623	Nylon composite	Oil
5.250	3	.346	2.315	3.912	6.250	3.270	H3	1727	Steel	Oil
5.250	3	.416	2.064	4.112	6.000	2.632	TF8	1627	Nylon composite	Oil
5.500	4	.349	1.312	4.060	5.615	2.100	TF8	1681	Nylon composite	Oil
5.500	5	.344	1.835	4.525	6.313	2.820	H3	1742	Steel	Oil
5.500	5	.349	1.667	4.420	6.250	2.469	TF8	1642	Nylon composite	Oil
5.500	6	.313	1.835	4.525	6.313	2.790	H3	1743	Steel	Oil
5.500	6	.349	1.742	4.525	6.313	2.683	H3	1744 ²	Steel	Oil
5.500	6	.349	1.835	4.525	6.320	2.704	H4	1753	Steel	Oil
5.500	6	.344	.995	4.540	6.625	1.333	H6	1790	Steel	Oil
5.500	6	.344	1.485	4.540	6.625	1.808	H6	1788	Steel	Oil
5.500	6	.343	4.333	4.750	6.250	3.131	—	1733	Lexan	Oil
5.500-5.562	6	.349	1.044	4.237	6.250	1.397	TF1	1691 ²	Nylon composite	Oil
5.500-5.562	6	.349	1.561	4.365	6.250	1.643	TF1	1613 ²	Nylon composite	Oil
5.500-5.562	6	.349	1.957	4.412	6.250	3.082	TF3	1600 ¹	Nylon composite	Oil
5.500-5.562	6	.349	2.157	4.270	6.250	2.727	TF7	1630 ²	Nylon composite	Oil
5.500-5.562	6	.349	1.667	4.420	6.250	2.469	TF8	1643	Nylon composite	Oil
5.500-5.562	6	.349	1.730	4.420	6.250	2.431	TF5	1943 ³	Nylon composite	Oil
5.500-5.562	6	.349	1.730	4.420	6.250	2.431	TP5	1443 ³	Nylon composite	Grease
5.500-5.562	6	.349	1.667	4.420	6.250	2.469	TF8	1644 ²	Nylon composite	Oil
5.500-5.625	6	.349	1.703	4.420	6.250	2.161	TP1	1343	Nylon composite	Grease
5.500-5.625	6	.349	1.703	4.420	6.250	2.161	TP1	1327	Nylon composite	Grease
5.562	6	.349	1.625	4.540	6.625	1.943	H6	1703	Steel	Oil
5.875	6	.349	1.835	4.525	7.000	2.790	H3	1702	Steel	Oil
5.875	6	.344	1.485	4.540	6.875	1.808	H6	1787	Steel	Oil
5.875	6	.349	1.260	4.695	6.580	1.160	TF8	1669 ¹	Nylon composite	Oil
6.000	6	.406	2.250	4.970	6.938	3.205	H3	1798	Steel	Oil

Hubcap bolt circle reference

Bolt circle	Bolt holes	Hole size	Max. axle	Hubcap size			Type	Hubcap kit	Style	Application
			Ext. (A)	I.D. (B)	O.D. (C)	Height (D)				
6.000	6	.416	1.937	4.980	6.750	2.507	TF8	1698	Nylon composite	Oil
6.625	6	.281	1.835	4.540	7.313	2.655	H3	1770	Steel	Oil
6.625	6	.286	1.835	5.506	7.344	2.564	TF8	1670 ¹	Nylon composite	Oil
6.750	6	.349	2.805	5.627	7.500	3.640	TF5	1996 ⁴	Nylon composite	Oil
6.750	6	.349	2.805	5.627	7.500	3.650	TP5	1499 ⁴	Nylon composite	Grease
6.750	6	.328	2.086	5.290	7.710	3.147	H3	1799	Steel	Oil
6.750	6	.328	2.192	5.290	7.710	3.040	H4	1796	Steel	Oil
6.750	6	.349	2.887	5.625	7.500	3.805	TF8	1696	Nylon composite	Oil
6.750	6	.349	2.805	5.627	7.500	2.370	TP1	1399	Nylon composite	Grease
6.750	6	.349	2.805	5.627	7.500	3.370	TP1	1396 ³	Nylon composite	Grease
7.750	8	.406	2.000	5.625	8.750	2.919	H3	1754	Steel	Oil
Threaded	6.250 x 8.000 O.D.		1.500	6.060	6.875	1.875	TP2	1284 ¹	Lexan	Grease
Threaded	6.250 x 8.000 O.D.		1.500	6.060	6.875	1.875	TF4	1282	Lexan Clear	Oil

1-Black **2**-Lexan design **3**-Hubodometer mount design **4**-Designed for PSI system

Hubcap gasket specifications numerical list

Gasket	I.D.	O.D.	Bolt circle	No. of holes	Hole size	Used with
450293-8	4.500	6.250	5.500	6	.328	1733
450748-8	4.500	5.875	5.125	6	.328	1723, 1765
450752-8	5.000	6.875	6.000	6	.390	1698, 1798
450755-8	3.750	5.125	4.500	6	.328	1711
450768-8	5.000	7.313	6.625	6	.265	1770
450775-8	4.500	6.125	5.500	5	.328	1742
450777-8	4.500	6.125	5.250	3	.390	1727
450781-8	4.500	6.625	5.563	6	.328	1703
450782-8	4.500	6.250	5.500	12	.328	*
450788-8	5.500	6.625	5.500	6	.328	1788, 1790
450799-8	5.550	7.625	6.750	6	.328	1399, 1499, 1696, 1799
453795-8	4.500	6.125	5.500-5.562	6	.375	1443, 1600, 1613, 1630, 1643, 1644, 1691, 1943
453818-4	4.500	6.125	5.500	5	.344	1642
453825-8	5.550	7.312	6.625	6	.265	1670
453868-8	2.500	4.250	3.625	4	.344	1608
453869-8	3.500	5.125	4.500	6	.328	1612
453906-8	5.125	6.625	6.000	6	.390	1698
453909-8	4.250	5.812	5.125-5.250	6	.349	1623, 1665
453915-8	4.250	5.500	5.000	4	.349	1681
453918-8	4.321	6.500	5.875	6	.328	1669

* Universal Gasket

Hubcap gasket bolt circle reference

How to determine gasket required

Count the number of mounting holes; measure diameter of bolts; measure bolt circle (select 2 holes opposite each other and measure from the center of one bolt hole to the center of the one opposite).

Bolt circle	Hole size	No. of holes	I.D.	O.D.	Used with	Gasket
3.625	.344	4	2.500	4.250	1608	453868-8
4.500	.328	6	3.750	5.125	1711	450755-8
4.500	.328	6	3.500	5.125	1612	453869-8
5.000	.349	4	4.250	5.500	1681	453915-8
5.125	.328	6	4.500	5.875	1723, 1765	450748-8
5.125 - 5.250	.349	6	4.250	5.812	1623, 1665	453909-8
5.250	.390	3	4.500	6.125	1727	450777-8
5.500	.328	5	4.500	6.125	1742	450775-8
5.500	.328	6	4.500	6.250	1733	450293-8
5.500	.328	12	4.500	6.250	*	450782-8
5.500	.328	6	5.500	6.625	1788, 1790	450788-8
5.500	.344	5	4.500	6.125	1642	453818-4
5.500 - 5.562	.375	6	4.500	6.125	1443, 1600, 1613, 1630, 1643, 1644, 1691, 1943	453795-8
5.563	.328	6	4.500	6.625	1703	450781-8
5.875	.328	6	4.321	6.500	1669	453918-8
6.000	.390	6	5.000	6.875	1798	450752-8
6.000	.390	6	5.125	6.625	1698	453906-8
6.625	.265	6	5.000	7.313	1770	450768-8
6.625	.265	6	5.550	7.312	1670	453825-8
6.750	.328	6	5.510	7.625	1399, 1499, 1696, 1799, 1996	450799-8

* Universal Gasket

CR Scotseal family

The CR Scotseal family of seals features four product variations that are suited to your particular preference, application and environment. The entire CR Scotseal family offers you the right sealing solution for every kind of wheel end maintenance. The brand recognition, along with the outstanding quality and value, insures that you are installing the optimum seal for your operation.

The CR Scotseal Classic has become the trucking industry standard and best value for more than 30 years.

The CR Scotseal Hybrid is designed specifically for trailer applications and offers high temperature capability and is compatible with synthetic lubricants.

The CR Scotseal PlusXL provides you with an extended life seal with superior tolerance to higher wheel end temperature, and is compatible with synthetic lubricants.

The CR Scotseal X-Treme is the latest addition and offers superior performance and excellent high temperature capability and reduced friction for improved fuel economy.

CR Scotseal family truck wheel seal operating conditions

	CR Scotseal Classic	CR Scotseal Hybrid CR Scotseal PlusXL CR Scotseal X-Treme
Surface speed.....	2000 F.P.M. max.....	5000 F.P.M. max
Temperature range.....	-40° to 250°F (-40° to 121°C).....	-40° to 300°F (-40° to 149°C)
Pressure	2 p.s.i.	2 p.s.i.
Spindle finish	100 microinches MAX.....	100 microinches max.
Spindle hardness	Rockwell C28	Rockwell C28
Spindle dia. tolerances	±0.003" Up to 4.000"	±0.003" Up to 4.000"
	±0.004" 4.001 to 6.000"	±0.004" 4.001 to 6.000"
	±0.005" 6.001 to 10.000"	±0.005" 6.001 to 10.000"
Bore runout	0.015" (TIR) max.....	0.015" (TIR) max
Spindle to bore misalignment.....	0.020" (TIR) max.....	0.020" (TIR) max
Seal O.D. tolerances	±0.004"	±0.004"
Bore tolerances	±0.0015" from 3.001 to 7.000"	±0.0015" from 3.001 to 7.000"
	±0.002" 7.001 to 12.000"	±0.002" 7.001 to 12.000"

CR Scotseal family

CR Scotseal X-Treme

The CR Scotseal X-Treme seal offers exceptional performance in virtually all operating conditions. It's a unitized, one-piece hand installable seal that has three metal unitizer rings for damage free installation. This seal uses an advanced HNBRX material that provides low friction, excellent high heat capability, outstanding wear resistance, and broad compatibility with synthetic lubricants. Its low friction and high rolling efficiency provides improved fuel economy and lower emissions. Ideal for fleets looking for maximum uptime, lowest cost per mile and the best ROI seal.

Hand installable

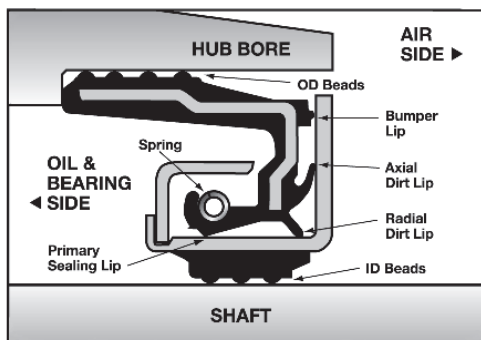
- Eliminates installation problems and avoids costly "do overs"
- Ends searching for the specific tool for each seal part number

Advanced sealing materials

- HNBRX material provides outstanding performance and extreme heat resistance
- EPDM material on the ID makes a perfect seal even on worn spindles
- Provides longer life in contaminated conditions
- Compatible with all popular synthetic lubricants

Unitized design with 4 sealing lips

- Provides clean running surfaces for sealing lips
- 3 metal unitizer rings for sealing lip protection during installation and service
- Primary Waveseal sealing lip sweeps oil back on the bearings for cooler operation
- 3 dirt barriers keep out contaminants extending service life



CR Scotseal PlusXL

The CR Scotseal PlusXL is a unitized, one-piece hand installable design seal that offers maximum sealing life under virtually all operating conditions. This seal uses an advanced HNBR material that provides high temperature capability, great wear resistance, and broad compatibility with synthetic lubricants. The CR Scotseal PlusXL is the preferred choice among many OE truck and trailer manufacturers and is the OE standard seal in pre-assembled hubs, due to its proven history of high performance.

Hand installable

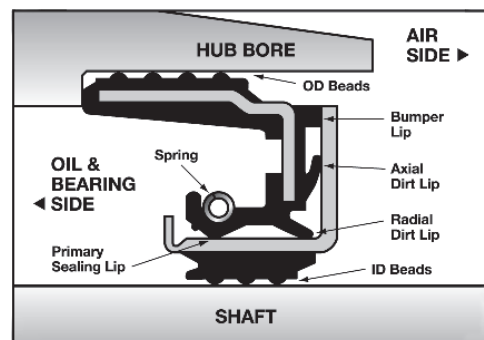
- Eliminates installation problems and avoids costly "do overs"
- Ends searching for the specific tool for each seal part number

Advanced sealing materials

- HNBR material provides great heat resistance in normal operating temperatures
- EPDM material on the ID makes a perfect seal even on worn spindles
- Provides longer life in contaminated conditions
- Compatible with all popular synthetic lubricants

Unitized design with 4 sealing lips

- Provides clean running surfaces for sealing lips
- Primary Waveseal sealing lip sweeps oil back on the bearings for cooler operation
- 3 dirt barriers keep out contaminants extending service life



CR Scotseal family

CR Scotseal Hybrid

The CR Scotseal Hybrid is a semi unitized seal designed specifically for trailer applications that offers maximum sealing life with a low cost per mile of operation. This seal uses an advanced HNBR rubber material on the OD that provides high temperature capability, great wear resistance, broad compatibility with synthetic lubricants, and a Bore Tite coated metal ID that provides excellent static sealing and heat dissipation. The CR Scotseal Hybrid installs directly on the spindle instead of on the hub, providing easy installation, a positive seal, and easy removal.

Spindle Mounted

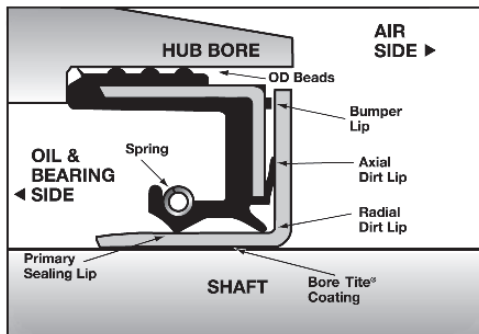
- Easy installation and removal

Rubber OD / Metal ID

- HNBR material provides great heat resistance in normal operating temperatures
- Bore Tite coated metal ID makes a perfect seal even on worn spindles
- Metal ID provides excellent heat dissipation extending seal life
- Compatible with all popular synthetic lubricants

Semi unitized design with 4 sealing lips

- Provides clean running surfaces for sealing lips
- Primary Waveseal sealing lip sweeps oil back on the bearings for cooler operation
- 3 dirt barriers keep out contaminants extending service life



CR Scotseal Classic

The CR Scotseal Classic is a unitized, one piece design that offers robust sealing life in a broad range of operating conditions. This seal uses a sealing element that is assembled between a metal outer and inner case. To extend service life, the three-lip sealing element contains a pre-lubed, spring-loaded primary sealing lip, a dirt exclusion lip, and an outer bumper lip. A Bore Tite coating ensures a tight and leak proof seal by filling in any small housing bore imperfections.

Unitized design with 3 sealing lips

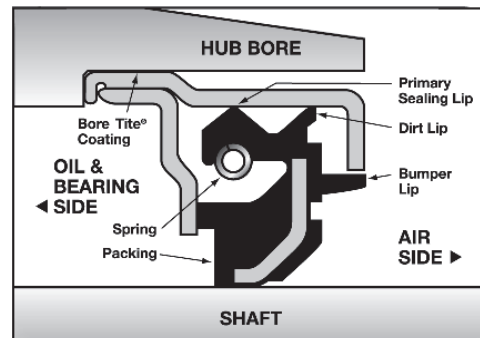
- Provides clean running surfaces for sealing lips
- 3 dirt lip barriers prevent oil leaks and keep out contaminants, extending service life
- Sealing element remains stationary with the spindle

Coated with Bore Tite

- Acrylic polymer sealant helps fill in small imperfections in the bore providing a positive seal

Reliable and dependable

- Premium quality components provide long service life
- Compatible with all popular synthetic lubricants



CR Scotseal size listing

CR Scotseal no	Inch Shaft	Inch Bore	Inch O.D.	Inch Width	Metric Shaft	Metric Bore	Metric O.D.	Metric Width	Seal info notes	Lip code
23590	2.3590	3.9380	3.9490	.6860	59.919	100.025	100.305	17.424	Scotseal PlusXL	H
27438	2.7500	3.7790	3.7840	.7620	69.850	95.990	96.110	19.350	Scotseal Classic	R
28758	2.8750	3.8750	3.8810	.8250	73.030	98.430	98.577	20.955	Scotseal Classic	R
28759	2.8750	3.8750	3.8860	.8240	73.030	98.430	98.704	20.930	Scotseal PlusXL	H
28759XT*	2.8750	3.8750	3.8860	.8240	73.030	98.430	98.704	20.930	Scotseal X-Treme	H
28820	2.8750	4.1260	4.1310	.8440	73.030	104.800	104.930	21.440	Scotseal Classic	R
28832	2.8750	4.1760	4.1810	.8440	73.030	106.070	106.200	21.440	Scotseal Classic	R
29400	2.9480	4.7250	4.7300	.6300	74.879	120.015	120.142	16.002	Scotseal PlusXL	H
31175	3.1250	4.1260	4.1310	.7810	79.380	104.800	104.930	19.840	Scotseal Classic	R
31244	3.1250	4.3730	4.3810	.7810	79.380	111.070	111.277	19.840	Scotseal Classic	R
31281	3.1250	4.5000	4.5060	.6720	79.380	114.300	114.450	17.070	Scotseal Classic	R
31323	3.1250	4.6260	4.6310	.6720	79.375	117.500	117.627	17.069	Scotseal Classic	R
32470	3.2500	4.5010	4.5060	.6720	82.550	114.330	114.450	17.070	Scotseal Classic	R
34387	3.4380	4.7570	4.7620	.8590	87.325	120.828	120.955	21.819	Scotseal Classic	R
34384	3.4380	4.7570	4.7700	.7000	87.325	120.828	121.158	17.780	Scotseal PlusXL	H
34891	3.5000	4.5010	4.5060	.4380	88.900	114.330	114.450	11.130	Scotseal PlusXL	P
34975	3.5000	4.5470	4.5520	.8620	88.900	115.494	115.621	21.895	Scotseal Classic	R
34971	3.5000	4.5470	4.5570	.9000	88.900	115.494	115.748	22.860	Scotseal PlusXL	R
35000	3.5000	4.6260	4.6310	.9860	88.900	117.500	117.630	25.040	Scotseal Classic	R
34994	3.5000	4.7500	4.7650	.7060	88.900	120.650	121.031	17.932	Scotseal PlusXL	H
35060	3.5000	4.8140	4.8190	.9060	88.900	122.280	122.400	23.010	Scotseal Classic	R
35066	3.5000	4.8420	4.8470	.9040	88.900	122.990	123.110	22.960	Scotseal Classic	R
35103	3.5000	4.8420	4.8470	.9040	88.900	122.987	123.114	22.962	Scotseal Longlife	R
35058	3.5000	4.8420	4.8540	.9030	88.900	122.987	123.292	22.936	Scotseal PlusXL	H
35058XT*	3.5000	4.8420	4.8540	.9030	88.900	122.987	123.292	22.936	Scotseal X-Treme	H
35072	3.5000	4.8520	4.8570	.9040	88.900	123.240	123.370	22.960	Scotseal Classic	R
35075	3.5000	5.0000	5.0060	.8910	88.900	127.000	127.150	22.630	Scotseal Classic	R
36285	3.6250	4.8130	4.8190	.9060	92.080	122.250	122.400	23.010	Scotseal Classic	R
36358	3.6250	5.0000	5.0060	.8590	92.080	127.000	127.150	21.820	Scotseal Classic	R
36365	3.6250	5.0010	5.0060	.8910	92.080	127.030	127.150	22.630	Scotseal Classic	R
38709	3.8750	5.1290	5.1340	.8440	98.430	130.280	130.400	21.440	Scotseal Classic	R
38736	3.8750	5.2480	5.2550	.8440	98.430	133.300	133.480	21.440	Scotseal Classic	R
38747	3.8750	5.3760	5.3810	1.0160	98.430	136.550	136.680	25.810	Scotseal Classic	R
38750	3.8750	5.5010	5.5060	.9380	98.425	139.725	139.852	23.825	Scotseal Classic	R
38780	3.8750	5.6910	5.6960	.9380	98.430	144.550	144.680	23.830	Scotseal Classic	R
38776	3.8750	5.6910	5.7040	.8920	98.425	144.551	144.882	22.657	Scotseal PlusXL	H
38776XT*	3.8750	5.6910	5.7040	.8920	98.425	144.551	144.882	22.657	Scotseal X-Treme	H
39380	3.9380	5.3740	5.3810	1.0160	100.030	136.500	136.677	25.810	Scotseal Classic	R
39420	3.9380	5.5010	5.5060	.9380	100.030	139.730	139.850	23.830	Scotseal Classic	R
39425	3.9380	5.5040	5.5090	1.0160	100.030	139.800	139.930	25.810	Scotseal Classic	R
39426	3.9380	5.5120	5.5260	.5910	100.000	140.000	140.360	15.000	Scotseal PlusXL	R
39979	4.0000	5.1220	5.1370	.9530	101.600	130.099	130.480	24.206	Scotseal PlusXL	H
39988	4.0000	5.1260	5.1310	1.0470	101.600	130.200	130.327	26.594	Scotseal Classic	R
40040	4.0000	5.3760	5.3810	1.0160	101.600	136.550	136.680	25.810	Scotseal Classic	R
40086	4.0000	5.6260	5.6310	.6880	101.600	142.900	143.027	17.475	Scotseal Classic	R
40091	4.0000	5.6260	5.6390	.6880	101.600	142.900	143.231	17.475	Scotseal PlusXL	H
40136	4.0000	5.7540	5.7590	1.0790	101.600	146.150	146.280	27.410	Scotseal Classic	R

* Check for availability

CR Scotseal size listing

CR Scotseal no	Inch Shaft	Inch Bore	Inch O.D.	Inch Width	Metric Shaft	Metric Bore	Metric O.D.	Metric Width	Seal info notes	Lip code
40129	4.0000	5.7540	5.7670	.9950	101.600	146.152	146.482	25.273	Scotseal PlusXL	H
40139	4.0000	5.7600	5.7650	1.0790	101.600	146.300	146.430	27.410	Scotseal Classic	R
42550	4.2500	5.5010	5.5060	.9380	107.950	139.730	139.850	23.830	Scotseal Classic	R
42631	4.2500	6.0080	6.0140	.9840	107.950	152.603	152.756	24.994	Scotseal Longlife	R
42623	4.2500	6.0090	6.0140	.9840	107.950	152.630	152.760	24.990	Scotseal Classic	R
42625	4.2500	6.0090	6.0200	1.1220	107.950	152.630	152.910	28.500	Scotseal Classic	R
42627	4.2500	6.0090	6.0250	.9710	107.950	152.629	153.035	24.663	Scotseal PlusXL	H
42627XT*	4.2500	6.0090	6.0250	.9710	107.950	152.629	153.035	24.663	Scotseal X-Treme	H
42624	4.2500	6.0430	6.0480	.9840	107.950	153.490	153.620	24.990	Scotseal Classic	R
42672	4.2500	6.2540	6.2590	1.2500	107.950	158.852	158.979	31.750	Scotseal Classic	R
42673	4.2500	6.2540	6.2670	1.2450	107.950	158.852	159.182	31.623	Scotseal PlusXL	H
42673XT*	4.2500	6.2540	6.2670	1.2450	107.950	158.852	159.182	31.623	Scotseal X-Treme	H
42500	4.2510	6.0070	6.0220	.7400	107.975	152.577	152.958	18.796	Scotseal Hybrid	H
42800	4.2660	6.0660	6.0710	.8750	108.360	154.080	154.200	22.230	Scotseal Classic	R
43752	4.3750	5.7510	5.7560	1.0160	111.130	146.080	146.200	25.810	Scotseal Classic	R
43754	4.3750	5.7510	5.7640	.9950	111.125	146.075	146.406	25.273	Scotseal PlusXL	H
43761	4.3750	5.9000	5.9180	1.0000	111.125	149.860	150.114	25.400	Scotseal PlusXL	H
43761XT*	4.3750	5.9000	5.9180	1.0000	111.125	149.860	150.114	25.400	Scotseal X-Treme	H
43764	4.3750	5.9050	5.9100	1.0000	111.125	149.987	150.114	25.400	Scotseal Classic	R
43800	4.3750	6.0030	6.0080	1.0470	111.130	152.480	152.600	26.590	Scotseal Classic	R
43860	4.3750	6.2540	6.2590	.9220	111.130	158.850	158.980	23.420	Scotseal Classic	R
43865	4.3750	6.2540	6.2590	1.0470	111.130	158.850	158.980	26.590	Scotseal Classic	R
43875	4.3750	6.3110	6.3160	1.1250	111.130	160.300	160.430	28.580	Scotseal Classic	R
44922	4.5000	5.3750	5.3810	.9840	114.300	136.530	136.680	24.990	Scotseal Classic	R
44916	4.5000	5.3750	5.3890	.9750	114.300	136.525	136.881	24.765	Scotseal PlusXL	H
44964	4.5000	5.5010	5.5060	.7500	114.300	139.730	139.850	19.050	Scotseal Classic	R
45010	4.5000	5.5010	5.5060	.9380	114.300	139.730	139.850	23.830	Scotseal Classic	R
45099	4.5000	5.7510	5.7560	1.0160	114.300	146.075	146.202	25.806	Scotseal Classic	H
45093	4.5000	5.7510	5.7640	.7670	114.300	146.075	146.406	19.482	Scotseal PlusXL	H
45103	4.5000	5.8760	5.8810	.9840	114.300	149.250	149.380	24.990	Scotseal Classic	R
45095	4.5000	5.8760	5.8900	1.0090	114.300	149.250	149.606	25.629	Scotseal PlusXL	H
45160	4.5000	6.2540	6.2590	1.0470	114.300	158.850	158.980	26.590	Scotseal Classic	R
45157	4.5000	6.2540	6.2640	.7500	114.300	158.852	159.106	19.050	Scotseal PlusXL	H
45152	4.5000	6.3110	6.3160	1.1250	114.300	160.300	160.430	28.580	Scotseal Classic	R
45162	4.5000	6.4410	6.4460	.9380	114.300	163.600	163.730	23.830	Scotseal Classic	R
46308	4.6250	6.0000	6.0060	1.0630	117.475	152.400	152.552	27.000	Scotseal Longlife	H
46305	4.6250	6.0010	6.0060	1.0630	117.480	152.430	152.550	27.000	Scotseal Classic	R
46300	4.6250	6.0010	6.0140	2.4690	117.475	152.425	152.756	23.165	Scotseal PlusXL	H
46300XT*	4.6250	6.0010	6.0140	2.4690	117.475	152.425	152.756	62.713	Scotseal X-Treme	H
42626	4.6260	6.0000	6.0010	.7400	117.500	152.400	152.430	18.796	Scotseal Hybrid	H
46390	4.6350	6.0090	6.0140	1.0310	117.730	152.630	152.760	26.190	Scotseal Classic	R
47483	4.7500	6.0010	6.0060	1.0630	121.060	152.430	152.550	27.000	Scotseal Classic	R
47690	4.7660	6.0010	6.0060	1.0630	121.060	152.430	152.550	27.000	Scotseal Classic	R
48000	4.7660	6.2540	6.2590	1.0470	121.060	158.850	158.980	26.590	Scotseal Classic	R
48002	4.7660	6.2540	6.2640	.7950	121.056	158.852	159.106	20.193	Scotseal PlusXL	H
47697	4.7660	6.3110	6.3160	1.1250	121.080	160.270	160.470	28.580	Scotseal Classic	R
47699	4.7660	7.0000	7.0060	1.2500	121.060	177.800	177.950	31.750	Scotseal Classic	R

* Check for availability

CR Scotseal size listing

CR Scotseal no	Inch Shaft	Inch Bore	Inch O.D.	Inch Width	Metric Shaft	Metric Bore	Metric O.D.	Metric Width	Seal info notes	Lip code
47691	4.7670	6.3080	6.3240	1.0350	121.082	160.223	160.630	26.289	Scotseal PlusXL	R
47691XT*	4.7670	6.3080	6.3240	1.0350	121.082	160.223	160.630	26.289	Scotseal X-Treme	H
47698	4.7670	6.3130	6.3200	1.1250	121.080	160.350	160.530	28.580	Scotseal Classic	R
47693	4.7670	6.3160	6.3160	1.1250	121.082	160.426	160.426	28.575	Scotseal Longlife	H
48690	4.8750	6.0010	6.0060	.8750	123.830	152.430	152.550	22.230	Scotseal Classic	R
48794	4.8750	6.3790	6.3840	.9380	123.830	162.030	162.150	23.830	Scotseal Classic	R
48796	4.8750	6.4410	6.4460	.9380	123.830	163.600	163.730	23.830	Scotseal Classic	R
48884	4.8750	6.5030	6.5080	1.0630	123.830	165.180	165.300	27.000	Scotseal Classic	R
50124	5.0000	6.2540	6.2590	1.0470	127.000	158.850	158.980	26.590	Scotseal Classic	R
52658	5.2500	7.3760	7.3810	.9450	133.350	187.350	187.477	24.003	Scotseal Classic	R
55122	5.5120	6.6930	6.7070	.5910	140.000	170.000	170.360	15.000	Scotseal PlusXL	H

* Check for availability

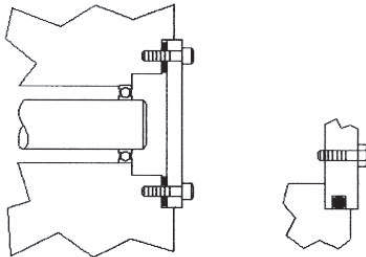
The seal and its function

Whenever a shaft rotates, it needs a bearing arrangement for smooth, effective operation. Wherever there's a bearing, you'll find a seal helping it to reach its maximum service life and reliability. In simplest terms a shaft seal is a barrier with four functions: 1) Retaining lubricants or liquids 2) Excluding contaminants 3) Separating fluids and 4) Confining pressure.

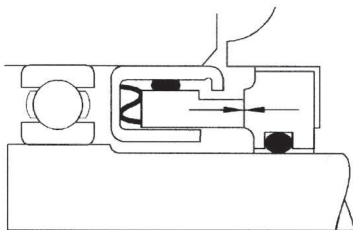
There are three basic types of seals:

Static seals. The function of a static seal is to create a barrier between non-moving surfaces. Typical examples would be a valve cover gasket or o-ring.

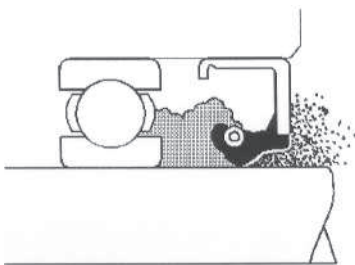
Axial mechanical seals. These are face type seals in which the sealing contact is between radially mounted components. One is usually stationary and seal contact pressure is applied by a spring mechanism.



Typical static seals - gasket and o-ring.



Axial mechanical - seals between arrows.



Dynamic seal on rotating shaft with bearing.

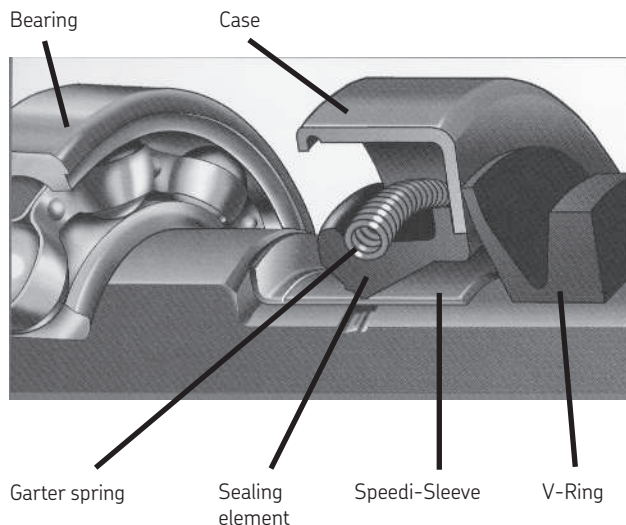
Dynamic "radial" seals. A dynamic radial seal creates a barrier between surfaces in relative motion. One is usually stationary while the other rotates. The cross-section shown below identifies the most common parts of a shaft seal. This is the primary type of seal described in this specification handbook.

In many designs, the primary sealing lip is held in position by a garter spring. Generally, spring-loaded lips are for retaining oil and non-spring-loaded are used for low speed grease retention or excluding contaminants.

This seal has a simple L-shaped shell with the sealing material bonded to it. CR is not only a pioneer in developing new bonding techniques, but they also have developed and used an environmentally "friendly" water-based cement wherever possible.

Some seals have an inner shell to aid in protecting the lip from damage or distortion during installation. The sealing lip should always point toward the material to be contained. The garter spring keeps the lip in position.

Many CR seals have the patented Waveseal® lip design that pumps lubricant back to the oil cavity while holding out contaminants, regardless of the direction of shaft rotation. The smooth molded lip is formed in a wave-like pattern that describes a wider path on the shaft to dissipate heat and reduce wear.



Material and compound selection guide

CR seals feature a variety of sealing materials. Each one has specific characteristics. A “lip code” designates materials in subsequent reference tables and listings.

Nitrile (Lip code: R)

Most commonly used sealing material. Nitrile is excellent with most mineral oils and greases. Variations are available for use with fuels, industrial fluids and highly compounded lubricants. Nitriles are recommended for operation at temperatures from -40° to 250°F (-40° to 121°C). Nitrile also works in dry running applications but only for intermittent periods.

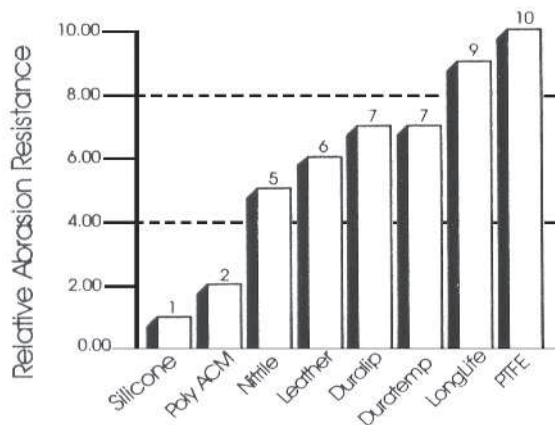
Because of environmental considerations, CR uses water carried adhesives whenever possible. Some water based fluids however, such as some cutting fluids, can destroy the nitrile/plain steel bond when operating temperatures exceed 150°F (66°C). The nitrile compound itself is not affected by the water.

Duralip® (Lip code: D)

Offers superior resistance to abrasion. Duralip is CR’s special carboxylated nitrile compound developed for extreme abrasion resistance in applications where scale, sand, grit, dirt or other abrasive material is likely to collect at the point of shaft contact. Like nitrile, Duralip works in dry running applications but only for intermittent periods. Other characteristics of this special compound are similar to those of the standard nitrile.

Duratemp® (Lip code: H)

CR’s special high temperature compound based on hydrogenated nitrile (HNBR) offers improved tensile strength and resistance to heat, abrasion, hardening in hot oil, ozone and weathering effects. In some cases aerated oils can be a problem for HNBR. It is more widely used for demanding applications. Its temperature range is -40° to 300°F (-40 to 149°C).



Note: Temperature ranges are based on sump temp. When approaching temperature extremes contact SKF for technical assistance.

Polyacrylate (Lip code: P)

For use with EP lubricants or higher operating temperatures. Polyacrylate elastomers have good compatibility with higher temperatures up to 300°F (149°C), and even to 350°F (177°C) with some fluids. They are well suited for use with extreme pressure (EP) lubricants and have higher resistance to oxidation and ozone. They should not be used with water or at temperatures below -40°F (-40°C). Polyacrylates are not recommended for dry running applications.

Silicone (Lip code: S)

For high/low temperature ranges and low-friction applications. Silicone seals can operate at temperatures ranging from -100° to 325°F (-73° to 163°C). The high lubricant absorbency of silicone minimizes friction and wear. However, it has poor compatibility with oxidized oils, some extreme pressure additives and abrasive contaminants. Silicone should not be used in dry running applications.

LongLife™ (Fluoroelastomers) (Lip code: V)

Premium lip material for the widest temperature range and chemical resistance. LongLife will handle temperatures from -40° to 400°F (-40° to 204°C). They resist most special lubricants and chemicals that can destroy nitrile, polyacrylates or silicones. This premium material, with its superior resistance to abrasion and high temperatures, provides superior performance and wear. LongLife works in dry running applications but only for intermittent periods.

It must be noted that although Fluoropolymers such as FKM and PTFE are classed as resistant to high temperatures, they will thermally degrade on exposure to extreme temperatures with the evolution of hazardous fumes containing hydrofluoric acid (HF).

The threshold temperatures in question are:

- Fluoroelastomers (FKM) - 600°F/316°C
- Polytetrafluoroethylene (PTFE) - 700°F/371°C

In the unlikely event of such a high temperature incident, allow the components in question to cool, douse with limewater (Calcium hydroxide solution), handle with PVC gloves until neutral pH confirmed, then discard.

PTFE (Lip code: T)

PTFE offers wider media resistance in comparison to standard elastomers with a temperature range of -100° to 500°F (-73° to 260°C). With the addition of appropriate fillers, PTFE has excellent mechanical properties, low friction and wear resistance.

Material and compound selection guide

Ethylene-Propylene (Lip code: M)

Special compound for exposure to weather, water, caustics and steam. Offers exceptionally good weather aging and ozone resistance, suitable for extended outdoor weather exposure. Recommended for operation -40°F to 300°F (-40 to 149°C). Often used with phosphate ester type (ie fire resistant) lubricants and water based hydraulic fluids. Resists polar solvents such as MEK and acetone, also silicone oils and greases, dilute acids and alkalis, alcohols and brake fluid. Good compression set, cold flex, abrasion resistance and tensile strength properties. Must never be exposed to mineral oils, petroleum based agents or aromatic fuels.

Other sealing materials (Lip code: #)

These are generally non-standard compounds for specific applications. If the material you require is not listed, contact SKF for availability.

Multi-lip codes

When a seal has sealing elements of different compounds, the first lip code identifies the primary lip and the second lip code identifies the auxiliary lip

Examples:

"RL" is "nitrile and leather"

"RD" is "nitrile and Duralip"

"RG" is "nitrile and gray"

"PT" is "poly and PTFE"

"RRT" is nitrile O.D. with nitrile primary lip and PTFE excluder lip

Case materials

Unless noted, the inner and outer case of seals listed in this catalog are formed of SAE 1006-1008 cold-rolled steel. They are oiled or specially treated for protection against corrosion during ordinary handling and storage.

Seal cases can be furnished in stainless steel (SAE 304) for corrosion resistance and extreme conditions. Contact SKF for price and availability.

Spring materials

Unless specified, the springs supplied with seals in this catalog are hard-drawn steel wire. Springs in these seals can be furnished in SAE 302 stainless steel if required. Contact SKF for price and availability.

Bore Tite®

Bore Tite: A water based acrylic polymer. This pliable sealant helps fill small imperfections in the bore. Bore Tite can withstand heat up to 400°F (204°C). It is resistant to most oils, greases, gasoline, mild acids, mild alkalis, aliphatics, salts and glycols. Bore Tite is not recommended with aromatics, ketones and alcohols. However splash contact that is wiped off will have little or no effect. The Bore Tite coating is .001/.003" (.025/.076 mm) thick as measured on the seal diameter (specified seal OD does not include the thickness of the Bore Tite).

Fluoroelastomer story

CR seals use the “tough” LongLife material for super performance

CR LongLife seals resist degradation from hundreds of different fluids over broad temperature ranges. Proven effective, CR LongLife seals can be used where temperatures or other environmental conditions are beyond nitrile, polyacrylate, and silicone capabilities. CR offers these seals in many of the popular shaft sizes from .125" to over 62" and 5 mm to over 1260 mm. No other supplier has LongLife as a standard stocked line.

In many cases, it is impossible for the equipment designer to reduce the operating temperature of the application. The designer may find it necessary to select *premium* materials in order to *extend life*. It is necessary to state that the effective service life of a rubber component cannot be totally predicted. The service life of the rubber components can also depend on abrasive wear resistance, compression set, resistance to fluid swelling, flex cracking resistance, and many other factors.

Excellent fluid compatibility

One of the most effective fluoroelastomers against these types of stresses in these sealing environments is LongLife. LongLife seals have excellent resistance to oils, fuels, lubricants, most mineral acids, and hydraulic fluids. They can resist regular, and chlorinated, aliphatic or aromatic hydrocarbons (e.g. iso-octane, carbon tetrachloride, benzene, and chlorotoluene) that are used as solvents.

No other elastomer resists as many fluids as LongLife. However, LongLife is not recommended for service in low molecular weight esters and ethers, ketones, certain amines, hot anhydrous hydrofluoric or chlorosulfonic acids and alkyl phosphate esters.

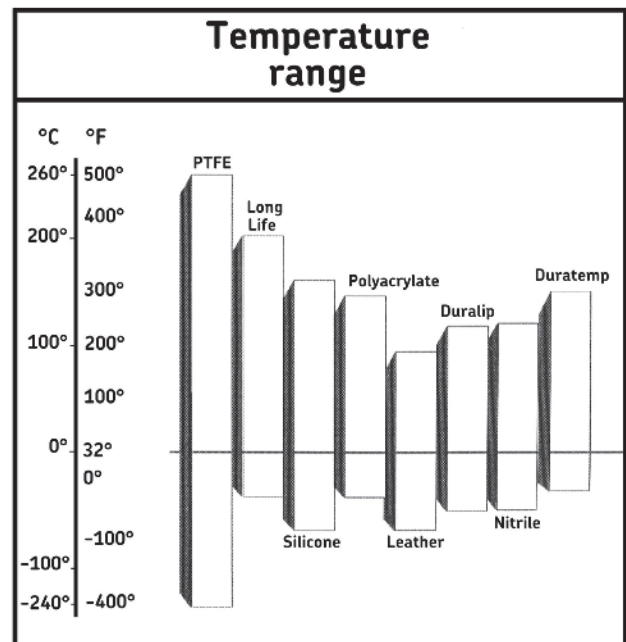
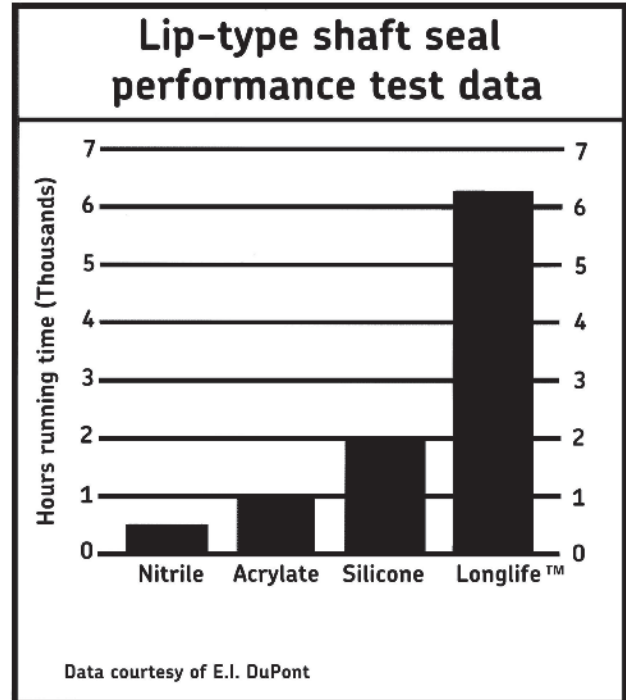
Superior temperature ranges

Actually, at low temperatures the seal lip will have to overcome eccentricity and shrinkage problems. At high temperatures the seal lip has to overcome pliability, hardness, and cracking or heat checking problems that cause shaft and seal damage.


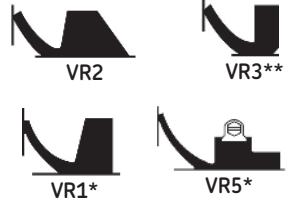

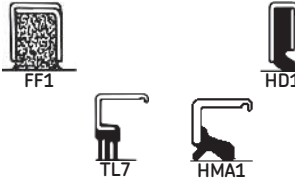

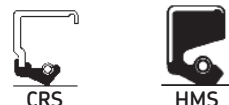













The LongLife material has a temperature range of -40° to 204°C (-40° to 400°F). Under high temperature conditions, a LongLife seal may have a service life over 500% better than a nitrile seal.

Other special materials

The optimum solution for some applications will require other materials with special properties. These include PTFE with excellent chemical resistance, wear characteristics and temperature capabilities to 500°F (260°C). CR's exclusive Duratemp hydrogenated nitrile compound can outperform standard nitriles in wear and heat resistance. Contact SKF for assistance to extend bearing and seal life in your demanding applications.



Small diameter seals

Group no.	Standard line (Preferred design)	Other designs (For reference)	Group description
1	 <p>VR1 VR4*</p> <p>* Large diameter ** Small & Large diameter</p>	 <p>VR2 VR3** VR1* VR5*</p>	<p>All rubber V-Ring seals for dirt exclusion. Hand-fitted; no housing required. Will run against case of seal or housing. For use as primary or secondary seal in motors, conveyors, appliances, tools and general machinery.</p> <p>* All rubber V-ring seal. Mounts directly on the shaft and seals axially against the counterface, housing, etc. Used as the primary or secondary back-up seal. Elasticity allows positioning without unit disassembly. Seals for shaft 16.000" (405mm) and over can be cut and re-spliced on location to ease installation.</p>
2	 <p>HM14 HM21</p>	 <p>FF1 HD1 TL7 HMA1</p>	<p>Non-spring-loaded seal for grease retention or dirt exclusion in applications with slower speeds. Not for oil retention. Install with lip facing outward for maximum dirt exclusion. Typical applications are conveyor rollers and vehicle wheels. Heavy-duty type TL handles severe conditions such as disc harrows.</p>
3	 <p>CRW1 HMS4 HDW1 HMS5</p>	 <p>CRS HMS</p>	<p>Single lip, spring-loaded design without inner cases. Most economical general purpose seals. Typical applications include engines, drive axles, transmissions, pumps, electric motors and speed reducers. Where operating conditions exceed standard materials, type CRW offers a wide range of special materials.</p>
4	 <p>CRWH1</p>	 <p>P2 CRSH1 HMSH1</p>	<p>Single lip, spring-loaded design with inner cases for greater strength and protection of sealing lip. Recommended where assembly of shaft is against the lip. Type CRWH offers a wide range of special materials. Greater strength generally is not required for seals under 2" in shaft size.</p>
5	 <p>HMSA7 HMSA10 CRWA1</p>	 <p>CRWA6 CRSA1 HMSA1</p>	<p>Dual lip design without inner cases. Provides light dirt exclusion enhancing the service life of the lubricant retaining spring-loaded main lip. Where operating conditions exceed standard materials, CRWA offers a wide range of special materials.</p>
6	 <p>CRWHA1</p>	 <p>CRSHA1 HMSHA3</p>	<p>Dual lip design with inner cases. For greater strength and protection of the sealing lip. Recommended where assembly of the shaft is against the seal lip. Where operating conditions exceed standard material, CRWHA offers a wide range of special materials. Provides medium dirt exclusion.</p>
7	 <p>CRWA5</p>	 <p>CRWAR5 CRW5 CRWHA5</p>	<p>Single and dual lip designs for pressure applications. Capable of operating at internal pressures up to 90 psi. Performs significantly better than conventional lip seals. Can be used to replace some mechanical seals. Ideal for smaller pump and general purpose machinery with pressurized seal cavities.</p>
8	 <p>D7</p>	 <p>C F</p>	<p>Dual lip, dual element designs. Type D7 to separate two fluids. Type C is available for maximum dirt exclusions. A wide variety of materials are available.</p>
9	 <p>X15</p>	 <p>X X12</p>	<p>External lip seals. Designs press-fit on shaft or spindle with sealing element contacting bore. Spring-loaded styles to handle retention of fluid are also available. All styles may be used with lip facing outward to exclude dirt and permit flushing bearing and seal cavities from within. Commonly used in agricultural equipment.</p>
10	 <p>HDDF</p>		<p>Heavy-duty DF mechanical seals. Dual metal-face constructions, premium materials. Use where positive lubrication retention and dirt exclusion are both required. Installed by hand as a cartridge. Ideal for mixers, mining equipment, grinders, rollers or wherever abrasive contamination would cause failure of other seals.</p>

Note: When operation conditions approach temperature extremes contact SKF for technical assistance.

Recommended operating conditions

Operating temperature range		Lip code ★★	Maximum shaft to bore misalignment (STBM)*		Maximum pressure PSI @ FPM	Maximum shaft surface speed FPM
°F	°C					
-40° to 212°F -50° to 392°F	-40° to 100°C -58° to 200°C	R V	0.4mm (.016") 0.5mm (.020") 0.7mm (.028") 1.2mm (.047") 2.0mm (.079")	20.00-38.00mm(.787-1.496") 40.00-65.00mm(1.574-2.559") 70.00-100.00mm(2.756-3.937") 110.00-150.00mm(4.330-5.906") 160.00-199.00mm(6.299-7.835")	10 PSI	Back-up required: None: 0-1600 FPM Axial: 1600-2000 FPM Axial and Radial: 2000-3000 FPM
-65° to 200°F -65° to 200°F -40° to 300°F -40° to 250°F -100° to 325°F	-54° to 93°C -54° to 93°C -40° to 149°C -40° to 121°C -73° to 163°C	F L P R S	.003" TIR @ 0-2000 RPM	.005" @ 0-2000 FPM except TL .010" @ 0-500 FPM	3 PSI @ 0-2000 FPM except 0 PSI for FF	500 FPM TL 1000 FPM FF 2000 FPM all others
-40° to 300°F -40° to 250°F -100° to 325°F -40° to 400°F	-40° to 149°C -40° to 121°C -73° to 163°C -40° to 204°C	P R S V	.020" TIR @ 0-1000 RPM .015" TIR @ 1000-2500 RPM .010" TIR @ 2500-4500 RPM	.015" @ 0-1000 FPM .010" @ 1000-3600 FPM	10 PSI @ 0-1000 FPM 5 PSI @ 1000-2000 FPM 0 PSI @ 2000-3600 FPM (HDW: 50-35 PSI)	3600 FPM (Type HDW: 5000 + FPM)
-40° to 300°F -40° to 250°F -100° to 325°F -40° to 400°F	-40° to 149°C -40° to 121°C -73° to 163°C -40° to 204°C	P R S V	.020" TIR @ 0-1000 RPM .015" TIR @ 1000-2500 RPM .010" TIR @ 2500-4500 RPM	.015" @ 0-1000 FPM .010" @ 1000-3600 FPM 2000-3600 FPM	10 PSI @ 0-1000 FPM 5 PSI @ 1000-2000 FPM 0 PSI @	3600 FPM
-40° to 300°F -40° to 250°F -100° to 325°F -40° to 400°F	-40° to 149°C -40° to 121°C -73° to 163°C -40° to 204°C	P R S V	.020" TIR @ 0-1000 RPM .015" TIR @ 1000-2500 RPM .010" TIR @ 2500-4500 RPM	.015" @ 0-1000 FPM .010" @ 1000-3600 FPM 2000-3600 FPM	10 PSI @ 0-1000 FPM 5 PSI @ 1000-2000 FPM 0 PSI @	3600 FPM
-40° to 300°F -40° to 250°F -100° to 325°F -40° to 400°F	-40° to 149°C -40° to 121°C -73° to 163°C -40° to 204°C	P R S V	.020" TIR @ 0-1000 RPM .015" TIR @ 1000-2500 RPM .010" TIR @ 2500-4500 RPM	.015" @ 0-1000 FPM .010" @ 1000-3600 FPM 2000-3600 FPM	10 PSI @ 0-1000 FPM 5 PSI @ 1000-2000 FPM 0 PSI @	3600 FPM
-40° to 250°F -40° to 300°F	-40° to 121°C -40° to 149°C	R V	.005" TIR @ 0-2000 RPM	.005" @ 0-2000 FPM	90 PSI @ 0 FPM 50 PSI @ 1000 FPM	2000 FPM
-40° to 300°F -40° to 250°F	-40° to 149°C -40° to 121°C	PP RR	.010" TIR @ 0-1000 RPM .005" TIR @ 1000-2500 RPM	.010" @ 0-1000 FPM .005" @ 1000-2000 FPM	10 PSI @ 0-1000 FPM 5 PSI @ 1000-2000 FPM	2000 FPM
Type X -40° to 250°F	-40° to 121°C	R	.010" TIR @ 0-1000 RPM .005" TIR @ 1000-2500 RPM	.015" @ 0-1000 FPM .005" @ 1000-2000 FPM	10 PSI @ 0-1000 FPM 5 PSI @ 1000-2000 FPM	2000 FPM
Type XTL (X15) -40° to 250°F	-40° to 121°C	R	.003" TIR @ 0-2500 RPM	.010" TIR @ 0-500 FPM	3 PSI @ 0-500 FPM	500 FPM
-40° to 250°F	-40° to 121°C	R	.020 - .030"	.020 - .030"	Intermittent to 50 PSI Continuous to 25 PSI	Intermittent to 750 FPM Continuous to 350 FPM

Selecting replacement seals

How to select replacement seals

Size: If there is no number or if the number is illegible, replacements can be selected by matching the sizes to those listed. If an equivalent seal in the same width is not available, select one slightly narrower, or wider if the bore depth permits.

Estimating shaft diameter: At times, seals are not only unmarked, they also have missing sealing elements making size estimation even more difficult. The following charts can help to determine an approximate shaft size, with or without a sealing element, keeping in mind that seal designs vary among manufacturers.

Shaft diameter approximation

Lip inside diameter range		Add to lip I.D.	Metal inside diameter range		Subtract from metal I.D.
Up to	1.000"	.031"	Up to	1.390"	.109"
1.001 -	2.000"	.047"	1.391 -	2.203"	.171"
2.001 -	6.000"	.063"	2.204 -	2.952"	.203"
6.001 -	8.000"	.094"	2.953 -	4.296"	.234"
8.001 -	12.000"	.125"	4.297" Up		.250"

Example

1.464 + .047 = 1.511
(use seal designed for 1.500" or 38 mm shaft)

Example

1.790 - .171 = 1.619
(use seal designed for 1.625" or 41 mm shaft)

Seal design: With the size identified, a style or design may be selected. In many applications it is possible to substitute different seal designs. The recommended operating condition charts (pgs. 392-393) are helpful in selecting the most appropriate seal design and type.

Operating conditions: Check the operating limits for the CR seal selected and refer to the operating conditions charts (pgs. 392-393). If a lip material to match the old seal cannot be found in the size listings, contact SKF for assistance.

Pressure: Most seals are designed for maximum service life at 0 psi. As pressure increases, service life usually decreases. Bonded seals in this catalog are normally suitable for use with pressures up to 10 psi., however, the CRW5 and CRWA5 pressure seals are designed for pressures to 50 psi dynamic / 90 psi static.

Sealing element materials: For sealing lip materials, refer to the material and compound selection guide (pgs. 389-390).

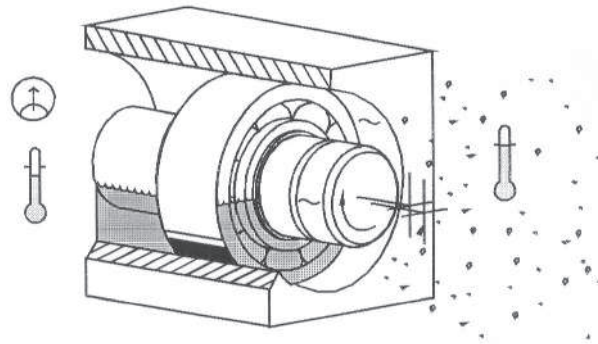
Special note: The CR Waveseal is designed to pump lubricants back into the sump. The spring side of the seal should therefore normally face the lubricant. If contaminant exclusion is more important than lubricant retention, the seal may be turned around. However, a loss of lubricant is to be expected.

How to select seals for new applications

If the type of seal required is known, refer directly to the size listing (pg. 418 (inches) & pg. 525 (metric)) and select the size. For specific seal selection guidelines, refer to the recommended operating conditions charts for small diameter seals. Each includes ample information to make a preliminary selection of seal types. The final choice can be made from the size listings.

Selecting alternate materials

Caution should be observed when changing or substituting lip compounds. Hardening, swell or other effects can occur which can significantly reduce service life.



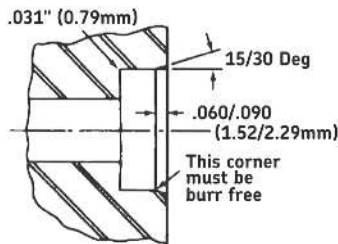
The bore requirements

In addition to the application, characteristics and makeup of the seal, conditions of the bore and shaft must be checked prior to seal mounting. These include configuration, tolerance, hardness, materials, and finish of both shaft and bore, plus shaft speed and eccentricity.

Requirements for the bore and shaft appear on these two pages. Special installation and mounting requirements, other than those listed below, appear within the appropriate seal sections.

Bore configurations

The lead corner, or entering edge, of the bore should be chamfered (as shown below) and free of burrs. The inside corner of the bore should have a maximum radius of .031" (.079 mm).



Bore tolerance

CR seals are manufactured to RMA/ISO/DIN standards. Seal O.D.'s are manufactured larger than the bore diameter to assure the proper press-fit interference.

The bore tolerances in these charts apply only to ferrous metals. For aluminum housings, no change is needed if rubber O.D. seals are used. Metal O.D. seals and bore diameters greater than 3.000" (76.20mm) and at temperatures above 300°F (149°C), reduce the nominal bore diameter by .001" (.03mm).

Note: The metal case or rubber-covered O.D. is determined by averaging at least three measurements taken at equally spaced positions.

In an inch size stepped bore the depth should exceed the width of the seal by a minimum of .016" (.04mm). For metric sizes add .30mm (.012") to the seal width.

Bore hardness

No specific Rockwell hardness is recommended; however, bore hardness should be high enough to maintain interference with the seal's outside diameter.

Bore material

Ferrous and other commonly used metallic materials, like aluminum, are acceptable. However, when non-ferrous bore materials are used, the differential rates of thermal expansion must be considered. Call SKF for an evaluation. For assistance with bore materials, contact your SKF distributor.

Bore finish

A finish of 100 microinches Ra (2.5 micrometers) or smoother should be maintained on applications where a lubricant head up to 3 P.S.I. (20 kPa) is present against the outside diameter of the seal. For aluminum, the finish should be 100 to 200 micro inches Ra (2.5 to 5.0 micro.)

Bore tolerance charts

Inches

Bore diameter	RMA 05-4 Bore tolerance	Nominal press-fit		Seal O.D. tolerance	
		Metal O.D.	Rubber O.D.	Metal O.D.	Rubber O.D.
Up to 2.000	± .001	.005	.008	± .002	± .003
2.001 to 3.000	± .001	.0055	.010	± .0025	± .003
3.001 to 5.000	± .0015	.0065	.0105	± .003	± .003
5.001 to 7.000	± .0015	.007	.012	± .003	± .004
7.001 to 12.000	± .002	.0085	.0125	± .0035	± .004
12.001 to 20.000	± .003	.012	.015	± .005	± .005
20.000 to 40.000	± .004	.013	.018	± .005	± .006
40.001 to 60.000	± .006	.016	.020	± .006	± .007

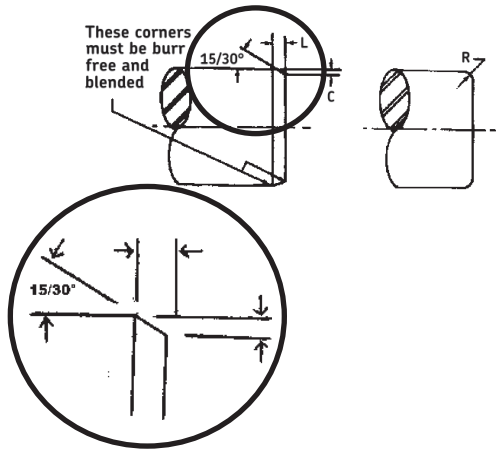
Millimeters

Diameter	(ISO/H8) Bore tolerance	Seal O.D. diametral tolerance	
		Metal case	Rubber covered
Over 6 to 10	+ 0.022 - 0.000	+ 0.20 + 0.08	+ 0.30 + 0.15
Over 10 to 18	+ 0.027 - 0.000	+ 0.20 + 0.08	+ 0.30 + 0.15
Over 18 to 30	+ 0.033 - 0.000	+ 0.20 + 0.08	+ 0.30 + 0.15
Over 30 to 50	+ 0.039 - 0.000	+ 0.20 + 0.08	+ 0.30 + 0.15
Over 50 to 80	+ 0.046 - 0.000	+ 0.23 + 0.09	+ 0.35 + 0.20
Over 80 to 120	+ 0.054 - 0.000	+ 0.25 + 0.10	+ 0.35 + 0.20
Over 120 to 180	+ 0.063 - 0.000	+ 0.28 + 0.12	+ 0.45 + 0.25
Over 180 to 250	+ 0.072 - 0.000	+ 0.35 + 0.15	+ 0.45 + 0.25
Over 250 to 300	+ 0.081 - 0.000	+ 0.35 + 0.15	+ 0.45 + 0.25
Over 300 to 315	+ 0.081 - 0.000	+ 0.45 + 0.20	+ 0.55 + 0.30
Over 315 to 400	+ 0.089 - 0.000	+ 0.45 + 0.20	+ 0.55 + 0.30
Over 400 to 500	+ 0.097 - 0.000	+ 0.45 + 0.20	+ 0.55 + 0.30
Over 500 to 630	+ 0.110 - 0.000	+ 0.51 + 0.22	+ 0.65 + 0.35
Over 630 to 800	+ 0.125 - 0.000	+ 0.51 + 0.24	+ 0.75 + 0.40
Over 800 to 1000	+ 0.140 - 0.000	+ 0.56 + 0.25	+ 0.85 + 0.45
Over 1000 to 1250	+ 0.165 - 0.000	+ 0.61 + 0.27	+ 1.00 + 0.55
Over 1250 to 1600	+ 0.195 - 0.000	+ 0.66 + 0.31	+ 1.00 + 0.55

The shaft requirements

Shaft configurations

A burr-free chamfer or radius is required as illustrated below (C = chamfer depth).



Shaft diameter

Shaft diameter (inches)	C	R	Preferred L@15°	Optional L@30°
Up to 4.000	.093	.188	.347	.156
4.001 to 7.000	.125	.250	.466	.218
7.001 to 40.000	.188	.375	.702	.323
40.001 and larger	.250	.500	.933	.433

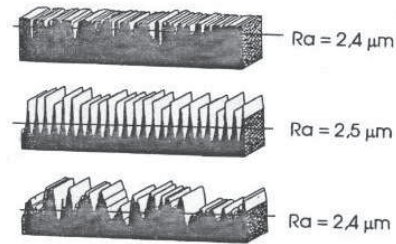
Shaft diameter (millimeters)	C	R	Preferred L@15°	Optional L@30°
Up to 100.0	2.5	4.5	8.5	4.0
100.1 to 180.0	3.0	6.0	11.5	5.0
180.1 to 1000.0	5.0	9.5	18.0	8.0
1000.1 and larger	6.5	12.7	24.0	11.0

Shaft material/finish/hardness

Seals perform best on medium to high carbon steel (SAE 1035, 1045) or stainless steel. Soft shafts with good chrome-plated or nickel-plated surfaces, properly finished, are also acceptable. Soft materials such as brass, zinc, aluminum, magnesium or plastics are not recommended except at low surface speeds (less than 0.50 M/S 100 FPM) and clean environments. Shafts should be hardened to Rockwell C30 or higher to prevent handling damage or abrasive wear.

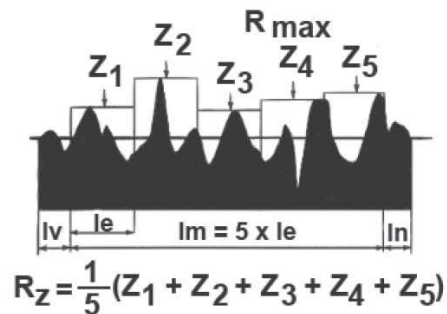
For optimum sealing performance, new industry research recommends that seal countersurfaces should be plunge ground to 9-17 micro inches R_a roughness (0.23-0.43 micro-meters) with a machine lead angle of 0 ± 0.05 degrees. However, shaft finish may still be a cause of seal failure even when this standard is held within the limit. This is because R_a does not fully describe the surface profile. Within the same R_a value, a shaft surface may have very different profiles.

Different finishes with the same R_a

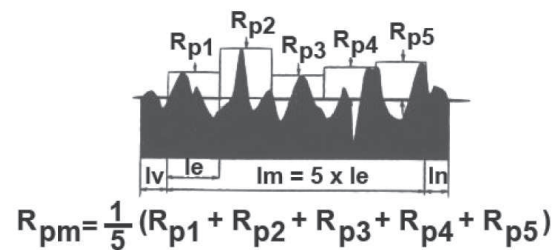


To fully characterize the shaft surface, three additional parameters should be observed:

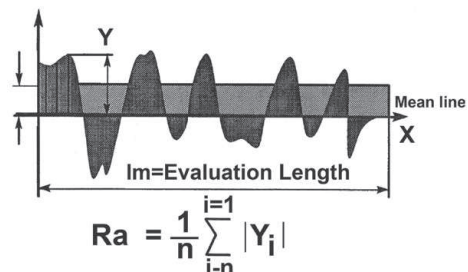
R_z (DIN) - Average peak to valley height. The arithmetic average of the maximum peak-to-valley height of roughness values Z_1 to Z_5 within five consecutive sampling lengths (l_e) over the assessment length of the filtered profile. (According to DIN 4768/1)



R_{pm} - Average peak to mean height. The arithmetic average value of the five singles highest peaks above the mean line R_{p1} - R_{p5} , similar to the R_z (DIN) definition specified in DIN 4768. (According to DIN 4762/1E, ISO/DIS 4287/1)



R_a - The arithmetic value of filtered roughness profile determined from deviations about the center line within the evaluation length l_m . (According to DIN 4768/1, DIN 4762/1E, ISO/DIS 4287/1)



The shaft requirements

Further, to avoid distortions of the measurement, the cut-off or assessment length has been shortened from 0.762mm (.030 inch) to .254mm (.010 inch). An M1 filter should be used. The new standard also specifies a shaft lead angle of $<0\pm 0.05$ degrees as well as other criteria as shown in the chart below:

Shaft recommendations for non-hydrodynamic seals

	Shaft manufacturing methods
	Plunge ground (preferred method)
Shaft lead	$<0\pm 0.05^\circ$
Grinding chatter	No grinding chatter allowed > 45 cycles
Roundness	Out of roundness must be less than 0.00508 mm (0.0002 inch) and a minimum number of lobes.
Lobing	Maximum of 7 lobes at 0.00254 mm (0.0001 inch)
Surface finish	Ra=0.20-0.43 μ m (8-17 μ in) & Rz (din)=1.65-2.90 μ m (65-115 μ in) & Rpm=0.50-1.25 μ m (20-50 μ in) M1 filter & 0.254mm(0.010 in) cutoff

Significantly, hydrodynamic seals were found to be less sensitive to shaft lead and finish. The study group of 204 seals included 110 CR Waves seals. There were no failures of the Waves seals while 88 of 94 plain trimmed lips experienced failure.

Shaft eccentricity

Two types of shaft eccentricity affect seal performance; both must be considered.

- Shaft-to-bore misalignment (STBM) - The amount by which the shaft is off center, with respect to the bore's center. Shaft-to-bore misalignment is caused by machining and assembly inaccuracies. To measure, attach a dial indicator to the shaft (between the shaft and bore), rotate the shaft and read the indicator. STBM is half of the Total Indicator Reading (TIR).

- Dynamic run-out (DRO) - The amount by which the shaft does not rotate around the true center. Misalignment, shaft bending, lack of shaft balance and other manufacturing inaccuracies are common causes. To measure, slowly rotate the shaft and read the total movement (TIR) of a dial indicator attached to the bore and held against the side of the shaft.

For specific limitations, see the recommended operating conditions charts for small diameter seals (pg. 392).

Shaft speed

Maximum speeds for effective seal operation depend on shaft finish, pressure, temperature, eccentricity, lubricant or fluid being retained, seal type and other conditions. For example, shaft speeds may be increased when shaft finish is improved or eccentricity (dynamic run-out) is reduced.

Surface speed at the contact point between the seal and shaft expressed in FPM (feet per minute) generally is a better measure for seal selection than RPM (revolutions per minute) See chart on pg. 667 for conversions. For maximum speeds by seal type, refer to the charts on pgs. 392-393.

Shaft tolerance

For satisfactory sealing performance, be sure the shaft diameter is within the following RMA or ISO recommended tolerances.

Inches

Nominal shaft diameter (RMA OS-4)	Tolerance
Up to and including 4.000.....	± 0.003
4.001 to 6.000	± 0.004
6.001 to 10.000.....	± 0.005
10.001 and larger	± 0.006

Millimeters

Nominal shaft diameter (ISO h11)	Tolerance
Over 6 to 10	+ 0.000 - 0.090
Over 10 to 18	+ 0.000 - 0.110
Over 18 to 30	+ 0.000 - 0.130
Over 30 to 50	+ 0.000 - 0.160
Over 50 to 80	+ 0.000 - 0.190
Over 80 to 120	+ 0.000 - 0.220
Over 120 to 180	+ 0.000 - 0.250
Over 180 to 250	+ 0.000 - 0.290
Over 250 to 315	+ 0.000 - 0.320
Over 315 to 400	+ 0.000 - 0.360
Over 400 to 500	+ 0.000 - 0.400
Over 500 to 630	+ 0.000 - 0.440
Over 630 to 800	+ 0.000 - 0.500
Over 800 to 1000	+ 0.000 - 0.560
Over 1000 to 1250	+ 0.000 - 0.660
Over 1250 to 1600	+ 0.000 - 0.780
Over 1600 to 2000	+ 0.000 - 0.920
Over 2000 to 2500	+ 0.000 - 1.100
Over 2500 to 3150	+ 0.000 - 0.135

Troubleshooting

Seal optimization check list

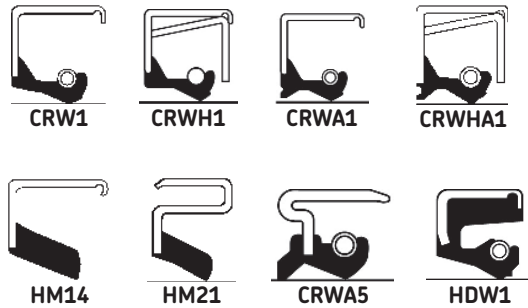
You can help extend the life of all types of seals by checking these conditions:

- Never re-use a worn seal.
- Seal stored properly in cool area (not work area) at 40-70% humidity.
- Packaging intact, seal lip not distorted by handling or hanging on a peg or nail.
- Installation tools correct.
- Area clean and free of grit or contamination.
- Correct seal for speed.
- Correct seal for media.
- Check operating temperature against lip material specifications.
- Lubricant, including additives, must be compatible with seal lip material (Check compatibility table or contact your SKF rep.)
- The leading edge of the shaft should be chamfered. Shaft finish should be 9-17 micro inches Ra (.23 - .43 micro meters) with a machine lead angle of 0 ± 0.05 degrees.
- Shaft hardened to Rockwell C 30 or harder.
- Tolerances for shaft diameter must be within range.
- Shaft-to-bore misalignment within .010" (0.25 mm)
- Dynamic run-out within .010" (.025 mm) TIR.
- Whenever possible equipment should be vented to the atmosphere to help prevent pressure build-up.

Small diameter seals

Small diameter seals

Generally small diameter seals fit shafts ranging from .125" to 12.500" (3.2 mm to 317.5 mm) in diameter. They are available in a variety of types, styles and lip materials. A SAE 304 stainless steel case and/or SAE 302 spring is standard on some stock numbers and optional on a production basis.



The preferred designs for inch sized small diameter seals are the Wave series: CRW1, CRWA1, CRWH1, CRWHA1, CRW5, CRWA5 and HDW1. They are also offered for selected metric sizes. These CR Waveseals feature a smooth lip with a birotational hydrodynamic design (see page 407). The high performance Waveseals are suitable for the widest range of operating conditions. Other preferred designs for special applications are HM14, VR1 and VR4. Rubber covered, plain lip HMS4 and HMSA7 seals are the preferred design for most metric shaft and bore combinations. Metal outer diameter CRS and other designs are also available for many metric sizes.

The single lip designs, CRW1 and CRWH1, are general purpose seals recommended for most applications. Reinforced with an inner shell, CRWH suits shaft sizes over 2" (50.8 mm). CRWA and CRWHA are auxiliary lip designs recommended for applications requiring a lip for dirt exclusion. Designed with an auxiliary lip, CRWA5 is recommended for medium pressure applications. The CRW5 seal is the single lip version of the medium pressure Waveseal.

Rubber covered seals are often specified for metric installations. The rubber covering helps compensate for rougher bores, retaining light media and split housings. The HMS4 has a single plain lip while the HMSA7 adds a dust-lip and are the preferred metric designs. Metric CRS type constructions are generally similar to the CRW series except the lip does not have a Wave feature. They are also used for some inch sizes.

Types HM14 and HM21 are non-spring loaded seals used for grease retention or dirt exclusion in applications with slower speeds.

Type VR1 is an all rubber V-Ring seal. It mounts directly on the shaft and seals axially against a counterface.

Type D7 is a dual element (lip) design used to separate two fluids.

The external, X15 design press-fits on the shaft or spindle, with its sealing (lip) element contacting the bore.

Type HDDF1 is a dual-face seal used where positive lubrication retention and dirt exclusion are both required.

Pressure seals size listing

Shaft	Bore	O.D.	Width	Seal info.	Seal no.	Type & style	Lip code
.313							
	.686	.690	.313	-	3094	CRWA5	R
	.749	.753	.256	-	3101	CRWA5	R
	.749	.753	.250	-	3103	CRWA5	V
	.999	1.003	.313	-	3171	CRWA5	R
.375							
	.749	.753	.250	W/SS CASE & SPRING	3689	CRW5	R
	1.124	1.128	.375	-	3807	★CRW5	V
.500							
	.875	.879	.313	-	4940	★CRWA5	R
	.875	.879	.313	-	4941	★CRWA5	V
	.999	1.003	.250	W/STAINLESS STEEL SPRING	4991	★CRWA5	V
	.999	1.003	.313	-	4996	★CRWA5	R
	1.124	1.128	.250	-	5069	★CRWA5	R
	1.124	1.128	.250	-	5072	★CRWA5	V
.625							
	.999	1.003	.250	-	6151	★CRWA5	R
	1.124	1.128	.375	W/SS CASE & SPRING	6190	★CRWHA5	R
	1.124	1.128	.250	-	6191	★CRW5	R
	1.124	1.128	.375	-	6229	★CRWA5	R
	1.124	1.128	.374	-	6231	★CRWA5	V
	1.126	1.130	.250	70 DURO/185 SIRVENE	6242	★CRW5	R
	1.250	1.254	.313	W/SS CASE & SPRING	6280	CRWA5	R
	1.250	1.254	.313	W/SS CASE & SPRING	6285	CRWA5	V
	1.375	1.379	.250	-	6371	★CRW5	P
	1.375	1.379	.375	W/SS CASE & SPRING	6388	★CRWA5	R
	1.500	1.504	.313	W/STAINLESS STEEL SPRING	6393	★CRW5	V
.750							
	1.124	1.128	.188	-	7414	★CRW5	R
	1.250	1.254	.250	-	7434	★CRWA5	R
	1.250	1.254	.375	-	7449	★CRWA5	R
	1.375	1.379	.250	-	7509	★CRWA5	V
.875							
	1.250	1.254	.250	-	8634	★CRWA5	V
	1.375	1.379	.250	-	8660	★CRWA5	R
	1.375	1.379	.250	-	8665	★CRWA5	V
	1.497	1.501	.313	W/STAINLESS STEEL SPRING	8694	★CRWA5	V
.984							
	1.596	1.601	.250	-	9700	★CRWA5	R
	1.752	1.756	.313	W/SS CASE & SPRING	9805	★CRWA5	V

★ -Includes Bore Tite on O.D.

Pressure seals size listing

Shaft	Bore	O.D.	Width	Seal info.	Seal no.	Type & style	Lip code
1.000							
	1.375	1.379	.250	-	9814	★CRWA5	R
	1.499	1.503	.250	70 DURO/185 SIRVENE/ SS SPRING	9855	CRW5	R
	1.499	1.503	.250	-	9858	★CRWA5	V
	1.499	1.503	.374	-	544167	★CRWA5	P
	1.500	1.505	.250	-	9863	★CRWA5	R
	2.000	2.004	.313	-	10131	★CRWA5	R
1.125							
	1.626	1.630	.250	-	11139	★CRWA5	V
1.250							
	1.687	1.691	.313	-	12333	★CRWA5	R
	1.750	1.754	.250	-	12339	★CRWA5	V
	1.750	1.754	.250	-	12360	★CRWA5	R
	1.937	1.942	.375	-	12542	★CRWA5	V
	1.997	2.003	.438	W/STAINLESS STEEL SPRING	12438	★CRWA5	V
	2.328	2.332	.500	W/STAINLESS STEEL SPRING	12609	★CRWA5	R
	2.502	2.506	.500	W/STAINLESS STEEL SPRING	12640	★CRWA5	R
1.438							
	1.875	1.881	.250	-	14208	CRWAR5	V
	2.003	2.007	.313	-	14211	CRWAR5	V
	2.003	2.007	.313	-	14384	CRWAR5	R
	2.003	2.007	.313	W/STAINLESS STEEL SPRING	14391	CRWAR5	H
1.500							
	1.997	2.003	.250	W/STAINLESS STEEL SPRING	14844	★CRWA5	V
	2.064	2.068	.375	W/STAINLESS STEEL SPRING	14868	★CRWA5	V
	2.311	2.315	.500	W/STAINLESS STEEL SPRING	14979	★CRWA5	V
	2.328	2.332	.500	W/STAINLESS STEEL SPRING	14977	★CRWA5	R
1.625							
	2.125	2.131	.250	W/STAINLESS STEEL SPRING	16045	CRWAR5	V
1.750							
	2.502	2.506	.500	W/STAINLESS STEEL SPRING	17374	★CRWA5	R
1.938							
	2.675	2.679	.250	-	19213	★CRWA5	R
	2.835	2.839	.250	-	19278	★CRWA5	R
2.500							
	3.251	3.256	.350	W/SS CASE & SPRING	24892	★CRWA5	R
3.875							
	5.126	5.131	.438	-	38713	★CRWA5	R

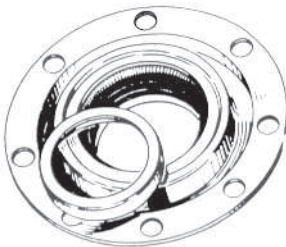
Type-J seal size listing

Flange dia.	Largest step dia.	Overall width	No. of holes	Hole dia.	Circle dia.	Type	Lip style	Stock no.	Lip code
.630 SHAFT									
2.213	–	.256	3	–	–	J8	HMSA	6455	V
1.062 SHAFT									
1.512	–	.374	3	–	–	J-SPL	HMSA	10523	R
1.181 SHAFT									
3.543	2.452	.315	4	.256	2.913	J2	HMSA	11706	#
1.250 SHAFT									
4.310	1.953	.484	4	.484	*	J6	HMA	12685	R
*2.866 between bottom bolt hole centers									
1.375 SHAFT									
4.560	2.328	.547	4	.375	*	J8	HMSA	13508	R
1 .500 *3.328 between top bolt hole centers									
1.375 SHAFT									
4.582	2.000	.259	4	.401	4.000	J5	HMS	13955	R
1 .438 4.000 Special									
2* .187 *Locating holes on 4.000 B.C.									
4.582	2.000	.218	6	.401	4.000	J5	Special	13956	R
1* .438 *1.875 from center of shaft									
2* .187 *Locating holes on 4.000 B.C.									
1.500 SHAFT									
3.625	2.063	.563	4	.328	3.000	J6	CRW	15246 ■	R
1.772 SHAFT									
–	2.841	.228	4	.256	3.189	J2	HMA	17792	R
1.875 SHAFT									
4.812	3.375	.313	12	.469	4.000	J2	HMS	18961	R
2.000 SHAFT									
4.563	2.656	.563	6	.406	4.000	J2	HM	20168 ■	R
1 .438 3.750									
2.031 SHAFT									
4.150	–	.781	5	–	–	J5	–	20380	P
* w/4.500" flange O.D., w/5.406" hole									
2.063 SHAFT									
4.688	3.125	.348	6	.469	4.000	J2	CRWH	20766 ■	R
2.375 SHAFT									
5.875	3.563	.275	8	.500	5.125	J1	CRW	23870 ■	R
2.500 SHAFT									
6.125	4.500	.438	8	.563	5.312	J1	CRW	25160 ■	R

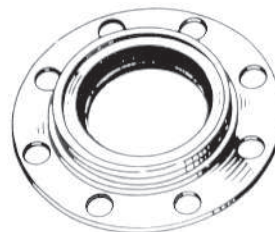
Type-J seal size listing

Flange dia.	Largest step dia.	Overall width	No. of holes	Hole dia.	Circle dia.	Type	Lip style	Stock no.	Lip code
3.010 SHAFT									
8.250	5.500	.953	8	.688	7.000	J1	CRW	1240 ■	R
3.109 SHAFT									
5.750	4.060	.325	8	.500	5.047	J2	CRW	31361 ■	R
8.250	5.500	1.016	8	.688	7.000	J1	CRW	31378 ■	P
8.250	5.781	.500	8	.688	7.000	J1	CRW	31385 ■	R
8.250	5.781	.500	10	.625	7.250	J1	CRW	31390 ■	R
3.125 SHAFT									
8.250	5.500	1.003	8	.688	7.000	J2	CRSH	31372	R
3.375 SHAFT									
4.051	–	.500	4	.254	–	J-SPL	HMSA	33624	R
3.661 SHAFT									
6.067	–	.315	7	.320	5.000	J-SPL	HMSA	36650	P
6.654	–	.449	4	.477	–	J6	HMA	36655	P
3.745 SHAFT									
6.166	–	.305	8	–	–	J1	HMA	37442	P
4.165 SHAFT									
6.800	–	.211	8	.390	–	J1	HMA	41555	R
5.938 SHAFT									
9.032	6.806	1.125	12	.563	8.250	J2	HMSA	59380	R
7.500 SHAFT									
11.260	8.431	1.918	12	.625	10.250	J1	CRW	75090 ■	P

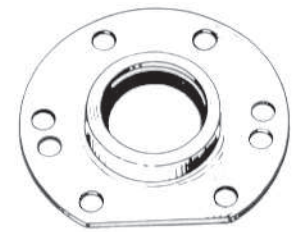
■ - Also see kit section



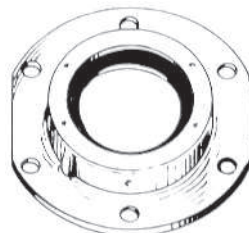
J1



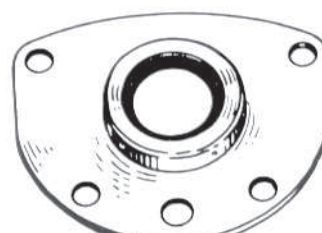
J2



J5



J6



J8

Heavy duty DF seals (HDDF)

CR's HDDF seals are mechanical seals used for positive sealing. They are recommended for low speed, severe service applications requiring positive lubricant retention, contaminant exclusion and long life. Initially designed for off-the-road vehicles, they are also recommended for use in mixing or grinding units, mills or other mechanisms where abrasives would cause premature failure of general purpose seals.

Extensive laboratory testing has proven the heavy duty seal's capabilities. These tests indicate that the heavy duty DF seal performs dependably at least ten times better than previous soft-face designs, and three times longer than other metal face designs. Used on tractors in the tropics and the arctic, heavy duty DF seals have performed continuously for thousands of hours with no failures or leaks.

Applications

The heavy duty DF seal operates on the principle that two lapped mating surfaces, a sealing ring and a mating ring, rotating one against the other at right angles to the shaft (but not in contact with the shaft), form an ideal leak-proof seal. With the high cost of maintenance downtime, improved bearing protection is critical. Using a seal with tested, improved performance, such as the heavy duty DF seal, is a justifiable alternative to costly downtime.

Seal construction

Comprised of four components, the heavy duty DF seal has two identical, high alloy, corrosion resistant steel sealing rings carefully lapped and mated, and two similar, opposed Belleville washers of specially compounded nitrile elastomer, one with a patented retainer lip. The washers provide uniform face loading

throughout life of the seal, and provide positive sealing at the inner and outer diameters. The seal fits easily into conventional straight-wall or square-bore housings, with neither special machining nor polishing of the bore required.

Prior to installation, the seal is unitized as a one-piece cartridge unit for convenient handling, shipping, storing and mounting.

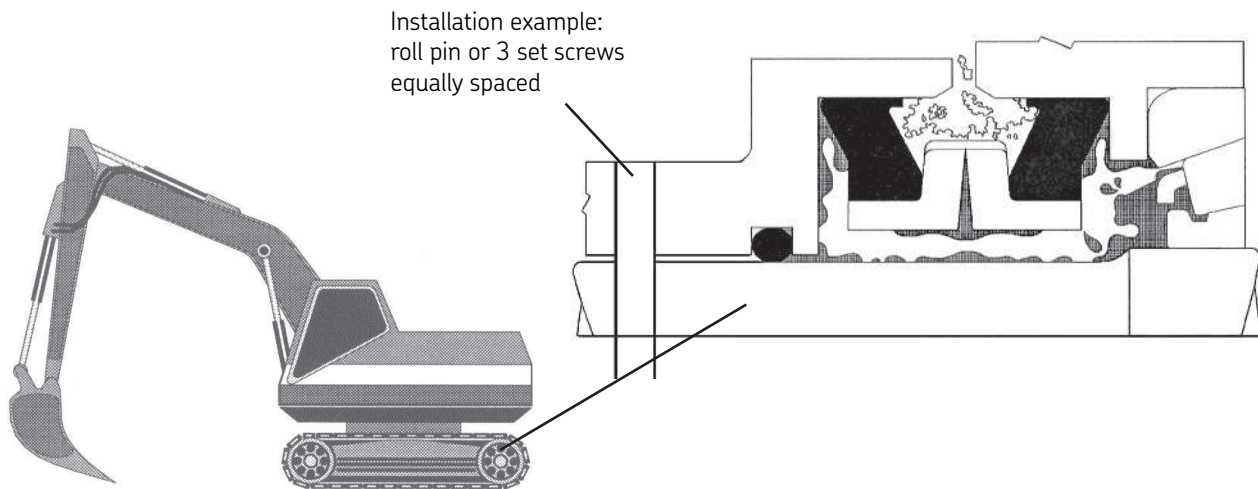
Installation

The one-piece DF seal installs by hand. No special tools or jigs are required. A small interference lip on the O.D. edge of one of the washers holds and centers the entire seal in the bore while the assembler installs the companion bore or flange.

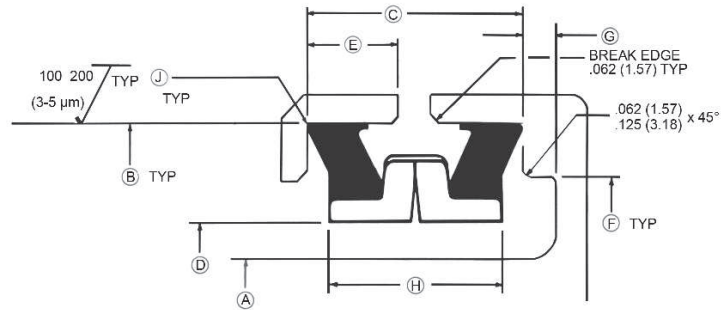
Recommended operating conditions

Speed.....	Up to 750 FPM*
Lubricant.....	10W40 oil recommended; oil level should be to center line of shaft
Pressure (internal).....	Up to 50 psi*
Temperature	-65° to 225°F (-54° to 107°C)

*Limiting conditions for continuous operation are 350 FPM (107 MPM), and 25 psi. If grease is used speed should be limited to 150 FPM maximum.



Heavy Duty (HDDF) size listing



I	II		A	B	C	D	E	F		G	H	J
Service kit no.	Field repair kit no.	Lip	Shaft (Max.)	Bore	Operating range	Seal I.D. (Min.)	Bore depth (Ref.)	Recommended shoulder dia. (Max.)	(Min.)		Length (Max.)	Radius (Max.)
									Only w/ undercut			
16904	-	R	1.688 (42.88)	2.760±.003 (70.09±0.06)	.974±.038 (24.74±0.97)	1.760 (44.70)	.453 (11.51)	2.282 (57.96)			.846 (21.49)	.037 (0.94)
18259	18257	R	1.813 (46.05)	3.003±.003 (76.26±0.06)	.892±.031 (22.66±0.79)	1.910 (48.51)	.416 (10.57)	2.475 (62.86)			.790 (20.07)	.042 (1.07)
21301	-	R	2.125 (53.98)	3.250±.003 (82.55±0.06)	.900±.033 (22.86±0.84)	2.215 (56.26)	.418 (10.62)	2.759 (70.08)			.812 (20.62)	.045 (1.14)
25096	25097	R	2.500 (63.50)	3.761±.003 (95.54±0.06)	.907±.033 (23.04±0.84)	2.580 (65.53)	.422 (10.72)	3.188 (80.98)			.840 (21.34)	.042 (1.07)
27536	27535	R	2.750 (69.85)	4.030±.003 (102.35±0.06)	.918±.035 (23.32±0.89)	2.830 (71.88)	.426 (10.82)	3.480 (88.39)			.810 (20.57)	.042 (1.07)
30651	30654	R	3.063 (77.80)	4.500±.003 (114.30±0.06)	1.016±.035 (25.81±0.89)	3.170 (80.52)	.475 (12.06)	3.833 (97.36)			.912 (23.16)	.042 (1.07)
35076	-	R	3.500 (88.90)	4.953±.003 (125.81±0.06)	1.096±.043 (27.84±1.09)	3.620 (91.95)	.511 (12.98)	4.296 (109.12)			.962 (24.43)	.035 (0.89)
38740	38741	R	3.875 (98.43)	5.312±.003 (135.00±0.08)	1.102±.024 (28.00±0.61)	4.040 (102.62)	.524 (13.30)	4.750 (120.65)			1.002 (25.45)	.042 (1.07)
38751	38752	R	3.875 (98.43)	5.562±.003 (141.27±0.08)	1.267±.050 (32.18±1.27)	4.040 (102.62)	.594 (15.09)	4.791 (121.69)			1.110 (28.19)	.051 (1.30)
43135	43136	R	4.312 (109.52)	5.823±.003 (148.00±0.08)	1.102±.024 (28.00±0.61)	4.420 (112.27)	.524 (13.30)	5.125 (130.18)			1.002 (25.45)	.042 (1.07)
43150	43149	R	4.312 (109.52)	6.000±.003 (152.40±0.08)	1.320±.040 (33.53±1.02)	4.420 (112.27)	.625 (15.88)	5.173 (131.39)			1.090 (27.69)	.051 (1.30)
46975	-	R	4.688 (119.08)	6.400±.003 (162.56±0.08)	1.525±.050 (38.74±1.27)	4.795 (121.79)	.722 (18.34)	5.583 (141.81)			1.254 (31.85)	.047 (1.19)
50655	50656	R	5.062 (128.57)	6.750±.003 (171.45±0.08)	1.280±.040 (32.51±1.02)	5.170 (131.32)	.605 (15.37)	5.975 (151.76)			1.150 (29.21)	.057 (1.45)
54000	-	R	5.400 (137.16)	6.990±.003 (177.55±0.08)	1.310±.030 (33.27±0.76)	5.625 (142.88)	.625 (15.88)	6.625 (168.28)			1.182 (30.02)	.057 (1.45)
56170	56171	R	5.625 (142.88)	7.250±.003 (184.15±0.08)	1.366±.031 (34.70±0.79)	5.825 (147.96)	.650 (16.51)	6.486 (164.74)	6.174 (156.82)	.032 (0.81)	1.300 (33.02)	.057 (1.45)
58775	58776	R	5.875 (149.23)	7.641±.003 (194.08±0.08)	1.510±.031 (38.35±0.79)	6.000 (152.40)	.724 (18.39)	6.868 (174.45)	6.548 (166.32)	.056 (1.42)	1.490 (37.85)	.073 (1.85)
63796	63797	R	6.375 (161.93)	8.120±.003 (206.25±0.08)	1.265±.040 (32.13±1.02)	6.570 (166.88)	.598 (15.19)	7.555 (191.90)	7.505 (190.63)	.125 (3.18)	1.350 (34.29)	.042 (1.07)

Dimensions in parentheses are in millimeters.

Heavy Duty (HDDF) size listing

I	II		A	B	C	D	E	F		G	H	J
Service kit no.	Field repair kit no.	Lip	Shaft (Max.)	Bore	Operating range	Seal I.D. (Min.)	Bore depth (Ref.)	Recommended shoulder dia. (Max.) (Min.)			Length (Max.)	Radius (Max.)
									Only w/ undercut			
67560	-	R	6.750 (171.45)	8.620±.004 (218.95± 0.10)	1.375± .030 (34.92± 0.76)	6.920 (175.77)	.656 (16.66)	7.750 (196.85)			1.260 (32.00)	.042 (1.07)
74310	74311	R	7.438 (188.93)	9.400± .004 (238.76± 0.10)	1.656± .040 (42.06± 1.02)	7.540 (191.52)	.793 (20.14)	8.431 (214.15)			1.344 (34.14)	.073 (1.85)
78020		R	7.800 (198.12)	10.000± .004 (254.00± 0.10)	1.750± .050 (44.45± 1.27)	7.940 (201.68)	.835 (21.21)	8.910 (226.31)			1.500 (38.10)	.058 (1.47)
82540	82541	R	8.250 (209.55)	10.062± .004 (255.57± 0.10)	1.560± .040 (39.62± 1.02)	8.358 (212.29)	.745 (18.92)	9.280 (235.71)	9.220 (234.19)	.071 (1.80)	1.562 (39.67)	.058 (1.47)
86850	86851	R	8.688 (220.68)	10.911± .005 (277.14± 0.13)	1.924± .030 (48.87± 0.76)	8.790 (223.27)	.932 (23.67)	9.754 (247.75)			1.642 (41.71)	.058 (1.47)
93115	-	R	9.312 (236.52)	11.000± .005 (279.40± 0.13)	1.437± .032 (36.50± 0.81)	9.410 (239.01)	.687 (17.45)	10.360 (263.14)	10.260 (260.60)	.090 (2.29)	1.510 (38.35)	.050 (1.27)
93125	93126	R	9.312 (236.52)	11.625± .005 (295.28± 0.13)	1.754± .050 (44.55± 1.27)	9.410 (239.01)	.837 (21.26)	10.750 (273.05)			1.510 (38.35)	.089 (2.26)
95620	-	R	9.562 (242.87)	11.859± .005 (301.22± 0.13)	1.949± .069 (49.50± 1.75)	9.660 (245.36)	.925 (23.50)	10.703 (271.86)			1.700 (43.18)	.074 (1.88)
108710	-	R	10.875 (276.23)	12.969± .005 (329.41± 0.13)	1.540± .050 (39.12± 1.27)	11.060 (280.92)	.730 (18.54)	12.100 (307.34)	12.000 (304.80)	.143 (3.63)	1.670 (42.42)	.043 (1.09)
116500	116501	R	11.625 (295.28)	13.250± .005 (336.55± 0.13)	1.290± .030 (32.77± 0.76)	11.780 (299.21)	.615 (15.62)	12.780 (324.61)			1.210 (30.73)	.045 (1.14)
124020	124021	R	12.400 (314.96)	14.375± .005 (365.12± 0.13)	1.656± .050 (42.06± 1.27)	12.500 (317.50)	.788 (20.02)	13.530 (343.66)	13.470 (342.14)	.060 (1.52)	1.610 (40.89)	.057 (1.45)
137570	-	R	13.750 (349.25)	15.817± .005 (401.75± 0.13)	1.875± .032 (47.62± 0.81)	13.910 (353.31)	.906 (23.01)	14.985 (380.62)			1.670 (42.42)	.089 (2.26)
806715	-	R	14.750 (374.65)	16.695± .005 (424.05± 0.13)	1.875± .032 (47.62± 0.81)	14.950 (379.73)	.906 (23.01)	15.863 (402.92)			1.670 (42.42)	.062 (1.58)
171025	171026	R	17.125 (434.98)	19.240± .006 (488.70± 0.15)	1.531± .053 (38.89± 1.35)	17.280 (438.91)	.724 (18.39)	18.400 (467.36)	18.300 (464.82)	.140 (3.56)	1.659 (42.14)	.043 (1.09)
191022	191021	R	19.125 (485.78)	21.500± .006 (546.10± 0.15)	1.640± .042 (41.66± 1.07)	19.250 (488.95)	.784 (19.91)	20.950 (532.13)	20.850 (529.59)	.175 (4.44)	1.832 (46.53)	.057 (1.45)
238020	238021	R	23.875 (606.43)	26.875± .006 (682.62± 0.15)	2.125± .059 (53.98± 1.50)	24.280 (616.71)	1.018 (25.86)	25.550 (648.97)			1.851 (47.02)	.089 (2.26)

Dimensions in parentheses are in millimeters.

Service kit/Field repair kit

I. Service kit contents:

- 1 - Seal assembly
(Includes Belleville washers)
- 2 - Lint-free wipers
- 1 - Instruction sheet

II. Field repair kit contents:

- 2 - Belleville washers only
- 2 - Lint-free wipers
- 1 - Instruction sheet

Metal sealing rings can be reused even if the rubber Belleville washers are damaged. Simply purchase a field repair kit (listed next to the service kit number) and fit the new washers to the sealing rings, using the instructions provided.

Waveseal

The only standard stock line of molded lip, bi-rotational hydrodynamic shaft seals available anywhere. Choices allow selection of inner case, dust lip or pressure profiles as needed to solve specific application problems. Rubber materials include nitrile, LongLife fluoroelastomer, silicone and polyacrylate to accommodate a wide range of operating conditions.

Zero-interference

The double-lip Waveseals, CRWA1 and CRWHA1 designs, have a special zero-interference dirt lip. It acts as a dirt excluder without actually touching the shaft. There is no heat build-up under the dirt lip because there is no friction and the zero-interference dirt lip reduces the possibility of trapping contamination at the shaft. The primary Waveseal lip provides cool-running, long-lasting, hydrodynamic benefits without the adverse effects of most conventional double lip seals.

Waveseal features:

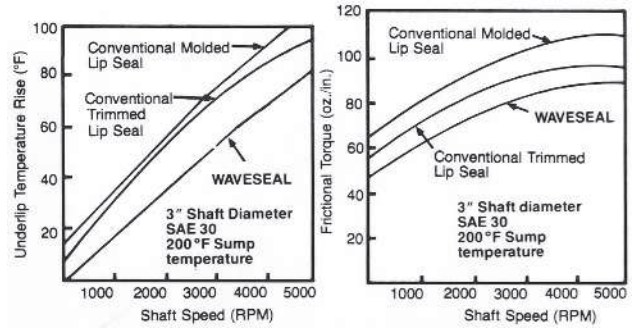
- Bi-rotational, hydrodynamic radial lip design
- Smooth molded lip
- Provides exceptional sealing performance with less lip pressure and a wider contact pattern than required by conventional trimmed lip seals (including other hydro-dynamic types)
- Generates a hydrodynamic action that provides better lip lubrication and greatly reduces shaft wear
- Pumps lubricant in while sealing out contaminants
- Bore Tite coating on seal O.D.

Waveseal benefits:

- Allows seal to run cooler
- Creates less drag
- Reduces shaft wear
- Extends seal service life
- Ingests fewer contaminants
- Maintains fresh oil film
- Bore Tite fills small bore imperfections and resists heat and chemical attack

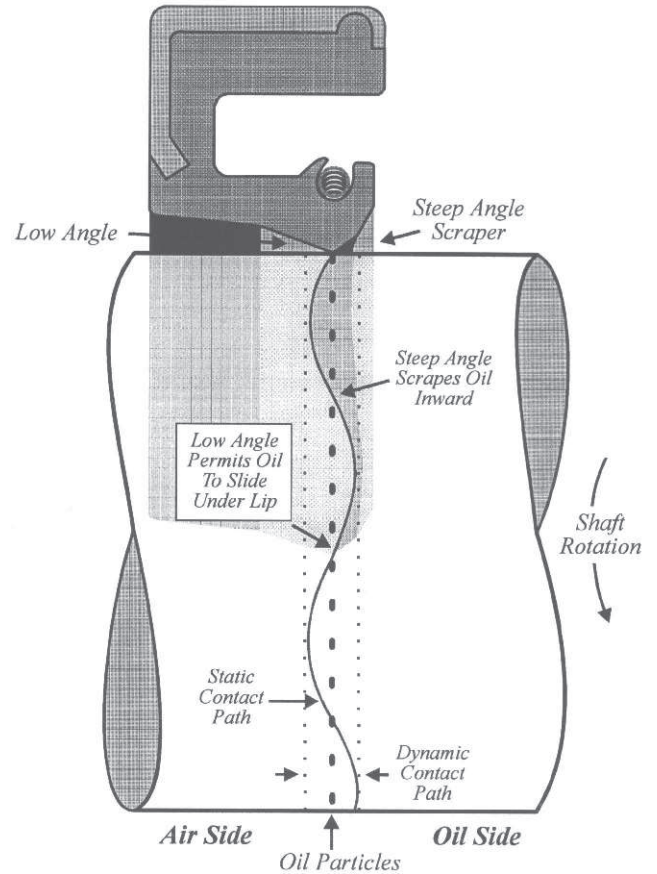


Conventional trimmed lip has sharp edge & rough surface on lube side.



Underlip temperature rise vs. shaft speed. At 2,000 rpm, the Waveseal offers up to 35% less heat built-up under the lip than conventional lip seals.

Frictional torque vs. shaft speed. At 2,100 rpm, the Waveseal offers more than 20% less frictional torque than conventional lip seals.



The CR Waveseal touches the shaft in a wide 'sine' or wave pattern. Due to this unique design, contact pressure and grooving are minimized, heat generation and friction are reduced. Lubricant is pumped back to the bearing while dirt is pushed away from the lip/shaft interface.

Hydraulic/pneumatic products

CR offers three types of seals designed to seal out dirt or retain lubricants in applications involving reciprocating motion. Used primarily in hydraulic and pneumatic cylinders and similar applications, these types are Block Vee packings, Wiper-Scraper seals and double lip rod Wiper-seals. Following is complete information on each type, including specific application data, styles and sizes available, and installation guidelines.

Block Vee packings

CR's Block Vee packing makes an excellent static seal where there is slight movement or vibration between the sealed parts, such as the joint between a cylinder tube and an end cap. It features a unique cross section. Compared to "U" packings, the block vee is more compact and performs efficiently under higher pressures, up to 4000 psi and more.

Applications

Select the block vee for a combination of reciprocating and rotating motion applications, or rotation only in low speed applications such as hand-actuated valves. Valves and control mechanisms, brakes, clutches, accumulators, jacks, pumps and vacuum devices are ideal environments for Block Vee usage.

Temperature

Duralip packings used in hydraulic or pneumatic applications at operating temperatures of 32°F (0°C) or below may experience "Blow-By" when air is introduced into the cylinder.

Selection

Illustrations of a Block Vee cross-section and typical piston and rod applications appear below. Also shown is a groove design easing installation in small bores.

Surface recommendations

Metal surfaces contacting Block Vees should be smooth and free from tool marks. Rubbing surfaces, should have a finish of 10-20 micro-inches Ra (arithmetic average).

Pressure

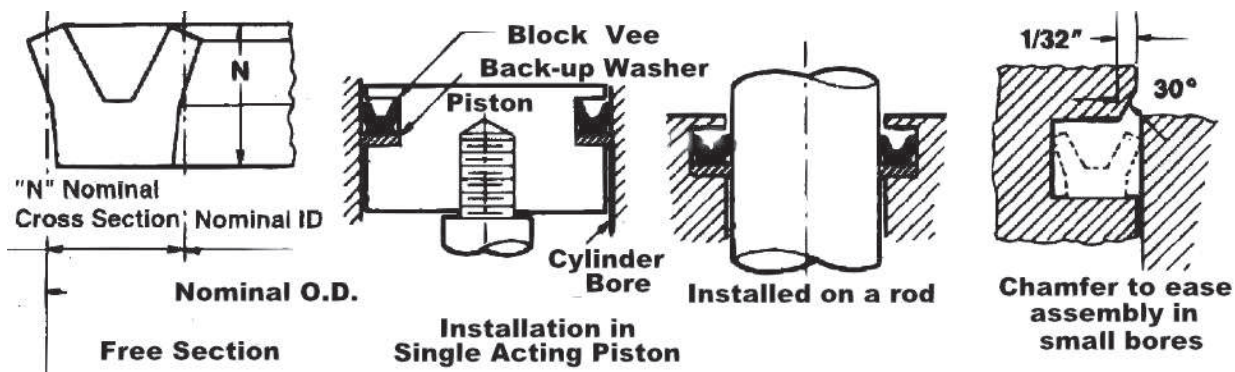
When pressures exceed 500 psi, use of a backup washer is recommended with the necessary groove width allowance. Operating pressures in excess of 4000 psi requires special attention. Minimum recommended operating pressure in hydraulic (oil) cylinder is 50 psi, and 100 psi in pneumatic (air) cylinders.

Back-up washer

Back-up washers are made from a special cellulose fiber base impregnated with a protein and glycerine binder. These washers offer excellent chemical resistance to gasoline, hydraulic fluid, petroleum oils, fuel oils and many organic solvents. Back-up washers are not intended for sealing water where intermittent wet and dry conditions exist. Temperature at the back-up washer should not exceed 200°F (93°C). See size listings for availability.

Installation

Correct dimensions and pre-lubing of the parts enclosing the block vee are critical for correct installation and operation. The radial depth of the groove in which the block vee is placed should not be less than the block vee's nominal cross-section. Keep the maximum diametral clearance (minimum diametral clearance plus tolerance on the two parts) as small as practical. Refer to the table of maximum clearance values (pg. 409), which is based on prior experience with standard applications. Examples clarify the chart's details.



Hydraulic/pneumatic products

Piston packing example

Assume a nominal 3" cylinder. Service is normal; operating pressure is above 1000 psi. The designer has chosen actual cylinder I.D.

(dimension A) as 3.000" +.005/-.000
N is 7/32" or .219 (part #711831).

1. First determine the minimum piston O.D. (B min):
 $B \text{ min} = A \text{ max} - Y$
 $= 3.005" - .010" = 2.995"$
2. Groove diameter (C), then will be:
 $C = B \text{ min} - 2N = 2.995" - .438"$
 $= 2.557" + .000/-0.005$
3. Groove width (D) = $N + 1/32"$ + back-up thickness (if used).
 $D = 7/32" + 1/32" + 1/16" = 5/16" + .010/-0.005$
 $.219 + .031 + .063 = .312 + .010/-0.005$

Rod packing example

For this cylinder, assume a nominal 1 5/8" piston rod. Service and pressure are as above. The actual rod diameter (dimension E) is chosen by the designer as: 1.625" +.000/-0.005
N is 3/16" or .188 (part #711823)

1. Now determine the max housing diameter (F):
 $F \text{ max} = E \text{ min} + Y$
 $= 1.620" + .010" = 1.630"$
2. Groove diameter (G), then will be
 $G = F \text{ max} + 2N = 1.630" + .375"$
 $= 2.005" + .005/-0.000$
3. Groove width (D) = $N + 1/32"$ + back-up thickness (if used).
 $D = 3/16" + 1/32" + 1/16" = 9/32" + .010/-0.000$
 $.188 + .031 + .063 = .282 + .010/-0.000$

Availability

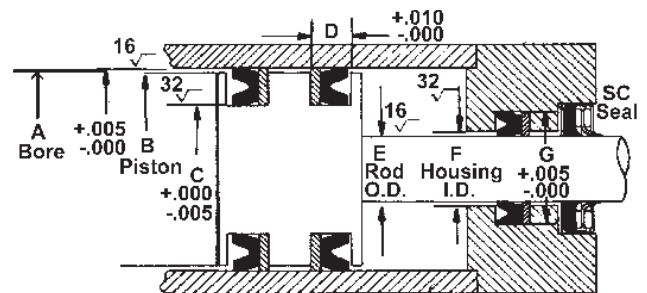
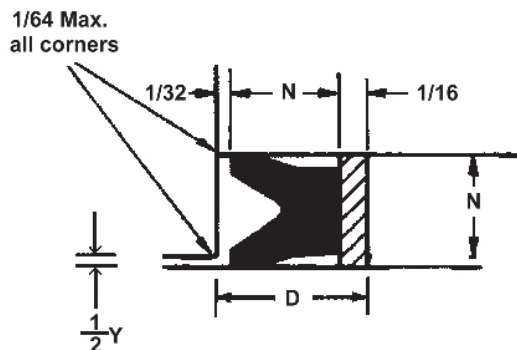
The standard sizes listed in this handbook are carried in stock.

Table Y
Maximum diametral clearance

Pressure	Under 1000 PSI	Above 1000 PSI
Light service	Y = .020"	Y = .015"
Normal service	Y = .015"	Y = .010"
Hard service	Y = .010"	Y = .005"

Table of dimensions

- N = Block vee nominal cross-section (axial and radial)
- Y = Maximum diametral clearance
- A = Cylinder bore (size and tolerance +.005 -.000 set by designer)
- $B \text{ min} = A \text{ max} - Y$
- C = $B \text{ min} - 2N$
- D = Groove width = $N + 1/32"$ + back-up thickness (if used).
- E = Rod diameter (size and tolerance +.000-.005 set by designer)
- F max = E min + Y
- G = F max + 2N



Hydraulic/pneumatic products installation

Wiper-scraper seals

Sealing dirt out of hydraulic cylinders and removing solid contaminants from the rod can be done effectively by one sealing device: CR's wiper-scraper seal. This unique all-in-one seal works consistently, at a cost comparable to that of standard spring-loaded shaft seals.

Simple and compact in design, CR's wiper-scraper seal consists of a thin spring brass scraper and a pliable nitrile wiping member assembled in tandem position, securely clamped and enclosed in a steel shell. The seal's inner diameter is slightly under shaft size. When assembled over the shaft or rod, it fits snugly. Designed for reciprocating shafts only, wiper-scrappers will not withstand pressure. In applications involving pressure, select a block vee packing.

Due to its highly effective scraper action, these seals generate considerable drag. Designers should conduct functional tests to evaluate their performance in non-hydraulic cylinder applications.

Selection

Correct selection of CR wiper-scraper seals depends on shaft diameter, cross-section and width dimensions. Refer to table below.

Shaft diameter	Radial cross-section	Width
.500" (12.7 mm)	.250" (6.35 mm)	.250" (6.35 mm)
.625 - 3.000" (15.9 mm - 76.2 mm)	.250" (6.35 mm)	.281" (7.14 mm)
3.125 - 5.250" (79.3 mm - 133 mm)	.313" (7.9 mm)	.328" (8.3 mm)
5.313 - 6.000" (135 mm - 152 mm)	.313" (7.9 mm)	.359" (9.12 mm)

Operation

The scraper's self-aligning feature not only accommodates rod eccentricity during assembly; it also permits the scraper to follow the rod's side movement up to .020" (.5 mm) misalignment. The brass scraper lip fits snugly, removing dried or frozen mud, tar and other materials stuck to the rod on the inward stroke. The nitrile wiping member then removes any water, dust or abrasive particles which might pass by the scraper.

Recommended operating condition

The wiper-scraper seal should function adequately under the following conditions.

Shaft diameter-Tolerance of plus or minus .001" (.03mm) required to assure efficient scraping action.

Shaft eccentricity- Accommodates up to .020" (.5 mm) misalignment.

Shaft finish-10-20 micro-inches Ra. Shaft hardness-Rockwell C30 minimum.

Shaft material-Steel or stainless steel. If chrome-plated, the entire surface should be plated.

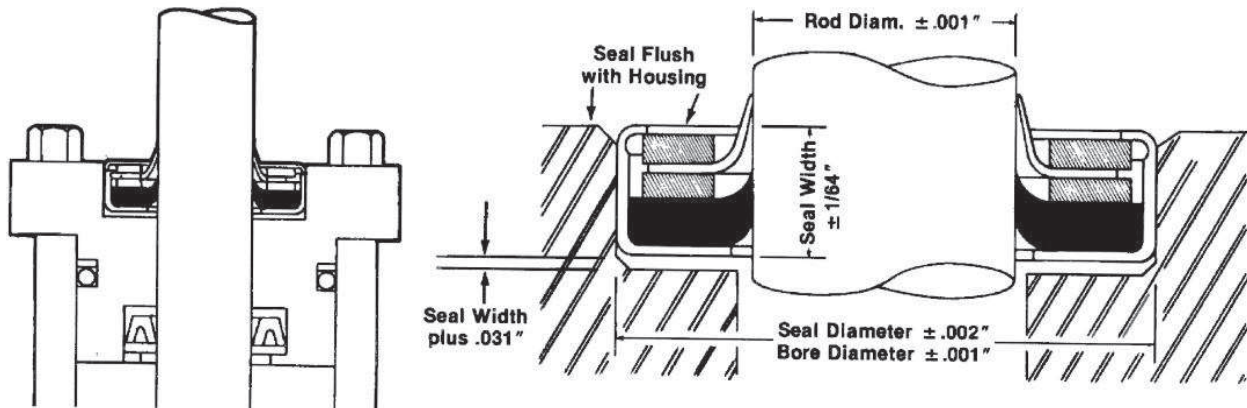
Shaft speed -Designed for reciprocating applications; not suitable for rotating shafts. No practical limit to speed of reciprocation.

Pressure-Not designed to withstand pressure.

Temperature- From -20° to 250°F (short peaks only) (-29° to 121°C).

Wiper-Scraper seal installation

The Wiper-Scraper seal is retained in steel housings by simple press-fit. It does not require special machining for snap rings. To avoid restriction of the scraper's floating feature, CR engineers recommend that the seal housing bore depth be machined .031" greater than the seal width and the seal installed flush with the face of the housing. Do not "bottom out" the seal.



Hydraulic/pneumatic products installation

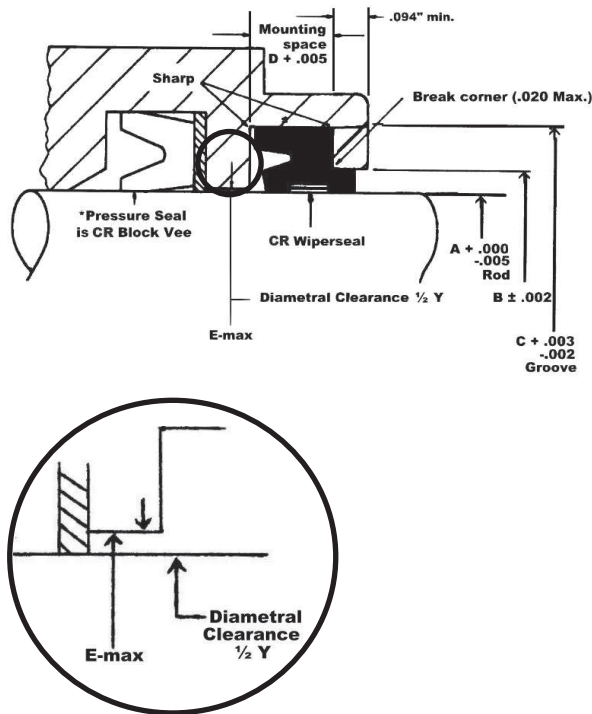
Wiperseal

CR's double lip Wiperseal is designed for reciprocating rods. As a wiper, it excludes dirt and contaminants protecting the rod seal and internal components.

Applications

A molded elastomer part, CR's Wiperseal features dual opposed lips for dirt exclusion in an internal groove. Valuable in rod applications, it increases the packing life and protects the rod finish. This improved wiping performance extends internal component life and reduces maintenance.

Double lip rod Wiperseals are not recommended for pressure applications. In those situations, use a block vee packing (pg. 409).



Installation

Correct dimensioning of the parts enclosing the double lip rod wiperseal are critical to installation and operation. Radial depth of the groove in which the seal is placed should not be less than its nominal cross-section. Keep the maximum diametral clearance (minimum diametral clearance plus tolerances on the two parts) as small as practical.

Example

For this cylinder, assume a nominal 1.625" piston rod, normal service, no pressure. The actual rod diameter (dimension A) is chosen by the designer as:

1.625" +.000/- .005 From the size list, D is .219" (part #709011)

- Now determine the maximum housing diameter (E):
E max = A min + Y = 1.620" + .015" = 1.635"
- The balance of the dimensions can be determined from the table below.

All metal surfaces contacting double lip rod wiperseals should be smooth and free from tool marks. A finish of 10-20 micro-inches Ra (arithmetic average) is recommended for the rod surface.

Quick reference standard stock size list for WS rod wipers

Nominal rod size	Part no.	A	B	C	D	Lip code
.500	709001	.500	.618	.802	.203	R
.625	709002	.625	.743	.927	.203	R
.625	712120	.625	.743	.927	.203	V
.688	709003	.688	.806	.990	.203	R
.750	709004	.750	.868	1.052	.203	R
.875	709005	.875	1.009	1.240	.219	R
1.000	709006	1.000	1.134	1.365	.219	R
1.000	712121	1.000	1.134	1.365	.219	V
1.125	709007	1.125	1.259	1.490	.219	R
1.250	709008	1.250	1.384	1.615	.219	R
1.375	709009	1.375	1.509	1.740	.219	R
1.375	712122	1.375	1.509	1.740	.219	V
1.500	709010	1.500	1.634	1.865	.219	R
1.625	709011	1.625	1.759	1.990	.219	R
1.750	709012	1.750	1.884	2.115	.219	R
1.750	712123	1.750	1.884	2.115	.219	V
2.000	709014	2.000	2.134	2.365	.219	R
2.000	712124	2.000	2.134	2.365	.219	V
2.125	709015	2.125	2.259	2.490	.219	R
2.250	709016	2.250	2.384	2.745	.281	R
2.500	709018	2.500	2.634	2.995	.281	R
2.500	712125	2.500	2.634	2.995	.281	V
2.750	709019	2.750	2.884	3.245	.281	R
3.000	709020	3.000	3.134	3.495	.281	R
3.000	712126	3.000	3.134	3.495	.281	V
3.250	709021	3.250	3.384	3.745	.281	R
3.500	709022	3.500	3.634	3.995	.281	R
3.500	712542	3.500	3.634	3.995	.281	V
3.750	709023	3.750	3.884	4.245	.281	R
4.000	709024	4.000	4.134	4.495	.281	R
4.000	714884	4.000	4.134	4.495	.281	V
4.250	709025	4.250	4.384	4.745	.281	R
4.500	709026	4.500	4.634	4.995	.281	R
5.000	709029	5.000	5.134	5.495	.281	R
5.000	712128	5.000	5.134	5.495	.281	V
5.250	709030	5.250	5.384	5.745	.281	R
5.500	709031	5.500	5.634	5.995	.281	R
5.500	712129	5.500	5.634	5.995	.281	V

Hydraulic/pneumatic products selection

Sirvon rings

CR Sirvon (TFE base) (lip code T) piston rings are designed for hydraulic and pneumatic applications. They may replace conventional metal or segmented carbon rings in pneumatic applications, or rubber and leather packings.

Advantages

1. Sirvon rings require no lubrication. They operate dependably in dry running applications, such as in compressors, food pumps and in any applications where oil might contaminate the air, gas or liquid in the system.
2. Friction is greatly reduced, permitting smaller h.p. motors.
3. Sirvon rings greatly increase service life, eliminate scoring, galling and stick-slip.
4. Piston design may be simplified, reducing production costs. While many pistons with metal rings require multiple parts, Sirvon rings do not.
5. Easy stretch installation reduces assembly costs. A 7% maximum stretch is recommended.
6. A cylinder bore finish of 10-20 micro-inches Ra (arithmetic average) is recommended. More expensive machining is not required.

Design factors

Pressure - While the practical limits for Sirvon rings have not been conclusively determined, pressures up to 8,000 psi have been applied successfully.

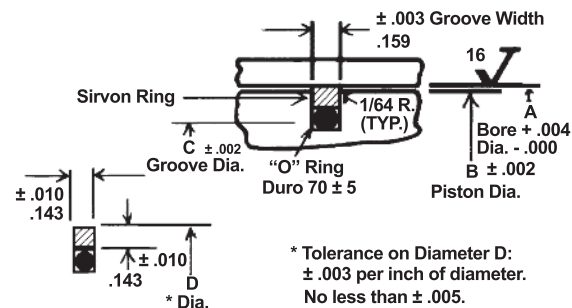
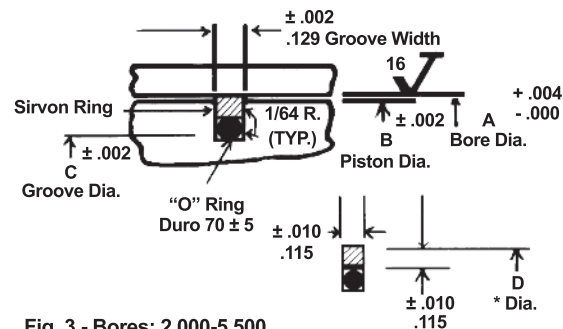
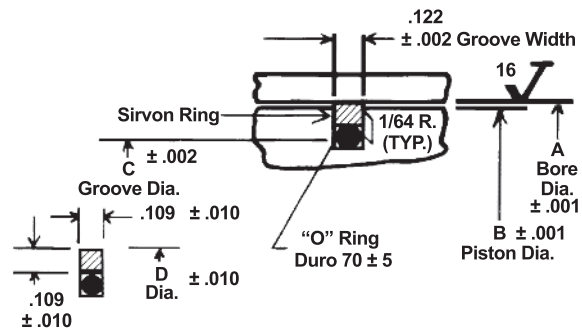
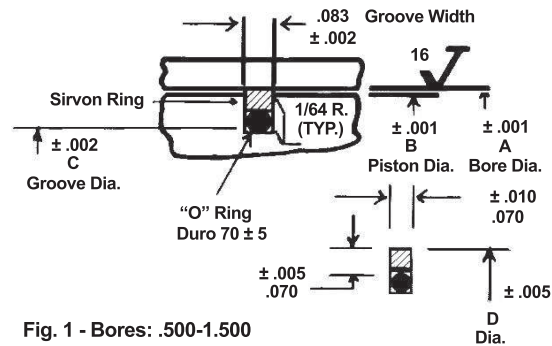
Stretch limit - Varies with diameter and cross-section of the Sirvon ring. For example, a 2.000" diameter ring is stretched 13% during installation; a 4.000" diameter ring is stretched 6.1% with satisfactory snap-back, to correct tolerances in the respective ring grooves.

Cross-sections increase with bore diameter:

.500" to 1.500"	at .070" sq.
1.562" to 1.938"	at .109" sq.
2.000" to 5.500"	at .115" sq.
5.750" to 12.250"	at .143" sq.

O-ring back-up - If a slight leakage can be tolerated in hydraulic pistons, no o-ring is required. If no leakage can be tolerated and o-rings are compatible with the temperature and medium, they are recommended. The groove dimensions shown allow for the installation of an appropriate o-ring.

Standard sirvon rings - A guide for recommended groove dimensions and tolerances is given for each of the four size ranges listed (.500"-1.500", 1.563"-1.938", 2.000"-5.500", and 5.750"-12.250").



Hydraulic/pneumatic sirvon rings

Design guide for solid stock sirvon rings

★ Temperature range: -400°F to +500°F) (-200°C to 260°C)

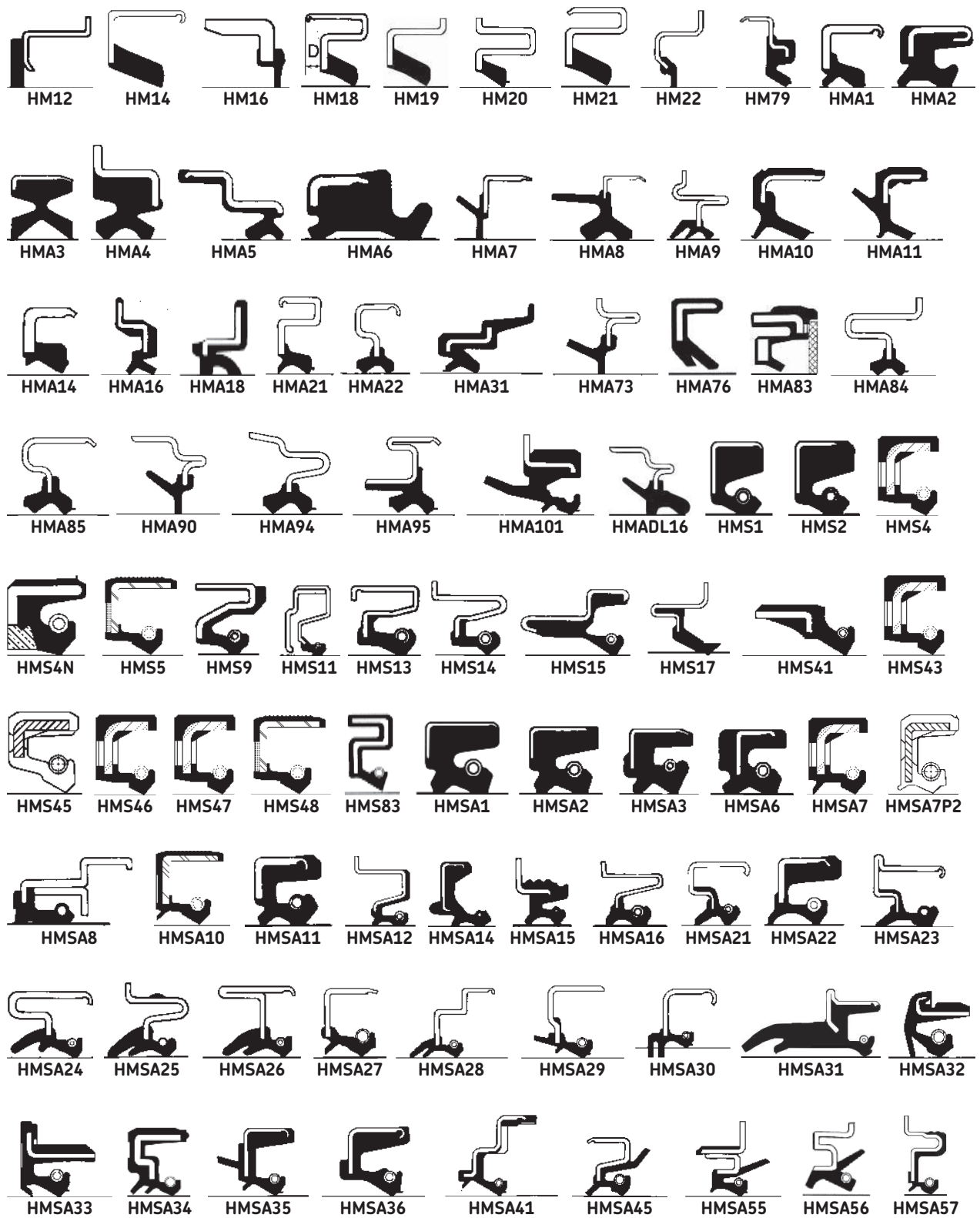
SKF part no.	A bore dia.	B piston dia.	C groove dia.	D ring dia.	O-ring dash no.	Type & style	Lip code
715041	1.250	1.247	0.991	1.261	-021	SR	T
715043	1.500	1.497	1.241	1.511	-025	SR	T
715047	1.750	1.747	1.360	1.771	-125	SR	T
713397	2.000	1.996	1.606	2.024	-129	SR	T
713313	2.250	2.246	1.858	2.274	-133	SR	T
713315	2.500	2.496	2.106	2.524	-137	SR	T
713316	2.750	2.746	2.356	2.774	-141	SR	T
713317	3.000	2.996	2.606	3.026	-145	SR	T
713318	3.250	3.246	2.856	3.276	-149	SR	T
713319	3.500	3.496	3.108	3.526	-151	SR	T
713321	4.000	3.996	3.608	4.026	-153	SR	T
714493	4.250	4.246	3.858	4.278	-154	SR	T
714494	4.500	4.496	4.108	4.528	-155	SR	T
714495	4.750	4.746	4.358	4.778	-156	SR	T
714427	5.000	4.996	4.608	5.028	-157	SR	T
714496	5.250	5.246	4.858	5.280	-158	SR	T
714497	5.500	5.496	5.108	5.530	-159	SR	T
714498	5.750	5.746	5.232	5.780	-251	SR	T
714499	6.000	5.996	5.482	6.030	-253	SR	T
714502	6.750	6.746	6.232	6.782	-258	SR	T
714503	7.000	6.996	6.482	7.032	-259	SR	T
717479	7.250	7.245	6.732	7.286	-260	SR	T
715284	8.000	7.995	7.482	8.040	-263	SR	T
715146	8.250	8.245	7.732	8.291	-264	SR	T
715181	9.000	8.994	8.482	9.045	-267	SR	T
717613	10.000	9.994	9.482	10.050	-271	SR	T

★ Fluorocarbon base materials sublime at 620°F (327°C)

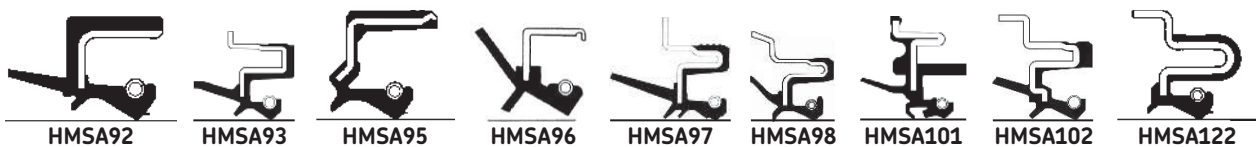
Type and style illustrations



Type and style illustrations



Type and style illustrations



Part numbering system and seal finder

CR Seal part numbering system

Each CR Seal stock number identifies the shaft size for which the seal is designed. For small diameter seals, the approximate shaft size is indicated by inserting a decimal point to the left of the last four digits in the number. For example: #54960 (5.4960) indicates a 5.500" (140 mm) shaft.

Note that metric shaft sizes are cataloged by their inch equivalents in the inch size listing section. A complete size listing of metric seals arranged by metric shaft, bore and widths can be found in the Size listing - metric section of this publication.

Metric seals include the metric dimensions and additional information directly beneath the stock number on the end flap of the product box. This line lists the seal shaft x bore x width in millimeters, the seal construction and lip material code.

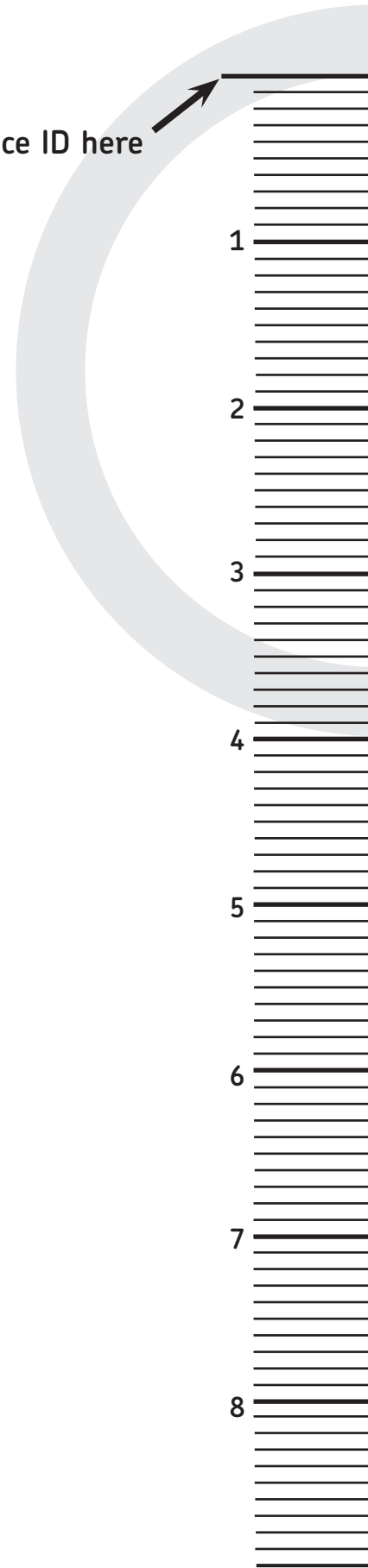
Use this guide to identify seals without applications

1. Determine the inner diameter (shaft size).
Measure the seal against this chart.
2. Note the first two digits of the measurement:

Examples: Part# 19753 has a 2.0" ID
Part# 16044 has a 1.6" ID
Part# 15041 has a 1.5" ID
3. Use the first two digits to locate several seals having the same I.D. Pull several seals from inventory and compare to the sample.

This chart method will work for most/all seals with a 5 digit part number.

Place ID here



Complete size listings

Inch section

See next page

Size listing - Inches

Inch Shaft	Inch Bore	Inch O.D.	Inch Width	Inch Seal no.	Seal info. notes	Type & style	Lip code
.125	.313	—	.063	451486	—	BUW	#
.125	.313	—	.094	711800	—	BV	R
.125	.313	—	.094	721523	—	BV	V
.125	.313	—	.094	721578	—	BV	D
.157	.472	.481	.236	1574	—	ENDYOKE	R
.188	.375	—	.094	711801	—	BV	R
.188	.375	—	.094	721519	—	BV	V
.188	.438	—	.125	711802	—	BV	R
.188	.500	.504	.125	1850	—	HM1	R
.197	.591	.599	.236	1972	—	HMS47	R
.197	.630	.639	.236	1960	—	HMS4	R
.197	.748	.757	.197	1975	—	HMS46	R
.197	.866	.875	.315	1976	—	HMS46	R
.236	.472	.475	.079	2340	—	HM3	R
.236	.630	—	.197	562748	—	HMS5	RG
.236	.630	—	.197	562749	—	HMSA10	RG
.236	.630	—	.197	562750	w/Stainless Steel Spring	HMS5	V
.236	.630	—	.197	562751	w/Stainless Steel Spring	HMSA10	V
.236	.630	—	.276	563979	—	HMS5	RG
.236	.630	—	.276	563980	—	HMSA10	RG
.236	.630	—	.276	563981	w/Stainless Steel Spring	HMS5	V
.236	.630	—	.276	563982	w/Stainless Steel Spring	HMSA10	V
.236	.748	.757	.236	2365	—	HMS47	R
.236	.866	—	.276	563925	—	HMS5	RG
.236	.866	—	.276	563926	—	HMSA10	RG
.236	.866	—	.276	563927	w/Stainless Steel Spring	HMS5	V
.236	.866	—	.276	563928	w/Stainless Steel Spring	HMSA10	V
.250	.499	.503	.188	2450	—	HM14	R
.250	.499	.503	.188	2452	—	HMA14	V
.250	.500	—	.125	711803	—	BV	R
.250	.500	—	.125	721526	—	BV	V
.250	.562	.566	.188	2470	—	★HM14	R
.250	.749	.753	.188	2563	—	HM14	R
.250	.749	.753	.250	2514	—	★CRW1	R
.250	.749	.753	.250	2517	—	CRW1	V
.258	.449	—	.109	700036	—	BV	R
.259	.519	.531	.453	2570	—	HM-SPL	R
.276	.630	.635	.276	2760	—	HMS4	R
.276	.630	—	.276	692255	—	HMS5	RG
.276	.630	—	.276	692256	—	HMS5	V
.276	.630	—	.276	692257	—	HMSA10	RG
.276	.787	.796	.276	2770	—	HMS4	R
.276	.787	.804	.276	2772	—	HMSA7	R
.276	.866	—	.276	563983	—	HMS5	RG
.276	.866	—	.276	563984	—	HMSA10	RG
.276	.866	—	.276	563985	w/Stainless Steel Spring	HMS5	V
.276	.866	—	.276	563986	w/Stainless Steel Spring	HMSA10	V
.313	.500	.506	.125	3044	—	HM4	R
.313	.500	—	.094	700054	—	BV	R
.313	.563	—	.125	711804	—	BV	R
.313	.563	—	.125	721512	—	BV	V
.313	.626	.630	.156	3060	—	★HM14	R
.313	.626	.630	.203	3050	—	★HM1	R
.313	.633	.637	.141	3080	—	HM14	R
.313	.686	.690	.313	3094	—	CRWA5	R
.313	.749	.753	.250	3103	—	CRWA5	V
.313	.749	.753	.250	3140	—	HM14	R
.313	.749	.753	.256	3101	—	CRWA5	R
.313	.750	.754	.250	3141	—	HM3	R
.313	.862	.866	.250	3086	—	HM14	R
.313	.999	1.003	.313	3171	—	CRWA5	R
.313	1.250	1.254	.375	3230	—	P1	L
.315	.472	.475	.118	3030	—	HM4	R
.315	.551	.557	.157	3036	—	HMS1	R
.315	.630	.635	.276	3145	—	HMS4	R

Size listing - Inches

Inch Shaft	Inch Bore	Inch O.D.	Inch Width	Inch Seal no.	Seal info. notes	Type & style	Lip code
.315	.709	—	.197	563312	—	—	RG
.315	.709	—	.197	563311	—	HMS5	RG
.315	.709	—	.197	563313	w/Stainless Steel Spring	HMS5	V
.315	.709	—	.197	563314	w/Stainless Steel Spring	HMSA10	V
.315	.709	—	.276	563897	—	HMS5	RG
.315	.709	—	.276	563898	—	HMSA10	RG
.315	.709	—	.276	563899	w/Stainless Steel Spring	HMS5	V
.315	.709	—	.276	563900	w/Stainless Steel Spring	HMSA10	V
.315	.787	.796	.315	3158	—	HMS46	R
.315	.866	—	.276	692261	—	HMSA10	RG
.315	.866	—	.276	692262	—	HMSA10	V
.315	.945	—	.276	563987	—	HMS5	RG
.315	.945	—	.276	563988	—	HMSA10	RG
.315	.945	—	.276	563989	w/Stainless Steel Spring	HMS5	V
.315	.945	—	.276	563990	w/Stainless Steel Spring	HMSA10	V
.354	.512	.514	.118	3526	—	HM4	R
.354	.669	.675	.177	3541	—	CRS11	R
.354	.709	.709	.276	3543	—	HMSA7	R
.354	.748	.754	.197	3544	—	CRS13	R
.354	.866	—	.276	563881	—	HMS5	RG
.354	.866	—	.276	563882	—	HMSA10	RG
.354	.866	—	.276	563883	w/Stainless Steel Spring	HMS5	V
.354	.866	—	.276	563884	w/Stainless Steel Spring	HMSA10	V
.354	.945	.950	.276	3550	—	HMS4	R
.354	1.024	1.029	.276	3560	—	HMS4	R
.370	.606	.614	.310	3626	—	HMSA76	R
.375	.563	.566	.094	3621	—	HM3	R
.375	.625	.629	.125	527935	—	BB	R
.375	.625	.629	.125	528759	w/Stainless Steel Case	BB	D
.375	.625	—	.063	451056	—	BUW	#
.375	.625	—	.125	711805	—	BV	R
.375	.625	—	.125	721502	—	BV	V
.375	.625	—	.125	721521	—	BV	D
.375	.628	.633	.197	3632	—	HMA10	P
.375	.687	.691	.156	3645	—	★HM14	R
.375	.749	.753	.250	3687	—	CRW1	R
.375	.749	.753	.250	3683	—	HM14	R
.375	.749	.753	.250	3688	—	★CRW1	V
.375	.749	.753	.250	3689	w/SS Case & Spring	CRW5	R
.375	.750	.754	.250	3680	—	★CRWA1	R
.375	.836	.840	.188	3719	—	★CRW1	P
.375	.875	.879	.250	3725	—	★CRW1	R
.375	.875	.879	.250	3727	—	HM14	R
.375	.999	1.003	.250	3751	—	CRW1	R
.375	.999	1.003	.250	3752	—	★CRW1	V
.375	1.124	1.128	.250	3806	—	CRW1	R
.375	1.124	1.128	.375	3807	—	★CRW5	V
.394	.551	.554	.118	3930	—	HM4	R
.394	.709	.718	.236	3970	—	HMS48	R
.394	.748	—	.276	564024	—	HMS5	RG
.394	.748	—	.276	564025	—	HMSA10	RG
.394	.748	—	.276	564026	—	HMS5	V
.394	.748	—	.276	564027	—	HMSA10	V
.394	.787	—	.236	563709	—	HMSA10	RG
.394	.787	—	.236	563710	w/Stainless Steel Spring	HMS5	V
.394	.787	—	.236	563711	w/Stainless Steel Spring	HMSA10	V
.394	.787	—	.276	563508	—	HMS5	RG
.394	.787	—	.276	563510	w/Stainless Steel Spring	HMS5	V
.394	.787	—	.276	563511	w/Stainless Steel Spring	HMSA10	V
.394	.866	—	.276	562660	—	HMS5	RG
.394	.866	—	.276	562661	—	HMSA10	RG
.394	.866	—	.276	562662	w/Stainless Steel Spring	HMS5	V
.394	.866	—	.276	562663	w/Stainless Steel Spring	HMSA10	V
.394	.945	—	.276	562824	—	HMS5	RG
.394	.945	—	.276	562825	—	HMSA10	RG

Size listing - Inches

Inch Shaft	Inch Bore	Inch O.D.	Inch Width	Inch Seal no.	Seal info. notes	Type & style	Lip code
.394	.945	—	.276	562826	w/Stainless Steel Spring	HMS5	V
.394	.945	—	.276	562827	w/Stainless Steel Spring	HMSA10	V
.394	.984	—	.276	563081	—	HMS5	RG
.394	.984	—	.276	563082	—	HMSA10	RG
.394	.984	—	.276	563083	w/Stainless Steel Spring	HMS5	V
.394	.984	—	.276	563084	w/Stainless Steel Spring	HMSA10	V
.394	1.024	—	.276	562688	—	HMS5	RG
.394	1.024	—	.276	562689	—	HMSA10	RG
.394	1.024	—	.276	562690	w/Stainless Steel Spring	HMS5	V
.394	1.024	—	.276	562691	w/Stainless Steel Spring	HMSA10	V
.394	1.102	1.132	.315	3973	—	HMS4	R
.394	1.181	1.211	.276	3975	—	HMS4	R
.394	1.575	1.585	.276	3992	—	HMSA7	N
.394	1.575	1.585	.276	3986	—	HMS4	R
.397	1.181	1.190	.394	3972	—	HMS4	R
.404	.620	.624	.188	4010	—	HM14	R
.404	.862	.866	.250	4012	—	HM14	R
.408	1.004	1.008	.208	4008	—	HMA1	R
.425	.875	.879	.313	4100	—	CRWH3	R
.433	.669	.678	.157	4327	—	HMS4	R
.433	.866	.872	.276	4335	—	HMS4	R
.433	.866	.878	.236	4338	—	HMSA7	V
.433	1.024	1.029	.276	4345	—	HMS4	R
.433	1.181	1.190	.276	4348	—	HMS4	R
.438	.688	—	.125	700101	—	BV	R
.438	.688	—	.125	721527	—	BV	V
.438	.836	.840	.188	4231	—	HM14	R
.438	.875	.879	.313	4247	70 Duro/185 Sirvene	HMS1	D
.438	.875	.879	.375	4261	—	CRWA1	R
.438	.875	.880	.250	4249	—	★CRW1	P
.438	.875	.880	.250	4251	—	CRW1	R
.438	.875	.881	.250	4260	—	CRWA6	R
.438	.879	.885	.180	4256	—	HM8	R
.438	.999	1.003	.250	4340	—	HM14	R
.438	.999	1.003	.250	4356	—	★CRW1	V
.438	.999	1.003	.375	4355	—	★CRW1	R
.438	1.124	1.128	.250	4390	—	★CRW1	R
.469	.836	.840	.188	4623	—	HM14	P
.469	.875	.879	.219	4628	—	HM14	R
.469	.999	1.003	.313	4641	—	★P2	R
.472	.630	.639	.118	4695	—	HM4	R
.472	.709	.711	.118	4688	—	HM4	R
.472	.709	.711	.118	4692	—	HMS4	R
.472	.709	.711	.118	4694	—	HMSA7	R
.472	.709	.714	.177	4723	—	CRSA11	R
.472	.748	.750	.118	4690	—	HM4	R
.472	.748	.757	.197	4702	—	HMS4	R
.472	.748	—	.197	564028	—	HMS5	RG
.472	.748	—	.197	564029	—	HMSA10	RG
.472	.748	—	.197	564030	—	HMS5	V
.472	.748	—	.197	564031	—	HMSA10	V
.472	.787	.792	.197	4725	—	CRSA1	R
.472	.787	.796	.197	4701	—	HMS4	R
.472	.866	.872	.276	4709	—	★CRW1	V
.472	.866	.872	.276	4710	—	★CRW1	R
.472	.866	.872	.315	4731	—	CRSH11	R
.472	.866	.875	.236	4729	—	HMSA7SP	R
.472	.866	.875	.276	4707	—	HMSA7	R
.472	.866	.896	.157	4719	—	HM4	R
.472	.866	—	.197	563820	—	HMS5	RG
.472	.866	—	.197	563821	—	HMSA10	RG
.472	.866	—	.197	563822	w/Stainless Steel Spring	HMS5	V
.472	.866	—	.197	563823	w/Stainless Steel Spring	HMSA10	V
.472	.866	—	.236	563945	—	HMS5	RG
.472	.866	—	.236	563946	—	HMSA10	RG

Size listing - Inches

Inch Shaft	Inch Bore	Inch O.D.	Inch Width	Inch Seal no.	Seal info. notes	Type & style	Lip code
.472	.866	—	.236	563947	w/Stainless Steel Spring	HMS5	V
.472	.866	—	.236	563948	w/Stainless Steel Spring	HMSA10	V
.472	.866	—	.276	692263	—	HMS5	RG
.472	.866	—	.276	692264	—	HMS5	V
.472	.866	—	.276	692265	—	HMSA10	RG
.472	.866	—	.276	692266	—	HMSA10	V
.472	.945	.954	.236	4738	—	HMSA7P2	R
.472	.945	—	.276	692671	—	HMS5	RG
.472	.945	—	.276	692672	—	HMS5	V
.472	.945	—	.276	692673	—	HMSA10	RG
.472	.945	—	.276	692674	—	HMSA10	V
.472	.984	.990	.276	4720	—	★CRW1	R
.472	.984	.993	.177	4718	—	HMS4	R
.472	.984	—	.276	563499	—	HMS5	RG
.472	.984	—	.276	563500	—	HMSA10	RG
.472	.984	—	.276	563501	w/Stainless Steel Spring	HMS5	V
.472	.984	—	.276	563502	w/Stainless Steel Spring	HMSA10	V
.472	1.024	1.029	.276	4730	—	★CRW1	R
.472	1.024	1.030	.315	4743	—	HMS4	R
.472	1.102	1.108	.276	4751	—	★CRW1	P
.472	1.102	1.108	.276	4750	—	★CRW1	R
.472	1.102	—	.276	562569	—	HMS5	RG
.472	1.102	—	.276	562570	—	HMSA10	RG
.472	1.102	—	.276	562571	w/Stainless Steel Spring	HMS5	V
.472	1.102	—	.276	562572	w/Stainless Steel Spring	HMSA10	V
.472	1.181	1.190	.276	4767	—	HMSA7	V
.472	1.181	—	.276	563991	—	HMS5	RG
.472	1.181	—	.276	563992	—	HMSA10	RG
.472	1.181	—	.276	563993	w/Stainless Steel Spring	HMS5	V
.472	1.181	—	.276	563994	w/Stainless Steel Spring	HMSA10	V
.472	1.260	1.265	.197	4753	—	CRS11	R
.472	1.260	1.265	.276	4770	—	★CRW1	R
.472	1.260	1.265	.276	4771	—	★CRW1	V
.472	1.260	—	.276	562981	—	HMS5	RG
.472	1.260	—	.276	562982	—	HMSA10	RG
.472	1.260	—	.276	562983	w/Stainless Steel Spring	HMS5	V
.472	1.260	—	.276	562984	w/Stainless Steel Spring	HMSA10	V
.472	1.378	1.383	.276	4790	—	★CRW1	R
.472	1.378	1.387	.394	4761	—	HMS47	R
.500	.688	.691	.094	4911	—	HM3	R
.500	.688	.691	.170	4909	P.F. Width .100	HMS1	R
.500	.749	.753	.125	4913	O.A. Width .156	HMS1	R
.500	.750	.754	.125	4912	—	★HM14	R
.500	.750	—	.063	451225	—	BUW	#
.500	.750	—	.125	711806	—	BV	R
.500	.750	—	.125	721513	—	BV	V
.500	.802	—	.203	709001	—	WS	R
.500	.820	.824	.156	4914	—	★HM14	R
.500	.843	.847	.250	4923	—	★HM14	R
.500	.875	.879	.125	4925	—	HM14	R
.500	.875	.879	.250	4931	—	★CRW1	R
.500	.875	.879	.250	4932	—	★CRW1	V
.500	.875	.879	.250	4933	—	★CRWA1	V
.500	.875	.879	.250	4935	w/SS Case & Spring	★CRWA1	V
.500	.875	.879	.250	4936	—	★CRW1	D
.500	.875	.879	.250	4938	—	HM14	R
.500	.875	.879	.313	4939	—	★CRWA1	R
.500	.875	.879	.313	4940	—	★CRWA5	R
.500	.875	.879	.313	4941	—	★CRWA5	V
.500	.987	.991	.250	4943	—	★CRW1	R
.500	.987	.991	.250	4944	Seal With Wave Lip	HMS1	R
.500	.999	1.003	.188	4950	—	★HM14	R
.500	.999	1.003	.250	4980	w/Stainless Steel Spring	★CRW1	V
.500	.999	1.003	.250	4982	—	★CRWA1	P
.500	.999	1.003	.250	4984	—	★CRW1	R

Size listing - Inches

Inch Shaft	Inch Bore	Inch O.D.	Inch Width	Inch Seal no.	Seal info. notes	Type & style	Lip code
.500	.999	1.003	.250	4985	—	★CRWA1	R
.500	.999	1.003	.250	4990	—	★HM14	R
.500	.999	1.003	.250	4991	w/Stainless Steel Spring	★CRWA5	V
.500	.999	1.003	.313	4996	—	★CRWA5	R
.500	1.000	—	.281	504260	—	★SC	R
.500	1.010	1.017	.204	5008	—	HMSA7	V
.500	1.124	1.128	.250	5062	—	★CRWA1	R
.500	1.124	1.128	.250	5066	—	★CRW1	V
.500	1.124	1.128	.250	5067	—	★CRWA1	V
.500	1.124	1.128	.250	5069	—	★CRWA5	R
.500	1.124	1.128	.250	5072	—	★CRWA5	V
.500	1.124	1.128	.250	5085	—	★HM14	R
.500	1.124	1.128	.256	5068	—	★CRW1	R
.500	1.124	1.128	.313	5046	—	★CRW1	P
.500	1.249	1.253	.188	5131	w/SS Case & Spring	CRWH3	R
.500	1.250	1.254	.250	5133	—	★CRW1	R
.500	1.375	1.379	.250	5150	—	★CRW1	R
.500	1.375	1.379	.250	5151	—	★CRW1	V
.500	2.810	1.254	.250	546966	—	★CRW1	V
.512	.866	.872	.197	5119	—	CRS11	R
.512	.984	.993	.197	5123	—	HMS46	R
.512	1.024	—	.276	563792	—	HMS5	RG
.512	1.024	—	.276	563793	—	HMSA10	RG
.512	1.024	—	.276	563794	w/Stainless Steel Spring	HMS5	V
.512	1.024	—	.276	563795	w/Stainless Steel Spring	HMSA10	V
.512	1.102	1.108	.276	5250	—	CRS1	R
.512	1.102	1.111	.276	5254	—	HMS4	R
.512	1.181	1.189	.276	5285	—	HMSA7	R
.512	1.181	1.211	.315	5142	—	HMS4	R
.531	.999	1.003	.250	5321	—	★CRWA1	S
.531	1.124	1.128	.313	5334	—	CRSA1	R
.546	.875	.879	.250	5385	—	CRW1	P
.551	.787	.790	.118	5402	—	HM4	R
.551	.866	.869	.118	5405	—	HM4	R
.551	.866	.869	.157	5538	—	WHL KIT	R
.551	.866	.875	.157	555275	—	HMS4	R
.551	.945	.950	.236	5410	—	HMSA7	R
.551	.945	.950	.394	5553	—	D8-SPL	P
.551	.945	—	.276	564033	—	HMSA10	RG
.551	.945	—	.276	564034	—	HMS5	V
.551	.945	—	.276	564035	—	HMSA10	V
.551	.984	1.000	.276	5413	—	HMSA7	P
.551	.984	—	.197	562700	—	HMS5	RG
.551	.984	—	.197	562701	—	HMSA10	RG
.551	.984	—	.197	562702	w/Stainless Steel Spring	HMS5	V
.551	.984	—	.197	562703	w/Stainless Steel Spring	HMSA10	V
.551	1.024	1.028	.276	5398	—	★CRW1	V
.551	1.024	1.029	.787	5507	—	HMSASPL	P
.551	1.024	1.040	.276	5521	—	HMS46	R
.551	1.063	—	.281	527345	—	SC	R
.551	1.102	1.111	.236	5439	—	HMS4	R
.551	1.102	—	.276	563874	—	HMSA10	RG
.551	1.102	—	.276	563875	w/Stainless Steel Spring	HMS5	V
.551	1.102	—	.276	563876	w/Stainless Steel Spring	HMSA10	V
.551	1.124	1.128	.203	5399	—	★HM21	R
.551	1.181	—	.276	563560	—	HMS5	RG
.551	1.181	—	.276	563561	—	HMSA10	RG
.551	1.181	—	.276	563562	w/Stainless Steel Spring	HMS5	V
.551	1.181	—	.276	563563	w/Stainless Steel Spring	HMSA10	V
.551	1.260	1.269	.394	5532	—	HMS46	R
.551	1.378	1.383	.276	5481	—	HMS4	R
.554	.999	1.003	.250	5605	70 Duro/185 Sirvene	★CRW1	R
.561	1.000	1.004	.254	5425	—	HMSA7	P
.563	.750	.754	.094	5500	—	HM3	R
.563	.813	.817	.126	5510	—	HM1	R

Size listing - Inches

Inch Shaft	Inch Bore	Inch O.D.	Inch Width	Inch Seal no.	Seal info. notes	Type & style	Lip code
.563	.813	—	.125	710696	—	BV	R
.563	.813	—	.125	721569	—	BV	V
.563	.875	.879	.188	5522	—	★HM14	R
.563	.875	.879	.188	5523	—	★CRW1	D
.563	.999	1.003	.219	5569	—	★HM14	R
.563	.999	1.003	.250	5542	—	★CRW1	V
.563	.999	1.003	.250	5543	w/SS Case & Spring	★CRW1	R
.563	.999	1.003	.250	5606	—	★CRWA1	R
.563	.999	1.003	.256	5541	—	★CRW1	R
.563	1.124	1.128	.250	5650	—	★CRW1	V
.563	1.124	1.128	.250	5652	—	★CRW1	R
.563	1.124	1.128	.250	5662	—	★CRWA1	R
.563	1.124	1.128	.250	5685	—	WHL KIT	R
.563	1.250	1.254	.250	5707	—	★CRW1	R
.563	1.375	1.379	.250	5756	—	★CRW1	R
.591	.827	.829	.118	5782	—	HM4	R
.591	.827	.829	.197	5904	—	HMSA7	P
.591	.906	.908	.118	5786	—	HM4	R
.591	.945	.950	.197	5790	—	HMS4	R
.591	.945	—	.197	5791	—	HMSA7	R
.591	.945	—	.276	564036	—	HMS5	RG
.591	.945	—	.276	564038	—	HMS5	V
.591	.945	—	.276	564039	—	HMSA10	V
.591	.984	.993	.197	5808	—	HMS4	R
.591	.984	1.000	.276	5803	—	★CRW1	P
.591	.984	1.108	.197	5804	—	HMA10	R
.591	.984	—	.197	563013	—	HMS5	RG
.591	.984	—	.197	563014	—	HMSA10	RG
.591	.984	—	.197	563015	w/Stainless Steel Spring	HMS5	V
.591	.984	—	.197	563016	w/Stainless Steel Spring	HMSA10	V
.591	.984	—	.236	563021	—	HMS5	RG
.591	.984	—	.236	563022	—	HMSA10	RG
.591	.984	—	.236	563023	w/Stainless Steel Spring	HMS5	V
.591	.984	—	.236	563024	w/Stainless Steel Spring	HMSA10	V
.591	1.024	1.029	.236	5816	—	HMS4	R
.591	1.024	1.029	.236	5817	—	HMSA7	R
.591	1.024	1.029	.276	5806	—	HMS4	R
.591	1.024	1.032	.177	5919	—	HM102	R
.591	1.024	—	.276	564040	—	HMS5	RG
.591	1.024	—	.276	564041	—	HMSA10	RG
.591	1.024	—	.276	564042	—	HMS5	V
.591	1.024	—	.276	564043	—	HMSA10	V
.591	1.102	1.108	.276	5890	—	HMS4	R
.591	1.102	1.108	.591	6103	P.F. Width .236 (6mm)	HMS15	V
.591	1.102	1.265	.276	5810	—	★CRW1	R
.591	1.124	1.128	.250	5946	—	★HM14	R
.591	1.181	1.186	.276	5821	—	HMS4	R
.591	1.181	—	.276	564044	—	HMS5	RG
.591	1.181	—	.276	564045	—	HMSA10	RG
.591	1.181	—	.276	564046	—	HMS5	V
.591	1.181	—	.276	564047	—	HMSA10	V
.591	1.260	1.265	.276	5830	—	★CRW1	R
.591	1.260	1.265	.276	5832	—	★CRW1	V
.591	1.260	—	.276	562672	—	HMS5	RG
.591	1.260	—	.276	562673	—	HMSA10	RG
.591	1.260	—	.276	562674	w/Stainless Steel Spring	HMS5	V
.591	1.260	—	.276	562675	w/Stainless Steel Spring	HMSA10	V
.591	1.378	1.383	.276	5840	—	★CRW1	R
.591	1.378	1.383	.276	5841	—	★CRW1	P
.591	1.378	—	.276	564050	—	HMS5	V
.591	1.378	—	.276	564051	—	HMSA10	V
.591	1.575	—	.394	563953	—	HMS5	RG
.591	1.575	—	.394	563954	—	HMSA10	RG
.591	1.575	—	.394	563955	w/Stainless Steel Spring	HMS5	V
.591	1.575	—	.394	563956	w/Stainless Steel Spring	HMSA10	V

Size listing - Inches

Inch Shaft	Inch Bore	Inch O.D.	Inch Width	Inch Seal no.	Seal info. notes	Type & style	Lip code
.591	1.654	1.662	.394	5964	—	HMS47	R
.594	1.124	1.128	.313	5926	—	★CRW1	R
.594	1.250	1.254	.313	5950	—	CRSA1	R
.594	1.375	1.379	.313	5966	—	★CRSA1	R
.624	1.131	1.133	.188	6243	—	★HM14	R
.625	.812	.816	.094	6105	—	HM3	R
.625	.813	.816	.094	6106	—	HM3	V
.625	.875	.879	.188	6120	P.F. Width .125	HMS1	R
.625	.875	.881	.188	6119	—	HMSA1	R
.625	.875	—	.063	451081	—	BUW	#
.625	.875	—	.125	710212	—	BV	R
.625	.875	—	.125	712130	—	BV	V
.625	.875	—	.125	721503	—	BV	V
.625	.875	—	.125	721520	—	BV	D
.625	.927	—	.203	709002	—	WS	R
.625	.927	—	.203	712120	—	WS	V
.625	.933	.937	.188	6125	—	★HM14	R
.625	.933	.937	.188	6126	—	★HM14	V
.625	.937	.941	.188	6130	—	★HM14	R
.625	.987	.991	.250	6134	70 Duro/185 Sirvene	★CRW1	R
.625	.999	1.003	.250	6139	—	★CRWA1	V
.625	.999	1.003	.250	6141	—	★CRWA1	R
.625	.999	1.003	.250	6143	—	★CRW1	R
.625	.999	1.003	.250	6147	—	HMSA11	R
.625	.999	1.003	.250	6151	—	★CRWA5	R
.625	1.000	1.004	.125	6152	—	★HM14	P
.625	1.063	1.067	.250	6157	—	★CRW1	R
.625	1.063	1.067	.250	6158	—	★HM14	R
.625	1.124	1.128	.250	6191	—	★CRW5	R
.625	1.124	1.128	.250	6225	—	★HM14	R
.625	1.124	1.128	.250	6823	—	★CRW1	V
.625	1.124	1.128	.250	6825	—	★CRWA1	V
.625	1.124	1.128	.250	6903	—	★CRW1	R
.625	1.124	1.128	.250	6904	—	★CRWA1	R
.625	1.124	1.128	.374	6231	—	★CRWA5	V
.625	1.124	1.128	.375	6190	w/SS Case & Spring	★CRWHA5	R
.625	1.124	1.128	.375	6229	—	★CRWA5	R
.625	1.124	—	.281	504261	—	SC	R
.625	1.125	1.129	.125	527937	—	BB	R
.625	1.126	1.130	.250	6242	70 Duro/185 Sirvene	★CRW5	R
.625	1.181	1.185	.250	6247	—	★CRWA1	R
.625	1.181	1.185	.256	6248	—	★CRWA1	V
.625	1.250	1.254	.250	6925	—	★CRW1	R
.625	1.250	1.254	.250	6323	—	★HM14	R
.625	1.250	1.254	.250	6909	—	★CRW1	V
.625	1.250	1.254	.250	6916	—	★CRWA1	R
.625	1.250	1.254	.313	6280	—	CRWA5	R
.625	1.250	1.254	.313	6285	w/SS Case & Spring	CRWA5	V
.625	1.259	1.263	.250	6335	—	★HM14	R
.625	1.375	1.379	.250	6373	—	★CRWA1	R
.625	1.375	1.379	.250	6367	w/SS Case & Spring	CRWH3	R
.625	1.375	1.379	.250	6370	—	★HM14	R
.625	1.375	1.379	.250	6371	—	★CRW5	P
.625	1.375	1.379	.250	6372	—	★CRW1	R
.625	1.375	1.379	.250	6383	—	★CRWA1	V
.625	1.375	1.379	.250	6979	—	★CRW1	V
.625	1.375	1.379	.375	6388	w/SS Case & Spring	★CRWA5	R
.625	1.377	1.381	.250	6391	—	★CRWHA1	R
.625	1.499	1.503	.250	6422	—	★CRW1	R
.625	1.500	1.504	.313	6393	w/Stainless Steel Spring	★CRW5	V
.625	1.850	1.855	.276	534948	—	CRWA1	V
.630	.827	.835	.157	6113	—	HMA1	R
.630	.866	.869	.118	6398	—	HM4	R
.630	.866	.875	.157	6400	—	HM4	R
.630	.945	.954	.157	554590	—	HM102	R

Size listing - Inches

Inch Shaft	Inch Bore	Inch O.D.	Inch Width	Inch Seal no.	Seal info. notes	Type & style	Lip code
.630	.945	.954	.157	6287	—	HMSA7	R
.630	.945	.954	.197	552504	—	HMS4	R
.630	.945	.954	.276	552505	—	HMS4	R
.630	1.024	1.031	.250	6293	—	HMSA7	P
.630	1.024	1.031	.276	533427	—	HMS1	R
.630	1.063	1.073	.236	553104	—	HMS4	P
.630	1.102	1.105	.595	6913	—	HMS-SPL	P
.630	1.102	1.111	.236	553278	—	HMS4	R
.630	1.102	1.580	.276	6431	—	★CRW1	R
.630	1.102	—	.276	564053	—	HMSA10	RG
.630	1.102	—	.276	564054	—	HMS5	V
.630	1.102	—	.276	564055	—	HMSA10	V
.630	1.181	1.186	.276	551077	—	★CRW1	R
.630	1.181	—	.276	562929	—	HMSA10	RG
.630	1.181	—	.276	562930	w/Stainless Steel Spring	HMS5	V
.630	1.181	—	.276	562931	w/Stainless Steel Spring	HMSA10	V
.630	1.260	1.265	.276	6430	—	★CRW1	R
.630	1.260	—	.276	563029	—	HMS5	RG
.630	1.260	—	.276	563030	—	HMSA10	RG
.630	1.260	—	.276	563031	w/Stainless Steel Spring	HMS5	V
.630	1.260	—	.276	563032	w/Stainless Steel Spring	HMSA10	V
.630	1.378	1.383	.276	6440	—	★CRW1	R
.630	1.378	—	.276	563383	—	HMS5	RG
.630	1.378	—	.276	563384	—	HMSA10	RG
.630	1.378	—	.276	563385	w/Stainless Steel Spring	HMS5	V
.630	1.378	—	.276	563386	w/Stainless Steel Spring	HMSA10	V
.630	1.496	1.504	.276	6473	—	HMSA7	R
.630	1.575	1.108	.276	6480	—	★CRW1	R
.630	1.575	1.580	.276	6481	—	★CRWA1	R
.630	1.575	1.584	.394	6342	—	HMS47	R
.630	1.757	1.762	.395	6295	—	HM11	R
.630	2.205	2.213	.256	6455	See Type J Section (HMSA Lip)	J-TYPE	V
.656	1.124	1.128	.313	6523	—	★CRW1	R
.656	1.250	1.254	.250	6541	—	★CRW1	R
.656	1.375	1.379	.313	6556	—	★CRW1	R
.656	1.575	1.579	.250	6582	—	★CRW1	R
.669	.906	.908	.118	6603	—	HM4	R
.669	.984	1.002	.157	6592	—	HMS4	R
.669	.984	1.002	.157	6594	—	HMSA7	R
.669	.999	1.003	.188	6595	—	★CRW1	R
.669	1.024	1.032	.236	6690	—	HMS46	R
.669	1.063	1.071	.276	6608	—	HMSA7	R
.669	1.064	1.068	.188	6729	—	★CRW1	R
.669	1.064	1.068	.250	6728	w/SS Case & Spring	★CRW1	R
.669	1.102	1.108	.276	6610	w/Stainless Steel Spring	★CRW1	R
.669	1.102	1.132	.236	6689	—	HMSA7	R
.669	1.102	1.186	.276	6611	—	★CRW1	V
.669	1.102	—	.276	564057	—	HMSA10	RG
.669	1.102	—	.276	564058	—	HMS5	V
.669	1.102	—	.276	564059	—	HMSA10	V
.669	1.142	—	.197	563934	—	HMSA10	RG
.669	1.142	—	.197	563935	w/Stainless Steel Spring	HMS5	V
.669	1.142	—	.197	563936	w/Stainless Steel Spring	HMSA10	V
.669	1.181	1.187	.276	6622	—	HMSA7	R
.669	1.181	1.211	.236	6627	—	HMS4	R
.669	1.181	2.563	.276	6620	—	★CRW1	R
.669	1.181	—	.276	692685	—	HMSA10	RG
.669	1.181	—	.276	692683	—	HMS5	RG
.669	1.181	—	.276	692684	—	HMS5	V
.669	1.181	—	.276	692686	—	HMSA10	V
.669	1.250	1.254	.250	6806	—	★HM14	R
.669	1.260	1.269	.276	6633	—	HMS4	R
.669	1.260	1.383	.276	6630	—	★CRW1	R
.669	1.260	—	.276	562993	—	HMS5	RG
.669	1.260	—	.276	562994	—	HMSA10	RG

Size listing - Inches

Inch Shaft	Inch Bore	Inch O.D.	Inch Width	Inch Seal no.	Seal info. notes	Type & style	Lip code
.669	1.260	—	.276	562995	w/Stainless Steel Spring	HMS5	V
.669	1.260	—	.276	562996	w/Stainless Steel Spring	HMSA10	V
.669	1.339	1.186	.311	6992	—	CRSA1	P
.669	1.339	1.344	.157	6706	—	CRS11	R
.669	1.378	1.383	.276	6642	—	★CRW1	V
.669	1.378	1.387	.275	6641	w/1.703 Flange	HMSA124	P
.669	1.378	2.880	.276	6640	—	★CRW1	R
.669	1.378	—	.276	692267	—	HMS5	RG
.669	1.378	—	.276	692268	—	HMS5	V
.669	1.378	—	.276	692269	—	HMSA10	RG
.669	1.378	—	.276	692270	—	HMSA10	V
.669	1.457	1.466	.276	6653	—	HMSA7	R
.669	1.573	1.577	.281	6597	—	CRW1	V
.669	1.575	1.580	.276	6660	—	★CRW1	R
.669	1.575	—	.276	692688	—	HMS5	V
.669	1.575	—	.276	692689	—	HMSA10	RG
.669	1.575	—	.276	692690	—	HMSA10	V
.669	1.575	—	.394	563375	—	HMS5	RG
.669	1.575	—	.394	563376	—	HMSA10	RG
.669	1.575	—	.394	563377	w/Stainless Steel Spring	HMS5	V
.669	1.575	—	.394	563378	w/Stainless Steel Spring	HMSA10	V
.669	1.850	1.856	.276	6680	—	★CRW1	R
.669	1.850	1.859	.315	6685	—	HMSA7	R
.669	1.850	1.859	.394	6681	—	HMS4	R
.685	1.181	1.186	.276	6757	—	HMSA7	R
.688	.938	—	.063	451284	—	BUW	#
.688	.938	—	.125	711807	—	BV	R
.688	.938	—	.125	721570	—	BV	V
.688	.990	17.480	.203	709003	—	WS	R
.688	.999	1.003	.313	6720	—	★HM14	R
.688	1.124	1.128	.190	6738	—	★CRW1	R
.688	1.124	1.128	.250	6741	—	★CRW1	R
.688	1.124	1.128	.250	6743	70 Duro/185 Sirvene	★CRW1	R
.688	1.124	1.128	.250	6745	w/Stainless Steel Spring	★CRW1	V
.688	1.124	1.128	.250	6759	—	★HM14	R
.688	1.187	1.191	.188	6770	—	★CRW1	V
.688	1.188	1.191	.188	6763	—	★CRW1	R
.688	1.250	1.254	.256	6765	—	★CRWA1	R
.688	1.250	1.254	.313	6767	—	★CRW1	R
.688	1.250	1.254	.313	6768	—	★CRW1	V
.688	1.375	1.379	.125	6915	—	★HM14	R
.688	1.375	1.379	.250	6814	—	★CRWA1	R
.688	1.375	1.379	.250	6920	—	★HM14	R
.688	1.375	1.379	.313	6816	—	★CRW1	R
.688	1.375	1.379	.313	6817	—	★CRW1	V
.688	1.499	1.503	.250	6935	—	★CRW1	R
.688	1.624	1.628	.250	6990	—	★CRWA1	R
.703	1.160	1.164	.250	7010	—	HMS2	R
.709	.945	.947	.118	6995	—	HM4	R
.709	1.024	1.265	.157	7003	—	HMA1	R
.709	1.102	1.111	.236	7013	—	HMS4	R
.709	1.102	1.111	.276	7018	—	HMS4	R
.709	1.102	1.111	.315	7002	—	HMS4	R
.709	1.102	—	.276	564060	—	HMS5	RG
.709	1.102	—	.276	564061	—	HMSA10	RG
.709	1.102	—	.276	564062	—	HMS5	V
.709	1.102	—	.276	564063	—	HMSA10	V
.709	1.181	1.033	.276	7001	—	★CRW1	V
.709	1.181	1.186	.276	7000	—	★CRW1	R
.709	1.181	1.186	.276	7004	—	HMS4	R
.709	1.181	1.190	.236	7091	—	HMSA7P2	R
.709	1.181	—	.236	563957	—	HMS5	RG
.709	1.181	—	.236	563958	—	HMSA10	RG
.709	1.181	—	.236	563959	w/Stainless Steel Spring	HMS5	V
.709	1.181	—	.236	563960	w/Stainless Steel Spring	HMSA10	V

Size listing - Inches

Inch Shaft	Inch Bore	Inch O.D.	Inch Width	Inch Seal no.	Seal info. notes	Type & style	Lip code
.709	1.181	—	.276	692691	—	HMS5	RG
.709	1.181	—	.276	692692	—	HMS5	V
.709	1.181	—	.276	692693	—	HMSA10	RG
.709	1.181	—	.276	692694	—	HMSA10	V
.709	1.260	1.265	.276	7005	—	★CRW1	R
.709	1.260	1.269	.276	7007	—	HMSA7	R
.709	1.260	1.269	.315	7023	—	HMS4	R
.709	1.260	1.383	.276	7006	—	★CRW1	V
.709	1.260	—	.276	562812	—	HMS5	RG
.709	1.260	—	.276	562813	—	HMSA10	RG
.709	1.260	—	.276	562814	w/Stainless Steel Spring	HMS5	V
.709	1.260	—	.276	562815	w/Stainless Steel Spring	HMSA10	V
.709	1.339	1.341	.315	7089	—	CRSA1	P
.709	1.378	1.383	.276	7015	—	★CRW1	R
.709	1.378	1.383	.276	7028	—	HMS4	V
.709	1.378	1.387	.236	7100	—	HMSA7P2	R
.709	1.378	1.407	.276	7024	—	HMSA7	R
.709	1.378	—	.276	692271	—	HMS5	RG
.709	1.378	—	.276	692272	—	HMS5	V
.709	1.378	—	.276	692273	—	HMSA10	RG
.709	1.378	—	.276	692274	—	HMSA10	V
.709	1.457	1.465	.315	7061	—	HMSA7	R
.709	1.496	1.504	.276	7071	—	HMSA7	R
.709	1.575	1.580	.276	7080	—	★CRW1	R
.709	1.575	—	.276	563411	—	HMS5	RG
.709	1.575	—	.276	563412	—	HMSA10	RG
.709	1.575	—	.276	563413	w/Stainless Steel Spring	HMS5	V
.709	1.575	—	.276	563414	w/Stainless Steel Spring	HMSA10	V
.736	1.378	1.387	.276	7400	—	HMSA7	R
.748	1.063	1.065	.157	7200	—	HM4	R
.748	1.181	1.190	.315	7205	—	CRWA1	R
.748	1.181	—	.276	563836	—	HMS5	RG
.748	1.181	—	.276	563837	—	HMSA10	RG
.748	1.181	—	.276	563838	w/Stainless Steel Spring	HMS5	V
.748	1.181	—	.276	563839	w/Stainless Steel Spring	HMSA10	V
.748	1.181	—	.315	563828	—	HMS5	RG
.748	1.181	—	.315	563829	—	HMSA10	RG
.748	1.181	—	.315	563830	w/Stainless Steel Spring	HMS5	V
.748	1.181	—	.315	563831	w/Stainless Steel Spring	HMSA10	V
.748	1.260	—	.276	562821	—	HMSA10	RG
.748	1.260	—	.276	562822	w/Stainless Steel Spring	HMS5	V
.748	1.260	—	.276	562823	w/Stainless Steel Spring	HMSA10	V
.748	1.378	.990	.276	7220	—	★CRW1	R
.748	1.378	1.387	.354	7492	—	HMSA75	R
.748	1.378	1.387	.394	7223	—	HMS4	R
.748	1.378	1.397	.394	7225	—	HMSA7	R
.748	1.378	1.407	.315	7222	—	HMS4	R
.748	1.475	1.470	.393	7418A	—	HMSA7SP	R
.748	1.496	1.503	.300	7251	P.F. Width .276 Special Const	HMSA7	R
.748	1.575	1.584	.394	7497	—	HMS46	R
.748	1.575	1.584	.394	7495	—	HMS4	R
.748	2.047	2.052	.276	534956	—	★CRWA1	V
.750	1.000	1.004	.125	7408	—	★HM14	D
.750	1.000	1.004	.125	7410	—	HM14	R
.750	1.000	1.008	.225	7524A	w/CW Helix From Air Side	HMSA7	—
.750	1.000	—	.063	451245	—	BUW	#
.750	1.000	—	.125	711825	—	BV	R
.750	1.000	—	.125	721516	—	BV	V
.750	1.004	1.010	.156	7409	—	HM8	R
.750	1.006	1.010	.125	7411	—	★HM14	R
.750	1.012	1.016	.226	7535	—	HMA3SPL	R
.750	1.031	1.035	.313	7412	—	HMA6	R
.750	1.052	—	.203	709004	—	WS	R
.750	1.062	1.066	.188	7413	—	HM14	R
.750	1.062	1.066	.188	7556	—	HMS1	R

Size listing - Inches

Inch Shaft	Inch Bore	Inch O.D.	Inch Width	Inch Seal no.	Seal info. notes	Type & style	Lip code
.750	1.124	1.128	.156	7415	—	★HM14	R
.750	1.124	1.128	.188	7414	—	★CRW5	R
.750	1.124	1.128	.188	7417	—	★CRW1	V
.750	1.187	1.191	.156	7421	—	HM14	R
.750	1.249	1.253	.188	7467	—	CRW1	V
.750	1.250	1.254	.125	527938	—	BB	R
.750	1.250	1.254	.125	528762	w/Stainless Steel Case	BB	R
.750	1.250	1.254	.188	7439	—	★CRW1	R
.750	1.250	1.254	.188	7478	—	CRW1	R
.750	1.250	1.254	.250	7434	—	★CRWA5	R
.750	1.250	1.254	.250	7438	—	★CRW1	R
.750	1.250	1.254	.250	7440	—	★CRW1	R
.750	1.250	1.254	.250	7450	—	★CRW1	V
.750	1.250	1.254	.250	7455	w/SS Case & Spring	★CRWA1	V
.750	1.250	1.254	.250	7464	—	★HM14	R
.750	1.250	1.254	.256	7443	—	★CRWA1	R
.750	1.250	1.254	.256	7443	—	★CRWA1	R
.750	1.250	1.254	.256	7443	—	★CRWA1	R
.750	1.250	1.254	.256	7453	—	★CRWA1	V
.750	1.250	1.254	.313	7465	—	CRWA7	R
.750	1.250	1.254	.375	7449	—	★CRWA5	R
.750	1.250	—	.281	504262	—	SC	R
.750	1.252	1.256	.188	7469	—	★CRW1	R
.750	1.259	1.263	.250	7477	—	★HM14	R
.750	1.260	1.264	.250	7473	—	★CRW1	R
.750	1.301	1.305	.250	7481	—	★HM14	R
.750	1.312	1.316	.250	7474	—	★CRW1	R
.750	1.312	1.316	.250	7475	—	★CRWA1	R
.750	1.375	1.379	.250	7509	—	★CRWA5	V
.750	1.375	1.379	.250	7512	—	★CRW1	R
.750	1.375	1.379	.250	7513	—	★CRWA1	R
.750	1.375	1.379	.250	7515	—	★CRW1	V
.750	1.375	1.379	.250	7517	—	★CRWA1	V
.750	1.375	1.379	.250	7533	—	★CRWA1	P
.750	1.375	1.379	.250	7536	—	HM14	R
.750	1.375	1.379	.250	7537	—	HM14	P
.750	1.416	1.420	.266	7541	—	HMS2	S
.750	1.437	1.441	.250	7550	—	★HM14	R
.750	1.499	1.503	.250	7567	—	★CRW1	V
.750	1.499	1.503	.250	7571	—	★HM14	R
.750	1.499	1.503	.250	7572	—	CRW1	R
.750	1.499	1.503	.250	7573	—	★CRWA1	R
.750	1.575	1.579	.250	7591	—	★CRW1	R
.750	1.624	1.628	.250	7623	w/Stainless Steel Spring	★CRW1	V
.750	1.624	1.628	.250	7624	w/Stainless Steel Spring	★CRWA1	V
.750	1.624	1.628	.250	7627	—	★CRW1	R
.750	1.624	1.628	.250	7628	—	★CRWA1	R
.750	1.624	1.628	.250	7638	—	★CRWA1	R
.750	1.752	1.756	.250	7636	—	★CRW1	R
.750	1.828	1.832	.250	7661	—	★CRW1	R
.750	1.874	1.878	.250	7690	—	★CRW1	R
.750	2.047	2.051	.313	7693	—	★CRW1	R
.762	1.160	1.164	.250	7750	—	HMS2	R
.781	1.375	1.379	.197	7831	—	★HM14	R
.781	1.375	1.379	.313	7824	—	★CRW1	V
.781	1.375	1.379	.313	7829	—	CRW1	R
.781	1.499	1.503	.313	7849	—	★CRW1	R
.781	1.624	1.628	.313	7872	—	★CRW1	R
.781	1.752	1.756	.313	8213	—	CRSHA1	R
.781	1.828	1.832	.250	7889	—	★CRW1	P
.787	1.024	1.026	.157	7810	—	HMS4	R
.787	1.024	1.026	.157	7813	—	HMSA7	R
.787	1.024	1.026	.157	7854	—	HM4	R
.787	1.102	1.105	.157	7855	—	HM4	R
.787	1.102	1.111	.236	7902	—	HMS4	R

Size listing - Inches

Inch Shaft	Inch Bore	Inch O.D.	Inch Width	Inch Seal no.	Seal info. notes	Type & style	Lip code
.787	1.124	1.128	.188	7740	—	★CRW1	R
.787	1.181	1.186	.197	7900	—	HMS4	R
.787	1.181	1.186	.276	7861	w/CW Helix From Air Side	HMSA7	R
.787	1.181	1.186	.276	7914	—	HMS4	R
.787	1.181	1.187	.197	7906	—	CRS1	R
.787	1.181	1.187	.276	7909	—	CRS1	V
.787	1.181	1.226	.276	7905	—	★CRW1	R
.787	1.181	—	.197	562780	—	HMS5	RG
.787	1.181	—	.197	562781	—	HMSA10	RG
.787	1.181	—	.197	562782	w/Stainless Steel Spring	HMS5	V
.787	1.181	—	.197	562783	w/Stainless Steel Spring	HMSA10	V
.787	1.181	—	.276	692275	—	HMS5	RG
.787	1.181	—	.276	692276	—	HMS5	V
.787	1.181	—	.276	692278	—	HMSA10	V
.787	1.220	1.265	.276	7907	—	★CRW1	R
.787	1.260	1.265	.276	7918	—	HMS4	R
.787	1.260	1.265	.276	7911	—	CRS1	V
.787	1.260	1.265	.276	564064	—	HMS5	RG
.787	1.260	1.289	.236	7869	—	HMS4	R
.787	1.260	1.289	.315	7868	—	HMS4	R
.787	1.260	1.383	.276	7910	—	★CRW1	R
.787	1.260	—	.276	564065	—	HMSA10	RG
.787	1.260	—	.276	564066	—	HMS5	V
.787	1.260	—	.276	564067	—	HMSA10	V
.787	1.299	1.308	.394	7896	—	HMS47	R
.787	1.339	1.350	.276	7745	—	HMSA7	P
.787	1.339	—	.276	563869	—	HMS5	RG
.787	1.339	—	.276	563870	—	HMSA10	RG
.787	1.339	—	.276	563871	w/Stainless Steel Spring	HMS5	V
.787	1.339	—	.276	563872	w/Stainless Steel Spring	HMSA10	V
.787	1.378	1.383	.276	7915	—	★CRW1	R
.787	1.378	1.383	.276	7923	—	HMSA7	R
.787	1.378	1.387	.276	7929	—	HMS4	V
.787	1.378	1.387	.276	692279	—	HMS5	RG
.787	1.378	1.422	.276	7916	—	★CRW1	V
.787	1.378	—	.236	563018	—	HMSA10	RG
.787	1.378	—	.236	563019	w/Stainless Steel Spring	HMS5	V
.787	1.378	—	.236	563020	w/Stainless Steel Spring	HMSA10	V
.787	1.378	—	.276	692280	—	HMS5	V
.787	1.378	—	.276	692281	—	HMSA10	RG
.787	1.378	—	.276	692282	—	HMSA10	V
.787	1.378	—	.315	563347	—	HMS5	RG
.787	1.378	—	.315	563348	—	HMSA10	RG
.787	1.378	—	.315	563349	w/Stainless Steel Spring	HMS5	V
.787	1.378	—	.315	563350	w/Stainless Steel Spring	HMSA10	V
.787	1.378	—	.394	563267	—	HMS5	RG
.787	1.378	—	.394	563268	—	HMSA10	RG
.787	1.378	—	.394	563269	w/Stainless Steel Spring	HMS5	V
.787	1.378	—	.394	563270	w/Stainless Steel Spring	HMSA10	V
.787	1.417	1.422	.276	7920	—	★CRW1	R
.787	1.417	1.434	.276	7924	—	HMSA7	R
.787	1.417	1.580	.276	7921	—	★CRW1	V
.787	1.417	—	.276	563355	—	HMS5	RG
.787	1.417	—	.276	563356	—	HMSA10	RG
.787	1.417	—	.276	563357	w/Stainless Steel Spring	HMS5	V
.787	1.417	—	.276	563358	w/Stainless Steel Spring	HMSA10	V
.787	1.457	1.462	.276	7925	—	★CRW1	R
.787	1.457	1.462	.276	8046	—	★CRW1	V
.787	1.496	1.502	.276	7930	—	★CRW1	R
.787	1.496	1.526	.315	8000	—	HMS4	R
.787	1.496	—	.276	563181	—	HMS5	RG
.787	1.496	—	.276	563182	—	HMSA10	RG
.787	1.496	—	.276	563183	w/Stainless Steel Spring	HMS5	V
.787	1.496	—	.276	563184	w/Stainless Steel Spring	HMSA10	V
.787	1.575	1.580	.276	7941	—	★CRW1	V

Size listing - Inches

Inch Shaft	Inch Bore	Inch O.D.	Inch Width	Inch Seal no.	Seal info. notes	Type & style	Lip code
.787	1.575	1.659	.276	7940	—	★CRW1	R
.787	1.575	—	.276	692284	—	HMS5	V
.787	1.575	—	.276	692285	—	HMSA10	RG
.787	1.575	—	.276	692286	—	HMSA10	V
.787	1.575	—	.394	563005	—	HMS5	RG
.787	1.575	—	.394	563006	—	HMSA10	RG
.787	1.575	—	.394	563007	w/Stainless Steel Spring	HMS5	V
.787	1.575	—	.394	563008	w/Stainless Steel Spring	HMSA10	V
.787	1.654	1.659	.276	7953	—	CRS1	V
.787	1.654	1.683	.315	8005	—	HMSA7	R
.787	1.654	2.054	.276	7950	—	★CRW1	R
.787	1.654	—	.276	692288	—	HMS5	V
.787	1.654	—	.276	692289	—	HMSA10	RG
.787	1.654	—	.276	692290	—	HMSA10	V
.787	1.654	—	.394	563740	—	HMS5	RG
.787	1.654	—	.394	563741	—	HMSA10	RG
.787	1.654	—	.394	563742	w/Stainless Steel Spring	HMS5	V
.787	1.654	—	.394	563743	w/Stainless Steel Spring	HMSA10	V
.787	1.772	1.801	.472	8011	—	HMS4	R
.787	1.850	1.856	.276	7965	—	★CRW1	R
.787	1.850	—	.276	692292	—	HMS5	V
.787	1.850	—	.276	692293	—	HMSA10	RG
.787	1.850	—	.394	563256	—	HMSA10	RG
.787	1.850	—	.394	563255	—	HMS5	RG
.787	1.850	—	.394	563257	w/Stainless Steel Spring	HMS5	V
.787	1.850	—	.394	563258	w/Stainless Steel Spring	HMSA10	V
.787	2.047	2.054	.276	7980	—	★CRW1	R
.787	2.047	2.054	.276	7981	—	★CRW1	P
.787	2.047	2.077	.315	8028	—	HMSA7	R
.787	2.047	—	.275	8032	—	HMSA7	R
.787	2.047	—	.276	563165	—	HMS5	RG
.787	2.047	—	.276	563166	—	HMSA10	RG
.787	2.047	—	.276	563167	w/Stainless Steel Spring	HMS5	V
.787	2.047	—	.276	563168	w/Stainless Steel Spring	HMSA10	V
.787	2.047	—	.394	562969	—	HMS5	RG
.787	2.047	—	.394	562970	—	HMSA10	RG
.787	2.047	—	.394	562971	w/Stainless Steel Spring	HMS5	V
.787	2.047	—	.394	562972	w/Stainless Steel Spring	HMSA10	V
.813	1.063	1.066	.125	8009	—	HM3	R
.813	1.063	—	.063	451246	—	BUW	#
.813	1.063	—	.125	711809	—	BV	R
.813	1.063	—	.125	721506	—	BV	D
.813	1.063	—	.125	721507	—	BV	V
.813	1.187	1.191	.313	8050	—	★CRWA1	V
.813	1.250	1.254	.188	8017	—	CRW1	R
.813	1.250	1.258	.375	8019	70 Duro/185 Sirvene	HMS4	R
.813	1.312	1.316	.250	8027	—	★CRS1	R
.813	1.375	1.379	.234	8080	—	CRW1	R
.813	1.375	1.379	.375	8053	—	★CRW1	V
.813	1.375	1.379	.375	8060	—	★CRW1	R
.813	1.499	1.503	.250	8088	—	CRW1	R
.813	1.624	1.628	.250	8178	—	★CRW1	V
.813	1.752	1.756	.375	8215	—	★CRW1	R
.827	1.181	1.187	.256	8271	—	CRS11	R
.827	1.260	1.268	.315	8278	w/CW Helix From Air Side	HMSA7	R
.827	1.260	1.269	.276	8273	—	HMS47	R
.827	1.378	1.383	.276	8305	—	★CRW1	R
.827	1.378	1.580	.276	8306	—	★CRW1	V
.827	1.378	—	.276	563965	—	HMS5	RG
.827	1.378	—	.276	563966	—	HMSA10	RG
.827	1.378	—	.276	563967	w/Stainless Steel Spring	HMS5	V
.827	1.378	—	.276	563968	w/Stainless Steel Spring	HMSA10	V
.827	1.575	1.580	.315	8380	—	★CRW1	R
.827	1.575	1.584	.394	8276	—	HMS47	R
.827	1.575	1.604	.276	8378	—	HMSA7	R

Size listing - Inches

Inch Shaft	Inch Bore	Inch O.D.	Inch Width	Inch Seal no.	Seal info. notes	Type & style	Lip code
.844	1.499	1.503	.375	8436	—	P2	R
.844	1.828	1.832	.313	8485	—	CRSA1	R
.859	1.574	1.580	.630	550189	—	HMS127	R
.866	1.102	1.132	.157	8499	—	HM1	R
.866	1.181	1.183	.157	8503	—	HM4	R
.866	1.260	1.383	.276	8510	—	★CRW1	R
.866	1.260	—	.276	564069	—	HMSA10	RG
.866	1.260	—	.276	564070	—	HMS5	V
.866	1.260	—	.276	564071	—	HMSA10	V
.866	1.299	1.308	.276	8781	—	HMS4	R
.866	1.378	1.383	.276	8515	—	★CRW1	R
.866	1.378	1.383	.276	8522	—	HMSA7	R
.866	1.378	1.387	.236	8513	—	HMS4	R
.866	1.378	1.387	.394	8518	—	HMS4	R
.866	1.378	1.407	.197	8514	—	HM14	R
.866	1.378	1.579	.276	8516	—	★CRW1	V
.866	1.378	—	.276	692296	—	HMS5	V
.866	1.378	—	.276	692297	—	HMSA10	RG
.866	1.378	—	.276	692298	—	HMSA10	V
.866	1.417	—	.276	563949	—	HMS5	RG
.866	1.417	—	.276	563950	—	HMSA10	RG
.866	1.417	—	.276	563951	w/Stainless Steel Spring	HMS5	V
.866	1.417	—	.276	563952	w/Stainless Steel Spring	HMSA10	V
.866	1.457	1.466	.276	8739	—	HMS46	R
.866	1.496	1.502	.276	8540	—	★CRW1	R
.866	1.496	1.502	.276	8541	—	★CRW1	V
.866	1.496	1.502	.315	8545	—	HMSA7	R
.866	1.496	—	.315	563540	—	HMS5	RG
.866	1.496	—	.315	563541	—	HMSA10	RG
.866	1.496	—	.315	563542	w/Stainless Steel Spring	HMS5	V
.866	1.496	—	.315	563543	w/Stainless Steel Spring	HMSA10	V
.866	1.575	1.263	.250	8550	—	★CRW1	R
.866	1.575	1.579	.250	8552	—	★CRW1	V
.866	1.575	1.579	.276	552888	—	HMSA7	V
.866	1.575	—	.276	562805	—	HMSA10	RG
.866	1.575	—	.276	562806	w/Stainless Steel Spring	HMS5	V
.866	1.575	—	.276	562807	w/Stainless Steel Spring	HMSA10	V
.866	1.575	—	.394	563532	—	HMS5	RG
.866	1.575	—	.394	563533	—	HMSA10	RG
.866	1.575	—	.394	563534	w/Stainless Steel Spring	HMS5	V
.866	1.575	—	.394	563535	w/Stainless Steel Spring	HMSA10	V
.866	1.654	1.659	.276	8555	—	★CRW1	R
.866	1.654	1.683	.433	8564	—	HMS4	R
.866	1.654	—	.394	562573	—	HMS5	RG
.866	1.654	—	.394	562574	—	HMSA10	RG
.866	1.654	—	.394	562575	w/Stainless Steel Spring	HMS5	V
.866	1.654	—	.394	562576	w/Stainless Steel Spring	HMSA10	V
.866	1.772	1.781	.276	8563	—	HMS4	R
.866	1.850	1.856	.315	8570	—	★CRW1	R
.866	1.850	—	.276	563816	—	HMS5	RG
.866	1.850	—	.276	563817	—	HMSA10	RG
.866	1.850	—	.276	563818	w/Stainless Steel Spring	HMS5	V
.866	1.850	—	.276	563819	w/Stainless Steel Spring	HMSA10	V
.866	1.969	1.974	.315	8580	—	★CRW1	R
.875	1.125	1.129	.125	8619	—	★HM14	V
.875	1.125	1.129	.125	8620	—	HM14	R
.875	1.125	—	.063	451242	—	BUW	#
.875	1.125	—	.125	711810	—	BV	R
.875	1.125	—	.125	721524	—	BV	D
.875	1.240	22.230	.219	709005	—	WS	R
.875	1.246	1.250	.188	8625	—	★HM14	R
.875	1.250	1.254	.188	8624	—	★CRW1	R
.875	1.250	1.254	.250	8621	—	★CRW1	V
.875	1.250	1.254	.250	8634	—	★CRWA5	V
.875	1.251	1.255	.188	8627	—	HM14	R

Size listing - Inches

Inch Shaft	Inch Bore	Inch O.D.	Inch Width	Inch Seal no.	Seal info. notes	Type & style	Lip code
.875	1.251	1.255	.188	8631	w/Stainless Steel Case	HM3	R
.875	1.255	1.259	.188	8632	70 Duro/185 Sirvene	★HM14	R
.875	1.308	1.312	.250	8637	—	★HM14	R
.875	1.308	1.312	.250	8649	—	★CRW1	V
.875	1.312	1.316	.250	8645	—	★HM14	R
.875	1.375	1.379	.188	8677	—	★HM14	R
.875	1.375	1.379	.246	8786	—	★CRWA1	R
.875	1.375	1.379	.250	8646	—	★CRW1	V
.875	1.375	1.379	.250	8660	—	★CRWA5	R
.875	1.375	1.379	.250	8665	—	★CRWA5	V
.875	1.375	1.379	.256	8648	—	★CRW1	R
.875	1.437	1.441	.250	8690	—	★HM14	R
.875	1.437	1.441	.250	8691	—	★CRW1	R
.875	1.497	1.501	.313	8694	—	★CRWA5	V
.875	1.499	1.503	.250	8700	—	★CRW1	R
.875	1.499	1.503	.250	8702	—	★CRWA1	R
.875	1.499	1.503	.250	8704	—	★CRW1	V
.875	1.499	1.503	.250	8707	w/Stainless Steel Spring	★CRWA1	V
.875	1.499	1.503	.313	8698	70 Duro/185 Sirvene	HMSW87	R
.875	1.499	1.503	.313	8703	—	★CRW1	R
.875	1.499	1.503	.453	8749	—	★DH2	RR
.875	1.502	1.506	.313	8748	—	★CRWA1	R
.875	1.562	1.566	.250	8761	—	HM14	R
.875	1.575	1.579	.250	8763	—	★CRW1	R
.875	1.575	1.579	.250	8772	—	HM14	R
.875	1.624	1.628	.250	8782	—	★CRWA1	R
.875	1.624	1.628	.250	8795	—	★CRW1	V
.875	1.624	1.628	.250	8796	—	★CRW1	R
.875	1.624	1.628	.256	534953	—	★CRWA1	V
.875	1.752	1.756	.250	8821	—	★CRW1	R
.875	1.828	1.832	.250	8842	—	★CRW1	R
.875	1.874	1.878	.250	8860	—	★CRW1	R
.875	2.000	2.004	.250	8870	—	★CRW1	R
.875	2.050	2.054	.375	8871	—	★CRWH1	V
.875	2.060	2.064	.359	8885	—	W28	P
.875	—	—	.615	89516	—	S6	—
.906	1.260	1.422	.217	9005	—	HM1	R
.906	1.338	1.350	.315	9065	w/CCW Helix From Air Side	HMSA7	R
.906	1.339	1.348	.256	9006	—	HMS4	R
.906	1.378	1.407	.236	9009	—	HMA10	R
.906	1.575	1.580	.276	9068	—	HMSA7	P
.906	1.575	1.581	.394	9060	—	HMS4	R
.906	1.575	1.584	.315	9055	—	HMS4	R
.906	1.575	—	.394	563491	—	HMS5	RG
.906	1.575	—	.394	563492	—	HMSA10	RG
.906	1.575	—	.394	563493	w/Stainless Steel Spring	HMS5	V
.906	1.575	—	.394	563494	w/Stainless Steel Spring	HMSA10	V
.906	1.654	1.663	.433	9015	—	HMS4	R
.917	1.476	1.484	.236	9176	—	HMSH4	R
.917	1.476	1.484	.236	9176	—	HMSH4	R
.938	1.188	—	.125	711811	—	BV	R
.938	1.250	—	.156	721528	—	BV	V
.938	1.375	1.379	.250	9243	—	★HM14	R
.938	1.375	1.379	.250	9244	—	★CRWA1	R
.938	1.499	1.503	.250	9298	—	★HM14	R
.938	1.500	1.504	.250	9303	—	★CRW1	R
.938	1.500	1.504	.250	9304	—	★CRW1	V
.938	1.624	1.628	.250	9307	—	★CRW1	R
.938	1.624	1.628	.250	9308	—	★CRW1	V
.938	1.752	1.756	.250	9347	—	★CRW1	R
.938	1.828	1.832	.250	9409	—	★CRW1	R
.938	1.850	1.854	.312	9374	—	CRSA1	R
.942	2.110	2.110	.990	9420	—	END CAP	P
.945	1.260	1.262	.157	9445	—	HM4	R
.945	1.260	1.265	.276	9451	—	CRSA11	R

Size listing - Inches

Inch Shaft	Inch Bore	Inch O.D.	Inch Width	Inch Seal no.	Seal info. notes	Type & style	Lip code
.945	1.378	1.383	.276	9500	—	HMS4	R
.945	1.378	—	.276	692299	—	HMS5	RG
.945	1.378	—	.276	692300	—	HMS5	V
.945	1.378	—	.276	692301	—	HMSA10	RG
.945	1.378	—	.276	692302	—	HMSA10	V
.945	1.417	1.423	.236	9458	—	CRS11	R
.945	1.417	1.426	.276	9456	—	HMSA75	R
.945	1.417	1.426	.354	9455	—	HMS47	R
.945	1.417	1.502	.276	9502	—	★CRW1	V
.945	1.457	—	.276	562828	—	HMS5	RG
.945	1.457	—	.276	562829	—	HMSA10	RG
.945	1.457	—	.276	562830	w/Stainless Steel Spring	HMS5	V
.945	1.457	—	.276	562831	w/Stainless Steel Spring	HMSA10	V
.945	1.496	1.383	.276	9506	—	★CRW1	V
.945	1.496	1.502	.394	9505	—	CRS1	R
.945	1.496	1.526	.315	9508	—	CRS1	R
.945	1.508	1.516	.315	9441	—	HMS17	R
.945	1.575	1.580	.315	9515	w/CW Helix From Air Side	CRS1	R
.945	1.575	1.584	.276	9514	—	HMS5	R
.945	1.575	1.584	.276	9521	—	HMSA7	V
.945	1.575	—	.276	562836	—	HMS5	RG
.945	1.575	—	.276	562837	—	HMSA10	RG
.945	1.575	—	.276	562838	w/Stainless Steel Spring	HMS5	V
.945	1.575	—	.276	562839	w/Stainless Steel Spring	HMSA10	V
.945	1.654	—	.315	563938	—	HMSA10	RG
.945	1.654	—	.315	563939	w/Stainless Steel Spring	HMS5	V
.945	1.654	—	.315	563940	w/Stainless Steel Spring	HMSA10	V
.945	1.850	1.856	.315	9560	—	★CRW1	R
.945	1.850	—	.276	563070	—	HMSA10	RG
.945	1.850	—	.276	563071	w/Stainless Steel Spring	HMS5	V
.945	1.850	—	.276	563072	w/Stainless Steel Spring	HMSA10	V
.945	1.969	1.979	.394	9476	—	HMS47	R
.945	2.047	2.055	.276	9480	—	HMSA7	R
.945	2.441	2.446	.315	534949	—	CRWA1	V
.950	1.358	1.362	.275	9520	—	★CRW1	P
.950	2.060	2.064	.359	9510	—	HMS11	P
.969	1.406	1.410	.250	9604	—	★CRWA1	P
.969	1.499	1.503	.313	9611	—	★CRW1	V
.969	1.499	1.503	.313	9613	—	CRW1	R
.969	1.624	1.628	.250	9646	—	★CRW1	R
.969	1.624	1.628	.250	9647	—	★CRW1	V
.969	1.686	1.690	.313	9663	—	★CRWA1	R
.969	1.686	1.690	.313	9664	—	★CRW1	R
.969	1.752	1.756	.250	9667	—	★CRW1	R
.969	1.828	1.832	.313	9681	—	★CRW1	R
.969	2.048	2.052	.375	9688	—	★CRS1	R
.981	1.376	1.380	.313	9888	w/SS Case & Spring	CRW1	V
.984	1.260	1.262	.157	10146	—	HMSA7	R
.984	1.260	1.262	.157	9691	—	HM4	R
.984	1.260	1.262	.157	547329	—	HMS4	R
.984	1.260	1.266	.276	9696	—	CRSA1	R
.984	1.299	1.302	.157	9693	—	HM4	R
.984	1.299	1.308	.236	9875	—	HMS4	R
.984	1.378	1.380	.157	9694	—	HM4	R
.984	1.378	1.383	.276	9708	—	HMS4	R
.984	1.378	1.383	.276	9705	—	★CRW1	R
.984	1.378	1.383	.276	9709	—	HMSA7	R
.984	1.378	1.383	.276	9717	w/Stainless Steel Spring	HMSA7	V
.984	1.378	1.422	.276	9706	—	★CRW1	V
.984	1.378	—	.236	562696	—	HMS5	RG
.984	1.378	—	.236	562697	—	HMSA10	RG
.984	1.378	—	.236	562698	w/Stainless Steel Spring	HMS5	V
.984	1.378	—	.236	562699	w/Stainless Steel Spring	HMSA10	V
.984	1.378	—	.276	692303	—	HMS5	RG
.984	1.378	—	.276	692304	—	HMS5	V

Size listing - Inches

Inch Shaft	Inch Bore	Inch O.D.	Inch Width	Inch Seal no.	Seal info. notes	Type & style	Lip code
.984	1.378	—	.276	692305	—	HMSA10	RG
.984	1.378	—	.276	692306	—	HMSA10	V
.984	1.383	1.388	.151	9808	—	HMS4N	R
.984	1.417	1.426	.315	9768	—	HMSA7	R
.984	1.417	1.462	.276	9710	—	★CRW1	R
.984	1.456	1.466	.275	9846A	w/Helix Bi-Direction From Air Side	HMSA7	P
.984	1.457	1.462	.276	9716	—	★CRW1	V
.984	1.457	1.462	.276	9718	—	HMS4	R
.984	1.457	1.474	.335	9652	—	HMS4	R
.984	1.457	1.474	.335	9655	—	HMSA7	R
.984	1.457	1.580	.276	9715	—	★CRW1	R
.984	1.457	—	.197	563137	—	HMS5	RG
.984	1.457	—	.197	563138	—	HMSA10	RG
.984	1.457	—	.197	563139	w/Stainless Steel Spring	HMS5	V
.984	1.457	—	.197	563140	w/Stainless Steel Spring	HMSA10	V
.984	1.457	—	.236	563141	—	HMS5	RG
.984	1.457	—	.236	563142	—	HMSA10	RG
.984	1.457	—	.236	563143	w/Stainless Steel Spring	HMS5	V
.984	1.457	—	.236	563144	w/Stainless Steel Spring	HMSA10	V
.984	1.457	—	.276	564072	—	HMS5	RG
.984	1.457	—	.276	564073	—	HMSA10	RG
.984	1.457	—	.276	564074	—	HMS5	V
.984	1.457	—	.276	564075	—	HMSA10	V
.984	1.476	1.481	.236	10237	—	HMSA7	V
.984	1.496	1.497	.276	9723	—	HMS4	R
.984	1.496	1.502	.236	9701	w/CW Helix From Air Side	HMSA7	V
.984	1.496	1.502	.276	9720	—	★CRW1	R
.984	1.496	1.502	.276	9721	—	★CRW1	V
.984	1.496	—	.276	692307	—	HMS5	RG
.984	1.496	—	.276	692308	—	HMS5	V
.984	1.496	—	.276	692309	—	HMSA10	RG
.984	1.496	—	.276	692310	—	HMSA10	V
.984	1.499	1.503	.250	9686	—	★CRW1	V
.984	1.575	1.580	.276	9725	—	★CRW1	R
.984	1.575	1.580	.276	9726	w/SS Case & Spring	CRW1	R
.984	1.575	1.584	.276	9732	—	HMS4	R
.984	1.575	1.659	.276	9727	—	★CRW1	V
.984	1.575	—	.197	563853	—	HMSA10	RG
.984	1.575	—	.197	563854	w/Stainless Steel Spring	HMS5	V
.984	1.575	—	.197	563855	w/Stainless Steel Spring	HMSA10	V
.984	1.575	—	.276	692313	—	HMSA10	RG
.984	1.575	—	.276	692311	—	HMS5	RG
.984	1.575	—	.276	692312	—	HMS5	V
.984	1.575	—	.276	692314	—	HMSA10	V
.984	1.575	—	.315	564076	—	HMS5	RG
.984	1.575	—	.315	564078	—	HMS5	V
.984	1.575	—	.315	564079	—	HMSA10	V
.984	1.575	—	.394	563259	—	HMS5	RG
.984	1.575	—	.394	563260	—	HMSA10	RG
.984	1.575	—	.394	563261	w/Stainless Steel Spring	HMS5	V
.984	1.575	—	.394	563262	w/Stainless Steel Spring	HMSA10	V
.984	1.596	1.601	.250	9700	—	★CRWA5	R
.984	1.654	1.659	.315	9730	—	★CRW1	R
.984	1.654	1.895	.315	9729	—	★CRW1	V
.984	1.654	—	.236	562978	—	HMSA10	RG
.984	1.654	—	.236	562979	w/Stainless Steel Spring	HMS5	V
.984	1.654	—	.236	562980	w/Stainless Steel Spring	HMSA10	V
.984	1.654	—	.276	692316	—	HMS5	V
.984	1.654	—	.276	692318	—	HMSA10	V
.984	1.654	—	.394	562776	—	HMS5	RG
.984	1.654	—	.394	562777	—	HMSA10	RG
.984	1.654	—	.394	562778	w/Stainless Steel Spring	HMS5	V
.984	1.654	—	.394	562779	w/Stainless Steel Spring	HMSA10	V
.984	1.693	1.702	.394	10009	—	HMS45	R
.984	1.732	1.741	.394	9752	w/CW Helix From Air Side	HMSHA7	P

Size listing - Inches

Inch Shaft	Inch Bore	Inch O.D.	Inch Width	Inch Seal no.	Seal info. notes	Type & style	Lip code
.984	1.749	1.753	.375	9803	w/SS Case & Spring	CRWA1	V
.984	1.752	1.756	.313	9805	—	★CRWA5	V
.984	1.772	1.776	.276	9731	—	★CRW1	R
.984	1.772	1.801	.433	9769	—	HMSA7	R
.984	1.772	—	.276	563415	—	HMS5	RG
.984	1.772	—	.276	563416	—	HMSA10	RG
.984	1.772	—	.276	563417	w/Stainless Steel Spring	HMS5	V
.984	1.772	—	.276	563418	w/Stainless Steel Spring	HMSA10	V
.984	1.772	—	.315	563251	—	HMS5	RG
.984	1.772	—	.315	563252	—	HMSA10	RG
.984	1.772	—	.315	563253	w/Stainless Steel Spring	HMS5	V
.984	1.772	—	.394	562941	—	HMSA10	RG
.984	1.772	—	.394	562942	w/Stainless Steel Spring	HMS5	V
.984	1.772	—	.394	562943	w/Stainless Steel Spring	HMSA10	V
.984	1.811	—	.276	563808	—	HMS5	RG
.984	1.811	—	.276	563809	—	HMSA10	RG
.984	1.811	—	.276	563810	w/Stainless Steel Spring	HMS5	V
.984	1.811	—	.276	563811	w/Stainless Steel Spring	HMSA10	V
.984	1.811	—	.315	563254	w/Stainless Steel Spring	HMSA10	V
.984	1.850	1.856	.250	9745	—	★CRW1	R
.984	1.850	1.856	.250	9786	—	CRWA1	V
.984	1.850	—	.276	692320	—	HMS5	V
.984	1.850	—	.276	692321	—	HMSA10	RG
.984	1.850	—	.276	692322	—	HMSA10	V
.984	1.850	—	.394	562773	—	HMSA10	RG
.984	1.850	—	.394	562774	w/Stainless Steel Spring	HMS5	V
.984	1.850	—	.394	562775	w/Stainless Steel Spring	HMSA10	V
.984	1.890	1.186	.315	9751	—	★CRW1	V
.984	1.890	1.895	.315	9750	—	★CRW1	R
.984	1.969	1.974	.315	9755	—	★CRW1	R
.984	1.969	1.998	.472	9771	—	HMS4	R
.984	1.969	—	.394	563720	—	HMS5	RG
.984	1.969	—	.394	563721	—	HMSA10	RG
.984	1.969	—	.394	563722	w/Stainless Steel Spring	HMS5	V
.984	1.969	—	.394	563723	w/Stainless Steel Spring	HMSA10	V
.984	2.047	2.054	.315	9760	—	★CRW1	R
.984	2.047	2.054	.315	9761	—	★CRW1	V
.984	2.047	2.058	.276	9763	—	HMSA7	R
.984	2.047	2.058	.472	10085	—	CRSA13	R
.984	2.047	—	.276	692324	—	HMS5	V
.984	2.047	—	.276	692325	—	HMSA10	RG
.984	2.047	—	.276	692326	—	HMSA10	V
.984	2.047	—	.315	564081	—	HMSA10	RG
.984	2.047	—	.315	564082	—	HMS5	V
.984	2.047	—	.315	564083	—	HMSA10	V
.984	2.047	—	.394	562637	—	HMSA10	RG
.984	2.047	—	.394	562638	w/Stainless Steel Spring	HMS5	V
.984	2.047	—	.394	562639	w/Stainless Steel Spring	HMSA10	V
.984	2.441	2.447	.276	9790	—	★CRW1	R
.984	2.441	2.447	.276	9791	—	★CRW1	V
.984	2.441	2.447	.394	9795	—	HMS4	R
.984	2.441	—	.276	563193	—	HMS5	RG
.984	2.441	—	.276	563194	—	HMSA10	RG
.984	2.441	—	.276	563195	w/Stainless Steel Spring	HMS5	V
.984	2.441	—	.276	563196	w/Stainless Steel Spring	HMSA10	V
.984	2.441	—	.315	563877	—	HMS5	RG
.984	2.441	—	.315	563878	—	HMSA10	RG
.984	2.441	—	.315	563879	w/Stainless Steel Spring	HMS5	V
.984	2.441	—	.315	563880	w/Stainless Steel Spring	HMSA10	V
.984	2.441	—	.394	562944	—	HMS5	RG
.984	2.441	—	.394	562945	—	HMSA10	RG
.984	2.441	—	.394	562946	w/Stainless Steel Spring	HMS5	V
.984	2.441	—	.394	562947	w/Stainless Steel Spring	HMSA10	V
1.000	1.250	1.254	.125	9815	—	★HM14	R
1.000	1.250	—	.125	711080	—	BV	R

Size listing - Inches

Inch Shaft	Inch Bore	Inch O.D.	Inch Width	Inch Seal no.	Seal info. notes	Type & style	Lip code
1.000	1.250	—	.125	712131	—	BV	V
1.000	1.250	—	.125	721558	—	BV	V
1.000	1.312	1.316	.125	9818	—	★HM14	R
1.000	1.313	—	.063	451047	—	BUW	#
1.000	1.313	—	.156	701084	—	BV	D
1.000	1.313	—	.156	721529	—	BV	V
1.000	1.365	—	.219	709006	—	WS	R
1.000	1.365	—	.219	712121	—	WS	V
1.000	1.367	1.371	.313	9822	—	★CRW1	R
1.000	1.375	1.379	.188	9820	—	★HM14	R
1.000	1.375	1.379	.250	9826	—	CRW1	P
1.000	1.375	1.379	.250	9814	—	★CRWA5	R
1.000	1.375	1.379	.250	9831	—	★CRW1	V
1.000	1.437	1.441	.250	9833	—	★CRW1	V
1.000	1.437	1.441	.250	9835	—	★HM14	R
1.000	1.437	1.441	.250	9837	—	★CRW1	R
1.000	1.437	1.441	.250	9838	—	★CRWA1	R
1.000	1.437	1.441	.250	9847	—	★CRWA1	V
1.000	1.442	1.446	.250	550074	—	HMS1	P
1.000	1.496	1.500	.390	9850	—	★CRW1	R
1.000	1.499	1.503	.188	9859	—	★HM14	R
1.000	1.499	1.503	.250	9843	—	★CRWA5	R
1.000	1.499	1.503	.250	9852	w/SS Case & Spring	★CRW1	R
1.000	1.499	1.503	.250	9854	—	★CRW1	V
1.000	1.499	1.503	.250	9855	70 Duro/185 Sirvene	CRW5	R
1.000	1.499	1.503	.250	9858	—	★CRWA5	V
1.000	1.499	1.503	.250	9876	—	★CRW1	R
1.000	1.499	1.503	.250	9878	—	★CRWA1	R
1.000	1.499	1.503	.250	9879	—	★CRWA1	V
1.000	1.499	1.503	.315	9862	—	★CRWA1	V
1.000	1.499	1.503	.374	544167	—	★CRWA5	P
1.000	1.500	1.505	.250	9863	—	★CRWA5	R
1.000	1.500	1.509	.374	9811	—	HMS4	R
1.000	1.500	—	.250	712589	—	BV	R
1.000	1.500	—	.281	504264	—	SC	R
1.000	1.510	1.514	.219	9853	—	★HM21	R
1.000	1.561	1.565	.250	9894	—	★CRW1	R
1.000	1.561	1.565	.250	9900	—	★HM14	R
1.000	1.563	1.567	.188	527939	—	BB	R
1.000	1.575	1.579	.250	9903	—	★HM14	R
1.000	1.575	1.579	.313	9907	—	★CRWA1	R
1.000	1.624	1.628	.250	9932	—	★HM14	R
1.000	1.624	1.628	.250	9934	—	★CRW1	R
1.000	1.624	1.628	.250	9935	—	★CRWA1	R
1.000	1.624	1.628	.250	9937	—	★CRW1	V
1.000	1.624	1.628	.250	9939	—	★CRWA1	V
1.000	1.686	1.690	.256	9960	—	★CRW1	R
1.000	1.686	1.690	.256	544257	—	★CRW1	V
1.000	1.752	1.756	.250	9982	—	★CRW1	V
1.000	1.752	1.756	.250	9983	w/Stainless Steel Spring	★CRWA1	V
1.000	1.752	1.756	.250	9995	—	★HM21	R
1.000	1.752	1.756	.250	9997	—	★CRW1	R
1.000	1.752	1.756	.250	9998	—	★CRWA1	R
1.000	1.752	1.756	.313	9967	—	★CRWA5	R
1.000	1.781	1.785	.250	530484	—	HM21	R
1.000	1.781	1.785	.469	10034	—	★HM14	R
1.000	1.781	1.785	.469	10035	Clearance D .265	★HM18	R
1.000	1.828	1.832	.250	10049	—	★CRW1	R
1.000	1.828	1.832	.250	10050	—	★CRWA1	R
1.000	1.828	1.832	.250	10058	—	★CRW1	V
1.000	1.851	1.855	.250	10071	—	★CRW1	R
1.000	1.851	1.855	.250	10074	—	★HM14	R
1.000	1.874	1.878	.250	10075	—	★CRW1	R
1.000	1.938	1.942	.250	10104	—	★CRW1	R
1.000	1.938	1.942	.250	10112	—	★HM14	R

Size listing - Inches

Inch Shaft	Inch Bore	Inch O.D.	Inch Width	Inch Seal no.	Seal info. notes	Type & style	Lip code
1.000	1.983	1.987	.250	10111	—	★CRWA1	V
1.000	1.983	1.987	.313	10114	—	★CRWA1	R
1.000	2.000	2.004	.250	10124	—	★CRWA1	R
1.000	2.000	2.004	.250	10123	—	★CRW1	R
1.000	2.000	2.004	.250	10127	w/SS Case & Spring	★CRWA1	R
1.000	2.000	2.004	.250	10128	—	★CRW1	V
1.000	2.000	2.004	.250	10129	—	★CRWA1	V
1.000	2.000	2.004	.250	10152	—	★HM21	R
1.000	2.000	2.004	.313	10131	—	★CRWA5	R
1.000	2.047	2.051	.250	10157	—	★CRWA1	R
1.000	2.062	2.066	.250	10158	—	★CRW1	R
1.000	2.250	2.254	.250	10169	—	★CRW1	R
1.000	2.250	2.254	.250	10185	—	★HM14	R
1.000	2.356	.995	.270	538266	—	X15	V
1.000	2.441	2.447	.375	10178	—	HMSA7	R
1.014	1.566	1.570	.307	10140	—	HMSA7	R
1.024	1.339	1.341	.157	10166	—	HM4	R
1.024	1.378	1.384	.276	10242	—	CRS1	R
1.024	1.417	1.426	.276	10243	—	HMS47	R
1.024	1.457	—	.276	563149	—	HMS5	RG
1.024	1.457	—	.276	563150	—	HMSA10	RG
1.024	1.457	—	.276	563151	w/Stainless Steel Spring	HMS5	V
1.024	1.457	—	.276	563152	w/Stainless Steel Spring	HMSA10	V
1.024	1.496	1.502	.276	10173	—	HMS1	R
1.024	1.496	1.526	.315	10168	—	HMS4	R
1.024	1.496	—	.197	563969	—	HMS5	RG
1.024	1.496	—	.197	563970	—	HMSA10	RG
1.024	1.496	—	.197	563971	w/Stainless Steel Spring	HMS5	V
1.024	1.496	—	.197	563972	w/Stainless Steel Spring	HMSA10	V
1.024	1.496	—	.276	692327	—	HMS5	RG
1.024	1.496	—	.276	692329	—	HMSA10	RG
1.024	1.575	1.580	.315	547372	—	HMS4	R
1.024	1.575	1.580	.315	10181	—	HMS1	R
1.024	1.575	1.583	.276	10183	—	HMSA7	R
1.024	1.575	1.583	.315	10281	—	HMSA7	R
1.024	1.654	1.659	.315	10191	—	CRS1	R
1.024	1.654	1.663	.276	10188	—	HMS4	R
1.024	1.654	—	.276	563161	—	HMS5	RG
1.024	1.654	—	.276	563162	—	HMSA10	RG
1.024	1.654	—	.276	563163	w/Stainless Steel Spring	HMS5	V
1.024	1.654	—	.276	563164	w/Stainless Steel Spring	HMSA10	V
1.024	1.772	1.777	.394	10268	—	CRS12	R
1.024	1.850	—	.276	563407	—	HMS5	RG
1.024	1.850	—	.276	563408	—	HMSA10	RG
1.024	1.850	—	.276	563409	w/Stainless Steel Spring	HMS5	V
1.024	1.850	—	.276	563410	w/Stainless Steel Spring	HMSA10	V
1.024	2.047	2.058	.315	10253	—	HMS4	R
1.058	1.456	1.464	.276	10586A	w/CW Helix From Air Side	HMSA7	V
1.062	1.507	1.512	.374	10523	See Type J Section (HMSA Lip)	J-TYPE	R
1.063	1.375	—	.156	711814	—	BV	R
1.063	1.457	—	.276	563524	—	HMS5	RG
1.063	1.457	—	.276	563525	—	HMSA10	RG
1.063	1.457	—	.276	563526	w/Stainless Steel Spring	HMS5	V
1.063	1.457	—	.276	563527	w/Stainless Steel Spring	HMSA10	V
1.063	1.499	1.503	.250	10515	—	★CRW1	R
1.063	1.499	1.503	.250	10518	—	★CRW1	V
1.063	1.512	1.519	.256	532866	—	★CRW1	P
1.063	1.561	1.565	.250	10581	—	★CRW1	R
1.063	1.575	1.584	.315	10584	w/CCW Helix From Air Side	HMSA7	V
1.063	1.577	1.581	.250	10583	—	★CRW1	R
1.063	1.624	1.628	.250	10598	—	★CRW1	R
1.063	1.654	1.659	.276	10625	—	★CRW1	R
1.063	1.654	1.659	.276	10627	—	★CRW1	V
1.063	1.654	—	.394	563157	—	HMS5	RG
1.063	1.654	—	.394	563158	—	HMSA10	RG

Size listing - Inches

Inch Shaft	Inch Bore	Inch O.D.	Inch Width	Inch Seal no.	Seal info. notes	Type & style	Lip code
1.063	1.654	—	.394	563159	w/Stainless Steel Spring	HMS5	V
1.063	1.654	—	.394	563160	w/Stainless Steel Spring	HMSA10	V
1.063	1.686	1.690	.250	10632	—	★CRW1	R
1.063	1.693	1.697	.315	10640	—	★CRW1	V
1.063	1.693	1.697	.355	10634	w/CCW Helix From Air Side	HMSA7	P
1.063	1.693	1.697	.355	10661	w/CW Helix From Air Side	HMSA7	R
1.063	1.693	1.702	.276	10494	w/CW Helix From Air Side	HMSA7	P
1.063	1.693	—	.276	563037	—	HMS5	RG
1.063	1.693	—	.276	563038	—	HMSA10	RG
1.063	1.693	—	.276	563040	w/Stainless Steel Spring	HMSA10	V
1.063	1.752	1.756	.250	10653	—	★CRW1	R
1.063	1.752	1.756	.250	10655	—	★CRW1	V
1.063	1.772	1.777	.315	10666	—	★CRW1	V
1.063	1.772	1.781	.315	10663	—	HMS4	R
1.063	1.828	1.832	.250	10681	—	★CRW1	R
1.063	1.850	1.856	.433	10685	—	★HMS1	R
1.063	1.850	1.859	.276	10644	—	HMS4	R
1.063	1.850	—	.394	563840	—	HMS5	RG
1.063	1.850	—	.394	563841	—	HMSA10	RG
1.063	1.850	—	.394	563842	w/Stainless Steel Spring	HMS5	V
1.063	1.850	—	.394	563843	w/Stainless Steel Spring	HMSA10	V
1.063	1.874	1.878	.250	10700	—	★CRW1	R
1.063	1.979	1.983	.250	10728	—	★CRW1	R
1.063	1.983	1.987	.250	10733	—	★CRW1	R
1.063	2.000	2.004	.250	10740	—	★CRW1	R
1.063	2.047	2.054	.315	10758	—	★CRW1	R
1.063	2.047	2.058	.315	10648	—	HMS46	R
1.063	2.047	2.058	.394	10649	—	HMS46	R
1.063	2.062	2.066	.250	10766	—	★CRW1	R
1.098	1.692	1.697	.314	10980A	w/CW Helix From Air Side	HMSA7	P
1.100	2.205	2.213	.394	11000	—	HMSA7	P
1.102	1.378	1.380	.157	10915	—	HM4	R
1.102	1.378	1.387	.236	11020	—	HM102	R
1.102	1.457	1.459	.157	10918	—	HM4	R
1.102	1.496	1.505	.276	10924	—	HMS4	R
1.102	1.496	—	.276	692331	—	HMS5	RG
1.102	1.496	—	.276	692332	—	HMS5	V
1.102	1.496	—	.276	692333	—	HMSA10	RG
1.102	1.496	—	.276	692334	—	HMSA10	V
1.102	1.496	—	.315	563363	—	HMS5	RG
1.102	1.496	—	.315	563364	—	HMSA10	RG
1.102	1.496	—	.315	563365	w/Stainless Steel Spring	HMS5	V
1.102	1.496	—	.315	563366	w/Stainless Steel Spring	HMSA10	V
1.102	1.575	1.579	.276	10930	—	CRW1	R
1.102	1.575	1.580	.276	10932	—	★CRW1	V
1.102	1.575	1.580	.276	10939	—	HMS4	R
1.102	1.575	1.580	.394	11026	—	CRS13	R
1.102	1.575	1.584	.276	10923	—	HMSA7	V
1.102	1.575	1.592	.315	10947	—	HMSA7	R
1.102	1.575	—	.276	564084	—	HMS5	RG
1.102	1.575	—	.276	564085	—	HMSA10	RG
1.102	1.575	—	.276	564086	—	HMS5	V
1.102	1.575	—	.276	564087	—	HMSA10	V
1.102	1.575	—	.315	563548	—	HMS5	RG
1.102	1.575	—	.315	563549	—	HMSA10	RG
1.102	1.575	—	.315	563550	w/Stainless Steel Spring	HMS5	V
1.102	1.575	—	.315	563551	w/Stainless Steel Spring	HMSA10	V
1.102	1.614	1.623	.276	10944	w/CCW Helix From Air Side	HMSA7	P
1.102	1.654	1.658	.276	10931	—	★CRW1	R
1.102	1.654	1.659	.276	10934	—	★CRW1	V
1.102	1.654	1.663	.315	10922	—	HMSA7	R
1.102	1.654	1.665	.315	562613	—	HMSA10	RG
1.102	1.654	1.665	.315	562613	—	HMSA10	RG
1.102	1.654	—	.276	692339	—	HMS5	RG
1.102	1.654	—	.276	692340	—	HMS5	V

Size listing - Inches

Inch Shaft	Inch Bore	Inch O.D.	Inch Width	Inch Seal no.	Seal info. notes	Type & style	Lip code
1.102	1.654	—	.276	692341	—	HMSA10	RG
1.102	1.654	—	.276	692342	—	HMSA10	V
1.102	1.654	—	.315	562612	—	HMS5	RG
1.102	1.654	—	.315	562614	w/Stainless Steel Spring	HMS5	V
1.102	1.654	—	.315	562615	w/Stainless Steel Spring	HMSA10	V
1.102	1.673	1.682	.315	10936	—	HMS4	R
1.102	1.693	1.699	.394	11031	—	HMS4	R
1.102	1.693	1.702	.315	10927	w/CW Helix From Air Side	HMSA7	R
1.102	1.732	1.739	.236	10937	—	HMSA7	P
1.102	1.732	1.744	.354	10938	w/CW Helix From Air Side	HMSH78	P
1.102	1.732	—	.236	563423	—	HMS5	RG
1.102	1.732	—	.236	563424	—	HMSA10	RG
1.102	1.732	—	.236	563425	w/Stainless Steel Spring	HMS5	V
1.102	1.732	—	.236	563426	w/Stainless Steel Spring	HMSA10	V
1.102	1.772	1.777	.276	10946	—	★CRW1	V
1.102	1.772	—	.315	563456	—	HMSA10	RG
1.102	1.772	—	.315	563457	w/Stainless Steel Spring	HMS5	V
1.102	1.772	—	.315	563458	w/Stainless Steel Spring	HMSA10	V
1.102	1.850	1.856	.276	10957	—	★CRW1	V
1.102	1.850	1.856	.315	10990	—	★CRW1	R
1.102	1.850	1.856	.394	11036	—	CRSA11	R
1.102	1.850	1.859	.197	11041	—	HMS46	R
1.102	1.850	—	.276	692343	—	HMS5	RG
1.102	1.850	—	.276	692344	—	HMS5	V
1.102	1.850	—	.276	692345	—	HMSA10	RG
1.102	1.850	—	.394	563479	—	HMS5	RG
1.102	1.850	—	.394	563480	—	HMSA10	RG
1.102	1.850	—	.394	563481	w/Stainless Steel Spring	HMS5	V
1.102	1.850	—	.394	563482	w/Stainless Steel Spring	HMSA10	V
1.102	1.890	1.919	.315	10991	—	HMSA7	R
1.102	1.890	1.919	.433	10967	—	HMS4	R
1.102	1.913	1.919	.315	10956	w/CW Helix From Air Side	HMS48	P
1.102	1.969	1.979	.315	11076	—	HMSA7	P
1.102	1.969	1.979	.394	11043	—	HMS47	R
1.102	2.047	2.054	.315	10994	—	★CRW1	R
1.102	2.047	—	.276	563463	—	HMS5	RG
1.102	2.047	—	.276	563464	—	HMSA10	RG
1.102	2.047	—	.276	563465	w/Stainless Steel Spring	HMS5	V
1.102	2.047	—	.276	563466	w/Stainless Steel Spring	HMSA10	V
1.102	2.047	—	.394	563552	—	HMS5	RG
1.102	2.047	—	.394	563553	—	HMSA10	RG
1.102	2.047	—	.394	563554	w/Stainless Steel Spring	HMS5	V
1.102	2.047	—	.394	563555	w/Stainless Steel Spring	HMSA10	V
1.102	2.087	—	.378	10983	—	HMSA96S	P
1.118	1.687	1.691	.250	540903	—	★CRW1	R
1.122	1.624	1.633	.236	11122	w/CW Helix From Air Side	HMSA7	P
1.125	1.375	1.379	.125	11050	—	HM14	R
1.125	1.375	1.379	.125	11052	—	★HM14	V
1.125	1.438	1.442	.203	11055	—	★HM14	R
1.125	1.438	—	.063	451286	—	BUW	#
1.125	1.438	—	.156	711816	—	BV	R
1.125	1.438	—	.156	721508	—	BV	D
1.125	1.438	—	.156	721530	—	BV	V
1.125	1.490	—	.219	709007	—	WS	R
1.125	1.499	1.503	.188	11060	—	★HM14	R
1.125	1.499	1.503	.188	11061	—	CRW1	R
1.125	1.561	1.565	.250	11066	—	★CRW1	P
1.125	1.561	1.565	.250	11071	—	★CRW1	V
1.125	1.561	1.565	.256	11067	—	★CRW1	R
1.125	1.562	1.566	.188	11065	—	HM8	R
1.125	1.562	1.566	.250	11081	—	HM14	R
1.125	1.565	1.569	.250	11082	—	★CRW1	R
1.125	1.624	1.628	.250	11111	—	★CRW1	P
1.125	1.624	1.628	.250	11123	—	★CRW1	R
1.125	1.624	1.628	.250	11130	—	★HM21	R

Size listing - Inches

Inch Shaft	Inch Bore	Inch O.D.	Inch Width	Inch Seal no.	Seal info. notes	Type & style	Lip code
1.125	1.624	1.628	.256	11124	—	★CRWA1	R
1.125	1.624	1.628	.256	11133	—	★CRW1	V
1.125	1.624	1.628	.256	11134	—	★CRWA1	V
1.125	1.626	1.630	.250	11139	—	★CRWA5	V
1.125	1.628	—	.281	504265	—	SC	R
1.125	1.630	1.634	.313	11143	—	HMS4N	R
1.125	1.693	1.698	.256	11136	—	HMSA1	R
1.125	1.750	1.754	.250	11150	—	★HM14	R
1.125	1.752	1.756	.250	11138	—	★CRW1	R
1.125	1.752	1.756	.250	11144	—	★CRW1	V
1.125	1.781	1.785	.250	11161	—	★HM21	R
1.125	1.781	1.785	.469	11164	—	HM18	R
1.125	1.781	1.787	.406	11180	—	HMSA7	R
1.125	1.828	1.832	.250	11170	—	★CRW1	R
1.125	1.828	1.832	.250	11171	—	★CRWA1	R
1.125	1.828	1.832	.250	11172	—	★CRW1	V
1.125	1.828	1.832	.250	11175	—	★CRWA1	V
1.125	1.828	1.832	.250	11191	—	HM21	R
1.125	1.852	1.856	.313	11197	—	★CRWH1	R
1.125	1.852	1.856	.313	11200	—	★CRWHA1	R
1.125	1.874	1.878	.250	11218	—	★CRWA1	V
1.125	1.874	1.878	.250	11223	—	★CRWA1	R
1.125	1.874	1.878	.250	11224	—	★CRW1	R
1.125	1.874	1.878	.250	11225	—	★CRW1	V
1.125	1.938	1.942	.343	11269	Clearance D .352	HM14	R
1.125	1.938	1.942	.625	11284	Clearance D .415	HD2	R
1.125	1.983	1.987	.250	11299	—	★CRW1	R
1.125	2.000	2.004	.250	11334	—	★HM21	R
1.125	2.000	2.004	.250	11344	—	★CRW1	V
1.125	2.000	2.004	.256	11340	—	★CRW1	R
1.125	2.000	2.004	.375	11343	—	★CRWA1	R
1.125	2.047	2.051	.250	11352	—	★HM21	R
1.125	2.047	2.051	.313	11353	—	★CRWA1	R
1.125	2.062	2.066	.250	11368	—	★CRWA1	V
1.125	2.062	2.066	.313	11366	—	★CRW1	R
1.125	2.125	2.129	.313	11372	—	★CRW1	R
1.125	2.250	2.254	.250	11378	—	★CRW1	R
1.125	2.441	2.445	.250	11392	—	★CRW1	R
1.125	2.835	2.839	.375	11405	—	★CRSA1	R
1.125	2.875	2.879	.469	11410	—	★CRSH1	R
1.126	1.575	1.579	.236	11086	—	★CRWA1	R
1.142	1.474	1.487	.197	11407	—	HMS4	R
1.142	1.614	1.624	.236	11417	w/CW Helix From Air Side	HMSA7	P
1.142	1.693	1.698	.315	11422	w/CCW Helix From Air Side	HMSA7	V
1.142	1.772	1.781	.315	11429	w/CCW Helix From Air Side	HMSA7	R
1.142	1.850	1.856	.394	11421	—	CRSH11	R
1.142	2.047	2.052	.433	14116	w/Bi-Direction Helix From Air Side	HMSA7	R
1.142	2.047	2.054	.394	11424	—	CRSH11	R
1.156	1.686	1.690	.250	11518	—	★CRWA1	R
1.156	1.686	1.693	.312	11513	—	CRWA6	R
1.156	1.686	1.693	.313	11512	w/Stainless Steel Spring	CRWA6	V
1.156	1.752	1.756	.250	11514	—	★CRWA1	R
1.156	1.874	1.878	.250	11524	—	★CRW1	R
1.156	1.875	1.879	.375	11536	—	CRWA1	R
1.156	2.000	2.004	.250	11544	—	★CRW1	R
1.156	2.000	2.004	.250	11545	—	★CRWA1	R
1.156	2.000	2.004	.250	11550	—	★CRW1	V
1.156	2.062	2.066	.313	11558	—	★CRW1	R
1.156	2.125	2.129	.438	11566	—	★CRSH1	R
1.175	1.771	1.775	.275	11700	w/CW Helix From Air Side	★HMS1	R
1.175	2.031	2.035	.500	11553	—	★CRW1	R
1.177	2.448	2.453	.500	11778	w/CW Helix From Air Side	★CRSA4	V
1.177	2.559	2.572	.433	18108	w/Bi-Direction Helix From Air Side	HMSA57	P
1.178	2.073	2.077	.335	11650	—	★CRW1	S
1.181	1.457	1.459	.157	11594	—	HM4	R

Size listing - Inches

Inch Shaft	Inch Bore	Inch O.D.	Inch Width	Inch Seal no.	Seal info. notes	Type & style	Lip code
1.181	1.457	1.474	.157	11596	—	HMSA7	R
1.181	1.457	—	.157	11595	—	HMS4	R
1.181	1.496	1.501	.217	18186	—	HMA2	R
1.181	1.575	1.575	.157	547343	—	HMS4	R
1.181	1.575	1.577	.157	11597	—	HM4	R
1.181	1.575	1.577	.157	547344	—	HMSA7	R
1.181	1.575	1.580	.276	11605	—	★CRW1	R
1.181	1.575	1.580	.276	11705	—	★CRW1	V
1.181	1.575	1.584	.276	11600	—	HMS4	R
1.181	1.575	1.584	.276	11602	—	HMSA7	R
1.181	1.575	1.584	.276	11603	—	HMSA7	V
1.181	1.575	—	.276	692347	—	HMS5	RG
1.181	1.575	—	.276	692348	—	HMS5	V
1.181	1.575	—	.276	692349	—	HMSA10	RG
1.181	1.575	—	.276	692350	—	HMSA10	V
1.181	1.654	1.658	.276	11611	—	★CRW1	V
1.181	1.654	1.659	.276	11608	—	HMS4	R
1.181	1.654	1.659	.276	11669	—	HMS4	V
1.181	1.654	1.659	.276	11708	—	★CRW1	R
1.181	1.654	1.662	.236	11817	—	HMSA7P2	R
1.181	1.654	1.663	.315	18719	—	HMSA92	P
1.181	1.654	1.663	.315	18721	—	HMSA7	V
1.181	1.654	1.683	.315	11823	—	HMSA7	R
1.181	1.654	—	.236	563145	—	HMS5	RG
1.181	1.654	—	.236	563146	—	HMSA10	RG
1.181	1.654	—	.236	563147	w/Stainless Steel Spring	HMS5	V
1.181	1.654	—	.236	563148	w/Stainless Steel Spring	HMSA10	V
1.181	1.654	—	.276	692351	—	HMS5	RG
1.181	1.654	—	.276	692352	—	HMS5	V
1.181	1.654	—	.276	692353	—	HMSA10	RG
1.181	1.654	—	.276	692354	—	HMSA10	V
1.181	1.654	—	.281	525327	—	SC	R
1.181	1.654	—	.315	563223	—	HMS5	RG
1.181	1.654	—	.315	563224	—	HMSA10	RG
1.181	1.654	—	.315	563225	w/Stainless Steel Spring	HMS5	V
1.181	1.654	—	.315	563226	w/Stainless Steel Spring	HMSA10	V
1.181	1.693	1.702	.315	11672	w/CW Helix From Air Side	HMSA7	V
1.181	1.732	1.738	.276	11614	—	HMSA1	R
1.181	1.732	1.741	.276	11580	—	HMSA7	P
1.181	1.732	1.741	.394	11616	—	HMS4	R
1.181	1.732	—	.276	692355	—	HMS5	RG
1.181	1.732	—	.276	692356	—	HMS5	V
1.181	1.732	—	.276	692357	—	HMSA10	RG
1.181	1.732	—	.276	692358	—	HMSA10	V
1.181	1.772	1.776	.315	11592	—	HMSA7	R
1.181	1.772	1.777	.313	11619	w/CCW Helix From Air Side	HMSA93	P
1.181	1.772	1.777	.315	11622	—	HMS4	RG
1.181	1.772	1.777	.315	11609	—	CRS1	V
1.181	1.772	1.777	.315	11615	—	★CRW1	R
1.181	1.772	1.777	.315	11617	—	★CRW1	P
1.181	1.772	1.777	.315	562616	—	HMS5	RG
1.181	1.772	1.777	1.181	11618	w/CCW Helix From Air Side	HMSA90	P
1.181	1.772	1.780	.197	11591	—	HMSA7	R
1.181	1.772	1.782	.276	11589	—	HMSA7	P
1.181	1.772	1.782	.276	11804	w/CW Helix From Air Side	HMSA7	P
1.181	1.772	—	.276	562592	—	HMS5	RG
1.181	1.772	—	.276	562593	—	HMSA10	RG
1.181	1.772	—	.276	562594	w/Stainless Steel Spring	HMS5	V
1.181	1.772	—	.276	562595	w/Stainless Steel Spring	HMSA10	V
1.181	1.772	—	.315	562617	—	HMSA10	RG
1.181	1.772	—	.315	562618	w/Stainless Steel Spring	HMS5	V
1.181	1.772	—	.315	562619	w/Stainless Steel Spring	HMSA10	V
1.181	1.811	1.820	.276	11671	w/CW Helix From Air Side	HMSA7	R
1.181	1.811	—	.276	564088	—	HMS5	RG
1.181	1.811	—	.276	564089	—	HMSA10	RG

★ Includes Bore Tite on O.D.
Seal kits—See pg. 632

Axle flange gaskets—See pg. 374
Speedi-Sleeve's—See pg. 637

Scotseals—See pg. 382
V-ring's—See pg. 657

HDDF seals—See pg. 404

Size listing - Inches

Inch Shaft	Inch Bore	Inch O.D.	Inch Width	Inch Seal no.	Seal info. notes	Type & style	Lip code
1.181	1.811	—	.276	564090	—	HMS5	V
1.181	1.811	—	.276	564091	—	HMSA10	V
1.181	1.850	1.854	.315	11626	—	★CRW1	V
1.181	1.850	1.856	.276	11625	—	★CRW1	R
1.181	1.850	1.859	.276	11623	—	HMS4	R
1.181	1.850	1.859	.276	692359	—	HMS5	RG
1.181	1.850	1.859	.315	11632	—	HMSA7	R
1.181	1.850	1.863	.276	11809	—	HMSA7	V
1.181	1.850	—	.236	563439	—	HMS5	RG
1.181	1.850	—	.236	563440	—	HMSA10	RG
1.181	1.850	—	.236	563441	w/Stainless Steel Spring	HMS5	V
1.181	1.850	—	.236	563442	w/Stainless Steel Spring	HMSA10	V
1.181	1.850	—	.276	692360	—	HMS5	V
1.181	1.850	—	.276	692362	—	HMSA10	V
1.181	1.850	—	.315	565296	—	HMS5	RG
1.181	1.850	—	.315	563002	—	HMSA10	RG
1.181	1.850	—	.315	563003	w/Stainless Steel Spring	HMS5	V
1.181	1.850	—	.315	563004	w/Stainless Steel Spring	HMSA10	V
1.181	1.850	—	.394	562608	—	HMS5	RG
1.181	1.850	—	.394	562609	—	HMSA10	RG
1.181	1.850	—	.394	562610	w/Stainless Steel Spring	HMS5	V
1.181	1.850	—	.394	562611	w/Stainless Steel Spring	HMSA10	V
1.181	1.890	1.895	.315	11630	—	★CRW1	R
1.181	1.890	—	.315	563280	—	HMSA10	RG
1.181	1.890	—	.315	563281	w/Stainless Steel Spring	HMS5	V
1.181	1.890	—	.315	563282	w/Stainless Steel Spring	HMSA10	V
1.181	1.969	1.974	.315	11635	—	★CRW1	R
1.181	1.969	1.974	.315	11636	—	★CRW1	V
1.181	1.969	1.977	.351	11810A	w/CW Helix From Air Side	HMSA7	P
1.181	1.969	1.985	.394	11662	—	HMSA7	R
1.181	1.969	—	.276	692365	—	HMSA10	RG
1.181	1.969	—	.315	563026	—	HMSA10	RG
1.181	1.969	—	.315	563027	w/Stainless Steel Spring	HMS5	V
1.181	1.969	—	.315	563028	w/Stainless Steel Spring	HMSA10	V
1.181	1.969	—	.394	564092	—	HMS5	RG
1.181	1.969	—	.394	564093	—	HMSA10	RG
1.181	1.969	—	.394	564094	—	HMS5	V
1.181	1.969	—	.394	564095	—	HMSA10	V
1.181	2.007	1.981	.266	18112	—	HMS4	—
1.181	2.047	2.053	.354	11851	—	CRSH1	R
1.181	2.047	2.054	.315	11640	—	★CRW1	R
1.181	2.047	2.054	.472	11849	—	CRS12	R
1.181	2.047	—	.276	692369	—	HMSA10	RG
1.181	2.047	—	.276	692368	—	HMS5	V
1.181	2.047	—	.276	692370	—	HMSA10	V
1.181	2.047	—	.315	562900	—	HMS5	RG
1.181	2.047	—	.315	562901	—	HMSA10	RG
1.181	2.047	—	.315	562902	w/Stainless Steel Spring	HMS5	V
1.181	2.047	—	.315	562903	w/Stainless Steel Spring	HMSA10	V
1.181	2.047	—	.394	692372	—	HMS5	V
1.181	2.047	—	.394	692373	—	HMSA10	RG
1.181	2.047	—	.394	692374	—	HMSA10	V
1.181	2.126	2.131	.354	11673	w/CW Helix From Air Side	HMSA7	P
1.181	2.165	2.172	.276	11652	—	★CRW1	R
1.181	2.165	—	.276	692376	—	HMS5	V
1.181	2.165	—	.276	692377	—	HMSA10	RG
1.181	2.165	—	.276	692378	—	HMSA10	V
1.181	2.165	—	.394	562752	—	HMS5	RG
1.181	2.165	—	.394	562753	—	HMSA10	RG
1.181	2.165	—	.394	562754	w/Stainless Steel Spring	HMS5	V
1.181	2.165	—	.394	562755	w/Stainless Steel Spring	HMSA10	V
1.181	2.205	2.211	.315	11654	—	★CRW1	R
1.181	2.205	2.216	.394	11867	—	HMS47	R
1.181	2.283	2.290	.315	11655	—	★CRWA1	R
1.181	2.283	2.290	.315	11690	—	★HMSHA4	P

Size listing - Inches

Inch Shaft	Inch Bore	Inch O.D.	Inch Width	Inch Seal no.	Seal info. notes	Type & style	Lip code
1.181	2.362	2.368	.315	11660	—	★CRW1	R
1.181	2.362	2.368	.394	11868	—	HMS4	R
1.181	2.362	2.373	.394	11902	—	HMSA7	R
1.181	2.440	2.446	.315	11706	See Type J Section (HMSA Lip)	J2	—
1.181	2.441	2.447	.276	11665	—	★CRW1	R
1.181	2.441	2.447	.276	11666	—	★CRW1	V
1.181	2.441	—	.276	692380	—	HMS5	V
1.181	2.441	—	.276	692382	—	HMSA10	V
1.181	2.441	—	.394	564097	—	HMSA10	RG
1.181	2.441	—	.394	564098	—	HMS5	V
1.181	2.441	—	.394	564099	—	HMSA10	V
1.181	2.563	2.568	1.331	11702	P.F. Width .386 Special Const.	★HMSW108	R
1.181	2.835	2.839	.472	11684	—	★CRWA1	V
1.181	2.835	2.840	.315	11685	—	★CRW1	R
1.181	2.835	—	.394	692383	—	HMS5	RG
1.181	2.835	—	.394	692384	—	HMS5	V
1.181	2.835	—	.394	692385	—	HMSA10	RG
1.181	2.835	—	.394	692386	—	HMSA10	V
1.188	1.500	—	.063	451063	—	BUW	T
1.188	1.500	—	.156	711817	—	BV	D
1.188	1.500	—	.156	721531	—	BV	V
1.188	1.561	1.565	.313	11710	—	CRW1	V
1.188	1.627	1.635	.250	11712	—	HM4	R
1.188	1.686	1.690	.250	11728	—	★CRW1	P
1.188	1.687	1.691	.250	11711	70 Duro/185 Sirvene	CRWH3	R
1.188	1.716	1.720	.270	11733	—	HMS2	R
1.188	1.752	1.756	.250	11734	—	★CRW1	R
1.188	1.752	1.756	.250	11736	—	★CRW1	V
1.188	1.828	1.832	.375	11740	—	★CRW1	R
1.188	1.875	1.879	.250	11763	—	★CRW1	P
1.188	1.875	1.879	.250	11764	—	CRW7	R
1.188	1.875	1.879	.375	11585	—	★CRW1	R
1.188	1.983	1.987	.250	11776	—	★CRW1	R
1.188	1.983	1.987	.250	11777	—	★CRWA1	R
1.188	1.996	2.000	.250	11782	—	HD1	R
1.188	2.000	2.004	.250	11800	—	★CRW1	R
1.188	2.000	2.004	.250	11801	—	★CRWA1	R
1.188	2.000	2.004	.250	11806	—	★CRW1	V
1.188	2.000	2.004	.250	11836	—	HM1	R
1.188	2.062	2.066	.250	11878	—	★CRW1	R
1.188	2.062	2.066	.250	11879	—	★CRW1	P
1.188	2.125	2.129	.313	11907	—	★CRW1	R
1.188	2.165	2.169	.250	11911	—	★CRW1	R
1.188	2.250	2.254	.256	11914	—	★CRW1	R
1.188	2.437	2.441	.250	11923	—	★CRW1	R
1.188	2.441	2.445	.250	11930	—	★CRW1	R
1.189	1.654	1.663	.236	535107	—	HM3	H
1.190	1.969	1.975	.261	11897	—	CRS1	P
1.190	1.996	2.000	.250	11846	—	★HM1	R
1.190	2.125	2.130	.313	11908	—	★CRWHA1	R
1.192	2.122	2.128	.350	11899	w/Axial Slinger	HMSH87	R
1.193	1.889	1.896	.651	11919	—	CRSA108	R
1.219	1.968	1.972	.469	12121	—	★HM14	R
1.219	1.979	1.983	.406	12124	—	★HM14	R
1.219	1.979	1.983	.475	12165	P.F. Width .375	HMA-NU	D
1.219	2.000	2.004	.438	12131	—	★CRSH1	R
1.220	1.654	1.662	.315	12250	—	HMS4	V
1.220	1.730	1.739	.256	12208	—	HMS4	R
1.220	1.969	1.977	.315	12220	—	HMSA7	V
1.220	2.402	2.412	.354	12187	w/Axial Dirt Lip	HMSA92S	R
1.221	1.811	1.819	.315	12301	w/CCW Helix From Air Side	HMSA7	R
1.230	2.170	2.178	.280	12331A	w/CW Helix From Air Side	HMSA7	V
1.234	2.250	2.254	.250	12590	—	★CRW1	R
1.240	2.953	2.958	.504	12400	—	UNITIZE	N
1.248	2.044	2.050	.378	12494	w/3M Bead On O.D.	HMSA16	R

Size listing - Inches

Inch Shaft	Inch Bore	Inch O.D.	Inch Width	Inch Seal no.	Seal info. notes	Type & style	Lip code
1.248	2.407	2.412	.445	12470	—	UNITIZE	P
1.250	1.500	1.504	.125	12330	—	★HM14	R
1.250	1.563	—	.063	451080	—	BUW	#
1.250	1.563	—	.156	710989	—	BV	R
1.250	1.563	—	.156	721532	—	BV	V
1.250	1.615	—	.219	709008	—	WS	R
1.250	1.624	1.628	.250	12325	—	★HM14	R
1.250	1.625	1.629	.188	11096	—	HM14	R
1.250	1.625	1.629	.188	12329	—	★CRW1	R
1.250	1.686	1.690	.188	12334	—	★HM14	R
1.250	1.687	1.691	.250	12335	—	★CRW1	V
1.250	1.687	1.691	.250	12336	—	★CRW1	R
1.250	1.687	1.691	.250	12337	—	★CRWA1	V
1.250	1.687	1.691	.313	12333	—	★CRWA5	R
1.250	1.687	1.691	.313	12350	—	★CRWA1	R
1.250	1.750	1.754	.250	12339	—	★CRWA5	V
1.250	1.750	1.754	.250	12360	—	★CRWA5	R
1.250	1.750	1.755	.252	12425	—	HMS4	V
1.250	1.751	1.756	.290	12327	—	DL	D
1.250	1.752	1.756	.188	12361	—	★HM21	R
1.250	1.752	1.756	.250	12340	—	★CRW1	V
1.250	1.752	1.756	.250	12343	—	★CRWA1	V
1.250	1.752	1.756	.250	12363	—	★CRW1	R
1.250	1.752	1.756	.250	12364	—	★CRWA1	R
1.250	1.752	1.756	.250	12369	—	HM21	R
1.250	1.752	1.759	.313	12371	—	HMS4	R
1.250	1.752	1.759	.391	12355	—	HMSA7	R
1.250	1.752	—	.281	504266	—	SC	R
1.250	1.828	1.838	.188	12375	—	HM8	R
1.250	1.874	1.878	.250	12379	—	★HM21	R
1.250	1.874	1.878	.250	12382	—	★CRW1	P
1.250	1.874	1.878	.250	12383	—	★CRWA1	V
1.250	1.874	1.878	.250	12384	—	★CRW1	R
1.250	1.874	1.878	.250	12386	—	★CRWA1	R
1.250	1.937	1.942	.375	12542	—	★CRWA5	V
1.250	1.938	1.942	.250	12391	—	★CRW1	R
1.250	1.955	1.959	.250	12396	—	★CRWA1	R
1.250	1.968	1.972	.438	12398	—	★HM14	R
1.250	1.968	1.972	.469	12399	Clearance D .254	★HM18	R
1.250	1.979	1.983	.250	12407	—	★HM21	R
1.250	1.979	1.983	.406	12404	—	★HM14	R
1.250	1.979	1.983	.406	12411	Clearance D .200	HM18	R
1.250	1.980	1.984	.406	12506	—	HMA22	R
1.250	1.983	1.987	.250	12427	—	★CRW1	R
1.250	1.983	1.987	.250	12428	—	★CRWA1	R
1.250	1.983	1.987	.250	12432	—	★CRW1	V
1.250	1.983	1.987	.250	12437	—	HM21	R
1.250	1.997	2.003	.438	12438	—	★CRWA5	V
1.250	2.000	2.004	.250	12481	—	★HM21	R
1.250	2.000	2.004	.250	12445	—	★CRW1	V
1.250	2.000	2.004	.250	12446	w/Stainless Steel Spring	★CRWA1	V
1.250	2.000	2.004	.250	12456	—	★CRW1	R
1.250	2.000	2.004	.250	12458	—	★CRWA1	R
1.250	2.000	2.004	.438	12483	—	★CRW1	P
1.250	2.000	2.004	.625	12459	—	★D7	RR
1.250	2.062	2.066	.250	12528	—	★CRWA1	R
1.250	2.062	2.066	.250	12508	—	★HM21	R
1.250	2.062	2.066	.250	12531	—	★CRWA1	V
1.250	2.062	2.066	.433	12533	—	★CRWHA1	V
1.250	2.062	2.066	.438	12530	—	★CRWH1	R
1.250	2.100	2.110	.460	12536	—	CRSH	R
1.250	2.125	2.129	.250	12544	—	★CRW1	V
1.250	2.125	2.129	.250	12545	—	★CRW1	R
1.250	2.125	2.129	.250	12551	—	★CRWA1	R
1.250	2.125	2.129	.250	12565	—	★HM21	R

Size listing - Inches

Inch Shaft	Inch Bore	Inch O.D.	Inch Width	Inch Seal no.	Seal info. notes	Type & style	Lip code
1.250	2.125	2.129	.256	534955	—	★CRWA1	V
1.250	2.250	2.254	.250	12577	—	★CRW1	R
1.250	2.250	2.254	.250	12582	—	★HM14	R
1.250	2.327	2.331	.500	12610	—	★CRW1	R
1.250	2.328	2.332	.500	12609	w/Stainless Steel Spring	★CRWA5	R
1.250	2.328	2.332	.500	12611	Clearance D .286	★HM18	R
1.250	2.374	2.378	.313	12613	—	★CRW1	R
1.250	2.374	2.378	.313	12614	—	★CRWA1	R
1.250	2.374	2.378	.315	12612	—	★CRW1	V
1.250	2.402	2.407	.382	12320	—	★HMSA12	R
1.250	2.402	2.415	.551	12587	—	UNITIZE	P
1.250	2.437	2.441	.250	12621	—	★CRW1	R
1.250	2.441	2.445	.250	12631	—	★CRW1	R
1.250	2.500	2.506	.310	12638	—	★CRW1	V
1.250	2.502	2.506	.313	12637	—	★CRW1	R
1.250	2.502	2.506	.500	12640	w/Stainless Steel Spring	★CRWA5	R
1.250	2.561	2.565	.500	12655	—	CRSH1	R
1.250	2.713	2.717	.469	12660	—	★CRSH1	R
1.250	2.835	2.842	.375	12668	—	HMSA7	R
1.250	3.156	3.160	.500	12678	—	CRSH1	R
1.250	4.305	4.310	.484	12685	See Type J Section (HMA Lip)	J6	R
1.250	—	1.362	.750	86191	—	SLEEVE	—
1.260	1.575	1.581	.276	12672	—	HMS4	R
1.260	1.654	1.656	.157	12691	—	HM4	R
1.260	1.654	1.659	.276	12700	—	★CRW1	R
1.260	1.654	1.659	.276	12701	—	★CRW1	V
1.260	1.654	1.661	.315	12671	—	HMSA7	R
1.260	1.654	1.667	.394	12698	—	HMSA6	V
1.260	1.654	—	.276	692387	—	HMS5	RG
1.260	1.654	—	.276	692388	—	HMS5	V
1.260	1.654	—	.276	692389	—	HMSA10	RG
1.260	1.654	—	.276	692390	—	HMSA10	V
1.260	1.693	1.702	.276	12695	—	HMSA7	R
1.260	1.693	—	.276	563512	—	HMS5	RG
1.260	1.693	—	.276	563513	—	HMSA10	RG
1.260	1.693	—	.276	563514	w/Stainless Steel Spring	HMS5	V
1.260	1.693	—	.276	563515	w/Stainless Steel Spring	HMSA10	V
1.260	1.732	1.737	.354	12705	w/Stainless Steel Spring	HMS4	R
1.260	1.732	1.741	.236	12706	w/CW Helix From Air Side	HMSA7	P
1.260	1.732	—	.276	563800	—	HMS5	RG
1.260	1.732	—	.276	563801	—	HMSA10	RG
1.260	1.732	—	.276	563802	w/Stainless Steel Spring	HMS5	V
1.260	1.732	—	.276	563803	w/Stainless Steel Spring	HMSA10	V
1.260	1.772	1.777	.315	12710	—	★CRW1	R
1.260	1.772	1.781	.276	12711	—	HMSA7	R
1.260	1.772	1.781	.315	12717	—	HMSA7	V
1.260	1.772	1.781	—	12712	—	HMSA7	R
1.260	1.772	—	.276	692392	—	HMS5	V
1.260	1.772	—	.276	692393	—	HMSA10	RG
1.260	1.772	—	.276	692394	—	HMSA10	V
1.260	1.772	—	.315	564003	—	HMS5	RG
1.260	1.772	—	.315	564004	—	HMSA10	RG
1.260	1.772	—	.315	564005	w/Stainless Steel Spring	HMS5	V
1.260	1.772	—	.315	564006	w/Stainless Steel Spring	HMSA10	V
1.260	1.811	1.816	.315	12719	—	CRS1	R
1.260	1.811	1.820	.236	12718	w/CW Helix From Air Side	HMSA7	P
1.260	1.842	1.850	.276	12595	w/CW Helix From Air Side	HMSA7	V
1.260	1.850	1.856	.315	12730	—	★CRW1	R
1.260	1.850	1.856	.315	12731	—	★CRW1	V
1.260	1.850	1.859	.236	12724	w/CW Helix From Air Side	HMSA7	R
1.260	1.850	1.859	.276	12733	—	HMS4	R
1.260	1.850	1.859	.394	12690	—	SLA1	PT
1.260	1.850	—	.236	563805	—	HMSA10	RG
1.260	1.850	—	.236	563806	w/Stainless Steel Spring	HMS5	V
1.260	1.850	—	.236	563807	w/Stainless Steel Spring	HMSA10	V

Size listing - Inches

Inch Shaft	Inch Bore	Inch O.D.	Inch Width	Inch Seal no.	Seal info. notes	Type & style	Lip code
1.260	1.850	—	.236	565359	—	HMS5	RG
1.260	1.850	—	.276	692396	—	HMS5	V
1.260	1.850	—	.276	692398	—	HMSA10	V
1.260	1.850	—	.315	564007	—	HMS5	RG
1.260	1.850	—	.315	564008	—	HMSA10	RG
1.260	1.850	—	.315	564009	w/Stainless Steel Spring	HMS5	V
1.260	1.850	—	.315	564010	w/Stainless Steel Spring	HMSA10	V
1.260	1.850	—	.394	563672	—	HMS5	RG
1.260	1.850	—	.394	563673	—	HMSA10	RG
1.260	1.850	—	.394	563674	w/Stainless Steel Spring	HMS5	V
1.260	1.850	—	.394	563675	w/Stainless Steel Spring	HMSA10	V
1.260	1.890	1.895	.315	12735	—	★CRW1	R
1.260	1.890	1.895	.315	12736	—	★CRW1	V
1.260	1.890	1.895	.354	12754	—	HMSA92	R
1.260	1.890	1.898	.197	12726	—	HMSA7	R
1.260	1.890	1.899	.315	12749	—	HMS4	R
1.260	1.890	1.907	.197	12723	—	HMS4	R
1.260	1.890	1.907	.276	12713	—	HMS4	R
1.260	1.890	1.907	.315	12720	—	HMSA7	P
1.260	1.890	—	.315	563065	—	HMS5	RG
1.260	1.890	—	.315	563066	—	HMSA10	RG
1.260	1.890	—	.315	563067	w/Stainless Steel Spring	HMS5	V
1.260	1.890	—	.315	563068	w/Stainless Steel Spring	HMSA10	V
1.260	1.969	1.974	.315	12740	—	★CRW1	R
1.260	1.969	1.974	.315	12741	—	★CRW1	V
1.260	1.969	1.974	.315	12756	w/CW Helix From Air Side	HMSA7	V
1.260	1.969	1.978	.315	12752	—	HMS4	R
1.260	1.969	1.978	.315	12715	—	HMSA7	R
1.260	1.969	1.978	.394	12739	w/Stainless Steel Spring	HMSA7	V
1.260	1.969	—	.315	563504	—	HMS5	RG
1.260	1.969	—	.315	563505	—	HMSA10	RG
1.260	1.969	—	.315	563506	w/Stainless Steel Spring	HMS5	V
1.260	1.969	—	.315	563507	w/Stainless Steel Spring	HMSA10	V
1.260	1.969	—	.394	562884	—	HMS5	RG
1.260	1.969	—	.394	562885	—	HMSA10	RG
1.260	1.969	—	.394	562886	w/Stainless Steel Spring	HMS5	V
1.260	1.969	—	.394	562887	w/Stainless Steel Spring	HMSA10	V
1.260	2.047	2.052	.252	12679	w/CW Helix From Air Side	HMSA7	R
1.260	2.047	2.052	.394	12560	—	HMSA7	R
1.260	2.047	2.054	.315	12745	—	★CRW1	R
1.260	2.047	2.054	.315	12746	—	★CRW1	V
1.260	2.047	2.054	.354	12649	—	CRSH12	R
1.260	2.047	2.056	.315	12601	w/CW Helix From Air Side	HMSA7	S
1.260	2.047	2.064	.433	12748	—	HMSA7	R
1.260	2.047	—	.276	565297	—	HMSA10	V
1.260	2.047	—	.276	564101	—	HMSA10	RG
1.260	2.047	—	.276	564102	—	HMS5	V
1.260	2.047	—	.315	563129	—	HMS5	RG
1.260	2.047	—	.315	563130	—	HMSA10	RG
1.260	2.047	—	.315	563131	w/Stainless Steel Spring	HMS5	V
1.260	2.047	—	.315	563132	w/Stainless Steel Spring	HMSA10	V
1.260	2.087	2.100	.276	12747	w/CW Helix From Air Side	HMSA7	P
1.260	2.126	2.135	.394	12753	—	HMSA7	R
1.260	2.126	2.137	.394	12751	w/2.677 Flange	HMSA12	P
1.260	2.165	2.169	.335	12656	—	HMSA7	V
1.260	2.165	—	.394	562764	—	HMS5	RG
1.260	2.165	—	.394	562765	—	HMSA10	RG
1.260	2.165	—	.394	562766	w/Stainless Steel Spring	HMS5	V
1.260	2.165	—	.394	562767	w/Stainless Steel Spring	HMSA10	V
1.260	2.205	2.211	.315	12760	—	★CRW1	R
1.260	2.205	2.216	.394	12763	—	HMS4	R
1.260	2.205	2.216	.394	12764	—	HMSA7	R
1.260	2.283	2.290	.315	12759	—	HMS4	R
1.260	2.283	2.290	.315	12766	—	HMSA7	R
1.260	2.362	2.370	.315	12773	—	HMSA7	R

Size listing - Inches

Inch Shaft	Inch Bore	Inch O.D.	Inch Width	Inch Seal no.	Seal info. notes	Type & style	Lip code
1.260	2.441	2.452	.276	12665	—	HMS46	R
1.260	2.441	—	.394	562704	—	HMS5	RG
1.260	2.441	—	.394	562705	—	HMSA10	RG
1.260	2.441	—	.394	562706	w/Stainless Steel Spring	HMS5	V
1.260	2.441	—	.394	562707	w/Stainless Steel Spring	HMSA10	V
1.260	2.559	2.570	.472	12785	—	HMSA1	P
1.260	2.835	2.841	.472	12667	—	CRSH11	R
1.260	2.835	—	.276	563049	—	HMS5	RG
1.260	2.835	—	.276	563050	—	HMSA10	RG
1.260	2.835	—	.276	563051	w/Stainless Steel Spring	HMS5	V
1.260	2.835	—	.276	563052	w/Stainless Steel Spring	HMSA10	V
1.266	1.632	—	.500	12693	Bore Listed is Pressfit I.D.	CRWASPL	P
1.272	1.890	1.890	.270	12817	w/CW Helix From Air Side	HMSASPL	R
1.281	1.983	1.987	.438	12823	—	★CRSA1	R
1.281	2.000	2.004	.375	12830	—	HMSA7	R
1.281	2.047	2.053	.625	550224	P.F. Width .451	HMSA92	R
1.298	2.093	2.098	.286	12975	—	HMS4	V
1.299	1.732	1.738	.315	12810	—	HMSA1	R
1.299	1.771	2.210	.315	12989	—	HMSA92	R
1.299	1.772	—	.276	563387	—	HMS5	RG
1.299	1.772	—	.276	563388	—	HMSA10	RG
1.299	1.772	—	.276	563389	w/Stainless Steel Spring	HMS5	V
1.299	1.772	—	.276	563390	w/Stainless Steel Spring	HMSA10	V
1.299	1.810	1.820	.276	12812	w/CW Helix From Air Side	HMSA7	R
1.299	1.850	1.856	.313	12886	w/CW Helix From Air Side	HMSA7	P
1.299	1.850	1.859	.197	12885A	w/CW Helix From Air Side	HMSA7	V
1.299	1.929	1.938	.315	13427	w/CW Helix From Air Side	HMSA7	P
1.299	1.969	1.975	.472	12900	—	HMSA7	R
1.299	1.969	—	.236	563299	—	HMS5	RG
1.299	1.969	—	.236	563300	—	HMSA10	RG
1.299	1.969	—	.236	563301	w/Stainless Steel Spring	HMS5	V
1.299	1.969	—	.236	563302	w/Stainless Steel Spring	HMSA10	V
1.299	2.047	2.058	.236	12998	—	HMS47	R
1.299	2.047	2.058	.394	12996	—	HMS46	R
1.299	2.204	2.214	.342	15335A	w/CCW Helix From Air Side	HMSA92	V
1.299	2.205	2.218	.315	12912	—	HMSA35	P
1.299	2.323	2.334	.669	13005	P.F. Width .315 & 3.125 Flange	HMSA92	P
1.301	2.000	2.004	.438	12905	—	CRSA1	P
1.301	2.046	2.050	.492	12907	—	★CRWA1	R
1.301	2.621	2.625	1.331	12925	P.F. Width .315 & 3.125 Flange	★HMSW108	R
1.312	1.627	1.632	.331	13144	—	CRS-SPL	R
1.312	2.062	2.066	.315	534950	—	CRWA1	V
1.313	1.625	—	.156	711818	—	BV	R
1.313	1.828	1.832	.375	13021	—	★CRW1	P
1.313	1.874	1.878	.375	13027	—	★CRSA1	R
1.313	1.983	1.987	.375	13033	—	★CRSA1	R
1.313	2.000	2.004	.313	13037	—	CRSA1	R
1.313	2.062	2.066	.313	13050	—	★CRW1	R
1.313	2.062	2.066	.313	13052	—	★CRWA1	R
1.313	2.062	2.066	.313	13054	—	★CRW1	V
1.313	2.063	—	.250	13060	—	HM3	R
1.313	2.106	2.110	.375	13084	—	★CRSA1	R
1.313	2.125	2.129	.313	13092	—	★CRW1	R
1.313	2.250	2.254	.313	13112	—	★CRW1	R
1.313	2.281	2.286	.906	13165	P.F. Width .350	★HMS15	R
1.313	2.281	2.286	1.150	13168	P.F. Width .350	HMS15	R
1.313	2.282	2.286	.250	13157	—	★CRWA1	R
1.313	2.374	2.378	.311	13221	—	CRSA1	R
1.313	2.620	2.625	1.281	13246	P.F. Width .350 w/Slinger	HMS15	R
1.313	2.996	3.001	.500	13275	—	★CRSH1	R
1.323	1.781	1.793	.276	13236	—	HMSA7	P
1.328	2.031	2.035	.313	13415	—	CRW1	R
1.328	2.061	2.065	.313	13350	—	★CRW1	R
1.328	2.227	2.231	.313	13418	—	★CRW1	R
1.328	2.312	2.316	.433	13419	—	★CRS1	R

Size listing - Inches

Inch Shaft	Inch Bore	Inch O.D.	Inch Width	Inch Seal no.	Seal info. notes	Type & style	Lip code
1.331	2.717	2.722	.354	13280	—	HMSA92	P
1.339	1.732	1.741	.315	13423	—	HMSA7	R
1.339	1.732	—	.315	563443	—	HMS5	RG
1.339	1.732	—	.315	563444	—	HMSA10	RG
1.339	1.732	—	.315	563445	w/Stainless Steel Spring	HMS5	V
1.339	1.732	—	.315	563446	w/Stainless Steel Spring	HMSA10	V
1.339	1.772	1.777	.276	13390	—	CRS15	R
1.339	1.772	1.780	.315	13386	—	HMSA7	R
1.339	1.811	1.841	.315	13388	—	HMSA7	R
1.339	1.850	1.856	.354	13392	—	CRS11	R
1.339	1.889	1.898	.315	13429	w/CW Helix From Air Side	HMSA7	R
1.339	1.890	1.895	.315	13425	—	★CRW1	R
1.339	1.890	1.895	.315	13426	—	★CRW1	V
1.339	1.890	—	.315	562676	—	HMS5	RG
1.339	1.890	—	.315	562677	—	HMSA10	RG
1.339	1.890	—	.315	562678	w/Stainless Steel Spring	HMS5	V
1.339	1.890	—	.315	562679	w/Stainless Steel Spring	HMSA10	V
1.339	1.969	1.979	.394	13396	—	HMS46	R
1.339	1.969	1.998	.276	13424	—	HMS4	R
1.339	2.047	2.053	.394	13398	—	CRS1	R
1.339	2.047	2.057	.315	13433	—	HMS4	R
1.339	2.047	2.058	.276	13382	—	HMSA7	V
1.339	2.047	—	.315	563776	—	HMS5	RG
1.339	2.047	—	.315	563777	—	HMSA10	RG
1.339	2.047	—	.315	563778	w/Stainless Steel Spring	HMS5	V
1.339	2.047	—	.315	563779	w/Stainless Steel Spring	HMSA10	V
1.339	2.087	2.093	.315	13435	—	HMSA7	R
1.339	2.126	2.132	.394	13438	—	CRS1	R
1.339	2.126	2.134	.354	13440	—	HMSA7	R
1.339	2.126	2.137	.354	13439	w/Axial Dirt Lip	HMSA92	P
1.339	2.126	2.139	.354	13441	—	HMSA92	V
1.339	2.165	2.172	.315	13445	—	★CRW1	R
1.339	2.165	2.173	.354	13447	—	HMSA7	R
1.339	2.205	2.211	.315	13450	—	★CRW1	R
1.339	2.205	2.211	.315	13452	—	★CRW1	V
1.339	2.219	2.205	.354	13391	—	HMSA92	P
1.339	2.219	2.205	.354	13410	—	HMSA92	P
1.339	2.441	2.447	.315	13475	—	★CRW1	R
1.339	2.441	—	.394	563856	—	HMS5	RG
1.339	2.441	—	.394	563857	—	HMSA10	RG
1.339	2.441	—	.394	563858	w/Stainless Steel Spring	HMS5	V
1.339	2.441	—	.394	563859	w/Stainless Steel Spring	HMSA10	V
1.339	2.480	2.491	.361	13478	Helix-CCW, P.F. Width .354	HMSA92	R
1.339	2.559	2.563	.460	13484	—	HMSA24	P
1.339	2.835	2.841	.472	13405	—	CRSH11	R
1.344	2.106	2.110	.313	13421	—	★CRW1	R
1.344	2.125	2.129	.313	13437	—	★CRW1	R
1.350	2.571	2.575	.540	13492	—	CRW90	R
1.358	2.756	2.765	1.602	13495	—	CRS-SPL	P
1.359	2.188	2.192	.375	13499	P.F. Width .250 & SS Case	★HMSA30	R
1.362	2.191	2.195	.250	13500	—	CRS1	P
1.365	1.956	1.960	.438	13985	—	★CRW1	R
1.365	2.081	2.085	.313	13598	—	★CRW1	R
1.365	2.261	2.265	.313	13700	—	★CRW1	R
1.367	3.319	3.325	.496	13627	w/Bi-Direction Helix From Air Side	HMSA97	P
1.374	2.245	2.253	.355	13746A	w/CCW Helix From Air Side	HMSA92	P
1.375	1.688	—	.063	451094	—	BUW	#
1.375	1.688	—	.156	711826	—	BV	D
1.375	1.688	—	.156	721533	—	BV	V
1.375	1.740	—	.219	709009	—	WS	R
1.375	1.740	—	.219	712122	—	WS	V
1.375	1.750	1.754	.197	13509	—	★HM14	V
1.375	1.750	1.754	.197	13529	—	HM14	R
1.375	1.750	1.754	.250	13514	w/Stainless Steel Spring	★CRW1	R
1.375	1.828	1.832	.250	13510	—	★CRWA1	V

Size listing - Inches

Inch Shaft	Inch Bore	Inch O.D.	Inch Width	Inch Seal no.	Seal info. notes	Type & style	Lip code
1.375	1.828	1.832	.313	13537	—	★CRW1	R
1.375	1.834	1.838	.188	13533	—	★HM8	R
1.375	1.835	1.839	.250	13536	—	★CRW1	R
1.375	1.873	1.877	.313	13511	—	★CRWA1	V
1.375	1.874	1.878	.188	13543	—	HM14	R
1.375	1.874	1.878	.250	13548	—	★HM14	R
1.375	1.874	1.878	.250	13512	—	★CRW1	P
1.375	1.874	1.878	.250	13545	—	★HM14	P
1.375	1.874	1.878	.256	13534	—	★CRW1	R
1.375	1.874	1.878	.256	13538	—	★CRW1	V
1.375	1.874	1.878	.313	13535	—	★CRWA1	R
1.375	1.874	—	.281	504267	—	SC	R
1.375	1.938	1.942	.250	13552	—	★CRWA1	R
1.375	1.938	1.942	.250	13556	—	★HM14	R
1.375	1.947	1.951	.563	550095	—	F2	RF
1.375	1.955	1.960	.433	13527	—	★CRWA1	P
1.375	1.982	1.989	.192	13608	—	★CRS-SPL	R
1.375	1.983	1.987	.313	13557	—	★CRW1	P
1.375	2.000	2.004	.250	13573	—	★HM21	R
1.375	2.000	2.004	.313	13571	—	★CRWH1	R
1.375	2.000	2.004	.313	13562	—	★CRWA1	P
1.375	2.000	2.004	.313	13568	—	★CRW1	R
1.375	2.000	2.004	.313	13569	—	★CRWA1	R
1.375	2.000	2.004	.313	13579	—	★CRW1	V
1.375	2.000	2.004	.313	13581	—	★CRWA1	V
1.375	2.047	—	.276	534952	—	★CRWA1	V
1.375	2.062	2.066	.313	13582	—	★CRW1	V
1.375	2.062	2.066	.313	13585	—	CRW1	R
1.375	2.062	2.066	.313	13588	—	★CRWA1	P
1.375	2.063	2.072	.375	13596	—	HMS4	R
1.375	2.106	2.110	.250	13612	—	★HM21	R
1.375	2.106	2.110	.313	13602	—	CRWA1	R
1.375	2.106	2.110	.313	13614	—	★CRW1	P
1.375	2.125	2.129	.250	13662	—	★HM21	R
1.375	2.125	2.129	.313	13649	—	★CRW1	R
1.375	2.125	2.129	.313	13651	—	★CRWA1	R
1.375	2.125	2.129	.313	13661	—	★CRWA1	V
1.375	2.125	2.129	.313	13663	—	★CRW1	V
1.375	2.162	2.166	.578	13750	—	★HMSHA4	E
1.375	2.235	2.239	.313	13763	—	HMSA35	V
1.375	2.244	2.253	.374	13759	w/Boot & Overall Width 1.161	HMSA123	P
1.375	2.250	2.254	.250	13689	—	★HM14	R
1.375	2.250	2.254	.250	13698	—	★CRWA1	R
1.375	2.250	2.254	.313	13671	—	★CRW1	R
1.375	2.250	2.254	.313	13676	—	★CRWA1	R
1.375	2.250	2.254	.313	13688	—	★CRW1	V
1.375	2.250	2.254	.313	13691	—	★CRWA1	V
1.375	2.250	2.254	.313	13869	—	★CRW1	P
1.375	2.250	2.254	.386	13685	P.F. Width .433 w/Boot 1.188	CRSA3	R
1.375	2.282	2.286	.250	13710	—	★HM14	R
1.375	2.328	2.332	.406	13711	Clearance D .188	HM18	R
1.375	2.374	2.378	.250	13758	—	★HM21	R
1.375	2.374	2.378	.313	13734	—	★CRW1	V
1.375	2.374	2.378	.313	13738	—	★CRW1	R
1.375	2.374	2.378	.313	13739	—	★CRWA1	R
1.375	2.437	2.441	.250	13796	—	★HM21	R
1.375	2.437	2.441	.250	13797	—	★CRW1	R
1.375	2.438	1.370	.250	13807	O.D. Listed Is Pressfit I.D.	X15	R
1.375	2.441	2.445	.313	13810	—	★CRW1	R
1.375	2.441	2.445	.313	13812	—	★CRWA1	R
1.375	2.500	2.504	.328	13839	—	HMSA36	R
1.375	2.502	2.506	.250	13862	—	★HM21	R
1.375	2.502	2.506	.313	13865	—	★CRW1	R
1.375	2.502	2.506	.313	13867	—	★CRW1	V
1.375	2.559	2.569	.394	13712	—	HMSA92	P

Size listing - Inches

Inch Shaft	Inch Bore	Inch O.D.	Inch Width	Inch Seal no.	Seal info. notes	Type & style	Lip code
1.375	2.562	2.565	.375	13876	—	★CRWA1	R
1.375	2.562	2.565	.375	13875	—	★CRW1	R
1.375	2.562	2.565	.375	13878	—	★CRWA1	V
1.375	2.623	2.627	.313	13882	—	★CRWA1	V
1.375	2.686	2.690	.500	13892	—	★CRW1	R
1.375	2.716	2.720	.313	13900	—	★CRW1	R
1.375	2.750	2.754	.500	13906	—	★CRSH1	R
1.375	2.812	2.816	.375	13912	—	★CRWHA1	R
1.375	2.835	2.839	.313	13918	—	★CRWA1	R
1.375	2.835	2.839	.313	13920	—	★CRW1	R
1.375	2.835	2.839	.313	13925	—	★CRWA1	P
1.375	2.835	2.839	.594	13916	Special Construction	★TL8	R
1.375	2.875	2.879	.313	13929	—	★CRWA1	P
1.375	3.000	3.005	.500	13937	—	CRSHA1	R
1.375	3.125	3.130	.500	13936	—	CRSH1	R
1.375	3.350	3.355	.469	13934	—	★CRSH1	R
1.375	3.543	3.554	.394	14087	w/CW Helix From Air Side	HMSA7SP	R
1.375	4.555	4.560	.547	13508	See Type J Section (HMSA Lip)	J8	R
1.375	4.577	4.582	.218	13956	See Type J Section (HMS Lip)	J5	R
1.375	4.577	4.582	.259	13955	See Type J Section (HMS Lip)	J5	R
1.376	1.969	1.977	.426	13761A	w/CCW Helix From Air Side	HMSA7	P
1.376	2.244	2.252	.402	13730	—	HMSA92	V
1.376	2.582	2.587	.472	13769	—	ALSA97	P
1.377	1.949	1.959	.276	14560	w/CW Helix From Air Side	HMSA7	P
1.377	2.126	2.136	.276	14020	w/Bi-Direction Helix From Air Side	HMSA92	P
1.377	2.165	2.174	.433	13743A	No Helix	HMSA92	P
1.377	2.795	2.808	—	13786	—	HMSA96	P
1.378	1.614	1.620	.359	13911	P.F. Width .217	HMS41	R
1.378	1.654	1.656	.157	13776	—	HM4	R
1.378	1.772	1.774	.157	13779	—	HM4	R
1.378	1.772	—	.276	692399	—	HMS5	RG
1.378	1.772	—	.276	692401	—	HMSA10	RG
1.378	1.811	1.815	.276	13745	—	HMSA7	P
1.378	1.811	1.819	.315	13908	—	HMSA7	R
1.378	1.850	1.855	.276	534951	—	★CRWA1	V
1.378	1.850	1.856	.276	13938	—	★CRW1	R
1.378	1.850	1.856	.276	13939	w/Stainless Steel Spring	★CRW1	V
1.378	1.850	1.859	.197	13715	—	HMS4	R
1.378	1.850	1.859	.276	692405	—	HMSA10	RG
1.378	1.850	1.859	.276	13945	—	HMSA10	R
1.378	1.850	1.880	.197	13762	—	HM4	R
1.378	1.850	—	.236	563495	—	HMS5	RG
1.378	1.850	—	.236	563496	—	HMSA10	RG
1.378	1.850	—	.236	563497	w/Stainless Steel Spring	HMS5	V
1.378	1.850	—	.236	563498	w/Stainless Steel Spring	HMSA10	V
1.378	1.850	—	.276	692404	—	HMS5	V
1.378	1.850	—	.276	692406	—	HMSA10	V
1.378	1.850	—	.315	564011	—	HMS5	RG
1.378	1.850	—	.315	564012	—	HMSA10	RG
1.378	1.850	—	.315	564013	w/Stainless Steel Spring	HMS5	V
1.378	1.850	—	.315	564014	w/Stainless Steel Spring	HMSA10	V
1.378	1.851	1.858	.276	555364	—	HMSA7	R
1.378	1.889	1.898	.394	13722	—	SLAHX	PT
1.378	1.890	1.895	.276	13709	w/CW Helix From Air Side	HMSA7	V
1.378	1.890	1.895	.315	13942	—	★CRW1	V
1.378	1.890	1.895	.315	13941	—	★CRW1	R
1.378	1.890	1.899	.591	13931	w/2.165 Flange	HMSA12	P
1.378	1.890	—	.315	562620	—	HMS5	RG
1.378	1.890	—	.315	562622	w/Stainless Steel Spring	HMS5	V
1.378	1.890	—	.315	562623	w/Stainless Steel Spring	HMSA10	V
1.378	1.929	1.935	.295	13845	w/Excluder Lip	HMSA92	R
1.378	1.929	1.942	.236	13857	w/CW Helix From Air Side	HMSA7	R
1.378	1.929	—	.236	562577	—	HMS5	RG
1.378	1.929	—	.236	562578	—	HMSA10	RG
1.378	1.929	—	.236	562579	w/Stainless Steel Spring	HMS5	V

Size listing - Inches

Inch Shaft	Inch Bore	Inch O.D.	Inch Width	Inch Seal no.	Seal info. notes	Type & style	Lip code
1.378	1.929	—	.236	562580	w/Stainless Steel Spring	HMSA10	V
1.378	1.968	1.977	.354	13770A	w/CCW Helix From Air Side	HMSA92	P
1.378	1.969	1.974	.315	13946	—	★CRW1	V
1.378	1.969	1.974	.315	14140	—	★CRW1	R
1.378	1.969	1.978	.276	13907	—	HMSA10	R
1.378	1.969	1.978	.276	692409	—	HMSA10	R
1.378	1.969	1.978	.276	692409	—	HMSA10	RG
1.378	1.969	1.978	.394	13987	—	HMS5	R
1.378	1.969	1.978	.394	692411	—	HMS5	R
1.378	1.969	1.978	.394	692411	—	HMS5	RG
1.378	1.969	1.978	.472	13850	w/CCW Helix From Air Side	HMSASPL	P
1.378	1.969	1.979	.276	13716	—	SLA1	T
1.378	1.969	1.980	.276	13933	—	HMS4	R
1.378	1.969	1.984	.275	13943	w/CW Helix From Air Side	HMS4/HMSA7	S
1.378	1.969	1.985	.315	13885	—	HMSA7	V
1.378	1.969	—	.276	692407	—	HMS5	RG
1.378	1.969	—	.315	562741	—	HMSA10	RG
1.378	1.969	—	.315	562742	w/Stainless Steel Spring	HMS5	V
1.378	1.969	—	.315	562743	w/Stainless Steel Spring	HMSA10	V
1.378	1.969	—	.394	692412	—	HMS5	V
1.378	1.969	—	.394	692413	—	HMSA10	RG
1.378	1.969	—	.394	692414	—	HMSA10	V
1.378	1.983	1.991	1.549	13958	w/Helix-CCW & P.F. Width .368	HMSA122	P
1.378	2.008	2.017	.472	13794	w/CCW Helix From Air Side	HMSA123	P
1.378	2.047	2.051	.315	13951	—	CRWA1	R
1.378	2.047	2.051	.315	13947	—	★CRWA1	P
1.378	2.047	2.054	.315	13949	—	★CRW1	R
1.378	2.047	2.054	.354	13854	—	CRSHA13	R
1.378	2.047	2.056	.276	13785	—	HMSA7	V
1.378	2.047	2.057	.275	13708A	—	HMSA7SP	P
1.378	2.047	2.058	.236	13829	—	HMSA72P2	R
1.378	2.047	2.058	.276	552727	—	HMSA7	R
1.378	2.047	2.058	.276	13771	—	HMSA7	V
1.378	2.047	2.058	.315	13888	—	HMS4	R
1.378	2.047	2.058	.315	13624	—	HMSA7	R
1.378	2.047	2.058	.315	562973	—	HMS5	RG
1.378	2.047	2.077	.354	14047	—	HMS4	R
1.378	2.047	—	.276	692417	—	HMSA10	RG
1.378	2.047	—	.276	692415	—	HMS5	RG
1.378	2.047	—	.276	692416	—	HMS5	V
1.378	2.047	—	.276	692418	—	HMSA10	V
1.378	2.047	—	.315	562974	—	HMSA10	RG
1.378	2.047	—	.315	562975	w/Stainless Steel Spring	HMS5	V
1.378	2.047	—	.315	562976	w/Stainless Steel Spring	HMSA10	V
1.378	2.047	—	.394	692420	—	HMS5	V
1.378	2.047	—	.394	692421	—	HMSA10	RG
1.378	2.047	—	.394	692422	—	HMSA10	V
1.378	2.097	2.112	.315	13953	w/CW Helix From Air Side	HMSA7	P
1.378	2.126	2.132	.276	13957	—	★CRW1	V
1.378	2.126	2.132	.276	13952	—	★CRW1	R
1.378	2.126	2.132	.315	13703	w/Bi-Direction Helix From Air Side	HMSA92	P
1.378	2.126	2.132	.315	13744	w/CW Helix From Air Side	HMSA7	V
1.378	2.126	2.132	.315	13897	w/2.667 Flange O.D.	HMSA56	R
1.378	2.126	2.132	.315	14125	w/CCW Helix From Air Side	HMSA7	R
1.378	2.165	1.370	.209	13780	O.D. Listed Is Pressfit I.D.	X-SPL	R
1.378	2.165	2.172	.315	13954	—	★CRW1	R
1.378	2.165	2.172	.315	13963	—	CRW1	V
1.378	2.165	2.172	.354	13772	—	HMSA92	P
1.378	2.165	2.173	.433	550231	—	HMSA7	R
1.378	2.165	2.176	.315	13993	—	HMS4	R
1.378	2.165	2.176	.354	14021	w/Bi-Direction Helix From Air Side	HMSA92	P
1.378	2.165	2.176	.394	13893	—	HMSA7	R
1.378	2.165	2.182	.315	13861	—	HMSA10	R
1.378	2.165	—	.276	562760	—	HMS5	RG
1.378	2.165	—	.276	562761	—	HMSA10	RG

Size listing - Inches

Inch Shaft	Inch Bore	Inch O.D.	Inch Width	Inch Seal no.	Seal info. notes	Type & style	Lip code
1.378	2.165	—	.276	562762	w/Stainless Steel Spring	HMS5	V
1.378	2.165	—	.276	562763	w/Stainless Steel Spring	HMSA10	V
1.378	2.165	—	.315	562720	—	HMS5	RG
1.378	2.165	—	.315	562721	—	HMSA10	RG
1.378	2.165	—	.315	562722	w/Stainless Steel Spring	HMS5	V
1.378	2.165	—	.315	562723	w/Stainless Steel Spring	HMSA10	V
1.378	2.165	—	.394	692423	—	HMS5	RG
1.378	2.165	—	.394	692424	—	HMS5	V
1.378	2.165	—	.394	692425	—	HMSA10	RG
1.378	2.165	—	.394	692426	—	HMSA10	V
1.378	2.204	2.218	.354	14006	—	HMSA92	P
1.378	2.204	2.218	.354	14129	—	HMSA92S	P
1.378	2.205	2.211	.315	13962	—	★CRW1	V
1.378	2.205	2.211	.315	13961	—	★CRW1	R
1.378	2.205	2.216	.315	13741	—	HMSA92	R
1.378	2.205	2.216	.394	13994	—	HMS4	R
1.378	2.205	2.217	.630	14007	P.F. Width .420 w/2.540 Flange	HMSA92S	V
1.378	2.205	—	.394	562652	—	HMS5	RG
1.378	2.205	—	.394	562653	—	HMSA10	RG
1.378	2.205	—	.394	562655	w/Stainless Steel Spring	HMSA10	V
1.378	2.205	—	.394	563654	w/Stainless Steel Spring	HMS5	V
1.378	2.209	2.214	.345	13782A	w/CW Helix From Air Side	HMSHA4	P
1.378	2.209	2.214	.354	13784A	w/CW Helix From Air Side	HMSHA4	P
1.378	2.240	2.244	.875	13959	P.F. Width .420 w/2.540 Flange	★CRWA21	S
1.378	2.244	2.249	.354	13644	—	HMSA92	P
1.378	2.244	2.253	.394	13773	—	HMSA92	P
1.378	2.244	2.257	.601	13735	—	HMSA16	R
1.378	2.283	2.293	.315	13726	w/CW Helix From Air Side	HMSA92	R
1.378	2.283	2.293	.394	13792	—	ALH1	R
1.378	2.283	—	.394	563372	—	HMSA10	RG
1.378	2.283	—	.394	563373	w/Stainless Steel Spring	HMS5	V
1.378	2.283	—	.394	563374	w/Stainless Steel Spring	HMSA10	V
1.378	2.287	2.289	.512	13995	w/Bi-Direction Helix From Air Side	D8	R
1.378	2.362	2.373	.394	13967	—	HMS4	R
1.378	2.362	2.379	.551	14001	—	HMSA7	R
1.378	2.362	—	.394	564104	—	HMS5	RG
1.378	2.362	—	.394	564105	—	HMSA10	RG
1.378	2.362	—	.394	564106	—	HMS5	V
1.378	2.362	—	.394	564107	—	HMSA10	V
1.378	2.437	2.441	.354	13777	—	HMSA92	P
1.378	2.441	2.447	.315	13969	—	★CRW1	V
1.378	2.441	2.447	.315	13970	—	★CRW1	R
1.378	2.441	2.452	.276	13966	—	HMS4	R
1.378	2.441	2.452	.394	13998	—	HMSA7	R
1.378	2.441	2.452	.394	14018	—	HMSA92	P
1.378	2.441	2.452	.394	564109	—	HMSA10	RG
1.378	2.441	2.454	.472	14921	w/Bi-Direction Helix From Air Side	HMSA35	P
1.378	2.441	—	.276	692429	—	HMSA10	RG
1.378	2.441	—	.276	692427	—	HMS5	RG
1.378	2.441	—	.276	692428	—	HMS5	V
1.378	2.441	—	.276	692430	—	HMSA10	V
1.378	2.441	—	.315	563860	—	HMS5	RG
1.378	2.441	—	.315	563861	—	HMSA10	RG
1.378	2.441	—	.315	563862	w/Stainless Steel Spring	HMS5	V
1.378	2.441	—	.315	563863	w/Stainless Steel Spring	HMSA10	V
1.378	2.441	—	.394	564108	—	HMS5	RG
1.378	2.441	—	.394	564110	—	HMS5	V
1.378	2.441	—	.394	564111	—	HMSA10	V
1.378	2.480	2.493	.354	13858	—	HMSA92	R
1.378	2.480	2.493	.394	13616	—	HMSA92	P
1.378	2.480	2.493	.394	13725	w/Bi-Direction Helix From Air Side	HMSA35	P
1.378	2.520	2.526	.315	13972	—	★CRW1	R
1.378	2.559	2.565	.315	13973	—	★CRW1	R
1.378	2.559	2.570	.394	13868	—	HMS4	R
1.378	2.637	2.648	.472	13833A	w/CW Helix From Air Side	HMSA92	P

Size listing - Inches

Inch Shaft	Inch Bore	Inch O.D.	Inch Width	Inch Seal no.	Seal info. notes	Type & style	Lip code
1.378	2.638	2.643	.472	13742	w/CCW Helix From Air Side	HMSA57	R
1.378	2.638	2.648	.472	13971	w/CW Helix From Air Side	HMSA96	P
1.378	2.638	2.649	.709	13978	w/CW Helix From Air Side P.F. Width .472	HMSA35	P
1.378	2.677	2.683	.315	13974	—	★CRW1	R
1.378	2.677	2.683	.394	13928	—	HMS4	R
1.378	2.677	2.685	.354	13748	—	HMSA35	P
1.378	2.756	2.762	.472	14093	—	CRSH13	R
1.378	2.757	2.762	.393	13778	—	HMSA57	V
1.378	2.795	2.808	.512	13784	—	HMSA57	P
1.378	2.835	2.839	.313	13926	w/Stainless Steel Spring	★CRWA1	V
1.378	2.835	2.839	.315	13923	—	★CRW1	V
1.378	2.835	2.840	.315	13979	—	★CRW1	R
1.378	2.835	2.845	.276	14096	—	HMS48	R
1.378	2.835	2.846	.394	13896	—	HMSA7	R
1.378	2.835	—	.394	692433	—	HMSA10	RG
1.378	2.835	—	.472	563106	—	HMSA10	RG
1.378	2.835	—	.472	563107	w/Stainless Steel Spring	HMS5	V
1.378	2.835	—	.472	563108	w/Stainless Steel Spring	HMSA10	V
1.378	2.874	2.880	.655	13853	—	★HMSHA4	R
1.378	2.992	3.002	.354	13981	w/CCW Helix From Air Side	HMSA92	P
1.378	2.992	3.006	.315	13849	w/CW Helix From Air Side	HMSA92	P
1.378	3.070	3.079	.334	13771A	—	HMSA92	P
1.378	3.071	3.077	.315	13984	—	★CRW1	R
1.378	3.150	3.156	.315	13986	—	★CRW1	R
1.378	3.150	—	.472	562888	—	HMS5	RG
1.378	3.150	—	.472	562890	w/Stainless Steel Spring	HMS5	V
1.378	3.150	—	.472	562891	w/Stainless Steel Spring	HMSA10	V
1.378	3.268	3.275	.320	13729	—	★HMSHA4	R
1.379	2.047	2.058	.236	13760	—	HMS4	P
1.380	2.282	2.287	.354	13757	—	HMSA97	V
1.387	2.295	2.300	—	13704	w/Bi-Direction Helix From Air Side	HMSA16	P
1.398	1.950	1.968	.276	11152	w/CW Helix From Air Side	HMSA7	R
1.399	1.964	1.968	.235	538565	—	CRW1	R
1.399	2.252	2.260	.313	13988	—	CRWA6	P
1.399	2.283	2.290	.500	14002	P.F. Width .310	★HMSA16	R
1.399	2.292	2.296	.469	13992	w/Bi-Direction Helix From Air Side	★CRSA1	R
1.399	2.292	2.296	.500	13990	—	★CRSA1	R
1.399	2.482	2.487	.536	14387	P.F. Width .500 & 2.672 Flange	★HMSA16	V
1.399	2.484	2.487	.515	14393	P.F. Width .280 & 2.672 Flange	★HMSA16	V
1.400	2.282	2.288	.547	14119	w/Bi-Direction Helix From Air Side	HMSA25	V
1.400	2.484	2.487	.550	14381	P.F. Width .500 & 2.672 Flange	★HMSA16	R
1.414	2.250	2.254	.250	14035	—	★CRSA1	R
1.417	1.732	1.741	.197	14058	—	HMSA7	R
1.417	1.811	1.817	.394	14033	w/CCW Helix From Air Side	HMSA7	P
1.417	1.811	1.819	.354	14004	—	CRS1	R
1.417	1.850	1.856	.276	14005	—	HMS5	R
1.417	1.850	1.856	.276	692435	—	HMS5	R
1.417	1.850	1.856	.276	692435	—	HMS5	RG
1.417	1.850	—	.276	692436	—	HMS5	V
1.417	1.850	—	.276	692437	—	HMSA10	RG
1.417	1.850	—	.276	692438	—	HMSA10	V
1.417	1.892	1.899	.906	14014	P.F. Width .472	HMSASPL	P
1.417	1.929	1.938	.276	14008	w/CW Helix From Air Side	HMSA7	P
1.417	1.949	1.958	.276	14210	—	HMSA7	P
1.417	1.950	1.958	.395	14032	w/CW Helix From Air Side	HMSA33	P
1.417	1.969	1.974	.276	14009	—	★CRW1	R
1.417	1.969	1.974	.276	14011	—	HMS4	R
1.417	1.969	1.974	.276	14115	—	HMSHA1	R
1.417	1.969	1.974	.276	14166	—	HMSA7	R
1.417	1.969	1.974	.315	14010	—	★CRW1	R
1.417	1.969	—	.276	563343	—	HMS5	RG
1.417	1.969	—	.276	563344	—	HMSA10	RG
1.417	1.969	—	.276	563345	w/Stainless Steel Spring	HMS5	V
1.417	1.969	—	.276	563346	w/Stainless Steel Spring	HMSA10	V
1.417	2.047	2.054	.315	14016	—	★CRW1	R

★ Includes Bore Tite on O.D.
Seal kits—See pg. 632

Axle flange gaskets—See pg. 374
Speedi-Sleeve's—See pg. 637

Scotseals—See pg. 382
V-ring's—See pg. 657

HDDF seals—See pg. 404

Size listing - Inches

Inch Shaft	Inch Bore	Inch O.D.	Inch Width	Inch Seal no.	Seal info. notes	Type & style	Lip code
1.417	2.047	2.054	.315	14017	—	★CRW1	V
1.417	2.047	2.054	.354	14176	—	CRSH11	R
1.417	2.047	2.058	.384	14012	—	HMSA7	V
1.417	2.047	—	.276	562966	—	HMSA10	RG
1.417	2.047	—	.276	562967	w/Stainless Steel Spring	HMS5	V
1.417	2.047	—	.276	562968	w/Stainless Steel Spring	HMSA10	V
1.417	2.126	2.132	.315	14024	—	★CRW1	R
1.417	2.126	2.132	.315	14027	—	★CRW1	V
1.417	2.126	2.134	.315	14068	—	HMS4	R
1.417	2.126	2.135	.354	14028	w/Bi-Direction Helix From Air Side	HMSA92S	R
1.417	2.126	2.137	.276	14177	—	HMS47	R
1.417	2.165	2.178	.433	14782	—	ALA1	R
1.417	2.205	2.211	.394	14037	—	HMS4	R
1.417	2.283	2.283	.389	14169	—	UNITIZE	P
1.417	2.283	2.290	.315	14040	—	★CRW1	R
1.417	2.283	2.294	.472	14044	—	HMS4	R
1.417	2.283	—	.394	562908	—	HMS5	RG
1.417	2.283	—	.394	562909	—	HMSA10	RG
1.417	2.283	—	.394	562910	w/Stainless Steel Spring	HMS5	V
1.417	2.283	—	.394	562911	w/Stainless Steel Spring	HMSA10	V
1.417	2.362	2.368	.315	14045	—	★CRW1	R
1.417	2.362	2.368	.315	14046	—	★CRW1	V
1.417	2.441	2.447	.315	14050	—	★CRW1	R
1.417	2.441	2.447	.394	14183	—	CRSH11	R
1.417	2.441	—	.276	563845	—	HMSA10	RG
1.417	2.441	—	.276	563846	w/Stainless Steel Spring	HMS5	V
1.417	2.441	—	.276	563847	w/Stainless Steel Spring	HMSA10	V
1.417	2.520	2.524	.748	14054	P.F. Width .433 w/Slinger	HMSA56	R
1.417	2.559	2.565	.315	14055	—	★CRW1	R
1.417	2.559	2.565	.472	14057	w/CW Helix From Air Side	HMSA96	P
1.417	2.616	2.620	.313	14092	—	★CRW1	R
1.417	2.677	2.683	.315	14065	—	★CRW1	R
1.417	2.677	2.688	.394	14107	—	HMS4	R
1.417	2.835	2.841	.472	14184	—	CRSH11	R
1.437	1.987	2.000	.276	14477	w/CW Helix From Air Side	HMSA7	S
1.437	2.012	2.017	.312	14215	—	HMSA7SP	V
1.438	1.750	—	.063	451079	—	BUW	#
1.438	1.750	—	.156	711820	—	BV	R
1.438	1.750	—	.156	721571	—	BV	V
1.438	1.875	1.881	.250	14208	—	CRWAR5	V
1.438	2.000	2.006	.125	14209	—	HM4	R
1.438	2.003	2.007	.313	14211	—	CRWAR5	V
1.438	2.003	2.007	.313	14384	—	CRWAR5	R
1.438	2.003	2.007	.313	14391	w/Stainless Steel Spring	CRWAR5	H
1.438	2.062	2.066	.313	14212	—	CRW1	V
1.438	2.062	2.066	.313	14214	—	★CRWA1	R
1.438	2.125	2.129	.313	14223	—	★CRW1	R
1.438	2.125	2.129	.313	14225	—	★CRWA1	V
1.438	2.250	2.254	.250	14257	—	★HM14	R
1.438	2.250	2.254	.313	14247	—	★CRWA1	R
1.438	2.250	2.254	.313	14259	—	★CRWA1	V
1.438	2.250	2.254	.313	14260	—	★CRW1	V
1.438	2.250	2.254	.313	14262	—	★CRW1	R
1.438	2.374	2.378	.313	14282	—	★CRW1	R
1.438	2.374	2.378	.313	14285	—	★CRWA1	R
1.438	2.437	2.441	.250	14359	—	★HM21	R
1.438	2.437	2.441	.313	14363	—	★CRW1	R
1.438	2.502	2.506	.313	14383	—	★CRW1	R
1.438	2.623	2.627	.313	14404	—	★CRW1	R
1.438	2.686	2.690	.313	14423	—	★CRW1	R
1.438	2.750	2.754	.313	14458	—	★CRW1	R
1.444	2.165	2.165	.539	14473A	—	HMSA92	R
1.449	2.441	2.450	.388	14452A	w/CCW Helix From Air Side	HMSA92	V
1.451	2.642	2.655	.383	14436A	w/CW Helix From Air Side	HMSA92	P
1.453	2.843	2.849	1.268	14474	—	UNITIZE	V

Size listing - Inches

Inch Shaft	Inch Bore	Inch O.D.	Inch Width	Inch Seal no.	Seal info. notes	Type & style	Lip code
1.457	1.650	1.660	.315	14496	—	END CAP	P
1.457	1.850	1.853	.157	14469	—	HMS4	R
1.457	1.850	1.853	.157	14471	—	HMSA7	R
1.457	1.850	1.853	.157	14476	—	HM4	R
1.457	1.968	1.981	.236	14671	w/CW Helix From Air Side	HMSA7	P
1.457	1.969	1.976	.315	14558	—	SLA1	T
1.457	1.969	—	.236	565298	—	HMS5	RG
1.457	1.969	—	.236	562605	—	HMSA10	RG
1.457	1.969	—	.236	562606	w/Stainless Steel Spring	HMS5	V
1.457	1.969	—	.236	562607	w/Stainless Steel Spring	HMSA10	V
1.457	2.047	2.054	.394	14571	—	CRSH13	R
1.457	2.047	2.058	.315	14489	—	HMS4	R
1.457	2.047	2.058	.328	14600	P.F. WD .228 w/Axial Dirt Lip	HMA11	R
1.457	2.125	2.138	.354	14632	—	HMSA92	P
1.457	2.165	2.169	.394	14494	—	CRSH1	R
1.457	2.165	2.174	.315	14514	—	HMSA96	P
1.457	2.205	2.210	.354	14566	—	HMS4	R
1.457	2.205	2.214	.354	14787	w/Bi-Direction Helix From Air Side	HMSASPL	V
1.457	2.283	2.290	.512	14572	—	CRSH11	R
1.457	2.283	2.293	.394	14506	—	HMSASPL	P
1.457	2.378	2.384	.433	14569	—	CRSA3	P
1.457	2.402	2.410	.315	14520	—	HMSA35	P
1.457	2.441	2.447	.354	14573	—	CRSH13	R
1.457	2.441	2.449	.492	14510	—	ALH1	P
1.457	2.441	2.450	.276	14502	—	HMA12	P
1.457	2.441	2.450	.483	14500	—	HMSA92	R
1.457	2.441	2.452	.394	14574	—	HMS46	R
1.457	3.071	3.087	.472	14484	w/Bi-Direction Helix From Air Side	HMS4SPL	R
1.461	2.559	2.568	.386	14627A	w/CW Helix From Air Side	HMSA92	P
1.465	2.372	2.375	.433	14652	—	HMS-SPL	R
1.465	2.372	2.385	1.508	14655	—	CRSA3	P
1.466	2.521	2.530	.386	14663A	w/CCW Helix From Air Side	HMSA92	P
1.469	2.374	2.378	.375	14641	—	CRSA1	R
1.470	2.913	2.920	1.688	14694	—	★HMS-SPL	—
1.475	2.509	2.514	.350	14634	—	CRS-SPL	R
1.479	2.563	2.567	.470	14700	—	★HM79	R
1.480	1.929	1.934	.295	14814	—	HMSA7	V
1.484	2.254	2.258	.313	14907	—	★CRW1	R
1.491	2.191	2.195	.250	14780	—	CRSA1	R
1.494	2.060	2.064	.270	14789	—	★CRW1	R
1.496	1.850	1.854	.276	14695	—	HMSA1	R
1.496	1.890	1.892	.157	14697	—	HM4	R
1.496	1.937	1.944	.354	14773	—	HMSA1	P
1.496	1.968	1.976	.248	15355A	w/Helix Bi-Direction From Air Side	HMSA7	P
1.496	1.969	1.941	.276	14707	—	HMS4	R
1.496	1.969	1.974	.276	14701	—	★CRW1	R
1.496	1.969	1.974	.276	14703	—	★CRW1	V
1.496	1.969	1.975	.315	14713	w/CW Helix From Air Side	HMSA7	S
1.496	1.969	1.975	.315	15394	w/CW Helix From Air Side	HMSA7	P
1.496	1.969	1.975	.394	14915	—	HMSA7	R
1.496	1.969	1.975	.394	14936	w/CW Helix From Air Side	HMSA7	V
1.496	1.969	1.977	.237	11863	—	HMSA7	P
1.496	1.969	1.978	.276	14716	—	HMSA10	R
1.496	1.969	1.978	.276	692445	—	HMSA10	R
1.496	1.969	1.978	.276	692445	—	HMSA10	RG
1.496	1.969	—	.276	692443	—	HMS5	RG
1.496	1.969	—	.276	692444	—	HMS5	V
1.496	1.969	—	.276	692446	—	HMSA10	V
1.496	2.008	2.013	.512	14790	—	HMSA25	P
1.496	2.008	2.018	.295	14702	—	HMSA1	R
1.496	2.047	2.054	.315	14704	—	★CRW1	R
1.496	2.047	2.054	.315	14705	—	★CRWA1	R
1.496	2.047	2.054	.315	14706	—	★CRW1	V
1.496	2.047	2.054	.335	550270	w/2.266 Flange	HMSA33	R
1.496	2.047	2.058	.276	14709	—	HMS4	R

Size listing - Inches

Inch Shaft	Inch Bore	Inch O.D.	Inch Width	Inch Seal no.	Seal info. notes	Type & style	Lip code
1.496	2.047	2.058	.276	692447	—	HMS5	RG
1.496	2.047	—	.276	692449	—	HMSA10	RG
1.496	2.047	—	.315	563367	—	HMS5	RG
1.496	2.047	—	.315	563368	—	HMSA10	RG
1.496	2.047	—	.315	563369	w/Stainless Steel Spring	HMS5	V
1.496	2.047	—	.315	563370	w/Stainless Steel Spring	HMSA10	V
1.496	2.051	2.058	.335	550217	w/2.275 Flange	HMSA33	R
1.496	2.087	2.092	.315	14708	—	★CRW1	R
1.496	2.087	2.096	.304	14759	Helix-CCW & Inner Case	HMSHA7	V
1.496	2.126	2.132	.276	14710	—	CRW1	P
1.496	2.126	2.132	.312	14691	—	HMSA92	R
1.496	2.126	2.137	.256	15053	—	HMS46	R
1.496	2.126	2.137	.394	14712	—	HMS4	R
1.496	2.126	—	.394	563291	—	HMS5	RG
1.496	2.126	—	.394	563292	—	HMSA10	RG
1.496	2.126	—	.394	563293	w/Stainless Steel Spring	HMS5	V
1.496	2.126	—	.394	563294	w/Stainless Steel Spring	HMSA10	V
1.496	2.140	2.126	.354	14950	—	HMSA92	P
1.496	2.165	2.172	.315	14720	—	★CRW1	R
1.496	2.165	2.172	.315	14721	—	★CRW1	V
1.496	2.165	2.172	.335	14772	—	HMSA1	V
1.496	2.165	2.176	.276	14719	—	HMS4	R
1.496	2.165	—	.276	692451	—	HMS5	RG
1.496	2.165	—	.276	692452	—	HMS5	V
1.496	2.165	—	.276	692454	—	HMSA10	V
1.496	2.165	—	.315	564015	—	HMS5	RG
1.496	2.165	—	.315	564016	—	HMSA10	RG
1.496	2.165	—	.315	564017	w/Stainless Steel Spring	HMS5	V
1.496	2.165	—	.315	564018	w/Stainless Steel Spring	HMSA10	V
1.496	2.165	—	.394	563516	—	HMS5	RG
1.496	2.165	—	.394	563517	—	HMSA10	RG
1.496	2.165	—	.394	563518	w/Stainless Steel Spring	HMS5	V
1.496	2.165	—	.394	563519	w/Stainless Steel Spring	HMSA10	V
1.496	2.166	2.172	.512	14722	w/CW Helix From Air Side	HMSA122	P
1.496	2.205	2.211	.315	14724	—	★CRW1	V
1.496	2.205	2.211	.315	14725	—	★CRW1	R
1.496	2.205	2.211	.472	15067	—	CRS11	R
1.496	2.205	2.216	.394	14727	—	HMS4	R
1.496	2.275	2.283	.427	14958	—	HMSA7	P
1.496	2.283	2.289	.433	14753	—	HMSA3	R
1.496	2.283	2.290	.315	14730	—	★CRW1	R
1.496	2.283	2.290	.315	14732	—	★CRW1	V
1.496	2.283	2.293	.315	14763	—	HMSA3	R
1.496	2.283	2.293	.394	14917	—	HMSA92	R
1.496	2.283	2.796	.394	14747	—	HMSA92	R
1.496	2.283	—	.315	563995	—	HMS5	RG
1.496	2.283	—	.315	563996	—	HMSA10	RG
1.496	2.283	—	.315	563997	w/Stainless Steel Spring	HMS5	V
1.496	2.283	—	.315	563998	w/Stainless Steel Spring	HMSA10	V
1.496	2.283	—	.394	692455	—	HMS5	RG
1.496	2.283	—	.394	692456	—	HMS5	V
1.496	2.283	—	.394	692457	—	HMSA10	RG
1.496	2.283	—	.394	692458	—	HMSA10	V
1.496	2.323	2.335	.354	14738	w/CW Helix From Air Side	HMSA6	P
1.496	2.362	2.368	.315	14741	—	★CRW1	V
1.496	2.362	2.368	.315	14739	Helix-CW, w/Overall Width 14.58	HMSA92	V
1.496	2.362	2.368	.315	14740	—	★CRW1	R
1.496	2.362	2.371	.433	14756	w/Bi-Direction Helix From Air Side	HMSASPL	S
1.496	2.362	2.371	.433	14900	w/CW Helix From Air Side	HMSA123	P
1.496	2.362	2.373	.276	15071	—	HMS43	V
1.496	2.362	—	.394	563520	—	HMS5	RG
1.496	2.362	—	.394	563521	—	HMSA10	RG
1.496	2.362	—	.394	563522	w/Stainless Steel Spring	HMS5	V
1.496	2.362	—	.394	563523	w/Stainless Steel Spring	HMSA10	V
1.496	2.441	2.447	.315	14742	—	★CRW1	R

Size listing - Inches

Inch Shaft	Inch Bore	Inch O.D.	Inch Width	Inch Seal no.	Seal info. notes	Type & style	Lip code
1.496	2.441	2.447	.315	14744	—	★CRW1	V
1.496	2.441	—	.276	562596	—	HMS5	RG
1.496	2.441	—	.276	562597	—	HMSA10	RG
1.496	2.441	—	.276	562598	w/Stainless Steel Spring	HMS5	V
1.496	2.441	—	.276	562599	w/Stainless Steel Spring	HMSA10	V
1.496	2.441	—	.315	564019	—	HMS5	RG
1.496	2.441	—	.315	564020	—	HMSA10	RG
1.496	2.441	—	.315	564021	w/Stainless Steel Spring	HMS5	V
1.496	2.441	—	.315	564022	w/Stainless Steel Spring	HMSA10	V
1.496	2.441	—	.394	563109	—	HMS5	RG
1.496	2.441	—	.394	563110	—	HMSA10	RG
1.496	2.441	—	.394	563111	w/Stainless Steel Spring	HMS5	V
1.496	2.441	—	.394	563112	w/Stainless Steel Spring	HMSA10	V
1.496	2.480	2.484	.394	14749	w/Axial Dirt Lip	HMSA29	P
1.496	2.494	2.480	.354	14963	—	HMSA92	P
1.496	2.559	2.564	.315	14922	w/Bi-Direction Helix From Air Side	HMS4	R
1.496	2.559	2.568	.394	14758	w/Axial Dirt Lip	HMSA29	P
1.496	2.559	2.570	.394	15121	—	HMS4	R
1.496	2.559	2.570	.472	14748	—	HMSA35	P
1.496	2.629	2.638	.963	16510	—	VACBOOT	—
1.496	2.677	2.683	.315	14755	—	★CRW1	R
1.496	2.756	2.764	.394	14776	—	HMS4	R
1.496	2.835	2.846	.394	14761	—	HMS4	R
1.496	2.835	—	.394	563704	—	HMS5	RG
1.496	2.835	—	.394	563705	—	HMSA10	RG
1.496	2.835	—	.394	563706	w/Stainless Steel Spring	HMS5	V
1.496	2.835	—	.394	563707	w/Stainless Steel Spring	HMSA10	V
1.496	2.913	2.917	.433	14767	—	★CRWA1	R
1.496	2.913	2.917	.433	14768	—	★CRW1	V
1.496	2.913	2.919	.433	14891	w/Bi-Direction Helix From Air Side	HMSA96	P
1.496	2.913	2.920	.433	14766	w/Axial Dirt Lip	HMSA29	P
1.496	2.913	2.921	.433	15155A	w/CW Helix From Air Side	HMSA92	P
1.496	2.913	2.924	.394	15114	—	HMSA77	R
1.496	3.150	3.156	.315	14774	—	★CRW1	R
1.496	3.150	3.160	.472	15115	—	HMS46	R
1.496	3.346	3.356	.394	14914	—	HMSA7	V
1.496	3.543	3.548	.315	14785	—	★CRWA1	R
1.500	1.813	—	.156	711878	—	BV	R
1.500	1.865	—	.219	709010	—	WS	R
1.500	1.874	1.878	.188	14804	—	HM14	R
1.500	1.874	1.878	.188	14808	—	★HM14	V
1.500	1.874	1.878	.250	14807	w/Stainless Steel Spring	★CRW1	R
1.500	1.874	1.878	.250	14810	—	★HM14	R
1.500	1.875	—	.063	451487	—	BUW	#
1.500	1.875	—	.188	711822	—	BV	R
1.500	1.875	—	.188	721556	—	BV	V
1.500	1.918	1.922	.250	14809	w/Stainless Steel Spring	CRW7	V
1.500	1.938	1.942	.250	14816	—	★HM14	R
1.500	1.983	1.987	.188	14840	—	HM14	R
1.500	1.983	1.987	.250	14821	—	★CRW1	V
1.500	1.983	1.987	.250	14824	—	★CRWA1	R
1.500	1.983	1.987	.250	14834	—	★CRWA1	V
1.500	1.983	1.987	.313	14832	—	★CRW1	R
1.500	1.989	1.993	.250	14848	—	★HMA22	R
1.500	1.997	2.003	.250	14844	—	★CRWA5	V
1.500	2.000	2.004	.250	14857	—	★HM14	R
1.500	2.000	2.004	.313	14846	—	★CRWA1	R
1.500	2.000	2.004	.313	14855	—	★CRW1	R
1.500	2.000	2.004	.313	14861	—	★CRW1	V
1.500	2.000	2.004	.313	546953	w/Stainless Steel Spring	CRW1	V
1.500	2.000	2.010	.188	14869	—	HM8	R
1.500	2.000	—	.281	504268	—	SC	R
1.500	2.048	2.052	.313	14858	—	★CRWA1	R
1.500	2.062	2.066	.210	14863	—	★HM14	R
1.500	2.062	2.066	.313	14864	—	★CRW1	R

Size listing - Inches

Inch Shaft	Inch Bore	Inch O.D.	Inch Width	Inch Seal no.	Seal info. notes	Type & style	Lip code
1.500	2.062	2.066	.313	14867	—	★CRW1	V
1.500	2.064	2.068	.375	14868	w/Stainless Steel Spring	★CRWA5	V
1.500	2.125	2.129	.250	14872	w/SS Case & Spring	CRWH3	V
1.500	2.125	2.129	.313	14875	—	★CRW1	R
1.500	2.125	2.129	.313	14876	—	★CRWA1	R
1.500	2.125	2.129	.313	14886	—	★CRW1	V
1.500	2.125	2.129	.313	14887	—	★CRWA1	V
1.500	2.187	1.494	.500	14896	—	X1	L
1.500	2.222	2.226	.313	14903	—	★CRW1	R
1.500	2.250	2.254	.250	14960	—	HM21	R
1.500	2.250	2.254	.313	14938	—	★CRW1	R
1.500	2.250	2.254	.313	14939	—	★CRWA1	R
1.500	2.250	2.254	.313	14942	—	★CRWA1	V
1.500	2.250	2.254	.313	15022	—	★HMS14	R
1.500	2.250	2.254	.313	14940	—	★CRW1	V
1.500	2.250	2.254	.374	14935	—	★CRW1	S
1.500	2.250	2.254	.500	15012	—	★CRWH1	R
1.500	2.254	2.258	.250	14966	—	★HM21	R
1.500	2.260	2.264	.406	14968	—	★CRW1	R
1.500	2.286	1.494	.270	14970	O.D. Listed Is Pressfit I.D.	X15	R
1.500	2.286	1.494	.420	14971	O.D. Listed Is Pressfit I.D.	XH15	R
1.500	2.311	2.315	.500	14979	w/Stainless Steel Spring	★CRWA5	V
1.500	2.328	2.332	.375	15029	—	CRSA1	R
1.500	2.328	2.332	.390	14975	Clearance D .188	HM18	R
1.500	2.328	2.332	.500	14972	—	★HM14	R
1.500	2.328	2.332	.500	14974	Clearance D .286	HM18	R
1.500	2.328	2.332	.500	14977	w/Stainless Steel Spring	★CRWA5	R
1.500	2.372	2.376	.375	14978	w/Extended Radial Dirt Lip	★CRWA41	R
1.500	2.374	2.378	.250	15032	—	★HM21	R
1.500	2.374	2.378	.313	14992	—	★CRW1	V
1.500	2.374	2.378	.313	14994	—	★CRWA1	V
1.500	2.374	2.378	.313	15004	—	★CRW1	R
1.500	2.374	2.378	.313	15005	—	★CRWA1	R
1.500	2.374	2.378	.500	15039	—	★CRWH1	R
1.500	2.376	2.383	.815	15047	Helix-CCW & P.F. Width .402	★HMSA25	P
1.500	2.377	2.381	.453	15041	—	★CRWA1	R
1.500	2.437	2.441	.250	15080	—	★HM14	R
1.500	2.437	2.441	.313	15076	—	★CRW1	R
1.500	2.441	2.445	.313	15092	—	CRW1	R
1.500	2.441	2.445	.313	15093	—	★CRWA1	R
1.500	2.441	2.445	.313	15097	—	★CRW1	V
1.500	2.462	1.495	.290	15174	O.D. Listed Is Pressfit I.D.	X13	R
1.500	2.502	2.506	.250	15160	—	★HM21	R
1.500	2.502	2.506	.313	15138	—	★CRW1	V
1.500	2.502	2.506	.313	15141	—	★CRW1	R
1.500	2.502	2.506	.625	15120	—	★C8	RR
1.500	2.502	—	.313	15142	—	★CRWA1	R
1.500	2.561	2.565	.313	15176	—	★CRW1	R
1.500	2.623	2.627	.250	15190	—	HM21	R
1.500	2.623	2.627	.313	15194	—	★CRW1	R
1.500	2.686	2.690	.500	15207	—	★CRW1	R
1.500	2.716	2.720	.250	15209	—	★HM21	R
1.500	2.716	2.720	.438	15204	—	★CRW1	R
1.500	2.750	2.754	.313	15214	—	★CRW1	R
1.500	2.758	2.762	.313	15230	—	★CRW1	R
1.500	2.835	2.839	.313	15234	—	★CRW1	R
1.500	2.875	2.879	.313	15235	—	★CRW1	R
1.500	2.996	3.001	.500	15240	—	CRSH1	R
1.500	3.000	3.005	.375	15241	—	CRSA1	R
1.500	3.125	3.130	.625	15250	—	C8	RR
1.500	3.620	3.625	.563	15246	See Type J Section (CRW Lip)	J6-KIT	R
1.502	2.132	2.136	1.080	14234	—	CRSA3	R
1.503	2.374	2.379	.374	15133	w/CCW Helix From Air Side	★CRSA3	P
1.503	2.375	2.390	.720	15025	w/CCW Helix & PF .314	CRSA3	P
1.503	2.375	2.390	.720	15031	—	HMSA26	V

Size listing - Inches

Inch Shaft	Inch Bore	Inch O.D.	Inch Width	Inch Seal no.	Seal info. notes	Type & style	Lip code
1.504	1.937	1.950	.475	15270	w/Helix-CCW & P.F. Width .315	HMSA76	P
1.515	2.087	2.096	.315	15500	w/CCW Helix From Air Side	HMSA7	P
1.516	2.283	2.293	.433	15292	—	HMSA7	R
1.516	2.283	—	.276	563231	—	HMS5	RG
1.516	2.283	—	.276	563232	—	HMSA10	RG
1.516	2.283	—	.276	563233	w/Stainless Steel Spring	HMS5	V
1.516	2.283	—	.276	563234	w/Stainless Steel Spring	HMSA10	V
1.516	3.142	3.147	.315	15165	—	HMSA7	V
1.520	2.656	2.660	.425	15306	Helix-CCW & P.F. Width .388	HMSA16	R
1.521	2.656	2.664	.437	14946	—	HMSA97	V
1.524	2.374	2.378	.375	15343	—	★CRSH1	R
1.524	2.656	2.660	.607	15315	w/CW Helix From Air Side	HMSA16	E
1.524	2.714	2.718	.500	15376	—	HMS9	R
1.528	2.033	2.047	.315	15280	—	HMSA7	R
1.535	1.968	1.981	.335	15445	—	HMSA3	R
1.535	1.969	1.980	.276	15451	w/CCW Helix From Air Side	HMSHA7	V
1.535	1.969	1.981	.453	15359	—	HMS4SPL	P
1.535	2.047	2.056	.248	15298	—	HMSA96	P
1.535	2.047	2.060	.276	15300	w/CW Helix From Air Side	HMSA7	P
1.535	2.126	2.130	.236	15363	—	HMA1	R
1.535	2.165	2.177	.315	15302	w/CW Helix From Air Side	HMSA7	V
1.535	2.244	2.254	.844	15312	w/Axial Dirt Lip	HMSA92	P
1.535	2.244	2.255	.669	15310	w/Axial Dirt Lip	HMSA92	P
1.535	2.244	2.257	.380	15345	w/CW Helix From Air Side	HMSA7	V
1.535	2.323	2.333	.472	15353	—	D7-SPL	PP
1.535	2.323	2.334	.433	15372	w/Axial Dirt Lip	HMSA92	R
1.535	2.441	2.447	.472	15352	—	CRSH11	R
1.535	2.559	2.568	.354	15354	—	HMS-SPL	P
1.535	2.677	2.686	.354	15356	—	HMS-SPL	P
1.535	2.835	2.840	.500	15607	—	★CRS1	V
1.535	2.835	2.844	.315	15324	—	HMSA7	P
1.535	2.913	2.918	.433	550234	—	★HMSA2	R
1.535	2.953	2.960	.647	15382	—	HMSA56	P
1.535	3.228	3.233	.512	15357	—	HMSA24	P
1.551	2.628	2.629	1.208	15553	—	UNITIZE	P
1.552	2.446	2.451	.500	15560	—	D8	RT
1.552	2.447	2.460	.500	15440	—	HMSA78	RT
1.552	2.447	2.460	.500	15529	—	HMSA57	P
1.552	2.502	2.506	.500	15450	—	★CRWA1	R
1.552	2.686	2.690	.500	15460	—	★CRW1	R
1.552	2.750	2.754	.500	15462	—	★CRWHA1	P
1.552	2.750	2.754	.590	15502	w/Bi-Direction Helix From Air Side	CRSA8	R
1.552	3.160	3.165	.530	15791	—	CRSHA8	V
1.552	3.160	3.165	.546	15545	w/Bi-Direction Helix From Air Side	HMSHA26	V
1.552	3.160	3.165	.546	15566	w/Bi-Direction Helix P.F. Width .254	HMSHA25	V
1.552	3.160	3.165	.630	15525	w/BI Helix & 3M Bead On OD	HMSHA25	V
1.552	3.160	3.165	.665	15788	P.F. Width .254	CRWA31	P
1.555	2.559	2.569	.315	13749	—	HMSA57	P
1.560	2.962	2.964	.597	15618	—	UNITIZE	R
1.562	2.442	2.447	.500	15629	—	HMSA97	R
1.562	2.460	2.470	.374	15662	—	★CRWA1	V
1.562	2.758	2.762	.393	15768	—	HMSA7	P
1.562	2.913	2.918	.394	15784	—	HMSA92	P
1.563	2.047	2.053	.276	534958	—	★CRWA1	V
1.563	2.062	2.066	.203	15509	—	★HM14	R
1.563	2.062	2.066	.250	15506	—	★CRW1	V
1.563	2.062	2.066	.250	15508	—	★CRW1	R
1.563	2.125	2.129	.313	15517	—	CRW1	R
1.563	2.125	2.129	.313	15518	—	★CRWA1	P
1.563	2.130	2.135	.484	539036	—	★HMSA7SP	V
1.563	2.237	1.558	.290	15530	—	X4	R
1.563	2.250	2.254	.250	15532	—	★HM14	R
1.563	2.250	2.254	.313	15522	—	★CRW1	R
1.563	2.250	2.254	1.520	15535	P.F. Width .327 & 2.515 Flange	CRSA3	R
1.563	2.372	2.376	1.070	15546	w/Helix-CCW & 2.255 Flange	HMSA31	P

Size listing - Inches

Inch Shaft	Inch Bore	Inch O.D.	Inch Width	Inch Seal no.	Seal info. notes	Type & style	Lip code
1.563	2.374	2.378	.250	15544	—	★HM21	R
1.563	2.374	2.378	.313	15540	—	★CRW1	P
1.563	2.374	2.378	.313	15542	—	★CRW1	R
1.563	2.374	2.378	.313	15543	—	★CRWA1	R
1.563	2.374	2.378	.313	15549	—	★CRWA1	V
1.563	2.437	2.441	.313	15592	—	CRW1	R
1.563	2.441	2.445	.500	15620	—	★CRWA1	R
1.563	2.441	2.457	.500	15729	—	HMSA7	R
1.563	2.465	2.470	.374	15624	—	★CRWA1	P
1.563	2.475	2.491	.334	15632A	w/Helix Bi-Direction From Air Side	HMSA7	P
1.563	2.502	2.506	.250	15649	—	★HM21	R
1.563	2.502	2.506	.313	15655	—	★CRW1	R
1.563	2.502	2.506	.313	15656	—	★CRW1	V
1.563	2.502	2.506	.313	15635	—	★CRWA1	R
1.563	2.531	1.558	.285	15660	O.D. Listed Is Pressfit I.D.	X15	R
1.563	2.561	2.565	.313	15677	—	★CRW1	R
1.563	2.561	2.565	.629	15666	—	TL1	R
1.563	2.623	2.627	.313	15699	—	★CRW1	R
1.563	2.686	2.690	.313	15707	—	★CRW1	R
1.563	2.686	2.690	.375	15730	—	★HM14	R
1.563	2.687	2.691	.250	15719	—	★HM21	R
1.563	2.716	2.720	.469	15748	—	★CRSH1	R
1.563	2.750	2.754	.500	15761	—	★CRWH1	R
1.563	2.758	2.762	.500	15766	—	W4	R
1.563	2.875	2.879	.313	15773	—	★CRW1	R
1.563	2.875	2.879	.313	15779	—	★CRWA1	P
1.563	2.877	2.881	.500	14512	—	★CRS1	V
1.563	2.920	2.924	.409	15790	w/CW Helix From Air Side	HMSA96S	R
1.563	—	—	.750	89486	—	S6	—
1.566	2.559	2.567	.357	15671A	w/CW Helix From Air Side	HMSA92	P
1.568	2.620	2.625	1.000	15692	P.F. Width .350	HMS15	R
1.574	2.165	2.174	.295	15757A	—	HMSA92	P
1.574	2.204	2.214	.354	16194	—	HMSA92	P
1.574	2.440	2.440	.389	15690	—	UNITIZE	R
1.574	2.480	2.485	.413	15783A	w/Helix Bi-Direction From Air Side	HMSA92	P
1.574	2.598	2.611	.315	15891	w/CW Helix From Air Side	HMSA96	P
1.574	2.716	2.720	.531	15552	—	UNITIZE	R
1.574	2.716	2.727	.590	15691	—	HMA25PL	R
1.574	2.952	2.961	.393	14889	—	HMSA7	V
1.575	1.811	1.820	.315	15715	—	HMSA7	R
1.575	1.811	1.856	.315	15713	—	HMS4	R
1.575	1.850	1.853	.157	15738	—	HM4	R
1.575	1.969	1.975	.157	15740	—	HM4	R
1.575	1.969	—	.315	563419	—	HMS5	RG
1.575	1.969	—	.315	563420	—	HMSA10	RG
1.575	1.969	—	.315	563421	w/Stainless Steel Spring	HMS5	V
1.575	1.969	—	.315	563422	w/Stainless Steel Spring	HMSA10	V
1.575	2.040	2.050	.290	15731	—	HMSA32	R
1.575	2.047	1.383	.276	15805	—	★CRW1	R
1.575	2.047	2.052	.276	15703	w/Bi-Direction Helix From Air Side	CRSA1	R
1.575	2.047	2.054	.197	15743	—	HM4	R
1.575	2.047	2.054	.276	15803	w/Stainless Steel Spring	★CRW1	V
1.575	2.047	2.056	.276	16442	—	HMSHA7	V
1.575	2.047	2.056	.315	15776A	—	HMSA7	R
1.575	2.047	2.058	.236	15957	—	HMSA7	P
1.575	2.047	2.058	.276	15804	—	HMS4	R
1.575	2.047	2.058	.276	15801	—	HMSA7	R
1.575	2.047	2.060	.260	15802	w/Axial Dirt Lip	HMSA92	R
1.575	2.047	2.064	.315	15808	—	HMSA7	R
1.575	2.047	—	.236	563235	—	HMS5	RG
1.575	2.047	—	.236	563237	w/Stainless Steel Spring	HMS5	V
1.575	2.047	—	.236	563238	w/Stainless Steel Spring	HMSA10	V
1.575	2.047	—	.276	692461	—	HMSA10	RG
1.575	2.047	—	.276	692459	—	HMS5	RG
1.575	2.047	—	.276	692460	w/Stainless Steel Spring	HMS5	V

Size listing - Inches

Inch Shaft	Inch Bore	Inch O.D.	Inch Width	Inch Seal no.	Seal info. notes	Type & style	Lip code
1.575	2.047	—	.276	692462	w/Stainless Steel Spring	HMSA10	V
1.575	2.047	—	.281	523171	—	SC	R
1.575	2.047	—	.315	563133	—	HMS5	RG
1.575	2.047	—	.315	563134	—	HMSA10	RG
1.575	2.047	—	.315	563135	w/Stainless Steel Spring	HMS5	V
1.575	2.047	—	.315	563136	w/Stainless Steel Spring	HMSA10	V
1.575	2.048	2.056	.319	15724	—	HMSA33	R
1.575	2.049	2.056	.354	550247	w/2.204 Flange	HMSA32	R
1.575	2.087	2.072	.906	15809	P.F.WD .472, w/2.835 Flange. O.D.	HMSA8	R
1.575	2.087	2.096	.315	15701	w/CW Helix From Air Side	HMSA7	P
1.575	2.087	2.098	.197	15884	—	HMA76	R
1.575	2.126	2.131	.217	15807	—	HMSA1	R
1.575	2.126	2.131	.517	15843	P.F. Width .315	HMS15	R
1.575	2.126	2.132	.276	15810	—	★CRW1	R
1.575	2.126	2.132	.315	15967	—	HMSA1	R
1.575	2.126	2.137	.394	15881	w/Encapsulated Spring	HMSA7	P
1.575	2.161	2.175	.511	15716	—	★HMSA16	P
1.575	2.165	2.170	.315	15682	—	HMA8	R
1.575	2.165	2.170	.328	15746	P.F. Width .220 & 2.550 Flange	★HMA9	R
1.575	2.165	2.171	.394	15937	—	CRS1	R
1.575	2.165	2.172	.315	15820	—	★CRW1	R
1.575	2.165	2.172	.315	15821	—	★CRW1	V
1.575	2.165	2.174	.236	15818	w/CW Helix From Air Side	HMSA7	V
1.575	2.165	2.175	.276	15756	—	HMA1	T
1.575	2.165	2.176	.276	15819	—	HMSA7	R
1.575	2.165	2.176	.276	15815	—	HMS4	R
1.575	2.165	2.176	.315	15822	—	HMSA7	R
1.575	2.165	2.176	.315	15823	—	HMS5	R
1.575	2.165	2.176	.315	692467	—	HMS5	R
1.575	2.165	2.176	.315	692467	—	HMS5	RG
1.575	2.165	—	.276	692463	—	HMS5	RG
1.575	2.165	—	.276	692464	—	HMS5	V
1.575	2.165	—	.276	692465	—	HMSA10	RG
1.575	2.165	—	.276	692466	—	HMSA10	V
1.575	2.165	—	.315	692468	—	HMS5	V
1.575	2.165	—	.315	692470	—	HMSA10	V
1.575	2.205	2.210	.315	15888	—	HMSA92	P
1.575	2.205	2.211	.276	15826	—	★CRW1	V
1.575	2.205	2.211	.315	15828	—	HMS4	R
1.575	2.205	2.211	.315	15825	—	★CRW1	R
1.575	2.205	2.211	.315	15829	—	HMSA10	R
1.575	2.205	2.211	.315	562582	—	HMSA10	R
1.575	2.205	2.213	.512	15770A	—	HMSA SPL	P
1.575	2.205	2.216	.315	15684	—	HMSA35	R
1.575	2.205	2.219	.354	15669	w/CW Helix From Air Side	HMSA35	P
1.575	2.205	2.219	.354	15709	w/Bi-Direction Helix From Air Side	HMSA35	P
1.575	2.205	—	.315	562581	—	HMS5	RG
1.575	2.205	—	.315	562583	w/Stainless Steel Spring	HMS5	V
1.575	2.205	—	.315	562584	w/Stainless Steel Spring	HMSA10	V
1.575	2.207	2.212	.315	15128	—	★HMSHA4	P
1.575	2.244	2.250	.315	15830	—	★CRW1	R
1.575	2.244	2.256	.512	15706	—	HMSA75	PF
1.575	2.281	2.286	.472	15721	w/Bi-Direction Helix From Air Side	HMSHA4	P
1.575	2.283	2.288	.394	15370	—	HMSA7	P
1.575	2.283	2.289	.315	15998	—	HMS4	R
1.575	2.283	2.289	.354	15750	w/2.519 Flange	★CRWA3	R
1.575	2.283	2.290	.315	15835	—	★CRW1	R
1.575	2.283	2.290	.315	15836	—	★CRW1	V
1.575	2.283	2.290	.354	15879	—	CRSA13	R
1.575	2.283	2.290	.394	15700	—	HMSA7	P
1.575	2.283	2.293	.236	15736	—	HMSA7	P
1.575	2.283	2.293	.354	15787	—	HMSA7	P
1.575	2.283	2.294	.354	15838	—	HMSA7	R
1.575	2.283	2.296	.354	15742	w/CCW Helix From Air Side	HMSA92	P
1.575	2.283	2.297	.415	15727	—	HMSA25	V

★ Includes Bore Tite on O.D.
Seal kits—See pg. 632

Axle flange gaskets—See pg. 374
Speedi-Sleeve's—See pg. 637

Scotseals—See pg. 382
V-ring's—See pg. 657

HDDF seals—See pg. 404

Size listing - Inches

Inch Shaft	Inch Bore	Inch O.D.	Inch Width	Inch Seal no.	Seal info. notes	Type & style	Lip code
1.575	2.283	—	.276	562864	—	HMS5	RG
1.575	2.283	—	.276	562865	—	HMSA10	RG
1.575	2.283	—	.276	562866	w/Stainless Steel Spring	HMS5	V
1.575	2.283	—	.276	562867	w/Stainless Steel Spring	HMSA10	V
1.575	2.283	—	.315	562948	—	HMS5	RG
1.575	2.283	—	.315	562949	—	HMSA10	RG
1.575	2.283	—	.315	562950	w/Stainless Steel Spring	HMS5	V
1.575	2.283	—	.315	562951	w/Stainless Steel Spring	HMSA10	V
1.575	2.283	—	.394	563201	—	HMS5	RG
1.575	2.283	—	.394	563202	—	HMSA10	RG
1.575	2.283	—	.394	563203	w/Stainless Steel Spring	HMS5	V
1.575	2.283	—	.394	563204	w/Stainless Steel Spring	HMSA10	V
1.575	2.284	2.297	.315	15796	—	HMSA92	P
1.575	2.362	2.367	.204	15712	—	HMS4	V
1.575	2.362	2.368	.315	15840	—	★CRW1	R
1.575	2.362	2.368	.315	15841	—	★CRW1	V
1.575	2.362	2.368	.315	15842	w/Axial Dirt Lip	HMSA35	R
1.575	2.362	2.368	.394	15893	—	CRSA1	R
1.575	2.362	2.371	.198	15718	w/CW Helix From Air Side	HMS4	V
1.575	2.362	2.373	.394	15844	—	HMSA7	R
1.575	2.362	2.373	.472	15869	—	HMS4	R
1.575	2.362	—	.394	692475	—	HMS5	RG
1.575	2.362	—	.394	692476	—	HMS5	V
1.575	2.362	—	.394	692477	—	HMSA10	RG
1.575	2.362	—	.394	692478	—	HMSA10	V
1.575	2.441	2.444	.394	15907	—	HMS4	V
1.575	2.441	2.447	.315	15845	—	★CRW1	R
1.575	2.441	2.447	.315	15846	—	★CRW1	V
1.575	2.441	2.447	.354	15902	P.F. Width .455 w/2.600 Flange	HMSA55	P
1.575	2.441	2.450	.394	550230	—	HMA10	R
1.575	2.441	2.452	.236	15898	—	HMSA7P2	R
1.575	2.441	2.452	.276	15851	—	HMSA7	R
1.575	2.441	2.452	.276	15989	w/CW Helix From Air Side	HMSA92	P
1.575	2.441	2.452	.276	692481	—	HMSA10	RG
1.575	2.441	2.452	.394	15856	w/Stainless Steel Spring	HMSA7	V
1.575	2.441	2.452	.453	550199	—	HMS4	R
1.575	2.441	2.454	.365	15978	—	HM4SPL	R
1.575	2.441	—	.236	563471	—	HMS5	RG
1.575	2.441	—	.236	563472	—	HMSA10	RG
1.575	2.441	—	.236	563473	w/Stainless Steel Spring	HMS5	V
1.575	2.441	—	.236	563474	w/Stainless Steel Spring	HMSA10	V
1.575	2.441	—	.276	692480	—	HMS5	V
1.575	2.441	—	.276	692482	—	HMSA10	V
1.575	2.441	—	.315	563929	—	HMS5	RG
1.575	2.441	—	.315	563930	—	HMSA10	RG
1.575	2.441	—	.315	563931	w/Stainless Steel Spring	HMS5	V
1.575	2.441	—	.315	563932	w/Stainless Steel Spring	HMSA10	V
1.575	2.441	—	.394	692484	—	HMS5	V
1.575	2.441	—	.394	692485	—	HMSA10	RG
1.575	2.441	—	.394	692486	—	HMSA10	V
1.575	2.461	2.466	.433	15558	—	HMSA7	R
1.575	2.468	2.474	.433	15714	w/CCW Helix & Boot	CRSA3	P
1.575	2.480	2.489	.354	15737	w/CCW Helix From Air Side	HMSHA83	V
1.575	2.480	2.491	.315	15733	—	HMSA92	P
1.575	2.519	2.524	.354	15767	—	HMSA92	P
1.575	2.519	2.528	.393	15547	—	HMSAHA4	V
1.575	2.520	2.523	.394	15704	—	HMSA96	P
1.575	2.520	2.524	.688	15849	P.F. WD .472 w/Rock Guard	HMSA92S	P
1.575	2.520	2.531	.472	15753	w/3.085 Flange	HMSA12	P
1.575	2.520	2.533	.394	15722	—	HMSA102	P
1.575	2.529	2.579	1.201	12014	—	UNITIZE	P
1.575	2.559	2.565	.315	15850	—	★CRW1	R
1.575	2.559	2.565	.472	15919	—	CRS13	R
1.575	2.559	2.568	.708	15887	—	HMSASPL	P
1.575	2.559	—	.394	562816	—	HMS5	RG

Size listing - Inches

Inch Shaft	Inch Bore	Inch O.D.	Inch Width	Inch Seal no.	Seal info. notes	Type & style	Lip code
1.575	2.559	—	.394	562817	—	HMSA10	RG
1.575	2.559	—	.394	562818	w/Stainless Steel Spring	HMS5	V
1.575	2.559	—	.394	562819	w/Stainless Steel Spring	HMSA10	V
1.575	2.559	—	.472	563564	—	HMS5	RG
1.575	2.559	—	.472	563565	—	HMSA10	RG
1.575	2.559	—	.472	563566	w/Stainless Steel Spring	HMS5	V
1.575	2.559	—	.472	563567	w/Stainless Steel Spring	HMSA10	V
1.575	2.677	2.681	.500	15972	—	D8-SPL	P
1.575	2.677	2.683	.276	15922	—	CRS13	R
1.575	2.677	2.683	.315	15854	—	★CRW1	R
1.575	2.677	—	.315	562692	—	HMS5	RG
1.575	2.677	—	.315	562693	—	HMSA10	RG
1.575	2.677	—	.315	562694	w/Stainless Steel Spring	HMS5	V
1.575	2.677	—	.315	562695	w/Stainless Steel Spring	HMSA10	V
1.575	2.677	—	.394	563173	—	HMS5	RG
1.575	2.677	—	.394	563174	—	HMSA10	RG
1.575	2.677	—	.394	563175	w/Stainless Steel Spring	HMS5	V
1.575	2.677	—	.394	563176	w/Stainless Steel Spring	HMSA10	V
1.575	2.756	2.761	.394	15744	—	HMSA92	P
1.575	2.756	2.762	.315	15855	—	★CRW1	R
1.575	2.756	2.762	.472	15930	—	CRSH11	R
1.575	2.835	2.840	.315	15860	—	★CRW1	R
1.575	2.835	2.844	.433	14762	—	HMSA92	R
1.575	2.835	—	.276	562832	—	HMS5	RG
1.575	2.835	—	.276	562833	—	HMSA10	RG
1.575	2.835	—	.276	562834	w/Stainless Steel Spring	HMS5	V
1.575	2.835	—	.276	562835	w/Stainless Steel Spring	HMSA10	V
1.575	2.835	—	.394	564112	—	HMS5	RG
1.575	2.835	—	.394	564113	—	HMSA10	RG
1.575	2.835	—	.394	564114	—	HMS5	V
1.575	2.835	—	.394	564115	—	HMSA10	V
1.575	2.840	2.845	.394	15754	—	HMSA92	P
1.575	2.913	2.920	.315	15863	—	★CRW1	R
1.575	2.953	2.959	.315	15862	—	★CRW1	V
1.575	2.953	2.959	.394	15883	—	HMSA96	P
1.575	2.953	2.959	.467	15882	w/CCW Helix From Air Side	HMSA92	R
1.575	2.953	2.961	.669	15799	w/3.327 Flange P.F. WIDTH .551	HMSA35	R
1.575	2.953	2.962	.472	15886	—	HMSA92	P
1.575	2.992	3.001	.276	15793	—	HMSA7	P
1.575	2.992	3.003	.492	15866	Helix-CW & P.F. Width .354	HMSA92	P
1.575	2.992	3.003	.492	15867	Helix-CCW & P.F. Width .354	HMSA92	P
1.575	3.071	3.079	.394	15948	—	HMSA7	R
1.575	3.150	3.156	.315	15870	—	★CRW1	R
1.575	3.150	—	.394	562737	—	HMSA10	RG
1.575	3.150	—	.394	562738	w/Stainless Steel Spring	HMS5	V
1.575	3.150	—	.394	562739	w/Stainless Steel Spring	HMSA10	V
1.575	3.150	—	.472	563057	—	HMS5	RG
1.575	3.150	—	.472	563059	w/Stainless Steel Spring	HMS5	V
1.575	3.150	—	.472	563060	w/Stainless Steel Spring	HMSA10	V
1.575	3.543	3.550	.315	15890	—	★CRW1	R
1.575	3.543	3.554	.472	15945	—	HMSA79	R
1.578	2.082	2.086	.250	15510	—	★CRW1	R
1.578	2.165	2.174	.295	15512	—	HMSA96	P
1.578	2.408	2.412	.313	15557	—	★CRWHA1	R
1.586	2.479	2.490	.351	15925A	w/CCW Helix From Air Side	HMSA92	P
1.588	2.171	2.177	.326	15837A	w/CCW Helix From Air Side	HMSA7	V
1.592	2.406	2.412	.354	15974	w/Bi-Direction Helix From Air Side	HMSA96	P
1.594	2.067	2.077	.236	15910	w/CW Helix From Air Side	HMSA7	P
1.594	2.125	2.129	.313	15915	—	★CRW1	P
1.594	2.283	2.289	.354	15920	—	HMSA7	P
1.594	2.437	2.441	.313	15940	—	★CRW1	P
1.594	2.437	2.441	.313	15955	—	★CRW1	R
1.594	2.502	2.506	.313	15960	—	★CRW1	R
1.594	2.623	2.627	.313	15968	—	★CRW1	R
1.594	2.758	2.762	.313	15975	—	★CRW1	R

★ Includes Bore Tite on O.D.
Seal kits—See pg. 632

Axle flange gaskets—See pg. 374
Speedi-Sleeve's—See pg. 637

Scotseals—See pg. 382
V-ring's—See pg. 657

HDDF seals—See pg. 404

Size listing - Inches

Inch Shaft	Inch Bore	Inch O.D.	Inch Width	Inch Seal no.	Seal info. notes	Type & style	Lip code
1.594	3.150	3.160	.390	15984	—	D7	P
1.598	2.476	2.480	.394	15966	w/CCW Helix From Air Side	★CRSA3	P
1.598	2.476	2.480	.394	15977	w/CCW Helix, Long Boot	★CRSA3	P
1.603	2.839	2.844	.497	16066A	w/Helix Bi-Direction	HMSHA4	P
1.605	2.560	2.565	.693	16295	w/Bi-Direction Helix From Air Side	★HMSHASP	R
1.605	2.803	2.808	.500	16392	w/3.065 Flange O.D.	★HMSHA4	P
1.609	1.906	1.910	.250	16430	—	HM3	R
1.614	2.087	2.093	.276	16151	—	★CRW1	R
1.614	2.126	2.135	.236	16323	—	HMSA7	P
1.614	2.165	2.168	.275	16446	—	HMSA29	R
1.614	2.165	2.172	.315	16154	—	★CRW1	R
1.614	2.165	2.176	.276	16147	w/CW Helix From Air Side	HMSA7	P
1.614	2.205	2.217	.276	550232	—	★HMS4	R
1.614	2.205	2.217	.315	16149	—	HMSA7	V
1.614	2.205	—	.276	563431	—	HMS5	RG
1.614	2.205	—	.276	563432	—	HMSA10	RG
1.614	2.205	—	.276	563433	w/Stainless Steel Spring	HMS5	V
1.614	2.205	—	.276	563434	w/Stainless Steel Spring	HMSA10	V
1.614	2.244	2.253	.315	16413	—	HMSA96	P
1.614	2.284	2.288	.512	16415	—	HMS15	P
1.614	2.323	2.333	.394	16037	w/Axial Dirt Lip, CW Helix	HMSA92	P
1.614	2.323	2.336	.315	16023	w/CW Helix From Air Side	HMSA7	R
1.614	2.401	2.406	.315	16141	—	HMSHA4	P
1.614	2.402	2.407	.315	16143	—	HMSHA4	P
1.614	2.402	2.407	.394	16448	—	HMSA92	P
1.614	2.402	2.407	.630	16123	—	UNITIZE	R
1.614	2.402	2.407	.630	16140	—	HMSA92	R
1.614	2.435	2.440	.299	16145	—	CRS2	V
1.614	2.441	2.446	.472	16043	—	D8	P
1.614	2.441	2.447	.315	16041	—	★CRW1	R
1.614	2.480	2.485	.315	16136	—	HMSA92	V
1.614	2.569	2.575	.433	16139	w/Bi-Direction Helix From Air Side	HMSA25	P
1.614	2.677	2.684	.456	16427	—	D8-SPL	P
1.614	2.677	2.688	.354	16429	—	HMSA92	R
1.614	2.913	2.922	.354	16441	—	HMSA29	R
1.614	2.913	2.950	.430	16114	w/Bi-Direction Helix From Air Side	HMSA96	P
1.614	2.950	2.950	.430	16144	w/CCW Helix From Air Side	HMSA57	P
1.614	3.543	2.989	.649	16134	—	HMSA93	P
1.618	2.254	2.258	.235	533803	—	CRW1	R
1.618	2.531	2.535	.438	16449	—	★CRWA1	R
1.618	2.575	2.579	.500	16404	—	★CRSA1	R
1.618	2.841	2.849	.500	16146	w/3.179 Flange O.D.	★CRSA4	R
1.619	2.000	2.004	.250	16039	—	★CRW1	V
1.619	2.000	2.004	.250	16046	—	★CRW1	R
1.625	1.990	—	.219	709011	—	WS	R
1.625	2.000	—	.063	451046	—	BUW	#
1.625	2.000	—	.188	711823	—	BV	D
1.625	2.000	—	.188	721515	—	BV	V
1.625	2.116	2.120	.313	16047	—	★CRWA1	R
1.625	2.125	2.129	.250	16048	w/Stainless Steel Spring	★CRW1	V
1.625	2.125	2.129	.250	16054	—	★CRW1	R
1.625	2.125	2.129	.250	16055	—	★HM14	R
1.625	2.125	2.131	.250	16045	w/Stainless Steel Spring	CRWAR5	V
1.625	2.125	—	.281	504269	—	SC	R
1.625	2.248	2.252	.313	16062	—	★CRWA1	R
1.625	2.250	2.254	.250	16065	—	★HM21	R
1.625	2.250	2.254	.313	16078	w/Stainless Steel Spring	CRW1	V
1.625	2.250	2.254	.313	541478	—	★CRW1	R
1.625	2.250	2.254	.375	16049	—	★CRW1	P
1.625	2.282	2.286	.313	16083	—	★CRW1	R
1.625	2.328	2.332	.438	16064	—	TL7	R
1.625	2.328	2.332	.438	16069	Clearance D .235	★HM18	R
1.625	2.374	2.378	.250	16092	—	★HM21	R
1.625	2.374	2.378	.250	16094	—	CRW1	R
1.625	2.374	2.378	.313	16072	—	★CRWH1	R

Size listing - Inches

Inch Shaft	Inch Bore	Inch O.D.	Inch Width	Inch Seal no.	Seal info. notes	Type & style	Lip code
1.625	2.374	2.378	.313	16077	—	★CRW1	V
1.625	2.374	2.378	.313	16084	—	★CRW1	R
1.625	2.374	2.378	.313	16085	—	★CRWA1	R
1.625	2.374	2.378	.313	16091	—	CRWA1	P
1.625	2.374	2.378	.500	16079	—	★CRWH1	R
1.625	2.375	2.379	.250	16095	—	HM14	R
1.625	2.375	2.382	.395	16110	—	CRWA6	R
1.625	2.375	2.382	.395	16355	—	CRWA6	V
1.625	2.403	2.408	.360	16108	—	CRSA4	R
1.625	2.409	2.415	.545	16262	—	HMSA24	R
1.625	2.437	2.441	.250	16168	—	★HM21	R
1.625	2.437	2.441	.313	16113	—	★CRW1	R
1.625	2.437	2.441	.313	16119	—	★CRW1	V
1.625	2.437	2.441	.313	16120	—	★CRWA1	V
1.625	2.437	2.441	.313	16128	—	★CRWA1	R
1.625	2.437	2.441	.313	16225	w/CW Helix From Air Side	★HMS14	S
1.625	2.437	2.441	.374	16121	—	CRSHA1	R
1.625	2.440	2.446	.417	16248A	w/CW Helix From Air Side	HMSA92	V
1.625	2.441	2.445	.313	16180	—	★CRW1	R
1.625	2.441	2.445	.313	16201	—	★CRWA1	R
1.625	2.441	2.445	.625	16189	—	CRWHA3	R
1.625	2.443	2.447	.640	16204	—	★C8	RR
1.625	2.462	1.620	.250	16286	O.D. Listed Is Pressfit I.D.	X15	R
1.625	2.502	2.506	.250	16242	w/SS Case & Spring	CRWH3	V
1.625	2.502	2.506	.250	16270	—	★HM21	R
1.625	2.502	2.506	.313	16243	—	★CRWA1	V
1.625	2.502	2.506	.313	16245	—	★CRW1	R
1.625	2.502	2.506	.313	16246	—	★CRWA1	R
1.625	2.502	2.506	.313	16247	—	CRWA1	P
1.625	2.502	2.506	.374	16257	—	★CRWHA1	V
1.625	2.502	2.506	.375	16254	—	★CRWHA1	R
1.625	2.562	2.566	.250	16285	—	★HM21	R
1.625	2.562	2.566	.313	16290	—	★CRWA1	V
1.625	2.562	2.566	.438	16289	Clearance D .210	★HM18	R
1.625	2.623	2.627	.250	16322	—	★HM21	R
1.625	2.623	2.627	.313	16314	—	★CRW1	R
1.625	2.623	2.627	.313	16315	—	★CRWA1	R
1.625	2.623	2.627	.313	16316	—	★CRW1	V
1.625	2.686	2.690	.313	16337	—	★CRW1	R
1.625	2.686	2.690	.313	16338	—	★CRW1	V
1.625	2.722	2.727	.406	16342	—	FF2	F
1.625	2.750	2.754	.250	16362	—	★HM21	R
1.625	2.750	2.754	.250	16364	—	★CRW1	R
1.625	2.750	2.754	.313	16368	—	★CRWH1	R
1.625	2.781	2.785	.313	16384	—	★HM14	R
1.625	2.835	2.839	.469	16386	—	★CRSH1	R
1.625	2.875	2.879	.313	16406	—	★CRW1	R
1.625	3.000	3.005	.313	16422	—	★CRWH1	R
1.625	3.062	3.066	.500	16431	—	★CRSH1	R
1.625	3.251	3.256	.500	16440	—	CRSH1	R
1.625	3.708	3.713	.850	16233	—	UNITIZE	P
1.625	—	1.750	.625	86049	—	S1	—
1.627	2.365	2.360	.389	16271	w/CCW Helix From Air Side	HMSA25	R
1.645	2.656	2.660	.400	16500	—	★CRSA1	P
1.648	2.332	2.327	.591	16122	—	★HMSA1	V
1.652	2.520	2.520	.390	16626	—	★HMSHA4	R
1.653	2.126	2.135	.244	16538A	w/CW Helix From Air Side	HMSA7	P
1.654	1.969	2.002	.157	16480	—	HMSA7	R
1.654	2.047	2.054	.157	16483	—	HM4	R
1.654	2.094	2.099	.275	16487	—	HMSA79	V
1.654	2.165	2.171	.276	550237	—	HMSA3	R
1.654	2.165	2.172	.236	16502	—	HM1	R
1.654	2.165	2.172	.315	16503	—	★CRW1	R
1.654	2.165	2.172	.315	16507	—	★CRW1	V
1.654	2.165	2.174	.276	16544	—	HMA1	V

★ Includes Bore Tite on O.D.
Seal kits—See pg. 632

Axle flange gaskets—See pg. 374
Speedi-Sleeve's—See pg. 637

Scotseals—See pg. 382
V-ring's—See pg. 657

HDDF seals—See pg. 404

Size listing - Inches

Inch Shaft	Inch Bore	Inch O.D.	Inch Width	Inch Seal no.	Seal info. notes	Type & style	Lip code
1.654	2.165	2.175	.315	16893	w/CW Helix From Air Side	HMSA7	V
1.654	2.165	2.176	.276	16471	w/CW Helix From Air Side	HMSA7	V
1.654	2.165	2.182	.354	16531	—	HMSA7	R
1.654	2.165	—	.276	692491	—	HMS5	RG
1.654	2.165	—	.276	692492	—	HMS5	V
1.654	2.165	—	.276	692494	—	HMSA10	V
1.654	2.165	—	.315	563125	—	HMS5	RG
1.654	2.165	—	.315	563126	—	HMSA10	RG
1.654	2.165	—	.315	563127	w/Stainless Steel Spring	HMS5	V
1.654	2.165	—	.315	563128	w/Stainless Steel Spring	HMSA10	V
1.654	2.205	2.211	.276	16504	—	★CRW1	V
1.654	2.205	2.211	.315	16505	—	★CRW1	R
1.654	2.205	2.215	.315	16473	w/CW Helix From Air Side	HMSA7	P
1.654	2.205	2.216	.276	16494	—	HMSA7	R
1.654	2.205	2.216	.276	16496	w/Stainless Steel Spring	HMSA7	V
1.654	2.205	—	.276	563296	—	HMSA10	RG
1.654	2.205	—	.276	563297	w/Stainless Steel Spring	HMS5	V
1.654	2.205	—	.276	563298	w/Stainless Steel Spring	HMSA10	V
1.654	2.213	2.221	.236	16506	—	HMA1	R
1.654	2.213	2.221	.374	16508	P.F. Width .236	HMA101	R
1.654	2.217	2.228	.315	16546	—	HMSA12	R
1.654	2.283	2.288	.270	16497	—	CRSA1	R
1.654	2.283	2.290	.315	16509	—	★CRW1	R
1.654	2.283	2.290	.315	16511	—	★CRW1	V
1.654	2.283	2.293	.472	16456	w/CW Helix From Air Side	HMSA92	S
1.654	2.283	2.293	.472	16549	w/CW Helix From Air Side	HMSA123	P
1.654	2.283	2.294	.276	16548	—	HMA1	R
1.654	2.283	2.313	.394	16498	—	HMS4	R
1.654	2.283	—	.276	16642	—	HMS4	R
1.654	2.323	2.328	.303	16536	w/CW Helix From Air Side	HMS4	R
1.654	2.362	2.368	.276	16489	w/CW Helix From Air Side	HMSA7	P
1.654	2.362	2.368	.315	16515	—	★CRW1	R
1.654	2.362	2.368	.315	16517	—	★CRW1	V
1.654	2.362	2.368	.394	16579	—	HMS4	R
1.654	2.362	2.371	.335	16533	w/CW Helix From Air Side	HMSA7	V
1.654	2.362	2.374	.276	16514	—	HMSA7	R
1.654	2.362	2.375	.264	19695A	w/CCW Helix From Air Side	HMA7	P
1.654	2.362	—	.276	692495	—	HMS5	RG
1.654	2.362	—	.276	692496	—	HMS5	V
1.654	2.362	—	.276	692498	—	HMSA10	V
1.654	2.441	2.368	.394	16581	—	CRS1	R
1.654	2.441	2.446	.315	16622	—	HMS-SPL	R
1.654	2.441	2.447	.315	16519	—	★CRW1	R
1.654	2.441	2.447	.315	16523	—	★CRW1	V
1.654	2.441	2.452	.315	16521	—	HMS4	R
1.654	2.441	2.452	.315	16518	—	HMSA7	R
1.654	2.441	2.452	.394	16529	—	HMS4	R
1.654	2.441	2.454	.472	16485	—	D6	P
1.654	2.441	—	.276	563327	—	HMS5	RG
1.654	2.441	—	.276	563328	—	HMSA10	RG
1.654	2.441	—	.276	563329	w/Stainless Steel Spring	HMS5	V
1.654	2.441	—	.276	563330	w/Stainless Steel Spring	HMSA10	V
1.654	2.441	—	.315	564116	—	HMS5	RG
1.654	2.441	—	.315	564117	—	HMSA10	RG
1.654	2.441	—	.315	564118	—	HMS5	V
1.654	2.441	—	.315	564119	—	HMSA10	V
1.654	2.441	—	.394	562856	—	HMS5	RG
1.654	2.441	—	.394	562857	—	HMSA10	RG
1.654	2.441	—	.394	562858	w/Stainless Steel Spring	HMS5	V
1.654	2.441	—	.394	562859	w/Stainless Steel Spring	HMSA10	V
1.654	2.480	2.485	.354	16465	—	HMSA92	P
1.654	2.480	2.505	.433	16474	w/Bi-Direction Helix & Boot	CRSA3	P
1.654	2.520	2.526	.390	16901	—	HMSHA4	R
1.654	2.520	2.532	.236	16522	—	HMA1	R
1.654	2.550	2.550	.530	16491	—	HMSA95	R

Size listing - Inches

Inch Shaft	Inch Bore	Inch O.D.	Inch Width	Inch Seal no.	Seal info. notes	Type & style	Lip code
1.654	2.550	2.570	.550	16499	—	HMSA56	P
1.654	2.551	2.555	.531	16542	w/Helix-CW P.F. Width .375	HMSA95	R
1.654	2.559	2.565	.315	16525	—	★CRW1	R
1.654	2.559	2.565	.315	16527	—	★CRW1	V
1.654	2.559	2.568	.433	16551	—	D7	P
1.654	2.559	—	.394	563556	—	HMS5	RG
1.654	2.559	—	.394	563557	—	HMSA10	RG
1.654	2.559	—	.394	563558	w/Stainless Steel Spring	HMS5	V
1.654	2.559	—	.394	563559	w/Stainless Steel Spring	HMSA10	V
1.654	2.559	—	.472	563921	—	HMS5	RG
1.654	2.559	—	.472	563922	—	HMSA10	RG
1.654	2.559	—	.472	563923	w/Stainless Steel Spring	HMS5	V
1.654	2.559	—	.472	563924	w/Stainless Steel Spring	HMSA10	V
1.654	2.562	2.566	.570	16535	—	HMSHA4	R
1.654	2.598	2.612	.394	16528	—	HMSA7	P
1.654	2.598	—	.394	563724	—	HMS5	RG
1.654	2.598	—	.394	563725	—	HMSA10	RG
1.654	2.598	—	.394	563726	w/Stainless Steel Spring	HMS5	V
1.654	2.598	—	.394	563727	w/Stainless Steel Spring	HMSA10	V
1.654	2.638	2.647	.283	16481	—	HMS14	V
1.654	2.638	2.649	.394	16565	w/Encapsulated Spring	HMSA7	P
1.654	2.638	—	.394	563093	—	HMS5	RG
1.654	2.638	—	.394	563094	—	HMSA10	RG
1.654	2.638	—	.394	563095	w/Stainless Steel Spring	HMS5	V
1.654	2.638	—	.394	563096	w/Stainless Steel Spring	HMSA10	V
1.654	2.677	2.688	.394	16552	—	HMS4	R
1.654	2.756	2.762	.472	16605	—	CRSH11	R
1.654	2.756	2.764	.394	16615	—	HMSA7	R
1.654	2.835	2.840	.315	16554	—	★CRW1	V
1.654	2.835	2.840	.315	16555	—	★CRW1	R
1.654	2.835	2.841	.472	16609	—	CRS12	R
1.654	2.835	2.846	.315	16553	—	HMSA7	R
1.654	2.835	—	.315	563121	—	HMS5	RG
1.654	2.835	—	.315	563122	—	HMSA10	RG
1.654	2.835	—	.315	563123	w/Stainless Steel Spring	HMS5	V
1.654	2.835	—	.315	563124	w/Stainless Steel Spring	HMSA10	V
1.654	2.835	—	.394	563483	—	HMS5	RG
1.654	2.835	—	.394	563484	—	HMSA10	RG
1.654	2.835	—	.394	563485	w/Stainless Steel Spring	HMS5	V
1.654	2.835	—	.394	563486	w/Stainless Steel Spring	HMSA10	V
1.654	2.992	3.000	.472	16468	—	HMSA92	P
1.654	2.992	3.000	.472	16564	—	HMSA92	P
1.654	3.150	3.157	.394	16617	—	HMS4	R
1.654	3.543	3.551	.472	16596	w/Axial Dirt Lip	D8-SPL	P
1.654	3.543	3.565	.394	16594	w/Axial Dirt Lip	D8-SPL	P
1.656	2.502	2.506	.500	16532	—	★CRSH1	R
1.656	2.623	2.627	.375	16545	—	★CRWA1	P
1.660	2.440	2.444	.594	16520	—	HM11	R
1.673	2.146	2.156	.236	16889	w/CW Helix From Air Side	HMSA7	V
1.673	2.162	2.168	.290	16599	w/2.608 Flange	★HMA9	R
1.673	2.441	2.446	.413	16714A	w/Helix Bi-Direction Air Side	HMSA24	V
1.675	2.000	2.005	.200	16787	—	WS	R
1.675	2.605	2.617	.421	16750A	w/Helix Bi-Direction	HMSA92	P
1.685	2.165	2.170	.433	16620	—	HMSA7	R
1.687	2.500	2.505	1.535	16567	—	CRSA3	P
1.688	2.183	—	.313	509543	—	SC	R
1.688	2.279	2.283	.500	16650	—	★CRWH1	R
1.688	2.328	2.332	.313	16657	—	★CRWA1	R
1.688	2.328	2.332	.500	16667	Clearance D .286	HM18	R
1.688	2.328	2.332	.531	16659	—	HMA5	R
1.688	2.374	2.378	.313	16669	—	CRSA1	R
1.688	2.437	2.441	.250	16692	—	★CRW1	S
1.688	2.437	2.441	.313	16679	—	★CRW1	R
1.688	2.437	2.441	.313	16680	—	★CRWA1	R
1.688	2.437	2.441	.469	16696	—	★CRW1	S

★ Includes Bore Tite on O.D.
Seal kits—See pg. 632

Axle flange gaskets—See pg. 374
Speedi-Sleeve's—See pg. 637

Scotseals—See pg. 382
V-ring's—See pg. 657

HDDF seals—See pg. 404

Size listing - Inches

Inch Shaft	Inch Bore	Inch O.D.	Inch Width	Inch Seal no.	Seal info. notes	Type & style	Lip code
1.688	2.502	2.506	.281	16743	—	★HM21	R
1.688	2.502	2.506	.313	16719	—	★CRW1	R
1.688	2.502	2.506	.500	16871	w/2.750 Flange	★CRWA3	R
1.688	2.502	2.506	1.334	16725	P.F. Width .360 & 2.750 Flange	★CRSA3	R
1.688	2.551	2.556	.375	16747	—	HMSA95	R
1.688	2.551	2.556	.470	16735	—	HMSA7	R
1.688	2.551	2.556	.595	16578	w/CW Helix From Air Side	D8	RRT
1.688	2.562	2.566	.250	16754	—	★HM21	R
1.688	2.605	2.609	.250	16757	—	★HM14	R
1.688	2.623	2.627	.313	16814	—	★CRWA1	R
1.688	2.623	2.627	.375	16811	—	★HM21	R
1.688	2.623	2.627	.500	16816	—	★CRW1	R
1.688	2.623	2.627	.500	16817	—	★CRWA1	V
1.688	2.623	2.627	.500	16945	—	CRW2	P
1.688	2.623	2.627	.531	16805	w/CW Helix From Air Side	HMSA16	R
1.688	2.650	1.684	.290	16818	O.D. Listed Is Pressfit I.D.	X4	R
1.688	2.686	2.690	.313	16842	—	★CRW1	R
1.688	2.688	1.677	.250	16820	O.D. Listed Is Pressfit I.D.	X9	R
1.688	2.716	2.720	.313	16854	—	★CRW1	R
1.688	2.750	2.754	.313	16900	—	CRW1	R
1.688	2.750	2.754	.375	16903	—	★CRWA1	R
1.688	2.835	2.839	.469	16960	—	CRSA1	R
1.688	2.875	2.879	.313	16999	—	★CRW1	R
1.688	3.061	3.066	.375	17035	—	★CRW1	R
1.688	3.091	3.096	.500	17037	w/3.450 Flange O.D. & Bi-Direction Helix Air Side	★CRSA4	R
1.688	3.125	3.130	.375	17038	—	★CRWA1	R
1.692	2.303	2.312	.295	16924	—	HMA8	P
1.692	2.500	2.505	.433	16909A	w/Helix Bi-Direction Air Side	HMSA7	P
1.692	2.646	2.657	.386	26510	—	HMSA97	P
1.692	2.656	2.669	.384	16965	—	HMSA93	V
1.693	2.126	2.132	.295	16891	—	CRSHA1	R
1.693	2.126	2.132	.295	16892	—	CRSA1	R
1.693	2.165	2.173	.315	550228	—	HMA3	R
1.693	2.244	2.250	.315	16895	—	★CRW1	R
1.693	2.283	2.290	.276	16464	—	HMSA7	P
1.693	2.283	2.290	.276	16896	w/CW Helix From Air Side	HMSA7	P
1.693	2.323	2.331	.354	16970	—	SLA1	T
1.693	2.362	2.369	.315	16897	—	★CRW1	R
1.693	2.362	2.371	.276	16940	—	HMSA7	V
1.693	2.362	2.373	.354	16984	w/CW Helix From Air Side	HMSA7	R
1.693	2.362	2.373	.394	16937	—	HMS4	R
1.693	2.362	2.373	.394	16942	—	HMSA7	R
1.693	2.441	2.447	.315	16898	—	HMSA7	P
1.693	2.441	2.448	.394	16939	—	CRSH1	R
1.693	2.441	2.455	.236	16929	—	HMSA7	P
1.693	2.441	—	.315	563680	—	HMS5	RG
1.693	2.441	—	.315	563681	—	HMSA10	RG
1.693	2.441	—	.315	563682	w/Stainless Steel Spring	HMS5	V
1.693	2.441	—	.315	563683	w/Stainless Steel Spring	HMSA10	V
1.693	2.480	2.488	.339	16908A	w/Helix Bi-Direction Air Side	HMSA7	V
1.693	2.480	2.488	.394	16926	—	CRSA3	R
1.693	2.480	2.490	.354	16894	w/CCW Helix From Air Side	HMSA92	R
1.693	2.559	1.265	.472	550244	—	★HMSA2	R
1.693	2.559	2.566	.374	16932	—	CRSA1	R
1.693	2.756	2.761	.354	16917	—	HMSA29	R
1.693	2.835	2.841	.394	16936	—	CRSH11	R
1.693	3.031	3.045	.423	16993	—	HMSA57	V
1.693	3.110	3.118	.388	16920A	w/Helix Bi-Direction Air Side	HMSA76	P
1.700	2.559	2.568	.480	17001	—	HMSA25	P
1.704	3.034	3.039	.500	17100	—	★CRWA1	R
1.705	3.034	3.042	.562	17327	—	HMSA25	V
1.705	3.080	3.084	.550	17005	—	★HMSA25	R
1.705	3.084	3.088	.500	17053	—	CRS1	R
1.709	2.209	2.213	.350	17107	Helix-CW, w/2.505 Flange., PF WD .295	★HMSA23	V
1.709	2.209	2.213	.355	17106	Helix-CW, w/2.505 Flange., PF WD .295	★HMSA23	P

Size listing - Inches

Inch Shaft	Inch Bore	Inch O.D.	Inch Width	Inch Seal no.	Seal info. notes	Type & style	Lip code
1.719	2.437	2.441	.469	17124	—	P1	L
1.719	2.561	2.565	.315	17144	—	★CRWA1	R
1.719	2.562	2.566	.500	17146	Clearance D .286	★HM18	R
1.719	2.623	2.627	.500	17136	—	★CRSH1	R
1.719	2.875	2.879	.469	17162	—	P1	L
1.720	2.402	2.409	.236	17026	—	HMSA7	V
1.720	2.921	2.922	.468	17259	w/Bi-Direction Helix From Air Side	HMSA57	P
1.730	2.336	2.340	.250	17115	—	HMA85	R
1.730	2.336	2.340	.470	17110	P.F. Width .250 & Slinger	HMA95	R
1.732	2.165	2.174	.236	17122	w/CW Helix From Air Side	HMSA7	P
1.732	2.204	2.212	.314	17321	—	HMSA	P
1.732	2.283	2.288	.315	17300	w/CW Helix From Air Side	HMSA7	V
1.732	2.283	2.295	.276	17298	w/CW Helix From Air Side	HMSA7	V
1.732	2.320	2.330	.260	17134	w/CW Helix From Air Side	HMS4	R
1.732	2.362	2.368	.276	17629	w/CW Helix From Air Side	HMSA7	P
1.732	2.362	2.368	.315	17139	—	★CRW1	R
1.732	2.362	2.368	.315	17154	w/CW Helix From Air Side	HMSA7	V
1.732	2.362	2.369	.315	17142	—	CRW1	V
1.732	2.362	2.371	.374	17323	—	HMSA7	P
1.732	2.362	2.373	.394	17148	—	HMS4	R
1.732	2.362	—	.394	563332	—	HMSA10	RG
1.732	2.362	—	.394	563333	w/Stainless Steel Spring	HMS5	V
1.732	2.362	—	.394	563334	w/Stainless Steel Spring	HMSA10	V
1.732	2.441	2.447	.315	17147	w/Axial Dirt Lip	HMSA45	R
1.732	2.441	2.447	.315	17149	—	★CRW1	R
1.732	2.441	2.455	.394	17334A	w/CCW Helix From Air Side	HMSA7	P
1.732	2.441	—	.394	563764	—	HMS5	RG
1.732	2.441	—	.394	563765	—	HMSA10	RG
1.732	2.441	—	.394	563766	w/Stainless Steel Spring	HMS5	V
1.732	2.441	—	.394	563767	w/Stainless Steel Spring	HMSA10	V
1.732	2.559	2.565	.315	17160	—	★CRW1	R
1.732	2.559	2.570	.394	17168	—	HMS4	R
1.732	2.559	—	.394	563772	—	HMS5	RG
1.732	2.559	—	.394	563773	—	HMSA10	RG
1.732	2.559	—	.394	563774	w/Stainless Steel Spring	HMS5	V
1.732	2.559	—	.394	563775	w/Stainless Steel Spring	HMSA10	V
1.732	2.614	2.621	.450	17307	—	HMSA97	V
1.732	2.614	2.621	.570	17350	—	HMSA97	V
1.732	2.653	2.658	.547	17407	w/Bi-Direction Helix From Air Side	HMSASPL	V
1.732	2.677	2.683	.315	17166	—	★CRW1	V
1.732	2.717	2.725	.394	17382	—	HMSA92	P
1.732	2.756	2.762	.315	17179	—	★CRW1	R
1.732	2.835	2.840	.315	17184	—	★CRW1	R
1.732	2.835	2.841	.472	17347	—	CRSH11	R
1.732	2.835	2.846	.394	17186	—	HMS4	R
1.732	2.913	2.927	.433	17336A	w/CW Helix From Air Side	HMSA92	P
1.732	3.069	3.074	.458	17135	—	HMSA97	P
1.732	3.150	3.163	.354	17191	—	HMSA92	P
1.732	3.543	3.549	.787	17194	—	HMSASPL	P
1.732	3.622	3.635	.748	17193	P.F. Width .492	★HMSA7SP	R
1.734	2.328	2.332	.270	17815	w/2.625 Flange	★HM19	R
1.734	2.401	2.405	.210	17187	—	★G2	R
1.734	2.449	2.453	.250	17131	—	★HM21	R
1.734	2.726	2.730	.512	17145	Clearance D .218	★HM18	R
1.739	2.812	2.816	.594	17190	w/Helix-CW, w/3.270 Flange	★HMSA16	R
1.739	3.000	3.006	.500	17727	—	CRWA4	P
1.744	2.880	2.883	.377	17377	—	UNITIZE	P
1.747	2.623	2.627	.365	17458	w/Helix-CW & 2.870 Flange	HMS14	E
1.750	2.115	—	.219	709012	—	WS	R
1.750	2.115	—	.219	712123	—	WS	V
1.750	2.125	2.129	.188	17227	—	★HMS1	R
1.750	2.125	—	.063	451264	—	BUW	#
1.750	2.125	—	.188	702011	—	BV	D
1.750	2.125	—	.188	721552	—	BV	V
1.750	2.250	2.254	.188	17240	—	★HM14	R

★ Includes Bore Tite on O.D.
Seal kits—See pg. 632

Axle flange gaskets—See pg. 374
Speedi-Sleeve's—See pg. 637

Scotseals—See pg. 382
V-ring's—See pg. 657

HDDF seals—See pg. 404

Size listing - Inches

Inch Shaft	Inch Bore	Inch O.D.	Inch Width	Inch Seal no.	Seal info. notes	Type & style	Lip code
1.750	2.250	2.254	.313	17231	—	★CRW1	R
1.750	2.250	2.254	.313	17234	—	★CRW1	V
1.750	2.250	—	.281	504270	—	SC	R
1.750	2.328	2.332	.438	17257	—	CRS1	R
1.750	2.374	2.378	.250	17277	—	HM21	R
1.750	2.374	2.378	.313	17261	—	★CRWA1	V
1.750	2.374	2.378	.313	17270	—	★CRW1	R
1.750	2.374	2.378	.313	17271	—	★CRWA1	R
1.750	2.411	2.415	.375	17280	—	★CRW1	P
1.750	2.437	2.441	.250	17310	—	HM21	R
1.750	2.437	2.441	.313	17283	w/SS Case & Spring	★CRW1	R
1.750	2.437	2.441	.313	17284	—	★CRW1	R
1.750	2.437	2.441	.313	17292	—	★CRW1	V
1.750	2.437	2.441	.315	17285	—	★CRWA1	R
1.750	2.437	2.441	.315	17293	—	★CRWA1	V
1.750	2.441	2.445	.250	17340	—	★HM21	R
1.750	2.441	2.445	.250	17341	—	★HM21	R
1.750	2.441	2.445	.313	17315	—	★CRW1	R
1.750	2.441	2.445	.313	550154	—	★CRWA1	R
1.750	2.441	2.445	.375	17320	—	★CRWA1	V
1.750	2.441	2.445	.469	17359	Clearance D .254	★HM18	R
1.750	2.500	2.510	.484	17353	—	D7	P
1.750	2.502	2.506	.250	17385	w/SS Case & Spring	CRWH3	V
1.750	2.502	2.506	.250	17392	—	★HM21	R
1.750	2.502	2.506	.313	17379	w/Stainless Steel Spring	★CRW1	V
1.750	2.502	2.506	.313	17381	—	★CRWA1	V
1.750	2.502	2.506	.313	17386	—	★CRW1	R
1.750	2.502	2.506	.313	17387	—	★CRWA1	R
1.750	2.502	2.506	.375	17395	—	★CRWHA1	V
1.750	2.502	2.506	.500	17374	w/Stainless Steel Spring	★CRWA5	R
1.750	2.561	2.565	.250	17415	—	★HM21	R
1.750	2.561	2.565	.313	17404	—	★CRW1	R
1.750	2.562	2.566	.500	17406	Clearance D .286	★HM18	R
1.750	2.565	2.569	.313	17413	—	★CRWA1	R
1.750	2.620	2.625	.354	17521	—	HMSA97	V
1.750	2.623	2.627	.250	17461	—	HM21	R
1.750	2.623	2.627	.313	17442	—	★CRW1	R
1.750	2.623	2.627	.313	17443	—	★CRWA1	R
1.750	2.623	2.627	.313	17444	—	★CRW1	S
1.750	2.623	2.627	.313	17448	—	★CRWA1	V
1.750	2.623	2.627	.375	17456	—	★CRWH1	R
1.750	2.686	2.690	.313	17484	—	★CRW1	R
1.750	2.716	2.720	.250	17488	—	★HM21	R
1.750	2.717	2.721	.438	17607	—	★CRWA1	R
1.750	2.718	1.746	.294	17485	—	X4	R
1.750	2.718	2.722	.359	17617	Clearance D .160	★HM18	R
1.750	2.718	2.722	.359	17618	—	TL7	R
1.750	2.750	2.754	.250	17544	—	★HM21	R
1.750	2.750	2.754	.313	17523	—	★CRWA1	R
1.750	2.750	2.754	.313	17557	—	★CRW1	R
1.750	2.750	2.754	.313	17558	—	★CRW1	V
1.750	2.750	2.754	.484	17599	—	★HM21	R
1.750	2.756	2.765	.252	17468	—	HMSA16S	V
1.750	2.758	2.762	.313	17605	—	★CRW1	R
1.750	2.786	1.746	.294	17620	O.D. Listed Is Pressfit I.D.	X15	R
1.750	2.810	2.814	.313	17624	—	CRWA1	R
1.750	2.810	2.814	.313	17627	—	★CRWA1	V
1.750	2.830	2.834	.375	17633	—	★HM21	R
1.750	2.875	2.879	.250	17671	—	★HM21	R
1.750	2.875	2.879	.313	17653	—	★CRW1	R
1.750	2.875	2.879	.313	17657	—	★CRW1	V
1.750	2.875	2.879	.375	17645	—	★CRWHA1	R
1.750	2.875	2.879	.500	17674	—	TL7	R
1.750	2.965	2.969	.463	17445	—	SLA1	PT
1.750	2.981	2.985	.438	17675	—	CRWHA1	R

Size listing - Inches

Inch Shaft	Inch Bore	Inch O.D.	Inch Width	Inch Seal no.	Seal info. notes	Type & style	Lip code
1.750	2.997	3.001	.313	17678	—	★CRWHA1	R
1.750	2.997	3.001	.313	17695	—	★CRW1	R
1.750	3.000	3.005	.250	17702	—	★HM21	R
1.750	3.000	3.005	.313	17699	—	★CRWA1	R
1.750	3.000	3.005	.313	17707	—	★CRW1	R
1.750	3.000	3.005	.313	17709	—	★CRW1	V
1.750	3.061	3.066	.313	17716	—	★CRW1	R
1.750	3.061	3.066	.375	17718	—	★CRWA1	R
1.750	3.062	3.066	.485	17720	—	★DST75	RT
1.750	3.149	3.154	.290	17724	—	TL6	R
1.750	3.154	3.159	.313	17726	—	CRS1	R
1.750	3.189	3.194	.313	17746	—	★CRW1	R
1.750	3.229	3.238	.374	17500A	w/CCW Helix From Air Side	HMS14	P
1.750	3.371	3.376	.625	17751	—	C8	RR
1.750	3.543	3.548	.438	17756	—	★CRW1	R
1.750	3.625	3.630	.438	17761	—	★CRW1	R
1.750	3.937	3.942	.313	17771	—	CRSA1	R
1.750	—	1.875	.625	86050	—	S1	—
1.753	2.835	2.839	.323	17532A	w/CCW Helix From Air Side	HMSA7	V
1.756	2.952	2.960	.352	17626A	w/Helix Bi-Direction	HMSA92	VV
1.762	2.570	2.576	.349	17623A	w/Helix Bi-Direction	HMSA92	P
1.766	2.412	2.416	.370	17775	w/CW Helix From Air Side	HMSA1	P
1.768	2.363	2.367	.313	17780	—	★CRWHA1	V
1.770	2.364	2.368	.427	17781	—	★HMSA21	P
1.771	2.362	2.367	.315	17708	—	SLA1	P
1.771	2.362	2.373	.495	17502	—	D7	PP
1.771	2.368	2.378	.509	17050A	w/Helix Bi-Direction Air Side	D6	P
1.771	2.716	2.725	.393	17704A	—	HMSA7	P
1.771	2.716	2.725	.393	21649A	w/CW Helix From Air Side	HMSA7	P
1.771	2.835	2.840	.450	17673	—	★HMSA21	E
1.771	2.913	2.922	.433	17779A	w/CW Helix From Air Side	HMSA92	P
1.771	2.992	2.996	.511	17712A	w/CW Helix From Air Side	HMSA96	P
1.772	1.969	1.978	.512	17943	—	END CAP	P
1.772	2.047	2.054	.157	17692	—	HM4	R
1.772	2.165	2.172	.157	17904	—	HM4	R
1.772	2.165	2.176	.157	17945	—	HMS4	R
1.772	2.165	2.176	.157	17948	—	HMSA7	R
1.772	2.165	2.176	.276	17659	—	SLA1	PT
1.772	2.165	—	.276	563307	—	HMS5	RG
1.772	2.165	—	.276	563308	—	HMSA10	RG
1.772	2.165	—	.276	563309	w/Stainless Steel Spring	HMS5	V
1.772	2.165	—	.276	563310	w/Stainless Steel Spring	HMSA10	V
1.772	2.244	2.249	.354	17719	—	HMSA7	V
1.772	2.283	2.287	.354	17784	—	CRSA1	R
1.772	2.283	2.294	.276	17728	—	HMS4	R
1.772	2.283	2.305	.276	17908	—	HMSA7	R
1.772	2.283	2.305	.276	562998	—	HMSA10	RG
1.772	2.283	—	.276	562997	—	HMS5	RG
1.772	2.283	—	.276	562999	w/Stainless Steel Spring	HMS5	V
1.772	2.283	—	.276	563000	w/Stainless Steel Spring	HMSA10	V
1.772	2.323	2.336	.315	17113	w/Felt 'A' Lip Washer	HMA83	P
1.772	2.362	2.368	.315	17750	—	★CRW1	R
1.772	2.362	2.368	.315	17752	—	★CRW1	V
1.772	2.362	2.373	.315	17730	—	HMSA7	R
1.772	2.362	—	.276	564120	—	HMS5	RG
1.772	2.362	—	.276	564122	—	HMS5	V
1.772	2.362	—	.276	564123	—	HMSA10	V
1.772	2.362	—	.315	564124	—	HMS5	RG
1.772	2.362	—	.315	564125	—	HMSA10	RG
1.772	2.362	—	.315	564126	—	HMS5	V
1.772	2.362	—	.315	564127	—	HMSA10	V
1.772	2.362	—	.394	562985	—	HMS5	RG
1.772	2.362	—	.394	562986	—	HMSA10	RG
1.772	2.362	—	.394	562987	w/Stainless Steel Spring	HMS5	V
1.772	2.362	—	.394	562988	w/Stainless Steel Spring	HMSA10	V

★ Includes Bore Tite on O.D.
Seal kits—See pg. 632

Axle flange gaskets—See pg. 374
Speedi-Sleeve's—See pg. 637

Scotseals—See pg. 382
V-ring's—See pg. 657

HDDF seals—See pg. 404

Size listing - Inches

Inch Shaft	Inch Bore	Inch O.D.	Inch Width	Inch Seal no.	Seal info. notes	Type & style	Lip code
1.772	2.401	2.415	.315	17919	w/CCW Helix From Air Side	HMSA92	R
1.772	2.402	2.413	.315	17701	w/CW Helix From Air Side	HMSA35	R
1.772	2.412	2.416	.375	17286	w/CW Helix From Air Side	★HMSA1	R
1.772	2.441	2.446	.236	17725	—	HMSA7	P
1.772	2.441	2.446	.394	17662	—	HMSA32	R
1.772	2.441	2.446	.394	17666	—	CRSA1	R
1.772	2.441	2.447	.276	17742	—	HMS4	R
1.772	2.441	2.447	.315	17753	—	★CRWA1	V
1.772	2.441	2.447	.315	17754	—	★CRW1	R
1.772	2.441	2.447	.394	17736	—	HMS5	R
1.772	2.441	2.447	.394	564128	—	HMS5	R
1.772	2.441	2.447	.394	564128	—	HMS5	RG
1.772	2.441	2.450	.236	17763	—	HMSA7	V
1.772	2.441	2.450	.315	17790	—	HMS4	R
1.772	2.441	2.450	.472	17824	w/Excluder Lip	HMSASPL	R
1.772	2.441	—	.276	562712	—	HMS5	RG
1.772	2.441	—	.276	562713	—	HMSA10	RG
1.772	2.441	—	.276	562714	w/Stainless Steel Spring	HMS5	V
1.772	2.441	—	.276	562715	w/Stainless Steel Spring	HMSA10	V
1.772	2.441	—	.315	692499	—	HMS5	RG
1.772	2.441	—	.315	692500	—	HMS5	V
1.772	2.441	—	.315	692501	—	HMSA10	RG
1.772	2.441	—	.315	692502	—	HMSA10	V
1.772	2.441	—	.394	564129	—	HMSA10	RG
1.772	2.441	—	.394	564130	—	HMS5	V
1.772	2.441	—	.394	564131	—	HMSA10	V
1.772	2.480	2.484	.294	17788	w/2.835 Flange	HMSA7	R
1.772	2.480	2.493	.303	17679	—	HMSA7	S
1.772	2.500	2.504	.432	17787	Helix-CW & 3.046 Flange.,PF WD.359	★HMSA16	S
1.772	2.520	2.525	.472	17658	w/Bi-Direction Helix From Air Side	CRSHA1	R
1.772	2.520	2.528	.354	17789	w/Axial Dirt Lip	HMA101	R
1.772	2.520	2.528	.354	17801	w/Axial Dirt Lip	HMA101	P
1.772	2.520	2.528	.807	17922	w/Dirt Lip	HMSA97	P
1.772	2.559	2.565	.197	17757	—	HM1	R
1.772	2.559	2.565	.315	17734	—	HMS4	R
1.772	2.559	2.565	.315	17759	—	★CRW1	R
1.772	2.559	2.565	.315	17762	—	★CRW1	V
1.772	2.559	2.568	.315	17696	w/CW Helix From Air Side	HMSA85	P
1.772	2.559	2.570	.276	17873	—	HMSA7P2	R
1.772	2.559	2.570	.276	17918	—	HMSA7	V
1.772	2.559	2.570	.315	17717	—	HMSA7	R
1.772	2.559	—	.315	692505	—	HMSA10	RG
1.772	2.559	—	.394	692509	—	HMSA10	RG
1.772	2.561	2.565	.197	17435	—	★CRSA1	R
1.772	2.598	2.609	.236	17874	—	HMS46	R
1.772	2.598	2.611	.394	17670	w/Bi-Direction Helix From Air Side	HMSA92	V
1.772	2.622	2.627	.394	17772A	—	VACBOOT	P
1.772	2.638	2.651	.315	17733	—	SLA1	PT
1.772	2.638	2.661	.315	17907	—	HMSA7	P
1.772	2.677	2.683	.315	17766	—	★CRW1	R
1.772	2.677	2.683	.315	17767	—	★CRW1	V
1.772	2.677	2.683	.315	550294	—	★CRWA1	R
1.772	2.677	2.683	.472	17255	—	HMSA1	R
1.772	2.677	2.694	.354	17758	—	HMSA7	R
1.772	2.677	—	.276	562624	—	HMS5	RG
1.772	2.677	—	.276	562625	—	HMSA10	RG
1.772	2.677	—	.276	562626	w/Stainless Steel Spring	HMS5	V
1.772	2.677	—	.276	562627	w/Stainless Steel Spring	HMSA10	V
1.772	2.677	—	.394	562912	—	HMS5	RG
1.772	2.677	—	.394	562913	—	HMSA10	RG
1.772	2.677	—	.394	562914	w/Stainless Steel Spring	HMS5	V
1.772	2.677	—	.394	562915	w/Stainless Steel Spring	HMSA10	V
1.772	2.677	—	.472	563487	—	HMS5	RG
1.772	2.677	—	.472	563488	—	HMSA10	RG
1.772	2.677	—	.472	563489	w/Stainless Steel Spring	HMS5	V

Size listing - Inches

Inch Shaft	Inch Bore	Inch O.D.	Inch Width	Inch Seal no.	Seal info. notes	Type & style	Lip code
1.772	2.677	—	.472	563490	w/Stainless Steel Spring	HMSA10	V
1.772	2.756	2.763	.394	16619	—	HMSA7	R
1.772	2.756	2.766	.433	17677	w/Bi-Direction Helix From Air Side	HMSA16	V
1.772	2.756	2.773	.472	17785	—	HMSA7	R
1.772	2.835	2.293	.276	17646	—	HMS4	P
1.772	2.835	2.840	.315	17773	—	★CRW1	V
1.772	2.835	2.840	.315	17778	—	★CRW1	R
1.772	2.835	2.840	.315	17818	—	HMA22	R
1.772	2.835	2.840	.472	17667	w/CW Helix From Air Side	HMSA-DL	P
1.772	2.835	2.842	.389	17768A	w/Helix Bi-Direction Air Side	HMSA92	V
1.772	2.835	2.846	.394	17795	—	HMSA7	R
1.772	2.835	—	.228	17792	See Type J Section (HMA Lip)	J2	R
1.772	2.835	—	.315	692511	—	HMS5	RG
1.772	2.835	—	.315	692512	—	HMS5	V
1.772	2.835	—	.315	692513	—	HMSA10	RG
1.772	2.835	—	.315	692514	—	HMSA10	V
1.772	2.835	—	.394	564132	—	HMS5	RG
1.772	2.835	—	.394	564133	—	HMSA10	RG
1.772	2.835	—	.394	564134	—	HMS5	V
1.772	2.835	—	.394	564135	—	HMSA10	V
1.772	2.913	2.919	.433	17803	w/CW Helix From Air Side	HMSA96	P
1.772	2.953	2.958	.472	17686	w/CW Helix From Air Side	HMSA92S	P
1.772	2.953	2.959	.315	17782	—	★CRW1	R
1.772	2.953	2.959	.315	17783	—	★CRW1	V
1.772	2.953	2.961	.276	17906	—	HMSA7	R
1.772	2.953	2.962	.531	17681	—	SLA15PL	PT
1.772	2.953	—	.315	692515	—	HMS5	RG
1.772	2.953	—	.315	692516	—	HMS5	V
1.772	2.953	—	.315	692517	—	HMSA10	RG
1.772	2.953	—	.315	692518	—	HMSA10	V
1.772	2.953	—	.394	692519	—	HMS5	RG
1.772	2.953	—	.394	692520	—	HMS5	V
1.772	2.953	—	.394	692521	—	HMSA10	RG
1.772	2.953	—	.394	692522	—	HMSA10	V
1.772	3.071	3.077	.394	17786	—	HMS4	R
1.772	3.071	3.077	.433	17808	w/CW Helix From Air Side	HMSA96	P
1.772	3.150	3.156	.315	17791	—	★CRW1	R
1.772	3.150	—	.394	564137	—	HMSA10	RG
1.772	3.150	—	.394	564138	—	HMS5	V
1.772	3.150	—	.394	564139	—	HMSA10	V
1.772	3.346	3.354	.315	17796	—	★CRW1	R
1.772	3.346	3.354	.740	17799	w/Stainless Steel Case	D8	R
1.772	3.346	—	.394	562745	—	HMSA10	RG
1.772	3.346	—	.394	562746	w/Stainless Steel Spring	HMS5	V
1.772	3.346	—	.394	562747	w/Stainless Steel Spring	HMSA10	V
1.772	3.858	3.864	.413	17813	w/Bi-Direction Helix From Air Side	HMSA96	P
1.772	3.937	3.948	.394	17941	—	HMSA7	R
1.772	3.937	—	.394	563219	—	HMS5	RG
1.779	2.401	2.425	.374	17765A	w/CW Helix From Air Side	HMSA7	V
1.781	2.126	2.130	.250	17802	w/Stainless Steel Case	HM14	R
1.781	2.252	2.256	.313	17800A	w/CW Helix From Air Side	CRSA1	V
1.781	2.252	2.256	.313	17806	—	★CRWA1	R
1.781	2.502	2.506	.313	17810	—	★CRWH1	R
1.781	2.502	2.506	.313	17811	—	★CRWH1	V
1.781	2.623	2.627	.313	17821	—	★CRW1	R
1.781	2.686	2.690	.313	17832	—	CRW1	R
1.781	2.750	2.754	.500	17847	—	CRSH1	R
1.781	2.758	2.762	.500	17851	—	★CRSH1	R
1.787	3.234	3.238	.335	17849	—	★HMSH22	S
1.792	2.500	1.788	.600	17846	O.D. Listed Is Pressfit I.D.	XHA79N	R
1.797	2.726	2.730	.516	17836	—	★HM14	R
1.800	6.000	6.000	1.750	PT6000	—	TOOL	—
1.803	2.881	2.882	.622	45600	—	HMSA1	V
1.809	2.361	2.365	.370	18009	P.F. Width .340 & 2.865 Flange	★HMA9	R
1.811	1.705	1.713	.276	13100	—	HMSA7	V

★ Includes Bore Tite on O.D.
Seal kits—See pg. 632

Axle flange gaskets—See pg. 374
Speedi-Sleeve's—See pg. 637

Scotseals—See pg. 382
V-ring's—See pg. 657

HDDF seals—See pg. 404

Size listing - Inches

Inch Shaft	Inch Bore	Inch O.D.	Inch Width	Inch Seal no.	Seal info. notes	Type & style	Lip code
1.811	2.204	2.375	.275	18121A	w/CCW Helix From Air Side	HMSA7	P
1.811	2.283	2.294	.276	17897	w/CW Helix From Air Side	HMSA7	R
1.811	2.323	2.331	.472	17909	—	HMA10	R
1.811	2.323	2.336	.457	17905	—	HMSA56	P
1.811	2.323	—	.472	563197	—	HMS5	RG
1.811	2.323	—	.472	563198	—	HMSA10	RG
1.811	2.323	—	.472	563199	w/Stainless Steel Spring	HMS5	V
1.811	2.323	—	.472	563200	w/Stainless Steel Spring	HMSA10	V
1.811	2.362	2.368	.276	17914	w/CW Helix From Air Side	HMSA7	V
1.811	2.362	2.368	.315	17910	—	★CRW1	R
1.811	2.480	2.488	.291	18101	w/CW Helix From Air Side	HMSA7	V
1.811	2.480	2.491	.300	18014	w/CW Helix From Air Side	HMS4	P
1.811	2.520	2.533	.354	18015	w/CW Helix From Air Side	HMSA92	P
1.811	2.559	2.565	.315	17930	—	★CRW1	R
1.811	2.559	—	.394	563961	—	HMS5	RG
1.811	2.559	—	.394	563962	—	HMSA10	RG
1.811	2.559	—	.394	563963	w/Stainless Steel Spring	HMS5	V
1.811	2.559	—	.394	563964	w/Stainless Steel Spring	HMSA10	V
1.811	2.667	2.687	.315	18124	w/CW Helix From Air Side	HMS4	P
1.811	2.677	2.683	.315	17950	—	★CRW1	R
1.811	2.697	2.709	.295	17955	—	HMA8	R
1.811	2.716	2.725	.393	18195A	w/Helix Bi-Direction From Air Side	HMSA92	P
1.811	2.732	2.748	.433	17691	w/Axial Dirt Lip & 3.146 Flange	HMSA45	P
1.811	2.740	2.745	.583	17915	P.F. Width .315	HMSA45	P
1.811	2.835	2.840	.315	17975	—	★CRW1	R
1.811	2.835	2.840	.342	18096	—	HMSA7	V
1.811	2.870	2.874	.393	18107	—	HMSA57	P
1.811	2.874	2.883	.413	18005	—	UNITIZE	V
1.811	2.874	2.884	.572	18102	w/HNBR Sleeve	UNITIZE	V
1.811	2.878	2.883	.410	18106	—	HMSA16	V
1.811	3.150	3.156	.394	18118	—	CRSH11	R
1.811	3.189	3.209	1.090	19325	—	HMSA97S	P
1.811	3.189	3.209	1.425	19324	—	HMSA97S	P
1.811	3.543	3.558	.630	18000	P.F. Width .433	HMSA7SP	P
1.811	3.582	3.590	.433	18168A	w/CCW Helix From Air Side	HMSA92	P
1.811	4.016	4.025	.394	18003	—	CRS-SPL	R
1.813	2.279	2.283	.313	18025	—	★CRW1	R
1.813	2.283	2.289	.276	18132	—	HMSA7	P
1.813	2.408	1.808	.300	18030	O.D. Listed Is Pressfit I.D.	X15	R
1.813	2.437	2.441	.313	18039	—	★CRW1	R
1.813	2.562	2.566	.313	18049	—	★CRWA1	V
1.813	2.562	2.566	.313	18098	—	SL1	T
1.813	2.562	2.566	.438	18050	Clearance D .224	★HM18	R
1.813	2.623	2.627	.313	18104	—	★CRW1	R
1.813	2.623	2.627	.500	18100	P.F. Width .375	CRW79	R
1.813	2.686	2.690	.313	18114	—	★CRWA1	P
1.813	2.719	2.725	.270	18127	—	TL7	R
1.813	2.750	2.754	.313	18159	—	★CRW1	R
1.813	2.776	2.781	.432	18126	—	HMSA97	V
1.813	2.776	2.781	.432	18136	w/CW Helix From Air Side	HMSA97	R
1.813	2.777	2.781	.608	18190	w/CW Helix From Air Side	★HMSA25	R
1.813	2.777	2.786	.409	15167	—	HMSA97	V
1.813	2.875	2.879	.313	18242	—	★CRW1	R
1.813	2.965	2.969	.250	18258	—	HM1	R
1.813	3.000	3.005	.375	18264	—	★CRWA1	P
1.813	3.001	3.006	.563	18833	P.F. Width .453 w/3.313 Flange	★HMSA25	P
1.813	3.092	3.096	.416	18062A	w/CW Helix From Air Side	HMSA57	V
1.813	3.092	3.096	.469	18024	—	HMSA25	R
1.813	4.123	4.128	.531	18276	—	CRSA2	R
1.825	2.570	2.574	.250	18415	—	★HM21	R
1.825	2.623	2.627	.250	18055	—	★HM21	R
1.825	2.750	2.754	.484	18149	Clearance D .275	★HM18	R
1.827	3.068	3.063	.475	18760A	w/CCW Helix From Air Side	HMSA57	P
1.842	2.748	2.751	.426	18472	w/Bi-Direction Helix From Air Side	HMSA16	V
1.843	2.520	2.533	.335	18431	—	HMSA7	P

Size listing - Inches

Inch Shaft	Inch Bore	Inch O.D.	Inch Width	Inch Seal no.	Seal info. notes	Type & style	Lip code
1.844	2.402	2.406	.234	18408	—	HMA1	R
1.844	2.502	2.506	.375	18412	—	★CRSA1	R
1.844	2.623	2.627	.313	18425	—	★CRW1	R
1.844	2.750	2.754	.313	18444	—	★CRW1	P
1.844	2.750	2.754	.375	18446	—	★CRSA1	R
1.844	2.870	2.875	.413	18442	—	HMSA57	P
1.849	2.717	2.722	.398	18436	—	D7	P
1.850	2.283	2.293	.276	18496	w/CW Helix From Air Side	HMSA7	P
1.850	2.323	2.331	.413	18509	—	SLA1	T
1.850	2.362	2.368	.276	18447	—	★CRW1	R
1.850	2.402	2.407	.276	18512	w/CW Helix From Air Side	HMSA7	V
1.850	2.441	2.447	.315	18450	—	★CRW1	R
1.850	2.441	2.448	.354	18452	—	HMS9	P
1.850	2.441	2.455	.236	18516	—	HMSA7	P
1.850	2.496	2.504	.339	18564A	w/CW Helix From Air Side	HMSA96	P
1.850	2.520	2.528	.550	18454	P.F. Width .236	HMA5	R
1.850	2.520	2.531	.276	18458	—	D8	R
1.850	2.559	2.565	.472	18500	—	CRSH13	R
1.850	2.559	—	.394	563736	—	HMS5	RG
1.850	2.559	—	.394	563737	—	HMSA10	RG
1.850	2.559	—	.394	563738	w/Stainless Steel Spring	HMS5	V
1.850	2.559	—	.394	563739	w/Stainless Steel Spring	HMSA10	V
1.850	2.598	2.605	.433	18465	P.F. WD .236 w/Axial Dirt Lip	HMSA29	R
1.850	2.698	2.704	.354	18499	w/Bi-Direction Helix From Air Side	CRSA3	P
1.850	2.717	2.726	.394	18491	—	HMSA96	R
1.850	2.753	2.758	.395	18515	—	HMSHA16	V
1.850	2.756	2.762	.394	18480	—	HMSA7	R
1.850	2.756	2.762	.472	18501	—	CRSH11	R
1.850	2.756	2.768	.472	18507	—	HMSA123	P
1.850	2.756	—	.394	563688	—	HMS5	RG
1.850	2.756	—	.394	563689	—	HMSA10	RG
1.850	2.756	—	.394	563690	w/Stainless Steel Spring	HMS5	V
1.850	2.756	—	.394	563691	w/Stainless Steel Spring	HMSA10	V
1.850	2.835	2.840	.236	18727	—	HMA85	R
1.850	2.835	2.840	.315	18485	—	★CRW1	R
1.850	2.835	2.841	.394	18502	—	CRSH11	R
1.850	2.835	2.852	.394	18513	—	HMSA92	P
1.850	3.150	3.156	.394	18478	—	HMSA92	R
1.850	3.150	3.156	.511	18488	w/.276 P.F. Width	HMSASPL	P
1.850	3.307	3.320	.374	18489	—	HMA101	P
1.850	3.976	3.989	.472	18505	—	HMSA92	P
1.850	4.213	4.224	.445	18547A	—	HMSA122	P
1.851	2.441	2.447	.354	18862	—	★HMS1	R
1.860	3.164	3.169	.635	18706	—	CRSHA7	V
1.868	2.518	2.522	.315	18492	—	★CRWA1	P
1.870	2.501	2.511	.315	17369	—	HMSASPL	P
1.872	2.684	1.842	.544	18510	O.D. Listed Is Pressfit I.D.	X13	R
1.873	2.716	1.868	.281	18630	—	X13	R
1.873	3.057	3.062	.492	20008	—	HMSA96	V
1.874	2.496	2.503	.351	18724	—	HMSA92	V
1.875	2.250	—	.063	451249	—	BUW	#
1.875	2.250	—	.188	711824	—	BV	R
1.875	2.250	—	.188	721509	—	BV	D
1.875	2.250	—	.188	721560	—	BV	V
1.875	2.318	2.322	.203	18536	w/2.333 Nose Gasket	HMSA11	V
1.875	2.375	—	.281	504271	—	SC	R
1.875	2.398	2.402	.256	18549	—	★CRW1	R
1.875	2.401	2.405	.275	18543	—	★HM14	R
1.875	2.441	2.446	.315	534957	—	CRWA1	V
1.875	2.471	2.475	.313	18545	—	★CRWA1	R
1.875	2.500	2.504	.313	18555	—	★CRW1	P
1.875	2.502	2.506	.250	18558	—	★HM21	R
1.875	2.502	2.506	.313	18565	—	★CRW1	R
1.875	2.561	2.565	.600	18544	w/Helix-CW P.F. Width .582	★HMSA16	V
1.875	2.561	2.565	.600	18548	w/Helix-CW P.F. Width .528	★HMSA16	P

Size listing - Inches

Inch Shaft	Inch Bore	Inch O.D.	Inch Width	Inch Seal no.	Seal info. notes	Type & style	Lip code
1.875	2.562	2.566	.313	18546	—	★CRWA1	V
1.875	2.562	2.566	.313	18562	—	★CRW1	P
1.875	2.623	2.627	.250	18591	—	★HM21	R
1.875	2.623	2.627	.313	18580	—	★CRW1	R
1.875	2.623	2.627	.313	18581	—	★CRWA1	R
1.875	2.623	2.627	.313	18582	—	★CRW1	V
1.875	2.623	2.627	.313	18584	—	★CRWA1	V
1.875	2.623	2.627	.374	18592	—	★CRW1	S
1.875	2.625	2.628	.375	18508	w/CW Helix From Air Side	HMS4	S
1.875	2.628	2.632	.328	18603	—	★HM14	R
1.875	2.628	2.632	.415	18761	—	HMSA16	H
1.875	2.650	2.655	.350	19377	—	★AHL1Flange	S
1.875	2.673	2.678	.374	18763	—	HMSA16	P
1.875	2.686	2.690	.313	18626	—	★CRW1	R
1.875	2.716	2.730	.394	18623	w/CCW Helix From Air Side	HMSA7	P
1.875	2.721	2.725	.266	18640	—	HM14	R
1.875	2.750	2.754	.250	18659	—	★HM21	R
1.875	2.750	2.754	.313	18652	—	★CRW1	V
1.875	2.750	2.754	.313	18657	—	★CRW1	R
1.875	2.750	2.754	.313	18658	—	★CRWA1	R
1.875	2.750	2.754	.313	18666	—	★CRW1	P
1.875	2.750	2.754	.500	18662	—	★HMSA26	R
1.875	2.750	2.754	.500	18771	P.F. WD .500, w/2.950 Flange O.D.	★D8	ET
1.875	2.750	2.754	1.370	18687	—	CRSA3	P
1.875	2.750	2.755	.677	18758	—	★HMSA96	V
1.875	2.758	2.762	.313	18671	—	★CRW1	P
1.875	2.758	2.762	.531	18676	—	D5	RR
1.875	2.760	2.764	.400	18692	w/CW Helix From Air Side	★HMS14	S
1.875	2.780	2.784	.250	18704	—	★HM21	R
1.875	2.781	2.786	.313	18718	—	HMSA56	R
1.875	2.781	2.786	.413	18715	—	HMSA98	V
1.875	2.782	2.786	.438	18693	—	★CRWH1	R
1.875	2.782	2.786	.438	18695	—	★CRWHA1	R
1.875	2.804	2.808	.300	18697	—	★HMA22	R
1.875	2.813	2.817	.500	18708	w/CW Helix From Air Side	★HMSA16	R
1.875	2.830	2.837	.391	550185	—	HMS4	R
1.875	2.835	2.839	.375	18711	—	★CRSA1	R
1.875	2.868	2.872	.544	18710	P.F. WD .450 w/2.898 Ribbed OD	HMSA95	R
1.875	2.868	2.893	.375	18731	—	HMSA95	R
1.875	2.875	2.879	.250	18750	—	★HM21	R
1.875	2.875	2.879	.313	18734	—	★CRWA1	R
1.875	2.875	2.879	.313	18732	—	★CRW1	V
1.875	2.875	2.879	.313	18733	—	★CRW1	R
1.875	2.875	2.879	.313	18737	—	★CRWA1	V
1.875	2.875	2.879	.315	542726	—	CRWH1	R
1.875	2.875	2.899	.511	18743	—	HMSA10	R
1.875	2.903	2.907	.424	18765	w/3.150 Flange	HMA84	R
1.875	2.965	2.969	.234	18772	—	★HM14	R
1.875	2.997	3.001	.250	18808	—	★HM14	R
1.875	2.997	3.001	.313	18785	—	★CRW1	R
1.875	3.000	3.005	.250	18823	—	★HM21	R
1.875	3.000	3.005	.313	18817	—	★CRW1	R
1.875	3.000	3.005	.313	18818	—	★CRW1	V
1.875	3.000	3.005	.625	18829	P.F. Width .562	★UNITIZE	S
1.875	3.061	3.066	.313	18872	—	★CRWA1	R
1.875	3.061	3.066	.485	18752	—	D7	RT
1.875	3.105	3.110	.500	18880	—	★CRWA1	R
1.875	3.105	3.111	.500	18912	—	CRW2	R
1.875	3.125	3.130	.313	18879	—	★CRSA1	R
1.875	3.150	3.146	.930	18881	—	HMSA41	R
1.875	3.150	3.155	.250	18889	—	★HM21	R
1.875	3.157	3.162	.500	18741	—	HMSA57	V
1.875	3.160	3.165	.530	18759	—	★CRSA9	V
1.875	3.160	3.165	.531	18888	P.F. Width .254 w/o Bumper	CRWA32	P
1.875	3.160	3.165	.695	18896	P.F. Width .250 & Bumper	CRSA8	V

Size listing - Inches

Inch Shaft	Inch Bore	Inch O.D.	Inch Width	Inch Seal no.	Seal info. notes	Type & style	Lip code
1.875	3.160	3.165	.770	18891	P.F. Width .254 & Bumper	CRWA31	P
1.875	3.164	3.165	.550	18701	—	HMSHA16	V
1.875	3.174	3.179	1.229	18725	—	CRSA3	P
1.875	3.189	3.194	.469	18899	—	★CRWH1	R
1.875	3.189	3.194	1.437	18894	—	HMSA10	—
1.875	3.249	3.254	.484	18922	—	★CRWA1	R
1.875	3.371	3.376	.438	18916	—	★CRWH1	R
1.875	3.375	3.380	.313	18961	See Type J Section (HMS Lip)	J2	R
1.875	3.496	3.501	.438	18924	—	★CRWA1	R
1.875	3.500	3.505	.438	18926	—	★CRW1	R
1.875	3.744	3.749	.430	18948	—	HMSH1	R
1.877	2.503	2.508	.341	18757	—	HMSA7	V
1.885	2.700	2.704	.552	18999	w/Helix-CW w/3.000 Flange O.D.	HMSA25	—
1.886	2.561	2.565	.250	18990	—	HM22	R
1.886	2.638	2.646	.354	18863A	w/Helix Bi-Direction From Air Side	HMSA7	P
1.886	2.690	2.700	.350	18860	w/CW Helix From Air Side	CRSA3	P
1.886	2.700	2.704	.550	18992	w/Helix-CCW & 3.000 Flange	★HMSA16	P
1.886	2.750	2.756	.335	18859A	w/Helix Bi-Direction From Air Side	HMSA7	P
1.886	2.750	2.756	.492	21257A	w/Helix Bi-Direction From Air Side	HMSA97	V
1.886	2.750	2.757	.469	18994	w/Bi-Direction Helix From Air Side	HMSA92S	P
1.886	2.750	2.758	.313	18801A	w/Helix Bi-Direction From Air Side	HMSA7	P
1.886	2.835	2.846	.450	18868	w/CCW Helix and 270 DEG Spring	HMSA21	V
1.889	2.440	2.445	.276	17588	—	CRSA1	R
1.889	2.559	2.564	.354	18577	—	HMSA7	V
1.889	2.677	2.686	.315	18906	—	HMSA7	P
1.889	2.750	2.760	.520	18892	w/Bi-Direction Helix From Air Side	HMSA92	P
1.889	3.110	3.113	.688	18983	—	CRSA1	P
1.889	3.157	3.167	.519	18831	—	HMSA56	V
1.890	2.283	2.294	.157	18997	—	HMS4	R
1.890	2.362	2.367	.276	18857	w/CW Helix From Air Side	HMSA7	V
1.890	2.362	2.371	.276	18897	w/CW Helix From Air Side	HMSA7	P
1.890	2.440	2.445	.405	18443	w/Helix Bi-Direction From Air Side	HMSA23	E
1.890	2.441	2.436	.945	18964	—	HMA31	R
1.890	2.441	2.447	.236	18864	—	HMA1	R
1.890	2.441	2.447	.296	18865	—	★CRSHA1	R
1.890	2.441	2.447	.315	18962	—	★CRW1	R
1.890	2.441	2.447	.315	18963	—	★CRW1	P
1.890	2.441	—	.315	692523	—	HMS5	RG
1.890	2.441	—	.315	692524	—	HMS5	V
1.890	2.441	—	.315	692525	—	HMSA10	RG
1.890	2.441	—	.315	692526	—	HMSA10	V
1.890	2.480	2.484	.354	550280	—	CRSA1	R
1.890	2.520	2.527	.472	18984	—	HMSA96	R
1.890	2.520	2.528	.540	18959	w/2.815 Flange	HMSA65	R
1.890	2.520	2.529	.472	18866	—	CRSA1	R
1.890	2.559	2.563	.315	18966	—	★CRW1	V
1.890	2.559	2.565	.315	18965	—	★CRW1	R
1.890	2.559	2.565	.315	18877	—	HMSA1	R
1.890	2.559	2.567	.276	550225	—	HMA2	R
1.890	2.559	2.568	.965	18521	—	CRSA3	P
1.890	2.559	2.570	.394	18951	—	HMSA7	R
1.890	2.559	2.573	.394	18283	—	HMSA7	V
1.890	2.624	2.629	.315	18895	—	HMS4	S
1.890	2.677	2.683	.315	18968	—	★CRW1	R
1.890	2.677	2.683	.433	18854	w/CW Helix From Air Side	HMSA7	R
1.890	2.677	2.688	.394	18953	—	HMSA7	R
1.890	2.677	—	.394	563177	—	HMS5	RG
1.890	2.677	—	.394	563178	—	HMSA10	RG
1.890	2.677	—	.394	563179	w/Stainless Steel Spring	HMS5	V
1.890	2.677	—	.394	563180	w/Stainless Steel Spring	HMSA10	V
1.890	2.697	2.707	.433	19317	w/Bi-Direction Helix From Air Side	CRSA3	P
1.890	2.756	2.761	.354	18921	—	CRSA1	R
1.890	2.756	2.762	.315	18970	—	★CRW1	R
1.890	2.756	2.762	.315	18971	—	★CRW1	V
1.890	2.756	2.762	.472	18873	—	HMSA7	P

★ Includes Bore Tite on O.D.
Seal kits—See pg. 632

Axle flange gaskets—See pg. 374
Speedi-Sleeve's—See pg. 637

Scotseals—See pg. 382
V-ring's—See pg. 657

HDDF seals—See pg. 404

Size listing - Inches

Inch Shaft	Inch Bore	Inch O.D.	Inch Width	Inch Seal no.	Seal info. notes	Type & style	Lip code
1.890	2.756	2.765	.669	18876	—	D8-SPL	R
1.890	2.756	—	.394	563283	—	HMS5	RG
1.890	2.756	—	.394	563284	—	HMSA10	RG
1.890	2.756	—	.394	563285	w/Stainless Steel Spring	HMS5	V
1.890	2.756	—	.394	563286	w/Stainless Steel Spring	HMSA10	V
1.890	2.795	2.809	.315	18903	—	HMSA7	P
1.890	2.810	2.813	.700	18844	—	X-SPL	P
1.890	2.835	2.840	.315	18972	—	★CRW1	R
1.890	2.835	2.840	.315	18973	—	★CRW1	V
1.890	2.835	2.840	.433	18531	—	D7	R
1.890	2.835	2.846	.394	18977	—	HMS4	R
1.890	2.835	—	.276	563239	—	HMS5	RG
1.890	2.835	—	.276	563241	w/Stainless Steel Spring	HMS5	V
1.890	2.835	—	.276	563242	w/Stainless Steel Spring	HMSA10	V
1.890	2.835	—	.315	563243	—	HMS5	RG
1.890	2.835	—	.315	563244	—	HMSA10	RG
1.890	2.835	—	.315	563245	w/Stainless Steel Spring	HMS5	V
1.890	2.835	—	.315	563246	w/Stainless Steel Spring	HMSA10	V
1.890	2.835	—	.394	563101	—	HMS5	RG
1.890	2.835	—	.394	563102	—	HMSA10	RG
1.890	2.835	—	.394	563103	w/Stainless Steel Spring	HMS5	V
1.890	2.835	—	.394	563104	w/Stainless Steel Spring	HMSA10	V
1.890	2.874	2.880	.276	18979	—	CRSA1	P
1.890	2.910	2.920	.390	18987	—	HMSA92	P
1.890	2.913	2.924	.394	18974	—	HMSA7	R
1.890	3.071	3.077	.551	18782	—	HMSA35	R
1.890	3.150	2.704	.528	18870A	w/CW Helix From Air Side	★HMSA97	V
1.890	3.150	3.156	.315	18981	—	★CRW1	R
1.890	3.150	3.156	.512	18940	—	CRSH11	R
1.890	3.150	—	.394	18989	—	HMS48	R
1.890	3.160	3.165	.620	18875	—	CRSA32	R
1.890	3.543	—	.394	19003	—	HMS4	R
1.892	2.750	2.754	.703	18920	—	HMSHA16	P
1.893	2.434	2.438	.250	19000	—	CRW1	R
1.893	2.811	2.816	.468	18852	w/Bi-Direction Helix From Air Side	HMSA97	V
1.893	2.890	2.895	.441	18849	—	ABSRING	—
1.900	2.750	2.756	.516	19019	—	HMSA92	V
1.906	2.752	2.756	.375	19017	—	★CRWA1	P
1.906	3.189	3.194	.313	19062	—	CRSA1	P
1.915	2.533	2.537	.250	19010	—	HMS1	R
1.927	2.910	2.920	1.210	19208	—	★HMS-SPL	—
1.929	2.441	2.445	.315	19090	w/Axial Dirt Lip & SS Spring	HMSA45	R
1.929	2.441	2.446	.441	19097	—	HMSA45	P
1.929	2.519	2.573	.315	19299	—	HMSA7	R
1.929	2.520	2.528	.492	19200	P.F. Width .236 & 2.805 Flange	HMA16	R
1.929	2.559	2.570	.394	19290	—	HMS46	R
1.929	2.677	2.683	.276	19092	—	HMSA7	V
1.929	2.677	2.694	.394	19293	w/Bi-Direction Helix From Air Side	HMSA7	P
1.929	2.756	2.762	.472	19095	w/3.031 Flange O.D.	HMSASPL	R
1.929	2.843	2.853	.315	19100	P.F. Width .236	HMA22	R
1.930	3.940	3.945	.315	19333	—	HMS83	R
1.937	2.650	2.655	.360	144	1 Rope Seal	Rope Seal	—
1.937	2.683	2.677	.512	18878	—	D8-SPL	P
1.937	2.750	2.754	.391	19456	—	SLA1	PT
1.938	2.412	2.416	.313	19215	—	★CRW1	R
1.938	2.437	2.441	.250	19210	—	★CRW1	R
1.938	2.437	2.441	.250	19212	70 Duro/185 Sirvene	★CRW1	R
1.938	2.471	2.475	.313	19206	—	★HMSA1	V
1.938	2.500	2.504	.300	19013	—	★HMA9	R
1.938	2.500	2.504	.380	19214	P.F. Width .306	★HMA9	R
1.938	2.502	2.506	.281	19219	—	★HM14	R
1.938	2.502	2.506	.281	19221	—	HMA4	R
1.938	2.502	2.506	.375	19220	—	★CRWA1	R
1.938	2.563	2.567	.313	19211	—	★CRW1	R
1.938	2.578	2.582	.294	19223	w/2.840 Flange	HMA4	R

★ Includes Bore Tite on O.D.
Seal kits—See pg. 632

Axle flange gaskets—See pg. 374
Speedi-Sleeve's—See pg. 637

Scotseals—See pg. 382
V-ring's—See pg. 657

HDDF seals—See pg. 404

Size listing - Inches

Inch Shaft	Inch Bore	Inch O.D.	Inch Width	Inch Seal no.	Seal info. notes	Type & style	Lip code
1.938	2.621	2.626	.570	19500	P.F. Width .255	★HMA8	R
1.938	2.623	2.627	.313	19226	—	★CRW1	R
1.938	2.623	2.627	.313	19227	—	★CRWA1	V
1.938	2.623	2.627	.313	19229	—	★CRWA1	R
1.938	2.675	2.679	.250	19213	—	★CRWA5	R
1.938	2.680	2.690	.500	19255	—	★D3	R
1.938	2.686	2.690	.304	19234	—	★CRWA1	P
1.938	2.686	2.690	.304	19236	—	★CRW1	R
1.938	2.686	2.690	.304	19237	—	★CRWA1	R
1.938	2.686	2.690	.304	19243	—	★CRWA1	V
1.938	2.686	2.690	.304	19244	—	★CRW1	P
1.938	2.686	2.690	.375	19240	—	★CRW1	S
1.938	2.686	2.690	.594	19251	—	★TL8	R
1.938	2.693	2.698	.507	19372	—	D8	R
1.938	2.750	2.754	.313	19264	—	★CRW1	R
1.938	2.750	2.754	.313	19267	—	★CRW1	V
1.938	2.750	2.754	.360	19387	—	★HMSA16	V
1.938	2.762	2.766	.500	19273	w/CW Helix From Air Side	★CRSA1	R
1.938	2.813	2.817	.500	19277	w/CW Helix From Air Side	HMSA23	R
1.938	2.825	2.829	.500	19274	—	CRSH1	P
1.938	2.835	2.839	.250	19278	—	★CRWA5	R
1.938	2.875	2.879	.250	19306	—	HM21	R
1.938	2.875	2.879	.313	19300	—	★CRW1	R
1.938	2.875	2.879	.313	19301	—	★CRWA1	R
1.938	2.875	2.879	.313	19304	—	★CRWH1	V
1.938	2.884	2.888	.313	19310	—	★CRWA1	P
1.938	2.997	3.001	.313	19350	—	★CRW1	R
1.938	3.000	3.005	.313	19359	—	★CRW1	R
1.938	3.000	3.005	.313	19360	—	CRWA1	R
1.938	3.000	3.005	.313	19368	—	★CRWA1	V
1.938	3.061	3.066	.313	19380	—	★CRW1	R
1.938	3.062	3.067	.500	19438	—	★CRW1	S
1.938	3.125	3.130	.500	19400	—	★CRW1	R
1.938	3.189	3.194	.313	19407	—	★CRW1	R
1.938	3.251	3.256	.313	19433	—	★CRWA1	V
1.938	3.251	3.256	.313	19434	—	★CRW1	R
1.938	3.350	3.355	.469	19445	—	★CRWHA1	R
1.938	3.543	3.548	.313	19449	—	★CRW1	R
1.938	3.622	3.627	.375	19455	—	FF1	F
1.938	3.751	3.756	.500	19466	—	★CRSH1	R
1.940	2.900	2.910	.421	19428	—	HMSA16	R
1.940	2.909	2.914	.516	19314	Helix-CW & 3.583 Flange, PF WD.370	CRSA6	R
1.945	2.892	2.896	.294	19510	—	★TL6	R
1.948	2.778	2.785	.382	19488	—	HMSA16	P
1.948	3.159	3.167	.433	19556	—	HMSA92	R
1.965	2.952	2.960	.306	19671	—	ALSA8	R
1.968	2.362	2.377	.236	19599	—	HMA10	R
1.968	2.440	2.450	.275	19673A	w/CW Helix From Air Side	HMSA7	V
1.968	2.755	2.762	.354	19192	w/Bi-Direction Helix From Air Side	CRS1	R
1.969	2.283	2.290	.157	19590	—	HM4	R
1.969	2.362	2.373	.276	19584	—	HMSA7	R
1.969	2.362	2.378	.276	19581	—	HMS4	R
1.969	2.368	2.373	.276	19651	—	HMSA7	V
1.969	2.441	2.447	.197	19595	—	HM4	R
1.969	2.441	2.447	.197	19589	—	HMS4	R
1.969	2.441	2.447	.197	19597	—	HMSA7	R
1.969	2.441	2.447	.276	19602	—	CRS1	R
1.969	2.441	2.447	.394	19587	—	HMS4	R
1.969	2.441	2.450	.276	19625A	—	HMSA7	P
1.969	2.441	2.452	.276	19603	—	HMSA7	R
1.969	2.441	2.452	.276	19622	—	HMS5	R
1.969	2.441	2.452	.276	692531	—	HMS5	R
1.969	2.441	2.452	.276	692531	—	HMS5	RG
1.969	2.441	2.452	.276	692533	—	HMSA10	RG
1.969	2.441	—	.276	692532	—	HMS5	V

Size listing - Inches

Inch Shaft	Inch Bore	Inch O.D.	Inch Width	Inch Seal no.	Seal info. notes	Type & style	Lip code
1.969	2.441	—	.276	692534	—	HMSA10	V
1.969	2.520	2.525	.315	19690	—	MHS4	R
1.969	2.520	2.533	.256	19604	—	HMSA7	R
1.969	2.520	—	.236	562840	—	HMS5	RG
1.969	2.520	—	.236	562841	—	HMSA10	RG
1.969	2.520	—	.236	562842	w/Stainless Steel Spring	HMS5	V
1.969	2.520	—	.236	562843	w/Stainless Steel Spring	HMSA10	V
1.969	2.559	2.563	.315	19606	—	★CRW1	V
1.969	2.559	2.565	.315	19601	—	HMSA7	R
1.969	2.559	2.565	.315	19600	—	HMS4	R
1.969	2.559	2.565	.315	19605	—	★CRW1	R
1.969	2.559	2.565	.315	692537	—	HMSA7	R
1.969	2.559	2.568	.384	19647	—	HMA8	P
1.969	2.559	2.589	.354	19681	—	HMSA7	R
1.969	2.559	—	.315	692535	—	HMS5	RG
1.969	2.559	—	.315	692536	—	HMS5	V
1.969	2.559	—	.315	692538	—	HMSA10	V
1.969	2.559	—	.394	563335	—	HMS5	RG
1.969	2.559	—	.394	563336	—	HMSA10	RG
1.969	2.559	—	.394	563337	w/Stainless Steel Spring	HMS5	V
1.969	2.559	—	.394	563338	w/Stainless Steel Spring	HMSA10	V
1.969	2.561	—	.281	522374	—	SC	R
1.969	2.571	2.583	.315	19623	w/Bi-Direction Helix From Air Side	HMSA24	P
1.969	2.618	2.629	.591	19612	P.F. WD .750 w/Axial Dirt Lip	HMSA92	R
1.969	2.623	2.627	.313	19607	—	★CRWA1	R
1.969	2.638	2.641	.216	19624	—	HMA90	R
1.969	2.638	2.643	.354	19628	—	CRSA1	R
1.969	2.638	2.646	.433	19626	—	HMA76	R
1.969	2.638	2.647	.354	19627	—	HMA8	R
1.969	2.657	2.662	.531	19579	—	CRSHA1	R
1.969	2.677	2.682	.354	19609	—	HMSA92	P
1.969	2.677	2.683	.270	19613	w/Axial Dirt Lip	HMSA45	R
1.969	2.677	2.683	.315	19608	—	★CRW1	R
1.969	2.677	2.683	.315	19611	—	★CRW1	V
1.969	2.677	2.683	.354	19596	—	CRSHA1	R
1.969	2.677	2.683	.394	19619	—	HMSA7	R
1.969	2.677	2.685	.354	20067	—	HMSA92	V
1.969	2.677	2.688	.256	19621	—	HMSA7	R
1.969	2.677	2.688	.276	19710	—	HMSA7P2	R
1.969	2.677	2.688	.315	19564	—	HMSA7	R
1.969	2.677	—	.276	563395	—	HMS5	RG
1.969	2.677	—	.276	563396	—	HMSA10	RG
1.969	2.677	—	.276	563397	w/Stainless Steel Spring	HMS5	V
1.969	2.677	—	.276	563398	w/Stainless Steel Spring	HMSA10	V
1.969	2.677	—	.315	562797	—	HMSA10	RG
1.969	2.677	—	.315	562798	w/Stainless Steel Spring	HMS5	V
1.969	2.677	—	.315	562799	w/Stainless Steel Spring	HMSA10	V
1.969	2.677	—	.394	564140	—	HMS5	RG
1.969	2.677	—	.394	564141	—	HMSA10	RG
1.969	2.677	—	.394	564142	—	HMS5	V
1.969	2.677	—	.394	564143	—	HMSA10	V
1.969	2.686	2.690	.375	19610	—	HMS2	S
1.969	2.686	2.690	.500	19615	—	CRSH1	R
1.969	2.742	2.746	.500	19620	—	CRSH1	P
1.969	2.750	2.760	.530	19569	—	CRSHA1	R
1.969	2.755	2.769	.393	19685A	w/CCW Helix From Air Side	HMSA92	P
1.969	2.756	2.762	.315	19630	—	★CRW1	R
1.969	2.756	2.762	.315	19631	—	★CRW1	V
1.969	2.756	2.762	.315	19635	w/CW Helix From Air Side	HMSA92	P
1.969	2.756	2.767	.433	19573	—	SLA1	T
1.969	2.756	—	.394	564144	—	HMS5	RG
1.969	2.756	—	.394	564145	—	HMSA10	RG
1.969	2.756	—	.394	564146	—	HMS5	V
1.969	2.756	—	.394	564147	—	HMSA10	V
1.969	2.835	2.840	.315	19641	—	★CRW1	V

Size listing - Inches

Inch Shaft	Inch Bore	Inch O.D.	Inch Width	Inch Seal no.	Seal info. notes	Type & style	Lip code
1.969	2.835	2.840	.315	19640	—	★CRW1	R
1.969	2.835	2.840	.570	19689	Axial Dirt Lip	D8-SPL	R
1.969	2.835	2.843	.472	19554	—	HMSA7	R
1.969	2.835	2.845	.276	19728	—	HMSA7P2	R
1.969	2.835	2.846	.394	19645	—	HMS4	R
1.969	2.835	2.846	.640	19639	—	D5-SPL	R
1.969	2.835	—	.315	692539	—	HMS5	RG
1.969	2.835	—	.315	692540	—	HMS5	V
1.969	2.835	—	.315	692541	—	HMSA10	RG
1.969	2.835	—	.315	692542	—	HMSA10	V
1.969	2.835	—	.394	692543	—	HMS5	RG
1.969	2.835	—	.394	692544	—	HMS5	V
1.969	2.835	—	.394	692545	—	HMSA10	RG
1.969	2.835	—	.394	692546	—	HMSA10	V
1.969	2.835	—	.472	563077	—	HMS5	RG
1.969	2.835	—	.472	563079	w/Stainless Steel Spring	HMS5	V
1.969	2.835	—	.472	563080	w/Stainless Steel Spring	HMSA10	V
1.969	2.875	2.879	.469	19643	—	CRSH1	R
1.969	2.913	2.922	.354	19656	—	HMSA92	P
1.969	2.953	2.958	.354	20012	—	CRSA1	P
1.969	2.953	2.959	.315	19654	—	★CRWA1	R
1.969	2.953	2.959	.354	19741	—	CRS11	R
1.969	2.953	—	.394	563209	—	HMS5	RG
1.969	2.953	—	.394	563210	—	HMSA10	RG
1.969	2.953	—	.394	563211	w/Stainless Steel Spring	HMS5	V
1.969	2.953	—	.394	563212	w/Stainless Steel Spring	HMSA10	V
1.969	2.960	2.964	.250	19660	—	HD1	R
1.969	2.972	2.977	.410	20024	—	SLA1	PT
1.969	3.071	3.077	.512	19791	—	CRSH13	R
1.969	3.071	3.082	.394	19903	—	HMS47	R
1.969	3.150	3.154	.650	19572	—	HMSA92	V
1.969	3.150	3.156	.315	19662	—	HMSA7	R
1.969	3.150	3.156	.315	19664	—	★CRW1	R
1.969	3.150	3.156	.315	19666	—	★CRW1	V
1.969	3.150	3.161	.315	19665	—	HMS4	R
1.969	3.150	3.161	.394	19669	—	HMS4	V
1.969	3.150	3.163	.433	19578	w/CCW Helix From Air Side	HMSA92	P
1.969	3.150	3.163	.438	20027	—	HMSA35	V
1.969	3.150	—	.315	692548	—	HMS5	V
1.969	3.150	—	.315	692549	—	HMSA10	RG
1.969	3.150	—	.315	692550	—	HMSA10	V
1.969	3.150	—	.394	692552	—	HMS5	V
1.969	3.150	—	.394	692553	—	HMSA10	RG
1.969	3.150	—	.394	692554	—	HMSA10	V
1.969	3.228	3.235	.315	19668	—	★CRWA1	R
1.969	3.228	3.237	.315	19677	—	HMSA96	P
1.969	3.346	3.354	.315	19674	—	★CRW1	R
1.969	3.346	3.354	.512	19878	—	CRSH1	R
1.969	3.346	—	.394	563053	—	HMS5	RG
1.969	3.346	—	.394	563054	—	HMSA10	RG
1.969	3.346	—	.394	563055	w/Stainless Steel Spring	HMS5	V
1.969	3.346	—	.394	563056	w/Stainless Steel Spring	HMSA10	V
1.969	3.386	3.391	.748	19682	w/CCW Helix From Air Side	HMSA96	R
1.969	3.425	3.438	.433	19650	—	HMSA92	P
1.969	3.543	3.550	.315	19684	—	★CRW1	R
1.969	3.543	3.550	.315	19686	—	★CRW1	V
1.969	3.543	3.554	.394	19687	—	HMS4	R
1.969	3.543	3.554	.394	562872	—	HMS5	RG
1.969	3.543	—	.394	562874	w/Stainless Steel Spring	HMS5	V
1.969	3.543	—	.394	562875	w/Stainless Steel Spring	HMSA10	V
1.988	3.051	3.071	.354	19709	—	HMSA96	P
1.991	2.522	2.531	.327	19904A	w/CW Helix From Air Side	HMSA7	V
1.991	2.900	1.986	.290	19720	—	X4	R
1.996	3.111	3.120	.344	19730	w/Helix-CW w/3.425 Flange	★HMSA16	V
2.000	2.365	—	.219	709014	—	WS	R

Size listing - Inches

Inch Shaft	Inch Bore	Inch O.D.	Inch Width	Inch Seal no.	Seal info. notes	Type & style	Lip code
2.000	2.365	—	.219	712124	—	WS	V
2.000	2.371	2.375	.250	19737	—	★HM14	R
2.000	2.375	2.379	.188	19731	—	HMS1	R
2.000	2.375	2.379	.188	19733	—	HM14	R
2.000	2.375	—	.063	451037	—	BUW	#
2.000	2.375	—	.188	702028	—	BV	D
2.000	2.375	—	.188	721534	—	BV	V
2.000	2.500	2.504	.250	19748	—	HM1	R
2.000	2.502	2.506	.250	19754	—	★HM14	R
2.000	2.502	2.506	.313	19745	—	★CRW1	P
2.000	2.502	—	.281	504272	—	SC	R
2.000	2.560	2.565	.224	19984	—	★HMA84	R
2.000	2.560	2.565	.234	19784	—	★HMA85	R
2.000	2.562	2.566	.234	19753	—	★HM14	R
2.000	2.562	2.566	.335	19852	w/2.860 Flange	CRW2	R
2.000	2.565	2.569	.500	19757	—	★HM14	R
2.000	2.598	2.607	.256	20001	—	HMS4	P
2.000	2.620	2.632	.355	20018	—	HMSA96	VT
2.000	2.622	2.626	.280	19743	w/3.000 Flange & Axial Dirt Lip	★HMA9	R
2.000	2.623	2.627	.250	19746	—	★HM21	V
2.000	2.623	2.627	.250	19763	—	★HM21	R
2.000	2.623	2.627	.313	19760	—	★CRW1	R
2.000	2.623	2.627	.313	19762	—	★CRWA1	R
2.000	2.623	2.627	.313	19777	—	★CRWA1	V
2.000	2.623	2.627	.313	19782	w/Stainless Steel Spring	★CRWA1	V
2.000	2.623	2.628	.311	19905	w/CW Helix From Air Side	HMSA1	V
2.000	2.623	—	.281	504273	—	SC	R
2.000	2.627	2.631	.234	19768	—	★HM14	R
2.000	2.631	2.635	.272	20016	P.F. WD 257, Minor O.D. 2.628	HMA94	R
2.000	2.635	2.639	.234	19770	—	★HM14	R
2.000	2.652	2.656	.365	19773	—	HMA2	R
2.000	2.686	2.690	.250	19783	—	★HM21	R
2.000	2.686	2.690	.375	19778	—	★CRW1	R
2.000	2.716	2.720	.375	19786	—	★CRWA1	R
2.000	2.716	2.720	.375	19785	—	★CRW1	R
2.000	2.720	1.990	.210	19793	O.D. Listed Is Pressfit I.D.	X	R
2.000	2.742	2.747	.375	19799	w/CW Helix From Air Side	★HMS13	P
2.000	2.745	2.749	.234	19803	—	HM14	R
2.000	2.746	2.750	.375	19807	—	★CRW1	S
2.000	2.750	2.754	.250	19834	—	★HM21	R
2.000	2.750	2.754	.313	19823	—	★CRW1	V
2.000	2.750	2.754	.313	19831	—	★CRW1	R
2.000	2.750	2.754	.313	19832	—	★CRWA1	R
2.000	2.750	2.754	.313	19839	—	★CRWA1	V
2.000	2.750	2.754	.313	19840	w/SS Case & Spring	★CRW1	V
2.000	2.750	2.759	.296	19568	—	HMS13	V
2.000	2.750	2.759	.296	20031	—	HMSA12	P
2.000	2.752	2.756	.188	19820	—	★HM14	R
2.000	2.754	2.759	.302	19966	—	★HMS14	R
2.000	2.802	1.993	.250	19844	O.D. Listed Is Pressfit I.D.	X15	D
2.000	2.835	2.839	.469	19848	—	★CRWH1	R
2.000	2.874	2.878	.703	19876	—	★C8	RR
2.000	2.875	1.996	.256	19882	O.D. Listed Is Pressfit I.D.	XHM	R
2.000	2.875	2.879	.250	19880	—	★HM21	R
2.000	2.875	2.879	.313	19884	—	★CRW1	V
2.000	2.875	2.879	.313	19886	—	★CRW1	R
2.000	2.875	2.879	.313	19887	—	★CRWA1	R
2.000	2.875	2.879	.375	19896	—	★CRWHA1	R
2.000	2.875	2.879	.500	19900	w/SS Case & Spring	★CRWH1	R
2.000	2.880	2.884	.368	19939	w/CW Helix From Air Side	★CRW1	R
2.000	2.880	2.884	.375	19922	—	★CRWA1	R
2.000	2.880	2.884	.375	19923	—	★CRWA1	P
2.000	2.962	2.966	.250	20113	w/3.209 Flange	★HM20	R
2.000	2.965	2.969	.313	19940	—	★HM14	R
2.000	2.965	2.969	.500	19938	Clearance D .275	★HM14	R

Size listing - Inches

Inch Shaft	Inch Bore	Inch O.D.	Inch Width	Inch Seal no.	Seal info. notes	Type & style	Lip code
2.000	2.968	2.972	.313	20118	—	★HM14	R
2.000	2.997	3.001	.250	19965	—	HM21	R
2.000	2.997	3.001	.375	19969	—	★CRWH1	R
2.000	2.997	3.001	.375	19970	—	★CRWHA1	R
2.000	2.997	3.001	.375	19974	—	★CRWHA1	V
2.000	2.997	3.001	.375	19979	—	★CRWH1	V
2.000	2.997	3.001	.438	19982	—	★HMSA24	P
2.000	3.000	3.005	.250	20006	—	★HM21	R
2.000	3.000	3.005	.313	19993	—	★CRWA1	R
2.000	3.000	3.005	.313	19992	—	★CRW1	R
2.000	3.000	3.005	.313	19995	—	★CRWA1	V
2.000	3.000	3.005	.375	20002	—	★CRWH1	V
2.000	3.000	3.005	.375	20004	—	★CRWH1	R
2.000	3.000	3.005	.375	20005	—	★CRWHA1	R
2.000	3.061	3.066	.250	20044	—	★HM21	R
2.000	3.061	3.066	.375	20045	—	★CRW1	R
2.000	3.061	3.066	.500	20055	—	★CRWH1	R
2.000	3.061	3.066	.500	20059	—	★CRWHA1	R
2.000	3.125	3.130	.375	20070	—	★CRW1	R
2.000	3.148	3.153	.250	20078	—	HM14	R
2.000	3.150	3.155	.375	20079	—	★CRW1	R
2.000	3.189	3.194	.469	20098	—	★CRWH1	R
2.000	3.189	3.194	.469	20100	—	★CRWHA1	R
2.000	3.251	3.256	.438	20109	—	★CRWH1	R
2.000	3.371	3.376	.438	20125	—	★CRWHA1	R
2.000	3.371	3.376	.438	20122	—	★CRW1	V
2.000	3.371	3.376	.438	20124	—	★CRWH1	R
2.000	3.371	3.376	.438	20127	—	CRWH1	V
2.000	3.543	3.548	.433	20140	—	★CRWH1	R
2.000	3.623	3.628	.250	20148	—	HM21	R
2.000	3.623	3.628	.438	20144	—	★CRWH1	R
2.000	4.003	4.008	.438	20158	—	★CRWH1	R
2.000	—	2.125	.625	86053	—	S1	—
2.007	2.559	2.569	.394	20010	—	HMSA7	R
2.007	2.598	2.607	.275	20072A	w/CW Helix From Air Side	HMSA7	P
2.008	2.480	2.486	.236	20225	—	HMA2	R
2.008	2.559	2.565	.276	20210	—	★CRWA1	R
2.008	2.560	2.572	.276	20014	—	HMSA7	V
2.008	2.598	2.602	.413	20215	P.F. Width .295	HMSA96	R
2.008	2.756	2.768	.433	20216	w/CW Helix From Air Side	HMSASPL	P
2.031	4.156	4.150	.781	20380	See Type J Section	J5	P
2.035	2.952	2.960	.390	20350A	w/CW Helix From Air Side	HMSA92	P
2.043	2.835	2.839	.315	20403	—	HMSA29	R
2.045	2.835	2.846	.618	20445	—	HMSA7SP	P
2.047	2.441	2.040	.217	20417	O.D. Listed Is Pressfit I.D.	XA-SPL	P
2.047	2.441	—	.276	20400	—	HMSA7	R
2.047	2.480	2.493	.315	20405	—	HMSA7	P
2.047	2.480	—	.315	563752	—	HMS5	RG
2.047	2.480	—	.315	563753	—	HMSA10	RG
2.047	2.480	—	.315	563754	w/Stainless Steel Spring	HMS5	V
2.047	2.480	—	.315	563755	w/Stainless Steel Spring	HMSA10	V
2.047	2.559	2.570	.354	20408	—	HMSA7	R
2.047	2.559	—	.315	563572	—	HMS5	RG
2.047	2.559	—	.315	563573	—	HMSA10	RG
2.047	2.559	—	.315	563574	w/Stainless Steel Spring	HMS5	V
2.047	2.559	—	.315	563575	w/Stainless Steel Spring	HMSA10	V
2.047	2.561	2.565	.315	20420	—	★CRW1	R
2.047	2.561	2.565	.354	20433	—	CRS1	R
2.047	2.561	2.565	.354	20469	—	HMSA1	P
2.047	2.590	2.600	.290	20038	—	HMSA96	P
2.047	2.598	2.607	.354	20434	—	HMS4	R
2.047	2.599	2.603	.295	20431	—	HMSA96	P
2.047	2.638	2.040	.264	20422	O.D. Listed Is Pressfit I.D.	X	P
2.047	2.677	2.680	.315	20455	—	HMSA96	P
2.047	2.677	2.683	.276	20427	w/Axial Dirt Lip	HMA8	P

Size listing - Inches

Inch Shaft	Inch Bore	Inch O.D.	Inch Width	Inch Seal no.	Seal info. notes	Type & style	Lip code
2.047	2.677	2.683	.315	20421	—	★CRW1	R
2.047	2.677	2.683	.315	20424	—	★CRW1	V
2.047	2.677	2.686	.315	20546	—	HMSA7	P
2.047	2.677	2.686	.315	562937	—	HMSA10	RG
2.047	2.677	2.689	.512	20428	—	HMSA7SP	R
2.047	2.677	—	.315	562938	w/Stainless Steel Spring	HMS5	V
2.047	2.677	—	.315	562939	w/Stainless Steel Spring	HMSA10	V
2.047	2.715	2.716	.354	20365A	w/CW Helix From Air Side	SL1	TF
2.047	2.717	2.728	.394	20415	—	HMS4	R
2.047	2.717	2.728	.583	20448	—	D7-SPL	P
2.047	2.756	2.036	.294	20439	O.D. Listed Is Pressfit I.D.	X	R
2.047	2.756	2.762	.315	20430	—	★CRW1	R
2.047	2.756	2.766	.354	20457	—	HMSA1	R
2.047	2.756	2.767	.335	20432	w/CW Helix From Air Side	HMSA7	R
2.047	2.835	2.835	.315	20435	—	★CRWA1	V
2.047	2.835	2.840	.315	20440	—	★CRW1	R
2.047	2.835	2.840	.315	20441	—	★CRW1	V
2.047	2.835	2.840	.315	20463	—	HMSA96	R
2.047	2.835	2.841	.472	20479	—	CRSA13	R
2.047	2.835	2.843	.315	21605	—	SLA1	T
2.047	2.835	2.844	.315	20437	—	HMSA7	R
2.047	2.835	2.846	.315	20444	—	HMS4	R
2.047	2.835	2.848	.315	20438	w/CW Helix From Air Side	HMSA35	P
2.047	2.835	—	.394	692560	—	HMS5	V
2.047	2.835	—	.394	692561	—	HMSA10	RG
2.047	2.835	—	.394	692562	—	HMSA10	V
2.047	2.953	2.959	.294	20429	w/Axial Dirt Lip	HMSA29	R
2.047	2.953	2.964	.394	20488	—	HMS46	R
2.047	2.953	2.964	.472	20453	—	HMS4	R
2.047	3.071	2.043	.368	20465	O.D. Listed Is Pressfit I.D.	X	P
2.047	3.149	3.162	.315	20582	—	HMSA92	P
2.047	3.150	3.156	.512	20491	—	CRS15	R
2.047	3.150	—	.394	563427	—	HMS5	RG
2.047	3.150	—	.394	563428	—	HMSA10	RG
2.047	3.150	—	.394	563429	w/Stainless Steel Spring	HMS5	V
2.047	3.150	—	.394	563430	w/Stainless Steel Spring	HMSA10	V
2.047	3.346	3.354	.315	20490	—	★CRW1	R
2.047	3.346	—	.394	563247	—	HMS5	RG
2.047	3.346	—	.394	563248	—	HMSA10	RG
2.047	3.346	—	.394	563249	w/Stainless Steel Spring	HMS5	V
2.047	3.346	—	.394	563250	w/Stainless Steel Spring	HMSA10	V
2.047	3.439	3.425	.402	19802	—	HMSA92	P
2.047	4.015	4.022	.472	20470A	w/CW Helix From Air Side	HMSA92	P
2.048	2.727	2.732	.570	20425	w/Axial Dirt Lip	★HMA8	R
2.059	2.846	2.852	.398	20724A	w/CW Helix From Air Side	★HMSA16	V
2.063	2.059	3.125	.348	20766	See Type J Section (CRWH Lip)	J2-KIT	V
2.063	2.561	2.565	.313	20520	—	★CRW1	V
2.063	2.661	2.671	.188	20525	—	HMS4	R
2.063	2.750	2.754	.313	20530	—	CRWH1	R
2.063	2.842	2.846	.438	20538	—	★CRWH1	R
2.063	2.875	2.879	.375	550085	—	★CRSA1	R
2.063	2.875	2.879	.438	20554	—	★CRWH1	R
2.063	2.938	2.058	.344	20560	O.D. Listed Is Pressfit I.D.	X15	R
2.063	2.997	3.001	.438	20586	—	★CRWH1	R
2.063	3.000	3.005	.313	20608	—	★HM21	R
2.063	3.000	3.005	.375	20594	—	★CRW1	R
2.063	3.000	3.005	.375	20596	—	★CRWA1	V
2.063	3.000	3.007	.394	20706A	w/Helix Bi-Direction From Air Side	HMSA16	P
2.063	3.061	3.066	.313	20643	—	★CRWH1	R
2.063	3.125	3.130	.375	20659	—	★CRW1	R
2.063	3.149	3.154	.250	20669	—	★HM21	R
2.063	3.150	3.155	.266	20674	—	TL7	R
2.063	3.189	3.194	.375	20702	—	★CRW1	R
2.063	3.250	2.058	.294	20735	O.D. Listed Is Pressfit I.D.	X15	R
2.063	3.251	3.256	.438	20747	—	★CRWHA1	R

Size listing - Inches

Inch Shaft	Inch Bore	Inch O.D.	Inch Width	Inch Seal no.	Seal info. notes	Type & style	Lip code
2.063	3.251	3.256	.438	20749	—	★CRWH1	R
2.063	3.371	3.376	.469	20752	—	CRSH1	R
2.065	3.125	3.181	.294	20679A	—	TL1	R
2.067	2.767	2.772	.328	20711A	w/CW Helix From Air Side	SL1	PT
2.067	3.307	3.312	.472	20696A	w/Helix Bi-Direction From Air Side	HMSA92	P
2.086	2.685	2.696	.276	20906	—	HMSA7	R
2.086	2.835	2.842	.354	20776A	w/CW Helix From Air Side	HMS4	V
2.087	2.677	2.683	.315	20904	—	CRW1	V
2.087	2.677	2.688	.394	20905	—	HMS4	R
2.087	2.677	2.691	.315	20785	—	HMSA7	P
2.087	2.795	2.800	.453	20866	—	CRSA1	R
2.087	3.150	—	.512	20873	—	CRSH13	R
2.087	3.176	3.181	.433	20847	—	CRSA3	P
2.087	3.203	3.208	.610	20875	—	★HMSA9	R
2.088	2.911	2.915	.500	20880	w/3.309 Flange O.D.	HMSA97	V
2.090	2.807	2.802	.354	20902	—	HMS4	R
2.094	2.718	2.722	.359	20952	—	★HM18	R
2.094	3.149	3.154	.550	20965	—	★HM21	R
2.094	3.154	3.159	.250	20975	—	★HM21	R
2.122	3.030	3.040	.430	21241	—	HMSA97	V
2.125	2.490	—	.219	709015	—	WS	R
2.125	2.500	—	.063	451069	—	BUW	#
2.125	2.500	—	.188	710087	—	BV	D
2.125	2.500	—	.188	721535	—	BV	V
2.125	2.750	2.754	.250	21059	—	★HM21	R
2.125	2.750	2.754	.375	21063	—	★CRW1	V
2.125	2.750	2.754	.500	21061	—	★CRWA1	R
2.125	2.763	2.767	.250	21069	—	★CRW1	R
2.125	2.763	2.767	.500	21285	w/CW Helix From Air Side	HMSA97	V
2.125	2.875	2.879	.250	21101	—	★HM14	R
2.125	2.875	2.879	.375	21103	—	★CRW1	S
2.125	2.875	2.879	.438	21091	—	★CRW1	V
2.125	2.875	2.879	.438	21098	—	★CRW1	R
2.125	2.875	2.879	.438	21100	—	★CRWA1	R
2.125	2.875	2.879	.438	21108	—	★CRWHA1	R
2.125	2.880	2.884	.500	21110	w/CW Helix From Air Side	★HMSA16	R
2.125	2.880	2.885	.550	21111	w/Helix-CCW From Air Side w/3.180 Flange O.D.	★CRWA3	P
2.125	2.880	2.885	.552	21236	—	★HMSA25	E
2.125	2.884	2.889	.401	21239	—	D8	V
2.125	2.891	2.895	.250	21121	—	★HM14	R
2.125	2.909	2.922	.500	21135	—	HMSA93	V
2.125	2.914	2.922	.469	20459	—	HMSA57	V
2.125	2.953	2.962	.472	21128	w/CCW Helix From Air Side	HMSA7	P
2.125	2.960	2.968	.669	21045	w/P.F. Width .315	HMSA45	R
2.125	2.997	3.001	.438	21134	—	★CRWH1	R
2.125	2.997	3.001	.438	21136	—	★CRWHA1	R
2.125	3.000	3.005	.250	21159	—	★HM21	R
2.125	3.000	3.005	.313	21167	—	★CRWHA1	V
2.125	3.000	3.005	.375	21163	—	★CRW1	R
2.125	3.000	3.005	.375	21164	—	★CRWA1	R
2.125	3.000	3.005	.438	21171	—	★CRWH1	V
2.125	3.000	3.005	.438	21172	—	★CRWH1	R
2.125	3.000	3.005	.438	21173	—	★CRWHA1	R
2.125	3.061	3.066	.250	21208	—	★HM21	R
2.125	3.061	3.066	.438	21215	—	★CRWH1	V
2.125	3.061	3.066	.500	21210	—	★CRW1	R
2.125	3.061	3.066	.500	21211	—	★CRWA1	R
2.125	3.061	3.066	.500	21213	—	★CRWHA1	R
2.125	3.125	3.130	.438	21234	—	★CRWH1	R
2.125	3.125	3.130	.438	21245	—	★CRWHA1	P
2.125	3.149	3.154	.375	21258	—	CRSA1	R
2.125	3.189	3.194	.250	21265	—	★HM21	R
2.125	3.189	3.194	.375	21267	—	★CRWA1	R
2.125	3.189	3.194	.375	21269	—	★CRWA1	V
2.125	3.189	3.194	.469	21270	—	★CRWHA1	S

Size listing - Inches

Inch Shaft	Inch Bore	Inch O.D.	Inch Width	Inch Seal no.	Seal info. notes	Type & style	Lip code
2.125	3.250	2.121	.270	21298	O.D. Listed Is Pressfit I.D.	X15	R
2.125	3.251	3.256	.438	21302	—	★CRWH1	R
2.125	3.350	3.355	.438	21336	—	★CRWH1	R
2.125	3.371	3.376	.375	21352	—	★CRWA1	R
2.125	3.371	3.376	.438	21353	—	★CRWH1	R
2.125	3.543	3.548	.438	21358	—	★CRWH1	R
2.125	3.623	3.628	.469	21379	—	CRSA1	P
2.125	—	2.250	.625	86054	—	S1	—
2.126	2.559	2.563	.315	21040	—	★CRW1	R
2.126	2.559	2.563	.315	21041	—	★CRW1	V
2.126	2.559	2.563	.512	21043	—	CRSA1	R
2.126	2.559	2.570	.276	21247	—	HMS18SP	P
2.126	2.598	2.603	.315	21048	—	HMSA96	P
2.126	2.717	2.730	.296	21052	—	D5-SPL	R
2.126	2.717	2.730	.315	21264	—	HMSA7	P
2.126	2.750	2.760	.310	21290	—	HMSA7	P
2.126	2.756	2.762	.472	21262	—	CRSH13	R
2.126	2.756	2.764	.374	21064	P.F. Width .276	HMSHA1	R
2.126	2.835	2.846	.394	553016	—	HMSA7	R
2.126	2.835	2.848	.366	21268	—	HMS4	P
2.126	2.874	1.348	.438	551692	—	★CRW1	R
2.126	2.992	2.998	.315	21248	—	HMSA96	P
2.126	2.992	3.005	.563	21327	Rubber Covered	D6	P
2.126	3.150	3.158	.394	21283	—	CRSH1	R
2.126	3.150	—	.512	21273	—	CRSH13	R
2.126	3.228	3.235	.315	21281	—	HMSA96	V
2.126	3.346	3.357	.394	21361	—	HMS4	R
2.128	3.150	3.155	.532	21244	—	HMSA95	R
2.130	2.745	2.750	.958	21291	—	HM-SPL	R
2.136	2.904	2.910	.453	21400	P.F. Width .310 & 3.110 Flange	★HMS17	R
2.141	3.484	3.493	.329	21410	w/CW Helix From Air Side	HMS14	V
2.145	3.188	3.194	.469	21538	—	CRSH1	R
2.160	2.973	2.979	1.515	21139A	w/CCW Helix From Air Side/Press Fit .384"	★CRSA3	P
2.165	2.670	2.680	.310	21740	—	HMSA56	R
2.165	2.677	2.686	.334	21680A	w/CW Helix From Air Side	HMSA7	P
2.165	2.677	2.690	.315	21648	—	HMSA7	R
2.165	2.677	—	.315	562932	—	HMS5	RG
2.165	2.677	—	.315	562933	—	HMSA10	RG
2.165	2.677	—	.315	562934	w/Stainless Steel Spring	HMS5	V
2.165	2.677	—	.315	562935	w/Stainless Steel Spring	HMSA10	V
2.165	2.756	2.762	.315	21610	—	★CRW1	R
2.165	2.756	2.762	.315	21612	—	HMS4	R
2.165	2.756	2.762	.315	21611	—	★CRW1	V
2.165	2.756	2.767	.315	21613	w/Stainless Steel Spring	HMSA7	V
2.165	2.756	—	.315	692563	—	HMS5	RG
2.165	2.756	—	.315	692564	—	HMS5	V
2.165	2.756	—	.315	692565	—	HMSA10	RG
2.165	2.756	—	.315	692566	—	HMSA10	V
2.165	2.756	—	.394	563696	—	HMS5	RG
2.165	2.756	—	.394	563697	—	HMSA10	RG
2.165	2.756	—	.394	563698	w/Stainless Steel Spring	HMS5	V
2.165	2.756	—	.394	563699	w/Stainless Steel Spring	HMSA10	V
2.165	2.835	2.840	.315	21621	—	★CRW1	V
2.165	2.835	2.840	.315	21620	—	★CRW1	R
2.165	2.835	2.840	.394	21624	—	HMS4	R
2.165	2.835	2.845	.276	21664	—	HMSA7P2	R
2.165	2.835	2.846	.315	21619	—	HMS4	V
2.165	2.835	—	.315	564148	—	HMS5	RG
2.165	2.835	—	.315	564149	—	HMSA10	RG
2.165	2.835	—	.315	564150	—	HMS5	V
2.165	2.835	—	.315	564151	—	HMSA10	V
2.165	2.835	—	.394	692567	—	HMS5	RG
2.165	2.835	—	.394	692568	—	HMS5	V
2.165	2.835	—	.394	692569	—	HMSA10	RG
2.165	2.835	—	.394	692570	—	HMSA10	V

Size listing - Inches

Inch Shaft	Inch Bore	Inch O.D.	Inch Width	Inch Seal no.	Seal info. notes	Type & style	Lip code
2.165	2.874	2.880	.315	21622	—	★CRW1	V
2.165	2.913	2.920	.276	21628	w/Axial Dirt Lip	HMA8	P
2.165	2.948	2.952	.314	21550	—	HMSA7	P
2.165	2.953	2.959	.315	21626	—	★CRW1	V
2.165	2.953	2.959	.315	21738	—	★CRW1	R
2.165	2.953	2.964	.394	21627	—	HMS4	R
2.165	2.953	—	.394	692571	—	HMS5	RG
2.165	2.953	—	.394	692572	—	HMS5	V
2.165	2.953	—	.394	692573	—	HMSA10	RG
2.165	2.953	—	.394	692574	—	HMSA10	V
2.165	3.070	3.080	.315	21747	—	HMSA7	R
2.165	3.071	3.077	.354	21630	—	HMS1	R
2.165	3.071	3.077	.512	21717	—	CRSH11	R
2.165	3.071	3.082	.315	21744	—	HMS4	R
2.165	3.071	3.084	.315	21636	—	HMSA7	R
2.165	3.071	—	.394	563760	—	HMS5	RG
2.165	3.071	—	.394	563761	—	HMSA10	RG
2.165	3.071	—	.394	563762	w/Stainless Steel Spring	HMS5	V
2.165	3.071	—	.394	563763	w/Stainless Steel Spring	HMSA10	V
2.165	3.071	—	.472	563275	—	HMS5	RG
2.165	3.071	—	.472	563276	—	HMSA10	RG
2.165	3.071	—	.472	563277	w/Stainless Steel Spring	HMS5	V
2.165	3.071	—	.472	563278	w/Stainless Steel Spring	HMSA10	V
2.165	3.149	3.158	.315	21696A	w/CW Helix From Air Side	HMSA92	P
2.165	3.150	3.156	.315	21640	—	★CRW1	R
2.165	3.150	3.156	.315	21641	—	★CRW1	V
2.165	3.150	3.179	.472	21644	—	HMS4	R
2.165	3.150	—	.315	692575	—	HMS5	RG
2.165	3.150	—	.315	692576	—	HMS5	V
2.165	3.150	—	.315	692577	—	HMSA10	RG
2.165	3.150	—	.315	692578	—	HMSA10	V
2.165	3.150	—	.394	562657	—	HMSA10	RG
2.165	3.150	—	.394	562658	w/Stainless Steel Spring	HMS5	V
2.165	3.150	—	.394	562659	w/Stainless Steel Spring	HMSA10	V
2.165	3.228	3.235	.394	550241	—	★HM3	R
2.165	3.228	3.239	.472	21739	—	HMS4	R
2.165	3.346	3.354	.315	21751	—	★CRW1	R
2.165	3.346	3.357	.551	21633	—	HMS4	R
2.165	3.346	—	.315	563460	—	HMSA10	RG
2.165	3.346	—	.315	563461	w/Stainless Steel Spring	HMS5	V
2.165	3.346	—	.315	563462	w/Stainless Steel Spring	HMSA10	V
2.165	3.346	—	.394	563153	—	HMS5	RG
2.165	3.346	—	.394	563154	—	HMSA10	RG
2.165	3.346	—	.394	563155	w/Stainless Steel Spring	HMS5	V
2.165	3.346	—	.394	563156	w/Stainless Steel Spring	HMSA10	V
2.165	3.465	3.475	.433	21823A	—	HMSA122	P
2.165	3.543	3.550	.315	21670	—	★CRW1	R
2.165	3.543	—	.394	562729	—	HMSA10	RG
2.165	3.543	—	.394	562730	w/Stainless Steel Spring	HMS5	V
2.165	3.543	—	.394	562731	w/Stainless Steel Spring	HMSA10	V
2.165	3.937	3.944	.315	21685	—	★CRW1	R
2.165	3.937	—	.472	563467	—	HMS5	RG
2.165	3.937	—	.472	563468	—	HMSA10	RG
2.165	3.937	—	.472	563469	w/Stainless Steel Spring	HMS5	V
2.165	3.937	—	.472	563470	w/Stainless Steel Spring	HMSA10	V
2.165	3.937	—	.512	21716	—	CRSH13	R
2.172	2.426	2.430	.484	21650	w/3.000 Flange	SL1	T
2.176	3.027	3.031	1.504	21768	—	CRSA3	R
2.180	3.059	3.063	.300	21735	—	★HMA22	P
2.180	3.190	3.195	.625	21944	—	HMSA73	V
2.186	3.131	3.136	.729	21918	—	X-SPL	R
2.188	2.875	2.879	.438	21736	—	★CRWH1	R
2.188	2.997	3.001	.438	21749	—	★CRWH1	R
2.188	3.000	3.005	.256	21756	—	HMA22	P
2.188	3.000	3.005	.375	21759	—	★CRWA1	R

Size listing - Inches

Inch Shaft	Inch Bore	Inch O.D.	Inch Width	Inch Seal no.	Seal info. notes	Type & style	Lip code
2.188	3.000	3.005	.375	21763	—	★CRWA1	V
2.188	3.000	3.005	.500	21764	—	★CRWH1	R
2.188	3.000	3.005	.500	21771	—	★HMA22	R
2.188	3.061	3.066	.500	21787	—	★CRWH1	R
2.188	3.063	3.068	.250	515	—	FELT	F
2.188	3.189	3.194	.640	21938	—	HMA4	R
2.188	3.251	3.256	.438	21840	—	★CRWH1	R
2.188	3.350	3.355	.438	21890	—	★CRWH1	R
2.188	3.371	3.376	.438	21910	—	★CRWH1	R
2.188	3.623	3.628	.500	21950	—	CRSHA1	R
2.199	2.737	2.741	.438	21952	—	★HMA90	R
2.199	2.804	2.808	.300	21953	w/Aluminum Case	HMA85	P
2.201	2.738	2.741	.197	21961	w/2.913 Flange & Axial Dirt Lip	HMA73	R
2.201	3.519	3.523	.591	21955	w/CW Helix From Air Side	★HMSA16	R
2.204	2.876	2.874	.413	22010	—	CRS1	P
2.205	2.638	2.201	.217	22005	O.D. Listed Is Pressfit I.D.	X	R
2.205	2.677	2.688	.433	22454	—	HMA8	R
2.205	2.716	—	.281	527664	—	SC	R
2.205	2.756	2.762	.315	22051	—	CRS11	R
2.205	2.756	2.762	.315	22015	—	HMS4	R
2.205	2.834	2.839	.393	22050	—	★HMSA27	R
2.205	2.835	2.839	.453	22022	P.F. Width .453 w/3.032 Flange	HMSA57	R
2.205	2.835	2.840	.354	22020	—	HMS1	R
2.205	2.835	2.840	.433	22048	—	★HMSA56	R
2.205	2.835	2.840	.492	22027	—	★HMSA21	R
2.205	2.835	2.841	.394	22059	—	CRSH11	R
2.205	2.835	2.845	.315	22038	—	HMSA7	R
2.205	2.835	2.846	.296	22032	—	HMSA34	R
2.205	2.835	2.846	.315	22018	—	HMS4	R
2.205	2.835	—	.315	562684	—	HMS5	RG
2.205	2.835	—	.315	562685	—	HMSA10	RG
2.205	2.835	—	.315	562686	w/Stainless Steel Spring	HMS5	V
2.205	2.835	—	.315	562687	w/Stainless Steel Spring	HMSA10	V
2.205	2.843	2.850	.315	22024	—	HMS4SPL	P
2.205	2.846	2.858	.315	22026	—	HMSA92	R
2.205	2.870	2.870	.315	22041	—	HMSA96	P
2.205	2.874	2.879	.315	22037	—	HMSA96	P
2.205	2.953	2.959	.315	22030	—	★CRW1	R
2.205	2.953	2.963	.315	22033	—	HMSA96	P
2.205	2.953	2.966	.433	22031	w/CW Helix From Air Side	HMSA75P	R
2.205	2.992	2.995	.435	22125	w/Axial Dirt Lip P.F. Width .259	HMSA57	R
2.205	2.992	2.998	.472	22035	P.F. Width .236 Special Const.	★CRSA9	R
2.205	2.992	3.003	.484	22013	w/Axial Dirt Excluder & Bumper	HMSA101	R
2.205	3.031	3.038	.472	22049	P.F. Width .472 & 13.398 Width	CRSA3	P
2.205	3.031	3.055	.394	22029	w/Boot & 3.360 Flange O.D.	CRSA3	R
2.205	3.054	3.059	.551	22028	P.F. Width .276	HMSASPL	R
2.205	3.071	3.077	.295	22042	w/Axial Dirt Lip	HMSA96	R
2.205	3.071	3.077	.472	22040	—	HMS1	R
2.205	3.150	3.161	.315	22053	—	HMS4	R
2.205	3.150	—	.394	22066	—	CRSH13	R
2.205	3.228	3.236	.315	22074	—	HMSA7	R
2.205	3.346	3.357	.315	22071	—	HMS4	R
2.205	3.471	3.476	.876	22045	—	HMSASPL	P
2.208	2.913	2.920	.394	22120	w/3.268 Flange O.D.	HMSA57	R
2.219	2.709	2.714	.252	22130	—	HMS14	P
2.222	3.543	3.548	.750	22175	—	Unitized	SR
2.240	3.189	3.194	.610	22614	—	★HM14	R
2.240	3.189	3.195	.449	22415	—	HMSA1	R
2.244	2.638	2.646	.236	22225	—	HMSA7	R
2.244	2.638	—	.276	563041	—	HMS5	RG
2.244	2.638	—	.276	563042	—	HMSA10	RG
2.244	2.638	—	.276	563043	w/Stainless Steel Spring	HMS5	V
2.244	2.638	—	.276	563044	w/Stainless Steel Spring	HMSA10	V
2.244	2.835	2.842	.394	22453	—	CRSH1	R
2.244	2.835	2.846	.331	22312	—	HMSA21	P

Size listing - Inches

Inch Shaft	Inch Bore	Inch O.D.	Inch Width	Inch Seal no.	Seal info. notes	Type & style	Lip code
2.244	2.874	2.885	.315	22416	—	HMSA7	V
2.244	3.110	3.121	.531	22323	—	HMSA55	R
2.244	3.150	3.159	.402	19676	—	HMSA56	R
2.244	3.150	—	.472	22457	—	CRSH11	R
2.244	3.189	3.195	.450	22250	—	HMSA96	P
2.244	3.346	3.354	.512	22469	—	HMSA7	R
2.244	3.543	—	.512	22467	—	CRSH11	R
2.244	4.810	4.823	.413	22284	P.F. Width .315	HMS83	R
2.250	2.625	2.629	.188	22306	—	★HM14	R
2.250	2.625	—	.063	451078	—	BUW	#
2.250	2.625	—	.188	711856	—	BV	R
2.250	2.625	—	.188	721536	—	BV	V
2.250	2.745	—	.281	709016	—	WS	R
2.250	2.750	—	.281	504275	—	SC	R
2.250	2.875	2.879	.250	22325	—	HM21	R
2.250	2.875	2.879	.313	22328	—	★CRWA1	R
2.250	2.891	2.895	.563	22347	—	★CRWA1	R
2.250	2.997	3.001	.438	22336	—	★CRWH1	R
2.250	2.997	3.001	.438	22340	—	★CRWHA1	R
2.250	3.000	3.005	.250	22368	—	★HM21	R
2.250	3.000	3.005	.375	22353	—	★CRW1	R
2.250	3.000	3.005	.375	22354	—	★CRWA1	R
2.250	3.000	3.005	.375	22361	—	★CRWA1	V
2.250	3.000	3.005	.375	22363	—	★CRW1	V
2.250	3.000	3.005	.438	22358	—	★CRWH1	R
2.250	3.000	3.005	.438	22359	—	★CRWHA1	R
2.250	3.000	3.005	.438	22367	—	★CRWH1	V
2.250	3.035	3.045	.374	22371	—	HMSH4	R
2.250	3.061	3.066	.250	22392	—	HM21	R
2.250	3.061	3.066	.375	22382	—	★CRW1	R
2.250	3.061	3.066	.438	22390	—	★CRWH1	R
2.250	3.061	3.066	.438	22391	—	★CRWHA1	R
2.250	3.061	3.066	.438	22394	—	★CRWHA1	S
2.250	3.125	3.130	.375	22400	—	★CRWA1	R
2.250	3.125	3.130	.375	22405	—	★CRWA1	V
2.250	3.125	3.130	.500	22407	—	CRWH1	R
2.250	3.125	3.130	.563	22411	Clearance D .214	HM18	R
2.250	3.189	3.194	.433	22425	—	★CRWA1	P
2.250	3.189	3.194	.438	22424	—	★CRW1	R
2.250	3.250	2.243	.270	22430	O.D. Listed Is Pressfit I.D.	X15	R
2.250	3.251	3.256	.250	22468	—	HM21	R
2.250	3.251	3.256	.375	22440	—	★CRW1	R
2.250	3.251	3.256	.375	22441	—	★CRWA1	R
2.250	3.251	3.256	.438	22446	—	★CRWH1	R
2.250	3.251	3.256	.438	22448	—	★CRWHA1	R
2.250	3.251	3.256	.438	22449	—	★CRWH1	V
2.250	3.251	3.256	.520	22640	w/CCW Helix From Air Side	★HMSHA16	P
2.250	3.310	3.315	.375	22483	Clearance D .130	★HM18	R
2.250	3.350	3.355	.375	22484	—	★CRW1	P
2.250	3.350	3.355	.438	22492	—	CRWH1	R
2.250	3.350	3.355	.438	22493	—	★CRWHA1	R
2.250	3.350	3.355	.438	22495	—	★CRWH1	V
2.250	3.371	3.375	.375	22550	—	★HM14	R
2.250	3.371	3.376	.375	22573	—	★CRSH1	V
2.250	3.371	3.376	.438	22532	—	★CRWHA1	R
2.250	3.371	3.376	.438	22558	—	★CRWH1	R
2.250	3.371	3.376	.438	22561	—	★CRWH1	V
2.250	3.372	3.377	.475	22505	—	HMSA27	P
2.250	3.400	2.243	.294	22563	O.D. Listed Is Pressfit I.D.	X15	R
2.250	3.440	3.445	.250	22565	—	★HM14	R
2.250	3.500	3.505	.438	22582	—	★CRWHA1	R
2.250	3.500	3.505	.438	22583	—	★CRWH1	R
2.250	3.500	3.505	.438	22590	—	★CRWHA1	V
2.250	3.565	3.570	.438	22610	—	★CRWA1	R
2.250	3.623	3.628	.433	22619	—	★CRWHA1	R

Size listing - Inches

Inch Shaft	Inch Bore	Inch O.D.	Inch Width	Inch Seal no.	Seal info. notes	Type & style	Lip code
2.250	3.623	3.628	.438	22618	—	★CRWH1	R
2.250	3.751	3.756	.438	22626	—	★CRWH1	R
2.250	3.876	3.881	.438	22644	—	★CRWH1	R
2.250	4.003	4.008	.438	22647	—	★CRWH1	R
2.250	4.063	4.068	1.219	22653	w/4.438 Flange P.F. Width .531	★CRWA3	P
2.254	2.756	2.763	.340	22525	—	★CRS1	V
2.272	2.656	2.660	.250	22742	w/Brass Case	SL1	T
2.281	3.154	3.159	.375	22835	—	★HM21	R
2.283	2.756	2.764	.307	23234	—	HMSA7	P
2.283	2.835	2.840	.315	22815	—	★CRW1	R
2.283	2.835	2.841	.315	22818	—	★CRW1	S
2.283	2.835	—	.315	562852	—	HMS5	RG
2.283	2.835	—	.315	562853	—	HMSA10	RG
2.283	2.835	—	.315	562854	w/Stainless Steel Spring	HMS5	V
2.283	2.835	—	.315	562855	w/Stainless Steel Spring	HMSA10	V
2.283	2.874	2.879	.507	22808	—	HMSA57	R
2.283	2.910	2.920	.390	22842	w/CCW Helix From Air Side	HMSA7	P
2.283	2.913	2.927	.512	22819	—	D7	P
2.283	2.951	3.080	.292	22841	—	HMSA45	P
2.283	2.953	2.959	.315	22822	—	★CRW1	R
2.283	2.953	2.962	.276	22840	—	HMS4SPL	P
2.283	2.953	2.964	.433	22824	—	HMS4	R
2.283	2.953	2.970	.354	22823	—	HMSA7	R
2.283	2.992	2.997	.276	22821	—	HMSA29	R
2.283	2.992	3.001	.630	20447	—	HMSASPL	R
2.283	3.031	3.043	.335	22826	—	HMS83	R
2.283	3.070	3.081	.394	22845	w/CCW Helix From Air Side	HMSA92	R
2.283	3.071	3.100	.315	22811	—	HMSHA1	R
2.283	3.150	3.156	.315	22832	—	★CRW1	R
2.283	3.150	3.156	.315	22833	—	★CRW1	V
2.283	3.150	—	.315	563403	—	HMS5	RG
2.283	3.150	—	.315	563404	—	HMSA10	RG
2.283	3.150	—	.315	563405	w/Stainless Steel Spring	HMS5	V
2.283	3.150	—	.315	563406	w/Stainless Steel Spring	HMSA10	V
2.283	3.150	—	.394	692584	—	HMS5	V
2.283	3.150	—	.394	692585	—	HMSA10	RG
2.283	3.150	—	.394	692586	—	HMSA10	V
2.283	3.150	—	.472	563885	—	HMS5	RG
2.283	3.150	—	.472	563886	—	HMSA10	RG
2.283	3.150	—	.472	563887	w/Stainless Steel Spring	HMS5	V
2.283	3.150	—	.472	563888	w/Stainless Steel Spring	HMSA10	V
2.283	3.346	3.354	.315	22849	—	★CRW1	R
2.283	3.346	3.354	.512	22866	—	CRSH1	R
2.283	3.346	3.355	.315	22836	—	HMSA7	V
2.283	3.346	3.357	.394	22851	—	HMS4	R
2.283	3.543	3.550	.315	22869	—	★CRW1	R
2.283	3.543	3.554	.394	22875	—	HMSA7	R
2.283	3.543	—	.512	22862	—	CRSH13	R
2.283	4.055	4.062	.435	22878	w/CW Helix From Air Side	HMSA96	P
2.297	3.148	3.153	.359	22870	Clearance D .185	HM18	R
2.300	3.325	3.335	.433	23000	—	CRSA3	R
2.313	2.997	3.001	.375	23030	—	★CRW1	R
2.313	3.000	3.005	.250	23035	—	★HM14	R
2.313	3.000	3.005	.438	23040	—	★CRWH1	V
2.313	3.061	3.066	.313	23046	—	★CRW1	R
2.313	3.065	3.070	.281	23098	—	HM1	R
2.313	3.125	3.130	.375	23061	—	★CRW1	R
2.313	3.125	3.130	.375	23063	—	★CRWA1	V
2.313	3.251	3.256	.438	23093	—	★CRWH1	R
2.313	3.251	3.256	.438	23099	—	CRWHA1	V
2.313	3.310	3.315	.375	23130	—	★HM21	R
2.313	3.350	3.355	.438	23152	—	★CRWH1	R
2.313	3.371	3.376	.438	23167	—	★CRW1	R
2.313	3.374	3.379	.438	23169	—	★CRWHA1	R
2.313	3.374	3.379	.438	23169	—	★CRWHA1	R

Size listing - Inches

Inch Shaft	Inch Bore	Inch O.D.	Inch Width	Inch Seal no.	Seal info. notes	Type & style	Lip code
2.313	3.500	3.505	.250	23240	—	★HM21	R
2.313	3.500	3.505	.313	23184	—	CRW1	R
2.313	3.751	3.756	.500	23277	—	★CRW1	R
2.322	2.745	2.751	.275	21957	—	CRS1	R
2.323	2.835	2.840	.472	23228	—	HMSA7	R
2.323	2.953	2.959	.394	23278	—	HMSA29	R
2.323	3.080	3.090	.315	23297	—	HMSA92	P
2.323	3.083	3.094	.315	23299	—	HMSA24	R
2.323	3.215	3.220	.492	23275	—	HMSA7	P
2.323	3.937	3.946	.394	23286	—	HMSA7SP	P
2.324	3.541	3.546	.591	23244	w/4 .018 Flange O.D.	HMSA97	V
2.327	3.130	3.134	.315	23276	—	★RRH1	R
2.328	3.000	3.005	.395	23300	—	★CRW1	P
2.340	3.067	3.075	.383	23290	—	CRSA1	R
2.362	2.756	2.763	.276	23618	—	CRS1	R
2.362	2.835	—	.315	563339	—	HMS5	RG
2.362	2.835	—	.315	563340	—	HMSA10	RG
2.362	2.835	—	.315	563341	w/Stainless Steel Spring	HMS5	V
2.362	2.835	—	.315	563342	w/Stainless Steel Spring	HMSA10	V
2.362	2.874	2.885	.433	23617	—	HMSA7	V
2.362	2.948	—	.281	522281	—	SC	R
2.362	2.953	2.959	.315	23427	—	HMSA7	R
2.362	2.953	2.959	.315	23429	—	★CRW1	R
2.362	2.953	2.959	.315	23430	—	★CRW1	V
2.362	2.953	2.964	.465	23432	w/P.F. Width .228	HMSA	R
2.362	2.953	—	.315	692589	—	HMSA10	RG
2.362	2.953	—	.315	692590	—	HMSA10	V
2.362	2.954	2.959	.208	23615	—	★HMSA56	R
2.362	2.992	3.002	.315	23828	—	SLA1	T
2.362	3.071	3.077	.354	23435	—	★CRS1	R
2.362	3.071	3.088	.354	23436	—	HMSA7	R
2.362	3.145	3.150	.295	23626	—	UNITIZE	—
2.362	3.149	3.154	.295	23282	—	HMSA7	V
2.362	3.150	3.156	.315	23440	—	★CRW1	R
2.362	3.150	3.156	.315	23441	—	★CRW1	V
2.362	3.150	3.156	.394	23639	—	CRSHA1	R
2.362	3.150	3.161	.315	23439	—	HMS4	R
2.362	3.150	3.161	.512	23443	—	HMS4	R
2.362	3.150	—	.315	692591	—	HMS5	RG
2.362	3.150	—	.315	692592	—	HMS5	V
2.362	3.150	—	.315	692593	—	HMSA10	RG
2.362	3.150	—	.315	692594	—	HMSA10	V
2.362	3.150	—	.394	692595	—	HMS5	RG
2.362	3.150	—	.394	692596	—	HMS5	V
2.362	3.150	—	.394	692597	—	HMSA10	RG
2.362	3.150	—	.394	692598	—	HMSA10	V
2.362	3.228	3.235	.315	23445	—	★CRWA1	R
2.362	3.228	3.241	.472	23446	w/CCW Helix From Air Side	HMSA7	S
2.362	3.228	3.245	.472	23456	—	HMSA7	R
2.362	3.228	3.258	.354	24627	—	HMSA7	R
2.362	3.228	—	.472	563097	—	HMS5	RG
2.362	3.228	—	.472	563098	—	HMSA10	RG
2.362	3.228	—	.472	563099	w/Stainless Steel Spring	HMS5	V
2.362	3.228	—	.472	563100	w/Stainless Steel Spring	HMSA10	V
2.362	3.346	3.354	.315	23447	—	★CRW1	V
2.362	3.346	3.354	.315	23449	—	★CRW1	R
2.362	3.346	—	.315	692599	—	HMS5	RG
2.362	3.346	—	.315	692601	—	HMSA10	RG
2.362	3.346	—	.394	692604	—	HMS5	V
2.362	3.346	—	.394	692605	—	HMSA10	RG
2.362	3.346	—	.394	692606	—	HMSA10	V
2.362	3.374	3.378	.328	23450	w/CW Helix From Air Side	HMS14	S
2.362	3.386	3.391	.276	23458	—	HMSA29	R
2.362	3.543	3.549	.394	23789	—	CRSH1	R
2.362	3.543	3.550	.315	23465	—	★CRW1	R

Size listing - Inches

Inch Shaft	Inch Bore	Inch O.D.	Inch Width	Inch Seal no.	Seal info. notes	Type & style	Lip code
2.362	3.543	3.554	.551	23471	—	HMS4	R
2.362	3.543	3.554	.866	23464	—	D5-SPL	R
2.362	3.543	—	.315	563033	—	HMS5	RG
2.362	3.543	—	.315	563034	—	HMSA10	RG
2.362	3.543	—	.315	563035	w/Stainless Steel Spring	HMS5	V
2.362	3.543	—	.315	563036	w/Stainless Steel Spring	HMSA10	V
2.362	3.543	—	.394	562724	—	HMS5	RG
2.362	3.543	—	.394	562725	—	HMSA10	RG
2.362	3.543	—	.394	562726	w/Stainless Steel Spring	HMS5	V
2.362	3.543	—	.394	562727	w/Stainless Steel Spring	HMSA10	V
2.362	3.740	3.745	.512	23822	—	CRSH13	R
2.362	3.740	3.748	.315	23476	—	HMSA7	R
2.362	3.740	—	.394	563009	—	HMS5	RG
2.362	3.740	—	.394	563010	—	HMSA10	RG
2.362	3.740	—	.394	563011	w/Stainless Steel Spring	HMS5	V
2.362	3.740	—	.394	563012	w/Stainless Steel Spring	HMSA10	V
2.362	3.937	3.948	.394	23799	—	HMS4	R
2.362	4.055	4.062	.472	23484	—	HMSA96	P
2.362	4.134	4.141	.315	23486	—	★CRW1	R
2.362	4.331	4.338	.315	23488	—	★CRW1	R
2.362	4.331	—	.315	563893	—	HMS5	RG
2.362	4.331	—	.315	563894	—	HMSA10	RG
2.362	4.331	—	.315	563895	w/Stainless Steel Spring	HMS5	V
2.362	4.331	—	.315	563896	w/Stainless Steel Spring	HMSA10	V
2.370	3.069	3.077	.354	23692	—	CRS1	P
2.375	2.750	—	.188	711828	—	BV	R
2.375	2.750	—	.188	721572	—	BV	V
2.375	2.997	3.001	.250	23630	—	★HM21	R
2.375	2.997	3.001	.438	23632	—	★CRWH1	R
2.375	3.000	3.005	.250	23640	—	HM21	R
2.375	3.000	3.005	.375	23641	—	★CRW1	V
2.375	3.061	3.066	.438	23644	—	★CRWH1	R
2.375	3.061	3.066	.438	23645	—	★CRWH1	P
2.375	3.061	3.066	.438	23655	w/Stainless Steel Spring	★CRWH1	V
2.375	3.125	3.130	.375	23646	—	★CRW1	R
2.375	3.125	3.130	.438	23652	—	★CRWH1	R
2.375	3.125	3.130	.438	23654	—	★CRWHA1	R
2.375	3.125	3.130	.438	23656	—	★CRWHA1	V
2.375	3.189	3.194	.438	23666	—	★CRWH1	R
2.375	3.251	3.256	.433	23678	—	★CRWHA1	V
2.375	3.251	3.256	.433	541651	—	★CRWHA1	R
2.375	3.251	3.256	.453	23685	—	★CRW1	P
2.375	3.251	3.256	.625	23691	P.F. Width .528 & 3.841 Flange	★CRWA3	P
2.375	3.251	3.256	.625	23698	w/CW Helix from Air Side / P.F. Width .528 & 3.841 Flange	★HMSA16	V
2.375	3.350	3.355	.250	23725	—	★HM21	R
2.375	3.350	3.355	.375	23701	—	★CRW1	R
2.375	3.350	3.355	.375	23702	—	★CRWA1	R
2.375	3.350	3.355	.375	23703	—	★CRW1	P
2.375	3.350	3.355	.375	23706	—	★CRW1	S
2.375	3.350	3.355	.438	23708	—	★CRWH1	R
2.375	3.350	3.355	.438	23710	—	★CRWHA1	R
2.375	3.350	3.355	.669	23695	—	★HMSA24	V
2.375	3.371	3.375	.438	23742	—	★CRWH1	R
2.375	3.371	3.376	.438	23746	—	★CRWH1	V
2.375	3.471	2.371	.250	23744	O.D. Listed Is Pressfit I.D.	X15	R
2.375	3.481	3.486	.438	23755	—	★CRWH1	R
2.375	3.481	3.486	.438	23756	—	CRWHA1	R
2.375	3.500	3.505	.375	23770	—	★CRWA1	P
2.375	3.500	3.505	.375	23771	—	★CRWH1	V
2.375	3.500	3.505	.375	23779	—	★CRWH1	R
2.375	3.500	3.505	.438	23782	—	★CRWHA1	R
2.375	3.543	3.548	.250	23815	—	★HM21	R
2.375	3.543	3.548	.438	23808	—	★CRWH1	R
2.375	3.543	3.548	.438	23809	—	★CRWHA1	V
2.375	3.601	3.606	.438	23820	—	★CRW1	R

Size listing - Inches

Inch Shaft	Inch Bore	Inch O.D.	Inch Width	Inch Seal no.	Seal info. notes	Type & style	Lip code
2.375	3.623	3.628	.438	23839	—	★CRWH1	R
2.375	3.623	3.628	.438	23841	—	★CRWHA1	P
2.375	3.623	3.628	.438	23843	w/Stainless Steel Spring	★CRWHA1	V
2.375	3.751	3.756	.500	23846	—	★CRSHA1	R
2.375	3.876	3.881	.438	23844	—	★CRWH1	R
2.375	3.876	3.881	1.150	23806	P.F. Width .402 w/4.250 Flange	CRSA4	P
2.375	4.063	4.068	1.094	23857	—	★CRWA3	P
2.375	4.498	4.504	.896	23751	—	★HMSA25	V
2.375	4.498	4.504	1.150	23860	—	CRSA4	P
2.375	—	5.875	—	23870	See Type J Section (CRW Lip)	J1-KIT	R
2.399	3.110	3.120	.391	23865A	w/CW Helix From Air Side	HMSA7	P
2.400	3.555	3.564	.394	20607	—	HMSA98	P
2.402	2.992	2.998	.276	23885	w/Axial Dirt Lip	HMSA96	P
2.402	3.071	3.082	.531	23888	—	D7-SPL	P
2.402	3.460	3.465	.284	23880	O.D. Listed Is Pressfit I.D.	X-SPL	R
2.405	3.126	3.134	.307	25001	—	SLA1	T
2.405	3.135	3.140	.311	24442	—	SLA1	T
2.417	2.999	3.001	.472	21398	—	HMSA7SL	V
2.420	3.000	3.005	.280	24017	—	HMA9	R
2.420	3.000	3.006	.339	24012	—	HMHASPL	R
2.420	3.000	3.006	.535	24000	—	HMADL16	R
2.420	3.554	3.558	.276	24097	w/Axial Dirt Lip	HMA7	R
2.425	3.425	3.435	.267	24245	—	HMSA10	RG
2.430	3.025	3.030	.375	199	w/CCW Helix From Air Side	SPLSEAL	S
2.432	3.070	3.075	.227	24110	w/Bi-Direction Helix From Air Side	CRSA1	P
2.437	2.565	2.570	.550	87823	Wall Thickness .067" Bore Slv.	S7	—
2.438	3.125	3.130	.500	24255	—	★CRWH1	R
2.438	3.251	3.256	.438	24263	—	★CRWH1	R
2.438	3.350	3.355	.375	24286	—	★CRW1	R
2.438	3.350	3.355	.375	24287	—	★CRWA1	V
2.438	3.371	3.376	.438	24320	—	★CRWH1	R
2.438	3.481	3.486	.438	24340	—	★CRWH1	R
2.438	3.500	3.505	.438	24370	—	★CRWH1	R
2.438	3.500	3.505	.438	24372	—	★CRWH1	V
2.438	3.543	3.548	.438	24445	—	★CRWH1	R
2.438	3.623	3.628	.359	24459	Clearance D .156	★G2	L
2.441	2.699	2.704	.350	24441	w/Flange	HMA8	P
2.441	2.953	2.960	.394	24600	—	CRS1	R
2.441	2.953	2.961	.315	24428	—	HMSA7	P
2.441	3.071	3.080	.276	24283	—	HMA8	R
2.441	3.150	3.156	.315	24620	—	★CRW1	R
2.441	3.150	3.157	.422	23210A	w/CCW Helix From Air Side	HMSA92	P
2.441	3.150	—	.394	563287	—	HMS5	RG
2.441	3.150	—	.394	563288	—	HMSA10	RG
2.441	3.150	—	.394	563289	w/Stainless Steel Spring	HMS5	V
2.441	3.150	—	.394	563290	w/Stainless Steel Spring	HMSA10	V
2.441	3.189	3.197	.315	16540A	w/CW Helix From Air Side	HMSA92	P
2.441	3.189	3.197	.315	24482A	—	HMSA31	R
2.441	3.189	3.197	.475	20042A	w/CW Helix From Air Side	HMSA57	P
2.441	3.346	3.354	.315	24635	—	★CRW1	R
2.441	3.346	3.354	.394	24642	—	HMSHA96	P
2.441	3.346	—	.394	562896	—	HMS5	RG
2.441	3.346	—	.394	562897	—	HMSA10	RG
2.441	3.346	—	.394	562898	w/Stainless Steel Spring	HMS5	V
2.441	3.346	—	.394	562899	w/Stainless Steel Spring	HMSA10	V
2.441	3.543	3.548	.521	24410	—	HMSA98	V
2.441	3.543	3.550	.315	24659	—	★CRW1	R
2.441	3.543	—	.394	563576	—	HMS5	RG
2.441	3.543	—	.394	563577	—	HMSA10	RG
2.441	3.543	—	.394	563578	w/Stainless Steel Spring	HMS5	V
2.441	3.543	—	.394	563579	w/Stainless Steel Spring	HMSA10	V
2.441	3.543	—	.512	24432	—	CRS13	R
2.441	3.740	—	.512	24433	—	CRS13	R
2.441	3.937	3.948	.472	24678	—	HMS4	R
2.460	3.044	3.079	.392	24630A	w/CCW Helix From Air Side	HMSA73	P

* Includes Bore Tite on O.D.
Seal kits—See pg. 632

Axle flange gaskets—See pg. 374
Speedi-Sleeve's—See pg. 637

Scotseals—See pg. 382
V-ring's—See pg. 657

HDDF seals—See pg. 404

Size listing - Inches

Inch Shaft	Inch Bore	Inch O.D.	Inch Width	Inch Seal no.	Seal info. notes	Type & style	Lip code
2.465	2.953	2.961	.315	24660	w/Bi-Direction Helix From Air Side	HMSA7	P
2.474	3.543	3.548	.290	24670	—	TL1	R
2.475	3.228	3.238	.391	24740A	w/CW Helix From Air Side	HMSA7	P
2.480	3.071	3.077	.315	24710	—	★CRW1	R
2.480	3.150	3.156	.315	24725	—	★CRW1	R
2.480	3.150	3.179	.354	24729	—	HMSA7	R
2.480	3.314	3.319	.500	24920	—	FF4	F
2.480	3.346	3.354	.315	24755	—	★CRW1	R
2.480	3.346	—	.394	563796	—	HMS5	RG
2.480	3.346	—	.394	563797	—	HMSA10	RG
2.480	3.346	—	.394	563798	w/Stainless Steel Spring	HMS5	V
2.480	3.346	—	.394	563799	w/Stainless Steel Spring	HMSA10	V
2.480	3.465	3.472	.315	24770	—	★CRW1	R
2.480	3.543	3.547	.276	24877	—	HMSA96	P
2.480	3.543	—	.394	563399	—	HMS5	RG
2.480	3.543	—	.394	563400	—	HMSA10	RG
2.480	3.543	—	.394	563401	w/Stainless Steel Spring	HMS5	V
2.480	3.543	—	.394	563402	w/Stainless Steel Spring	HMSA10	V
2.480	3.543	—	.472	24808	—	CRSH11	R
2.480	3.563	3.574	.531	24510	—	HMSA97	V
2.480	4.035	4.025	.433	24967A	w/CW Helix From Air Side	HMSA97	P
2.480	4.035	4.025	.433	24987A	w/CW Helix From Air Side	HMSA97	P
2.480	4.035	4.040	.486	25026	—	HMSA57	V
2.480	4.035	4.042	.453	24816	—	HMSHA83	V
2.496	3.672	2.492	.313	25078	O.D. Listed Pressfit I.D.	X15	R
2.497	3.245	3.248	.420	24888	—	HM16	R
2.500	2.875	—	.063	451253	—	BUW	#
2.500	2.875	—	.188	711829	—	BV	R
2.500	2.875	—	.188	721566	—	BV	V
2.500	2.875	—	.188	750551	—	BV	D
2.500	2.938	—	.063	451248	—	BUW	#
2.500	2.995	—	.281	709018	—	WS	R
2.500	2.995	—	.281	712125	—	WS	V
2.500	3.000	3.005	.250	24863	—	★HM14	R
2.500	3.000	3.005	.313	24865	—	HM1	R
2.500	3.000	—	.281	504277	—	SC	R
2.500	3.125	3.130	.250	24875	—	★HM21	R
2.500	3.125	—	.281	505774	—	SC	R
2.500	3.150	3.155	.250	24880	—	★HM21	R
2.500	3.150	3.155	.313	24879	—	★CRSA1	P
2.500	3.189	3.194	.438	24881	—	★CRWH1	R
2.500	3.189	3.194	.438	24883	—	★CRWH1	V
2.500	3.223	3.228	.728	25009	—	VACB00T	R
2.500	3.226	3.231	.190	24886	w/3.405 Flange & Axial Dirt Lip	HMA73	R
2.500	3.245	3.250	.438	24889	—	★CRWH1	R
2.500	3.250	6.125	—	25160	See Type J Section (CRW Lip)	J1-KIT	R
2.500	3.251	3.256	.250	24904	—	★HM21	R
2.500	3.251	3.256	.350	24892	—	★CRWA5	R
2.500	3.251	3.256	.375	24897	—	★CRW1	R
2.500	3.251	3.256	.375	24898	—	★CRWA1	R
2.500	3.251	3.256	.375	24899	—	★CRWA1	V
2.500	3.251	3.256	.438	24910	—	★CRWH1	R
2.500	3.251	3.256	.438	24911	—	★CRWHA1	R
2.500	3.251	3.256	.438	24914	—	★CRWH1	V
2.500	3.251	3.256	.438	24916	—	★CRWHA1	V
2.500	3.251	3.256	.500	24913	—	★CRW1	V
2.500	3.301	3.306	.453	24917	P.F. Width .330 & 3.580 Flange	★HMSA16	R
2.500	3.350	3.355	.438	24931	—	★CRWH1	R
2.500	3.350	3.355	.438	24932	—	★CRWHA1	R
2.500	3.371	3.376	.375	24934	—	CRWHA1	R
2.500	3.371	3.376	.438	24954	—	★CRWH1	V
2.500	3.371	3.376	.438	24936	—	★CRWHA1	V
2.500	3.428	3.433	.375	24949	—	★CRWA1	P
2.500	3.428	3.433	.375	24951	—	★CRWA1	R
2.500	3.428	3.433	.761	24964	—	★HMSA25	V

Size listing - Inches

Inch Shaft	Inch Bore	Inch O.D.	Inch Width	Inch Seal no.	Seal info. notes	Type & style	Lip code
2.500	3.500	3.505	.250	25007	—	★HM21	R
2.500	3.500	3.505	.375	541606	—	★CRWA1	V
2.500	3.500	3.505	.438	24980	—	★CRW1	R
2.500	3.500	3.505	.438	24982	—	★CRWA1	R
2.500	3.500	3.505	.438	24984	w/Stainless Steel Spring	★CRWH1	V
2.500	3.500	3.505	.438	24986	—	★CRWH1	R
2.500	3.500	3.505	.438	24988	—	★CRWHA1	R
2.500	3.500	3.505	.438	24988	—	★CRWHA1	R
2.500	3.500	3.505	.438	24989	—	★CRWH1	P
2.500	3.500	3.505	.438	24990	—	★CRWHA1	V
2.500	3.502	3.507	.406	25082	—	★CRW1	S
2.500	3.505	3.510	.250	25028	—	★HM21	R
2.500	3.543	3.548	.438	25043	—	★CRWH1	R
2.500	3.543	3.548	.438	25065	—	CRWHA1	P
2.500	3.543	3.548	.875	25066	—	D5	R
2.500	3.544	3.548	.433	25037	—	★CRWHA1	V
2.500	3.623	3.628	.375	25074	—	★CRW1	R
2.500	3.623	3.628	.375	25075	—	★CRWA1	R
2.500	3.623	3.628	.375	25076	—	★CRWA1	V
2.500	3.623	3.628	.438	25071	—	CRWH1	R
2.500	3.623	3.628	.500	25077	w/Bi-Direction Helix From Air Side	★HMSA16	R
2.500	3.695	3.700	.500	25085	—	★ALH1	S
2.500	3.751	3.756	.438	25091	—	CRWH1	R
2.500	3.876	3.881	.438	25100	—	★CRWH1	R
2.500	3.876	3.881	.469	25102	—	★CRWHA1	P
2.500	3.876	3.881	.607	25106	—	★HMSA25	V
2.500	4.003	4.008	.375	25108	—	★CRWA1	R
2.500	4.003	4.008	.375	25110	—	★CRWA1	V
2.500	4.035	4.039	.484	25056	—	HMSHA16	V
2.500	4.035	4.040	.486	25140	—	CRSA9	V
2.500	4.035	4.041	.640	25445	w/Bumper	HMSA14	P
2.500	4.938	4.943	.500	25146	—	CRWA22	P
2.502	3.628	3.633	.607	25005	—	★HMSA25	V
2.519	5.236	5.241	.511	25190	—	HMSA7SP	R
2.520	2.913	2.921	.315	25200	—	HMSA7	V
2.520	3.032	3.041	.276	25176	—	HMS-SPL	R
2.520	3.110	3.118	.315	21564A	w/Helix Bi-Direction From Air Side	HMSA7	V
2.520	3.150	3.156	.512	25203	—	CRSH11	R
2.520	3.150	—	.315	563537	—	HMSA10	RG
2.520	3.150	—	.315	563538	w/Stainless Steel Spring	HMS5	V
2.520	3.150	—	.315	563539	w/Stainless Steel Spring	HMSA10	V
2.520	3.228	2.508	.354	25196	O.D. Listed Is Pressfit I.D.	XA-SPL	R
2.520	3.346	—	.394	25204	—	CRSH13	R
2.520	3.346	—	.512	25205	—	CRSH13	R
2.520	3.543	3.554	.394	25207	—	HMS46	R
2.559	2.953	2.964	.315	544071	—	HM102	R
2.559	3.142	3.151	.315	25572	—	HMSA7	V
2.559	3.150	3.156	.315	25514	—	★CRW1	V
2.559	3.150	3.156	.315	25410	—	★CRW1	R
2.559	3.150	—	.315	562868	—	HMS5	RG
2.559	3.150	—	.315	562869	—	HMSA10	RG
2.559	3.150	—	.315	562870	w/Stainless Steel Spring	HMS5	V
2.559	3.150	—	.315	562871	w/Stainless Steel Spring	HMSA10	V
2.559	3.189	3.199	.276	25585	w/CW Helix From Air Side	HMSA7	P
2.559	3.228	3.233	.354	25418	—	HMSASPL	R
2.559	3.228	3.258	.394	25417	—	HMS4	R
2.559	3.230	3.235	.334	25004	—	★HMSA96	R
2.559	3.307	3.316	.354	25419	w/CW Helix From Air Side	HMSA7	P
2.559	3.346	3.341	.394	25579	—	CRSA1	R
2.559	3.346	3.354	.315	25420	—	★CRW1	R
2.559	3.346	3.354	.315	25421	w/Stainless Steel Spring	★CRW1	V
2.559	3.346	3.357	.315	25396	—	HMS4	R
2.559	3.346	3.357	.315	25398	—	HMSA7	R
2.559	3.346	—	.394	25596	—	CRSH12	R
2.559	3.346	—	.394	692612	—	HMS5	V

★ Includes Bore Tite on O.D.
Seal kits—See pg. 632

Axle flange gaskets—See pg. 374
Speedi-Sleeve's—See pg. 637

Scotseals—See pg. 382
V-ring's—See pg. 657

HDDF seals—See pg. 404

Size listing - Inches

Inch Shaft	Inch Bore	Inch O.D.	Inch Width	Inch Seal no.	Seal info. notes	Type & style	Lip code
2.559	3.346	—	.394	692613	—	HMSA10	RG
2.559	3.346	—	.394	692614	—	HMSA10	V
2.559	3.346	—	.472	563716	—	HMS5	RG
2.559	3.346	—	.472	563717	—	HMSA10	RG
2.559	3.346	—	.472	563718	w/Stainless Steel Spring	HMS5	V
2.559	3.346	—	.472	563719	w/Stainless Steel Spring	HMSA10	V
2.559	3.465	3.470	.394	25584	w/CW Helix From Air Side	HMSA7	P
2.559	3.465	3.472	.315	25425	—	★CRW1	R
2.559	3.465	3.472	.394	25438	—	HMSA7	R
2.559	3.465	—	.472	563319	—	HMS5	RG
2.559	3.465	—	.472	563320	—	HMSA10	RG
2.559	3.465	—	.472	563321	w/Stainless Steel Spring	HMS5	V
2.559	3.465	—	.472	563322	w/Stainless Steel Spring	HMSA10	V
2.559	3.543	3.549	.472	25586	—	HMS4	R
2.559	3.543	3.550	.315	25430	—	★CRW1	R
2.559	3.543	3.550	.315	25431	—	★CRW1	V
2.559	3.543	3.554	.512	25573	—	HMSA7	R
2.559	3.543	—	.394	692616	—	HMS5	V
2.559	3.740	—	.394	562680	—	HMS5	RG
2.559	3.740	—	.394	562681	—	HMSA10	RG
2.559	3.740	—	.394	562682	w/Stainless Steel Spring	HMS5	V
2.559	3.740	—	.394	562683	w/Stainless Steel Spring	HMSA10	V
2.559	3.937	3.944	.315	25440	—	★CRW1	R
2.559	3.937	3.944	.315	25441	—	★CRW1	V
2.559	3.937	—	.394	562716	—	HMS5	RG
2.559	3.937	—	.394	562717	—	HMSA10	RG
2.559	3.937	—	.394	562718	w/Stainless Steel Spring	HMS5	V
2.559	3.937	—	.394	562719	w/Stainless Steel Spring	HMSA10	V
2.559	3.937	—	.512	25633	—	CRSA12	R
2.559	4.331	4.338	.394	25455	—	★CRW1	R
2.559	4.213	4.222	.394	25550A	—	HMSA96	V
2.559	4.724	4.731	.315	25465	—	★CRW1	R
2.560	3.094	3.097	.256	25515	—	HMA7	R
2.562	3.625	3.628	.438	25652	—	★CRWA1	V
2.563	3.000	—	.063	451268	—	BUW	#
2.563	3.000	—	.219	711831	—	BV	D
2.563	3.000	—	.219	721517	—	BV	V
2.563	3.481	3.486	.500	25561	—	★CRWHA1	R
2.563	3.500	3.505	.438	25597	—	★CRWH1	R
2.563	3.500	3.505	.500	25587	—	CRSHA1	P
2.563	3.531	3.536	.344	531	—	FELT	F
2.563	3.623	3.628	.438	25641	—	★CRWH1	R
2.563	3.623	3.628	.469	25661	—	★CRWA1	P
2.563	3.625	3.630	.313	654	—	FELT	F
2.563	3.751	3.756	.438	25713	—	★CRWH1	R
2.563	3.751	3.756	.438	25714	—	★CRWHA1	R
2.563	3.751	3.756	.438	25725	—	★CRWH1	V
2.563	3.873	3.878	.438	25745	—	CRWHA1	R
2.563	3.876	3.881	.438	25748	—	★CRWH1	R
2.598	3.150	3.154	.350	25965	—	CRSHA1	R
2.598	3.481	3.486	.438	25970	—	★CRWHA1	P
2.598	3.543	3.551	.512	25979	—	CRSH1	R
2.598	3.999	4.004	.787	25990	—	CRWA3	P
2.600	3.346	3.354	.374	25968	—	★CRWHA1	R
2.607	3.350	3.355	.375	25950	—	★CRWH1	P
2.624	3.946	3.951	.891	26247	—	HMS-SPL	R
2.625	3.251	3.256	.438	26110	—	★CRWH1	R
2.625	3.350	3.355	.375	26122	—	★CRW1	V
2.625	3.350	3.355	.375	26123	—	★CRW1	R
2.625	3.350	3.355	.375	26124	—	★CRWA1	R
2.625	3.350	3.355	.438	26128	—	CRW1	R
2.625	3.371	3.376	.250	26144	—	★HM14	R
2.625	3.371	3.376	.438	26153	—	★CRWHA1	R
2.625	3.374	3.379	.438	26141	—	★CRWHA1	R
2.625	3.481	3.486	.438	26163	—	★CRWH1	R

Size listing - Inches

Inch Shaft	Inch Bore	Inch O.D.	Inch Width	Inch Seal no.	Seal info. notes	Type & style	Lip code
2.625	3.500	3.505	.375	26177	—	★CRW1	V
2.625	3.500	3.505	.375	26186	—	★CRWA1	R
2.625	3.500	3.505	.438	26189	—	★CRWH1	R
2.625	3.500	3.505	.438	26190	—	★CRWHA1	R
2.625	3.500	3.505	.438	26191	—	★CRWA1	P
2.625	3.543	3.548	.438	26194	—	★CRWH1	R
2.625	3.620	3.626	1.063	26762	—	HMSA97	V
2.625	3.623	3.628	.250	26260	—	★HM21	R
2.625	3.623	3.628	.375	26204	—	★CRW1	V
2.625	3.623	3.628	.375	26220	—	★CRWA1	P
2.625	3.623	3.628	.375	26237	—	★CRW1	R
2.625	3.623	3.628	.375	26238	—	★CRWA1	R
2.625	3.623	3.628	.438	26208	—	★CRWH1	V
2.625	3.623	3.628	.438	26209	—	★CRWH1	R
2.625	3.623	3.628	.438	26211	—	★CRWHA1	R
2.625	3.623	3.628	.460	26239	—	★HMSA24	V
2.625	3.625	3.632	.720	26225	—	UNITIZE	—
2.625	3.751	3.756	.375	26284	—	★CRWA1	R
2.625	3.751	3.756	.438	26297	—	★CRWH1	R
2.625	3.751	3.756	.438	26298	—	★CRWHA1	R
2.625	3.751	3.756	.438	26299	—	★CRWHA1	V
2.625	3.751	3.756	.715	26289	P.F. Width .640	TL4	RR
2.625	3.813	3.818	.415	26310	P.F. Width .300	TL5	R
2.625	3.876	3.881	.438	26328	—	★CRWH1	R
2.625	3.936	3.941	.438	26346	—	★CRWH1	R
2.625	4.003	4.008	.375	26354	—	★CRWA1	R
2.625	4.003	4.008	.438	26356	—	★CRWH1	R
2.625	4.063	4.068	1.094	26358	w/4.438 Flange P.F. Width .500	★CRWA3	P
2.625	4.370	4.375	.438	26359	—	★CRWHA1	R
2.625	4.438	4.443	.438	26368	—	★CRWH1	R
2.625	4.562	4.567	.778	26378	—	★HMSA25	V
2.625	4.563	4.568	.719	26373	—	★CRWA3	P
2.625	4.564	4.571	.572	26251	—	UNITIZE	—
2.638	3.346	3.351	.394	26381	—	CRSH12	R
2.638	3.465	3.478	.315	26379	—	HMS4	P
2.638	3.543	—	.512	26383	—	CRSH11	R
2.648	3.812	3.817	.500	26877	—	★CRS1	R
2.652	3.503	3.510	.391	26387	w/CCW Helix From Air Side	HMSA7	V
2.667	3.751	3.756	.500	26620	—	HM1	R
2.677	3.307	3.316	.335	26625	w/CCW Helix From Air Side	HMSA7	S
2.677	3.346	3.354	.315	26630	—	★CRW1	R
2.677	3.346	3.354	.394	26635	—	CRS1	R
2.677	3.346	3.357	.315	26632	—	HMS4	V
2.677	3.386	3.395	.315	26748	w/CCW Helix From Air Side	HMSA7	P
2.677	3.465	3.472	.315	26640	—	★CRW1	R
2.677	3.543	3.550	.315	26650	—	★CRW1	R
2.677	3.543	3.550	.315	26652	—	★CRW1	V
2.677	3.543	—	.394	564153	—	HMSA10	RG
2.677	3.543	—	.394	564154	—	HMS5	V
2.677	3.543	—	.394	564155	—	HMSA10	V
2.677	3.740	3.747	.394	26660	—	★CRW1	R
2.677	3.740	3.747	.394	26661	—	★CRW1	V
2.677	3.740	3.770	.512	26665	—	HMS4	R
2.677	3.937	3.944	.394	26670	—	★CRW1	R
2.677	3.937	3.948	.394	26673	—	HMS4	R
2.677	3.937	3.948	.512	26683	—	HMSA7	R
2.677	4.882	4.887	1.063	26695	w/Helix-CW, P.F. Width .453	HMSA	P
2.678	3.464	3.473	.315	26145	—	HMS4	P
2.688	3.125	—	.063	451488	—	BUW	#
2.688	3.125	—	.219	711833	—	BV	R
2.688	3.125	—	.219	721573	—	BV	V
2.688	3.500	3.505	.219	662	—	FELT	F
2.688	3.751	3.756	.438	26761	—	★CRWH1	R
2.688	3.876	3.881	.438	26921	—	★CRWH1	R
2.688	4.003	4.008	.469	26975	—	★CRWH1	R

Size listing - Inches

Inch Shaft	Inch Bore	Inch O.D.	Inch Width	Inch Seal no.	Seal info. notes	Type & style	Lip code
2.700	3.498	3.504	.475	26747	w/3.704 Flange	★HMS17	R
2.717	3.380	3.400	.315	26749	w/CCW Helix From Air Side	HMSA7	V
2.717	3.386	3.391	.276	27117	—	CRSA79	P
2.717	3.543	3.554	.394	27170	—	HMS47	R
2.748	3.543	3.555	.591	27486	—	HM-SPL	P
2.750	3.125	3.130	.188	27210	—	HM1	R
2.750	3.188	—	.063	451290	—	BUW	#
2.750	3.188	—	.219	711832	—	BV	R
2.750	3.188	—	.219	721537	—	BV	V
2.750	3.245	—	.281	709019	—	WS	R
2.750	3.250	3.255	.313	27225	—	HM1	R
2.750	3.250	—	.281	504279	—	SC	R
2.750	3.481	3.486	.438	27251	—	CRW1	R
2.750	3.500	3.505	.250	546751	—	★HM14	V
2.750	3.500	3.505	.250	27271	—	★HM14	R
2.750	3.500	3.505	.375	27269	—	★CRWA1	R
2.750	3.500	3.505	.375	27268	—	★CRW1	R
2.750	3.500	3.505	.375	27272	—	★CRWA1	V
2.750	3.500	3.505	.438	27280	—	★CRWH1	R
2.750	3.538	3.543	.438	27284	—	★CRWH1	R
2.750	3.543	3.548	.433	27293	—	★CRWH1	V
2.750	3.543	3.548	.438	27292	—	★CRWH1	P
2.750	3.543	3.548	.438	27295	—	★CRWHA1	P
2.750	3.543	3.548	.552	27558	—	★HMSA25	V
2.750	3.623	3.628	.438	27324	—	★CRWH1	V
2.750	3.623	3.628	.438	27334	—	★CRWH1	R
2.750	3.751	3.756	.250	27394	—	★HM21	R
2.750	3.751	3.756	.438	27361	—	★CRW1	R
2.750	3.751	3.756	.438	27362	—	★CRWA1	R
2.750	3.751	3.756	.438	27365	—	★CRWH1	V
2.750	3.751	3.756	.438	27368	—	★CRWH1	R
2.750	3.751	3.756	.438	27370	—	★CRWHA1	R
2.750	3.751	3.756	.438	27377	—	★CRWA1	P
2.750	3.765	3.770	.438	27426	—	★CRWH1	R
2.750	3.773	3.781	.350	27430	—	HMA84	R
2.750	3.876	3.881	.433	27452	—	★CRWHA1	P
2.750	3.876	3.881	.438	27467	—	★CRWA1	R
2.750	3.876	3.881	.438	27470	—	★CRWH1	R
2.750	3.876	3.881	.438	27471	—	★CRWHA1	R
2.750	3.876	3.881	.643	27461	—	★HMSA25	V
2.750	3.936	3.941	.438	27525	—	★CRWH1	R
2.750	3.937	3.942	.438	27526	—	★CRWA1	P
2.750	4.001	4.008	.500	27542	—	★HMSA25	V
2.750	4.003	4.008	.375	27539	—	★CRWA1	V
2.750	4.003	4.008	.438	27541	—	★CRWH1	R
2.750	4.003	4.008	.438	27565	—	CRWHA1	P
2.750	4.125	4.130	.438	27576	—	★CRS1	P
2.750	4.125	4.131	.563	27577	—	CRSA1	R
2.750	4.249	4.254	.438	27600	—	★CRWH1	R
2.750	4.249	4.254	.438	27601	—	★CRWHA1	P
2.750	4.331	4.336	.500	27625	—	★CRWHA1	R
2.750	5.501	5.506	1.375	27642	P.F. Width .500	★CRWA2	P
2.756	3.346	3.354	.276	27719	—	HMSA7	R
2.756	3.346	3.354	.315	27710	—	★CRW1	R
2.756	3.346	3.357	.276	27721	—	HMS4	R
2.756	3.346	—	.315	565299	—	HMS5	RG
2.756	3.346	—	.315	562601	—	HMSA10	RG
2.756	3.346	—	.315	562602	w/Stainless Steel Spring	HMS5	V
2.756	3.346	—	.315	562603	w/Stainless Steel Spring	HMSA10	V
2.756	3.425	3.438	.335	27723	w/CCW Helix From Air Side	HMSA7	S
2.756	3.465	3.471	.315	27726	—	★CRW1	V
2.756	3.465	3.476	.472	27727	—	HMS4	R
2.756	3.465	3.550	.315	27725	—	★CRW1	R
2.756	3.543	3.472	.315	27740	—	★CRW1	R
2.756	3.543	3.549	.512	27587	—	HMS4	R

Size listing - Inches

Inch Shaft	Inch Bore	Inch O.D.	Inch Width	Inch Seal no.	Seal info. notes	Type & style	Lip code
2.756	3.543	3.550	.394	27743	—	★CRW1	V
2.756	3.543	3.550	.394	27746	—	★CRWHA1	P
2.756	3.543	3.554	.276	27571	—	HMSA7P2	R
2.756	3.543	—	.394	692628	—	HMS5	V
2.756	3.543	—	.394	692629	—	HMSA10	RG
2.756	3.543	—	.394	692630	—	HMSA10	V
2.756	3.543	—	.472	563941	—	HMS5	RG
2.756	3.543	—	.472	563942	—	HMSA10	RG
2.756	3.543	—	.472	563943	w/Stainless Steel Spring	HMS5	V
2.756	3.543	—	.472	563944	w/Stainless Steel Spring	HMSA10	V
2.756	3.622	3.639	.472	27750	—	HMSA7	R
2.756	3.622	—	.472	563568	—	HMS5	RG
2.756	3.622	—	.472	563569	—	HMSA10	RG
2.756	3.622	—	.472	563570	w/Stainless Steel Spring	HMS5	V
2.756	3.622	—	.472	563571	w/Stainless Steel Spring	HMSA10	V
2.756	3.740	3.747	.394	27755	—	★CRW1	R
2.756	3.740	—	.394	563379	—	HMS5	RG
2.756	3.740	—	.394	563380	—	HMSA10	RG
2.756	3.740	—	.394	563381	w/Stainless Steel Spring	HMS5	V
2.756	3.740	—	.394	563382	w/Stainless Steel Spring	HMSA10	V
2.756	3.937	3.944	.394	27770	—	★CRW1	R
2.756	3.937	3.948	.236	27606	—	HMS46	R
2.756	3.937	—	.394	562792	—	HMS5	RG
2.756	3.937	—	.394	562793	—	HMSA10	RG
2.756	3.937	—	.394	562794	w/Stainless Steel Spring	HMS5	V
2.756	3.937	—	.394	562795	w/Stainless Steel Spring	HMSA10	V
2.756	4.134	4.140	.394	27785	—	★CRW1	R
2.756	4.134	4.145	.512	27783	—	HMS4	R
2.756	4.331	4.338	.394	27790	—	★CRW1	R
2.756	4.331	4.342	.315	554135	—	HMS47	R
2.756	4.331	—	.394	563905	—	HMS5	RG
2.756	4.331	—	.394	563906	—	HMSA10	RG
2.756	4.331	—	.394	563907	w/Stainless Steel Spring	HMS5	V
2.756	4.331	—	.394	563908	w/Stainless Steel Spring	HMSA10	V
2.756	4.331	—	.472	562860	—	HMS5	RG
2.756	4.331	—	.472	562861	—	HMSA10	RG
2.756	4.331	—	.472	562862	w/Stainless Steel Spring	HMS5	V
2.756	4.331	—	.472	562863	w/Stainless Steel Spring	HMSA10	V
2.775	3.700	3.701	.393	27761	—	UNITIZE	R
2.813	3.250	—	.063	451100	—	BUW	#
2.813	3.250	—	.219	711834	—	BV	D
2.813	3.250	—	.219	721538	—	BV	V
2.813	3.751	3.756	.438	28035	—	★CRWH1	R
2.813	3.876	3.881	.438	28116	—	★CRWH1	R
2.813	4.003	4.008	.438	28175	—	★CRWH1	R
2.813	4.249	4.254	.313	28270	—	★CRW1	R
2.813	4.249	4.254	.438	28275	—	★CRWH1	R
2.813	4.250	4.254	.438	28276	—	★CRWH1	P
2.815	3.346	3.355	.394	28815	—	HMSA7	V
2.832	3.622	3.632	.374	28332	w/CCW Helix From Air Side	HMSA7	V
2.835	3.370	3.375	.709	28305	—	HMS1	R
2.835	3.386	3.397	.297	28307	—	HMSA7	R
2.835	3.465	3.550	.315	28310	—	★CRW1	R
2.835	3.543	4.731	.315	28325	—	HMSA27	R
2.835	3.543	—	.394	563205	—	HMS5	RG
2.835	3.543	—	.394	563206	—	HMSA10	RG
2.835	3.543	—	.394	563207	w/Stainless Steel Spring	HMS5	V
2.835	3.543	—	.394	563208	w/Stainless Steel Spring	HMSA10	V
2.835	3.740	—	.394	562892	—	HMS5	RG
2.835	3.740	—	.394	562893	—	HMSA10	RG
2.835	3.740	—	.394	562894	w/Stainless Steel Spring	HMS5	V
2.835	3.740	—	.394	562895	w/Stainless Steel Spring	HMSA10	V
2.835	3.740	—	.512	28362	—	CRS13	R
2.835	3.780	3.788	.354	28308	w/CCW Helix From Air Side	HMSA7	S
2.835	3.937	—	.394	564157	—	HMSA10	RG

Size listing - Inches

Inch Shaft	Inch Bore	Inch O.D.	Inch Width	Inch Seal no.	Seal info. notes	Type & style	Lip code
2.835	3.937	—	.394	564158	—	HMS5	V
2.835	3.937	—	.394	564159	—	HMSA10	V
2.835	4.134	—	.512	28375	—	CRSA13	R
2.844	3.939	3.944	.500	28425	—	★CRWA1	R
2.844	3.939	3.944	.550	28426	—	★CRWHA1	R
2.844	4.003	4.008	.438	28464	—	★CRWH1	R
2.844	4.003	4.008	.500	28474	w/Stainless Steel Spring	★CRWH1	V
2.854	3.877	3.878	.590	28540	—	UNITIZE	V
2.854	3.932	3.939	.630	28635	—	UNITIZE	P
2.854	4.246	4.251	.740	28545	—	UNITIZE	R
2.860	4.460	4.465	1.179	28600	—	UNITIZE	R
2.870	3.876	3.881	.610	28705	—	HMSHA	V
2.874	3.740	3.745	.394	28740	—	CRSH13	R
2.874	4.453	4.458	1.234	28603	—	UNITIZE	R
2.875	3.434	3.438	.294	28646	—	★CRSA1	R
2.875	3.531	3.541	.625	28739	—	D6	R
2.875	3.623	3.628	.438	28654	—	★CRWH1	R
2.875	3.623	3.628	.438	28655	—	★CRWHA1	R
2.875	3.623	3.628	.500	28656	—	★AL1	S
2.875	3.751	3.756	.250	28700	—	★HM21	R
2.875	3.751	3.756	.375	28669	—	★CRWA1	R
2.875	3.751	3.756	.375	28670	—	★CRWA1	V
2.875	3.751	3.756	.438	28686	—	★CRWH1	R
2.875	3.751	3.756	.438	28687	—	★CRWHA1	R
2.875	3.751	3.756	.438	28697	—	★CRWH1	P
2.875	3.751	3.756	.438	28698	—	★CRWH1	V
2.875	3.751	3.756	.438	28699	—	★CRWHA1	V
2.875	3.876	3.881	.188	28725	—	★HM1	R
2.875	3.876	3.881	.250	28751	—	★HM21	R
2.875	3.876	3.881	.438	28745	—	★CRWH1	R
2.875	3.876	3.881	.438	28746	—	★CRWHA1	R
2.875	3.876	3.881	.438	28748	—	★CRWHA1	V
2.875	3.876	3.881	.610	28720	P.F. Width .365 & 4.150 Flange	★HMSHA16	R
2.875	3.876	3.881	.610	28754	—	HMSHA16	V
2.875	4.003	4.008	.250	28800	—	★HM21	R
2.875	4.003	4.008	.375	28778	—	★CRWA1	R
2.875	4.003	4.008	.375	28779	—	★CRWA1	V
2.875	4.003	4.008	.438	28760	—	★CRWH1	R
2.875	4.003	4.008	.438	28761	—	★CRWHA1	R
2.875	4.003	4.008	.750	28790	P.F. Width .688	C8	RR
2.875	4.125	4.130	.375	28817	—	★CRWH1	R
2.875	4.125	4.130	.813	28828	P.F. Width .375	★HMSH12	R
2.875	4.176	4.181	.813	28830	P.F. Width .375	★CRWH2	R
2.875	4.331	4.336	.438	28841	—	★CRWA1	P
2.875	4.501	4.506	.433	28848	—	★CRWH1	R
2.906	3.813	3.818	.313	666	—	FELT	F
2.913	3.543	3.550	.394	29105	w/CCW Helix From Air Side	CRSA1	P
2.913	3.543	3.550	.394	29105	—	CRSA1	P
2.913	3.543	3.554	.394	29132	—	HMS46	R
2.913	3.740	3.751	.394	29134	—	HMS48	R
2.913	3.740	—	.394	29133	—	CRSH13	R
2.913	3.858	3.868	.472	29112	w/CW Helix From Air Side	HMSA7	P
2.913	3.937	3.945	.512	29129	—	CRSH1	R
2.938	3.375	—	.063	451489	—	BUW	#
2.938	3.375	—	.219	711835	—	BV	R
2.938	3.378	3.381	.180	29208	—	HMS1	R
2.938	3.623	3.628	.375	29218	—	★CRW1	R
2.938	3.751	3.756	.375	29223	—	★CRW1	R
2.938	3.751	3.756	.375	29224	—	★CRWA1	R
2.938	3.751	3.756	.375	29226	—	★CRWA1	V
2.938	3.784	3.788	.500	29250	—	HM23	RT
2.938	3.876	3.881	.375	29262	—	★CRWHA1	V
2.938	3.876	3.881	.375	29263	—	CRWHA1	R
2.938	3.937	3.942	.438	29273	—	★CRWA1	P
2.938	3.937	3.942	.643	29188	—	★HMSA25	V

Size listing - Inches

Inch Shaft	Inch Bore	Inch O.D.	Inch Width	Inch Seal no.	Seal info. notes	Type & style	Lip code
2.938	3.996	4.000	.945	29180	—	HMSA97	V
2.938	4.003	4.008	.438	29316	—	★CRWH1	R
2.938	4.003	4.008	.438	29350	—	★CRWA1	P
2.938	4.003	4.008	.438	29393	—	CRWHA1	R
2.938	4.003	4.008	.619	29192	—	★HMSA24	V
2.938	4.004	4.008	.433	29383	—	★CRWHA1	V
2.938	4.125	4.130	.375	29184	—	★CRWH1	R
2.938	4.125	4.130	.375	29385	—	★CRWHA1	R
2.938	4.501	4.506	.438	29465	—	★CRWH1	R
2.938	4.938	4.943	1.375	29471	w/5.375 Flange	★CRWA3	P
2.938	5.594	5.600	1.043	29381	—	HMSA97	V
2.941	3.882	3.887	.774	29425	—	UNITIZE	V
2.952	4.409	4.414	.688	29650	P.F. Width .393	HMSA8	R
2.953	3.425	2.946	.276	29505	O.D. Listed Is Pressfit I.D.	X-SPL	R
2.953	3.543	3.548	.315	29854	—	HMSA7	V
2.953	3.543	3.549	.315	29529	—	HMS4	R
2.953	3.543	3.550	.315	29510	—	★CRW1	R
2.953	3.543	—	.394	563185	—	HMS5	RG
2.953	3.543	—	.394	563186	—	HMSA10	RG
2.953	3.543	—	.394	563187	w/Stainless Steel Spring	HMS5	V
2.953	3.543	—	.394	563188	w/Stainless Steel Spring	HMSA10	V
2.953	3.740	3.746	.315	29536	—	HMSA7	R
2.953	3.740	3.747	.394	29525	—	★CRW1	R
2.953	3.740	3.747	.394	29526	—	★CRW1	V
2.953	3.740	3.749	.413	29485	—	HMSA7	V
2.953	3.740	—	.394	562665	—	HMSA10	RG
2.953	3.740	—	.394	562666	w/Stainless Steel Spring	HMS5	V
2.953	3.740	—	.394	562667	w/Stainless Steel Spring	HMSA10	V
2.953	3.740	—	.472	562920	—	HMS5	RG
2.953	3.740	—	.472	562921	—	HMSA10	RG
2.953	3.740	—	.472	562922	w/Stainless Steel Spring	HMS5	V
2.953	3.740	—	.472	562923	w/Stainless Steel Spring	HMSA10	V
2.953	3.937	3.944	.394	29540	—	★CRW1	R
2.953	3.937	3.944	.394	29542	—	★CRW1	V
2.953	3.937	—	.394	564161	—	HMSA10	RG
2.953	3.937	—	.394	564160	—	HMS5	RG
2.953	3.937	—	.394	564162	—	HMS5	V
2.953	3.937	—	.394	564163	—	HMSA10	V
2.953	3.937	—	.472	563063	w/Stainless Steel Spring	HMS5	V
2.953	3.937	—	.472	563064	w/Stainless Steel Spring	HMSA10	V
2.953	4.134	4.140	.394	29555	—	★CRW1	R
2.953	4.134	—	.394	563713	—	HMSA10	RG
2.953	4.134	—	.394	563714	w/Stainless Steel Spring	HMS5	V
2.953	4.134	—	.394	563715	w/Stainless Steel Spring	HMSA10	V
2.953	4.331	4.337	.512	29569	—	CRSH13	R
2.953	4.331	4.338	.394	29570	—	★CRW1	R
2.953	4.331	4.342	.512	29568	—	CRS13	R
2.953	4.331	—	.472	563323	—	HMS5	RG
2.953	4.331	—	.472	563324	—	HMSA10	RG
2.953	4.331	—	.472	563325	w/Stainless Steel Spring	HMS5	V
2.953	4.331	—	.472	563326	w/Stainless Steel Spring	HMSA10	V
2.953	4.528	4.534	.472	29588	—	★CRW1	R
2.953	4.528	4.536	.512	29582	—	CRSH1	R
2.953	4.724	4.729	.320	29852	—	TL1	R
2.953	4.724	—	.472	563271	—	HMS5	RG
2.953	4.724	—	.472	563272	—	HMSA10	RG
2.953	4.724	—	.472	563273	w/Stainless Steel Spring	HMS5	V
2.953	4.724	—	.472	563274	w/Stainless Steel Spring	HMSA10	V
2.960	3.995	3.939	.610	29587A	—	UNITIZE	P
2.962	2.958	3.503	.236	29881A	—	SPECIAL	—
2.973	3.934	3.939	.650	29860	—	HMSA97	R
2.979	3.308	3.313	.354	29799	—	SL1	PT
2.992	3.623	3.637	.385	29862	w/CCW Helix From Air Side	HMSA7	V
2.992	3.661	3.671	.394	29676	w/CCW Helix From Air Side	HMSA6	P
2.992	3.701	3.713	.354	29519	—	HMSA7	V

Size listing - Inches

Inch Shaft	Inch Bore	Inch O.D.	Inch Width	Inch Seal no.	Seal info. notes	Type & style	Lip code
2.992	3.740	—	.394	29931	—	CRS11	R
2.992	3.741	3.748	.370	29987	w/CW Helix From Air Side	HMSA83	V
2.992	3.858	3.869	.472	29686	—	HMSA7	S
2.992	3.858	3.869	.472	29686	—	HMSA7	S
2.992	3.937	3.948	.394	29936	—	HMS47	R
2.992	4.213	4.222	.315	29918	w/CCW Helix From Air Side	HMSA7	V
2.992	4.370	4.379	.512	29804	w/Felt "A" Lip	UNITIZE	V
3.000	3.438	—	.063	451265	—	BUW	#
3.000	3.438	—	.219	703023	—	BV	D
3.000	3.438	—	.219	712136	—	BV	V
3.000	3.438	—	.219	721539	—	BV	V
3.000	3.495	—	.281	709020	—	WS	R
3.000	3.495	—	.281	712126	—	WS	V
3.000	3.500	3.505	.313	29840	—	HM1	R
3.000	3.500	3.505	.375	29841	—	★CRW1	V
3.000	3.500	—	.281	504281	—	SC	R
3.000	3.623	3.628	.250	29850	—	HM14	R
3.000	3.683	3.688	.540	30015	w/4.180 Flange	CRWA86	P
3.000	3.751	3.756	.250	29863	—	★HM21	R
3.000	3.751	3.756	.375	29865	—	CRW1	R
3.000	3.751	3.756	.375	29866	—	★CRWA1	R
3.000	3.751	3.756	.375	29867	—	★CRWA1	P
3.000	3.751	3.756	.375	29868	—	★CRW1	V
3.000	3.751	3.756	.375	29870	—	★CRWA1	V
3.000	3.751	3.756	.438	29871	—	★CRWH1	R
3.000	3.751	3.756	.438	29872	—	★CRWHA1	R
3.000	3.751	3.756	.628	30007	—	★HMSA25	V
3.000	3.876	3.881	.313	29877	—	★CRW1	V
3.000	3.876	3.881	.438	29887	—	★CRWH1	R
3.000	3.876	3.881	.469	29891	w/Stainless Steel Spring	★CRWH1	V
3.000	4.000	2.995	.500	29900	—	X2	L
3.000	4.003	4.008	.250	29968	—	HM21	R
3.000	4.003	4.008	.375	29906	—	★CRW1	R
3.000	4.003	4.008	.375	29907	—	★CRWA1	R
3.000	4.003	4.008	.375	29912	—	★CRWA1	V
3.000	4.003	4.008	.375	29950	—	★CRWH1	P
3.000	4.003	4.008	.438	29925	—	CRWHA1	P
3.000	4.003	4.008	.438	29951	—	CRWH1	R
3.000	4.003	4.008	.438	29952	—	★CRWHA1	R
3.000	4.003	4.008	.438	29958	—	★CRWH1	V
3.000	4.003	4.008	.618	29961	w/CCW Helix From Air Side	★HMSA25	V
3.000	4.003	4.008	.618	29967	w/CW Helix From Air Side	★HMSA25	V
3.000	4.125	4.130	.438	30000	—	★CRWH1	R
3.000	4.125	4.130	.438	30003	—	★CRWH1	V
3.000	4.249	4.254	.250	30049	—	★HM21	R
3.000	4.249	4.254	.438	30033	—	CRWH1	R
3.000	4.249	4.254	.438	30056	—	★CRWHA1	P
3.000	4.249	4.254	.628	30057	—	★HMSA25	V
3.000	4.331	4.336	.438	30060	—	★CRWH1	R
3.000	4.376	4.381	.438	30070	—	★CRWH1	R
3.000	4.500	4.505	.438	30095	—	★CRWHA1	R
3.000	4.500	4.505	.438	30087	—	★CRWH1	R
3.000	4.501	4.506	.438	30098	—	★CRWH1	V
3.000	4.501	4.506	.678	30100	—	★HMSA25	V
3.000	4.525	2.995	.375	30108	O.D. Listed Is Pressfit I.D.	X12	R
3.000	4.562	4.568	1.000	29528	—	HMSA97	V
3.000	4.936	4.941	.650	29917	—	★UNITIZE	P
3.000	4.936	4.941	.650	30009	—	★UNITIZE	V
3.000	4.936	4.943	.807	30153	—	★HMSA25	V
3.000	4.939	4.943	.750	30145	P.F. Width .438 w/5.690 Flange	★CRWA1	P
3.000	4.999	5.004	.438	30125	—	★CRWH1	R
3.000	5.501	5.506	1.375	30144	—	CRWHA6	P
3.000	5.750	5.756	.675	30006	—	★UNITIZE	V
3.000	5.750	5.756	.982	30140	w/CW Helix From Air Side	★HMSA25	V
3.000	5.750	5.756	1.300	30147	Helix-CW w/6.250 Flange, PF WD .400	HMSA16	P

Size listing - Inches

Inch Shaft	Inch Bore	Inch O.D.	Inch Width	Inch Seal no.	Seal info. notes	Type & style	Lip code
3.000	—	3.125	.625	86062	—	S1	—
3.002	3.751	3.756	.460	30008	—	★UNITIZE	V
3.002	3.751	3.756	.570	30026	—	★UNITIZE	V
3.031	3.740	—	.394	554180	—	CRSH13	R
3.031	3.937	—	.394	554181	—	CRSH13	R
3.040	3.937	3.946	.250	30360	—	HMS4	R
3.059	3.057	3.177	.118	4079AA	—	O-RING	—
3.063	3.500	—	.063	451291	—	BUW	#
3.063	3.500	—	.219	711836	—	BV	R
3.071	3.937	—	.394	563117	—	HMS5	RG
3.071	3.937	—	.394	563118	—	HMSA10	RG
3.071	3.937	—	.394	563119	w/Stainless Steel Spring	HMS5	V
3.071	3.937	—	.394	563120	w/Stainless Steel Spring	HMSA10	V
3.071	4.134	—	.512	30716	—	CRSH11	R
3.071	4.331	—	.512	30717	—	CRSH11	R
3.071	6.417	6.430	.630	30771	—	HMSA7SP	R
3.075	3.540	3.546	.380	30772	w/3.790 Flange O.D.	HMA18	P
3.087	4.331	4.343	.331	30775	—	HMSA7	V
3.109	4.444	8.250	—	31385	See Type J Section (CRW Lip)	J1-KIT	R
3.109	4.444	8.250	—	31390	See Type J Section (CRW Lip)	J1-KIT	R
3.109	—	5.750	—	31361	See Type J Section (CRW Lip)	J2-KIT	R
3.109	—	8.250	—	31378	See Type J Section (CRW Lip)	J1-KIT	R
3.125	3.751	3.756	.250	31129	—	★HMA1	R
3.125	3.811	3.816	.355	31132	—	★CRW1	R
3.125	3.811	3.816	.355	31135	—	★CRW1	R
3.125	3.936	3.943	.512	31144	—	CRSH1	V
3.125	4.003	4.008	.375	31139	—	★CRWA1	R
3.125	4.003	4.008	.375	31152	—	★CRWHA1	V
3.125	4.003	4.008	.438	31147	—	★CRWH1	R
3.125	4.003	4.008	.438	31148	—	★CRWHA1	R
3.125	4.049	4.054	.438	31158	—	P2	R
3.125	4.125	4.130	.250	31192	—	HMA1	R
3.125	4.125	4.130	.375	31177	—	★CRW1	R
3.125	4.125	4.130	.375	31179	—	★CRWA1	V
3.125	4.125	4.130	.437	31247	—	SL1	T
3.125	4.125	4.130	.438	31173	—	★CRWHA1	P
3.125	4.125	4.130	.438	31185	—	★CRWHA1	S
3.125	4.125	4.130	.438	31189	—	CRWH1	R
3.125	4.174	4.179	.290	31203	—	HMA1	R
3.125	4.249	4.254	.438	31227	—	★CRWH1	R
3.125	4.249	4.254	.438	31228	—	★CRWHA1	R
3.125	4.249	4.254	.438	31237	—	★CRWHA1	V
3.125	4.249	4.254	.438	31247	—	★CRWHA1	V
3.125	4.376	4.381	.438	31250	—	★CRWH1	R
3.125	4.376	4.381	.438	31261	—	★CRWHA1	P
3.125	4.501	4.506	.438	31269	—	★CRWH1	R
3.125	4.562	4.567	.750	31284	—	CRWH2	R
3.125	4.626	4.631	.438	31299	—	★CRWH1	R
3.125	4.751	4.756	.438	31327	—	CRWH1	R
3.125	4.999	5.004	.438	31333	—	★CRWH1	R
3.125	5.251	5.256	.438	31353	—	★CRWH1	R
3.125	5.495	5.500	1.003	31372	See Type J Section (CRSH Lip)	J2	R
3.125	5.985	6.000	.953	31362	—	CRS-SPL	R
3.149	3.858	3.872	.394	32243	w/CW Helix From Air Side	HMSA7	P
3.149	4.448	4.457	.866	31490	P.F. Width .472	HMSA8	R
3.150	3.740	3.745	.551	31504	w/3.990 Flange O.D.	HMA18	P
3.150	3.740	—	.394	31501	—	CRSH13	R
3.150	3.740	—	.394	563732	—	HMS5	RG
3.150	3.740	—	.394	563733	—	HMSA10	RG
3.150	3.740	—	.394	563734	w/Stainless Steel Spring	HMS5	V
3.150	3.740	—	.394	563735	w/Stainless Steel Spring	HMSA10	V
3.150	3.780	3.791	.354	31506	w/CCW Helix From Air Side	HMSA7	R
3.150	3.858	3.874	.315	31495	—	HMSA7	V
3.150	3.858	3.874	.393	31497	w/CCW Helix From Air Side	HMSA7	R
3.150	3.858	3.874	.393	31507	w/CCW Helix From Air Side	HMSA7	V

Size listing - Inches

Inch Shaft	Inch Bore	Inch O.D.	Inch Width	Inch Seal no.	Seal info. notes	Type & style	Lip code
3.150	3.937	3.943	.512	31503	—	CRSA1	R
3.150	3.937	3.944	.394	31510	—	★CRW1	R
3.150	3.937	3.944	.394	31513	—	HMSA7	R
3.150	3.937	3.944	.394	31524	—	★CRW1	V
3.150	3.937	3.944	.394	31581	—	HMSA7	S
3.150	3.937	3.948	.276	31533	—	HMSA7P2	R
3.150	3.937	3.948	.394	31516	—	HMS4	V
3.150	3.937	—	.394	692631	—	HMS5	RG
3.150	3.937	—	.394	692632	—	HMS5	V
3.150	3.937	—	.394	692633	—	HMSA10	RG
3.150	3.937	—	.472	563788	—	HMS5	RG
3.150	3.937	—	.472	563789	—	HMSA10	RG
3.150	3.937	—	.472	563790	w/Stainless Steel Spring	HMS5	V
3.150	3.937	—	.472	563791	w/Stainless Steel Spring	HMSA10	V
3.150	3.946	3.952	.335	31494	w/CCW Helix From Air Side	HMSA92	R
3.150	3.946	3.952	.394	31492	—	HMSA7	S
3.150	3.946	3.952	.394	31511	—	★CRW1	V
3.150	3.946	3.952	.394	31582	—	HMSA7	R
3.150	3.994	3.144	.591	31514	O.D. Listed Is Pressfit I.D.	X15	R
3.150	4.134	4.140	.394	31517	—	★CRW1	V
3.150	4.134	5.126	.394	31515	—	★CRW1	R
3.150	4.134	—	.394	563169	—	HMS5	RG
3.150	4.134	—	.394	563170	—	HMSA10	RG
3.150	4.134	—	.394	563171	w/Stainless Steel Spring	HMS5	V
3.150	4.134	—	.394	563172	w/Stainless Steel Spring	HMSA10	V
3.150	4.331	4.338	.394	31591	—	★CRW1	R
3.150	4.331	4.342	.472	31526	—	HMS4	V
3.150	4.331	—	.394	562924	—	HMS5	RG
3.150	4.331	—	.394	562925	—	HMSA10	RG
3.150	4.331	—	.394	562926	w/Stainless Steel Spring	HMS5	V
3.150	4.331	—	.394	562927	w/Stainless Steel Spring	HMSA10	V
3.150	4.331	—	.472	562648	—	HMS5	RG
3.150	4.331	—	.472	562649	—	HMSA10	RG
3.150	4.331	—	.472	562650	w/Stainless Steel Spring	HMS5	V
3.150	4.331	—	.472	562651	w/Stainless Steel Spring	HMSA10	V
3.150	4.528	4.538	.394	31562	—	HMS46	R
3.150	4.528	—	.512	31563	—	CRS13	R
3.150	4.724	4.735	.512	31546	—	HMS4	R
3.150	4.921	4.929	.394	31551	—	★CRW1	R
3.150	4.921	4.929	.394	31552	—	★CRW1	V
3.150	4.921	4.930	.512	31576	—	CRSH1	R
3.150	5.118	5.126	.472	31565	—	★CRWA1	R
3.150	5.512	5.520	.472	31585	—	★CRW1	R
3.162	3.160	3.280	.118	42G00	—	O-RING	—
3.188	4.180	4.185	.750	31753	w/4.500 Flange	★HMSHA4	R
3.188	4.249	4.254	.438	31758	—	★CRWH1	R
3.188	4.376	4.381	.438	31825	—	★CRWH1	R
3.188	4.501	4.506	.438	31855	—	★CRWH1	R
3.188	4.626	4.631	.438	31870	—	★CRWH1	R
3.188	4.999	5.004	.438	31955	—	★CRWH1	R
3.189	3.801	3.809	.630	31897	w/Flange	HMA8	R
3.189	3.937	—	.394	31891	—	CRSH11	R
3.222	3.220	3.340	.118	4C3Z1	—	O-RING	—
3.228	2.362	2.375	.264	29935A	w/CCW Helix From Air Side	HMSA7	V
3.228	3.791	3.798	.315	32283	w/CCW Helix From Air Side	HMSA7	V
3.228	3.858	3.868	.315	30350A	w/CCW Helix From Air Side	HMSASPL	V
3.228	3.858	3.868	.315	32432A	w/CCW Helix From Air Side	HMSA7	V
3.228	3.920	3.928	.500	32289	w/CCW Helix From Air Side	HMSA7	V
3.228	3.937	3.946	.315	32340A	—	D8	P
3.228	3.937	3.950	.394	32290	w/CCW Helix From Air Side	HMSA7	P
3.228	3.937	3.951	.394	14190	w/CW Helix From Air Side	HMSA7	V
3.228	4.134	4.145	.472	32302	—	HMS4	R
3.228	4.134	4.147	.512	32342	w/4.331 Flange O.D.	HMSA12	S
3.228	4.134	—	.512	32285	—	CRSH13	R
3.228	4.331	4.337	.472	32275	—	HMSA7	R

Size listing - Inches

Inch Shaft	Inch Bore	Inch O.D.	Inch Width	Inch Seal no.	Seal info. notes	Type & style	Lip code
3.228	4.331	4.337	.472	32286	—	HMS4	R
3.250	3.625	—	.063	451275	—	BUW	#
3.250	3.625	—	.188	711838	—	BV	R
3.250	3.625	—	.188	721540	—	BV	V
3.250	3.745	—	.281	709021	—	WS	R
3.250	3.750	3.755	.250	32325	—	★HMA1	R
3.250	3.875	—	.328	504283	—	SC	R
3.250	3.876	3.881	.375	32330	—	★CRW1	P
3.250	3.876	3.881	.375	32332	w/CW Helix From Air Side	★CRS1	V
3.250	4.003	4.008	.375	32344	—	★CRW1	R
3.250	4.003	4.008	.375	32347	—	★CRWA1	P
3.250	4.125	4.130	.563	32362	—	★CRSH1	R
3.250	4.249	4.254	.250	32412	—	★HM14	R
3.250	4.249	4.254	.375	32392	—	★CRWA1	V
3.250	4.249	4.254	.375	32393	—	★CRW1	R
3.250	4.249	4.254	.375	32395	—	★CRWA1	R
3.250	4.249	4.254	.438	32380	—	CRWH1	P
3.250	4.249	4.254	.438	32385	—	★CRWHA1	P
3.250	4.249	4.254	.438	32396	—	★CRWH1	R
3.250	4.249	4.254	.438	32397	—	★CRWHA1	R
3.250	4.249	4.254	.438	32403	—	★CRWH1	V
3.250	4.249	4.254	.670	32410	—	★HMSA26	V
3.250	4.249	4.254	.750	32394	—	★F1	LF
3.250	4.376	4.381	.438	32424	—	★CRWH1	R
3.250	4.468	3.244	.315	32437	—	X4	R
3.250	4.500	3.244	.313	32441	—	X15	R
3.250	4.500	4.505	.438	32448	—	★CRWA1	P
3.250	4.500	4.506	.610	32527	Helix BI-Directional P.F. Width .436	★HMSHA83	V
3.250	4.501	4.506	.250	32510	—	★HM21	R
3.250	4.501	4.506	.375	32477	—	★CRW1	R
3.250	4.501	4.506	.438	32501	—	★CRWH1	R
3.250	4.501	4.506	.438	32502	—	★CRWHA1	R
3.250	4.626	4.631	.433	32514	—	CRWHA1	R
3.250	4.626	4.631	.438	32540	—	★CRWH1	R
3.250	4.718	4.723	.438	32555	—	★CRWH1	R
3.250	4.751	4.756	.438	32560	—	★CRWH1	R
3.250	4.999	5.004	.438	32582	—	★CRWH1	R
3.250	4.999	5.004	.438	32583	—	★CRWHA1	R
3.250	5.501	5.507	.650	32870	—	★UNITIZE	P
3.250	5.501	5.508	.650	33254	w/Extra 'A' Lip, DL Pinion	HMSA25S	P
3.252	5.500	5.508	.570	32503	—	★UNITIZE	V
3.253	4.249	4.253	.570	32500	—	★UNITIZE	V
3.262	4.626	4.631	.500	32710	w/4.910 Flange	CRWA1	R
3.268	3.937	3.948	.354	32715	w/CCW Helix From Air Side	HMSA7	V
3.291	4.448	4.452	.413	32461	—	EXCLUDR	P
3.298	4.125	4.130	.563	32815	—	★CRSA1	R
3.307	3.813	3.822	.354	30370	w/CCW Helix From Air Side	HMSASPL	V
3.307	3.937	4.140	.394	33070	—	HMSA1	R
3.307	4.094	4.102	.334	33405	w/CCW Helix From Air Side	HMSA7	V
3.307	4.094	4.102	.433	33007	w/CCW Helix From Air Side	HMSA7	V
3.307	4.094	4.104	.335	33065	—	HMSA7	V
3.307	4.094	4.106	.433	33438	—	HMSA7	V
3.307	4.331	—	.472	33072	—	CRSH11	R
3.313	3.750	—	.063	451490	—	BUW	#
3.313	3.750	—	.219	711840	—	BV	R
3.313	4.125	4.130	.438	33033	—	★CRWH1	R
3.313	4.249	4.254	.438	33073	—	★CRWH1	R
3.313	4.500	4.505	.438	33136	—	★CRWH1	R
3.313	4.999	5.004	.438	33306	—	★CRWH1	R
3.346	3.858	3.868	.472	32550A	w/CCW Helix From Air Side	HMSA7	TF
3.346	3.937	3.945	.354	33459	—	CRS1	R
3.346	3.937	—	.394	563728	—	HMS5	RG
3.346	3.937	—	.394	563729	—	HMSA10	RG
3.346	3.937	—	.394	563730	w/Stainless Steel Spring	HMS5	V
3.346	3.937	—	.394	563731	w/Stainless Steel Spring	HMSA10	V

Size listing - Inches

Inch Shaft	Inch Bore	Inch O.D.	Inch Width	Inch Seal no.	Seal info. notes	Type & style	Lip code
3.346	3.937	—	.472	33463	—	CRSA12	R
3.346	3.937	—	.512	33464	—	CRSH13	R
3.346	4.055	4.064	.315	33861	w/CCW Helix From Air Side	HMSA7	V
3.346	4.094	4.103	.354	33454	—	HMSA7	P
3.346	4.130	4.134	.433	33204	—	SLA1	PT
3.346	4.134	4.140	.341	34666	—	SLA1	PT
3.346	4.134	4.140	.394	33408	—	HMSA7	S
3.346	4.134	4.140	.394	33412	—	★CRW1	V
3.346	4.134	4.145	.472	33413	w/CCW Helix From Air Side	HMSA7	R
3.346	4.134	5.913	.394	33410	—	★CRW1	R
3.346	4.134	—	.472	563435	—	HMS5	RG
3.346	4.134	—	.472	563436	—	HMSA10	RG
3.346	4.134	—	.472	563437	w/Stainless Steel Spring	HMS5	V
3.346	4.134	—	.472	563438	w/Stainless Steel Spring	HMSA10	V
3.346	4.142	4.147	.512	33416	—	HMSA7	R
3.346	4.331	4.338	.394	33425	—	★CRW1	R
3.346	4.331	4.338	.394	33426	—	★CRWA1	V
3.346	4.331	4.342	.472	33428	—	HMS4	V
3.346	4.331	—	.472	564164	—	HMS5	RG
3.346	4.331	—	.472	564165	—	HMSA10	RG
3.346	4.331	—	.472	564166	—	HMS5	V
3.346	4.331	—	.472	564167	—	HMSA10	V
3.346	4.520	—	.510	33488	—	CRSH13	R
3.346	4.528	—	.472	563351	—	HMS5	RG
3.346	4.528	—	.472	563352	—	HMSA10	RG
3.346	4.528	—	.472	563353	w/Stainless Steel Spring	HMS5	V
3.346	4.528	—	.472	563354	w/Stainless Steel Spring	HMSA10	V
3.346	4.606	4.615	.334	33400A	w/CCW Helix From Air Side	HMSA7	P
3.346	4.724	4.731	.472	33555	—	★CRW1	R
3.346	4.724	—	.472	563359	—	HMS5	RG
3.346	4.724	—	.472	563360	—	HMSA10	RG
3.346	4.724	—	.472	563361	w/Stainless Steel Spring	HMS5	V
3.346	4.724	—	.472	563362	w/Stainless Steel Spring	HMSA10	V
3.346	5.039	5.047	.826	33460	P.F. Width .433	HMSA8	R
3.346	5.118	4.573	.472	33585	—	★CRW1	R
3.346	5.118	—	.472	562844	—	HMS5	RG
3.346	5.118	—	.472	562845	—	HMSA10	RG
3.346	5.118	—	.472	562846	w/Stainless Steel Spring	HMS5	V
3.346	5.118	—	.472	562847	w/Stainless Steel Spring	HMSA10	V
3.346	5.157	5.173	.630	33186A	—	HMSASPL	T
3.375	3.875	—	.063	451273	—	BUW	#
3.375	3.875	—	.250	711839	—	BV	R
3.375	3.875	—	.250	721575	—	BV	V
3.375	3.948	3.955	.375	33628	—	HMSA7	P
3.375	4.045	4.051	.500	33624	See Type J Section (HMSA Lip)	J-TYPE	R
3.375	4.125	4.130	.375	33645	—	★CRW1	R
3.375	4.125	4.130	.375	34647	—	★CRWA1	V
3.375	4.249	4.254	.438	33665	—	★CRWHA1	R
3.375	4.280	4.285	.406	33654	—	★CRWA1	S
3.375	4.376	4.381	.375	33699	—	★CRWA1	V
3.375	4.376	4.381	.375	33699	—	★CRWA1	V
3.375	4.376	4.381	.375	33700	—	★CRW1	R
3.375	4.376	4.381	.375	33701	—	★CRWA1	R
3.375	4.376	4.381	.438	33711	—	★CRWH1	R
3.375	4.376	4.381	.438	33712	—	★CRWHA1	R
3.375	4.386	4.690	.800	33751	—	HMSA97	V
3.375	4.501	4.506	.438	33733	—	★CRWA1	V
3.375	4.501	4.506	.438	33735	—	★CRWH1	R
3.375	4.501	4.506	.438	33775	—	★CRWH1	R
3.375	4.626	4.631	.438	33772	—	★CRWH1	R
3.375	4.626	4.631	.438	33773	—	★CRWHA1	R
3.375	4.686	4.691	.438	33807	—	CRWH1	R
3.375	4.999	5.004	.438	33837	—	CRWH1	R
3.375	5.251	5.256	.438	33866	—	★CRWHA1	R
3.386	4.134	4.145	.512	33862	—	HMS46	R

Size listing - Inches

Inch Shaft	Inch Bore	Inch O.D.	Inch Width	Inch Seal no.	Seal info. notes	Type & style	Lip code
3.392	3.900	3.900	.409	33640	—	Seal Cap	—
3.400	4.500	3.395	.281	34000	O.D. Listed Is Pressfit I.D.	★X14	V
3.425	3.937	3.948	.295	34115	w/CCW Helix From Air Side	HMSA7	V
3.425	3.937	3.948	.315	34120	w/CCW Helix From Air Side	HMSA7	S
3.425	4.331	—	.512	34251	—	CRSH13	R
3.438	4.249	4.254	.375	34256	—	★CRW1	R
3.438	4.501	4.506	.375	34279	—	★CRWA1	R
3.438	4.501	4.506	.438	34282	—	★CRWH1	R
3.438	4.501	4.506	.438	34283	—	★CRWHA1	R
3.438	4.626	4.631	.438	34336	—	★CRWH1	R
3.438	4.626	4.631	.438	34338	—	★CRWHA1	R
3.438	4.751	4.756	.438	34379	—	★CRWA1	R
3.438	4.756	4.761	.438	34383	—	★CRWH1	R
3.438	4.876	4.881	.438	34398	—	★CRWH1	R
3.438	4.999	5.004	.438	34408	—	★CRWHA1	R
3.438	4.999	5.004	.438	34407	—	★CRWH1	R
3.441	4.196	4.203	.711	34395	—	HMA1	R
3.465	4.094	4.104	.335	34663	—	HMSA7	V
3.465	4.252	4.268	.427	34611	w/CCW Helix From Air Side	HMS4	V
3.465	4.252	4.269	.453	34116	w/CCW Helix From Air Side	HMSA7	V
3.465	4.331	4.342	.472	34623	—	HMS4	R
3.465	4.724	—	.512	34653	—	CRSH13	R
3.469	4.626	4.631	.625	34700	—	CRSA1	R
3.500	3.995	—	.281	709022	—	WS	R
3.500	3.995	—	.281	712542	—	WS	V
3.500	4.000	4.005	.300	34835	—	HM1	R
3.500	4.000	—	.063	451065	—	BUW	#
3.500	4.000	—	.250	711841	—	BV	D
3.500	4.000	—	.250	721541	—	BV	V
3.500	4.003	4.008	.250	34840	—	★HM14	R
3.500	4.125	4.130	.250	34848	—	HM14	R
3.500	4.125	4.130	.250	546770	—	★HM14	V
3.500	4.125	—	.328	504285	—	SC	R
3.500	4.249	4.254	.438	34857	—	★CRWHA1	V
3.500	4.260	—	.500	35116	—	HMSA7S	RT
3.500	4.376	4.381	.375	34860	—	★CRW1	R
3.500	4.376	4.381	.375	34861	—	★CRWA1	R
3.500	4.376	4.381	.375	34866	—	★CRWA1	V
3.500	4.376	4.381	.433	34867	—	★CRWH1	R
3.500	4.376	4.381	.433	34869	—	★CRWHA1	V
3.500	4.376	4.381	.438	34868	—	★CRWHA1	R
3.500	4.438	3.495	.438	34890	—	X1	L
3.500	4.450	4.455	.531	34885	—	HM12	R
3.500	4.499	4.506	.500	34882	—	★HMSA25	V
3.500	4.501	4.506	.250	34967	—	HM21	R
3.500	4.501	4.506	.375	34883	—	★CRWA1	V
3.500	4.501	4.506	.375	34886	—	★CRW1	R
3.500	4.501	4.506	.375	34887	—	★CRWA1	R
3.500	4.501	4.506	.438	34889	—	★CRWHA1	R
3.500	4.501	4.506	.438	34888	—	★CRWH1	R
3.500	4.501	4.506	.438	34892	—	★CRWH1	V
3.500	4.501	4.506	.438	34891	—	CRWHA1	P
3.500	4.547	4.552	.740	34980	P.F. Width .640	★CRWHA2	R
3.500	4.626	4.631	.438	34985	—	★CRWH1	R
3.500	4.682	4.689	.451	34928	—	★HMSHA16	V
3.500	4.751	4.756	.250	35042	—	★HM21	R
3.500	4.751	4.756	.375	35039	—	★CRWA1	V
3.500	4.751	4.756	.375	35040	—	★CRWA1	P
3.500	4.751	4.756	.438	35012	—	★CRWH1	R
3.500	4.751	4.756	.438	35020	—	★CRWHA1	R
3.500	4.751	4.756	.625	35029	—	★CRWH1	R
3.500	4.842	4.848	.906	35062	P.F. Width .737	CRWHA2	R
3.500	4.999	5.004	.438	35080	—	★CRWA1	V
3.500	4.999	5.004	.438	35082	—	★CRWH1	R
3.500	4.999	5.004	.438	35083	—	★CRWHA1	P

Size listing - Inches

Inch Shaft	Inch Bore	Inch O.D.	Inch Width	Inch Seal no.	Seal info. notes	Type & style	Lip code
3.500	5.126	5.131	.438	35086	—	★CRWH1	R
3.500	5.126	5.131	.438	35095	—	★CRWHA1	R
3.500	5.251	5.256	.438	35096	—	★CRWH1	R
3.500	5.251	5.256	.750	35098	—	★CRWHA11	P
3.500	5.500	5.505	.500	35107	—	★CRSHA1	R
3.500	5.750	5.756	.798	35105	—	★HMSA25	V
3.500	5.751	5.756	.563	35111	—	★CRSH1	R
3.504	4.173	4.184	.354	35120	w/CCW Helix From Air Side	HMSA7	V
3.528	5.469	5.474	.654	35298	—	UNITIZE	R
3.543	4.094	4.098	.433	35836	—	HMSA7	VR
3.543	4.134	4.145	.394	35405	w/CCW Helix From Air Side	HMSA7	V
3.543	4.252	4.258	.394	35418	—	HMA7	P
3.543	4.291	4.302	.354	35407	w/CCW Helix From Air Side	HMSA35	V
3.543	4.331	4.330	.354	35540	—	HMSA7	P
3.543	4.331	4.338	.472	35414	—	HMSA7	R
3.543	4.331	4.338	.472	35410	—	★CRW1	R
3.543	4.331	4.341	.354	35409	w/CCW Helix From Air Side	HMSA7	S
3.543	4.331	4.342	.295	35439	—	HMSA7P2	R
3.543	4.331	4.342	.315	35428	—	HMS4	R
3.543	4.331	4.342	.354	37005	—	HMS4	R
3.543	4.331	4.342	.354	37008	—	HMSA7	R
3.543	4.331	6.307	.472	35412	—	★CRW1	V
3.543	4.331	—	.328	522353	—	SC	R
3.543	4.331	—	.394	563447	—	HMS5	RG
3.543	4.331	—	.394	563448	—	HMSA10	RG
3.543	4.331	—	.394	563449	—	HMS5	V
3.543	4.331	—	.394	563450	w/Stainless Steel Spring	HMSA10	V
3.543	4.331	—	.472	692639	—	HMS5	RG
3.543	4.331	—	.472	692641	—	HMSA10	RG
3.543	4.528	4.534	.472	35420	—	★CRWA1	R
3.543	4.528	4.539	.512	35422	w/CCW Helix From Air Side	HMSA7	P
3.543	4.528	—	.354	35453	—	CRSH11	R
3.543	4.528	—	.472	563045	—	HMS5	RG
3.543	4.528	—	.472	563047	w/Stainless Steel Spring	HMS5	V
3.543	4.528	—	.472	563048	w/Stainless Steel Spring	HMSA10	V
3.543	4.724	4.731	.472	35430	—	★CRW1	R
3.543	4.724	4.731	.472	35431	—	★CRW1	V
3.543	4.724	4.732	.512	35459	—	HMS4	R
3.543	4.724	—	.472	562810	—	HMS5	V
3.543	4.724	—	.472	562808	—	HMS5	RG
3.543	4.724	—	.472	562809	—	HMSA10	RG
3.543	4.724	—	.472	562811	w/Stainless Steel Spring	HMSA10	V
3.543	4.921	4.929	.472	35440	—	★CRW1	R
3.543	4.921	4.929	.472	35441	—	★CRW1	V
3.543	4.921	4.929	.512	35508	—	HMS4	R
3.543	4.921	4.929	.512	35511	—	HMSA7	R
3.543	4.921	4.930	.512	35477	—	CRSH1	R
3.543	5.118	5.126	.472	35450	—	★CRW1	R
3.543	5.512	5.520	.472	35481	—	★CRWA1	R
3.543	5.512	5.526	.512	35482	—	HMS4	R
3.543	6.299	6.307	.800	35495	P.F. Width .669 & 6.713 Flange	HMSHASP	R
3.543	8.700	8.705	.827	35112	—	SLA-SPL	PT
3.563	4.501	4.506	.438	35556	—	★CRWH1	R
3.563	4.626	4.631	.438	35593	—	★CRWH1	R
3.563	4.751	4.756	.438	35649	—	★CRWH1	R
3.563	4.876	4.881	.438	35676	—	★CRWH1	R
3.563	4.999	5.004	.438	35716	—	★CRWH1	R
3.574	4.758	4.763	.625	35810	—	★HMSA16	P
3.582	4.370	4.375	.374	35828	w/CCW Helix From Air Side	HMSA7	V
3.583	3.543	3.701	.118	90301A	—	O-RING	—
3.583	4.370	4.375	.394	35905	w/CCW Helix From Air Side	★HMSA1	V
3.620	4.626	4.631	.500	36120	—	★ALH1	S
3.622	3.543	3.740	.118	88077A	—	O-RING	—
3.622	3.543	3.740	.118	4A322	—	O-RING	—
3.622	4.304	4.309	.366	37444	—	HMSA92	V

Size listing - Inches

Inch Shaft	Inch Bore	Inch O.D.	Inch Width	Inch Seal no.	Seal info. notes	Type & style	Lip code
3.622	4.331	4.336	.374	36005	w/CCW Helix From Air Side	HMSA7	V
3.622	4.370	4.379	.315	36204	w/CCW Helix From Air Side	HMSA7	P
3.622	4.724	4.735	.472	36222	—	HMS46	R
3.622	4.724	4.735	.512	36013	—	HMS4	R
3.622	4.724	4.735	.551	36015	—	HMS4	R
3.625	4.235	4.240	.195	539171	—	SLINGER	R
3.625	4.240	4.256	.380	36147	w/CCW Helix From Air Side	HMSA7	V
3.625	4.376	4.381	.375	36153	—	★CRWA1	V
3.625	4.376	4.381	.375	36155	—	★CRWA1	R
3.625	4.376	4.381	.375	36157	—	★CRWH1	R
3.625	4.376	4.381	.375	36158	—	★CRWH1	P
3.625	4.500	3.619	.294	36172	O.D. Listed Is Pressfit I.D.	X15	R
3.625	4.501	4.506	.375	36166	—	★CRW1	R
3.625	4.626	4.631	.375	36177	—	★CRW1	R
3.625	4.626	4.631	.375	36179	—	★CRWA1	V
3.625	4.626	4.631	.438	36185	—	★CRWH1	R
3.625	4.626	4.631	.438	36186	—	★CRWHA1	R
3.625	4.695	3.620	.395	36221	O.D. Listed Is Pressfit I.D.	X13	R
3.625	4.751	4.756	.438	36220	—	★CRWH1	R
3.625	4.751	4.756	.500	36234	w/Stainless Steel Spring	★CRWA1	S
3.625	4.751	4.756	.500	36250	Helix-CW From Air Side	★SL1	T
3.625	4.839	4.844	.500	36289	—	P1	L
3.625	4.876	4.881	.375	36337	No Spring	CRW	R
3.625	4.876	4.881	.438	36314	—	★CRWH1	R
3.625	4.876	4.881	.750	36340	—	C8	RR
3.625	4.999	5.004	.375	36359	—	★CRWA1	V
3.625	4.999	5.004	.375	36361	—	★CRWA1	R
3.625	4.999	5.004	.438	36363	—	★CRWH1	R
3.625	4.999	5.004	.438	36364	—	★CRWHA1	R
3.625	5.251	5.256	.375	36382	—	★CRWA1	R
3.625	5.375	5.381	.438	36391	—	★CRWHA1	R
3.625	—	3.750	.625	86067	—	S1	—
3.630	—	3.280	.112	30192	—	ORING	—
3.661	4.331	4.340	.276	36621	—	HMSA7	V
3.661	4.488	4.501	.512	36614	w/CCW Helix From Air Side	HMSA7	V
3.661	6.063	6.067	.315	36650	See Type J Section (HMSA Lip)	J-TYPE	P
3.661	6.649	6.654	.449	36655	See Type J Section (HMA Lip)	J-TYPE	P
3.686	—	3.767	.625	86079	—	S7	—
3.688	4.501	4.506	.438	36740	—	★CRWHA1	R
3.688	4.751	4.756	.438	36770	—	★CRWH1	R
3.688	4.999	5.004	.438	36880	—	★CRWH1	R
3.688	5.126	5.131	.438	36895	—	★CRWA1	R
3.688	5.626	5.631	.438	36910	—	★CRWA1	R
3.740	4.331	4.337	.472	37440	—	HMS4	R
3.740	4.331	4.338	.394	37015	—	★CRW1	R
3.740	4.331	4.342	.354	37001	—	CRS1	R
3.740	4.440	4.580	.315	37795	w/CCW Helix From Air Side	HMSA7	V
3.740	4.528	4.534	.472	37025	—	★CRW1	R
3.740	4.528	4.539	.472	37026	—	★CRW1	V
3.740	4.528	5.322	.472	37027	—	CRSA1	R
3.740	4.528	—	.472	563189	—	HMS5	RG
3.740	4.528	—	.472	563190	—	HMSA10	RG
3.740	4.528	—	.472	563191	w/Stainless Steel Spring	HMS5	V
3.740	4.528	—	.472	563192	w/Stainless Steel Spring	HMSA10	V
3.740	4.646	4.656	.394	37030	w/CCW Helix From Air Side	HMSA7	S
3.740	4.646	4.669	.543	37400A	w/CCW Helix From Air Side	HMS-SPL	T
3.740	4.724	4.731	.472	37040	—	★CRW1	R
3.740	4.724	4.731	.472	37041	—	★CRW1	V
3.740	4.724	4.731	.472	37042	—	★CRWA1	V
3.740	4.724	4.754	.512	37439	—	HMSA7	R
3.740	4.724	—	.472	562880	—	HMS5	RG
3.740	4.724	—	.472	562881	—	HMSA10	RG
3.740	4.724	—	.472	562882	w/Stainless Steel Spring	HMS5	V
3.740	4.724	—	.472	562883	w/Stainless Steel Spring	HMSA10	V
3.740	4.921	4.929	.472	37050	—	★CRW1	R

Size listing - Inches

Inch Shaft	Inch Bore	Inch O.D.	Inch Width	Inch Seal no.	Seal info. notes	Type & style	Lip code
3.740	4.921	—	.472	562989	—	HMS5	RG
3.740	4.921	—	.472	562990	—	HMSA10	RG
3.740	4.921	—	.472	562991	w/Stainless Steel Spring	HMS5	V
3.740	4.921	—	.472	562992	w/Stainless Steel Spring	HMSA10	V
3.740	5.118	5.126	.472	37076	—	★CRW1	V
3.740	5.118	5.132	.472	37081	—	HMS4	R
3.740	5.118	5.135	.591	35455	—	HMSA7	R
3.740	5.196	5.206	.866	37408	P.F. Width .472	HMSA8	R
3.745	6.161	6.166	.305	37442	See Type J Section (HMA Lip)	J-TYPE	P
3.750	4.245	—	.281	709023	—	WS	R
3.750	4.250	—	.063	451068	—	BUW	#
3.750	4.250	—	.250	711844	—	BV	R
3.750	4.375	—	.328	504287	—	SC	R
3.750	4.376	4.381	.250	37320	—	★HM14	R
3.750	4.376	4.381	.250	37325	—	★HM14	V
3.750	4.500	4.517	.381	37338	w/CW Helix From Air Side	HMSA7	P
3.750	4.501	4.506	.375	37327	—	CRW1	R
3.750	4.501	4.506	.375	37328	—	★CRW1	V
3.750	4.501	4.506	.469	37330	—	★CRWHA1	P
3.750	4.501	4.517	.376	37341	w/CCW Helix From Air Side	HMS4	V
3.750	4.501	4.517	.380	37340	w/CCW Helix From Air Side	HMS4	S
3.750	4.502	4.506	.469	37332	—	★CRWHA1	V
3.750	4.532	4.537	.482	37504	—	HMA11	VT
3.750	4.573	4.579	.571	37507	—	S1	T
3.750	4.626	4.632	.500	37354	—	★CRSHA1	R
3.750	4.750	4.756	.438	37403	—	★CRWHA1	P
3.750	4.751	4.756	.375	37387	—	★CRW1	P
3.750	4.751	4.756	.375	37388	—	★CRW1	R
3.750	4.751	4.756	.375	37389	—	★CRWA1	R
3.750	4.751	4.756	.438	37390	—	★CRWA1	P
3.750	4.751	4.756	.438	37395	—	★CRWHA1	S
3.750	4.751	4.756	.438	37396	—	★CRWH1	R
3.750	4.751	4.756	.438	37405	—	★CRWH1	V
3.750	4.751	4.756	.500	37410	—	★HMSA24	V
3.750	4.751	4.756	.875	37381	—	★E3	RR
3.750	4.876	4.881	.438	37433	—	★CRWH1	R
3.750	4.999	5.004	.375	37524	—	★CRW1	V
3.750	4.999	5.004	.375	37525	—	★CRW1	R
3.750	4.999	5.004	.375	37526	—	★CRWA1	R
3.750	4.999	5.004	.438	37532	—	★CRWH1	R
3.750	4.999	5.004	.438	37533	—	★CRWHA1	R
3.750	5.251	5.256	.438	37574	—	★CRWH1	R
3.750	5.251	5.256	.438	37577	w/Stainless Steel Spring	★CRWH1	V
3.753	4.720	4.726	.821	37520	P.F. Width .571	★UNITIZE	V
3.772	4.567	4.572	.354	38196	w/CCW Helix From Air Side	HMSA7	R
3.779	4.567	4.576	.354	37570	w/CCW Helix From Air Side	HMSA7	V
3.780	4.606	4.614	.472	37825	w/CCW Helix From Air Side	HMSA7	S
3.813	4.501	4.506	.250	38040	—	★HD1	R
3.813	4.501	4.506	.250	38041	—	★HD1	V
3.813	4.999	5.004	.469	38160	—	CRSH1	R
3.813	5.251	5.256	.469	38220	—	CRSH1	R
3.819	4.331	4.364	.319	38119	—	HMSA7	V
3.819	4.724	—	.512	38191	—	CRSH11	R
3.858	4.331	4.344	.276	38883	w/CCW Helix From Air Side	HMSA7	V
3.858	4.527	4.541	.394	38617	—	SLA-SPL	VT
3.858	4.567	4.578	.394	38585	w/CCW Helix From Air Side	HMSA7	V
3.858	4.645	4.654	.394	38100	—	SLA1	PT
3.858	4.724	4.731	.472	38520	—	★CRW1	V
3.858	4.724	4.735	.512	38523	—	HMS4	R
3.858	4.921	4.935	.472	38581	—	HMS45	R
3.875	4.751	4.756	.375	38646	w/SS Case & Spring	★CRW1	R
3.875	4.751	4.756	.375	38647	—	★CRWA1	R
3.875	4.751	4.756	.375	38649	—	★CRWA1	V
3.875	4.751	4.756	.438	38653	—	★CRWH1	R
3.875	4.876	4.881	.438	38673	—	★CRWHA1	R

Size listing - Inches

Inch Shaft	Inch Bore	Inch O.D.	Inch Width	Inch Seal no.	Seal info. notes	Type & style	Lip code
3.875	4.876	4.881	.500	38669	—	★CRWH1	R
3.875	4.876	4.881	.500	38678	—	★CRWHA1	V
3.875	4.999	5.004	.375	38691	—	★CRW1	R
3.875	4.999	5.004	.375	38692	—	★CRWA1	R
3.875	4.999	5.004	.375	38694	—	★CRWA1	V
3.875	5.126	5.131	.438	38702	—	★CRWHA1	V
3.875	5.126	5.131	.438	38703	—	★CRWH1	R
3.875	5.126	5.131	.438	38713	—	★CRWA5	R
3.875	5.251	5.256	.438	38731	—	★CRWHA1	R
3.875	5.251	5.256	.438	38730	—	★CRWH1	R
3.875	5.251	5.257	.438	38739	—	★CRWHA1	P
3.875	5.376	5.381	.438	38745	—	★CRWH1	R
3.875	5.390	5.369	.375	38590	O.D. Listed Is Pressfit I.D.	X12	R
3.875	5.501	5.506	.500	38749	—	★CRSHA1	R
3.875	5.626	5.631	.433	38758	—	★CRWHA1	R
3.875	5.690	5.695	.500	38774	—	★CRWH1	R
3.875	5.690	5.695	.750	38777	—	CRSHA2	R
3.875	5.751	5.756	.563	38810	—	CRSH1	R
3.875	6.000	6.005	.625	38845	—	CRSA1	R
3.897	4.526	4.536	.394	38085	—	HMA1	V
3.898	4.680	4.690	.370	38770	—	HMSA7	VR
3.907	5.708	5.717	1.023	39070	P.F. Width .582	HMSA8	R
3.937	4.528	4.539	.354	39100	—	HMS4	R
3.937	4.646	4.651	.335	39369	—	HMSA7	V
3.937	4.724	4.731	.472	39120	—	★CRW1	R
3.937	4.724	4.731	.512	39387	—	CRSH1	R
3.937	4.724	4.737	.374	39361	—	HMSA7	V
3.937	4.724	4.929	.472	39125	—	★CRW1	V
3.937	4.724	—	.315	39384	—	CRS13	R
3.937	4.724	—	.394	562784	—	HMS5	RG
3.937	4.724	—	.394	562785	—	HMSA10	RG
3.937	4.724	—	.394	562786	w/Stainless Steel Spring	HMS5	V
3.937	4.724	—	.394	562787	w/Stainless Steel Spring	HMSA10	V
3.937	4.724	—	.472	565294	—	HMSA10	RG
3.937	4.724	—	.472	562668	—	HMS5	RG
3.937	4.724	—	.472	562670	w/Stainless Steel Spring	HMS5	V
3.937	4.724	—	.472	562671	w/Stainless Steel Spring	HMSA10	V
3.937	4.882	4.895	.512	39367	w/CCW Helix From Air Side	HMSA7	V
3.937	4.921	4.929	.472	39135	—	★CRW1	R
3.937	4.921	4.929	.472	39139	—	HMS4	R
3.937	4.921	4.929	.512	39142	—	HMS4	R
3.937	4.921	5.322	.472	39136	—	★CRW1	V
3.937	4.921	—	.472	562803	—	HMSA10	V
3.937	4.921	—	.472	562800	—	HMS5	RG
3.937	4.921	—	.472	562801	—	HMSA10	RG
3.937	4.921	—	.472	562802	w/Stainless Steel Spring	HMS5	V
3.937	5.118	5.126	.472	39155	—	★CRW1	R
3.937	5.118	5.132	.394	39399	—	HMS46	R
3.937	5.118	—	.472	562628	—	HMS5	RG
3.937	5.118	—	.472	562629	—	HMSA10	RG
3.937	5.118	—	.472	562630	w/Stainless Steel Spring	HMS5	V
3.937	5.118	—	.472	562631	w/Stainless Steel Spring	HMSA10	V
3.937	5.315	3.943	.472	39170	—	★CRWA1	R
3.937	5.315	5.318	.512	39406	—	HMS47	R
3.937	5.512	5.520	.472	39180	—	★CRWA1	R
3.937	5.512	—	.472	563909	—	HMS5	RG
3.937	5.512	—	.472	563910	—	HMSA10	RG
3.937	5.512	—	.472	563911	w/Stainless Steel Spring	HMS5	V
3.937	5.512	—	.472	563912	w/Stainless Steel Spring	HMSA10	V
3.937	5.906	—	.472	563451	—	HMS5	RG
3.937	5.906	—	.472	563452	—	HMSA10	RG
3.937	5.906	—	.472	563453	w/Stainless Steel Spring	HMS5	V
3.937	5.906	—	.472	563454	w/Stainless Steel Spring	HMSA10	V
3.938	4.876	4.881	.438	39245	—	★CRWH1	R
3.938	4.999	5.004	.438	39275	—	★CRWH1	R

Size listing - Inches

Inch Shaft	Inch Bore	Inch O.D.	Inch Width	Inch Seal no.	Seal info. notes	Type & style	Lip code
3.938	4.999	5.004	.438	39276	—	★CRWH1	V
3.938	4.999	5.004	.438	39277	w/SS Case & Spring	★CRWH1	R
3.938	5.126	5.131	.472	39304	—	★CRWHA1	V
3.938	5.251	5.256	.438	39320	—	★CRWH1	R
3.938	5.372	5.377	1.031	39385	P.F. Width .527	CRWH2	R
3.938	5.375	5.381	.438	39350	—	★CRWH1	R
3.938	5.501	5.506	.438	39423	—	★CRWH1	R
3.976	4.488	4.494	.394	39760	—	HMSA1	R
4.000	4.495	—	.281	709024	—	WS	R
4.000	4.495	—	.281	714884	—	WS	V
4.000	4.500	—	.063	451266	—	BUW	#
4.000	4.500	—	.250	704009	—	BV	R
4.000	4.501	4.506	.250	39835	—	★HM14	R
4.000	4.562	4.568	.375	39838	—	HMS2	P
4.000	4.625	—	.328	504289	—	SC	R
4.000	4.876	4.881	.250	39860	—	★HM21	R
4.000	4.876	4.881	.438	39851	—	★CRW1	R
4.000	4.999	5.004	.250	39961	—	★HM21	R
4.000	4.999	5.004	.375	39895	—	★CRW1	P
4.000	4.999	5.004	.375	39921	—	★CRWA1	V
4.000	4.999	5.004	.375	39922	—	★CRW1	R
4.000	4.999	5.004	.375	39923	—	★CRWA1	R
4.000	4.999	5.004	.438	39930	—	★CRWHA1	P
4.000	4.999	5.004	.438	39932	—	★CRWH1	V
4.000	4.999	5.004	.438	39933	—	★CRWH1	R
4.000	4.999	5.004	.438	39934	—	★CRWHA1	R
4.000	4.999	5.004	.438	39935	—	★CRWH1	S
4.000	4.999	5.004	.438	39946	—	★D5	SS
4.000	5.126	5.131	.438	39975	—	★CRWH1	R
4.000	5.251	5.256	.438	39996	—	★CRWH1	V
4.000	5.251	5.256	.438	39997	—	★CRWH1	R
4.000	5.251	5.256	.438	40000	—	★CRWA1	R
4.000	5.310	5.315	.500	40020	—	★CRWHA1	R
4.000	5.376	5.381	.438	40036	—	★CRWH1	R
4.000	5.501	5.506	.438	40049	—	★CRWH1	R
4.000	5.626	5.631	.375	40077	—	★CRWA1	R
4.000	5.626	5.631	.438	40078	—	★CRWH1	R
4.000	5.751	5.756	.438	40108	—	★CRWH1	R
4.000	5.813	3.985	.500	40131	O.D. Listed Is Pressfit I.D.	X	R
4.000	6.001	6.007	.500	40138	—	★CRWH1	R
4.000	6.250	6.256	.500	40158	—	★CRWH1	R
4.012	5.693	5.698	.813	40210	—	★HMSA16	P
4.016	4.567	1.108	.551	40151	—	HMSA1	R
4.016	5.118	5.132	.512	40248	—	HMS4	R
4.050	5.501	5.506	.550	40360	w/5.750 Flange	★CRWH6	R
4.063	5.390	4.057	.375	40510	O.D. Listed Is Pressfit I.D.	X12	R
4.125	4.999	5.004	.438	41125	—	★CRWH1	R
4.125	4.999	5.004	.438	41126	—	CRWH1	V
4.125	5.126	5.131	.438	41170	—	★CRWH1	R
4.125	5.126	5.131	.438	41171	—	★CRWH1	V
4.125	5.251	5.256	.438	41185	—	★CRWH1	R
4.125	5.251	5.256	.438	41186	—	★CRWH1	V
4.125	5.501	5.506	.438	41265	—	★CRWH1	R
4.125	5.751	5.756	.438	41287	—	★CRWH1	R
4.125	6.001	6.007	.438	41305	—	★CRWH1	R
4.125	6.001	6.007	.438	41307	—	★CRWH1	V
4.134	4.724	4.733	.433	41401	—	HMSA7S	S
4.134	4.724	—	.315	41340	—	CRSA13	R
4.134	4.921	4.929	.512	41367	—	HMS4	R
4.134	4.921	5.322	.472	41411	—	CRS1	R
4.134	4.921	—	.512	41370	—	HMSA7	R
4.134	5.118	5.126	.472	41426	—	★CRW1	V
4.134	5.118	5.126	.472	41425	—	★CRW1	R
4.134	5.118	—	.472	564168	—	HMS5	RG
4.134	5.118	—	.472	564169	—	HMSA10	RG

Size listing - Inches

Inch Shaft	Inch Bore	Inch O.D.	Inch Width	Inch Seal no.	Seal info. notes	Type & style	Lip code
4.134	5.118	—	.472	564170	—	HMS5	V
4.134	5.118	—	.472	564171	—	HMSA10	V
4.134	5.315	4.850	.472	41440	—	★CRWA1	R
4.134	5.315	5.332	.197	41443	—	HMSA7	R
4.134	5.315	—	.512	41352	—	CRSH11	R
4.134	5.512	5.520	.472	41455	—	★CRWA1	R
4.134	5.512	—	.472	563391	—	HMS5	RG
4.134	5.512	—	.472	563392	—	HMSA10	RG
4.134	5.512	—	.472	563393	w/Stainless Steel Spring	HMS5	V
4.134	5.512	—	.472	563394	w/Stainless Steel Spring	HMSA10	V
4.134	5.905	—	.591	41360	—	CRSH11	R
4.134	6.299	6.307	.472	41475	—	★CRW1	R
4.165	5.625	6.800	.210	41555	See Type J Section (HMA Lip)	J55PLIT	R
4.166	5.501	5.506	.600	41550	—	★HMSHA3	R
4.188	4.999	5.004	.469	41751	—	CRSHA1	R
4.188	5.251	5.256	.469	41761	—	CRSH1	R
4.188	5.501	5.506	.500	41813	—	★HMSHA3	R
4.188	5.501	5.506	.500	41814	—	★HMSHA3	V
4.188	5.751	5.756	.500	41833	—	CRSHA1	R
4.213	4.843	4.338	.433	42120	—	CRSA1	R
4.213	5.118	5.123	.394	42612	—	SLA1	PT
4.213	5.118	—	.512	42130	—	CRSH11	R
4.250	4.745	—	.281	709025	—	WS	R
4.250	4.750	—	.063	451276	—	BUW	#
4.250	4.750	—	.250	711845	—	BV	R
4.250	4.813	4.817	.313	42340	—	HM14	R
4.250	4.875	—	.328	504291	—	SC	R
4.250	5.126	5.131	.250	42380	—	★HM21	R
4.250	5.251	5.256	.250	42470	—	★HM21	R
4.250	5.251	5.256	.375	42419	—	★CRWA1	R
4.250	5.251	5.256	.375	42422	—	★CRW1	S
4.250	5.251	5.256	.438	42426	—	★CRWH1	R
4.250	5.251	5.256	.438	42427	—	★CRWHA1	R
4.250	5.251	5.256	.438	42433	—	★CRWH1	V
4.250	5.251	5.257	.374	42504	—	★CRWA1	V
4.250	5.373	5.378	.438	42474	—	★CRWA1	V
4.250	5.376	5.381	.438	42475	—	★CRWH1	R
4.250	5.501	5.506	.438	42528	—	★CRWH1	R
4.250	5.501	5.506	.750	42540	—	C8	RR
4.250	5.626	5.631	.438	42557	—	★CRWA1	R
4.250	5.751	5.756	.438	42573	—	★CRWH1	R
4.250	5.876	5.881	.500	42592	w/Stainless Steel Spring	★CRWH1	V
4.250	6.001	6.007	.500	42616	—	★CRWH1	R
4.250	6.126	6.132	.500	42635	—	★CRWH1	R
4.250	6.250	6.256	.500	42644	—	★CRWH1	R
4.250	—	4.375	.750	86071	—	S1	—
4.252	5.118	5.121	.512	42520	—	CRSH1	R
4.313	5.501	5.506	.433	43072	—	★CRWHA1	P
4.313	5.501	5.506	.438	43073	—	★CRWHA1	R
4.313	5.751	5.756	.500	43231	—	CRSH1	R
4.313	6.250	6.256	.500	43201	—	HMSH1	R
4.330	5.118	5.130	.396	43306	—	HMSA7	V
4.331	5.039	5.053	.354	43313	—	CRSA13	R
4.331	5.118	5.126	.472	43303	—	HMS4	R
4.331	5.118	5.126	.472	43310	—	★CRW1	R
4.331	5.118	5.126	.472	43311	—	★CRW1	V
4.331	5.118	5.128	.512	43382	—	SL1-SPL	T
4.331	5.118	5.132	.492	43470	—	SLA1	T
4.331	5.118	—	.472	562632	—	HMS5	RG
4.331	5.118	—	.472	562633	—	HMSA10	RG
4.331	5.118	—	.472	562634	w/Stainless Steel Spring	HMS5	V
4.331	5.118	—	.472	562635	w/Stainless Steel Spring	HMSA10	V
4.331	5.315	5.322	.472	43326	—	★CRW1	V
4.331	5.315	5.329	.472	43327	—	HMS4	R
4.331	5.512	5.520	.472	43338	—	★CRW1	V

Size listing - Inches

Inch Shaft	Inch Bore	Inch O.D.	Inch Width	Inch Seal no.	Seal info. notes	Type & style	Lip code
4.331	5.512	5.520	.472	43340	—	★CRW1	R
4.331	5.512	—	.472	563085	—	HMS5	RG
4.331	5.512	—	.472	563086	—	HMSA10	RG
4.331	5.512	—	.472	563087	w/Stainless Steel Spring	HMS5	V
4.331	5.512	—	.472	563088	w/Stainless Steel Spring	HMSA10	V
4.331	5.626	5.631	.472	43345	—	★CRWHA1	V
4.331	5.709	5.716	.472	43355	—	★CRW1	R
4.331	5.709	5.726	.591	43357	—	HMSA7	R
4.331	5.906	—	.472	563913	—	HMS5	RG
4.331	5.906	—	.472	563914	—	HMSA10	RG
4.331	5.906	—	.472	563915	w/Stainless Steel Spring	HMS5	V
4.331	5.906	—	.472	563916	w/Stainless Steel Spring	HMSA10	V
4.331	6.299	.557	.472	43390	—	★CRWH1	R
4.374	5.737	5.742	—	43746	—	SPLIT	R
4.375	5.373	4.370	.570	44269	—	X1	V
4.375	5.375	5.381	.438	43650	—	★CRWH1	R
4.375	5.376	5.381	.438	43650	—	★CRWH1	R
4.375	5.501	5.506	.438	43691	—	★CRWH1	R
4.375	5.751	5.756	.438	43751	—	★CRWH1	R
4.375	5.907	5.912	.984	43762	P.F. Width .640	★CRWHA2	R
4.375	6.001	6.007	.500	43771	—	★CRWH1	R
4.375	6.063	6.069	.500	541974	—	CRWH1	R
4.375	6.250	6.256	.500	43820	—	★CRWH1	R
4.375	—	4.500	.750	86072	—	S1	—
4.400	5.230	5.235	.375	44000	w/CCW Helix From Air Side	HMSA7	P
4.409	5.512	5.526	.512	44094	—	HMS47	R
4.409	5.512	—	.512	44092	—	CRSA11	R
4.409	5.906	—	.591	44095	—	CRSH11	R
4.438	5.000	—	.281	712548	—	BV	V
4.438	5.501	5.506	.500	44275	—	★CRWH1	R
4.438	5.501	5.506	.500	44276	—	★CRWH1	V
4.438	5.751	5.756	.500	44295	—	★CRWH1	R
4.438	6.001	6.007	.500	44320	—	★CRWH1	R
4.438	6.250	6.256	.500	44350	—	★CRWH1	R
4.449	5.512	5.521	.512	44493	—	CRSH1	R
4.477	6.250	6.256	.500	44630	—	★CRWH1	R
4.481	—	4.572	.750	86047	—	S7	—
4.488	5.512	5.526	.512	44880	—	HMSA7	R
4.500	2.375	4.625	.625	86542	—	S1	—
4.500	4.995	—	.281	709026	—	WS	R
4.500	5.000	—	.063	451352	—	BUW	#
4.500	5.000	—	.250	711857	—	BV	D
4.500	5.125	—	.328	504293	—	SC	R
4.500	5.251	5.256	.438	44913	—	★CRWH1	R
4.500	5.251	5.256	.438	44917	—	★CRWHA1	V
4.500	5.376	5.381	.438	44920	—	★CRWH1	R
4.500	5.376	5.381	.438	44926	—	★CRWHA1	V
4.500	5.501	5.506	.250	45025	—	HM14	R
4.500	5.501	5.506	.375	44959	—	★CRW1	R
4.500	5.501	5.506	.375	44960	—	★CRWA1	R
4.500	5.501	5.506	.435	44980	w/Stainless Steel Spring	★CRWH1	V
4.500	5.501	5.506	.438	44967	—	★CRWH1	R
4.500	5.501	5.506	.438	44968	—	★CRWHA1	R
4.500	5.501	5.506	.438	44973	—	★CRWH1	V
4.500	5.626	5.631	.438	45032	—	★CRWH1	R
4.500	5.626	5.631	.438	45033	—	★CRWHA1	V
4.500	5.751	5.756	.375	45064	—	★CRWA1	V
4.500	5.751	5.756	.438	45069	—	★CRWH1	R
4.500	5.751	5.756	.438	45070	—	★CRWHA1	R
4.500	6.001	6.007	.500	45110	—	★CRWH1	R
4.500	6.001	6.007	.500	45111	—	★CRWHA1	R
4.500	6.001	6.007	.500	45112	—	★CRWHA1	V
4.500	6.015	4.493	.550	44892	O.D. Listed Is Pressfit I.D.	X12	R
4.500	6.126	6.132	.563	45140	—	★CRWH1	R
4.500	6.250	6.256	.500	45150	—	★CRWH1	R

Size listing - Inches

Inch Shaft	Inch Bore	Inch O.D.	Inch Width	Inch Seal no.	Seal info. notes	Type & style	Lip code
4.500	6.409	4.494	.415	45161	O.D. Listed Is Pressfit I.D.	X12	D
4.528	5.315	5.520	.472	45210	—	★CRW1	R
4.528	5.512	5.520	.472	45226	—	★CRW1	R
4.528	5.512	5.520	.472	45222	—	★CRW1	V
4.528	5.512	—	.472	562916	—	HMS5	RG
4.528	5.512	—	.472	562917	—	HMSA10	RG
4.528	5.512	—	.472	562918	w/Stainless Steel Spring	HMS5	V
4.528	5.512	—	.472	562919	w/Stainless Steel Spring	HMSA10	V
4.528	5.709	5.716	.472	45230	—	★CRW1	R
4.528	5.709	5.726	.551	45233	—	HMSA7	R
4.528	5.905	5.913	.472	45250	—	★CRW1	R
4.528	6.142	6.150	1.063	45280	P.F. Width .614	HMSA8	R
4.528	6.299	6.307	.472	45290	—	★CRW1	R
4.563	5.751	5.756	.500	45550	—	CRSHA1	R
4.563	6.250	6.256	.500	45560	—	CRSH1	R
4.606	6.850	6.860	1.063	46060	P.F. Width .614	HMSA8	R
4.625	5.501	5.506	.500	46125	—	★ALH1	S
4.625	5.626	5.631	.500	46144	—	★CRWH1	R
4.625	5.626	5.631	.500	46155	—	★CRWH1	V
4.625	5.751	5.756	.500	46200	—	★CRWH1	R
4.625	5.751	5.756	.500	46208	—	★CRWH1	S
4.625	6.001	6.007	.500	46285	—	★CRWH1	R
4.625	6.186	6.190	1.250	46309	—	HMSA8	R
4.625	6.250	6.256	.500	46324	—	★CRWH1	R
4.625	6.623	6.629	1.093	46396	—	★OILBATH	R
4.625	6.623	6.629	1.094	46395	P.F. Width .484	★CRWA79	R
4.625	—	4.750	.750	86073	—	S1	—
4.646	4.705	4.710	.625	84041	—	S1	—
4.646	5.512	—	.512	46460	—	CRSH11	R
4.688	5.250	—	.063	451491	—	BUW	#
4.688	5.250	—	.281	711846	—	BV	R
4.688	5.751	5.756	.250	46851	—	★HD1	R
4.688	5.751	5.756	.512	46770	—	CRWH1	S
4.688	5.751	5.756	.512	46800	—	★CRWH1	R
4.688	6.000	6.006	.375	648	—	FELT	F
4.688	6.001	6.007	.266	46920	—	★HD1	P
4.688	6.001	6.007	.380	46935	P.F. Width .281	★HMSW90	P
4.688	6.250	6.256	.500	46950	—	★CRWH1	R
4.724	5.512	4.140	.472	47210	—	★CRWA1	R
4.724	5.512	—	.472	562848	—	HMS5	RG
4.724	5.512	—	.472	562849	—	HMSA10	RG
4.724	5.512	—	.472	562850	w/Stainless Steel Spring	HMS5	V
4.724	5.512	—	.472	562851	w/Stainless Steel Spring	HMSA10	V
4.724	5.709	5.716	.472	47230	—	★CRW1	R
4.724	5.709	5.722	.472	47225	—	HMS4	R
4.724	5.906	5.912	.591	47264	—	CRSH1	R
4.724	5.906	5.913	.472	47250	—	★CRW1	R
4.724	5.906	—	.472	565295	w/Stainless Steel Spring	HMS5	V
4.724	5.906	—	.472	562644	—	HMS5	RG
4.724	5.906	—	.472	562645	—	HMSA10	RG
4.724	5.906	—	.472	562647	w/Stainless Steel Spring	HMSA10	V
4.724	6.102	6.119	.630	47273	—	HMSA7	R
4.724	6.299	6.307	.472	47291	—	★CRWH1	R
4.724	6.299	6.307	.591	47272	—	CRSH11	R
4.724	6.299	—	.472	563544	—	HMS5	RG
4.724	6.299	—	.472	563545	—	HMSA10	RG
4.724	6.299	—	.472	563546	w/Stainless Steel Spring	HMS5	V
4.724	6.299	—	.472	563547	w/Stainless Steel Spring	HMSA10	V
4.750	5.375	5.380	.313	47378	—	★HM14	R
4.750	5.749	5.754	.438	47375	—	★CRW1	P
4.750	5.751	5.756	.500	47379	—	★CRW1	V
4.750	5.751	5.756	.500	47382	w/Stainless Steel Spring	★CRWA1	V
4.750	5.751	5.756	.500	47383	—	★CRW1	R
4.750	5.751	5.756	.500	47394	—	★CRWH1	R
4.750	5.751	5.756	.500	47395	—	★CRWA1	R

Size listing - Inches

Inch Shaft	Inch Bore	Inch O.D.	Inch Width	Inch Seal no.	Seal info. notes	Type & style	Lip code
4.750	5.875	5.881	.500	47441	—	★CRWH1	R
4.750	6.001	6.007	.500	47474	—	★CRWH1	R
4.750	6.001	6.007	.500	47475	—	★CRWHA1	R
4.750	6.001	6.007	.500	47481	—	★CRW1	V
4.750	6.002	4.745	.300	47455	—	X15	R
4.750	6.250	6.256	.500	47583	—	★CRWH1	R
4.750	6.250	6.256	.500	47586	—	★CRWHA1	V
4.750	6.250	6.256	.610	47591	—	★HMSA24	R
4.750	6.619	6.625	1.181	47660	P.F. Width .550	★HMSA28	R
4.766	—	—	.875	68016	—	S3	—
4.803	5.905	5.919	.591	48031	—	HMSA75	R
4.803	5.905	—	.512	48030	—	CRSH13	R
4.811	5.543	5.551	.472	48046	w/CCW Helix From Air Side	HMSA7	V
4.813	5.751	5.756	.563	48060	—	★CRWH1	P
4.813	5.751	5.756	.563	48062	—	★CRWH1	V
4.813	5.751	5.756	.563	48065	—	★CRWH1	S
4.813	5.755	5.760	.750	48075	—	★D7	PP
4.875	5.501	5.506	.250	48650	—	HM14	R
4.875	6.001	6.007	.500	48689	—	★CRWHA1	R
4.875	6.001	6.007	.500	48692	—	★CRWH1	V
4.875	6.001	6.007	.500	48693	—	★CRWH1	R
4.875	6.126	6.132	.500	48726	—	★CRWH1	R
4.875	6.250	6.256	.500	48768	—	★CRWHA1	R
4.875	6.250	6.256	.500	48769	—	★CRWH1	R
4.875	6.375	6.381	.516	48883	—	CRW3	R
4.875	6.440	6.446	.500	48886	P.F. Width .375 w/6.735 Flange	★HMS14	R
4.875	—	5.000	.715	86082	—	S1	—
4.875	—	5.000	.750	86075	—	S1	—
4.881	6.693	4.878	.571	48881	O.D. Listed Is Pressfit I.D.	X14	R
4.902	6.309	6.316	.709	49050	w/6.695 Flange	★CRWA3	R
4.902	7.085	4.896	.475	49060	O.D. Listed Is Pressfit I.D.	X12	R
4.921	5.748	5.795	.551	49208	—	CRSA1	P
4.921	5.905	5.913	.472	49210	—	★CRW1	R
4.921	5.905	5.913	.472	49211	—	★CRW1	V
4.921	5.906	—	.472	562732	—	HMS5	RG
4.921	5.906	—	.472	562733	—	HMSA10	RG
4.921	5.906	—	.472	562734	w/Stainless Steel Spring	HMS5	V
4.921	5.906	—	.472	562735	w/Stainless Steel Spring	HMSA10	V
4.921	6.102	6.110	.551	49240	—	HMS1	R
4.921	6.102	6.119	.551	49243	—	HMSA7	R
4.921	6.299	6.307	.472	49270	—	★CRW1	R
4.921	6.299	6.313	.472	49268	—	HMS4	R
4.921	6.375	6.381	.500	49274	—	★CRWHA1	V
4.921	6.693	6.701	.591	49235	—	HMSA7	R
4.938	5.500	—	.281	711848	—	BV	R
4.938	6.001	6.007	.500	49251	—	★CRWH1	R
4.938	6.250	6.256	.500	49301	—	★CRWH1	R
4.961	5.787	3.471	.433	49600	—	CRSA1	R
5.000	5.495	—	.281	709029	—	WS	R
5.000	5.495	—	.281	712128	—	WS	V
5.000	5.563	—	.281	712138	—	BV	V
5.000	5.751	5.756	.500	49920	w/Stainless Steel Spring	★HMS1	V
5.000	6.000	6.006	.500	49935	—	★AL1	S
5.000	6.001	6.007	.500	49927	—	★CRWHA1	V
5.000	6.001	6.007	.500	49928	—	★CRWH1	R
5.000	6.001	6.007	.500	49929	—	★CRWHA1	R
5.000	6.125	6.131	.500	49951	—	★HDW1	R
5.000	6.126	6.132	.500	49960	—	★CRW1	V
5.000	6.250	6.256	.250	50070	—	★HM21	R
5.000	6.250	6.256	.500	49966	—	★CRWH1	R
5.000	6.250	6.256	.500	49984	—	★CRW1	R
5.000	6.250	6.256	.500	49985	—	★CRWA1	R
5.000	6.250	6.256	.500	49990	—	CRWH1	P
5.000	6.250	6.256	.500	49991	—	★CRWH1	V
5.000	6.250	6.256	.500	49998	—	★CRWHA1	R

Size listing - Inches

Inch Shaft	Inch Bore	Inch O.D.	Inch Width	Inch Seal no.	Seal info. notes	Type & style	Lip code
5.000	6.375	6.381	.500	50130	—	★CRWH1	R
5.000	6.375	6.381	.500	50138	—	★CRWHA1	R
5.000	6.500	6.506	.500	50148	—	★CRWH1	R
5.000	6.500	6.506	.500	50151	—	★CRWH1	V
5.000	6.623	6.629	.906	50167	—	★CRWA79	R
5.000	6.750	6.756	.500	50168	—	★CRWH1	R
5.000	6.750	6.756	.500	50172	—	★CRWHA1	R
5.000	7.000	7.006	.500	50185	—	CRSHA1	R
5.000	7.125	7.131	.500	50186	—	★HDW1	R
5.000	7.500	7.506	.500	50195	—	CRSHA1	R
5.039	5.905	5.919	.512	50391	—	HMS47	R
5.039	5.905	5.919	.591	50600	—	HMS4	R
5.039	6.299	—	.591	50394	—	CRSH13	R
5.063	6.125	6.131	.500	50620	—	★HDW1	R
5.063	6.126	6.132	.500	50618	—	★CRWH1	R
5.063	6.375	6.381	.500	50650	—	★CRWH1	R
5.079	6.299	—	.591	50790	—	CRSH11	R
5.098	5.905	5.923	.571	51172	—	SL1	T
5.118	5.905	5.126	.394	51182	—	CRSA1	R
5.118	5.905	5.913	.551	51181	—	CRSA1	R
5.118	6.102	6.111	.394	51179	—	CRSH1	R
5.118	6.299	6.300	.512	51189	—	CRS1	R
5.118	6.299	6.306	.512	51190	—	CRSA1	R
5.118	6.299	6.307	.472	51142	—	★CRW1	V
5.118	6.299	6.307	.472	51125	—	★CRW1	R
5.118	6.299	—	.472	562768	—	HMS5	RG
5.118	6.299	—	.472	562769	—	HMSA10	RG
5.118	6.299	—	.472	562770	w/Stainless Steel Spring	HMS5	V
5.118	6.299	—	.472	562771	w/Stainless Steel Spring	HMSA10	V
5.118	6.299	—	.591	563315	—	HMS5	RG
5.118	6.299	—	.591	563316	—	HMSA10	RG
5.118	6.299	—	.591	563317	w/Stainless Steel Spring	HMS5	V
5.118	6.299	—	.591	563318	w/Stainless Steel Spring	HMSA10	V
5.118	6.693	6.700	.472	51180	—	★CRW1	R
5.118	6.693	6.701	.591	51143	—	HMS4	R
5.118	6.693	6.707	.472	51185	—	HMS4	V
5.118	6.693	—	.472	564776	—	HMS5	RG
5.118	7.087	—	.591	554474	—	CRSH13	R
5.125	5.750	—	.063	451293	—	BUW	#
5.125	6.126	6.132	.500	51240	—	★CRWHA1	R
5.125	6.126	6.132	.500	51243	—	★CRW1	V
5.125	6.126	6.132	.500	51247	—	★CRW1	R
5.125	6.250	6.256	.500	51252	—	★CRWHA1	R
5.125	6.250	6.256	.500	51253	—	★CRWA1	V
5.125	6.375	6.381	.500	51248	—	CRWH1	R
5.125	6.375	6.381	.500	51255	—	★CRWH1	V
5.125	6.500	6.506	.500	51276	—	CRSHA1	R
5.125	6.625	6.631	.500	51277	—	★HDW1	R
5.125	7.000	7.006	.500	533929	—	★HDW1	R
5.188	6.250	6.256	.500	51800	—	★HDW1	R
5.188	6.501	6.506	.625	51852	—	★CRWH1	V
—	5.237	5.443	.103	5C324	—	CRSA1	—
5.250	5.745	—	.281	709030	—	WS	R
5.250	6.001	6.007	.375	52440	—	★CRW1	R
5.250	6.001	6.007	.500	52443	—	★CRWH1	V
5.250	6.250	6.256	.500	52445	—	★CRWH1	R
5.250	6.250	6.256	.500	52447	—	★CRWH1	V
5.250	6.250	6.260	.250	52475	—	HM4	R
5.250	6.375	6.381	.500	52492	—	CRWHA1	R
5.250	6.375	6.381	.500	52498	—	★CRWHA1	V
5.250	6.500	6.506	.500	52488	—	★CRWH1	R
5.250	6.500	6.506	.500	52489	—	★CRWH1	V
5.250	6.750	6.756	.500	52648	—	★CRWH1	R
5.250	6.750	6.756	.500	52649	—	★CRWH1	V
5.250	6.750	6.756	.500	52651	—	★HDW1	R

Size listing - Inches

Inch Shaft	Inch Bore	Inch O.D.	Inch Width	Inch Seal no.	Seal info. notes	Type & style	Lip code
5.250	7.125	7.131	.500	52655	—	★HDW1	R
5.313	6.375	6.381	.500	53100	—	★HDW1	R
5.313	6.500	6.506	.500	53151	—	CRSHA1	R
5.315	6.299	6.313	.472	53135	—	HMS4	R
5.315	6.299	6.313	.512	53142	—	HMSA7	R
5.315	6.299	6.313	.512	53143	—	HMS4	R
5.315	6.299	6.313	.591	53140	—	HMS4	R
5.315	6.299	—	.512	53154	—	CRSH12	R
5.315	6.496	6.513	.551	53145	—	HMSA7	R
5.315	6.496	—	.512	53156	—	CRSH13	R
5.315	6.693	6.706	.591	53162	—	CRSH1	R
5.315	6.693	—	.472	563684	—	HMS5	RG
5.315	6.693	—	.472	563685	—	HMSA10	RG
5.315	6.693	—	.472	563686	w/Stainless Steel Spring	HMS5	V
5.315	6.693	—	.472	563687	w/Stainless Steel Spring	HMSA10	V
5.315	7.087	—	.591	53165	—	CRSH13	R
5.375	6.000	—	.313	711850	—	BV	D
5.375	6.000	—	.313	712549	—	BV	V
5.375	6.000	—	.313	721545	—	BV	V
5.375	6.374	6.380	.500	53688	—	★CRSHA1	R
5.375	6.499	6.507	.563	53692	—	CRSH1	R
5.375	6.625	6.631	.500	53701	70 Duro/185 Sirvene	★CRWH1	R
5.375	6.625	6.631	.500	53702	—	★CRWH1	V
5.375	6.750	6.756	.500	53771	—	★CRWH1	V
5.375	6.750	6.756	.500	53775	—	★CRWH1	R
5.375	6.876	6.882	1.000	53790	P.F. Width .375	★CRWHA2	R
5.433	5.984	5.994	.472	54330	—	CRSA1	R
5.438	6.625	6.631	.500	54300	—	★HDW1	R
5.500	5.995	—	.281	709031	—	WS	R
5.500	5.995	—	.281	712129	—	WS	V
5.500	6.125	—	.063	451495	—	BUW	#
5.500	6.127	—	.359	504297	—	SC	R
5.500	6.250	6.256	.500	54925	—	★CRWA1	R
5.500	6.310	6.316	1.188	54929	P.F. Width .500	★CRWHA9	R
5.500	6.499	6.505	1.063	54940	—	★CRWHA2	R
5.500	6.500	6.506	.500	54931	—	★CRWH1	R
5.500	6.500	6.506	.500	54934	—	★CRWH1	V
5.500	6.500	6.506	.500	54936	—	★CRWH1	P
5.500	6.626	6.632	.563	54949	—	CRSHA1	R
5.500	6.750	6.756	.500	54959	—	★CRW1	R
5.500	6.750	6.756	.500	54960	—	★CRWA1	R
5.500	6.750	6.756	.500	54971	—	★CRWHA1	R
5.500	6.750	6.756	.500	54972	—	★CRWH1	R
5.500	6.750	6.756	.500	54974	—	★CRWH1	V
5.500	6.876	6.882	.563	55157	—	CRSHA1	R
5.500	7.126	7.132	1.187	55172	—	OILBATH	R
5.500	7.250	7.256	.625	55175	P.F. Width .536 & 7.625 Flange	★CRSHA2	R
5.500	7.250	7.256	1.187	55177	—	OILBATH	R
5.500	7.501	7.507	.563	55179	—	CRSH1	R
5.512	6.299	6.307	.472	55115	—	★CRW1	R
5.512	6.299	—	.472	562640	—	HMS5	RG
5.512	6.299	—	.472	562641	—	HMSA10	RG
5.512	6.299	—	.472	562642	w/Stainless Steel Spring	HMS5	V
5.512	6.299	—	.472	562643	w/Stainless Steel Spring	HMSA10	V
5.512	6.496	6.510	.472	55134	—	HMS45	R
5.512	6.693	6.700	.472	55118	—	★CRW1	R
5.512	6.693	6.700	.472	55125	—	CRW1	V
5.512	6.693	—	.472	563692	—	HMS5	RG
5.512	6.693	—	.472	563693	—	HMSA10	RG
5.512	6.693	—	.472	563694	w/Stainless Steel Spring	HMS5	V
5.512	6.693	—	.472	563695	w/Stainless Steel Spring	HMSA10	V
5.512	6.693	—	.591	562708	—	HMS5	RG
5.512	6.693	—	.591	562709	—	HMSA10	RG
5.512	6.693	—	.591	562710	w/Stainless Steel Spring	HMS5	V
5.512	6.693	—	.591	562711	w/Stainless Steel Spring	HMSA10	V

Size listing - Inches

Inch Shaft	Inch Bore	Inch O.D.	Inch Width	Inch Seal no.	Seal info. notes	Type & style	Lip code
5.512	7.087	—	.472	563848	—	HMS5	RG
5.512	7.087	—	.472	563849	—	HMSA10	RG
5.512	7.087	—	.472	563850	w/Stainless Steel Spring	HMS5	V
5.512	7.087	—	.472	563851	w/Stainless Steel Spring	HMSA10	V
5.512	7.087	—	.591	55160	—	CRSA13	R
5.625	6.625	6.631	.500	56101	—	★CRWH1	R
5.625	6.625	6.631	.500	56102	—	★CRWH1	V
5.625	6.750	6.756	.750	56112	—	D5	VV
5.625	6.875	6.879	.500	56136	—	★CRWH1	R
5.625	6.875	6.881	.500	56137	—	★CRWH1	V
5.630	7.126	7.131	.500	56160	—	★CRWHA1	R
5.669	6.299	6.313	.472	56340	—	HMSA7	R
5.709	6.693	6.707	.591	57110	—	HMS4	R
5.709	6.693	6.711	.472	57088	—	HMSA7	R
5.709	6.693	6.711	.472	57088	—	HMSA7	R
5.709	6.693	—	.512	57094	—	CRSA11	R
5.709	6.693	—	.591	563531	w/Stainless Steel Spring	HMSA10	V
5.709	6.890	6.898	.551	57120	—	CRS1	R
5.709	6.890	6.904	.551	57146	—	HMS4	R
5.709	6.890	—	.591	563528	—	HMS5	RG
5.709	6.890	—	.591	563529	—	HMSA10	RG
5.709	6.890	—	.591	563530	w/Stainless Steel Spring	HMS5	V
5.709	7.087	7.100	.472	57125	—	HMS4	R
5.709	7.480	7.497	.630	57533	—	HMSA7	R
5.750	6.375	6.381	.250	57502	—	HMA1	R
5.750	6.625	6.631	.500	57505	—	★CRWH1	R
5.750	6.625	6.631	.500	57506	—	★CRW1	V
5.750	6.750	6.756	.500	57510	—	★CRWH1	R
5.750	6.750	6.756	.500	57522	—	★CRWH1	V
5.750	6.751	6.756	.500	57509	—	CRWHA1	R
5.750	6.751	7.006	.500	57521	—	★CRWH1	R
5.750	6.876	6.882	.563	57519	—	CRSHA1	R
5.750	7.000	7.006	.500	57523	—	★CRWH1	V
5.750	7.000	7.006	.500	57531	—	★CRWHA1	R
5.750	7.003	7.009	.250	57571	—	HMA21	R
5.750	7.126	7.132	.563	57578	—	CRSHA1	R
5.750	7.502	7.508	.563	57584	—	CRSHA1	R
5.827	6.693	—	.591	563824	—	HMS5	RG
5.827	6.693	—	.591	563825	—	HMSA10	RG
5.827	6.693	—	.591	563826	w/Stainless Steel Spring	HMS5	V
5.827	6.693	—	.591	563827	w/Stainless Steel Spring	HMSA10	V
5.875	6.875	6.881	.500	58709	w/Stainless Steel Spring	★HDW1	R
5.875	7.000	7.006	.500	58710	—	★HDW1	R
5.875	7.125	7.131	.500	58716	—	★CRWH1	R
5.875	7.125	7.131	.500	58717	—	★CRWH1	V
5.875	7.125	7.131	.500	58741	—	★CRWHA1	R
5.875	7.500	7.506	.500	58760	—	★CRWH1	R
5.905	6.693	6.702	.591	59062	—	CRSH1	R
5.905	7.087	7.102	.512	59065	—	CRSH1	R
5.905	7.480	—	.591	59071	—	CRSH13	R
5.906	7.087	—	.472	563227	—	HMS5	RG
5.906	7.087	—	.472	563228	—	HMSA10	RG
5.906	7.087	—	.472	563229	w/Stainless Steel Spring	HMS5	V
5.906	7.087	—	.472	563230	w/Stainless Steel Spring	HMSA10	V
5.906	7.087	—	.591	692651	—	HMS5	RG
5.906	7.087	—	.591	692652	—	HMS5	V
5.906	7.087	—	.591	692653	—	HMSA10	RG
5.906	7.087	—	.591	692654	—	HMSA10	V
5.938	6.801	6.806	1.125	59380	See Type J Section (HMSA Lip)	J2	R
5.938	7.000	7.006	.500	59300	—	★HDW1	R
6.000	6.750	6.756	.500	59997	w/CCW Helix From Air Side & Installation Slv.	★SL1	T
6.000	6.750	6.756	.500	59999	—	★CRWA1	V
6.000	6.750	6.756	.500	60000	—	★CRW1	V
6.000	7.002	7.008	.500	60006	—	★CRSHA1	R
6.000	7.126	7.132	.500	60012	—	★CRWHA1	R

Size listing - Inches

Inch Shaft	Inch Bore	Inch O.D.	Inch Width	Inch Seal no.	Seal info. notes	Type & style	Lip code
6.000	7.126	7.132	.500	60013	—	★CRWHA1	V
6.000	7.250	7.256	.500	60009	—	★HDW1	R
6.000	7.500	7.506	.250	60075	—	HM4	R
6.000	7.500	7.506	.500	60016	—	★CRWA1	R
6.000	7.500	7.506	.500	60026	—	★CRWHA1	V
6.000	7.500	7.506	.500	60028	—	★CRWHA1	R
6.062	6.772	6.779	.551	60620	—	CRSA1	R
6.063	6.890	6.898	.512	60622	—	CRSA1	R
6.063	7.500	7.506	.500	60650	—	★HDW1	R
6.102	7.087	—	.591	563901	—	HMS5	RG
6.102	7.087	—	.591	563902	—	HMSA10	RG
6.102	7.087	—	.591	563903	w/Stainless Steel Spring	HMS5	V
6.102	7.087	—	.591	563904	w/Stainless Steel Spring	HMSA10	V
6.102	7.480	7.494	.591	60920	—	HMS4	R
6.125	7.125	7.131	.500	61215	—	★HDW1	R
6.125	7.125	7.131	.550	61212	—	★CRWASPL	V
6.125	7.125	7.131	.625	61210	—	CRWH1	R
6.125	7.250	7.256	.500	61230	—	★HDW1	R
6.125	7.375	7.381	.500	61235	—	★HDW1	R
6.125	7.502	7.508	.563	61248	—	CRSHA1	R
6.125	7.625	7.631	.625	61255	—	CRWH1	R
6.125	7.625	7.631	.625	61256	—	CRWH1	P
6.151	7.865	7.870	—	61500	—	SPLIT	R
6.188	7.500	7.506	.563	61740	—	CRSH1	P
6.204	7.330	7.336	.500	62000	—	★ALH1	S
6.206	—	6.328	.813	86084	—	S1	—
6.220	7.087	7.094	.591	62200	—	CRSH13	R
6.250	7.250	7.256	.500	62480	—	★HDW1	R
6.250	7.252	7.258	.500	62482	—	CRWH1	R
6.250	7.500	7.506	.500	62495	—	CRWH1	R
6.250	7.500	7.506	.500	62497	—	★CRWH1	V
6.250	7.750	6.244	.350	62530	O.D. Listed Is Pressfit I.D.	X	R
6.250	7.750	7.756	.500	62535	—	★CRWH1	R
6.250	7.875	7.881	.625	62572	—	★CRWH1	R
6.299	7.087	—	.591	62989	—	CRSH13	R
6.299	7.283	7.297	.394	62930	—	HMS4	R
6.299	7.283	—	.591	563676	—	HMS5	RG
6.299	7.283	—	.591	563677	—	HMSA10	RG
6.299	7.283	—	.591	563678	w/Stainless Steel Spring	HMS5	V
6.299	7.283	—	.591	563679	w/Stainless Steel Spring	HMSA10	V
6.299	7.480	7.490	.591	62941	—	★CRW1	V
6.299	7.480	—	.512	62998	—	CRS11	R
6.299	7.480	—	.591	562588	—	HMS5	RG
6.299	7.480	—	.591	562589	—	HMSA10	RG
6.299	7.480	—	.591	562590	w/Stainless Steel Spring	HMS5	V
6.299	7.480	—	.591	562591	w/Stainless Steel Spring	HMSA10	V
6.299	7.874	8.669	.591	63005	—	HMSA7	R
6.375	7.000	—	.063	451066	—	BUW	#
6.375	7.000	—	.313	711852	—	BV	D
6.375	7.000	—	.313	712550	—	BV	V
6.375	7.375	7.381	.625	63700	—	★CRWH1	R
6.375	7.500	7.506	.500	63717	—	★HDW1	R
6.375	7.875	7.881	.563	63734	—	★CRWHA1	R
6.375	7.875	7.881	.625	63733	—	CRWH1	R
6.378	7.480	7.494	.472	63781	—	HMS46	R
6.438	7.500	7.506	.500	64330	—	★HDW1	R
6.496	7.480	7.494	.512	64500	—	HMS4	R
6.496	7.480	—	.512	64960	—	CRS13	R
6.496	7.480	—	.591	563812	—	HMS5	RG
6.496	7.480	—	.591	563813	—	HMSA10	RG
6.496	7.480	—	.591	563814	w/Stainless Steel Spring	HMS5	V
6.496	7.480	—	.591	563815	w/Stainless Steel Spring	HMSA10	V
6.496	7.874	—	.591	64964	—	CRSH11	R
6.500	6.707	6.708	.415	196	2 Ea. Rope Seal	Rope Seal	—
6.500	7.500	7.506	.500	64993	—	★CRWA1	R

Size listing - Inches

Inch Shaft	Inch Bore	Inch O.D.	Inch Width	Inch Seal no.	Seal info. notes	Type & style	Lip code
6.500	7.500	7.506	.500	64994	—	CRWH1	R
6.500	7.500	7.506	.500	64998	—	★CRWH1	V
6.500	8.000	8.007	.500	65021	—	★CRW1	R
6.500	8.000	8.007	.500	65037	—	CRWHA1	R
6.614	7.874	7.884	.591	66145	—	CRSH1	R
6.625	7.625	7.631	.500	66217	—	★HDW1	R
6.625	7.750	7.756	.500	66219	—	★HDW1	R
6.625	7.875	7.881	.500	66222	—	★HDW1	R
6.625	8.000	8.007	.500	66230	—	★HDW1	R
6.625	8.125	8.132	.500	66241	—	CRWH1	R
6.693	7.480	7.490	.591	66927	—	CRSH1	R
6.693	7.874	—	.591	692655	—	HMS5	RG
6.693	7.874	—	.591	692656	—	HMS5	V
6.693	7.874	—	.591	692657	—	HMSA10	RG
6.693	7.874	—	.591	692658	—	HMSA10	V
6.693	8.268	—	.591	66947	—	HMSA7	R
6.750	7.750	7.756	.500	67510	—	★HDW1	R
6.750	8.000	8.007	.500	67515	—	★CRWH1	R
6.750	8.250	8.257	.500	67533	—	CRWH1	R
6.750	8.750	8.758	.500	67600	—	★HDW1	R
6.875	8.250	8.258	.500	68730	—	★HDW1	R
6.875	8.375	8.382	.500	68745	—	CRWH1	R
6.875	8.500	8.508	.500	68760	—	★HDW1	R
6.890	7.874	7.888	.591	68800	—	HMS4	R
6.890	7.874	7.888	.591	68803	—	HMSA7	R
6.890	8.071	8.085	.591	68905	—	HMS4	R
7.000	8.000	8.007	.630	70016	—	★CRWH1	R
7.000	8.250	8.257	.625	70028	—	CRWH1	R
7.000	8.375	8.382	.625	70034	—	CRSHA1	R
7.000	8.500	8.507	.500	70080	—	★CRWA1	R
7.000	8.500	8.507	.625	70052	—	★CRWH1	R
7.000	8.500	8.507	.625	70053	—	★CRWHA1	R
7.000	8.500	8.507	.625	70054	—	★CRWHA1	V
7.008	8.465	—	.630	554655	—	CRSH11	R
7.087	7.874	7.884	.472	70801	—	CRS1	R
7.087	7.874	7.888	.591	70813	—	HMS4	R
7.087	8.268	8.297	.591	70803	—	HMS1	V
7.087	8.268	—	.591	562788	—	HMS5	RG
7.087	8.268	—	.591	562789	—	HMSA10	RG
7.087	8.268	—	.591	562790	w/Stainless Steel Spring	HMS5	V
7.087	8.268	—	.591	562791	w/Stainless Steel Spring	HMSA10	V
7.087	8.465	—	.591	70876	—	CRSHA13	R
7.125	8.250	8.258	.500	71220	—	★HDW1	R
7.125	8.625	8.632	.625	71245	—	CRWH1	R
7.250	8.250	8.257	.625	72515	—	CRW1	R
7.250	8.750	8.757	.625	72539	—	★CRWHA1	R
7.250	8.750	8.757	.750	72542	—	CRWH1	P
7.250	9.055	9.063	.625	72570	—	★CRWHA1	R
7.283	8.268	8.281	.512	72813	—	HMS4	R
7.283	8.465	—	.630	72832	—	CRSHA11	R
7.375	8.000	—	.063	451096	—	BUW	#
7.375	8.000	—	.313	711853	—	BV	D
7.375	8.000	—	.313	721548	—	BV	V
7.375	8.375	8.383	.500	73720	—	★HDW1	R
7.375	8.500	8.508	.500	73730	—	★HDW1	R
7.375	8.875	8.882	.625	73745	—	CRWH1	R
7.375	—	7.500	.875	86080	—	S1	—
7.402	8.465	8.474	.630	74800	—	★CRWH1	R
7.453	8.500	8.507	.750	74540	—	★ALH1	S
7.480	8.465	8.475	.630	74815	—	CRSH1	R
7.480	8.465	—	.591	74801	—	CRS13	R
7.480	8.661	—	.591	563089	—	HMS5	RG
7.480	8.661	—	.591	563090	—	HMSA10	RG
7.480	8.661	—	.591	563091	w/Stainless Steel Spring	HMS5	V
7.480	8.661	—	.591	563092	w/Stainless Steel Spring	HMSA10	V

Size listing - Inches

Inch Shaft	Inch Bore	Inch O.D.	Inch Width	Inch Seal no.	Seal info. notes	Type & style	Lip code
7.480	8.858	—	.591	563917	—	HMS5	RG
7.480	8.858	—	.591	563918	—	HMSA10	RG
7.480	8.858	—	.591	563919	w/Stainless Steel Spring	HMS5	V
7.480	8.858	—	.591	563920	w/Stainless Steel Spring	HMSA10	V
7.500	8.500	8.507	.625	75030	—	CRWH1	R
7.500	8.750	8.758	.500	75046	—	★HDW1	R
7.500	9.000	9.008	.625	75050	—	★CRWH1	R
7.500	9.000	9.008	.625	75052	—	★CRWHA1	P
7.500	9.250	9.258	.500	75069	—	★HDW1	R
7.625	8.625	8.631	.563	76215	—	CRWH1	R
7.625	8.875	8.883	.500	76225	—	★HDW1	R
7.625	9.125	9.133	.625	76255	—	CRWH1	R
7.677	8.661	—	.630	76770	—	CRSH13	R
7.750	8.750	8.758	.500	77506	—	★HDW1	R
7.750	9.250	9.258	.625	77540	—	CRWH1	R
7.874	9.055	9.069	.512	78742	—	HMSA7P2	R
7.874	9.055	—	.591	562904	—	HMS5	RG
7.874	9.055	—	.591	562905	—	HMSA10	RG
7.874	9.055	—	.591	562906	w/Stainless Steel Spring	HMS5	V
7.874	9.055	—	.591	562907	w/Stainless Steel Spring	HMSA10	V
7.874	9.055	—	.630	78745	—	CRS13	R
7.874	9.252	9.266	.591	78760	—	HMSA7	R
7.874	9.843	4.843	.591	78751	—	CRSH1	R
7.875	8.875	8.883	.500	78710	—	★HDW1	R
7.875	9.250	9.258	1.000	78725	—	CRWHA1	R
7.875	9.375	9.383	.625	78738	—	CRWH1	R
7.938	8.750	8.757	.344	79302	—	HM14	R
7.938	9.125	9.133	.500	79620	—	★HDW1	R
8.000	9.000	9.008	.625	79960	—	CRWH1	R
8.000	9.000	9.008	.625	79961	—	CRWHA1	R
8.000	9.250	9.258	.625	79997	—	CRWH1	R
8.000	9.250	9.258	.625	79998	—	★CRWHA1	R
8.000	9.500	9.508	.625	80010	—	★CRWH1	R
8.000	10.000	10.008	.625	80038	—	CRWHA1	R
8.071	9.055	—	.591	78757	—	CRS11	R
8.125	10.125	10.133	.625	81245	—	CRWH1	R
8.125	10.125	10.133	.625	81246	—	CRWHA1	R
8.125	—	8.250	1.470	86086	—	S1	—
8.250	9.250	9.258	.625	82510	—	CRWH1	R
8.250	9.252	9.260	.500	82527	—	★CRWH1	R
8.250	9.500	9.500	.570	541405	—	CRW1	R
8.250	10.250	10.258	.625	82560	—	CRWH1	R
8.268	9.449	—	.591	563475	—	HMS5	RG
8.268	9.449	—	.591	563476	—	HMSA10	RG
8.268	9.449	—	.591	563477	w/Stainless Steel Spring	HMS5	V
8.268	9.449	—	.591	563478	w/Stainless Steel Spring	HMSA10	V
8.268	9.843	9.852	.591	82607	—	HMS4	R
8.465	9.449	9.463	.472	84650	—	HMS47	R
8.465	9.842	9.856	.630	84651	—	HMS47	R
8.500	9.750	9.758	.625	85002	—	★CRWH1	R
8.500	10.000	10.008	.630	85009	—	CRWH1	R
8.500	10.500	10.508	.625	85015	—	CRWH1	R
8.500	10.625	10.633	.625	85085	—	CRWHA1	R
8.625	10.625	10.633	.625	86260	—	CRWH1	R
8.661	9.843	9.852	.630	86617	—	CRWH1	R
8.661	9.843	—	.591	563303	—	HMS5	RG
8.661	9.843	—	.591	563304	—	HMSA10	RG
8.661	9.843	—	.591	563305	w/Stainless Steel Spring	HMS5	V
8.661	9.843	—	.591	563306	w/Stainless Steel Spring	HMSA10	V
8.750	10.750	10.758	.625	87541	—	CRWH1	R
8.875	10.125	10.133	.625	88710	—	CRWH1	R
8.875	10.875	10.883	.625	88760	—	CRWH1	R
9.000	10.000	10.008	.625	90006	—	CRWH1	R
9.000	11.000	11.008	.625	90036	—	CRWH1	R
9.055	10.236	—	.591	563263	—	HMS5	RG

Size listing - Inches

Inch Shaft	Inch Bore	Inch O.D.	Inch Width	Inch Seal no.	Seal info. notes	Type & style	Lip code
9.055	10.236	—	.591	563264	—	HMSA10	RG
9.055	10.236	—	.591	563265	w/Stainless Steel Spring	HMS5	V
9.055	10.236	—	.591	563266	w/Stainless Steel Spring	HMSA10	V
9.055	10.630	—	.591	90559	—	CRSH11	R
9.250	11.250	11.258	.625	92536	—	★CRWHA1	R
9.250	12.750	12.758	.625	92570	—	CRWHA1	R
9.250	12.750	12.758	1.250	92574	—	CRWHA1	R
9.313	10.000	—	.063	451033	—	BUW	#
9.313	10.000	—	.344	712552	—	BV	V
9.449	10.630	—	.591	563073	—	HMS5	RG
9.449	10.630	—	.591	563074	—	HMSA10	RG
9.449	10.630	—	.591	563075	w/Stainless Steel Spring	HMS5	V
9.449	10.630	—	.591	563076	w/Stainless Steel Spring	HMSA10	V
9.449	10.827	10.837	.630	94480	—	HMS4	R
9.449	10.827	10.837	.630	94484	—	HMSA7	R
9.449	10.827	10.841	.630	94485	—	HMSA7	V
9.500	10.500	10.508	.438	95048	—	★CRW1	R
9.500	10.750	10.758	—	95052	—	HM21	R
9.500	11.500	11.508	.625	95062	—	★CRW1	R
9.625	11.625	11.633	.625	96245	—	CRWH1	R
9.750	11.125	11.133	.630	97542	—	CRWH1	R
9.750	11.250	11.258	.625	97545	—	CRWH1	R
9.750	11.750	11.758	.625	97550	—	CRWH1	R
9.843	11.024	—	.591	563999	—	HMS5	RG
9.843	11.024	—	.591	564000	—	HMSA10	RG
9.843	11.024	—	.591	564001	w/Stainless Steel Spring	HMS5	V
9.843	11.024	—	.591	564002	w/Stainless Steel Spring	HMSA10	V
9.843	11.220	—	.591	563832	—	HMS5	RG
9.843	11.220	—	.591	563833	—	HMSA10	RG
9.843	11.220	—	.591	563834	w/Stainless Steel Spring	HMS5	V
9.843	11.220	—	.591	563835	w/Stainless Steel Spring	HMSA10	V
10.000	11.000	11.008	.375	100042	—	HMS4	R
10.000	11.250	11.258	.630	100044	—	CRWHA1	R
10.000	12.000	12.008	.625	100051	—	CRWH1	R
10.000	12.000	12.008	.625	100075	—	★CRWA1	R
10.236	11.024	11.053	.630	102360	—	HMS1	V
10.236	11.811	11.820	.787	102365	—	CRS1	R
10.250	11.250	11.258	.563	102520	—	CRWH1	R
10.250	12.250	12.258	.625	102540	—	CRWH1	R
10.433	11.417	—	.630	104300	—	CRSH13	R
10.500	11.750	11.758	.625	105010	—	CRWH1	R
10.500	12.500	12.508	.625	105051	—	CRWH1	R
10.750	12.750	12.758	.625	107551	—	CRWH1	R
11.000	12.250	12.258	.625	110030	—	CRWHA1	R
11.000	13.000	13.008	.625	110051	—	CRWH1	R
11.024	12.205	12.222	.630	110222	—	HMS4	R
11.024	12.598	12.610	.787	110246	—	★CRWA1	V
11.024	12.598	12.610	.787	110245	—	★CRWA1	R
11.375	13.000	13.008	.625	113740	—	CRW1	R
11.417	12.992	—	.630	1141288	—	CRSA13	R
11.500	13.000	13.008	.625	115021	—	CRWH1	R
11.811	13.189	—	.709	118101	—	CRSH11	R
11.811	13.386	13.403	.630	118103	—	HMS4	R
11.811	13.386	13.403	.630	118106	—	HMSA7	R
11.811	13.386	13.403	.709	118100	—	HMS4	R
12.000	14.000	14.008	.625	120060	—	CRW1	R
12.250	13.375	13.383	.625	122555	—	CRWH1	R
12.250	13.813	13.821	.625	122580	—	CRW1	R
12.750	13.625	13.635	.563	127540	—	HMSA7	R
13.000	14.000	—	.063	451300	—	BUW	#
13.000	14.000	—	.500	711854	—	BV	D
15.512	16.535	16.552	.630	1551038	—	HMS46	R

Complete size listings
Metric section

See next page

Size listing - Metric

Metric Shaft	Metric Bore	Metric O.D.	Metric Width	Metric Seal no.	Seal info. notes	Type & style	Lip code
3.175	7.950	—	2.388	711800	—	BV	R
3.175	7.950	—	2.388	721523	—	BV	V
3.175	7.950	—	2.388	721578	—	BV	D
3.180	7.950	—	1.600	451486	—	BUW	—
4.000	12.000	12.225	6.000	1574	—	ENDYOKE	R
4.775	9.525	—	2.388	711801	—	BV	R
4.775	9.525	—	2.388	721519	—	BV	V
4.775	11.125	—	3.175	711802	—	BV	R
4.780	12.700	12.800	3.180	1850	—	HM1	R
5.000	15.000	15.225	6.000	1972	—	HMS47	R
5.000	16.000	16.230	6.000	1960	—	HMS4	R
5.000	19.000	19.225	5.000	1975	—	HMS46	R
5.000	22.000	—	8.000	1976	—	HMS46	R
6.000	12.000	12.065	2.000	2340	—	HM3	R
6.000	16.000	—	5.000	562748	—	HMS5	RG
6.000	16.000	—	5.000	562749	—	HMSA10	RG
6.000	16.000	—	5.000	562750	w/Stainless Steel Spring	HMS5	V
6.000	16.000	—	5.000	562751	w/Stainless Steel Spring	HMSA10	V
6.000	16.000	—	7.000	563979	—	HMS5	RG
6.000	16.000	—	7.000	563980	—	HMSA10	RG
6.000	16.000	—	7.000	563981	w/Stainless Steel Spring	HMS5	V
6.000	16.000	—	7.000	563982	w/Stainless Steel Spring	HMSA10	V
6.000	19.000	19.225	6.000	2365	—	HMS47	R
6.000	22.000	—	7.000	563925	—	HMS5	RG
6.000	22.000	—	7.000	563926	—	HMSA10	RG
6.000	22.000	—	7.000	563927	w/Stainless Steel Spring	HMS5	V
6.000	22.000	—	7.000	563928	w/Stainless Steel Spring	HMSA10	V
6.350	12.670	12.780	4.780	2450	—	HM14	R
6.350	12.670	12.780	4.780	2452	—	HMA14	V
6.350	12.700	—	3.175	711803	—	BV	R
6.350	12.700	—	3.175	721526	—	BV	V
6.350	14.270	14.380	4.780	2470	—	★HM14	R
6.350	19.020	19.130	4.780	2563	—	HM14	R
6.350	19.020	19.130	6.350	2514	—	★CRW1	R
6.350	19.020	19.130	6.350	2517	—	CRW1	V
6.553	11.405	—	2.769	700036	—	BV	R
6.600	13.200	13.500	11.500	2570	—	HM-SPL	R
7.000	16.000	16.140	7.000	2760	—	HMS4	R
7.000	16.000	—	7.000	692255	—	HMS5	RG
7.000	16.000	—	7.000	692256	—	HMS5	V
7.000	16.000	—	7.000	692257	—	HMSA10	RG
7.000	20.000	20.230	7.000	2770	—	HMS4	R
7.000	20.000	20.430	7.000	2772	—	HMSA7	R
7.000	22.000	—	7.000	563983	—	HMS5	RG
7.000	22.000	—	7.000	563984	—	HMSA10	RG
7.000	22.000	—	7.000	563985	w/Stainless Steel Spring	HMS5	V
7.000	22.000	—	7.000	563986	w/Stainless Steel Spring	HMSA10	V
7.950	12.700	12.850	3.180	3044	—	HM4	R
7.950	12.700	—	2.388	700054	—	BV	R
7.950	14.300	—	3.175	711804	—	BV	R
7.950	14.300	—	3.175	721512	—	BV	V
7.950	15.900	16.000	5.160	3050	—	★HM1	R
7.950	15.900	16.002	3.962	3060	—	★HM14	R
7.950	16.080	16.180	3.580	3080	—	HM14	R
7.950	17.420	17.530	7.950	3094	—	CRWA5	R
7.950	19.020	19.130	6.350	3101	—	CRWA5	R
7.950	19.020	19.130	6.350	3140	—	HM14	R
7.950	19.020	19.130	6.350	3103	—	CRWA5	V
7.950	19.050	19.150	6.350	3141	—	HM3	R
7.950	21.890	22.000	6.350	3086	—	HM14	R
7.950	25.370	25.480	7.950	3171	—	CRWA5	R
7.950	31.750	31.850	9.530	3230	—	P1	L
8.000	12.000	12.065	3.000	3030	—	HM4	R
8.000	14.000	14.140	4.000	3036	—	HMS1	R
8.000	16.000	16.140	7.000	3145	—	HMS4	R

Size listing - Metric

Metric Shaft	Metric Bore	Metric O.D.	Metric Width	Metric Seal no.	Seal info. notes	Type & style	Lip code
8.000	18.000	—	5.000	563311	—	HMS5	RG
8.000	18.000	—	5.000	563313	w/Stainless Steel Spring	HMS5	V
8.000	18.000	—	5.000	563314	w/Stainless Steel Spring	HMSA10	V
8.000	18.000	—	5.000	563312	—	—	RG
8.000	18.000	—	7.000	563897	—	HMS5	RG
8.000	18.000	—	7.000	563898	—	HMSA10	RG
8.000	18.000	—	7.000	563899	w/Stainless Steel Spring	HMS5	V
8.000	18.000	—	7.000	563900	w/Stainless Steel Spring	HMSA10	V
8.000	20.000	20.225	8.000	3158	—	HMS46	R
8.000	22.000	—	7.000	692261	—	HMSA10	RG
8.000	22.000	—	7.000	692262	—	HMSA10	V
8.000	24.000	—	7.000	563987	—	HMS5	RG
8.000	24.000	—	7.000	563988	—	HMSA10	RG
8.000	24.000	—	7.000	563989	w/Stainless Steel Spring	HMS5	V
8.000	24.000	—	7.000	563990	w/Stainless Steel Spring	HMSA10	V
9.000	13.000	13.060	3.000	3526	—	HM4	R
9.000	17.000	17.140	4.500	3541	—	CRS11	R
9.000	18.000	18.000	7.000	3543	—	HMSA7	R
9.000	19.000	19.140	5.000	3544	—	CRS13	R
9.000	22.000	—	7.000	563881	—	HMS5	RG
9.000	22.000	—	7.000	563882	—	HMSA10	RG
9.000	22.000	—	7.000	563883	w/Stainless Steel Spring	HMS5	V
9.000	22.000	—	7.000	563884	w/Stainless Steel Spring	HMSA10	V
9.000	24.000	24.140	7.000	3550	—	HMS4	R
9.000	26.000	26.140	7.000	3560	—	HMS4	R
9.398	15.392	15.596	7.874	3626	—	HMSA76	R
9.525	15.875	—	3.175	711805	—	BV	R
9.525	15.875	—	3.175	721502	—	BV	V
9.525	15.875	—	3.175	721521	—	BV	D
9.530	14.300	14.380	2.390	3621	—	HM3	R
9.530	15.880	15.980	3.180	527935	—	BB	R
9.530	15.880	15.980	3.180	528759	w/Stainless Steel Case	BB	D
9.530	15.880	—	1.600	451056	—	BUW	—
9.530	15.950	16.080	5.000	3632	—	HMA10	P
9.530	17.450	17.550	3.960	3645	—	★HM14	R
9.530	19.020	19.130	6.350	3683	—	HM14	R
9.530	19.020	19.130	6.350	3688	—	★CRW1	V
9.530	19.020	19.130	6.350	3689	w/SS Case & Spring	CRW5	R
9.530	19.020	19.130	6.350	3687	—	CRW1	R
9.530	19.050	19.150	6.350	3680	—	★CRWA1	R
9.530	21.230	21.340	4.780	3719	—	★CRW1	P
9.530	22.230	22.330	6.350	3725	—	★CRW1	R
9.530	22.230	22.330	6.350	3727	—	HM14	R
9.530	25.370	25.480	6.350	3751	—	CRW1	R
9.530	25.370	25.480	6.350	3752	—	★CRW1	V
9.530	28.550	28.650	6.350	3806	—	CRW1	R
9.530	28.550	28.650	9.530	3807	—	★CRW5	V
10.000	14.000	14.072	3.000	3930	—	HM4	R
10.000	18.000	18.225	6.000	3970	—	HMS48	R
10.000	19.000	—	7.000	564024	—	HMS5	RG
10.000	19.000	—	7.000	564025	—	HMSA10	RG
10.000	19.000	—	7.000	564026	—	HMS5	V
10.000	19.000	—	7.000	564027	—	HMSA10	V
10.000	20.000	—	6.000	563709	—	HMSA10	RG
10.000	20.000	—	6.000	563710	w/Stainless Steel Spring	HMS5	V
10.000	20.000	—	6.000	563711	w/Stainless Steel Spring	HMSA10	V
10.000	20.000	—	7.000	563508	—	HMS5	RG
10.000	20.000	—	7.000	563510	w/Stainless Steel Spring	HMS5	V
10.000	20.000	—	7.000	563511	w/Stainless Steel Spring	HMSA10	V
10.000	22.000	—	7.000	562660	—	HMS5	RG
10.000	22.000	—	7.000	562661	—	HMSA10	RG
10.000	22.000	—	7.000	562662	w/Stainless Steel Spring	HMS5	V
10.000	22.000	—	7.000	562663	w/Stainless Steel Spring	HMSA10	V
10.000	24.000	—	7.000	562824	—	HMS5	RG
10.000	24.000	—	7.000	562825	—	HMSA10	RG

Size listing - Metric

Metric Shaft	Metric Bore	Metric O.D.	Metric Width	Metric Seal no.	Seal info. notes	Type & style	Lip code
10.000	24.000	—	7.000	562826	w/Stainless Steel Spring	HMS5	V
10.000	24.000	—	7.000	562827	w/Stainless Steel Spring	HMSA10	V
10.000	25.000	—	7.000	563081	—	HMS5	RG
10.000	25.000	—	7.000	563082	—	HMSA10	RG
10.000	25.000	—	7.000	563083	w/Stainless Steel Spring	HMS5	V
10.000	25.000	—	7.000	563084	w/Stainless Steel Spring	HMSA10	V
10.000	26.000	—	7.000	562688	—	HMS5	RG
10.000	26.000	—	7.000	562689	—	HMSA10	RG
10.000	26.000	—	7.000	562690	w/Stainless Steel Spring	HMS5	V
10.000	26.000	—	7.000	562691	w/Stainless Steel Spring	HMSA10	V
10.000	28.000	28.750	8.000	3973	—	HMS4	R
10.000	30.000	30.226	10.000	3972	—	HMS4	R
10.000	30.000	30.750	7.000	3975	—	TPDCONE	R
10.000	40.000	40.259	7.000	3986	—	HMS4	R
10.000	40.000	40.259	7.000	3992	—	HMSA7	N
10.260	15.750	15.850	4.780	4010	—	HM14	R
10.260	21.890	22.000	6.350	4012	—	HM14	R
10.363	25.502	25.603	5.283	4008	—	HMA1	R
10.800	22.230	22.330	7.950	4100	—	CRWH3	R
11.000	17.000	17.230	4.000	4327	—	HMS4	R
11.000	22.000	22.140	7.000	4335	—	HMS4	R
11.000	22.000	22.301	6.000	4338	—	HMSA7	V
11.000	26.000	26.140	7.000	4345	—	HMS4	R
11.000	30.000	30.230	7.000	4348	—	HMS4	R
11.125	17.475	—	3.175	700101	—	BV	R
11.125	17.475	—	3.175	721527	—	BV	V
11.130	21.230	21.340	4.780	4231	—	HM14	R
11.130	22.230	22.330	7.950	4247	70 Duro/185 Sirvene	HMS1	D
11.130	22.230	22.330	9.530	4261	—	CRWA1	R
11.130	22.230	22.352	6.350	4249	—	★CRW1	P
11.130	22.230	22.352	6.350	4251	—	CRW1	R
11.130	22.230	22.380	6.350	4260	—	CRWA6	R
11.130	22.330	22.480	4.570	4256	—	HM8	R
11.130	25.370	25.480	6.350	4340	—	HM14	R
11.130	25.370	25.480	6.350	4356	—	★CRW1	V
11.130	25.370	25.480	9.530	4355	—	★CRW1	R
11.130	28.550	28.650	6.350	4390	—	★CRW1	R
11.910	21.230	21.340	4.780	4623	—	HM14	P
11.910	22.230	22.330	5.560	4628	—	HM14	R
11.910	25.370	25.480	7.950	4641	—	★P2	R
12.000	16.000	16.230	3.000	4695	—	HM4	R
12.000	18.000	18.059	3.000	4688	—	HM4	R
12.000	18.000	18.059	3.000	4692	—	HMS4	R
12.000	18.000	18.059	3.000	4694	—	HMSA7	R
12.000	18.000	18.140	4.500	4723	—	CRSA11	R
12.000	19.000	19.050	3.000	4690	—	HM4	R
12.000	19.000	19.230	5.000	4702	—	HMS4	R
12.000	19.000	—	5.000	564028	—	HMS5	RG
12.000	19.000	—	5.000	564029	—	HMSA10	RG
12.000	19.000	—	5.000	564030	—	HMS5	V
12.000	19.000	—	5.000	564031	—	HMSA10	V
12.000	20.000	20.120	5.000	4725	—	CRSA1	R
12.000	20.000	20.230	5.000	4701	—	HMS4	R
12.000	22.000	22.140	7.000	4709	—	★CRW1	V
12.000	22.000	22.140	7.000	4710	—	★CRW1	R
12.000	22.000	22.140	8.000	4731	—	CRSH11	R
12.000	22.000	22.225	6.000	4729	—	HMSA7SP	R
12.000	22.000	22.230	7.000	4707	—	HMSA7	R
12.000	22.000	22.230	7.000	692263	—	HMS5	RG
12.000	22.000	22.750	4.000	4719	—	HM4	R
12.000	22.000	—	5.000	563820	—	HMS5	RG
12.000	22.000	—	5.000	563821	—	HMSA10	RG
12.000	22.000	—	5.000	563822	w/Stainless Steel Spring	HMS5	V
12.000	22.000	—	5.000	563823	w/Stainless Steel Spring	HMSA10	V
12.000	22.000	—	6.000	563945	—	HMS5	RG

Size listing - Metric

Metric Shaft	Metric Bore	Metric O.D.	Metric Width	Metric Seal no.	Seal info. notes	Type & style	Lip code
12.000	22.000	—	6.000	563946	—	HMSA10	RG
12.000	22.000	—	6.000	563947	w/Stainless Steel Spring	HMS5	V
12.000	22.000	—	6.000	563948	w/Stainless Steel Spring	HMSA10	V
12.000	22.000	—	7.000	692264	—	HMS5	V
12.000	22.000	—	7.000	692265	—	HMSA10	RG
12.000	22.000	—	7.000	692266	—	HMSA10	V
12.000	24.000	24.225	6.000	4738	—	HMSA7P2	R
12.000	24.000	—	7.000	692671	—	HMS5	RG
12.000	24.000	—	7.000	692672	—	HMS5	V
12.000	24.000	—	7.000	692673	—	HMSA10	RG
12.000	24.000	—	7.000	692674	—	HMSA10	V
12.000	25.000	25.140	7.000	4720	—	★CRW1	R
12.000	25.000	25.230	4.500	4718	—	HMS4	R
12.000	25.000	—	7.000	563499	—	HMS5	RG
12.000	25.000	—	7.000	563500	—	HMSA10	RG
12.000	25.000	—	7.000	563501	w/Stainless Steel Spring	HMS5	V
12.000	25.000	—	7.000	563502	w/Stainless Steel Spring	HMSA10	V
12.000	26.000	26.140	7.000	4730	—	★CRW1	R
12.000	26.000	26.150	8.000	4743	—	HMS4	R
12.000	28.000	28.140	7.000	4750	—	★CRW1	R
12.000	28.000	28.140	7.000	4751	—	★CRW1	P
12.000	28.000	—	7.000	562569	—	HMS5	RG
12.000	28.000	—	7.000	562570	—	HMSA10	RG
12.000	28.000	—	7.000	562571	w/Stainless Steel Spring	HMS5	V
12.000	28.000	—	7.000	562572	w/Stainless Steel Spring	HMSA10	V
12.000	30.000	30.230	7.000	4767	—	HMSA7	V
12.000	30.000	—	7.000	563991	—	HMS5	RG
12.000	30.000	—	7.000	563992	—	HMSA10	RG
12.000	30.000	—	7.000	563993	w/Stainless Steel Spring	HMS5	V
12.000	30.000	—	7.000	563994	w/Stainless Steel Spring	HMSA10	V
12.000	32.000	32.131	5.000	4753	—	CRS11	R
12.000	32.000	32.140	7.000	4770	—	★CRW1	R
12.000	32.000	32.140	7.000	4771	—	★CRW1	V
12.000	32.000	—	7.000	562981	—	HMS5	RG
12.000	32.000	—	7.000	562982	—	HMSA10	RG
12.000	32.000	—	7.000	562983	w/Stainless Steel Spring	HMS5	V
12.000	32.000	—	7.000	562984	w/Stainless Steel Spring	HMSA10	V
12.000	35.000	35.140	7.000	4790	—	★CRW1	R
12.000	35.000	35.230	10.000	4761	—	HMS47	R
12.700	17.480	17.550	2.390	4911	—	HM3	R
12.700	17.480	17.550	4.320	4909	P.F. Width .2.540	HMS1	R
12.700	19.020	19.130	3.180	4913	O.A. Width .156	HMS1	R
12.700	19.050	19.150	3.180	4912	—	★HM14	R
12.700	19.050	—	1.600	451225	—	BUW	—
12.700	19.050	—	3.175	711806	—	BV	R
12.700	19.050	—	3.175	721513	—	BV	V
12.700	20.370	—	20.370	709001	—	WS	R
12.700	20.830	20.930	3.960	4914	—	★HM14	R
12.700	21.410	21.510	6.350	4923	—	★HM14	R
12.700	22.225	22.327	7.950	4940	—	★CRWA5	R
12.700	22.225	22.327	7.950	4941	—	★CRWA5	V
12.700	22.230	22.330	3.160	4925	—	HM14	R
12.700	22.230	22.330	6.350	4931	—	★CRW1	R
12.700	22.230	22.330	6.350	4932	—	★CRW1	V
12.700	22.230	22.330	6.350	4933	—	★CRWA1	V
12.700	22.230	22.330	6.350	4935	w/SS Case & Spring	★CRWA1	V
12.700	22.230	22.330	6.350	4936	—	★CRW1	D
12.700	22.230	22.330	6.350	4938	—	HM14	R
12.700	22.230	22.330	7.950	4939	—	★CRWA1	R
12.700	25.070	25.170	6.350	4943	—	★CRW1	R
12.700	25.070	25.170	6.350	4944	Seal With Wave Lip	HMS1	R
12.700	25.370	25.480	4.780	4950	—	★HM14	R
12.700	25.370	25.480	6.350	4980	w/Stainless Steel Spring	★CRW1	V
12.700	25.370	25.480	6.350	4982	—	★CRWA1	P
12.700	25.370	25.480	6.350	4984	—	★CRW1	R

Size listing - Metric

Metric Shaft	Metric Bore	Metric O.D.	Metric Width	Metric Seal no.	Seal info. notes	Type & style	Lip code
12.700	25.370	25.480	6.350	4985	—	★CRWA1	R
12.700	25.370	25.480	6.350	4990	—	★HM14	R
12.700	25.370	25.480	6.350	4991	w/Stainless Steel Spring	★CRWA5	V
12.700	25.400	—	25.400	504260	—	★SC	R
12.700	25.654	25.832	5.182	5008	—	HMSA7	V
12.700	28.550	28.650	6.350	5062	—	★CRWA1	R
12.700	28.550	28.650	6.350	5066	—	★CRW1	V
12.700	28.550	28.650	6.350	5067	—	★CRWA1	V
12.700	28.550	28.650	6.350	5069	—	★CRWA5	R
12.700	28.550	28.650	6.350	5072	—	★CRWA5	V
12.700	28.550	28.650	6.350	5085	—	★HM14	R
12.700	28.550	28.650	6.502	5068	—	★CRW1	R
12.700	28.550	28.650	7.950	5046	—	★CRW1	P
12.700	31.720	31.830	4.780	5131	w/SS Case & Spring	CRWH3	R
12.700	31.750	31.850	6.350	5133	—	★CRW1	R
12.700	31.750	31.852	6.350	546966	—	★CRW1	V
12.700	34.930	35.030	6.350	5150	—	★CRW1	R
12.700	34.930	35.030	6.350	5151	—	★CRW1	V
13.000	22.000	22.140	5.000	5119	—	CRS11	R
13.000	25.000	25.225	5.000	5123	—	HMS46	R
13.000	26.000	—	7.000	563792	—	HMS5	RG
13.000	26.000	—	7.000	563793	—	HMSA10	RG
13.000	26.000	—	7.000	563794	w/Stainless Steel Spring	HMS5	V
13.000	26.000	—	7.000	563795	w/Stainless Steel Spring	HMSA10	V
13.000	28.000	28.140	7.000	5250	—	CRS1	R
13.000	28.000	28.230	7.000	5254	—	HMS4	R
13.000	30.000	30.200	7.000	5285	—	HMSA7	R
13.000	30.000	30.750	8.000	5142	—	HMS4	R
13.490	25.370	25.480	6.350	5321	—	★CRWA1	S
13.490	28.550	28.650	7.950	5334	—	CRSA1	R
13.870	22.230	22.330	6.350	5385	—	CRW1	P
13.995	26.010	26.137	19.990	5507	—	HMSASPL	P
14.000	20.000	20.066	3.000	5402	—	HM4	R
14.000	22.000	22.073	3.000	5405	—	HM4	R
14.000	22.000	22.073	4.000	5538	—	WHL KIT	R
14.000	22.000	22.225	4.000	555275	—	HMS4	R
14.000	24.000	24.140	6.000	5410	—	HMSA7	R
14.000	24.000	24.140	10.008	5553	—	D8-SPL	P
14.000	24.000	—	7.000	564033	—	HMSA10	RG
14.000	24.000	—	7.000	564034	—	HMS5	V
14.000	24.000	—	7.000	564035	—	HMSA10	V
14.000	25.000	25.400	7.000	5413	—	HMSA7	P
14.000	25.000	—	5.000	562700	—	HMS5	RG
14.000	25.000	—	5.000	562701	—	HMSA10	RG
14.000	25.000	—	5.000	562702	w/Stainless Steel Spring	HMS5	V
14.000	25.000	—	5.000	562703	w/Stainless Steel Spring	HMSA10	V
14.000	26.000	26.111	7.000	5398	—	★CRW1	V
14.000	26.000	26.425	7.000	5521	—	HMS46	R
14.000	27.000	—	27.000	527345	—	SC	R
14.000	28.000	28.230	6.000	5439	—	HMS4	R
14.000	28.000	—	7.000	563874	—	HMSA10	RG
14.000	28.000	—	7.000	563875	w/Stainless Steel Spring	HMS5	V
14.000	28.000	—	7.000	563876	w/Stainless Steel Spring	HMSA10	V
14.000	28.550	28.650	5.160	5399	—	★HM21	R
14.000	30.000	—	7.000	563560	—	HMS5	RG
14.000	30.000	—	7.000	563561	—	HMSA10	RG
14.000	30.000	—	7.000	563562	w/Stainless Steel Spring	HMS5	V
14.000	30.000	—	7.000	563563	w/Stainless Steel Spring	HMSA10	V
14.000	32.000	32.233	10.000	5532	—	HMS46	R
14.000	35.000	35.140	7.000	5481	—	HMS4	R
14.070	25.370	25.480	6.350	5605	70 Duro/185 Sirvene	★CRW1	R
14.249	25.400	25.502	6.452	5425	—	HMSA7	P
14.300	19.050	19.150	2.390	5500	—	HM3	R
14.300	20.650	20.680	3.200	5510	—	HM1	R
14.300	20.650	—	3.175	710696	—	BV	R

Size listing - Metric

Metric Shaft	Metric Bore	Metric O.D.	Metric Width	Metric Seal no.	Seal info. notes	Type & style	Lip code
14.300	20.650	—	3.175	721569	—	BV	V
14.300	22.230	22.330	4.780	5522	—	★HM14	R
14.300	22.230	22.330	4.780	5523	—	★CRW1	D
14.300	25.370	25.480	5.560	5569	—	★HM14	R
14.300	25.370	25.480	6.350	5542	—	★CRW1	V
14.300	25.370	25.480	6.350	5543	w/SS Case & Spring	★CRW1	R
14.300	25.370	25.480	6.350	5606	—	★CRWA1	R
14.300	25.370	25.480	6.500	5541	—	★CRW1	R
14.300	28.550	28.650	6.350	5650	—	★CRW1	V
14.300	28.550	28.650	6.350	5652	—	★CRW1	R
14.300	28.550	28.650	6.350	5662	—	★CRWA1	R
14.300	28.550	28.650	6.350	5685	—	WHL KIT	R
14.300	31.750	31.850	6.350	5707	—	★CRW1	R
14.300	34.930	35.030	6.350	5756	—	★CRW1	R
15.000	21.000	21.057	3.000	5782	—	HM4	R
15.000	21.000	21.057	5.000	5904	—	HMSA7	P
15.000	23.000	23.063	3.000	5786	—	HM4	R
15.000	24.000	24.140	5.000	5790	—	HMS4	R
15.000	24.000	24.330	5.000	5791	—	HMSA7	R
15.000	24.000	—	7.000	564036	—	HMS5	RG
15.000	24.000	—	7.000	564038	—	HMS5	V
15.000	24.000	—	7.000	564039	—	HMSA10	V
15.000	25.000	25.146	7.000	5803	—	★CRW1	P
15.000	25.000	25.230	5.000	5808	—	HMS4	R
15.000	25.000	25.400	5.000	5804	—	HMA10	R
15.000	25.000	—	5.000	563013	—	HMS5	RG
15.000	25.000	—	5.000	563014	—	HMSA10	RG
15.000	25.000	—	5.000	563015	w/Stainless Steel Spring	HMS5	V
15.000	25.000	—	5.000	563016	w/Stainless Steel Spring	HMSA10	V
15.000	25.000	—	6.000	563021	—	HMS5	RG
15.000	25.000	—	6.000	563022	—	HMSA10	RG
15.000	25.000	—	6.000	563023	w/Stainless Steel Spring	HMS5	V
15.000	25.000	—	6.000	563024	w/Stainless Steel Spring	HMSA10	V
15.000	26.000	26.137	6.000	5817	—	HMSA7	R
15.000	26.000	26.140	6.000	5816	—	HMS4	R
15.000	26.000	26.140	7.000	5806	—	HMS4	R
15.000	26.000	26.225	4.500	5919	—	HM102	R
15.000	26.000	—	7.000	564040	—	HMS5	RG
15.000	26.000	—	7.000	564041	—	HMSA10	RG
15.000	26.000	—	7.000	564042	—	HMS5	V
15.000	26.000	—	7.000	564043	—	HMSA10	V
15.000	28.000	28.140	7.000	5810	—	★CRW1	R
15.000	28.000	28.140	15.000	6103	P.F. Width 6mm	HMS15	V
15.000	28.000	28.143	7.000	5890	—	HMS4	R
15.000	30.000	30.140	7.000	5821	—	HMS4	R
15.000	30.000	—	7.000	564044	—	HMS5	RG
15.000	30.000	—	7.000	564045	—	HMSA10	RG
15.000	30.000	—	7.000	564046	—	HMS5	V
15.000	30.000	—	7.000	564047	—	HMSA10	V
15.000	32.000	32.140	7.000	5830	—	★CRW1	R
15.000	32.000	32.140	7.000	5832	—	★CRW1	V
15.000	32.000	—	7.000	562672	—	HMS5	RG
15.000	32.000	—	7.000	562673	—	HMSA10	RG
15.000	32.000	—	7.000	562674	w/Stainless Steel Spring	HMS5	V
15.000	32.000	—	7.000	562675	w/Stainless Steel Spring	HMSA10	V
15.000	35.000	35.140	7.000	5840	—	★CRW1	R
15.000	35.000	35.140	7.000	5841	—	★CRW1	P
15.000	35.000	—	7.000	564050	—	HMS5	V
15.000	35.000	—	7.000	564051	—	HMSA10	V
15.000	40.000	—	10.000	563953	—	HMS5	RG
15.000	40.000	—	10.000	563954	—	HMSA10	RG
15.000	40.000	—	10.000	563955	w/Stainless Steel Spring	HMS5	V
15.000	40.000	—	10.000	563956	w/Stainless Steel Spring	HMSA10	V
15.000	42.000	42.215	10.000	5964	—	HMS47	R
15.011	28.550	28.650	6.350	5946	—	★HM14	R

Size listing - Metric

Metric Shaft	Metric Bore	Metric O.D.	Metric Width	Metric Seal no.	Seal info. notes	Type & style	Lip code
15.090	28.550	28.650	7.950	5926	—	★CRW1	R
15.090	31.750	31.850	7.950	5950	—	CRSA1	R
15.090	34.930	35.030	7.950	5966	—	★CRSA1	R
15.850	28.730	28.780	4.780	6243	—	★HM14	R
15.875	22.225	—	3.175	710212	—	BV	R
15.875	22.225	—	3.175	712130	—	BV	V
15.875	22.225	—	3.175	721503	—	BV	V
15.875	22.225	—	3.175	721520	—	BV	D
15.875	25.370	25.480	6.350	6139	—	★CRWA1	V
15.875	28.550	28.651	9.500	6231	—	★CRWA5	V
15.875	28.550	28.651	9.525	6190	w/SS Case & Spring	★CRWHA5	R
15.875	28.600	28.702	6.350	6242	70 Duro/185 Sirvene	★CRW5	R
15.875	29.997	30.099	6.502	6248	—	★CRWA1	V
15.875	31.979	32.080	6.350	6335	—	★HM14	R
15.875	34.925	35.027	6.350	6979	—	★CRW1	V
15.875	46.990	47.117	7.010	534948	—	CRWA1	V
15.880	20.620	20.730	2.390	6105	—	HM3	R
15.880	20.650	20.726	2.390	6106	—	HM3	V
15.880	22.230	22.330	4.780	6120	P.F. Width 3.175	HMS1	R
15.880	22.230	22.380	4.770	6119	—	HMSA1	R
15.880	22.230	—	1.600	451081	—	BUW	—
15.880	23.550	—	23.550	709002	—	WS	R
15.880	23.550	—	23.550	712120	—	WS	V
15.880	23.700	23.800	4.780	6125	—	★HM14	R
15.880	23.700	23.800	4.780	6126	—	★HM14	V
15.880	23.800	23.900	4.780	6130	—	★HM14	R
15.880	25.070	25.170	6.350	6134	70 Duro/185 Sirvene	★CRW1	R
15.880	25.370	25.480	6.350	6141	—	★CRWA1	R
15.880	25.370	25.480	6.350	6143	—	★CRW1	R
15.880	25.370	25.480	6.350	6147	—	HMSA11	R
15.880	25.370	25.480	6.350	6151	—	★CRWA5	R
15.880	25.370	25.480	7.950	4996	—	★CRWA5	R
15.880	25.400	25.500	3.180	6152	—	★HM14	P
15.880	27.000	27.100	6.350	6157	—	★CRW1	R
15.880	27.000	27.102	6.350	6158	—	★HM14	R
15.880	28.550	28.650	6.350	6191	—	★CRW5	R
15.880	28.550	28.650	6.350	6225	—	★HM14	R
15.880	28.550	28.650	6.350	6823	—	★CRW1	V
15.880	28.550	28.650	6.350	6825	—	★CRWA1	V
15.880	28.550	28.650	6.350	6903	—	★CRW1	R
15.880	28.550	28.650	6.350	6904	—	★CRWA1	R
15.880	28.550	28.650	9.530	6229	—	★CRWA5	R
15.880	28.550	—	28.550	504261	—	SC	R
15.880	28.580	28.680	3.180	527937	—	BB	R
15.880	30.000	30.099	6.350	6247	—	★CRWA1	R
15.880	31.750	31.850	6.350	6323	—	★HM14	R
15.880	31.750	31.850	6.350	6909	—	★CRW1	V
15.880	31.750	31.850	6.350	6916	—	★CRWA1	R
15.880	31.750	31.850	6.350	6925	—	★CRW1	R
15.880	31.750	31.850	7.950	6280	—	CRWA5	R
15.880	31.750	31.850	7.950	6285	w/SS Case & Spring	CRWA5	V
15.880	34.930	35.030	6.350	6367	w/SS Case & Spring	CRWH3	R
15.880	34.930	35.030	6.350	6370	—	★HM14	R
15.880	34.930	35.030	6.350	6372	—	★CRW1	R
15.880	34.930	35.030	6.350	6383	—	★CRWA1	V
15.880	34.930	35.030	6.350	6373	—	★CRWA1	R
15.880	34.930	35.030	9.530	6388	w/SS Case & Spring	★CRWA5	R
15.880	34.980	35.080	6.350	6391	—	★CRWHA1	R
15.880	38.070	38.180	6.350	6422	—	★CRW1	R
15.880	38.100	38.200	7.950	6393	w/Stainless Steel Spring	★CRW5	V
16.000	22.000	22.073	3.000	6398	—	HM4	R
16.000	22.000	22.230	4.000	6400	—	HM4	R
16.000	24.000	24.225	4.000	554590	—	HM102	R
16.000	24.000	24.230	5.000	552504	—	HMS4	R
16.000	24.000	24.230	7.000	552505	—	HMS4	R

Size listing - Metric

Metric Shaft	Metric Bore	Metric O.D.	Metric Width	Metric Seal no.	Seal info. notes	Type & style	Lip code
16.000	24.000	24.232	5.000	6287	—	HMSA7	R
16.000	26.000	26.180	6.350	6293	—	HMSA7	P
16.000	26.000	26.190	7.000	533427	—	HMS1	R
16.000	27.000	27.260	6.000	553104	—	HMS4	P
16.000	28.000	28.070	15.200	6913	—	HMS-SPL	P
16.000	28.000	28.140	7.000	6431	—	★CRW1	R
16.000	28.000	28.219	6.000	553278	—	HMS4	R
16.000	28.000	—	7.000	564053	—	HMSA10	RG
16.000	28.000	—	7.000	564054	—	HMS5	V
16.000	28.000	—	7.000	564055	—	HMSA10	V
16.000	30.000	30.140	7.000	551077	—	★CRW1	R
16.000	30.000	—	7.000	562929	—	HMSA10	RG
16.000	30.000	—	7.000	562930	w/Stainless Steel Spring	HMS5	V
16.000	30.000	—	7.000	562931	w/Stainless Steel Spring	HMSA10	V
16.000	32.000	32.140	7.000	6430	—	★CRW1	R
16.000	32.000	—	7.000	563029	—	HMS5	RG
16.000	32.000	—	7.000	563030	—	HMSA10	RG
16.000	32.000	—	7.000	563031	w/Stainless Steel Spring	HMS5	V
16.000	32.000	—	7.000	563032	w/Stainless Steel Spring	HMSA10	V
16.000	35.000	35.140	7.000	6440	—	★CRW1	R
16.000	35.000	—	7.000	563383	—	HMS5	RG
16.000	35.000	—	7.000	563384	—	HMSA10	RG
16.000	35.000	—	7.000	563385	w/Stainless Steel Spring	HMS5	V
16.000	35.000	—	7.000	563386	w/Stainless Steel Spring	HMSA10	V
16.000	38.000	38.200	7.000	6473	—	HMSA7	R
16.000	40.000	40.140	7.000	6480	—	★CRW1	R
16.000	40.000	40.140	7.000	6481	—	★CRWA1	R
16.000	40.000	40.234	10.000	6342	—	HMS47	R
16.002	21.006	21.209	3.988	6113	—	HMA1	R
16.002	44.628	44.755	10.033	6295	—	HM11	R
16.002	56.007	56.210	6.502	6455	See Type J Section (HMSA Lip)	J-TYPE	V
16.660	31.750	31.850	6.350	6541	—	★CRW1	R
16.660	34.930	35.030	7.950	6556	—	★CRW1	R
16.660	40.000	40.100	6.350	6582	—	★CRW1	R
16.662	28.550	28.651	7.950	6523	—	★CRW1	R
16.990	25.370	25.480	4.780	6595	—	★CRW1	R
16.990	27.030	27.127	6.350	6729	—	★CRW1	R
16.990	27.030	27.130	6.350	6728	w/SS Case & Spring	★CRW1	R
16.990	31.750	31.850	6.350	6806	—	★HM14	R
16.990	39.950	40.060	7.140	6597	—	CRW1	V
17.000	23.000	23.063	3.000	6603	—	HM4	R
17.000	25.000	25.451	4.000	6592	—	HMS4	R
17.000	25.000	25.451	4.000	6594	—	HMSA7	R
17.000	26.000	26.225	6.000	6690	—	HMS46	R
17.000	27.000	27.200	7.000	6608	—	HMSA7	R
17.000	28.000	28.140	7.000	6610	w/Stainless Steel Spring	★CRW1	R
17.000	28.000	28.140	7.000	6611	—	★CRW1	V
17.000	28.000	28.750	6.000	6689	—	HMSA7	R
17.000	28.000	—	7.000	564057	—	HMSA10	RG
17.000	28.000	—	7.000	564058	—	HMS5	V
17.000	28.000	—	7.000	564059	—	HMSA10	V
17.000	29.000	—	5.000	563934	—	HMSA10	RG
17.000	29.000	—	5.000	563935	w/Stainless Steel Spring	HMS5	V
17.000	29.000	—	5.000	563936	w/Stainless Steel Spring	HMSA10	V
17.000	30.000	30.140	7.000	6620	—	★CRW1	R
17.000	30.000	30.150	7.000	6622	—	HMSA7	R
17.000	30.000	30.750	6.000	6627	—	HMS4	R
17.000	30.000	—	7.000	692683	—	HMS5	RG
17.000	30.000	—	7.000	692684	—	HMS5	V
17.000	30.000	—	7.000	692686	—	HMSA10	V
17.000	30.000	—	7.000	692685	—	HMSA10	RG
17.000	32.000	32.140	7.000	6630	—	★CRW1	R
17.000	32.000	32.230	7.000	6633	—	HMS4	R
17.000	32.000	—	7.000	562993	—	HMS5	RG
17.000	32.000	—	7.000	562994	—	HMSA10	RG

Size listing - Metric

Metric Shaft	Metric Bore	Metric O.D.	Metric Width	Metric Seal no.	Seal info. notes	Type & style	Lip code
17.000	32.000	—	7.000	562995	w/Stainless Steel Spring	HMS5	V
17.000	32.000	—	7.000	562996	w/Stainless Steel Spring	HMSA10	V
17.000	34.000	34.138	4.000	6706	—	CRS11	R
17.000	34.000	34.239	7.900	6992	—	CRSA1	P
17.000	35.000	35.140	7.000	6640	—	★CRW1	R
17.000	35.000	35.140	7.000	6642	—	★CRW1	V
17.000	35.000	35.220	7.000	6641	w/1.703 Flange	HMSA124	P
17.000	35.000	—	7.000	692267	—	HMS5	RG
17.000	35.000	—	7.000	692268	—	HMS5	V
17.000	35.000	—	7.000	692269	—	HMSA10	RG
17.000	35.000	—	7.000	692270	—	HMSA10	V
17.000	37.000	37.230	7.000	6653	—	HMSA7	R
17.000	40.000	40.140	7.000	6660	—	★CRW1	R
17.000	40.000	—	7.000	692688	—	HMS5	V
17.000	40.000	—	7.000	692689	—	HMSA10	RG
17.000	40.000	—	7.000	692690	—	HMSA10	V
17.000	40.000	—	10.000	563375	—	HMS5	RG
17.000	40.000	—	10.000	563376	—	HMSA10	RG
17.000	40.000	—	10.000	563377	w/Stainless Steel Spring	HMS5	V
17.000	40.000	—	10.000	563378	w/Stainless Steel Spring	HMSA10	V
17.000	47.000	47.140	7.000	6680	—	★CRW1	R
17.000	47.000	47.230	8.000	6685	—	HMSA7	R
17.000	47.000	47.230	10.000	6681	—	HMS4	R
17.400	30.000	30.124	7.000	6757	—	HMSA7	R
17.475	23.825	—	3.175	711807	—	BV	R
17.475	23.825	—	3.175	721570	—	BV	V
17.480	23.830	—	1.600	451284	—	BUW	—
17.480	25.150	—	25.150	709003	—	WS	R
17.480	25.370	25.480	4.780	6720	—	★HM14	R
17.480	28.550	28.650	6.350	6738	—	★CRW1	R
17.480	28.550	28.650	6.350	6741	—	★CRW1	R
17.480	28.550	28.650	6.350	6743	70 Duro/185 Sirvene	★CRW1	R
17.480	28.550	28.650	6.350	6745	w/Stainless Steel Spring	★CRW1	V
17.480	28.550	28.650	6.350	6759	—	★HM14	R
17.480	30.150	30.250	4.780	6763	—	★CRW1	R
17.480	30.150	30.250	4.780	6770	—	★CRW1	V
17.480	31.750	31.850	6.500	6765	—	★CRWA1	R
17.480	31.750	31.850	7.950	6767	—	★CRW1	R
17.480	31.750	31.850	7.950	6768	—	★CRW1	V
17.480	34.930	35.030	3.180	6915	—	★HM14	R
17.480	34.930	35.030	6.350	6814	—	★CRWA1	R
17.480	34.930	35.030	6.350	6920	—	★HM14	R
17.480	34.930	35.030	7.950	6816	—	★CRW1	R
17.480	34.930	35.030	7.950	6817	—	★CRW1	V
17.480	38.070	38.180	6.350	6935	—	★CRW1	R
17.480	41.250	41.350	6.350	6990	—	★CRWA1	R
17.860	29.460	29.570	6.350	7010	—	HMS2	R
18.000	24.000	24.054	3.000	6995	—	HM4	R
18.000	26.000	26.240	4.000	7003	—	HMA1	R
18.000	28.000	28.220	8.000	7002	—	HMS4	R
18.000	28.000	28.230	6.000	7013	—	HMS4	R
18.000	28.000	28.230	7.000	7018	—	HMS4	R
18.000	28.000	—	7.000	564060	—	HMS5	RG
18.000	28.000	—	7.000	564061	—	HMSA10	RG
18.000	28.000	—	7.000	564062	—	HMS5	V
18.000	28.000	—	7.000	564063	—	HMSA10	V
18.000	30.000	30.140	7.000	7000	—	★CRW1	R
18.000	30.000	30.140	7.000	7001	—	★CRW1	V
18.000	30.000	30.140	7.000	7004	—	HMS4	R
18.000	30.000	30.226	6.000	7091	—	HMSA7P2	R
18.000	30.000	—	6.000	563957	—	HMS5	RG
18.000	30.000	—	6.000	563958	—	HMSA10	RG
18.000	30.000	—	6.000	563959	w/Stainless Steel Spring	HMS5	V
18.000	30.000	—	6.000	563960	w/Stainless Steel Spring	HMSA10	V
18.000	30.000	—	7.000	692691	—	HMS5	RG

Size listing - Metric

Metric Shaft	Metric Bore	Metric O.D.	Metric Width	Metric Seal no.	Seal info. notes	Type & style	Lip code
18.000	30.000	—	7.000	692692	—	HMS5	V
18.000	30.000	—	7.000	692693	—	HMSA10	RG
18.000	30.000	—	7.000	692694	—	HMSA10	V
18.000	32.000	32.140	7.000	7005	—	★CRW1	R
18.000	32.000	32.140	7.000	7006	—	★CRW1	V
18.000	32.000	32.230	7.000	7007	—	HMSA7	R
18.000	32.000	32.230	8.000	7023	—	HMS4	R
18.000	32.000	—	7.000	562812	—	HMS5	RG
18.000	32.000	—	7.000	562813	—	HMSA10	RG
18.000	32.000	—	7.000	562814	w/Stainless Steel Spring	HMS5	V
18.000	32.000	—	7.000	562815	w/Stainless Steel Spring	HMSA10	V
18.000	35.000	35.140	7.000	7015	—	★CRW1	R
18.000	35.000	35.140	7.000	7028	—	HMS4	V
18.000	35.000	35.230	6.000	7100	—	HMSA7P2	R
18.000	35.000	35.738	7.000	7024	—	HMSA7	R
18.000	35.000	—	7.000	692271	—	HMS5	RG
18.000	35.000	—	7.000	692272	—	HMS5	V
18.000	35.000	—	7.000	692273	—	HMSA10	RG
18.000	35.000	—	7.000	692274	—	HMSA10	V
18.000	37.000	37.200	8.000	7061	—	HMSA7	R
18.000	38.000	38.200	7.000	7071	—	HMSA7	R
18.000	40.000	40.140	7.000	7080	—	★CRW1	R
18.000	40.000	—	7.000	563411	—	HMS5	RG
18.000	40.000	—	7.000	563412	—	HMSA10	RG
18.000	40.000	—	7.000	563413	w/Stainless Steel Spring	HMS5	V
18.000	40.000	—	7.000	563414	w/Stainless Steel Spring	HMSA10	V
18.009	34.011	34.061	8.001	7089	—	CRSA1	P
18.700	35.000	35.230	7.000	7400	—	HMSA7	R
18.999	37.465	37.338	10.000	7418A	—	HMSA7SP	R
18.999	51.994	52.121	7.010	534956	—	★CRWA1	V
19.000	27.000	27.051	4.000	7200	—	HM4	R
19.000	30.000	30.230	8.000	7205	—	CRWA1	R
19.000	30.000	—	7.000	563837	—	HMSA10	RG
19.000	30.000	—	7.000	563838	w/Stainless Steel Spring	HMS5	V
19.000	30.000	—	7.000	563839	w/Stainless Steel Spring	HMSA10	V
19.000	30.000	—	7.000	563836	—	HMS5	RG
19.000	30.000	—	8.000	563828	—	HMS5	RG
19.000	30.000	—	8.000	563829	—	HMSA10	RG
19.000	30.000	—	8.000	563830	w/Stainless Steel Spring	HMS5	V
19.000	30.000	—	8.000	563831	w/Stainless Steel Spring	HMSA10	V
19.000	32.000	—	7.000	562821	—	HMSA10	RG
19.000	32.000	—	7.000	562822	w/Stainless Steel Spring	HMS5	V
19.000	32.000	—	7.000	562823	w/Stainless Steel Spring	HMSA10	V
19.000	35.000	35.140	7.000	7220	—	★CRW1	R
19.000	35.000	35.230	9.000	7492	—	HMSA75	R
19.000	35.000	35.230	10.000	7223	—	HMS4	R
19.000	35.000	35.484	10.000	7225	—	HMSA7	R
19.000	35.000	35.750	8.000	7222	—	HMS4	R
19.000	38.000	38.180	7.620	7251	P.F. Width .276 Special Const	HMSA7	R
19.000	40.000	40.234	10.000	7495	—	HMS4	R
19.000	40.000	40.234	10.000	7497	—	HMS46	R
19.050	25.370	25.500	3.180	7410	—	HM14	R
19.050	25.400	25.500	3.180	7408	—	★HM14	D
19.050	25.400	25.603	5.715	7524A	w/CW Helix From Air Side	HMSA7	—
19.050	25.400	—	1.600	451245	—	BUW	—
19.050	25.400	—	3.175	711825	—	BV	R
19.050	25.400	—	3.175	721516	—	BV	V
19.050	25.500	25.650	3.960	7409	—	HM8	R
19.050	25.550	25.650	3.180	7411	—	★HM14	R
19.050	25.705	25.806	5.740	7535	—	HMA3SPL	R
19.050	26.190	26.290	7.950	7412	—	HMA6	R
19.050	26.720	—	26.720	709004	—	WS	R
19.050	26.970	27.076	4.780	7413	—	HM14	R
19.050	26.970	27.076	4.780	7556	—	HMS1	R
19.050	28.550	28.650	3.960	7415	—	★HM14	R

Size listing - Metric

Metric Shaft	Metric Bore	Metric O.D.	Metric Width	Metric Seal no.	Seal info. notes	Type & style	Lip code
19.050	28.550	28.650	4.780	7417	—	★CRW1	V
19.050	28.550	28.651	4.775	7414	—	★CRW5	R
19.050	30.150	30.250	3.960	7421	—	HM14	R
19.050	31.720	31.830	4.780	7467	—	CRW1	V
19.050	31.750	31.850	3.180	527938	—	BB	R
19.050	31.750	31.850	3.180	528762	w/Stainless Steel Case	BB	R
19.050	31.750	31.850	4.780	7439	—	★CRW1	R
19.050	31.750	31.850	4.780	7478	—	CRW1	R
19.050	31.750	31.850	6.350	7434	—	★CRWA5	R
19.050	31.750	31.850	6.350	7438	—	★CRW1	R
19.050	31.750	31.850	6.350	7440	—	★CRW1	R
19.050	31.750	31.850	6.350	7450	—	★CRW1	V
19.050	31.750	31.850	6.350	7455	w/SS Case & Spring	★CRWA1	V
19.050	31.750	31.850	6.350	7464	—	★HM14	R
19.050	31.750	31.850	6.502	7443	—	★CRWA1	R
19.050	31.750	31.850	6.502	7443	—	★CRWA1	R
19.050	31.750	31.850	6.502	7443	—	★CRWA1	R
19.050	31.750	31.850	6.502	7453	—	★CRWA1	V
19.050	31.750	31.850	7.950	7465	—	CRWA7	R
19.050	31.750	31.850	9.530	7449	—	★CRWA5	R
19.050	31.750	—	31.750	504262	—	SC	R
19.050	31.800	31.900	4.780	7469	—	★CRW1	R
19.050	31.980	32.080	6.350	7477	—	★HM14	R
19.050	32.000	32.106	6.350	7473	—	★CRW1	R
19.050	33.050	33.150	6.350	7481	—	★HM14	R
19.050	33.320	33.430	6.350	7474	—	★CRW1	R
19.050	33.320	33.430	6.350	7475	—	★CRWA1	R
19.050	34.930	35.030	6.350	6371	—	★CRW5	P
19.050	34.930	35.030	6.350	7509	—	★CRWA5	V
19.050	34.930	35.030	6.350	7512	—	★CRW1	R
19.050	34.930	35.030	6.350	7513	—	★CRWA1	R
19.050	34.930	35.030	6.350	7515	—	★CRW1	V
19.050	34.930	35.030	6.350	7517	—	★CRWA1	V
19.050	34.930	35.030	6.350	7533	—	★CRWA1	P
19.050	34.930	35.030	6.350	7536	—	HM14	R
19.050	34.930	35.030	6.350	7537	—	HM14	P
19.050	35.970	36.070	6.760	7541	—	HMS2	S
19.050	36.500	36.600	6.350	7550	—	★HM14	R
19.050	38.070	38.180	6.350	7567	—	★CRW1	V
19.050	38.070	38.180	6.350	7571	—	★HM14	R
19.050	38.070	38.180	6.350	7572	—	CRW1	R
19.050	38.070	38.180	6.350	7573	—	★CRWA1	R
19.050	40.000	40.100	6.350	7591	—	★CRW1	R
19.050	41.250	41.350	6.350	7623	w/Stainless Steel Spring	★CRW1	V
19.050	41.250	41.350	6.350	7624	w/Stainless Steel Spring	★CRWA1	V
19.050	41.250	41.350	6.350	7627	—	★CRW1	R
19.050	41.250	41.350	6.350	7628	—	★CRWA1	R
19.050	41.250	41.350	6.350	7638	—	★CRWA1	R
19.050	44.500	44.600	6.350	7636	—	★CRW1	R
19.050	46.430	46.530	6.350	7661	—	★CRW1	R
19.050	47.600	47.700	6.350	7690	—	★CRW1	R
19.050	51.990	52.100	7.950	7693	—	★CRW1	R
19.350	29.460	29.570	6.350	7750	—	HMS2	R
19.840	34.930	35.030	5.000	7831	—	★HM14	R
19.840	34.930	35.030	7.950	7824	—	★CRW1	V
19.840	34.930	35.030	7.950	7829	—	CRW1	R
19.840	38.070	38.180	7.950	7849	—	★CRW1	R
19.840	41.250	41.350	7.950	7872	—	★CRW1	R
19.840	44.500	44.600	7.950	8213	—	CRSHA1	R
19.840	46.430	46.530	6.350	7889	—	★CRW1	P
19.989	32.004	32.131	7.010	7918	—	HMS4	R
19.990	28.550	28.650	4.780	7740	—	★CRW1	R
20.000	26.000	26.060	4.000	7810	—	HMS4	R
20.000	26.000	26.060	4.000	7813	—	HMSA7	R
20.000	26.000	26.060	4.000	7854	—	HM4	R

Size listing - Metric

Metric Shaft	Metric Bore	Metric O.D.	Metric Width	Metric Seal no.	Seal info. notes	Type & style	Lip code
20.000	28.000	28.060	4.000	7855	—	HM4	R
20.000	28.000	28.230	6.000	7902	—	HMS4	R
20.000	30.000	30.140	5.000	7900	—	HMS4	R
20.000	30.000	30.140	5.000	7906	—	CRS1	R
20.000	30.000	30.140	7.000	7861	w/CW Helix From Air Side	HMSA7	R
20.000	30.000	30.140	7.000	7905	—	★CRW1	R
20.000	30.000	30.140	7.000	7914	—	HMS4	R
20.000	30.000	30.140	7.000	7909	—	CRS1	V
20.000	30.000	—	5.000	562780	—	HMS5	RG
20.000	30.000	—	5.000	562781	—	HMSA10	RG
20.000	30.000	—	5.000	562782	w/Stainless Steel Spring	HMS5	V
20.000	30.000	—	5.000	562783	w/Stainless Steel Spring	HMSA10	V
20.000	30.000	—	7.000	692275	—	HMS5	RG
20.000	30.000	—	7.000	692276	—	HMS5	V
20.000	30.000	—	7.000	692278	—	HMSA10	V
20.000	31.000	31.150	7.000	7907	—	★CRW1	R
20.000	32.000	32.131	7.000	564064	—	HMS5	RG
20.000	32.000	32.140	7.000	7910	—	★CRW1	R
20.000	32.000	32.140	7.000	7911	—	CRS1	V
20.000	32.000	32.750	6.000	7869	—	HMS4	R
20.000	32.000	32.750	8.000	7868	—	HMS4	R
20.000	32.000	—	7.000	564065	—	HMSA10	RG
20.000	32.000	—	7.000	564066	—	HMS5	V
20.000	32.000	—	7.000	564067	—	HMSA10	V
20.000	33.000	33.223	10.000	7896	—	HMS47	R
20.000	34.000	34.280	7.000	7745	—	HMSA7	P
20.000	34.000	—	7.000	563869	—	HMS5	RG
20.000	34.000	—	7.000	563870	—	HMSA10	RG
20.000	34.000	—	7.000	563871	w/Stainless Steel Spring	HMS5	V
20.000	34.000	—	7.000	563872	w/Stainless Steel Spring	HMSA10	V
20.000	35.000	35.140	7.000	7915	—	★CRW1	R
20.000	35.000	35.140	7.000	7916	—	★CRW1	V
20.000	35.000	35.140	7.000	7923	—	HMSA7	R
20.000	35.000	35.230	7.000	7929	—	HMS4	V
20.000	35.000	35.230	7.000	692279	—	HMS5	RG
20.000	35.000	—	6.000	563018	—	HMSA10	RG
20.000	35.000	—	6.000	563019	w/Stainless Steel Spring	HMS5	V
20.000	35.000	—	6.000	563020	w/Stainless Steel Spring	HMSA10	V
20.000	35.000	—	7.000	692280	—	HMS5	V
20.000	35.000	—	7.000	692281	—	HMSA10	RG
20.000	35.000	—	7.000	692282	—	HMSA10	V
20.000	35.000	—	8.000	563347	—	HMS5	RG
20.000	35.000	—	8.000	563348	—	HMSA10	RG
20.000	35.000	—	8.000	563349	w/Stainless Steel Spring	HMS5	V
20.000	35.000	—	8.000	563350	w/Stainless Steel Spring	HMSA10	V
20.000	35.000	—	10.000	563267	—	HMS5	RG
20.000	35.000	—	10.000	563268	—	HMSA10	RG
20.000	35.000	—	10.000	563269	w/Stainless Steel Spring	HMS5	V
20.000	35.000	—	10.000	563270	w/Stainless Steel Spring	HMSA10	V
20.000	36.000	36.140	7.000	7920	—	★CRW1	R
20.000	36.000	36.140	7.000	7921	—	★CRW1	V
20.000	36.000	36.430	7.000	7924	—	HMSA7	R
20.000	36.000	—	7.000	563355	—	HMS5	RG
20.000	36.000	—	7.000	563356	—	HMSA10	RG
20.000	36.000	—	7.000	563357	w/Stainless Steel Spring	HMS5	V
20.000	36.000	—	7.000	563358	w/Stainless Steel Spring	HMSA10	V
20.000	37.000	37.135	7.000	8046	—	★CRW1	V
20.000	37.000	37.140	7.000	7925	—	★CRW1	R
20.000	38.000	38.140	7.000	7930	—	★CRW1	R
20.000	38.000	38.750	8.000	8000	—	HMS4	R
20.000	38.000	—	7.000	563181	—	HMS5	RG
20.000	38.000	—	7.000	563182	—	HMSA10	RG
20.000	38.000	—	7.000	563183	w/Stainless Steel Spring	HMS5	V
20.000	38.000	—	7.000	563184	w/Stainless Steel Spring	HMSA10	V
20.000	40.000	40.140	7.000	7940	—	★CRW1	R

Size listing - Metric

Metric Shaft	Metric Bore	Metric O.D.	Metric Width	Metric Seal no.	Seal info. notes	Type & style	Lip code
20.000	40.000	40.140	7.000	7941	—	★CRW1	V
20.000	40.000	—	7.000	692284	—	HMS5	V
20.000	40.000	—	7.000	692285	—	HMSA10	RG
20.000	40.000	—	7.000	692286	—	HMSA10	V
20.000	40.000	—	10.000	563005	—	HMS5	RG
20.000	40.000	—	10.000	563006	—	HMSA10	RG
20.000	40.000	—	10.000	563007	w/Stainless Steel Spring	HMS5	V
20.000	40.000	—	10.000	563008	w/Stainless Steel Spring	HMSA10	V
20.000	42.000	42.140	7.000	7950	—	★CRW1	R
20.000	42.000	42.140	7.000	7953	—	CRS1	V
20.000	42.000	42.750	8.000	8005	—	HMSA7	R
20.000	42.000	—	7.000	692288	—	HMS5	V
20.000	42.000	—	7.000	692289	—	HMSA10	RG
20.000	42.000	—	7.000	692290	—	HMSA10	V
20.000	42.000	—	10.000	563740	—	HMS5	RG
20.000	42.000	—	10.000	563741	—	HMSA10	RG
20.000	42.000	—	10.000	563742	w/Stainless Steel Spring	HMS5	V
20.000	42.000	—	10.000	563743	w/Stainless Steel Spring	HMSA10	V
20.000	45.000	45.750	12.000	8011	—	HMS4	R
20.000	47.000	47.140	7.000	7965	—	★CRW1	R
20.000	47.000	—	7.000	692292	—	HMS5	V
20.000	47.000	—	7.000	692293	—	HMSA10	RG
20.000	47.000	—	10.000	563255	—	HMS5	RG
20.000	47.000	—	10.000	563257	w/Stainless Steel Spring	HMS5	V
20.000	47.000	—	10.000	563258	w/Stainless Steel Spring	HMSA10	V
20.000	47.000	—	10.000	563256	—	HMSA10	RG
20.000	52.000	52.160	7.000	7980	—	★CRW1	R
20.000	52.000	52.160	7.000	7981	—	★CRW1	P
20.000	52.000	52.750	8.000	8028	—	HMSA7	R
20.000	52.000	—	7.000	8032	—	HMSA7	R
20.000	52.000	—	7.000	563165	—	HMS5	RG
20.000	52.000	—	7.000	563166	—	HMSA10	RG
20.000	52.000	—	7.000	563167	w/Stainless Steel Spring	HMS5	V
20.000	52.000	—	7.000	563168	w/Stainless Steel Spring	HMSA10	V
20.000	52.000	—	10.000	562969	—	HMS5	RG
20.000	52.000	—	10.000	562970	—	HMSA10	RG
20.000	52.000	—	10.000	562971	w/Stainless Steel Spring	HMS5	V
20.000	52.000	—	10.000	562972	w/Stainless Steel Spring	HMSA10	V
20.650	27.000	27.080	3.160	8009	—	HM3	R
20.650	27.000	—	1.600	451246	—	BUW	—
20.650	27.000	—	3.175	711809	—	BV	R
20.650	27.000	—	3.175	721506	—	BV	D
20.650	27.000	—	3.175	721507	—	BV	V
20.650	30.150	30.250	7.950	8050	—	★CRWA1	V
20.650	31.750	31.850	4.780	8017	—	CRW1	R
20.650	31.750	31.950	9.530	8019	70 Duro/185 Sirvene	HMS4	R
20.650	33.320	33.430	6.350	8027	—	★CRS1	R
20.650	34.930	35.030	5.940	8080	—	CRW1	R
20.650	34.930	35.030	9.530	8053	—	★CRW1	V
20.650	34.930	35.030	9.530	8060	—	★CRW1	R
20.650	38.070	38.180	6.350	8088	—	CRW1	R
20.650	41.250	41.350	6.350	8178	—	★CRW1	V
20.650	44.500	44.600	9.530	8215	—	★CRW1	R
21.000	30.000	30.150	6.500	8271	—	CRS11	R
21.000	32.000	32.207	8.001	8278	w/CW Helix From Air Side	HMSA7	R
21.000	32.000	32.233	7.000	8273	—	HMS47	R
21.000	35.000	35.140	7.000	8305	—	★CRW1	R
21.000	35.000	35.140	7.000	8306	—	★CRW1	V
21.000	35.000	—	7.000	563965	—	HMS5	RG
21.000	35.000	—	7.000	563966	—	HMSA10	RG
21.000	35.000	—	7.000	563967	w/Stainless Steel Spring	HMS5	V
21.000	35.000	—	7.000	563968	w/Stainless Steel Spring	HMSA10	V
21.000	40.000	40.140	8.000	8380	—	★CRW1	R
21.000	40.000	40.234	10.000	8276	—	HMS47	R
21.000	40.000	40.750	7.000	8378	—	HMSA7	R

Size listing - Metric

Metric Shaft	Metric Bore	Metric O.D.	Metric Width	Metric Seal no.	Seal info. notes	Type & style	Lip code
21.440	38.070	38.180	9.530	8436	—	P2	R
21.440	46.430	46.530	7.950	8485	—	CRSA1	R
22.000	28.000	28.750	4.000	8499	—	HM1	R
22.000	30.000	30.048	4.000	8503	—	HM4	R
22.000	32.000	32.140	7.000	8510	—	★CRW1	R
22.000	32.000	—	7.000	564069	—	HMSA10	RG
22.000	32.000	—	7.000	564070	—	HMS5	V
22.000	32.000	—	7.000	564071	—	HMSA10	V
22.000	33.000	33.223	7.000	8781	—	HMS4	R
22.000	35.000	35.140	7.000	8515	—	★CRW1	R
22.000	35.000	35.140	7.000	8516	—	★CRW1	V
22.000	35.000	35.140	7.000	8522	—	HMSA7	R
22.000	35.000	35.230	6.000	8513	—	HMS4	R
22.000	35.000	35.230	10.000	8518	—	HMS4	R
22.000	35.000	35.750	5.000	8514	—	HM14	R
22.000	35.000	—	7.000	692296	—	HMS5	V
22.000	35.000	—	7.000	692297	—	HMSA10	RG
22.000	35.000	—	7.000	692298	—	HMSA10	V
22.000	36.000	—	7.000	563949	—	HMS5	RG
22.000	36.000	—	7.000	563950	—	HMSA10	RG
22.000	36.000	—	7.000	563951	w/Stainless Steel Spring	HMS5	V
22.000	36.000	—	7.000	563952	w/Stainless Steel Spring	HMSA10	V
22.000	37.000	37.236	7.000	8739	—	HMS46	R
22.000	38.000	38.140	7.000	8540	—	★CRW1	R
22.000	38.000	38.140	7.000	8541	—	★CRW1	V
22.000	38.000	38.140	8.000	8545	—	HMSA7	R
22.000	38.000	—	8.000	563540	—	HMS5	RG
22.000	38.000	—	8.000	563541	—	HMSA10	RG
22.000	38.000	—	8.000	563542	w/Stainless Steel Spring	HMS5	V
22.000	38.000	—	8.000	563543	w/Stainless Steel Spring	HMSA10	V
22.000	40.000	40.132	16.000	550189	—	HMS127	R
22.000	40.000	40.140	6.350	8552	—	★CRW1	V
22.000	40.000	40.140	6.400	8550	—	★CRW1	R
22.000	40.000	40.140	7.000	552888	—	HMSA7	V
22.000	40.000	—	7.000	562805	—	HMSA10	RG
22.000	40.000	—	7.000	562806	w/Stainless Steel Spring	HMS5	V
22.000	40.000	—	7.000	562807	w/Stainless Steel Spring	HMSA10	V
22.000	40.000	—	10.000	563532	—	HMS5	RG
22.000	40.000	—	10.000	563533	—	HMSA10	RG
22.000	40.000	—	10.000	563534	w/Stainless Steel Spring	HMS5	V
22.000	40.000	—	10.000	563535	w/Stainless Steel Spring	HMSA10	V
22.000	42.000	42.140	7.000	8555	—	★CRW1	R
22.000	42.000	42.750	11.000	8564	—	HMS4	R
22.000	42.000	—	10.000	562573	—	HMS5	RG
22.000	42.000	—	10.000	562574	—	HMSA10	RG
22.000	42.000	—	10.000	562575	w/Stainless Steel Spring	HMS5	V
22.000	42.000	—	10.000	562576	w/Stainless Steel Spring	HMSA10	V
22.000	45.000	45.230	7.000	8563	—	HMS4	R
22.000	47.000	47.140	8.000	8570	—	★CRW1	R
22.000	47.000	—	7.000	563816	—	HMS5	RG
22.000	47.000	—	7.000	563817	—	HMSA10	RG
22.000	47.000	—	7.000	563818	w/Stainless Steel Spring	HMS5	V
22.000	47.000	—	7.000	563819	w/Stainless Steel Spring	HMSA10	V
22.000	50.000	50.140	8.000	8580	—	★CRW1	R
22.225	28.575	—	3.175	711810	—	BV	R
22.225	28.575	—	3.175	721524	—	BV	D
22.225	34.925	35.027	6.248	8786	—	★CRWA1	R
22.225	38.070	38.180	7.950	8703	—	★CRW1	R
22.225	41.250	41.351	6.502	534953	—	★CRWA1	V
22.225	52.070	52.172	9.525	8871	—	★CRWH1	V
22.230	28.580	28.680	3.180	8619	—	★HM14	V
22.230	28.580	28.680	3.180	8620	—	HM14	R
22.230	28.580	—	1.600	451242	—	BUW	—
22.230	31.500	—	31.500	709005	—	WS	R
22.230	31.650	31.750	4.780	8625	—	★HM14	R

Size listing - Metric

Metric Shaft	Metric Bore	Metric O.D.	Metric Width	Metric Seal no.	Seal info. notes	Type & style	Lip code
22.230	31.750	31.850	4.780	8624	—	★CRW1	R
22.230	31.750	31.850	6.350	8621	—	★CRW1	V
22.230	31.780	31.880	4.780	8631	w/Stainless Steel Case	HM3	R
22.230	31.780	31.880	4.780	8627	—	HM14	R
22.230	31.880	31.980	4.780	8632	70 Duro/185 Sirvene	★HM14	R
22.230	33.220	33.320	6.350	8637	—	★HM14	R
22.230	33.220	33.320	6.350	8649	—	★CRW1	V
22.230	33.320	33.430	6.350	8645	—	★HM14	R
22.230	34.930	35.030	4.780	8677	—	★HM14	R
22.230	34.930	35.030	6.350	8646	—	★CRW1	V
22.230	34.930	35.030	6.350	8660	—	★CRWA5	R
22.230	34.930	35.030	6.350	8665	—	★CRWA5	V
22.230	34.930	35.030	6.500	8648	—	★CRW1	R
22.230	36.500	36.600	6.350	8690	—	★HM14	R
22.230	36.500	36.600	6.350	8691	—	★CRW1	R
22.230	38.020	38.130	7.950	8694	—	★CRWA5	V
22.230	38.070	38.180	6.350	8700	—	★CRW1	R
22.230	38.070	38.180	6.350	8702	—	★CRWA1	R
22.230	38.070	38.180	6.350	8704	—	★CRW1	V
22.230	38.070	38.180	6.350	8707	w/Stainless Steel Spring	★CRWA1	V
22.230	38.070	38.180	7.950	8698	70 Duro/185 Sirvene	HMSW87	R
22.230	38.070	38.180	11.510	8749	—	★DH2	RR
22.230	38.150	38.250	7.950	8748	—	★CRWA1	R
22.230	39.670	39.780	6.350	8761	—	HM14	R
22.230	40.000	40.107	6.350	8763	—	★CRW1	R
22.230	40.000	40.107	6.350	8772	—	HM14	R
22.230	41.250	41.350	6.350	8782	—	★CRWA1	R
22.230	41.250	41.350	6.350	8795	—	★CRW1	V
22.230	41.250	41.350	6.350	8796	—	★CRW1	R
22.230	44.500	44.600	6.350	8821	—	★CRW1	R
22.230	46.430	46.530	6.350	8842	—	★CRW1	R
22.230	47.600	47.700	6.350	8860	—	★CRW1	R
22.230	50.800	50.900	6.350	8870	—	★CRW1	R
22.230	52.320	52.430	9.120	8885	—	W28	P
22.230	—	—	15.620	89516	—	S6	—
23.000	32.000	32.080	5.500	9005	—	HM1	R
23.000	34.000	34.230	6.500	9006	—	HMS4	R
23.000	34.000	34.280	8.000	9065	w/CCW Helix From Air Side	HMSA7	R
23.000	35.000	35.750	6.000	9009	—	HMA10	R
23.000	40.000	40.132	7.000	9068	—	HMSA7	P
23.000	40.000	40.150	10.000	9060	—	HMS4	R
23.000	40.000	40.234	8.000	9055	—	HMS4	R
23.000	40.000	—	10.000	563491	—	HMS5	RG
23.000	40.000	—	10.000	563492	—	HMSA10	RG
23.000	40.000	—	10.000	563493	w/Stainless Steel Spring	HMS5	V
23.000	40.000	—	10.000	563494	w/Stainless Steel Spring	HMSA10	V
23.000	42.000	42.230	11.000	9015	—	HMS4	R
23.292	37.490	37.694	5.994	9176	—	HMSH4	R
23.292	37.490	37.694	5.994	9176	—	HMSH4	R
23.825	30.175	—	3.175	711811	—	BV	R
23.825	31.750	—	3.962	721528	—	BV	V
23.825	46.990	47.092	7.925	9374	—	CRSA1	R
23.830	34.930	35.030	6.350	9243	—	★HM14	R
23.830	34.930	35.030	6.350	9244	—	★CRWA1	R
23.830	38.070	38.180	6.350	9298	—	★HM14	R
23.830	38.100	38.200	6.350	9303	—	★CRW1	R
23.830	38.100	38.200	6.350	9304	—	★CRW1	V
23.830	39.687	46.530	152.400	9441	—	HMS17	R
23.830	41.250	41.350	6.350	9307	—	★CRW1	R
23.830	41.250	41.350	6.350	9308	—	★CRW1	V
23.830	44.500	44.600	6.350	9347	—	★CRW1	R
23.830	46.430	46.530	6.350	9409	—	★CRW1	R
23.927	53.594	53.594	25.146	9420	—	END CAP	P
24.000	32.000	32.055	4.000	9445	—	HM4	R
24.000	32.000	32.131	7.000	9451	—	CRSA11	R

Size listing - Metric

Metric Shaft	Metric Bore	Metric O.D.	Metric Width	Metric Seal no.	Seal info. notes	Type & style	Lip code
24.000	35.000	35.140	7.000	9500	—	HMS4	R
24.000	35.000	—	7.000	692299	—	HMS5	RG
24.000	35.000	—	7.000	692300	—	HMS5	V
24.000	35.000	—	7.000	692301	—	HMSA10	RG
24.000	35.000	—	7.000	692302	—	HMSA10	V
24.000	36.000	36.140	7.000	9502	—	★CRW1	V
24.000	36.000	36.144	6.000	9458	—	CRS11	R
24.000	36.000	36.220	7.000	9456	—	HMSA75	R
24.000	36.000	36.220	9.000	9455	—	HMS47	R
24.000	37.000	—	7.000	562828	—	HMS5	RG
24.000	37.000	—	7.000	562829	—	HMSA10	RG
24.000	37.000	—	7.000	562830	w/Stainless Steel Spring	HMS5	V
24.000	37.000	—	7.000	562831	w/Stainless Steel Spring	HMSA10	V
24.000	38.000	38.140	7.000	9506	—	★CRW1	V
24.000	38.000	38.140	10.000	9505	—	CRS1	R
24.000	38.000	38.750	8.000	9508	—	CRS1	R
24.000	40.000	40.140	8.000	9515	w/CW Helix From Air Side	CRS1	R
24.000	40.000	40.230	7.000	9514	—	HMS5	R
24.000	40.000	40.230	7.000	9521	—	HMSA7	V
24.000	40.000	—	7.000	562836	—	HMS5	RG
24.000	40.000	—	7.000	562837	—	HMSA10	RG
24.000	40.000	—	7.000	562838	w/Stainless Steel Spring	HMS5	V
24.000	40.000	—	7.000	562839	w/Stainless Steel Spring	HMSA10	V
24.000	42.000	—	8.000	563938	—	HMSA10	RG
24.000	42.000	—	8.000	563939	w/Stainless Steel Spring	HMS5	V
24.000	42.000	—	8.000	563940	w/Stainless Steel Spring	HMSA10	V
24.000	47.000	47.140	8.000	9560	—	★CRW1	R
24.000	47.000	—	7.000	563070	—	HMSA10	RG
24.000	47.000	—	7.000	563071	w/Stainless Steel Spring	HMS5	V
24.000	47.000	—	7.000	563072	w/Stainless Steel Spring	HMSA10	V
24.000	50.000	50.267	10.000	9476	—	HMS47	R
24.000	52.000	52.200	7.000	9480	—	HMSA7	R
24.003	62.001	62.128	8.001	534949	—	CRWA1	V
24.130	34.490	34.590	6.990	9520	—	★CRW1	P
24.130	52.320	52.430	9.120	9510	—	HMS11	P
24.610	35.710	35.810	6.350	9604	—	★CRWA1	P
24.610	38.070	38.180	7.950	9611	—	★CRW1	V
24.610	38.070	38.180	7.950	9613	—	CRW1	R
24.610	41.250	41.350	6.350	9646	—	★CRW1	R
24.610	41.250	41.350	6.350	9647	—	★CRW1	V
24.610	42.820	42.930	7.950	9663	—	★CRWA1	R
24.610	42.820	42.930	7.950	9664	—	★CRW1	R
24.610	44.500	44.600	6.350	9667	—	★CRW1	R
24.610	46.430	46.530	7.950	9681	—	★CRW1	R
24.610	52.020	52.120	9.530	9688	—	★CRS1	R
24.920	34.950	35.050	7.950	9888	w/SS Case & Spring	CRW1	V
24.990	38.070	38.180	6.350	9686	—	★CRW1	V
24.990	40.540	40.665	6.350	9700	—	★CRWA5	R
24.990	44.420	44.530	9.530	9803	w/SS Case & Spring	CRWA1	V
24.990	44.500	44.600	7.950	9805	—	★CRWA5	V
24.994	35.128	35.255	3.835	9808	—	HMS4N	R
24.994	37.490	37.617	5.994	10237	—	HMSA7	V
25.000	32.000	32.055	4.000	9691	—	HM4	R
25.000	32.000	32.055	4.000	547329	—	HMS4	R
25.000	32.000	32.055	4.000	10146	—	HMSA7	R
25.000	32.000	32.156	7.000	9696	—	CRSA1	R
25.000	33.000	33.071	4.000	9693	—	HM4	R
25.000	33.000	33.223	6.000	9875	—	HMS4	R
25.000	35.000	35.052	4.000	9694	—	HM4	R
25.000	35.000	35.140	7.000	9705	—	★CRW1	R
25.000	35.000	35.140	7.000	9706	—	★CRW1	V
25.000	35.000	35.140	7.000	9709	—	HMSA7	R
25.000	35.000	35.140	7.000	9717	w/Stainless Steel Spring	HMSA7	V
25.000	35.000	35.140	7.000	9708	—	HMS4	R
25.000	35.000	—	6.000	562696	—	HMS5	RG

Size listing - Metric

Metric Shaft	Metric Bore	Metric O.D.	Metric Width	Metric Seal no.	Seal info. notes	Type & style	Lip code
25.000	35.000	—	6.000	562697	—	HMSA10	RG
25.000	35.000	—	6.000	562698	w/Stainless Steel Spring	HMS5	V
25.000	35.000	—	6.000	562699	w/Stainless Steel Spring	HMSA10	V
25.000	35.000	—	7.000	692304	—	HMS5	V
25.000	35.000	—	7.000	692305	—	HMSA10	RG
25.000	35.000	—	7.000	692306	—	HMSA10	V
25.000	35.000	—	7.000	692303	—	HMS5	RG
25.000	36.000	36.140	7.000	9710	—	★CRW1	R
25.000	36.000	36.220	8.000	9768	—	HMSA7	R
25.000	37.000	37.140	7.000	9715	—	★CRW1	R
25.000	37.000	37.140	7.000	9718	—	HMS4	R
25.000	37.000	37.140	7.000	9716	—	★CRW1	V
25.000	37.000	37.440	8.500	9652	—	HMS4	R
25.000	37.000	37.440	8.500	9655	—	HMSA7	R
25.000	37.000	—	5.000	563137	—	HMS5	RG
25.000	37.000	—	5.000	563138	—	HMSA10	RG
25.000	37.000	—	5.000	563139	w/Stainless Steel Spring	HMS5	V
25.000	37.000	—	5.000	563140	w/Stainless Steel Spring	HMSA10	V
25.000	37.000	—	6.000	563141	—	HMS5	RG
25.000	37.000	—	6.000	563142	—	HMSA10	RG
25.000	37.000	—	6.000	563143	w/Stainless Steel Spring	HMS5	V
25.000	37.000	—	6.000	563144	w/Stainless Steel Spring	HMSA10	V
25.000	37.000	—	7.000	564072	—	HMS5	RG
25.000	37.000	—	7.000	564073	—	HMSA10	RG
25.000	37.000	—	7.000	564074	—	HMS5	V
25.000	37.000	—	7.000	564075	—	HMSA10	V
25.000	38.000	38.025	7.000	9723	—	HMS4	R
25.000	38.000	38.140	6.000	9701	w/CW Helix From Air Side	HMSA7	V
25.000	38.000	38.140	7.000	9720	—	★CRW1	R
25.000	38.000	38.140	7.000	9721	—	★CRW1	V
25.000	38.000	—	7.000	692307	—	HMS5	RG
25.000	38.000	—	7.000	692308	—	HMS5	V
25.000	38.000	—	7.000	692309	—	HMSA10	RG
25.000	38.000	—	7.000	692310	—	HMSA10	V
25.000	40.000	40.140	7.000	9725	—	★CRW1	R
25.000	40.000	40.140	7.000	9726	w/SS Case & Spring	CRW1	R
25.000	40.000	40.140	7.000	9727	—	★CRW1	V
25.000	40.000	40.230	7.000	9732	—	HMS4	R
25.000	40.000	—	5.000	563853	—	HMSA10	RG
25.000	40.000	—	5.000	563854	w/Stainless Steel Spring	HMS5	V
25.000	40.000	—	5.000	563855	w/Stainless Steel Spring	HMSA10	V
25.000	40.000	—	7.000	692311	—	HMS5	RG
25.000	40.000	—	7.000	692312	—	HMS5	V
25.000	40.000	—	7.000	692314	—	HMSA10	V
25.000	40.000	—	7.000	692313	—	HMSA10	RG
25.000	40.000	—	8.000	564076	—	HMS5	RG
25.000	40.000	—	8.000	564078	—	HMS5	V
25.000	40.000	—	8.000	564079	—	HMSA10	V
25.000	40.000	—	10.000	563259	—	HMS5	RG
25.000	40.000	—	10.000	563260	—	HMSA10	RG
25.000	40.000	—	10.000	563261	w/Stainless Steel Spring	HMS5	V
25.000	40.000	—	10.000	563262	w/Stainless Steel Spring	HMSA10	V
25.000	42.000	42.140	8.000	9729	—	★CRW1	V
25.000	42.000	42.140	8.000	9730	—	★CRW1	R
25.000	42.000	—	6.000	562978	—	HMSA10	RG
25.000	42.000	—	6.000	562979	w/Stainless Steel Spring	HMS5	V
25.000	42.000	—	6.000	562980	w/Stainless Steel Spring	HMSA10	V
25.000	42.000	—	7.000	692316	—	HMS5	V
25.000	42.000	—	7.000	692318	—	HMSA10	V
25.000	42.000	—	10.000	562776	—	HMS5	RG
25.000	42.000	—	10.000	562777	—	HMSA10	RG
25.000	42.000	—	10.000	562778	w/Stainless Steel Spring	HMS5	V
25.000	42.000	—	10.000	562779	w/Stainless Steel Spring	HMSA10	V
25.000	43.000	43.231	10.000	10009	—	HMS45	R
25.000	44.000	44.230	10.000	9752	w/CW Helix From Air Side	HMSHA7	P

★ Includes Bore Tite on O.D.
Seal kits—See pg. 632

Axle flange gaskets—See pg. 374
Speedi-Sleeve's—See pg. 637

Scotseals—See pg. 382
V-ring's—See pg. 657

HDDF seals—See pg. 404

Size listing - Metric

Metric Shaft	Metric Bore	Metric O.D.	Metric Width	Metric Seal no.	Seal info. notes	Type & style	Lip code
25.000	45.000	45.110	7.000	9731	—	★CRW1	R
25.000	45.000	45.750	11.000	9769	—	HMSA7	R
25.000	45.000	—	7.000	563415	—	HMS5	RG
25.000	45.000	—	7.000	563416	—	HMSA10	RG
25.000	45.000	—	7.000	563417	w/Stainless Steel Spring	HMS5	V
25.000	45.000	—	7.000	563418	w/Stainless Steel Spring	HMSA10	V
25.000	45.000	—	8.000	563251	—	HMS5	RG
25.000	45.000	—	8.000	563252	—	HMSA10	RG
25.000	45.000	—	8.000	563253	w/Stainless Steel Spring	HMS5	V
25.000	45.000	—	8.000	563254	w/Stainless Steel Spring	HMSA10	V
25.000	45.000	—	10.000	562941	—	HMSA10	RG
25.000	45.000	—	10.000	562942	w/Stainless Steel Spring	HMS5	V
25.000	45.000	—	10.000	562943	w/Stainless Steel Spring	HMSA10	V
25.000	46.000	—	7.000	563808	—	HMS5	RG
25.000	46.000	—	7.000	563809	—	HMSA10	RG
25.000	46.000	—	7.000	563810	w/Stainless Steel Spring	HMS5	V
25.000	46.000	—	7.000	563811	w/Stainless Steel Spring	HMSA10	V
25.000	47.000	47.140	6.350	9745	—	★CRW1	R
25.000	47.000	47.142	6.000	9786	—	CRWA1	V
25.000	47.000	—	7.000	692320	—	HMS5	V
25.000	47.000	—	7.000	692321	—	HMSA10	RG
25.000	47.000	—	7.000	692322	—	HMSA10	V
25.000	47.000	—	10.000	562773	—	HMSA10	RG
25.000	47.000	—	10.000	562774	w/Stainless Steel Spring	HMS5	V
25.000	47.000	—	10.000	562775	w/Stainless Steel Spring	HMSA10	V
25.000	48.000	48.140	8.000	9750	—	★CRW1	R
25.000	48.000	48.140	8.000	9751	—	★CRW1	V
25.000	50.000	50.140	8.000	9755	—	★CRW1	R
25.000	50.000	50.750	12.000	9771	—	HMS4	R
25.000	50.000	—	10.000	563720	—	HMS5	RG
25.000	50.000	—	10.000	563721	—	HMSA10	RG
25.000	50.000	—	10.000	563722	w/Stainless Steel Spring	HMS5	V
25.000	50.000	—	10.000	563723	w/Stainless Steel Spring	HMSA10	V
25.000	52.000	52.160	8.000	9760	—	★CRW1	R
25.000	52.000	52.160	8.000	9761	—	★CRW1	V
25.000	52.000	52.275	12.000	10085	—	CRSA13	R
25.000	52.000	52.280	7.000	9763	—	HMSA7	R
25.000	52.000	—	7.000	692324	—	HMS5	V
25.000	52.000	—	7.000	692325	—	HMSA10	RG
25.000	52.000	—	7.000	692326	—	HMSA10	V
25.000	52.000	—	8.000	564081	—	HMSA10	RG
25.000	52.000	—	8.000	564082	—	HMS5	V
25.000	52.000	—	8.000	564083	—	HMSA10	V
25.000	52.000	—	10.000	562637	—	HMSA10	RG
25.000	52.000	—	10.000	562638	w/Stainless Steel Spring	HMS5	V
25.000	52.000	—	10.000	562639	w/Stainless Steel Spring	HMSA10	V
25.000	62.000	62.160	7.000	9790	—	★CRW1	R
25.000	62.000	62.160	7.000	9791	—	★CRW1	V
25.000	62.000	62.160	10.000	9795	—	HMS4	R
25.000	62.000	—	7.000	563193	—	HMS5	RG
25.000	62.000	—	7.000	563194	—	HMSA10	RG
25.000	62.000	—	7.000	563195	w/Stainless Steel Spring	HMS5	V
25.000	62.000	—	7.000	563196	w/Stainless Steel Spring	HMSA10	V
25.000	62.000	—	8.000	563877	—	HMS5	RG
25.000	62.000	—	8.000	563878	—	HMSA10	RG
25.000	62.000	—	8.000	563879	w/Stainless Steel Spring	HMS5	V
25.000	62.000	—	8.000	563880	w/Stainless Steel Spring	HMSA10	V
25.000	62.000	—	10.000	562944	—	HMS5	RG
25.000	62.000	—	10.000	562945	—	HMSA10	RG
25.000	62.000	—	10.000	562946	w/Stainless Steel Spring	HMS5	V
25.000	62.000	—	10.000	562947	w/Stainless Steel Spring	HMSA10	V
25.001	36.997	37.238	6.997	9846A	w/Helix Bi-Direction From Air Side	HMSA7	P
25.400	31.750	31.850	3.180	9815	—	★HM14	R
25.400	31.750	—	3.175	711080	—	BV	R
25.400	31.750	—	3.175	721558	—	BV	V

★ Includes Bore Tite on O.D.
Seal kits—See pg. 632

Axle flange gaskets—See pg. 374
Speedi-Sleeve's—See pg. 637

Scotseals—See pg. 382
V-ring's—See pg. 657

HDDF seals—See pg. 404

Size listing - Metric

Metric Shaft	Metric Bore	Metric O.D.	Metric Width	Metric Seal no.	Seal info. notes	Type & style	Lip code
25.400	31.750	—	3.180	712131	—	BV	V
25.400	33.320	33.430	3.180	9818	—	★HM14	R
25.400	33.350	—	1.600	451047	—	BUW	—
25.400	33.350	—	3.962	701084	—	BV	D
25.400	33.350	—	3.962	721529	—	BV	V
25.400	34.670	—	34.670	709006	—	WS	R
25.400	34.670	—	34.670	712121	—	WS	V
25.400	34.720	34.820	7.950	9822	—	★CRW1	R
25.400	34.930	35.030	4.780	9820	—	★HM14	R
25.400	34.930	35.030	6.350	9814	—	★CRWA5	R
25.400	34.930	35.030	6.350	9831	—	★CRW1	V
25.400	34.930	35.030	6.350	9826	—	CRW1	P
25.400	36.500	36.600	6.350	9833	—	★CRW1	V
25.400	36.500	36.600	6.350	9835	—	★HM14	R
25.400	36.500	36.600	6.350	9837	—	★CRW1	R
25.400	36.500	36.600	6.350	9838	—	★CRWA1	R
25.400	36.500	36.600	6.350	9847	—	★CRWA1	V
25.400	36.630	36.730	6.350	550074	—	HMS1	P
25.400	38.000	38.100	9.910	9850	—	★CRW1	R
25.400	38.070	38.180	4.780	9859	—	★HM14	R
25.400	38.070	38.180	6.350	9852	w/SS Case & Spring	★CRW1	R
25.400	38.070	38.180	6.350	9854	—	★CRW1	V
25.400	38.070	38.180	6.350	9855	70 Duro/185 Sirvene	CRW5	R
25.400	38.070	38.180	6.350	9858	—	★CRWA5	V
25.400	38.070	38.180	6.350	9876	—	★CRW1	R
25.400	38.070	38.180	6.350	9878	—	★CRWA1	R
25.400	38.070	38.180	6.350	9879	—	★CRWA1	V
25.400	38.070	38.180	6.350	544167	—	★CRWA5	P
25.400	38.070	38.180	6.350	9843	—	★CRWA5	R
25.400	38.070	38.180	8.001	9862	—	★CRWA1	V
25.400	38.100	38.230	6.350	9863	—	★CRWA5	R
25.400	38.100	38.329	9.500	9811	—	HMS4	R
25.400	38.100	—	6.350	712589	—	BV	R
25.400	38.100	—	38.100	504264	—	SC	R
25.400	38.350	38.460	5.560	9853	—	★HM21	R
25.400	39.650	39.750	6.350	9894	—	★CRW1	R
25.400	39.650	39.750	6.350	9900	—	★HM14	R
25.400	39.700	39.800	4.780	527939	—	BB	R
25.400	40.000	40.100	7.950	9907	—	★CRWA1	R
25.400	40.000	40.107	6.350	9903	—	★HM14	R
25.400	41.250	41.350	6.350	9932	—	★HM14	R
25.400	41.250	41.350	6.350	9934	—	★CRW1	R
25.400	41.250	41.350	6.350	9935	—	★CRWA1	R
25.400	41.250	41.350	6.350	9937	—	★CRW1	V
25.400	41.250	41.350	6.350	9939	—	★CRWA1	V
25.400	42.820	42.930	6.500	9960	—	★CRW1	R
25.400	42.824	42.926	6.502	544257	—	★CRW1	V
25.400	44.500	44.600	6.350	9982	—	★CRW1	V
25.400	44.500	44.600	6.350	9983	w/Stainless Steel Spring	★CRWA1	V
25.400	44.500	44.600	6.350	9995	—	★HM21	R
25.400	44.500	44.600	6.350	9997	—	★CRW1	R
25.400	44.500	44.600	6.350	9998	—	★CRWA1	R
25.400	44.500	44.600	7.950	9967	—	★CRWA5	R
25.400	45.212	45.339	6.350	530484	—	HM21	R
25.400	45.240	45.340	11.910	10034	—	★HM14	R
25.400	45.240	45.340	11.910	10035	Clearance D .265	★HM18	R
25.400	46.430	46.530	6.350	10049	—	★CRW1	R
25.400	46.430	46.530	6.350	10050	—	★CRWA1	R
25.400	46.431	46.533	6.350	10058	—	★CRW1	V
25.400	47.020	47.120	6.350	10071	—	★CRW1	R
25.400	47.020	47.120	6.350	10074	—	★HM14	R
25.400	47.600	47.700	6.350	10075	—	★CRW1	R
25.400	49.230	49.330	6.350	10104	—	★CRW1	R
25.400	49.230	49.330	6.350	10112	—	★HM14	R
25.400	50.370	50.470	6.350	10111	—	★CRWA1	V

Size listing - Metric

Metric Shaft	Metric Bore	Metric O.D.	Metric Width	Metric Seal no.	Seal info. notes	Type & style	Lip code
25.400	50.370	50.470	7.950	10114	—	★CRWA1	R
25.400	50.800	50.900	6.350	10123	—	★CRW1	R
25.400	50.800	50.900	6.350	10127	w/SS Case & Spring	★CRWA1	R
25.400	50.800	50.900	6.350	10128	—	★CRW1	V
25.400	50.800	50.900	6.350	10129	—	★CRWA1	V
25.400	50.800	50.900	6.350	10124	—	★CRWA1	R
25.400	50.800	50.900	7.950	10131	—	★CRWA5	R
25.400	50.800	50.902	6.350	10152	—	★HM21	R
25.400	51.990	52.100	6.350	10157	—	★CRWA1	R
25.400	52.370	52.480	6.350	10158	—	★CRW1	R
25.400	57.150	57.250	6.350	10169	—	★CRW1	R
25.400	57.150	57.250	6.350	10185	—	★HM14	R
25.400	59.842	25.273	6.858	538266	—	X15	V
25.400	62.000	62.150	9.530	10178	—	HMSA7	R
25.756	39.776	39.878	7.798	10140	—	HMSA7	R
26.000	34.000	34.061	4.000	10166	—	HM4	R
26.000	35.000	35.154	7.000	10242	—	CRS1	R
26.000	36.000	36.220	7.000	10243	—	HMS47	R
26.000	37.000	—	7.000	563149	—	HMS5	RG
26.000	37.000	—	7.000	563150	—	HMSA10	RG
26.000	37.000	—	7.000	563151	w/Stainless Steel Spring	HMS5	V
26.000	37.000	—	7.000	563152	w/Stainless Steel Spring	HMSA10	V
26.000	38.000	38.140	7.000	10173	—	HMS1	R
26.000	38.000	38.750	8.000	10168	—	HMS4	R
26.000	38.000	—	5.000	563969	—	HMS5	RG
26.000	38.000	—	5.000	563970	—	HMSA10	RG
26.000	38.000	—	5.000	563971	w/Stainless Steel Spring	HMS5	V
26.000	38.000	—	5.000	563972	w/Stainless Steel Spring	HMSA10	V
26.000	38.000	—	7.000	692327	—	HMS5	RG
26.000	38.000	—	7.000	692329	—	HMSA10	RG
26.000	40.000	40.132	8.000	547372	—	HMS4	R
26.000	40.000	40.140	8.000	10181	—	HMS1	R
26.000	40.000	40.200	7.000	10183	—	HMSA7	R
26.000	40.000	40.208	8.000	10281	—	HMSA7	R
26.000	42.000	42.140	8.000	10191	—	CRS1	R
26.000	42.000	42.230	7.000	10188	—	HMS4	R
26.000	42.000	—	7.000	563161	—	HMS5	RG
26.000	42.000	—	7.000	563162	—	HMSA10	RG
26.000	42.000	—	7.000	563163	w/Stainless Steel Spring	HMS5	V
26.000	42.000	—	7.000	563164	w/Stainless Steel Spring	HMSA10	V
26.000	45.000	45.140	10.000	10268	—	CRS12	R
26.000	47.000	—	7.000	563407	—	HMS5	RG
26.000	47.000	—	7.000	563408	—	HMSA10	RG
26.000	47.000	—	7.000	563409	w/Stainless Steel Spring	HMS5	V
26.000	47.000	—	7.000	563410	w/Stainless Steel Spring	HMSA10	V
26.000	52.000	52.280	8.000	10253	—	HMS4	R
26.873	36.982	37.185	7.010	10586A	w/CW Helix From Air Side	HMSA7	V
26.975	38.278	38.405	9.500	10523	See Type J Section (HMSA Lip)	J-TYPE	R
27.000	34.925	—	3.962	711814	—	BV	R
27.000	37.000	—	7.000	563524	—	HMS5	RG
27.000	37.000	—	7.000	563525	—	HMSA10	RG
27.000	37.000	—	7.000	563526	w/Stainless Steel Spring	HMS5	V
27.000	37.000	—	7.000	563527	w/Stainless Steel Spring	HMSA10	V
27.000	38.070	38.180	6.350	10515	—	★CRW1	R
27.000	38.070	38.180	6.350	10518	—	★CRW1	V
27.000	38.400	38.583	6.500	532866	—	★CRW1	P
27.000	39.650	39.750	6.350	10581	—	★CRW1	R
27.000	40.000	40.240	8.000	10584	w/CCW Helix From Air Side	HMSA7	V
27.000	40.060	40.160	6.350	10583	—	★CRW1	R
27.000	41.250	41.350	6.350	10598	—	★CRW1	R
27.000	42.000	42.140	7.000	10625	—	★CRW1	R
27.000	42.000	42.140	7.000	10627	—	★CRW1	V
27.000	42.000	—	10.000	563157	—	HMS5	RG
27.000	42.000	—	10.000	563158	—	HMSA10	RG
27.000	42.000	—	10.000	563159	w/Stainless Steel Spring	HMS5	V

Size listing - Metric

Metric Shaft	Metric Bore	Metric O.D.	Metric Width	Metric Seal no.	Seal info. notes	Type & style	Lip code
27.000	42.000	—	10.000	563160	w/Stainless Steel Spring	HMSA10	V
27.000	42.820	42.930	6.350	10632	—	★CRW1	R
27.000	43.000	43.100	8.000	10640	—	★CRW1	V
27.000	43.000	43.100	9.000	10634	w/CCW Helix From Air Side	HMSA7	P
27.000	43.000	43.100	9.000	10661	w/CW Helix From Air Side	HMSA7	R
27.000	43.000	43.230	7.000	10494	w/CW Helix From Air Side	HMSA7	P
27.000	43.000	—	7.000	563037	—	HMS5	RG
27.000	43.000	—	7.000	563038	—	HMSA10	RG
27.000	43.000	—	7.000	563040	w/Stainless Steel Spring	HMSA10	V
27.000	44.500	44.600	6.350	10653	—	★CRW1	R
27.000	44.501	44.602	6.350	10655	—	★CRW1	V
27.000	45.000	45.230	8.000	10663	—	HMS4	R
27.000	45.000	45.300	8.000	10666	—	★CRW1	V
27.000	46.430	46.530	6.350	10681	—	★CRW1	R
27.000	47.000	47.140	11.000	10685	—	★HMS1	R
27.000	47.000	47.219	7.000	10644	—	HMS4	R
27.000	47.000	—	10.000	563840	—	HMS5	RG
27.000	47.000	—	10.000	563841	—	HMSA10	RG
27.000	47.000	—	10.000	563842	w/Stainless Steel Spring	HMS5	V
27.000	47.000	—	10.000	563843	w/Stainless Steel Spring	HMSA10	V
27.000	47.600	47.700	6.350	10700	—	★CRW1	R
27.000	50.270	50.370	6.350	10728	—	★CRW1	R
27.000	50.370	50.470	6.350	10733	—	★CRW1	R
27.000	50.800	50.900	6.350	10740	—	★CRW1	R
27.000	52.000	52.160	8.000	10758	—	★CRW1	R
27.000	52.000	52.273	8.000	10648	—	HMS46	R
27.000	52.000	52.275	10.000	10649	—	HMS46	R
27.000	52.370	52.480	6.350	10766	—	★CRW1	R
27.899	42.999	43.126	7.998	10980A	w/CW Helix From Air Side	HMSA7	P
27.991	53.010	—	9.601	10983	—	HMSA965	P
28.000	35.000	35.052	4.000	10915	—	HM4	R
28.000	35.000	35.230	6.000	11020	—	HM102	R
28.000	37.000	37.059	4.000	10918	—	HM4	R
28.000	38.000	38.230	7.000	10924	—	HMS4	R
28.000	38.000	—	7.000	692331	—	HMS5	RG
28.000	38.000	—	7.000	692332	—	HMS5	V
28.000	38.000	—	7.000	692333	—	HMSA10	RG
28.000	38.000	—	7.000	692334	—	HMSA10	V
28.000	38.000	—	8.000	563363	—	HMS5	RG
28.000	38.000	—	8.000	563364	—	HMSA10	RG
28.000	38.000	—	8.000	563365	w/Stainless Steel Spring	HMS5	V
28.000	38.000	—	8.000	563366	w/Stainless Steel Spring	HMSA10	V
28.000	40.000	40.107	7.000	10930	—	CRW1	R
28.000	40.000	40.132	10.000	11026	—	CRS13	R
28.000	40.000	40.140	7.000	10932	—	★CRW1	V
28.000	40.000	40.140	7.000	10939	—	HMS4	R
28.000	40.000	40.230	7.000	10923	—	HMSA7	V
28.000	40.000	40.430	8.000	10947	—	HMSA7	R
28.000	40.000	—	7.000	564084	—	HMS5	RG
28.000	40.000	—	7.000	564085	—	HMSA10	RG
28.000	40.000	—	7.000	564086	—	HMS5	V
28.000	40.000	—	7.000	564087	—	HMSA10	V
28.000	40.000	—	8.000	563548	—	HMS5	RG
28.000	40.000	—	8.000	563549	—	HMSA10	RG
28.000	40.000	—	8.000	563550	w/Stainless Steel Spring	HMS5	V
28.000	40.000	—	8.000	563551	w/Stainless Steel Spring	HMSA10	V
28.000	41.000	41.230	7.000	10944	w/CCW Helix From Air Side	HMSA7	P
28.000	42.000	42.140	7.000	10931	—	★CRW1	R
28.000	42.000	42.140	7.000	10934	—	★CRW1	V
28.000	42.000	42.230	8.000	10922	—	HMSA7	R
28.000	42.000	42.291	8.000	562613	—	HMSA10	RG
28.000	42.000	—	7.000	692339	—	HMS5	RG
28.000	42.000	—	7.000	692340	—	HMS5	V
28.000	42.000	—	7.000	692341	—	HMSA10	RG
28.000	42.000	—	7.000	692342	—	HMSA10	V

★ Includes Bore Tite on O.D.
Seal kits—See pg. 632

Axle flange gaskets—See pg. 374
Speedi-Sleeve's—See pg. 637

Scotseals—See pg. 382
V-ring's—See pg. 657

HDDF seals—See pg. 404

Size listing - Metric

Metric Shaft	Metric Bore	Metric O.D.	Metric Width	Metric Seal no.	Seal info. notes	Type & style	Lip code
28.000	42.000	—	8.000	562612	—	HMS5	RG
28.000	42.000	—	8.000	562614	w/Stainless Steel Spring	HMS5	V
28.000	42.000	—	8.000	562615	w/Stainless Steel Spring	HMSA10	V
28.000	42.012	42.291	8.001	562613	—	HMSA10	RG
28.000	42.500	42.730	8.000	10936	—	HMS4	R
28.000	43.000	43.150	10.000	11031	—	HMS4	R
28.000	43.000	43.230	8.000	10927	w/CW Helix From Air Side	HMSA7	R
28.000	44.000	44.170	6.000	10937	—	HMSA7	P
28.000	44.000	44.300	9.000	10938	w/CW Helix From Air Side	HMSH78	P
28.000	44.000	—	6.000	563423	—	HMS5	RG
28.000	44.000	—	6.000	563424	—	HMSA10	RG
28.000	44.000	—	6.000	563425	w/Stainless Steel Spring	HMS5	V
28.000	44.000	—	6.000	563426	w/Stainless Steel Spring	HMSA10	V
28.000	45.000	45.140	7.000	10946	—	★CRW1	V
28.000	45.000	—	8.000	563456	—	HMSA10	RG
28.000	45.000	—	8.000	563457	w/Stainless Steel Spring	HMS5	V
28.000	45.000	—	8.000	563458	w/Stainless Steel Spring	HMSA10	V
28.000	47.000	47.140	7.000	10957	—	★CRW1	V
28.000	47.000	47.140	8.000	10990	—	★CRW1	R
28.000	47.000	47.142	10.000	11036	—	CRSA11	R
28.000	47.000	47.225	5.000	11041	—	HMS46	R
28.000	47.000	—	7.000	692343	—	HMS5	RG
28.000	47.000	—	7.000	692344	—	HMS5	V
28.000	47.000	—	7.000	692345	—	HMSA10	RG
28.000	47.000	—	10.000	563479	—	HMS5	RG
28.000	47.000	—	10.000	563480	—	HMSA10	RG
28.000	47.000	—	10.000	563481	w/Stainless Steel Spring	HMS5	V
28.000	47.000	—	10.000	563482	w/Stainless Steel Spring	HMSA10	V
28.000	48.000	48.750	8.000	10991	—	HMSA7	R
28.000	48.000	48.750	11.000	10967	—	HMS4	R
28.000	48.600	48.750	8.000	10956	w/CW Helix From Air Side	HMS48	P
28.000	50.000	50.275	8.000	11076	—	HMSA7	P
28.000	50.000	50.275	10.000	11043	—	HMS47	R
28.000	52.000	52.160	8.000	10994	—	★CRW1	R
28.000	52.000	—	7.000	563463	—	HMS5	RG
28.000	52.000	—	7.000	563464	—	HMSA10	RG
28.000	52.000	—	7.000	563465	w/Stainless Steel Spring	HMS5	V
28.000	52.000	—	7.000	563466	w/Stainless Steel Spring	HMSA10	V
28.000	52.000	—	10.000	563552	—	HMS5	RG
28.000	52.000	—	10.000	563553	—	HMSA10	RG
28.000	52.000	—	10.000	563554	w/Stainless Steel Spring	HMS5	V
28.000	52.000	—	10.000	563555	w/Stainless Steel Spring	HMSA10	V
28.000	56.000	56.210	10.000	11000	—	HMSA7	P
28.499	41.250	41.478	5.994	11122	w/CW Helix From Air Side	HMSA7	P
28.575	36.525	—	3.962	711816	—	BV	R
28.575	36.525	—	3.962	721508	—	BV	D
28.575	36.525	—	3.962	721530	—	BV	V
28.575	47.600	47.701	6.350	11224	—	★CRW1	R
28.575	47.600	47.701	6.350	11225	—	★CRW1	V
28.580	31.750	31.850	6.350	8634	—	★CRWA5	V
28.580	34.930	35.030	3.180	11050	—	HM14	R
28.580	34.930	35.030	3.180	11052	—	★HM14	V
28.580	36.530	36.630	5.160	11055	—	★HM14	R
28.580	36.530	—	1.600	451286	—	BUW	—
28.580	37.850	—	37.850	709007	—	WS	R
28.580	38.070	38.180	4.780	11060	—	★HM14	R
28.580	38.070	38.180	4.780	11061	—	CRW1	R
28.580	39.650	39.750	6.350	11066	—	★CRW1	P
28.580	39.650	39.750	6.350	11071	—	★CRW1	V
28.580	39.650	39.750	6.502	11067	—	★CRW1	R
28.580	39.670	39.780	4.780	11065	—	HM8	R
28.580	39.670	39.780	6.350	11081	—	HM14	R
28.580	39.750	39.850	6.350	11082	—	★CRW1	R
28.580	41.250	41.350	6.350	11111	—	★CRW1	P
28.580	41.250	41.350	6.350	11123	—	★CRW1	R

★ Includes Bore Tite on O.D.
Seal kits—See pg. 632

Axle flange gaskets—See pg. 374
Speedi-Sleeve's—See pg. 637

Scotseals—See pg. 382
V-ring's—See pg. 657

HDDF seals—See pg. 404

Size listing - Metric

Metric Shaft	Metric Bore	Metric O.D.	Metric Width	Metric Seal no.	Seal info. notes	Type & style	Lip code
28.580	41.250	41.350	6.350	11130	—	★HM21	R
28.580	41.250	41.350	6.500	11134	—	★CRWA1	V
28.580	41.250	41.350	6.502	11124	—	★CRWA1	R
28.580	41.250	41.350	6.502	11133	—	★CRW1	V
28.580	41.300	41.400	6.350	11139	—	★CRWA5	V
28.580	41.351	—	41.351	504265	—	SC	R
28.580	41.400	41.500	7.950	11143	—	HMS4N	R
28.580	44.450	44.550	6.350	11150	—	★HM14	R
28.580	44.500	44.600	6.350	11138	—	★CRW1	R
28.580	44.500	44.600	6.350	11144	—	★CRW1	V
28.580	45.240	45.340	6.350	11161	—	★HM21	R
28.580	45.240	45.340	11.910	11164	—	HM18	R
28.580	45.240	45.390	10.310	11180	—	HMSA7	R
28.580	46.430	46.530	6.350	11170	—	★CRW1	R
28.580	46.430	46.530	6.350	11171	—	★CRWA1	R
28.580	46.430	46.530	6.350	11172	—	★CRW1	V
28.580	46.430	46.530	6.350	11175	—	★CRWA1	V
28.580	46.430	46.530	6.350	11191	—	HM21	R
28.580	47.040	47.140	7.950	11197	—	★CRWH1	R
28.580	47.040	47.140	7.950	11200	—	★CRWHA1	R
28.580	47.600	47.700	6.350	11218	—	★CRWA1	V
28.580	47.600	47.700	6.350	11223	—	★CRWA1	R
28.580	49.230	49.330	8.712	11269	Clearance D .352	HM14	R
28.580	49.230	49.330	15.880	11284	Clearance D .415	HD2	R
28.580	50.370	50.470	6.350	11299	—	★CRW1	R
28.580	50.800	50.900	6.350	11334	—	★HM21	R
28.580	50.800	50.900	6.350	11344	—	★CRW1	V
28.580	50.800	50.900	6.500	11340	—	★CRW1	R
28.580	50.800	50.900	9.530	11343	—	★CRWA1	R
28.580	51.990	52.100	6.350	11352	—	★HM21	R
28.580	52.370	52.480	6.350	11368	—	★CRWA1	V
28.580	52.370	52.480	7.950	11366	—	★CRW1	R
28.580	52.400	52.480	7.950	11353	—	★CRWA1	R
28.580	53.980	54.080	7.950	11372	—	★CRW1	R
28.580	57.150	57.250	6.350	11378	—	★CRW1	R
28.580	62.000	62.103	6.350	11392	—	★CRW1	R
28.580	72.010	72.110	9.530	11405	—	★CRSA1	R
28.580	73.030	73.130	11.910	11410	—	★CRSH1	R
28.600	40.000	40.110	6.000	11086	—	★CRWA1	R
28.600	43.000	43.140	6.500	11136	—	HMSA1	R
29.000	37.440	37.770	5.000	11407	—	HMS4	R
29.000	41.000	41.260	6.000	11417	w/CW Helix From Air Side	HMSA7	P
29.000	43.000	43.130	8.000	11422	w/CCW Helix From Air Side	HMSA7	V
29.000	45.000	45.230	8.000	11429	w/CCW Helix From Air Side	HMSA7	R
29.000	47.000	47.140	10.000	11421	—	CRSH11	R
29.000	52.000	52.121	11.000	14116	w/Bi-Direction Helix From Air Side	HMSA7	R
29.000	52.000	52.160	10.000	11424	—	CRSH11	R
29.360	42.820	42.930	6.350	11518	—	★CRWA1	R
29.360	42.820	43.000	7.950	11512	w/Stainless Steel Spring	CRWA6	V
29.360	42.824	43.000	7.925	11513	—	CRWA6	R
29.360	44.500	44.600	6.350	11514	—	★CRWA1	R
29.360	47.600	47.700	6.350	11524	—	★CRW1	R
29.360	47.630	47.730	9.530	11536	—	CRWA1	R
29.360	50.800	50.900	6.350	11544	—	★CRW1	R
29.360	50.800	50.900	6.350	11545	—	★CRWA1	R
29.360	50.800	50.900	6.350	11550	—	★CRW1	V
29.360	53.980	54.080	11.130	11566	—	★CRSH1	R
29.362	52.375	52.476	7.950	11558	—	★CRW1	R
29.850	44.980	45.090	6.990	11700	w/CW Helix From Air Side	★HMS1	R
29.850	51.590	51.690	12.700	11553	—	★CRW1	R
29.896	62.179	62.306	12.700	11778	w/CW Helix From Air Side	★CRSA4	V
29.900	65.000	65.340	11.000	18108	w/Bi-Direction Helix From Air Side	HMSA57	P
29.920	52.650	52.760	8.510	11650	—	★CRW1	S
29.997	43.993	44.221	7.010	11580	—	HMSA7	P
29.997	50.013	50.216	8.915	11810A	w/CW Helix From Air Side	HMSA7	P

Size listing - Metric

Metric Shaft	Metric Bore	Metric O.D.	Metric Width	Metric Seal no.	Seal info. notes	Type & style	Lip code
29.997	54.000	54.127	8.992	11673	w/CW Helix From Air Side	HMSA7	P
30.000	37.000	37.059	4.000	11594	—	HM4	R
30.000	37.000	37.450	4.000	11596	—	HMSA7	R
30.000	37.000	—	4.000	11595	—	HMS4	R
30.000	38.000	38.125	5.500	18186	—	HMA2	R
30.000	40.000	40.005	4.000	547343	—	HMS4	R
30.000	40.000	40.056	4.000	11597	—	HM4	R
30.000	40.000	40.056	4.000	547344	—	HMSA7	R
30.000	40.000	40.140	7.000	11605	—	★CRW1	R
30.000	40.000	40.140	7.000	11705	—	★CRW1	V
30.000	40.000	40.230	7.000	11600	—	HMS4	R
30.000	40.000	40.230	7.000	11602	—	HMSA7	R
30.000	40.000	40.230	7.000	11603	—	HMSA7	V
30.000	40.000	—	7.000	692347	—	HMS5	RG
30.000	40.000	—	7.000	692348	—	HMS5	V
30.000	40.000	—	7.000	692349	—	HMSA10	RG
30.000	40.000	—	7.000	692350	—	HMSA10	V
30.000	42.000	42.130	7.000	11669	—	HMS4	V
30.000	42.000	42.140	7.000	11608	—	HMS4	R
30.000	42.000	42.140	7.000	11611	—	★CRW1	V
30.000	42.000	42.140	7.000	11708	—	★CRW1	R
30.000	42.000	42.215	6.000	11817	—	HMSA7P2	R
30.000	42.000	42.230	8.000	18719	—	HMSA92	P
30.000	42.000	42.230	8.000	18721	—	HMSA7	V
30.000	42.000	42.750	8.000	11823	—	HMSA7	R
30.000	42.000	—	6.000	563145	—	HMS5	RG
30.000	42.000	—	6.000	563146	—	HMSA10	RG
30.000	42.000	—	6.000	563147	w/Stainless Steel Spring	HMS5	V
30.000	42.000	—	6.000	563148	w/Stainless Steel Spring	HMSA10	V
30.000	42.000	—	7.000	692351	—	HMS5	RG
30.000	42.000	—	7.000	692352	—	HMS5	V
30.000	42.000	—	7.000	692353	—	HMSA10	RG
30.000	42.000	—	7.000	692354	—	HMSA10	V
30.000	42.000	—	8.000	563223	—	HMS5	RG
30.000	42.000	—	8.000	563224	—	HMSA10	RG
30.000	42.000	—	8.000	563225	w/Stainless Steel Spring	HMS5	V
30.000	42.000	—	8.000	563226	w/Stainless Steel Spring	HMSA10	V
30.000	42.000	—	42.000	525327	—	SC	R
30.000	43.000	43.230	8.000	11672	w/CW Helix From Air Side	HMSA7	V
30.000	44.000	44.140	7.000	11614	—	HMSA1	R
30.000	44.000	44.230	10.000	11616	—	HMS4	R
30.000	44.000	—	7.000	692355	—	HMS5	RG
30.000	44.000	—	7.000	692356	—	HMS5	V
30.000	44.000	—	7.000	692357	—	HMSA10	RG
30.000	44.000	—	7.000	692358	—	HMSA10	V
30.000	45.000	45.130	8.000	11592	—	HMSA7	R
30.000	45.000	45.140	7.950	11619	w/CCW Helix From Air Side	HMSA93	P
30.000	45.000	45.140	8.000	11609	—	CRS1	V
30.000	45.000	45.140	8.000	11615	—	★CRW1	R
30.000	45.000	45.140	8.000	11617	—	★CRW1	P
30.000	45.000	45.140	8.000	11622	—	HMS4	RG
30.000	45.000	45.140	30.000	11618	w/CCW Helix From Air Side	HMSA90	P
30.000	45.000	45.220	5.000	11591	—	HMSA7	R
30.000	45.000	45.250	7.000	11589	—	HMSA7	P
30.000	45.000	45.250	7.000	11804	w/CW Helix From Air Side	HMSA7	P
30.000	45.000	—	7.000	562592	—	HMS5	RG
30.000	45.000	—	7.000	562593	—	HMSA10	RG
30.000	45.000	—	7.000	562594	w/Stainless Steel Spring	HMS5	V
30.000	45.000	—	7.000	562595	w/Stainless Steel Spring	HMSA10	V
30.000	45.000	—	8.000	562616	—	HMS5	RG
30.000	45.000	—	8.000	562617	—	HMSA10	RG
30.000	45.000	—	8.000	562618	w/Stainless Steel Spring	HMS5	V
30.000	45.000	—	8.000	562619	w/Stainless Steel Spring	HMSA10	V
30.000	46.000	46.230	7.000	11671	w/CW Helix From Air Side	HMSA7	R
30.000	46.000	—	7.000	564088	—	HMS5	RG

★ Includes Bore Tite on O.D.
Seal kits—See pg. 632

Axle flange gaskets—See pg. 374
Speedi-Sleeve's—See pg. 637

Scotseals—See pg. 382
V-ring's—See pg. 657

HDDF seals—See pg. 404

Size listing - Metric

Metric Shaft	Metric Bore	Metric O.D.	Metric Width	Metric Seal no.	Seal info. notes	Type & style	Lip code
30.000	46.000	—	7.000	564089	—	HMSA10	RG
30.000	46.000	—	7.000	564090	—	HMS5	V
30.000	46.000	—	7.000	564091	—	HMSA10	V
30.000	47.000	47.140	7.000	11625	—	★CRW1	R
30.000	47.000	47.140	8.000	11626	—	★CRW1	V
30.000	47.000	47.218	7.000	692359	—	HMS5	RG
30.000	47.000	47.218	7.000	11623	—	HMS4	R
30.000	47.000	47.230	8.000	11632	—	HMSA7	R
30.000	47.000	47.330	7.000	11809	—	HMSA7	V
30.000	47.000	—	6.000	563439	—	HMS5	RG
30.000	47.000	—	6.000	563440	—	HMSA10	RG
30.000	47.000	—	6.000	563441	w/Stainless Steel Spring	HMS5	V
30.000	47.000	—	6.000	563442	w/Stainless Steel Spring	HMSA10	V
30.000	47.000	—	7.000	692360	—	HMS5	V
30.000	47.000	—	7.000	692362	—	HMSA10	V
30.000	47.000	—	8.000	563002	—	HMSA10	RG
30.000	47.000	—	8.000	563003	w/Stainless Steel Spring	HMS5	V
30.000	47.000	—	8.000	563004	w/Stainless Steel Spring	HMSA10	V
30.000	47.000	—	8.000	565296	—	HMS5	RG
30.000	47.000	—	10.000	562608	—	HMS5	RG
30.000	47.000	—	10.000	562609	—	HMSA10	RG
30.000	47.000	—	10.000	562610	w/Stainless Steel Spring	HMS5	V
30.000	47.000	—	10.000	562611	w/Stainless Steel Spring	HMSA10	V
30.000	48.000	48.140	8.000	11630	—	★CRW1	R
30.000	48.000	—	8.000	563280	—	HMSA10	RG
30.000	48.000	—	8.000	563281	w/Stainless Steel Spring	HMS5	V
30.000	48.000	—	8.000	563282	w/Stainless Steel Spring	HMSA10	V
30.000	50.000	50.140	8.000	11635	—	★CRW1	R
30.000	50.000	50.140	8.000	11636	—	★CRW1	V
30.000	50.000	50.330	6.760	18112	—	HMS4	—
30.000	50.000	50.430	10.000	11662	—	HMSA7	R
30.000	50.000	—	7.000	692365	—	HMSA10	RG
30.000	50.000	—	8.000	563026	—	HMSA10	RG
30.000	50.000	—	8.000	563027	w/Stainless Steel Spring	HMS5	V
30.000	50.000	—	8.000	563028	w/Stainless Steel Spring	HMSA10	V
30.000	50.000	—	10.000	564092	—	HMS5	RG
30.000	50.000	—	10.000	564093	—	HMSA10	RG
30.000	50.000	—	10.000	564094	—	HMS5	V
30.000	50.000	—	10.000	564095	—	HMSA10	V
30.000	52.000	52.140	9.000	11851	—	CRSH1	R
30.000	52.000	52.160	8.000	11640	—	★CRW1	R
30.000	52.000	52.160	12.000	11849	—	CRS12	R
30.000	52.000	—	7.000	692368	—	HMS5	V
30.000	52.000	—	7.000	692370	—	HMSA10	V
30.000	52.000	—	7.000	692369	—	HMSA10	RG
30.000	52.000	—	8.000	562900	—	HMS5	RG
30.000	52.000	—	8.000	562901	—	HMSA10	RG
30.000	52.000	—	8.000	562902	w/Stainless Steel Spring	HMS5	V
30.000	52.000	—	8.000	562903	w/Stainless Steel Spring	HMSA10	V
30.000	52.000	—	10.000	692372	—	HMS5	V
30.000	52.000	—	10.000	692373	—	HMSA10	RG
30.000	52.000	—	10.000	692374	—	HMSA10	V
30.000	55.000	55.160	7.000	11652	—	★CRW1	R
30.000	55.000	—	7.000	692376	—	HMS5	V
30.000	55.000	—	7.000	692377	—	HMSA10	RG
30.000	55.000	—	7.000	692378	—	HMSA10	V
30.000	55.000	—	10.000	562752	—	HMS5	RG
30.000	55.000	—	10.000	562753	—	HMSA10	RG
30.000	55.000	—	10.000	562754	w/Stainless Steel Spring	HMS5	V
30.000	55.000	—	10.000	562755	w/Stainless Steel Spring	HMSA10	V
30.000	56.000	56.160	8.000	11654	—	★CRW1	R
30.000	56.000	56.286	10.000	11867	—	HMS47	R
30.000	58.000	58.160	8.000	11655	—	★CRWA1	R
30.000	58.000	58.160	8.000	11690	—	★HMSHA4	P
30.000	60.000	60.150	10.000	11868	—	HMS4	R

Size listing - Metric

Metric Shaft	Metric Bore	Metric O.D.	Metric Width	Metric Seal no.	Seal info. notes	Type & style	Lip code
30.000	60.000	60.160	8.000	11660	—	★CRW1	R
30.000	60.000	60.274	10.000	11902	—	HMSA7	R
30.000	61.976	62.128	8.001	11706	See Type J Section (HMSA Lip)	J2	—
30.000	62.000	62.160	7.000	11665	—	★CRW1	R
30.000	62.000	62.160	7.000	11666	—	★CRW1	V
30.000	62.000	—	7.000	692380	—	HMS5	V
30.000	62.000	—	7.000	692382	—	HMSA10	V
30.000	62.000	—	10.000	564097	—	HMSA10	RG
30.000	62.000	—	10.000	564098	—	HMS5	V
30.000	62.000	—	10.000	564099	—	HMSA10	V
30.000	65.100	65.230	33.810	11702	P.F. Width .386 Special Const.	★HMSW108	R
30.000	72.000	72.111	12.000	11684	—	★CRWA1	V
30.000	72.000	72.160	8.000	11685	—	★CRW1	R
30.000	72.000	—	10.000	692383	—	HMS5	RG
30.000	72.000	—	10.000	692384	—	HMS5	V
30.000	72.000	—	10.000	692385	—	HMSA10	RG
30.000	72.000	—	10.000	692386	—	HMSA10	V
30.175	38.100	—	1.600	451063	—	BUW	T
30.175	38.100	—	3.962	711817	—	BV	D
30.175	38.100	—	3.962	721531	—	BV	V
30.175	50.698	50.800	6.350	11782	—	HD1	R
30.175	57.150	57.250	6.500	11914	—	★CRW1	R
30.180	39.650	39.750	7.950	11710	—	CRW1	V
30.180	42.820	42.930	6.350	11728	—	★CRW1	P
30.180	42.850	42.950	6.350	11711	70 Duro/185 Sirvene	CRWH3	R
30.180	42.850	42.950	6.350	540903	—	★CRW1	R
30.180	43.590	43.690	6.860	11733	—	HMS2	R
30.180	44.500	44.600	6.350	11734	—	★CRW1	R
30.180	44.500	44.600	6.350	11736	—	★CRW1	V
30.180	46.430	46.530	9.530	11740	—	★CRW1	R
30.180	47.630	47.730	6.350	11763	—	★CRW1	P
30.180	47.630	47.730	6.350	11764	—	CRW7	R
30.180	47.630	47.730	9.530	11585	—	★CRW1	R
30.180	50.370	50.470	6.350	11776	—	★CRW1	R
30.180	50.370	50.470	6.350	11777	—	★CRWA1	R
30.180	50.800	50.900	6.350	11800	—	★CRW1	R
30.180	50.800	50.900	6.350	11801	—	★CRWA1	R
30.180	50.800	50.900	6.350	11806	—	★CRW1	V
30.180	50.800	50.900	6.350	11836	—	HM1	R
30.180	52.370	52.480	6.350	11878	—	★CRW1	R
30.180	52.370	52.480	6.350	11879	—	★CRW1	P
30.180	53.980	54.080	7.950	11907	—	★CRW1	R
30.180	53.980	54.080	7.950	11908	—	★CRWHA1	R
30.180	54.990	55.090	6.350	11911	—	★CRW1	R
30.180	61.900	62.000	6.350	11923	—	★CRW1	R
30.180	62.000	62.103	6.350	11930	—	★CRW1	R
30.201	42.012	42.240	5.994	535107	—	HM3	H
30.226	50.013	50.165	6.629	11897	—	CRS1	P
30.230	50.700	50.800	6.350	11846	—	★HM1	R
30.280	53.900	54.050	8.890	11899	w/Axial Slinger	HMSH87	R
30.300	48.000	48.158	16.535	11919	—	CRSA108	R
30.960	49.990	50.090	11.910	12121	—	★HM14	R
30.960	50.270	50.370	10.310	12124	—	★HM14	R
30.960	50.800	50.900	11.130	12131	—	★CRSH1	R
30.988	61.011	61.265	8.992	12187	w/Axial Dirt Lip	HMSA92S	R
31.000	42.000	42.230	8.000	12250	—	HMS4	V
31.000	44.000	44.150	6.500	12208	—	HMS4	R
31.000	46.000	46.200	8.000	12301	w/CCW Helix From Air Side	HMSA7	R
31.000	50.000	50.220	8.000	12220	—	HMSA7	V
31.000	50.240	50.370	12.065	12165	P.F. Width 9.525	HMA-NU	D
31.242	55.118	55.321	7.112	12331A	w/CW Helix From Air Side	HMSA7	V
31.340	57.150	57.250	6.350	12590	—	★CRW1	R
31.496	75.006	75.133	12.801	12400	—	UNITIZE	N
31.700	61.000	61.265	11.303	12470	—	UNITIZE	P
31.740	61.000	61.138	9.700	12320	—	★HMSA12	R

Size listing - Metric

Metric Shaft	Metric Bore	Metric O.D.	Metric Width	Metric Seal no.	Seal info. notes	Type & style	Lip code
31.750	38.100	38.200	3.180	12330	—	★HM14	R
31.750	39.700	—	1.600	451080	—	BUW	—
31.750	39.700	—	3.962	710989	—	BV	R
31.750	39.700	—	3.962	721532	—	BV	V
31.750	41.020	—	41.020	709008	—	WS	R
31.750	41.250	41.350	6.350	12325	—	★HM14	R
31.750	41.280	41.380	4.780	11096	—	HM14	R
31.750	41.280	41.380	4.780	12329	—	★CRW1	R
31.750	42.820	42.930	4.780	12334	—	★HM14	R
31.750	42.850	42.950	6.350	12335	—	★CRW1	V
31.750	42.850	42.950	6.350	12336	—	★CRW1	R
31.750	42.850	42.950	6.350	12337	—	★CRWA1	V
31.750	42.850	42.950	7.950	12333	—	★CRWA5	R
31.750	42.850	42.950	7.950	12350	—	★CRWA1	R
31.750	44.450	44.550	6.350	12360	—	★CRWA5	R
31.750	44.450	44.580	6.401	12425	—	HMS4	V
31.750	44.480	44.600	7.370	12327	—	DL	D
31.750	44.500	44.600	4.780	12361	—	★HM21	R
31.750	44.500	44.600	6.350	12339	—	★CRWA5	V
31.750	44.500	44.600	6.350	12340	—	★CRW1	V
31.750	44.500	44.600	6.350	12343	—	★CRWA1	V
31.750	44.500	44.600	6.350	12363	—	★CRW1	R
31.750	44.500	44.600	6.350	12364	—	★CRWA1	R
31.750	44.500	44.600	6.350	12369	—	HM21	R
31.750	44.500	44.680	7.950	12371	—	HMS4	R
31.750	44.500	44.680	9.930	12355	—	HMSA7	R
31.750	44.500	—	44.500	504266	—	SC	R
31.750	46.430	46.690	4.780	12375	—	HM8	R
31.750	47.600	47.700	6.350	12379	—	★HM21	R
31.750	47.600	47.700	6.350	12382	—	★CRW1	P
31.750	47.600	47.700	6.350	12383	—	★CRWA1	V
31.750	47.600	47.700	6.350	12384	—	★CRW1	R
31.750	47.600	47.700	6.350	12386	—	★CRWA1	R
31.750	49.200	49.327	9.525	12542	—	★CRWA5	V
31.750	49.230	49.330	6.350	12391	—	★CRW1	R
31.750	49.660	49.760	6.350	12396	—	★CRWA1	R
31.750	49.990	50.090	11.130	12398	—	★HM14	R
31.750	49.990	50.090	11.910	12399	Clearance D .254	★HM18	R
31.750	50.270	50.370	6.350	12407	—	★HM21	R
31.750	50.270	50.370	10.310	12404	—	★HM14	R
31.750	50.270	50.370	10.310	12411	Clearance D .200	HM18	R
31.750	50.292	50.394	10.310	12506	—	HMA22	R
31.750	50.370	50.470	6.350	12427	—	★CRW1	R
31.750	50.370	50.470	6.350	12428	—	★CRWA1	R
31.750	50.370	50.470	6.350	12432	—	★CRW1	V
31.750	50.370	50.470	6.350	12437	—	HM21	R
31.750	50.770	50.880	11.130	12438	—	★CRWA5	V
31.750	50.800	50.900	6.350	12445	—	★CRW1	V
31.750	50.800	50.900	6.350	12446	w/Stainless Steel Spring	★CRWA1	V
31.750	50.800	50.900	6.350	12456	—	★CRW1	R
31.750	50.800	50.900	6.350	12458	—	★CRWA1	R
31.750	50.800	50.900	6.350	12481	—	★HM21	R
31.750	50.800	50.900	11.130	12483	—	★CRW1	P
31.750	50.800	50.900	15.880	12459	—	★D7	RR
31.750	52.370	52.480	6.350	12508	—	★HM21	R
31.750	52.370	52.480	6.350	12531	—	★CRWA1	V
31.750	52.370	52.480	6.350	12528	—	★CRWA1	R
31.750	52.370	52.480	11.130	12530	—	★CRWH1	R
31.750	52.375	52.476	10.998	12533	—	★CRWHA1	V
31.750	53.490	53.590	11.910	12536	—	CRSH	R
31.750	53.975	54.077	6.502	534955	—	★CRWA1	V
31.750	53.980	54.080	6.350	12544	—	★CRW1	V
31.750	53.980	54.080	6.350	12545	—	★CRW1	R
31.750	53.980	54.080	6.350	12551	—	★CRWA1	R
31.750	53.980	54.080	6.350	12565	—	★HM21	R

Size listing - Metric

Metric Shaft	Metric Bore	Metric O.D.	Metric Width	Metric Seal no.	Seal info. notes	Type & style	Lip code
31.750	57.150	57.250	6.350	12577	—	★CRW1	R
31.750	57.150	57.250	6.350	12582	—	★HM14	R
31.750	59.110	59.210	12.700	12610	—	★CRW1	R
31.750	59.130	59.230	12.700	12609	w/Stainless Steel Spring	★CRWA5	R
31.750	59.130	59.230	12.700	12611	Clearance D .286	★HM18	R
31.750	60.300	60.400	7.950	12613	—	★CRW1	R
31.750	60.300	60.400	7.950	12614	—	★CRWA1	R
31.750	60.300	60.400	8.001	12612	—	★CRW1	V
31.750	61.000	61.330	14.000	12587	—	UNITIZE	P
31.750	61.900	62.000	6.350	12621	—	★CRW1	R
31.750	62.000	62.100	6.350	12631	—	★CRW1	R
31.750	63.500	63.500	7.874	12638	—	★CRW1	V
31.750	63.550	63.650	7.950	12637	—	★CRW1	R
31.750	63.550	63.650	12.700	12640	w/Stainless Steel Spring	★CRWA5	R
31.750	65.050	65.150	12.700	12655	—	CRSH1	R
31.750	68.910	69.010	11.910	12660	—	★CRSH1	R
31.750	72.000	72.187	9.530	12668	—	HMSA7	R
31.750	80.160	80.260	12.700	12678	—	CRSH1	R
31.750	109.347	109.474	12.294	12685	See Type J Section (HMA Lip)	J6	R
31.750	—	34.590	19.050	86191	—	SLEEVE	—
31.900	51.918	52.070	9.601	12494	w/3M Bead On O.D.	HMSA16	R
32.000	40.000	40.150	7.000	12672	—	HMS4	R
32.000	42.000	42.062	4.000	12691	—	HM4	R
32.000	42.000	42.140	7.000	12700	—	★CRW1	R
32.000	42.000	42.140	7.000	12701	—	★CRW1	V
32.000	42.000	42.200	8.000	12671	—	HMSA7	R
32.000	42.000	42.330	10.000	12698	—	HMSA6	V
32.000	42.000	—	7.000	692387	—	HMS5	RG
32.000	42.000	—	7.000	692388	—	HMS5	V
32.000	42.000	—	7.000	692389	—	HMSA10	RG
32.000	42.000	—	7.000	692390	—	HMSA10	V
32.000	43.000	43.231	7.000	12695	—	HMSA7	R
32.000	43.000	—	7.000	563512	—	HMS5	RG
32.000	43.000	—	7.000	563513	—	HMSA10	RG
32.000	43.000	—	7.000	563514	w/Stainless Steel Spring	HMS5	V
32.000	43.000	—	7.000	563515	w/Stainless Steel Spring	HMSA10	V
32.000	44.000	44.140	9.000	12705	w/Stainless Steel Spring	HMS4	R
32.000	44.000	44.220	6.000	12706	w/CW Helix From Air Side	HMSA7	P
32.000	44.000	—	7.000	563800	—	HMS5	RG
32.000	44.000	—	7.000	563801	—	HMSA10	RG
32.000	44.000	—	7.000	563802	w/Stainless Steel Spring	HMS5	V
32.000	44.000	—	7.000	563803	w/Stainless Steel Spring	HMSA10	V
32.000	45.000	45.140	8.000	12710	—	★CRW1	R
32.000	45.000	45.230	7.000	12711	—	HMSA7	R
32.000	45.000	45.230	8.000	12717	—	HMSA7	V
32.000	45.000	—	7.000	692392	—	HMS5	V
32.000	45.000	—	7.000	692393	—	HMSA10	RG
32.000	45.000	—	7.000	692394	—	HMSA10	V
32.000	45.000	—	8.000	564003	—	HMS5	RG
32.000	45.000	—	8.000	564004	—	HMSA10	RG
32.000	45.000	—	8.000	564005	w/Stainless Steel Spring	HMS5	V
32.000	45.000	—	8.000	564006	w/Stainless Steel Spring	HMSA10	V
32.000	46.000	46.140	8.000	12719	—	CRS1	R
32.000	46.000	46.220	6.000	12718	w/CW Helix From Air Side	HMSA7	P
32.000	47.000	47.140	8.000	12730	—	★CRW1	R
32.000	47.000	47.140	8.000	12731	—	★CRW1	V
32.000	47.000	47.230	6.000	12724	w/CW Helix From Air Side	HMSA7	R
32.000	47.000	47.230	7.000	12733	—	HMS4	R
32.000	47.000	47.230	10.000	12690	—	SLA1	PT
32.000	47.000	—	6.000	563805	—	HMSA10	RG
32.000	47.000	—	6.000	563806	w/Stainless Steel Spring	HMS5	V
32.000	47.000	—	6.000	563807	w/Stainless Steel Spring	HMSA10	V
32.000	47.000	—	6.000	565359	—	HMS5	RG
32.000	47.000	—	7.000	692396	—	HMS5	V
32.000	47.000	—	7.000	692398	—	HMSA10	V

Size listing - Metric

Metric Shaft	Metric Bore	Metric O.D.	Metric Width	Metric Seal no.	Seal info. notes	Type & style	Lip code
32.000	47.000	—	8.000	564007	—	HMS5	RG
32.000	47.000	—	8.000	564008	—	HMSA10	RG
32.000	47.000	—	8.000	564009	w/Stainless Steel Spring	HMS5	V
32.000	47.000	—	8.000	564010	w/Stainless Steel Spring	HMSA10	V
32.000	47.000	—	10.000	563672	—	HMS5	RG
32.000	47.000	—	10.000	563673	—	HMSA10	RG
32.000	47.000	—	10.000	563674	w/Stainless Steel Spring	HMS5	V
32.000	47.000	—	10.000	563675	w/Stainless Steel Spring	HMSA10	V
32.000	48.000	48.140	8.000	12735	—	★CRW1	R
32.000	48.000	48.140	8.000	12736	—	★CRW1	V
32.000	48.000	48.140	9.000	12754	—	HMSA92	R
32.000	48.000	48.230	5.000	12726	—	HMSA7	R
32.000	48.000	48.230	8.000	12749	—	HMS4	R
32.000	48.000	48.430	8.000	12720	—	HMSA7	P
32.000	48.000	48.438	5.000	12723	—	HMS4	R
32.000	48.000	48.438	7.000	12713	—	HMS4	R
32.000	48.000	—	8.000	563065	—	HMS5	RG
32.000	48.000	—	8.000	563066	—	HMSA10	RG
32.000	48.000	—	8.000	563067	w/Stainless Steel Spring	HMS5	V
32.000	48.000	—	8.000	563068	w/Stainless Steel Spring	HMSA10	V
32.000	50.000	50.140	8.000	12740	—	★CRW1	R
32.000	50.000	50.140	8.000	12741	—	★CRW1	V
32.000	50.000	50.140	8.000	12756	w/CW Helix From Air Side	HMSA7	V
32.000	50.000	50.230	8.000	12752	—	HMS4	R
32.000	50.000	50.230	10.000	12739	w/Stainless Steel Spring	HMSA7	V
32.000	50.000	50.241	8.000	12715	—	HMSA7	R
32.000	50.000	—	8.000	563504	—	HMS5	RG
32.000	50.000	—	8.000	563505	—	HMSA10	RG
32.000	50.000	—	8.000	563506	w/Stainless Steel Spring	HMS5	V
32.000	50.000	—	8.000	563507	w/Stainless Steel Spring	HMSA10	V
32.000	50.000	—	10.000	562884	—	HMS5	RG
32.000	50.000	—	10.000	562885	—	HMSA10	RG
32.000	50.000	—	10.000	562886	w/Stainless Steel Spring	HMS5	V
32.000	50.000	—	10.000	562887	w/Stainless Steel Spring	HMSA10	V
32.000	52.000	52.121	6.400	12679	w/CW Helix From Air Side	HMSA7	R
32.000	52.000	52.121	10.000	12560	—	HMSA7	R
32.000	52.000	52.160	8.000	12745	—	★CRW1	R
32.000	52.000	52.160	8.000	12746	—	★CRW1	V
32.000	52.000	52.160	9.000	12649	—	CRSH12	R
32.000	52.000	52.230	8.000	12601	w/CW Helix From Air Side	HMSA7	S
32.000	52.000	52.430	11.000	12748	—	HMSA7	R
32.000	52.000	—	7.000	564101	—	HMSA10	RG
32.000	52.000	—	7.000	564102	—	HMS5	V
32.000	52.000	—	7.000	565297	—	HMSA10	V
32.000	52.000	—	8.000	563129	—	HMS5	RG
32.000	52.000	—	8.000	563130	—	HMSA10	RG
32.000	52.000	—	8.000	563131	w/Stainless Steel Spring	HMS5	V
32.000	52.000	—	8.000	563132	w/Stainless Steel Spring	HMSA10	V
32.000	53.000	53.350	7.000	12747	w/CW Helix From Air Side	HMSA7	P
32.000	54.000	54.230	10.000	12753	—	HMSA7	R
32.000	54.000	54.280	10.000	12751	w/2.677 Flange	HMSA12	P
32.000	55.000	55.093	8.000	12656	—	HMSA7	V
32.000	55.000	—	10.000	562764	—	HMS5	RG
32.000	55.000	—	10.000	562765	—	HMSA10	RG
32.000	55.000	—	10.000	562766	w/Stainless Steel Spring	HMS5	V
32.000	55.000	—	10.000	562767	w/Stainless Steel Spring	HMSA10	V
32.000	56.000	56.160	8.000	12760	—	★CRW1	R
32.000	56.000	56.280	10.000	12763	—	HMS4	R
32.000	56.000	56.280	10.000	12764	—	HMSA7	R
32.000	58.000	58.166	8.000	12759	—	HMS4	R
32.000	58.000	58.166	8.000	12766	—	HMSA7	R
32.000	60.000	60.200	8.000	12773	—	HMSA7	R
32.000	62.000	62.281	7.000	12665	—	HMS46	R
32.000	62.000	—	10.000	562704	—	HMS5	RG
32.000	62.000	—	10.000	562705	—	HMSA10	RG

Size listing - Metric

Metric Shaft	Metric Bore	Metric O.D.	Metric Width	Metric Seal no.	Seal info. notes	Type & style	Lip code
32.000	62.000	—	10.000	562706	w/Stainless Steel Spring	HMS5	V
32.000	62.000	—	10.000	562707	w/Stainless Steel Spring	HMSA10	V
32.000	65.000	65.280	12.000	12785	—	HMSA1	P
32.000	72.000	72.160	12.000	12667	—	CRSH11	R
32.000	72.000	—	7.000	563049	—	HMS5	RG
32.000	72.000	—	7.000	563050	—	HMSA10	RG
32.000	72.000	—	7.000	563051	w/Stainless Steel Spring	HMS5	V
32.000	72.000	—	7.000	563052	w/Stainless Steel Spring	HMSA10	V
32.004	45.008	45.237	7.000	12712	—	HMSA7	R
32.004	46.787	46.990	7.010	12595	w/CW Helix From Air Side	HMSA7	V
32.160	41.453	—	12.700	12693	Bore Listed Is Pressfit I.D.	CRWASPL	P
32.309	48.006	48.006	6.858	12817	w/CW Helix From Air Side	HMSASPL	R
32.540	50.370	50.470	11.130	12823	—	★CRSA1	R
32.540	50.800	50.900	9.530	12830	—	HMSA7	R
32.540	51.990	52.150	15.880	550224	P.F. Width 11.455	HMSA92	R
32.969	53.162	53.289	7.264	12975	—	HMS4	V
32.994	46.990	47.218	5.004	12885A	w/CW Helix From Air Side	HMSA7	V
32.995	45.974	46.228	7.010	12812	w/CW Helix From Air Side	HMSA7	R
33.000	44.000	44.140	8.000	12810	—	HMSA1	R
33.000	45.000	56.134	7.000	12989	—	HMSA92	R
33.000	45.000	—	7.000	563387	—	HMS5	RG
33.000	45.000	—	7.000	563388	—	HMSA10	RG
33.000	45.000	—	7.000	563389	w/Stainless Steel Spring	HMS5	V
33.000	45.000	—	7.000	563390	w/Stainless Steel Spring	HMSA10	V
33.000	47.000	47.150	7.950	12886	w/CW Helix From Air Side	HMSA7	P
33.000	49.000	49.230	8.000	13427	w/CW Helix From Air Side	HMSA7	P
33.000	50.000	50.160	12.000	12900	—	HMSA7	R
33.000	50.000	—	6.000	563299	—	HMS5	RG
33.000	50.000	—	6.000	563300	—	HMSA10	RG
33.000	50.000	—	6.000	563301	w/Stainless Steel Spring	HMS5	V
33.000	50.000	—	6.000	563302	w/Stainless Steel Spring	HMSA10	V
33.000	52.000	52.273	6.000	12998	—	HMS47	R
33.000	52.000	52.275	10.000	12996	—	HMS46	R
33.000	56.000	56.230	8.700	15335A	w/CCW Helix From Air Side	HMSA92	V
33.000	56.000	56.330	8.000	12912	—	HMSA35	P
33.000	59.000	59.280	17.000	13005	P.F. Width .315 & 3.125 Flange	HMSA92	P
33.040	66.570	66.680	33.810	12925	P.F. Width .315 & 3.125 Flange	★HMSW108	R
33.050	50.800	50.900	11.130	12905	—	CRSA1	P
33.050	51.970	52.070	12.500	12907	—	★CRWA1	R
33.300	43.300	43.530	7.000	13100	—	HMSA7	V
33.325	41.326	41.453	8.407	13144	—	CRS-SPL	R
33.325	52.375	52.476	8.001	534950	—	CRWA1	V
33.350	41.275	—	3.962	711818	—	BV	R
33.350	46.430	46.530	9.530	13021	—	★CRW1	P
33.350	47.600	47.700	9.530	13027	—	★CRSA1	R
33.350	50.370	50.470	9.530	13033	—	★CRSA1	R
33.350	50.800	50.900	7.950	13037	—	CRSA1	R
33.350	52.370	52.480	7.950	13050	—	★CRW1	R
33.350	52.370	52.480	7.950	13052	—	★CRWA1	R
33.350	52.370	52.480	7.950	13054	—	★CRW1	V
33.350	52.370	—	6.350	13060	—	HM3	R
33.350	53.490	53.590	9.530	13084	—	★CRSA1	R
33.350	53.980	54.080	7.950	13092	—	★CRW1	R
33.350	57.150	57.250	7.950	13112	—	★CRW1	R
33.350	57.937	58.064	23.012	13165	P.F. Width 8.890	★HMS15	R
33.350	57.940	58.060	29.210	13168	P.F. Width 8.890	HMS15	R
33.350	57.960	58.060	6.350	13157	—	★CRWA1	R
33.350	60.300	60.400	7.900	13221	—	CRSA1	R
33.350	66.550	66.750	32.540	13246	P.F. Width .350 w/Slinger	HMS15	R
33.350	76.100	76.230	12.700	13275	—	★CRSH1	R
33.600	45.250	45.530	7.000	13236	—	HMSA7	P
33.730	51.590	51.690	7.950	13415	—	CRW1	R
33.730	52.350	52.450	7.950	13350	—	★CRW1	R
33.730	56.570	56.670	7.950	13418	—	★CRW1	R
33.730	58.720	58.830	9.525	13419	—	★CRS1	R

Size listing - Metric

Metric Shaft	Metric Bore	Metric O.D.	Metric Width	Metric Seal no.	Seal info. notes	Type & style	Lip code
34.000	44.000	44.220	8.000	13423	—	HMSA7	R
34.000	44.000	—	8.000	563443	—	HMS5	RG
34.000	44.000	—	8.000	563444	—	HMSA10	RG
34.000	44.000	—	8.000	563445	w/Stainless Steel Spring	HMS5	V
34.000	44.000	—	8.000	563446	w/Stainless Steel Spring	HMSA10	V
34.000	45.000	45.136	7.000	13390	—	CRS15	R
34.000	45.000	45.200	8.000	13386	—	HMSA7	R
34.000	46.000	46.750	8.000	13388	—	HMSA7	R
34.000	46.000	56.007	8.000	13391	—	HMSA92	P
34.000	47.000	47.142	9.000	13392	—	CRS11	R
34.000	48.000	48.140	8.000	13425	—	★CRW1	R
34.000	48.000	48.140	8.000	13426	—	★CRW1	V
34.000	48.000	48.230	8.000	13429	w/CW Helix From Air Side	HMSA7	R
34.000	48.000	—	8.000	562676	—	HMS5	RG
34.000	48.000	—	8.000	562677	—	HMSA10	RG
34.000	48.000	—	8.000	562678	w/Stainless Steel Spring	HMS5	V
34.000	48.000	—	8.000	562679	w/Stainless Steel Spring	HMSA10	V
34.000	50.000	50.267	10.000	13396	—	HMS46	R
34.000	50.000	50.750	7.000	13424	—	HMS4	R
34.000	52.000	52.140	10.000	13398	—	CRS1	R
34.000	52.000	52.250	8.000	13433	—	HMS4	R
34.000	52.000	52.280	7.000	13382	—	HMSA7	V
34.000	52.000	—	8.000	563776	—	HMS5	RG
34.000	52.000	—	8.000	563777	—	HMSA10	RG
34.000	52.000	—	8.000	563778	w/Stainless Steel Spring	HMS5	V
34.000	52.000	—	8.000	563779	w/Stainless Steel Spring	HMSA10	V
34.000	54.000	54.160	11.000	13438	—	CRS1	R
34.000	54.000	54.200	9.000	13440	—	HMSA7	R
34.000	54.000	54.280	8.992	13439	w/Axial Dirt Lip	HMSA92	P
34.000	54.000	54.330	9.000	13441	—	HMSA92	V
34.000	55.000	55.160	8.000	13445	—	★CRW1	R
34.000	55.000	55.200	9.000	13447	—	HMSA7	R
34.000	56.000	56.160	8.000	13450	—	★CRW1	R
34.000	56.000	56.160	8.000	13452	—	★CRW1	V
34.000	62.000	62.160	8.000	13475	—	★CRW1	R
34.000	62.000	—	10.000	563856	—	HMS5	RG
34.000	62.000	—	10.000	563857	—	HMSA10	RG
34.000	62.000	—	10.000	563858	w/Stainless Steel Spring	HMS5	V
34.000	62.000	—	10.000	563859	w/Stainless Steel Spring	HMSA10	V
34.000	63.000	63.280	9.169	13478	Helix-CCW P.F. Width .354	HMSA92	R
34.000	63.000	69.139	9.000	13280	—	HMSA92	P
34.000	65.000	65.090	12.000	13484	—	HMSA24	P
34.000	72.000	72.160	12.000	13405	—	CRSH11	R
34.010	56.362	56.007	8.991	13410	—	HMSA92	P
34.011	53.010	53.162	8.001	13435	—	HMSA7	R
34.140	53.490	53.590	7.950	13421	—	★CRW1	R
34.140	53.980	54.080	7.950	13437	—	★CRW1	R
34.290	65.300	65.410	13.720	13492	—	CRW90	R
34.493	70.002	70.231	40.691	13495	—	CRS-SPL	P
34.520	55.580	55.680	6.350	13499	P.F. Width .250 & SS Case	★HMSA30	R
34.590	55.650	55.750	6.350	13500	—	CRS1	P
34.670	49.680	49.780	11.130	13985	—	★CRW1	R
34.670	52.860	52.960	7.950	13598	—	★CRW1	R
34.670	57.430	57.530	7.950	13700	—	★CRW1	R
34.720	84.310	84.460	12.610	13627	w/Bi-Direction Helix From Air Side	HMSA97	P
34.899	57.023	57.226	9.029	13746A	w/CCW Helix From Air Side	HMSA92	P
34.900	57.000	57.230	9.500	13759	w/Boot and Overall Width 1.161	HMSA123	P
34.925	42.875	—	3.962	711826	—	BV	D
34.925	42.875	—	3.962	721533	—	BV	V
34.925	44.450	44.550	5.000	13509	—	★HM14	V
34.925	47.600	47.701	6.350	13548	—	★HM14	R
34.925	53.975	54.077	7.950	13651	—	★CRWA1	R
34.925	54.915	55.016	14.681	13750	—	★HMSHA4	E
34.925	65.000	65.240	10.008	13712	—	HMSA92	P
34.930	42.880	—	1.600	451094	—	BUW	—

Size listing - Metric

Metric Shaft	Metric Bore	Metric O.D.	Metric Width	Metric Seal no.	Seal info. notes	Type & style	Lip code
34.930	44.200	—	44.200	709009	—	WS	R
34.930	44.200	—	44.200	712122	—	WS	V
34.930	44.450	44.550	5.000	13529	—	HM14	R
34.930	44.450	44.550	6.350	13514	w/Stainless Steel Spring	★CRW1	R
34.930	46.430	46.530	6.350	13510	—	★CRWA1	V
34.930	46.430	46.530	7.950	13537	—	★CRW1	R
34.930	46.580	46.690	4.780	13533	—	★HM8	R
34.930	46.610	46.710	6.350	13536	—	★CRW1	R
34.930	47.570	47.680	7.950	13511	—	★CRWA1	V
34.930	47.600	47.700	4.780	13543	—	HM14	R
34.930	47.600	47.700	6.350	13512	—	★CRW1	P
34.930	47.600	47.700	6.350	13545	—	★HM14	P
34.930	47.600	47.700	6.500	13538	—	★CRW1	V
34.930	47.600	47.700	6.502	13534	—	★CRW1	R
34.930	47.600	47.700	7.950	13535	—	★CRWA1	R
34.930	47.600	—	47.600	504267	—	SC	R
34.930	49.230	49.330	6.350	13552	—	★CRWA1	R
34.930	49.230	49.330	6.350	13556	—	★HM14	R
34.930	49.450	49.560	14.300	550095	—	F2	RF
34.930	49.657	49.784	10.998	13527	—	★CRWA1	P
34.930	50.343	50.521	7.950	13608	—	★CRS-SPL	R
34.930	50.370	50.470	7.950	13557	—	★CRW1	P
34.930	50.800	50.900	6.350	13573	—	★HM21	R
34.930	50.800	50.900	7.950	13562	—	★CRWA1	P
34.930	50.800	50.900	7.950	13568	—	★CRW1	R
34.930	50.800	50.900	7.950	13569	—	★CRWA1	R
34.930	50.800	50.900	7.950	13579	—	★CRW1	V
34.930	50.800	50.900	7.950	13581	—	★CRWA1	V
34.930	50.800	50.900	7.950	13571	—	★CRWH1	R
34.930	52.000	—	7.000	534952	—	★CRWA1	V
34.930	52.370	52.480	7.950	13582	—	★CRW1	V
34.930	52.370	52.480	7.950	13585	—	CRW1	R
34.930	52.370	52.480	7.950	13588	—	★CRWA1	P
34.930	52.400	52.630	9.525	13596	—	HMS4	R
34.930	53.490	53.590	6.350	13612	—	★HM21	R
34.930	53.490	53.590	7.950	13602	—	CRWA1	R
34.930	53.490	53.590	7.950	13614	—	★CRW1	P
34.930	53.980	54.080	6.350	13662	—	★HM21	R
34.930	53.980	54.080	7.950	13649	—	★CRW1	R
34.930	53.980	54.080	7.950	13661	—	★CRWA1	V
34.930	53.980	54.080	7.950	13663	—	★CRW1	V
34.930	56.760	56.870	7.950	13763	—	HMSA35	V
34.930	57.150	57.250	6.350	13689	—	★HM14	R
34.930	57.150	57.250	6.350	13698	—	★CRWA1	R
34.930	57.150	57.250	7.950	13671	—	★CRW1	R
34.930	57.150	57.250	7.950	13676	—	★CRWA1	R
34.930	57.150	57.250	7.950	13688	—	★CRW1	V
34.930	57.150	57.250	7.950	13691	—	★CRWA1	V
34.930	57.150	57.250	7.950	13869	—	★CRW1	P
34.930	57.150	57.250	9.804	13685	P.F. Width .433 w/Boot 1.188	CRSA3	R
34.930	57.960	58.060	6.350	13710	—	★HM14	R
34.930	59.130	59.230	10.310	13711	Clearance D .188	HM18	R
34.930	60.300	60.400	6.350	13758	—	★HM21	R
34.930	60.300	60.400	7.950	13734	—	★CRW1	V
34.930	60.300	60.400	7.950	13738	—	★CRW1	R
34.930	60.300	60.400	7.950	13739	—	★CRWA1	R
34.930	61.900	62.000	6.350	13796	—	★HM21	R
34.930	61.900	62.000	6.350	13797	—	★CRW1	R
34.930	61.930	34.800	6.350	13807	O.D. Listed Is Pressfit I.D.	X15	R
34.930	62.000	62.100	7.950	13810	—	★CRW1	R
34.930	62.000	62.100	7.950	13812	—	★CRWA1	R
34.930	63.500	63.600	8.330	13839	—	HMSA36	R
34.930	63.550	63.650	6.350	13862	—	★HM21	R
34.930	63.550	63.650	7.950	13865	—	★CRW1	R
34.930	63.550	63.650	7.950	13867	—	★CRW1	V

Size listing - Metric

Metric Shaft	Metric Bore	Metric O.D.	Metric Width	Metric Seal no.	Seal info. notes	Type & style	Lip code
34.930	65.070	65.150	9.530	13875	—	★CRW1	R
34.930	65.070	65.150	9.530	13878	—	★CRWA1	V
34.930	65.070	65.150	9.530	13876	—	★CRWA1	R
34.930	66.620	66.730	7.950	13882	—	★CRWA1	V
34.930	68.220	68.330	12.700	13892	—	★CRW1	R
34.930	68.990	69.090	7.950	13900	—	★CRW1	R
34.930	69.850	69.950	12.700	13906	—	★CRSH1	R
34.930	71.420	71.530	9.530	13912	—	★CRWHA1	R
34.930	72.000	72.110	7.950	13925	—	★CRWA1	P
34.930	72.000	72.111	7.950	13918	—	★CRWA1	R
34.930	72.000	72.111	7.950	13920	—	★CRW1	R
34.930	72.000	72.111	15.090	13916	Special Construction	★TL8	R
34.930	73.030	73.130	7.950	13929	—	★CRWA1	P
34.930	76.000	76.200	12.700	13937	—	CRSHA1	R
34.930	79.380	79.500	12.700	13936	—	CRSH1	R
34.930	85.090	85.220	11.910	13934	—	★CRSH1	R
34.930	90.000	90.280	10.000	14087	w/CW Helix From Air Side	HMSA7SP	R
34.930	115.697	115.824	13.894	13508	See Type J Section (HMSA Lip)	J8	R
34.930	116.256	116.383	5.537	13956	See Type J Section (HMS Lip)	J5	R
34.930	116.256	116.383	6.579	13955	See Type J Section (HMS Lip)	J5	R
34.950	50.013	50.215	10.820	13761A	w/CCW Helix From Air Side	HMSA7	P
34.950	56.998	57.201	10.211	13730	—	HMSA92	V
34.950	65.583	65.710	11.989	13769	—	ALSA97	P
34.975	70.993	71.323	11.000	13786	—	HMSA96	P
35.000	41.000	41.150	9.120	13911	P.F. Width 5.511	HMS41	R
35.000	42.000	42.062	4.000	13776	—	HM4	R
35.000	45.000	45.060	4.000	13779	—	HM4	R
35.000	45.000	—	7.000	692399	—	HMS5	RG
35.000	45.000	—	7.000	692401	—	HMSA10	RG
35.000	46.000	46.101	7.000	13745	—	HMSA7	P
35.000	46.000	46.220	8.000	13908	—	HMSA7	R
35.000	47.000	47.140	7.000	13938	—	★CRW1	R
35.000	47.000	47.140	7.000	13939	w/Stainless Steel Spring	★CRW1	V
35.000	47.000	47.193	7.000	555364	—	HMSA7	R
35.000	47.000	47.218	7.000	13945	—	HMSA10	R
35.000	47.000	47.218	7.000	692405	—	HMSA10	RG
35.000	47.000	47.219	5.000	13715	—	HMS4	R
35.000	47.000	47.750	5.000	13762	—	HM4	R
35.000	47.000	—	6.000	563495	—	HMS5	RG
35.000	47.000	—	6.000	563496	—	HMSA10	RG
35.000	47.000	—	6.000	563497	w/Stainless Steel Spring	HMS5	V
35.000	47.000	—	6.000	563498	w/Stainless Steel Spring	HMSA10	V
35.000	47.000	—	7.000	692404	—	HMS5	V
35.000	47.000	—	7.000	692406	—	HMSA10	V
35.000	47.000	—	8.000	564011	—	HMS5	RG
35.000	47.000	—	8.000	564012	—	HMSA10	RG
35.000	47.000	—	8.000	564013	w/Stainless Steel Spring	HMS5	V
35.000	47.000	—	8.000	564014	w/Stainless Steel Spring	HMSA10	V
35.000	48.000	48.140	7.000	13709	w/CW Helix From Air Side	HMSA7	V
35.000	48.000	48.140	8.000	13941	—	★CRW1	R
35.000	48.000	48.140	8.000	13942	—	★CRW1	V
35.000	48.000	48.230	10.000	13722	—	SLAHX	PT
35.000	48.000	48.230	15.000	13931	w/2.165 Flange	HMSA12	P
35.000	48.000	—	8.000	562620	—	HMS5	RG
35.000	48.000	—	8.000	562622	w/Stainless Steel Spring	HMS5	V
35.000	48.000	—	8.000	562623	w/Stainless Steel Spring	HMSA10	V
35.000	49.000	49.330	6.000	13857	w/CW Helix From Air Side	HMSA7	R
35.000	49.000	—	6.000	562577	—	HMS5	RG
35.000	49.000	—	6.000	562578	—	HMSA10	RG
35.000	49.000	—	6.000	562579	w/Stainless Steel Spring	HMS5	V
35.000	49.000	—	6.000	562580	w/Stainless Steel Spring	HMSA10	V
35.000	49.500	49.750	7.000	14560	w/CW Helix From Air Side	HMSA7	P
35.000	50.000	50.140	8.000	13946	—	★CRW1	V
35.000	50.000	50.140	8.000	14140	—	★CRW1	R
35.000	50.000	50.200	7.000	13716	—	SLA1	T

Size listing - Metric

Metric Shaft	Metric Bore	Metric O.D.	Metric Width	Metric Seal no.	Seal info. notes	Type & style	Lip code
35.000	50.000	50.241	7.000	13907	—	HMSA10	R
35.000	50.000	50.241	7.000	692409	—	HMSA10	R
35.000	50.000	50.241	7.000	692409	—	HMSA10	RG
35.000	50.000	50.241	10.000	13987	—	HMS5	R
35.000	50.000	50.241	10.000	692411	—	HMS5	R
35.000	50.000	50.241	10.000	692411	—	HMS5	RG
35.000	50.000	50.241	12.000	13850	w/CCW Helix From Air Side	HMSASPL	P
35.000	50.000	50.280	7.000	13933	—	HMS4	R
35.000	50.000	50.390	7.000	13943	w/CW Helix From Air Side	HMS4/HMSA7	S
35.000	50.000	50.430	8.000	13885	—	HMSA7	V
35.000	50.000	—	7.000	692407	—	HMS5	RG
35.000	50.000	—	8.000	562741	—	HMSA10	RG
35.000	50.000	—	8.000	562742	w/Stainless Steel Spring	HMS5	V
35.000	50.000	—	8.000	562743	w/Stainless Steel Spring	HMSA10	V
35.000	50.000	—	10.000	692412	—	HMS5	V
35.000	50.000	—	10.000	692413	—	HMSA10	RG
35.000	50.000	—	10.000	692414	—	HMSA10	V
35.000	50.370	50.570	9.400	13958	w/Helix-CCW & P.F. Width .368	HMSA122	P
35.000	52.000	52.095	8.000	13947	—	★CRWA1	P
35.000	52.000	52.160	8.000	13949	—	★CRW1	R
35.000	52.000	52.160	9.000	13854	—	CRSHA13	R
35.000	52.000	52.230	7.000	13785	—	HMSA7	V
35.000	52.000	52.250	7.000	13708A	—	HMSA7SP	P
35.000	52.000	52.273	8.000	562973	—	HMS5	RG
35.000	52.000	52.273	8.000	13888	—	HMS4	R
35.000	52.000	52.275	6.000	13829	—	HMSA72P2	R
35.000	52.000	52.280	7.000	13771	—	HMSA7	V
35.000	52.000	52.280	7.000	552727	—	HMSA7	R
35.000	52.000	52.280	8.000	13624	—	HMSA7	R
35.000	52.000	52.750	9.000	14047	—	HMS4	R
35.000	52.000	—	7.000	692415	—	HMS5	RG
35.000	52.000	—	7.000	692416	—	HMS5	V
35.000	52.000	—	7.000	692418	—	HMSA10	V
35.000	52.000	—	7.000	692417	—	HMSA10	RG
35.000	52.000	—	8.000	562974	—	HMSA10	RG
35.000	52.000	—	8.000	562975	w/Stainless Steel Spring	HMS5	V
35.000	52.000	—	8.000	562976	w/Stainless Steel Spring	HMSA10	V
35.000	52.000	—	10.000	692420	—	HMS5	V
35.000	52.000	—	10.000	692421	—	HMSA10	RG
35.000	52.000	—	10.000	692422	—	HMSA10	V
35.000	53.260	53.640	8.000	13953	w/CW Helix From Air Side	HMSA7	P
35.000	54.000	54.140	8.000	13897	w/2.667 Flange O.D.	HMSA56	R
35.000	54.000	54.160	7.000	13952	—	★CRW1	R
35.000	54.000	54.160	7.000	13957	—	★CRW1	V
35.000	54.000	54.160	8.000	13703	w/Bi-Direction Helix From Air Side	HMSA92	P
35.000	54.000	54.160	8.000	13744	w/CW Helix From Air Side	HMSA7	V
35.000	54.000	54.160	8.000	14125	w/CCW Helix From Air Side	HMSA7	R
35.000	54.000	54.260	7.000	14020	w/Bi-Direction Helix From Air Side	HMSA92	P
35.000	55.000	34.798	5.300	13780	O.D. Listed Is Pressfit I.D.	X-SPL	R
35.000	55.000	55.160	8.000	13954	—	★CRW1	R
35.000	55.000	55.160	8.000	13963	—	CRW1	V
35.000	55.000	55.194	11.000	550231	—	HMSA7	R
35.000	55.000	55.230	11.000	13743A	No Helix	HMSA92	P
35.000	55.000	55.280	8.000	13993	—	HMS4	R
35.000	55.000	55.280	9.000	14021	w/Bi-Direction Helix From Air Side	HMSA92	P
35.000	55.000	55.280	10.000	13893	—	HMSA7	R
35.000	55.000	55.430	8.000	13861	—	HMSA10	R
35.000	55.000	—	7.000	562760	—	HMS5	RG
35.000	55.000	—	7.000	562761	—	HMSA10	RG
35.000	55.000	—	7.000	562762	w/Stainless Steel Spring	HMS5	V
35.000	55.000	—	7.000	562763	w/Stainless Steel Spring	HMSA10	V
35.000	55.000	—	8.000	562720	—	HMS5	RG
35.000	55.000	—	8.000	562721	—	HMSA10	RG
35.000	55.000	—	8.000	562722	w/Stainless Steel Spring	HMS5	V
35.000	55.000	—	8.000	562723	w/Stainless Steel Spring	HMSA10	V

Size listing - Metric

Metric Shaft	Metric Bore	Metric O.D.	Metric Width	Metric Seal no.	Seal info. notes	Type & style	Lip code
35.000	55.000	—	10.000	692423	—	HMS5	RG
35.000	55.000	—	10.000	692424	—	HMS5	V
35.000	55.000	—	10.000	692425	—	HMSA10	RG
35.000	55.000	—	10.000	692426	—	HMSA10	V
35.000	56.000	56.160	8.000	13961	—	★CRW1	R
35.000	56.000	56.160	8.000	13962	—	★CRW1	V
35.000	56.000	56.280	8.000	13741	—	HMSA92	R
35.000	56.000	56.280	10.000	13994	—	HMS4	R
35.000	56.000	56.310	16.000	14007	P.F. Width .420 w/2.540 Flange	HMSA92S	V
35.000	56.000	56.337	9.000	14006	—	HMSA92	P
35.000	56.000	—	10.000	562652	—	HMS5	RG
35.000	56.000	—	10.000	562653	—	HMSA10	RG
35.000	56.000	—	10.000	562655	w/Stainless Steel Spring	HMSA10	V
35.000	56.000	—	10.000	563654	w/Stainless Steel Spring	HMS5	V
35.000	56.900	57.000	22.230	13959	P.F. Width .420 w/2.540 Flange	★CRWA21	S
35.000	57.000	57.125	9.000	13644	—	HMSA92	P
35.000	57.000	57.230	10.000	13773	—	HMSA92	P
35.000	57.000	57.330	15.280	13735	—	HMSA16	R
35.000	58.000	58.230	8.000	13726	w/CW Helix From Air Side	HMSA92	R
35.000	58.000	58.230	10.000	13792	—	ALH1	R
35.000	58.000	—	10.000	563372	—	HMSA10	RG
35.000	58.000	—	10.000	563373	w/Stainless Steel Spring	HMS5	V
35.000	58.000	—	10.000	563374	w/Stainless Steel Spring	HMSA10	V
35.000	58.100	58.150	13.000	13995	w/Bi-Direction Helix From Air Side	D8	R
35.000	60.000	60.280	10.000	13967	—	HMS4	R
35.000	60.000	60.430	14.000	14001	—	HMSA7	R
35.000	60.000	—	10.000	564104	—	HMS5	RG
35.000	60.000	—	10.000	564105	—	HMSA10	RG
35.000	60.000	—	10.000	564106	—	HMS5	V
35.000	60.000	—	10.000	564107	—	HMSA10	V
35.000	62.000	62.160	8.000	13969	—	★CRW1	V
35.000	62.000	62.160	8.000	13970	—	★CRW1	R
35.000	62.000	62.280	7.000	13966	—	HMS4	R
35.000	62.000	62.280	10.000	564109	—	HMSA10	RG
35.000	62.000	62.280	10.000	13998	—	HMSA7	R
35.000	62.000	62.340	12.000	14921	w/Bi-Direction Helix From Air Side	HMSA35	P
35.000	62.000	—	7.000	692427	—	HMS5	RG
35.000	62.000	—	7.000	692428	—	HMS5	V
35.000	62.000	—	7.000	692430	—	HMSA10	V
35.000	62.000	—	7.000	692429	—	HMSA10	RG
35.000	62.000	—	8.000	563860	—	HMS5	RG
35.000	62.000	—	8.000	563861	—	HMSA10	RG
35.000	62.000	—	8.000	563862	w/Stainless Steel Spring	HMS5	V
35.000	62.000	—	8.000	563863	w/Stainless Steel Spring	HMSA10	V
35.000	62.000	—	10.000	564108	—	HMS5	RG
35.000	62.000	—	10.000	564110	—	HMS5	V
35.000	62.000	—	10.000	564111	—	HMSA10	V
35.000	63.000	63.330	9.000	13858	—	HMSA92	R
35.000	63.000	63.330	10.000	13616	—	HMSA92	P
35.000	63.000	63.330	10.000	13725	w/Bi-Direction Helix From Air Side	HMSA35	P
35.000	64.000	64.160	8.000	13972	—	★CRW1	R
35.000	65.000	65.160	8.000	13973	—	★CRW1	R
35.000	65.000	65.280	10.000	13868	—	HMS4	R
35.000	67.000	67.260	12.000	13971	w/CW Helix From Air Side	HMSA96	P
35.000	67.000	67.270	12.000	13833A	w/CW Helix From Air Side	HMSA92	P
35.000	67.000	67.280	18.000	13978	w/Helix-CCW From Air Side P.F. Width .472	HMSA35	P
35.000	68.000	68.150	10.000	13928	—	HMS4	R
35.000	68.000	68.160	8.000	13974	—	★CRW1	R
35.000	70.000	70.150	10.000	13778	—	HMSA57	V
35.000	70.000	70.155	12.000	14093	—	CRSH13	R
35.000	72.000	72.110	8.000	13923	—	★CRW1	V
35.000	72.000	72.160	8.000	13979	—	★CRW1	R
35.000	72.000	72.275	7.000	14096	—	HMS48	R
35.000	72.000	72.280	10.000	13896	—	HMSA7	R
35.000	72.000	—	10.000	692433	—	HMSA10	RG

Size listing - Metric

Metric Shaft	Metric Bore	Metric O.D.	Metric Width	Metric Seal no.	Seal info. notes	Type & style	Lip code
35.000	72.000	—	12.000	563106	—	HMSA10	RG
35.000	72.000	—	12.000	563107	w/Stainless Steel Spring	HMS5	V
35.000	72.000	—	12.000	563108	w/Stainless Steel Spring	HMSA10	V
35.000	72.010	72.110	7.950	13926	w/Stainless Steel Spring	★CRWA1	V
35.000	73.000	73.150	16.600	13853	—	★HMSHA4	R
35.000	76.000	76.250	8.992	13981	w/CCW Helix From Air Side	HMSA92	P
35.000	76.000	76.352	8.000	13849	w/CW Helix From Air Side	HMSA92	P
35.000	78.000	78.160	8.000	13984	—	★CRW1	R
35.000	80.000	80.160	8.000	13986	—	★CRW1	R
35.000	80.000	—	12.000	562888	—	HMS5	RG
35.000	80.000	—	12.000	562890	w/Stainless Steel Spring	HMS5	V
35.000	80.000	—	12.000	562891	w/Stainless Steel Spring	HMSA10	V
35.000	83.000	83.190	8.130	13729	—	★HMSHA4	R
35.001	46.990	47.117	7.010	534951	—	★CRWA1	V
35.001	48.997	49.149	7.493	13845	w/Excluder Lip	HMSA92	R
35.001	50.000	50.210	8.999	13770A	w/CCW Helix From Air Side	HMSA92	P
35.001	51.003	51.232	11.989	13794	w/CCW Helix From Air Side	HMSA123	P
35.001	51.994	52.095	8.001	13951	—	CRWA1	R
35.001	54.991	55.169	8.992	13772	—	HMSA92	P
35.001	56.000	56.337	9.000	14129	—	HMSA92S	P
35.001	56.109	56.235	8.763	13782A	w/CCW Helix From Air Side	HMSHA4	P
35.001	56.109	56.235	8.991	13784A	w/CW Helix From Air Side	HMSHA4	P
35.001	61.899	62.001	8.991	13777	—	HMSA92	P
35.001	62.001	62.281	10.008	14018	—	HMSA92	P
35.001	67.005	67.132	11.989	13742	w/CCW Helix From Air Side	HMSA57	R
35.001	67.996	68.199	8.992	13748	—	HMSA35	P
35.001	70.993	71.323	13.000	13784	—	HMSA57	P
35.001	78.000	78.229	8.498	13771A	—	HMSA92	P
35.027	51.994	52.273	5.994	13760	—	HMS4	P
35.052	57.963	58.090	8.992	13757	—	HMSA97	V
35.229	58.293	58.420	14.199	13704	w/Bi-Direction Helix From Air Side	HMSA16	P
35.500	49.530	49.680	7.000	11152	w/CW Helix From Air Side	HMSA7	R
35.530	49.890	49.980	5.970	538565	—	CRW1	R
35.530	57.200	57.400	7.950	13988	—	CRWA6	P
35.530	58.220	58.320	11.910	13992	w/Bi-Direction Helix From Air Side	★CRSA1	R
35.530	58.220	58.320	12.700	13990	—	★CRSA1	R
35.530	63.040	63.170	13.080	14393	P.F. Width .280 & 2.672 Flange	★HMSA16	V
35.530	63.040	63.170	13.610	14387	P.F. Width .500 & 2.672 Flange	★HMSA16	V
35.535	58.000	58.166	12.700	14002	P.F. Width 7.875	★HMSA16	R
35.560	57.963	58.115	13.894	14119	w/Bi-Direction Helix From Air Side	HMSA25	V
35.560	63.090	63.170	12.700	14381	P.F. Width .500 & 2.672 Flange	★HMSA16	R
35.916	57.150	57.252	6.350	14035	—	★CRSA1	R
35.990	66.450	66.550	7.950	14092	—	★CRW1	R
36.000	44.000	44.221	5.000	14058	—	HMSA7	R
36.000	46.000	46.152	10.000	14033	w/CCW Helix From Air Side	HMSA7	P
36.000	46.000	46.220	9.000	14004	—	CRS1	R
36.000	47.000	47.140	7.000	14005	—	HMS5	R
36.000	47.000	47.142	7.000	692435	—	HMS5	R
36.000	47.000	47.142	7.000	692435	—	HMS5	RG
36.000	47.000	—	7.000	692436	—	HMS5	V
36.000	47.000	—	7.000	692437	—	HMSA10	RG
36.000	47.000	—	7.000	692438	—	HMSA10	V
36.000	48.000	48.230	23.000	14014	P.F. Width 11.988	HMSASPL	P
36.000	49.000	49.230	7.000	14008	w/CW Helix From Air Side	HMSA7	P
36.000	49.500	49.730	7.000	14210	—	HMSA7	P
36.000	49.530	49.750	10.000	14032	w/CW Helix From Air Side	HMSA33	P
36.000	50.000	50.140	7.000	14009	—	★CRW1	R
36.000	50.000	50.140	7.000	14011	—	HMS4	R
36.000	50.000	50.140	7.000	14115	—	HMSHA1	R
36.000	50.000	50.140	7.000	14166	—	HMSA7	R
36.000	50.000	50.140	8.000	14010	—	★CRW1	R
36.000	50.000	—	7.000	563343	—	HMS5	RG
36.000	50.000	—	7.000	563344	—	HMSA10	RG
36.000	50.000	—	7.000	563345	w/Stainless Steel Spring	HMS5	V
36.000	50.000	—	7.000	563346	w/Stainless Steel Spring	HMSA10	V

Size listing - Metric

Metric Shaft	Metric Bore	Metric O.D.	Metric Width	Metric Seal no.	Seal info. notes	Type & style	Lip code
36.000	52.000	52.160	8.000	14016	—	★CRW1	R
36.000	52.000	52.160	8.000	14017	—	★CRW1	V
36.000	52.000	52.160	9.000	14176	—	CRSH11	R
36.000	52.000	52.280	9.750	14012	—	HMSA7	V
36.000	52.000	—	7.000	562966	—	HMSA10	RG
36.000	52.000	—	7.000	562967	w/Stainless Steel Spring	HMS5	V
36.000	52.000	—	7.000	562968	w/Stainless Steel Spring	HMSA10	V
36.000	54.000	54.160	8.000	14024	—	★CRW1	R
36.000	54.000	54.160	8.000	14027	—	★CRW1	V
36.000	54.000	54.200	8.000	14068	—	HMS4	R
36.000	54.000	54.230	9.000	14028	w/Bi-Direction Helix From Air Side	HMSA92S	R
36.000	54.000	54.280	7.000	14177	—	HMS47	R
36.000	55.000	55.330	11.000	14782	—	ALA1	R
36.000	56.000	56.160	10.000	14037	—	HMS4	R
36.000	58.000	58.010	9.900	14169	—	UNITIZE	P
36.000	58.000	58.160	8.000	14040	—	★CRW1	R
36.000	58.000	58.280	12.000	14044	—	HMS4	R
36.000	58.000	—	10.000	562908	—	HMS5	RG
36.000	58.000	—	10.000	562909	—	HMSA10	RG
36.000	58.000	—	10.000	562910	w/Stainless Steel Spring	HMS5	V
36.000	58.000	—	10.000	562911	w/Stainless Steel Spring	HMSA10	V
36.000	60.000	60.160	8.000	14045	—	★CRW1	R
36.000	60.000	60.160	8.000	14046	—	★CRW1	V
36.000	62.000	62.154	10.000	14183	—	CRSH11	R
36.000	62.000	62.160	8.000	14050	—	★CRW1	R
36.000	62.000	—	7.000	563845	—	HMSA10	RG
36.000	62.000	—	7.000	563846	w/Stainless Steel Spring	HMS5	V
36.000	62.000	—	7.000	563847	w/Stainless Steel Spring	HMSA10	V
36.000	64.000	64.100	19.000	14054	P.F. Width .433 w/Slinger	HMSA56	R
36.000	65.000	65.140	12.000	14057	w/CW Helix From Air Side	HMSA96	P
36.000	65.000	65.160	8.000	14055	—	★CRW1	R
36.000	68.000	68.160	8.000	14065	—	★CRW1	R
36.000	68.000	68.280	10.000	14107	—	HMS4	R
36.000	72.000	72.160	12.000	14184	—	CRSH11	R
36.200	72.200	72.380	32.200	14474	—	UNITIZE	V
36.499	51.105	51.232	7.924	14215	—	HMSA7SP	V
36.500	50.500	50.800	7.000	14477	w/CW Helix From Air Side	HMSA7	S
36.525	44.450	—	3.962	711820	—	BV	R
36.525	44.450	—	3.962	721571	—	BV	V
36.525	50.876	50.978	7.950	14391	w/Stainless Steel Spring	CRWAR5	H
36.525	60.300	60.401	7.950	14285	—	★CRWA1	R
36.530	44.450	—	1.600	451079	—	BUW	—
36.530	47.630	47.780	6.350	14208	—	CRWAR5	V
36.530	50.800	50.950	3.180	14209	—	HM4	R
36.530	50.880	50.980	7.950	14211	—	CRWAR5	V
36.530	50.880	50.980	7.950	14384	—	CRWAR5	R
36.530	52.370	52.480	7.950	14212	—	CRW1	V
36.530	52.370	52.480	7.950	14214	—	★CRWA1	R
36.530	53.980	54.080	7.950	14223	—	★CRW1	R
36.530	53.980	54.080	7.950	14225	—	★CRWA1	V
36.530	57.150	57.250	6.350	14257	—	★HM14	R
36.530	57.150	57.250	7.950	14247	—	★CRWA1	R
36.530	57.150	57.250	7.950	14259	—	★CRWA1	V
36.530	57.150	57.250	7.950	14260	—	★CRW1	V
36.530	57.150	57.250	7.950	14262	—	★CRW1	R
36.530	60.300	60.400	7.950	14282	—	★CRW1	R
36.530	61.900	62.000	6.350	14359	—	★HM21	R
36.530	61.900	62.000	7.950	14363	—	★CRW1	R
36.530	63.550	63.650	7.950	14383	—	★CRW1	R
36.530	66.620	66.730	7.950	14404	—	★CRW1	R
36.530	68.220	68.330	7.950	14423	—	★CRW1	R
36.530	69.850	69.950	7.950	14458	—	★CRW1	R
36.700	55.000	55.013	13.700	14473A	—	HMSA92	R
36.804	62.001	62.230	9.855	14452A	w/CCW Helix From Air Side	HMSA92	V
36.855	67.107	67.437	9.728	14436A	w/CW Helix From Air Side	HMSA92	P

Size listing - Metric

Metric Shaft	Metric Bore	Metric O.D.	Metric Width	Metric Seal no.	Seal info. notes	Type & style	Lip code
37.000	47.000	47.066	4.000	14469	—	HMS4	R
37.000	47.000	47.066	4.000	14471	—	HMSA7	R
37.000	47.000	47.066	4.000	14476	—	HM4	R
37.000	50.000	50.200	8.000	14558	—	SLA1	T
37.000	50.000	50.340	6.000	14671	w/CW Helix From Air Side	HMSA7	P
37.000	50.000	—	6.000	562605	—	HMSA10	RG
37.000	50.000	—	6.000	562606	w/Stainless Steel Spring	HMS5	V
37.000	50.000	—	6.000	562607	w/Stainless Steel Spring	HMSA10	V
37.000	50.000	—	6.000	565298	—	HMS5	RG
37.000	52.000	52.160	10.000	14571	—	CRSH13	R
37.000	52.000	52.280	8.000	14489	—	HMS4	R
37.000	52.000	52.280	8.330	14600	P.F. WD .228 w/Axial Dirt Lip	HMA11	R
37.000	54.000	54.330	9.000	14632	—	HMSA92	P
37.000	55.000	55.090	10.000	14494	—	CRSH1	R
37.000	58.000	58.166	13.000	14572	—	CRSH11	R
37.000	62.000	62.154	9.000	14573	—	CRSH13	R
37.000	62.000	62.230	7.000	14502	—	HMA12	P
37.000	62.000	62.230	10.000	14500	—	HMSA92	R
37.000	62.000	62.281	10.000	14574	—	HMS46	R
37.000	78.000	78.420	12.000	14484	w/Bi-Direction Helix From Air Side	HMS45PL	R
37.008	42.000	42.240	8.000	14496	—	END CAP	P
37.008	55.000	55.220	8.001	14514	—	HMSA96	P
37.008	56.007	56.134	8.992	14566	—	HMS4	R
37.008	57.988	58.242	10.008	14506	—	HMSASPL	P
37.008	60.401	60.554	10.998	14569	—	CRSA3	P
37.008	61.011	61.214	8.001	14520	—	HMSA35	P
37.008	62.001	62.205	12.497	14510	—	ALH1	P
37.109	64.999	65.227	9.804	14627A	w/CW Helix From Air Side	HMSA92	P
37.211	60.249	60.325	10.998	14652	—	CRSA3	R
37.211	60.249	60.579	38.303	14655	—	HMSA92	P
37.236	64.033	64.262	9.804	14663A	w/CCW Helix From Air Side	CRS-SPL	P
37.310	60.300	60.400	9.530	14641	—	HMS-SPL	R
37.338	73.990	74.168	42.875	14694	—	★HMS-SPL	—
37.465	63.729	63.856	8.890	14634	—	CRSA1	R
37.570	65.100	65.200	11.940	14700	—	★HM79	R
37.600	49.000	49.120	7.500	14814	—	HMSA7	V
37.690	57.250	57.350	7.950	14907	—	★CRW1	R
37.870	55.650	55.750	6.350	14780	—	CRSA1	R
37.950	52.320	52.430	6.860	14789	—	★CRW1	R
37.998	50.013	50.165	10.008	14936	w/CW Helix From Air Side	HMSA7	V
37.998	54.356	54.000	8.991	14950	—	HMSA92	P
37.998	57.785	57.988	10.846	14958	—	HMSA7	P
37.998	65.000	65.126	8.001	14922	w/Bi-Direction Helix From Air Side	HMS4	R
38.000	47.000	47.100	7.000	14695	—	HMSA1	R
38.000	48.000	48.057	4.000	14697	—	HM4	R
38.000	49.200	49.380	9.000	14773	—	HMSA1	P
38.000	50.000	50.140	7.000	14701	—	★CRW1	R
38.000	50.000	50.140	7.000	14703	—	★CRW1	V
38.000	50.000	50.140	7.000	14707	—	HMS4	R
38.000	50.000	50.160	8.000	15394	w/CW Helix From Air Side	HMSA7	P
38.000	50.000	50.170	8.000	14713	w/CW Helix From Air Side	HMSA7	S
38.000	50.000	50.170	11.000	14915	—	HMSA7	R
38.000	50.000	50.200	6.300	15355A	w/Helix Bi-Direction From Air Side	HMSA7	P
38.000	50.000	50.230	6.000	11863	—	HMSA7	P
38.000	50.000	50.241	7.000	14716	—	HMSA10	R
38.000	50.000	50.241	7.000	692445	—	HMSA10	R
38.000	50.000	50.241	7.000	692445	—	HMSA10	RG
38.000	50.000	—	7.000	692443	—	HMS5	RG
38.000	50.000	—	7.000	692444	—	HMS5	V
38.000	50.000	—	7.000	692446	—	HMSA10	V
38.000	51.000	51.130	13.000	14790	—	HMSA25	P
38.000	51.000	51.160	7.500	14702	—	HMSA1	R
38.000	52.000	52.160	8.000	14704	—	★CRW1	R
38.000	52.000	52.160	8.000	14705	—	★CRWA1	R
38.000	52.000	52.160	8.000	14706	—	★CRW1	V

Size listing - Metric

Metric Shaft	Metric Bore	Metric O.D.	Metric Width	Metric Seal no.	Seal info. notes	Type & style	Lip code
38.000	52.000	52.172	8.510	550270	w/2.266 Flange	HMSA33	R
38.000	52.000	52.273	7.000	14709	—	HMS4	R
38.000	52.000	52.273	7.000	692447	—	HMS5	RG
38.000	52.000	—	7.000	692449	—	HMSA10	RG
38.000	52.000	—	8.000	563367	—	HMS5	RG
38.000	52.000	—	8.000	563368	—	HMSA10	RG
38.000	52.000	—	8.000	563369	w/Stainless Steel Spring	HMS5	V
38.000	52.000	—	8.000	563370	w/Stainless Steel Spring	HMSA10	V
38.000	52.100	52.270	8.510	550217	w/2.275 Flange	HMSA33	R
38.000	53.000	53.160	8.000	14708	—	★CRW1	R
38.000	53.000	53.240	8.000	14759	Helix-CCW & Inner Case	HMSHA7	V
38.000	54.000	54.160	7.000	14710	—	CRW1	P
38.000	54.000	54.160	8.000	14691	—	HMSA92	R
38.000	54.000	54.280	6.500	15053	—	HMS46	R
38.000	54.000	54.280	10.000	14712	—	HMS4	R
38.000	54.000	—	10.000	563291	—	HMS5	RG
38.000	54.000	—	10.000	563292	—	HMSA10	RG
38.000	54.000	—	10.000	563293	w/Stainless Steel Spring	HMS5	V
38.000	54.000	—	10.000	563294	w/Stainless Steel Spring	HMSA10	V
38.000	55.000	55.160	8.000	14720	—	★CRW1	R
38.000	55.000	55.160	8.000	14721	—	★CRW1	V
38.000	55.000	55.160	8.500	14772	—	HMSA1	V
38.000	55.000	55.280	7.000	14719	—	HMS4	R
38.000	55.000	—	7.000	692452	—	HMS5	V
38.000	55.000	—	7.000	692454	—	HMSA10	V
38.000	55.000	—	7.000	692451	—	HMS5	RG
38.000	55.000	—	8.000	564015	—	HMS5	RG
38.000	55.000	—	8.000	564016	—	HMSA10	RG
38.000	55.000	—	8.000	564017	w/Stainless Steel Spring	HMS5	V
38.000	55.000	—	8.000	564018	w/Stainless Steel Spring	HMSA10	V
38.000	55.000	—	10.000	563516	—	HMS5	RG
38.000	55.000	—	10.000	563517	—	HMSA10	RG
38.000	55.000	—	10.000	563518	w/Stainless Steel Spring	HMS5	V
38.000	55.000	—	10.000	563519	w/Stainless Steel Spring	HMSA10	V
38.000	55.020	55.180	13.000	14722	w/CW Helix From Air Side	HMSA122	P
38.000	56.000	56.159	12.000	15067	—	CRS11	R
38.000	56.000	56.160	8.000	14724	—	★CRW1	V
38.000	56.000	56.160	8.000	14725	—	★CRW1	R
38.000	56.000	56.236	9.000	14787	w/Bi-Direction Helix From Air Side	HMSASPL	V
38.000	56.000	56.280	10.000	14727	—	HMS4	R
38.000	58.000	58.140	11.000	14753	—	HMSA3	R
38.000	58.000	58.160	8.000	14730	—	★CRW1	R
38.000	58.000	58.160	8.000	14732	—	★CRW1	V
38.000	58.000	58.230	8.000	14763	—	HMSA3	R
38.000	58.000	58.240	10.000	14917	—	HMSA92	R
38.000	58.000	58.330	10.000	14747	—	HMSA92	R
38.000	58.000	—	8.000	563995	—	HMS5	RG
38.000	58.000	—	8.000	563996	—	HMSA10	RG
38.000	58.000	—	8.000	563997	w/Stainless Steel Spring	HMS5	V
38.000	58.000	—	8.000	563998	w/Stainless Steel Spring	HMSA10	V
38.000	58.000	—	10.000	692455	—	HMS5	RG
38.000	58.000	—	10.000	692456	—	HMS5	V
38.000	58.000	—	10.000	692457	—	HMSA10	RG
38.000	58.000	—	10.000	692458	—	HMSA10	V
38.000	59.000	59.300	9.000	14738	w/CW Helix From Air Side	HMSA6	P
38.000	60.000	60.130	11.000	14756	w/Bi-Direction Helix From Air Side	HMSASPL	S
38.000	60.000	60.160	8.000	14739	Helix-CW, w/Overall Width 14,58	HMSA92	V
38.000	60.000	60.160	8.000	14740	—	★CRW1	R
38.000	60.000	60.160	8.000	14741	—	★CRW1	V
38.000	60.000	60.230	11.000	14900	w/CW Helix From Air Side	HMSA123	P
38.000	60.000	60.274	7.000	15071	—	HMS43	V
38.000	60.000	—	10.000	563520	—	HMS5	RG
38.000	60.000	—	10.000	563521	—	HMSA10	RG
38.000	60.000	—	10.000	563522	w/Stainless Steel Spring	HMS5	V
38.000	60.000	—	10.000	563523	w/Stainless Steel Spring	HMSA10	V

Size listing - Metric

Metric Shaft	Metric Bore	Metric O.D.	Metric Width	Metric Seal no.	Seal info. notes	Type & style	Lip code
38.000	62.000	62.160	8.000	14742	—	★CRW1	R
38.000	62.000	62.160	8.000	14744	—	★CRW1	V
38.000	62.000	—	7.000	562596	—	HMS5	RG
38.000	62.000	—	7.000	562597	—	HMSA10	RG
38.000	62.000	—	7.000	562598	w/Stainless Steel Spring	HMS5	V
38.000	62.000	—	7.000	562599	w/Stainless Steel Spring	HMSA10	V
38.000	62.000	—	8.000	564019	—	HMS5	RG
38.000	62.000	—	8.000	564020	—	HMSA10	RG
38.000	62.000	—	8.000	564021	w/Stainless Steel Spring	HMS5	V
38.000	62.000	—	8.000	564022	w/Stainless Steel Spring	HMSA10	V
38.000	62.000	—	10.000	563109	—	HMS5	RG
38.000	62.000	—	10.000	563110	—	HMSA10	RG
38.000	62.000	—	10.000	563111	w/Stainless Steel Spring	HMS5	V
38.000	62.000	—	10.000	563112	w/Stainless Steel Spring	HMSA10	V
38.000	63.000	63.100	10.000	14749	w/Axial Dirt Lip	HMSA29	P
38.000	65.000	65.230	10.000	14758	w/Axial Dirt Lip	HMSA29	P
38.000	65.000	65.270	12.000	14748	—	HMSA35	P
38.000	65.000	65.278	10.000	15121	—	HMS4	R
38.000	66.800	67.005	24.460	16510	—	VACBOOT	—
38.000	68.000	68.160	8.000	14755	—	★CRW1	R
38.000	70.000	70.200	10.000	14776	—	HMS4	R
38.000	72.000	72.280	10.000	14761	—	HMS4	R
38.000	72.000	—	10.000	563704	—	HMS5	RG
38.000	72.000	—	10.000	563705	—	HMSA10	RG
38.000	72.000	—	10.000	563706	w/Stainless Steel Spring	HMS5	V
38.000	72.000	—	10.000	563707	w/Stainless Steel Spring	HMSA10	V
38.000	74.000	74.092	11.000	14767	—	★CRWA1	R
38.000	74.000	74.140	11.000	14891	w/Bi-Direction Helix From Air Side	HMSA96	P
38.000	74.000	74.160	11.000	14766	w/Axial Dirt Lip	HMSA29	P
38.000	74.000	74.160	11.000	14768	—	★CRW1	V
38.000	74.000	74.200	11.000	15155A	w/CW Helix From Air Side	HMSA92	P
38.000	74.000	74.275	10.000	15114	—	HMSA77	R
38.000	80.000	80.160	8.000	14774	—	★CRW1	R
38.000	80.000	80.275	12.000	15115	—	HMS46	R
38.000	85.000	85.230	10.000	14914	—	HMSA7	V
38.000	90.000	90.119	8.000	14785	—	★CRWA1	R
38.100	46.050	—	3.962	711878	—	BV	R
38.100	47.370	—	47.370	709010	—	WS	R
38.100	47.600	47.700	4.780	14808	—	★HM14	V
38.100	47.600	47.700	6.350	14804	—	HM14	R
38.100	47.600	47.700	6.350	14807	w/Stainless Steel Spring	★CRW1	R
38.100	47.600	47.700	6.350	14810	—	★HM14	R
38.100	47.625	—	4.775	711822	—	BV	R
38.100	47.625	—	4.775	721556	—	BV	V
38.100	47.630	—	1.600	451487	—	BUW	—
38.100	48.720	48.820	6.350	14809	w/Stainless Steel Spring	CRW7	V
38.100	49.230	49.330	6.350	14816	—	★HM14	R
38.100	50.368	50.470	6.350	14824	—	★CRWA1	R
38.100	50.368	50.470	6.350	14834	—	★CRWA1	V
38.100	50.370	50.470	4.780	14840	—	HM14	R
38.100	50.370	50.470	6.350	14821	—	★CRW1	V
38.100	50.370	50.470	7.950	14832	—	★CRW1	R
38.100	50.520	50.620	6.350	14848	—	★HMA22	R
38.100	50.730	50.880	6.350	14844	—	★CRWA5	V
38.100	50.800	50.900	6.350	14857	—	★HM14	R
38.100	50.800	50.900	7.950	14861	—	★CRW1	V
38.100	50.800	50.900	7.950	14846	—	★CRWA1	R
38.100	50.800	50.900	7.950	14855	—	★CRW1	R
38.100	50.800	50.902	7.950	546953	w/Stainless Steel Case & Spring	CRW1	V
38.100	50.800	51.050	4.780	14869	—	HM8	R
38.100	50.800	—	50.800	504268	—	SC	R
38.100	52.020	52.120	7.950	14858	—	★CRWA1	R
38.100	52.370	52.480	7.950	14864	—	★CRW1	R
38.100	52.370	52.480	7.950	14867	—	★CRW1	V
38.100	52.400	52.480	5.330	14863	—	★HM14	R

Size listing - Metric

Metric Shaft	Metric Bore	Metric O.D.	Metric Width	Metric Seal no.	Seal info. notes	Type & style	Lip code
38.100	52.430	52.530	9.530	14868	w/Stainless Steel Spring	★CRWA5	V
38.100	53.980	54.080	6.350	14872	w/SS Case & Spring	CRWH3	V
38.100	53.980	54.080	7.950	14875	—	★CRW1	R
38.100	53.980	54.080	7.950	14876	—	★CRWA1	R
38.100	53.980	54.080	7.950	14886	—	★CRW1	V
38.100	53.980	54.080	7.950	14887	—	★CRWA1	V
38.100	55.550	37.950	12.700	14896	—	X1	L
38.100	56.440	56.540	7.950	14903	—	★CRW1	R
38.100	57.150	57.250	6.350	14960	—	HM21	R
38.100	57.150	57.250	7.900	14940	—	★CRW1	V
38.100	57.150	57.250	7.950	14935	—	★CRW1	S
38.100	57.150	57.250	7.950	14938	—	★CRW1	R
38.100	57.150	57.250	7.950	14939	—	★CRWA1	R
38.100	57.150	57.250	7.950	14942	—	★CRWA1	V
38.100	57.150	57.250	7.950	15022	—	★HMS14	R
38.100	57.150	57.252	12.700	15012	—	★CRWH1	R
38.100	57.250	57.350	7.950	14963	—	HMSA92	P
38.100	57.252	57.353	6.350	14966	—	★HM21	R
38.100	57.400	57.510	10.310	14968	—	★CRW1	R
38.100	58.060	37.950	6.860	14970	O.D. Listed Is Pressfit I.D.	X15	R
38.100	58.060	37.950	10.670	14971	O.D. Listed Is Pressfit I.D.	XH15	R
38.100	58.700	58.800	12.700	14979	w/Stainless Steel Spring	★CRWA5	V
38.100	59.130	59.230	9.525	15029	—	CRSA1	R
38.100	59.130	59.230	9.910	14975	Clearance D .188	HM18	R
38.100	59.130	59.230	12.700	14972	—	★HM14	R
38.100	59.130	59.230	12.700	14974	Clearance D .286	HM18	R
38.100	59.130	59.230	12.700	14977	w/Stainless Steel Spring	★CRWA5	R
38.100	60.250	60.350	9.530	14978	w/Extended Radial Dirt Lip	★CRWA41	R
38.100	60.300	60.400	6.350	15032	—	★HM21	R
38.100	60.300	60.400	7.950	14992	—	★CRW1	V
38.100	60.300	60.400	7.950	14994	—	★CRWA1	V
38.100	60.300	60.400	7.950	15004	—	★CRW1	R
38.100	60.300	60.400	7.950	15005	—	★CRWA1	R
38.100	60.300	60.400	12.700	15039	—	★CRWH1	R
38.100	60.350	60.528	20.701	15047	Helix-CCW & P.F. Width .402	★HMSA25	P
38.100	60.380	60.480	11.510	15041	—	★CRWA1	R
38.100	61.900	62.000	6.350	15080	—	★HM14	R
38.100	61.900	62.000	7.950	15076	—	★CRW1	R
38.100	62.000	62.103	7.950	15092	—	CRW1	R
38.100	62.000	62.103	7.950	15093	—	★CRWA1	R
38.100	62.000	62.103	7.950	15097	—	★CRW1	V
38.100	62.530	37.970	7.370	15174	O.D. Listed Is Pressfit I.D.	X13	R
38.100	63.550	63.650	6.350	15160	—	★HM21	R
38.100	63.550	63.650	7.950	15138	—	★CRW1	V
38.100	63.550	63.650	7.950	15141	—	★CRW1	R
38.100	63.550	63.650	15.880	15120	—	★C8	RR
38.100	63.551	—	7.950	15142	—	★CRWA1	R
38.100	65.050	65.150	7.950	15176	—	★CRW1	R
38.100	66.620	66.730	6.350	15190	—	HM21	R
38.100	66.620	66.730	7.950	15194	—	★CRW1	R
38.100	68.220	68.330	12.700	15207	—	★CRW1	R
38.100	68.990	69.090	6.350	15209	—	★HM21	R
38.100	68.990	69.090	11.130	15204	—	★CRW1	R
38.100	69.850	69.950	7.950	15214	—	★CRW1	R
38.100	70.050	70.150	7.950	15230	—	★CRW1	R
38.100	72.000	72.111	7.950	15234	—	★CRW1	R
38.100	73.030	73.130	7.950	15235	—	★CRW1	R
38.100	76.100	76.230	12.700	15240	—	CRSH1	R
38.100	76.200	76.330	9.530	15241	—	CRSA1	R
38.100	79.380	79.500	15.880	15250	—	C8	RR
38.100	91.948	92.075	14.300	15246	See Type J Section (CRW Lip)	J6-KIT	R
38.151	54.153	54.254	27.432	14234	—	CRSA3	R
38.176	60.300	60.427	9.500	15133	w/CCW Helix From Air Side	★CRSA3	P
38.176	60.325	60.706	18.288	15025	w/CCW Helix & PF .314	CRSA3	P
38.176	60.325	60.706	18.288	15031	—	HMSA26	V

Size listing - Metric

Metric Shaft	Metric Bore	Metric O.D.	Metric Width	Metric Seal no.	Seal info. notes	Type & style	Lip code
38.200	49.200	49.530	12.070	15270	w/Helix-CCW & P.F. Width .315	HMSA76	P
38.500	53.000	53.230	8.000	15500	w/CCW Helix From Air Side	HMSA7	P
38.500	58.000	58.230	11.000	15292	—	HMSA7	R
38.500	58.000	—	7.000	563231	—	HMS5	RG
38.500	58.000	—	7.000	563232	—	HMSA10	RG
38.500	58.000	—	7.000	563233	w/Stainless Steel Spring	HMS5	V
38.500	58.000	—	7.000	563234	w/Stainless Steel Spring	HMSA10	V
38.506	79.807	79.934	8.001	15165	—	HMSA7	V
38.610	67.460	67.560	10.800	15306	Helix-CCW & P.F. Width .388	HMSA16	R
38.633	67.462	67.666	11.100	14946	—	HMSA97	V
38.710	60.300	60.400	9.525	15343	—	★CRSH1	R
38.710	67.460	67.560	15.418	15315	w/CW Helix From Air Side	HMSA16	E
38.710	68.940	69.040	12.700	15376	—	HMS9	R
38.800	51.638	52.000	8.000	15280	—	HMSA7	R
38.989	50.013	50.317	11.506	15359	—	HMS4SPL	P
38.989	54.000	54.102	5.994	15363	—	HMA1	R
39.000	50.000	50.280	7.000	15451	w/CCW Helix From Air Side	HMSHA7	V
39.000	50.000	50.317	8.500	15445	—	HMSA3	R
39.000	52.000	52.230	6.300	15298	—	HMSA96	P
39.000	52.000	52.324	7.000	15300	w/CW Helix From Air Side	HMSA7	P
39.000	55.000	55.310	8.000	15302	w/CW Helix From Air Side	HMSA7	V
39.000	57.000	57.250	21.440	15312	w/Axial Dirt Lip	HMSA92	P
39.000	57.000	57.280	17.000	15310	w/Axial Dirt Lip	HMSA92	P
39.000	57.000	57.330	9.650	15345	w/CW Helix From Air Side	HMSA7	V
39.000	59.000	59.260	12.000	15353	—	D7-SPL	PP
39.000	59.000	59.280	11.000	15372	w/Axial Dirt Lip	HMSA92	R
39.000	62.000	62.154	12.000	15352	—	CRSH11	R
39.000	65.000	65.240	9.000	15354	—	HMS-SPL	P
39.000	68.000	68.230	9.000	15356	—	HMS-SPL	P
39.000	72.000	72.140	12.700	15607	—	★CRS1	V
39.000	72.000	72.250	8.000	15324	—	HMSA7	P
39.000	74.000	74.117	11.000	550234	—	★HMSA2	R
39.000	82.000	82.130	13.000	15357	—	HMSA24	P
39.400	66.750	66.760	30.700	15553	—	UNITIZE	P
39.420	62.150	62.480	12.700	15440	—	HMSA78	RT
39.420	62.150	62.480	12.700	15529	—	HMSA57	P
39.420	63.550	63.650	12.700	15450	—	★CRWA1	R
39.420	68.220	68.330	12.700	15460	—	★CRW1	R
39.420	69.850	69.950	12.700	15462	—	★CRWHA1	P
39.420	80.260	80.390	13.460	15791	—	CRSHA8	V
39.420	80.260	80.390	13.868	15545	w/Bi-Direction Helix From Air Side	HMSHA26	V
39.420	80.260	80.390	13.868	15566	w/Bi-Direction Helix P.F 6.451mm	HMSHA25	V
39.420	80.260	80.390	16.002	15525	w/Bi Helix & 3M Bead On OD	HMSHA25	V
39.420	80.260	80.390	16.891	15788	P.F. Width 6.451	CRWA31	P
39.421	62.128	62.255	12.700	15560	—	D8	RT
39.421	69.850	69.952	14.986	15502	w/Bi-Direction Helix From Air Side	CRSA8	R
39.500	65.000	65.250	8.000	13749	—	HMSA57	P
39.624	75.235	75.286	15.164	15618	—	UNITIZE	R
39.675	62.027	62.154	12.700	15629	—	HMSA97	R
39.675	62.484	62.738	9.500	15662	—	★CRWA1	V
39.675	70.053	70.155	9.982	15768	—	HMSA7	P
39.690	73.076	72.161	12.700	14512	—	★CRS1	V
39.700	51.994	52.146	7.010	534958	—	★CRWA1	V
39.700	52.370	52.480	5.160	15509	—	★HM14	R
39.700	52.370	52.480	6.350	15508	—	★CRW1	R
39.700	52.370	52.480	6.350	15506	—	★CRW1	V
39.700	53.980	54.080	7.950	15517	—	CRW1	R
39.700	53.980	54.080	7.950	15518	—	★CRWA1	P
39.700	54.102	54.229	12.294	539036	—	★HMSA7SP	V
39.700	56.820	39.570	7.370	15530	—	X4	R
39.700	57.150	57.250	6.350	15532	—	★HM14	R
39.700	57.150	57.250	7.950	15522	—	★CRW1	R
39.700	57.150	57.250	38.610	15535	P.F. Width .327 & 2.515 Flange	CRSA3	R
39.700	60.250	60.350	27.410	15546	w/Helix-CCW & 2.255 Flange	HMSA31	P
39.700	60.300	60.400	6.350	15544	—	★HM21	R

Size listing - Metric

Metric Shaft	Metric Bore	Metric O.D.	Metric Width	Metric Seal no.	Seal info. notes	Type & style	Lip code
39.700	60.300	60.400	7.950	15540	—	★CRW1	P
39.700	60.300	60.400	7.950	15542	—	★CRW1	R
39.700	60.300	60.400	7.950	15543	—	★CRWA1	R
39.700	60.300	60.400	7.950	15549	—	★CRWA1	V
39.700	61.900	62.000	7.950	15592	—	CRW1	R
39.700	62.000	62.103	12.700	15620	—	★CRWA1	R
39.700	62.001	62.408	12.700	15729	—	HMSA7	R
39.700	62.610	62.720	9.500	15624	—	★CRWA1	P
39.700	62.865	63.271	8.483	15632A	w/Helix Bi-Direction From Air Side	HMSA7	P
39.700	63.550	63.650	6.350	15649	—	★HM21	R
39.700	63.550	63.650	7.950	15635	—	★CRWA1	R
39.700	63.550	63.650	7.950	15655	—	★CRW1	R
39.700	63.550	63.650	7.950	15656	—	★CRW1	V
39.700	64.290	39.570	7.239	15660	O.D. Listed Is Pressfit I.D.	X15	R
39.700	65.050	65.150	7.950	15677	—	★CRW1	R
39.700	65.050	65.150	9.530	15666	—	TL1	R
39.700	66.620	66.730	7.950	15699	—	★CRW1	R
39.700	68.220	68.330	7.950	15707	—	★CRW1	R
39.700	68.220	68.330	9.530	15730	—	★HM14	R
39.700	68.250	68.350	6.350	15719	—	★HM21	R
39.700	68.990	69.090	11.910	15748	—	★CRSH1	R
39.700	69.850	69.950	12.700	15761	—	★CRWH1	R
39.700	70.050	70.150	12.700	15766	—	W4	R
39.700	73.030	73.130	7.950	15779	—	★CRWA1	P
39.700	73.030	73.130	7.950	15773	—	★CRW1	R
39.700	—	—	19.050	89486	—	S6	—
39.776	64.998	65.202	9.068	15671A	w/CW Helix From Air Side	HMSA92	P
39.830	66.550	66.680	25.400	15692	P.F. Width 8.890	HMS15	R
39.979	62.992	63.119	10.490	15783A	w/Helix Bi-Direction From Air Side	HMSA92	—
40.000	46.000	46.228	8.000	15715	—	HMSA7	R
40.000	46.000	47.142	8.000	15713	—	HMS4	R
40.000	47.000	47.066	4.000	15738	—	HM4	R
40.000	50.000	50.165	4.000	15740	—	HM4	R
40.000	50.000	—	8.000	563419	—	HMS5	RG
40.000	50.000	—	8.000	563420	—	HMSA10	RG
40.000	50.000	—	8.000	563421	w/Stainless Steel Spring	HMS5	V
40.000	50.000	—	8.000	563422	w/Stainless Steel Spring	HMSA10	V
40.000	52.000	52.160	7.000	15803	w/Stainless Steel Spring	★CRW1	V
40.000	52.000	52.160	7.000	15805	—	★CRW1	R
40.000	52.000	52.172	5.000	15743	—	HM4	R
40.000	52.000	52.222	9.000	550247	w/2.204 Flange	HMSA32	R
40.000	52.000	52.280	7.000	15801	—	HMSA7	R
40.000	52.000	52.300	14.300	15802	w/Axial Dirt Lip	HMSA92	R
40.000	52.000	52.330	7.000	16442	—	HMSHA7	V
40.000	52.000	52.430	8.000	15808	—	HMSA7	R
40.000	52.000	—	6.000	563235	—	HMS5	RG
40.000	52.000	—	6.000	563237	w/Stainless Steel Spring	HMS5	V
40.000	52.000	—	6.000	563238	w/Stainless Steel Spring	HMSA10	V
40.000	52.000	—	7.000	692459	—	HMS5	RG
40.000	52.000	—	7.000	692460	w/Stainless Steel Spring	HMS5	V
40.000	52.000	—	7.000	692462	w/Stainless Steel Spring	HMSA10	V
40.000	52.000	—	7.000	692461	—	HMSA10	RG
40.000	52.000	—	8.000	563133	—	HMS5	RG
40.000	52.000	—	8.000	563134	—	HMSA10	RG
40.000	52.000	—	8.000	563135	w/Stainless Steel Spring	HMS5	V
40.000	52.000	—	8.000	563136	w/Stainless Steel Spring	HMSA10	V
40.000	52.000	—	52.000	523171	—	SC	R
40.000	53.000	53.130	23.000	15809	P.F.WD .472, w/2.835 Flange O.D.	HMSA8	R
40.000	53.000	53.250	8.000	15701	w/CW Helix From Air Side	HMSA7	P
40.000	53.000	53.280	5.000	15884	—	HMA76	R
40.000	54.000	54.130	13.140	15843	P.F. Width 8.001	HMS15	R
40.000	54.000	54.160	7.000	15810	—	★CRW1	R
40.000	54.000	54.160	8.000	15967	—	HMSA1	R
40.000	54.000	54.280	10.000	15881	w/Encapsulated Spring	HMSA7	P
40.000	55.000	55.120	8.000	15682	—	HMA8	R

Size listing - Metric

Metric Shaft	Metric Bore	Metric O.D.	Metric Width	Metric Seal no.	Seal info. notes	Type & style	Lip code
40.000	55.000	55.120	8.330	15746	P.F. Width .220 & 2.550 Flange	★HMA9	R
40.000	55.000	55.140	10.000	15937	—	CRS1	R
40.000	55.000	55.160	8.000	15820	—	★CRW1	R
40.000	55.000	55.160	8.000	15821	—	★CRW1	V
40.000	55.000	55.230	6.000	15818	w/CW Helix From Air Side	HMSA7	V
40.000	55.000	55.230	7.500	15512	—	HMSA96	P
40.000	55.000	55.230	7.500	15757A	—	HMSA92	P
40.000	55.000	55.270	8.000	15823	—	HMS5	R
40.000	55.000	55.270	8.000	692467	—	HMS5	R
40.000	55.000	55.270	8.000	692467	—	HMS5	RG
40.000	55.000	55.280	7.000	15815	—	HMS4	R
40.000	55.000	55.280	7.000	15819	—	HMSA7	R
40.000	55.000	55.280	8.000	15822	—	HMSA7	R
40.000	55.000	—	7.000	692464	—	HMS5	V
40.000	55.000	—	7.000	692465	—	HMSA10	RG
40.000	55.000	—	7.000	692466	—	HMSA10	V
40.000	55.000	—	7.000	692463	—	HMS5	RG
40.000	55.000	—	8.000	692468	—	HMS5	V
40.000	55.000	—	8.000	692470	—	HMSA10	V
40.000	56.000	56.159	8.000	15829	—	HMSA10	R
40.000	56.000	56.159	8.000	562582	—	HMSA10	R
40.000	56.000	56.159	8.000	15828	—	HMS4	R
40.000	56.000	56.160	7.000	15826	—	★CRW1	V
40.000	56.000	56.160	8.000	15825	—	★CRW1	R
40.000	56.000	56.200	13.000	15770A	—	HMSA SPL	P
40.000	56.000	56.230	9.000	16194	—	HMSA92	P
40.000	56.000	56.280	8.000	15684	—	HMSA35	R
40.000	56.000	56.360	9.000	15669	w/CW Helix From Air Side	HMSA35	P
40.000	56.000	56.360	9.000	15709	w/Bi-Direction Helix From Air Side	HMSA35	P
40.000	56.000	—	8.000	562581	—	HMS5	RG
40.000	56.000	—	8.000	562583	w/Stainless Steel Spring	HMS5	V
40.000	56.000	—	8.000	562584	w/Stainless Steel Spring	HMSA10	V
40.000	57.000	57.160	8.000	15830	—	★CRW1	R
40.000	57.000	57.310	13.000	15706	—	HMSA7S	PF
40.000	58.000	58.115	10.000	15370	—	HMSA7	P
40.000	58.000	58.141	8.000	15998	—	HMS4	R
40.000	58.000	58.141	9.000	15750	w/2.519 Flange	★CRWA3	R
40.000	58.000	58.160	8.000	15835	—	★CRW1	R
40.000	58.000	58.160	8.000	15836	—	★CRW1	V
40.000	58.000	58.160	10.000	15700	—	HMSA7	P
40.000	58.000	58.166	9.000	15879	—	CRSA13	R
40.000	58.000	58.280	9.000	15838	—	HMSA7	R
40.000	58.000	58.330	8.000	15796	—	HMSA92	P
40.000	58.000	58.330	9.000	15742	w/CCW Helix From Air Side	HMSA92	P
40.000	58.000	—	7.000	562864	—	HMS5	RG
40.000	58.000	—	7.000	562865	—	HMSA10	RG
40.000	58.000	—	7.000	562866	w/Stainless Steel Spring	HMS5	V
40.000	58.000	—	7.000	562867	w/Stainless Steel Spring	HMSA10	V
40.000	58.000	—	8.000	562948	—	HMS5	RG
40.000	58.000	—	8.000	562949	—	HMSA10	RG
40.000	58.000	—	8.000	562950	w/Stainless Steel Spring	HMS5	V
40.000	58.000	—	8.000	562951	w/Stainless Steel Spring	HMSA10	V
40.000	58.000	—	10.000	563201	—	HMS5	RG
40.000	58.000	—	10.000	563202	—	HMSA10	RG
40.000	58.000	—	10.000	563203	w/Stainless Steel Spring	HMS5	V
40.000	58.000	—	10.000	563204	w/Stainless Steel Spring	HMSA10	V
40.000	60.000	60.122	5.500	15712	—	HMS4	V
40.000	60.000	60.130	8.000	15842	w/Axial Dirt Lip	HMSA35	R
40.000	60.000	60.150	10.000	15893	—	CRSA1	R
40.000	60.000	60.160	8.000	15840	—	★CRW1	R
40.000	60.000	60.160	8.000	15841	—	★CRW1	V
40.000	60.000	60.230	5.000	15718	w/CW Helix From Air Side	HMS4	V
40.000	60.000	60.280	10.000	15844	—	HMSA7	R
40.000	60.000	60.280	12.000	15869	—	HMS4	R
40.000	60.000	—	10.000	692475	—	HMS5	RG

Size listing - Metric

Metric Shaft	Metric Bore	Metric O.D.	Metric Width	Metric Seal no.	Seal info. notes	Type & style	Lip code
40.000	60.000	—	10.000	692476	—	HMS5	V
40.000	60.000	—	10.000	692477	—	HMSA10	RG
40.000	60.000	—	10.000	692478	—	HMSA10	V
40.000	62.000	62.010	9.900	15690	—	UNITIZE	R
40.000	62.000	62.075	10.000	15907	—	HMS4	V
40.000	62.000	62.130	9.000	15902	P.F. Width .455 w/2.600 Flange	HMSA55	P
40.000	62.000	62.160	8.000	15845	—	★CRW1	R
40.000	62.000	62.160	8.000	15846	—	★CRW1	V
40.000	62.000	62.230	10.000	550230	—	HMA10	R
40.000	62.000	62.280	7.000	15989	w/CW Helix From Air Side	HMSA92	P
40.000	62.000	62.280	7.000	692481	—	HMSA10	RG
40.000	62.000	62.280	7.000	15851	—	HMSA7	R
40.000	62.000	62.280	10.000	15856	w/Stainless Steel Spring	HMSA7	V
40.000	62.000	62.280	11.500	550199	—	HMS4	R
40.000	62.000	62.281	6.000	15898	—	HMSA7P2	R
40.000	62.000	62.330	6.500	15978	—	HM4SPL	R
40.000	62.000	—	6.000	563471	—	HMS5	RG
40.000	62.000	—	6.000	563472	—	HMSA10	RG
40.000	62.000	—	6.000	563473	w/Stainless Steel Spring	HMS5	V
40.000	62.000	—	6.000	563474	w/Stainless Steel Spring	HMSA10	V
40.000	62.000	—	7.000	692480	—	HMS5	V
40.000	62.000	—	7.000	692482	—	HMSA10	V
40.000	62.000	—	8.000	563929	—	HMS5	RG
40.000	62.000	—	8.000	563930	—	HMSA10	RG
40.000	62.000	—	8.000	563931	w/Stainless Steel Spring	HMS5	V
40.000	62.000	—	8.000	563932	w/Stainless Steel Spring	HMSA10	V
40.000	62.000	—	10.000	692484	—	HMS5	V
40.000	62.000	—	10.000	692485	—	HMSA10	RG
40.000	62.000	—	10.000	692486	—	HMSA10	V
40.000	63.000	63.210	9.000	15737	w/CCW Helix From Air Side	HMSHA83	V
40.000	63.000	63.271	8.000	15733	—	HMSA92	P
40.000	64.000	64.080	10.000	15704	—	HMSA96	P
40.000	64.000	64.110	9.000	15767	—	HMSA92	P
40.000	64.000	64.110	17.500	15849	P.F. WD .472 w/Rock Guard	HMSA92S	P
40.000	64.000	64.230	10.000	15547	—	HMSAHA4	V
40.000	64.000	64.280	12.000	15753	w/3.085 Flange	HMSA12	P
40.000	64.000	64.350	10.000	15722	—	HMSA102	P
40.000	65.000	65.151	12.000	15919	—	CRS13	R
40.000	65.000	65.160	8.000	15850	—	★CRW1	R
40.000	65.000	65.230	18.000	15887	—	HMSASPL	P
40.000	65.000	—	10.000	562816	—	HMS5	RG
40.000	65.000	—	10.000	562817	—	HMSA10	RG
40.000	65.000	—	10.000	562818	w/Stainless Steel Spring	HMS5	V
40.000	65.000	—	10.000	562819	w/Stainless Steel Spring	HMSA10	V
40.000	65.000	—	12.000	563564	—	HMS5	RG
40.000	65.000	—	12.000	563565	—	HMSA10	RG
40.000	65.000	—	12.000	563566	w/Stainless Steel Spring	HMS5	V
40.000	65.000	—	12.000	563567	w/Stainless Steel Spring	HMSA10	V
40.000	66.000	66.320	8.000	15891	w/CW Helix From Air Side	HMSA96	P
40.000	68.000	68.148	7.000	15922	—	CRS13	R
40.000	68.000	68.160	8.000	15854	—	★CRW1	R
40.000	68.000	—	8.000	562692	—	HMS5	RG
40.000	68.000	—	8.000	562693	—	HMSA10	RG
40.000	68.000	—	8.000	562694	w/Stainless Steel Spring	HMS5	V
40.000	68.000	—	8.000	562695	w/Stainless Steel Spring	HMSA10	V
40.000	68.000	—	10.000	563173	—	HMS5	RG
40.000	68.000	—	10.000	563174	—	HMSA10	RG
40.000	68.000	—	10.000	563175	w/Stainless Steel Spring	HMS5	V
40.000	68.000	—	10.000	563176	w/Stainless Steel Spring	HMSA10	V
40.000	69.000	69.010	13.500	15552	—	UNITIZE	R
40.000	69.000	69.280	15.000	15691	—	HMA2SPL	R
40.000	70.000	70.120	10.000	15744	—	HMSA92	P
40.000	70.000	70.160	8.000	15855	—	★CRW1	R
40.000	70.000	70.160	12.000	15930	—	CRSH11	R
40.000	72.000	72.160	8.000	15860	—	★CRW1	R

Size listing - Metric

Metric Shaft	Metric Bore	Metric O.D.	Metric Width	Metric Seal no.	Seal info. notes	Type & style	Lip code
40.000	72.000	72.250	11.000	14762	—	HMSA92	R
40.000	72.000	72.263	10.000	15754	—	HMSA92	P
40.000	72.000	—	7.000	562832	—	HMS5	RG
40.000	72.000	—	7.000	562833	—	HMSA10	RG
40.000	72.000	—	7.000	562834	w/Stainless Steel Spring	HMS5	V
40.000	72.000	—	7.000	562835	w/Stainless Steel Spring	HMSA10	V
40.000	72.000	—	10.000	564112	—	HMS5	RG
40.000	72.000	—	10.000	564113	—	HMSA10	RG
40.000	72.000	—	10.000	564114	—	HMS5	V
40.000	72.000	—	10.000	564115	—	HMSA10	V
40.000	74.000	74.120	10.000	15784	—	HMSA92	P
40.000	74.000	74.170	8.000	15863	—	★CRW1	R
40.000	74.000	74.270	10.000	15790	w/CW Helix From Air Side	HMSA96S	R
40.000	75.000	75.130	10.000	15883	—	HMSA96	P
40.000	75.000	75.160	8.000	15862	—	★CRW1	V
40.000	75.000	75.160	11.862	15882	w/CCW Helix From Air Side	HMSA92	R
40.000	75.000	75.180	16.000	15382	—	HMSA56	P
40.000	75.000	75.200	17.000	15799	w/3.327 Flange P.F. Width .551	HMSA35	R
40.000	75.000	75.230	10.000	14889	—	HMSA7	V
40.000	75.000	75.230	12.000	15886	—	HMSA92	P
40.000	76.000	76.280	12.500	15866	Helix-CW & P.F. Width .354	HMSA92	P
40.000	76.000	76.280	12.500	15867	Helix-CCW & P.F. Width .354	HMSA92	P
40.000	78.000	78.200	10.000	15948	—	HMSA7	R
40.000	80.000	80.160	8.000	15870	—	★CRW1	R
40.000	80.000	—	10.000	562737	—	HMSA10	RG
40.000	80.000	—	10.000	562738	w/Stainless Steel Spring	HMS5	V
40.000	80.000	—	10.000	562739	w/Stainless Steel Spring	HMSA10	V
40.000	80.000	—	12.000	563057	—	HMS5	RG
40.000	80.000	—	12.000	563059	w/Stainless Steel Spring	HMS5	V
40.000	80.000	—	12.000	563060	w/Stainless Steel Spring	HMSA10	V
40.000	90.000	90.180	8.000	15890	—	★CRW1	R
40.000	90.000	90.272	12.000	15945	—	HMSA79	R
40.005	51.816	52.070	7.366	15731	—	HMSA32	R
40.005	51.993	52.222	8.001	15776A	—	HMSA7	R
40.005	51.993	52.273	7.010	15804	—	HMS4	R
40.005	51.994	52.121	7.010	15703	w/Bi-Direction Helix From Air Side	CRSA1	R
40.005	51.994	52.273	5.994	15957	—	HMSA7	P
40.005	52.019	52.222	8.102	15724	—	HMSA33	R
40.005	54.000	54.127	5.512	15807	—	HMSA1	R
40.005	54.889	55.245	12.979	15716	—	★HMSA16	P
40.005	56.007	56.134	8.001	15888	—	HMSA92	P
40.005	56.058	56.185	8.001	15128	—	★HMSHA4	P
40.005	57.937	58.064	11.989	15721	w/Bi-Direction Helix From Air Side	HMSHA4	P
40.005	57.988	58.242	5.994	15736	—	HMSA7	P
40.005	57.988	58.242	8.992	15787	—	HMSA7	P
40.005	57.988	58.344	10.541	15727	—	HMSA25	V
40.005	62.509	62.636	10.998	15558	—	HMSA7	R
40.005	62.687	62.840	10.998	15714	w/CCW Helix & Boot	CRSA3	P
40.005	64.237	65.507	30.505	12014	—	UNITIZE	P
40.005	67.996	68.097	12.700	15972	—	D8-SPL	P
40.005	75.997	76.225	7.010	15793	—	HMSA7	P
40.080	52.880	52.980	6.350	15510	—	★CRW1	R
40.080	61.160	61.260	7.950	15557	—	★CRWHA1	R
40.284	62.967	63.246	8.915	15925A	w/CCW Helix From Air Side	HMSA92	P
40.335	55.156	55.295	8.280	15837A	w/CCW Helix From Air Side	HMSA7	V
40.437	61.112	61.265	8.992	15974	w/Bi-Direction Helix From Air Side	HMSA96	P
40.490	53.980	54.080	7.950	15915	—	★CRW1	P
40.490	61.900	62.000	7.950	15940	—	★CRW1	P
40.490	61.900	62.000	7.950	15955	—	★CRW1	R
40.490	63.550	63.650	7.950	15960	—	★CRW1	R
40.490	66.620	66.730	7.950	15968	—	★CRW1	R
40.490	70.050	70.150	7.950	15975	—	★CRW1	R
40.500	52.500	52.750	6.000	15910	w/CW Helix From Air Side	HMSA7	P
40.500	58.000	58.140	9.000	15920	—	HMSA7	P
40.500	80.000	80.310	10.000	15984	—	D7	P

Size listing - Metric

Metric Shaft	Metric Bore	Metric O.D.	Metric Width	Metric Seal no.	Seal info. notes	Type & style	Lip code
40.589	62.890	62.992	10.008	15966	w/CCW Helix From Air Side	★CRSA3	P
40.589	62.890	62.992	10.008	15977	w/CCW Helix, Long Boot	★CRSA3	P
40.716	72.111	72.237	12.623	16066A	w/Helix Bi-Direction	HMSHA4	P
40.770	65.024	65.150	17.600	16295	w/Bi-Direction Helix From Air Side	★HMSHASP	R
40.770	71.200	71.310	12.700	16392	w/3.065 Flange O.D.	★HMSHA4	P
40.870	48.410	48.510	6.350	16430	—	HM3	R
40.996	59.004	59.334	8.001	16023	w/CW Helix From Air Side	HMSA7	R
40.996	63.000	63.119	8.001	16136	—	HMSA92	V
40.996	73.990	74.219	8.992	16441	—	HMSA29	R
41.000	53.000	53.160	7.000	16151	—	★CRW1	R
41.000	54.000	54.230	6.000	16323	—	HMSA7	P
41.000	55.000	55.070	7.000	16446	—	HMSA29	R
41.000	55.000	55.160	8.000	16154	—	★CRW1	R
41.000	55.000	55.270	7.000	16147	w/CW Helix From Air Side	HMSA7	P
41.000	56.000	56.310	7.000	550232	—	★HMS4	R
41.000	56.000	56.310	8.000	16149	—	HMSA7	V
41.000	56.000	—	7.000	563431	—	HMS5	RG
41.000	56.000	—	7.000	563432	—	HMSA10	RG
41.000	56.000	—	7.000	563433	w/Stainless Steel Spring	HMS5	V
41.000	56.000	—	7.000	563434	w/Stainless Steel Spring	HMSA10	V
41.000	57.000	57.230	8.000	16413	—	HMSA96	P
41.000	58.000	58.150	13.000	16415	—	HMS15	P
41.000	59.000	59.260	10.000	16037	w/Axial Dirt Lip, CW Helix	HMSA92	P
41.000	61.000	61.120	8.000	16141	—	HMSHA4	P
41.000	61.000	61.138	8.000	16143	—	HMSHA4	P
41.000	61.000	61.140	10.000	16448	—	HMSA92	P
41.000	61.000	61.140	16.000	16123	—	UNITIZE	R
41.000	61.000	61.140	16.000	16140	—	HMSA92	R
41.000	61.850	61.970	7.600	16145	—	CRS2	V
41.000	62.000	62.130	12.000	16043	—	D8	P
41.000	62.000	62.160	8.000	16041	—	★CRW1	R
41.000	65.253	65.405	10.998	16139	w/Bi-Direction Helix From Air Side	HMSA25	P
41.000	68.000	68.170	12.000	16427	—	D8-SPL	P
41.000	68.000	68.280	9.000	16429	—	HMSA92	R
41.000	73.990	74.983	11.000	16114	w/Bi-Direction Helix From Air Side	HMSA96	P
41.000	75.000	75.060	11.000	16144	w/CCW Helix From Air Side	HMSA57	P
41.000	90.000	90.023	16.500	16134	—	HMSA93	P
41.100	57.250	57.350	5.970	533803	—	CRW1	R
41.100	64.290	64.390	11.130	16449	—	★CRWA1	R
41.100	65.410	65.510	12.700	16404	—	★CRSA1	R
41.100	72.160	72.360	12.700	16146	w/3.179 Flange O.D.	★CRSA4	R
41.123	50.800	50.900	6.350	16039	—	★CRW1	V
41.123	50.800	50.900	6.350	16046	—	★CRW1	R
41.275	50.800	—	4.775	711823	—	BV	D
41.275	50.800	—	4.775	721515	—	BV	V
41.275	60.300	60.400	6.350	16094	—	CRW1	R
41.275	60.325	60.503	10.033	16355	—	CRWA6	V
41.275	61.036	61.163	9.144	16108	—	CRSA4	R
41.275	61.189	61.341	13.843	16262	—	HMSA24	R
41.275	61.900	62.001	7.950	16113	—	★CRW1	R
41.275	61.900	62.001	7.950	16225	w/CW Helix From Air Side	★HMS14	S
41.275	61.976	62.128	10.591	16248A	w/CW Helix From Air Side	HMSA92	V
41.275	63.551	63.652	9.500	16257	—	★CRWHA1	V
41.275	65.075	65.176	6.350	16285	—	★HM21	R
41.275	94.183	94.310	21.590	16233	—	UNITIZE	P
41.280	50.550	—	50.550	709011	—	WS	R
41.280	50.800	—	1.600	451046	—	BUW	—
41.280	53.750	53.850	7.950	16047	—	★CRWA1	R
41.280	53.980	54.080	6.350	16048	w/Stainless Steel Spring	★CRW1	V
41.280	53.980	54.080	6.350	16054	—	★CRW1	R
41.280	53.980	54.080	6.350	16055	—	★HM14	R
41.280	53.980	54.130	6.350	16045	w/Stainless Steel Spring	CRWAR5	V
41.280	53.980	—	53.980	504269	—	SC	R
41.280	57.100	57.200	7.950	16062	—	★CRWA1	R
41.280	57.150	57.250	6.350	16065	—	★HM21	R

★ Includes Bore Tite on O.D.
Seal kits—See pg. 632

Axle flange gaskets—See pg. 374
Speedi-Sleeve's—See pg. 637

Scotseals—See pg. 382
V-ring's—See pg. 657

HDDF seals—See pg. 404

Size listing - Metric

Metric Shaft	Metric Bore	Metric O.D.	Metric Width	Metric Seal no.	Seal info. notes	Type & style	Lip code
41.280	57.150	57.250	7.950	16078	w/Stainless Steel Spring	CRW1	V
41.280	57.150	57.250	7.950	541478	—	★CRW1	R
41.280	57.150	57.250	9.530	16049	—	★CRW1	P
41.280	57.960	58.060	7.950	16083	—	★CRW1	R
41.280	59.130	59.230	11.130	16064	—	TL7	R
41.280	59.130	59.230	11.130	16069	Clearance D .235	★HM18	R
41.280	60.300	60.400	6.350	16092	—	★HM21	R
41.280	60.300	60.400	7.950	16072	—	★CRWH1	R
41.280	60.300	60.400	7.950	16077	—	★CRW1	V
41.280	60.300	60.400	7.950	16084	—	★CRW1	R
41.280	60.300	60.400	7.950	16085	—	★CRWA1	R
41.280	60.300	60.400	7.950	16091	—	CRWA1	P
41.280	60.300	60.400	12.700	16079	—	★CRWH1	R
41.280	60.330	60.430	6.350	16095	—	HM14	R
41.280	60.330	60.500	10.030	16110	—	CRWA6	R
41.280	61.900	62.000	6.350	16168	—	★HM21	R
41.280	61.900	62.000	7.950	16119	—	★CRW1	V
41.280	61.900	62.000	7.950	16120	—	★CRWA1	V
41.280	61.900	62.000	7.950	16128	—	★CRWA1	R
41.280	61.900	62.000	9.500	16121	—	CRSHA1	R
41.280	62.000	62.103	7.950	16180	—	★CRW1	R
41.280	62.000	62.103	7.950	16201	—	★CRWA1	R
41.280	62.000	62.103	15.880	16189	—	CRWHA3	R
41.280	62.000	62.154	16.000	16204	—	★C8	RR
41.280	62.530	41.150	6.350	16286	O.D. Listed Is Pressfit I.D.	X15	R
41.280	63.550	63.650	6.350	16242	w/SS Case & Spring	CRWH3	V
41.280	63.550	63.650	6.350	16270	—	★HM21	R
41.280	63.550	63.650	7.950	16243	—	★CRWA1	V
41.280	63.550	63.650	7.950	16245	—	★CRW1	R
41.280	63.550	63.650	7.950	16246	—	★CRWA1	R
41.280	63.550	63.650	7.950	16247	—	CRWA1	P
41.280	63.550	63.650	9.530	16254	—	★CRWHA1	R
41.280	65.070	65.180	7.950	16290	—	★CRWA1	V
41.280	65.070	65.180	11.130	16289	Clearance D .210	★HM18	R
41.280	66.620	66.730	6.350	16322	—	★HM21	R
41.280	66.620	66.730	7.950	16314	—	★CRW1	R
41.280	66.620	66.730	7.950	16315	—	★CRWA1	R
41.280	66.620	66.730	7.950	16316	—	★CRW1	V
41.280	68.220	68.330	7.950	16337	—	★CRW1	R
41.280	68.220	68.330	7.950	16338	—	★CRW1	V
41.280	69.140	69.270	10.310	16342	—	FF2	F
41.280	69.850	69.950	6.350	16362	—	★HM21	R
41.280	69.850	69.950	6.350	16364	—	★CRW1	R
41.280	69.850	69.950	7.950	16368	—	★CRWH1	R
41.280	70.640	70.740	7.950	16384	—	★HM14	R
41.280	72.010	72.110	11.910	16386	—	★CRSH1	R
41.280	73.030	73.130	7.950	16406	—	★CRW1	R
41.280	76.200	76.330	7.950	16422	—	★CRWH1	R
41.280	77.770	77.880	12.700	16431	—	★CRSH1	R
41.280	82.580	82.700	12.700	16440	—	CRSH1	R
41.280	—	44.450	15.880	86049	—	S1	—
41.326	60.071	59.944	9.881	16271	w/CCW Helix From Air Side	HMSA25	R
41.330	41.530	6.350	6.350	11712	—	HM4	R
41.780	67.460	67.560	7.950	16500	—	★CRSA1	P
41.859	59.233	59.106	15.011	16122	—	★HMSA1	V
41.961	64.008	64.008	9.906	16626	—	★HMSHA4	R
42.000	50.000	50.851	4.000	16480	—	HMSA7	R
42.000	52.000	52.172	4.000	16483	—	HM4	R
42.000	54.000	54.230	6.200	16538A	w/CW Helix From Air Side	HMSA7	P
42.000	55.000	55.140	7.000	550237	—	HMSA3	R
42.000	55.000	55.160	6.000	16502	—	HM1	R
42.000	55.000	55.160	8.000	16503	—	★CRW1	R
42.000	55.000	55.160	8.000	16507	—	★CRW1	V
42.000	55.000	55.220	7.000	16544	—	HMA1	V
42.000	55.000	55.230	7.000	15756	—	HMA1	T

Size listing - Metric

Metric Shaft	Metric Bore	Metric O.D.	Metric Width	Metric Seal no.	Seal info. notes	Type & style	Lip code
42.000	55.000	55.240	8.000	16893	w/CW Helix From Air Side	HMSA7	V
42.000	55.000	55.270	7.000	16471	w/CW Helix From Air Side	HMSA7	V
42.000	55.000	55.430	9.000	16531	—	HMSA7	R
42.000	55.000	—	7.000	692491	—	HMS5	RG
42.000	55.000	—	7.000	692492	—	HMS5	V
42.000	55.000	—	7.000	692494	—	HMSA10	V
42.000	55.000	—	8.000	563125	—	HMS5	RG
42.000	55.000	—	8.000	563126	—	HMSA10	RG
42.000	55.000	—	8.000	563127	w/Stainless Steel Spring	HMS5	V
42.000	55.000	—	8.000	563128	w/Stainless Steel Spring	HMSA10	V
42.000	56.000	56.160	7.000	16504	—	★CRW1	V
42.000	56.000	56.160	8.000	16505	—	★CRW1	R
42.000	56.000	56.260	8.000	16473	w/CW Helix From Air Side	HMSA7	P
42.000	56.000	56.280	7.000	16494	—	HMSA7	R
42.000	56.000	56.280	7.000	16496	w/Stainless Steel Spring	HMSA7	V
42.000	56.000	—	7.000	563296	—	HMSA10	RG
42.000	56.000	—	7.000	563297	w/Stainless Steel Spring	HMS5	V
42.000	56.000	—	7.000	563298	w/Stainless Steel Spring	HMSA10	V
42.000	56.200	56.410	6.000	16506	—	HMA1	R
42.000	56.200	56.410	9.500	16508	P.F. Width 5.994	HMA101	R
42.000	56.300	56.600	8.000	16546	—	HMSA12	R
42.000	58.000	53.230	12.000	16456	w/CW Helix From Air Side	HMSA92	S
42.000	58.000	53.230	12.000	16549	w/CW Helix From Air Side	HMSA123	P
42.000	58.000	58.130	7.000	16497	—	CRSA1	R
42.000	58.000	58.160	8.000	16509	—	★CRW1	R
42.000	58.000	58.160	8.000	16511	—	★CRW1	V
42.000	58.000	58.280	7.000	16548	—	HMA1	R
42.000	58.000	58.750	10.000	16498	—	HMS4	R
42.000	58.000	—	7.000	16642	—	HMS4	R
42.000	60.000	60.140	10.000	16579	—	HMS4	R
42.000	60.000	60.147	7.000	16489	w/CW Helix From Air Side	HMSA7	P
42.000	60.000	60.160	8.000	16515	—	★CRW1	R
42.000	60.000	60.160	8.000	16517	—	★CRW1	V
42.000	60.000	60.230	8.500	16533	w/CW Helix From Air Side	HMSA7	V
42.000	60.000	60.300	7.000	16514	—	HMSA7	R
42.000	60.000	60.330	6.700	19695A	w/CCW Helix From Air Side	HMA7	P
42.000	60.000	—	7.000	692495	—	HMS5	RG
42.000	60.000	—	7.000	692496	—	HMS5	V
42.000	60.000	—	7.000	692498	—	HMSA10	V
42.000	62.000	60.150	10.000	16581	—	CRS1	R
42.000	62.000	62.130	8.000	16622	—	HMS-SPL	R
42.000	62.000	62.160	8.000	16519	—	★CRW1	R
42.000	62.000	62.160	8.000	16523	—	★CRW1	V
42.000	62.000	62.280	8.000	16518	—	HMSA7	R
42.000	62.000	62.280	8.000	16521	—	HMS4	R
42.000	62.000	62.280	10.000	16529	—	HMS4	R
42.000	62.000	—	7.000	563327	—	HMS5	RG
42.000	62.000	—	7.000	563328	—	HMSA10	RG
42.000	62.000	—	7.000	563329	w/Stainless Steel Spring	HMS5	V
42.000	62.000	—	7.000	563330	w/Stainless Steel Spring	HMSA10	V
42.000	62.000	—	8.000	564116	—	HMS5	RG
42.000	62.000	—	8.000	564117	—	HMSA10	RG
42.000	62.000	—	8.000	564118	—	HMS5	V
42.000	62.000	—	8.000	564119	—	HMSA10	V
42.000	62.000	—	10.000	562856	—	HMS5	RG
42.000	62.000	—	10.000	562857	—	HMSA10	RG
42.000	62.000	—	10.000	562858	w/Stainless Steel Spring	HMS5	V
42.000	62.000	—	10.000	562859	w/Stainless Steel Spring	HMSA10	V
42.000	63.000	63.620	11.000	16474	w/Bi-Direction Helix & Boot	CRSA3	P
42.000	64.000	64.160	9.910	16901	—	HMSHA4	R
42.000	64.000	64.310	6.000	16522	—	HMA1	R
42.000	65.000	65.160	8.000	16525	—	★CRW1	R
42.000	65.000	65.160	8.000	16527	—	★CRW1	V
42.000	65.000	65.230	10.998	16551	—	D7	P
42.000	65.000	65.300	14.000	16499	—	HMSA56	P

★ Includes Bore Tite on O.D.
Seal kits—See pg. 632

Axle flange gaskets—See pg. 374
Speedi-Sleeve's—See pg. 637

Scotseals—See pg. 382
V-ring's—See pg. 657

HDDF seals—See pg. 404

Size listing - Metric

Metric Shaft	Metric Bore	Metric O.D.	Metric Width	Metric Seal no.	Seal info. notes	Type & style	Lip code
42.000	65.000	—	10.000	563556	—	HMS5	RG
42.000	65.000	—	10.000	563557	—	HMSA10	RG
42.000	65.000	—	10.000	563558	w/Stainless Steel Spring	HMS5	V
42.000	65.000	—	10.000	563559	w/Stainless Steel Spring	HMSA10	V
42.000	65.000	—	12.000	563921	—	HMS5	RG
42.000	65.000	—	12.000	563922	—	HMSA10	RG
42.000	65.000	—	12.000	563923	w/Stainless Steel Spring	HMS5	V
42.000	65.000	—	12.000	563924	w/Stainless Steel Spring	HMSA10	V
42.000	65.100	65.200	14.500	16535	—	HMSHA4	R
42.000	66.000	66.350	10.000	16528	—	HMSA7	P
42.000	66.000	—	10.000	563724	—	HMS5	RG
42.000	66.000	—	10.000	563725	—	HMSA10	RG
42.000	66.000	—	10.000	563726	w/Stainless Steel Spring	HMS5	V
42.000	66.000	—	10.000	563727	w/Stainless Steel Spring	HMSA10	V
42.000	66.620	66.730	9.530	16545	—	★CRWA1	P
42.000	67.000	67.230	7.200	16481	—	HMS14	V
42.000	67.000	67.285	10.000	16565	w/Encapsulated Spring	HMSA7	P
42.000	67.000	—	10.000	563093	—	HMS5	RG
42.000	67.000	—	10.000	563094	—	HMSA10	RG
42.000	67.000	—	10.000	563095	w/Stainless Steel Spring	HMS5	V
42.000	67.000	—	10.000	563096	w/Stainless Steel Spring	HMSA10	V
42.000	68.000	68.275	10.000	16552	—	HMS4	R
42.000	70.000	70.160	12.000	16605	—	CRSH11	R
42.000	70.000	70.200	10.000	16615	—	HMSA7	R
42.000	72.000	72.160	8.000	16554	—	★CRW1	V
42.000	72.000	72.160	8.000	16555	—	★CRW1	R
42.000	72.000	72.160	12.000	16609	—	CRS12	R
42.000	72.000	72.280	8.000	16553	—	HMSA7	R
42.000	72.000	—	8.000	563121	—	HMS5	RG
42.000	72.000	—	8.000	563122	—	HMSA10	RG
42.000	72.000	—	8.000	563123	w/Stainless Steel Spring	HMS5	V
42.000	72.000	—	8.000	563124	w/Stainless Steel Spring	HMSA10	V
42.000	72.000	—	10.000	563483	—	HMS5	RG
42.000	72.000	—	10.000	563484	—	HMSA10	RG
42.000	72.000	—	10.000	563485	w/Stainless Steel Spring	HMS5	V
42.000	72.000	—	10.000	563486	w/Stainless Steel Spring	HMSA10	V
42.000	76.000	76.230	12.000	16468	—	HMSA92	P
42.000	76.000	76.230	12.000	16564	—	HMSA92	P
42.000	80.000	80.200	10.000	16617	—	HMS4	R
42.000	90.000	90.200	12.000	16596	w/Axial Dirt Lip	D8-SPL	P
42.000	90.000	90.560	10.000	16594	w/Axial Dirt Lip	D8-SPL	P
42.010	63.000	63.119	8.992	16465	—	HMSA92	P
42.010	64.800	64.900	13.490	16542	w/Helix-CW P.F. Width .375	HMSA95	R
42.012	53.188	53.315	6.985	16487	—	HMSA79	V
42.012	59.004	59.131	7.696	16536	w/CW Helix From Air Side	HMS4	R
42.012	62.001	62.332	11.989	16485	—	D6	P
42.012	64.770	64.770	13.462	16491	—	HMSA95	R
42.060	63.550	63.650	12.700	16532	—	★CRSH1	R
42.160	61.980	62.078	15.090	16520	—	HM11	R
42.494	62.001	62.128	10.490	16714A	w/Helix Bi-Direction Air Side	HMSA24	V
42.500	54.520	54.760	6.000	16889	w/CW Helix From Air Side	HMSA7	V
42.500	54.920	55.070	7.370	16599	w/2.608 Flange	★HMA9	R
42.545	50.800	50.927	5.080	16787	—	WS	R
42.545	66.167	66.471	10.693	16750A	w/Helix Bi-Direction	HMSA92	P
42.799	54.991	55.118	10.998	16620	—	HMSA7	R
42.850	63.500	63.627	38.989	16567	—	CRSA3	P
42.875	63.550	63.652	33.883	16725	P.F. Width .360 & 2.750 Flange	★CRSA3	R
42.880	55.450	—	7.950	509543	—	SC	R
42.880	57.890	57.990	12.700	16650	—	★CRWH1	R
42.880	59.130	59.230	7.950	16657	—	★CRWA1	R
42.880	59.130	59.230	12.700	16667	Clearance D .286	HM18	R
42.880	59.130	59.230	13.490	16659	—	HMA5	R
42.880	60.300	60.400	7.950	16669	—	CRSA1	R
42.880	61.900	62.000	6.350	16692	—	★CRW1	S
42.880	61.900	62.000	7.950	16679	—	★CRW1	R

Size listing - Metric

Metric Shaft	Metric Bore	Metric O.D.	Metric Width	Metric Seal no.	Seal info. notes	Type & style	Lip code
42.880	61.900	62.000	7.950	16680	—	★CRWA1	R
42.880	61.900	62.000	11.910	16696	—	★CRW1	S
42.880	63.550	63.650	7.140	16743	—	★HM21	R
42.880	63.550	63.650	7.950	16719	—	★CRW1	R
42.880	63.550	63.650	12.700	16871	w/2.750 Flange	★CRWA3	R
42.880	64.800	64.920	9.530	16747	—	HMSA95	R
42.880	64.800	64.920	11.940	16735	—	HMSA7	R
42.880	64.800	64.920	15.110	16578	w/CW Helix From Air Side	D8	RRT
42.880	65.070	65.180	6.350	16754	—	★HM21	R
42.880	66.170	66.270	6.350	16757	—	★HM14	R
42.880	66.620	66.730	7.950	16814	—	★CRWA1	R
42.880	66.620	66.730	9.530	16811	—	★HM21	R
42.880	66.620	66.730	12.700	16816	—	★CRW1	R
42.880	66.620	66.730	12.700	16817	—	★CRWA1	V
42.880	66.620	66.730	12.700	16945	—	CRW2	P
42.880	66.620	66.730	13.490	16805	w/CW Helix From Air Side	HMSA16	R
42.880	67.310	42.770	7.370	16818	O.D. Listed Is Pressfit I.D.	X4	R
42.880	68.220	68.330	7.950	16842	—	★CRW1	R
42.880	68.280	42.600	6.350	16820	O.D. Listed Is Pressfit I.D.	X9	R
42.880	68.990	69.090	7.950	16854	—	★CRW1	R
42.880	69.850	69.950	7.950	16900	—	CRW1	R
42.880	69.850	69.950	9.530	16903	—	★CRWA1	R
42.880	72.000	72.111	11.910	16960	—	CRSA1	R
42.880	73.030	73.130	7.950	16999	—	★CRW1	R
42.880	77.750	77.880	9.530	17035	—	★CRW1	R
42.880	78.511	78.638	12.700	17037	w/3.450 Flange O.D. & Bi-Direction Helix Air Side	★CRSA4	R
42.880	79.380	79.500	9.530	17038	—	★CRWA1	R
42.977	67.462	67.793	9.754	16965	—	HMSA93	V
43.000	54.000	54.150	7.493	16891	—	CRSHA1	R
43.000	54.000	54.150	7.500	16892	—	CRSA1	R
43.000	55.000	55.200	8.000	550228	—	HMA3	R
43.000	55.000	55.270	7.000	16929	—	HMSA7	P
43.000	57.000	57.160	8.000	16895	—	★CRW1	R
43.000	58.000	58.160	7.000	16464	—	HMSA7	P
43.000	58.000	58.160	7.000	16896	w/CW Helix From Air Side	HMSA7	P
43.000	58.500	58.730	7.500	16924	—	HMA8	P
43.000	59.000	59.210	9.000	16970	—	SLA1	T
43.000	60.000	60.160	8.000	16897	—	★CRW1	R
43.000	60.000	60.230	7.000	16940	—	HMSA7	V
43.000	60.000	60.274	10.000	16937	—	HMS4	R
43.000	60.000	60.274	10.000	16942	—	HMSA7	R
43.000	60.000	60.280	9.000	16984	w/CW Helix From Air Side	HMSA7	R
43.000	62.000	62.160	8.000	16898	—	HMSA7	P
43.000	62.000	62.179	10.000	16939	—	CRSH1	R
43.000	62.000	—	8.000	563680	—	HMS5	RG
43.000	62.000	—	8.000	563681	—	HMSA10	RG
43.000	62.000	—	8.000	563682	w/Stainless Steel Spring	HMS5	V
43.000	62.000	—	8.000	563683	w/Stainless Steel Spring	HMSA10	V
43.000	63.000	63.200	10.000	16926	—	CRSA3	R
43.000	63.000	63.250	9.000	16894	w/CCW Helix From Air Side	HMSA92	R
43.000	63.500	63.630	11.000	16909A	w/Helix Bi-Direction Air Side	HMSA7	P
43.000	65.000	65.100	12.000	550244	—	★HMSA2	R
43.000	65.000	65.180	9.500	16932	—	CRSA1	R
43.000	67.230	67.500	9.800	26510	—	HMSA97	P
43.000	70.000	70.130	9.000	16917	—	HMSA29	R
43.000	72.000	72.160	10.000	16936	—	CRSH11	R
43.000	77.000	77.350	11.000	16993	—	HMSA57	V
43.002	78.994	79.197	9.855	16920A	w/Helix Bi-Direction Air Side	HMSA76	P
43.180	65.000	65.230	12.200	17001	—	HMSA25	P
43.307	77.064	77.267	14.275	17327	—	HMSA25	V
43.307	78.232	78.334	13.970	17005	—	★HMSA25	R
43.310	77.060	77.190	12.700	17100	—	★CRWA1	R
43.310	78.330	78.440	12.700	17053	—	CRS1	R
43.409	56.109	56.210	8.890	17107	Helix-CW,w/2.505 Flange, PF WD .295	★HMSA23	V
43.410	56.110	56.210	9.020	17106	Helix-CW,w/2.505 Flange, PF WD .295	★HMSA23	P

Size listing - Metric

Metric Shaft	Metric Bore	Metric O.D.	Metric Width	Metric Seal no.	Seal info. notes	Type & style	Lip code
43.660	61.900	62.000	11.910	17124	—	P1	L
43.660	65.050	65.150	8.000	17144	—	★CRWA1	R
43.660	65.050	65.150	12.700	17146	Clearance D .286	★HM18	R
43.660	66.620	66.730	12.700	17136	—	★CRSH1	R
43.660	73.030	73.130	11.910	17162	—	P1	L
43.688	74.000	74.230	11.887	17259	w/Bi-Direction Helix From Air Side	HMSA57	P
43.700	61.000	61.189	6.000	17026	—	HMSA7	V
43.940	59.330	59.440	6.350	17115	—	HMA85	R
43.940	59.330	59.440	11.940	17110	P.F. Width .250 & Slinger	HMA95	R
43.993	59.995	60.223	9.500	17323	—	HMSA7	P
43.993	66.396	66.573	11.430	17307	—	HMSA97	V
43.993	66.396	66.573	14.478	17350	—	HMSA97	V
44.000	55.000	55.230	6.000	17122	w/CW Helix From Air Side	HMSA7	P
44.000	56.000	56.200	8.000	17321	—	HMSA	P
44.000	58.000	58.115	8.000	17300	w/CW Helix From Air Side	HMSA7	V
44.000	58.000	58.290	7.000	17298	w/CW Helix From Air Side	HMSA7	V
44.000	59.000	59.240	6.800	17134	w/CW Helix From Air Side	HMS4	R
44.000	60.000	60.160	7.000	17629	w/CW Helix From Air Side	HMSA7	P
44.000	60.000	60.160	8.000	17139	—	★CRW1	R
44.000	60.000	60.160	8.000	17142	—	CRW1	V
44.000	60.000	60.160	8.000	17154	w/CW Helix From Air Side	HMSA7	V
44.000	60.000	60.280	10.000	17148	—	HMS4	R
44.000	60.000	—	10.000	563332	—	HMSA10	RG
44.000	60.000	—	10.000	563333	w/Stainless Steel Spring	HMS5	V
44.000	60.000	—	10.000	563334	w/Stainless Steel Spring	HMSA10	V
44.000	62.000	62.150	8.000	17147	w/Axial Dirt Lip	HMSA45	R
44.000	62.000	62.160	8.000	17149	—	★CRW1	R
44.000	62.000	62.350	10.000	17334A	w/CCW Helix From Air Side	HMSA7	P
44.000	62.000	—	10.000	563764	—	HMS5	RG
44.000	62.000	—	10.000	563765	—	HMSA10	RG
44.000	62.000	—	10.000	563766	w/Stainless Steel Spring	HMS5	V
44.000	62.000	—	10.000	563767	w/Stainless Steel Spring	HMSA10	V
44.000	65.000	65.160	8.000	17160	—	★CRW1	R
44.000	65.000	65.280	10.000	17168	—	HMS4	R
44.000	65.000	—	10.000	563772	—	HMS5	RG
44.000	65.000	—	10.000	563773	—	HMSA10	RG
44.000	65.000	—	10.000	563774	w/Stainless Steel Spring	HMS5	V
44.000	65.000	—	10.000	563775	w/Stainless Steel Spring	HMSA10	V
44.000	67.386	67.513	13.894	17407	w/Bi-Direction Helix From Air Side	HMSASPL	V
44.000	68.000	68.160	8.000	17166	—	★CRW1	V
44.000	69.000	69.215	10.000	17382	—	HMSA92	P
44.000	70.000	70.160	8.000	17179	—	★CRW1	R
44.000	72.000	72.160	8.000	17184	—	★CRW1	R
44.000	72.000	72.160	12.000	17347	—	CRSH11	R
44.000	72.000	72.280	10.000	17186	—	HMS4	R
44.000	74.000	74.350	11.000	17336A	w/CW Helix From Air Side	HMSA92	P
44.000	77.953	78.080	11.633	17135	—	HMSA97	P
44.000	80.000	80.330	9.000	17191	—	HMSA92	P
44.000	90.000	90.140	20.000	17194	—	HMSASPL	P
44.000	92.000	92.330	19.000	17193	P.F. Width 12.496	★HMSA7SP	R
44.040	59.130	59.230	6.860	17815	w/2.625 Flange	★HM19	R
44.040	60.990	61.090	5.330	17187	—	★G2	R
44.040	62.200	62.310	6.350	17131	—	★HM21	R
44.040	69.240	69.340	13.000	17145	Clearance D .218	★HM18	R
44.170	71.420	71.530	15.090	17190	w/Helix-CW, w/3.270 Flange	★HMSA16	R
44.170	76.200	76.350	12.700	17727	—	CRWA4	P
44.300	73.000	73.220	12.000	17377	—	UNITIZE	P
44.374	66.624	66.726	9.271	17458	w/Helix-CW & 2.870 Flange	HMS14	E
44.450	53.720	—	53.720	709012	—	WS	R
44.450	53.720	—	53.720	712123	—	WS	V
44.450	53.960	54.080	4.780	17227	—	★HMS1	R
44.450	53.975	—	4.775	702011	—	BV	D
44.450	53.975	—	4.775	721552	—	BV	V
44.450	53.980	—	1.600	451264	—	BUW	—
44.450	57.150	57.250	4.780	17240	—	★HM14	R

Size listing - Metric

Metric Shaft	Metric Bore	Metric O.D.	Metric Width	Metric Seal no.	Seal info. notes	Type & style	Lip code
44.450	57.150	57.250	7.950	17231	—	★CRW1	R
44.450	57.150	57.250	7.950	17234	—	★CRW1	V
44.450	57.150	—	57.150	504270	—	SC	R
44.450	59.130	59.230	11.130	17257	—	CRS1	R
44.450	60.300	60.400	6.350	17277	—	HM21	R
44.450	60.300	60.400	7.950	17261	—	★CRWA1	V
44.450	60.300	60.400	7.950	17270	—	★CRW1	R
44.450	60.300	60.400	7.950	17271	—	★CRWA1	R
44.450	61.240	61.340	9.530	17280	—	★CRW1	P
44.450	61.900	62.000	6.350	17310	—	HM21	R
44.450	61.900	62.000	7.950	17283	w/SS Case & Spring	★CRW1	R
44.450	61.900	62.000	7.950	17284	—	★CRW1	R
44.450	61.900	62.000	7.950	17292	—	★CRW1	V
44.450	61.900	62.000	8.000	17293	—	★CRWA1	V
44.450	61.900	62.000	8.001	17285	—	★CRWA1	R
44.450	62.000	62.100	6.350	17341	—	★HM21	R
44.450	62.000	62.100	7.950	17315	—	★CRW1	R
44.450	62.000	62.100	9.530	17320	—	★CRWA1	V
44.450	62.000	62.103	6.350	17340	—	★HM21	R
44.450	62.000	62.103	11.910	17359	Clearance D .254	★HM18	R
44.450	62.050	62.230	7.950	550154	—	★CRWA1	R
44.450	63.500	63.754	12.294	17353	—	D7	P
44.450	63.550	63.650	6.350	17385	w/SS Case & Spring	CRWH3	V
44.450	63.550	63.650	6.350	17392	—	★HM21	R
44.450	63.550	63.650	7.950	17379	w/Stainless Steel Spring	★CRW1	V
44.450	63.550	63.650	7.950	17381	—	★CRWA1	V
44.450	63.550	63.650	7.950	17386	—	★CRW1	R
44.450	63.550	63.650	7.950	17387	—	★CRWA1	R
44.450	63.550	63.650	9.530	17395	—	★CRWHA1	V
44.450	63.550	63.650	12.700	17374	w/Stainless Steel Spring	★CRWA5	R
44.450	65.050	65.150	6.350	17415	—	★HM21	R
44.450	65.050	65.150	7.950	17404	—	★CRW1	R
44.450	65.070	65.180	12.700	17406	Clearance D .286	★HM18	R
44.450	65.150	65.250	7.950	17413	—	★CRWA1	R
44.450	66.548	66.675	8.992	17521	—	HMSA97	V
44.450	66.620	66.730	6.350	17461	—	HM21	R
44.450	66.620	66.730	7.950	17442	—	★CRW1	R
44.450	66.620	66.730	7.950	17443	—	★CRWA1	R
44.450	66.620	66.730	7.950	17444	—	★CRW1	S
44.450	66.620	66.730	7.950	17448	—	★CRWA1	V
44.450	66.620	66.730	9.530	17456	—	★CRWH1	R
44.450	68.220	68.330	7.950	17484	—	★CRW1	R
44.450	68.990	69.090	6.350	17488	—	★HM21	R
44.450	69.010	69.110	11.130	17607	—	★CRWA1	R
44.450	69.040	44.350	7.470	17485	—	X4	R
44.450	69.040	69.140	9.120	17617	Clearance D .160	★HM18	R
44.450	69.040	69.140	9.120	17618	—	TL7	R
44.450	69.850	69.950	6.350	17544	—	★HM21	R
44.450	69.850	69.950	7.950	17523	—	★CRWA1	R
44.450	69.850	69.950	7.950	17557	—	★CRW1	R
44.450	69.850	69.950	7.950	17558	—	★CRW1	V
44.450	69.850	69.950	12.290	17599	—	★HM21	R
44.450	70.002	70.231	6.400	17468	—	HMSA16S	V
44.450	70.050	70.150	7.950	17605	—	★CRW1	R
44.450	70.760	44.350	7.470	17620	O.D. Listed Is Pressfit I.D.	X15	R
44.450	71.370	71.480	7.950	17624	—	CRWA1	R
44.450	71.370	71.480	7.950	17627	—	★CRWA1	V
44.450	71.880	71.980	9.530	17633	—	★HM21	R
44.450	73.030	73.130	6.350	17671	—	★HM21	R
44.450	73.030	73.130	7.950	17653	—	★CRW1	R
44.450	73.030	73.130	7.950	17657	—	★CRW1	V
44.450	73.030	73.130	9.530	17645	—	★CRWHA1	R
44.450	73.030	73.130	12.700	17674	—	TL7	R
44.450	75.311	75.413	11.760	17445	—	SLA1	PT
44.450	75.720	75.820	11.130	17675	—	CRWHA1	R

Size listing - Metric

Metric Shaft	Metric Bore	Metric O.D.	Metric Width	Metric Seal no.	Seal info. notes	Type & style	Lip code
44.450	76.120	76.230	7.950	17678	—	★CRWHA1	R
44.450	76.120	76.230	7.950	17695	—	★CRW1	R
44.450	76.200	76.330	6.350	17702	—	★HM21	R
44.450	76.200	76.330	7.950	17699	—	★CRWA1	R
44.450	76.200	76.330	7.950	17707	—	★CRW1	R
44.450	76.200	76.330	7.950	17709	—	★CRW1	V
44.450	77.750	77.880	7.950	17716	—	★CRW1	R
44.450	77.750	77.880	9.530	17718	—	★CRWA1	R
44.450	77.770	77.880	12.320	17720	—	★DST75	RT
44.450	79.980	80.110	7.370	17724	—	TL6	R
44.450	80.110	80.240	7.950	17726	—	CRS1	R
44.450	81.000	81.130	7.950	17746	—	★CRW1	R
44.450	82.020	82.250	9.500	17500A	w/CCW Helix From Air Side	HMS14	P
44.450	85.620	85.750	15.880	17751	—	C8	RR
44.450	89.990	90.120	11.130	17756	—	★CRW1	R
44.450	92.080	92.200	11.130	17761	—	★CRW1	R
44.450	100.000	100.130	7.950	17771	—	CRSA1	R
44.450	—	47.630	15.880	86050	—	S1	—
44.526	72.009	72.110	8.204	17532A	w/CCW Helix From Air Side	HMSA7	V
44.602	74.981	75.184	8.953	17626A	w/Helix Bi-Direction	HMSA92	VV
44.754	65.278	65.430	8.877	17623A	w/Helix Bi-Direction	HMSA92	P
44.860	61.260	61.370	9.400	17775	w/CW Helix From Air Side	HMSA1	P
44.910	60.020	60.120	7.950	17780	—	★CRWHA1	V
44.960	60.050	60.150	10.850	17781	—	★HMSA21	P
44.983	59.994	60.121	8.001	17708	—	SLA1	P
44.983	72.009	72.136	11.430	17673	—	★HMSA21	E
44.998	60.147	60.401	12.928	17050A	w/Helix Bi-Direction Air Side	D6	P
44.998	73.997	74.229	10.998	17779A	w/CW Helix From Air Side	HMSA92	P
44.998	75.999	76.098	12.999	17712A	w/CW Helix From Air Side	HMSA96	P
45.000	50.000	50.240	13.000	17943	—	END CAP	P
45.000	52.000	52.172	4.000	17692	—	HM4	R
45.000	55.000	55.169	4.000	17904	—	HM4	R
45.000	55.000	55.270	4.000	17945	—	HMS4	R
45.000	55.000	55.270	4.000	17948	—	HMSA7	R
45.000	55.000	55.270	7.000	17659	—	SLA1	PT
45.000	55.000	—	7.000	563307	—	HMS5	RG
45.000	55.000	—	7.000	563308	—	HMSA10	RG
45.000	55.000	—	7.000	563309	w/Stainless Steel Spring	HMS5	V
45.000	55.000	—	7.000	563310	w/Stainless Steel Spring	HMSA10	V
45.000	57.000	57.130	9.000	17719	—	HMSA7	V
45.000	58.000	58.090	9.000	17784	—	CRSA1	R
45.000	58.000	58.250	7.000	17646	—	HMS4	P
45.000	58.000	58.280	7.000	17728	—	HMS4	R
45.000	58.000	58.547	7.000	562998	—	HMSA10	RG
45.000	58.000	58.547	7.000	17908	—	HMSA7	R
45.000	58.000	—	7.000	562997	—	HMS5	RG
45.000	58.000	—	7.000	562999	w/Stainless Steel Spring	HMS5	V
45.000	58.000	—	7.000	563000	w/Stainless Steel Spring	HMSA10	V
45.000	59.000	59.330	8.000	17113	w/Felt 'A' Lip Washer	HMA83	P
45.000	60.000	60.160	8.000	17750	—	★CRW1	R
45.000	60.000	60.160	8.000	17752	—	★CRW1	V
45.000	60.000	60.280	8.000	17730	—	HMSA7	R
45.000	60.000	60.280	13.000	17502	—	D7	PP
45.000	60.000	—	7.000	564120	—	HMS5	RG
45.000	60.000	—	7.000	564122	—	HMS5	V
45.000	60.000	—	7.000	564123	—	HMSA10	V
45.000	60.000	—	8.000	564124	—	HMS5	RG
45.000	60.000	—	8.000	564125	—	HMSA10	RG
45.000	60.000	—	8.000	564126	—	HMS5	V
45.000	60.000	—	8.000	564127	—	HMSA10	V
45.000	60.000	—	10.000	562985	—	HMS5	RG
45.000	60.000	—	10.000	562986	—	HMSA10	RG
45.000	60.000	—	10.000	562987	w/Stainless Steel Spring	HMS5	V
45.000	60.000	—	10.000	562988	w/Stainless Steel Spring	HMSA10	V
45.000	61.000	61.280	8.000	17701	w/CW Helix From Air Side	HMSA35	R

Size listing - Metric

Metric Shaft	Metric Bore	Metric O.D.	Metric Width	Metric Seal no.	Seal info. notes	Type & style	Lip code
45.000	61.000	61.330	8.000	17919	w/CCW Helix From Air Side	HMSA92	R
45.000	61.260	61.370	9.530	17286	w/CW Helix From Air Side	★HMSA1	R
45.000	62.000	62.153	10.000	17736	—	HMS5	R
45.000	62.000	62.153	10.000	564128	—	HMS5	R
45.000	62.000	62.153	10.000	564128	—	HMS5	RG
45.000	62.000	62.160	7.000	17742	—	HMS4	R
45.000	62.000	62.160	8.000	17753	—	★CRWA1	V
45.000	62.000	62.160	8.000	17754	—	★CRW1	R
45.000	62.000	62.230	6.000	17763	—	HMSA7	V
45.000	62.000	62.230	8.000	17790	—	HMS4	R
45.000	62.000	—	7.000	562712	—	HMS5	RG
45.000	62.000	—	7.000	562713	—	HMSA10	RG
45.000	62.000	—	7.000	562714	w/Stainless Steel Spring	HMS5	V
45.000	62.000	—	7.000	562715	w/Stainless Steel Spring	HMSA10	V
45.000	62.000	—	8.000	692499	—	HMS5	RG
45.000	62.000	—	8.000	692500	—	HMS5	V
45.000	62.000	—	8.000	692501	—	HMSA10	RG
45.000	62.000	—	8.000	692502	—	HMSA10	V
45.000	62.000	—	10.000	564129	—	HMSA10	RG
45.000	62.000	—	10.000	564130	—	HMS5	V
45.000	62.000	—	10.000	564131	—	HMSA10	V
45.000	63.000	63.100	7.470	17788	w/2.835 Flange	HMSA7	R
45.000	63.000	63.330	7.700	17679	—	HMSA7	S
45.000	64.000	64.200	9.000	17789	w/Axial Dirt Lip	HMA101	R
45.000	64.000	64.200	13.970	17801	w/Axial Dirt Lip	HMA101	P
45.000	64.000	64.200	20.500	17922	w/Dirt Lip	HMSA97	P
45.000	65.000	65.100	5.000	17757	—	HM1	R
45.000	65.000	65.100	8.000	17734	—	HMS4	R
45.000	65.000	65.150	5.000	17435	—	★CRSA1	R
45.000	65.000	65.160	8.000	17759	—	★CRW1	R
45.000	65.000	65.160	8.000	17762	—	★CRW1	V
45.000	65.000	65.278	7.000	17873	—	HMSA7P2	R
45.000	65.000	65.280	7.000	17918	—	HMSA7	V
45.000	65.000	65.280	8.000	17717	—	HMSA7	R
45.000	65.000	—	8.000	692505	—	HMSA10	RG
45.000	65.000	—	10.000	692509	—	HMSA10	RG
45.000	66.000	66.269	6.000	17874	—	HMS46	R
45.000	66.000	66.330	10.000	17670	w/Bi-Direction Helix From Air Side	HMSA92	V
45.000	67.000	67.330	8.000	17733	—	SLA1	PT
45.000	68.000	68.150	8.000	17766	—	★CRW1	R
45.000	68.000	68.150	8.000	17767	—	★CRW1	V
45.000	68.000	68.150	8.000	550294	—	★CRWA1	R
45.000	68.000	68.150	12.000	17255	—	HMSA1	R
45.000	68.000	68.430	9.000	17758	—	HMSA7	R
45.000	68.000	—	7.000	562624	—	HMS5	RG
45.000	68.000	—	7.000	562625	—	HMSA10	RG
45.000	68.000	—	7.000	562626	w/Stainless Steel Spring	HMS5	V
45.000	68.000	—	7.000	562627	w/Stainless Steel Spring	HMSA10	V
45.000	68.000	—	10.000	562912	—	HMS5	RG
45.000	68.000	—	10.000	562913	—	HMSA10	RG
45.000	68.000	—	10.000	562914	w/Stainless Steel Spring	HMS5	V
45.000	68.000	—	10.000	562915	w/Stainless Steel Spring	HMSA10	V
45.000	68.000	—	12.000	563487	—	HMS5	RG
45.000	68.000	—	12.000	563488	—	HMSA10	RG
45.000	68.000	—	12.000	563489	w/Stainless Steel Spring	HMS5	V
45.000	68.000	—	12.000	563490	w/Stainless Steel Spring	HMSA10	V
45.000	69.000	69.230	10.000	17704A	—	HMSA7	P
45.000	69.000	69.230	10.000	21649A	w/CW Helix From Air Side	HMSA7	P
45.000	70.000	70.180	10.000	16619	—	HMSA7	R
45.000	70.000	70.250	11.000	17677	w/Bi-Direction Helix From Air Side	HMSA16	V
45.000	70.000	70.430	12.000	17785	—	HMSA7	R
45.000	72.000	72.136	8.000	17818	—	HMA22	R
45.000	72.000	72.160	8.000	17773	—	★CRW1	V
45.000	72.000	72.160	8.000	17778	—	★CRW1	R
45.000	72.000	72.160	12.000	17667	w/CW Helix, 19mm Overall Width	HMSA-DL	P

Size listing - Metric

Metric Shaft	Metric Bore	Metric O.D.	Metric Width	Metric Seal no.	Seal info. notes	Type & style	Lip code
45.000	72.000	72.280	10.000	17795	—	HMSA7	R
45.000	72.000	—	8.000	692511	—	HMS5	RG
45.000	72.000	—	8.000	692512	—	HMS5	V
45.000	72.000	—	8.000	692513	—	HMSA10	RG
45.000	72.000	—	8.000	692514	—	HMSA10	V
45.000	72.000	—	10.000	564132	—	HMS5	RG
45.000	72.000	—	10.000	564133	—	HMSA10	RG
45.000	72.000	—	10.000	564134	—	HMS5	V
45.000	72.000	—	10.000	564135	—	HMSA10	V
45.000	72.009	—	5.791	17792	See Type J Section (HMA Lip)	J2	R
45.000	74.000	74.130	11.000	17803	w/CW Helix From Air Side	HMSA96	P
45.000	75.000	75.160	8.000	17782	—	★CRW1	R
45.000	75.000	75.160	8.000	17783	—	★CRW1	V
45.000	75.000	75.200	7.000	17906	—	HMSA7	R
45.000	75.000	75.230	13.500	17681	—	SLA1SPL	PT
45.000	75.000	—	8.000	692515	—	HMS5	RG
45.000	75.000	—	8.000	692516	—	HMS5	V
45.000	75.000	—	8.000	692517	—	HMSA10	RG
45.000	75.000	—	8.000	692518	—	HMSA10	V
45.000	75.000	—	10.000	692519	—	HMS5	RG
45.000	75.000	—	10.000	692520	—	HMS5	V
45.000	75.000	—	10.000	692521	—	HMSA10	RG
45.000	75.000	—	10.000	692522	—	HMSA10	V
45.000	78.000	78.160	10.000	17786	—	HMS4	R
45.000	78.000	78.160	11.000	17808	w/CW Helix From Air Side	HMSA96	P
45.000	80.000	80.160	8.000	17791	—	★CRW1	R
45.000	80.000	—	10.000	564137	—	HMSA10	RG
45.000	80.000	—	10.000	564138	—	HMS5	V
45.000	80.000	—	10.000	564139	—	HMSA10	V
45.000	85.000	85.180	8.000	17796	—	★CRW1	R
45.000	85.000	85.200	18.800	17799	w/Stainless Steel Case	D8	RG
45.000	85.000	—	10.000	562745	—	HMSA10	RG
45.000	85.000	—	10.000	562746	w/Stainless Steel Spring	HMS5	V
45.000	85.000	—	10.000	562747	w/Stainless Steel Spring	HMSA10	V
45.000	100.000	100.279	10.000	17941	—	HMSA7	R
45.000	100.000	—	10.000	563219	—	HMS5	RG
45.008	72.009	72.186	9.880	17768A	w/Helix Bi-Direction Air Side	HMSA92	V
45.009	62.001	62.128	5.994	17725	—	HMSA7	P
45.009	62.001	62.128	10.008	17662	—	HMSA32	R
45.009	62.001	62.128	10.008	17666	—	CRSA1	R
45.009	62.001	62.230	11.989	17824	w/Excluder Lip	HMSASPL	R
45.009	64.008	64.135	12.000	17658	w/Bi-Direction Helix From Air Side	CRSH1	R
45.009	64.999	65.227	8.001	17696	w/CW Helix From Air Side	HMSA85	P
45.009	67.005	67.589	8.001	17907	—	HMSA7	P
45.009	75.006	75.133	11.989	17686	w/CW Helix From Air Side	HMSA92S	P
45.009	97.993	98.146	10.490	17813	w/Bi-Direction Helix From Air Side	HMSA96	P
45.010	63.500	63.600	10.970	17787	Helix-CW & 3.046 Flange, PF WD .359	★HMSA16	S
45.010	66.600	66.730	10.010	17772A	—	VACB00T	P
45.200	61.000	61.600	9.500	17765A	w/CW Helix From Air Side	HMSA7	V
45.237	57.201	57.302	7.950	17800A	w/CW Helix From Air Side	CRSA1	V
45.240	54.000	54.100	6.350	17802	w/Stainless Steel Case	HM14	R
45.240	57.200	57.300	7.950	17806	—	★CRWA1	R
45.240	63.550	63.650	7.950	17810	—	★CRWH1	R
45.240	63.550	63.650	7.950	17811	—	★CRWH1	V
45.240	66.620	66.730	7.950	17821	—	★CRW1	R
45.240	68.220	68.330	7.950	17832	—	CRW1	R
45.240	69.850	69.950	12.700	17847	—	CRSH1	R
45.240	70.050	70.150	12.700	17851	—	★CRSH1	R
45.390	82.144	82.245	8.509	17849	—	★HMSH22	S
45.520	63.500	63.420	15.240	17846	O.D. Listed Is Pressfit I.D.	XHA79N	R
45.640	69.240	69.340	13.110	17836	—	★HM14	R
45.720	152.400	152.400	44.450	PT6000	—	TOOL	—
45.800	73.200	73.215	15.800	45600	—	HMSA1	V
45.950	59.970	60.070	9.400	18009	P.F. Width .340 & 2.865 Flange	★HMA9	R
45.999	59.004	59.334	11.608	17905	—	HMSA56	P

Size listing - Metric

Metric Shaft	Metric Bore	Metric O.D.	Metric Width	Metric Seal no.	Seal info. notes	Type & style	Lip code
45.999	72.999	73.228	10.490	18005	—	UNITIZE	V
45.999	73.000	73.254	14.529	18102	w/HNBR Sleeve	UNITIZE	V
45.999	73.101	73.228	10.414	18106	—	HMSA16	V
45.999	90.998	91.198	10.998	18168A	w/CCW Helix From Air Side	HMSA92	P
45.999	102.006	102.235	10.008	18003	—	CRS-SPL	R
46.000	58.000	58.141	7.000	18132	—	HMSA7	P
46.000	58.000	58.270	7.000	17897	w/CW Helix From Air Side	HMSA7	R
46.000	59.000	59.210	12.000	17909	—	HMA10	R
46.000	59.000	—	12.000	563197	—	HMS5	RG
46.000	59.000	—	12.000	563198	—	HMSA10	RG
46.000	59.000	—	12.000	563199	w/Stainless Steel Spring	HMS5	V
46.000	59.000	—	12.000	563200	w/Stainless Steel Spring	HMSA10	V
46.000	59.994	56.400	7.000	18121A	w/CCW Helix From Air Side	HMSA7	P
46.000	60.000	60.160	7.000	17914	w/CW Helix From Air Side	HMSA7	V
46.000	60.000	60.160	8.000	17910	—	★CRW1	R
46.000	63.000	63.190	7.400	18101	w/CW Helix From Air Side	HMSA7	V
46.000	63.000	63.270	7.620	18014	w/CW Helix From Air Side	HMS4	P
46.000	64.000	64.330	9.000	18015	w/CW Helix From Air Side	HMSA92	P
46.000	65.000	65.160	8.000	17930	—	★CRW1	R
46.000	65.000	—	10.000	563961	—	HMS5	RG
46.000	65.000	—	10.000	563962	—	HMSA10	RG
46.000	65.000	—	10.000	563963	w/Stainless Steel Spring	HMS5	V
46.000	65.000	—	10.000	563964	w/Stainless Steel Spring	HMSA10	V
46.000	67.750	68.270	8.000	18124	w/CW Helix From Air Side	HMS4	P
46.000	68.000	68.160	8.000	17950	—	★CRW1	R
46.000	68.500	68.820	7.500	17955	—	HMA8	R
46.000	69.000	69.230	10.000	18195A	w/Helix Bi-Direction From Air Side	HMSA92	P
46.000	69.400	69.790	11.000	17691	w/Axial Dirt Lip & 3.146 Flange	HMSA45	P
46.000	69.600	69.730	14.808	17915	P.F. Width 8.001	HMSA45	P
46.000	72.000	72.160	8.000	17975	—	★CRW1	R
46.000	72.000	72.160	8.687	18096	—	HMSA7	V
46.000	72.898	73.000	10.000	18107	—	HMSA57	P
46.000	80.000	80.175	10.000	18118	—	CRSH11	R
46.000	81.000	81.510	27.686	19325	—	HMSA97S	P
46.000	81.000	81.510	36.195	19324	—	HMSA97S	P
46.000	90.000	90.380	16.000	18000	P.F. Width 25.400	HMSA7SP	P
46.020	78.540	78.640	11.910	18024	—	HMSA25	R
46.020	78.540	78.640	11.910	18062A	w/CW Helix From Air Side	HMSA57	V
46.025	64.998	122.174	10.007	18283	—	HMSA7	V
46.040	70.540	70.770	10.400	15167	—	HMSA97	V
46.050	57.890	57.990	7.950	18025	—	★CRW1	R
46.050	61.160	64.920	7.620	18030	O.D. Listed Is Pressfit I.D.	X15	R
46.050	61.900	62.000	7.950	18039	—	★CRW1	R
46.050	65.070	65.180	7.950	18049	—	★CRWA1	V
46.050	65.070	65.180	11.130	18050	Clearance D .224	★HM18	R
46.050	65.075	65.176	7.950	18098	—	SL1	T
46.050	66.620	66.730	7.950	18104	—	★CRW1	R
46.050	66.620	66.730	12.700	18100	P.F. Width 9.525	CRW79	R
46.050	68.220	68.330	7.950	18114	—	★CRWA1	P
46.050	69.060	69.220	6.860	18127	—	TL7	R
46.050	69.850	69.950	7.950	18159	—	★CRW1	R
46.050	70.510	70.637	10.973	18126	—	HMSA97	V
46.050	70.510	70.637	10.973	18136	w/CW Helix From Air Side	HMSA97	R
46.050	70.540	70.640	15.443	18190	w/CW Helix From Air Side	★HMSA25	R
46.050	73.030	73.130	7.950	18242	—	★CRW1	R
46.050	75.310	75.410	6.350	18258	—	HM1	R
46.050	76.200	76.330	9.530	18264	—	★CRWA1	P
46.050	76.230	76.350	14.300	18833	P.F. Width .453 w/3.313 Flange	★HMSA25	P
46.050	104.720	104.850	13.490	18276	—	CRSA2	R
46.360	65.280	65.380	6.350	18415	—	★HM21	R
46.360	66.620	66.730	6.350	18055	—	★HM21	R
46.360	69.850	69.950	12.290	18149	Clearance D .275	★HM18	R
46.405	77.939	77.812	12.065	18760A	w/CCW Helix From Air Side	HMSA57	P
46.787	69.799	69.875	10.820	18472	w/Bi-Direction Helix From Air Side	HMSA16	V
46.812	64.008	64.338	8.509	18431	—	HMSA7	P

Size listing - Metric

Metric Shaft	Metric Bore	Metric O.D.	Metric Width	Metric Seal no.	Seal info. notes	Type & style	Lip code
46.838	72.898	73.025	10.490	18442	—	HMSA57	P
46.840	61.010	61.110	5.940	18408	—	HMA1	R
46.840	63.550	63.650	9.530	18412	—	★CRSA1	R
46.840	66.620	66.730	7.950	18425	—	★CRW1	R
46.840	69.850	69.950	7.950	18444	—	★CRW1	P
46.840	69.850	69.950	9.530	18446	—	★CRSA1	R
46.965	69.012	69.139	10.109	18436	—	D7	P
46.990	62.000	62.357	5.994	18516	—	HMSA7	P
46.990	69.926	70.053	10.033	18515	—	HMSHA16	V
46.990	70.002	70.307	11.989	18507	—	HMSA123	P
47.000	58.000	58.250	7.000	18496	w/CW Helix From Air Side	HMSA7	P
47.000	59.000	59.210	10.500	18509	—	SLA1	T
47.000	60.000	60.160	7.000	18447	—	★CRW1	R
47.000	61.000	61.140	7.000	18512	w/CW Helix From Air Side	HMSA7	V
47.000	62.000	62.130	9.000	18452	—	HMS9	P
47.000	62.000	62.160	8.000	18450	—	★CRW1	R
47.000	62.000	62.160	9.000	18862	—	★HMS1	R
47.000	63.400	63.600	8.600	18564A	w/CW Helix From Air Side	HMSA96	P
47.000	64.000	64.210	13.970	18454	P.F. Width 5.994	HMA5	R
47.000	64.000	64.280	7.000	18458	—	D8	R
47.000	65.000	65.151	12.000	18500	—	CRSH13	R
47.000	65.000	—	10.000	563736	—	HMS5	RG
47.000	65.000	—	10.000	563737	—	HMSA10	RG
47.000	65.000	—	10.000	563738	w/Stainless Steel Spring	HMS5	V
47.000	65.000	—	10.000	563739	w/Stainless Steel Spring	HMSA10	V
47.000	66.000	66.160	11.000	18465	P.F. WD .236 w/Axial Dirt Lip	HMSA29	R
47.000	68.520	68.680	11.500	18499	w/Bi-Direction Helix From Air Side	CRSA3	P
47.000	69.000	69.230	10.000	18491	—	HMSA96	R
47.000	70.000	70.155	12.000	18501	—	CRSH11	R
47.000	70.000	70.160	10.000	18480	—	HMSA7	R
47.000	70.000	—	10.000	563688	—	HMS5	RG
47.000	70.000	—	10.000	563689	—	HMSA10	RG
47.000	70.000	—	10.000	563690	w/Stainless Steel Spring	HMS5	V
47.000	70.000	—	10.000	563691	w/Stainless Steel Spring	HMSA10	V
47.000	72.000	72.160	6.000	18727	—	HMA85	R
47.000	72.000	72.160	8.000	18485	—	★CRW1	R
47.000	72.000	72.160	10.000	18502	—	CRSH11	R
47.000	72.000	72.430	10.000	18513	—	HMSA92	P
47.000	80.000	80.160	10.000	18478	—	HMSA92	R
47.000	80.000	80.160	13.000	18488	w/.276 P.F. Width	HMSASPL	P
47.000	84.000	84.230	9.500	18489	—	HMA101	P
47.000	101.000	101.290	12.000	18505	—	HMSA92	P
47.000	107.000	107.300	11.300	18547A	—	HMSA122	P
47.244	80.366	80.493	16.129	18706	—	CRSHA7	V
47.450	63.960	64.060	8.000	18492	—	★CRWA1	P
47.498	63.525	63.779	8.001	17369	—	HMSASPL	P
47.550	68.170	46.790	13.820	18510	O.D. Listed Is Pressfit I.D.	X13	R
47.570	68.990	47.450	7.140	18630	—	X13	R
47.574	77.648	77.775	12.497	20008	—	HMSA96	V
47.600	63.400	63.580	8.910	18724	—	HMSA92	V
47.625	57.150	—	4.775	711824	—	BV	R
47.625	57.150	—	4.775	721509	—	BV	D
47.625	57.150	—	4.775	721560	—	BV	V
47.625	62.001	62.128	8.001	534957	—	CRWA1	V
47.625	65.070	65.180	7.950	18546	—	★CRWA1	V
47.625	66.675	66.751	9.525	18508	w/CW Helix From Air Side	HMS4	S
47.625	66.750	66.850	10.541	18761	—	HMSA16	H
47.625	67.894	68.021	9.500	18763	—	HMSA16	P
47.625	69.850	69.850	12.700	18771	P.F. WD .500, w/2.950 Flange O.D.	★D8	ET
47.625	69.850	69.952	34.798	18687	—	CRSA3	P
47.625	69.850	69.977	17.196	18758	—	★HMSA96	V
47.625	70.637	70.764	7.950	18718	—	HMSA56	R
47.625	70.637	70.764	10.490	18715	—	HMSA98	V
47.625	73.025	73.127	8.001	542726	—	CRWH1	R
47.625	76.200	76.327	15.875	18829	P.F. Width 14.274	★UNITIZE	S

Size listing - Metric

Metric Shaft	Metric Bore	Metric O.D.	Metric Width	Metric Seal no.	Seal info. notes	Type & style	Lip code
47.625	77.749	77.876	12.319	18752	—	D7	RT
47.625	80.188	80.315	12.700	18741	—	HMSA57	V
47.625	80.264	80.391	13.462	18759	—	★CRSA9	V
47.625	80.620	80.747	31.217	18725	—	CRSA3	P
47.625	81.001	81.128	11.913	18894	—	HMSA10	—
47.630	57.150	—	1.600	451249	—	BUW	—
47.630	58.880	58.980	5.160	18536	w/2.333 Nose Gasket	HMSA11	V
47.630	60.330	—	60.330	504271	—	SC	R
47.630	60.910	61.010	6.502	18549	—	★CRW1	R
47.630	60.990	61.090	6.990	18543	—	★HM14	R
47.630	62.760	62.870	7.950	18545	—	★CRWA1	R
47.630	63.500	63.600	7.950	18555	—	★CRW1	P
47.630	63.550	63.650	6.350	18558	—	★HM21	R
47.630	63.550	63.650	7.950	18565	—	★CRW1	R
47.630	65.050	65.150	15.240	18544	w/Helix-CW P.F. Width .582	★HMSA16	V
47.630	65.050	65.150	15.240	18548	w/Helix-CW, P.F. Width .528	★HMSA16	P
47.630	65.070	65.180	7.950	18562	—	★CRW1	P
47.630	66.620	66.730	6.350	18591	—	★HM21	R
47.630	66.620	66.730	7.950	18580	—	★CRW1	R
47.630	66.620	66.730	7.950	18581	—	★CRWA1	R
47.630	66.620	66.730	7.950	18582	—	★CRW1	V
47.630	66.620	66.730	7.950	18584	—	★CRWA1	V
47.630	66.620	66.730	9.500	18592	—	★CRW1	S
47.630	66.750	66.850	8.330	18603	—	★HM14	R
47.630	67.310	67.437	8.890	19377	—	★AHL1Flange	S
47.630	68.220	68.330	7.950	18626	—	★CRW1	R
47.630	69.000	69.330	10.000	18623	w/CCW Helix From Air Side	HMSA7	P
47.630	69.110	69.220	6.760	18640	—	HM14	R
47.630	69.850	69.950	6.350	18659	—	★HM21	R
47.630	69.850	69.950	7.950	18652	—	★CRW1	V
47.630	69.850	69.950	7.950	18657	—	★CRW1	R
47.630	69.850	69.950	7.950	18658	—	★CRWA1	R
47.630	69.850	69.950	7.950	18666	—	★CRW1	P
47.630	69.850	69.950	12.700	18662	—	★HMSA26	R
47.630	70.050	70.150	7.950	18671	—	★CRW1	P
47.630	70.050	70.150	13.490	18676	—	D5	RR
47.630	70.100	70.210	10.160	18692	w/CW Helix From Air Side	★HMS14	S
47.630	70.610	70.710	6.350	18704	—	★HM21	R
47.630	70.660	70.760	11.130	18693	—	★CRWH1	R
47.630	70.660	70.760	11.130	18695	—	★CRWHA1	R
47.630	71.220	71.320	7.620	18697	—	★HMA22	R
47.630	71.450	71.550	12.700	18708	w/CW Helix From Air Side	★HMSA16	R
47.630	71.880	72.060	9.930	550185	—	HMS4	R
47.630	72.000	72.110	9.530	18711	—	★CRSA1	R
47.630	72.847	73.482	9.530	18731	—	HMSA95	R
47.630	72.850	72.950	13.820	18710	P.F. WD .450 w/2.898 Ribbed OD	HMSA95	R
47.630	73.030	73.130	6.350	18750	—	★HM21	R
47.630	73.030	73.130	7.950	18732	—	★CRW1	V
47.630	73.030	73.130	7.950	18733	—	★CRW1	R
47.630	73.030	73.130	7.950	18737	—	★CRWA1	V
47.630	73.030	73.130	7.950	18734	—	★CRWA1	R
47.630	73.030	73.650	13.000	18743	—	HMSA10	R
47.630	73.740	73.840	10.770	18765	w/3.150 Flange	HMA84	R
47.630	75.310	75.410	5.940	18772	—	★HM14	R
47.630	76.120	76.230	6.350	18808	—	★HM14	R
47.630	76.120	76.230	7.950	18785	—	★CRW1	R
47.630	76.200	76.330	6.350	18823	—	★HM21	R
47.630	76.200	76.330	7.950	18817	—	★CRW1	R
47.630	76.200	76.330	7.950	18818	—	★CRW1	V
47.630	77.750	77.880	7.950	18872	—	★CRWA1	R
47.630	78.870	78.990	12.700	18880	—	★CRWA1	R
47.630	78.870	79.020	12.700	18912	—	CRW2	R
47.630	79.380	79.500	7.950	18879	—	★CRSA1	R
47.630	80.010	79.910	23.620	18881	—	HMSA41	R
47.630	80.010	80.140	6.350	18889	—	★HM21	R

Size listing - Metric

Metric Shaft	Metric Bore	Metric O.D.	Metric Width	Metric Seal no.	Seal info. notes	Type & style	Lip code
47.630	80.260	80.390	13.490	18888	P.F. Width .254 w/o Bumper	CRWA32	P
47.630	80.260	80.390	17.650	18896	P.F. Width .250 & Bumper	CRSA8	V
47.630	80.260	80.390	19.560	18891	P.F. Width .254 & Bumper	CRWA31	P
47.630	80.366	80.390	13.970	18701	—	HMSHA16	V
47.630	81.000	81.130	11.910	18899	—	★CRWH1	R
47.630	82.520	82.650	12.290	18922	—	★CRWA1	R
47.630	85.620	85.750	11.130	18916	—	★CRWH1	R
47.630	85.730	85.850	7.950	18961	See Type J Section (HMS Lip)	J2	R
47.630	88.800	88.930	11.130	18924	—	★CRWA1	R
47.630	88.900	89.030	11.130	18926	—	★CRW1	R
47.630	95.100	95.220	10.922	18948	—	HMSH1	R
47.676	63.576	63.703	8.661	18757	—	HMSA7	V
47.880	68.580	68.680	14.020	18999	w/Helix-CW w/3.000 Flange O.D.	HMSA25	—
47.900	65.050	65.150	6.350	18990	—	HM22	R
47.900	68.580	68.680	13.970	18992	w/Helix-CCW & 3.000 Flange	★HMSA16	P
47.904	67.005	67.208	8.991	18863A	w/Helix Bi-Direction From Air Side	HMSA7	P
47.904	68.326	68.580	8.890	18860	w/CW Helix From Air Side	CRSA3	P
47.904	68.580	68.682	25.400	18870A	w/CW Helix From Air Side	★HMSA97	V
47.904	69.850	70.002	8.509	16908A	w/Helix Bi-Direction Air Side	HMSA7	V
47.904	69.850	70.002	8.509	18859A	w/Helix Bi-Direction From Air Side	HMSA7	P
47.904	69.850	70.002	8.509	21257A	w/Helix Bi-Direction From Air Side	HMSA97	V
47.904	69.850	70.002	8.509	37400A	w/CCW Helix From Air Side	HMS-SPL	T
47.904	69.850	70.028	11.913	18994	w/Bi-Direction Helix From Air Side	HMSA92S	P
47.904	69.850	70.053	7.950	18801A	w/Helix Bi-Direction From Air Side	HMSA7	P
47.904	72.000	72.280	11.430	18868	w/CCW Helix And 270 DEG Spring	HMSA21	V
48.000	58.000	58.270	4.000	18997	—	HMS4	R
48.000	60.000	60.130	7.000	18857	w/CW Helix From Air Side	HMSA7	V
48.000	62.000	61.874	24.000	18964	—	HMA31	R
48.000	62.000	62.103	7.000	17588	—	CRSA1	R
48.000	62.000	62.103	10.287	18443	w/Helix Bi-Direction From Air Side	HMSA23	E
48.000	62.000	62.160	6.000	18864	—	HMA1	R
48.000	62.000	62.160	7.500	18865	—	★CRSHA1	R
48.000	62.000	62.160	8.000	18962	—	★CRW1	R
48.000	62.000	62.160	8.000	18963	—	★CRW1	P
48.000	62.000	—	8.000	692523	—	HMS5	RG
48.000	62.000	—	8.000	692524	—	HMS5	V
48.000	62.000	—	8.000	692525	—	HMSA10	RG
48.000	62.000	—	8.000	692526	—	HMSA10	V
48.000	63.000	63.094	9.000	550280	—	CRSA1	R
48.000	64.000	64.180	12.000	18984	—	HMSA96	R
48.000	64.000	64.200	13.720	18959	w/2.815 Flange	HMSA65	R
48.000	64.000	64.237	12.000	18866	—	CRSA1	R
48.000	65.000	65.126	9.000	18577	—	HMSA7	V
48.000	65.000	65.160	8.000	18877	—	HMSA1	R
48.000	65.000	65.160	8.000	18966	—	★CRW1	V
48.000	65.000	65.160	8.000	18965	—	★CRW1	R
48.000	65.000	65.200	7.000	550225	—	HMA2	R
48.000	65.000	65.280	10.000	18951	—	HMSA7	R
48.000	68.000	68.160	8.000	18968	—	★CRW1	R
48.000	68.000	68.160	11.000	18854	w/CW Helix From Air Side	HMSA7	R
48.000	68.000	68.230	8.000	18906	—	HMSA7	P
48.000	68.000	68.280	10.000	18953	—	HMSA7	R
48.000	68.000	—	10.000	563177	—	HMS5	RG
48.000	68.000	—	10.000	563178	—	HMSA10	RG
48.000	68.000	—	10.000	563179	w/Stainless Steel Spring	HMS5	V
48.000	68.000	—	10.000	563180	w/Stainless Steel Spring	HMSA10	V
48.000	68.500	68.750	11.000	19317	w/Bi-Direction Helix From Air Side	CRSA3	P
48.000	70.000	70.140	9.000	18921	—	CRSA1	R
48.000	70.000	70.160	8.000	18970	—	★CRW1	R
48.000	70.000	70.160	8.000	18971	—	★CRW1	V
48.000	70.000	70.160	12.000	18873	—	HMSA7	P
48.000	70.000	—	10.000	563283	—	HMS5	RG
48.000	70.000	—	10.000	563284	—	HMSA10	RG
48.000	70.000	—	10.000	563285	w/Stainless Steel Spring	HMS5	V
48.000	70.000	—	10.000	563286	w/Stainless Steel Spring	HMSA10	V

★ Includes Bore Tite on O.D.
Seal kits—See pg. 632

Axle flange gaskets—See pg. 374
Speedi-Sleeve's—See pg. 637

Scotseals—See pg. 382
V-ring's—See pg. 657

HDDF seals—See pg. 404

Size listing - Metric

Metric Shaft	Metric Bore	Metric O.D.	Metric Width	Metric Seal no.	Seal info. notes	Type & style	Lip code
48.000	72.000	72.136	11.000	18531	—	D7	R
48.000	72.000	72.160	8.000	18972	—	★CRW1	R
48.000	72.000	72.160	8.000	18973	—	★CRW1	V
48.000	72.000	72.280	10.000	18977	—	HMS4	R
48.000	72.000	—	7.000	563239	—	HMS5	RG
48.000	72.000	—	7.000	563241	w/Stainless Steel Spring	HMS5	V
48.000	72.000	—	7.000	563242	w/Stainless Steel Spring	HMSA10	V
48.000	72.000	—	8.000	563243	—	HMS5	RG
48.000	72.000	—	8.000	563244	—	HMSA10	RG
48.000	72.000	—	8.000	563245	w/Stainless Steel Spring	HMS5	V
48.000	72.000	—	8.000	563246	w/Stainless Steel Spring	HMSA10	V
48.000	72.000	—	10.000	563101	—	HMS5	RG
48.000	72.000	—	10.000	563102	—	HMSA10	RG
48.000	72.000	—	10.000	563103	w/Stainless Steel Spring	HMS5	V
48.000	72.000	—	10.000	563104	w/Stainless Steel Spring	HMSA10	V
48.000	73.000	73.160	7.000	18979	—	CRSA1	P
48.000	74.000	74.280	10.000	18974	—	HMSA7	R
48.000	78.000	78.160	14.000	18782	—	HMSA35	R
48.000	79.000	79.070	17.500	18983	—	CRSA1	P
48.000	80.000	80.160	8.000	18981	—	★CRW1	R
48.000	80.000	80.175	13.000	18940	—	CRSH11	R
48.000	80.000	—	10.000	18989	—	HMS48	R
48.000	80.200	80.450	13.200	18831	—	HMSA56	V
48.000	90.000	—	10.000	19003	—	HMS4	R
48.006	59.995	60.223	7.010	18897	w/CW Helix From Air Side	HMSA7	P
48.006	64.999	65.227	24.511	18521	—	CRSA3	P
48.006	66.650	66.777	8.001	18895	—	HMS4	S
48.006	69.850	70.104	13.208	18892	w/Bi-Direction Helix From Air Side	HMSA92	P
48.006	70.002	70.231	16.993	18876	—	D8-SPL	R
48.006	70.993	71.348	7.747	18903	—	HMSA7	P
48.006	71.374	71.450	17.780	18844	—	X-SPL	P
48.006	73.914	74.168	9.906	18987	—	HMSA92	P
48.006	80.264	80.391	15.748	18875	—	CRSA32	R
48.057	69.850	69.952	17.856	18920	—	HMSHA16	P
48.080	61.820	61.930	6.350	19000	—	CRW1	R
48.082	71.399	71.526	11.887	18852	w/Bi-Direction Helix From Air Side	HMSA97	V
48.082	73.406	73.533	11.201	18849	—	ABSRING	—
48.260	69.850	70.002	13.106	19019	—	HMSA92	V
48.410	69.900	70.000	9.530	19017	—	★CRWA1	P
48.410	81.000	81.130	7.950	19062	—	CRSA1	P
48.640	64.340	64.440	6.350	19010	—	HMS1	R
48.946	73.914	74.168	30.734	19208	—	★HMS-SPL	—
48.997	62.001	62.128	11.201	19097	—	HMSA45	P
49.000	62.000	62.100	8.000	19090	w/Axial Dirt Lip & SS Spring	HMSA45	R
49.000	64.000	64.210	12.500	19200	P.F. Width .236 & 2.805 Flange	HMA16	R
49.000	64.000	64.350	8.000	19299	—	HMSA7	R
49.000	65.000	65.278	10.000	19290	—	HMS46	R
49.000	68.000	68.280	7.000	19092	—	HMSA7	V
49.000	68.000	68.430	10.000	19293	w/Bi-Direction Helix From Air Side	HMSA7	P
49.000	70.000	70.160	12.000	19095	w/3.031 Flange O.D.	HMSASPL	R
49.000	72.210	72.470	8.000	19100	P.F. Width 5.994	HMA22	R
49.000	100.000	100.200	8.000	19333	—	HMS83	R
49.199	68.148	68.580	13.005	18878	—	D8-SPL	P
49.200	67.310	67.437	9.144	144	1 Rope Seal	Rope Seal	—
49.200	69.850	69.952	9.931	19456	—	SLA1	PT
49.225	68.072	68.326	12.700	19255	—	★D3	R
49.225	68.220	68.330	7.722	19244	—	★CRW1	P
49.225	69.850	69.952	9.144	19387	—	★HMSA16	V
49.230	61.260	61.370	7.950	19215	—	★CRW1	R
49.230	61.900	62.000	6.350	19210	—	★CRW1	R
49.230	61.900	62.000	6.350	19212	70 Duro/185 Sirvene	★CRW1	R
49.230	62.760	62.870	7.950	19206	—	★HMSA1	V
49.230	63.500	63.600	7.620	19013	—	★HMA9	R
49.230	63.500	63.600	9.650	19214	P.F. Width 7.772	★HMA9	R
49.230	63.550	63.650	7.140	19219	—	★HM14	R

Size listing - Metric

Metric Shaft	Metric Bore	Metric O.D.	Metric Width	Metric Seal no.	Seal info. notes	Type & style	Lip code
49.230	63.550	63.650	7.140	19221	—	HMA4	R
49.230	63.550	63.700	9.530	19220	—	★CRWA1	R
49.230	65.100	65.180	7.950	19211	—	★CRW1	R
49.230	65.480	65.580	7.470	19223	w/2.840 Flange	HMA4	R
49.230	66.570	66.700	14.480	19500	P.F. Width 6.477	★HMA8	R
49.230	66.620	66.730	7.950	19226	—	★CRW1	R
49.230	66.620	66.730	7.950	19227	—	★CRWA1	V
49.230	66.680	66.780	7.950	19229	—	★CRWA1	R
49.230	67.950	68.050	6.350	19213	—	★CRWA5	R
49.230	68.220	68.330	7.722	19234	—	★CRWA1	P
49.230	68.220	68.330	7.722	19236	—	★CRW1	R
49.230	68.220	68.330	7.722	19237	—	★CRWA1	R
49.230	68.220	68.330	7.722	19243	—	★CRWA1	V
49.230	68.220	68.330	9.530	19240	—	★CRW1	S
49.230	68.220	68.330	15.090	19251	—	★TL8	R
49.230	68.402	68.529	12.878	19372	—	D8	R
49.230	69.850	69.950	7.950	19264	—	★CRW1	R
49.230	69.850	69.950	7.950	19267	—	★CRW1	V
49.230	70.150	70.260	12.700	19273	w/CW Helix From Air Side	★CRSA1	R
49.230	71.450	71.550	12.700	19277	w/CW Helix From Air Side	HMSA23	R
49.230	71.760	71.860	12.700	19274	—	CRSH1	P
49.230	72.010	72.110	6.350	19278	—	★CRWA5	R
49.230	73.030	73.130	6.350	19306	—	★HM21	R
49.230	73.030	73.130	7.950	19300	—	★CRW1	R
49.230	73.030	73.130	7.950	19301	—	★CRWA1	R
49.230	73.030	73.130	7.950	19304	—	★CRWH1	V
49.230	73.250	73.360	7.950	19310	—	★CRWA1	P
49.230	76.120	76.230	7.950	19350	—	★CRW1	R
49.230	76.200	76.330	7.950	19359	—	★CRW1	R
49.230	76.200	76.330	7.950	19360	—	CRWA1	R
49.230	76.200	76.330	7.950	19368	—	★CRWA1	V
49.230	77.750	77.880	7.950	19380	—	★CRW1	R
49.230	77.770	77.900	12.700	19438	—	★CRW1	S
49.230	79.380	79.500	12.700	19400	—	★CRW1	R
49.230	81.000	81.130	7.950	19407	—	★CRW1	R
49.230	82.580	82.700	7.950	19433	—	★CRWA1	V
49.230	82.580	82.700	7.950	19434	—	★CRW1	R
49.230	85.090	85.090	11.910	19445	—	★CRWHA1	R
49.230	89.990	90.120	7.950	19449	—	★CRW1	R
49.230	92.000	92.130	9.530	19455	—	FF1	F
49.230	95.280	95.400	12.700	19466	—	★CRSH1	R
49.276	73.660	73.914	10.693	19428	—	HMSA16	R
49.280	73.890	74.020	13.110	19314	Helix-CW & 3.583 Flange, PFWD .370	CRSA6	R
49.400	73.460	73.560	7.470	19510	—	★TL6	R
49.479	70.561	70.739	9.703	19488	—	HMSA16	P
49.500	80.250	80.460	11.000	19556	—	HMSA92	R
49.920	75.000	75.200	7.760	19671	—	ALS48	R
50.000	58.000	58.166	4.000	19590	—	HM4	R
50.000	60.000	60.274	7.000	19584	—	HMSA7	R
50.000	60.000	60.380	6.000	19599	—	HMA10	R
50.000	60.000	60.401	7.000	19581	—	HMS4	R
50.000	62.000	62.154	5.000	19589	—	HMS4	R
50.000	62.000	62.154	5.000	19597	—	HMSA7	R
50.000	62.000	62.154	5.000	19595	—	HM4	R
50.000	62.000	62.154	10.000	19587	—	HMS4	R
50.000	62.000	62.160	7.000	19602	—	CRS1	R
50.000	62.000	62.230	7.000	19673A	w/CW Helix From Air Side	HMSA7	V
50.000	62.000	62.240	7.000	19625A	—	HMSA7	P
50.000	62.000	62.280	7.000	19622	—	HMS5	R
50.000	62.000	62.280	7.000	692531	—	HMS5	R
50.000	62.000	62.280	7.000	692531	—	HMS5	RG
50.000	62.000	62.280	7.000	692533	—	HMSA10	RG
50.000	62.000	62.280	7.000	19603	—	HMSA7	R
50.000	62.000	—	7.000	692532	—	HMS5	V
50.000	62.000	—	7.000	692534	—	HMSA10	V

Size listing - Metric

Metric Shaft	Metric Bore	Metric O.D.	Metric Width	Metric Seal no.	Seal info. notes	Type & style	Lip code
50.000	64.000	64.130	8.000	19690	—	MHS4	R
50.000	64.000	64.350	6.500	19604	—	HMSA7	R
50.000	64.000	—	6.000	562840	—	HMS5	RG
50.000	64.000	—	6.000	562841	—	HMSA10	RG
50.000	64.000	—	6.000	562842	w/Stainless Steel Spring	HMS5	V
50.000	64.000	—	6.000	562843	w/Stainless Steel Spring	HMSA10	V
50.000	65.000	65.160	8.000	19600	—	HMS4	R
50.000	65.000	65.160	8.000	19605	—	★CRW1	R
50.000	65.000	65.160	8.000	19606	—	★CRW1	V
50.000	65.000	65.160	8.000	692537	—	HMSA7	R
50.000	65.000	65.160	8.000	19601	—	HMSA7	R
50.000	65.000	65.750	9.000	19681	—	HMSA7	R
50.000	65.000	—	8.000	692535	—	HMS5	RG
50.000	65.000	—	8.000	692536	—	HMS5	V
50.000	65.000	—	8.000	692538	—	HMSA10	V
50.000	65.000	—	10.000	563335	—	HMS5	RG
50.000	65.000	—	10.000	563336	—	HMSA10	RG
50.000	65.000	—	10.000	563337	w/Stainless Steel Spring	HMS5	V
50.000	65.000	—	10.000	563338	w/Stainless Steel Spring	HMSA10	V
50.000	65.000	—	65.000	522374	—	SC	R
50.000	65.300	65.600	8.000	19623	w/Bi-Direction Helix From Air Side	HMSA24	P
50.000	66.500	66.780	15.000	19612	P.F. WD .750 w/Axial Dirt Lip	HMSA92	R
50.000	66.620	66.730	7.950	19607	—	★CRWA1	R
50.000	67.000	67.081	5.500	19624	—	HMA90	R
50.000	67.000	67.140	9.000	19628	—	CRSA1	R
50.000	67.000	67.210	11.000	19626	—	HMA76	R
50.000	67.000	67.230	9.000	19627	—	HMA8	R
50.000	68.000	68.160	7.000	19613	w/Axial Dirt Lip	HMSA45	R
50.000	68.000	68.160	8.000	19608	—	★CRW1	R
50.000	68.000	68.160	8.000	19611	—	★CRW1	V
50.000	68.000	68.160	9.000	19596	—	CRSHA1	R
50.000	68.000	68.160	10.000	19619	—	HMSA7	R
50.000	68.000	68.230	9.000	20067	—	HMSA92	V
50.000	68.000	68.275	7.000	19710	—	HMSA7P2	R
50.000	68.000	68.280	6.500	19621	—	HMSA7	R
50.000	68.000	68.280	8.000	19564	—	HMSA7	R
50.000	68.000	—	7.000	563395	—	HMS5	RG
50.000	68.000	—	7.000	563396	—	HMSA10	RG
50.000	68.000	—	7.000	563397	w/Stainless Steel Spring	HMS5	V
50.000	68.000	—	7.000	563398	w/Stainless Steel Spring	HMSA10	V
50.000	68.000	—	8.000	562797	—	HMSA10	RG
50.000	68.000	—	8.000	562798	w/Stainless Steel Spring	HMS5	V
50.000	68.000	—	8.000	562799	w/Stainless Steel Spring	HMSA10	V
50.000	68.000	—	10.000	564140	—	HMS5	RG
50.000	68.000	—	10.000	564141	—	HMSA10	RG
50.000	68.000	—	10.000	564142	—	HMS5	V
50.000	68.000	—	10.000	564143	—	HMSA10	V
50.000	70.000	70.160	8.000	19630	—	★CRW1	R
50.000	70.000	70.160	8.000	19631	—	★CRW1	V
50.000	70.000	70.160	9.000	19192	w/Bi-Direction Helix From Air Side	CRS1	R
50.000	70.000	70.260	10.000	19635	w/CW Helix From Air Side	HMSA92	P
50.000	70.000	70.282	11.000	19573	—	SLA1	T
50.000	70.000	—	10.000	564144	—	HMS5	RG
50.000	70.000	—	10.000	564145	—	HMSA10	RG
50.000	70.000	—	10.000	564146	—	HMS5	V
50.000	70.000	—	10.000	564147	—	HMSA10	V
50.000	72.000	72.130	14.500	19689	Axial Dirt Lip	D8-SPL	R
50.000	72.000	72.160	8.000	19640	—	★CRW1	R
50.000	72.000	72.160	8.000	19641	—	★CRW1	V
50.000	72.000	72.200	12.000	19554	—	HMSA7	R
50.000	72.000	72.275	7.000	19728	—	HMSA7P2	R
50.000	72.000	72.280	10.000	19645	—	HMS4	R
50.000	72.000	72.290	16.260	19639	—	D5-SPL	R
50.000	72.000	—	8.000	692539	—	HMS5	RG
50.000	72.000	—	8.000	692540	—	HMS5	V

★ Includes Bore Tite on O.D.
Seal kits—See pg. 632

Axle flange gaskets—See pg. 374
Speedi-Sleeve's—See pg. 637

Scotseals—See pg. 382
V-ring's—See pg. 657

HDDF seals—See pg. 404

Size listing - Metric

Metric Shaft	Metric Bore	Metric O.D.	Metric Width	Metric Seal no.	Seal info. notes	Type & style	Lip code
50.000	72.000	—	8.000	692541	—	HMSA10	RG
50.000	72.000	—	8.000	692542	—	HMSA10	V
50.000	72.000	—	10.000	692543	—	HMS5	RG
50.000	72.000	—	10.000	692544	—	HMS5	V
50.000	72.000	—	10.000	692545	—	HMSA10	RG
50.000	72.000	—	10.000	692546	—	HMSA10	V
50.000	72.000	—	12.000	563077	—	HMS5	RG
50.000	72.000	—	12.000	563079	w/Stainless Steel Spring	HMS5	V
50.000	72.000	—	12.000	563080	w/Stainless Steel Spring	HMSA10	V
50.000	74.000	74.230	9.000	19656	—	HMSA92	P
50.000	75.000	75.133	9.000	20012	—	CRSA1	P
50.000	75.000	75.160	8.000	19654	—	★CRWA1	R
50.000	75.000	75.160	9.000	19741	—	CRS11	R
50.000	75.000	—	10.000	563209	—	HMS5	RG
50.000	75.000	—	10.000	563210	—	HMSA10	RG
50.000	75.000	—	10.000	563211	w/Stainless Steel Spring	HMS5	V
50.000	75.000	—	10.000	563212	w/Stainless Steel Spring	HMSA10	V
50.000	78.000	78.160	13.000	19791	—	CRSH13	R
50.000	78.000	78.275	10.000	19903	—	HMS47	R
50.000	80.000	80.160	8.000	19664	—	★CRW1	R
50.000	80.000	80.160	8.000	19666	—	★CRW1	V
50.000	80.000	80.160	8.000	19662	—	HMSA7	R
50.000	80.000	80.280	8.000	19665	—	HMS4	R
50.000	80.000	80.280	10.000	19669	—	HMS4	V
50.000	80.000	80.330	11.000	19578	w/CCW Helix From Air Side	HMSA92	P
50.000	80.000	80.350	11.000	20027	—	HMSA35	V
50.000	80.000	—	8.000	692548	—	HMS5	V
50.000	80.000	—	8.000	692549	—	HMSA10	RG
50.000	80.000	—	8.000	692550	—	HMSA10	V
50.000	80.000	—	10.000	692552	—	HMS5	V
50.000	80.000	—	10.000	692553	—	HMSA10	RG
50.000	80.000	—	10.000	692554	—	HMSA10	V
50.000	80.010	80.112	16.510	19572	—	HMSA92	V
50.000	82.000	82.180	8.000	19668	—	★CRWA1	R
50.000	82.000	82.320	8.000	19677	—	HMSA96	P
50.000	85.000	85.180	8.000	19674	—	★CRW1	R
50.000	85.000	85.192	13.000	19878	—	CRSH1	R
50.000	85.000	—	10.000	563053	—	HMS5	RG
50.000	85.000	—	10.000	563054	—	HMSA10	RG
50.000	85.000	—	10.000	563055	w/Stainless Steel Spring	HMS5	V
50.000	85.000	—	10.000	563056	w/Stainless Steel Spring	HMSA10	V
50.000	87.000	87.330	11.000	19650	—	HMSA92	P
50.000	90.000	90.180	8.000	19684	—	★CRW1	R
50.000	90.000	90.180	8.000	19686	—	★CRW1	V
50.000	90.000	90.280	10.000	562872	—	HMS5	RG
50.000	90.000	90.280	10.000	19687	—	HMS4	R
50.000	90.000	—	10.000	562874	w/Stainless Steel Spring	HMS5	V
50.000	90.000	—	10.000	562875	w/Stainless Steel Spring	HMSA10	V
50.010	68.220	68.330	9.530	19610	—	HMS2	S
50.010	68.220	68.330	12.700	19615	—	CRSH1	R
50.010	69.650	69.750	12.700	19620	—	CRSH1	P
50.010	73.030	73.130	11.910	19643	—	CRSH1	R
50.010	75.180	75.290	6.350	19660	—	HD1	R
50.012	69.977	70.347	10.000	19685A	w/CCW Helix From Air Side	HMSA92	P
50.013	60.147	60.274	7.010	19651	—	HMSA7	V
50.013	64.999	65.227	9.754	19647	—	HMA8	P
50.013	67.488	67.615	13.487	19579	—	CRSHA1	R
50.013	67.996	68.123	8.992	19609	—	HMSA92	P
50.013	69.850	70.104	13.462	19569	—	CRSHA1	R
50.013	75.489	75.616	10.211	20024	—	SLA1	PT
50.013	86.004	86.131	18.999	19682	w/CCW Helix From Air Side	HMSA96	R
50.500	77.500	78.000	9.000	19709	—	HMSA96	P
50.559	64.059	64.287	8.306	19904A	w/CW Helix From Air Side	HMSA7	V
50.570	73.660	50.440	7.370	19720	—	X4	R
50.700	79.020	79.250	8.740	19730	w/Helix-CW w/3.425 Flange	★HMSA16	V

SKF ★ Includes Bore Tite on O.D. Seal kits—See pg. 632

Axle flange gaskets—See pg. 374 Speedi-Sleeve's—See pg. 637

Scotseals—See pg. 382 V-ring's—See pg. 657

HDDF seals—See pg. 404

Size listing - Metric

Metric Shaft	Metric Bore	Metric O.D.	Metric Width	Metric Seal no.	Seal info. notes	Type & style	Lip code
50.800	60.070	—	60.070	709014	—	WS	R
50.800	60.070	—	60.070	712124	—	WS	V
50.800	60.220	60.330	6.350	19737	—	★HM14	R
50.800	60.325	—	4.775	721534	—	BV	V
50.800	60.325	—	4.775	702028	—	BV	D
50.800	60.330	60.430	4.780	19731	—	HMS1	R
50.800	60.330	60.430	4.780	19733	—	HM14	R
50.800	60.330	—	1.600	451037	—	BUW	—
50.800	63.500	63.600	6.350	19748	—	HM1	R
50.800	63.550	63.650	6.350	19754	—	★HM14	R
50.800	63.550	63.650	7.950	19745	—	★CRW1	P
50.800	63.550	—	63.550	504272	—	SC	R
50.800	65.024	65.151	5.690	19984	—	★HMA84	R
50.800	65.024	65.151	5.944	19784	—	★HMA85	R
50.800	65.070	65.180	5.940	19753	—	★HM14	R
50.800	65.070	65.180	8.510	19852	w/2.860 Flange	CRW2	R
50.800	65.150	65.250	12.700	19757	—	★HM14	R
50.800	66.548	66.853	9.017	20018	—	HMSA96	VT
50.800	66.600	66.700	7.110	19743	w/3.000 Flange & Axial Dirt Lip	★HMA9	R
50.800	66.620	66.730	6.350	19746	—	★HM21	V
50.800	66.620	66.730	6.350	19763	—	★HM21	R
50.800	66.620	66.730	7.950	19760	—	★CRW1	R
50.800	66.620	66.730	7.950	19762	—	★CRWA1	R
50.800	66.620	66.730	7.950	19777	—	★CRWA1	V
50.800	66.620	66.730	7.950	19782	w/Stainless Steel Spring	★CRWA1	V
50.800	66.620	—	66.620	504273	—	SC	R
50.800	66.624	66.751	7.899	19905	w/CW Helix From Air Side	HMSA1	V
50.800	66.730	66.830	5.940	19768	—	★HM14	R
50.800	66.827	66.929	6.909	20016	P.F. WD .257, Minor O.D. 2.628	HMA94	R
50.800	66.930	67.030	5.940	19770	—	★HM14	R
50.800	67.360	67.460	9.270	19773	—	HMA2	R
50.800	68.220	68.330	6.350	19783	—	★HM21	R
50.800	68.220	68.330	9.530	19778	—	★CRW1	R
50.800	68.990	69.090	9.530	19785	—	★CRW1	R
50.800	68.990	69.090	9.530	19786	—	★CRWA1	R
50.800	69.088	50.546	5.334	19793	O.D. Listed Is Pressfit I.D.	X	R
50.800	69.650	69.770	9.530	19799	w/CW Helix From Air Side	★HMS13	P
50.800	69.720	69.820	5.940	19803	—	HM14	R
50.800	69.750	69.850	9.530	19807	—	★CRW1	S
50.800	69.850	69.950	6.350	19834	—	★HM21	R
50.800	69.850	69.950	7.950	19823	—	★CRW1	V
50.800	69.850	69.950	7.950	19831	—	★CRW1	R
50.800	69.850	69.950	7.950	19832	—	★CRWA1	R
50.800	69.850	69.950	7.950	19839	—	★CRWA1	V
50.800	69.850	69.950	7.950	19840	w/SS Case & Spring	★CRW1	V
50.800	69.850	70.008	7.500	19568	—	HMS13	V
50.800	69.850	70.008	7.500	20031	—	HMSA12	P
50.800	69.900	70.000	4.780	19820	—	★HM14	R
50.800	69.952	70.079	7.671	19966	—	★HMS14	R
50.800	71.171	50.622	6.350	19844	O.D. Listed Is Pressfit I.D.	X15	D
50.800	72.000	72.111	11.910	19848	—	★CRWH1	R
50.800	73.000	78.100	17.860	19876	—	★C8	RR
50.800	73.030	50.700	6.500	19882	O.D. Listed Is Pressfit I.D.	XHM	R
50.800	73.030	73.130	6.350	19880	—	★HM21	R
50.800	73.030	73.130	7.950	19886	—	★CRW1	R
50.800	73.030	73.130	7.950	19887	—	★CRWA1	R
50.800	73.030	73.130	7.950	19884	—	★CRW1	V
50.800	73.030	73.130	9.530	19896	—	★CRWHA1	R
50.800	73.030	73.130	12.700	19900	w/SS Case & Spring	★CRWH1	R
50.800	73.150	73.250	9.530	19922	—	★CRWA1	R
50.800	73.150	73.250	9.530	19923	—	★CRWA1	P
50.800	73.152	73.254	9.347	19939	w/CW Helix From Air Side	★CRW1	R
50.800	75.230	75.340	6.350	20113	w/3.209 Flange	★HM20	R
50.800	75.310	75.410	7.950	19940	—	★HM14	R
50.800	75.310	75.410	12.700	19938	Clearance D .275	★HM14	R

Size listing - Metric

Metric Shaft	Metric Bore	Metric O.D.	Metric Width	Metric Seal no.	Seal info. notes	Type & style	Lip code
50.800	75.390	75.490	7.950	20118	—	★HM14	R
50.800	76.120	76.230	6.350	19965	—	HM21	R
50.800	76.120	76.230	9.525	19974	—	★CRWHA1	V
50.800	76.120	76.230	9.530	19969	—	★CRWH1	R
50.800	76.120	76.230	9.530	19970	—	★CRWHA1	R
50.800	76.120	76.230	9.530	19979	—	★CRWH1	V
50.800	76.120	76.230	11.130	19982	—	★HMSA24	P
50.800	76.200	76.330	6.350	20006	—	★HM21	R
50.800	76.200	76.330	7.950	19992	—	★CRW1	R
50.800	76.200	76.330	7.950	19995	—	★CRWA1	V
50.800	76.200	76.330	7.950	19993	—	★CRWA1	R
50.800	76.200	76.330	9.530	20002	—	★CRWH1	V
50.800	76.200	76.330	9.530	20004	—	★CRWH1	R
50.800	76.200	76.330	9.530	20005	—	★CRWHA1	R
50.800	77.749	77.876	12.700	20055	—	★CRWH1	R
50.800	77.749	77.876	12.700	20059	—	★CRWHA1	R
50.800	77.750	77.880	6.350	20044	—	★HM21	R
50.800	77.750	77.880	9.530	20045	—	★CRW1	R
50.800	79.380	79.500	9.530	20070	—	★CRW1	R
50.800	79.960	80.090	6.350	20078	—	HM14	R
50.800	80.010	80.140	9.530	20079	—	★CRW1	R
50.800	81.000	81.130	11.910	20098	—	★CRWH1	R
50.800	81.000	81.130	11.910	20100	—	★CRWHA1	R
50.800	82.580	82.700	11.130	20109	—	★CRWH1	R
50.800	85.620	85.750	11.120	20122	—	★CRW1	V
50.800	85.620	85.750	11.120	20127	—	CRWH1	V
50.800	85.620	85.750	11.130	20124	—	★CRWH1	R
50.800	85.620	85.750	11.130	20125	—	★CRWHA1	R
50.800	89.990	90.120	11.000	20140	—	★CRWH1	R
50.800	92.020	92.150	6.350	20148	—	HM21	R
50.800	92.020	92.150	11.130	20144	—	★CRWH1	R
50.800	101.680	101.800	11.130	20158	—	★CRWH1	R
50.800	—	53.980	15.880	86053	—	S1	—
51.000	63.000	63.144	6.000	20225	—	HMA2	R
51.000	65.000	65.160	7.000	20210	—	★CRWA1	R
51.000	65.000	65.250	10.000	20010	—	HMSA7	R
51.000	65.000	65.330	7.000	20014	—	HMSA7	V
51.000	66.000	66.090	10.490	20215	P.F. Width 7.493	HMSA96	R
51.000	66.000	66.230	6.500	20001	—	HMS4	P
51.000	66.000	66.230	7.000	20072A	w/CW Helix From Air Side	HMSA7	P
51.000	70.000	70.300	11.000	20216	w/CW Helix From Air Side	HMSASPL	P
51.590	105.562	105.410	19.840	20380	See Type J Section	J5	P
51.689	74.981	75.184	9.918	20350A	w/CW Helix From Air Side	HMSA92	P
51.720	70.000	70.280	7.470	20439	O.D. Listed Is Pressfit I.D.	X	R
51.866	84.251	84.378	12.065	20042A	w/CW Helix From Air Side	HMSA57	P
51.900	72.000	72.111	8.000	20403	—	HMSA29	R
51.993	70.002	70.281	8.509	20432	w/CW Helix From Air Side	HMSA7	R
51.994	65.786	66.040	7.366	20038	—	HMSA96	P
51.998	101.998	102.169	11.999	20470A	w/CW Helix From Air Side	HMSA92	P
52.000	62.000	50.820	5.500	20417	O.D. Listed Is Pressfit I.D.	XA-SPL	P
52.000	62.000	—	7.000	20400	—	HMSA7	R
52.000	63.000	63.322	8.000	20405	—	HMSA7	P
52.000	63.000	—	8.000	563752	—	HMS5	RG
52.000	63.000	—	8.000	563753	—	HMSA10	RG
52.000	63.000	—	8.000	563754	w/Stainless Steel Spring	HMS5	V
52.000	63.000	—	8.000	563755	w/Stainless Steel Spring	HMSA10	V
52.000	65.000	65.280	9.000	20408	—	HMSA7	R
52.000	65.000	—	8.000	563572	—	HMS5	RG
52.000	65.000	—	8.000	563573	—	HMSA10	RG
52.000	65.000	—	8.000	563574	w/Stainless Steel Spring	HMS5	V
52.000	65.000	—	8.000	563575	w/Stainless Steel Spring	HMSA10	V
52.000	65.050	65.160	8.000	20420	—	★CRW1	R
52.000	65.050	65.160	9.000	20433	—	CRS1	R
52.000	65.050	65.160	9.000	20469	—	HMSA1	P
52.000	66.000	66.110	7.500	20431	—	HMSA96	P

Size listing - Metric

Metric Shaft	Metric Bore	Metric O.D.	Metric Width	Metric Seal no.	Seal info. notes	Type & style	Lip code
52.000	66.000	66.210	9.000	20434	—	HMS4	R
52.000	67.000	51.820	6.700	20422	O.D. Listed Is Pressfit I.D.	X	P
52.000	68.000	68.072	8.000	20455	—	HMSA96	P
52.000	68.000	68.160	7.000	20427	w/Axial Dirt Lip	HMA8	P
52.000	68.000	68.160	8.000	20421	—	★CRW1	R
52.000	68.000	68.160	8.000	20424	—	★CRW1	V
52.000	68.000	68.230	8.000	20546	—	HMSA7	P
52.000	68.000	68.230	8.000	562937	—	HMSA10	RG
52.000	68.000	68.300	13.000	20428	—	HMSA7SP	R
52.000	68.000	—	8.000	562938	w/Stainless Steel Spring	HMS5	V
52.000	68.000	—	8.000	562939	w/Stainless Steel Spring	HMSA10	V
52.000	68.973	69.000	9.000	20365A	w/CW Helix From Air Side	SL1	TF
52.000	69.000	69.280	10.000	20415	—	HMS4	R
52.000	69.000	69.290	14.800	20448	—	D7-SPL	P
52.000	70.000	70.160	8.000	20430	—	★CRW1	R
52.000	70.000	70.256	9.000	20457	—	HMSA1	R
52.000	72.000	72.140	8.000	20463	—	HMSA96	R
52.000	72.000	72.160	8.000	20435	—	★CRWA1	V
52.000	72.000	72.160	8.000	20440	—	★CRW1	R
52.000	72.000	72.160	8.000	20441	—	★CRW1	V
52.000	72.000	72.160	12.000	20479	—	CRSA13	R
52.000	72.000	72.200	8.000	21605	—	SLA1	T
52.000	72.000	72.250	8.000	20437	—	HMSA7	R
52.000	72.000	72.280	8.000	20444	—	HMS4	R
52.000	72.000	72.280	15.700	20445	—	HMSA7SP	P
52.000	72.000	72.330	8.000	20438	w/CW Helix From Air Side	HMSA35	P
52.000	72.000	—	10.000	692560	—	HMS5	V
52.000	72.000	—	10.000	692561	—	HMSA10	RG
52.000	72.000	—	10.000	692562	—	HMSA10	V
52.000	75.000	75.160	7.470	20429	w/Axial Dirt Lip	HMSA29	R
52.000	75.000	75.275	10.000	20488	—	HMS46	R
52.000	75.000	75.280	12.000	20453	—	HMS4	R
52.000	78.000	51.890	9.350	20465	O.D. Listed Is Pressfit I.D.	X	P
52.000	80.000	80.175	13.000	20491	—	CRS15	R
52.000	80.000	80.330	8.000	20582	—	HMSA92	P
52.000	80.000	—	10.000	563427	—	HMS5	RG
52.000	80.000	—	10.000	563428	—	HMSA10	RG
52.000	80.000	—	10.000	563429	w/Stainless Steel Spring	HMS5	V
52.000	80.000	—	10.000	563430	w/Stainless Steel Spring	HMSA10	V
52.000	85.000	85.180	8.000	20490	—	★CRW1	R
52.000	85.000	—	10.000	563247	—	HMS5	RG
52.000	85.000	—	10.000	563248	—	HMSA10	RG
52.000	85.000	—	10.000	563249	w/Stainless Steel Spring	HMS5	V
52.000	85.000	—	10.000	563250	w/Stainless Steel Spring	HMSA10	V
52.000	90.300	90.530	10.000	20607	—	HMSA98	P
52.020	69.270	69.390	14.480	20425	w/Axial Dirt Lip	★HMA8	R
52.298	72.288	72.440	10.109	20724A	w/CW Helix From Air Side	★HMSA16	V
52.400	52.299	79.375	8.839	20766	See Type J Section (CRWH Lip)	J2-KIT	R
52.400	65.050	65.150	7.950	20520	—	★CRW1	V
52.400	67.590	67.840	4.780	20525	—	HMS4	R
52.400	69.850	69.950	7.950	20530	—	CRWH1	R
52.400	72.190	72.290	11.130	20538	—	★CRWH1	R
52.400	73.030	73.130	9.530	550085	—	★CRSA1	R
52.400	73.030	73.130	11.130	20554	—	★CRWH1	R
52.400	74.630	52.270	8.740	20560	O.D. Listed Is Pressfit I.D.	X15	R
52.400	76.120	76.230	11.130	20586	—	★CRWH1	R
52.400	76.200	76.330	7.950	20608	—	★HM21	R
52.400	76.200	76.330	9.530	20594	—	★CRW1	R
52.400	76.200	76.330	9.530	20596	—	★CRWA1	V
52.400	76.200	76.380	10.010	20706A	w/Helix Bi-Direction From Air Side	HMSA16	P
52.400	77.750	77.880	7.950	20643	—	★CRWH1	R
52.400	79.380	79.500	9.530	20659	—	★CRW1	R
52.400	79.980	80.110	6.350	20669	—	★HM21	R
52.400	80.010	80.140	6.760	20674	—	TL7	R
52.400	81.000	81.130	9.530	20702	—	★CRW1	R

★ Includes Bore Tite on O.D.
Seal kits—See pg. 632

Axle flange gaskets—See pg. 374
Speedi-Sleeve's—See pg. 637

Scotseals—See pg. 382
V-ring's—See pg. 657

HDDF seals—See pg. 404

Size listing - Metric

Metric Shaft	Metric Bore	Metric O.D.	Metric Width	Metric Seal no.	Seal info. notes	Type & style	Lip code
52.400	82.550	52.270	7.470	20735	O.D. Listed Is Pressfit I.D.	X15	R
52.400	82.575	82.702	11.125	20747	—	★CRWHA1	R
52.400	82.580	82.700	11.130	20749	—	★CRWH1	R
52.400	85.620	85.750	11.910	20752	—	CRSH1	R
52.450	79.375	80.800	7.468	20679A	—	TL1	R
52.476	87.350	86.995	10.210	19802	—	HMSA92	P
52.501	70.281	70.408	8.343	20711A	w/CW Helix From Air Side	SL1	PT
52.502	83.998	84.125	11.989	20696A	w/Helix Bi-Direction From Air Side	HMSA92	P
52.999	71.998	72.186	8.999	20776A	w/CW Helix From Air Side	HMS4	V
53.000	68.000	68.160	8.000	20904	—	CRW1	V
53.000	68.000	68.280	10.000	20905	—	HMS4	R
53.000	68.200	68.480	7.000	20906	—	HMSA7	R
53.000	71.000	71.136	11.500	20866	—	CRSA1	R
53.000	80.000	—	13.000	20873	—	CRSH13	R
53.000	80.670	80.797	10.998	20847	—	CRSA3	P
53.009	67.995	68.351	8.001	20785	—	HMSA7	P
53.010	81.356	81.483	15.494	20875	—	★HMSA9	R
53.035	73.939	74.041	12.700	20880	w/3.309 Flange O.D.	HMSA97	V
53.086	71.298	71.171	9.000	20902	—	HMS4	R
53.190	69.040	69.140	9.120	20952	—	★HM18	R
53.190	79.980	80.110	13.970	20965	—	★HM21	R
53.190	80.110	80.240	6.350	20975	—	★HM21	R
53.899	76.962	77.216	10.922	21241	—	HMSA97	V
53.975	63.500	—	4.775	710087	—	BV	D
53.975	63.500	—	4.775	721535	—	BV	V
53.975	73.152	73.279	14.021	21236	—	★HMSA25	E
53.975	73.254	73.381	10.185	21239	—	D8	V
53.975	74.020	74.210	11.913	20459	—	HMSA57	V
53.975	81.001	81.128	11.913	21264	—	HMSA7	P
53.980	63.250	—	63.250	709015	—	WS	R
53.980	63.500	—	1.600	451069	—	BUW	—
53.980	69.850	69.950	6.350	21059	—	★HM21	R
53.980	69.850	69.950	9.530	21063	—	★CRW1	V
53.980	69.850	69.950	12.700	21061	—	★CRWA1	R
53.980	70.180	70.280	6.350	21069	—	★CRW1	R
53.980	70.180	70.280	6.350	21285	w/CW Helix From Air Side	HMSA97	V
53.980	73.030	73.130	6.350	21101	—	★HM14	R
53.980	73.030	73.130	9.530	21103	—	★CRW1	S
53.980	73.030	73.130	11.130	21091	—	★CRW1	V
53.980	73.030	73.130	11.130	21098	—	★CRW1	R
53.980	73.030	73.130	11.130	21100	—	★CRWA1	R
53.980	73.030	73.130	11.130	21108	—	★CRWHA1	R
53.980	73.150	73.250	12.700	21110	w/CW Helix From Air Side	★HMSA16	R
53.980	73.150	73.280	13.970	21111	w/Helix-CCW From Air Side w/3.180 Flange O.D.	★CRWA3	P
53.980	73.430	73.530	6.350	21121	—	★HM14	R
53.980	73.900	74.220	12.200	21135	—	HMSA93	V
53.980	76.120	76.230	11.130	21134	—	★CRWH1	R
53.980	76.120	76.230	11.130	21136	—	★CRWHA1	R
53.980	76.200	76.330	6.350	21159	—	★HM21	R
53.980	76.200	76.330	7.950	21167	—	★CRWHA1	V
53.980	76.200	76.330	9.530	21163	—	★CRW1	R
53.980	76.200	76.330	9.530	21164	—	★CRWA1	R
53.980	76.200	76.330	11.130	21171	—	★CRWH1	V
53.980	76.200	76.330	11.130	21172	—	★CRWH1	R
53.980	76.200	76.330	11.130	21173	—	★CRWHA1	R
53.980	77.750	77.880	6.350	21208	—	★HM21	R
53.980	77.750	77.880	11.130	21215	—	★CRWH1	V
53.980	77.750	77.880	12.700	21210	—	★CRW1	R
53.980	77.750	77.880	12.700	21211	—	★CRWA1	R
53.980	77.750	77.880	12.700	21213	—	★CRWHA1	R
53.980	79.380	79.500	11.130	21234	—	★CRWH1	R
53.980	79.380	79.500	11.130	21245	—	★CRWHA1	P
53.980	79.980	80.110	9.530	21258	—	CRSA1	R
53.980	81.000	81.130	6.350	21265	—	★HM21	R
53.980	81.000	81.130	9.530	21267	—	★CRWA1	R

Size listing - Metric

Metric Shaft	Metric Bore	Metric O.D.	Metric Width	Metric Seal no.	Seal info. notes	Type & style	Lip code
53.980	81.000	81.130	9.530	21269	—	★CRWA1	V
53.980	81.000	81.130	11.910	21270	—	★CRWHA1	S
53.980	82.550	53.870	6.860	21298	O.D. Listed Is Pressfit I.D.	X15	R
53.980	82.580	82.700	11.130	21302	—	★CRWH1	R
53.980	85.090	85.220	11.130	21336	—	★CRWH1	R
53.980	85.620	85.750	9.530	21352	—	★CRWA1	R
53.980	85.620	85.750	11.130	21353	—	★CRWH1	R
53.980	89.990	90.120	11.130	21358	—	★CRWH1	R
53.980	92.020	92.150	11.910	21379	—	CRSA1	P
53.980	—	57.150	15.880	86054	—	S1	—
54.000	65.000	65.160	8.000	21040	—	★CRW1	R
54.000	65.000	65.160	8.000	21041	—	★CRW1	V
54.000	65.000	65.160	13.000	21043	—	CRSA1	R
54.000	65.000	65.290	7.000	21247	—	HMS18SP	P
54.000	66.000	66.120	8.000	21048	—	HMSA96	P
54.000	69.000	69.330	7.500	21052	—	D5-SPL	R
54.000	70.000	70.104	8.000	21290	—	HMSA7	P
54.000	70.000	70.160	12.000	21262	—	CRSH13	R
54.000	70.000	70.200	9.500	21064	P.F. Width 7.010	HMSHA1	R
54.000	72.000	72.280	10.000	553016	—	HMSA7	R
54.000	72.009	72.339	9.296	21268	—	HMS4	P
54.000	73.000	73.160	11.130	551692	—	★CRW1	R
54.000	75.000	75.230	12.000	21128	w/CCW Helix From Air Side	HMSA7	P
54.000	75.000	75.480	17.000	21045	w/P.F. Width 8.00mm	HMSA45	R
54.000	75.997	76.149	8.001	21248	—	HMSA96	P
54.000	75.997	76.327	14.300	21327	Rubber Covered	D6	P
54.000	80.000	80.150	13.500	21244	—	HMSA95	R
54.000	80.000	80.213	10.000	21283	—	CRSH1	R
54.000	80.000	—	13.000	21273	—	CRSH13	R
54.000	82.000	82.160	8.000	21281	—	HMSA96	V
54.000	85.000	85.280	10.000	21361	—	HMS4	R
54.102	69.723	69.850	24.333	21291	—	HM-SPL	R
54.250	73.760	73.910	11.510	21400	P.F. Width .310 & 3.110 Flange	★HMS17	R
54.381	88.494	88.722	8.357	21410	w/CW Helix From Air Side	HMS14	V
54.483	80.980	81.130	11.910	21538	—	CRSH1	R
54.860	75.510	75.670	38.480	21139A	w/CCW Helix From Air Side/Press Fit .384"	★CRSA3	P
55.000	68.000	68.180	8.000	21740	—	HMSA56	R
55.000	68.000	68.830	8.000	21648	—	HMSA7	R
55.000	68.000	—	8.000	562932	—	HMS5	RG
55.000	68.000	—	8.000	562933	—	HMSA10	RG
55.000	68.000	—	8.000	562934	w/Stainless Steel Spring	HMS5	V
55.000	68.000	—	8.000	562935	w/Stainless Steel Spring	HMSA10	V
55.000	70.000	70.160	8.000	21611	—	★CRW1	V
55.000	70.000	70.160	8.000	21610	—	★CRW1	R
55.000	70.000	70.160	8.000	21612	—	HMS4	R
55.000	70.000	70.280	8.000	21613	w/Stainless Steel Spring	HMSA7	V
55.000	70.000	—	8.000	692563	—	HMS5	RG
55.000	70.000	—	8.000	692564	—	HMS5	V
55.000	70.000	—	8.000	692565	—	HMSA10	RG
55.000	70.000	—	8.000	692566	—	HMSA10	V
55.000	70.000	—	10.000	563696	—	HMS5	RG
55.000	70.000	—	10.000	563697	—	HMSA10	RG
55.000	70.000	—	10.000	563698	w/Stainless Steel Spring	HMS5	V
55.000	70.000	—	10.000	563699	w/Stainless Steel Spring	HMSA10	V
55.000	72.000	72.160	8.000	21620	—	★CRW1	R
55.000	72.000	72.160	8.000	21621	—	★CRW1	V
55.000	72.000	72.160	10.000	21624	—	HMS4	R
55.000	72.000	72.275	7.000	21664	—	HMSA7P2	R
55.000	72.000	72.280	8.000	21619	—	HMS4	V
55.000	72.000	—	8.000	564148	—	HMS5	RG
55.000	72.000	—	8.000	564149	—	HMSA10	RG
55.000	72.000	—	8.000	564150	—	HMS5	V
55.000	72.000	—	8.000	564151	—	HMSA10	V
55.000	72.000	—	10.000	692567	—	HMS5	RG
55.000	72.000	—	10.000	692568	—	HMS5	V

Size listing - Metric

Metric Shaft	Metric Bore	Metric O.D.	Metric Width	Metric Seal no.	Seal info. notes	Type & style	Lip code
55.000	72.000	—	10.000	692569	—	HMSA10	RG
55.000	72.000	—	10.000	692570	—	HMSA10	V
55.000	73.000	73.160	8.000	21622	—	★CRW1	V
55.000	74.000	74.160	7.000	21628	w/Axial Dirt Lip	HMA8	P
55.000	74.880	75.000	8.000	21550	—	HMSA7	P
55.000	75.000	75.160	8.000	21738	—	★CRW1	R
55.000	75.000	75.160	8.000	21626	—	★CRW1	V
55.000	75.000	75.280	10.000	21627	—	HMS4	R
55.000	75.000	—	10.000	692571	—	HMS5	RG
55.000	75.000	—	10.000	692572	—	HMS5	V
55.000	75.000	—	10.000	692573	—	HMSA10	RG
55.000	75.000	—	10.000	692574	—	HMSA10	V
55.000	78.000	78.160	9.000	21630	—	HMS1	R
55.000	78.000	78.160	13.000	21717	—	CRSH11	R
55.000	78.000	78.232	8.000	21747	—	HMSA7	R
55.000	78.000	78.283	8.000	21744	—	HMS4	R
55.000	78.000	78.330	8.000	21636	—	HMSA7	R
55.000	78.000	—	10.000	563760	—	HMS5	RG
55.000	78.000	—	10.000	563761	—	HMSA10	RG
55.000	78.000	—	10.000	563762	w/Stainless Steel Spring	HMS5	V
55.000	78.000	—	10.000	563763	w/Stainless Steel Spring	HMSA10	V
55.000	78.000	—	12.000	563275	—	HMS5	RG
55.000	78.000	—	12.000	563276	—	HMSA10	RG
55.000	78.000	—	12.000	563277	w/Stainless Steel Spring	HMS5	V
55.000	78.000	—	12.000	563278	w/Stainless Steel Spring	HMSA10	V
55.000	80.000	80.160	8.000	21640	—	★CRW1	R
55.000	80.000	80.160	8.000	21641	—	★CRW1	V
55.000	80.000	80.750	12.000	21644	—	HMS4	R
55.000	80.000	—	8.000	692575	—	HMS5	RG
55.000	80.000	—	8.000	692576	—	HMS5	V
55.000	80.000	—	8.000	692577	—	HMSA10	RG
55.000	80.000	—	8.000	692578	—	HMSA10	V
55.000	80.000	—	10.000	562657	—	HMSA10	RG
55.000	80.000	—	10.000	562658	w/Stainless Steel Spring	HMS5	V
55.000	80.000	—	10.000	562659	w/Stainless Steel Spring	HMSA10	V
55.000	82.000	82.169	10.000	550241	—	★HM3	R
55.000	82.000	82.280	12.000	21739	—	HMS4	R
55.000	85.000	85.180	8.000	21751	—	★CRW1	R
55.000	85.000	85.280	14.000	21633	—	HMS4	R
55.000	85.000	—	8.000	563460	—	HMSA10	RG
55.000	85.000	—	8.000	563461	w/Stainless Steel Spring	HMS5	V
55.000	85.000	—	8.000	563462	w/Stainless Steel Spring	HMSA10	V
55.000	85.000	—	10.000	563153	—	HMS5	RG
55.000	85.000	—	10.000	563154	—	HMSA10	RG
55.000	85.000	—	10.000	563155	w/Stainless Steel Spring	HMS5	V
55.000	85.000	—	10.000	563156	w/Stainless Steel Spring	HMSA10	V
55.000	88.000	88.250	11.000	21823A	—	HMSA122	P
55.000	90.000	90.180	8.000	21670	—	★CRW1	R
55.000	90.000	—	10.000	562729	—	HMSA10	RG
55.000	90.000	—	10.000	562730	w/Stainless Steel Spring	HMS5	V
55.000	90.000	—	10.000	562731	w/Stainless Steel Spring	HMSA10	V
55.000	100.000	100.170	8.000	21685	—	★CRW1	R
55.000	100.000	—	12.000	563467	—	HMS5	RG
55.000	100.000	—	12.000	563468	—	HMSA10	RG
55.000	100.000	—	12.000	563469	w/Stainless Steel Spring	HMS5	V
55.000	100.000	—	12.000	563470	w/Stainless Steel Spring	HMSA10	V
55.000	100.000	—	13.000	21716	—	CRSH13	R
55.001	68.000	68.229	8.498	21680A	w/CW Helix From Air Side	HMSA7	P
55.001	79.999	80.231	8.001	21696A	w/CW Helix From Air Side	HMSA92	P
55.170	61.620	61.720	12.290	21650	w/3.000 Flange	SL1	T
55.270	76.886	76.987	38.202	21768	—	CRSA3	R
55.370	77.700	77.830	7.620	21735	—	★HMA22	P
55.372	81.026	81.153	15.875	21944	—	HMSA73	V
55.524	79.527	79.654	18.517	21918	—	X-SPL	R
55.575	76.200	76.327	6.502	21756	—	HMA22	P

Size listing - Metric

Metric Shaft	Metric Bore	Metric O.D.	Metric Width	Metric Seal no.	Seal info. notes	Type & style	Lip code
55.575	77.749	77.876	12.700	21787	—	★CRWH1	R
55.580	73.030	73.130	11.130	21736	—	★CRWH1	R
55.580	76.120	76.230	11.130	21749	—	★CRWH1	R
55.580	76.200	76.330	9.530	21759	—	★CRWA1	R
55.580	76.200	76.330	9.530	21763	—	★CRWA1	V
55.580	76.200	76.330	12.700	21764	—	★CRWH1	R
55.580	76.200	76.330	12.700	21771	—	★HMA22	R
55.580	77.800	77.930	6.350	515	—	FELT	F
55.580	81.000	81.130	16.260	21938	—	HMA4	R
55.580	82.580	82.700	11.130	21840	—	★CRWH1	R
55.580	85.090	85.220	11.130	21890	—	★CRWH1	R
55.580	85.620	85.750	11.130	21910	—	★CRWH1	R
55.580	92.020	92.150	12.700	21950	—	CRSHA1	R
55.850	69.520	69.620	11.130	21952	—	★HMA90	R
55.850	71.220	71.320	7.620	21953	w/Aluminum Case	HMA85	P
55.905	69.545	69.621	5.000	21961	w/2.913 Flange & Axial Dirt Lip	HMA73	R
55.905	89.380	89.480	15.000	21955	w/CW Helix From Air Side	★HMSA16	R
56.000	67.000	55.910	5.500	22005	O.D. Listed Is Pressfit I.D.	X	R
56.000	68.000	68.275	10.998	22454	—	HMA8	R
56.000	69.000	—	69.000	527664	—	SC	R
56.000	70.000	70.160	8.000	22015	—	HMS4	R
56.000	70.000	70.160	8.000	22051	—	CRS11	R
56.000	72.000	72.110	11.510	22022	P.F. Width .453 w/3.032 Flange	HMSA57	R
56.000	72.000	72.125	10.000	22050	—	★HMSA27	R
56.000	72.000	72.160	9.000	22020	—	HMS1	R
56.000	72.000	72.160	10.000	22059	—	CRSH11	R
56.000	72.000	72.160	11.000	22048	—	★HMSA56	R
56.000	72.000	72.160	12.500	22027	—	★HMSA21	R
56.000	72.000	72.280	7.500	22032	—	HMSA34	R
56.000	72.000	72.280	8.000	22018	—	HMS4	R
56.000	72.000	72.280	8.000	22038	—	HMSA7	R
56.000	72.000	—	8.000	562684	—	HMS5	RG
56.000	72.000	—	8.000	562685	—	HMSA10	RG
56.000	72.000	—	8.000	562686	w/Stainless Steel Spring	HMS5	V
56.000	72.000	—	8.000	562687	w/Stainless Steel Spring	HMSA10	V
56.000	72.200	72.400	8.000	22024	—	HMS4SPL	P
56.000	72.300	72.600	8.000	22026	—	HMSA92	R
56.000	73.000	73.127	8.000	22037	—	HMSA96	P
56.000	73.050	73.000	10.500	22010	—	CRS1	P
56.000	74.000	74.160	10.000	22120	w/3.268 Flange O.D.	HMSA57	R
56.000	75.000	75.160	8.000	22030	—	★CRW1	R
56.000	75.000	75.260	8.000	22033	—	HMSA96	P
56.000	75.000	75.330	11.000	22031	w/CW Helix From Air Side	HMSA7SP	R
56.000	76.000	76.073	11.040	22125	w/Axial Dirt Lip P.F. Width 6.578mm	HMSA57	R
56.000	76.000	76.160	12.000	22035	P.F. Width .236 Special Const.	★CRSA9	R
56.000	76.000	76.276	12.300	22013	w/Axial Dirt Excluder & Bumper	HMSA101	R
56.000	77.000	77.165	11.989	22049	P.F. Width .472 & 13.398 Width	CRSA3	P
56.000	77.560	77.690	14.000	22028	P.F. Width 7.010	HMSASPL	R
56.000	78.000	78.160	7.500	22042	w/Axial Dirt Lip	HMSA96	R
56.000	78.000	78.160	12.000	22040	—	HMS1	R
56.000	80.000	80.280	8.000	22053	—	HMS4	R
56.000	80.000	—	10.000	22066	—	CRSH13	R
56.000	82.000	82.200	8.000	22074	—	HMSA7	R
56.000	85.000	85.280	8.000	22071	—	HMS4	R
56.000	88.170	88.300	22.260	22045	—	HMSASPL	P
56.007	72.898	72.898	8.001	22041	—	HMSA96	P
56.007	76.987	77.597	10.008	22029	w/Boot & 3.360 Flange O.D.	CRSA3	R
56.363	68.809	68.936	6.401	22130	—	HMS14	P
56.440	89.990	90.120	19.050	22175	—	Unitized	SR
56.900	81.000	81.128	15.490	22614	—	★HM14	R
56.900	81.000	81.160	11.400	22415	—	HMSA1	R
56.998	72.009	72.288	8.407	22312	—	HMSA21	P
57.000	67.000	67.200	6.000	22225	—	HMSA7	R
57.000	67.000	—	7.000	563041	—	HMS5	RG
57.000	67.000	—	7.000	563042	—	HMSA10	RG

Size listing - Metric

Metric Shaft	Metric Bore	Metric O.D.	Metric Width	Metric Seal no.	Seal info. notes	Type & style	Lip code
57.000	67.000	—	7.000	563043	w/Stainless Steel Spring	HMS5	V
57.000	67.000	—	7.000	563044	w/Stainless Steel Spring	HMSA10	V
57.000	72.000	72.187	10.000	22453	—	CRSH1	R
57.000	73.000	73.280	8.000	22416	—	HMSA7	V
57.000	79.000	79.270	13.500	22323	—	HMSA55	R
57.000	80.000	80.239	10.000	19676	—	HMSA56	R
57.000	80.000	—	12.000	22457	—	CRSH11	R
57.000	81.000	81.150	11.430	22250	—	HMSA96	P
57.000	85.000	85.200	13.000	22469	—	HMSA7	R
57.000	90.000	—	13.000	22467	—	CRSH11	R
57.000	122.170	122.500	10.000	22284	P.F. Width 8.001	HMS83	R
57.150	66.675	—	4.775	711856	—	BV	R
57.150	66.675	—	4.775	721536	—	BV	V
57.150	66.680	66.780	4.780	22306	—	★HM14	R
57.150	66.680	—	1.600	451078	—	BUW	—
57.150	69.720	—	69.720	709016	—	WS	R
57.150	69.850	—	69.850	504275	—	SC	R
57.150	73.030	73.130	6.350	22325	—	HM21	R
57.150	73.030	73.130	7.950	22328	—	★CRWA1	R
57.150	73.431	73.533	14.300	22347	—	★CRWA1	R
57.150	76.120	76.230	11.130	22340	—	★CRWHA1	R
57.150	76.124	76.225	11.125	22336	—	★CRWH1	R
57.150	76.200	76.330	6.350	22368	—	★HM21	R
57.150	76.200	76.330	9.530	22353	—	★CRW1	R
57.150	76.200	76.330	9.530	22354	—	★CRWA1	R
57.150	76.200	76.330	9.530	22361	—	★CRWA1	V
57.150	76.200	76.330	9.530	22363	—	★CRW1	V
57.150	76.200	76.330	11.130	22358	—	★CRWH1	R
57.150	76.200	76.330	11.130	22359	—	★CRWHA1	R
57.150	76.200	76.330	11.130	22367	—	★CRWH1	V
57.150	77.090	77.340	9.500	22371	—	HMSH4	R
57.150	77.750	77.880	6.350	22392	—	HM21	R
57.150	77.750	77.880	9.530	22382	—	★CRW1	R
57.150	77.750	77.880	11.130	22390	—	★CRWH1	R
57.150	77.750	77.880	11.130	22391	—	★CRWHA1	R
57.150	77.750	77.880	11.130	22394	—	★CRWHA1	S
57.150	79.380	79.500	9.530	22400	—	★CRWA1	R
57.150	79.380	79.500	9.530	22405	—	★CRWA1	—
57.150	79.380	79.500	12.700	22407	—	CRWH1	R
57.150	79.380	79.500	14.300	22411	Clearance D .214	HM18	R
57.150	81.000	81.130	10.998	22425	—	★CRWA1	P
57.150	81.000	81.130	11.130	22424	—	★CRW1	R
57.150	82.550	56.970	6.860	22430	O.D. Listed Is Pressfit I.D.	X15	R
57.150	82.580	82.700	6.350	22468	—	HM21	R
57.150	82.580	82.700	9.530	22440	—	★CRW1	R
57.150	82.580	82.700	9.530	22441	—	★CRWA1	R
57.150	82.580	82.700	11.130	22446	—	★CRWH1	R
57.150	82.580	82.700	11.130	22448	—	★CRWHA1	R
57.150	82.580	82.700	11.130	22449	—	★CRWH1	V
57.150	82.580	82.700	13.208	22640	w/CCW Helix From Air Side	★HMSHA16	P
57.150	84.070	84.200	9.530	22483	Clearance D .130	★HM18	R
57.150	85.090	85.220	9.530	22484	—	★CRW1	P
57.150	85.090	85.220	11.130	22492	—	CRWH1	R
57.150	85.090	85.220	11.130	22493	—	★CRWHA1	R
57.150	85.090	85.220	11.130	22495	—	★CRWH1	V
57.150	85.620	85.750	9.530	22550	—	★HM14	R
57.150	85.620	85.750	11.130	22532	—	★CRWHA1	R
57.150	85.620	85.750	11.130	22558	—	★CRWH1	R
57.150	85.620	85.750	11.130	22561	—	★CRWH1	V
57.150	85.623	85.750	9.525	22573	—	★CRSH1	V
57.150	85.649	85.776	12.065	22505	—	HMSA27	P
57.150	86.360	56.970	7.470	22563	O.D. Listed Is Pressfit I.D.	X15	R
57.150	87.380	87.500	6.350	22565	—	★HM14	R
57.150	88.900	89.030	11.130	22582	—	★CRWHA1	R
57.150	88.900	89.030	11.130	22583	—	★CRWH1	R

Size listing - Metric

Metric Shaft	Metric Bore	Metric O.D.	Metric Width	Metric Seal no.	Seal info. notes	Type & style	Lip code
57.150	88.900	89.030	11.130	22590	—	★CRWHA1	V
57.150	90.550	90.680	11.130	22610	—	★CRWA1	R
57.150	92.020	92.150	10.998	22619	—	★CRWHA1	R
57.150	92.020	92.150	11.130	22618	—	★CRWH1	R
57.150	95.280	95.400	11.130	22626	—	★CRWH1	R
57.150	98.450	98.580	11.130	22644	—	★CRWH1	R
57.150	101.680	101.800	11.130	22647	—	★CRWH1	R
57.150	103.200	103.330	30.963	22653	w/112.725 Flange P.F. Width 13.487	★CRWA3	P
57.252	70.002	70.180	8.636	22525	—	★CRS1	V
57.710	67.460	67.560	6.350	22742	w/Brass Case	SL1	T
57.940	80.110	80.240	9.530	22835	—	★HM21	R
57.988	73.000	73.127	12.878	22808	—	HMSA57	R
57.988	73.914	74.168	9.906	22842	w/CCW Helix From Air Side	HMSA7	P
58.000	70.000	70.200	7.800	23234	—	HMSA7	P
58.000	72.000	72.160	8.000	22815	—	★CRW1	R
58.000	72.000	72.161	8.000	22818	—	★CRW1	S
58.000	72.000	—	8.000	562852	—	HMS5	RG
58.000	72.000	—	8.000	562853	—	HMSA10	RG
58.000	72.000	—	8.000	562854	w/Stainless Steel Spring	HMS5	V
58.000	72.000	—	8.000	562855	w/Stainless Steel Spring	HMSA10	V
58.000	74.000	74.330	13.000	22819	—	D7	P
58.000	75.000	75.160	8.000	22822	—	★CRW1	R
58.000	75.000	75.230	7.000	22840	—	HMS4SPL	P
58.000	75.000	75.230	7.500	22841	—	HMSA45	P
58.000	75.000	75.280	11.000	22824	—	HMS4	R
58.000	75.000	75.430	9.000	22823	—	HMSA7	R
58.000	76.000	76.130	7.000	22821	—	HMSA29	R
58.000	76.000	76.230	16.000	20447	—	HMSASPL	R
58.000	77.000	77.280	8.500	22826	—	HMS83	R
58.000	78.000	78.260	10.000	22845	w/CCW Helix From Air Side	HMSA92	R
58.000	78.000	78.750	8.000	22811	—	HMSHA1	R
58.000	80.000	80.160	8.000	22832	—	★CRW1	R
58.000	80.000	80.160	8.000	22833	—	★CRW1	V
58.000	80.000	—	8.000	563403	—	HMS5	RG
58.000	80.000	—	8.000	563404	—	HMSA10	RG
58.000	80.000	—	8.000	563405	w/Stainless Steel Spring	HMS5	V
58.000	80.000	—	8.000	563406	w/Stainless Steel Spring	HMSA10	V
58.000	80.000	—	10.000	692584	—	HMS5	V
58.000	80.000	—	10.000	692585	—	HMSA10	RG
58.000	80.000	—	10.000	692586	—	HMSA10	V
58.000	80.000	—	12.000	563885	—	HMS5	RG
58.000	80.000	—	12.000	563886	—	HMSA10	RG
58.000	80.000	—	12.000	563887	w/Stainless Steel Spring	HMS5	V
58.000	80.000	—	12.000	563888	w/Stainless Steel Spring	HMSA10	V
58.000	85.000	85.180	8.000	22849	—	★CRW1	R
58.000	85.000	85.192	13.000	22866	—	CRSH1	R
58.000	85.000	85.230	8.000	22836	—	HMSA7	V
58.000	85.000	85.280	10.000	22851	—	HMS4	R
58.000	90.000	90.180	8.000	22869	—	★CRW1	R
58.000	90.000	90.280	10.000	22875	—	HMSA7	R
58.000	90.000	—	13.000	22862	—	CRSH13	R
58.000	103.000	103.175	11.049	22878	w/CW Helix From Air Side	HMSA96	P
58.340	79.960	80.090	9.120	22870	Clearance D .185	HM18	R
58.420	84.455	84.710	10.998	23000	—	CRSA3	R
58.750	76.120	76.230	9.530	23030	—	★CRW1	R
58.750	76.200	76.330	6.350	23035	—	★HM14	R
58.750	76.200	76.330	11.130	23040	—	★CRWH1	V
58.750	77.750	77.880	7.950	23046	—	★CRW1	R
58.750	77.851	77.978	7.137	23098	—	HM1	R
58.750	79.380	79.500	9.530	23061	—	★CRW1	R
58.750	79.380	79.500	9.530	23063	—	★CRWA1	V
58.750	82.580	82.700	11.130	23093	—	★CRWH1	R
58.750	82.580	82.700	11.130	23099	—	CRWHA1	V
58.750	84.070	84.200	9.530	23130	—	★HM21	R
58.750	85.090	85.220	11.130	23152	—	★CRWH1	R

Size listing - Metric

Metric Shaft	Metric Bore	Metric O.D.	Metric Width	Metric Seal no.	Seal info. notes	Type & style	Lip code
58.750	85.620	85.750	11.130	23167	—	★CRW1	R
58.750	85.700	85.830	11.130	23169	—	★CRWHA1	R
58.750	85.700	85.830	11.130	23169	—	★CRWHA1	R
58.750	88.900	89.030	6.350	23240	—	★HM21	R
58.750	88.900	89.030	7.950	23184	—	CRW1	R
58.750	95.280	95.400	12.700	23277	—	★CRW1	R
58.979	69.723	69.875	6.985	21957	—	CRS1	R
59.000	75.000	75.160	9.110	23278	—	HMSA29	R
59.000	78.300	78.600	8.000	23297	—	HMSA92	P
59.000	78.300	78.600	8.000	23299	—	HMSA24	R
59.000	81.660	81.788	13.000	23275	—	HMSA7	P
59.000	100.000	100.230	10.000	23286	—	HMSA7SP	P
59.004	72.009	72.136	11.989	23228	—	HMSA7	R
59.030	89.941	90.068	15.011	23244	w/4.018 Flange O.D.	HMSA97	V
59.106	79.502	79.604	8.001	23276	—	★RRH1	R
59.130	76.200	76.330	10.030	23300	—	★CRW1	P
59.430	77.920	78.120	9.720	23290	—	CRSA1	R
59.995	75.032	75.159	5.283	23615	—	★HMSA56	R
60.000	70.000	70.180	7.000	23618	—	CRS1	R
60.000	72.000	—	8.000	563339	—	HMS5	RG
60.000	72.000	—	8.000	563340	—	HMSA10	RG
60.000	72.000	—	8.000	563341	w/Stainless Steel Spring	HMS5	V
60.000	72.000	—	8.000	563342	w/Stainless Steel Spring	HMSA10	V
60.000	73.000	73.280	11.000	23617	—	HMSA7	V
60.000	75.000	75.160	8.000	23427	—	HMSA7	R
60.000	75.000	75.160	8.000	23429	—	★CRW1	R
60.000	75.000	75.160	8.000	23430	—	★CRW1	V
60.000	75.000	75.280	11.800	23432	w/P.F. Width 5.80mm	HMSA	R
60.000	75.000	—	8.000	692589	—	HMSA10	RG
60.000	75.000	—	8.000	692590	—	HMSA10	V
60.000	75.000	—	75.000	522281	—	SC	R
60.000	76.000	76.251	8.000	23828	—	SLA1	T
60.000	78.000	78.160	9.000	23435	—	★CRS1	R
60.000	78.000	78.430	9.000	23436	—	HMSA7	R
60.000	79.883	80.000	7.500	23626	—	UNITIZE	—
60.000	80.000	80.150	10.000	23639	—	CRSHA1	R
60.000	80.000	80.160	8.000	23440	—	★CRW1	R
60.000	80.000	80.160	8.000	23441	—	★CRW1	V
60.000	80.000	80.220	7.500	23282	—	HMSA7	V
60.000	80.000	80.280	8.000	23439	—	HMS4	R
60.000	80.000	80.280	13.000	23443	—	HMS4	R
60.000	80.000	—	8.000	692591	—	HMS5	RG
60.000	80.000	—	8.000	692592	—	HMS5	V
60.000	80.000	—	8.000	692593	—	HMSA10	RG
60.000	80.000	—	8.000	692594	—	HMSA10	V
60.000	80.000	—	10.000	692595	—	HMS5	RG
60.000	80.000	—	10.000	692596	—	HMS5	V
60.000	80.000	—	10.000	692597	—	HMSA10	RG
60.000	80.000	—	10.000	692598	—	HMSA10	V
60.000	82.000	82.180	8.000	23445	—	★CRWA1	R
60.000	82.000	82.330	12.000	23446	w/CCW Helix From Air Side	HMSA7	S
60.000	82.000	82.430	12.000	23456	—	HMSA7	R
60.000	82.000	82.750	9.000	24627	—	HMSA7	R
60.000	82.000	—	12.000	563097	—	HMS5	RG
60.000	82.000	—	12.000	563098	—	HMSA10	RG
60.000	82.000	—	12.000	563099	w/Stainless Steel Spring	HMS5	V
60.000	82.000	—	12.000	563100	w/Stainless Steel Spring	HMSA10	V
60.000	85.000	85.180	8.000	23447	—	★CRW1	V
60.000	85.000	85.180	8.000	23449	—	★CRW1	R
60.000	85.000	—	8.000	692599	—	HMS5	RG
60.000	85.000	—	8.000	692601	—	HMSA10	RG
60.000	85.000	—	10.000	692604	—	HMS5	V
60.000	85.000	—	10.000	692605	—	HMSA10	RG
60.000	85.000	—	10.000	692606	—	HMSA10	V
60.000	85.700	85.800	8.331	23450	w/CW Helix From Air Side	HMS14	S

Size listing - Metric

Metric Shaft	Metric Bore	Metric O.D.	Metric Width	Metric Seal no.	Seal info. notes	Type & style	Lip code
60.000	86.000	86.130	7.000	23458	—	HMSA29	R
60.000	90.000	90.150	10.000	23789	—	CRSH1	R
60.000	90.000	90.180	8.000	23465	—	★CRW1	R
60.000	90.000	90.270	22.000	23464	—	D5-SPL	R
60.000	90.000	90.280	14.000	23471	—	HMS4	R
60.000	90.000	—	8.000	563033	—	HMS5	RG
60.000	90.000	—	8.000	563034	—	HMSA10	RG
60.000	90.000	—	8.000	563035	w/Stainless Steel Spring	HMS5	V
60.000	90.000	—	8.000	563036	w/Stainless Steel Spring	HMSA10	V
60.000	90.000	—	10.000	562724	—	HMS5	RG
60.000	90.000	—	10.000	562725	—	HMSA10	RG
60.000	90.000	—	10.000	562726	w/Stainless Steel Spring	HMS5	V
60.000	90.000	—	10.000	562727	w/Stainless Steel Spring	HMSA10	V
60.000	95.000	95.123	13.000	23822	—	CRSH13	R
60.000	95.000	95.200	8.000	23476	—	HMSA7	R
60.000	95.000	—	10.000	563009	—	HMS5	RG
60.000	95.000	—	10.000	563010	—	HMSA10	RG
60.000	95.000	—	10.000	563011	w/Stainless Steel Spring	HMS5	V
60.000	95.000	—	10.000	563012	w/Stainless Steel Spring	HMSA10	V
60.000	100.000	100.279	10.000	23799	—	HMS4	R
60.000	103.000	103.180	12.000	23484	—	HMSA96	P
60.000	105.000	105.180	8.000	23486	—	★CRW1	R
60.000	110.000	110.180	8.000	23488	—	★CRW1	R
60.000	110.000	—	8.000	563893	—	HMS5	RG
60.000	110.000	—	8.000	563894	—	HMSA10	RG
60.000	110.000	—	8.000	563895	w/Stainless Steel Spring	HMS5	V
60.000	110.000	—	8.000	563896	w/Stainless Steel Spring	HMSA10	V
60.210	77.960	78.170	9.000	23692	—	CRS1	P
60.320	95.280	95.400	12.700	23846	—	★CRSHA1	R
60.325	69.850	—	4.775	711828	—	BV	R
60.325	69.850	—	4.775	721572	—	BV	V
60.325	82.575	82.702	10.998	541651	—	★CRWHA1	R
60.325	114.249	114.402	22.758	23751	—	★HMSA25	V
60.325	—	149.225	6.985	23870	See Type J Section (CRW Lip)	J1-KIT	R
60.330	76.120	76.230	6.350	23630	—	★HM21	R
60.330	76.120	76.230	11.130	23632	—	★CRWH1	R
60.330	76.200	76.330	6.350	23640	—	HM21	R
60.330	76.200	76.330	9.530	23641	—	★CRW1	V
60.330	77.750	77.880	11.130	23644	—	★CRWH1	R
60.330	77.750	77.880	11.130	23645	—	★CRWH1	P
60.330	77.750	77.880	11.130	23655	w/Stainless Steel Spring	★CRWH1	V
60.330	79.380	79.500	9.530	23646	—	★CRW1	R
60.330	79.380	79.500	11.130	23652	—	★CRWH1	R
60.330	79.380	79.500	11.130	23654	—	★CRWHA1	R
60.330	79.380	79.500	11.130	23656	—	★CRWHA1	V
60.330	81.000	81.128	11.130	23666	—	★CRWH1	R
60.330	82.580	82.700	11.000	23678	—	★CRWHA1	V
60.330	82.580	82.700	11.510	23685	—	★CRW1	P
60.330	82.580	82.700	15.875	23698	w/CW Helix from Air Side / P.F. Width .528 & 3.841 Flange	★HMSA16	V
60.330	82.580	82.700	15.880	23691	P.F. Width .528 & 3.841 Flange	★CRWA3	P
60.330	85.090	85.220	6.350	23725	—	★HM21	R
60.330	85.090	85.220	9.530	23701	—	★CRW1	R
60.330	85.090	85.220	9.530	23702	—	★CRWA1	R
60.330	85.090	85.220	9.530	23703	—	★CRW1	P
60.330	85.090	85.220	9.530	23706	—	★CRW1	S
60.330	85.090	85.220	11.130	23708	—	★CRWH1	R
60.330	85.090	85.220	11.130	23710	—	★CRWHA1	R
60.330	85.090	85.220	17.000	23695	—	★HMSA24	V
60.330	85.620	85.750	11.130	23746	—	★CRWH1	V
60.330	85.620	85.750	11.130	23742	—	★CRWH1	R
60.330	88.160	60.220	6.350	23744	O.D. Listed Is Pressfit I.D.	X15	R
60.330	88.420	88.540	11.130	23755	—	★CRWH1	R
60.330	88.420	88.540	11.130	23756	—	CRWHA1	R
60.330	88.900	89.030	9.530	23770	—	★CRWA1	P
60.330	88.900	89.030	9.530	23771	—	★CRWH1	V

Size listing - Metric

Metric Shaft	Metric Bore	Metric O.D.	Metric Width	Metric Seal no.	Seal info. notes	Type & style	Lip code
60.330	88.900	89.030	9.530	23779	—	★CRWH1	R
60.330	88.900	89.030	11.130	23782	—	★CRWHA1	R
60.330	89.990	90.120	6.350	23815	—	★HM21	R
60.330	89.990	90.120	11.130	23808	—	★CRWH1	R
60.330	89.990	90.120	11.130	23809	—	★CRWHA1	V
60.330	91.470	91.590	11.130	23820	—	★CRW1	R
60.330	92.020	92.150	11.130	23839	—	★CRWH1	R
60.330	92.020	92.150	11.130	23841	—	★CRWHA1	P
60.330	92.020	92.150	11.130	23843	w/Stainless Steel Spring	★CRWHA1	V
60.330	98.450	98.580	11.130	23844	—	★CRWH1	R
60.330	98.450	98.580	29.210	23806	P.F. Width .402 w/4.250 Flange	CRSA4	P
60.330	103.200	103.330	27.790	23857	—	★CRWA3	P
60.330	114.250	114.400	29.210	23860	—	CRSA4	P
60.450	76.180	76.410	12.000	21398	—	HMSA7SL	V
60.935	78.994	79.248	9.931	23865A	w/CW Helix From Air Side	HMSA7	P
61.000	76.000	76.160	7.000	23885	w/Axial Dirt Lip	HMSA96	P
61.000	78.000	78.290	13.500	23888	—	D7-SPL	P
61.000	87.884	88.011	7.214	23880	O.D. Listed Is Pressfit I.D.	X-SPL	R
61.087	79.400	79.603	7.797	25001	—	SLA1	T
61.087	79.629	79.756	7.899	24442	—	SLA1	T
61.468	76.200	76.327	7.112	24017	—	HMA9	R
61.468	76.200	76.352	10.211	24012	—	HMHASPL	R
61.468	76.200	76.352	13.589	24000	—	HMADL16	R
61.470	90.270	90.370	7.010	24097	w/Axial Dirt Lip	HMA7	R
61.595	86.995	87.249	6.782	24245	—	HMSA10	RG
61.722	76.835	76.962	9.525	199	w/CCW Helix From Air Side	SPLSEAL	S
61.770	77.980	78.100	5.770	24110	w/Bi-Direction Helix From Air Side	CRSA1	P
61.900	65.151	65.278	13.970	87823	Wall Thickness .067" Bore Slv.	S7	—
61.930	79.380	79.500	12.700	24255	—	★CRWH1	R
61.930	82.580	82.700	11.130	24263	—	★CRWH1	R
61.930	85.090	85.220	9.530	24286	—	★CRW1	R
61.930	85.090	85.220	9.530	24287	—	★CRWA1	V
61.930	85.620	85.750	11.130	24320	—	★CRWH1	R
61.930	88.420	88.540	11.130	24340	—	★CRWH1	R
61.930	88.900	89.030	11.130	24370	—	★CRWH1	R
61.930	88.900	89.030	11.130	24372	—	★CRWH1	V
61.930	89.990	90.120	11.130	24445	—	★CRWH1	R
61.930	92.020	92.150	9.120	24459	Clearance D .156	★G2	L
62.000	75.000	75.184	10.000	24600	—	CRS1	R
62.000	75.000	75.230	8.000	24428	—	HMSA7	P
62.000	78.000	78.230	7.000	24283	—	HMA8	R
62.000	80.000	80.160	8.000	24620	—	★CRW1	R
62.000	80.000	—	10.000	563287	—	HMS5	RG
62.000	80.000	—	10.000	563288	—	HMSA10	RG
62.000	80.000	—	10.000	563289	w/Stainless Steel Spring	HMS5	V
62.000	80.000	—	10.000	563290	w/Stainless Steel Spring	HMSA10	V
62.000	85.000	85.180	8.000	24635	—	★CRW1	R
62.000	85.000	85.180	10.000	24642	—	HMSHA96	P
62.000	85.000	—	10.000	562896	—	HMS5	RG
62.000	85.000	—	10.000	562897	—	HMSA10	RG
62.000	85.000	—	10.000	562898	w/Stainless Steel Spring	HMS5	V
62.000	85.000	—	10.000	562899	w/Stainless Steel Spring	HMSA10	V
62.000	90.000	90.180	8.000	24659	—	★CRW1	R
62.000	90.000	—	10.000	563576	—	HMS5	RG
62.000	90.000	—	10.000	563577	—	HMSA10	RG
62.000	90.000	—	10.000	563578	w/Stainless Steel Spring	HMS5	V
62.000	90.000	—	10.000	563579	w/Stainless Steel Spring	HMSA10	V
62.000	90.000	—	13.000	24432	—	CRS13	R
62.000	95.000	—	13.000	24433	—	CRS13	R
62.000	100.000	100.280	12.000	24678	—	HMS4	R
62.001	68.555	68.682	8.890	24441	w/Flange	HMA8	P
62.001	80.010	80.187	10.718	23210A	w/CCW Helix From Air Side	HMSA92	P
62.001	81.000	81.203	8.001	16540A	w/CW Helix From Air Side	HMSA92	P
62.001	81.000	81.203	8.001	24482A	—	HMSA31	R
62.001	89.992	90.119	13.233	24410	—	HMSA98	V

Size listing - Metric

Metric Shaft	Metric Bore	Metric O.D.	Metric Width	Metric Seal no.	Seal info. notes	Type & style	Lip code
62.484	77.317	78.206	9.956	24630A	w/CCW Helix From Air Side	HMSA73	P
62.600	75.000	75.230	8.000	24660	w/Bi-Direction Helix From Air Side	HMSA7	P
62.840	89.990	90.120	7.370	24670	—	TL1	R
62.865	81.991	82.245	9.931	24740A	w/CW Helix From Air Side	HMSA7	P
62.990	84.180	84.300	12.700	24920	—	FF4	F
62.992	89.992	90.094	7.010	24877	—	HMSA96	P
62.992	102.489	102.667	11.510	24816	—	HMSHA83	V
63.000	78.000	78.160	8.000	24710	—	★CRW1	R
63.000	80.000	80.160	8.000	24725	—	★CRW1	R
63.000	80.000	80.750	9.000	24729	—	HMSA7	R
63.000	85.000	85.180	8.000	24755	—	★CRW1	R
63.000	85.000	—	10.000	563796	—	HMS5	RG
63.000	85.000	—	10.000	563797	—	HMSA10	RG
63.000	85.000	—	10.000	563798	w/Stainless Steel Spring	HMS5	V
63.000	85.000	—	10.000	563799	w/Stainless Steel Spring	HMSA10	V
63.000	88.000	88.180	8.000	24770	—	★CRW1	R
63.000	90.000	—	10.000	563399	—	HMS5	RG
63.000	90.000	—	10.000	563400	—	HMSA10	RG
63.000	90.000	—	10.000	563401	w/Stainless Steel Spring	HMS5	V
63.000	90.000	—	10.000	563402	w/Stainless Steel Spring	HMSA10	V
63.000	90.000	—	12.000	24808	—	CRSH11	R
63.000	90.500	90.780	13.500	24510	—	HMSA97	V
63.000	102.490	102.620	12.350	25026	—	HMSA57	V
63.000	102.500	102.230	11.000	24967A	w/CW Helix From Air Side	HMSA97	P
63.000	102.500	102.230	11.000	24987A	w/CW Helix From Air Side	HMSA97	P
63.400	93.270	63.300	7.950	25078	O.D. Listed Pressfit I.D.	X15	R
63.420	82.420	82.500	10.670	24888	—	HM16	R
63.500	73.025	—	4.775	711829	—	BV	R
63.500	73.025	—	4.775	721566	—	BV	V
63.500	73.025	—	4.775	750551	—	BV	D
63.500	73.030	—	1.600	451253	—	BUW	—
63.500	74.625	—	1.600	451248	—	BUW	—
63.500	76.070	—	76.070	709018	—	WS	R
63.500	76.070	—	76.070	712125	—	WS	V
63.500	76.200	76.330	6.350	24863	—	★HM14	R
63.500	76.200	76.330	7.950	24865	—	HM1	R
63.500	76.200	—	76.200	504277	—	SC	R
63.500	79.380	79.500	6.350	24875	—	★HM21	R
63.500	79.380	—	79.380	505774	—	SC	R
63.500	80.010	80.140	6.350	24880	—	★HM21	R
63.500	80.010	80.140	7.950	24879	—	★CRSA1	P
63.500	81.000	81.130	11.130	24881	—	★CRWH1	R
63.500	81.000	81.130	11.130	24883	—	★CRWH1	V
63.500	81.864	81.991	18.491	25009	—	VACBOOT	R
63.500	81.940	82.070	10.160	24886	w/3.405 Flange & Axial Dirt Lip	HMA73	R
63.500	82.420	82.550	11.130	24889	—	★CRWH1	R
63.500	82.550	82.700	8.890	24892	—	★CRWA5	R
63.500	82.550	155.575	11.125	25160	See Type J Section (CRW Lip)	J1-KIT	R
63.500	82.575	82.702	12.700	24913	—	★CRW1	V
63.500	82.580	82.700	6.350	24904	—	★HM21	R
63.500	82.580	82.700	9.530	24897	—	★CRW1	R
63.500	82.580	82.700	9.530	24898	—	★CRWA1	R
63.500	82.580	82.700	9.530	24899	—	★CRWA1	V
63.500	82.580	82.700	11.130	24910	—	★CRWH1	R
63.500	82.580	82.700	11.130	24911	—	★CRWHA1	R
63.500	82.580	82.700	11.130	24914	—	★CRWH1	V
63.500	82.580	82.700	11.130	24916	—	★CRWHA1	V
63.500	83.850	83.970	11.510	24917	P.F. Width .330 & 3.580 Flange	★HMSA16	R
63.500	85.090	85.220	11.130	24931	—	★CRWH1	R
63.500	85.090	85.220	11.130	24932	—	★CRWHA1	R
63.500	85.620	85.750	9.530	24934	—	CRWHA1	R
63.500	85.620	85.750	11.130	24936	—	★CRWHA1	V
63.500	85.620	85.750	11.130	24954	—	★CRWH1	V
63.500	87.070	87.200	9.530	24949	—	★CRWA1	P
63.500	87.070	87.200	9.530	24951	—	★CRWA1	R

Size listing - Metric

Metric Shaft	Metric Bore	Metric O.D.	Metric Width	Metric Seal no.	Seal info. notes	Type & style	Lip code
63.500	87.071	87.198	19.329	24964	—	★HMSA25	V
63.500	88.900	89.030	6.350	25007	—	★HM21	R
63.500	88.900	89.030	9.530	541606	—	★CRWA1	V
63.500	88.900	89.030	11.130	24980	—	★CRW1	R
63.500	88.900	89.030	11.130	24982	—	★CRWA1	R
63.500	88.900	89.030	11.130	24986	—	★CRWH1	R
63.500	88.900	89.030	11.130	24988	—	★CRWHA1	R
63.500	88.900	89.030	11.130	24988	—	★CRWHA1	R
63.500	88.900	89.030	11.130	24988	—	★CRWHA1	R
63.500	88.900	89.030	11.130	24989	—	★CRWH1	P
63.500	88.900	89.030	11.130	24990	—	★CRWHA1	V
63.500	88.900	89.030	11.130	24984	w/Stainless Steel Spring	★CRWH1	V
63.500	88.950	89.080	10.310	25082	—	★CRW1	S
63.500	89.030	89.150	6.350	25028	—	★HM21	R
63.500	89.990	90.120	11.130	25043	—	★CRWH1	R
63.500	89.990	90.120	11.130	25065	—	CRWHA1	P
63.500	89.990	90.120	22.230	25066	—	D5	R
63.500	90.018	90.119	10.998	25037	—	★CRWHA1	V
63.500	92.020	92.150	9.530	25074	—	★CRW1	R
63.500	92.020	92.150	9.530	25075	—	★CRWA1	R
63.500	92.020	92.150	9.530	25076	—	★CRWA1	V
63.500	92.020	92.150	11.130	25071	—	CRWH1	R
63.500	92.020	92.150	12.700	25077	w/Bi-Direction Helix From Air Side	★HMSA16	R
63.500	93.850	93.980	12.700	25085	—	★ALH1	S
63.500	95.280	95.400	11.130	25091	—	CRWH1	R
63.500	98.450	98.577	15.418	25106	—	★HMSA25	V
63.500	98.450	98.580	11.130	25100	—	★CRWH1	R
63.500	98.450	98.580	11.910	25102	—	★CRWHA1	P
63.500	101.680	101.800	9.530	25108	—	★CRWA1	R
63.500	101.680	101.800	9.530	25110	—	★CRWA1	V
63.500	102.489	102.591	12.294	25056	—	HMSHA16	V
63.500	102.490	102.620	12.350	25140	—	CRSA9	V
63.500	102.490	102.640	16.260	25445	w/Bumper	HMSA14	P
63.500	125.430	125.550	12.700	25146	—	CRWA22	P
63.551	92.151	92.278	15.418	25005	—	★HMSA25	V
64.000	74.000	74.200	8.000	25200	—	HMSA7	V
64.000	80.000	80.175	13.000	25203	—	CRSH11	R
64.000	80.000	—	8.000	563537	—	HMSA10	RG
64.000	80.000	—	8.000	563538	w/Stainless Steel Spring	HMS5	V
64.000	80.000	—	8.000	563539	w/Stainless Steel Spring	HMSA10	V
64.000	85.000	—	10.000	25204	—	CRSH13	R
64.000	85.000	—	13.000	25205	—	CRSH13	R
64.000	90.000	90.272	10.000	25207	—	HMS46	R
64.000	133.000	133.130	13.000	25190	—	HMSA7SP	R
64.008	77.013	77.241	7.010	25176	—	HMS-SPL	R
64.008	78.994	79.197	8.001	21564A	w/Helix Bi-Direction From Air Side	HMSA7	V
64.008	81.991	63.703	8.992	25196	O.D. Listed Is Pressfit I.D.	XA-SPL	R
64.999	81.001	81.255	7.010	25585	w/CW Helix From Air Side	HMSA7	P
64.999	82.042	82.169	8.484	25004	—	★HMSA96	R
64.999	84.988	84.861	10.008	25579	—	CRSA1	R
65.000	75.000	75.275	8.000	544071	—	HM102	R
65.000	79.800	80.030	8.000	25572	—	HMSA7	V
65.000	80.000	80.160	8.000	25410	—	★CRW1	R
65.000	80.000	80.160	8.000	25514	—	★CRW1	V
65.000	80.000	—	8.000	562868	—	HMS5	RG
65.000	80.000	—	8.000	562869	—	HMSA10	RG
65.000	80.000	—	8.000	562870	w/Stainless Steel Spring	HMS5	V
65.000	80.000	—	8.000	562871	w/Stainless Steel Spring	HMSA10	V
65.000	82.000	82.130	9.000	25418	—	HMSASPL	R
65.000	82.000	82.750	10.000	25417	—	HMS4	R
65.000	84.000	84.226	9.000	25419	w/CW Helix From Air Side	HMSA7	P
65.000	85.000	85.180	8.000	25420	—	★CRW1	R
65.000	85.000	85.180	8.000	25421	w/Stainless Steel Spring	★CRW1	V
65.000	85.000	85.268	8.000	25396	—	HMS4	R
65.000	85.000	85.268	8.000	25398	—	HMSA7	R
65.000	85.000	—	10.000	692612	—	HMS5	V

Size listing - Metric

Metric Shaft	Metric Bore	Metric O.D.	Metric Width	Metric Seal no.	Seal info. notes	Type & style	Lip code
65.000	85.000	—	10.000	692613	—	HMSA10	RG
65.000	85.000	—	10.000	692614	—	HMSA10	V
65.000	85.000	—	10.000	25596	—	CRSH12	R
65.000	85.000	—	12.000	563716	—	HMS5	RG
65.000	85.000	—	12.000	563717	—	HMSA10	RG
65.000	85.000	—	12.000	563718	w/Stainless Steel Spring	HMS5	V
65.000	85.000	—	12.000	563719	w/Stainless Steel Spring	HMSA10	V
65.000	88.000	88.180	8.000	25425	—	★CRW1	R
65.000	88.000	88.200	10.000	25438	—	HMSA7	R
65.000	88.000	—	12.000	563319	—	HMS5	RG
65.000	88.000	—	12.000	563320	—	HMSA10	RG
65.000	88.000	—	12.000	563321	w/Stainless Steel Spring	HMS5	V
65.000	88.000	—	12.000	563322	w/Stainless Steel Spring	HMSA10	V
65.000	88.110	88.160	10.000	25584	w/CW Helix From Air Side	HMSA7	P
65.000	90.000	90.150	12.000	25586	—	HMS4	R
65.000	90.000	90.180	8.000	25430	—	★CRW1	R
65.000	90.000	90.180	8.000	25431	—	★CRW1	V
65.000	90.000	90.272	13.000	25573	—	HMSA7	R
65.000	90.000	—	10.000	692616	—	HMS5	V
65.000	95.000	—	10.000	562680	—	HMS5	RG
65.000	95.000	—	10.000	562681	—	HMSA10	RG
65.000	95.000	—	10.000	562682	w/Stainless Steel Spring	HMS5	V
65.000	95.000	—	10.000	562683	w/Stainless Steel Spring	HMSA10	V
65.000	100.000	100.180	8.000	25440	—	★CRW1	R
65.000	100.000	100.180	8.000	25441	—	★CRW1	V
65.000	100.000	—	10.000	562716	—	HMS5	RG
65.000	100.000	—	10.000	562717	—	HMSA10	RG
65.000	100.000	—	10.000	562718	w/Stainless Steel Spring	HMS5	V
65.000	100.000	—	10.000	562719	w/Stainless Steel Spring	HMSA10	V
65.000	100.000	—	13.000	25633	—	CRSA12	R
65.000	110.000	110.180	10.000	25455	—	★CRW1	R
65.000	107.000	107.250	10.000	25550A	—	HMSA96	V
65.000	120.000	120.180	8.000	25465	—	★CRW1	R
65.020	78.590	78.660	6.500	25515	—	HMA7	R
65.075	92.075	92.151	11.125	25652	—	★CRWA1	V
65.100	76.200	—	1.600	451268	—	BUW	—
65.100	76.200	—	5.563	711831	—	BV	D
65.100	76.200	—	5.563	721517	—	BV	V
65.100	88.420	88.540	12.700	25561	—	★CRWHA1	R
65.100	88.900	89.027	12.700	25597	—	★CRWH1	R
65.100	88.900	89.030	12.700	25587	—	CRSHA1	P
65.100	89.690	89.810	8.740	531	—	FELT	F
65.100	92.020	92.150	11.130	25641	—	★CRWH1	R
65.100	92.020	92.150	11.910	25661	—	★CRWA1	P
65.100	92.080	92.200	7.950	654	—	FELT	F
65.100	95.280	95.400	11.130	25713	—	★CRWH1	R
65.100	95.280	95.400	11.130	25714	—	★CRWHA1	R
65.100	95.280	95.400	11.130	25725	—	★CRWH1	V
65.100	98.370	98.500	11.130	25745	—	CRWHA1	R
65.100	98.450	98.580	11.130	25748	—	★CRWH1	R
65.990	88.420	88.540	11.130	25970	—	★CRWHA1	P
65.990	101.570	101.700	20.000	25990	—	CRWA3	P
66.000	80.000	80.110	8.900	25965	—	CRSHA1	R
66.000	90.000	90.195	13.000	25979	—	CRSH1	R
66.040	84.988	85.192	9.500	25968	—	★CRWHA1	R
66.080	85.090	85.220	9.530	26122	—	★CRW1	V
66.220	85.090	85.220	9.530	25950	—	★CRWH1	P
66.650	100.228	100.355	22.631	26247	—	HMS-SPL	R
66.675	82.575	82.702	11.130	26110	—	★CRWH1	R
66.675	91.948	92.100	27.000	26762	—	HMSA97	V
66.675	92.024	92.151	11.684	26239	—	★HMSA24	V
66.675	92.075	92.253	18.290	26225	—	UNITIZE	—
66.675	115.875	116.002	19.761	26378	—	★HMSA25	V
66.675	115.926	116.103	14.529	26251	—	UNITIZE	—
66.680	85.090	85.220	9.530	26123	—	★CRW1	R

★ Includes Bore Tite on O.D.
Seal kits—See pg. 632

Axle flange gaskets—See pg. 374
Speedi-Sleeve's—See pg. 637

Scotseals—See pg. 382
V-ring's—See pg. 657

HDDF seals—See pg. 404

Size listing - Metric

Metric Shaft	Metric Bore	Metric O.D.	Metric Width	Metric Seal no.	Seal info. notes	Type & style	Lip code
66.680	85.090	85.220	9.530	26124	—	★CRWA1	R
66.680	85.090	85.220	11.130	26128	—	CRW1	R
66.680	85.620	85.750	6.350	26144	—	★HM14	R
66.680	85.620	85.750	11.130	26153	—	★CRWHA1	R
66.680	85.700	85.830	11.130	26141	—	★CRWHA1	R
66.680	88.420	88.540	11.130	26163	—	★CRWH1	R
66.680	88.900	89.030	9.530	26177	—	★CRW1	V
66.680	88.900	89.030	9.530	26186	—	★CRWA1	R
66.680	88.900	89.030	11.130	26189	—	★CRWH1	R
66.680	88.900	89.030	11.130	26190	—	★CRWHA1	R
66.680	88.900	89.030	11.130	26191	—	★CRWA1	P
66.680	89.990	90.120	11.130	26194	—	★CRWH1	R
66.680	92.020	92.150	6.350	26260	—	★HM21	R
66.680	92.020	92.150	9.530	26204	—	★CRW1	V
66.680	92.020	92.150	9.530	26220	—	★CRWA1	P
66.680	92.020	92.150	9.530	26237	—	★CRW1	R
66.680	92.020	92.150	9.530	26238	—	★CRWA1	R
66.680	92.020	92.150	11.130	26208	—	★CRWH1	V
66.680	92.020	92.150	11.130	26209	—	★CRWH1	R
66.680	92.020	92.150	11.130	26211	—	★CRWHA1	R
66.680	95.280	95.400	9.530	26284	—	★CRWA1	R
66.680	95.280	95.400	11.130	26297	—	★CRWH1	R
66.680	95.280	95.400	11.130	26298	—	★CRWHA1	R
66.680	95.280	95.400	11.130	26299	—	★CRWHA1	V
66.680	95.280	95.400	18.160	26289	P.F. Width 16.256	TL4	RR
66.680	96.850	96.980	10.540	26310	P.F. Width 7.620	TL5	R
66.680	98.450	98.580	11.130	26328	—	★CRWH1	R
66.680	99.970	100.100	11.130	26346	—	★CRWH1	R
66.680	101.680	101.800	9.530	26354	—	★CRWA1	R
66.680	101.680	101.800	11.130	26356	—	★CRWH1	R
66.680	103.200	103.330	27.790	26358	w/112.725 Flange P.F. Width 12.700	★CRWA3	P
66.680	111.000	111.125	11.130	26359	—	★CRWHA1	R
66.680	112.730	112.850	11.130	26368	—	★CRWH1	R
66.680	115.900	116.030	18.260	26373	—	★CRWA3	P
67.000	85.000	85.115	10.000	26381	—	CRSH12	R
67.000	88.000	88.330	8.000	26379	—	HMS4	P
67.000	90.000	—	13.000	26383	—	CRSH11	R
67.260	96.820	96.950	12.700	26877	—	★CRS1	R
67.361	88.976	89.154	9.931	26387	w/CCW Helix From Air Side	HMSA7	V
67.740	95.280	95.400	12.700	26620	—	HM1	R
68.000	84.000	84.230	8.500	26625	w/CCW Helix From Air Side	HMSA7	S
68.000	85.000	85.180	8.000	26630	—	★CRW1	R
68.000	85.000	85.192	10.000	26635	—	CRS1	R
68.000	85.000	85.280	8.000	26632	—	HMS4	V
68.000	86.000	86.230	8.000	26748	w/CCW Helix From Air Side	HMSA7	P
68.000	88.000	88.180	8.000	26640	—	★CRW1	R
68.000	88.000	88.230	8.000	26145	—	HMS4	P
68.000	90.000	90.180	8.000	26650	—	★CRW1	R
68.000	90.000	90.180	8.000	26652	—	★CRW1	V
68.000	90.000	—	10.000	564153	—	HMSA10	RG
68.000	90.000	—	10.000	564154	—	HMS5	V
68.000	90.000	—	10.000	564155	—	HMSA10	V
68.000	95.000	95.180	10.000	26660	—	★CRW1	R
68.000	95.000	95.180	10.000	26661	—	★CRW1	V
68.000	95.000	95.750	13.000	26665	—	HMS4	R
68.000	100.000	100.180	10.000	26670	—	★CRW1	R
68.000	100.000	100.280	10.000	26673	—	HMS4	R
68.000	100.000	100.280	13.000	26683	—	HMSA7	R
68.000	124.000	124.130	27.000	26695	w/Helix-CW, P.F. Width 11.506mm	HMSA	P
68.275	79.375	—	5.563	711833	—	BV	R
68.275	79.375	—	5.563	721573	—	BV	V
68.280	79.380	—	1.600	451488	—	BUW	—
68.280	88.900	89.030	5.560	662	—	FELT	F
68.280	95.280	95.400	11.130	26761	—	★CRWH1	R
68.280	98.450	98.580	11.130	26921	—	★CRWH1	R

Size listing - Metric

Metric Shaft	Metric Bore	Metric O.D.	Metric Width	Metric Seal no.	Seal info. notes	Type & style	Lip code
68.280	101.680	101.800	11.910	26975	—	★CRWH1	R
68.570	88.860	89.000	12.070	26747	w/3.704 Flange	★HMS17	R
69.000	86.000	86.140	7.000	27117	—	CRSA79	P
69.000	90.000	90.272	10.000	27170	—	HMS47	R
69.012	85.852	86.360	8.000	26749	w/CCW Helix From Air Side	HMSA7	V
69.799	89.992	90.297	15.011	27486	—	HM-SPL	P
69.850	79.380	79.500	4.780	27210	—	HM1	R
69.850	80.975	—	5.563	711832	—	BV	R
69.850	80.975	—	5.563	721537	—	BV	V
69.850	80.980	—	1.600	451290	—	BUW	—
69.850	82.420	—	82.420	709019	—	WS	R
69.850	82.550	82.680	7.950	27225	—	HM1	R
69.850	82.550	—	82.550	504279	—	SC	R
69.850	88.420	88.540	11.130	27251	—	CRW1	R
69.850	88.900	89.027	6.350	546751	—	★HM14	V
69.850	88.900	89.030	6.350	27271	—	★HM14	R
69.850	88.900	89.030	9.530	27268	—	★CRW1	R
69.850	88.900	89.030	9.530	27272	—	★CRWA1	V
69.850	88.900	89.030	9.530	27269	—	★CRWA1	R
69.850	88.900	89.030	11.130	27280	—	★CRWH1	R
69.850	89.870	89.990	11.130	27284	—	★CRWH1	R
69.850	89.990	90.120	11.130	27292	—	★CRWH1	P
69.850	89.990	90.120	11.130	27295	—	★CRWHA1	P
69.850	89.992	90.119	14.021	27558	—	★HMSA25	V
69.850	89.992	90.120	10.998	27293	—	★CRWH1	V
69.850	92.020	92.150	11.130	27324	—	★CRWH1	V
69.850	92.020	92.150	11.130	27334	—	★CRWH1	R
69.850	95.280	95.400	6.350	27394	—	★HM21	R
69.850	95.280	95.400	11.130	27361	—	★CRW1	R
69.850	95.280	95.400	11.130	27362	—	★CRWA1	R
69.850	95.280	95.400	11.130	27368	—	★CRWH1	R
69.850	95.280	95.400	11.130	27370	—	★CRWHA1	R
69.850	95.280	95.400	11.130	27377	—	★CRWA1	P
69.850	95.280	95.400	11.130	27365	—	★CRWH1	V
69.850	95.630	95.760	11.130	27426	—	★CRWH1	R
69.850	95.830	96.040	8.890	27430	—	HMA84	R
69.850	98.450	98.577	11.125	27471	—	★CRWHA1	R
69.850	98.450	98.577	16.332	27461	—	★HMSA25	V
69.850	98.450	98.580	11.130	27452	—	★CRWHA1	P
69.850	98.450	98.580	11.130	27467	—	★CRWA1	R
69.850	98.450	98.580	11.130	27470	—	★CRWH1	R
69.850	99.970	100.100	11.130	27525	—	★CRWH1	R
69.850	100.000	100.130	11.130	27526	—	★CRWA1	P
69.850	101.625	101.803	12.700	27542	—	★HMSA25	V
69.850	101.680	101.800	9.530	27539	—	★CRWA1	V
69.850	101.680	101.800	11.130	27541	—	★CRWH1	R
69.850	101.680	101.800	11.130	27565	—	CRWHA1	P
69.850	104.780	104.900	11.130	27576	—	★CRS1	P
69.850	104.780	104.930	14.300	27577	—	CRSA1	R
69.850	107.920	108.050	11.130	27600	—	★CRWH1	R
69.850	107.920	108.050	11.130	27601	—	★CRWHA1	P
69.850	110.010	110.130	12.700	27625	—	★CRWHA1	R
69.850	139.730	139.850	34.930	27642	P.F. Width 12.700	★CRWA2	P
70.000	85.000	85.180	8.000	27710	—	★CRW1	R
70.000	85.000	85.192	7.000	27719	—	HMSA7	R
70.000	85.000	85.268	7.000	27721	—	HMS4	R
70.000	85.000	—	8.000	562601	—	HMSA10	RG
70.000	85.000	—	8.000	562602	w/Stainless Steel Spring	HMS5	V
70.000	85.000	—	8.000	562603	w/Stainless Steel Spring	HMSA10	V
70.000	85.000	—	8.000	565299	—	HMS5	RG
70.000	87.000	87.330	8.510	27723	w/CCW Helix From Air Side	HMSA7	S
70.000	88.000	88.180	8.000	27725	—	★CRW1	R
70.000	88.000	88.180	8.000	27726	—	★CRW1	V
70.000	88.000	88.280	12.000	27727	—	HMS4	R
70.000	90.000	90.150	13.000	27587	—	HMS4	R

Size listing - Metric

Metric Shaft	Metric Bore	Metric O.D.	Metric Width	Metric Seal no.	Seal info. notes	Type & style	Lip code
70.000	90.000	90.180	8.000	27740	—	★CRW1	R
70.000	90.000	90.180	10.000	27743	—	★CRW1	V
70.000	90.000	90.180	10.000	27746	—	★CRWHA1	P
70.000	90.000	90.272	7.000	27571	—	HMSA7P2	R
70.000	90.000	—	10.000	692628	—	HMS5	V
70.000	90.000	—	10.000	692629	—	HMSA10	RG
70.000	90.000	—	10.000	692630	—	HMSA10	V
70.000	90.000	—	12.000	563941	—	HMS5	RG
70.000	90.000	—	12.000	563942	—	HMSA10	RG
70.000	90.000	—	12.000	563943	w/Stainless Steel Spring	HMS5	V
70.000	90.000	—	12.000	563944	w/Stainless Steel Spring	HMSA10	V
70.000	92.000	92.430	12.000	27750	—	HMSA7	R
70.000	92.000	—	12.000	563568	—	HMS5	RG
70.000	92.000	—	12.000	563569	—	HMSA10	RG
70.000	92.000	—	12.000	563570	w/Stainless Steel Spring	HMS5	V
70.000	92.000	—	12.000	563571	w/Stainless Steel Spring	HMSA10	V
70.000	95.000	95.180	10.000	27755	—	★CRW1	R
70.000	95.000	—	10.000	563379	—	HMS5	RG
70.000	95.000	—	10.000	563380	—	HMSA10	RG
70.000	95.000	—	10.000	563381	w/Stainless Steel Spring	HMS5	V
70.000	95.000	—	10.000	563382	w/Stainless Steel Spring	HMSA10	V
70.000	100.000	100.180	10.000	27770	—	★CRW1	R
70.000	100.000	100.279	6.000	27606	—	HMS46	R
70.000	100.000	—	10.000	562792	—	HMS5	RG
70.000	100.000	—	10.000	562793	—	HMSA10	RG
70.000	100.000	—	10.000	562794	w/Stainless Steel Spring	HMS5	V
70.000	100.000	—	10.000	562795	w/Stainless Steel Spring	HMSA10	V
70.000	105.000	105.180	10.000	27785	—	★CRW1	R
70.000	105.000	105.280	13.000	27783	—	HMS4	R
70.000	110.000	110.180	10.000	27790	—	★CRW1	R
70.000	110.000	110.287	8.000	554135	—	HMS47	R
70.000	110.000	—	10.000	563905	—	HMS5	RG
70.000	110.000	—	10.000	563906	—	HMSA10	RG
70.000	110.000	—	10.000	563907	w/Stainless Steel Spring	HMS5	V
70.000	110.000	—	10.000	563908	w/Stainless Steel Spring	HMSA10	V
70.000	110.000	—	12.000	562860	—	HMS5	RG
70.000	110.000	—	12.000	562861	—	HMSA10	RG
70.000	110.000	—	12.000	562862	w/Stainless Steel Spring	HMS5	V
70.000	110.000	—	12.000	562863	w/Stainless Steel Spring	HMSA10	V
71.420	95.280	95.400	11.130	28035	—	★CRWH1	R
71.420	98.450	98.580	11.130	28116	—	★CRWH1	R
71.420	101.680	101.800	11.130	28175	—	★CRWH1	R
71.420	107.920	108.050	7.950	28270	—	★CRW1	R
71.420	107.920	108.050	11.130	28275	—	★CRWH1	R
71.450	82.550	—	1.600	451100	—	BUW	—
71.450	82.550	—	5.563	711834	—	BV	D
71.450	82.550	—	5.563	721538	—	BV	V
71.450	107.950	108.050	11.130	28276	—	★CRWH1	P
71.500	85.000	85.230	10.000	28815	—	HMSA7	V
72.000	85.600	85.725	18.000	28305	—	HMS1	R
72.000	86.000	86.280	7.500	28307	—	HMSA7	R
72.000	88.000	88.180	8.000	28310	—	★CRW1	R
72.000	90.000	90.180	8.000	28325	—	HMSA27	R
72.000	90.000	—	10.000	563205	—	HMS5	RG
72.000	90.000	—	10.000	563206	—	HMSA10	RG
72.000	90.000	—	10.000	563207	w/Stainless Steel Spring	HMS5	V
72.000	90.000	—	10.000	563208	w/Stainless Steel Spring	HMSA10	V
72.000	92.000	92.250	9.500	28332	w/CCW Helix From Air Side	HMSA7	V
72.000	94.000	94.013	10.000	27761	—	UNITIZE	R
72.000	95.000	—	10.000	562892	—	HMS5	RG
72.000	95.000	—	10.000	562893	—	HMSA10	RG
72.000	95.000	—	10.000	562894	w/Stainless Steel Spring	HMS5	V
72.000	95.000	—	10.000	562895	w/Stainless Steel Spring	HMSA10	V
72.000	95.000	—	13.000	28362	—	CRS13	R
72.000	96.000	96.220	9.000	28308	w/CCW Helix From Air Side	HMSA7	S

Size listing - Metric

Metric Shaft	Metric Bore	Metric O.D.	Metric Width	Metric Seal no.	Seal info. notes	Type & style	Lip code
72.000	100.000	—	10.000	564157	—	HMSA10	RG
72.000	100.000	—	10.000	564158	—	HMS5	V
72.000	100.000	—	10.000	564159	—	HMSA10	V
72.000	105.000	—	13.000	28375	—	CRSA13	R
72.240	100.050	100.180	12.700	28425	—	★CRWA1	R
72.240	100.050	100.180	13.970	28426	—	★CRWHA1	R
72.240	101.680	101.800	11.130	28464	—	★CRWH1	R
72.240	101.680	101.800	12.700	28474	w/Stainless Steel Spring	★CRWH1	V
72.491	99.872	100.050	16.002	28635	—	UNITIZE	P
72.500	98.500	98.510	15.000	28540	—	UNITIZE	V
72.500	107.848	108.000	18.800	28545	—	UNITIZE	R
72.644	113.284	113.410	29.940	28600	—	UNITIZE	R
72.900	98.450	98.577	15.495	28705	—	HMSHA	V
73.000	95.000	95.123	10.000	28740	—	CRSH13	R
73.000	113.110	113.240	31.350	28603	—	UNITIZE	R
73.025	87.224	87.325	7.468	28646	—	★CRSA1	R
73.025	98.450	98.577	15.494	28754	—	HMSHA16	V
73.030	89.690	89.950	15.890	28739	—	D6	R
73.030	92.020	92.150	11.130	28654	—	★CRWH1	R
73.030	92.020	92.150	11.130	28655	—	★CRWHA1	R
73.030	92.020	92.150	12.700	28656	—	★AL1	S
73.030	95.250	95.400	9.530	28670	—	★CRWA1	V
73.030	95.280	95.400	6.350	28700	—	★HM21	R
73.030	95.280	95.400	9.530	28669	—	★CRWA1	R
73.030	95.280	95.400	11.130	28686	—	★CRWH1	R
73.030	95.280	95.400	11.130	28687	—	★CRWHA1	R
73.030	95.280	95.400	11.130	28697	—	★CRWH1	P
73.030	95.280	95.400	11.130	28698	—	★CRWH1	V
73.030	95.280	95.400	11.130	28699	—	★CRWHA1	V
73.030	98.450	98.580	4.780	28725	—	★HM1	R
73.030	98.450	98.580	6.350	28751	—	★HM21	R
73.030	98.450	98.580	11.130	28745	—	★CRWH1	R
73.030	98.450	98.580	11.130	28746	—	★CRWHA1	R
73.030	98.450	98.580	11.130	28748	—	★CRWHA1	V
73.030	98.450	98.580	15.494	28720	P.F. Width .365 & 4.150 Flange	★HMSHA16	R
73.030	101.680	101.800	6.350	28800	—	★HM21	R
73.030	101.680	101.800	9.530	28778	—	★CRWA1	R
73.030	101.680	101.800	9.530	28779	—	★CRWA1	V
73.030	101.680	101.800	11.130	28760	—	★CRWH1	R
73.030	101.680	101.800	11.130	28761	—	★CRWHA1	R
73.030	101.680	101.800	19.050	28790	P.F. Width 17.475	C8	RR
73.030	104.780	104.900	9.530	28817	—	★CRWH1	R
73.030	104.780	104.900	20.650	28828	P.F. Width 9.525	★HMSH12	R
73.030	106.070	106.200	20.650	28830	P.F. Width 9.525	★CRWH2	R
73.030	110.010	110.130	11.130	28841	—	★CRWA1	P
73.030	114.330	114.450	11.000	28848	—	★CRWH1	R
73.810	96.850	96.980	7.950	666	—	FELT	F
74.000	90.000	90.170	10.000	29105	w/CCW Helix From Air Side	CRSA1	P
74.000	90.000	90.170	10.000	29105	—	CRSA1	P
74.000	90.000	90.272	10.000	29132	—	HMS46	R
74.000	95.000	95.275	10.000	29134	—	HMS48	R
74.000	95.000	—	10.000	29133	—	CRSH13	R
74.000	98.000	98.250	12.000	29112	w/CW Helix From Air Side	HMSA7	P
74.000	100.000	100.203	13.000	29129	—	CRSH1	R
74.625	74.778	142.240	26.492	29381	—	HMSA97	V
74.625	85.725	—	5.563	711835	—	BV	R
74.625	100.000	100.127	16.332	29188	—	★HMSA25	V
74.625	101.498	101.600	24.003	29180	—	HMSA97	V
74.625	101.676	101.803	11.125	29350	—	★CRWA1	P
74.625	101.702	101.803	10.998	29383	—	★CRWHA1	V
74.625	104.775	104.902	14.300	29393	—	CRWHA1	R
74.630	85.730	—	1.600	451489	—	BUW	—
74.630	85.800	85.880	4.570	29208	—	HMS1	R
74.630	92.030	92.150	9.530	29218	—	★CRW1	R
74.630	95.280	95.400	9.530	29223	—	★CRW1	R

Size listing - Metric

Metric Shaft	Metric Bore	Metric O.D.	Metric Width	Metric Seal no.	Seal info. notes	Type & style	Lip code
74.630	95.280	95.400	9.530	29224	—	★CRWA1	R
74.630	95.280	95.400	9.530	29226	—	★CRWA1	V
74.630	96.110	96.220	12.700	29250	—	HM23	RT
74.630	98.450	98.580	9.530	29262	—	★CRWHA1	V
74.630	98.450	98.580	9.530	29263	—	CRWHA1	R
74.630	100.000	100.130	11.130	29273	—	★CRWA1	P
74.630	101.680	101.800	11.130	29316	—	★CRWH1	R
74.630	101.680	101.800	15.723	29192	—	★HMSA24	V
74.630	104.780	104.900	9.530	29184	—	★CRWH1	R
74.630	104.780	104.900	9.530	29385	—	★CRWHA1	R
74.630	114.330	114.450	11.130	29465	—	★CRWH1	R
74.630	125.430	125.550	34.930	29471	w/5.375 Flange	★CRWA3	P
74.701	98.603	98.730	19.660	29425	—	UNITIZE	V
74.981	111.989	112.116	17.475	29650	P.F. Width 10.000	HMSA8	R
75.000	87.000	74.800	7.000	29505	O.D. Listed Is Pressfit I.D.	X-SPL	R
75.000	90.000	90.119	8.000	29854	—	HMSA7	V
75.000	90.000	90.150	8.000	29529	—	HMS4	R
75.000	90.000	90.180	8.000	29510	—	★CRW1	R
75.000	90.000	—	10.000	563185	—	HMS5	RG
75.000	90.000	—	10.000	563186	—	HMSA10	RG
75.000	90.000	—	10.000	563187	w/Stainless Steel Spring	HMS5	V
75.000	90.000	—	10.000	563188	w/Stainless Steel Spring	HMSA10	V
75.000	95.000	95.150	8.000	29536	—	HMSA7	R
75.000	95.000	95.180	10.000	29525	—	★CRW1	R
75.000	95.000	95.180	10.000	29526	—	★CRW1	V
75.000	95.000	95.230	10.500	29485	—	HMSA7	V
75.000	95.000	—	10.000	562665	—	HMSA10	RG
75.000	95.000	—	10.000	562666	w/Stainless Steel Spring	HMS5	V
75.000	95.000	—	10.000	562667	w/Stainless Steel Spring	HMSA10	V
75.000	95.000	—	12.000	562920	—	HMS5	RG
75.000	95.000	—	12.000	562921	—	HMSA10	RG
75.000	95.000	—	12.000	562922	w/Stainless Steel Spring	HMS5	V
75.000	95.000	—	12.000	562923	w/Stainless Steel Spring	HMSA10	V
75.000	100.000	100.180	10.000	29540	—	★CRW1	R
75.000	100.000	100.180	10.000	29542	—	★CRW1	V
75.000	100.000	—	10.000	564160	—	HMS5	RG
75.000	100.000	—	10.000	564162	—	HMS5	V
75.000	100.000	—	10.000	564163	—	HMSA10	V
75.000	100.000	—	10.000	564161	—	HMSA10	RG
75.000	100.000	—	12.000	563063	w/Stainless Steel Spring	HMS5	V
75.000	100.000	—	12.000	563064	w/Stainless Steel Spring	HMSA10	V
75.000	105.000	105.180	10.000	29555	—	★CRW1	R
75.000	105.000	—	10.000	563713	—	HMSA10	RG
75.000	105.000	—	10.000	563714	w/Stainless Steel Spring	HMS5	V
75.000	105.000	—	10.000	563715	w/Stainless Steel Spring	HMSA10	V
75.000	110.000	110.150	13.000	29569	—	CRSH13	R
75.000	110.000	110.180	10.000	29570	—	★CRW1	R
75.000	110.000	110.275	13.000	29568	—	CRS13	R
75.000	110.000	—	12.000	563323	—	HMS5	RG
75.000	110.000	—	12.000	563324	—	HMSA10	RG
75.000	110.000	—	12.000	563325	w/Stainless Steel Spring	HMS5	V
75.000	110.000	—	12.000	563326	w/Stainless Steel Spring	HMSA10	V
75.000	115.000	115.180	12.000	29588	—	★CRW1	R
75.000	115.000	115.214	13.000	29582	—	CRSH1	R
75.000	120.000	—	12.000	563271	—	HMS5	RG
75.000	120.000	—	12.000	563272	—	HMSA10	RG
75.000	120.000	—	12.000	563273	w/Stainless Steel Spring	HMS5	V
75.000	120.000	—	12.000	563274	w/Stainless Steel Spring	HMSA10	V
75.006	119.990	120.117	8.128	29852	—	TL1	R
75.200	99.873	101.500	15.500	29587A	—	UNITIZE	P
75.250	75.133	89.000	6.000	29881A	—	SPECIAL	—
75.514	99.924	100.051	16.510	29860	—	HMSA97	R
75.667	84.023	84.150	8.992	29799	—	SL1	PT
75.997	95.021	95.199	9.398	29987	w/CW Helix From Air Side	HMSA83	V
75.997	110.998	111.227	13.005	29804	w/Felt "A" Lip	UNITIZE	V

Size listing - Metric

Metric Shaft	Metric Bore	Metric O.D.	Metric Width	Metric Seal no.	Seal info. notes	Type & style	Lip code
76.000	92.000	92.280	10.000	29862	w/CCW Helix From Air Side	HMSA7	V
76.000	93.000	93.250	10.000	29676	w/CCW Helix From Air Side	HMSA6	P
76.000	94.000	94.330	9.000	29519	—	HMSA7	V
76.000	95.000	—	10.000	29931	—	CRS11	R
76.000	98.000	98.270	12.000	29686	—	HMSA7	S
76.000	98.000	98.270	12.000	29686	—	HMSA7	S
76.000	100.000	100.279	10.000	29936	—	HMS47	R
76.000	107.010	107.240	8.000	29918	w/CCW Helix From Air Side	HMSA7	V
76.200	87.325	—	5.563	703023	—	BV	D
76.200	87.325	—	5.563	721539	—	BV	V
76.200	87.330	—	1.600	451265	—	BUW	—
76.200	87.330	—	5.560	712136	—	BV	V
76.200	88.770	—	88.770	709020	—	WS	R
76.200	88.770	—	88.770	712126	—	WS	V
76.200	88.900	89.030	7.950	29840	—	HM1	R
76.200	88.900	89.030	9.530	29841	—	★CRW1	V
76.200	88.900	—	88.900	504281	—	SC	R
76.200	92.020	92.150	6.350	29850	—	HM14	R
76.200	93.550	93.680	13.720	30015	w/4.180 Flange	CRWA86	P
76.200	95.275	95.402	9.525	29865	—	CRW1	R
76.200	95.275	95.402	15.951	30007	—	★HMSA25	V
76.200	95.280	95.400	6.350	29863	—	★HM21	R
76.200	95.280	95.400	9.530	29866	—	★CRWA1	R
76.200	95.280	95.400	9.530	29867	—	★CRWA1	P
76.200	95.280	95.400	9.530	29868	—	★CRW1	V
76.200	95.280	95.400	9.530	29870	—	★CRWA1	V
76.200	95.280	95.400	11.130	29871	—	★CRWH1	R
76.200	95.280	95.400	11.130	29872	—	★CRWHA1	R
76.200	98.450	98.580	7.950	29877	—	CRW1	V
76.200	98.450	98.580	11.130	29887	—	★CRWH1	R
76.200	98.450	98.580	11.910	29891	w/Stainless Steel Spring	★CRWH1	V
76.200	101.600	76.070	12.700	29900	—	X2	L
76.200	101.676	101.803	15.697	29961	w/CCW Helix From Air Side	★HMSA25	V
76.200	101.676	101.803	15.697	29967	w/CW Helix From Air Side	★HMSA25	V
76.200	101.680	101.800	6.350	29968	—	HM21	R
76.200	101.680	101.800	9.530	29906	—	★CRW1	R
76.200	101.680	101.800	9.530	29907	—	★CRWA1	R
76.200	101.680	101.800	9.530	29912	—	★CRWA1	V
76.200	101.680	101.800	9.530	29950	—	★CRWH1	P
76.200	101.680	101.800	11.130	29925	—	CRWHA1	P
76.200	101.680	101.800	11.130	29951	—	CRWH1	R
76.200	101.680	101.800	11.130	29952	—	★CRWHA1	R
76.200	101.680	101.800	11.130	29958	—	★CRWH1	V
76.200	104.780	104.900	11.130	30003	—	★CRWH1	V
76.200	104.780	104.900	11.130	30000	—	★CRWH1	R
76.200	107.920	108.050	6.350	30049	—	★HM21	R
76.200	107.920	108.050	11.130	30033	—	CRWH1	R
76.200	107.920	108.050	11.130	30056	—	★CRWHA1	P
76.200	107.925	108.052	15.951	30057	—	★HMSA25	V
76.200	110.000	110.134	11.130	30060	—	★CRWH1	R
76.200	111.150	111.280	11.130	30070	—	★CRWH1	R
76.200	114.300	114.430	11.130	30095	—	★CRWHA1	R
76.200	114.300	114.430	11.130	30087	—	★CRWH1	R
76.200	114.325	114.452	17.221	30100	—	★HMSA25	V
76.200	114.330	114.450	11.130	30098	—	★CRWH1	V
76.200	114.940	76.070	9.530	30108	O.D. Listed Is Pressfit I.D.	X12	R
76.200	115.875	116.027	25.400	29528	—	HMSA97	V
76.200	125.374	125.501	16.510	29917	—	★UNITIZE	P
76.200	125.374	125.501	16.510	30009	—	★UNITIZE	V
76.200	125.374	125.552	20.498	30153	—	★HMSA25	V
76.200	125.430	125.550	19.050	30145	P.F. Width .438 w/5.690 Flange	★CRWA1	P
76.200	126.970	127.100	11.130	30125	—	★CRWH1	R
76.200	139.730	139.850	34.930	30144	—	CRWHA6	P
76.200	146.050	146.200	33.020	30147	Helix-CW w/6.250 Flange, PF WD .400	HMSA16	P
76.200	146.050	146.202	17.145	30006	—	★UNITIZE	V

Size listing - Metric

Metric Shaft	Metric Bore	Metric O.D.	Metric Width	Metric Seal no.	Seal info. notes	Type & style	Lip code
76.200	146.050	146.202	24.943	30140	w/CW Helix From Air Side	★HMSA25	V
76.200	—	79.380	15.880	86062	—	S1	—
76.250	95.275	95.402	11.684	30008	—	★UNITIZE	V
76.251	95.275	95.402	14.478	30026	—	★UNITIZE	V
77.000	95.000	—	10.000	554180	—	CRSH13	R
77.000	100.000	—	10.000	554181	—	CRSH13	R
77.220	100.000	100.230	6.350	30360	—	HMS4	R
77.698	77.647	80.700	3.000	4079AA	—	O-RING	—
77.800	88.900	—	1.600	451291	—	BUW	—
77.800	88.900	—	5.563	711836	—	BV	R
78.000	90.000	90.080	7.000	30772	w/3.790 Flange O.D.	HMA18	P
78.000	100.000	—	10.000	563117	—	HMS5	RG
78.000	100.000	—	10.000	563118	—	HMSA10	RG
78.000	100.000	—	10.000	563119	w/Stainless Steel Spring	HMS5	V
78.000	100.000	—	10.000	563120	w/Stainless Steel Spring	HMSA10	V
78.000	105.000	—	13.000	30716	—	CRSH11	R
78.000	110.000	—	13.000	30717	—	CRSH11	R
78.000	163.000	163.330	16.000	30771	—	HMSA7SP	R
78.410	110.007	110.312	8.407	30775	—	HMSA7	V
78.968	112.877	209.550	12.700	31385	See Type J Section (CRW Lip)	J1-KIT	R
78.968	112.877	209.550	12.700	31390	See Type J Section (CRW Lip)	J1-KIT	R
78.968	139.573	209.550	25.806	31378	See Type J Section (CRW Lip)	J1-KIT	R
78.968	—	146.050	8.255	31361	See Type J Section (CRW Lip)	J2-KIT	R
79.375	101.676	101.803	11.125	31147	—	★CRWH1	R
79.375	104.775	104.902	11.100	31247	—	SL1	T
79.375	120.675	120.802	11.125	31327	—	CRWH1	R
79.380	95.280	95.400	6.350	31129	—	★HMA1	R
79.380	96.800	96.930	9.020	31132	—	★CRW1	R
79.380	96.800	96.930	9.020	31135	—	★CRW1	R
79.380	99.970	100.150	13.000	31144	—	CRSH1	V
79.380	101.680	101.800	9.530	31139	—	★CRWA1	R
79.380	101.680	101.800	9.530	31152	—	★CRWHA1	V
79.380	101.680	101.800	11.130	31148	—	★CRWHA1	R
79.380	102.840	102.970	11.130	31158	—	P2	R
79.380	104.780	104.900	6.350	31192	—	HMA1	R
79.380	104.780	104.900	9.530	31177	—	★CRW1	R
79.380	104.780	104.900	9.530	31179	—	★CRWA1	V
79.380	104.780	104.900	11.130	31173	—	★CRWHA1	P
79.380	104.780	104.900	11.130	31185	—	★CRWHA1	S
79.380	104.780	104.900	11.130	31189	—	CRWH1	R
79.380	106.020	106.150	7.370	31203	—	HMA1	R
79.380	107.920	108.050	11.130	31227	—	★CRWH1	R
79.380	107.920	108.050	11.130	31228	—	★CRWHA1	R
79.380	107.920	108.050	11.130	31237	—	★CRWHA1	V
79.380	107.920	108.050	11.130	31247	—	★CRWHA1	V
79.380	111.150	111.280	11.130	31250	—	★CRWH1	R
79.380	111.150	111.280	11.130	31261	—	★CRWHA1	P
79.380	114.330	114.450	11.130	31269	—	★CRWH1	R
79.380	115.870	116.000	19.050	31284	—	CRWH2	R
79.380	117.500	117.630	11.130	31299	—	★CRWH1	R
79.380	126.970	127.100	11.130	31333	—	★CRWH1	R
79.380	133.380	133.500	11.130	31353	—	★CRWH1	R
79.380	139.570	139.700	25.480	31372	See Type J Section (CRSH Lip)	J2	R
79.380	152.020	152.400	24.210	31362	—	CRS-SPL	R
80.000	95.000	95.120	14.000	31504	w/3.990 Flange O.D.	HMA18	P
80.000	95.000	—	10.000	563732	—	HMS5	RG
80.000	95.000	—	10.000	563733	—	HMSA10	RG
80.000	95.000	—	10.000	563734	w/Stainless Steel Spring	HMS5	V
80.000	95.000	—	10.000	563735	w/Stainless Steel Spring	HMSA10	V
80.000	95.000	—	10.000	31501	—	CRSH13	R
80.000	96.000	96.300	9.000	31506	w/CCW Helix From Air Side	HMSA7	R
80.000	98.000	98.350	10.000	32243	w/CW Helix From Air Side	HMSA7	P
80.000	98.000	98.390	8.000	31495	—	HMSA7	V
80.000	98.000	98.390	10.000	31497	w/CCW Helix From Air Side	HMSA7	R
80.000	98.000	98.390	10.000	31507	w/CCW Helix From Air Side	HMSA7	V

Size listing - Metric

Metric Shaft	Metric Bore	Metric O.D.	Metric Width	Metric Seal no.	Seal info. notes	Type & style	Lip code
80.000	100.000	100.150	13.000	31503	—	CRSA1	R
80.000	100.000	100.180	10.000	31510	—	★CRW1	R
80.000	100.000	100.180	10.000	31513	—	HMSA7	R
80.000	100.000	100.180	10.000	31524	—	★CRW1	V
80.000	100.000	100.180	10.000	31581	—	HMSA7	S
80.000	100.000	100.279	7.000	31533	—	HMSA7P2	R
80.000	100.000	100.280	10.000	31516	—	HMS4	V
80.000	100.000	—	10.000	692631	—	HMS5	RG
80.000	100.000	—	10.000	692632	—	HMS5	V
80.000	100.000	—	10.000	692633	—	HMSA10	RG
80.000	100.000	—	12.000	563788	—	HMS5	RG
80.000	100.000	—	12.000	563789	—	HMSA10	RG
80.000	100.000	—	12.000	563790	w/Stainless Steel Spring	HMS5	V
80.000	100.000	—	12.000	563791	w/Stainless Steel Spring	HMSA10	V
80.000	100.220	100.381	8.500	31494	w/CCW Helix From Air Side	HMSA92	R
80.000	100.220	100.381	10.000	31492	—	HMSA7	S
80.000	100.220	100.381	10.000	31511	—	★CRW1	V
80.000	100.220	100.381	10.000	31582	—	HMSA7	R
80.000	101.450	79.860	15.000	31514	O.D. Listed Is Pressfit I.D.	X15	R
80.000	105.000	105.170	10.000	31517	—	★CRW1	V
80.000	105.000	105.180	10.000	31515	—	★CRW1	R
80.000	105.000	—	10.000	563169	—	HMS5	RG
80.000	105.000	—	10.000	563170	—	HMSA10	RG
80.000	105.000	—	10.000	563171	w/Stainless Steel Spring	HMS5	V
80.000	105.000	—	10.000	563172	w/Stainless Steel Spring	HMSA10	V
80.000	110.000	110.180	10.000	31591	—	★CRW1	R
80.000	110.000	110.280	12.000	31526	—	HMS4	V
80.000	110.000	—	10.000	562924	—	HMS5	RG
80.000	110.000	—	10.000	562925	—	HMSA10	RG
80.000	110.000	—	10.000	562926	w/Stainless Steel Spring	HMS5	V
80.000	110.000	—	10.000	562927	w/Stainless Steel Spring	HMSA10	V
80.000	110.000	—	12.000	562648	—	HMS5	RG
80.000	110.000	—	12.000	562649	—	HMSA10	RG
80.000	110.000	—	12.000	562650	w/Stainless Steel Spring	HMS5	V
80.000	110.000	—	12.000	562651	w/Stainless Steel Spring	HMSA10	V
80.000	113.000	113.210	22.000	31490	P.F. Width 12.000	HMSA8	R
80.000	115.000	115.265	10.000	31562	—	HMS46	R
80.000	115.000	—	13.000	31563	—	CRS13	R
80.000	120.000	120.280	13.000	31546	—	HMS4	R
80.000	125.000	125.200	10.000	31551	—	★CRW1	R
80.000	125.000	125.200	10.000	31552	—	★CRW1	V
80.000	125.000	125.222	13.000	31576	—	CRSH1	R
80.000	130.000	130.200	12.000	31565	—	★CRWA1	R
80.000	140.000	140.200	12.000	31585	—	★CRW1	R
80.314	80.264	83.400	3.000	42G00	—	O-RING	—
80.543	80.492	83.541	3.000	4A322	—	O-RING	—
80.980	106.170	106.300	19.050	31753	w/4.500 Flange	★HMSHA4	R
80.980	107.920	108.050	11.130	31758	—	★CRWH1	R
80.980	111.150	111.280	11.130	31825	—	★CRWH1	R
80.980	114.330	114.450	11.130	31855	—	★CRWH1	R
80.980	117.500	117.630	11.130	31870	—	★CRWH1	R
80.980	126.970	127.100	11.130	31955	—	★CRWH1	R
81.000	96.550	96.750	16.000	31897	w/Flange	HMA8	R
81.000	100.000	—	10.000	31891	—	CRSH11	R
81.838	81.788	84.836	3.000	4C3Z1	—	O-RING	—
81.991	59.994	60.325	6.706	29935A	w/CCW Helix From Air Side	HMSA7	V
81.991	97.993	98.247	8.001	30350A	w/CCW Helix From Air Side	HMSASPL	V
81.991	97.993	98.247	8.001	32432A	w/CCW Helix From Air Side	HMSA7	V
81.991	99.999	100.228	8.001	32340A	—	D8	P
81.991	105.004	105.334	13.005	32342	w/4.331 Flange O.D.	HMSA12	S
82.000	96.290	96.469	8.000	32283	w/CCW Helix From Air Side	HMSA7	V
82.000	99.570	99.770	12.700	32289	w/CCW Helix From Air Side	HMSA7	V
82.000	100.000	100.340	10.000	32290	w/CCW Helix From Air Side	HMSA7	P
82.000	100.000	100.360	10.000	14190	w/CW Helix From Air Side	HMSA7	V
82.000	105.000	105.280	12.000	32302	—	HMS4	R

★ Includes Bore Tite on O.D.
Seal kits—See pg. 632

Axle flange gaskets—See pg. 374
Speedi-Sleeve's—See pg. 637

Scotseals—See pg. 382
V-ring's—See pg. 657

HDDF seals—See pg. 404

Size listing - Metric

Metric Shaft	Metric Bore	Metric O.D.	Metric Width	Metric Seal no.	Seal info. notes	Type & style	Lip code
82.000	105.000	—	13.000	32285	—	CRSH13	R
82.000	110.000	110.150	12.000	32286	—	HMS4	R
82.000	110.000	110.160	12.000	32275	—	HMSA7	R
82.550	92.075	—	4.775	711838	—	BV	R
82.550	92.075	—	4.775	721540	—	BV	V
82.550	92.080	—	1.600	451275	—	BUW	—
82.550	95.120	—	95.120	709021	—	WS	R
82.550	95.250	95.380	6.350	32325	—	★HMA1	R
82.550	98.430	—	8.331	504283	—	SC	R
82.550	98.450	98.580	9.530	32330	—	★CRW1	P
82.550	98.450	98.580	9.530	32332	w/CW Helix From Air Side	★CRS1	V
82.550	101.680	101.800	9.530	32344	—	★CRW1	R
82.550	101.680	101.800	9.530	32347	—	★CRWA1	P
82.550	104.780	104.900	14.300	32362	—	★CRSH1	R
82.550	107.920	108.050	6.350	32412	—	★HM14	R
82.550	107.920	108.050	9.530	32392	—	★CRWA1	V
82.550	107.920	108.050	9.530	32393	—	★CRW1	R
82.550	107.920	108.050	9.530	32395	—	★CRWA1	R
82.550	107.920	108.050	11.130	32380	—	CRWH1	P
82.550	107.920	108.050	11.130	32385	—	★CRWHA1	P
82.550	107.920	108.050	11.130	32396	—	★CRWH1	R
82.550	107.920	108.050	11.130	32397	—	★CRWHA1	R
82.550	107.920	108.050	11.130	32403	—	★CRWH1	V
82.550	107.920	108.050	19.050	32394	—	★F1	LF
82.550	107.925	108.052	17.018	32410	—	★HMSA26	V
82.550	108.250	117.630	11.000	32514	—	CRWHA1	R
82.550	111.150	111.280	11.130	32424	—	★CRWH1	R
82.550	113.490	82.400	8.000	32437	—	X4	R
82.550	114.300	82.400	7.950	32441	—	X15	R
82.550	114.300	114.430	11.130	32448	—	★CRWA1	P
82.550	114.300	114.452	15.494	32527	Helix Bi-Direction P.F. Width .436	★HMSHA83	V
82.550	114.330	114.430	9.530	36166	—	★CRW1	R
82.550	114.330	114.450	6.350	32510	—	★HM21	R
82.550	114.330	114.450	9.530	32477	—	★CRW1	R
82.550	114.330	114.450	11.130	32501	—	★CRWH1	R
82.550	114.330	114.450	11.130	32502	—	★CRWHA1	R
82.550	117.500	117.630	11.130	32540	—	★CRWH1	R
82.550	119.840	119.960	11.130	32555	—	★CRWH1	R
82.550	120.680	120.800	11.130	32560	—	★CRWH1	R
82.550	126.970	127.100	11.130	32582	—	★CRWH1	R
82.550	126.970	127.100	11.130	32583	—	★CRWHA1	R
82.550	139.725	139.878	16.510	32870	—	★UNITIZE	P
82.550	139.725	139.903	16.510	33254	w/Extra 'A' Lip, DL Pinion	HMSA25S	P
82.600	139.700	139.903	14.478	32503	—	★UNITIZE	V
82.626	107.924	108.026	14.478	32500	—	★UNITIZE	V
82.850	117.500	117.630	12.700	32710	w/4.910 Flange	CRWA1	R
83.000	100.000	100.290	9.000	32715	w/CCW Helix From Air Side	HMSA7	V
83.770	104.780	104.900	14.300	32815	—	★CRSA1	R
83.900	113.000	113.090	10.500	32461	—	EXCLUDR	P
84.000	96.850	97.079	8.992	30370	w/CCW Helix From Air Side	HMSASPL	V
84.000	100.000	100.150	10.000	33070	—	HMSA1	R
84.000	104.000	104.230	8.500	33065	—	HMSA7	V
84.000	104.000	104.280	11.000	33438	—	HMSA7	V
84.000	104.000	104.330	8.500	33405	w/CCW Helix From Air Side	HMSA7	V
84.000	104.000	104.330	11.000	33007	w/CCW Helix From Air Side	HMSA7	V
84.000	110.000	—	12.000	33072	—	CRSH11	R
84.150	95.250	—	1.600	451490	—	BUW	—
84.150	95.250	—	5.563	711840	—	BV	R
84.150	104.780	104.900	11.130	33033	—	★CRWH1	R
84.150	107.920	108.050	11.130	33073	—	★CRWH1	R
84.150	114.300	114.430	11.130	33136	—	★CRWH1	R
84.150	126.970	127.100	11.130	33306	—	★CRWH1	R
84.988	103.988	104.216	8.992	33454	—	HMSA7	P
84.988	104.902	105.004	10.998	33204	—	SLA1	PT
84.988	116.992	117.221	8.500	33400A	w/CCW Helix From Air Side	HMSA7	P

Size listing - Metric

Metric Shaft	Metric Bore	Metric O.D.	Metric Width	Metric Seal no.	Seal info. notes	Type & style	Lip code
84.988	130.987	131.394	16.002	33186A	—	HMSASPL	T
85.000	100.000	100.203	9.000	33459	—	CRS1	R
85.000	100.000	—	10.000	563728	—	HMS5	RG
85.000	100.000	—	10.000	563729	—	HMSA10	RG
85.000	100.000	—	10.000	563730	w/Stainless Steel Spring	HMS5	V
85.000	100.000	—	10.000	563731	w/Stainless Steel Spring	HMSA10	V
85.000	100.000	—	12.000	33463	—	CRSA12	R
85.000	100.000	—	13.000	33464	—	CRSH13	R
85.000	103.000	103.230	8.000	33861	w/CCW Helix From Air Side	HMSA7	V
85.000	105.000	105.180	9.000	34666	—	SLA1	PT
85.000	105.000	105.180	10.000	33408	—	HMSA7	S
85.000	105.000	105.180	10.000	33410	—	★CRW1	R
85.000	105.000	105.180	10.000	33412	—	★CRW1	V
85.000	105.000	105.200	12.000	32550A	w/CCW Helix From Air Side	HMSA7	TF
85.000	105.000	105.280	12.000	33413	w/CCW Helix From Air Side	HMSA7	R
85.000	105.000	—	12.000	563435	—	HMS5	RG
85.000	105.000	—	12.000	563436	—	HMSA10	RG
85.000	105.000	—	12.000	563437	w/Stainless Steel Spring	HMS5	V
85.000	105.000	—	12.000	563438	w/Stainless Steel Spring	HMSA10	V
85.000	105.207	105.334	13.000	33416	—	HMSA7	R
85.000	110.000	110.180	10.000	33425	—	★CRW1	R
85.000	110.000	110.180	10.000	33426	—	★CRWA1	V
85.000	110.000	110.280	12.000	33428	—	HMS4	V
85.000	110.000	—	12.000	564164	—	HMS5	RG
85.000	110.000	—	12.000	564165	—	HMSA10	RG
85.000	110.000	—	12.000	564166	—	HMS5	V
85.000	110.000	—	12.000	564167	—	HMSA10	V
85.000	115.000	—	12.000	563351	—	HMS5	RG
85.000	115.000	—	12.000	563352	—	HMSA10	RG
85.000	115.000	—	12.000	563353	w/Stainless Steel Spring	HMS5	V
85.000	115.000	—	12.000	563354	w/Stainless Steel Spring	HMSA10	V
85.000	115.000	—	13.000	33488	—	CRSH13	R
85.000	120.000	120.180	12.000	33555	—	★CRW1	R
85.000	120.000	—	12.000	563359	—	HMS5	RG
85.000	120.000	—	12.000	563360	—	HMSA10	RG
85.000	120.000	—	12.000	563361	w/Stainless Steel Spring	HMS5	V
85.000	120.000	—	12.000	563362	w/Stainless Steel Spring	HMSA10	V
85.000	128.000	128.190	21.000	33460	P.F. Width 11.000	HMSA8	R
85.000	130.000	130.200	12.000	33585	—	★CRW1	R
85.000	130.000	—	12.000	562844	—	HMS5	RG
85.000	130.000	—	12.000	562845	—	HMSA10	RG
85.000	130.000	—	12.000	562846	w/Stainless Steel Spring	HMS5	V
85.000	130.000	—	12.000	562847	w/Stainless Steel Spring	HMSA10	V
85.725	98.425	—	6.350	711839	—	BV	R
85.725	98.425	—	6.350	721575	—	BV	V
85.725	102.743	102.895	12.700	33624	See Type J Section (HMSA Lip)	J-TYPE	R
85.725	111.400	119.126	20.320	33751	—	HMSA97	V
85.730	98.430	—	1.600	451273	—	BUW	—
85.730	100.280	100.460	9.530	33628	—	HMSA7	P
85.730	104.780	104.900	9.530	33645	—	★CRW1	R
85.730	104.780	104.900	9.530	34647	—	★CRWA1	V
85.730	107.920	108.050	11.130	33665	—	★CRWHA1	R
85.730	108.710	108.840	10.310	33654	—	★CRWA1	S
85.730	111.150	111.280	9.530	33699	—	★CRWA1	V
85.730	111.150	111.280	9.530	33699	—	★CRWA1	V
85.730	111.150	111.280	9.530	33700	—	★CRW1	R
85.730	111.150	111.280	9.530	33701	—	★CRWA1	R
85.730	111.150	111.280	11.130	33711	—	★CRWH1	R
85.730	111.150	111.280	11.130	33712	—	★CRWHA1	R
85.730	114.330	114.450	11.130	33733	—	★CRWA1	V
85.730	114.330	114.450	11.130	33735	—	★CRWH1	R
85.730	114.330	114.450	11.130	33775	—	★CRWH1	R
85.730	117.500	117.630	11.130	33772	—	★CRWH1	R
85.730	117.500	117.630	11.130	33773	—	★CRWHA1	R
85.730	119.020	119.150	11.130	33807	—	CRWH1	R

★ Includes Bore Tite on O.D.
Seal kits—See pg. 632

Axle flange gaskets—See pg. 374
Speedi-Sleeve's—See pg. 637

Scotseals—See pg. 382
V-ring's—See pg. 657

HDDF seals—See pg. 404

Size listing - Metric

Metric Shaft	Metric Bore	Metric O.D.	Metric Width	Metric Seal no.	Seal info. notes	Type & style	Lip code
85.730	126.970	127.100	11.130	33837	—	CRWH1	R
85.730	133.380	133.500	11.130	33866	—	★CRWHA1	R
86.000	105.000	105.283	13.000	33862	—	HMS46	R
86.157	99.080	99.080	10.400	33640	—	Seal Cap	—
86.360	114.300	86.230	7.140	34000	O.D. Listed Is Pressfit I.D.	★X14	V
87.000	100.000	100.280	7.500	34115	w/CCW Helix From Air Side	HMSA7	V
87.000	100.000	100.280	8.000	34120	w/CCW Helix From Air Side	HMSA7	S
87.000	110.000	—	13.000	34251	—	CRSH13	R
87.330	107.920	108.050	9.530	34256	—	★CRW1	R
87.330	114.320	114.450	9.530	34279	—	★CRWA1	R
87.330	114.320	114.450	11.130	34282	—	★CRWH1	R
87.330	114.320	114.450	11.130	34283	—	★CRWHA1	R
87.330	117.500	117.630	11.130	34336	—	★CRWH1	R
87.330	117.500	117.630	11.130	34338	—	★CRWHA1	R
87.330	120.680	120.800	11.130	34379	—	★CRWA1	R
87.330	120.800	120.930	11.130	34383	—	★CRWH1	R
87.330	123.850	123.980	11.130	34398	—	★CRWH1	R
87.330	126.970	127.100	11.130	34407	—	★CRWH1	R
87.330	126.970	127.100	11.130	34408	—	★CRWHA1	R
87.405	106.580	106.780	18.070	34395	—	HMA1	R
88.000	104.000	104.230	8.500	34663	—	HMSA7	V
88.000	108.000	108.410	10.850	34611	w/CCW Helix From Air Side	HMS4	V
88.000	108.000	108.430	11.000	34116	w/CCW Helix From Air Side	HMSA7	V
88.000	110.000	110.280	12.000	34623	—	HMS4	R
88.000	120.000	—	13.000	34653	—	CRSH13	R
88.110	117.500	117.630	15.880	34700	—	CRSA1	R
88.900	101.470	—	101.470	709022	—	WS	R
88.900	101.470	—	101.470	712542	—	WS	V
88.900	101.600	101.730	7.620	34835	—	HM1	R
88.900	101.600	—	1.600	451065	—	BUW	—
88.900	101.600	—	6.350	711841	—	BV	D
88.900	101.600	—	6.350	721541	—	BV	V
88.900	101.680	101.800	6.350	34840	—	★HM14	R
88.900	104.775	104.902	6.350	546770	—	★HM14	V
88.900	104.780	104.900	6.350	34848	—	HM14	R
88.900	104.780	—	104.780	504285	—	SC	R
88.900	107.920	108.050	11.130	34857	—	★CRWHA1	V
88.900	108.204	—	12.700	35116	—	HMSA7S	RT
88.900	111.150	111.277	10.998	34869	—	★CRWHA1	V
88.900	111.150	111.280	9.530	34860	—	★CRW1	R
88.900	111.150	111.280	9.530	34861	—	★CRWA1	R
88.900	111.150	111.280	9.530	34866	—	★CRWA1	V
88.900	111.150	111.280	10.998	34867	—	★CRWH1	R
88.900	111.150	111.280	11.130	34868	—	★CRWHA1	R
88.900	112.730	88.770	11.130	34890	—	X1	L
88.900	113.030	113.160	13.490	34885	—	HM12	R
88.900	114.275	114.452	12.700	34882	—	★HMSA25	V
88.900	114.330	114.450	6.350	34967	—	HM21	R
88.900	114.330	114.450	9.530	34886	—	★CRW1	R
88.900	114.330	114.450	9.530	34887	—	★CRWA1	R
88.900	114.330	114.450	9.530	34883	—	★CRWA1	V
88.900	114.330	114.450	11.130	34891	—	CRWHA1	P
88.900	114.330	114.450	11.130	34888	—	★CRWH1	R
88.900	114.330	114.450	11.130	34892	—	★CRWH1	V
88.900	114.330	114.450	11.130	34889	—	★CRWHA1	R
88.900	115.490	115.620	18.800	34980	P.F. Width 16.256	★CRWHA2	R
88.900	117.500	117.630	11.130	34985	—	★CRWH1	R
88.900	118.923	119.101	11.455	34928	—	★HMSHA16	V
88.900	120.680	120.800	6.350	35042	—	★HM21	R
88.900	120.680	120.800	9.530	35039	—	★CRWA1	V
88.900	120.680	120.800	9.530	35040	—	★CRWA1	P
88.900	120.680	120.800	11.130	35012	—	★CRWH1	R
88.900	120.680	120.800	11.130	35020	—	★CRWHA1	R
88.900	120.680	120.800	15.880	35029	—	★CRWH1	R
88.900	122.990	123.140	23.010	35062	P.F. Width 18.719	CRWHA2	R

Size listing - Metric

Metric Shaft	Metric Bore	Metric O.D.	Metric Width	Metric Seal no.	Seal info. notes	Type & style	Lip code
88.900	126.970	127.100	11.130	35080	—	★CRWA1	V
88.900	126.970	127.100	11.130	35082	—	★CRWH1	R
88.900	126.970	127.100	11.130	35083	—	★CRWHA1	P
88.900	130.020	130.330	11.130	35095	—	★CRWHA1	R
88.900	130.200	130.330	11.130	35086	—	★CRWH1	R
88.900	133.380	133.500	11.130	35096	—	★CRWH1	R
88.900	133.380	133.500	19.050	35098	—	★CRWHA11	P
88.900	139.700	139.830	12.700	35107	—	★CRSHA1	R
88.900	146.050	146.202	20.269	35105	—	★HMSA25	V
88.900	146.080	146.200	14.300	35111	—	★CRSH1	R
89.000	106.000	106.280	9.000	35120	w/CCW Helix From Air Side	HMSA7	V
89.620	138.920	139.050	16.620	35298	—	UNITIZE	R
89.992	110.007	109.982	8.991	35540	—	HMSA7	P
90.000	105.000	105.280	10.000	35405	w/CCW Helix From Air Side	HMSA7	V
90.000	108.000	108.140	10.000	35418	—	HMA7	P
90.000	109.000	109.280	9.000	35407	w/CCW Helix From Air Side	HMSA35	V
90.000	110.000	110.180	9.000	35409	w/CCW Helix From Air Side	HMSA7	S
90.000	110.000	110.180	12.000	35410	—	★CRW1	R
90.000	110.000	110.180	12.000	35412	—	★CRW1	V
90.000	110.000	110.180	12.000	35414	—	HMSA7	R
90.000	110.000	110.287	7.500	35439	—	HMSA7P2	R
90.000	110.000	110.287	8.000	35428	—	HMS4	R
90.000	110.000	—	10.000	563447	—	HMS5	RG
90.000	110.000	—	10.000	563448	—	HMSA10	RG
90.000	110.000	—	10.000	563449	—	HMS5	V
90.000	110.000	—	10.000	563450	w/Stainless Steel Spring	HMSA10	V
90.000	110.000	—	12.000	692639	—	HMS5	RG
90.000	110.000	—	12.000	692641	—	HMSA10	RG
90.000	110.000	—	110.000	522353	—	SC	R
90.000	115.000	115.180	12.000	35420	—	★CRWA1	R
90.000	115.000	115.280	13.000	35422	w/CCW Helix From Air Side	HMSA7	P
90.000	115.000	—	9.000	35453	—	CRSH11	R
90.000	115.000	—	12.000	563045	—	HMS5	RG
90.000	115.000	—	12.000	563047	w/Stainless Steel Spring	HMS5	V
90.000	115.000	—	12.000	563048	w/Stainless Steel Spring	HMSA10	V
90.000	120.000	120.180	12.000	35430	—	★CRW1	R
90.000	120.000	120.180	12.000	35431	—	★CRW1	V
90.000	120.000	120.200	13.000	35459	—	HMS4	R
90.000	120.000	—	12.000	562808	—	HMS5	RG
90.000	120.000	—	12.000	562809	—	HMSA10	RG
90.000	120.000	—	12.000	562811	w/Stainless Steel Spring	HMSA10	V
90.000	120.000	—	12.000	562810	—	HMS5	V
90.000	125.000	125.197	13.000	35508	—	HMS4	R
90.000	125.000	125.197	13.000	35511	—	HMSA7	R
90.000	125.000	125.200	12.000	35440	—	★CRW1	R
90.000	125.000	125.200	12.000	35441	—	★CRW1	V
90.000	125.000	125.222	13.000	35477	—	CRSH1	R
90.000	130.000	130.200	12.000	35450	—	★CRW1	R
90.000	140.000	140.200	12.000	35481	—	★CRWA1	R
90.000	140.000	140.360	13.000	35482	—	HMS4	R
90.000	160.000	160.200	20.320	35495	P.F. Width .669 & 6.713 Flange	HMSHASP	R
90.000	221.000	221.120	21.000	35112	—	SLA-SPL	PT
90.008	103.988	104.089	10.998	35836	—	HMSA7	VR
90.500	114.330	114.450	11.130	35556	—	★CRWH1	R
90.500	117.500	117.630	11.130	35593	—	★CRWH1	R
90.500	120.680	120.800	11.130	35649	—	★CRWH1	R
90.500	123.850	123.980	11.130	35676	—	★CRWH1	R
90.500	126.970	127.100	11.130	35716	—	★CRWH1	R
90.780	120.850	120.980	15.880	35810	—	★HMSA16	P
91.000	90.000	94.000	3.000	90301A	—	O-RING	—
91.000	111.000	111.120	9.500	35828	w/CCW Helix From Air Side	HMSA7	V
91.000	111.000	111.130	10.000	35905	w/CCW Helix From Air Side	★HMSA1	V
91.950	117.500	117.630	12.700	36120	—	★ALH1	S
92.000	90.000	95.000	3.000	88077A	—	O-RING	—
92.000	109.340	109.470	9.310	37444	—	HMSA92	V

Size listing - Metric

Metric Shaft	Metric Bore	Metric O.D.	Metric Width	Metric Seal no.	Seal info. notes	Type & style	Lip code
92.000	110.000	110.130	9.500	36005	w/CCW Helix From Air Side	HMSA7	V
92.000	111.000	111.240	8.000	36204	w/CCW Helix From Air Side	HMSA7	P
92.000	120.000	120.269	12.000	36222	—	HMS46	R
92.000	120.000	120.280	13.000	36013	—	HMS4	R
92.000	120.000	120.280	14.000	36015	—	HMS4	R
92.075	107.569	107.696	4.953	539171	—	SLINGER	R
92.075	107.696	108.102	9.652	36147	w/CCW Helix From Air Side	HMSA7	V
92.075	120.675	120.802	12.700	36250	Helix-CW From Air Side	★SL1	T
92.075	123.850	123.977	11.125	36314	—	★CRWH1	R
92.080	111.150	111.280	9.530	36153	—	★CRWA1	V
92.080	111.150	111.280	9.530	36155	—	★CRWA1	R
92.080	111.150	111.280	9.530	36157	—	★CRWH1	R
92.080	111.150	111.280	9.530	36158	—	★CRWH1	P
92.080	114.300	91.920	7.470	36172	O.D. Listed Is Pressfit I.D.	X15	R
92.080	117.500	117.630	9.530	36177	—	★CRW1	R
92.080	117.500	117.630	9.530	36179	—	★CRWA1	V
92.080	117.500	117.630	11.130	36185	—	★CRWH1	R
92.080	117.500	117.630	11.130	36186	—	★CRWHA1	R
92.080	119.250	92.080	10.030	36221	O.D. Listed Is Pressfit I.D.	X13	R
92.080	120.680	120.800	11.130	36220	—	★CRWH1	R
92.080	120.680	120.800	12.700	36234	w/Stainless Steel Spring	★CRWA1	S
92.080	122.910	123.040	12.700	36289	—	P1	L
92.080	123.850	123.980	9.530	36337	No Spring	CRW	R
92.080	123.850	123.980	19.050	36340	—	C8	RR
92.080	126.970	127.100	9.530	36359	—	★CRWA1	V
92.080	126.970	127.100	9.530	36361	—	★CRWA1	R
92.080	126.970	127.100	11.130	36363	—	★CRWH1	R
92.080	126.970	127.100	11.130	36364	—	★CRWHA1	R
92.080	133.380	133.500	9.530	36382	—	★CRWA1	R
92.080	136.530	136.680	11.130	36391	—	★CRWHA1	R
92.080	—	95.250	15.880	86067	—	S1	—
92.200	—	83.400	2.850	30192	—	ORING	—
92.989	168.885	169.012	11.405	36655	See Type J Section (HMA Lip)	J-TYPE	P
93.000	110.000	110.230	7.000	36621	—	HMSA7	V
93.000	114.000	114.330	13.000	36614	w/CCW Helix From Air Side	HMSA7	V
93.000	154.000	154.090	8.000	36650	See Type J Section (HMSA Lip)	J-TYPE	P
93.620	—	95.680	15.880	86079	—	S7	—
93.675	142.900	143.030	11.130	36910	—	★CRWA1	R
93.680	114.330	114.450	11.130	36740	—	★CRWHA1	R
93.680	120.680	120.800	11.130	36770	—	★CRWH1	R
93.680	126.970	127.100	11.130	36880	—	★CRWH1	R
93.680	130.200	130.330	11.130	36895	—	★CRWA1	R
95.000	110.000	110.150	12.000	37440	—	HMS4	R
95.000	110.000	110.180	10.000	37015	—	★CRW1	R
95.000	110.000	110.287	9.000	37001	—	CRS1	R
95.000	110.000	110.287	9.000	37005	—	HMS4	R
95.000	110.000	110.287	9.000	37008	—	HMSA7	R
95.000	113.000	113.240	8.000	37795	w/CCW Helix From Air Side	HMSA7	V
95.000	115.000	115.180	12.000	37025	—	★CRW1	R
95.000	115.000	115.180	12.000	37026	—	★CRW1	V
95.000	115.000	115.280	12.000	37027	—	CRSA1	R
95.000	115.000	—	12.000	563189	—	HMS5	RG
95.000	115.000	—	12.000	563190	—	HMSA10	RG
95.000	115.000	—	12.000	563191	w/Stainless Steel Spring	HMS5	V
95.000	115.000	—	12.000	563192	w/Stainless Steel Spring	HMSA10	V
95.000	118.000	118.260	10.000	37030	w/CCW Helix From Air Side	HMSA7	S
95.000	120.000	120.180	12.000	37040	—	★CRW1	R
95.000	120.000	120.180	12.000	37041	—	★CRW1	V
95.000	120.000	120.180	12.000	37042	—	★CRWA1	V
95.000	120.000	120.750	13.000	37439	—	HMSA7	R
95.000	120.000	—	12.000	562880	—	HMS5	RG
95.000	120.000	—	12.000	562881	—	HMSA10	RG
95.000	120.000	—	12.000	562882	w/Stainless Steel Spring	HMS5	V
95.000	120.000	—	12.000	562883	w/Stainless Steel Spring	HMSA10	V
95.000	125.000	125.200	12.000	37050	—	★CRW1	R

Size listing - Metric

Metric Shaft	Metric Bore	Metric O.D.	Metric Width	Metric Seal no.	Seal info. notes	Type & style	Lip code
95.000	125.000	—	12.000	562989	—	HMS5	RG
95.000	125.000	—	12.000	562990	—	HMSA10	RG
95.000	125.000	—	12.000	562991	w/Stainless Steel Spring	HMS5	V
95.000	125.000	—	12.000	562992	w/Stainless Steel Spring	HMSA10	V
95.000	130.000	130.200	12.000	37076	—	★CRW1	V
95.000	130.000	130.350	12.000	37081	—	HMS4	R
95.000	130.000	130.430	15.000	35455	—	HMSA7	R
95.000	132.000	132.230	22.000	37408	P.F. Width 12.000	HMSA8	R
95.130	156.489	156.610	7.750	37442	See Type J Section (HMA Lip)	J-TYPE	P
95.250	107.820	—	107.820	709023	—	WS	R
95.250	107.950	—	1.600	451068	—	BUW	—
95.250	107.950	—	6.350	711844	—	BV	R
95.250	111.130	—	8.331	504287	—	SC	R
95.250	111.150	111.280	6.350	37320	—	★HM14	R
95.250	111.150	111.280	6.350	37325	—	★HM14	V
95.250	114.300	114.732	9.677	37338	w/CW Helix From Air Side	HMSA7	P
95.250	114.325	114.452	9.525	37327	—	CRW1	R
95.250	114.330	114.450	9.530	37328	—	★CRW1	V
95.250	114.330	114.450	11.910	37330	—	★CRWHA1	P
95.250	114.330	114.730	9.550	37341	w/CCW Helix From Air Side	HMS4	V
95.250	114.330	114.730	9.650	37340	w/CCW Helix From Air Side	HMS4	S
95.250	114.351	114.452	11.913	37332	—	★CRWHA1	V
95.250	115.113	115.240	12.243	37504	—	HMA11	VT
95.250	116.154	116.307	14.503	37507	—	S1	T
95.250	117.500	117.650	12.700	37354	—	★CRSHA1	R
95.250	120.675	120.802	12.700	37410	—	★HMSA24	V
95.250	120.680	120.800	9.530	37387	—	★CRW1	P
95.250	120.680	120.800	9.530	37388	—	★CRW1	R
95.250	120.680	120.800	9.530	37389	—	★CRWA1	R
95.250	120.680	120.800	11.130	37390	—	★CRWA1	P
95.250	120.680	120.800	11.130	37395	—	★CRWHA1	S
95.250	120.680	120.800	11.130	37396	—	★CRWH1	R
95.250	120.680	120.800	11.130	37403	—	★CRWHA1	P
95.250	120.680	120.800	11.130	37405	—	★CRWH1	V
95.250	120.680	120.800	22.230	37381	—	★E3	RR
95.250	123.850	123.980	11.130	37433	—	★CRWH1	R
95.250	126.970	127.100	9.530	37524	—	★CRW1	V
95.250	126.970	127.100	9.530	37525	—	★CRW1	R
95.250	126.970	127.100	9.530	37526	—	★CRWA1	R
95.250	126.970	127.100	11.130	37532	—	★CRWH1	R
95.250	126.970	127.100	11.130	37533	—	★CRWHA1	R
95.250	133.380	133.500	11.130	37574	—	★CRWH1	R
95.250	133.380	133.500	11.130	37577	w/Stainless Steel Spring	★CRWH1	V
95.326	119.888	120.040	20.853	37520	P.F. Width 14.503	★UNITIZE	V
96.000	116.000	116.117	9.000	38196	w/CCW Helix From Air Side	HMSA7	R
96.000	116.000	116.230	9.000	37570	w/CCW Helix From Air Side	HMSA7	V
96.000	117.000	117.200	12.000	37825	w/CCW Helix From Air Side	HMSA7	S
96.850	114.330	114.450	6.350	38040	—	★HD1	R
96.850	114.330	114.450	6.350	38041	—	★HD1	V
96.850	126.970	127.100	11.910	38160	—	CRSH1	R
96.850	133.380	133.500	11.910	38220	—	CRSH1	R
97.000	110.000	110.330	8.100	38119	—	HMSA7	V
97.000	120.000	—	13.000	38191	—	CRSH11	R
98.000	110.007	110.338	7.010	38883	w/CCW Helix From Air Side	HMSA7	V
98.000	115.000	115.350	10.000	38617	—	SLA-SPL	VT
98.000	116.000	116.270	10.000	38585	w/CCW Helix From Air Side	HMSA7	V
98.000	118.000	118.230	10.000	38100	—	SLA1	PT
98.000	120.000	120.180	12.000	38520	—	★CRW1	V
98.000	120.000	120.280	13.000	38523	—	HMS4	R
98.000	125.000	125.350	12.000	38581	—	HMS45	R
98.425	152.400	152.530	15.875	38845	—	CRSA1	R
98.430	120.680	120.800	9.530	38646	w/SS Case & Spring	★CRW1	R
98.430	120.680	120.800	9.530	38647	—	★CRWA1	R
98.430	120.680	120.800	9.530	38649	—	★CRWA1	V
98.430	120.680	120.800	11.130	38653	—	★CRWH1	R

Size listing - Metric

Metric Shaft	Metric Bore	Metric O.D.	Metric Width	Metric Seal no.	Seal info. notes	Type & style	Lip code
98.430	123.850	123.980	11.130	38673	—	★CRWHA1	R
98.430	123.850	123.980	12.700	38669	—	★CRWH1	R
98.430	123.850	123.980	12.700	38678	—	★CRWHA1	V
98.430	126.970	127.100	9.530	38691	—	★CRW1	R
98.430	126.970	127.100	9.530	38692	—	★CRWA1	R
98.430	126.970	127.102	9.530	38694	—	★CRWA1	V
98.430	130.020	130.330	11.130	38713	—	★CRWA5	R
98.430	130.200	130.330	11.130	38702	—	★CRWHA1	V
98.430	130.200	130.330	11.130	38703	—	★CRWH1	R
98.430	133.380	133.500	11.130	38730	—	★CRWH1	R
98.430	133.380	133.500	11.130	38731	—	★CRWHA1	R
98.430	133.380	133.528	11.130	38739	—	★CRWHA1	P
98.430	136.550	136.680	11.130	38745	—	★CRWH1	R
98.430	136.910	98.270	9.530	38590	O.D. Listed Is Pressfit I.D.	X12	R
98.430	139.730	139.850	12.700	38749	—	★CRSHA1	R
98.430	142.900	143.030	10.990	38758	—	★CRWHA1	R
98.430	144.530	144.650	12.700	38774	—	★CRWH1	R
98.430	144.530	144.650	19.050	38777	—	CRSHA2	R
98.430	146.080	146.200	14.300	38810	—	CRSH1	R
99.000	115.000	115.230	10.000	38085	—	HMA1	V
99.009	118.872	119.126	9.398	38770	—	HMSA7	VR
100.000	115.000	115.280	9.000	39100	—	HMS4	R
100.000	118.008	118.135	8.509	39369	—	HMSA7	V
100.000	120.000	120.160	13.000	39387	—	CRSH1	R
100.000	120.000	120.180	12.000	39120	—	★CRW1	R
100.000	120.000	120.180	12.000	39125	—	★CRW1	V
100.000	120.000	120.320	9.500	39361	—	HMSA7	V
100.000	120.000	—	8.000	39384	—	CRS13	R
100.000	120.000	—	10.000	562784	—	HMS5	RG
100.000	120.000	—	10.000	562785	—	HMSA10	RG
100.000	120.000	—	10.000	562786	w/Stainless Steel Spring	HMS5	V
100.000	120.000	—	10.000	562787	w/Stainless Steel Spring	HMSA10	V
100.000	120.000	—	12.000	562668	—	HMS5	RG
100.000	120.000	—	12.000	562670	w/Stainless Steel Spring	HMS5	V
100.000	120.000	—	12.000	562671	w/Stainless Steel Spring	HMSA10	V
100.000	120.000	—	12.000	565294	—	HMSA10	RG
100.000	124.000	124.330	13.000	39367	w/CCW Helix From Air Side	HMSA7	V
100.000	125.000	125.197	13.000	39142	—	HMS4	R
100.000	125.000	125.200	12.000	39135	—	★CRW1	R
100.000	125.000	125.200	12.000	39136	—	★CRW1	V
100.000	125.000	125.200	12.000	39139	—	HMS4	R
100.000	125.000	—	12.000	562800	—	HMS5	RG
100.000	125.000	—	12.000	562801	—	HMSA10	RG
100.000	125.000	—	12.000	562802	w/Stainless Steel Spring	HMS5	V
100.000	125.000	—	12.000	562803	—	HMSA10	V
100.000	130.000	130.200	12.000	39155	—	★CRW1	R
100.000	130.000	130.353	10.000	39399	—	HMS46	R
100.000	130.000	—	12.000	562628	—	HMS5	RG
100.000	130.000	—	12.000	562629	—	HMSA10	RG
100.000	130.000	—	12.000	562630	w/Stainless Steel Spring	HMS5	V
100.000	130.000	—	12.000	562631	w/Stainless Steel Spring	HMSA10	V
100.000	135.000	135.070	13.000	39406	—	HMS47	R
100.000	135.000	135.200	12.000	39170	—	★CRWA1	R
100.000	140.000	140.200	12.000	39180	—	★CRWA1	R
100.000	140.000	—	12.000	563909	—	HMS5	RG
100.000	140.000	—	12.000	563910	—	HMSA10	RG
100.000	140.000	—	12.000	563911	w/Stainless Steel Spring	HMS5	V
100.000	140.000	—	12.000	563912	w/Stainless Steel Spring	HMSA10	V
100.000	145.000	145.210	26.000	39070	P.F. Width 14.800	HMSA8	R
100.000	150.000	—	12.000	563451	—	HMS5	RG
100.000	150.000	—	12.000	563452	—	HMSA10	RG
100.000	150.000	—	12.000	563453	w/Stainless Steel Spring	HMS5	V
100.000	150.000	—	12.000	563454	w/Stainless Steel Spring	HMSA10	V
100.030	123.850	123.980	11.130	39245	—	★CRWH1	R
100.030	126.970	127.100	11.130	39275	—	★CRWH1	R

Size listing - Metric

Metric Shaft	Metric Bore	Metric O.D.	Metric Width	Metric Seal no.	Seal info. notes	Type & style	Lip code
100.030	126.970	127.100	11.130	39276	—	★CRWH1	V
100.030	126.970	127.100	11.130	39277	w/SS Case & Spring	★CRWH1	R
100.030	130.200	130.330	12.000	39304	—	★CRWHA1	V
100.030	133.380	133.500	11.130	39320	—	★CRWH1	R
100.030	136.450	136.580	26.190	39385	P.F. Width 13.385	CRWH2	R
100.030	136.530	136.680	11.130	39350	—	★CRWH1	R
100.030	139.730	139.850	11.130	39423	—	★CRWH1	R
101.000	114.000	114.150	10.000	39760	—	HMSA1	R
101.600	114.170	—	114.170	709024	—	WS	R
101.600	114.170	—	114.170	714884	—	WS	V
101.600	114.300	—	1.600	451266	—	BUW	—
101.600	114.300	—	6.350	704009	—	BV	R
101.600	114.330	114.450	6.350	39835	—	★HM14	R
101.600	115.870	116.030	9.530	39838	—	HMS2	P
101.600	117.480	—	8.331	504289	—	SC	R
101.600	123.850	123.980	6.350	39860	—	★HM21	R
101.600	123.850	123.980	11.130	39851	—	★CRW1	R
101.600	126.970	127.100	6.350	39961	—	★HM21	R
101.600	126.970	127.100	9.530	39895	—	★CRW1	P
101.600	126.970	127.100	9.530	39921	—	★CRWA1	V
101.600	126.970	127.100	9.530	39922	—	★CRW1	R
101.600	126.970	127.100	9.530	39923	—	★CRWA1	R
101.600	126.970	127.100	11.130	39930	—	★CRWHA1	P
101.600	126.970	127.100	11.130	39932	—	★CRWH1	V
101.600	126.970	127.100	11.130	39933	—	★CRWH1	R
101.600	126.970	127.100	11.130	39934	—	★CRWHA1	R
101.600	126.970	127.100	11.130	39935	—	★CRWH1	S
101.600	126.970	127.100	11.130	39946	—	★D5	SS
101.600	130.200	130.330	11.130	39975	—	★CRWH1	R
101.600	133.380	133.500	11.130	39996	—	★CRWH1	V
101.600	133.380	133.500	11.130	39997	—	★CRWH1	R
101.600	133.380	133.500	11.130	40000	—	★CRWA1	R
101.600	134.870	135.000	12.700	40020	—	★CRWHA1	R
101.600	136.550	136.680	11.130	40036	—	★CRWH1	R
101.600	139.730	139.850	11.130	40049	—	★CRWH1	R
101.600	142.900	143.030	9.530	40077	—	★CRWA1	R
101.600	142.900	143.030	11.130	40078	—	★CRWH1	R
101.600	146.080	146.200	11.130	40108	—	★CRWH1	R
101.600	147.650	101.220	12.700	40131	O.D. Listed Is Pressfit I.D.	X	R
101.600	152.430	152.580	12.700	40138	—	★CRWH1	R
101.600	158.750	158.900	12.700	40158	—	★CRWH1	R
101.900	144.600	144.730	20.650	40210	—	★HMSA16	P
102.000	116.000	116.150	14.000	40151	—	HMSA1	R
102.000	130.000	130.350	13.000	40248	—	HMS4	R
102.870	139.730	139.850	13.970	40360	w/5.750 Flange	★CRWH6	R
103.200	136.910	103.050	9.530	40510	O.D. Listed Is Pressfit I.D.	X12	R
104.780	126.970	127.100	11.130	41125	—	★CRWH1	R
104.780	126.970	127.100	11.130	41126	—	CRWH1	V
104.780	130.200	130.330	11.130	41170	—	★CRWH1	R
104.780	130.200	130.330	11.130	41171	—	★CRWH1	V
104.780	133.380	133.500	11.130	41185	—	★CRWH1	R
104.780	133.380	133.500	11.130	41186	—	★CRWH1	V
104.780	139.730	139.850	11.130	41265	—	★CRWH1	R
104.780	146.080	146.200	11.130	41287	—	★CRWH1	R
104.780	152.430	152.580	11.130	41305	—	★CRWH1	R
104.780	152.430	152.580	11.130	41307	—	★CRWH1	V
105.000	120.000	—	8.000	41340	—	CRSA13	R
105.000	125.000	125.200	13.000	41367	—	HMS4	R
105.000	125.000	—	12.000	41411	—	CRS1	R
105.000	125.000	—	13.000	41370	—	HMSA7	R
105.000	130.000	130.200	12.000	41425	—	★CRW1	R
105.000	130.000	130.200	12.000	41426	—	★CRW1	V
105.000	130.000	—	12.000	564168	—	HMS5	RG
105.000	130.000	—	12.000	564169	—	HMSA10	RG
105.000	130.000	—	12.000	564170	—	HMS5	V

Size listing - Metric

Metric Shaft	Metric Bore	Metric O.D.	Metric Width	Metric Seal no.	Seal info. notes	Type & style	Lip code
105.000	130.000	—	12.000	564171	—	HMSA10	V
105.000	135.000	135.200	12.000	41440	—	★CRWA1	R
105.000	135.000	135.430	14.000	41443	—	HMSA7	R
105.000	135.000	—	13.000	41352	—	CRSH11	R
105.000	140.000	140.200	12.000	41455	—	★CRWA1	R
105.000	140.000	—	12.000	563391	—	HMS5	RG
105.000	140.000	—	12.000	563392	—	HMSA10	RG
105.000	140.000	—	12.000	563393	w/Stainless Steel Spring	HMS5	V
105.000	140.000	—	12.000	563394	w/Stainless Steel Spring	HMSA10	V
105.000	150.000	—	15.000	41360	—	CRSH11	R
105.000	160.000	160.200	12.000	41475	—	★CRW1	R
105.004	120.000	120.218	11.000	41401	—	HMSA7S	S
105.790	142.880	172.720	5.330	41555	See Type J Section (HMA Lip)	J5SPLIT	R
105.820	139.730	139.850	15.240	41550	—	★HMSHA3	R
106.380	126.970	127.100	11.910	41751	—	CRSHA1	R
106.380	133.380	133.500	11.910	41761	—	CRSH1	R
106.380	139.730	139.850	12.700	41813	—	★HMSHA3	R
106.380	139.730	139.850	12.700	41814	—	★HMSHA3	V
106.380	146.080	146.200	12.700	41833	—	CRSHA1	R
107.000	123.000	123.190	11.000	42120	—	CRSA1	R
107.000	130.000	—	13.000	42130	—	CRSH11	R
107.010	129.997	130.124	10.008	42612	—	SLA1	PT
107.950	120.520	—	120.520	709025	—	WS	R
107.950	120.650	—	1.600	451276	—	BUW	—
107.950	120.650	—	6.350	711845	—	BV	R
107.950	122.250	122.350	7.950	42340	—	HM14	R
107.950	123.830	—	8.331	504291	—	SC	R
107.950	130.200	130.330	6.350	42380	—	★HM21	R
107.950	133.375	133.528	9.500	42504	—	★CRWA1	V
107.950	133.380	133.500	6.350	42470	—	★HM21	R
107.950	133.380	133.500	9.530	42419	—	★CRWA1	R
107.950	133.380	133.500	9.530	42422	—	★CRW1	S
107.950	133.380	133.500	11.130	42426	—	★CRWH1	R
107.950	133.380	133.500	11.130	42427	—	★CRWHA1	R
107.950	133.380	133.500	11.130	42433	—	★CRWH1	V
107.950	136.470	136.600	11.130	42474	—	★CRWA1	V
107.950	136.550	136.680	11.130	42475	—	★CRWH1	R
107.950	139.730	139.850	11.130	42528	—	★CRWH1	R
107.950	139.730	139.850	19.050	42540	—	C8	RR
107.950	142.900	143.030	11.130	42557	—	★CRWA1	R
107.950	146.080	146.200	11.130	42573	—	★CRWH1	R
107.950	149.250	149.380	12.700	42592	w/Stainless Steel Spring	★CRWH1	V
107.950	152.430	152.580	12.700	42616	—	★CRWH1	R
107.950	155.600	155.750	12.700	42635	—	★CRWH1	R
107.950	158.750	158.900	12.700	42644	—	★CRWH1	R
107.950	—	111.130	19.050	86071	—	S1	—
108.000	130.000	130.073	13.000	42520	—	CRSH1	R
109.550	139.730	139.850	11.000	43072	—	★CRWHA1	P
109.550	139.730	139.850	11.130	43073	—	★CRWHA1	R
109.550	146.080	146.200	12.700	43231	—	CRSH1	R
109.550	158.750	158.900	12.700	43201	—	HMSH1	R
110.000	128.000	128.350	9.000	43313	—	CRSA13	R
110.000	130.000	130.200	12.000	43303	—	HMS4	R
110.000	130.000	130.200	12.000	43310	—	★CRW1	R
110.000	130.000	130.200	12.000	43311	—	★CRW1	V
110.000	130.000	130.230	12.500	43470	—	SLA1	T
110.000	130.000	130.260	13.000	43382	—	SL1-SPL	T
110.000	130.000	130.302	10.058	43306	—	HMSA7	V
110.000	130.000	—	12.000	562632	—	HMS5	RG
110.000	130.000	—	12.000	562633	—	HMSA10	RG
110.000	130.000	—	12.000	562634	w/Stainless Steel Spring	HMS5	V
110.000	130.000	—	12.000	562635	w/Stainless Steel Spring	HMSA10	V
110.000	135.000	135.200	12.000	43326	—	★CRW1	V
110.000	135.000	135.350	12.000	43327	—	HMS4	R
110.000	140.000	140.200	12.000	43340	—	★CRW1	R

Size listing - Metric

Metric Shaft	Metric Bore	Metric O.D.	Metric Width	Metric Seal no.	Seal info. notes	Type & style	Lip code
110.000	140.000	140.200	12.000	43338	—	★CRW1	V
110.000	140.000	—	12.000	563085	—	HMS5	RG
110.000	140.000	—	12.000	563086	—	HMSA10	RG
110.000	140.000	—	12.000	563087	w/Stainless Steel Spring	HMS5	V
110.000	140.000	—	12.000	563088	w/Stainless Steel Spring	HMSA10	V
110.000	142.900	143.030	12.000	43345	—	★CRWHA1	V
110.000	145.000	145.200	12.000	43355	—	★CRW1	R
110.000	145.000	145.430	15.000	43357	—	HMSA7	R
110.000	150.000	—	12.000	563913	—	HMS5	RG
110.000	150.000	—	12.000	563914	—	HMSA10	RG
110.000	150.000	—	12.000	563915	w/Stainless Steel Spring	HMS5	V
110.000	150.000	—	12.000	563916	w/Stainless Steel Spring	HMSA10	V
110.000	160.000	160.198	12.000	43390	—	★CRWH1	R
111.099	145.719	145.846	5.258	43746	—	SPLIT	R
111.125	150.038	150.165	24.994	43762	P.F. Width 16.256	★CRWHA2	R
111.130	136.470	111.000	14.480	44269	—	X1	V
111.130	136.550	136.680	11.130	43650	—	★CRWH1	R
111.130	136.550	136.680	11.130	43650	—	★CRWH1	R
111.130	139.730	139.850	11.130	43691	—	★CRWH1	R
111.130	146.080	146.200	11.130	43751	—	★CRWH1	R
111.130	152.430	152.580	12.700	43771	—	★CRWH1	R
111.130	154.000	154.153	12.700	541974	—	CRWH1	R
111.130	158.750	158.900	12.700	43820	—	★CRWH1	R
111.130	—	114.300	19.050	86072	—	S1	—
111.760	132.842	132.969	9.525	44000	w/CCW Helix From Air Side	HMSA7	P
112.000	140.000	140.360	13.000	44094	—	HMS47	R
112.000	140.000	—	13.000	44092	—	CRSA11	R
112.000	150.000	—	15.000	44095	—	CRSH11	R
112.725	127.000	—	7.137	712548	—	BV	V
112.730	139.730	139.850	12.700	44275	—	★CRWH1	R
112.730	139.730	139.850	12.700	44276	—	★CRWH1	V
112.730	146.080	146.200	12.700	44295	—	★CRWH1	R
112.730	152.430	152.580	12.700	44320	—	★CRWH1	R
112.730	158.750	158.900	12.700	44350	—	★CRWH1	R
113.000	140.000	140.233	13.000	44493	—	CRSH1	R
113.720	158.750	158.900	12.700	44630	—	★CRWH1	R
113.820	—	116.130	19.050	86047	—	S7	—
114.000	140.000	140.350	13.000	44880	—	HMSA7	R
114.300	60.325	117.480	15.880	86542	—	S1	T
114.300	126.870	—	126.870	709026	—	WS	R
114.300	127.000	—	1.600	451352	—	BUW	—
114.300	127.000	—	6.350	711857	—	BV	D
114.300	130.180	—	130.180	504293	—	SC	R
114.300	133.380	133.500	11.130	44913	—	★CRWH1	R
114.300	133.380	133.500	11.130	44917	—	★CRWHA1	V
114.300	136.550	136.680	11.130	44920	—	★CRWH1	R
114.300	136.550	136.680	11.130	44926	—	★CRWHA1	V
114.300	139.730	139.850	6.350	45025	—	HM14	R
114.300	139.730	139.850	9.530	44959	—	★CRW1	R
114.300	139.730	139.850	9.530	44960	—	★CRWA1	R
114.300	139.730	139.850	11.130	44967	—	★CRWH1	R
114.300	139.730	139.850	11.130	44968	—	★CRWHA1	R
114.300	139.730	139.850	11.130	44973	—	★CRWH1	V
114.300	139.730	139.850	11.130	44980	w/Stainless Steel Spring	★CRWH1	V
114.300	142.900	143.030	11.130	45032	—	★CRWH1	R
114.300	142.900	143.030	11.130	45033	—	★CRWHA1	V
114.300	146.080	146.200	9.530	45064	—	★CRWA1	V
114.300	146.080	146.200	11.130	45069	—	★CRWH1	R
114.300	146.080	146.200	11.130	45070	—	★CRWHA1	R
114.300	152.430	152.580	12.700	45110	—	★CRWH1	R
114.300	152.430	152.580	12.700	45111	—	★CRWHA1	R
114.300	152.430	152.580	12.700	45112	—	★CRWHA1	V
114.300	152.780	114.120	13.970	44892	O.D. Listed Is Pressfit I.D.	X12	R
114.300	155.600	155.750	14.300	45140	—	★CRWH1	R
114.300	158.750	158.900	12.700	45150	—	★CRWH1	R

Size listing - Metric

Metric Shaft	Metric Bore	Metric O.D.	Metric Width	Metric Seal no.	Seal info. notes	Type & style	Lip code
114.300	162.790	114.150	10.540	45161	O.D. Listed Is Pressfit I.D.	X12	D
115.000	135.000	135.200	12.000	45210	—	★CRW1	R
115.000	140.000	140.200	12.000	45222	—	★CRW1	V
115.000	140.000	140.200	12.000	45226	—	★CRW1	R
115.000	140.000	—	12.000	562916	—	HMS5	RG
115.000	140.000	—	12.000	562917	—	HMSA10	RG
115.000	140.000	—	12.000	562918	w/Stainless Steel Spring	HMS5	V
115.000	140.000	—	12.000	562919	w/Stainless Steel Spring	HMSA10	V
115.000	145.000	145.200	12.000	45230	—	★CRW1	R
115.000	145.000	145.430	14.000	45233	—	HMSA7	R
115.000	150.000	150.200	12.000	45250	—	★CRW1	R
115.000	156.000	156.210	27.000	45280	P.F. Width 15.600	HMSA8	R
115.000	160.000	160.200	12.000	45290	—	★CRW1	R
115.900	146.080	146.200	12.700	45550	—	CRSHA1	R
115.900	158.750	158.902	12.700	45560	—	CRSH1	R
117.000	174.000	174.240	27.000	46060	P.F. Width 15.600	HMSA8	R
117.480	139.730	139.850	12.700	46125	—	★ALH1	S
117.480	142.900	143.030	12.700	46144	—	★CRWH1	R
117.480	142.900	143.030	12.700	46155	—	★CRWH1	V
117.480	146.080	146.200	12.700	46200	—	★CRWH1	R
117.480	146.080	146.200	12.700	46208	—	★CRWH1	S
117.480	152.430	152.580	12.700	46285	—	★CRWH1	R
117.480	157.120	157.230	31.750	46309	—	HMSA8	R
117.480	158.750	158.900	12.700	46324	—	★CRWH1	R
117.480	168.220	168.380	27.760	46396	—	★OILBATH	R
117.480	168.220	168.380	27.790	46395	P.F. Width 12.319	★CRWA79	R
117.480	—	120.650	19.050	86073	—	S1	—
118.000	140.000	—	13.000	46460	—	CRSH11	R
118.008	119.507	119.634	15.875	84041	—	S1	—
119.075	133.350	—	7.137	711846	—	BV	R
119.075	146.075	146.202	13.005	46770	—	CRWH1	S
119.080	133.350	—	1.600	451491	—	BUW	—
119.080	146.080	146.200	6.350	46851	—	★HD1	R
119.080	146.080	146.200	13.000	46800	—	★CRWH1	R
119.080	152.400	152.550	9.530	648	—	FELT	F
119.080	152.430	152.580	6.760	46920	—	★HD1	P
119.080	152.430	152.580	9.650	46935	P.F. Width 7.137	★HMSW90	P
119.080	158.750	158.900	12.700	46950	—	★CRWH1	R
120.000	140.000	140.200	12.000	47210	—	★CRWA1	R
120.000	140.000	—	12.000	562848	—	HMS5	RG
120.000	140.000	—	12.000	562849	—	HMSA10	RG
120.000	140.000	—	12.000	562850	w/Stainless Steel Spring	HMS5	V
120.000	140.000	—	12.000	562851	w/Stainless Steel Spring	HMSA10	V
120.000	145.000	145.200	12.000	47230	—	★CRW1	R
120.000	145.000	145.350	12.000	47225	—	HMS4	R
120.000	150.000	150.160	15.000	47264	—	CRSH1	R
120.000	150.000	150.200	12.000	47250	—	★CRW1	R
120.000	150.000	—	12.000	562644	—	HMS5	RG
120.000	150.000	—	12.000	562645	—	HMSA10	RG
120.000	150.000	—	12.000	562647	w/Stainless Steel Spring	HMSA10	V
120.000	150.000	—	12.000	565295	w/Stainless Steel Spring	HMS5	V
120.000	155.000	155.430	16.000	47273	—	HMSA7	R
120.000	160.000	160.200	12.000	47291	—	★CRWH1	R
120.000	160.000	160.200	15.000	47272	—	CRSH11	R
120.000	160.000	—	12.000	563544	—	HMS5	RG
120.000	160.000	—	12.000	563545	—	HMSA10	RG
120.000	160.000	—	12.000	563546	w/Stainless Steel Spring	HMS5	V
120.000	160.000	—	12.000	563547	w/Stainless Steel Spring	HMSA10	V
120.650	136.530	136.650	7.950	47378	—	★HM14	R
120.650	146.020	146.150	11.130	47375	—	★CRW1	P
120.650	146.080	146.200	12.700	47379	—	★CRW1	V
120.650	146.080	146.200	12.700	47382	w/Stainless Steel Spring	★CRWA1	V
120.650	146.080	146.200	12.700	47383	—	★CRW1	R
120.650	146.080	146.200	12.700	47394	—	★CRWH1	R
120.650	146.080	146.200	12.700	47395	—	★CRWHA1	R

Size listing - Metric

Metric Shaft	Metric Bore	Metric O.D.	Metric Width	Metric Seal no.	Seal info. notes	Type & style	Lip code
120.650	149.230	149.380	12.700	47441	—	★CRWH1	R
120.650	152.430	152.580	12.700	47474	—	★CRWH1	R
120.650	152.430	152.580	12.700	47475	—	★CRWHA1	R
120.650	152.430	152.580	12.700	47481	—	★CRW1	V
120.650	152.450	120.520	7.620	47455	—	X15	R
120.650	158.750	158.900	12.700	47583	—	★CRWH1	R
120.650	158.750	158.900	12.700	47586	—	★CRWHA1	V
120.650	158.750	158.900	15.490	47591	—	★HMSA24	R
120.650	168.120	168.280	30.000	47660	P.F. Width 13.970	★HMSA28	R
121.060	—	—	22.225	68016	—	S3	—
122.000	150.000	150.343	15.000	48031	—	HMSA75	R
122.000	150.000	—	13.000	48030	—	CRSH13	R
122.199	140.792	140.995	11.989	48046	w/CCW Helix From Air Side	HMSA7	V
122.250	146.080	146.200	14.300	48060	—	★CRWH1	P
122.250	146.080	146.200	14.300	48062	—	★CRWH1	V
122.250	146.080	146.200	14.300	48065	—	★CRWH1	S
122.250	146.180	146.300	19.050	48075	—	★D7	PP
123.825	152.425	152.578	12.700	48689	—	★CRWHA1	R
123.825	163.580	163.730	12.700	48886	P.F. Width .375 w/6.735 Flange	★HMS14	R
123.830	139.730	139.850	6.350	48650	—	HM14	R
123.830	152.430	152.580	12.700	48692	—	★CRWH1	V
123.830	152.430	152.580	12.700	48693	—	★CRWH1	R
123.830	155.600	155.750	12.700	48726	—	★CRWH1	R
123.830	158.750	158.900	12.700	48768	—	★CRWHA1	R
123.830	158.750	158.900	12.700	48769	—	★CRWH1	R
123.830	161.930	162.080	13.110	48883	—	CRW3	R
123.830	—	127.000	18.160	86082	—	S1	—
123.830	—	127.000	19.050	86075	—	S1	—
123.977	170.002	123.901	14.503	48881	O.D. Listed Is Pressfit I.D.	X14	R
124.510	160.250	160.430	18.010	49050	w/6.695 Flange	★CRWA3	R
124.510	179.960	124.360	12.070	49060	O.D. Listed Is Pressfit I.D.	X12	R
125.000	146.000	146.180	14.000	49208	—	CRSA1	P
125.000	150.000	150.200	12.000	49210	—	★CRW1	R
125.000	150.000	150.200	12.000	49211	—	★CRW1	V
125.000	150.000	—	12.000	562732	—	HMS5	RG
125.000	150.000	—	12.000	562733	—	HMSA10	RG
125.000	150.000	—	12.000	562734	w/Stainless Steel Spring	HMS5	V
125.000	150.000	—	12.000	562735	w/Stainless Steel Spring	HMSA10	V
125.000	155.000	155.200	14.000	49240	—	HMS1	R
125.000	155.000	155.430	14.000	49243	—	HMSA7	R
125.000	160.000	160.200	12.000	49270	—	★CRW1	R
125.000	160.000	160.350	12.000	49268	—	HMS4	R
125.000	161.930	162.080	12.700	49274	—	★CRWHA1	V
125.000	170.000	170.200	15.000	49235	—	HMSA7	R
125.425	139.700	—	7.137	711848	—	BV	R
125.430	152.430	152.580	12.700	49251	—	★CRWH1	R
125.430	158.750	158.900	12.700	49301	—	★CRWH1	R
126.000	147.000	147.190	11.000	49600	—	CRSA1	R
127.000	139.570	—	139.570	709029	—	WS	R
127.000	139.570	—	139.570	712128	—	WS	V
127.000	141.300	—	7.140	712138	—	BV	V
127.000	146.080	146.200	12.700	49920	w/Stainless Steel Spring	★HMS1	V
127.000	152.400	152.550	12.700	49935	—	★AL1	S
127.000	152.430	152.580	12.700	49927	—	★CRWHA1	V
127.000	152.430	152.580	12.700	49928	—	★CRWH1	R
127.000	152.430	152.580	12.700	49929	—	★CRWHA1	R
127.000	155.580	155.730	12.700	49951	—	★HDW1	R
127.000	155.600	155.750	12.700	49960	—	★CRW1	V
127.000	158.750	158.900	6.350	50070	—	★HM21	R
127.000	158.750	158.900	12.700	49966	—	★CRWH1	R
127.000	158.750	158.900	12.700	49984	—	★CRW1	R
127.000	158.750	158.900	12.700	49985	—	★CRWA1	R
127.000	158.750	158.900	12.700	49990	—	CRWH1	P
127.000	158.750	158.900	12.700	49991	—	★CRWH1	V
127.000	158.750	158.900	12.700	49998	—	★CRWHA1	R

Size listing - Metric

Metric Shaft	Metric Bore	Metric O.D.	Metric Width	Metric Seal no.	Seal info. notes	Type & style	Lip code
127.000	161.930	162.080	12.700	50130	—	★CRWH1	R
127.000	161.930	162.080	12.700	50138	—	★CRWHA1	R
127.000	165.100	165.250	12.700	50148	—	★CRWH1	R
127.000	165.100	165.250	12.700	50151	—	★CRWH1	V
127.000	168.220	168.380	23.010	50167	—	★CRWA79	R
127.000	171.450	171.600	12.700	50168	—	★CRWH1	R
127.000	171.450	171.600	12.700	50172	—	★CRWHA1	R
127.000	177.800	177.950	12.700	50185	—	CRSHA1	R
127.000	180.980	181.130	12.700	50186	—	★HDW1	R
127.000	190.500	190.650	12.700	50195	—	CRSHA1	R
128.000	150.000	150.343	13.000	50391	—	HMS47	R
128.000	150.000	150.350	15.000	50600	—	HMS4	R
128.000	160.000	—	15.000	50394	—	CRSH13	R
128.600	155.580	155.730	12.700	50620	—	★HDW1	R
128.600	155.600	155.750	12.700	50618	—	★CRWH1	R
128.600	161.930	162.080	12.700	50650	—	★CRWH1	R
129.000	160.000	—	15.000	50790	—	CRSH11	R
129.500	150.000	150.444	14.500	51172	—	SL1	T
130.000	150.000	150.190	10.000	51182	—	CRSA1	R
130.000	150.000	150.190	14.000	51181	—	CRSA1	R
130.000	155.000	155.219	10.000	51179	—	CRSH1	R
130.000	160.000	160.023	13.000	51189	—	CRS1	R
130.000	160.000	160.160	13.000	51190	—	CRSA1	R
130.000	160.000	160.200	12.000	51125	—	★CRW1	R
130.000	160.000	160.200	12.000	51142	—	★CRW1	V
130.000	160.000	—	12.000	562768	—	HMS5	RG
130.000	160.000	—	12.000	562769	—	HMSA10	RG
130.000	160.000	—	12.000	562770	w/Stainless Steel Spring	HMS5	V
130.000	160.000	—	12.000	562771	w/Stainless Steel Spring	HMSA10	V
130.000	160.000	—	15.000	563315	—	HMS5	RG
130.000	160.000	—	15.000	563316	—	HMSA10	RG
130.000	160.000	—	15.000	563317	w/Stainless Steel Spring	HMS5	V
130.000	160.000	—	15.000	563318	w/Stainless Steel Spring	HMSA10	V
130.000	170.000	170.200	12.000	51180	—	★CRW1	R
130.000	170.000	170.200	12.000	51185	—	HMS4	V
130.000	170.000	170.200	15.000	51143	—	HMS4	R
130.000	170.000	—	12.000	564776	—	HMS5	RG
130.000	180.000	—	15.000	554474	—	CRSH13	R
130.175	177.800	177.952	12.700	533929	—	★HDW1	R
130.180	146.050	—	1.600	451293	—	BUW	—
130.180	155.600	155.750	12.700	51240	—	★CRWHA1	R
130.180	155.600	155.750	12.700	51243	—	★CRW1	V
130.180	155.600	155.750	12.700	51247	—	★CRW1	R
130.180	158.750	158.900	12.700	51252	—	★CRWHA1	R
130.180	158.750	158.900	12.700	51253	—	★CRWA1	V
130.180	161.930	162.080	12.700	51248	—	CRWH1	R
130.180	161.930	162.080	12.700	51255	—	★CRWH1	V
130.180	165.100	165.250	12.700	51276	—	CRSHA1	R
130.180	168.280	168.430	12.700	51277	—	★HDW1	R
131.780	158.750	158.900	12.700	51800	—	★HDW1	R
131.780	165.130	165.280	15.880	51852	—	★CRWH1	V
—	133.020	138.260	2.620	5C3Z4	—	CRSA1	—
133.350	145.920	—	145.920	709030	—	WS	R
133.350	152.430	152.580	9.530	52440	—	★CRW1	R
133.350	152.430	152.580	12.700	52443	—	★CRWH1	V
133.350	158.750	158.900	12.700	52445	—	★CRWH1	R
133.350	158.750	158.900	12.700	52447	—	★CRWH1	V
133.350	158.750	159.000	6.350	52475	—	HM4	R
133.350	161.925	162.077	12.700	52492	—	CRWHA1	R
133.350	161.925	162.077	12.700	52498	—	★CRWHA1	V
133.350	165.100	165.250	12.700	52488	—	★CRWH1	R
133.350	165.100	165.250	12.700	52489	—	★CRWH1	V
133.350	171.450	171.600	12.700	52648	—	★CRWH1	R
133.350	171.450	171.600	12.700	52649	—	★CRWH1	V
133.350	171.450	171.600	12.700	52651	—	★HDW1	R

Size listing - Metric

Metric Shaft	Metric Bore	Metric O.D.	Metric Width	Metric Seal no.	Seal info. notes	Type & style	Lip code
133.350	180.980	181.130	12.700	52655	—	★HDW1	R
134.950	161.930	162.080	12.700	53100	—	★HDW1	R
134.950	165.100	165.250	12.700	53151	—	CRSHA1	R
135.000	160.000	160.350	12.000	53135	—	HMS4	R
135.000	160.000	160.350	13.000	53142	—	HMSA7	R
135.000	160.000	160.350	13.000	53143	—	HMS4	R
135.000	160.000	160.350	15.000	53140	—	HMS4	R
135.000	160.000	—	13.000	53154	—	CRSH12	R
135.000	165.000	165.430	14.000	53145	—	HMSA7	R
135.000	165.000	—	13.000	53156	—	CRSH13	R
135.000	170.000	170.332	15.000	53162	—	CRSH1	R
135.000	170.000	—	12.000	563684	—	HMS5	RG
135.000	170.000	—	12.000	563685	—	HMSA10	RG
135.000	170.000	—	12.000	563686	w/Stainless Steel Spring	HMS5	V
135.000	170.000	—	12.000	563687	w/Stainless Steel Spring	HMSA10	V
135.000	180.000	—	15.000	53165	—	CRSH13	R
136.525	152.400	—	7.950	711850	—	BV	D
136.525	152.400	—	7.950	712549	—	BV	V
136.525	152.400	—	7.950	721545	—	BV	V
136.530	161.900	162.050	12.700	53688	—	★CRSHA1	R
136.530	165.070	165.280	14.300	53692	—	CRSH1	R
136.530	168.280	168.430	12.700	53701	70 Duro/185 Sirvene	★CRWH1	R
136.530	168.280	168.430	12.700	53702	—	★CRWH1	V
136.530	171.450	171.600	12.700	53771	—	★CRWH1	V
136.530	171.450	171.600	12.700	53775	—	★CRWH1	R
136.530	174.650	174.800	25.400	53790	P.F. Width 9.525	★CRWHA2	R
138.000	152.000	152.250	12.000	54330	—	CRSA1	R
138.130	168.280	168.430	12.700	54300	—	★HDW1	R
139.700	152.270	—	152.270	709031	—	WS	R
139.700	152.270	—	152.270	712129	—	WS	V
139.700	155.580	—	1.600	451495	—	BUW	—
139.700	155.630	—	155.630	504297	—	SC	R
139.700	158.750	158.900	12.700	54925	—	★CRWA1	R
139.700	160.270	160.430	30.180	54929	P.F. Width 12.700	★CRWHA9	R
139.700	165.070	165.230	27.000	54940	—	★CRWHA2	R
139.700	165.100	165.250	12.700	54931	—	★CRWH1	R
139.700	165.100	165.250	12.700	54934	—	★CRWH1	V
139.700	165.100	165.250	12.700	54936	—	★CRWH1	P
139.700	168.300	168.450	14.300	54949	—	CRSHA1	R
139.700	171.450	171.600	12.700	54959	—	★CRW1	R
139.700	171.450	171.600	12.700	54960	—	★CRWA1	R
139.700	171.450	171.600	12.700	54972	—	★CRWH1	R
139.700	171.450	171.600	12.700	54974	—	★CRWH1	V
139.700	171.450	171.602	12.700	54971	—	★CRWHA1	R
139.700	174.650	174.800	14.300	55157	—	CRSHA1	R
139.700	181.000	181.150	30.150	55172	—	OILBATH	R
139.700	184.150	184.300	15.875	55175	P.F. Width .536 & 7.625 Flange	★CRSHA2	R
139.700	184.150	184.300	30.150	55177	—	OILBATH	R
139.700	190.530	190.680	14.300	55179	—	CRSH1	R
140.000	160.000	160.200	12.000	55115	—	★CRW1	R
140.000	160.000	—	12.000	562640	—	HMS5	RG
140.000	160.000	—	12.000	562641	—	HMSA10	RG
140.000	160.000	—	12.000	562642	w/Stainless Steel Spring	HMS5	V
140.000	160.000	—	12.000	562643	w/Stainless Steel Spring	HMSA10	V
140.000	165.000	165.350	12.000	55134	—	HMS45	R
140.000	170.000	170.200	12.000	55118	—	★CRW1	R
140.000	170.000	170.200	12.000	55125	—	CRW1	V
140.000	170.000	—	12.000	563692	—	HMS5	RG
140.000	170.000	—	12.000	563693	—	HMSA10	RG
140.000	170.000	—	12.000	563694	w/Stainless Steel Spring	HMS5	V
140.000	170.000	—	12.000	563695	w/Stainless Steel Spring	HMSA10	V
140.000	170.000	—	15.000	562708	—	HMS5	RG
140.000	170.000	—	15.000	562709	—	HMSA10	RG
140.000	170.000	—	15.000	562710	w/Stainless Steel Spring	HMS5	V
140.000	170.000	—	15.000	562711	w/Stainless Steel Spring	HMSA10	V

Size listing - Metric

Metric Shaft	Metric Bore	Metric O.D.	Metric Width	Metric Seal no.	Seal info. notes	Type & style	Lip code
140.000	180.000	—	12.000	563848	—	HMS5	RG
140.000	180.000	—	12.000	563849	—	HMSA10	RG
140.000	180.000	—	12.000	563850	w/Stainless Steel Spring	HMS5	V
140.000	180.000	—	12.000	563851	w/Stainless Steel Spring	HMSA10	V
140.000	180.000	—	15.000	55160	—	CRSA13	R
142.870	171.450	171.600	19.050	56112	—	D5	VV
142.875	174.625	174.727	12.700	56136	—	★CRWH1	R
142.880	168.280	168.430	12.700	56101	—	★CRWH1	R
142.880	168.280	168.430	12.700	56102	—	★CRWH1	V
142.880	174.630	174.780	12.700	56137	—	★CRWH1	V
143.000	181.000	181.130	12.700	56160	—	★CRWHA1	R
144.000	160.000	160.350	12.000	56340	—	HMSA7	R
145.000	170.000	170.350	15.000	57110	—	HMS4	R
145.000	170.000	170.450	12.000	57088	—	HMSA7	R
145.000	170.000	170.450	12.000	57088	—	HMSA7	R
145.000	170.000	—	13.000	57094	—	CRSA11	R
145.000	175.000	175.200	14.000	57120	—	CRS1	R
145.000	175.000	175.350	14.000	57146	—	HMS4	R
145.000	175.000	—	15.000	563528	—	HMS5	RG
145.000	175.000	—	15.000	563529	—	HMSA10	RG
145.000	175.000	—	15.000	563530	w/Stainless Steel Spring	HMS5	V
145.000	175.000	—	15.000	563531	w/Stainless Steel Spring	HMSA10	V
145.000	180.000	180.350	12.000	57125	—	HMS4	R
145.000	190.000	190.430	16.000	57533	—	HMSA7	R
146.050	161.930	162.080	6.350	57502	—	HMA1	R
146.050	168.280	168.430	12.700	57505	—	★CRWH1	R
146.050	168.280	168.430	12.700	57506	—	★CRW1	V
146.050	171.450	171.600	12.700	57510	—	★CRWH1	R
146.050	171.450	171.600	12.700	57522	—	★CRWH1	V
146.050	171.480	171.600	12.700	57509	—	CRWHA1	R
146.050	174.650	174.800	14.300	57519	—	CRSHA1	R
146.050	177.800	177.950	12.700	57521	—	★CRWH1	R
146.050	177.800	177.950	12.700	57523	—	★CRWH1	V
146.050	177.800	177.950	12.700	57531	—	★CRWHA1	R
146.050	177.880	178.030	6.350	57571	—	HMA21	R
146.050	181.000	181.150	14.300	57578	—	CRSHA1	R
146.050	190.550	190.700	14.300	57584	—	CRSHA1	R
148.000	170.000	—	15.000	563824	—	HMS5	RG
148.000	170.000	—	15.000	563825	—	HMSA10	RG
148.000	170.000	—	15.000	563826	w/Stainless Steel Spring	HMS5	V
148.000	170.000	—	15.000	563827	w/Stainless Steel Spring	HMSA10	V
149.230	174.630	174.780	12.700	58709	w/Stainless Steel Spring	★HDW1	R
149.230	177.800	177.950	12.700	58710	—	★HDW1	R
149.230	180.980	181.130	12.700	58716	—	★CRWH1	R
149.230	180.980	181.130	12.700	58717	—	★CRWH1	V
149.230	180.980	181.130	12.700	58741	—	★CRWHA1	R
149.230	190.500	190.650	12.700	58760	—	★CRWH1	R
150.000	170.000	170.231	15.000	59062	—	CRSH1	R
150.000	180.000	180.400	13.000	59065	—	CRSH1	R
150.000	180.000	—	12.000	563227	—	HMS5	RG
150.000	180.000	—	12.000	563228	—	HMSA10	RG
150.000	180.000	—	12.000	563229	w/Stainless Steel Spring	HMS5	V
150.000	180.000	—	12.000	563230	w/Stainless Steel Spring	HMSA10	V
150.000	180.000	—	15.000	692651	—	HMS5	RG
150.000	180.000	—	15.000	692652	—	HMS5	V
150.000	180.000	—	15.000	692653	—	HMSA10	RG
150.000	180.000	—	15.000	692654	—	HMSA10	V
150.000	190.000	—	15.000	59071	—	CRSH13	R
150.830	172.750	172.870	28.580	59380	See Type J Section (HMSA Lip)	J2	R
150.830	177.800	177.950	12.700	59300	—	★HDW1	R
152.400	171.450	171.600	12.700	59997	w/CCW Helix From Air Side & Installation Slv.	★SL1	T
152.400	171.450	171.600	12.700	59999	—	★CRWA1	V
152.400	171.450	171.600	12.700	60000	—	★CRW1	V
152.400	177.850	178.000	12.700	60006	—	★CRSHA1	R
152.400	181.000	181.153	12.700	60012	—	★CRWHA1	R

Size listing - Metric

Metric Shaft	Metric Bore	Metric O.D.	Metric Width	Metric Seal no.	Seal info. notes	Type & style	Lip code
152.400	181.000	181.153	12.700	60013	—	★CRWHA1	V
152.400	184.150	184.300	12.700	60009	—	★HDW1	R
152.400	190.500	190.650	6.350	60075	—	HM4	R
152.400	190.500	190.650	12.700	60016	—	★CRWA1	R
152.400	190.500	190.650	12.700	60026	—	★CRWHA1	V
152.400	190.500	190.650	12.700	60028	—	★CRWHA1	R
154.000	172.000	172.190	14.000	60620	—	CRSA1	R
154.000	175.000	175.210	13.000	60622	—	CRSA1	R
154.000	195.500	190.650	12.700	60650	—	★HDW1	R
155.000	180.000	—	15.000	563901	—	HMS5	RG
155.000	180.000	—	15.000	563902	—	HMSA10	RG
155.000	180.000	—	15.000	563903	w/Stainless Steel Spring	HMS5	V
155.000	180.000	—	15.000	563904	w/Stainless Steel Spring	HMSA10	V
155.000	190.000	190.350	15.000	60920	—	HMS4	R
155.580	180.980	181.130	12.700	61215	—	★HDW1	R
155.580	180.980	181.130	13.970	61212	—	★CRWASPL	V
155.580	180.980	181.130	15.880	61210	—	CRWH1	R
155.580	184.150	184.300	12.700	61230	—	★HDW1	R
155.580	187.330	187.480	12.700	61235	—	★HDW1	R
155.580	190.550	190.700	14.300	61248	—	CRSHA1	R
155.580	193.680	193.830	15.880	61255	—	CRWH1	R
155.580	193.680	193.830	15.880	61256	—	CRWH1	P
156.235	199.771	199.898	5.334	61500	—	SPLIT	R
157.180	190.500	190.650	14.300	61740	—	CRSH1	P
157.580	186.180	186.330	12.700	62000	—	★ALH1	S
157.630	—	160.730	20.620	86084	—	S1	—
158.000	180.000	180.200	15.000	62200	—	CRSH13	R
158.750	184.150	184.300	12.700	62480	—	★HDW1	R
158.750	184.200	184.350	12.700	62482	—	CRWH1	R
158.750	190.500	190.650	12.700	62495	—	CRWH1	R
158.750	190.500	190.650	12.700	62497	—	★CRWH1	V
158.750	196.850	158.600	8.890	62530	O.D. Listed Is Pressfit I.D.	X	R
158.750	196.850	197.000	12.700	62535	—	★CRWH1	R
158.750	200.030	200.180	15.880	62572	—	★CRWH1	R
160.000	180.000	—	15.000	62989	—	CRSH13	R
160.000	185.000	185.350	10.000	62930	—	HMS4	R
160.000	185.000	—	15.000	563676	—	HMS5	RG
160.000	185.000	—	15.000	563677	—	HMSA10	RG
160.000	185.000	—	15.000	563678	w/Stainless Steel Spring	HMS5	V
160.000	185.000	—	15.000	563679	w/Stainless Steel Spring	HMSA10	V
160.000	190.000	190.250	15.000	62941	—	★CRW1	V
160.000	190.000	—	13.000	62998	—	CRS11	R
160.000	190.000	—	15.000	562588	—	HMS5	RG
160.000	190.000	—	15.000	562589	—	HMSA10	RG
160.000	190.000	—	15.000	562590	w/Stainless Steel Spring	HMS5	V
160.000	190.000	—	15.000	562591	w/Stainless Steel Spring	HMSA10	V
160.000	200.000	220.200	15.000	63005	—	HMSA7	R
161.925	177.800	—	7.950	711852	—	BV	D
161.925	177.800	—	7.950	712550	—	BV	V
161.930	177.800	—	1.600	451066	—	BUW	—
161.930	187.330	187.480	15.880	63700	—	★CRWH1	R
161.930	190.500	190.650	12.700	63717	—	★HDW1	R
161.930	200.030	200.180	14.300	63734	—	★CRWHA1	R
161.930	200.030	200.180	15.880	63733	—	CRWH1	R
162.000	190.000	190.348	12.000	63781	—	HMS46	R
163.520	190.500	190.650	12.700	64330	—	★HDW1	R
165.000	190.000	190.350	13.000	64500	—	HMS4	R
165.000	190.000	—	13.000	64960	—	CRS13	R
165.000	190.000	—	15.000	563812	—	HMS5	RG
165.000	190.000	—	15.000	563813	—	HMSA10	RG
165.000	190.000	—	15.000	563814	w/Stainless Steel Spring	HMS5	V
165.000	190.000	—	15.000	563815	w/Stainless Steel Spring	HMSA10	V
165.000	200.000	—	15.000	64964	—	CRSH11	R
165.100	170.358	170.383	10.541	196	2 Ea. Rope Seal	Rope Seal	—
165.100	190.500	190.650	12.700	64993	—	★CRWA1	R

Size listing - Metric

Metric Shaft	Metric Bore	Metric O.D.	Metric Width	Metric Seal no.	Seal info. notes	Type & style	Lip code
165.100	190.500	190.650	12.700	64994	—	CRWH1	R
165.100	190.500	190.650	12.700	64998	—	★CRWH1	V
165.100	203.200	203.380	12.700	65021	—	★CRW1	R
165.100	203.200	203.380	12.700	65037	—	CRWHA1	R
168.000	200.000	200.254	15.000	66145	—	CRSH1	R
168.280	193.680	193.830	12.700	66217	—	★HDW1	R
168.280	196.850	197.000	12.700	66219	—	★HDW1	R
168.280	200.030	200.180	12.700	66222	—	★HDW1	R
168.280	203.200	203.380	12.700	66230	—	★HDW1	R
168.280	206.380	206.550	12.700	66241	—	CRWH1	R
170.000	190.000	190.246	15.000	66927	—	CRSH1	R
170.000	200.000	—	15.000	692655	—	HMS5	RG
170.000	200.000	—	15.000	692656	—	HMS5	V
170.000	200.000	—	15.000	692657	—	HMSA10	RG
170.000	200.000	—	15.000	692658	—	HMSA10	V
170.000	210.000	—	15.000	66947	—	HMSA7	R
171.450	196.850	197.000	12.700	67510	—	★HDW1	R
171.450	203.200	203.380	12.700	67515	—	★CRWH1	R
171.450	209.550	209.730	12.700	67533	—	CRWH1	R
171.450	222.250	222.450	12.700	67600	—	★HDW1	R
174.630	209.550	209.750	12.700	68730	—	★HDW1	R
174.630	212.730	212.900	12.700	68745	—	CRWH1	R
174.630	215.900	216.100	12.700	68760	—	★HDW1	R
175.000	200.000	200.350	15.000	68800	—	HMS4	R
175.000	200.000	200.355	15.000	68803	—	HMSA7	R
175.000	205.000	205.359	15.000	68905	—	HMS4	R
177.800	203.200	203.380	16.002	70016	—	★CRWH1	R
177.800	209.550	209.730	15.880	70028	—	CRWH1	R
177.800	212.730	212.900	15.880	70034	—	CRSHA1	R
177.800	215.900	216.080	12.700	70080	—	★CRWA1	R
177.800	215.900	216.080	15.880	70052	—	★CRWH1	R
177.800	215.900	216.080	15.880	70053	—	★CRWHA1	R
177.800	215.900	216.080	15.880	70054	—	★CRWHA1	V
178.000	215.000	—	16.000	554655	—	CRSH11	R
180.000	200.000	200.250	12.000	70801	—	CRS1	R
180.000	200.000	200.350	15.000	70813	—	HMS4	R
180.000	210.000	210.750	15.000	70803	—	HMS1	V
180.000	210.000	—	15.000	562788	—	HMS5	RG
180.000	210.000	—	15.000	562789	—	HMSA10	RG
180.000	210.000	—	15.000	562790	w/Stainless Steel Spring	HMS5	V
180.000	210.000	—	15.000	562791	w/Stainless Steel Spring	HMSA10	V
180.000	215.000	—	15.000	70876	—	CRSHA13	R
180.980	209.550	209.750	12.700	71220	—	★HDW1	R
180.980	219.080	219.250	15.880	71245	—	CRWH1	R
184.150	209.550	209.730	15.880	72515	—	CRW1	R
184.150	222.250	222.430	15.880	72539	—	★CRWHA1	R
184.150	222.250	222.430	19.050	72542	—	CRWH1	P
184.150	230.000	230.200	15.880	72570	—	★CRWHA1	R
185.000	210.000	210.350	13.000	72813	—	HMS4	R
185.000	215.000	—	16.000	72832	—	CRSHA11	R
187.325	203.200	—	7.950	711853	—	BV	D
187.325	203.200	—	7.950	721548	—	BV	V
187.330	203.200	—	1.600	451096	—	BUW	—
187.330	212.730	212.930	12.700	73720	—	★HDW1	R
187.330	215.900	216.100	12.700	73730	—	★HDW1	R
187.330	225.430	225.600	15.880	73745	—	CRWH1	R
187.360	—	190.500	22.230	86080	—	S1	—
188.000	215.000	215.250	16.000	74800	—	★CRWH1	R
189.310	215.900	216.080	19.050	74540	—	★ALH1	S
190.000	215.000	215.265	16.000	74815	—	CRSH1	R
190.000	215.000	—	15.000	74801	—	CRS13	R
190.000	220.000	—	15.000	563089	—	HMS5	RG
190.000	220.000	—	15.000	563090	—	HMSA10	RG
190.000	220.000	—	15.000	563091	w/Stainless Steel Spring	HMS5	V
190.000	220.000	—	15.000	563092	w/Stainless Steel Spring	HMSA10	V

Size listing - Metric

Metric Shaft	Metric Bore	Metric O.D.	Metric Width	Metric Seal no.	Seal info. notes	Type & style	Lip code
190.000	225.000	—	15.000	563917	—	HMS5	RG
190.000	225.000	—	15.000	563918	—	HMSA10	RG
190.000	225.000	—	15.000	563919	w/Stainless Steel Spring	HMS5	V
190.000	225.000	—	15.000	563920	w/Stainless Steel Spring	HMSA10	V
190.500	215.900	216.080	15.880	75030	—	CRWH1	R
190.500	222.250	222.450	12.700	75046	—	★HDW1	R
190.500	228.600	228.800	15.880	75050	—	★CRWH1	R
190.500	228.600	228.800	15.880	75052	—	★CRWHA1	P
190.500	234.950	235.150	12.700	75069	—	★HDW1	R
193.680	219.080	219.230	14.300	76215	—	CRWH1	R
193.680	225.430	225.630	12.700	76225	—	★HDW1	R
193.680	231.780	231.980	15.880	76255	—	CRWH1	R
195.000	220.000	—	16.000	76770	—	CRSH13	R
196.850	222.250	222.450	12.700	77506	—	★HDW1	R
196.850	234.950	235.150	15.880	77540	—	CRWH1	R
200.000	230.000	230.353	13.000	78742	—	HMSA7P2	R
200.000	230.000	—	15.000	562904	—	HMS5	RG
200.000	230.000	—	15.000	562905	—	HMSA10	RG
200.000	230.000	—	15.000	562906	w/Stainless Steel Spring	HMS5	V
200.000	230.000	—	15.000	562907	w/Stainless Steel Spring	HMSA10	V
200.000	230.000	—	16.000	78745	—	CRS13	R
200.000	235.000	235.350	15.000	78760	—	HMSA7	R
200.000	250.000	123.266	15.000	78751	—	CRSH1	R
200.030	225.430	225.630	12.700	78710	—	★HDW1	R
200.030	234.950	235.150	25.400	78725	—	CRWHA1	R
200.030	238.130	238.330	15.880	78738	—	CRWH1	R
201.630	222.250	222.430	8.740	79302	—	HM14	R
201.630	231.780	231.980	12.700	79620	—	★HDW1	R
203.200	228.600	228.800	15.880	79960	—	CRWH1	R
203.200	228.600	228.800	15.880	79961	—	CRWHA1	R
203.200	234.950	235.150	15.880	79997	—	CRWH1	R
203.200	234.950	235.150	15.880	79998	—	★CRWHA1	R
203.200	241.300	241.500	15.880	80010	—	★CRWH1	R
203.200	254.000	254.203	15.880	80038	—	CRWHA1	R
205.000	230.000	—	15.000	78757	—	CRS11	R
206.380	257.180	257.380	15.880	81245	—	CRWH1	R
206.380	257.180	257.380	15.880	81246	—	CRWHA1	R
206.380	—	209.550	37.340	86086	—	S1	—
209.550	234.950	235.150	15.880	82510	—	CRWH1	R
209.550	235.000	235.200	12.700	82527	—	★CRWH1	R
209.550	241.300	241.300	14.478	541405	—	CRW1	R
209.550	260.350	260.550	15.880	82560	—	CRWH1	R
210.000	240.000	—	15.000	563475	—	HMS5	RG
210.000	240.000	—	15.000	563476	—	HMSA10	RG
210.000	240.000	—	15.000	563477	w/Stainless Steel Spring	HMS5	V
210.000	240.000	—	15.000	563478	w/Stainless Steel Spring	HMSA10	V
210.000	250.000	250.250	15.000	82607	—	HMS4	R
215.000	240.000	240.360	12.000	84650	—	HMS47	R
215.000	250.000	250.342	16.000	84651	—	HMS47	R
215.900	247.650	247.850	15.880	85002	—	★CRWH1	R
215.900	254.000	254.203	16.000	85009	—	CRWH1	R
215.900	266.700	266.900	15.880	85015	—	CRWH1	R
215.900	269.880	270.080	15.880	85085	—	CRWHA1	R
219.080	269.880	270.080	15.880	86260	—	CRWH1	R
220.000	250.000	250.250	16.000	86617	—	CRWH1	R
220.000	250.000	—	15.000	563303	—	HMS5	RG
220.000	250.000	—	15.000	563304	—	HMSA10	RG
220.000	250.000	—	15.000	563305	w/Stainless Steel Spring	HMS5	V
220.000	250.000	—	15.000	563306	w/Stainless Steel Spring	HMSA10	V
222.250	273.050	273.250	15.880	87541	—	CRWH1	R
225.430	257.180	257.380	15.880	88710	—	CRWH1	R
225.430	276.230	276.430	15.880	88760	—	CRWH1	R
228.600	254.000	254.203	15.880	90006	—	CRWH1	R
228.600	279.400	279.600	15.880	90036	—	CRWH1	R
230.000	260.000	—	15.000	563263	—	HMS5	RG

Size listing - Metric

Metric Shaft	Metric Bore	Metric O.D.	Metric Width	Metric Seal no.	Seal info. notes	Type & style	Lip code
230.000	260.000	—	15.000	563264	—	HMSA10	RG
230.000	260.000	—	15.000	563265	w/Stainless Steel Spring	HMS5	V
230.000	260.000	—	15.000	563266	w/Stainless Steel Spring	HMSA10	V
230.000	270.000	—	15.000	90559	—	CRSH11	R
234.950	285.750	285.950	15.880	92536	—	★CRWHA1	R
234.950	323.850	324.050	15.880	92570	—	CRWHA1	R
234.950	323.850	324.050	31.750	92574	—	CRWHA1	R
236.550	254.000	—	1.600	451033	—	BUW	—
236.550	254.000	—	8.738	712552	—	BV	V
240.000	270.000	—	15.000	563073	—	HMS5	RG
240.000	270.000	—	15.000	563074	—	HMSA10	RG
240.000	270.000	—	15.000	563075	w/Stainless Steel Spring	HMS5	V
240.000	270.000	—	15.000	563076	w/Stainless Steel Spring	HMSA10	V
240.000	275.000	275.260	16.000	94480	—	HMS4	R
240.000	275.000	275.260	16.000	94484	—	HMSA7	R
240.000	275.000	275.350	16.000	94485	—	HMSA7	V
241.300	266.700	266.900	11.130	95048	—	★CRW1	R
241.300	273.050	273.253	7.950	95052	—	HM21	R
241.300	292.100	292.300	15.880	95062	—	★CRW1	R
244.480	295.280	295.480	15.880	96245	—	CRWH1	R
247.650	282.580	282.780	16.002	97542	—	CRWH1	R
247.650	285.750	285.950	15.880	97545	—	CRWH1	R
247.650	298.450	298.650	15.880	97550	—	CRWH1	R
250.000	280.000	—	15.000	563999	—	HMS5	RG
250.000	280.000	—	15.000	564000	—	HMSA10	RG
250.000	280.000	—	15.000	564001	w/Stainless Steel Spring	HMS5	V
250.000	280.000	—	15.000	564002	w/Stainless Steel Spring	HMSA10	V
250.000	285.000	—	15.000	563832	—	HMS5	RG
250.000	285.000	—	15.000	563833	—	HMSA10	RG
250.000	285.000	—	15.000	563834	w/Stainless Steel Spring	HMS5	V
250.000	285.000	—	15.000	563835	w/Stainless Steel Spring	HMSA10	V
254.000	279.400	279.600	9.530	100042	—	HMS4	R
254.000	285.750	285.950	16.002	100044	—	CRWHA1	R
254.000	304.800	305.000	15.880	100051	—	CRWH1	R
254.000	304.800	305.000	15.880	100075	—	★CRWA1	R
260.000	280.000	280.750	16.000	102360	—	HMS1	V
260.000	300.000	300.250	20.000	102365	—	CRS1	R
260.350	285.750	285.950	14.300	102520	—	CRWH1	R
260.350	311.150	311.350	15.880	102540	—	CRWH1	R
265.000	290.000	—	16.000	104300	—	CRSH13	R
266.700	298.450	298.650	15.880	105010	—	CRWH1	R
266.700	317.500	317.700	15.880	105051	—	CRWH1	R
273.050	323.850	324.050	15.880	107551	—	CRWH1	R
279.400	311.150	311.350	15.880	110030	—	CRWHA1	R
279.400	330.200	330.400	15.880	110051	—	CRWH1	R
280.000	310.000	310.430	16.000	110222	—	HMS4	R
280.000	320.000	320.290	20.000	110245	—	★CRWA1	R
280.000	320.290	320.290	20.000	110246	—	★CRWA1	V
288.930	330.200	330.400	15.880	113740	—	CRW1	R
290.000	330.000	—	16.000	1141288	—	CRSA13	R
292.100	330.200	330.400	15.880	115021	—	CRWH1	R
300.000	335.000	—	18.000	118101	—	CRSH11	R
300.000	340.000	340.430	18.000	118100	—	HMS4	R
300.000	340.000	340.436	16.000	118103	—	HMS4	R
300.000	340.000	340.436	16.000	118106	—	HMSA7	R
304.800	355.600	355.800	15.880	120060	—	CRW1	R
311.150	339.730	339.930	15.880	122555	—	CRWH1	R
311.150	350.850	351.050	15.880	122580	—	CRW1	R
323.850	346.080	346.330	14.300	127540	—	HMSA7	R
330.200	355.600	—	1.600	451300	—	BUW	—
330.200	355.600	—	12.700	711854	—	BV	D
394.000	420.000	420.421	16.000	1551038	—	HMS46	R

Seal kits

Kit no.	Shaft diameter (Inches)	Bore	O.D.	Width	Shaft diameter (Metric)	Bore	O.D.	Width	Seal construction	Lip code
162	3.625	4.876	4.881	.438	92.075	123.850	123.977	11.125	KIT	#
Kit Contents: 1 EA 36314 SEAL/1 EA 879991 O-RING (W/OEM INTERNAL METAL INSERT)										
187	2.450	-	3.000	.375	62.230	-	76.200	9.525	KIT	S
Kit Contents: 2 EA 181614 SEAL										
410	6.000	6.750	6.756	.500	152.400	171.450	171.600	12.700	KIT	V
Kit Contents: 1 EA 60000 SEAL 1 EA 99601 SSLEEVE										
1240	3.010	4.430	8.250	.953	76.454	112.522	209.550	24.206	J1-KIT	R
Kit Contents: 1 EA 502081 SEAL 1 EA 502234 SLEEVE 2 EA 450447G GASKET										
1243	2.875	3.751	3.756	.625	73.025	95.275	95.402	15.880	KIT	P
Kit Contents: 1 EA SEAL 30007 1 EA 81474 SLEEVE										
1244	2.375	3.428	3.433	1.000	60.325	87.071	87.198	25.400	KIT	P
Kit Contents: 1 EA 24964 SEAL 1 EA 81473 SLEEVE										
1245	2.375	4.938	4.943	1.000	60.325	125.425	125.552	25.400	KIT	P
Kit Contents: 1 EA 25146 SEAL 1 EA 81473 SLEEVE										
1255	4.766	6.310	6.316	1.188	121.056	160.274	160.426	30.180	KIT	R
Kit Contents: 1 EA 54929 SEAL 1 EA 68016 SLEEVE										
1256	4.766	6.500	6.505	1.062	121.056	165.100	165.227	27.000	KIT	R
Kit Contents: 1 EA 54940 SEAL 1 EA 68016 SLEEVE										
1321	3.938	5.373	5.378	.500	100.030	136.470	136.600	12.700	KIT★	R
Kit Contents: 1 EA 40582 SEAL,1 EA 86207 SLEEVE										
1322	3.938	5.505	5.509	.750	100.025	139.830	139.930	19.050	KIT★	R
Kit Contents: 1 EA 39436 SEAL,1 EA 86206 SLEEVE										
1329	3.875	5.693	5.698	.968	98.425	144.602	144.729	24.587	KIT	R
Kit Contents: 1 EA 40210 SEAL 1 EA 77801 SLEEVE										
1332	3.438	4.758	4.763	.750	87.325	120.853	120.980	19.050	KIT	R
Kit Contents: 1 EA 35810 SEAL, 1 EA 77810 SLEEVE, INST. SHEET 457861										
1333	3.125	4.626	4.631	.750	79.375	117.500	117.627	19.050	KIT	R
Kit Contents: 1 EA 32710 SEAL, 1 EA 77811 SLEEVE, INST. SHEET 457861										
1725	3.250	4.364	110.970	12.620	82.550	110.850	4.369	.497	KIT	P
Kit Contents: 1 EA 522928 SEAL, 1 EA 99350 SSLEEVE, INST. SHEET 457630										
7566	.747	1.500	1.503	.375	18.974	38.100	38.354	9.525	KIT	R
Kit Contents: 1 EA 8702 SEAL, 1 EA 89495 SLEEVE, INST. SHEET 457266										
9963	.875	1.688	1.692	.375	22.230	42.820	42.930	15.620	KIT★	R
Kit Contents: 1 EA 9963 SEAL, 1 EA 89516 SLEEVE, INST. SHEET 457266										
10776	1.063	2.125	2.129	.615	27.000	53.975	54.077	22.352	KIT★	R
Kit Contents: 1 EA 11908 SEAL, 1 EA 89483 SLEEVE, INST. SHEET 457266										
11377	1.125	2.125	2.129	.375	28.575	53.975	28.677	9.525	KIT	R
Kit Contents: 1 EA 12551 SEAL, 1 EA 89519 SLEEVE, INST. SHEET 457266										
12392	1.250	1.752	1.759	.968	31.750	44.500	44.678	24.587	KIT	RR
Kit Contents: 1 EA 12371 SEAL, 1 EA 12355 SEAL, 2 EA 450692 STL WASHER, 1 EA 450693 RTN'G RING, INST. SHEET 457784										

Seal kits

Kit no.	Shaft diameter (Inches)	Bore	O.D.	Width	Shaft diameter (Metric)	Bore	O.D.	Width	Seal construction	Lip code
12578	1.250	2.250	2.254	.313	31.750	57.150	57.252	7.950	KIT★	R
Kit Contents: 1 EA 13676 SEAL, 1 EA 86191 SLEEVE, INST. SHEET 457266										
14731	1.496	2.283	2.287	.315	37.998	57.988	58.089	8.001	KIT	R
Kit Contents: 1 EA 14730 SEAL, 1 EA 508 FELT WASHER & RETAINER 90135										
14982	1.500	2.372	2.376	1.500	38.100	60.249	60.350	38.100	KIT★	R
Kit Contents: 1 EA 14978 SEAL, 1 EA BRP605 BUSHING										
15054	1.500	2.377	2.381	.453	38.100	60.375	60.477	11.506	KIT	R
Kit Contents: 1 EA 15041 SEAL, 1 EA BRP356 BUSHING										
15145	1.500	2.500	2.504	.375	38.100	63.500	63.602	9.525	KIT	R
Kit Contents: 1 EA 546985 SEAL, 1 EA 89513 SLEEVE, 1 EA INST. SHEET 457266										
15246	1.500	3.620	3.625	.563	38.100	91.948	92.075	14.300	KIT	R
Kit Contents: 1 EA 531585 SEAL, 1 EA 450166-10 GASKET										
15330	1.500	2.374	2.378	.563	38.100	60.299	60.401	6.350	KIT	R
Kit Contents: 1 EA 15032 SEAL, 1 EA 15542 SEAL										
15503	1.552	3.160	3.165	.546	39.420	80.264	80.391	13.868	KIT	V
Kit Contents: 1 EA 15545 SEAL, 1 EA 400400 V-RING										
15536	1.563	2.250	2.254	1.520	39.700	57.150	57.251	38.608	KIT	R
Kit Contents: 1 EA 15535 SEAL, 1 EA BRP553 BUSHING										
15696	1.562	2.625	2.629	.562	39.675	66.675	66.777	14.275	KIT★	R
Kit Contents: 1 EA 16814 SEAL, 1 EA 89486 SLEEVE, INST. SHEET 457266										
16148	1.372	2.332	2.337	.902	34.848	59.232	59.359	22.910	KIT	P
Kit Contents: 1 EA 16122 SEAL, 2 EA C-CLIPS, 1 EA 537770 SEAL										
16727	1.688	2.502	2.506	1.334	42.875	63.550	63.652	33.883	KIT★	R
Kit Contents: 1 EA 16725 SEAL, 1 EA BRP661 BUSHING										
17459	1.747	2.623	2.627	.365	44.373	66.624	66.725	9.271	KIT★	E
Kit Contents: 1 EA 17458 SEAL, 1 EA 87614 RETAINER, INST. SHEET 457583										
17490	1.750	2.326	2.331	.275	44.450	59.080	59.207	6.985	KIT	R
Kit Contents: 1 EA 546928 SEAL, 1 EA 90134 RETAINER										
18550	1.875	2.398	2.402	.256	47.625	60.909	61.010	6.502	KIT★	R
Kit Contents: 1 EA 18549 SEAL, 1 EA 879996 O-RING										
18551	1.875	2.398	2.402	.250	47.625	60.909	61.010	6.350	KIT	R
Kit Contents: 1 EA 18552 SEAL, 1 EA 879996 O-RING										
18730	1.875	3.160	3.165	.500	47.625	80.264	80.391	12.700	KIT	P
Kit Contents: 1 EA 57382-1A SEAL, 1 EA 400500 V-RING										
18871	1.890	3.160	3.165	.620	48.006	80.264	80.391	15.748	KIT	R
Kit Contents: 1 EA 18875 SEAL, 1 EA 400500 V-RING										
18998	1.886	2.700	2.704	1.000	47.904	68.580	68.681	25.400	KIT★	P
Kit Contents: 1 EA 18992 SEAL, 1 EA BRP775 BUSHING										
19011	1.893	2.533	2.537	.250	48.082	64.338	64.439	6.350	KIT★	R
Kit Contents: 1 EA 19010 SEAL, 1 EA 450002 RETAINER, 1 EA 879997 O-RING										

Seal kits

Kit no.	Shaft diameter (Inches)	Bore	O.D.	Width	Shaft diameter (Metric)	Bore	O.D.	Width	Seal construction	Lip code
19012	1.893	2.533	2.537	.250	48.082	64.338	64.439	6.350	KIT★	R
Kit Contents: 1 EA 19010 SEAL, 1 EA 450002 RETAINER 1 EA 879982 O-RING										
19015A	1.886	2.700	2.704	1.000	47.904	68.580	68.682	25.400	KIT★	P
Kit Contents: 1 EA 18992 SEAL, 1 EA 297-62 BUSHING										
19252	1.937	2.687	2.691	.375	49.200	68.250	68.351	9.525	KIT	R
Kit Contents: 1 EA 546159 SEAL, 1 EA 89501 SLEEVE, 1 EA INST. SHEET 457266										
19286	1.938	2.875	2.879	.563	49.225	73.025	73.126	14.300	KIT	RR
Kit Contents: 1 EA 19300 SEAL, 1 EA 19306 SEAL										
19305	1.938	2.875	2.879	.718	49.230	73.030	73.130	18.240	KIT	P
Kit Contents: 1 EA 19298 SEAL, 1 EA 86187 SLEEVE, 1 EA INST SHEET 457266										
19644	1.969	2.874	2.879	.468	50.013	73.000	73.127	11.887	KIT	R
Kit Contents: 1 EA F382 SEAL, 1 EA F6183 SEAL, 1 EA DUST RING										
19955	1.995	2.620	2.632	.492	50.673	66.548	66.852	12.496	KIT	~
Kit Contents: 1 EA 20018 SEAL, 1 EA 534778 SLEEVE										
20108	2.000	3.251	3.256	.437	50.800	82.575	82.702	11.100	KIT	R
Kit Contents: 1 EA 537826 SEAL, 1 EA 89510 SLEEVE										
20168	2.000	2.651	4.562	.562	50.800	67.335	115.874	14.275	J2-KIT	R
Kit Contents: 1 EA 530086 SEAL, 1 EA 450176-10 GASKET										
20446	2.047	2.874	2.879	.315	51.993	72.999	73.126	8.001	KIT	P
Kit Contents: 1 EA 20431 SEAL, 1 EA 22037 SEAL, 1 EA 87443 DUST COVER										
20501	2.047	3.268	~	.315	51.993	83.007	~	8.001	KIT	R
Kit Contents: 1 EA 20455 SEAL, 1 EA 22033, 1EA 27705 SEAL										
20526	2.063	2.661	2.671	.188	52.400	67.589	67.843	4.780	KIT	R
Kit Contents: 1 EA 20525 SEAL, 1 EA 879999 O-RING										
20700	2.047	3.268	3.346	.709	0.520	83.000	85.000	18.009	KIT	R
Kit Contents: 1 EA 27705 SEAL, 1 EA 20455 SEAL, 1 EA 22085 SEAL										
20766	2.063	3.120	3.125	.348	52.400	79.248	79.375	8.839	J2-KIT	R
Kit Contents: 1 EA 542144 SEAL, 1 EA 450194 GASKET										
21070	2.125	2.763	2.767	.250	53.975	70.180	70.281	6.350	KIT	R
Kit Contents: 1 EA 21285 SEAL, 1 EA 879998 O-RING										
21294	2.125	3.058	3.063	.235	53.975	77.673	77.800	5.969	KIT	R
Kit Contents: 1 EA 400558 V-RING, 1 EA 87532 DUST SHIELD										
21384	2.146	3.228	3.237	.602	54.508	82.000	82.220	15.300	KIT	V
Kit Contents: 1 EA 564566 SEAL, 1 EA 564566 SLEEVE										
21820	2.188	3.188	3.194	.469	55.575	80.975	81.127	11.910	KIT	R
Kit Contents: 1 EA 541746 SEAL 1 EA 450163 GASKET										
21962	2.123	2.737	2.741	.438	53.924	69.519	69.621	11.125	KIT★	R
Kit Contents: 1 EA 21952 SEAL 1 EA 84476 SLEEVE										
22047	2.205	2.874	2.879	.315	56.007	72.999	73.126	8.001	KIT	P
Kit Contents: 1 EA 20038 SEAL, 1 EA 22041 SEAL, 1 EA 87443 DUST SHIELD										

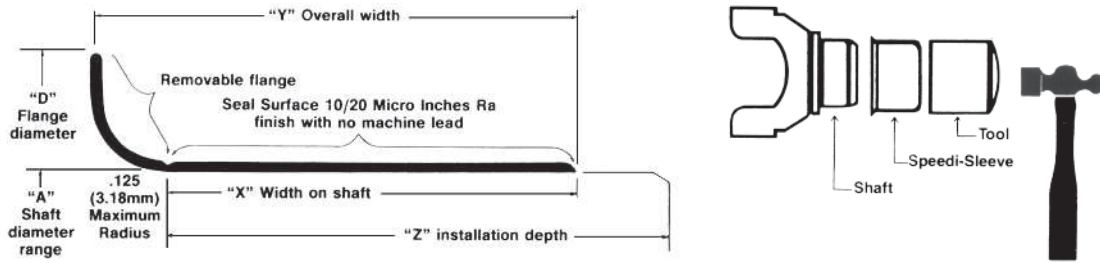
Seal kits

Kit no.	Shaft diameter (Inches)	Bore	O.D.	Width	Shaft diameter (Metric)	Bore	O.D.	Width	Seal construction	Lip code
22075	2.047	2.953	2.963	.390	51.993	75.006	75.260	9.906	KIT	P
Kit Contents: 1 EA 20455 SEAL, 1 EA 22033, 1EA 87443 DUST COVER										
22587	2.125	3.500	3.505	.750	53.980	88.900	89.030	19.050	KIT	R
Kit Contents: 1 EA 22586 SEAL, 1 EA 86178 SLEEVE										
23279	2.313	3.751	3.756	.500	58.750	95.275	95.402	12.700	KIT	R
1 EA 533853 SEAL, 1 EA 89504 SLEEVE, 1 EA INST. SHEET 457266										
23483	2.362	3.937	3.951	1.063	60.000	100.000	100.350	27.000	KIT	R
Kit Contents: 1 EA 26500 SEAL 1 EA 86208 SLEEVE										
23823	2.380	2.999	3.004	.394	60.450	76.180	76.320	10.000	KIT	V
Kit Contents: 1 EA 564568 SEAL, 1 EA 564685 SLEEVE										
23870	2.375	3.559	5.875	.275	60.325	90.399	149.225	6.985	J1-KIT	R
Kit Contents: 1 EA 500625 SEAL, 2 EA 450024-10 GASKET, 1 EA 503513 SLEEVE										
24466	2.438	3.751	3.756	.750	61.930	95.280	95.400	19.050	KIT	R
Kit Contents: 1 EA 25714 SEAL, 1 EA 86184 SLEEVE, 1 EA INST. SHEET 457266										
24868	2.500	3.130	3.135	.315	63.500	79.502	79.629	8.001	KIT	T
Kit Contents: 1 EA 24868 SEAL, SLEEVE & RETAINER RING										
25013	2.500	3.305	3.310	.279	63.500	83.947	84.074	7.010	KIT★	R
Kit Contents: 1 EA 547518 SEAL, 1 EA 547519 SEAL										
25050	2.500	3.223	3.228	.728	63.500	81.864	81.991	18.491	KIT★	R
Kit Contents: 1 EA 23276 SEAL, 1 EA 25009 SEAL										
25160	2.500	3.250	6.125	.438	63.500	82.550	155.575	11.125	KIT	R
Kit Contents: 1 EA 530459 SEAL, 2 EA 450023-10 GASKET, 1 EA 500488 SLEEVE										
26196	2.625	3.500	3.505	.374	66.675	88.900	89.027	9.500	KIT	R
Kit Contents: 1 EA 27269 SEAL, 1 EA 87030 SLEEVE, 1 EA INST. SHEET 457266										
26788	2.539	3.504	3.512	.394	64.500	89.000	89.200	10.000	KIT	V
Kit Contents: 1 EA 564571 SEAL & SLEEVE										
31361	3.109	4.120	5.750	.325	78.968	104.648	146.050	8.255	J2-KIT	R
Kit Contents: 1 EA 500959 SEAL, 2 EA 450431-10 GASKET										
31378	3.109	5.495	8.250	1.016	78.968	139.573	209.550	25.806	J1-KIT	R
Kit Contents: 1 EA 502081 SEAL, 2 EA 450447-10 GASKET, 1 EA 502198 SLEEVE										
31385	3.109	4.444	8.250	.500	78.968	112.877	209.550	12.700	J1-KIT	R
Kit Contents: 1 EA 502256 SEAL, 2 EA 450155-10 GASKET, 1 EA 502198 SLEEVE										
31390	3.109	4.444	8.250	.500	78.968	112.877	209.550	12.700	J1-KIT	R
Kit Contents: 1 EA 502073 SEAL, 2 EA 450158-10 GASKET, 1 EA 502198 SLEEVE										
33251	3.312	5.000	5.004	.5620	84.125	127.000	127.102	14.275	KIT	R
Kit Contents: 1 EA 34408 SEAL, 1 EA 89507 SLEEVE, 1 EA INST. SHEET 457266										
33659	3.250	4.249	4.254	.750	82.550	107.920	108.050	19.050	KIT	P
Kit Contents: 1 EA 33660 SEAL, 1 EA 86193 SLEEVE										
36381	3.500	5.251	5.256	.718	88.900	133.380	133.500	18.240	KIT	P
Kit Contents: 1 EA 36384 SEAL, 1 EA 86189 SLEEVE										

Seal kits

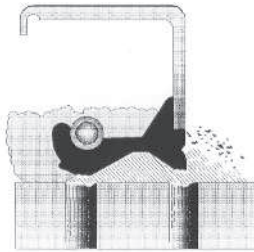
Kit no.	Shaft diameter (Inches)	Bore	O.D.	Width	Shaft diameter (Metric)	Bore	O.D.	Width	Seal construction	Lip code
36944	3.562	5.250	5.256	.718	90.475	133.350	133.500	18.240	KIT	P
Kit Contents: 1 EA 36943 SEAL, 1 EA 86179 SLEEVE										
40900	4.094	5.475	5.479	.513	104.000	139.065	139.167	13.000	KIT	V
Kit Contents: 1 EA 564447 SEAL, 1 EA 564448 SLEEVE										
41152	4.000	4.999	5.004	.718	101.600	126.970	127.100	18.240	KIT	P
Kit Contents: 1 EA 533418 SEAL, 1 EA 86185 SLEEVE										
43767	4.375	5.255	5.260	.748	111.125	133.477	133.604	18.999	KIT	T
Kit Contents: 1 EA 564449 SEAL, 1 EA 564450 SLEEVE										
45001	4.500	5.501	5.506	.500	114.300	139.725	139.852	12.700	KIT★	S
Kit Contents: 1 EA 46125 SEAL, 1 EA 86542 SLEEVE										
46288	4.628	5.761	5.766	.750	117.551K	146.329	146.456	19.050	KIT	T
Kit Contents: 1 EA 56457 SEAL & SLEEVE										
47385	4.646	5.751	5.756	.625	118.008	146.075	146.202	15.880	KIT	V
Kit Contents: 1 EA 47379 SEAL, 1 EA 84041 SLEEVE										
47587	4.750	6.250	6.256	.500	120.650	158.750	158.902	12.700	KIT★	R
Kit Contents: 1 EA 48768 SEAL, 1 EA 88883 SLEEVE, INST. SHEET 457266										
48697	4.875	6.000	6.006	.750	123.830	152.400	152.550	19.050	KIT	S
Kit Contents: 1 EA 48698 SEAL, 1 EA 86074 SLEEVE										
51242	5.125	6.126	6.132	.750	130.175	155.600	155.752	19.050	KIT★	V
Kit Contents: 1 EA 51243 SEAL, 1 EA 86383 SLEEVE										
54930	4.824	6.310	6.316	.875	122.529	160.274	160.426	22.230	KIT★	R
Kit Contents: 1 EA 54929 SEAL 1 EA 70171 SLEEVE										
54935	4.824	6.500	6.505	.875	122.529	165.100	165.227	22.230	KIT★	R
Kit Contents: 1 EA 54940 SEAL, 1 EA 70171 SLEEVE										
56103	5.500	6.625	6.3631	.875	142.880	168.280	168.430	22.230	KIT	P
Kit Contents: 2 EA 56104 SEAL, 1 EA 86151 SLEEVE										
70037	7.000	8.375	8.382	1.000	177.800	212.730	212.900	25.400	KIT	P
Kit Contents: 1 EA 70038 SEAL, 1 EA 86188 SLEEVE										
75090	7.500	11.255	11.260	1.918	190.500	285.877	286.004	48.717	J1-KIT	R
Kit Contents: 1 EA 540693 SEAL, 1 EA 450173 GASKET										
450027	.7650	3.500	3.500	.2500	19.431	88.900	88.900	6.350	KIT	R
Kit Contents: 1 EA 450035 STEEL HDL, 1 EA 450036 STEEL PLATE, 11 EA 450422 ADAPTER SET										

Speedi-Sleeve selection and installation



CR Speedi-Sleeves

When a new seal cannot compensate for excessive damage in small diameter shafts, select a CR Speedi-Sleeve. This ultra-thin wear sleeve provides a snug, leak-proof fit on shafts up to 8" (203 mm) in diameter.



Excessive water, dirt, heat, lack of lubrication or high shaft speed can all cause a sealing lip to groove the shaft and ultimately create a leak. Speedi-Sleeve is the cost-effective alternative to resizing, metalizing or replacing the severely damaged surface. It installs easily, without excessive machine downtime.

Unlike conventional wear sleeves which add bulk to the shaft and require a change in seal size, Speedi-Sleeves fit snugly with only .022" (.6 mm) added to shaft diameter. The result is a leak-proof, corrosion-free sealing surface that will not require a change in seal size.

Speedi-Sleeve® Gold

Speedi-Sleeve Gold is an enhanced version of the popular Speedi-Sleeve, which offers improved resistance to abrasive wear. Designed to be used in applications where extended seal system life is needed, Speedi-Sleeve Gold bridges the performance gap between the regular Speedi-Sleeve and expensive custom shaft treatments. A thin metallic film applied to the base stainless steel imparts a gold color and significantly increases durability and surface hardness (to 2300 Vickers). The Gold version is particularly effective in high dust and grit environments. Yet installation is as easy as the original Speedi-Sleeve and the same seal size can still be used. Speedi-Gold is available from stock for dozens of shaft sizes or run from production in small quantities. The Gold sleeves are noted by an asterisk (*) in the size listing sections of this catalog.

Construction

Speedi-Sleeve is a highly engineered, precision part of SAE 304 stainless steel. Its surface is factory finished to 10-20 micro-inches (.25 - .50 Micrometers) Ra (arithmetic average) with a machine lead angle of zero $\pm 0.05^\circ$. Speedi-Sleeve requires no expensive shaft preparation or machining before installation. Once in place, it provides a sealing surface that is superior to most original shaft finishes and materials.

Selection

Correct size selection requires that three measurements be taken and averaged. Measure the shaft diameter just ahead of the wear path (not in the track worn by the seal) at three positions: 12-6 o'clock, 2-8 o'clock and 4-10 o'clock. The average of these readings will compensate for an out-of-round shaft.

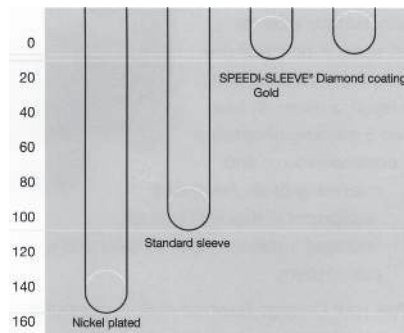
Compare your average diameter with the size ranges in the Speedi-Sleeve selection charts. When this diameter falls within a range, there is sufficient press-fit built into the sleeve to keep it properly positioned. Cement, such as a powdered metal epoxy filler is necessary only to fill deep grooves or scratches.

If shaft grooves do not require filling, apply a light layer of non-hardening sealant to the inner surface of the sleeve.

Shaft diameters a few thousandths under the minimum may be sleeved if the Speedi-Sleeve is cemented into place. Diameters larger than the maximum can be sleeved if the shaft is first machined to a size within the cataloged range, with a finish of 125 micro-inches Ra, or smoother.

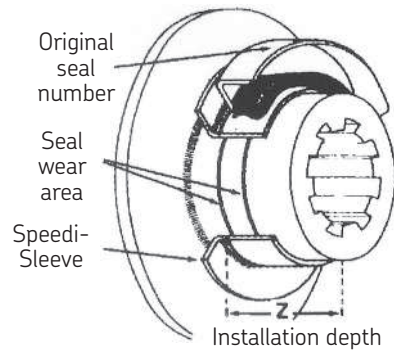
Abrasion resistance

Comparison of various Speedi-Sleeve® coatings



Testing in highly abrasive conditions demonstrates how the hardened surface of Speedi-Sleeve Gold resists wear.

Speedi-Sleeve installation



Installation

Each Speedi-Sleeve is built with a removable installation flange. Also included is a tool for easy “pull-on” installation. Pull-on installation avoids the possibility of distortion from heating or other installation methods. The Speedi-Sleeve is designed to install without removing the shaft, for reduced equipment downtime.

Only a minimum of surface preparation is required. First, clean the old seal surface and file down any burrs or rough spots.

Note how far back the sleeve must be positioned to cover the old seal’s wear tracks. Measure to a convenient point or mark directly on the shaft.

Speedi-Sleeves may be installed to any depth required. Installation depth (see illustration) indicates the minimum distance from the end of the shaft that will be resurfaced when installed with the standard tool. If the sleeve must be positioned further down the shaft than the kit installation tool permits (the “Z” installation depth dimension) then a custom driver tool can be fabricated based on the desired depth. This can be a length of plastic or metal tubing or similar material. Reference the inner diameter to match the driver tool supplied with the kit. This will insure proper contact with the base of the sleeve flange. Square and deburr the ends.

If the shaft is deeply scored, fill the groove with powdered metal epoxy filler and install the Speedi-Sleeve before the filler hardens, otherwise apply a non-hardening sealant to shaft.

Drop Speedi-Sleeve into the installation tool end so that only the flange projects. Note that the flanged end of the sleeve goes on the shaft first. Then, gently pound the center of the tool until the sleeve reaches the point which was measured. Use a wood block or large face mallet on larger sizes to avoid the possibility of caving in the back of the installation tool.

If clearance is required after installation, the Speedi-Sleeve flange can be removed easily. Prior to installation, use side cutters to cut through the flange to the tear groove (pre-cut line). Pry the flange away from the seal surface horizontally along the shaft axis after the sleeve is in position. The flange will separate along the tear groove.

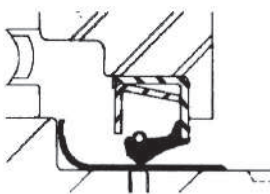
Removal

Speedi-Sleeve can be removed in a number of ways depending upon personal preference and/or shaft configuration.

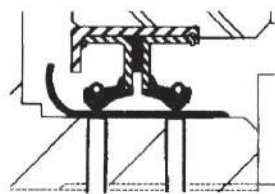
Suggested methods are:

1. The application of heat will often cause the sleeve to expand sufficiently to permit removal.
2. A pair of wire cutters may be effective to “rip” or tear the sleeve from the shaft, by starting at or near the flange using a twisting motion.
3. With the flange removed, the sleeve may be stretched by employing a small ball-peen hammer to “peen” one or more lines across the full width of the sleeve.

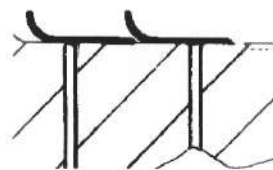
Note: Speedi-Sleeves are not designed to pass over ports, keyways or splines. If these can not be avoided, their diameters should be reduced. Taping, filling or other temporary covers are not reliable solutions.



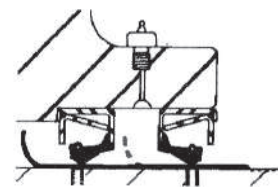
Speedi-Sleeve with standard single-lip seal.



Speedi-Sleeve with combination lip seal.



Two sleeves for double seal installation.



Flange removed for double seal installation.

Installation tips

Installation checklist

1. *Check the bore.* Remove any burrs from the leading edge. The inside corner of the bore should have a maximum radius of .031" (.78mm).
2. *Check the shaft.* Remove burrs, nicks, grooves and spiral machine marks (machine lead).
3. *Check the shaft end.* Remove burrs or sharp edges. If the shaft enters the seal against the sealing lip, the end must have a radius or chamfer or a special installation tool can be used.
4. *Check splines and keyways.* Sharp edges should be covered with a lubricated assembly sleeve, shim stock or tape to protect the seal lip.
5. *Check the dimensions.* Make sure that shaft and bore diameters match those specified for the seal being used.
6. *Check for part interference.* Watch out for other machine parts that might rub against the seal and cause friction and damaging heat.
7. *Check the seal.* Damage may have occurred before installation. A sealing lip that is turned back, cut or otherwise damaged should be replaced.
8. *Check seal direction.* Make sure the new seal faces in the same direction as the original one. Generally, the lip faces the lubricant or fluid being retained.
9. *Pre-lubricate the sealing element.* Before installation, wipe the sealing element and shaft with the lubricant being retained. While the O.D. of a metal clad seal can be lightly lubricated to ease installation, the O.D. of a rubber covered seal should always be lubricated. (Fig. A)
10. *Select the correct installation tool.* Press-fitting tools should have an outside diameter approximately .010" (.25mm) smaller than the bore size. For best results, the center of the tool should be open so pressure is applied only at the seal outer edge.
11. *Never hammer directly on the surface of the seal.* Use proper driving force such as a soft-face tool arbor press or soft workpiece (wood). To avoid cocking the seal, apply force evenly around the outer edge.
12. To avoid cocking the seal, bottom out the tool on the shaft (Fig. B), the housing (Fig. C, E) or bottom out the seal in the housing cavity (Fig. D).

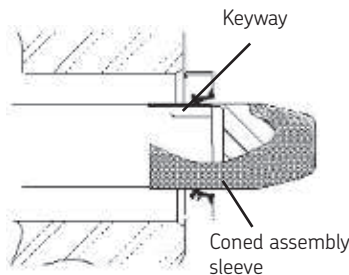


Fig. A A lubricated assembly sleeve prevents damage to seal lip from keyways, splines & unchamfered shafts.

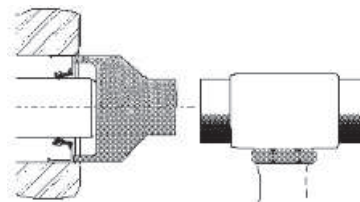


Fig. B Through bore - installation tool bottoms on shaft.

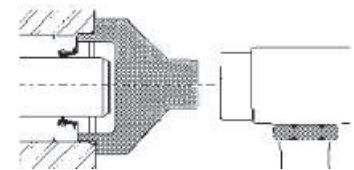


Fig. C Through bore - machined face of installation tool bottoms on machined housing face.

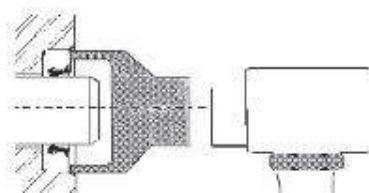


Fig. D Stepped bore - seal bottoms in housing.

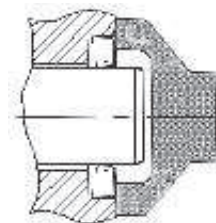


Fig. E Stepped bore - seal flush with bore face.

Post-installation tips

When painting, be sure to mask the seal. Avoid getting paint on the lip, or the shaft where the lip rides. Also, mask the vents so they will not become clogged. If the paint is to be baked or the mechanism otherwise subjected to heat, the seals should not be heated to temperatures higher than their materials can tolerate.

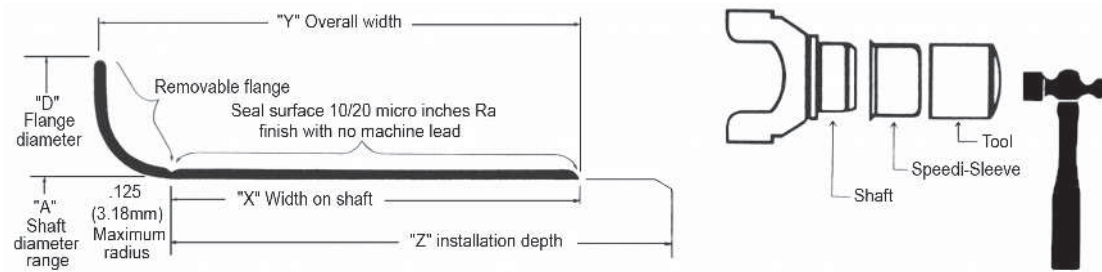
In cleaning or testing, do not subject seals to any fluids or pressures that could damage them. Improper installation or test procedures will result in early seal failure.

Speedi-Sleeve grease seal kit size listing

Kit number	Kit dimensions			Kit components	
	Shaft	Bore	Width	Speedi-Sleeve no.	Seal no.
480050	.500	.750	.344	99050	4912
480074	.750	.999	.375	99086	7410
901	.859	1.438	.250	99087	8691
480097	1.000	1.250	.313	99868	9815
480098	1.000	1.499	.313	99868	9876
480099	1.000	1.499	.313	99868	9878
480125	1.250	2.000	.313	99141	12456
480148	1.500	2.372	.563	99156	14978
480150	1.500	2.377	.563	99156	15041
480151	1.500	2.502	.563	99157	15141
480152	1.500	2.374	.563	99162	15005
480149	1.550	2.254	.563	99156	14966
480168	1.688	2.502	.835	99174	16725
480173	1.750	2.374	.563	99186	17271
480177	1.766	2.412	.563	99187	17286
480184	1.868	2.518	.889	99187	18492
480185	1.875	2.561	.563	99193	18548
480186	1.875	2.562	.469	99196	18546
480187	1.875	2.760	.563	99198	18692
20146	1.980	3.371	.563	99205	20127
480198	2.000	2.745	.563	99212	19807
480219	2.188	3.188	.781	99229	21938
22562	2.250	3.251	.500	99229	22449
480233	2.328	3.000	.750	99250	23300
480249	2.500	3.500	.781	99262	24988
480260	2.625	3.623	.781	99274	26239
480261	2.625	4.438	.781	99274	26368
480262	2.625	4.562	.781	99274	26378
480273	2.750	3.543	.781	99293	27558
480275	2.750	3.876	.781	99293	27452
480278	2.750	4.249	.781	99300	27601
28446	2.844	3.939	.550	99300	28426
480293	2.938	3.938	.781	99300	29188
480294	2.938	4.003	.781	99300	29350
480299	3.000	3.751	.813	99300	29872
480300	3.000	4.003	.813	99350	29961
480303	3.000	4.249	.813	99350	30056
1725	3.250	4.364	.875	99350	522928*
480325	3.250	4.249	.813	99350	32410
480350	3.500	4.501	.813	99372	34891
480450	4.500	5.501	.813	99868	44967
410	6.000	6.750	.500	99601	60000

* Not sold separate

Speedi-Sleeve size listing - Inches



Shaft diameter	"A" Shaft diameter range		Stock number	X Width	Y Width	D Flange dia.	Z Installation depth
	Minimum	Maximum					
.472	.469	.473	99049	.236	.331	.610	1.875
.500	.498	.502	99050	.250	.344	.610	2.000
.551	.547	.551	99055	.250	.391	.750	1.831
.563	.560	.564	99056	.250	.391	.750	1.831
.591	.589	.593	99059	.197	.354	.750	1.862
.625	.623	.627	99062	.313	.406	.750	2.000
.625	.623	.627	99810*	.313	.406	.750	2.000
.630	.626	.630	99058	.313	.438	.718	2.000
.669	.667	.671	99068	.315	.433	.875	2.000
.684	.682	.686	99060	.313	.438	.900	2.000
.709	.704	.708	99082	.315	.433	.962	1.811
.750	.748	.752	99076	.313	.438	.945	2.000
.750	.748	.752	99811*	.313	.438	.945	2.000
.760	.759	.763	99081	.313	.438	.938	2.000
.782	.780	.784	99080	.313	.438	.935	2.000
.787	.785	.789	99078	.315	.433	.930	1.853
.813	.811	.815	99083	.375	.563	1.188	3.000
.859	.857	.861	99086	.250	.375	1.155	2.000
.866	.861	.865	99084	.259	.359	1.188	1.856
.866	.861	.865	99085	.315	.472	1.188	1.812
.875	.873	.877	99087	.313	.438	1.094	2.000
.875	.873	.877	99812*	.313	.438	1.094	2.000
.910	.908	.912	99091	.313	.438	1.218	1.847
.910	.908	.912	99860*	.313	.438	1.218	1.847
.945	.940	.944	99092	.313	.438	1.130	2.000
.968	.966	.970	99094	.313	.438	1.130	2.000
.969	.966	.970	99096	.625	.719	1.130	2.000
.984	.982	.986	99098	.313	.433	1.300	2.000
.984	.982	.986	99813*	.313	.433	1.300	2.000
1.000	.998	1.003	99814*	.313	.438	1.219	2.000
1.000	.998	1.002	99868	.313	.438	1.219	2.000
1.024	1.019	1.024	99103	.315	.472	1.313	1.813
1.062	1.060	1.065	99106	.313	.438	1.320	1.843
1.062	1.060	1.065	99815*	.313	.438	1.320	1.843
1.089	1.087	1.092	99108	.313	.438	1.406	.625

Speedi-Sleeve size listing - Inches

Shaft diameter	"A" Shaft diameter range		Stock number	X Width	Y Width	D Flange dia.	Z Installation depth
	Minimum	Maximum					
1.102	1.100	1.105	99111	.375	.500	1.378	1.843
1.102	1.100	1.105	99866*	.375	.500	1.375	1.843
1.125	1.123	1.128	99112	.313	.438	1.500	.688
1.125	1.123	1.128	99116	.375	.500	1.500	.875
1.125	1.123	1.128	99816*	.313	.438	1.500	.688
1.156	1.154	1.159	99120	.375	.500	1.350	.688
1.175	1.173	1.178	99122	.313	.438	1.400	.688
1.181	1.179	1.184	99114	.315	.433	1.400	.688
1.187	1.185	1.190	99118*	.313	.438	1.400	.688
1.219	1.216	1.221	99123	.313	.433	1.563	.625
1.240	1.237	1.242	99141	.315	.438	1.540	.688
1.250	1.247	1.253	99125	.313	.438	1.500	.875
1.250	1.247	1.253	99817*	.313	.438	1.500	.875
1.260	1.257	1.263	99128	.315	.438	1.500	.688
1.299	1.293	1.299	99121	.591	.709	1.594	1.000
1.311	1.308	1.314	99129	.250	.375	1.600	.813
1.313	1.310	1.316	99131	.500	.625	1.594	.813
1.313	1.310	1.316	99818	.500	.625	1.594	.833
1.339	1.333	1.339	99134	.500	.625	1.625	.813
1.371	1.371	1.377	99138	.500	.625	1.638	.813
1.374	1.371	1.377	99133	.313	.438	1.638	.813
1.374	1.371	1.377	99819*	.500	.625	1.638	.813
1.378	1.375	1.381	99139	.512	.630	1.638	.813
1.378	1.375	1.381	99820*	.512	.630	1.638	.813
1.417	1.411	1.417	99146	.512	.669	1.781	.984
1.435	1.432	1.438	99143	.563	.688	1.781	1.016
1.435	1.432	1.438	99821*	.563	.688	1.781	1.016
1.438	1.435	1.441	99144	.375	.500	1.781	1.016
1.496	1.490	1.496	99147	.512	.669	1.781	.984
1.500	1.497	1.503	99149	.563	.688	1.781	1.016
1.500	1.497	1.503	99150	.375	.500	1.781	1.016
1.500	1.497	1.503	99822*	.563	.688	1.781	1.016
1.500	1.497	1.503	99823*	.375	.500	1.781	1.016
1.523	1.520	1.526	99152	.438	.563	1.859	1.016
1.550	1.559	1.565	99156	.563	.688	1.859	1.016
1.552	1.549	1.555	99155	.438	.563	1.859	1.016
1.562	1.559	1.565	99824*	.563	.688	1.859	1.016
1.569	1.566	1.572	99159	.625	.750	1.859	1.016
1.575	1.567	1.573	99153	.390	.509	1.850	1.000
1.578	1.569	1.575	99825*	.512	.630	1.850	1.023
1.578	1.572	1.578	99157	.512	.630	1.850	1.023
1.605	1.602	1.608	99160	.500	.641	1.938	1.000
1.614	1.608	1.614	99163	.500	.625	1.938	1.016
1.625	1.622	1.628	99826*	.563	.688	1.875	.813
1.625	1.622	1.628	99161	.313	.438	1.875	1.016

* Speedi-Sleeve Gold

Speedi-Sleeve size listing - Inches

Shaft diameter	"A" Shaft diameter range		Stock number	X Width	Y Width	D Flange dia.	Z Installation depth
	Minimum	Maximum					
1.625	1.622	1.628	99162	.563	.688	1.875	.813
1.650	1.647	1.653	99166	.445	.571	2.087	.846
1.654	1.647	1.653	99169	.563	.689	2.087	.827
1.656	1.653	1.659	99165	.550	.689	2.087	.827
1.687	1.684	1.690	99168	.563	.688	1.906	.875
1.688	1.685	1.691	99167	.313	.438	1.906	.875
1.693	1.687	1.693	99182	.500	.625	1.906	.844
1.718	1.715	1.721	99171	.563	.688	2.031	.813
1.739	1.736	1.742	99170	.375	.500	2.063	.813
1.750	1.747	1.753	99172	.375	.500	2.055	.813
1.750	1.747	1.753	99174	.563	.688	2.063	.813
1.750	1.747	1.753	99175	.750	.875	2.063	.813
1.750	1.747	1.753	99180	.531	.625	2.063	.878
1.750	1.747	1.753	99827*	.563	.688	2.063	.813
1.750	1.747	1.753	99828*	.750	.875	2.063	.813
1.766	1.761	1.767	99176	.563	.688	2.063	.813
1.766	1.761	1.767	99829*	.563	.688	2.063	.813
1.772	1.769	1.775	99177	.551	.669	2.087	.812
1.772	1.769	1.775	99830*	.551	.669	2.087	.812
1.781	1.778	1.784	99179	.664	.800	2.125	1.002
1.808	1.809	1.815	99181	.563	.688	2.090	1.000
1.860	1.857	1.863	99185	.563	.688	2.156	1.000
1.869	1.866	1.872	99186	.889	1.025	2.188	1.000
1.875	1.872	1.878	99184	.375	.516	2.203	1.050
1.875	1.872	1.878	99187	.563	.688	2.203	1.000
1.875	1.872	1.878	99188	.295	.415	2.203	.744
1.875	1.872	1.878	99190	.175	.295	2.203	.744
1.875	1.872	1.878	99832*	.563	.688	2.203	1.000
1.890	1.887	1.893	99189	.551	.668	2.205	.984
1.912	1.909	1.915	99192	.375	.500	2.219	1.000
1.937	1.934	1.940	99193	.563	.688	2.219	1.000
1.937	1.934	1.940	99833*	.563	.688	2.219	1.000
1.969	1.965	1.971	99196	.551	.668	2.244	.984
1.976	1.977	1.983	99198	.563	.704	2.313	1.050
2.000	1.997	2.003	99199	.563	.688	2.406	1.000
2.000	1.997	2.003	99200	.875	1.000	2.406	1.000
2.000	1.997	2.003	99834*	.563	.688	2.406	1.006
2.000	1.997	2.003	99835*	.875	1.000	2.406	1.000
2.047	2.040	2.047	99878	.500	.625	2.468	1.359
2.060	2.057	2.063	99205	.781	.938	2.469	1.375
2.125	2.123	2.129	99210	.500	.750	2.422	1.281
2.125	2.124	2.130	99212	.781	.938	2.422	1.375
2.125	2.124	2.130	99836*	.781	.938	2.422	1.375
2.165	2.162	2.168	99215	.787	.905	2.441	1.250
2.165	2.162	2.168	99863*	.787	.905	2.441	1.250

* Speedi-Sleeve Gold

Speedi-Sleeve size listing - Inches

Shaft diameter	"A" Shaft diameter range		Stock number	X Width	Y Width	D Flange dia.	Z Installation depth
	Minimum	Maximum					
2.188	2.186	2.192	99218	.781	.938	2.500	1.313
2.205	2.198	2.204	99220	.500	.625	2.531	1.313
2.205	2.198	2.205	99224	.779	.936	2.531	3.150
2.230	2.227	2.233	99229	.500	.625	2.531	1.313
2.230	2.227	2.233	99230	.781	.906	2.531	1.250
2.240	2.237	2.243	99226	.764	.900	2.563	1.250
2.252	2.249	2.255	99225	.781	.938	2.531	1.500
2.252	2.249	2.255	99837*	.781	.938	2.531	1.313
2.252	2.249	2.255	99227	.313	.438	2.531	1.313
2.283	2.280	2.286	99219	.787	.938	2.598	1.375
2.312	2.309	2.315	99231	.781	.938	2.688	1.375
2.330	2.327	2.333	99233	.750	.875	2.750	1.500
2.362	2.359	2.365	99235	.787	.905	2.785	1.375
2.362	2.359	2.365	99869*	.787	.905	2.785	1.375
2.362	2.359	2.365	99241	.370	.450	2.785	1.471
2.375	2.372	2.378	99238	.594	.750	2.750	1.375
2.377	2.434	2.440	99839*	.781	.938	2.750	1.375
2.377	2.374	2.380	99237	.781	.938	2.750	1.375
2.377	2.374	2.380	99240	.526	.683	2.750	1.375
2.437	2.434	2.440	99243	.781	.938	2.828	1.393
2.438	2.435	2.441	99242	.500	.625	2.828	1.425
2.441	2.434	2.441	99244	.500	.625	2.828	1.425
2.492	2.489	2.495	99249	.781	.938	2.875	1.393
2.500	2.497	2.504	99253	.555	.650	2.820	.890
2.500	2.500	2.507	99840*	.781	.938	2.820	1.375
2.503	2.500	2.507	99248	.500	.656	2.828	1.393
2.503	2.500	2.506	99250	.781	.938	2.820	1.375
2.513	2.510	2.517	99251	.781	.906	2.828	1.438
2.559	2.556	2.563	99254	.787	.905	2.850	1.375
2.559	2.556	2.563	99841*	.787	.905	2.850	1.375
2.563	2.560	2.567	99256	.781	.938	2.891	1.375
2.598	2.595	2.602	99807	.781	.938	2.610	1.250
2.598	2.595	2.602	99259	.781	.938	2.990	1.250
2.621	2.618	2.625	99261	.781	.938	3.047	1.375
2.624	2.621	2.628	99264	.781	.906	3.047	1.375
2.625	2.622	2.629	99260	.500	.625	3.047	1.375
2.628	2.625	2.632	99262	.781	.938	3.047	1.375
2.628	2.625	2.632	99842*	.781	.938	3.047	1.375
2.677	2.670	2.677	99266	.750	.875	3.125	1.688
2.730	2.727	2.734	99268	.781	.906	3.125	1.313
2.743	2.740	2.747	99273	.781	.938	3.065	1.250
2.748	2.745	2.752	99274	.781	.938	3.125	1.250
2.748	2.745	2.752	99843*	.781	.938	3.125	1.250
2.750	2.740	2.756	99269	1.125	1.250	3.125	1.312
2.750	2.750	2.757	99275	.781	.938	3.125	1.250

* Speedi-Sleeve Gold

Speedi-Sleeve size listing - Inches

Shaft diameter	"A" Shaft diameter range		Stock number	X Width	Y Width	D Flange dia.	Z Installation depth
	Minimum	Maximum					
2.750	2.747	2.754	99267	1.438	1.625	3.075	1.625
2.753	2.750	2.757	99272	.406	.563	3.125	1.250
2.753	2.750	2.757	99844*	.781	.938	3.125	1.250
2.756	2.753	2.760	99276	.787	.945	3.125	1.250
2.812	2.809	2.816	99281	.594	.688	3.188	1.250
2.835	2.828	2.835	99284	.750	.875	3.225	1.343
2.835	2.828	2.835	99870*	.750	.875	3.225	1.343
2.838	2.838	2.845	99845*	.500	.656	3.225	1.250
2.841	2.838	2.845	99282	.500	.656	3.225	1.250
2.869	2.866	2.873	99286	.781	.938	3.188	1.250
2.876	2.873	2.889	99287	.781	.938	3.219	1.250
2.876	2.873	2.880	99846*	.781	.938	3.219	1.250
2.938	2.937	2.944	99847*	.781	.938	3.344	1.313
2.940	2.937	2.944	99290	.500	.641	3.344	1.331
2.940	2.937	2.944	99293	.781	.938	3.344	1.313
2.953	2.950	2.957	99289	.594	.690	3.273	1.083
2.953	2.950	2.957	99294	.866	1.024	3.305	1.313
2.974	2.972	2.979	99292	.813	1.000	3.235	1.250
2.993	2.990	2.997	99291	.484	.625	3.359	1.331
2.993	2.990	2.997	99298	.563	.688	3.359	1.375
2.993	2.990	2.997	99299	.813	1.000	3.350	1.281
3.000	2.997	3.004	99296	.813	.938	3.240	1.375
3.003	3.000	3.007	99048	.625	.813	3.345	1.280
3.003	3.000	3.006	99300	.813	1.000	3.235	1.281
3.003	3.000	3.007	99848*	.813	1.000	3.235	1.281
3.011	3.008	3.015	99301	.500	.625	3.355	2.000
3.071	3.064	3.071	99306	.750	.875	3.468	2.056
3.123	3.120	3.127	99311	.688	.813	3.531	2.000
3.123	3.120	3.127	99312	.813	1.000	3.531	2.000
3.123	3.120	3.127	99849*	.813	1.000	3.531	2.000
3.128	3.124	3.131	99053	.551	.709	3.525	2.031
3.146	3.142	3.149	99313	.750	.886	3.540	1.375
3.149	3.146	3.153	99315	.827	.945	3.543	1.375
3.149	3.146	3.153	99317	.433	.591	3.543	1.375
3.149	3.145	3.153	99090	.827	.945	3.543	1.375
3.228	3.225	3.232	99328	.660	.848	3.585	1.750
3.250	3.247	3.254	99322	.813	1.000	3.594	1.375
3.252	3.250	3.257	99324	.595	.719	3.575	1.375
3.253	3.250	3.257	99325	.813	1.000	3.585	1.375
3.253	3.250	3.257	99326	.688	.875	3.585	1.250
3.253	3.250	3.257	99850*	.595	.719	3.575	1.375
3.253	3.250	3.257	99851*	.813	1.000	3.585	1.375
3.310	3.307	3.314	99331	.813	1.000	3.688	1.375
3.342	3.337	3.344	99332	.669	.827	3.700	1.378
3.342	3.337	3.344	99333	.827	.984	3.700	1.378

* Speedi-Sleeve Gold

Speedi-Sleeve size listing - Inches

Shaft diameter	"A" Shaft diameter range		Stock number	X Width	Y Width	D Flange dia.	Z Installation depth
	Minimum	Maximum					
3.342	3.337	3.344	99872*	.827	.984	3.700	1.378
3.346	3.338	3.345	99334	.399	.499	3.580	1.431
3.375	3.373	3.380	99337	.813	1.000	3.695	1.375
3.376	3.373	3.380	99338	.375	.500	3.688	1.410
3.438	3.435	3.442	99339	.781	.906	3.844	1.406
3.461	3.457	3.464	99481	1.150	1.349	3.751	1.676
3.480	3.477	3.484	99340	.781	.906	3.835	1.406
3.500	3.497	3.504	99346	.625	.813	3.844	1.347
3.503	3.500	3.507	99347	.313	.500	3.825	1.347
3.503	3.500	3.507	99350	.813	1.000	3.844	1.347
3.503	3.500	3.507	99852*	.813	1.000	3.844	1.347
3.504	3.501	3.508	99349	.625	.813	3.844	1.348
3.543	3.540	3.547	99351	.710	.906	4.000	1.813
3.543	3.540	3.547	99352	.438	.538	4.000	1.813
3.543	3.540	3.547	99353	.526	.667	4.000	1.750
3.543	3.540	3.547	99354	.906	1.102	4.000	1.750
3.563	3.560	3.567	99356	.813	1.000	3.900	1.750
3.621	3.618	3.625	99360	.813	1.000	4.031	1.750
3.626	3.623	3.630	99362	.813	1.000	4.031	1.750
3.626	3.623	3.630	99363	.500	.625	4.025	1.750
3.687	3.684	3.691	99368	.313	.438	4.031	.875
3.688	3.685	3.692	99365	.813	.938	4.025	1.800
3.730	3.727	3.734	99359	.469	.594	4.016	1.800
3.730	3.727	3.733	99366	.781	.906	4.025	1.800
3.740	3.737	3.744	99369	.827	.945	4.025	1.800
3.743	3.740	3.747	99364	.469	.594	4.035	1.800
3.743	3.740	3.747	99374	.344	.500	4.031	1.800
3.749	3.746	3.753	99376	.563	.688	4.025	1.800
3.753	3.750	3.756	99853*	.688	.875	4.020	1.800
3.753	3.750	3.757	99367	.344	.500	4.025	1.800
3.753	3.756	3.757	99372	.688	.875	4.020	1.800
3.871	3.868	3.875	99386	.813	1.000	4.185	1.875
3.875	3.873	3.880	99387	.813	1.000	4.219	1.875
3.938	3.935	3.942	99393	.813	1.000	4.313	2.050
3.938	3.935	3.942	99802	.494	.630	4.313	2.050
3.938	3.935	3.942	99854*	.813	1.000	4.313	2.050
4.000	3.998	4.006	99395	.600	.725	4.375	2.050
4.000	3.998	4.006	99399	.813	1.000	4.375	2.050
4.000	3.998	4.006	99400	.650	.775	4.375	1.375
4.000	3.998	4.006	99401	.500	.625	4.375	2.066
4.002	3.998	4.006	99855*	.813	1.000	4.375	2.050
4.094	4.090	4.098	99409	.787	.945	4.438	1.417
4.126	4.122	4.130	99412	.813	1.000	4.470	1.375
4.126	4.130	4.138	99867	.640	.827	4.470	1.375
4.134	4.130	4.138	99413	.787	.913	4.470	1.378

* Speedi-Sleeve Gold

Speedi-Sleeve size listing - Inches

Shaft diameter	"A" Shaft diameter range		Stock number	X Width	Y Width	D Flange dia.	Z Installation depth
	Minimum	Maximum					
4.187	4.183	4.191	99418	.813	1.000	4.500	1.375
4.230	4.226	4.234	99423	.781	.906	4.610	1.438
4.252	4.248	4.256	99424	.813	1.000	4.610	1.438
4.331	4.322	4.330	99434	.448	.589	4.921	1.297
4.331	4.327	4.335	99074	.509	.650	4.921	1.250
4.331	4.327	4.335	99435	.509	.650	4.921	1.250
4.374	4.370	4.378	99437	.813	1.000	4.750	1.650
4.409	4.401	4.409	99438	.750	.886	4.750	1.300
4.438	4.434	4.442	99439	1.000	1.142	4.813	1.313
4.500	4.496	4.504	99450	.813	1.000	4.900	1.250
4.500	4.496	4.504	99856*	.813	1.000	4.900	1.250
4.527	4.523	4.531	99452	.813	.938	5.000	1.250
4.625	4.621	4.629	99463	1.000	1.250	5.063	1.375
4.625	4.621	4.629	99465	.438	.625	5.000	1.375
4.688	4.685	4.693	99468	.813	1.000	5.063	1.375
4.724	4.720	4.728	99471	.315	.433	5.110	1.323
4.724	4.720	4.728	99473	.787	.984	5.110	1.260
4.750	4.746	4.754	99475	.500	.750	5.000	1.500
4.803	4.799	4.807	99472	.787	.945	5.177	1.260
4.875	4.871	4.879	99487	.625	.750	5.250	1.438
4.921	4.917	4.925	99518	1.024	1.260	5.400	1.438
4.921	4.917	4.925	99490	.394	.551	5.400	1.438
4.921	4.917	4.925	99492	1.024	1.260	5.400	1.438
5.002	4.998	5.007	99498	.688	.875	5.400	1.438
5.002	4.998	5.007	99499	.813	1.000	5.390	1.438
5.002	4.998	5.007	99501	.540	.681	5.400	1.438
5.002	4.998	5.007	99857*	.688	.875	5.400	1.438
5.002	4.998	5.007	99858*	.813	1.000	5.390	1.438
5.035	5.031	5.040	99482	1.150	1.349	5.325	1.587
5.114	5.110	5.119	99494	.750	.938	5.493	1.181
5.114	5.110	5.119	99753*	.750	.938	5.493	1.181
5.121	5.117	5.126	99491	.866	.996	5.493	1.280
5.125	5.120	5.129	99513	.813	1.000	5.500	1.250
5.250	5.246	5.255	99525	.813	1.000	5.560	1.250
5.311	5.307	5.316	99533	.807	1.000	5.735	1.250
5.375	5.371	5.380	99537	.813	1.000	5.875	1.250
5.438	5.434	5.443	99548	1.500	1.688	5.750	1.875
5.476	5.472	5.481	99547	.563	.750	5.900	1.234
5.502	5.498	5.507	99549	.813	1.000	5.938	1.250
5.502	5.498	5.507	99550	.518	.705	5.938	1.250
5.512	5.508	5.517	99552	.807	1.000	5.945	1.250
5.625	5.621	5.630	99560	.875	1.000	6.188	1.812
5.709	5.699	5.708	99571	.750	.875	6.100	1.812
5.730	5.726	5.735	99562	.563	.750	6.100	1.938
5.750	5.746	5.755	99575	.813	1.000	6.180	1.750

* Speedi-Sleeve Gold

Speedi-Sleeve size listing - Inches

Shaft diameter	"A" Shaft diameter range		Stock number	X Width	Y Width	D Flange dia.	Z Installation depth
	Minimum	Maximum					
5.875	5.871	5.880	99862*	1.000	1.250	6.188	1.313
5.875	5.871	5.880	99587	1.000	1.250	6.188	1.313
5.906	5.896	5.905	99595	1.024	1.181	6.260	1.280
5.938	5.934	5.943	99596	1.000	1.125	6.375	1.875
5.999	5.995	6.005	99601	.500	.750	6.360	1.750
6.000	5.995	6.005	99599	1.000	1.250	6.375	1.750
6.063	6.058	6.068	99605	1.024	1.181	6.375	1.299
6.102	6.092	6.102	99606	1.024	1.181	6.575	1.299
6.203	6.198	6.208	99620	.813	1.063	6.625	1.750
6.250	6.245	6.255	99625	1.031	1.250	6.625	1.750
6.294	6.289	6.299	99630	1.000	1.250	6.750	1.375
6.500	6.495	6.505	99650	1.000	1.250	7.000	1.375
6.688	6.683	6.693	99640	1.250	1.496	7.188	1.750
6.750	6.745	6.755	99675	.813	1.063	7.125	1.750
6.885	6.880	6.890	99687	1.102	1.260	7.362	1.378
7.000	6.995	7.006	99700	1.000	1.250	7.475	1.688
7.082	7.077	7.088	99721	1.299	1.496	7.500	1.752
7.249	7.244	7.254	99725	1.250	1.500	7.760	2.175
7.278	7.273	7.284	99726	1.260	1.496	7.760	2.165
7.449	7.444	7.455	99745	.813	1.000	7.860	1.250
7.500	7.495	7.506	99750	.813	1.000	7.875	1.250
7.500	7.495	7.506	99806*	.813	1.000	7.875	1.250
7.750	7.745	7.756	99775	1.000	1.313	8.270	1.875
7.874	7.869	7.880	99787	1.359	1.500	8.375	1.750
7.938	7.933	7.944	99799	1.000	1.250	8.375	1.750
8.000	7.995	8.006	99800	1.000	1.250	8.375	1.750

* Speedi-Sleeve Gold

Speedi-Sleeve size listing - Metric

Shaft diameter	"A" Shaft diameter range		Stock number	X Width	Y Width	D Flange dia.	Z Installation depth
	Minimum	Maximum					
12.000	11.913	12.014	99049	6.000	8.400	15.500	47.630
12.700	12.649	12.751	99050	6.350	8.740	15.490	50.800
14.000	13.894	13.995	99055	6.350	9.930	19.050	46.510
14.300	14.224	14.326	99056	6.350	9.930	19.050	46.510
15.010	14.961	15.062	99059	5.000	8.990	19.050	47.290
15.875	15.824	15.926	99062	7.950	10.312	19.050	50.800
15.880	15.824	15.926	99810*	7.950	10.310	19.050	50.800
16.000	15.900	16.002	99058	7.950	11.130	18.240	50.800
16.990	16.942	17.043	99068	8.000	11.000	22.230	50.800
17.370	17.323	17.424	99060	7.950	11.130	22.860	50.800
18.000	17.882	17.983	99082	8.000	11.000	24.430	46.000
19.050	18.999	19.101	99076	7.950	11.130	24.000	50.800
19.050	18.999	19.101	99811*	7.950	11.130	24.000	50.800
19.300	19.279	19.380	99081	7.950	11.130	23.830	50.800
19.860	19.812	19.914	99080	7.950	11.130	23.750	50.800
19.990	19.939	20.041	99078	8.000	11.000	23.620	47.070
20.650	20.599	20.701	99083	9.525	14.300	30.175	76.200
21.820	21.768	21.869	99086	6.350	9.530	29.340	50.800
22.000	21.869	21.971	99084	6.580	9.120	30.180	47.140
22.000	21.869	21.971	99085	8.000	11.990	30.180	46.020
22.230	22.174	22.276	99087	7.950	11.125	27.790	50.800
22.230	22.174	22.276	99812*	7.950	11.130	27.790	50.800
23.110	23.063	23.165	99091	7.950	11.125	30.940	46.910
23.110	23.063	23.165	99860*	7.950	11.130	30.940	46.910
24.000	23.876	23.978	99092	7.950	11.130	28.700	50.800
24.590	24.536	24.638	99094	7.950	11.130	28.700	50.800
24.590	24.536	24.638	99096	15.880	18.260	28.700	50.800
24.990	24.943	25.044	99098	7.950	11.000	33.020	50.800
24.990	24.943	25.044	99813*	7.950	11.000	33.020	50.800
25.400	25.349	25.476	99814*	7.950	11.130	30.960	50.800
25.400	25.349	25.476	99868	7.950	11.125	30.963	50.800
26.010	25.883	26.010	99103	8.000	11.990	33.350	46.050
26.970	26.924	27.051	99106	7.950	11.130	33.530	46.810
26.970	26.924	27.051	99815*	7.950	11.130	33.530	46.810
27.660	27.610	27.737	99108	7.950	11.130	35.712	15.880
27.990	27.940	28.067	99111	9.530	12.700	35.000	46.812
27.990	27.940	28.067	99866*	9.525	12.700	35.000	46.812
28.580	28.524	28.651	99112	7.950	11.130	38.100	17.480
28.580	28.524	28.651	99116	9.530	12.700	38.100	22.230
28.580	28.524	28.651	99816*	7.950	11.130	38.100	17.480
29.360	29.312	29.439	99120	9.530	12.700	34.290	17.480
29.850	29.794	29.921	99122	7.950	11.130	35.560	17.480
30.000	29.947	30.074	99114	8.000	11.000	35.560	17.480
30.150	30.099	30.226	99118*	7.950	11.130	35.560	17.480
30.960	30.886	31.013	99123	7.950	11.000	39.700	15.880

* Speedi-Sleeve Gold

Speedi-Sleeve size listing - Metric

Shaft diameter	"A" Shaft diameter range		Stock number	X Width	Y Width	D Flange dia.	Z Installation depth
	Minimum	Maximum					
31.500	31.420	31.547	99141	8.000	11.130	39.120	17.480
31.750	31.674	31.826	99125	7.950	11.130	38.100	22.230
31.750	31.674	31.826	99817*	7.950	11.130	38.100	22.230
32.000	31.928	32.080	99128	8.000	11.130	38.100	17.480
33.000	32.842	32.995	99121	15.011	18.000	40.488	25.400
33.300	33.223	33.376	99129	6.350	9.500	40.640	20.650
33.350	33.274	33.426	99131	12.700	15.880	40.490	20.650
33.350	33.274	33.426	99818	12.700	15.880	40.490	20.400
34.000	33.858	34.011	99134	12.700	15.880	41.280	20.700
34.823	34.823	34.976	99138	12.700	15.880	41.610	20.650
34.900	34.823	34.976	99133	7.950	11.130	41.610	20.650
34.900	34.823	34.976	99819*	12.700	15.880	41.610	20.650
35.000	34.925	35.077	99139	13.000	16.000	41.610	20.650
35.000	34.925	35.077	99820*	13.000	16.000	41.610	20.650
36.000	35.839	35.992	99146	13.000	16.990	45.240	25.000
36.450	36.373	36.525	99143	14.300	17.480	45.240	25.810
36.450	36.373	36.525	99821*	14.300	17.475	45.237	25.806
36.530	36.449	36.601	99144	9.530	12.700	45.240	25.810
38.000	37.846	37.998	99147	13.000	16.990	45.240	24.990
38.100	38.024	38.176	99149	14.300	17.480	45.240	25.810
38.100	38.024	38.176	99150	9.530	12.700	45.240	25.810
38.100	38.024	38.176	99822*	14.300	17.475	45.237	25.806
38.100	38.024	38.176	99823*	9.525	12.700	45.237	25.806
38.680	38.608	38.760	99152	11.130	14.300	47.220	25.810
39.420	39.345	39.497	99155	11.130	14.300	47.220	25.810
39.670	39.599	39.751	99156	14.300	17.480	47.220	25.810
39.670	39.599	39.751	99824*	14.300	17.480	47.220	25.810
39.850	39.776	39.929	99159	15.880	19.050	47.220	25.810
40.000	39.812	39.964	99153	9.910	12.930	46.990	25.400
40.000	39.853	40.005	99825*	13.005	16.002	46.990	25.984
40.010	39.929	40.081	99157	13.000	16.000	46.990	25.980
40.770	40.691	40.843	99160	12.700	16.280	49.230	25.400
41.000	40.843	40.996	99163	12.700	15.880	49.230	25.810
41.275	41.199	41.351	99826*	14.300	17.475	47.625	20.650
41.280	41.199	41.351	99161	7.950	11.130	47.630	25.810
41.280	41.199	41.351	99162	14.300	17.475	47.625	20.650
42.000	41.834	41.986	99166	11.300	14.500	53.010	21.490
42.000	41.834	41.986	99169	14.300	17.500	53.010	21.010
42.060	41.986	42.139	99165	13.970	17.500	53.010	21.010
42.850	42.774	42.926	99168	14.300	17.480	48.410	22.230
42.880	42.799	42.951	99167	7.950	11.130	48.410	22.230
43.000	42.850	43.002	99182	12.700	15.880	48.410	21.410
43.640	43.561	43.713	99171	14.300	17.480	51.590	20.650
44.170	44.094	44.247	99170	9.530	12.700	52.400	20.650
44.450	44.374	44.526	99172	9.530	12.700	52.200	20.650

* Speedi-Sleeve Gold

Speedi-Sleeve size listing - Metric

Shaft diameter	"A" Shaft diameter range		Stock number	X Width	Y Width	D Flange dia.	Z Installation depth
	Minimum	Maximum					
44.450	44.374	44.526	99174	14.300	17.480	52.400	20.650
44.450	44.374	44.526	99175	19.050	22.230	52.400	20.650
44.450	44.374	44.526	99180	13.490	15.880	52.400	22.230
44.450	44.374	44.526	99827*	14.300	17.480	52.400	20.650
44.450	44.374	44.526	99828*	19.050	22.230	52.400	20.650
44.810	44.729	44.882	99176	14.300	17.480	52.400	20.650
44.810	44.729	44.882	99829*	14.300	17.480	52.400	20.650
45.010	44.933	45.085	99177	14.000	16.990	53.010	20.630
45.010	44.933	45.085	99830*	14.000	16.990	53.010	20.630
45.240	45.161	45.314	99179	16.870	20.320	53.980	25.400
45.920	45.949	46.101	99181	14.300	17.480	53.090	25.400
47.240	47.168	47.320	99185	14.300	17.480	54.760	25.400
47.470	47.396	47.549	99186	22.580	26.040	55.580	25.400
47.630	47.549	47.701	99184	9.530	13.110	55.960	26.670
47.630	47.549	47.701	99187	14.300	17.480	55.960	25.400
47.630	47.549	47.701	99188	7.490	10.540	55.960	18.900
47.630	47.549	47.701	99190	4.450	7.490	55.960	18.900
47.630	47.549	47.701	99832*	14.300	17.480	55.960	25.400
48.010	47.930	48.082	99189	14.000	16.970	56.010	24.990
48.560	48.489	48.641	99192	9.530	12.700	56.360	25.400
49.200	49.124	49.276	99193	14.300	17.480	56.360	25.400
49.200	49.124	49.276	99833*	14.300	17.480	56.360	25.400
49.990	49.911	50.063	99196	14.000	16.970	57.000	24.994
50.190	50.216	50.368	99198	14.300	17.880	58.750	26.670
50.800	50.724	50.876	99199	14.300	17.480	61.110	25.400
50.800	50.724	50.876	99200	22.230	25.400	61.110	25.400
50.800	50.724	50.876	99834*	14.300	17.475	61.112	25.400
50.800	50.724	50.876	99835*	22.225	25.400	61.112	25.400
52.000	51.816	51.968	99878	12.700	15.880	62.710	34.520
52.320	52.248	52.400	99205	19.840	23.830	62.710	34.925
53.980	53.924	54.077	99210	12.700	19.050	61.520	32.540
53.980	53.950	54.102	99212	19.840	23.830	61.520	34.930
53.980	53.950	54.102	99836*	19.840	23.830	61.520	34.930
54.990	54.915	55.067	99215	19.990	22.990	62.000	31.750
54.990	54.915	55.067	99863*	19.990	22.990	62.000	31.750
55.600	55.524	55.677	99218	19.840	23.830	63.500	33.350
56.000	55.829	55.982	99220	12.700	15.880	64.290	33.350
56.000	55.810	56.000	99224	19.790	23.770	64.290	80.010
56.640	56.566	56.718	99229	12.700	15.880	64.290	33.350
56.640	56.566	56.718	99230	19.840	23.010	64.290	31.750
56.900	56.820	56.972	99226	19.410	22.860	65.100	31.750
57.200	57.125	57.277	99225	19.840	23.830	64.290	38.100
57.200	57.125	57.277	99837*	19.840	23.830	64.290	33.350
57.201	57.125	57.277	99227	7.950	11.130	64.290	33.350
58.000	57.912	58.064	99219	20.000	23.830	66.000	34.930

* Speedi-Sleeve Gold

Speedi-Sleeve size listing - Metric

Shaft diameter	"A" Shaft diameter range		Stock number	X Width	Y Width	D Flange dia.	Z Installation depth
	Minimum	Maximum					
58.720	58.649	58.801	99231	19.830	23.830	68.280	34.930
59.180	59.106	59.258	99233	19.050	22.230	69.850	38.100
59.990	59.919	60.071	99235	19.990	22.990	70.740	34.925
59.990	59.919	60.071	99869*	20.000	23.000	70.740	34.930
60.000	59.919	60.071	99241	9.400	11.430	70.740	37.363
60.330	60.249	60.401	99238	15.090	19.050	69.850	34.930
60.376	61.824	61.976	99839*	19.840	23.830	69.850	34.925
60.380	60.300	60.452	99237	19.840	23.830	69.850	34.930
60.380	60.300	60.452	99240	13.360	17.350	69.850	34.930
61.900	61.824	61.976	99243	19.840	23.830	71.830	35.380
61.930	61.849	62.001	99242	12.700	15.880	71.830	36.200
62.000	61.824	61.976	99244	12.700	15.880	71.830	36.200
63.300	63.221	63.373	99249	19.840	23.830	73.030	35.380
63.500	63.424	63.602	99253	14.100	16.510	71.630	22.610
63.500	63.424	63.602	99840*	19.840	23.830	71.640	34.930
63.580	63.500	63.678	99248	12.700	16.660	71.830	35.380
63.580	63.500	63.678	99250	19.840	23.830	71.630	34.930
63.830	63.754	63.932	99251	19.840	23.010	71.830	36.530
65.000	64.922	65.100	99254	19.990	22.990	72.390	34.930
65.000	64.922	65.100	99841*	19.990	22.990	72.390	34.930
65.100	65.024	65.202	99256	19.840	23.830	73.430	34.930
65.989	65.913	66.091	99807	19.837	23.825	66.294	31.750
65.990	65.913	66.091	99259	19.840	23.830	75.950	31.750
66.570	66.497	66.675	99261	19.840	23.830	77.390	34.930
66.650	66.573	66.751	99264	19.840	23.010	77.390	34.930
66.680	66.599	66.777	99260	12.700	15.880	77.390	34.930
66.750	66.675	66.853	99262	19.840	23.830	77.390	34.930
66.750	66.675	66.853	99842*	19.840	23.830	77.390	34.930
68.000	67.818	67.996	99266	19.050	22.230	79.380	42.880
69.340	69.266	69.444	99268	19.840	23.010	79.380	33.350
69.670	69.596	69.774	99273	19.840	23.830	77.850	31.750
69.800	69.723	69.901	99274	19.840	23.830	79.380	31.750
69.800	69.723	69.901	99843*	19.837	23.830	79.380	31.750
69.850	69.774	69.952	99267	36.530	41.280	78.110	41.280
69.930	69.850	70.028	99272	10.310	14.300	79.380	31.750
69.930	69.850	70.028	99844*	19.840	23.830	79.380	31.750
70.000	69.774	69.952	99269	28.580	31.750	79.380	33.320
70.000	69.850	70.028	99275	19.840	23.830	79.380	31.750
70.000	69.926	70.104	99276	19.990	24.000	79.380	31.750
71.420	71.349	71.526	99281	15.090	17.480	80.980	31.750
72.000	71.831	72.009	99284	19.050	22.230	81.920	34.110
72.000	71.831	72.009	99870*	19.050	22.230	81.920	34.110
72.085	72.085	72.263	99845*	12.700	16.662	81.915	31.750
72.160	72.085	72.263	99282	12.700	16.660	81.920	31.750
72.870	72.796	72.974	99286	19.840	23.830	80.980	31.750

* Speedi-Sleeve Gold

Speedi-Sleeve size listing - Metric

Shaft diameter	"A" Shaft diameter range		Stock number	X Width	Y Width	D Flange dia.	Z Installation depth
	Minimum	Maximum					
73.050	72.974	73.152	99287	19.840	23.830	81.760	31.750
73.050	72.974	73.152	99846*	19.840	23.830	81.763	31.750
74.625	74.600	74.778	99847*	19.837	23.825	84.938	33.350
74.680	74.600	74.778	99290	12.700	16.280	84.940	33.810
74.680	74.600	74.778	99293	19.840	23.830	84.940	33.350
75.010	74.930	75.108	99289	15.090	17.530	83.130	27.510
75.010	74.930	75.108	99294	22.000	26.010	83.950	33.350
75.540	75.489	75.667	99292	20.620	25.400	82.170	31.750
76.020	75.946	76.124	99291	12.290	15.880	85.320	33.810
76.020	75.946	76.124	99298	14.300	17.480	85.320	34.930
76.020	75.946	76.124	99299	20.650	25.400	85.090	32.540
76.200	76.124	76.302	99296	20.650	23.830	82.300	34.930
76.276	76.200	76.378	99048	15.875	20.650	84.963	32.512
76.280	76.200	76.378	99300	20.650	25.400	82.170	32.540
76.280	76.200	76.378	99848*	20.650	25.400	82.170	32.540
76.480	76.403	76.581	99301	12.700	15.880	85.220	50.800
78.000	77.826	78.003	99306	19.050	22.230	88.090	52.220
79.320	79.248	79.426	99311	17.480	20.650	89.690	50.800
79.320	79.248	79.426	99312	20.650	25.400	89.690	50.800
79.320	79.248	79.426	99849*	20.650	25.400	89.690	50.800
79.451	79.350	79.527	99053	13.995	18.009	89.535	51.587
79.910	79.807	79.985	99313	19.050	22.500	89.920	34.930
79.980	79.908	80.086	99315	21.010	24.000	89.990	34.930
79.980	79.908	80.086	99317	11.000	15.010	89.990	34.930
79.985	79.883	80.086	99090	21.006	24.003	89.992	34.925
81.990	81.915	82.093	99328	16.760	21.540	91.060	44.450
82.550	82.474	82.652	99322	20.650	25.400	91.290	34.930
82.630	82.550	82.728	99324	15.110	18.260	90.810	34.930
82.630	82.550	82.728	99325	20.650	25.400	91.060	34.930
82.630	82.550	82.728	99326	17.480	22.230	91.060	31.750
82.630	82.550	82.728	99850*	15.113	18.263	90.805	34.925
82.630	82.550	82.728	99851*	20.650	25.400	91.059	34.925
84.070	83.998	84.176	99331	20.650	25.400	93.680	34.930
84.890	84.760	84.938	99332	16.990	21.000	93.980	35.000
84.890	84.760	84.938	99333	21.010	24.990	93.980	35.000
84.890	84.760	84.938	99872*	21.010	24.990	93.980	35.000
84.988	84.785	84.963	99334	10.130	12.670	90.930	36.350
85.750	85.674	85.852	99337	20.650	25.400	93.850	34.930
85.750	85.674	85.852	99338	9.530	12.700	93.670	35.810
87.330	87.249	87.427	99339	19.840	23.010	97.640	35.710
87.909	87.808	87.986	99481	29.210	34.265	95.275	42.570
88.390	88.316	88.494	99340	19.840	23.010	97.410	35.710
88.900	88.824	89.002	99346	15.880	20.650	97.640	34.210
88.980	88.900	89.078	99347	7.950	12.700	97.160	34.210
88.980	88.900	89.078	99350	20.650	25.400	97.640	34.210

* Speedi-Sleeve Gold

Speedi-Sleeve size listing - Metric

Shaft diameter	"A" Shaft diameter range		Stock number	X Width	Y Width	D Flange dia.	Z Installation depth
	Minimum	Maximum					
88.980	88.900	89.078	99852*	20.650	25.400	97.638	34.214
89.000	88.925	89.103	99349	15.880	20.650	97.640	34.240
89.990	89.916	90.094	99351	18.030	23.010	101.600	46.050
89.990	89.916	90.094	99352	11.130	13.670	101.600	46.050
89.990	89.916	90.094	99353	13.360	16.940	101.600	44.450
89.990	89.916	90.094	99354	23.010	27.990	101.600	44.450
90.500	90.424	90.602	99356	20.650	25.400	99.060	44.450
91.970	91.897	92.075	99360	20.650	25.400	102.390	44.450
92.100	92.024	92.202	99362	20.650	25.400	102.390	44.450
92.100	92.024	92.202	99363	12.700	15.870	102.240	44.450
93.650	93.574	93.751	99368	7.950	11.130	102.390	22.230
93.680	93.599	93.777	99365	20.650	23.830	102.240	45.720
94.740	94.666	94.844	99359	11.910	15.090	102.006	45.720
94.740	94.666	94.844	99366	19.840	23.010	102.240	45.720
95.000	94.920	95.098	99369	21.010	24.000	102.240	45.720
95.070	94.996	95.174	99364	11.910	15.090	102.490	45.720
95.070	94.996	95.174	99374	8.740	12.700	102.390	45.720
95.220	95.148	95.326	99376	14.300	17.480	102.240	45.720
95.250	95.250	95.428	99853*	17.480	22.230	102.110	45.720
95.326	95.402	95.428	99372	17.475	22.225	102.108	45.720
95.330	95.250	95.428	99367	8.740	12.700	102.240	45.720
98.320	98.247	98.425	99386	20.650	25.400	106.300	47.630
98.450	98.374	98.552	99387	20.650	25.400	107.160	47.630
100.030	99.949	100.127	99393	20.650	25.400	109.550	52.070
100.030	99.949	100.127	99802	12.548	16.002	109.550	52.070
100.030	99.949	100.127	99854*	20.650	25.400	109.550	52.070
101.650	101.549	101.752	99395	15.240	18.420	111.130	52.070
101.650	101.549	101.752	99399	20.650	25.400	111.130	52.070
101.650	101.549	101.752	99400	16.510	19.690	111.130	34.930
101.650	101.549	101.752	99401	12.700	15.880	111.130	52.480
101.650	101.549	101.752	99855*	20.650	25.400	111.125	52.070
103.990	103.886	104.089	99409	19.990	24.000	112.730	35.990
104.800	104.699	104.902	99412	20.650	25.400	113.540	34.930
104.800	104.902	105.105	99867	16.256	21.006	113.540	34.930
105.000	104.902	105.105	99413	19.990	23.190	113.540	35.000
106.350	106.248	106.451	99418	20.650	25.400	114.300	34.930
107.440	107.340	107.544	99423	19.840	23.010	117.090	36.530
108.000	107.899	108.102	99424	20.650	25.400	117.090	36.530
110.000	109.779	109.982	99434	11.380	14.960	124.990	32.940
110.007	109.906	110.109	99074	12.929	16.510	124.993	31.750
110.010	109.906	110.109	99435	12.930	16.510	124.990	31.750
111.100	110.998	111.201	99437	20.650	25.400	120.650	41.910
112.000	111.785	111.989	99438	19.050	22.500	120.650	33.020
112.730	112.624	112.827	99439	25.400	29.010	122.250	33.350
114.300	114.198	114.402	99450	20.650	25.400	124.460	31.750

* Speedi-Sleeve Gold

Speedi-Sleeve size listing - Metric

Shaft diameter	"A" Shaft diameter range		Stock number	X Width	Y Width	D Flange dia.	Z Installation depth
	Minimum	Maximum					
114.300	114.198	114.402	99856*	20.650	25.400	124.460	31.750
114.990	114.884	115.087	99452	20.650	23.830	127.000	31.750
117.480	117.373	117.577	99463	25.400	31.750	128.600	34.930
117.480	117.373	117.577	99465	11.130	15.880	127.000	34.930
119.100	118.999	119.202	99468	20.650	25.400	128.600	34.930
120.000	119.888	120.091	99471	8.000	11.000	129.790	33.600
120.000	119.888	120.091	99473	19.990	24.990	129.790	32.000
120.650	120.548	120.752	99475	12.700	19.050	127.000	38.100
122.000	121.895	122.098	99472	19.990	24.000	131.500	32.000
123.830	123.723	123.927	99487	15.880	19.050	133.350	36.530
124.993	124.892	125.095	99518	26.010	32.004	137.160	36.525
125.000	124.892	125.095	99490	10.000	14.000	137.160	36.530
125.000	124.892	125.095	99492	26.010	32.000	137.160	36.530
127.050	126.949	127.178	99498	17.480	22.230	137.160	36.500
127.050	126.949	127.178	99499	20.650	25.400	136.910	36.530
127.050	126.949	127.178	99501	13.720	17.300	137.160	36.530
127.050	126.949	127.178	99857*	17.475	22.225	137.160	36.525
127.050	126.949	127.178	99858*	20.650	25.400	139.906	36.525
127.889	127.787	128.016	99482	29.210	34.265	135.255	40.310
129.900	129.794	130.023	99494	19.050	23.830	139.520	30.000
129.900	129.794	130.023	99753*	19.050	23.825	139.520	30.000
130.070	129.972	130.200	99491	22.000	25.300	139.520	32.510
130.150	130.048	130.277	99513	20.650	25.400	139.700	31.750
133.350	133.248	133.477	99525	20.650	25.400	141.220	31.750
134.900	134.798	135.026	99533	20.500	25.400	145.670	31.750
136.530	136.423	136.652	99537	20.650	25.400	149.230	31.750
138.130	138.024	138.252	99548	38.100	42.880	146.050	47.630
139.000	138.989	139.217	99547	14.300	19.050	149.860	31.340
139.750	139.649	139.878	99549	20.650	25.400	150.830	31.750
139.750	139.649	139.878	99550	13.160	17.910	150.830	31.750
140.000	139.903	140.132	99552	20.500	25.400	151.000	31.750
142.880	142.773	143.002	99560	22.230	25.400	157.180	46.020
145.000	144.755	144.983	99571	19.050	22.230	154.940	46.020
145.540	145.440	145.669	99562	14.300	19.050	154.940	49.230
146.050	145.948	146.177	99575	20.650	25.400	156.970	44.450
149.225	149.123	149.352	99862*	25.400	31.750	157.175	33.350
149.230	149.123	149.352	99587	25.400	31.750	157.180	33.350
150.000	149.758	149.987	99595	26.010	30.000	159.000	32.510
150.830	150.724	150.952	99596	25.400	28.580	161.930	47.630
152.370	152.273	152.527	99601	12.700	19.050	161.540	44.450
152.370	152.273	152.527	99599	25.400	31.750	161.930	44.450
154.000	153.873	154.127	99605	26.010	30.000	161.930	32.990
155.000	154.737	154.991	99606	26.010	30.000	167.010	32.990
157.560	157.429	157.683	99620	20.650	27.000	168.280	44.450
158.750	158.623	158.877	99625	26.190	31.750	168.280	44.450

* Speedi-Sleeve Gold

Speedi-Sleeve size listing - Metric

Shaft diameter	"A" Shaft diameter range		Stock number	X Width	Y Width	D Flange dia.	Z Installation depth
	Minimum	Maximum					
159.870	159.741	159.995	99630	25.400	31.750	171.450	34.930
165.100	164.973	165.227	99650	25.400	31.750	177.800	34.930
169.880	169.748	170.002	99640	31.750	38.000	182.580	44.450
171.450	171.323	171.577	99675	20.650	27.000	180.980	44.450
174.880	174.752	175.006	99687	27.990	32.000	187.000	35.000
177.800	177.673	177.952	99700	25.400	31.750	189.870	42.880
179.880	179.756	180.035	99721	32.990	38.000	190.500	44.500
184.120	183.998	184.277	99725	31.750	38.100	197.100	55.250
185.000	184.734	185.014	99726	32.000	38.000	197.100	54.990
189.200	189.078	189.357	99745	20.650	25.400	199.640	31.750
190.500	190.373	190.652	99750	20.650	25.400	200.030	31.750
190.500	190.373	190.652	99806*	20.650	25.400	200.025	31.750
196.850	196.723	197.002	99775	25.400	33.350	210.060	47.630
200.000	199.873	200.152	99787	34.520	38.100	212.730	44.450
201.630	201.498	201.778	99799	25.400	31.750	212.730	44.450
203.200	203.073	203.352	99800	25.400	31.750	212.730	44.450

* Speedi-Sleeve Gold

V-ring seals

The V-ring seal is an all-rubber seal that mounts directly on the shaft and seals axially against a counterface, housing, seal case or similar surface.

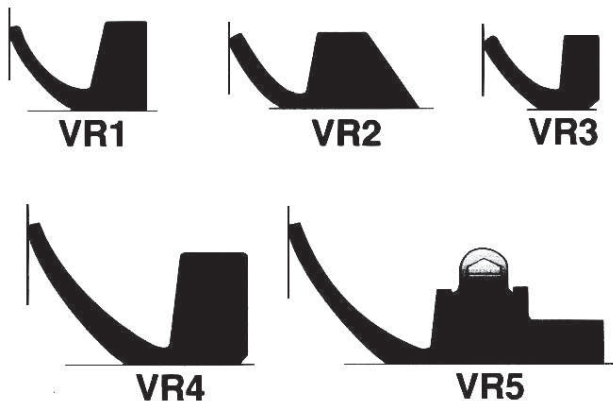
Designed with a long flexible lip, it acts like a mechanical face seal. It can retain lubricants and exclude contaminants. The V-ring can be used as the primary seal or as a secondary back-up seal.

Because it is all rubber and very elastic, it can be stretched over flanges or other assemblies for positioning without any unit disassembly. The V-ring performs well in dry applications and is capable of handling a greater amount of eccentricity and misalignment than most radial lip type seals. Axial movement should however not exceed the axial sealing range of the lip. Each V-ring can be used for a range of different shaft sizes.

In certain applications, V-rings can handle up to 10 psi on the body side only. V-rings should not be used on shafts mounted below sump level.

For greater fluid and heat resistance, LongLife V-rings are available. They can be readily identified by a purple dot marked on the seal or by use of brown seal material. Check SKF for specific availability.

The V-ring comes in five styles:



VR1 - The most common style. Available in the widest range of sizes, from .110" to 79.530" (2.79 mm to 2020 mm) shafts. Nitrile and fluoroelastomer materials. Ideal for conveyor rollers and appliances.

VR2 - The original V-ring, designed with a wide body and tapered heel to firmly hold the ring on the shaft. Available in all sizes from .180" to 8.270" (4.57 mm to 210 mm) shafts. Commonly used in automotive and agricultural applications.

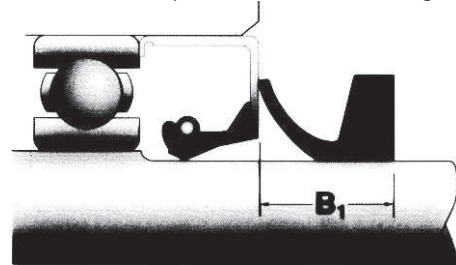
VR3 - Very narrow axial cross-section used in pillow-blocks to replace labyrinth seals. Available for shaft sizes from 4.134" to 24.800" (105 mm to 630 mm).

VR4 - The heavy-duty large diameter style commonly used in rolling mills as a dirt/water excluder seal.

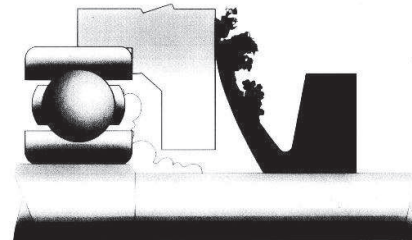
Available for shaft sizes from 11.811" to 79.134" (300 mm to 2010 mm). Can be stretched up to 2 1/2 times its diameter.

VR5 - This heavy-duty large diameter style can easily be fitted with a standard clamping band for axial fixation in high speed applications. Ideal for steel mills, ball mills and paper mills. Available for shaft sizes from 11.811" to 79.134". (Approx. 300 mm to 2010 mm).

Note: V-ring types VR1, VR3, VR4 and VR5 for shaft sizes larger than 78.740 (2000 mm) are made to special order. The seal profile remains unchanged.

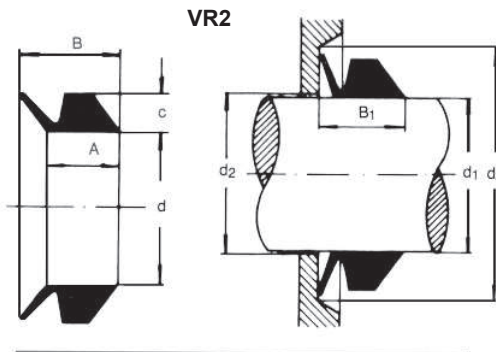
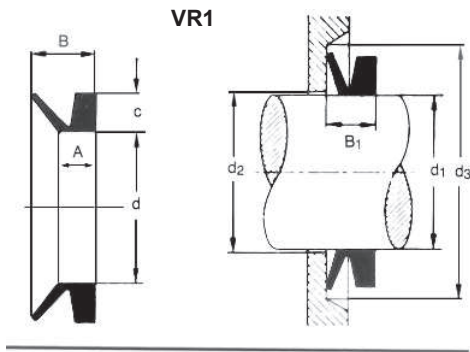


AV-ring can operate directly on metal cased shaft seals. The highly effective "flinger" action extends the life of the main oil seal. Accurate axial positioning (B₁) is important for optimum performance.



V-rings can also run against machine components. Stampings or simple turned surfaces (without sharp peaks or scratches) are sufficient. The roughness can range from 16 to 120 μin (0.4 to 3.0 μm) depending on the application. Steel, cast iron, cold rolled steel stampings and aluminum can be used. Higher hardness is recommended in abrasive condition.

V-ring size listing

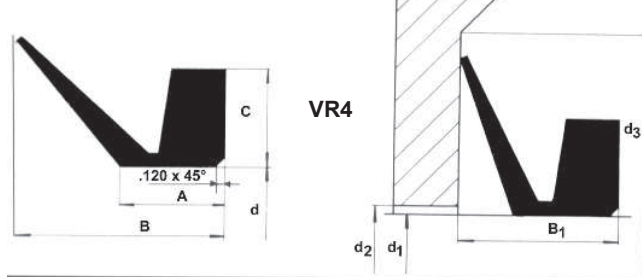
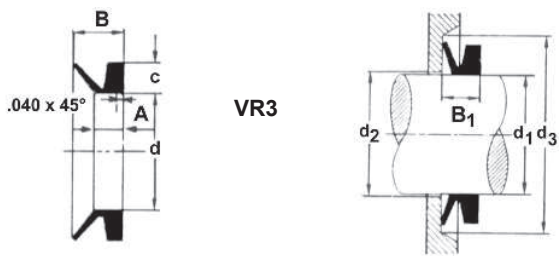


Profile dimensions

Assembly dimensions

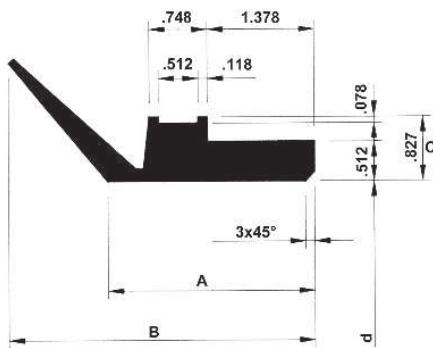
Profile dimensions

Assembly dimensions

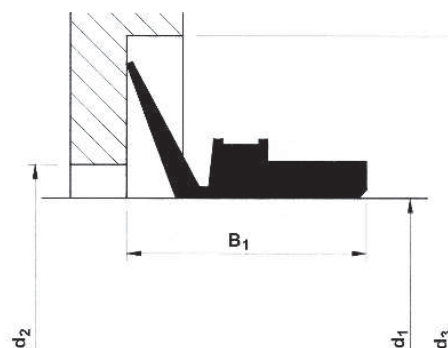


Profile dimensions

Assembly dimensions



VR5



V-ring size listing

Seal no.	Shaft diameter d_1 (Range)	Inside diameter d	Height c	Dimension A	Free width B	Maximum $d_2 = (d_1 +)$	Minimum $d_3 = (d_1 +)$	Fitted width B_1	Construction	Lip code	Reference metric shaft size
400030	0.110-0.140	.100	.060	.080	.120	.040	.160	.100±.012	VR1	R	3mm
400034	0.110-0.140	.100	.060	.080	.120	.040	.160	.100±.012	VR1	V	3mm
400044	0.140-0.180	.130	.080	.090	.150	.040	.240	.120±.016	VR1	V	4mm
400050	0.180-0.210	.160	.080	.090	.150	.040	.240	.120±.016	VR1	R	5mm
400054	0.180-0.210	.160	.080	.090	.150	.040	.240	.120±.016	VR1	V	5mm
400256	0.950-1.070	.160	.080	.090	.150	.040	.240	.240±.030	VR1	V	25.4mm
400051	0.180-0.210	.160	.080	.150	.200	.040	.240	.180±.016	VR2	R	5mm
400060	0.210-0.260	.200	.080	.090	.150	.040	.240	.120±.016	VR1	R	6mm
400064	0.210-0.260	.200	.080	.090	.150	.040	.240	.120±.016	VR1	V	6mm
400061	0.210-0.260	.200	.080	.150	.200	.040	.240	.180±.016	VR2	R	6mm
400065	0.210-0.260	.200	.080	.150	.200	.040	.240	.180±.016	VR2	V	6mm
400070	0.260-0.315	.240	.080	.090	.150	.040	.240	.120±.016	VR1	R	7mm
400074	0.260-0.315	.240	.080	.090	.150	.040	.240	.120±.016	VR1	V	7mm
400071	0.260-0.315	.240	.080	.150	.200	.040	.240	.180±.016	VR2	R	7mm
400075	0.260-0.315	.240	.080	.150	.200	.040	.240	.180±.016	VR2	V	7mm
400080	0.315-0.370	.280	.080	.090	.150	.040	.240	.120±.016	VR1	R	8mm
400084	0.315-0.370	.280	.080	.090	.150	.040	.240	.120±.016	VR1	V	8mm
400081	0.315-0.370	.280	.080	.150	.200	.040	.240	.180±.016	VR2	R	8mm
400085	0.315-0.370	.280	.080	.150	.200	.040	.240	.180±.016	VR2	V	8mm
400104	0.370-0.450	.350	.120	.130	.220	.080	.350	.180±.020	VR1	V	10mm
400101	0.370-0.450	.350	.120	.220	.300	.080	.350	.260±.020	VR2	R	10mm
400105	0.370-0.450	.350	.120	.220	.300	.080	.350	.260±.020	VR2	V	10mm
400120	0.450-0.530	.410	.120	.130	.220	.080	.350	.180±.020	VR1	R	12mm
400124	0.450-0.530	.410	.120	.130	.220	.080	.350	.180±.020	VR1	V	12mm
400125	0.450-0.530	.410	.120	.220	.300	.080	.350	.260±.020	VR2	V	12mm
400130	0.490-0.570	.450	.120	.130	.220	.080	.350	.180±.020	VR1	R	13mm
400134	0.490-0.570	.450	.120	.130	.220	.080	.350	.180±.020	VR1	V	13mm
400140	0.530-0.413	.490	.120	.130	.220	.080	.350	.180±.020	VR1	R	14mm
400144	0.530-0.413	.490	.120	.130	.220	.080	.350	.180±.020	VR1	V	14mm
400141	0.530-0.413	.490	.120	.220	.300	.080	.350	.260±.020	VR2	R	14mm
400145	0.530-0.413	.490	.120	.220	.300	.080	.350	.260±.020	VR2	V	14mm
400160	0.413-0.690	.550	.120	.130	.220	.080	.350	.180±.020	VR1	R	16mm
400164	0.413-0.690	.550	.120	.130	.220	.080	.350	.180±.020	VR1	V	16mm
400165	0.413-0.690	.550	.120	.220	.300	.080	.350	.260±.020	VR2	V	16mm
400180	0.690-0.748	.630	.120	.130	.220	.080	.350	.180±.020	VR1	R	18mm
400184	0.690-0.748	.630	.120	.130	.220	.080	.350	.180±.020	VR1	V	18mm
400181	0.690-0.770	.630	.120	.220	.300	.080	.350	.260±.020	VR2	R	18mm
400185	0.690-0.770	.630	.120	.220	.300	.080	.350	.260±.020	VR2	V	18mm
400204	0.748-0.827	.710	.160	.190	.300	.080	.470	.240±.030	VR1	V	20mm
400201	0.770-0.827	.710	.160	.310	.410	.080	.470	.354±.030	VR2	R	20mm
400205	0.770-0.827	.710	.160	.310	.410	.080	.470	.354±.030	VR2	V	20mm
400220	0.827-0.950	.790	.160	.190	.300	.080	.470	.240±.030	VR1	R	22mm
400224	0.827-0.950	.790	.160	.190	.300	.080	.470	.240±.030	VR1	V	22mm
400221	0.827-0.950	.790	.160	.310	.410	.080	.470	.354±.030	VR2	R	22mm
400250	0.950-1.070	.788	.160	.190	.300	.080	.470	.240±.030	VR1	R	25mm
400254	0.950-1.070	.788	.160	.190	.300	.080	.470	.240±.030	VR1	V	25mm
400284	1.070-1.140	.980	.160	.190	.300	.120	.470	.240±.030	VR1	V	28mm
400285	1.070-1.140	.980	.160	.310	.410	.120	.470	.354±.030	VR2	V	28mm
400300	1.140-1.220	1.060	.160	.190	.300	.120	.470	.240±.030	VR1	R	30mm
400301	1.140-1.220	1.060	.160	.310	.410	.120	.470	.354±.030	VR2	R	30mm

Select the larger V-Ring when the dimension d1 is on the boundary between two sizes of V-Ring / Purple dot on V-Ring indicates LongLife material / Sizes under .787 (20mm) shaft are brown with no dot / #-Indicates non-standard compounds for specific applications

V-ring size listing

Seal no.	Shaft diameter d_1 (Range)	Inside diameter d	Height c	Dimension A	Free width B	Maximum $d_2 = (d_1 +)$	Minimum $d_3 = (d_1 +)$	Fitted width B_1	Construction	Lip code	Reference metric shaft size
400304	1.140-1.220	1.060	.160	.190	.300	.120	.470	.240±.030	VR1	V	30mm
400305	1.140-1.220	1.060	.160	.310	.410	.120	.470	.354±.030	VR2	V	30mm
400324	1.220-1.300	1.140	.160	.190	.300	.120	.470	.240±.030	VR1	V	32mm
400325	1.220-1.300	1.140	.160	.310	.410	.120	.470	.354±.030	VR2	V	32mm
400354	1.300-1.420	1.220	.160	.190	.300	.120	.470	.240±.030	VR1	V	35mm
400351	1.300-1.420	1.220	.160	.310	.410	.120	.470	.354±.030	VR2	R	35mm
400355	1.300-1.420	1.220	.160	.310	.410	.120	.470	.354±.030	VR2	V	35mm
400380	1.420-1.500	1.340	.160	.190	.300	.120	.470	.240±.030	VR1	R	38mm
400384	1.420-1.500	1.340	.160	.190	.300	.120	.470	.240±.030	VR1	V	38mm
400385	1.420-1.500	1.340	.160	.310	.410	.120	.470	.354±.030	VR2	V	38mm
400400	1.500-1.700	1.420	.200	.220	.350	.120	.590	.280±.039	VR1	R	40mm
400409	1.500-1.700	1.420	.200	.220	.350	.120	.590	.280±.039	VR1	V	40mm
400405	1.500-1.700	1.420	.200	.370	.510	.120	.590	.433±.039	VR2	V	40mm
400450	1.700-1.889	1.570	.200	.220	.350	.120	.590	.280±.039	VR1	R	45mm
400454	1.700-1.889	1.570	.200	.220	.350	.120	.590	.280±.039	VR1	V	45mm
400451	1.700-1.889	1.570	.200	.370	.510	.120	.590	.433±.039	VR2	R	45mm
400455	1.700-1.889	1.570	.200	.370	.510	.120	.590	.433±.039	VR2	V	45mm
400500	1.889-2.090	1.772	.200	.220	.350	.120	.590	.280±.039	VR1	R	50mm
400504	1.889-2.090	1.772	.200	.220	.350	.120	.590	.280±.039	VR1	V	50mm
400501	1.889-2.090	1.772	.200	.370	.510	.120	.590	.433±.039	VR2	R	50mm
400505	1.889-2.090	1.772	.200	.370	.510	.120	.590	.433±.039	VR2	V	50mm
400509	1.889-2.090	1.772	.200	.370	.510	.120	.590	.193±.016	VR1-SPL	R	50.8mm
400550	2.090-2.290	1.930	.200	.220	.350	.120	.590	.280±.039	VR1	R	55mm
400554	2.090-2.290	1.930	.200	.220	.350	.120	.590	.280±.039	VR1	V	55mm
400555	2.090-2.290	1.930	.200	.370	.510	.120	.590	.433±.039	VR2	V	55mm
22311	2.205-2.323	1.930	.200	.370	.510	.120	.590	.440±.039	VR1	R	57mm
400604	2.290-2.480	2.130	.200	.220	.350	.120	.590	.280±.039	VR1	V	60mm
400601	2.290-2.480	2.130	.200	.370	.510	.120	.590	.433±.039	VR2	R	60mm
400605	2.290-2.480	2.130	.200	.370	.510	.120	.590	.433±.039	VR2	V	60mm
400650	2.480-2.680	2.280	.200	.220	.350	.120	.590	.280±.039	VR1	R	65mm
400654	2.480-2.680	2.280	.200	.220	.350	.120	.590	.280±.039	VR1	V	65mm
400659	2.480-2.680	2.280	.200	.220	.350	.120	.590	.280±.039	VR1-SPL	R	65mm
400651	2.480-2.680	2.280	.200	.370	.510	.120	.590	.433±.039	VR2	R	65mm
400655	2.480-2.680	2.280	.200	.370	.510	.120	.590	.433±.039	VR2	V	65mm
400700	2.680-2.874	2.480	.240	.270	.430	.160	.710	.354±.047	VR1	R	70mm
400704	2.680-2.874	2.480	.240	.270	.430	.160	.710	.354±.047	VR1	V	70mm
400705	2.680-2.874	2.480	.240	.440	.610	.160	.710	.530±.047	VR2	V	70mm
400750	2.874-3.070	2.640	.240	.270	.430	.160	.710	.354±.047	VR1	R	75mm
400754	2.874-3.070	2.640	.240	.270	.430	.160	.710	.354±.047	VR1	V	75mm
400751	2.874-3.070	2.640	.240	.440	.610	.160	.710	.530±.047	VR2	R	75mm
400755	2.874-3.070	2.640	.240	.440	.610	.160	.710	.530±.047	VR2	V	75mm
400804	3.070-3.270	2.787	.240	.270	.430	.160	.710	.354±.047	VR1	V	80mm
400801	3.070-3.270	2.787	.240	.440	.610	.160	.710	.530±.047	VR2	R	80mm
400805	3.070-3.270	2.787	.240	.440	.610	.160	.710	.530±.047	VR2	V	80mm
400851	3.270-3.472	2.940	.240	.440	.610	.160	.710	.530±.047	VR2	R	85mm
400855	3.270-3.472	2.940	.240	.440	.610	.160	.710	.530±.047	VR2	V	85mm
400850	3.270-3.472	2.990	.240	.270	.430	.160	.710	.354±.047	VR1	R	85mm
400854	3.270-3.472	2.990	.240	.270	.430	.160	.710	.354±.047	VR1	V	85mm
400900	3.472-3.660	3.190	.240	.270	.430	.160	.710	.354±.047	VR1	R	90mm
400904	3.472-3.660	3.190	.240	.270	.430	.160	.710	.354±.047	VR1	V	90mm

Select the larger V-Ring when the dimension d1 is on the boundary between two sizes of V-Ring / Purple dot on V-Ring indicates LongLife material / Sizes under .787 (20mm) shaft are brown with no dot / #-Indicates non-standard compounds for specific applications

V-ring size listing

Seal no.	Shaft diameter d_1 (Range)	Inside diameter d	Height c	Dimension A	Free width B	Maximum $d_2 = (d_1 +)$	Minimum $d_3 = (d_1 +)$	Fitted width B_1	Construction	Lip code	Reference metric shaft size
400901	3.472-3.660	3.190	.240	.440	.610	.160	.710	.530±.047	VR2	R	90mm
400905	3.472-3.660	3.190	.240	.440	.610	.160	.710	.530±.047	VR2	V	90mm
400950	3.660-3.787	3.350	.240	.270	.430	.160	.710	.354±.047	VR1	R	95mm
400954	3.660-3.787	3.350	.240	.270	.430	.160	.710	.354±.047	VR1	V	95mm
400951	3.660-3.787	3.350	.240	.440	.610	.160	.710	.530±.047	VR2	R	95mm
400955	3.660-3.787	3.350	.240	.440	.610	.160	.710	.530±.047	VR2	V	95mm
401000	3.787-4.140	3.540	.240	.270	.430	.160	.710	.354±.047	VR1	R	100mm
401004	3.787-4.140	3.540	.240	.270	.430	.160	.710	.354±.047	VR1	V	100mm
401001	3.787-4.140	3.540	.240	.440	.610	.160	.710	.530±.047	VR2	R	100mm
401005	3.787-4.140	3.540	.240	.440	.610	.160	.710	.530±.047	VR2	V	100mm
401100	4.140-4.528	3.900	.280	.310	.500	.160	.787	.413±.059	VR1	R	110mm
401104	4.140-4.528	3.900	.280	.310	.500	.160	.787	.413±.059	VR1	V	110mm
401101	4.140-4.528	3.900	.280	.520	.710	.160	.787	.610±.059	VR2	R	110mm
401105	4.140-4.528	3.900	.280	.520	.710	.160	.787	.610±.059	VR2	V	110mm
401108	4.140-4.530	3.900	.280	.520	.710	.160	.787	.610±.059	VR2	M	110mm
401200	4.528-4.920	4.250	.280	.310	.500	.160	.787	.413±.059	VR1	R	120mm
401204	4.528-4.920	4.250	.280	.310	.500	.160	.787	.413±.059	VR1	V	120mm
401208	4.528-4.917	4.250	.280	.310	.500	.160	.787	.413±.059	VR1-SPL	#	120mm
401201	4.528-4.920	4.250	.280	.520	.710	.160	.787	.610±.059	VR2	R	120mm
401205	4.528-4.920	4.250	.280	.520	.710	.160	.787	.610±.059	VR2	V	120mm
401300	4.920-5.320	4.610	.280	.310	.500	.160	.787	.413±.059	VR1	R	130mm
401304	4.920-5.320	4.610	.280	.310	.500	.160	.787	.413±.059	VR1	V	130mm
401301	4.920-5.320	4.610	.280	.520	.710	.160	.787	.610±.059	VR2	R	130mm
401305	4.920-5.320	4.610	.280	.520	.710	.160	.787	.610±.059	VR2	V	130mm
401400	5.320-5.709	4.960	.280	.310	.500	.160	.787	.413±.059	VR1	R	140mm
401404	5.320-5.709	4.960	.280	.310	.500	.160	.787	.413±.059	VR1	V	140mm
401401	5.320-5.709	4.960	.280	.520	.710	.160	.787	.610±.059	VR2	R	140mm
401405	5.320-5.709	4.960	.280	.520	.710	.160	.787	.610±.059	VR2	V	140mm
401402	5.320-5.709	4.960	.260	.240	.410	.197	.787	.315±.059	VR3	R	140mm
401406	5.320-5.709	4.960	.260	.240	.410	.197	.787	.315±.059	VR3	V	140mm
401504	5.709-6.102	5.310	.280	.310	.500	.160	.787	.413±.059	VR1	V	150mm
401501	5.709-6.102	5.310	.280	.520	.710	.160	.787	.610±.059	VR2	R	150mm
401505	5.709-6.102	5.310	.280	.520	.710	.160	.787	.610±.059	VR2	V	150mm
401502	5.709-6.102	5.310	.260	.240	.410	.197	.787	.315±.059	VR3	R	150mm
401506	5.709-6.102	5.310	.260	.240	.410	.197	.787	.315±.059	VR3	V	150mm
401600	6.102-6.496	5.670	.310	.350	.570	.157	.940	.472±.070	VR1	R	160mm
401604	6.102-6.496	5.670	.310	.350	.570	.157	.940	.472±.070	VR1	V	160mm
401608	6.102-6.496	5.670	.310	.350	.570	.157	.940	.472±.070	VR1-SPL	#	160mm
401601	6.102-6.496	5.670	.310	.590	.787	.157	.940	.709±.070	VR2	R	160mm
401605	6.102-6.496	5.670	.310	.590	.787	.157	.940	.709±.070	VR2	V	160mm
401602	6.102-6.496	5.670	.260	.240	.410	.197	.787	.315±.059	VR3	R	160mm
401606	6.102-6.496	5.670	.260	.240	.410	.197	.787	.315±.059	VR3	V	160mm
401700	6.496-6.890	6.020	.310	.350	.570	.157	.940	.472±.070	VR1	R	170mm
401704	6.496-6.890	6.020	.310	.350	.570	.157	.940	.472±.070	VR1	V	170mm
401701	6.496-6.890	6.020	.310	.590	.787	.157	.940	.709±.070	VR2	R	170mm
401705	6.496-6.890	6.020	.310	.590	.787	.157	.940	.709±.070	VR2	V	170mm
401702	6.496-6.890	6.020	.260	.240	.410	.197	.787	.315±.059	VR3	R	170mm
401706	6.496-6.890	6.020	.260	.240	.410	.197	.787	.315±.059	VR3	V	170mm
401800	6.890-7.283	6.380	.310	.350	.570	.157	.940	.472±.070	VR1	R	180mm
401804	6.890-7.283	6.380	.310	.350	.570	.157	.940	.472±.070	VR1	V	180mm

Select the larger V-Ring when the dimension d1 is on the boundary between two sizes of V-Ring / Purple dot on V-Ring indicates LongLife material / Sizes under .787 (20mm) shaft are brown with no dot / #-Indicates non-standard compounds for specific applications

V-ring size listing

Seal no.	Shaft diameter d_1 (Range)	Inside diameter d	Height c	Dimension A	Free width B	Maximum $d_2 = (d_1 +)$	Minimum $d_3 = (d_1 +)$	Fitted width B_1	Construction	Lip code	Reference metric shaft size
401801	6.890-7.283	6.380	.310	.590	.787	.157	.940	.709±.070	VR2	R	180mm
401805	6.890-7.283	6.380	.310	.590	.787	.157	.940	.709±.070	VR2	V	180mm
401802	6.890-7.283	6.380	.260	.240	.410	.197	.787	.315±.059	VR3	R	180mm
401806	6.890-7.283	6.380	.260	.240	.410	.197	.787	.315±.059	VR3	V	180mm
401900	7.283-7.680	6.730	.310	.350	.570	.157	.940	.472±.070	VR1	R	190mm
401904	7.283-7.680	6.730	.310	.350	.570	.157	.940	.472±.070	VR1	V	190mm
401901	7.283-7.680	6.730	.310	.590	.787	.157	.940	.709±.070	VR2	R	190mm
401905	7.283-7.680	6.730	.310	.590	.787	.157	.940	.709±.070	VR2	V	190mm
401902	7.283-7.680	6.730	.260	.240	.410	.197	.787	.315±.059	VR3	R	190mm
401906	7.283-7.680	6.730	.260	.240	.410	.197	.787	.315±.059	VR3	V	190mm
401990	7.680-8.270	7.090	.310	.350	.570	.157	.940	.472±.070	VR1	R	199mm
401994	7.680-8.270	7.090	.310	.350	.570	.157	.940	.472±.070	VR1	V	199mm
402000	7.480-8.270	7.090	.590	.560	.980	.394	1.772	.787±.157	VR1	R	200mm
4020022	7.680-8.270	7.170	.260	.240	.410	.197	.787	.315±.059	VR3	R	200mm
402004	7.480-8.270	7.090	.590	.560	.980	.394	1.772	.787±.157	VR1	V	200mm
401991	7.680-8.270	7.090	.310	.590	.787	.157	.940	.709±.070	VR2	R	199mm
401995	7.680-8.270	7.090	.310	.590	.787	.157	.940	.709±.070	VR2	V	199mm
402006	7.680-8.270	7.170	.260	.240	.410	.197	.787	.315±.059	VR3	V	200mm
402200	8.270-9.250	7.787	.590	.560	.980	.394	1.772	.787±.157	VR1	R	220mm
402204	8.270-9.250	7.787	.590	.560	.980	.394	1.772	.787±.157	VR1	V	220mm
402202	8.270-9.170	7.787	.260	.240	.410	.197	.787	.315±.059	VR3	R	220mm
402206	8.270-9.170	7.787	.260	.240	.410	.197	.787	.315±.059	VR3	V	220mm
402500	9.250-10.433	8.788	.590	.560	.980	.394	1.772	.787±.157	VR1	R	250mm
402504	9.250-10.433	8.788	.590	.560	.980	.394	1.772	.787±.157	VR1	V	250mm
402502	9.170-10.240	8.788	.260	.240	.410	.197	.787	.315±.606	VR3	R	250mm
402506	9.170-10.240	8.788	.260	.240	.410	.197	.787	.315±.059	VR3	V	250mm
454213	9.170-10.240	8.788	.260	.240	.410	.197	.787	.310±.059	VR3	R	250mm
400275	10.236-11.221	9.720	.260	.240	.410	.197	.787	.268±.039	VR4	R	275mm
402750	10.433-11.420	9.720	.590	.560	.980	.394	1.772	.787±.157	VR1	R	275mm
402754	10.433-11.420	9.720	.590	.560	.980	.394	1.772	.787±.157	VR1	V	275mm
402752	10.240-11.220	9.720	.260	.240	.410	.197	.787	.315±.059	VR3	R	275mm
402756	10.240-11.220	9.720	.260	.240	.410	.197	.787	.315±.059	VR3	V	275mm
403000	11.420-12.200	10.630	.590	.560	.980	.394	1.772	.787±.157	VR1	R	300mm
403004	11.420-12.200	10.630	.590	.560	.980	.394	1.772	.787±.157	VR1	V	300mm
403002	11.220-12.200	10.630	.260	.240	.410	.197	.787	.315±.059	VR3	R	300mm
403006	11.220-12.200	10.630	.260	.240	.410	.197	.787	.315±.059	VR3	V	300mm
403250	12.200-13.189	11.500	.590	.560	.980	.394	1.772	.787±.157	VR1	R	325mm
403254	12.200-13.189	11.500	.590	.560	.980	.394	1.772	.787±.157	VR1	V	325mm
403252	12.200-13.189	11.500	.260	.240	.410	.197	.787	.315±.059	VR3	R	325mm
403256	12.200-13.189	11.500	.260	.240	.410	.197	.787	.315±.059	VR3	V	325mm
403500	13.189-14.370	12.400	.590	.560	.980	.394	1.772	.787±.157	VR1	R	350mm
403504	13.189-14.370	12.400	.590	.560	.980	.394	1.772	.787±.157	VR1	V	350mm
403502	13.189-14.370	12.400	.260	.240	.410	.197	.787	.315±.059	VR3	R	350mm
403506	13.189-14.370	12.400	.260	.240	.410	.197	.787	.315±.059	VR3	V	350mm
403750	14.370-15.354	13.270	.590	.560	.980	.394	1.772	.787±.157	VR1	R	375mm
403754	14.370-15.354	13.270	.590	.560	.980	.394	1.772	.787±.157	VR1	V	375mm
403752	14.370-15.150	13.270	.260	.240	.410	.197	.787	.315±.059	VR3	R	375mm
403756	14.370-15.150	13.270	.260	.240	.410	.197	.787	.315±.059	VR3	V	375mm
404000	15.354-16.930	14.170	.590	.560	.980	.394	1.772	.787±.157	VR1	R	400mm
4040044	15.354-16.930	14.170	.590	.560	.980	.394	1.772	.787±.157	VR1	V	400mm

Select the larger V-Ring when the dimension d1 is on the boundary between two sizes of V-Ring / Purple dot on V-Ring indicates LongLife material / Sizes under .787 (20mm) shaft are brown with no dot / #-Indicates non-standard compounds for specific applications

V-ring size listing

Seal no.	Shaft diameter d_1 (Range)	Inside diameter d	Height c	Dimension A	Free width B	Maximum $d_2 = (d_1 +)$	Minimum $d_3 = (d_1 +)$	Fitted width B_1	Construction	Lip code	Reference metric shaft size
404002	15.150-16.730	14.170	.260	.240	.410	.197	.787	.315±.059	VR3	R	400mm
4040066	15.150-16.930	14.170	.260	.240	.410	.197	.787	.315±.059	VR3	V	400mm
4040033	15.748-15.945	15.394	1.181	1.280	2.559	.945	4.528	1.969±.472	VR4	R	400mm
404500	16.930-18.898	15.940	.590	.560	.980	.394	1.772	.787±.157	VR1	R	450mm
404504	16.930-18.898	15.940	.590	.560	.980	.394	1.772	.787±.157	VR1	V	450mm
404502	16.730-18.700	15.940	.260	.240	.410	.197	.787	.315±.059	VR3	R	450mm
404506	16.730-18.700	15.940	.260	.240	.410	.197	.787	.315±.059	VR3	V	450mm
404303	16.929-17.126	16.535	1.181	1.280	2.559	.945	4.528	1.969±.472	VR4	R	430mm
404503	17.717-17.913	17.283	1.181	1.280	2.559	.945	4.528	1.969±.472	VR4	R	450mm
470450	17.717-17.913	17.283	1.181	1.280	2.559	.945	4.528	3.346±.472	VR5	R	450mm
404553	17.913-18.110	17.480	1.181	1.280	2.559	.945	4.528	1.969±.472	VR4	R	455mm
4046033	18.110-18.307	17.638	1.181	1.280	2.559	.945	4.528	1.969±.472	VR4	R	460mm
405000	18.898-20.866	17.720	.590	.560	.980	.394	1.772	.787±.157	VR1	R	500mm
405004	18.898-20.866	17.720	.590	.560	.980	.394	1.772	.787±.157	VR1	V	500mm
405002	18.898-20.866	17.720	.260	.240	.410	.197	.787	.315±.059	VR3	R	500mm
405009	18.700-20.080	17.720	.260	.240	.410	.197	.790	.315±.059	VR3	R	500mm
404703	18.504-18.701	18.031	1.181	1.280	2.559	.945	4.528	1.969±.472	VR4	R	470mm
404803	18.898-19.094	18.425	1.181	1.280	2.559	.945	4.528	1.969±.472	VR4	R	480mm
405252	20.080-21.260	18.580	.260	.240	.410	.197	.787	.315±.059	VR3	R	525mm
405003	19.685-19.881	19.213	1.181	1.280	2.559	.945	4.528	1.969±.472	VR4	R	500mm
405500	20.866-22.835	19.490	.590	.560	.980	.394	1.772	.787±.157	VR1	R	550mm
405504	20.866-22.835	19.490	.590	.560	.980	.394	1.772	.787±.157	VR1	V	550mm
405502	20.870-22.835	19.490	.260	.240	.410	.197	.787	.315±.059	VR3	R	550mm
405103	20.079-20.276	19.567	1.181	1.280	2.559	.945	4.528	1.969±.472	VR4	R	510mm
405203	20.472-20.669	19.961	1.181	1.280	2.559	.945	4.528	1.969±.472	VR4	R	520mm
405303	20.866-21.063	20.354	1.181	1.280	2.559	.945	4.528	1.969±.472	VR4	R	530mm
405503	21.654-21.850	21.102	1.181	1.280	2.559	.945	4.528	1.969±.472	VR4	R	550mm
406000	22.835-24.803	21.260	.590	.560	.980	.394	1.772	.787±.157	VR1	R	600mm
4060044	22.835-24.803	21.260	.590	.560	.980	.394	1.772	.787±.157	VR1	V	600mm
4060022	22.835-24.803	21.260	.260	.240	.410	.197	.787	.315±.059	VR3	R	600mm
405603	22.047-22.244	21.496	1.181	1.280	2.559	.945	4.528	1.969±.472	VR4	R	560mm
405703	22.441-22.638	21.850	1.181	1.280	2.559	.945	4.528	1.969±.472	VR4	R	570mm
405753	22.638-22.835	22.047	1.181	1.280	2.559	.945	4.528	1.969±.472	VR4	R	575mm
405803	22.835-23.031	22.244	1.181	1.280	2.559	.945	4.528	1.969±.472	VR4	R	580mm
406003	23.622-24.016	22.913	1.181	1.280	2.559	.945	4.528	1.969±.472	VR4	R	600mm
4061033	24.016-24.409	23.307	1.181	1.280	2.559	.945	4.528	1.969±.472	VR4	R	610mm
406500	24.803-26.180	23.620	.590	.560	.980	.394	1.772	.787±.157	VR1	R	650mm
4062033	24.409-24.803	23.701	1.181	1.280	2.559	.945	4.528	1.969±.472	VR4	R	620mm
4063033	24.803-25.197	24.094	1.181	1.280	2.559	.945	4.528	1.969±.472	VR4	R	630mm
4064033	25.197-25.591	24.449	1.181	1.280	2.559	.945	4.528	1.969±.472	VR4	R	640mm
407000	26.180-27.760	24.787	.590	.560	.980	.394	1.772	.787±.157	VR1	R	700mm
406503	25.591-25.984	24.787	1.181	1.280	2.559	.945	4.528	1.969±.472	VR4	R	650mm
406903	27.165-27.559	26.378	1.181	1.280	2.559	.945	4.528	1.969±.472	VR4	R	690mm
407250	27.760-29.330	26.380	.590	.560	.980	.394	1.772	.787±.157	VR1	R	725mm
407003	27.559-27.953	26.772	1.181	1.280	2.559	.945	4.528	1.969±.472	VR4	R	700mm
407500	29.330-30.910	27.760	.590	.560	.980	.394	1.772	.787±.157	VR1	R	750mm
407309	28.740-29.134	27.913	1.181	1.280	2.559	.945	4.528	1.969±.472	VR4	R	730mm
407403	29.134-29.528	28.268	1.181	1.280	2.559	.945	4.528	1.969±.472	VR4	R	740mm
407503	29.528-29.843	28.661	1.181	1.280	2.559	.945	4.528	1.969±.472	VR4	R	750mm
407603	29.843-30.157	28.937	1.181	1.280	2.559	.945	4.528	1.969±.472	VR4	R	760mm

Select the larger V-Ring when the dimension d1 is on the boundary between two sizes of V-Ring / Purple dot on V-Ring indicates LongLife material / Sizes under .787 (20mm) shaft are brown with no dot / #-Indicates non-standard compounds for specific applications

V-ring size listing

Seal no.	Shaft diameter d_1 (Range)	Inside diameter d	Height c	Dimension A	Free width B	Maximum $d_2 = (d_1 +)$	Minimum $d_3 = (d_1 +)$	Fitted width B_1	Construction	Lip code	Reference metric shaft size
407703	30.157-30.472	29.252	1.181	1.280	2.559	.945	4.528	1.969±.472	VR4	R	770mm
408000	30.910-32.680	29.330	.590	.560	.980	.394	1.772	.787±.157	VR1	R	800mm
407803	30.472-30.827	29.567	1.181	1.280	2.559	.945	4.528	1.969±.472	VR4	R	780mm
408003	31.181-31.535	30.236	1.181	1.280	2.559	.945	4.528	1.969±.472	VR4	R	800mm
408500	32.680-34.450	30.910	.590	.560	.980	.400	1.772	.787±.157	VR1	R	850mm
408503	33.110-33.504	32.047	1.181	1.280	2.559	.945	4.528	1.969±.472	VR4	R	850mm
409000	34.450-36.220	32.480	.590	.560	.980	.394	1.772	.787±.157	VR1	R	900mm
408903	34.724-35.118	33.583	1.181	1.280	2.559	.945	4.528	1.969±.472	VR4	R	890mm
409500	36.220-37.990	34.060	.590	.560	.980	.394	1.772	.787±.157	VR1	R	950mm
409003	35.315-36.102	34.291	1.181	1.280	2.559	.945	4.528	1.969±.472	VR4	R	900mm
410000	37.990-39.960	35.787	.590	.560	.980	.394	1.772	.787±.157	VR1	R	1000mm
409503	37.165-37.598	35.788	1.181	1.280	2.559	.945	4.528	1.969±.472	VR4	R	950mm
410500	39.960-41.930	37.600	.590	.560	.980	.394	1.772	.787±.157	VR1	R	1050mm
451050	39.961-41.929	37.600	.590	.560	.980	.394	1.772	.984±.472	VR1-SPL	R	1050mm
410003	39.331-39.764	37.913	1.181	1.280	2.559	.945	4.528	1.969±.472	VR4	R	1000mm
411000	41.930-43.898	39.370	.590	.560	.980	.394	1.772	.787±.157	VR1	R	1100mm
410603	41.142-41.929	40.433	1.181	1.280	2.559	.945	4.528	1.969±.472	VR4	R	1060mm
411500	43.898-45.866	41.140	.590	.560	.980	.394	1.772	.787±.157	VR1	R	1150mm
411003	42.717-43.504	41.929	1.181	1.280	2.559	.945	4.528	1.969±.472	VR4	R	1100mm
412000	45.866-47.835	42.910	.590	.560	.980	.394	1.772	.787±.157	VR1	R	1200mm
412500	47.835-50.000	44.690	.590	.560	.980	.394	1.772	.787±.157	VR1	R	1250mm
412003	46.654-47.441	44.787	1.181	1.280	2.559	.945	4.528	1.969±.472	VR4	R	1200mm
413000	50.000-51.970	46.460	.590	.560	.980	.394	1.772	.787±.157	VR1	R	1300mm
412503	48.622-49.409	46.680	1.181	1.280	2.559	.945	4.528	1.969±.472	VR4	R	1250mm
413500	51.970-53.940	48.230	.590	.560	.980	.394	1.772	.787±.157	VR1	R	1350mm
413003	50.984-51.772	48.787	1.181	1.280	2.559	.945	4.528	1.969±.472	VR4	R	1300mm
414000	53.940-55.910	50.000	.590	.560	.980	.394	1.772	.787±.157	VR1	R	1400mm
413503	52.756-53.740	50.433	1.181	1.280	2.559	.945	4.528	1.969±.472	VR4	R	1350mm
414003	54.724-55.709	52.283	1.181	1.280	2.559	.945	4.528	1.969±.472	VR4	R	1400mm
401450	55.910-57.870	51.772	.590	.560	.980	.394	1.772	.790±.157	VR1-SPL	R	1450mm
415000	57.874-59.843	53.540	.590	.560	.980	.394	1.772	.787±.157	VR1	R	1500mm
415500	59.843-61.811	55.320	.590	.560	.980	.394	1.772	.787±.157	VR1	R	1550mm
415503	60.630-61.811	57.756	1.181	1.280	2.559	.945	4.528	1.969±.472	VR4	R	1550mm
416500	63.780-65.748	58.788	.590	.560	.980	.394	1.772	.787±.157	VR1	R	1650mm
417000	65.748-67.720	60.630	.590	.560	.980	.394	1.772	.787±.157	VR1	R	1700mm
416503	64.567-66.142	61.378	1.181	1.280	2.559	.945	4.528	1.969±.472	VR4	R	1650mm
417500	67.720-69.690	62.400	.590	.560	.980	.394	1.772	.787±.157	VR1	R	1750mm
418000	69.690-71.560	64.170	.590	.560	.980	.394	1.772	.787±.157	VR1	R	1800mm
418003	69.488-71.260	65.787	1.181	1.280	2.559	.945	4.528	1.969±.472	VR4	R	1800mm
418503	71.260-73.031	67.480	1.181	1.280	2.559	.945	4.528	1.969±.472	VR4	R	1850mm
419000	73.620-75.590	67.720	.590	.560	.980	.394	1.772	.787±.157	VR1	R	1900mm
419003	73.031-75.000	69.016	1.181	1.280	2.559	.945	4.528	1.969±.472	VR4	R	1900mm
419500	75.590-77.560	69.490	.590	.560	.980	.394	1.772	.787±.157	VR1	R	1950mm
419503	75.000-76.969	70.630	1.181	1.280	2.559	.945	4.528	1.969±.472	VR4	R	1950mm
419990	77.560-79.530	71.260	.590	.560	.980	.394	1.772	.787±.157	VR1	R	2000mm
419993	76.969-79.134	72.598	1.181	1.280	2.559	.945	4.528	1.969±.472	VR4	R	2000mm

Select the larger V-Ring when the dimension d1 is on the boundary between two sizes of V-Ring / Purple dot on V-Ring indicates LongLife material / Sizes under .787 (20mm) shaft are brown with no dot / #-Indicates non-standard compounds for specific applications

Glossary of seal terms

Bonded Seal:	Design feature of a type of radial lip seal. The heel of the sealing element is attached (Bonded) to the seal case by an adhesive during the molding operation.
Bore, Housing: (Bore, Seal)	A cylindrical surface which mates with the outside surface of the seal outer case.
Case, Inner: (Shell, Inner)	A rigid, cup-shaped component of a seal assembly, which is placed inside the outer seal case. It can function as: reinforcing member, shield, spring retainer, lip-clamping device.
Case, Outer: (Shell, Outer)	The outer, cup-shaped, rigid structure of the lip seal assembly. Acts as a protective cover for the head of the sealing element.
Dynamic Run-out:	Amount by which a shaft does not rotate around a true center. Also known as shaft eccentricity. Measured in Total Indicated Reading (T.I.R.).
Dynamic, Seal:	A seal which has rotating, oscillating, or reciprocating motion acting upon it.
Durometer:	An instrument which measures with an indenter point the hardness of rubber by penetration, without puncturing the surface of the rubber.
Elastomer:	An elastic rubberlike substance, such as natural or synthetic rubber.
F.P.M.:	Feet Per Minute; used as a measure of shaft speed instead of R.P.M. To convert R.P.M. into F.P.M., use formula $.262 \times \text{R.P.M.} \times \text{diameter (inches)} = \text{F.P.M.}$
Fluid Side:	Side of the seal which in normal use faces toward the fluid being sealed.
Garter Spring:	Coiled wire spring with its ends connected. It is used for maintaining a sealing force between the sealing element and a sealing surface.
Machine Lead:	Spiral grooves similar to a screw thread on a shaft surface that can result from improper finishing process; may result in early leakage.
Primary Lip:	The flexible elastomeric component of a lip seal, which contacts the rotating surface.
R_A :	The average of all peaks and valleys from the mean line within cut-off (.010" or .254mm). R_A does not describe the surface profile (texture) and two shafts with the same R_A value can have very different surface characteristic.
R_{PM} :	Average peak to mean height.
Run-In:	The period of initial operation during which the seal-lip wear rate is greatest and the contact surface is developed.
Run-Out:	That run-out to which the seal lip is subjected due to the outside diameter of the shaft not rotating in a true circle. Usually expressed as T.I.R. (Total Indicator Reading).
$R_{Z(din)}$:	Average peak to valley height.
Scoring:	A type of wear in which the working surface of the shaft is grooved.
Seal, Head Section:	The portion of a lip seal which is generally defined by the inside and outside lip surfaces and the spring groove.
Seal, Heel Section:	The portion of the lip seal which is attached to the seal case.
Seal, Outside Diameter:	The external diameter of a lip seal assembly. Usually the outside diameter of the outer seal case.
Seal Width:	The over-all axial dimension of the lip-seal assembly. Normally the total width measurement of the outer seal case.
Sealing Element:	The normally flexible elastomeric component of a lip-seal assembly which rides against the shaft.
Secondary Lip:	A short, non-spring loaded lip which is located at the outside seal face of a radial lip seal. Used to exclude contaminants.
Shaft Diameter:	The outside diameter of the shaft at the location where the seal is mounted.
Shaft Finish:	The relative roughness, usually expressed in micro inches, of the outside diameter of the shaft. The smaller the number, the smoother the finish.
Shaft Seal:	Generally considered to be a lip seal or an oil seal, but a broad definition could include any sealing device mounted on a shaft or sealing a shaft.
Sleeve, Wear:	A replaceable metal ring. Generally used in assemblies to eliminate expensive shaft replacement caused by grooving that may occur at the seal-shaft interface.
S.T.B.M.:	Shaft-to-Bore-Misalignment, the amount by which the shaft is off center, with respect to the bore's center.

Fractional/Decimal/Metric equivalents

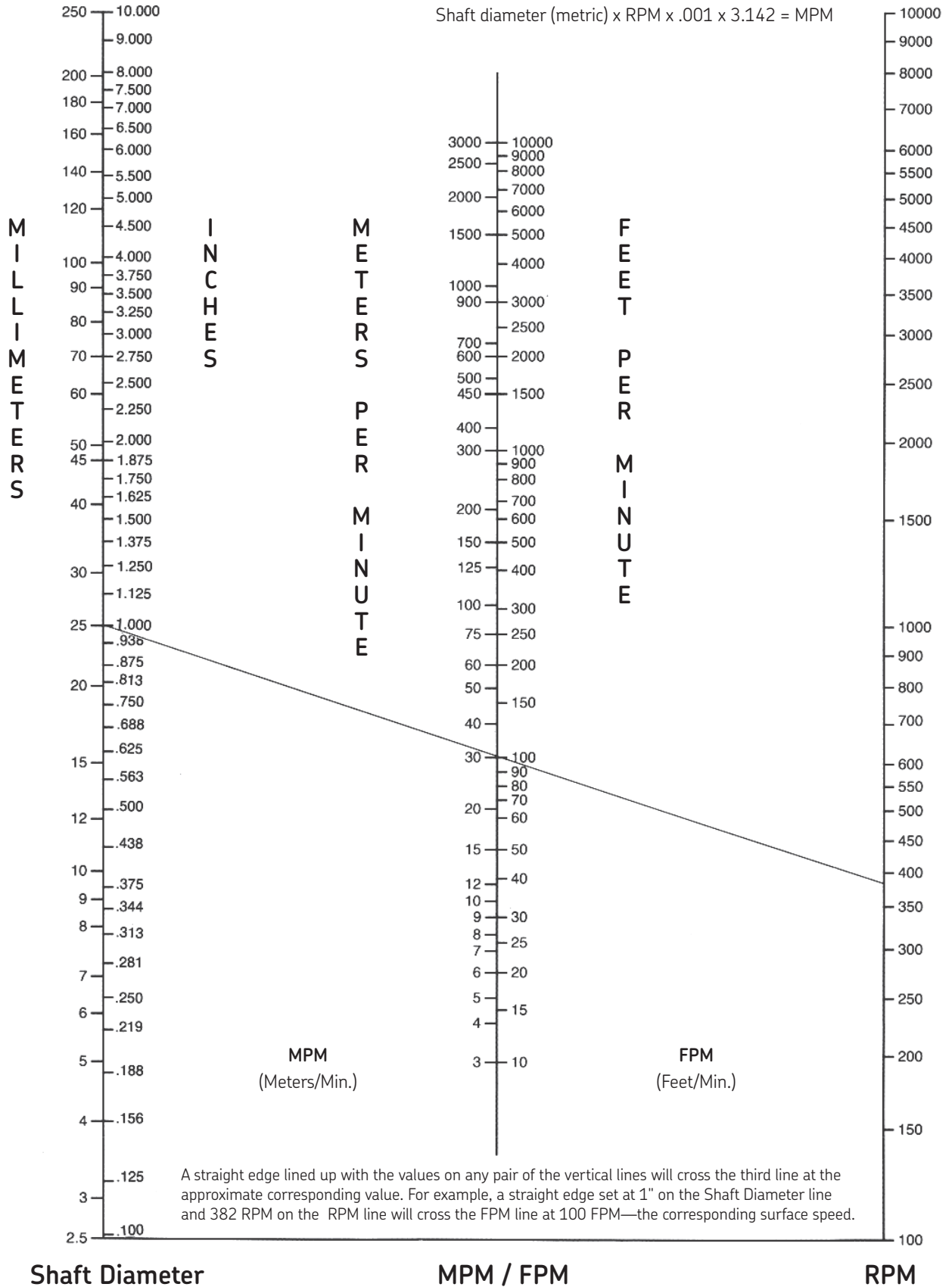
Fractional	Decimal	Metric	Fractional	Decimal	Metric	Fractional	Decimal	Metric	Fractional	Decimal	Metric
-	.004	.10	37/64	.578	14.68	1-15/32	1.469	37.31	-	2.874	73.00
-	.010	.25	-	.591	15.00	-	1.496	38.00	2-7/8	2.875	73.03
1/64	.016	.40	19/32	.594	15.08	1-1/2	1.500	38.10	-	2.913	74.00
-	.020	.50	39/64	.609	15.48	1-17/32	1.531	38.89	2-15/16	2.938	74.61
-	.030	.75	5/8	.625	15.88	-	1.535	39.00	-	2.953	75.00
1/32	.031	.79	-	.630	16.00	1-9/16	1.562	39.69	-	2.992	76.00
-	.039	1.00	41/64	.641	16.27	-	1.575	40.00	3	3.000	76.20
3/64	.047	1.19	-	.650	16.50	1-19/32	1.594	40.48	-	3.032	77.00
-	.059	1.50	21/32	.656	16.67	-	1.614	41.00	3-1/6	3.062	77.79
1/16	.063	1.59	-	.669	17.00	1-5/8	1.625	41.28	-	3.071	78.00
5/64	.078	1.98	43/64	.672	17.01	-	1.654	42.00	-	3.110	79.00
-	.079	2.00	11/16	.688	17.46	1-21/32	1.656	42.07	3-1/8	3.125	79.38
3/32	.094	2.38	45/64	.703	17.86	1-11/16	1.688	42.86	-	3.150	80.00
-	.098	2.50	-	.709	18.00	-	1.693	43.00	3-3/16	3.188	80.96
7/64	.109	2.78	23/32	.719	18.26	1-23/32	1.719	43.66	-	3.189	81.00
-	.118	3.00	-	.728	18.50	-	1.732	44.00	-	3.228	82.00
1/8	.125	3.18	47/64	.734	18.65	1-3/4	1.750	44.50	3-1/4	3.250	82.55
-	.138	3.50	-	.748	19.00	-	1.772	45.00	-	3.268	83.00
9/64	.141	3.57	3/4	.750	19.05	1-25/32	1.781	45.24	-	3.307	84.00
5/32	.156	3.97	49/64	.766	19.45	-	1.811	46.00	3-5/16	3.312	84.14
-	.158	4.00	25/32	.781	19.84	1-13/16	1.813	46.04	-	3.346	85.00
11/64	.172	4.37	-	.787	20.00	1-27/32	1.844	46.83	3-3/8	3.375	85.73
-	.177	4.50	51/64	.797	20.24	-	1.850	47.00	-	3.386	86.00
3/16	.188	4.76	13/16	.813	20.64	1-7/8	1.875	47.63	-	3.425	87.00
-	.197	5.00	-	.827	21.00	-	1.890	48.00	3-7/16	3.438	87.31
13/64	.203	5.16	53/64	.828	21.03	1-29/32	1.906	48.42	-	3.465	88.00
-	.217	5.50	27/32	.844	21.43	-	1.929	49.00	3-1/2	3.500	88.90
7/32	.219	5.56	55/64	.859	21.83	1-15/16	1.938	49.21	-	3.504	89.00
15/64	.234	5.95	-	.866	22.00	-	1.970	50.00	-	3.543	90.00
-	.236	6.00	7/8	.875	22.23	1-31/32	1.970	50.01	3-9/16	3.562	90.49
1/4	.250	6.35	57/64	.891	22.62	2	2.000	50.80	-	3.583	91.00
-	.256	6.50	-	.906	23.00	-	2.008	51.00	-	3.622	92.00
17/64	.266	6.75	29/32	.906	23.02	-	2.047	52.00	3-5/8	3.625	92.08
-	.276	7.00	59/64	.922	23.42	2-1/16	2.062	52.39	-	3.661	93.00
9/32	.281	7.14	15/16	.938	23.81	-	2.087	53.00	3-11/16	3.688	93.66
-	.295	7.50	-	.945	24.00	2-1/8	2.125	53.98	-	3.701	94.00
19/64	.297	7.54	61/64	.953	24.21	-	2.126	54.00	-	3.740	95.00
5/16	.313	7.94	31/32	.969	24.61	-	2.165	55.00	3-3/4	3.750	95.25
-	.315	8.00	-	.984	25.00	2-3/16	2.188	55.56	-	3.780	96.00
21/64	.328	8.33	1	1.000	25.40	-	2.205	56.00	3-13/16	3.813	96.84
-	.335	8.50	-	1.024	26.00	-	2.244	57.00	-	3.819	97.00
11/32	.344	8.73	1-1/32	1.031	26.19	2-1/4	2.250	57.15	-	3.858	98.00
-	.354	9.00	1-1/16	1.062	26.99	-	2.284	58.00	3-7/8	3.875	98.43
23/64	.359	9.13	-	1.063	27.00	2-5/16	2.312	58.74	-	3.898	99.00
-	.374	9.50	1-3/32	1.094	27.78	-	2.323	59.00	-	3.937	100.00
3/8	.375	9.53	-	1.102	28.00	-	2.362	60.00	3-15/16	3.938	100.01
25/64	.391	9.92	1-1/8	1.125	28.58	2-3/8	2.375	60.33	-	3.976	101.00
-	.394	10.00	-	1.148	29.00	-	2.402	61.00	4	4.000	101.60
12/32	.406	10.32	1-5/32	1.156	29.37	2-7/16	2.438	61.91	4-1/16	4.062	103.19
-	.413	10.50	-	1.181	30.00	-	2.441	62.00	4-1/8	4.125	104.78
27/64	.422	10.72	1-3/16	1.188	30.16	-	2.480	63.00	-	4.134	105.00
-	.433	11.00	1-7/32	1.219	30.96	2-1/2	2.500	63.50	4-3/16	4.188	106.36
7/16	.438	11.11	-	1.221	31.00	-	2.520	64.00	4-1/4	4.250	107.95
29/64	.453	11.51	1-1/4	1.250	31.75	-	2.559	65.00	4-5/16	4.312	109.54
15/32	.469	11.91	-	1.260	32.00	2-9/16	2.562	65.09	-	4.331	110.00
-	.472	12.00	1-9/32	1.281	32.54	-	2.598	66.00	4-3/8	4.375	111.13
31/64	.484	12.30	-	1.299	33.00	2-5/8	2.625	66.68	4-7/16	4.438	112.71
-	.492	12.50	1-5/16	1.312	33.34	-	2.638	67.00	4-1/2	4.500	114.30
1/2	.500	12.70	-	1.339	34.00	-	2.677	68.00	-	4.528	115.00
-	.512	13.00	1-11/32	1.344	34.13	2-11/16	2.688	68.26	4-9/16	4.562	115.89
33/64	.516	13.10	1-3/8	1.375	34.93	-	2.717	69.00	4-5/8	4.625	117.48
17/32	.531	13.50	-	1.378	35.00	2-3/4	2.750	69.85	-	4.724	120.00
35/64	.547	13.90	1-13/32	1.406	35.72	-	2.756	70.00	4-3/4	4.750	120.65
-	.551	14.00	-	1.417	36.00	-	2.795	71.00	4-7/8	4.875	123.83
9/16	.563	14.29	1-7/16	1.438	36.51	2-13/16	2.813	71.44	-	4.921	125.00
-	.571	14.50	-	1.457	37.00	-	2.835	72.00	5	5.000	127.00

FPM x .3048 = MPM
 MPM x 3.281 = FPM

Conversions

Shaft diameter (inches) x RPM x .262 = FPM

Shaft diameter (metric) x RPM x .001 x 3.142 = MPM



NOTES

NOTES

NOTES

NOTES

NOTES

SKF is your source for a wide range of products covering various industries. From automotive to heavy duty to industrial applications, SKF offers a solution to keep your machines operating and your business profitable.

www.vsm.skf.com

Download literature, access technical tips and view product information



View detailed technical and product videos at www.skfpartsinfo.tv



Follow us on Twitter [@skfpartsinfo](https://twitter.com/skfpartsinfo) to stay on top of all the latest technical and product information.



Mobile parts look up

Access our mobile parts look up website for all the latest part numbers at www.skfpartsinfo.com



SKF Parts Info Apps

Download SKF apps for access to product information, cross reference, instruction sheets, application data and brochures.

© SKF, Scotseal, Bore Tite and X-Tracker are registered trademarks of the SKF Group.

© SKF Group 2018

The contents of this publication are the copyright of the publisher and may not be reproduced (even extracts) unless permission is granted. Every care has been taken to ensure the accuracy of the information contained in this publication but no liability can be accepted for any loss or damage whether direct, indirect or consequential arising out of the use of the information contained herein.

Publication 457018 Printed in U.S.A.

Certain image(s) used under license from Shutterstock.com

SKF VSM NA
890 N. State Street
Suite 200
Elgin, IL 60123
800-882-0008
www.skfpartsinfo.com