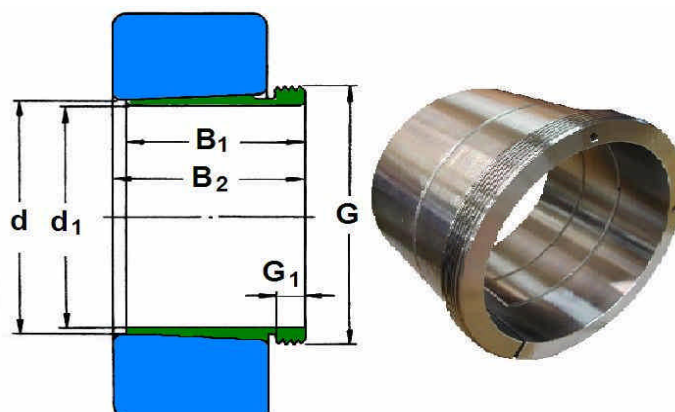
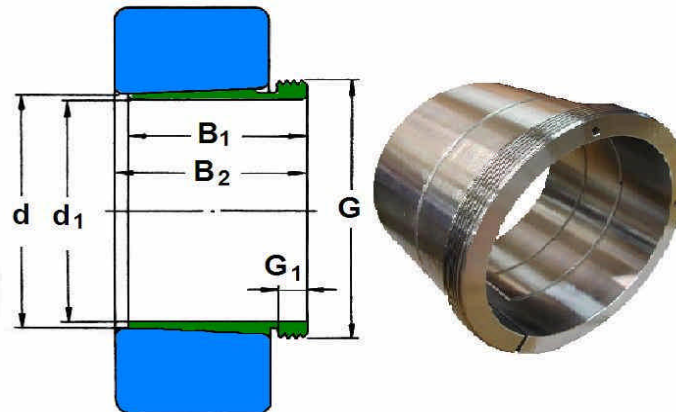


Withdrawal Sleeve



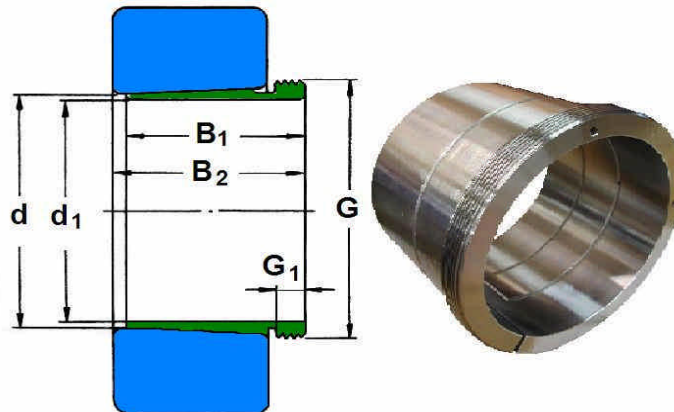
<u>Withdrawal Sleeve</u>		<u>ISO dimensions</u>						<u>Weight</u>	<u>Dismounting</u>	<u>Hydraulic</u>
Type	Version	d1 mm	d	B1	B2	G	G1	Kg	nut	nut
AH 2308		35	40	40	43	M45x1,5	7	0,130	KM9	HMV9E
AH 308		35	40	29	32	M45x1,5	6	0,090	KM9	HMV9E
AH 2309		40	45	44	47	M50x1,5	7	0,160	KM10	HMV10E
AH 309		40	45	31	34	M50x1,5	6	0,110	KM10	HMV10E
AH 2310		45	50	50	53	M60x2	8	0,240	KM12	HMV12E
AH 310		45	50	35	38	M60x20	7	0,160	KM12	HMV12E
AH 2311		50	55	54	57	M65x2	9	0,290	KM13	HMV13E
AH 311		50	55	37	40	M65x2	7	0,190	KM13	HMV13E
AH 2312		55	60	57	60	M70x2	10	0,340	KM14	HMV14E
AH 312		55	60	40	43	M70x2	8	0,220	KM14	HMV14E
AH 2313		60	65	61	64	M75x2	12	0,400	KM15	HMV15E
AH 313		60	65	42	45	M75x2	8	0,250	KM15	HMV15E
AH 2314		65	70	65	69	M85x2	10	0,530	KM17	HMV17E
AH 314		65	70	43	47	M80x2	8	0,280	KM16	HMV16E
AH 2315		70	75	69	73	M90x2	12	0,610	KM18	HMV18E
AH 315		70	75	45	49	M85x2	8	0,310	KM17	HMV17E
AH 2316		75	80	72	76	M95x2	12	0,670	KM19	HMV19E
AH 316		75	80	48	52	M90x2	8	0,370	KM18	HMV18E
AH 2317		80	85	75	79	M100x2	13	0,750	KM20	HMV20E
AH 317		80	85	52	56	M100x2	9	0,480	KM20	HMV20E
AH 2318		85	90	80	84	M105x2	14	0,850	KM21	HMV21E
AH 318		85	90	53	57	M105x2	9	0,520	KM21	HMV21E
AH 2319		90	95	85	89	M110x2	15	0,980	KM22	HMV22E
AH 319		90	95	57	61	M110x2	10	0,590	KM22	HMV22E
AH 2320		95	100	90	94	M120x2	15	1,230	KM24	HMV24E
AH 320		95	100	59	63	M115x2	10	0,660	KM23	HMV23E
AH 2322		100	110	98	102	M130x2	16	2,110	KM26	HMV26E
AH 3122		100	110	68	72	M125x2	11	1,280	KM25	HMV25E
AH 322		100	110	63	67	M130x2	12	1,260	KM26	HMV26E
AH 24122		105	110	82	91	M115x2	13	0,710	KM23	HMV23E
AH 2324		110	120	105	109	M140x2	17	2,470	KM28	HMV28E
AH 3024		110	120	60	64	M130x2	13	1,150	KM26	HMV26E
AH 3124		110	120	75	79	M140x2	12	1,670	KM28	HMV28E
AH 24024		115	120	73	82	M125x2	13	0,700	KM25	HMV25E
AH 24124		115	120	93	102	M130x2	13	1,000	KM26	HMV26E
AH 2326		120	130	115	119	M150x2	19	3,020	KM30	HMV30E

Withdrawal Sleeve



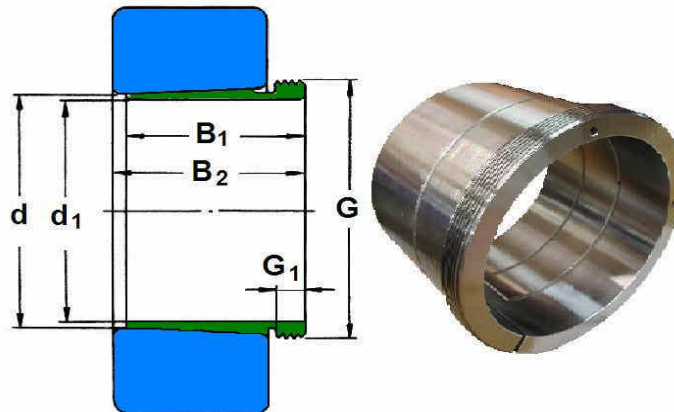
Withdrawal Sleeve		ISO dimensions						Weight	Dismounting nut	Hydraulic nut
Type	Version	d1 mm	d	B1	B2	G	G1	Kg		
AH 3026		120	130	67	71	M140x2	14	1,410	KM28	HMV28E
AH 3126		120	130	78	82	M150x2	12	1,870	KM30	HMV30E
AH 24026		125	130	83	93	M135x2	14	0,880	KM27	HMV27E
AH 24126		125	130	94	104	M140x2	14	1,150	KM28	HMV28E
AH 2328		130	140	125	130	M160x3	20	3,600	KM32	HMV32E
AH 3028		130	140	68	73	M150x2	14	1,550	KM30	HMV30E
AH 3128		130	140	83	88	M160x3	14	2,210	KM32	HMV32E
AH 24028		135	140	83	93	M145x2	14	0,950	KM29	HMV29E
AH 24128		135	140	99	109	M150x2	14	1,300	KM30	HMV30E
AH 2330		140	150	135	140	M170x3	24	4,220	KM34	HMV34E
AH 3030		140	150	72	5	M160x3	15	1,760	KM32	HMV32E
AH 3130		140	150	96	101	M170x3	15	2,700	KM34	HMV34E
AH 24030		145	150	90	101	M155x3	15	1,050	KM31	HMV31E
AH 24130		145	150	115	126	M160x3	15	1,550	KM32	HMV32E
AH 2332		150	160	140	146	M180x3	24	4,720	KM36	HMV36E
AH 24032		150	160	95	106	M170x3	15	2,300	KM34	HMV34E
AH 24132		150	160	124	135	M170x3	15	3,000	KM34	HMV34E
AH 3032		150	160	77	82	M170x3	16	2,060	KM34	HMV34E
AH 3132		150	160	103	108	M180x3	16	3,210	KM36	HMV36E
AH 3232		150	160	124	130	M180x3	20	4,080	KM36	HMV36E
AH 2334		160	170	146	152	M190x3	24	5,250	KM38	HMV38E
AH 24034		160	170	106	117	M180x3	16	2,700	KM36	HMV36E
AH 24134		160	170	125	136	M180x3	16	3,250	KM36	HMV36E
AH 3034		160	170	85	90	M180x3	17	2,430	KM36	HMV36E
AH 3134		160	170	104	109	M190x3	16	3,400	KM38	HMV38E
AH 3136		160	180	116	122	M200x3	19	4,220	KM40	HMV40E
AH 3234		160	170	134	140	M190x3	24	4,800	KM38	HMV38E
AH 2236		170	180	105	110	M200x3	17	3,730	KM40	HMV40E
AH 2336		170	180	154	160	M200x3	26	5,830	KM40	HMV40E
AH 2336	OH	170	180	154	160	M200x3	26	6,050	KM40	HMV40E
AH 24036		170	180	116	127	M190x3	16	3,200	KM38	HMV38E
AH 24136		170	180	134	145	M190x3	16	3,750	KM38	HMV38E
AH 3036		170	180	92	98	M190x3	17	2,810	KM38	HMV38E
AH 3036		170	180	92	98	M190x3	17	2,800	KM38	HMV38E
AH 3036	OH	170	180	92	98	M190x3	17	2,800	KM38	HMV38E
AH 3136	OH	170	180	116	122	M200x3	19	3,900	KM38	HMV38E
AH 3236		170	180	140	146	M200x3	24	5,320	KM40	HMV40E
AH 3236	OH	170	180	140	146	M200x3	24	4,850	KM38	HMV38E
AH 2238		180	190	112	117	TR210x4	18	4,250	HM42T	HMV42E
AH 2338		180	190	160	167	TR210x4	26	6,630	HM42T	HMV42E
AH 2338	OH	180	190	160	167	TR210x4	26	6,700	HM42T	HMV42E
AH 24038		180	190	118	131	M200x3	18	3,550	KM40	HMV40E

Withdrawal Sleeve



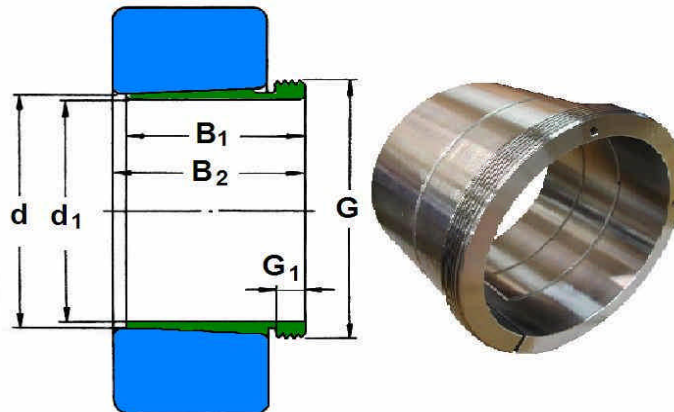
<u>Withdrawal Sleeve</u>		<u>ISO dimensions</u>						<u>Weight</u>	<u>Dismounting</u>	<u>Hydraulic</u>
Type	Version	d1 mm	d	B1	B2	G	G1	Kg	nut	nut
AH 24138		180	190	146	159	M200x3	18	4,450	KM40	HMV40E
AH 3038		180	190	96	102	TR205x4	18	3,320	HML41T	HMV41E
AH 3038		180	190	96	102	M205X3	18	3,300	KM40	HMV40E
AH 3038	OH	180	190	96	102	M205x3	18	3,300	KM40	HMV40E
AH 3138		180	190	125	131	TR210x4	20	4,890	HM42T	HMV42E
AH 3138	OH	180	190	125	131	TR210x4	20	4,500	KM40	HMV40E
AH 3238		180	190	145	152	TR210x4	25	5,900	KM42T	HMV42E
AH 3238	OH	180	190	145	152	TR210x4	25	5,900	KM40	HMV40E
AH 2240		190	200	118	123	TR220x4	19	4,680	HM44T	HMV44E
AH 2340		190	200	170	177	TR220x4	30	7,540	HM44T	HMV44E
AH 2340	OH	190	200	170	177	TR220x4	30	7,600	HM44T	HMV44E
AH 24040		190	200	127	140	TR210x4	18	4,000	HM42T	HMV42E
AH 24140	OH	190	200	158	171	TR210x4	18	5,050	HM42T	HMV42E
AH 3040		190	200	102	108	TR215x4	19	3,800	HML43T	HMV43E
AH 3040	OH	190	200	102	108	TR215x4	19	3,700	HM42T	HMV42E
AH 3140		190	200	134	140	TR220x4	21	5,490	HM44T	HMV44E
AH 3140	OH	190	200	134	140	TR220x4	21	5,650	HM3044	HMV44E
AH 3240		190	200	153	160	TR220x4	25	6,680	HM44T	HMV44E
AH 3240	OH	190	200	153	160	TR220x4	25	6,600	HM3044	HMV44E
AH 2244		200	220	130	136	TR240x4	20	9,100	HM48T	HMV48E
AH 2344		200	220	181	189	TR240x4	30	13,500	HM48T	HMV48E
AH 2344	OH	200	220	181	189	TR240x4	30	13,500	HM48T	HMV48E
AH 24144	OH	200	220	170	184	TR230x4	20	10,500	HM46T	HMV46E
AH 3044		200	220	111	117	TR235x4	20	7,400	HML47T	HMV47E
AH 3044		200	220	111	117	TR235X4	20	7,300	HM46T	HMV46E
AH 3044	OH	200	220	111	117	TR235X4	20	7,300	HM46T	HMV46E
AH 3144		200	220	145	151	TR240x4	23	10,400	HM48T	HMV48E
AH 3144	OH	200	220	145	151	TR240x4	23	9,300	HM3048	HMV48E
AH 2248		220	240	144	150	TR260x4	21	11,100	HM52T	HMV52E
AH 2248	OH	220	240	144	150	TR260x4	21	11,500	HM3052	HMV52E
AH 2348		220	240	189	197	TR260x4	30	15,500	HM52T	HMV52E
AH 2348	OH	220	240	189	197	TR260x4	30	14,000	HM52T	HMV52E
AH 3048		220	240	116	123	TR260x4	21	8,750	HM52T	HMV52E
AH 3048		220	240	116	123	TR260x4	21	7,950	HM3052	HMV52E
AH 3048	OH	220	240	116	123	TR260x4	21	7,950	HM3052	HMV52E
AH 3148		220	240	154	161	TR260x4	25	12,000	HM52T	HMV52E
AH 3148	OH	220	240	154	161	TR260x4	25	12,000	HM3052	HMV52E
AH 2252		240	260	155	161	TR290x4	23	14,000	HM58T	HMV58E
AH 2252	OH	240	260	155	161	TR290x4	23	12,500	HM58T	HMV58E
AH 2352		240	260	205	213	TR290x4	30	19,600	HM58T	HMV58E
AH 2352	OH	240	260	205	219	TR290x4	30	17,500	HM58T	HMV58E

Withdrawal Sleeve



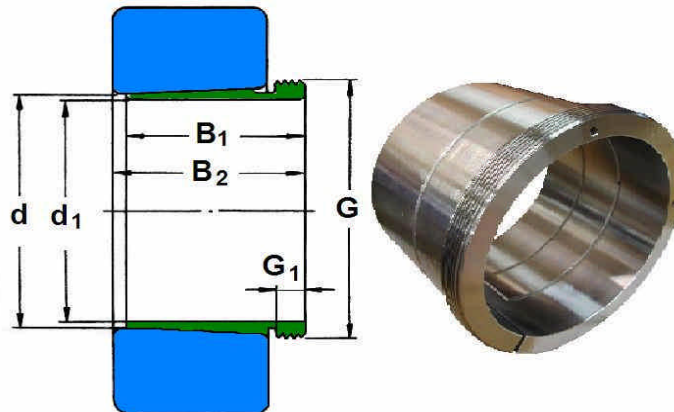
Withdrawal Sleeve		ISO dimensions						Weight	Dismounting nut	Hydraulic nut
Type	Version	d1 mm	d	B1	B2	G	G1	Kg		
AH 3052		240	260	128	135	TR280x4	23	10,700	HM56T	HMV56E
AH 3052		240	260	128	135	TR280x4	23	9,600	HM3056	HMV56E
AH 3052	H	240	260	128	135	TR280x4	23	9,600	HM3056	HMV56E
AH 3052	OH	240	260	128	135	TR280x4	23	9,600	HM3056	HMV56E
AH 3152		240	260	172	179	TR290x4	26	16,200	HM58T	HMV58E
AH 3152	OH	240	260	172	179	TR290x4	26	15,500	HM3056	HMV56E
AH 2256		260	280	155	163	TR310x5	24	15,200	HM62T	HMV62E
AH 2256	OH	260	280	155	163	TR300x4	24	15,000	HM3160	HMV60E
AH 2356		260	280	212	220	TR310x5	30	17,100	HM3160	HMV60E
AH 2356	OH	260	280	212	220	TR310x5	30	19,500	HM62T	HMV62E
AH 24156	OH	260	280	202	219	TR300x4	22	16,3	HM 60 T	HMV 60
AH 3056		260	280	131	139	TR300x4	24	12,000	HM3060	HMV60E
AH 3056	OH	260	280	131	139	TR300x4	24	11,000	HM3060	HMV60E
AH 3156		260	280	175	183	TR310x5	28	17,500	HM62T	HMV62E
AH 3156	OH	260	280	175	183	TR310x5	28	17,000	HM3160	HMV60E
AH 2260		280	300	170	178	TR330x5	26	18,100	HM66T	HMV66E
AH 2260	OH	280	300	170	178	TR330x5	26	18,000	HM3164	HMV64E
AH 3060		280	300	145	153	TR320x5	26	14,400	HM3064	HMV64E
AH 3060		280	300	145	153	TR320x5	26	13,000	HM3064	HMV64E
AH 3060	OH	280	300	145	153	TR320x5	26	13,000	HM3064	HMV64E
AH 3160		280	300	192	200	TR330x5	30	20,800	HM66T	HMV66E
AH 3160	OH	280	300	192	200	TR330x5	30	20,500	HM3164	HMV64E
AH 3260		280	300	228	236	TR330x5	34	26,000	HM66T	HMV66E
AH 3260	OH	280	300	228	236	TR330x5	34	23,500	HM3164	HMV64E
AH 2264		300	320	180	190	TR350x5	27	20,200	HM70T	HMV70E
AH 2264	OH	300	320	180	190	TR350x5	27	20,000	HM3168	HMV68E
AH 3064		300	320	149	157	TR345x5	27	16,000	HML69T	HMV69E
AH 3064		300	320	149	157	TR345x5	27	17,000	HM3068	HMV68E
AH 3064	OH	300	320	149	157	TR345x5	27	17,000	HM3068	HMV68E
AH 3164		300	320	209	217	TR350x5	31	24,500	HM70T	HMV70E
AH 3164	OH	300	320	209	217	TR350x5	31	24,500	HM3168	HMV68E
AH 3264		300	320	246	254	TR350x5	36	30,600	HM70T	HMV70E
AH 3264	OH	300	320	246	254	TR350x5	36	27,500	HM3168	HMV68E
AH 3068		320	340	162	171	TR365x5	28	19,500	HML73T	HMV73E
AH 3068		320	340	162	171	TR365x5	28	19,000	HM3072	HMV72E
AH 3068	OH	320	340	162	171	TR365x5	28	19,000	HM3072	HMV72E
AH 3168		320	340	225	234	TR370x5	33	29,000	HM74T	HMV74E
AH 3168	OH	320	340	225	234	TR370x5	33	28,500	HM3172	HMV72E
AH 3268		320	340	264	273	TR370x5	38	35,400	HM74T	HMV74E
AH 3268	OH	320	340	264	273	TR370x5	38	32,000	HM3172	HMV72E
AH 24168	OH	320	340	269	288	TR360x5	26	27,100	HM72T	HMV72
AH 3072		340	360	167	176	TR385x5	30	21,000	HML77T	HMV77E

Withdrawal Sleeve



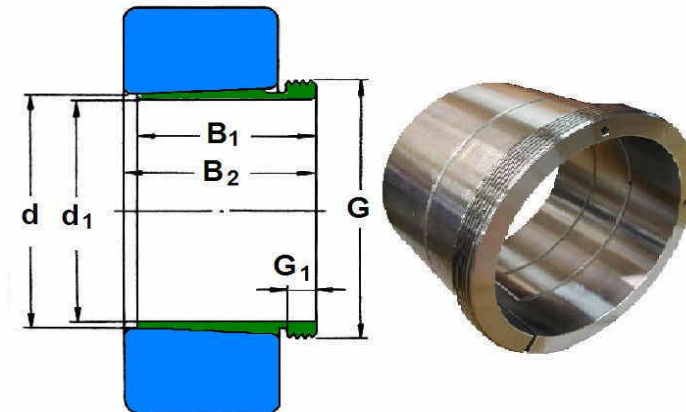
<u>Withdrawal Sleeve</u>		<u>ISO dimensions</u>						<u>Weight</u>	<u>Dismounting nut</u>	<u>Hydraulic nut</u>
Type	Version	d1 mm	d	B1	B2	G	G1	Kg		
AH 3072		340	360	167	176	TR385X5	30	21,000	HM3076	HMV76E
AH 3072	OH	340	360	167	176	TR385X5	30	21,000	HM3076	HMV76E
AH 3172		340	360	229	238	TR400X5	33	30,500	HM3180	HMV80E
AH 3172	OH	340	360	229	238	TR400X5	35	30,500	HM3176	HMV76E
AH 3272		340	360	274	283	TR400X5	40	41,500	HM3180	HMV80E
AH 3272	OH	340	360	274	283	TR380X5	40	35,500	HM3176	HMV76E
AH 24172	OH	340	360	269	289	TR380X5	26	30,800	HM3176	HMV76E
AH 3076		360	380	170	180	TR410x5	31	23,200	HML82T	HMV82E
AH 3076		360	380	170	180	TR410X5	31	22,500	HM3080	HMV80E
AH 3076	OH	360	380	170	180	TR410X5	31	22,500	HM3080	HMV80E
AH 3176		360	380	232	242	TR420X5	36	35,700	HM3184	HMV84E
AH 3176	OH	360	380	232	242	TR420X5	36	33,000	HM3180	HMV80E
AH 3276		360	380	284	294	TR420X5	42	45,600	HM3184	HMV84E
AH 3276	OH	360	380	284	294	TR420X5	42	42,000	HM3180	HMV80E
AH 3080		380	400	183	193	TR430x5	33	27,300	HML86T	HMV86E
AH 3080		380	400	183	193	TR430X5	33	26,000	HM3080	HMV84E
AH 3080	OH	380	400	183	193	TR430X5	33	26,000	HM3080	HMV84E
AH 3180		380	400	240	250	TR440X5	38	39,500	HM3188	HMV88E
AH 3180	OH	380	400	240	250	TR440X5	38	36,000	HM3184	HMV84E
AH 3280		380	400	302	312	TR440X5	44	51,700	HM3188	HMV88E
AH 3280	OH	380	400	302	312	TR440X5	44	48,000	HM3184	HMV84E
AH 3084		400	420	186	196	TR450x5	34	29,000	HML90T	HMV90E
AH 3084		400	420	186	196	TR450X5	34	28,000	HM3088	HMV88E
AH 3084	OH	400	420	186	196	TR450X5	34	28,000	HM3088	HMV88E
AH 3184		400	420	266	276	TR460X5	40	27,900	HM3088	HMV88E
AH 3184	OH	400	420	266	276	TR460X5	40	43,000	HM3188	HMV88E
AH 3284		400	420	321	331	TR460X5	46	46,500	HM3192	HMV92E
AH 3284	OH	400	420	321	331	TR440X5	46	54,500	HM3188	HMV88E
AH 3088		420	440	194	205	TR470X5	35	31,000	HM3092	HMV92E
AH 3088	OH	420	440	194	205	TR470X5	35	31,000	HM3092	HMV92E
AH 3188		420	440	270	281	TR480X5	42	49,800	HM3196	HMV96E
AH 3188	OH	420	440	270	281	TR480X5	42	46,000	HM3192	HMV92E
AH 3288		420	440	330	341	TR460X5	48	64,500	HM3192	HMV92E
AH 3288	OH	420	440	330	341	TR460X5	48	64,500	HM3192	HMV92E
AH 3092		440	460	202	213	TR490X5	37	34,000	HM3096	HMV96E
AH 3092	OH	440	460	202	213	TR490X5	37	34,000	HM3096	HMV96E
AH 3192		440	460	285	296	TR510X6	43	51,500	HM3196	HMV96E
AH 3192	OH	440	460	285	296	TR510X6	43	51,500	HM3196	HMV96E
AH 3292		440	460	349	360	TR480X5	50	80,000	HM3196	HMV96E
AH 3292	OH	440	460	349	360	TR480X5	50	80,000	HM3196	HMV96E
AH 3096		460	480	205	217	TR520X6	38	34,000	HM30/500	HMV100E
AH 3096	OH	460	480	205	217	TR520X6	38	34,000	HM30/500	HMV100E

Withdrawal Sleeve



<u>Withdrawal Sleeve</u>		<u>ISO dimensions</u>						<u>Weight</u>	<u>Dismounting nut</u>	<u>Hydraulic nut</u>
Type	Version	d1 mm	d	B1	B2	G	G1	Kg		
AH 3196		460	480	295	307	TR530X6	45	63,000	HM31/500	HMV100E
AH 3196	OH	460	480	295	307	TR530X6	45	63,000	HM31/500	HMV100E
AH 3296		460	480	364	376	TR500X5	52	81,000	HM31/500	HMV100E
AH 3296	OH	460	480	364	376	TR500X5	52	81,000	HM31/500	HMV100E
AH 30/500		480	500	209	221	TR530X6	40	41,000	HM30/530	HMV106E
AH 30/500	OH	480	500	209	221	TR530X6	40	41,000	HM30/530	HMV106E
AH 31/500		480	500	313	325	TR530X6	47	66,500	HM31/530	HMV106E
AH 31/500	OH	480	500	313	325	TR530X6	47	66,500	HM31/530	HMV106E
AH 30/530		500	530	230	242	TR560X6	45	61,900	HM30/560	HMV112E
AH 30/530	OH	500	530	230	242	TR560X6	45	63,500	HM30/560	HMV112E
AH 31/530		500	530	325	337	TR560x6	53	93,400	HM31/560	
AH 32/530		500	530	412	424	TR580x6	57	133,000	HM116T	HMV16E
AH 30/560		530	560	240	252	TR600X6	45	73,500	HM30/600	HMV120E
AH 30/560	OH	530	560	240	252	TR600X6	45	73,500	HM30/600	HMV120E
AH 31/560		530	560	335	347	TR600x6	55	108,000	HM31/600	
AH 30/600		560	600	245	259	TR630X6	45	77,000	HM30/630	HMV126E
AH 30/600	OH	560	600	245	259	TR630X6	45	77,000	HM30/630	HMV126E
AH 30/630		600	630	258	272	TR670X6	46	89,700	HM30/670	HMV134E
AH 30/630	OH	600	630	258	272	TR670X6	46	88,500	HM30/670	HMV134E
AH 31/630		600	630	375	389	TR670x6	60	140,000	HM31/670	
AH 32/630		600	630	475	489	TR680x6	63	191,000	HM136T	HMV36E
AH 30/670		630	670	280	294	TR710X7	50	127,000	HM30/710	HMV142E
AH 30/670	OH	630	670	280	294	TR710X7	50	125,000	HM30/710	HMV142E
AH 32/670		630	670	500	514	TR720x7	62	256,000	HM144T	HMV44E
AH 30/710		670	710	286	302	TR750X7	50	138,000	HM30/750	HMV150E
AH 30/710	OH	670	710	286	302	TR750X7	50	138,000	HM30/750	HMV150E
AH 32/710		670	710	500	516	TR760x7	65	282,000	HM31/750	
AH 30/750		710	750	300	316	TR800x7	50	159,000	HM30/800	
AH 31/750		710	750	425	441	TR800x7	60	238,000	HM31/800	
AH 32/750		710	750	540	556	TR800x7	65	320,000	HM31/800	
AH 30/800		750	800	308	326	TR850x7	50	204,000	HM30/850	
AH 31/800		750	800	438	456	TR850x7	63	305,000	HM31/850	
AH 32/800		750	800	550	568	TR850x7	67	401,000	HM31/850	
AH 30/850		800	850	325	343	TR900x7	53	230,000	HM30/900	
AH 31/850		800	850	462	480	TR900x7	62	345,000	HM31/900	
AH 32/850		800	850	585	603	TR900x7	70	461,000	HM31/900	
AH 30/900		850	900	335	355	TR950x8	55	253,000	HM30/950	
AH 31/900		850	900	475	495	TR950x8	63	379,000	HM31/950	
AH 32/900		850	900	585	605	TR950x8	70	489,000	HM31/950	
AH 30/950		900	950	355	375	TR1000x8	55	285,000	HM30/1000	
AH 31/950		900	950	500	520	TR1000x8	62	426,000	HM31/1000	
AH 32/950		900	950	600	620	TR1000x8	70	533,000	HM31/1000	

Withdrawal Sleeve



<u>Withdrawal Sleeve</u>		<u>ISO dimensions</u>						<u>Weight</u>	<u>Dismounting</u>	<u>Hydraulic</u>
Type	Version	d1 mm	d	B1	B2	G	G1	Kg	nut	nut