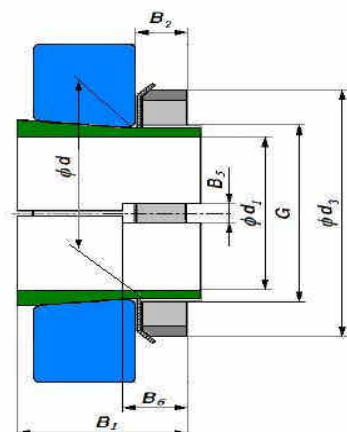
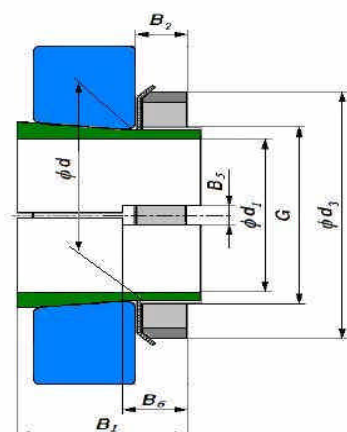


Adapter sleeve



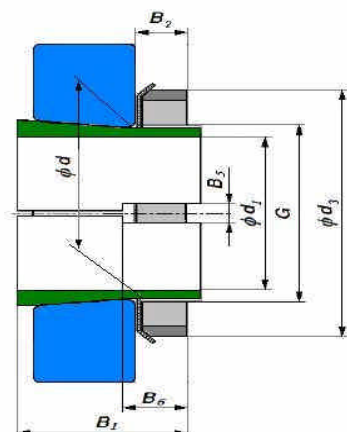
Adapter sleeve		ISO dimensions					Weight	Locking nut	Locking device	
Type	Version	d1 mm	d	d3	B1	B2	G	kg		
H 204		17	20	32	24	7	M 20x1	0,041	KM 4	MB 4
H 2304		17	20	32	31	7	M 20x1	0,049	KM 4	MB 4
H 304		17	20	32	28	7	M 20x1	0,045	KM 4	MB 4
H 205		20	25	38	26	8	M 25x1,5	0,070	KM 5	MB 5
H 2305		20	25	38	35	8	M 25x1,5	0,087	KM 5	MB 5
H 305		20	25	38	29	8	M 25x1,5	0,075	KM 5	MB 5
H 206		25	30	45	27	8	M 30x1,5	0,099	KM 6	MB 6
H 2306		25	30	45	38	8	M 30x1,5	0,126	KM 6	MB 6
H 306		25	30	45	31	8	M 30x1,5	0,109	KM 6	MB 6
H 207		30	35	52	29	9	M 35x1,5	0,125	KM 7	MB 7
H 2307		30	35	52	43	9	M 35x1,5	0,165	KM 7	MB 7
H 307		30	35	52	35	9	M 35x1,5	0,142	KM 7	MB 7
H 208		35	40	58	31	10	M 40x1,5	0,174	KM 8	MB 8
H 2308		35	40	58	46	10	M 40x1,5	0,224	KM 8	MB 8
H 308		35	40	58	36	10	M 40x1,5	0,189	KM 8	MB 8
H 209		40	45	65	33	11	M 45x1,5	0,227	KM 9	MB 9
H 2309		40	45	65	50	11	M 45x1,5	0,280	KM 9	MB 9
H 309		40	45	65	39	11	M 45x1,5	0,248	KM 9	MB 9
H 210		45	50	70	35	12	M 50x1,5	0,274	KM 10	MB 10
H 2310		45	50	70	55	12	M 50x1,5	0,362	KM 10	MB 10
H 310		45	50	70	42	12	M 50x1,5	0,303	KM 10	MB 10
H 211		50	55	75	37	12,5	M 55x2	0,308	KM 11	MB 11
H 2311		50	55	75	59	12,5	M 55x2	0,420	KM 11	MB 11
H 311		50	55	75	45	12,5	M 55x2	0,345	KM 11	MB 11
H 212		55	60	80	38	13	M 60x2	0,346	KM 12	MB 12
H 2312		55	60	80	62	13	M 60x2	0,481	KM 12	MB 12
H 312		55	60	80	47	13	M 60x2	0,394	KM 12	MB 12
H 213		60	65	85	40	14	M 65x2	0,401	KM 13	MB 13
H 214		60	70	92	41	14	M 70x2	0,593	KM 14	MB 14
H 2313		60	65	85	65	14	M 65x2	0,557	KM 13	MB 13
H 2314		60	70	92	68	14	M 70x2	0,897	KM 14	MB 14
H 313		60	65	85	50	14	M 65x2	0,458	KM 13	MB 13
H 314		60	70	92	52	14	M 70x2	0,723	KM 14	MB 14
H 215		65	75	98	43	15	M 75x2	0,707	KM 15	MB 15

Adapter sleeve



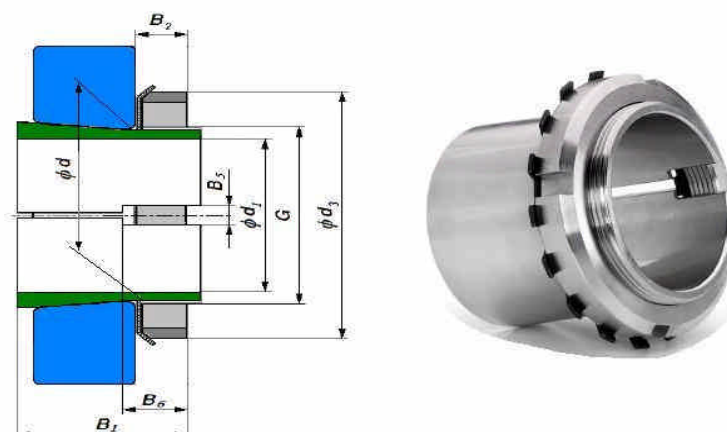
Adapter sleeve		ISO dimensions						Weight	Locking nut	Locking device
Type	Version	d1 mm	d	d3	B1	B2	G	kg		
H 2315		65	75	98	73	15	M 75x2	1,050	KM 15	MB 15
H 315		65	75	98	55	15	M 75x2	0,831	KM 15	MB 15
H 216		70	80	105	46	17	M 80x2	0,882	KM 16	MB 16
H 2316		70	80	105	78	17	M 80x2	1,280	KM 16	MB 16
H 316		70	80	105	59	17	M 80x2	1,030	KM 16	MB 16
H 217		75	85	110	50	18	M 85x2	1,020	KM 17	MB 17
H 2317		75	85	110	82	18	M 85x2	1,450	KM 17	MB 17
H 317		75	85	110	63	18	M 85x2	1,180	KM 17	MB 17
H 218		80	90	120	52	18	M 90x2	1,190	KM 18	MB 18
H 2318		80	90	120	86	18	M 90x2	1,690	KM 18	MB 18
H 318		80	90	120	65	18	M 90x2	1,370	KM 18	MB 18
H 219		85	95	125	55	19	M 95x2	1,370	KM 19	MB 19
H 2319		85	95	125	90	19	M 95x2	1,920	KM 19	MB 19
H 319		85	95	125	68	19	M 95x2	1,560	KM 19	MB 19
H 220		90	100	130	58	20	M 100x2	1,490	KM 20	MB 20
H 2320		90	100	130	97	20	M 100x2	2,150	KM 20	MB 20
H 3120		90	100	130	76	20	M 100x2	1,800	KM 20	MB 20
H 320		90	100	130	71	20	M 100x2	1,690	KM 20	MB 20
H 221		95	105	140	60	20	M 105x2	1,720	KM 21	MB 21
H 321		95	105	140	74	20	M 105x2	1,950	KM 21	MB 21
H 222		100	110	145	63	21	M 110x2	1,930	KM 22	MB 22
H 2322		100	110	145	105	21	M 110x2	2,740	KM 22	MB 22
H 3122		100	110	145	81	21	M 110x2	2,250	KM 22	MB 22
H 322		100	110	145	77	21	M 110x2	2,180	KM 22	MB 22
H 2324		110	120	155	112	22	M 120x2	3,190	KM 24	MB 24
H 3024		110	120	145	72	22	M 120x2	1,930	KML 24	MBL 24
H 3124		110	120	155	88	22	M 120x2	2,640	KM 24	MB 24
H 2326		115	130	165	121	23	M 130x2	4,600	KM 26	MB 26
H 3026		115	130	155	80	23	M 130x2	2,850	KML 26	MBL 26
H 3126		115	130	165	92	23	M 130x2	3,660	KM 26	MB 26
H 2328		125	140	180	131	24	M 140x2	5,550	KM 28	MB 28
H 3028		125	140	165	82	24	M 140x2	3,160	KML 28	MBL 28
H 3128		125	140	180	97	24	M 140x2	4,340	KM 28	MB 28
H 2330		135	150	195	139	26	M 150x2	6,630	KM 30	MB 30

Adapter sleeve



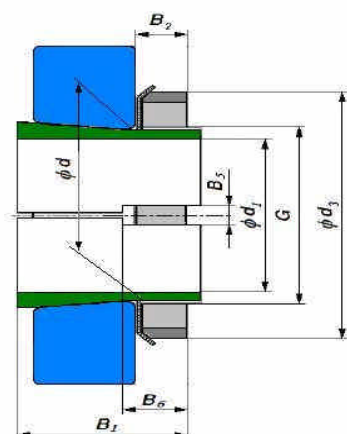
Adapter sleeve		ISO dimensions						Weight	Locking nut	Locking device
Type	Version	d1 mm	d	d3	B1	B2	G	kg		
H 3030		135	150	180	87	26	M 150x2	3,890	KML 30	MBL 30
H 3130		135	150	195	111	26	M 150x2	5,520	KM 30	MB 30
H 2332		140	160	210	147	28	M 160x3	9,140	KM 32	MB 32
H 3032		140	160	190	93	27,5	M 160x3	5,210	KML 32	MBL 32
H 3132		140	160	210	119	28	M 160x3	7,670	KM 32	MB 32
H 2334		150	170	220	154	29	M 170x3	10,200	KM 34	MB 34
H 3034		150	170	200	101	28,5	M 170x3	5,990	KML 34	MBL 34
H 3134		150	170	220	122	29	M 170x3	8,380	KM 34	MB 34
H 2336		160	180	230	161	30	M 180x3	11,300	KM 36	MB 36
H 2336	OH	160	180	230	161	30	Tr180x3	11,000	KM36	MB36
H 3036		160	180	210	109	29,5	M 180x3	6,830	KML 36	MBL 36
H 3036	OH	160	180	210	109	29,5	Tr180x3	6,700	KML36	MBL36
H 3136		160	180	230	131	30	M 180x3	9,500	KM 36	MB 36
H 3136	OH	160	180	230	131	30	M180X3	9,150	KM36	MB36
H 3936		160	180	210	87	29,5	M180x3	5,700	KML36	MBL36
H 2338		170	190	240	169	31	M 190x3	12,600	KM 38	MB 38
H 2338	OH	170	190	240	169	31	Tr190x3	12,000	KM38	MB38
H 3038		170	190	220	112	30,5	M 190x3	7,450	KML 38	MBL 38
H 3038	OH	170	190	220	112	30,5	Tr190x3	7,250	KML38	MBL38
H 3138		170	190	240	141	31	M 190x3	10,800	KM 38	MB 38
H 3138	OH	170	190	240	141	31	M190X3	10,500	KM38	MB38
H 3938		170	190	220	89	30,5	M190x3	6,190	KML38	MBL38
H 2340		180	200	250	176	32	M 200x3	13,900	KM 40	MB 40
H 2340	OH	180	200	250	176	32	Tr200x3	13,500	KM40	MB40
H 3040		180	200	240	120	31,5	M 200x3	9,190	KML 40	MBL 40
H 3040	OH	180	200	240	120	31,5	Tr200x3	8,900	KML40	MBL40
H 3140		180	200	250	150	32	M 200x3	12,100	KM 40	MB 40
H 3140	OH	180	200	250	150	32	M200X3	12,000	KM40	MB40
H 3940		180	200	240	98	31,5	M200x3	7,890	KML40	MBL40
H 2344		200	220	280	186	35	Tr220x4	17,000	HM 44 T	MB 44
H 2344	OH	200	220	280	186	35	Tr220x4	17,000	HM44T	MB44
H 3044		200	220	260	126	30	Tr220x4	10,300	HM3044	MS3044
H 3044	OH	200	220	260	126	30	Tr220x4	9,900	HM3044	MS3044
H 3144		200	220	280	161	35	Tr220x4	15,000	HM44T	MB44

Adapter sleeve



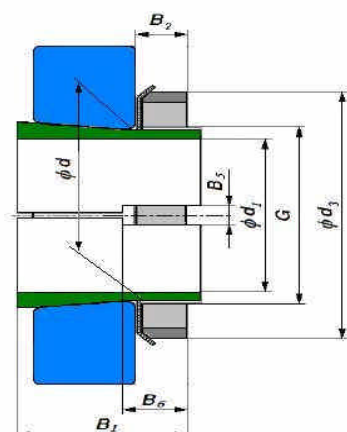
Adapter sleeve		ISO dimensions					Weight	Locking nut	Locking device	
Type	Version	d1 mm	d	d3	B1	B2	G	kg		
H 3144	OH	200	220	280	161	35	Tr200x3	15,000	HM44T	MB44
H 3944		200	220	260	96	30	Tr220x4	8,160	HM3044	MS3044
H 2348		220	240	300	199	37	Tr 240x4	20,000	HM 48 T	MB 48
H 2348	OH	220	240	300	199	37	Tr240x4	19,000	HM48T	MB48
H 3048		220	240	290	133	34	Tr240x4	13,200	HM3048	MS3048
H 3048	OH	220	240	290	133	34	Tr240x4	12,000	HM3048	MS3052-48
H 3148		220	240	300	172	37	Tr240x4	17,600	HM48T	MB48
H 3148	OH	220	240	300	172	37	Tr240x4	16,500	HM48T	MB48
H 3948		220	240	290	101	34	Tr240x4	11,000	HM3048	MS3048
H 2352		240	260	330	211	39	Tr 260x4	24,500	HM 52 T	MB 52
H 2352	OH	240	260	330	211	39	Tr260x4	23,000	HM52T	MB52
H 3052		240	260	310	145	34	Tr260x4	13,500	HM3052	MS3052-48
H 3052		240	260	310	145	34	Tr260x4	15,300	HM3052	MS3052
H 3052	OH	240	260	310	145	34	Tr260x4	13,500	HM3052	MS3052-48
H 3152		240	260	330	190	39	Tr260x4	22,300	HM52T	MB52
H 3152	OH	240	260	330	190	39	Tr260x4	21,000	HM52T	MB52
H 3952		240	260	310	116	34	Tr260x4	12,800	HM3052	MS3052
H 2356		260	280	350	224	41	Tr 280x4	28,400	HM 56 T	MB 56
H 2356	OH	260	280	350	224	41	Tr280x4	27,000	HM56T	MB56
H 3056		260	280	330	152	38	Tr280x4	17,700	HM3056	MS3056
H 3056	OH	260	280	330	152	38	Tr280x4	16,000	HM3056	MS3056
H 3156		260	280	350	195	41	Tr280x4	25,100	HM56T	MB56
H 3156	OH	260	280	330	195	41	Tr280x4	19,300	HM3056	MS3056
H 3956		260	280	330	121	38	Tr280x4	15,300	HM3056	MS3056
H 3060		280	300	360	168	42	Tr300x4	20,500	HM3060	MS3060
H 3060		280	300	360	168	42	Tr300x4	22,800	HM3060	MS3060
H 3060	OH	280	300	360	168	42	Tr300x4	20,500	HM3060	MS3060
H 3160		280	300	380	208	40	Tr300x4	30,200	HM3160	MS3160
H 3160	OH	280	300	380	208	40	Tr300x4	29,000	HM3160	MS3160
H 3260		280	300	380	240	40	Tr300x4	34,100	HM3160	MS3160
H 3260	OH	280	300	380	240	40	Tr300x4	32,000	HM3160	MS3160
H 3960		280	300	360	140	42	Tr300x4	20,000	HM3060	MS3060
H 3064		300	320	380	171	42	Tr320x5	24,600	HM3064	MS3064
H 3064	OH	300	320	380	171	42	Tr320x5	22,000	HM3064	MS3068-64

Adapter sleeve



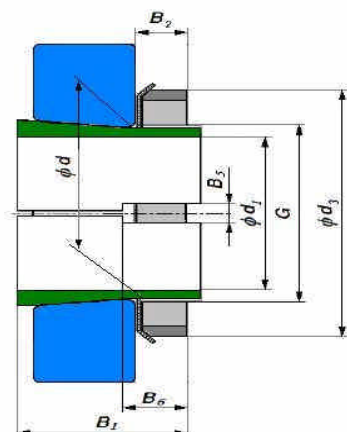
Adapter sleeve		ISO dimensions						Weight	Locking nut	Locking device
Type	Version	d1 mm	d	d3	B1	B2	G	kg		
H 3164		300	320	400	226	42	Tr320x5	34,900	HM3164	MS3164
H 3164	OH	300	320	400	226	42	Tr320x5	32,000	HM3164	MS3164
H 3264		300	320	400	258	42	Tr320x5	39,300	HM3164	MS3164
H 3264	OH	300	320	400	258	42	Tr320x5	35,000	HM3164	MS3164
H 3964		300	320	380	140	42	Tr320x5	21,500	HM3064	MS3064
H 3068		320	340	400	187	45	Tr340x5	28,700	HM3068	MS3068
H 3068	OH	320	340	400	187	45	Tr340x5	27,000	HM3068	MS3068-64
H 3168		320	340	440	254	55	Tr340x5	50,000	HM3168	MS3168
H 3168	OH	320	340	440	254	55	Tr340x5	50,000	HM3168	MS3172-68
H 3268		320	340	440	288	55	Tr340x5	54,600	HM3168	MS3168
H 3268	OH	320	340	440	288	55	Tr340x5	51,500	HM3168	MS3172-68
H 3968		320	340	400	144	45	Tr340x5	24,500	HM3068	MS3068
H 3072		340	360	420	188	45	Tr360x5	30,500	HM3072	MS3072
H 3072	OH	340	360	420	188	45	Tr360x5	29,000	HM3072	MS3072
H 3172		340	360	460	259	58	Tr360x5	56,000	HM3172	MS3172
H 3172	OH	340	360	460	259	58	Tr360x5	56,000	HM3172	MS3172-68
H 3272		340	360	460	299	58	Tr360x5	60,600	HM3172	MS3172
H 3272	OH	340	360	460	299	58	Tr360x5	60,500	HM3172	MS3172-68
H 3972		340	360	420	144	45	Tr360x5	25,200	HM3072	MS3072
H 3076		360	380	450	193	48	Tr380x5	35,800	HM3076	MS3076
H 3076	OH	360	380	450	193	48	Tr380x5	35,500	HM3076	MS3080-76
H 3176		360	380	490	264	60	Tr380x5	61,700	HM3176	MS3176
H 3176	OH	360	380	490	264	60	Tr380x5	61,500	HM3176	MS3176
H 3276		360	380	490	310	60	Tr380x5	69,600	HM3176	MS3176
H 3276	OH	360	380	490	310	60	Tr380x5	69,500	HM3176	MS3176
H 3976		360	380	450	164	48	Tr380x5	31,500	HM3076	MS3076
H 3080		380	400	470	210	52	Tr400x5	41,300	HM3080	MS3080
H 3080	OH	380	400	470	210	52	Tr400x5	40,000	HM3080	MS3080-76
H 3180		380	400	520	272	62	Tr400x5	73,000	HM3180	MS3180
H 3180	OH	380	400	520	272	62	Tr400x5	73,000	HM3180	MS3184-80
H 3280		380	400	520	328	62	Tr400x5	81,000	HM3180	MS3180
H 3280	OH	380	400	520	328	62	Tr400x5	87,000	HM3180	MS3184-80
H 3980		380	400	470	168	52	Tr400x5	35,000	HM3080	MS3080
H 3084		400	420	490	212	52	Tr420x5	43,700	HM3084	MS3084

Adapter sleeve



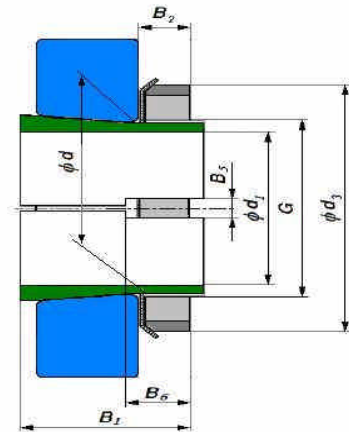
Adapter sleeve		ISO dimensions					Weight	Locking nut	Locking device	
Type	Version	d1 mm	d	d3	B1	B2	G	kg		
H 3084	OH	400	420	490	212	52	Tr420X5	47,000	HM3084	MS3084
H 3184		400	420	540	304	70	Tr420X5	84,200	HM3184	MS3184
H 3184	OH	400	420	540	304	70	Tr420X5	80,000	HM3184	MS3184-80
H 3284		400	420	540	352	70	Tr420X5	96,000	HM3184	MS3184
H 3284	OH	400	420	540	352	70	Tr420X5	96,000	HM3184	MS3184-80
H 3984		400	420	490	168	52	Tr420X5	36,600	HM3084	MS3084
H 3088		410	440	520	228	60	Tr440X5	65,200	HM3088	MS3088
H 3088	OH	410	440	520	228	60	Tr440X5	65,000	HM3088	MS3092-88
H 3188		410	440	560	307	70	Tr440X5	104,000	HM3188	MS3188
H 3188	OH	410	440	560	307	70	Tr440X5	95,000	HM3188	MS3192-88
H 3288		410	440	560	361	70	Tr440X5	118,000	HM3188	MS3188
H 3288	OH	410	440	560	361	70	Tr440X5	117,000	HM3188	MS3192-88
H 3988		410	440	520	189	60	Tr440x5	58,000	HM3088	MS3088
H 3092		430	460	540	234	60	Tr460X5	71,000	HM3092	MS3092
H 3092	OH	430	460	540	234	60	Tr460X5	71,000	HM3092	MS3092-88
H 3192		430	460	580	326	75	Tr460X5	116,000	HM3192	MS3192
H 3192	OH	430	460	580	326	75	Tr460X5	119,000	HM3192	MS3192-88
H 3292		430	460	580	382	75	Tr460X5	134,000	HM3192	MS3192
H 3292	OH	430	460	580	382	75	Tr460X5	134,000	HM3192	MS3192-88
H 3992		430	460	540	189	60	Tr460x5	60,000	HM3092	MS3092
H 3096		450	480	560	237	60	Tr480X5	75,000	HM3096	MS30/96
H 3096	OH	450	480	560	237	60	Tr480X5	75,000	HM3096	MS30/500-96
H 3196		450	480	620	335	75	Tr480X5	135,000	HM3196	MS3196
H 3196	OH	450	480	620	335	75	Tr480X5	135,000	HM3196	MS3196
H 3296		450	480	620	397	75	Tr480X5	153,000	HM3196	MS3196
H 3296	OH	450	480	620	397	75	Tr480X5	153,000	HM3196	MS3196
H 3996		450	480	560	200	60	Tr480x5	66,000	HM3096	MS30/96
H 30/500		470	500	580	247	68	Tr500x5	82,000	HM30/500	MS30/500
H 30/500	OH	470	500	580	247	68	Tr500x5	82,000	HM30/500	MS30/500-96
H 31/500		470	500	630	356	80	Tr500x5	145,000	HM31/500	MS31/500
H 31/500	OH	470	500	630	356	80	Tr500x5	145,000	HM31/500	MS31/500
H 32/500		470	500	630	428	80	Tr500x5	166,000	HM31/500	MS31/500
H 32/500	OH	470	500	630	428	80	Tr500x5	170,000	HM31/500	MS31/500
H 39/500		470	500	580	208	68	Tr500x5	74,300	HM30/500	MS30/500

Adapter sleeve



Adapter sleeve		ISO dimensions					Weight	Locking nut	Locking device	
Type	Version	d1 mm	d	d3	B1	B2	G	kg		
H 30/530		500	530	630	265	68	Tr530x6	105,000	HM30/530	MS30/530
H 30/530	OH	500	530	630	265	68	Tr530x6	105,000	HM30/530	MS30/600-530
H 31/530		500	530	670	364	80	Tr530x6	161,000	HM31/530	MS31/530
H 32/530		500	530	670	447	80	Tr530x6	192,000	HM31/530	MS31/530
H 39/530		500	530	630	216	68	Tr530x6	87,900	HM30/530	MS30/530
H 39/530	OH	500	530	630	216	68	Tr530x6	87,900	HM30/530	MS30/600-530
H 30/560		530	560	650	282	75	Tr560x6	112,000	HM30/560	MS30/560
H 30/560	OH	530	560	650	282	75	Tr560x6	112,000	HM30/560	MS30/560
H 31/560		530	560	710	377	85	Tr560x6	185,000	HM31/560	MS31/560
H 32/560		530	560	710	462	85	Tr560x6	219,000	HM31/560	MS31/560
H 39/560		530	560	650	227	75	Tr560x6	95,000	HM30/560	MS30/560
H 39/560	OH	530	560	650	227	75	Tr560x6	95,000	HM30/560	MS30/560
H 30/600		560	600	700	289	75	Tr600x6	147,000	HM30/600	MS30/600
H 30/600	OH	560	600	700	289	75	Tr600x6	147,000	HM30/600	MS30/600-530
H 31/600		560	600	750	399	85	Tr600x6	234,000	HM31/600	MS31/600
H 32/600		560	600	750	487	85	Tr600x6	278,000	HM31/600	MS31/600
H 39/600		560	600	700	239	75	Tr600x6	127,000	HM30/600	MS30/600
H 39/600	OH	560	600	700	239	75	Tr600x6	127,000	HM30/600	MS30/600-530
H 30/630		600	630	730	301	75	Tr630x6	138,000	HM30/630	MS30/630
H 30/630	OH	600	630	730	301	75	Tr630x6	138,000	HM30/630	MS30/630
H 31/630		600	630	800	424	95	Tr630x6	254,000	HM31/630	MS31/630
H 32/630		600	630	800	521	95	Tr630x6	300,000	HM31/630	MS31/630
H 39/630		600	630	730	254	75	Tr630x6	120,000	HM30/630	MS30/630
H 39/630	OH	600	630	730	254	75	Tr630x6	124,000	HM30/630	MS30/630
H 30/670		630	670	780	324	80	Tr670x6	191,000	HM30/670	MS30/670
H 30/670	OH	630	670	780	324	80	Tr670x6	190,000	HM30/670	MS30/670
H 31/670		630	670	850	456	106	Tr670x6	340,000	HM31/670	MS31/670
H 32/670		630	670	850	558	106	Tr670x6	401,000	HM31/670	MS31/670
H 39/670		630	670	780	264	80	Tr670x6	163,000	HM30/670	MS30/670
H 39/670	OH	630	670	780	264	80	Tr670x6	162,000	HM30/670	MS30/670
H 30/710		670	710	830	342	90	Tr710x7	223,000	HM30/710	MS30/710
H 30/710	OH	670	710	830	342	90	Tr710x7	228,000	HM30/710	MS30/710
H 31/710		670	710	900	467	106	Tr710x7	378,000	HM31/710	MS31/710
H 32/710		670	710	900	572	106	Tr710x7	444,000	HM31/710	MS31/710

Adapter sleeve



Adapter sleeve		ISO dimensions						Weight	Locking nut	Locking device
Type	Version	d1 mm	d	d3	B1	B2	G	kg		
H 39/710		670	710	830	286	90	Tr710x7	196,000	HM30/710	MS30/710
H 39/710	OH	670	710	830	286	90	Tr710x7	183,000	HM30/710	MS30/710
H 30/750		710	750	870	356	90	Tr750x7	246,000	HM30/750	MS30/750
H 31/750		710	750	950	493	112	Tr750x7	451,000	HM31/750	MS31/750
H 32/750		710	750	950	603	112	Tr750x7	507,000	HM31/750	MS31/750
H 39/750		710	750	870	291	90	Tr750x7	211,000	HM30/750	MS30/750
H 30/800		750	800	920	366	90	Tr800x7	300,000	HM30/800	MS30/800
H 31/800		750	800	1000	505	112	Tr800x7	515,000	HM31/800	MS31/800
H 32/800		750	800	1000	618	112	Tr800x7	610,000	HM31/800	MS31/800
H 39/800		750	800	920	303	90	Tr800x7	259,000	HM30/800	MS30/800