

REXNORD® ROLLER BEARINGS | ZAF STYLE (SAF replacement)



# The New Rexnord® ZAF Style Roller Bearings ... the Solid Choice

- Shaft Mounting Styles
  - Double set collar mounting – ZAF/ZAFS 5000 Series
  - SHÜRLOK® Adapter mount – ZAF/ZAFS 6000 Series
- Rugged One-Piece, Solid-Base Cast Iron Housing
- Faster to install than SAF style
- Self-Aligning Spherical Roller Bearing provides  $\pm 1.5^\circ$  of both static and dynamic misalignment
- Three Standard Field Interchangeable Seal Choices Z, K, M
- Auxiliary Cap Seals Available
- Field Adjustable Clearance
- Super-Finished Raceways provide a cool running, quiet, high speed and high load capacity bearing
- Precision Milled Ends for accurate location when replacement is required
- Powder Coated Housings for superior corrosion resistance
- Factory Lubricated, Pre-Adjusted and Shaft Ready reduces installation time

Which would you rather install?

ZAF 6000

SAF



No assembly required

20 steps required to install

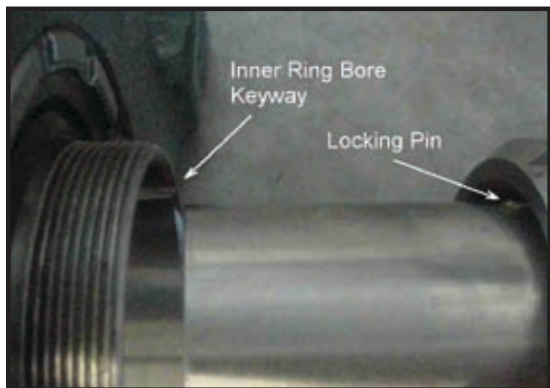
## Rexnord® 6000 Series Features SHÜRLOK® adapter mount with:

**Spyglass® Optical Strain Sensor (OSS)** reduces installation errors by changing color when properly tightened to the shaft

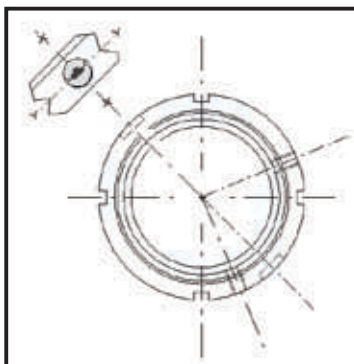


**Adapter sleeve assembly** allows easy installation/removal, plus enables use of commercial grade shafts

**Positive Locking System** allows minimal vibration during operation, therefore not requiring scheduled inspections for snugness of mountings



Positive Locking System



Bearing not properly tightened

Bearing properly tightened



**Easy Installation:** Simply tighten the collar until the Spyglass® OSS shows proper indication

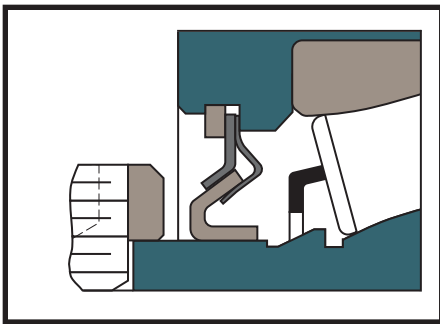
# Bearing Down on Your Application Needs

## Interchangeable Seals

Rexnord® ZAF style solid housed Roller Bearings have three interchangeable seals to meet a wide range of application requirements.

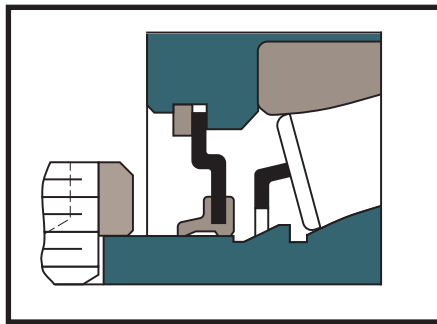
- Field interchangeability without bearing disassembly
- Cannot be forced out during relubrication
- Operate on hardened and ground inner ring extension
- Viton® M Seal available for high temperature and chemical resistant applications

The following seal types are designed to fit your application needs.



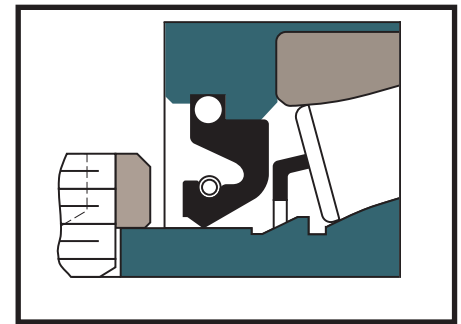
### Z Seal

- No frictional drag – generates no heat
- No speed limitations
- All metal – no temperature limitations



### K Seal

- Protects against contaminants
- Handles high speeds
- Less drag and heat generation than heavy contact seals



### M Seal

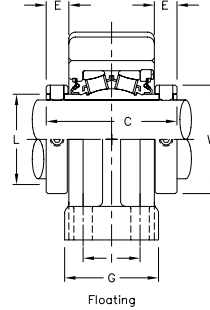
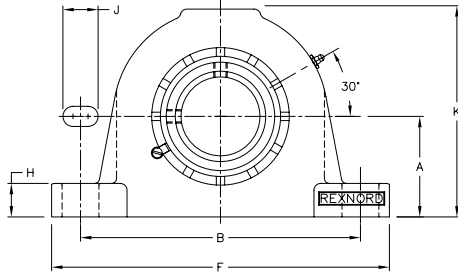
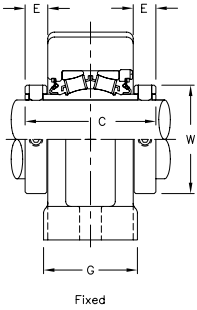
- Protects against liquids and grit
- Spring-loaded lip assures constant contact – even during misalignment
- Molded-in garter spring retains seal in housing
- Seals in lubricant on horizontal and vertical shafts
- Available in Viton® material (add suffix V)



# Rexnord® ZAF / ZAFS Pillow Blocks — 5000 Series

## Heavy Duty 5000 Series

### Double Set Collar Fixed and Floating 2 and 4 Bolt



Shaft Size	Complete Block No.		Size Code	Dimension in Inches														Bolts Req'd		Complete Block Net Wt. Blbs							
				A		B		C		E		F		G		H		I		J		K		No.	Size	Fixed	Float
				Fixed	Floating	+/-	MIN.	MAX.	Fixed	Floating	+/-	Max	+/-	Fixed	Float	Fixed	Float	Fixed	Float	Fixed	Float						
1-15/16	ZAF-5115	ZAFS-5115	6	2-3/4	7-3/8	7-7/8	3-13/16	11/16	7/8	9.625	2-3/4	1	.....	15/16	5-5/16	5-5/16	2-15/16	2	5/8	16.5	20.0						
2-3/16	ZAF-5203	ZAFS-5203	7	3	8-1/8	9-1/2	4-1/8	25/32	31/32	11.000	3-1/8	1	.....	1-3/8	5-31/32	5-31/32	3-1/4	2	5/8	21.0	25.5						
2-7/16	ZAF-5207	ZAFS-5207	8	3-1/4	8-5/8	9-5/8	4-3/8	7/8	1-1/16	11.125	3-1/8	1-1/4	.....	1-3/16	6-25/32	6-25/32	3-9/16	2	5/8	32.5	32.5						
2-7/16	ZAF-5207-F	ZAFS-5207-F											1-7/8	1-1/16				4	1/2	31	31.5						
2-11/16	ZAF-5211	ZAFS-5211	9	3-1/2	9-7/8	11	4-7/8	7/8	1-1/8	12.594	3-1/2	1	.....	1-3/8	7-1/2	7-1/2	4-1/16	2	3/4	45.5	45						
2-11/16	ZAF-5211-F	ZAFS-5211-F											2-1/8	1-1/4				4	5/8	44.5	44.5						
2-15/16	ZAF-5215	ZAFS-5215	9	3-3/4	9-7/8	11	4-7/8	7/8	1-1/8	12.594	3-1/2	1-1/4	.....	1-3/8	7-3/4	7-3/4	4-1/16	2	3/4	45	45.5						
2-15/16	ZAF-5215-F	ZAFS-5215-F											2-1/8	1-1/4				4	5/8	45	45.5						
3-3/16	ZAF-5303	ZAFS-5303	10	4	10-3/8	11-5/8	5-5/16	15/16	1-3/16	13.750	3-7/8	1-5/8	.....	1-7/16	8-1/4	8-1/4	4-15/16	2	3/4	53.0	60.0						
3-3/16	ZAF-5303-F	ZAFS-5303-F											2-1/8	1-5/16				4	5/8	53.0	60.0						
3-7/16	ZAF-5307	ZAFS-5307	10	4-1/2	11-5/8	13-1/8	5-5/16	15/16	1-3/16	15.375	4-11/32	1-21/32	.....	1-11/16	9-9/32	9-9/32	4-15/16	2	7/8	76.5	76.5						
3-7/16	ZAF-5307-F	ZAFS-5307-F											2-3/8	1-9/16				4	3/4	75.0	75.5						
3-15/16	ZAF-5315-F	ZAFS-5315-F	11	4-15/16	12-19/32	14-1/2	6-1/4	1-1/16	1-5/16	16.500	4-3/4	1-25/32	2-3/4	1-53/64	10-5/16	10-5/16	5-5/8	4	3/4	102	104						
4-7/16	ZAF-5407-Y	ZAFS-5407-Y	12	6	14-1/2	16	6-1/4	1	1-3/8	18.375	5-1/8	2-1/16	3-1/4	1-3/4	11-7/8	11-7/8	6-3/16	4	7/8	143	144						
4-15/16	ZAF-5415-F	ZAFS-5415-F	13	6	15-5/8	17-3/8	7-7/8	1-3/16	1-9/16	19.703	5-7/8	2-1/16	3-3/8	1-15/16	12-9/16	12-9/16	7-1/16	4	1	207	209						
5-7/16	ZAF-5507-F	ZAFS-5507-F	14	6-11/16	17-3/8	19-1/4	8	1-7/32	1-19/32	22.000	6-1/4	2-5/8	3-3/4	2	13-7/16	13-11/16	8-3/16	4	1	233	248						
5-15/16	ZAF-5515-F	ZAFS-5515-F	15	7-1/16	19-3/8	21-5/8	8-1/8	1-5/32	1-17/32	24.750	6-3/4	2-3/4	4-1/4	2-3/16	14-1/4	14-9/16	8-11/16	4	1	274	295						
6	ZAF-5600-F	ZAFS-5600-F																4	1	269	290						
6-7/16	ZAF-5607-F	ZAFS-5607-F	16	7-1/2	20-7/8	23-5/8	8-3/4	1-9/32	1-21/32	26.750	7-1/8	3	4-5/8	2-7/16	15-5/16	15-3/4	9-3/4	4	1	337	355						
6-1/2	ZAF-5608-F	ZAFS-5608-F																4	1	335	353						
6-15/16	ZAF-5615-F	ZAFS-5615-F	16	7-7/8	21-5/8	24-3/8	8-3/4	1-9/32	1-21/32	28.000	7-1/2	3-1/8	4-1/2	2-11/16	15-11/16	16-1/8	9-3/4	4	1-1/4	347	376						
7	ZAF-5700-F	ZAFS-5700-F																4	1-1/4	345	372						

Available in Fall '08

- 4-Bolt block - Use Suffix F
- Bore Size=Nominal Shaft Size +.001 - .000
- Expansion - Size Codes 6-8 is 3/8", Size Codes 9-11 is 1/2", Size codes 12-16 is 3/4"
- Seals - To Specify K or M seal, replace "Z" in model number with "K" or "M". "K" only available size codes 6-11
- Auxiliary Caps available all sizes

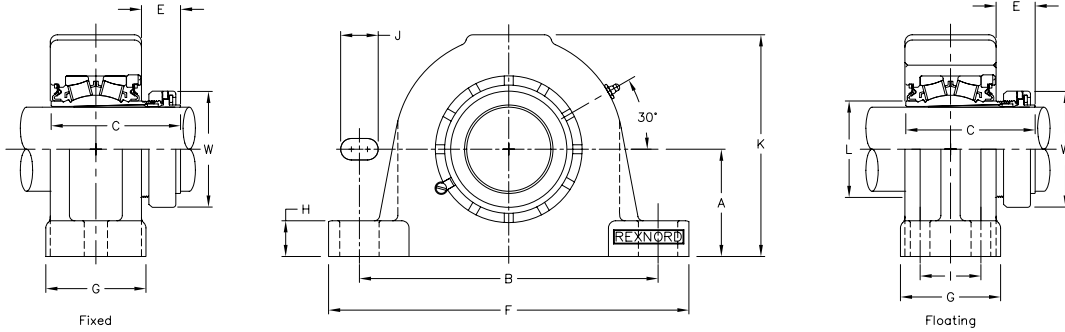
**NOTE:** Dimensions subject to change. Certified dimensions of ordered material furnished on request.

Shaft Size	Number of Bolts	Rexnord 5000 Series Part #		Rexnord 6000 Series Part #		DODGE TAF Series Part #	
		Fixed	Expansion	Fixed	Expansion	Fixed	Expansion
2-7/16	2	ZAF-5207	ZAFS-5207	ZAF-6207	ZAFS-6207	P2B515-TAF-207R	P2B515-TAF-207RE
2-7/16	4	ZAF-5207-F	ZAFS-5207-F	ZAF-6207-F	ZAFS-6207-F	P4B515-TAF-207R	P4B515-TAF-207RE
2-11/16	2	ZAF-5211	ZAFS-5211	ZAF-6211	ZAFS-6211	P2B516-TAF-211R	P2B516-TAF-211RE
2-11/16	4	ZAF-5211-F	ZAFS-5211-F	ZAF-6211-F	ZAFS-6211-F	P4B516-TAF-211R	P4B516-TAF-211RE
2-15/16	2	ZAF-5215	ZAFS-5215	ZAF-6215	ZAFS-6215	P2B517-TAF-215R	P2B517-TAF-215RE
2-15/16	4	ZAF-5215-F	ZAFS-5215-F	ZAF-6215-F	ZAFS-6215-F	P4B517-TAF-215R	P4B517-TAF-215RE
3-7/16	2	ZAF-5307	ZAFS-5307	ZAF-6307	ZAFS-6307	P2B520-TAF-307R	P2B520-TAF-307RE
3-7/16	4	ZAF-5307-F	ZAFS-5307-F	ZAF-6307-F	ZAFS-6307-F	P4B520-TAF-307R	P4B520-TAF-307RE
3-15/16	4	ZAF-5315-F	ZAFS-5315-F	ZAF-6315-F	ZAFS-6315-F	P4B522-TAF-315R	P4B522-TAF-315RE
4-7/16	4	ZAF-5407-Y	ZAFS-5407-Y	ZAF-6407-Y	ZAFS-6407-Y	P4B526-TAF-407R	P4B526-TAF-407RE
4-15/16	4	ZAF-5415-F	ZAFS-5415-F	ZAF-6415-F	ZAFS-6415-F	P4B528-TAF-415R	P4B528-TAF-415RE
5-7/16	4	ZAF-5507-F	ZAFS-5507-F	-	-	P4B532-TAF-507R	P4B532-TAF-507RE
5-15/16	4	ZAF-5515-F	ZAFS-5515-F	-	-	P4B534-TAF-515R	P4B534-TAF-515RE
6	4	ZAF-5600-F	ZAFS-5600-F	-	-	P4B534-TAF-600R	P4B534-TAF-600RE
6-7/16	4	ZAF-5607-F	ZAFS-5607-F	-	-	P4B536-TAF-607R	P4B536-TAF-607RE
6-1/2	4	ZAF-5608-F	ZAFS-5608-F	-	-	P4B536-TAF-608R	P4B536-TAF-608RE
6-15/16	4	ZAF-5615-F	ZAFS-5615-F	-	-	P4B538-TAF-615R	P4B538-TAF-615RE
7	4	ZAF-5700-F	ZAFS-5700-F	-	-	P4B538-TAF-700R	P4B538-TAF-700RE

# Rexnord® ZAF / ZAFS Pillow Blocks — 6000 Series

## Heavy Duty 6000 Series

### Rexnord® SHURLOK® Adapter Mount Fixed and Floating 2 and 4 Bolt



Shaft Size Inches	Complete Block No.		Size Code	Dimension in Inches										Bolts Req'd		Complete Block				
	Fixed	Floating		A	B		C	E	F	G	H	I	J	K		W	No.	Size	Net Wt. Lbs.	
				+/- .005	MIN.	MAX.			+/- .0075						Fixed	Float			Fixed	Float
1-15/16	ZAF-6115	ZAFS-6115	6	2-3/4	7-3/8	7-7/8	3-41/64	1-1/8	9.625	2-3/4	1	.....	15/16	5-5/16	5-5/16	2-55/64	2	5/8	16.5	20.0
2-3/16	ZAF-6203	ZAFS-6203	7	3	8-1/8	9-1/2	3-49/64	1-5/32	11.000	3-1/8	1	.....	1-3/8	5-31/32	5-31/32	3-15/64	2	5/8	21.0	25.5
2-7/16	ZAF-6207	ZAFS-6207	8	3-1/4	8-5/8	9-5/8	4-5-32	1-27/64	11.125	3-1/8	1-1/4	.....	1-3/16	6-25/32	6-25/32	3-19/32	2	5/8	32.5	32.5
2-7/16	ZAF-6207-F	ZAFS-6207-F										1-7/8	1-1/16				4	1/2	31	31.5
2-11/16	ZAF-6211	ZAFS-6211	9	3-1/2	9-7/8	11	4-17/32	1-25/64	12.594	3-1/2	1	.....	1-3/8	7-1/2	7-1/2	4-3/32	2	3/4	45.5	45
2-11/16	ZAF-6211-F	ZAFS-6211-F										2-1/8	1-1/4				4	5/8	44.5	44.5
2-15/16	ZAF-6215	ZAFS-6215	9	3-3/4	9-7/8	11	4-17/32	1-25/64	12.594	3-1/2	1-1/4	.....	1-3/8	7-3/4	7-3/4	4-3/32	2	3/4	45	45.5
2-15/16	ZAF-6215-F	ZAFS-6215-F										2-1/8	1-1/4				4	5/8	45	45.5
3-3/16	ZAF-6303	ZAFS-6303	10	4	10-3/8	11-5/8	5-9/64	1-19/32	13.750	3-7/8	1-5/8	.....	1-7/16	8-1/4	8-1/4	4-61/64	2	3/4	52.0	59.0
3-3/16	ZAF-6303-F	ZAFS-6303-F										2-1/8	1-5/16				4	5/8	52.0	59.0
3-7/16	ZAF-6307	ZAFS-6307	10	4-1/2	11-5/8	13-1/8	5-9/64	1-19/32	15.375	4-11/32	1-21/32	.....	1-11/16	9-9/32	9-9/32	4-61/64	2	7/8	76.5	76.5
3-7/16	ZAF-6307-F	ZAFS-6307-F										2-3/8	1-9/16				4	3/4	75.0	75.5
3-15/16	ZAF-6315-F	ZAFS-6315-F	11	4-15/16	12-19/32	14-1/2	5-31-32	1-47/64	16.500	4-3/4	1-25/32	2-3/4	1-53/64	10-5/16	10-5/16	5-43/64	4	3/4	102	104
4-7/16	ZAF-6407Y-F	ZAFS-6407Y-F	12	6	14-1/2	16	6-1/4	1-7/8	18.375	5-1/8	2-1/16	3-1/4	1-3/4	11-7/8	11-7/8	6-1/16	4	7/8	143	144
4-15/16	ZAF-6415-F	ZAFS-6415-F	13	6	15-5/8	17-3/8	7-15/16	2-1/4	19.703	5-7/8	2-1/16	3-3/8	1-15/16	12-9/16	12-9/16	6-61/64	4	1	207	209

- 4-Bolt block - use suffix F
- Bore Size=Nominal Shaft Size +.001 - .000 /
- Expansion - Size Codes 4-8 is 3/8", Size Codes 9-11 is 1/2", Size codes 12-13 is 3/4"
- Seals - To Specify K or M seal, replace "Z" in model number with "K" or "M" "K" only available size code 6-11
- Auxiliary Caps available all sizes

Available in Fall '08

**NOTE:** Dimensions subject to change. Certified dimensions of ordered material furnished on request.

DODGE USAF Series Part #		DODGE ISAF Series Part #		SKF SAF Series Part #	
Fixed	Expansion	Fixed	Expansion	Fixed	Expansion
P2B515-USAF-207R	P2B515-USAF-207RE	P2B515-ISAF-207R	P2B515-ISAF-207RE	SAF22515	SAF22515
P4B515-USAF-207R	P4B515-USAF-207RE	P4B515-ISAF-207R	P4B515-ISAF-207RE	FSAF22515	FSAF22515
P2B516-USAF-211R	P2B516-USAF-211RE	P2B516-ISAF-211R	P2B516-ISAF-211RE	SAF22516	SAF22516
P4B516-USAF-211R	P4B516-USAF-211RE	P4B516-ISAF-211R	P4B516-ISAF-211RE	FSAF22516	FSAF22516
P2B517-USAF-215R	P2B517-USAF-215RE	P2B517-ISAF-215R	P2B517-ISAF-215RE	SAF22517	SAF22517
P4B517-USAF-215R	P4B517-USAF-215RE	P4B517-ISAF-215R	P4B517-ISAF-215RE	FSAF22517	FSAF22517
P2B520-USAF-307R	P2B520-USAF-307RE	P2B520-ISAF-307R	P2B520-ISAF-307RE	SAF22520	SAF22520
P4B520-USAF-307R	P4B520-USAF-307RE	P4B520-ISAF-307R	P4B520-ISAF-307RE	FSAF22520	FSAF22520
P4B522-USAF-315R	P4B522-USAF-315RE	P4B522-ISAF-315R	P4B522-ISAF-315RE	SAF22522	SAF22522
P4B526-USAF-407R	P4B526-USAF-407RE	P4B526-ISAF-407R	P4B526-ISAF-407RE	SAF22526	SAF22526
P4B528-USAF-415R	P4B528-USAF-415RE	P4B528-ISAF-415R	P4B528-ISAF-415RE	SAF22528	SAF22528
P4B532-USAF-507R	P4B532-USAF-507RE	P4B532-ISAF-507R	P4B532-ISAF-507RE	SAF22532	SAF22532
P4B534-USAF-515R	P4B534-USAF-515RE	P4B534-ISAF-515R	P4B534-ISAF-515RE	SAF22534	SAF22534
P4B534-USAF-600R	P4B534-USAF-600RE	P4B534-ISAF-600R	P4B534-ISAF-600RE	SAF22534	SAF22534
P4B536-USAF-607R	P4B536-USAF-607RE	P4B536-ISAF-607R	P4B536-ISAF-607RE	SAF22536	SAF22536
P4B536-USAF-608R	P4B536-USAF-608RE	P4B536-ISAF-608R	P4B536-ISAF-608RE	SAF22536	SAF22536
P4B538-USAF-615R	P4B538-USAF-615RE	P4B538-ISAF-615R	P4B538-ISAF-615RE	SAF22538	SAF22538
P4B538-USAF-700R	P4B538-USAF-700RE	P4B538-ISAF-700R	P4B538-ISAF-700RE	SAF22538	SAF22538



## Auxiliary Caps – For Severe Applications

All caps are made from cast iron and are securely bolted to the housing. They allow for a total of 3° dynamic misalignment.

- Seals against liquids, gritty contaminants
- Protects primary seal against physical damage
- Available open or closed end
  - A Prefix AZAF6207 = 2 Open Caps
  - B Prefix BZAF6207 = 1 Open (Housing Side) & 1 Closed
  - A Suffix ZAF6207A = 1 Open (Cover Side)
  - B Suffix ZAF6207B = 1 Closed (Cover Side)

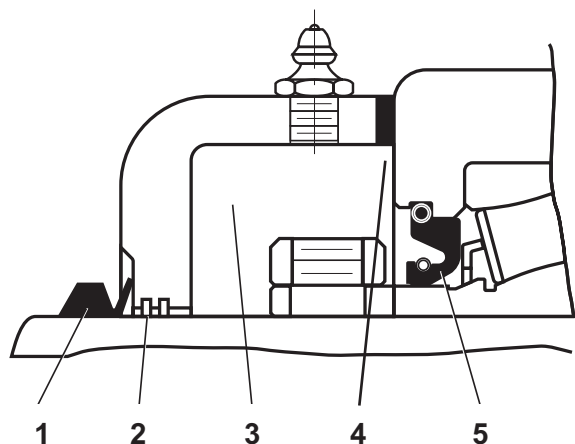
*Replace 6 above with a 5 for 5000 series (e.g., AZAF6207 becomes AZAF5207)*



## The Five Point Protection Plan

The Auxiliary Cap Five Point Protection Plan is designed to protect against contamination. For maximum protection, be sure to specify heavy contact “M” seals and Auxiliary end caps.

1. Molded rubber V-ring seal is press-fit on shaft and rotates with it, preventing fine dirt and moisture from entering so there is no wear on the shaft.
2. Machined multi-grooved labyrinth seal and rugged cast iron cap provide physical protection to primary bearing seal.
3. Large cavity traps contaminants and moisture. The cavity can be filled with grease to provide continuous purging.
4. A pliable neoprene gasket supplies a positive static seal between the cap and the housing.
5. The heavy contact “M” seal provides the final line of defense. It retains grease and prevents contamination from entering and damaging the bearings.



## Rexnord® ZAF Style Housing is the Solid Choice



### SAVE \$6,000 PER SHAFT SET!

Why use the new Rexnord® ZAF Style Roller Bearing in your next application? Because it will save you time, money, and frustration! A potential

savings of more than \$6,000 per shaft set could be realized over a two year period when compared with the SAF style bearing.

### Save Time! Time = Money

#### Assumptions:

- \$50 per hour maintenance technician costs
- \$5000 per hour downtime costs

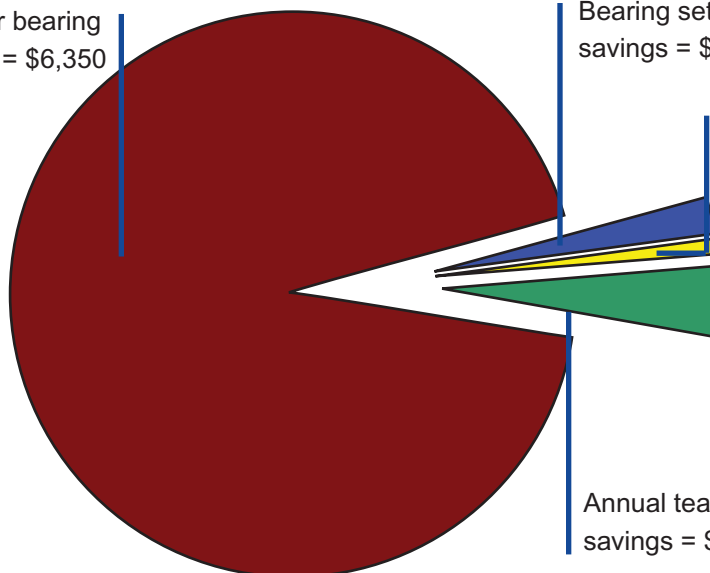
Total savings = \$6,836

Downtime for bearing replacement = \$6,350

Bearing set installation savings = \$138

Bearing set removal savings = \$58

Annual teardown savings = \$290



Comparison was between a Rexnord® SHURLOK® ZAF6207 bearing and an SAF



# World Class Customer Service

For more than 100 years, the dedicated people of Rexnord have delivered excellence in quality and service to our customers around the globe. Rexnord is a trusted name when it comes to providing skillfully engineered products that improve productivity and efficiency for industrial applications worldwide. We are committed to exceeding customer expectations in every area of our business: product design, application engineering, operations, and customer service.

Because of our customer focus, we are able to thoroughly understand the needs of your business and have the resources available to work closely with you to reduce maintenance costs, eliminate redundant inventories and prevent equipment down time.

Rexnord represents the most comprehensive portfolio of power transmission and conveying components in the world with the brands you know and trust.

Rexnord, SHÜRLOK and Spyglass are registered trademarks of Rexnord Industries, LLC. Viton is a registered trademark of DuPont Performance Elastomer

## WORLDWIDE CUSTOMER SERVICE

### AUSTRALIA

Rexnord Australia Pty. Ltd.  
Picton, New South Wales  
Phone: 61-2-4677-3811  
Fax: 61-2-4677-3812

Falk-Rexnord Australia Pty Ltd  
Broadmeadow New South Wales  
Phone: 61-2-4962-8000  
Fax: 61-2-4962-8001

### BRAZIL

Rexnord Correntes Ltda.  
Sao Leopoldo - RS  
Phone: 55-51-579-8022  
Fax: 55-51-579-8029

### CANADA

Rexnord Canada Ltd.  
Scarborough, Ontario  
Phone: 1-416-297-6868  
Fax: 1-416-297-6873

### CHINA

Rexnord China  
Shanghai, China  
Phone: 86-21-62701942  
Fax: 86-21-62701943

### EUROPE

Rexnord NV  
Mechelen, Belgium  
Phone: 32-15-443881  
Fax: 32-15-443860

### LATIN AMERICA

Rexnord International Inc.  
Milwaukee, Wisconsin  
Phone: 1-414-643-2366  
Fax: 1-414-643-3222  
E-mail: international1@rexnord.com

### MEXICO

Rexnord S. A. De C. V.  
Mexico DF, Mexico  
Phone: 52-55-9140-3500  
Fax: 52-55-9140-3550

### SINGAPORE

Rexnord International, Inc.  
Singapore City, Singapore  
Phone: 65-6338-5622  
Fax: 65-6338-5422

### UNITED STATES

Customer Service  
Phone: 866-Rexnord  
(866-739-6673)  
E-mail: rexnordcs(state)@rexnord.com  
Example: rexnordcsOhio@rexnord.com

### ALL COUNTRIES NOT LISTED ABOVE

Rexnord International Inc.  
Milwaukee, Wisconsin  
Phone: 1-414-643-2366  
Fax: 1-414-643-3222  
E-mail: international2@rexnord.com

