



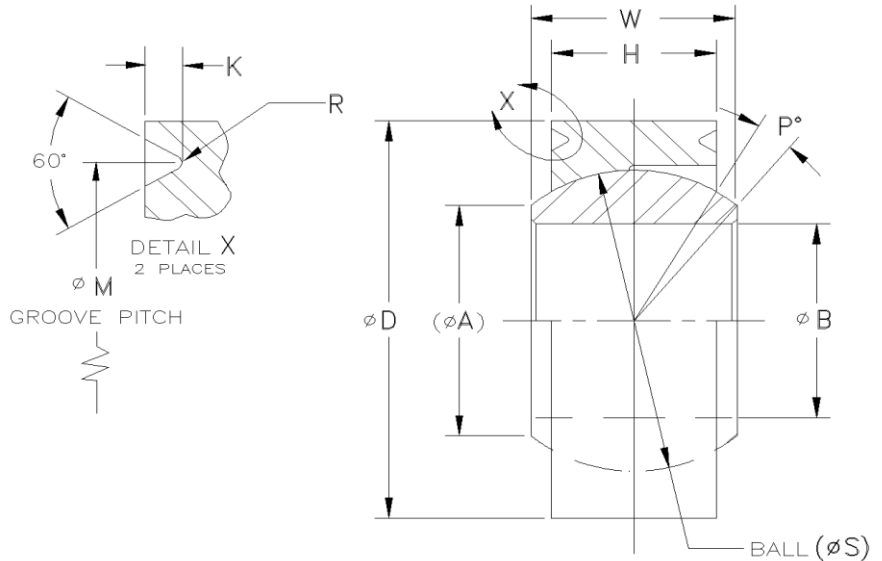
aerospace bearings

2175 Union Place, Simi Valley, CA 93065
 Tel: 1(805) 583-5514 Fax: 1(805) 583-4284

P20000 SERIES

NARROW, GROOVED, ANNULAR

Designed with staking groove on both sides for retention in housing
 Operating temperature -65°F to +450°F



Part Number	Ø B +.0000 -.0005	Ø D +.0000 -.0005	W +.000 -.002	H +.003 -.003	Ø A Ref.	P° Mis.	Ø M +.003 -.003	K +.006 -.006	R Ref.	Ø S Ball OD Ref.	Static Load (Pounds)		Approx. Weight Pounds
											Limit Radial	Limit Axial	
P20000	.2500	.6562	.343	.250	.405	12	.588	.022	.008	.5300	6,300	2,400	.02
P20010	.3125	.7500	.375	.281	.420	11	.682	.022	.008	.5625	7,700	3,500	.04
P20020	.3750	.8125	.406	.312	.476	10	.714	.032	.008	.6250	10,000	4,500	.04
P20030	.4375	.9062	.437	.343	.530	9	.808	.032	.008	.6865	12,500	5,600	.06
P20040	.5000	1.0000	.500	.390	.641	9	.877	.052	.008	.8125	17,950	7,600	.07
P20050	.5625	1.0937	.562	.437	.671	9	.970	.052	.014	.8750	21,200	9,950	.09
P20060	.6250	1.1875	.625	.500	.740	9	1.064	.052	.014	.9680	26,500	13,000	.11
P20070	.7500	1.4375	.750	.593	.921	9	1.314	.052	.014	1.1870	40,500	20,000	.17
P20080	.8750	1.5625	.875	.703	.978	9	1.439	.052	.014	1.3120	51,000	27,500	.22
P20090	1.0000	1.7500	1.000	.797	1.119	9	1.627	.052	.014	1.5000	67,500	37,000	.28

.002 INCH MAX INTERNAL CLEARANCE (CONTACT PSI ENGINEERING FOR REDUCED CLEARANCE DESIGN)

MATERIAL:

BALL: COBALT ALLOY PER AMS 5387, HRC 37 MINIMUM
 RACE: 15-5PH PER AMS 5659, COND H-1025
 (17-4PH PER AMS 5643 OPTIONAL)

SURFACE TREATMENT:

BALL O.D.: SOLID FILM LUBRICANT
 RACE I.D.: NITRIDED

LOADS BASED ON OPTIMUM LOAD DIRECTION

CONTACT PSI ENGINEERING FOR LOADS TOWARDS SLOT AND ALTERNATE MATERIAL

DIMENSIONALLY INTERCHANGEABLE WITH AS14101 SERIES

This document remains the property of PSI Bearings, a division of Rexnord Industries, LLC, and is provided to the recipient on the express condition that it, or any information contained in it, is not to be disclosed or reproduced in whole or in part, or used for manufacture by the recipient without a written consent or purchase order from PSI Bearings.



www.rexnord.com





aerospace bearings

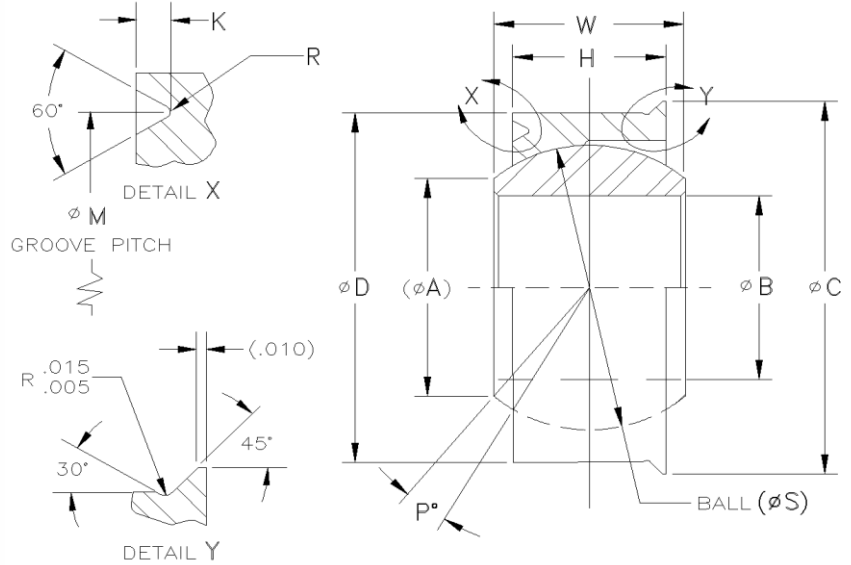
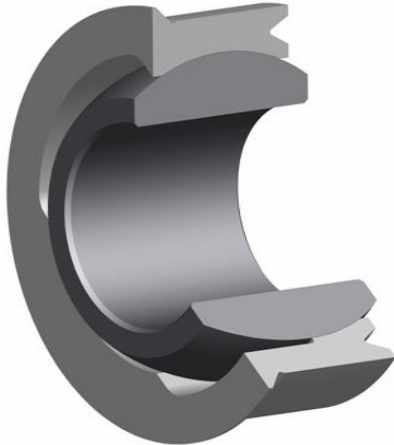
2175 Union Place, Simi Valley, CA 93065
 Tel: 1(805) 583-5514 Fax: 1(805) 583-4284

P25000 SERIES

NARROW, PRE-SWAGED, ANNULAR

Designed for high thrust loads and for applications where swaging/staking both sides is difficult.

Operating temperature -65°F to +600°F



Part Number	Ø B +.0000 -.0005	Ø D +.0000 -.0005	Ø C +.002 -.002	W +.000 -.002	H +.003 -.003	Ø A Ref.	P° Mis.	Ø M +.003 -.003	K +.006 -.006	R Ref.	Ø S Ball OD Ref.	Static Load (Pounds)		Approx. Weight Pounds
												Limit Radial	Limit Axial	
P25000	.2500	.6562	.676	.343	.250	.405	12	.588	.022	.008	.5300	6,300	2,400	.02
P25010	.3125	.7500	.770	.375	.281	.420	11	.682	.022	.008	.5625	7,700	3,500	.04
P25020	.3750	.8125	.852	.406	.312	.476	10	.714	.032	.008	.6250	10,000	4,500	.04
P25030	.4375	.9062	.946	.437	.343	.530	9	.808	.032	.008	.6865	12,500	5,600	.06
P25040	.5000	1.0000	1.080	.500	.390	.641	9	.877	.052	.008	.8125	17,950	7,600	.07
P25050	.5625	1.0937	1.174	.562	.437	.671	9	.970	.052	.014	.8750	21,200	9,950	.09
P25060	.6250	1.1875	1.267	.625	.500	.740	9	1.064	.052	.014	.9680	26,500	13,000	.11
P25070	.7500	1.4375	1.517	.750	.593	.921	9	1.314	.052	.014	1.1870	40,500	20,000	.17
P25080	.8750	1.5625	1.642	.875	.703	.978	9	1.439	.052	.014	1.3120	51,000	27,500	.22
P25090	1.0000	1.7500	1.830	1.000	.797	1.119	9	1.627	.052	.014	1.5000	67,500	37,000	.28

.002 INCH MAX INTERNAL CLEARANCE (CONTACT PSI ENGINEERING FOR REDUCED CLEARANCE DESIGN)

MATERIAL:

BALL: COBALT ALLOY PER AMS 5387, HRC 37 MINIMUM
 RACE: 15-5PH PER AMS 5659, COND H-1025
 (17-4PH PER AMS 5643 OPTIONAL)

SURFACE TREATMENT:

BALL O.D.: SOLID FILM LUBRICANT
 RACE I.D.: NITRIDED

LOADS BASED ON OPTIMUM LOAD DIRECTION

CONTACT PSI ENGINEERING FOR LOADS TOWARDS SLOT AND ALTERNATE MATERIAL

DIMENSIONALLY INTERCHANGEABLE WITH AS14101 SERIES

This document remains the property of PSI Bearings, a division of Rexnord Industries, LLC, and is provided to the recipient on the express condition that it, or any information contained in it, is not to be disclosed or reproduced in whole or in part, or used for manufacture by the recipient without a written consent or purchase order from PSI Bearings.



www.rexnord.com





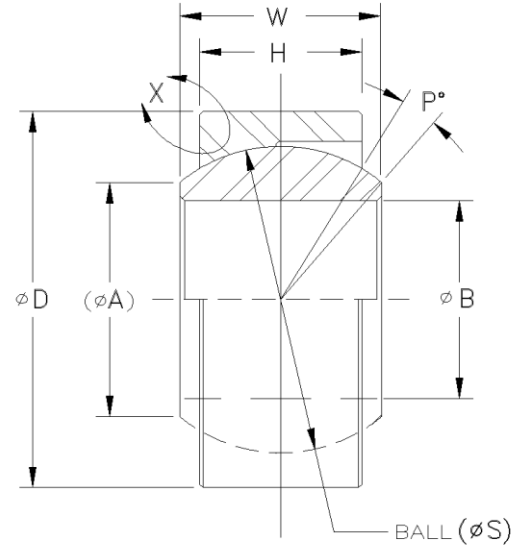
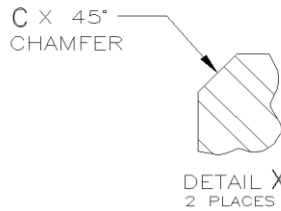
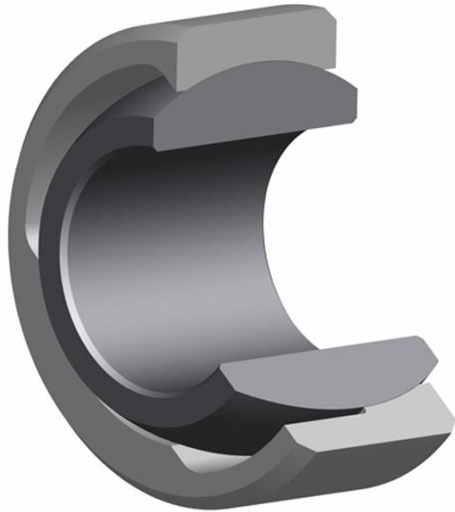
aerospace bearings

2175 Union Place, Simi Valley, CA 93065
 Tel: 1(805) 583-5514 Fax: 1(805) 583-4284

P20100 SERIES

NARROW, CHAMFERED, ANNULAR

Designed for applications where the bearing is retained by the housing.
 Operating temperature -65°F to +450°F



Part Number	Ø B +.0000 -.0005	Ø D +.0000 -.0005	W +.000 -.002	H +.003 -.003	Ø A Ref.	P° Mis.	C +.005 -.005	Ø S Ball OD Ref.	Static Load (Pounds)		Approx. Weight Pounds
									Limit Radial	Limit Axial	
P20100	.2500	.6562	.343	.250	.405	12	.020	.5300	6,300	2,400	.02
P20110	.3125	.7500	.375	.281	.420	11	.020	.5625	7,700	3,500	.04
P20120	.3750	.8125	.406	.312	.476	10	.025	.6250	10,000	4,500	.04
P20130	.4375	.9062	.437	.343	.530	9	.025	.6865	12,500	5,600	.06
P20140	.5000	1.0000	.500	.390	.641	9	.030	.8125	17,950	7,600	.07
P20150	.5625	1.0937	.562	.437	.671	9	.030	.8750	21,200	9,950	.09
P20160	.6250	1.1875	.625	.500	.740	9	.030	.9680	26,500	13,000	.11
P20170	.7500	1.4375	.750	.593	.921	9	.030	1.1870	40,500	20,000	.17
P20180	.8750	1.5625	.875	.703	.978	9	.030	1.3120	51,000	27,500	.22
P20190	1.0000	1.7500	1.000	.797	1.119	9	.030	1.5000	67,500	37,000	.28

.002 INCH MAX INTERNAL CLEARANCE (CONTACT PSI ENGINEERING FOR REDUCED CLEARANCE DESIGN)

MATERIAL:

BALL: COBALT ALLOY PER AMS 5387, HRC 37 MINIMUM
 RACE: 15-5PH PER AMS 5659, COND H-1025
 (17-4PH PER AMS 5643 OPTIONAL)

SURFACE TREATMENT:

BALL O.D.: SOLID FILM LUBRICANT
 RACE I.D.: NITRIDED

LOADS BASED ON OPTIMUM LOAD DIRECTION

CONTACT PSI ENGINEERING FOR LOADS TOWARDS SLOT AND ALTERNATE MATERIAL

DIMENSIONALLY INTERCHANGEABLE WITH AS14104 SERIES

This document remains the property of PSI Bearings, a division of Rexnord Industries, LLC, and is provided to the recipient on the express condition that it, or any information contained in it, is not to be disclosed or reproduced in whole or in part, or used for manufacture by the recipient without a written consent or purchase order from PSI Bearings.



www.rexnord.com





aerospace bearings

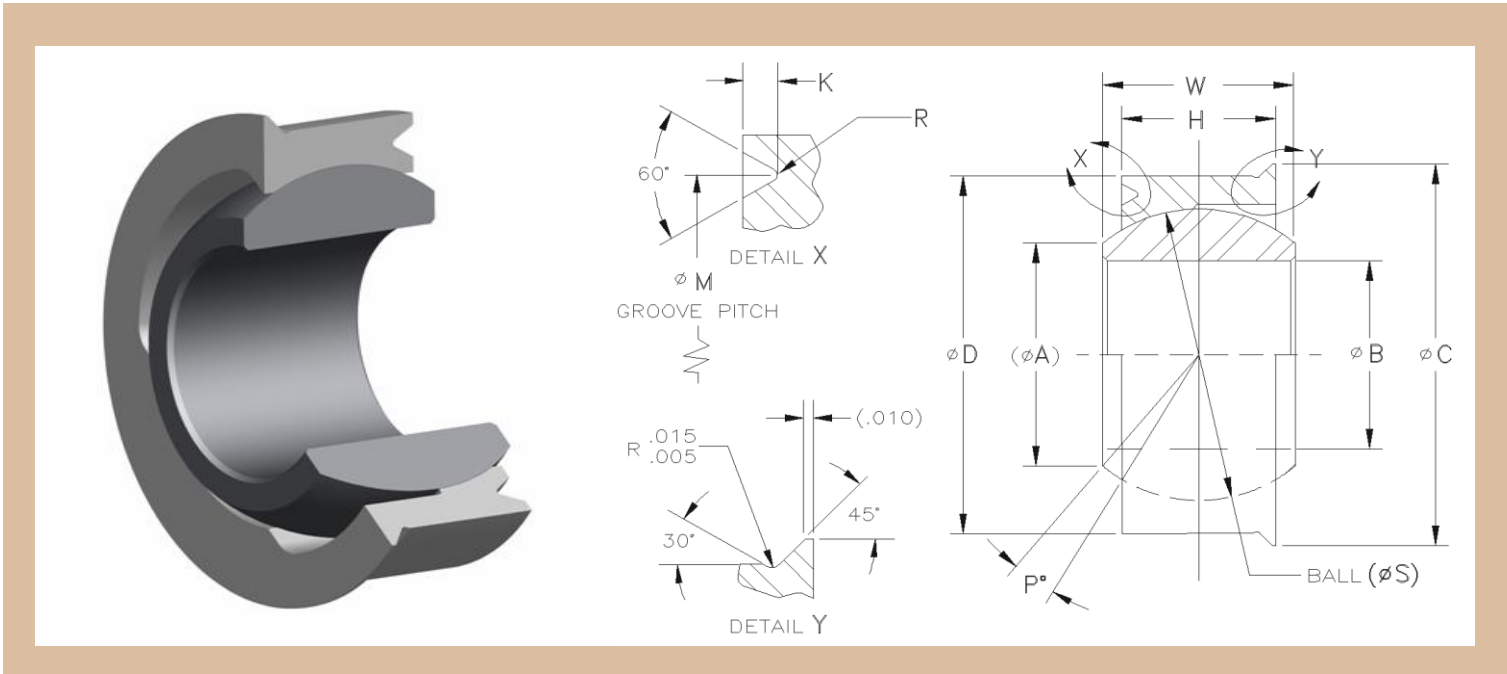
2175 Union Place, Simi Valley, CA 93065
Tel: 1(805) 583-5514 Fax: 1(805) 583-4284

P22100 SERIES

WIDE, PRE-SWAGED, ANNULAR

Designed for high thrust loads and for applications where swaging/staking both sides is difficult.

Operating temperature -65°F to +450°F



Part Number	Ø B +.0000 -.0005	Ø D +.0000 -.0005	Ø C +.002 -.002	W +.000 -.002	H +.003 -.003	Ø A Ref.	P° Mis.	Ø M +.003 -.003	K +.006 -.006	R Ref.	Ø S Ball OD Ref.	Static Load (Pounds)		Approx. Weight Pounds
												Limit Radial	Limit Axial	
P22100	.2500	.6250	.645	.437	.327	.301	16	.557	.022	.008	.5300	6,200	4,000	.02
P22110	.3125	.6875	.707	.437	.317	.402	14	.619	.022	.008	.5930	8,500	4,150	.03
P22120	.3750	.8125	.852	.500	.406	.471	10	.714	.032	.008	.6865	12,000	7,500	.05
P22130	.4375	.9375	.977	.562	.442	.587	10	.839	.032	.008	.8125	17,800	9,450	.07
P22140	.5000	1.0000	1.080	.625	.505	.613	9	.877	.052	.008	.8750	21,000	12,700	.08
P22150	.5625	1.1250	1.205	.687	.536	.727	10	1.002	.052	.014	1.0000	28,000	14,900	.12
P22160	.6250	1.1875	1.267	.750	.567	.753	12	1.064	.052	.014	1.0620	31,000	17,000	.14
P22170	.7500	1.3750	1.455	.875	.630	.893	13	1.252	.052	.014	1.2500	42,000	21,400	.20
P22180	.8750	1.6250	1.705	.875	.755	1.061	6	1.502	.052	.014	1.3750	57,700	31,600	.30
P22190	1.0000	2.1250	2.205	1.375	1.005	1.275	14	2.002	.052	.014	1.8750	99,200	58,700	.90

.002 INCH MAX INTERNAL CLEARANCE (CONTACT PSI ENGINEERING FOR REDUCED CLEARANCE DESIGN)

MATERIAL:

BALL: COBALT ALLOY PER AMS 5387, HRC 37 MINIMUM
RACE: 15-5PH PER AMS 5659, COND H-1025
(17-4PH PER AMS 5643 OPTIONAL)

SURFACE TREATMENT:

BALL O.D.: SOLID FILM LUBRICANT
RACE I.D.: NITRIDED

LOADS BASED ON OPTIMUM LOAD DIRECTION

CONTACT PSI ENGINEERING FOR LOADS TOWARDS SLOT AND ALTERNATE MATERIAL

DIMENSIONALLY INTERCHANGEABLE WITH AS14102 SERIES

This document remains the property of PSI Bearings, a division of Rexnord Industries, LLC, and is provided to the recipient on the express condition that it, or any information contained in it, is not to be disclosed or reproduced in whole or in part, or used for manufacture by the recipient without a written consent or purchase order from PSI Bearings.



www.rexnord.com





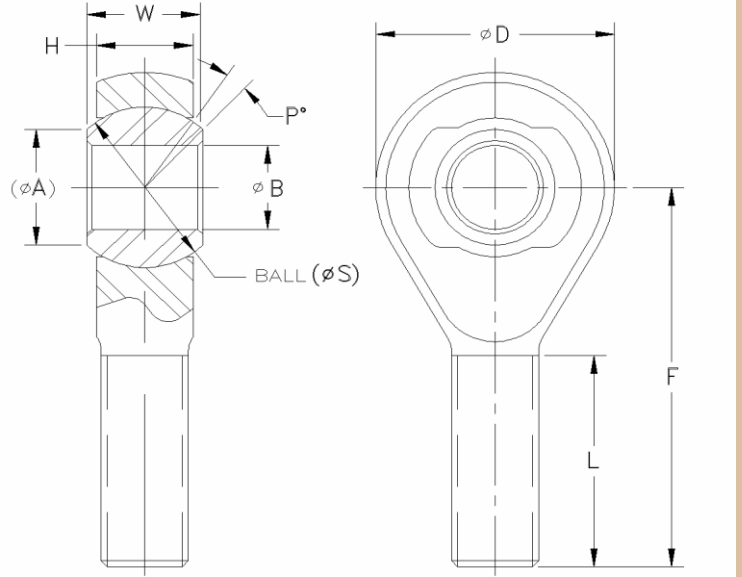
aerospace bearings

2175 Union Place, Simi Valley, CA 93065
 Tel: 1(805) 583-5514 Fax: 1(805) 583-4284

P30000 SERIES

WIDE PROFILE, MALE ROD END

Operating temperature -65°F to +450°F



Part Number	Ø B +.0000 -.0005	Ø D +.010 -.010	W +.000 -.002	H +.000 -.020	Ø A Ref.	P° Mis.	Ø S Ball OD Ref.	F +.010 -.010	L +.030 -.030	Thread Size UNJF-3A	Load in (Pounds)		Approx. Weight Pounds
											Static Radial Limit	Dynamic	
P30000	.1900	.805	.437	.350	.355	15	.5625	1.562	.968	.3125-24	1,500	900	.08
P30010	.2500	.805	.437	.350	.355	15	.5625	1.562	.968	.3125-24	4,000	900	.08
P30020	.3125	.900	.437	.340	.402	14	.5930	1.875	1.187	.3125-24	5,400	1,250	.09
P30030	.3750	1.030	.500	.430	.516	8	.7180	1.938	1.187	.3750-24	8,400	2,050	.14
P30040	.4375	1.150	.562	.460	.543	10	.7810	2.125	1.281	.4375-20	11,300	2,300	.20
P30050	.5000	1.337	.625	.525	.613	9	.8750	2.438	1.468	.5000-20	15,400	3,000	.30
P30060	.6250	1.525	.750	.585	.753	12	1.0620	2.625	1.562	.6250-18	18,850	4,400	.44
P30070	.7500	1.775	.875	.650	.873	13	1.2350	2.875	1.687	.7500-16	25,800	6,000	.66
P30080	.8750	2.025	.875	.775	1.061	6	1.3750	3.375	2.000	.8750-14	36,500	8,350	1.00
P30090	1.0000	2.775	1.375	1.025	1.181	12	1.8120	4.125	2.343	1.2500-12	56,000	12,650	2.58

.002 INCH MAX INTERNAL CLEARANCE (CONTACT PSI ENGINEERING FOR REDUCED CLEARANCE DESIGN)

MATERIAL:

BALL: COBALT ALLOY PER AMS 5387, HRC 37 MINIMUM
 ROD END BODY: 15-5PH BAR PER AMS 5659, COND H-1025
 (17-4PH CAST PER AMS 5355 OPTIONAL)

SURFACE TREATMENT:

BALL O.D.: SOLID FILM LUBRICANT
 ROD END BODY I.D.: NITRIDED

▶ STATIC RADIAL LOADS SHOWN IN THE TABULATION ABOVE ARE BASED ON 15-5PH BAR MATERIAL
 A LOAD REDUCTION FACTOR OF APPROXIMATELY 25% SHOULD BE CONSIDERED FOR 17-4PH CAST PER AMS 5355
 FOR APPLICATIONS REQUIRING STATIC RADIAL LOADS SHOWN IN THE TABULATION ABOVE, 15-5PH BAR MATERIAL SHOULD BE SPECIFIED WHEN ORDERING PARTS

DYNAMIC LOADS BASED ON 12,000 PSI AND ± 25° OSCILLATION
 CONTACT PSI ENGINEERING FOR FATIGUE LOADS AND ALTERNATE MATERIAL
 DIMENSIONALLY INTERCHANGEABLE WITH AS81935/1 SERIES

This document remains the property of PSI Bearings, a division of Rexnord Industries, LLC, and is provided to the recipient on the express condition that it, or any information contained in it, is not to be disclosed or reproduced in whole or in part, or used for manufacture by the recipient without a written consent or purchase order from PSI Bearings.



www.rexnord.com





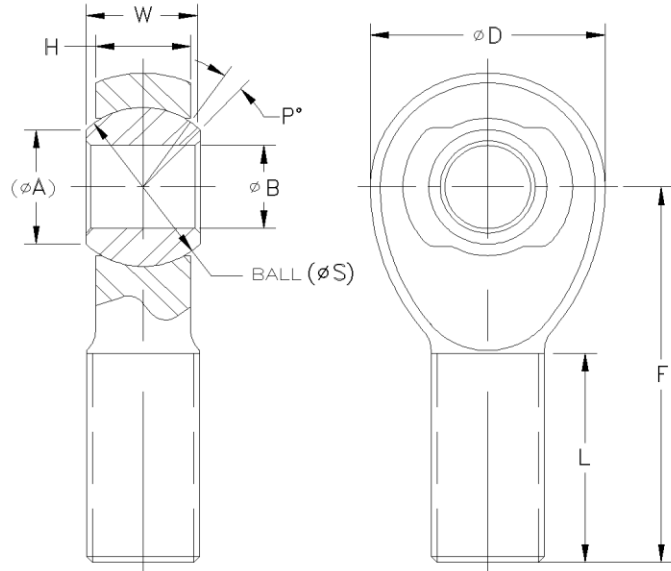
aerospace bearings

2175 Union Place, Simi Valley, CA 93065
 Tel: 1(805) 583-5514 Fax: 1(805) 583-4284

PSI P37300 SERIES

NARROW PROFILE, BALANCED DESIGN, MALE ROD END

Designed for high fatigue load applications
 Operating temperature -65°F to +600°F



Part Number	Ø B +.0000 -.0005	Ø D +.010 -.010	W +.000 -.002	H +.000 -.020	Ø A Ref.	P° Mis.	Ø S Ball OD Ref.	F +.010 -.010	L +.030 -.030	Thread Size UNJF-3A	Load in (Pounds)		Approx. Weight Pounds
											Static Radial Limit	Dynamic	
P37300	.1900	.850	.343	.260	.405	12	.5300	1.656	.968	.3125-24	3,200	900	.06
P37310	.2500	.850	.343	.260	.405	12	.5300	1.656	.968	.3125-24	5,400	900	.06
P37320	.3125	.900	.375	.290	.420	12	.5625	1.906	1.187	.3125-24	5,400	1,050	.07
P37330	.3750	1.000	.406	.322	.476	11	.6250	2.000	1.187	.3750-24	8,400	1,300	.09
P37340	.4375	1.095	.437	.353	.530	10	.6865	2.125	1.280	.4375-20	11,300	1,700	.12
P37350	.5000	1.332	.500	.405	.641	9	.8125	2.560	1.468	.5000-20	15,400	2,450	.20
P37360	.6250	1.535	.625	.515	.740	9	.9680	2.780	1.560	.6250-18	23,600	3,650	.34
P37370	.7500	1.890	.750	.610	.921	9	1.1870	3.062	1.687	.7500-16	35,000	5,550	.62
P37380	.8750	2.210	.875	.718	.978	9	1.3120	3.560	2.000	.8750-14	49,000	6,950	.95
P37390	1.0000	2.625	1.000	.817	1.119	9	1.5000	4.125	2.343	1.2500-12	66,000	9,150	1.50

.002 INCH MAX INTERNAL CLEARANCE (CONTACT PSI ENGINEERING FOR REDUCED CLEARANCE DESIGN)

MATERIAL:

BALL: COBALT ALLOY PER AMS 5387, HRC 37 MINIMUM
 ROD END BODY: 15-5PH BAR PER AMS 5659, COND H-1025
 (17-4PH CAST PER AMS 5355 OPTIONAL)

SURFACE TREATMENT:

BALL O.D.: SOLID FILM LUBRICANT
 ROD END BODY I.D.: NITRIDED

▶ STATIC RADIAL LOADS SHOWN IN THE TABULATION ABOVE ARE BASED ON 15-5PH BAR MATERIAL
 A LOAD REDUCTION FACTOR OF APPROXIMATELY 25% SHOULD BE CONSIDERED FOR 17-4PH CAST PER AMS 5355
 FOR APPLICATIONS REQUIRING STATIC RADIAL LOADS SHOWN IN THE TABULATION ABOVE, 15-5PH BAR MATERIAL SHOULD BE SPECIFIED WHEN ORDERING PARTS

DYNAMIC LOADS BASED ON 12,000 PSI AND ± 25° OSCILLATION
 CONTACT PSI ENGINEERING FOR FATIGUE LOADS AND ALTERNATE MATERIAL

This document remains the property of PSI Bearings, a division of Rexnord Industries, LLC, and is provided to the recipient on the express condition that it, or any information contained in it, is not to be disclosed or reproduced in whole or in part, or used for manufacture by the recipient without a written consent or purchase order from PSI Bearings.



www.rexnord.com



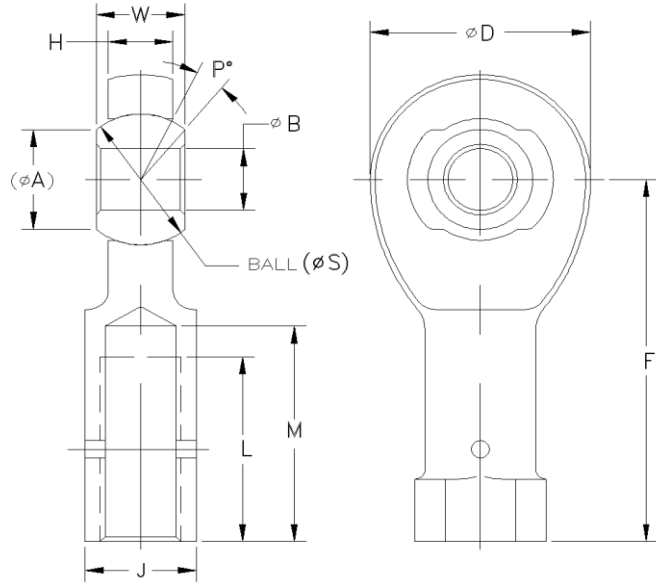


aerospace bearings

2175 Union Place, Simi Valley, CA 93065
 Tel: 1(805) 583-5514 Fax: 1(805) 583-4284

PSI P38700 SERIES
NARROW PROFILE, BALANCED DESIGN,
FEMALE ROD END

Designed for high fatigue load applications
 Operating temperature -65°F to +600°F



Part Number	Ø B +.0000 -.0005	Ø D +.010 -.010	W +.000 -.002	H +.000 -.020	Ø A Ref.	P° Mis.	Ø S Ball OD Ref.	F +.010 -.010	L Min.	M Max.	J Wrench Flats +.000 -.015	Thread Size UNJF-3B	Load in (Pounds)		Approx. Weight Pounds
													Static Radial Limit	Dynamic	
P38700	.1875	.850	.343	.260	.404	12	.5300	1.375	.750	.875	.437	.3125-24	3,200	900	.07
P38710	.2500	.850	.343	.260	.404	12	.5300	1.469	.750	.875	.437	.3125-24	6,000	900	.07
P38720	.3125	.900	.375	.290	.419	12	.5625	1.625	.875	1.000	.500	.3750-24	7,400	1,050	.09
P38730	.3750	1.000	.406	.322	.475	11	.6250	1.812	1.000	1.125	.562	.3750-24	9,500	1,300	.13
P38740	.4375	1.095	.437	.353	.529	10	.6865	2.000	1.125	1.250	.625	.4375-20	11,500	1,700	.16
P38750	.5000	1.332	.500	.405	.640	9	.8125	2.250	1.250	1.375	.750	.5000-20	16,500	2,450	.28
P38760	.6250	1.535	.625	.515	.740	9	.9680	2.500	1.375	1.500	.875	.6250-18	23,500	3,650	.41
P38770	.7500	1.890	.750	.610	.920	9	1.1870	2.875	1.625	1.750	1.000	.7500-16	33,000	5,550	.66
P38780	.8750	2.210	.875	.718	.978	9	1.3120	3.375	1.875	2.062	1.125	.8750-14	39,610	6,950	1.00
P38790	1.0000	2.625	1.000	.817	1.118	9	1.5000	4.125	2.125	2.312	1.750	1.2500-12	66,000	9,150	2.31

.002 INCH MAX INTERNAL CLEARANCE (CONTACT PSI ENGINEERING FOR REDUCED CLEARANCE DESIGN)

MATERIAL:

BALL: COBALT ALLOY PER AMS 5387, HRC 37 MINIMUM
 ROD END BODY: 15-5PH BAR PER AMS 5659, COND H-1025
 (17-4PH CAST PER AMS 5355 OPTIONAL)

SURFACE TREATMENT:

BALL O.D.: SOLID FILM LUBRICANT
 ROD END BODY I.D.: NITRIDED

▶ STATIC RADIAL LOADS SHOWN IN THE TABULATION ABOVE ARE BASED ON 15-5PH BAR MATERIAL
 A LOAD REDUCTION FACTOR OF APPROXIMATELY 25% SHOULD BE CONSIDERED FOR 17-4PH CAST PER AMS 5355
 FOR APPLICATIONS REQUIRING STATIC RADIAL LOADS SHOWN IN THE TABULATION ABOVE, 15-5PH BAR MATERIAL SHOULD BE
 SPECIFIED WHEN ORDERING PARTS

DYNAMIC LOADS BASED ON 12,000 PSI AND ± 25° OSCILLATION
 CONTACT PSI ENGINEERING FOR FATIGUE LOADS AND ALTERNATE MATERIAL

This document remains the property of PSI Bearings, a division of Rexnord Industries, LLC, and is provided to the recipient on the express condition that it, or any information contained in it, is not to be disclosed or reproduced in whole or in part, or used for manufacture by the recipient without a written consent or purchase order from PSI Bearings.





aerospace bearings

2175 Union Place, Simi Valley, CA 93065
 Tel: 1(805) 583-5514 Fax: 1(805) 583-4284

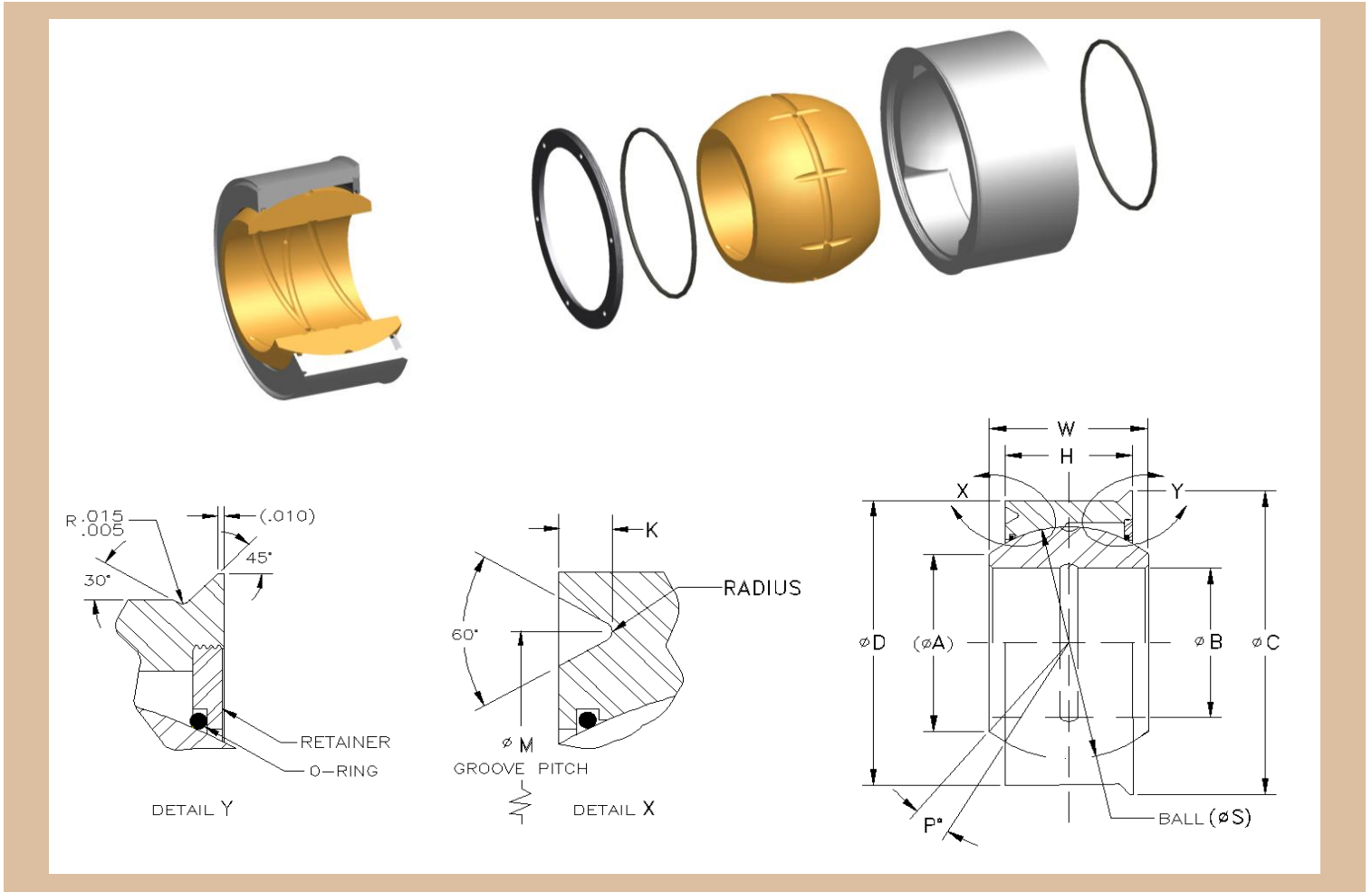
P26000 SERIES

PRE-SWAGED, SEALED, ANNULAR

Greased and Sealed Design, for high thrust loads and for applications where swaging/staking both sides is difficult.

(Also available in Rod End Configuration)

Operating temperature -65°F to +350°F



MATERIAL CODES: FOR BALL ONLY

“S” = CORROSION RESISTANT COBALT ALLOY

“B” = C17200 BE-CU ALLOY

BEARING LUBRICATION REQUIREMENT CODES:

“A” = LUBE HOLES AND GROOVES ON BOTH O.D. AND I.D. OF BALL ONLY, WITH GREASE ▷.

P26000 THRU P26050, BALL I.D. GROOVE AS SHOWN P26060 AND ABOVE HAVE SPIRAL GROOVE ON BALL I.D.

“C” = LUBE HOLES THROUGH RACE WITH GROOVE ON O.D. OF RACE. LUBE HOLES AND GROOVES ON BOTH O.D. AND I.D. OF BALL, WITH GREASE ▷.

P26000 THRU P26050, BALL I.D. GROOVE AS SHOWN P26060 AND ABOVE HAVE SPIRAL GROOVE ON BALL I.D.

“G” = LUBE HOLES THROUGH RACE WITH GROOVE ON O.D. OF RACE AND GROOVES ON BALL O.D., WITH GREASE ▷.

“N” = NO LUBE HOLES OR GROOVES, WITH SOLID FILM LUBRICANT ON O.D. OF BALL.

USE WITH MATERIAL CODE “S” ONLY.

This document remains the property of PSI Bearings, a division of Rexnord Industries, LLC, and is provided to the recipient on the express condition that it, or any information contained in it, is not to be disclosed or reproduced in whole or in part, or used for manufacture by the recipient without a written consent or purchase order from PSI Bearings.



www.rexnord.com





aerospace bearings

2175 Union Place, Simi Valley, CA 93065
 Tel: 1(805) 583-5514 Fax: 1(805) 583-4284

P26000 SERIES (CONTINUED)

PRE-SWAGED, SEALED, ANNULAR

Greased and Sealed Design, for high thrust loads and for applications where swaging/staking both sides is difficult.

(Also available in Rod End Configuration)

Operating temperature -65°F to +350°F

Part Number	Ø B	Ø D	Ø C +.002 -.002	W	H +.003 -.003	Ø A Ref.	P° Mis.	Ø M +.003 -.003	K +.004 -.004	Ø S Ball OD Ref.	Static Load (Pounds)		Approx. Weight Pounds
											Limit Radial	Limit Axial	
P26000B-A	.2500 .2495	.7500 .7495	.770	.375 .373	.280	.420	11	.682	.026	.5625	3,700	1,600	.04
P26010B-A	.3125 .3120	.8125 .8120	.852	.375 .373	.300	.500	7.5	.714	.036	.6250	5,000	2,000	.04
P26020B-A	.3750 .3745	.8750 .8745	.915	.406 .404	.312	.554	8	.777	.036	.6865	6,300	2,400	.05
P26030B-A	.4375 .4370	.9375 .9370	.977	.437 .435	.360	.610	6.5	.839	.036	.7500	9,400	3,700	.06
P26040B-A	.5000 .4995	1.0000 .9995	1.040	.500 .498	.410	.640	7	.902	.036	.8125	12,700	5,200	.08
P26050B-A	.5625 .5620	1.1250 1.1245	1.205	.562 .560	.460	.710	7.5	1.002	.056	.9060	17,700	7,400	.11
P26060B-A	.6250 .6245	1.2500 1.2495	1.330	.625 .623	.510	.780	7.5	1.127	.056	1.0000	20,000	10,000	.15
P26070B-A	.7500 .7495	1.5000 1.4995	1.580	.750 .748	.624	.921	7	1.377	.056	1.1875	24,800	12,600	.26
P26080B-A	.8750 .8745	1.7500 1.7495	1.830	.875 .873	.730	1.060	7	1.627	.056	1.3750	37,500	19,600	.42
P26090B-A	1.0000 .9995	1.8750 1.8745	1.955	1.000 .998	.812	1.060	8	1.752	.056	1.5625	52,000	26,500	.52
P26100B-A	1.1250 1.1245	2.1250 2.1245	2.205	1.125 1.123	.936	1.060	7.5	2.002	.056	1.7500	73,300	38,700	.76
P26110B-A	1.2500 1.2495	2.3125 2.3120	2.392	1.250 1.248	1.030	1.060	8	2.189	.056	1.9375	95,000	49,800	.99
P26120B-A	1.3750 1.3745	2.5625 2.5620	2.642	1.375 1.372	1.124	1.060	7.5	2.439	.056	2.1250	115,000	59,000	1.33
P26130B-A	1.5010 1.5000	2.8125 2.8118	2.892	1.500 1.497	1.250	1.060	7.5	2.689	.056	2.3125	145,000	78,800	1.77
P26140B-A	1.6260 1.6250	3.0000 2.9993	3.080	1.625 1.622	1.350	1.060	7.5	2.877	.056	2.5000	174,000	95,500	2.16
P26150B-A	1.7510 1.7500	3.1875 3.1868	3.267	1.750 1.747	1.450	1.060	8	3.064	.056	2.6875	206,500	114,000	2.59
P26160B-A	1.8760 1.8750	3.3750 3.3742	3.455	1.875 1.872	1.560	1.060	7.5	3.252	.056	2.8750	243,500	136,000	3.10
P26170B-A	2.0010 2.0000	3.6250 3.6242	3.705	2.000 1.997	1.680	1.060	7	3.502	.056	3.1250	295,500	162,500	3.90

.002 INCH MAX INTERNAL CLEARANCE

MATERIAL:

BALL: C17200 BE-CU PER AMS 4533/AMS 4535
 OR COBALT ALLOY PER AMS 5387, HRC 37 MINIMUM
 RACE: 15-5PH PER AMS 5659, COND H-1025
 (17-4PH PER AMS 5643 OPTIONAL)
 RETAINER: 15-5 PH PER AMS 5659, COND H925
 O-RING: POLYTETRAFLUOROETHYLENE PER MIL-R-8791 OR EQUIV.

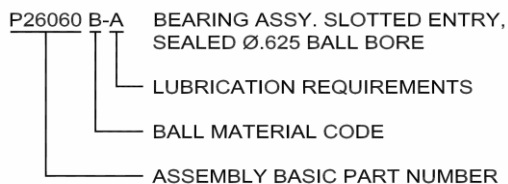
SURFACE TREATMENT:

BALL O.D.: SOLID FILM LUBRICANT
 (ONLY WHEN BALL IS PER AMS 5387)
 RACE I.D.: NITRIDED/MALCOMIZED
 ▷ PRE-PACK ASSEMBLY WITH MIL-PRF-23827 GREASE

LOADS:

LOADS BASED ON OPTIMUM LOAD DIRECTION FOR B-A SERIES ONLY
 CONTACT PSI ENGINEERING FOR LOADS TOWARDS SLOT AND OTHER SERIES

EXAMPLE OF PSI PART NUMBER CALLOUT:



This document remains the property of PSI Bearings, a division of Rexnord Industries, LLC, and is provided to the recipient on the express condition that it, or any information contained in it, is not to be disclosed or reproduced in whole or in part, or used for manufacture by the recipient without a written consent or purchase order from PSI Bearings.



www.rexnord.com





aerospace bearings

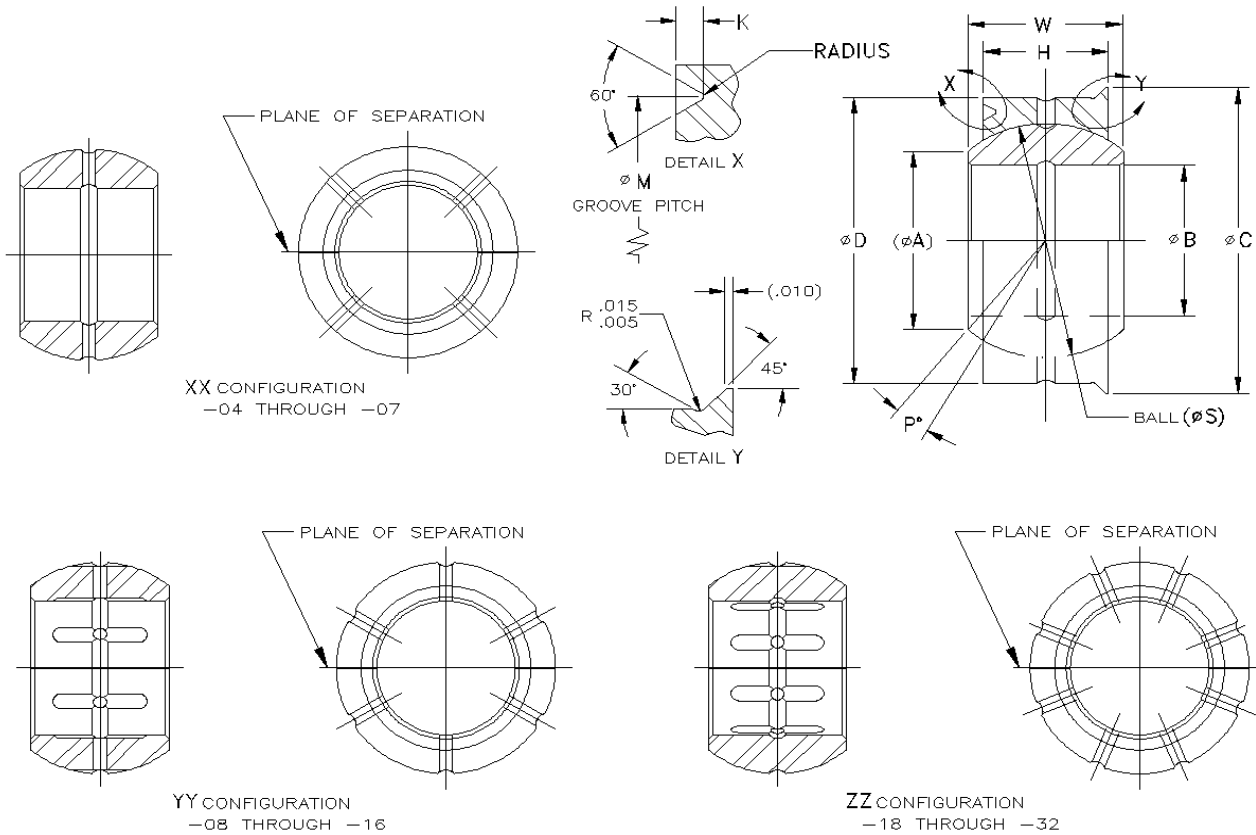
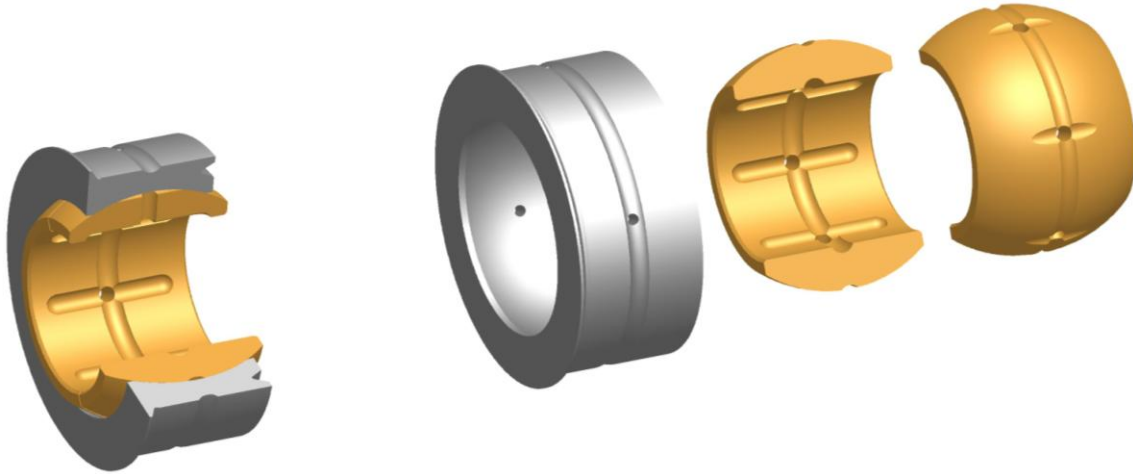
2175 Union Place, Simi Valley, CA 93065
Tel: 1(805) 583-5514 Fax: 1(805) 583-4284

P2A6500 SERIES

GREASED, PRE-SWAGED, SPLIT BALL

Designed for high thrust loads and for applications where swaging/staking both sides is difficult.

Operating temperature -65°F to +350°F



This document remains the property of PSI Bearings, a division of Rexnord Industries, LLC, and is provided to the recipient on the express condition that it, or any information contained in it, is not to be disclosed or reproduced in whole or in part, or used for manufacture by the recipient without a written consent or purchase order from PSI Bearings.



www.rexnord.com





aerospace bearings

2175 Union Place, Simi Valley, CA 93065
Tel: 1(805) 583-5514 Fax: 1(805) 583-4284

P2A6500 SERIES (CONTINUED)

GREASED, PRE-SWAGED, SPLIT BALL

Designed for high thrust loads and for applications where swaging/staking both sides is difficult.

Operating temperature -65°F to +350°F

Part Number	Ø B	Ø D	Ø C +.002 -.002	W	H +.003 -.003	Ø A Ref.	P° Mis.	Ø M +.003 -.003	K	Ø S Ball OD Ref.	Config.	Radial Static Limit Load LBS.	Approx. Weight Pounds
P2A6500-04	.2500 .2495	.6562 .6557	.676	.343 .341	.250	.405	12	.588	.028 .016	.5300	XX	6,100	.02
P2A6500-05	.3125 .3120	.7500 .7495	.770	.375 .373	.281	.420	11	.682	.028 .016	.5625	XX	8,200	.03
P2A6500-06	.3750 .3745	.8125 .8120	.852	.406 .404	.312	.476	10	.714	.038 .026	.6250	XX	11,000	.04
P2A6500-07	.4375 .4370	.9062 .9057	.946	.437 .435	.343	.530	9	.808	.038 .026	.6865	XX	14,200	.05
P2A6500-08	.5000 .4995	1.0000 .9995	1.080	.500 .498	.390	.640	9	.877	.058 .046	.8125	YY	18,000	.07
P2A6500-09	.5625 .5620	1.0937 1.0932	1.174	.562 .560	.437	.671	9	.970	.058 .046	.8750	YY	23,500	.09
P2A6500-10	.6250 .6245	1.1875 1.1870	1.267	.625 .623	.500	.740	9	1.064	.058 .046	.9680	YY	32,000	.12
P2A6500-12	.7500 .7495	1.4375 1.4370	1.517	.750 .748	.593	.920	9	1.314	.058 .046	1.1870	YY	45,000	.21
P2A6500-14	.8750 .8745	1.6562 1.6557	1.736	.875 .873	.703	1.061	8	1.533	.058 .046	1.3750	YY	65,200	.33
P2A6500-16	1.0000 .9995	1.7500 1.7495	1.830	1.000 .998	.797	1.119	9	1.627	.058 .046	1.5000	YY	84,600	.38
P2A6500-18	1.1250 1.1245	2.1250 2.1245	2.205	1.125 1.123	.900	1.341	9	2.002	.058 .046	1.7500	ZZ	113,000	.69
P2A6500-20	1.2500 1.2495	2.3125 2.3120	2.392	1.250 1.248	1.000	1.481	9	2.189	.058 .046	1.9375	ZZ	144,000	.90
P2A6500-22	1.3750 1.3745	2.5625 2.5620	2.642	1.375 1.373	1.100	1.621	9	2.439	.058 .046	2.1250	ZZ	177,000	1.21
P2A6500-24	1.5000 1.4995	2.8125 2.8120	2.892	1.500 1.498	1.200	1.761	9	2.689	.058 .046	2.3125	ZZ	205,000	1.60
P2A6500-26	1.6250 1.6240	3.0000 2.9993	3.080	1.625 1.622	1.350	1.900	7.5	2.877	.060 .052	2.5000	ZZ	247,000	2.00
P2A6500-28	1.7500 1.7490	3.1875 3.1868	3.267	1.750 1.747	1.450	2.040	8	3.064	.060 .052	2.6875	ZZ	291,000	2.40
P2A6500-30	1.8750 1.8740	3.3750 3.3742	3.455	1.875 1.872	1.560	2.180	7.5	3.252	.060 .052	2.8750	ZZ	341,000	2.85
P2A6500-32	2.0000 1.9990	3.6250 3.6242	3.705	2.000 1.997	1.680	2.402	7	3.502	.060 .052	3.1250	ZZ	405,000	3.60

.002 INCH MAX INTERNAL CLEARANCE

MATERIAL:

BALL: C17200 BE-CU PER AMS 4533/AMS 4535
RACE: 15-5PH PER AMS 5659, COND H-1025
(17-4PH PER AMS 5643 OPTIONAL)

SURFACE TREATMENT:

RACE I.D.: NITRIDED/MALCOMIZED
PRE-PACK ASSEMBLY WITH MIL-PRF-23827 GREASE

CONFIGURATION:

XX: BALL: (1) RADIAL GROOVE ON I.D. & O.D. (4) HOLES EQ SPACED
RACE : (1) RADIAL GROOVE ON O.D. (4) HOLES THRU EQ SPACED

YY: BALL: (1) RADIAL GROOVE ON I.D. & O.D. (6) AXIAL GROOVES ON BALL I.D. & O.D. EQ SATED (6) HOLES THRU EQ SPACED
RACE : (1) RADIAL GROOVE ON O.D. (4) HOLES THRU EQ SPACED

ZZ: BALL: (1) RADIAL GROOVE ON I.D. & O.D. (8) AXIAL GROOVES ON I.D. & O.D. EQ SPACED (8) HOLES THRU EQ SPACED
RACE : (1) RADIAL GROOVE ON O.D. (4) HOLES THRU EQ SPACED

This document remains the property of PSI Bearings, a division of Rexnord Industries, LLC, and is provided to the recipient on the express condition that it, or any information contained in it, is not to be disclosed or reproduced in whole or in part, or used for manufacture by the recipient without a written consent or purchase order from PSI Bearings.



www.rexnord.com





aerospace bearings

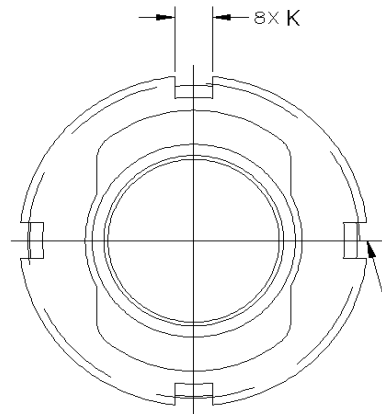
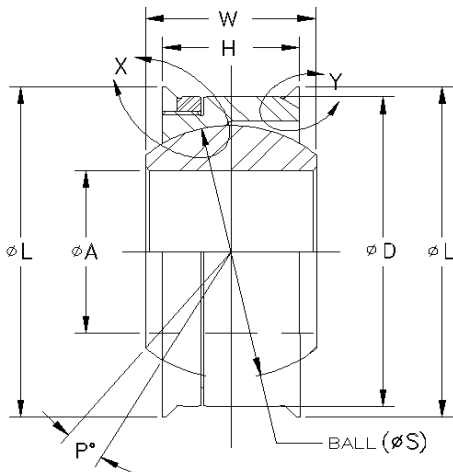
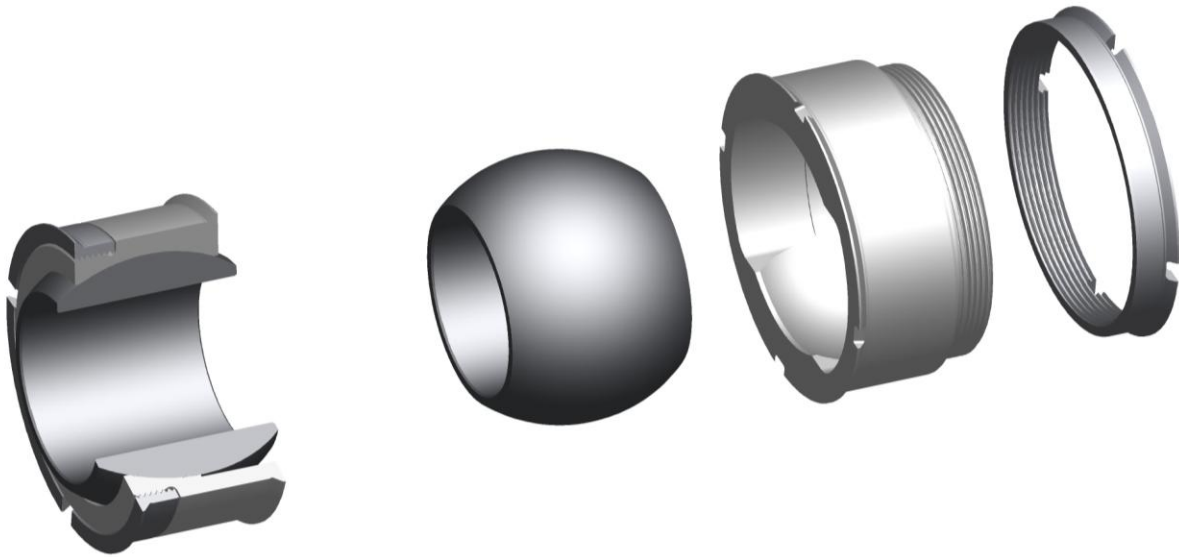
2175 Union Place, Simi Valley, CA 93065
Tel: 1(805) 583-5514 Fax: 1(805) 583-4284

P2A6700 SERIES

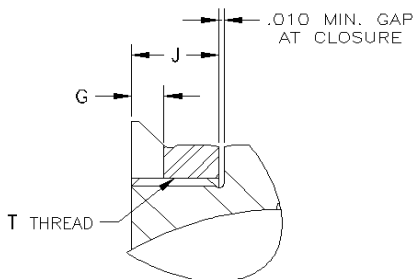
PRE-SWAGED, CAPTOR

Designed for high thrust loads and for applications where swaging is not possible.

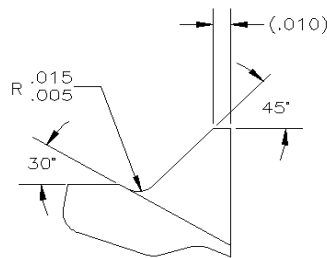
Operating temperature -65°F to +450°F



4 SLOTS IN RACE FLANGE AND 4 SLOTS IN RETAINER EQUALLY SPACED 90° APART



DETAIL X



DETAIL Y

This document remains the property of PSI Bearings, a division of Rexnord Industries, LLC, and is provided to the recipient on the express condition that it, or any information contained in it, is not to be disclosed or reproduced in whole or in part, or used for manufacture by the recipient without a written consent or purchase order from PSI Bearings.



www.rexnord.com





2175 Union Place, Simi Valley, CA 93065
 Tel: 1(805) 583-5514 Fax: 1(805) 583-4284

P2A6700 SERIES (CONTINUED)

PRE-SWAGED, CAPTOR

Designed for high thrust loads and for applications where swaging is not possible.

Operating temperature -65°F to +450°F

Part Number	Ø A +.0000 -.0005	Ø D +.0000 -.0005	H +.003 -.003	G +.005 -.005	J +.010 -.010	K +.010 -.010	Ø L +.005 -.005	Ø S Ball OD Ref	W +.000 -.002	P° Mis.
P2A6700-04	.2500	.7500	.281	.045	.125	.093	.770	.5625	.375	11
P2A6700-05	.3125	.7500	.281	.045	.125	.093	.770	.5625	.375	11
P2A6700-06	.3750	.8125	.312	.045	.125	.093	.852	.6250	.406	10
P2A6700-07	.4375	.9062	.343	.045	.125	.093	.946	.6865	.437	9
P2A6700-08	.5000	1.0000	.390	.065	.140	.093	1.080	.8125	.500	9
P2A6700-09	.5625	1.0937	.437	.065	.150	.093	1.174	.8750	.562	9
P2A6700-10	.6250	1.1875	.500	.065	.150	.093	1.267	.9680	.625	9
P2A6700-12	.7500	1.4375	.593	.065	.175	.125	1.517	1.1870	.750	9
P2A6700-14	.8750	1.5625	.703	.065	.220	.125	1.642	1.3120	.875	9
P2A6700-16	1.0000	1.7500	.797	.065	.220	.125	1.830	1.5000	1.000	9

Part Number	T Threads UNJS	Recommended Retainer Installation Torque +/-25 (INCH-LBS.)	Radial Static Limit Load LBS.	Approx. Weight Pounds
P2A6700-04	.656-40	65	2,500	.03
P2A6700-05	.656-40	65	2,500	.03
P2A6700-06	.734-40	70	3,800	.04
P2A6700-07	.812-40	80	6,400	.05
P2A6700-08	.937-40	90	10,000	.07
P2A6700-09	1.000-40	100	12,400	.09
P2A6700-10	1.125-32	110	16,500	.13
P2A6700-12	1.312-32	130	25,600	.22
P2A6700-14	1.437-32	140	30,800	.28
P2A6700-16	1.625-32	160	45,300	.39

.002 INCH MAX INTERNAL CLEARANCE

MATERIAL:

BALL: COBALT ALLOY PER AMS 5387
 RACE: 15-5PH PER AMS 5659, COND H-1025
 RETAINER: 15-5PH PER AMS 5659, COND H-925

SURFACE TREATMENT:

BALL SPH O.D. COATED WITH DRY FILM LUBRICANT
 RACE SPH I.D. NITRIDED/ MALCOMIZED
 RETAINER THREADS (ALL OVER OPTIONAL)
 COATED WITH DRY FILM LUBRICANT

NOTE: SELF-LOCKING PELLET QUALIFIED TO MIL-F-18240 (POLY-LOCK OR EQUIVALENT)

This document remains the property of PSI Bearings, a division of Rexnord Industries, LLC, and is provided to the recipient on the express condition that it, or any information contained in it, is not to be disclosed or reproduced in whole or in part, or used for manufacture by the recipient without a written consent or purchase order from PSI Bearings.



www.rexnord.com



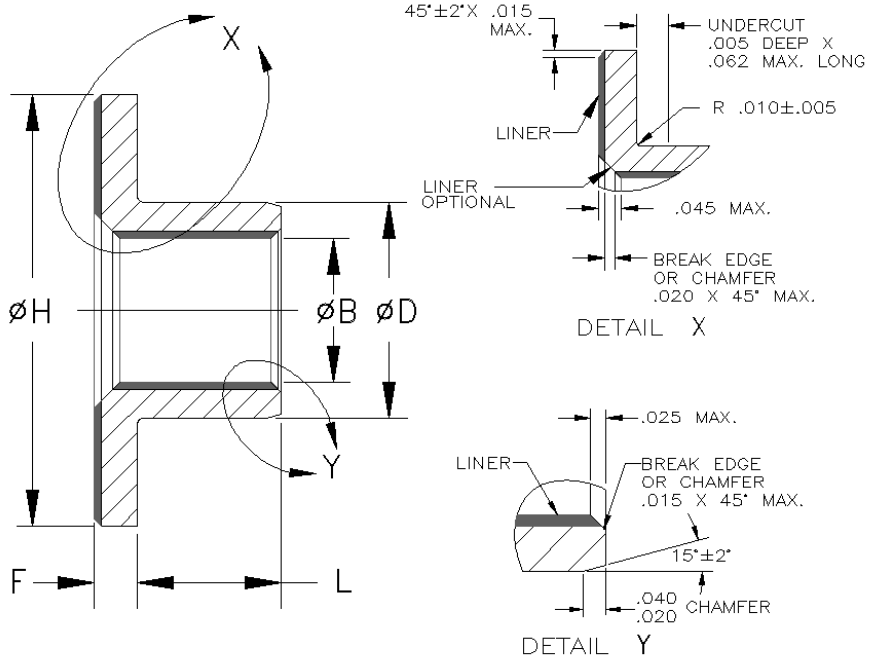
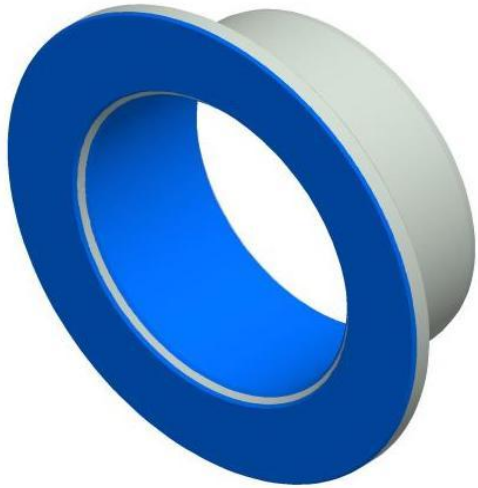


aerospace bearings

2175 Union Place, Simi Valley, CA 93065
Tel: 1(805) 583-5514 Fax: 1(805) 583-4284

PT5M5BBXX SERIES

SELF-LUBRICATED, AEROSPACE STANDARD AS81934/2
(MIL-B-81934/2), FLANGED SLEEVE BEARINGS
Operating temperature -65°F to +325°F



Part Number	Basic Bore Size	ϕB +.0000 -.0010	ϕD CRES +.0000/-0.0005 Aluminum $\pm .0005$			F +.000 -.005	ϕH +.000 -.020	Approx. Sleeve Weight Lbs/Inch (L=1.000)		Approx. Flange Weight Lbs/Inch	
			Nominal Size	T (.010 Oversize)	U (.020 Oversize)			CRES	Aluminum	CRES	Aluminum
PT5()504XX	04	.2515	.3760	.3860	.3960	.0625	.750	.016	.006	.006	.002
PT5()505XX	05	.3140	.4386	.4486	.4586	.0625	.812	.019	.007	.007	.003
PT5()506XX	06	.3765	.5012	.5112	.5212	.0625	.875	.022	.008	.007	.003
PT5()507XX	07	.4390	.5638	.5738	.5838	.0625	.937	.025	.009	.008	.003
PT5()508XX	08	.5015	.6265	.6365	.6465	.0625	1.000	.028	.011	.009	.003
PT5()509XX	09	.5640	.6892	.6992	.7092	.0625	1.125	.031	.012	.011	.004
PT5()510XX	10	.6265	.8142	.8242	.8342	.0625	1.250	.036	.014	.014	.005
PT5()511XX	11	.6890	.8767	.8867	.8967	.0625	1.375	.040	.016	.016	.006
PT5()512XX	12	.7515	.9393	.9493	.9593	.0625	1.500	.045	.018	.020	.007
PT5()514XX	14	.8765	1.0645	1.0745	1.0845	.0625	1.625	.050	.020	.022	.008
PT5()516XX	16	1.0015	1.1898	1.1998	1.2098	.0625	1.750	.055	.022	.024	.009
PT5()518XX	18	1.1265	1.3148	1.3248	1.3348	.0937	1.875	.060	.025	.041	.015
PT5()520XX	20	1.2515	1.4398	1.4498	1.4598	.0937	2.000	.065	.028	.045	.016
PT5()522XX	22	1.3765	1.5648	1.5748	1.5848	.0937	2.125	.070	.030	.048	.017
PT5()524XX	24	1.5015	1.7523	1.7623	1.7723	.0937	2.250	.075	.032	.051	.018
PT5()526XX	26	1.6265	1.8773	1.8873	1.8973	.0937	2.375	.080	.035	.055	.020
PT5()528XX	28	1.7515	2.0023	2.0123	2.0223	.0937	2.500	.085	.038	.058	.021
PT5()532XX	32	2.0015	2.2523	2.2623	2.2723	.0937	2.750	.090	.040	.065	.023

This document remains the property of PSI Bearings, a division of Rexnord Industries, LLC, and is provided to the recipient on the express condition that it, or any information contained in it, is not to be disclosed or reproduced in whole or in part, or used for manufacture by the recipient without a written consent or purchase order from PSI Bearings.



www.rexnord.com





aerospace bearings

2175 Union Place, Simi Valley, CA 93065
Tel: 1(805) 583-5514 Fax: 1(805) 583-4284

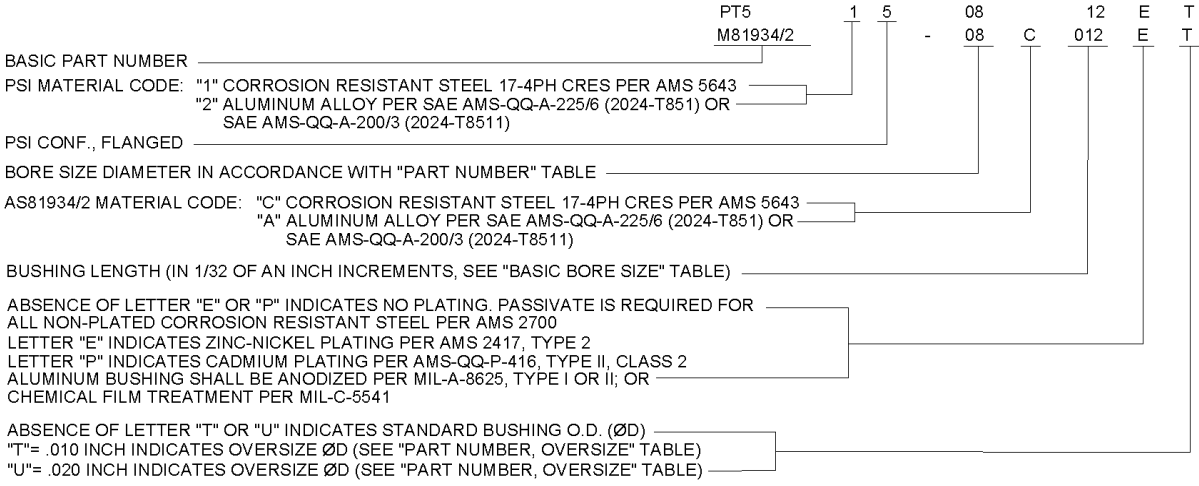
PT5M5BBXX SERIES (CONTINUED)
SELF-LUBRICATED, AEROSPACE STANDARD AS81934/2
(MIL-B-81934/2), FLANGED SLEEVE BEARINGS
Operating temperature -65°F to +325°F

BASIC BORE SIZE	LENGTH L +.000/-0.010																														
	.156	.187	.218	.250	.281	.312	.343	.375	.437	.500	.562	.625	.687	.750	.875	1.000	1.125	1.250	1.375	1.500	1.625	1.750	1.875	2.000	2.125	2.250	2.375	2.500	2.750	3.000	
04	05	06	07	08	09	10	11	12	14																						
05	05	06	07	08	09	10	11	12	14	16	18																				
06	05	06	07	08	09	10	11	12	14	16	18	20	22																		
07	05	06	07	08	09	10	11	12	14	16	18	20	22	24	28																
08	05	06	07	08	09	10	11	12	14	16	18	20	22	24	28																
09	05	06	07	08	09	10	11	12	14	16	18	20	22	24	28	32	36														
10	05	06	07	08	09	10	11	12	14	16	18	20	22	24	28	32	36	40	44												
11				08	09	10	11	12	14	16	18	20	22	24	28	32	36	40	44	48	52										
12				08	09	10	11	12	14	16	18	20	22	24	28	32	36	40	44	48	52										
14				08	09	10	11	12	14	16	18	20	22	24	28	32	36	40	44	48	52										
16				08	09	10	11	12	14	16	18	20	22	24	28	32	36	40	44	48	52	56	60								
18					10	11	12	14	16	18	20	22	24	28	32	36	40	44	48	52	56	60									
20								12	14	16	18	20	22	24	28	32	36	40	44	48	52	56	60	64	68						
22									12	14	16	18	20	22	24	28	32	36	40	44	48	52	56	60	64	68					
24										12	14	16	18	20	22	24	28	32	36	40	44	48	52	56	60	64	68	72	76	80	88
26											16	18	20	22	24	28	32	36	40	44	48	52	56	60	64	68	72	76	80	88	96
28											16	18	20	22	24	28	32	36	40	44	48	52	56	60	64	68	72	76	80	88	96
32											16	18	20	22	24	28	32	36	40	44	48	52	56	60	64	68	72	76	80	88	96

MATERIAL:
CRES BUSHING: 17-4PH PER AMS 5643, COND. H-1150
ALUMINUM BUSHING: ALUM. ALLOY PER AMS-QQ-A-225/6 OR AMS-QQ-A-200/3
LINER: POLYMERIC / COMPOSITE

SURFACE TREATMENT:
CRES BUSHING: PASSIVATE FOR NON-PLATED, CADMIUM OR ZINC NICKEL PLATED
ALUMINUM BUSHING: ANODIZE OR CHEMICAL FILM TREATMENT

EXAMPLE OF PSI AND AEROSPACE STANDARD PART NUMBER CALL OUT



NOTE:
STATIC LIMIT LOAD (PER AS81934/2): ALUMINUM = 50,000 B X (L + F -.13) [LBS]
CRES = 78,500 B X (L + F -.13) [LBS]

CONTACT PSI ENGINEERING FOR MORE INFORMATION.

This document remains the property of PSI Bearings, a division of Rexnord Industries, LLC, and is provided to the recipient on the express condition that it, or any information contained in it, is not to be disclosed or reproduced in whole or in part, or used for manufacture by the recipient without a written consent or purchase order from PSI Bearings.



www.rexnord.com





aerospace bearings

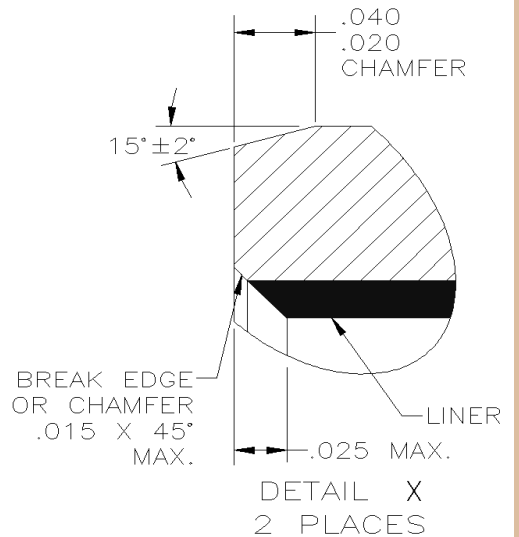
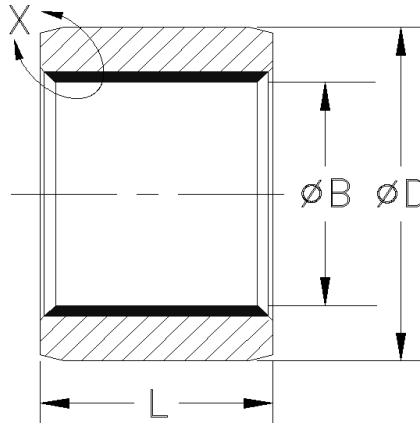
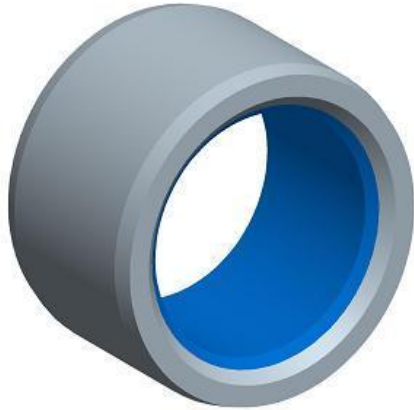
2175 Union Place, Simi Valley, CA 93065
Tel: 1(805) 583-5514 Fax: 1(805) 583-4284

PT5M0BBXX SERIES

SELF-LUBRICATED, AEROSPACE STANDARD AS81934/1

(MIL-B-81934/1), PLAIN SLEEVE BEARINGS

Operating temperature -65°F to +325°F



Part Number	Basic Bore Size	Ø B +.0000 -.0010	Ø D CRES +.0000/- .0005 Aluminum ±.0005			Approx. Weight Pounds (L=1.000)	
			Nominal Size	T (.010 Oversize)	U (.020 Oversize)	CRES	Aluminum
PT5()004XX	04	.2515	.3760	.3860	.3960	.016	.006
PT5()005XX	05	.3140	.4386	.4486	.4586	.019	.007
PT5()006XX	06	.3765	.5012	.5112	.5212	.022	.008
PT5()007XX	07	.4390	.5638	.5738	.5838	.025	.009
PT5()008XX	08	.5015	.6265	.6365	.6465	.028	.011
PT5()009XX	09	.5640	.6892	.6992	.7092	.031	.012
PT5()010XX	10	.6265	.8142	.8242	.8342	.056	.021
PT5()011XX	11	.6890	.8767	.8867	.8967	.060	.022
PT5()012XX	12	.7515	.9393	.9493	.9593	.065	.024
PT5()014XX	14	.8765	1.0645	1.0745	1.0845	.075	.028
PT5()016XX	16	1.0015	1.1898	1.1998	1.2098	.084	.031
PT5()018XX	18	1.1265	1.3148	1.3248	1.3348	.094	.035
PT5()020XX	20	1.2515	1.4398	1.4498	1.4598	.103	.038
PT5()022XX	22	1.3765	1.5648	1.5748	1.5848	.113	.041
PT5()024XX	24	1.5015	1.7523	1.7623	1.7723	.171	.062
PT5()026XX	26	1.6265	1.8773	1.8873	1.8973	.183	.067
PT5()028XX	28	1.7515	2.0023	2.0123	2.0223	.196	.071
PT5()032XX	32	2.0015	2.2523	2.2623	2.2723	.222	.081

This document remains the property of PSI Bearings, a division of Rexnord Industries, LLC, and is provided to the recipient on the express condition that it, or any information contained in it, is not to be disclosed or reproduced in whole or in part, or used for manufacture by the recipient without a written consent or purchase order from PSI Bearings.



www.rexnord.com





aerospace bearings

2175 Union Place, Simi Valley, CA 93065
 Tel: 1(805) 583-5514 Fax: 1(805) 583-4284

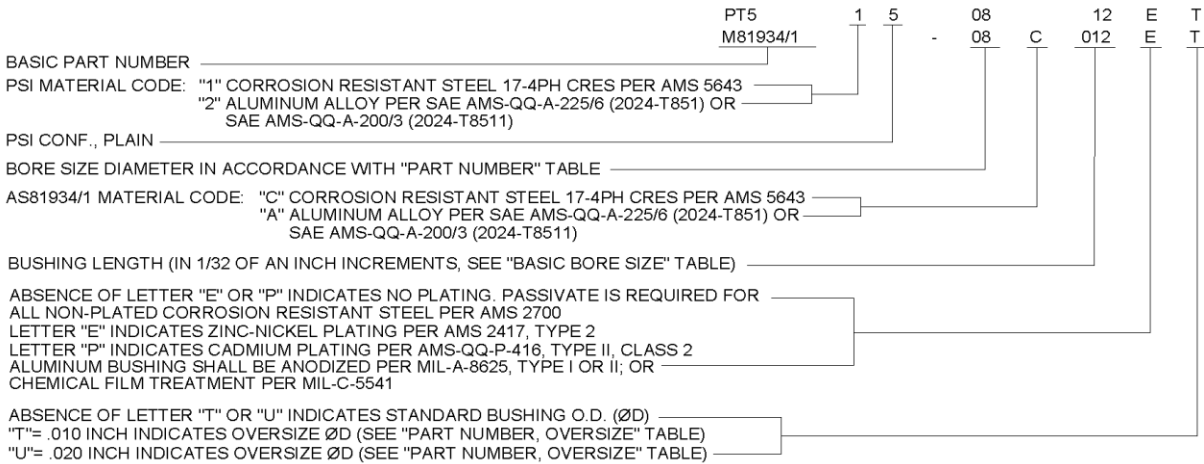
PT5M0BBXX SERIES (CONTINUED)
SELF-LUBRICATED, AEROSPACE STANDARD AS81934/1
(MIL-B-81934/1), PLAIN SLEEVE BEARINGS
 Operating temperature -65°F to +325°F

BASIC BORE SIZE	LENGTH L +.000/-0.010																														
	.156	.187	.218	.250	.281	.312	.343	.375	.437	.500	.562	.625	.687	.750	.875	1.000	1.125	1.250	1.375	1.500	1.625	1.750	1.875	2.000	2.125	2.250	2.375	2.500	2.750	3.000	
04	05	06	07	08	09	10	11	12	14																						
05	05	06	07	08	09	10	11	12	14	16	18																				
06	05	06	07	08	09	10	11	12	14	16	18	20	22																		
07	05	06	07	08	09	10	11	12	14	16	18	20	22	24	28																
08	05	06	07	08	09	10	11	12	14	16	18	20	22	24	28																
09	05	06	07	08	09	10	11	12	14	16	18	20	22	24	28	32	36														
10	05	06	07	08	09	10	11	12	14	16	18	20	22	24	28	32	36	40	44												
11				08	09	10	11	12	14	16	18	20	22	24	28	32	36	40	44	48	52										
12				08	09	10	11	12	14	16	18	20	22	24	28	32	36	40	44	48	52										
14				08	09	10	11	12	14	16	18	20	22	24	28	32	36	40	44	48	52										
16				08	09	10	11	12	14	16	18	20	22	24	28	32	36	40	44	48	52	56	60								
18						10	11	12	14	16	18	20	22	24	28	32	36	40	44	48	52	56	60								
20								12	14	16	18	20	22	24	28	32	36	40	44	48	52	56	60	64	68						
22									12	14	16	18	20	22	24	28	32	36	40	44	48	52	56	60	64	68					
24									12	14	16	18	20	22	24	28	32	36	40	44	48	52	56	60	64	68	72	76	80	88	
26										16	18	20	22	24	28	32	36	40	44	48	52	56	60	64	68	72	76	80	88	96	
28										16	18	20	22	24	28	32	36	40	44	48	52	56	60	64	68	72	76	80	88	96	
32										16	18	20	22	24	28	32	36	40	44	48	52	56	60	64	68	72	76	80	88	96	

MATERIAL:
 CRES BUSHING: 17-4PH PER AMS 5643, COND. H-1150
 ALUMINUM BUSHING: ALUM. ALLOY PER AMS-QQ-A-225/6 OR AMS-QQ-A-200/3
 LINER: POLYMERIC / COMPOSITE

SURFACE TREATMENT:
 CRES BUSHING: PASSIVATE FOR NON-PLATED, CADMIUM OR ZINC NICKEL PLATED
 ALUMINUM BUSHING: ANODIZE OR CHEMICAL FILM TREATMENT

EXAMPLE OF PSI AND AEROSPACE STANDARD PART NUMBER CALL OUT



NOTE:
 STATIC LIMIT LOAD (PER AS81934/1): ALUMINUM = 50,000 B X (L - .1) [LBS]
 CRES = 78,500 B X (L - .1) [LBS]

CONTACT PSI ENGINEERING FOR MORE INFORMATION.

This document remains the property of PSI Bearings, a division of Rexnord Industries, LLC, and is provided to the recipient on the express condition that it, or any information contained in it, is not to be disclosed or reproduced in whole or in part, or used for manufacture by the recipient without a written consent or purchase order from PSI Bearings.



www.rexnord.com

