

Self-Lube[®] Bearings



Contents

Introduction

General Technical Specification	<ul style="list-style-type: none"> - Technical Information Common to all Ranges - Load Calculations 		GENERAL TECHNICAL SPECIFICATION
Self-Lube®	<ul style="list-style-type: none"> - Matrix - Part numbering system - Technical Specification - Bearing Tables 		SELF-LUBE®
Silver-Lube®	<ul style="list-style-type: none"> - Matrix - Part numbering system - Bearing Tables 		SILVER-LUBE®
Molded-Oil™ Stainless Steel Units	<ul style="list-style-type: none"> - Matrix - Part numbering system - Technical Specification - Bearing Tables 		MOLDED-OIL™ STAINLESS STEEL UNITS
Life-Lube® (Molded-Oil™ Inserts in Silver-Lube® Housings)	<ul style="list-style-type: none"> - Matrix - Part numbering system - Technical Specification - Bearing Tables 		LIFE-LUBE®
Special Products and Bearing Solutions	<ul style="list-style-type: none"> - Fast Build Options - Alternative Pre-Greasing Options - Other Insert/Housing Combinations - Special Housing Designs - Special Products Design Options 		SPECIAL PRODUCTS AND BEARING SOLUTIONS
Interchange List	<ul style="list-style-type: none"> - Common Engineering Unit Conversion Tables 		INTERCHANGE LIST
Conversion Tables	<ul style="list-style-type: none"> - Part Number Interchange list 		CONVERSION TABLES

The NSK brand, recognised around the world

From home appliances, automobiles, and capital equipment to the aerospace industry – NSK bearings are used in an extensive range of applications. NSK established its global-scale enterprise on technology that has met the exact requirements of global industry.

We have also established R&D systems and support services to meet the diverse needs of our customers in every continent. As a brand recognised around the world NSK continues to lead industry with its technical prowess.

NSK is on the move, across the globe

HEADQUARTERS

America (North and South)

- Ann Arbor
- Shanghai
- Singapore

Europe

- Maidenhead

Japan

- Tokyo

TECHNICAL OFFICES

America (North and South)

- Ann Arbor
- Kunshan

Europe

- Newark
- Kielce

Japan

- Fujisawa
- Maebashi

PLANTS

America (North)

- Ann Arbor
- Clarinda
- Franklin
- Liberty
- Bennington

America (South)

- Suzano

Asia

- Kunshan
- Anshun
- Dongguan
- Zhangjiagang
- Suzhou
- Changshu
- Chennai
- Jakarta
- Changwon
- Balakong
- Chonburi
- Chachoengsao

Europe

- Peterlee
- Newark
- Kielce
- Munderkingen
- Torino

Japan

- Fujisawa
- Hanyu
- Otsu
- Konan
- Takasaki
- Haruna
- Maebashi
- Tanakura
- Ukiha

SALES OFFICES

Africa

- Johannesburg

America (North)

- Ann Arbor
- Indianapolis
- Chicago
- San Jose
- Los Angeles
- Bennington
- Miami
- Atlanta
- Montreal
- Toronto
- Vancouver

America (South)

- Buenos Aires
- Sao Paulo
- Belo Horizonte
- Joinville
- Porto Alegre
- Recife
- Mexico City

Asia

- Beijing
- Shanghai
- Guangzhou
- Anshun
- Chengdu
- Hong Kong
- Taipei
- Taichung
- Tainan
- Seoul
- Chennai
- Jakarta
- Manila
- Bangkok
- Kuala Lumpur
- Prai
- Johor Bahru
- Kota Kinabalu
- Singapore

Europe

- Maidenhead
- Newark
- Coventry
- Paris
- Dusseldorf
- Stuttgart
- Leipzig
- Milano
- Tilburg
- Barcelona
- Warsaw
- Istanbul

Japan

- Tokyo
- Osaka
- Nagoya

Oceania

- Melbourne
- Sydney
- Brisbane
- Adelaide
- Perth
- Auckland

27 other offices



Self-Lube®

General Technical Specification



Self-Lube® product range

NSK manufactures several ranges of mounted units. These include Self-Lube®, our recognised standard, and recently introduced ranges such as Silver-Lube®, Life-Lube® and Molded-Oil™ units. In each type, there are two basic components, the insert and the housing.

Self-Lube® bearing inserts

The Self-Lube® bearing insert, commonly known as a wide inner ring bearing, is designed to suit the wide range of housings offered by NSK in the Self-Lube® bearing family and is also suitable for applications where the user's own housing is preferred.

They are basically deep-groove ball bearings, to the popular 6200 series configuration, with integral design features making them more functional and versatile than standard ball bearings. The radial internal clearance is C3 for standard bearing inserts and bearings can be offered with either parallel or spherical outside diameter outer rings with the latter being the type fitted in the bearing unit. The integral design features of the bearing insert, such as shaft locking, sealing and lubrication, are explained in the following pages.

Self-Lube® bearing units

The range of Self-Lube® bearing units offers a wide choice of cast iron, pressed steel, synthetic rubber, thermoplastic or stainless steel housings fitted with spherical outside diameter Self-Lube® bearing inserts. They will generally accommodate initial housing misalignment up to 0.030 radians but are not recommended for running misalignment in excess of 0.001 radians.

The general housing types are pillow blocks, flange units, take-up units, cartridge units and hanger units. Choice is very much determined by the requirements of the application, although the aesthetic appearance of the machine design is often an important consideration. Self-Lube® units have been designed to meet the needs of both criteria.

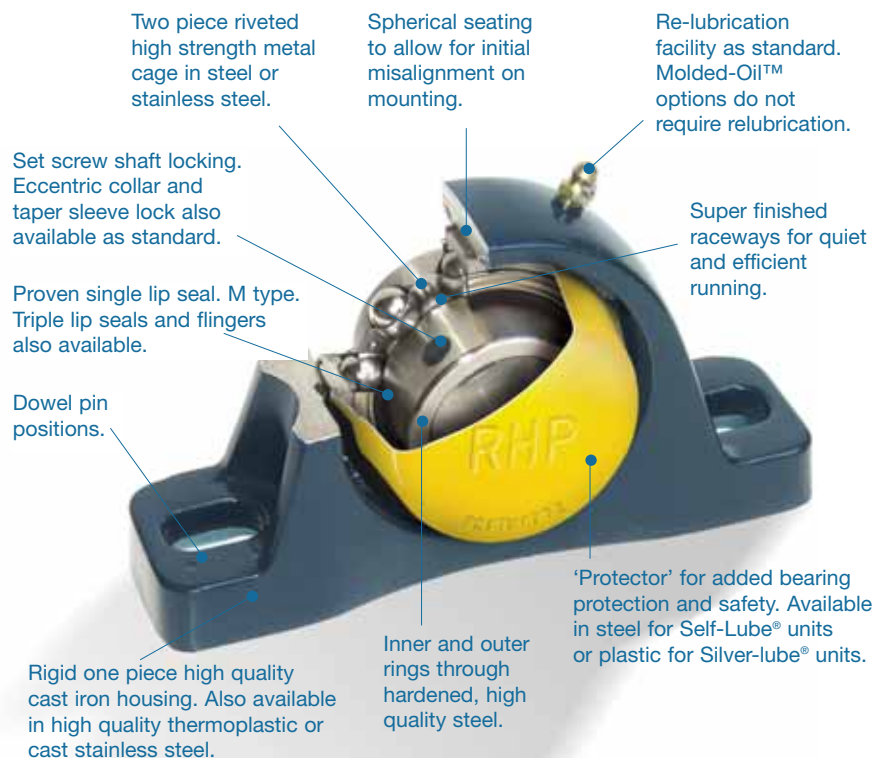
- Cast iron unit castings are made from high-quality cast iron, and finished on unmachined surfaces with an electrostatic air-drying paint.
- Pressed steel housings are made from mild steel strip, and are zinc plated.
- Thermoplastic housings are moulded in highgrade PBT, a high quality thermoplastic polyester resin.
- Stainless steel housings are made from austenitic stainless steel castings (SCS13).

Additional products

NSK recognises the need for 'tailor made' solutions and is always willing to help customers who have a requirement for something out of the ordinary.

Dynamic load ratings

The NSK dynamic load ratings given in this catalogue and the relationship between these and bearing fatigue life are based on ISO standard 281.



Bearing load ratings and endurance

Basic dynamic radial load rating C_r

This is defined as the load that can be applied to the bearing to give a basic L_{10} rating life of one million revolutions. This is the life associated with 90% reliability which has been found by experience to be acceptable for normal engineering bearing applications. The majority of the bearings attain a much longer life and the median life is approximately five times the L_{10} life. Ratings for each series are given in the bearing tables and are used to calculate life for radial loads of constant magnitude and direction.

Equivalent dynamic radial load P_r

For applications where axial and radial loads are present they must be converted into a single equivalent radial load P_r and calculated as follows, where:

- F_r = actual radial load (N)
- F_a = actual axial load (N)
- Y = axial factor from table 18.2
- C_{or} = basic static load rating
- C_r = dynamic radial load rating
- f_o = axial load factor

Note: Axial load F_a must not exceed 0.5 C_{or} . Select f_o from table 18.1 for the appropriate bearing insert.

Calculate $\frac{f_o F_a}{C_{or}}$ and obtain the value of Y from table 18.2.

Calculate P_r where:

$$P_r = F_r$$

or

$$P_r = 0.56 F_r + Y F_a$$

Use whichever P_r value is the greatest.

Relationship between load and life

Having determined the equivalent load P_r , the nominal L_{10} bearing life is calculated as follows:

$$L_{10} \text{ life in hours} = \left(\frac{C_r}{P_r} \right)^3 \times \frac{10^6}{60n}$$

where n = bearing operating speed (rev/min).

Alternatively, by using the loading ratio $\frac{C_r}{P_r}$ the bearing L_{10} life can be estimated by reading off directly from the tables on page 9 under the appropriate speed column.

Basic static load rating C_{or}

This value is calculated in accordance with ISO standard 76. Ratings for each series are given in the bearing tables.

Static equivalent radial load P_{or}

When static axial and radial loads are applied to a bearing these must be converted to an equivalent static radial load P_{or} where:

- F_{or} = actual static radial load (N)
- F_{oa} = actual static axial load (N)

Calculate P_{or} where:

$$P_{or} = F_{or}$$

or

$$P_{or} = 0.6 F_{or} + 0.5 F_{oa}$$

Use whichever P_{or} value is greater, but this value **should not exceed** the bearing static radial load rating C_{or} .

Service factors

It is customary when calculating bearing life to include application factors which allow for fluctuations in loading that occur in service, and from experience the following may be used as a guide.

For steady and light shock loads multiply load by 1.2 to 1.5.

For moderate shock loads multiply load by 1.7 to 2.0. When selecting the size of bearing for a given load, the calculated life should conform to the L_{10} lives shown in the next column:

- Machines in use 8 hours/day – not fully utilised – 10,000 to 20,000 hours
- Machines in use 8 hours/day – fully utilised – 20,000 to 30,000 hours.
- Machines in use 24 hours/day – 40,000 to 80,000 hours.
- Machines in seasonal use – 4,000 to 8,000 hours.

Limiting loads

The axial load F_{oa} must not exceed half the basic static load rating C_{or} . Housing strengths must also be considered as a limiting factor - see detail on page 19.

Table 18.1

Basic bearing insert	f_o
1017	13.1
1020	13.1
1025	13.9
1030	13.8
1035	13.8
1040	14.0
1045	14.1
1050	14.4
1055	14.3
1060	14.3
1065	14.4
1070	14.4
1075	14.7
1080	14.6
1085	14.7
1090	14.5
3095	13.6

Table 18.2

$\frac{f_o F_a}{C_{or}}$	Y
0.172	2.30
0.345	1.99
0.689	1.71
1.03	1.55
1.38	1.45
2.07	1.31
3.45	1.15
5.17	1.04
6.89	1.00

Examples of bearing calculations

Example 1

What nominal life can be obtained from NP55 with a steady radial load $F_r = 3900\text{N}$ at speed of 1500 rev/min? The dynamic load rating C_r of the unit from page 25 is 43500N. Since the bearing is not subject to axial load the equivalent load $P_r = F_r$ according to the formula on page 7. Therefore applying the service factor of 1.2 for a steady load.

$$P_r = F_r \times 1.2 = 3900 \times 1.2 = 4680\text{N}.$$

From page 7,
 L_{10} life in hours

$$\begin{aligned} &= \left(\frac{C_r}{P_r} \right)^3 \times \frac{10^6}{n \times 60} \\ &= \left(\frac{43500}{4680} \right)^3 \times \frac{10^6}{1500 \times 60} \\ &= 8923 \text{ hours} \end{aligned}$$

Alternatively, using the loading ratio tables on page 9 an approximate life can be obtained by locating the nearest $\frac{C_r}{P_r}$ value in the appropriate rev/min column.

$$\text{Therefore } \frac{C_r}{P_r} = \frac{43500}{4680} = 9.29$$

Under the 1500 rev/min column the nearest $\frac{C_r}{P_r}$ value is 9.65 which gives an approximate life of 10000 hours.

Example 2

With a radial load $F_r = 2940\text{N}$ and an axial load $F_a = 1470\text{N}$ at 300 rev/min with moderate shock present, what nominal L_{10} life can be obtained from unit reference SF40?

The dynamic radial load rating C_r of the unit from page 39 is 29100N and the static load rating C_{or} is 19900N.

Since the bearing is subject to radial and axial loads we have to establish the equivalent load P_r according to page 7.

First, we establish the value of $\frac{f_o F_a}{C_{or}}$

$$\frac{f_o F_a}{C_{or}} = \frac{14.0 \times 1470}{19900} = 1.03$$

Using this value, from table 18.2 we establish a value for $Y = 1.55$. From page 7 we then calculate the value of P_r

$$P_r = 2940\text{N}$$

or

$$P_r = 0.56 (2940) + 1.55 (1470) = 3925\text{N}$$

Using the greater value of P_r and applying an application factor of 1.7 (page 7) for moderate shock loads:

$$\begin{aligned} P_r &= 3925 \times 1.7 \\ &= 6673\text{N} \end{aligned}$$

From page 7:

L_{10} life hours

$$\begin{aligned} &= \left(\frac{C_r}{P_r} \right)^3 \times \frac{10^6}{60n} \\ &= \left(\frac{29100}{6673} \right)^3 \times \frac{10^6}{60 \times 300} \\ &= 4607 \text{ hours} \end{aligned}$$

Alternatively, using the loading ratio tables on page 9, an approximate life can be obtained by locating the nearest C_r/P_r value in the appropriate rev/min column. Therefore, $C_r/P_r = 29100/6673 = 4.36$. Under the 300 rev/min column page 9 the nearest value is 4.48 which gives an approximate life of 5000 hours.

Housing strength

To check the housing strength for example 2 when the axial load $F_a = 1470\text{N}$ and applying an application factor of 1.7 then:

$$\text{Axial load} = 1470 \times 1.7 = 2499\text{N}$$

From page 19 we see that the maximum axial loads for the above unit are:

0.45 C_{or} in one direction, and

0.25 C_{or} in the opposite direction.

Calculating these two maximum axial loads that may be applied to housing:

$$0.45 \times 19900 = 8955$$

$$0.25 \times 19900 = 4975$$

From the above it can be seen that the housing will support the axial load of 2499N in either direction.

Therefore, the unit above is satisfactory for the loading conditions stated.

Note It is advisable to shoulder the shaft for high axial loads.

Loading ratios

Life estimation for ball bearings for different C_r/P_r ratios and speeds

L ₁₀ life (hours)	Speed: rev/min								
	25	50	100	150	200	300	500	750	1000
100					1.06	1.22	1.45	1.65	1.82
500		1.14	1.45	1.65	1.82	2.08	2.47	2.82	3.11
1000	1.14	1.44	1.82	2.08	2.29	2.62	3.11	3.56	3.91
1500	1.31	1.65	2.08	2.38	2.62	3.00	3.56	4.07	4.48
2000	1.45	1.82	2.29	2.62	2.88	3.30	3.91	4.48	4.93
3000	1.65	2.08	2.62	3.00	3.30	3.78	4.48	5.13	5.65
5000	1.96	2.47	3.11	3.56	3.91	4.48	5.32	6.08	6.70
7500	2.24	2.82	3.56	4.07	4.48	5.13	6.08	6.96	7.66
10000	2.47	3.11	3.91	4.48	4.93	5.65	6.70	7.66	8.43
19500	2.82	3.56	4.48	5.13	5.65	6.46	7.66	8.77	9.65
20000	3.11	3.91	4.93	5.65	6.21	7.11	8.43	9.65	10.60
30000	3.56	4.48	5.65	6.46	7.11	8.14	9.65	11.10	12.20
40000	3.91	4.93	6.21	7.11	7.81	8.96	10.60	12.20	13.40
60000	4.48	5.65	7.11	8.14	8.96	10.30	12.20	13.90	15.30
80000	4.93	6.21	7.81	8.96	9.83	11.30	13.40	15.30	16.80

Life estimation for ball bearings for different C_r/P_r ratios and speeds

L ₁₀ life (hours)	Speed: rev/min								
	1500	2000	3000	4000	5000	6000	8000	10000	
100	2.08	2.29	2.62	2.88	3.11	3.30	3.63	3.91	
500	3.56	3.91	4.48	4.93	5.32	5.65	6.21	6.69	
1000	4.48	4.93	5.65	6.21	6.70	7.11	7.81	8.43	
1500	5.13	5.65	6.46	7.11	7.65	8.15	8.96	9.65	
2000	5.65	6.21	7.11	7.81	8.43	8.96	9.83	10.60	
3000	6.46	7.11	9.14	8.96	9.65	10.30	11.30	12.20	
5000	7.66	8.43	9.65	10.60	11.50	12.20	13.40	14.40	
7500	8.77	9.65	11.10	12.20	13.10	13.90	15.30	16.50	
10000	9.65	10.60	12.20	13.40	14.50	15.30	16.80	18.20	
19500	11.10	12.20	13.90	15.30	16.50	17.50	19.30	20.80	
20000	12.20	13.40	15.30	16.80	18.50	19.30	21.20	22.90	
30000	13.90	15.30	17.50	19.30	20.80	22.10	24.30	26.20	
40000	15.30	16.80	19.30	22.20	22.90	24.30	26.70	28.80	
60000	17.50	19.30	22.10	24.30	26.20	27.80	30.70	33.00	
80000	19.30	21.20	24.30	26.70	28.80	30.70	33.70	36.30	

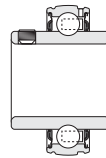
Self-Lube® Bearing Units



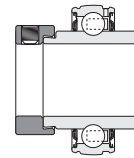
Standard unit references

Insert Type

Housing Type



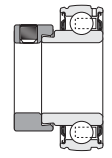
1000G



1000DECG



1200G



1200ECG

Cast iron one piece



Page

80

82

83

84

24

NP

NP-DEC

NP-A

NP-EC

30

SL

SL-DEC

SL-A

SL-EC

32

MP



36

SNP

SNP-DEC

SNP-A

SNP-EC

36

CNP

CNP-DEC

CNP-A

CNP-EC



38

SF

SF-DEC

SF-A

SF-EC

40

MSF



44

SFT

SFT-DEC

SFT-A

SFT-EC

46

MSFT



50

LFTC

LFTC-DEC

LFTC-A

LFTC-EC



52

FC

FC-DEC

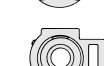
FC-A

FC-EC



54

MFC



56

ST

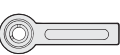
ST-DEC

ST-A

ST-EC

58

MST



62

BT

BT-A

BT-EC



64

SLC

SLC-DEC

SLC-A

SLC-EC

66

MSC



68

SCHB

SCH

Pressed steel two piece



70

SLFE

SLFE-DEC

SLFE-A

SLFE-EC



72

SLFT

SLFT-DEC

SLFT-A

SLFT-EC



74

SLFL

SLFL-DEC

SLFL-A

SLFL-EC



76

LPB

LPB-DEC

LPB-A

LPB-EC

78

LPBR

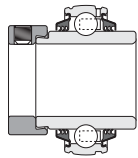
LPBR-DEC

LPBR-A

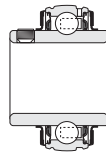
LPBR-EC



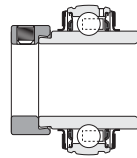
T1000G



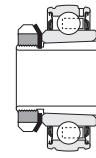
T1000DECG



1000GFS



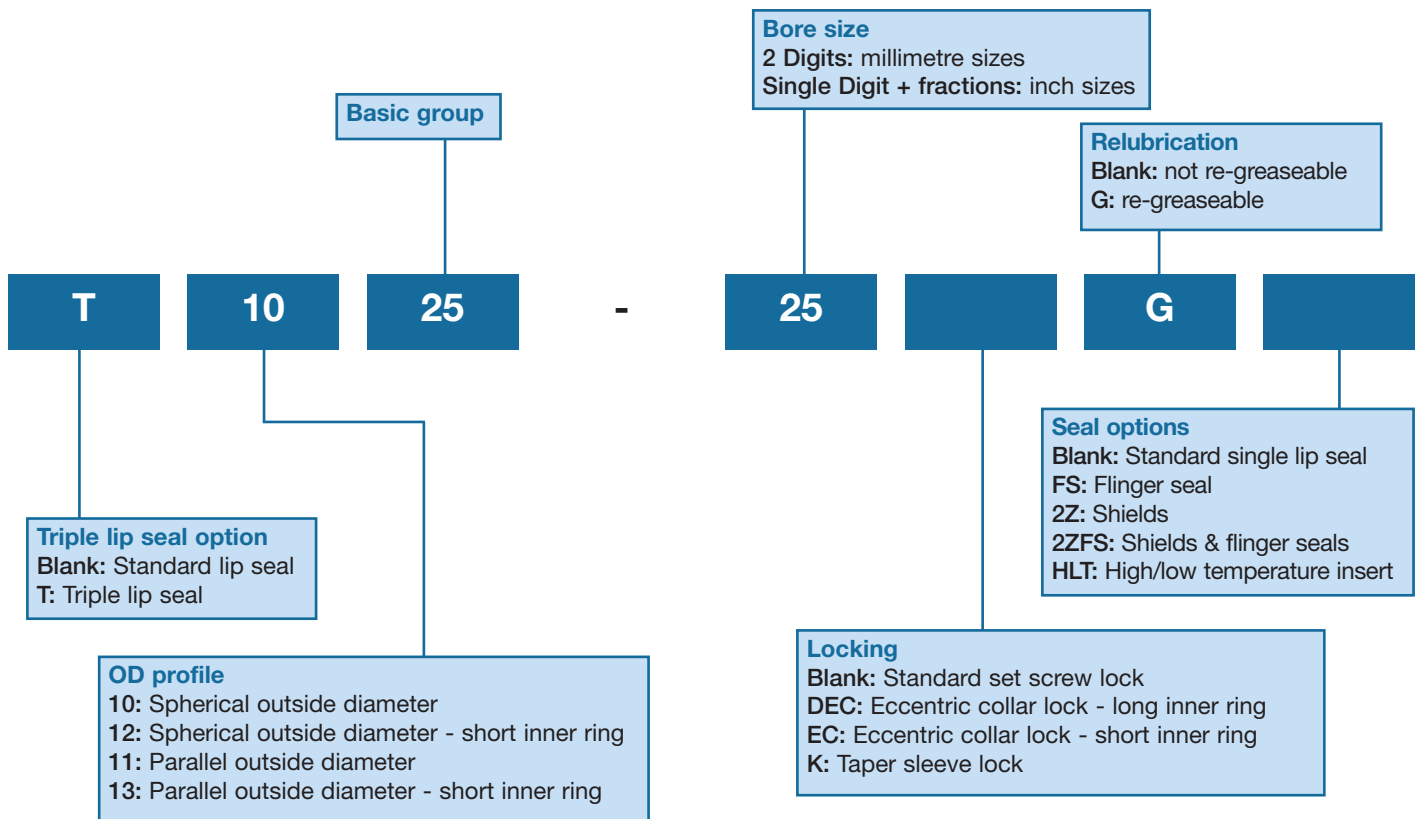
1000DECGFS



1000KG

				Page
88	90	91	92	
TNP TSL TMP	TNP-DEC TSL-DEC	NP-FS SL-FS MP-FS	NP-DECFS SL-DECFS	NP1000-K MP1000-K
TSNP TCNP	TSNP-DEC TCNP-DEC	SNP-FS CNP-FS	SNP-DECFS CNP-DECFS	
TSF TMSF	TSF-DEC	SF-FS MSF-FS	SF-DECFS	MSF1000-K
TSFT TMSFT	TSFT-DEC	SFT-FS MSFT-FS	SFT-DECFS	MSFT1000-K
TLFTC	TLFTC-DEC	LFTC-FS	LFTC-DECFS	
TFC	TFC-DEC	FC-FS	FC-DECFS	
TMFC		MFC-FS		
TST TMST	TST-DEC	ST-FS MST-FS	ST-DECFS	MST1000-K
TBT		BT-FS		
TSLC TMSC	TSLC-DEC	SLC-FS MSC-FS	SLC-DECFS	
TSCHB TSCH		SCHB-FS SCH-FS		
TSLFE	TSLFE-DEC	SLFE-FS	SLFE-DECFS	
TSLFT	TSLFT-DEC	SLFT-FS	SLFT-DECFS	
TSLFL	TSLFL-DEC	SLFL-FS	SLFL-DECFS	

Standard Self-Lube® insert references



List of common prefixes and suffixes

Prefixes

- B** Unit or bearing insert supplied without locking collar.
- J** Grease groove on the side of the bearing insert nearest to the locking device.
- T** Triple lip sealed bearing insert.

Suffixes

- A** Unit fitted with set screw lock insert with flush inner ring on one side.
- C4** Radial clearance greater than C3.
- CG** Parallel outside diameter insert with grease groove and snap ring fitted.
- DEC** Eccentric collar lock with extended inner ring.
- DL** Double locking inner ring – 4 set screws (2 each end).
- EC** Eccentric collar lock with flush inner ring on one side.
- FS** Bearing insert fitted with flinger seals.
- G** Bearing insert having re-lubrication facility.
- HLT** High and low temperature bearing insert.
- K** Bearing insert with tapered bore.
- L** Larger than normal unit for the basic bore size.
- P** Housing fitted with 1/8" BSP grease nipple (standard is 1/4" UNF).
- R** Smaller than normal unit for the basic bore size.

Self-Lube® product range

Under the heading of Self-Lube® bearings there are two basic products: the Self-Lube® bearing insert and the Self-Lube® bearing unit.

Self-Lube® bearing unit

The range of Self-Lube® bearing units offer a wide choice of cast iron, pressed steel or synthetic rubber housings fitted with the full range of spherical outside diameter Self-Lube® bearing inserts. They will accommodate initial housing misalignment up to 0.030 radians but are not recommended for running misalignment in excess of 0.001 radians.

The general housing types are pillow blocks, flange units, take-up units, cartridge units and hanger units. Choice is very much determined by the requirements of the application, although the aesthetic appearance of the machine design is often an important consideration. Self-Lube® units have been designed to meet the needs of both criteria.

The castings are made from high-quality cast iron, and finished on unmachined surfaces with an electrostatic air-drying paint.

Pressed steel housings are made from mild steel strip, and are zinc plated. Rubber housings are moulded in antistatic nitrile rubber.

Self-Lube® Protector

The Self-Lube® Protector is designed to protect the machine operator from the dangers of rotating shaft ends and the external surfaces of the bearing from contamination.

The protector is made from good quality mild steel and coated with enamel paint making it robust, attractive and long lasting. It is easy to fit and can be removed without breakage or deformation thus allowing it to be refitted time after time.

Standard Self-Lube® inserts with spherical outside diameters have a 'groove' in the outer ring on the opposite side from the grease groove. The protector has two claws which locate through the casting loading slots into the 'groove' in the outer ring. This provides a very secure lock and makes the Protector difficult to dislodge. The user of Self-Lube® units is not required to purchase special bearings or provide any additional locking device in order to obtain this secure safety feature.

The Protector can be removed by inserting a form of lever device into a small hole in one of the claws and exerting slight pressure outwards. This disengages the claw from the outer ring 'groove'. A replaceable cover for the hole is provided.



Sealing

Single lip seal

The standard Self-Lube® sealing arrangement consists of a nitrile and fabric-sealing element sandwiched between two metal pressings. This has been successfully proven over the years on a wide variety of applications.

The 'S' type seal incorporates further design developments. The nitrile seal (black in colour) is bonded to a strong steel former which is firmly secured in the bearing outer ring. The flexible sealing lip contacts the fine ground finish of the inner ring to give low friction with effective sealing.

Flinger seal

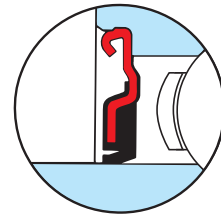
Where extra protection is required without loss of bearing catalogue speed, the 'Flinger seal' is ideal. It consists of a steel flange to which is bonded a flexible nitrile sealing lip. They are offered for the 1000G and 1000DECG types and are identified with the suffix FS (e.g. 1025-25GFS,NP25FS). The flinger is fitted to the inner ring.

Triple lip seal

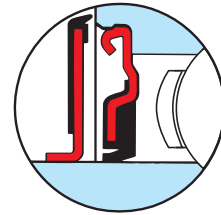
For applications with a degree of contamination, the specially developed RHP triple lip seal is recommended. It consists of a one-piece moulded nitrile seal with three sealing lips, bonded to a protective steel outer pressing which is strongly secured in the outer ring making a highly efficient sealing arrangement. It is not recommended for high speeds. See pages 88 to 90.

Lubrication

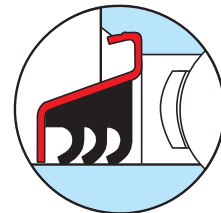
Unit	Unit temperature range	Grease	Supplier
Standard insert	-20°C to +110°C	Alvania S2	Shell
HLT insert	-40°C to 180°C	Kluberquiet BQH72-102	Kluber



Single lip seal (standard)



Single lip seal + flinger seal



Triple lip seal

Shaft locking arrangements

Set screw lock

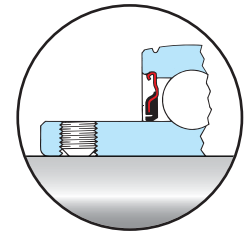
This locking arrangement consists of two knurled cup-point, self-locking, socket-head set screws fitted in the extended inner ring.

For normal loads and moderate speeds simply mount the bearing unit into position and tighten down the set screws to the recommended torque value.

Additional security can be achieved by spot drilling the shaft to accommodate the set screw point. When spot drilling, first remove the set screw and locate the position on the shaft. Select a drill the size of the inner ring threads minor diameter, and drill through this hole into the shaft to the depth of the drill point.

Replace the set screw and tighten onto the shaft in the normal manner.

The recommended tightening torques for the set screws are given on page 18.

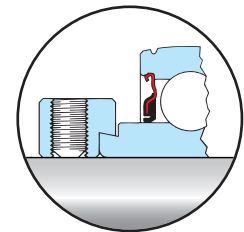


Set screw lock

Eccentric collar lock

This type of lock consists of an eccentric diameter formed on the extended inner ring of the bearing which engages a similarly formed eccentric diameter in the bore of a separate collar. Locking is achieved by turning the collar in the direction of the shaft rotation until the eccentric diameters of both collar and inner ring are fully engaged.

The collar is provided with a blind hole to facilitate tightening when locking the bearing to the shaft. The set screw when tightened to the recommended torque values on page 18 prevents the collar 'backing off' in service.

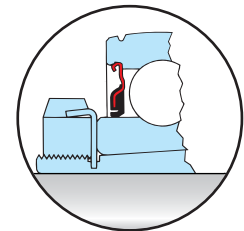


Eccentric collar lock

Taper sleeve lock

This locking arrangement, which incorporates a standard taper adapter sleeve, locknut and lock washer, is recommended when a positive concentric (shaft) lock is required. When fitting the bearing to the shaft, care must be taken to ensure that the locknut is not over-tightened as this can eliminate the bearing internal clearance, resulting in premature failure. A lockwasher is provided which prevents the locknut 'backing off' when one of the tabs is engaged with the corresponding notch in the locknut. (See below for fitting instructions).

The recommended tightening torques for the locknuts are given on page 18.



Taper sleeve lock

Mounting Self-Lube® adapter sleeve units

1. First bolt the Self-Lube® housing to the equipment and clean the shaft and sleeve bore of any oil or grease.
2. Position the shaft within the unit and tighten up the locknut by hand. If the sleeve assembly turns on the shaft tap the sleeve into the bearing to give a positive grip. Tighten locknut to recommended torque value given on page 18.
3. Where torque spanner facilities are not available a *blunt* drift and *small* hammer may be used to tighten the nut.
4. Check that the bearing rotates freely, to ensure that the internal clearance has not been totally removed and that preload has been avoided.
5. Finally, secure the nut with the appropriate tab on the locking washer. Tighten the nut slightly if necessary but never back the nut off.
6. After 100 hours running it is advisable to check the tightness of the locknut.

Set screw thread and tightening torques

Set screw thread and size

Basic bearing insert reference	Series			
	1000G, 1100, 1200G, 1300		1000DECG, 1100DEC, 1200ECG, 1300EC	
	Inch bore diameters	Metric bore diameters	Inch bore diameters	Metric bore diameters
1017	1/4UNF	M6 x 0.75	1/4UNF	M6 x 0.75
1020	1/4UNF	M6 x 0.75	1/4UNF	M6 x 0.75
1025	1/4UNF	M6 x 0.75	1/4UNF	M6 x 0.75
1030	1/4UNF	M6 x 0.75	5/16UNF	M8 x 1.00
1035	5/16UNF	M8 x 1.00	5/16UNF	M8 x 1.00
1040	5/16UNF	M8 x 1.00	3/8UNF	M10 x 1.25
1045	5/16UNF	M8 x 1.00	3/8UNF	M10 x 1.25
1050	3/8UNF	M10 x 1.25	3/8UNF	M10 x 1.25
1055	3/8UNF	M10 x 1.25	3/8UNF	M10 x 1.25
1060	3/8UNF	M10 x 1.25	3/8UNF	M10 x 1.25
1065	3/8UNF	M10 x 1.25	3/8UNF	M10 x 1.25
1070	7/16UNF	M12 x 1.50	3/8UNF	M10 x 1.25
1075	7/16UNF	M12 x 1.50	3/8UNF	M10 x 1.25
1080	7/16UNF	M12 x 1.50	–	–
1085	7/16UNF	M12 x 1.50	–	–
1090	1/2UNF	M12 x 1.50	–	–
3095	5/8UNF	M16 x 1.50	–	–

Set screw tightening torques and maximum axial loads

Set screw size	Socket/Allen key size (across flats)	Recommended maximum tightening torque		Set screw maximum axial load	
		newton metres (Nm)	lbf-inches	newtons (N)	lbf
1/4UNF	1/8"	6.8	60	2500	560
5/16UNF	5/32"	12.4	110	3500	785
3/8UNF	3/16"	22.6	200	4500	1010
7/16UNF	7/32"	31.6	280	7500	1685
1/2UNF	1/4"	45.2	400	9000	2025
M6 x 0.75	3mm	5.7	50	2500	560
M8 x 1.00	4mm	12.4	110	3500	785
M10 x 1.25	5mm	27.1	240	5000	1235
M12 x 1.50	6mm	38.4	340	8000	1800

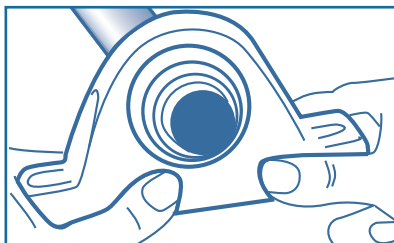
Note: For axial loads in excess of the values listed a shouldered shaft against the face of the inner ring is recommended.

Recommended tightening torques for adapter sleeve units

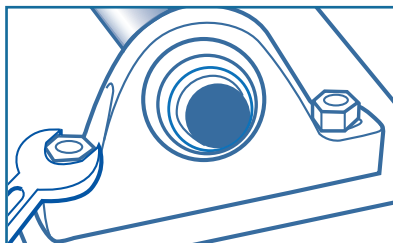
Sleeve bore size	Tightening torques	
	Nm	lbf-ins
20mm, 3/4"	30	265
25mm, 15/16", 1"	40	355
30mm, 1 1/8", 1 3/16"	50	440
35mm, 1 1/4", 1 3/8"	60	530
40mm, 1 7/16", 1 1/2"	65	575
45mm, 1 11/16", 1 3/4"	75	660
50mm, 1 15/16", 2"	85	750

Mounting instructions for Self-Lube® bearing units

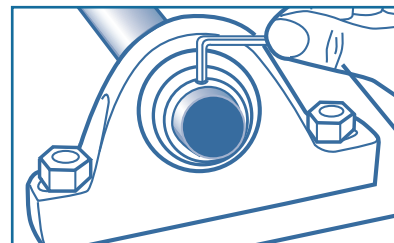
Self-Lube® set screw locking arrangement units



1. Relieve set screws clear of the bore and slide bearing onto the shaft.

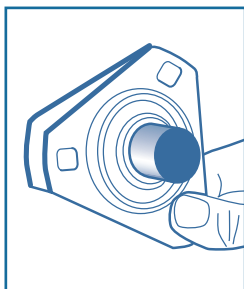


2. Bolt the unit down on to a flat surface but do not over-tighten.

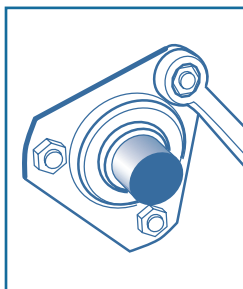


3. Tighten set screws to recommended torque.

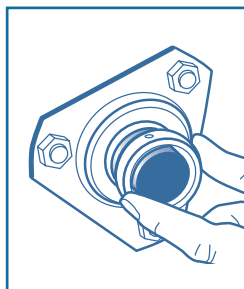
Self-Lube® eccentric collar locking arrangements units



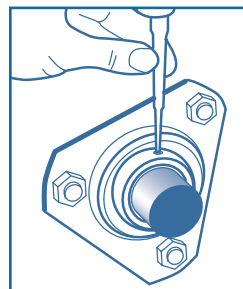
1. Assemble bearing and housing and slide onto the shaft. Do not engage collar.



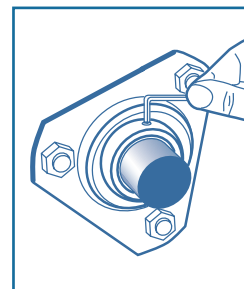
2. Lightly tighten bolts, repeat at other end of shaft and then finally tighten bolts on both sides.



3. Engage the eccentric collar in direction of shaft rotation.



4. Tighten collar with drift pin and small hammer.



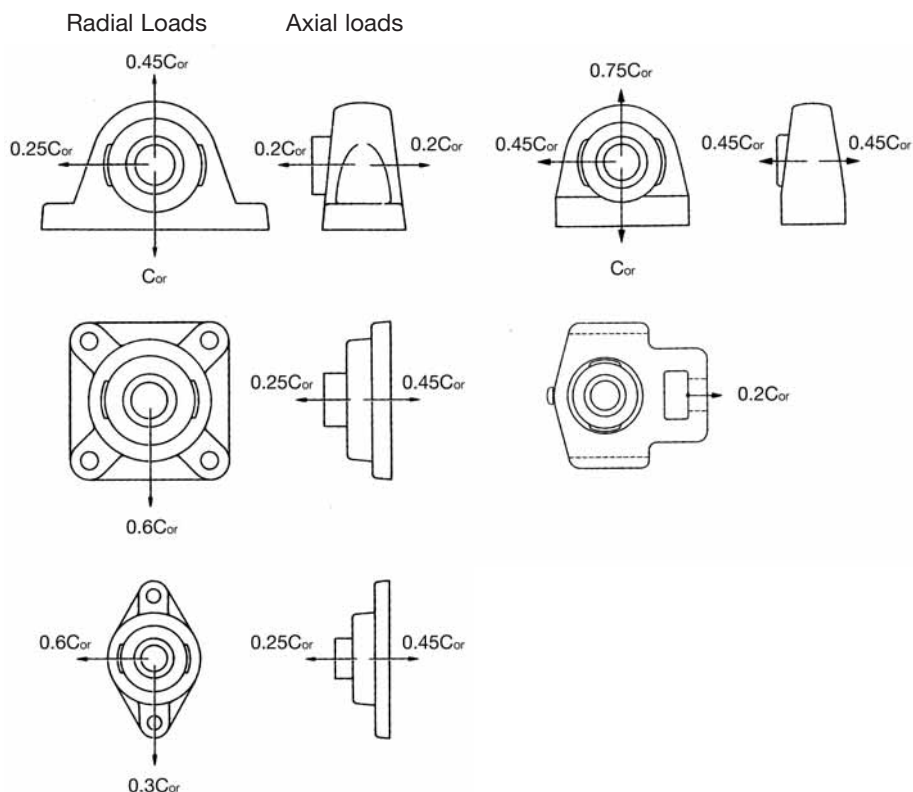
5. Tighten collar set screw to recommended torque.

Maximum recommended steady housing loads

The maximum loads shown adjacent are given as a proportion of the static load rating (C_{or}) of the bearing insert. Where the value of the axial load exceeds the set screw maximum axial holding load listed on page 18, a shoulder on the shaft must be provided against the face of the inner ring.

For shock load conditions additional safety factors must be applied.

Housing strength limits



Tolerances and speeds

Inner ring bore tolerances - Set screw and eccentric collar types

Nominal bore diameter d				Tolerances			
mm above	incl.	inch above	incl.	high	low	high	low
10	18	0.3937	0.7087	+15	0	+6	0
18	31.750	0.7087	1.2500	+18	0	+7	0
31.750	50.800	1.2500	2.0000	+21	0	+8	0
50.800	80	2.0000	3.1496	+24	0	+9	0
80	100	3.1496	3.9370	+28	0	+11	0

Outer ring outside diameter tolerances

Nominal outside diameter d		Tolerances			
mm above	incl.	0.001mm units		0.0001 inch units	
		high	low	high	low
30	50	0	-11	0	-4
50	80	0	-13	0	-5
80	120	0	-15	0	-6
120	150	0	-18	0	-7
150	180	0	-25	0	-10
180	250	0	-30	0	-12

Housing tolerances for parallel outside diameter inserts - series 1100, 1100DEC, 1300 and 1300EC

Nominal housing bore	Stationary outer ring				Rotating outer ring			
	Housing tolerance ISO H7				Housing tolerance ISO N7			
	0.001mm units		0.0001 inch units		0.001mm units		0.0001 inch units	
	high	low	high	low	high	low	high	low
40	+25	0	+10	0	-8	-33	-3	-13
47	+25	0	+10	0	-8	-33	-3	-13
52	+30	0	+12	0	-9	-39	-4	-15
62	+30	0	+12	0	-9	-39	-4	-15
72	+30	0	+12	0	-9	-39	-4	-15
80	+30	0	+12	0	-9	-39	-4	-15
85	+35	0	+14	0	-10	-45	-4	-18
90	+35	0	+14	0	-10	-45	-4	-18
100	+35	0	+14	0	-10	-45	-4	-18
110	+35	0	+14	0	-10	-45	-4	-18
120	+35	0	+14	0	-10	-45	-4	-18
125	+40	0	+16	0	-12	-52	-5	-20
130	+40	0	+16	0	-12	-52	-5	-20
140	+40	0	+16	0	-12	-52	-5	-20
150	+40	0	+16	0	-12	-52	-5	-20
160	+40	0	+16	0	-12	-52	-5	-20

Shaft tolerances and permissible speeds

Basic bearing insert	Shaft dia.		High loads - high speeds								Normal applications				Light loads - low speeds			
			Shaft tolerance ISO h6				Shaft tolerance ISO h7				Shaft tolerance ISO h9							
	mm	inches	Max. speed rev/min	0.001mm units		0.0001 inch units		Max. speed rev/min	0.001mm units		0.0001 inch units		Max. speed rev/min	0.001mm units		0.0001 inch units		
			high	low	high	low		high	low	high	low		high	low	high	low		
1017	12-17	1/2-1 1/16	7000	0	-11	0	-4	5000	0	-18	0	-7	2000	0	-43	0	-17	
1020	20	3/4	6700	0	-13	0	-5	4200	0	-21	0	-8	1700	0	-52	0	-20	
1025	25	1 3/16-1	6250	0	-13	0	-5	3600	0	-21	0	-8	1350	0	-52	0	-20	
1030	25-30	7/8-1 1/4	5300	0	-13	0	-5	3100	0	-21	0	-8	1100	0	-52	0	-20	
1035	30-35	1 1/8-1 7/16	4500	0	-16	0	-6	2700	0	-25	0	-10	900	0	-62	0	-24	
1040	35-40	1 3/8-1 9/16	4000	0	-16	0	-6	2400	0	-25	0	-10	750	0	-62	0	-24	
1045	40-45	1 1/2-1 3/4	3700	0	-16	0	-6	2200	0	-25	0	-10	600	0	-62	0	-24	
1050	45-50	1 5/8-2	3400	0	-16	0	-6	1950	0	-25	0	-10	500	0	-62	0	-24	
1055	50-55	1 7/8-2 3/16	3100	0	-19	0	-7	1800	0	-30	0	-12	450	0	-74	0	-29	
1060	55-60	2 1/8-2 7/16	2800	0	-19	0	-7	1600	0	-30	0	-12	400	0	-74	0	-29	
1065	65	2 1/2	2600	0	-19	0	-7	1500	0	-30	0	-12	350	0	-74	0	-29	
1070	60-70	1 7/16-2 1/16	2450	0	-19	0	-7	1400	0	-30	0	-12	300	0	-74	0	-29	
1075	65-75	2 1/16-2 5/16	2300	0	-19	0	-7	1300	0	-30	0	-12	280	0	-74	0	-29	
1080	75-80	2 15/16-3 1/4	2150	0	-19	0	-7	1200	0	-30	0	-12	250	0	-74	0	-29	
1085	80-85	3 3/16-3 7/16	2000	0	-22	0	-9	1100	0	-35	0	-14	220	0	-87	0	-34	
1090	85-90	3 7/16-3 1/2	1900	0	-22	0	-9	1050	0	-35	0	-14	200	0	-87	0	-34	
3095	95-100	3 15/16-4	1600	0	-22	0	-9	1000	0	-35	0	-14	180	0	-87	0	-34	

For most applications the standard set screw lock is more than satisfactory. Whenever eccentric collar units are used it is recommended that shaft tolerances in the high loads column be adopted. Whenever taper adapter sleeve locking arrangements are used, shaft tolerances in the light loads column can be adopted. When operating conditions are very severe (for example, in case of heavy vibration or shock) a light interference fit may be required between the shaft and bearing bore diameter.

Housing tolerances for bearing units - series FC, MFC, SLC and MSC

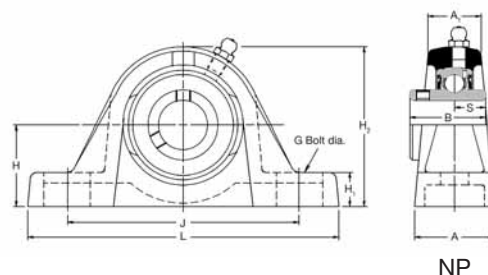
Bearing unit reference	Housing tolerance	
	Stationary housing	Rotating housing
SLC MSC	ISO H7	ISO N7
FC MFC	ISO H7	ISO H7

Self-Lube® Bearing Tables



Self-Lube[®] cast iron pillow block units

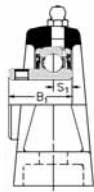
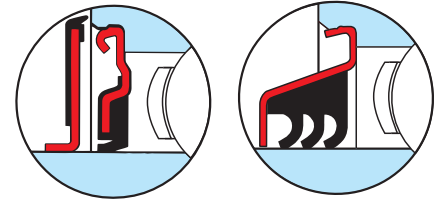
NP Series



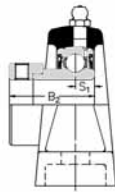
NP

Shaft diameter		RHP designation	Basic bearing insert	Casting group	Dimensions (mm)				Bolt centres				
					L	H	H1	H2	J _{max}	J _{min}			
mm	inches												
12 15 16 17	$\frac{1}{2}$ $\frac{5}{8}$	NP12 NP15 NP16 NP17 NP1$\frac{1}{2}$ NP$\frac{5}{8}$	NP12EC NP15EC NP16EC NP17EC NP1$\frac{1}{2}$EC NP$\frac{5}{8}$EC	1017	1	126.5	30.20	14.2	57.2	100.5	85.5		
20	$\frac{3}{4}$	NP20 NP	NP20A NP$\frac{3}{4}$A	NP20EC NP$\frac{3}{4}$EC	NP20DEC NP$\frac{3}{4}$DEC	1020	2	127.0	33.30	14.0	65.2	100.5	88.5
25	$\frac{7}{8}$ $\frac{15}{16}$ 1	NP25 NP$\frac{7}{8}$ NP$\frac{15}{16}$ NP1	NP25A	NP25EC NP$\frac{7}{8}$EC NP$\frac{15}{16}$EC NP1EC	NP25DEC NP$\frac{7}{8}$DEC NP$\frac{15}{16}$DEC NP1DEC	1025	3	139.0	36.50	16.0	71.0	112.7	96.8
30	$\frac{1}{8}$ $\frac{3}{16}$ $\frac{1}{4}$	NP30 NP1$\frac{1}{8}$ NP1$\frac{3}{16}$ NP1$\frac{1}{4}$	NP30A NP1 4AR	NP30EC NP1$\frac{1}{8}$EC NP1$\frac{3}{16}$EC NP1$\frac{1}{4}$EC	NP30DEC NP1$\frac{1}{8}$DEC NP1$\frac{3}{16}$DEC NP1$\frac{1}{4}$DEC	1030	4	160.5	42.90	17.7	82.7	129.5	108.5
35	$\frac{1}{4}$ $\frac{3}{8}$ $\frac{7}{16}$	NP35 NP1$\frac{1}{4}$ NP$\frac{3}{8}$ NP$\frac{7}{16}$	NP35A NP1$\frac{1}{4}$A	NP35EC NP1$\frac{1}{4}$EC NP$\frac{3}{8}$EC NP$\frac{7}{16}$EC	NP35DEC NP1$\frac{1}{4}$DEC NP1$\frac{3}{8}$DEC NP1$\frac{7}{16}$DEC	1035	5	166.0	47.60	17.5	93.0	136.5	121.5
40	$\frac{1}{2}$	NP40 NP1$\frac{1}{2}$	NP40A NP1$\frac{1}{2}$A	NP40EC NP1$\frac{1}{2}$EC	NP40DEC NP1$\frac{1}{2}$DEC	1040	6	180.5	49.20	18.5	98.5	148.0	127.0
45	$\frac{15}{8}$ $\frac{11}{16}$ $\frac{3}{4}$	NP45 NP1$\frac{5}{8}$ NP1$\frac{11}{16}$ NP1$\frac{3}{4}$	NP45A NP1$\frac{3}{4}$A	NP45EC NP1$\frac{5}{8}$EC NP1$\frac{11}{16}$EC NP1$\frac{3}{4}$EC	NP45DEC NP1$\frac{5}{8}$DEC NP1$\frac{11}{16}$DEC NP1$\frac{3}{4}$DEC	1045	7	190.5	54.00	20.0	108.0	154.5	140.5
50	$\frac{17}{8}$ $\frac{115}{16}$ 2	NP50 NP1$\frac{7}{8}$ NP1$\frac{15}{16}$ NP2R	NP50A	NP50EC NP1$\frac{7}{8}$EC NP1$\frac{15}{16}$EC	NP50DEC NP1$\frac{7}{8}$DEC NP1$\frac{15}{16}$DEC NP2DECR	1050	8	206.0	57.20	21.0	115.2	163.0	154.0
55	2 $\frac{21}{8}$ $\frac{23}{16}$	NP55 NP2 NP2$\frac{1}{8}$ NP2$\frac{3}{16}$			NP55DEC NP2DEC NP2$\frac{1}{8}$DEC NP2$\frac{3}{16}$DEC	1055	9	219.5	63.50	24.8	129.5	178.5	162.5
60	$\frac{21}{4}$ $\frac{23}{8}$ $\frac{27}{16}$	NP60 NP2$\frac{1}{4}$ NP2$\frac{3}{8}$ NP2$\frac{7}{16}$			NP60DEC NP2$\frac{1}{4}$DEC NP2$\frac{3}{8}$DEC NP2$\frac{7}{16}$DEC	1060	10	240.0	69.90	26.3	142.3	201.0	176.0

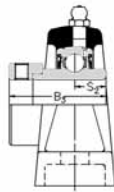
Please check availability



NP-A



NP-EC



NP-DEC

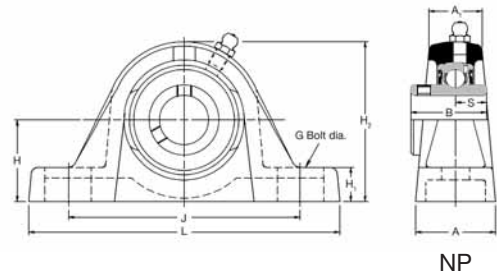
Bearing inserts with flinger seals shown on pages 91 and 92 can be fitted into these housings. The unit reference has the suffix 'FS', e.g. NP40FS.

Triple seal bearing inserts shown on pages 88 to 90 can be fitted into these housings. The unit reference has a prefix 'T', e.g. TNP25.

	Dimensions (mm)										ISO load ratings		Rec max. speed	Mass (approx.)
	G	A	A1	B	B1	B2	B3	s	s1	s2	dynamic Cr newtons	static Cor newtons	rev/min	kg
	10	30.5	20.5	27.38	–	28.63	–	11.58	6.53	–	9550	4800	7000	0.5
	10	32.5	22.5	31.00	25.80	31.03	43.73	12.73	7.53	17.13	12800	6650	6700	0.6
	10	36.5	24.5	34.10	27.30	31.03	44.43	14.33	7.53	17.53	14000	7880	6250	0.7
	12	41.5	27.5	38.10	31.20	35.73	48.43	15.93	9.03	18.33	19500	11300	5300	1.3
	12	44.5	30.5	42.90	34.90	38.93	51.13	17.53	9.53	18.83	25700	15300	4500	1.7
	12	51.0	34.5	49.20	41.20	43.73	56.33	19.03	11.03	21.43	32500	19900	4000	2.1
	12	54.0	35.0	49.20	41.20	43.73	56.33	19.04	11.04	21.43	32500	20500	3700	2.8
	16	55.0	36.0	51.60	43.50	43.73	62.73	19.04	11.04	24.64	35000	23200	3400	3.2
	16	60.0	39.5	55.60	–	–	71.42	22.24	–	27.84	43500	29200	3100	4.0
	16	70.0	46.0	65.10	–	–	77.84	25.44	–	31.04	48000	33000	2800	5.9

Self-Lube[®] cast iron pillow block units

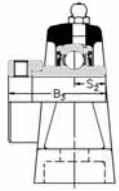
NP Series (continued)



NP

Shaft diameter		RHP designation		Basic bearing insert	Casting group	Dimensions (mm)				Bolt centres	
						L	H	H1	H2	J _{max}	J _{min}
mm	inches										
65	2½	NP65 NP2½	NP65DEC NP2½DEC	1065	10/65	250.0	69.90	26.3	144.3	205.0	176.0
70	2⅞	NP70 NP2⅞	NP70DEC	1070	11	266.0	79.40	30.2	156.0	220.0	200.0
75	2¾ 2⅞ 2⅝ 3	NP75 NP2¾ NP2⅞ NP2⅝ NP3	NP75DEC	1075	12	275.0	82.60	28.0	164.0	228.0	206.0
80	3	NP80 NP3L		1080	13	291.0	88.90	30.0	174.0	241.0	214.0
85	3¼ 3⅝	NP85 NP3¼ NP3⅝		1085	14	310.0	95.20	32.0	187.0	262.0	232.0
90	3⅞ 3½	NP90 NP3⅞ NP3½		1090	15	327.0	101.60	36.0	200.0	280.0	244.0

Please check availability

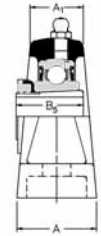
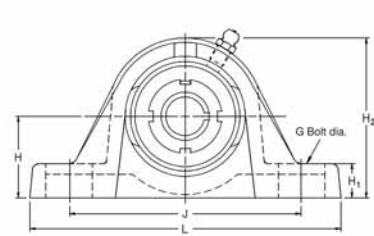


NP-DEC

	Dimensions (mm)										ISO load ratings		Rec max. speed	Mass (approx.)
	G	A	A1	B	B1	B2	B3	s	s1	s2	dynamic Cr newtons	static Cor newtons	rev/min	kg
	16	70.0	45.0	65.10	–	–	85.74	25.44	–	34.14	57500	40000	2600	5.9
	24	72.0	47.0	74.60	–	–	85.74	30.24	–	34.14	61000	45000	2450	8.0
	24	74.0	48.0	77.80	–	–	92.14	33.34	–	37.34	66000	49500	2300	9.0
	24	78.0	56.0	82.60	–	–	–	33.34	–	–	71500	54500	2150	9.7
	24	83.0	56.0	85.70	–	–	–	34.15	–	–	83000	64000	2000	11.8
	24	88.0	62.0	96.00	–	–	–	39.74	–	–	96000	71500	1900	14.7

Self-Lube[®] cast iron pillow block units with adapter sleeves

NP1000-K Series



NP1000-K

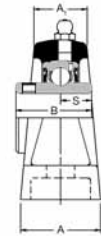
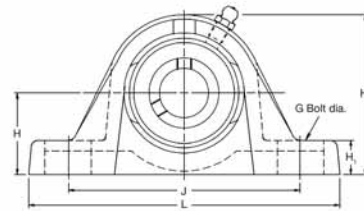
Shaft diameter	RHP designation complete unit	Sleeve, nut & lockwasher only	Unit without sleeve, nut & lockwasher	Basic bearing insert	Casting group	Dimensions (mm)				Bolt centres	
						L	H	H1	H2	J _{max}	J _{min}
mm	inches										
20	NP1025-20K NP1025-3/4K	H305 HE305-3/4	NP1025K	1025	3	139*	36.50	16.0	71.0	112.7	96.8
25	NP1030-25K NP1030-15/16K NP1030-1K	H306 HE306-15/16 HE306-1	NP1030K	1030	4	160.5	42.90	17.7	82.7	129.5	108.5
30	NP1035-30K NP1035-1/8K NP1035-13/16K	H307 HE307-1/8 HE307-13/16	NP1035K	1035	5	166.0	47.60	17.5	93.0	136.5	121.5
35	NP1040-35K NP1040-1/4K NP1040-13/8K	H308 HE308-1/4 HE308-13/8	NP1040K	1040	6	180.5	49.20	18.5	98.5	148.0	127.0
40	NP1045-40K NP1045-1/2K NP1045-1K	H309 HE309-1/2 HE309-1K	NP1045K	1045	7	190.5	54.00	20.0	108.0	154.5	140.5
45	NP1050-45K NP1050-11/16K NP1050-13/4K	H310 HE310-11/16 HE310-13/4	NP1050K	1050	8	206.0	57.20	21.0	115.2	163.0	154.0
50	NP1055-50K NP1055-15/16K NP1055-2K	H311 HE311-15/16 HE311-2	NP1055K	1055	9	219.5	63.50	24.8	129.5	178.5	162.5

Please check availability

	Dimensions (mm)					ISO load ratings		Rec max. speed	Mass (approx.)
	G	A	A1	B5	d4	dynamic Cr newtons	static Cor newtons	rev/min	kg
	10	36.5	24.5	29.0	38.0	14000	7880	6250	0.7
	12	41.5	27.5	31.0	45.0	19500	11300	5300	1.3
	12	44.5	30.5	35.0	52.0	25700	15300	4500	1.7
	12	51.0	34.5	36.0	58.0	32500	19900	4000	2.1
	12	54.0	35.0	39.0	65.0	32500	20500	3700	2.8
	16	55.0	36.0	42.0	70.0	35000	23200	3400	3.2
	16	60.0	39.5	45.0	75.0	43500	29200	3100	4.0

Self-Lube® cast iron pillow block units

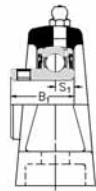
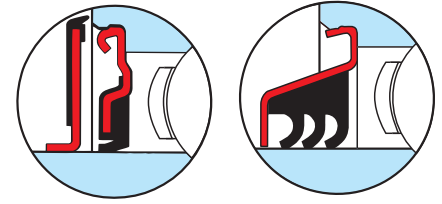
SL Series



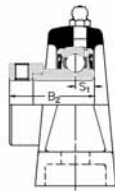
SL

Shaft diameter		RHP designation	Basic bearing insert	Casting group	Dimensions (mm)				Bolt centres		
					L	H	H1	H2	J _{max}	J _{min}	
mm	inches										
12 15 16 17	1/2 5/8	SL12 SL15 SL16 SL17 SL1½ SL5/8	SL12EC SL15EC SL16EC SL17EC SL½EC SL5/8EC	1017	1	119.0	26.97	11.0	54.0	91.5	85.5
20	3/4	SL20 SL3/4	SL20A SL3/4A SL20EC SL3/4EC	1020	2	126.5	31.75	12.5	63.7	100.5	88.5
25	7/8 15/16 1	SL25 SL7/8 SL15/16 SL1	SL25A SL1A SL25EC SL7/8EC SL15/16EC SL1EC	1025	3	139.0	33.32	12.8	67.8	110.2	98.2
30	1 1/8 1 3/16 1 1/4	SL30 SL1 1/8 SL1 3/16 SL1 1/4R	SL30A SL1 1/4AR SL30EC SL1 1/8EC SL1 3/16EC SL1 1/4ECR	1030	4	161.5	39.67	14.5	79.5	130.0	109.0
35	1 1/4 1 3/8 1 7/16	SL35 SL1 1/4 SL1 3/8 SL1 7/16	SL35A SL1 1/4A SL35EC SL1 1/4EC SL1 3/8EC SL1 7/16EC	1035	5	166.0	46.02	16.0	91.5	136.5	121.5
40	1 1/2	SL40 SL1 1/2	SL40A SL1 1/2A SL40EC SL1 1/2EC	1040	6	180.5	49.20	18.5	98.5	148.0	127.0
45	1 5/8 1 11/16 1 3/4	SL45 SL1 5/8 SL1 11/16 SL1 3/4	SL45A SL1 3/4A SL45EC SL1 5/8EC SL1 11/16EC SL1 3/4EC	1045	7	197.5	52.37	18.4	106.4	161.5	141.5
50	1 7/8 1 15/16 2	SL50 SL1 7/8 SL1 15/16 SL2R	SL50A SL1 15/16A SL50EC SL1 7/8EC SL1 15/16EC	1050	8	214.0	55.55	19.3	114.0	177.0	151.0
55	2 2 1/8 2 3/16	SL55 SL2 SL2 1/8 SL2 3/16	SL55DEC SL2DEC SL2 1/8DEC SL2 3/16DEC	1055	9	219.5	61.90	23.2	128.0	178.5	162.5
60	2 1/4 2 3/8 2 7/16	SL60 SL2 1/4 SL2 3/8 SL2 7/16	SL60DEC SL2 1/4DEC SL2 3/8DEC SL2 7/16DEC	1060	10	240.0	68.25	24.6	140.6	201.0	176.0
65	2 1/2	SL65R SL2 1/2	SL2 1/2DEC	1065	10/65	250.0	68.25	24.6	142.6	205.0	176.0
65 70 75	2 1/16 2 3/4 2 7/8 2 15/16	SL65 SL70 SL75 SL2 1/16 SL2 3/4 SL2 7/8 SL2 15/16	SL65DEC SL70DEC SL75DEC SL2 1/16DEC SL2 3/4DEC SL2 7/8DEC SL2 15/16DEC	1075	11	286.0	82.55	28.0	165.5	241.5	200.5

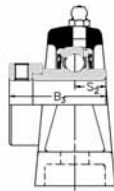
Please check availability



SL-A



SL-EC



SL-DEC

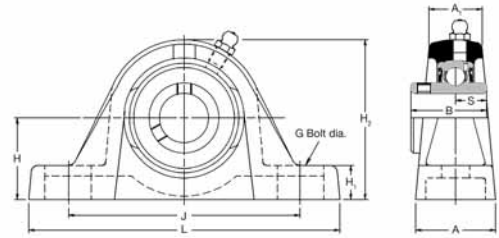
Bearing inserts with flinger seals shown on pages 91 and 92 can be fitted into these housings. The unit reference has the suffix 'FS', e.g. SL35FS.

Triple seal bearing inserts shown on pages 88 to 90 can be fitted into these housings. The unit reference has a prefix 'T', e.g. TSL35.

	Dimensions (mm)										ISO load ratings		Rec max. speed	Mass (approx.)
	G	A	A1	B	B1	B2	B3	s	s1	s2	dynamic Cr newtons	static Cor newtons	rev/min	kg
	10	30.5	20.5	27.38	–	28.63	–	11.58	6.53	–	9550	4800	7000	0.5
	10	32.0	22.5	31.00	25.80	31.03	43.73	12.73	7.53	17.13	12800	6650	6700	0.6
	10	36.0	24.5	34.10	27.30	31.03	44.43	14.33	7.53	17.53	14000	7880	6250	0.7
	12	41.0	27.5	38.10	31.20	35.73	48.43	15.93	9.03	18.33	19500	11300	5300	1.3
	12	44.5	30.5	42.90	34.90	38.93	51.13	17.53	9.53	18.83	25700	15300	4500	1.7
	12	51.0	34.5	49.20	41.20	43.73	56.33	19.03	11.03	21.43	32500	19900	4000	2.1
	12	54.0	35.0	49.20	41.20	43.73	56.33	19.04	11.04	21.43	32500	20500	3700	3.0
	12	55.0	36.0	51.60	43.50	43.73	62.73	19.04	11.04	24.64	35000	23200	3400	3.4
	16	60.0	39.5	55.60	–	–	71.42	22.24	–	27.84	43500	29200	3100	4.0
	16	70.0	46.0	65.10	–	–	77.84	25.44	–	31.04	48000	33000	2800	6.1
	16	70.0	45.0	65.10	–	–	85.74	25.44	–	34.14	57500	40000	2600	6.2
	20	74.0	47.5	77.80	–	–	92.14	33.34	–	37.34	66000	49500	2300	11.6

Self-Lube[®] cast iron pillow block units

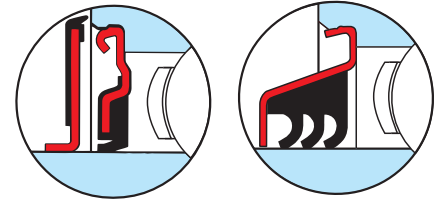
MP Series



MP

Shaft diameter		RHP designation	Basic bearing insert	Casting group	Dimensions (mm)				Bolt centres	
					L	H	H1	H2	J _{max}	J _{min}
mm	inches									
25	1	MP25 MP1	1030	1	160.5	44.45	19.3	84.3	127.5	108.5
30	1 ³ / ₁₆ 1 ¹ / ₄	MP30 MP1³/₁₆ MP1¹/₄	1035	2	166.0	47.60	17.5	93.0	136.5	121.5
35	1 ³ / ₈ 1 ⁷ / ₁₆	MP35 MP1³/₈ MP1⁷/₁₆	1040	3	203.2	53.98	23.0	107.5	160.0	135.0
40	1 ¹ / ₂	MP40 MP1¹/₂	1045	4	222.2	58.72	22.5	116.7	172.5	145.0
45	1 ¹¹ / ₁₆ 1 ³ / ₄	MP45 MP1¹¹/₁₆ MP1³/₄	1050	5	222.2	58.72	22.5	116.7	172.5	145.0
50	1 ⁷ / ₈ 1 ¹⁵ / ₁₆ 2	MP50 MP1⁷/₈ MP1¹⁵/₁₆ MP2	1055	6	219.5	63.50	24.8	129.5	178.5	162.5
55	2 ³ / ₁₆ 2 ¹ / ₄	MP55 MP2³/₁₆ MP2¹/₄	1060	7	249.5	69.85	26.2	142.2	201.0	179.0
60 65	2 ⁷ / ₁₆ 2 ¹ / ₂	MP60 MP65 MP2⁷/₁₆ MP2¹/₂	1070	8	266.0	76.20	27.0	153.0	224.5	189.5
65 70	2 ¹¹ / ₁₆ 2 ³ / ₄	MP65 MP70 MP2¹¹/₁₆ MP2³/₄	1075	9	330.2	88.90	28.6	177.8	255.6	206.0
75	2 ¹⁵ / ₁₆ 3	MP75 MP2¹⁵/₁₆ MP3	1080	10	330.2	88.90	31.8	184.2	255.6	228.0
80	3 ³ / ₁₆ 3 ¹ / ₄	MP80 MP3³/₁₆ MP3¹/₄	1085	11	381.0	101.60	31.8	203.2	317.5	260.0
85 90	3 ⁷ / ₁₆ 3 ¹ / ₂	MP85 MP90 MP3⁷/₁₆ MP3¹/₂	1090	12	381.0	101.60	33.3	209.6	319.1	246.1
95 100	3 ¹⁵ / ₁₆ 4	MP95 MP100 MP3¹⁵/₁₆ MP4	3095	13	431.8	127.00	33.3	254.0	371.5	301.6

Please check availability



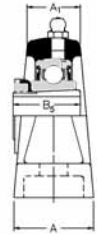
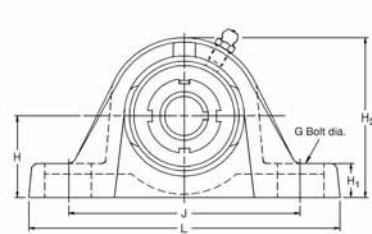
Bearing inserts with flinger seals shown on pages 91 and 92 can be fitted into these housings. The unit reference has the suffix 'FS', e.g. MP40FS.

Triple seal bearing inserts shown on pages 88 to 90 can be fitted into these housings. The unit reference has a prefix 'T', e.g. TMP40.

	Dimensions (mm)					ISO load ratings		Rec max. speed	Mass (approx.)
	G	A	A1	B	s	dynamic Cr newtons	static Cor newtons	rev/min	kg
	12	41.5	27.5	38.10	15.93	19500	11300	5300	1.3
	12	44.5	30.5	42.90	17.53	25700	15300	4500	1.7
	12	57.0	40.5	49.20	19.03	32500	19900	4000	2.7
	16	60.0	39.5	49.20	19.04	32500	20500	3700	3.2
	16	60.0	39.5	51.60	19.04	35000	23200	3400	3.2
	16	60.0	39.5	55.60	22.24	43500	29200	3100	4.0
	20	69.5	46.00	65.10	25.44	48000	33000	2800	7.1
	20	72.0	47.0	74.60	30.24	61000	45000	2450	9.3
	24	88.9	66.7	77.80	33.34	66000	49500	2300	13.4
	24	88.9	66.7	82.60	33.34	71500	54500	2150	14.3
	24	101.6	68.3	85.70	34.15	83000	64000	2000	18.2
	24	111.1	79.4	96.00	39.74	96000	71500	1900	23.4
	24	120.6	98.4	117.48	49.31	157000	122000	1600	34.4

Self-Lube[®] cast iron pillow block units with adapter sleeves

MP1000-K Series



MP 1000-K

Shaft diameter	RHP designation complete unit	Sleeve, nut & lockwasher only	Unit without sleeve, nut & lockwasher	Basic bearing	Casting group insert	Dimensions (mm)				Bolt centres	
						L	H	H1	H2	J _{max}	J _{min}
mm	inches										
25	MP1030-25K MP1030-1⁵/₁₆K MP1030-1K	H306 HE306-1⁵/₁₆ HE306-1	MP1030K	1030	1	160.5	44.45	19.3	87.4	127.5	108.5
30	MP1035-30K MP1035-1¹/₈K MP1035-1³/₁₆K	H307 HE307-1¹/₈ HE307-1³/₁₆	MP1035K	1035	2	166.0	47.60	17.5	93.0	136.5	121.5
35	MP1040-35K MP1040-1¹/₄K MP1040-1³/₈K	HE308 HE308-1¹/₄ HE308-1³/₈	MP1040K	1040	3	203.2	53.98	23.0	106.4	160.0	135.0
40	MP1045-40K MP1045-1⁷/₁₆K MP1045-1¹/₂K	HE309 HE309-1⁷/₁₆ HE309-1¹/₂	MP1045K	1045	4	222.2	58.72	22.5	116.7	172.5	145.0
45	MP1050-45K MP1050-1¹¹/₁₆K MP1050-1³/₄K	HE310 HE310-1¹¹/₁₆ HE310-2	MP1050K	1050	5	222.2	58.72	22.5	116.7	172.5	145.0
50	MP1055-50K MP1055-1¹⁵/₁₆K MP1055-2K	H311 HE311-1¹⁵/₁₆ HE311-2	MP1055K	1055	6	219.5	63.50	24.8	129.5	178.5	162.5

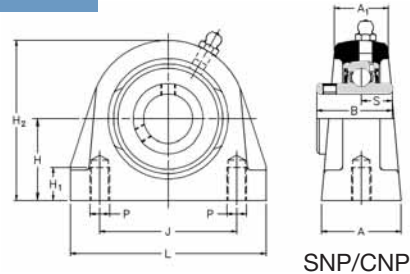
Please check availability

	Dimensions (mm)					ISO load ratings		Rec max. speed	Mass (approx.)
	G	A	A1	B5	d4	dynamic Cr newtons	static Cor newtons	rev/min	kg
	12	41.5	27.5	31.00	45.00	19500	11300	5300	1.3
	12	44.5	30.5	35.00	52.00	25700	15300	4500	1.7
	12	57.0	40.5	36.00	58.00	32500	19900	4000	2.7
	16	60.0	39.5	39.00	65.00	32500	20500	3700	3.2
	16	60.0	39.5	42.00	70.00	35000	23200	3400	3.2
	16	60.0	39.5	45.00	75.00	43500	29200	3100	4.0

Self-Lube[®] short base cast iron pillow block units

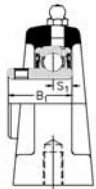
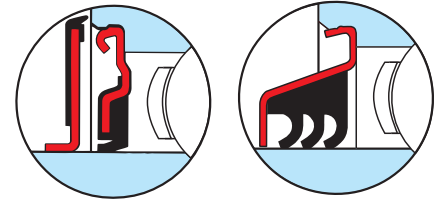
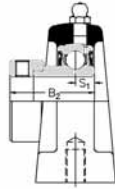
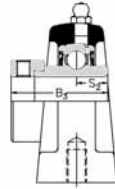
SNP Series (metric thread)
CNP Series (UNC thread)**

**These units are identical to SNP series except for thread details



Shaft diameter		RHP designation				Basic bearing insert	Casting group	Dimensions (mm)				Bolt centres	
mm	inches							L	H	H1	H2	J	SNP
20	3/4	SNP20 SNP3/4	SNP20A SNP3/4A	SNP20EC SNP3/4EC	SNP20DEC SNP3/4DEC	1020	2	65.0	33.30	13.5	65.8	50.8	M8x1.25
25	7/8 15/16 1	SNP25 SNP7/8 SNP15/16 SNP1	SNP25A SNP1A	SNP25EC SNP7/8EC SNP15/16EC SNP1EC	SNP25DEC SNP7/8DEC SNP15/16DEC SNP1DEC	1025	3	70.0	36.50	13.5	71.5	50.8	M10x1.50
30	1 1/8 1 3/16 1 1/4	SNP30 SNP1 1/8 SNP1 3/16 SNP1 1/4R	SNP30A SNP1 1/4AR	SNP30EC SNP1 1/8EC SNP1 3/16EC SNP1 1/4ECR	SNP30DEC SNP1 1/8DEC SNP1 3/16DEC SNP1 1/4DECR	1030	4	96.0	42.90	16.5	83.9	76.2	M10x1.50
35	1 1/4 1 3/8 1 7/16	SNP35 SNP1 1/4 SNP1 3/8 SNP1 7/16	SNP35A SNP1 1/4A	SNP35EC SNP1 1/4EC SNP1 3/8EC SNP1 7/16EC	SNP35DEC SNP1 1/4DEC SNP1 3/8DEC SNP1 7/16DEC	1035	5	110.0	47.60	19.5	95.6	82.6	M10x1.50
40	1 1/2	SNP40 SNP1 1/2	SNP40A SNP1 1/2A	SNP40EC SNP1 1/2EC	SNP40DEC SNP1 1/2DEC	1040	6	118.0	49.20	19.5	101.7	88.9	M12x1.75
45	1 5/8 1 11/16 1 3/4	SNP45 SNP1 5/8 SNP1 11/16 SNP1 3/4	SNP45A SNP1 3/4A	SNP45EC SNP1 5/8EC SNP1 11/16EC SNP1 3/4EC	SNP45DEC SNP1 5/8DEC SNP1 11/16DEC SNP1 3/4DEC	1045	7	127.0	54.00	19.5	110.0	95.3	M12x1.75
50	1 7/8 1 15/16 2	SNP50 SNP1 7/8 SNP1 15/16 SNP2R	SNP50A	SNP50EC SNP1 7/8EC SNP1 15/16EC	SNP50DEC SNP1 7/8DEC SNP1 15/16DEC	1050	8	135.0	57.20	23.5	115.0	101.6	M16x2.00
55	2 2 1/8 2 3/16	SNP55 SNP2 SNP2 1/8 SNP2 3/16			SNP55DEC SNP2DEC SNP2 1/8DEC SNP2 3/16DEC	1055	9	154.0	63.50	26.5	130.0	118.0	M16x2.00
60	2 1/4 2 3/8 2 7/16	SNP60 SNP2 1/4 SNP2 3/8 SNP2 7/16			SNP60DEC SNP2 1/4DEC SNP2 3/8DEC SNP2 7/16DEC	1060	10	154.0	69.90	26.5	141.5	118.0	M16x2.00

Please check availability


 SNP-A
CNP-A

 SNP-EC
CNP-EC

 SNP-DEC
CNP-DEC

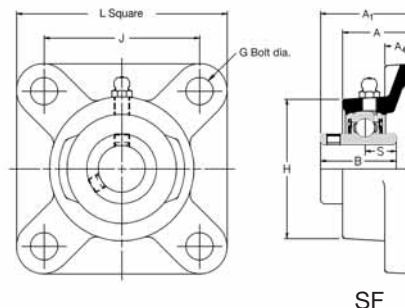
Bearing inserts with flinger seals shown on pages 91 and 92 can be fitted into these housings. The unit reference has the suffix 'FS', e.g. SNP25FS.

Triple seal bearing inserts shown on pages 88 to 90 can be fitted into these housings. The unit reference has a prefix 'T', e.g. TSNP25.

P	Dimensions (mm)										ISO load ratings		Rec max. speed	Mass (approx.)
	CNP	A	A1	B	B1	B2	B3	s	s1	s2	dynamic Cr newtons	static Cor newtons	rev/min	kg
$\frac{3}{8}$ -16UNC	32.0	22.5	31.00	25.80	31.03	43.73	12.73	7.53	17.13	12800	6650	6700	0.9	
$\frac{3}{8}$ -16UNC	36.0	25.0	34.10	27.30	31.03	44.43	14.33	7.53	17.53	14000	7880	6250	1.2	
$\frac{7}{16}$ -14UNC	40.0	26.5	38.10	31.20	35.73	48.43	15.93	9.03	18.33	19500	11300	5300	1.8	
$\frac{1}{2}$ -13UNC	45.0	30.0	42.90	34.90	38.93	51.13	17.53	9.53	18.83	25700	15300	4500	2.4	
$\frac{1}{2}$ -13UNC	47.0	32.0	49.20	41.20	43.73	56.33	19.03	11.03	21.43	32500	19900	4000	2.8	
$\frac{1}{2}$ -13UNC	48.0	33.0	49.20	41.20	43.73	56.33	19.04	11.04	21.43	32500	20500	3700	3.5	
$\frac{5}{8}$ -11UNC	54.0	34.0	51.60	43.50	43.73	62.73	19.04	11.04	24.64	35000	23200	3400	3.3	
$\frac{5}{8}$ -11UNC	60.0	41.5	55.60	–	–	71.42	22.24	–	27.84	43500	29200	3100	4.0	
$\frac{5}{8}$ -11UNC	60.0	41.5	65.10	–	–	77.84	25.44	–	31.04	48000	33000	2800	4.6	

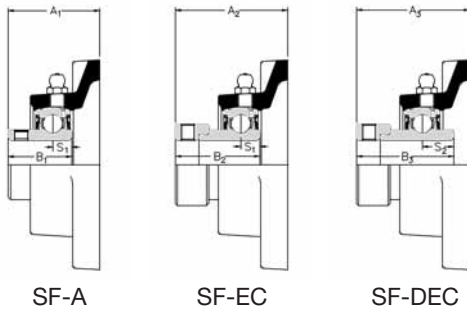
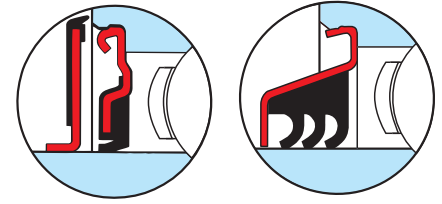
Self-Lube[®] cast iron flange bearing units

SF Series



Shaft diameter		RHP designation				Basic bearing insert	Casting group	Dimensions (mm)					
mm	inches							L	H	J	G	A	A1
12 15 16 17	1/2 5/8	SF12 SF15 SF16 SF17 SF1/2 SF5/8		SF12EC SF15EC SF16EC SF17EC SF1/2EC SF5/8EC		1017	1	76.2	52.5	54.00	10	24.6	32.87
20	3/4	SF20 SF3/4	SF20A SF3/4A	SF20EC SF3/4EC	SF20DEC SF3/4DEC	1020	2	85.7	60.3	63.50	10	27.8	37.26
25	7/8 15/16 1	SF25 SF7/8 SF15/16 SF1	SF25A SF1A	SF25EC SF7/8EC SF15/16EC SF30EC	SF25DEC SF7/8DEC SF15/16DEC SF1DEC	1025	3	95.3	68.0	70.00	10	28.6	38.84
30	1 1/8 1 3/16 1 1/4	SF30 SF1 1/8 SF1 3/16 SF1 1/4R	SF30A SF1 1/4AR	SF1EC SF1 1/8EC SF1 3/16EC SF1 1/4ECR	SF30DEC SF1 1/8DEC SF1 3/16DEC SF1 1/4DECR	1030	4	108.0	82.6	82.50	10	29.8	42.21
35	1 1/4 1 3/8 1 7/16	SF35 SF1 1/4 SF1 3/8 SF1 7/16	SF35A SF1 1/4A	SF35EC SF1 1/4EC SF1 3/8EC SF1 7/16EC	SF35DEC SF1 1/4DEC SF1 3/8DEC SF1 7/16DEC	1035	5	117.5	95.3	92.00	12	31.4	46.41
40	1 1/2	SF40 SF1 1/2	SF40A SF1 1/2A	SF40EC SF1 1/2EC	SF40DEC SF1 1/2DEC	1040	6	130.2	101.6	101.50	12	34.9	54.18
45	1 5/8 1 11/16 1 3/4	SF45 SF1 5/8 SF1 11/16 SF1 3/4	SF45A SF1 3/4A	SF45EC SF1 5/8EC SF1 11/16EC SF1 3/4EC	SF45DEC SF1 5/8DEC SF1 11/16DEC SF1 3/4DEC	1045	7	136.5	111.1	105.00	16	35.3	54.18
50	1 7/8 1 15/16 2	SF50 SF1 7/8 SF1 15/16 SF2R	SF50A	SF50EC SF1 7/8EC SF1 15/16EC	SF50DEC SF1 7/8DEC SF1 15/16DEC	1050	8	142.9	115.9	111.00	16	39.7	60.53
55	2 2 1/8 2 3/16	SF55 SF2 SF2 1/8 SF2 3/16			SF55DEC SF2DEC SF2 1/8DEC SF2 3/16DEC	1055	9	161.9	127.0	130.00	16	43.7	64.31
60	2 1/4 2 3/8 2 7/16	SF60 SF2 1/4 SF2 3/8 SF2 7/16			SF60DEC SF2 1/4DEC SF2 3/8DEC SF2 7/16DEC	1060	10	174.5	138.1	143.00	16	47.6	73.69
65	2 1/2	SF65R SF2 1/2			SF2 1/2DEC	1065	10/65	174.5	149.5	143.00	16	47.6	73.69
65 70	2 5/8 2 11/16	SF65 SF70 SF2 5/8 SF2 11/16			SF65DEC SF70DEC SF2 5/8DEC SF2 11/16DEC	1070	11	187.5	155.5	149.22	16	47.6	77.72
75	2 3/4 2 7/8 2 15/16 3	SF75 SF2 3/4 SF2 7/8 SF2 15/16 SF3			SF75DEC SF2 3/4DEC SF2 7/8DEC SF2 15/16DEC	1075	12	196.5	158.5	152.40	20	51.3	80.90

Please check availability



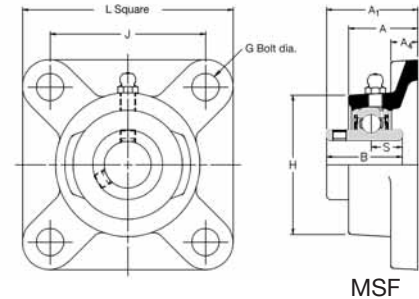
Bearing inserts with flinger seals shown on pages 91 and 92 can be fitted into these housings. The unit reference has the suffix 'FS', e.g. SF25FS.

Triple seal bearing inserts shown on pages 88 to 90 can be fitted into these housings. The unit reference has a prefix 'T', e.g. TSF25.

	Dimensions (mm)										ISO load ratings		Rec max. speed	Mass (approx.)
	A2	A3	A4	B	B1	B2	B3	s	s1	s2	dynamic Cr newtons	static Cor newtons	rev/min	kg
	39.01	–	9.5	27.38	–	28.63	–	11.58	6.53	–	9550	4800	7000	0.5
	42.42	45.54	11.1	31.00	25.80	31.03	43.73	12.73	7.53	17.13	12800	6650	6700	0.7
	42.42	45.95	11.1	34.10	27.30	31.03	44.43	14.33	7.53	17.53	14000	7880	6250	1.0
	46.66	50.90	12.7	38.10	31.20	35.73	48.43	15.93	9.03	18.33	19500	11300	5300	1.3
	50.34	53.31	12.7	42.90	34.90	38.93	51.13	17.53	9.53	18.83	25700	15300	4500	1.7
	56.52	58.90	12.7	49.20	41.20	43.73	56.33	19.03	11.03	21.43	32500	19900	4000	2.2
	56.62	58.90	14.3	49.20	41.20	43.73	56.33	19.03	11.03	21.43	32500	20500	3700	2.6
	60.60	66.07	14.3	51.60	43.50	43.73	62.73	19.04	11.04	24.64	35000	23200	3400	2.8
	–	74.57	17.5	55.60	–	–	71.42	22.24	–	27.84	43500	29200	3100	4.0
	–	80.77	17.5	65.10	–	–	77.84	25.44	–	31.04	48000	33000	2800	4.7
	–	80.77	18.0	65.10	–	–	85.74	25.44	–	34.14	57500	40000	2600	4.7
	–	84.86	18.0	74.60	–	–	85.74	30.24	–	34.14	61000	45000	2450	6.8
	–	91.21	23.0	77.80	–	–	92.14	33.34	–	37.34	66000	49500	2300	8.6

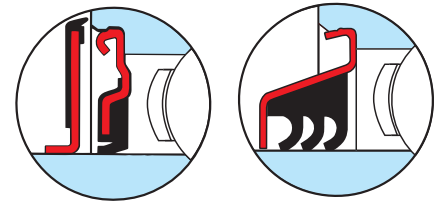
Self-Lube[®] cast iron flange bearing units

MSF Series



Shaft diameter		RHP designation	Basic bearing insert	Casting group	Dimensions (mm)		
mm	inches				L	H	J
25	1	MSF25 MSF1	1030	1	108.0	82.6	82.50
30	1 ³ / ₁₆ 1 ¹ / ₄	MSF30 MSF1³/₁₆ MSF1¹/₄	1035	2	117.5	95.3	92.00
35	1 ³ / ₈ 1 ⁷ / ₁₆	MSF35 MSF1³/₈ MSF1⁷/₁₆	1040	3	130.2	101.6	101.50
40	1 ¹ / ₂	MSF40 MSF1¹/₂	1045	4	136.5	111.1	105.00
45	1 ¹¹ / ₁₆ 1 ³ / ₄	MSF45 MSF1¹¹/₁₆ MSF1³/₄	1050	5	142.9	115.9	111.00
50	1 ⁷ / ₈ 1 ¹⁵ / ₁₆ 2	MSF50 MSF1⁷/₈ MSF1¹⁵/₁₆ MSF2	1055	6	161.9	127.0	130.00
55	2 ³ / ₁₆ 2 ¹ / ₄	MSF55 MSF2³/₁₆ MSF2¹/₄	1060	7	174.5	138.1	143.00
60	2 ⁷ / ₁₆ 2 ¹ / ₂	MSF60 MSF2⁷/₁₆ MSF2¹/₂	1070	8	187.6	155.5	149.22
65 70	2 ¹¹ / ₁₆ 2 ³ / ₄	MSF65 MSF70 MSF1¹¹/₁₆ MSF2³/₄	1075	9	196.5	158.5	152.40
75	2 ¹⁵ / ₁₆ 3	MSF75 MSF2¹⁵/₁₆ MSF3	1080	10	196.5	173.5	152.40
80	3 ³ / ₁₆ 3 ¹ / ₄	MSF80 MSF3³/₁₆ MSF3¹/₄	1085	11	213.5	184.0	171.45
85 90	3 ⁷ / ₁₆ 3 ¹ / ₂	MSF85 MSF90 MSF3⁷/₁₆ MSF3¹/₂	1090	12	213.5	196.5	171.45
95 100	3 ¹⁵ / ₁₆ 4	MSF95 MSF100 MSF3¹⁵/₁₆ MSF4	3095	13	267.5	235.5	211.12

Please check availability



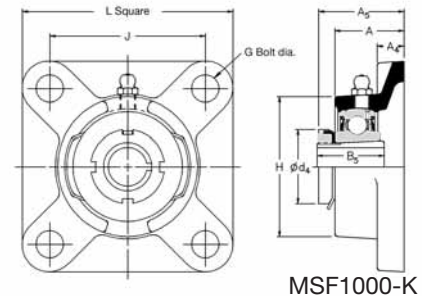
Bearing inserts with flinger seals shown on pages 91 and 92 can be fitted into these housings. The unit reference has the suffix 'FS', e.g. MSF35FS.

Triple seal bearing inserts shown on pages 88 to 90 can be fitted into these housings. The unit reference has a prefix 'T', e.g. TMSF35.

	Dimensions (mm)						ISO load ratings		Rec max. speed	Mass (approx.)
	G	A	A1	A4	B	s	dynamic Cr newtons	static Cor newtons	rev/min	kg
	10	29.8	42.21	12.7	38.10	15.93	19500	11300	5300	1.3
	12	31.4	46.41	12.7	42.90	17.53	25700	15300	4500	1.7
	12	34.9	54.18	12.7	49.20	19.03	32500	19900	4000	2.2
	16	35.3	54.18	14.3	49.20	19.03	32500	20500	3700	2.6
	16	39.7	60.53	14.3	51.60	19.04	35000	23200	3400	2.8
	16	43.7	64.31	17.5	55.60	22.24	43500	29200	3100	4.0
	16	47.6	73.69	17.5	65.10	25.44	48000	33000	2800	4.7
	16	47.6	77.20	18.0	74.60	30.24	61000	45000	2450	6.8
	20	51.3	80.90	23.0	77.80	33.34	66000	49500	2300	8.6
	20	55.0	88.87	23.0	82.60	33.34	71500	54500	2150	9.3
	20	54.3	89.64	26.0	85.70	34.15	83000	64000	2000	11.1
	20	61.7	100.76	26.0	96.00	39.74	96000	71500	1900	13.2
	24	83.5	126.95	32.0	117.48	49.31	157000	122000	1600	24.7

Self-Lube[®] cast iron flange bearing units with adapter sleeves

MSF 1000-K Series



MSF1000-K

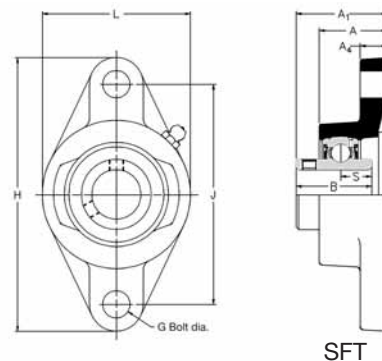
Shaft diameter	RHP designation complete unit	Sleeve, nut & lockwasher only	Unit without sleeve, nut & lockwasher	Basic bearing	Casting group insert	Dimensions (mm)		
						L	H	J
mm	inches							
20	MSF1025-20K MSF1025-³/₄K	H305 HE305³/₄	MSF1025K	1025	SF3	95.3	68.0	70.0
25	MSF1030-25K MSF1030-¹⁵/₁₆K MSF1030-1K	H306 HE306-¹⁵/₁₆ HE306-1	MP1030K	1030	1	108.0	82.6	82.5
30	MSF1035-30K MSF1035-1¹/₈K MSF1035-1³/₁₆K	H307 HE307-1¹/₈ HE307-1³/₁₆	MP1035K	1035	2	117.5	95.3	92.0
35	MSF1040-35K MSF1040-1¹/₄K MSF1040-1³/₈K	H308 HE308-1¹/₄ HE308-1³/₈	MP1040K	1040	3	130.2	101.6	101.5
40	MSF1045-40K MSF1045-1⁷/₁₆K MSF1045-1¹/₂K	H309 HE309-1⁷/₁₆ HE309-1¹/₂	MP1045K	1045	4	136.5	111.1	105.0
45	MSF1050-45K MSF1050-1¹¹/₁₆K MSF1050-1³/₄K	H310 HE310-1¹¹/₁₆ HE310-1³/₄	MP1050K	1050	5	142.9	115.9	111.0
50	MSF1055-50K MSF1055-1¹⁵/₁₆K MSF1055-2K	H311 HE311-1¹⁵/₁₆ HE311-2	MP1055K	1055	6	161.9	127.0	130.0

Please check availability

	Dimensions (mm)						ISO load ratings		Rec max. speed	Mass (approx.)
	G	A	A4	A5	B5	d4	dynamic Cr newtons	static Cor newtons	rev/min	kg
	10	28.6	11.1	36.5	29.0	38.0	14000	7880	6250	1.0
	10	29.8	12.7	38.0	31.0	45.0	19500	11300	5300	1.3
	12	31.4	12.7	40.5	35.0	52.0	25700	15300	4500	1.7
	12	34.9	12.7	45.0	36.0	58.0	32500	19900	4000	2.2
	16	35.3	14.3	46.5	39.0	65.0	32500	20500	3700	2.6
	16	39.7	14.3	52.0	42.0	70.0	35000	23200	3400	2.8
	16	43.7	17.5	55.5	45.0	75.0	43500	29200	3100	4.0

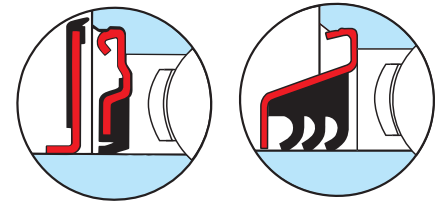
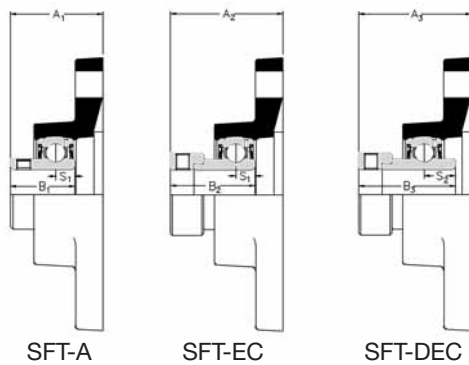
Self-Lube[®] cast iron flange bearing units

SFT Series



Shaft diameter		RHP designation	Basic bearing insert	Casting group	Dimensions (mm)						
					L	H	J	G	A	A1	
mm	inches										
12 15 16 17	$\frac{1}{2}$ $\frac{5}{8}$	SFT12 SFT15 SFT16 SFT17 SFT$\frac{1}{2}$ SFT$\frac{5}{8}$	SFT12EC SFT15EC SFT16EC SFT17A SFT$\frac{1}{2}$EC SFT$\frac{5}{8}$EC	1017	1	52.5	98.5	76.50	10	24.6	32.87
20	$\frac{3}{4}$	SFT20 SFT$\frac{3}{4}$	SFT20A SFT$\frac{3}{4}$A SFT20EC SFT$\frac{3}{4}$EC	1020	2	60.3	111.9	90.00	10	27.8	37.26
25	$\frac{7}{8}$ $\frac{15}{16}$ 1	SFT25 SFT$\frac{7}{8}$ SFT$\frac{15}{16}$ SFT1	SFT25A SFT25EC SFT$\frac{7}{8}$EC SFT$\frac{15}{16}$EC SFT1EC	1025	3	70.0	125.5	99.00	10	28.6	38.84
30	$\frac{1}{8}$ $\frac{13}{16}$ $\frac{1}{4}$	SFT30 SFT$\frac{1}{8}$ SFT$\frac{13}{16}$ SFT$\frac{1}{4}$R	SFT30A SFT30EC SFT$\frac{1}{8}$EC SFT$\frac{13}{16}$EC SFT$\frac{1}{4}$ECR	1030	4	82.6	141.3	116.50	10	29.8	42.21
35	$\frac{1}{4}$ $\frac{13}{8}$ $\frac{17}{16}$	SFT35 SFT$\frac{1}{4}$ SFT$\frac{13}{8}$ SFT$\frac{17}{16}$	SFT35A SFT$\frac{1}{4}$A SFT35EC SFT$\frac{1}{4}$EC SFT$\frac{13}{8}$EC SFT$\frac{17}{16}$EC	1035	5	95.5	155.5	130.00	12	31.4	46.41
40	$\frac{1}{2}$	SFT40 SFT$\frac{1}{2}$	SFT40A SFT$\frac{1}{2}$A SFT40EC SFT$\frac{1}{2}$EC	1040	6	104.5	171.4	143.50	12	34.9	54.18
45	$\frac{15}{8}$ $\frac{11}{16}$ $\frac{3}{4}$	SFT45 SFT$\frac{15}{8}$ SFT$\frac{11}{16}$ SFT$\frac{3}{4}$	SFT45A SFT45EC SFT$\frac{15}{8}$EC SFT$\frac{11}{16}$EC SFT$\frac{3}{4}$EC	1045	7	111.1	179.4	148.50	16	35.3	54.18
50	$\frac{17}{8}$ $\frac{115}{16}$ 2	SFT50 SFT$\frac{17}{8}$ SFT$\frac{115}{16}$ SFT2R	SFT50A SFT50EC SFT$\frac{17}{8}$EC SFT$\frac{115}{16}$EC	1050	8	115.9	188.9	157.00	16	39.7	60.53
55	2 $\frac{21}{8}$ $\frac{23}{16}$	SFT55 SFT2 SFT$\frac{21}{8}$ SFT$\frac{23}{16}$	SFT55DEC SFT2DEC SFT$\frac{21}{8}$DEC SFT$\frac{23}{16}$DEC	1055	9	127.0	215.9	184.00	16	43.7	64.31
60	$\frac{21}{4}$ $\frac{23}{8}$ $\frac{27}{16}$	SFT60 SFT$\frac{21}{4}$ SFT$\frac{23}{8}$ SFT$\frac{27}{16}$	SFT60DEC SFT$\frac{21}{4}$DEC SFT$\frac{23}{8}$DEC SFT$\frac{27}{16}$DEC	1060	10	138.1	235.0	202.00	16	47.6	73.69

Please check availability



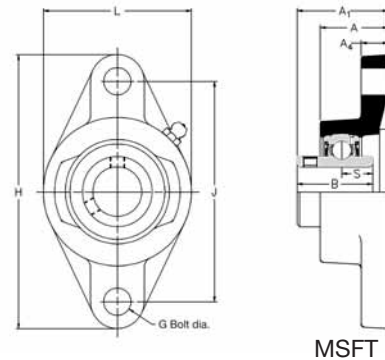
Bearing inserts with flinger seals shown on pages 91 and 92 can be fitted into these housings. The unit reference has the suffix 'FS', e.g. SFT25FS.

Triple seal bearing inserts shown on pages 88 to 90 can be fitted into these housings. The unit reference has a prefix 'T', e.g. TSFT25.

	Dimensions (mm)										ISO load ratings		Rec max. speed	Mass (approx.)
	A2	A3	A4	B	B1	B2	B3	s	s1	s2	dynamic Cr newtons	static Cor newtons	rev/min	kg
	39.01	–	9.5	27.38	–	28.63	–	11.58	6.53	–	9550	4800	7000	0.4
	42.42	45.54	11.1	31.00	25.80	31.03	43.73	12.73	7.53	17.13	12800	6650	6700	0.6
	42.42	45.95	11.1	34.10	27.30	31.03	44.43	14.33	7.53	17.53	14000	7880	6520	0.9
	46.66	50.09	12.7	38.10	31.20	35.73	48.43	15.93	9.03	18.33	19500	11300	5300	1.1
	50.34	53.34	12.7	42.90	34.90	38.93	51.13	17.53	9.53	18.83	25700	15300	4500	1.4
	56.62	58.90	12.7	49.20	41.20	43.73	56.33	19.03	11.03	21.43	32500	19900	4000	1.9
	56.62	58.90	14.3	49.20	41.20	43.73	56.33	19.04	11.03	21.43	32500	20500	3700	2.2
	60.60	66.07	14.3	51.60	43.50	43.73	62.73	19.04	11.04	24.64	35000	23200	3400	2.5
	–	74.57	17.5	55.60	–	–	71.42	22.24	–	27.84	43500	29200	3100	3.5
	–	80.77	17.5	65.10	–	–	77.84	25.44	–	31.04	48000	33000	2800	4.3

Self-Lube[®] cast iron flange bearing units

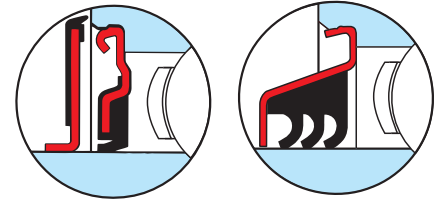
MSFT Series



MSFT

Shaft diameter		RHP designation	Basic bearing insert	Casting group	Dimensions (mm)		
mm	inches				L	H	J
25	1	MSFT25 MSFT1	1030	1	82.6	141.3	116.50
30	1 ³ / ₁₆ 1 ¹ / ₄	MSFT30 MSFT1³/₁₆ MSFT1¹/₄	1035	2	95.5	155.5	130.00
35	1 ³ / ₈ 1 ⁷ / ₁₆	MSFT35 MSFT1³/₈ MSFT1⁷/₁₆	1040	3	101.6	171.4	143.50
40	1 ¹ / ₂	MSFT40 MSFT1¹/₂	1045	4	111.1	179.4	148.50
45	1 ¹¹ / ₁₆ 1 ³ / ₄	MSFT45 MSFT1¹¹/₁₆ MSFT1³/₄	1050	5	115.9	188.9	157.00
50	1 ⁷ / ₈ 1 ¹⁵ / ₁₆ 2	MSFT50 MSFT1⁷/₈ MSFT1¹⁵/₁₆ MSFT2	1055	6	127.0	215.9	184.00
55	2 ³ / ₁₆	MSFT55 MSFT2³/₁₆	1060	7	138.1	235.0	202.00

Please check availability



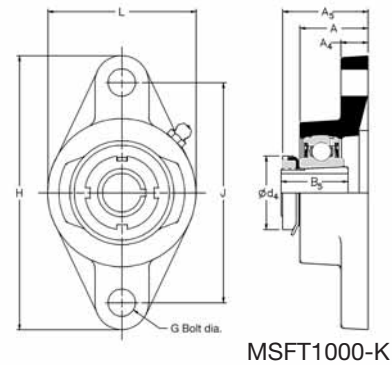
Bearing inserts with flinger seals shown on pages 91 and 92 can be fitted into these housings. The unit reference has the suffix 'FS', e.g. MSFT40FS.

Triple seal bearing inserts shown on pages 88 to 90 can be fitted into these housings. The unit reference has a prefix 'T', e.g. TMSFT40.

	Dimensions (mm)						ISO load ratings		Rec max. speed	Mass (approx.)
	G	A	A1	A4	B	s	dynamic Cr newtons	static Cor newtons	rev/min	kg
	10	29.8	42.21	12.7	38.10	15.93	19500	11300	5300	1.1
	12	31.4	46.41	12.7	42.90	17.53	25700	15300	4500	1.4
	12	34.9	54.18	12.7	49.20	19.03	32500	19900	4000	1.9
	16	35.3	54.18	14.3	49.20	19.04	32500	20500	3700	2.2
	16	39.7	60.53	14.3	51.60	19.04	35000	23200	3400	2.5
	16	43.7	64.31	17.5	55.60	22.24	43500	29200	3100	3.5
	16	47.6	73.69	17.5	65.10	25.44	48000	33000	2800	4.3

Self-Lube[®] cast iron flange bearing units with adapter sleeves

MSFT 1000-K Series



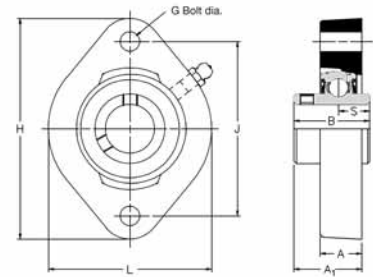
Shaft diameter	RHP designation complete unit	Sleeve, nut & lockwasher only	Unit without sleeve, nut & lockwasher	Basic bearing	Casting group insert	Dimensions (mm)		
						L	H	J
mm	inches							
20	MSFT1025-20K MSFT1025-³/₄K	H305 HE305-³/₄	MSFT1025K	1025	SFT3	68.3	123.8	99.0
25	MSFT1030-25K MSFT1030-¹⁵/₁₆K MSFT1030-1K	H306 HE306-¹⁵/₁₆ HE306-1	MSFT1030K	1030	1	82.6	141.3	116.5
30	MSFT1035-30K MSFT1035-1¹/₈K MSFT1035-1³/₁₆K	H307 HE307-1¹/₈ HE307-1³/₁₆	MSFT1035K	1035	2	95.5	155.5	130.0
35	MSFT1040-35K MSFT1040-1¹/₄K MSFT1040-1³/₈K	H308 HE308-1¹/₄ HE308-1³/₈	MSFT1040K	1040	3	101.6	171.4	143.5
40	MSFT1045-40K MSFT1045-1⁷/₁₆K MSFT1045-1¹/₂K	H309 HE309-1⁷/₁₆ HE309-1¹/₂	MSFT1045K	1045	4	111.1	179.4	148.5
45	MSFT1050-45K MSFT1050-1¹¹/₁₆K MSFT1050-1³/₄K	H310 HE310-1¹¹/₁₆ HE310-1³/₄	MSFT1050K	1050	5	115.9	188.9	157.0
50	MSFT1055-50K MSFT1055-1¹⁵/₁₆K MSFT1055-2K	H311 HE311-1¹⁵/₁₆ HE311-2	MSFT1055K	1055	6	127.0	215.9	184.0

Please check availability

	Dimensions (mm)						ISO load ratings		Rec max. speed	Mass (approx.)
	G	A	A4	A5	B5	d4	dynamic Cr newtons	static Cor newtons	rev/min	kg
	10	28.6	11.1	36.5	29.0	38.0	14000	7880	6250	0.9
	10	29.8	12.7	38.0	31.0	45.0	19500	11300	5300	1.1
	12	31.4	12.7	40.5	35.0	52.0	25700	15300	4500	1.4
	12	34.9	12.7	45.0	36.0	58.0	32500	19900	4000	1.9
	16	35.3	14.3	46.5	39.0	65.0	32500	20500	3700	2.2
	16	39.7	14.3	52.0	42.0	70.0	35000	23200	3400	2.5
	16	43.7	17.5	55.5	45.0	75.0	43500	29200	3100	3.5

Self-Lube[®] cast iron flange bearing units

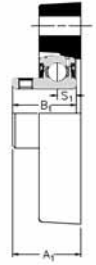
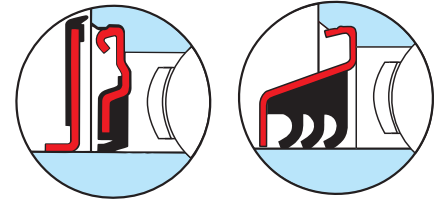
LFTC Series



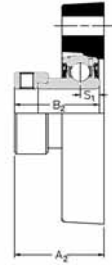
LFTC

Shaft diameter		RHP designation				Basic bearing insert	Casting group	Dimensions (mm)				
mm	inches							L	H	J	G	A
12		LFTC12		LFTC12EC		1017	1	58.5	81.0	63.5	6.0	15.0
15		LFTC15		LFTC15EC								
16		LFTC16		LFTC16EC								
17		LFTC17		LFTC17EC								
	1/2	LFTC1/2		LFTC1/2EC								
	5/8	LFTC5/8		LFTC5/8EC								
20		LFTC20	LFTC20A	LFTC20EC	LFTC20DEC	1020	2	66.5	90.5	71.5	8.0	17.0
	3/4	LFTC3/4	LFTC3/4A	LFTC3/4EC	LFTC3/4DEC							
25		LFTC25	LFTC25A	LFTC25EC	LFTC25DEC	1025	3	71.0	96.0	76.0	8.0	17.5
	7/8	LFTC7/8		LFTC7/8EC	LFTC7/8DEC							
	15/16	LFTC15/16		LFTC15/16EC	LFTC15/16DEC							
	1	LFTC1	LFTC1A	LFTC1EC	LFTC1DEC							
30		LFTC30	LFTC30A	LFTC30EC	LFTC30DEC	1030	4	84.0	112.0	90.5	10.0	20.5
	1/8	LFTC1/8		LFTC1/8EC	LFTC1/8DEC							
	13/16	LFTC13/16		LFTC13/16EC	LFTC13/16DEC							
	1/4	LFTC1/4	LFTC1/4A	LFTC1/4EC	LFTC1/4DEC							
35		LFTC35	LFTC 35A	LFTC35EC	LFTC35DEC	1035	5	93.0	125.0	100.0	10.0	22.0
	1/4	LFTC1/4L	LFTC1/4AL	LFTC1/4ECL	LFTC1/4DECL							
	3/8	LFTC3/8		LFTC3/8EC	LFTC3/8DEC							
	7/16	LFTC7/16		LFTC7/16EC	LFTC7/16DEC							

Please check availability



LFTC-A



LFTC-EC



LFTC-DEC

Bearing inserts with flinger seals shown on pages 91 and 92 can be fitted into these housings. The unit reference has the suffix 'FS', e.g. LFTC 7/8 FS.

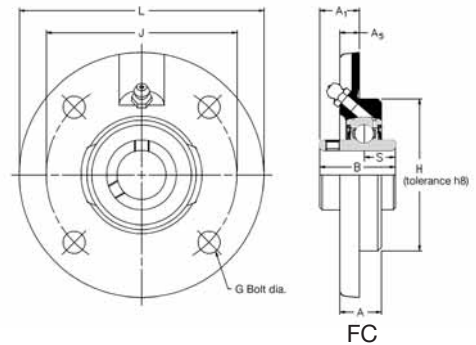
Triple seal bearing inserts shown on pages 88 to 90 can be fitted into these housings. The unit reference has a prefix 'T', e.g. TLFTC 7/8.

	Dimensions (mm)										ISO load ratings		Rec max. speed	Mass (approx.)
	A1	A2	A3	B	B1	B2	B3	s	s1	s2	dynamic Cr newtons	static Cor newtons	rev/min	kg
	24.27	30.43	–	27.38	–	28.63	–	11.58	6.53	–	9550	4800	7000	0.3
	27.76	32.92	36.04	31.00	25.80	31.03	43.73	12.73	7.53	17.13	12800	6650	6700	0.4
	29.24	32.82	36.35	34.00	27.30	31.03	44.43	14.33	7.53	17.53	14000	7880	6250	0.5
	33.62	38.07	41.50	38.10	31.20	35.73	48.43	15.93	9.03	18.33	19500	11300	5300	0.8
	37.80	41.74	44.71	42.90	34.90	38.93	51.13	17.53	9.53	18.83	25700	15300	4500	1.1

Self-Lube[®] cast iron flange cartridge bearing units

FC Series

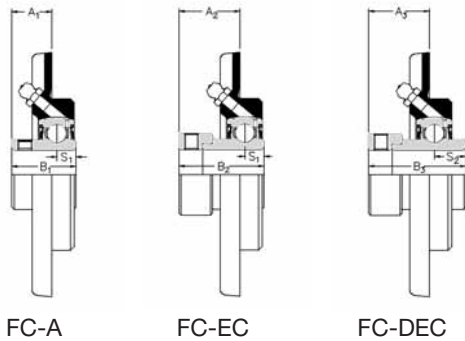
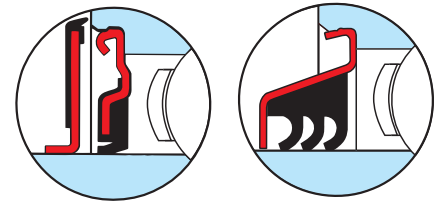
For housing tolerances to suit spigot 'H' see page 21



Note: Relubrication hole - M5 x 0.8 pitch

Shaft diameter		RHP designation				Basic bearing insert	Casting group	Dimensions (mm)					
								L	H	J	G	A	A1
mm	inches												
20	3/4	FC20 FC3/4	FC20A FC3/4A	FC20EC FC3/4EC	FC20DEC FC3/4DEC	1020	2	100.0	62.0	78.0	8	17.0	16.29
25	7/8 15/16 1	FC25 FC7/8 FC15/16 FC1	FC25A FC1A	FC25EC FC7/8EC FC15/16EC FC1EC	FC25DEC FC7/8DEC FC15/16DEC FC1DEC	1025	3	115.0	70.0	90.0	8	19.0	17.34
30	1 1/8 1 3/16 1 1/4	FC30 FC1 1/8 FC1 3/16 FC1 1/4	FC30A FC1 1/4AR	FC30EC FC1 1/8C FC1 3/16EC FC1 1/4ECR	FC30DEC FC1 1/8DEC FC1 3/16DEC FC1 1/4DECR	1030	4	125.0	80.0	100.0	10	20.5	20.22
35	1 1/4 1 3/8 1 7/16	FC35 FC1 1/4 FC1 3/8 FC1 7/16	FC35A FC1 1/4A	FC35EC FC1 1/4EC FC1 3/8EC FC1 7/16EC	FC35DEC FC1 1/4DEC FC1 3/8DEC FC1 7/16DEC	1035	5	135.0	90.0	110.0	10	20.5	24.40
40	1 1/2	FC40 FC1 1/2	FC40A FC1 1/2A	FC40EC FC1 1/2EC	FC40DEC FC1 1/2DEC	1040	6	145.0	100.0	120.0	10	23.0	29.18
45	1 5/8 1 11/16 1 3/4	FC45 FC1 5/8 FC1 11/16 FC1 3/4	FC45A FC1 3/4A	FC45EC FC1 5/8EC FC1 11/16EC FC1 3/4EC	FC45DEC FC1 5/8DEC FC1 11/16DEC FC1 3/4DEC	1045	7	155.0	105.0	130.0	12	25.0	28.18
50	1 7/8 1 15/16 2	FC50 FC1 7/8 FC1 15/16 FC2R	FC50A	FC50EC FC1 7/8EC FC1 15/16EC	FC50DEC FC1 7/8DEC FC1 15/16DEC	1050	8	165.0	110.0	135.0	12	25.0	31.52
55	2 2 1/8 2 3/16	FC55 FC2 FC2 1/8 FC2 3/16			FC55DEC FC2DEC FC2 1/8DEC FC2 3/16DEC	1055	9	185.0	125.0	150.0	16	27.5	33.30
60	2 1/4 2 3/8 2 7/16	FC60 FC2 1/4 FC2 3/8 FC2 7/16			FC60DEC FC2 1/4DEC FC2 3/8DEC FC2 7/16DEC	1060	10	195.0	135.0	160.0	16	29.0	38.65

Please check availability



FC-A

FC-EC

FC-DEC

Bearing inserts with flinger seals shown on pages 91 and 92 can be fitted into these housings. The unit reference has the suffix 'FS', e.g. FC40FS.

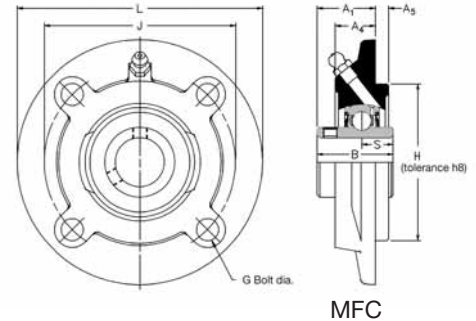
Triple seal bearing inserts shown on pages 88 to 90 can be fitted into these housings. The unit reference has a prefix 'T', e.g. TFC40.

	Dimensions (mm)										ISO load ratings		Rec max. speed	Mass (approx.)
	A2	A3	A5	B	B1	B2	B3	s	s1	s2	dynamic Cr newtons	static Cor newtons	rev/min	kg
	21.45	24.57	8.00	31.00	25.80	31.03	43.73	12.73	7.53	17.13	12800	6650	6700	0.7
	20.86	24.41	9.00	34.10	27.30	31.03	44.43	14.33	7.53	17.53	14000	7880	6250	0.9
	24.64	28.10	9.50	38.10	31.20	35.73	48.43	15.93	9.03	18.33	19500	11300	5300	1.1
	28.33	31.29	10.00	42.90	34.90	38.93	51.13	17.53	9.53	18.83	25700	15300	4500	1.5
	31.59	33.88	11.50	49.20	41.20	43.73	56.33	19.03	11.03	21.43	32500	19900	4000	1.8
	30.59	32.88	12.00	49.20	41.20	43.73	56.33	19.04	11.04	21.43	32500	20500	3700	2.2
	31.63	37.14	13.00	51.60	43.50	43.73	62.73	19.04	11.04	24.64	35000	23200	3400	2.8
	–	43.72	15.00	55.60	–	–	71.42	22.24	–	27.84	43500	29200	3100	4.0
	–	45.89	16.00	65.10	–	–	77.84	25.44	–	31.04	48000	33000	2800	4.7

Self-Lube[®] cast iron flange cartridge bearing units

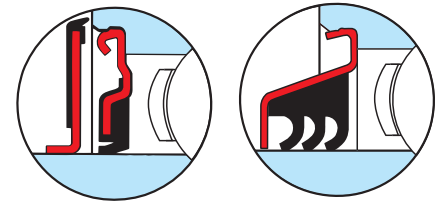
MFC Series

For housing tolerances to suit spigot 'H' see page 21



Shaft diameter		RHP designation	Basic bearing insert	Casting group	Dimensions (mm)		
					L	H	J
mm	inches						
25	1 1¼	MFC25 MFC1 MFC1¼R	1030	1	111.1	76.2	92.1
30	1⅜ 1¼	MFC30 MFC1⅜ MFC1¼	1035	2	127.0	85.7	104.8
35 40	1⅜ 1⅞ 1½	MFC35 MFC40 MFC1⅜ MFC1⅞ MFC1½	1040	3	133.4	92.1	111.1
45	1⅞ 1¾ 2	MFC45 MFC1⅞ MFC1¾ MFC2R	1050	4	155.6	108.0	130.2
50	1⅞ 1⅞ 2	MFC50 MFC1⅞ MFC1⅞ MFC2	1055	5	161.9	114.3	136.5
55	2⅞ 2¼	MFC55 MFC2⅞ MFC2¼	1060	6	181.0	127.0	152.4
60 65	2⅞ 2½	MFC60 MFC65R MFC2⅞ MFC2½	1070	7	193.7	139.7	165.1
65 70	2⅞ 2¾	MFC65R MFC70 MFC2⅞ MFC2¾	1075	8	222.2	161.9	190.5
75 80	2⅞ 3 ¾	MFC75 MFC80 MFC2⅞ MFC3 MFC¾	1080	9	222.2	161.9	190.5
85 90	3⅞ 3½	MFC85 MFC90 MFC3⅞ MFC3½	1090	10	260.4	187.3	219.1
95 100	3⅞ 4	MFC95 MFC100 MFC3⅞ MFC4	3095	11	298.4	228.6	260.4

Please check availability



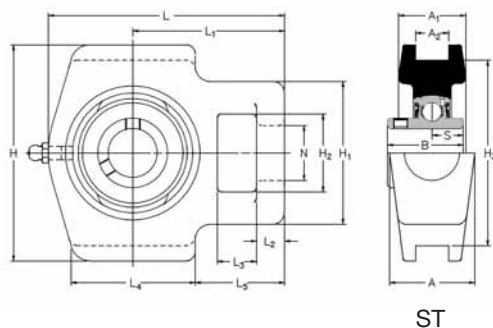
Bearing inserts with flinger seals shown on pages 91 and 92 can be fitted into these housings. The unit reference has the suffix 'FS', e.g. MFC30FS.

Triple seal bearing inserts shown on pages 88 to 90 can be fitted into these housings. The unit reference has a prefix 'T', e.g. TMFC30.

	Dimensions (mm)						ISO load ratings		Rec max. speed	Mass (approx.)
	G	A1	A4	A5	B	s	dynamic Cr newtons	static Cor newtons	rev/min	kg
	8	33.32	21.0	6.4	38.10	15.93	19500	11300	5300	1.4
	10	33.32	19.0	6.4	42.90	17.53	25700	15300	4500	1.5
	10	38.10	19.0	6.4	49.20	19.03	32500	19900	4000	1.9
	10	39.67	19.0	6.4	51.60	19.04	35000	23200	3400	2.7
	10	39.67	19.0	6.4	55.60	22.24	43500	29200	3100	3.0
	12	42.85	15.9	9.5	65.10	25.44	48000	33000	2800	3.4
	12	46.02	15.9	12.7	74.60	30.24	61000	45000	2450	4.5
	16	50.80	21.0	12.7	77.80	33.34	66000	49500	2300	5.9
	16	50.80	16.7	12.7	82.60	33.34	71500	54500	2150	5.4
	20	67.46	29.4	12.7	96.00	39.74	96000	71500	1900	9.8
	20	88.90	46.0	12.7	117.48	49.31	157000	122000	1600	17.7

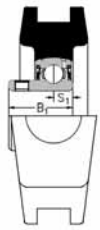
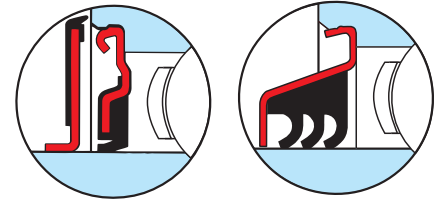
Self-Lube[®] cast iron take-up bearing units

ST Series

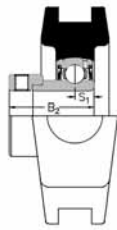


Shaft diameter		RHP designation				Basic bearing insert	Casting group	Dimensions (mm)							
								L	L1	L2	L3	L4	L5	H	
mm	inches														
20	3/4	ST20 ST3/4	ST20A ST3/4A	ST20EC ST3/4EC	ST20DEC ST3/4DEC	1020	2	96.5	62.0	11.5	16.0	50.5	36.5	88.5	
25	7/8 15/16 1	ST25 ST7/8 ST15/16 ST1	ST25A ST1A	ST25EC ST7/8EC ST15/16EC ST1EC	ST25DEC ST7/8DEC ST15/16DEC ST1DEC	1025	3	98.0	62.0	11.5	16.0	50.5	36.5	88.5	
30	1 1/8 1 3/16 1 1/4	ST30 ST1 1/8 ST1 3/16 ST1 1/4R	ST30A ST1 1/4AR	ST30EC ST1 1/8EC ST1 3/16EC ST1 1/4ECR	ST30DEC ST1 1/8DEC ST1 3/16DEC ST1 1/4DECR	1030	4	115.5	71.7	12.5	16.5	64.5	43.0	101.5	
35	1 1/4 1 3/8 1 7/16	ST35 ST1 1/4 ST1 3/8 ST1 7/16	ST35A ST1 1/4A	ST35EC ST1 1/4EC ST1 3/8EC ST1 7/16EC	ST35DEC ST1 1/4DEC ST1 3/8DEC ST1 7/16DEC	1035	5	124.0	75.5	12.5	16.5	64.5	43.0	101.5	
40	1 1/2	ST40 ST1 1/2	ST40A ST1 1/2A	ST40EC ST1 1/2EC	ST40DEC ST1 1/2DEC	1040	6	143.5	89.2	15.5	20.5	81.5	50.5	118.0	
45	1 5/8 1 11/16 1 3/4	ST45 ST1 5/8 ST1 11/16 ST1 3/4	ST45A ST1 3/4	ST45EC ST1 5/8EC ST1 11/16EC ST1 3/4EC	ST45DEC ST1 5/8DEC ST1 11/16DEC ST1 3/4DEC	1045	7	147.0	89.2	15.5	20.5	81.5	50.5	118.0	
50	1 7/8 1 15/16 2	ST50 ST1 7/8 ST1 15/16 ST2R	ST50	ST50EC ST1 7/8EC ST1 15/16EC	ST50DEC ST1 7/8DEC ST1 15/16DEC	1050	8	151.0	90.5	15.5	20.5	81.5	50.5	118.0	
55	2 2 1/8 2 3/16	ST55 ST2 ST2 1/8 ST2 3/16			ST55DEC ST2DEC ST2 1/8DEC ST2 3/16DEC	1055	9	182.0	114.0	19.0	32.0	97.5	70.0	146.0	
60	2 1/4 2 3/8 2 7/16	ST60 ST2 1/4 ST2 3/8 ST2 7/16			ST60DEC ST2 1/4DEC ST2 3/8DEC ST2 7/16DEC	1060	10	192.0	119.0	19.0	32.0	97.5	70.0	146.0	
65 70	2 1/2 2 11/16	ST65 ST70 ST2 1/2 ST2 11/16			ST65DEC ST70DEC ST2 1/2DEC ST2 11/16DEC	1070	11	222.5	137.5	21.5	32.0	120.5	77.0	166.5	
75	2 3/4 2 7/8 2 15/16	ST75 ST2 3/4 ST2 7/8 ST2 15/16			ST75DEC ST2 3/4DEC ST2 7/8DEC ST2 15/16DEC	1075	12	222.5	137.5	21.5	32.0	120.5	77.0	166.5	
80	3 3 3/16	ST80 ST3 ST3 3/16				1080	13	231.5	139.5	20.5	32.0	125.0	74.0	184.0	
85	3 1/4 3 3/8 3 7/16	ST85 ST3 1/4 ST3 3/8 ST3 7/16				1085	14	260.5	162.0	28.5	38.0	140.0	90.5	198.5	

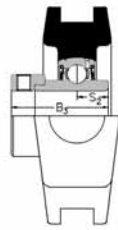
Please check availability



ST-A



ST-EC



ST-DEC

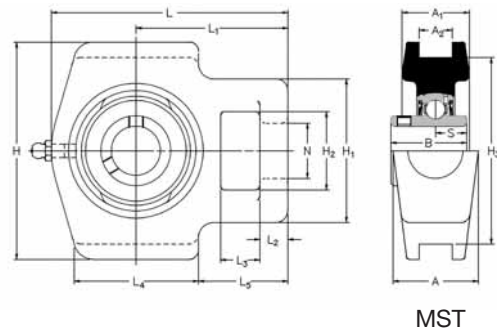
Bearing inserts with flinger seals shown on pages 91 and 92 can be fitted into these housings. The unit reference has the suffix 'FS', e.g. ST45FS.

Triple seal bearing inserts shown on pages 88 to 90 can be fitted into these housings. The unit reference has a prefix 'T', e.g. TST45.

	Dimensions (mm)														ISO load ratings		Rec max. speed	Mass (approx.)
	H1	H2	H3	N	A	A1	A2	B	B1	B2	B3	s	s1	s2	dynamic Cr newtons	static Cor newtons	rev/min	kg
	58.5	32.0	76.0	22.5	36.0	27.5	13.50	31.00	25.80	31.03	43.73	12.73	7.53	17.13	12800	6650	6700	0.8
	58.5	32.0	76.0	22.5	36.0	27.5	13.50	34.10	27.30	31.03	44.43	14.33	7.53	17.53	14000	7880	6250	1.0
	64.5	37.5	89.0	22.5	36.5	30.0	13.50	38.10	31.20	35.73	48.43	15.93	9.03	18.33	19500	11300	5300	1.6
	64.5	37.5	89.0	22.5	36.5	30.0	13.50	42.90	34.90	38.93	51.13	17.53	9.53	18.83	25700	15300	4500	1.6
	82.5	49.5	101.0	29.0	49.5	37.0	17.50	49.20	41.20	43.73	56.33	19.03	11.03	21.43	32500	19900	4000	2.7
	82.5	49.5	101.0	29.0	49.5	37.0	17.50	49.20	41.20	43.73	56.33	19.04	11.04	21.43	32500	20500	3700	2.8
	82.5	49.5	101.0	29.0	49.5	37.0	17.50	51.60	43.50	43.73	62.73	19.04	11.04	24.64	35000	23200	3400	2.8
	101.0	64.0	130.0	35.0	63.5	46.5	27.00	55.60	-	-	71.42	22.24	-	27.84	43500	29200	3100	4.2
	101.0	64.0	130.0	35.0	63.5	46.5	27.00	65.10	-	-	77.84	25.44	-	31.04	48000	33000	2800	5.4
	113.0	70.0	150.8	42.0	70.0	50.5	27.00	74.60	-	-	85.74	30.24	-	34.14	61000	45000	2450	7.9
	113.0	70.0	150.8	42.0	70.0	50.5	27.00	77.80	-	-	92.14	33.34	-	37.34	66000	49500	2300	8.4
	113.0	70.0	165.1	42.0	70.0	54.0	27.00	82.60	-	-	-	33.34	-	-	71500	54500	2150	9.0
	124.0	73.0	173.0	47.5	79.5	68.5	46.05	85.70	-	-	-	34.15	-	-	83000	64000	2000	13.7

Self-Lube[®] cast iron take-up bearing units

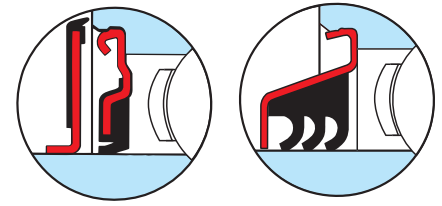
MST Series



Shaft diameter		RHP designation	Basic bearing insert	Casting group	Dimensions (mm)					
					L	L1	L2	L3	L4	L5
mm	inches									
25	1	MST25 MST1	1030	1	115.5	71.7	12.5	16.5	64.5	43.0
30	1 ³ / ₁₆ 1 ¹ / ₄	MST30 MST1³/₁₆ **	1035	2	124.0	75.5	12.5	16.5	64.5	43.0
35	1 ³ / ₈ 1 ⁷ / ₁₆	MST35 MST1³/₈ MST1⁷/₁₆	1040	3	143.5	89.2	15.5	20.5	81.5	50.5
40	1 ¹ / ₂	MST40 MST1¹/₂	1045	4	147.0	89.2	15.5	20.5	81.5	50.5
45	1 ¹¹ / ₁₆ 1 ³ / ₄	MST45 MST1¹¹/₁₆ MST1³/₄	1050	5	151.0	90.5	15.5	20.5	81.5	50.5
50	1 ⁷ / ₈ 1 ¹⁵ / ₁₆ 2	MST50 MST1⁷/₈ MST1¹⁵/₁₆ **	1055	6	182.0	114.0	19.0	32.0	97.5	70.0
55	2 ³ / ₁₆ 2 ¹ / ₄	MST55 MST2³/₁₆ **	1060	7	192.0	119.0	19.0	32.0	97.5	70.0
60	2 ⁷ / ₁₆ 2 ¹ / ₂	MST60 MST2⁷/₁₆ **	1070	8	222.5	137.5	21.5	32.0	120.5	77.0
65 70	2 ¹¹ / ₁₆ 2 ³ / ₄	MST65 MST70 MST2¹¹/₁₆ **	1075	9	222.5	137.5	21.5	32.0	120.5	77.0
75	2 ¹⁵ / ₁₆ 3	MST75 MST2¹⁵/₁₆ **	1080	10	231.5	139.5	20.5	32.0	125.0	74.0
80	3 ³ / ₁₆ 3 ¹ / ₄	MST80 MST3³/₁₆ **	1085	11	260.5	162.0	28.5	38.0	140.0	90.5
85 90	3 ⁷ / ₁₆ 3 ¹ / ₂	MST85 MST90 MST3⁷/₁₆ MST3¹/₂	1090	12	270.0	165.0	28.5	38.0	152.5	90.0
95 100	3 ¹⁵ / ₁₆ 4	MST95 MST100 MST3¹⁵/₁₆ MST4	3095	13	317.5	190.5	32.0	38.0	175.0	103.0

Please check availability

** For these bore sizes select from ST series (see page 56)



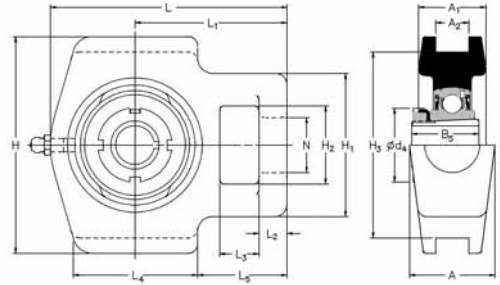
Bearing inserts with flinger seals shown on pages 91 and 92 can be fitted into these housings. The unit reference has the suffix 'FS', e.g. MST35FS.

Triple seal bearing inserts shown on pages 88 to 90 can be fitted into these housings. The unit reference has a prefix 'T', e.g. TMST35.

	Dimensions (mm)										ISO load ratings		Rec max. speed	Mass (approx.)
	H	H1	H2	H3	N	A	A1	A2	B	s	dynamic Cr newtons	static Cor newtons	rev/min	kg
	101.5	64.5	37.5	89.0	22.5	36.5	30.0	13.50	38.10	15.93	19500	11300	5300	1.6
	101.5	64.5	37.5	89.0	22.5	36.5	30.0	13.50	42.90	17.53	25700	15300	4500	1.6
	118.0	82.5	49.5	101.0	29.0	49.5	37.0	17.50	49.20	19.03	32500	19900	4000	2.7
	118.0	82.5	49.5	101.0	29.0	49.5	37.0	17.50	49.20	19.04	32500	20500	3700	2.8
	118.0	82.5	49.5	101.0	29.0	49.5	37.0	17.50	51.60	19.04	35000	23200	3400	2.8
	146.0	101.0	64.0	130.0	35.0	63.5	46.5	27.00	55.60	22.24	43500	29200	3100	4.2
	146.0	101.0	64.0	130.0	35.0	63.5	46.5	27.00	65.10	25.44	48000	33000	2800	5.4
	166.5	113.0	70.0	150.8	42.0	70.0	50.5	27.00	74.60	30.24	61000	45000	2450	7.9
	166.5	113.0	70.0	150.8	42.0	70.0	50.5	27.00	77.80	33.34	66000	49500	2300	8.4
	184.0	113.0	70.0	165.1	42.0	70.0	54.0	27.00	82.60	33.34	71500	54500	2150	9.0
	198.5	124.0	73.0	173.0	47.5	79.5	68.5	46.05	85.70	34.15	83000	64000	2000	13.7
	216.0	127.0	73.0	190.5	47.5	79.5	68.5	46.05	96.00	39.74	96000	71500	1900	16.8
	260.5	152.5	85.5	235.0	54.5	98.5	82.5	55.55	117.48	49.31	157000	122000	1600	22.2

Self-Lube[®] cast iron take-up bearing units with adapter sleeves

MST 1000-K Series



MST1000-K

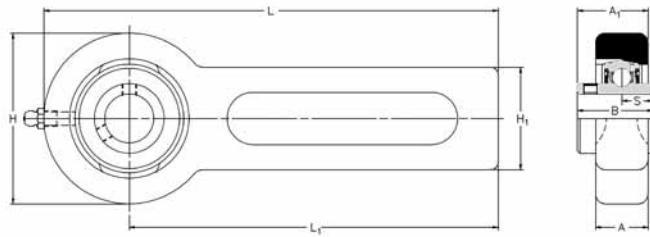
Shaft diameter	RHP designation complete unit	Sleeve, nut & lockwasher only	Units without sleeve, nut & lockwasher	Basic bearing	Casting group insert	Dimensions (mm)					
						L	H	J	G	A	A1
mm inches											
20 3/4	MST1025-20K MST1025-3/4K	H305 HE305-3/4	MST1025K	1025	ST3	98.0	62.0	11.5	16.0	50.5	36.5
25 15/16 1	MST1030-25K MST1030-15/16K MST1030-1K	H306 HE306-15/16 HE306-1	MST1030K	1030	1	115.5	71.7	12.5	16.5	64.5	43.0
30 1 1/8 1 3/16	MST1035-30K MST1035-1 1/8K MST1035-1 3/16K	H307 HE307-1 1/8 HE307-1 3/16	MST1035K	1035	2	124.0	75.5	12.5	16.5	64.5	43.0
35 1 1/4 1 3/8	MST1040-35K MST1040-1 1/4K MST1040-1 3/8K	H308 HE308-1 1/4 HE308-1 3/8	MST1040K	1040	3	143.5	89.2	15.5	20.5	81.5	50.5
40 1 7/16 1 1/2	MST1045-40K MST1045-1 7/16K MST1045-1 1/2K	H309 HE309-1 7/16 HE309-1 1/2	MST1045K	1045	4	147.0	89.2	15.5	20.5	81.5	50.5
45 1 11/16 1 3/4	MST1050-45K MST1050-1 11/16K MST1050-1 3/4K	H310 HE310-1 11/16 HE310-1 3/4	MST1050K	1050	5	151.0	90.5	15.5	20.5	81.5	50.5
50 1 15/16 2	MST1055-50K MST1055-1 15/16K MST1055-2K	H311 HE3011-1 15/16 HE3011-2	MST1055K	1055	6	182.0	114.0	19.0	32.0	97.5	70.0

Please check availability

	Dimensions (mm)										ISO load ratings		Rec max. speed	Mass (approx.)
	A2	A3	A5	B	B1	B2	B3	s	s1	s2	dynamic Cr newtons	static Cor newtons	rev/min	kg
	88.5	58.5	32.0	76.0	22.5	36.0	27.5	13.50	29.0	38.0	14000	7880	6250	1.0
	101.5	64.5	37.5	89.0	22.5	36.5	30.0	13.50	31.0	45.0	19500	11300	5300	1.6
	101.5	64.5	37.5	89.0	22.5	36.5	30.0	13.50	35.0	52.0	25700	15300	4500	1.6
	118.0	82.5	49.5	101.0	29.0	49.5	37.0	17.50	36.0	58.0	32500	19900	4000	2.7
	118.0	82.5	49.5	101.0	29.0	49.5	37.0	17.50	39.0	65.0	32500	20500	3700	2.8
	118.0	82.5	49.5	101.0	29.0	49.5	37.0	17.50	42.0	70.0	35000	23200	3400	2.8
	146.0	101.0	64.0	130.0	35.0	63.5	46.5	27.00	45.0	75.0	43500	29200	3100	4.2

Self-Lube[®] cast iron conveyor belt tensioner units

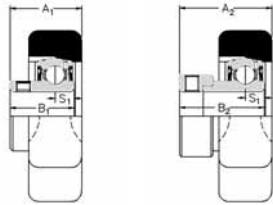
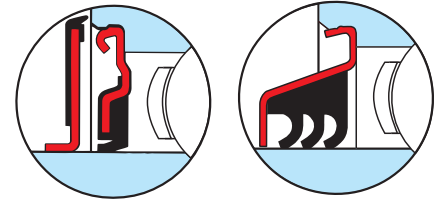
BT Series



BT

Shaft diameter		RHP designation			Basic bearing insert	Casting group	Dimensions (mm)			
mm	inches						H	H1	L	L1
25	$\frac{7}{8}$	BT25	BT25A	BT25EC	1025	3	78.0	42.5	264.0	225.0
	$\frac{15}{16}$	BT$\frac{7}{8}$		BT$\frac{7}{8}$EC						
	1	BT$\frac{15}{16}$	BT1A	BT$\frac{15}{16}$EC						
		BT1		BT1EC						
30	$1\frac{3}{16}$	BT30L			1035	5	98.0	42.5	274.0	225.0
35	$1\frac{1}{4}$	BT35	BT35A	BT35EC						
	$1\frac{3}{8}$	BT$1\frac{3}{16}$L	BT$1\frac{1}{4}$A	BT$1\frac{1}{4}$EC						
	$1\frac{1}{2}$	BT$1\frac{1}{4}$		BT$1\frac{1}{4}$EC						
	$1\frac{5}{8}$	BT$1\frac{3}{8}$		BT$1\frac{3}{8}$EC						
	$1\frac{7}{16}$	BT$1\frac{7}{16}$		BT$1\frac{7}{16}$EC						

Please check availability



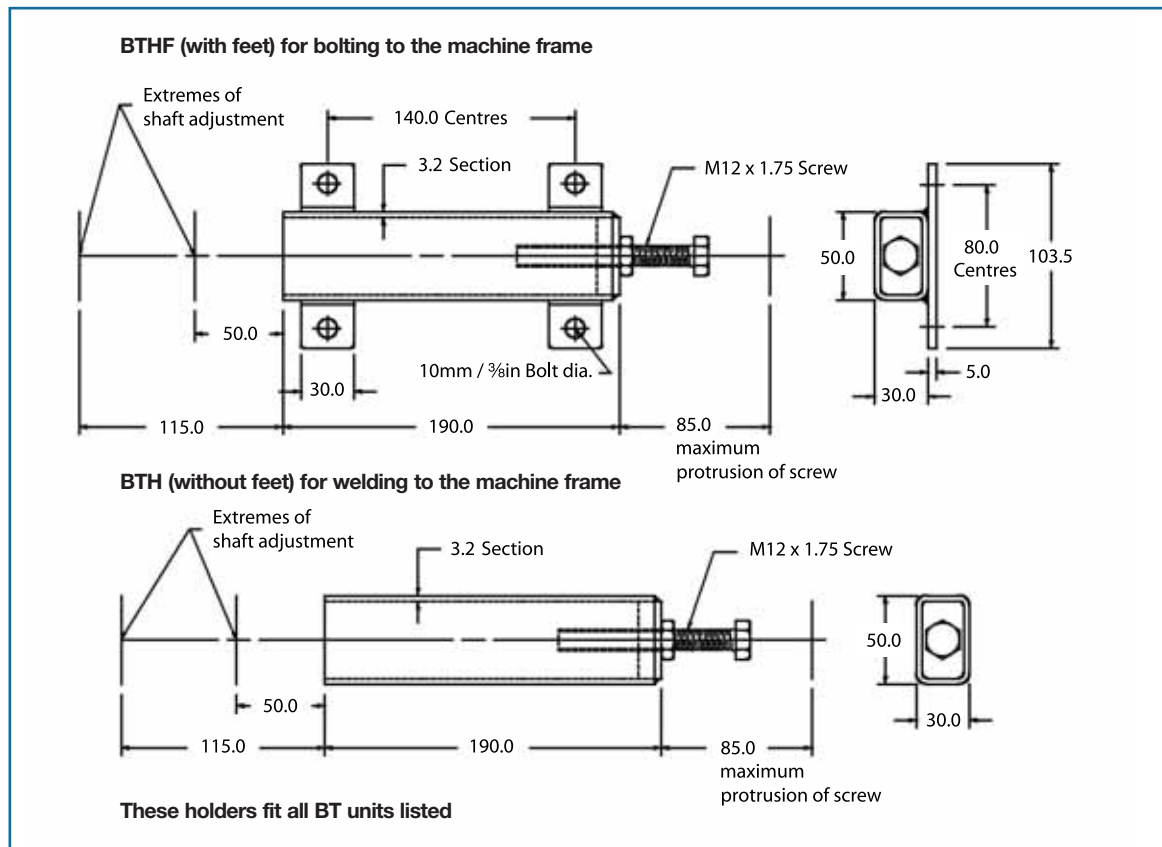
BT-A

BT-EC

Bearing inserts with flinger seals shown on pages 91 and 92 can be fitted into these housings. The unit reference has the suffix 'FS', e.g. BT35FS.

Triple seal bearing inserts shown on pages 88 to 90 can be fitted into these housings. The unit reference has a prefix 'T', e.g. TBT35.

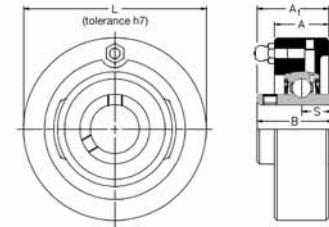
Dimensions (mm)									ISO load ratings		Rec max. speed	Mass (approx.)
A	A1	A2	B	B1	B2	s	s1		dynamic Cr newtons	static Cor newtons	rev/min	kg
22.0	30.57	34.20	34.10	27.30	31.03	14.33	7.53		14000	7880	6250	1.8
22.0	36.13	40.20	42.90	34.90	38.93	17.53	9.53		25700	15300	4500	2.3



Self-Lube[®] cast iron cartridge bearing units

SLC Series

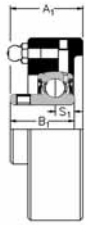
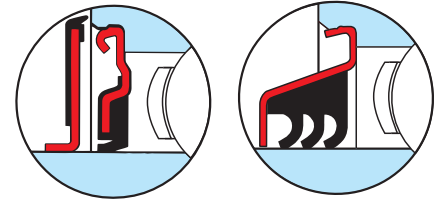
For housing tolerances to suit outside dia 'L' see page 21



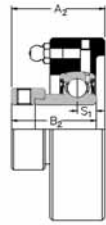
SLC

Shaft diameter		RHP designation				Basic bearing insert	Casting group	Dimensions (mm)			
mm	inches							L	A	A1	A2
12 15 16 17	$\frac{1}{2}$ $\frac{5}{8}$	SLC12 SLC15 SLC16 SLC17 SLC$\frac{1}{2}$ SLC$\frac{5}{8}$		SLC12EC SLC15EC SLC16EC SLC17EC SLC$\frac{1}{2}$EC SLC$\frac{5}{8}$EC		1017	1	68.287	22.22	24.21	30.35
20	$\frac{3}{4}$	SLC20 SLC$\frac{3}{4}$	SLC20A SLC$\frac{3}{4}$A	SLC20EC SLC$\frac{3}{4}$EC	SLC20DEC SLC$\frac{3}{4}$DEC	1020	2	74.367	22.22	29.39	34.54
25	$\frac{7}{8}$ $\frac{15}{16}$ 1	SLC25 SLC$\frac{7}{8}$ SLC$\frac{15}{16}$ SLC1	SLC25A SLC1A	SLC25EC SLC$\frac{7}{8}$EC SLC$\frac{15}{16}$EC SLC1EC	SLC25DEC SLC$\frac{7}{8}$DEC SLC$\frac{15}{16}$DEC SLC1DEC	1025	3	79.400	26.19	32.94	36.52
30	$\frac{1}{8}$ $\frac{13}{16}$ $\frac{1}{4}$	SLC30 SLC$\frac{1}{8}$ SLC$\frac{13}{16}$ SLC$\frac{1}{4}$R	SLC30A SLC$\frac{1}{4}$AR	SLC30EC SLC$\frac{1}{8}$EC SLC$\frac{13}{16}$EC SLC$\frac{1}{4}$ECR	SLC30DEC SLC$\frac{1}{8}$DEC SLC$\frac{13}{16}$DEC SLC$\frac{1}{4}$DECR	1030	4	88.925	27.78	36.12	40.56
35	$\frac{1}{4}$ $\frac{13}{16}$ $\frac{17}{16}$	SLC35 SLC$\frac{1}{4}$ SLC$\frac{13}{16}$ SLC$\frac{17}{16}$	SLC35A SLC$\frac{1}{4}$A	SLC35EC SLC$\frac{1}{4}$EC SLC$\frac{13}{16}$EC SLC$\frac{17}{16}$EC	SLC35DEC SLC$\frac{1}{4}$DEC SLC$\frac{13}{16}$DEC SLC$\frac{17}{16}$DEC	1035	5	98.450	30.96	40.87	44.81
40	$\frac{1}{2}$	SLC40 SLC$\frac{1}{2}$	SLC40A SLC$\frac{1}{2}$A	SLC40EC SLC$\frac{1}{2}$EC	SLC40DEC SLC$\frac{1}{2}$DEC	1040	6	106.387	37.31	48.84	51.28
45	$\frac{15}{8}$ $\frac{11}{16}$ $\frac{13}{4}$	SLC45 SLC$\frac{15}{8}$ SLC$\frac{11}{16}$ SLC$\frac{13}{4}$	SLC45A SLC$\frac{13}{4}$A	SLC45EC SLC$\frac{15}{8}$EC SLC$\frac{11}{16}$EC SLC$\frac{13}{4}$EC	SLC45DEC SLC$\frac{15}{8}$DEC SLC$\frac{11}{16}$DEC SLC$\frac{13}{4}$DEC	1045	7	111.150	36.51	48.44	50.88
50	$\frac{17}{8}$ $\frac{15}{16}$ 2	SLC50 SLC$\frac{17}{8}$ SLC$\frac{15}{16}$ SLC2R	SLC50A	SLC50EC SLC$\frac{17}{8}$EC SLC$\frac{15}{16}$EC	SLC50DEC SLC$\frac{17}{8}$DEC SLC$\frac{15}{16}$DEC	1050	8	115.913	37.31	51.18	51.28
55	2 $\frac{2}{8}$ $\frac{23}{16}$	SLC55 SLC2 SLC$\frac{2}{8}$ SLC$\frac{23}{16}$			SLC55DEC SLC2DEC SLC$\frac{2}{8}$DEC SLC$\frac{23}{16}$DEC	1055	9	125.437	40.48	53.57	–
60	$\frac{2}{4}$ $\frac{23}{8}$ $\frac{27}{16}$	SLC60 SLC$\frac{2}{4}$ SLC$\frac{23}{8}$ SLC$\frac{27}{16}$			SLC60DEC SLC$\frac{2}{4}$DEC SLC$\frac{23}{8}$DEC SLC$\frac{27}{16}$DEC	1060	10	149.250	41.28	60.30	–
65	$\frac{2}{2}$	SLC65 SLC$\frac{2}{2}$			SLC$\frac{2}{2}$DEC	1065	10/65	149.250	41.28	60.30	–

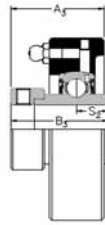
Please check availability



SLC-A



SLC-EC



SLC-DEC

Bearing inserts with flinger seals shown on pages 91 and 92 can be fitted into these housings. The unit reference has the suffix 'FS', e.g. SLC25FS.

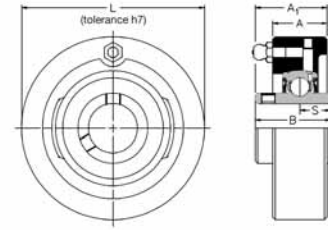
Triple seal bearing inserts shown on pages 88 to 90 can be fitted into these housings. The unit reference has a prefix 'T', e.g. TSLC25.

	Dimensions (mm)								ISO load ratings		Rec max. speed	Mass (approx.)
	A3	B	B1	B2	B3	s	s1	s2	dynamic Cr newtons	static Cor newtons	rev/min	kg
	-	27.38	-	28.63	-	11.58	6.53	-	9550	4800	7000	0.6
	37.67	31.00	25.80	31.03	43.73	12.73	7.53	17.13	12800	6650	6700	0.7
	40.06	34.10	27.30	31.03	44.43	14.33	7.53	17.53	14000	7880	6250	0.8
	43.99	38.10	31.20	35.73	48.43	15.93	9.03	18.33	19500	11300	5300	1.1
	47.78	42.90	34.90	38.93	51.13	17.53	9.53	18.83	25700	15300	4500	1.4
	53.57	49.20	41.20	43.73	56.33	19.03	11.03	21.43	32500	19900	4000	2.0
	53.16	49.20	41.20	43.73	56.33	19.04	11.04	21.43	32500	20500	3700	2.1
	56.72	51.60	43.50	43.73	62.73	19.04	11.04	24.64	35000	23200	3400	2.3
	63.83	55.60	-	-	71.42	22.24	-	27.82	43500	29200	3100	2.9
	67.39	65.10	-	-	77.84	25.44	-	31.04	48000	33000	2800	4.4
	67.39	65.10	-	-	85.74	25.44	-	34.14	57500	40000	2600	4.5

Self-Lube[®] cast iron cartridge bearing units

MSC Series

For housing tolerances
to suit outside dia 'L'
see page 21

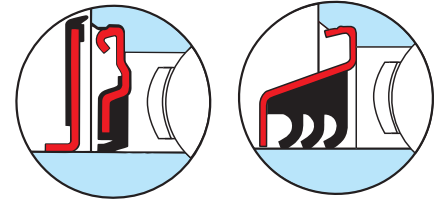


MSC

Shaft diameter		RHP designation	Basic bearing insert	Casting group	Dimensions (mm)	
mm	inches				L	A
25 30	1	MSC25 ** MSC1	1030	1	88.925	27.78
35	1 ³ / ₁₆ 1 ¹ / ₄	** MSC1³/₁₆ **	1035	2	98.450	30.96
40	1 ³ / ₈ 1 ⁷ / ₁₆	** MSC1³/₈ MSC1⁷/₁₆	1040	3	106.387	37.31
45	1 ¹ / ₂	** MSC1¹/₂	1045	4	111.150	36.51
50	1 ¹¹ / ₁₆ 1 ³ / ₄	** MSC1¹¹/₁₆ MSC1³/₄	1050	5	115.913	37.31
55	1 ⁷ / ₈ 1 ¹⁵ / ₁₆ 2	** MSC1⁷/₈ MSC1¹⁵/₁₆ **	1055	6	125.437	40.48
60	2 ³ / ₁₆ 2 ¹ / ₄	** MSC2³/₁₆ **	1060	7	149.250	41.28
65 70	2 ⁷ / ₁₆ 2 ¹ / ₂	MSC65 MCS70 MSC2⁷/₁₆ MSC2¹/₂	1070	8	158.775	50.80
75	2 ¹¹ / ₁₆ 2 ³ / ₄	MSC75 MSC2¹¹/₁₆ MSC2³/₄	1075	9	168.300	50.80
80	2 ¹⁵ / ₁₆ 3	MSC80 MSC2¹⁵/₁₆ MSC3	1080	10	177.825	55.56
85	3 ³ / ₁₆ 3 ¹ / ₄	MSC85 MSC3³/₁₆ MSC3¹/₄	1085	11	188.937	63.50
90	3 ⁷ / ₁₆ 3 ¹ / ₂	MSC90 MSC3⁷/₁₆ MSC3¹/₂	1090	12	207.987	63.50
95 100	3 ¹⁵ / ₁₆ 4	MSC95 MSC100 MSC3¹⁵/₁₆ MSC4	3095	13	241.325	76.20

Please check availability

** For these bore sizes select from SLC series (see page 64)



Bearing inserts with flinger seals shown on pages 91 and 92 can be fitted into these housings. The unit reference has the suffix 'FS', e.g. MSC 1 $\frac{3}{16}$ FS.

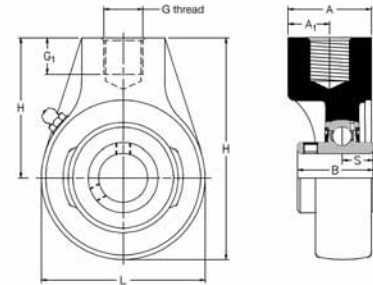
Triple seal bearing inserts shown on pages 88 to 90 can be fitted into these housings. The unit reference has a prefix 'T', e.g. T MSC 1 $\frac{3}{16}$.

	Dimensions (mm)			ISO load ratings		Rec max. speed	Mass (approx.)
	A1	B	s	dynamic Cr newtons	static Cor newtons	rev/min	kg
	36.12	38.10	15.93	19500	11300	5300	1.1
	40.87	42.90	17.53	25700	15300	4500	1.4
	48.84	49.20	19.03	32500	19900	4000	2.0
	48.44	49.20	19.04	32500	20500	3700	2.1
	51.18	51.60	19.04	35000	23200	3400	2.3
	53.57	55.60	22.24	43500	29200	3100	2.9
	60.30	65.10	25.44	48000	33000	2800	4.4
	69.80	74.60	30.24	61000	45000	2450	5.3
	69.80	77.80	33.34	66000	49500	2300	6.2
	76.99	82.60	33.34	71500	54500	2150	7.9
	83.29	85.70	34.15	83000	64000	2000	9.3
	88.06	96.00	39.74	96000	71500	1900	12.7
	106.38	117.48	49.31	157000	122000	1600	20.4

Self-Lube[®] cast iron hanger bearing units

SCHB Series (BSP thread)
SCH Series (metric thread)**

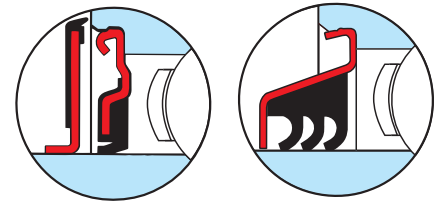
**These series units are identical to SCHB series except for thread details



SCHB (BSP thread)
SCH (metric thread)

Shaft diameter		RHP designation	Basic bearing insert	Casting group	Dimensions				
mm	inches				G (BSP)	G (metric)	G1 (mm)	L	
20	3/4	SCHB20 SCHB3/4	SCH20 SCH3/4	1020	0	1/2	M16 x 2.00	19.0	67.0
25 30	7/8 1 1 1/8	SCHB25 SCHB30 SCHB7/8 SCHB1 SCHB1 1/8	SCH25 SCH30 SCH7/8 SCH1 SCH1 1/8	1030	2/0	1/2	M20 x 2.50	16.0	89.0
35	1 3/16 1 1/4 1 3/8	SCHB35 SCHB1 3/16 SCHB1 1/4 SCHB1 3/8	SCH35 SCH1 3/16 SCH1 1/4 SCH1 3/8	1035	1	3/4	M24 x 3.00	19.0	97.0
40	1 7/16 1 1/2	SCHB40 SCHB1 7/16 SCHB1 1/2	SCH40 SCH1 7/16 SCH1 1/2	1040	2	3/4	M24 x 3.00	19.0	107.0
45 50	1 11/16 1 3/4 1 7/8 1 15/16 2	SCHB45 SCHB50 SCHB1 11/16 SCHB1 3/4 SCHB1 7/8 SCHB1 15/16 SCHB2	SCH45 SCH50 SCH1 11/16 SCH1 3/4 SCH1 7/8 SCH1 15/16 SCH2	1050	3	1	M24 x 3.00	21.0	121.0
55 60	2 3/16 2 1/4 2 3/8 2 7/16	SCHB55 SCHB60 SCHB2 3/16 SCHB2 1/4 SCHB2 3/8 SCHB2 7/16	SCH55 SCH60 SCH2 3/16 SCH2 1/4 SCH2 3/8 SCH2 7/16	1060	4	1 1/4	M42 x 4.50	29.0	146.5
	2 1/2	SCHB2 1/2	SCH2 1/2	1065	4/65	1 1/4	M42 x 4.50	29.0	143.0
65 70 75	2 11/16 2 3/4 2 7/8 2 15/16	SCHB65 SCHB70 SCHB75 SCHB2 11/16 SCHB2 3/4 SCHB2 7/8 SCHB2 15/16	SCH65 SCH70 SCH75 SCH2 11/16 SCH2 3/4 SCH2 7/8 SCH2 15/16	1075	5	1 1/2	M48 x 5.00	32.0	165.0
80	3 3 3/16	SCHB80 SCHB3 SCHB3 3/16	SCH80 SCH3 SCH3 3/16	1080	6	1 1/2	M48 x 5.00	32.0	174.5

Please check availability



Bearing inserts with flinger seals shown on pages 91 and 92 can be fitted into these housings. The unit reference has the suffix 'FS', e.g. SCHB35FS.

Triple seal bearing inserts shown on pages 88 to 90 can be fitted into these housings. The unit reference has a prefix 'T', e.g. TSCHB35.

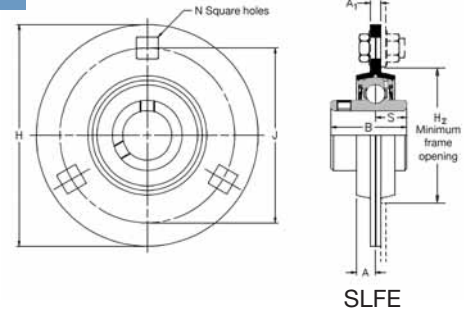
	Dimensions (mm)						ISO load ratings		Rec max. speed	Mass (approx.)
	H	H1	A	A1	B	s	dynamic Cr newtons	static Cor newtons	rev/min	kg
	91.6	57.2	34.0	18.26	30.96	12.75	12800	6650	6700	0.8
	107.5	61.9	33.5	22.22	38.10	15.93	19500	11300	5300	1.2
	119.0	69.8	39.5	25.40	42.88	17.53	25700	15300	4500	1.5
	127.5	73.0	39.0	27.79	49.23	19.10	32500	19900	4000	1.6
	144.0	82.6	47.5	27.79	51.59	19.10	35000	23200	3400	2.2
	175.0	101.6	58.5	30.94	65.07	25.45	48000	33000	2800	3.5
	173.5	101.6	58.5	30.94	65.07	25.45	57500	40000	2600	3.4
	200.6	117.5	70.0	34.94	77.77	33.37	66000	49500	2300	6.8
	211.5	123.8	71.5	41.29	82.55	33.37	71500	54500	2150	8.1

Self-Lube[®] pressed steel flange bearing units (zinc plated housings)

SLFE Series

Housings of groups 6 to 10 inclusive have four bolt holes

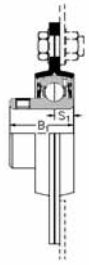
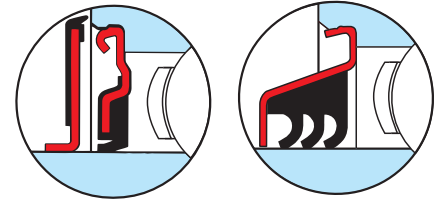
Note: these units are not re-greaseable



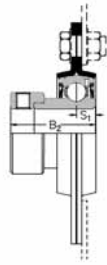
Shaft diameter		RHP designation				Basic bearing insert	Casting group	Dimensions (mm)			
mm	inches							H	H2	J	N
12		SLFE12		SLFE12EC		1017	1	81.0	49.0	63.5	7.1
15		SLFE15		SLFE15EC							
16		SLFE16		SLFE16EC							
17		SLFE17		SLFE17A							
	1/2	SLFE1/2		SLFE1/2EC							
	5/8	SLFE5/8		SLFE5/8EC							
20		SLFE20	SLFE20A	SLFE20EC	SLFE20DEC	1020	2	90.5	55.0	71.5	8.7
	3/4	SLFE3/4	SLFE3/4A	SLFE3/4EC	SLFE3/4DEC						
25		SLFE25	SLFE25A	SLFE25EC	SLFE25DEC	1025	3	95.2	60.0	76.0	8.7
	7/8	SLFE7/8		SLFE7/8EC	SLFE7/8DEC						
	15/16	SLFE15/16		SLFE15/16EC	SLFE15/16DEC						
	1	SLFE1	SLFE1A	SLFE1EC	SLFE1DEC						
30		SLFE30	SLFE30A	SLFE30EC	SLFE30DEC	1030	4	112.7	71.0	90.5	10.5
	1 1/8	SLFE1 1/8		SLFE1 1/8EC	SLFE1 1/8DEC						
	1 3/16	SLFE1 3/16		SLFE1 3/16EC	SLFE1 3/16DEC						
	1 1/4	SLFE1 1/4	SLFE1 1/4A	SLFE1 1/4EC	SLFE1 1/4DEC						
35		SLFE1 1/4L	SLFE1 1/4AL	SLFE1 1/4ECL	SLFE1 1/4DECL	1035	5	122.2	81.0	100.0	10.5
	1 3/8	SLFE35	SLFE35A	SLFE35EC	SLFE35DEC						
	1 3/8	SLFE1 3/8		SLFE1 3/8EC	SLFE1 3/8DEC						
	1 7/16	SLFE1 7/16		SLFE1 7/16EC	SLFE1 7/16DEC						
40		SLFE40	SLFE40A	SLFE40EC	SLFE40DEC	1040	6	147.8	91.0	119.0	13.5
	1 1/2	SLFE1 1/2	SLFE1 1/2A	SLFE1 1/2EC	SLFE1 1/2DEC						
45		SLFE45	SLFE45A	SLFE45EC	SLFE45DEC	1045	7	149.2	97.0	120.5	13.5
	1 5/8	SLFE1 5/8		SLFE1 5/8EC	SLFE1 5/8DEC						
	1 11/16	SLFE1 11/16		SLFE1 11/16EC	SLFE1 11/16DEC						
	1 3/4	SLFE1 3/4	SLFE1 3/4A	SLFE1 3/4EC	SLFE1 3/4DEC						
50		SLFE50	SLFE50A	SLFE50EC	SLFE50DEC	1050	8	155.6	102.0	127.0	13.5
	1 7/8	SLFE1 7/8		SLFE1 7/8EC	SLFE1 7/8DEC						
	1 15/16	SLFE1 15/16		SLFE1 15/16EC	SLFE1 15/16DEC						
	2	SLFE2R									
55		SLFE55			SLFE55DEC	1055	9	166.6	113.0	138.0	13.5
	2	SLFE2			SLFE2DEC						
	2 1/8	SLFE2 1/8			SLFE2 1/8DEC						
	2 3/16	SLFE2 3/16			SLFE2 3/16DEC						
60		SLFE60			SLFE60DEC	1060	10	176.2	122.0	147.6	13.5
	2 1/4	SLFE2 1/4			SLFE2 1/4DEC						
	2 7/16	SLFE2 7/16			SLFE2 7/16DEC						

Please check availability

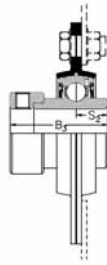
A modified version of these units is available if a Protector is to be fitted, see page 93 for details



SLFE-A



SLFE-EC



SLFE-DEC

Bearing inserts with flinger seals shown on pages 91 and 92 can be fitted into these housings. The unit reference has the suffix 'FS', e.g. SLFE25FS.

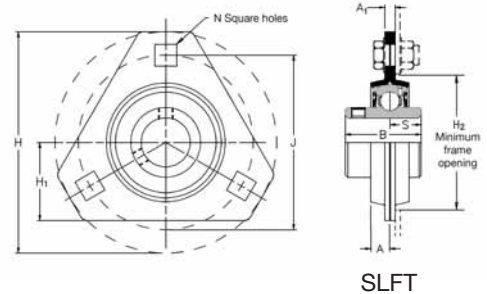
Triple seal bearing inserts shown on pages 88 to 90 can be fitted into these housings. The unit reference has a prefix 'T', e.g. TSLFE25.

	Dimensions (mm)									Max. radial housing load	Rec max. speed	Mass (approx.)
	A	A1	B	B1	B2	B3	s	s1	s2			
	6.7	4.0	27.38	–	28.63	–	11.58	6.53	–	2670	3000	0.2
	7.7	4.0	31.00	25.80	31.03	43.73	12.73	7.53	17.13	3110	3000	0.3
	8.7	4.0	34.10	27.30	31.03	44.43	14.33	7.53	17.53	3560	2500	0.4
	9.0	5.0	38.10	31.20	35.73	48.43	15.93	9.03	18.33	4890	2500	0.7
	10.0	5.0	42.90	34.90	38.93	51.13	17.53	9.53	18.83	6250	2000	0.9
	10.0	7.0	49.20	41.20	43.73	56.33	19.03	11.03	21.43	7550	2000	1.5
	10.0	7.0	49.20	41.20	43.73	56.33	19.04	11.04	21.43	7550	2000	1.6
	10.5	8.0	51.60	43.50	43.73	62.73	19.04	11.04	24.64	8450	1500	1.8
	10.7	8.0	55.60	–	–	71.42	22.24	–	27.84	10200	1500	2.2
	11.9	8.0	65.10	–	–	77.84	25.44	–	31.04	11300	1500	2.5

Self-Lube[®] pressed steel flange bearing units (zinc plated housings)

SLFT Series

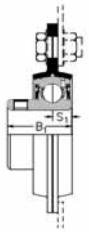
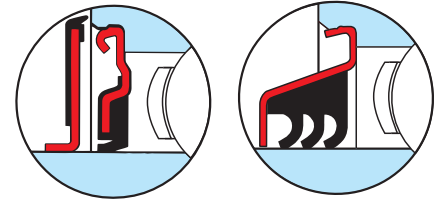
Note: these units are not re-greaseable



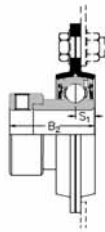
Shaft diameter		RHP designation				Basic bearing insert	Casting group	Dimensions (mm)				
mm	inches							H	H1	H2	J	N
25		SLFT25	SLFT25A	SLFT25EC	SLFT25DEC	1025	3	95.2	34.2	60.0	76.0	8.7
	$\frac{7}{8}$	SLFT$\frac{7}{8}$		SLFT$\frac{7}{8}$EC	SLFT$\frac{7}{8}$DEC							
	$\frac{15}{16}$	SLFT$\frac{15}{16}$		SLFT$\frac{15}{16}$EC	SLFT$\frac{15}{16}$DEC							
	1	SLFT1	SLFT1A	SLFT1EC	SLFT1DEC							
30		SLFT30	SLFT30A	SLFT30EC	SLFT30DEC	1030	4	112.7	40.2	71.0	90.5	10.5
	$1\frac{1}{8}$	SLFT$1\frac{1}{8}$		SLFT$1\frac{1}{8}$EC	SLFT$1\frac{1}{8}$DEC							
	$1\frac{3}{16}$	SLFT$1\frac{3}{16}$		SLFT$1\frac{3}{16}$EC	SLFT$1\frac{3}{16}$DEC							
	$1\frac{1}{4}$	SLFT$1\frac{1}{4}$	SLFT$1\frac{1}{4}$A	SLFT$1\frac{1}{4}$EC	SLFT$1\frac{1}{4}$DEC							
35	$1\frac{1}{4}$	SLFT$1\frac{1}{4}$L	SLFT$1\frac{1}{4}$AL	SLFT$1\frac{1}{4}$ECL	SLFT$1\frac{1}{4}$DECL	1035	5	122.2	44.2	81.0	100.0	10.5
		SLFT35	SLFT35A	SLFT35EC	SLFT35DEC							
	$1\frac{3}{8}$	SLFT$1\frac{3}{8}$		SLFT$1\frac{3}{8}$EC	SLFT$1\frac{3}{8}$DEC							
	$1\frac{7}{16}$	SLFT$1\frac{7}{16}$		SLFT$1\frac{7}{16}$EC	SLFT$1\frac{7}{16}$DEC							

Please check availability

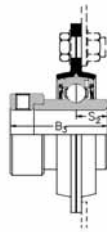
A modified version of these units is available if a Protector is to be fitted, see page 93 for details



SLFT-A



SLFT-EC



SLFT-DEC

Bearing inserts with flinger seals shown on pages 91 and 92 can be fitted into these housings. The unit reference has the suffix 'FS', e.g. SLFT35FS.

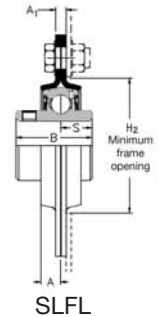
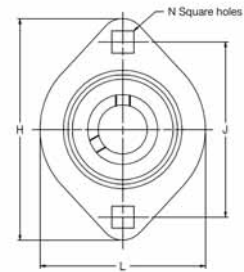
Triple seal bearing inserts shown on pages 88 to 90 can be fitted into these housings. The unit reference has a prefix 'T', e.g. TSLFT35.

	Dimensions (mm)									Max. radial housing load	Rec max. speed	Mass (approx.)
	A	A1	B	B1	B2	B3	s	s1	s2			
	8.7	4.0	34.11	27.35	30.92	44.40	14.32	7.56	17.49	newtons	rev/min	kg
	8.7	4.0	34.11	27.35	30.92	44.40	14.32	7.56	17.49	3560	2500	0.3
	9.0	5.0	38.10	31.21	35.68	48.42	15.93	9.04	18.32	4890	2500	0.5
	9.0	5.0	38.10	31.21	35.68	48.42	15.93	9.04	18.32	4890	2500	0.5
	10.0	5.0	42.88	34.90	38.88	51.18	17.53	9.55	18.89	6250	2000	0.7
	10.0	5.0	42.88	34.90	38.88	51.18	17.53	9.55	18.89	6250	2000	0.7

Self-Lube[®] pressed steel flange bearing units (zinc plated housings)

SLFL Series

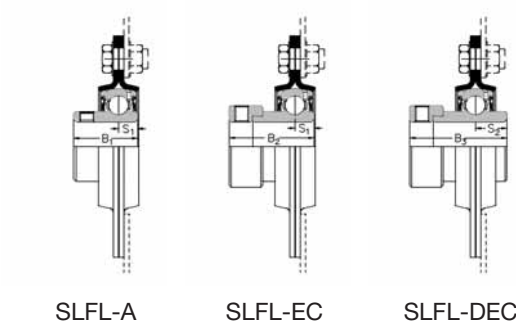
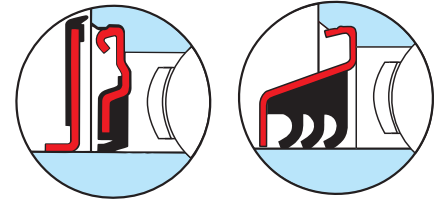
Note: these units are not re-greaseable



Shaft diameter		RHP designation				Basic bearing insert	Casting group	Dimensions (mm)				
mm	inches							L	H	H2	J	N
12		SLFL12		SLFL12EC		1017	1	58.7	81.0	49.0	63.5	7.1
15		SLFL15		SLFL15EC								
16		SLFL16		SLFL16EC								
17		SLFL17		SLFL17EC								
	1/2	SLFL1/2		SLFL1/2EC								
	5/8	SLFL5/8		SLFL5/8EC								
20		SLFL20	SLFL20A	SLFL20EC	SLFL20DEC	1020	2	66.7	90.5	55.0	71.5	8.7
	3/4	SLFL3/4	SLFL3/4A	SLFL3/4EC	SLFL3/4DEC							
25		SLFL25	SLFL25A	SLFL25EC	SLFL25DEC	1025	3	71.0	95.3	60.0	76.0	8.7
	7/8	SLFL7/8		SLFL7/8EC	SLFL7/8DEC							
	15/16	SLFL15/16		SLFL15/16EC	SLFL15/16DEC							
	1	SLFL1	SLFL1A	SLFL1EC	SLFL1DEC							
30		SLFL30	SLFL30A	SLFL30EC	SLFL30DEC	1030	4	84.1	112.7	71.0	90.5	10.5
	1 1/8	SLFL1 1/8		SLFL1 1/8EC	SLFL1 1/8DEC							
	1 3/16	SLFL1 3/16		SLFL1 3/16EC	SLFL1 3/16DEC							
	1 1/4	SLFL1 1/4	SLFL1 1/4A	SLFL1 1/4EC	SLFL1 1/4DEC							

Please check availability

A modified version of these units is available if a Protector is to be fitted, see page 93 for details



Bearing inserts with flinger seals shown on pages 91 and 92 can be fitted into these housings. The unit reference has the suffix 'FS', e.g. SLFL1FS.

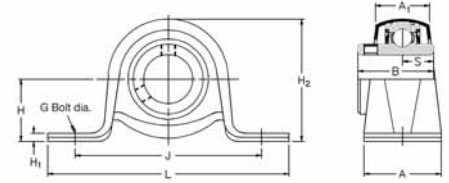
Triple seal bearing inserts shown on pages 88 to 90 can be fitted into these housings. The unit reference has a prefix 'T', e.g. TSLFL1.

	Dimensions (mm)									Max. radial housing load	Rec max. speed	Mass (approx.)
	A	A1	B	B1	B2	B3	s	s1	s2			
	6.7	4.0	27.38	–	28.54	–	11.55	6.55	–	2670	3000	0.2
	7.7	4.0	30.96	25.77	30.92	43.62	12.75	7.56	17.12	3110	3000	0.3
	8.7	4.0	34.11	27.35	30.92	44.40	14.32	7.56	17.49	3560	2500	0.3
	9.0	5.0	38.10	31.21	35.68	48.42	15.93	9.04	18.32	4890	2500	0.5

Self-Lube[®] pressed steel pillow block units (zinc plated housings)

LPB Series

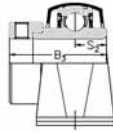
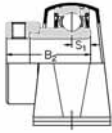
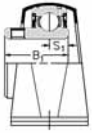
Note: these units are not re-greaseable



LPB

Shaft diameter		RHP designation				Basic bearing insert	Casting group	Dimensions (mm)				
mm	inches							L	H	H1	H2	J
12 15 16 17	$\frac{1}{2}$ $\frac{5}{8}$	LPB12 LPB15 LPB16 LPB17 LPB$\frac{1}{2}$ LPB$\frac{5}{8}$		LPB12EC LPB15EC LPB16EC LPB17EC LPB$\frac{1}{2}$EC LPB$\frac{5}{8}$EC		1017	1	85.7	22.2	2.4	43.2	68.0
20	$\frac{3}{4}$	LPB20 LPB$\frac{3}{4}$	LPB20A LPB$\frac{3}{4}$A	LPB20EC LPB$\frac{3}{4}$EC	LPB20DEC LPB$\frac{3}{4}$DEC	1020	2	98.4	25.4	2.4	49.9	76.0
25	$\frac{7}{8}$ $\frac{15}{16}$ 1	LPB25 LPB$\frac{7}{8}$ LPB$\frac{15}{16}$ LPB1	LPB25A LPB1A	LPB25EC LPB$\frac{7}{8}$EC LPB$\frac{15}{16}$EC LPB1EC	LPB25DEC LPB$\frac{7}{8}$DEC LPB$\frac{15}{16}$DEC LPB1DEC	1025	3	108.0	28.6	2.8	55.8	86.0
30	$\frac{1}{8}$ $\frac{3}{16}$ $\frac{1}{4}$ $\frac{1}{4}$	LPB30 LPB$\frac{1}{8}$ LPB$\frac{3}{16}$ LPB$\frac{1}{4}$ LPB$\frac{1}{4}$L	LPB30A LPB$\frac{1}{4}$A LPB$\frac{1}{4}$AL	LPB30EC LPB$\frac{1}{8}$EC LPB$\frac{3}{16}$EC LPB$\frac{1}{4}$EC LPB$\frac{1}{4}$ECL	LPB30DEC LPB$\frac{1}{8}$DEC LPB$\frac{3}{16}$DEC LPB$\frac{1}{4}$DEC LPB$\frac{1}{4}$DECL	1030	4	117.5	33.3	3.6	65.7	95.0
35	$\frac{3}{8}$ $\frac{7}{16}$	LPB35 LPB$\frac{3}{8}$ LPB$\frac{7}{16}$	LPB35A	LPB35EC LPB$\frac{3}{8}$EC LPB$\frac{7}{16}$EC	LPB35DEC LPB$\frac{3}{8}$DEC LPB$\frac{7}{16}$DEC	1035	5	128.6	39.7	4.4	77.5	106.0

Please check availability



LPB-A

LPB-EC

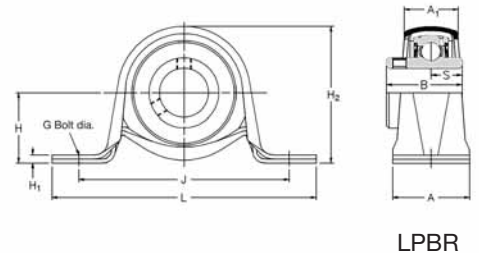
LPB-DEC

	Dimensions (mm)										Max. radial housing load	Rec. max. speed	Mass (approx.)
	G	A	A1	B	B1	B2	B3	s	s1	s2			
	8	25.4	15.9	27.38	–	28.54	–	11.55	6.55	–	1330	3000	0.2
	8	31.7	21.6	30.96	25.77	30.92	43.62	12.75	7.56	17.12	1570	3000	0.2
	10	31.7	21.6	34.11	27.35	30.92	44.40	14.32	7.56	17.49	1780	2500	0.3
	10	37.5	25.5	38.10	31.21	35.68	48.42	15.93	9.04	18.32	2670	2500	0.5
	10	41.0	28.4	42.88	34.90	38.88	51.18	17.53	9.55	18.89	3560	2000	0.9

Self-Lube[®] pressed steel rubber mounted pillow block units (zinc plated housings)

LPBR Series

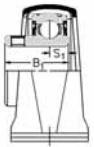
Note: these units are not re-greaseable



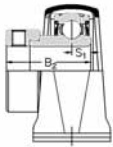
LPBR

Shaft diameter		RHP designation				Basic bearing insert	Casting group	Dimensions (mm)				
mm	inches							L	H	H1	H2	J
12		LPBR12		LPBR12EC		1017	2	98.4	25.4	2.4	49.9	76.0
15		LPBR15		LPBR15EC								
16		LPBR16		LPBR16EC								
17		LPBR17		LPBR17EC								
	$\frac{1}{2}$ $\frac{5}{8}$	LPBR$\frac{1}{2}$ LPBR$\frac{5}{8}$		LPBR$\frac{1}{2}$EC LPBR$\frac{5}{8}$EC								
20		LPBR20	LPBR20A	LPBR20EC	LPBR20DEC	1020	3	108.0	28.6	2.8	55.8	86.0
	$\frac{3}{4}$	LPBR$\frac{3}{4}$	LPBR$\frac{3}{4}$A	LPBR$\frac{3}{4}$EC	LPBR$\frac{3}{4}$DEC							
25		LPBR25	LPBR25A	LPBR25EC	LPBR25DEC	1025	4	117.5	33.3	3.6	65.7	95.0
	$\frac{7}{8}$	LPBR$\frac{7}{8}$		LPBR$\frac{7}{8}$EC	LPBR$\frac{7}{8}$DEC							
	$\frac{15}{16}$	LPBR$\frac{15}{16}$		LPBR$\frac{15}{16}$EC	LPBR$\frac{15}{16}$DEC							
	1	LPBR1	LPBR1A	LPBR1EC	LPBR1DEC							
30		LPBR30	LPBR30A	LPBR30EC	LPBR30DEC	1030	5	128.6	39.7	4.4	77.5	106.0
	$\frac{1}{8}$	LPBR$\frac{1}{8}$		LPBR$\frac{1}{8}$EC	LPBR$\frac{1}{8}$DEC							
	$\frac{3}{16}$	LPBR$\frac{3}{16}$		LPBR$\frac{3}{16}$EC	LPBR$\frac{3}{16}$DEC							
	$\frac{1}{4}$	LPBR$\frac{1}{4}$	LPBR$\frac{1}{4}$A	LPBR$\frac{1}{4}$EC	LPBR$\frac{1}{4}$DEC							

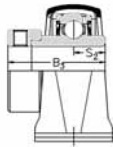
Please check availability



LPBR-A



LPBR-EC



LPBR-DEC

	Dimensions (mm)										Max. radial housing load	Rec. max. speed	Mass (approx.)
	G	A	A1	B	B1	B2	B3	s	s1	s2			
	8	31.7	21.6	27.38	–	28.54	–	11.55	6.55	–	890	3000	0.2
	10	31.7	21.6	30.96	25.77	30.92	43.62	12.75	7.56	17.12	1110	3000	0.3
	10	37.5	25.5	34.11	27.35	30.92	44.40	14.32	7.56	17.49	1330	2500	0.5
	10	41.0	28.4	38.10	31.21	35.68	48.42	15.93	9.04	18.32	1560	2500	0.9

Self-Lube[®] bearing inserts

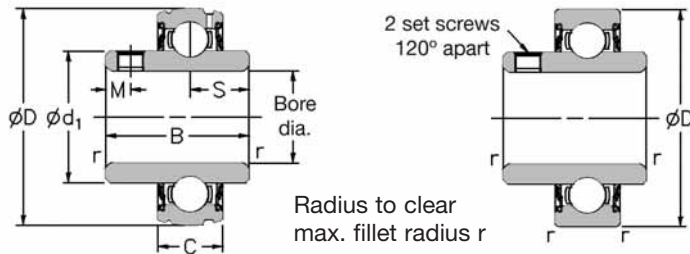
1000G and 1100 Series

Shaft diameter		RHP designation		Dimensions (mm)						ISO load ratings		Rec. max. speed	Mass (approx.)	
mm	inches	1000G Series	1100 Series	D	C	B	s	d1	M	r	dynamic Cr newtons	static Cor newtons	rev/min	kg
12 15 16 17	1/2 5/8	1017-12G 1017-15G 1017-16G 1017-17G 1017-1 1/2G 1017-5/8G	1117-12 1117-15 1117-16 1117-17 1117-1 1/2 1117-5/8	40.000	12.00	27.38	11.58	24.80	5.00	0.60	9550	4800	7000	0.09
20	3/4	1020-20G 1020-3/4G	1120-20 1120-3/4	47.000	14.00	31.00	12.73	28.30	5.00	1.00	12800	6650	6700	0.13
25	7/8 15/16 1	1025-25G 1025-7/8G 1025-15/16G 1025-1G	1125-25 1125-7/8 1125-15/16 1125-1	52.000	15.00	34.10	14.33	34.00	5.00	1.00	14000	7880	6250	0.17
25 30	1 1 1/8 1 3/16 1 1/4	1030-25G 1030-30G 1030-1G 1030-1 1/8G 1030-1 3/16G 1030-1 1/4G	1130-25 1130-30 1130-1 1130-1 1/8 1130-1 3/16 1130-1 1/4	62.000	16.00	38.10	15.93	40.30	5.00	1.00	19500	11300	5300	0.37
30 35	1 3/16 1 1/4 1 5/16 1 3/8 1 7/16	1035-30G 1035-35G 1035-1 3/16G 1035-1 1/4G 1035-1 5/16G 1035-1 3/8G 1035-1 7/16G	1135-30 1135-35 1135-1 3/16 1135-1 1/4 1135-1 5/16 1135-1 3/8 1135-1 7/16	72.000	17.00	42.90	17.53	46.90	6.50	1.00	25700	15300	4500	0.51
35 40	1 3/8 1 7/16 1 1/2	1040-35G 1040-40G 1040-1 3/8G 1040-1 7/16G 1040-1 1/2G	1140-35 1140-40 1140-1 3/8 1140-1 7/16 1140-1 1/2	80.000	18.00	49.20	19.03	52.40	8.00	1.00	32500	19900	4000	0.64
40 45	1 1/2 1 5/8 1 11/16 1 3/4	1045-40G 1045-45G 1045-1 1/2G 1045-1 5/8G 1045-1 11/16G 1045-1 3/4G	1145-40 1145-45 1145-1 1/2 1145-1 5/8 1145-1 11/16 1145-1 3/4	85.000	19.00	49.20	19.04	57.40	8.00	1.00	32500	20500	3700	0.73
45 50	1 11/16 1 3/4 1 7/8 1 15/16 2	1050-45G 1050-50G 1050-1 11/16G 1050-1 3/4G 1050-1 7/8G 1050-1 15/16G 1050-2G	1150-45 1150-50 1150-1 11/16 1150-1 3/4 1150-1 7/8 1150-1 15/16 1150-2	90.000	20.00	51.60	19.04	62.40	10.00	1.00	35000	23200	3400	0.91
50 55	1 7/8 1 15/16 2 2 1/8 2 3/16	1055-50G 1055-55G 1055-1 7/8G 1055-1 15/16G 1055-2G 1055-2 1/8G 1055-2 3/16G	1155-50 1155-55 1155-1 7/8 1155-1 15/16 1155-2 1155-2 1/8 1155-2 3/16	100.000	21.00	55.60	22.24	68.90	10.00	1.50	43500	29200	3100	1.12

Please check availability

1000G
With spherical outside diameter and integral set screw lock

1100
With parallel outside diameter and integral set screw lock

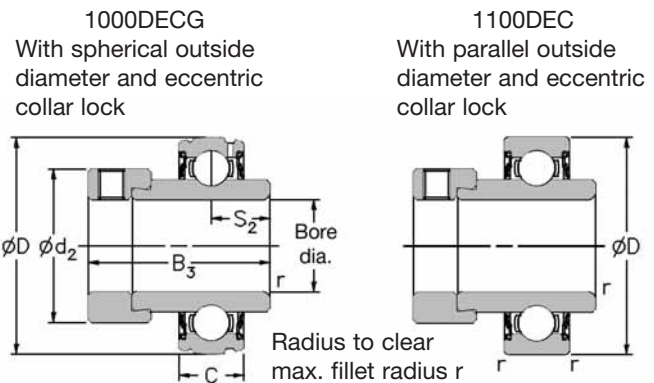


Shaft diameter		RHP designation		Dimensions (mm)						ISO load ratings		Rec. max. speed	Mass (approx.)	
										dynamic Cr newtons	static Cor newtons			rev/min
mm	inches	1000G Series	1100 Series	D	C	B	s	d1	M	r				
55 60	2 ³ / ₁₆ 2 ¹ / ₄ 2 ³ / ₈ 2 ⁷ / ₁₆	1060-55G 1060-60G 1060-2³/₁₆G 1060-2¹/₄G 1060-2³/₈G 1060-2⁷/₁₆G	1160-55 1160-60 1160-2³/₁₆ 1160-2¹/₄ 1160-2³/₈ 1160-2⁷/₁₆	110.000	22.00	65.10	25.44	76.00	10.00	1.50	48000	33000	2800	1.47
60 65	2 ¹ / ₂	1065-60G 1065-65G 1065-2¹/₂G	1165-60 1165-65 1165-2¹/₂	120.000	23.00	65.10	25.44	82.50	10.00	1.50	57500	40000	2600	2.02
60 65 70	2 ⁷ / ₁₆ 2 ¹ / ₂ 2 ⁵ / ₈ 2 ¹¹ / ₁₆	1070-60G 1070-65G 1070-70G 1070-2⁷/₁₆G 1070-2¹/₂G 1070-2⁵/₈G 1070-2¹¹/₁₆G	1170-60 1170-65 1170-70 1170-2⁷/₁₆ 1170-2¹/₂ 1170-2⁵/₈ 1170-2¹¹/₁₆	125.000	24.00	74.60	30.24	89.00	12.00	1.50	61000	45000	2450	2.27
65 70 75	2 ¹¹ / ₁₆ 2 ³ / ₄ 2 ⁷ / ₈ 2 ¹⁵ / ₁₆ 3	1075-65G 1075-70G 1075-75G 1075-2¹¹/₁₆G 1075-2³/₄G 1075-2⁷/₈G 1075-2¹⁵/₁₆G 1075-3G	1175-65 1175-70 1175-75 1175-2¹¹/₁₆ 1175-2³/₄ 1175-2⁷/₈ 1175-2¹⁵/₁₆ 1175-3	130.000	25.00	77.80	33.34	94.00	12.00	1.50	66000	49500	2300	2.61
75 80	2 ¹⁵ / ₁₆ 3 3 ³ / ₁₆ 3 ¹ / ₄	1080-75G 1080-80G 1080-2¹⁵/₁₆G 1080-3G 1080-3³/₁₆G 1080-3¹/₄G	1180-75 1180-80 1180-2¹⁵/₁₆ 1180-3 1180-3³/₁₆ 1180-3¹/₄	140.000	26.00	82.60	33.34	100.00	12.00	2.00	71500	54500	2150	3.23
80 85	3 ³ / ₁₆ 3 ¹ / ₄ 3 ³ / ₈ 3 ⁷ / ₁₆	1085-80G 1085-85G 1085-3³/₁₆G 1085-3¹/₄G 1085-3³/₈G 1085-3⁷/₁₆G	1185-80 1185-85 1185-3³/₁₆ 1185-3¹/₄ 1185-3³/₈ 1185-3⁷/₁₆	150.000	28.00	85.70	34.15	107.10	12.00	2.00	83000	64000	2000	3.74
85 90	3 ⁷ / ₁₆ 3 ¹ / ₂	1090-85G 1090-90G 1090-3⁷/₁₆G 1090-3¹/₂G	1190-85 1190-90 1190-3⁷/₁₆ 1190-3¹/₂	160.000	30.00	96.00	39.74	111.50	15.00	2.00	96000	71500	1900	4.99
95 100	3 ¹⁵ / ₁₆ 4	3095-95G 3095-100G 3095-3¹⁵/₁₆G 3095-4G		200.000	45.00	117.48	49.31	127.10	16.00	2.50	157000	122000	1600	9.53

Please check availability

Self-Lube® bearing inserts

1000DECG and 1100DEC Series



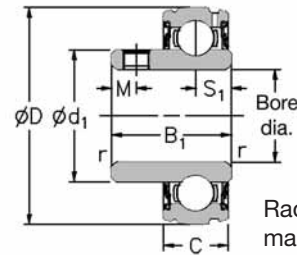
Shaft diameter		RHP designation		Dimensions (mm)						ISO load ratings		Rec. max. speed	Mass (approx.)
mm	inches	1000DECG Series	1100EC Series	D	C	B3	s2	d2	r	dynamic Cr newtons	static Cor newtons	rev/min	kg
20	3/4	1020-20DECG 1020-3/4DECG	1120-20DEC 1120-3/4DEC	47.000	14.00	43.73	17.13	33.30	1.00	12800	6650	6700	0.20
25	7/8 15/16 1	1025-25DECG 1025-7/8DECG 1025-15/16DECG 1025-1DECG	1125-25DEC 1125-7/8DEC 1125-15/16DEC 1125-1DEC	52.000	15.00	44.43	17.53	38.10	1.00	14000	7880	6250	0.26
30	1 1/8 1 3/16 1 1/4	1030-30DECG 1030-1 1/8DECG 1030-1 3/16DECG 1030-1 1/4DECG	1130-30DEC 1130-1 1/8DEC 1130-1 3/16DEC 1130-1 1/4DEC	62.000	16.00	48.43	18.33	44.50	1.00	19500	11300	5300	0.53
35	1 1/4 1 3/8 1 7/16	1035-35DECG 1035-1 1/4DECG 1035-1 3/8DECG 1035-1 7/16DECG	1135-35DEC 1135-1 1/4DEC 1135-1 3/8DEC 1135-1 7/16DEC	72.000	17.00	51.13	18.83	55.60	1.00	25700	15300	4500	0.70
40	1 1/2	1040-40DECG 1040-1 1/2DECG	1140-40DEC 1140-1 1/2DEC	80.000	18.00	56.33	21.43	60.30	1.00	32500	19900	4000	0.82
45	1 5/8 1 11/16 1 3/4	1045-45DECG 1045-1 5/8DECG 1045-1 11/16DECG 1045-1 3/4DECG	1145-45DEC 1145-1 5/8DEC 1145-1 11/16DEC 1145-1 3/4DEC	85.000	19.00	56.33	21.43	63.50	1.00	32500	20500	3700	1.08
50	1 7/8 1 5/16	1050-50DECG 1050-1 7/8DECG 1050-1 5/16DECG	1150-50DEC 1150-1 7/8DEC 1150-1 5/16DEC	90.000	20.00	62.73	24.64	69.90	1.00	35000	23200	3400	1.19
55	2 2 1/8 2 3/16	1055-55DECG 1055-2DECG 1055-2 1/8DECG 1055-2 3/16DECG	1155-55DEC 1155-2DEC 1155-2 1/8DEC 1155-2 3/16DEC	100.000	21.00	71.42	27.84	76.20	1.50	43500	29200	3100	1.40
60	2 1/4 2 3/8 2 7/16	1060-60DECG 1060-2 1/4DECG 1060-2 3/8DECG 1060-2 7/16DECG	1160-60DEC 1160-2 1/4DEC 1160-2 3/8DEC 1160-2 7/16DEC	110.000	22.00	77.84	31.04	84.20	1.50	48000	33000	2800	1.72
	2 1/2	1065-60DECG 1065-2 1/2DECG	1165-60DEC 1165-2 1/2DEC	120.000	23.00	85.74	34.14	92.00	1.50	57500	40000	2600	2.21
65 70	2 1/2 2 3/8 2 11/16	1070-65DECG 1070-70DECG 1070-2 1/2DECG 1070-2 3/8DECG 1070-2 11/16DECG	1170-65DEC 1170-70DEC 1170-2 1/2DEC 1170-2 3/8DEC 1170-2 11/16DEC	125.000	24.00	85.74	34.14	97.00	1.50	61000	45000	2450	2.56
65 70 75	2 11/16 2 3/4 2 7/8 2 15/16	1075-65DECG 1075-70DECG 1075-75DECG 1075-2 11/16DECG 1075-2 3/4DECG 1075-2 7/8DECG 1075-2 15/16DECG	1175-65DEC 1175-70DEC 1175-75DEC 1175-2 11/16DEC 1175-2 3/4DEC 1175-2 7/8DEC 1175-2 15/16DEC	130.000	25.00	92.14	37.34	102.00	1.50	66000	49500	2300	2.94

Please check availability

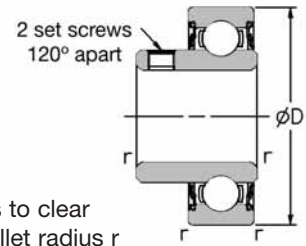
Self-Lube® bearing inserts

1200G and 1300 Series

1200G
With spherical outside diameter and integral set screw lock



1300DEC
With parallel outside diameter and integral set screw lock

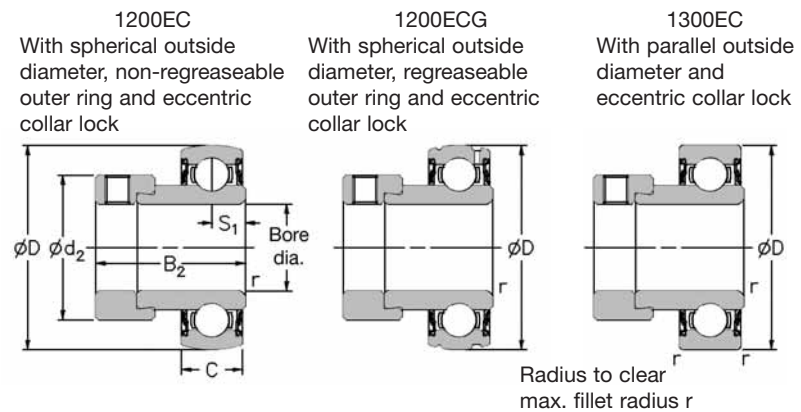


Shaft diameter		RHP designation		Dimensions (mm)							ISO load ratings		Rec. max. speed rev/min	Mass (approx.) kg
				D	C	B1	s1	d1	M	r	dynamic Cr newtons	static Cor newtons		
mm	inches	1200G Series	1300 Series											
20	¾	1220-20G 1220-¾G	1320-20 1320-¾	47.000	14.00	25.80	7.53	28.30	5.00	1.00	12800	6650	6700	0.10
25	1	1225-25G 1225-1G	1325-25 1325-1	52.000	15.00	27.30	7.53	34.00	5.00	1.00	14000	7880	6250	0.13
30	1¼	1230-30G 1230-1¼G	1330-30 1330-1¼	62.000	16.00	31.20	9.03	40.30	5.00	1.00	19500	11300	5300	0.32
35	1¼	1235-35G 1235-1¼G	1335-35 1335-1¼	72.000	17.00	34.90	9.53	46.90	6.50	1.00	25700	15300	4500	0.43
40	1½	1240-40G 1240-1½G	1340-40 1340-1½	80.000	18.00	41.20	11.03	52.40	8.00	1.00	32500	19900	4000	0.54
45	1¾	1245-45G 1245-1¾G	1345-45 1345-1¾	85.000	19.00	41.20	11.04	57.40	8.00	1.00	32500	20500	3700	0.61
50		1250-50G	1350-50	90.000	20.00	43.50	11.04	62.40	10.00	1.00	35000	23200	3400	0.76

Please check availability

Self-Lube® bearing inserts

1200EC and 1200ECG Series 1300EC Series

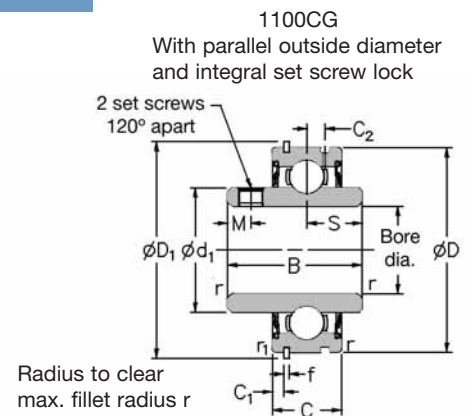


Shaft diameter		RHP designation			Dimensions (mm)						ISO load ratings		Rec. max. speed rev/min	Mass (approx.) kg
					D	C	B2	s1	d2	r	dynamic Cr newtons	static Cor newtons		
mm	inches	1200EC Series	1200ECG Series	1300EC Series										
12		1217-12EC	1217-12ECG	1317-12EC	40.000	12.00	28.63	6.53	28.60	0.60	9550	4800	7000	0.15
15		1217-15EC	1217-15ECG	1317-15EC										
16		1217-16EC	1217-16ECG	1317-16EC										
17		1217-17EC	1217-17ECG	1317-17EC										
	1/2	1217-1/2EC	1217-1/2ECG	1317-1/2EC										
	5/8	1217-5/8EC	1217-5/8ECG	1317-5/8EC										
20		1220-20EC	1220-20ECG	1320-20EC	47.000	14.00	31.03	7.53	33.30	1.00	12800	6650	6700	0.16
	3/4	1220-3/4EC	1220-3/4ECG	1320-3/4EC										
25		1225-25EC	1225-25ECG	1325-25EC	52.000	15.00	31.03	7.53	38.10	1.00	14000	7880	6250	0.23
	7/8	1225-7/8EC	1225-7/8ECG	1325-7/8EC										
	15/16	1225-15/16EC	1225-15/16ECG	1325-15/16EC										
	1	1225-1EC	1225-1ECG	1325-1EC										
30		1230-30EC	1230-30ECG	1330-30EC	62.000	16.00	35.73	9.03	44.50	1.00	19500	11300	5300	0.40
	1 1/8	1230-1 1/8EC	1230-1 1/8ECG	1330-1 1/8EC										
	1 3/16	1230-1 3/16EC	1230-1 3/16ECG	1330-1 3/16EC										
	1 1/4	1230-1 1/4EC	1230-1 1/4ECG	1330-1 1/4EC										
35		1235-35EC	1235-35ECG	1335-35EC	72.000	17.00	38.93	9.53	55.60	1.00	25700	15300	4500	0.58
	1 1/4	1235-1 1/4EC	1235-1 1/4ECG	1335-1 1/4EC										
	1 3/8	1235-1 3/8EC	1235-1 3/8ECG	1335-1 3/8EC										
	1 7/16	1235-1 7/16EC	1235-1 7/16ECG	1335-1 7/16EC										
40		1240-40EC	1240-40ECG	1340-40EC	80.000	18.00	43.73	11.03	60.30	1.00	32500	19900	4000	0.73
	1 1/2	1240-1 1/2EC	1240-1 1/2ECG	1340-1 1/2EC										
45		1245-45EC	1245-45ECG	1345-45EC	85.000	19.00	43.73	11.03	63.50	1.00	32500	20500	3700	0.87
	1 5/8	1245-1 5/8EC	1245-1 5/8ECG	1345-1 5/8EC										
	1 11/16	1245-1 11/16EC	1245-1 11/16ECG	1345-1 11/16EC										
	1 3/4	1245-1 3/4EC	1245-1 3/4ECG	1345-1 3/4EC										
50		1250-50EC	1250-50ECG	1350-50EC	90.000	20.00	43.73	11.04	69.90	1.00	35000	23200	3400	0.98
	1 7/8	1250-1 7/8EC	1250-1 7/8ECG	1350-1 7/8EC										
	1 15/16	1250-1 15/16EC	1250-1 15/16ECG	1350-1 15/16EC										
	2	1250-2EC	1250-2ECG	1350-2EC										
		1250-2EC	1250-2ECG	1350-2EC										

Please check availability

Self-Lube® bearing inserts complete with snap ring

1100CG Series

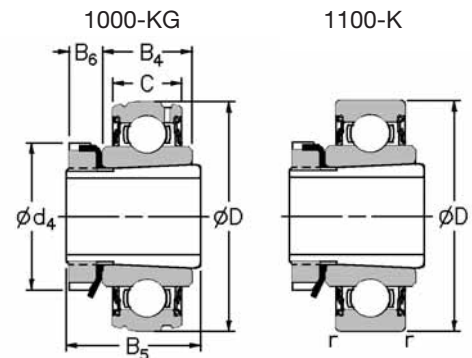


Shaft diameter		RHP designation	Dimensions (mm)											ISO load ratings		Rec. max. speed rev/min	Mass (approx.) kg	
			D	D1	C	C1	C2	B	s	d1	f	M	r	r1	dynamic Cr newtons			static Cor newtons
20	3/4	1120-20CG 1120-3/4CG	47.000	52.68	15.88	2.39	4.17	31.00	12.73	28.30	1.12	5.00	1.00	0.50	12800	6650	6700	0.23
25	7/8 15/16 1	1125-25CG 1125-7/8CG 1125-15/16CG 1125-1CG	52.000	57.81	19.05	2.39	4.39	34.10	14.33	34.00	1.12	5.00	1.00	0.50	14000	7880	6250	0.31
30	1 1/8 1 3/16	1130-30CG 1130-1 1/8CG 1130-1 3/16CG	62.000	67.69	22.22	3.18	5.10	38.10	15.93	40.30	1.70	5.00	1.00	0.50	19500	11300	5300	0.42
35	1 1/4 1 3/8 1 7/8	1135-35CG 1135-1 1/4CG 1135-1 3/8CG 1135-1 7/8CG	72.000	78.51	23.81	3.18	5.61	42.90	17.53	46.90	1.70	6.50	1.00	1.00	25700	15300	4500	0.61
40	1 1/2	1140-40CG 1140-1 1/2CG	80.000	86.51	27.78	3.18	6.22	49.20	19.03	52.40	1.70	8.00	1.00	1.00	32500	19900	4000	0.91
45	1 5/8 1 11/16 1 3/4	1145-45CG 1145-1 5/8CG 1145-1 11/16CG 1145-1 3/4CG	85.000	91.51	27.78	3.18	6.52	49.20	19.04	57.40	1.70	8.00	1.00	1.00	32500	20500	3700	1.05
	1 7/8 1 5/4	1150-1 7/8CG 1150-1 5/4CG	90.000	96.49	28.58	3.18	6.72	51.59	19.10	62.40	2.46	10.00	1.00	1.00	35000	23200	3400	1.10
55	2 2 3/16	1155-55CG 1155-2CG 1155-2 3/16CG	100.00	106.50	30.16	3.18	7.43	55.60	22.20	68.90	2.46	10.00	1.00	1.00	43500	29200	3100	1.50

Please check availability

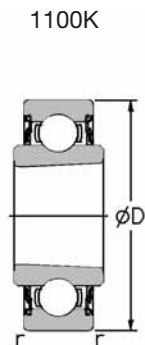
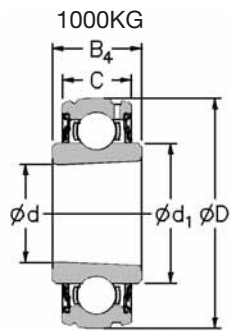
Self-Lube[®] bearing inserts with adapter sleeves

1000-KG and 1100-K Series



Shaft diameter	RHP designation		Sleeve, nut & lockwasher assembly only	Basic insert without sleeve, nut & lockwasher		Dimensions (mm)			
	mm	inches		1000KG	1100K	D	C	B4	
20	3/4	1025-20KG 1025-3/4KG	1125-20K 1125-3/4K	H305 HE305-3/4	1025KG	1125K	52.000	15.00	19.00
25	1 5/16 1	1030-25KG 1030-1 5/16KG 1030-1KG	1130-25K 1130-1 5/16K 1130-1K	H306 HE306-1 5/16 HE306-1	1030KG	1130K	62.000	16.00	20.00
30	1 1/8 1 3/16	1035-30KG 1035-1 1/8KG 1035-1 3/16KG	1135-30K 1135-1 1/8K 1135-1 3/16K	H307 HE307-1 1/8 HE307-1 3/16	1035KG	1135K	72.000	17.00	21.00
35	1 1/4 1 3/8	1040-35KG 1040-1 1/4KG 1040-1 3/8KG	1140-35K 1140-1 1/4K 1140-1 3/8K	H308 HE308-1 1/4 HE308-1 3/8	1040KG	1140K	80.000	18.00	22.00
40	1 7/16 1 1/2	1045-40KG 1045-1 7/16KG 1045-1 1/2KG	1145-40K 1145-1 7/16K 1145-1 1/2K	H309 HE309-1 7/16 HE309-1 1/2	1045KG	1145K	85.000	19.00	23.00
45	1 11/16 1 3/4	1050-45KG 1050-1 11/16KG 1050-1 3/4KG	1150-45K 1150-1 11/16K 1150-1 3/4K	H310 HE310-1 11/16 HE310-1 3/4	1050KG	1150K	90.000	20.00	24.00
50	1 15/16 2	1055-50KG 1055-1 15/16KG 1055-2KG	1155-50K 1155-1 15/16K 1155-2K	H311 HE311-1 15/16 HE311-2	1055KG	1155K	100.000	21.00	25.00

Please check availability



Bore taper 1:12
on diameter

	Dimensions (mm)						ISO load ratings		Rec max. speed	Mass (approx.)
	B5	B6	d	d1	d4	r	dynamic Cr newtons	static Cor newtons	rev/min	kg
	29.00	8.00	25.000	34.00	38.00	1.00	14000	7880	6250	0.20
	31.00	8.00	30.000	40.30	45.00	1.00	19500	11300	5300	0.30
	35.00	9.00	35.000	46.90	52.00	1.00	25700	15300	4500	0.42
	36.00	10.00	40.000	52.40	58.00	1.00	32500	19900	4000	0.54
	39.00	11.00	45.000	57.40	65.00	1.00	32500	20500	3700	0.64
	42.00	12.00	50.000	62.40	70.00	1.00	35000	23200	3400	0.75
	45.00	12.00	55.000	68.90	75.00	1.50	43500	29200	3100	0.95

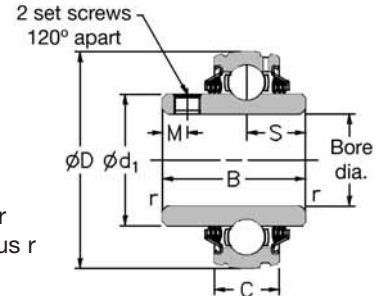
Self-Lube[®] triple seal bearing inserts

T1000G Series



T1000G

With spherical outside diameter and integral set screw lock



Radius to clear max. fillet radius r

Shaft diameter		RHP designation	Dimensions (mm)						ISO load ratings		Rec. max. speed rev/min	Mass (approx.) kg	
			D	C	B	s	d1	M	r	dynamic Cr newtons			static Cor newtons
mm	inches												
25	7/8 15/16 1	T1025-25G T1025-7/8G T1025-15/16G T1025-1G	52.000	15.00	34.10	14.33	34.00	5.00	1.00	14000	7880	1000	0.17
25 30	7/8 1 1 1/8 1 3/16 1 1/4	T1030-25G T1030-30G T1030-7/8G T1030-1G T1030-1 1/8G T1030-1 3/16G T1030-1 1/4G	62.000	18.00	38.10	15.93	40.30	5.00	1.00	19500	11300	850	0.37
30 35	1 3/16 1 1/4 1 3/8 1 7/16	T1035-30G T1035-35G T1035-1 3/16G T1035-1 1/4G T1035-1 3/8G T1035-1 7/16G	72.000	19.00	42.90	17.53	46.90	6.50	1.00	25700	15300	750	0.51
35 40	1 3/8 1 7/16 1 1/2	T1040-35G T1040-40G T1040-1 3/8G T1040-1 7/16G T1040-1 1/2G	80.000	21.00	49.20	19.03	52.40	8.00	1.00	32500	19900	650	0.64
40 45	1 1/2 1 5/8 1 11/16 1 3/4	T1045-40G T1045-45G T1045-1 1/2G T1045-1 5/8G T1045-1 11/16G T1045-1 3/4G	85.000	22.00	49.20	19.04	57.40	8.00	1.00	32500	20500	600	0.73
45 50	1 11/16 1 3/4 1 7/8 1 15/16 2	T1050-45G T1050-50G T1050-1 11/16G T1050-1 3/4G T1050-1 7/8G T1050-1 15/16G T1050-2G	90.000	23.00	51.60	19.04	62.40	10.00	1.00	35000	23200	550	0.91
50 55	1 7/8 1 15/16 2 2 1/8 2 3/16	T1055-50G T1055-55G T1055-1 7/8G T1055-1 15/16G T1055-2G T1055-2 1/8G T1055-2 3/16G	100.000	25.00	55.60	22.24	68.90	10.00	1.50	43500	29200	500	1.12

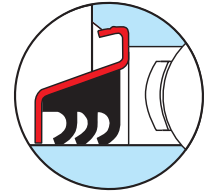
Please check availability

Shaft diameter		RHP designation	Dimensions (mm)						ISO load ratings		Rec. max. speed rev/min	Mass (approx.) kg	
mm	inches		D	C	B	s	d1	M	r	dynamic Cr newtons			static Cor newtons
55 60	$2\frac{3}{16}$ $2\frac{1}{4}$ $2\frac{3}{8}$ $2\frac{7}{16}$	T1060-55G T1060-60G T1060-2$\frac{3}{16}$G T1060-2$\frac{1}{4}$G T1060-2$\frac{3}{8}$G T1060-2$\frac{7}{16}$G	110.000	25.00	65.10	25.44	76.00	10.00	1.50	48000	33000	450	1.50
60 65 70	$2\frac{7}{16}$ $2\frac{1}{2}$ $2\frac{5}{8}$ $2\frac{11}{16}$	T1070-60G T1070-65G T1070-70G T1070-2$\frac{7}{16}$G T1070-2$\frac{1}{2}$G T1070-2$\frac{5}{8}$G T1070-2$\frac{11}{16}$G	125.000	28.00	74.60	30.24	89.00	12.00	1.50	61000	45000	400	2.30
75 80	$2\frac{15}{16}$ 3	T1080-75G T1080-80G T1080-2$\frac{15}{16}$G T1080-3G	140.000	30.00	82.60	33.34	100.00	12.00	2.00	71500	54500	345	3.27

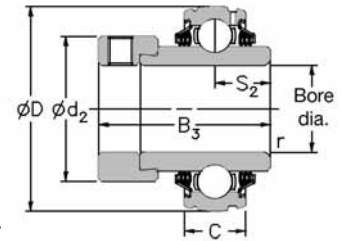
Please check availability

Self-Lube® triple seal bearing inserts

T1000DECG Series



T1000DECG
With spherical outside diameter and eccentric collar lock



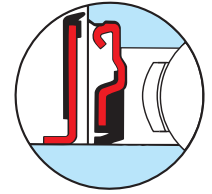
Radius to clear
max. fillet radius r

Shaft diameter		RHP designation	Dimensions (mm)					ISO load ratings		Rec. max. speed rev/min	Mass (approx.) kg	
			D	C	B3	s2	d2	r	dynamic Cr newtons			static Cor newtons
mm	inches											
25	7/8 15/16 1	T1025-25DECG T1025-7/8DECG T1025-15/16DECG T1025-1DECG	52.000	15.00	44.43	17.53	38.10	1.00	14000	7880	1000	0.26
30	1 1/8 1 3/16 1 1/4	T1030-30DECG T1030-1 1/8DECG T1030-1 3/16DECG T1030-1 1/4DECG	62.000	18.00	48.43	18.33	44.50	1.00	19500	11300	850	0.53
35	1 1/4 1 3/8 1 7/16	T1035-35DECG T1035-1 1/4DECG T1035-1 3/8DECG T1035-1 7/16DECG	72.000	19.00	51.13	18.83	55.60	1.00	25700	15300	750	0.70
40	1 1/2	T1040-40DECG T1040-1 1/2DECG	80.000	21.00	56.33	21.43	60.30	1.00	32500	19900	650	0.82
45	1 5/8 1 11/16 1 3/4	T1045-45DECG T1045-1 5/8DECG T1045-1 11/16DECG T1045-1 3/4DECG	85.000	22.00	56.33	21.43	63.50	1.00	32500	20500	600	1.08
50	1 7/8 1 15/16	T1050-50DECG T1050-1 7/8DECG T1050-1 15/16DECG	90.000	23.00	62.73	24.64	69.90	1.00	35000	23200	550	1.19
55	2 2 1/8 2 3/16	T1055-55DECG T1055-2DECG T1055-2 1/8DECG T1055-2 3/16DECG	100.000	25.00	71.42	27.84	76.20	1.50	43500	29200	500	1.40
60	2 1/4 2 7/16	T1060-60DECG T1060-2 1/4DECG T1060-2 7/16DECG	110.000	25.00	77.84	31.04	84.20	1.50	48000	33000	450	1.81
65 70		T1070-65DECG T1070-70DECG	125.000	28.00	85.74	34.14	97.00	1.50	61000	45000	400	2.49

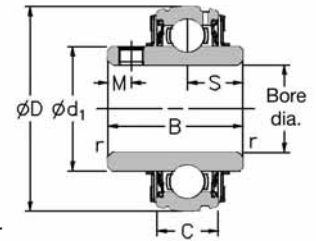
Please check availability

Self-Lube® bearing inserts with flinger seals

1000GFS Series



1000GFS
With spherical outside diameter and integral set screw lock



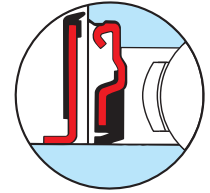
Radius to clear max. fillet radius r

Shaft diameter		RHP designation	Dimensions (mm)							ISO load ratings		Rec. max. speed rev/min	Mass (approx.) kg
			D	C	B	s	d1	M	r	dynamic Cr newtons	static Cor newtons		
mm	inches												
25	$\frac{7}{8}$ $\frac{15}{16}$ 1	1025-25GFS 1025-$\frac{7}{8}$GFS 1025-$\frac{15}{16}$GFS 1025-1GFS	52.000	15.00	34.10	14.33	34.00	5.00	1.00	14000	7880	6250	0.17
25 30	$\frac{7}{8}$ 1 $\frac{1}{8}$ $\frac{1}{16}$ $\frac{1}{4}$	1030-25GFS 1030-30GFS 1030-$\frac{7}{8}$GFS 1030-1GFS 1030-$\frac{1}{8}$GFS 1030-$\frac{1}{16}$GFS 1030-$\frac{1}{4}$GFS	62.000	16.00	38.10	15.93	40.30	5.00	1.00	19500	11300	5300	0.37
30 35	$\frac{1}{16}$ $\frac{1}{4}$ $\frac{1}{8}$ $\frac{3}{16}$ $\frac{1}{2}$	1035-30GFS 1035-35GFS 1035-$\frac{1}{16}$GFS 1035-$\frac{1}{4}$GFS 1035-$\frac{1}{8}$GFS 1035-$\frac{3}{16}$GFS 1035-$\frac{1}{2}$GFS	72.000	17.00	42.90	17.53	46.90	6.50	1.00	25700	15300	4500	0.51
35 40	$\frac{3}{8}$ $\frac{1}{16}$ $\frac{1}{2}$	1040-35GFS 1040-40GFS 1040-$\frac{3}{8}$GFS 1040-$\frac{1}{16}$GFS 1040-$\frac{1}{2}$GFS	80.000	18.00	49.20	19.03	52.40	8.00	1.00	32500	19900	4000	0.64
40 45	$\frac{1}{2}$ $\frac{5}{8}$ $\frac{11}{16}$ $\frac{3}{4}$	1045-40GFS 1045-45GFS 1045-$\frac{1}{2}$GFS 1045-$\frac{5}{8}$GFS 1045-$\frac{11}{16}$GFS 1045-$\frac{3}{4}$GFS	85.000	19.00	49.20	19.04	57.40	8.00	1.00	32500	20500	3700	0.73
45 50	$\frac{11}{16}$ $\frac{3}{4}$ $\frac{1}{8}$ $\frac{15}{16}$ 2	1050-45GFS 1050-50GFS 1050-$\frac{11}{16}$GFS 1050-$\frac{3}{4}$GFS 1050-$\frac{1}{8}$GFS 1050-$\frac{15}{16}$GFS 1050-2GFS	90.000	20.00	51.60	19.04	62.40	10.00	1.00	35000	23200	3400	0.91
50 55	$\frac{1}{8}$ $\frac{15}{16}$ 2 $\frac{1}{8}$ $\frac{2}{16}$	1055-50GFS 1055-55GFS 1055-$\frac{1}{8}$GFS 1055-$\frac{15}{16}$GFS 1055-2GFS 1055-$\frac{1}{8}$GFS 1055-$\frac{2}{16}$GFS	100.000	21.00	55.60	22.24	68.90	10.00	1.50	43500	29200	3100	1.12
55 60	$\frac{2}{16}$ $\frac{1}{4}$ $\frac{3}{8}$ $\frac{2}{16}$	1060-55GFS 1060-60GFS 1060-$\frac{2}{16}$GFS 1060-$\frac{1}{4}$GFS 1060-$\frac{3}{8}$GFS 1060-$\frac{2}{16}$GFS	110.000	22.00	65.10	25.44	76.00	10.00	1.50	48000	33000	2800	1.47

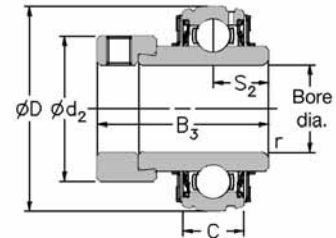
Please check availability

Self-Lube® bearing inserts with flinger seals

1000DECGFS Series



1000DECGFS
With spherical outside diameter and eccentric collar lock



Radius to clear max. fillet radius r

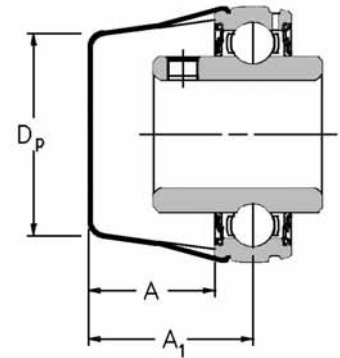
Shaft diameter		RHP designation	Dimensions (mm)					ISO load ratings		Rec. max. speed rev/min	Mass (approx.) kg	
mm	inches		D	C	B3	s2	d2	r	dynamic Cr newtons			static Cor newtons
25	7/8 15/16 1	1025-25DECGFS 1025-7/8DECGFS 1025-15/16DECGFS 1025-1DECGFS	52.000	15.00	44.43	17.53	38.10	1.00	14000	7880	6250	0.26
30	1 1 3/16 1 1/4	1030-30DECGFS 1030-1 1/8DECGFS 1030-1 3/16DECGFS 1030-1 1/4DECGFS	62.000	16.00	48.43	18.33	44.50	1.00	19500	11300	5300	0.53
35	1 1/4 1 5/16 1 3/8 1 7/16	1035-35DECGFS 1035-1 1/4DECGFS 1035-1 5/16DECGFS 1035-1 3/8DECGFS 1035-1 7/16DECGFS	72.000	17.00	51.13	18.83	55.60	1.00	25700	15300	4500	0.70
40	1 1/2	1040-40DECGFS 1040-1 1/2DECGFS	80.000	18.00	56.33	21.43	60.30	1.00	32500	19900	4000	0.82
45	1 5/8 1 11/16 1 3/4	1045-45DECGFS 1045-1 5/8DECGFS 1045-1 11/16DECGFS 1045-1 3/4DECGFS	85.000	19.00	56.33	21.43	63.50	1.00	32500	20500	3700	1.08
50	1 7/8 1 15/16	1050-50DECGFS 1050-1 7/8DECGFS 1050-1 15/16DECGFS	90.000	20.00	62.73	24.64	69.90	1.00	35000	23200	3400	1.19
55	2 2 1/8 2 3/16	1055-55DECGFS 1055-2DECGFS 1055-2 1/8DECGFS 1055-2 3/16DECGFS	100.000	21.00	71.42	27.84	76.20	1.50	43500	29200	3100	1.40
60	2 1/4 2 3/8 2 7/16	1060-60DECGFS 1060-2 1/4DECGFS 1060-2 3/8DECGFS 1060-2 7/16DECGFS 1060-2 1/2DECGFS	110.000	22.00	77.84	31.04	84.20	1.50	48000	33000	2800	1.72

Please check availability

Self-Lube® protector

The Protector Range

RHP designation	Dimensions (mm)			Basic bearing insert
	Dp	A	A1	
20P	37.0	23.0	30.0	1020
25P	42.5	23.0	30.5	1025
30P	50.5	26.5	34.5	1030
35P	60.5	28.5	37.0	1035
40P	67.5	30.5	39.5	1040
45P	72.0	30.0	39.5	1045
50P	76.0	32.5	42.5	1050
55P	85.0	37.5	48.0	1055
60P	94.0	40.5	51.5	1060



The following table shows the range of units which can be fitted with a protector and indicates the right protector to select.

Bore size	Self-Lube® unit												
	NP	SFT	SNP	LFTC	FC	ST	BT	SLFEP	SLFTP	MFC	SCHB	NP-K	MP
	NP-A	SFT-A	SNP-A	LFTC-A	FC-A	ST-A	BT-A	SLFEP-A	SLFTP-A		SCH	MP-K	MSF
	NP-EC	SFT-EC	SNP-EC	LFTC-EC	FC-EC	ST-EC	BT-EC	SLFEP-EC	SLFTP-EC			MSF-K	MSFT
	NP-DEC	SFT-DEC	SNP-DEC	LFTC-DEC	FC-DEC	ST-DEC		SLFEP-DEC	SLFTP-DEC			MSFT-K	MST
	SL	SLC	CNP	SLFLP								MST-K	MSC
	SL-A	SLC-A	CNP-A	SLFLP-A									
	SL-EC	SLC-EC	CNP-EC	SLFLP-EC									
	SL-DEC	SLC-DEC	CNP-DEC	SLFLP-DEC									
	SF												
	SF-A												
	SF-EC												
	SF-DEC												
20, 3/4	20P	20P	20P	20P	20P	20P	-	20P	-	-	20P	20P	-
25, 7/8, 15/16, 1	25P	25P	25P	25P	25P	25P	25P	25P	25P	30P	30P	30P	30P
30, 1 1/8	30P	30P	30P	30P	30P	30P	-	30P	30P	30P	30P	35P	35P
1 3/16	30P	30P	30P	30P	30P	30P	-	30P	30P	35P	35P	35P	35P
1 1/4	35P	35P	35P	35P	35P	35P	35P	30P	30P	35P	35P	40P	35P
35, 1 3/8	35P	35P	35P	35P	35P	35P	35P	35P	35P	40P	35P	40P	40P
1 7/16	35P	35P	35P	35P	35P	35P	35P	35P	35P	40P	40P	45P	40P
40, 1 1/2	40P	40P	40P	-	40P	40P	-	40P*	-	40P	40P	45P	45P
45, 1 5/8	45P	45P	45P	-	45P	45P	-	45P*	-	50P	50P	50P	50P
1 11/16, 1 3/4	45P	45P	45P	-	45P	45P	-	45P*	-	50P	50P	50P	50P
50, 1 7/8, 1 15/16	50P	50P	-	-	50P	50P	-	50P*	-	55P	50P	55P	55P
2	55P	55P	-	-	55P	55P	-	55P*	-	55P	50P	55P	55P
55, 2 1/8, 2 3/16	55P	55P	-	-	55P	55P	-	55P*	-	60P	60P	-	60P
2 1/4	60P	60P	-	-	60P	60P	-	60P*	-	60P	60P	-	60P
60, 2 3/8, 2 7/16	60P	60P	-	-	60P	60P	-	60P*	-	-	60P	-	-

* Please check availability of units (protectors are available, but special SLFEP flangettes may not be).

Note 1: The appropriate protector is determined by the basic bearing insert group.

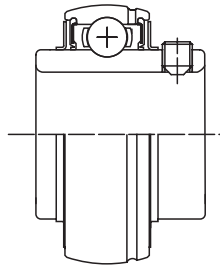
Note 2: When a pressing from the series SLFL, SLFE or SLFT is fitted with a protector, the unit reference includes the letter "P", e.g. SLFEP-25EC.

Silver-Lube® Bearing Units

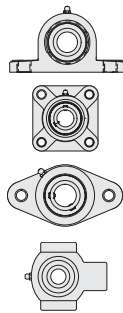


Silver-Lube® unit references

Insert Type

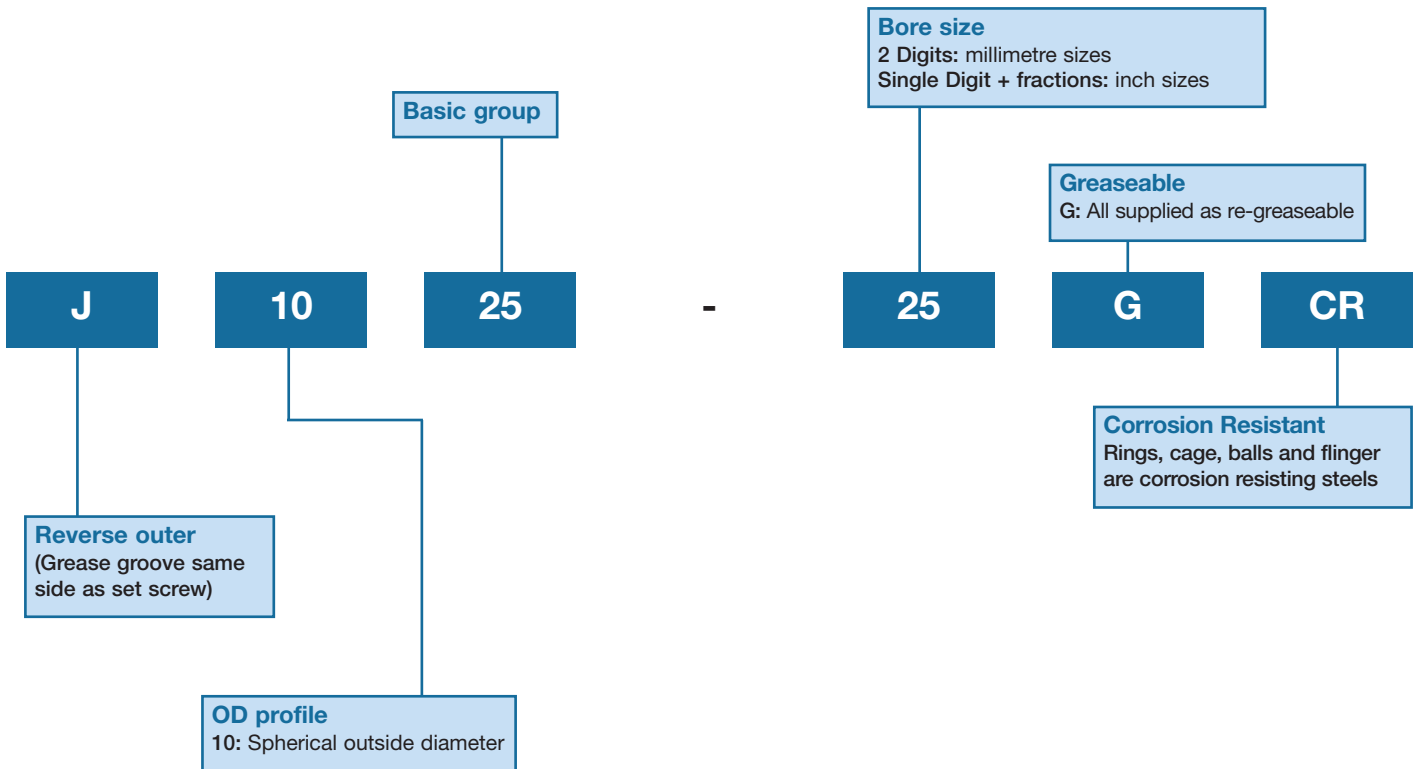


Housing Type



Page	100
102	PNP
104	PSF
106	PSFT
108	PST

Silver-Lube® insert references



Silver-Lube® product range

Introduction

The Silver-Lube® series is a range of corrosion resistant bearing units specifically for use in industries where frequent thorough washdowns are necessary, optimum hygiene standards are required and good chemical resistance is important over a wide temperature range.

The units are available in pillow block, two-bolt flange, four-bolt flange and take-up unit configurations and are capable of accommodating initial misalignment from mounting errors. In operation the units have proven reliability in the most hostile applications. Relubrication is possible for long trouble-free life, minimising maintenance, maximising productivity and helping maintain hygiene standards.

Silver-Lube® housings are made from PBT thermoplastic resin which, in addition to being non-corrodible, is resistant to detergents and a wide range of chemicals. The housings are paint and coating free which prevents chipping or flaking and have smooth surfaces to assist thorough washdowns.

Silver-Lube® bearing inserts are made from stainless steel, are provided with effective, efficient sealing arrangements and are charged with an aluminium complex, high temperature approved food grade grease as standard.

Housing strength

Housing load carrying capacity varies depending on the application loading regime, which may be intermittent, continuous or cyclical. Maximum housing loads are given in tables 1, 2, 3 and 4. These loads must not be exceeded without prior consultation with NSK.

Published housing maximum load capacities do not allow for any reduction in housing strength caused by exposure of the housing to chemicals, water, steam, heat, ultraviolet light or any combination of these factors. If any of these factors are present in the application the designer or end-user must establish the effect of these exposures and reduce the published maximum housing load accordingly.

To maximise load carrying capacity it is recommended that washers are used with the fixing bolts. Tables 1, 2 and 3 also detail maximum fixing bolt tightening torques.

Static electricity generation

Static electricity may be generated by Silver-Lube® bearing units under certain application conditions.

Silver-Lube® bearings are therefore not recommended for use in explosive or flammable environments. If Silver-Lube® bearing units are used in flammable or explosive applications the bearing insert must be earthed.

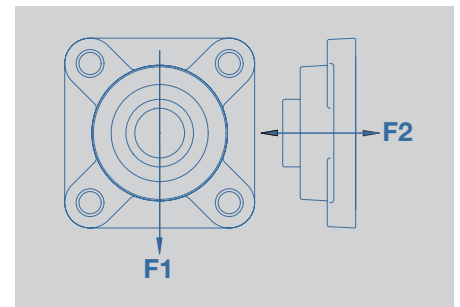
Housing strength

Table 1 PNP Silver-Lube® pillow block - housing load capacity

RHP designation	Maximum housing load (N) at 20°C								
	P1			P2			P3		
	Intermittent loading	Continuous loading	Cyclical loading	Intermittent loading	Continuous loading	Cyclical loading	Intermittent loading	Continuous loading	Cyclical loading
PNP20CR	3500	1700	800	2800	1400	800	2600	1300	700
PNP $\frac{3}{4}$ CR	3500	1700	800	2800	1400	800	2600	1300	700
PNP25CR	4000	2000	1000	3100	1500	800	2600	1300	700
PNP1CR	4000	2000	1000	3100	1500	800	2600	1300	700
PNP30CR	5000	2500	1200	3500	1800	1000	4000	2000	1100
PNP $\frac{3}{16}$ CR	5000	2500	1200	3500	1800	1000	4000	2000	1100
PNP $\frac{1}{4}$ RCR	5000	2500	1200	3500	1800	1000	4000	2000	1100
PNP35CR	6000	3000	1500	4300	2100	1200	4100	2100	1100
PNP $\frac{1}{4}$ CR	6000	3000	1500	4300	2100	1200	4100	2100	1100
PNP $\frac{1}{16}$ CR	6000	3000	1500	4300	2100	1200	4100	2100	1100
PNP40CR	10700	5300	2900	8000	4000	2200	6800	3400	1900
PNP $\frac{1}{2}$ CR	10700	5300	2900	8000	4000	2200	6800	3400	1900

Table 2 PSF Silver-Lube® four-bolt flange - housing load capacity

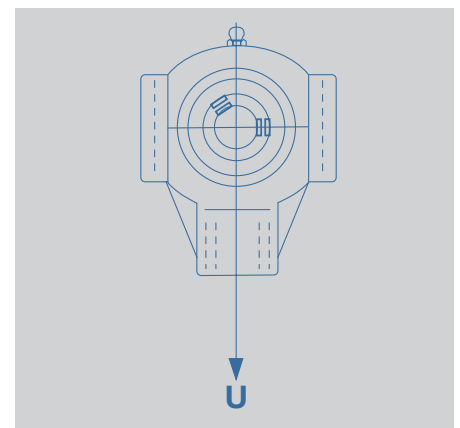
RHP designation	Maximum housing load (N) at 20°C						Maximum fixing bolt torque (Nm)
	F1			F2			
	Intermittent loading	Continuous loading	Cyclical loading	Intermittent loading	Continuous loading	Cyclical loading	
PSF20CR	3100	1600	900	1300	700	400	18
PSF $\frac{3}{4}$ CR	3100	1600	900	1300	700	400	18
PSF25CR	3500	1700	1000	1300	700	400	25
PSF1CR	3500	1700	1000	1300	700	400	25
PSF30CR	4600	2300	1300	2200	1100	600	30
PSF $\frac{3}{16}$ CR	4600	2300	1300	2200	1100	600	30
PSF $\frac{1}{4}$ RCR	4600	2300	1300	2200	1100	600	30
PSF35CR	6200	3100	1700	2600	1300	700	35
PSF $\frac{1}{4}$ CR	6200	3100	1700	2600	1300	700	35
PSF $\frac{1}{16}$ CR	6200	3100	1700	2600	1300	700	35
PSF40CR	6200	3100	1700	4000	2000	1100	40
PSF $\frac{1}{2}$ CR	6200	3100	1700	4000	2000	1100	40



PSF SERIES

Table 4 PST Silver-Lube® take-up - housing load capacity

RHP designation	Maximum housing load (N) at 20°C		
	U Intermittent loading	U Continuous loading	U Cyclical loading
PST20CR	5700	2800	1600
PST $\frac{3}{4}$ CR	5700	2800	1600
PST25CR	5400	2700	1500
PST1CR	5400	2700	1500
PST30CR	8100	4000	2300
PST $\frac{3}{16}$ CR	8100	4000	2300
PST $\frac{1}{4}$ RCR	8100	4000	2300
PST35CR	7800	3900	2200
PST $\frac{1}{4}$ CR	7800	3900	2200
PST $\frac{1}{16}$ CR	7800	3900	2200
PST40CR	8100	4000	2300
PST $\frac{1}{2}$ CR	8100	4000	2300



PST SERIES

Note that there is no maximum fixing bolt torque applicable for take-up units.

	Maximum housing load (N) at 20°C			Maximum fixing bolt torque (Nm)
	P4 Intermittent loading	P4 Continuous loading	P4 Cyclical loading	
	1300	700	400	18
	1300	700	400	18
	1700	900	500	25
	1700	900	500	25
	2600	1300	700	30
	2600	1300	700	30
	2600	1300	700	30
	3200	1600	900	35
	3200	1600	900	35
	3200	1600	900	35
	5200	2600	1400	40
	5200	2600	1400	40

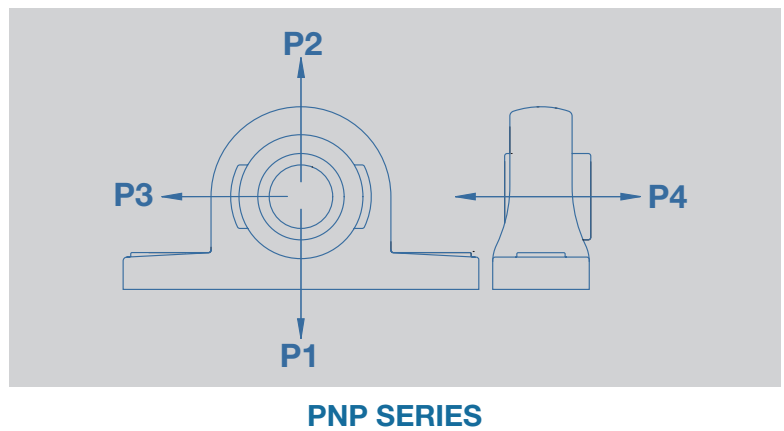
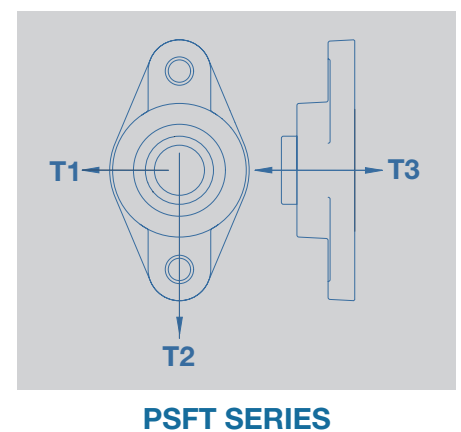


Table 3 PSFT Silver-Lube® two-bolt flange - housing load capacity

RHP designation	Maximum housing load (N) at 20°C									Maximum fixing bolt torque (Nm)
	T1 Intermittent loading	T1 Continuous loading	T1 Cyclical loading	T2 Intermittent loading	T2 Continuous loading	T2 Cyclical loading	T3 Intermittent loading	T3 Continuous loading	T3 Cyclical loading	
PSFT20CR	4400	2200	1200	1900	900	500	1300	700	400	18
PSFT ³ / ₄ CR	4400	2200	1200	1900	900	500	1300	700	400	18
PSFT25CR	4400	2200	1200	3000	1500	800	1400	700	400	25
PSFT1CR	4400	2200	1200	3000	1500	800	1400	700	400	25
PSFT30CR	5900	2900	1600	3300	1600	900	2000	1000	500	30
PSFT1 ³ / ₁₆ CR	5900	2900	1600	3300	1600	900	2000	1000	500	30
PSFT1 ¹ / ₄ RCR	5900	2900	1600	3300	1600	900	2000	1000	500	30
PSFT35CR	6400	3200	1700	3900	2000	1100	2800	1400	800	35
PSFT1 ¹ / ₄ CR	6400	3200	1700	3900	2000	1100	2800	1400	800	35
PSFT1 ⁷ / ₁₆ CR	6400	3200	1700	3900	2000	1100	2800	1400	800	35
PSFT40CR	9000	4500	2500	3900	2000	1100	3300	1600	900	40
PSFT1 ¹ / ₂ CR	9000	4500	2500	3900	2000	1100	3300	1600	900	40



Silver-Lube® bearing inserts

Silver-Lube® bearing inserts have martensitic stainless steel rings and balls, and austenitic stainless steel ball cage, flingers and set screws.

The grease in this product is an aluminium complex food grade grease, classified to NSF grade H1. In the event of relubricating being necessary, this type of grease is the first choice replacement.

If an aluminium complex food grade grease is not available, it is essential that any alternative grease is NSF H1 approved and ideally chemically compatible with the original grease. If chemical compatibility cannot be assured, then it is recommended that the original grease is completely flushed out of the system before relubrication. NSK should be consulted where necessary.

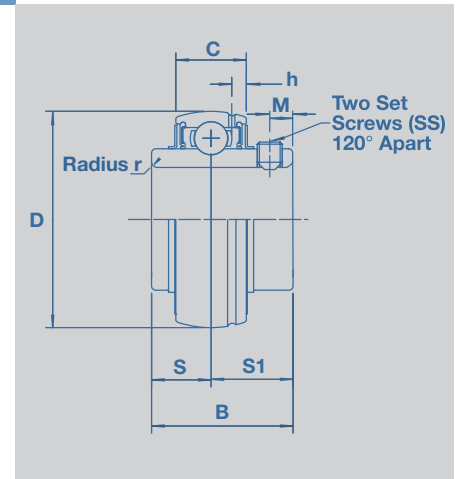


Table 5 Insert designations, dimensions and weights

Units: mm

RHP designation	Bore dia	D	C	B	S	r	M	C _r (N)	C _{or} (N)	Weight (Kg)
J1020-20GCR	20	47	16	31.0	12.7	1.5	5.0	9910	5350	0.16
J1020-3/4GCR	3/4"	47	16	31.0	12.7	1.5	5.0	9910	5350	0.16
J1025-25GCR	25	52	17	34.0	14.3	1.5	5.5	10820	6300	0.20
J1025-1GCR	1"	52	17	34.0	14.3	1.0	5.5	10820	6300	0.20
J1030-30GCR	30	62	19	38.1	15.9	1.5	6.0	15000	9050	0.32
J1030-13/16GCR	13/16"	62	19	38.1	15.9	1.0	6.0	15000	9050	0.32
J1030-11/4GCR	11/4"	62	19	38.1	15.9	1.0	6.0	15000	9050	0.32
J1035-35GCR	35	72	20	42.9	17.5	2.0	6.5	19820	12300	0.48
J1035-11/4GCR	11/4"	72	20	42.9	17.5	2.0	6.5	19820	12300	0.48
J1035-17/16GCR	17/16"	72	20	42.9	17.5	1.5	6.5	19820	12300	0.48
J1040-40GCR	40	80	21	49.2	19.0	2.0	8.0	22540	14300	0.64
J1040-11/2GCR	11/2"	80	21	49.2	19.0	2.0	8.0	22540	14300	0.64

Shaft tolerances and permissible speeds

Bearing insert permissible speed is dependent on shaft tolerance. For higher speed applications an ISO h7 shaft tolerance is recommended. An ISO h9 shaft tolerance may be used for low speed applications. For more information see table 6.

Table 6 Tolerances and speeds

Basic bearing insert	Bearing limiting speed (RPM)	ISO h7 Shaft tolerance high (0.001 mm Units)	ISO h7 Shaft tolerance low (0.001 mm Units)	Bearing limiting speed (RPM)	ISO h9 Shaft tolerance high (0.001 mm Units)	ISO h9 Shaft tolerance low (0.001 mm Units)
J1020	2900	0	-21	1490	0	-52
J1025	2600	0	-21	1300	0	-52
J1030	2180	0	-21	1090	0	-52
J1035	1870	0	-25	940	0	-62
J1040	1650	0	-25	830	0	-62

Materials and tightening torques

Materials

	Parts	Materials
Bearing	Bearing Rings	Martensitic stainless steel (equivalent to SUS440C)
	Ball	Martensitic stainless steel (equivalent to SUS440C)
	Flinger	Austenitic stainless steel (equivalent to SUS302)
	Set Screw	Martensitic stainless steel (equivalent to SUS304)
	Cage	Austenitic stainless steel (equivalent to SUS302)
Bearing housing		Thermo Plastic PBT

Set screw tightening torques

Set screws for Silver-Lube® bearing inserts are manufactured from stainless steel and can fracture if overtightened. The limiting set screw torques listed (in Table 7) should not be exceeded.

Table 7 Recommended tightening torques for set screws

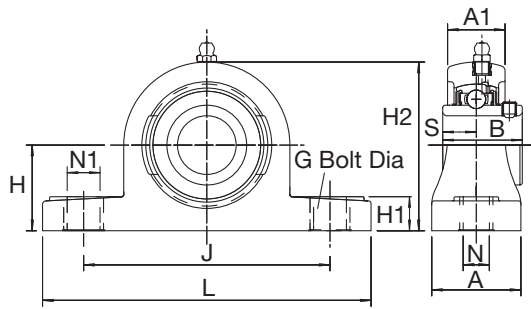
Bearing designation	Designation of set screws	Maximum tightening torque (Nm)
J1020-20GCR	M6 X 6.0 LONG	4
J1020- $\frac{3}{4}$ GCR	M6 X 6.0 LONG	4
J1025-25GCR	M6 X 6.0 LONG	4
J1025-1GCR	M6 X 6.0 LONG	4
J1030-30GCR	M6 X 6.0 LONG	4
J1030- $\frac{3}{16}$ GCR	M6 X 6.0 LONG	4
J1030- $\frac{1}{4}$ GCR	M6 X 6.0 LONG	4
J1035-35GCR	M8 X 8.0 LONG	8
J1035- $\frac{1}{4}$ GCR	M8 X 8.0 LONG	8
J1035- $\frac{1}{16}$ GCR	M8 X 8.0 LONG	8
J1040-40GCR	M8 X 8.0 LONG	8
J1040- $\frac{1}{2}$ GCR	M8 X 8.0 LONG	8

Unit dimensions

Table 8
PNP Silver-Lube® pillow block - unit dimensions

Shaft diameter		RHP designation	Basic bearing insert	Housing group	Dimensions (mm)				
mm	inches				L	H	H1	H2	J
20	¾	PNP20CR	J1020	2	127.2	33.3	14.2	65.9	94.9
		PNP¾CR	J1020	2	127.2	33.3	14.2	65.9	94.9
25	1	PNP25CR	J1025	3	140.2	36.5	14.5	71.9	104.9
		PNP1CR	J1025	3	140.2	36.5	14.5	71.9	104.9
30	1⅜	PNP30CR	J1030	4	162.2	42.9	17.8	83.9	118.9
	1¼	PNP1⅜CR	J1030	4	162.2	42.9	17.8	83.9	118.9
		PNP1¼RCR	J1030	4	162.2	42.9	17.8	83.9	118.9
35	1¼	PNP35CR	J1035	5	167.2	47.6	18.0	94.9	126.9
		PNP1¼CR	J1035	5	167.2	47.6	18.0	94.9	126.9
	1⅞	PNP1⅞CR	J1035	5	167.2	47.6	18.0	94.9	126.9
40	1½	PNP40CR	J1040	6	184.2	49.2	19.5	98.9	136.8
		PNP1½CR	J1040	6	184.2	49.2	19.5	98.9	136.8

All dimensions in mm except inch shaft sizes



PNP SERIES

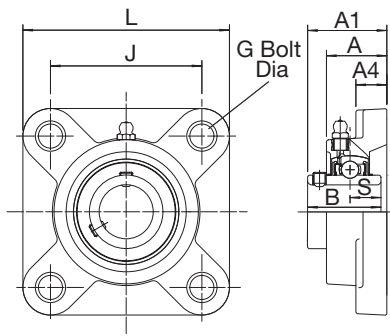
Dimensions (mm)								Weight
N	N1	G	A	A1	B	S		
								kg
11.0	14.2	M10	37.8	22.5	31.0	12.7	0.27	
11.0	14.2	M10	37.8	22.5	31.0	12.7	0.27	
11.0	14.2	M10	37.8	24.5	34.0	14.3	0.39	
11.0	14.2	M10	37.8	24.5	34.0	14.3	0.39	
14.0	18.2	M12	45.8	27.0	38.1	15.9	0.52	
14.0	18.2	M12	45.8	27.0	38.1	15.9	0.52	
14.0	18.2	M12	45.8	27.0	38.1	15.9	0.52	
14.0	18.2	M12	47.8	32.5	42.9	17.5	0.72	
14.0	18.2	M12	47.8	32.5	42.9	17.5	0.72	
14.0	18.2	M12	47.8	32.5	42.9	17.5	0.72	
14.0	18.2	M12	53.8	36.0	49.2	19.0	0.99	
14.0	18.2	M12	53.8	36.0	49.2	19.0	0.99	

Unit dimensions

Table 9
PSF Silver-Lube® four-bolt flange - unit dimensions

Shaft diameter		RHP designation	Basic bearing insert	Housing group	Dimensions (mm)		
mm	inches				L	J	G
20		PSF20CR PSF $\frac{3}{4}$ CR	J1020 J1020	2 2	86.5	63.5	M10
	$\frac{3}{4}$				86.5	63.5	M10
25		PSF25CR PSF1CR	J1025 J1025	3 3	95.0	70.0	M10
	1				95.0	70.0	M10
30		PSF30CR PSF $1\frac{3}{16}$ CR PSF $1\frac{1}{4}$ RCR	J1030 J1030 J1030	4 4 4	107.5	83.0	M12
	$1\frac{3}{16}$				107.5	83.0	M12
	$1\frac{1}{4}$				107.5	83.0	M12
35		PSF35CR PSF $1\frac{1}{4}$ CR PSF $1\frac{7}{16}$ CR	J1035 J1035 J1035	5 5 5	117.5	92.0	M12
	$1\frac{1}{4}$				117.5	92.0	M12
	$1\frac{7}{16}$				117.5	92.0	M12
40		PSF40CR PSF $1\frac{1}{2}$ CR	J1040 J1040	6 6	130.5	102.0	M12
	$1\frac{1}{2}$				130.5	102.0	M12

All dimensions in mm except inch shaft sizes



PSF SERIES

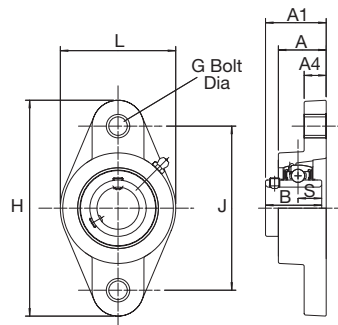
Dimensions (mm)						Weight
A	A1	A1	B	S		kg
27.8	36.3	13.4	31.0	12.7		0.28
27.8	36.3	13.4	31.0	12.7		0.28
27.9	36.7	14.3	34.0	14.3		0.34
27.9	36.7	14.3	34.0	14.3		0.34
31.5	41.4	14.3	38.1	15.9		0.50
31.5	41.4	14.3	38.1	15.9		0.50
31.5	41.4	14.3	38.1	15.9		0.50
34.8	46.9	15.5	42.9	17.5		0.74
34.8	46.9	15.5	42.9	17.5		0.74
34.8	46.9	15.5	42.9	17.5		0.74
37.5	53.2	17.1	49.2	19.0		0.98
37.5	53.2	17.1	49.2	19.0		0.98

Unit dimensions

Table 10
PSFT Silver-Lube® two-bolt flange - unit dimensions

Shaft diameter		RHP designation	Basic bearing insert	Housing group	Dimensions (mm)		
mm	inches				L	H	J
20		PSFT20CR PSFT $\frac{3}{4}$ CR	J1020 J1020	2 2	64.1	113.3	90.0
	$\frac{3}{4}$				64.1	113.3	90.0
25		PSFT25CR PSFT1CR	J1025 J1025	3 3	68.4	130.3	99.0
	1				68.4	130.3	99.0
30		PSFT30CR PSFT $1\frac{3}{16}$ CR PSFT $1\frac{1}{4}$ RCR	J1030 J1030 J1030	4 4 4	80.1	148.3	117.0
	$1\frac{3}{16}$				80.1	148.3	117.0
	$1\frac{1}{4}$				80.1	148.3	117.0
35		PSFT35CR PSFT $1\frac{1}{4}$ CR PSFT $1\frac{7}{16}$ CR	J1035 J1035 J1035	5 5 5	90.1	163.3	130.0
	$1\frac{1}{4}$				90.1	163.3	130.0
	$1\frac{7}{16}$				90.1	163.3	130.0
40		PSFT40CR PSFT $1\frac{1}{2}$ CR	J1040 J1040	6 6	100.1	175.3	144.0
	$1\frac{1}{2}$				100.1	175.3	144.0

All dimensions in mm except inch shaft sizes



PSFT SERIES

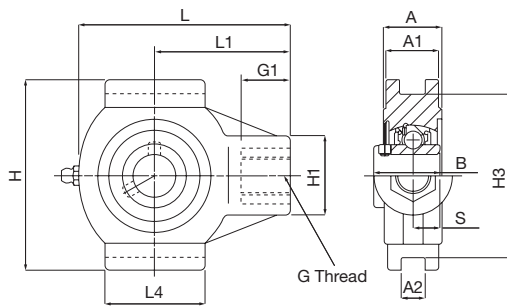
	Dimensions (mm)						Weight
	G	A	A1	A4	B	S	kg
M10	26.5	26.5	33.7	11.4	31.0	12.7	0.24
M10	26.5	26.5	33.7	11.4	31.0	12.7	0.24
M10	29.1	29.1	36.7	13.4	34.0	14.3	0.30
M10	29.1	29.1	36.7	13.4	34.0	14.3	0.30
M10	30.5	30.5	41.2	13.4	38.1	15.9	0.44
M10	30.5	30.5	41.2	13.4	38.1	15.9	0.44
M10	30.5	30.5	41.2	13.4	38.1	15.9	0.44
M12	32.8	32.8	43.4	16.1	42.9	17.5	0.64
M12	32.8	32.8	43.4	16.1	42.9	17.5	0.64
M12	32.8	32.8	43.4	16.1	42.9	17.5	0.64
M12	37.5	37.5	51.7	20.0	49.2	19.0	0.89
M12	37.5	37.5	51.7	20.0	49.2	19.0	0.89

Unit dimensions

Table 11
PST Silver-Lube® take up units - unit dimensions

Shaft diameter		RHP designation	Basic bearing insert	Housing group	Dimensions (mm)				
mm	inches				L	L1	L4	H	H1
20		PST20CR PST $\frac{3}{4}$ CR	J1020 J1020	2 2	99.0	64.0	47.0	88.0	35.0
	$\frac{3}{4}$				99.0	64.0	47.0	88.0	35.0
25		PST25CR PST1CR	J1025 J1025	3 3	99.0	64.0	47.0	88.0	35.0
	1				99.0	64.0	47.0	88.0	35.0
30		PST30CR PST1 $\frac{3}{16}$ CR PST1 $\frac{1}{4}$ RCR	J1030 J1030 J1030	4 4 4	125.0	76.0	63.0	102.0	40.0
	$1\frac{3}{16}$				125.0	76.0	63.0	102.0	40.0
	$1\frac{1}{4}$				125.0	76.0	63.0	102.0	40.0
35		PST35CR PST1 $\frac{1}{4}$ CR PST1 $\frac{7}{16}$ CR	J1035 J1035 J1035	5 5 5	125.0	76.0	63.0	102.0	40.0
	$1\frac{1}{4}$				125.0	76.0	63.0	102.0	40.0
	$1\frac{7}{16}$				125.0	76.0	63.0	102.0	40.0
40		PST40CR PST1 $\frac{1}{2}$ CR	J1040 J1040	6 6	140.0	85.0	80.0	114.0	40.0
	$1\frac{1}{2}$				140.0	85.0	80.0	114.0	40.0

All dimensions in mm except inch shaft sizes



PST SERIES

	Dimensions (mm)								Weight
	H3	G	G1	A	A1	A2	B	S	kg
	75.8	M16X2.00	22.5	27.5	24.5	12.2	31.0	12.7	0.32
	75.8	M16X2.00	22.5	27.5	24.5	12.2	31.0	12.7	0.32
	75.8	M16X2.00	22.5	27.5	24.5	12.2	34.0	14.3	0.36
	75.8	M16X2.00	22.5	27.5	24.5	12.2	34.0	14.3	0.36
	88.8	M16X2.00	22.5	34.5	30.0	12.2	38.1	15.9	0.53
	88.8	M16X2.00	22.5	34.5	30.0	12.2	38.1	15.9	0.53
	88.8	M16X2.00	22.5	34.5	30.0	12.2	38.1	15.9	0.53
	88.8	M16X2.00	22.5	34.5	30.0	12.2	42.9	17.5	0.74
	88.8	M16X2.00	22.5	34.5	30.0	12.2	42.9	17.5	0.74
	88.8	M16X2.00	22.5	34.5	30.0	12.2	42.9	17.5	0.74
	101.8	M16X2.00	22.5	34.0	32.0	16.2	49.2	19.0	1.00
	101.8	M16X2.00	22.5	34.0	32.0	16.2	49.2	19.0	1.00

Molded-Oil™ Inserts with Stainless Steel Housings

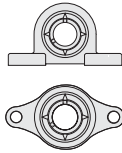


Molded-Oil™ stainless steel unit references

Insert Type

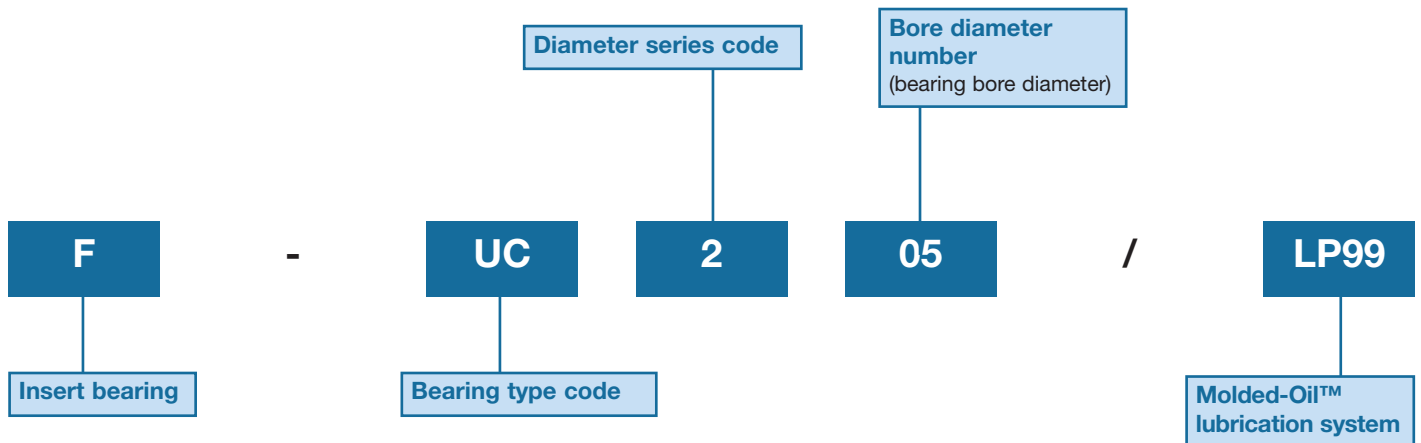


Housing Type



Page	Series
114	F-UCPM2
116	F-UCFM2

Molded-Oil™ insert references



Ball bearing units stainless series

Introduction

This series provides corrosion resistance and longer lubrication life in a clean unit with low torque characteristics.

NSK ball bearing units in the stainless series feature ball bearings inserted into housings made of stainless that provide superior resistance to corrosion as compared to standard series cast iron units. This series is especially useful in a wide variety of applications because of the rust-free properties of the housing.

Molded-Oil™ bearings are lubricated with NSK's own oil-impregnated material, Molded-Oil™. Molded-Oil™ consists of lubricating oil and polyolefin resin that has an affinity for oil. Oil slowly seeping from this material provides ample lubrication to the bearing for extended periods.

As oil seeping from the Molded-Oil™ inside the bearing provides sufficient lubrication, troublesome oil refilling is not required and contamination of the surrounding environment is prevented.

Prior to filling the bearings with Molded-Oil™, their interior surfaces are specially treated. As a result, bearing torque is not much higher than that of grease-lubricated bearings. (Patent pending)

The basic dimensions are the same as current NSK units and are also compatible with units from other manufacturers ISO standard.

Materials

	Parts	Materials
Bearing	Raceways	Martensitic stainless steel (equivalent to SUS440C)
	Ball	Martensitic stainless steel (equivalent to SUS440C)
	Flinger, Retainer	Austenitic stainless steel (equivalent to SUS304)
	Rubber Seal	Nitrile rubber
	Set Screw (W shape screw head)	Martensitic stainless steel (equivalent to SUS410)
Bearing housing		Austenitic stainless steel casting (SCS13)

Recommended operating temperature and allowable speed

Molded-Oil™ bearings are recommended to operate from -15 to +80°C. However, operating temperature should be below +60°C when the bearing is operated under continuous use.

dn value : 12×10^4 max

(dn = bore diameter in mm x speed in min⁻¹)

Remarks: This recommended operating temperature range and allowable speed is applied to all bearings with Molded-Oil™ bearings. Contact NSK when your application exceeds these recommendations.

Recommended tightening torques for set screws

Bearing designation (F-UC)	Designation of set screws (W shape on screw head)	Maximum tightening torques (Nm)
204, 205	M5 x 0.8	3.9
206	M6 x 0.75	4.9
207	M6 x 0.75	5.8
208~210	M8 x 1	7.8

Inner ring tolerances

Units: μm

Nominal bore diameter d		Bore diameter			Width		Radial runout (ref.)
over mm	incl. mm	Δdmp deviations		ΔVdp variations	ΔBs deviations		max
		high	low	max	high	low	
18	31.750	+18	0	12	0	-120	18
31.750	50.800	+21	0	14	0	-120	20

Δdmp : Mean bore diameter deviation.

ΔVdp : Bore diameter variation.

ΔBs : Inner ring width deviation.

Outer ring tolerances

Units: μm

Nominal outside diameter D		ΔDm deviations		Radial runout (ref.)
over mm	incl. mm	high	low	max
30	50	0	-11	20
50	80	0	-13	25
80	120	0	-15	35

ΔDm : Mean outside diameter deviation.

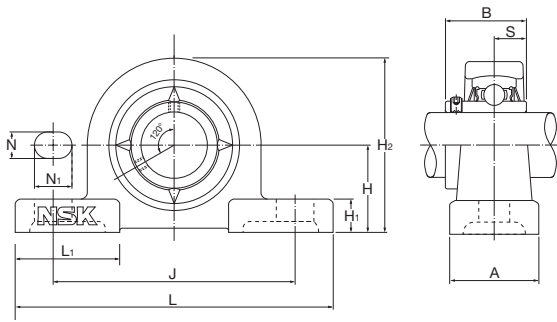
The lower deviation figure of ΔDm does not apply within a distance of ¼ the width of the outer ring from either side.

Pillow type ball bearing unit

F-UCPM2 series

Cylindrical bore, set screw type with Molded-Oil™

Shaft diameter mm	Unit number	Dimensions (mm)										
		H	L	J	A	N	N ₁	H ₁	H ₂	L ₁	B	S
20	F-UCPM204D0/LP99	33.3	120	95	30	12	14	11	64	42	31.0	12.7
25	F-UCPM205D0/LP99	36.5	130	105	30	12	14	12	70	42	34.1	14.3
30	F-UCPM206D0/LP99	42.9	155	121	36	17	20	13	82	54	38.1	15.9
35	F-UCPM207D0/LP99	47.6	161	127	38	17	20	14	92	54	42.9	17.5
40	F-UCPM208D0/LP99	49.2	171	137	40	17	20	14	98	52	49.2	19
45	F-UCPM209D0/LP99	54	180	146	40	17	20	14	105	60	49.2	19
50	F-UCPM210D0/LP99	57.2	195	159	45	19	22	16	114	65	51.6	19



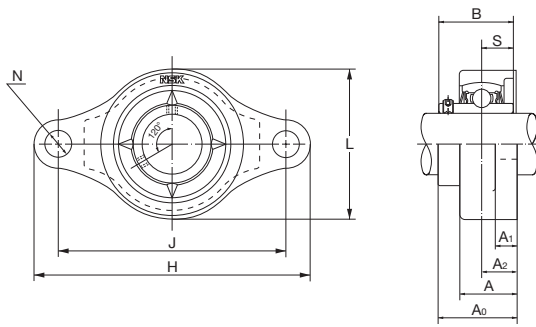
Bolt size	Bearing number	Housing number	Mass of unit (Ref.) kg
M10	F-UC204/LP99	PM204	0.6
M10	F-UC205/LP99	PM205	0.7
M14	F-UC206/LP99	PM206	1.0
M14	F-UC207/LP99	PM207	1.3
M14	F-UC208/LP99	PM208	1.8
M14	F-UC209/LP99	PM209	2.1
M16	F-UC210/LP99	PM210	2.5

Rhombus type ball bearing unit

F-UCFM2 series

Cylindrical bore, set screw type with Molded-Oil™

Shaft diameter mm	Unit number	Dimensions (mm)									
		H	J	A ₂	A ₁	A	N	L	A ₀	B	S
20	F-UCFM204D0/LP99	112	90	15	10	25.5	12	60	33.3	31.0	12.7
25	F-UCFM205D0/LP99	127	99	16	10	26.5	16	68	35.8	34.1	14.3
30	F-UCFM206D0/LP99	145	117	18	10	30	16	80	40.2	38.1	15.9
35	F-UCFM207D0/LP99	158	130	19	12	32	16	90	44.4	42.9	17.5
40	F-UCFM208D0/LP99	172	144	21	12	35	16	100	51.2	49.2	19
45	F-UCFM209D0/LP99	180	148	22	13	36	19	108	52.2	49.2	19
50	F-UCFM210D0/LP99	189	157	22	13	37	19	115	54.6	51.6	19

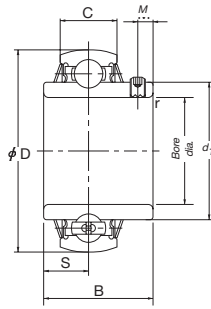


	Bolt size	Bearing number	Housing number	Mass of unit (Ref.)
				kg
	M10	F-UC204/LP99	FM204	0.5
	M14	F-UC205/LP99	FM205	0.6
	M14	F-UC206/LP99	FM206	0.9
	M14	F-UC207/LP99	FM207	1.2
	M14	F-UC208/LP99	FM208	1.6
	M16	F-UC209/LP99	FM209	1.9
	M16	F-UC210/LP99	FM210	2.2

Stainless insert bearing

Cylindrical bore, set screw type with Molded-Oil™

Shaft diameter mm	Unit number	Dimensions (mm)			
		D	B	C	r _{min}
20	F-UC204/LP99	47	31.0	17	1
25	F-UC205/LP99	52	34.1	17	1
30	F-UC206/LP99	62	38.1	19	1
35	F-UC207/LP99	72	42.9	20	1.5
40	F-UC208/LP99	80	49.2	21	1.5
45	F-UC209/LP99	85	49.2	22	1.5
50	F-UC210/LP99	90	51.6	24	1.5



	Dimensions (mm)			Basic load rating N		Mass of unit (Ref.)
	S	M	d1	Dynamic C_r	Static C_{0r}	kg
	12.7	4.5	29.6	9900	6650	0.17
	14.3	5	33.9	10800	7850	0.20
	15.9	5	40.8	15000	11300	0.33
	17.5	6	46.8	19700	15300	0.49
	19	8	53.0	22400	17800	0.65
	19	8	57.5	25200	20400	0.70
	19	9	62.4	27000	23300	0.80

Life-Lube® Bearing Units

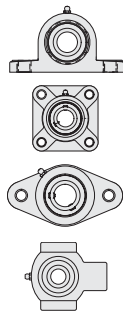


Life-Lube® unit references

Insert Type

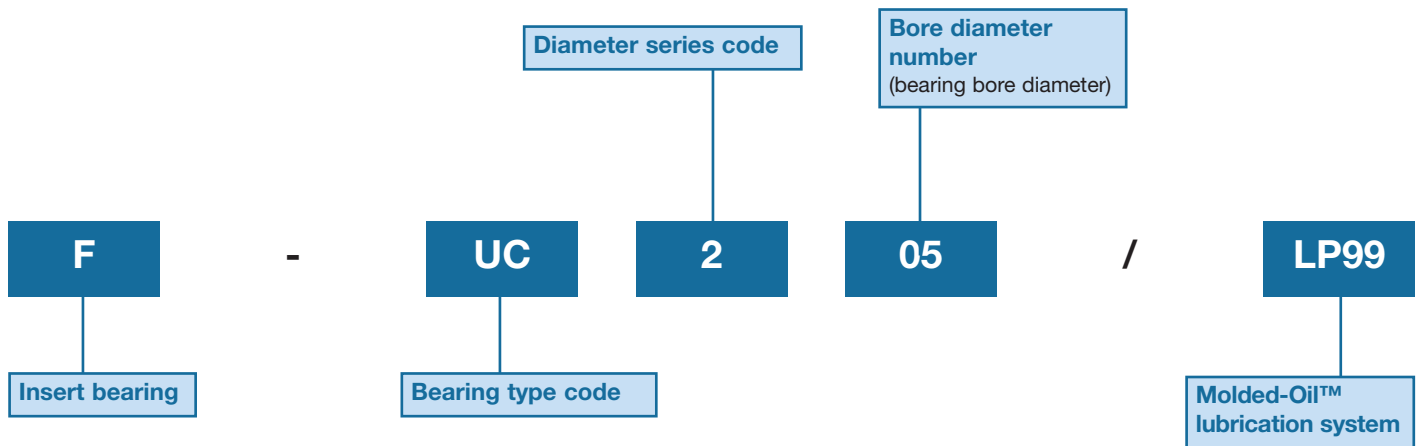


Housing Type



Page	125
126	PNP/LP99
128	PSF/LP99
130	PSFT/LP99
132	PST/LP99

Life-Lube® insert references



Life-Lube® product range

Introduction

The Life-Lube® series combine the corrosion resistant properties of Silver-Lube® housings with the excellent sealing and lubricating properties of Molded-Oil™ inserts. Life-Lube® units are specifically for use in industries where contact with water and process fluids is unavoidable, excellent chemical resistance is required and a longer lubrication life is necessary.

Life-Lube® units are available in pillow block, two-bolt flange, four-bolt flange and take-up unit configurations and are capable of accommodating initial misalignment from mounting errors. In operation, the units have proven reliability in the most hostile applications.

Life-Lube® housings are made from PBT thermoplastic resins which, in addition to being non-corrodible, are resistant to detergents and a wide range of chemicals. The housings are paint and coating free which prevents chipping or flaking and have smooth surfaces to assist in washdowns.

Life-Lube® bearing inserts are made from stainless steel which provides superior corrosion resistance. The inserts are lubricated with NSK's own oil impregnated polymer, Molded-Oil™. Oil slowly seeping from this material provides ample lubrication for the bearing for extended periods. The Molded-Oil™ solid lubricant resists contamination and water washout and does away with the need for relubrication. Stainless steel flingers and nitrile rubber seals are fitted as standard.

Housing strength

Housing load carrying capacity varies depending on the application loading regime, which may be intermittent, continuous or cyclical. Maximum housing loads are given in tables 1, 2, 3 and 4. These loads must not be exceeded without prior consultation with NSK.

Published housing maximum load capacities do not allow for any reduction in housing strength caused by exposure of the housing to chemicals, water, steam, heat, ultraviolet light or any combination of these factors. If any of these factors are present in the application the designer or end-user must establish the effect of these exposures and reduce the published maximum housing load accordingly.

To maximise load carrying capacity it is recommended that washers are used with the fixing bolts. Tables 1, 2 and 3 also detail maximum fixing bolt tightening torques.

Static electricity generation

Static electricity may be generated by Life-Lube® bearing units under certain application conditions.

Life-Lube® bearings are therefore not recommended for use in explosive or flammable environments. If Life-Lube® bearing units are used in flammable or explosive applications the bearing insert must be earthed.

Housing strength

Table 1 PNP Life-Lube® pillow block - housing load capacity

RHP designation	Maximum housing load (N) at 20°C												Maximum fixing bolt torque (Nm)
	P1 Intermittent loading	P1 Continuous loading	P1 Cyclical loading	P2 Intermittent loading	P2 Continuous loading	P2 Cyclical loading	P3 Intermittent loading	P3 Continuous loading	P3 Cyclical loading	P4 Intermittent loading	P4 Continuous loading	P4 Cyclical loading	
PNP20/LP99	3500	1700	800	2800	1400	800	2600	1300	700	1300	700	400	18
PNP25/LP99	4000	2000	1000	3100	1500	800	2600	1300	700	1700	900	500	25
PNP30/LP99	5000	2500	1200	3500	1800	1000	4000	2000	1100	2600	1300	700	30
PNP35/LP99	6000	3000	1500	4300	2100	1200	4100	2100	1100	3200	1600	900	35
PNP40/LP99	10700	5300	2900	8000	4000	2200	6800	3400	1900	5200	2600	1400	40

Table 2 PSF Life-Lube® four-bolt flange - housing load capacity

RHP designation	Maximum housing load (N) at 20°C						Maximum fixing bolt torque (Nm)
	F1 Intermittent loading	F1 Continuous loading	F1 Cyclical loading	F2 Intermittent loading	F2 Continuous loading	F2 Cyclical loading	
PSF20/LP99	3100	1600	900	1300	700	400	18
PSF25/LP99	3500	1700	1000	1300	700	400	25
PSF30/LP99	4600	2300	1300	2200	1100	600	30
PSF35/LP99	6200	3100	1700	2600	1300	700	35
PSF40/LP99	6200	3100	1700	4000	2000	1100	40

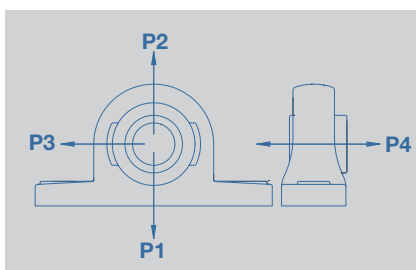
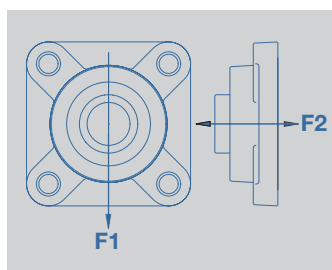
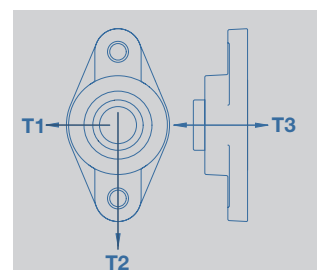
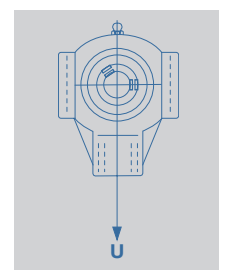
Table 3 PSFT Life-Lube® two-bolt flange - housing load capacity

RHP designation	Maximum housing load (N) at 20°C						Maximum housing load (N) at 20°C			Maximum fixing bolt torque (Nm)
	T1 Intermittent loading	T1 Continuous loading	T1 Cyclical loading	T2 Intermittent loading	T2 Continuous loading	T2 Cyclical loading	T3 Intermittent loading	T3 Continuous loading	T3 Cyclical loading	
PSFT20/LP99	4400	2200	1200	1900	900	500	1300	700	400	18
PSFT25/LP99	4400	2200	1200	3000	1500	800	1400	700	400	25
PSFT30/LP99	5900	2900	1600	3300	1600	900	2000	1000	500	30
PSFT35/LP99	6400	3200	1700	3900	2000	1100	2800	1400	800	35
PSFT40/LP99	9000	4500	2500	3900	2000	1100	3300	1600	900	40

Table 4 PST Life-Lube® take-up - housing load capacity

RHP designation	Maximum housing load (N) at 20°C		
	U Intermittent loading	U Continuous loading	U Cyclical loading
PST20/LP99	5700	2800	1600
PST25/LP99	5400	2700	1500
PST30/LP99	8100	4000	2300
PST35/LP99	7800	3900	2200
PST40/LP99	8100	4000	2300

Note that there is no maximum fixing bolt torque applicable for take-up units.


PNP SERIES

PSF SERIES

PSFT SERIES

PST SERIES

Life-Lube® bearing inserts

Life-Lube® bearing inserts have martensitic stainless steel rings and balls, and austenitic stainless ball cage, flingers and set screws.

Life-Lube® bearing inserts are lubricated with NSK's own oil-impregnated material, Molded-Oil™. Molded-Oil™ consists of lubricating oil and polyolefin resin that has an affinity for oil. Oil slowly seeping from this material provides ample lubrication to the bearing for extended periods. Relubrication is not necessary for Life-Lube® Molded-Oil™ inserts.

Recommended operating temperature and allowable speed

Molded-Oil™ inserts are recommended to operate from -15 to +80°C. However, operating temperature should be below +60°C when the bearing is operated under continuous use.

Allowable speed:

dn value : 12×10^4 max

(dn = bore diameter in mm x speed in rpm)

Remarks: This recommended operating temperature range and allowable speed applies to all units with Molded-Oil™ inserts. Contact NSK when your application exceeds these recommendations.

Materials

	Parts	Materials
Bearing	Bearing Rings	Martensitic stainless steel (equivalent to SUS440C)
	Ball	Martensitic stainless steel (equivalent to SUS440C)
	Flinger	Austenitic stainless steel (equivalent to SUS302)
	Seal	Nitrile rubber
	Set Screw	Martensitic stainless steel (equivalent to SUS410)
Bearing housing		Thermo Plastic PBT

Set screw tightening torques

Set screws for Life-Lube® bearing inserts are manufactured from stainless steel and can fracture if overtightened. The limiting set screw torques listed in Table 5 should not be exceeded.

Table 5 Recommended tightening torques for set screws

Insert designation	Designation of set screws	Maximum tightening torques (Nm)
F-UC204/LP99	M5 x 0.8	3.9
F-UC205/LP99	M5 x 0.8	3.9
F-UC206/LP99	M6 x 0.75	4.9
F-UC207/LP99	M6 x 0.75	5.8
F-UC208/LP99	M8 x 1	7.8

Inner ring tolerances

Units: μm

Nominal bore diameter d		Bore diameter				Width		Radial runout (ref.)
over mm	Incl. mm	Δd_{mp} deviations		ΔV_{dp} variations	ΔB_s deviations		max	
		high	low	max	high	low		
18	31.750	+18	0	12	0	-120	18	
31.750	50.800	+21	0	14	0	-120	20	

Δd_{mp} : Mean bore diameter deviation.

ΔV_{dp} : Bore diameter variation.

ΔB_s : Inner ring width deviation.

Outer ring tolerances

Units: μm

Nominal outside diameter D		ΔD_m deviations		Radial runout (ref.)
over mm	Incl. mm	high	low	max
30	50	0	-11	
50	80	0	-13	25
80	120	0	-15	35

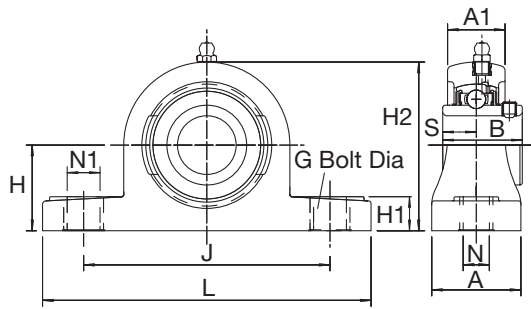
ΔD_m : Mean outside diameter deviation.

The lower deviation figure of ΔD_m does not apply within a distance of $\frac{1}{4}$ the width of the outer ring from either side.

Unit dimensions

Table 1
PNP/LP99 Life-Lube® pillow block - unit dimensions

Shaft diameter mm	RHP designation	Basic insert	Housing group	Dimensions (mm)			
				L	H	H1	H2
20	PNP20/LP99	F-UC204/LP99	2	127.2	33.3	14.2	65.9
25	PNP25/LP99	F-UC205/LP99	3	140.2	36.5	14.5	71.9
30	PNP30/LP99	F-UC206/LP99	4	162.2	42.9	17.8	83.9
35	PNP35/LP99	F-UC207/LP99	5	167.2	47.6	18.0	94.9
40	PNP40/LP99	F-UC208/LP99	6	184.2	49.2	19.5	98.9



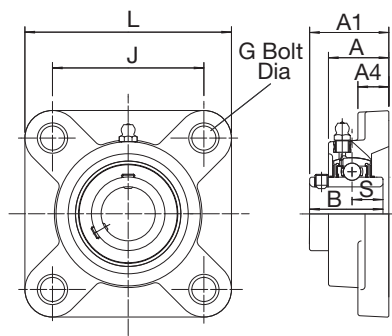
PNP/LP99 SERIES

	Dimensions (mm)								Weight
	J	N	N1	G	A	A1	B	S	kg
	94.9	11	14.2	M10	37.8	22.5	31.0	12.7	0.27
	104.9	11	14.2	M10	37.8	24.5	34.0	14.3	0.39
	118.9	14	18.2	M12	45.8	27.0	38.1	15.9	0.52
	126.9	14	18.2	M12	47.8	32.5	42.9	17.5	0.72
	136.8	14	18.2	M12	53.8	36.0	49.2	19.0	0.99

Unit dimensions

Table 2
PSF/LP99 Life-Lube® four-bolt flange - unit dimensions

Shaft diameter mm	RHP designation	Basic insert	Housing group	Dimensions (mm)		
				L	J	G
20	PSF20/LP99	F-UC204/LP99	2	86.5	63.5	M10
25	PSF25/LP99	F-UC205/LP99	3	95.0	70.0	M10
30	PSF30/LP99	F-UC206/LP99	4	107.5	83.0	M12
35	PSF35/LP99	F-UC207/LP99	5	117.5	92.0	M12
40	PSF40/LP99	F-UC208/LP99	6	130.5	102.0	M12



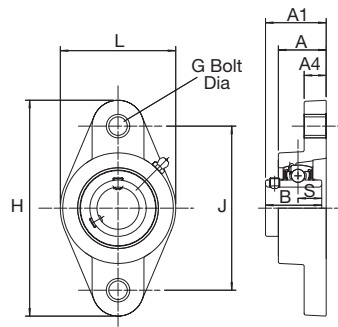
PSF/LP99 SERIES

	Dimensions (mm)					Weight
	A	A1	A4	B	S	kg
	27.8	36.3	13.4	31.0	12.7	0.28
	27.9	36.7	14.3	34.0	14.3	0.34
	31.5	41.4	14.3	38.1	15.9	0.50
	34.8	46.9	15.5	42.9	17.5	0.74
	37.5	53.2	17.1	49.2	19.0	0.99

Unit dimensions

Table 3
PSFT/LP99 Life-Lube® two-bolt flange - unit dimensions

Shaft diameter mm	RHP designation	Basic insert	Housing group	Dimensions (mm)		
				L	H	J
20	PSFT20/LP99	F-UC204/LP99	2	64.1	113.3	90.0
25	PSFT25/LP99	F-UC205/LP99	3	68.4	130.3	99.0
30	PSFT30/LP99	F-UC206/LP99	4	80.1	148.3	117.0
35	PSFT35/LP99	F-UC207/LP99	5	90.1	163.3	130.0
40	PSFT40/LP99	F-UC208/LP99	6	100.1	175.3	144.0



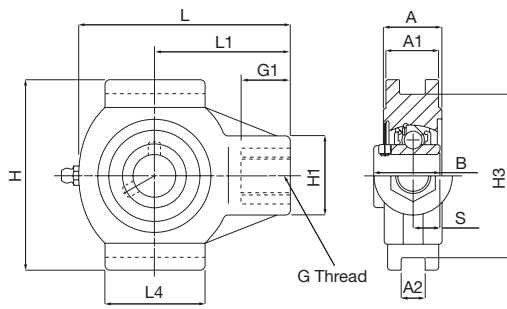
PSFT/LP99 SERIES

	Dimensions (mm)						Weight
	G	A	A1	A4	B	S	kg
M10	26.5	33.7	11.4	31.0	12.7	0.24	
M10	29.1	36.7	13.4	34.0	14.3	0.30	
M10	30.5	41.2	13.4	38.1	15.9	0.44	
M12	32.8	43.4	16.1	42.9	17.5	0.64	
M12	37.5	51.7	20.0	49.2	19.0	0.89	

Unit dimensions

Table 4
PST/LP99 Life-Lube® take up - unit dimensions

Shaft diameter mm	RHP designation	Basic insert	Housing group	Dimensions (mm)				
				L	L1	L4	H	H1
20	PST20/LP99	F-UC204/LP99	2	99.0	64.0	47.0	88.0	35.0
25	PST25/LP99	F-UC205/LP99	3	99.0	64.0	47.0	88.0	35.0
30	PST30/LP99	F-UC206/LP99	4	125.0	76.0	63.0	102.0	40.0
35	PST35/LP99	F-UC207/LP99	5	125.0	76.0	63.0	102.0	40.0
40	PST40/LP99	F-UC208/LP99	6	140.0	85.0	80.0	114.0	40.0



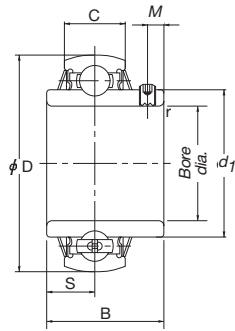
PST/LP99 SERIES

	Dimensions (mm)								Weight
	H3	G	G1	A	A1	A2	B	S	kg
	75.8	M16X2.00	22.5	27.5	24.5	12.2	31.0	12.7	0.32
	75.8	M16X2.00	22.5	27.5	24.5	12.2	34.0	14.3	0.36
	88.8	M16X2.00	22.5	34.5	30.0	12.2	38.1	15.9	0.53
	88.8	M16X2.00	22.5	34.5	30.0	12.2	42.9	17.5	0.74
	101.8	M16X2.00	22.5	34.0	32.0	16.2	49.2	19.0	1.00

Life-Lube® insert bearing

Cylindrical bore, set screw type with Molded-Oil™

Shaft diameter mm	Unit number	Dimensions (mm)			
		D	B	C	r _{min}
20	F-UC204/LP99	47	31	17	1
25	F-UC205/LP99	52	34.1	17	1
30	F-UC206/LP99	62	38.1	19	1
35	F-UC207/LP99	72	42.9	20	1.5
40	F-UC208/LP99	80	49.2	21	1.5
45	F-UC209/LP99	85	49.2	22	1.5



	Dimensions (mm)			Basic load rating		Mass (approx.)
	S	M	d1	Dynamic C_r N	Static C_{or} N	kg
	12.7	4.5	29.6	9900	6650	0.17
	14.3	5	33.9	10800	7850	0.20
	15.9	5	40.8	15000	11300	0.33
	17.5	6	46.8	19700	15300	0.49
	19	8	53.0	22400	17800	0.65
	19	8	57.5	25200	20400	0.70

Special Products and Bearing Solutions



Additional products

By design the Self-Lube® family of mounted units can be combined to form alternative ranges of insert and housing depending on customer requirements. This is relatively straightforward but NSK should always be consulted.

In addition NSK recognises the need for 'tailor made' solutions and is always willing to help customers who have a requirement for something out of the ordinary, commensurate with meeting certain price and volume criteria.

NSK has facilities to make special batches of product combinations such as:-

- Alternative Insert / Housing combinations
- Special grease types and grease fills
- Alternative seal combinations – flinger seals, triple lip seals and shields

Please contact NSK with your requirements.

HLT Self-Lube®

HLT Self Lube® inserts are designed to operate reliably at extreme temperatures, with upper and lower limits of +180°C and – 40°C. HLT inserts are available across the entire Self-Lube range and all cast iron units are provided with a relubrication facility and grooves to accommodate the patented Self-Lube® protector.

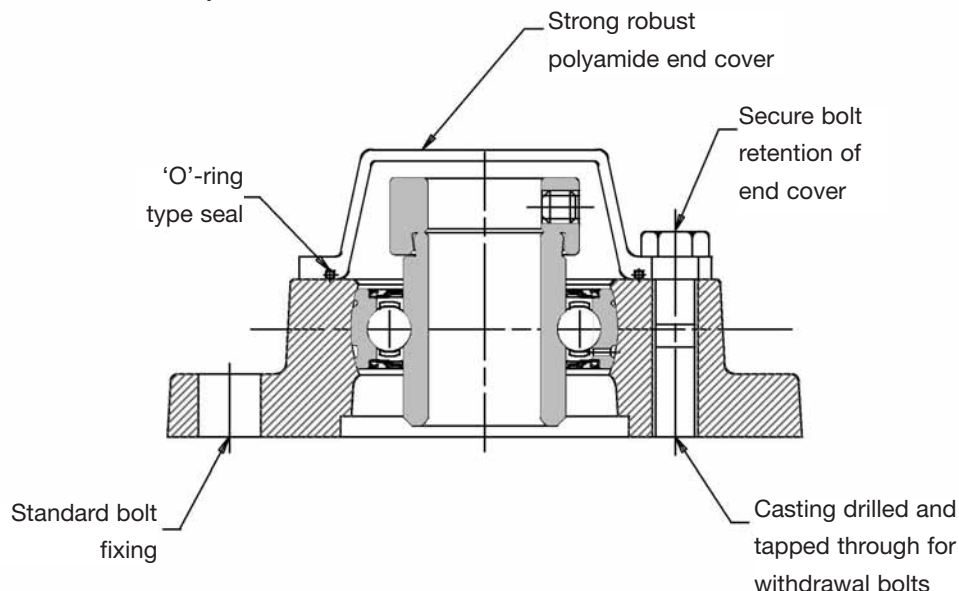
HLT Inserts have:-

- High strength steel cage
- Special internal geometry
- High performance Kluber grease
- Silicone seals
- Optional protector
- Relubrication facility

Special Housing Options

Where there are requirements for original equipment NSK can design special housings to accommodate customers' requirements subject to volumes required.

A typical example of this is shown below.



Interchange List



Interchange list

Series reference	Manufacturer	RHP and NSK replacement bearing series		Series reference	Manufacturer	RHP and NSK replacement bearing series	
B	Asahi	1200G	RHP		Koyo, NSK	MP	RHP
B200	Asahi	AS200	RHP	UCTX	Asahi, FYH,		
B-B	Asahi	1200G	RHP		Koyo, NSK	MST	RHP
BF200	Asahi	SF-A	RHP	UCX	Asahi, FYH,		
BFC200	Asahi	FC-A	RHP		Koyo, NSK	1000G	RHP
BFL200	Asahi	SFT-A	RHP	UC200	Asahi, FYN,		
BLCTE200	Asahi	ASFD200	NSK		Koyo, Nachi,		
BP200	Asahi	NP-A	RHP		NBR, NSK, NTN	1000G	RHP
BPF	Asahi	SLFE-A	RHP	UCF200	Asahi, FYN,		
BPF200	Asahi	ASPF200	NSK		Koyo, Nachi,		
BPFL	Asahi	SLFL-A	RHP		NBR, NSK, NTN	SF	RHP
BPFL200	Asahi	ASPFL200	NSK	UCFL200	Asahi, FYN,		
BPP	Asahi	LPB-A	RHP		Koyo, Nachi,		
BPP200	Asahi	ASPP200	NSK		NBR, NSK, NTN	SFT	RHP
BT200	Asahi	ST-A	RHP	UCFX	Asahi, FYN,		
CS200ZZ	Asahi	CS200LLU	RHP		Koyo, NSK	MSF	RHP
FHFC200	Asahi	FC-EC	RHP	UCLFX	Asahi, FYN,		
FHLCTE200	Asahi	AELFD200	NSK		Koyo, NSK	MSFT	RHP
FHPF200	Asahi	AELPF200	NSK	FG200ER(U)	Asahi, Nachi	1000DECG	RHP
FHPFL200	Asahi	AELPFL200	NSK	FGAK200	Asahi, Nachi	SL-DEC	RHP
FHR200ER(U)	Asahi	1300EC	RHP	FH200ER(U)	Asahi, Nachi	1200EC	RHP
FHT200	Asahi	ST-EC	RHP	FNR-R	BCA	SF-EC	RHP
KH200+ER	Asahi	AEL200	NSK	PNR-R	BCA	SL-EC	RHP
SER	Asahi	1100CG	RHP	PNR-RS	BCA	NP-EC	RHP
UC300	Asahi	UC300	NSK	PWG-R	BCA	SL-DEC	RHP
UCEH200	Asahi	UCHB200	NSK	PWG-RS	BCA	NP-DEC	RHP
UCF200	Asahi	UCF200	NSK	TNR-R	BCA	SFT-EC	RHP
UCFC200	Asahi	UCFC200	NSK	FB220	Browning	SF-EC	RHP
UCFCX00	Asahi	UCFCX00	NSK	FB230	Browning	SFT-EC	RHP
UCFK200	Asahi	UCFH200	NSK	FB250	Browning	SF	RHP
UCFL200	Asahi	UCFL200	NSK	FB260	Browning	SFT	RHP
UCFLX00	Asahi	UCFLX00	NSK	FB350	Browning	MSF	RHP
UCFX00	Asahi	UCFX00	NSK	PB220	Browning	SL-EC	RHP
UCLF200(U)	Asahi	SF	RHP	PB221	Browning	NP-EC	RHP
UCLP200(U)	Asahi	SL	RHP	PB250	Browning	SL	RHP
UCP200	Asahi	UCP200	NSK	PB251	Browning	NP	RHP
UCPA200	Asahi	UCUP200	NSK	PB350	Browning	MP	RHP
UCPX00	Asahi	UCPX00	NSK	1000KRR	Fafnir	1100DEC	RHP
UCST200(U)	Asahi	ST	RHP	200NPPB	Fafnir	1726200-2RS	RHP
UCT200	Asahi	UCT200	NSK	FLCTE	Fafnir	LFTC-EC	RHP
UCW200	Asahi	1000G	RHP	GC-KRRB	Fafnir	1000G	RHP
UD200EEA	Asahi	1200ECG	RHP	GC-KRRG2	Fafnir	1100CG	RHP
UDF200A	Asahi	SF-EC	RHP	GE-KPPB	Fafnir	T1000DECG	RHP
UDFL200B	Asahi	SFT-EC	RHP	GE-KRRB	Fafnir	1000DECG	RHP
UDT200A	Asahi	NP-EC	RHP	G-KPPB3	Fafnir	T1000DECG	RHP
UDT200B	Asahi	ST-EC	RHP	GLCTE	Fafnir	LFTC-EC	RHP
UG200+ER	Asahi	UEL200	NSK	GRAE-NPPB	Fafnir	1200ECG	RHP
UGF200	Asahi	UELF200	NSK	GW208PPB5	Fafnir	1/PDNF240/9G	RHP
UGFC200	Asahi	UELFC200	NSK	GW208PPB6	Fafnir	1/PDNF240/8G	RHP
UGFL200	Asahi	UELFL200	NSK	GW208PPB8	Fafnir	PDNF240/9G	RHP
UGP200	Asahi	UEL200	NSK	GW209PPB11	Fafnir	28/DNF245-45G	RHP
UGT200	Asahi	UELT200	NSK	GW209PPB2	Fafnir	PDNF145-45G	RHP
UH200UR(U)	Asahi	1200EC	RHP	GW209PPB5	Fafnir	PDNF245/10G	RHP
UHF200	Asahi	SF-EC	RHP	GW209PPB8	Fafnir	DNF245/10G	RHP
UHFL200	Asahi	SFT-EC	RHP	GW210PP4	Fafnir	PDF150/9G	RHP
UHP200	Asahi	NP-EC	RHP	GW210PPB2	Fafnir	PDNF150-1.15/16G	RHP
UHPP200	Asahi	AELPP200	NSK	GW210PPB4	Fafnir	PDNF150/9G	RHP
UK200	Asahi	UK200	NSK	GW211PP2	Fafnir	PDF155-2.3/16G	RHP
UCP200	Asahi, FYH, Koyo, Nachi,			GW211PP3	Fafnir	PDF155/12G	RHP
	NBR, NSK, NTN	NP	RHP	PASE	Fafnir	NP-EC	RHP
UCT200	Asahi, FYH, Koyo, Nachi,			PB	Fafnir	LPB-EC	RHP
	NBR, NSK, NTN	ST	RHP	PCF	Fafnir	SF-EC	RHP
UCPX	Asahi, FYH,			PCFT	Fafnir	SFT-EC	RHP
				PHE	Fafnir	SCH-EC	RHP
				PMNE	Fafnir	FC-EC	RHP

Interchange list

Series reference	Manufacturer	RHP and NSK replacement bearing series		Series reference	Manufacturer	RHP and NSK replacement bearing series	
PSHE	Fafnir	SNP-EC	RHP	W208PPB4	Fafnir	PDFN140-1.3/16	RHP
PTUE	Fafnir	ST-EC	RHP	W208PPB5	Fafnir	2/DNF240/9	RHP
RA	Fafnir	SLFE-EC	RHP	W208PPB6	Fafnir	2/DNF240/8	RHP
RAE..NPP	Fafnir	1300EC	RHP	W208PPB7	Fafnir	2/DNF140-1.3/16	RHP
RAKC	Fafnir	SL	RHP	W208PPB8	Fafnir	PDFN240/9	RHP
RAKHP	Fafnir	MP	RHP	W208PPB9	Fafnir	PDFN240/8	RHP
RASC	Fafnir	NP	RHP	W209PPB2	Fafnir	PDFN145-45	RHP
RASE	Fafnir	NP-DEC	RHP	W209PPB4	Fafnir	28/PDFN145-1.1/2	RHP
RAT	Fafnir	SLFL-EC	RHP	W209PPB5	Fafnir	PDFN245/10	RHP
RATR	Fafnir	SLFT-EC	RHP	W209PPB8	Fafnir	DNF245/10	RHP
RC	Fafnir	SLC-DEC	RHP	W210PP2	Fafnir	PDF150-1.15/16	RHP
RCC	Fafnir	SLC	RHP	W210PP4	Fafnir	PDF150/9	RHP
RCE	Fafnir	SLC-DEC	RHP	W210PPB2	Fafnir	PDFN150-1.15/16	RHP
RCHP	Fafnir	MSC	RHP	W210PPB4	Fafnir	PDFN150/9	RHP
RCJ	Fafnir	SF-DEC	RHP	W210PPB5	Fafnir	5/PDFN150-1.3/4	RHP
RCJHP	Fafnir	MSF	RHP	W210PPB6	Fafnir	PDFN250/9	RHP
RCJSP	Fafnir	SF	RHP	W211PP2	Fafnir	PDF155-2.3/16	RHP
RCJT	Fafnir	SFT-DEC	RHP	W211PP3	Fafnir	PDF155/12	RHP
RCJTC	Fafnir	SFT	RHP	W211PPB2	Fafnir	PDFN155-2.3/16	RHP
RCJTE	Fafnir	SFT-DEC	RHP	W211PPB3	Fafnir	PDFN155/12	RHP
RCJTHP	Fafnir	MSFT	RHP	200NPPB	Fafnir, INA	1726200-2RS	RHP
RCJTP	Fafnir	SFT	RHP	GE-KPPB3	Fafnir, INA	T1000DECG	RHP
RFC	Fafnir	MFC	RHP	G-KRRB	Fafnir, INA	1000DECG	RHP
RFHP	Fafnir	MFC	RHP	GRA-NPPB	Fafnir, INA	1200ECG	RHP
RHCM	Fafnir	SCHB	RHP	PB	Fafnir, INA	LPB-EC	RHP
RHE	Fafnir	SCH-DEC	RHP	RAE-NPPB	Fafnir, INA	1200EC	RHP
RMNE	Fafnir	FC-DEC	RHP	RAK	Fafnir, INA	SL-DEC	RHP
RMNEY	Fafnir	FC	RHP	RA-NPP	Fafnir, INA	1300EC	RHP
RPB	Fafnir	LPBR-EC	RHP	RA-NPPB	Fafnir, INA	1200EC	RHP
RR	Fafnir	SLFE-DEC	RHP	RSHE	Fafnir, INA	SNP-DEC	RHP
RRC	Fafnir	SLFE	RHP	TC-J	Fafnir, INA	TSF-DEC	RHP
RRT	Fafnir	SLFL-DEC	RHP	TCJT	Fafnir, INA	TSFT-DEC	RHP
RRTR	Fafnir	SLFT-DEC	RHP	36200	FAG	1000DECG	RHP
RSHE	Fafnir	SNP-DEC	RHP	56200	FAG	1000G	RHP
RTUE	Fafnir	ST-DEC	RHP	76200	FAG	1726200-2RS	RHP
RTUHP	Fafnir	MST	RHP	76200B.2RSR	FAG	1726200-2RS	RHP
RTUP	Fafnir	ST	RHP	FB16200	FAG	SLFE-EC	RHP
TAS	Fafnir	TNP-DEC	RHP	FB56200	FAG	SLFE	RHP
TASE	Fafnir	TNP-DEC	RHP	FG16200	FAG	SF-EC	RHP
TCJ	Fafnir	TSF-DEC	RHP	FG56200	FAG	SF	RHP
TCJT	Fafnir	TSFT-DEC	RHP	H	FAG	H	RHP
THE	Fafnir	TSCH-DEC	RHP	KM	FAG	AN	RHP
TMNE	Fafnir	TFC-DEC	RHP	SB16200	FAG	LPB-EC	RHP
TMNE	Fafnir	TFC-DEC	RHP	SC16200	FAG	NP-EC	RHP
TSHE	Fafnir	TSNP-DEC	RHP	SG36200	FAG	NP-DEC	RHP
TTUE	Fafnir	TST-DEC	RHP	SG56200	FAG	NP	RHP
VAK	Fafnir	SL-EC	RHP	E200	FYH	1100CG	RHP
VAK	Fafnir	SL-EC	RHP	NA200	FYH	1000DECG	RHP
VAS	Fafnir	NP-EC	RHP	NANF200	FYH	SF-DEC	RHP
VAS	Fafnir	NP-EC	RHP	NANFL200	FYH	SFT-DEC	RHP
VCJ	Fafnir	SF-EC	RHP	NAP200	FYH	NP-DEC	RHP
VCJ	Fafnir	SF-EC	RHP	NASL200	FYH	SL-DEC	RHP
VCJT	Fafnir	SFT-EC	RHP	NAT-E	FYH	ST-DEC	RHP
VCJT	Fafnir	SFT-EC	RHP	RB200	FYH	1100	RHP
VMNE	Fafnir	FC-EC	RHP	SA200	FYH	1200EC	RHP
VMNE	Fafnir	FC-EC	RHP	SAA200	FYH	1300EC	RHP
VSHE	Fafnir	SNP-EC	RHP	SAF-FE	FYH	SF-EC	RHP
VSHE	Fafnir	SNP-EC	RHP	SAFL-FE	FYH	SFT-EC	RHP
W208PP10	Fafnir	36/DF140-1.1/2	RHP	SAP200	FYH	NP-EC	RHP
W208PP5	Fafnir	2/DF240/9	RHP	SAPP200	FYH	SLFE-EC	RHP
W208PP6	Fafnir	2/DF240/8	RHP	SAPP200F	FYH	LPB-A	RHP
W208PP8	Fafnir	PDF240/9	RHP	SASL200F	FYH	SL-EC	RHP
W208PP9	Fafnir	PDFN240/8	RHP	SBPF200	FYH	SLFL-A	RHP
W208PPB13	Fafnir	2/DNF240/7	RHP	SBPP200F	FYH	LPB-EC	RHP
W208PPB2	Fafnir	36/PDFN140-1.1/2	RHP	SC200	FYH	1726200-2RS	RHP

Interchange list

Series reference	Manufacturer	RHP and NSK replacement bearing series		Series reference	Manufacturer	RHP and NSK replacement bearing series	
UCHA200	FYH	SCHB	RHP	RASE	INA	NP-DEC	RHP
UCS200N	FYH	1100CG	RHP	RASE..FA101T	INA	NP-HLT	RHP
UK200	FYH, Koyo, Nachi, NBR, NSK, NTN	1000-KG	RHP	RASEA	INA	NP1000KG	RHP
UKP200	FYH, Koyo, Nachi, NBR, NSK, NTN	RHP		RASEY	INA	NP	RHP
UCPA200	FYH, Koyo, NSK	SNP	RHP	RASEY..TN VA	INA	PNP-CR	RHP
UCF200	FYH, Koyo, NSK, NTN	FC	RHP	RAT	INA	SLFL-EC	RHP
UKT200	FYH, Koyo, NSK, NTN	MST1000-K	RHP	RATR	INA	SLFT-EC	RHP
UKF200	FYH, Nachi, NBR, NSK, NTN	MSF1000-K	RHP	RATRY	INA	SLFT-A	RHP
UKFL200	FYH, Nachi, NBR, NSK, NTN	MSFT1000-K	RHP	RATY	INA	SLFL-A	RHP
SB200	FYH, NBR	1200G	RHP	RAY	INA	SLFE-A	RHP
EW	Hoffmann, Pollard	FT	RHP	RB	INA	LPB-DEC	RHP
RMS	Hoffmann, Pollard	MRJ	RHP	RBX	INA	LPB	RHP
2-NPPB	INA	1726200-2RS	RHP	RCJ	INA	SF-DEC	RHP
E..KRR	INA	1100DEC	RHP	RCJ..FA101T	INA	SF-HLT	RHP
E-KRR	INA	1100DEC	RHP	RCJT	INA	SFT-DEC	RHP
FLCTE	INA	LFTC-EC	RHP	RCJT..FA101T	INA	SFT-HLT	RHP
FLCTE / GLCTE	INA	LFTC-EC	RHP	RCJTA	INA	SFT1000KG	RHP
FLCTEY	INA	LFTC-A	RHP	RCJTY	INA	SFT	RHP
G..KRRBW	INA	1000DEC	RHP	RCJY	INA	SF	RHP
GAY-NPPB	INA	1200G	RHP	RCJY..TN VA	INA	PSF-CR	RHP
GE..KRRB FA101T	INA	1000DECGHLT	RHP	RHE	INA	SCH-DEC / SCHB-DEC	RHP
GE..KRRB-CC	INA	1000DECGFS	RHP	RHEY	INA	SCH/SCHB	RHP
GE-KPPB3	INA	T1000DECG	RHP	RME	INA	FC-DEC	RHP
GE-KRRB	INA	1000DECG	RHP	RMEY	INA	FC	RHP
GLCTE	INA	LFTC-EC	RHP	RR	INA	SLFE-DEC	RHP
GLCTEY	INA	LFTC-A	RHP	RRT	INA	SLFL-DEC	RHP
GRA..NPPBW	INA	1200ECG	RHP	RRTR	INA	SLFT-DEC	RHP
GRAE-NPPB	INA	1200ECG	RHP	RRTY	INA	SLFL	RHP
GSH-RRB	INA	1000KG	RHP	RRY	INA	SLFE	RHP
GY..KRRBW	INA	1000G	RHP	RSHE	INA	SNP-DEC	RHP
GYE..KRRB VA	INA	J1000GCR	RHP	RSHEY	INA	SNP	RHP
GYE-KRRB	INA	1000G	RHP	RTT	INA	TSLFL-DEC	RHP
GY-KRRB	INA	1000G	RHP	RTTR	INA	TSLFT-DEC	RHP
PAK	INA	SL-EC	RHP	RTUE	INA	ST-DEC	RHP
PAKY	INA	SL-EC	RHP	RTUEY	INA	ST	RHP
PASE	INA	NP-EC	RHP	TASE	INA	TNP-DEC	RHP
PASEY	INA	NP-A	RHP	TASE	INA	TNP-DEC	RHP
PB	INA	LPB-EC	RHP	TB	INA	TLPB-DEC	RHP
PBY	INA	LPB-A	RHP	TCJ	INA	TSF-DEC	RHP
PCJ	INA	SF-EC	RHP	TCJT	INA	TSFT-DEC	RHP
PCJT	INA	SFT-EC	RHP	TCJTY..TN VA	INA	PSFT-CR	RHP
PCJTY	INA	SFT-A	RHP	THE	INA	TSCH-DEC / TSCHB-DEC	RHP
PCJY	INA	SF-A	RHP	TME	INA	TFC-DEC	RHP
PHE	INA	SCH-EC / SCHB-EC	RHP	TME	INA	TFC-DEC	RHP
PHEY	INA	SCH-A / SCHB-A	RHP	TR	INA	TSLFE-DEC	RHP
PHUSE	INA	BT-EC+ BTHF	RHP	TSHE	INA	TSNP-DEC	RHP
PME	INA	FC-EC	RHP	TSHE	INA	TSNP-DEC	RHP
PMEY	INA	FC-A	RHP	TTUE	INA	TST-DEC	RHP
PSHE	INA	SNP-EC	RHP	TTUE	INA	TST-DEC	RHP
PSHEY	INA	SNP-A	RHP	YE-KRR	INA	1100	RHP
PTUE	INA	ST-EC	RHP	Y-KRR	INA	1100	RHP
PTUEY	INA	ST-A	RHP	GB200	Koyo	172620000-2RS	RHP
RA	INA	SLFE-EC	RHP	GA1100-2RSB	Koyo	1000DECG	RHP
RA..NPPW	INA	1300EC	RHP	GAP1100B	Koyo	NP-EC	RHP
RACEY	INA	NP	RHP	GAPL1100B	Koyo	SL-DEC	RHP
RAE..NPP	INA	1300EC	RHP	GARA100-2RSA	Koyo	1200ECG	RHP
RAKY	INA	SL	RHP	GARAF100A	Koyo	SF-EC	RHP
				GARAF100A	Koyo	SFT-EC	RHP
				GARAP100A	Koyo	NP-EC	RHP
				GARAPL100A	Koyo	SL-EC	RHP
				GGF1100B	Koyo	SF-DEC	RHP
				GFFL1100B	Koyo	SFT-DEC	RHP
				HFC	Koyo	MFC	RHP
				HV-(M)	Koyo	MST	RHP
				LC	Koyo	SLC	RHP

Interchange list

Series reference	Manufacturer	RHP and NSK replacement bearing series		Series reference	Manufacturer	RHP and NSK replacement bearing series	
LV-(M)	Koyo	ST	RHP	EWT200	NSK	ST-DEC	RHP
PB	Koyo	1200G	RHP	GEM200	NSK	1200ECG	RHP
PF-A	Koyo	SLFE-EC	RHP	GEMTR200J	NSK	ST-EC	RHP
PF-M	Koyo	SLFE	RHP	UB200	NSK	1200G	RHP
PFT1100B	Koyo	SLFE-DEC	RHP	UBF200	NSK	SF-A	RHP
RA100	Koyo	1200EC	RHP	UBFC200	NSK	FC-A	RHP
SCHB	Koyo	SCHB	RHP	UBFD200	NSK	LFTC-A	RHP
SP	Koyo	LPB-A	RHP	UBFL200	NSK	SFT-A	RHP
SP100A	Koyo	LPB-EC	RHP	UBP200	NSK	NP-A	RHP
F3Y200N	Link Belt	SF-DEC	RHP	UBPD200	NSK	SNP-A	RHP
FX3Y200N	Link Belt	SFT-DEC	RHP	UBPF200	NSK	SLFE-A	RHP
P3Y200N	Link Belt	NP-DEC	RHP	UBPP200	NSK	LPBR-A	RHP
PL3Y200N	Link Belt	SL-DEC	RHP	UCEH200	NSK	SCHB	RHP
C25	McGill	NP	RHP	AEL200	NTN	1200ECG	RHP
C35	McGill	MP	RHP	AEL200	NTN	AEL200	NSK
CL25	McGill	SL	RHP	AELF200	NTN	SF-EC	RHP
FC2-25	McGill	SFT	RHP	AELFC200	NTN	FC-EC	RHP
FC2-35	McGill	MSFT	RHP	AELFD200	NTN	AELFD200	NSK
FC4-25	McGill	SF	RHP	AELFL200	NTN	SFT-EC	RHP
FC4-35	McGill	MSF	RHP	AELP200	NTN	NP-EC	RHP
ER	McGill, Sealmaster	1100CG	RHP	AELPF200	NTN	SLFE-EC	RHP
BPF-B	Nachi	SLFE-A	RHP	AELPF200	NTN	AELPF200	NSK
BPP-B	Nachi	LPB-A	RHP	AELPFL200	NTN	AELPFL200	NSK
FHPR200	Nachi	LPBR-EC	RHP	AELPL200	NTN	SL-EC	RHP
SA200	NBR	1200ECG	RHP	AELPP200	NTN	LPB-EC	RHP
SAFL200	NBR	SLFL-EC	RHP	AELPP200	NTN	AELPP200	NSK
SAP200	NBR	LPB-EC	RHP	AELPW200	NTN	SNP-EC	RHP
SAY200	NBR	SLFE-EC	RHP	AELRPP200	NTN	LPBR-EC	RHP
SBF200	NBR	SLFE-A	RHP	AELS200	NTN	1300EC	RHP
SBFL200	NBR	SLFL-A	RHP	AELT200	NTN	ST-EC	RHP
SBP200	NBR	LPB-A	RHP	AS200	NTN	1200G	RHP
2FE	NDH	SFT-EC	RHP	AS200	NTN	AS200	NSK
2FS	NDH	SFT	RHP	ASF200	NTN	SF-A	RHP
4FE	NDH	SF-EC	RHP	ASFC200	NTN	FC-A	RHP
4FS	NDH	SF	RHP	ASFD200	NTN	LFTC-A	RHP
HPE	NDH	NP-EC	RHP	ASFD200	NTN	ASFD200	NSK
HPS	NDH	NP	RHP	ASFL200	NTN	SFT-A	RHP
PE	NDH	SL-EC	RHP	ASFW200	NTN	LFTC-A	RHP
PS	NDH	SL	RHP	ASP200	NTN	NP-A	RHP
R2FE	NDH	SFT-EC	RHP	ASPF200	NTN	SLFE-A	RHP
R2FS	NDH	SFT	RHP	ASPF200	NTN	ASPF200	NSK
R4FE	NDH	SF-EC	RHP	ASPFL200	NTN	ASPFL200	NSK
R4FS	NDH	SF	RHP	ASPL200	NTN	SL	RHP
RHPE	NDH	NP-EC	RHP	ASPP200	NTN	LPB-A	RHP
RHPS	NDH	NP	RHP	ASPP200	NTN	ASPP200	NSK
RPE	NDH	SL-EC	RHP	ASPW200	NTN	SNP-A	RHP
RPS	NDH	SL	RHP	AST200	NTN	ST-A	RHP
CS-DDU	NSK	1726200-2RS	RHP	CS200LLU	NTN	CS200LLU	RHP
EM200	NSK	1200EC	RHP	CS-LLU	NTN	1726200-2RS	RHP
EMR200	NSK	1300EC	RHP	UC300	NTN	UC300	NSK
EN200	NSK	1200EC	RHP	UCF200	NTN	UCF200	NSK
ENFL200	NSK	SFT-EC	RHP	UCF300	NTN	UCF300	NSK
ENP200	NSK	NP-EC	RHP	UCFC200	NTN	UCFC200	NSK
ENPF200	NSK	SLFE-EC	RHP	UCFC300	NTN	UCFC300	NSK
ENPP200	NSK	LPB-EC	RHP	UCFCX00	NTN	UCFCX00	NSK
ENPPR200	NSK	LPBR-EC	RHP	UCFH200	NTN	UCFH200	NSK
ENR200	NSK	1300EC	RHP	UCFL200	NTN	UCFL200	NSK
EW200	NSK	1000DECG	RHP	UCFL300	NTN	UCFL300	NSK
EWFC200	NSK	FC-DEC	RHP	UCFLX00	NTN	UCFLX00	NSK
EWFH200	NSK	SF-DEC	RHP	UCFX00	NTN	UCFX00	NSK
EWFL200	NSK	SFT-DEC	RHP	UCHB	NTN	SCHB	RHP
EWFLH200	NSK	TSFT-DEC	RHP	UCHB200	NTN	UCHB200	NSK
EWP200	NSK	NP-DEC	RHP	UCP200	NTN	UCP200	NSK
EWPA200	NSK	SNP-DEC	RHP	UCP300	NTN	UCP300	NSK
EWPLL200	NSK	SL-DEC	RHP	UCPX00	NTN	UCPX00	NSK

Interchange list

Series reference	Manufacturer	RHP and NSK replacement bearing series		Series reference	Manufacturer	RHP and NSK replacement bearing series	
P-R-FJ	SKF	LPBR-A	RHP	CUC200	SNR	1100	RHP
P-R-L	SKF	LPBR	RHP	CUCS200	SNR	1300	RHP
P-RM	SKF	LPB-A or ASPP200	RHP	ES200	SNR	1200ECG	RHP
P-TF	SKF	LPB	RHP	ESC200	SNR	SLC-EC	RHP
P-TM	SKF	LPB	RHP	ESEHE200	SNR	SCH-EC	RHP
P-W	SKF	LPB-DEC	RHP	ESF200	SNR	SF-EC	RHP
P-WF	SKF	LPB-DEC	RHP	ESFC200	SNR	FC-EC	RHP
P-WM	SKF	LPB-DEC	RHP	ESFD	SNR	LFTC-EC	RHP
SY	SKF	NP	RHP	ESFL200	SNR	SFT-EC	RHP
SYB-FM	SKF	SL-EC	RHP	ESP200	SNR	NP-EC	RHP
SYB-L(D)	SKF	SL	RHP	ESPA200	SNR	SNP-EC	RHP
SYB-TM	SKF	SL	RHP	ESSP200	SNR	BT-EC	RHP
SYBWM	SKF	SL-DEC	RHP	EST200	SNR	ST-EC	RHP
SY-CB	SKF	NP-EC	RHP	EX200	SNR	1000DECG	RHP
SYF-FM	SKF	SNP-EC	RHP	EX200L3	SNR	T1000DECG8	RHP
SYFJ-FM	SKF	SNP-EC	RHP	EXC200	SNR	SLC-DEC	RHP
SYFJ-RM	SKF	SNP-A	RHP	EXEHE200	SNR	SCH-DEC	RHP
SYFJ-TF	SKF	UCUP200	NSK	EXF200	SNR	SF-DEC	RHP
SYFJ-WF	SKF	SNP-DEC	RHP	EXFC200	SNR	FC-DEC	RHP
SY-FM	SKF	NP-EC	RHP	EXP200	SNR	NP-DEC	RHP
SY-FM	SKF	NP-EC	RHP	EXPA200	SNR	SNP-DEC	RHP
SYF-RM	SKF	SNP-A	RHP	EXSP200	SNR	BT-DEC	RHP
SYF-TF	SKF	SNP	RHP	EXT200	SNR	ST-DEC	RHP
SYF-WF	SKF	SNP-DEC	RHP	GNP	SNR	PNP-CR	RHP
SYH-CB	SKF	SL-EC	RHP	GSF	SNR	PSF-CR	RHP
SYH-X	SKF	SL-DEC	RHP	GSFT	SNR	PSFT-CR	RHP
SYJ-FM	SKF	NP-EC	RHP	MUC..FD	SNR	J1000GCR	RHP
SYJ-RM	SKF	NP-A	RHP	SPR	SNR	BTHF	RHP
SYJ-TF	SKF	UCP200	NSK	UC200	SNR	1000G	RHP
SYJ-WF	SKF	UELP200	NSK	UC200L3	SNR	T1000G	RHP
SYK..TH/GFA	SKF	PNP-CR	RHP	UCC200	SNR	SLC	RHP
SY-RM	SKF	NP-A	RHP	UCEHE200	SNR	SCH	RHP
SY-TF	SKF	NP	RHP	UCF200	SNR	SF	RHP
SY-TM	SKF	NP	RHP	UCFC200	SNR	FC	RHP
SY-W	SKF	NP-DEC	RHP	UCFL200	SNR	SFT	RHP
SY-WF	SKF	NP-DEC	RHP	UCP200	SNR	NP	RHP
SY-WM	SKF	NP-DEC	RHP	UCPA200	SNR	SNP	RHP
TB	SKF	ST	RHP	UCSP200	SNR	BT	RHP
TB-CB	SKF	ST-EC	RHP	UCT200	SNR	ST	RHP
TB-X	SKF	ST-DEC	RHP	UK200	SNR	1000KG	RHP
TU-FJ	SKF	ST-EC	RHP	UKC200	SNR	SLC1000K	RHP
TU-FM	SKF	ST-EC	RHP	UKEHE200	SNR	SCH1000K	RHP
TU-FM	SKF	ST-EC	RHP	UKF200	SNR	SF1000K	RHP
TUJ-FM	SKF	ST-EC	RHP	UKFL200	SNR	SFT1000K	RHP
TUJ-RM	SKF	ST-A	RHP	UKP200	SNR	NP1000K	RHP
TUJ-TF	SKF	UCT200	NSK	UKPA200	SNR	SNP1000K	RHP
TUJ-WF	SKF	UFLT200	NSK	UKT200	SNR	ST1000K	RHP
TU-L(D)	SKF	ST	RHP	US200	SNR	1200G	RHP
TU-RM	SKF	ST-A	RHP	USC200	SNR	SLC-A	RHP
TU-S(D)	SKF	ST	RHP	USEHE200	SNR	SCH-A	RHP
TU-TF	SKF	ST	RHP	USF200	SNR	SF-A	RHP
TU-TM	SKF	ST	RHP	USFC200	SNR	FC-A	RHP
TU-WF	SKF	ST-DEC	RHP	USFD	SNR	LFTC-A	RHP
TU-WM	SKF	ST-DEC	RHP	USFL200	SNR	SFT-A	RHP
YAR2...2RF/HVGFA	SKF	J1000GCR	RHP	USP200	SNR	NP-A	RHP
YAR200	SKF	1000G	RHP	USPA200	SNR	SNP-A	RHP
YAR-2-2RF	SKF	1000GFS	RHP	USSP200	SNR	BT-A	RHP
YAR-2F	SKF	1000G	RHP	UST200	SNR	ST-A	RHP
YAT200	SKF	1200G	RHP	6200EES	Steyr	176200-2RS	RHP
YEL200	SKF	1000DECG	RHP				
YEL200-2F	SKF	1000DECG	RHP				
YET200	SKF	1200ECG	RHP				
YSA200-2FK	SKF	1000KG	RHP				
CES200	SNR	1300EC	RHP				
CEX200	SNR	1100DEC	RHP				

Conversion Tables



Conversion tables

Comparison of SI, CGS and engineering units

Units	Length	Mass	Time	Temp.	Acceleration	Force	Stress	Pressure	Energy	Power
Unit system										
SI	m	kg	s	K, °C	m/s ²	N	Pa	Pa	J	W
CGS System	cm	g	s	°C	Gal	dyn	dyn/cm ²	dyn/cm ²	erg	erg/s
Engineering unit system	m	kgf · s ² /m	s	°C	m/s ²	kgf	kgf/m ²	kgf/m ²	kgf · m	kgf · m/s

Conversion factors from SI units

Parameter	SI Unit		Unit other than SI		Conversion factor from SI unit
	Names of unit	Symbol	Name of unit	Symbol	
Angle	Radian	rad	Degree	°	180/π
			Minute	'	10 800/π
			Second	''	648 000/π
Length	Metre	m	Micron	μ	10 ⁶
			Angstrom	Å	10 ¹⁰
Area	Square metre	m ²	Are	a	10 ⁻²
			Hectare	ha	10 ⁻⁴
Volume	Cubic metre	m ³	Litre	l, L	10 ³
			Decilitre	dl, dL	10 ⁴
Time	Second	s	Minute	min	1/60
			Hour	h	1/3 600
			Day	d	1/86 400
Frequency	Hertz	Hz	Cycle	s ⁻¹	1
Speed of Rotation	Revolution per second	s ⁻¹	Revolution per minute	rpm	60
Speed	Metre per second	m/s	Kilometre per hour	km/h	3 600/1 000
			Knot	kn	3 600/1 852
Acceleration	Metre per second per second	m/s ²	Gravitational acceleration	G	1/9.806 65
Mass	Kilogram	kg	Tonne	te	10 ⁻³
Mass	Kilogram	kg	Ton	t	9.842 x 10 ⁻⁴
Force	Newton	N	Kilogram-force	kgf	1/9.806 65
			Ton-force	tf	1/ (9.806 65 x 10 ³)
			Dyne	dyn	10 ⁵
Torque or Moment	Newton · metre	N · m	Kilogram-force metre	kgf · m	1/9.806 65
Stress	Pascal	Pa (N/m ²)	Kilogram-force per square centimetre	kgf/cm ²	1/ (9.806 65 x 10 ⁴)
			Kilogram-force per square millimetre	kgf/mm ²	1/ (9.806 65 x 10 ⁶)

Prefixes used in SI system

Multiples	Prefix	Symbols	Multiples	Prefix	Symbols
10 ¹⁸	Exa	E	10 ⁻¹	Deci	d
10 ¹⁵	Peta	P	10 ⁻²	Centi	c
10 ¹²	Tera	T	10 ⁻³	Milli	m
10 ⁹	Giga	G	10 ⁻⁶	Micro	μ
10 ⁶	Mega	M	10 ⁻⁹	Nano	n
10 ³	Kilo	k	10 ⁻¹²	Pico	p
10 ²	Hecto	h	10 ⁻¹⁵	Femto	f
10 ¹	Deca	da	10 ⁻¹⁸	Ato	a

Conversion factors from SI units (continued)

Parameter	SI Unit		Units other than SI		Conversion factor from SI unit
	Names of unit	Symbol	Name of unit	Symbol	
Pressure	Pascal (Newton per square metre)	Pa (N/m ²)	Kilogram-force per square metre	kgf/m ²	1/9.806 65
			Water Column	mH ₂ O	1/(9.806 65 × 10 ³)
			Mercury Column	mmHg	760/(1.013 25 × 10 ⁵)
			Torr	Torr	760/(1.013 25 × 10 ⁵)
			Bar	bar	10 ⁻⁵
			Atmosphere	atm	1/(1.013 25 × 10 ⁵)
Energy	Joule (Newton · metre)	J (N · m)	Erg	erg	10 ⁷
			Calorie (International)	cal _{IT}	4.186 8
			Kilogram-force metre	kgf · m	1/9.806 65
			Kilowatt hour	kW · h	1/(3.6 × 10 ⁶)
			French horse power hour	PS · h	≈ 3.776 72 × 10 ⁻⁷
Work	Watt (Joule per second)	W (J/s)	Kilogram-force metre per second	kgf · m/s	1/9.806 65
			Kilocalorie per hour	kcal/h	1/1.163
			French horse power	PS	≈ 1/735.498 8
Viscosity, Viscosity Index	Pascal second	Pa · s	Poise	P	10
Kinematic Viscosity,	Square metre per second	m ² /s	Stokes	St	10 ⁴
Kinematic Viscosity Index			Centistokes	cSt	10 ⁶
Temperature	Kelvin, Degree celsius	K, °C	Degree	°C	(See note (1))
Electric Current					
Magnetomotive Force	Ampere	A	Ampere	A	1
Voltage, Electromotive Force	Volt	V	(Watts per ampere)	(W/A)	1
Magnetic Field Strength	Ampere per metre	A/m	Oersted	Oe	4π/10 ³
Magnetic Flux Density	Tesla	T	Gauss	Gs	10 ⁴
			Gamma	γ	10 ⁹
Electrical Resistance	Ohm	Ω	(Volts per ampere)	(V/A)	1

Note (1) The conversion from $T(K)$ into $\theta(^{\circ}C)$ is $\theta = T - 273.15$ but for a temperature difference, it is $\Delta T = \Delta \theta$. However, ΔT and $\Delta \theta$ represent temperature differences measured using the Kelvin and Celsius scales respectively.

Remarks The names and symbols in () are equivalent to those directly above them or on their left.
Example of conversion 1N=1/9.806 65kgf

Inch - Metric conversion tables

Inch		0	1	2	3	4	5	6	7	8	9	10
Fraction	Decimal	mm										
0	0.000000	0.000	25.400	50.800	76.200	101.600	127.000	152.400	177.800	203.200	228.600	254.000
1/64	0.015625	0.397	25.797	51.197	76.597	101.997	127.397	152.797	178.197	203.597	228.997	254.397
1/32	0.031250	0.794	26.194	51.594	76.994	102.394	127.794	153.194	178.594	203.994	229.394	254.794
3/64	0.046875	1.191	26.591	51.991	77.391	102.791	128.191	153.591	178.991	204.391	229.791	255.191
1/16	0.062500	1.588	26.988	52.388	77.788	103.188	128.588	153.988	179.388	204.788	230.188	255.588
5/64	0.078125	1.984	27.384	52.784	78.184	103.584	128.984	154.384	179.784	205.184	230.584	255.984
3/32	0.093750	2.381	27.781	53.181	78.581	103.981	129.381	154.781	180.181	205.581	230.981	256.381
7/64	0.109375	2.778	28.178	53.578	78.978	104.378	129.778	155.178	180.578	205.978	231.378	256.778
1/8	0.125000	3.175	28.575	53.975	79.375	104.775	130.175	155.575	180.975	206.375	231.775	257.175
5/64	0.140625	3.572	28.972	54.372	79.772	105.172	130.572	155.972	181.372	206.772	232.172	257.572
5/32	0.156250	3.969	29.369	54.769	80.169	105.569	130.969	156.369	181.769	207.169	232.569	257.969
11/64	0.171875	4.366	29.766	55.166	80.566	105.966	131.366	156.766	182.166	207.566	232.966	258.366
3/16	0.187500	4.762	30.162	55.562	80.962	106.362	131.762	157.162	182.562	207.962	233.362	258.762
5/64	0.203125	5.159	30.559	55.959	81.359	106.759	132.159	157.559	182.959	208.359	233.759	259.159
7/32	0.218750	5.556	30.956	56.356	81.756	107.156	132.556	157.956	183.356	208.756	234.156	259.556
15/64	0.234375	5.953	31.353	56.753	82.153	107.553	132.953	158.353	183.753	209.153	234.553	259.953
1/4	0.250000	6.350	31.750	57.150	82.550	107.950	133.350	158.750	184.150	209.550	234.950	260.350
5/64	0.265625	6.747	32.147	57.547	82.947	108.347	133.747	159.147	184.547	209.947	235.347	260.747
9/32	0.281250	7.144	32.544	57.944	83.344	108.744	134.144	159.544	184.944	210.344	235.744	261.144
19/64	0.296875	7.541	32.941	58.341	83.741	109.141	134.541	159.941	185.341	210.741	236.141	261.541
5/16	0.312500	7.938	33.338	58.738	84.138	109.538	134.938	160.338	185.738	211.138	236.538	261.938
21/64	0.328125	8.334	33.734	59.134	84.534	109.934	135.334	160.734	186.134	211.534	236.934	262.334
11/32	0.343750	8.731	34.131	59.531	84.931	110.331	135.731	161.131	186.531	211.931	237.331	262.731
23/64	0.359375	9.128	34.528	59.928	85.328	110.728	136.128	161.528	186.928	212.328	237.728	263.128
3/8	0.375000	9.525	34.925	60.325	85.725	111.125	136.525	161.925	187.325	212.725	238.125	263.525
25/64	0.390625	9.922	35.322	60.722	86.122	111.522	136.922	162.322	187.722	213.122	238.522	263.922
13/32	0.406250	10.319	35.719	61.119	86.519	111.919	137.319	162.719	188.119	213.519	238.919	264.319
27/64	0.421875	10.716	36.116	61.516	86.916	112.316	137.716	163.116	188.516	213.916	239.316	264.716
7/16	0.437500	11.112	36.512	61.912	87.312	112.712	138.112	163.512	188.912	214.312	239.712	265.112
29/64	0.453125	11.509	36.909	62.309	87.709	113.109	138.509	163.909	189.309	214.709	240.109	265.509
15/32	0.468750	11.906	37.306	62.706	88.106	113.506	138.906	164.306	189.706	215.106	240.506	265.906
31/64	0.484375	12.303	37.703	63.103	88.503	113.903	139.303	164.703	190.103	215.503	240.903	266.303
1/2	0.500000	12.700	38.100	63.500	88.900	114.300	139.700	165.100	190.500	215.900	241.300	266.700
33/64	0.515625	13.097	38.497	63.897	89.297	114.697	140.097	165.497	190.897	216.297	241.697	267.097
17/32	0.531250	13.494	38.894	64.294	89.694	115.094	140.494	165.894	191.294	216.694	242.094	267.494
35/64	0.546875	13.891	39.291	64.691	90.091	115.491	140.891	166.291	191.691	217.091	242.491	267.891
9/16	0.562500	14.288	39.688	65.088	90.488	115.888	141.288	166.688	192.088	217.488	242.888	268.288
37/64	0.578125	14.684	40.084	65.484	90.884	116.284	141.684	167.084	192.484	217.884	243.284	268.684
19/32	0.593750	15.081	40.481	65.881	91.281	116.681	142.081	167.481	192.881	218.281	243.681	269.081
39/64	0.609375	15.478	40.878	66.278	91.678	117.078	142.478	167.878	193.278	218.678	244.078	269.478
5/8	0.625000	15.875	41.275	66.675	92.075	117.475	142.875	168.275	193.675	219.075	244.475	269.875
41/64	0.640625	16.272	41.672	67.072	92.472	117.872	143.272	168.672	194.072	219.472	244.872	270.272
21/32	0.656250	16.669	42.069	67.469	92.869	118.269	143.669	169.069	194.469	219.869	245.269	270.669
43/64	0.671875	17.066	42.466	67.866	93.266	118.666	144.066	169.466	194.866	220.266	245.666	271.066
11/16	0.687500	17.462	42.862	68.262	93.662	119.062	144.462	169.862	195.262	220.662	246.062	271.462
45/64	0.703125	17.859	43.259	68.659	94.059	119.459	144.859	170.259	195.659	221.059	246.459	271.859
23/32	0.718750	18.256	43.656	69.056	94.456	119.856	145.256	170.656	196.056	221.456	246.856	272.256
47/64	0.734375	18.653	44.053	69.453	94.853	120.253	145.653	171.053	196.453	221.853	247.253	272.653
3/4	0.750000	19.050	44.450	69.850	95.250	120.650	146.050	171.450	196.850	222.250	247.650	273.050
49/64	0.765625	19.447	44.847	70.247	95.647	121.047	146.447	171.847	197.247	222.647	248.047	273.447
25/32	0.781250	19.844	45.244	70.644	96.044	121.444	146.844	172.244	197.644	223.044	248.444	273.844
51/64	0.796875	20.241	45.641	71.041	96.441	121.841	147.241	172.641	198.041	223.441	248.841	274.241
13/16	0.812500	20.638	46.038	71.438	96.838	122.238	147.638	173.038	198.438	223.838	249.238	274.638
53/64	0.828125	21.034	46.434	71.834	97.234	122.634	148.034	173.434	198.834	224.234	249.634	275.034
27/32	0.843750	21.431	46.831	72.231	97.631	123.031	148.431	173.831	199.231	224.631	250.031	275.431
55/64	0.859375	21.828	47.228	72.628	98.028	123.428	148.828	174.228	199.628	225.028	250.428	275.828
7/8	0.875000	22.225	47.625	73.025	98.425	123.825	149.225	174.625	200.025	225.425	250.825	276.225
57/64	0.890625	22.622	48.022	73.422	98.822	124.222	149.622	175.022	200.422	225.822	251.222	276.622
29/32	0.906250	23.019	48.419	73.819	99.219	124.619	150.019	175.419	200.819	226.219	251.619	277.019
59/64	0.921875	23.416	48.816	74.216	99.616	125.016	150.416	175.816	201.216	226.616	252.016	277.416
15/16	0.937500	23.812	49.212	74.612	100.012	125.412	150.812	176.212	201.612	227.012	252.412	277.812
61/64	0.953125	24.209	49.609	75.009	100.409	125.809	151.209	176.609	202.009	227.409	252.809	278.209
31/32	0.968750	24.606	50.006	75.406	100.806	126.206	151.606	177.006	202.406	227.806	253.206	278.606
63/64	0.984375	25.003	50.403	75.803	101.203	126.603	152.003	177.403	202.803	228.203	253.603	279.003

Inch		11	12	13	14	15	16	17	18	19	20
Fraction	Decimal	mm									
0	0.0000	279.400	304.800	330.200	355.600	381.000	406.400	431.800	457.200	482.600	508.000
1/16	0.0625	280.988	306.388	331.788	357.188	382.588	407.988	433.388	458.788	484.188	509.588
1/8	0.1250	282.575	307.975	333.375	358.775	384.175	409.575	434.975	460.375	485.775	511.175
3/16	0.1875	284.162	309.562	334.962	360.362	385.762	411.162	436.562	461.962	487.362	512.762
1/4	0.2500	285.750	311.150	336.550	361.950	387.350	412.750	438.150	463.550	488.950	514.350
5/16	0.3125	287.338	312.738	338.138	363.538	388.938	414.338	439.738	465.138	490.538	515.938
3/8	0.3750	288.925	314.325	339.725	365.125	390.525	415.925	441.325	466.725	492.125	517.525
7/16	0.4375	290.512	315.912	341.312	366.712	392.112	417.512	442.912	468.312	493.712	519.112
1/2	0.5000	292.100	317.500	342.900	368.300	393.700	419.100	444.500	469.900	495.300	520.700
9/16	0.5625	293.688	319.088	344.488	369.888	395.288	420.688	446.088	471.488	496.888	522.288
5/8	0.6250	295.275	320.675	346.075	371.475	396.875	422.275	447.675	473.075	498.475	523.875
11/16	0.6875	296.862	322.262	347.662	373.062	398.462	423.862	449.262	474.662	500.062	525.462
3/4	0.7500	298.450	323.850	349.250	374.650	400.050	425.450	450.850	476.250	501.650	527.050
13/16	0.8125	300.038	325.438	350.838	376.238	401.638	427.038	452.438	477.838	503.238	528.638
7/8	0.8750	301.625	327.025	352.425	377.825	403.225	428.625	454.025	479.425	504.825	530.225
15/16	0.9375	303.212	328.612	354.012	379.412	404.812	430.212	455.612	481.012	506.412	531.812

Inch		21	22	23	24	25	26	27	28	29	30
Fraction	Decimal	mm									
0	0.0000	533.400	558.800	584.200	609.600	635.000	660.400	685.800	711.200	736.600	762.000
1/16	0.0625	534.988	560.388	585.788	611.188	636.588	661.988	687.388	712.788	738.188	763.588
1/8	0.1250	536.575	561.975	587.375	612.775	638.175	663.575	688.975	714.375	739.775	765.175
3/16	0.1875	538.162	563.562	588.962	614.362	639.762	665.162	690.562	715.962	741.362	766.762
1/4	0.2500	539.750	565.150	590.550	615.950	641.350	666.750	692.150	717.550	742.950	768.350
5/16	0.3125	541.338	566.738	592.138	617.538	642.938	668.338	693.738	719.138	744.538	769.938
3/8	0.3750	542.925	568.325	593.725	619.125	644.525	669.925	695.325	720.725	746.125	771.525
7/16	0.4375	544.512	569.912	595.312	620.712	646.112	671.512	696.912	722.312	747.712	773.112
1/2	0.5000	546.100	571.500	596.900	622.300	647.700	673.100	698.500	723.900	749.300	774.700
9/16	0.5625	547.688	573.088	598.488	623.888	649.288	674.688	700.088	725.488	750.888	776.288
5/8	0.6250	549.275	574.675	600.075	625.475	650.875	676.275	701.675	727.075	752.475	777.875
11/16	0.6875	550.862	576.262	601.662	627.062	652.462	677.862	703.262	728.662	754.062	779.462
3/4	0.7500	552.450	577.850	603.250	628.650	654.050	679.450	704.850	730.250	755.650	781.050
13/16	0.8125	554.038	579.438	604.838	630.238	655.638	681.038	706.438	731.838	757.238	782.638
7/8	0.8750	555.625	581.025	606.425	631.825	657.225	682.625	708.025	733.425	758.825	784.225
15/16	0.9375	557.212	582.612	608.012	633.412	658.812	684.212	709.612	735.012	760.412	785.812

Inch		31	32	33	34	35	36	37	38	39	40
Fraction	Decimal	mm									
0	0.0000	787.400	812.800	838.200	863.600	889.000	914.400	939.800	965.200	990.600	1016.000
1/16	0.0625	788.988	814.388	839.788	865.188	890.588	915.988	941.388	966.788	992.188	1017.588
1/8	0.1250	790.575	815.975	841.375	866.775	892.175	917.575	942.975	968.375	993.775	1019.175
3/16	0.1875	792.162	817.562	842.962	868.362	893.762	919.162	944.562	969.962	995.362	1020.762
1/4	0.2500	793.750	819.150	844.550	869.950	895.350	920.750	946.150	971.550	996.950	1022.350
5/16	0.3125	795.338	820.738	846.138	871.538	896.938	922.338	947.738	973.138	998.538	1023.938
3/8	0.3750	796.925	822.325	847.725	873.125	898.525	923.925	949.325	974.725	1000.125	1025.525
7/16	0.4375	798.512	823.912	849.312	874.712	900.112	925.512	950.912	976.312	1001.712	1027.112
1/2	0.5000	800.100	825.500	850.900	876.300	901.700	927.100	952.500	977.900	1003.300	1028.700
9/16	0.5625	801.688	827.088	852.488	877.888	903.288	928.688	954.088	979.488	1004.888	1030.288
5/8	0.6250	803.275	828.675	854.075	879.475	904.875	930.275	955.675	981.075	1006.475	1031.875
11/16	0.6875	804.862	830.262	855.662	881.062	906.462	931.862	957.262	982.662	1008.062	1033.462
3/4	0.7500	806.450	831.850	857.250	882.650	908.050	933.450	958.850	984.250	1009.650	1035.050
13/16	0.8125	808.038	833.438	858.838	884.238	909.638	935.038	960.438	985.838	1011.238	1036.638
7/8	0.8750	809.625	835.025	860.425	885.825	911.225	936.625	962.025	987.425	1012.825	1038.225
15/16	0.9375	811.212	836.612	862.012	887.412	912.812	938.212	963.612	989.012	1014.412	1039.812

Temperature conversion tables

Appendix table 4 °C-°F conversion table

(Method of using this table) For example, to convert 38°C into °F, read the figure in the right °F column adjacent to the 38 in the center column in the 2nd block. This means that 38°C is 100.4°F. To convert 38°F into°C, read the figure in the left °C column of the same row, which indicates that the answer is 3.3°C.

$$C = \frac{5}{9}(F - 32)$$

$$F = 32 + \frac{5}{9}C$$

°C			°F			°C			°F			°C			°F		
-73.3	-100	-148.0	0.0	32	89.6	21.7	71	159.8	43.3	110	230						
-62.2	-80	-112.0	0.6	33	91.4	22.2	72	161.6	46.1	115	239						
-51.1	-60	-76.0	1.1	34	93.2	22.8	73	163.4	48.9	120	248						
-40.0	-40	-40.0	1.7	35	95.0	23.3	74	165.2	51.7	125	257						
-34.4	-30	-22.0	2.2	36	96.8	23.9	75	167.0	54.4	130	266						
-28.9	-20	-4.0	2.8	37	98.6	24.4	76	168.8	57.2	135	275						
-23.3	-10	14.0	3.3	38	100.4	25.0	77	170.6	60.0	140	284						
-17.8	0	32.0	3.9	39	102.2	25.6	78	172.4	65.6	150	302						
-17.2	1	33.8	4.4	40	104.0	26.1	79	174.2	71.1	160	320						
-16.7	2	35.6	5.0	41	105.8	26.7	80	176.0	76.7	170	338						
-16.1	3	37.4	5.6	42	107.6	27.2	81	177.8	82.2	180	356						
-15.6	4	39.2	6.1	43	109.4	27.8	82	179.6	87.8	190	374						
-15.0	5	41.0	6.7	44	111.2	28.3	83	181.4	93.3	200	392						
-14.4	6	42.8	7.2	45	113.0	28.9	84	183.2	98.9	210	410						
-13.9	7	44.6	7.8	46	114.8	29.4	85	185.0	104.4	220	428						
-13.3	8	46.4	8.3	47	116.6	30.0	86	186.8	110.0	230	446						
-12.8	9	48.2	8.9	48	118.4	30.6	87	188.6	115.6	240	464						
-12.2	10	50.0	9.4	49	120.2	31.1	88	190.4	121.1	250	482						
-11.7	11	51.8	10.0	50	122.0	31.7	89	192.2	148.9	300	572						
-11.1	12	53.6	10.6	51	123.8	32.2	90	194.0	176.7	350	662						
-10.6	13	55.4	11.1	52	125.6	32.8	91	195.8	204	400	752						
-10.0	14	57.2	11.7	53	127.4	33.3	92	197.6	232	450	842						
-9.4	15	59.0	12.2	54	129.2	33.9	93	199.4	260	500	932						
-8.9	16	60.8	12.8	55	131.0	34.4	94	201.2	288	550	1022						
-8.3	17	62.6	13.3	56	132.8	35.0	95	203.0	316	600	1112						
-7.8	18	64.4	13.9	57	134.6	35.6	96	204.8	343	650	1202						
-7.2	19	66.2	14.4	58	136.4	36.1	97	206.6	371	700	1292						
-6.7	20	68.0	15.0	59	138.2	36.7	98	208.4	399	750	1382						
-6.1	21	69.8	15.6	60	140.0	37.2	99	210.2	427	800	1472						
-5.6	22	71.6	16.1	61	141.8	37.8	100	212.0	454	850	1562						
-5.0	23	73.4	16.7	62	143.6	38.3	101	213.8	482	900	1652						
-4.4	24	75.2	17.2	63	145.4	38.9	102	215.6	510	950	1742						
-3.9	25	77.0	17.8	64	147.2	39.4	103	217.4	538	1000	1832						
-3.3	26	78.8	18.3	65	149.0	40.0	104	219.2	593	1100	2012						
-2.8	27	80.6	18.9	66	150.8	40.6	105	221.0	649	1200	2192						
-2.2	28	82.4	19.4	67	152.6	41.1	106	222.8	704	1300	2372						
-1.7	29	84.2	20.0	68	154.4	41.7	107	224.6	760	1400	2552						
-1.1	30	86.0	20.6	69	156.2	42.2	108	226.4	816	1500	2732						
-0.6	31	87.8	21.1	70	158.0	42.8	109	228.2	871	1600	2912						



EUROPEAN NSK SALES OFFICES

UK

NSK UK LTD.
NORTHERN ROAD, NEWARK
NOTTINGHAMSHIRE
NG24 2JF
Tel: +44 1636 605123
Fax: +44 1636 602775
e-mail: info-uk@nsk.com

FRANCE

NSK FRANCE S.A.S
QUARTIER DE L'EUROPE
2, RUE GEORGES GUYNEMER
78283 GUYANCOURT CEDEX
Tel: +33 1 30 57 39 39
Fax: +33 1 30 57 00 01
e-mail: info-fr@nsk.com

GERMANY

NSK DEUTSCHLAND GMBH
HARKORTSTRASSE 15
40880 RATINGEN
Tel: +49 2102 4810
Fax: +49 2102 4812290
e-mail: info-de@nsk.com

ITALY

NSK ITALIA S.p.A.
VIA GARIBALDI 215
20024 GARBAGNATE MILANESE (MI)
Tel: +39 02 995 191
Fax: +39 02 990 25 778
e-mail: info-it@nsk.com

NORWAY

NSK NORWAY OFFICE
OSTRE KULLEROD 5
N-3241 SANDEFJORD
Tel: +47 3329 3160
Fax: +47 3342 9002
e-mail: info-n@nsk.com

POLAND

NSK POLSKA Sp. z o.o.
WARSAW BRANCH
ul. MIGDAŁOWA 4/73
02-796 WARSZAWA
Tel: +48 22 645 15 25
Fax: +48 22 645 15 29
e-mail: info-pl@nsk.com

SPAIN

NSK SPAIN, S.A.
C/ TARRAGONA, 161 CUERPO BAJO
2ª PLANTA,
08014 BARCELONA
Tel: +34 932 89 27 63
Fax: +34 934 33 57 76
e-mail: info-es@nsk.com

SWEDEN

NSK SWEDEN OFFICE
KAROLINEN FÖRETAGSCENTER
VÄXNÄSGATAN 10
SE-65340 KARLSTADT
Tel: +46 5410 3545
Fax: +46 5410 3545
e-mail: info-de@nsk.com

TURKEY

NSK RULMANLARI ORTA DOĞU TİC. LTD. ŞTİ
19 MAYIS MAH. ATATÜRK CAD.
ULYA ENGIN İŞ MERKEZİ NO:68 KAT. 6
P.K.: 34734
KOZYATAĞI – İSTANBUL
Tel: +90 216 355 0398
Fax: +90 216 355 0399
e-mail: turkey@nsk.com

Please also visit our website: www.eu.nsk.com – Global NSK: www.nsk.com

