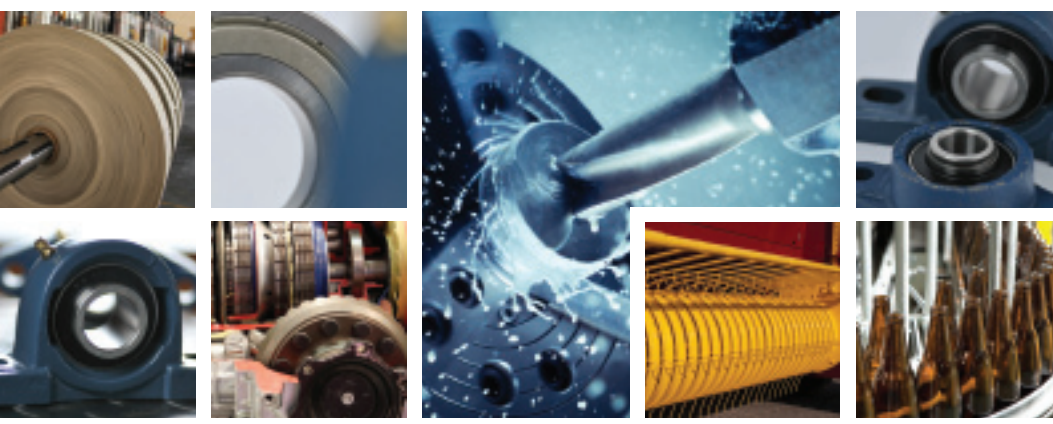




[www.rbibearing.com](http://www.rbibearing.com)



PRODUCT CATALOG  
**Mounted  
Bearing  
Units**

*The most affordable quality IN THE WORLD >>*



**RBI Bearing offers a full range of products to a variety of industries. From agriculture equipment to skateboards and everything in between.**

- |                               |                                       |   |
|-------------------------------|---------------------------------------|---|
| 1600 Series Inch              | Flange Blocks                         | Roller Chain                              |
| 5200 & 5300 Double Row        | Free Spin ER Series                   | Self Aligning Bearings                    |
| 6000 Series                   | Go Kart Bearings                      | SER Series (ER)                           |
| 608 Series                    | Large Cylindricals                    | Skateboard and Rollerblade Bearings       |
| 6200 Series                   | Large Sphericals                      | Stainless Steel Inserts, Mounted & Flange |
| 6300 Series                   | Metric Tapered Roller                 | Stainless Steel Radial Bearings           |
| 6800 Series                   | Miniature Bearings                    | Tapered Roller Bearings                   |
| 6900 Series                   | Mounted Units                         | Thermoplastic Mounted & Flange            |
| 87000 & 88000 Series          | Pillow Blocks                         | Thrust Ball Bearings                      |
| Agricultural Bearings         | Precision Machined Parts              | W200 & W300 Cartridge Series              |
| Alternator & Starter Bearings | R Series Inch                         | Wheel Bearings and more...                |
| Crank and Shaft Bearings      | RCSM & RCSMS Rubber Cushioned Inserts |   |
| Engine Bearings               |                                       |   |

**For more information call 1-800-708-2128 and one of our knowledgeable, friendly Account Managers can help!**



# TABLE OF CONTENTS

## PILLOW BLOCK UNITS 04-11

- 4 UCP Set Screw Type- High Center Height
- 5 UCAK Set Screw Type- Low center Height
- 6 UCTB Set Screw Type- Tap Base
- 7 HCP Eccentric Locking Collar Type- High Center Height
- 8 HCAK Eccentric Locking Collar Type- Low Center Height
- 9 SBP Set Screw Type- Light Duty- High Center Heights
- 9 SBAK Set Screw Type- Light Duty- Low Center Height
- 10 SAP Eccentric Locking Collar Type- Light Duty- High Center Height
- 10 SAAK Eccentric Locking Collar Type- Light Duty- Low Center Height
- 11 SBLLP Set Screw Type- Narrow Housing- High Center Height
- 11 SALLP Eccentric Locking Collar Type- Narrow Housing High Center Height

## FLANGE BLOCK UNITS 12-20

- 12 UCFL Set Screw Type- Two Bolt
- 13 UCFT Set Screw Type- Two Bolt
- 14 HCFJT Eccentric Locking Collar Type- Two Bolt
- 15 SBLF Set Screw Type- Light Duty- Two Bolt
- 15 SALF Eccentric Locking Collar Type- Light Duty- Two Bolt
- 16 SBFTD Set Screw Type- Light Duty- Ductile Iron
- 16 SAFTD Eccentric Locking Collar Type- Light Duty- Ductile Iron
- 17 UCF Set Screw Type- Four Bolt
- 18 HCFS Eccentric Locking Collar Type- Four Bolt
- 19 SBFCT Set Screw Type- Three Bolt- Ductile Iron
- 19 SAFCT Eccentric Locking Collar Type- Three Bolt- Ductile Iron
- 20 UCFB Set Screw Type- Three Bolt Flange Bracket

## TAKE-UP UNITS 21-22

- 21 UCST Set Screw Type- Wide Slot
- 22 HCST Eccentric Locking Collar Type- Wide Slot

## PRESSED STEEL UNITS 23-26

- 23 SBPFL Set Screw Type - Two Bolt Flange
- 23 SAPFL Eccentric Locking Collar Type - Two Bolt Flange
- 24 SBPF Set Screw Type - Round Three Bolt Flange
- 24 SAPF Eccentric Locking Collar Type - Round Three Bolt Flange
- 25 SBPFT Set Screw Type - Triangular Three Bolt Flange
- 25 SAPFT Eccentric Locking Collar Type - Triangular Three Bolt Flange
- 26 SBPP Set Screw Type - Pillow Block
- 26 SAPP Eccentric Locking Collar Type - Pillow Block

## RUBBER CARTRIDGE UNITS 27

- 27 RCSMS Set Screw Type
- 27 RCSM L Eccentric Lock Collar Type

## INSERT BEARINGS 28-32

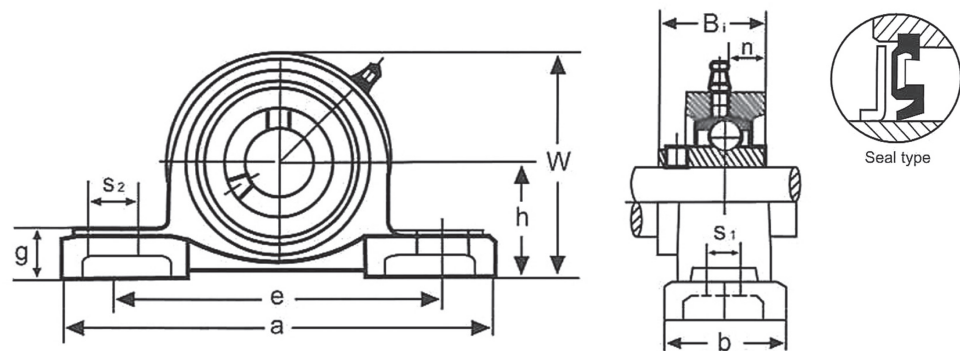
- 28 SB Set Screw Type - Light Duty- Spherical
- 28 CSB Set Screw Type - Light Duty- Cylindrical
- 29 SA Eccentric Locking Collar Type - Light Duty- Spherical
- 29 CSA Eccentric Locking Collar Type - Light Duty- Cylindrical
- 30 UC Set Screw Type- Standard Duty - Spherical
- 31 HC Eccentric Locking Collar Type - Standard Duty- Spherical
- 32 SER Set Screw Type - SER series Bearing

## ENGINEERING DATA 33-38

- 33 Bearing Lubrication
- 34 Insert Bearing Tolerances - Set Screw Torque
- 35 Radial Internal Clearance for Bearing Insert
- 36 Interchange
- 37 Unit Conversions
- 38 Metric Conversions



**PILLOW BLOCK**  
SET SCREW TYPE:  
**High Center Height**



**UCP200 Series**

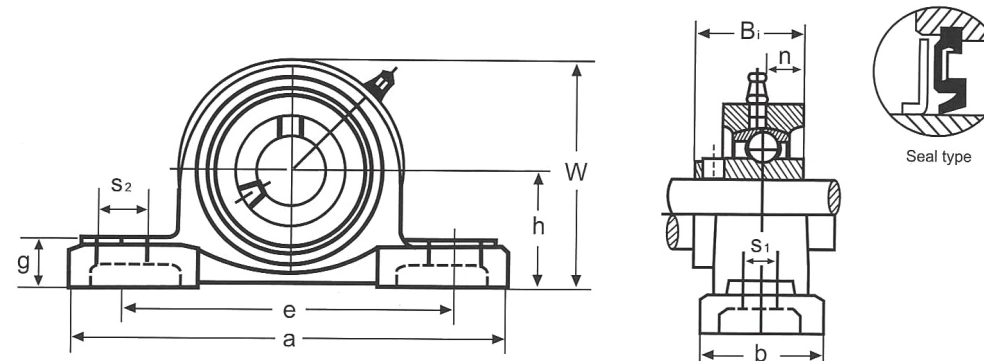
Shaft Dia.		RBI Unit No.	Dimensions (in.)										Bolt Used (in.)	Bearing No.	Housing No.	Weight (lbs.)
mm.	in.		h	a	e	b	s <sub>2</sub>	s <sub>1</sub>	g	w	Bi	n				
12 15 17	1/2 5/8	UCP201-8 UCP202-10 UCP201 UCP202 UCP203	1-3/16	5	3-3/4	1-1/2	3/4	1/2	15/32	2-3/8	1.2205	0.7205	3/8	UC201-8 UC202-10 UC201 UC202 UC203	P204	1.72
20	3/4	UCP204-12 UCP204	1-5/16	5	3-3/4	1-1/2	3/4	1/2	1/2	2-17/32	1.2205	0.7205	3/8	UC204-12 UC204	P204	1.46
25	7/8 15/16 1	UCP205-14 UCP205-15 UCP205-16 UCP205	1-7/16	5-1/2	4-1/8	1-1/2	3/4	1/2	1/2	2-25/32	1.3386	0.563	3/8	UC205-14 UC205-15 UC205-16 UC205	P205	1.9
30	1-1/16 1-1/8 1-3/16 1-1/4	UCP206-17 UCP206-18 UCP206-19 UCP206-20 UCP206	1-11/16	6-1/2	4-3/4	1-7/8	13/16	21/32	19/32	3-5/16	1.5	0.626	1/2	UC206-17 UC206-18 UC206-19 UC206-20 UC206	P206	3.11
35	1-1/4 1-5/16 1-3/8 1-7/16	UCP207-20 UCP207-21 UCP207-22 UCP207-23 UCP207	1-7/8	6-9/16	5	1-7/8	13/16	21/32	5/8	3-21/32	1.689	0.689	1/2	UC207-20 UC207-21 UC207-22 UC207-23 UC207	P207	3.66
40	1-1/2 1-9/16	UCP208-24 UCP208-25 UCP208	1-15/16	7-1/4	5-13/32	2-1/8	13/16	21/32	21/32	3-27/32	1.937	0.746	1/2	UC208-24 UC208-25 UC208	P208	4.67
45	1-5/8 1-11/16 1-3/4	UCP209-26 UCP209-27 UCP209-28 UCP209	2-1/8	7-15/32	5-3/4	2-1/8	13/16	21/32	21/32	4-3/16	1.937	0.748	1/2	UC209-26 UC209-27 UC209-28 UC209	P209	5.29
50	1-7/8 1-15/16 2	UCP210-30 UCP210-31 UCP210-32 UCP210	2-1/4	8-1/8	6-1/4	2-3/8	7/8	25/32	3/4	4-7/16	2.0315	0.748	5/8	UC210-30 UC210-31 UC210-32 UC210	P210	6.48
55	2 2-1/8 2-3/16	UCP211-32 UCP211-34 UCP211-35 UCP211	2-1/2	8-5/8	6-23/32	2-3/8	7/8	25/32	3/4	4-29/32	2.189	0.874	5/8	UC211-32 UC211-34 UC211-35 UCP211	P211	8.07
60	2-1/4 2-3/8 2-7/16	UCP212-36 UCP212-38 UCP212-39 UCP212	2-3/4	9-1/2	7-1/4	2-3/4	1	25/32	7/8	5-7/16	2.563	1	5/8	UC212-36 UC212-38 UC212-39 UC212	P212	11.3
65	2-1/2	UCP213-40 UCP213	3	10-7/16	8	2-3/4	1-3/16	1	1	5-29/32	2.563	1	3/4	UC213-40 UC213	P213	13.4
70	2-3/4	UCP214-44 UCP214	3-1/8	10-15/32	8-9/32	2-27/32	1-3/16	1	1-3/32	6-5/32	2.937	1.189	3/4	UC214-44 UCP214	P214	15.2
75	2-15/16 3	UCP215-47 UCP215-48 UCP215	3-1/4	10-13/16	8-17/32	2-29/32	1-3/16	1	1-3/32	6-3/8	3.063	1.311	3/4	UC215-47 UC215-48 UC215	P215	17.3

Note: Grease fittings can be positioned on pillow blocks at 90° upon request.

**Questions?** Give us a call at 1-800-708-2128 and one of our knowledgeable, friendly Account Managers can help!



**PILLOW BLOCK**  
SET SCREW TYPE:  
**Low Center Height**



**UCAK200 Series**

Shaft Dia.		RBI Unit No.	Dimensions (in.)										Bolt Used (in.)	Bearing No.	Housing No.	Weight (lbs.)
mm.	in.		h	a	e	b	s <sub>2</sub>	s <sub>1</sub>	g	w	Bi	n				
12 15 17 20	1/2 5/8 3/4	UCAK201-8 UCAK202-10 UCAK204-12 UCAK201 UCAK202 UCAK203 UCAK204	1-1/4	5-1/4	3-7/8	1-5/8	9/16	7/16	9/16	2-1/2	1.2205	0.7205	3/8	UC201-8 UC202-10 UC204-12 UC201 UC202 UC203 UC204	AK204	1.87
25	7/8 15/16 1	UCAK205-14 UCAK205-15 UCAK205-16 UCAK205	1-5/16	5-1/2	4-1/8	1-3/4	9/16	7/16	5/8	2-11/16	1.3386	0.563	3/8	UC205-14 UC205-15 UC205-16 UC205	AK205	2.20
30	1-1/16 1-1/8 1-3/16 1-1/4	UCAK206-17 UCAK206-18 UCAK206-19 UCAK206-20 UCAK206	1-9/16	6-5/16	4-3/4	1-7/8	3/4	9/16	11/16	3-5/32	1.500	0.626	7/16	UC206-17 UC206-18 UC206-19 UC206-20 UC206	AK206	3.09
35	1-1/4 1-5/16 1-3/8 1-7/16	UCAK207-20 UCAK207-21 UCAK207-22 UCAK207-23 UCAK207	1-13/16	6-9/16	5	1-7/8	3/4	9/16	3/4	3-5/8	1.689	0.689	7/16	UC207-20 UC207-21 UC207-22 UC207-23 UC207	AK207	3.90
40	1-1/2 1-9/16	UCAK208-24 UCAK208-25 UCAK208	1-15/16	7-1/8	5-1/2	2-1/8	3/4	9/16	3/4	3-15/16	1.937	0.748	7/16	UC208-24 UC208-25 UC208	AK208	4.65
45	1-5/8 1-11/16 1-3/4	UCAK209-26 UCAK209-27 UCAK209-28 UCAK209	2-1/16	7-1/2	5-3/4	2-1/8	3/4	9/16	13/16	4-13/16	1.937	0.748	7/16	UC209-26 UC209-27 UC209-28 UC209	AK209	5.47
50	1-7/8 1-15/16	UCAK210-30 UCAK210-31 UCAK210-32 UCAK210	2-3/16	8	6-1/4	2-1/4	3/4	9/16	7/8	4-7/16	2.0315	0.748	7/16	UC210-30 UC210-31 UC210-32 UC210	AK210	6.46
55	2 2-1/8 2-3/16	UCAK211-32 UCAK211-34 UCAK211-35 UCAK211	2-7/16	9-1/8	7-1/8	2-3/8	15/16	11/16	1	4-29/32	2.189	0.874	5/8	UC211-32 UC211-34 UC211-35 UC211	AK211	8.75
60	2-1/4 2-3/8 2-7/16	UCAK212-36 UCAK212-38 UCAK212-39 UCAK212	2-11/16	9-1/2	7-1/2	2-1/2	15/16	11/16	1-1/8	5-3/8	2.563	1.000	5/8	UC212-36 UC212-38 UC212-39 UC212	AK212	11.00
65	2-1/2	UCAK213-40 UCAK213	2-11/16	9-49/64	7-41/64	2-3/4	1-9/64	7/8	1-1/16	5-9/16	3.370	1.340	3/4	UC213-40 UC213	AK213	10.05
70	2-3/4	UCAK214-44 UCAK214	3-1/4	11-37/64	9-9/64	2-53/64	1-1/4	7/8	1-9/64	6-19/64	3.370	1.340	3/4	UC214-44 UC214	AK214	15.20
75	2-15/16 3	UCAK215-47 UCAK215-48 UCAK215	3-5/16	12	9-1/2	2-29/32	1-1/4	7/8	1-1/2	6-17/32	3.063	1.311	3/4	UC215-47 UC215-48 UC215	AK215	18.70

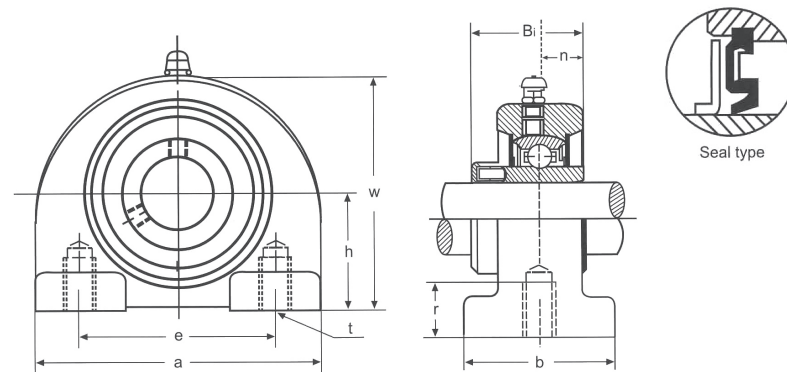
**ORDERING IS FAST AND EASY!**

Call: 1-800-708-2128 or Fax: 1-630-295-5490 to order today!



**PILLOW BLOCK**

SET SCREW TYPE:  
**Tap Base**



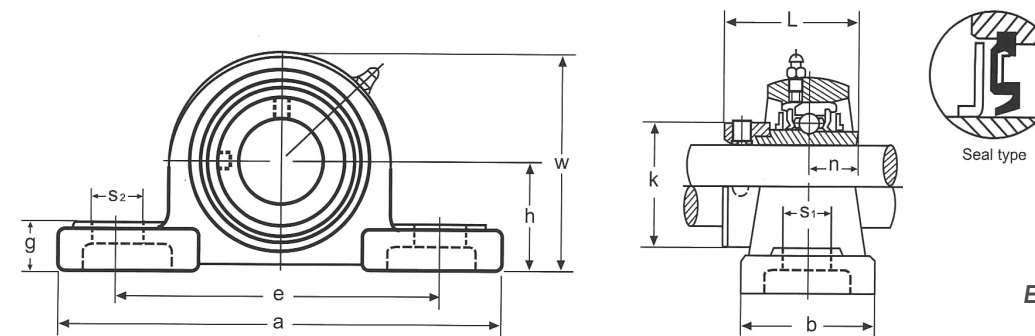
**UCTB200 Series**

Shaft Dia. (in.)	RBI Unit No.	Dimensions (in.)								Bolt Used (in.)	Bearing No.	Housing No.	Weight (lbs.)
		h	a	e	b	r	w	Bi	n				
1/2 5/8 3/4	UCTB201-8 UCTB202-10 UCTB204-12	1-5/16	2-7/8	2	1-1/2	1/2	2-9/16	1.220	0.500	3/8-16	UC201-8 UC202-10 UC204-12	TB204	1.43
7/8 15/16 1	UCTB205-14 UCTB205-15 UCTB205-16	1-7/16	3	2	1-1/2	1/2	2-13/16	1.339	0.563	3/8-16	UC205-14 UC205-15 UC205-16	TB205	1.79
1-1/16 1-1/8 1-3/16 1-1/4	UCTB206-17 UCTB206-18 UCTB206-19 UCTB206-20	1-11/16	4	3	1-1/2	5/8	3-3/8	1.500	0.626	7/16-14	UC206-17 UC206-18 UC206-19 UC206-20	TB206	2.65
1-1/4 1-5/16 1-3/8 1-7/16	UCTB207-20 UCTB207-21 UCTB207-22 UCTB207-23	1-7/8	4-1/4	3-1/4	1-7/8	3/4	3-3/4	1.689	0.689	1/2-13	UC207-20 UC207-21 UC207-22 UC207-23	TB207	3.75
1-1/2	UCTB208-24	1-15/16	4-5/8	3-1/2	1-7/8	3/4	3-15/16	1.937	0.748	1/2-13	UC208-24	TB208	4.19
1-5/8 1-11/16 1-3/4	UCTB209-26 UCTB209-27 UCTB209-28	2-1/8	5	3-3/4	2	3/4	4-1/4	1.937	0.748	1/2-13	UC209-26 UC209-27 UC209-28	TB209	4.85
1-7/8 1-15/16 2	UCTB210-30 UCTB210-31 UCTB210-32	2-1/4	5-1/2	4	2	7/8	4-5/8	2.031	0.748	5/8-11	UC210-30 UC210-31 UC210-32	TB210	5.73



**PILLOW BLOCK**

ECCENTRIC LOCKING COLLAR TYPE:  
**High Center Height**



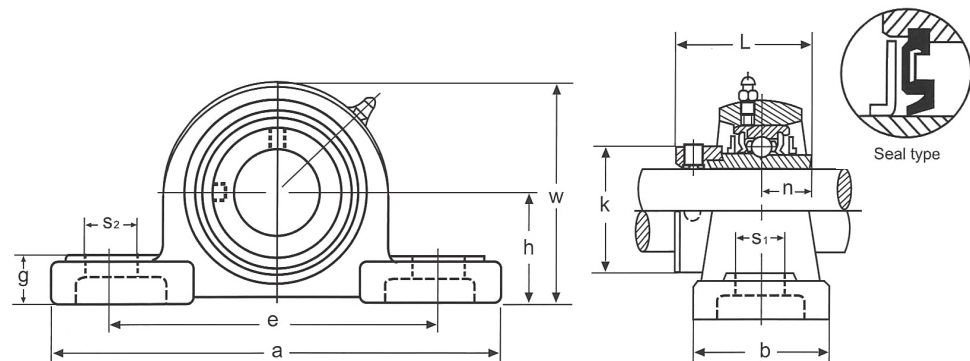
**HCP200 Series**

Shaft Dia. mm.	Shaft Dia. in.	RBI Unit No.	Dimensions (in.)												Bolt Used (in.)	Bearing No.	Housing No.	Weight (lbs.)
			h	a	e	b	s <sub>2</sub>	s <sub>1</sub>	g	w	L	n	K					
20	3/4	HCP204-12 HCP204	1-5/16	5	3-3/4	1-1/2	3/4	1/2	1/2	2-17/32	1.720	0.673	1-1/4	3/8	HC204-12 HC204	P204	1.54	
25	7/8 15/16 1	HCP205-14 HCP205-15 HCP205-16 HCP205	1-7/16	5-1/2	4-1/8	1-1/2	3/4	1/2	1/2	2-25/32	1.748	0.688	1-1/2	3/8	HC205-14 HC205-15 HC205-16 HC205	P205	1.94	
30	1-1/16 1-1/8 1-3/16 1-1/4	HCP206-17 HCP206-18 HCP206-19 HCP206-20 HCP206	1-11/16	6-1/2	4-3/4	1-7/8	13/16	21/32	19/32	3-5/16	1.905	0.720	1-3/4	1/2	HC206-17 HC206-18 HC206-19 HC206-20 HC206	P206	3.22	
35	1-1/4 1-5/16 1-3/8 1-7/16	HCP207-20 HCP207-21 HCP207-22 HCP207-23 HCP207	1-7/8	6-9/16	5	1-7/8	13/16	21/32	5/8	3-21/32	2.016	0.742	2-3/16	1/2	HC207-20 HC207-21 HC207-22 HC207-23 HC207	P207	3.84	
40	1-1/2 1-9/16	HCP208-24 HCP208-25 HCP208	1-15/16	7-1/4	5-13/32	2-1/8	13/16	21/32	21/32	3-27/32	2.220	0.844	2-3/8	1/2	HC208-24 HC208-25 HC208	P208	4.96	
45	1-5/8 1-11/16 1-3/4	HCP209-26 HCP209-27 HCP209-28 HCP209	2-1/8	7-15/32	5-3/4	2-1/8	13/16	21/32	21/32	4-3/16	2.220	0.844	2-1/2	1/2	HC209-26 HC209-27 HC209-28 HC209	P209	5.58	
50	1-7/8 1-15/16 2	HCP210-30 HCP210-31 HCP210-32 HCP210	2-1/4	8	6-1/4	2-3/8	7/8	25/32	3/4	4-7/16	2.468	0.969	2-3/4	5/8	HC210-30 HC210-31 HC210-32 HC210	P210	6.92	
55	2 2-1/8 2-3/16	HCP211-32 HCP211-34 HCP211-35 HCP211	2-1/2	8-5/8	6-23/32	2-3/8	7/8	25/32	3/4	4-29/32	2.814	1.049	3	5/8	HC211-32 HC211-34 HC211-35 HC211	P211	8.71	
60	2-1/4 2-3/8 2-7/16	HCP212-36 HCP212-38 HCP212-39 HCP212	2-3/4	9-1/2	7-1/4	2-3/4	1	25/32	7/8	5-7/16	3.062	1.219	3-5/8	3/8	HC212-36 HC212-38 HC212-39 HC212	P212	12.10	



**PILLOW BLOCK**

**ECCENTRIC LOCKING COLLAR TYPE:**  
**Low Center Height**



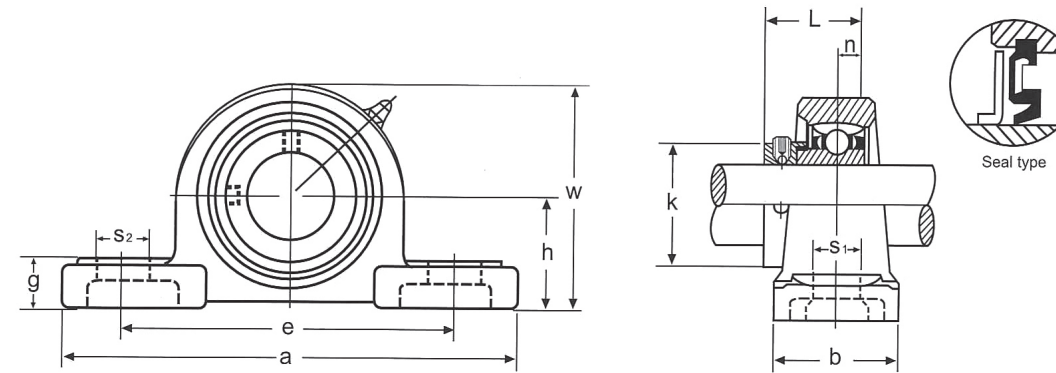
**HCAK200 Series**

Shaft Dia.		RBI Unit No.	Dimensions (in.)											Bolt Used (in.)	Bearing No.	Housing No.	Weight (lbs.)
mm.	in.		h	a	e	b	s <sub>2</sub>	s <sub>1</sub>	g	W	L	n	k				
20	3/4	HCAK204-12 HCAK204	1-1/4	5-1/4	3-7/8	1-5/8	9/16	7/16	9/16	2-1/2	1.720	0.673	1-1/4	3/8	HC204-12 HC204	AK204	1.96
25	7/8	HCAK205-14 HCAK205-15 HCAK205-16 HCAK205	1-5/16	5-1/2	4-1/8	1-3/4	9/16	7/16	5/8	2-11/16	1.748	0.688	1-1/2	3/8	HC205-14 HC205-15 HC205-16 HC205	AK205	2.25
	15/16																
30	1-1/16	HCAK206-17 HCAK206-18 HCAK206-19 HCAK206-20 HCAK206	1-9/16	6-5/16	4-3/4	1-7/8	3/4	9/16	11/16	3-5/32	1.905	0.720	1-3/4	1/2	HC206-17 HC206-18 HC206-19 HC206-20 HC206	AK206	3.20
	1-1/8																
	1-3/16																
	1-1/4																
35	1-1/4	HCAK207-20 HCAK207-21 HCAK207-22 HCAK207-23 HCAK207	1-13/16	6-9/16	5	1-7/8	3/4	9/16	3/4	3-5/8	2.016	0.742	2-3/16	1/2	HC207-20 HC207-21 HC207-22 HC207-23 HC207	AK207	4.08
	1-5/16																
	1-3/8																
	1-7/16																
40	1-1/2	HCAK208-24 HCAK208-25 HCAK208	1-15/16	7-1/8	5-1/2	2-1/8	3/4	9/16	3/4	3-15/16	2.220	0.844	2-3/8	1/2	HC208-24 HC208-25 HC208	AK208	4.94
	1-9/16																
45	1-5/8	HCAK209-26 HCAK209-27 HCAK209-28 HCAK209	2-1/16	7-1/2	5-3/4	2-1/8	3/4	9/16	13/16	4-13/16	2.220	0.844	2-1/2	1/2	HC209-26 HC209-27 HC209-28 HC209	AK209	5.73
	1-11/16																
	1-3/4																
50	1-7/8	HCAK210-30 HCAK210-31 HCAK210-32 HCAK210	2-3/16	8	6-1/4	2-1/4	3/4	9/16	7/8	4-7/16	2.468	0.989	2-3/4	1/2	HC210-30 HC210-31 HC210-32 HC210	AK210	6.90
	1-15/16																
	2																
	2																
55	2-1/8	HCAK211-32 HCAK211-34 HCAK211	2-7/16	9-1/8	7-1/8	2-3/8	15/16	11/16	1	4-29/32	2.814	1.049	3	5/8	HC211-32 HC211-34 HC211	AK211	9.39
	2-3/16																
	2-3/16																
60	2-1/4	HCAK212-36 HCAK212-38 HCAK212-39 HCAK212	2-11/16	9-1/2	7-1/2	2-1/2	15/16	11/16	1-1/8	5-3/8	3.062	1.219	3-5/16	5/8	HC212-36 HC212-38 HC212-39 HC212	AK212	1.80
	2-3/8																
	2-7/16																
	2-7/16																
65	2-15/16	HCAK215-47 HCAK215-48	3-5/16	12	9-1/2	3-1/4	1-1/4	7/8	1-1/2	6-17/32	3.374	1.469	4-1/32	3/4	HC215-47 HC215-48	AK215	19.90
	3																



**PILLOW BLOCK**

**SET SCREW TYPE - LIGHT DUTY:**  
**High Center Height**



**SBP200 Series**

Shaft Dia (in.)		RBI Unit No.	Dimensions (in.)											Bolt Used (in.)	Bearing No.	Housing No.	Weight (lbs.)
mm.	in.		h	a	e	b	s <sub>2</sub>	s <sub>1</sub>	g	w	L	n					
3/4	3/4	SBP204-12	1-5/16	5	3-3/4	1-1/2	3/4	1/2	1/2	2-17/32	0.984	0.275	3/8	SB204-12	P204	1.39	
7/8	15/16	SBP205-14 SBP205-15 SBP205-16	1-7/16	5-1/2	4-1/8	1-1/2	3/4	1/2	1/2	2-25/32	1.062	0.295	3/8	SB205-14 SB205-15 SB205-16	P205	1.83	
																	1
1-1/16	1-1/8	SBP206-17 SBP206-18 SBP206-19 SBP206-20	1-11/16	6-1/2	4-3/4	1-7/8	13/16	21/32	19/32	3-5/16	1.181	0.315	1/2	SB206-17 SB206-18 SB206-19 SB206-20	P206	2.95	
																	1-3/16
																	1-1/4
																	1-1/4
1-1/4	1-5/16	SBP207-20 SBP207-21 SBP207-22 SBP207-23	1-7/8	6-9/16	5	1-7/8	13/16	21/32	5/8	3-21/32	1.259	0.335	1/2	SB207-20 SB207-21 SB207-22 SB207-23	P207	3.46	
																	1-3/8
																	1-7/16
																	1-7/16
1-1/2	1-1/2	SBP208-24	1-15/16	7-1/4	5-13/32	2-1/8	13/16	21/32	21/32	3-27/32	1.338	0.354	1/2	SB208-24	P208	4.50	

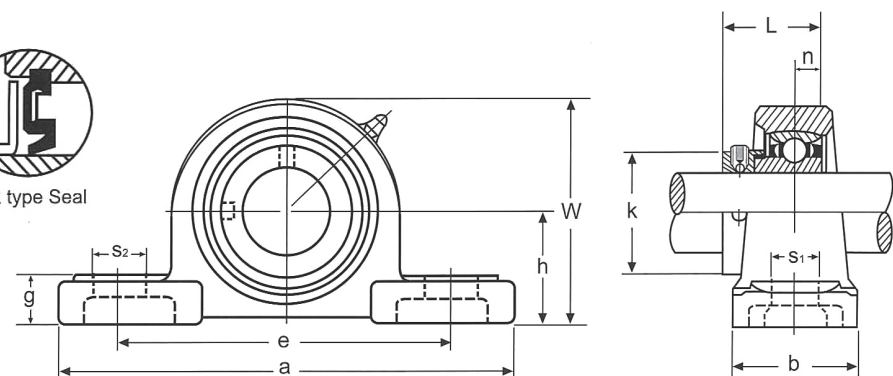
**SET SCREW TYPE - LIGHT DUTY:**  
**Low Center Height**

**SBAK200 Series**

Shaft Dia (in.)		RBI Unit No.	Dimensions (in.)											Bolt Used (in.)	Bearing No.	Housing No.	Weight (lbs.)
mm.	in.		h	a	e	b	s <sub>2</sub>	s <sub>1</sub>	g	w	L	n					
3/4	3/4	SBAK204-12	1-1/4	5-1/4	3-7/8	1-5/8	9/16	7/16	9/16	2-1/2	0.984	0.275	3/8	SB204-12	AK204	1.81	
7/8	15/16	SBAK205-14 SBAK205-15 SBAK205-16	1-5/16	5-1/2	4-1/8	1-3/4	9/16	7/16	5/8	2-11/16	1.062	0.295	3/8	SB205-14 SB205-15 SB205-16	AK205	2.14	
																	1
1-1/16	1-1/8	SBAK206-17 SBAK206-18 SBAK206-19 SBAK206-20	1-9/16	6-5/16	4-3/4	1-7/8	3/4	9/16	11/16	3-5/32	0.181	0.315	1/2	SB206-17 SB206-18 SB206-19 SB206-20	AK206	2.93	
																	1-3/16
																	1-1/4
																	1-1/4
1-1/4	1-5/16	SBAK207-20 SBAK207-21 SBAK207-22 SBAK207-23	1-13/16	6-9/16	5	1-7/8	3/4	9/16	3/4	3-5/8	1.259	0.335	1/2	SB207-20 SB207-21 SB207-22 SB207-23	AK207	3.70	
																	1-3/8
																	1-7/16
																	1-7/16
1-1/2	1-1/2	SBAK208-24	1-15/16	7-1/8	5-1/2	2-1/8	3/4	9/16	3/4	3-15/16	1.338	0.354	1/2	SB208-24	AK208	4.50	



SR type Seal



**PILLOW BLOCK**

**ECCENTRIC LOCKING COLLAR**

**TYPE - LIGHT DUTY: High Center Height**

**SAP200 Series**

Shaft Dia. (in.)	RBI Unit No.	Dimensions (in.)											Bolt Used (in.)	Bearing No.	Housing No.	Weight (lbs.)
		h	a	e	b	s <sub>2</sub>	s <sub>1</sub>	g	W	L	n	k				
3/4	SAP204-12	1-5/16	5	3-3/4	1-1/2	3/4	1/2	1/2	2-11/32	1.218	0.295	1-1/4	3/8	SA204-12	P204	1.43
7/8 15/16 1	SAP205-14 SAP205-15 SAP205-16	1-7/16	5-1/2	4-1/8	1-1/2	3/4	1/2	1/2	2-25/32	1.218	0.295	1-1/2	3/8	SA205-14 SA205-15 SA205-16	P205	1.87
1-1/16 1-1/8 1-3/16 1-1/4	SAP206-17 SAP206-18 SAP206-19 SAP206-20	1-11/16	6-1/2	4-3/4	1-7/8	13/16	21/32	19/32	3-5/16	1.406	0.354	1-3/4	1/2	SA206-17 SA206-18 SA206-19 SA206-20	P206	3.09
1-1/4 1-5/16 1-3/8 1-7/16	SAP207-20 SAP207-21 SAP207-22 SAP207-23	1-7/8	6-9/16	5	1-7/8	13/16	21/32	5/8	3-21/32	1.531	0.374	2-3/16	1/2	SA207-20 SA207-21 SA207-22 SA207-23	P207	3.70
1-1/2	SAP208-24	1-15/16	7-1/4	5-13/32	2-1/8	13/16	21/32	21/32	3-27/32	1.719	0.433	2-3/8	1/2	SA208-24	P208	4.67

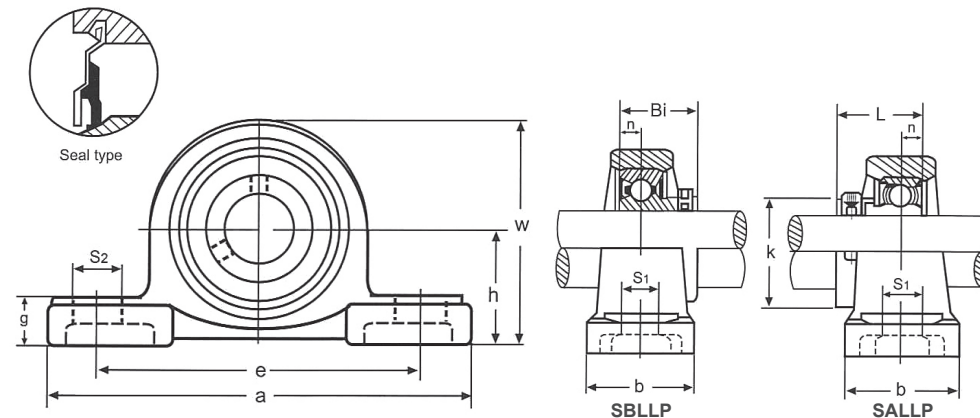
**ECCENTRIC LOCKING COLLAR TYPE - LIGHT DUTY:**

**Low Center Height**

**SAAK200 Series**

Shaft Dia. (in.)	RBI Unit No.	Dimensions (in.)											Bolt Used (in.)	Bearing No.	Housing No.	Weight (lbs.)
		h	a	e	b	s <sub>2</sub>	s <sub>1</sub>	g	W	L	n	k				
3/4	SAAK204-12	1-1/4	5-1/4	3-7/8	1-5/8	9/16	7/16	9/16	2-1/2	1.218	0.295	0.295	3/8	SA204-12	AK204	1.85
7/8 15/16 1	SAAK205-14 SAAK205-15 SAAK205-16	1-5/16	5-1/2	4-1/8	1-3/4	9/16	7/16	5/8	2-11/16	1.218	0.295	0.295	3/8	SA205-14 SA205-15 SA205-16	AK205	2.18
1-1/16 1-1/8 1-3/16 1-1/4	SAAK206-17 SAAK206-18 SAAK206-19 SAAK206-20	1-9/16	6-5/16	4-3/4	1-7/8	3/4	9/16	11/16	3-5/32	1.406	0.354	0.354	1/2	SA206-17 SA206-18 SA206-19 SA206-20	AK206	3.06
1-1/4 1-5/16 1-3/8 1-7/16	SAAK207-20 SAAK207-21 SAAK207-22 SAAK207-23	1-13/16	6-9/16	5	1-7/8	3/4	9/16	3/4	3-5/8	1.531	0.374	0.374	1/2	SA207-20 SA207-21 SA207-22 SA207-23	AK207	3.95
1-1/2	SAAK208-24	1-15/16	7-1/8	5-1/2	2-1/8	3/4	9/16	3/4	3-15/16	1.719	0.433	0.433	1/2	SA208-24	AK208	4.65

**Questions?** Give us a call at 1-800-708-2128 and one of our knowledgeable, friendly Account Managers can help!



**PILLOW BLOCK**

**SET SCREW TYPE - NARROW HOUSING:**

**High Center Height**

**SBLLP200 Series**

Shaft Dia. (in.)	RBI Unit No.	Dimensions (in.)											Bolt Used (in.)	Bearing No.	Housing No.	Weight (lbs.)
		h	a	e	b	s <sub>2</sub>	s <sub>1</sub>	g	w	Bi	n	k				
1/2 5/8	SBLLP201-8 SBLLP202-10	1-3/16	4-1/2	3-7/16	1	5/8	7/16	15/32	2-1/4	0.866	0.236	3/8	SB201-8 SB202-10	LLP203	0.84	
3/4	SBLLP204-12	1-5/16	4-29/32	3-13/16	1-1/16	5/8	7/16	1/2	2-9/16	0.984	0.275	3/8	SB204-12	LLP204	1.03	
7/8 15/16 1	SBLLP205-14 SBLLP205-15 SBLLP205-16	1-7/16	5-1/8	3-15/16	1-5/32	5/8	7/16	1/2	2-25/32	1.062	0.295	3/8	SB205-14 SB205-15 SB205-16	LLP205	1.28	
1-1/8 1-3/16 1-1/4	SBLLP206-18 SBLLP206-19 SBLLP206-20	1-11/16	6-5/32	4-22/32	1-5/6	13/16	7/16	9/16	3-9/32	1.181	0.315	1/2	SB206-18 SB206-19 SB206-20	LLP206	1.50	
1-5/16 1-3/8 1-7/16 1-1/2	SBLLP207-20 SBLLP207-21 SBLLP207-22 SBLLP207-23	1-7/8	6-1/2	5	1-3/8	13/16	9/16	5/8	3-23/32	1.259	0.335	1/2	SB207-20 SB207-21 SB207-22 SB207-23	LLP207	2.07	
1-1/2	SBLLP208-24	2	7-1/4	5-1/2	1-15/32	7/8	9/16	23/32	4-1/32	1.338	0.354	1/2	SB208-24	LLP208	3.96	

**ECCENTRIC LOCKING COLLAR TYPE - NARROW HOUSING:**

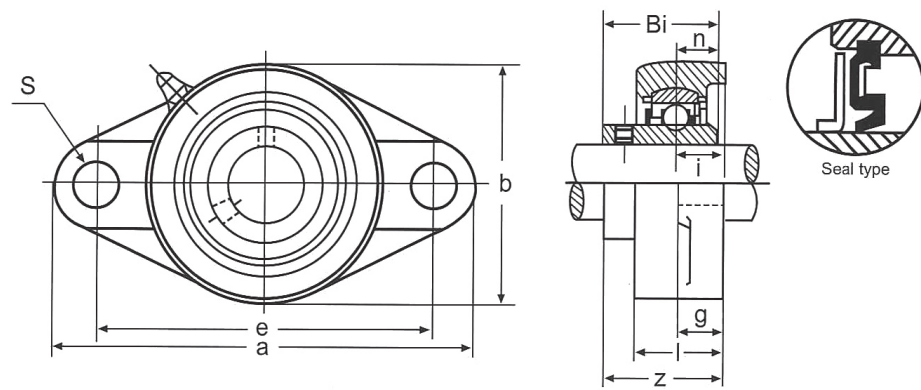
**High Center Height**

**SALLP200 Series**

Shaft Dia. (in.)	RBI Unit No.	Dimensions (in.)											Bolt Used (in.)	Bearing No.	Housing No.	Weight (lbs.)
		h	a	e	b	s <sub>2</sub>	s <sub>1</sub>	g	w	L	n	k				
1/2 5/8	SALLP201-8 SALLP202-10	1-3/16	4-1/2	3-7/16	1	5/8	7/16	15/32	2-1/4	1.125	0.256	1-1/8	3/8	SA201-8 SA202-10	LLP203	0.90
3/4	SALLP204-12	1-5/16	4-29/32	3-13/16	1-1/16	5/8	7/16	1/2	2-9/16	1.218	0.295	1-1/4	3/8	SA204-12	LLP204	1.17
7/8 15/16 1	SALLP205-14 SALLP205-15 SALLP205-16	1-7/16	5-1/8	3-15/16	1-5/32	5/8	7/16	1/2	2-25/32	1.218	0.295	1-1/2	3/8	SA205-14 SA205-15 SA205-16	LLP205	1.39
1-1/8 1-3/16 1-1/4	SALLP206-18 SALLP206-19 SALLP206-20	1-11/16	6-5/32	4-22/32	1-5/6	13/16	7/16	9/16	3-9/32	1.406	0.354	1-3/4	1/2	SA206-18 SA206-19 SA206-20	LLP206	1.67
1-1/4 1-5/16 1-3/8 1-7/16	SALLP207-20 SALLP207-21 SALLP207-22 SALLP207-23	1-7/8	6-1/2	5	1-3/8	13/16	9/16	5/8	3-23/32	1.531	0.374	2-3/16	1/2	SA207-20 SA207-21 SA207-22 SA207-23	LLP207	2.42
1-1/2	SALLP208-24	2	7-1/4	5-1/2	1-15/32	7/8	9/16	23/32	4-1/32	1.719	0.433	2-3/8	1/2	SA208-24	LLP208	4.18

**ORDERING IS FAST AND EASY!**

**Call: 1-800-708-2128 or Fax: 1-630-295-5490 to order today!**

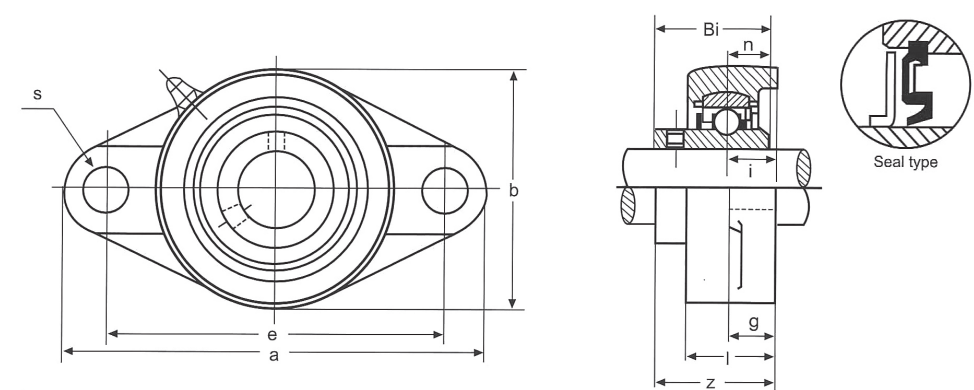


**FLANGE BLOCK**

SET SCREW TYPE:  
**Two Bolt**

**UCFL200 Series**

Shaft Dia.		RBI Unit No.	Dimensions (in.)										Bolt Used (in.)	Bearing No.	Housing No.	Weight (lbs.)
mm.	in.		a	e	i	g	l	s	b	z	Bi	n				
12	1/2	UCFL201-8	4-7/16	3-35/64	19/32	7/16	1	15/32	2-3/8	1-5/16	1.2205	0.500	3/8	UC201-8 UC202-10 UC204-12 UC201 UC202 UC203 UC204	FL204	1.10
	5/8	UCFL202-10														
	3/4	UCFL204-12														
		UCFL201														
		UCFL202														
15		UCFL203														
17		UCFL204														
20																
25	7/8	UCFL205-14	5-1/8	3-57/64	5/8	1/2	1-1/16	5/8	2-11/16	1-15/32	1.3386	0.563	1/2	UC205-14 UC205-15 UC205-16 UC205	FL205	1.54
	15/16	UCFL205-15														
	1	UCFL205-16														
		UCFL205														
30	1-1/16	UCFL206-17	5-13/16	4-39/64	45/64	1/2	1-7/32	5/8	3-5/32	1-19/32	1.5	0.626	1/2	UC206-17 UC206-18 UC206-19 UC206-20 UCFL206	FL206	2.16
	1-1/8	UCFL206-18														
	1-3/16	UCFL206-19														
	1-1/4	UCFL206-20														
		UCFL206														
35	1-1/4	UCFL207-20	6-11/32	5-1/8	3/4	9/16	1-11/32	5/8	3-17/32	1-3/4	1.689	0.689	1/2	UC207-20 UC207-21 UC207-22 UC207-23 UC207	FL207	2.98
	1-5/16	UCFL207-21														
	1-3/8	UCFL207-22														
	1-7/16	UCFL207-23														
		UCFL207														
40	1-1/2	UCFL208-24	6-7/8	5-43/64	53/64	9/16	1-13/32	5/8	3-15/16	2-1/64	1.937	0.748	1/2	UC208-24 UC208-25 UC208	FL208	3.73
	1-9/16	UCFL208-25														
		UCFL208														
45	1-5/8	UCFL209-26	7-13/32	5-53/64	55/64	19/32	1-1/2	3/4	4-1/4	2-1/16	1.937	0.748	5/8	UC209-26 UC209-27 UC209-28 UCFL209	FL209	4.50
	1-11/16	UCFL209-27														
	1-3/4	UCFL209-28														
		UCFL209														
50	1-7/8	UCFL210-30	7-3/4	6-3/16	55/64	19/32	1-9/16	3/4	4-17/32	2-5/32	2.0315	0.748	5/8	UC210-30 UC210-31 UC210-32 UCFL210	FL210	5.07
	1-15/16	UCFL210-31														
	2	UCFL210-32														
		UCFL210														
55	2	UCFL211-32	8-13/16	7-1/4	63/64	23/32	1-11/16	3/4	5-1/8	2-5/16	2.189	0.874	5/8	UC211-32 UC211-34 UC211-35 UCFL211	FL211	7.28
	2-1/8	UCFL211-34														
	2-3/16	UCFL211-35														
		UCFL211														
60	2-1/4	UCFL212-36	9-27/32	7-61/64	1-9/64	23/32	1-7/8	29/32	5-1/2	2-23/32	2.563	1.000	3/4	UC212-36 UC212-38 UCFL212-39 UCFL212	FL212	9.48
	2-3/8	UCFL212-38														
	2-7/16	UCFL212-39														
		UCFL212														
65	2-1/2	UCFL213-40	10-5/32	8-17/64	1-3/16	25/32	1-31/32	29/32	6-3/32	2-3/4	2.563	1.000	3/4	UC213-40 UC213	FL213	11.90

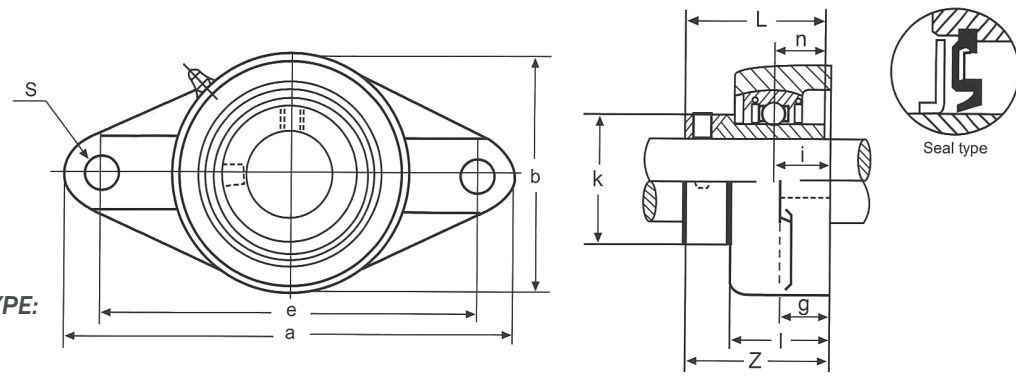


**FLANGE BLOCK**

SET SCREW TYPE:  
**Two Bolt**

**UCFT200 Series**

Shaft Dia.		RBI Unit No.	Dimensions (in.)										Bolt Used (in.)	Bearing No.	Housing No.	Weight (lbs.)
mm.	in.		a	e	i	g	l	s	b	z	Bi	n				
12	1/2	UCFT201-8	4-13/32	3.53	3/4	7/16	1-5/32	13/32	2-3/8	1-25/32	1.2205	0.500	5/16	UC201-8 UC202-10 UC204-12 UC201 UC202 UC203 UC204	FT204	1.28
	5/8	UCFT202-10														
	3/4	UCFT204-12														
		UCFT201														
		UCFT202														
15		UCFT203														
17		UCFT204														
20																
25	7/8	UCFT205-14	4-7/8	3-57/64	25/32	17/32	1-7/32	1/2	2-3/4	1-27/64	1.3386	0.563	3/8	UC205-14 UC205-15 UC205-16 UC205	FT205	1.83
	15/16	UCFT205-15														
	1	UCFT205-16														
		UCFT205														
30	1-1/16	UCFT206-17	5-9/16	4-19/32	53/64	17/32	1-11/32	1/2	3-1/4	2	1.500	0.626	3/8	UC206-17 UC206-18 UC206-19 UC206-20 UCFL206	FT206	2.32
	1-1/8	UCFT206-18														
	1-3/16	UCFT206-19														
	1-1/4	UCFT206-20														
		UCFT206														
35	1-1/4	UCFT207-20	6-1/8	5-1/8	27/32	9/16	1-7/16	35/64	3-3/4	2-1/8	1.689	0.689	7/16	UC207-20 UC207-21 UC207-22 UC207-23 UC207	FT207	3.46
	1-5/16	UCFT207-21														
	1-3/8	UCFT207-22														
	1-7/16	UCFT207-23														
		UCFT207														
40	1-1/2	UCFT208-24	6-3/4	5-21/32	15/16	9/16	1-17/32	35/64	4-1/8	2-5/16	1.937	0.748	7/16	UC208-24 UC208-25 UC208	FT208	4.34
	1-9/16	UCFT208-25														
		UCFT208														
45	1-5/8	UCFT209-26	7-1/16	5-27/32	15/16	9/16	1-9/16	5/8	4-3/8	2-5/16	1.937	0.748	1/2	UC209-26 UC209-27 UC209-28 UCFL209	FT209	5.12
	1-11/16	UCFT209-27														
	1-3/4	UCFT209-28														
		UCFT209														
50	1-7/8	UCFT210-30	7-7/16	6-3/16	1-1/8	9/16	1-27/32	5/8	4-9/16	2-5/8	2.0315	0.748	1/2	UC210-30 UC210-31 UC210-32 UCFL210	FT210	5.95
	1-15/16	UCFT210-31														
	2	UCFT210-32														
		UCFL210														
55	2	UCFT211-32	8-1/2	7-1/4	1-17/64	13/16	1-31/32	45/64	5-1/4	2-31/32	2.189	0.874	9/16	UC211-32 UC211-34 UC211-35 UCFL211	FT211	8.95
	2-1/8	UCFT211-34														
	2-3/16	UCFT211-35														
		UCFL211														

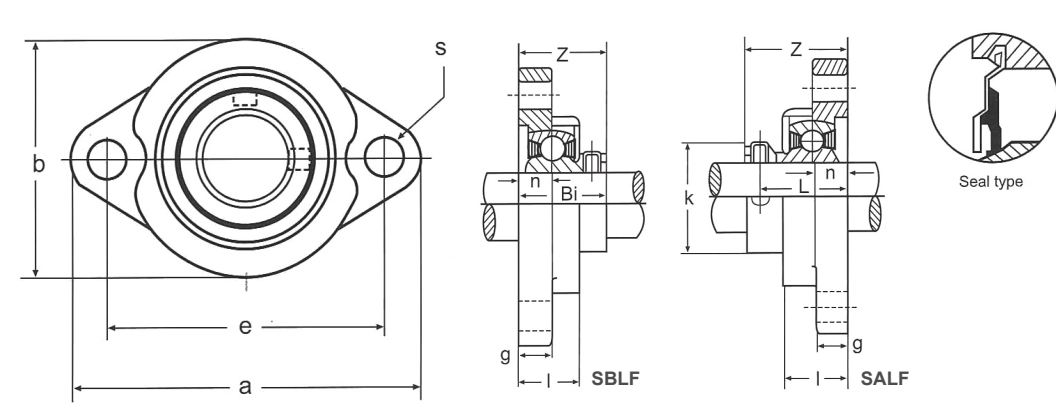


## FLANGE BLOCK

ECCENTRIC LOCKING COLLAR TYPE:  
Two Bolt

### HCFJT200 Series

Shaft Dia.		RBI Unit No.	Dimensions (in.)											Bolt Used (in.)	Bearing No.	Housing No.	Weight (lbs.)
mm.	in.		a	e	i	g	l	s	b	z	L	n	k				
	1/2	HCFJT201-8 HCFJT202-10	4-13/32	3-17/32	3/4	7/16	1-5/32	13/32	2-3/8	1-25/32	1.713	0.6693	1-1/8	5/16	HC201-8 HC202-10	FJT204	1.10
	5/8												1-1/4				
20	3/4	HCFJT204-12 HCFJT204	4-13/32	3-17/32	3/4	7/16	1-5/32	13/32	2-3/8	1-25/32	1.713	0.6693	1-1/4	5/16	HC204-12 HC204	FJT204	1.37
25	7/8	HCFJT205-14 HCFJT205-15 HCFJT205-16 HCFJT205	4-7/8	3-57/64	25/32	17/32	1-7/32	1/2	2-3/4	1-27/32	1.7441	0.685	1-1/2	3/8	HC205-14 HC205-15 HC205-16 HC205	FJT205	1.87
	15/16																
30	1																
	1-1/16 1-1/8 1-3/16 1-1/4	HCFJT206-17 HCFJT206-18 HCFJT206-19 HCFJT206-20 HCFJT206	5-9/16	4-19/32	53/64	17/32	1-11/32	1/2	3-1/4	2	1.9016	0.7165	1-3/4	3/8	HC206-17 HC206-18 HC206-19 HC206-20 HC206	FJT206	2.43
35	1-1/4	HCFJT207-20 HCFJT207-21 HCFJT207-22 HCFJT207-23 HCFJT207	6-1/8	5-1/8	27/32	9/16	1-7/16	35/64	3-3/4	2-1/8	2.0118	0.7402	2-3/16	7/16	HC207-20 HC207-21 HC207-22 HC207-23 HC207	FJT207	3.64
	1-5/16 1-3/8 1-7/16																
40	1-1/2	HCFJT208-24 HCFJT208-25 HCFJT208	6-3/4	5-21/32	15/16	9/16	1-17/32	35/64	4-1/8	2-5/16	2.2165	0.8425	2-3/8	7/16	HC208-24 HC208-25 HC208	FJT208	4.63
	1-9/16																
45	1-5/8	HCFJT209-26 HCFJT209-27 HCFJT209-28 HCFJT209	7-1/16	5-27/32	15/16	9/16	1-9/16	5/8	4-3/8	2-5/16	2.2165	0.8425	2-1/2	1/2	HC209-26 HC209-27 HC209-28 HC209	FJT209	5.40
	1-11/16 1-3/4																
50	1-7/8	HCFJT210-30 HCFJT210-31 HCFJT210-32 HCFJT210	7-7/16	6-3/16	1-1/8	9/16	1-27/32	5/8	4-9/16	2-5/8	2.4685	0.9685	2-3/4	1/2	HC210-30 HC210-31 HC210-32 HC210	FJT210	6.39
	1-15/16																
55	2	HCFJT211-32 HCFJT211-34 HCFJT211-35 HCFJT211	8-1/2	7-1/4	1-17/64	13/16	1-31/32	45/64	5-1/4	2-31/32	2.8110	1.0906	3	9/16	HC211-32 HC211-34 HC211-35 HC211	FJT211	9.59
	2-1/8 2-3/16																
60	2-1/4	HCFJT212-36 HCFJT212-38 HCFJT212-39 HCFJT212	9-15/16	8	1-3/8	55/64	2-7/64	27/32	5-7/16	3-3/16	3.0662	1.219	3.312	9/16	HC212-36 HC212-38 HC212-39 HC212	FJT212	8.13
	2-3/8 2-7/16																



## FLANGE BLOCK

SET SCREW TYPE - LIGHT DUTY:  
Two Bolt

### SBLF200 Series

Shaft Dia (in.)		RBI Unit No.	Dimensions (in.)											Bolt Used (in.)	Bearing No.	Housing No.	Weight (lbs.)
			a	e	g	l	s	b	z	Bi	m						
1/2	5/8	SBLF201-8 SBLF202-10	3-3/16	2-1/2	3/8	23/32	5/16	2-7/32	1	0.866	0.236	1/4	SB201-8 SB202-10	LF203	0.60		
3/4	7/8	SBLF204-12	3-17/32	2-13/16	7/16	25/32	25/64	2-13/32	1-5/32	0.984	0.275	5/16	SB204-12	LF204	0.66		
15/16	1	SBLF205-14 SBLF205-15 SBLF205-16	3-3/4	2-63/64	7/16	25/32	25/64	2-17/32	1-3/16	1.062	0.295	5/16	SB205-14 SB205-15 SB205-16	LF205	0.86		
1-1/16	1-1/8	SBLF206-17 SBLF206-18 SBLF206-19 SBLF206-20	4-7/16	3-9/16	15/32	7/8	15/32	3	1-11/32	1.181	0.315	3/8	SB206-17 SB206-18 SB206-19 SB206-20	LF206	1.23		
																1-3/16 1-1/4	
1-1/4	1-5/16	SBLF207-20 SBLF207-21 SBLF207-22 SBLF207-23	4-13/16	3-15/16	33/64	15/16	15/32	3-1/2	1-7/16	1.259	0.335	3/8	SB207-20 SB207-21 SB207-22 SB207-23	LF207	1.70		
																1-3/8 1-7/16	

ECCENTRIC LOCKING COLLAR TYPE - LIGHT DUTY:  
Two Bolt

### SALF200 Series

Shaft Dia (in.)		RBI Unit No.	Dimensions (in.)											Bolt Used (in.)	Bearing No.	Housing No.	Weight (lbs.)
			a	e	g	l	s	b	z	L	n	k					
1/2	5/8	SALF201-8 SALF202-10	3-3/16	2-1/2	3/8	23/32	5/16	2-7/32	1-1/4	1.125	0.256	1-1/8	1/4	SA201-8 SA202-10	LF203	0.66	
3/4	7/8	SALF204-12	3-17/32	2-13/16	7/16	25/32	25/64	2-13/32	1-3/8	1.128	0.295	1-1/4	5/16	SA204-12	LF204	0.75	
15/16	1	SALF205-14 SALF205-15 SALF205-16	3-3/4	2-63/64	7/16	25/32	25/64	2-17/32	1-3/8	1.128	0.295	1-1/2	5/16	SA205-14 SA205-15 SA205-16	LF205	0.97	
1-1/16	1-1/8	SALF206-17 SALF206-18 SALF206-19 SALF206-20	4-7/16	3-9/16	15/32	7/8	15/32	3	1-17/32	1.406	0.354	1-3/4	3/8	SA206-17 SA206-18 SA206-19 SA206-20	LF206	1.41	
																	1-3/16 1-1/4
1-1/4	1-5/16	SALF207-20 SALF207-21 SALF207-22 SALF207-23	4-13/16	3-15/16	33/64	15/16	15/32	3-1/2	1-11/16	1.531	0.374	2-3/16	3/8	SA207-20 SA207-21 SA207-22 SA207-23	LF207	2.03	
																	1-3/8 1-7/16

ORDERING IS FAST AND EASY!

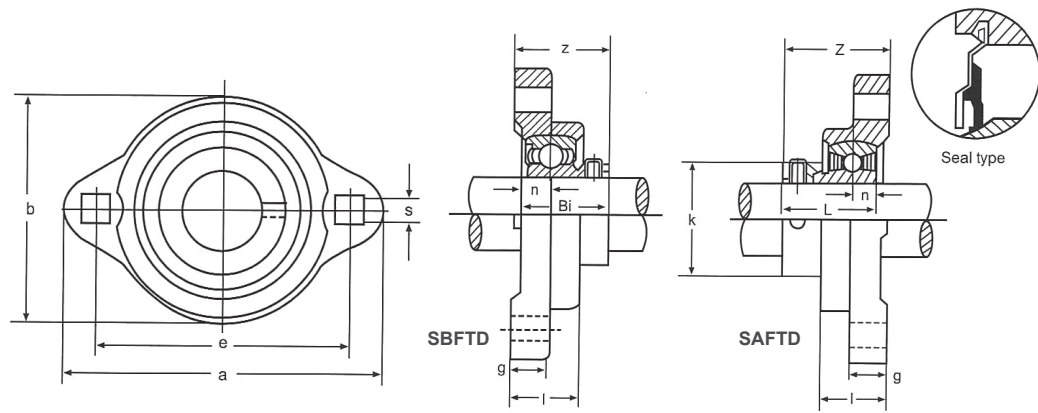
Call: 1-800-708-2128 or Fax: 1-630-295-5490 to order today!





### FLANGE BLOCK

SET SCREW TYPE - LIGHT DUTY:  
Ductile Iron



#### SBFTD200 Series

Shaft Dia. (in.)	RBI Unit No.	Dimensions (in.)										Bolt Used (in.)	Bearing No.	Housing No.	Weight (lbs.)
		a	e	g	l	s	b	z	Bi	n					
1/2 5/8	SBFTD201-8 SBFTD202-10	3-1/4	2-9/16	27/64	23/32	9/32	2-9/32	1-17/64	0.866	0.236	1/4	SB201-8 SB202-10	FTD203	0.51	
3/4	SBFTD204-12	3-11/16	2-13/16	7/16	49/64	11/32	2-39/64	1-13/64	0.984	0.275	5/16	SB204-12	FTD204	0.60	
7/8 15/16 1	SBFTD205-14 SBFTD205-15 SBFTD205-16	3-3/4	3	7/16	51/64	11/32	2-1/2	1-17/64	1.062	0.295	5/16	SB205-14 SB205-15 SB205-16	FTD205	0.84	
1-1/16 1-1/8 1-3/16 1-1/4	SBFTD206-17 SBFTD206-18 SBFTD206-19 SBFTD206-20	4-9/16	3-17/32	1/2	55/64	13/32	3-13/64	1-13/32	1.181	0.315	3/8	SB206-17 SB206-18 SB206-19 SB206-20	FTD206	1.19	
1-1/4 1-5/16 1-3/8 1-7/16	SBFTD207-20 SBFTD207-21 SBFTD207-22 SBFTD207-23	4-13/16	3-15/16	1/2	15/16	13/32	3-13/64	1-17/32	1.181	0.315	3/8	SB207-20 SB207-21 SB207-22 SB207-23	FTD207	1.57	

ECCENTRIC LOCKING COLLAR TYPE - LIGHT DUTY:  
Ductile Iron

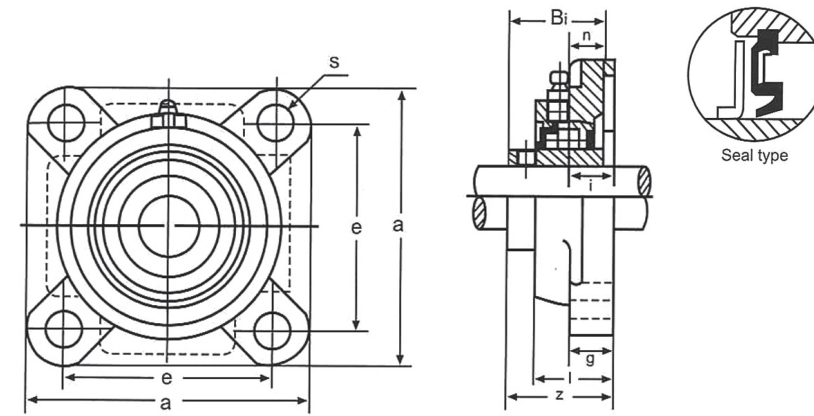
#### SAFTD200 Series

Shaft Dia. (in.)	RBI Unit No.	Dimensions (in.)										Bolt Used (in.)	Bearing No.	Housing No.	Weight (lbs.)
		a	e	g	l	s	b	z	L	n	k				
1/2 5/8	SAFTD201-8 SAFTD202-10	3-3/16	2-9/16	27/64	23/32	9/32	2-9/32	1-21/64	1.125	0.256	1-1/8	1/4	SA201-8 SA202-10	FTD203	0.57
3/4	SAFTD204-12	3-11/16	2-13/16	7/16	49/64	11/32	2-39/64	1-7/16	1.218	0.295	1-1/4	5/16	SA204-12	FTD204	0.64
7/8 15/16 1	SAFTD205-14 SAFTD205-15 SAFTD205-16	3-3/4	3	7/16	51/64	11/32	2-1/2	1-27/64	1.218	0.295	1-1/2	5/16	SA205-14 SA205-15 SA205-16	FTD205	0.88
1-1/16 1-1/8 1-3/16 1-1/4	SAFTD206-17 SAFTD206-18 SAFTD206-19 SAFTD206-20	4-9/16	3-17/32	1/2	55/64	13/32	3-13/64	1-41/64	1.406	0.354	1-3/4	3/8	SA206-17 SA206-18 SA206-19 SA206-20	FTD206	1.32
1-1/4 1-5/16 1-3/8 1-7/16	SAFTD207-20 SAFTD207-21 SAFTD207-22 SAFTD207-23	4-13/16	3-15/16	1/2	15/16	13/32	3-13/64	1-51/64	1.531	0.374	2-3/16	3/8	SA207-20 SA207-21 SA207-22 SA207-23	FTD207	1.85



### FLANGE BLOCK

SET SCREW TYPE :  
Four Bolt



#### UCF200 Series

Shaft Dia. mm.	Shaft Dia. in.	RBI Unit No.	Dimensions (in.)										Bolt Used (in.)	Bearing No.	Housing No.	Weight (lbs.)
			a	e	i	g	l	s	z	Bi	n					
12 15 17 20	1/2 5/8 3/4	UCF201-8 UCF202-10 UCF204-12 UCF201 UCF202 UCF203 UCF204	3-3/8	2-33/64	19/32	15/32	1	15/32	1-5/16	1.2205	0.500	3/8	UC201-8 UC202-10 UC204-12 UC201 UC202 UC203 UC204	F204	1.43	
25	7/8 15/16 1	UCF205-14 UCF205-15 UCF205-16 UCF205	3-3/4	2-3/4	5/8	9/16	1-1/16	15/32	1-13/32	1.3386	0.563	3/8	UC205-14 UC205-15 UC205-16 UC205	F205	1.87	
30	1-1/16 1-1/8 1-3/16 1-1/4	UCF206-17 UCF206-18 UCF206-19 UCF206-20 UCF206	4-1/4	3-17/64	45/64	9/16	1-7/32	15/32	1-19/32	1.500	0.626	3/8	UC206-17 UC206-18 UC206-19 UC206-20 UC206	F206	2.54	
35	1-1/4 1-5/16 1-3/8 1-7/16	UCF207-20 UCF207-21 UCF207-22 UCF207-23 UCF207	4-19/32	3-5/8	3/4	5/8	1-11/32	35/64	1-3/4	1.689	0.689	7/16	UC207-20 UC207-21 UC207-22 UC207-23 UC207	F207	3.53	
40	1-1/2 1-9/16	UCF208-24 UCF208-25 UCF208	5-1/8	4-1/64	53/64	5/8	1-13/32	5/8	2-1/64	1.937	0.748	1/2	UC208-24 UC208-25 UC208	F208	4.52	
45	1-5/8 1-11/16 1-3/4	UCF209-26 UCF209-27 UCF209-28 UCF209	5-13/32	4-9/65	55/64	23/32	1-1/2	5/8	2-1/16	1.937	0.748	1/2	UC209-26 UC209-27 UC209-28 UC209	F209	5.25	
50	1-7/8 1-15/16 2	UCF210-30 UCF210-31 UCF210-32 UCF210	5-5/8	4-3/8	55/64	23/32	1-9/16	5/8	2-5/32	2.0315	0.748	1/2	UC210-30 UC210-31 UC210-32 UC210	F210	5.51	
55	2 2-1/8 2-3/16	UCF211-32 UCF211-34 UCF211-35 UCF211	6-3/8	5-1/8	63/64	25/32	1-11/16	3/4	2-5/16	2.189	0.874	5/8	UC211-32 UC211-34 UC211-35 UC211	F211	7.94	
60	2-1/4 2-3/8 2-7/16	UCF212-36 UCF212-38 UCF212-39 UCF212	6-7/8	5-5/8	1-9/64	25/32	1-7/8	3/4	2-23/32	2.563	1.000	5/8	UC212-36 UC212-38 UC212-39 UC212	F212	10.80	
65	2-1/2	UCF213-40 UCF213	7-3/8	5-55/64	1-3/16	25/32	1-31/32	3/4	2-3/4	2.563	1.000	5/8	UC213-40 UC213	F213	13.00	
70	2-3/4	UCF214-44 UCF214	7-19/32	5-63/64	1-7/32	15/64	2-1/8	3/4	2-31/32	2.937	1.189	5/8	UC214-44 UCP214	F214	13.90	
75	2-15/16 3	UCF215-47 UCF215-48 UCF215	7-7/8	6-17/64	1-11/32	15/16	2-7/32	3/4	3-3/32	3.063	1.311	5/8	UC215-47 UC215-48 UC215	F215	15.00	

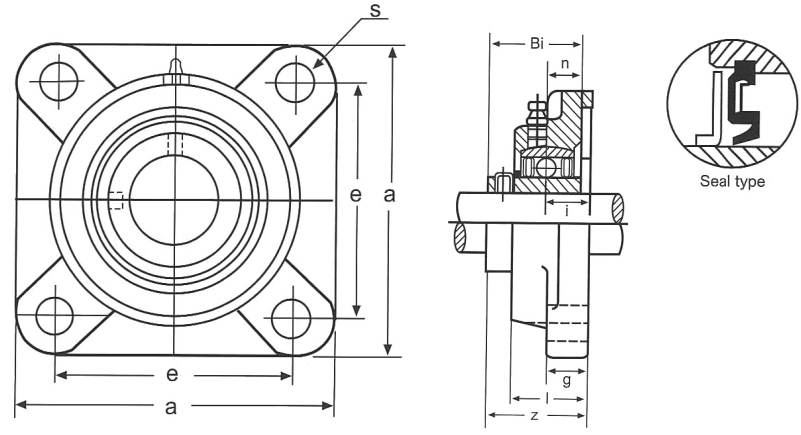


**FLANGE BLOCK**

ECCENTRIC LOCKING COLLAR TYPE:  
**Four Bolt**

**HCFS200 Series**

Shaft Dia.		RBI Unit No.	Dimensions (in.)										Bolt Used (in.)	Bearing No.	Housing No.	Weight (lbs.)
mm.	in.		a	e	i	g	l	s <sub>1</sub>	z	L	n					
12	1/2	HCFS201-8	3-3/8	2-1/2	0.807	3/8	1-5/16	7/16	1-55/64	1.7126	0.6693	3/8	HC201-8 HC202-10 HC204-12	FS204	1.68	
	5/8	HCFS202-10														
	3/4	HCFS204-12														
	3/4	HCFS201														
15	1/2	HCFS202	3-3/4	2-3/4	0.826	7/16	1-3/8	29/64	1-57/64	1.7441	0.685	3/8	HC205-14 HC205-15 HC205-16	FS205	2.77	
	5/8	HCFS205-14														
	3/4	HCFS205-15														
	3/4	HCFS205-16														
17	1/2	HCFS206-17	4-1/4	3-1/4	0.826	5/8	1-15/32	33/64	2-1/64	1.9016	0.7165	7/16	HC206-17 HC206-18 HC206-19	FS206	3.09	
	5/8	HCFS206-18														
	3/4	HCFS206-19														
	3/4	HCFS206-20														
20	1/2	HCFS206	4-5/8	3-5/8	0.906	1/2	1-1/2	33/64	2-11/64	2.0118	0.7402	7/16	HC207-20 HC207-21 HC207-22 HC207-23	FS207	4.01	
	5/8	HCFS207-20														
	3/4	HCFS207-21														
	3/4	HCFS207-22														
30	1/2	HCFS208-24	5-1/8	4	1	21/32	1-17/32	35/64	2-3/8	2.2165	0.8425	1/2	HC208-24 HC208-25 HC208	FS208	4.78	
	5/8	HCFS208-25														
	3/4	HCFS208														
	3/4	HCFS209-26														
35	1/2	HCFS209-27	5-3/8	4-1/8	1	23/32	1-9/16	5/8	2-3/8	2.2165	0.8425	9/16	HC209-26 HC209-27 HC209-28	FS209	5.64	
	5/8	HCFS209-27														
	3/4	HCFS209-28														
	3/4	HCFS209														
40	1/2	HCFS210-30	5-5/8	4-3/8	1.142	5/8	1-13/16	5/8	2-41/64	4.4688	0.9685	9/16	HC210-30 HC210-31 HC210-32	FS210	6.61	
	5/8	HCFS210-31														
	3/4	HCFS210-32														
	3/4	HCFS210														
45	1/2	HCFS211-32	6-3/8	5-1/8	1.260	11/16	1-31/32	43/64	2-15/16	2.811	1.0906	5/8	HC211-32 HC211-34 HC211-35	FS211	8.62	
	5/8	HCFS211-32														
	3/4	HCFS211-34														
	3/4	HCFS211-35														
50	1/2	HCFS212-36	6-7/8	5-5/8	1.343	11/16	2-5/32	43/64	3-3/16	3.063	1.2165	5/8	HC212-36 HC212-38 HC212-39	FS212	10.90	
	5/8	HCFS212-36														
	3/4	HCFS212-38														
	3/4	HCFS212-39														
55	1/2	HCFS212	6-7/8	5-5/8	1.343	11/16	2-5/32	43/64	3-3/16	3.063	1.2165	5/8	HC212	FS212	10.90	
	5/8	HCFS212														
	3/4	HCFS212														
	3/4	HCFS212														

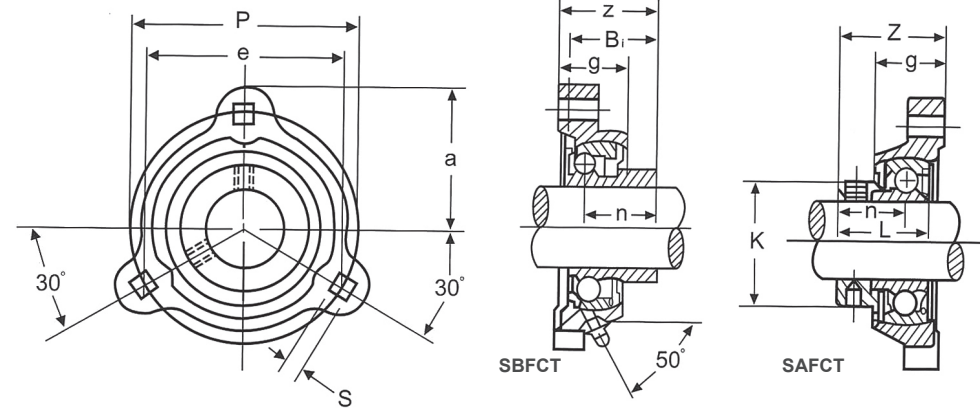


**FLANGE BLOCK**

SET SCREW TYPE - THREE BOLT:  
**Ductile Iron**

**SBFCT200 Series**

Shaft Dia.		RBI Unit No.	Dimensions (in.)										Bolt Used (in.)	Bearing No.	Housing No.	Weight (lbs.)
mm.	in.		a	p	e	g	z	s	Bi	n						
12	1/2	SBFCT201-8	1-19/32	2-1/2	2.165	11/16	1-1/64	9/32	0.8661	0.236	1/4	SB201-8 SB202-10	FCT203	0.46		
	5/8	SBFCT202-10														
15	3/4	SBFCT204-12	1-25/32	2-13/16	2.436	25/32	1-9/64	11/32	0.9843	0.275	5/16	SB204-12	FCT204	0.71		
	3/4	SBFCT204-12														
17	7/8	SBFCT205-14	1-7/8	3	2.598	25/32	1-11/64	11/32	1.063	0.295	5/16	SB205-14 SB205-15 SB205-16	FCT205	0.82		
	15/16	SBFCT205-15														
20	1	SBFCT205-16	1-7/8	3	2.598	25/32	1-11/64	11/32	1.063	0.295	5/16	SB205-14 SB205-15 SB205-16	FCT205	0.82		
	1	SBFCT205-16														
25	1-1/16	SBFCT206-17	2-7/32	3-9/16	3.085	7/8	1-11/32	13/32	1.8111	0.315	3/8	SB206-17 SB206-18 SB206-19 SB206-20	FCT206	0.73		
	1-1/8	SBFCT206-17														
	1-1/8	SBFCT206-18														
	1-3/16	SBFCT206-18														
30	1-1/4	SBFCT207-20	2-13/32	3-15/16	3.410	15/16	1-7/16	13/32	1.2598	0.335	3/8	SB207-20 SB207-21 SB207-22 SB207-23	FCT207	1.57		
	1-1/4	SBFCT207-20														
	1-5/16	SBFCT207-21														
	1-3/8	SBFCT207-21														
35	1-3/8	SBFCT207-22	2-13/32	3-15/16	3.410	15/16	1-7/16	13/32	1.2598	0.335	3/8	SB207-20 SB207-21 SB207-22 SB207-23	FCT207	1.57		
	1-7/16	SBFCT207-22														
	1-7/16	SBFCT207-23														
	1-7/16	SBFCT207-23														



ECCENTRIC LOCKING COLLAR TYPE - THREE BOLT:  
**Ductile Iron**

**SAFCT200 Series**

Shaft Dia.		RBI Unit No.	Dimensions (in.)										Bolt Used (in.)	Bearing No.	Housing No.	Weight (lbs.)
mm.	in.		a	p	e	g	z	s	L	n	k					
12	1/2	SAFCT201-8	1-19/32	2-1/2	2.165	11/16	1-1/4	9/32	1.125	0.256	1-1/8	1/4	SA201-8 SA202-10	FCT203	0.57	
	5/8	SAFCT202-10														
15	3/4	SAFCT204-12	1-25/32	2-13/16	2.436	25/32	1-11/32	11/32	1.218	0.295	1-1/4	5/16	SA204-12	FCT204	0.75	
	3/4	SAFCT204-12														
17	7/8	SAFCT205-14	1-7/8	3	2.598	25/32	1-11/32	11/32	1.218	0.295	1-1/2	5/16	SA205-14 SA205-15 SA205-16	FCT205	0.86	
	15/16	SAFCT205-14														
20	1	SAFCT205-16	1-7/8	3	2.598	25/32	1-11/32	11/32	1.218	0.295	1-1/2	5/16	SA205-14 SA205-15 SA205-16	FCT205	0.86	
	1	SAFCT205-16														
25	1-1/16	SAFCT206-17	2-7/32	3-9/16	3.085	7/8	1-17/32	13/32	1.406	0.354	1-3/4	3/8	SA206-17 SA206-18 SA206-19 SA206-20	FCT206	1.35	
	1-1/8	SAFCT206-17														
	1-1/8	SAFCT206-18														
	1-3/16	SAFCT206-18														
30	1-1/4	SAFCT207-20	2-13/32	3-15/16	3.410	15/16	1-21/32	13/32	1.531	0.374	2-3/16	3/8	SA207-20 SA207-21 SA207-22 SA207-23	FCT207	1.81	
	1-1/4	SAFCT207-20														
	1-5/16	SAFCT207-21														
	1-3/8	SAFCT207-21														
35	1-3/8	SAFCT207-22	2-13/32	3-15/16	3.410	15/16	1-21/32	13/32	1.531	0.374	2-3/16	3/8	SA207-20 SA207-21 SA207-22 SA207-23	FCT207	1.81	
	1-7/16	SAFCT207-22														
	1-7/16	SAFCT207-23														
	1-7/16	SAFCT207-23														

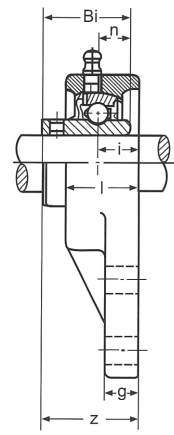
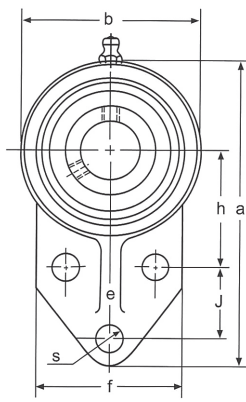


### FLANGE BLOCK

SET SCREW TYPE:  
**Three Bolt Flange Bracket**

#### UCFB200 Series

Shaft Dia. (in.)	RBI Unit No.	Dimensions (in.)													Bolt Used (in.)	Bearing No.	Housing No.	Weight (lbs.)
		a	h	e	J	i	g	s	b	f	z	Bi	n					
1/2 5/8 11/16 3/4	UCFB201-8 UCFB202-10 UCFB204-11 UCFB204-12	4-1/4	1-11/16	1-1/2	7/8	5/8	5/16	25/64	2-1/2	2-3/8	1-11/32	1.2205	0.500	5/16	UC201-8 UC202-10 UC204-11 UC204-12	FB204	1.43	
7/8 15/16 1	UCFB205-14 UCFB205-15 UCFB205-16	4-3/4	1-13/16	1-5/8	1-1/8	21/32	3/8	25/64	2-3/4	2-1/2	1-7/16	1.339	0.563	5/16	UC205-14 UC205-15 UC205-16	FB205	2.00	
1-1/16 1-1/8 1-3/16 1-1/4	UCFB206-17 UCFB206-18 UCFB206-19 UCFB206-20	5-3/8	2-1/16	1-7/8	1-1/4	47/64	3/8	25/64	3-1/4	2-3/4	1-39/64	1.500	0.626	5/16	UC206-17 UC206-18 UC206-19 UC206-20	FB206	2.50	
1-1/4 1-5/16 1-3/8 1-7/16	UCFB207-20 UCFB207-21 UCFB207-22 UCFB207-23	6-1/8	2-3/8	2	1-1/4	53/64	1/2	33/64	3-3/4	3-1/4	1-53/64	1.689	0.689	7/16	UC207-20 UC207-21 UC207-22 UC207-23	FB207	2.90	
1-1/2 1-9/16	UCFB208-24 UCFB208-25	6-15/32	2-3/8	1-31/32	1-5/8	53/64	5/8	15/32	3-15/16	3-1/16	2-1/64	1.937	0.748	3/8	UC208-24 UC208-25	FB208	3.50	
1-5/8 1-11/16 1-3/4	UCFB209-26 UCFB209-27 UCFB209-28	6-27/32	2-9/16	2-1/8	1-11/16	55/64	23/32	15/32	4-3/16	3-5/32	2-1/64	1.937	0.748	3/8	UC209-26 UC209-27 UC209-28	FB209	4.90	
1-7/8 1-15/16 2	UCFB210-30 UCFB210-31 UCFB210-32	7-1/2	2-15/16	2-3/4	1-5/8	55/64	1/2	33/64	4-5/8	4	2-7/64	2.032	0.748	7/16	UC210-30 UC210-31 UC210-32	FB210	5.40	



### TAKE-UP UNIT

SET SCREW TYPE:  
**Wide Slot**

#### UCST200 Series

Shaft Dia. mm.	Shaft Dia. in.	RBI Unit No.	Dimensions (in.)															Bearing No.	Housing No.	Weight (lbs.)
			o	g	q	p	s	b	k	e	a	w	j	L <sub>2</sub>	h	Bi	n			
12 15 17 20	1/2 5/8 3/4	UCST201-8 UCST202-10 UCST204-12 UCST201 UCST202 UCST203 UCST204	5/8	3/8	2	1-1/4	3/4	2	17/32	3	3-1/2	3-11/16	1-1/4	15/16	2-3/8	1.2205	0.500	UC201-8 UC202-10 UC204-12 UC201 UC202 UC203 UC204	ST204	1.76
25	7/8 15/16 1	UCST205-14 UCST205-15 UCST205-16 UCST205	5/8	3/8	2	1-1/4	7/8	2	17/32	3	3-1/2	3-13/16	1-1/4	15/16	2-7/16	1.3386	0.563	UC205-14 UC205-15 UC205-16 UC205	ST205	1.90
30	1-1/16 1-1/8 1-3/16 1-1/4	UCST206-17 UCST206-18 UCST206-19 UCST206-20 UCST206	5/8	3/8	2-1/16	1-7/16	7/8	2-1/4	17/32	3-1/2	4	4-7/16	1-7/16	15/16	2-3/4	1.500	0.626	UC206-17 UC206-18 UC206-19 UC206-20 UC206	ST206	2.82
35	1-1/4 1-5/16 1-3/8 1-7/16	UCST207-20 UCST207-21 UCST207-22 UCST207-23 UCST207	5/8	1/2	2-1/2	1-7/16	7/8	2-1/2	17/32	3-1/2	4	1-7/16	1-7/16	1-3/16	3-1/16	1.689	0.689	UC207-20 UC207-21 UC207-22 UC207-23 UC207	ST207	3.70
40	1-1/2 1-9/16	UCST208-24 UCST208-25 UCST208	3/4	5/8	3-1/4	1-15/16	1-1/8	3-1/4	11/16	4	4-1/2	5-11/16	1-15/16	1-3/8	3-1/2	1.937	0.748	UC208-24 UC208-25 UC208	ST208	5.34
45	1-5/8 1-11/16 1-3/4	UCST209-26 UCST209-27 UCST209-28 UCST209	3/4	5/8	3-1/4	1-15/16	1-1/8	3-1/4	11/16	4	4-5/8	5-11/16	1-15/16	1-3/8	3-7/16	1.937	0.748	UC209-26 UC209-27 UC209-28 UC209	ST209	5.56
50	1-7/8 1-15/16 2	UCST210-30 UCST210-31 UCST210-32 UCST210	3/4	5/8	3-1/4	1-15/16	1-1/8	3-1/4	11/16	4	4-5/8	5-7/8	1-15/16	1-3/8	3-9/16	2.0315	0.748	UC210-30 UC210-31 UC210-32 UC210	ST210	6.06
55	2 2-1/8 2-3/16	UCST211-32 UCST211-34 UCST211-35 UCST211	1	3/4	4	2-1/2	1-3/8	3-3/4	1-1/16	5-1/8	5-3/4	6-3/4	2-1/2	1-5/8	4-3/16	2.189	0.874	UC211-32 UC211-34 UC211-35 UC211	ST211	9.04
60	2-1/4 2-3/8 2-7/16	UCST212-36 UCST212-38 UCST212-39 UCST212	1-1/4	3/4	4	2-1/2	1-3/8	4	1-1/16	5-1/8	5-3/4	7-5/8	2-1/2	1-13/16	4-11/16	2.563	1.000	UC212-36 UC212-38 UC212-39 UC212	ST212	11.50
65	2-1/2	UCST213-40 UCST213	1-1/4	13/16	4-3/8	2-3/4	1-5/8	4-3/4	1-1/16	5-15/16	6-9/16	8-13/16	2-3/4	2	5-3/8	2.563	1.000	UC213-40 UC213	ST213	15.5

Note: Narrow slot is available upon request.

**Questions?** Give us a call at 1-800-708-2128 and one of our knowledgeable, friendly Account Managers can help!

**ORDERING IS FAST AND EASY!**  
Call: 1-800-708-2128 or Fax: 1-630-295-5490 to order today!



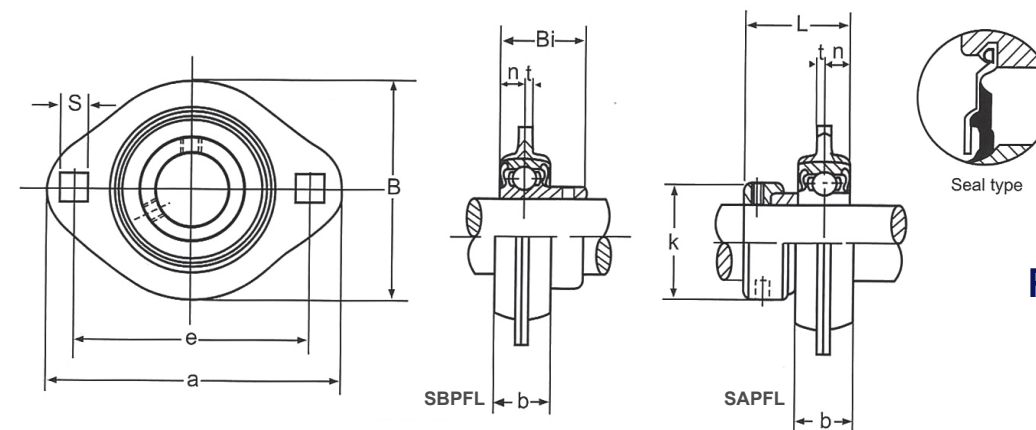
**TAKE-UP UNIT**  
 ECCENTRIC LOCKING COLLAR TYPE:  
**Wide Slot**

**HCST200 Series**

Shaft Dia.		RBI Unit No.	Dimensions (in.)														Bearing No.	Housing No.	Weight (lbs.)	
mm.	in.		o	g	q	p	s	b	k	e	a	w	j	L <sub>2</sub>	h	L				n
20	3/4	HCST204-12 HCST204	5/8	3/8	2	1-1/4	3/4	2	17/32	3	3-1/2	3-11/16	1-1/4	15/16	2-3/8	1.720	0.673	HC204-12 HC204	ST204	1.85
25	7/8	HCST205-14 HCST205-15 HCST205-16 HCST205	5/8	3/8	2	1-1/4	7/8	2	17/32	3	3-1/2	3-13/16	1-1/4	15/16	2-7/16	1.748	0.688	HC205-14 HC205-15 HC205-16 HC205	ST205	1.94
	15/16																			
30	1-1/16	HCST206-17 HCST206-18 HCST206-19 HCST206-20 HCST206	5/8	3/8	2-3/16	1-7/16	7/8	2-1/4	17/32	3-1/2	4	4-7/16	1-7/16	15/16	2-3/4	1.905	0.720	HC206-17 HC206-18 HC206-19 HC206-20 HC206	ST206	2.93
	1-1/8																			
	1-3/16																			
	1-1/4																			
35	1-1/4	HCST207-20 HCST207-21 HCST207-22 HCST207-23 HCST207	5/8	1/2	2-1/2	1-7/16	7/8	2-1/2	17/32	3-1/2	4	1-7/16	1-7/16	1-3/16	3-1/16	2.016	0.742	HC207-20 HC207-21 HC207-22 HC207-23 HC207	ST207	3.88
	1-5/16																			
	1-3/8																			
	1-7/16																			
40	1-1/2	HCST208-24 HCST208-25 HCST208	3/4	5/8	3-1/4	1-15/16	1-1/8	3-1/4	11/16	4	4-1/2	5-11/16	1-15/16	1-3/8	3-1/2	2.220	0.844	HC208-24 HC208-25 HC208	ST208	5.62
	1-9/16																			
45	1-5/8	HCST209-26 HCST209-27 HCST209-28 HCST209	3/4	5/8	3-1/4	1-15/16	1-1/8	3-1/4	11/16	4	4-5/8	5-11/16	1-15/16	1-3/8	3-7/16	2.220	0.844	HC209-26 HC209-27 HC209-28 HC209	ST209	5.84
	1-11/16																			
	1-3/4																			
50	1-7/8	HCST210-30 HCST210-31 HCST210-32 HCST210	3/4	5/8	3-1/4	1-15/16	1-1/8	3-1/4	11/16	4	4-5/8	5-7/8	1-15/16	1-3/8	3-9/16	2.468	0.969	HC210-30 HC210-31 HC210-32 HC210	ST210	6.50
	1-15/16																			
	2																			
55	2	HCST211-32 HCST211-34 HCST211-35 HCST211	1	3/4	4	2-1/2	1-3/8	3-3/4	1-1/16	5-1/8	5-3/4	6-3/4	2-1/2	1-5/8	4-3/16	2.814	1.049	HC211-32 HC211-34 HC211-35 HC211	ST211	9.68
	2-1/8																			
	2-3/16																			
60	2-1/4	HCST212-36 HCST212-38 HCST212-39 HCST212	1-1/4	3/4	4	2-1/2	1-3/8	4	1-1/16	5-1/8	5-3/4	7-5/8	2-1/2	1-13/16	4-11/16	3.062	1.219	HC212-36 HC212-38 HC212-39 HC212	ST212	12.24
	2-3/8																			
	2-7/16																			

Note: Narrow slot is available upon request.

**Questions?** Give us a call at 1-800-708-2128 and one of our knowledgeable, friendly Account Managers can help!



**PRESSED STEEL UNIT**  
 SET SCREW TYPE:  
**Two Bolt Flange**

**SBPFL200 Series**

Shaft Dia.		RBI Unit No.	Dimensions (in.)								Bolt Used (in.)	Bearing No.	Housing No.	Weight (lbs.)
in.	in.		a	e	B	t	b	S	Bi	n				
1/2	5/8	SBPFL201-8 SBPFL202-10	3-3/16	2-1/2	2-5/16	0.079	5/8	9/32	.08661	0.236	1/4	SB201-8 SB202-10	PFL203	0.42
3/4		SBPFL204-12	3-17/32	2-13/16	2-5/8	0.079	43/64	23/64	0.9843	0.275	5/16	SB204-12	PFL204	0.53
7/8	15/16	SBPFL205-14 SBPFL205-15 SBPFL205-16	3-3/4	3	2-25/32	0.079	51/64	23/64	1.0630	0.295	5/16	SB205-14 SB205-15 SB205-16	PFL205	0.64
1														
1-1/16	1-1/8	SBPFL206-17 SBPFL206-18 SBPFL206-19 SBPFL206-20	4-7/16	3-9/16	3-5/16	0.102	51/64	7/16	1.1811	0.315	3/8	SB206-17 SB206-18 SB206-19 SB206-20	PFL206	0.95
1-1/4														
1-1/4	1-5/16	SBPFL207-20 SBPFL207-21 SBPFL207-22 SBPFL207-23	4-15/16	3-15/16	3-11/16	0.102	51/64	7/16	1.2598	0.335	3/8	SB207-20 SB207-21 SB207-22 SB207-23	PFL207	1.19
1-3/8	1-7/16													

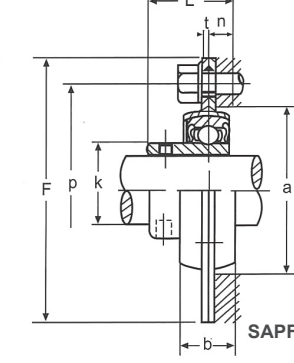
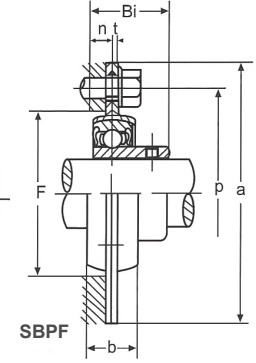
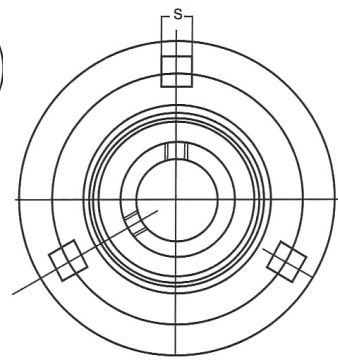
**ECCENTRIC LOCKING COLLAR TYPE:**  
**Two Bolt Flange**

**SAPFL200 Series**

Shaft Dia.		RBI Unit No.	Dimensions (in.)								Bolt Used (in.)	Bearing No.	Housing No.	Weight (lbs.)	
in.	in.		a	e	B	t	b	s	L	n					k
1/2	5/8	SAPFL201-8 SAPFL202-10	3-3/16	2-1/2	2-5/16	0.079	5/8	9/32	1.1260	0.256	1-1/8	1/4	SA201-8 SA202-10	PFL203	0.49
3/4		SAPFL204-12	3-17/32	2-13/16	2-5/8	0.079	43/64	23/64	1.2205	0.295	1-1/4	5/16	SA204-12	PFL204	0.62
7/8	15/16	SAPFL205-14 SAPFL205-15 SAPFL205-16	3-3/4	3	2-25/32	0.079	51/64	23/64	1.2205	0.295	1-1/2	5/16	SA205-14 SA205-15 SA205-16	PFL205	0.73
1															
1-1/16	1-1/8	SAPFL206-17 SAPFL206-18 SAPFL206-19 SAPFL206-20	4-7/16	3-9/16	3-5/16	0.102	51/64	7/16	1.4055	0.354	1-3/4	3/8	SA206-17 SA206-18 SA206-19 SA206-20	PFL206	1.06
1-1/4															
1-1/4	1-5/16	SAPFL207-20 SAPFL207-21 SAPFL207-22 SAPFL207-23	4-15/16	3-15/16	3-11/16	0.102	51/64	7/16	1.5315	0.374	2-3/16	3/8	SA207-20 SA207-21 SA207-22 SA207-23	PFL207	1.30
1-3/8	1-7/16														

**ORDERING IS FAST AND EASY!**

Call: 1-800-708-2128 or Fax: 1-630-295-5490 to order today!



**PRESSED STEEL UNIT**

SET SCREW TYPE:  
**Round Three Bolt Flange**

**SBPF200 Series**

Shaft Dia. (in.)	RBI Unit No.	Dimensions (in.)										Bolt Used (in.)	Bearing No.	Housing No.	Weight (lbs.)
		a	p	t	b	s	F	Bi	n	F	n				
1/2 5/8	SBPF201-8 SBPF202-10	3-7/32	2-33/64	0.079	5/8	9/32	1-15/16	0.8661	0.236	1/4	SB201-8 SB202-10	PF203	0.55		
3/4	SBPF204-12	3-19/32	2-51/64	0.079	43/64	23/64	2-3/16	0.9843	0.275	5/16	SB204-12	PF204	0.73		
7/8 15/16 1	SBPF205-14 SBPF205-15 SBPF205-16	3-3/4	3	0.079	51/64	23/64	2-3/8	1.063	0.295	5/16	SB205-14 SB205-15 SB205-16	PF205	0.84		
1-1/16 1-1/8 1-3/16 1-1/4	SBPF206-17 SBPF206-18 SBPF206-19 SBPF206-20	4-7/16	3-9/16	0.102	51/64	7/16	2-13/16	1.181	0.315	3/8	SB206-17 SB206-18 SB206-19 SB206-20	PF206	1.32		
1-1/4 1-5/16 1-3/8 1-7/16	SBPF207-20 SBPF207-21 SBPF207-22 SBPF207-23	4-13/16	3-15/16	0.102	51/64	7/16	3-3/16	1.2598	0.335	3/8	SB207-20 SB207-21 SB207-22 SB207-23	PF207	1.65		

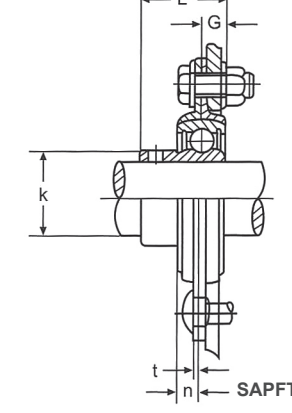
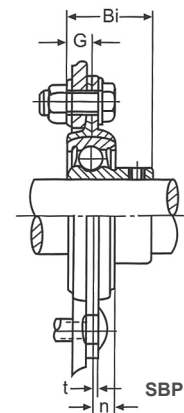
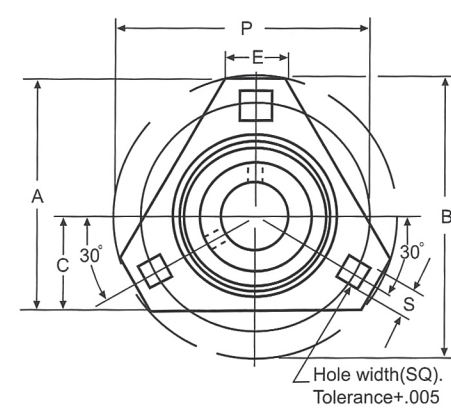
ECCENTRIC LOCKING COLLAR TYPE:  
**Round Three Bolt Flange**

**SAPF200 Series**

Shaft Dia. (in.)	RBI Unit No.	Dimensions (in.)										Bolt Used (in.)	Bearing No.	Housing No.	Weight (lbs.)
		a	p	t	b	s	F	L	n	K	K				
1/2 5/8	SAPF201-8 SAPF202-10	3-7/32	2-33/64	0.079	5/8	9/32	1-15/16	1.126	0.256	1-1/8	1/4	SA201-8 SA202-10	PF203	0.62	
3/4	SAPF204-12	3-19/32	2-51/64	0.079	43/64	23/64	2-3/16	1.2205	0.295	1-1/4	5/16	SA204-12	PF204	0.82	
7/8 15/16 1	SAPF205-14 SAPF205-15 SAPF205-16	3-3/4	3	0.079	51/64	23/64	2-3/8	1.2205	0.295	1-1/2	5/16	SA205-14 SA205-15 SA205-16	PF205	0.43	
1-1/16 1-1/8 1-3/16 1-1/4	SAPF206-17 SAPF206-18 SAPF206-19 SAPF206-20	4-7/16	3-9/16	0.102	51/64	7/16	2-13/16	1.4055	0.354	1-3/4	3/8	SA206-17 SA206-18 SA206-19 SA206-20	PF206	1.43	
1-1/4 1-5/16 1-3/8 1-7/16	SAPF207-20 SAPF207-21 SAPF207-22 SAPF207-23	4-13/16	3-15/16	0.102	51/64	7/16	3-3/16	1.5315	0.374	2-3/16	3/8	SA207-20 SA207-21 SA207-22 SA207-23	PF207	1.76	

Note: To Specify relubricatable units add "G" suffix.

**Questions?** Give us a call at 1-800-708-2128 and one of our knowledgeable, friendly Account Managers can help!



**PRESSED STEEL UNIT**

SET SCREW TYPE:  
**Triangular Three Bolt Flange**

**SBPFT200 Series**

Shaft Dia. (in.)	RBI Unit No.	Dimensions (in.)										Bolt Used (in.)	Bearing No.	Housing No.	Weight (lbs.)
		A	B	C	S	E	P	G	t	Bi	n				
1/2 5/8	SBPFT201-8 SBPFT202-10	2-23/32	3-19/64	1-1/8	9/32	13/16	2-1/2	9/32	0.075	0.8661	0.236	1/4	SB201-8 SB202-10	PFT203	0.45
3/4	SBPFT204-12	3	3-9/16	1-5/16	11/32	1-1/16	2-13/16	5/16	0.083	0.9843	0.275	5/16	SB204-12	PFT204	0.60
7/8 15/16 1	SBPFT205-14 SBPFT205-15 SBPFT205-16	3-1/8	3-3/4	1-3/8	11/32	1-3/16	3	11/32	0.083	1.063	0.295	5/16	SB205-14 SB205-15 SB205-16	PFT205	0.69
1-1/16 1-1/8 1-3/16 1-1/4	SBPFT206-17 SBPFT206-18 SBPFT206-19 SBPFT206-20	3-11/16	4-7/16	1-1/2	13/32	1	3-9/16	11/32	0.104	1.1811	0.315	3/8	SB206-17 SB206-18 SB206-19 SB206-20	PFT206	1.05
1-1/4 1-5/16 1-3/8 1-7/16	SBPFT207-20 SBPFT207-21 SBPFT207-22 SBPFT207-23	4-5/32	4-63/64	1-3/4	13/32	1-17/64	3-15/16	3/8	0.104	1.2598	0.335	3/8	SB207-20 SB207-21 SB207-22 SB207-23	PFT207	1.29

ECCENTRIC LOCKING COLLAR TYPE:  
**Triangular Three Bolt Flange**

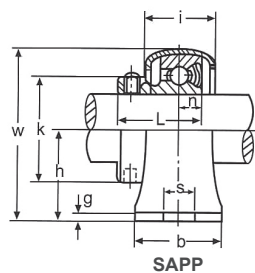
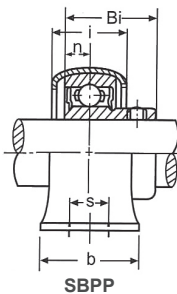
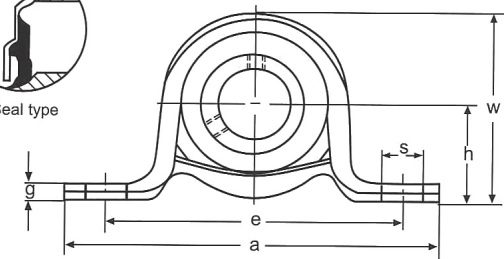
**SAPFT200 Series**

Shaft Dia. (in.)	RBI Unit No.	Dimensions (in.)										Bolt Used (in.)	Bearing No.	Housing No.	Weight (lbs.)	
		A	B	C	S	E	P	G	t	L	n					K
1/2 5/8	SAPFT201-8 SAPFT202-10	2-23/32	3-19/64	1-1/8	9/32	13/16	2-1/2	9/32	0.075	1.126	0.256	1-1/8	1/4	SA201-8 SA202-10	PFT203	0.50
3/4	SAPFT204-12	3	3-9/16	1-5/16	11/32	1-1/16	2-13/16	5/16	0.083	1.2205	0.295	1-1/4	5/16	SA204-12	PFT204	0.69
7/8 15/16 1	SAPFT205-14 SAPFT205-15 SAPFT205-16	3-1/8	3-3/4	1-3/8	11/32	1-3/16	3	11/32	0.083	1.2205	0.295	1-1/2	5/16	SA205-14 SA205-15 SA205-16	PFT205	0.78
1-1/16 1-1/8 1-3/16 1-1/4	SAPFT206-17 SAPFT206-18 SAPFT206-19 SAPFT206-20	3-11/16	4-7/16	1-1/2	13/32	1	3-9/16	11/32	0.104	1.4055	0.354	1-3/4	3/8	SA206-17 SA206-18 SA206-19 SA206-20	PFT206	1.16
1-1/4 1-5/16 1-3/8 1-7/16	SAPFT207-20 SAPFT207-21 SAPFT207-22 SAPFT207-23	4-5/32	4-63/64	1-3/4	13/32	1-17/64	3-15/16	3/8	0.104	1.5315	0.374	2-3/16	3/8	SA207-20 SA207-21 SA207-22 SA207-23	PFT207	1.40

**ORDERING IS FAST AND EASY!**  
Call: 1-800-708-2128 or Fax: 1-630-295-5490 to order today!



Seal type



**PRESSED STEEL UNIT**

SET SCREW TYPE:  
**Pillow Block**

**SBPP200 Series**

Shaft Dia. (in.)	RBI Unit No.	Dimensions (in.)										Bolt Used (in.)	Bearing No.	Housing No.	Weight (lbs.)
		h	a	e	b	s	g	w	i	Bi	n				
1/2 5/8	SBPP201-8 SBPP202-10	7/8	3-3/8	2-11/16	1	23/64	3/32	1-23/32	3/4	0.8661	0.236	5/16	SB201-8 SB202-10	PP203	0.35
3/4	SBPP204-12	1	3-7/8	3.000	1-1/4	23/64	3/32	1-31/32	53/64	0.9843	0.275	5/16	SB204-12	PP204	0.51
7/8 15/16 1	SBPP205-14 SBPP205-15 SBPP205-16	1-1/8	4-1/4	3-3/8	1-1/4	7/16	1/8	2-7/32	1	1.063	0.295	3/8	SB205-14 SB205-15 SB205-16	PP205	0.66
1-1/16 1-1/8 1-3/16 1-1/4	SBPP206-17 SBPP206-18 SBPP206-19 SBPP206-20	1-5/16	4-5/8	3-3/4	1-1/2	7/16	5/32	2-19/32	1-1/32	1.1811	0.315	3/8	SB206-17 SB206-18 SB206-19 SB206-20	PP206	0.99
1-1/4 1-5/16 1-3/8 1-7/16	SBPP207-20 SBPP207-21 SBPP207-22 SBPP207-23	1-9/16	5-1/16	4-3/16	1-5/8	7/16	3/16	3-1/16	1-3/16	1.2598	0.335	3/8	SB207-20 SB207-21 SB207-22 SB207-23	PP207	1.43

ECCENTRIC LOCKING COLLAR TYPE:  
**Pillow Block**

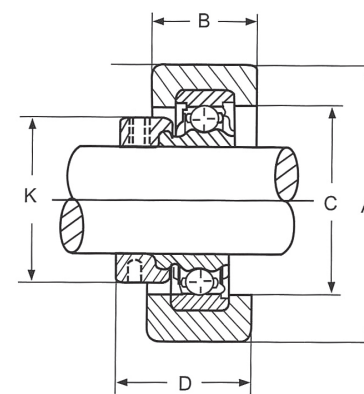
**SAPP200 Series**

Shaft Dia. (in.)	RBI Unit No.	Dimensions (in.)										Bolt Used (in.)	Bearing No.	Housing No.	Weight (lbs.)	
		h	a	e	b	s	g	w	i	L	n					K
1/2 5/8	SAPP201-8 SAPP202-10	7/8	3-3/8	2-11/16	1	23/64	3/32	1-23/32	3/4	1.126	0.256	1-1/8	5/16	SA201-8 SA202-10	PP203	0.42
3/4	SAPP204-12	1	3-7/8	3	1-1/4	23/64	3/32	1-31/32	53/64	1.2205	0.295	1-1/4	5/16	SA204-12	PP204	0.60
7/8 15/16 1	SAPP205-14 SAPP205-15 SAPP205-16	1-1/8	4-1/4	3-3/8	1-1/4	7/16	1/8	2-7/32	1	1.2205	0.295	1-1/2	3/8	SA205-14 SA205-15 SA205-16	PP205	0.75
1-1/16 1-1/8 1-3/16 1-1/4	SAPP206-17 SAPP206-18 SAPP206-19 SAPP206-20	1-5/16	4-5/8	3-3/4	1-1/2	7/16	5/32	2-19/32	1-1/32	1.4055	0.354	1-3/4	3/8	SA206-17 SA206-18 SA206-19 SA206-20	PP206	1.10
1-1/4 1-5/16 1-3/8 1-7/16	SAPP207-20 SAPP207-21 SAPP207-22 SAPP207-23	1-9/16	5-1/8	4-3/16	1-5/8	7/16	3/16	3-1/16	1-3/16	1.5315	0.374	2-3/16	3/8	SA207-20 SA207-21 SA207-22 SA207-23	PP207	1.54

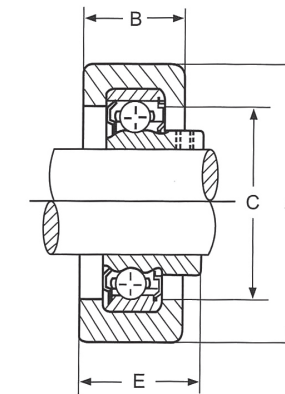
**Questions?** Give us a call at 1-800-708-2128 and one of our knowledgeable, friendly Account Managers can help!



Seal type



RCSM



RCSMS

**RUBBER CARTRIDGE UNIT**

SET SCREW TYPE

**RCSMS200 Series**

Shaft Dia. (in.)	RBI Unit No. Set Screw Type	Dimensions (in.)				Bearing No.	Rubber Ring No.	Weight (lbs.)
		A	B	C	E			
1/2 5/8	RCSMS201-8 RCSMS202-10	2-17/32	1	1-3/8	1-9/64	CSB201-8 CSB202-10	RC-3	0.35
3/4	RCSMS204-12	2-17/32	1	1-9/16	1-7/32	CSB204-12	RC-4	0.48
7/8 15/16 1	RCSMS205-14 RCSMS205-15 RCSMS205-16	2-17/32	1	2-25/32	1-9/32	CSB205-14 CSB205-15 CSB205-16	RC-5	0.53

ECCENTRIC LOCKING COLLAR TYPE

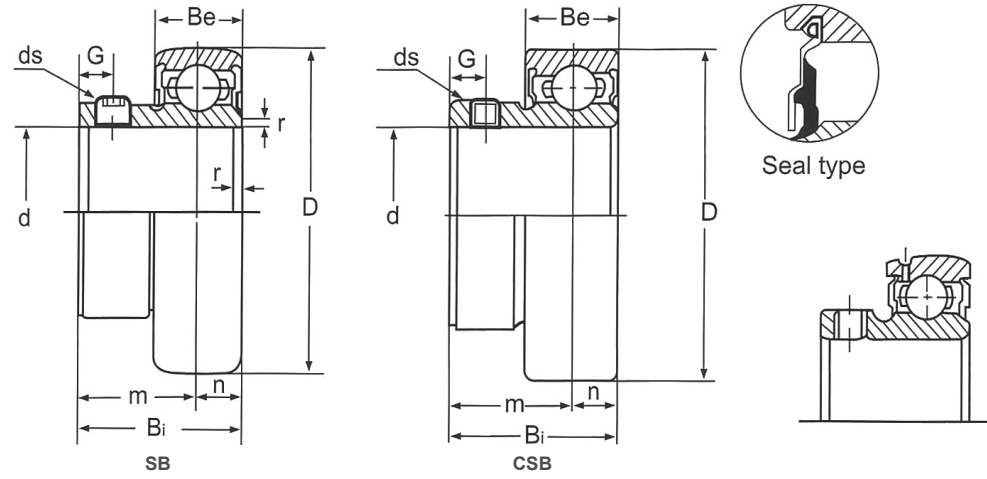
**RCSM200 L-Series**

Shaft Dia. (in.)	RBI Unit No. Locking Collar Type	Dimensions (in.)					Bearing No.	Rubber Ring No.	Weight (lbs.)
		A	B	C	D	K			
1/2 5/8	RCSM201-8L RCSM202-10L	2-17/32	1	1-3/8	1-3/8	1-1/8	CSA201-9 CSA202-10	RC-3	0.44
3/4	RCSM204-12L	2-17/32	1	1-9/16	1-27/64	1-1/4	CSA204-12	RC-4	0.52
7/8 15/16 1	RCSM205-14L RCSM205-15L RCSM205-16L	2-17/32	1	2-25/32	1-27/64	1-1/2	CSA205-14 CSA205-15 CSA205-16	RC-5	0.58

**ORDERING IS FAST AND EASY!**  
Call: 1-800-708-2128 or Fax: 1-630-295-5490 to order today!



**INSERT BEARINGS**  
 SET SCREW TYPE - LIGHT DUTY :  
 Spherical & Cylindrical



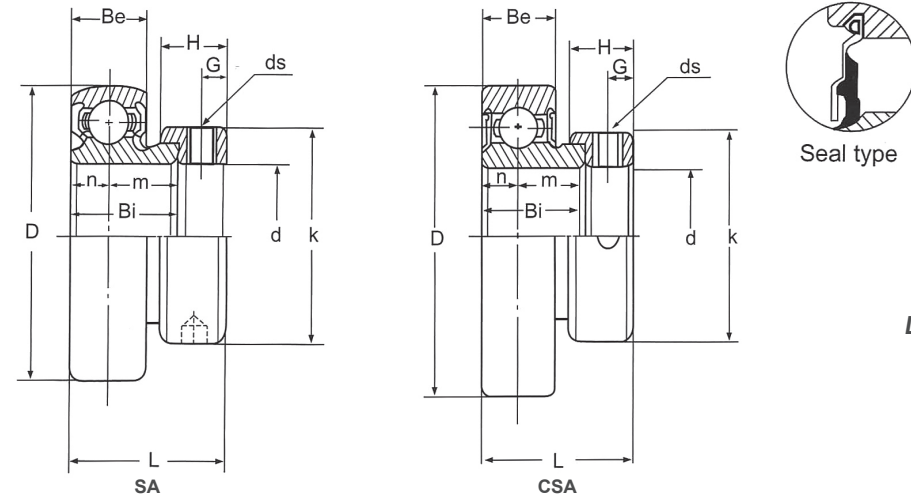
**SB200 & CSB200 Series**

Shaft Dia. (in.) d	RBI Bearing No.		Dimensions (in.) (mm.)								Load Rating (lbs.)		Weight (lbs.)
			D	Bi	Be	r	n	m	G	ds	Dynamic	Static	
1/2 5/8	SB201-8 SB202-10	CSB201-8 CSB202-10	1.5748 40	0.866 22	0.472 12	0.039 1	0.236 6	0.063 16	0.177 4.5	1/4-28	2750	1072	0.20 0.18
3/4	SB204-12	CSB204-12	1.8504 47	0.984 1	0.551 14	0.059 1.5	0.275 7	0.708 18	0.177 4.5	1/4-28	2880	1484	0.29
1	SB205-16	CSB205-16	1.8504 47	0.984 25	0.965 24.5	0.059 1.5	0.236 6	0.729 18.5	0.218 5.53	1/4-28	1744	1159	0.35
7/8 15/16 1	SB205-14 SB205-15 SB205-16	CSB205-14 CSB205-15 CSB205-16	2.047 52	1.062 27	0.591 15	0.059 1.5	0.295 7.5	0.767 19.5	0.217 5.5	1/4-28	3152	1765	0.40 0.37 0.35
1-1/16 1-1/8 1-3/16 1-1/4	SB206-17 SB206-18 SB206-19 SB206-20	CSB206-17 CSB206-18 CSB206-19 CSB206-20	2.441 62	1.181 30	0.630 16	0.059 1.5	0.315 8	0.866 22	0.217 5.5	1/4-28	4375	2542	0.62 0.57 0.55 0.53
1-1/4 1-5/16 1-3/8 1-7/16	SB207-20 SB207-21 SB207-22 SB207-23	CSB207-20 CSB207-21 CSB207-22 CSB207-23	2.835 72	1.259 32	0.669 17	0.079 2	0.335 8.5	0.925 23.5	0.256 6.5	5/16-24	5777	3459	0.95 0.90 0.84 0.82
1-1/2 1-9/16	SB208-24 SB208-25	CSB208-24 CSB208-25	3.150 80	1.338 34	0.708 18	0.079 2	0.354 9	0.984 25	0.276 7	5/16-24	5787	4042	1.32 1.28
1-5/8 1-11/16 1-3/4	SB209-26 SB209-27 SB209-28	CSB209-26 CSB209-27 CSB209-28	3.3465 85	1.621 41.2	0.748 19	0.079 2	0.402 10.2	1.219 31	0.322 8.2	5/16-24	7357	4598	1.8
1-7/8 1-15/16 2	SB210-30 SB210-31 SB210-32	CSB210-30 CSB210-31 CSB210-32	3.543 90	1.714 43.5	0.787 20	0.079 2	0.430 10.9	1.284 32.6	0.362 9.2	3/8-24	7895	5180	1.8
2 2-3/16	SB211-32 SB211-35	CSB211-32 CSB211-35	3.937 100	1.783 45.3	0.826 21	0.098 2.5	0.466 11.8	1.317 33.5	0.385 9.8	3/8-24	9757 9752	6552 6601	2.4
2-1/4 2-7/16	SB212-36 SB212-39	CSB212-36 CSB212-39	4.331 110	2.114 53.7	0.866 22	0.098 2.5	0.586 14.9	1.248 31.7	0.385 9.8	3/8-24	11789	8093	2.9

Note: All RBI SB inserts have an oil hole.



**INSERT BEARINGS**  
 ECCENTRIC LOCKING COLLAR TYPE -  
 LIGHT DUTY : Spherical & Cylindrical



**SA200 & CSA200 Series**

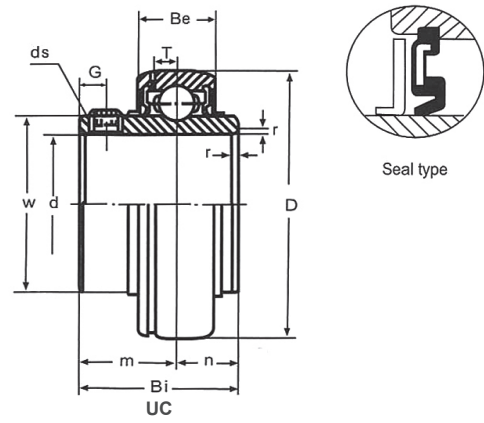
Shaft Dia. (in.)	RBI Bearing No.		Dimensions (in.) (mm.)										Set Screw ds	Load Rating (lbs.) (kg.)		Weight (lbs.)
			D	L	Bi	Be	n	m	k	H	G	Dynamic		Static		
1/2 5/8	SA201-8 SA202-10	CSA201-8 CSA202-10	1.5748 40	1.125 28.6	0.748 19	0.512 13	0.256 6.5	0.492 12.5	1.125 28.6	0.531 13.5	0.188 4.8	1/4-28	1650 750	1000 455	0.31 0.29	
3/4	SA204-12	CSA204-12	1.8504 47	1.218 31	0.843 21.4	0.551 14	0.295 7.5	0.531 13.5	1.260 32	0.531 13.5	0.188 4.8	1/4-28	2230 1010	1390 630	0.33	
7/8 15/16 1	SA204-14 SA205-15 SA205-16	CSA204-14 CSA205-15 CSA205-16	2.0472 52	1.218 31	0.843 21.4	0.591 15	0.295 7.5	0.531 13.5	1.500 38.1	0.531 13.5	0.188 4.8	1/4-28	2420 1100	1560 710	0.46 0.42 0.40	
1-1/16 1-1/8 1-3/16 1-1/4	SA206-17 SA206-18 SA206-19 SA206-20	CSA206-17 CSA206-18 CSA206-19 CSA206-20	2.4409 62	1.406 35.7	0.937 23.8	0.629 16	0.354 9	0.583 14.8	1.748 44.4	0.625 15.875	0.236 6	5/16-24	3390 1540	2250 1020	0.77 0.73 0.68 0.64	
1-1/4 1-5/16 1-3/8 1-7/16	SA207-20 SA207-21 SA207-22 SA207-23	CSA207-20 CSA207-21 CSA207-22 CSA207-23	2.8346 72	1.530 38.9	1.000 25.4	0.669 17	0.374 9.5	0.626 15.9	2.188 55.6	0.688 17.5	0.266 6.8	5/16-24	4470 2030	3090 1400	1.23 1.17 1.12 1.06	
1-1/2 1-9/16	SA208-24 SA208-25	CSA208-24 CSA208-25	3.1496 80	1.719 43.7	1.187 30.1	0.708 18	0.433 11	0.756 19.2	2.377 60.3	0.719 18.3	0.266 6.8	5/16-24	5070 2300	3530 1600	1.50 1.43	
1-5/8 1-11/16 1-3/4	SA209-26 SA209-27 SA209-28	CSA209-26 CSA209-27 CSA209-28	3.3465 85	1.719 43.7	1.187 30.1	0.748 19	0.433 11	0.756 19.2	2.499 63.5	0.719 18.3	0.266 6.8	5/16-24	5660 2570	3990 1810	1.68 1.61 1.52	
1-7/8 1-15/16 2	SA210-30 SA210-31 SA210-32	CSA210-30 CSA210-31 CSA210-32	2.5433 90	1.719 43.7	1.187 30.1	0.787 20	0.433 11	0.756 19.2	2.751 69.8	0.719 18.3	0.266 6.8	5/16-24	6080 2760	4430 2010	1.83 1.74 1.74	
2 2-1/8 2-3/16	SA211-32 SA211-34 SA211-35	CSA211-32 CSA211-34 CSA211-35	3.9370 100	1.906 48.4	1.280 32.5	0.945 24	0.472 12	0.807 20.5	2.999 76.2	0.813 20.5	0.313 8	3/8-24	7490 3400	5620 2550	2.12 1.92 1.79	
2-1/4 2-7/16	SA212-36 SA212-39	CSA212-36 CSA212-39	4.3307 110	1.937 49.2	1.315 33.4	0.945 24	0.472 12	0.843 21.4	3.311 84.1	0.874 22.2	0.313 8	7/16-20	9040 4100	6940 3150	2.86 2.41	

Note: All RBI inserts have an oil hole.



## INSERT BEARINGS

SET SCREW TYPE - STANDARD DUTY:  
**Spherical**



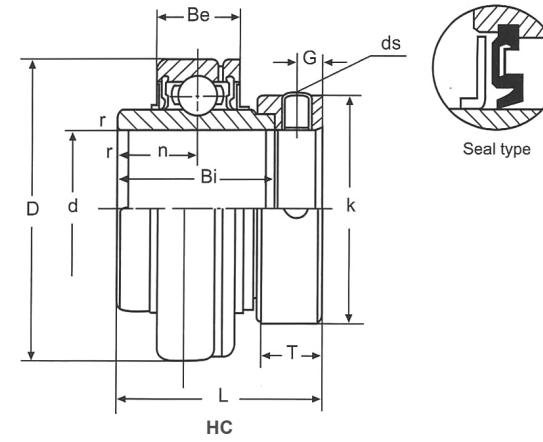
### UC200 Series

Shaft Dia.		RBI Bearing No.	Dimensions (in.) (mm.)									Load Rating (lbs.) (kg.)		Weight (lbs.)
mm.	in.		D	Bi	Be	r	n	m	G	ds	w	Dynamic	Static	
12	1/2	UC201-8	1.8504	1.2205	0.629	0.039	0.500	0.7205	0.177	1/4-28	1.142	2230	1390	0.44
	5/8	UC202-10												0.42
	3/4	UC204-12												0.35
		UC201												0.46
		UC202												0.42
15		UC203												0.40
17		UC204												0.35
25	7/8	UC205-14	2.0472	1.3386	0.669	0.059	0.563	0.7756	0.197	1/4-28	1.339	2420	1560	0.49
	15/16	UC205-15												0.44
	1	UC205-16												0.42
		UC205												0.42
30	1-1/16	UC206-17	2.4409	1.500	0.748	0.059	0.626	0.8740	0.197	1/4-28	1.591	3390	2250	0.79
	1-1/8	UC206-18												0.75
	1-3/16	UC206-19												0.71
	1-1/4	UC206-20												0.66
		UC206												0.66
35	1-1/4	UC207-20	2.8346	1.6890	0.787	0.079	0.689	1	0.236	5/16-24	1.866	4470	3090	1.15
	1-5/16	UC207-21												1.10
	1-3/8	UC207-22												1.06
	1-7/16	UC207-23												1.01
		UC207												1.01
40	1-1/2	UC208-24	3.1496	1.937	0.827	0.079	0.748	1.1890	0.315	5/16-24	2.075	5070	3530	1.50
	1-9/16	UC208-25												1.41
		UC208												1.39
45	1-5/8	UC209-26	3.3465	1.9370	0.866	0.079	0.748	1.1890	0.315	5/16-24	2.248	5660	3990	1.72
	1-11/16	UC209-27												1.63
	1-3/4	UC209-28												1.54
		UC209												1.50
50	1-7/8	UC210-30	3.5433	2.0315	0.9055	0.079	0.748	1.2835	0.354	3/8-24	2.465	6080	4430	1.87
	1-15/16	UC210-31												1.76
	2	UC210-32												1.76
		UC210												1.72
55	2	UC211-32	3.9370	2.1890	0.944	0.098	0.874	1.3150	0.354	3/8-24	2.776	7490	5620	2.69
	2-1/8	UC211-34												2.43
	2-3/16	UC211-35												2.32
		UC211												2.36
60	2-1/4	UC212-36	4.3307	2.5630	1.024	0.098	1	1.5630	0.394	3/8-24	3.059	9040	6940	3.64
	2-3/8	UC212-38												3.29
	2-7/16	UC212-39												3.13
		UC212												3.33
65	2-1/2	UC213-40	4.7244	2.5630	1.063	0.098	1	1.5630	0.394	3/8-24	3.260	9920	7720	4.15
		UC213												3.97
70	2-3/4	UC214-44	4.9213	2.9370	1.142	0.098	1.189	1.7480	0.472	7/16-20	3.425	10800	8380	4.56
		UC214												4.54



## INSERT BEARINGS

ECCENTRIC LOCKING COLLAR TYPE - STANDARD DUTY:  
**Spherical**



### HC200 Series

Shaft Dia.		RBI Bearing No.	Dimensions (in.) (mm.)									Set Screw ds	Load Rating (lbs.) (kg.)		Weight (lbs.)														
mm.	in.		D	L	Bi	Be	r	n	k	T	G		Dynamic	Static															
20	3/4	HC204-12	1.850	1.720	1.342	0.629	0.059	0.637	1.260	0.531	0.188	1/4-28	2230	1390	0.44														
		HC204	47	43.7	34.1	16	1.5	17.1	32	13.5	4.8					1010	630	0.42											
25	7/8	HC205-14	2.0472	1.748	1.374	0.669	0.059	0.688	1.500	0.531	0.188	1/4-28	2420	1560	0.57														
		HC205-15														52	44.4	34.9	17	1.5	17.5	38.1	13.5	4.8	1100	710	0.53		
		HC205-16																											0.46
30	1-1/16	HC206-17	2.4409	1.905	1.437	0.748	0.059	0.720	1.748	0.625	0.234	1/4-28	3390	2250	0.93														
		HC206-18														62	48.4	36.5	19	1.5	18.3	44.4	15.9	6	1540	1020	0.88		
		HC206-19																											0.82
		HC206-20																											0.77
		HC206																											0.82
35	1-1/4	HC207-20	2.8346	2.016	1.484	0.787	0.079	0.742	2.188	0.688	0.266	5/16-24	4470	3090	1.41														
		HC207-21														72	51.2	37.7	20	2	18.8	55.6	17.5	6.8	2030	1400	1.35		
		HC207-22																											1.28
		HC207-23																											1.19
40	1-1/2	HC208-24	3.1496	2.220	1.689	0.862	0.079	0.844	2.377	0.719	0.266	5/16-24	5070	3530	1.79														
		HC208-25														80	56.4	42.9	21	2	21.4	60.3	18.3	6.8	2300	1600	1.70		
		HC208																											1.68
		HC209-26																											2.03
		HC209-27																											1.92
45	1-5/8	HC209-28	3.3465	2.220	1.689	0.866	0.079	0.844	2.499	0.719	0.266	5/16-24	5660	3990	1.92														
		HC209-28														85	56.4	42.9	22	2	21.4	63.5	18.3	6.8	2570	1810	1.79		
		HC209																											1.79
50	1-7/8	HC210-30	3.5433	2.468	1.937	0.866	0.079	0.969	2.751	0.719	0.266	3/8-24	6080	4430	2.34														
		HC210-31														90	62.7	49.2	22	2	24.6	69.8	18.3	6.8	2760	2010	2.21		
		HC210-32																											2.21
		UC210																											2.14
55	2	UC211-32	3.9370	2.814	2.189	0.944	0.098	1.091	2.999	0.813	0.313	3/8-24	7490	5620	3.44														
		UC211-34														100	71.4	55.6	24	2.5	27.7	76.2	20.6	8	3400	2550	3.29		
		UC211-35																											2.95
60	2-1/4	HC212-36	4.3307	3.062	2.437	1.023	0.098	1.219	3.312	0.875	0.313	3/8-24	9040	6940	4.48														
		HC212-38														110	77.8	61.9	27	2.5	31	84.1	22.2	8	4100	3150	4.10		
		HC212-39																											3.90
		HC212																											4.12

**Questions?** Give us a call at 1-800-708-2128 and one of our knowledgeable, friendly Account Managers can help!

**ORDERING IS FAST AND EASY!**

Call: 1-800-708-2128 or Fax: 1-630-295-5490 to order today!

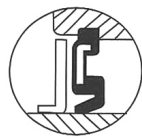
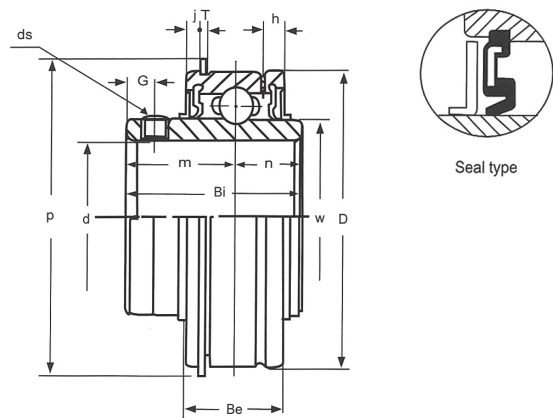




## INSERT BEARINGS

SET SCREW TYPE :  
**SER Series Bearing**

### SER200 Series



Seal type

## ENGINEERING DATA

BEARING LUBRICATION

Shaft Dia. (in.)	RBI Bearing No.	Dimensions (in.)												Load Rating (lbs.) (kg.)		Weight (lbs.)
		D	Bi	Be	n	m	G	T	h	j	p	ds	w	Dynamic	Static	
1/2 5/8 3/4	SER201-8 SER202-10 SER204-12	1.8504 47	1.219	0.625	0.406	0.813	0.177	0.042	0.150	0.094	2.067	1/4-28	1.142	2230 1010	1390 630	0.57 0.53 0.49
7/8 15/16 1	SER205-14 SER205-15 SER205-16	2.0472 52	1.375	0.750	0.515	0.86	0.197	0.042	0.203	0.094	2.272	1/4-28	1.339	2420 1100	1560 710	0.68 0.66 0.62
1-1/16 1-1/8 1-3/16 1-1/4	SER206-17 SER206-18 SER206-19 SER206-20	2.4409 62	1.500	0.875	0.625	0.875	0.197	0.065	0.219	0.125	2.658	1/4-28	1.591	3390 1540	2250 1020	0.93 0.88 0.84 0.79
1-1/4 1-5/16 1-3/8 1-7/16	SER207-20 SER207-21 SER207-22 SER207-23	2.8346 72	1.688	0.937	0.688	1.000	0.236	0.065	0.219	0.125	3.078	5/16-24	1.866	4470 2030	3090 1400	1.37 1.30 1.23 1.17
1-1/2 1-9/16	SER208-24 SER208-25	3.1496 80	1.937	1.093	0.750	1.187	0.315	0.065	0.250	0.125	3.406	5/16-24	2.075	5070 2300	3530 1600	2.01 1.94
1-5/8 1-11/16 1-3/4	SER209-26 SER209-27 SER209-28	3.3465 85	1.937	1.093	0.750	1.187	0.315	0.065	0.250	0.125	3.594	5/16-24	2.248	5660 2570	3990 1810	2.32 2.21 2.14
1-7/8 1-15/16	SER210-30 SER210-31	3.5433 90	2.032	1.125	0.750	1.282	0.354	0.095	0.297	0.125	3.781	3/8-24	2.465	6080 2760	4430 2010	2.43 2.32
2 2-1/8 2-3/16	SER211-32 SER211-34 SER211-35	3.9370 100	2.189	1.187	0.875	1.314	0.354	0.095	0.297	0.125	4.187	3/8-24	2.776	7490 3400	5620 2550	3.00 2.76 2.62
2-1/4 2-3/8 2-7/16	SER212-36 SER212-38 SER212-39	4.3307 110	2.563	1.250	1.000	1.563	0.394	0.095	0.297	0.125	4.583	3/8-24	3.059	9040 4100	6940 3150	4.01 3.68 3.51

Note: Metric bore sizes available upon request.

## COMMON LUBRICANTS AND THEIR PROPERTIES

Lubrication is necessary to ensure proper bearing performance. Grease lubricants are comprised of both a base oil and thickener. Oil lubricants do not contain a thickening agent. Thickeners act as a sponge that retains the base oil and keeps it in place.

A large assortment of additives can be added to the thickener to add several benefits such as inhibiting rust, ability to handle extreme pressure, preventing oxidation, etc.

Typically, greases will have a semi-solid to solid consistency that allows it to stay in place within the bearing longer than oil. It is in this aspect that grease holds an advantage over oil.

The typical grease fill within **RBI bearings** is between 25 and 35 percent. A minimum grease amount is important to allow for the bearing to remain lubricated throughout its entire service life. However, a limit must be placed on how much grease is used because an excessive volume of grease can lead to a dramatic increase in heat generation during operation if higher speeds are required.

For extreme operation conditions, contact **RBI Bearing's engineering department at 1-800-708-2128** for recommendations on grease fill. Information regarding some of our commonly used greases can be found in the table below.

Product	Company	Base Oil	Thickener	Min Temp [°F]	Max Temp [°F]	Dropping Pt. [°F]	cSt at 40°C	cSt at 100°C	Color
Alvania RL2	Shell	Petroleum	Lithium	-29	275	385	98.0	9.40	Amber
Beacon 325	Exxon	Diester	Lithium	-58	248	356	11.8	3.25	Tan
DC44	Dow Corning	Silicone	Lithium	-40	400	400	88.0	22.00	Brown/Amber
Dolium BRB	Shell	Mineral	Polyurea	-40	302	500	129.0	12.90	Purple
Mobil 28	Mobil	PAO	Bentonite	-80	351	500	40.0	28.00	Red
Mobil Polyrex EM2	Mobil	Mineral	Polyurea	-20	350	550	115.0	12.20	Blue
Multemp SRL	Kyodo Yushi	Ester	Lithium	-40	302	375	37.8	28.60	White
SRI-2	Chevron	Mineral	Polyurea	-22	350	470	116.0	12.30	Dark Green



**ENGINEERING DATA**

BEARING TOLERANCES

Insert Bearing Tolerances

BORE DIAMETER					
Over	Incl.	Tol (-0)	Over	Incl.	Tol (-0)
mm.	IJm	in.	0.0001"		
10	18	+18	0.3937	0.7087	+7
18	30	+21	0.7087	1.1811	+8
30	50	+25	1.1811	1.9685	+10
50	80	+30	1.9685	3.1496	+12
80	120	+35	3.1496	4.7244	+14
120	180	+40	4.7244	7.0866	+16

INNER/OUTER RING WIDTH					
Over	Incl.	Tol (-0)	Over	Incl.	Tol (-0)
mm.	IJm	in.	0.0001"		
2.5	10	-120	0.0984	0.3937	-47
10	18	-120	0.3937	0.7087	-47
18	30	-120	0.7087	1.1811	-47
30	50	-120	1.1811	1.9685	-47
50	80	-150	1.9685	3.1496	-59
80	120	-200	3.1496	4.7244	-79
120	150	-250	4.7244	5.9055	-98
150	180	-250	5.9055	7.0866	-98

OUTSIDE DIAMETER					
Over	Incl.	Tol (-0)	Over	Incl.	Tol (-0)
mm.	IJm	in.	0.0001"		
30	50	-11	1.1811	1.9685	-4
50	80	-13	1.9685	3.1496	-5
80	120	-15	3.1496	4.7244	-6
120	150	-18	4.7244	5.9055	-7
150	180	-25	5.9055	7.0866	-10
180	250	-30	7.0866	9.8425	-12
250	315	-35	9.8425	12.4016	-14

Set Screw Torque

Size	Tightening Torque	
	N-m	lbf-in
1/4-28	8.8	77.9
M6X0.75	8.8	77.9
5/16-24	17.6	156
M8X 1	17.6	156
3/8-24	30.8	273
M10X1.25	30.8	273
7/16-20	48.4	428
M12X1.5	48.4	428

**ENGINEERING DATA**

RADIAL INTERNAL CLEARANCE FOR BEARING INSERTS

Bore Diameter		Normal (µm)		Normal (0.0001")		Loose (µm)		Loose (0.0001")	
mm.	in.	min.	max.	min.	max.	min.	max.	min.	max.
12.7000	1/2								
14.2875	9/16								
15.8750	5/8	10	25	4	10	18	33	7.000	13
17.0000	-								
17.4625	11/16								
19.0500	3/4	12	28	5	11	20	36	8.000	14
20.0000	-								
20.6385	13/16								
22.2250	7/8	12	28	5	11	23	41	9	16
23.8125	15/16								
25.0000	-								
25.4000	1								
26.9875	1-1/16								
28.5750	1-1/8	12	28	5	11	23	41	9	16
30.0000	-								
30.1625	1-3/16								
31.7500	1-1/4								
31.7500	1-1/4								
33.3375	1-5/16	13	33	5	13	28	46	11	18
34.9250	1-3/8								
35.0000	-								
36.5125	1-7/16								
38.1000	1-1/2								
39.6875	1-9/16	13	33	5	13	28	46	11	18
40.0000	-								
41.2750	1-5/8								
42.8625	1-11/16	14	36	6	14	30	51	12	20
44.4500	1-3/4								
45.0000	-								
46.0375	1-13/16								
47.6250	1-7/8	14	36	6	14	30	51	12	20
49.2125	1-15/16								
50.0000	-								
50.8000	2								
50.8000	2								
52.3875	2-1/16	18	43	7	17	38	61	15	24
53.9750	2-1/8								
55.0000	-								
55.5625	2-3/16								
57.1500	2-1/4								
58.7375	2-5/16	18	43	7	17	38	61	15	24
60.0000	-								
60.3250	2-3/8								
61.9125	2-7/16								
63.5000	2-1/2	20	51	8	20	46	71	18	28
65.0000	-								
68.2625	2-11/16								
66.6750	2-5/8	20	51	8	20	46	71	18	28
68.2625	2-11/16								
69.8500	2-3/4								
70.0000	-								
69.8500	2-3/4	20	51	8	20	46	71	18	28
71.4375	2-13/16								
73.0250	2-7/8								
74.6125	2-15/16								



**ENGINEERING DATA**  
INTERCHANGE

**ENGINEERING DATA**  
UNIT CONVERSIONS

Rbtech Part Number	AMI	Browning	Fafnir/Torrington	HUB City	IPTCI	NTN	PEER	Sealmaster
CSA205-16	KHR205-16	-	RA100RR	-	CSA205-16	AELS205-100	FHR205-16	SL-16E
CSB205-16	BR5-16	-	YA100RR	-	CSB205-16	ASS205-100	FHSR205-16	SL-16
HC205-16	UG205-16	VE-216	G1100KRRB	YW220 X 1	NA205-16	UEL205-100D1	HC205-16	R-16E
HCAK205-16	UGAK205-16	VPLE-216	RAK1	PB220W X 1	NAPL205-16	UELPL205-100T	HCLP205-16	RPL-16
HCFS205-16	UGSLF205-16	VF4E-216	RCJ1	-	NANF205-16	UELFU205-100T	HCFS205-16	RF-16E
HCP205-16	UGP205-16	VPE-216	RAS1	PB221W X1	NAP205-16	UELP205-100T	HCP205-16	RP-16E
RCSM205-16L	-	RUBRE 116	RCSM1	-	-	-	RCSM-16L	SRC-16
RCSMS205-16	-	-	-	-	-	-	-	-
SA205-16	KH205-16	VE-116	RA100RRB	B200 X 1	SA205-16	AEL205-100	FH205-16	V-16E
SB205-16	B5-16	VS-116	YA100RRB	B100 X 1	SB205-16	AS205-100	FHS205-16	L-16
SER205-16	SER205-16	VER-216	ER-16	-	ER205-16	UCS205-100D1NR	SER-16	ER16
UC205-16	UC205-16	VS-216	GY1100KRRB	YW250 X 1	UC205-16	UC205-100D1	UC205-16	2 1
UCAK205-16	UCLP205-16	VPLS-216	YAK1	PB250W X 1	UCPL205-16	UCPL205-100T	UCLP205-16	NPL-16
UCF205-16	UCF205-16	VF4S-216	YCJ1	FB250 X 1	UCF205-16	UCF205-100T	UCF205-16	SF-16
UCFB205-16	UCFB205-16	-	-	-	UCFB205-16	UCFH205-100T	UCFB205-16	FB-16
UCFL205-16	UCFL205-16	-	-	-	-	UCFL205-100	-	-
UCFT205-16	UCFT205-16	VF2S-216	YCJT1	FB260 X 1	UCFL205-16	-	UCFT205-16	SFT-16
UCP205-16	UCP205-16	VPS-216	YAS1	PB251W X 1	UCP205-16	UCP205-100T	UCP205-16	NP-16
UCST205-16	UCST205-16	VTWS-216	YTU1	WSTU250 X 1	UCT205-16	-	UCT205-16	ST-16
UCTB205-16	UCTB205-16	VTBS-216	STB1	TPB250 X 1	UCPA205-16	UCUP205-100	UCPA205-16	TB-16
SBP205-16	BP5-16	VPS-116	SAS 1	PB251 X 1	SBP205-16G	-	FHSP205-16G	VP-16
SBAK205-16	BLP5-16	VPLS-116	SAK 1	PB250 X 1	SBPL205-16G	-	FHSLP205-16	VPL-16
SAP205-16	KHP205-16	VPE-116	VAS 1	PB221 X 1	SAP205-16G	-	FHP205-16	VP-16E
SAAK205-16	-	-	-	-	SAPL205-16G	UCPL205-100	FHLP205-16	-
SBLLP205-16	BLLP5-16	-	-	PB100 X 1	SBLP205-16G	-	FHSPWC205-16	-
SALLP205-16	KHLLP205-16	-	-	-	SALP205-16	-	FHPWC205-16	-
HCFJT205-16	UGFT205-16	VF2E-216	RCJT 1	-	NANFL205-16	UELFLU205-100	HCFTS205-16	RFT-16E
SBLF205-16	BLFL5-16	-	-	-	SBLF205-16G	-	FHSLF205-16	-
SALF205-16	KHLFL205-16	-	-	-	SALF205-16G	-	FHLF205-16	-
SBFCT205-16	BTM5-16	VF3S-116	GSFD 1	FB150 X 1	SBFRB205-126G	-	FHSF3X205-16	LF-16
SAFCT205-16	KHTM205-16	VF3E-116	GVFD 1	-	SARFB205-16G	-	FHF3X205-16	LF-16E
UCFS205-16	UCFS205-16	-	YCJ 1	-	UCNF205-16	-	-	-
SBFTD205-16	BFX205-16	VF2S-116M	GSFTD 1	FB110-1	SBLF205-16GH4	-	FHSFX205-16	LFT-16
SAFTD205-16	KHFX205-16	VF2E-116M	GVFTD 1	-	SALF205-16GH4	-	FHF205-16	LFT-16E
HCST205-16	UGST205-16	VTWE-216	RTU 1	WSTU220-1	NAT205-16	-	HCT205-16	RT-16E
SBPFL205-16	BPFL5-16	-	-	FB110S-1	SBPFL205-16	ASPFL205-100	FHSPFLR205-16	SSFT-16
SAPFL205-16	KHPFL205-16	-	RAT 1	-	SAPFL205-16	AELPFL205-100	FHPFLR205-16	SSFT-16E
SBPF205-16	BPF5-16	-	-	FB100S-1	SBPF205-16	ASPF205-100	FHSPFR205-16	SSF-16
SAPF205-16	KHPF205-16	-	RA 1	-	SAPF205-16	AELPF205-100	FHPFR205-16	SSF-16E
SBPFT205-16	BPFT5-16	-	-	-	SBPFT205-16	-	-	TSSF-16
SAPFT205-16	KHPFT205-16	-	RATR 1	-	SAPFT205-16	-	FHPFTZ205-16	TSSF-16E
SBPP205-16	BPP5-16	-	-	PB100S-1	SBPP205-16	ASPP205-16	FHSPPZ205-16	SSP-16
SER205-16	SER205-16	MER-16	ER 16	ER-16	ER205-16	UCS205-100D1NR	SER-16	ER-16

Multiply	By	To Obtain
Celsius Temperature [°C]	9/5(°C)+32	Fahrenheit Temperature [°F]
Centimeter [cm]	0.3937	Inch [in]
Centimeter [cm]	10	Millimeter [mm]
Dyne	0.0001	Newton [N]
Dyne Centimeter	10 <sup>-7</sup>	Newton-Meter [N-m]
Fahrenheit Temperature [°F]	5/9(°F)-32	Celsius Temperature [°C]
Foot [ft]	30.48	Centimeter [cm]
Foot [ft]	0.3048	Meter [m]
Gallon, US Liquid [gal]	3.7854	Liter [l]
Gram [g]	0.0353	Ounce [oz]
Horsepower [hp]	0.7457	Kilowatt [kW]
Horsepower [hp]	7456999.00	Watt [W]
Inch [in]	2.54	Centimeter [cm]
Inch [in]	0.0254	Meter [m]
Inch [in]	25.4	Millimeter [mm]
Joule [J]	0.009478	British Thermal Unit [Btu]
Kilogram [kg]	2.20	Pound [lb]
Kilogram-Force [kgf]	9.81	Newton [N]
Kilometer [km]	0.6214	Mile [mi]
Liter [l]	0.3531	Cubic Foot [ft³]
Liter [l]	0.001	Cubic Meter [m³]
Liter [l]	0.2642	Gallon, US Liquid [gal]
Meter [m]	39.37	Inch [in]
Meter [m]	3.28	Foot [ft]
Meter [m]	1.0936	Yard [yd]
Micron [µm]	1000.00	Millimeter [mm]
Micron [µm]	10 <sup>6</sup>	Meter [m]
Mile [mi]	1.6093	Kilometer [km]
Millimeter [mm]	0.03937	Inch [in]
Millimeter [mm]	0.003281	Foot [ft]
Newton [N]	0.2248	Pound-Force [lbf]
Ounce [oz]	28.3495	Gram [g]
Pound [lb]	0.4536	Kilogram [kg]
Pound-Force [lbf]	4.448	Newton [N]
Yard [yd]	0.9144	Meter [m]



**ENGINEERING DATA**

**METRIC CONVERSIONS**



Inches		Millimeters	Inches		Millimeters	Inches		Millimeters
Fractions	Decimals		Fractions	Decimals		Fractions	Decimals	
	.00394	.1		.28125	7.1438	$\frac{21}{32}$	.65625	16.6688
	.00787	.2	$\frac{19}{64}$	.296875	7.5406		.66929	17.00
	.01181	.3	$\frac{1}{16}$	.3125	7.9375	$\frac{43}{64}$	.671875	17.0657
$\frac{1}{64}$	.015625	.3969		.31496	8.00	$\frac{11}{16}$	.6875	17.4625
	.01575	.4	$\frac{21}{64}$	.328125	8.3344	$\frac{45}{64}$	.703125	17.8594
	.01969	.5	$\frac{11}{32}$	.34375	8.7313		.70866	18.00
	.02362	.6		.35433	9.00	$\frac{23}{32}$	.71875	18.2563
	.02756	.7	$\frac{23}{64}$	.359375	9.1281	$\frac{47}{64}$	.734375	18.6532
$\frac{1}{32}$	.03125	.7938	$\frac{1}{8}$	.375	9.525		.74803	19.00
	.0315	.8	$\frac{25}{64}$	.390625	9.9219	$\frac{3}{4}$	.7500	19.05
	.03543	.9		.3937	10.00	$\frac{49}{64}$	.765625	19.4469
	.03937	1.00	$\frac{13}{32}$	.40625	10.3188	$\frac{25}{32}$	.78125	19.8438
$\frac{3}{64}$	.046875	1.1906	$\frac{27}{64}$	.421875	10.7156		.7874	20.00
$\frac{1}{16}$	.0625	1.5875		.4331	11.00	$\frac{51}{64}$	.796875	20.2407
$\frac{5}{64}$	.078125	1.9844	$\frac{7}{16}$	.4375	11.1125	$\frac{13}{16}$	.8125	20.6375
	.04874	2.00		.453125	11.5094		.82677	21.00
$\frac{3}{32}$	.09375	2.3813	$\frac{15}{32}$	.46875	11.9063	$\frac{53}{64}$	.828125	21.0344
$\frac{7}{64}$	.109375	2.7781		.47244	12.00	$\frac{27}{32}$	.84375	21.4313
	.11811	3.00	$\frac{31}{64}$	.484375	12.3031	$\frac{55}{64}$	.859375	21.8282
$\frac{1}{8}$	.125	3.175	$\frac{1}{2}$	.5000	12.70		.86614	22.00
$\frac{9}{64}$	.140625	3.5719		.51181	13.00	$\frac{7}{8}$	.875	22.225
$\frac{5}{32}$	.15625	3.9688	$\frac{33}{64}$	.515625	13.0969	$\frac{57}{64}$	.890625	22.6219
	.15748	4.00	$\frac{17}{32}$	.53125	13.4938		.90551	23.00
$\frac{11}{64}$	.171875	4.3656	$\frac{35}{64}$	.546875	13.8907	$\frac{29}{32}$	.90625	23.0188
$\frac{3}{16}$	.1875	4.7625		.55118	14.00	$\frac{59}{64}$	.921875	23.4157
	.19685	5.00	$\frac{15}{16}$	.5625	14.2875	$\frac{15}{16}$	.9375	23.8125
$\frac{13}{64}$	.203125	5.1594	$\frac{37}{64}$	.578125	14.6844		.94488	24.00
$\frac{7}{32}$	.21875	5.5563		.59055	15.00	$\frac{61}{64}$	.953125	24.2094
$\frac{15}{64}$	.234375	5.9531	$\frac{19}{32}$	.59375	15.0813	$\frac{31}{32}$	.96875	24.6063
	.23622	6.00	$\frac{39}{64}$	.609375	15.4782		.98425	25.00
$\frac{1}{4}$	.2500	6.35	$\frac{1}{5}$	.625	15.875	$\frac{63}{64}$	.984375	25.0032
$\frac{17}{64}$	.265625	6.7469		.62992	16.00	$\frac{1}{1}$	1.0000	25.4001
	.27559	7.00	$\frac{41}{64}$	.640625	16.2719			

For over two decades, RBI Bearing, Inc. has been providing high quality precision bearing products at affordable prices to markets throughout North America, South America and Europe. With a highly skilled engineering and production team in China backed by an experienced western sales staff, RBI brings a “best of both worlds” approach to the clients we serve.

RBI specializes in manufacturing small and middle-size low noise deep groove ball bearings, special machinery for bearing production, and develops specific usage bearings to meet the requirements of each customer. Our production management complies ISO-9000:2001, TS16949 and we are committed to supplying the international market with the most reliable and cost effective ball bearings produced in China.

RBI Bearing operates Sales and Distribution Centers in the United States, Canada, Japan and China.





[www.rbibearing.com](http://www.rbibearing.com)

**RBI BEARING UNITED STATES**  
**CHICAGO - Headquarters**  
1055 Stevenson Court, 102W  
Roselle, IL, 60172  
800 708-2128 (toll-free)

**LOS ANGELES**  
13450 Brooks Dr # B  
Baldwin Park, CA 91706  
800 358-7652 (toll-free)

**RBI BEARING CANADA**  
**TORONTO**  
1790 Bonhill Road  
Mississauga, ON L5T 1 C8  
800-724-2426 (toll free)

**CALGARY**  
4900 64th Ave S.E., Bay #70  
Calgary, Alberta T2C 4V3  
800-724-2426 (toll free)

**RBI BEARING CHINA**  
No.60 Liulv Road  
Hudai Industrial Zone  
Wuxi, Jiangsu, China  
86-510-8521-3931



## Join the RBI mailing list!

Scan the QR code and sign up for our eblast's and get the latest information on RBI's products, services and news updates within the bearing industry.

PRODUCT CATALOG

# Mounted Bearing Units



*The most affordable quality IN THE WORLD >>*