



Innovation. Commitment. Quality.

RBC Bearings Incorporated (RBC Bearings, RBC) has been producing bearings in the USA since 1919. In addition to unique custom bearings, RBC offers a full line of standard industrial and aerospace bearings, including:



Spherical Plain Bearings

Radial, angular contact, extended inner ring, high misalignment. **QuadLube**®, **ImpactTuff**®, **SpreadLock**® Seal, **CrossLube**®, **DuraLube**™, **MillTuff**™ bearings, and self-lubricating bearings. Available in inch and metric sizes.



Thin Section Ball Bearings

Standard cross sections to one inch. Sizes to 40 inches. Stainless steel and other materials are available. Seals are available on all sizes and standard cross sections.



Self-Lubricating Bearings

Radial, thrust, rod ends, spherical bearings, high temperature, high loads. Available in inch and metric sizes. **Fiberglide**® self-lubricating bearings.



Airframe Control Bearings

Ball bearing types, self-lubricating types, needle roller track rollers.



Dowel Pins, Loose Needle Rollers, Shafts

Precision Products dowel pins, loose needle rollers, and shafts.



Ball Screws

Precision ground, rolled, ball splines. Long life, low wear, high accuracy. **QuickTurn**® Ball Screw Repair Service.



Rod Ends

Commercial and industrial, precision, Mil-Spec series, self-lubricating, and aircraft. Sold under the **Heim**®, **Unibal**®, and **Spherco**® brands. Available in inch and metric sizes.



Ball Bearings

Precision ground, semiground, unground. High loads, long life, smooth operation. **Nice**™ ball bearings are offered in caged and full complement configurations.



Cam Followers

Standard stud, heavy stud, yoke type, caged roller followers. Patented **RBC Roller**® cylindrical roller cam followers, **HexLube**® universal cam followers, airframe track rollers.



Needle Roller Bearings

Pitchlign® caged heavy duty needle roller bearings, inner rings, **TJ TandemRoller**® bearings for long life.



Tapered Roller and Thrust Bearings

Tyson® case-hardened and through-hardened tapered roller bearings. RBC tapered thrust bearings. Available in many sizes. Used in Class 8 heavy truck and trailer wheel bearings, gearboxes, and final drive transmissions.



Specials

RBC manufactures many specialty bearings for the aerospace, oil and energy, semiconductor equipment, packaging, heavy truck, and other industries.



Metric Series Cam Followers

The Superior Advantage



RBC Metric Series Cam Followers with patented TJ TandemRoller® pocket design offer a higher load capacity and longer fatigue life.



Authorized RBC Distributor

www.rbcbearings.com
800.356.6584



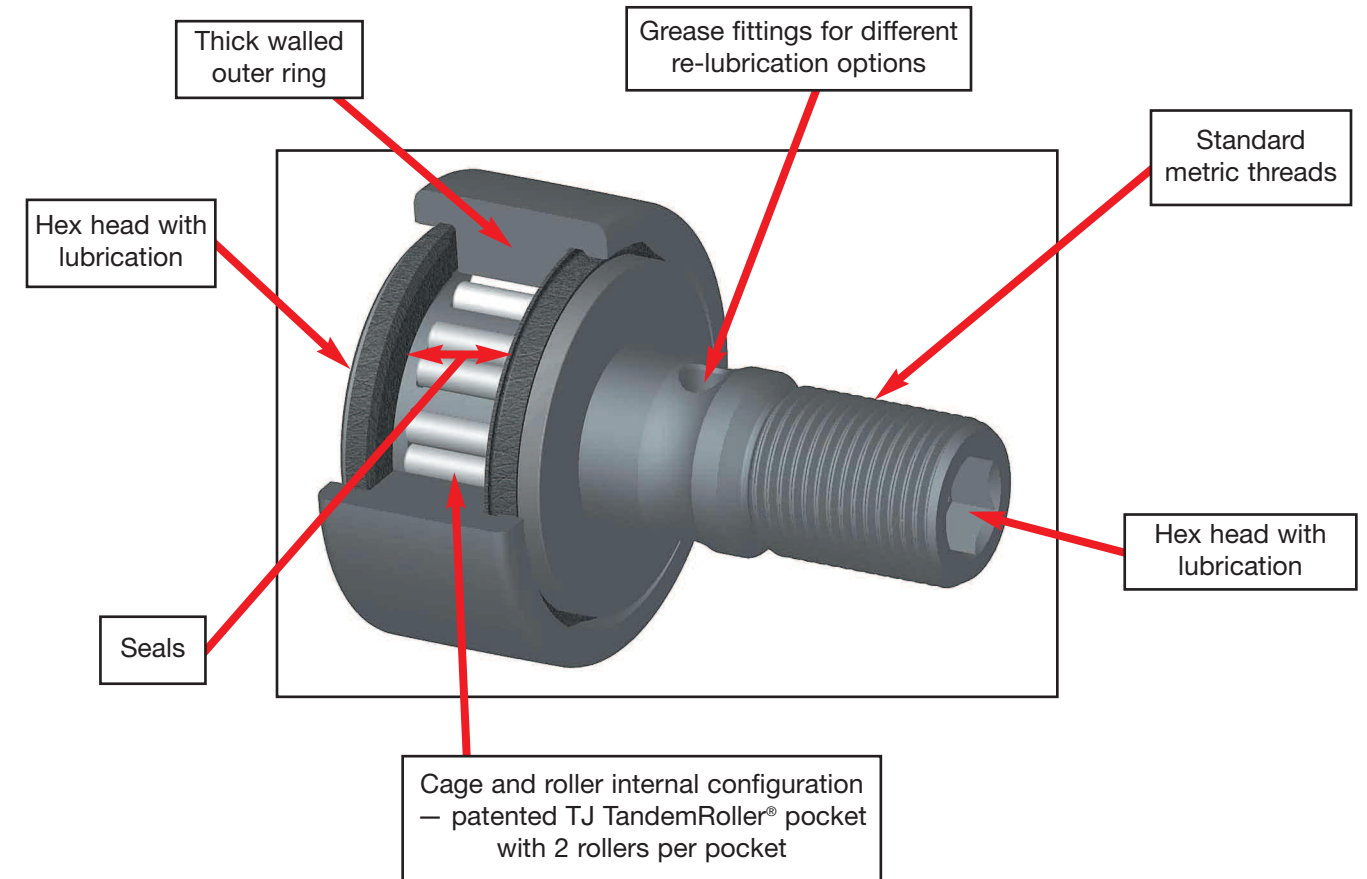
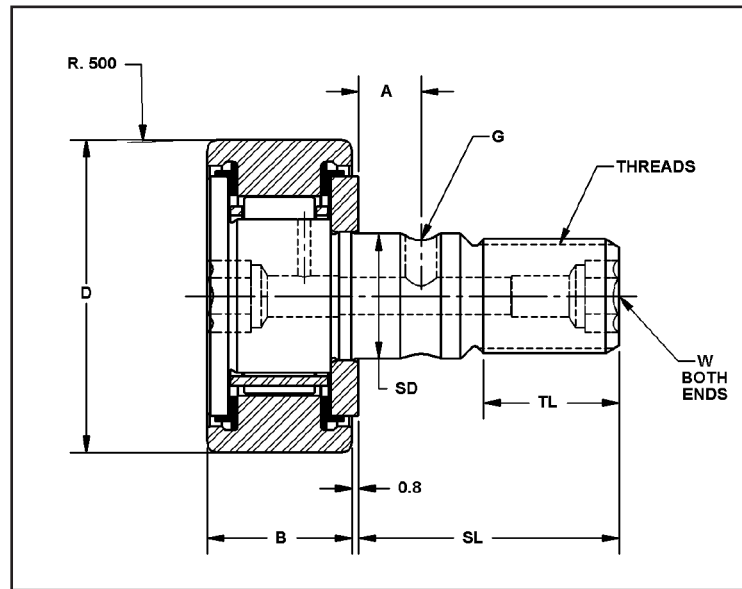
www.rbcbearings.com
800.356.6584

This document contains a general overview of the products and features described herein. It is solely for informational purposes, does not represent a warranty of the information contained herein, and is not to be construed as an offer to sell or a solicitation to buy. Contact RBC Bearings Incorporated for detailed information suitable to your specific applications. RBC Bearings Incorporated reserves the right to modify its products and related product information at any time without prior notice.

Some of the products listed herein may be covered by one or more issued and pending U.S. or foreign patents. Contact RBC Bearings for product specific information.

© 2006 RBC Bearings Incorporated

RBC 4/07



Part Number			Roller		Stud				Dimensions				
RBC Part Number	INA Reference P/N	McGill Part Number	D +0 / -0.05	B +0 / -0.12	SD +0 / -0.15	SD +0 / -0.18	SL Shank Length	TL Eff Thread Length	Thread	Approx. Weight (g)	A Loc.	G Dia	Socket Head Wrench Size (w)
CFM19	KR19PP	MCFR19SB	19	11	8	-	20	10	M8 X 1.25	29	-	-	-
CFM22	KR22PP	MCFR22SB	22	12	10	-	23	12	M10 X 1	42	-	-	5
CFM26	KR26PP	MCFR26SB	26	12	10	-	23	12	M10 X 1	57	-	-	5
CFM30	KR30PP	MCFR30SB	30	14	-	12	25	13	M12 X 1.5	86	6	3	6
CFM35	KR35PP	MCFR35SB	35	18	-	16	32.5	17	M16 X 1.5	166	8	3	8

Part Number			Capacities				Mounting Data			
RBC Part Number	INA Reference P/N	McGill Part Number	Speed Limit (rpm)	Dynamic Capacities (N)	Static Capacities (N)	Max Allow Load (N)	Track Capacity 40 RC (N)	Max Clamping Torque (Nm)	Housing Bore Tolerance H7	Min. Housing OD
CFM19	KR19PP	MCFR19SB	10000	5300	6200	4500	5100	8	0/+0.015	14
CFM22	KR22PP	MCFR22SB	8500	6200	7100	5200	5200	15	0/+0.015	17
CFM26	KR26PP	MCFR26SB	8500	6200	7100	5200	6100	15	0/+0.015	17
CFM30	KR30PP	MCFR30SB	6800	8000	9300	11500	7800	22	0/+0.018	23
CFM35	KR35PP	MCFR35SB	5000	13300	19500	12500	12500	50	0/+0.018	27

Note: Each part is supplied with 2 nuts and grease fittings.
All dimensions are in mm.

Features	Benefits
Cage and roller internal configuration with seals	<ul style="list-style-type: none"> • Superior roller guidance over the full complement • Reduces roller skewing and heat generation • Lower operating temperatures • Higher limiting speed capability • Longer grease life
TJ TandemRoller® pocket— Two rollers per pocket	<ul style="list-style-type: none"> • Developed by RBC in 1965 • Offers 10% to 40% greater load capacity • 37% to 200% greater fatigue life than equivalent sized single roller per pocket designs
Grease fittings	<ul style="list-style-type: none"> • Different re-lubrication options • Head end lubrication of the stud • Thread end lubrication of the stud • Lubrication via the shank/stud O.D.
Thick walled outer ring	<ul style="list-style-type: none"> • Resistant to high static and impact loads • Crowned to reduce edge loading