



BUILT TO LAST

2008 PRODUCT CATALOG AND ENGINEERING GUIDE



TOLL FREE: (800) 661-5568

PHONE: (360) 384-6673

FAX: (360) 380-7519

www.qmbearings.com



Table of Contents

How to Use This Catalog

In the table of contents listed here, you'll find sections organized by product line. These same sections are also indicated by tabs on the left and right page edges.

At the top of each page you'll see tabs listing topics within each section. Typically the information includes:

- ⇒ Features & Benefits
- ⇒ Ordering Nomenclature
- ⇒ Specifications
- ⇒ Engineering Information
- ⇒ Installation Guides
- ⇒ Interchange Guide

Or, if you already know what you're looking for, jump to page 382 for the *Index by Part Number*.

One of the reasons QM Bearings is growing so quickly is because we continue to innovate and offer you new product solutions. Look for the **NEW** icon to see what we've introduced since last year. Visit our website at www.qmbearings.com to see what's new since this catalog was printed.

For more information, contact your local distributor, visit www.qmbearings.com, or call us at (800) 661-5568 or (360) 384-6673.

NEW The 2008 QM Bearings Product Catalog introduces a new and expanded bearing interchange guide. With over 8,500 different dimensional interchanges, it is now easier than ever to make the move to Blue Brute® bearings. All you have to do is look up the bearing manufacturer's part number in our Interchange Guide starting on page 151, and we'll show you all of the options you have when choosing Blue Brute® bearings.

Introduction 2

Blue Brute Bearings 3

Bearing Interchange Guide 151

Quick-Flex Couplings 333

Rigid Compression Couplings 380

Index 382

QM Bearings Product Lines

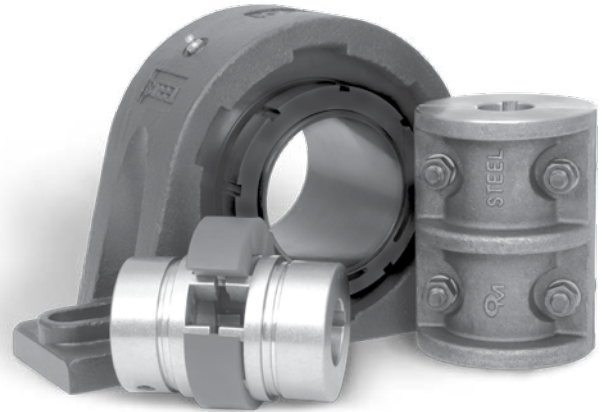
Products made by QM Bearings are built to last. By working closely with our customers, we've learned what works and what doesn't work in severe applications. Whether you need rugged Blue Brute mounted spherical roller bearings, Quick-Flex elastomeric couplings or rigid compression couplings, expect durable products at competitive prices.

Precise manufacturing methods with tighter tolerances and innovative designs result in user benefits unmatched by our competition. The little things we do add up in a big way. Some manufacturers make different bearings of higher and lower grades of quality. With QM Bearings there's no confusion. All our products are the same - premium, high-strength and rugged that are specifically designed for your application.

Our customers appreciate how easy we are to work with, no matter what kind of difficult application they may need resolved, and how we can ship most orders the same day they are placed.

Distribution

QM Bearings products are sold in more than 40 countries through a network of distributors, agents, representatives, original equipment manufacturers and internal sales professionals. Visit www.qmbearings.com for a current list of who to contact in your area.



Applications

- ⇒ Aggregate and mining operations
- ⇒ Steel industries
- ⇒ Oil and gas
- ⇒ Food & beverage
- ⇒ Automotive
- ⇒ Agricultural
- ⇒ Power Generation
- ⇒ Treatment facilities
- ⇒ Pulp & paper plants
- ⇒ Sawmills
- ⇒ And many other industries

Blue Brute Bearings – Features and Benefits

Why We're In Business

Building a better bearing is what launched the success of QM Bearings and has made the Blue Brute brand so popular. Blue Brute was born when the company decided to design an improved bearing because none of the existing bearings were good enough for the sawmill and logging machinery it manufactured since the 1950s.

QM Bearings soon learned that there was a large demand for stronger, better bearings. QM decided to focus on making mounted spherical roller bearings for everyone who needed a long-lasting product for demanding applications.

You Have Choices

One of the reasons why you get a better bearing from QM Bearings is that you choose how it's built without paying custom charges. Select from six locking configurations, 15 primary and secondary seals and many housings.

Locking Styles (see page 4)

- ⇒ Eccentric lock
- ⇒ Concentric lock (set screw)
 - » Single collar or double collar
- ⇒ Tapered adapter lock
- ⇒ V-Lock double tapered lock
 - » Single nut or double nut

Housings (see page 7 for all housing styles)

- ⇒ Two-bolt pillow blocks
- ⇒ Four-bolt pillow blocks
- ⇒ Flange blocks
- ⇒ Piloted flange cartridges
- ⇒ Take-up blocks
- ⇒ Cartridge units

Seals (see page 9 through 19)

- ⇒ Triple lip: nitrile rubber (M), Viton® (N) and urethane (O)
- ⇒ Double lip: nitrile rubber (B) and Viton® (C)
- ⇒ Labyrinth: Teflon (T) and mechanical (ML)
- ⇒ Closed end covers (CS)
- ⇒ Open end covers (CJ/CK/CV) with:
 - Triple lip seal (DR)
 - V-ring seal (VR)
 - Contamination collar (CC)
- ⇒ Piloted flange cartridge backing plates (Y) with:
 - Triple lip seal (DR)
 - Contamination collar (CC)
- ⇒ Flange block backing plates (UFP and CFP)



Innovation Continues

Our dedication to the improvement and advancement is unmatched. The latest example is the QM Bearings exclusive V-Lock adapter introduced in February 2006 and expanded in August 2007. Installation only takes 10 minutes thanks to the patented (US Pat. No. 7444313) double-tapered adapter design. V-Lock maximizes shaft holding power, yet is impossible to overtighten.

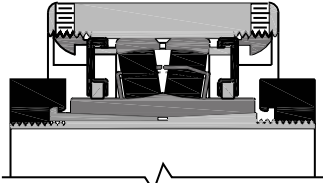
BLUE BRUTE BEARINGS – CONTENTS

Introduction	3-6
Ordering/Nomenclature	7-8
Seal Options	9-19
Take-Up Frames	20-21
V-Lock Series (double taper lock) US Pat. No. 7344313	22-49
CL Series (concentric [set screw] lock)	50-79
EC Series (eccentric lock)	80-99
TA / DV Series (tapered adapter lock)	100-117
Engineering Information	118-137
Installation Guides	138-150
Interchange Guide NEW	151-332

Note: All product drawings may not be exact representation of exact unit supplied.

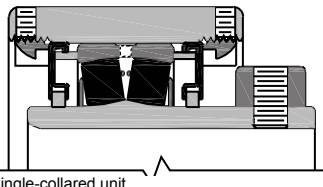
Blue Brute Bearings – Features and Benefits

Locking Styles



V-Lock (double taper lock) US Pat. No. 7344313

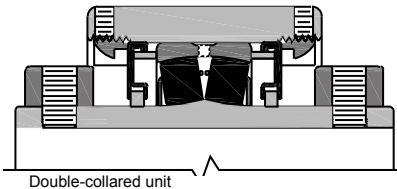
The V-lock locking mechanism is designed to maximize shaft holding power and minimize the time needed for installation and removal as compared to conventional bearings. With no need for feeler gauges during installation, the V-Lock locking mechanism offers superior holding power, yet is impossible to over-tighten. Plus, mechanical withdrawal is available on double-nut units.



Single-collared unit

Concentric Lock (set screw) — ‘CL’ Series

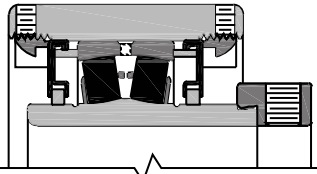
Two set screws positioned at 60° provide maximum holding with minimal run out. When configured with a double-collared insert, the bearing provides double the holding power than our standard single-collared insert.



Double-collared unit

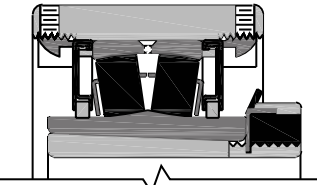
Eccentric Lock — ‘EC’ Series

A reduced eccentric offset results in more mechanical advantage. This series provides a secure lock that is guaranteed not to release from a properly prepared shaft even in reversing applications.



Tapered Adapter Lock — ‘TA’ and ‘DV’ Series

We use a 2300 series adapter rather than a 300 series adapter for increased shaft contact. This design offers the best shaft concentricity and highest capacity all the while having the ability to accommodate undersized shafting.



Housing Coatings

Powder coating - standard

All of our steel housings come powder coated from the factory. Powder coating gives a hard finish that is tough and durable.

Nickel plating - optional

By nickel plating any of our housings we are able to offer superior resistance to wear and corrosion.

Dykor® coating - optional

Unaffected by most chemicals and solvents, Dykor® coating is designed to last in harsh chemical environments while having extreme abrasion resistance.

Blue Brute Bearings – Features and Benefits

Blue Brute Benefits

Depending on how you configure your bearing for a specific application, there's a wide range of product benefits.

- ⇒ Accommodates shaft sizes from 1-7/16" to 7" and most metric sizes (varies by series)
- ⇒ Built to order for quick deliveries (we ship most orders the same day they are placed)
- ⇒ Rugged steel housings are standard and include a lifetime housing breakage guarantee
- ⇒ Documented cost savings mean that Blue Brute bearings will save you money over the life of each bearing you install
- ⇒ External covers for extra sealing protection (for most bearings)
- ⇒ Easily converted from fixed to floating in the field
- ⇒ Eccentric lock (EC) series guaranteed to not come loose on properly prepared shaft
- ⇒ Superior seal choices
- ⇒ Standard pressure relief valves prevent over-lubrication
- ⇒ Tighter manufacturing tolerances compared to our competition
- ⇒ Dimensionally interchanges with virtually all other mounted roller bearing units
- ⇒ Machined feet for one-time shaft alignment on all pillow block styles
- ⇒ Four withdrawal holes standard on all piloted flange cartridges
- ⇒ V-Lock series utilizes mechanical withdrawal for easy removal

Blue Brute Advantages

V-Lock series 2-bolt pillow block shown

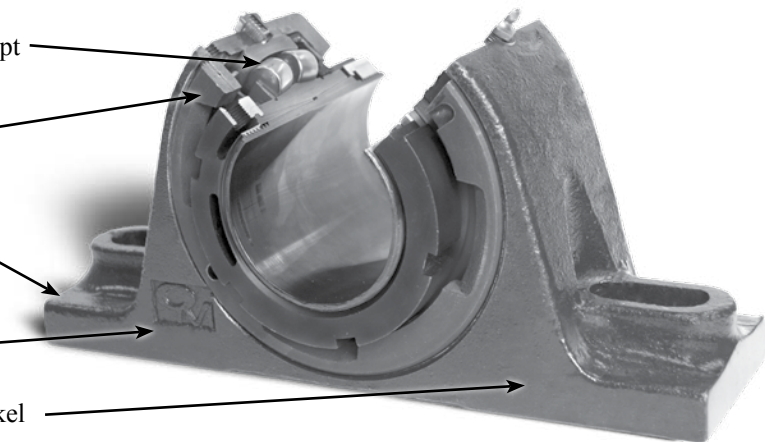
Double row spherical roller bearings accept misalignment and high loads

External nut eliminates axial movement and allows for easy conversion from fixed to floating in the field

Feet ends are machined true to bore of housing allow for one-time alignment

Housings manufactured from 75,000 psi tensile cast steel

Housings can be special ordered with nickel or Dykor® coatings.



High Performance plus Superior Ruggedness

Blue Brute Bearings – Features and Benefits

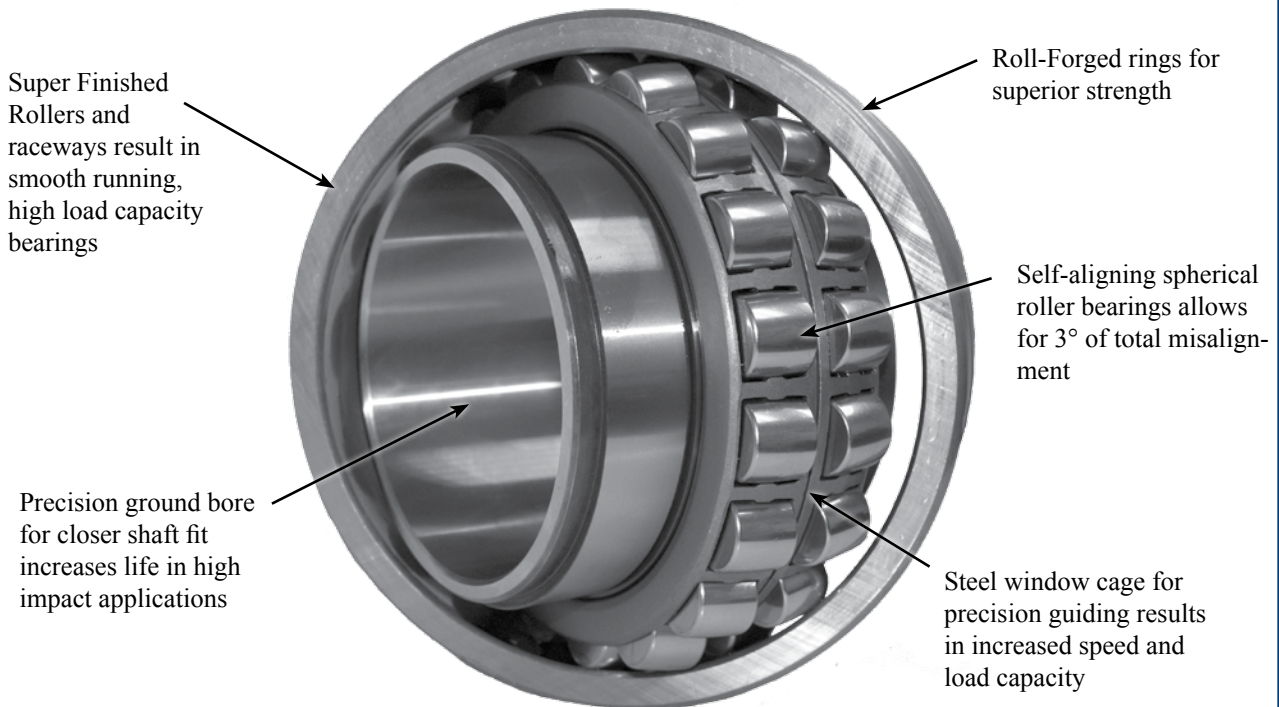
World Class Roller Bearings

QM (or Blue Brute) roller bearings represent decades of bearing technology and utilize world leading design for heavy-duty applications. Due to the number and size of the two rows of rollers combined with precision guiding they have extreme load and speed capacity.

Blue Brute bearings work at full capacity regardless of limited shaft and housing misalignment. By design, Blue Brute Bearings allow misalignment in any direction up to 1-1/2 deg from center, or 5/16” per foot of shaft. Our rollers align freely between the spherical outer and inner ring and contact at an angle allowing, in addition to radial load, moderate thrust loads in either direction. Crowned roller ends result in unaffected performance under dynamic, static, or oscillatory conditions with heavy loads in a combination of planes.

In order to absolutely guarantee our commitment to quality, expertise, and industry leading cost of ownership we manufacture our own double row spherical roller bearings. As the foundation we focus on premium raw material with superior cleanliness and microstructure. We build on that foundation with state of the art manufacturing procedures, state of the art manufacturing equipment, and in-depth quality control processes. The result is a world class core component that endures in applications where others fail.

Blue Brute Roller Bearings



Blue Brute Bearings – Ordering/Nomenclature

QM P 13 J 207 S E N

Locking Style
 QM - Eccentric Lock
 QA - Concentric (Set Screw) Lock, single-collar
 QAA - Concentric (Set Screw) Lock, double-collar
 QV - V-Lock, single-nut
 QVV - V-Lock, double-nut
 DV - Tapered Adapter Lock (Heavy Duty Block)
 TA - Tapered Adapter Lock (Extreme Duty Block)

Housing Style

P - 2-Bolt Pillow Block	F - Square Flange Block
PL - 2-Bolt Pillow Block	FB - Square Flange Block
PA - SAF Style 2-Bolt Pillow Block	FL - Square Flange Block
PN - SN Style 2-Bolt Pillow Block	FX - 5000 Series Flange Block
SN - SN Style 2-Bolt Pillow Block	FY - Round Flange Block
PKT - 9000 Series 2-Bolt Pillow Block	FK - 9000 Series Flange Block
PXT - 5000 Series 2-Bolt Pillow Block	C - Piloted Flange Cartridge
PR - 4-Bolt Pillow Block	CW - Piloted Flange Cartridge
PF - 4-Bolt Pillow Block	FC - Piloted Flange Cartridge
PH - SAF Style 4-Bolt Pillow Block	MC - Cartridge Block
PG - SN Style 4-Bolt Pillow Block	TU - Take-Up Block
PK - 9000 Series 4-Bolt Pillow Block	
PX - 5000 Series 4-Bolt Pillow Block	

Bearing Insert Series
 222XX (i.e., 13 = 22213)

Bearing Cage Insert Type
 J - EC Series Steel Cage
 A - CL Series Steel Cage
 V - V-Lock Series Steel Cage
 K - TA/DV Series Steel Cage

Shaft Size
 In inch (i.e., 207 = 2-7/16") and metric (i.e., 050 = 50mm) sizes

Expansion or Non-expansion
 E - Expansion (Floating)
 BLANK (No Letter) - Non-expansion (Fixed)

Seal Type
 M - 'M' Seal (Triple-lip nitrile rubber)
 N - 'N' Seal (Triple-lip Viton®)
 O - 'O' Seal (Triple-lip urethane)
 B - 'B' Seal (Double-lip nitrile rubber)
 C - 'C' Seal (Double-lip Viton®)
 T - 'T' Seal (Teflon labyrinth)
 ML - 'ML' Seal (Steel labyrinth); Available only on CL Series, Special Order - Contact Factory
 YDR - Flange Cartridge Backing Plate with 'DR' Triple Lip Seal
 YCC - Flange Cartridge Backing Plate with 'CC' Collar

Introduction

Blue Brute Bearings

Bearing Interchange Guide

Quick-Flex Couplings

Rigid Compression Couplings

Index

Blue Brute Bearings – Ordering/Nomenclature

Ordering Blue Brute Bearings

Every Blue Brute bearing housing is made of cast steel for greater strength (compared to cast iron). All bearings feature a double row, spherical roller design for a very high load carrying capacity, misalignment tolerance and reduced friction.

Starting with these standard design advantages, you can select from a wide range of sizes, locking styles, seal options and housing styles suited precisely for your application. Each combination is built to order and usually ships the same day an order is placed.

There are many ways to determine the correct Blue Brute bearing part number for ordering purposes, including:

1. Once you have determined the best locking style, housing and seal options for your application, you can easily find the correct part number in tables included in the following Blue Brute bearing sections.
2. If you are ordering a replacement for an existing Blue Brute bearing, locate the part number for that bearing on the housing tag.
3. If you are switching from a competing bearing, use the part number from that bearing to easily find the corresponding Blue Brute bearing within our bearing interchange guide beginning on page 151.
4. If none of the above apply, or if you have additional questions or concerns about ordering the correct Blue Brute bearings, please give us a call at (800) 661-5568 or (360) 384-6673 or visit www.qmbearings.com.

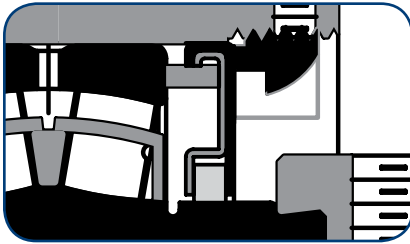
Blue Brute Bearings – Seal Options

Primary Seals

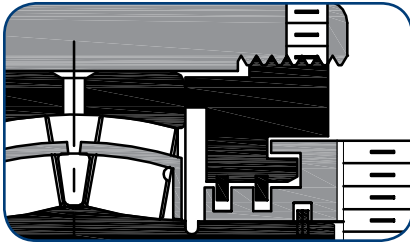
Primary seals are installed between the inner ring of the bearing and the housing. They are held securely in place by the external housing nut. Primary seals can be contacting or non-contacting, purging or non-purging and are available in several material compounds for a variety of applications.

Labyrinth Seals — non-contacting, non-purging, all speeds

Instead of trying to form a seal with a single strong barrier, a labyrinth seal uses a winding passageway to accomplish the same reduction in flow. Not only is seal friction reduced, but so is seal wear.



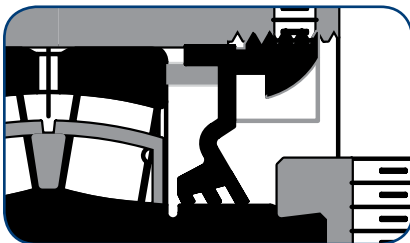
- ⇒ **'T' Seal** – this seal consists of a Teflon ring pressed onto the inner ring of the bearing that floats between two pieces of formed steel to accommodate misalignment. It was developed for higher speed applications involving dirty conditions or moisture affected areas, is able to operate at higher temperatures and is impervious to most chemicals.



- ⇒ **'ML' Seal** – Mechanical labyrinth seals are ideal for extreme contaminant exclusion and grease retention in mining, aggregate and similar severe duty applications. Withstands high shaft speeds and high pressure wash downs. This unique seal uses floating rings to keep out contaminants at high speeds. Available only with CL series units. *Special Order - Contact Factory*

Triple Lip Seals — contacting, self-purging, low to moderate speeds*

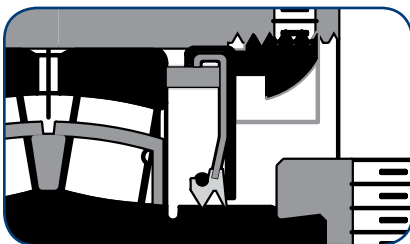
QM Bearings offers three kinds of medium contact triple lip seals. Choose from seals made of nitrile synthetic rubber (acrylonitrile butadiene), Viton® fluoroelastomer, or urethane.



- ⇒ **'M' Seal** – this seal made of nitrile rubber offers superior sealing in moist and dirty applications, is chemical and corrosion resistant and provides excellent lubrication retention, yet allows excess grease to purge from the bearing cavity.
- ⇒ **'N' Seal** – made of Viton®, this seal provides excellent chemical resistance and can operate at higher temperatures than nitrile rubber.
- ⇒ **'O' Seal** – made of high strength urethane for superior abrasion resistance.

Double Lip Seals — contacting, non-purging, low speeds*

These seals incorporate a double lip seal, a garter spring for maximum contact and a heavy duty steel shield that protects the seal from large pieces of debris that could damage the seal itself.



- ⇒ **'B' Seal** – made of nitrile rubber, this seal offers superior protection in applications with oil lubrication and is designed for extreme moisture, fine dust or extremely dirty applications.
- ⇒ **'C' Seal** – made of Viton®, this seal provides excellent chemical and abrasion resistance and can operate at higher temperatures than nitrile rubber.

*Temperature limit -40° to 250°F continuous, 300°F intermittent. Constant seal lip pressure on the inner ring results in higher operating temperatures of the complete unit. (see pages 129 and 130)

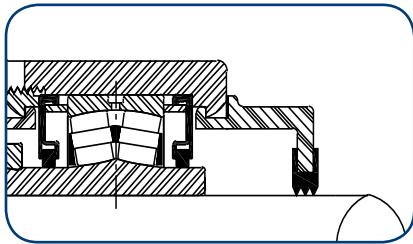
Blue Brute Bearings – Seal Options

Secondary Seals

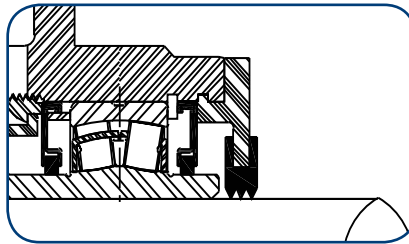
In many circumstances bearings fail due to premature seal failure. This is usually the result of harsh operating environments or lubrication issues. QM Bearings has developed secondary sealing options that offer an additional barrier which provides protection for the primary seal. These economical secondary seals and covers are easily outfitted on virtually all Blue Brute bearing units.

‘DR’ Triple Lip Secondary Seal — low speeds

The DR seal is the standard triple lip seal adapted for use on the open end covers and piloted flange cartridge backing plates (HSY). This seal is able to move within the cover or backing plate opening to accommodate misalignment while maintaining full contact to the shaft for positive sealing.



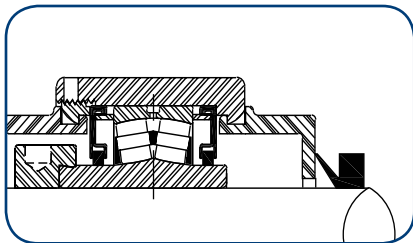
DR seal on open end cover



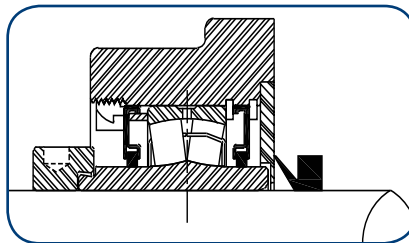
DR seal on HSY backing plate

‘VR’ V-Ring Secondary Seal — high speeds

The VR seal, made of nitrile rubber, rides on the shaft and seals against the open end covers and flange block backing plates (UFP).



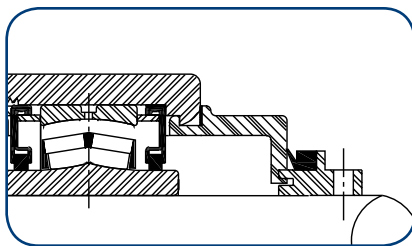
VR seal on open end cover



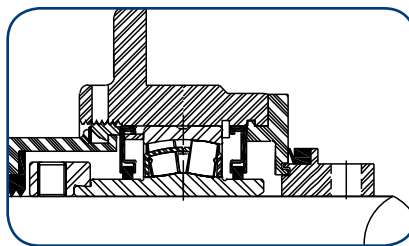
VR seal on UFP plate

‘CC’ Contamination Collar — high speeds

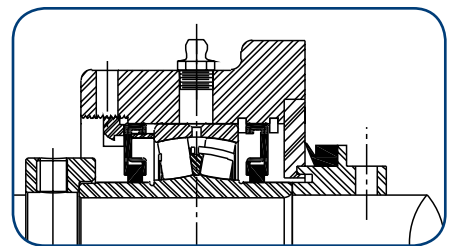
The steel CC contamination collar mounts to the shaft and mates into a labyrinth within the specially designed open end covers, piloted flange cartridge backing plates (HSY) and flange block backing plates (CFP). The CC collar also includes a v-ring seal for an extra level of protection against contamination.



CC collar on open end cover



CC collar on HSY backing plate



CC collar on CFP backing plate

Blue Brute Bearings – Seal Options

Secondary Seals – *continued*

Closed End Covers (CS)

These snap on covers are designed to be virtually indestructible and extremely convenient. They are made from structural urethane and install easily. The cover completely seals the bearing, preventing contamination from reaching the primary seal. Every cover is outfitted with a grease fitting to fill the cover cavity for an added barrier against contamination.



Open End Covers (CJ/CK/CV)

These snap on covers are made from structural urethane for repeated and continuous use. The covers are used with either a triple lip seal (DR), a v-ring seal (VR) or a contamination collar (CC) to help prevent contamination from reaching the primary seal. Every cover is outfitted with a grease fitting to fill the cover cavity for an added barrier against contamination.



Piloted Flange Cartridge Backing Plates (HSY)

The HSY Backing Plate is designed to work in conjunction with the piloted flange cartridge bearings. Made of structural urethane, these plates are fitted to the back side of the pilot for extra protection. The HSY plate is supplied with a triple lip seal (DR) or a contamination collar (optional) to form an additional barrier against contamination for the most demanding applications.



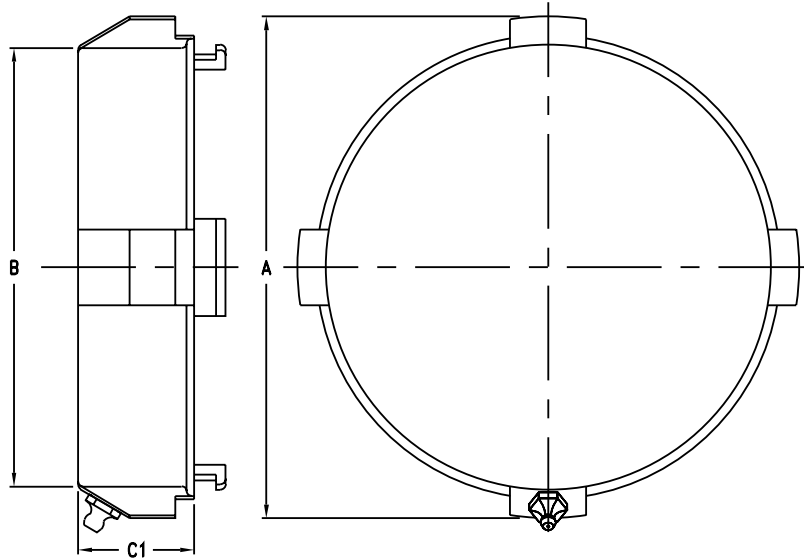
Flange Block Backing Plates (UFP and CFP)

These backing plates are made from structural urethane and are uniquely designed to work with our flange block bearings. Made to fit flush against the back of the housing, these plates create a labyrinth over the inner ring for additional protection from contamination. The UFP plate, when used with an optional v-ring seal (VR), and CFP plate when used with an optional contamination collar (CC), provide an extra barrier against extreme contamination.



Blue Brute Bearings – Seal Options

Closed End Cover Dimensions



Closed End Cover Dimensions (in.)

Cover Part Number*	A	B	C1**
CS08	3.82	3.02	1.25
CS09	4.01	3.21	1.25
CS10	4.21	3.41	1.25
CS11	4.61	3.81	1.25
CS12V	4.96	4.16	1.25
CS13 / CS14V	5.20	4.57	1.08
CS15 / CS16V	5.59	4.84	1.30
CS17	6.32	5.57	1.22
CS18 / CS19V	6.62	5.87	1.53
CS20	7.56	6.88	1.75
CS22	8.35	7.67	2.07
CS26 / CS28V	9.50	8.81	2.24
CS30	10.69	10.00	2.24

* Cover part number, CSXX, is determined by the bearing insert series of unit on which cover will be installed. See nomenclature guide on page 7 to determine bearing insert series.

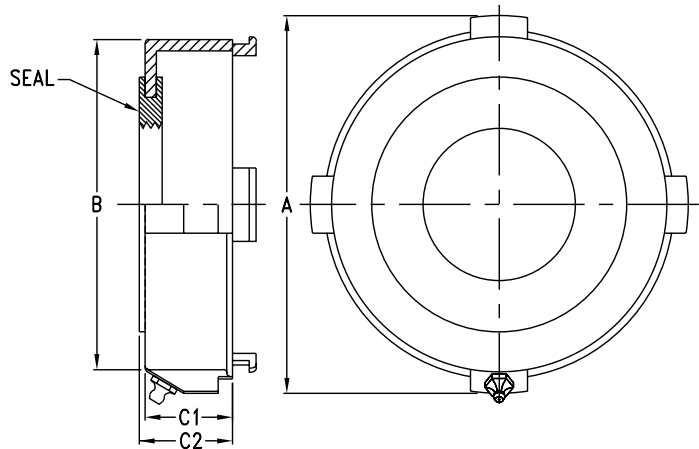
** Extended covers available upon request.

Blue Brute Bearings – Seal Options

Open End Covers with DR Seals

**CL and EC Series -
Open End Cover with DR Seal Dimensions (in.)**

Cover Part Number	Shaft Size	A	B	C1	C2
CJDR107	1-7/16"				
CJDR108	1-1/2"	3.82	3.02	1.25	1.35
CJDR040MM	40mm				
CJDR111	1-11/16"	4.01	3.21	1.25	1.35
CJDR112	1-3/4"				
CJDR045MM	45mm				
CJDR115	1-15/16"				
CJDR200	2"	4.21	3.41	1.25	1.35
CJDR050MM	50mm				
CJDR203	2-3/16"				
CJDR204	2-1/4"	4.61	3.81	1.25	1.35
CJDR055MM	55mm				
CJDR060MM	60mm				
CJDR207	2-7/16"	5.20	4.57	1.08	1.18
CJDR208	2-1/2"				
CJDR065MM	65mm				
CJDR211	2-11/16"				
CJDR070MM	70mm				
CJDR212	2-3/4"	5.59	4.84	1.30	1.40
CJDR215	2-15/16"				
CJDR300	3"				
CJDR075MM	75mm				
CJDR303	3-3/16"				
CJDR304	3-1/4"				
CJDR080MM	80mm				
CJDR085MM	85mm	6.62	5.87	1.53	1.63
CJDR307	3-7/16"				
CJDR308	3-1/2"				
CJDR090MM	90mm				
CJDR315	3-15/16"				
CJDR400	4"	7.56	6.88	1.75	1.85
CJDR100MM	100mm				
CJDR110MM	110mm				
CJDR407	4-7/16"	8.35	7.67	2.07	2.17
CJDR408	4-1/2"				
CJDR115MM	115mm				
CJDR125MM	125mm				
CJDR415	4-15/16"	9.50	8.81	2.24	2.34
CJDR500	5"				
CJDR130MM	130mm				
CJDR507	5-7/16"				
CJDR508	5-1/2"	10.69	10.00	2.24	2.34
CJDR515	5-15/16"				
CJDR600	6"				



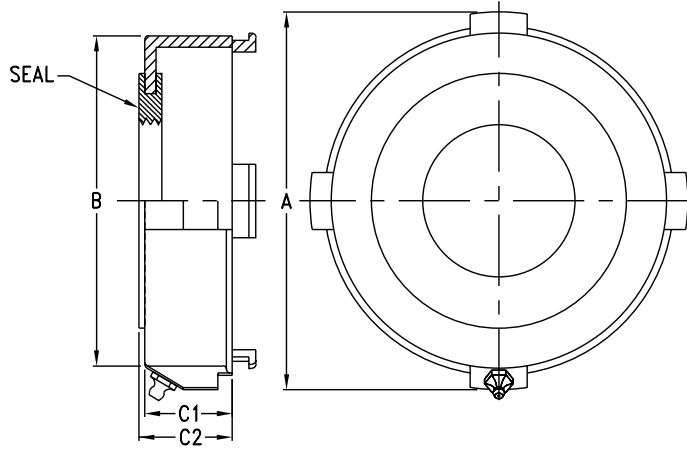
**TA and DV Series -
Open End Cover with DR Seal Dimensions (in.)**

Cover Part Number	Shaft Size	A	B	C1	C2
CKDR115	1-15/16"				
CKDR200	2"	4.61	3.81	1.25	1.35
CKDR050MM	50mm				
CKDR203	2-3/16"				
CKDR204	2-1/4"	5.20	4.57	1.08	1.18
CKDR060MM	60mm				
CKDR207	2-7/16"				
CKDR208	2-1/2"	5.59	4.84	1.30	1.40
CKDR065MM	65mm				
CKDR215	2-15/16"				
CKDR300	3"	6.32	5.57	1.22	1.32
CKDR075MM	75mm				
CKDR307	3-7/16"				
CKDR308	3-1/2"	7.56	6.88	1.75	1.85
CKDR090MM	90mm				
CKDR315	3-15/16"				
CKDR400	4"	8.35	7.67	2.07	2.17
CKDR100MM	100mm				
CKDR407	4-7/16"				
CKDR408	4-1/2"	9.50	8.81	2.24	2.34
CKDR115MM	115mm				

(continued on next page)

Blue Brute Bearings – Seal Options

Open End Covers with DR Seals (continued)



V-Lock Series - Straight Bore Equivalent -
(QV(V)...P, PL, SN, PF, PR, C, CW, F, FL, FY, FX, TU)

Open End Cover with DR Seal Dimensions (in.)

Cover Part Number	Shaft Size	A	B	C1	C2
CVDR115	1-15/16"				
CVDR200	2"	4.61	3.81	1.25	1.35
CVDR050MM	50mm				
CVDR203	2-3/16"				
CVDR204	2-1/4"	4.96	4.16	1.25	1.35
CVDR055MM	55mm				
CVDR060MM	60mm				
CVDR207	2-7/16"				
CVDR208	2-1/2"	5.20	4.57	1.08	1.18
CVDR065MM	65mm				
CVDR211	2-11/16"				
CVDR212	2-3/4"				
CVDR070MM	70mm				
CVDR215	2-15/16"	5.59	4.84	1.30	1.40
CVDR300	3"				
CVDR075MM	75mm				
CVDR303	3-3/16"				
CVDR304	3-1/4"				
CVDR080MM	80mm				
CVDR085MM	85mm	6.62	5.87	1.53	1.63
CVDR307	3-7/16"				
CVDR308	3-1/2"				
CVDR090MM	90mm				
CVDR311	3-11/16"				
CVDR312	3-3/4"				
CVDR100MM	100mm	8.35	7.67	2.07	2.17
CVDR315	3-15/16"				
CVDR400	4"				
CVDR110MM	110mm				
CVDR407	4-7/16"	9.50	8.81	2.24	2.34
CVDR408	4-1/2"				
CVDR115MM	115mm				
CVDR125MM	125mm				
CVDR415	4-15/16"	9.50	8.81	2.24	2.34
CVDR500	5"				
CVDR130MM	130mm				

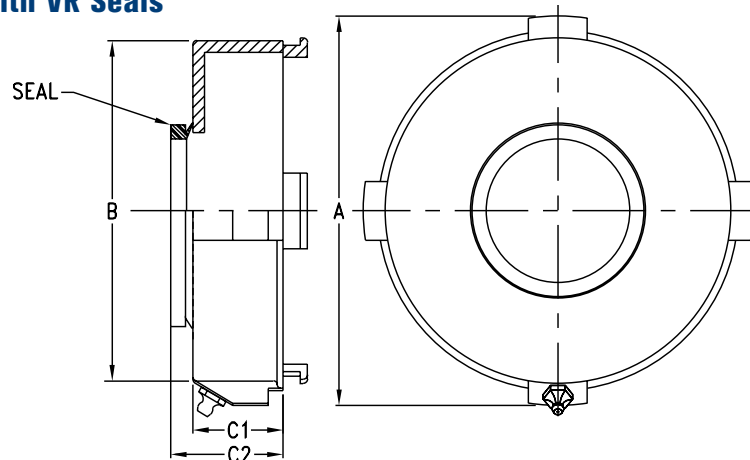
V-Lock Series - Tapered Adapter Equivalent -
(QV(V)...PA, PN, PKT, PK, PH, PG FC, FB, MC)

Open End Cover with DR Seal Dimensions (in.)

Cover Part Number	Shaft Size	A	B	C1	C2
CKDR115	1-15/16"				
CKDR200	2"	4.61	3.81	1.25	1.35
CKDR050MM	50mm				
CKDR203	2-3/16"				
CKDR204	2-1/4"	5.20	4.57	1.08	1.18
CKDR055MM	55mm				
CKDR060MM	60mm				
CKDR207	2-7/16"				
CKDR208	2-1/2"	5.59	4.84	1.30	1.40
CKDR065MM	65mm				
CKDR211	2-11/16"				
CKDR212	2-3/4"				
CKDR070MM	70mm				
CKDR215	2-15/16"	6.32	5.57	1.22	1.32
CKDR300	3"				
CKDR075MM	75mm				
CKDR303	3-3/16"				
CKDR304	3-1/4"				
CKDR080MM	80mm				
CKDR085MM	85mm	7.56	6.88	1.75	1.85
CKDR307	3-7/16"				
CKDR308	3-1/2"				
CKDR090MM	90mm				
CKDR311	3-11/16"				
CKDR312	3-3/4"				
CKDR100MM	100mm	8.35	7.67	2.07	2.17
CKDR315	3-15/16"				
CKDR400	4"				
CKDR110MM	110mm				
CKDR407	4-7/16"	9.50	8.81	2.24	2.34
CKDR408	4-1/2"				
CKDR115MM	115mm				

Blue Brute Bearings – Seal Options

Open End Covers with VR Seals



CL and EC Series -
Open End Cover with VR Seal Dimensions (in.)

Cover Part Number	Shaft Sizes	A	B	C1	C2
CJVR08	1-7/16"	3.82	3.02	1.25	1.55
	1-1/2"				
	40mm				
CJVR09	1-11/16"	4.01	3.21	1.25	1.60
	1-3/4"				
	45mm				
CJVR10	1-15/16"	4.21	3.41	1.25	1.60
	2"				
	50mm				
CJVR11	2-3/16"	4.61	3.81	1.25	1.60
	2-1/4"				
	55mm				
CJVR13	60mm	5.20	4.57	1.08	1.43
	2-7/16"				
	2-1/2"				
CJVR15	65mm	5.59	4.84	1.30	1.73
	2-11/16"				
	70mm				
CJVR18	2-3/4"	6.62	5.87	1.53	1.96
	2-15/16"				
	3"				
CJVR20	75mm	7.56	6.88	1.75	2.18
	3-3/16"				
	3-1/4"				
CJVR22	80mm	8.35	7.67	2.07	2.57
	85mm				
	3-7/16"				
CJVR26	3-1/2"	9.50	8.81	2.24	2.74
	3-1/2"				
	90mm				
CJVR26	3-15/16"	9.50	8.81	2.24	2.74
	4"				
	100mm				
CJVR26	110mm	9.50	8.81	2.24	2.74
	115mm				
	125mm				
CJVR26	4-7/16"	9.50	8.81	2.24	2.74
	4-1/2"				
	115mm				
CJVR26	4-15/16"	9.50	8.81	2.24	2.74
	5"				
	5"				

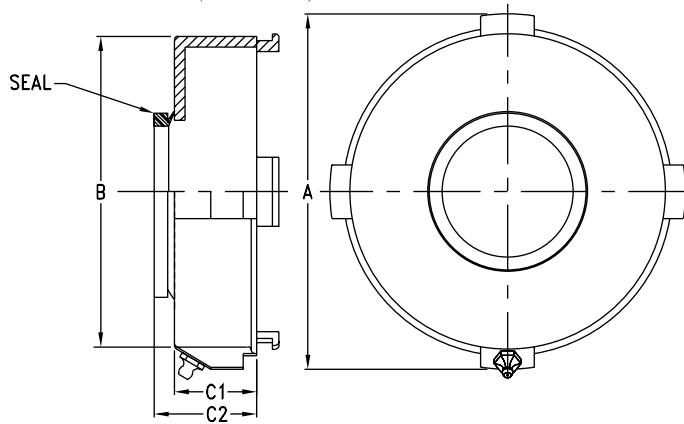
TA/DV Series -
Open End Cover with VR Seal Dimensions (in.)

Cover Part Number	Shaft Sizes	A	B	C1	C2
CKVR11	1-15/16"	4.61	3.81	1.25	1.60
	2"				
	50mm				
CKVR13	2-3/16"	5.20	4.57	1.08	1.43
	2-1/4"				
	60mm				
CKVR15	2-7/16"	5.59	4.84	1.30	1.65
	2-1/2"				
	65mm				
CKVR17	2-15/16"	6.32	5.57	1.22	1.65
	3"				
	75mm				
CKVR20	3-7/16"	7.56	6.88	1.75	2.18
	3-1/2"				
	90mm				
CKVR22	3-15/16"	8.35	7.67	2.07	2.50
	4"				
	100mm				
CKVR26	4-7/16"	9.50	8.81	2.24	2.74
	4-1/2"				
	115mm				

(continued on next page)

Blue Brute Bearings – Seal Options

Open End Covers with VR Seals (continued)



V-Lock Series - Straight Bore Equivalent -
(QV(V)...P, PL, SN, PF, PR, PX, PXT, C, CW, F, FL, FY, FX, TU)

V-Lock Series - Tapered Adapter Equivalent -
(QV(V)...PA, PN, PKT, PK, PH, PG FC, FB, MC)

Open End Cover with VR Seal Dimensions (in.)

Cover Part Number *	Shaft Size	A	B	C1	C2
CVVR11	1-15/16"	4.61	3.81	1.25	1.60
	2"				
	50mm				
CVVR12	2-3/16"	4.96	4.16	1.25	1.60
	2-1/4"				
	55mm				
CVVR13	60mm	5.20	4.57	1.08	1.43
	2-7/16"				
	2-1/2"				
CVVR15	65mm	5.59	4.84	1.30	1.73
	2-11/16"				
	2-3/4"				
CVVR18	70mm	6.62	5.87	1.53	1.96
	2-15/16"				
	3"				
CVVR22	75mm	8.35	7.67	2.07	2.50
	3-3/16"				
	3-1/4"				
CVVR26	80mm	9.50	8.81	2.24	2.74
	85mm				
	3-7/16"				
CVVR28	3-1/2"	9.50	8.81	2.24	2.74
	90mm				
	3-11/16"				
	3-3/4"	9.50	8.81	2.24	2.74
	100mm				
	3-15/16"				
	4"	9.50	8.81	2.24	2.74
	110mm				
	4-7/16"				
	4-1/2"	9.50	8.81	2.24	2.74
	115mm				
	125mm				
	4-15/16"	9.50	8.81	2.24	2.74
	130mm				
	5"				

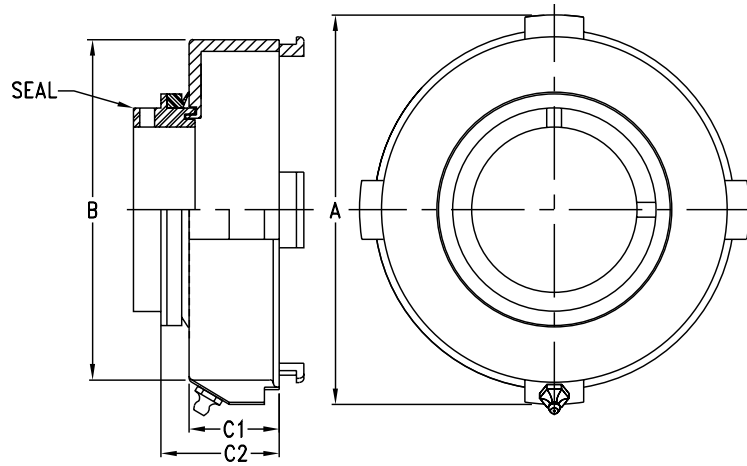
Open End Cover with VR Seal Dimensions (in.)

Cover Part Number	Shaft Size	A	B	C1	C2
CKVR11	1-15/16"	4.61	3.81	1.25	1.60
	2"				
	50mm				
CKVR13	2-3/16"	5.20	4.57	1.08	1.43
	2-1/4"				
	55mm				
CKVR15	60mm	5.59	4.84	1.30	1.65
	2-7/16"				
	2-1/2"				
CKVR17	65mm	6.32	5.57	1.22	1.65
	2-11/16"				
	2-3/4"				
CKVR20	70mm	7.56	6.88	1.75	2.18
	2-15/16"				
	3"				
CKVR22	75mm	8.35	7.67	2.07	2.50
	3-3/16"				
	3-1/4"				
CKVR26	80mm	9.50	8.81	2.24	2.74
	85mm				
	3-7/16"				
CKVR28	3-1/2"	9.50	8.81	2.24	2.74
	90mm				
	3-11/16"				
	3-3/4"	9.50	8.81	2.24	2.74
	100mm				
	3-15/16"				
	4"	9.50	8.81	2.24	2.74
	110mm				
	4-7/16"				
	4-1/2"	9.50	8.81	2.24	2.74
	115mm				
	125mm				
	4-15/16"	9.50	8.81	2.24	2.74
	130mm				
	5"				

* Please refer to bore size when choosing cover for straight-bore V-Lock

Blue Brute Bearings – Seal Options

Open End Covers with CC Collars



CL and EC Series -
Open End Cover with CC Collar Dimensions (in.)

Cover Part Number	Shaft Size	A	B	C1	C2
CJCC115	1-15/16"				
CJCC200	2"	4.21	3.41	1.25	2.29
CJCC050MM	50mm				
CJCC203	2-3/16"	4.61	3.81	1.25	2.29
CJCC204	2-1/4"				
CJCC060MM	60mm				
CJCC207	2-7/16"	5.20	4.57	1.08	2.12
CJCC208	2-1/2"				
CJCC065MM	65mm				
CJCC211	2-11/16"				
CJCC212	2-3/4"				
CJCC070MM	70mm	5.59	4.84	1.30	2.59
CJCC215	2-15/16"				
CJCC300	3"				
CJCC075MM	75mm				
CJCC307	3-7/16"				
CJCC308	3-1/2"	6.62	5.87	1.53	2.88
CJCC090MM	90mm				
CJCC315	3-15/16"				
CJCC400	4"	7.56	6.88	1.75	3.23
CJCC100MM	100mm				

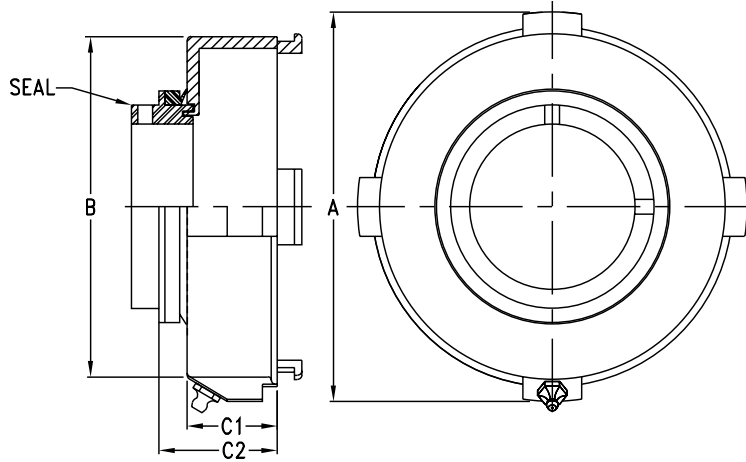
TA and DV Series -
Open End Cover with CC Collar Dimensions (in.)

Cover Part Number	Shaft Size	A	B	C1	C2
CKCC115	1-15/16"				
CKCC200	2"	4.61	3.81	1.25	2.29
CKCC050MM	50mm				
CKCC203	2-3/16"	5.20	4.57	1.08	2.29
CKCC204	2-1/4"				
CKCC060MM	60mm				
CKCC207	2-7/16"	5.59	4.84	1.30	2.12
CKCC208	2-1/2"				
CKCC065MM	65mm				
CKCC215	2-15/16"				
CKCC300	3"	6.32	5.57	1.22	2.51
CKCC075MM	75mm				
CKCC307	3-7/16"				
CKCC308	3-1/2"	7.56	6.88	1.75	3.10
CKCC090MM	90mm				
CKCC315	3-15/16"				
CKCC400	4"	8.35	7.67	2.07	3.55
CKCC100MM	100mm				

(continued on next page)

Blue Brute Bearings – Seal Options

Open End Covers with CC Collars (continued)



V-Lock Series - Straight Bore Equivalent -
(QV(V)...P, PL, SN, PF, PR, PX, PXT, C, CW, F, FL, FY, FX, TU)

Open End Cover with CC Collar Dimensions (in.)

Cover Part Number	Shaft Size	A	B	C1	C2
CVCC115	1-15/16"				
CVCC200	2"	4.61	3.81	1.25	2.29
CVCC050MM	50mm				
CVCC203	2-3/16"	4.96	4.16	1.25	2.29
CVCC204	2-1/4"				
CVCC060MM	60mm				
CVCC207	2-7/16"	5.20	4.57	1.08	2.12
CVCC208	2-1/2"				
CVCC065MM	65mm				
CVCC211	2-11/16"				
CVCC212	2-3/4"				
CVCC070MM	70mm				
CVCC215	2-15/16"	5.59	4.84	1.30	2.59
CVCC300	3"				
CVCC075MM	75mm				
CVCC307	3-7/16"				
CVCC308	3-1/2"	6.62	5.87	1.53	2.88
CVCC090MM	90mm				
CVCC315	3-15/16"				
CVCC400	4"	8.35	7.67	2.07	3.57
CVCC100MM	100mm				

V-Lock Series - Tapered Adapter Equivalent -
(QV(V)...PA, PN, PKT, PK, PH, PG FC, FB, MC)

Open End Cover with CC Collar Dimensions (in.)

Cover Part Number	Shaft Size	A	B	C1	C2
CKCC115	1-15/16"				
CKCC200	2"	4.61	3.81	1.25	2.29
CKCC050MM	50mm				
CKCC203	2-3/16"				
CKCC204	2-1/4"	5.20	4.57	1.08	2.12
CKCC060MM	60mm				
CKCC207	2-7/16"				
CKCC208	2-1/2"	5.59	4.84	1.30	2.59
CKCC065MM	65mm				
CKCC215	2-15/16"				
CKCC300	3"	6.32	5.57	1.22	2.82
CKCC075MM	75mm				
CKCC307	3-7/16"				
CKCC308	3-1/2"	7.56	6.88	1.75	3.10
CKCC090MM	90mm				
CKCC315	3-15/16"				
CKCC400	4"	8.35	7.67	2.07	3.57
CKCC100MM	100mm				

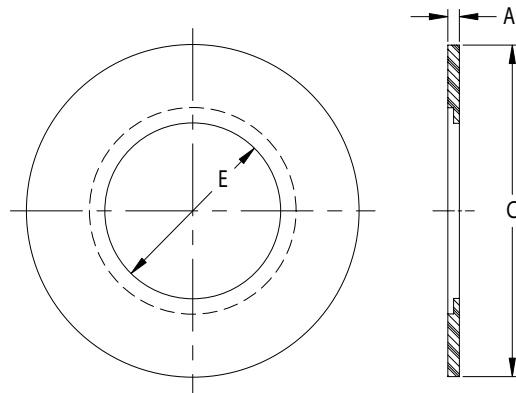
Blue Brute Bearings – Seal Options

UFP, CFP & HSY Flange Block Backing Plate Dimensions

UFP Backing Plate Dimensions* (in.)

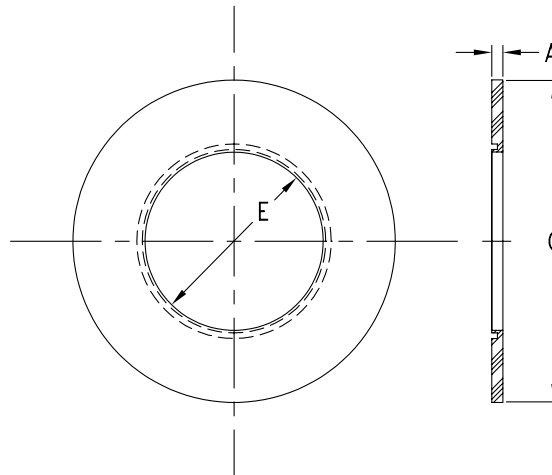
Cover Part Number	A	C	E
UFP08	0.20	3.75	1.55
UFP09	0.20	4.17	1.76
UFP10	0.15	4.19	2.04
UFP11	0.25	4.51	2.35
UFP13	0.20	5.75	2.55
UFP15	0.20	5.77	3.07
UFP18	0.20	7.38	3.56
UFP20	0.20	8.13	4.10
UFP22	0.20	8.50	5.13

* Actual backing plate may differ from drawing.



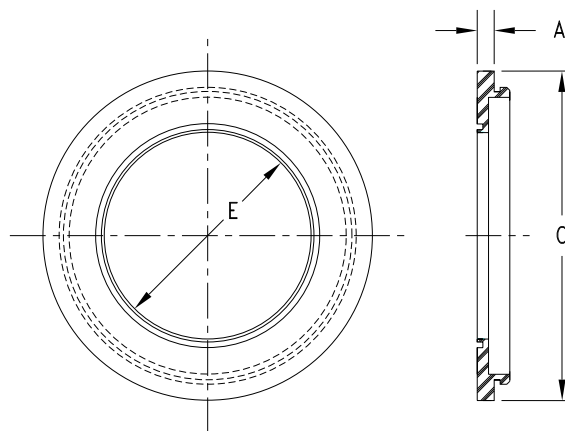
CFP Backing Plate Dimensions (in.)

Cover Part Number	A	C	E
CFP10	0.15	4.19	2.69
CFP11	0.25	4.51	2.94
CFP13	0.20	5.75	3.19
CFP15	0.20	5.77	3.69
CFP18	0.20	7.38	4.19
CFP20	0.20	8.13	4.69



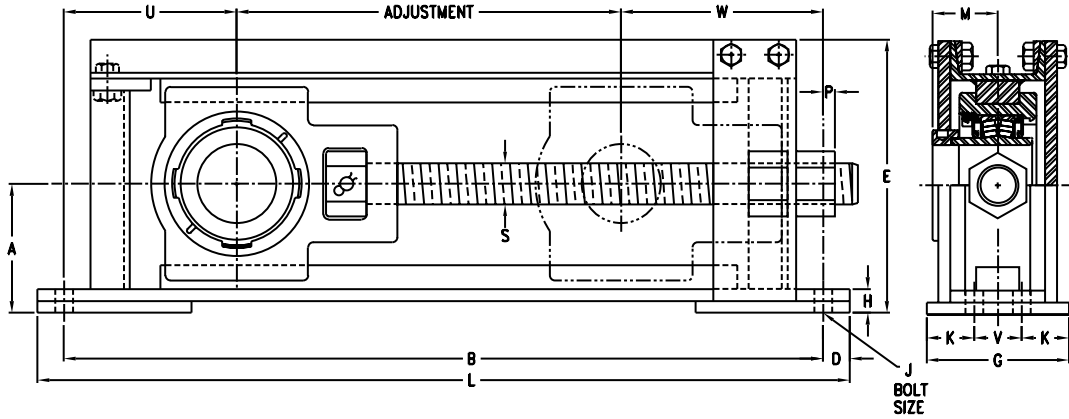
HSY Backing Plate Dimensions (in.)

Cover Part Number	A	C	E
HSY10	0.20	4.25	2.69
HSY11	0.20	4.73	2.94
HSY13	0.25	5.25	3.19
HSY14	0.25	5.25	3.19
HSY15	0.25	6.13	3.69
HSY16	0.35	6.13	3.69
HSY18	0.20	7.13	4.19
HSY19	0.30	7.13	4.19
HSY20	0.20	7.87	4.69
HSY22	0.30	10.00	5.19



Blue Brute Bearings – Take-Up Frames

Take-Up Frames*



QMTF Take-Up Frame Dimensions (in)

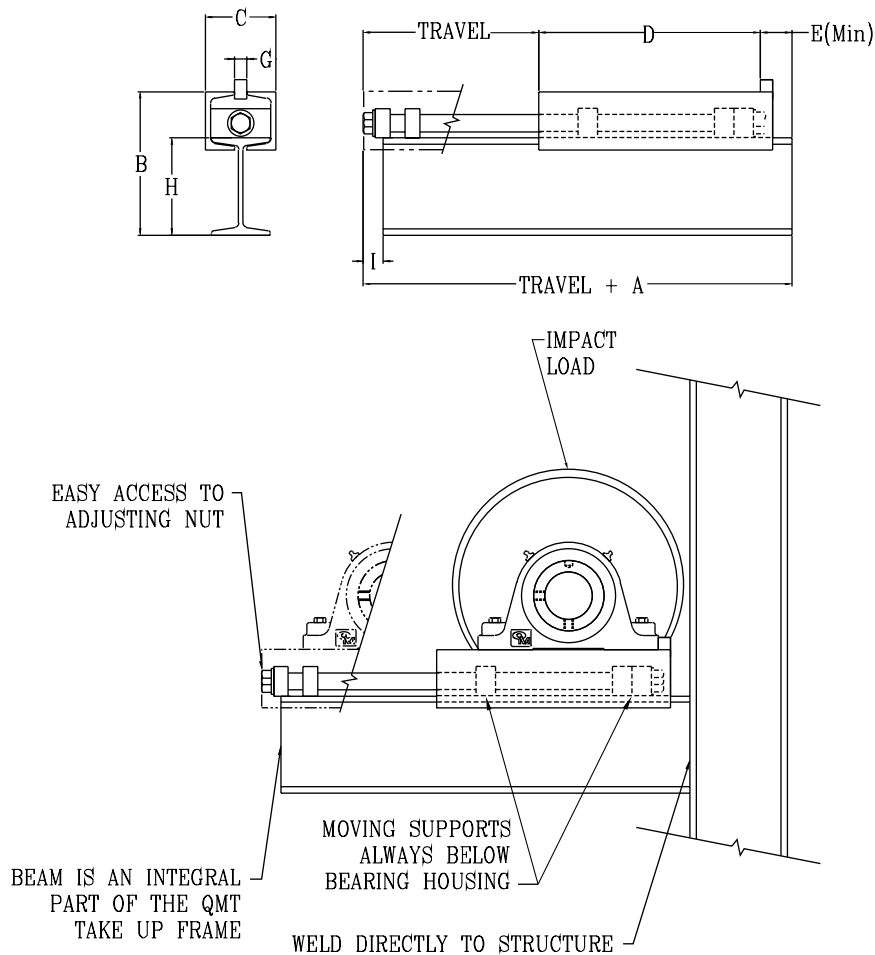
Frame Part No.	Travel Nom.	Travel Adj.	A	B	D	E	G	H	J	K	L	M	P	S	U	V	W	No. of Bolts Req.	Wt (lbs)
QMTF12-115	12	16.50	3.94	27.50	1.00	8.28	4.00	1.25	5/8	-	29.50	1.88	1.25	1-5 ACME	5.38	-	5.63	2	60
QMTF12-203	12	17.00	4.19	27.50	1.00	8.66	4.00	1.38	5/8	-	29.50	2.00	1.63	1.125-5 ACME	4.56	-	5.94	2	65
QMTF12-207	12	16.60	4.38	28.50	1.00	9.19	4.00	1.13	3/4	-	30.50	2.13	1.75	1.25-5 ACME	5.31	-	6.56	2	71
QMTF12-215	12	15.50	5.09	30.50	1.00	10.74	5.00	1.13	5/8	1.50	32.50	2.38	0.50	1.5-4 ACME	6.50	2.00	8.50	4	109
QMTF12-307	12	15.50	5.63	32.00	1.13	11.63	5.00	1.03	3/4	1.50	34.25	2.58	1.00	1.75-4 ACME	7.31	2.00	9.19	4	138
QMTF12-315	12	18.00	7.00	36.00	1.25	14.47	6.00	1.44	3/4	1.75	38.50	2.96	1.63	2-4 ACME	7.50	2.50	10.44	4	191
QMTF18-207	18	22.60	4.38	34.50	1.00	9.22	4.00	1.06	3/4	-	36.50	2.13	1.75	1.25-5 ACME	5.50	-	6.40	2	81
QMTF18-215	18	21.50	5.09	36.50	1.00	10.74	5.00	1.13	5/8	1.50	38.50	2.38	0.50	1.2-4 ACME	6.50	2.00	8.50	4	120
QMTF18-307	18	21.50	5.63	38.00	1.13	11.63	5.00	1.03	3/4	1.50	40.25	2.58	1.00	1.75-4 ACME	7.31	2.00	9.19	4	156
QMTF18-315	18	24.00	7.00	42.00	1.25	14.44	6.00	1.44	3/4	1.75	44.50	2.96	1.63	2-4 ACME	7.50	2.50	10.44	4	223
QMTF24-207	24	28.60	4.38	28.50	1.00	9.19	4.00	1.13	3/4	-	42.50	2.13	1.75	1.25-5 ACME	4.56	-	6.56	2	91
QMTF24-215	24	27.50	5.09	30.50	1.00	10.69	5.00	0.97	5/8	1.50	44.50	2.38	0.50	1.5-4 ACME	6.50	2.00	8.50	4	141
QMTF24-307	24	27.50	5.63	44.00	1.13	11.63	5.00	1.03	3/4	1.50	46.25	2.58	1.00	1.75-4 ACME	7.31	2.00	9.19	4	179
QMTF24-315	24	30.00	7.00	48.00	1.25	14.47	6.00	1.44	3/4	1.75	50.50	2.96	1.63	2-4 ACME	7.50	2.50	10.44	4	249

*Frame Only. Bearing unit must be ordered separately. See pages 48 (V-Lock), 77-78 (CL) and 97 (EC) for information on take-up bearing units.

Note: All take-up frames come with Acme threaded rod.

Blue Brute Bearings – Take-Up Frames

Pillow Block Take-Up Frames*



QMT Pillow Block Take-Up Frame Dimensions (in)

Frame Part No.	Bearing Size	Travel	A	B	C	D	E	F	G	H	I	Wt (lbs)
QMT1 X 9	1-7/16" - 2-15/16"	9	13.0	7.375	3.625	11.38	1.63	3.0	5/8	5.0	1.0	26
QMT1 X 12	1-7/16" - 2-15/16"	12	13.0	7.375	3.625	11.38	1.63	3.0	5/8	5.0	1.0	30
QMT1 X 18	1-7/16" - 2-15/16"	18	13.0	7.375	3.625	11.38	1.63	3.0	5/8	5.0	1.0	36
QMT1 X 24	1-7/16" - 2-15/16"	24	13.0	7.375	3.625	11.38	1.63	3.0	5/8	5.0	1.0	42
QMT2 X 18	2-15/16" - 4-7/16"	18	19.0	12.25	4.938	17.00	2.00	4.19	1	8.0	1.5	74
QMT2 X 24	1-7/16" - 2-15/16"	24	19.0	12.25	4.938	17.00	2.00	4.19	1	8.0	1.5	90
QMT2 X 36	1-7/16" - 2-15/16"	36	19.0	12.25	4.938	17.00	2.00	4.19	1	8.0	1.5-	96

*Frame Only. Bearing unit must be ordered separately.
Note: All take-up frames come with Acme threaded rod.

Blue Brute Bearings – V-Lock Series (Adapter Lock) US Pat. No. 7344313

- Introduction
- Blue Brute Bearings
- Bearing Interchange Guide
- Quick-Flex Couplings
- Rigid Compression Couplings
- Index

	Housing Type	Primary Seals						
		'M'	'N'	'O'	'B'	'C'	'T'	'ML'
V-Lock (QM Bearings exclusive Double Taper Lock)	Pillow Block	✓	✓	✓	✓	✓	✓	
	Flange Block	✓	✓	✓	✓	✓	✓	
	Piloted Flange Cartridge	✓	✓	✓	✓	✓	✓	
	Take-Up Block	✓	✓	✓	✓	✓	✓	
	Cartridge Block	✓	✓	✓	✓	✓	✓	
CL Series (Set Screw Lock)	Pillow Block	✓	✓	✓	✓	✓	✓	✓
	Flange Block	✓	✓	✓	✓	✓	✓	✓
	Piloted Flange Cartridge	✓	✓	✓	✓	✓	✓	✓
	Take-Up Block	✓	✓	✓	✓	✓	✓	✓
	Cartridge Block	✓	✓	✓	✓	✓	✓	
EC Series (Eccentric Lock)	Pillow Block	✓	✓	✓	✓	✓	✓	
	Flange Block	✓	✓	✓	✓	✓	✓	
	Piloted Flange Cartridge	✓	✓	✓	✓	✓	✓	
	Take-Up Block	✓	✓	✓	✓	✓	✓	
	Cartridge Block	✓	✓	✓	✓	✓	✓	
TA Series (Tapered Adapter Lock)	Pillow Block	✓	✓	✓	✓	✓	✓	
	Flange Block	✓	✓	✓	✓	✓	✓	
	Piloted Flange Cartridge	✓	✓	✓	✓	✓	✓	
	Cartridge Block	✓	✓	✓	✓	✓	✓	
DV Series (Tapered Adapter Lock)	Pillow Block	✓	✓	✓	✓	✓	✓	
	Flange Block	✓	✓	✓	✓	✓	✓	
	Piloted Flange Cartridge	✓	✓	✓	✓	✓	✓	

Blue Brute Bearings – V-Lock Series (Adapter Lock) US Pat. No. 7344313

Secondary Seals and Covers								Housing Type	
Open End Cover			Closed End Cover	HSY Flange Cartridge Backing Plate		'UFP' Backing Plate	'CFP' Backing Plate with 'CC' Collar		
'DR'	'VR'	CC Collar		'DR'	'CC' Collar				
✓	✓	✓	✓					Pillow Block	V-Lock (QM Bearings exclusive/ Double Taper Lock)
✓	✓	✓	✓					Flange Block	
✓	✓	✓	✓					Piloted Flange Cartridge	
✓	✓	✓	✓					Take-Up Block	
✓	✓	✓	✓					Cartridge Block	
✓	✓	✓	✓					Pillow Block	CL Series (Set Screw Lock)
✓	✓	✓	✓			✓	✓	Flange Block	
✓	✓	✓	✓	✓	✓			Piloted Flange Cartridge	
✓	✓	✓	✓					Take-Up Block	
✓	✓	✓	✓					Cartridge Block	
✓	✓	✓	✓					Pillow Block	EC Series (Eccentric Lock)
✓	✓	✓	✓			✓	✓	Flange Block	
✓	✓	✓	✓	✓	✓			Piloted Flange Cartridge	
✓	✓	✓	✓					Take-Up Block	
✓	✓	✓	✓					Cartridge Block	
✓	✓	✓	✓					Pillow Block	TA Series (Tapered Adapter Lock)
✓	✓	✓	✓					Flange Block	
✓	✓	✓	✓					Piloted Flange Cartridge	
✓	✓	✓	✓					Cartridge Block	
✓	✓	✓	✓					Pillow Block	DV Series (Tapered Adapter Lock)
✓	✓	✓	✓					Flange Block	
✓	✓	✓	✓					Piloted Flange Cartridge	

Introduction
Blue Brute Bearings
Bearing Interchange Guide
Quick-Flex Couplings
Rigid Compression Couplings
Index

Blue Brute Bearings – V-Lock Series (Adapter Lock) US Pat. No. 7344313

The V-Lock locking mechanism (US Pat. No. 7344313) evenly distributes force on the shaft, virtually eliminating fretting corrosion. V-Lock provides maximum holding power, yet it is impossible to overtighten.

In response to customer input, V-Lock was specifically designed to address common bearing problems:

- ⇒ Reliable mechanical withdrawal
- ⇒ Preset clearances (feeler gauges are unneeded)
- ⇒ Quick installation (10 minutes or less)
- ⇒ Highest holding power
- ⇒ Works well in high-speed applications where shaft centering is an issue

You Have Choices

For the V-Lock series, you can select either single-nut or double-nut and choose from 10 seal options and many housing styles as shown on pages 22-23.

Housings

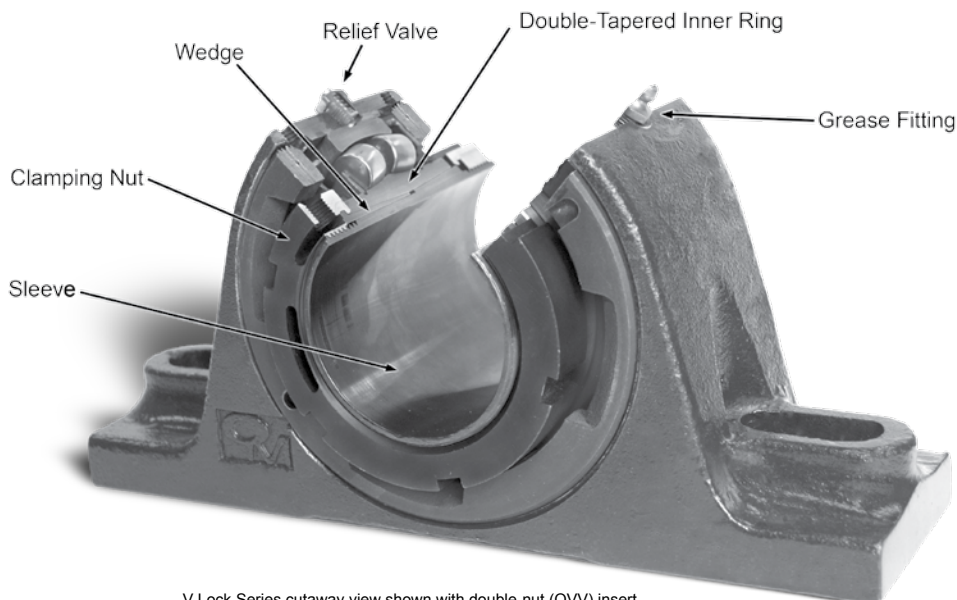
- ⇒ Two-bolt pillow blocks
- ⇒ Four-bolt pillow blocks
- ⇒ Flange blocks
- ⇒ Piloted flange cartridges
- ⇒ Cartridge blocks
- ⇒ Take-up blocks

Seals

- ⇒ Labyrinth: Teflon (T)
- ⇒ Triple lip: nitrile rubber (M), Viton® (N) and urethane (O)
- ⇒ Double lip: nitrile rubber (B) and Viton® (C)
- ⇒ Closed end covers (CS)
- ⇒ Open end covers (CV) with:
 - Triple lip seal (DR)
 - V-ring seal (VR)
 - Contamination collar (CC)



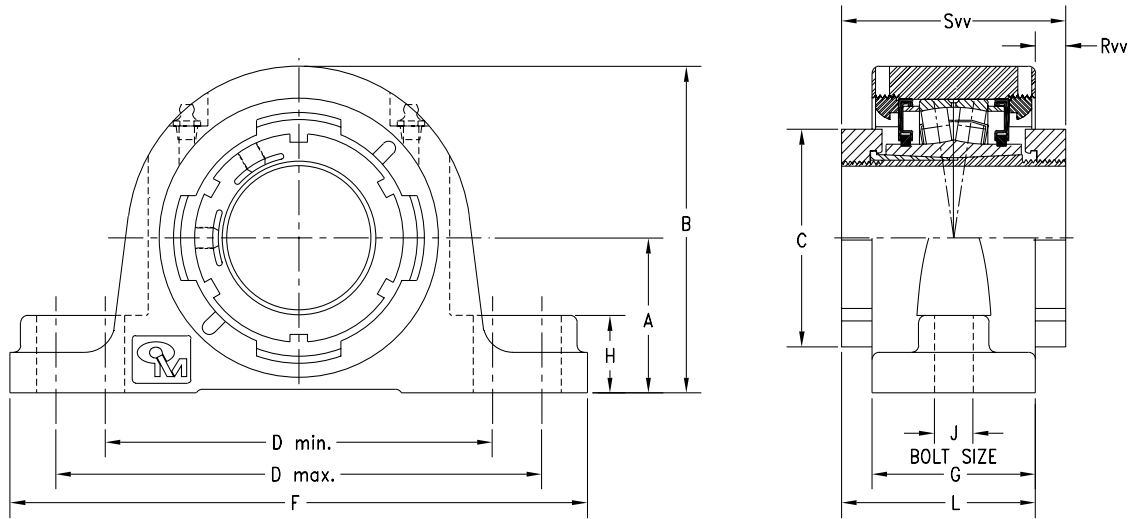
V-Lock Series Insert



V-Lock Series cutaway view shown with double-nut (QVV) insert

Blue Brute Bearings – V-Lock Series (Adapter Lock) US Pat. No. 7344313

QVVP 2-Bolt Pillow Blocks - Straight Bore Equivalent



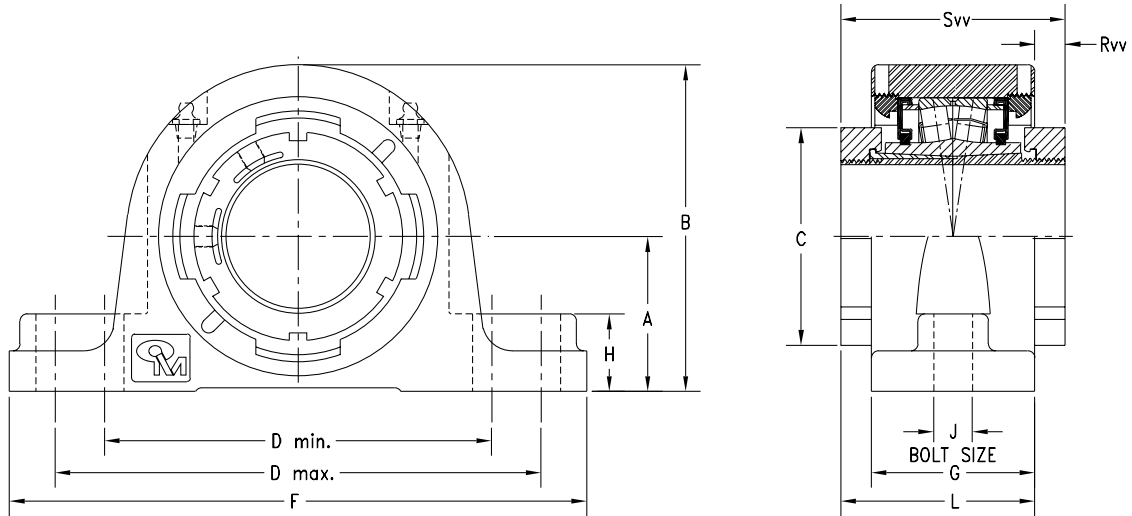
QVVP 2-Bolt Pillow Block Dimensions (in)

Bearing Part No.*	Shaft Size	Bearing Number	A	B	C	D _{MIN}	D _{MAX}	F	G	H	J	L	R _w	S _w	Wt (lbs)
QVVP11V115S	1-15/16"														
QVVP11V200S	2"	22211	2.25	4.81	2.99	6.00	7.13	8.88	2.44	1.25	5/8	3.23	0.79	4.02	14
QVVP11V050S	50mm														
QVVP12V203S	2-3/16"														
QVVP12V204S	2-1/4"	22212	2.50	5.25	3.16	6.50	7.88	9.63	2.63	1.25	5/8	3.33	0.70	4.02	17
QVVP12V055S	55mm														
QVVP14V060S	60mm														
QVVP14V207S	2-7/16"	22214	2.75	5.80	3.70	6.88	8.63	10.25	2.90	1.38	5/8	3.50	0.60	4.09	22
QVVP14V208S	2-1/2"														
QVVP14V065S	65mm														
QVVP16V211S	2-11/16"														
QVVP16V212S	2-3/4"														
QVVP16V070S	70mm	22216	3.13	6.47	4.19	7.88	9.63	11.63	3.00	1.38	3/4	3.59	0.59	4.18	28
QVVP16V215S	2-15/16"														
QVVP16V300S	3"														
QVVP16V075S	75mm														
QVVP19V303S	3-3/16"														
QVVP19V304S	3-1/4"														
QVVP19V080S	80mm	22219	3.75	7.69	4.90	9.38	11.25	13.50	3.41	1.88	7/8	4.02	0.61	4.63	45
QVVP19V085S	85mm														
QVVP19V307S	3-7/16"														
QVVP19V308S	3-1/2"														
QVVP19V090S	90mm														
QVVP22V311S	3-11/16"														
QVVP22V312S	3-3/4"														
QVVP22V100S	100mm	22222	4.13	8.65	5.50	10.04	12.60	14.25	4.04	2.00	1	4.59	0.55	5.13	59
QVVP22V315S	3-15/16"														
QVVP22V400S	4"														

* Double-nut (QVV) part number shown. Single-nut (QV) version available upon request.

Blue Brute Bearings – V-Lock Series (Adapter Lock) US Pat. No. 7344313

QVVPL 2-Bolt Pillow Blocks - Straight Bore Equivalent



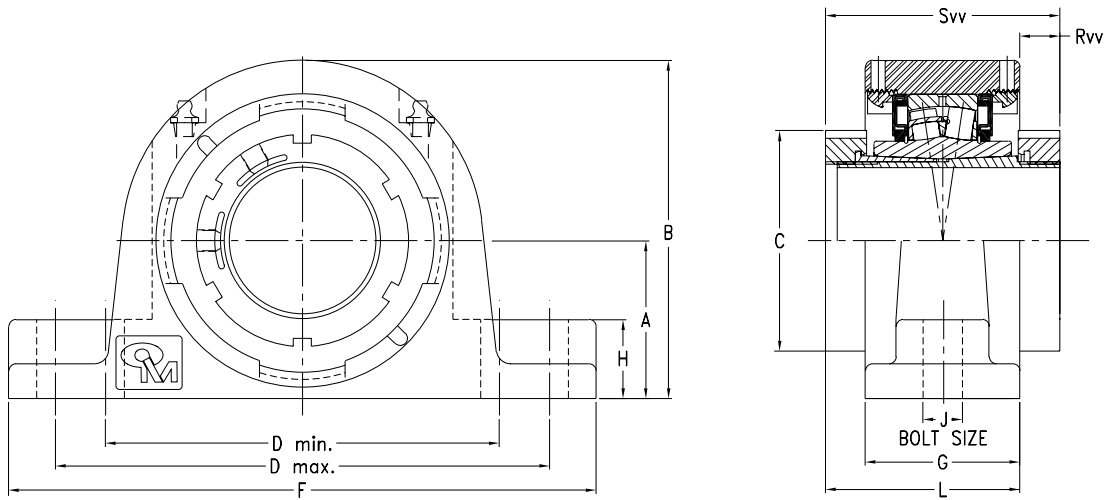
QVVPL 2-Bolt Pillow Block Dimensions (in)

Bearing Part No.*	Shaft Size	Bearing Number	A	B	C	D _{MIN}	D _{MAX}	F	G	H	J	L	R _{VV}	S _{VV}	Wt (lbs)
QVVPL11V115S	1-15/16"														
QVVPL11V200S	2"	22211	2.25	4.81	2.99	5.93	6.36	8.38	2.44	1.25	5/8	3.23	0.79	4.02	14
QVVPL11V050S	50mm														
QVVPL12V203S	2-3/16"														
QVVPL12V204S	2-1/4"	22212	2.50	5.25	3.16	6.50	7.06	8.88	2.58	1.25	5/8	3.30	0.72	4.02	17
QVVPL12V055S	55mm														
QVVPL14V060S	60mm														
QVVPL14V207S	2-7/16"	22214	2.75	5.80	3.70	6.81	7.44	9.25	2.90	1.38	5/8	3.50	0.60	4.09	22
QVVPL14V208S	2-1/2"														
QVVPL14V065S	65mm														
QVVPL16V211S	2-11/16"														
QVVPL16V212S	2-3/4"														
QVVPL16V070S	70mm	22216	3.25	6.59	4.19	7.70	8.40	10.44	3.00	1.38	3/4	3.59	0.59	4.18	28
QVVPL16V215S	2-15/16"														
QVVPL16V300S	3"														
QVVPL16V075S	75mm														
QVVPL19V303S	3-3/16"														
QVVPL19V304S	3-1/4"														
QVVPL19V080S	80mm														
QVVPL19V085S	85mm	22219	3.75	7.69	4.90	9.25	10.75	13.00	3.41	1.88	7/8	4.02	0.61	4.63	45
QVVPL19V307S	3-7/16"														
QVVPL19V308S	3-1/2"														
QVVPL19V090S	90mm														
QVVPL22V311S	3-11/16"														
QVVPL22V312S	3-3/4"														
QVVPL22V100S	100mm	22222	4.25	8.78	5.50	10.04	12.60	14.25	4.04	2.12	1	4.59	0.55	5.13	59
QVVPL22V315S	3-15/16"														
QVVPL22V400S	4"														

* Double-nut (QVV) part number shown. Single-nut (QV) version available upon request.

Blue Brute Bearings – V-Lock Series (Adapter Lock) US Pat. No. 7344313

QVVPA 2-Bolt Pillow Blocks **NEW** - Tapered Bore Equivalent



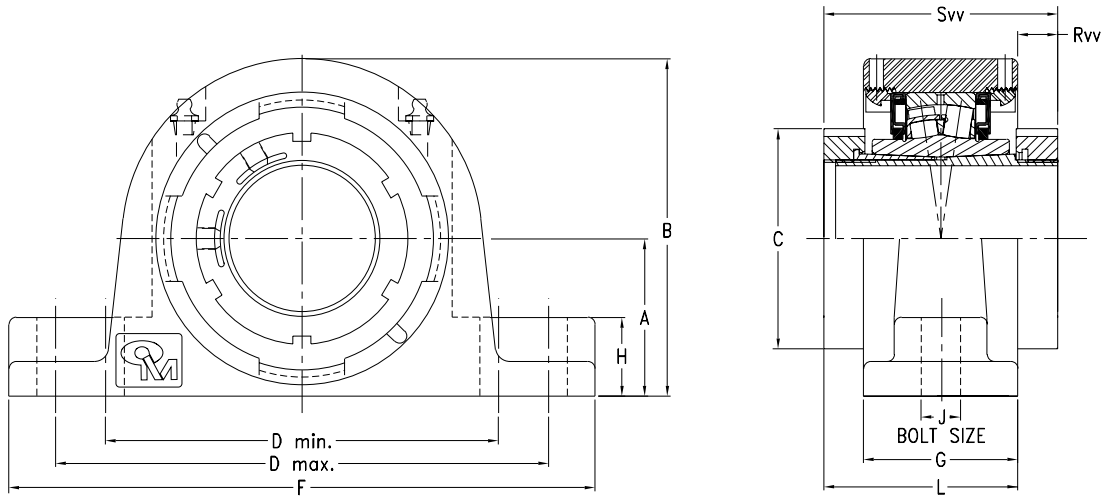
QVVPA SAF 2-Bolt Pillow Block Dimensions (in)

Bearing Part No.*	Shaft Size	Bearing Number	A	B	C	D _{MIN}	D _{MAX}	F	G	H	J	L	R _{VV}	S _{VV}	Wt (lbs)
QVVPA11V115S	1-15/16"														
QVVPA11V200S	2"	22211	2.75	5.33	2.99	6.50	8.70	9.88	2.38	1.25	5/8	3.20	0.82	4.02	17
QVVPA11V050S	50mm														
QVVPA13V203S	2-3/16"														
QVVPA13V204S	2-1/4"	22213	3.00	5.95	3.16	7.20	9.20	10.31	2.70	1.23	5/8	3.36	0.66	4.02	23
QVVPA13V055S	55mm														
QVVPA15V060S	60mm														
QVVPA15V207S	2-7/16"	22215	3.25	6.43	3.70	7.88	9.63	10.88	2.70	1.25	5/8	3.40	0.70	4.09	27
QVVPA15V208S	2-1/2"														
QVVPA15V065S	65mm														
QVVPA17V211S	2-11/16"														
QVVPA17V212S	2-3/4"														
QVVPA17V070S	70mm	22217	3.75	7.32	4.19	9.50	11.00	12.63	3.00	1.33	3/4	3.59	0.59	4.18	33
QVVPA17V215S	2-15/16"														
QVVPA17V300S	3"														
QVVPA17V075S	75mm														
QVVPA20V303S	3-3/16"														
QVVPA20V304S	3-1/4"														
QVVPA20V080S	80mm														
QVVPA20V085S	85mm	22220	4.50	8.63	4.90	10.88	12.88	14.50	3.42	1.63	7/8	4.03	0.61	4.63	65
QVVPA20V307S	3-7/16"														
QVVPA20V308S	3-1/2"														
QVVPA20V090S	90mm														
QVVPA22V311S	3-11/16"														
QVVPA22V312S	3-3/4"														
QVVPA22V100S	100mm	22222	4.94	9.47	5.50	12.50	14.50	16.00	3.96	2.00	7/8	4.55	0.59	5.13	84
QVVPA22V315S	3-15/16"														
QVVPA22V400S	4"														
QVVPA26V110S	110mm														
QVVPA26V407S	4-7/16"	22226	6.00	11.18	6.88	14.25	15.75	17.50	5.04	2.04	1	6.03	0.99	7.02	136
QVVPA26V408S	4-1/2"														
QVVPA26V115S	115mm														

* Double-nut (QVV) part number shown. Single-nut (QV) version available upon request.

Blue Brute Bearings – V-Lock Series (Adapter Lock) US Pat. No. 7344313

QVVPN 2-Bolt Pillow Blocks **NEW** - Tapered Bore Equivalent



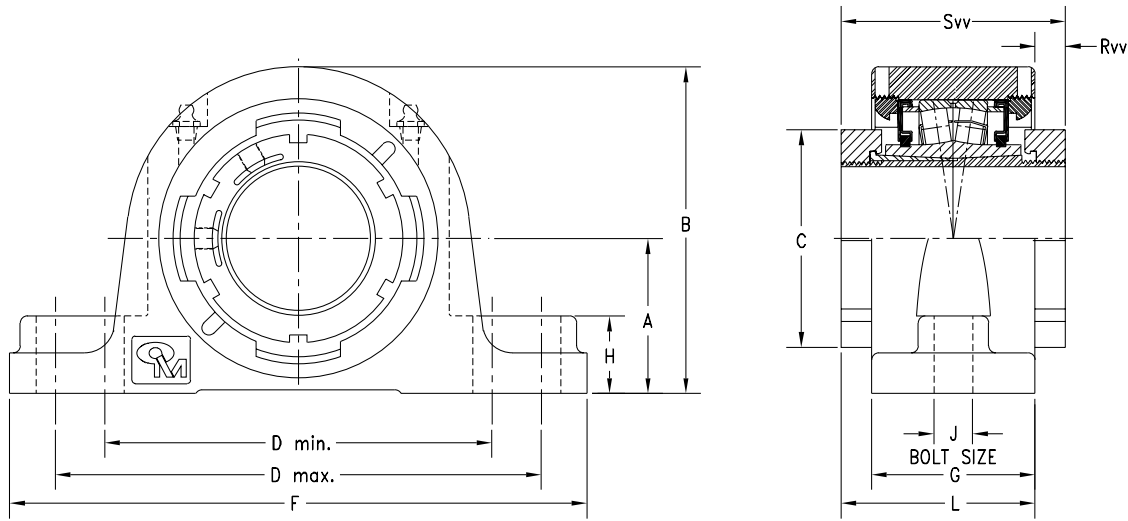
QVVPN SN 2-Bolt Pillow Block Dimensions (in)

Bearing Part No.*	Shaft Size	Bearing Number	A	B	C	D _{MIN}	D _{MAX}	F	G	H	J	L	R _{VV}	S _{VV}	Wt (lbs)
QVVPN11V115S	1-15/16"														
QVVPN11V200S	2"	22211	2.75	5.33	2.99	6.50	8.70	9.88	2.38	1.25	5/8	3.20	0.82	4.02	17
QVVPN11V050S	50mm														
QVVPN13V203S	2-3/16"														
QVVPN13V204S	2-1/4"	22213	3.15	6.10	3.16	7.20	9.20	10.31	2.70	1.38	5/8	3.36	0.66	4.02	23
QVVPN13V055S	55mm														
QVVPN15V060S	60mm														
QVVPN15V207S	2-7/16"	22215	3.15	6.33	3.70	7.88	9.63	10.88	2.70	1.15	5/8	3.40	0.70	4.09	27
QVVPN15V208S	2-1/2"														
QVVPN15V065S	65mm														
QVVPN17V211S	2-11/16"														
QVVPN17V212S	2-3/4"														
QVVPN17V070S	70mm														
QVVPN17V215S	2-15/16"	22217	3.75	7.32	4.19	9.50	11.00	12.63	3.00	1.33	3/4	3.59	0.59	4.18	33
QVVPN17V300S	3"														
QVVPN17V075S	75mm														
QVVPN20V303S	3-3/16"														
QVVPN20V304S	3-1/4"														
QVVPN20V080S	80mm														
QVVPN20V085S	85mm	22220	4.409	8.54	4.90	10.88	12.88	14.50	3.42	1.53	7/8	4.03	0.61	4.63	65
QVVPN20V307S	3-7/16"														
QVVPN20V308S	3-1/2"														
QVVPN20V090S	90mm														
QVVPN22V311S	3-11/16"														
QVVPN22V312S	3-3/4"														
QVVPN22V100S	100mm	22222	4.921	9.47	5.50	12.50	14.50	16.00	3.96	2.00	7/8	4.55	0.59	5.13	84
QVVPN22V315S	3-15/16"														
QVVPN22V400S	4"														
QVVPN26V110S	110mm														
QVVPN26V407S	4-7/16"	22226	5.906	11.08	6.88	14.46	15.75	17.50	5.04	1.94	1	6.03	0.99	7.02	136
QVVPN26V408S	4-1/2"														
QVVPN26V115S	115mm														

* Double-nut (QVV) part number shown. Single-nut (QV) version available upon request.

Blue Brute Bearings – V-Lock Series (Adapter Lock) US Pat. No. 7344313

QVVSN 2-Bolt Pillow Blocks - Pure Metric Design



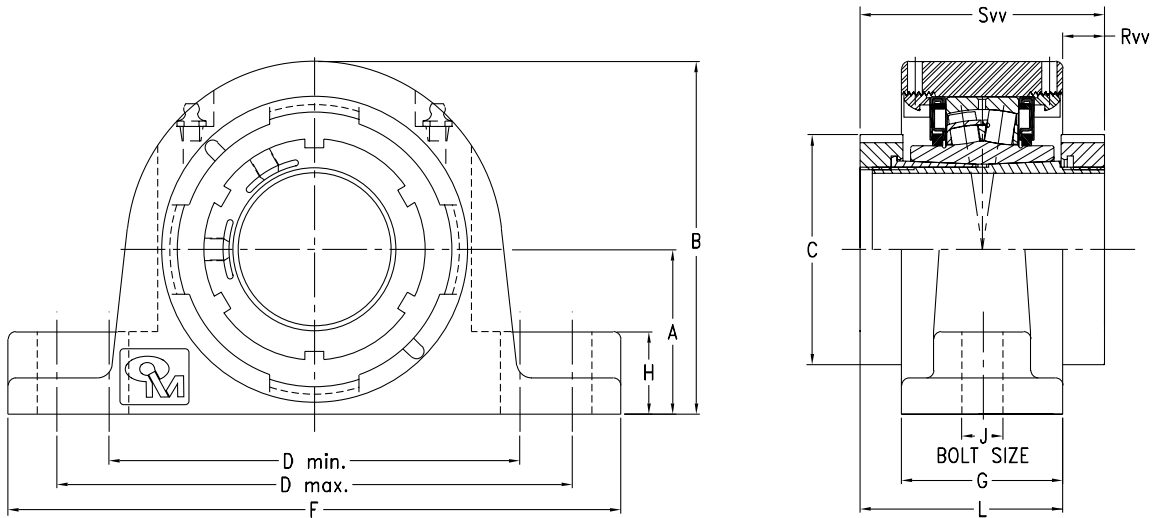
QVVSN SN 2-Bolt Pillow Block Dimensions (mm)

Bearing Part No.*	Shaft Size	Bearing Number	A	B	C	D _{MIN}	D _{MAX}	F	G	H	J	L	R _{vv}	S _{vv}	Wt (lbs)
QVVSN11V115S	1-15/16"														
QVVSN11V200S	2"	22211	70	136	76	183	216	254	68	25	16	85	17	102	29
QVVSN11V050S	50mm														
QVVSN12V203S	2-3/16"														
QVVSN12V204S	2-1/4"	22212	70	141	80	183	216	254	68	25	16	85	17	102	29
QVVSN12V055S	55mm														
QVVSN14V060S	60mm														
QVVSN14V207S	2-7/16"	22214	80	157	94	196	235	275	74	35	16	89	15	104	37
QVVSN14V208S	2-1/2"														
QVVSN14V065S	65mm														
QVVSN16V211S	2-11/16"														
QVVSN16V212S	2-3/4"														
QVVSN16V070S	70mm														
QVVSN16V215S	2-15/16"	22216	95	183	106	241	279	316	76	34	20	91	15	106	46
QVVSN16V300S	3"														
QVVSN16V075S	75mm														
QVVSN19V303S	3-3/16"														
QVVSN19V304S	3-1/4"	22219	100	200	124	279	292	345	86	39	20	102	16	118	56
QVVSN19V080S	80mm														
QVVSN19V085S	85mm	22219	112	212	124	279	292	345	86	39	20	102	16	118	56
QVVSN19V307S	3-7/16"														
QVVSN19V308S	3-1/2"	22219	112	212	124	290	327	380	86	39	24	102	16	118	56
QVVSN19V090S	90mm														
QVVSN22V311S	3-11/16"														
QVVSN22V312S	3-3/4"														
QVVSN22V100S	100mm	22222	125	241	140	319	366	410	101	50	24	116	15	130	79
QVVSN22V315S	3-15/16"														
QVVSN22V400S	4"														
QVVSN26V110S	110mm	22226	140	270	175	332	365	410	113	39	24	146	33	178	88
QVVSN26V407S	4-7/16"														
QVVSN26V408S	4-1/2"	22226	150	280	175	367	400	445	113	49	24	146	33	178	88
QVVSN26V115S	115mm														
QVVSN28V125S	125mm														
QVVSN28V415S	4-15/16"	22228	150	290	190	402	435	500	117	49	30	148	31	178	88
QVVSN28V500S	5"														
QVVSN28V130S	130mm														

* Double-nut (QVV) part number shown. Single-nut (QV) version available upon request.

Blue Brute Bearings – V-Lock Series (Adapter Lock) US Pat. No. 7344313

QVVPKT 2-Bolt Pillow Blocks **NEW** - Tapered Bore Equivalent



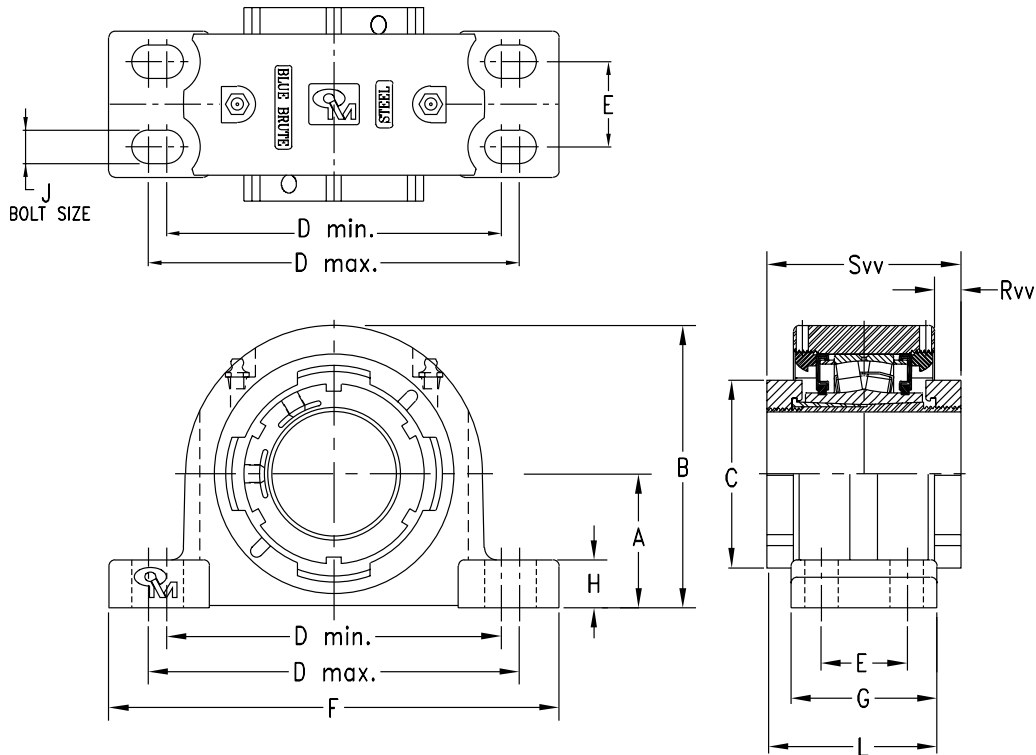
QVVPKT 9000 Series 2-Bolt Pillow Block Dimensions (in)

Bearing Part No.*	Shaft Size	Bearing Number	A	B	C	D _{MIN}	D _{MAX}	F	G	H	J	L	R _{vv}	S _{vv}	Wt (lbs)
QVVPKT13V203S	2-3/16"	22213	3.00	6.05	3.16	7.66	8.78	11.25	2.90	1.38	3/4	3.46	0.56	4.02	22
QVVPKT13V204S	2-1/4"														
QVVPKT13V055S	55mm														
QVVPKT15V060S	60mm	22215	3.50	6.84	3.70	9.06	10.44	13.00	2.98	1.38	7/8	3.54	0.56	4.09	28
QVVPKT15V207S	2-7/16"														
QVVPKT15V208S	2-1/2"														
QVVPKT15V065S	65mm														

* Double-nut (QVV) part number shown. Single-nut (QV) version available upon request.

Blue Brute Bearings – V-Lock Series (Adapter Lock) US Pat. No. 7344313

QVVPF 4-Bolt Pillow Blocks - Straight Bore Equivalent



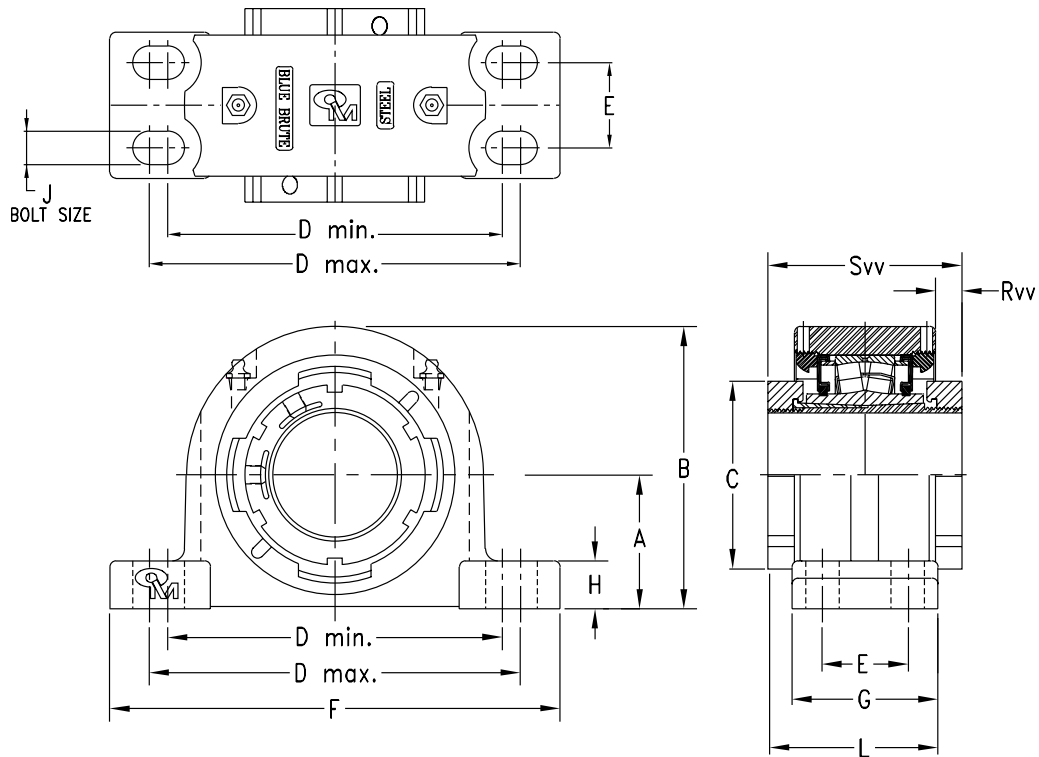
QVVPF 4-Bolt Pillow Block Dimensions (in)

Bearing Part No.*	Shaft Size	Bearing Number	A	B	C	D _{MIN}	D _{MAX}	E	F	G	H	J	L	R _{VV}	S _{VV}	Wt (lbs)
QVVPF14V060S	60mm															
QVVPF14V207S	2-7/16"	22214	2.75	5.80	3.70	6.88	7.63	1.75	9.25	3.00	0.98	5/8	3.55	0.60	4.09	20
QVVPF14V208S	2-1/2"															
QVVPF14V065S	65mm															
QVVPF16V211S	2-11/16"															
QVVPF16V212S	2-3/4"															
QVVPF16V070S	70mm	22216	3.25	6.59	4.19	7.60	9.10	1.88	10.44	3.13	1.29	5/8	3.66	0.60	4.18	27
QVVPF16V215S	2-15/16"															
QVVPF16V300S	3"															
QVVPF16V075S	75mm															
QVVPF19V303S	3-3/16"															
QVVPF19V304S	3-1/4"															
QVVPF19V080S	80mm															
QVVPF19V085S	85mm	22219	3.75	7.69	4.90	8.88	10.88	2.00	12.30	3.75	1.56	3/4	4.19	0.57	4.63	49
QVVPF19V307S	3-7/16"															
QVVPF19V308S	3-1/2"															
QVVPF19V090S	90mm															
QVVPF22V311S	3-11/16"															
QVVPF22V312S	3-3/4"															
QVVPF22V100S	100mm	22222	4.25	8.78	5.50	10.88	13.38	2.25	14.88	4.31	1.40	3/4	4.72	0.58	5.13	67
QVVPF22V315S	3-15/16"															
QVVPF22V400S	4"															
QVVPF26V110S	110mm															
QVVPF26V407S	4-7/16"	22226	4.75	9.87	6.88	11.88	14.50	2.50	16.13	4.75	1.58	3/4	5.89	1.29	7.02	82
QVVPF26V408S	4-1/2"															
QVVPF26V115S	115mm															
QVVPF28V125S	125mm															
QVVPF28V415S	4-15/16"	22228	5.50	11.01	7.48	15.13	15.88	2.75	17.50	5.04	1.54	7/8	6.03	1.24	7.02	134
QVVPF28V500S	5"															
QVVPF28V130S	130mm															

* Double-nut (QVV) part number shown. Single-nut (QV) version available upon request.

Blue Brute Bearings – V-Lock Series (Adapter Lock) US Pat. No. 7344313

QVVPR 4-Bolt Pillow Blocks - Straight Bore Equivalent



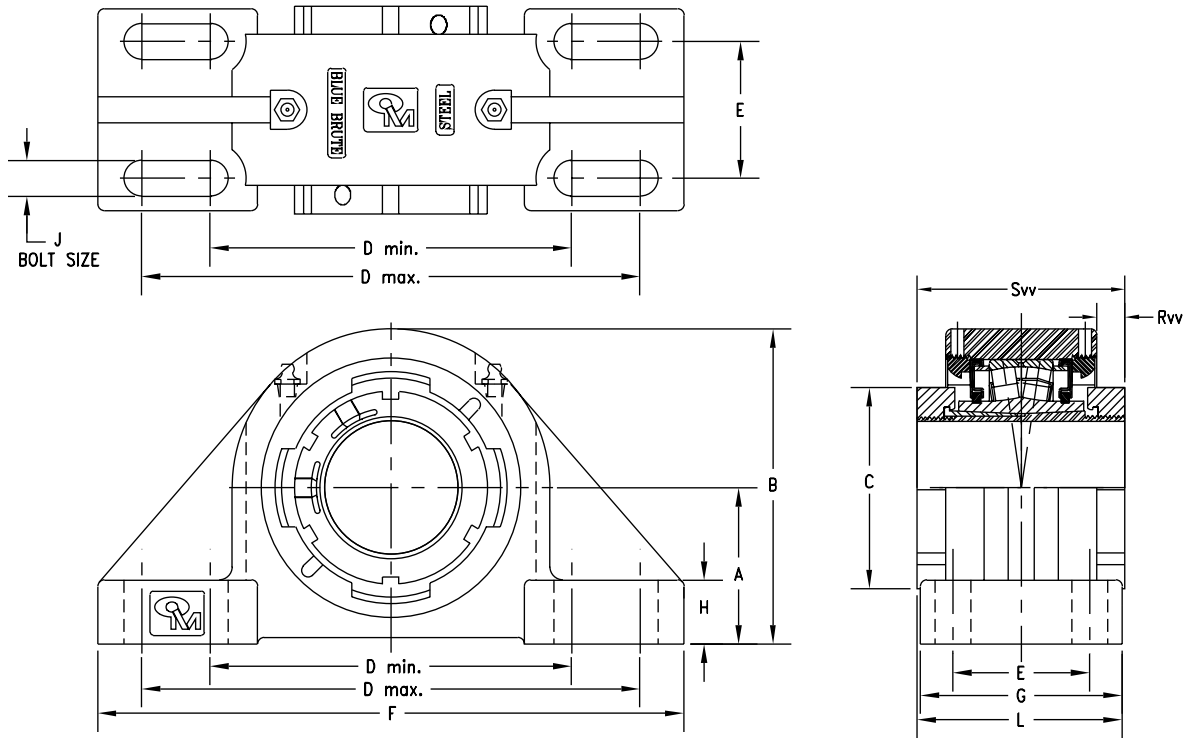
QVVPR 4-Bolt Pillow Block Dimensions (in)

Bearing Part No.*	Shaft Size	Bearing Number	A	B	C	D _{MIN}	D _{MAX}	E	F	G	H	J	L	R _w	S _w	Wt (lbs)
QVVPR14V060S	60mm															
QVVPR14V207S	2-7/16"	22214	2.75	5.80	3.70	7.13	8.75	1.88	10.25	3.25	0.98	5/8	3.67	0.60	4.09	20
QVVPR14V208S	2-1/2"															
QVVPR14V065S	65mm															
QVVPR16V211S	2-11/16"															
QVVPR16V212S	2-3/4"															
QVVPR16V070S	70mm	22216	3.13	6.47	4.19	8.00	9.60	2.13	10.83	3.38	1.16	5/8	3.78	0.60	4.18	27
QVVPR16V215S	2-15/16"															
QVVPR16V300S	3"															
QVVPR16V075S	75mm															
QVVPR19V303S	3-3/16"															
QVVPR19V304S	3-1/4"															
QVVPR19V080S	80mm	22219	3.75	7.69	4.90	9.25	11.25	2.38	13.63	3.75	1.56	3/4	4.19	0.57	4.63	49
QVVPR19V085S	85mm															
QVVPR19V307S	3-7/16"															
QVVPR19V308S	3-1/2"															
QVVPR19V090S	90mm															

* Double-nut (QVV) part number shown. Single-nut (QV) version available upon request.

Blue Brute Bearings – V-Lock Series (Adapter Lock) US Pat. No. 7344313

QVVPX 4-Bolt Pillow Blocks - Straight Bore Equivalent



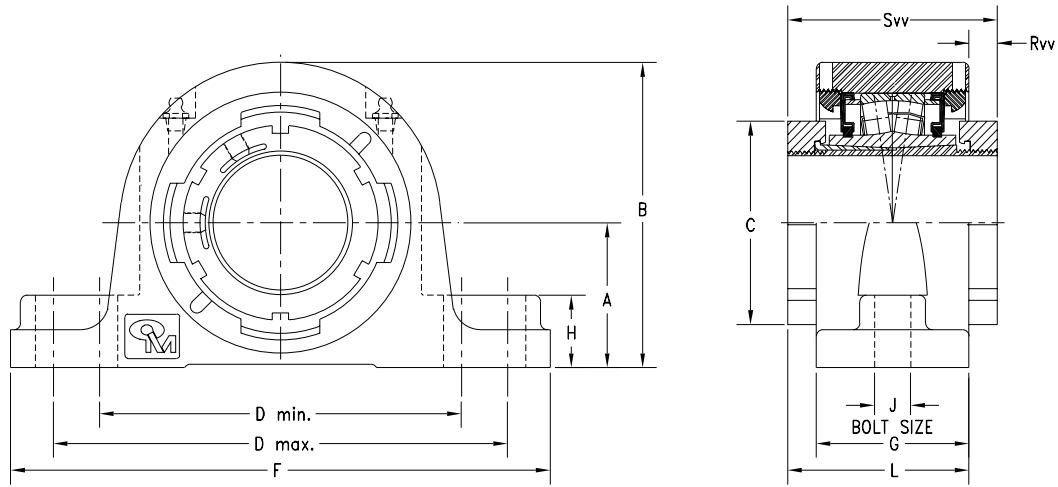
QVVPX 5000 Series Pillow Block Dimensions (in)

Bearing Part No.*	Shaft Size	Bearing Number	A	B	C	D _{MIN}	D _{MAX}	E	F	G	H	J	L	R _{VV}	S _{VV}	Wt (lbs)
QVVPX14V060S	60mm															
QVVPX14V207S	2-7/16"															
QVVPX14V208S	2-1/2"	22214	3.00	6.05	3.70	6.94	9.56	2.63	11.25	3.88	1.22	5/8	3.99	0.60	4.09	23
QVVPX14V065S	65mm															
QVVPX16V211S	2-11/16"															
QVVPX16V212S	2-3/4"															
QVVPX16V070S	70mm															
QVVPX16V215S	2-15/16"	22216	3.50	6.83	4.19	9.06	10.44	2.75	13.00	4.25	1.54	3/4	4.22	0.56	4.18	28
QVVPX16V300S	3"															
QVVPX16V075S	75mm															
QVVPX19V303S	3-3/16"															
QVVPX19V304S	3-1/4"															
QVVPX19V080S	80mm															
QVVPX19V085S	85mm	22219	4.00	7.92	4.90	10.81	12.19	3.00	15.00	4.75	1.50	3/4	4.69	0.57	4.63	49
QVVPX19V307S	3-7/16"															
QVVPX19V308S	3-1/2"															
QVVPX19V090S	90mm															
QVVPX22V311S	3-11/16"															
QVVPX22V312S	3-3/4"															
QVVPX22V315S	3-15/16"	22222	5.00	9.44	5.50	12.50	14.00	3.50	16.75	5.50	1.63	7/8	5.32	0.60	5.13	67
QVVPX22V400S	4"															
QVVPX22V100S	100mm															
QVVPX26V110S	110mm															
QVVPX26V407S	4-7/16"	22226	5.75	10.78	6.88	13.94	15.56	4.00	18.50	6.25	1.80	1	6.64	1.51	7.02	82
QVVPX26V408S	4-1/2"															
QVVPX26V115S	115mm															
QVVPX28V125S	125mm															
QVVPX28V415S	4-15/16"	22228	6.125	11.55	7.48	15.25	16.75	4.25	20.25	6.75	2.0	1-1/8	6.89	1.21	7.02	136
QVVPX28V500S	5"															
QVVPX28V130S	130mm															

* Double-nut (QVV) part number shown. Single-nut (QV) version available upon request.

Blue Brute Bearings – V-Lock Series (Adapter Lock) US Pat. No. 7344313

QVVPXT 2-Bolt Pillow Blocks - Straight Bore Equivalent



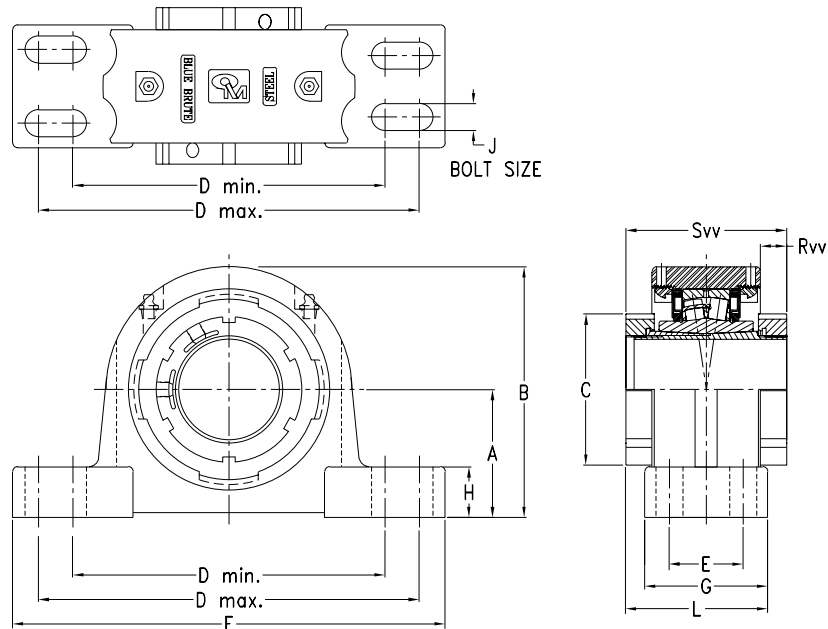
QVVPXT 5000 Series Pillow Block Dimensions (in)

Bearing Part No.*	Shaft Size	Bearing Number	A	B	C	D _{MIN}	D _{MAX}	F	G	H	J	L	R _{VV}	S _{VV}	Wt (lbs)
QVVPXT14V060S	60mm														
QVVPXT14V207S	2-7/16"	22214	3.00	6.05	3.70	7.66	8.78	11.25	2.90	1.38	3/4	3.50	0.60	4.09	22
QVVPXT14V208S	2-1/2"														
QVVPXT14V065S	65mm														
QVVPXT16V211S	2-11/16"														
QVVPXT16V212S	2-3/4"														
QVVPXT16V070S	70mm	22216	3.50	6.84	4.19	9.06	10.44	13.00	2.98	1.38	7/8	3.58	0.60	4.18	28
QVVPXT16V215S	2-15/16"														
QVVPXT16V300S	3"														
QVVPXT16V075S	75mm														

* Double-nut (QVV) part number shown. Single-nut (QV) version available upon request.

Blue Brute Bearings – V-Lock Series (Adapter Lock) US Pat. No. 7344313

QVVPG 4-Bolt Pillow Blocks **NEW** - Tapered Bore Equivalent



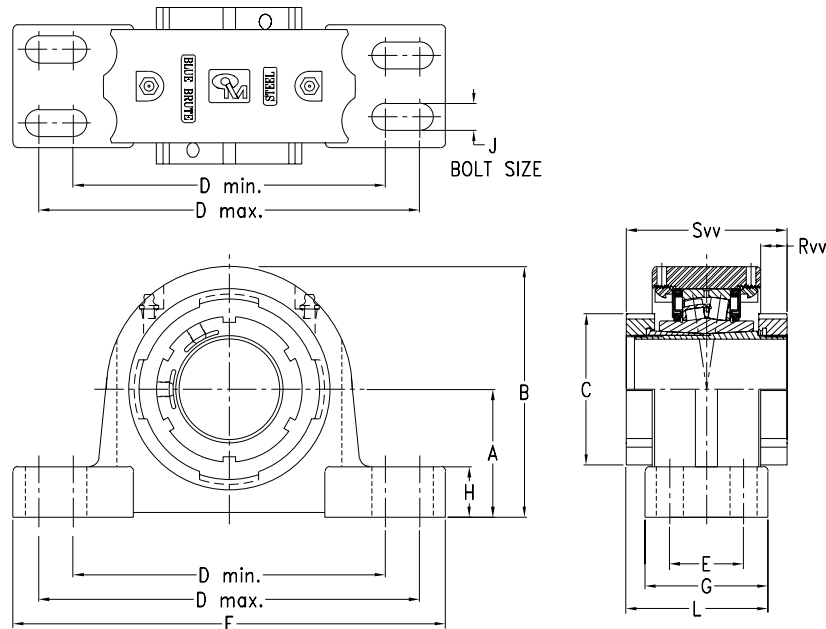
QVVPG SN Style 4-Bolt Pillow Block Dimensions (in)

Bearing Part No.*	Shaft Size	Bearing Number	A	B	C	D _{MIN}	D _{MAX}	E	F	G	H	J	L	R _{VV} *	S _{VV} *	Wt (lbs)
QVVPG11V115S	1-15/16"															
QVVPG11V200S	2"	22211	2.75	5.31	2.99	7.18	8.56	1.57	9.88	2.70	1.25	5/8	3.36	0.82	4.02	19
QVVPG11V050S	50mm															
QVVPG13V203S	2-3/16"															
QVVPG13V204S	2-1/4"	22213	3.15	6.10	3.16	7.18	8.56	1.89	10.31	3.25	1.38	5/8	3.64	0.67	4.02	25
QVVPG13V055S	55mm															
QVVPG15V060S	60mm															
QVVPG15V207S	2-7/16"															
QVVPG15V208S	2-1/2"	22215	3.15	6.38	3.70	7.94	9.69	1.56	10.88	3.13	1.19	5/8	3.61	0.62	4.09	29
QVVPG15V065S	65mm															
QVVPG17V211S	2-11/16"															
QVVPG17V212S	2-3/4"															
QVVPG17V070S	70mm															
QVVPG17V215S	2-15/16"	22217	3.74	7.20	4.19	9.44	11.31	2.06	12.63	3.63	1.25	3/4	3.91	0.59	4.18	37
QVVPG17V300S	3"															
QVVPG17V075S	75mm															
QVVPG20V303S	3-3/16"															
QVVPG20V304S	3-1/4"															
QVVPG20V080S	80mm															
QVVPG20V085S	85mm	22220	4.409	8.45	4.90	10.88	13.38	2.38	15.00	4.31	1.56	3/4	4.47	0.44	4.63	70
QVVPG20V307S	3-7/16"															
QVVPG20V308S	3-1/2"															
QVVPG20V090S	90mm															
QVVPG22V311S	3-11/16"															
QVVPG22V312S	3-3/4"															
QVVPG22V100S	100mm	22222	4.921	9.38	5.50	11.88	14.50	2.75	16.13	4.75	1.75	3/4	4.94	0.57	5.13	87
QVVPG22V315S	3-15/16"															
QVVPG22V400S	4"															
QVVPG26V110S	110mm															
QVVPG26V407S	4-7/16"															
QVVPG26V408S	4-1/2"	22226	5.906	11.18	6.88	14.75	15.75	3.19	17.50	5.04	1.94	1	6.03	1.44	7.02	136
QVVPG26V115S	115mm															
QVVPG28V125S	125mm															
QVVPG28V415S	4-15/16"															
QVVPG28V500S	5"	22228	5.906	11.36	7.48	15.13	17.63	3.15	19.70	5.04	1.94	1	6.02	1.25	7.02	136
QVVPG28V130S	130mm															

* Double-nut (QVV) part number shown. Single-nut (QV) version available upon request.

Blue Brute Bearings – V-Lock Series (Adapter Lock) US Pat. No. 7344313

QVVPH 4-Bolt Pillow Blocks **NEW** - Tapered Bore Equivalent



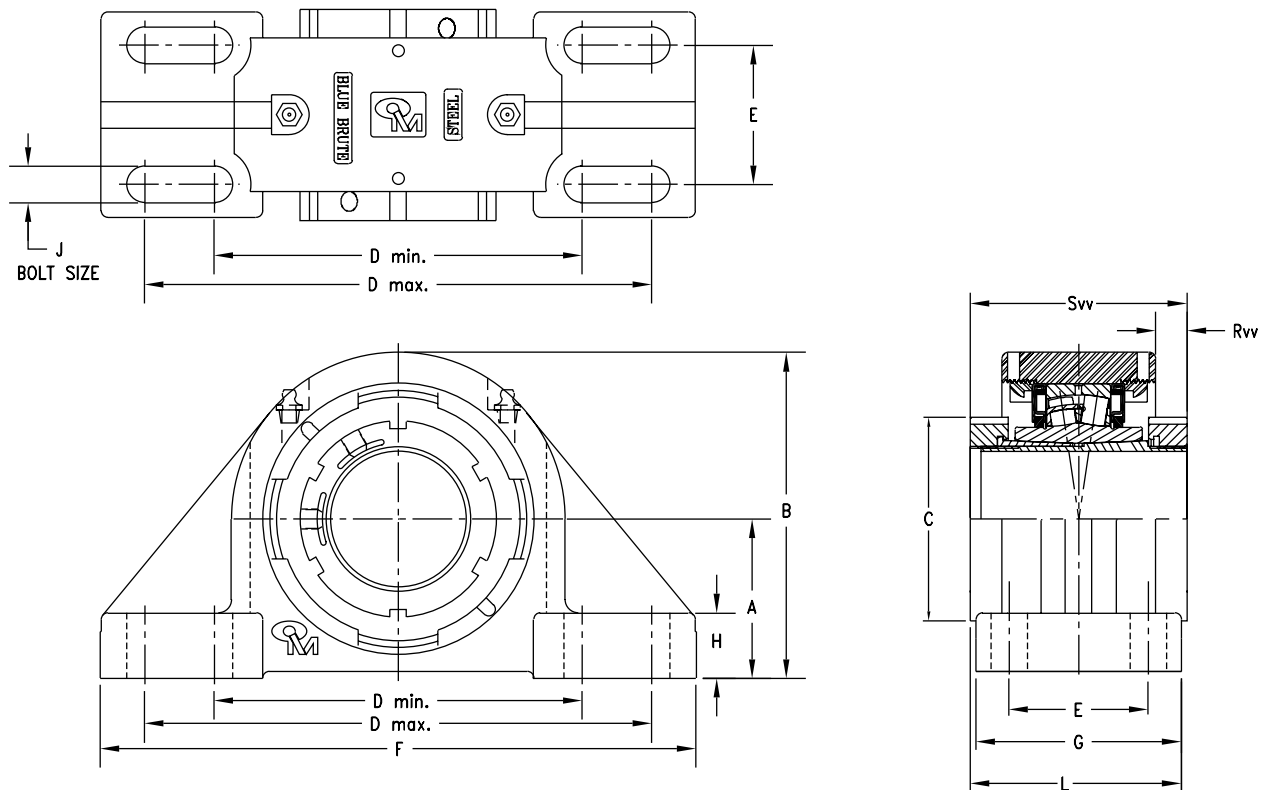
QVVPH SAF Style 4-Bolt Pillow Block Dimensions (in)

Bearing Part No.	Shaft Size	Bearing Number	A	B	C	D _{MIN}	D _{MAX}	E	F	G	H	J	L	R _v *	S _v *	Wt (lbs)
QVVPH11V115S	1-15/16"															
QVVPH11V200S	2"	22211	2.75	5.31	2.99	7.18	8.56	1.57	9.88	2.70	1.25	5/8	3.36	0.82	4.02	19
QVVPH11V050S	50mm															
QVVPH13V203S	2-3/16"															
QVVPH13V204S	2-1/4"	22213	3.00	5.95	3.16	7.18	8.56	2.00	10.31	3.25	1.23	1/2	3.64	0.67	4.02	25
QVVPH13V055S	55mm															
QVVPH15V060S	60mm															
QVVPH15V207S	2-7/16"															
QVVPH15V208S	2-1/2"	22215	3.25	6.38	3.70	7.94	9.69	1.88	10.88	3.13	1.29	1/2	3.61	0.71	4.09	29
QVVPH15V065S	65mm															
QVVPH17V211S	2-11/16"															
QVVPH17V212S	2-3/4"															
QVVPH17V070S	70mm															
QVVPH17V215S	2-15/16"	22217	3.75	7.20	4.19	9.44	11.31	2.13	12.63	3.63	1.26	5/8	3.91	0.59	4.18	37
QVVPH17V300S	3"															
QVVPH17V075S	75mm															
QVVPH20V303S	3-3/16"															
QVVPH20V304S	3-1/4"															
QVVPH20V080S	80mm															
QVVPH20V085S	85mm	22220	4.50	8.54	4.90	10.88	13.38	2.38	15.00	4.31	1.65	3/4	4.47	0.44	4.63	70
QVVPH20V307S	3-7/16"															
QVVPH20V308S	3-1/2"															
QVVPH20V090S	90mm															
QVVPH22V311S	3-11/16"															
QVVPH22V312S	3-3/4"															
QVVPH22V100S	100mm	22222	4.94	9.38	5.50	11.88	14.50	2.75	16.00	4.75	1.77	3/4	4.94	0.57	5.13	87
QVVPH22V315S	3-15/16"															
QVVPH22V400S	4"															
QVVPH26V110S	110mm															
QVVPH26V407S	4-7/16"															
QVVPH26V408S	4-1/2"	22226	6.00	11.18	6.88	14.28	15.78	3.25	17.50	5.04	2.04	3/4	6.03	1.44	7.02	136
QVVPH26V115S	115mm															
QVVPH28V125S	125mm															
QVVPH28V415S	4-15/16"															
QVVPH28V500S	5"	22228	6.00	11.45	7.48	16.00	17.13	3.38	19.70	5.04	2.04	1	6.02	1.25	8.02	136
QVVPH28V130S	130mm															

* Double-nut (QVV) part number shown. Single-nut (QV) version available upon request.

Blue Brute Bearings – V-Lock Series (Adapter Lock) US Pat. No. 7344313

QVVPK 4-Bolt Pillow Blocks **NEW** - Tapered Bore Equivalent



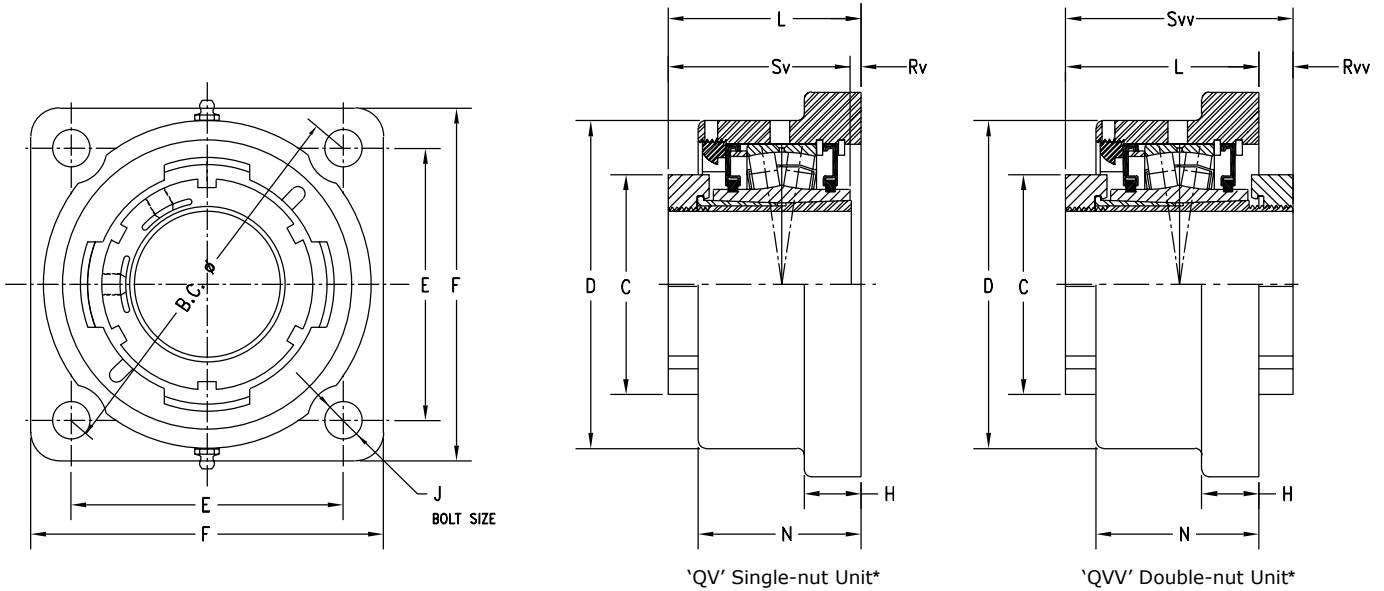
QVVPK 9000 Series 4-Bolt Pillow Block Dimensions (in)

Bearing Part No.*	Shaft Size	Bearing Number	A	B	C	D _{MIN}	D _{MAX}	E	F	G	H	J	L	R _{VV}	S _{VV}	Wt (lbs)
QVVPK15V060S	60mm															
QVVPK15V207S	2-7/16"	22215	3.50	6.83	3.70	9.06	10.44	2.75	13.00	4.25	1.54	3/4	4.17	0.59	4.09	29
QVVPK15V208S	2-1/2"															
QVVPK15V065S	65mm															
QVVPK17V211S	2-11/16"															
QVVPK17V212S	2-3/4"	22217	4.00	7.92	4.19	10.81	12.19	3.00	15.00	4.75	1.50	3/4	4.47	0.34	4.18	37
QVVPK17V070S	70mm															
QVVPK17V215S	2-15/16"															
QVVPK17V300S	3"															
QVVPK17V075S	75mm															
QVVPK20V303S	3-3/16"															
QVVPK20V304S	3-1/4"	22220	5.00	9.44	4.90	12.50	14.00	3.50	16.75	5.50	1.63	7/8	5.07	0.44	4.63	70
QVVPK20V080S	80mm															
QVVPK20V085S	85mm															
QVVPK20V307S	3-7/16"															
QVVPK20V308S	3-1/2"															
QVVPK20V090S	90mm															
QVVPK22V311S	3-11/16"															
QVVPK22V312S	3-3/4"	22222	5.75	10.78	5.50	13.94	15.56	4.00	18.50	6.25	1.80	1	5.45	0.67	5.13	87
QVVPK22V100S	100mm															
QVVPK22V315S	3-15/16"															
QVVPK22V400S	4"															
QVVPK26V110S	110mm															
QVVPK26V407S	4-7/16"	22226	6.13	11.15	6.88	15.25	16.75	4.25	20.25	6.75	2.00	1	6.90	1.24	7.02	136
QVVPK26V408S	4-1/2"															
QVVPK26V115S	115mm															

* Double-nut (QVV) part number shown. Single-nut (QV) version available upon request.

Blue Brute Bearings – V-Lock Series (Adapter Lock) US Pat. No. 7344313

QVF and QVVF Square Flange Blocks - Straight Bore Equivalent



QVF and QVVF Flange Block Dimensions (in)

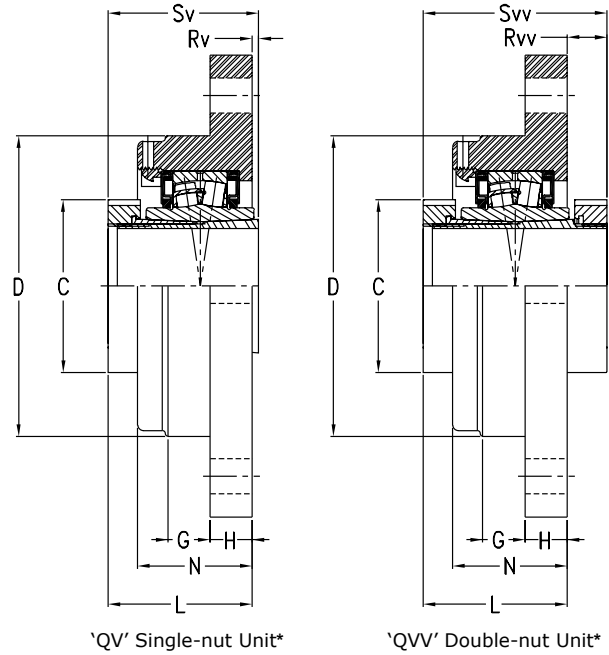
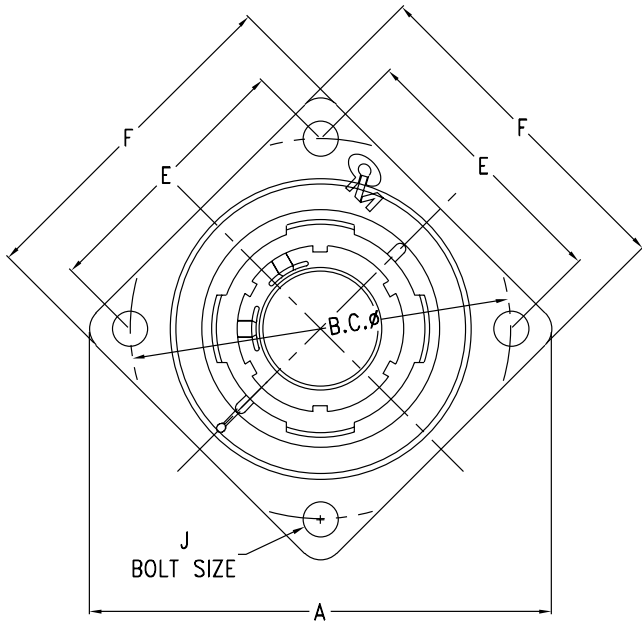
Bearing Part No.*†	Shaft Size	Bearing Number	C	D	E	B.C.	F	H	J	L _{FIX}	L _{EXP}	N	R _v *	R _{vv}	S _v *	S _{vv}	Wt (lbs)	
QVF11V115S	1-15/16"																	
QVF11V200S	2"	22211	2.99	4.75	4.38	6.18	5.50	0.88	1/2	3.31	3.39	2.56	0.16	0.72	3.14	4.02	11	
QVF11V050S	50mm																	
QVF12V203S	2-3/16"																	
QVF12V204S	2-1/4"	22212	3.16	5.13	4.88	6.89	6.19	1.00	5/8	3.32	3.40	2.63	0.18	0.70	3.14	4.02	14	
QVF12V055S	55mm																	
QVF14V060S	60mm																	
QVF14V207S	2-7/16"	22214	3.70	5.75	5.38	7.60	6.63	1.00	5/8	3.35	3.43	2.85	0.16	0.63	3.19	3.99	17	
QVF14V208S	2-1/2"																	
QVF14V065S	65mm																	
QVF16V211S	2-11/16"																	
QVF16V212S	2-3/4"																	
QVF16V070S	70mm	22216	4.19	6.65	6.00	8.48	7.44	1.06	3/4	3.45	3.53	2.98	0.16	0.64	3.29	4.08	23	
QVF16V215S	2-15/16"																	
QVF16V300S	3"																	
QVF16V075S	75mm																	
QVF19V303S	3-3/16"																	
QVF19V304S	3-1/4"																	
QVF19V080S	80mm																	
QVF19V085S	85mm	22219	4.90	7.63	7.00	9.91	8.63	1.31	3/4	3.87	3.95	3.31	0.18	0.62	3.69	4.49	35	
QVF19V307S	3-7/16"																	
QVF19V308S	3-1/2"																	
QVF19V090S	90mm																	
QVF22V311S	3-11/16"																	
QVF22V312S	3-3/4"																	
QVF22V100S	100mm	22222	5.50	8.82	7.75	10.96	9.97	1.50	7/8	4.49	4.57	4.06	0.36	0.50	4.13	4.99	55	
QVF22V315S	3-15/16"																	
QVF22V400S	4"																	
QVF26V110S	110mm																	
QVF26V407S	4-7/16"	22226	6.88	10.11	8.75	12.38	10.88	1.50	7/8	5.53	5.62	4.21	0.29	1.49	5.82	7.02	63	
QVF26V408S	4-1/2"																	
QVF26V115S	115mm																	

* Bearing part numbers use 'QV' to designate single-nut units (uses R_v and S_v dimensions) and 'QVV' to designate double-nut units (uses R_{vv} and S_{vv} dimensions)

† Single-nut (QV) part number shown. Double-nut (QVV) version available upon request.

Blue Brute Bearings – V-Lock Series (Adapter Lock) US Pat. No. 7344313

QVFB and QVVF B Flange Blocks **NEW** - Tapered Adapter Equivalent



QVFB and QVVF B Flange Block Dimensions (in)

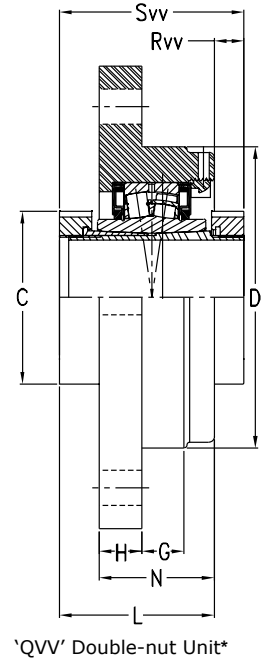
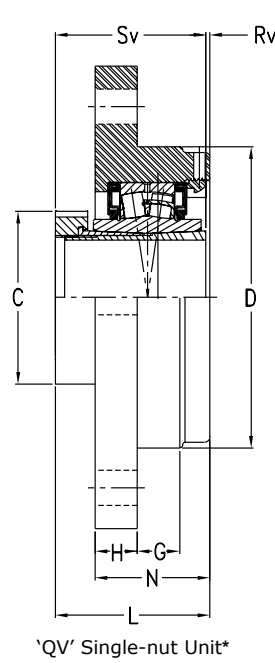
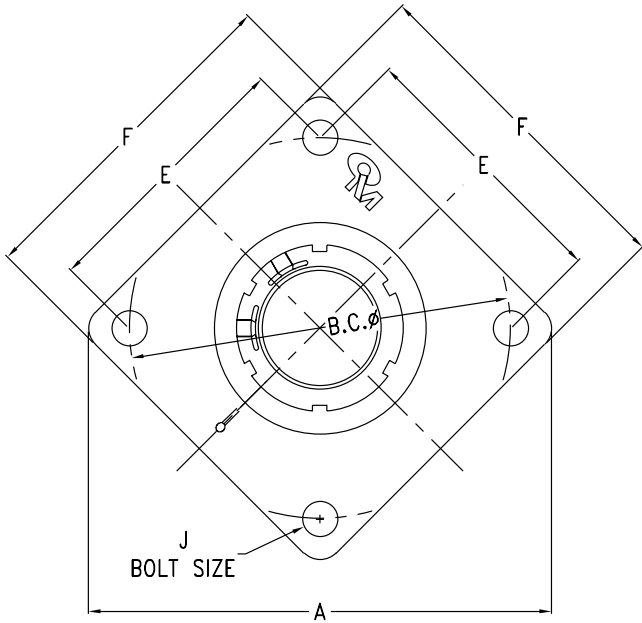
Bearing Part No.*†	Shaft Size	Bearing Number	A	B.C.	C	D	E	F	G	H	J	L	N	R _v *	R _{vv}	S _v *	S _{vv}	Wt (lbs)
QVFB15V060S	60mm																	
QVFB15V207S	2-7/16"																	
QVFB15V208S	2-1/2"	22215	10.04	8.47	3.70	6.69	6.00	7.56	1.00	0.94	5/8	3.21	2.55	0.03	0.88	3.25	4.09	25
QVFB15V065S	65mm																	
QVFB17V211S	2-11/16"																	
QVFB17V212S	2-3/4"																	
QVFB17V070S	70mm																	
QVFB17V215S	2-15/16"	22217	11.12	9.45	4.19	7.48	6.68	8.35	1.00	1.00	5/8	3.30	2.75	0.04	0.88	3.33	4.18	30
QVFB17V300S	3"																	
QVFB17V075S	75mm																	
QVFB20V303S	3-3/16"																	
QVFB20V304S	3-1/4"																	
QVFB20V080S	80mm																	
QVFB20V085S	85mm	22220	13.00	11.02	4.90	9.06	7.79	9.76	1.25	1.13	3/4	4.20	3.71	0.45	0.43	3.75	4.62	40
QVFB20V307S	3-7/16"																	
QVFB20V308S	3-1/2"																	
QVFB20V090S	90mm																	
QVFB22V311S	3-11/16"																	
QVFB22V312S	3-3/4"																	
QVFB22V100S	100mm	22222	14.45	12.20	5.50	10.04	8.63	10.80	1.75	1.04	3/4	4.41	3.98	0.29	0.58	4.13	4.99	60
QVFB22V315S	3-15/16"																	
QVFB22V400S	4"																	
QVFB26V110S	110mm																	
QVFB26V407S	4-7/16"																	
QVFB26V408S	4-1/2"	22226	16.38	13.98	6.88	11.42	9.88	11.75	1.65	1.26	7/8	5.84	6.06	0.02	1.18	5.82	7.02	94
QVFB26V115S	115mm																	

* Bearing part numbers use 'QV' to designate single-nut units (uses R_v and S_v dimensions) and 'QVV' to designate double-nut units (uses R_{vv} and S_{vv} dimensions)

† Single-nut (QV) part number shown. Double-nut (QVV) version available upon request.

Blue Brute Bearings – V-Lock Series (Adapter Lock) US Pat. No. 7344313

QVFC and QVVFC Piloted Flange Cartridges **NEW** - Tapered Adapter Equivalent



QVFC and QVVFC Piloted Flange Cartridge Dimensions (in)

Bearing Part No.**	Shaft Size	Bearing Number	A	B.C.	C	D**	E	F	G	H	J	L	N	R _v *	R _{vv} *	S _v *	S _{vv} *	Wt (lbs)
QVFC15V060S	60mm																	
QVFC15V207S	2-7/16"	22215	10.04	8.47	3.70	6.690	6.00	7.56	1.00	0.94	5/8	3.43	2.55	0.18	0.66	3.25	4.09	25
QVFC15V208S	2-1/2"																	
QVFC15V065S	65mm																	
QVFC17V211S	2-11/16"																	
QVFC17V212S	2-3/4"																	
QVFC17V070S	70mm	22217	11.12	9.45	4.19	7.480	6.68	8.35	1.00	1.00	5/8	3.61	2.75	0.26	0.57	3.33	4.18	30
QVFC17V215S	2-15/16"																	
QVFC17V300S	3"																	
QVFC17V075S	75mm																	
QVFC20V303S	3-3/16"																	
QVFC20V304S	3-1/4"																	
QVFC20V080S	80mm																	
QVFC20V085S	85mm	22220	13.00	11.02	4.90	9.060	7.79	9.76	1.25	1.13	3/4	4.14	3.71	0.38	0.49	3.75	4.62	40
QVFC20V307S	3-7/16"																	
QVFC20V308S	3-1/2"																	
QVFC20V090S	90mm																	
QVFC22V311S	3-11/16"																	
QVFC22V312S	3-3/4"																	
QVFC22V100S	100mm	22222	14.45	12.20	5.50	10.040	8.63	10.80	1.75	1.04	3/4	4.76	3.98	0.63	0.23	4.13	4.99	60
QVFC22V315S	3-15/16"																	
QVFC22V400S	4"																	
QVFC26V110S	110mm																	
QVFC26V407S	4-7/16"	22226	16.38	13.98	6.88	11.417	9.88	11.75	1.65	1.26	7/8	5.68	6.06	0.14	1.34	5.82	7.02	94
QVFC26V408S	4-1/2"																	
QVFC26V115S	115mm																	

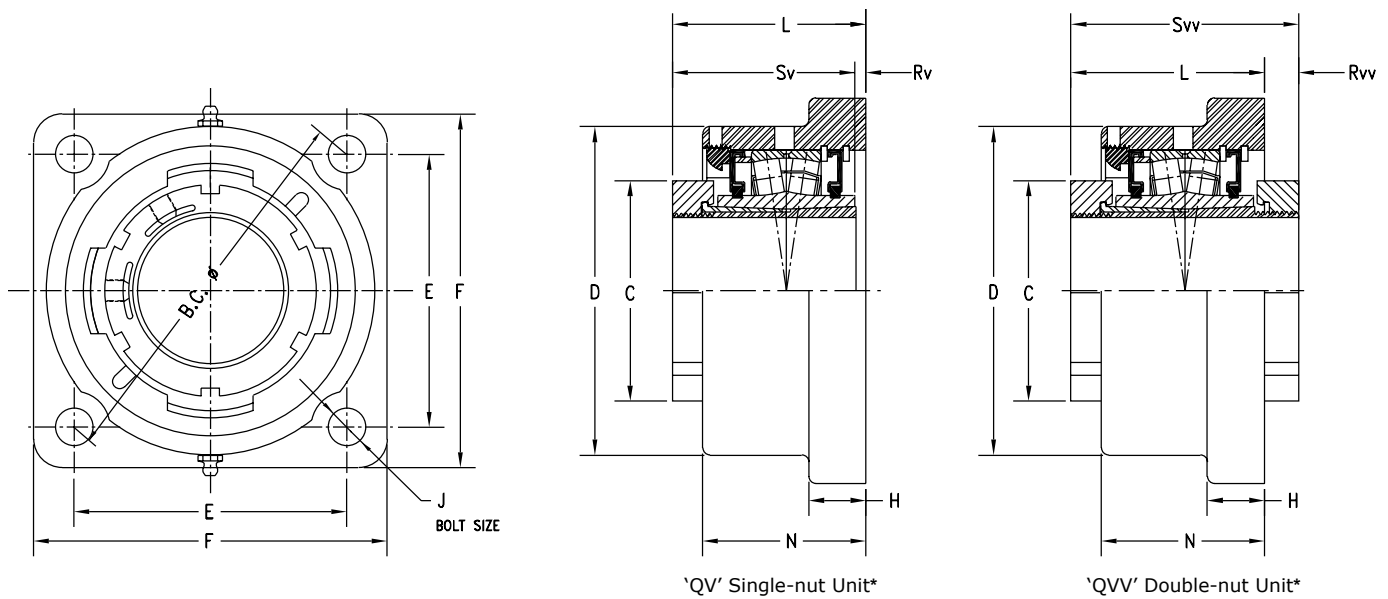
* Bearing part numbers use 'QV' to designate single-nut units (uses R_v and S_v dimensions) and 'QVV' to designate double-nut units (uses R_{vv} and S_{vv} dimensions)

** Pilot tolerance: +0/-0.002

† Single-nut (QV) part number shown. Double-nut (QVV) version available upon request.

Blue Brute Bearings – V-Lock Series (Adapter Lock) US Pat. No. 7344313

QVFL and QVVFL Square Flange Blocks - Straight Bore Equivalent



QVFL and QVVFL Flange Block Dimensions (in)

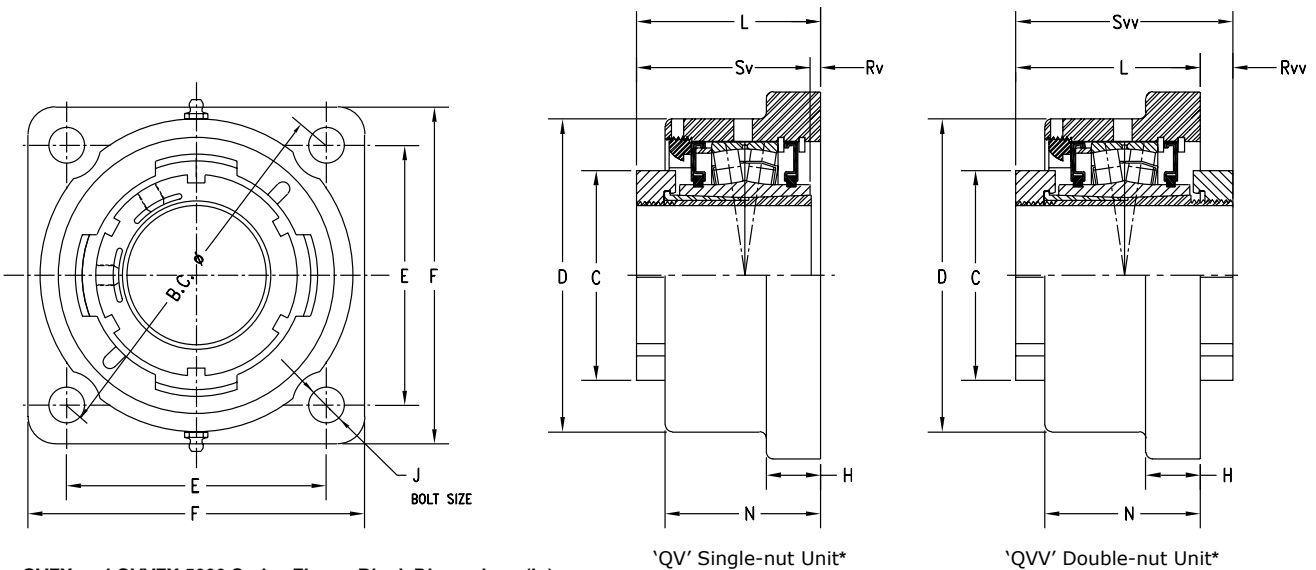
Bearing Part No.*†	Shaft Size	Bearing Number	C	D	E	B.C.	F	H	J	L _{FIX}	L _{EXP}	N	R _V *	R _W	S _V *	S _W	Wt (lbs)	
QVFL11V115S	1-15/16"																	
QVFL11V200S	2"	22211	2.99	4.54	4.07	5.75	5.19	0.91	1/2	3.25	3.33	2.41	0.10	0.78	3.14	4.02	11	
QVFL11V050S	50mm																	
QVFL12V203S	2-3/16"																	
QVFL12V204S	2-1/4"	22212	3.16	5.13	4.51	6.38	5.88	0.75	5/8	3.32	3.40	2.63	0.18	0.70	3.14	4.02	14	
QVFL12V055S	55mm																	
QVFL14V060S	60mm																	
QVFL14V207S	2-7/16"	22214	3.70	5.75	4.77	6.75	6.19	1.00	5/8	3.39	3.47	2.86	0.20	0.60	3.19	3.99	17	
QVFL14V208S	2-1/2"																	
QVFL14V065S	65mm																	
QVFL16V211S	2-11/16"																	
QVFL16V212S	2-3/4"																	
QVFL16V070S	70mm	22216	4.19	6.63	5.56	7.88	7.19	1.06	3/4	3.42	3.50	2.93	0.13	0.67	3.29	4.08	23	
QVFL16V215S	2-15/16"																	
QVFL16V300S	3"																	
QVFL16V075S	75mm																	
QVFL19V303S	3-3/16"																	
QVFL19V304S	3-1/4"																	
QVFL19V080S	80mm																	
QVFL19V085S	85mm	22219	4.90	7.63	6.72	9.50	8.38	1.28	3/4	3.83	3.91	3.40	0.14	0.67	3.69	4.49	35	
QVFL19V307S	3-7/16"																	
QVFL19V308S	3-1/2"																	
QVFL19V090S	90mm																	
QVFL22V311S	3-11/16"																	
QVFL22V312S	3-3/4"																	
QVFL22V100S	100mm	22222	5.50	9.04	7.60	10.75	9.50	1.50	1	4.60	4.68	4.12	0.47	0.39	4.13	4.99	55	
QVFL22V315S	3-15/16"																	
QVFL22V400S	4"																	

* Bearing part numbers use 'QV' to designate single-nut units (uses R_V and S_V dimensions) and 'QVV' to designate double-nut units (uses R_W and S_W dimensions)

† Single-nut (QV) part number shown. Double-nut (QVV) version available upon request.

Blue Brute Bearings – V-Lock Series (Adapter Lock) US Pat. No. 7344313

QVFX and QVVFX Square Flange Blocks **NEW** - Straight Bore Equivalent



QVFX and QVVFX 5000 Series Flange Block Dimensions (in)

Bearing Part No.*†	Shaft Size	Bearing Number	C	D	E	B.C.	F	H	J	L _{FIX}	L _{EXP}	N	R _V *	R _{VV} *	S _V *	S _{VV} *	Wt (lbs)	
QVFX11V115S	1-15/16"																	
QVFX11V200S	2"	22211	2.99	4.75	4.08	5.75	5.31	0.88	1/2	3.31	3.39	2.56	0.16	0.72	3.14	4.02	11	
QVFX11V050S	50mm																	
QVFX12V203S	2-3/16"																	
QVFX12V204S	2-1/4"	22212	3.16	5.13	4.50	6.36	5.88	1.00	5/8	3.32	3.40	2.63	0.18	0.69	3.14	4.02	14	
QVFX12V055S	55mm																	
QVFX14V060S	60mm																	
QVFX14V207S	2-7/16"																	
QVFX14V208S	2-1/2"	22214	3.70	5.75	5.03	7.12	6.19	1.00	5/8	3.35	3.44	2.85	0.16	0.63	3.19	3.99	17	
QVFX14V065S	65mm																	
QVFX16V211S	2-11/16"																	
QVFX16V212S	2-3/4"																	
QVFX16V070S	70mm																	
QVFX16V215S	2-15/16"	22216	4.19	6.65	6.01	8.50	7.44	1.06	3/4	3.45	3.53	3.00	0.16	0.64	3.29	4.08	23	
QVFX16V300S	3"																	
QVFX16V075S	75mm																	
QVFX19V303S	3-3/16"																	
QVFX19V304S	3-1/4"																	
QVFX19V080S	80mm																	
QVFX19V085S	85mm	22219	4.90	7.63	6.72	9.50	8.37	1.31	3/4	3.87	3.96	3.31	0.19	0.62	3.69	4.49	35	
QVFX19V307S	3-7/16"																	
QVFX19V308S	3-1/2"																	
QVFX19V090S	90mm																	
QVFX22V311S	3-11/16"																	
QVFX22V312S	3-3/4"																	
QVFX22V100S	100mm	22222	5.50	8.50	8.31	11.84	10.56	1.50	1	4.49	4.58	3.96	0.37	0.50	4.13	4.99	55	
QVFX22V315S	3-15/16"																	
QVFX22V400S	4"																	
QVFX26V110S‡	110mm																	
QVFX26V407S‡	4-7/16"	22226	6.88	9.06	6.44‡	12.88‡	15.13	1.50	1‡	5.53	5.62	4.21	0.29	1.49	5.82	7.02	108	
QVFX26V408S‡	4-1/2"																	
QVFX26V115S‡	115mm																	
QVFX28V125S‡	125mm																	
QVFX28V415S‡	4-15/16"	22228	7.47	11.19	7.00‡	14.00‡	16.50	1.50	1-1/8‡	6.54	6.62	5.45	0.72	0.48	5.82	7.02	115	
QVFX28V500S‡	5"																	
QVFX28V130S‡	130mm																	

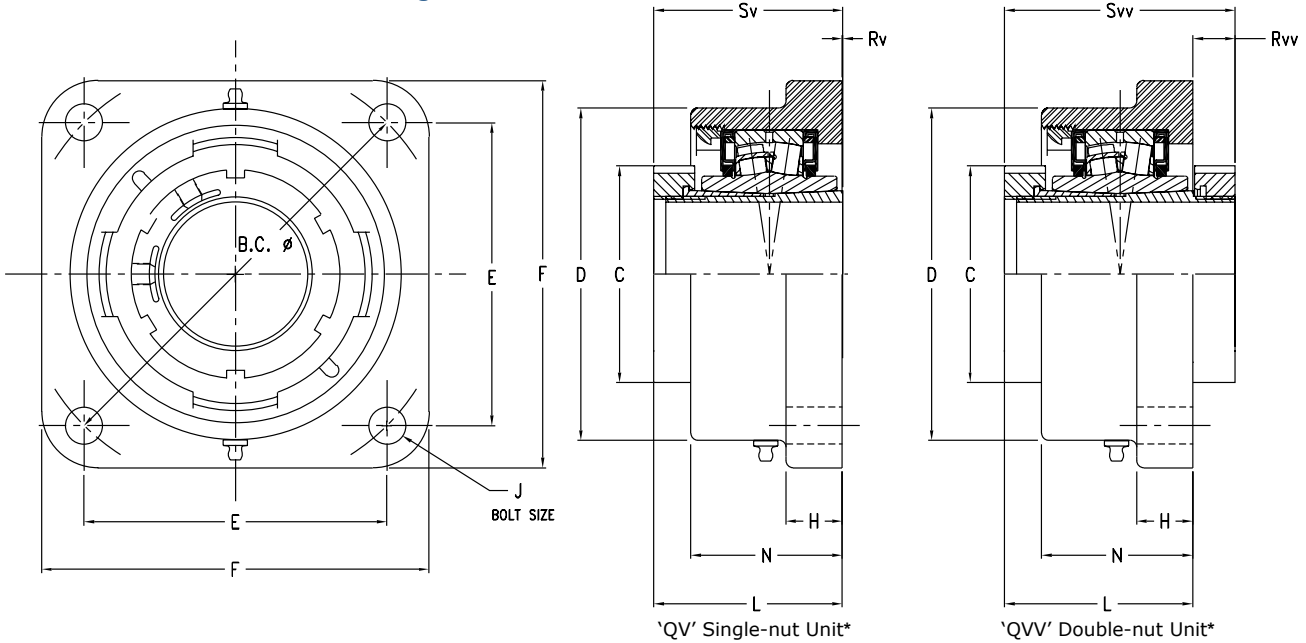
* Bearing part numbers use 'QV' to designate single-nut units (uses R_V and S_V dimensions) and 'QVV' to designate double-nut units (uses R_{VV} and S_{VV} dimensions)

† Single-nut (QV) part number shown. Double-nut (QVV) version available upon request.

‡ 6-bolt round housing

Blue Brute Bearings – V-Lock Series (Adapter Lock) US Pat. No. 7344313

QVFK and QVVK Square Flange Blocks **NEW** - Tapered Bore Equivalent



QVFK and QVVK 9000 Series Flange Block Dimensions (in)

Bearing Part No.*†	Shaft Size	Bearing Number	C	D	E	B.C.	F	H	J	L _{FIX}	L _{EXP}	N	R _V *	R _{VW}	S _V *	S _{VW}	Wt (lbs)	
QVFK11V115S	1-15/16"																	
QVFK11V200S	2"	22211	2.99	5.13	4.50	6.36	5.88	1.00	5/8	3.43	3.48	2.63	0.29	0.59	3.14	4.02	11	
QVFK11V050S	50mm																	
QVFK13V203S	2-3/16"																	
QVFK13V204S	2-1/4"	22213	3.16	5.75	5.03	7.12	6.19	1.00	5/8	3.63	3.71	2.85	0.27	0.61	3.36	4.24	14	
QVFK13V055S	55mm																	
QVFK15V060S	60mm																	
QVFK15V207S	2-7/16"																	
QVFK15V208S	2-1/2"	22215	3.70	6.65	6.01	8.50	7.44	1.06	3/4	3.64	3.72	3.00	0.39	0.45	3.25	4.09	17	
QVFK15V065S	65mm																	
QVFK17V211S	2-11/16"																	
QVFK17V212S	2-3/4"																	
QVFK17V070S	70mm																	
QVFK17V215S	2-15/16"	22217	4.19	7.63	6.72	9.50	8.38	1.31	3/4	3.64	3.98	3.31	0.57	0.28	3.33	4.18	23	
QVFK17V300S	3"																	
QVFK17V075S	75mm																	
QVFK20V303S	3-3/16"																	
QVFK20V304S	3-1/4"																	
QVFK20V080S	80mm																	
QVFK20V085S	85mm	22220	4.90	8.50	8.31	11.84	10.56	1.50	7/8	4.46	4.54	4.06	0.71	0.16	3.75	4.62	35	
QVFK20V307S	3-7/16"																	
QVFK20V308S	3-1/2"																	
QVFK20V090S	90mm																	
QVFK22V311S‡	3-11/16"																	
QVFK22V312S‡	3-3/4"																	
QVFK22V100S‡	100mm	22222	5.50	10.10	6.64‡	12.88‡	15.13	1.25	1‡	4.62	4.70	4.21	0.49	0.38	4.13	4.99	55	
QVFK22V315S‡	3-15/16"																	
QVFK22V400S‡	4"																	
QVFK26V110S‡	110mm																	
QVFK26V407S‡	4-7/16"																	
QVFK26V408S‡	4-1/2"	22226	6.88	11.19	7.00‡	14.00‡	16.50	1.50	1-1/8‡	6.30	6.38	5.32	0.48	0.72	5.82	7.02	108	
QVFK26V1115S‡	115mm																	

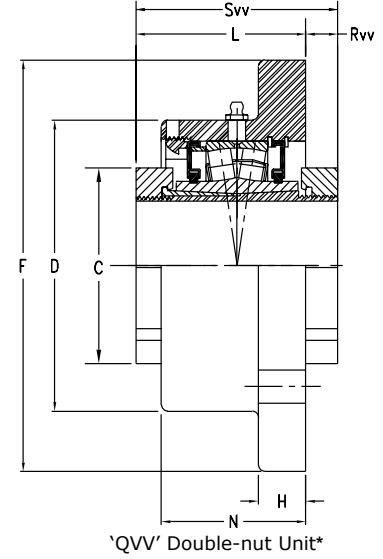
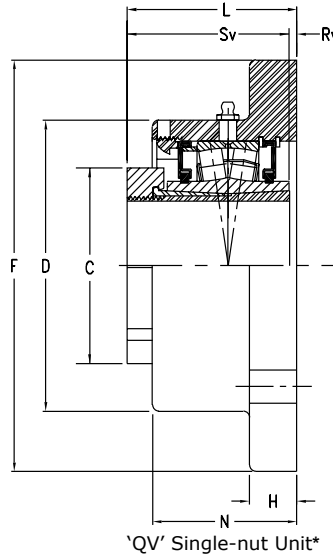
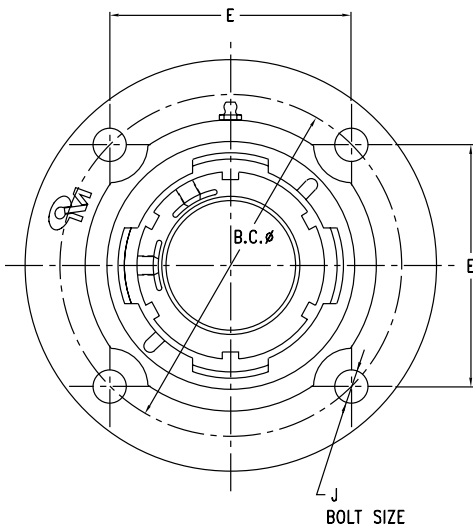
* Bearing part numbers use 'QV' to designate single-nut units (uses R_V and S_V dimensions) and 'QVV' to designate double-nut units (uses R_{VW} and S_{VW} dimensions)

† Single-nut (QV) part number shown. Double-nut (QVV) version available upon request.

‡ 6-bolt round housing

Blue Brute Bearings – V-Lock Series (Adapter Lock) US Pat. No. 7344313

QVfy and QVfy Round Flange Blocks - Straight Bore Equivalent



QVfy and QVfy Flange Block Dimensions (in)

Bearing Part No.**	Shaft Size	Bearing Number	C	D	E	B.C.	F	H	J	L _{FIX}	L _{EXP}	N	R _v *	R _{vv}	S _v *	S _{vv}	Wt (lbs)	
QVfy11V115S	1-15/16"																	
QVfy11V200S	2"	22211	2.99	4.54	4.07	5.75	7.00	0.75	1/2	3.09	3.17	2.30	0.06	0.94	3.14	4.02	12	
QVfy11V050S	50mm																	
QVfy12V203S	2-3/16"																	
QVfy12V204S	2-1/4"	22212	3.16	5.13	4.51	6.38	7.75	0.75	5/8	3.15	3.23	2.44	0.01	0.87	3.14	4.02	15	
QVfy12V055S	55mm																	
QVfy14V060S	60mm																	
QVfy14V207S	2-7/16"	22214	3.70	5.75	4.77	6.75	8.13	0.94	5/8	3.34	3.42	2.85	0.15	0.65	3.19	3.99	19	
QVfy14V208S	2-1/2"																	
QVfy14V065S	65mm																	
QVfy16V211S	2-11/16"																	
QVfy16V212S	2-3/4"																	
QVfy16V070S	70mm																	
QVfy16V215S	2-15/16"	22216	4.19	6.63	5.56	7.88	9.50	0.94	3/4	3.48	3.56	3.00	0.19	0.60	3.29	4.08	28	
QVfy16V300S	3"																	
QVfy16V075S	75mm																	
QVfy19V303S	3-3/16"																	
QVfy19V304S	3-1/4"																	
QVfy19V080S	80mm																	
QVfy19V085S	85mm	22219	4.90	7.63	6.72	9.50	11.13	1.13	7/8	3.87	4.57	3.36	0.19	0.62	3.69	4.49	42	
QVfy19V307S	3-7/16"																	
QVfy19V308S	3-1/2"																	
QVfy19V090S	90mm																	
QVfy22V311S	3-11/16"																	
QVfy22V312S	3-3/4"																	
QVfy22V100S	100mm	22222	5.50	8.76	7.60	10.75	12.63	1.13	1	4.54	4.62	4.06	0.41	0.45	4.13	4.99	66	
QVfy22V315S	3-15/16"																	
QVfy22V400S	4"																	
QVfy26V110S [‡]	110mm																	
QVfy26V407S [‡]	4-7/16"	22226	6.88	9.06	6.44 [‡]	12.88 [‡]	15.13	1.50	1 [‡]	5.53	5.62	4.21	0.29	1.49	5.82	7.02	108	
QVfy26V408S [‡]	4-1/2"																	
QVfy26V115S [‡]	115mm																	
QVfy28V125S [‡]	125mm																	
QVfy28V415S [‡]	4-15/16"	22228	7.48	11.19	7.00 [‡]	14.00 [‡]	16.50	1.50	1-1/8 [‡]	6.54	6.62	5.45	0.72	0.48	5.82	7.02	115	
QVfy28V500S [‡]	5"																	
QVfy28V130S [‡]	130mm																	

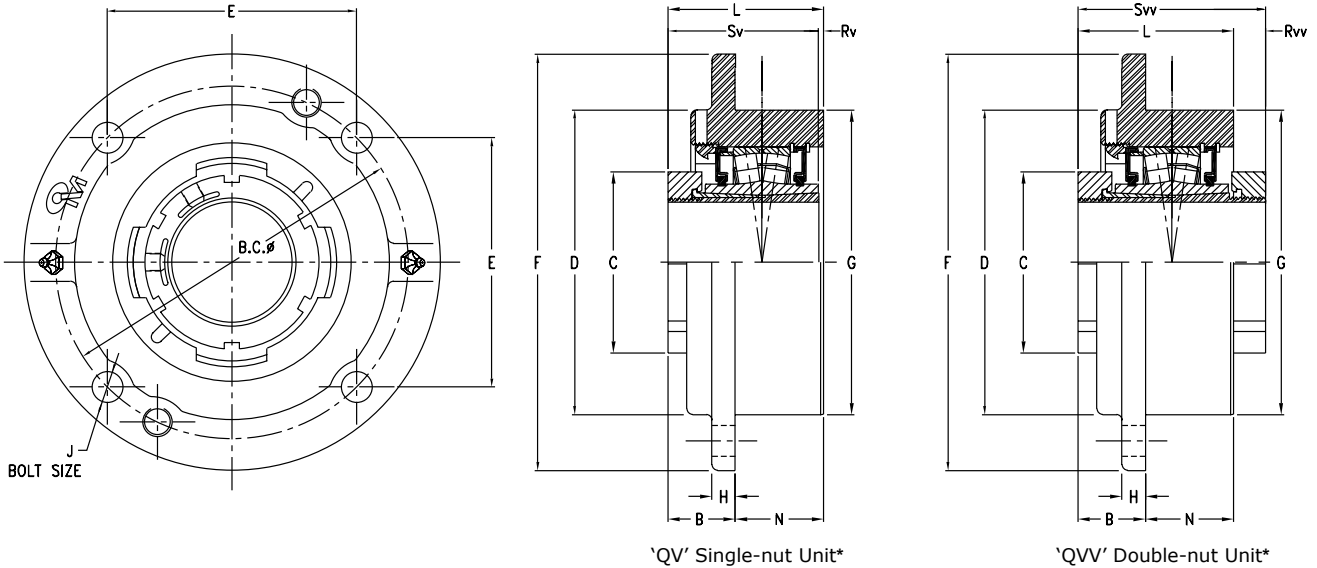
* Bearing part numbers use 'QV' to designate single-nut units (uses R_v and S_v dimensions) and 'QVv' to designate double-nut units (uses R_{vv} and S_{vv} dimensions)

[†] Single-nut (QV) part number shown. Double-nut (QVv) version available upon request.

[‡] 6-bolt round housing

Blue Brute Bearings – V-Lock Series (Adapter Lock) US Pat. No. 7344313

QVC and QVVC Piloted Flange Cartridges - Straight Bore Equivalent



QVC and QVVC Piloted Flange Cartridge Dimensions (in)

Bearing Part No.**	Shaft Size	Bearing Number	B _{FIX}	B _{EXP}	C	D	B.C.	E	F	G [§]	H	J	L	N	R _v *	R _w	S _v *	S _w	Wt (lbs)
QVC11V115S	1-15/16"																		
QVC11V200S	2"	22211	2.12	2.20	2.99	4.47	5.38	3.80	6.38	4.500	0.63	7/16	3.18	1.06	0.03	0.85	3.14	4.02	10
QVC11V050S	50mm																		
QVC12V203S	2-3/16"																		
QVC12V204S	2-1/4"	22212	2.02	2.10	3.16	5.00	6.00	4.24	7.30	5.000	0.58	1/2	3.15	1.13	0.01	0.87	3.14	4.02	13
QVC12V055S	55mm																		
QVC14V060S	60mm																		
QVC14V207S	2-7/16"	22214	2.21	2.29	3.70	5.50	6.50	4.60	7.63	5.500	0.69	1/2	3.33	1.13	0.15	0.65	3.19	3.99	16
QVC14V208S	2-1/2"																		
QVC14V065S	65mm																		
QVC16V211S	2-11/16"																		
QVC16V212S	2-3/4"																		
QVC16V070S	70mm	22216	2.08	2.16	4.19	6.38	7.50	5.30	8.75	6.375	0.81	5/8	3.33	1.25	0.04	0.76	3.29	4.08	22
QVC16V215S	2-15/16"																		
QVC16V300S	3"																		
QVC16V075S	75mm																		
QVC19V303S	3-3/16"																		
QVC19V304S	3-1/4"																		
QVC19V080S	80mm	22219	2.46	2.54	4.90	7.29	8.63	6.10	10.34	7.375	1.00	3/4	3.77	1.31	0.08	0.73	3.69	4.49	32
QVC19V085S	85mm																		
QVC19V307S	3-7/16"																		
QVC19V308S	3-1/2"																		
QVC19V090S	90mm																		
QVC22V311S	3-11/16"																		
QVC22V312S	3-3/4"																		
QVC22V100S	100mm	22222	2.37	2.45	5.50	8.76	9.38	6.63	10.88	8.125	1.00	3/4	4.54	2.13	0.41	0.46	4.13	4.99	43
QVC22V315S	3-15/16"																		
QVC22V400S	4"																		
QVC26V110S†	110mm																		
QVC26V407S†	4-7/16"	22226	3.40	3.48	6.88	10.25	11.75†	5.88†	13.50	10.250	1.00	3/4†	5.30	1.90	0.52	1.72	5.82	7.02	72
QVC26V408S†	4-1/2"																		
QVC26V115S†	115mm																		

* Bearing part numbers use 'QV' to designate single-nut units (uses R_v and S_v dimensions) and 'QVV' to designate double-nut units (uses R_w and S_w dimensions)

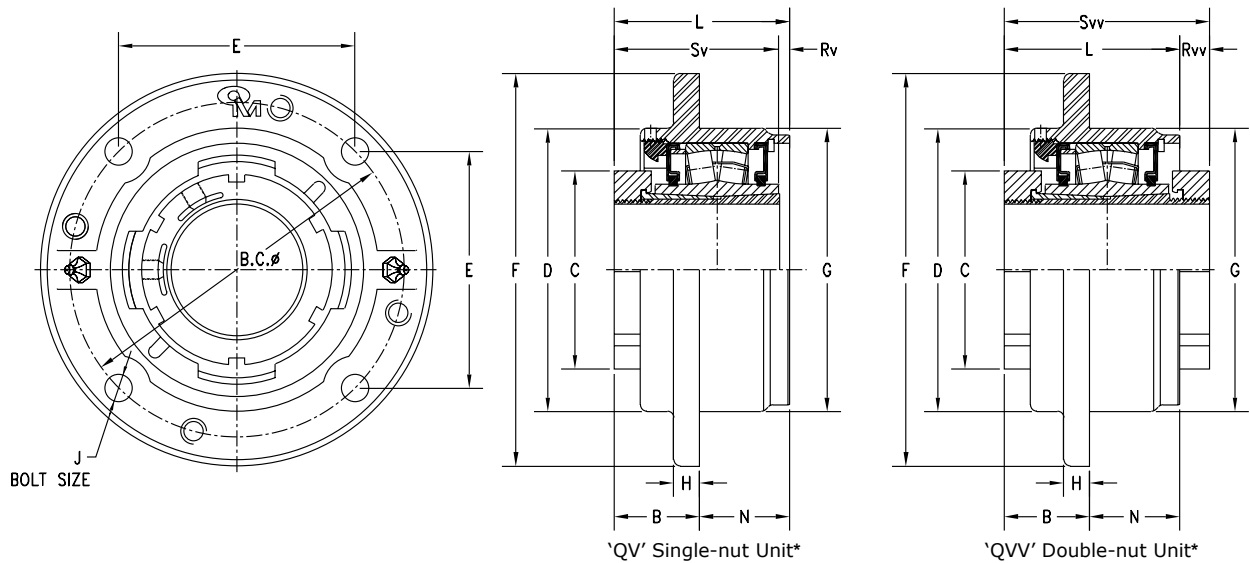
† Single-nut (QV) part number shown. Double-nut (QVV) version available upon request.

‡ 6-bolt round housing

§ Pilot tolerance: +0/-0.002

Blue Brute Bearings – V-Lock Series (Adapter Lock) US Pat. No. 7344313

QVCW and QVVCW Piloted Flange Cartridges - Straight Bore Equilivent



QVCW and QVVCW Piloted Flange Cartridge Dimensions (in)

Bearing Part No.*†	Shaft Size	Bearing Number	B _{FIX}	B _{EXP}	C	D	B.C.	E	F	G [§]	H	J	L	N	R _V * [‡]	R _{VV}	S _V * [‡]	S _{VV}	Wt (lbs)	
QVCW11V115S	1-15/16"																			
QVCW11V200S	2"	22211	1.66	1.74	2.99	4.47	5.38	3.80	6.38	4.500	0.38	7/16	3.16	1.50	0.03	0.86	3.14	4.02	10	
QVCW11V050S	50mm																			
QVCW12V203S	2-3/16"																			
QVCW12V204S	2-1/4"	22212	1.70	1.79	3.16	5.00	6.00	4.24	7.13	5.000	0.56	1/2	3.33	1.63	0.19	0.69	3.14	4.02	13	
QVCW12V055S	55mm																			
QVCW14V060S	60mm																			
QVCW14V207S	2-7/16"																			
QVCW14V208S	2-1/2"	22214	1.65	1.73	3.70	5.50	6.50	4.60	7.63	5.500	0.50	1/2	3.40	1.75	0.21	0.59	3.19	3.99	16	
QVCW14V065S	65mm																			
QVCW16V211S	2-11/16"																			
QVCW16V212S	2-3/4"																			
QVCW16V070S	70mm																			
QVCW16V215S	2-15/16"	22216	1.48	1.56	4.19	6.38	7.50	5.30	8.75	6.375	0.50	5/8	3.35	1.88	0.07	0.73	3.29	4.08	22	
QVCW16V300S	3"																			
QVCW16V075S	75mm																			
QVCW19V303S	3-3/16"																			
QVCW19V304S	3-1/4"																			
QVCW19V080S	80mm																			
QVCW19V085S	85mm	22219	1.96	2.04	4.90	7.38	8.63	6.10	10.25	7.375	0.88	3/4	3.84	1.88	0.15	0.66	3.69	4.49	32	
QVCW19V307S	3-7/16"																			
QVCW19V308S	3-1/2"																			
QVCW19V090S	90mm																			
QVCW22V311S	3-11/16"																			
QVCW22V312S	3-3/4"																			
QVCW22V100S	100mm	22222	2.03	2.11	5.50	8.76	9.38	6.63	10.88	8.125	1.00	3/4	4.32	2.25	0.19	0.68	4.13	4.99	43	
QVCW22V315S	3-15/16"																			
QVCW22V400S	4"																			
QVCW26V110S [‡]	110mm																			
QVCW26V407S [‡]	4-7/16"																			
QVCW26V408S [‡]	4-1/2"	22226	2.85	2.93	6.88	10.25	11.75 [‡]	5.88 [‡]	13.50	10.250	1.00 [‡]	3/4	5.53	2.69	0.29	1.49	5.82	7.02	72	
QVCW26V115S [‡]	115mm																			
QVCW28V125S [‡]	125mm																			
QVCW28V415S [‡]	4-15/16"																			
QVCW28V500S [‡]	5"	22228	2.62	2.70	7.48	10.50	12.75 [‡]	6.38 [‡]	14.75	11.000	1.03 [‡]	7/8	5.69	3.07	0.13	1.33	5.82	7.02	102	
QVCW28V130S [‡]	130mm																			

* Bearing part numbers use 'QV' to designate single-nut units (uses R_V and S_V dimensions) and 'QVV' to designate double-nut units (uses R_{VV} and S_{VV} dimensions)

† Single-nut (QV) part number shown. Double-nut (QVV) version available upon request.

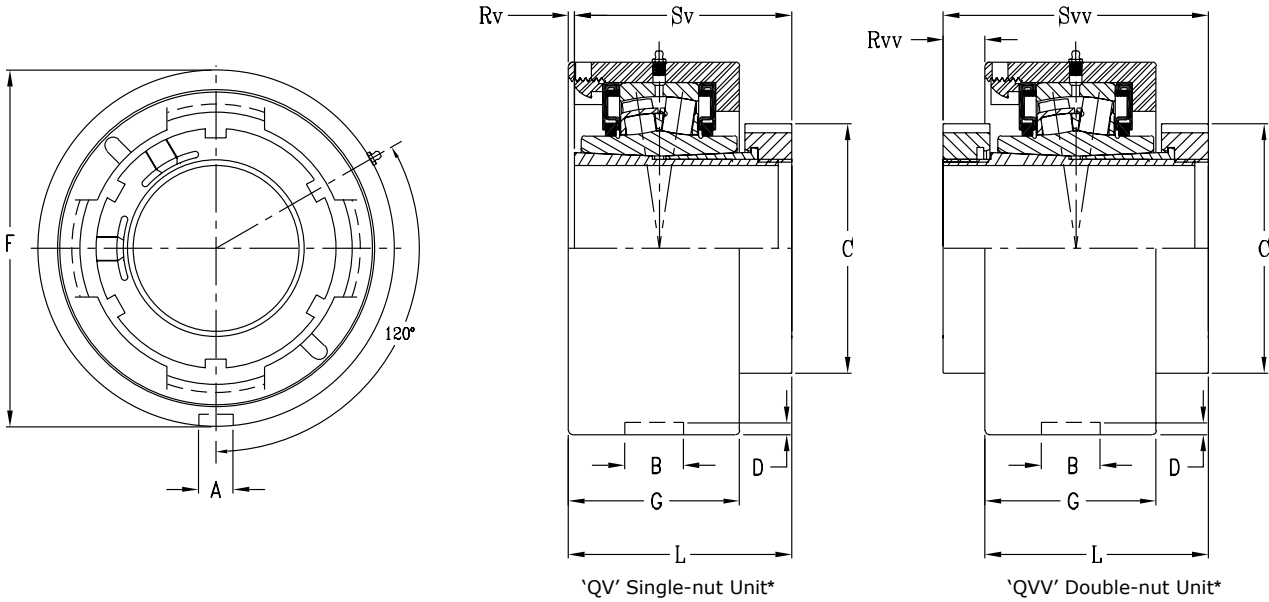
‡ 6-bolt round housing

§ Pilot tolerance: +0/-0.002

Introduction
Blue Brute Bearings
Bearing Interchange Guide
Quick-Flex Couplings
Rigid Compression Couplings
Index

Blue Brute Bearings – V-Lock Series (Adapter Lock) US Pat. No. 7344313

QVMC and QVVMC Cartridge Blocks **NEW** - Tapered Bore Equivalent



QVMC and QVVMC Cartridge Block Dimensions (in)

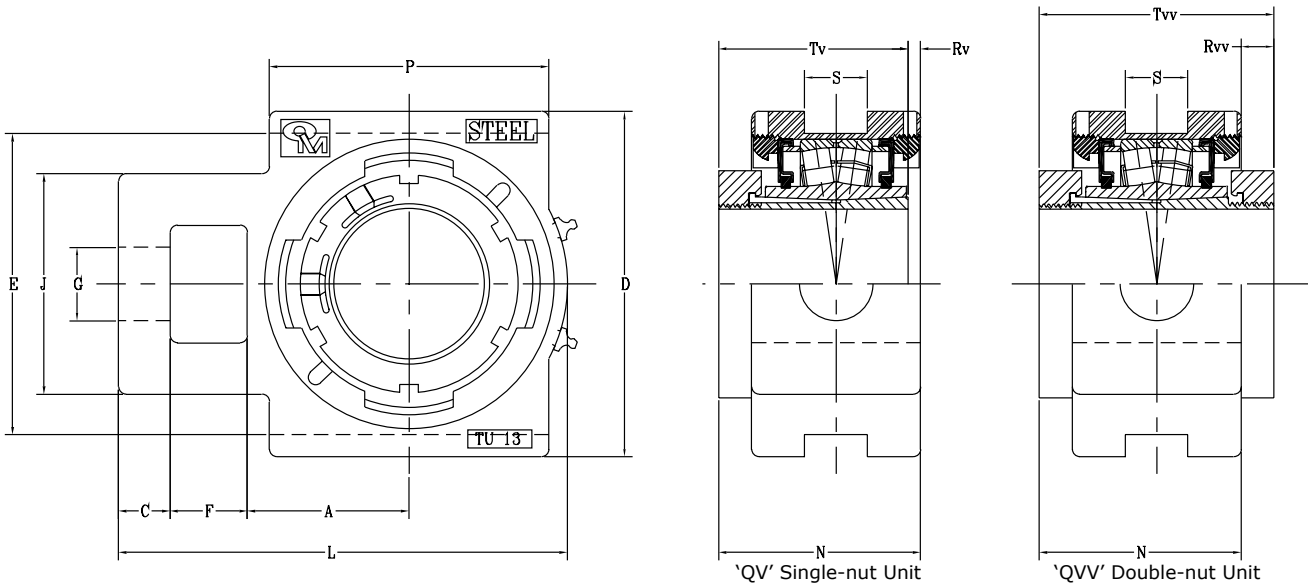
Bearing Part No.**	Shaft Size	Bearing Number	A	B	C	D	F	G	L _{FIX}	L _{EXP}	R _v *	R _w	S _v *	S _w	Wt (lbs)
QVMC11V115S	1-15/16"														
QVMC11V200S	2"	22211	0.530	0.906	2.99	0.188	4.531 (+0/-0.002)	2.180	3.11	3.19	0.03	0.91	3.14	4.02	10
QVMC11V050S	50mm														
QVMC13V203S	2-3/16"														
QVMC13V204S	2-1/4"	22213	0.530	0.906	3.16	0.188	5.75 (+0/-0.002)	2.640	3.38	3.46	0.02	0.86	3.36	4.24	12
QVMC13V055S	55mm														
QVMC15V060S	60mm														
QVMC15V207S	2-7/16"	22215	0.594	1.032	3.70	0.250	5.875 (+0/-0.002)	2.780	3.44	3.52	0.20	0.65	3.25	4.09	18
QVMC15V208S	2-1/2"														
QVMC15V065S	65mm														
QVMC17V211S	2-11/16"														
QVMC17V212S	2-3/4"														
QVMC17V070S	70mm	22217	0.594	1.083	4.19	0.281	6.75 (+0/-0.002)	2.950	3.59	3.67	0.25	0.59	3.33	4.18	26
QVMC17V215S	2-15/16"														
QVMC17V300S	3"														
QVMC17V075S	75mm														
QVMC20V303S	3-3/16"														
QVMC20V304S	3-1/4"														
QVMC20V080S	80mm														
QVMC20V085S	85mm	22220	0.781	1.281	4.90	0.313	8.125 (+0/-0.002)	3.370	4.02	4.10	0.27	0.60	3.75	4.62	32
QVMC20V307S	3-7/16"														
QVMC20V308S	3-1/2"														
QVMC20V090S	90mm														
QVMC22V311S	3-11/16"														
QVMC22V312S	3-3/4"														
QVMC22V100S	100mm	22222	0.781	1.281	5.50	0.313	8.75 (+0/-0.003)	3.850	4.45	4.53	0.32	0.55	4.13	4.99	40
QVMC22V315S	3-15/16"														
QVMC22V400S	4"														
QVMC26V110S	110mm														
QVMC26V407S	4-7/16"	22226	0.780	1.500	6.88	0.313	10.437 (+0/-0.003)	4.110	5.57	5.65	0.25	1.45	5.82	7.02	52
QVMC26V408S	4-1/2"														
QVMC26V115S	115mm														

* Bearing part numbers use 'QV' to designate single-nut units (uses R_v and S_v dimensions) and 'QVV' to designate double-nut units (uses R_w and S_w dimensions)

† Single-nut (QV) part number shown. Double-nut (QVV) version available upon request.

Blue Brute Bearings – V-Lock Series (Adapter Lock) US Pat. No. 7344313

QVVTU Take-Up Blocks - Straight Bore Equivalent



QVTU and QVVTU Take-up Block Dimensions (in)

Bearing Part No.	Shaft Size	Bearing Number	A	C	D	E	F	G	J	L	N	P	S	R _v *	R _{vv}	T _v *	T _{vv}	Wt (lbs)
QVVTU14V060S	60mm																	
QVVTU14V207S	2-7/16"	22214	2.75	0.88	5.88	5.13	1.31	1.31	3.75	7.63	3.48	4.75	1.06	0.13	0.61	3.35	4.09	17
QVVTU14V208S	2-1/2"																	
QVVTU14V065S	65mm																	
QVVTU16V211S	2-11/16"																	
QVVTU16V212S	2-3/4"																	
QVVTU16V070S	70mm	22216	3.00	1.00	6.75	5.94	1.56	1.56	4.25	8.65	3.55	4.75	1.81	0.09	0.64	3.45	4.18	35
QVVTU16V215S	2-15/16"																	
QVVTU16V300S	3"																	
QVVTU16V075S	75mm																	
QVVTU19V303S	3-3/16"																	
QVVTU19V304S	3-1/4"																	
QVVTU19V080S	80mm	22219	3.63	1.00	7.63	6.81	1.81	1.88	4.88	10.12	3.92	6.25	1.81	0.02	0.71	3.90	4.63	44
QVVTU19V085S	85mm																	
QVVTU19V307S	3-7/16"																	
QVVTU19V308S	3-1/2"																	
QVVTU19V090S	90mm																	
QVVTU22V311S	3-11/16"																	
QVVTU22V312S	3-3/4"																	
QVVTU22V100S	100mm	22222	4.13	1.13	9.44	8.63	2.13	2.06	5.63	11.69	4.38	7.00	2.06	0.06	0.74	4.33	5.13	58
QVVTU22V315S	3-15/16"																	
QVVTU22V400S	4"																	

* Double-nut (QVV) part number shown. Single-nut (QV) version available upon request.

Blue Brute Bearings – V-Lock Series (Adapter Lock) US Pat. No. 7344313

Introduction

Blue Brute Bearings

Bearing Interchange Guide

Quick-Flex Couplings

Rigid Compression Couplings

Index

Blue Brute Bearings – CL Series (Set Screw Lock)

	Housing Type	Primary Seals						
		'M'	'N'	'O'	'B'	'C'	'T'	'ML'
V-Block (QM Bearings exclusive Double Taper Lock)	Pillow Block	✓	✓	✓	✓	✓	✓	
	Flange Block	✓	✓	✓	✓	✓	✓	
	Piloted Flange Cartridge	✓	✓	✓	✓	✓	✓	
	Take-Up Block	✓	✓	✓	✓	✓	✓	
	Cartridge Block	✓	✓	✓	✓	✓	✓	
CL Series (Set Screw Lock)	Pillow Block	✓	✓	✓	✓	✓	✓	✓
	Flange Block	✓	✓	✓	✓	✓	✓	✓
	Piloted Flange Cartridge	✓	✓	✓	✓	✓	✓	✓
	Take-Up Block	✓	✓	✓	✓	✓	✓	✓
	Cartridge Block	✓	✓	✓	✓	✓	✓	
EC Series (Eccentric Lock)	Pillow Block	✓	✓	✓	✓	✓	✓	
	Flange Block	✓	✓	✓	✓	✓	✓	
	Piloted Flange Cartridge	✓	✓	✓	✓	✓	✓	
	Take-Up Block	✓	✓	✓	✓	✓	✓	
	Cartridge Block	✓	✓	✓	✓	✓	✓	
TA Series (Tapered Adapter Lock)	Pillow Block	✓	✓	✓	✓	✓	✓	
	Flange Block	✓	✓	✓	✓	✓	✓	
	Piloted Flange Cartridge	✓	✓	✓	✓	✓	✓	
	Cartridge Block	✓	✓	✓	✓	✓	✓	
DV Series (Tapered Adapter Lock)	Pillow Block	✓	✓	✓	✓	✓	✓	
	Flange Block	✓	✓	✓	✓	✓	✓	
	Piloted Flange Cartridge	✓	✓	✓	✓	✓	✓	

Blue Brute Bearings – CL Series (Set Screw Lock)

Secondary Seals and Covers								Housing Type	
Open End Cover			Closed End Cover	HSY Flange Cartridge Backing Plate		'UFP' Backing Plate	'CFP' Backing Plate with 'CC' Collar		
'DR'	'VR'	CC Collar		'DR'	'CC' Collar				
✓	✓	✓	✓					Pillow Block	V-Lock (QM Bearings exclusive Double Taper Lock)
✓	✓	✓	✓					Flange Block	
✓	✓	✓	✓					Piloted Flange Cartridge	
✓	✓	✓	✓					Take-Up Block	
✓	✓	✓	✓					Cartridge Block	
✓	✓	✓	✓					Pillow Block	CL Series (Set Screw Lock)
✓	✓	✓	✓			✓	✓	Flange Block	
✓	✓	✓	✓	✓	✓			Piloted Flange Cartridge	
✓	✓	✓	✓					Take-Up Block	
✓	✓	✓	✓					Cartridge Block	
✓	✓	✓	✓					Pillow Block	EC Series (Eccentric Lock)
✓	✓	✓	✓			✓	✓	Flange Block	
✓	✓	✓	✓	✓	✓			Piloted Flange Cartridge	
✓	✓	✓	✓					Take-Up Block	
✓	✓	✓	✓					Cartridge Block	
✓	✓	✓	✓					Pillow Block	TA Series (Tapered Adapter Lock)
✓	✓	✓	✓					Flange Block	
✓	✓	✓	✓					Piloted Flange Cartridge	
✓	✓	✓	✓					Cartridge Block	
✓	✓	✓	✓					Pillow Block	DV Series (Tapered Adapter Lock)
✓	✓	✓	✓					Flange Block	
✓	✓	✓	✓					Piloted Flange Cartridge	

Introduction
Blue Brute Bearings
Bearing Interchange Guide
Quick-Flex Couplings
Rigid Compression Couplings
Index

Blue Brute Bearings – CL Series (Set Screw Lock)

Available in both single-collar (QA) and double-collar (QAA) versions, the CL bearing series features a concentric locking collar with two set screws at 60° to provide maximum positive locking power with minimal run out.

You Have Choices

For the CL series, you can select either single-collar or double-collar and choose from 15 seal options and many housing styles as listed on pages 50-51.

Housings

- ⇒ Two-bolt pillow blocks
- ⇒ Four-bolt pillow blocks
- ⇒ Flange blocks
- ⇒ Piloted flange cartridges
- ⇒ Take-up blocks
- ⇒ Cartridge blocks

Seals

- ⇒ Labyrinth: Teflon (T) and Mechanical (ML)
- ⇒ Triple lip: nitrile rubber (M), Viton® (N) and urethane (O)
- ⇒ Double lip: nitrile rubber (B) and Viton® (C)
- ⇒ Closed end covers (CS)
- ⇒ Open end covers (CJ) with:
 - Triple lip seal (DR)
 - V-ring seal (VR)
 - Contamination collar (CC)
- ⇒ Piloted flange cartridge backing plates (HSY) with:
 - Triple lip seal (DR)
 - Contamination collar (CC)
- ⇒ Flange block backing plates (UFP and CFP)



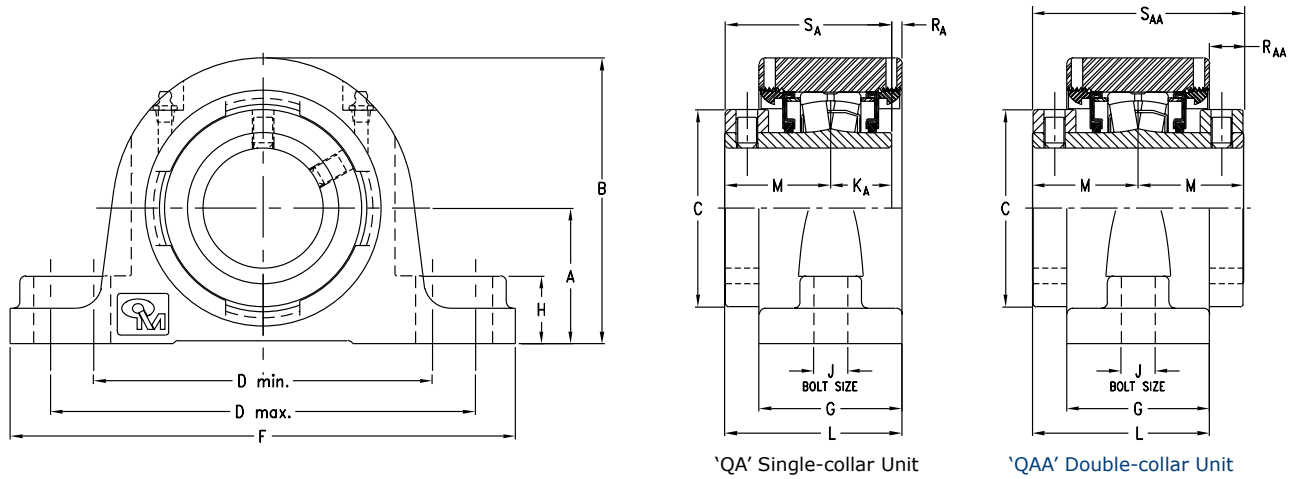
CL Series single-collar (QA) insert



CL Series double-collar (QAA) insert

Blue Brute Bearings – CL Series (Set Screw Lock)

QAP and QAAP 2-Bolt Pillow Blocks



QAP and QAAP 2-Bolt Pillow Block Dimensions (in.)

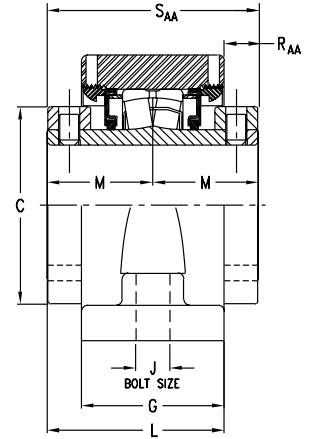
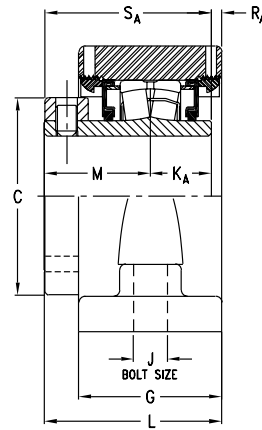
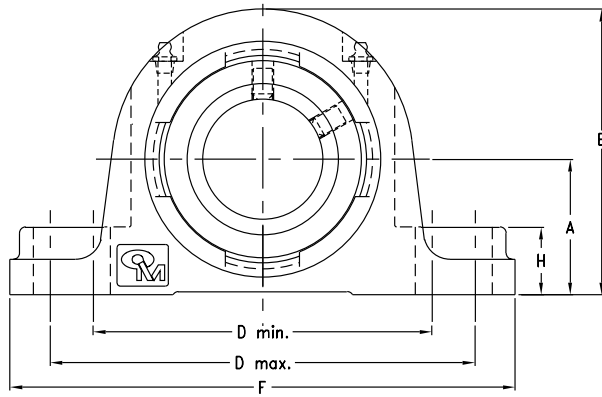
Bearing Part No.†	Shaft Size	Bearing Number	A	B	C	D _{MIN}	D _{MAX}	F	G	H	J	K _A	L	M	R _A	R _{AA}	S _A	S _{AA}	Wt (lbs)	
QAP10A115S QAAP10A115S	1-15/16"																			
QAP10A200S QAAP10A200S	2"	22210	2.25	4.81	2.88	6.00	7.13	8.88	2.44	1.25	5/8	0.98	3.11	1.89	0.24	0.67	2.87	3.78	13	
QAP10A050S QAAP10A050S	50mm																			
QAP11A203S QAAP11A203S	2-3/16"																			
QAP11A204S QAAP11A204S	2-1/4"	22211	2.50	5.25	3.25	6.50	7.88	9.63	2.63	1.25	5/8	1.13	3.32	2.00	0.19	0.69	3.13	4.00	17	
QAP11A055S QAAP11A055S	55mm																			
QAP11A060S QAAP11A060S	60mm																			
QAP13A207S QAAP13A207S	2-7/16"	22213	2.75	5.80	4.00	6.88	8.63	10.25	2.90	1.38	5/8	1.24	3.60	2.15	0.21	0.70	3.39	4.30	22	
QAP13A208S QAAP13A208S	2-1/2"																			
QAP13A065S QAAP13A065S	65mm																			
QAP15A211S QAAP15A211S	2-11/16"																			
QAP15A212S QAAP15A212S	2-3/4"																			
QAP15A070S QAAP15A070S	70mm	22215	3.13	6.47	4.50	7.88	9.63	11.60	3.00	1.38	3/4	1.25	3.87	2.37	0.25	0.87	3.62	4.74	28	
QAP15A215S QAAP15A215S	2-15/16"																			
QAP15A300S QAAP15A300S	3"																			
QAP15A075S QAAP15A075S	75mm																			

† Bearing part numbers use 'QA' to designate single-collar units (use S_A and R_A dimensions) and 'QAA' to designate double-collar units (use S_{AA} and R_{AA} dimensions)

(continued on next page)

Blue Brute Bearings – CL Series (Set Screw Lock)

QAP and QAAP 2-Bolt Pillow Blocks (continued)



'QA' Single-collar Unit

'QAA' Double-collar Unit

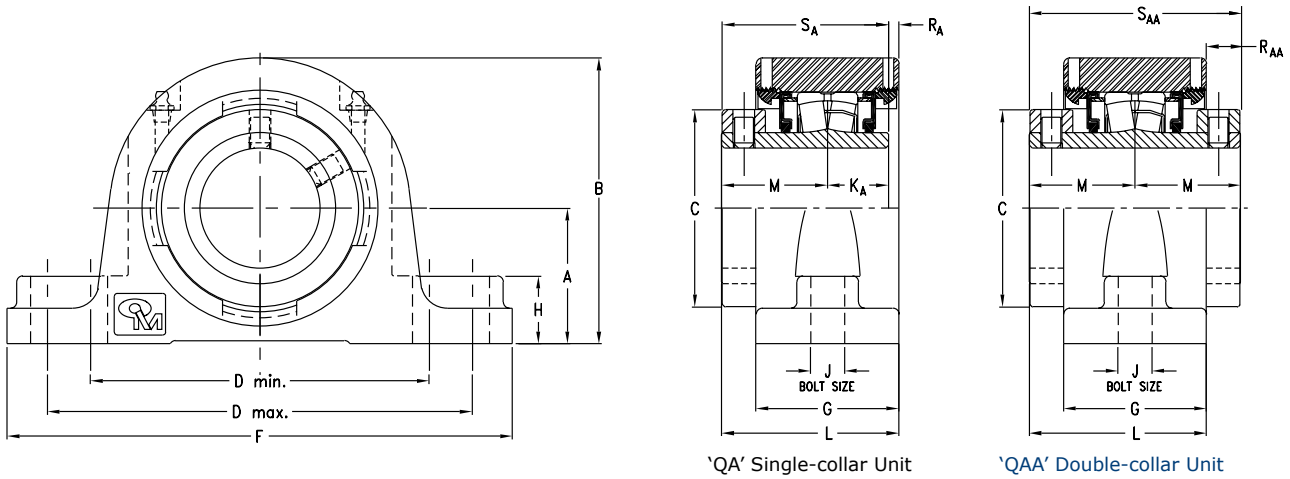
QAP and QAAP 2-Bolt Pillow Block Dimensions (in.) - Continued

Bearing Part No.†	Shaft Size	Bearing Number	A	B	C	D _{MIN}	D _{MAX}	F	G	H	J	K _A	L	M	R _A	R _{AA}	S _A	S _{AA}	Wt (lbs)	
QAP18A303S QAAP18A303S	3-3/16"																			
QAP18A304S QAAP18A304S	3-1/4"																			
QAP18A080S QAAP18A080S	80mm																			
QAP18A085S QAAP18 A085S	85mm	22218	3.75	7.69	5.13	9.38	11.25	13.50	3.41	1.88	7/8	1.44	4.30	2.59	0.27	0.89	4.03	5.18	45	
QAP18A307S QAAP18A307S	3-7/16"																			
QAP18A308S QAAP18A308S	3-1/2"																			
QAP18A090S QAAP18A090S	90mm																			
QAP20A315S QAAP20A315S	3-15/16"																			
QAP20A400S QAAP20A400S	4"	22220	4.13	8.26	6.00	10.04	12.60	14.25	3.73	2.00	1	1.63	4.84	2.97	0.24	1.11	4.60	5.94	59	
QAP20A100S QAAP20A100S	100mm																			

† Bearing part numbers use 'QA' to designate single-collar units (use S_A and R_A dimensions) and 'QAA' to designate double-collar units (use S_{AA} and R_{AA} dimensions)

Blue Brute Bearings – CL Series (Set Screw Lock)

QAPL and QAAPL 2-Bolt Pillow Blocks



QAPL and QAAPL 2-Bolt Pillow Block Dimensions (in.)

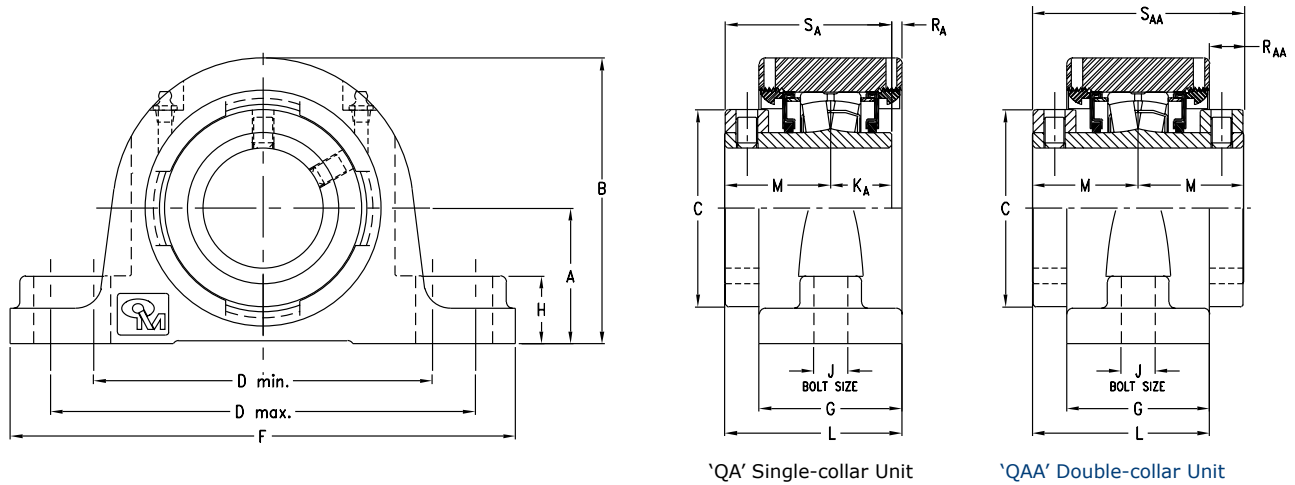
Bearing Part No. [†]	Shaft Size	Bearing Number	A	B	C	D _{MIN}	D _{MAX}	F	G	H	J	K _A	L	M	R _A	R _{AA}	S _A	S _{AA}	Wt (lbs)	
QAPL10A115S QAAPL10A115S	1-15/16"																			
QAPL10A200S QAAPL10A200S	2"	22210	2.25	4.81	2.88	5.93	6.36	8.38	2.44	1.25	5/8	0.98	3.11	1.89	0.24	0.67	2.87	3.78	13	
QAPL10A050S QAAPL10A050S	50mm																			
QAPL11A203S QAAPL11A203S	2-3/16"																			
QAPL11A204S QAAPL11A204S	2-1/4"	22211	2.50	5.25	3.25	6.50	7.06	8.88	2.58	1.25	5/8	1.13	3.29	2.00	0.16	0.71	3.13	4.00	17	
QAPL11A055S QAAPL11A055S	55mm																			
QAPL13A060S QAAPL13A060S	60mm																			
QAPL13A207S QAAPL13A207S	2-7/16"	22213	2.75	5.80	4.00	6.81	7.44	9.25	2.90	1.38	5/8	1.24	3.60	2.15	0.21	0.70	3.39	4.30	22	
QAPL13A208S QAAPL13A208S	2-1/2"																			
QAPL13A065S QAAPL13A065S	65mm																			
QAPL15A211S QAAPL15A211S	2-11/16"																			
QAPL15A212S QAAPL15A212S	2-3/4"																			
QAPL15A070S QAAPL15A070S	70mm																			
QAPL15A215S QAAPL15A215S	2-15/16"	22215	3.25	6.59	4.50	7.70	8.40	10.44	3.00	1.38	3/4	1.25	3.87	2.37	0.25	0.87	3.62	4.74	28	
QAPL15A300S QAAPL15A300S	3"																			
QAPL15A075S QAAPL15A075S	75mm																			

[†] Bearing part numbers use 'QA' to designate single-collar units (use S_A and R_A dimensions) and 'QAA' to designate double-collar units (use S_{AA} and R_{AA} dimensions)

(continued on next page)

Blue Brute Bearings – CL Series (Set Screw Lock)

QAPL and QAAPL 2-Bolt Pillow Blocks (continued)



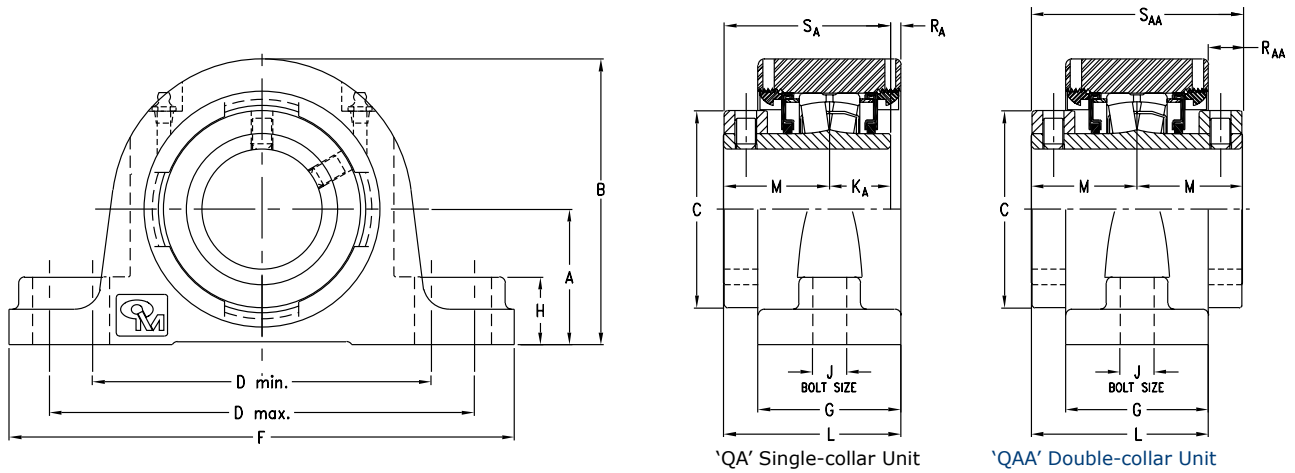
QAPL and QAAPL 2-Bolt Pillow Block Dimensions (in.) - Continued

Bearing Part No.†	Shaft Size	Bearing Number	A	B	C	D _{MIN}	D _{MAX}	F	G	H	J	K _A	L	M	R _A	R _{AA}	S _A	S _{AA}	Wt (lbs)	
QAPL18A303S QAAPL18A303S	3-3/16"																			
QAPL18A304S QAAPL18A304S	3-1/4"																			
QAPL18A080S QAAPL18A080S	80mm																			
QAPL18A085S QAAPL18A085S	85mm	22218	3.75	7.69	5.13	9.25	10.75	13.00	3.41	1.88	7/8	1.44	4.30	2.59	0.27	0.89	4.03	5.18	45	
QAPL18A307S QAAPL18A307S	3-7/16"																			
QAPL18A308S QAAPL18A308S	3-1/2"																			
QAPL18A090S QAAPL18A090S	90mm																			
QAPL20A315S QAAPL20A315S	3-15/16"																			
QAPL20A400S QAAPL20A400S	4"	22220	4.25	8.38	6.00	10.04	12.60	14.25	3.73	2.13	1	1.63	4.84	2.97	0.24	1.11	4.60	5.94	59	
QAPL20A100S QAAPL20A100S	100mm																			

† Bearing part numbers use 'QA' to designate single-collar units (use S_A and R_A dimensions) and 'QAA' to designate double-collar units (use S_{AA} and R_{AA} dimensions)

Blue Brute Bearings – CL Series (Set Screw Lock)

QASN and QAASN SN-Style 2-Bolt Pillow Blocks - Pure Metric Design



QASN and QAASN SN-Style 2-Bolt Pillow Block Dimensions (mm)

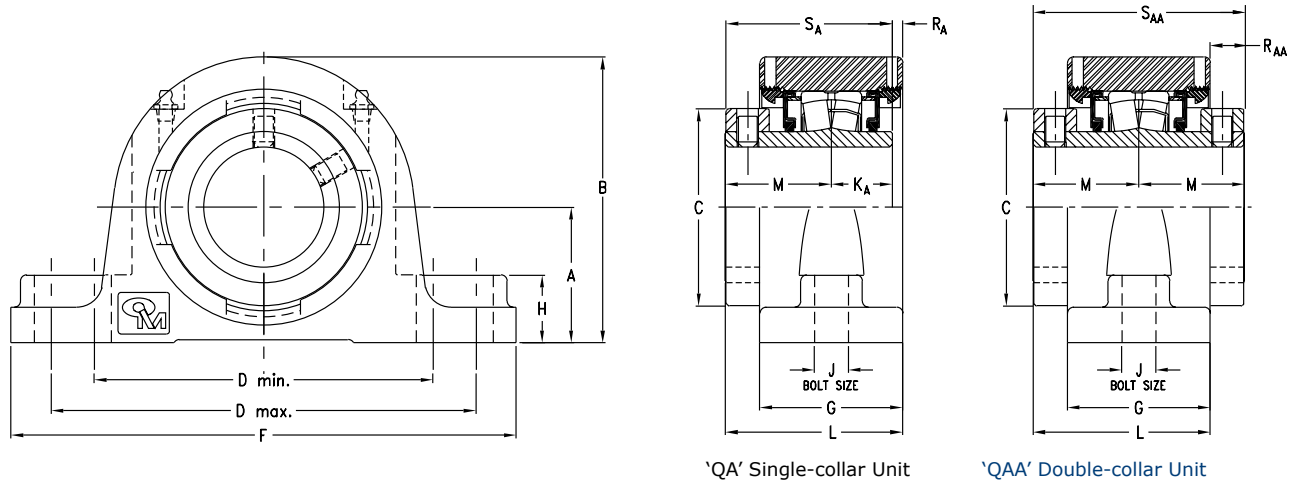
Bearing Part No.†	Shaft Size	Bearing Number	A	B	C	D _{MIN}	D _{MAX}	F	G	H	J	K _A	L	M	R _A	R _{AA}	S _A	S _{AA}	Wt (lbs)	
QASN10A115S QAASN10A115S	1-15/16"																			
QASN10A200S QAASN10A200S	2"	22210	70	136	73	183	216	254	68	255	16	25	82	48	9	14	73	96	28	
QASN10A050S QAASN10A050S	50mm																			
QASN11A203S QAASN11A203S	2-3/16"																			
QASN11A204S QAASN11A204S	2-1/4"	22211	70	141	83	183	216	254	68	25	16	29	85	51	5	17	80	102	29	
QASN11A055S QAASN11A055S	55mm																			
QASN13A060S QAASN13A060S	60mm																			
QASN13A207S QAASN13A207S	2-7/16"	22213	80	157	102	196	235	275	74	35	16	31	92	55	6	18	86	110	35	
QASN13A208S QAASN13A208S	2-1/2"																			
QASN13A065S QAASN13A065S	65mm																			
QASN15A211S QAASN15A211S	2-11/16"																			
QASN15A212S QAASN15A212S	2-3/4"																			
QASN15A070S QAASN15A070S	70mm	22215	95	183	114	241	279	316	76	34	20	32	98	60	6	22	92	120	46	
QASN15A215S QAASN15A215S	2-15/16"																			
QASN15A300S QAASN15A300S	3"																			
QASN15A075S QAASN15A075S	75mm																			

† Bearing part numbers use 'QA' to designate single-collar units (use S_A and R_A dimensions) and 'QAA' to designate double-collar units (use S_{AA} and R_{AA} dimensions)

(continued on next page)

Blue Brute Bearings – CL Series (Set Screw Lock)

QASN and QAASN SN-Style 2-Bolt Pillow Blocks - Pure Metric Design (continued)



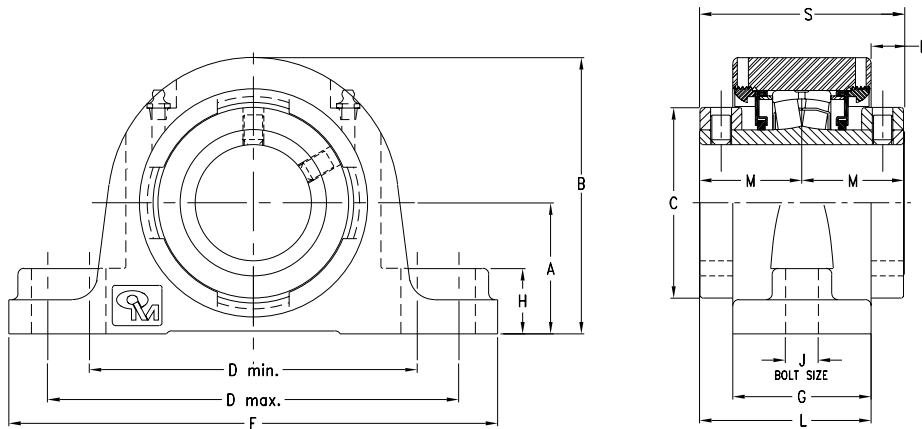
QASN and QAASN SN-Style 2-Bolt Pillow Block Dimensions (mm) - Continued

Bearing Part No.†	Shaft Size	Bearing Number	A	B	C	D _{MIN}	D _{MAX}	F	G	H	J	K _A	L	M	R _A	R _{AA}	S _A	S _{AA}	Wt (lbs)	
QASN18A303S QAASN18A303S	3-3/16"																			
QASN18A304S QAASN18A304S	3-1/4"	22218	100	200	130	279	292	345	86	39	20	37	109	66	6	23	102	132	56	
QASN18A080S QAASN18A080S	80mm																			
QASN18A085S QAASN18A085S	85mm	22218	112	212	130	279	292	345	86	39	20	37	109	66	6	23	102	132	56	
QASN18A307S QAASN18A307S	3-7/16"																			
QASN18A308S QAASN18A308S	3-1/2"	22218	112	212	130	290	327	380	86	39	24	37	109	66	6	23	102	132	56	
QASN18A090S QAASN18A090S	90mm																			
QASN20A315S QAASN20A315S	3-15/16"																			
QASN20A400S QAASN20A400S	4"	22220	125	241	152	319	366	410	101	50	24	41	126	75	10	25	117	150	79	
QASN20A100S QAASN20A100S	100mm																			
QAASN22A110S	110mm	22222	140	255	160	332	365	410	105	39	24	-	133	80	-	28	-	160	79	
QAASN22A407S	4-7/16"																			
QAASN22A408S	4-1/2"	22222	150	265	160	367	400	445	105	49	24	-	133	80	-	28	-	160	88	
QAASN22A115S	115mm																			
QAASN26A125S	125mm																			
QAASN26A415S	4-15/16"																			
QAASN26A500S	5"	22226	150	282	175	402	435	500	113	49	30	-	151	94	-	38	-	188	88	
QAASN26A130S	130mm																			

† Bearing part numbers use 'QA' to designate single-collar units (use S_A and R_A dimensions) and 'QAA' to designate double-collar units (use S_{AA} and R_{AA} dimensions)

Blue Brute Bearings – CL Series (Set Screw Lock)

QAAPXT 5000-Series 2-Bolt Pillow Blocks

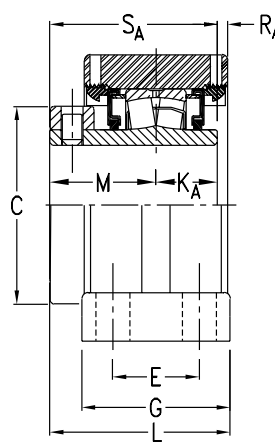
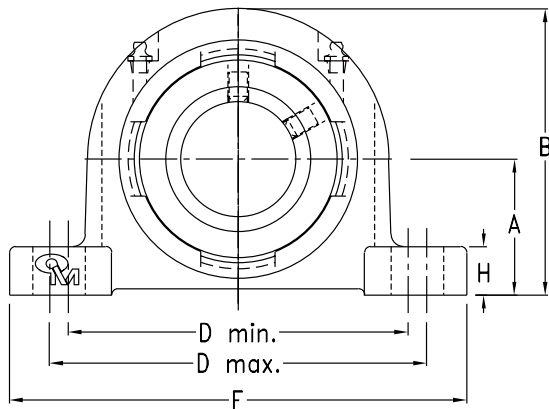
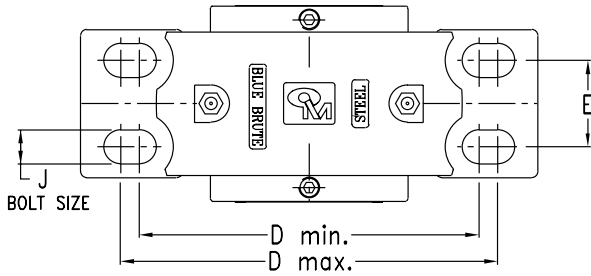


QAAPXT 5000-Series 2-Bolt Pillow Block Dimensions (in.)

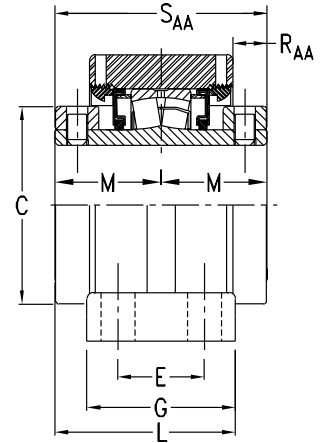
Bearing Part No.	Shaft Size	Bearing Number	A	B	C	D _{MIN}	D _{MAX}	F	G	H	J	L	M	R	S	Wt (lbs)
QAAPXT13A060S	60mm															
QAAPXT13A207S	2-7/16"	22213	3.00	6.05	4.00	7.66	8.78	11.25	2.90	1.38	3/4	3.60	2.15	0.70	4.30	22
QAAPXT13A208S	2-1/2"															
QAAPXT13A065S	65mm															
QAAPXT15A211S	2-11/16"															
QAAPXT15A212S	2-3/4"															
QAAPXT15A070S	70mm	22215	3.50	6.84	4.50	9.06	10.44	13.00	2.98	1.38	7/8	3.86	2.37	0.88	4.74	28
QAAPXT15A215S	2-15/16"															
QAAPXT15A300S	3"															
QAAPXT15A075S	75mm															

Blue Brute Bearings – CL Series (Set Screw Lock)

QAPF and QAAPF 4-Bolt Pillow Blocks



'QA' Single-collar Unit



'QAA' Double-collar Unit

QAPF and QAAPF 4-Bolt Pillow Block Dimensions (in.)

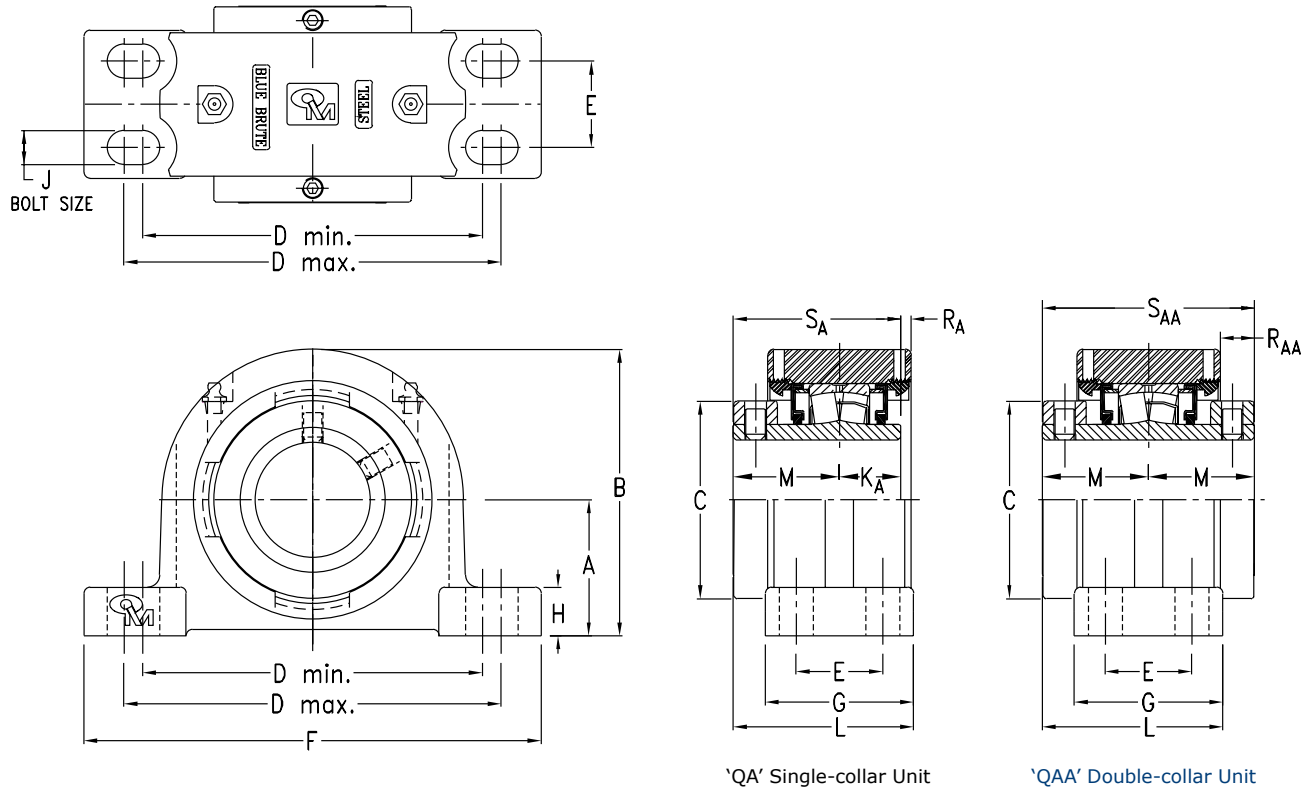
Bearing Part No.†	Shaft Size	Bearing Number	A	B	C	D _{MIN}	D _{MAX}	E	F	G	H	J	K _A	L	M	R _A	R _{AA}	S _A	S _{AA}	Wt (lbs)	
QAPF13A060S QAAPF13A060S	60mm																				
QAPF13A207S QAAPF13A207S	2-7/16"	22213	2.75	5.80	4.00	6.88	7.63	1.75	9.25	3.00	0.98	5/8	1.24	3.65	2.15	0.21	0.70	3.39	4.30	20	
QAPF13A208S QAAPF13A208S	2-1/2"																				
QAPF13A065S QAAPF13A065S	65mm																				
QAPF15A211S QAAPF15A211S	2-11/16"																				
QAPF15A212S QAAPF15A212S	2-3/4"																				
QAPF15A070S QAAPF15A070S	70mm	22215	3.25	6.60	4.50	7.60	9.10	1.88	10.44	3.13	1.29	5/8	1.25	3.94	2.37	0.24	0.88	3.62	4.74	27	
QAPF15A215S QAAPF15A215S	2-15/16"																				
QAPF15A300S QAAPF15A300S	3"																				
QAPF15A075S QAAPF15A075S	75mm																				

† Bearing part numbers use 'QA' to designate single-collar units (use S_A and R_A dimensions) and 'QAA' to designate double-collar units (use S_{AA} and R_{AA} dimensions)

(continued on next page)

Blue Brute Bearings – CL Series (Set Screw Lock)

QAPF and QAAPF 4-Bolt Pillow Blocks (continued)



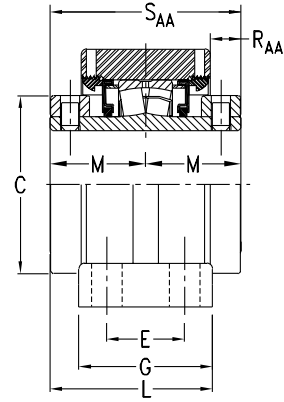
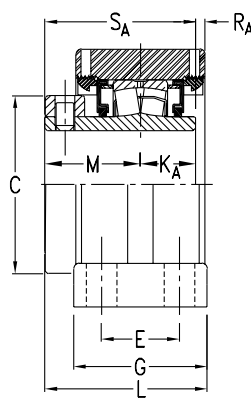
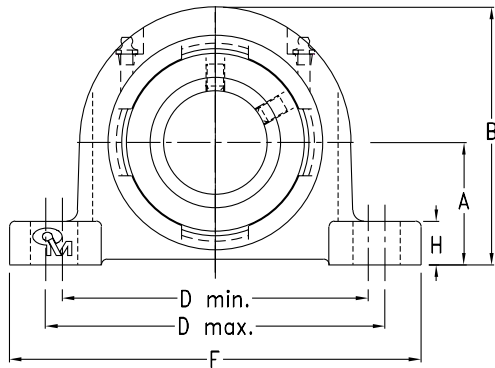
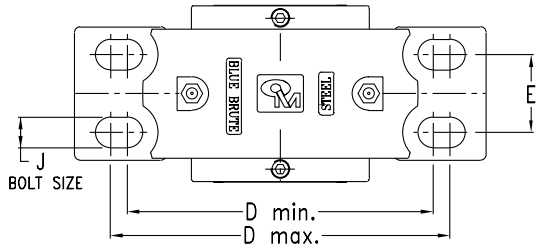
QAPF and QAAPF 4-Bolt Pillow Block Dimensions (in.) - Continued

Bearing Part No.†	Shaft Size	Bearing Number	A	B	C	D _{MIN}	D _{MAX}	E	F	G	H	J	K _A	L	M	R _A	R _{AA}	S _A	S _{AA}	Wt (lbs)	
QAPF18A303S QAAPF18A303S	3-3/16"																				
QAPF18A304S QAAPF18A304S	3-1/4"																				
QAPF18A080S QAAPF18A080S	80mm																				
QAPF18A085S QAAPF18A085S	85mm	22218	3.75	7.69	5.13	8.88	10.88	2.00	12.30	3.75	1.56	3/4	1.44	4.47	2.59	0.31	0.84	4.03	5.18	49	
QAPF18A307S QAAPF18A307S	3-7/16"																				
QAPF18A308S QAAPF18A308S	3-1/2"																				
QAPF18A090S QAAPF18A090S	90mm																				
QAPF20A315S QAAPF20A315S	3-15/16"																				
QAPF20A400S QAAPF20A400S	4"	22220	4.25	8.78	6.00	10.88	13.38	2.25	14.88	4.31	1.40	3/4	1.63	5.13	2.97	0.35	0.99	4.59	5.94	67	
QAPF20A100S QAAPF20A100S	100mm																				
QAAPF22A407S	4-7/16"																				
QAAPF22A408S	4-1/2"	22222	4.75	9.19	6.30	11.88	14.50	2.50	16.13	4.75	1.58	3/4	-	5.51	3.13	-	1.13	-	6.25	82	
QAAPF22A115S	115mm																				
QAAPF26A415S	4-15/16"																				
QAAPF26A500S	5"	22226	5.50	11.01	6.89	15.13	15.88	2.75	17.50	5.04	1.54	7/8	-	6.24	3.72	-	1.45	-	7.44	134	
QAAPF26A130S	130mm																				

† Bearing part numbers use 'QA' to designate single-collar units (use S_A and R_A dimensions) and 'QAA' to designate double-collar units (use S_{AA} and R_{AA} dimensions)

Blue Brute Bearings – CL Series (Set Screw Lock)

QAPR and QAAPR 4-Bolt Pillow Blocks



'QA' Single-collar Unit

'QAA' Double-collar Unit

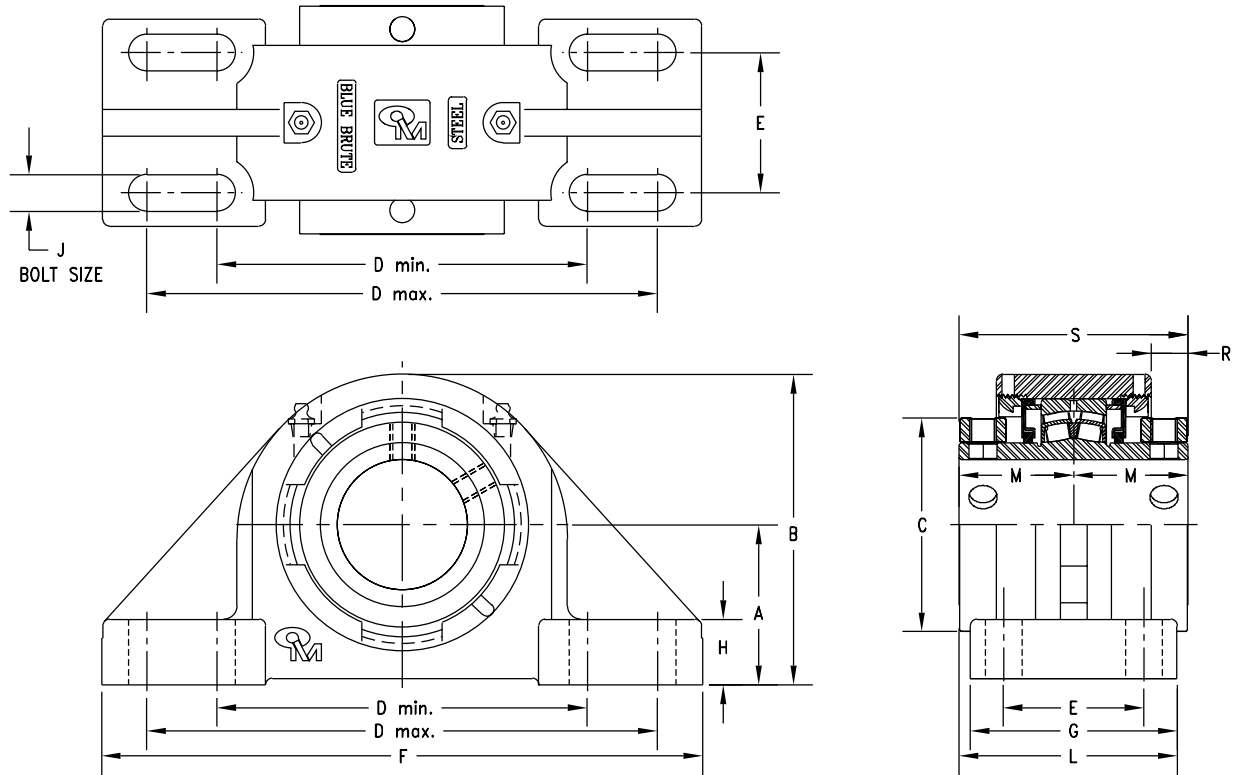
QAPR and QAAPR 4-Bolt Pillow Block Dimensions (in.)

Bearing Part No.†	Shaft Size	Bearing Number	A	B	C	D _{MIN}	D _{MAX}	E	F	G	H	J	K _A	L	M	R _A	R _{AA}	S _A	S _{AA}	Wt (lbs)	
QAPR13A060S QAAPR13A060S	60mm																				
QAPR13A207S QAAPR13A207S	2-7/16"	22213	2.75	5.80	4.00	7.13	8.75	1.88	10.25	3.25	0.98	5/8	1.24	3.73	2.15	0.21	0.70	3.39	4.30	20	
QAPR13A208S QAAPR13A208S	2-1/2"																				
QAPR13A065S QAAPR13A065S	65mm																				
QAPR15A211S QAAPR15A211S	2-11/16"																				
QAPR15A212S QAAPR15A212S	2-3/4"																				
QAPR15A070S QAAPR15A070S	70mm	22215	3.13	6.47	4.50	8.00	9.60	2.13	10.83	3.38	1.16	5/8	1.25	4.02	2.37	0.24	0.88	3.62	4.74	27	
QAPR15A215S QAAPR15A215S	2-15/16"																				
QAPR15A300S QAAPR15A300S	3"																				
QAPR15A075S QAAPR15A075S	75mm																				
QAPR18A303S QAAPR18A303S	3-3/16"																				
QAPR18A304S QAAPR18A304S	3-1/4"																				
QAPR18A080S QAAPR18A080S	80mm																				
QAPR18A085S QAAPR18A085S	85mm	22218	3.75	7.69	5.13	9.25	11.25	2.38	13.63	3.75	1.56	3/4	1.44	4.39	2.59	0.31	0.84	4.03	5.18	49	
QAPR18A307S QAAPR18A307S	3-7/16"																				
QAPR18A308S QAAPR18A308S	3-1/2"																				
QAPR18A090S QAAPR18A090S	90mm																				

† Bearing part numbers use 'QA' to designate single-collar units (use S_A and R_A dimensions) and 'QAA' to designate double-collar units (use S_{AA} and R_{AA} dimensions)

Blue Brute Bearings – CL Series (Set Screw Lock)

QAAPX 5000 Series 4-Bolt Pillow Blocks

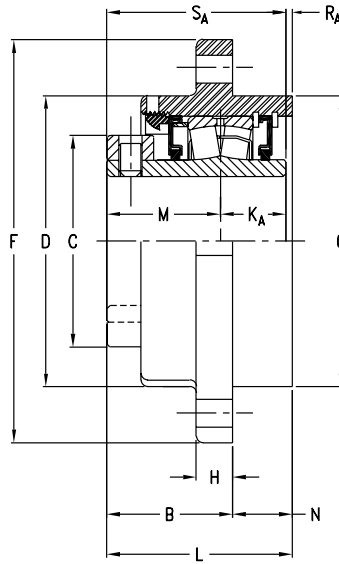
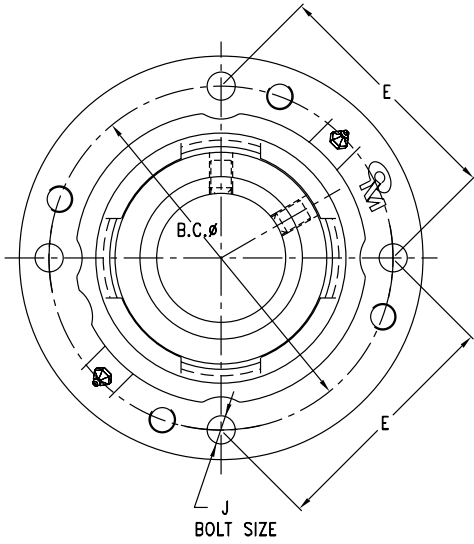


QAAPX 5000 Series 4-Bolt Pillow Block Dimensions (in.)

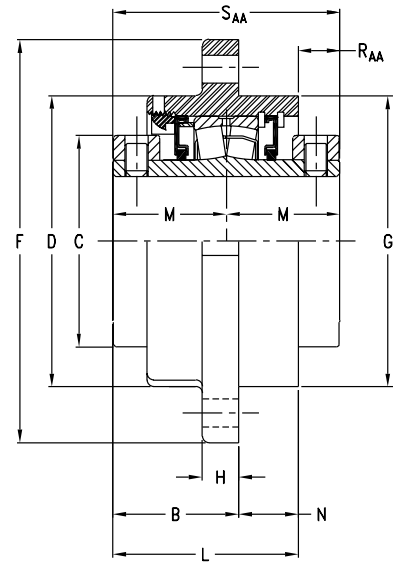
Bearing Part No.†	Shaft Size	Bearing Number	A	B	C	D _{MIN}	D _{MAX}	E	F	G	H	J	L	M	R	S	Wt (lbs)
QAAPX13A060S	60mm																
QAAPX13A207S	2-7/16"	22213	3.00	6.05	4.00	6.94	9.56	2.63	11.25	3.88	1.22	3/4	4.09	2.15	0.70	4.30	29
QAAPX13A208S	2-1/2"																
QAAPX13A065S	65mm																
QAAPX15A211S	2-11/16"																
QAAPX15A212S	2-3/4"																
QAAPX15A070S	70mm	22215	3.50	6.83	4.50	9.06	10.44	2.75	13.00	4.25	1.54	3/4	4.50	2.37	0.84	4.74	45
QAAPX15A215S	2-15/16"																
QAAPX15A300S	3"																
QAAPX15A075S	75mm																
QAAPX18A303S	3-3/16"																
QAAPX18A304S	3-1/4"																
QAAPX18A080S	80mm																
QAAPX18A085S	85mm	22218	4.00	7.92	5.13	10.81	12.19	3.00	15.00	4.75	1.50	3/4	4.97	2.59	0.84	5.18	64
QAAPX18A307S	3-7/16"																
QAAPX18A308S	3-1/2"																
QAAPX18A090S	90mm																
QAAPX20A315S	3-15/16"																
QAAPX20A400S	4"	22220	5.00	9.44	6.00	12.50	14.00	3.50	16.75	5.50	1.63	7/8	5.71	2.96	1.00	5.92	99
QAAPX20A100S	100mm																
QAAPX22A407S	4-7/16"																
QAAPX22A408S	4-1/2"	22222	5.75	10.78	6.29	13.94	15.56	4.00	18.50	6.25	1.80	1	6.25	3.13	1.13	6.25	139
QAAPX22A115S	115mm																
QAAPX26A415S	4-15/16"																
QAAPX26A500S	5"	22226	6.13	11.15	6.88	15.25	16.75	4.25	20.25	6.75	2.00	1-1/8	7.10	3.72	1.47	7.44	149
QAAPX26A130S	130mm																

Blue Brute Bearings – CL Series (Set Screw Lock)

QAC and QAAC Piloted Flange Cartridges



'QA' Single-collar Unit



'QAA' Double-collar Unit

QAC and QAAC Piloted Flange Cartridge Dimensions (in.)

Bearing Part No.†	Shaft Size	Bearing Number	B _{Fix}	B _{Exp}	B.C.	C	D	E	F	G [§]	H	J	K _A	L _{Fix}	L _{Exp}	M	N	R _A	R _{AA}	S _A	S _{AA}	Wt (lbs)	
QAC10A115S QAAC10A115S	1-15/16"																						
QAC10A200S QAAC10A200S	2"	22210	1.99	2.07	5.38	2.88	4.47	3.80	6.38	4.500	0.63	7/16	0.98	3.05	3.13	1.89	1.06	0.18	0.73	2.87	3.78	10	
QAC10A050S QAAC10A050S	50mm																						
QAC11A203S QAAC11A203S	2-3/16"																						
QAC11A204S QAAC11A204S	2-1/4"	22211	2.14	2.22	6.00	3.25	5.00	4.24	7.30	5.000	0.58	1/2	1.13	3.27	3.35	2.00	1.13	0.14	0.73	3.13	4.00	13	
QAC11A055S QAAC11A055S	55mm																						
QAC13A060S QAAC13A060S	60mm																						
QAC13A207S QAAC13A207S	2-7/16"	22213	2.38	2.46	6.50	4.00	5.50	4.60	7.63	5.500	0.69	1/2	1.24	3.50	3.58	2.15	1.13	0.12	0.80	3.39	4.30	16	
QAC13A208S QAAC13A208S	2-1/2"																						
QAC13A065S QAAC13A065S	65mm																						
QAC15A211S QAAC15A211S	2-11/16"																						
QAC15A212S QAAC15A212S	2-3/4"																						
QAC15A070S QAAC15A070S	70mm	22215	2.46	2.54	7.50	4.50	6.38	5.30	8.75	6.375	0.81	5/8	1.25	3.71	3.79	2.37	1.25	0.09	0.85	3.62	4.74	22	
QAC15A215S QAAC15A215S	2-15/16"																						
QAC15A300S QAAC15A300S	3"																						
QAC15A075S QAAC15A075S	75mm																						

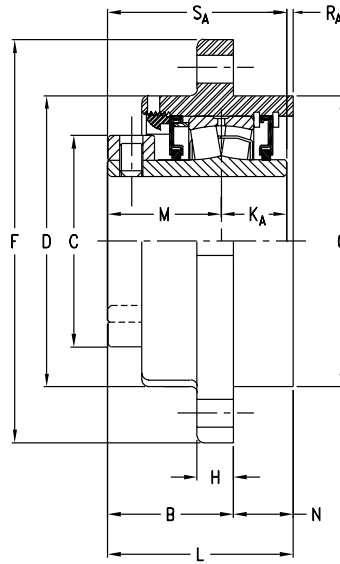
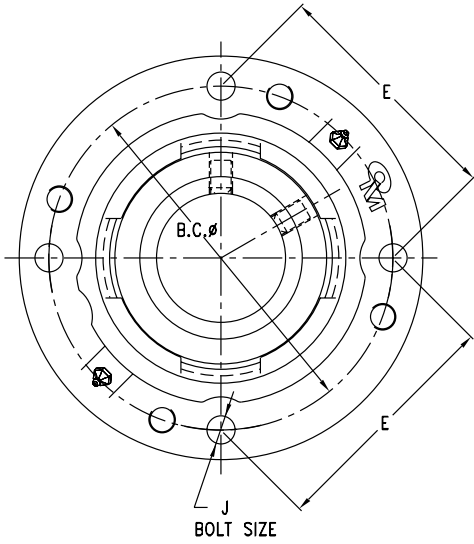
† Bearing part numbers use 'QA' to designate single-collar units (use S_A and R_A dimensions) and 'QAA' to designate double-collar units (use S_{AA} and R_{AA} dimensions)

§ Pilot tolerance: +0/-0.002

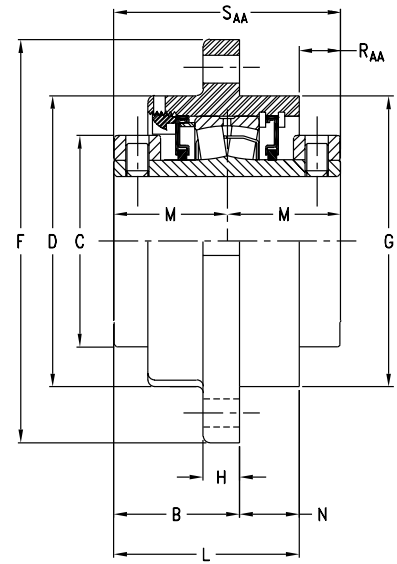
(continued on next page)

Blue Brute Bearings – CL Series (Set Screw Lock)

QAC and QAAC Piloted Flange Cartridges (continued)



'QA' Single-collar Unit



'QAA' Double-collar Unit

QAC and QAAC Piloted Flange Cartridge Dimensions (in.) - Continued

Bearing Part No. [†]	Shaft Size	Bearing Number	B _{Fix}	B _{Exp}	B.C.	C	D	E	F	G [§]	H	J	K _A	L _{Fix}	L _{Exp}	M	N	R _A	R _{AA}	S _A	S _{AA}	Wt (lbs)	
QAC18A303S QAAC18A303S	3-3/16"																						
QAC18A304S QAAC18A304S	3-1/4"																						
QAC18A080S QAAC18A080S	80mm																						
QAC18A085S QAAC18A085S	85mm	22218	2.88	2.96	8.63	5.13	7.38	6.63	10.34	7.375	1.00	3/4	1.44	4.19	4.27	2.59	1.31	0.16	0.99	4.03	5.18	32	
QAC18A307S QAAC18A307S	3-7/16"																						
QAC18A308S QAAC18A308S	3-1/2"																						
QAC18A090S QAAC18A090S	90mm																						
QAC20A315S QAAC20A315S	3-15/16"																						
QAC20A400S QAAC20A400S	4"	22220	2.84	2.92	9.38	6.00	8.76	6.63	10.88	8.125	1.00	3/4	1.63	4.96	5.04	2.97	2.13	0.37	0.98	4.59	5.94	43	
QAC20A100S QAAC20A100S	100mm																						
QAAC22A407S*	4-7/16"																						
QAAC22A408S*	4-1/2"	22222	3.07	3.15	11.75*	6.30	10.00	5.88*	13.50	10.250	1.00	3/4*	-	4.97	5.05	3.13	1.90	-	1.29	-	6.25	72	
QAAC22A115S*	115mm																						

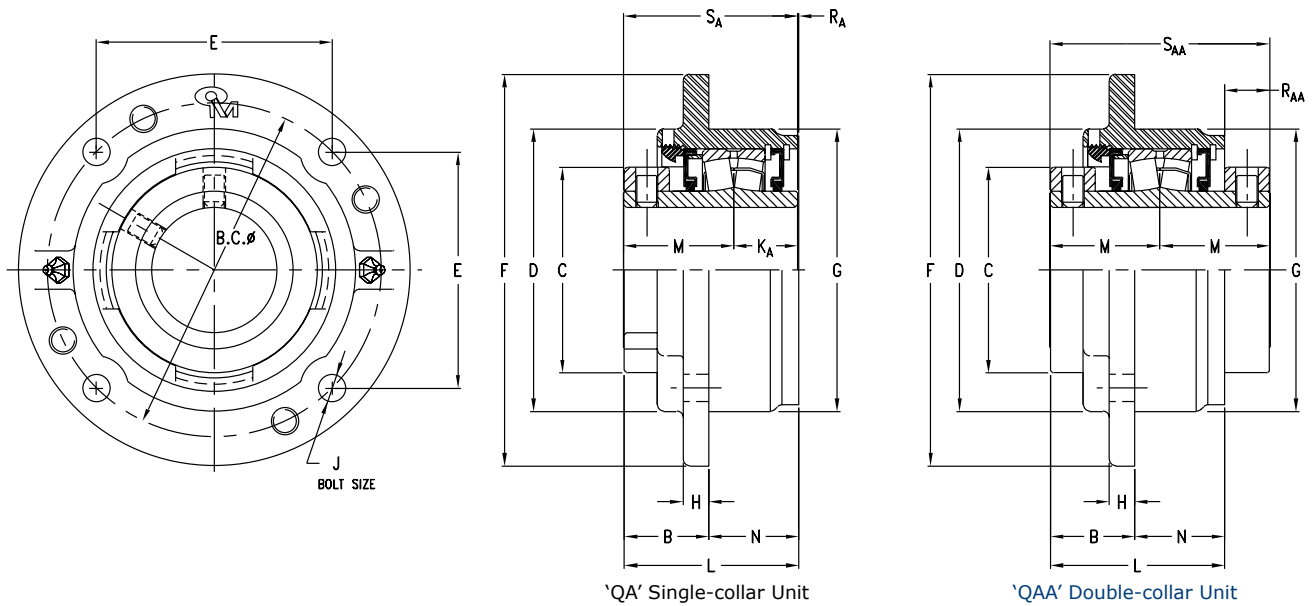
[†] Bearing part numbers use 'QA' to designate single-collar units (use S_A and R_A dimensions) and 'QAA' to designate double-collar units (use S_{AA} and R_{AA} dimensions)

* 6-bolt housing

[§] Pilot tolerance: +0/-0.002

Blue Brute Bearings – CL Series (Set Screw Lock)

QACW and QAACW Piloted Flange Cartridges



QACW and QAACW Piloted Flange Cartridge Dimensions (in.)

Bearing Part No. [†]	Shaft Size	Bearing Number	B _{Fix}	B _{Exp}	B.C.	C	D	E	F	G [§]	H	J	K _A	L _{Fix}	L _{Exp}	M	N	R _A	R _{AA}	S _A	S _{AA}	Wt (lbs)	
QACW10A115S QAACW10A115S	1-15/16"																						
QACW10A200S QAACW10A200S	2"	22210	1.39	1.47	5.38	2.88	4.25	3.80	6.38	4.500	0.38	7/16	0.98	2.89	2.97	1.89	1.50	0.02	0.89	2.87	3.78		10
QACW10A050S QAACW10A050S	50mm																						
QACW11A203S QAACW11A203S	2-3/16"																						
QACW11A204S QAACW11A204S	2-1/4"	22211	1.53	1.61	6.00	3.25	4.99	4.24	7.13	5.000	0.56	1/2	1.13	3.16	3.24	2.00	1.63	0.03	0.58	3.13	4.00		13
QACW11A055S QAACW11A055S	55mm																						
QACW13A060S QAACW13A060S	60mm																						
QACW13A207S QAACW13A207S	2-7/16"	22213	1.53	1.61	6.50	4.00	5.50	4.60	7.63	5.500	0.50	1/2	1.24	3.55	3.63	2.15	1.75	0.17	0.75	3.39	4.30		16
QACW13A208S QAACW13A208S	2-1/2"																						
QACW13A065S QAACW13A065S	65mm																						
QACW15A211S QAACW15A211S	2-11/16"																						
QACW15A212S QAACW15A212S	2-3/4"																						
QACW15A070S QAACW15A070S	70mm																						
QACW15A215S QAACW15A215S	2-15/16"	22215	1.81	1.89	7.50	4.50	6.38	5.30	8.75	6.375	0.50	5/8	1.25	3.68	3.76	2.37	1.88	0.06	1.06	3.62	4.74		22
QACW15A300S QAACW15A300S	3"																						
QACW15A075S QAACW15A075S	75mm																						

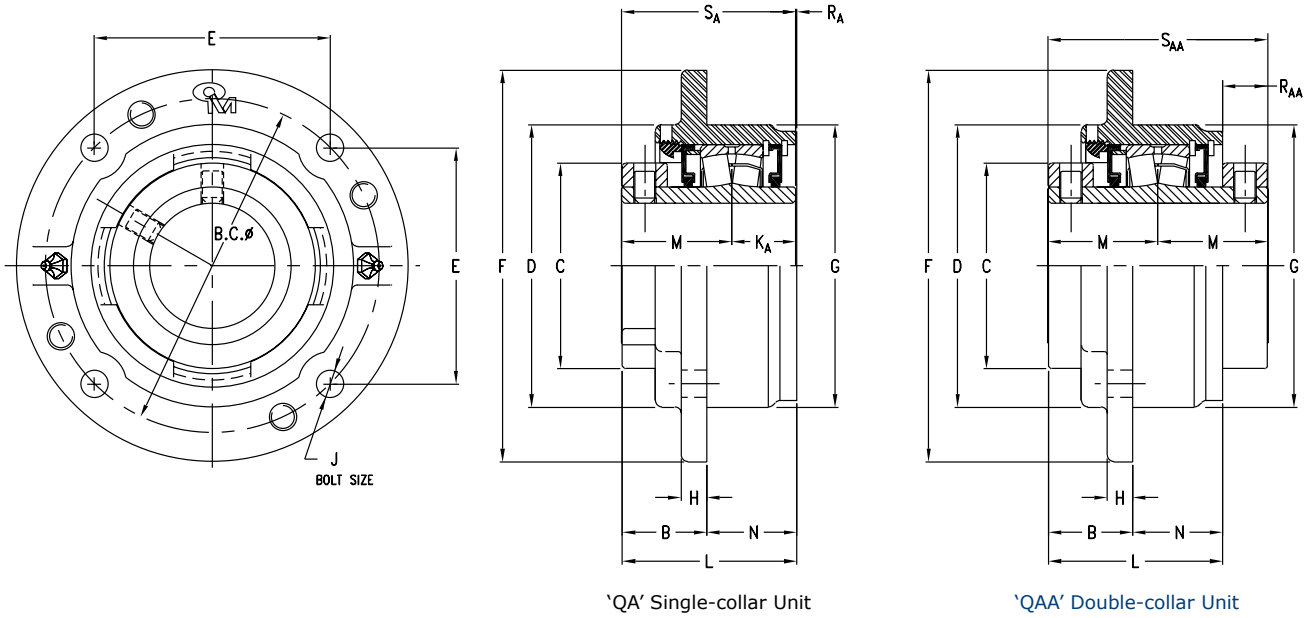
[†] Bearing part numbers use 'QA' to designate single-collar units (use S_A and R_A dimensions) and 'QAA' to designate double-collar units (use S_{AA} and R_{AA} dimensions)

[§] Pilot tolerance: +0/-0.002

(continued on next page)

Blue Brute Bearings – CL Series (Set Screw Lock)

QACW and QAACW Piloted Flange Cartridges (continued)



QACW and QAACW Piloted Flange Cartridge Dimensions (in.) - Continued

Bearing Part No.†	Shaft Size	Bearing Number	B _{Fix}	B _{Exp}	B.C.	C	D	E	F	G [§]	H	J	K _A	L _{Fix}	L _{Exp}	M	N	R _A	R _{AA}	S _A	S _{AA}	Wt (lbs)	
QACW18A303S QAACW18A303S	3-3/16"																						
QACW18A304S QAACW18A304S	3-1/4"																						
QACW18A080S QAACW18A080S	80mm																						
QACW18A085S QAACW18A085S	85mm	22218	2.29	2.37	8.63	5.13	7.38	6.10	10.25	7.375	0.88	3/4	1.44	4.17	4.25	2.59	1.88	0.13	0.84	4.03	5.18	32	
QACW18A307S QAACW18A307S	3-7/16"																						
QACW18A308S QAACW18A308S	3-1/2"																						
QACW18A090S QAACW18A090S	90mm																						
QACW20A315S QAACW20A315S	3-15/16"																						
QACW20A400S QAACW20A400S	4"	22220	2.58	2.66	9.38	6.00	8.13	6.63	10.88	8.125	1.00	3/4	1.63	4.86	4.94	2.97	2.28	0.27	1.19	4.59	5.94	43	
QACW20A100S QAACW20A100S	100mm																						
QAACW22A407S*	4-7/16"																						
QAACW22A408S*	4-1/2"	22222	2.44	2.52	11.75*	6.30	10.00	5.88*	13.50	10.250	1.00	3/4*	-	5.12	5.20	3.13	2.69	-	1.13	-	6.25	72	
QAACW22A115S*	115mm																						
QAACW26A415S*	4-15/16"																						
QAACW26A500S*	5"	22226	2.90	2.98	12.75*	6.89	10.50	6.38*	14.75	11.000	1.03	7/8*	-	6.03	6.11	3.72	3.07	-	1.41	-	7.44	102	
QAACW26A130S*	130mm																						

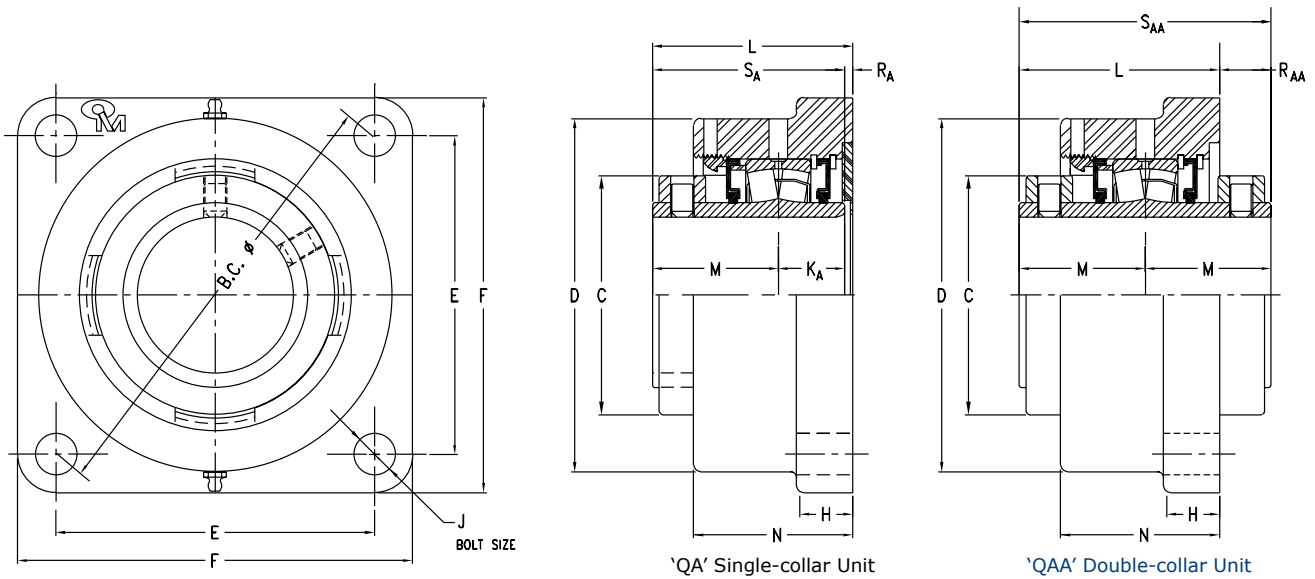
† Bearing part numbers use 'QA' to designate single-collar units (use S_A and R_A dimensions) and 'QAA' to designate double-collar units (use S_{AA} and R_{AA} dimensions)

* 6-bolt housing

§ Pilot tolerance: +0/-0.002

Blue Brute Bearings – CL Series (Set Screw Lock)

QAF and QAAF Square Flange Blocks



QAF and QAAF Square Flange Block Dimensions (in.)

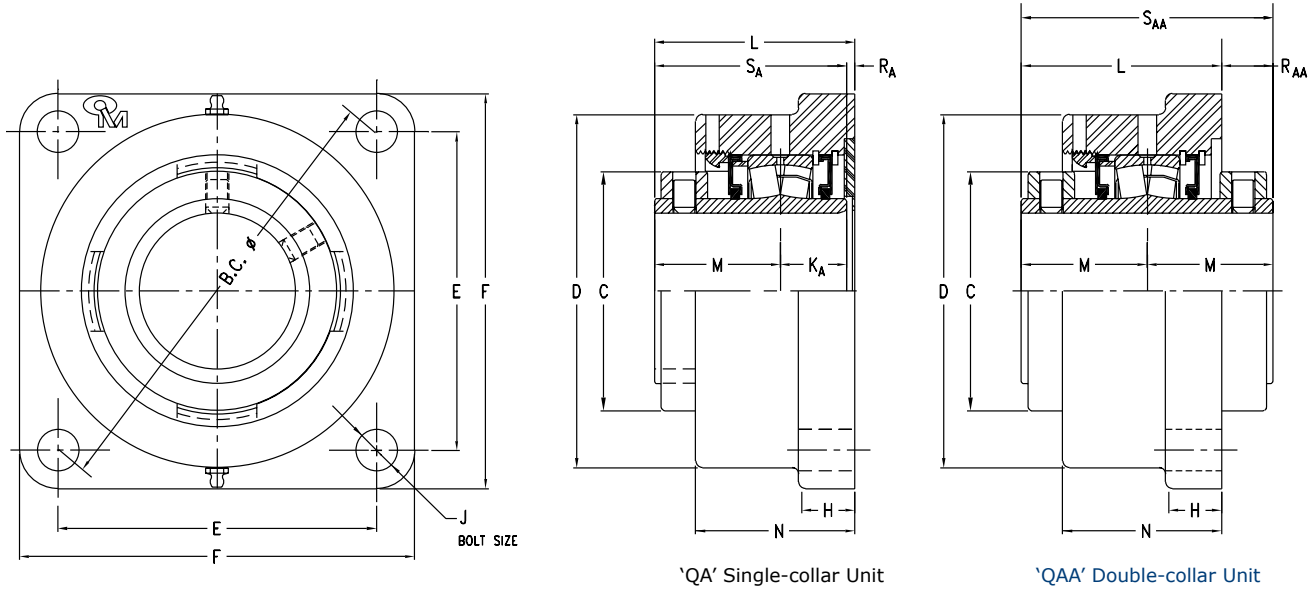
Bearing Part No.†	Shaft Size	Bearing Number	B.C.	C	D	E	F	H	J	KA	L _{Fix}	L _{Exp}	M	N	RA	R _{AA}	SA	S _{AA}	Wt (lbs)
QAF10A115S QAAF10A115S	1-15/16"																		
QAF10A200S QAAF10A200S	2"	22210	6.19	2.88	4.75	4.38	5.50	0.88	1/2	0.98	3.18	3.26	1.89	2.56	0.31	0.60	2.87	3.78	11
QAF10A050S QAAF10A050S	50mm																		
QAF11A203S QAAF11A203S	2-3/16"																		
QAF11A204S QAAF11A204S	2-1/4"	22211	6.89	3.25	5.13	4.88	6.19	1.00	5/8	1.13	3.27	3.35	2.00	2.63	0.15	0.73	3.13	4.00	14
QAF11A055S QAAF11A055S	55mm																		
QAF13A060S QAAF13A060S	60mm																		
QAF13A207S QAAF13A207S	2-7/16"	22213	7.60	4.00	5.75	5.38	6.63	1.00	5/8	1.24	3.51	3.59	2.15	2.85	0.12	0.79	3.39	4.30	17
QAF13A208S QAAF13A208S	2-1/2"																		
QAF13A065S QAAF13A065S	65mm																		
QAF15A211S QAAF15A211S	2-11/16"																		
QAF15A212S QAAF15A212S	2-3/4"																		
QAF15A070S QAAF15A070S	70mm																		
QAF15A215S QAAF15A215S	2-15/16"	22215	8.48	4.50	6.65	6.00	7.44	1.06	3/4	1.25	3.77	3.85	2.37	2.84	0.15	0.97	3.62	4.74	23
QAF15A300S QAAF15A300S	3"																		
QAF15A075S QAAF15A075S	75mm																		

† Bearing part numbers use 'QA' to designate single-collar units (use S_A and R_A dimensions) and 'QAA' to designate double-collar units (use S_{AA} and R_{AA} dimensions)

(continued on next page)

Blue Brute Bearings – CL Series (Set Screw Lock)

QAF and QAAF Square Flange Blocks (continued)



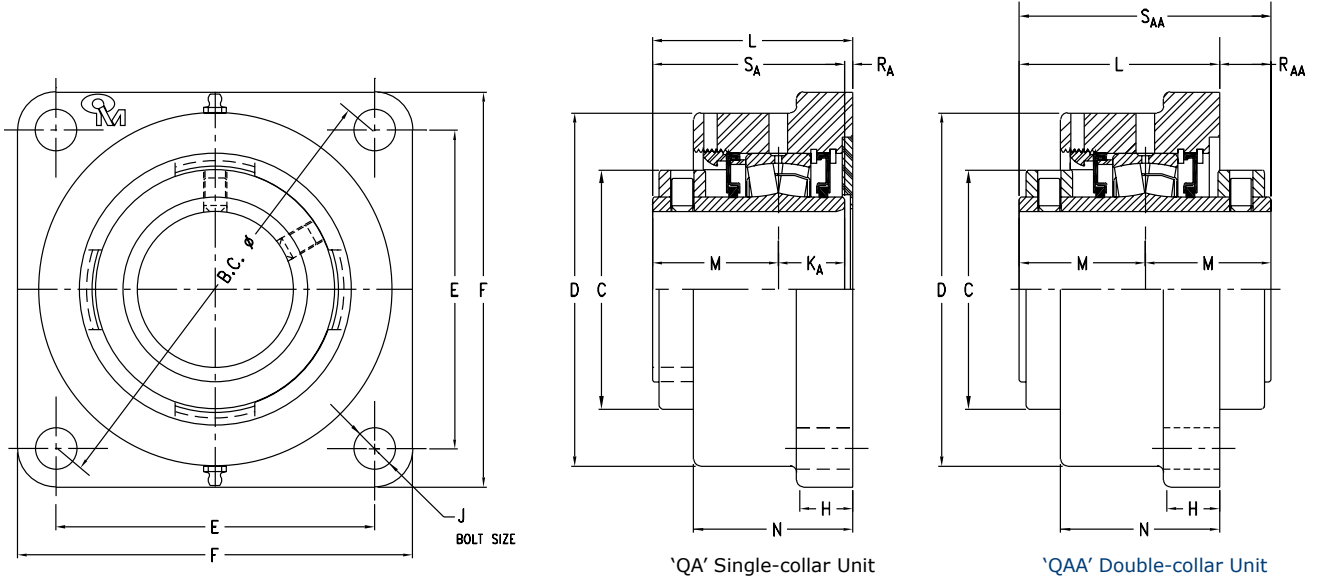
QAF and QAAF Square Flange Dimensions (in.) - Continued

Bearing Part No.†	Shaft Size	Bearing Number	B.C.	C	D	E	F	H	J	KA	L _{Fix}	L _{Exp}	M	N	RA	RAA	SA	SAA	Wt (lbs)
QAF18A303S	3-3/16"																		
QAAF18A303S																			
QAF18A304S	3-1/4"																		
QAAF18A304S																			
QAF18A080S	80mm																		
QAAF18A080S																			
QAF18A085S	85mm	22218	9.91	5.13	7.63	7.00	8.63	1.31	3/4	1.44	4.22	4.30	2.59	3.31	0.19	0.96	4.03	5.18	35
QAAF18A085S																			
QAF18A307S	3-7/16"																		
QAAF18A307S																			
QAF18A308S	3-1/2"																		
QAAF18A308S																			
QAF18A090S	90mm																		
QAAF18A090S																			
QAF20A315S	3-15/16"																		
QAAF20A315S																			
QAF20A400S	4"	22220	10.96	6.00	8.50	7.75	9.97	1.50	7/8	1.63	4.96	5.04	2.97	4.06	0.37	0.95-	4.59	5.92	55
QAAF20A400S																			
QAF20A100S	100mm																		
QAAF20A100S																			
QAAF22A407S	4-7/16"																		
QAAF22A408S	4-1/2"	22222	12.38	6.30	8.75	8.75	10.88	1.50	7/8	-	5.34	5.42	3.13	4.21	-	0.92	-	6.25	63
QAAF22A115S		115mm																	

† Bearing part numbers use 'QA' to designate single-collar units (use SA and RA dimensions) and 'QAA' to designate double-collar units (use SAA and RAA dimensions)

Blue Brute Bearings – CL Series (Set Screw Lock)

QAFL and QAAFL Square Flange Blocks



QAFL and QAAFL Square Flange Block Dimensions (in.)

Bearing Part No. [†]	Shaft Size	Bearing Number	B.C.	C	D	E	F	H	J	K _A	L _{Fix}	L _{Exp}	M	N	R _A	R _{AA}	S _A	S _{AA}	Wt (lbs)	
QAFL10A115S QAAFL10A115S	1-15/16"																			
QAFL10A200S QAAFL10A200S	2"	22210	5.75	2.88	4.75	4.07	5.19	0.91	1/2	0.98	3.18	3.26	1.89	2.46	0.31	0.60	2.87	3.78	11	
QAFL10A050S QAAFL10A050S	50mm																			
QAFL11A203S QAAFL11A203S	2-3/16"																			
QAFL11A204S QAAFL11A204S	2-1/4"	22211	6.38	3.25	5.19	4.50	5.88	0.75	5/8	1.13	3.28	3.36	2.00	2.63	0.15	0.72	3.13	4.00	14	
QAFL11A055S QAAFL11A055S	55mm																			
QAFL13A060S QAAFL13A060S	60mm																			
QAFL13A207S QAAFL13A207S	2-7/16"																			
QAFL13A208S QAAFL13A208S	2-1/2"	22213	6.75	4.00	5.75	4.77	6.19	1.00	5/8	1.24	3.51	3.59	2.15	2.86	0.12	0.79	3.39	4.30	17	
QAFL13A065S QAAFL13A065S	65mm																			
QAFL15A211S QAAFL15A211S	2-11/16"																			
QAFL15A212S QAAFL15A212S	2-3/4"																			
QAFL15A070S QAAFL15A070S	70mm																			
QAFL15A215S QAAFL15A215S	2-15/16"	22215	7.88	4.50	6.63	5.56	7.19	1.06	3/4	1.25	3.77	3.85	2.37	2.93	0.15	0.97	3.62	4.74	23	
QAFL15A300S QAAFL15A300S	3"																			
QAFL15A075S QAAFL15A075S	75mm																			

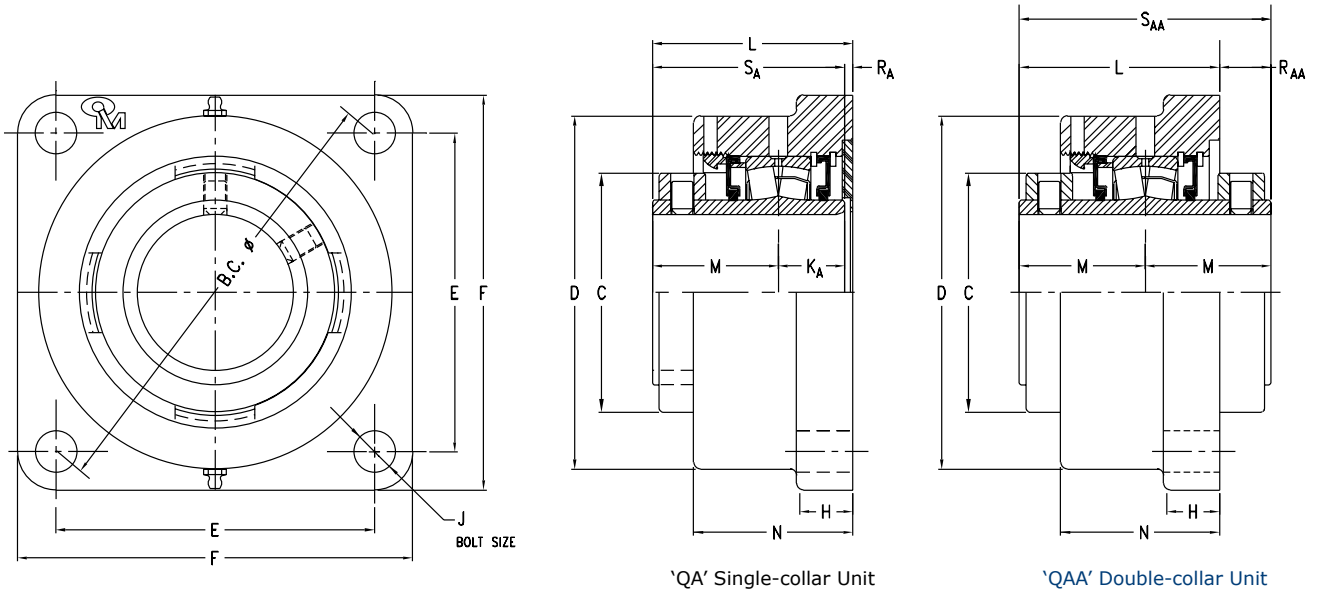
[†] Bearing part numbers use 'QA' to designate single-collar units (use S_A and R_A dimensions) and 'QAA' to designate double-collar units (use S_{AA} and R_{AA} dimensions)

(continued on next page)

Introduction
Blue Brute Bearings
Bearing Interchange Guide
Quick-Flex Couplings
Rigid Compression Couplings
Index

Blue Brute Bearings – CL Series (Set Screw Lock)

QAFL and QAAFL Square Flange Blocks (continued)



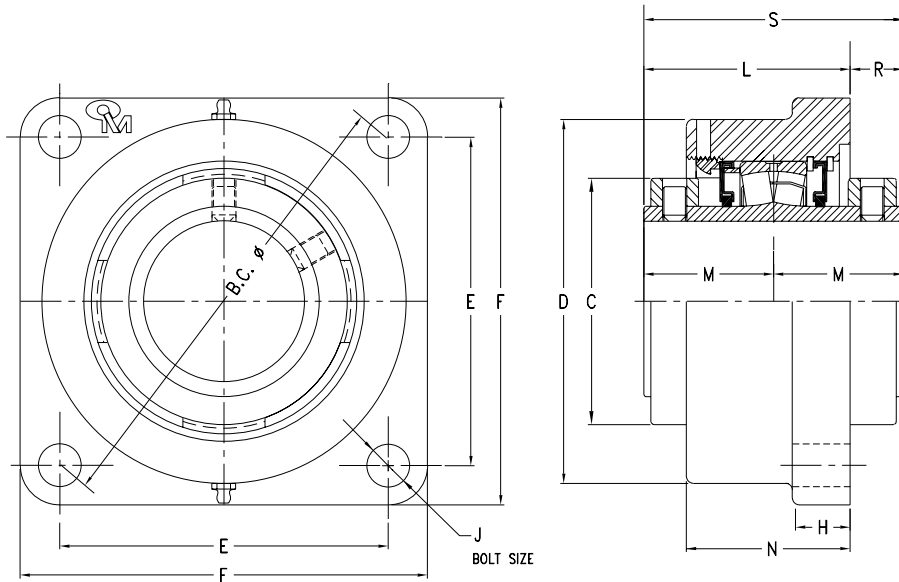
QAFL and QAAFL Square Flange Dimensions (in.) - Continued

Bearing Part No.†	Shaft Size	Bearing Number	B.C.	C	D	E	F	H	J	K _A	L _{Fix}	L _{Exp}	M	N	R _A	R _{AA}	S _A	S _{AA}	Wt (lbs)
QAFL18A303S QAAFL18A303S	3-3/16"																		
QAFL18A304S QAAFL18A304S	3-1/4"																		
QAFL18A080S QAAFL18A080S	80mm																		
QAFL18A085S QAAFL18A085S	85mm	22218	9.50	5.13	7.63	6.72	8.38	1.28	3/4	1.44	4.19	4.27	2.59	3.40	0.16	0.99	4.03	5.18	35
QAFL18A307S QAAFL18A307S	3-7/16"																		
QAFL18A308S QAAFL18A308S	3-1/2"																		
QAFL18A090S QAAFL18A090S	90mm																		
QAFL20A315S QAAFL20A315S	3-15/16"																		
QAFL20A400S QAAFL20A400S	4"	22220	10.75	6.00	8.39	7.60	9.50	1.50	1	1.63	5.21	5.29	2.97	4.12	0.62	0.71	4.59	5.92	55
QAFL20A100S QAAFL20A100S	100mm																		

† Bearing part numbers use 'QA' to designate single-collar units (use S_A and R_A dimensions) and 'QAA' to designate double-collar units (use S_{AA} and R_{AA} dimensions)

Blue Brute Bearings – CL Series (Set Screw Lock)

QAAF 5000 Series Flange Blocks



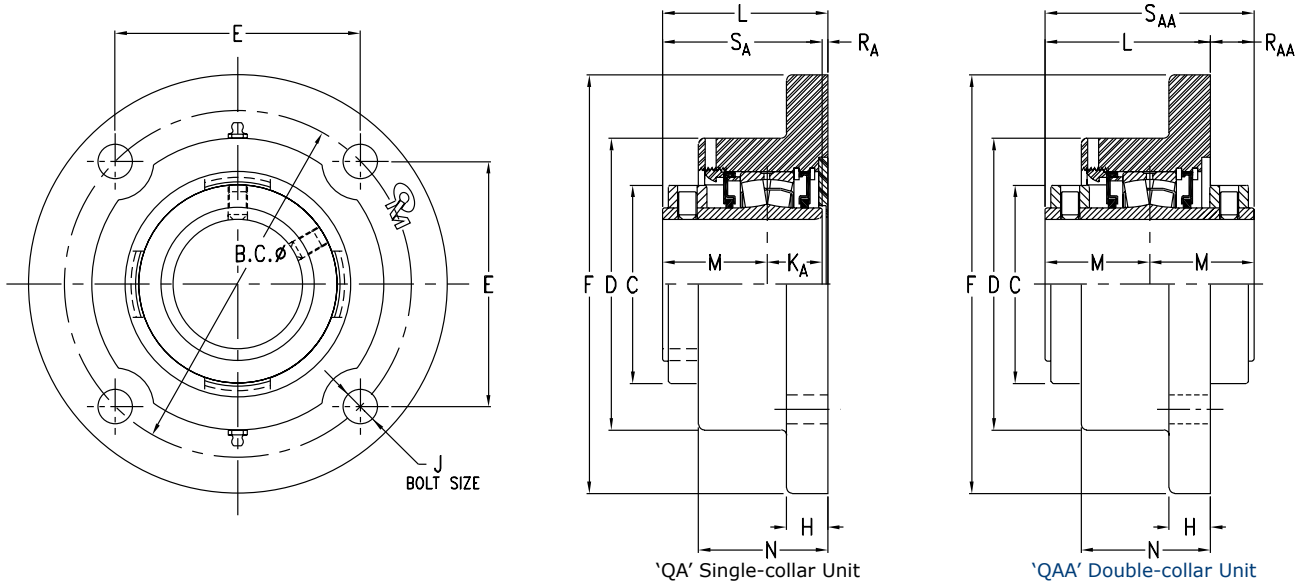
QAAF 5000 Series Flange Block Dimensions (in.)

Bearing Part No.	Shaft Size	Bearing Number	B.C.	C	D	E	F	H	J	L _{Fix}	L _{Exp}	M	N	R	S	Wt (lbs)
QAAF10A115S	1-15/16"															
QAAF10A200S	2"	22210	5.75	2.88	4.75	4.06	5.31	0.88	1/2	3.18	3.26	1.89	2.56	0.60	3.78	12
QAAF10A050S	50mm															
QAAF11A203S	2-3/16"															
QAAF11A204S	2-1/4"	22211	6.36	3.25	5.13	4.50	5.88	1.00	5/8	3.27	3.35	1.99	2.63	0.73	4.00	15
QAAF11A055S	55mm															
QAAF13A060S	60mm															
QAAF13A207S	2-7/16"	22213	7.12	4.00	5.75	5.03	6.19	1.00	5/8	3.51	3.59	2.15	2.85	0.77	4.30	19
QAAF13A208S	2-1/2"															
QAAF13A065S	65mm															
QAAF15A211S	2-11/16"															
QAAF15A212S	2-3/4"															
QAAF15A070S	70mm	22215	8.50	4.50	6.65	6.01	7.44	1.06	3/4	3.78	3.86	2.37	3.00	0.96	4.74	28
QAAF15A215S	2-15/16"															
QAAF15A300S	3"															
QAAF15A075S	75mm															
QAAF18A303S	3-3/16"															
QAAF18A304S	3-1/4"															
QAAF18A080S	80mm															
QAAF18A085S	85mm	22218	9.50	5.13	7.63	6.72	8.38	1.31	3/4	4.22	4.30	2.59	3.31	0.97	5.18	42
QAAF18A307S	3-7/16"															
QAAF18A308S	3-1/2"															
QAAF18A090S	90mm															
QAAF20A315S	3-15/16"															
QAAF20A400S	4"	22220	11.84	6.00	8.50	8.31	10.56	1.50	7/8	4.96	5.04	2.97	4.06	0.97	5.92	66
QAAF20A100S	100mm															
QAAF22A407S*	4-7/16"															
QAAF22A408S*	4-1/2"	22222	12.88*	6.30	10.10	6.44*	15.13	1.25	7/8*	5.66	5.74	3.70	4.21	1.74	7.40	102
QAAF22A115S*	115mm															
QAAF26A415S*	4-15/16"															
QAAF26A500S*	5"	22226	14.00*	6.89	11.19	7.00*	16.50	1.50	1*	6.88	6.96	3.72	5.32	0.56	7.44	115
QAAF26A130S*	130mm															

* 6-bolt round housing

Blue Brute Bearings – CL Series (Set Screw Lock)

QAFY and QAAFY Round Flange Blocks



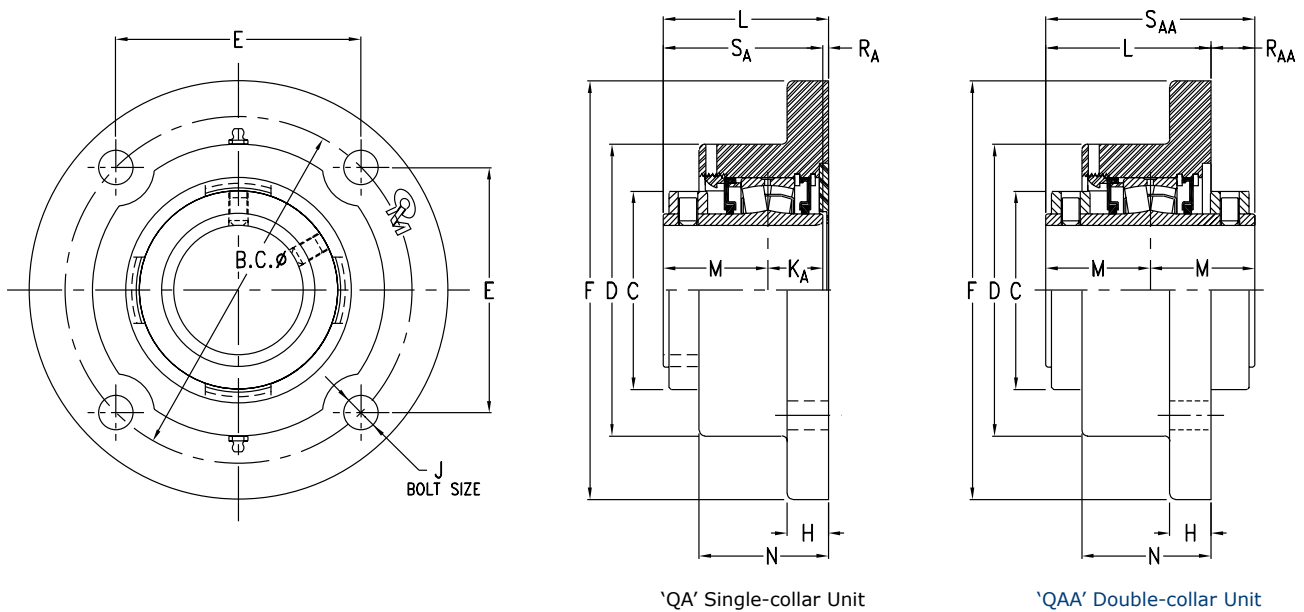
QAFY and QAAFY Round Flange Block Dimensions (in.)

Bearing Part No.†	Shaft Size	Bearing Number	B.C.	C	D	E	F	H	J	KA	L _{Fix}	L _{Exp}	M	N	RA	R _{AA}	SA	S _{AA}	Wt (lbs)	
QAFY10A115S QAAFY10A115S	1-15/16"																			
QAFY10A200S QAAFY10A200S	2"	22210	5.75	2.88	4.75	4.07	7.00	0.75	1/2	0.98	2.99	3.07	1.89	2.25	0.12	0.79	2.87	3.78	12	
QAFY10A050S QAAFY10A050S	50mm																			
QAFY11A203S QAAFY11A203S	2-3/16"																			
QAFY11A204S QAAFY11A204S	2-1/4"	22211	6.38	3.25	5.13	4.50	7.75	0.75	5/8	1.13	3.24	3.32	2.00	2.44	0.12	0.76	3.13	4.00	15	
QAFY11A055S QAAFY11A055S	55mm																			
QAFY13A060S QAAFY13A060S	60mm																			
QAFY13A207S QAAFY13A207S	2-7/16"	22213	6.75	4.00	5.75	4.77	8.13	0.94	5/8	1.24	3.59	3.67	2.15	2.85	0.20	0.81	3.39	4.30	19	
QAFY13A208S QAAFY13A208S	2-1/2"																			
QAFY13A065S QAAFY13A065S	65mm																			
QAFY15A211S QAAFY15A211S	2-11/16"																			
QAFY15A212S QAAFY15A212S	2-3/4"																			
QAFY15A070S QAAFY15A070S	70mm																			
QAFY15A215S QAAFY15A215S	2-15/16"	22215	7.88	4.50	6.63	5.57	9.50	0.94	3/4	1.25	3.87	3.95	2.37	2.93	0.25	0.86	3.62	4.74	28	
QAFY15A300S QAAFY15A300S	3"																			
QAFY15A075S QAAFY15A075S	75mm																			

† Bearing part numbers use 'QA' to designate single-collar units (use S_A and R_A dimensions) and 'QAA' to designate double-collar units (use S_{AA} and R_{AA} dimensions)
(continued on next page)

Blue Brute Bearings – CL Series (Set Screw Lock)

QAFY and QAAFY Round Flange Blocks (continued)



QAFY and QAAFY Square Flange Dimensions (in.) - Continued

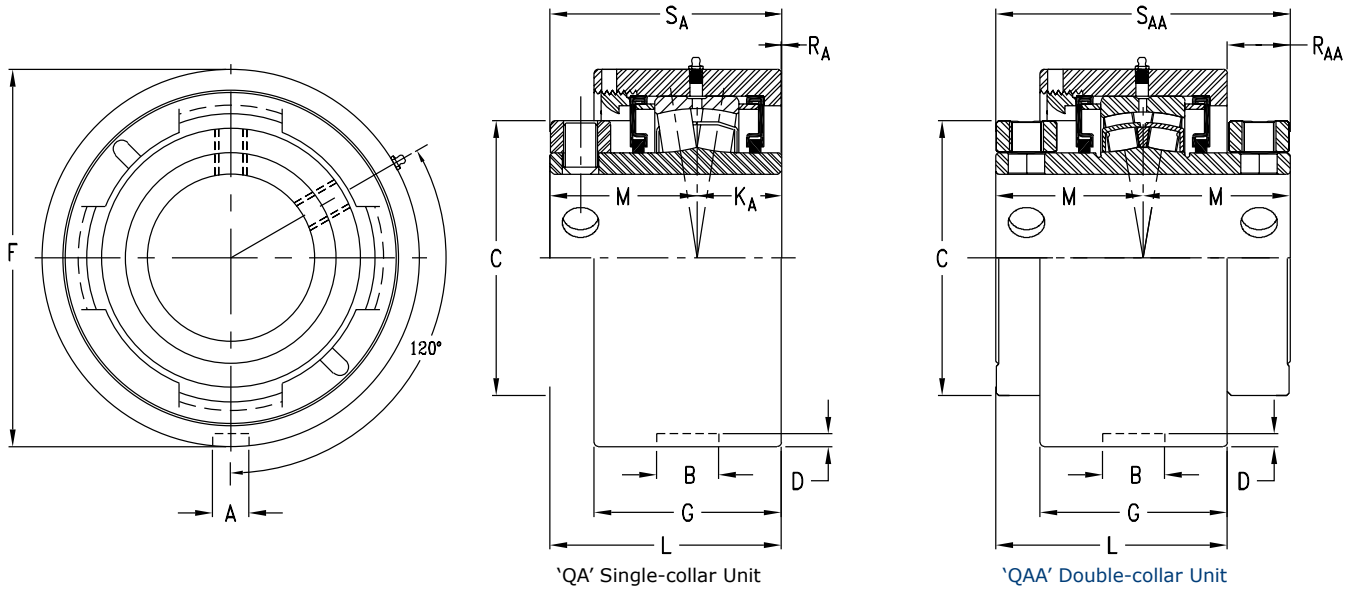
Bearing Part No.†	Shaft Size	Bearing Number	B.C.	C	D	E	F	H	J	K _A	L _{Fix}	L _{Exp}	M	N	R _A	R _{AA}	S _A	S _{AA}	Wt (lbs)	
QAFY18A303S																				
QAAFY18A303S	3-3/16"																			
QAFY18A304S																				
QAAFY18A304S	3-1/4"																			
QAFY18A080S																				
QAAFY18A080S	80mm																			
QAFY18A085S																				
QAAFY18A085S	85mm	22218	9.50	5.13	7.63	6.72	11.13	1.13	7/8	1.44	4.28	4.36	2.59	3.36	0.25	0.90	4.03	5.18	42	
QAFY18A307S																				
QAAFY18A307S	3-7/16"																			
QAFY18A308S																				
QAAFY18A308S	3-1/2"																			
QAFY18A090S																				
QAAFY18A090S	90mm																			
QAFY20A315S																				
QAAFY20A315S	3-15/16"																			
QAFY20A400S																				
QAAFY20A400S	4"	22220	10.75	6.00	8.38	7.60	12.63	1.13	1	1.63	4.87	4.95	2.97	3.81	0.27	1.05	4.59	5.92	66	
QAFY20A100S																				
QAAFY20A100S	100mm																			
QAAFY22A407S*	4-7/16"																			
QAAFY22A408S*	4-1/2"	22222	12.88*	6.30	10.00	6.44*	15.13	1.25	1*	-	5.08	5.16	3.13	3.95	-	1.18	-	6.25	102	
QAAFY22A115S*	115mm																			
QAAFY26A415S*	4-15/16"																			
QAAFY26A500S*	5"	22226	14.00*	6.89	11.19	7.00*	16.50	1.50	1-1/8*	-	6.69	6.77	3.72	5.50	-	0.75	-	7.44	115	
QAAFY26A130S*	130mm																			

† Bearing part numbers use 'QA' to designate single-collar units (use S_A and R_A dimensions) and 'QAA' to designate double-collar units (use S_{AA} and R_{AA} dimensions)

* 6-bolt housing

Blue Brute Bearings – CL Series (Set Screw Lock)

QAMC and QAAMC Cartridge Blocks



QAMC and QAAMC Cartridge Block Dimensions (in.)

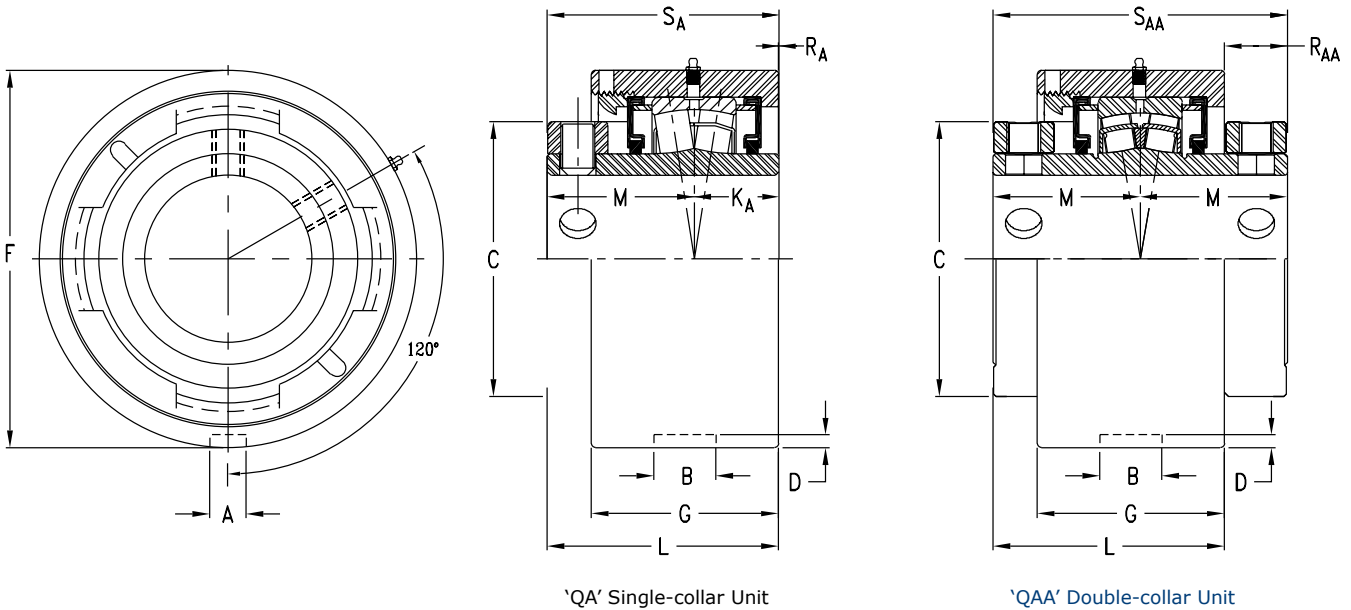
Bearing Part No.†	Shaft Size	Bearing Number	A	B	C	D	F	G	KA	L _{FIX}	L _{EXP}	M	RA	RAA	SA	SAA	Wt (lbs)
QAMC10A115S QAAMC10A115S	1-15/16"																
QAMC10A200S QAAMC10A200S	2"	22210	0.53	0.91	2.88	0.19	4.125 (+0/-0.002)	2.45	0.98	3.12	3.20	1.89	0.24	0.66	2.87	3.78	8
QAMC10A050S QAAMC10A050S	50mm																
QAMC11A203S QAAMC11A203S	2-3/16"																
QAMC11A204S QAAMC11A204S	2-1/4"	22211	0.53	0.91	3.25	0.19	4.531 (+0/-0.002)	2.58	1.13	3.30	3.38	2.00	0.16	0.71	3.13	4.00	10
QAMC11A055S QAAMC11A055S	55mm																
QAMC13A060S QAAMC13A060S	60mm																
QAMC13A207S QAAMC13A207S	2-7/16"	22213	0.53	0.91	4.00	0.14	5.000 (+0/-0.002)	2.73	1.24	3.38	3.46	2.15	0.00	0.55	3.39	4.30	12
QAMC13A208S QAAMC13A208S	2-1/2"																
QAMC13A065S QAAMC13A065S	65mm																
QAMC15A211S QAAMC15A211S	2-11/16"																
QAMC15A212S QAAMC15A212S	2-3/4"																
QAMC15A070S QAAMC15A070S	70mm	22215	0.59	1.03	4.50	0.25	5.875 (+0/-0.002)	3.14	1.25	3.96	4.04	2.37	0.32	0.78	3.62	4.74	18
QAMC15A215S QAAMC15A215S	2-15/16"																
QAMC15A300S QAAMC15A300S	3"																
QAMC15A075S QAAMC15A075S	75mm																

† Bearing part numbers use 'QA' to designate single-collar units (use SA and RA dimensions) and 'QAA' to designate double-collar units (use SAA and RAA dimensions)

(continued on next page)

Blue Brute Bearings – CL Series (Set Screw Lock)

QAMC and QAAMC Cartridge Blocks (continued)



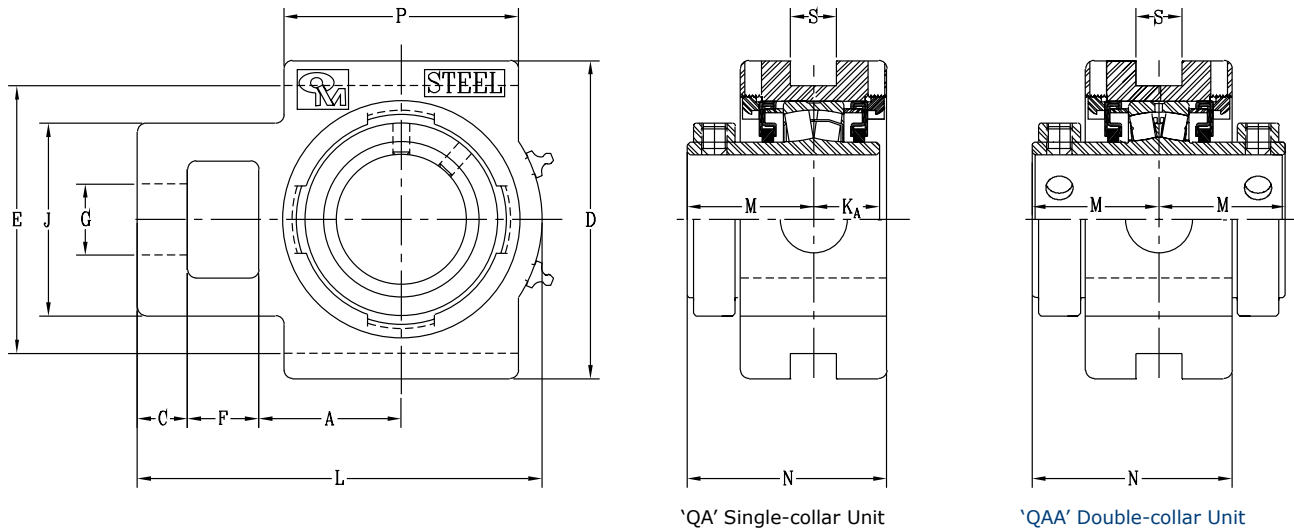
QAMC and QAAMC Cartridge Block Dimensions (in.) - Continued

Bearing Part No. [†]	Shaft Size	Bearing Number	A	B	C	D	F	G	K _A	L _{FIX}	L _{EXP}	M	R _A	R _{AA}	S _A	S _{AA}	Wt (lbs)
QAMC18A080S QAAMC18A080S	80mm																
QAMC18A085S QAAMC18A085S	85mm																
QAMC18A307S QAAMC18A307S	3-7/16"	22218	0.59	1.06	5.13	0.23	6.750 (+0/-0.002)	3.45	1.44	4.34	4.42	2.59	0.29	0.84	4.03	5.18	26
QAMC18A308S QAAMC18A308S	3-1/2"																
QAMC18A090S QAAMC18A090S	90mm																
QAMC20A315S QAAMC20A315S	3-15/16"																
QAMC20A400S QAAMC20A400S	4"	22220	0.78	1.28	6.00	0.31	8.125 (+0/-0.002)	4.14	1.63	5.05	5.13	2.97	0.45	0.89	4.59	5.94	32
QAMC20A100S QAAMC20A100S	100mm																
QAAMC22A407S QAAMC22A408S	4-7/16" 4-1/2"	22222	0.78	1.50	6.30	0.31	8.750 (+0/-0.003)	4.27	-	5.26	5.34	3.13	-	0.99	-	6.25	40
QAAMC22A115S QAAMC26A415S	115mm 4-15/16"																
QAAMC26A500S QAAMC26A130S	5" 130mm	22226	0.78	1.50	6.89	0.31	10.438 (+0/-0.003)	5.58	-	6.51	6.59	3.72	-	0.93	-	7.44	40

[†] Bearing part numbers use 'QA' to designate single-collar units (use S_A and R_A dimensions) and 'QAA' to designate double-collar units (use S_{AA} and R_{AA} dimensions)

Blue Brute Bearings – CL Series (Set Screw Lock)

QATU and QAATU Take-Up Blocks



QATU and QAATU Take-Up Block Dimensions (in.)

Bearing Part No. [†]	Shaft Size	Bearing Number	A	C	D	E	F	G	J	K _A	L	M	N	P	S	Wt (lbs)
QATU10A115S QAATU10A115S	1-15/16"															
QATU10A200S QAATU10A200S	2"	22210	2.13	0.75	4.75	4.00	1.06	1.06	2.88	0.98	6.04	1.89	2.98	3.50	0.69	17
QATU10A050S QAATU10A050S	50mm															
QATU11A203S QAATU11A203S	2-3/16"															
QATU11A204S QAATU11A204S	2-1/4"	22211	2.38	0.75	5.25	4.50	1.13	1.19	3.50	1.13	6.61	2.00	3.22	3.75	0.81	21
QATU11A055S QAATU11A055S	55mm															
QATU13A060S QAATU13A060S	60mm															
QATU13A207S QAATU13A207S	2-7/16"	22213	2.75	0.88	5.88	5.13	1.31	1.31	3.75	1.24	7.63	2.15	3.59	4.75	1.06	27
QATU13A208S QAATU13A208S	2-1/2"															
QATU13A065S QAATU13A065S	65mm															
QATU15A211S QAATU15A211S	2-11/16"															
QATU15A212S QAATU15A212S	2-3/4"															
QATU15A070S QAATU15A070S	70mm															
QATU15A215S QAATU15A215S	2-15/16"	22215	3.00	1.00	6.75	5.94	1.56	1.56	4.25	1.25	8.65	2.37	3.82	4.75	1.81	35
QATU15A300S QAATU15A300S	3"															
QATU15A075S QAATU15A075S	75mm															

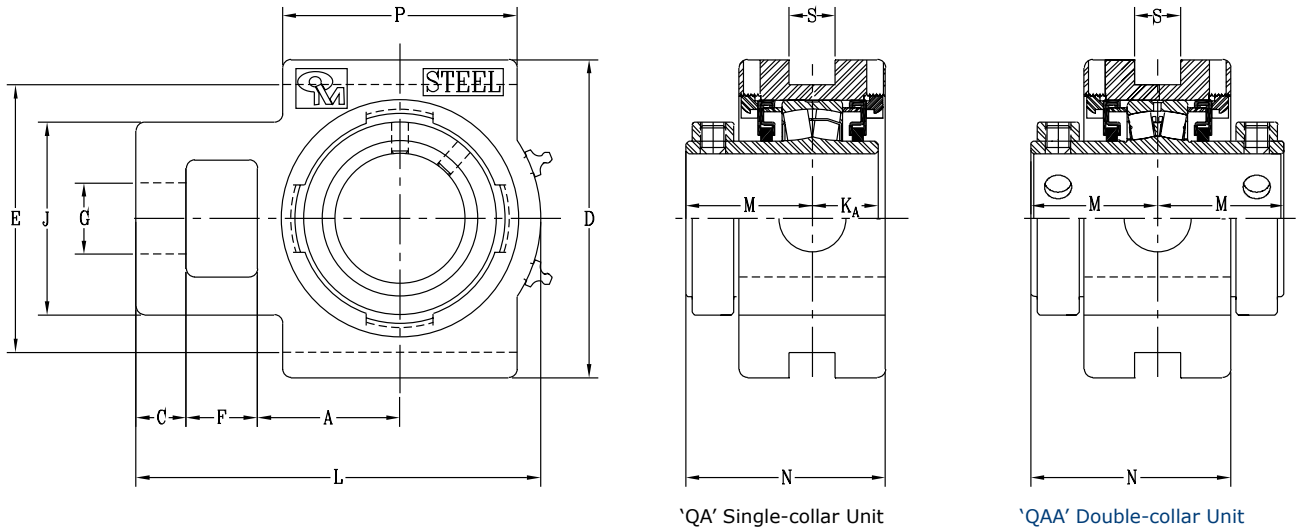
[†] Bearing part numbers use 'QA' to designate single-collar units and 'QAA' to designate double-collar units.

Note: Please refer to page 20 for take-up frames

(continued on next page)

Blue Brute Bearings – CL Series (Set Screw Lock)

QATU and QAATU Take-Up Blocks (continued)



QATU and QAATU Square Flange Dimensions (in.) - Continued

Bearing Part No.†	Shaft Size	Bearing Number	A	C	D	E	F	G	J	K _A	L	M	N	P	S	Wt (lbs)
QATU18A307S	3-3/16"															
QAATU18A307S																
QATU18A304S	3-1/4"															
QAATU18A304S																
QATU18A080S	80mm															
QAATU18A080S																
QATU18A085S	85mm	22218	3.63	1.00	7.63	6.81	1.81	1.88	4.88	1.44	10.12	2.59	4.22	6.25	1.81	44
QAATU18A085S																
QATU18A307S	3-7/16"															
QAATU18A307S																
QATU18A308S	3-1/2"															
QAATU18A308S																
QATU18A090S	90mm															
QAATU18A090S																
QATU20A315S	3-15/16"															
QAATU20A315S																
QATU20A400S	4"	22220	4.13	1.13	9.44	8.63	2.13	2.06	5.63	1.63	11.69	2.97	4.79	7.00	2.06	58
QAATU20A400S																
QATU20A100S	100mm															
QAATU20A100S																

† Bearing part numbers use 'QA' to designate single-collar units and 'QAA' to designate double-collar units.
 Note: Please refer to page 20 for take-up frames

Blue Brute Bearings – CL Series (Set Screw Lock)

Introduction

Blue Brute Bearings

Bearing Interchange Guide

Quick-Flex Couplings

Rigid Compression Couplings

Index

Blue Brute Bearings – EC Series (Eccentric Lock)

- Introduction
- Blue Brute Bearings
- Bearing Interchange Guide
- Quick-Flex Couplings
- Rigid Compression Couplings
- Index

	Housing Type	Primary Seals						
		'M'	'N'	'O'	'B'	'C'	'T'	'ML'
V-Lock (QM Bearings exclusive Double Taper Lock)	Pillow Block	✓	✓	✓	✓	✓	✓	
	Flange Block	✓	✓	✓	✓	✓	✓	
	Piloted Flange Cartridge	✓	✓	✓	✓	✓	✓	
	Take-Up Block	✓	✓	✓	✓	✓	✓	
	Cartridge Block	✓	✓	✓	✓	✓	✓	
CL Series (Set Screw Lock)	Pillow Block	✓	✓	✓	✓	✓	✓	✓
	Flange Block	✓	✓	✓	✓	✓	✓	✓
	Piloted Flange Cartridge	✓	✓	✓	✓	✓	✓	✓
	Take-Up Block	✓	✓	✓	✓	✓	✓	✓
	Cartridge Block	✓	✓	✓	✓	✓	✓	
EC Series (Eccentric Lock)	Pillow Block	✓	✓	✓	✓	✓	✓	
	Flange Block	✓	✓	✓	✓	✓	✓	
	Piloted Flange Cartridge	✓	✓	✓	✓	✓	✓	
	Take-Up Block	✓	✓	✓	✓	✓	✓	
	Cartridge Block	✓	✓	✓	✓	✓	✓	
TA Series (Tapered Adapter Lock)	Pillow Block	✓	✓	✓	✓	✓	✓	
	Flange Block	✓	✓	✓	✓	✓	✓	
	Piloted Flange Cartridge	✓	✓	✓	✓	✓	✓	
	Cartridge Block	✓	✓	✓	✓	✓	✓	
DV Series (Tapered Adapter Lock)	Pillow Block	✓	✓	✓	✓	✓	✓	
	Flange Block	✓	✓	✓	✓	✓	✓	
	Piloted Flange Cartridge	✓	✓	✓	✓	✓	✓	

Blue Brute Bearings – EC Series (Eccentric Lock)

Secondary Seals and Covers								Housing Type	
Open End Cover			Closed End Cover	HSY Flange Cartridge Backing Plate		'UFP' Backing Plate	'CFP' Backing Plate with 'CC' Collar		
'DR'	'VR'	CC Collar		'DR'	'CC' Collar				
✓	✓	✓	✓					Pillow Block	V-Lock (QM Bearings exclusive Double Taper Lock)
✓	✓	✓	✓					Flange Block	
✓	✓	✓	✓					Piloted Flange Cartridge	
✓	✓	✓	✓					Take-Up Block	
✓	✓	✓	✓					Cartridge Block	
✓	✓	✓	✓					Pillow Block	CL Series (Set Screw Lock)
✓	✓	✓	✓			✓	✓	Flange Block	
✓	✓	✓	✓	✓	✓			Piloted Flange Cartridge	
✓	✓	✓	✓					Take-Up Block	
✓	✓	✓	✓					Cartridge Block	
✓	✓	✓	✓					Pillow Block	EC Series (Eccentric Lock)
✓	✓	✓	✓			✓	✓	Flange Block	
✓	✓	✓	✓	✓	✓			Piloted Flange Cartridge	
✓	✓	✓	✓					Take-Up Block	
✓	✓	✓	✓					Cartridge Block	
✓	✓	✓	✓					Pillow Block	TA Series (Tapered Adapter Lock)
✓	✓	✓	✓					Flange Block	
✓	✓	✓	✓					Piloted Flange Cartridge	
✓	✓	✓	✓					Cartridge Block	
✓	✓	✓	✓					Pillow Block	DV Series (Tapered Adapter Lock)
✓	✓	✓	✓					Flange Block	
✓	✓	✓	✓					Piloted Flange Cartridge	

Introduction
Blue Brute Bearings
Bearing Interchange Guide
Quick-Flex Couplings
Rigid Compression Couplings
Index

Blue Brute Bearings – EC Series (Eccentric Lock)

A reduced eccentric offset of the EC series locking collar results in a greater mechanical advantage. This series provides a secure lock that is guaranteed not to release from a properly prepared shaft. EC Series bearings are also suitable for reversing applications.

You Have Choices

For the EC Series, you can select from 14 seal options and many housing styles as shown on pages 80-81.

Housings

- ⇒ Two-bolt pillow blocks
- ⇒ Four-bolt pillow blocks
- ⇒ Flange blocks
- ⇒ Piloted flange cartridges
- ⇒ Take-up blocks
- ⇒ Cartridge blocks

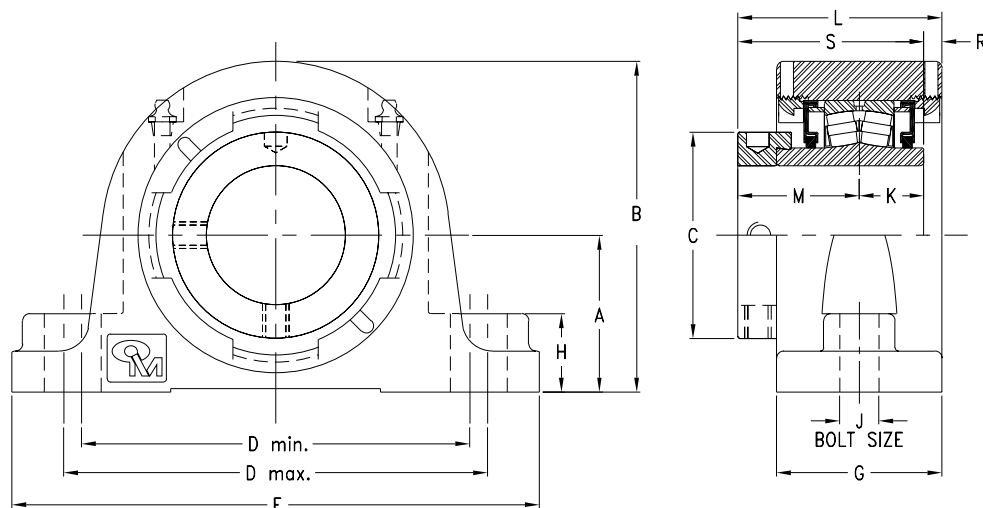
Seals

- ⇒ Labyrinth: Teflon (T)
- ⇒ Triple lip: nitrile rubber (M), Viton® (N) and urethane (O)
- ⇒ Double lip: nitrile rubber (B) and Viton® (C)
- ⇒ Closed end covers (CS)
- ⇒ Open end covers (CJ) with:
 - Triple lip seal (DR)
 - V-ring seal (VR)
 - Contamination collar (CC)
- ⇒ Piloted flange cartridge backing plates (HSY) with:
 - Triple lip seal (DR)
 - Contamination collar (CC)
- ⇒ Flange block backing plates (UFP/CFP)



Blue Brute Bearings – EC Series (Eccentric Lock)

QMP 2-Bolt Pillow Blocks

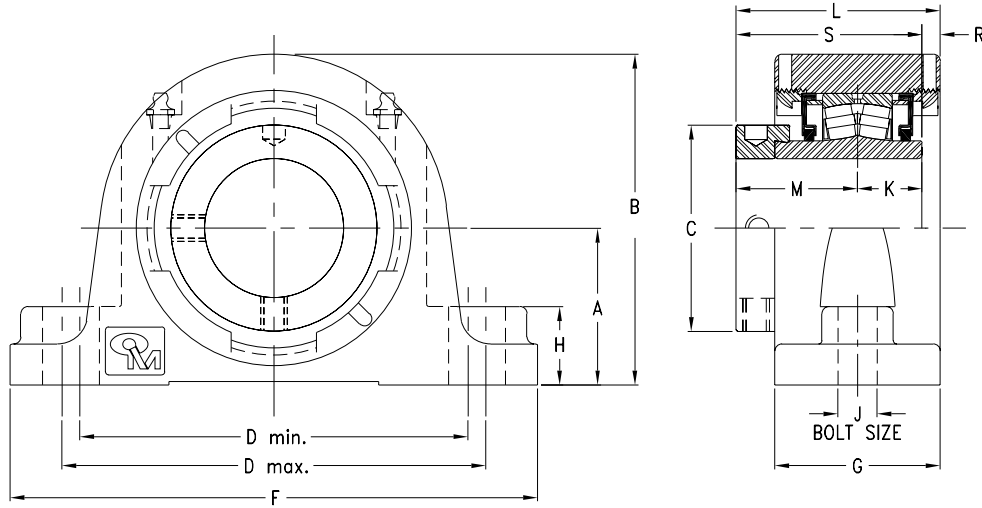


QMP 2-Bolt Pillow Block Dimensions (in)

Bearing Part No.	Shaft Size	Bearing Number	A	B	C	D _{MIN}	D _{MAX}	F	G	H	J	K	L	M	R	S	Wt (lbs)
QMP08J107S	1-7/16"	22208	1.88	3.73	2.38	4.69	6.00	6.88	2.25	1.00	1/2	1.00	2.88	1.75	0.13	2.75	9
QMP08J108S	1-1/2"	22208	2.13	3.98	2.38	4.69	6.50	7.88	2.25	1.00	1/2	1.00	2.88	1.75	0.13	2.75	9
QMP09J111S	1-11/16"	22209	2.13	4.13	2.62	5.70	6.50	7.88	2.37	1.25	1/2	1.00	3.06	1.88	0.19	2.88	10
QMP09J040S	40mm																
QMP09J112S	1-3/4"	22209	2.25	4.25	2.62	6.25	7.12	8.88	2.44	1.25	5/8	1.00	3.10	1.88	0.23	2.88	10
QMP09J045S	45mm																
QMP10J115S	1-15/16"																
QMP10J200S	2"	22210	2.25	4.81	2.81	6.00	7.13	8.88	2.44	1.25	5/8	0.98	3.11	1.89	0.24	2.87	13
QMP10J050S	50mm																
QMP11J203S	2-3/16"																
QMP11J204S	2-1/4"	22211	2.50	5.25	2.99	6.50	7.88	9.63	2.63	1.25	5/8	1.13	3.31	2.00	0.19	3.13	17
QMP11J055S	55mm																
QMP13J060S	60mm																
QMP13J207S	2-7/16"	22213	2.75	5.80	3.62	6.88	8.63	10.25	2.90	1.38	5/8	1.24	3.59	2.13	0.21	3.37	22
QMP13J208S	2-1/2"																
QMP13J065S	65mm																
QMP15J211S	2-11/16"																
QMP15J212S	2-3/4"																
QMP15J070S	70mm	22215	3.13	6.47	4.01	7.88	9.63	11.63	3.00	1.38	3/4	1.25	3.87	2.37	0.25	3.62	28
QMP15J215S	2-15/16"																
QMP15J300S	3"																
QMP15J075S	75mm																
QMP18J303S	3-3/16"																
QMP18J304S	3-1/4"																
QMP18J080S	80mm	22218	3.75	7.69	4.76	9.38	11.25	13.50	3.41	1.88	7/8	1.44	4.30	2.59	0.28	4.03	45
QMP18J085S	85mm																
QMP18J307S	3-7/16"																
QMP18J308S	3-1/2"																
QMP18J090S	90mm																
QMP20J311S	3-11/16"																
QMP20J312S	3-3/4"																
QMP20J315S	3-15/16"	22220	4.13	8.26	6.00	10.04	12.60	14.25	3.73	2.00	1	1.63	4.84	2.96	0.24	4.59	59
QMP20J400S	4"																
QMP20J100S	100mm																

Blue Brute Bearings – EC Series (Eccentric Lock)

QMPL 2-Bolt Pillow Blocks

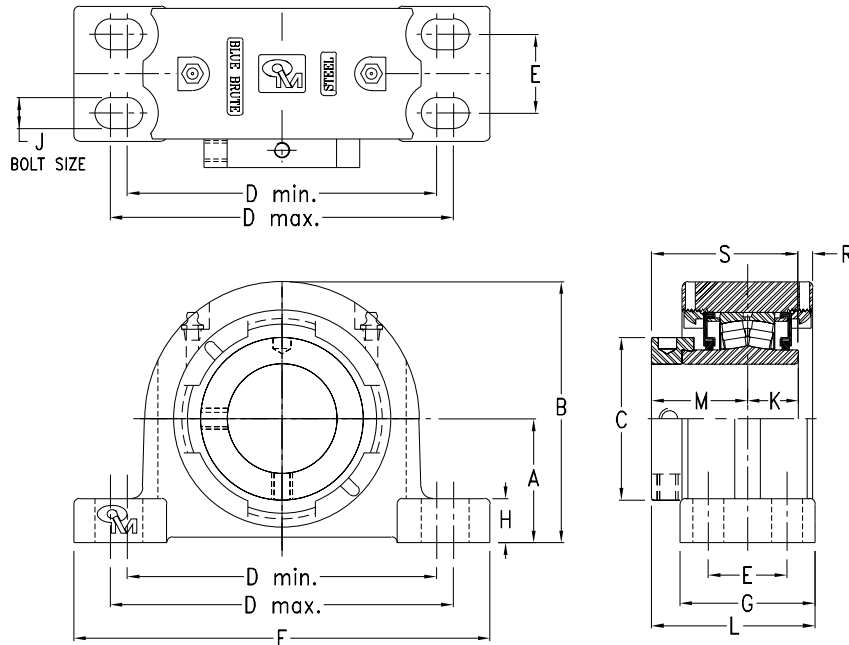


QMPL 2-Bolt Pillow Block Dimensions (in)

Bearing Part No.	Shaft Size	Bearing Number	A	B	C	D _{MIN}	D _{MAX}	F	G	H	J	K	L	M	R	S	Wt (lbs)
QMPL08J107S	1-7/16"	22208	1.88	3.73	2.38	4.69	6.00	6.88	2.25	1.00	1/2	1.00	2.88	1.75	0.13	2.75	9
QMPL08J108S	1-1/2"																
QMPL09J040S	40mm	22209	2.13	4.13	2.62	5.25	5.75	7.13	2.37	1.25	1/2	1.00	3.06	1.88	0.19	2.88	10
QMPL09J111S	1-11/16"																
QMPL09J112S	1-3/4"																
QMPL09J045S	45mm	22210	2.25	4.81	2.81	5.93	6.36	8.38	2.44	1.25	5/8	0.98	3.11	1.89	0.24	2.87	13
QMPL10J115S	1-15/16"																
QMPL10J200S	2"																
QMPL10J050S	50mm	22211	2.50	5.25	2.99	6.50	7.06	8.88	2.58	1.25	5/8	1.12	3.28	2.00	0.17	3.12	17
QMPL11J203S	2-3/16"																
QMPL11J204S	2-1/4"																
QMPL11J055S	55mm	22213	2.75	5.80	3.62	6.81	7.44	9.25	2.90	1.38	5/8	1.24	3.58	2.13	0.21	3.37	22
QMPL13J060S	60mm																
QMPL13J207S	2-7/16"																
QMPL13J208S	2-1/2"	22215	3.25	6.59	4.01	7.70	8.40	10.44	3.00	1.38	3/4	1.25	3.87	2.37	0.25	3.62	28
QMPL13J065S	65mm																
QMPL15J211S	2-11/16"																
QMPL15J212S	2-3/4"	22218	3.75	7.69	4.76	9.25	10.75	13.00	3.41	1.88	7/8	1.44	4.30	2.59	0.28	4.03	45
QMPL15J070S	70mm																
QMPL15J215S	2-15/16"																
QMPL15J300S	3"	22220	4.25	8.38	6.00	10.04	12.60	14.25	3.73	2.12	1	1.63	4.84	2.96	0.24	4.59	59
QMPL15J075S	75mm																
QMPL18J303S	3-3/16"																
QMPL18J304S	3-1/4"	22220	4.25	8.38	6.00	10.04	12.60	14.25	3.73	2.12	1	1.63	4.84	2.96	0.24	4.59	59
QMPL18J080S	80mm																
QMPL18J085S	85mm																
QMPL18J307S	3-7/16"	22220	4.25	8.38	6.00	10.04	12.60	14.25	3.73	2.12	1	1.63	4.84	2.96	0.24	4.59	59
QMPL18J308S	3-1/2"																
QMPL18J090S	90mm																
QMPL20J311S	3-11/16"	22220	4.25	8.38	6.00	10.04	12.60	14.25	3.73	2.12	1	1.63	4.84	2.96	0.24	4.59	59
QMPL20J312S	3-3/4"																
QMPL20J315S	3-15/16"																
QMPL20J400S	4"	22220	4.25	8.38	6.00	10.04	12.60	14.25	3.73	2.12	1	1.63	4.84	2.96	0.24	4.59	59
QMPL20J100S	100mm																

Blue Brute Bearings – EC Series (Eccentric Lock)

QMPF 4-Bolt Pillow Blocks

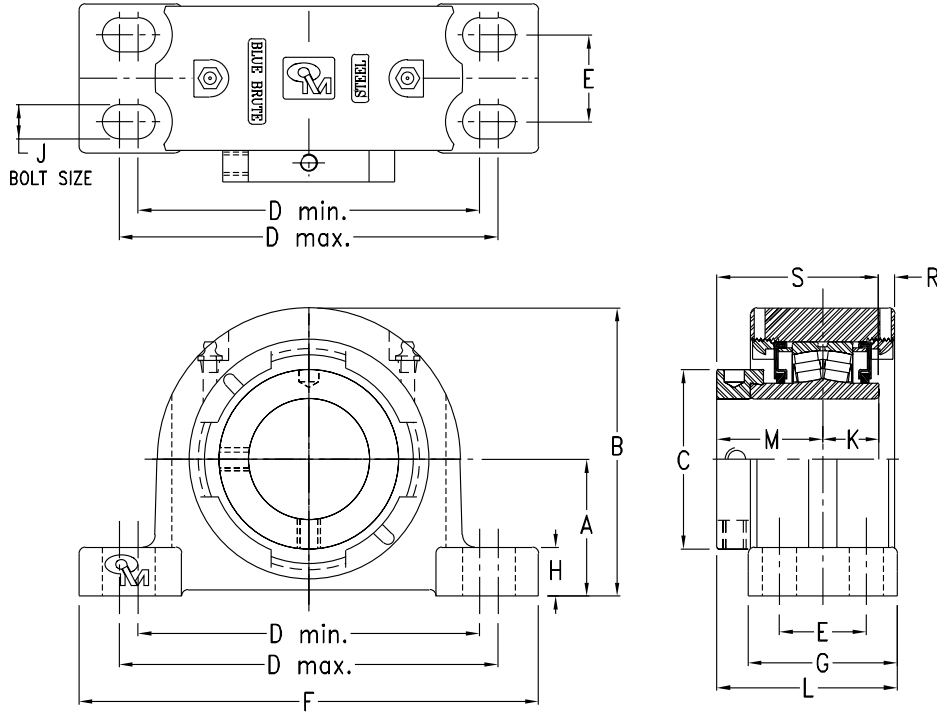


QMPF 4-Bolt Pillow Block Dimensions (in)

Bearing Part No.	Shaft Size	Bearing Number	A	B	C	D _{MIN}	D _{MAX}	E	F	G	H	J	K	L	M	R	S	Wt (lbs)
QMPF13J060S	60mm																	
QMPF13J207S	2-7/16"	22213	2.75	5.80	3.62	6.88	7.63	1.75	9.25	3.00	0.98	5/8	1.24	3.63	2.13	0.21	3.37	20
QMPF13J208S	2-1/2"																	
QMPF13J065S	65mm																	
QMPF15J211S	2-11/16"																	
QMPF15J212S	2-3/4"																	
QMPF15J070S	70mm	22215	3.25	6.60	4.01	7.60	9.10	1.88	10.44	3.13	1.29	5/8	1.25	3.93	2.37	0.24	3.62	27
QMPF15J215S	2-15/16"																	
QMPF15J300S	3"																	
QMPF15J075S	75mm																	
QMPF18J303S	3-3/16"																	
QMPF18J304S	3-1/4"																	
QMPF18J080S	80mm																	
QMPF18J085S	85mm	22218	3.75	7.69	4.76	8.88	10.88	2.00	12.30	3.75	1.56	3/4	1.44	4.46	2.59	0.32	4.03	49
QMPF18J307S	3-7/16"																	
QMPF18J308S	3-1/2"																	
QMPF18J090S	90mm																	
QMPF20J311S	3-11/16"																	
QMPF20J312S	3-3/4"																	
QMPF20J315S	3-15/16"	22220	4.25	8.78	6.00	10.88	13.38	2.25	14.88	4.31	1.40	3/4	1.63	5.13	2.96	0.36	4.59	67
QMPF20J400S	4"																	
QMPF20J100S	100mm																	
QMPF22J110S	110mm																	
QMPF22J407S	4-7/16"	22222	4.75	9.19	6.30	11.88	14.50	2.50	16.13	4.75	1.58	3/4	1.83	6.08	3.70	0.17	5.53	82
QMPF22J408S	4-1/2"																	
QMPF22J115S	115mm																	
QMPF26J125S	125mm																	
QMPF26J415S	4-15/16"	22226	5.50	11.01	6.89	15.13	15.88	2.75	17.50	5.04	1.54	7/8	2.31	6.25	3.73	-0.03	6.04	134
QMPF26J500S	5"																	
QMPF26J130S	130mm																	
QMPF30J507S	5-7/16"																	
QMPF30J508S	5-1/2"																	
QMPF30J140S	140mm	23230	6.69	13.00	8.07	17.38	19.13	3.75	22.00	6.75	3.00	1	2.99	7.94	4.57	0.26	7.56	250
QMPF30J515S	5-15/16"																	
QMPF30J600S	6"																	
QMPF30J150S	150mm																	
QMPF34J607S	6-7/16"																	
QMPF34J608S	6-1/2"																	
QMPF34J170S	170mm	23234	7.50	15.38	9.25	20.88	23.63	4.625	26.00	7.50	2.50	1	3.35	8.83	5.08	0.22	8.43	375
QMPF34J615S	6-15/16"																	
QMPF34J700S	7"																	
QMPF34J180S	180mm																	

Blue Brute Bearings – EC Series (Eccentric Lock)

QMPR 4-Bolt Pillow Blocks

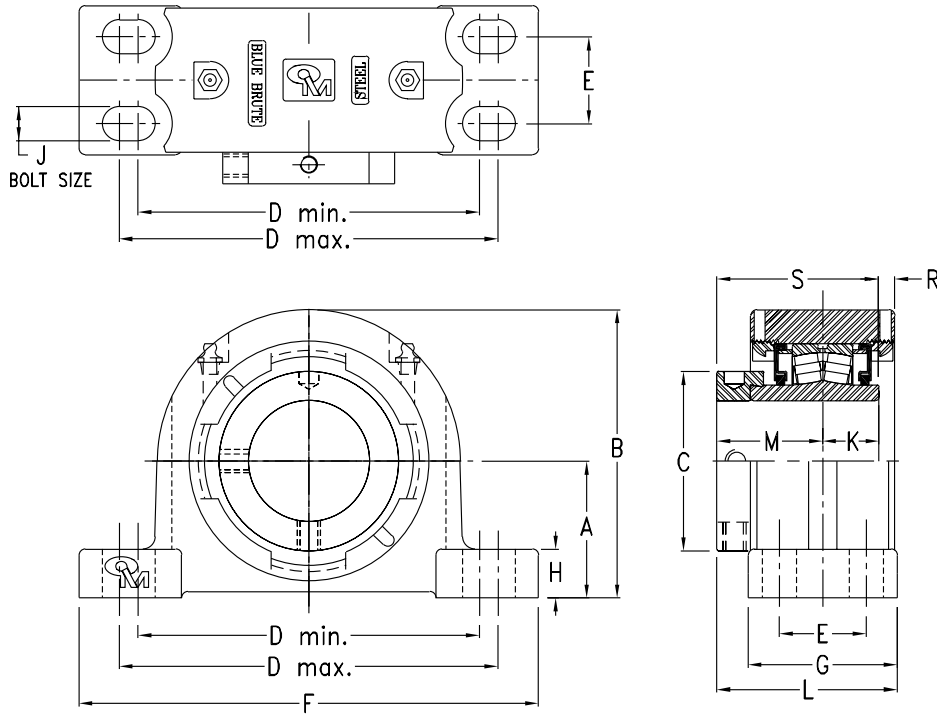


QMPR 4-Bolt Pillow Block Dimensions (in)

Bearing Part No.	Shaft Size	Bearing Number	A	B	C	D _{MIN}	D _{MAX}	E	F	G	H	J	K	L	M	R	S	Wt (lbs)
QMPR13J060S	60mm																	
QMPR13J207S	2-7/16"	22213	2.75	5.80	3.62	7.13	8.75	1.88	10.25	3.25	0.98	5/8	1.24	3.76	2.13	0.21	3.37	20
QMPR13J208S	2-1/2"																	
QMPR13J065S	65mm																	
QMPR15J211S	2-11/16"																	
QMPR15J212S	2-3/4"																	
QMPR15J070S	70mm	22215	3.13	6.47	4.01	8.00	9.60	2.13	10.83	3.38	1.16	5/8	1.25	4.06	2.37	0.24	3.62	27
QMPR15J215S	2-15/16"																	
QMPR15J300S	3"																	
QMPR15J075S	75mm																	
QMPR18J303S	3-3/16"																	
QMPR18J304S	3-1/4"																	
QMPR18J080S	80mm																	
QMPR18J085S	85mm	22218	3.75	7.69	4.76	9.25	11.25	2.38	13.63	3.75	1.56	3/4	1.44	4.46	2.59	0.32	4.03	49
QMPR18J307S	3-7/16"																	
QMPR18J308S	3-1/2"																	
QMPR18J090S	90mm																	

Blue Brute Bearings – EC Series (Eccentric Lock)

QMPH/QMPG 4-Bolt Pillow Blocks



QMPH SAF Style 4-Bolt Pillow Block Dimensions (in)

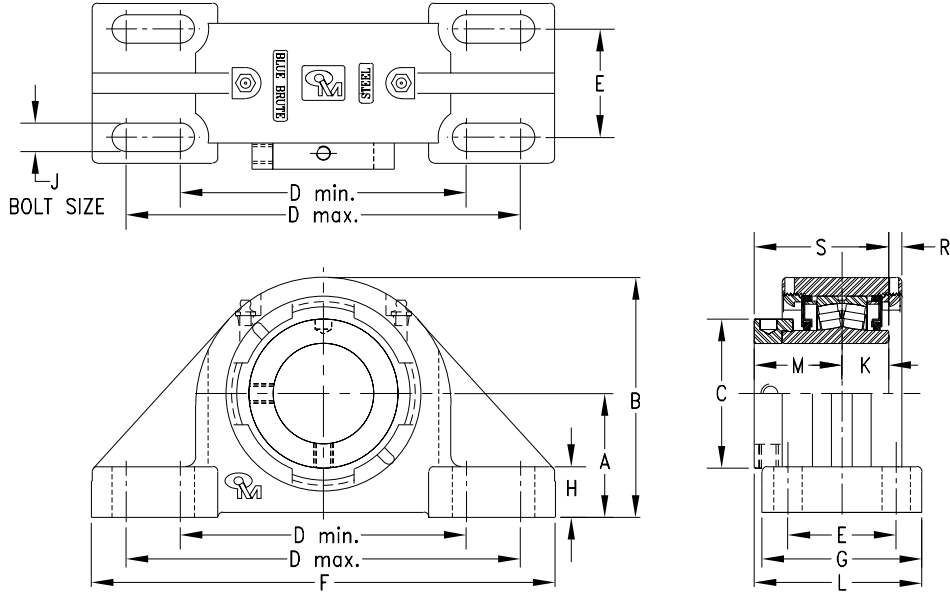
Bearing Part No.	Shaft Size	Bearing Number	A	B	C	D _{MIN}	D _{MAX}	E	F	G	H	J	K	L	M	R	S	Wt (lbs)
QMPH26J125S	125mm																	
QMPH26J415S	4-15/16"	22226	6.000	11.18	6.89	16.00	17.13	3.38	19.70	5.04	2.04	1	2.31	6.24	3.72	-0.028	6.04	134
QMPH26J500S	5"																	
QMPH26J130S	130mm																	
QMPH30J507S	5-7/16"	23230	6.688	13.02	8.07	17.38	19.13	3.75	22.00	6.75	3.00	1	2.99	7.84	4.57	0.20	7.56	250
QMPH30J508S	5-1/2"																	
QMPH30J515S	5-15/16"	23230	7.063	13.38	8.07	19.38	21.63	4.25	24.75	6.75	3.38	1	2.99	7.94	4.57	0.26	7.56	250
QMPH30J600S	6"																	
QMPH34J607S	6-7/16"	23234	7.500	15.38	9.25	20.88	23.63	4.625	28.00	7.50	2.50	1	3.35	8.83	5.08	0.22	8.43	375
QMPH34J608S	6-1/2"																	
QMPH34J615S	6-15/16"	23234	7.875	15.75	9.25	21.63	24.38	4.50	28.00	7.50	2.88	1-1/4	3.35	8.83	5.08	0.22	8.43	375
QMPH34J700S	7"																	

QMPG SN Style 4-Bolt Pillow Block Dimensions (in)

Bearing Part No.	Shaft Size	Bearing Number	A	B	C	D _{MIN}	D _{MAX}	E	F	G	H	J	K	L	M	R	S	Wt (lbs)
QMPG26J125S	125mm																	
QMPG26J415S	4-15/16"	22226	5.906	11.08	6.89	15.13	17.63	3.15	19.69	5.04	1.94	1	2.31	6.24	3.72	-0.27	6.04	134
QMPG26J500S	5"																	
QMPG26J130S	130mm																	
QMPG30J507S	5-7/16"																	
QMPG30J508S	5-1/2"	23230	6.693	13.08	8.07	17.25	19.00	3.54	21.65	6.75	3.00	1	2.99	7.82	4.57	0.38	7.56	250
QMPG30J515S	5-15/16"																	
QMPG30J600S	6"																	
QMPG34J607S	6-7/16"	23234	7.50	15.38	9.25	20.88	23.63	4.625	28.00	7.50	2.50	1	3.35	8.91	5.08	0.404	8.43	375
QMPG34J608S	6-1/2"																	
QMPG34J615S	6-15/16"	23234	7.875	15.75	9.25	21.63	24.38	4.50	28.00	7.50	2.88	1-1/4	3.35	8.91	5.08	0.404	8.43	375
QMPG34J700S	7"																	

Blue Brute Bearings – EC Series (Eccentric Lock)

QMPX 4-Bolt Pillow Blocks

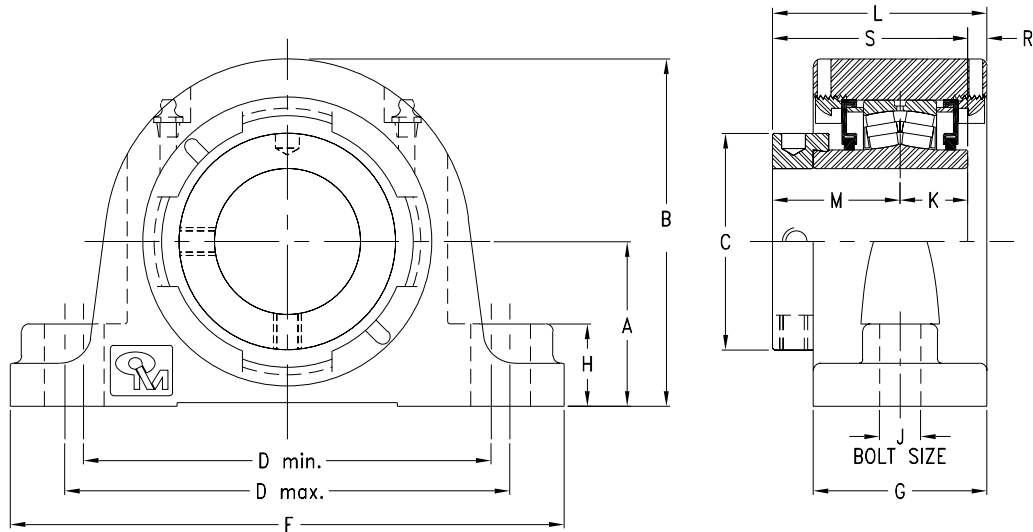


QMPX 5000 Series 4-Bolt Pillow Block Dimensions (in)

Bearing Part No.	Shaft Size	Bearing Number	A	B	C	D _{MIN}	D _{MAX}	E	F	G	H	J	K	L	M	R	S	Wt (lbs)
QMPX13J060S	60mm																	
QMPX13J207S	2-7/16"	22213	3.00	6.05	3.62	6.94	9.56	2.63	11.25	3.88	1.22	5/8	1.24	4.07	2.13	0.21	3.37	23
QMPX13J208S	2-1/2"																	
QMPX13J065S	65mm																	
QMPX15J211S	2-11/16"																	
QMPX15J212S	2-3/4"																	
QMPX15J070S	70mm	22215	3.50	6.83	4.01	9.06	10.44	2.75	13.00	4.25	1.54	3/4	1.25	4.50	2.37	0.28	3.62	28
QMPX15J215S	2-15/16"																	
QMPX15J300S	3"																	
QMPX15J075S	75mm																	
QMPX18J303S	3-3/16"																	
QMPX18J304S	3-1/4"																	
QMPX18J080S	80mm																	
QMPX18J085S	85mm	22218	4.00	7.92	4.76	10.81	12.19	3.00	15.00	4.75	1.50	3/4	1.44	4.96	2.59	0.32	4.03	49
QMPX18J307S	3-7/16"																	
QMPX18J308S	3-1/2"																	
QMPX18J090S	90mm																	
QMPX20J311S	3-11/16"																	
QMPX20J312S	3-3/4"																	
QMPX20J315S	3-15/16"	22220	5.00	9.44	6.00	12.50	14.00	3.50	16.75	5.50	1.63	7/8	1.63	5.72	2.96	0.34	4.59	67
QMPX20J400S	4"																	
QMPX20J100S	100mm																	
QMPX22J110S	110mm																	
QMPX22J407S	4-7/16"	22222	5.75	10.78	6.30	13.94	15.56	4.00	18.50	6.25	1.80	1	1.83	6.74	3.70	0.09	5.53	82
QMPX22J408S	4-1/2"																	
QMPX22J115S	115mm																	
QMPX26J125S	125mm																	
QMPX26J415S	4-15/16"	22226	6.125	11.15	6.89	15.25	16.75	4.25	20.25	6.75	2.00	1-1/8	2.31	7.10	3.72	-0.06	6.04	134
QMPX26J500S	5"																	
QMPX26J130S	130mm																	
QMPX30J507S	5-7/16"																	
QMPX30J508S	5-1/2"	23230	6.688	13.00	8.07	17.32	19.125	3.68	22.00	6.75	3.00	1-1/8	2.99	7.94	4.57	0.26	7.56	250
QMPX30J140S	140mm																	
QMPX30J515S	5-15/16"																	
QMPX30J600S	6"	23230	7.063	13.38	8.07	19.25	21.75	4.188	24.75	6.75	3.00	1-1/8	2.99	7.75	4.57	0.19	7.56	250
QMPX30J150S	150mm																	
QMPX34J607S	6-7/16"																	
QMPX34J608S	6-1/2"																	
QMPX34J170S	170mm	23234	7.875	15.75	9.25	21.63	24.38	4.44	28.00	7.50	2.88	1-1/4	3.35	8.83	5.08	0.22	8.43	395
QMPX34J615S	6-15/16"																	
QMPX34J700S	7"																	
QMPX34J180S	180mm																	

Blue Brute Bearings – EC Series (Eccentric Lock)

QMPXT 2-Bolt Pillow Blocks

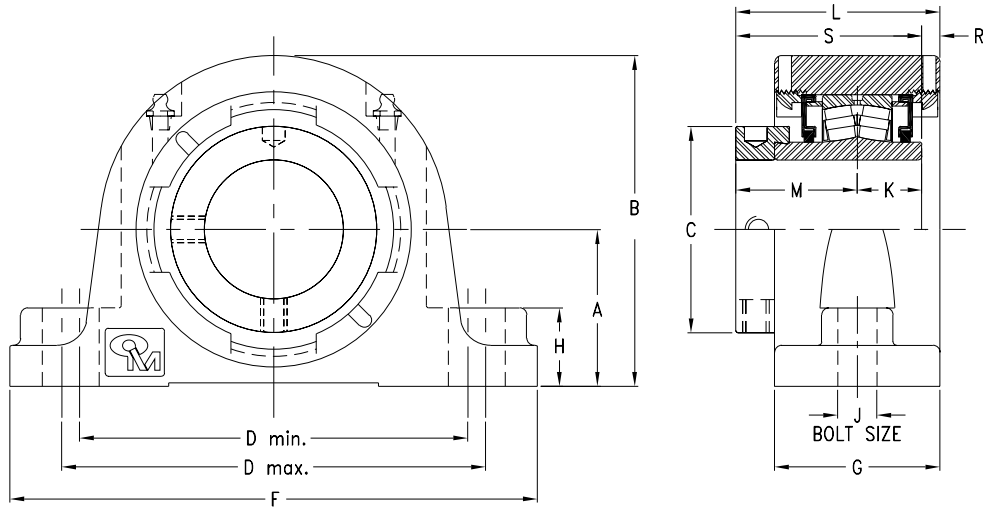


QMPXT 5000 Series 2-Bolt Pillow Block Dimensions (in)

Bearing Part No.	Shaft Size	Bearing Number	A	B	C	D _{MIN}	D _{MAX}	F	G	H	J	K	L	M	R	S	Wt (lbs)
QMPXT13J060S	60mm																
QMPXT13J207S	2-7/16"	22213	3.00	6.05	3.62	7.66	8.78	11.25	2.90	1.38	3/4	1.24	3.60	2.13	0.21	3.37	22
QMPXT13J208S	2-1/2"																
QMPXT13J065S	65mm																
QMPXT15J211S	2-11/16"																
QMPXT15J212S	2-3/4"																
QMPXT15J070S	70mm	22215	3.50	6.84	4.01	9.06	10.44	13.00	2.98	1.38	7/8	1.25	3.86	2.37	0.24	3.62	28
QMPXT15J215S	2-15/16"																
QMPXT15J300S	3"																
QMPXT15J075S	75mm																

Blue Brute Bearings – EC Series (Eccentric Lock)

QMSN 2-Bolt Pillow Blocks - Pure Metric Design

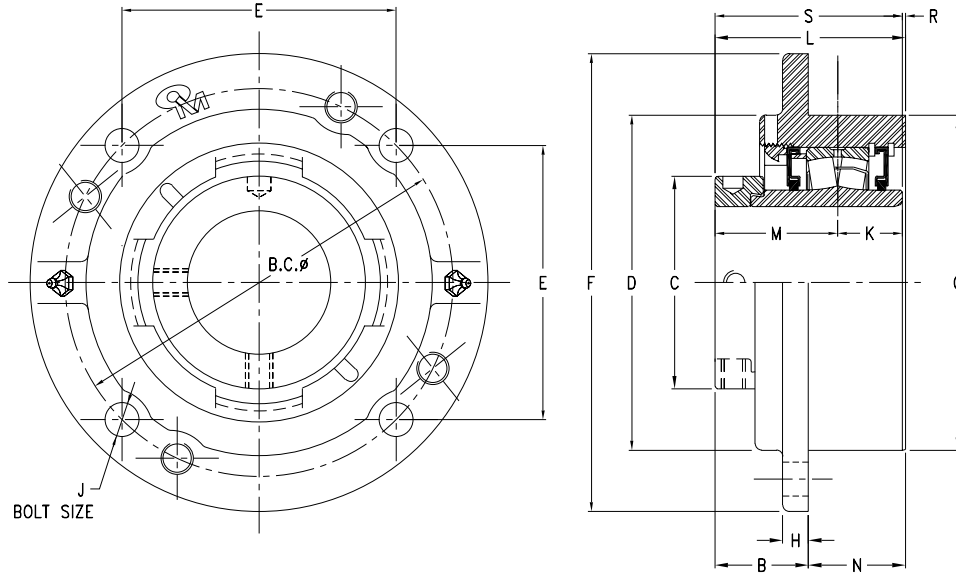


QMSN SN Style 2-Bolt Pillow Block Dimensions (mm)

Bearing Part No.	Shaft Size	Bearing Number	A	B	C	D _{MIN}	D _{MAX}	F	G	H	J	K	L	M	R	S	Wt (lbs)
QMSN09J040S	40mm																
QMSN09J111S	1-11/16"	22209	60	111	67	159	175	205	62	35	12	25	79	48	6	73	23
QMSN09J112S	1-3/4"																
QMSN09J045S	45mm																
QMSN10J115S	1-15/16"																
QMSN10J200S	2"	22210	70	136	70	183	216	254	68	25	16	25	82	48	9	73	28
QMSN10J050S	50mm																
QMSN11J203S	2-3/16"																
QMSN11J204S	2-1/4"	22211	70	141	76	183	216	254	68	25	16	29	85	51	6	80	29
QMSN11J055S	55mm																
QMSN13J060S	60mm																
QMSN13J207S	2-7/16"	22213	80	157	92	196	235	275	74	35	16	31	91	55	5	86	35
QMSN13J208S	2-1/2"																
QMSN13J065S	65mm																
QMSN15J211S	2-11/16"																
QMSN15J212S	2-3/4"																
QMSN15J070S	70mm	22215	95	183	102	241	279	316	76	34	20	32	98	60	6	92	46
QMSN15J215S	2-15/16"																
QMSN15J300S	3"																
QMSN15J075S	75mm																
QMSN18J303S	3-3/16"																
QMSN18J304S	3-1/4"	22218	100	200	121	279	292	345	86	39	20	37	109	66	7	103	56
QMSN18J080S	80mm																
QMSN18J085S	85mm	22218	112	212	121	279	292	345	86	39	20	37	109	66	7	103	56
QMSN18J307S	3-7/16"																
QMSN18J308S	3-1/2"	22218	112	212	121	290	327	380	86	39	24	37	109	66	7	103	56
QMSN18J090S	90mm																
QMSN20J311S	3-11/16"																
QMSN20J312S	3-3/4"																
QMSN20J315S	3-15/16"	22220	125	241	152	319	366	410	101	50	24	41	126	75	9	116	79
QMSN20J400S	4"																
QMSN20J100S	100mm																
QMSN22J110S	110mm	22222	140	255	160	332	365	410	105	39	24	47	147	94	6	141	79
QMSN22J407S	4-7/16"																
QMSN22J408S	4-1/2"	22222	150	265	160	367	400	445	105	49	24	47	147	94	6	141	78
QMSN22J115S	115mm																
QMSN26J125S	125mm																
QMSN26J415S	4-15/16"	22226	150	282	175	402	435	500	113	49	30	58	151	95	2	153	88
QMSN26J500S	5"																
QMSN26J130S	130mm																

Blue Brute Bearings – EC Series (Eccentric Lock)

QMC Piloted Flange Cartridges



QMC Piloted Flange Cartridge Dimensions (in)

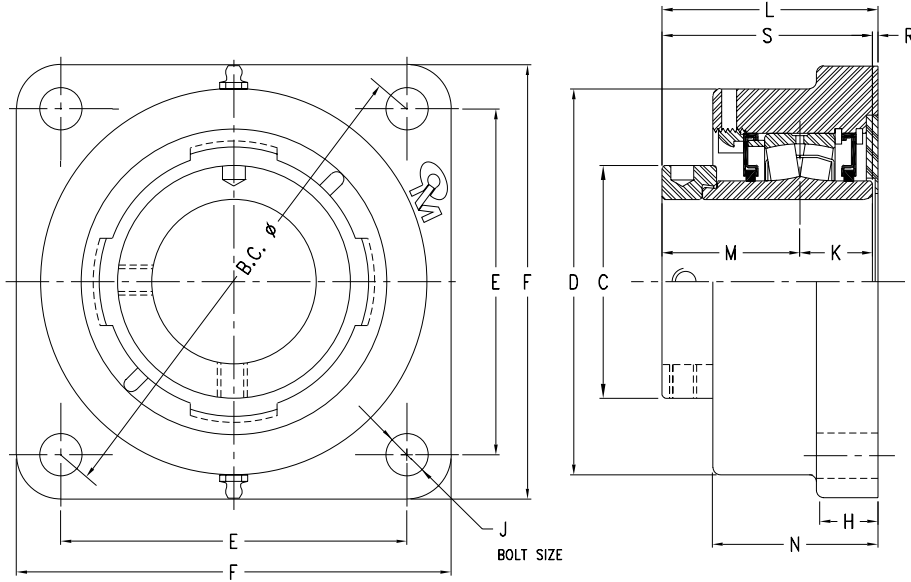
Bearing Part No.	Shaft Size	Bearing Number	B _{FIX}	B _{EXP}	B.C.	C	D	E	F	G [§]	H	J	K	L _{FIX}	L _{EXP}	M	N	R	S	Wt (lbs)
QMC08J107S	1-7/16"	22208	1.96	2.04	4.38	2.38	3.63	3.09	5.25	3.625	0.50	7/16	1.00	2.90	2.98	1.75	0.94	0.15	2.75	8
QMC08J108S	1-1/2"																			
QMC09J040S	40mm	22209	2.15	2.23	5.13	2.63	4.38	3.62	6.13	4.250	0.50	7/16	0.99	3.03	3.11	1.88	0.88	0.15	2.87	9
QMC09J111S	1-11/16"																			
QMC09J112S	1-3/4"																			
QMC09J045S	45mm																			
QMC10J115S	1-15/16"	22210	1.99	2.07	5.38	2.76	4.47	3.80	6.38	4.500	0.63	7/16	0.98	3.05	3.13	1.89	1.06	0.18	2.87	10
QMC10J200S	2"																			
QMC10J050S	50mm	22211	2.14	2.22	6.00	2.99	5.00	4.24	7.30	5.000	0.58	1/2	1.13	3.27	3.35	1.99	1.13	0.14	3.12	13
QMC11J203S	2-3/16"																			
QMC11J204S	2-1/4"																			
QMC11J055S	55mm	22213	2.34	2.42	6.50	3.62	5.50	4.60	7.63	5.500	0.69	1/2	1.24	3.46	3.59	2.13	1.13	0.09	3.37	16
QMC13J060S	60mm																			
QMC13J207S	2-7/16"																			
QMC13J208S	2-1/2"																			
QMC13J065S	65mm	22215	2.46	2.54	7.50	4.01	6.38	5.30	8.75	6.375	0.81	5/8	1.25	3.72	3.80	2.37	1.25	0.09	3.62	22
QMC15J211S	2-11/16"																			
QMC15J212S	2-3/4"																			
QMC15J070S	70mm	22218	2.88	2.96	8.63	4.76	7.38	6.10	10.34	7.375	1.00	3/4	1.44	4.19	4.27	2.59	1.31	0.16	4.03	32
QMC15J215S	2-15/16"																			
QMC15J300S	3"																			
QMC15J075S	75mm																			
QMC18J303S	3-3/16"	22220	2.84	2.92	9.38	6.00	8.76	6.63	10.88	8.125	1.00	3/4	1.63	4.96	5.04	2.96	2.13	0.37	4.56	43
QMC18J304S	3-1/4"																			
QMC18J080S	80mm																			
QMC18J085S	85mm																			
QMC18J307S	3-7/16"	22222	3.64	3.72	11.75*	6.30	10.00	5.88*	13.50	10.250	1.00	3/4*	1.83	5.54	5.62	3.70	1.90	0.01	5.53	72
QMC18J308S	3-1/2"																			
QMC18J090S	90mm																			
QMC20J311S	3-11/16"																			
QMC20J312S	3-3/4"	22222	3.64	3.72	11.75*	6.30	10.00	5.88*	13.50	10.250	1.00	3/4*	1.83	5.54	5.62	3.70	1.90	0.01	5.53	72
QMC20J315S	3-15/16"																			
QMC20J400S	4"	22222	3.64	3.72	11.75*	6.30	10.00	5.88*	13.50	10.250	1.00	3/4*	1.83	5.54	5.62	3.70	1.90	0.01	5.53	72
QMC20J100S	100mm																			
QMC22J110S*	110mm	22222	3.64	3.72	11.75*	6.30	10.00	5.88*	13.50	10.250	1.00	3/4*	1.83	5.54	5.62	3.70	1.90	0.01	5.53	72
QMC22J407S*	4-7/16"																			
QMC22J408S*	4-1/2"																			
QMC22J115S*	115mm																			

* 6-bolt housing

§ Pilot tolerance: +0/-0.002

Blue Brute Bearings – EC Series (Eccentric Lock)

QMF 4-Bolt Square Flange Blocks

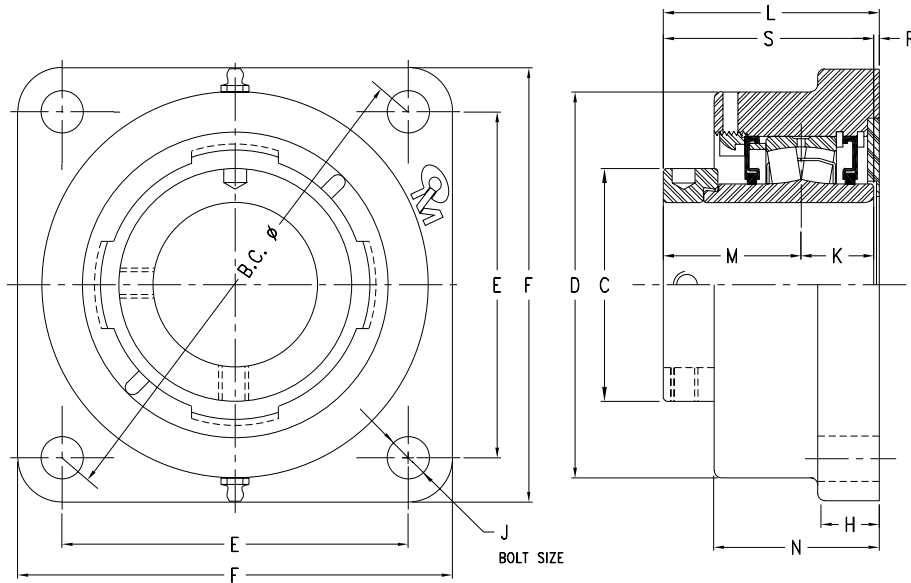


QMF 4-Bolt Square Flange Block Dimensions (in)

Bearing Part No.†	Shaft Size	Bearing Number	B.C.	C	D	E	F	H	J	K	L _{FIX}	L _{EXP}	M	N	R	S	Wt (lbs)
QMF08J107S	1-7/16"	22208	4.95	2.38	3.69	3.50	4.63	0.88	1/2	1.00	2.87	2.95	1.75	2.25	0.12	2.75	10
QMF08J108S	1-1/2"	22208	5.84	2.38	4.25	4.13	5.38	0.88	1/2	1.00	2.90	2.98	1.75	2.34	0.15	2.75	10
QMF09J111S	1-11/16"	22209	5.84	2.63	4.66	4.13	5.38	0.88	1/2	1.00	3.13	3.21	1.88	2.50	0.25	2.88	11
QMF09J040S	40mm																
QMF09J112S	1-3/4"	22209	6.19	2.63	4.66	4.38	5.63	0.88	1/2	0.89	3.13	3.21	1.88	2.50	0.25	2.87	11
QMF09J045S	45mm																
QMF10J115S	1-15/16"	22210	6.19	2.76	4.75	4.38	5.50	0.88	1/2	0.98	3.18	3.26	1.89	2.56	0.31	2.87	11
QMF10J200S	2"																
QMF10J050S	50mm																
QMF11J203S	2-3/16"	22211	6.89	2.99	5.13	4.88	6.19	1.00	5/8	1.13	3.26	3.34	1.99	2.63	0.13	3.12	14
QMF11J204S	2-1/4"																
QMF11J055S	55mm																
QMF13J060S	60mm																
QMF13J207S	2-7/16"	22213	7.60	3.62	5.75	5.38	6.63	1.00	5/8	1.24	3.42	3.57	2.13	2.85	0.12	3.37	17
QMF13J208S	2-1/2"																
QMF13J065S	65mm																
QMF15J211S	2-11/16"	22215	8.49	4.01	6.65	6.00	7.44	1.06	3/4	1.25	3.78	3.86	2.37	3.00	0.16	3.62	23
QMF15J212S	2-3/4"																
QMF15J070S	70mm																
QMF15J215S	2-15/16"																
QMF15J300S	3"																
QMF15J075S	75mm																
QMF18J303S	3-3/16"	22218	9.91	4.76	7.63	7.00	8.63	1.31	3/4	1.44	4.22	4.30	2.59	3.31	0.19	4.03	35
QMF18J304S	3-1/4"																
QMF18J080S	80mm																
QMF18J085S	85mm																
QMF18J307S	3-7/16"																
QMF18J308S	3-1/2"																
QMF18J090S	90mm																
QMF20J311S	3-11/16"	22220	10.96	6.00	8.82	7.75	9.97	1.50	7/8	1.63	4.97	5.05	2.96	4.06	0.37	4.59	55
QMF20J312S	3-3/4"																
QMF20J315S	3-15/16"																
QMF20J400S	4"																
QMF20J100S	100mm																
QMF22J110S	110mm																
QMF22J407S	4-7/16"	22222	12.38	6.30	8.75	8.75	10.88	1.50	7/8	1.83	5.91	5.99	3.70	4.21	0.38	5.53	63
QMF22J408S	4-1/2"																
QMF22J115S	115mm																

Blue Brute Bearings – EC Series (Eccentric Lock)

QMFL 4-Bolt Square Flange Blocks

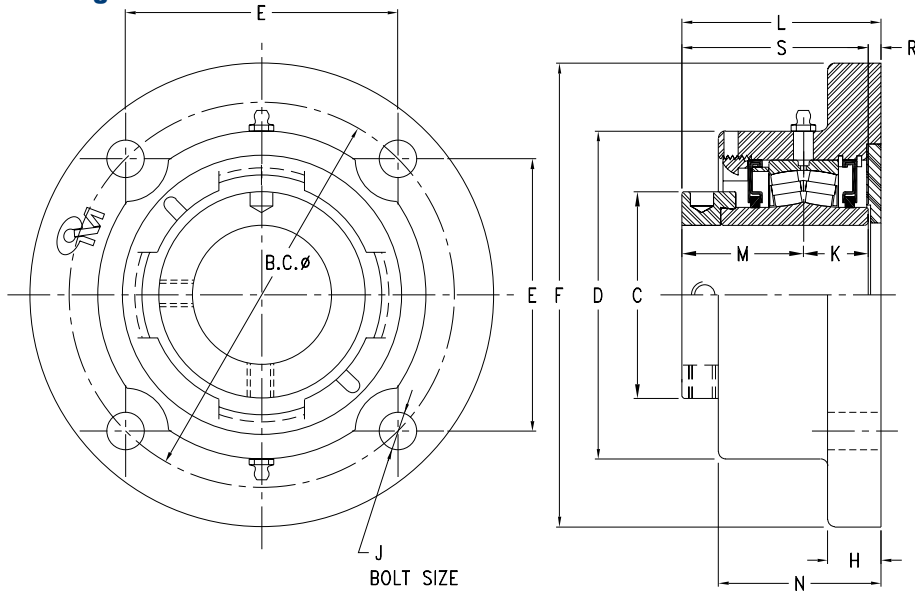


QMFL 4-Bolt Square Flange Block Dimensions (in)

Bearing Part No.	Shaft Size	Bearing Number	B.C.	C	D	E	F	H	J	K	L _{FIX}	L _{EXP}	M	N	R	S	Wt (lbs)
QMFL08J107S	1-7/16"	22208	5.00	2.38	3.69	3.54	4.63	0.88	1/2	1.00	2.87	2.95	1.75	2.25	0.12	2.75	10
QMFL08J108S	1-1/2"																
QMFL09J111S	1-11/16"	22209	5.50	2.63	4.25	3.89	5.38	0.88	1/2	0.99	3.13	3.21	1.88	2.50	0.26	2.87	11
QMFL09J040S	40mm																
QMFL09J112S	1-3/4"																
QMFL09J045S	45mm	22210	5.75	2.76	4.54	4.07	5.19	0.91	1/2	0.98	3.18	3.26	1.89	2.46	0.31	2.87	11
QMFL10J115S	1-15/16"																
QMFL10J200S	2"	22211	6.38	2.99	5.13	4.50	5.88	0.75	5/8	1.13	3.28	3.36	1.99	2.63	0.15	3.12	14
QMFL10J050S	50mm																
QMFL11J203S	2-3/16"																
QMFL11J204S	2-1/4"	22213	6.75	3.62	5.75	4.77	6.19	1.00	5/8	1.24	3.47	3.57	2.13	2.86	0.12	2.32	17
QMFL11J055S	55mm																
QMFL13J060S	60mm																
QMFL13J207S	2-7/16"	22215	7.88	4.01	6.63	5.56	7.19	1.06	3/4	1.25	3.77	3.85	2.37	2.93	0.15	3.62	23
QMFL13J208S	2-1/2"																
QMFL13J065S	65mm																
QMFL15J211S	2-11/16"	22218	9.50	4.76	7.63	6.72	8.38	1.28	3/4	1.44	4.19	4.27	2.59	3.40	0.16	4.03	35
QMFL15J212S	2-3/4"																
QMFL15J070S	70mm																
QMFL15J215S	2-15/16"	22220	10.75	6.00	9.04	7.60	9.50	1.50	1	1.63	5.21	5.29	2.96	4.12	0.62	4.59	55
QMFL15J300S	3"																
QMFL15J075S	75mm																
QMFL18J303S	3-3/16"	22220	10.75	6.00	9.04	7.60	9.50	1.50	1	1.63	5.21	5.29	2.96	4.12	0.62	4.59	55
QMFL18J304S	3-1/4"																
QMFL18J080S	80mm																
QMFL18J085S	85mm	22220	10.75	6.00	9.04	7.60	9.50	1.50	1	1.63	5.21	5.29	2.96	4.12	0.62	4.59	55
QMFL18J307S	3-7/16"																
QMFL18J308S	3-1/2"																
QMFL18J090S	90mm	22220	10.75	6.00	9.04	7.60	9.50	1.50	1	1.63	5.21	5.29	2.96	4.12	0.62	4.59	55
QMFL20J311S	3-11/16"																
QMFL20J312S	3-3/4"																
QMFL20J315S	3-15/16"	22220	10.75	6.00	9.04	7.60	9.50	1.50	1	1.63	5.21	5.29	2.96	4.12	0.62	4.59	55
QMFL20J400S	4"																
QMFL20J100S	100mm																

Blue Brute Bearings – EC Series (Eccentric Lock)

QMFY Round Flange Blocks



QMFY Round Flange Block Dimensions (in)

Bearing Part No.	Shaft Size	Bearing Number	B.C.	C	D	E	F	H	J	K	L _{FIX}	L _{EXP}	M	N	R	S	Wt (lbs)
QMFY08J107S*	1-7/16"	22208	5.00*	2.38	4.25	3.54*	6.25	0.75	1/2*	1.00	2.88	2.96	1.75	2.26	0.13	2.75	10
QMFY08J108S*	1-1/2"																
QMFY09J040S	40mm																
QMFY09J111S	1-11/16"	22209	5.50	2.63	4.13	3.89	6.75	0.81	1/2	0.99	3.00	3.08	1.88	2.38	0.12	2.87	11
QMFY09J112S	1-3/4"																
QMFY09J045S	45mm																
QMFY10J115S	1-15/16"																
QMFY10J200S	2"	22210	5.75	2.76	4.30	4.07	7.00	0.75	1/2	0.98	2.99	3.07	1.89	2.30	0.12	2.87	12
QMFY10J050S	50mm																
QMFY11J203S	2-3/16"																
QMFY11J204S	2-1/4"	22211	6.38	2.99	5.13	4.50	7.75	0.75	5/8	1.13	3.24	3.32	2.99	2.44	0.12	3.12	15
QMFY11J055S	55mm																
QMFY13J060S	60mm																
QMFY13J207S	2-7/16"	22213	6.75	3.62	5.75	4.77	8.13	0.94	5/8	1.24	3.47	3.56	2.13	2.85	0.09	3.37	19
QMFY13J208S	2-1/2"																
QMFY13J065S	65mm																
QMFY15J211S	2-11/16"																
QMFY15J212S	2-3/4"																
QMFY15J070S	70mm																
QMFY15J215S	2-15/16"	22215	7.87	4.01	6.63	5.56	9.50	0.94	3/4	1.25	3.88	3.96	2.37	3.00	0.25	3.62	28
QMFY15J300S	3"																
QMFY15J075S	75mm																
QMFY18J303S	3-3/16"																
QMFY18J304S	3-1/4"																
QMFY18J080S	80mm																
QMFY18J085S	85mm	22218	9.50	4.76	7.63	6.72	11.13	1.13	7/8	1.44	4.28	4.36	2.59	3.36	0.25	4.03	42
QMFY18J307S	3-7/16"																
QMFY18J308S	3-1/2"																
QMFY18J090S	90mm																
QMFY20J311S	3-11/16"																
QMFY20J312S	3-3/4"																
QMFY20J315S	3-15/16"	22220	10.75	6.00	8.38	7.60	12.63	1.13	1	1.63	4.87	4.95	2.96	3.81	0.27	4.59	66
QMFY20J400S	4"																
QMFY20J100S	100mm																
QMFY22B110S**	110mm																
QMFY22B407S**	4-7/16"	22222	12.88**	6.30	10.00	6.44**	15.13	1.25	1**	1.83	5.65	5.73	3.70	3.95	0.12	5.53	102
QMFY22B408S**	4-1/2"																
QMFY22B115S**	115mm																
QMFY26J125S**	125mm																
QMFY26J415S**	4-15/16"	22226	14.00**	6.89	11.19	7.00**	16.50	1.50	1-1/8**	2.31	6.70	6.78	3.73	5.45	0.66	6.04	115
QMFY26J500S**	5"																
QMFY26J130S**	130mm																

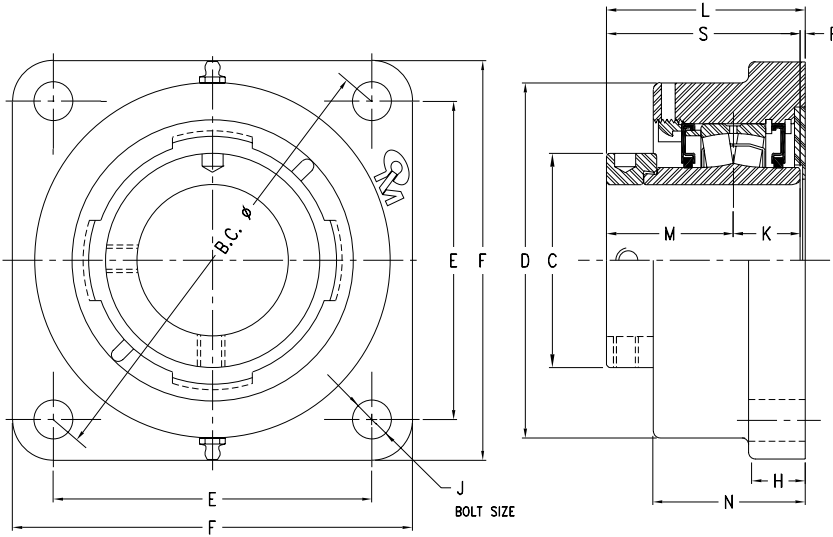
* 3-bolt housing

** 6-bolt housing

Note: Housings are also available with a 3/16" machined pilot. Please contact your local distributor or QM Bearings for more information.

Blue Brute Bearings – EC Series (Eccentric Lock)

QMFx Square Flange Blocks



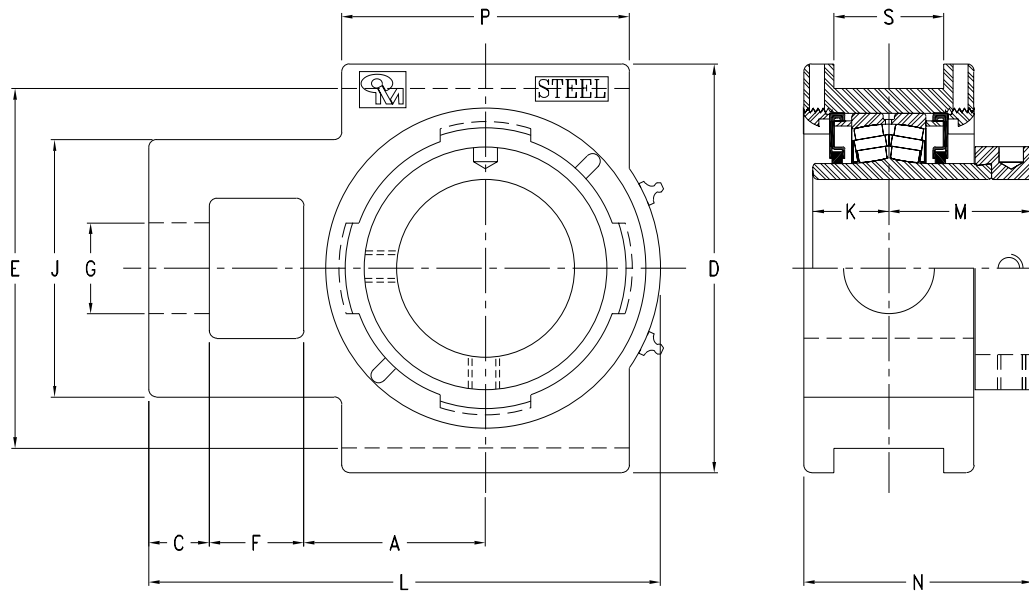
QMFx 5000 Series Square Flange Block Dimensions (in)

Bearing Part No.	Shaft Size	Bearing Number	B.C.	C	D	E	F	H	J	K	L _{FIX}	L _{EXP}	M	N	R	S	Wt (lbs)
QMFx08J107S	1-7/16"	22208	5.26	2.36	3.69	3.72	4.63	0.88	1/2	1.00	2.87	2.95	1.75	2.25	0.12	2.75	10
QMFx08J108S	1-1/2"	22208	5.50	2.36	4.25	3.89	5.13	0.88	1/2	1.00	2.90	2.98	1.75	2.34	0.15	2.75	10
QMFx09J040S	40mm																
QMFx09J111S	1-11/16"	22209	5.50	2.63	4.25	3.89	5.13	0.88	1/2	0.99	3.13	3.21	1.88	2.50	0.25	2.87	11
QMFx09J112S	1-3/4"																
QMFx09J045S	45mm																
QMFx10J115S	1-15/16"																
QMFx10J200S	2"	22210	5.75	2.76	4.75	4.06	5.31	0.88	1/2	0.98	3.18	3.26	1.89	2.56	0.31	2.87	11
QMFx10J050S	50mm																
QMFx11J203S	2-3/16"																
QMFx11J204S	2-1/4"	22211	6.36	2.99	5.13	4.50	5.88	1.00	5/8	1.13	3.27	3.35	1.99	2.63	0.13	3.12	11
QMFx11J055S	55mm																
QMFx13J060S	60mm																
QMFx13J207S	2-7/16"	22213	7.12	3.62	5.75	5.03	6.19	1.00	5/8	1.24	3.51	3.59	2.13	2.85	0.12	3.37	14
QMFx13J208S	2-1/2"																
QMFx13J065S	65mm																
QMFx15J211S	2-11/16"																
QMFx15J212S	2-3/4"																
QMFx15J070S	70mm																
QMFx15J215S	2-15/16"	22215	8.50	4.02	6.65	6.01	7.44	1.06	3/4	1.25	3.78	3.86	2.37	3.00	0.16	3.62	17
QMFx15J300S	3"																
QMFx15J075S	75mm																
QMFx18J303S	3-3/16"																
QMFx18J304S	3-1/4"																
QMFx18J080S	80mm																
QMFx18J085S	85mm	22218	9.50	4.76	7.63	6.72	8.38	1.31	3/4	1.44	4.22	4.30	2.59	3.31	0.19	4.03	23
QMFx18J307S	3-7/16"																
QMFx18J308S	3-1/2"																
QMFx18J090S	90mm																
QMFx20J311S	3-11/16"																
QMFx20J312S	3-3/4"																
QMFx20J315S	3-15/16"	22220	11.84	6.00	8.50	8.31	10.56	1.50	7/8	1.63	4.96	5.04	2.96	4.06	0.37	4.60	35
QMFx20J400S	4"																
QMFx20J100S	100mm																
QMFx22J110S*	110mm																
QMFx22J407S*	4-7/16"	22222	12.88*	6.30	10.10	6.44*	15.13	1.25	1*	1.83	5.66	5.74	3.70	4.21	0.13	5.53	55
QMFx22J408S*	4-1/2"																
QMFx22J115S*	115mm																
QMFx26J125S*	125mm																
QMFx26J415S*	4-15/16"	22226	14.00*	6.89	11.19	7.00*	16.50	1.50	1-1/8*	2.31	6.78	6.86	3.73	5.32	0.68	6.04	63
QMFx26J500S*	5"																
QMFx26J130S*	130mm																

* 6-bolt round housing

Blue Brute Bearings – EC Series (Eccentric Lock)

QMTU Take-Up Blocks



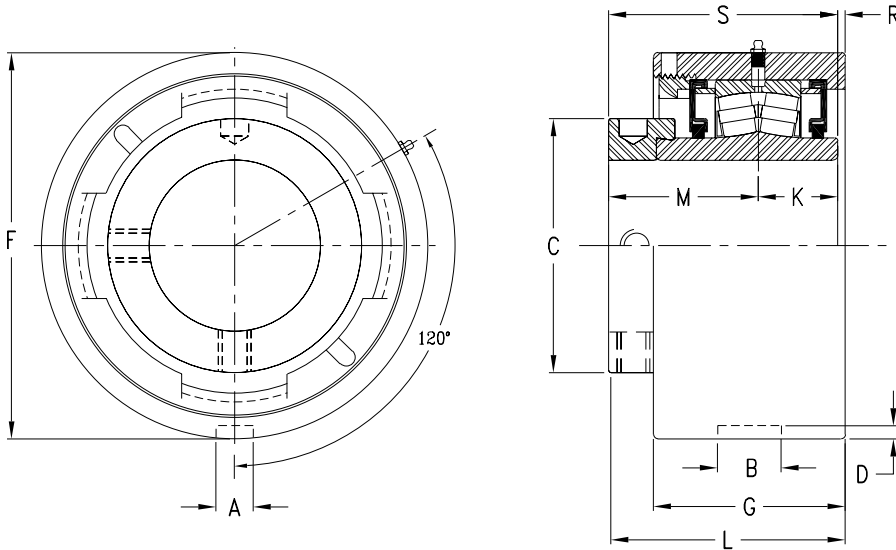
QMTU Take-Up Block Dimensions (in)

Bearing Part No.	Shaft Size	Bearing Number	A	C	D	E	F	G	J	K	L	M	N	P	S	Wt (lbs)
QMTU10J115S	1-15/16"															
QMTU10J200S	2"	22210	2.13	0.75	4.75	4.00	1.06	1.06	2.88	0.98	6.04	1.89	3.02	3.50	0.69	17
QMTU10J050S	50mm															
QMTU11J203S	2-3/16"															
QMTU11J204S	2-1/4"	22211	2.38	0.75	5.25	4.50	1.19	1.19	3.50	1.13	6.61	1.99	3.26	3.75	0.81	21
QMTU11J055S	55mm															
QMTU13J060S	60mm															
QMTU13J207S	2-7/16"	22213	2.75	0.88	5.88	5.13	1.31	1.31	3.75	1.24	7.63	2.13	3.57	4.75	1.06	27
QMTU13J208S	2-1/2"															
QMTU13J065S	65mm															
QMTU15J211S	2-11/16"															
QMTU15J212S	2-3/4"															
QMTU15J070S	70mm	22215	3.00	1.00	6.75	5.94	1.56	1.56	4.25	1.25	8.65	2.37	3.82	4.75	1.81	35
QMTU15J215S	2-15/16"															
QMTU15J300S	3"															
QMTU15J075S	75mm															
QMTU18J303S	3-3/16"															
QMTU18J304S	3-1/4"															
QMTU18J080S	80mm															
QMTU18J085S	85mm	22218	3.63	1.00	7.63	6.81	1.81	1.88	4.88	1.44	10.12	2.59	4.19	6.25	1.81	44
QMTU18J307S	3-7/16"															
QMTU18J308S	3-1/2"															
QMTU18J090S	90mm															
QMTU20J311S	3-11/16"															
QMTU20J312S	3-3/4"															
QMTU20J315S	3-15/16"	22220	4.13	1.13	9.44	8.63	2.13	2.06	5.63	1.63	11.69	2.97	4.74	7.00	2.06	58
QMTU20J400S	4"															
QMTU20J100S	100mm															

Note: Please refer to page 20 for take-up frames

Blue Brute Bearings – EC Series (Eccentric Lock)

QMMC Cartridge Blocks



QMMC Cartridge Block Dimensions (in)

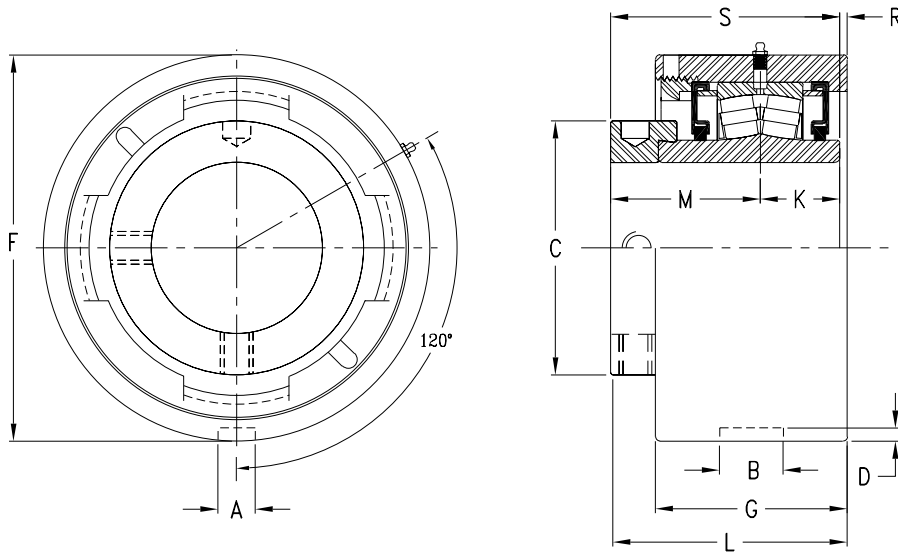
Bearing Part No.	Shaft Size	Bearing Number	A	B	C	D	F	G	K	L _{FIX}	L _{EXP}	M	R	S	Wt (lbs)
QMMC10J115S	1-15/16"														
QMMC10J200S	2"	22210	0.53	0.91	2.76	0.19	4.13 (+0/-0.002)	2.45	0.98	3.12	3.20	1.89	0.24	2.87	8
QMMC10J050S	50mm														
QMMC11J203S	2-3/16"														
QMMC11J204S	2-1/4"	22211	0.53	0.91	2.99	0.19	4.53 (+0/-0.002)	2.58	1.13	3.29	3.37	1.99	0.16	3.12	10
QMMC11J055S	55mm														
QMMC13J060S*	60mm														
QMMC13J207S*	2-7/16"	22213	0.53	0.91	3.62	0.19	5.00 (+0/-0.002)	2.73	1.24	3.37	3.45	2.13	0.00	3.37	12
QMMC13J208S*	2-1/2"														
QMMC13J065S*	65mm														
QMMC15J211S	2-11/16"														
QMMC15J212S	2-3/4"														
QMMC15J070S	70mm	22215	0.59	1.03	4.01	0.25	5.88 (+0/-0.002)	3.00	1.25	3.94	4.02	2.37	0.32	3.62	18
QMMC15J215S	2-15/16"														
QMMC15J300S	3"														
QMMC15J075S	75mm														
QMMC18J303S	3-3/16"														
QMMC18J304S	3-1/4"														
QMMC18J080S	80mm	22218	0.59	1.06	4.76	0.23	6.75 (+0/-0.002)	3.45	1.44	4.32	4.40	2.56	0.29	4.03	26
QMMC18J307S	3-7/16"														
QMMC18J308S	3-1/2"														
QMMC18J090S	90mm														
QMMC20J311S	3-11/16"														
QMMC20J312S	3-3/4"														
QMMC20J315S	3-15/16"	22220	0.78	1.28	6.00	0.31	8.13 (+0/-0.002)	4.14	1.63	5.039	5.12	2.96	0.45	4.59	32
QMMC20J400S	4"														
QMMC20J100S	100mm														

* The grub screw is located in the external housing nut to secure to the housing

(continued on next page)

Blue Brute Bearings – EC Series (Eccentric Lock)

QMMC Cartridge Blocks (continued)



QMMC Cartridge Block Dimensions (in) - Continued

Bearing Part No.	Shaft Size	Bearing Number	A	B	C	D	F	G	K	L _{FIX}	L _{EXP}	M	R	S	Wt (lbs)
QMMC22J407S	4-7/16"														
QMMC22J408S	4-1/2"	22222	0.78	1.50	6.30	0.31	8.75 (+0/-0.003)	4.27	1.83	5.83	5.91	3.70	0.30	5.53	40
QMMC22J115S	115mm														
QMMC26J125S	125mm														
QMMC26J415S	4-15/16"	22226	0.78	1.50	6.89	0.31	10.437 (+0/-0.003)	5.58	2.31	6.51	6.59	3.73	0.47	6.04	70
QMMC26J500S	5"														
QMMC26J130S	130mm														
QMMC30J507S	5-7/16"														
QMMC30J508S	5-1/2"	22230	0.78	1.50	8.07	0.22	11.500 (+0/-0.003)	6.08	2.99	7.41	7.49	4.57	-0.15	7.56	194
QMMC30J140S	140mm														
QMMC30J515S	5-15/16"														
QMMC30J600S	6"	23230	0.78	1.50	8.07	0.22	12.250 (+0/-0.003)	6.08	2.99	7.41	7.49	4.57	-0.15	7.56	192
QMMC30J150S	150mm														
QMMC34J607S	6-7/16"														
QMMC34J608S	6-1/2"														
QMMC34J170S	170mm	22234	0.78	1.50	9.25	0.22	13.563 (+0/-0.003)	7.13	3.35	8.64	8.72	5.08	0.21	8.43	343
QMMC34J615S	6-15/16"														
QMMC34J700S	7"														
QMMC34J180S	180mm														

* The grub screw is located in the external housing nut to secure to the housing

Blue Brute Bearings – TA and DV Series (Tapered Adapter Lock)

- Introduction
- Blue Brute Bearings
- Bearing Interchange Guide
- Quick-Flex Couplings
- Rigid Compression Couplings
- Index

	Housing Type	Primary Seals						
		'M'	'N'	'O'	'B'	'C'	'T'	'ML'
V-Block (QM Bearings exclusive Double Taper Lock)	Pillow Block	✓	✓	✓	✓	✓	✓	
	Flange Block	✓	✓	✓	✓	✓	✓	
	Piloted Flange Cartridge	✓	✓	✓	✓	✓	✓	
	Take-Up Block	✓	✓	✓	✓	✓	✓	
	Cartridge Block	✓	✓	✓	✓	✓	✓	
CL Series (Set Screw Lock)	Pillow Block	✓	✓	✓	✓	✓	✓	✓
	Flange Block	✓	✓	✓	✓	✓	✓	✓
	Piloted Flange Cartridge	✓	✓	✓	✓	✓	✓	✓
	Take-Up Block	✓	✓	✓	✓	✓	✓	✓
	Cartridge Block	✓	✓	✓	✓	✓	✓	
EC Series (Eccentric Lock)	Pillow Block	✓	✓	✓	✓	✓	✓	
	Flange Block	✓	✓	✓	✓	✓	✓	
	Piloted Flange Cartridge	✓	✓	✓	✓	✓	✓	
	Take-Up Block	✓	✓	✓	✓	✓	✓	
	Cartridge Block	✓	✓	✓	✓	✓	✓	
TA Series (Tapered Adapter Lock)	Pillow Block	✓	✓	✓	✓	✓	✓	
	Flange Block	✓	✓	✓	✓	✓	✓	
	Piloted Flange Cartridge	✓	✓	✓	✓	✓	✓	
	Cartridge Block	✓	✓	✓	✓	✓	✓	
DV Series (Tapered Adapter Lock)	Pillow Block	✓	✓	✓	✓	✓	✓	
	Flange Block	✓	✓	✓	✓	✓	✓	
	Piloted Flange Cartridge	✓	✓	✓	✓	✓	✓	

Blue Brute Bearings – TA and DV Series (Tapered Adapter Lock)

Secondary Seals and Covers								Housing Type	
Open End Cover			Closed End Cover	HSY Flange Cartridge Backing Plate		'UFP' Backing Plate	'CFP' Backing Plate with 'CC' Collar		
'DR'	'VR'	CC Collar		'DR'	'CC' Collar				
✓	✓	✓	✓					Pillow Block	V-Lock (QM Bearings exclusive Double Taper Lock)
✓	✓	✓	✓					Flange Block	
✓	✓	✓	✓					Piloted Flange Cartridge	
✓	✓	✓	✓					Take-Up Block	
✓	✓	✓	✓					Cartridge Block	
✓	✓	✓	✓					Pillow Block	CL Series (Set Screw Lock)
✓	✓	✓	✓			✓	✓	Flange Block	
✓	✓	✓	✓	✓	✓			Piloted Flange Cartridge	
✓	✓	✓	✓					Take-Up Block	
✓	✓	✓	✓					Cartridge Block	
✓	✓	✓	✓					Pillow Block	EC Series (Eccentric Lock)
✓	✓	✓	✓			✓	✓	Flange Block	
✓	✓	✓	✓	✓	✓			Piloted Flange Cartridge	
✓	✓	✓	✓					Take-Up Block	
✓	✓	✓	✓					Cartridge Block	
✓	✓	✓	✓					Pillow Block	TA Series (Tapered Adapter Lock)
✓	✓	✓	✓					Flange Block	
✓	✓	✓	✓					Piloted Flange Cartridge	
✓	✓	✓	✓					Cartridge Block	
✓	✓	✓	✓					Pillow Block	DV Series (Tapered Adapter Lock)
✓	✓	✓	✓					Flange Block	
✓	✓	✓	✓					Piloted Flange Cartridge	

Introduction
Blue Brute Bearings
Bearing Interchange Guide
Quick-Flex Couplings
Rigid Compression Couplings
Index

Blue Brute Bearings – TA and DV Series (Tapered Adapter Lock)

The TA and DV series feature 2300 series adapters for increased shaft contact. This design offers the best shaft concentricity and highest capacity all the while having the ability to accommodate undersized shafting.

TA Series

TA series bearings are a direct drop in replacement for SAF/SN split cap housing dimensions.

DV Series

DV series bearings are a drop in replacement for common American set-screw mounted units.



You Have Choices

For the TA and DV series, you can select from 10 seal options and many housing styles as shown on pages 100-101.

Housings

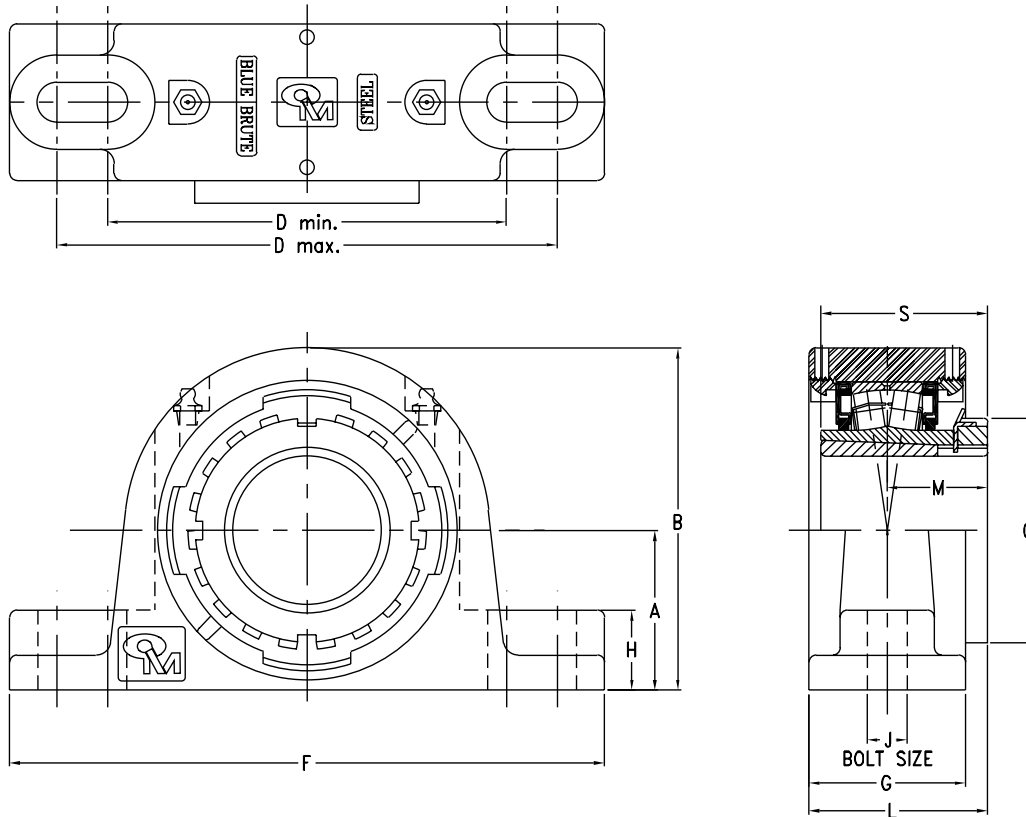
- ⇒ Two-bolt pillow blocks
- ⇒ Four-bolt pillow blocks
- ⇒ Flange blocks
- ⇒ Piloted flange cartridges
- ⇒ Cartridge blocks

Seals

- ⇒ Labyrinth: Teflon (T)
- ⇒ Triple lip: nitrile rubber (M), Viton® (N) and urethane (O)
- ⇒ Double lip: nitrile rubber (B) and Viton® (C)
- ⇒ Closed end covers (CS)
- ⇒ Open end covers (CK) with:
 - Triple lip seal (DR)
 - V-ring seal (VR)
 - Contamination collar (CC)

Blue Brute Bearings – TA and DV Series (Tapered Adapter Lock)

DVP 2-Bolt Pillow Blocks

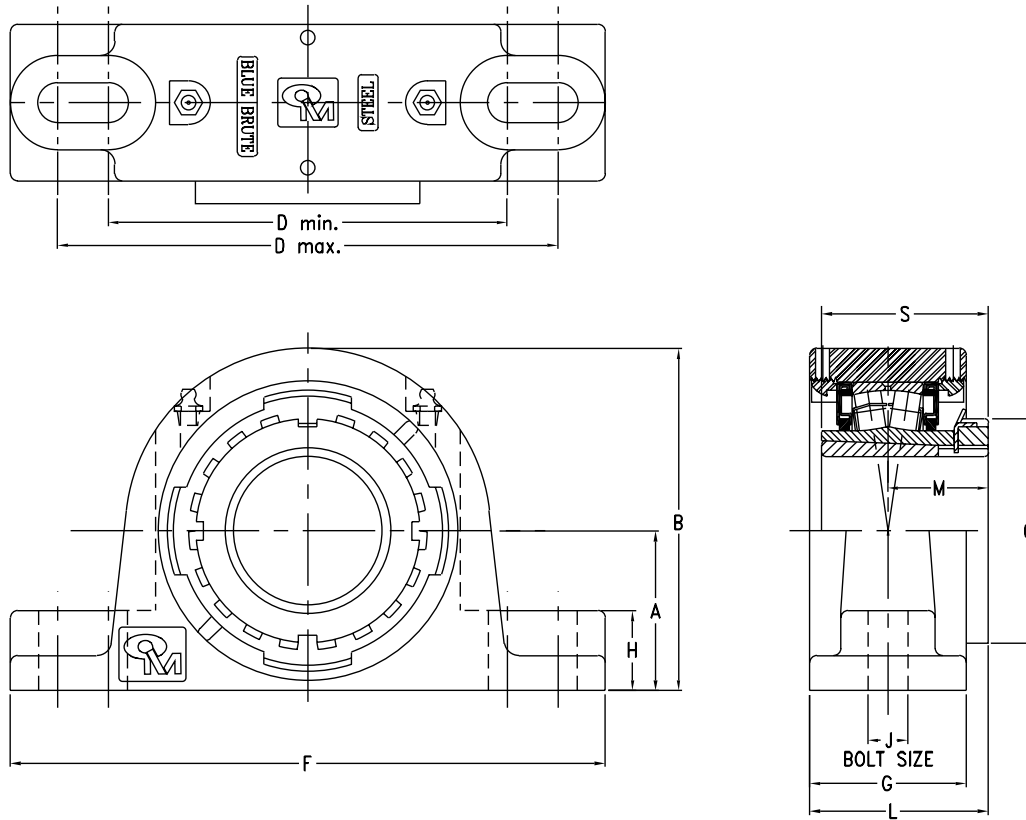


DVP 2-Bolt Pillow Block Dimensions (in)

Bearing Part No.	Shaft Size	Bearing Number	A	B	C	D _{MIN}	D _{MAX}	F	G	H	J	L	M	S	Wt (lbs)
DVP11K115S	1-15/16"														
DVP11K200S	2"	22211	2.25	4.86	2.95	6.00	7.13	8.88	2.43	1.25	5/8	2.62	1.40	2.32	13
DVP11K050S	50mm														
DVP13K203S	2-3/16"														
DVP13K204S	2-1/4"	22213	2.50	5.47	3.35	6.50	7.87	9.63	2.78	1.29	5/8	2.95	1.56	2.56	20
DVP13K060S	60mm														
DVP15K207S	2-7/16"														
DVP15K208S	2-1/2"	22215	2.75	5.90	3.86	6.88	8.63	10.25	2.70	1.38	5/8	3.08	1.73	2.89	25
DVP15K065S	65mm														
DVP17K215S	2-15/16"														
DVP17K300S	3"	22217	3.25	6.82	4.33	7.88	9.62	11.63	3.00	1.38	3/4	3.47	1.96	3.23	32
DVP17K075S	75mm														
DVP20K307S	3-7/16"														
DVP20K308S	3-1/2"	22220	3.75	7.98	5.12	9.38	11.25	13.50	3.38	1.88	7/8	3.99	2.30	3.82	57
DVP20K090S	90mm														
DVP22K315S	3-15/16"														
DVP22K400S	4"	22222	4.25	8.80	5.71	10.06	12.50	14.25	3.96	1.50	1	4.46	2.48	4.13	67
DVP22K100S	100mm														

Blue Brute Bearings – TA and DV Series (Tapered Adapter Lock)

TAPA 2-Bolt Pillow Blocks

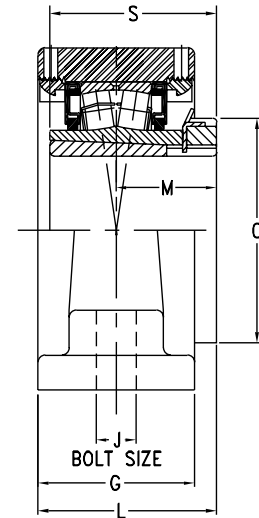
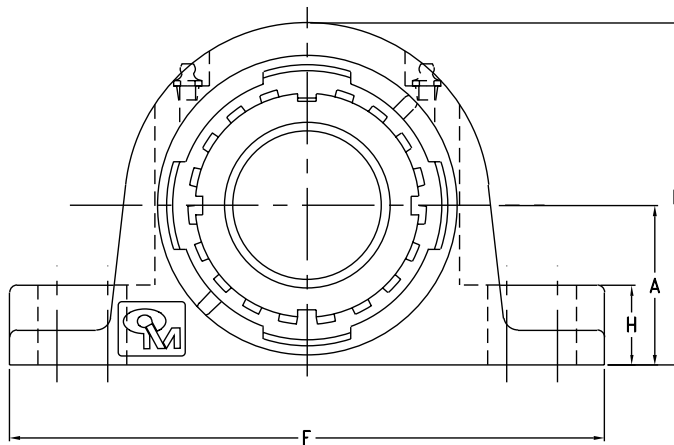
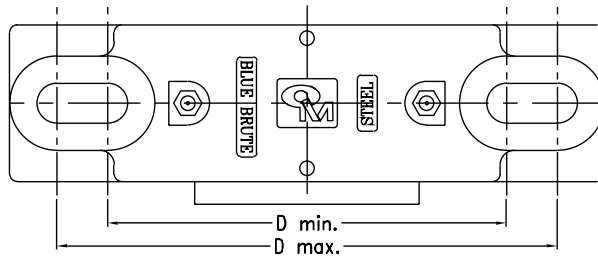


TAPA SAF Style 2-Bolt Pillow Block Dimensions (in)

Bearing Part No.	Shaft Size	Bearing Number	A	B	C	D _{MIN}	D _{MAX}	F	G	H	J	L	M	S	Wt (lbs)
TAPA11K115S	1-15/16"														
TAPA11K200S	2"	22211	2.75	5.33	2.95	6.50	8.70	9.88	2.38	1.25	5/8	2.59	1.40	2.32	17
TAPA11K050S	50mm														
TAPA13K203S	2-3/16"														
TAPA13K204S	2-1/4"	22213	3.00	5.95	3.35	7.20	9.20	10.31	2.70	1.23	5/8	2.91	1.56	2.56	23
TAPA13K060S	60mm														
TAPA15K207S	2-7/16"														
TAPA15K208S	2-1/2"	22215	3.25	6.43	3.86	7.88	9.63	10.88	2.70	1.25	5/8	3.08	1.73	2.87	27
TAPA15K065S	65mm														
TAPA17K215S	2-15/16"														
TAPA17K300S	3"	22217	3.75	7.32	4.33	9.50	11.00	12.63	3.00	1.33	3/4	3.47	1.96	3.23	33
TAPA17K075S	75mm														
TAPA20K307S	3-7/16"														
TAPA20K308S	3-1/2"	22220	4.50	8.63	5.12	10.88	12.88	14.50	3.42	1.63	7/8	4.03	2.30	3.82	65
TAPA20K090S	90mm														
TAPA22K315S	3-15/16"														
TAPA22K400S	4"	22222	4.94	9.47	5.71	12.50	14.50	16.00	3.96	2.00	7/8	4.47	2.48	4.13	84
TAPA22K100S	100mm														
TAPA26K407S	4-7/16"														
TAPA26K408S	4-1/2"	22226	6.00	11.18	6.50	14.25	15.75	17.50	5.04	2.04	1	5.35	2.83	4.76	136
TAPA26K115S	115mm														

Blue Brute Bearings – TA and DV Series (Tapered Adapter Lock)

TAPN 2-Bolt Pillow Blocks

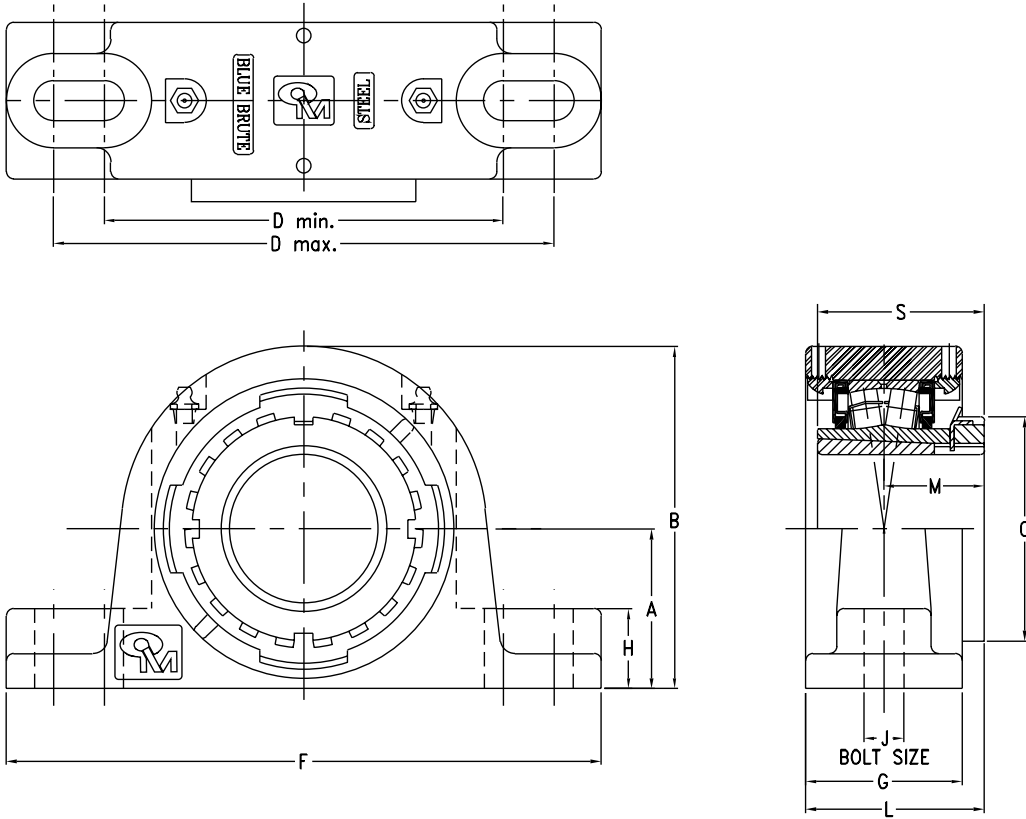


TAPN SN Style 2-Bolt Pillow Block Dimensions (in)

Bearing Part No.	Shaft Size	Bearing Number	A	B	C	D _{MIN}	D _{MAX}	F	G	H	J	L	M	S	Wt (lbs)
TAPN11K115S	1-15/16"														
TAPN11K200S	2"	22211	2.75	5.33	2.95	6.50	8.70	9.88	2.38	1.25	5/8	2.59	1.40	2.32	17
TAPN11K050S	50mm														
TAPN13K203S	2-3/16"														
TAPN13K204S	2-1/4"	22213	3.15	6.10	3.35	7.20	9.20	10.31	2.70	1.38	5/8	2.91	1.56	2.56	23
TAPN13K060S	60mm														
TAPN15K207S	2-7/16"														
TAPN15K208S	2-1/2"	22215	3.15	6.33	3.86	7.88	9.63	10.88	2.70	1.15	5/8	3.08	1.73	2.87	27
TAPN15K065S	65mm														
TAPN17K215S	2-15/16"														
TAPN17K300S	3"	22217	3.75	7.32	4.33	9.50	11.00	12.63	3.00	1.33	3/4	3.47	1.96	3.23	33
TAPN17K075S	75mm														
TAPN20K307S	3-7/16"														
TAPN20K308S	3-1/2"	22220	4.409	8.54	5.12	10.88	12.88	14.50	3.42	1.53	7/8	4.03	2.30	3.82	65
TAPN20K090S	90mm														
TAPN22K315S	3-15/16"														
TAPN22K400S	4"	22222	4.921	9.47	5.71	12.50	14.50	16.00	3.96	2.00	7/8	4.47	2.48	4.13	84
TAPN22K100S	100mm														
TAPN26K407S	4-7/16"														
TAPN26K408S	4-1/2"	22226	5.906	11.08	6.50	14.46	15.75	17.50	5.04	1.94	1	5.35	2.83	4.76	136
TAPN26K115S	115mm														

Blue Brute Bearings – TA and DV Series (Tapered Adapter Lock)

TAPKT 2-Bolt Pillow Blocks

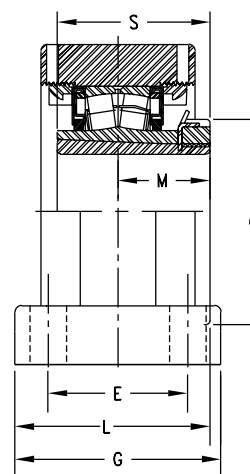
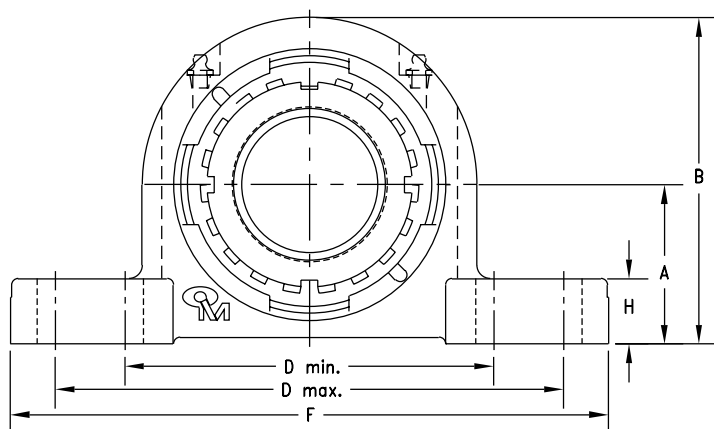
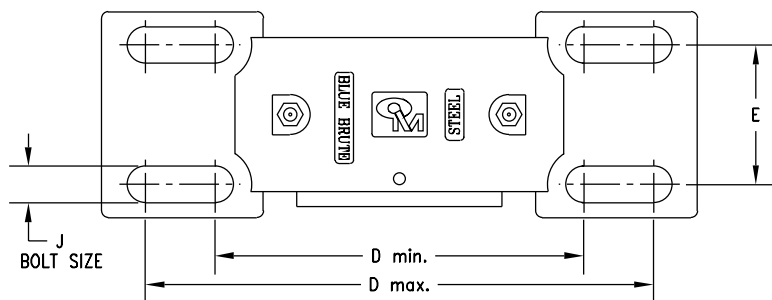


TAPKT 9000 Series 2-Bolt Pillow Block Dimensions (in)

Bearing Part No.	Shaft Size	Bearing Number	A	B	C	D _{MIN}	D _{MAX}	F	G	H	J	L	M	S	Wt (lbs)
TAPKT13K203S	2-3/16"														
TAPKT13K204S	2-1/4"	22213	3.00	6.05	3.35	7.66	8.78	11.25	2.90	1.38	3/4	3.01	1.56	2.56	22
TAPKT13K060S	60mm														
TAPKT15K207S	2-7/16"														
TAPKT15K208S	2-1/2"	22215	3.50	6.84	3.86	9.06	10.44	13.00	2.98	1.38	7/8	3.22	1.73	2.87	28
TAPKT15K065S	65mm														

Blue Brute Bearings – TA and DV Series (Tapered Adapter Lock)

DVPF 4-Bolt Pillow Blocks

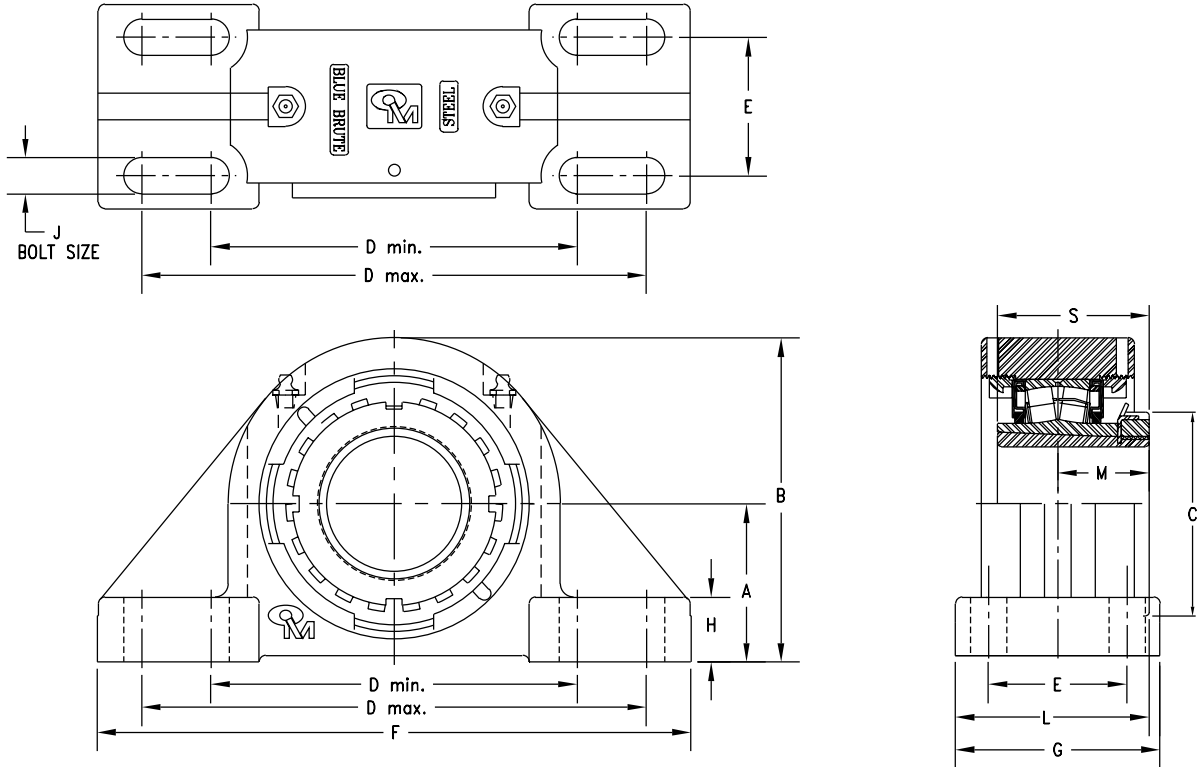


DVPF 4-Bolt Pillow Block Dimensions (in)

Bearing Part No.	Shaft Size	Bearing Number	A	B	C	D _{MIN}	D _{MAX}	E	F	G	H	J	L	M	S	Wt (lbs)
DVPF17K215S	2-15/16"															
DVPF17K300S	3"	22217	3.25	6.79	4.33	7.60	9.10	1.88	10.44	3.13	1.29	5/8	3.41	1.96	3.23	51
DVPF17K075S	75mm															
DVPF20K307S	3-7/16"															
DVPF20K308S	3-1/2"	22220	3.75	7.88	5.12	8.88	10.88	2.00	12.30	3.75	1.56	3/4	3.99	2.30	3.82	70
DVPF20K090S	90mm															
DVPF22K315S	3-15/16"															
DVPF22K400S	4"	22222	4.25	8.78	5.71	10.88	13.38	2.25	14.88	4.31	1.40	3/4	4.36	2.48	4.13	85
DVPF22K100S	100mm															
DVPF26K407S	4-7/16"															
DVPF26K408S	4-1/2"	22226	4.75	9.87	6.50	11.90	14.50	2.50	16.13	4.75	1.58	3/4	4.87	2.83	4.73	137
DVPF26K115S	115mm															

Blue Brute Bearings – TA and DV Series (Tapered Adapter Lock)

TAPK 4-Bolt Pillow Blocks

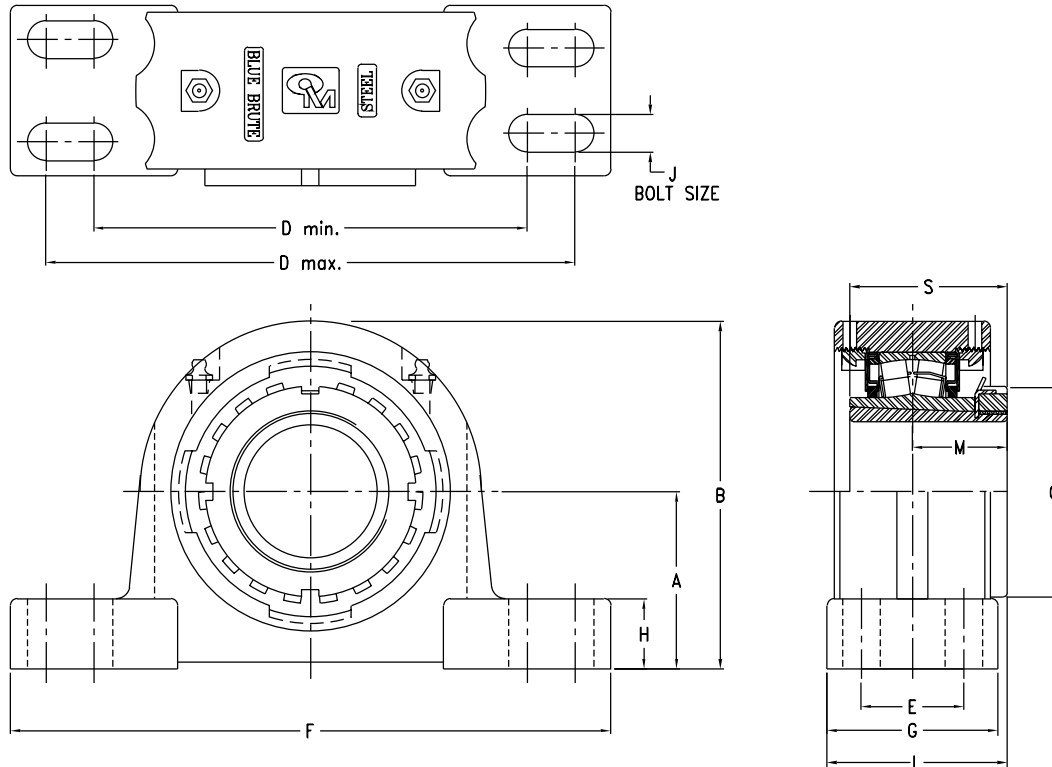


TAPK 9000 Series 4-bolt Pillow Block Dimensions (in)

Bearing Part No.	Shaft Size	Bearing Number	A	B	C	D _{MIN}	D _{MAX}	E	F	G	H	J	L	M	S	Wt (lbs)
TAPK15K207S	2-7/16"															
TAPK15K208S	2-1/2"	22215	3.50	6.83	3.86	9.06	10.44	2.75	13.00	4.25	1.54	3/4	3.86	1.73	2.87	29
TAPK15K065S	65mm															
TAPK17K215S	2-15/16"															
TAPK17K300S	3"	22217	4.00	7.92	4.33	10.81	12.19	3.00	15.00	4.75	1.50	3/4	4.34	1.96	3.23	37
TAPK17K075S	75mm															
TAPK20K307S	3-7/16"															
TAPK20K308S	3-1/2"	22220	5.00	9.44	5.12	12.50	14.00	3.50	16.75	5.50	1.63	7/8	5.05	2.30	3.82	70
TAPK20K090S	90mm															
TAPK22K315S	3-15/16"															
TAPK22K400S	4"	22222	5.75	10.78	5.71	13.94	15.56	4.00	18.50	6.25	1.80	1	5.44	2.48	4.13	87
TAPK22K100S	100mm															
TAPK26K407S	4-7/16"															
TAPK26K408S	4-1/2"	22226	6.125	11.15	6.50	15.25	16.75	4.25	20.25	6.75	2.00	1-1/8	6.20	2.83	4.76	136
TAPK26K115S	115mm															

Blue Brute Bearings – TA and DV Series (Tapered Adapter Lock)

TAPH 4-Bolt Pillow Blocks

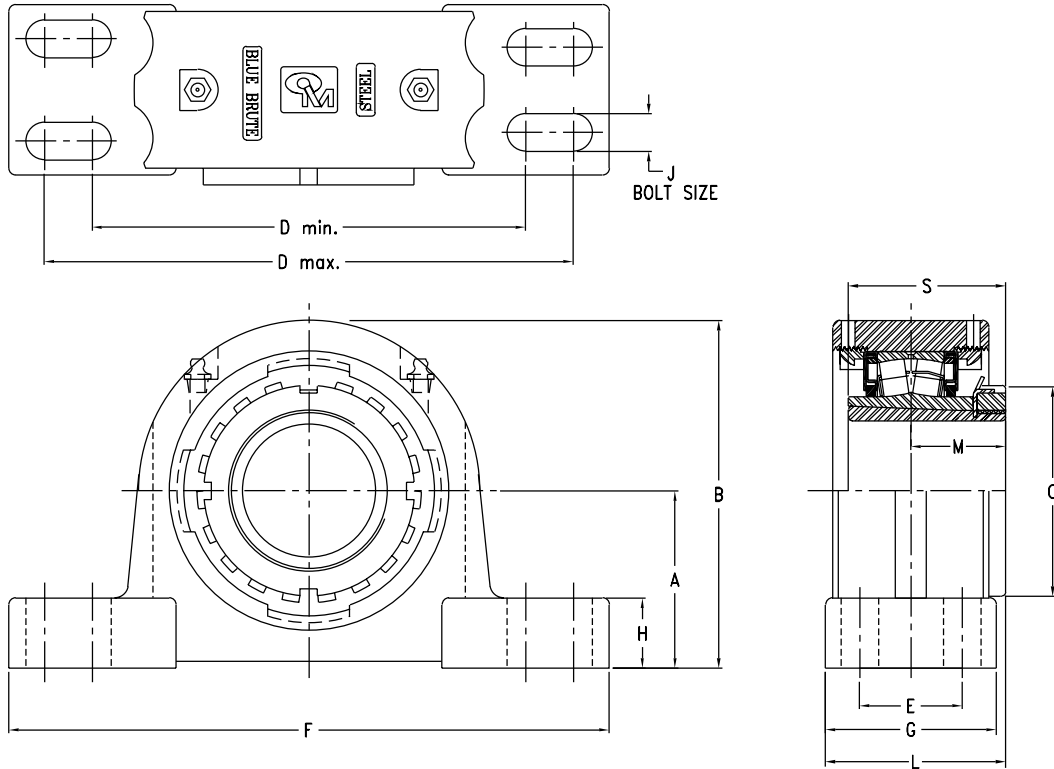


TAPH SAF Style 4-Bolt Pillow Block Dimensions (in)

Bearing Part No.	Shaft Size	Bearing Number	A	B	C	D _{MIN}	D _{MAX}	E	F	G	H	J	L	M	S	Wt (lbs)
TAPH11K115S	1-15/16"															
TAPH11K200S	2"	22211	2.75	5.31	2.95	7.18	8.56	1.57	9.88	2.70	1.25	5/8	2.75	1.40	2.32	19
TAPH11K050S	50mm															
TAPH13K203S	2-3/16"															
TAPH13K204S	2-1/4"	22213	3.00	5.95	3.35	7.18	8.56	2.00	10.31	3.25	1.23	1/2	3.19	1.56	2.56	25
TAPH13K060S	60mm															
TAPH15K207S	2-7/16"															
TAPH15K208S	2-1/2"	22215	3.25	6.38	3.86	7.94	9.69	1.88	10.88	3.13	1.29	1/2	3.29	1.73	2.87	29
TAPH15K065S	65mm															
TAPH17K215S	2-15/16"															
TAPH17K300S	3"	22217	3.75	7.20	4.33	9.44	11.31	2.13	12.63	3.63	1.26	5/8	3.78	1.96	3.23	37
TAPH17K075S	75mm															
TAPH20K307S	3-7/16"															
TAPH20K308S	3-1/2"	22220	4.50	8.54	5.12	10.88	13.38	2.38	15.00	4.31	1.65	3/4	4.46	2.30	3.82	70
TAPH20K090S	90mm															
TAPH22K315S	3-15/16"															
TAPH22K400S	4"	22222	4.94	9.38	5.71	11.88	14.50	2.75	16.00	4.75	1.77	3/4	4.86	2.48	4.13	87
TAPH22K100S	100mm															
TAPH26K407S	4-7/16"															
TAPH26K408S	4-1/2"	22226	6.00	11.18	6.50	14.28	15.78	3.25	17.50	5.04	2.04	3/4	5.35	2.83	4.76	136
TAPH26K115S	115mm															

Blue Brute Bearings – TA and DV Series (Tapered Adapter Lock)

TAPG 4-Bolt Pillow Blocks

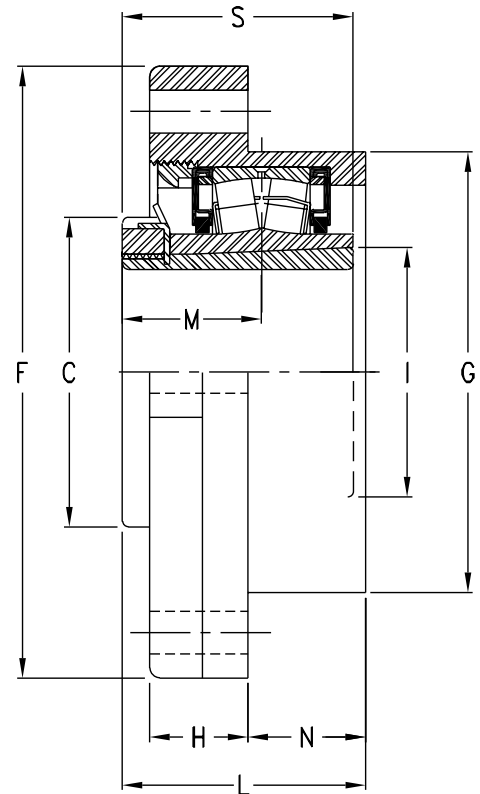
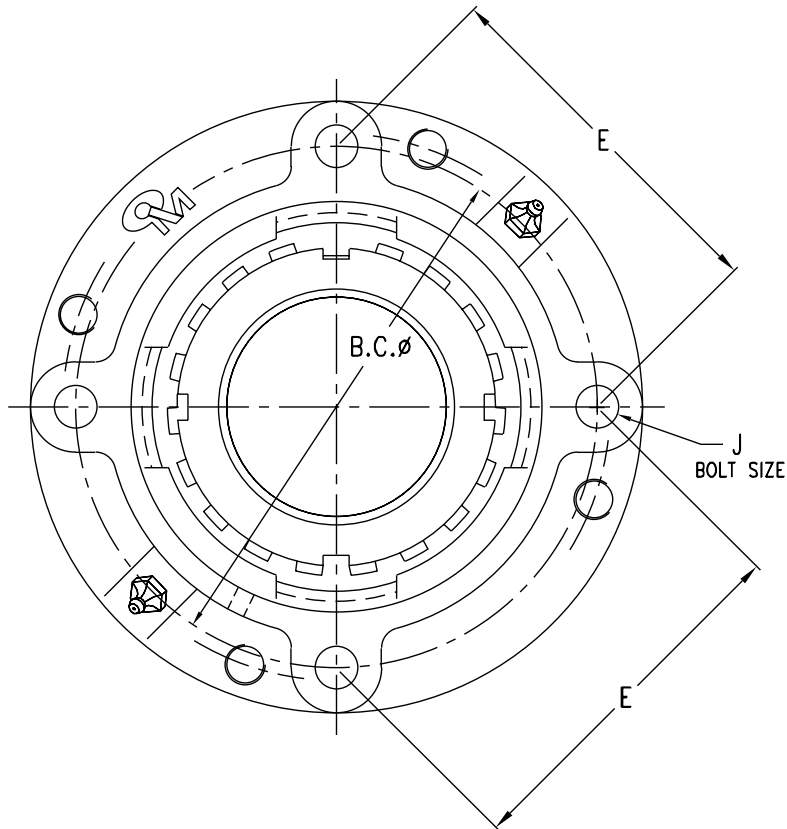


TAPG SN Style 4-Bolt Pillow Block Dimensions (in)

Bearing Part No.	Shaft Size	Bearing Number	A	B	C	D _{MIN}	D _{MAX}	E	F	G	H	J	L	M	S	Wt (lbs)
TAPG11K115S	1-15/16"															
TAPG11K200S	2"	22211	2.75	5.31	2.95	7.18	8.56	1.57	9.88	2.70	1.25	5/8	2.75	1.40	2.32	19
TAPG11K050S	50mm															
TAPG13K203S	2-3/16"															
TAPG13K204S	2-1/4"	22213	3.15	6.10	3.35	7.18	8.56	1.89	10.31	3.25	1.38	5/8	3.19	1.56	2.56	25
TAPG13K060S	60mm															
TAPG15K207S	2-7/16"															
TAPG15K208S	2-1/2"	22215	3.15	6.38	3.86	7.94	9.69	1.56	10.88	3.13	1.19	5/8	3.30	1.73	2.87	29
TAPG15K065S	65mm															
TAPG17K215S	2-15/16"															
TAPG17K300S	3"	22217	3.74	7.20	4.33	9.44	11.31	2.06	12.63	3.63	1.25	3/4	3.78	1.96	3.23	37
TAPG17K075S	75mm															
TAPG20K307S	3-7/16"															
TAPG20K308S	3-1/2"	22220	4.409	8.45	5.12	10.88	13.38	2.38	15.00	4.31	1.56	3/4	4.46	2.30	3.82	70
TAPG20K090S	90mm															
TAPG22K315S	3-15/16"															
TAPG22K400S	4"	22222	4.921	9.38	5.71	11.88	14.50	2.75	16.13	4.75	1.75	3/4	4.86	2.48	4.13	87
TAPG22K100S	100mm															
TAPG26K407S	4-7/16"															
TAPG26K408S	4-1/2"	22226	5.906	11.18	6.50	14.75	15.75	3.19	17.50	5.04	1.94	1	5.35	2.30	4.76	136
TAPG26K115S	115mm															

Blue Brute Bearings – TA and DV Series (Tapered Adapter Lock)

DVC Piloted Flange Cartridges



DVC Piloted Flange Cartridge Dimensions (in)

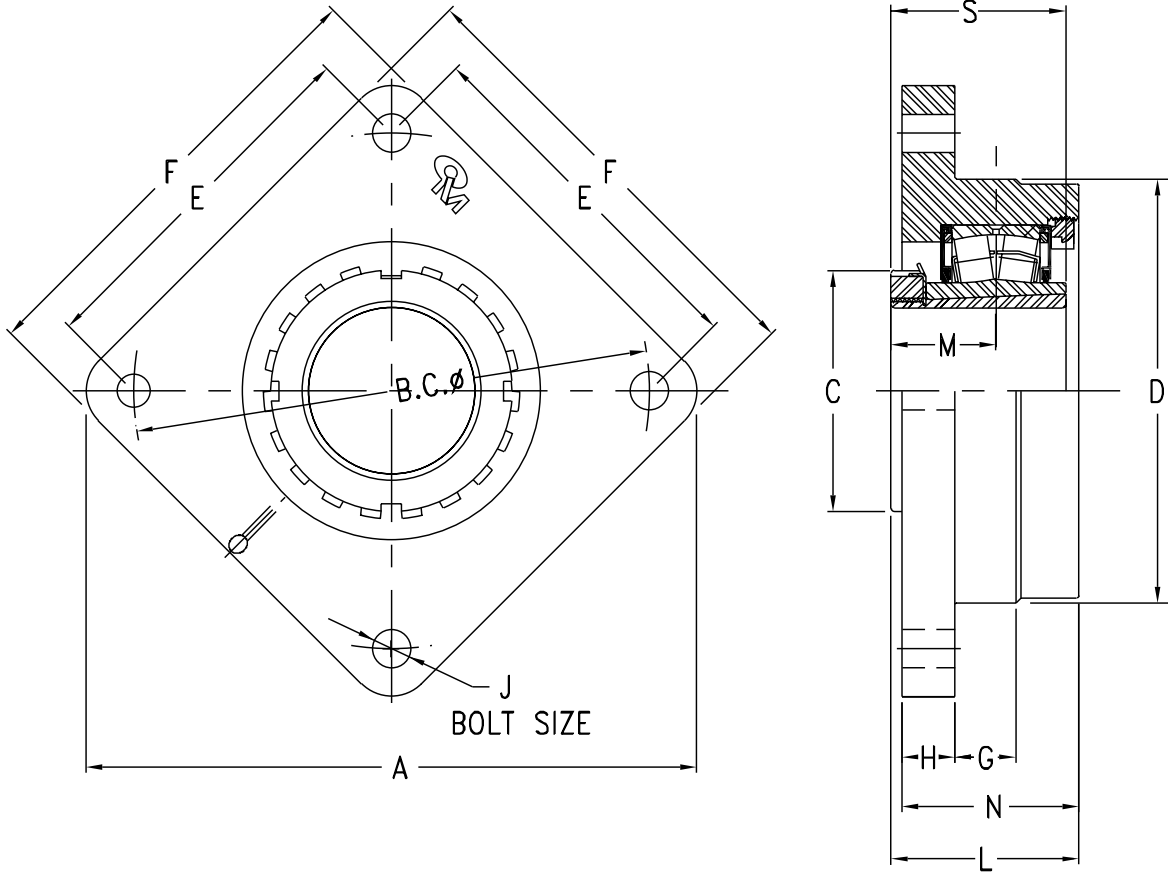
Bearing Part No.	Shaft Size	Bearing Number	B.C.	C	E	F	G [§]	H	I	J	L	M	N	R	S	Wt (lbs)
DVC11K115S	1-15/16"															
DVC11K200S	2"	22211	5.38	2.95	3.80	6.38	4.500	1.24	2.45	7/16	2.55	1.40	1.00	-0.22	2.32	11
DVC11K050S	50mm															
DVC13K203S	2-3/16"															
DVC13K204S	2-1/4"	22213	6.00	3.35	4.24	7.13	5.000	1.47	3.34	1/2	5.67	1.56	1.00	-0.11	2.56	16
DVC13K060S	60mm															
DVC15K207S	2-7/16"															
DVC15K208S	2-1/2"	22215	6.50	3.86	4.60	7.63	5.500	1.27	3.11	1/2	2.75	1.73	1.25	0.14	2.87	18
DVC15K065S	65mm															
DVC17K215S	2-15/16"															
DVC17K300S	3"	22217	7.50	4.33	5.21	8.75	6.375	1.28	3.55	5/8	3.14	1.96	1.38	0.09	3.23	25
DVC17K075S	75mm															
DVC20K307S	3-7/16"															
DVC20K308S	3-1/2"	22220	8.63	5.12	6.10	10.25	7.375	1.62	4.18	3/4	3.62	2.30	1.38	0.20	3.82	37
DVC20K090S	90mm															
DVC22K315S	3-15/16"															
DVC22K400S	4"	22222	9.38	5.71	6.63	10.88	8.125	1.89	4.60	3/4	3.94	2.48	1.50	0.18	4.13	58
DVC22K100S	100mm															
DVC26K407S*	4-7/16"															
DVC26K408S*	4-1/2"	22226	11.75*	6.50	5.88*	13.50	10.250	1.85	5.43	3/4*	4.60	2.83	1.90	0.16	4.76	76
DVC26K115S*	115mm															

* 6-bolt housing

§ Pilot tolerance: +0/-0.002

Blue Brute Bearings – TA and DV Series (Tapered Adapter Lock)

T AFC Square Piloted Flange Cartridges



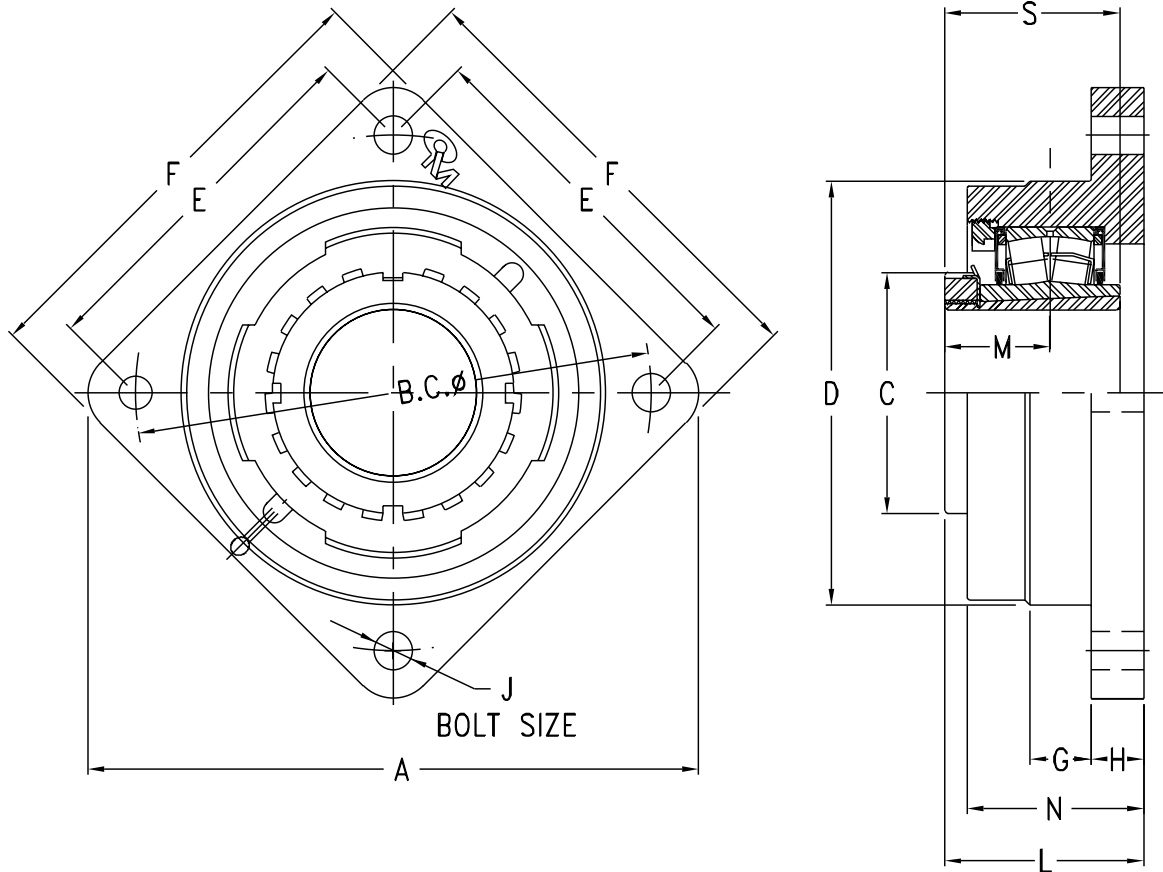
T AFC Square Piloted Flange Cartridge Dimensions (in)

Bearing Part No.	Shaft Size	Bearing Number	A	B.C.	C	D [§]	E	F	G	H	J	L	M	N	S	Wt (lbs)
TAFC15K207S	2-7/16"															
TAFC15K208S	2-1/2"	22215	10.04	8.47	3.86	6.690	6.00	7.56	1.00	0.94	5/8	3.09	1.73	2.55	2.87	25
TAFC15K065S	65mm															
TAFC17K215S	2-15/16"															
TAFC17K300S	3"	22217	11.12	9.45	4.33	7.480	6.68	8.35	1.00	1.00	5/8	3.49	1.96	2.75	3.23	30
TAFC17K075S	75mm															
TAFC20K307S	3-7/16"															
TAFC20K308S	3-1/2"	22220	13.00	11.02	5.12	9.060	7.79	9.76	1.25	1.13	3/4	4.16	2.30	3.71	3.82	40
TAFC20K090S	90mm															
TAFC22K315S	3-15/16"															
TAFC22K400S	4"	22222	14.45	12.20	5.71	10.039	8.63	10.80	1.75	1.04	3/4	4.45	2.48	3.98	4.13	60
TAFC22K100S	100mm															
TAFC26K407S	4-7/16"															
TAFC26K408S	4-1/2"	22226	16.20	13.98	6.50	11.417	9.88	11.75	1.65	1.26	7/8	5.14	2.83	4.50	4.76	94
TAFC26K115S	115mm															

[§] Pilot tolerance: +0/-0.002

Blue Brute Bearings – TA and DV Series (Tapered Adapter Lock)

TAFB Square Flange Blocks

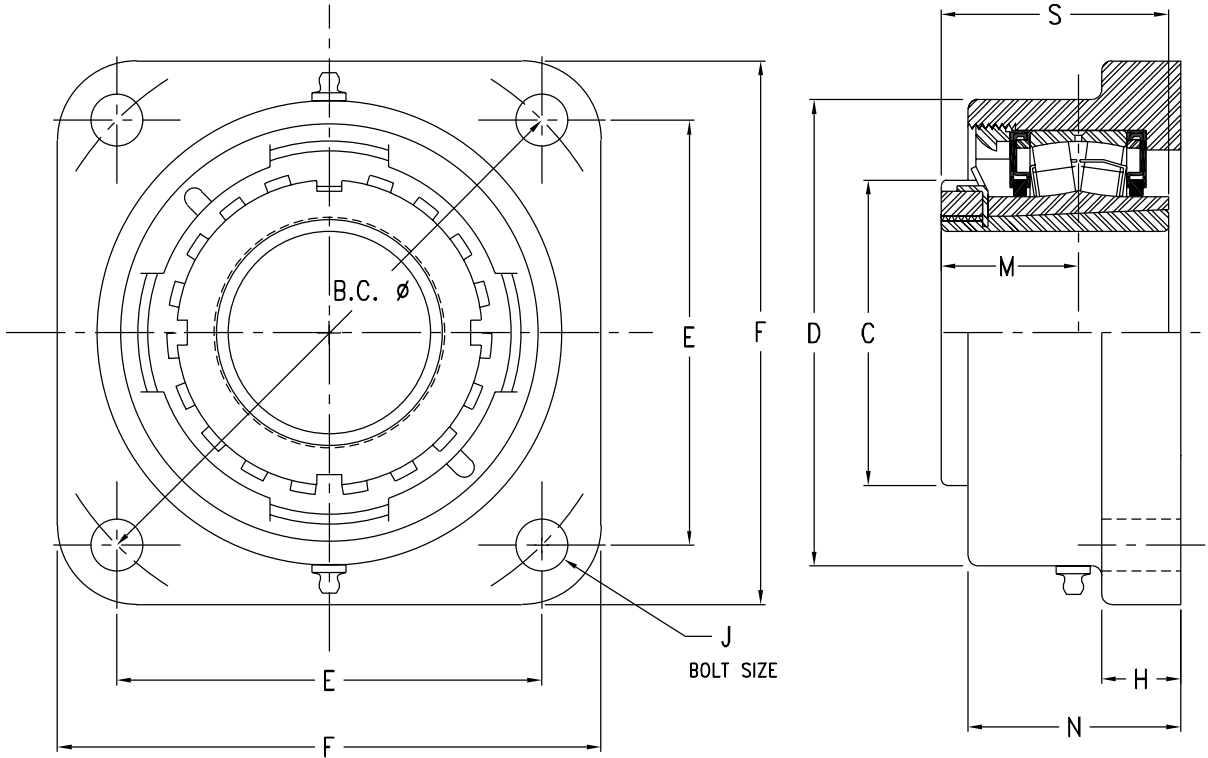


TAFB Square Flange Block Dimensions (in)

Bearing Part No.	Shaft Size	Bearing Number	A	B.C.	C	D	E	F	G	H	J	L	M	N	S	Wt (lbs)
TAFB15K207S	2-7/16"															
TAFB15K208S	2-1/2"	22215	10.04	8.47	3.86	6.69	6.00	7.56	1.00	0.94	5/8	3.09	1.73	2.55	2.87	25
TAFB15K065S	65mm															
TAFB17K215S	2-15/16"															
TAFB17K300S	3"	22217	11.12	9.45	4.33	7.48	6.68	8.35	1.00	1.00	5/8	3.49	1.96	2.75	3.23	30
TAFB17K075S	75mm															
TAFB20K307S	3-7/16"															
TAFB20K308S	3-1/2"	22220	13.00	11.02	5.12	9.06	7.79	9.76	1.25	1.13	3/4	4.16	2.30	3.71	3.82	40
TAFB20K090S	90mm															
TAFB22K315S	3-15/16"															
TAFB22K400S	4"	22222	14.45	12.20	5.71	10.04	8.63	11.00	1.75	1.04	3/4	4.45	2.48	3.98	4.13	60
TAFB22K100S	100mm															
TAFB26K407S	4-7/16"															
TAFB26K408S	4-1/2"	22226	16.20	13.97	6.50	11.42	9.88	11.75	1.65	1.26	7/8	5.14	2.83	4.50	4.76	94
TAFB26K115S	115mm															

Blue Brute Bearings – TA and DV Series (Tapered Adapter Lock)

DVF Square Flange Blocks

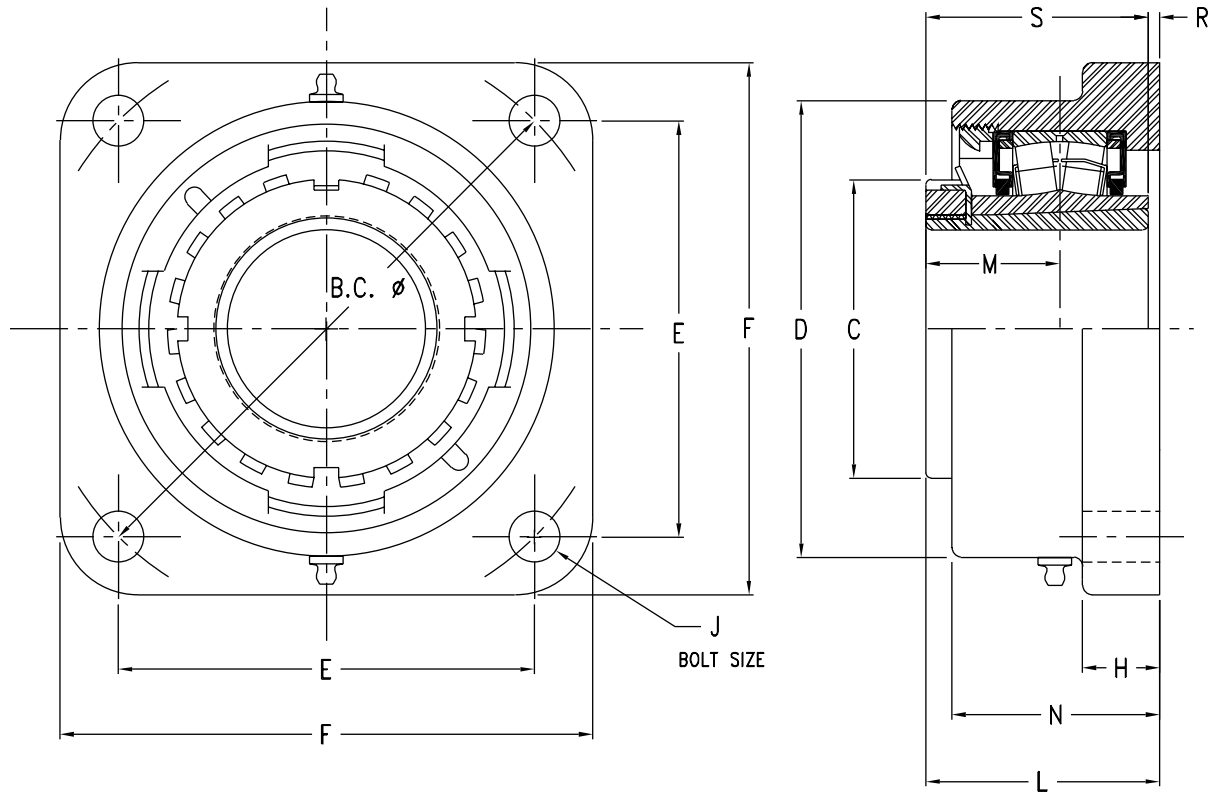


DVF Square Flange Block Dimensions (in)

Bearing Part No.	Shaft Size	Bearing Number	B.C.	C	D	E	F	H	J	M	N	S	Wt (lbs)
DVF11K115S	1-15/16"												
DVF11K200S	2"	22211	6.19	2.95	4.80	4.38	5.50	1.08	1/2	1.40	2.56	2.32	12
DVF11K050S	50mm												
DVF13K203S	2-3/16"												
DVF13K204S	2-1/4"	22213	6.89	3.35	5.43	4.88	6.19	1.00	5/8	1.56	2.63	2.56	15
DVF13K060S	60mm												
DVF15K207S	2-7/16"												
DVF15K208S	2-1/2"	22215	7.60	3.86	5.75	5.38	6.63	1.00	5/8	1.73	2.85	2.87	18
DVF15K065S	65mm												
DVF17K215S	2-15/16"												
DVF17K300S	3"	22217	8.48	4.33	6.72	6.00	7.44	1.06	3/4	1.96	3.03	3.23	28
DVF17K075S	75mm												
DVF20K307S	3-7/16"												
DVF20K308S	3-1/2"	22220	9.90	5.12	7.63	7.00	8.63	1.31	3/4	2.30	3.31	3.82	39
DVF20K090S	90mm												
DVF22K315S	3-15/16"												
DVF22K400S	4"	22222	10.96	5.71	8.50	7.75	9.97	1.50	7/8	2.48	4.06	4.13	53
DVF22K100S	100mm												
DVF26K407S	4-7/16"												
DVF26K408S	4-1/2"	22226	12.38	6.50	10.11	8.75	10.88	1.50	7/8	2.83	4.21	4.76	75
DVF26K115S	115mm												

Blue Brute Bearings – TA and DV Series (Tapered Adapter Lock)

TAFK Square Flange Blocks **NEW** **



TAFK 9000 Series Square Flange Block Dimensions (in)**

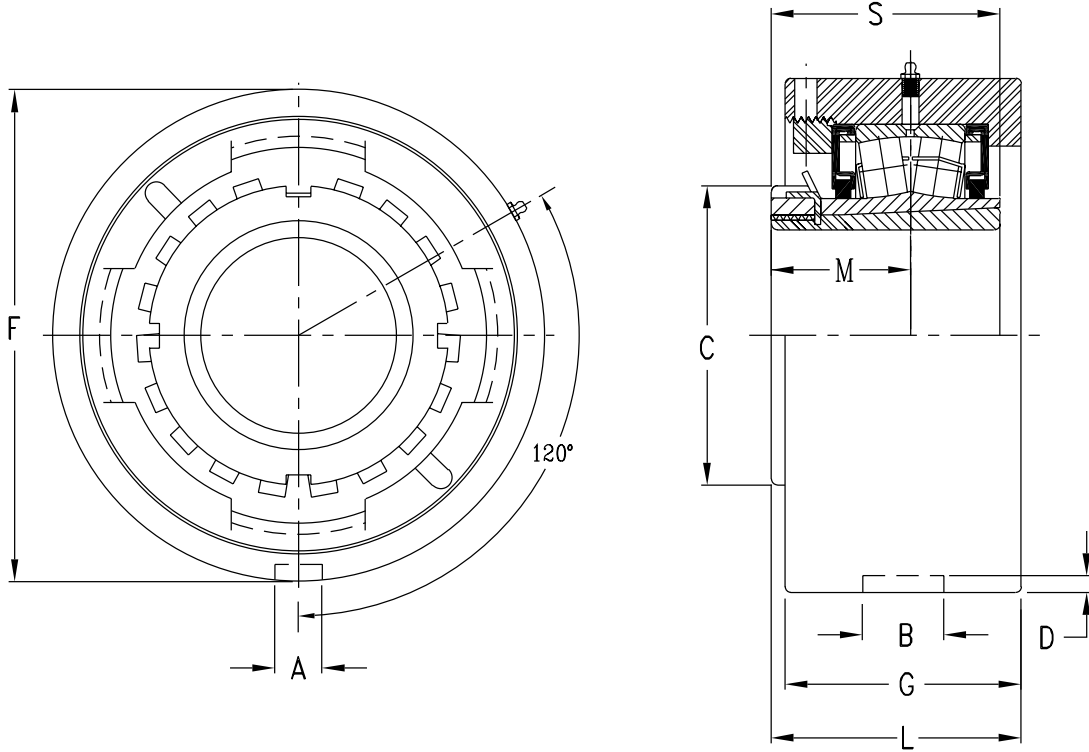
Bearing Part No.	Shaft Size	Bearing Number	B.C.	C	D	E	F	H	J	L _{FIX}	L _{EXP}	M	N	R	S	Wt (lbs)
TAFK11K115S	1-15/16"															
TAFK11K200S	2"	22211	6.36	2.95	5.13	4.50	5.88	1.00	5/8	2.82	2.87	1.40	2.63	0.50	2.32	11
TAFK11K050S	50mm															
TAFK13K203S	2-3/16"															
TAFK13K204S	2-1/4"	22213	7.12	3.35	5.75	5.03	6.19	1.00	5/8	3.06	3.14	1.56	2.85	0.50	2.56	14
TAFK13K060S	60mm															
TAFK15K207S	2-7/16"															
TAFK15K208S	2-1/2"	22215	8.50	3.86	6.65	6.01	7.44	1.06	3/4	3.34	3.42	1.73	3.00	0.47	2.87	17
TAFK15K065S	65mm															
TAFK17K215S	2-15/16"															
TAFK17K300S	3"	22217	9.50	4.33	7.63	6.72	8.38	1.31	3/4	3.79	3.87	1.96	3.31	0.56	3.23	23
TAFK17K075S	75mm															
TAFK20K307S	3-7/16"															
TAFK20K308S	3-1/2"	22220	11.84	5.12	8.50	8.31	10.56	1.50	7/8	4.51	4.59	2.30	4.06	0.69	3.82	35
TAFK20K090S	90mm															
TAFK22K315S*	3-15/16"															
TAFK22K400S*	4"	22222	12.88*	5.71	10.10	6.44*	15.13	1.25	1*	4.62	4.70	2.48	4.21	0.49	4.13	55
TAFK22K100S*	100mm															
TAFK26K407S*	4-7/16"															
TAFK26K408S*	4-1/2"	22226	14.00*	6.50	11.19	7.00*	16.50	1.50	1-1/8*	5.62	5.70	2.83	5.32	0.86	4.76	108
TAFK26K115S*	115mm															

* 6-bolt housing

** Available Q1 2009

Blue Brute Bearings – TA and DV Series (Tapered Adapter Lock)

TAMC Cartridge Blocks



TAMC Cartridge Block Dimensions (in)

Bearing Part No.	Shaft Size	Bearing Number	A	B	C	D	F	G	L _{FIX}	L _{EXP}	M	S	Wt (lbs)
TAMC11K115S	1-15/16"												
TAMC11K200S	2"	22211	0.530	0.906	2.95	0.188	4.531 (+0/-0.002)	2.18	2.49	2.54	1.40	2.32	10
TAMC11K050S	50mm												
TAMC13K203S	2-3/16"												
TAMC13K204S	2-1/4"	22213	0.530	0.906	3.35	0.188	5.750 (+0/-0.002)	2.64	2.79	2.87	1.56	2.56	12
TAMC13K060S	60mm												
TAMC15K207S	2-7/16"												
TAMC15K208S	2-1/2"	22215	0.594	1.032	3.86	0.250	5.875 (+0/-0.002)	2.78	3.08	3.16	1.73	2.87	18
TAMC15K065S	65mm												
TAMC17K215S	2-15/16"												
TAMC17K300S	3"	22217	0.594	1.083	4.33	0.281	6.750 (+0/-0.002)	2.95	3.44	3.52	1.96	3.23	26
TAMC17K075S	75mm												
TAMC20K307S	3-7/16"												
TAMC20K308S	3-1/2"	22220	0.781	1.281	5.12	0.313	8.125 (+0/-0.002)	3.37	3.99	4.07	2.30	3.82	32
TAMC20K090S	90mm												
TAMC22K315S	3-15/16"												
TAMC22K400S	4"	22222	0.781	1.281	5.71	0.313	8.750 (+0/-0.003)	3.85	4.41	4.49	2.48	4.13	40
TAMC22K100S	100mm												
TAMC26K407S	4-7/16"												
TAMC26K408S	4-1/2"	22226	0.780	1.500	6.50	0.313	10.437 (+0/-0.003)	4.11	4.89	4.97	2.83	4.76	52
TAMC26K115S	115mm												

Blue Brute Bearings – TA and DV Series (Tapered Adapter Lock)

Introduction

Blue Brute Bearings

Bearing Interchange Guide

Quick-Flex Couplings

Rigid Compression Couplings

Index

Blue Brute Bearings – Engineering Information

Bearing Load

Blue Brute bearings are excellent for many applications including those with:

- ⇒ Heavy radial loads
- ⇒ Heavy combined radial and thrust loads
- ⇒ Shock loads
- ⇒ Harsh contamination conditions
- ⇒ Low to moderate speeds
- ⇒ The possibility of misalignment

Bearing loads generally come from one of three sources which should all be evaluated and considered when selecting Blue Brute bearings for your application. Contact your local distributor or QM Bearings for assistance in determining specific application loads and for bearing recommendations.

- ⇒ *Static loads* — weights of various components supported by the bearings
- ⇒ *Drive loads* — belts, chains or gears which exert forces on the shaft
- ⇒ *Imposed loads* — forces generated by the operation of the equipment

Generally bearing loads are described as being radial (load perpendicular to the axis of the shaft) or axial (load parallel to the axis of the shaft). Axial loads are also referred to as thrust loads. Spherical roller bearings, by design, are very capable of accepting heavy radial loads, even when combined with a thrust load; however, are not generally recommended for use in applications when only thrust loads are present or when the thrust component of the load is larger than the radial component.

To determine the allowable radial load at various RPMs for bearings supporting only radial loads, simply use the charts on pages 122-127. For bearings supporting both radial and thrust loads, an equivalent radial load must first be calculated prior to using these tables (see ‘*Equivalent Radial Load*’ on page 119).

Belt Loads

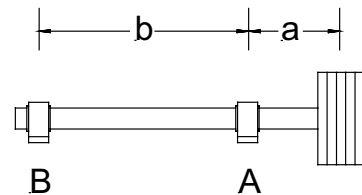
V-belt drives are a common source of drive loads. A good approximation of drive load may be calculated from the formula:

$$\text{Drive Load} = (\text{HP} \times 189,000) / (\text{Pulley Diameter} \times \text{RPM})$$

Load Sharing

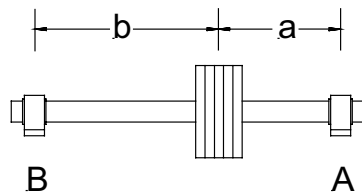
In some cases, bearings may share the load unequally, depending on their position in relationship to the load. Use the appropriate formula below to determine the drive load on each bearing:

Overhung Load



$$\begin{aligned} \text{Load A} &= \text{Drive Load} \times (a + b) / b \\ \text{Load B} &= \text{Drive Load} \times a / b \end{aligned}$$

Load Between Bearings



$$\begin{aligned} \text{Load A} &= (\text{Drive Load} \times b) / (a + b) \\ \text{Load B} &= (\text{Drive Load} \times a) / (a + b) \end{aligned}$$

Blue Brute Bearings – Engineering Information

Bearing Load *(continued)*

Equivalent Radial Load

Bearings that support a combination of radial load and thrust load take an unequal load on one of the rows of rollers. The following formulas and bearing geometry factors are used to convert the independent thrust and radial loads into a single *equivalent radial load*. The calculated equivalent radial load (P) will have the same effect on bearing life (L_{10}) as a radial load of the same magnitude.

$$P = Fr + (Y1 \times Fa) \text{ when } Fa / Fr \leq e$$

$$P = (0.67 \times Fr) + (Y2 \times Fa) \text{ when } Fa / Fr > e$$

where:

P = Equivalent Radial Load
 Fr = Radial Load (lbs)
 Fa = Thrust (Axial) Load (lbs)
 Y1, Y2, and e are bearing geometry factors as shown on pages 120-121

A Note on Minimum Loads

In order for a spherical roller bearing to perform as designed, some radial load should be present. This is particularly true if the bearing is running at high speed. Although it is rarely an issue, as the static loads present (weights of the combined supported components) usually provide an adequate radial load, there are times when it may be necessary to use a shaft size larger than the actual loads require. In these instances, the load becomes a small percentage of the bearing's capacity. Radial loads less than 3% of C_r (see pages 120-121) should be avoided.

Bearing Life

Design engineers determine the life ratings of the bearings in equipment they are building. In the absence of a design specification, the following may be used:

- ⇒ Industrial machinery operated 8 hours a day
 - 20,000 to 30,000 hours
- ⇒ Machinery operated 24 hours a day
 - 40,000 to 60,000 hours

In addition, a service factor may be used where application conditions are harsh. Extreme environmental conditions or heavy shock or vibration will require the adjustment of load ratings before referring to the L_{10} tables. Please contact your local distributor or QM Bearings for additional information.

$$\text{Bearing Life} = L_{10} = (C_r / P)^{10/3} \times (16667 / \text{RPM})$$

where:

C_r = Dynamic Capacity (lbs, shown on pages 120-121)
 P = Radial Load / Equivalent Radial Load
 RPM = Revolutions Per Minute

Definition of Operating Conditions

Light Load	Up to 30% of C_r
Normal Load	Over 30% to 70% of C_r
Heavy Load	Over 70% of C_r

Blue Brute Bearings – Engineering Information

Bearing Radial and Thrust Factors

V-Lock Series

Shaft Size		Bearing Number	Basic Loads (lbs.)		Geometry Factors		
			Dynamic C _r Rating	Static C _{0r} Rating	e	Y ₁	Y ₂
1-15/16" 2"	50mm	22211	27280	31920	0.25	2.74	4.08
2-3/16" 2-1/4"	55mm	22212	32850	39150	0.24	2.86	4.25
		22213	39790	48560	0.25	2.69	4.00
2-7/16" 2-1/2"	60mm	22214	41400	51900	0.24	2.83	4.22
	65mm	22215	42940	53960	0.25	2.74	4.08
2-11/16" 2-3/4" 2-15/16" 3"	70mm	22216	49050	63000	0.22	3.01	4.48
	75mm	22217	57330	71940	0.23	2.90	4.31
3-3/16" 3-1/4" 3-7/16" 3-1/2"	80mm	22219	72352	92250	0.24	2.80	4.17
	85mm 90mm	22220	85430	109000	0.26	2.84	4.23
3-11/16" 3-3/4" 3-15/16" 4"	100mm	22222	107900	143900	0.26	2.55	3.80
4-7/16" 4-1/2"	110mm 115mm	22226	124200	186300	0.28	2.43	3.61
4-15/16" 5"	125mm 130mm	22228	148156	228642	0.26	2.62	3.89

CL Series

Shaft Size		Bearing Number	Basic Loads (lbs.)		Geometry Factors		
			Dynamic C _r Rating	Static C _{0r} Rating	e	Y ₁	Y ₂
1-15/16" 2"	50mm	22210	22480	27200	0.25	2.71	4.04
2-3/16" 2-1/4"	55mm	22211	27280	31920	0.25	2.74	4.08
2-7/16" 2-1/2"	60mm 65mm	22213	39790	48560	0.25	2.69	4.00
2-11/16" 2-3/4" 2-15/16" 3"	70mm 75mm	22215	42940	53960	0.22	3.01	4.48
3-3/16" 3-1/4" 3-7/16" 3-1/2"	80mm 85mm 90mm	22218	68570	87680	0.23	2.90	4.31
3-15/16" 4"	100mm	22220	85430	109000	0.24	2.84	4.23
4-7/16" 4-1/2"	115mm	22222	107900	143900	0.26	2.55	3.80
4-15/16" 5"	130mm	22226	124200	186300	0.28	2.43	3.61

Blue Brute Bearings – Engineering Information

Bearing Radial and Thrust Factors (continued)

EC Series			Basic Loads (lbs.)		Geometry Factors		
Shaft Size	Bearing Number		Dynamic C _r Rating	Static C _{or} Rating	e	Y ₁	Y ₂
1-7/16" 1-1/2"	-	22208	20233	22482	0.29	2.35	3.50
1-11/16" 1-3/4"	40mm 45mm	22209	21133	24280	0.27	2.50	3.72
1-15/16" 2"	50mm	22210	22480	27200	0.25	2.71	4.04
2-3/16" 2-1/4"	55mm	22211	27280	31920	0.25	2.74	4.08
2-7/16" 2-1/2"	60mm 65mm	22213	39790	48560	0.25	2.69	4.00
2-11/16" 2-3/4" 2-15/16" 3"	70mm 75mm	22215	42940	53960	0.22	3.01	4.48
3-3/16" 3-1/4" 3-7/16" 3-1/2"	80mm 85mm 90mm	22218	68570	87680	0.23	2.90	4.31
3-11/16" 3-3/4" 3-15/16" 4"	100mm	22220	85430	109000	0.24	2.84	4.23
4-7/16" 4-1/2"	110mm 115mm	22222	107900	143900	0.26	2.55	3.80
4-15/16" 5"	125mm 130mm	22226	124200	186300	0.28	2.43	3.61
5-7/16" 5-1/2" 5-15/16" 6"	140mm 150mm	23230	210800	344300	0.36	1.87	2.79
6-7/16" 6-1/2" 6-15/16" 7"	170mm 180mm	23234	274500	454500	0.34	1.99	2.96

TA / DV Series			Basic Loads (lbs.)		Geometry Factors		
Shaft Size	Bearing Number		Dynamic C _r Rating	Static C _{or} Rating	e	Y ₁	Y ₂
1-15/16" 2"	50mm	22211	27280	31920	0.26	2.64	3.93
2-3/16" 2-1/4"	60mm	22213	39790	48560	0.27	2.49	3.71
2-7/16" 2-1/2"	65mm	22215	42940	53960	0.25	2.74	4.08
2-15/16" 3"	75mm	22217	57330	71940	0.23	2.90	4.31
3-7/16" 3-1/2"	90mm	22220	85430	109000	0.26	2.55	3.80
3-15/16" 4"	100mm	22222	107900	143900	0.26	2.55	3.80
4-7/16" 4-1/2"	115mm	22226	124200	186300	0.28	2.43	3.61

Blue Brute Bearings – Engineering Information

Load Ratings

V-Lock Series — Allowable Radial Load (lbs) at Various RPM

Shaft Size	Bearing Number	Life (Hours)	RPM														
			50	100	200	500	1000	1200	1500	1800	2100	2400	2700	3000	3200	3500	
1-15/16" 2"	50mm	22211	5000	12107	9834	7987	6068	4928	4666	4364	4132	3945	3790	3658	3545	3477	3384
			10000	9834	7987	6488	4928	4003	3790	3545	3356	3204	3078	2972	2879	2824	2749
			20000	7987	6488	5270	4003	3252	3078	2879	2726	2603	2501	2414	2339	2294	2233
			50000	6068	4928	4003	3041	2470	2339	2187	2071	1977	1900	1834	1777	1742	1696
			100000	4928	4003	3252	2470	2006	1900	1777	1682	1606	1532	1489	1443	1415	1378
2-3/16" 2-1/4"	55mm	22212	5000	14578	11841	9618	7307	5935	5619	5255	4975	4750	4564	4405	4268	4187	4076
			10000	11841	9618	7812	5935	4821	4564	4268	4041	3859	3707	3578	3467	3401	3310
			20000	9618	7812	6346	4821	3915	3737	3467	3282	3134	3011	2907	2816	2762	2689
			50000	7307	5935	4821	3662	2974	2816	2634	2494	2381	2287	2208	2139	2098	2043
			100000	5935	4821	3915	2974	2416	2287	2139	2025	1934	1858	1793	1738	1704	1659
2-3/16" 2-1/4"	55mm	22213	5000	17658	14343	11650	8850	7189	6806	6365	6026	5754	5528	5336	5170	5071	
			10000	14343	11650	9463	7189	5839	5528	5170	4895	4674	4490	4334	4199	4119	
			20000	11650	9463	7686	5839	4743	4490	4199	3976	3796	3647	3521	3411	3346	
			50000	8850	7189	5839	4436	3603	3411	3190	3020	2884	2771	2674	2591	2542	
			100000	7189	5839	4743	3603	2926	2771	2591	2453	2342	2250	2172	2105	2064	
2-7/16" 2-1/2"	60mm 65mm	22214	5000	18373	14923	12122	9208	7479	7081	6623	6270	5987	5752	5552	5379	5276	
			10000	14923	12122	9846	7479	6075	5752	5379	5093	4863	4672	4510	4369	4286	
			20000	12122	9846	7997	6075	4935	4672	4369	4137	3950	3795	3663	3549	3481	
			50000	9208	7479	6075	4615	3749	3549	3319	3143	3001	2883	2783	2696	2644	
			100000	7479	6075	4935	3749	3045	2883	2696	2553	2437	2342	2260	2190	2148	
2-7/16" 2-1/2"	60mm 65mm	22215	5000	19056	15478	12572	9551	7758	7345	6869	6503	6210	5966	5759	5579		
			10000	15478	12572	10212	7758	6301	5966	5579	5282	5044	4846	4677	4532		
			20000	12572	10212	8295	6301	5118	4846	4532	4291	4097	3936	3799	3681		
			50000	9551	7758	6301	4787	3888	3681	3443	3259	3112	2990	2886	2796		
			100000	7758	6301	5118	3888	3158	2990	2796	2648	2528	2429	2344	2271		
2-11/16" 2-3/4" 2-15/16" 3"	70mm 75mm	22216	5000	21768	17681	14361	10910	8861	8390	7847	7429	7093	6815	6578			
			10000	17681	14361	11665	8861	7198	6815	6373	6034	5761	5535	5343			
			20000	14361	11665	9475	7198	5846	5535	5177	4901	4680	4496	4340			
			50000	10910	8861	7198	5468	4441	4205	3933	3723	3555	3415	3297			
			100000	8861	7198	5846	4441	3607	3415	3194	3024	2888	2774	2678			
2-11/16" 2-3/4" 2-15/16" 3"	70mm 75mm	22217	5000	25442	20666	16786	12751	10357	9806	9171	8683	8297	7965				
			10000	20666	16786	13634	10357	8413	7965	7449	7053	6734	6470				
			20000	16786	13634	11074	8413	6833	6470	6051	5729	5470	5255				
			50000	12751	10357	8413	6391	5191	4915	4596	4352	4155	3992				
			100000	10357	8413	6833	5191	4216	3992	3733	3535	3375	3242				
3-3/16" 3-1/4" 3-7/16" 3-1/2"	80mm 85mm 90mm	22219	5000	32109	26081	21184	16093	13071	12375	11574	10958	10463					
			10000	26081	21184	17207	13071	10617	10052	9401	8901	8498					
			20000	21184	17207	13976	10617	8624	8165	7636	7230	6903					
			50000	16093	13071	10617	8065	6551	6202	5801	5492	5244					
			100000	13071	10617	8624	6551	5321	5038	4712	4461	4259					

Note: See page 129 for normal seal limiting speeds.

Blue Brute Bearings – Engineering Information

Load Ratings *(continued)*

V-Lock Series — Allowable Radial Load (lbs) at Various RPM (continued)

Shaft Size	Bearing Number	Life (Hours)	RPM														
			50	100	200	500	1000	1200	1500	1800	2100	2400	2700	3000	3200	3500	
3-3/16" 3-1/4" 3-7/16" 3-1/2"	80mm 85mm 90mm	22220	5000	37913	30795	25013	19001	15434	14612	13666	12939	12354					
			10000	30795	25013	20317	15434	12536	11869	11100	10510	10035					
			20000	25013	20317	16502	12536	10183	9641	9016	8536	8151					
			50000	19001	15434	12536	9523	7735	7324	6849	6485	6192					
			100000	15434	12536	10183	7735	6283	5949	5563	5267	5029					
3-11/16" 3-3/4" 3-15/16" 4"	100mm	22222	5000	47885	38894	31592	23999	19493	18456	17261	16342						
			10000	38894	31592	25661	19493	15834	14991	14020	13274						
			20000	31592	25661	20843	15834	12861	12176	11388	10782						
			50000	23999	19493	15834	12028	9770	9250	8651	8190						
			100000	19493	15834	12861	9770	7936	7513	7027	6653						
4-7/16" 4-1/2"	110mm 115mm	22226	5000	55118	44770	36365	27625	22438	21244	19868							
			10000	44770	36365	29537	22438	18225	17255	16138							
			20000	36365	29537	23992	18225	14804	14016	13108							
			50000	27625	22438	18225	13845	11246	10647	9958							
			100000	22438	18225	14804	11246	9134	8648	8088							
4-15/16" 5"	125mm 130mm	22228	5000	65750	53405	43379	32953	26766	25341								
			10000	53405	43379	35234	26766	21741	20584								
			20000	43379	35234	28619	21741	17659	16719								
			50000	32953	26766	21741	16516	13415	12701								
			100000	26766	21741	17659	13415	10896	10316								

Note: See page 129 for normal seal limiting speeds.

Blue Brute Bearings – Engineering Information

Load Ratings *(continued)*

CL Series — Allowable Radial Load (lbs) at Various RPM

Shaft Size	Bearing Number	Life (Hours)	RPM														
			50	100	200	500	1000	1200	1500	1800	2100	2400	2700	3000	3200	3500	
1-15/16" 2"	50mm	22210	5000	9976	8103	6582	5000	4061	3845	3596	3405	3251	3123	3015	2921	2865	2789
			10000	8103	6582	5346	4061	3299	3123	2921	2765	2641	2537	2449	2373	2327	2265
			20000	6582	5346	4342	3299	2679	2537	2373	2246	2145	2061	1989	1927	1890	1840
			50000	5000	4061	3299	2506	2035	1927	1802	1706	1629	1565	1511	1464	1436	1398
			100000	4061	3299	2679	2035	1653	1565	1464	1386	1323	1271	1227	1189	1166	1135
2-3/16" 2-1/4"	55mm	22211	5000	12107	9834	7987	6068	4928	4666	4364	4132	3945	3790	3658	3545	3477	3384
			10000	9834	7987	6488	4928	4003	3790	3545	3356	3204	3078	2972	2879	2824	2749
			20000	7987	6488	5270	4003	3252	3078	2879	2726	2603	2501	2414	2339	2294	2233
			50000	6068	4928	4003	3041	2470	2339	2187	2071	1977	1900	1834	1777	1742	1696
			100000	4928	4003	3252	2470	2006	1900	1777	1682	1606	1543	1489	1443	1415	1378
2-7/16" 2-1/2"	60mm 65mm	22213	5000	17658	14343	11650	8850	7189	6806	6365	6026	5754	5528	5336	5171	5071	
			10000	14343	11650	9463	7189	5839	5528	5170	4895	4674	4490	4334	4199	4119	
			20000	11650	9463	7686	5839	4743	4490	4199	3976	3796	3647	3521	3411	3346	
			50000	8850	7189	5839	4436	3603	3411	3190	3020	2884	2771	2674	2591	2542	
			100000	7189	5839	4743	3603	2926	2771	2591	2453	2342	2250	2172	2105	2064	
2-11/16" 2-3/4" 2-15/16" 3"	70mm 75mm	22215	5000	19056	15478	12572	9551	7758	7345	6869	6503	6210	5966	5759			
			10000	15478	12572	10212	7758	6301	5966	5579	5282	5044	4846	4677			
			20000	12572	10212	8295	6301	5118	4866	4532	4291	4097	3936	3799			
			50000	9551	7758	6301	4787	3888	3681	3443	3259	3112	2990	2886			
			100000	7758	6301	5118	3888	3158	2990	2796	2648	2528	2429	2344			
3-3/16" 3-1/4" 3-7/16" 3-1/2"	80mm 85mm 90mm	22218	5000	30431	24717	20077	15251	12388	11729	10969	10385	9916	9527				
			10000	24717	20077	16307	12388	10062	9527	8910	8435	8054	7738				
			20000	20077	16307	13246	10062	8173	7738	7237	6852	6542	6285				
			50000	15251	12388	10062	7644	6209	5878	5498	5205	4970	4775				
			100000	12388	10062	8173	6209	5043	4775	4465	4228	4037	3878				
3-15/16" 4"	100mm	22220	5000	37913	30795	25013	19001	15434	14612	13666	12939	12354					
			10000	30795	25013	20317	15434	12536	11869	11100	10510	10035					
			20000	25014	20317	16502	12536	10183	9641	9016	8537	8151					
			50000	19001	15434	12536	9523	7735	7324	6849	6485	6192					
			100000	15434	12536	10183	7735	6283	5949	5563	5267	5029					
4-7/16" 4-1/2"	115mm	22222	5000	47885	38894	31592	23999	19493	18456	17261	16342						
			10000	38894	31592	25661	19493	15834	14991	14020	13274						
			20000	31592	25661	20843	15834	12861	12176	11388	10782						
			50000	23999	19493	15834	12028	9770	9250	8651	8190						
			100000	19493	15834	12861	9770	7936	7513	7027	6653						
4-15/16" 5"	130mm	22226	5000	55118	44770	36365	27625	22438	21244	19868							
			10000	44770	36365	29537	22438	18225	17255	16138							
			20000	36365	29537	23992	18225	14804	14016	13108							
			50000	27625	22438	18225	13845	11246	10647	9958							
			100000	22438	18225	14804	11246	9134	8648	8088							

Note: See page 129 for normal seal limiting speeds.

Blue Brute Bearings – Engineering Information

Load Ratings (continued)

EC Series — Allowable Radial Load (lbs) at various RPM

Shaft Size	Bearing Number	Life (Hours)	RPM														
			50	100	200	500	1000	1200	1500	1800	2100	2400	2700	3000	3200	3500	
1-7/16" 1-1/2"	-	22208	5000	8979	7293	5924	4500	3655	3461	3237	3064	2926	2811	2713	2629	2579	2510
			10000	7293	5924	4812	3655	2969	2811	2629	2489	2377	2283	2204	2135	2094	2039
			20000	5924	4812	3908	2969	2412	2283	2135	2022	1930	1855	1790	1734	1701	1656
			50000	4500	3655	2969	2255	1832	1734	1622	1536	1466	1409	1360	1318	1292	1258
			100000	3655	2969	2412	1832	1488	1409	1318	1247	1191	1144	1105	1070	1050	1022
1-11/16" 1-3/4"	40mm 45mm	22209	5000	9379	7618	6188	4700	3818	3615	3381	3201	3056	2936	2834	2746	2693	2622
			10000	7618	6188	5026	3818	3101	2936	2746	2600	2482	2385	2302	2230	2188	2130
			20000	6188	5026	4082	3101	2519	2385	2230	2112	2016	1937	1870	1812	1777	1730
			50000	4700	3818	3101	2356	1913	1812	1694	1604	1532	1472	1420	1376	1350	1314
			100000	3818	3101	2519	1913	1554	1472	1376	1303	1244	1195	1154	1118	1096	1067
1-15/16" 2"	50mm	22210	5000	9976	8103	6582	5000	4061	3845	3596	3405	3251	3123	3015	2921	2865	2789
			10000	8103	6582	5346	4061	3299	3123	2921	2765	2641	2537	2449	2373	2327	2265
			20000	6582	5346	4342	3299	2679	2537	2373	2246	2145	2061	1989	1927	1890	1840
			50000	5000	4061	3299	2506	2035	1927	1802	1706	1629	1565	1511	1464	1436	1398
			100000	4061	3299	2679	2035	1653	1565	1464	1386	1323	1271	1227	1189	1166	1135
2-3/16" 2-1/4"	55mm	22211	5000	12107	9834	7987	6068	4928	4666	4364	4132	3945	3790	3658	3545	3477	3384
			10000	9834	7987	6488	4928	4003	3790	3545	3356	3204	3078	2972	2879	2824	2749
			20000	7987	6488	5270	4003	3252	3078	2879	2726	2603	2501	2414	2339	2294	2233
			50000	6068	4928	4003	3041	2470	2339	2187	2071	1977	1900	1834	1777	1742	1696
			100000	4928	4003	3252	2470	2006	1900	1777	1682	1606	1543	1489	1443	1415	1378
2-7/16" 2-1/2"	60mm 65mm	22213	5000	17658	14343	11650	8850	7189	6806	6365	6026	5754	5528	5336	5171	5071	
			10000	14343	11650	9463	7189	5839	5528	5170	4895	4674	4490	4334	4199	4119	
			20000	11650	9463	7686	5839	4743	4490	4199	3976	3796	3647	3521	3411	3346	
			50000	8850	7189	5839	4436	3603	3411	3190	3020	2884	2771	2674	2591	2542	
			100000	7189	5839	4743	3603	2926	2771	2591	2453	2342	2250	2172	2105	2064	
2-11/16" 2-3/4" 2-15/16" 3"	70mm 75mm	22215	5000	19056	15478	12572	9551	7758	7345	6869	6503	6210	5966	5759			
			10000	15478	12572	10212	7758	6301	5966	5579	5282	5044	4846	4677			
			20000	12572	10212	8295	6301	5118	4866	4532	4291	4097	3936	3799			
			50000	9551	7758	6301	4787	3888	3681	3443	3259	3112	2990	2886			
			100000	7758	6301	5118	3888	3158	2990	2796	2648	2528	2429	2344			
3-3/16" 3-1/4" 3-7/16" 3-1/2"	80mm 85mm 90mm	22218	5000	30431	24717	20077	15251	12388	11729	10969	10385	9916	9527				
			10000	24717	20077	16307	12388	10062	9527	8910	8435	8054	7738				
			20000	20077	16307	13246	10062	8173	7738	7237	6852	6542	6285				
			50000	15251	12388	10062	7644	6209	5878	5498	5205	4970	4775				
			100000	12388	10062	8173	6209	5043	4775	4465	4228	4037	3878				
3-11/16" 3-3/4" 3-15/16" 4"	100mm	22220	5000	37913	30795	25013	19001	15434	14612	13666	12939	12354					
			10000	30795	25013	20317	15434	12536	11869	11100	10510	10035					
			20000	25014	20317	16502	12536	10183	9641	9016	8537	8151					
			50000	19001	15434	12536	9523	7735	7324	6849	6485	6192					
			100000	15434	12536	10183	7735	6283	5949	5563	5267	5029					

Note: See page 130 for normal seal limiting speeds.

(continued on next page)

Blue Brute Bearings – Engineering Information

Load Ratings *(continued)*

EC Series — Allowable Radial Load (lbs) at Various RPM (continued)

Shaft Size	Bearing Number	Life (Hours)	RPM													
			50	100	200	500	1000	1200	1500	1800	2100	2400	2700	3000	3200	3500
4-7/16" 4-1/2"	110mm 115mm	22222	5000	47885	38894	31592	23999	19493	18456	17261	16342					
			10000	38894	31592	25661	19493	15834	14991	14020	13274					
			20000	31592	25661	20843	15834	12861	12176	11388	10782					
			50000	23999	19493	15834	12028	9770	9250	8651	8190					
			100000	19493	15834	12861	9770	7936	7513	7027	6653					
4-15/16" 5"	125mm 130mm	22226	5000	55118	44770	36365	27625	22438	21244	19868						
			10000	44770	36365	29537	22438	18225	17255	16138						
			20000	36365	29537	23992	18225	14804	14016	13108						
			50000	27625	22438	18225	13845	11246	10647	9958						
			100000	22438	18225	14804	11246	9134	8648	8088						
5-7/16" 5-1/2" 5-15/16" 6"	140mm 150mm	23230	5000	93550	75987	61720	46886	38083								
			10000	75987	61720	50132	38083	30933								
			20000	61720	50132	40720	30933	25126								
			50000	46886	38083	30933	23499	19087								
			100000	38083	30933	25126	19087	15503								
6-7/16" 6-1/2" 6-15/16" 7"	170mm 180mm	23234	5000	121820	98948	80371	61054	49592								
			10000	98948	80371	65282	49592	40281								
			20000	80371	65282	53025	40281	32718								
			50000	61054	49592	40281	30600	24855								
			100000	49592	40281	32718	24855	20188								

Note: See page 130 for normal seal limiting speeds.

Blue Brute Bearings – Engineering Information

Load Ratings *(continued)*

TA / DV Series — Allowable Radial Load (lbs) at Various RPM

Shaft Size	Bearing Number	Life (Hours)	RPM														
			50	100	200	500	1000	1200	1500	1800	2100	2400	2700	3000	3200	3500	
1-15/16" 2"	50mm	22211	5000	12107	9834	7987	6068	4928	4666	4364	4132	3945	3790	3658	3545	3477	3384
			10000	9834	7987	6488	4928	4003	3790	3545	3356	3204	3078	2972	2879	2824	2749
			20000	7987	6488	5270	4003	3252	3078	2879	2726	2603	2501	2414	2339	2294	2233
			50000	6068	4928	4003	3041	2470	2339	2187	2071	1977	1900	1834	1777	1742	1696
			100000	4928	4003	3252	2470	2006	1900	1777	1682	1606	1532	1489	1443	1415	1378
2-3/16" 2-1/4"	60mm	22213	5000	17658	14343	11650	8850	7189	6806	6365	6026	5754	5528	5336	5170	5071	
			10000	14343	11650	9463	7189	5839	5528	5170	4895	4674	4490	4334	4199	4119	
			20000	11650	9463	7686	5839	4743	4490	4199	3976	3796	3647	3521	3411	3346	
			50000	8850	7189	5839	4436	3603	3411	3190	3020	2884	2771	2674	2591	2542	
			100000	7189	5839	4743	3603	2926	2771	2591	2453	2342	2250	2172	2105	2064	
2-7/16" 2-1/2"	65mm	22215	5000	19056	15478	12572	9551	7758	7345	6869	6503	6210	5966	5759	5579		
			10000	15478	12572	10212	7758	6301	5966	5579	5282	5044	4846	4677	4532		
			20000	12572	10212	8295	6301	5118	4846	4532	4291	4097	3936	3799	3681		
			50000	9551	7758	6301	4787	3888	3681	3443	3259	3112	2990	2886	2796		
			100000	7758	6301	5118	3888	3158	2990	2796	2648	2528	2429	2344	2271		
2-15/16" 3"	75mm	22217	5000	25442	20666	16786	12751	10357	9806	9171	8683	8297	7965				
			10000	20666	16786	13634	10357	8413	7965	7449	7053	6734	6470				
			20000	16786	13634	11074	8413	6833	6470	6051	5729	5470	5255				
			50000	12751	10357	8413	6391	5191	4915	4596	4352	4155	3992				
			100000	10357	8413	6833	5191	4216	3992	3733	3535	3375	3242				
3-7/16" 3-1/2"	90mm	22220	5000	37913	30795	25013	19001	15434	14612	13666	12939	12354					
			10000	30795	25013	20317	15434	12536	11869	11100	10510	10035					
			20000	25013	20317	16502	12536	10183	9641	9016	8536	8151					
			50000	19001	15434	12536	9523	7735	7324	6849	6485	6192					
			100000	15434	12536	10183	7735	6283	5949	5563	5267	5029					
3-15/16" 4"	100mm	22222	5000	47885	38894	31592	23999	19493	18456	17261	16342						
			10000	38894	31592	25661	19493	15834	14991	14020	13274						
			20000	31592	25661	20843	15834	12861	12176	11388	10782						
			50000	23999	19493	15834	12028	9770	9250	8651	8190						
			100000	19493	15834	12861	9770	7936	7513	7027	6653						
4-7/16" 4-1/2"	115mm	22226	5000	55118	44770	36365	27625	22438	21244	19868							
			10000	44770	36365	29537	22438	18225	17255	16138							
			20000	36365	29537	23992	18225	14804	14016	13108							
			50000	27625	22438	18225	13845	11246	10647	9958							
			100000	22438	18225	14804	11246	9134	8648	8088							

Note: See page 130 for normal seal limiting speeds.

Blue Brute Bearings – Engineering Information

Housing Loads

Because Blue Brute bearings are made of cast steel, they are built to last with the same allowable load in multiple orientations. Whether a bearing is mounted upright or sideways, the same load rating applies.

Refer to the tables below for pillow block allowable housing loads.

V-Lock Series Allowable Housing Load (lbs)

Shaft Size	Bearing Number	Allowable Housing Load
1-15/16" 2"	50mm	22211 31920
2-3/16" 2-1/4"	55mm	22212 39150
		22213 48560
2-7/16" 2-1/2"	60mm	22214 51900
	65mm	22215 53960
2-11/16" 2-3/4" 2-15/16" 3"	70mm	22216 63000
	75mm	22217 87680
	3"	
3-3/16" 3-1/4" 3-7/16" 3-1/2"	80mm	22219 52250
	85mm	22220 109000
	90mm	
	3-1/2"	
3-11/16" 3-3/4" 3-15/16" 4"	100mm	22222 143900
	110mm	22226 186300
	115mm	22228 228642

CL Series Allowable Housing Load (lbs)

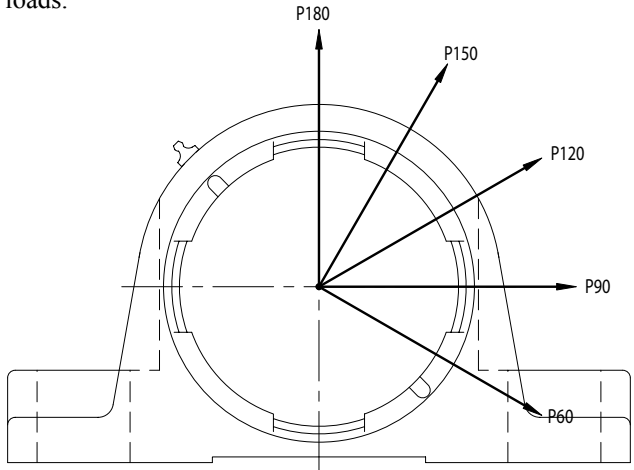
Shaft Size	Bearing Number	Allowable Housing Load
1-15/16" 2"	50mm	22210 27200
2-3/16" 2-1/4"	55mm	22211 31920
	60mm	22213 48560
2-7/16" 2-1/2"	65mm	22215 53960
	70mm	22217 87680
2-11/16" 2-3/4" 2-15/16" 3"	75mm	22219 52250
	3"	
	80mm	22218 87680
3-3/16" 3-1/4" 3-7/16" 3-1/2"	85mm	22220 109000
	90mm	
	3-1/2"	
	100mm	22222 143900
3-15/16" 4"	110mm	22226 186300
	115mm	22228 228642
4-7/16" 4-1/2"	125mm	22229 24280
	130mm	
	5"	22230 344300

EC Series Allowable Housing Load (lbs)

Shaft Size	Bearing Number	Allowable Housing Load
1-7/16" 1-1/2"	-	22208 22482
1-11/16" 1-3/4"	40mm	22209 24280
	45mm	
1-15/16" 2"	50mm	22210 27200
	55mm	22211 31920
2-3/16" 2-1/4"	60mm	22213 48560
	65mm	
2-7/16" 2-1/2"	70mm	22215 53960
	75mm	
	80mm	22218 87680
2-11/16" 2-3/4" 2-15/16" 3"	85mm	22219 52250
	90mm	
	3"	
3-3/16" 3-1/4" 3-7/16" 3-1/2"	100mm	22220 109000
	110mm	
	115mm	
4-7/16" 4-1/2"	125mm	22226 186300
	130mm	
	5"	22228 228642
5-7/16" 5-1/2" 5-15/16" 6"	140mm	23230 344300
	150mm	
	6"	
6-7/16" 6-1/2" 6-15/16" 7"	170mm	23234 454500
	180mm	
	7"	

TA/DV Series Allowable Housing Load (lbs)

Shaft Size	Bearing Number	Allowable Housing Load
1-15/16" 2"	50mm	22211 31920
2-3/16" 2-1/4"	60mm	22213 48560
	65mm	22215 53960
2-7/16" 2-1/2"	75mm	22217 87680
	90mm	22220 109000
2-15/16" 3"	100mm	22222 143900
	115mm	22226 186300



Blue Brute Bearings – Engineering Information

Normal Limiting Speeds for Seals

Definition of Operating Conditions

Low Speed	Up to 20% of max. RPM
Medium Speed	Over 20% to 80% of max. RPM
High Speed	Over 80% of max. RPM

V-Lock Series Normal Seal Limiting Speeds (RPM)

Shaft Size	Bearing Number	Oil Lubrication			Grease Lubrication			
		M/N Seal*	T/ML Seal	B/C/O Seal*	M/N Seal*	T/ML Seal	B/C/O Seal*	
1-15/16" 2"	50mm	22211	2200	3800	1800	2200	3200	1600
2-3/16" 2-1/4"	55mm	22212	2000	3500	1650	2000	3000	1550
		22213	1800	3200	1500	1800	2800	1500
2-7/16" 2-1/2"	60mm 65mm	22214	1700	3050	1400	1700	2600	1400
		22215	1600	2900	1300	1600	2400	1300
2-11/16" 2-3/4" 2-15/16" 3"	70mm 75mm	22216	1500	2650	1200	1500	2200	1150
		22217	1400	2400	1100	1400	2000	1100
3-3/16" 3-1/4" 3-7/16" 3-1/2"	80mm 85mm 90mm	22219	1300	2200	1000	1300	1800	950
		22220	1200	2000	900	1200	1600	900
3-11/16" 3-3/4" 3-15/16" 4"	100mm	22222	900	1700	600	900	1200	600
4-7/16" 4-1/2"	110mm 115mm	22226	700	1500	400	700	1000	400
4-15/16" 5"	125mm 130mm	22228	650	1200	350	650	900	350

CL Series Normal Seal Limiting Speeds (RPM)

Shaft Size	Bearing Number	Oil Lubrication			Grease Lubrication			
		M/N Seal*	T/ML Seal	B/C/O Seal*	M/N Seal*	T/ML Seal	B/C/O Seal*	
1-15/16" 2"	50mm	22210	2400	4200	1800	2400	3550	1800
2-3/16" 2-1/4"	55mm	22211	2200	3800	1600	2200	3200	1600
		22213	1800	3200	1500	1800	2800	1500
2-11/16" 2-3/4" 2-15/16" 3"	70mm 75mm	22215	1600	2900	1300	1600	2400	1300
		22218	1400	2400	1000	1400	2000	1000
3-3/16" 3-1/4" 3-7/16" 3-1/2"	80mm 85mm 90mm	22218	1400	2400	1000	1400	2000	1000
3-15/16" 4"	100mm	22220	1200	2000	900	1200	1600	900
4-7/16" 4-1/2"	115mm	22222	900	1700	600	900	1200	600
4-15/16" 5"	130mm	22226	700	1500	400	700	1000	400

*Bearings with contact seals will have higher operating temperatures than bearings with labyrinth seals.

Blue Brute Bearings – Engineering Information

Normal Limiting Speeds for Seals *(continued)*

EC Series Normal Seal Limiting Speeds (RPM)

Shaft Size	Bearing Number	M/N Seal*	Oil Lubrication			Grease Lubrication		
			T/ML Seal	B/C/O Seal*	M/N Seal*	T/ML Seal	B/C/O Seal*	
1-7/16" 1-1/2"	-	22208	2700	4500	1950	2700	4000	1950
1-11/16" 1-3/4"	40mm 45mm	22209	2700	4500	1950	2700	4000	1950
1-15/16" 2"	50mm	22210	2400	4200	1800	2400	3550	1800
2-3/16" 2-1/4"	55mm	22211	2200	3800	1600	2200	3200	1600
2-7/16" 2-1/2"	60mm 65mm	22213	1800	3200	1500	1800	2800	1500
2-11/16" 2-3/4" 2-15/16" 3"	70mm 75mm	22215	1600	2900	1300	1600	2400	1300
3-3/16" 3-1/4" 3-7/16" 3-1/2"	80mm 85mm 90mm	22218	1400	2400	1000	1400	2000	1000
3-11/16" 3-3/4" 3-15/16" 4"	100mm	22220	1200	2000	900	1200	1600	900
4-7/16" 4-1/2"	110mm 115mm	22222	900	1700	600	900	1200	600
4-15/16" 5"	125mm 130mm	22226	700	1500	400	700	1000	400
5-7/16" 5-1/2" 5-15/16" 6"	140mm 150mm	23230	650	950	350	600	800	350
6-7/16" 6-1/2" 6-15/16" 7"	170mm 180mm	23234	600	900	350	600	800	350

TA and DV Series Normal Seal Limiting Speeds (RPM)

Shaft Size	Bearing Number	M/N Seal*	Oil Lubrication			Grease Lubrication		
			T/ML Seal	B/C/O Seal*	M/N Seal*	T/ML Seal	B/C/O Seal*	
1-15/16" 2"	50mm	22211	2200	3800	1800	2200	3200	1600
2-3/16" 2-1/4"	60mm	22213	1800	3200	1500	1800	2800	1500
2-7/16" 2-1/2"	65mm	22215	1600	2900	1300	1600	2400	1300
2-15/16" 3"	75mm	22217	1400	2400	1100	1400	2000	1100
3-7/16" 3-1/2"	90mm	22220	1200	2000	900	1200	1600	900
3-15/16" 4"	100mm	22222	900	1700	600	900	1200	600
4-7/16" 4-1/2"	115mm	22226	700	1500	400	700	1000	400

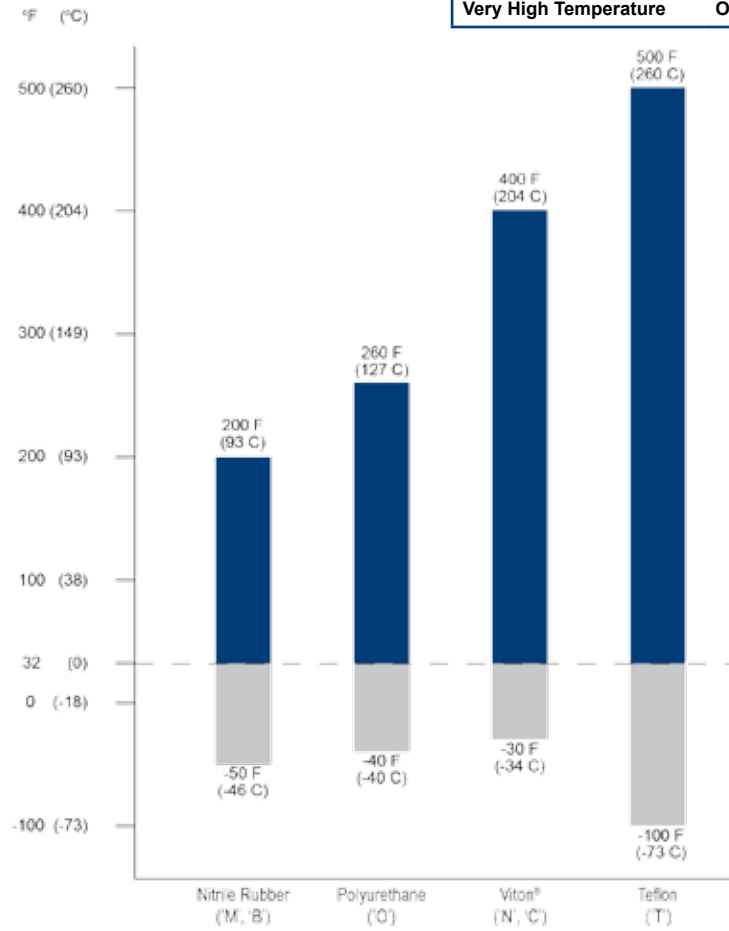
*Bearings with contact seals will have higher operating temperatures than bearings with labyrinth seals.

Blue Brute Bearings – Engineering Information

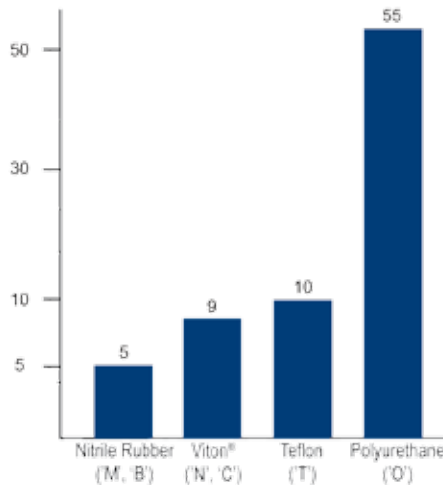
Seal Temperature Ratings

Definition of Operating Conditions

Low Temperature	-100°F to 20°F
Medium Temperature	Over 20°F to 200°F
High Temperature	Over 200°F to 300°F
Very High Temperature	Over 300°F to 400°F



Relative Abrasion Resistance Ratings



Introduction

Blue Brute Bearings

Bearing Interchange Guide

Quick-Flex Couplings

Rigid Compression Couplings

Index

Blue Brute Bearings – Engineering Information

Seal Material Chemical Compatibility

A - Little to no effect B - Minor to moderate effect C - Severe effect to destruction N - No data. Test prior to use	Urethane	Nitrile rubber	Viton	Teflon
Acetaldehyde	C	C	C	A
Acetamide	N	A	B	A
Acetic Acid	C	B	B	A
Acetic Anhydride	C	C	C	A
Acetone	C	C	C	A
Acetyl Bromide	C	N	N	N
Acetyl Chloride	C	C	A	A
Acetylene	C	A	A	A
Adipic Acid	A	A	N	A
Aeor Shell Grease	B	A-B	A	A
Aero Lubriplate	A	A	A	A
Aero Safe 2300	N	C	C	A
Aerozene 50	N	C	C	A
Aluminum Acetate	N	A	C	A
Aluminum Bromide	N	A	A	A
Aluminum Chloride	B	A	A	A
Aluminum Sulfate	B	A	A	A
Ammonia	B	B	C	A
Ammonium Carbonate	B	C	N	A
Ammonium Chloride	N	A	A	A
Ammonium Hydroxide	B	C	A	A
Ammonium Nitrate	B	A	N	A
Ammonium Persulfate	B	C	N	A
Ammonium Sulfate	B	A	C	A
Ammonium Sulfide	B	A	C	A
Ammonium Thiocyanate	B	N	N	A
Amonnium Acetate	C	N	N	A
Amyl Acetate	C	C	C	A
Amyl Alcohol	C	B	C	A
Aniline	C	C	C	A
Aniline Hydrochloride	C	B	B	B
Animal Fats & Oils	B	A	A	A
Antimony Salts	B	N	N	A
Aqua Regia	C	C	B	A
Arsenic Salts	B	N	N	A
ASTM Oil #1	A	A	A	A
ASTM Oil #2	B	A	A	A
ASTM Oil #3	B	A	A	A
ASTM Reference Fuel	A	A	A	A
ASTM Reference Fuel	B	B	A	A
Atlantic Oil	A	A	A	A
Barium Carbonate	B	A	A	A
Barium Hydroxide	A	A	A	A
Beer	A	A	A	A
Benzaldehyde	B	C	C	A
Benzene	C	C	B	A
Benzoic Acid	B	C	A	A
Black Sulphate Liquors	N	B	A	A
Bleach Solutions	N	C	A	B
Boric Acid	A	A	A	A
Brake Fluid	N	C	C	N
Bromine	B	C	A	C

A - Little to no effect B - Minor to moderate effect C - Severe effect to destruction N - No data. Test prior to use	Urethane	Nitrile rubber	Viton	Teflon
Bunker Oil	A	A	A	A
Butane	A	A	A	A
Butyl Acetate	C	C	C	A
Butyl Alcohol	B	A	A	A
Calcium Carbonate	B	A	A	A
Calcium Chloride	A	A	A	A
Calcium Hydroxide	A	A	A	A
Calcium Nitrate	B	A	A	A
Calcium Sulfate	B	B	B	A
Carbon Dioxide	A	A	A	A
Carbon Disulfide	B	C	A	A
Carbon Monoxide	A	A	A	A
Carbon Tetrachloride	C	C	A	A
Chlorine	N	C	A	B
Chloroacetic Acid	C	C	C	N
Chloroform	C	N	N	B
Chromic Acid	C	C	A	B
Chromium Potassium Sulfate	A	N	N	N
Citric Acid	B	A	A	A
Corn Oil	A	A	A	A
Cottonseed Oil	A	A	A	A
Cresol	C	C	A	A
Crude Oil	B	B	A	A
Cupric Chloride	A	B	B	A
Cupric Nitrate	B	N	N	A
Cupric Sulfate	B	B	B	A
Cutting Oil	B	A	A	A
Cyclohexane	B	A	A	A
Cyclohexanone	C	C	A	A
Dibutyl Phthalate	C	C	C	B
Dichlorobenzene	C	N	N	B
Diesel Fuel	B	A	A	A
Diester Oil	B	B	A	A
Dimethyl Acetamide	C	N	N	A
Dimethyl Formamide	C	B	C	A
Dodecyl Mercaptan	B	N	N	N
DTE Oil	B	A	N	N
Dubutyl Ether	B	C	C	N
EP Lubes	A	A	A	A
Esso #90 Lube Oil	A	A	A	A
Ether	B	N	N	A
Ethyl Acetate	C	C	C	A
Ethyl Alcohol (Ethanol)	C	A	C	A
Formic Acid	C	B	C	A
Freon, 12 or 113	A	A	B	A
Fuel Oil	B	A	A	A
Gasoline	B	B	A	A
Glucose	A	A	A	A
Glue	N	A	A	A
Glycerin	A	A	A	A
Heptane	A	N	N	A
Hexane	A	A	A	A

Blue Brute Bearings – Engineering Information

Seal Material Chemical Compatibility (Continued)

A - Little to no effect B - Minor to moderate effect C - Severe effect to destruction N - No data. Test prior to use	Urethane	Nitrile rubber	Viton	Teflon
Hydrazine	C	B	C	B
Hydrobromic Acid	B	C	A	A
Hydrocarbon Oil	A	A	A	A
Hydrochloric Acid	B	C	B	A
Hydrofluoric Acid	B	C	C	A
Hydrogen	A	A	A	A
Hydrogen Peroxide	B	C	A	B
Hydrogen Sulfide	C	C	C	A
Hydrologic Acid	B	N	N	N
Iodine	A	B	A	A
Isobutyl Alcohol	N	B	A	A
Isopropyl Chloride	N	C	A	A
Isopropyl Ether	B	B	C	N
Isopropyl Alcohol (Propanol)	B	A	A	N
JP4 Oil	B	A	A	A
JP5 & 6 Oil	C	A	A	A
Kerosene	B	A	A	A
Lactic Acid	B	B	A	A
Lead Acetate	B	B	C	A
Linseed Oil	B	A	A	A
Liquefied Petroleum Gas	A	A	A	N
Lubrication Oil	B	A	A	A
Lye	N	B	B	A
Magnesium Chloride	N	A	A	A
Magnesium Hydroxide	A	B	A	A
Magnesium Salts	B	A	A	A
Malaic Acid	C	C	A	A
Mercury	B	A	A	A
Methyl Alcohol (methanol)	A	C	A	N
Methyl Ethyl Ketone	C	C	C	A
Methylene Chloride	C	C	B	A
MIL-D-5606 Oil	C	A	A	A
MIL-L7808 Oil	B	B	A	A
Mineral Oil	A	A	A	A
Mineral Spirits	N	B	A	A
Naphthalene	B	C	A	A
Natural Gas	B	A	A	A
Nickel Salts	C	A	A	A
Oxygen	A	B	A	A
Ozone	A	C	A	A
Palmitic Acid	A	A	A	A
Paint Thinner	B	C	B	A
Peanut Oil	A	A	A	A
Perchloric Acid	C	C	A	A
Perchloroethylene	C	B	A	A
Petroleum	B	A	A	A
Phenol (carbolic acid)	C	C	A	A
Phosphoric Acid	C	C	A	A
Potassium Cyanide	A	A	A	A
Potassium Salts	B	A	A	A
Propane	B	A	A	A
Propyl Alcohol	B	A	A	A

A - Little to no effect B - Minor to moderate effect C - Severe effect to destruction N - No data. Test prior to use	Urethane	Nitrile rubber	Viton	Teflon
Propylene Glycol	B	N	N	A
Pydraul Oil	C	C	A	A
SAE #10 Oil	A	A	A	A
Seawater	A	A	A	A
Silicic Acid	B	N	N	A
Silver Nitrate	B	B	A	A
Skydrol Oil	C	C	C	A
Soap	B	A	A	A
Sodium Acetate	A	B	C	A
Sodium Bicarbonate	B	A	A	A
Sodium Borate	B	A	A	A
Sodium Carbonate	B	A	A	A
Sodium Chloride	B	A	A	A
Sodium Cyanide	B	A	A	A
Sodium Hydrosulfite	B	N	N	A
Sodium Hydroxide	B	B	B	A
Sodium Hypochlorite	C	B	A	A
Sodium Nitrate	B	B	N	A
Sodium Silicate	A	A	A	A
Sodium Sulfate	B	A	A	A
Sodium Sulfide	B	A	A	A
Steam	C	C	C	A
Styrene	B	C	B	A
Sulfur Dioxide	B	C	A	A
Sulfuric Acid	C	C	A	A
Tannic Acid	A	A	A	A
Tartaric Acid	A	A	A	A
Toluene	C	N	N	A
Transformer Oil	B	N	N	A
Turpentine	C	A	A	A
Urea	B	N	N	A
Varnish	B	B	A	A
Water	B	A	A	A

Blue Brute Bearings – Engineering Information

Internal Radial Clearances

V-Lock Series

Shaft Size		Bearing Number	Min. (in.)	Max. (in.)
1-15/16" 2"	50mm	22211	0.0030	0.0037
2-3/16" 2-1/4"	60mm 65mm	22212 22213		
2-7/16" 2-1/2"	60mm 65mm	22214 22215	0.0037	0.0047
2-11/16" 2-3/4" 2-15/16" 3"	70mm 75mm	22216	0.0043	0.0055
3-3/16" 3-1/4" 3-7/16" 3-1/2"	80mm 85mm 90mm	22219 22220	0.0053	0.0067
3-11/16" 3-3/4" 3-15/16" 4"	100mm	22222		
4-7/16" 4-1/2"	110mm 115mm	22226	0.0063	0.0079
4-15/16" 5"	125mm 130mm	22228	0.0071	0.0091

CL Series

Shaft Size		Bearing Number	Min. (in.)	Max. (in.)
1-15/16" 2"	50mm	22210	0.0014	0.0022
2-3/16" 2-1/4"	55mm	22211	0.0016	0.0026
2-7/16" 2-1/2"	60mm 65mm	22213	0.0016	0.0026
2-11/16" 2-3/4" 2-15/16" 3"	70mm 75mm	22215	0.0020	0.0031
3-3/16" 3-1/4" 3-7/16" 3-1/2"	80mm 85mm 90mm	22218	0.0024	0.0039
3-15/16" 4"	100mm	22220	0.0030	0.0047
4-7/16" 4-1/2"	115mm	22222	0.0030	0.0047
4-15/16" 5"	130mm	22226	0.0037	0.0057

Blue Brute Bearings – Engineering Information

Internal Radial Clearances *(continued)*

EC Series

Shaft Size		Bearing Number	Min. (in.)	Max. (in.)
1-7/16" 1-1/2"	-	22208	0.0012	0.0018
1-11/16" 1-3/4"	40mm 45mm	22209	0.0014	0.0022
1-15/16" 2"	50mm	22210	0.0014	0.0022
2-3/16" 2-1/4"	55mm	22211	0.0016	0.0026
2-7/16" 2-1/2"	60mm 65mm	22213	0.0016	0.0026
2-11/16" 2-3/4" 2-15/16" 3"	70mm 75mm	22215	0.0020	0.0031
3-3/16" 3-1/4" 3-7/16" 3-1/2"	80mm 85mm 90mm	22218	0.0024	0.0039
3-11/16" 3-3/4" 3-15/16" 4"	100mm	22220	0.0030	0.0047
4-7/16" 4-1/2"	110mm 115mm	22222	0.0030	0.0047
4-15/16" 5"	125mm 130mm	22226	0.0037	0.0057
5-7/16" 5-1/2" 5-15/16" 6"	140mm 150mm	23230	0.0037	0.0057
6-7/16" 6-1/2" 6-15/16" 7"	170mm 180mm	23234	0.0043	0.0067

TA / DV Series

Shaft Size	Bearing Number	Clearance Prior to Installation (in.)		Recommended Reduction of Internal Radial Clearance (in.)		Recommended Axial Movement of Adapter Sleeve (in.)		Minimum Internal Radial Clearance After Installation (in)
		Min.	Max.	Min.	Max.	Min.	Max.	
1-15/16" 2"	50mm 22211	0.0030	0.0037	0.0012	0.0015	0.018	0.022	0.0015
2-3/16" 2-1/4"	60mm 22213	0.0030	0.0037	0.0012	0.0015	0.018	0.022	0.0015
2-7/16" 2-1/2"	65mm 22215	0.0037	0.0047	0.0015	0.0020	0.022	0.030	0.0017
2-15/16" 3"	75mm 22217	0.0043	0.0055	0.0018	0.0025	0.027	0.038	0.0020
3-7/16" 3-1/2"	90mm 22220	0.0043	0.0055	0.0018	0.0025	0.027	0.038	0.0020
3-15/16" 4"	100mm 22222	0.0053	0.0067	0.0020	0.0028	0.030	0.042	0.0025
4-7/16" 4-1/2"	115mm 22226	0.0063	0.0079	0.0025	0.0035	0.035	0.050	0.0030

Blue Brute Bearings – Engineering Information

Shafting

When installing and using Blue Brute bearings, all shafting should be straight, clean, free from burrs and within the recommended shaft tolerances below. For applications which involve high speed or extreme vibration conditions, we recommend that all shafting be machined to one-half the recommended tolerances below.

shaft. However, if there is a difference in material between the shaft and the framework, or if the application involves different temperatures from the shaft to the frame, then only one fixed bearing should be used on each shaft. All other bearings on the same shaft should be converted to floating to accommodate thermal expansion of the shaft.

Shaft Expansion

Steel expands or contracts 0.000076” per foot for each 1° F relative temperature increase or decrease respectively. Expansion bearings are used to accommodate thermal expansion of steel. Where the shafting and the framework on which the bearings and shafting are mounted are made from steel, the relative difference in expansion between the shaft and the framework will be minimal. In these conditions, fixed bearings can be used on both ends of the

V-Lock, CL, and EC Series — Recommended Shaft Tolerances (in)

Shaft Size	Shaft Tolerance
1-7/16” 1-1/2”	+0.00 / -0.0010
1-11/16” 40mm 1-3/4” 45mm	+0.00 / -0.0015
1-15/16” 50mm 2”	+0.00 / -0.0015
2-3/16” 55mm 2-1/4”	+0.00 / -0.0015
2-7/16” 60mm 2-1/2” 65mm	+0.00 / -0.0015
2-11/16” 70mm 2-3/4” 75mm 2-15/16” 75mm 3”	+0.00 / -0.0020
3-3/16” 80mm 3-1/4” 85mm 3-7/16” 90mm 3-1/2”	+0.00 / -0.0030
3-11/16” 100mm 3-3/4” 3-15/16” 4”	+0.00 / -0.0030
4-7/16” 110mm 4-1/2” 115mm	+0.00 / -0.0050
4-15/16” 125mm 5” 130mm	+0.00 / -0.0050
5-7/16” 140mm 5-1/2” 150mm 5-15/16” 6”	+0.00 / -0.0050
6-7/16” 170mm 6-1/2” 180mm 6-15/16” 7”	+0.00 / -0.0050

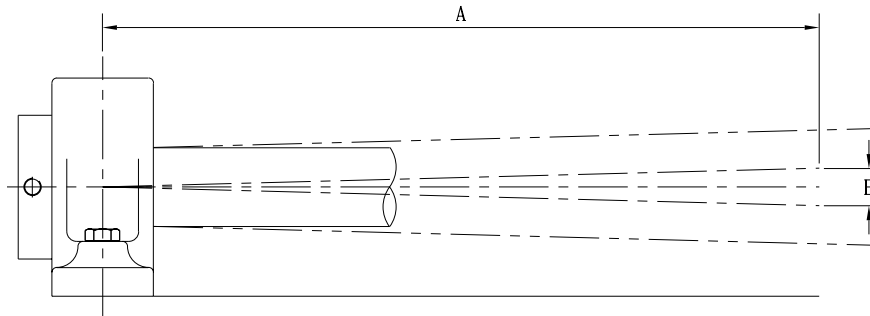
TA / DV Series — Recommended Shaft Tolerances (in)

Shaft Size	Shaft Tolerance
1-15/16” 50mm 2”	+0.00 / -0.0030
2-3/16” 60mm 2-1/4”	+0.00 / -0.0030
2-7/16” 65mm 2-1/2”	+0.00 / -0.0035
2-15/16” 75mm 3”	+0.00 / -0.0040
3-7/16” 90mm 3-1/2”	+0.00 / -0.0040
3-15/16” 100mm 4”	+0.00 / -0.0040
4-7/16” 115mm 4-1/2”	+0.00 / -0.0040

Blue Brute Bearings – Engineering Information

Misalignment

All Blue Brute bearing units utilize self aligning double row spherical roller bearings. Because of this, Blue Brute bearings can accept up to $\pm 1.5^\circ$ misalignment. The design of our bearing is not derated while under misaligned conditions within these guidelines, and will accept both radial and thrust loads under static, oscillatory or dynamic load conditions.



Misalignment scale at 2°

A	B
1'	0.628"
5'	3.140"

Lubrication

QM Bearings is dedicated to using the highest quality components in everything we do; this is why we use Dow Corning Molykote® G4700 grease. It is a lithium complex extreme pressure synthetic grease that combines the benefits of wide operating temperatures and broad compatibility with varied materials. This grease offers excellent thermal stability through temperatures ranging from -40 F/C to 350 F (177 C). When dealing with temperatures above 300 F , consult a QM Bearings Customer Service Specialist for optional grease recommendations.

Conversion from Fixed to Floating

Blue Brute Bearings are easily converted from fixed to floating in the field (see appropriate installation guide in this catalog for instructions). The following table will help you determine the amount of float for each bearing based on the number of revolutions the external housing nut is backed out.

Amount of Float Per One Rotation of External Housing Nut (in)

Bearing Number	Float
22208	0.050
22209	0.050
22210	0.050
22211	0.050
22213	0.083
22214	0.083
22215	0.083
22216	0.083
22217	0.083
22218	0.083
22219	0.083
22220	0.083
22222	0.083
22226	0.083
23230	0.083
23234	0.083

Blue Brute Bearings – Installation Guides

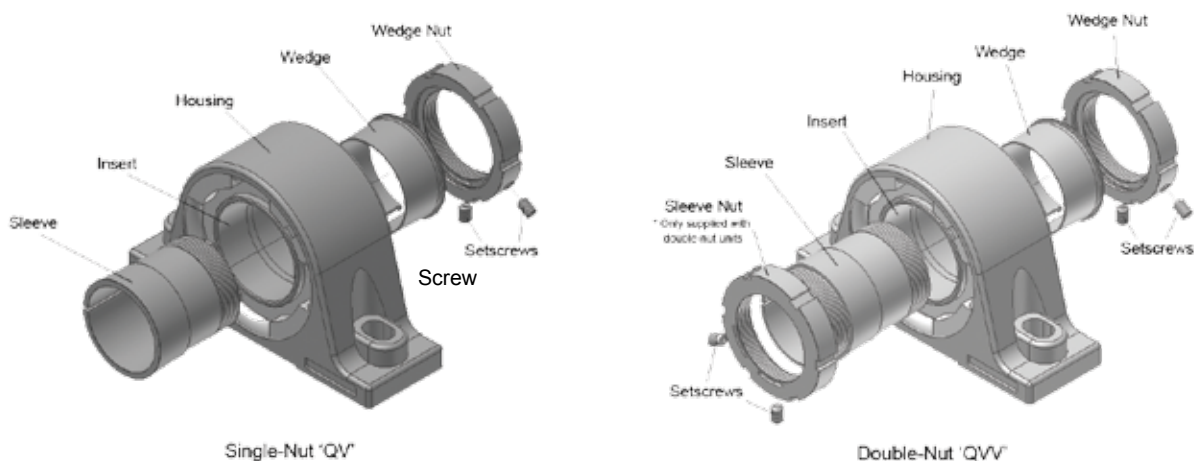
QM Blue Brute V-Lock Bearings Installation Guide

Due to the unique adapter, the QM Blue Brute V-Lock bearings are easy to install and remove. Please complete the following steps to install and/or remove QM Blue Brute V-Lock bearings.

Installation

1. Ensure the shaft is within recommended diameter tolerance shown in Table 1 (p. 140), and that it is straight, clean and free of any burrs or debris.
2. If using an open-end cover, slide open-end cover/seal combination into position on shaft.
3. Remove the wedge assembly from the sleeve by unscrewing the wedge nut. See Figure 1.
4. Clean oil off of sleeve and wedge.
5. Apply a thin oil film to shaft only.
- 5a. For single-nut units:
 - i. Slide the sleeve, non-threaded end first, into position on shaft.
- 5b. For double-nut units:
 - i. Make sure the sleeve nut is flush with the end of the sleeve.
 - ii. Slide the sleeve/nut assembly, nut end first, into position on the shaft.
6. Slide the bearing into place over the sleeve.
7. Slide the wedge and wedge nut into the bearing over the sleeve.
8. Tighten the wedge assembly by turning the wedge nut clockwise until tight.
NOTE: It is impossible to over-tighten the wedge assembly!
9. If installing double-nut unit, tighten the sleeve assembly by turning the sleeve nut clockwise until snug.
10. Tighten both the wedge nut and sleeve nut set screws to 16 ft-lbs using a 1/4" allen key.
11. Install and tighten the housing mounting bolts.
12. If using covers:
 - a. Make sure mating surface of cover is clean and dry.
 - b. Using sandpaper, slightly roughen the mating surface of the cover.
 - c. Place a 1/8" - 1/4" bead of polyurethane adhesive sealant on mating surface of the cover.
 - d. Start two tabs of the cover into the cover slots on bearing making sure that the grease fitting on the cover is accessible
 - e. Using a deadblow hammer, drive the remaining tabs into place to lock the cover onto the bearing.

FIGURE 1. V-Lock insert components.



Blue Brute Bearings – Installation Guides

V-Lock Series, Blue Brute Bearing Installation Guide *(continued)*

Removal

1. Remove covers, if applicable, by prying tabs up with suitable prying tool to disengage the cover from the bearing.
2. Loosen both the wedge nut and sleeve nut, if applicable, set screws one complete revolution.
3. Turn the wedge nut counterclockwise to remove the wedge from the locked position.
4. Completely remove the wedge/wedge nut assembly.
- 5a. For single-nut units:
 - i. Remove the bearing and sleeve from the shaft.
- 5b. For double-nut units:
 - i. Turn the sleeve nut clockwise to withdraw the sleeve.
 - ii. Remove the bearing and sleeve/sleeve nut from the shaft.

How to Convert a Blue Brute Bearing from Fixed to Expansion (floating)

Flange Cartridge & Flange Block

1. Make a reference mark on the housing and retaining nut.
2. Loosen teflon tipped set screw that locks the retaining nut in place.
3. Loosen retaining nut by tapping with a hammer and punch, rotating retaining nut counter clockwise one complete revolution.
4. Tighten teflon tipped set screw.

Please note: When converting a Blue Brute bearing from fixed to expansion, it is imperative that the unit to be converted to expansion is oriented correctly. Since the insert in a Blue Brute flange bearing is held against either a shoulder or snap ring opposite the housing retaining nut, a flange bearing that has been converted to expansion can only float in the direction of the retaining nut. Based on this the retaining nut must be on the side of the housing opposite the fixed bearing.

Pillow Block

1. Decide amount and direction of expansion needed. If uni-directional expansion is required, follow directions as outlined above for flange bearings on the nut that is on the side you want the expansion.
2. If multi-directional expansion is required follow the directions as outlined above for flange bearings on both nuts except the rotation should be one-half a revolution on each nut instead of one complete revolution.

How to Convert a Blue Brute Bearing from Expansion (floating) to Fixed

Flange Cartridge & Flange Block

1. Loosen teflon tipped set screw that locks the retaining nut in place.
2. Tighten retaining nut by tapping with a hammer and punch, rotating retaining nut clockwise until tight. It is not possible to over-tighten the retaining nut.
3. Tighten teflon tipped set screw.

Pillow Block

1. Follow directions above for Flange bearings on both nuts on either side of the housing. If the bearing originally came from the factory as expansion, only one nut will have been rotated out and it will be stamped with an “E” for identification purposes.

Please Note: When converting a Blue Brute from expansion to fixed on a bearing that is mounted, the locking collar set screws must be released to allow the insert to move both in the housing and on the shaft.

Blue Brute Bearings – Installation Guides

V-Lock Series, Blue Brute Bearing Installation Guide *(continued)*

TABLE 1. Recommended shaft tolerances.

Shaft Size	Bearing Number	Tolerance (in)
1-15/16" 2"	50mm 22211	+0.000 / -0.0015
2-3/16" 2-1/4"	55mm 22212 22213	
2-7/16" 2-1/2"	60mm 22214 65mm 22215	+0.000 / -0.002
2-11/16" 2-3/4" 2-15/16" 3"	70mm 22216 75mm 22217	
3-3/16" 3-1/4" 3-7/16" 3-1/2"	80mm 22219 85mm 22220 90mm	+0.000 / -0.003
3-11/16" 3-3/4" 3-15/16" 4"	100mm 22222	
4-7/16" 4-1/2"	110mm 22226 115mm	+0.000 / -.005
4-15/16" 5"	125mm 22228 130mm	

Suggested Lubrication for Bearings

QM Bearings is dedicated to using the highest quality components in everything we do; this is why we use Dow Corning Molykote® G4700 grease. It is a lithium complex extreme pressure synthetic grease that combines the benefits of wide operating temperatures and broad compatibility with varied materials. This grease offers excellent thermal stability through temperatures ranging from -40 F/C to 350 F (177 C). When dealing with temperatures above 300 F, consult a QM Bearings Customer Service Specialist for optional grease recommendations. QM Bearing's Blue Brute bearings are factory lubricated and are ready for use without additional lubrication. Re-lubrication intervals noted below in Table 3 depend on the type of application, speed, operating temperature and other environmental conditions. Knowledge of a particular application will determine the best re-lubrication interval but use the intervals shown below for general purposes.

TABLE 3. Re-Lubrication Intervals

(Please note: The average manual grease gun will produce approximately one (1) ounce of grease per 33 strokes. Please check with the manufacturer of your grease delivery system for specific information.)

Shaft Size	Bearing Number	Initial Weight (oz)	Relubrication Weight (oz)	Relubrication Interval (Hours of Service Based On RPM and Temperature)											
				100 RPM		250 RPM		500 RPM		1000 RPM		2000 RPM		3000 RPM	
				<160°	>160°	<160°	>160°	<160°	>160°	<160°	>160°	<160°	>160°	<160°	>160°
1-15/16" 2"	50mm 22211	1	0.3	1200	600	800	400	440	220	160	80	100	50	60	30
2-3/16" 2-1/4"	55mm 22212 22213	1.2	0.3	1150	580	750	380	400	200	140	70	90	50	50	20
		1.3	0.4	1130	570	740	370	380	190	130	65	85	45	45	20
2-7/16" 2-1/2"	60mm 22214 65mm 22215	1.4	0.4	1120	560	720	360	360	180	120	60	80	40	40	20
		2	0.5	1080	540	700	350	350	175	110	55	70	35		
2-11/16" 2-3/4" 2-15/16" 3"	70mm 22216 75mm 22217	2.7	0.7	1040	520	680	340	340	170	100	50	60	30		
		3.4	0.9	1000	500	640	320	320	160	100	50	60	30		
3-3/16" 3-1/4" 3-7/16" 3-1/2"	80mm 22219 85mm 22220 90mm	3.7	0.9	960	480	600	300	300	150	80	40	40	20		
		6.5	1.6	840	420	520	260	240	120	70	35	30	18		
3-11/16" 3-3/4" 3-15/16" 4"	100mm 22222	7.4	1.9	680	340	440	220	200	100	60	30	20	16		
4-7/16" 4-1/2"	110mm 22226 115mm	10.6	2.7	560	280	360	180	160	80						
4-15/16" 5"	125mm 22228 130mm	14	3.5	520	260	340	170	140	75						

Blue Brute Bearings – Installation Guides

CL Series, Blue Brute Bearing Installation Guide

Please complete the following steps to install QM Blue Brute CL Series bearings.

1. Ensure the shaft is within recommended diameter tolerance shown in Table 1, and that it is straight, clean and free of any burrs or debris.
2. If using an open-end cover, slide open-end cover/seal combination into position on shaft.
3. Apply a thin oil film to shaft and bearing bore.
4. Slide bearing into position on shaft.
5. Tighten the bearing housing mounting bolts.
6. Tighten the locking collar set screws to the torque values shown in Table 2.
7. If using covers:
 - a. Make sure mating surface of cover is clean and dry.
 - b. Using sandpaper, slightly roughen the mating surface of the cover.
 - c. Place a 1/8" - 1/4" bead of polyurethane adhesive sealant on mating surface of the cover.
 - d. Start two tabs of the cover into the cover slots on bearing making sure that the grease fitting on the cover is accessible
 - e. Using a deadblow hammer, drive the remaining tabs into place to lock the cover onto the bearing.

TABLE 1. Recommended shaft tolerances.

Shaft Size	Bearing Number	Tolerance (in)
1-15/16" 2"	50mm 22210	+0.000 / -0.0015
2-3/16" 2-1/4"	55mm 22211	+0.000 / -0.0015
2-7/16" 2-1/2"	60mm 65mm 22213	+0.000 / -0.0015
2-11/16" 2-3/4" 2-15/16" 3"	70mm 75mm 22215	+0.000 / -0.002
3-3/16" 3-1/4" 3-7/16" 3-1/2"	80mm 85mm 90mm 22218	+0.000 / -0.003
3-15/16" 4"	100mm 22220	+0.000 / -0.003
4-7/16" 4-1/2"	115mm 22222	+0.000 / -0.005
4-15/16" 5"	130mm 22226	+0.000 / -0.005

TABLE 2. Set screw torque values.

Shaft Size	Bearing Number	Set Screw Size	Torque (in-lbs)
1-15/16" 2"	50mm 22210	3/8"-24TPI	290
2-3/16" 2-1/4"	55mm 22211	3/8"-24TPI	290
2-7/16" 2-1/2"	60mm 65mm 22213	1/2"-20TPI	620
2-11/16" 2-3/4" 2-15/16" 3"	70mm 75mm 22215	1/2"-20TPI	620
3-3/16" 3-1/4" 3-7/16" 3-1/2"	80mm 85mm 90mm 22218	1/2"-20TPI	620
3-15/16" 4"	100mm 22220	5/8"-18TPI	1325
4-7/16" 4-1/2"	115mm 22222	5/8"-18TPI	1325
4-15/16" 5"	130mm 22226	5/8"-18TPI	1325

Blue Brute Bearings – Installation Guides

CL Series, Blue Brute Bearing Installation Guide *(continued)*

Suggested Lubrication for Bearings

QM Bearings is dedicated to using the highest quality components in everything we do; this is why we use Dow Corning Molykote® G4700 grease. It is a lithium complex extreme pressure synthetic grease that combines the benefits of wide operating temperatures and broad compatibility with varied materials. This grease offers excellent thermal stability through temperatures ranging from -40 F/C to 350 F (177 C). When dealing with temperatures above 300 F, consult a QM Bearings Customer Service Specialist for optional grease recommendations.. QM Bearing’s Blue Brute bearings are factory lubricated and are ready for use without additional lubrication. Re-lubrication intervals noted below in Table 3 depend on the type of application, speed, operating temperature and other environmental conditions. Knowledge of a particular application will determine the best re-lubrication interval but use the intervals shown below for general purposes.

TABLE 3. Re-Lubrication Intervals

(Please note: The average manual grease gun will produce approximately one (1) ounce of grease per 33 strokes. Please check with the manufacturer of your grease delivery system for specific information.)

Shaft Size	Bearing Number	Initial Weight (oz)	Relubrication Weight (oz)	Relubrication Interval (Hours of Service Based On RPM and Temperature)											
				100 RPM		250 RPM		500 RPM		1000 RPM		2000 RPM		3000 RPM	
				<160°	>160°	<160°	>160°	<160°	>160°	<160°	>160°	<160°	>160°	<160°	>160°
1-15/16" 2"	50mm 22210	0.8	0.2	1600	800	1000	500	640	320	240	120	120	60	60	30
2-3/16" 2-1/4"	55mm 22211	1.0	0.3	1200	600	800	400	440	220	160	80	100	50	60	30
2-7/16" 2-1/2"	60mm 65mm 22213	1.4	0.4	1120	560	720	360	360	180	120	60	80	40	40	20
2-11/16" 2-3/4" 2-15/16" 3"	70mm 75mm 22215	2.7	0.7	1040	520	680	340	340	170	100	50	60	30		
3-3/16" 3-1/4" 3-7/16" 3-1/2"	80mm 85mm 90mm 22218	3.7	0.9	960	480	600	300	300	150	80	40	40	20		
3-15/16" 4"	100mm 22220	6.5	1.6	840	420	520	260	240	120	60	30	20	16		
4-7/16" 4-1/2"	115mm 22222	7.4	1.9	680	340	440	220	200	100	60	30	20	16		
4-15/16" 5"	130mm 22226	10.6	2.7	560	280	360	180	160	80						

Blue Brute Bearings – Installation Guides

CL Series, Blue Brute Bearing Installation Guide *(continued)*

How to Convert a Blue Brute Bearing from Fixed to Expansion (floating)

Flange Cartridge & Flange Block

1. Make a reference mark on the housing and retaining nut.
2. Loosen teflon tipped set screw that locks the retaining nut in place.
3. Loosen retaining nut by tapping with a hammer and punch, rotating retaining nut counter clockwise one complete revolution.
4. Tighten teflon tipped set screw.

Please note: When converting a Blue Brute bearing from fixed to expansion, it is imperative that the unit to be converted to expansion is oriented correctly. Since the insert in a Blue Brute flange bearing is held against either a shoulder or snap ring opposite the housing retaining nut, a flange bearing that has been converted to expansion can only float in the direction of the retaining nut. Based on this the retaining nut must be on the side of the housing opposite the fixed bearing.

Pillow Block

1. Decide amount and direction of expansion needed. If uni-directional expansion is required, follow directions as outlined above for flange bearings on the nut that is on the side you want the expansion.
2. If multi-directional expansion is required follow the directions as outlined above for flange bearings on both nuts except the rotation should be one-half a revolution on each nut instead of one complete revolution.

How to Convert a Blue Brute Bearing from Expansion (floating) to Fixed

Flange Cartridge & Flange Block

1. Loosen teflon tipped set screw that locks the retaining nut in place.
2. Tighten retaining nut by tapping with a hammer and punch, rotating retaining nut clockwise until tight. It is not possible to over-tighten the retaining nut.
3. Tighten teflon tipped set screw.

Pillow Block

1. Follow directions above for Flange bearings on both nuts on either side of the housing. If the bearing originally came from the factory as expansion, only one nut will have been rotated out and it will be stamped with an “E” for identification purposes.

Please Note: When converting a Blue Brute from expansion to fixed on a bearing that is mounted, the locking collar set screws must be released to allow the insert to move both in the housing and on the shaft.

Blue Brute Bearings – Installation Guides

EC Series, Blue Brute Bearing Installation Guide

Please complete the following steps to install QM Blue Brute EC Series bearings.

1. Ensure the shaft is within recommended diameter tolerance shown in Table 1, and that it is straight, clean and free of any burrs or debris.
2. If using an open-end cover, slide open-end cover/seal combination into position on shaft.
3. Apply a thin oil film to shaft and bearing bore.
4. Slide bearing into position on shaft.
5. Tighten housing mounting bolts.
6. Slide eccentric locking collar along shaft and onto the extended portion of the bearing's inner ring.
7. Rotate the eccentric locking collar until it is hand tight (the direction of rotation does not matter when using QM Blue Brute EC Series bearings).
8. Lock the eccentric locking collar firmly in place using a spanner wrench or hammer and drift.
Please note: When using a hammer and drift, one or two good blows will be sufficient due to the shallow eccentric ramp on QM Blue Brute EC Series bearings. Be sure to drive the collar in the same direction in which you hand tightened it so as to turn it to a tighter position on the bearing's inner ring.
9. Tighten the eccentric locking collar set screws (x2) to the torque values shown in Table 2.
10. If using covers:
 - a. Make sure mating surface of cover is clean and dry.
 - b. Using sandpaper, slightly roughen the mating surface of the cover.
 - c. Place a 1/8" - 1/4" bead of polyurethane adhesive sealant on mating surface of the cover.
 - d. Start two tabs of the cover into the cover slots on bearing making sure that the grease fitting on the cover is accessible
 - e. Using a deadblow hammer, drive the remaining tabs into place to lock the cover onto the bearing.

TABLE 1. Recommended shaft tolerances.

Shaft Size	Bearing Number	Tolerance (in)
1-7/16"	-	22208
1-1/2"	-	22208
1-11/16"	40mm	22209
1-3/4"	45mm	22209
1-15/16"	50mm	22210
2"	50mm	22210
2-3/16"	55mm	22211
2-1/4"	55mm	22211
2-7/16"	60mm	22213
2-1/2"	65mm	22213
2-11/16"	70mm	22215
2-3/4"	70mm	22215
2-15/16"	75mm	22215
3"	75mm	22215
3-3/16"	80mm	22218
3-1/4"	85mm	22218
3-7/16"	90mm	22218
3-1/2"	90mm	22218
3-11/16"	100mm	22220
3-3/4"	100mm	22220
3-15/16"	100mm	22220
4"	100mm	22220
4-7/16"	110mm	22222
4-1/2"	115mm	22222
4-15/16"	125mm	22226
5"	130mm	22226
5-7/16"	140mm	23230
5-1/2"	140mm	23230
5-15/16"	150mm	23230
6"	150mm	23230
6-7/16"	170mm	23234
6-1/2"	170mm	23234
6-15/16"	180mm	23234
7"	180mm	23234

TABLE 2. Set screw torque values.

Shaft Size	Bearing Number	Set Screw Size	Torque (in-lbs)
1-7/16"	-	22208	3/8"-24TPI
1-1/2"	-	22208	3/8"-24TPI
1-11/16"	40mm	22209	3/8"-24TPI
1-3/4"	45mm	22209	3/8"-24TPI
1-15/16"	50mm	22210	3/8"-24TPI
2"	50mm	22210	3/8"-24TPI
2-3/16"	55mm	22211	3/8"-24TPI
2-1/4"	55mm	22211	3/8"-24TPI
2-7/16"	60mm	22213	7/16"-20TPI
2-1/2"	65mm	22213	7/16"-20TPI
2-11/16"	70mm	22215	7/16"-20TPI
2-3/4"	70mm	22215	7/16"-20TPI
2-15/16"	75mm	22215	7/16"-20TPI
3"	75mm	22215	7/16"-20TPI
3-3/16"	80mm	22218	7/16"-20TPI
3-1/4"	85mm	22218	7/16"-20TPI
3-7/16"	90mm	22218	7/16"-20TPI
3-1/2"	90mm	22218	7/16"-20TPI
3-11/16"	100mm	22220	9/16"-18TPI
3-3/4"	100mm	22220	9/16"-18TPI
3-15/16"	100mm	22220	9/16"-18TPI
4"	100mm	22220	9/16"-18TPI
4-7/16"	110mm	22222	5/8"-18TPI
4-1/2"	115mm	22222	5/8"-18TPI
4-15/16"	125mm	22226	5/8"-18TPI
5"	130mm	22226	5/8"-18TPI
5-7/16"	140mm	23230	5/8"-18TPI
5-1/2"	140mm	23230	5/8"-18TPI
5-15/16"	150mm	23230	5/8"-18TPI
6"	150mm	23230	5/8"-18TPI
6-7/16"	170mm	23234	5/8"-18TPI
6-1/2"	170mm	23234	5/8"-18TPI
6-15/16"	180mm	23234	5/8"-18TPI
7"	180mm	23234	5/8"-18TPI

Introduction
Blue Brute Bearings
Bearing Interchange Guide
Quick-Flex Couplings
Rigid Compression Couplings
Index

Blue Brute Bearings – Installation Guides

EC Series, Blue Brute Bearing Installation Guide *(continued)*

Suggested Lubrication for Bearings

QM Bearings is dedicated to using the highest quality components in everything we do; this is why we use Dow Corning Molykote® G4700 grease. It is a lithium complex extreme pressure synthetic grease that combines the benefits of wide operating temperatures and broad compatibility with varied materials. This grease offers excellent thermal stability through temperatures ranging from -40 F/C to 350 F (177 C). When dealing with temperatures above 300 F, consult a QM Bearings Customer Service Specialist for optional grease recommendations. QM Bearing’s Blue Brute bearings are factory lubricated and are ready for use without additional lubrication. Re-lubrication intervals noted below in Table 3 depend on the type of application, speed, operating temperature and other environmental conditions. Knowledge of a particular application will determine the best re-lubrication interval but use the intervals shown below for general purposes.

TABLE 3. Re-Lubrication Intervals

(Please note: The average manual grease gun will produce approximately 1 ounce of grease per 33 strokes. Please check with the manufacturer of your grease delivery system for specific information.)

Shaft Size	Bearing Number	Initial Weight (oz)	Relubrication Weight (oz)	Relubrication Interval (Hours of Service Based On RPM and Temperature)												
				100 RPM		250 RPM		500 RPM		1000 RPM		2000 RPM		3000 RPM		
				<160°	>160°	<160°	>160°	<160°	>160°	<160°	>160°	<160°	>160°	<160°	>160°	
1-7/16" 1-1/2"	-	22208	0.5	0.1	2200	1000	1400	700	1000	500	240	120	120	60	40	20
1-11/16" 1-3/4"	40mm 45mm	22209	0.7	0.2	2000	1000	1200	600	800	400	320	160	160	80	80	40
1-15/16" 2"	50mm	22210	0.8	0.2	1600	800	1000	500	640	320	240	120	120	60	60	30
2-3/16" 2-1/4"	55mm	22211	1.0	0.3	1200	600	800	400	440	220	160	80	100	50	60	30
2-7/16" 2-1/2"	60mm 65mm	22213	1.4	0.4	1120	560	720	360	360	180	120	60	80	40	40	20
2-11/16" 2-3/4" 2-15/16" 3"	70mm 75mm	22215	2.7	0.7	1040	520	680	340	340	170	100	50	60	30		
3-3/16" 3-1/4" 3-7/16" 3-1/2"	80mm 85mm 90mm	22218	3.7	0.9	960	480	600	300	300	150	80	40	40	20		
3-11/16" 3-3/4" 3-15/16" 4"	100mm	22220	6.5	1.6	840	420	520	260	240	120	60	30	20	16		
4-7/16" 4-1/2"	110mm 115mm	22222	7.4	1.9	680	340	440	220	200	100	60	30	20	16		
4-15/16" 5"	125mm 130mm	22226	10.6	2.7	560	280	360	180	160	80						
5-7/16" 5-1/2" 5-15/16" 6"	140mm 150mm	23230	20.8	5.2	480	240	320	160	120	68						
6-7/16" 6-1/2" 6-15/16" 7"	170mm 180mm	23234	30.0	8.5	400	160	240	160	110	60						

Blue Brute Bearings – Installation Guides

EC Series, Blue Brute Bearing Installation Guide *(continued)*

How to Convert a Blue Brute Bearing from Fixed to Expansion (floating)

Flange Cartridge & Flange Block

1. Make a reference mark on the housing and retaining nut.
2. Loosen teflon tipped set screw that locks the retaining nut in place.
3. Loosen retaining nut by tapping with a hammer and punch, rotating retaining nut counter clockwise one complete revolution.
4. Tighten teflon tipped set screw.

Please note: When converting a Blue Brute bearing from fixed to expansion, it is imperative that the unit to be converted to expansion is oriented correctly. Since the insert in a Blue Brute flange bearing is held against either a shoulder or snap ring opposite the housing retaining nut, a flange bearing that has been converted to expansion can only float in the direction of the retaining nut. Based on this the retaining nut must be on the side of the housing opposite the fixed bearing.

Pillow Block

1. Decide amount and direction of expansion needed. If uni-directional expansion is required, follow directions as outlined above for flange bearings on the nut that is on the side you want the expansion.
2. If multi-directional expansion is required follow the directions as outlined above for flange bearings on both nuts except the rotation should be one-half a revolution on each nut instead of one complete revolution.

How to Convert a Blue Brute Bearing from Expansion (floating) to Fixed

Flange Cartridge & Flange Block

1. Loosen teflon tipped set screw that locks the retaining nut in place.
2. Tighten retaining nut by tapping with a hammer and punch, rotating retaining nut clockwise until tight. It is not possible to over-tighten the retaining nut.
3. Tighten teflon tipped set screw.

Pillow Block

1. Follow directions above for Flange bearings on both nuts on either side of the housing. If the bearing originally came from the factory as expansion, only one nut will have been rotated out and it will be stamped with an “E” for identification purposes.

Please Note: When converting a Blue Brute from expansion to fixed on a bearing that is mounted, the locking collar set screws must be released to allow the insert to move both in the housing and on the shaft.

Blue Brute Bearings – Installation Guides

TA/DV Series, Blue Brute Bearing Installation Guide

Choose one of the three following methods for installing your bearing(s) depending on your situation. QM Bearings recommends the Axial Drive-Up Method for most applications. If your application is not as critical, the more simple Tang Counting Method is fine. For the most precise installation, use the Internal Clearance Reduction Method.

Axial Drive-Up Method:

1. Clean all components of any debris and apply a thin oil film to all mating surfaces to ensure proper seating.
2. If using an open-end cover, slide open-end cover/seal combination into position on shaft.
3. Slide the adapter sleeve into position on the shaft, then put the bearing unit into place on the adapter sleeve.
4. Put the lockwasher on and thread the locknut onto the adapter sleeve, leaving approximately 1/4" between the lockwasher and the inner ring of bearing.
5. Use a large screw driver or pry bar to lever the sleeve into position until there is no relative movement between the shaft, the adapter sleeve, and the bearing's inner ring.
6. Rotate the locknut until hand tight.
7. Tighten the locknut while using a dial indicator to measure the axial movement of the tapered adapter sleeve relative to the bearing's inner ring (see Table 1).
8. Bend a tang on the lockwasher into a slot on the locknut to prevent the locknut from loosening.

TABLE 1. Axial Movement of Tapered Adapter Sleeve Relative to Inner Ring (in)

Shaft Size	Bearing Number	Minimum Axial Movement	Maximum Axial Movement
1-15/16" 2"	50mm 22211	.018	.022
2-3/16" 2-1/4"	60mm 22213	.018	.022
2-7/16" 2-1/2"	65mm 22215	.025	.030
2-15/16" 3"	75mm 22217	.027	.038
3-7/16" 3-1/2"	90mm 22220	.027	.038
3-15/16" 4"	100mm 22222	.030	.042
4-7/16" 4-1/2"	115mm 22226	.035	.050

9. If using covers:
 - a. Make sure mating surface of cover is clean and dry.
 - b. Using sandpaper, slightly roughen the mating surface of the cover.
 - c. Place a 1/8" - 1/4" bead of polyurethane adhesive sealant on mating surface of the cover.
 - d. Start two tabs of the cover into the cover slots on bearing making sure that the grease fitting on the cover is accessible
 - e. Using a deadblow hammer, drive the remaining tabs into place to lock the cover onto the bearing.

Tang Counting Method:

1. Clean all components of any debris and apply a thin oil film to all mating surfaces to ensure proper seating.
2. If using an open-end cover, slide open-end cover/seal combination into position on shaft.
3. Slide the adapter sleeve into correct position on the shaft, then put the bearing unit into place on the adapter sleeve.
4. Put the lockwasher on and thread the locknut onto the adapter sleeve, leaving approximately 1/4" between lockwasher and inner ring of bearing.
5. Use a large screw driver or pry bar to lever the sleeve into position until there is no relative movement between the shaft, the adapter sleeve, and the bearing's inner ring.
6. Rotate the locknut until hand tight.
7. Note which tang is in line with one slot on the locknut.
8. Tighten locknut until the slot on the locknut passes the number of tangs shown on Table 2.
9. Bend a tang on the lockwasher into a slot on the locknut to prevent the locknut from loosening.

Blue Brute Bearings – Installation Guides

TA/DV Series, Blue Brute Bearing Installation Guide *(continued)*

TABLE 2. Number of Tangs to Locking

Shaft Size	Bearing Number	Number of Tangs
1-15/16" 2"	50mm 22211	4-5
2-3/16" 2-1/4"	60mm 22213	4-5
2-7/16" 2-1/2"	65mm 22215	5-6
2-15/16" 3"	75mm 22217	8-9
3-7/16" 3-1/2"	90mm 22220	8-9
3-15/16" 4"	100mm 22222	10-11
4-7/16" 4-1/2"	115mm 22226	10-11

10. If using covers:
 - a. Make sure mating surface of cover is clean and dry.
 - b. Using sandpaper, slightly roughen the mating surface of the cover.
 - c. Place a 1/8" - 1/4" bead of polyurethane adhesive sealant on mating surface of the cover.
 - d. Start two tabs of the cover into the cover slots on bearing making sure that the grease fitting on the cover is accessible
 - e. Using a deadblow hammer, drive the remaining tabs into place to lock the cover onto the bearing.

Internal Clearance Reduction Method *(Note – requires new seal to complete installation):*

This method of installation measures the amount of internal clearance in the bearing while tightening it to the shaft to determine how much to tighten it. The clearance is always the distance between the bearing's outer raceway and roller on an unloaded roller or rollers located opposite the load zone in the bearing.

1. Clean all components of any debris and apply a thin oil film to all mating surfaces to ensure proper seating.
2. If using an open-end cover, slide open-end cover/seal combination into position on shaft.
3. Slide the adapter sleeve into position on the shaft, then put the bearing unit into place on the adapter sleeve.
4. Remove the retaining nut and the seal to access the rollers behind them.
5. Rotate the bearing a few revolutions to ensure the rollers are in their normal running pathway.
6. Lightly press the rollers toward the centerline of the bearing, and then slide a feeler gauge between the roller and outer raceway.
7. Tighten the locknut until clearance falls into range shown on Table 3.
8. Bend a tang on the lockwasher into a slot on the locknut.
9. Install a new seal in housing and replace the retaining nut when the clearance has been set.
10. If using covers:
 - a. Make sure mating surface of cover is clean and dry.
 - b. Using sandpaper, slightly roughen the mating surface of the cover.
 - c. Place a 1/8" - 1/4" bead of polyurethane adhesive sealant on mating surface of the cover.
 - d. Start two tabs of the cover into the cover slots on bearing making sure that the grease fitting on the cover is accessible
 - e. Using a deadblow hammer, drive the remaining tabs into place to lock the cover onto the bearing.

Pillow Block vs. Flange Block Housing

Procedures for measuring internal clearance are slightly different between pillow block housings and flange block housings:

Blue Brute TA/DV pillow blocks are assembled so that the nut on the sleeve-nut-washer assembly is opposite the housing retaining nut in the housing. This makes it possible to replace the seal and housing retaining nut with the nut and washer in position.

Blue Brute TA/DV flange blocks are assembled so that the nut on the sleeve-nut-washer assembly is on the same side as the housing retaining nut. When using a flange block, the location of the nut relative to the sleeve should be marked once the proper clearance is achieved. Then the washer and nut must be removed to allow the seal and housing retaining nut to be installed. Tighten nut and washer back to the position where the internal clearance was measure and determined to be correct once the seal and housing nut have been replaced.

Blue Brute Bearings – Installation Guides

TA/DV Series, Blue Brute Bearing Installation Guide *(continued)*

TABLE 3. Radial Internal Clearance of Spherical Bearings with Tapered Bore (in)

Shaft Size	Bearing Number	Radial Internal Clearance Prior to Mounting		Reduction of Radial Internal Clearance		Minimum Radial Internal Clearance After Installation	
		Minimum	Maximum	Minimum	Maximum		
1-15/16" 2"	50mm	22211	.0030	.0037	.0012	.0015	.0015
2-3/16" 2-1/4"	60mm	22213	.0030	.0037	.0012	.0015	.0015
2-7/16" 2-1/2"	65mm	22215	.0037	.0047	.0015	.0020	.0017
2-15/16" 3"	75mm	22217	.0043	.0055	.0018	.0025	.0020
3-7/16" 3-1/2"	90mm	22220	.0043	.0055	.0018	.0025	.0020
3-15/16" 4"	100mm	22222	.0053	.0067	.0020	.0028	.0025
4-7/16" 4-1/2"	115mm	22226	.0063	.0079	.0025	.0035	.0030

Suggested Lubrication for Bearings

QM Bearings is dedicated to using the highest quality components in everything we do; this is why we use Dow Corning Molykote® G4700 grease. It is a lithium complex extreme pressure synthetic grease that combines the benefits of wide operating temperatures and broad compatibility with varied materials. This grease offers excellent thermal stability through temperatures ranging from -40 F/C to 350 F (177 C). When dealing with temperatures above 300 F, consult a QM Bearings Customer Service Specialist for optional grease recommendations. QM Bearing's Blue Brute bearings are factory lubricated and are ready for use without additional lubrication. Re-lubrication intervals noted below in Table 3 depend on the type of application, speed, operating temperature and other environmental conditions. Knowledge of a particular application will determine the best re-lubrication interval but use the intervals shown below for general purposes.

TABLE 4. Re-Lubrication Intervals (Please note: The average manual grease gun will produce approximately 1 ounce of grease per 33 strokes. Please check with the manufacturer of your grease delivery system for specific information.)

Shaft Size	Bearing Number	Initial Weight (oz)	Relubrication Weight (oz)	Relubrication Interval (Hours of Service Based On RPM and Temperature)												
				100 RPM		250 RPM		500 RPM		1000 RPM		2000 RPM		3000 RPM		
				<160°	>160°	<160°	>160°	<160°	>160°	<160°	>160°	<160°	>160°	<160°	>160°	
1-15/16" 2"	50mm	22211	1.0	0.3	1200	600	800	400	440	220	160	80	100	50	60	30
2-3/16" 2-1/4"	60mm	22213	1.4	0.4	1120	560	720	360	360	180	120	60	80	40	40	20
2-7/16" 2-1/2"	65mm	22215	2.7	0.7	1040	520	680	340	340	170	100	50	60	30		
2-15/16" 3"	75mm	22217	3.4	0.9	1000	500	640	320	320	160	100	50	60	30		
3-7/16" 3-1/2"	90mm	22220	6.5	1.6	840	420	520	260	240	120	60	30				
3-15/16" 4"	100mm	22222	7.4	1.9	680	340	440	220	200	100	60	30				
4-7/16" 4-1/2"	115mm	22226	12.0	3.0	600	300	360	180	160	80	40	20				

Blue Brute Bearings – Installation Guides

TA/DV Series, Blue Brute Bearing Installation Guide *(continued)*

How to Convert a Blue Brute Bearing from Fixed to Expansion (floating)

Flange Cartridge & Flange Block

1. Make a reference mark on the housing and retaining nut.
2. Loosen teflon tipped set screw that locks the retaining nut in place.
3. Loosen retaining nut by tapping with a hammer and punch, rotating retaining nut counter clockwise one complete revolution.
4. Tighten teflon tipped set screw.

Please note: When converting a Blue Brute bearing from fixed to expansion, it is imperative that the unit to be converted to expansion is oriented correctly. Since the insert in a Blue Brute flange bearing is held against either a shoulder or snap ring opposite the housing retaining nut, a flange bearing that has been converted to expansion can only float in the direction of the retaining nut. Based on this the retaining nut must be on the side of the housing opposite the fixed bearing.

Pillow Block

1. Decide amount and direction of expansion needed. If uni-directional expansion is required, follow directions as outlined above for flange bearings on the nut that is on the side you want the expansion.
2. If multi-directional expansion is required follow the directions as outlined above for flange bearings on both nuts except the rotation should be one-half a revolution on each nut instead of one complete revolution.

How to Convert a Blue Brute Bearing from Expansion (floating) to Fixed

Flange Cartridge & Flange Block

1. Loosen teflon tipped set screw that locks the retaining nut in place.
2. Tighten retaining nut by tapping with a hammer and punch, rotating retaining nut clockwise until tight. It is not possible to over-tighten the retaining nut.
3. Tighten teflon tipped set screw.

Pillow Block

1. Follow directions above for Flange bearings on both nuts on either side of the housing. If the bearing originally came from the factory as expansion, only one nut will have been rotated out and it will be stamped with an “E” for identification purposes.

Please Note: When converting a Blue Brute from expansion to fixed on a bearing that is mounted, the locking collar set screws must be released to allow the insert to move both in the housing and on the shaft.

Blue Brute Bearings – Interchange Guide

The following Blue Brute bearing interchange guide is for reference only. QM Bearings manufactures all steel housings to be dimensionally comparable with many competing manufacturers' bearings in the market place.

The interchange guide is organized alphabetically by manufacturer. It shows interchange options available in each QM Blue Brute bearing locking style when applicable.

Again, this is a guide. Although it shows basic interchangeability, not all dimensions and specifications will be exactly identical. Please refer to the corresponding section within this catalog for specific dimensions of each bearing part number.

If you have questions or need further assistance using the interchange guide, please contact your local distributor or QM Bearings.



Blue Brute Bearings Interchange Guide Contents by Manufacturer

Browning®	152-172
Dodge®	173-203
Link-Belt®	204-224
NTN®	225-227
Rexnord®	228-290
Sealmaster®	291-309
SKF®	310-332

Note: This interchange guide is for reference only. Some competitor bearings may not be shown. If you are unable to find the bearing you are trying to interchange, please contact your local distributor or QM Bearings for assistance.

(continued on next page)

Blue Brute Bearings – Interchange Guide

Browning®

Browning Part Number	QM EC Series	QM CL Series		QM TA/DV Series	QM V-Lock® Series	
		Single-Collar	Double-Collar		Single-Nut	Double-Nut
FB900X1-11/16	QMF09J111ST	n/a	n/a	n/a	n/a	n/a
FB900X1-15/16	QMF10J115ST	QAF10A115ST	QAAF10A115ST	DVF11K115ST	QVF11V115ST	QVVF11V115ST
FB900X1-7/16	QMF08J107ST	n/a	n/a	n/a	n/a	n/a
FB900X2	QMF10J200ST	QAF10A200ST	QAAF10A200ST	DVF11K200ST	QVF11V200ST	QVVF11V200ST
FB900X2-1/2	QMF13J208ST	QAF13A208ST	QAAF13A208ST	DVF15K208ST	QVF14V208ST	QVVF14V208ST
FB900X2-11/16	QMF15J211ST	QAF15A211ST	QAAF15A211ST	n/a	QVF16V211ST	QVVF16V211ST
FB900X2-15/16	QMF15J215ST	QAF15A215ST	QAAF15A215ST	DVF17K215ST	QVF16V215ST	QVVF16V215ST
FB900X2-3/16	QMF11J203ST	QAF11A203ST	QAAF11A203ST	DVF13K203ST	QVF12V203ST	QVVF12V203ST
FB900X2-3/4	QMF15J212ST	QAF15A212ST	QAAF15A212ST	n/a	QVF16V212ST	QVVF16V212ST
FB900X2-7/16	QMF13J207ST	QAF13A207ST	QAAF13A207ST	DVF15K207ST	QVF14V207ST	QVVF14V207ST
FB900X3-1/2	QMF18J308ST	QAF18A308ST	QAAF18A308ST	DVF20K308ST	QVF19V308ST	QVVF19V308ST
FB900X3-15/16	QMF20J315ST	QAF20A315ST	QAAF20A315ST	DVF22K315ST	QVF22V315ST	QVVF22V315ST
FB900X3-7/16	QMF18J307ST	QAF18A307ST	QAAF18A307ST	DVF20K307ST	QVF19V307ST	QVVF19V307ST
FB900X4	QMF20J400ST	QAF20A400ST	QAAF20A400ST	DVF22K400ST	QVF22V400ST	QVVF22V400ST
FB900X4-1/2	QMF22J408ST	QAF22A408ST	QAAF22A408ST	DVF26K408ST	QVF26V408ST	QVVF26V408ST
FB900X4-7/16	QMF22J407ST	QAF22A407ST	QAAF22A407ST	DVF26K407ST	QVF26V407ST	QVVF26V407ST
FBE920EX1-1/2	QMF08J108SEM	n/a	n/a	n/a	n/a	n/a
FBE920EX1-11/16	QMF09J111SEM	n/a	n/a	n/a	n/a	n/a
FBE920EX1-15/16	QMF10J115SEM	n/a	QAAF10A115SEM	DVF11K115SEM	QVF11V115SEM	QVVF11V115SEM
FBE920EX1-3/4	QMF09J112SEM	n/a	n/a	n/a	n/a	n/a
FBE920EX1-7/16	QMF08J107SEM	n/a	n/a	n/a	n/a	n/a
FBE920EX2	QMF10J200SEM	n/a	QAAF10A200SEM	DVF11K200SEM	QVF11V200SEM	QVVF11V200SEM
FBE920EX2-1/2	QMF13J208SEM	n/a	QAAF13A208SEM	DVF15K208SEM	QVF14V208SEM	QVVF14V208SEM
FBE920EX2-11/16	QMF15J211SEM	n/a	QAAF15A211SEM	n/a	QVF16V211SEM	QVVF16V211SEM
FBE920EX2-15/16	QMF15J215SEM	n/a	QAAF15A215SEM	DVF17K215SEM	QVF16V215SEM	QVVF16V215SEM
FBE920EX2-3/16	QMF11J203SEM	n/a	QAAF11A203SEM	DVF13K203SEM	QVF12V203SEM	QVVF12V203SEM
FBE920EX2-3/4	QMF15J212SEM	n/a	QAAF15A212SEM	n/a	QVF16V212SEM	QVVF16V212SEM
FBE920EX2-7/16	QMF13J207SEM	n/a	QAAF13A207SEM	DVF15K207SEM	QVF14V207SEM	QVVF14V207SEM
FBE920EX3	QMF15J300SEM	n/a	QAAF15A300SEM	DVF17K300SEM	QVF16V300SEM	QVVF16V300SEM
FBE920EX3-1/2	QMF18J308SEM	n/a	QAAF18A308SEM	DVF20K308SEM	QVF19V308SEM	QVVF19V308SEM
FBE920EX3-15/16	QMF20J315SEM	n/a	QAAF20A315SEM	DVF22K315SEM	QVF22V315SEM	QVVF22V315SEM
FBE920EX3-3/16	QMF18J303SEM	n/a	QAAF18A303SEM	n/a	QVF19V303SEM	QVVF19V303SEM
FBE920EX3-7/16	QMF18J307SEM	n/a	QAAF18A307SEM	DVF20K307SEM	QVF19V307SEM	QVVF19V307SEM
FBE920EX4	QMF20J400SEM	n/a	QAAF20A400SEM	DVF22K400SEM	QVF22V400SEM	QVVF22V400SEM
FBE920NEX1-1/2	QMF08J108SM	n/a	n/a	n/a	n/a	n/a
FBE920NEX1-11/16	QMF09J111SM	n/a	n/a	n/a	n/a	n/a
FBE920NEX1-15/16	QMF10J115SM	n/a	QAAF10A115SM	DVF11K115SM	QVF11V115SM	QVVF11V115SM
FBE920NEX1-3/4	QMF09J112SM	n/a	n/a	n/a	n/a	n/a
FBE920NEX1-7/16	QMF08J107SM	n/a	n/a	n/a	n/a	n/a
FBE920NEX2	QMF10J200SM	n/a	QAAF10A200SM	DVF11K200SM	QVF11V200SM	QVVF11V200SM
FBE920NEX2-1/2	QMF13J208SM	n/a	QAAF13A208SM	DVF15K208SM	QVF14V208SM	QVVF14V208SM
FBE920NEX2-11/16	QMF15J211SM	n/a	QAAF15A211SM	n/a	QVF16V211SM	QVVF16V211SM
FBE920NEX2-15/16	QMF15J215SM	n/a	QAAF15A215SM	DVF17K215SM	QVF16V215SM	QVVF16V215SM

Note: This interchange guide is for reference only. **Some competitor bearings may not be shown.** If you are unable to find the bearing you are trying to interchange, please contact your local distributor or QM Bearings for assistance.

(continued on next page)

Blue Brute Bearings – Interchange Guide

Browning®

Browning Part Number	QM EC Series	QM CL Series		QM TA/DV Series	QM V-Lock® Series	
		Single-Collar	Double-Collar		Single-Nut	Double-Nut
FBE920NEX2-3/16	QMF11J203SM	n/a	QAAF11A203SM	DVF13K203SM	QVF12V203SM	QVVF12V203SM
FBE920NEX2-3/4	QMF15J212SM	n/a	QAAF15A212SM	n/a	QVF16V212SM	QVVF16V212SM
FBE920NEX2-7/16	QMF13J207SM	n/a	QAAF13A207SM	DVF15K207SM	QVF14V207SM	QVVF14V207SM
FBE920NEX3	QMF15J300SM	n/a	QAAF15A300SM	DVF17K300SM	QVF16V300SM	QVVF16V300SM
FBE920NEX3-1/2	QMF18J308SM	n/a	QAAF18A308SM	DVF20K308SM	QVF19V308SM	QVVF19V308SM
FBE920NEX3-15/16	QMF20J315SM	n/a	QAAF20A315SM	DVF22K315SM	QVF22V315SM	QVVF22V315SM
FBE920NEX3-3/16	QMF18J303SM	n/a	n/a	n/a	QVF19V303SM	QVVF19V303SM
FBE920NEX3-7/16	QMF18J307SM	n/a	QAAF18A307SM	DVF20K307SM	QVF19V307SM	QVVF19V307SM
FBE920NEX4	QMF20J400SM	n/a	QAAF20A400SM	DVF22K400SM	QVF22V400SM	QVVF22V400SM
FC900X1-1/2	QMC08J108ST	n/a	n/a	n/a	n/a	n/a
FC900X1-15/16	QMC10J115ST	QAC10A115ST	QAAC10A115ST	DVC11K115ST	QVC11V115ST	QVVC11V115ST
FC900X1-7/16	QMC08J107ST	n/a	n/a	n/a	n/a	n/a
FC900X2	QMC10J200ST	QAC10A200ST	QAAC10A200ST	DVC11K200ST	QVC11V200ST	QVVC11V200ST
FC900X2-1/2	QMC13J208ST	QAC13A208ST	QAAC13A208ST	DVC15K208ST	QVC14V208ST	QVVC14V208ST
FC900X2-11/16	QMC15J211ST	QAC15A211ST	QAAC15A211ST	n/a	QVC16V211ST	QVVC16V211ST
FC900X2-15/16	QMC15J215ST	QAC15A215ST	QAAC15A215ST	DVC17K215ST	QVC16V215ST	QVVC16V215ST
FC900X2-3/16	QMC11J203ST	QAC11A203ST	QAAC11A203ST	DVC13K203ST	QVC12V203ST	QVVC12V203ST
FC900X2-3/4	QMC15J212ST	QAC15A212ST	QAAC15A212ST	n/a	QVC16V212ST	QVVC16V212ST
FC900X2-7/16	QMC13J207ST	QAC13A207ST	QAAC13A207ST	DVC15K207ST	QVC14V207ST	QVVC14V207ST
FC900X3-1/2	QMC18J308ST	QAC18A308ST	QAAC18A308ST	DVC20K308ST	QVC19V308ST	QVVC19V308ST
FC900X3-7/16	QMC18J307ST	QAC18A307ST	QAAC18A307ST	DVC20K307ST	QVC19V307ST	QVVC19V307ST
PB900X1-11/16	QMP09J111ST	n/a	n/a	n/a	n/a	n/a
PB900X1-15/16	QMP10J115ST	QAP10A115ST	QAAP10A115ST	DVP11K115ST	QVP11V115ST	QVVP11V115ST
PB900X1-7/16	QMP08J107ST	n/a	n/a	n/a	n/a	n/a
PB900X2	QMP10J200ST	QAP10A200ST	QAAP10A200ST	DVP11K200ST	QVP11V200ST	QVVP11V200ST
PB900X2-1/2	QMP13J208ST	QAP13A208ST	QAAP13A208ST	DVP15K208ST	QVP14V208ST	QVVP14V208ST
PB900X2-11/16	QMP15J211ST	QAP15A211ST	QAAP15A211ST	n/a	QVP16V211ST	QVVP16V211ST
PB900X2-15/16	QMP15J215ST	QAP15A215ST	QAAP15A215ST	n/a	QVP16V215ST	QVVP16V215ST
PB900X2-3/16	QMP11J203ST	QAP11A203ST	QAAP11A203ST	DVP13K203ST	QVP12V203ST	QVVP12V203ST
PB900X2-3/4	QMP15J212ST	QAP15A212ST	QAAP15A212ST	n/a	QVP16V212ST	QVVP16V212ST
PB900X2-7/16	QMP13J207ST	QAP13A207ST	QAAP13A207ST	DVP15K207ST	QVP14V207ST	QVVP14V207ST
PB900X3-1/2	QMP18J308ST	QAP18A308ST	QAAP18A308ST	DVP20K308ST	QVP19V308ST	QVVP19V308ST
PB900X3-15/16	QMP20J315ST	QAP20A315ST	QAAP20A315ST	n/a	QVP22V315ST	QVVP22V315ST
PB900X3-7/16	QMP18J307ST	QAP18A307ST	QAAP18A307ST	DVP20K307ST	QVP19V307ST	QVVP19V307ST
PB900X4	QMP20J400ST	QAP20A400ST	QAAP20A400ST	n/a	QVP22V400ST	QVVP22V400ST
PB900X4-1/2	QMPF22J408ST	n/a	QAAPF22A408ST	DVPF26K408ST	QVP26V408ST	QVVP26V408ST
PB900X4-15/16	QMPF26J415ST	n/a	QAAPF26A415ST	n/a	QVPF28V415ST	QVVPF28V415ST
PB900X4-7/16	QMPF22J407ST	n/a	QAAPF22A407ST	DVPF26K407ST	QVP26V407ST	QVVP26V407ST
PB900X5	QMPF26J500ST	n/a	QAAPF26A500ST	n/a	QVPF28V500ST	QVVPF28V500ST
PB950EX2-1/2	n/a	n/a	n/a	TAPA15K208SET	QVPA15V208SET	QVVPA15V208SET
PB950EX2-15/16	n/a	n/a	n/a	TAPA17K215SET	QVPA17V215SET	QVVPA17V215SET
PB950EX2-3/16	n/a	n/a	n/a	TAPA13K203SET	QVPA13V203SET	QVVPA13V203SET
PB950EX2-7/16	n/a	n/a	n/a	TAPA15K207SET	QVPA15V207SET	QVVPA15V207SET

Note: This interchange guide is for reference only. **Some competitor bearings may not be shown.** If you are unable to find the bearing you are trying to interchange, please contact your local distributor or QM Bearings for assistance.

(continued on next page)

Blue Brute Bearings – Interchange Guide

Browning®

Browning Part Number	QM EC Series	QM CL Series		QM TA/DV Series	QM V-Lock® Series	
		Single-Collar	Double-Collar		Single-Nut	Double-Nut
PB950EX3	n/a	n/a	n/a	TAPA17K300SET	QVPA17V300SET	QVVPA17V300SET
PB950EX3-1/2	n/a	n/a	n/a	TAPA20K308SET	QVPA20V308SET	QVVPA20V308SET
PB950EX3-7/16	n/a	n/a	n/a	TAPA20K307SET	QVPA20V307SET	QVVPA20V307SET
PB950NEX2-1/2	n/a	n/a	n/a	TAPA15K208ST	QVPA15V208ST	QVVPA15V208ST
PB950NEX2-15/16	n/a	n/a	n/a	TAPA17K215ST	QVPA17V215ST	QVVPA17V215ST
PB950NEX2-3/16	n/a	n/a	n/a	TAPA13K203ST	QVPA13V203ST	QVVPA13V203ST
PB950NEX2-7/16	n/a	n/a	n/a	TAPA15K207ST	QVPA15V207ST	QVVPA15V207ST
PB950NEX3	n/a	n/a	n/a	TAPA17K300ST	QVPA17V300ST	QVVPA17V300ST
PB950NEX3-1/2	n/a	n/a	n/a	TAPA20K308ST	QVPA20V308ST	QVVPA20V308ST
PB950NEX3-7/16	n/a	n/a	n/a	TAPA20K307ST	QVPA20V307ST	QVVPA20V307ST
PB970EX2-1/2	n/a	n/a	n/a	TAPA15K208SEM	QVPA15V208SEM	QVVPA15V208SEM
PB970EX2-15/16	n/a	n/a	n/a	TAPA17K215SEM	QVPA17V215SEM	QVVPA17V215SEM
PB970EX2-3/16	n/a	n/a	n/a	TAPA13K203SEM	QVPA13V203SEM	QVVPA13V203SEM
PB970EX2-7/16	n/a	n/a	n/a	TAPA15K207SEM	QVPA15V207SEM	QVVPA15V207SEM
PB970EX3	n/a	n/a	n/a	TAPA17K300SEM	QVPA17V300SEM	QVVPA17V300SEM
PB970EX3-1/2	n/a	n/a	n/a	TAPA20K308SEM	QVPA20V308SEM	QVVPA20V308SEM
PB970EX3-7/16	n/a	n/a	n/a	TAPA20K307SEM	QVPA20V307SEM	QVVPA20V307SEM
PB970FEX2-1/2	n/a	n/a	n/a	TAPH15K208SEM	QVPH15V208SEM	QVVPH15V208SEM
PB970FEX2-15/16	n/a	n/a	n/a	TAPH17K215SEM	QVPH17V215SEM	QVVPH17V215SEM
PB970FEX2-7/16	n/a	n/a	n/a	TAPH15K207SEM	QVPH15V207SEM	QVVPH15V207SEM
PB970FEX3	n/a	n/a	n/a	TAPH17K300SEM	QVPH17V300SEM	QVVPH17V300SEM
PB970FEX3-1/2	n/a	n/a	n/a	TAPH20K308SEM	QVPH20V308SEM	QVVPH20V308SEM
PB970FEX3-7/16	n/a	n/a	n/a	TAPH20K307SEM	QVPH20V307SEM	QVVPH20V307SEM
PB970FNEX2-1/2	n/a	n/a	n/a	TAPH15K208SM	QVPH15V208SM	QVVPH15V208SM
PB970FNEX2-15/16	n/a	n/a	n/a	TAPH17K215SM	QVPH17V215SM	QVVPH17V215SM
PB970FNEX2-7/16	n/a	n/a	n/a	TAPH15K207SM	QVPH15V207SM	QVVPH15V207SM
PB970FNEX3	n/a	n/a	n/a	TAPH17K300SM	QVPH17V300SM	QVVPH17V300SM
PB970FNEX3-1/2	n/a	n/a	n/a	TAPH20K308SM	QVPH20V308SM	QVVPH20V308SM
PB970FNEX3-7/16	n/a	n/a	n/a	TAPH20K307SM	QVPH20V307SM	QVVPH20V307SM
PB970NEX2-1/2	n/a	n/a	n/a	TAPA15K208SM	QVPA15V208SM	QVVPA15V208SM
PB970NEX2-15/16	n/a	n/a	n/a	TAPA17K215SM	QVPA17V215SM	QVVPA17V215SM
PB970NEX2-3/16	n/a	n/a	n/a	TAPA13K203SM	QVPA13V203SM	QVVPA13V203SM
PB970NEX2-7/16	n/a	n/a	n/a	TAPA15K207SM	QVPA15V207SM	QVVPA15V207SM
PB970NEX3	n/a	n/a	n/a	TAPA17K300SM	QVPA17V300SM	QVVPA17V300SM
PB970NEX3-1/2	n/a	n/a	n/a	TAPA20K308SM	QVPA20V308SM	QVVPA20V308SM
PB970NEX3-7/16	n/a	n/a	n/a	TAPA20K307SM	QVPA20V307SM	QVVPA20V307SM
PBE920EX1-1/2	QMP08J108SEM	n/a	n/a	n/a	n/a	n/a
PBE920EX1-11/16	QMP09J111SEM	n/a	n/a	n/a	n/a	n/a
PBE920EX1-15/16	QMP10J115SEM	n/a	QAAP10A115SEM	DVP11K115SEM	QVP11V115SEM	QVV11V115SEM
PBE920EX1-3/4	QMP09J112SEM	n/a	n/a	n/a	n/a	n/a
PBE920EX1-7/16	QMP08J107SEM	n/a	n/a	n/a	n/a	n/a
PBE920EX2	QMP10J200SEM	n/a	QAAP10A200SEM	DVP11K200SEM	QVP11V200SEM	QVV11V200SEM
PBE920EX2-1/2	QMP13J208SEM	n/a	QAAP13A208SEM	DVP15K208SEM	QVP14V208SEM	QVV14V208SEM

Note: This interchange guide is for reference only. **Some competitor bearings may not be shown.** If you are unable to find the bearing you are trying to interchange, please contact your local distributor or QM Bearings for assistance.

(continued on next page)

Blue Brute Bearings – Interchange Guide

Browning®

Browning Part Number	QM EC Series	QM CL Series		QM TA/DV Series	QM V-Lock® Series	
		Single-Collar	Double-Collar		Single-Nut	Double-Nut
PBE920EX2-11/16	QMP15J211SEM	n/a	QAAP15A211SEM	n/a	QVP16V211SEM	QVVP16V211SEM
PBE920EX2-15/16	QMP15J215SEM	n/a	QAAP15A215SEM	n/a	QVP16V215SEM	QVVP16V215SEM
PBE920EX2-3/16	QMP11J203SEM	n/a	QAAP11A203SEM	DVP13K203SEM	QVP12V203SEM	QVVP12V203SEM
PBE920EX2-3/4	QMP15J212SEM	n/a	QAAP15A212SEM	n/a	QVP16V212SEM	QVVP16V212SEM
PBE920EX2-7/16	QMP13J207SEM	n/a	QAAP13A207SEM	DVP15K207SEM	QVP14V207SEM	QVVP14V207SEM
PBE920EX3	QMP15J300SEM	n/a	QAAP15A300SEM	n/a	QVP16V300SEM	QVVP16V300SEM
PBE920EX3-1/2	QMP18J308SEM	n/a	QAAP18A308SEM	DVP20K308SEM	QVP19V308SEM	QVVP19V308SEM
PBE920EX3-3/16	QMP18J303SEM	n/a	QAAP18A303SEM	n/a	QVP19V303SEM	QVVP19V303SEM
PBE920EX3-7/16	QMP18J307SEM	n/a	QAAP18A307SEM	DVP20K307SEM	QVP19V307SEM	QVVP19V307SEM
PBE920FEX2-1/2	QMPR13J208SEM	n/a	QAAPR13A208SEM	n/a	QVPR14V208SEM	QVVP14V208SEM
PBE920FEX2-11/16	QMPR15J211SEM	n/a	QAAPR15A211SEM	n/a	QVPR16V211SEM	QVVP16V211SEM
PBE920FEX2-15/16	QMPR15J215SEM	n/a	QAAPR15A215SEM	n/a	QVPR16V215SEM	QVVP16V215SEM
PBE920FEX2-3/4	QMPR15J212SEM	n/a	QAAPR15A212SEM	n/a	QVPR16V212SEM	QVVP16V212SEM
PBE920FEX2-7/16	QMPR13J207SEM	n/a	QAAPR13A207SEM	n/a	QVPR14V207SEM	QVVP14V207SEM
PBE920FEX3	QMPR15J300SEM	n/a	QAAPR15A300SEM	n/a	QVPR16V300SEM	QVVP16V300SEM
PBE920FEX3-1/2	QMPR18J308SEM	n/a	QAAPR18A308SEM	n/a	QVPR19V308SEM	QVVP19V308SEM
PBE920FEX3-15/16	QMPP20J315SEM	n/a	QAAPF20A315SEM	DVPF22K315SEM	QVPF22V315SEM	QVVPF22V315SEM
PBE920FEX3-3/16	QMPR18J303SEM	n/a	QAAPF18A303SEM	n/a	QVPR19V303SEM	QVVP19V303SEM
PBE920FEX3-7/16	QMPR18J307SEM	n/a	QAAPR18A307SEM	n/a	QVPR19V307SEM	QVVP19V307SEM
PBE920FEX4	QMPP20J400SEM	n/a	QAAPF20A400SEM	DVPF22K400SEM	QVPF22V400SEM	QVVPF22V400SEM
PBE920FEX4-1/2	QMPP22J408SEM	n/a	QAAPF22A408SEM	DVPF26K408SEM	QVPF26V408SEM	QVVPF26V408SEM
PBE920FEX4-15/16	QMPP26J415SEM	n/a	QAAPF26A415SEM	n/a	QVPF28V415SEM	QVVPF28V415SEM
PBE920FEX4-7/16	QMPP22J407SEM	n/a	QAAPF22A407SEM	DVPF26K407SEM	QVPF26V407SEM	QVVPF26V407SEM
PBE920FEX5	QMPP26J500SEM	n/a	QAAPF26A500SEM	n/a	QVPF28V500SEM	QVVPF28V500SEM
PBE920FNEX2-1/2	QMPR13J208SM	n/a	QAAPR13A208SM	n/a	QVPR14V208SM	QVVP14V208SM
PBE920FNEX2-11/16	QMPR15J211SM	n/a	QAAPR15A211SM	n/a	QVPR16V211SM	QVVP16V211SM
PBE920FNEX2-15/16	QMPR15J215SM	n/a	QAAPR15A215SM	n/a	QVPR16V215SM	QVVP16V215SM
PBE920FNEX2-3/4	QMPR15J212SM	n/a	QAAPR15A212SM	n/a	QVPR16V212SM	QVVP16V212SM
PBE920FNEX2-7/16	QMPR13J207SM	n/a	QAAPR13A207SM	n/a	QVPR14V207SM	QVVP14V207SM
PBE920FNEX3	QMPR15J300SM	n/a	QAAPR15A300SM	n/a	QVPR16V300SM	QVVP16V300SM
PBE920FNEX3-1/2	QMPR18J308SM	n/a	QAAPR18A308SM	n/a	QVPR19V308SM	QVVP19V308SM
PBE920FNEX3-15/16	QMPP20J315SM	n/a	QAAPF20A315SM	DVPF22K315SM	QVPF22V315SM	QVVPF22V315SM
PBE920FNEX3-3/16	QMPR18J303SM	n/a	QAAPR18A303SM	n/a	QVPR19V303SM	QVVP19V303SM
PBE920FNEX3-7/16	QMPR18J307SM	n/a	QAAPR18A307SM	n/a	QVPR19V307SM	QVVP19V307SM
PBE920FNEX4	QMPP20J400SM	n/a	QAAPF20A400SM	DVPF22K400SM	QVPF22V400SM	QVVPF22V400SM
PBE920FNEX4-1/2	QMPP22J408SM	n/a	QAAPF22A408SM	DVPF26K408SM	QVPF26V408SM	QVVPF26V408SM
PBE920FNEX4-15/16	QMPP26J415SM	n/a	QAAPF26A415SM	n/a	QVPF28V415SM	QVVPF28V415SM
PBE920FNEX4-7/16	QMPP22J407SM	n/a	QAAPF22A407SM	DVPF26K407SM	QVPF26V407SM	QVVPF26V407SM
PBE920FNEX5	QMPP26J500SM	n/a	QAAPF26A500SM	n/a	QVPF28V500SM	QVVPF28V500SM
PBE920NEX1-1/2	QMP08J108SM	n/a	n/a	n/a	n/a	n/a
PBE920NEX1-11/16	QMP09J111SM	n/a	n/a	n/a	n/a	n/a
PBE920NEX1-15/16	QMP10J115SM	n/a	QAAP10A115SM	DVP11K115SM	QVP11V115SM	QVVP11V115SM
PBE920NEX1-3/4	QMP09J112SM	n/a	n/a	n/a	n/a	n/a

Note: This interchange guide is for reference only. **Some competitor bearings may not be shown.** If you are unable to find the bearing you are trying to interchange, please contact your local distributor or QM Bearings for assistance.

(continued on next page)

Blue Brute Bearings – Interchange Guide

Browning®

Browning Part Number	QM EC Series	QM CL Series		QM TA/DV Series	QM V-Lock® Series	
		Single-Collar	Double-Collar		Single-Nut	Double-Nut
PBE920NEX1-7/16	QMP08J107SM	n/a	n/a	n/a	n/a	n/a
PBE920NEX2	QMP10J200SM	n/a	QAAP10A200SM	DVP11K200SM	QVP11V200SM	QVVP11V200SM
PBE920NEX2-1/2	QMP13J208SM	n/a	QAAP13A208SM	DVP15K208SM	QVP14V208SM	QVVP14V208SM
PBE920NEX2-11/16	QMP15J211SM	n/a	QAAP15A211SM	n/a	QVP16V211SM	QVVP16V211SM
PBE920NEX2-15/16	QMP15J215SM	n/a	QAAP15A215SM	n/a	QVP16V215SM	QVVP16V215SM
PBE920NEX2-3/16	QMP11J203SM	n/a	QAAP11A203SM	DVP13K203SM	QVP12V203SM	QVVP12V203SM
PBE920NEX2-3/4	QMP15J212SM	n/a	QAAP15A212SM	n/a	QVP16V212SM	QVVP16V212SM
PBE920NEX2-7/16	QMP13J207SM	n/a	QAAP13A207SM	DVP15K207SM	QVP14V207SM	QVVP14V207SM
PBE920NEX3	QMP15J300SM	n/a	QAAP15A300SM	n/a	QVP16V300SM	QVVP16V300SM
PBE920NEX3-1/2	QMP18J308SM	n/a	QAAP18A308SM	DVP20K308SM	QVP19V308SM	QVVP19V308SM
PBE920NEX3-3/16	QMP18J303SM	n/a	QAAP18A303SM	n/a	QVP19V303SM	QVVP19V303SM
PBE920NEX3-7/16	QMP18J307SM	n/a	QAAP18A307SM	DVP20K307SM	QVP19V307SM	QVVP19V307SM
SFB1000-3ECX1-1/2	QMFY08J108SEM	n/a	n/a	n/a	n/a	n/a
SFB1000-3ECX1-7/16	QMFY08J107SEM	n/a	n/a	n/a	n/a	n/a
SFB1000-3EX1-1/2	QMFY08J108SET	n/a	n/a	n/a	n/a	n/a
SFB1000-3EX1-7/16	QMFY08J107SET	n/a	n/a	n/a	n/a	n/a
SFB1000-3NECX1-1/2	QMFY08J108SM	n/a	n/a	n/a	n/a	n/a
SFB1000-3NECX1-7/16	QMFY08J107SM	n/a	n/a	n/a	n/a	n/a
SFB1000-3NEX1-1/2	QMFY08J108ST	n/a	n/a	n/a	n/a	n/a
SFB1000-3NEX1-7/16	QMFY08J107ST	n/a	n/a	n/a	n/a	n/a
SFB1000ECX1-1/2	QMFL08J108SEM	n/a	n/a	n/a	n/a	n/a
SFB1000ECX1-11/16	QMFL09J111SEM	n/a	n/a	n/a	n/a	n/a
SFB1000ECX1-15/16	QMFL10J115SEM	QAFL10A115SEM	QAAFL10A115SEM	n/a	QVFL11V115SEM	QVVFL11V115SEM
SFB1000ECX1-3/4	QMFL09J112SEM	n/a	n/a	n/a	n/a	n/a
SFB1000ECX1-7/16	QMFL08J107SEM	n/a	n/a	n/a	n/a	n/a
SFB1000ECX2	QMFL10J200SEM	QAFL10A200SEM	QAAFL10A200SEM	n/a	QVFL11V200SEM	QVVFL11V200SEM
SFB1000ECX2-1/2	QMFL13J208SEM	QAFL13A208SEM	QAAFL13A208SEM	n/a	QVFL14V208SEM	QVVFL14V208SEM
SFB1000ECX2-11/16	QMFL15J211SEM	QAFL15A211SEM	QAAFL15A211SEM	n/a	QVFL16V211SEM	QVVFL16V211SEM
SFB1000ECX2-15/16	QMFL15J215SEM	QAFL15A215SEM	QAAFL15A215SEM	n/a	QVFL16V215SEM	QVVFL16V215SEM
SFB1000ECX2-3/16	QMFL11J203SEM	QAFL11A203SEM	QAAFL11A203SEM	n/a	QVFL12V203SEM	QVVFL12V203SEM
SFB1000ECX2-3/4	QMFL15J212SEM	QAFL15A212SEM	QAAFL15A212SEM	n/a	QVFL16V212SEM	QVVFL16V212SEM
SFB1000ECX2-7/16	QMFL13J207SEM	QAFL13A207SEM	QAAFL13A207SEM	n/a	QVFL14V207SEM	QVVFL14V207SEM
SFB1000ECX3	QMFL15J300SEM	QAFL15A300SEM	QAAFL15A300SEM	n/a	QVFL16V300SEM	QVVFL16V300SEM
SFB1000ECX3-1/2	QMFL18J308SEM	QAFL18A308SEM	QAAFL18A308SEM	n/a	QVFL19V308SEM	QVVFL19V308SEM
SFB1000ECX3-15/16	QMFL20J315SEM	QAFL20A315SEM	QAAFL20A315SEM	n/a	QVFL22V315SEM	QVVFL22V315SEM
SFB1000ECX3-3/16	QMFL18J303SEM	QAFL18A303SM	QAAFL18A303SEM	n/a	QVFL19V303SEM	QVVFL19V303SEM
SFB1000ECX3-7/16	QMFL18J307SEM	QAFL18A307SEM	QAAFL18A307SEM	n/a	QVFL19V307SEM	QVVFL19V307SEM
SFB1000ECX4	QMFL20J400SEM	QAFL20A400SEM	QAAFL20A400SEM	n/a	QVFL22V400SEM	QVVFL22V400SEM
SFB1000EX1-1/2	QMFL08J108SET	n/a	n/a	n/a	n/a	n/a
SFB1000EX1-11/16	QMFL09J111SET	n/a	n/a	n/a	n/a	n/a
SFB1000EX1-15/16	QMFL10J115SET	QAFL10A115SET	QAAFL10A115SET	n/a	QVFL11V115SET	QVVFL11V115SET
SFB1000EX1-3/4	QMFL09J112SET	n/a	n/a	n/a	n/a	n/a
SFB1000EX1-7/16	QMFL08J107SET	n/a	n/a	n/a	n/a	n/a

Note: This interchange guide is for reference only. **Some competitor bearings may not be shown.** If you are unable to find the bearing you are trying to interchange, please contact your local distributor or QM Bearings for assistance.

(continued on next page)

Blue Brute Bearings – Interchange Guide

Browning®

Browning Part Number	QM EC Series	QM CL Series		QM TA/DV Series	QM V-Lock® Series	
		Single-Collar	Double-Collar		Single-Nut	Double-Nut
SFB1000EX2	QMFL10J200SET	QAFL10A200SET	QAAFL10A200SET	n/a	QVFL11V200SET	QVVFL11V200SET
SFB1000EX2-1/2	QMFL13J208SET	QAFL13A208SET	QAAFL13A208SET	n/a	QVFL14V208SET	QVVFL14V208SET
SFB1000EX2-11/16	QMFL15J211SET	QAFL15A211SET	QAAFL15A211SET	n/a	QVFL16V211SET	QVVFL16V211SET
SFB1000EX2-15/16	QMFL15J215SET	QAFL15A215SET	QAAFL15A215SET	n/a	QVFL16V215SET	QVVFL16V215SET
SFB1000EX2-3/16	QMFL11J203SET	QAFL11A203SET	QAAFL11A203SET	n/a	QVFL12V203SET	QVVFL12V203SET
SFB1000EX2-3/4	QMFL15J212SET	QAFL15A212SET	QAAFL15A212SET	n/a	QVFL16V212SET	QVVFL16V212SET
SFB1000EX2-7/16	QMFL13J207SET	QAFL13A207SET	QAAFL13A207SET	n/a	QVFL14V207SET	QVVFL14V207SET
SFB1000EX3	QMFL15J300SET	QAFL15A300SET	QAAFL15A300SET	n/a	QVFL16V300SET	QVVFL16V300SET
SFB1000EX3-1/2	QMFL18J308SET	QAFL18A308SET	QAAFL18A308SET	n/a	QVFL19V308SET	QVVFL19V308SET
SFB1000EX3-15/16	QMFL20J315SET	QAFL20A315SET	QAAFL20A315SET	n/a	QVFL22V315SET	QVVFL22V315SET
SFB1000EX3-3/16	QMFL18J303SET	QAFL18A303SET	QAAFL18A303SET	n/a	QVFL19V303SET	QVVFL19V303SET
SFB1000EX3-7/16	QMFL18J307SET	QAFL18A307SET	QAAFL18A307SET	n/a	QVFL19V307SET	QVVFL19V307SET
SFB1000EX4	QMFL20J400SET	QAFL20A400SET	QAAFL20A400SET	n/a	QVFL22V400SET	QVVFL22V400SET
SFB1000NECX1-1/2	QMFL08J108SM	n/a	n/a	n/a	n/a	n/a
SFB1000NECX1-11/16	QMFL09J111SM	n/a	n/a	n/a	n/a	n/a
SFB1000NECX1-15/16	QMFL10J115SM	QAFL10A115SM	QAAFL10A115SM	n/a	QVFL11V115SM	QVVFL11V115SM
SFB1000NECX1-3/4	QMFL09J112SM	n/a	n/a	n/a	n/a	n/a
SFB1000NECX1-7/16	QMFL08J107SM	n/a	n/a	n/a	n/a	n/a
SFB1000NECX2	QMFL10J200SM	QAFL10A200SM	QAAFL10A200SM	n/a	QVFL11V200SM	QVVFL11V200SM
SFB1000NECX2-1/2	QMFL13J208SM	QAFL13A208SM	QAAFL13A208SM	n/a	QVFL14V208SM	QVVFL14V208SM
SFB1000NECX2-11/16	QMFL15J211SM	QAFL15A211SM	QAAFL15A211SM	n/a	QVFL16V211SM	QVVFL16V211SM
SFB1000NECX2-15/16	QMFL15J215SM	QAFL15A215SM	QAAFL15A215SM	n/a	QVFL16V215SM	QVVFL16V215SM
SFB1000NECX2-3/16	QMFL11J203SM	QAFL11A203SM	QAAFL11A203SM	n/a	QVFL12V203SM	QVVFL12V203SM
SFB1000NECX2-3/4	QMFL15J212SM	QAFL15A212SM	QAAFL15A212SM	n/a	QVFL16V212SM	QVVFL16V212SM
SFB1000NECX2-7/16	QMFL13J207SM	QAFL13A207SM	QAAFL13A207SM	n/a	QVFL14V207SM	QVVFL14V207SM
SFB1000NECX3	QMFL15J300SM	QAFL15A300SM	QAAFL15A300SM	n/a	QVFL16V300SM	QVVFL16V300SM
SFB1000NECX3-1/2	QMFL18J308SM	QAFL18A308SM	QAAFL18A308SM	n/a	QVFL19V308SM	QVVFL19V308SM
SFB1000NECX3-15/16	QMFL20J315SM	QAFL20A315SM	QAAFL20A315SM	n/a	QVFL22V315SM	QVVFL22V315SM
SFB1000NECX3-3/16	QMFL18J303SM	QAFL18A303SM	QAAFL18A303SM	n/a	QVFL19V303SM	QVVFL19V303SM
SFB1000NECX3-7/16	QMFL18J307SM	QAFL18A307SM	QAAFL18A307SM	n/a	QVFL19V307SM	QVVFL19V307SM
SFB1000NECX4	QMFL20J400SM	QAFL20A400SM	QAAFL20A400SM	n/a	QVFL22V400SM	QVVFL22V400SM
SFB1000NEX1-1/2	QMFL08J108ST	n/a	n/a	n/a	n/a	n/a
SFB1000NEX1-11/16	QMFL09J111ST	n/a	n/a	n/a	n/a	n/a
SFB1000NEX1-15/16	QMFL10J115ST	QAFL10A115ST	QAAFL10A115ST	n/a	QVFL11V115ST	QVVFL11V115ST
SFB1000NEX1-3/4	QMFL09J112ST	n/a	n/a	n/a	n/a	n/a
SFB1000NEX1-7/16	QMFL08J107ST	n/a	n/a	n/a	n/a	n/a
SFB1000NEX2	QMFL10J200ST	QAFL10A200ST	QAAFL10A200ST	n/a	QVFL11V200ST	QVVFL11V200ST
SFB1000NEX2-1/2	QMFL13J208ST	QAFL13A208ST	QAAFL13A208ST	n/a	QVFL14V208ST	QVVFL14V208ST
SFB1000NEX2-11/16	QMFL15J211ST	QAFL15A211ST	QAAFL15A211ST	n/a	QVFL16V211ST	QVVFL16V211ST
SFB1000NEX2-15/16	QMFL15J215ST	QAFL15A215ST	QAAFL15A215ST	n/a	QVFL16V215ST	QVVFL16V215ST
SFB1000NEX2-3/16	QMFL11J203ST	QAFL11A203ST	QAAFL11A203ST	n/a	QVFL12V203ST	QVVFL12V203ST
SFB1000NEX2-3/4	QMFL15J212ST	QAFL15A212ST	QAAFL15A212ST	n/a	QVFL16V212ST	QVVFL16V212ST
SFB1000NEX2-7/16	QMFL13J207ST	QAFL13A207ST	QAAFL13A207ST	n/a	QVFL14V207ST	QVVFL14V207ST

Note: This interchange guide is for reference only. **Some competitor bearings may not be shown.** If you are unable to find the bearing you are trying to interchange, please contact your local distributor or QM Bearings for assistance.

(continued on next page)

Blue Brute Bearings – Interchange Guide

Browning®

Browning Part Number	QM EC Series	QM CL Series		QM TA/DV Series	QM V-Lock® Series	
		Single-Collar	Double-Collar		Single-Nut	Double-Nut
SFB1000NEX3	QMFL15J300ST	QAF15A300ST	QAAF15A300ST	n/a	QVFL16V300ST	QVVFL16V300ST
SFB1000NEX3-1/2	QMFL18J308ST	QAF18A308ST	QAAF18A308ST	n/a	QVFL19V308ST	QVVFL19V308ST
SFB1000NEX3-15/16	QMFL20J315ST	QAF20A315ST	QAAF20A315ST	n/a	QVFL22V315ST	QVVFL22V315ST
SFB1000NEX3-3/16	QMFL18J303ST	QAF18A303ST	QAAF18A303ST	n/a	QVFL19V303ST	QVVFL19V303ST
SFB1000NEX3-7/16	QMFL18J307ST	QAF18A307ST	QAAF18A307ST	n/a	QVFL19V307ST	QVVFL19V307ST
SFB1000NEX4	QMFL20J400ST	QAF20A400ST	QAAF20A400ST	n/a	QVFL22V400ST	QVVFL22V400ST
SFB1100ECX1-15/16	QMF10J115SEM	QAF10A115SEM	QAAF10A115SEM	DVF11K115SEM	QVF11V115SEM	QVVFL11V115SEM
SFB1100ECX2	QMF10J200SEM	QAF10A200SEM	QAAF10A200SEM	DVF11K200SEM	QVF11V200SEM	QVVFL11V200SEM
SFB1100ECX2-1/2	QMF13J208SEM	QAF13A208SEM	QAAF13A208SEM	DVF15K208SEM	QVF14V208SEM	QVVFL14V208SEM
SFB1100ECX2-11/16	QMF15J211SEM	QAF15A211SEM	QAAF15A211SEM	n/a	QVF16V211SEM	QVVFL16V211SEM
SFB1100ECX2-15/16	QMF15J215SEM	QAF15A215SEM	QAAF15A215SEM	DVF17K215SEM	QVF16V215SEM	QVVFL16V215SEM
SFB1100ECX2-3/16	QMF11J203SEM	QAF11A203SEM	QAAF11A203SEM	DVF13K203SEM	QVF12V203SEM	QVVFL12V203SEM
SFB1100ECX2-3/4	QMF15J212SEM	QAF15A212SEM	QAAF15A212SEM	n/a	QVF16V212SEM	QVVFL16V212SEM
SFB1100ECX2-7/16	QMF13J207SEM	QAF13A207SEM	QAAF13A207SEM	DVF15K207SEM	QVF14V207SEM	QVVFL14V207SEM
SFB1100ECX3	QMF15J300SEM	QAF15A300SEM	QAAF15A300SEM	DVF17K300SEM	QVF16V300SEM	QVVFL16V300SEM
SFB1100ECX3-1/2	QMF18J308SEM	QAF18A308SEM	QAAF18A308SEM	DVF20K308SEM	QVF19V308SEM	QVVFL19V308SEM
SFB1100ECX3-3/16	QMF18J303SEM	QAF18A303SEM	QAAF18A303SEM	n/a	QVF19V303SEM	QVVFL19V303SEM
SFB1100ECX3-7/16	QMF18J307SEM	QAF18A307SEM	QAAF18A307SEM	DVF20K307SEM	QVF19V307SEM	QVVFL19V307SEM
SFB1100EX1-15/16	QMF10J115SET	QAF10A115SET	QAAF10A115SET	DVF11K115SET	QVF11V115SET	QVVFL11V115SET
SFB1100EX2	QMF10J200SET	QAF10A200SET	QAAF10A200SET	DVF11K200SET	QVF11V200SET	QVVFL11V200SET
SFB1100EX2-1/2	QMF13J208SET	QAF13A208SET	QAAF13A208SET	DVF15K208SET	QVF14V208SET	QVVFL14V208SET
SFB1100EX2-11/16	QMF15J211SET	QAF15A211SET	QAAF15A211SET	n/a	QVF16V211SET	QVVFL16V211SET
SFB1100EX2-15/16	QMF15J215SET	QAF15A215SET	QAAF15A215SET	DVF17K215SET	QVF16V215SET	QVVFL16V215SET
SFB1100EX2-3/16	QMF11J203SET	QAF11A203SET	QAAF11A203SET	DVF13K203SET	QVF12V203SET	QVVFL12V203SET
SFB1100EX2-3/4	QMF15J212SET	QAF15A212SET	QAAF15A212SET	n/a	QVF16V212SET	QVVFL16V212SET
SFB1100EX2-7/16	QMF13J207SET	QAF13A207SET	QAAF13A207SET	DVF15K207SET	QVF14V207SET	QVVFL14V207SET
SFB1100EX3	QMF15J300SET	QAF15A300SET	QAAF15A300SET	DVF17K300SET	QVF16V300SET	QVVFL16V300SET
SFB1100EX3-1/2	QMF18J308SET	QAF18A308SET	QAAF18A308SET	DVF20K308SET	QVF19V308SET	QVVFL19V308SET
SFB1100EX3-3/16	QMF18J303SET	QAF18A303SET	QAAF18A303SET	n/a	QVF19V303SET	QVVFL19V303SET
SFB1100EX3-7/16	QMF18J307SET	QAF18A307SET	QAAF18A307SET	DVF20K307SET	QVF19V307SET	QVVFL19V307SET
SFB1100NECX1-15/16	QMF10J115SM	QAF10A115SM	QAAF10A115SM	DVF11K115SM	QVF11V115SM	QVVFL11V115SM
SFB1100NECX2	QMF10J200SM	QAF10A200SM	QAAF10A200SM	DVF11K200SM	QVF11V200SM	QVVFL11V200SM
SFB1100NECX2-1/2	QMF13J208SM	QAF13A208SM	QAAF13A208SM	DVF15K208SM	QVF14V208SM	QVVFL14V208SM
SFB1100NECX2-11/16	QMF15J211SM	QAF15A211SM	QAAF15A211SM	n/a	QVF16V211SM	QVVFL16V211SM
SFB1100NECX2-15/16	QMF15J215SM	QAF15A215SM	QAAF15A215SM	DVF17K215SM	QVF16V215SM	QVVFL16V215SM
SFB1100NECX2-3/16	QMF11J203SM	QAF11A203SM	QAAF11A203SM	DVF13K203SM	QVF12V203SM	QVVFL12V203SM
SFB1100NECX2-3/4	QMF15J212SM	QAF15A212SM	QAAF15A212SM	n/a	QVF16V212SM	QVVFL16V212SM
SFB1100NECX2-7/16	QMF13J207SM	QAF13A207SM	QAAF13A207SM	DVF15K207SM	QVF14V207SM	QVVFL14V207SM
SFB1100NECX3	QMF15J300SM	QAF15A300SM	QAAF15A300SM	DVF17K300SM	QVF16V300SM	QVVFL16V300SM
SFB1100NECX3-1/2	QMF18J308SM	QAF18A308SM	QAAF18A308SM	DVF20K308SM	QVF19V308SM	QVVFL19V308SM
SFB1100NECX3-3/16	QMF18J303SM	QAF18A303SM	QAF18A303SM	n/a	QVF19V303SM	QVVFL19V303SM
SFB1100NECX3-7/16	QMF18J307SM	QAF18A307SM	QAAF18A307SM	DVF20K307SM	QVF19V307SM	QVVFL19V307SM
SFB1100NEX1-15/16	QMF10J115ST	QAF10A115ST	QAAF10A115ST	DVF11K115ST	QVF11V115ST	QVVFL11V115ST

Note: This interchange guide is for reference only. **Some competitor bearings may not be shown.** If you are unable to find the bearing you are trying to interchange, please contact your local distributor or QM Bearings for assistance.

(continued on next page)

Blue Brute Bearings – Interchange Guide

Browning®

Browning Part Number	QM EC Series	QM CL Series		QM TA/DV Series	QM V-Lock® Series	
		Single-Collar	Double-Collar		Single-Nut	Double-Nut
SFB1100NEX2	QMF10J200ST	QAF10A200ST	QAAF10A200ST	DVF11K200ST	QVF11V200ST	QVVF11V200ST
SFB1100NEX2-1/2	QMF13J208ST	QAF13A208ST	QAAF13A208ST	DVF15K208ST	QVF14V208ST	QVVF14V208ST
SFB1100NEX2-11/16	QMF15J211ST	QAF15A211ST	QAAF15A211ST	n/a	QVF16V211ST	QVVF16V211ST
SFB1100NEX2-15/16	QMF15J215ST	QAF15A215ST	QAAF15A215ST	DVF17K215ST	QVF16V215ST	QVVF16V215ST
SFB1100NEX2-3/16	QMF11J203ST	QAF11A203ST	QAAF11A203ST	DVF13K203ST	QVF12V203ST	QVVF12V203ST
SFB1100NEX2-3/4	QMF15J212ST	QAF15A212ST	QAAF15A212ST	n/a	QVF16V212ST	QVVF16V212ST
SFB1100NEX2-7/16	QMF13J207ST	QAF13A207ST	QAAF13A207ST	DVF15K207ST	QVF14V207ST	QVVF14V207ST
SFB1100NEX3	QMF15J300ST	QAF15A300ST	QAAF15A300ST	DVF17K300ST	QVF16V300ST	QVVF16V300ST
SFB1100NEX3-1/2	QMF18J308ST	QAF18A308ST	QAAF18A308ST	DVF20K308ST	QVF19V308ST	QVVF19V308ST
SFB1100NEX3-3/16	QMF18J303ST	QAF18A303ST	QAAF18A303ST	n/a	QVF19V303ST	QVVF19V303ST
SFB1100NEX3-7/16	QMF18J307ST	QAF18A307ST	QAAF18A307ST	DVF20K307ST	QVF19V307ST	QVVF19V307ST
SFB1101ECX1-15/16	QMF10J115SEM	QAF10A115SEM	QAAF10A115SEM	DVF11K115SEM	QVF11V115SEM	QVVF11V115SEM
SFB1101ECX2	QMF10J200SEM	QAF10A200SEM	QAAF10A200SEM	DVF11K200SEM	QVF11V200SEM	QVVF11V200SEM
SFB1101ECX2-1/2	QMF13J208SEM	QAF13A208SEM	QAAF13A208SEM	DVF15K208SEM	QVF14V208SEM	QVVF14V208SEM
SFB1101ECX2-11/16	QMF15J211SEM	QAF15A211SEM	QAAF15A211SEM	n/a	QVF16V211SEM	QVVF16V211SEM
SFB1101ECX2-15/16	QMF15J215SEM	QAF15A215SEM	QAAF15A215SEM	DVF17K215SEM	QVF16V215SEM	QVVF16V215SEM
SFB1101ECX2-3/16	QMF11J203SEM	QAF11A203SEM	QAAF11A203SEM	DVF13K203SEM	QVF12V203SEM	QVVF12V203SEM
SFB1101ECX2-3/4	QMF15J212SEM	QAF15A212SEM	QAAF15A212SEM	n/a	QVF16V212SEM	QVVF16V212SEM
SFB1101ECX2-7/16	QMF13J207SEM	QAF13A207SEM	QAAF13A207SEM	DVF15K207SEM	QVF14V207SEM	QVVF14V207SEM
SFB1101ECX3	QMF15J300SEM	QAF15A300SEM	QAAF15A300SEM	DVF17K300SEM	QVF16V300SEM	QVVF16V300SEM
SFB1101ECX3-1/2	QMF18J308SEM	QAF18A308SEM	QAAF18A308SEM	DVF20K308SEM	QVF19V308SEM	QVVF19V308SEM
SFB1101ECX3-3/16	QMF18J303SEM	QAF18A303SEM	QAAF18A303SEM	n/a	QVF19V303SEM	QVVF19V303SEM
SFB1101ECX3-7/16	QMF18J307SEM	QAF18A307SEM	QAAF18A307SEM	DVF20K307SEM	QVF19V307SEM	QVVF19V307SEM
SFB1101EX1-15/16	QMF10J115SET	QAF10A115SET	QAAF10A115SET	DVF11K115SET	QVF11V115SET	QVVF11V115SET
SFB1101EX2	QMF10J200SET	QAF10A200SET	QAAF10A200SET	DVF11K200SET	QVF11V200SET	QVVF11V200SET
SFB1101EX2-1/2	QMF13J208SET	QAF13A208SET	QAAF13A208SET	DVF15K208SET	QVF14V208SET	QVVF14V208SET
SFB1101EX2-11/16	QMF15J211SET	QAF15A211SET	QAAF15A211SET	n/a	QVF16V211SET	QVVF16V211SET
SFB1101EX2-15/16	QMF15J215SET	QAF15A215SET	QAAF15A215SET	DVF17K215SET	QVF16V215SET	QVVF16V215SET
SFB1101EX2-3/16	QMF11J203SET	QAF11A203SET	QAAF11A203SET	DVF13K203SET	QVF12V203SET	QVVF12V203SET
SFB1101EX2-3/4	QMF15J212SET	QAF15A212SET	QAAF15A212SET	n/a	QVF16V212SET	QVVF16V212SET
SFB1101EX2-7/16	QMF13J207SET	QAF13A207SET	QAAF13A207SET	DVF15K207SET	QVF14V207SET	QVVF14V207SET
SFB1101EX3	QMF15J300SET	QAF15A300SET	QAAF15A300SET	DVF17K300SET	QVF16V300SET	QVVF16V300SET
SFB1101EX3-1/2	QMF18J308SET	QAF18A308SET	QAAF18A308SET	DVF20K308SET	QVF19V308SET	QVVF19V308SET
SFB1101EX3-3/16	QMF18J303SET	QAF18A303SET	QAAF18A303SET	n/a	QVF19V303SET	QVVF19V303SET
SFB1101EX3-7/16	QMF18J307SET	QAF18A307SET	QAAF18A307SET	DVF20K307SET	QVF19V307SET	QVVF19V307SET
SFB1101NECX1-15/16	QMF10J115SM	QAF10A115SM	QAAF10A115SM	DVF11K115SM	QVF11V115SM	QVVF11V115SM
SFB1101NECX2	QMF10J200SM	QAF10A200SM	QAAF10A200SM	DVF11K200SM	QVF11V200SM	QVVF11V200SM
SFB1101NECX2-1/2	QMF13J208SM	QAF13A208SM	QAAF13A208SM	DVF15K208SM	QVF14V208SM	QVVF14V208SM
SFB1101NECX2-11/16	QMF15J211SM	QAF15A211SM	QAAF15A211SM	n/a	QVF16V211SM	QVVF16V211SM
SFB1101NECX2-15/16	QMF15J215SM	QAF15A215SM	QAAF15A215SM	DVF17K215SM	QVF16V215SM	QVVF16V215SM
SFB1101NECX2-3/16	QMF11J203SM	QAF11A203SM	QAAF11A203SM	DVF13K203SM	QVF12V203SM	QVVF12V203SM
SFB1101NECX2-3/4	QMF15J212SM	QAF15A212SM	QAAF15A212SM	n/a	QVF16V212SM	QVVF16V212SM
SFB1101NECX2-7/16	QMF13J207SM	QAF13A207SM	QAAF13A207SM	DVF15K207SM	QVF14V207SM	QVVF14V207SM

Note: This interchange guide is for reference only. **Some competitor bearings may not be shown.** If you are unable to find the bearing you are trying to interchange, please contact your local distributor or QM Bearings for assistance.

(continued on next page)

Blue Brute Bearings – Interchange Guide

Browning®

Browning Part Number	QM EC Series	QM CL Series		QM TA/DV Series	QM V-Lock® Series	
		Single-Collar	Double-Collar		Single-Nut	Double-Nut
SFB1101NEXC3	QMF15J300SM	QAF15A300SM	QAAF15A300SM	DVF17K300SM	QVF16V300SM	QVVF16V300SM
SFB1101NEXC3-1/2	QMF18J308SM	QAF18A308SM	QAAF18A308SM	DVF20K308SM	QVF19V308SM	QVVF19V308SM
SFB1101NEXC3-3/16	QMF18J303SM	QAF18A303SM	QAAF18A303SM	n/a	QVF19V303SM	QVVF19V303SM
SFB1101NEXC3-7/16	QMF18J307SM	QAF18A307SM	QAAF18A307SM	DVF20K307SM	QVF19V307SM	QVVF19V307SM
SFB1101NEX1-15/16	QMF10J115ST	QAF10A115ST	QAAF10A115ST	DVF11K115ST	QVF11V115ST	QVVF11V115ST
SFB1101NEX2	QMF10J200ST	QAF10A200ST	QAAF10A200ST	DVF11K200ST	QVF11V200ST	QVVF11V200ST
SFB1101NEX2-1/2	QMF13J208ST	QAF13A208ST	QAAF13A208ST	DVF15K208ST	QVF14V208ST	QVVF14V208ST
SFB1101NEX2-11/16	QMF15J211ST	QAF15A211ST	QAAF15A211ST	n/a	QVF16V211ST	QVVF16V211ST
SFB1101NEX2-15/16	QMF15J215ST	QAF15A215ST	QAAF15A215ST	DVF17K215ST	QVF16V215ST	QVVF16V215ST
SFB1101NEX2-3/16	QMF11J203ST	QAF11A203ST	QAAF11A203ST	DVF13K203ST	QVF12V203ST	QVVF12V203ST
SFB1101NEX2-3/4	QMF15J212ST	QAF15A212ST	QAAF15A212ST	n/a	QVF16V212ST	QVVF16V212ST
SFB1101NEX2-7/16	QMF13J207ST	QAF13A207ST	QAAF13A207ST	DVF15K207ST	QVF14V207ST	QVVF14V207ST
SFB1101NEX3	QMF15J300ST	QAF15A300ST	QAAF15A300ST	DVF17K300ST	QVF16V300ST	QVVF16V300ST
SFB1101NEX3-1/2	QMF18J308ST	QAF18A308ST	QAAF18A308ST	DVF20K308ST	QVF19V308ST	QVVF19V308ST
SFB1101NEX3-3/16	QMF18J303ST	QAF18A303ST	QAAF18A303ST	n/a	QVF19V303ST	QVVF19V303ST
SFB1101NEX3-7/16	QMF18J307ST	QAF18A307ST	QAAF18A307ST	DVF20K307ST	QVF19V307ST	QVVF19V307ST
SFC1000ECX1-11/16	QMCW09J111SEM	n/a	n/a	n/a	n/a	n/a
SFC1000ECX1-15/16	QMCW10J115SEM	QACW10A115SEM	QAACW10A115SEM	DVC11K115SEM	QVCW11V115SEM	QVVCW11V115SEM
SFC1000ECX1-3/4	QMCW09J112SEM	n/a	n/a	n/a	n/a	n/a
SFC1000ECX2	QMCW10J200SEM	QACW10A200SEM	QAACW10A200SEM	DVC11K200SEM	QVCW11V200SEM	QVVCW11V200SEM
SFC1000ECX2-1/2	QMCW13J208SEM	QACW13A208SEM	QAACW13A208SEM	DVC15K208SEM	QVCW14V208SEM	QVVCW14V208SEM
SFC1000ECX2-11/16	QMCW15J211SEM	QACW15A211SEM	QAACW15A211SEM	n/a	QVCW16V211SEM	QVVCW16V211SEM
SFC1000ECX2-15/16	QMCW15J215SEM	QACW15A215SEM	QAACW15A215SEM	DVC17K215SEM	QVCW16V215SEM	QVVCW16V215SEM
SFC1000ECX2-3/16	QMCW11J203SEM	QACW11A203SEM	QAACW11A203SEM	DVC13K203SEM	QVCW12V203SEM	QVVCW12V203SEM
SFC1000ECX2-3/4	QMCW15J212SEM	QACW15A212SEM	QAACW15A212SEM	n/a	QVCW16V212SEM	QVVCW16V212SEM
SFC1000ECX2-7/16	QMCW13J207SEM	QACW13A207SEM	QAACW13A207SEM	DVC15K207SEM	QVCW14V207SEM	QVVCW14V207SEM
SFC1000ECX3	QMCW15J300SEM	QACW15A300SEM	QAACW15A300SEM	DVC17K300SEM	QVCW16V300SEM	QVVCW16V300SEM
SFC1000ECX3-1/2	QMCW18J308SEM	QACW18A308SEM	QAACW18A308SEM	DVC20K308SEM	QVCW19V308SEM	QVVCW19V308SEM
SFC1000ECX3-15/16	QMCW20J315SEM	QACW20A315SEM	QAACW20A315SEM	DVC22K315SEM	QVCW22V315SEM	QVVCW22V315SEM
SFC1000ECX3-3/16	QMCW18J303SEM	QACW18A303SEM	QAACW18A303SEM	n/a	QVCW19V303SEM	QVVCW19V303SEM
SFC1000ECX3-7/16	QMCW18J307SEM	QACW18A307SEM	QAACW18A307SEM	DVC20K307SEM	QVCW19V307SEM	QVVCW19V307SEM
SFC1000ECX4	QMCW20J400SEM	QACW20A400SEM	QAACW20A400SEM	DVC22K400SEM	QVCW22V400SEM	QVVCW22V400SEM
SFC1000EX1-11/16	QMCW09J111SET	n/a	n/a	n/a	n/a	n/a
SFC1000EX1-15/16	QMCW10J115SET	QACW10A115SET	QAACW10A115SET	DVC11K115SET	QVCW11V115SET	QVVCW11V115SET
SFC1000EX1-3/4	QMCW09J112SET	n/a	n/a	n/a	n/a	n/a
SFC1000EX2	QMCW10J200SET	QACW10A200SET	QAACW10A200SET	DVC11K200SET	QVCW11V200SET	QVVCW11V200SET
SFC1000EX2-1/2	QMCW13J208SET	QACW13A208SET	QAACW13A208SET	DVC15K208SET	QVCW14V208SET	QVVCW14V208SET
SFC1000EX2-11/16	QMCW15J211SET	QACW15A211SET	QAACW15A211SET	n/a	QVCW16V211SET	QVVCW16V211SET
SFC1000EX2-15/16	QMCW15J215SET	QACW15A215SET	QAACW15A215SET	DVC17K215SET	QVCW16V215SET	QVVCW16V215SET
SFC1000EX2-3/16	QMCW11J203SET	QACW11A203SET	QAACW11A203SET	DVC13K203SET	QVCW12V203SET	QVVCW12V203SET
SFC1000EX2-3/4	QMCW15J212SET	QACW15A212SET	QAACW15A212SET	n/a	QVCW16V212SET	QVVCW16V212SET
SFC1000EX2-7/16	QMCW13J207SET	QACW13A207SET	QAACW13A207SET	DVC15K207SET	QVCW14V207SET	QVVCW14V207SET
SFC1000EX3	QMCW15J300SET	QACW15A300SET	QAACW15A300SET	DVC17K300SET	QVCW16V300SET	QVVCW16V300SET

Note: This interchange guide is for reference only. **Some competitor bearings may not be shown.** If you are unable to find the bearing you are trying to interchange, please contact your local distributor or QM Bearings for assistance.

(continued on next page)

Blue Brute Bearings – Interchange Guide

Browning®

Browning Part Number	QM EC Series	QM CL Series		QM TA/DV Series	QM V-Lock® Series	
		Single-Collar	Double-Collar		Single-Nut	Double-Nut
SFC1000EX3-1/2	QMCW18J308SET	QACW18A308SET	QAACW18A308SET	DVC20K308SET	QVCW19V308SET	QVVCW19V308SET
SFC1000EX3-15/16	QMCW20J315SET	QACW20A315SET	QAACW20A315SET	DVC22K315SET	QVCW22V315SET	QVVCW22V315SET
SFC1000EX3-3/16	QMCW18J303SET	QACW18A303SET	QAACW18A303SET	n/a	QVCW19V303SET	QVVCW19V303SET
SFC1000EX3-7/16	QMCW18J307SET	QACW18A307SET	QAACW18A307SET	DVC20K307SET	QVCW19V307SET	QVVCW19V307SET
SFC1000EX4	QMCW20J400SET	QACW20A400SET	QAACW20A400SET	DVC22K400SET	QVCW22V400SET	QVVCW22V400SET
SFC1000NECX1-11/16	QMCW09J111SM	n/a	n/a	n/a	n/a	n/a
SFC1000NECX1-15/16	QMCW10J115SM	QACW10A115SM	QAACW10A115SM	DVC11K115SM	QVCW11V115SM	QVVCW11V115SM
SFC1000NECX1-3/4	QMCW09J112SM	n/a	n/a	n/a	n/a	n/a
SFC1000NECX2	QMCW10J200SM	QACW10A200SM	QAACW10A200SM	DVC11K200SM	QVCW11V200SM	QVVCW11V200SM
SFC1000NECX2-1/2	QMCW13J208SM	QACW13A208SM	QAACW13A208SM	DVC15K208SM	QVCW14V208SM	QVVCW14V208SM
SFC1000NECX2-11/16	QMCW15J211SM	QACW15A211SM	QAACW15A211SM	n/a	QVCW16V211SM	QVVCW16V211SM
SFC1000NECX2-15/16	QMCW15J215SM	QACW15A215SM	QAACW15A215SM	DVC17K215SM	QVCW16V215SM	QVVCW16V215SM
SFC1000NECX2-3/16	QMCW11J203SM	QACW11A203SM	QAACW11A203SM	DVC13K203SM	QVCW12V203SM	QVVCW12V203SM
SFC1000NECX2-3/4	QMCW15J212SM	QACW15A212SM	QAACW15A212SM	n/a	QVCW16V212SM	QVVCW16V212SM
SFC1000NECX2-7/16	QMCW13J207SM	QACW13A207SM	QAACW13A207SM	DVC15K207SM	QVCW14V207SM	QVVCW14V207SM
SFC1000NECX3	QMCW15J300SM	QACW15A300SM	QAACW15A300SM	DVC17K300SM	QVCW16V300SM	QVVCW16V300SM
SFC1000NECX3-1/2	QMCW18J308SM	QACW18A308SM	QAACW18A308SM	DVC20K308SM	QVCW19V308SM	QVVCW19V308SM
SFC1000NECX3-15/16	QMCW20J315SM	QACW20A315SM	QAACW20A315SM	DVC22K315SM	QVCW22V315SM	QVVCW22V315SM
SFC1000NECX3-3/16	QMCW18J303SM	QACW18A303SM	QAACW18A303SM	n/a	QVCW19V303SM	QVVCW19V303SM
SFC1000NECX3-7/16	QMCW18J307SM	QACW18A307SM	QAACW18A307SM	DVC20K307SM	QVCW19V307SM	QVVCW19V307SM
SFC1000NECX4	QMCW20J400SM	QACW20A400SM	QAACW20A400SM	DVC22K400SM	QVCW22V400SM	QVVCW22V400SM
SFC1000NEX1-11/16	QMCW09J111ST	n/a	n/a	n/a	n/a	n/a
SFC1000NEX1-15/16	QMCW10J115ST	QACW10A115ST	QAACW10A115ST	DVC11K115ST	QVCW11V115ST	QVVCW11V115ST
SFC1000NEX1-3/4	QMCW09J112ST	n/a	n/a	n/a	n/a	n/a
SFC1000NEX2	QMCW10J200ST	QACW10A200ST	QAACW10A200ST	DVC11K200ST	QVCW11V200ST	QVVCW11V200ST
SFC1000NEX2-1/2	QMCW13J208ST	QACW13A208ST	QAACW13A208ST	DVC15K208ST	QVCW14V208ST	QVVCW14V208ST
SFC1000NEX2-11/16	QMCW15J211ST	QACW15A211ST	QAACW15A211ST	n/a	QVCW16V211ST	QVVCW16V211ST
SFC1000NEX2-15/16	QMCW15J215ST	QACW15A215ST	QAACW15A215ST	DVC17K215ST	QVCW16V215ST	QVVCW16V215ST
SFC1000NEX2-3/16	QMCW11J203ST	QACW11A203ST	QAACW11A203ST	DVC13K203ST	QVCW12V203ST	QVVCW12V203ST
SFC1000NEX2-3/4	QMCW15J212ST	QACW15A212ST	QAACW15A212ST	n/a	QVCW16V212ST	QVVCW16V212ST
SFC1000NEX2-7/16	QMCW13J207ST	QACW13A207ST	QAACW13A207ST	DVC15K207ST	QVCW14V207ST	QVVCW14V207ST
SFC1000NEX3	QMCW15J300ST	QACW15A300ST	QAACW15A300ST	DVC17K300ST	QVCW16V300ST	QVVCW16V300ST
SFC1000NEX3-1/2	QMCW18J308ST	QACW18A308ST	QAACW18A308ST	DVC20K308ST	QVCW19V308ST	QVVCW19V308ST
SFC1000NEX3-15/16	QMCW20J315ST	QACW20A315ST	QAACW20A315ST	DVC22K315ST	QVCW22V315ST	QVVCW22V315ST
SFC1000NEX3-3/16	QMCW18J303ST	QACW18A303ST	QAACW18A303ST	n/a	QVCW19V303ST	QVVCW19V303ST
SFC1000NEX3-7/16	QMCW18J307ST	QACW18A307ST	QAACW18A307ST	DVC20K307ST	QVCW19V307ST	QVVCW19V307ST
SFC1000NEX4	QMCW20J400ST	QACW20A400ST	QAACW20A400ST	DVC22K400ST	QVCW22V400ST	QVVCW22V400ST
SFC1100ECX1-15/16	QMC10J115SEM	QAC10A115SEM	QAAC10A115SEM	DVC11K115SEM	QVC11V115SEM	QVVC11V115SEM
SFC1100ECX2	QMC10J200SEM	QAC10A200SEM	QAAC10A200SEM	DVC11K200SEM	QVC11V200SEM	QVVC11V200SEM
SFC1100ECX2-1/2	QMC13J208SEM	QAC13A208SEM	QAAC13A208SEM	DVC15K208SEM	QVC14V208SEM	QVVC14V208SEM
SFC1100ECX2-11/16	QMC15J211SEM	QAC15A211SEM	QAAC15A211SEM	n/a	QVC16V211SEM	QVVC16V211SEM
SFC1100ECX2-15/16	QMC15J215SEM	QAC15A215SEM	QAAC15A215SEM	DVC17K215SEM	QVC16V215SEM	QVVC16V215SEM
SFC1100ECX2-3/16	QMC11J203SEM	QAC11A203SEM	QAAC11A203SEM	DVC13K203SEM	QVC12V203SEM	QVVC12V203SEM

Note: This interchange guide is for reference only. **Some competitor bearings may not be shown.** If you are unable to find the bearing you are trying to interchange, please contact your local distributor or QM Bearings for assistance.

(continued on next page)

Blue Brute Bearings – Interchange Guide

Browning®

Browning Part Number	QM EC Series	QM CL Series		QM TA/DV Series	QM V-Lock® Series	
		Single-Collar	Double-Collar		Single-Nut	Double-Nut
SFC1100ECX2-3/4	QMC15J212SEM	QAC15A212SEM	QAAC15A212SEM	n/a	QVC16V212SEM	QVVC16V212SEM
SFC1100ECX2-7/16	QMC13J207SEM	QAC13A207SEM	QAAC13A207SEM	DVC15K207SEM	QVC14V207SEM	QVVC14V207SEM
SFC1100ECX3	QMC15J300SEM	QAC15A300SEM	QAAC15A300SEM	DVC17K300SEM	QVC16V300SEM	QVVC16V300SEM
SFC1100ECX3-1/2	QMC18J308SEM	QAC18A308SEM	QAAC18A308SEM	DVC20K308SEM	QVC19V308SEM	QVVC19V308SEM
SFC1100ECX3-3/16	QMC18J303SEM	QAC18A303SEM	QAAC18A303SEM	n/a	QVC19V303SEM	QVVC19V303SEM
SFC1100ECX3-7/16	QMC18J307SEM	QAC18A307SEM	QAAC18A307SEM	DVC20K307SEM	QVC19V307SEM	QVVC19V307SEM
SFC1100EX1-15/16	QMC10J115SET	QAC10A115SET	QAAC10A115SET	DVC11K115SET	QVC11V115SET	QVVC11V115SET
SFC1100EX2	QMC10J200SET	QAC10A200SET	QAAC10A200SET	DVC11K200SET	QVC11V200SET	QVVC11V200SET
SFC1100EX2-1/2	QMC13J208SET	QAC13A208SET	QAAC13A208SET	DVC15K208SET	QVC14V208SET	QVVC14V208SET
SFC1100EX2-11/16	QMC15J211SET	QAC15A211SET	QAAC15A211SET	n/a	QVC16V211SET	QVVC16V211SET
SFC1100EX2-15/16	QMC15J215SET	QAC15A215SET	QAAC15A215SET	DVC17K215SET	QVC16V215SET	QVVC16V215SET
SFC1100EX2-3/16	QMC11J203SET	QAC11A203SET	QAAC11A203SET	DVC13K203SET	QVC12V203SET	QVVC12V203SET
SFC1100EX2-3/4	QMC15J212SET	QAC15A212SET	QAAC15A212SET	n/a	QVC16V212SET	QVVC16V212SET
SFC1100EX2-7/16	QMC13J207SET	QAC13A207SET	QAAC13A207SET	DVC15K207SET	QVC14V207SET	QVVC14V207SET
SFC1100EX3	QMC15J300SET	QAC15A300SET	QAAC15A300SET	DVC17K300SET	QVC16V300SET	QVVC16V300SET
SFC1100EX3-1/2	QMC18J308SET	QAC18A308SET	QAAC18A308SET	DVC20K308SET	QVC19V308SET	QVVC19V308SET
SFC1100EX3-3/16	QMC18J303SET	QAC18A303SET	QAAC18A303SET	n/a	QVC19V303SET	QVVC19V303SET
SFC1100EX3-7/16	QMC18J307SET	QAC18A307SET	QAAC18A307SET	DVC20K307SET	QVC19V307SET	QVVC19V307SET
SFC1100NECX1-15/16	QMC10J115SM	QAC10A115SM	QAAC10A115SM	DVC11K115SM	QVC11V115SM	QVVC11V115SM
SFC1100NECX2	QMC10J200SM	QAC10A200SM	QAAC10A200SM	DVC11K200SM	QVC11V200SM	QVVC11V200SM
SFC1100NECX2-1/2	QMC13J208SM	QAC13A208SM	QAAC13A208SM	DVC15K208SM	QVC14V208SM	QVVC14V208SM
SFC1100NECX2-11/16	QMC15J211SM	QAC15A211SM	QAAC15A211SM	n/a	QVC16V211SM	QVVC16V211SM
SFC1100NECX2-15/16	QMC15J215SM	QAC15A215SM	QAAC15A215SM	DVC17K215SM	QVC16V215SM	QVVC16V215SM
SFC1100NECX2-3/16	QMC11J203SM	QAC11A203SM	QAAC11A203SM	DVC13K203SM	QVC12V203SM	QVVC12V203SM
SFC1100NECX2-3/4	QMC15J212SM	QAC15A212SM	QAAC15A212SM	n/a	QVC16V212SM	QVVC16V212SM
SFC1100NECX2-7/16	QMC13J207SM	QAC13A207SM	QAAC13A207SM	DVC15K207SM	QVC14V207SM	QVVC14V207SM
SFC1100NECX3	QMC15J300SM	QAC15A300SM	QAAC15A300SM	DVC17K300SM	QVC16V300SM	QVVC16V300SM
SFC1100NECX3-1/2	QMC18J308SM	QAC18A308SM	QAAC18A308SM	DVC20K308SM	QVC19V308SM	QVVC19V308SM
SFC1100NECX3-3/16	QMC18J303SM	QAC18A303SM	QAAC18A303SM	n/a	QVC19V303SM	QVVC19V303SM
SFC1100NECX3-7/16	QMC18J307SM	QAC18A307SM	QAAC18A307SM	DVC20K307SM	QVC19V307SM	QVVC19V307SM
SFC1100NEX1-15/16	QMC10J115ST	QAC10A115ST	QAAC10A115ST	DVC11K115ST	QVC11V115ST	QVVC11V115ST
SFC1100NEX2	QMC10J200ST	QAC10A200ST	QAAC10A200ST	DVC11K200ST	QVC11V200ST	QVVC11V200ST
SFC1100NEX2-1/2	QMC13J208ST	QAC13A208ST	QAAC13A208ST	DVC15K208ST	QVC14V208ST	QVVC14V208ST
SFC1100NEX2-11/16	QMC15J211ST	QAC15A211ST	QAAC15A211ST	n/a	QVC16V211ST	QVVC16V211ST
SFC1100NEX2-15/16	QMC15J215ST	QAC15A215ST	QAAC15A215ST	DVC17K215ST	QVC16V215ST	QVVC16V215ST
SFC1100NEX2-3/16	QMC11J203ST	QAC11A203ST	QAAC11A203ST	DVC13K203ST	QVC12V203ST	QVVC12V203ST
SFC1100NEX2-3/4	QMC15J212ST	QAC15A212ST	QAAC15A212ST	n/a	QVC16V212ST	QVVC16V212ST
SFC1100NEX2-7/16	QMC13J207ST	QAC13A207ST	QAAC13A207ST	DVC15K207ST	QVC14V207ST	QVVC14V207ST
SFC1100NEX3	QMC15J300ST	QAC15A300ST	QAAC15A300ST	DVC17K300ST	QVC16V300ST	QVVC16V300ST
SFC1100NEX3-1/2	QMC18J308ST	QAC18A308ST	QAAC18A308ST	DVC20K308ST	QVC19V308ST	QVVC19V308ST
SFC1100NEX3-3/16	QMC18J303ST	QAC18A303ST	QAAC18A303ST	n/a	QVC19V303ST	QVVC19V303ST
SFC1100NEX3-7/16	QMC18J307ST	QAC18A307ST	QAAC18A307ST	DVC20K307ST	QVC19V307ST	QVVC19V307ST
SFC1101ECX1-15/16	QMC10J115SEM	QAC10A115SEM	QAAC10A115SEM	DVC11K115SEM	QVC11V115SEM	QVVC11V115SEM

Note: This interchange guide is for reference only. **Some competitor bearings may not be shown.** If you are unable to find the bearing you are trying to interchange, please contact your local distributor or QM Bearings for assistance.

(continued on next page)

Blue Brute Bearings – Interchange Guide

Browning®

Browning Part Number	QM EC Series	QM CL Series		QM TA/DV Series	QM V-Lock® Series	
		Single-Collar	Double-Collar		Single-Nut	Double-Nut
SFC1101ECX2	QMC10J200SEM	QAC10A200SEM	QAAC10A200SEM	DVC11K200SEM	QVC11V200SEM	QVVC11V200SEM
SFC1101ECX2-1/2	QMC13J208SEM	QAC13A208SEM	QAAC13A208SEM	DVC15K208SEM	QVC14V208SEM	QVVC14V208SEM
SFC1101ECX2-11/16	QMC15J211SEM	QAC15A211SEM	QAAC15A211SEM	n/a	QVC16V211SEM	QVVC16V211SEM
SFC1101ECX2-15/16	QMC15J215SEM	QAC15A215SEM	QAAC15A215SEM	DVC17K215SEM	QVC16V215SEM	QVVC16V215SEM
SFC1101ECX2-3/16	QMC11J203SEM	QAC11A203SEM	QAAC11A203SEM	DVC13K203SEM	QVC12V203SEM	QVVC12V203SEM
SFC1101ECX2-3/4	QMC15J212SEM	QAC15A212SEM	QAAC15A212SEM	n/a	QVC16V212SEM	QVVC16V212SEM
SFC1101ECX2-7/16	QMC13J207SEM	QAC13A207SEM	QAAC13A207SEM	DVC15K207SEM	QVC14V207SEM	QVVC14V207SEM
SFC1101ECX3	QMC15J300SEM	QAC15A300SEM	QAAC15A300SEM	DVC17K300SEM	QVC16V300SEM	QVVC16V300SEM
SFC1101ECX3-1/2	QMC18J308SEM	QAC18A308SEM	QAAC18A308SEM	DVC20K308SEM	QVC19V308SEM	QVVC19V308SEM
SFC1101ECX3-3/16	QMC18J303SEM	QAC18A303SEM	QAAC18A303SEM	n/a	QVC19V303SEM	QVVC19V303SEM
SFC1101ECX3-7/16	QMC18J307SEM	QAC18A307SEM	QAAC18A307SEM	DVC20K307SEM	QVC19V307SEM	QVVC19V307SEM
SFC1101EX1-15/16	QMC10J115SET	QAC10A115SET	QAAC10A115SET	DVC11K115SET	QVC11V115SET	QVVC11V115SET
SFC1101EX2	QMC10J200SET	QAC10A200SET	QAAC10A200SET	DVC11K200SET	QVC11V200SET	QVVC11V200SET
SFC1101EX2-1/2	QMC13J208SET	QAC13A208SET	QAAC13A208SET	DVC15K208SET	QVC14V208SET	QVVC14V208SET
SFC1101EX2-11/16	QMC15J211SET	QAC15A211SET	QAAC15A211SET	n/a	QVC16V211SET	QVVC16V211SET
SFC1101EX2-15/16	QMC15J215SET	QAC15A215SET	QAAC15A215SET	DVC17K215SET	QVC16V215SET	QVVC16V215SET
SFC1101EX2-3/16	QMC11J203SET	QAC11A203SET	QAAC11A203SET	DVC13K203SET	QVC12V203SET	QVVC12V203SET
SFC1101EX2-3/4	QMC15J212SET	QAC15A212SET	QAAC15A212SET	n/a	QVC16V212SET	QVVC16V212SET
SFC1101EX2-7/16	QMC13J207SET	QAC13A207SET	QAAC13A207SET	DVC15K207SET	QVC14V207SET	QVVC14V207SET
SFC1101EX3	QMC15J300SET	QAC15A300SET	QAAC15A300SET	DVC17K300SET	QVC16V300SET	QVVC16V300SET
SFC1101EX3-1/2	QMC18J308SET	QAC18A308SET	QAAC18A308SET	DVC20K308SET	QVC19V308SET	QVVC19V308SET
SFC1101EX3-3/16	QMC18J303SET	QAC18A303SET	QAAC18A303SET	n/a	QVC19V303SET	QVVC19V303SET
SFC1101EX3-7/16	QMC18J307SET	QAC18A307SET	QAAC18A307SET	DVC20K307SET	QVC19V307SET	QVVC19V307SET
SFC1101NECX1-15/16	QMC10J115SM	QAC10A115SM	QAAC10A115SM	DVC11K115SM	QVC11V115SM	QVVC11V115SM
SFC1101NECX2	QMC10J200SM	QAC10A200SM	QAAC10A200SM	DVC11K200SM	QVC11V200SM	QVVC11V200SM
SFC1101NECX2-1/2	QMC13J208SM	QAC13A208SM	QAAC13A208SM	DVC15K208SM	QVC14V208SM	QVVC14V208SM
SFC1101NECX2-11/16	QMC15J211SM	QAC15A211SM	QAAC15A211SM	n/a	QVC16V211SM	QVVC16V211SM
SFC1101NECX2-15/16	QMC15J215SM	QAC15A215SM	QAAC15A215SM	DVC17K215SM	QVC16V215SM	QVVC16V215SM
SFC1101NECX2-3/16	QMC11J203SM	QAC11A203SM	QAAC11A203SM	DVC13K203SM	QVC12V203SM	QVVC12V203SM
SFC1101NECX2-3/4	QMC15J212SM	QAC15A212SM	QAAC15A212SM	n/a	QVC16V212SM	QVVC16V212SM
SFC1101NECX2-7/16	QMC13J207SM	QAC13A207SM	QAAC13A207SM	DVC15K207SM	QVC14V207SM	QVVC14V207SM
SFC1101NECX3	QMC15J300SM	QAC15A300SM	QAAC15A300SM	DVC17K300SM	QVC16V300SM	QVVC16V300SM
SFC1101NECX3-1/2	QMC18J308SM	QAC18A308SM	QAAC18A308SM	DVC20K308SM	QVC19V308SM	QVVC19V308SM
SFC1101NECX3-3/16	QMC18J303SM	QAC18A303SM	QAAC18A303SM	n/a	QVC19V303SM	QVVC19V303SM
SFC1101NECX3-7/16	QMC18J307SM	QAC18A307SM	QAAC18A307SM	DVC20K307SM	QVC19V307SM	QVVC19V307SM
SFC1101NEX1-15/16	QMC10J115ST	QAC10A115ST	QAAC10A115ST	DVC11K115ST	QVC11V115ST	QVVC11V115ST
SFC1101NEX2	QMC10J200ST	QAC10A200ST	QAAC10A200ST	DVC11K200ST	QVC11V200ST	QVVC11V200ST
SFC1101NEX2-1/2	QMC13J208ST	QAC13A208ST	QAAC13A208ST	DVC15K208ST	QVC14V208ST	QVVC14V208ST
SFC1101NEX2-11/16	QMC15J211ST	QAC15A211ST	QAAC15A211ST	n/a	QVC16V211ST	QVVC16V211ST
SFC1101NEX2-15/16	QMC15J215ST	QAC15A215ST	QAAC15A215ST	DVC17K215ST	QVC16V215ST	QVVC16V215ST
SFC1101NEX2-3/16	QMC11J203ST	QAC11A203ST	QAAC11A203ST	DVC13K203ST	QVC12V203ST	QVVC12V203ST
SFC1101NEX2-3/4	QMC15J212ST	QAC15A212ST	QAAC15A212ST	n/a	QVC16V212ST	QVVC16V212ST
SFC1101NEX2-7/16	QMC13J207ST	QAC13A207ST	QAAC13A207ST	DVC15K207ST	QVC14V207ST	QVVC14V207ST

Note: This interchange guide is for reference only. **Some competitor bearings may not be shown.** If you are unable to find the bearing you are trying to interchange, please contact your local distributor or QM Bearings for assistance.

(continued on next page)

Blue Brute Bearings – Interchange Guide

Browning®

Browning Part Number	QM EC Series	QM CL Series		QM TA/DV Series	QM V-Lock® Series	
		Single-Collar	Double-Collar		Single-Nut	Double-Nut
SFC1101NEX3	QMC15J300ST	QAC15A300ST	QAAC15A300ST	DVC17K300ST	QVC16V300ST	QVVC16V300ST
SFC1101NEX3-1/2	QMC18J308ST	QAC18A308ST	QAAC18A308ST	DVC20K308ST	QVC19V308ST	QVVC19V308ST
SFC1101NEX3-3/16	QMC18J303ST	QAC18A303ST	QAAC18A303ST	n/a	QVC19V303ST	QVVC19V303ST
SFC1101NEX3-7/16	QMC18J307ST	QAC18A307ST	QAAC18A307ST	DVC20K307ST	QVC19V307ST	QVVC19V307ST
SPB1000ECX1-1/2	QMPL08J108SEM	n/a	n/a	n/a	n/a	n/a
SPB1000ECX1-11/16	QMPL09J111SEM	n/a	n/a	n/a	n/a	n/a
SPB1000ECX1-15/16	QMPL10J115SEM	QAPL10A115SEM	QAAPL10A115SEM	DVP11K115SEM	QVPL11V115SEM	QVVPL11V115SEM
SPB1000ECX1-3/4	QMPL09J112SEM	n/a	n/a	n/a	n/a	n/a
SPB1000ECX1-7/16	QMPL08J107SEM	n/a	n/a	n/a	n/a	n/a
SPB1000ECX2	QMPL10J200SEM	QAPL10A200SEM	QAAPL10A200SEM	DVP11K200SEM	QVPL11V200SEM	QVVPL11V200SEM
SPB1000ECX2-1/2	QMPL13J208SEM	QAPL13A208SEM	QAAPL13A208SEM	DVP15K208SEM	QVPL14V208SEM	QVVPL14V208SEM
SPB1000ECX2-11/16	QMPL15J211SEM	QAPL15A211SEM	QAAPL15A211SEM	n/a	QVPL16V211SEM	QVVPL16V211SEM
SPB1000ECX2-15/16	QMPL15J215SEM	QAPL15A215SEM	QAAPL15A215SEM	DVP17K215SEM	QVPL16V215SEM	QVVPL16V215SEM
SPB1000ECX2-3/16	QMPL11J203SEM	QAPL11A203SEM	QAAPL11A203SEM	DVP13K203SEM	QVPL12V203SEM	QVVPL12V203SEM
SPB1000ECX2-3/4	QMPL15J212SEM	QAPL15A212SEM	QAAPL15A212SEM	n/a	QVPL16V212SEM	QVVPL16V212SEM
SPB1000ECX2-7/16	QMPL13J207SEM	QAPL13A207SEM	QAAPL13A207SEM	DVP15K207SEM	QVPL14V207SEM	QVVPL14V207SEM
SPB1000ECX3	QMPL15J300SEM	QAPL15A300SEM	QAAPL15A300SEM	DVP17K300SEM	QVPL16V300SEM	QVVPL16V300SEM
SPB1000ECX3-1/2	QMPL18J308SEM	QAPL18A308SEM	QAAPL18A308SEM	DVP20K308SEM	QVPL19V308SEM	QVVPL19V308SEM
SPB1000ECX3-3/16	QMPL18J303SEM	QAPL18A303SEM	QAAPL18A303SEM	n/a	QVPL19V303SEM	QVVPL19V303SEM
SPB1000ECX3-7/16	QMPL18J307SEM	QAPL18A307SEM	QAAPL18A307SEM	DVP20K307SEM	QVPL19V307SEM	QVVPL19V307SEM
SPB1000EX1-1/2	QMPL08J108SET	n/a	n/a	n/a	n/a	n/a
SPB1000EX1-11/16	QMPL09J111SET	n/a	n/a	n/a	n/a	n/a
SPB1000EX1-15/16	QMPL10J115SET	QAPL10A115SET	QAAPL10A115SET	DVP11K115SET	QVPL11V115SET	QVVPL11V115SET
SPB1000EX1-3/4	QMPL09J112SET	n/a	n/a	n/a	n/a	n/a
SPB1000EX1-7/16	QMPL08J107SET	n/a	n/a	n/a	n/a	n/a
SPB1000EX2	QMPL10J200SET	QAPL10A200SET	QAAPL10A200SET	DVP11K200SET	QVPL11V200SET	QVVPL11V200SET
SPB1000EX2-1/2	QMPL13J208SET	QAPL13A208SET	QAAPL13A208SET	DVP15K208SET	QVPL14V208SET	QVVPL14V208SET
SPB1000EX2-11/16	QMPL15J211SET	QAPL15A211SET	QAAPL15A211SET	n/a	QVPL16V211SET	QVVPL16V211SET
SPB1000EX2-15/16	QMPL15J215SET	QAPL15A215SET	QAAPL15A215SET	DVP17K215SET	QVPL16V215SET	QVVPL16V215SET
SPB1000EX2-3/16	QMPL11J203SET	QAPL11A203SET	QAAPL11A203SET	DVP13K203SET	QVPL12V203SET	QVVPL12V203SET
SPB1000EX2-3/4	QMPL15J212SET	QAPL15A212SET	QAAPL15A212SET	n/a	QVPL16V212SET	QVVPL16V212SET
SPB1000EX2-7/16	QMPL13J207SET	QAPL13A207SET	QAAPL13A207SET	DVP15K207SET	QVPL14V207SET	QVVPL14V207SET
SPB1000EX3	QMPL15J300SET	QAPL15A300SET	QAAPL15A300SET	DVP17K300SET	QVPL16V300SET	QVVPL16V300SET
SPB1000EX3-1/2	QMPL18J308SET	QAPL18A308SET	QAAPL18A308SET	DVP20K308SET	QVPL19V308SET	QVVPL19V308SET
SPB1000EX3-15/16	QMP20J315SET	QAP20A315SET	QAAP20A315SET	n/a	QVP22V315SET	QVVP22V315SET
SPB1000EX3-3/16	QMPL18J303SET	QAPL18A303SET	QAAPL18A303SET	n/a	QVPL19V303SET	QVVPL19V303SET
SPB1000EX3-7/16	QMPL18J307SET	QAPL18A307SET	QAAPL18A307SET	DVP20K307SET	QVPL19V307SET	QVVPL19V307SET
SPB1000EX4	QMP20J400SEM	QAP20A400SEM	QAAP20A400SEM	n/a	QVP22V400SEM	QVVP22V400SEM
SPB1000FECX2-1/2	QMPF13J208SEM	QAPF13A208SEM	QAAPF13A208SEM	n/a	QVPF14V208SEM	QVVPF14V208SEM
SPB1000FECX2-11/16	QMPF15J211SEM	QAPF15A211SEM	QAAPF15A211SEM	n/a	QVPF16V211SEM	QVVPF16V211SEM
SPB1000FECX2-15/16	QMPF15J215SEM	QAPF15A215SEM	QAAPF15A215SEM	n/a	QVPF16V215SEM	QVVPF16V215SEM
SPB1000FECX2-3/4	QMPF15J212SEM	QAPF15A212SEM	QAAPF15A212SEM	n/a	QVPF16V212SEM	QVVPF16V212SEM
SPB1000FECX2-7/16	QMPF13J207SEM	QAPF13A207SEM	QAAPF13A207SEM	n/a	QVPF14V207SEM	QVVPF14V207SEM

Note: This interchange guide is for reference only. **Some competitor bearings may not be shown.** If you are unable to find the bearing you are trying to interchange, please contact your local distributor or QM Bearings for assistance.

(continued on next page)

Blue Brute Bearings – Interchange Guide

Browning®

Browning Part Number	QM EC Series	QM CL Series		QM TA/DV Series	QM V-Lock® Series	
		Single-Collar	Double-Collar		Single-Nut	Double-Nut
SPB1000FECX3	QMPF15J300SEM	QAPF15A300SEM	QAAPF15A300SEM	n/a	QVPF16V300SEM	QVVPF16V300SEM
SPB1000FECX3-1/2	QMPF18J308SEM	QAPF18A308SEM	QAAPF18A308SEM	n/a	QVPF19V308SEM	QVVPF19V308SEM
SPB1000FECX3-15/16	QMPF20J315SEM	QAPF20A315SEM	QAAPF20A315SEM	DVPF22K315SEM	QVPF22V315SEM	QVVPF22V315SEM
SPB1000FECX3-3/16	QMPF18J303SEM	QAPF18A303SEM	QAAPF18A303SEM	n/a	QVPF19V303SEM	QVVPF19V303SEM
SPB1000FECX3-7/16	QMPF18J307SEM	QAPF18A307SEM	QAAPF18A307SEM	n/a	QVPF19V307SEM	QVVPF19V307SEM
SPB1000FECX4	QMPF20J400SEM	QAPF20A400SEM	QAAPF20A400SEM	DVPF22K400SEM	QVPF22V400SEM	QVVPF22V400SEM
SPB1000FECX4-1/2	QMPF22J408SEM	n/a	QAAPF22A408SEM	DVPF26K408SEM	QVPF26V408SEM	QVVPF26V408SEM
SPB1000FECX4-15/16	QMPF26J415SEM	n/a	QAAPF26A415SEM	n/a	QVPF28V415SEM	QVVPF28V415SEM
SPB1000FECX4-7/16	QMPF22J407SEM	n/a	QAAPF22A407SEM	DVPF26K407SEM	QVPF26V407SEM	QVVPF26V407SEM
SPB1000FEX2-1/2	QMPF13J208SET	QAPF13A208SET	QAAPF13A208SET	n/a	QVPF14V208SET	QVVPF14V208SET
SPB1000FEX2-11/16	QMPF15J211SET	QAPF15A211SET	QAAPF15A211SET	n/a	QVPF16V211SET	QVVPF16V211SET
SPB1000FEX2-15/16	QMPF15J215SET	QAPF15A215SET	QAAPF15A215SET	n/a	QVPF16V215SET	QVVPF16V215SET
SPB1000FEX2-3/4	QMPF15J212SET	QAPF15A212SET	QAAPF15A212SET	n/a	QVPF16V212SET	QVVPF16V212SET
SPB1000FEX2-7/16	QMPF13J207SET	QAPF13A207SET	QAAPF13A207SET	n/a	QVPF14V207SET	QVVPF14V207SET
SPB1000FEX3	QMPF15J300SET	QAPF15A300SET	QAAPF15A300SET	n/a	QVPF16V300SET	QVVPF16V300SET
SPB1000FEX3-1/2	QMPF18J308SET	QAPF18A308SET	QAAPF18A308SET	n/a	QVPF19V308SET	QVVPF19V308SET
SPB1000FEX3-15/16	QMPF20J315SET	QAPF20A315SET	QAAPF20A315SET	DVPF22K315SET	QVPF22V315SET	QVVPF22V315SET
SPB1000FEX3-3/16	QMPF18J303SET	QAPF18A303SET	QAAPF18A303SET	n/a	QVPF19V303SET	QVVPF19V303SET
SPB1000FEX3-7/16	QMPF18J307SET	QAPF18A307SET	QAAPF18A307SET	n/a	QVPF19V307SET	QVVPF19V307SET
SPB1000FEX4	QMPF20J400SET	QAPF20A400SET	QAAPF20A400SET	DVPF22K400SET	QVPF22V400SET	QVVPF22V400SET
SPB1000FEX4-1/2	QMPF22J408SET	n/a	QAAPF22A408SET	DVPF26K408SET	QVPF26V408SET	QVVPF26V408SET
SPB1000FEX4-15/16	QMPF26J415SET	n/a	QAAPF26A415SET	n/a	QVPF28V415SET	QVVPF28V415SET
SPB1000FEX4-7/16	QMPF22J407SET	n/a	QAAPF22A407SET	DVPF26K407SET	QVPF26V407SET	QVVPF26V407SET
SPB1000FNEX2-1/2	QMPF13J208SM	QAPF13A208SM	QAAPF13A208SM	n/a	QVPF14V208SM	QVVPF14V208SM
SPB1000FNEX2-11/16	QMPF15J211SM	QAPF15A211SM	QAAPF15A211SM	n/a	QVPF16V211SM	QVVPF16V211SM
SPB1000FNEX2-15/16	QMPF15J215SM	QAPF15A215SM	QAAPF15A215SM	n/a	QVPF16V215SM	QVVPF16V215SM
SPB1000FNEX2-3/4	QMPF15J212SM	QAPF15A212SM	QAAPF15A212SM	n/a	QVPF16V212SM	QVVPF16V212SM
SPB1000FNEX2-7/16	QMPF13J207SM	QAPF13A207SM	QAAPF13A207SM	n/a	QVPF14V207SM	QVVPF14V207SM
SPB1000FNEX3	QMPF15J300SM	QAPF15A300SM	QAAPF15A300SM	n/a	QVPF16V300SM	QVVPF16V300SM
SPB1000FNEX3-1/2	QMPF18J308SM	QAPF18A308SM	QAAPF18A308SM	n/a	QVPF19V308SM	QVVPF19V308SM
SPB1000FNEX3-15/16	QMPF20J315SM	QAPF20A315SM	QAAPF20A315SM	DVPF22K315SM	QVPF22V315SM	QVVPF22V315SM
SPB1000FNEX3-3/16	QMPF18J303SM	QAPF18A303SM	QAAPF18A303SM	n/a	QVPF19V303SM	QVVPF19V303SM
SPB1000FNEX3-7/16	QMPF18J307SM	QAPF18A307SM	QAAPF18A307SM	n/a	QVPF19V307SM	QVVPF19V307SM
SPB1000FNEX4	QMPF20J400SM	QAPF20A400SM	QAAPF20A400SM	DVPF22K400SM	QVPF22V400SM	QVVPF22V400SM
SPB1000FNEX4-1/2	QMPF22J408SM	n/a	QAAPF22A408SM	DVPF26K408SM	QVPF26V408SM	QVVPF26V408SM
SPB1000FNEX4-15/16	QMPF26J415SM	n/a	QAAPF26A415SM	n/a	QVPF28V415SM	QVVPF28V415SM
SPB1000FNEX4-7/16	QMPF22J407SM	n/a	QAAPF22A407SM	DVPF26K407SM	QVPF26V407SM	QVVPF26V407SM
SPB1000FNEX2-1/2	QMPF13J208ST	QAPF13A208ST	QAAPF13A208ST	n/a	QVPF14V208ST	QVVPF14V208ST
SPB1000FNEX2-11/16	QMPF15J211ST	QAPF15A211ST	QAAPF15A211ST	n/a	QVPF16V211ST	QVVPF16V211ST
SPB1000FNEX2-15/16	QMPF15J215ST	QAPF15A215ST	QAAPF15A215ST	n/a	QVPF16V215ST	QVVPF16V215ST
SPB1000FNEX2-3/4	QMPF15J212ST	QAPF15A212ST	QAAPF15A212ST	n/a	QVPF16V212ST	QVVPF16V212ST
SPB1000FNEX2-7/16	QMPF13J207ST	QAPF13A207ST	QAAPF13A207ST	n/a	QVPF14V207ST	QVVPF14V207ST
SPB1000FNEX3	QMPF15J300ST	QAPF15A300ST	QAAPF15A300ST	n/a	QVPF16V300ST	QVVPF16V300ST

Note: This interchange guide is for reference only. **Some competitor bearings may not be shown.** If you are unable to find the bearing you are trying to interchange, please contact your local distributor or QM Bearings for assistance.

(continued on next page)

Introduction
Blue Brute Bearings
Bearing Interchange Guide
Quick-Flex Couplings
Rigid Compression Couplings
Index

Blue Brute Bearings – Interchange Guide

Browning®

Browning Part Number	QM EC Series	QM CL Series		QM TA/DV Series	QM V-Lock® Series	
		Single-Collar	Double-Collar		Single-Nut	Double-Nut
SPB1000FNEX3-1/2	QMPF18J308ST	QAPF18A308ST	QAAPF18A308ST	n/a	QVPF19V308ST	QVVPF19V308ST
SPB1000FNEX3-15/16	QMPF20J315ST	QAPF20A315ST	QAAPF20A315ST	DVPF22K315ST	QVPF22V315ST	QVVPF22V315ST
SPB1000FNEX3-3/16	QMPF18J303ST	QAPF18A303ST	QAAPF18A303ST	n/a	QVPF19V303ST	QVVPF19V303ST
SPB1000FNEX3-7/16	QMPF18J307ST	QAPF18A307ST	QAAPF18A307ST	n/a	QVPF19V307ST	QVVPF19V307ST
SPB1000FNEX4	QMPF20J400ST	QAPF20A400ST	QAAPF20A400ST	DVPF22K400ST	QVPF20V400ST	QVVPF20V400ST
SPB1000FNEX4-1/2	QMPF22J408ST	n/a	QAAPF22A408ST	DVPF26K408ST	QVPF26V408ST	QVVPF26V408ST
SPB1000FNEX4-15/16	QMPF26J415ST	n/a	QAAPF26A415ST	n/a	QVPF28V415ST	QVVPF28V415ST
SPB1000FNEX4-7/16	QMPF22J407ST	n/a	QAAPF22A407ST	DVPF26K407ST	QVPF26V407ST	QVVPF26V407ST
SPB1000NECX1-1/2	QMPL08J108SM	n/a	n/a	n/a	n/a	n/a
SPB1000NECX1-11/16	QMPL09J111SM	n/a	n/a	n/a	n/a	n/a
SPB1000NECX1-15/16	QMPL10J115SM	QAPL10A115SM	QAAPL10A115SM	DVP11K115SM	QVPL11V115SM	QVVPL11V115SM
SPB1000NECX1-3/4	QMPL09J112SM	n/a	n/a	n/a	n/a	n/a
SPB1000NECX1-7/16	QMPL08J107SM	n/a	n/a	n/a	n/a	n/a
SPB1000NECX2	QMPL10J200SM	QAPL10A200SM	QAAPL10A200SM	DVP11K200SM	QVPL11V200SM	QVVPL11V200SM
SPB1000NECX2-1/2	QMPL13J208SM	QAPL13A208SM	QAAPL13A208SM	DVP15K208SM	QVPL14V208SM	QVVPL14V208SM
SPB1000NECX2-11/16	QMPL15J211SM	QAPL15A211SM	QAAPL15A211SM	n/a	QVPL16V211SM	QVVPL16V211SM
SPB1000NECX2-15/16	QMPL15J215SM	QAPL15A215SM	QAAPL15A215SM	DVP17K215SM	QVPL16V215SM	QVVPL16V215SM
SPB1000NECX2-3/16	QMPL11J203SM	QAPL11A203SM	QAAPL11A203SM	DVP13K203SM	QVPL12V203SM	QVVPL12V203SM
SPB1000NECX2-3/4	QMPL15J212SM	QAPL15A212SM	QAAPL15A212SM	n/a	QVPL16V212SM	QVVPL16V212SM
SPB1000NECX2-7/16	QMPL13J207SM	QAPL13A207SM	QAAPL13A207SM	DVP15K207SM	QVPL14V207SM	QVVPL14V207SM
SPB1000NECX3	QMPL15J300SM	QAPL15A300SM	QAAPL15A300SM	DVP17K300SM	QVPL16V300SM	QVVPL16V300SM
SPB1000NECX3-1/2	QMPL18J308SM	QAPL18A308SM	QAAPL18A308SM	DVP20K308SM	QVPL19V308SM	QVVPL19V308SM
SPB1000NECX3-15/16	QMP20J315SM	QAP20A315SM	QAAP20A315SM	n/a	QVP22V315SM	QVVP22V315SM
SPB1000NECX3-3/16	QMPL18J303SM	QAPL18A303SM	QAAPL18A303SM	n/a	QVPL19V303SM	QVVPL19V303SM
SPB1000NECX3-7/16	QMPL18J307SM	QAPL18A307SM	QAAPL18A307SM	DVP20K307SM	QVPL19V307SM	QVVPL19V307SM
SPB1000NECX4	QMP20J400SM	QAP20A400SM	QAAP20A400SM	n/a	QVP22V400SM	QVVP22V400SM
SPB1000NEX1-1/2	QMPL08J108ST	n/a	n/a	n/a	n/a	n/a
SPB1000NEX1-11/16	QMPL09J111ST	n/a	n/a	n/a	n/a	n/a
SPB1000NEX1-15/16	QMPL10J115ST	QAPL10A115ST	QAAPL10A115ST	DVP11K115ST	QVPL11V115ST	QVVPL11V115ST
SPB1000NEX1-3/4	QMPL09J112ST	n/a	n/a	n/a	n/a	n/a
SPB1000NEX1-7/16	QMPL08J107ST	n/a	n/a	n/a	n/a	n/a
SPB1000NEX2	QMPL10J200ST	QAPL10A200ST	QAAPL10A200ST	DVP11K200ST	QVPL11V200ST	QVVPL11V200ST
SPB1000NEX2-1/2	QMPL13J208ST	QAPL13A208ST	QAAPL13A208ST	DVP15K208ST	QVPL14V208ST	QVVPL14V208ST
SPB1000NEX2-11/16	QMPL15J211ST	QAPL15A211ST	QAAPL15A211ST	n/a	QVPL16V211ST	QVVPL16V211ST
SPB1000NEX2-15/16	QMPL15J215ST	QAPL15A215ST	QAAPL15A215ST	DVP17K215ST	QVPL16V215ST	QVVPL16V215ST
SPB1000NEX2-3/16	QMPL11J203ST	QAPL11A203ST	QAAPL11A203ST	DVP13K203ST	QVPL12V203ST	QVVPL12V203ST
SPB1000NEX2-3/4	QMPL15J212ST	QAPL15A212ST	QAAPL15A212ST	n/a	QVPL16V212ST	QVVPL16V212ST
SPB1000NEX2-7/16	QMPL13J207ST	QAPL13A207ST	QAAPL13A207ST	DVP15K207ST	QVPL14V207ST	QVVPL14V207ST
SPB1000NEX3	QMPL15J300ST	QAPL15A300ST	QAAPL15A300ST	DVP17K300ST	QVPL16V300ST	QVVPL16V300ST
SPB1000NEX3-1/2	QMPL18J308ST	QAPL18A308ST	QAAPL18A308ST	DVP20K308ST	QVPL19V308ST	QVVPL19V308ST
SPB1000NEX3-15/16	QMP20J315ST	QAP20A315ST	QAAP20A315ST	n/a	QVP22V315ST	QVVP22V315ST
SPB1000NEX3-3/16	QMPL18J303ST	n/a	n/a	n/a	QVPL19V303ST	QVVPL19V303ST
SPB1000NEX3-7/16	QMPL18J307ST	QAPL18A307ST	QAAPL18A307ST	DVP20K307ST	QVPL19V307ST	QVVPL19V307ST

Note: This interchange guide is for reference only. **Some competitor bearings may not be shown.** If you are unable to find the bearing you are trying to interchange, please contact your local distributor or QM Bearings for assistance.

(continued on next page)

Blue Brute Bearings – Interchange Guide

Browning®

Browning Part Number	QM EC Series	QM CL Series		QM TA/DV Series	QM V-Lock® Series	
		Single-Collar	Double-Collar		Single-Nut	Double-Nut
SPB100NEX4	QMP20J400ST	QAP20A400ST	QAAP20A400ST	n/a	QVP22V400ST	QVVP22V400ST
SPB1100ECX1-15/16	QMP10J115SEM	QAP10A115SEM	QAAP10A115SEM	DVP11K115SEM	QVP11V115SEM	QVVP11V115SEM
SPB1100ECX2	QMP10J200SEM	QAP10A200SEM	QAAP10A200SEM	DVP11K200SEM	QVP11V200SEM	QVVP11V200SEM
SPB1100ECX2-1/2	QMP13J208SEM	QAP13A208SEM	QAAP13A208SEM	DVP15K208SEM	QVP14V208SEM	QVVP14V208SEM
SPB1100ECX2-11/16	QMP15J211SEM	QAP15A211SEM	QAAP15A211SEM	n/a	QVP16V211SEM	QVVP16V211SEM
SPB1100ECX2-15/16	QMP15J215SEM	QAP13A215SEM	QAAP13A215SEM	n/a	QVP16V215SEM	QVVP16V215SEM
SPB1100ECX2-3/16	QMP11J203SEM	QAP11A203SEM	QAAP11A203SEM	DVP13K203SEM	QVP12V203SEM	QVVP12V203SEM
SPB1100ECX2-3/4	QMP15J212SEM	QAP15A212SEM	QAAP15A212SEM	n/a	QVP16V212SEM	QVVP16V212SEM
SPB1100ECX2-7/16	QMP13J207SEM	QAP13A207SEM	QAAP13A207SEM	DVP15K207SEM	QVP14V207SEM	QVVP14V207SEM
SPB1100ECX3	QMP15J300SEM	QAP15A300SEM	QAAP15A300SEM	n/a	QVP16V300SEM	QVVP16V300SEM
SPB1100ECX3-1/2	QMP18J308SEM	QAP18A308SEM	QAAP18A308SEM	DVP20K308SEM	QVP19V308SEM	QVVP19V308SEM
SPB1100ECX3-3/16	QMP18J303SEM	QAP18A303SEM	QAAP18A303SEM	n/a	QVP19V303SEM	QVVP19V303SEM
SPB1100ECX3-7/16	QMP18J307SEM	QAP18A307SEM	QAAP18A307SEM	DVP20K307SEM	QVP19V307SEM	QVVP19V307SEM
SPB1100EX1-15/16	QMP10J115SET	QAP10A115SET	QAAP10A115SET	DVP11K115SET	QVP11V115SET	QVVP11V115SET
SPB1100EX2	QMP10J200SET	QAP10A200SET	QAAP10A200SET	DVP11K200SET	QVP11V200SET	QVVP11V200SET
SPB1100EX2-1/2	QMP13J208SET	QAP13A208SET	QAAP13A208SET	DVP15K208SET	QVP14V208SET	QVVP14V208SET
SPB1100EX2-11/16	QMP15J211SET	QAP15A211SET	QAAP15A211SET	n/a	QVP16V211SET	QVVP16V211SET
SPB1100EX2-15/16	QMP15J215SET	QAP13A215SET	QAAP13A215SET	n/a	QVP16V215SET	QVVP16V215SET
SPB1100EX2-3/16	QMP11J203SET	QAP11A203SET	QAAP11A203SET	DVP13K203SET	QVP12V203SET	QVVP12V203SET
SPB1100EX2-3/4	QMP15J212SET	QAP15A212SET	QAAP15A212SET	n/a	QVP16V212SET	QVVP16V212SET
SPB1100EX2-7/16	QMP13J207SET	QAP13A207SET	QAAP13A207SET	DVP15K207SET	QVP14V207SET	QVVP14V207SET
SPB1100EX3	QMP15J300SET	QAP15A300SET	QAAP15A300SET	n/a	QVP16V300SET	QVVP16V300SET
SPB1100EX3-1/2	QMP18J308SET	QAP18A308SET	QAAP18A308SET	DVP20K308SET	QVP19V308SET	QVVP19V308SET
SPB1100EX3-15/16	QMP20J315SET	QAP20A315SET	QAAP20A315SET	n/a	QVP22V315SET	QVVP22V315SET
SPB1100EX3-3/16	QMP18J303SET	QAP18A303SET	QAAP18A303SET	n/a	QVP19V303SET	QVVP19V303SET
SPB1100EX3-7/16	QMP18J307SET	QAP18A307SET	QAAP18A307SET	DVP20K307SET	QVP19V307SET	QVVP19V307SET
SPB1100EX4	QMP20J400SEM	QAP20A400SEM	QAAP20A400SEM	n/a	QVP22V400SEM	QVVP22V400SEM
SPB1100NECX1-15/16	QMP10J115SM	QAP10A115SM	QAAP10A115SM	DVP11K115SM	QVP11V115SM	QVVP11V115SM
SPB1100NECX2	QMP10J200SM	QAP10A200SM	QAAP10A200SM	DVP11K200SM	QVP11V200SM	QVVP11V200SM
SPB1100NECX2-1/2	QMP13J208SM	QAP13A208SM	QAAP13A208SM	DVP15K208SM	QVP14V208SM	QVVP14V208SM
SPB1100NECX2-11/16	QMP15J211SM	QAP15A211SM	QAAP15A211SM	n/a	QVP16V211SM	QVVP16V211SM
SPB1100NECX2-15/16	QMP15J215SM	QAP13A215SM	QAAP13A215SM	n/a	QVP16V215SM	QVVP16V215SM
SPB1100NECX2-3/16	QMP11J203SM	QAP11A203SM	QAAP11A203SM	DVP13K203SM	QVP12V203SM	QVVP12V203SM
SPB1100NECX2-3/4	QMP15J212SM	QAP15A212SM	QAAP15A212SM	n/a	QVP16V212SM	QVVP16V212SM
SPB1100NECX2-7/16	QMP13J207SM	QAP13A207SM	QAAP13A207SM	DVP15K207SM	QVP14V207SM	QVVP14V207SM
SPB1100NECX3	QMP15J300SM	QAP15A300SM	QAAP15A300SM	n/a	QVP16V300SM	QVVP16V300SM
SPB1100NECX3-1/2	QMP18J308SM	QAP18A308SM	QAAP18A308SM	DVP20K308SM	QVP19V308SM	QVVP19V308SM
SPB1100NECX3-15/16	QMP20J315SM	QAP20A315SM	QAAP20A315SM	n/a	QVP22V315SM	QVVP22V315SM
SPB1100NECX3-3/16	QMP18J303SM	QAP18A303SM	QAAP18A303SM	n/a	QVP19V303SM	QVVP19V303SM
SPB1100NECX3-7/16	QMP18J307SM	QAP18A307SM	QAAP18A307SM	DVP20K307SM	QVP19V307SM	QVVP19V307SM
SPB1100NECX4	QMP20J400SM	QAP20A400SM	QAAP20A400SM	n/a	QVP22V400SM	QVVP22V400SM
SPB1100NEX1-15/16	QMP10J115ST	QAP10A115ST	QAAP10A115ST	DVP11K115ST	QVP11V115ST	QVVP11V115ST
SPB1100NEX2	QMP10J200ST	QAP10A200ST	QAAP10A200ST	DVP11K200ST	QVP11V200ST	QVVP11V200ST

Note: This interchange guide is for reference only. **Some competitor bearings may not be shown.** If you are unable to find the bearing you are trying to interchange, please contact your local distributor or QM Bearings for assistance.

(continued on next page)

Introduction
Blue Brute Bearings
Bearing Interchange Guide
Quick-Flex Couplings
Rigid Compression Couplings
Index

Blue Brute Bearings – Interchange Guide

Browning®

Browning Part Number	QM EC Series	QM CL Series		QM TA/DV Series	QM V-Lock® Series	
		Single-Collar	Double-Collar		Single-Nut	Double-Nut
SPB1100NEX2-1/2	QMP13J208ST	QAP13A208ST	QAAP13A208ST	DVP15K208ST	QVP14V208ST	QVVP14V208ST
SPB1100NEX2-11/16	QMP15J211ST	QAP15A211ST	QAAP15A211ST	n/a	QVP16V211ST	QVVP16V211ST
SPB1100NEX2-15/16	QMP15J215ST	QAP13A215ST	QAAP13A215ST	n/a	QVP16V215ST	QVVP16V215ST
SPB1100NEX2-3/16	QMP11J203ST	QAP11A203ST	QAAP11A203ST	DVP13K203ST	QVP12V203ST	QVVP12V203ST
SPB1100NEX2-3/4	QMP15J212ST	QAP15A212ST	QAAP15A212ST	n/a	QVP16V212ST	QVVP16V212ST
SPB1100NEX2-7/16	QMP13J207ST	QAP13A207ST	QAAP13A207ST	DVP15K207ST	QVP14V207ST	QVVP14V207ST
SPB1100NEX3	QMP15J300ST	QAP15A300ST	QAAP15A300ST	n/a	QVP16V300ST	QVVP16V300ST
SPB1100NEX3-1/2	QMP18J308ST	QAP18A308ST	QAAP18A308ST	DVP20K308ST	QVP19V308ST	QVVP19V308ST
SPB1100NEX3-15/16	QMP20J315ST	QAP20A315ST	QAAP20A315ST	n/a	QVP22V315ST	QVVP22V315ST
SPB1100NEX3-3/16	QMP18J303ST	QAP18A303ST	QAAP18A303ST	n/a	QVP19V303ST	QVVP19V303ST
SPB1100NEX3-7/16	QMP18J307ST	QAP18A307ST	QAAP18A307ST	DVP20K307ST	QVP19V307ST	QVVP19V307ST
SPB1100NEX4	QMP20J400ST	QAP20A400ST	QAAP20A400ST	n/a	QVP22V400ST	QVVP22V400ST
SPB1101ECX1-15/16	QMP10J115SEM	QAP10A115SEM	QAAP10A115SEM	DVP11K115SEM	QVP11V115SEM	QVVP11V115SEM
SPB1101ECX2	QMP10J200SEM	QAP10A200SEM	QAAP10A200SEM	DVP11K200SEM	QVP11V200SEM	QVVP11V200SEM
SPB1101ECX2-1/2	QMP13J208SEM	QAP13A208SEM	QAAP13A208SEM	DVP15K208SEM	QVP14V208SEM	QVVP14V208SEM
SPB1101ECX2-11/16	QMP15J211SEM	QAP15A211SEM	QAAP15A211SEM	n/a	QVP16V211SEM	QVVP16V211SEM
SPB1101ECX2-15/16	QMP15J215SEM	QAP13A215SEM	QAAP13A215SEM	n/a	QVP16V215SEM	QVVP16V215SEM
SPB1101ECX2-3/16	QMP11J203SEM	QAP11A203SEM	QAAP11A203SEM	DVP13K203SEM	QVP12V203SEM	QVVP12V203SEM
SPB1101ECX2-3/4	QMP15J212SEM	QAP15A212SEM	QAAP15A212SEM	n/a	QVP16V212SEM	QVVP16V212SEM
SPB1101ECX2-7/16	QMP13J207SEM	QAP13A207SEM	QAAP13A207SEM	DVP15K207SEM	QVP14V207SEM	QVVP14V207SEM
SPB1101ECX3	QMP15J300SEM	QAP15A300SEM	QAAP15A300SEM	n/a	QVP16V300SEM	QVVP16V300SEM
SPB1101ECX3-1/2	QMP18J308SEM	QAP18A308SEM	QAAP18A308SEM	DVP20K308SEM	QVP19V308SEM	QVVP19V308SEM
SPB1101ECX3-3/16	QMP18J303SEM	QAP18A303SEM	QAAP18A303SEM	n/a	QVP19V303SEM	QVVP19V303SEM
SPB1101ECX3-7/16	QMP18J307SEM	QAP18A307SEM	QAAP18A307SEM	DVP20K307SEM	QVP19V307SEM	QVVP19V307SEM
SPB1101EX1-15/16	QMP10J115SET	QAP10A115SET	QAAP10A115SET	DVP11K115SET	QVP11V115SET	QVVP11V115SET
SPB1101EX2	QMP10J200SET	QAP10A200SET	QAAP10A200SET	DVP11K200SET	QVP11V200SET	QVVP11V200SET
SPB1101EX2-1/2	QMP13J208SET	QAP13A208SET	QAAP13A208SET	DVP15K208SET	QVP14V208SET	QVVP14V208SET
SPB1101EX2-11/16	QMP15J211SET	QAP15A211SET	QAAP15A211SET	n/a	QVP16V211SET	QVVP16V211SET
SPB1101EX2-15/16	QMP15J215SET	QAP13A215SET	QAAP13A215SET	n/a	QVP16V215SET	QVVP16V215SET
SPB1101EX2-3/16	QMP11J203SET	QAP11A203SET	QAAP11A203SET	DVP13K203SET	QVP12V203SET	QVVP12V203SET
SPB1101EX2-3/4	QMP15J212SET	QAP15A212SET	QAAP15A212SET	n/a	QVP16V212SET	QVVP16V212SET
SPB1101EX2-7/16	QMP13J207SET	QAP13A207SET	QAAP13A207SET	DVP15K207SET	QVP14V207SET	QVVP14V207SET
SPB1101EX3	QMP15J300SET	QAP15A300SET	QAAP15A300SET	n/a	QVP16V300SET	QVVP16V300SET
SPB1101EX3-1/2	QMP18J308SET	QAP18A308SET	QAAP18A308SET	DVP20K308SET	QVP19V308SET	QVVP19V308SET
SPB1101EX3-15/16	QMP20J315SET	QAP20A315SET	QAAP20A315SET	n/a	QVP22V315SET	QVVP22V315SET
SPB1101EX3-3/16	QMP18J303SET	QAP18A303SET	QAAP18A303SET	n/a	QVP19V303SET	QVVP19V303SET
SPB1101EX3-7/16	QMP18J307SET	QAP18A307SET	QAAP18A307SET	DVP20K307SET	QVP19V307SET	QVVP19V307SET
SPB1101EX4	QMP20J400SET	QAP20A400SET	QAAP20A400SET	n/a	QVP22V400SET	QVVP22V400SET
SPB1101NECX1-15/16	QMP10J115SM	QAP10A115SM	QAAP10A115SM	DVP11K115SM	QVP11V115SM	QVVP11V115SM
SPB1101NECX2	QMP10J200SM	QAP10A200SM	QAAP10A200SM	DVP11K200SM	QVP11V200SM	QVVP11V200SM
SPB1101NECX2-1/2	QMP13J208SM	QAP13A208SM	QAAP13A208SM	DVP15K208SM	QVP14V208SM	QVVP14V208SM
SPB1101NECX2-11/16	QMP15J211SM	QAP15A211SM	QAAP15A211SM	n/a	QVP16V211SM	QVVP16V211SM
SPB1101NECX2-15/16	QMP15J215SM	QAP13A215SM	QAAP13A215SM	n/a	QVP16V215SM	QVVP16V215SM

Note: This interchange guide is for reference only. **Some competitor bearings may not be shown.** If you are unable to find the bearing you are trying to interchange, please contact your local distributor or QM Bearings for assistance.

(continued on next page)

Blue Brute Bearings – Interchange Guide

Browning®

Browning Part Number	QM EC Series	QM CL Series		QM TA/DV Series	QM V-Lock® Series	
		Single-Collar	Double-Collar		Single-Nut	Double-Nut
SPB1101NECX2-3/16	QMP11J203SM	QAP11A203SM	QAAP11A203SM	DVP13K203SM	QVP12V203SM	QVVP12V203SM
SPB1101NECX2-3/4	QMP15J212SM	QAP15A212SM	QAAP15A212SM	n/a	QVP16V212SM	QVVP16V212SM
SPB1101NECX2-7/16	QMP13J207SM	QAP13A207SM	QAAP13A207SM	DVP15K207SM	QVP14V207SM	QVVP14V207SM
SPB1101NECX3	QMP15J300SM	QAP15A300SM	QAAP15A300SM	n/a	QVP16V300SM	QVVP16V300SM
SPB1101NECX3-1/2	QMP18J308SM	QAP18A308SM	QAAP18A308SM	DVP20K308SM	QVP19V308SM	QVVP19V308SM
SPB1101NECX3-15/16	QMP20J315SM	QAP20A315SM	QAAP20A315SM	n/a	QVP22V315SM	QVVP22V315SM
SPB1101NECX3-3/16	QMP18J303SM	QAP18A303SM	QAAP18A303SM	n/a	QVP19V303SM	QVVP19V303SM
SPB1101NECX3-7/16	QMP18J307SM	QAP18A307SM	QAAP18A307SM	DVP20K307SM	QVP19V307SM	QVVP19V307SM
SPB1101NECX4	QMP20J400SM	QAP20A400SM	QAAP20A400SM	n/a	QVP22V400SM	QVVP22V400SM
SPB1101NEX1-15/16	QMP10J115ST	QAP10A115ST	QAAP10A115ST	DVP11K115ST	QVP11V115ST	QVVP11V115ST
SPB1101NEX2	QMP10J200ST	QAP10A200ST	QAAP10A200ST	DVP11K200ST	QVP11V200ST	QVVP11V200ST
SPB1101NEX2-1/2	QMP13J208ST	QAP13A208ST	QAAP13A208ST	DVP15K208ST	QVP14V208ST	QVVP14V208ST
SPB1101NEX2-11/16	QMP15J211ST	QAP15A211ST	QAAP15A211ST	n/a	QVP16V211ST	QVVP16V211ST
SPB1101NEX2-15/16	QMP15J215ST	QAP13A215ST	QAAP13A215ST	n/a	QVP16V215ST	QVVP16V215ST
SPB1101NEX2-3/16	QMP11J203ST	QAP11A203ST	QAAP11A203ST	DVP13K203ST	QVP12V203ST	QVVP12V203ST
SPB1101NEX2-3/4	QMP15J212ST	QAP15A212ST	QAAP15A212ST	n/a	QVP16V212ST	QVVP16V212ST
SPB1101NEX2-7/16	QMP13J207ST	QAP13A207ST	QAAP13A207ST	DVP15K207ST	QVP14V207ST	QVVP14V207ST
SPB1101NEX3	QMP15J300ST	QAP15A300ST	QAAP15A300ST	n/a	QVP16V300ST	QVVP16V300ST
SPB1101NEX3-1/2	QMP18J308ST	QAP18A308ST	QAAP18A308ST	DVP20K308ST	QVP19V308ST	QVVP19V308ST
SPB1101NEX3-15/16	QMP20J315ST	QAP20A315ST	QAAP20A315ST	n/a	QVP22V315ST	QVVP22V315ST
SPB1101NEX3-3/16	QMP18J303ST	QAP18A303ST	QAAP18A303ST	n/a	QVP19V303ST	QVVP19V303ST
SPB1101NEX3-7/16	QMP18J307ST	QAP18A307ST	QAAP18A307ST	DVP20K307ST	QVP19V307ST	QVVP19V307ST
SPB1101NEX4	QMP20J400ST	QAP20A400ST	QAAP20A400ST	n/a	QVP22V400ST	QVVP22V400ST
SPBF22515X2-1/2	n/a	n/a	n/a	TAPH15K208ST	QVPH15V208ST	QVVPH15V208ST
SPBF22515X2-7/16	n/a	n/a	n/a	TAPH15K207ST	QVPH15V207ST	QVVPH15V207ST
SPBF22517X2-15/16	n/a	n/a	n/a	TAPH17K215ST	QVPH17V215ST	QVVPH17V215ST
SPBF22517X3	n/a	n/a	n/a	TAPH17K300ST	QVPH17V300ST	QVVPH17V300ST
SPBF22520X3-1/2	n/a	n/a	n/a	TAPH20K308ST	QVPH20V308ST	QVVPH20V308ST
SPBF22520X3-7/16	n/a	n/a	n/a	TAPH20K307ST	QVPH20V307ST	QVVPH20V307ST
SPBF22522X3-15/16	n/a	n/a	n/a	TAPH22K315ST	QVPH22V315ST	QVVPH22V315ST
SPBF22522X4	n/a	n/a	n/a	TAPH22K400ST	QVPH22V400ST	QVVPH22V400ST
SPBF22526X4-1/2	n/a	n/a	n/a	TAPH26K408ST	QVPH26V408ST	QVVPH26V408ST
SPBF22526X4-7/16	n/a	n/a	n/a	TAPH26K407ST	QVPH26V407ST	QVVPH26V407ST
SPBF22528X4-15/16	QMPH26J415ST	n/a	n/a	n/a	QVPH28V415ST	QVVPH28V415ST
SPBF22528X5	QMPH26J500ST	n/a	n/a	n/a	n/a	n/a
SPBF22532X5-1/2	QMPH30J508ST	n/a	n/a	n/a	n/a	n/a
SPBF22532X5-7/16	QMPH30J507ST	n/a	n/a	n/a	n/a	n/a
SPBF22534X5-15/16	QMPH30J515ST	n/a	n/a	n/a	n/a	n/a
SPBF22534X6	QMPH30J600ST	n/a	n/a	n/a	n/a	n/a
SPBF22536X6-1/2	QMPH34J608ST	n/a	n/a	n/a	n/a	n/a
SPBF22536X6-7/16	QMPH34J607ST	n/a	n/a	n/a	n/a	n/a
SPBF22538X6-15/16	QMPH34J615ST	n/a	n/a	n/a	n/a	n/a
SPBF22538X7	QMPH34J700ST	n/a	n/a	n/a	n/a	n/a

Note: This interchange guide is for reference only. **Some competitor bearings may not be shown.** If you are unable to find the bearing you are trying to interchange, please contact your local distributor or QM Bearings for assistance.

(continued on next page)

Blue Brute Bearings – Interchange Guide

Browning®

Browning Part Number	QM EC Series	QM CL Series		QM TA/DV Series	QM V-Lock® Series	
		Single-Collar	Double-Collar		Single-Nut	Double-Nut
SPBFS22515X2-1/2	n/a	n/a	n/a	TAPH15K208ST	QVPH15V208ST	QVVPH15V208ST
SPBFS22515X2-7/16	n/a	n/a	n/a	TAPH15K207ST	QVPH15V207ST	QVVPH15V207ST
SPBFS22517X2-15/16	n/a	n/a	n/a	TAPH17K215ST	QVPH17V215ST	QVVPH17V215ST
SPBFS22517X3	n/a	n/a	n/a	TAPH17K300ST	QVPH17V300ST	QVVPH17V300ST
SPBFS22520X3-1/2	n/a	n/a	n/a	TAPH20K308ST	QVPH20V308ST	QVVPH20V308ST
SPBFS22520X3-7/16	n/a	n/a	n/a	TAPH20K307ST	QVPH20V307ST	QVVPH20V307ST
SPBFS22522X3-15/16	n/a	n/a	n/a	TAPH22K315ST	QVPH22V315ST	QVVPH22V315ST
SPBFS22522X4	n/a	n/a	n/a	TAPH22K400ST	QVPH22V400ST	QVVPH22V400ST
SPBFS22526X4-1/2	n/a	n/a	n/a	TAPH26K408ST	QVPH26V408ST	QVVPH26V408ST
SPBFS22526X4-7/16	n/a	n/a	n/a	TAPH26K407ST	QVPH26V407ST	QVVPH26V407ST
SPBFS22528X4-15/16	QMPH26J415ST	n/a	n/a	n/a	QVPH28V415ST	QVVPH28V415ST
SPBFS22528X5	QMPH26J500ST	n/a	n/a	n/a	n/a	n/a
SPBFS22532X5-1/2	QMPH30J508ST	n/a	n/a	n/a	n/a	n/a
SPBFS22532X5-7/16	QMPH30J507ST	n/a	n/a	n/a	n/a	n/a
SPBFS22534X5-15/16	QMPH30J515ST	n/a	n/a	n/a	n/a	n/a
SPBFS22534X6	QMPH30J600ST	n/a	n/a	n/a	n/a	n/a
SPBFS22536X6-1/2	QMPH34J608ST	n/a	n/a	n/a	n/a	n/a
SPBFS22536X6-7/16	QMPH34J607ST	n/a	n/a	n/a	n/a	n/a
SPBFS22538X6-15/16	QMPH34J615ST	n/a	n/a	n/a	n/a	n/a
SPBFS22538X7	QMPH34J700ST	n/a	n/a	n/a	n/a	n/a
SPBT22515X2-1/2	n/a	n/a	n/a	TAPA15K208ST	QVPA15V208ST	QVVPA15V208ST
SPBT22515X2-7/16	n/a	n/a	n/a	TAPA15K207ST	QVPA15V207ST	QVVPA15V207ST
SPBT22517X2-15/16	n/a	n/a	n/a	TAPA17K215ST	QVPA17V215ST	QVVPA17V215ST
SPBT22517X3	n/a	n/a	n/a	TAPA17K300ST	QVPA17V300ST	QVVPA17V300ST
SPBT22520X3-1/2	n/a	n/a	n/a	TAPA20K308ST	QVPA20V308ST	QVVPA20V308ST
SPBT22520X3-7/16	n/a	n/a	n/a	TAPA20K307ST	QVPA20V307ST	QVVPA20V307ST
SPBTS22515X2-1/2	n/a	n/a	n/a	TAPA15K208ST	QVPA15V208ST	QVVPA15V208ST
SPBTS22515X2-7/16	n/a	n/a	n/a	TAPA15K207ST	QVPA15V207ST	QVVPA15V207ST
SPBTS22517X2-15/16	n/a	n/a	n/a	TAPA17K215ST	QVPA17V215ST	QVVPA17V215ST
SPBTS22517X3	n/a	n/a	n/a	TAPA17K300ST	QVPA17V300ST	QVVPA17V300ST
SPBTS22520X3-1/2	n/a	n/a	n/a	TAPA20K308ST	QVPA20V308ST	QVVPA20V308ST
SPBTS22520X3-7/16	n/a	n/a	n/a	TAPA20K307ST	QVPA20V307ST	QVVPA20V307ST
STU1000ECX1-15/16	QMTU10J115SEM	QATU10A115SEM	QAATU10A115SEM	n/a	QVTU11V115SEM	QVVU11V115SEM
STU1000ECX2	QMTU10J200SEM	QATU10A200SEM	QAATU10A200SEM	n/a	QVTU11V200SEM	QVVU11V200SEM
STU1000ECX2-1/2	QMTU13J208SEM	QATU13A208SEM	QAATU13A208SEM	n/a	QVTU14V208SEM	QVVU14V208SEM
STU1000ECX2-11/16	QMTU15J211SEM	QATU15A211SEM	QAATU15A211SEM	n/a	QVTU16V211SEM	QVVU16V211SEM
STU1000ECX2-15/16	QMTU15J215SEM	QATU15A215SEM	QAATU15A215SEM	n/a	QVTU16V215SEM	QVVU16V215SEM
STU1000ECX2-3/16	QMTU11J203SEM	QATU11A203SEM	QAATU11A203SEM	n/a	QVTU12V203SEM	QVVU13V203SEM
STU1000ECX2-3/4	QMTU15J212SEM	QATU15A212SEM	QAATU15A212SEM	n/a	QVTU16V212SEM	QVVU16V212SEM
STU1000ECX2-7/16	QMTU13J207SEM	QATU13A207SEM	QAATU13A207SEM	n/a	QVTU14V207SEM	QVVU14V207SEM
STU1000ECX3	QMTU15J300SEM	QATU15A300SEM	QAATU15A300SEM	n/a	QVTU16V300SEM	QVVU16V300SEM
STU1000ECX3-1/2	QMTU18J308SEM	QATU18A308SEM	QAATU18A308SEM	n/a	QVTU19V308SEM	QVVU19V308SEM
STU1000ECX3-15/16	QMTU20J315SEM	QATU20A315SEM	QAATU20A315SEM	n/a	QVTU22V315SEM	QVVU22V315SEM

Note: This interchange guide is for reference only. **Some competitor bearings may not be shown.** If you are unable to find the bearing you are trying to interchange, please contact your local distributor or QM Bearings for assistance.

(continued on next page)

Blue Brute Bearings – Interchange Guide

Browning®

Browning Part Number	QM EC Series	QM CL Series		QM TA/DV Series	QM V-Lock® Series	
		Single-Collar	Double-Collar		Single-Nut	Double-Nut
STU1000ECX3-3/16	QMTU18J303SEM	QATU18A303SEM	QAATU18A303SEM	n/a	QVTU19V303SEM	QVVTU19V303SEM
STU1000ECX3-7/16	QMTU18J307SEM	QATU18A307SEM	QAATU18A307SEM	n/a	QVTU19V307SEM	QVVTU19V307SEM
STU1000ECX4	QMTU20J400SEM	QATU20A400SEM	QAATU20A400SEM	n/a	QVTU22V400SEM	QVVTU22V400SEM
STU1000EX1-15/16	QMTU10J115SET	QATU10A115SET	QAATU10A115SET	n/a	QVTU11V115SET	QVVTU11V115SET
STU1000EX2	QMTU10J200SET	QATU10A200SET	QAATU10A200SET	n/a	QVVTU11V200SET	QVVTU11V200SET
STU1000EX2-1/2	QMTU13J208SET	QATU13A208SET	QAATU13A208SET	n/a	QVTU14V208SET	QVVTU14V208SET
STU1000EX2-11/16	QMTU15J211SET	QATU15A211SET	QAATU15A211SET	n/a	QVTU16V211SET	QVVTU16V211SET
STU1000EX2-15/16	QMTU15J215SET	QATU15A215SET	QAATU15A215SET	n/a	QVTU16V215SET	QVVTU16V215SET
STU1000EX2-3/16	QMTU11J203SET	QATU11A203SET	QAATU11A203SET	n/a	QVTU12V203SET	QVVTU12V203SET
STU1000EX2-3/4	QMTU15J212SET	QATU15A212SET	QAATU15A212SET	n/a	QVTU16V212SET	QVVTU16V212SET
STU1000EX2-7/16	QMTU13J207SET	QATU13A207SET	QAATU13A207SET	n/a	QVTU14V207SET	QVVTU14V207SET
STU1000EX3	QMTU15J300SET	QATU15A300SET	QAATU15A300SET	n/a	QVTU16V300SET	QVVTU16V300SET
STU1000EX3-1/2	QMTU18J308SET	QATU18A308SET	QAATU18A308SET	n/a	QVTU19V308SET	QVVTU19V308SET
STU1000EX3-15/16	QMTU20J315SET	QATU20A315SET	QAATU20A315SET	n/a	QVTU22V315SET	QVVTU22V315SET
STU1000EX3-3/16	QMTU18J303SET	QATU18A303SET	QAATU18A303SET	n/a	QVTU19V303SET	QVVTU19V303SET
STU1000EX3-7/16	QMTU18J307SET	QATU18A307SET	QAATU18A307SET	n/a	QVTU19V307SET	QVVTU19V307SET
STU1000EX4	QMTU20J400SET	QATU20A400SET	QAATU20A400SET	n/a	QVTU22V400SET	QVVTU22V400SET
STU1000NECX1-15/16	QMTU10J115SM	QATU10A115SM	QAATU10A115SM	n/a	QVTU11V115SM	QVVTU11V115SM
STU1000NECX2	QMTU10J200SM	QATU10A200SM	QAATU10A200SM	n/a	QVTU11V200SM	QVVTU11V200SM
STU1000NECX2-1/2	QMTU13J208SM	QATU13A208SM	QAATU13A208SM	n/a	QVTU14V208SM	QVVTU14V208SM
STU1000NECX2-11/16	QMTU15J211SM	QATU15A211SM	QAATU15A211SM	n/a	QVTU16V211SM	QVVTU16V211SM
STU1000NECX2-15/16	QMTU15J215SM	QATU15A215SM	QAATU15A215SM	n/a	QVTU16V215SM	QVVTU16V215SM
STU1000NECX2-3/16	QMTU11J203SM	QATU11A203SM	QAATU11A203SM	n/a	QVTU12V203SM	QVVTU12V203SM
STU1000NECX2-3/4	QMTU15J212SM	QATU15A212SM	QAATU15A212SM	n/a	QVTU16V212SM	QVVTU16V212SM
STU1000NECX2-7/16	QMTU13J207SM	QATU13A207SM	QAATU13A207SM	n/a	QVTU14V207SM	QVVTU14V207SM
STU1000NECX3	QMTU15J300SM	QATU15A300SM	QAATU15A300SM	n/a	QVTU16V300SM	QVVTU16V300SM
STU1000NECX3-1/2	QMTU18J308SM	QATU18A308SM	QAATU18A308SM	n/a	QVTU19V308SM	QVVTU19V308SM
STU1000NECX3-15/16	QMTU20J315SM	QATU20A315SM	QAATU20A315SM	n/a	QVTU22V315SM	QVVTU22V315SM
STU1000NECX3-3/16	QMTU18J303SM	QATU18A303SM	QAATU18A303SM	n/a	QVTU19V303SM	QVVTU19V303SM
STU1000NECX3-7/16	QMTU18J307SM	QATU18A307SM	QAATU18A307SM	n/a	QVTU19V307SM	QVVTU19V307SM
STU1000NECX4	QMTU20J400SM	QATU20A400SM	QAATU20A400SM	n/a	QVTU22V400SM	QVVTU22V400SM
STU1000NEX1-15/16	QMTU10J115ST	QATU10A115ST	QAATU10A115ST	n/a	QVTU11V115ST	QVVTU11V115ST
STU1000NEX2	QMTU10J200ST	QATU10A200ST	QAATU10A200ST	n/a	QVTU11V200ST	QVVTU11V200ST
STU1000NEX2-1/2	QMTU13J208ST	QATU13A208ST	QAATU13A208ST	n/a	QVTU14V208ST	QVVTU14V208ST
STU1000NEX2-11/16	QMTU15J211ST	QATU15A211ST	QAATU15A211ST	n/a	QVTU16V211ST	QVVTU16V211ST
STU1000NEX2-15/16	QMTU15J215ST	QATU15A215ST	QAATU15A215ST	n/a	QVTU16V215ST	QVVTU16V215ST
STU1000NEX2-3/16	QMTU11J203ST	QATU11A203ST	QAATU11A203ST	n/a	QVTU12V203ST	QVVTU12V203ST
STU1000NEX2-3/4	QMTU15J212ST	QATU15A212ST	QAATU15A212ST	n/a	QVTU16V212ST	QVVTU16V212ST
STU1000NEX2-7/16	QMTU13J207ST	QATU13A207ST	QAATU13A207ST	n/a	QVTU14V207ST	QVVTU14V207ST
STU1000NEX3	QMTU15J300ST	QATU15A300ST	QAATU15A300ST	n/a	QVTU16V300ST	QVVTU16V300ST
STU1000NEX3-1/2	QMTU18J308ST	QATU18A308ST	QAATU18A308ST	n/a	QVTU19V308ST	QVVTU19V308ST
STU1000NEX3-15/16	QMTU20J315ST	QATU20A315ST	QAATU20A315ST	n/a	QVTU22V315ST	QVVTU22V315ST
STU1000NEX3-3/16	QMTU18J303ST	QATU18A303ST	QAATU18A303ST	n/a	QVTU19V303ST	QVVTU19V303ST

Note: This interchange guide is for reference only. **Some competitor bearings may not be shown.** If you are unable to find the bearing you are trying to interchange, please contact your local distributor or QM Bearings for assistance.

(continued on next page)

Blue Brute Bearings – Interchange Guide

Browning®

Browning Part Number	QM EC Series	QM CL Series		QM TA/DV Series	QM V-Lock® Series	
		Single-Collar	Double-Collar		Single-Nut	Double-Nut
STU1000NEX3-7/16	QMTU18J307ST	QATU18A307ST	QAATU18A307ST	n/a	QVTU19V307ST	QVVTU19V307ST
STU1000NEX4	QMTU20J400ST	QATU20A400ST	QAATU20A400ST	n/a	QVTU22V400ST	QVVTU22V400ST
TU900X3-1/2	QMTU18J308ST	QATP18A308ST	QAATP18A308ST	n/a	n/a	n/a
TU900X3-15/16	QMTU20J315ST	QATP20A315ST	QAATP20A315ST	n/a	n/a	n/a
TU900X3-3/16	QMTU18J303ST	QATP18A303ST	QAATP18A303ST	n/a	n/a	n/a
TU900X3-7/16	QMTU18J307ST	QATP18A307ST	QAATP18A307ST	n/a	n/a	n/a
TU900X4	QMTU20J400ST	QATP20A400ST	QAATP20A400ST	n/a	n/a	n/a
TUE920EX1-15/16	QMTU10J115SEM	QATU10A115SEM	QATU10A115SEM	n/a	QVTU11V115SEM	QVVTU11V115SEM
TUE920EX2	QMTU10J200SEM	QATU10A200SEM	QATU10A200SEM	n/a	QVTU11V200SEM	QVVTU11V200SEM
TUE920EX2-1/2	QMTU13J208SEM	QATU13A208SEM	QATU13A208SEM	n/a	QVTU14V208SEM	QVVTU14V208SEM
TUE920EX2-11/16	QMTU15J211SEM	QATU15A211SEM	QATU15A211SEM	n/a	QVTU16V211SEM	QVVTU16V211SEM
TUE920EX2-15/16	QMTU15J215SEM	QATU15A215SEM	QATU15A215SEM	n/a	QVTU16V215SEM	QVVTU16V215SEM
TUE920EX2-3/16	QMTU11J203SEM	QATU11A203SEM	QATU11A203SEM	n/a	QVTU12V203SEM	QVVTU12V203SEM
TUE920EX2-3/4	QMTU15J212SEM	QATU15A212SEM	QATU15A212SEM	n/a	QVTU16V212SEM	QVVTU16V212SEM
TUE920EX2-7/16	QMTU13J207SEM	QATU13A207SEM	QATU13A207SEM	n/a	QVTU14V207SEM	QVVTU14V207SEM
TUE920EX3-15/16	QMTU20J315SEM	QATU20A315SEM	QATU20A315SEM	n/a	QVTU22V315SEM	QVVTU22V315SEM
TUE920EX3-7/16	QMTU18J307SEM	QATU18A307SEM	QATU18A307SEM	n/a	QVTU19V307SEM	QVVTU19V307SEM
TUE920NEX1-15/16	QMTU10J115SM	QATU10A115SM	QATU10A115SM	n/a	QVTU11V115SM	QVVTU11V115SM
TUE920NEX2	QMTU10J200SM	QATU10A200SM	QATU10A200SM	n/a	QVTU11V200SM	QVVTU11V200SM
TUE920NEX2-1/2	QMTU13J208SM	QATU13A208SM	QATU13A208SM	n/a	QVTU14V208SM	QVVTU14V208SM
TUE920NEX2-11/16	QMTU15J211SM	QATU15A211SM	QATU15A211SM	n/a	QVTU16V211SM	QVVTU16V211SM
TUE920NEX2-15/16	QMTU15J215SM	QATU15A215SM	QATU15A215SM	n/a	QVTU16V215SM	QVVTU16V215SM
TUE920NEX2-3/16	QMTU11J203SM	QATU11A203SM	QATU11A203SM	n/a	QVTU12V203SM	QVVTU12V203SM
TUE920NEX2-3/4	QMTU15J212SM	QATU15A212SM	QATU15A212SM	n/a	QVTU16V212SM	QVVTU16V212SM
TUE920NEX2-7/16	QMTU13J207SM	QATU13A207SM	QATU13A207SM	n/a	QVTU14V207SM	QVVTU14V207SM
TUE920NEX3-15/16	QMTU20J315SM	QATU20A315SM	QATU20A315SM	n/a	QVTU22V315SM	QVVTU22V315SM
TUE920NEX3-7/16	QMTU18J307SM	QATU18A307SM	QATU18A307SM	n/a	QVTU19V307SM	QVVTU19V307SM

Note: This interchange guide is for reference only. **Some competitor bearings may not be shown.** If you are unable to find the bearing you are trying to interchange, please contact your local distributor or QM Bearings for assistance.

Blue Brute Bearings – Interchange Guide

Dodge®

Dodge Part #	Dodge Part Name	QM EC Series	QM CL Series		QM TA/DV Series	QM V-Lock® Series	
			Single-Collar	Double-Collar		Single-Nut	Double-Nut
023003	P2B-E-107R	QMP08J107SM	n/a	n/a	n/a	n/a	n/a
023004	P2B-E-108R	QMP08J108SM	n/a	n/a	n/a	n/a	n/a
023006	P2B-E-111R	QMP09J111SM	n/a	n/a	n/a	n/a	n/a
023007	P2B-E-112R	QMP09J112SM	n/a	n/a	n/a	n/a	n/a
023009	P2B-E-115R	QMP10J115SM	QAP10A115SM	QAAP10A115SM	DVP11K115SM	QVP11V115SM	QVVP11V115SM
023010	P2B-E-200R	QMP10J200SM	QAP10A200SM	QAAP10A200SM	DVP11K200SM	QVP11V200SM	QVVP11V200SM
023011	P2B-E-203R	QMP11J203SM	QAP11A203SM	QAAP11A203SM	DVP13K203SM	QVP12V203SM	QVVP12V203SM
023013	P2B-E-207R	QMP13J207SM	QAP13A207SM	QAAP13A207SM	DVP15K207SM	QVP14V207SM	QVVP14V207SM
023014	P2B-E-208R	QMP13J208SM	QAP13A208SM	QAAP13A208SM	DVP15K208SM	QVP14V208SM	QVVP14V208SM
023015	P2B-E-211R	QMP15J211SM	QAP15A211SM	QAAP15A211SM	n/a	QVP16V211SM	QVVP16V211SM
023016	P2B-E-212R	QMP15J212SM	QAP15A212SM	QAAP15A212SM	n/a	QVP16V212SM	QVVP16V212SM
023017	P2B-E-215R	QMP15J215SM	QAP15A215SM	QAAP15A215SM	n/a	QVP16V215SM	QVVP16V215SM
023018	P2B-E-300R	QMP15J300SM	QAP15A300SM	QAAP15A300SM	n/a	QVP16V300SM	QVVP16V300SM
023019	P2B-E-303R	QMP18J303SM	QAP18A303SM	QAAP18A303SM	n/a	QVP19V303SM	QVVP19V303SM
023020	P2B-E-304R	QMP18J304SM	QAP18A304SM	QAAP18A304SM	n/a	QVP19V304SM	QVVP19V304SM
023021	P2B-E-307R	QMP18J307SM	QAP18A307SM	QAAP18A307SM	DVP20K307SM	QVP19V307SM	QVVP19V307SM
023022	P2B-E-308R	QMP18J308SM	QAP18A308SM	QAAP18A308SM	DVP20K308SM	QVP19V308SM	QVVP19V308SM
023024	P4B-E-207R	QMPR13J207SM	QAPR13A207SM	QAAPR13A207SM	n/a	QVPR14V207SM	QVVP14V207SM
023025	P4B-E-208R	QMPR13J208SM	QAPR13A208SM	QAAPR13A208SM	n/a	QVPR14V208SM	QVVP14V208SM
023026	P4B-E-211R	QMPR15J211SM	QAPR15A211SM	QAAPR15A211SM	n/a	QVPR16V211SM	QVVP16V211SM
023027	P4B-E-212R	QMPR15J212SM	QAPR15A212SM	QAAPR15A212SM	n/a	QVPR16V212SM	QVVP16V212SM
023028	P4B-E-215R	QMPR15J215SM	QAPR15A215SM	QAAPR15A215SM	n/a	QVPR16V215SM	QVVP16V215SM
023029	P4B-E-300R	QMPR15J300SM	QAPR15A300SM	QAAPR15A300SM	n/a	QVPR16V300SM	QVVP16V300SM
023030	P4B-E-303R	QMPR18J303SM	QAPR18A303SM	QAAPR18A303SM	n/a	QVPR19V303SM	QVVP19V303SM
023031	P4B-E-304R	QMPR18J304SM	QAPR18A304SM	QAAPR18A304SM	n/a	QVPR19V304SM	QVVP19V304SM
023032	P4B-E-307R	QMPR18J307SM	QAPR18A307SM	QAAPR18A307SM	n/a	QVPR19V307SM	QVVP19V307SM
023033	P4B-E-308R	QMPR18J308SM	QAPR18A308SM	QAAPR18A308SM	n/a	QVPR19V308SM	QVVP19V308SM
023034	P4B-E-315R	QMPF20J315SM	QAPF20A315SM	QAAPF20A315SM	DVPF22K315SM	QVPF22V315SM	QVVPF22V315SM
023035	P4B-E-400R	QMPF20J400SM	QAPF20A400SM	QAAPF20A400SM	DVPF22K400SM	QVPF22V400SM	QVVPF22V400SM
023036	P4B-E-407R	QMPF22J407SM	n/a	QAAPF22A407SM	DVPF26K407SM	QVPF26V407SM	QVVPF26V407SM
023037	P4B-E-408R	QMPF22J408SM	n/a	QAAPF22A408SM	DVPF26K408SM	QVPF26V408SM	QVVPF26V408SM
023038	P4B-E-415R	QMPF26J415SM	n/a	QAAPF26A415SM	n/a	QVPF28V415SM	QVVPF28V415SM
023039	P4B-E-500R	QMPF26J500SM	n/a	QAAPF26A500SM	n/a	QVPF28V500SM	QVVPF28V500SM
023040	P4B-E-507R	QMPF30J507SM	n/a	n/a	n/a	n/a	n/a
023041	P4B-E-515R	QMPF30J515SM	n/a	n/a	n/a	n/a	n/a
023042	P4B-E-600R	QMPF30J600SM	n/a	n/a	n/a	n/a	n/a
023043	P4B-E-607R	QMPF34J607SM	n/a	n/a	n/a	n/a	n/a
023044	P4B-E-608R	QMPF34J608SM	n/a	n/a	n/a	n/a	n/a
023045	P4B-E-615R	QMPF34J615SM	n/a	n/a	n/a	n/a	n/a
023046	P4B-E-700R	QMPF34J700SM	n/a	n/a	n/a	n/a	n/a
023050	SP2B-E-107R	QMP08J107SM	n/a	n/a	n/a	n/a	n/a
023051	SP2B-E-108R	QMP08J108SM	n/a	n/a	n/a	n/a	n/a
023053	SP2B-E-111R	QMP09J111SM	n/a	n/a	n/a	n/a	n/a

Note: This interchange guide is for reference only. **Some competitor bearings may not be shown.** If you are unable to find the bearing you are trying to interchange, please contact your local distributor or QM Bearings for assistance.

(continued on next page)

Blue Brute Bearings – Interchange Guide

Dodge®

Dodge Part #	Dodge Part Name	QM EC Series	QM CL Series		QM TA/DV Series	QM V-Lock® Series	
			Single-Collar	Double-Collar		Single-Nut	Double-Nut
023054	SP2B-E-112R	QMP09J112SM	n/a	n/a	n/a	n/a	n/a
023056	SP2B-E-115R	QMP10J115SM	QAP10A115SM	QAAP10A115SM	DVP11K115SM	QVP11V115SM	QVVP11V115SM
023057	SP2B-E-200R	QMP10J200SM	QAP10A200SM	QAAP10A200SM	DVP11K200SM	QVP11V200SM	QVVP11V200SM
023058	SP2B-E-203R	QMP11J203SM	QAP11A203SM	QAAP11A203SM	DVP13K203SM	QVP12V203SM	QVVP12V203SM
023060	SP2B-E-207R	QMP13J207SM	QAP13A207SM	QAAP13A207SM	DVP15K207SM	QVP14V207SM	QVVP14V207SM
023061	SP2B-E-208R	QMP13J208SM	QAP13A208SM	QAAP13A208SM	DVP15K208SM	QVP14V208SM	QVVP14V208SM
023062	SP2B-E-211R	QMP15J211SM	QAP15A211SM	QAAP15A211SM	n/a	QVP16V211SM	QVVP16V211SM
023063	SP2B-E-212R	QMP15J212SM	QAP15A212SM	QAAP15A212SM	n/a	QVP16V212SM	QVVP16V212SM
023064	SP2B-E-215R	QMP15J215SM	QAP15A215SM	QAAP15A215SM	n/a	QVP16V215SM	QVVP16V215SM
023065	SP2B-E-300R	QMP15J300SM	QAP15A300SM	QAAP15A300SM	n/a	QVP16V300SM	QVVP16V300SM
023066	SP2B-E-303R	QMP18J303SM	QAP18A303SM	QAAP18A303SM	n/a	QVP19V303SM	QVVP19V303SM
023067	SP2B-E-304R	QMP18J304SM	QAP18A304SM	QAAP18A304SM	n/a	QVP19V304SM	QVVP19V304SM
023068	SP2B-E-307R	QMP18J307SM	QAP18A307SM	QAAP18A307SM	DVP20K307SM	QVP19V307SM	QVVP19V307SM
023069	SP2B-E-308R	QMP18J308SM	QAP18A308SM	QAAP18A308SM	DVP20K308SM	QVP19V308SM	QVVP19V308SM
023070	SP4B-E-315R	QMPF20J315SM	QAPF20A315SM	QAAPF20A315SM	DVPF22K315SM	QVPF22V315SM	QVVPF22V315SM
023071	SP4B-E-400R	QMPF20J400SM	QAPF20A400SM	QAAPF20A400SM	DVPF22K400SM	QVPF22V400SM	QVVPF22V400SM
023072	SP4B-E-407R	QMPF22J407SM	n/a	QAAPF22A407SM	DVPF26K407SM	QVPF26V407SM	QVVPF26V407SM
023073	SP4B-E-408R	QMPF22J408SM	n/a	QAAPF22A408SM	DVPF26K408SM	QVPF26V408SM	QVVPF26V408SM
023074	SP4B-E-415R	QMPF26J415SM	n/a	QAAPF26A415SM	n/a	QVPF28V415SM	QVVPF28V415SM
023075	SP4B-E-500R	QMPF26J500SM	n/a	QAAPF26A500SM	n/a	QVPF28V500SM	QVVPF28V500SM
023083	WSTU-E-115R	QMTU10J115SM	QATU10A115SM	QAATU10A115SM	n/a	QVTU11V115SM	QVVTU11V115SM
023084	WSTU-E-200R	QMTU10J200SM	QATU10A200SM	QAATU10A200SM	n/a	QVTU11V200SM	QVVTU11V200SM
023085	WSTU-E-203R	QMTU11J203SM	QATU11A203SM	QAATU11A203SM	n/a	QVTU12V203SM	QVVTU12V203SM
023087	WSTU-E-207R	QMTU13J207SM	QATU13A207SM	QAATU13A207SM	n/a	QVTU14V207SM	QVVTU14V207SM
023088	WSTU-E-208R	QMTU13J208SM	QATU13A208SM	QAATU13A208SM	n/a	QVTU14V208SM	QVVTU14V208SM
023089	WSTU-E-211R	QMTU15J211SM	QATU15A211SM	QAATU15A211SM	n/a	QVTU16V211SM	QVVTU16V211SM
023090	WSTU-E-212R	QMTU15J212SM	QATU15A212SM	QAATU15A212SM	n/a	QVTU16V212SM	QVVTU16V212SM
023091	WSTU-E-215R	QMTU15J215SM	QATU15A215SM	QAATU15A215SM	n/a	QVTU16V215SM	QVVTU16V215SM
023092	WSTU-E-300R	QMTU15J300SM	QATU15A300SM	QAATU15A300SM	n/a	QVTU16V300SM	QVVTU16V300SM
023096	F4B-E-107R	QMF08J107SM	n/a	n/a	n/a	n/a	n/a
023097	F4B-E-108R	QMF08J108SM	n/a	n/a	n/a	n/a	n/a
023099	F4B-E-111R	QMF09J111SM	n/a	n/a	n/a	n/a	n/a
023100	F4B-E-112R	QMF09J112SM	n/a	n/a	n/a	n/a	n/a
023102	F4B-E-115R	QMF10J115SM	QAF10A115SM	QAAPF10A115SM	DVF11K115SM	QVF11V115SM	QVVF11V115SM
023103	F4B-E-200R	QMF10J200SM	QAF10A200SM	QAAPF10A200SM	DVF11K200SM	QVF11V200SM	QVVF11V200SM
023104	F4B-E-203R	QMF11J203SM	QAF11A203SM	QAAPF11A203SM	DVF13K203SM	QVF12V203SM	QVVF12V203SM
023106	F4B-E-207R	QMF13J207SM	QAF13A207SM	QAAPF13A207SM	DVF15K207SM	QVF14V207SM	QVVF14V207SM
023107	F4B-E-208R	QMF13J208SM	QAF13A208SM	QAAPF13A208SM	DVF15K208SM	QVF14V208SM	QVVF14V208SM
023108	F4B-E-211R	QMF15J211SM	QAF15A211SM	QAAPF15A211SM	n/a	QVF16V211SM	QVVF16V211SM
023109	F4B-E-212R	QMF15J212SM	QAF15A212SM	QAAPF15A212SM	n/a	QVF16V212SM	QVVF16V212SM
023110	F4B-E-215R	QMF15J215SM	QAF15A215SM	QAAPF15A215SM	DVF17K215SM	QVF16V215SM	QVVF16V215SM
023111	F4B-E-300R	QMF15J300SM	QAF15A300SM	QAAPF15A300SM	DVF17K300SM	QVF16V300SM	QVVF16V300SM
023112	F4B-E-303R	QMF18J303SM	QAF18A303SM	QAAPF18A303SM	n/a	QVF19V303SM	QVVF19V303SM

Note: This interchange guide is for reference only. **Some competitor bearings may not be shown.** If you are unable to find the bearing you are trying to interchange, please contact your local distributor or QM Bearings for assistance.

(continued on next page)

Blue Brute Bearings – Interchange Guide



Dodge Part #	Dodge Part Name	QM EC Series	QM CL Series		QM TA/DV Series	QM V-Lock® Series	
			Single-Collar	Double-Collar		Single-Nut	Double-Nut
023113	F4B-E-304R	QMF18J304SM	QAF18A304SM	QAAF18A304SM	n/a	QVF19V304SM	QVVF19V304SM
023114	F4B-E-307R	QMF18J307SM	QAF18A307SM	QAAF18A307SM	DVF20K307SM	QVF19V307SM	QVVF19V307SM
023115	F4B-E-308R	QMF18J308SM	QAF18A308SM	QAAF18A308SM	DVF20K308SM	QVF19V308SM	QVVF19V308SM
023116	F4B-E-315R	QMF20J315SM	QAF20A315SM	QAAF20A315SM	DVF22K315SM	QVF22V315SM	QVVF22V315SM
023117	F4B-E-400R	QMF20J400SM	QAF20A400SM	QAAF20A400SM	DVF22K400SM	QVF22V400SM	QVVF22V400SM
023118	F4B-E-407R	QMF22J407SM	n/a	QAAF22A407SM	DVF26K407SM	QVF26V407SM	QVVF26V407SM
023119	F4B-E-408R	QMF22J408SM	n/a	QAAF22A408SM	DVF26K408SM	QVF26V408SM	QVVF26V408SM
023123	FC-E-107R	QMCW08J107SM	n/a	n/a	n/a	n/a	n/a
023124	FC-E-108R	QMCW08J108SM	n/a	n/a	n/a	n/a	n/a
023126	FC-E-111R	QMCW09J111SM	n/a	n/a	n/a	n/a	n/a
023127	FC-E-112R	QMCW09J112SM	n/a	n/a	n/a	n/a	n/a
023129	FC-E-115R	QMCW10J115SM	QACW10A115SM	QAACW10A115SM	DVC11K115SM	QVCW11V115SM	QVVCW11V115SM
023130	FC-E-200R	QMCW10J200SM	QACW10A200SM	QAACW10A200SM	DVC11K200SM	QVCW11V200SM	QVVCW11V200SM
023131	FC-E-203R	QMCW11J203SM	QACW11A203SM	QAACW11A203SM	DVC13K203SM	QVCW12V203SM	QVVCW12V203SM
023133	FC-E-207R	QMCW13J207SM	QACW13A207SM	QAACW13A207SM	DVC15K207SM	QVCW14V207SM	QVVCW14V207SM
023134	FC-E-208R	QMCW13J208SM	QACW13A208SM	QAACW13A208SM	DVC15K208SM	QVCW14V208SM	QVVCW14V208SM
023135	FC-E-211R	QMCW15J211SM	QACW15A211SM	QAACW15A211SM	n/a	QVCW16V211SM	QVVCW16V211SM
023136	FC-E-212R	QMCW15J212SM	QACW15A212SM	QAACW15A212SM	n/a	QVCW16V212SM	QVVCW16V212SM
023137	FC-E-215R	QMCW15J215SM	QACW15A215SM	QAACW15A215SM	DVC17K215SM	QVCW16V215SM	QVVCW16V215SM
023138	FC-E-300R	QMCW15J300SM	QACW15A300SM	QAACW15A300SM	DVC17K300SM	QVCW16V300SM	QVVCW16V300SM
023139	FC-E-303R	QMCW18J303SM	QACW18A303SM	QAACW18A303SM	n/a	QVCW19V303SM	QVVCW19V303SM
023140	FC-E-304R	QMCW18J304SM	QACW18A304SM	QAACW18A304SM	n/a	QVCW19V304SM	QVVCW19V304SM
023141	FC-E-307R	QMCW18J307SM	QACW18A307SM	QAACW18A307SM	DVC20K307SM	QVCW19V307SM	QVVCW19V307SM
023142	FC-E-308R	QMCW18J308SM	QACW18A308SM	QAACW18A308SM	DVC20K308SM	QVCW19V308SM	QVVCW19V308SM
023143	FC-E-315R	QMCW20J315SM	n/a	QAACW20A315SM	DVC22K315SM	QVCW22V315SM	QVVCW22V315SM
023144	FC-E-400R	QMCW20J400SM	n/a	QAACW20A400SM	DVC22K400SM	QVCW22V400SM	QVVCW22V400SM
023145	FC-E-407R	QMCW22J407SM	n/a	QAACW22A407SM	n/a	QVCW26V407SM	QVVCW26V407SM
023146	FC-E-408R	QMCW22J408SM	n/a	QAACW22A408SM	n/a	QVCW26V408SM	QVVCW26V408SM
023147	FC-E-415R	QMCW26J415SM	n/a	QAACW26A415SM	n/a	QVCW28V415SM	QVVCW28V415SM
023148	FC-E-500R	QMCW26J500SM	n/a	QAACW26A500SM	n/a	QVCW28V500SM	QVVCW28V500SM
023177	P2B-K-203R	n/a	n/a	n/a	TAPA13K203SM	QVPA13V203SM	QVPA13V203SM
023179	P2B-K-207R	n/a	n/a	n/a	TAPA15K207SM	QVPA15V207SM	QVPA15V207SM
023180	P2B-K-208R	n/a	n/a	n/a	TAPA15K208SM	QVPA15V208SM	QVPA15V208SM
023183	P2B-K-215R	n/a	n/a	n/a	TAPA17K215SM	QVPA17V215SM	QVPA17V215SM
023184	P2B-K-300R	n/a	n/a	n/a	TAPA17K300SM	QVPA17V300SM	QVPA17V300SM
023261	WSTU-K-115R	QMTU10J115SM	QATU10A115SM	QAATU10A115SM	n/a	QVTU11V115SM	QVVTU11V115SM
023262	WSTU-K-200R	QMTU10J200SM	QATU10A200SM	QAATU10A200SM	n/a	QVTU11V200SM	QVVTU11V200SM
023263	WSTU-K-203R	QMTU11J203SM	QATU11A203SM	QAATU11A203SM	n/a	QVTU12V203SM	QVVTU12V203SM
023265	WSTU-K-207R	QMTU13J207SM	QATU13A207SM	QAATU13A207SM	n/a	QVTU14V207SM	QVVTU14V207SM
023266	WSTU-K-208R	QMTU13J208SM	QATU13A208SM	QAATU13A208SM	n/a	QVTU14V208SM	QVVTU14V208SM
023267	WSTU-K-211R	QMTU15J211SM	QATU15A211SM	QAATU15A211SM	n/a	QVTU16V211SM	QVVTU16V211SM
023268	WSTU-K-212R	QMTU15J212SM	QATU15A212SM	QAATU15A212SM	n/a	QVTU16V212SM	QVVTU16V212SM
023269	WSTU-K-215R	QMTU15J215SM	QATU15A215SM	QAATU15A215SM	n/a	QVTU16V215SM	QVVTU16V215SM

Note: This interchange guide is for reference only. **Some competitor bearings may not be shown.** If you are unable to find the bearing you are trying to interchange, please contact your local distributor or QM Bearings for assistance.

(continued on next page)

Introduction
Blue Brute Bearings
Bearing Interchange Guide
Quick-Flex Couplings
Rigid Compression Couplings
Index

Blue Brute Bearings – Interchange Guide

Dodge®

Dodge Part #	Dodge Part Name	QM EC Series	QM CL Series		QM TA/DV Series	QM V-Lock® Series	
			Single-Collar	Double-Collar		Single-Nut	Double-Nut
023270	WSTU-K-300R	QMTU15J300SM	QATU15A300SM	QAATU15A300SM	n/a	QVTU16V300SM	QVVTU16V300SM
023339	P2B-DI-203R	n/a	n/a	n/a	TAPA13K203SM	QVPA13V203SM	QVVPA13V203SM
023341	P2B-DI-207R	n/a	n/a	n/a	TAPA15K207SM	QVPA15V207SM	QVVPA15V207SM
023342	P2B-DI-208R	n/a	n/a	n/a	TAPA15K208SM	QVPA15V208SM	QVVPA15V208SM
023345	P2B-DI-215R	n/a	n/a	n/a	TAPA17K215SM	QVPA17V215SM	QVVPA17V215SM
023346	P2B-DI-300R	n/a	n/a	n/a	TAPA17K300SM	QVPA17V300SM	QVVPA17V300SM
023352	P4B-DI-207R	n/a	n/a	n/a	TAPH15K207SM	QVPH15V207SM	QVVPH15V207SM
023353	P4B-DI-208R	n/a	n/a	n/a	TAPH15K208SM	QVPH15V208SM	QVVPH15V208SM
023356	P4B-DI-215R	n/a	n/a	n/a	TAPH17K215SM	QVPH17V215SM	QVVPH17V215SM
023357	P4B-DI-300R	n/a	n/a	n/a	TAPH17K300SM	QVPH17V300SM	QVVPH17V300SM
023360	P4B-DI-307R	n/a	n/a	n/a	TAPH20K307SM	QVPH20V307SM	QVVPH20V307SM
023361	P4B-DI-308R	n/a	n/a	n/a	TAPH20K308SM	QVPH20V308SM	QVVPH20V308SM
023584	P4B-TAF-507R	QMPH30J507SM	n/a	n/a	n/a	n/a	n/a
023585	P4B-TAF-515R	QMPH30J515SM	n/a	n/a	n/a	n/a	n/a
023586	P4B-TAF-600R	QMPH30J600SM	n/a	n/a	n/a	n/a	n/a
023587	P4B-TAF-607R	QMPH34J607SM	n/a	n/a	n/a	n/a	n/a
023588	P4B-TAF-608R	QMPH34J608SM	n/a	n/a	n/a	n/a	n/a
023589	P4B-TAF-615R	QMPH34J615SM	n/a	n/a	n/a	n/a	n/a
023590	P4B-TAF-700R	QMPH34J700SM	n/a	n/a	n/a	n/a	n/a
023603	P4B-TAF-507RE	QMPH30J507SEM	n/a	n/a	n/a	n/a	n/a
023604	P4B-TAF-515RE	QMPH30J515SEM	n/a	n/a	n/a	n/a	n/a
023605	P4B-TAF-600RE	QMPH30J600SEM	n/a	n/a	n/a	n/a	n/a
023606	P4B-TAF-607RE	QMPH34J607SEM	n/a	n/a	n/a	n/a	n/a
023607	P4B-TAF-608RE	QMPH34J608SEM	n/a	n/a	n/a	n/a	n/a
023608	P4B-TAF-615RE	QMPH34J615SEM	n/a	n/a	n/a	n/a	n/a
023609	P4B-TAF-700RE	QMPH34J700SEM	n/a	n/a	n/a	n/a	n/a
023622	P2B-E-045MR	QMP09J045SM	n/a	n/a	n/a	n/a	n/a
023623	P2B-E-050MR	QMP10J050SM	QAP10A050SM	QAAP10A050SM	n/a	QVP11V050SM	QVVP11V050SM
023624	P2B-E-055MR	QMP11J055SM	QAP11A055SM	QAAP11A055SM	n/a	QVP12V055SM	QVVP12V055SM
023625	P2B-E-060MR	QMP13J060SM	QAP13A060SM	QAAP13A060SM	n/a	QVP14V060SM	QVVP14V060SM
023626	P2B-E-065MR	QMP13J065SM	QAP13A065SM	QAAP13A065SM	n/a	QVP14V065SM	QVVP14V065SM
023627	P2B-E-070MR	QMP15J070SM	QAP15A070SM	QAAP15A070SM	n/a	QVP16V070SM	QVVP16V070SM
023628	P2B-E-075MR	QMP15J075SM	QAP15A075SM	QAAP15A075SM	n/a	QVP16V075SM	QVVP16V075SM
023629	P2B-E-080MR	QMP18J080SM	QAP18A080SM	QAAP18A080SM	n/a	QVP19V080SM	QVVP19V080SM
023631	P2B-E-090MR	QMP18J090SM	QAP18A090SM	QAAP18A090SM	n/a	QVP19V090SM	QVVP19V090SM
023632	P4B-E-100MR	QMPF20J100SM	QAP20A100SM	QAAP20A100SM	n/a	QVPF22V100SM	QVVPF22V100SM
023634	P4B-E-115MR	QMPF22J115SM	n/a	QAAP22A115SM	n/a	QVPF26V115SM	QVVPF26V115SM
023637	P4B-E-140MR	QMPF30J140SM	n/a	n/a	n/a	n/a	n/a
023638	P4B-E-150MR	QMPF30J150SM	n/a	n/a	n/a	n/a	n/a
023640	P4B-E-170MR	QMPF34J170SM	n/a	n/a	n/a	n/a	n/a
023641	P4B-E-180MR	QMPF34J180SM	n/a	n/a	n/a	n/a	n/a
037583	P2B-TAF-203R	n/a	n/a	n/a	TAPA13K203SM	QVPA13V203SM	QVVPA13V203SM
037584	P2B-TAF-207R	n/a	n/a	n/a	TAPA15K207SM	QVPA15V207SM	QVVPA15V207SM

Note: This interchange guide is for reference only. **Some competitor bearings may not be shown.** If you are unable to find the bearing you are trying to interchange, please contact your local distributor or QM Bearings for assistance.

(continued on next page)

Blue Brute Bearings – Interchange Guide

Dodge®

Dodge Part #	Dodge Part Name	QM EC Series	QM CL Series		QM TA/DV Series	QM V-Lock® Series	
			Single-Collar	Double-Collar		Single-Nut	Double-Nut
037585	P2B-TAF-208R	n/a	n/a	n/a	TAPA15K208SM	QVPA15V208SM	QVVPA15V208SM
037588	P2B-TAF-215R	n/a	n/a	n/a	TAPA17K215SM	QVPA17V215SM	QVVPA17V215SM
037589	P2B-TAF-300R	n/a	n/a	n/a	TAPA17K300SM	QVPA17V300SM	QVVPA17V300SM
037590	P2B-TAF-307R	n/a	n/a	n/a	TAPA20K307SM	QVPA20V307SM	QVVPA20V307SM
037591	P2B-TAF-308R	n/a	n/a	n/a	TAPA20K308SM	QVPA20V308SM	QVVPA20V308SM
037595	P2B-TAF-203RE	n/a	n/a	n/a	TAPA13K203SEM	QVPA13V203SM	QVVPA13V203SM
037596	P2B-TAF-207RE	n/a	n/a	n/a	TAPA15K207SEM	QVPA15V207SM	QVVPA15V207SM
037597	P2B-TAF-208RE	n/a	n/a	n/a	TAPA15K208SEM	QVPA15V208SM	QVVPA15V208SM
037600	P2B-TAF-215RE	n/a	n/a	n/a	TAPA17K215SEM	QVPA17V215SM	QVVPA17V215SM
037601	P2B-TAF-300RE	n/a	n/a	n/a	TAPA17K300SEM	QVPA17V300SM	QVVPA17V300SM
037602	P2B-TAF-307RE	n/a	n/a	n/a	TAPA20K307SEM	QVPA20V307SM	QVVPA20V307SM
037603	P2B-TAF-308RE	n/a	n/a	n/a	TAPA20K308SEM	QVPA20V308SM	QVVPA20V308SM
037604	P4B-TAF-207R	n/a	n/a	n/a	TAPH15K207SM	QVPH15V207SM	QVVPH15V207SM
037605	P4B-TAF-208R	n/a	n/a	n/a	TAPH15K208SM	QVPH15V208SM	QVVPH15V208SM
037608	P4B-TAF-215R	n/a	n/a	n/a	TAPH17K215SM	QVPH17V215SM	QVVPH17V215SM
037609	P4B-TAF-300R	n/a	n/a	n/a	TAPH17K300SM	QVPH17V300SM	QVVPH17V300SM
037610	P4B-TAF-307R	n/a	n/a	n/a	TAPH20K307SM	QVPH20V307SM	QVVPH20V307SM
037611	P4B-TAF-308R	n/a	n/a	n/a	TAPH20K308SM	QVPH20V308SM	QVVPH20V308SM
037612	P4B-TAF-315R	n/a	n/a	n/a	TAPH22K315SM	QVPH22V315SM	QVVPH22V315SM
037613	P4B-TAF-400R	n/a	n/a	n/a	TAPH22K400SM	QVPH22V400SM	QVVPH22V400SM
037614	P4B-TAF-407R	n/a	n/a	n/a	TAPH26K407SM	QVPH26V407SM	QVVPH26V407SM
037615	P4B-TAF-408R	n/a	n/a	n/a	TAPH26K408SM	QVPH26V408SM	QVVPH26V408SM
037616	P4B-TAF-415R	QMPH26J415SM	n/a	n/a	n/a	QVPH28V415SM	QVVPH28V415SM
037617	P4B-TAF-500R	QMPH26J500SM	n/a	n/a	n/a	QVPH28V500SM	QVVPH28V500SM
037618	P4B-TAF-207RE	n/a	n/a	n/a	TAPH15K207SEM	QVPH15V207SM	QVVPH15V207SM
037619	P4B-TAF-208RE	n/a	n/a	n/a	TAPH15K208SEM	QVPH15V208SM	QVVPH15V208SM
037622	P4B-TAF-215RE	n/a	n/a	n/a	TAPH17K215SEM	QVPH17V215SM	QVVPH17V215SM
037623	P4B-TAF-300RE	n/a	n/a	n/a	TAPH17K300SEM	QVPH17V300SM	QVVPH17V300SM
037624	P4B-TAF-307RE	n/a	n/a	n/a	TAPH20K307SEM	QVPH20V307SM	QVVPH20V307SM
037625	P4B-TAF-308RE	n/a	n/a	n/a	TAPH20K308SEM	QVPH20V308SM	QVVPH20V308SM
037626	P4B-TAF-315RE	n/a	n/a	n/a	TAPH22K315SEM	QVPH22V315SM	QVVPH22V315SM
037627	P4B-TAF-400RE	n/a	n/a	n/a	TAPH22K400SEM	QVPH22V400SM	QVVPH22V400SM
037628	P4B-TAF-407RE	n/a	n/a	n/a	TAPH26K407SEM	QVPH26V407SM	QVVPH26V407SM
037629	P4B-TAF-408RE	n/a	n/a	n/a	TAPH26K408SEM	QVPH26V408SM	QVVPH26V408SM
037630	P4B-TAF-415RE	QMPH26J415SEM	n/a	n/a	n/a	QVPH28V415SEM	QVVPH28V415SEM
037631	P4B-TAF-500RE	QMPH26J500SEM	n/a	n/a	n/a	QVPH28V500SEM	QVVPH28V500SEM
037851	P4B534ISAF515R	QMPH30J515SM	n/a	n/a	n/a	n/a	n/a
037852	P4B536ISAF607R	QMPH34J607SM	n/a	n/a	n/a	n/a	n/a
037853	P4B538ISAF615R	QMPH34J615SM	n/a	n/a	n/a	n/a	n/a
037903	P4B532ISAF508R	QMPH30J508SM	n/a	n/a	n/a	n/a	n/a
037909	P4B534ISAF600R	QMPH30J600SM	n/a	n/a	n/a	n/a	n/a
037915	P4B536ISAF608R	QMPH34J608SM	n/a	n/a	n/a	n/a	n/a
037921	P4B538ISAF700R	QMPH34J700SM	n/a	n/a	n/a	n/a	n/a

Note: This interchange guide is for reference only. **Some competitor bearings may not be shown.** If you are unable to find the bearing you are trying to interchange, please contact your local distributor or QM Bearings for assistance.

(continued on next page)

Blue Brute Bearings – Interchange Guide

Dodge®

Dodge Part #	Dodge Part Name	QM EC Series	QM CL Series		QM TA/DV Series	QM V-Lock® Series	
			Single-Collar	Double-Collar		Single-Nut	Double-Nut
041860	P2B515USAF207TT	n/a	n/a	n/a	TAPA15K207SM	QVPA15V207SM	QVVPA15V207SM
041861	P4B515USAF207TT	n/a	n/a	n/a	TAPH15K207SM	QVPH15V207SM	QVVPA15V207SM
041862	P2B515USAF208TT	n/a	n/a	n/a	TAPA15K208SM	QVPA15V208SM	QVVPA15V208SM
041863	P4B515USAF208TT	n/a	n/a	n/a	TAPH15K208SM	QVPH15V208SM	QVVPA15V208SM
041864	P2B517USAF215TT	n/a	n/a	n/a	TAPA17K215SM	QVPA17V215SM	QVVPA17V215SM
041865	P4B517USAF215TT	n/a	n/a	n/a	TAPH17K215SM	QVPH17V215SM	QVVPA17V215SM
041866	P2B517USAF300TT	n/a	n/a	n/a	TAPA17K300SM	QVPA17V300SM	QVVPA17V300SM
041867	P4B517USAF300TT	n/a	n/a	n/a	TAPH17K300SM	QVPH17V300SM	QVVPA17V300SM
041868	P2B520USAF307TT	n/a	n/a	n/a	TAPA20K307SM	QVPA20V307SM	QVVPA20V307SM
041869	P4B520USAF307TT	n/a	n/a	n/a	TAPH20K307SM	QVPH20V307SM	QVVPA20V307SM
041870	P2B520USAF308TT	n/a	n/a	n/a	TAPA20K308SM	QVPA20V308SM	QVVPA20V308SM
041871	P4B520USAF308TT	n/a	n/a	n/a	TAPH20K308SM	QVPH20V308SM	QVVPA20V308SM
041872	P4B522USAF315TT	n/a	n/a	n/a	TAPH22K315SM	QVPH22V315SM	QVVPH22V315SM
041873	P4B522USAF400TT	n/a	n/a	n/a	TAPH22K400SM	QVPH22V400SM	QVVPH22V400SM
041874	P4B526USAF407TT	n/a	n/a	n/a	TAPH26K407SM	QVPH26V407SM	QVVPH26V407SM
041875	P4B526USAF408TT	n/a	n/a	n/a	TAPH26K408SM	QVPH26V408SM	QVVPH26V408SM
043248	P2B511USAF115TT	n/a	n/a	n/a	TAPA11K115SM	QVPA11V115SM	QVVPA11V115SM
043249	P2B513USAF203TT	n/a	n/a	n/a	TAPA13K203SM	QVPA13V203SM	QVVPA13V203SM
043249	P4B513USAF203TT	n/a	n/a	n/a	TAPH13K203SM	QVPH13V203SM	QVVPA13V203SM
047710	P2B-SN2-115R	QMSN10J115SM	QASN10A115SM	QAASN10A115SM	TAPN11K115SM	QVPN11V115SM	QVVPN11V115SM
047711	P2B-SN2-200R	QMSN10J200SM	QASN10A200SM	QAASN10A200SM	TAPN11K200SM	QVPN11V200SM	QVVPN11V200SM
047712	P2B-SN2-203R	QMSN11J203SM	QASN11A203SM	QAASN11A203SM	TAPN13K203SM	QVPN13V203SM	QVVPN13V203SM
047713	P2B-SN2-204R	QMSN11J204SM	QASN11A204SM	QAASN11A204SM	TAPN13K204SM	QVPN13V204SM	QVVPN13V204SM
047715	P2B-SN2-207R	QMSN13J207SM	QASN13A207SM	QAASN13A207SM	TAPN15K207SM	QVPN15V207SM	QVVPN15V207SM
047716	P2B-SN2-208R	QMSN13J208SM	QASN13A208SM	QAASN13A208SM	TAPN15K208SM	QVPN15V208SM	QVVPN15V208SM
047718	P2B-SN2-215R	QMSN15J215SM	QASN15A215SM	QAASN15A215SM	TAPN17K215SM	QVPN17V215SM	QVVPN17V215SM
047720	P2B-SN2-300R	QMSN15J300SM	QASN15A300SM	QAASN15A300SM	TAPN17K300SM	QVPN17V300SM	QVVPN17V300SM
047723	P2B-SN2-307R	QMSN18J307SM	QASN18A307SM	QAASN18A307SM	TAPN20K307SM	QVPN20V307SM	QVVPN20V307SM
047724	P2B-SN2-308R	QMSN18J308SM	QASN18A308SM	QAASN18A308SM	TAPN20K308SM	QVPN20V308SM	QVVPN20V308SM
063360	SP4B-AS-215	n/a	n/a	n/a	TAPH17K215ST	QVPH17V215ST	QVVPH17V215ST
063361	SP4B-AS-300	n/a	n/a	n/a	TAPH17K300ST	QVPH17V300ST	QVVPH17V300ST
063362	SP4B-AS-307	n/a	n/a	n/a	TAPH20K307ST	QVPH20V307ST	QVVPH20V307ST
063363	SP4B-AS-308	n/a	n/a	n/a	TAPH20K308ST	QVPH20V308ST	QVVPH20V308ST
063364	SP4B-AS-315	n/a	n/a	n/a	TAPH22K315ST	QVPH22V315ST	QVVPH22V315ST
063365	SP4B-AS-400	n/a	n/a	n/a	TAPH22K400ST	QVPH22V400ST	QVVPH22V400ST
063366	SP4B-AS-407	n/a	n/a	n/a	TAPH22K407ST	QVPH26V407ST	QVVPH26V407ST
063390	SP4B-AS-215E	n/a	n/a	n/a	TAPH17K215SET	QVPH17V215SET	QVVPH17V215SET
063392	SP4B-AS-307E	n/a	n/a	n/a	TAPH20K307SET	QVPH20V307SET	QVVPH20V307SET
063393	SP4B-AS-308E	n/a	n/a	n/a	TAPH20K308SET	QVPH20V308SET	QVVPH20V308SET
063394	SP4B-AS-315E	n/a	n/a	n/a	TAPH22K315SET	QVPH22V315SET	QVVPH22V315SET
063395	SP4B-AS-400E	n/a	n/a	n/a	TAPH22K400SET	QVPH22V400SET	QVVPH22V400SET
063396	SP4B-AS-407E	n/a	n/a	n/a	TAPH22K407SET	QVPH26V407SET	QVVPH26V407SET
063411	SP4B-AS-300E	n/a	n/a	n/a	TAPH17K300SET	QVPH17V300SET	QVVPH17V300SET

Note: This interchange guide is for reference only. **Some competitor bearings may not be shown.** If you are unable to find the bearing you are trying to interchange, please contact your local distributor or QM Bearings for assistance.

(continued on next page)

Blue Brute Bearings – Interchange Guide

Dodge®

Dodge Part #	Dodge Part Name	QM EC Series	QM CL Series		QM TA/DV Series	QM V-Lock® Series	
			Single-Collar	Double-Collar		Single-Nut	Double-Nut
069404	P2B-IP-107R	QMPL08J107SM	n/a	n/a	n/a	n/a	n/a
069405	P2B-IP-108R	QMPL08J108SM	n/a	n/a	n/a	n/a	n/a
069407	P2B-IP-111R	QMPL09J111SM	n/a	n/a	n/a	n/a	n/a
069408	P2B-IP-112R	QMPL09J112SM	n/a	n/a	n/a	n/a	n/a
069410	P2B-IP-115R	QMPL10J115SM	QAPL10A115SM	QAAPL10A115SM	DVP11K115SM	QVPL11V115SM	QVVPL11V115SM
069411	P2B-IP-200R	QMPL10J200SM	QAPL10A200SM	QAAPL10A200SM	DVP11K200SM	QVPL11V200SM	QVVPL11V200SM
069412	P2B-IP-203R	QMPL11J203SM	QAPL11A203SM	QAAPL11A203SM	DVP13K203SM	QVPL12V203SM	QVVPL12V203SM
069413	P2B-IP-204R	QMPL11J204SM	QAPL11A204SM	QAAPL11A204SM	DVP13K204SM	QVPL12V204SM	QVVPL12V204SM
069415	P2B-IP-207R	QMPL13J207SM	QAPL13A207SM	QAAPL13A207SM	DVP15K207SM	QVPL14V207SM	QVVPL14V207SM
069416	P2B-IP-208R	QMPL13J208SM	QAPL13A208SM	QAAPL13A208SM	DVP15K208SM	QVPL14V208SM	QVVPL14V208SM
069417	P2B-IP-211R	QMPL15J211SM	QAPL15A211SM	QAAPL15A211SM	n/a	QVPL16V211SM	QVVPL16V211SM
069418	P2B-IP-212R	QMPL15J212SM	QAPL15A212SM	QAAPL15A212SM	n/a	QVPL16V212SM	QVVPL16V212SM
069419	P2B-IP-215R	QMPL15J215SM	QAPL15A215SM	QAAPL15A215SM	DVP17K215SM	QVPL16V215SM	QVVPL16V215SM
069420	P2B-IP-300R	QMPL15J300SM	QAPL15A300SM	QAAPL15A300SM	DVP17K300SM	QVPL16V300SM	QVVPL16V300SM
069421	P2B-IP-303R	QMPL18J303SM	QAPL18A303SM	QAAPL18A303SM	n/a	QVPL19V303SM	QVVPL19V303SM
069422	P2B-IP-304R	QMPL18J304SM	QAPL18A304SM	QAAPL18A304SM	n/a	QVPL19V304SM	QVVPL19V304SM
069423	P2B-IP-307R	QMPL18J307SM	QAPL18A307SM	QAAPL18A307SM	DVP20K307SM	QVPL19V307SM	QVVPL19V307SM
069424	P2B-IP-308R	QMPL18J308SM	QAPL18A308SM	QAAPL18A308SM	DVP20K308SM	QVPL19V308SM	QVVPL19V308SM
069425	P2B-IP-311R	QMPL20J311SM	n/a	n/a	n/a	QVPL22V311SM	QVVPL22V311SM
069426	P2B-IP-315R	QMPL20J315SM	QAPL20A315SM	QAAPL20A315SM	n/a	QVPL22V315SM	QVVPL22V315SM
069427	P2B-IP-400R	QMPL20J400SM	QAPL20A400SM	QAAPL20A400SM	n/a	QVPL22V400SM	QVVPL22V400SM
069432	P2B-IP-107RE	QMPL08J107SEM	n/a	n/a	n/a	n/a	n/a
069433	P2B-IP-108RE	QMPL08J108SEM	n/a	n/a	n/a	n/a	n/a
069435	P2B-IP-111RE	QMPL09J111SEM	n/a	n/a	n/a	n/a	n/a
069436	P2B-IP-112RE	QMPL09J112SEM	n/a	n/a	n/a	n/a	n/a
069438	P2B-IP-115RE	QMPL10J115SEM	QAPL10A115SEM	QAAPL10A115SEM	DVP11K115SEM	QVPL11V115SEM	QVVPL11V115SEM
069439	P2B-IP-200RE	QMPL10J200SEM	QAPL10A200SEM	QAAPL10A200SEM	DVP11K200SEM	QVPL11V200SEM	QVVPL11V200SEM
069440	P2B-IP-203RE	QMPL11J203SEM	QAPL11A203SEM	QAAPL11A203SEM	DVP13K203SEM	QVPL12V203SEM	QVVPL12V203SEM
069441	P2B-IP-204RE	QMPL11J204SEM	QAPL11A204SEM	QAAPL11A204SEM	DVP13K204SEM	QVPL12V204SEM	QVVPL12V204SEM
069443	P2B-IP-207RE	QMPL13J207SEM	QAPL13A207SEM	QAAPL13A207SEM	DVP15K207SEM	QVPL14V207SEM	QVVPL14V207SEM
069444	P2B-IP-208RE	QMPL13J208SEM	QAPL13A208SEM	QAAPL13A208SEM	DVP15K208SEM	QVPL14V208SEM	QVVPL14V208SEM
069445	P2B-IP-211RE	QMPL15J211SEM	QAPL15A211SEM	QAAPL15A211SEM	n/a	QVPL16V211SEM	QVVPL16V211SEM
069446	P2B-IP-212RE	QMPL15J212SEM	QAPL15A212SEM	QAAPL15A212SEM	n/a	QVPL16V212SEM	QVVPL16V212SEM
069447	P2B-IP-215RE	QMPL15J215SEM	QAPL15A215SEM	QAAPL15A215SEM	DVP17K215SEM	QVPL16V215SEM	QVVPL16V215SEM
069448	P2B-IP-300RE	QMPL15J300SEM	QAPL15A300SEM	QAAPL15A300SEM	DVP17K300SEM	QVPL16V300SEM	QVVPL16V300SEM
069449	P2B-IP-303RE	QMPL18J303SEM	QAPL18A303SEM	QAAPL18A303SEM	n/a	QVPL19V303SEM	QVVPL19V303SEM
069450	P2B-IP-304RE	QMPL18J304SEM	QAPL18A304SEM	QAAPL18A304SEM	n/a	QVPL19V304SEM	QVVPL19V304SEM
069451	P2B-IP-307RE	QMPL18J307SEM	QAPL18A307SEM	QAAPL18A307SEM	DVP20K307SEM	QVPL19V307SEM	QVVPL19V307SEM
069452	P2B-IP-308RE	QMPL18J308SEM	QAPL18A308SEM	QAAPL18A308SEM	DVP20K308SEM	QVPL19V308SEM	QVVPL19V308SEM
069453	P2B-IP-311RE	QMPL20J311SEM	n/a	n/a	n/a	QVPL22V311SEM	QVVPL22V311SEM
069454	P2B-IP-315RE	QMPL20J315SEM	QAPL20A315SEM	QAAPL20A315SEM	n/a	QVPL22V315SEM	QVVPL22V315SEM
069455	P2B-IP-400RE	QMPL20J400SEM	QAPL20A400SEM	QAAPL20A400SEM	n/a	QVPL22V400SEM	QVVPL22V400SEM
069460	P2B-IP-107L	QMPL08J107ST	n/a	n/a	n/a	n/a	n/a

Note: This interchange guide is for reference only. **Some competitor bearings may not be shown.** If you are unable to find the bearing you are trying to interchange, please contact your local distributor or QM Bearings for assistance.

(continued on next page)

Introduction
Blue Brute Bearings
Bearing Interchange Guide
Quick-Flex Couplings
Rigid Compression Couplings
Index

Blue Brute Bearings – Interchange Guide

Dodge®

Dodge Part #	Dodge Part Name	QM EC Series	QM CL Series		QM TA/DV Series	QM V-Lock® Series	
			Single-Collar	Double-Collar		Single-Nut	Double-Nut
069461	P2B-IP-108L	QMPL08J108ST	n/a	n/a	n/a	n/a	n/a
069463	P2B-IP-111L	QMPL09J111ST	n/a	n/a	n/a	n/a	n/a
069464	P2B-IP-112L	QMPL09J112ST	n/a	n/a	n/a	n/a	n/a
069466	P2B-IP-115L	QMPL10J115ST	QAPL10A115ST	QAAPL10A115ST	DVP11K115ST	QVPL11V115ST	QVVPL11V115ST
069467	P2B-IP-200L	QMPL10J200ST	QAPL10A200ST	QAAPL10A200ST	DVP11K200ST	QVPL11V200ST	QVVPL11V200ST
069468	P2B-IP-203L	QMPL11J203ST	QAPL11A203ST	QAAPL11A203ST	DVP13K203ST	QVPL12V203ST	QVVPL12V203ST
069469	P2B-IP-204L	QMPL11J204ST	QAPL11A204ST	QAAPL11A204ST	DVP13K204ST	QVPL12V204ST	QVVPL12V204ST
069471	P2B-IP-207L	QMPL13J207ST	QAPL13A207ST	QAAPL13A207ST	DVP15K207ST	QVPL14V207ST	QVVPL14V207ST
069472	P2B-IP-208L	QMPL13J208ST	QAPL13A208ST	QAAPL13A208ST	DVP15K208ST	QVPL14V208ST	QVVPL14V208ST
069473	P2B-IP-211L	QMPL15J211ST	QAPL15A211ST	QAAPL15A211ST	n/a	QVPL16V211ST	QVVPL16V211ST
069474	P2B-IP-212L	QMPL15J212ST	QAPL15A212ST	QAAPL15A212ST	n/a	QVPL16V212ST	QVVPL16V212ST
069475	P2B-IP-215L	QMPL15J215ST	QAPL15A215ST	QAAPL15A215ST	DVP17K215ST	QVPL16V215ST	QVVPL16V215ST
069476	P2B-IP-300L	QMPL15J300ST	QAPL15A300ST	QAAPL15A300ST	DVP17K300ST	QVPL16V300ST	QVVPL16V300ST
069477	P2B-IP-303L	QMPL18J303ST	QAPL18A303ST	QAAPL18A303ST	n/a	QVPL19V303ST	QVVPL19V303ST
069478	P2B-IP-304L	QMPL18J304ST	QAPL18A304ST	QAAPL18A304ST	n/a	QVPL19V304ST	QVVPL19V304ST
069479	P2B-IP-307L	QMPL18J307ST	QAPL18A307ST	QAAPL18A307ST	DVP20K307ST	QVPL19V307ST	QVVPL19V307ST
069480	P2B-IP-308L	QMPL18J308ST	QAPL18A308ST	QAAPL18A308ST	DVP20K308ST	QVPL19V308ST	QVVPL19V308ST
069481	P2B-IP-311L	QMPL20J311ST	n/a	n/a	n/a	QVPL22V311ST	QVVPL22V311ST
069482	P2B-IP-315L	QMPL20J315ST	QAPL20A315ST	QAAPL20A315ST	n/a	QVPL22V315ST	QVVPL22V315ST
069483	P2B-IP-400L	QMPL20J400ST	QAPL20A400ST	QAAPL20A400ST	n/a	QVPL22V400ST	QVVPL22V400ST
069488	P2B-IP-107LE	QMPL08J107SET	n/a	n/a	n/a	n/a	n/a
069489	P2B-IP-108LE	QMPL08J108SET	n/a	n/a	n/a	n/a	n/a
069491	P2B-IP-111LE	QMPL09J111SET	n/a	n/a	n/a	n/a	n/a
069492	P2B-IP-112LE	QMPL09J112SET	n/a	n/a	n/a	n/a	n/a
069494	P2B-IP-115LE	QMPL10J115SET	QAPL10A115SET	QAAPL10A115SET	DVP11K115SET	QVPL11V115SET	QVVPL11V115SET
069495	P2B-IP-200LE	QMPL10J200SET	QAPL10A200SET	QAAPL10A200SET	DVP11K200SET	QVPL11V200SET	QVVPL11V200SET
069496	P2B-IP-203LE	QMPL11J203SET	QAPL11A203SET	QAAPL11A203SET	DVP13K203SET	QVPL12V203SET	QVVPL12V203SET
069497	P2B-IP-204LE	QMPL11J204SET	QAPL11A204SET	QAAPL11A204SET	DVP13K204SET	QVPL12V204SET	QVVPL12V204SET
069499	P2B-IP-207LE	QMPL13J207SET	QAPL13A207SET	QAAPL13A207SET	DVP15K207SET	QVPL14V207SET	QVVPL14V207SET
069500	P2B-IP-208LE	QMPL13J208SET	QAPL13A208SET	QAAPL13A208SET	DVP15K208SET	QVPL14V208SET	QVVPL14V208SET
069501	P2B-IP-211LE	QMPL15J211SET	QAPL15A211SET	QAAPL15A211SET	n/a	QVPL16V211SET	QVVPL16V211SET
069502	P2B-IP-212LE	QMPL15J212SET	QAPL15A212SET	QAAPL15A212SET	n/a	QVPL16V212SET	QVVPL16V212SET
069503	P2B-IP-215LE	QMPL15J215SET	QAPL15A215SET	QAAPL15A215SET	DVP17K215SET	QVPL16V215SET	QVVPL16V215SET
069504	P2B-IP-300LE	QMPL15J300SET	QAPL15A300SET	QAAPL15A300SET	DVP17K300SET	QVPL16V300SET	QVVPL16V300SET
069505	P2B-IP-303LE	QMPL18J303SET	QAPL18A303SET	QAAPL18A303SET	n/a	QVPL19V303SET	QVVPL19V303SET
069506	P2B-IP-304LE	QMPL18J304SET	QAPL18A304SET	QAAPL18A304SET	n/a	QVPL19V304SET	QVVPL19V304SET
069507	P2B-IP-307LE	QMPL18J307SET	QAPL18A307SET	QAAPL18A307SET	DVP20K307SET	QVPL19V307SET	QVVPL19V307SET
069508	P2B-IP-308LE	QMPL18J308SET	QAPL18A308SET	QAAPL18A308SET	DVP20K308SET	QVPL19V308SET	QVVPL19V308SET
069509	P2B-IP-311LE	QMPL20J311SET	n/a	n/a	n/a	QVPL22V311SET	QVVPL22V311SET
069510	P2B-IP-315LE	QMPL20J315SET	QAPL20A315SET	QAAPL20A315SET	n/a	QVPL22V315SET	QVVPL22V315SET
069511	P2B-IP-400LE	QMPL20J400SET	QAPL20A400SET	QAAPL20A400SET	n/a	QVPL22V400SET	QVVPL22V400SET
069521	P4B-IP-207R	QMPP13J207SM	QAPP13A207SM	QAAPP13A207SM	n/a	QVPP14V207SM	QVPP14V207SM
069522	P4B-IP-208R	QMPP13J208SM	QAPP13A208SM	QAAPP13A208SM	n/a	QVPP14V208SM	QVPP14V208SM

Note: This interchange guide is for reference only. **Some competitor bearings may not be shown.** If you are unable to find the bearing you are trying to interchange, please contact your local distributor or QM Bearings for assistance.

(continued on next page)

Blue Brute Bearings – Interchange Guide

Dodge®

Dodge Part #	Dodge Part Name	QM EC Series	QM CL Series		QM TA/DV Series	QM V-Lock® Series	
			Single-Collar	Double-Collar		Single-Nut	Double-Nut
069523	P4B-IP-211R	QMPF15J211SM	QAPF15A211SM	QAAPF15A211SM	n/a	QVVF16V211SM	QVVVF16V211SM
069524	P4B-IP-212R	QMPF15J212SM	QAPF15A212SM	QAAPF15A212SM	n/a	QVVF16V212SM	QVVVF16V212SM
069525	P4B-IP-215R	QMPF15J215SM	QAPF15A215SM	QAAPF15A215SM	DVPF17K215SM	QVVF16V215SM	QVVVF16V215SM
069526	P4B-IP-300R	QMPF15J300SM	QAPF15A300SM	QAAPF15A300SM	DVPF17K300SM	QVVF16V300SM	QVVVF16V300SM
069527	P4B-IP-303R	QMPF18J303SM	QAPF18A303SM	QAAPF18A303SM	n/a	QVVF19V303SM	QVVVF19V303SM
069528	P4B-IP-304R	QMPF18J304SM	QAPF18A304SM	QAAPF18A304SM	n/a	QVVF19V304SM	QVVVF19V304SM
069529	P4B-IP-307R	QMPF18J307SM	QAPF18A307SM	QAAPF18A307SM	DVPF20K307SM	QVVF19V307SM	QVVVF19V307SM
069530	P4B-IP-308R	QMPF18J308SM	QAPF18A308SM	QAAPF18A308SM	DVPF20K308SM	QVVF19V308SM	QVVVF19V308SM
069531	P4B-IP-311R	QMPF20J311SM	n/a	n/a	n/a	QVVF22V311SM	QVVVF22V311SM
069532	P4B-IP-315R	QMPF20J315SM	QAPF20A315SM	QAAPF20A315SM	DVPF22K315SM	QVVF22V315SM	QVVVF22V315SM
069533	P4B-IP-400R	QMPF20J400SM	QAPF20A400SM	QAAPF20A400SM	DVPF22K400SM	QVVF22V400SM	QVVVF22V400SM
069534	P4B-IP-407R	QMPF22J407SM	n/a	QAAPF22A407SM	DVPF26K407SM	QVVF26V407SM	QVVVF26V407SM
069535	P4B-IP-408R	QMPF22J408SM	n/a	QAAPF22A408SM	DVPF26K408SM	QVVF26V408SM	QVVVF26V408SM
069536	P4B-IP-415R	QMPF26J415SM	n/a	QAAPF26A415SM	n/a	QVVF28V415SM	QVVVF28V415SM
069537	P4B-IP-500R	QMPF26J500SM	n/a	QAAPF26A500SM	n/a	QVVF28V500SM	QVVVF28V500SM
069539	P4B-IP-207RE	QMPF13J207SEM	QAPF13A207SEM	QAAPF13A207SEM	n/a	QVVF14V207SEM	QVVVF14V207SEM
069540	P4B-IP-208RE	QMPF13J208SEM	QAPF13A208SEM	QAAPF13A208SEM	n/a	QVVF14V208SEM	QVVVF14V208SEM
069541	P4B-IP-211RE	QMPF15J211SEM	QAPF15A211SEM	QAAPF15A211SEM	n/a	QVVF16V211SEM	QVVVF16V211SEM
069542	P4B-IP-212RE	QMPF15J212SEM	QAPF15A212SEM	QAAPF15A212SEM	n/a	QVVF16V212SEM	QVVVF16V212SEM
069543	P4B-IP-215RE	QMPF15J215SEM	QAPF15A215SEM	QAAPF15A215SEM	DVPF17K215SEM	QVVF16V215SEM	QVVVF16V215SEM
069544	P4B-IP-300RE	QMPF15J300SEM	QAPF15A300SEM	QAAPF15A300SEM	DVPF17K300SEM	QVVF16V300SEM	QVVVF16V300SEM
069545	P4B-IP-303RE	QMPF18J303SEM	QAPF18A303SEM	QAAPF18A303SEM	n/a	QVVF19V303SEM	QVVVF19V303SEM
069546	P4B-IP-304RE	QMPF18J304SEM	QAPF18A304SEM	QAAPF18A304SEM	n/a	QVVF19V304SEM	QVVVF19V304SEM
069547	P4B-IP-307RE	QMPF18J307SEM	QAPF18A307SEM	QAAPF18A307SEM	DVPF20K307SEM	QVVF19V307SEM	QVVVF19V307SEM
069548	P4B-IP-308RE	QMPF18J308SEM	QAPF18A308SEM	QAAPF18A308SEM	DVPF20K308SEM	QVVF19V308SEM	QVVVF19V308SEM
069549	P4B-IP-311RE	QMPF20J311SEM	n/a	n/a	n/a	QVVF22V311SEM	QVVVF22V311SEM
069550	P4B-IP-315RE	QMPF20J315SEM	QAPF20A315SEM	QAAPF20A315SEM	DVPF22K315SEM	QVVF22V315SEM	QVVVF22V315SEM
069551	P4B-IP-400RE	QMPF20J400SEM	QAPF20A400SEM	QAAPF20A400SEM	DVPF22K400SEM	QVVF22V400SEM	QVVVF22V400SEM
069552	P4B-IP-407RE	QMPF22J407SEM	n/a	QAAPF22A407SEM	DVPF26K407SEM	QVVF26V407SEM	QVVVF26V407SEM
069553	P4B-IP-408RE	QMPF22J408SEM	n/a	QAAPF22A408SEM	DVPF26K408SEM	QVVF26V408SEM	QVVVF26V408SEM
069554	P4B-IP-415RE	QMPF26J415SEM	n/a	QAAPF26A415SEM	n/a	QVVF28V415SEM	QVVVF28V415SEM
069555	P4B-IP-500RE	QMPF26J500SEM	n/a	QAAPF26A500SEM	n/a	QVVF28V500SEM	QVVVF28V500SEM
069557	P4B-IP-207L	QMPF13J207ST	QAPF13A207ST	QAAPF13A207ST	n/a	QVVF14V207ST	QVVVF14V207ST
069558	P4B-IP-208L	QMPF13J208ST	QAPF13A208ST	QAAPF13A208ST	n/a	QVVF14V208ST	QVVVF14V208ST
069559	P4B-IP-211L	QMPF15J211ST	QAPF15A211ST	QAAPF15A211ST	n/a	QVVF16V211ST	QVVVF16V211ST
069560	P4B-IP-212L	QMPF15J212ST	QAPF15A212ST	QAAPF15A212ST	n/a	QVVF16V212ST	QVVVF16V212ST
069561	P4B-IP-215L	QMPF15J215ST	QAPF15A215ST	QAAPF15A215ST	DVPF17K215ST	QVVF16V215ST	QVVVF16V215ST
069562	P4B-IP-300L	QMPF15J300ST	QAPF15A300ST	QAAPF15A300ST	DVPF17K300ST	QVVF16V300ST	QVVVF16V300ST
069563	P4B-IP-303L	QMPF18J303ST	QAPF18A303ST	QAAPF18A303ST	n/a	QVVF19V303ST	QVVVF19V303ST
069564	P4B-IP-304L	QMPF18J304ST	QAPF18A304ST	QAAPF18A304ST	n/a	QVVF19V304ST	QVVVF19V304ST
069565	P4B-IP-307L	QMPF18J307ST	QAPF18A307ST	QAAPF18A307ST	DVPF20K307ST	QVVF19V307ST	QVVVF19V307ST
069566	P4B-IP-308L	QMPF18J308ST	QAPF18A308ST	QAAPF18A308ST	DVPF20K308ST	QVVF19V308ST	QVVVF19V308ST
069567	P4B-IP-311L	QMPF20J311ST	n/a	n/a	n/a	QVVF22V311ST	QVVVF22V311ST

Note: This interchange guide is for reference only. **Some competitor bearings may not be shown.** If you are unable to find the bearing you are trying to interchange, please contact your local distributor or QM Bearings for assistance.

(continued on next page)

Blue Brute Bearings – Interchange Guide

Dodge®

Dodge Part #	Dodge Part Name	QM EC Series	QM CL Series		QM TA/DV Series	QM V-Lock® Series	
			Single-Collar	Double-Collar		Single-Nut	Double-Nut
069568	P4B-IP-315L	QMPF20J315ST	QAPF20A315ST	QAAPF20A315ST	DVPF22K315ST	QVPF22V315ST	QVVPF22V315ST
069569	P4B-IP-400L	QMPF20J400ST	QAPF20A400ST	QAAPF20A400ST	DVPF22K400ST	QVPF22V400ST	QVVPF22V400ST
069570	P4B-IP-407L	QMPF22J407ST	n/a	QAAPF22A407ST	DVPF26K407ST	QVPF26V407ST	QVVPF26V407ST
069571	P4B-IP-408L	QMPF22J408ST	n/a	QAAPF22A408ST	DVPF26K408ST	QVPF26V408ST	QVVPF26V408ST
069572	P4B-IP-415L	QMPF26J415ST	n/a	QAAPF26A415ST	n/a	QVPF28V415ST	QVVPF28V415ST
069573	P4B-IP-500L	QMPF26J500ST	n/a	QAAPF26A500ST	n/a	QVPF28V500ST	QVVPF28V500ST
069575	P4B-IP-207LE	QMPF13J207SET	QAPF13A207SET	QAAPF13A207SET	n/a	QVPF14V207SET	QVVPF14V207SET
069576	P4B-IP-208LE	QMPF13J208SET	QAPF13A208SET	QAAPF13A208SET	n/a	QVPF14V208SET	QVVPF14V208SET
069577	P4B-IP-211LE	QMPF15J211SET	QAPF15A211SET	QAAPF15A211SET	n/a	QVPF16V211SET	QVVPF16V211SET
069578	P4B-IP-212LE	QMPF15J212SET	QAPF15A212SET	QAAPF15A212SET	n/a	QVPF16V212SET	QVVPF16V212SET
069579	P4B-IP-215LE	QMPF15J215SET	QAPF15A215SET	QAAPF15A215SET	DVPF17K215SET	QVPF16V215SET	QVVPF16V215SET
069580	P4B-IP-300LE	QMPF15J300SET	QAPF15A300SET	QAAPF15A300SET	DVPF17K300SET	QVPF16V300SET	QVVPF16V300SET
069581	P4B-IP-303LE	QMPF18J303SET	QAPF18A303SET	QAAPF18A303SET	n/a	QVPF19V303SET	QVVPF19V303SET
069582	P4B-IP-304LE	QMPF18J304SET	QAPF18A304SET	QAAPF18A304SET	n/a	QVPF19V304SET	QVVPF19V304SET
069583	P4B-IP-307LE	QMPF18J307SET	QAPF18A307SET	QAAPF18A307SET	DVPF20K307SET	QVPF19V307SET	QVVPF19V307SET
069584	P4B-IP-308LE	QMPF18J308SET	QAPF18A308SET	QAAPF18A308SET	DVPF20K308SET	QVPF19V308SET	QVVPF19V308SET
069585	P4B-IP-311LE	QMPF20J311SET	n/a	n/a	n/a	QVPF22V311SET	QVVPF22V311SET
069586	P4B-IP-315LE	QMPF20J315SET	QAPF20A315SET	QAAPF20A315SET	DVPF22K315SET	QVPF22V315SET	QVVPF22V315SET
069587	P4B-IP-400LE	QMPF20J400SET	QAPF20A400SET	QAAPF20A400SET	DVPF22K400SET	QVPF22V400SET	QVVPF22V400SET
069588	P4B-IP-407LE	QMPF22J407SET	n/a	QAAPF22A407SET	DVPF26K407SET	QVPF26V407SET	QVVPF26V407SET
069589	P4B-IP-408LE	QMPF22J408SET	n/a	QAAPF22A408SET	DVPF26K408SET	QVPF26V408SET	QVVPF26V408SET
069590	P4B-IP-415LE	QMPF26J415SET	n/a	QAAPF26A415SET	n/a	QVPF28V415SET	QVVPF28V415SET
069591	P4B-IP-500LE	QMPF26J500SET	n/a	QAAPF26A500SET	n/a	QVPF28V500SET	QVVPF28V500SET
069596	F3R-IP-107R	QMFY08J107SM	n/a	n/a	n/a	n/a	n/a
069597	F3R-IP-108R	QMFY08J108SM	n/a	n/a	n/a	n/a	n/a
069599	F4R-IP-111R	QMFY09J111SM	n/a	n/a	n/a	n/a	n/a
069600	F4R-IP-112R	QMFY09J112SM	n/a	n/a	n/a	n/a	n/a
069602	F4R-IP-115R	QMFY10J115SM	QAFY10A115SM	QAIFY10A115SM	n/a	QVYF11V115SM	QVVYF11V115SM
069603	F4R-IP-200R	QMFY10J200SM	QAFY10A200SM	QAIFY10A200SM	n/a	QVYF11V200SM	QVVYF11V200SM
069604	F4R-IP-203R	QMFY11J203SM	QAFY11A203SM	QAIFY11A203SM	n/a	QVYF12V203SM	QVVYF12V203SM
069605	F4R-IP-204R	QMFY11J204SM	QAFY11A204SM	QAIFY11A204SM	n/a	QVYF12V204SM	QVVYF12V204SM
069607	F4R-IP-207R	QMFY13J207SM	QAFY13A207SM	QAIFY13A207SM	n/a	QVYF14V207SM	QVVYF14V207SM
069608	F4R-IP-208R	QMFY13J208SM	QAFY13A208SM	QAIFY13A208SM	n/a	QVYF14V208SM	QVVYF14V208SM
069609	F4R-IP-211R	QMFY15J211SM	QAFY15A211SM	QAIFY15A211SM	n/a	QVYF16V211SM	QVVYF16V211SM
069610	F4R-IP-212R	QMFY15J212SM	QAFY15A212SM	QAIFY15A212SM	n/a	QVYF16V212SM	QVVYF16V212SM
069611	F4R-IP-215R	QMFY15J215SM	QAFY15A215SM	QAIFY15A215SM	n/a	QVYF16V215SM	QVVYF16V215SM
069612	F4R-IP-300R	QMFY15J300SM	QAFY15A300SM	QAIFY15A300SM	n/a	QVYF16V300SM	QVVYF16V300SM
069637	F4R-IP-111RE	QMFY09J111SEM	n/a	n/a	n/a	n/a	n/a
069638	F4R-IP-112RE	QMFY09J112SEM	n/a	n/a	n/a	n/a	n/a
069640	F4R-IP-115RE	QMFY10J115SEM	QAFY10A115SEM	QAIFY10A115SEM	n/a	QVYF11V115SEM	QVVYF11V115SEM
069641	F4R-IP-200RE	QMFY10J200SEM	QAFY10A200SEM	QAIFY10A200SEM	n/a	QVYF11V200SEM	QVVYF11V200SEM
069642	F4R-IP-203RE	QMFY11J203SEM	QAFY11A203SEM	QAIFY11A203SEM	n/a	QVYF12V203SEM	QVVYF12V203SEM
069643	F4R-IP-204RE	QMFY11J204SEM	QAFY11A204SEM	QAIFY11A204SEM	n/a	QVYF12V204SEM	QVVYF12V204SEM

Note: This interchange guide is for reference only. **Some competitor bearings may not be shown.** If you are unable to find the bearing you are trying to interchange, please contact your local distributor or QM Bearings for assistance.

(continued on next page)

Blue Brute Bearings – Interchange Guide

Dodge®

Dodge Part #	Dodge Part Name	QM EC Series	QM CL Series		QM TA/DV Series	QM V-Lock® Series	
			Single-Collar	Double-Collar		Single-Nut	Double-Nut
069645	F4R-IP-207RE	QMFY13J207SEM	QAFY13A207SEM	QAAFY13A207SEM	n/a	QV FY14V207SEM	QV V FY14V207SEM
069646	F4R-IP-208RE	QMFY13J208SEM	QAFY13A208SEM	QAAFY13A208SEM	n/a	QV FY14V208SEM	QV V FY14V208SEM
069647	F4R-IP-211RE	QMFY15J211SEM	QAFY15A211SEM	QAAFY15A211SEM	n/a	QV FY16V211SEM	QV V FY16V211SEM
069648	F4R-IP-212RE	QMFY15J212SEM	QAFY15A212SEM	QAAFY15A212SEM	n/a	QV FY16V212SEM	QV V FY16V212SEM
069649	F4R-IP-215RE	QMFY15J215SEM	QAFY15A215SEM	QAAFY15A215SEM	n/a	QV FY16V215SEM	QV V FY16V215SEM
069650	F4R-IP-300RE	QMFY15J300SEM	QAFY15A300SEM	QAAFY15A300SEM	n/a	QV FY16V300SEM	QV V FY16V300SEM
069658	F4R-IP-111L	QMFY09J111ST	n/a	n/a	n/a	n/a	n/a
069659	F4R-IP-112L	QMFY09J112ST	n/a	n/a	n/a	n/a	n/a
069661	F4R-IP-115L	QMFY10J115ST	QAFY10A115ST	QAAFY10A115ST	n/a	QV FY11V115ST	QV V FY11V115ST
069662	F4R-IP-200L	QMFY10J200ST	QAFY10A200ST	QAAFY10A200ST	n/a	QV FY11V200ST	QV V FY11V200ST
069663	F4R-IP-203L	QMFY11J203ST	QAFY11A203ST	QAAFY11A203ST	n/a	QV FY12V203ST	QV V FY12V203ST
069664	F4R-IP-204L	QMFY11J204ST	QAFY11A204ST	QAAFY11A204ST	n/a	QV FY12V204ST	QV V FY12V204ST
069666	F4R-IP-207L	QMFY13J207ST	QAFY13A207ST	QAAFY13A207ST	n/a	QV FY14V207ST	QV V FY14V207ST
069667	F4R-IP-208L	QMFY13J208ST	QAFY13A208ST	QAAFY13A208ST	n/a	QV FY14V208ST	QV V FY14V208ST
069668	F4R-IP-211L	QMFY15J211ST	QAFY15A211ST	QAAFY15A211ST	n/a	QV FY16V211ST	QV V FY16V211ST
069669	F4R-IP-212L	QMFY15J212ST	QAFY15A212ST	QAAFY15A212ST	n/a	QV FY16V212ST	QV V FY16V212ST
069670	F4R-IP-215L	QMFY15J215ST	QAFY15A215ST	QAAFY15A215ST	n/a	QV FY16V215ST	QV V FY16V215ST
069671	F4R-IP-300L	QMFY15J300ST	QAFY15A300ST	QAAFY15A300ST	n/a	QV FY16V300ST	QV V FY16V300ST
069679	F4R-IP-111LE	QMFY09J111SET	n/a	n/a	n/a	n/a	n/a
069680	F4R-IP-112LE	QMFY09J112SET	n/a	n/a	n/a	n/a	n/a
069682	F4R-IP-115LE	QMFY10J115SET	QAFY10A115SET	QAAFY10A115SET	n/a	QV FY11V115SET	QV V FY11V115SET
069683	F4R-IP-200LE	QMFY10J200SET	QAFY10A200SET	QAAFY10A200SET	n/a	QV FY11V200SET	QV V FY11V200SET
069684	F4R-IP-203LE	QMFY11J203SET	QAFY11A203SET	QAAFY11A203SET	n/a	QV FY12V203SET	QV V FY12V203SET
069685	F4R-IP-204LE	QMFY11J204SET	QAFY11A204SET	QAAFY11A204SET	n/a	QV FY12V204SET	QV V FY12V204SET
069687	F4R-IP-207LE	QMFY13J207SET	QAFY13A207SET	QAAFY13A207SET	n/a	QV FY14V207SET	QV V FY14V207SET
069688	F4R-IP-208LE	QMFY13J208SET	QAFY13A208SET	QAAFY13A208SET	n/a	QV FY14V208SET	QV V FY14V208SET
069689	F4R-IP-211LE	QMFY15J211SET	QAFY15A211SET	QAAFY15A211SET	n/a	QV FY16V211SET	QV V FY16V211SET
069690	F4R-IP-212LE	QMFY15J212SET	QAFY15A212SET	QAAFY15A212SET	n/a	QV FY16V212SET	QV V FY16V212SET
069691	F4R-IP-215LE	QMFY15J215SET	QAFY15A215SET	QAAFY15A215SET	n/a	QV FY16V215SET	QV V FY16V215SET
069692	F4R-IP-300LE	QMFY15J300SET	QAFY15A300SET	QAAFY15A300SET	n/a	QV FY16V300SET	QV V FY16V300SET
069697	F4S-IP-107R	QMFL08J107SM	n/a	n/a	n/a	n/a	n/a
069698	F4S-IP-108R	QMFL08J108SM	n/a	n/a	n/a	n/a	n/a
069700	F4S-IP-111R	QMFL09J111SM	n/a	n/a	n/a	n/a	n/a
069701	F4S-IP-112R	QMFL09J112SM	n/a	n/a	n/a	n/a	n/a
069703	F4S-IP-115R	QMFL10J115SM	QAFL10A115SM	QAAFL10A115SM	n/a	QVFL11V115SM	QV V FL11V115SM
069704	F4S-IP-200R	QMFL10J200SM	QAFL10A200SM	QAAFL10A200SM	n/a	QVFL11V200SM	QV V FL11V200SM
069705	F4S-IP-203R	QMFL11J203SM	QAFL11A203SM	QAAFL11A203SM	n/a	QVFL12V203SM	QV V FL12V203SM
069706	F4S-IP-204R	QMFL11J204SM	QAFL11A204SM	QAAFL11A204SM	n/a	QVFL12V204SM	QV V FL12V204SM
069708	F4S-IP-207R	QMFL13J207SM	QAFL13A207SM	QAAFL13A207SM	n/a	QVFL14V207SM	QV V FL14V207SM
069709	F4S-IP-208R	QMFL13J208SM	QAFL13A208SM	QAAFL13A208SM	n/a	QVFL14V208SM	QV V FL14V208SM
069710	F4S-IP-211R	QMFL15J211SM	QAFL15A211SM	QAAFL15A211SM	n/a	QVFL16V211SM	QV V FL16V211SM
069711	F4S-IP-212R	QMFL15J212SM	QAFL15A212SM	QAAFL15A212SM	n/a	QVFL16V212SM	QV V FL16V212SM
069712	F4S-IP-215R	QMFL15J215SM	QAFL15A215SM	QAAFL15A215SM	n/a	QVFL16V215SM	QV V FL16V215SM

Note: This interchange guide is for reference only. **Some competitor bearings may not be shown.** If you are unable to find the bearing you are trying to interchange, please contact your local distributor or QM Bearings for assistance.

(continued on next page)

Blue Brute Bearings – Interchange Guide

Dodge®

Dodge Part #	Dodge Part Name	QM EC Series	QM CL Series		QM TA/DV Series	QM V-Lock® Series	
			Single-Collar	Double-Collar		Single-Nut	Double-Nut
069713	F4S-IP-300R	QMFL15J300SM	QAFL15A300SM	QAAFL15A300SM	n/a	QVFL16V300SM	QVVFL16V300SM
069714	F4S-IP-303R	QMFL18J303SM	QAFL18A303SM	QAAFL18A303SM	n/a	QVFL19V303SM	QVVFL19V303SM
069715	F4S-IP-304R	QMFL18J304SM	QAFL18A304SM	QAAFL18A304SM	n/a	QVFL19V304SM	QVVFL19V304SM
069716	F4S-IP-307R	QMFL18J307SM	QAFL18A307SM	QAAFL18A307SM	n/a	QVFL19V307SM	QVVFL19V307SM
069717	F4S-IP-308R	QMFL18J308SM	QAFL18A308SM	QAAFL18A308SM	n/a	QVFL19V308SM	QVVFL19V308SM
069718	F4S-IP-311R	QMFL20J311SM	n/a	n/a	n/a	QVFL22V311SM	QVVFL22V311SM
069719	F4S-IP-315R	QMFL20J315SM	QAFL20A315SM	QAAFL20A315SM	n/a	QVFL22V315SM	QVVFL22V315SM
069720	F4S-IP-400R	QMFL20J400SM	QAFL20A400SM	QAAFL20A400SM	n/a	QVFL22V400SM	QVVFL22V400SM
069725	F4S-IP-107RE	QMFL08J107SEM	n/a	n/a	n/a	n/a	n/a
069726	F4S-IP-108RE	QMFL08J108SEM	n/a	n/a	n/a	n/a	n/a
069728	F4S-IP-111RE	QMFL09J111SEM	n/a	n/a	n/a	n/a	n/a
069729	F4S-IP-112RE	QMFL09J112SEM	n/a	n/a	n/a	n/a	n/a
069731	F4S-IP-115RE	QMFL10J115SEM	QAFL10A115SEM	QAAFL10A115SEM	n/a	QVFL11V115SEM	QVVFL11V115SEM
069732	F4S-IP-200RE	QMFL10J200SEM	QAFL10A200SEM	QAAFL10A200SEM	n/a	QVFL11V200SEM	QVVFL11V200SEM
069733	F4S-IP-203RE	QMFL11J203SEM	QAFL11A203SEM	QAAFL11A203SEM	n/a	QVFL12V203SEM	QVVFL12V203SEM
069734	F4S-IP-204RE	QMFL11J204SEM	QAFL11A204SEM	QAAFL11A204SEM	n/a	QVFL12V204SEM	QVVFL12V204SEM
069736	F4S-IP-207RE	QMFL13J207SEM	QAFL13A207SEM	QAAFL13A207SEM	n/a	QVFL14V207SEM	QVVFL14V207SEM
069737	F4S-IP-208RE	QMFL13J208SEM	QAFL13A208SEM	QAAFL13A208SEM	n/a	QVFL14V208SEM	QVVFL14V208SEM
069738	F4S-IP-211RE	QMFL15J211SEM	QAFL15A211SEM	QAAFL15A211SEM	n/a	QVFL16V211SEM	QVVFL16V211SEM
069739	F4S-IP-212RE	QMFL15J212SEM	QAFL15A212SEM	QAAFL15A212SEM	n/a	QVFL16V212SEM	QVVFL16V212SEM
069740	F4S-IP-215RE	QMFL15J215SEM	QAFL15A215SEM	QAAFL15A215SEM	n/a	QVFL16V215SEM	QVVFL16V215SEM
069741	F4S-IP-300RE	QMFL15J300SEM	QAFL15A300SEM	QAAFL15A300SEM	n/a	QVFL16V300SEM	QVVFL16V300SEM
069742	F4S-IP-303RE	QMFL18J303SEM	QAFL18A303SEM	QAAFL18A303SEM	n/a	QVFL19V303SEM	QVVFL19V303SEM
069743	F4S-IP-304RE	QMFL18J304SEM	QAFL18A304SEM	QAAFL18A304SEM	n/a	QVFL19V304SEM	QVVFL19V304SEM
069744	F4S-IP-307RE	QMFL18J307SEM	QAFL18A307SEM	QAAFL18A307SEM	n/a	QVFL19V307SEM	QVVFL19V307SEM
069745	F4S-IP-308RE	QMFL18J308SEM	QAFL18A308SEM	QAAFL18A308SEM	n/a	QVFL19V308SEM	QVVFL19V308SEM
069746	F4S-IP-311RE	QMFL20J311SEM	n/a	n/a	n/a	QVFL22V311SEM	QVVFL22V311SEM
069747	F4S-IP-315RE	QMFL20J315SEM	QAFL20A315SEM	QAAFL20A315SEM	n/a	QVFL22V315SEM	QVVFL22V315SEM
069748	F4S-IP-400RE	QMFL20J400SEM	QAFL20A400SEM	QAAFL20A400SEM	n/a	QVFL22V400SEM	QVVFL22V400SEM
069753	F4S-IP-107L	QMFL08J107ST	n/a	n/a	n/a	n/a	n/a
069754	F4S-IP-108L	QMFL08J108ST	n/a	n/a	n/a	n/a	n/a
069756	F4S-IP-111L	QMFL09J111ST	n/a	n/a	n/a	n/a	n/a
069757	F4S-IP-112L	QMFL09J112ST	n/a	n/a	n/a	n/a	n/a
069758	F4S-IP-115L	QMFL10J115ST	QAFL10A115ST	QAAFL10A115ST	n/a	QVFL11V115ST	QVVFL11V115ST
069759	F4S-IP-200L	QMFL10J200ST	QAFL10A200ST	QAAFL10A200ST	n/a	QVFL11V200ST	QVVFL11V200ST
069761	F4S-IP-203L	QMFL11J203ST	QAFL11A203ST	QAAFL11A203ST	n/a	QVFL12V203ST	QVVFL12V203ST
069762	F4S-IP-204L	QMFL11J204ST	QAFL11A204ST	QAAFL11A204ST	n/a	QVFL12V204ST	QVVFL12V204ST
069764	F4S-IP-207L	QMFL13J207ST	QAFL13A207ST	QAAFL13A207ST	n/a	QVFL14V207ST	QVVFL14V207ST
069765	F4S-IP-208L	QMFL13J208ST	QAFL13A208ST	QAAFL13A208ST	n/a	QVFL14V208ST	QVVFL14V208ST
069766	F4S-IP-211L	QMFL15J211ST	QAFL15A211ST	QAAFL15A211ST	n/a	QVFL16V211ST	QVVFL16V211ST
069767	F4S-IP-212L	QMFL15J212ST	QAFL15A212ST	QAAFL15A212ST	n/a	QVFL16V212ST	QVVFL16V212ST
069768	F4S-IP-215L	QMFL15J215ST	QAFL15A215ST	QAAFL15A215ST	n/a	QVFL16V215ST	QVVFL16V215ST
069769	F4S-IP-300L	QMFL15J300ST	QAFL15A300ST	QAAFL15A300ST	n/a	QVFL16V300ST	QVVFL16V300ST

Note: This interchange guide is for reference only. **Some competitor bearings may not be shown.** If you are unable to find the bearing you are trying to interchange, please contact your local distributor or QM Bearings for assistance.

(continued on next page)

Blue Brute Bearings – Interchange Guide

Dodge®

Dodge Part #	Dodge Part Name	QM EC Series	QM CL Series		QM TA/DV Series	QM V-Lock® Series	
			Single-Collar	Double-Collar		Single-Nut	Double-Nut
069770	F4S-IP-303L	QMFL18J303ST	QAFL18A303ST	QAAFL18A303ST	n/a	QVFL19V303ST	QVVFL19V303ST
069771	F4S-IP-304L	QMFL18J304ST	QAFL18A304ST	QAAFL18A304ST	n/a	QVFL19V304ST	QVVFL19V304ST
069772	F4S-IP-307L	QMFL18J307ST	QAFL18A307ST	QAAFL18A307ST	n/a	QVFL19V307ST	QVVFL19V307ST
069773	F4S-IP-308L	QMFL18J308ST	QAFL18A308ST	QAAFL18A308ST	n/a	QVFL19V308ST	QVVFL19V308ST
069774	F4S-IP-311L	QMFL20J311ST	n/a	n/a	n/a	QVFL22V311ST	QVVFL22V311ST
069775	F4S-IP-315L	QMFL20J315ST	QAFL20A315ST	QAAFL20A315ST	n/a	QVFL22V315ST	QVVFL22V315ST
069776	F4S-IP-400L	QMFL20J400ST	QAFL20A400ST	QAAFL20A400ST	n/a	QVFL22V400ST	QVVFL22V400ST
069781	F4S-IP-107LE	QMFL08J107SET	n/a	n/a	n/a	n/a	n/a
069782	F4S-IP-108LE	QMFL08J108SET	n/a	n/a	n/a	n/a	n/a
069784	F4S-IP-111LE	QMFL09J111SET	n/a	n/a	n/a	n/a	n/a
069785	F4S-IP-112LE	QMFL09J112SET	n/a	n/a	n/a	n/a	n/a
069787	F4S-IP-115LE	QMFL10J115SET	QAFL10A115SET	QAAFL10A115SET	n/a	QVFL11V115SET	QVVFL11V115SET
069788	F4S-IP-200LE	QMFL10J200SET	QAFL10A200SET	QAAFL10A200SET	n/a	QVFL11V200SET	QVVFL11V200SET
069789	F4S-IP-203LE	QMFL11J203SET	QAFL11A203SET	QAAFL11A203SET	n/a	QVFL12V203SET	QVVFL12V203SET
069790	F4S-IP-204LE	QMFL11J204SET	QAFL11A204SET	QAAFL11A204SET	n/a	QVFL12V204SET	QVVFL12V204SET
069792	F4S-IP-207LE	QMFL13J207SET	QAFL13A207SET	QAAFL13A207SET	n/a	QVFL14V207SET	QVVFL14V207SET
069793	F4S-IP-208LE	QMFL13J208SET	QAFL13A208SET	QAAFL13A208SET	n/a	QVFL14V208SET	QVVFL14V208SET
069794	F4S-IP-211LE	QMFL15J211SET	QAFL15A211SET	QAAFL15A211SET	n/a	QVFL16V211SET	QVVFL16V211SET
069795	F4S-IP-212LE	QMFL15J212SET	QAFL15A212SET	QAAFL15A212SET	n/a	QVFL16V212SET	QVVFL16V212SET
069796	F4S-IP-215LE	QMFL15J215SET	QAFL15A215SET	QAAFL15A215SET	n/a	QVFL16V215SET	QVVFL16V215SET
069797	F4S-IP-300LE	QMFL15J300SET	QAFL15A300SET	QAAFL15A300SET	n/a	QVFL16V300SET	QVVFL16V300SET
069798	F4S-IP-303LE	QMFL18J303SET	QAFL18A303SET	QAAFL18A303SET	n/a	QVFL19V303SET	QVVFL19V303SET
069799	F4S-IP-304LE	QMFL18J304SET	QAFL18A304SET	QAAFL18A304SET	n/a	QVFL19V304SET	QVVFL19V304SET
069800	F4S-IP-307LE	QMFL18J307SET	QAFL18A307SET	QAAFL18A307SET	n/a	QVFL19V307SET	QVVFL19V307SET
069801	F4S-IP-308LE	QMFL18J308SET	QAFL18A308SET	QAAFL18A308SET	n/a	QVFL19V308SET	QVVFL19V308SET
069802	F4S-IP-311LE	QMFL20J311SET	n/a	n/a	n/a	QVFL22V311SET	QVVFL22V311SET
069803	F4S-IP-315LE	QMFL20J315SET	QAFL20A315SET	QAAFL20A315SET	n/a	QVFL22V315SET	QVVFL22V315SET
069804	F4S-IP-400LE	QMFL20J400SET	QAFL20A400SET	QAAFL20A400SET	n/a	QVFL22V400SET	QVVFL22V400SET
069809	FC-IP-107R	QMCW08J107SM	n/a	n/a	n/a	n/a	n/a
069812	FC-IP-108R	QMCW08J108SM	n/a	n/a	n/a	n/a	n/a
069813	FC-IP-111R	QMCW09J111SM	n/a	n/a	n/a	n/a	n/a
069815	FC-IP-112R	QMCW09J112SM	n/a	n/a	n/a	n/a	n/a
069816	FC-IP-115R	QMCW10J115SM	QACW10A115SM	QAACW10A115SM	DVC11K115SM	QVCW11V115SM	QVVCW11V115SM
069817	FC-IP-200R	QMCW10J200SM	QACW10A200SM	QAACW10A200SM	DVC11K200SM	QVCW11V200SM	QVVCW11V200SM
069818	FC-IP-203R	QMCW11J203SM	QACW11A203SM	QAACW11A203SM	DVC13K203SM	QVCW12V203SM	QVVCW12V203SM
069820	FC-IP-204R	QMCW11J204SM	QACW11A204SM	QAACW11A204SM	DVC13K204SM	QVCW12V204SM	QVVCW12V204SM
069821	FC-IP-207R	QMCW13J207SM	QACW13A207SM	QAACW13A207SM	DVC15K207SM	QVCW14V207SM	QVVCW14V207SM
069822	FC-IP-211R	QMCW15J211SM	QACW15A211SM	QAACW15A211SM	n/a	QVCW16V211SM	QVVCW16V211SM
069823	FC-IP-212R	QMCW15J212SM	QACW15A212SM	QAACW15A212SM	n/a	QVCW16V212SM	QVVCW16V212SM
069824	FC-IP-215R	QMCW15J215SM	QACW15A215SM	QAACW15A215SM	DVC17K215SM	QVCW16V215SM	QVVCW16V215SM
069825	FC-IP-300R	QMCW15J300SM	QACW15A300SM	QAACW15A300SM	DVC17K300SM	QVCW16V300SM	QVVCW16V300SM
069826	FC-IP-303R	QMCW18J303SM	QACW18A303SM	QAACW18A303SM	n/a	QVCW19V303SM	QVVCW19V303SM
069827	FC-IP-304R	QMCW18J304SM	QACW18A304SM	QAACW18A304SM	n/a	QVCW19V304SM	QVVCW19V304SM

Note: This interchange guide is for reference only. **Some competitor bearings may not be shown.** If you are unable to find the bearing you are trying to interchange, please contact your local distributor or QM Bearings for assistance.

(continued on next page)

Blue Brute Bearings – Interchange Guide

Dodge®

Dodge Part #	Dodge Part Name	QM EC Series	QM CL Series		QM TA/DV Series	QM V-Lock® Series	
			Single-Collar	Double-Collar		Single-Nut	Double-Nut
069828	FC-IP-307R	QMCW18J307SM	QACW18A307SM	QAACW18A307SM	DVC20K307SM	QVCW19V307SM	QVVCW19V307SM
069829	FC-IP-308R	QMCW18J308SM	QACW18A308SM	QAACW18A308SM	DVC20K308SM	QVCW19V308SM	QVVCW19V308SM
069830	FC-IP-311R	QMCW20J311SM	n/a	n/a	n/a	QVCW22V311SM	QVVCW22V311SM
069831	FC-IP-315R	QMCW20J315SM	QACW20A315SM	QAACW20A315SM	DVC22K315SM	QVCW22V315SM	QVVCW22V315SM
069832	FC-IP-400R	QMCW20J400SM	QACW20A400SM	QAACW20A400SM	DVC22K400SM	QVCW22V400SM	QVVCW22V400SM
069833	FC-IP-407R	QMCW22J407SM	n/a	QAACW22A407SM	n/a	QVCW26V407SM	QVVCW26V407SM
069834	FC-IP-408R	QMCW22J408SM	n/a	QAACW22A408SM	n/a	QVCW26V408SM	QVVCW26V408SM
069835	FC-IP-415R	QMCW26J415SM	n/a	QAACW26A415SM	n/a	QVCW28V415SM	QVVCW28V415SM
069836	FC-IP-500R	QMCW22J500SM	n/a	QAACW26A500SM	n/a	QVCW28V500SM	QVVCW28V500SM
069841	FC-IP-107RE	QMCW08J107SEM	n/a	n/a	n/a	n/a	n/a
069842	FC-IP-108RE	QMCW08J108SEM	n/a	n/a	n/a	n/a	n/a
069844	FC-IP-111RE	QMCW09J111SEM	n/a	n/a	n/a	n/a	n/a
069845	FC-IP-112RE	QMCW09J112SEM	n/a	n/a	n/a	n/a	n/a
069847	FC-IP-115RE	QMCW10J115SEM	QACW10A115SEM	QAACW10A115SEM	DVC11K115SEM	QVCW11V115SEM	QVVCW11V115SEM
069848	FC-IP-200RE	QMCW10J200SEM	QACW10A200SEM	QAACW10A200SEM	DVC11K200SEM	QVCW11V200SEM	QVVCW11V200SEM
069849	FC-IP-203RE	QMCW11J203SEM	QACW11A203SEM	QAACW11A203SEM	DVC13K203SEM	QVCW12V203SEM	QVVCW12V203SEM
069850	FC-IP-204RE	QMCW11J204SEM	QACW11A204SEM	QAACW11A204SEM	DVC13K204SEM	QVCW12V204SEM	QVVCW12V204SEM
069852	FC-IP-207RE	QMCW13J207SEM	QACW13A207SEM	QAACW13A207SEM	DVC15K207SEM	QVCW14V207SEM	QVVCW14V207SEM
069853	FC-IP-208RE	QMCW13J208SEM	QACW13A208SEM	QAACW13A208SEM	DVC15K208SEM	QVCW14V208SEM	QVVCW14V208SEM
069854	FC-IP-211RE	QMCW15J211SEM	QACW15A211SEM	QAACW15A211SEM	n/a	QVCW16V211SEM	QVVCW16V211SEM
069855	FC-IP-212RE	QMCW15J212SEM	QACW15A212SEM	QAACW15A212SEM	n/a	QVCW16V212SEM	QVVCW16V212SEM
069856	FC-IP-215RE	QMCW15J215SEM	QACW15A215SEM	QAACW15A215SEM	DVC17K215SEM	QVCW16V215SEM	QVVCW16V215SEM
069857	FC-IP-300RE	QMCW15J300SEM	QACW15A300SEM	QAACW15A300SEM	DVC17K300SEM	QVCW16V300SEM	QVVCW16V300SEM
069858	FC-IP-303RE	QMCW18J303SEM	QACW18A303SEM	QAACW18A303SEM	n/a	QVCW19V303SEM	QVVCW19V303SEM
069859	FC-IP-304RE	QMCW18J304SEM	QACW18A304SEM	QAACW18A304SEM	n/a	QVCW19V304SEM	QVVCW19V304SEM
069860	FC-IP-307RE	QMCW18J307SEM	QACW18A307SEM	QAACW18A307SEM	DVC20K307SEM	QVCW19V307SEM	QVVCW19V307SEM
069861	FC-IP-308RE	QMCW18J308SEM	QACW18A308SEM	QAACW18A308SEM	DVC20K308SEM	QVCW19V308SEM	QVVCW19V308SEM
069862	FC-IP-311RE	QMCW20J311SEM	n/a	n/a	n/a	QVCW22V311SEM	QVVCW22V311SEM
069863	FC-IP-315RE	QMCW20J315SEM	QACW20A315SEM	QAACW20A315SEM	DVC22K315SEM	QVCW22V315SEM	QVVCW22V315SEM
069864	FC-IP-400RE	QMCW20J400SEM	QACW20A400SEM	QAACW20A400SEM	DVC22K400SEM	QVCW22V400SEM	QVVCW22V400SEM
069865	FC-IP-407RE	QMCW22J407SEM	n/a	QAACW22A407SEM	n/a	QVCW26V407SEM	QVVCW26V407SEM
069866	FC-IP-408RE	QMCW22J408SEM	n/a	QAACW22A408SEM	n/a	QVCW26V408SEM	QVVCW26V408SEM
069867	FC-IP-415RE	QMCW26J415SEM	n/a	QAACW26A415SEM	n/a	QVCW28V415SEM	QVVCW28V415SEM
069868	FC-IP-500RE	QMCW22J500SEM	n/a	QAACW26A500SEM	n/a	QVCW28V500SEM	QVVCW28V500SEM
069873	FC-IP-107L	QMCW08J107ST	n/a	n/a	n/a	n/a	n/a
069874	FC-IP-108L	QMCW08J108ST	n/a	n/a	n/a	n/a	n/a
069876	FC-IP-111L	QMCW09J111ST	n/a	n/a	n/a	n/a	n/a
069877	FC-IP-112L	QMCW09J112ST	n/a	n/a	n/a	n/a	n/a
069879	FC-IP-115L	QMCW10J115ST	QACW10A115ST	QAACW10A115ST	DVC11K115ST	QVCW11V115ST	QVVCW11V115ST
069880	FC-IP-200L	QMCW10J200ST	QACW10A200ST	QAACW10A200ST	DVC11K200ST	QVCW11V200ST	QVVCW11V200ST
069881	FC-IP-203L	QMCW11J203ST	QACW11A203ST	QAACW11A203ST	DVC13K203ST	QVCW12V203ST	QVVCW12V203ST
069882	FC-IP-204L	QMCW11J204ST	QACW11A204ST	QAACW11A204ST	DVC13K204ST	QVCW12V204ST	QVVCW12V204ST
069884	FC-IP-207L	QMCW13J207ST	QACW13A207ST	QAACW13A207ST	DVC15K207ST	QVCW14V207ST	QVVCW14V207ST

Note: This interchange guide is for reference only. **Some competitor bearings may not be shown.** If you are unable to find the bearing you are trying to interchange, please contact your local distributor or QM Bearings for assistance.

(continued on next page)

Blue Brute Bearings – Interchange Guide



Dodge Part #	Dodge Part Name	QM EC Series	QM CL Series		QM TA/DV Series	QM V-Lock® Series	
			Single-Collar	Double-Collar		Single-Nut	Double-Nut
069885	FC-IP-208L	QMCW13J208ST	QACW13A208ST	QAACW13A208ST	DVC15K208ST	QVCW14V208ST	QVVCW14V208ST
069886	FC-IP-211L	QMCW15J211ST	QACW15A211ST	QAACW15A211ST	n/a	QVCW16V211ST	QVVCW16V211ST
069887	FC-IP-212L	QMCW15J212ST	QACW15A212ST	QAACW15A212ST	n/a	QVCW16V212ST	QVVCW16V212ST
069888	FC-IP-215L	QMCW15J215ST	QACW15A215ST	QAACW15A215ST	DVC17K215ST	QVCW16V215ST	QVVCW16V215ST
069889	FC-IP-300L	QMCW15J300ST	QACW15A300ST	QAACW15A300ST	DVC17K300ST	QVCW16V300ST	QVVCW16V300ST
069890	FC-IP-303L	QMCW18J303ST	QACW18A303ST	QAACW18A303ST	n/a	QVCW19V303ST	QVVCW19V303ST
069891	FC-IP-304L	QMCW18J304ST	QACW18A304ST	QAACW18A304ST	n/a	QVCW19V304ST	QVVCW19V304ST
069892	FC-IP-307L	QMCW18J307ST	QACW18A307ST	QAACW18A307ST	DVC20K307ST	QVCW19V307ST	QVVCW19V307ST
069893	FC-IP-308L	QMCW18J308ST	QACW18A308ST	QAACW18A308ST	DVC20K308ST	QVCW19V308ST	QVVCW19V308ST
069894	FC-IP-311L	QMCW20J311ST	n/a	n/a	n/a	QVCW22V311ST	QVVCW22V311ST
069895	FC-IP-315L	QMCW20J315ST	QACW20A315ST	QAACW20A315ST	DVC22K315ST	QVCW22V315ST	QVVCW22V315ST
069896	FC-IP-400L	QMCW20J400ST	QACW20A400ST	QAACW20A400ST	DVC22K400ST	QVCW22V400ST	QVVCW22V400ST
069897	FC-IP-407L	QMCW22J407ST	n/a	QAACW22A407ST	n/a	QVVCW26V407ST	QVVCW26V407ST
069898	FC-IP-408L	QMCW22J408ST	n/a	QAACW22A408ST	n/a	QVVCW26V408ST	QVVCW26V408ST
069899	FC-IP-415L	QMCW26J415ST	n/a	QAACW26A415ST	n/a	QVVCW28V415ST	QVVCW28V415ST
069900	FC-IP-500L	QMCW22J500ST	n/a	QAACW26A500ST	n/a	QVVCW28V500ST	QVVCW28V500ST
069905	FC-IP-107LE	QMCW08J107SET	n/a	n/a	n/a	n/a	n/a
069906	FC-IP-108LE	QMCW08J108SET	n/a	n/a	n/a	n/a	n/a
069908	FC-IP-111LE	QMCW09J111SET	n/a	n/a	n/a	n/a	n/a
069909	FC-IP-112LE	QMCW09J112SET	n/a	n/a	n/a	n/a	n/a
069911	FC-IP-115LE	QMCW10J115SET	QACW10A115SET	QAACW10A115SET	DVC11K115SET	QVCW11V115SET	QVVCW11V115SET
069912	FC-IP-200LE	QMCW10J200SET	QACW10A200SET	QAACW10A200SET	DVC11K200SET	QVCW11V200SET	QVVCW11V200SET
069913	FC-IP-203LE	QMCW11J203SET	QACW11A203SET	QAACW11A203SET	DVC13K203SET	QVCW12V203SET	QVVCW12V203SET
069914	FC-IP-204LE	QMCW11J204SET	QACW11A204SET	QAACW11A204SET	DVC13K204SET	QVCW12V204SET	QVVCW12V204SET
069916	FC-IP-207LE	QMCW13J207SET	QACW13A207SET	QAACW13A207SET	DVC15K207SET	QVCW14V207SET	QVVCW14V207SET
069917	FC-IP-208LE	QMCW13J208SET	QACW13A208SET	QAACW13A208SET	DVC15K208SET	QVCW14V208SET	QVVCW14V208SET
069918	FC-IP-211LE	QMCW15J211SET	QACW15A211SET	QAACW15A211SET	n/a	QVCW16V211SET	QVVCW16V211SET
069919	FC-IP-212LE	QMCW15J212SET	QACW15A212SET	QAACW15A212SET	n/a	QVCW16V212SET	QVVCW16V212SET
069920	FC-IP-215LE	QMCW15J215SET	QACW15A215SET	QAACW15A215SET	DVC17K215SET	QVCW16V215SET	QVVCW16V215SET
069921	FC-IP-300LE	QMCW15J300SET	QACW15A300SET	QAACW15A300SET	DVC17K300SET	QVCW16V300SET	QVVCW16V300SET
069922	FC-IP-303LE	QMCW18J303SET	QACW18A303SET	QAACW18A303SET	n/a	QVCW19V303SET	QVVCW19V303SET
069923	FC-IP-304LE	QMCW18J304SET	QACW18A304SET	QAACW18A304SET	n/a	QVCW19V304SET	QVVCW19V304SET
069924	FC-IP-307LE	QMCW18J307SET	QACW18A307SET	QAACW18A307SET	DVC20K307SET	QVCW19V307SET	QVVCW19V307SET
069925	FC-IP-308LE	QMCW18J308SET	QACW18A308SET	QAACW18A308SET	DVC20K308SET	QVCW19V308SET	QVVCW19V308SET
069926	FC-IP-311LE	QMCW20J311SET	n/a	n/a	n/a	QVCW22V311SET	QVVCW22V311SET
069927	FC-IP-315LE	QMCW20J315SET	QACW20A315SET	QAACW20A315SET	DVC22K315SET	QVCW22V315SET	QVVCW22V315SET
069928	FC-IP-400LE	QMCW20J400SET	QACW20A400SET	QAACW20A400SET	DVC22K400SET	QVCW22V400SET	QVVCW22V400SET
069929	FC-IP-407LE	QMCW22J407SET	n/a	QAACW22A407SET	n/a	QVVCW26V407SET	QVVCW26V407SET
069930	FC-IP-408LE	QMCW22J408SET	n/a	QAACW22A408SET	n/a	QVVCW26V408SET	QVVCW26V408SET
069931	FC-IP-415LE	QMCW26J415SET	n/a	QAACW26A415SET	n/a	QVVCW28V415SET	QVVCW28V415SET
069932	FC-IP-500LE	QMCW22J500SET	n/a	QAACW26A500SET	n/a	QVVCW28V500SET	QVVCW28V500SET
070056	P2B511ISAF115R	n/a	n/a	n/a	TAPA11K115SM	QVPA11K115SM	QVPA11V115SM
070057	P2B513ISAF203R	n/a	n/a	n/a	TAPA13K203SM	QVPA13V203SM	QVPA13V203SM

Note: This interchange guide is for reference only. **Some competitor bearings may not be shown.** If you are unable to find the bearing you are trying to interchange, please contact your local distributor or QM Bearings for assistance.

(continued on next page)

Blue Brute Bearings – Interchange Guide

Dodge®

Dodge Part #	Dodge Part Name	QM EC Series	QM CL Series		QM TA/DV Series	QM V-Lock® Series	
			Single-Collar	Double-Collar		Single-Nut	Double-Nut
070058	P4B515ISAF207R	n/a	n/a	n/a	TAPH15K207SM	QVPH15V207SM	QVVPH15V207SM
070059	P4B517ISAF215S	n/a	n/a	n/a	TAPH17K215SM	QVPH17V215SM	QVVPH17V215SM
070060	P4B520ISAF307R	n/a	n/a	n/a	TAPH20K307SM	QVPH20V307SM	QVVPH20V307SM
070061	P4B522ISAF315R	n/a	n/a	n/a	TAPH22K315SM	QVPH22V315SM	QVVPH22V315SM
070062	P4B526ISAF407R	n/a	n/a	n/a	TAPH26K407SM	QVPH26V407SM	QVVPH26V407SM
070063	P4B528ISAF415R	QMPH26J415SM	n/a	n/a	n/a	QVPH28V415SM	QVVPH28V415SM
070273	P2B-S2-107R	QMPL08J107SM	n/a	n/a	n/a	n/a	n/a
070274	P2B-S2-108R	QMPL08J108SM	n/a	n/a	n/a	n/a	n/a
070276	P2B-S2-111R	QMPL09J111SM	n/a	n/a	n/a	n/a	n/a
070277	P2B-S2-112R	QMPL09J112SM	n/a	n/a	n/a	n/a	n/a
070278	P2B-S2-115R	QMPL10J115SM	QAPL10A115SM	QAAPL10A115SM	DVP11K115SM	QVPL11V115SM	QVVPL11V115SM
070279	P2B-S2-200R	QMPL10J200SM	QAPL10A200SM	QAAPL10A200SM	DVP11K200SM	QVPL11V200SM	QVVPL11V200SM
070280	P2B-S2-203R	QMPL11J203SM	QAPL11A203SM	QAAPL11A203SM	DVP13K203SM	QVPL12V203SM	QVVPL12V203SM
070282	P2B-S2-204R	QMPL11J204SM	QAPL11A204SM	QAAPL11A204SM	DVP13K204SM	QVPL12V204SM	QVVPL12V204SM
070282	P2B-S2-207R	QMPL13J207SM	QAPL13A207SM	QAAPL13A207SM	DVP15K207SM	QVPL14V207SM	QVVPL14V207SM
070283	P2B-S2-208R	QMPL13J208SM	QAPL13A208SM	QAAPL13A208SM	DVP15K208SM	QVPL14V208SM	QVVPL14V208SM
070284	P2B-S2-211R	QMPL15J211SM	QAPL15A211SM	QAAPL15A211SM	n/a	QVPL16V211SM	QVVPL16V211SM
070285	P2B-S2-215R	QMPL15J215SM	QAPL15A215SM	QAAPL15A215SM	DVP17K215SM	QVPL16V215SM	QVVPL16V215SM
070286	P2B-S2-300R	QMPL15J300SM	QAPL15A300SM	QAAPL15A300SM	DVP17K300SM	QVPL16V300SM	QVVPL16V300SM
070288	P2B-S2-307R	QMPL18J307SM	QAPL18A307SM	QAAPL18A307SM	DVP20K307SM	QVPL19V307SM	QVVPL19V307SM
070290	P2B-S2-315R	QMPL20J315SM	QAPL20A315SM	QAAPL20A315SM	DVP22K315SM	QVPL22V315SM	QVVPL22V315SM
070296	P2B-S2-107RE	QMPL08J107SEM	n/a	n/a	n/a	n/a	n/a
070297	P2B-S2-108RE	QMPL08J108SEM	n/a	n/a	n/a	n/a	n/a
070299	P2B-S2-111RE	QMPL09J111SEM	n/a	n/a	n/a	n/a	n/a
070300	P2B-S2-112RE	QMPL09J112SEM	n/a	n/a	n/a	n/a	n/a
070301	P2B-S2-115RE	QMPL10J115SEM	QAPL10A115SEM	QAAPL10A115SEM	DVP11K115SEM	QVPL11V115SEM	QVVPL11V115SEM
070302	P2B-S2-200RE	QMPL10J200SEM	QAPL10A200SEM	QAAPL10A200SEM	DVP11K200SEM	QVPL11V200SEM	QVVPL11V200SEM
070303	P2B-S2-203RE	QMPL11J203SEM	QAPL11A203SEM	QAAPL11A203SEM	DVP13K203SEM	QVPL12V203SEM	QVVPL12V203SEM
070304	P2B-S2-204RE	QMPL11J204SEM	QAPL11A204SEM	QAAPL11A204SEM	DVP13K204SEM	QVPL12V204SEM	QVVPL12V204SEM
070305	P2B-S2-207RE	QMPL13J207SEM	QAPL13A207SEM	QAAPL13A207SEM	DVP15K207SEM	QVPL14V207SEM	QVVPL14V207SEM
070306	P2B-S2-208RE	QMPL13J208SEM	QAPL13A208SEM	QAAPL13A208SEM	DVP15K208SEM	QVPL14V208SEM	QVVPL14V208SEM
070307	P2B-S2-211RE	QMPL15J211SEM	QAPL15A211SEM	QAAPL15A211SEM	n/a	QVPL16V211SEM	QVVPL16V211SEM
070308	P2B-S2-215RE	QMPL15J215SEM	QAPL15A215SEM	QAAPL15A215SEM	DVP17K215SEM	QVPL16V215SEM	QVVPL16V215SEM
070309	P2B-S2-300RE	QMPL15J300SEM	QAPL15A300SEM	QAAPL15A300SEM	DVP17K300SEM	QVPL16V300SEM	QVVPL16V300SEM
070311	P2B-S2-307RE	QMPL18J307SEM	QAPL18A307SEM	QAAPL18A307SEM	DVP20K307SEM	QVPL19V307SEM	QVVPL19V307SEM
070313	P2B-S2-315RE	QMPL20J315SEM	QAPL20A315SEM	QAAPL20A315SEM	DVP22K315SEM	QVPL22V315SEM	QVVPL22V315SEM
070319	P2B-S2-107L	QMPL08J107ST	n/a	n/a	n/a	n/a	n/a
070320	P2B-S2-108L	QMPL08J108ST	n/a	n/a	n/a	n/a	n/a
070321	P2B-S2-111L	QMPL09J111ST	n/a	n/a	n/a	n/a	n/a
070323	P2B-S2-112L	QMPL09J112ST	n/a	n/a	n/a	n/a	n/a
070324	P2B-S2-115L	QMPL10J115ST	QAPL10A115ST	QAAPL10A115ST	DVP11K115ST	QVPL11V115ST	QVVPL11V115ST
070325	P2B-S2-200L	QMPL10J200ST	QAPL10A200ST	QAAPL10A200ST	DVP11K200ST	QVPL11V200ST	QVVPL11V200ST
070326	P2B-S2-203L	QMPL11J203ST	QAPL11A203ST	QAAPL11A203ST	DVP13K203ST	QVPL12V203ST	QVVPL12V203ST

Note: This interchange guide is for reference only. **Some competitor bearings may not be shown.** If you are unable to find the bearing you are trying to interchange, please contact your local distributor or QM Bearings for assistance.

(continued on next page)

Blue Brute Bearings – Interchange Guide

Dodge®

Dodge Part #	Dodge Part Name	QM EC Series	QM CL Series		QM TA/DV Series	QM V-Lock® Series	
			Single-Collar	Double-Collar		Single-Nut	Double-Nut
070327	P2B-S2-204L	QMPL11J204ST	QAPL11A204ST	QAAPL11A204ST	DVP13K204ST	QVPL12V204ST	QVVPL12V204ST
070328	P2B-S2-207L	QMPL13J207ST	QAPL13A207ST	QAAPL13A207ST	DVP15K207ST	QVPL14V207ST	QVVPL14V207ST
070329	P2B-S2-208L	QMPL13J208ST	QAPL13A208ST	QAAPL13A208ST	DVP15K208ST	QVPL14V208ST	QVVPL14V208ST
070330	P2B-S2-211L	QMPL15J211ST	QAPL15A211ST	QAAPL15A211ST	n/a	QVPL16V211ST	QVVPL16V211ST
070331	P2B-S2-215L	QMPL15J215ST	QAPL15A215ST	QAAPL15A215ST	DVP17K215ST	QVPL16V215ST	QVVPL16V215ST
070332	P2B-S2-300L	QMPL15J300ST	QAPL15A300ST	QAAPL15A300ST	DVP17K300ST	QVPL16V300ST	QVVPL16V300ST
070334	P2B-S2-307L	QMPL18J307ST	QAPL18A307ST	QAAPL18A307ST	DVP20K307ST	QVPL19V307ST	QVVPL19V307ST
070336	P2B-S2-315L	QMPL20J315ST	QAPL20A315ST	QAAPL20A315ST	DVP22K315ST	QVPL22V315ST	QVVPL22V315ST
070342	P2B-S2-107LE	QMPL08J107SET	n/a	n/a	n/a	n/a	n/a
070343	P2B-S2-108LE	QMPL08J108SET	n/a	n/a	n/a	n/a	n/a
070345	P2B-S2-111LE	QMPL09J111SET	n/a	n/a	n/a	n/a	n/a
070346	P2B-S2-112LE	QMPL09J112SET	n/a	n/a	n/a	n/a	n/a
070347	P2B-S2-115LE	QMPL10J115SET	QAPL10A115SET	QAAPL10A115SET	DVP11K115SET	QVPL11V115SET	QVVPL11V115SET
070348	P2B-S2-200LE	QMPL10J200SET	QAPL10A200SET	QAAPL10A200SET	DVP11K200SET	QVPL11V200SET	QVVPL11V200SET
070349	P2B-S2-203LE	QMPL11J203SET	QAPL11A203SET	QAAPL11A203SET	DVP13K203SET	QVPL12V203SET	QVVPL12V203SET
070350	P2B-S2-204LE	QMPL11J204SET	QAPL11A204SET	QAAPL11A204SET	DVP13K204SET	QVPL12V204SET	QVVPL12V204SET
070351	P2B-S2-207LE	QMPL13J207SET	QAPL13A207SET	QAAPL13A207SET	DVP15K207SET	QVPL14V207SET	QVVPL14V207SET
070352	P2B-S2-208LE	QMPL13J208SET	QAPL13A208SET	QAAPL13A208SET	DVP15K208SET	QVPL14V208SET	QVVPL14V208SET
070353	P2B-S2-211LE	QMPL15J211SET	QAPL15A211SET	QAAPL15A211SET	n/a	QVPL16V211SET	QVVPL16V211SET
070354	P2B-S2-215LE	QMPL15J215SET	QAPL15A215SET	QAAPL15A215SET	DVP17K215SET	QVPL16V215SET	QVVPL16V215SET
070355	P2B-S2-300LE	QMPL15J300SET	QAPL15A300SET	QAAPL15A300SET	DVP17K300SET	QVPL16V300SET	QVVPL16V300SET
070357	P2B-S2-307LE	QMPL18J307SET	QAPL18A307SET	QAAPL18A307SET	DVP20K307SET	QVPL19V307SET	QVVPL19V307SET
070359	P2B-S2-315LE	QMPL20J315SET	QAPL20A315SET	QAAPL20A315SET	DVP22K315SET	QVPL22V315SET	QVVPL22V315SET
070365	P4B-S2-207R	QMPF13J207SM	QAPF13A207SM	QAAPF13A207SM	DVPF15K207SM	QVPF14V207SM	QVVPF14V207SM
070367	P4B-S2-211R	QMPF15J211SM	QAPF15A211SM	QAAPF15A211SM	n/a	QVPF16V211SM	QVVPF16V211SM
070368	P4B-S2-215R	QMPF15J215SM	QAPF15A215SM	QAAPF15A215SM	DVPF17K215SM	QVPF16V215SM	QVVPF16V215SM
070369	P4B-S2-300R	QMPF15J300SM	QAPF15A300SM	QAAPF15A300SM	DVPF17K300SM	QVPF16V300SM	QVVPF16V300SM
070371	P4B-S2-307R	QMPF18J307SM	QAPF18A307SM	QAAPF18A307SM	DVPF20K307SM	QVPF19V307SM	QVVPF19V307SM
070373	P4B-S2-315R	QMPF20J315SM	QAPF20A315SM	QAAPF20A315SM	DVPF22K315SM	QVPF22V315SM	QVVPF22V315SM
070375	P4B-S2-407R	QMPF22J407SM	n/a	QAAPF22A407SM	DVPF26K407SM	QVPF26V407SM	QVVPF26V407SM
070377	P4B-S2-415R	QMPF26J415SM	n/a	QAAPF26A415SM	n/a	QVPF28V415SM	QVVPF28V415SM
070383	P4B-S2-207RE	QMPF13J207SEM	QAPF13A207SEM	QAAPF13A207SEM	DVPF15K207SEM	QVPF14V207SEM	QVVPF14V207SEM
070385	P4B-S2-211RE	QMPF15J211SEM	QAPF15A211SEM	QAAPF15A211SEM	n/a	QVPF16V211SEM	QVVPF16V211SEM
070386	P4B-S2-215RE	QMPF15J215SEM	QAPF15A215SEM	QAAPF15A215SEM	DVPF17K215SEM	QVPF16V215SEM	QVVPF16V215SEM
070387	P4B-S2-300RE	QMPF15J300SEM	QAPF15A300SEM	QAAPF15A300SEM	DVPF17K300SEM	QVPF16V300SEM	QVVPF16V300SEM
070389	P4B-S2-307RE	QMPF18J307SEM	QAPF18A307SEM	QAAPF18A307SEM	DVPF20K307SEM	QVPF19V307SEM	QVVPF19V307SEM
070391	P4B-S2-315RE	QMPF20J315SEM	QAPF20A315SEM	QAAPF20A315SEM	DVPF22K315SEM	QVPF22V315SEM	QVVPF22V315SEM
070393	P4B-S2-407RE	QMPF22J407SEM	n/a	QAAPF22A407SEM	DVPF26K407SEM	QVPF26V407SEM	QVVPF26V407SEM
070395	P4B-S2-415RE	QMPF26J415SEM	n/a	QAAPF26A415SEM	n/a	QVPF28V415SEM	QVVPF28V415SEM
070401	P4B-S2-207L	QMPF13J207ST	QAPF13A207ST	QAAPF13A207ST	DVPF15K207ST	QVPF14V207ST	QVVPF14V207ST
070403	P4B-S2-211L	QMPF15J211ST	QAPF15A211ST	QAAPF15A211ST	n/a	QVPF16V211ST	QVVPF16V211ST
070404	P4B-S2-215L	QMPF15J215ST	QAPF15A215ST	QAAPF15A215ST	DVPF17K215ST	QVPF16V215ST	QVVPF16V215ST
070405	P4B-S2-300L	QMPF15J300ST	QAPF15A300ST	QAAPF15A300ST	DVPF17K300ST	QVPF16V300ST	QVVPF16V300ST

Note: This interchange guide is for reference only. **Some competitor bearings may not be shown.** If you are unable to find the bearing you are trying to interchange, please contact your local distributor or QM Bearings for assistance.

(continued on next page)

Blue Brute Bearings – Interchange Guide

Dodge®

Dodge Part #	Dodge Part Name	QM EC Series	QM CL Series		QM TA/DV Series	QM V-Lock® Series	
			Single-Collar	Double-Collar		Single-Nut	Double-Nut
070407	P4B-S2-307L	QMPF18J307ST	QAPF18A307ST	QAAPF18A307ST	DVPF20K307ST	QVPF19V307ST	QVVPF19V307ST
070409	P4B-S2-315L	QMPF20J315ST	QAPF20A315ST	QAAPF20A315ST	DVPF22K315ST	QVPF22V315ST	QVVPF22V315ST
070411	P4B-S2-407L	QMPF22J407ST	n/a	QAAPF22A407ST	DVPF26K407ST	QVPF26V407ST	QVVPF26V407ST
070413	P4B-S2-415L	QMPF26J415ST	n/a	QAAPF26A415ST	n/a	QVPF28V415ST	QVVPF28V415ST
070419	P4B-S2-207LE	QMPF13J207SET	QAPF13A207SET	QAAPF13A207SET	DVPF15K207SET	QVPF14V207SET	QVVPF14V207SET
070421	P4B-S2-211LE	QMPF15J211SET	QAPF15A211SET	QAAPF15A211SET	n/a	QVPF16V211SET	QVVPF16V211SET
070422	P4B-S2-215LE	QMPF15J215SET	QAPF15A215SET	QAAPF15A215SET	DVPF17K215SET	QVPF16V215SET	QVVPF16V215SET
070423	P4B-S2-300LE	QMPF15J300SET	QAPF15A300SET	QAAPF15A300SET	DVPF17K300SET	QVPF16V300SET	QVVPF16V300SET
070425	P4B-S2-307LE	QMPF18J307SET	QAPF18A307SET	QAAPF18A307SET	DVPF20K307SET	QVPF19V307SET	QVVPF19V307SET
070427	P4B-S2-315LE	QMPF20J315SET	QAPF20A315SET	QAAPF20A315SET	DVPF22K315SET	QVPF22V315SET	QVVPF22V315SET
070429	P4B-S2-407LE	QMPF22J407SET	n/a	QAAPF22A407SET	DVPF26K407SET	QVPF26V407SET	QVVPF26V407SET
070431	P4B-S2-415LE	QMPF26J415SET	n/a	QAAPF26A415SET	n/a	QVPF28V415SET	QVVPF28V415SET
070437	F3R-S2-107R	QMFY08J107SM	n/a	n/a	n/a	n/a	n/a
070438	F3R-S2-108R	QMFY08J108SM	n/a	n/a	n/a	n/a	n/a
070440	F4R-S2-111R	QMFY09J111SM	n/a	n/a	n/a	n/a	n/a
070441	F4R-S2-112R	QMFY09J112SM	n/a	n/a	n/a	n/a	n/a
070442	F4R-S2-115R	QMFY10J115SM	QAFY10A115SM	QAAFY10A115SM	n/a	QVFY11V115SM	QVVFY11V115SM
070443	F4R-S2-200R	QMFY10J200SM	QAFY10A200SM	QAAFY10A200SM	n/a	QVFY11V200SM	QVVFY11V200SM
070444	F4R-S2-203R	QMFY11J203SM	QAFY11A203SM	QAAFY11A203SM	n/a	QVFY12V203SM	QVVFY12V203SM
070446	F4R-S2-207R	QMFY13J207SM	QAFY13A207SM	QAAFY13A207SM	n/a	QVFY14V207SM	QVVFY14V207SM
070448	F4R-S2-211R	QMFY15J211SM	QAFY15A211SM	QAAFY15A211SM	n/a	QVFY16V211SM	QVVFY16V211SM
070449	F4R-S2-215R	QMFY15J215SM	QAFY15A215SM	QAAFY15A215SM	n/a	QVFY16V215SM	QVVFY16V215SM
070450	F4R-S2-300R	QMFY15J300SM	QAFY15A300SM	QAAFY15A300SM	n/a	QVFY16V300SM	QVVFY16V300SM
070471	F3R-S2-107RE	QMFY08J107SEM	n/a	n/a	n/a	n/a	n/a
070472	F3R-S2-108RE	QMFY08J108SEM	n/a	n/a	n/a	n/a	n/a
070474	F4R-S2-111RE	QMFY09J111SEM	n/a	n/a	n/a	n/a	n/a
070475	F4R-S2-112RE	QMFY09J112SEM	n/a	n/a	n/a	n/a	n/a
070476	F4R-S2-115RE	QMFY10J115SEM	QAFY10A115SEM	QAAFY10A115SEM	n/a	QVFY11V115SEM	QVVFY11V115SEM
070477	F4R-S2-200RE	QMFY10J200SEM	QAFY10A200SEM	QAAFY10A200SEM	n/a	QVFY11V200SEM	QVVFY11V200SEM
070478	F4R-S2-203RE	QMFY11J203SEM	QAFY11A203SEM	QAAFY11A203SEM	n/a	QVFY12V203SEM	QVVFY12V203SEM
070480	F4R-S2-207RE	QMFY13J207SEM	QAFY13A207SEM	QAAFY13A207SEM	n/a	QVFY14V207SEM	QVVFY14V207SEM
070482	F4R-S2-211RE	QMFY15J211SEM	QAFY15A211SEM	QAAFY15A211SEM	n/a	QVFY16V211SEM	QVVFY16V211SEM
070483	F4R-S2-215RE	QMFY15J215SEM	QAFY15A215SEM	QAAFY15A215SEM	n/a	QVFY16V215SEM	QVVFY16V215SEM
070484	F4R-S2-300RE	QMFY15J300SEM	QAFY15A300SEM	QAAFY15A300SEM	n/a	QVFY16V300SEM	QVVFY16V300SEM
070492	F3R-S2-107L	QMFY08J107ST	n/a	n/a	n/a	n/a	n/a
070493	F3R-S2-108L	QMFY08J108ST	n/a	n/a	n/a	n/a	n/a
070495	F4R-S2-111L	QMFY09J111ST	n/a	n/a	n/a	n/a	n/a
070496	F4R-S2-112L	QMFY09J112ST	n/a	n/a	n/a	n/a	n/a
070497	F4R-S2-115L	QMFY10J115ST	QAFY10A115ST	QAAFY10A115ST	n/a	QVFY11V115ST	QVVFY11V115ST
070498	F4R-S2-200L	QMFY10J200ST	QAFY10A200ST	QAAFY10A200ST	n/a	QVFY11V200ST	QVVFY11V200ST
070499	F4R-S2-203L	QMFY11J203ST	QAFY11A203ST	QAAFY11A203ST	n/a	QVFY12V203ST	QVVFY12V203ST
070501	F4R-S2-207L	QMFY13J207ST	QAFY13A207ST	QAAFY13A207ST	n/a	QVFY14V207ST	QVVFY14V207ST
070503	F4R-S2-211L	QMFY15J211ST	QAFY15A211ST	QAAFY15A211ST	n/a	QVFY16V211ST	QVVFY16V211ST

Note: This interchange guide is for reference only. **Some competitor bearings may not be shown.** If you are unable to find the bearing you are trying to interchange, please contact your local distributor or QM Bearings for assistance.

(continued on next page)

Blue Brute Bearings – Interchange Guide

Dodge®

Dodge Part #	Dodge Part Name	QM EC Series	QM CL Series		QM TA/DV Series	QM V-Lock® Series	
			Single-Collar	Double-Collar		Single-Nut	Double-Nut
070504	F4R-S2-215L	QMFY15J215ST	QAFY15A215ST	QAAFY15A215ST	n/a	QVFY16V215ST	QVVFY16V215ST
070505	F4R-S2-300L	QMFY15J300ST	QAFY15A300ST	QAAFY15A300ST	n/a	QVFY16V300ST	QVVFY16V300ST
070524	F3R-S2-107LE	QMFY08J107SET	n/a	n/a	n/a	n/a	n/a
070525	F3R-S2-108LE	QMFY08J108SET	n/a	n/a	n/a	n/a	n/a
070527	F4R-S2-111LE	QMFY09J111SET	n/a	n/a	n/a	n/a	n/a
070528	F4R-S2-112LE	QMFY09J112SET	n/a	n/a	n/a	n/a	n/a
070529	F4R-S2-115LE	QMFY10J115SET	QAFY10A115SET	QAAFY10A115SET	n/a	QVFY11V115SET	QVVFY11V115SET
070530	F4R-S2-200LE	QMFY10J200SET	QAFY10A200SET	QAAFY10A200SET	n/a	QVFY11V200SET	QVVFY11V200SET
070531	F4R-S2-203LE	QMFY11J203SET	QAFY11A203SET	QAAFY11A203SET	n/a	QVFY12V203SET	QVVFY12V203SET
070533	F4R-S2-207LE	QMFY13J207SET	QAFY13A207SET	QAAFY13A207SET	n/a	QVFY14V207SET	QVVFY14V207SET
070535	F4R-S2-211LE	QMFY15J211SET	QAFY15A211SET	QAAFY15A211SET	n/a	QVFY16V211SET	QVVFY16V211SET
070536	F4R-S2-215LE	QMFY15J215SET	QAFY15A215SET	QAAFY15A215SET	n/a	QVFY16V215SET	QVVFY16V215SET
070537	F4R-S2-300LE	QMFY15J300SET	QAFY15A300SET	QAAFY15A300SET	n/a	QVFY16V300SET	QVVFY16V300SET
070542	F4S-S2-107R	QMFL08J107SM	n/a	n/a	n/a	n/a	n/a
070543	F4S-S2-108R	QMFL08J108SM	n/a	n/a	n/a	n/a	n/a
070545	F4S-S2-111R	QMFL09J111SM	n/a	n/a	n/a	n/a	n/a
070546	F4S-S2-112R	QMFL09J112SM	n/a	n/a	n/a	n/a	n/a
070547	F4S-S2-115R	QMFL10J115SM	QAF10A115SM	QAAF10A115SM	n/a	QVFL11V115SM	QVVFL11V115SM
070548	F4S-S2-200R	QMFL10J200SM	QAF10A200SM	QAAF10A200SM	n/a	QVFL11V200SM	QVVFL11V200SM
070549	F4S-S2-203R	QMFL11J203SM	QAF11A203SM	QAAF11A203SM	n/a	QVFL12V203SM	QVVFL12V203SM
070551	F4S-S2-207R	QMFL13J207SM	QAF13A207SM	QAAF13A207SM	n/a	QVFL14V207SM	QVVFL14V207SM
070553	F4S-S2-211R	QMFL15J211SM	QAF15A211SM	QAAF15A211SM	n/a	QVFL16V211SM	QVVFL16V211SM
070554	F4S-S2-215R	QMFL15J215SM	QAF15A215SM	QAAF15A215SM	n/a	QVFL16V215SM	QVVFL16V215SM
070555	F4S-S2-300R	QMFL15J300SM	QAF15A300SM	QAAF15A300SM	n/a	QVFL16V300SM	QVVFL16V300SM
070557	F4S-S2-307R	QMFL18J307SM	QAF18A307SM	QAAF18A307SM	n/a	QVFL19V307SM	QVVFL19V307SM
070559	F4S-S2-315R	QMFL20J315SM	QAF20A315SM	QAAF20A315SM	n/a	QVFL22V315SM	QVVFL22V315SM
070565	F4S-S2-107RE	QMFL08J107SEM	n/a	n/a	n/a	n/a	n/a
070566	F4S-S2-108RE	QMFL08J108SEM	n/a	n/a	n/a	n/a	n/a
070568	F4S-S2-111RE	QMFL09J111SEM	n/a	n/a	n/a	n/a	n/a
070569	F4S-S2-112RE	QMFL09J112SEM	n/a	n/a	n/a	n/a	n/a
070570	F4S-S2-115RE	QMFL10J115SEM	QAF10A115SEM	QAAF10A115SEM	n/a	QVFL11V115SEM	QVVFL11V115SEM
070571	F4S-S2-200RE	QMFL10J200SEM	QAF10A200SEM	QAAF10A200SEM	n/a	QVFL11V200SEM	QVVFL11V200SEM
070572	F4S-S2-203RE	QMFL11J203SEM	QAF11A203SEM	QAAF11A203SEM	n/a	QVFL12V203SEM	QVVFL12V203SEM
070574	F4S-S2-207RE	QMFL13J207SEM	QAF13A207SEM	QAAF13A207SEM	n/a	QVFL14V207SEM	QVVFL14V207SEM
070576	F4S-S2-211RE	QMFL15J211SEM	QAF15A211SEM	QAAF15A211SEM	n/a	QVFL16V211SEM	QVVFL16V211SEM
070577	F4S-S2-215RE	QMFL15J215SEM	QAF15A215SEM	QAAF15A215SEM	n/a	QVFL16V215SEM	QVVFL16V215SEM
070578	F4S-S2-300RE	QMFL15J300SEM	QAF15A300SEM	QAAF15A300SEM	n/a	QVFL16V300SEM	QVVFL16V300SEM
070580	F4S-S2-307RE	QMFL18J307SEM	QAF18A307SEM	QAAF18A307SEM	n/a	QVFL19V307SEM	QVVFL19V307SEM
070582	F4S-S2-315RE	QMFL20J315SEM	QAF20A315SEM	QAAF20A315SEM	n/a	QVFL22V315SEM	QVVFL22V315SEM
070601	F4S-S2-107L	QMFL08J107ST	n/a	n/a	n/a	n/a	n/a
070602	F4S-S2-108L	QMFL08J108ST	n/a	n/a	n/a	n/a	n/a
070604	F4S-S2-111L	QMFL09J111ST	n/a	n/a	n/a	n/a	n/a
070605	F4S-S2-112L	QMFL09J112ST	n/a	n/a	n/a	n/a	n/a

Note: This interchange guide is for reference only. **Some competitor bearings may not be shown.** If you are unable to find the bearing you are trying to interchange, please contact your local distributor or QM Bearings for assistance.

(continued on next page)

Introduction
Blue Brute Bearings
Bearing Interchange Guide
Quick-Flex Couplings
Rigid Compression Couplings
Index

Blue Brute Bearings – Interchange Guide

Dodge®

Dodge Part #	Dodge Part Name	QM EC Series	QM CL Series		QM TA/DV Series	QM V-Lock® Series	
			Single-Collar	Double-Collar		Single-Nut	Double-Nut
070606	F4S-S2-115L	QMFL10J115ST	QAFL10A115ST	QAAFL10A115ST	n/a	QVFL11V115ST	QVVFL11V115ST
070607	F4S-S2-200L	QMFL10J200ST	QAFL10A200ST	QAAFL10A200ST	n/a	QVFL11V200ST	QVVFL11V200ST
070608	F4S-S2-203L	QMFL11J203ST	QAFL11A203ST	QAAFL11A203ST	n/a	QVFL12V203ST	QVVFL12V203ST
070610	F4S-S2-207L	QMFL13J207ST	QAFL13A207ST	QAAFL13A207ST	n/a	QVFL14V207ST	QVVFL14V207ST
070612	F4S-S2-211L	QMFL15J211ST	QAFL15A211ST	QAAFL15A211ST	n/a	QVFL16V211ST	QVVFL16V211ST
070613	F4S-S2-215L	QMFL15J215ST	QAFL15A215ST	QAAFL15A215ST	n/a	QVFL16V215ST	QVVFL16V215ST
070614	F4S-S2-300L	QMFL15J300ST	QAFL15A300ST	QAAFL15A300ST	n/a	QVFL16V300ST	QVVFL16V300ST
070616	F4S-S2-307L	QMFL18J307ST	QAFL18A307ST	QAAFL18A307ST	n/a	QVFL19V307ST	QVVFL19V307ST
070618	F4S-S2-315L	QMFL20J315ST	QAFL20A315ST	QAAFL20A315ST	n/a	QVFL22V315ST	QVVFL22V315ST
070645	FC-S2-107R	QMCW08J107SM	n/a	n/a	n/a	n/a	n/a
070646	FC-S2-108R	QMCW08J108SM	n/a	n/a	n/a	n/a	n/a
070648	FC-S2-111R	QMCW09J111SM	n/a	n/a	n/a	n/a	n/a
070649	FC-S2-112R	QMCW09J112SM	n/a	n/a	n/a	n/a	n/a
070650	FC-S2-115R	QMCW10J115SM	QACW10A115SM	QAACW10A115SM	DVC11K115SM	QVCW11V115SM	QVVCW11V115SM
070651	FC-S2-200R	QMCW10J200SM	QACW10A200SM	QAACW10A200SM	DVC11K200SM	QVCW11V200SM	QVVCW11V200SM
070652	FC-S2-203R	QMCW11J203SM	QACW11A203SM	QAACW11A203SM	DVC13K203SM	QVCW12V203SM	QVVCW12V203SM
070654	FC-S2-207R	QMCW13J207SM	QACW13A207SM	QAACW13A207SM	DVC15K207SM	QVCW14V207SM	QVVCW14V207SM
070656	FC-S2-211R	QMCW15J211SM	QACW15A211SM	QAACW15A211SM	n/a	QVCW16V211SM	QVVCW16V211SM
070657	FC-S2-215R	QMCW15J215SM	QACW15A215SM	QAACW15A215SM	DVC17K215SM	QVCW16V215SM	QVVCW16V215SM
070658	FC-S2-300R	QMCW15J300SM	QACW15A300SM	QAACW15A300SM	DVC17K300SM	QVCW16V300SM	QVVCW16V300SM
070660	FC-S2-307R	QMCW18J307SM	QACW18A307SM	QAACW18A307SM	DVC20K307SM	QVCW19V307SM	QVVCW19V307SM
070662	FC-S2-315R	QMCW20J315SM	QACW20A315SM	QAACW20A315SM	DVC22K315SM	QVCW22V315SM	QVVCW22V315SM
070664	FC-S2-407R	QMCW22J407SM	n/a	QAACW22A407SM	n/a	QVCW26V407SM	QVVCW26V407SM
070666	FC-S2-415R	QMCW26J415SM	n/a	QAACW26A415SM	n/a	QVCW28V415SM	QVVCW28V415SM
070672	FC-S2-107RE	QMCW08J107SEM	n/a	n/a	n/a	n/a	n/a
070673	FC-S2-108RE	QMCW08J108SEM	n/a	n/a	n/a	n/a	n/a
070675	FC-S2-111RE	QMCW09J111SEM	n/a	n/a	n/a	n/a	n/a
070676	FC-S2-112RE	QMCW09J112SEM	n/a	n/a	n/a	n/a	n/a
070677	FC-S2-115RE	QMCW10J115SEM	QACW10A115SEM	QAACW10A115SEM	DVC11K115SEM	QVCW11V115SEM	QVVCW11V115SEM
070678	FC-S2-200RE	QMCW10J200SEM	QACW10A200SEM	QAACW10A200SEM	DVC11K200SEM	QVCW11V200SEM	QVVCW11V200SEM
070679	FC-S2-203RE	QMCW11J203SEM	QACW11A203SEM	QAACW11A203SEM	DVC13K203SEM	QVCW12V203SEM	QVVCW12V203SEM
070681	FC-S2-207RE	QMCW13J207SEM	QACW13A207SEM	QAACW13A207SEM	DVC15K207SEM	QVCW14V207SEM	QVVCW14V207SEM
070683	FC-S2-211RE	QMCW15J211SEM	QACW15A211SEM	QAACW15A211SEM	n/a	QVCW16V211SEM	QVVCW16V211SEM
070684	FC-S2-215RE	QMCW15J215SEM	QACW15A215SEM	QAACW15A215SEM	DVC17K215SEM	QVCW16V215SEM	QVVCW16V215SEM
070685	FC-S2-300RE	QMCW15J300SEM	QACW15A300SEM	QAACW15A300SEM	DVC17K300SEM	QVCW16V300SEM	QVVCW16V300SEM
070687	FC-S2-307RE	QMCW18J307SEM	QACW18A307SEM	QAACW18A307SEM	DVC20K307SEM	QVCW19V307SEM	QVVCW19V307SEM
070689	FC-S2-315RE	QMCW20J315SEM	QACW20A315SEM	QAACW20A315SEM	DVC22K315SEM	QVCW22V315SEM	QVVCW22V315SEM
070691	FC-S2-407RE	QMCW22J407SEM	n/a	QAACW22A407SEM	n/a	QVCW26V407SEM	QVVCW26V407SEM
070693	FC-S2-415RE	QMCW26J415SEM	n/a	QAACW26A415SEM	n/a	QVCW28V415SEM	QVVCW28V415SEM
070699	FC-S2-107L	QMCW08J107ST	n/a	n/a	n/a	n/a	n/a
070700	FC-S2-108L	QMCW08J108ST	n/a	n/a	n/a	n/a	n/a
070702	FC-S2-111L	QMCW09J111ST	n/a	n/a	n/a	n/a	n/a
070703	FC-S2-112L	QMCW09J112ST	n/a	n/a	n/a	n/a	n/a

Note: This interchange guide is for reference only. **Some competitor bearings may not be shown.** If you are unable to find the bearing you are trying to interchange, please contact your local distributor or QM Bearings for assistance.

(continued on next page)

Blue Brute Bearings – Interchange Guide

Dodge®

Dodge Part #	Dodge Part Name	QM EC Series	QM CL Series		QM TA/DV Series	QM V-Lock® Series	
			Single-Collar	Double-Collar		Single-Nut	Double-Nut
070704	FC-S2-115L	QMCW10J115ST	QACW10A115ST	QAACW10A115ST	DVC11K115ST	QVCW11V115ST	QVVCW11V115ST
070705	FC-S2-200L	QMCW10J200ST	QACW10A200ST	QAACW10A200ST	DVC11K200ST	QVCW11V200ST	QVVCW11V200ST
070706	FC-S2-203L	QMCW11J203ST	QACW11A203ST	QAACW11A203ST	DVC13K203ST	QVCW12V203ST	QVVCW12V203ST
070708	FC-S2-207L	QMCW13J207ST	QACW13A207ST	QAACW13A207ST	DVC15K207ST	QVCW14V207ST	QVVCW14V207ST
070710	FC-S2-211L	QMCW15J211ST	QACW15A211ST	QAACW15A211ST	n/a	QVCW16V211ST	QVVCW16V211ST
070711	FC-S2-215L	QMCW15J215ST	QACW15A215ST	QAACW15A215ST	DVC17K215ST	QVCW16V215ST	QVVCW16V215ST
070712	FC-S2-300L	QMCW15J300ST	QACW15A300ST	QAACW15A300ST	DVC17K300ST	QVCW16V300ST	QVVCW16V300ST
070714	FC-S2-307L	QMCW18J307ST	QACW18A307ST	QAACW18A307ST	DVC20K307ST	QVCW19V307ST	QVVCW19V307ST
070716	FC-S2-315L	QMCW20J315ST	QACW20A315ST	QAACW20A315ST	DVC22K315ST	QVCW22V315ST	QVVCW22V315ST
070718	FC-S2-407L	QMCW22J407ST	n/a	QAACW22A407ST	n/a	QVCW26V407ST	QVVCW26V407ST
070720	FC-S2-415L	QMCW26J415ST	n/a	QAACW26A415ST	n/a	QVCW28V415ST	QVVCW28V415ST
070726	FC-S2-107LE	QMCW08J107SET	n/a	n/a	n/a	n/a	n/a
070727	FC-S2-108LE	QMCW08J108SET	n/a	n/a	n/a	n/a	n/a
070729	FC-S2-111LE	QMCW09J111SET	n/a	n/a	n/a	n/a	n/a
070730	FC-S2-112LE	QMCW09J112SET	n/a	n/a	n/a	n/a	n/a
070731	FC-S2-115LE	QMCW10J115SET	QACW10A115SET	QAACW10A115SET	DVC11K115SET	QVCW11V115SET	QVVCW11V115SET
070732	FC-S2-200LE	QMCW10J200SET	QACW10A200SET	QAACW10A200SET	DVC11K200SET	QVCW11V200SET	QVVCW11V200SET
070733	FC-S2-203LE	QMCW11J203SET	QACW11A203SET	QAACW11A203SET	DVC13K203SET	QVCW12V203SET	QVVCW12V203SET
070735	FC-S2-207LE	QMCW13J207SET	QACW13A207SET	QAACW13A207SET	DVC15K207SET	QVCW14V207SET	QVVCW14V207SET
070737	FC-S2-211LE	QMCW15J211SET	QACW15A211SET	QAACW15A211SET	n/a	QVCW16V211SET	QVVCW16V211SET
070738	FC-S2-215LE	QMCW15J215SET	QACW15A215SET	QAACW15A215SET	DVC17K215SET	QVCW16V215SET	QVVCW16V215SET
070739	FC-S2-300LE	QMCW15J300SET	QACW15A300SET	QAACW15A300SET	DVC17K300SET	QVCW16V300SET	QVVCW16V300SET
070741	FC-S2-307LE	QMCW18J307SET	QACW18A307SET	QAACW18A307SET	DVC20K307SET	QVCW19V307SET	QVVCW19V307SET
070743	FC-S2-315LE	QMCW20J315SET	QACW20A315SET	QAACW20A315SET	DVC22K315SET	QVCW22V315SET	QVVCW22V315SET
070745	FC-S2-407LE	QMCW22J407SET	n/a	QAACW22A407SET	n/a	QVCW26V407SET	QVVCW26V407SET
070747	FC-S2-415LE	QMCW26J415SET	n/a	QAACW26A415SET	n/a	QVCW28V415SET	QVVCW28V415SET
070758	WSTU-S2-115R	QMTU10J115SM	QATU10A115SM	QAATU10A115SM	n/a	QVTU11V115SM	QVVTU11V115SM
070759	WSTU-S2-200R	QMTU10J200SM	QATU10A200SM	QAATU10A200SM	n/a	QVTU11V200SM	QVVTU11V200SM
070760	WSTU-S2-203R	QMTU11J203SM	QATU11A203SM	QAATU11A203SM	n/a	QVTU12V203SM	QVVTU12V203SM
070762	WSTU-S2-207R	QMTU13J207SM	QATU13A207SM	QAATU13A207SM	n/a	QVTU14V207SM	QVVTU14V207SM
070764	WSTU-S2-211R	QMTU15J211SM	QATU15A211SM	QAATU15A211SM	n/a	QVTU16V211SM	QVVTU16V211SM
070765	WSTU-S2-215R	QMTU15J215SM	QATU15A215SM	QAATU15A215SM	n/a	QVTU16V215SM	QVVTU16V215SM
070766	WSTU-S2-300R	QMTU15J300SM	QATU15A300SM	QAATU15A300SM	n/a	QVTU16V300SM	QVVTU16V300SM
070768	WSTU-S2-307R	QMTU18J307SM	QATU18A307SM	QAATU18A307SM	n/a	QVTU19V307SM	QVVTU19V307SM
070770	WSTU-S2-315R	QMTU20J315SM	QATU20A315SM	QAATU20A315SM	n/a	QVTU22V315SM	QVVTU22V315SM
070785	WSTU-S2-115RE	QMTU10J115SEM	QATU10A115SEM	QAATU10A115SEM	n/a	QVTU11V115SEM	QVVTU11V115SEM
070786	WSTU-S2-200RE	QMTU10J200SEM	QATU10A200SEM	QAATU10A200SEM	n/a	QVTU11V200SEM	QVVTU11V200SEM
070787	WSTU-S2-203RE	QMTU11J203SEM	QATU11A203SEM	QAATU11A203SEM	n/a	QVTU12V203SEM	QVVTU12V203SEM
070789	WSTU-S2-207RE	QMTU13J207SEM	QATU13A207SEM	QAATU13A207SEM	n/a	QVTU14V207SEM	QVVTU14V207SEM
070791	WSTU-S2-211RE	QMTU15J211SEM	QATU15A211SEM	QAATU15A211SEM	n/a	QVTU16V211SEM	QVVTU16V211SEM
070792	WSTU-S2-215RE	QMTU15J215SEM	QATU15A215SEM	QAATU15A215SEM	n/a	QVTU16V215SEM	QVVTU16V215SEM
070793	WSTU-S2-300RE	QMTU15J300SEM	QATU15A300SEM	QAATU15A300SEM	n/a	QVTU16V300SEM	QVVTU16V300SEM
070795	WSTU-S2-307RE	QMTU18J307SEM	QATU18A307SEM	QAATU18A307SEM	n/a	QVTU19V307SEM	QVVTU19V307SEM

Note: This interchange guide is for reference only. **Some competitor bearings may not be shown.** If you are unable to find the bearing you are trying to interchange, please contact your local distributor or QM Bearings for assistance.

(continued on next page)

Introduction
Blue Brute Bearings
Bearing Interchange Guide
Quick-Flex Couplings
Rigid Compression Couplings
Index

Blue Brute Bearings – Interchange Guide

Dodge®

Dodge Part #	Dodge Part Name	QM EC Series	QM CL Series		QM TA/DV Series	QM V-Lock® Series	
			Single-Collar	Double-Collar		Single-Nut	Double-Nut
070797	WSTU-S2-315RE	QMTU20J315SEM	QATU20A315SEM	QAATU20A315SEM	n/a	QVTU22V315SEM	QVVU22V315SEM
070854	F4S-S2-107LE	QMFL08J107SET	n/a	n/a	n/a	n/a	n/a
070855	F4S-S2-108LE	QMFL08J108SET	n/a	n/a	n/a	n/a	n/a
070857	F4S-S2-111LE	QMFL09J111SET	n/a	n/a	n/a	n/a	n/a
070858	F4S-S2-112LE	QMFL09J112SET	n/a	n/a	n/a	n/a	n/a
070859	F4S-S2-115LE	QMFL10J115SET	QAFL10A115SET	QAFL10A115SET	n/a	QVFL11V115SET	QVVFL11V115SET
070860	F4S-S2-200LE	QMFL10J200SET	QAFL10A200SET	QAFL10A200SET	n/a	QVFL11V200SET	QVVFL11V200SET
070861	F4S-S2-203LE	QMFL11J203SET	QAFL11A203SET	QAFL11A203SET	n/a	QVFL12V203SET	QVVFL12V203SET
070863	F4S-S2-207LE	QMFL13J207SET	QAFL13A207SET	QAFL13A207SET	n/a	QVFL14V207SET	QVVFL14V207SET
070865	F4S-S2-211LE	QMFL15J211SET	QAFL15A211SET	QAFL15A211SET	n/a	QVFL16V211SET	QVVFL16V211SET
070866	F4S-S2-215LE	QMFL15J215SET	QAFL15A215SET	QAFL15A215SET	n/a	QVFL16V215SET	QVVFL16V215SET
070867	F4S-S2-300LE	QMFL15J300SET	QAFL15A300SET	QAFL15A300SET	n/a	QVFL16V300SET	QVVFL16V300SET
070869	F4S-S2-307LE	QMFL18J307SET	QAFL18A307SET	QAFL18A307SET	n/a	QVFL19V307SET	QVVFL19V307SET
070871	F4S-S2-315LE	QMFL20J315SET	QAFL20A315SET	QAFL20A315SET	n/a	QVFL22V315SET	QVVFL22V315SET
070951	P2B515ISAF207R	n/a	n/a	n/a	TAPA15K207SM	QVPA15V207SM	QVPA15V207SM
070953	P2B517ISAF215R	n/a	n/a	n/a	TAPA17K215SM	QVPA17V215SM	QVPA17V215SM
070954	P2B520ISAF307R	n/a	n/a	n/a	TAPA20K307SM	QVPA20V307SM	QVPA20V307SM
071002	ISN509040MFR	QMSN09J040SM	n/a	n/a	n/a	n/a	n/a
071003	ISN510045MFR	QMSN09J045SM	n/a	n/a	n/a	n/a	n/a
071004	ISN511050MFR	QMSN10J050SM	QASN10A050SM	QAASN10A050SM	TAPN11K050SM	QVFN11V050SM	QVFPN11V050SM
071005	ISN512055MFR	QMSN11J055SM	QASN11A055SM	QAASN11A055SM	n/a	QVFN13V055SM	QVFPN13V055SM
071006	ISN513060MFR	QMSN13J060SM	QASN13A060SM	QAASN13A060SM	TAPN13K060SM	n/a	n/a
071007	ISN515065MFR	QMSN13J065SM	QASN13A065SM	QAASN13A065SM	TAPN15K065SM	QVFN15V065SM	QVFPN15V065SM
071008	ISN516070MFR	QMSN15J070SM	QASN15A070SM	QAASN15A070SM	n/a	QVFN17V070SM	QVFPN17V070SM
071009	ISN517075MFR	QMSN15J075SM	QASN15A075SM	QAASN15A075SM	TAPN17K075SM	QVFN17V075SM	QVFPN17V075SM
071010	ISN518080MFR	QMSN18J080SM	QASN18A080SM	QAASN18A080SM	n/a	QVFN20V080SM	QVFPN20V080SM
071011	ISN519085MFR	QMSN18J085SM	QASN18A085SM	QAASN18A085SM	n/a	QVFN20V085SM	QVFPN20V085SM
071012	ISN520090MFR	QMSN18J090SM	QASN18A090SM	QAASN18A090SM	TAPN20K090SM	QVFN20V090SM	QVFPN20V090SM
071013	ISN522100MFR	QMSN20J100SM	QASN20A100SM	QAASN20A100SM	TAPN22K100SM	QVFN22V100SM	QVFPN22V100SM
071014	ISN524110MFR	QMSN22J110SM	n/a	QAASN22A110SM	n/a	QVFN22V110SM	QVFPN22V110SM
071015	ISN526115MFR	QMSN22J115SM	n/a	QAASN22A115SM	TAPN26K115SM	QVFN26V115SM	QVFPN26V115SM
071016	ISN528125MFR	QMSN26J125SM	n/a	QAASN26A125SM	n/a	QVFN28V125SM	QVFPN28V125SM
071019	ISN509040MLR	QMSN09J040SEM	n/a	n/a	n/a	n/a	n/a
071020	ISN510045MLR	QMSN09J045SEM	n/a	n/a	n/a	n/a	n/a
071021	ISN511050MLR	QMSN10J050SEM	QASN10A050SEM	QAASN10A050SEM	TAPN11K050SEM	QVFN11V050SM	QVFPN11V050SM
071022	ISN512055MLR	QMSN11J055SEM	QASN11A055SEM	QAASN11A055SEM	n/a	QVFN13V055SM	QVFPN13V055SM
071023	ISN513060MLR	QMSN13J060SEM	QASN13A060SEM	QAASN13A060SEM	TAPN13K060SEM	n/a	n/a
071024	ISN515065MLR	QMSN13J065SEM	QASN13A065SEM	QAASN13A065SEM	TAPN15K065SEM	QVFN15V065SM	QVFPN15V065SM
071025	ISN516070MLR	QMSN15J070SEM	QASN15A070SEM	QAASN15A070SEM	n/a	QVFN17V070SM	QVFPN17V070SM
071026	ISN517075MLR	QMSN15J075SEM	QASN15A075SEM	QAASN15A075SEM	TAPN17K075SEM	QVFN17V075SM	QVFPN17V075SM
071027	ISN518080MLR	QMSN18J080SEM	QASN18A080SEM	QAASN18A080SEM	n/a	QVFN20V080SM	QVFPN20V080SM
071028	ISN519085MLR	QMSN18J085SEM	QASN18A085SEM	QAASN18A085SEM	n/a	QVFN20V085SM	QVFPN20V085SM
071029	ISN520090MLR	QMSN18J090SEM	QASN18A090SEM	QAASN18A090SEM	TAPN20K090SEM	QVFN20V090SM	QVFPN20V090SM

Note: This interchange guide is for reference only. **Some competitor bearings may not be shown.** If you are unable to find the bearing you are trying to interchange, please contact your local distributor or QM Bearings for assistance.

(continued on next page)

Blue Brute Bearings – Interchange Guide

Dodge®

Dodge Part #	Dodge Part Name	QM EC Series	QM CL Series		QM TA/DV Series	QM V-Lock® Series	
			Single-Collar	Double-Collar		Single-Nut	Double-Nut
071030	ISN522100MLR	QMSN20J100SEM	QASN20A100SEM	QAASN20A100SEM	TAPN22K100SEM	QVFN22V100SM	QVVPN22V100SM
071031	ISN524110MLR	QMSN22J110SEM	n/a	QAASN22A110SEM	n/a	QVFN22V110SM	QVVPN22V110SM
071032	ISN526115MLR	QMSN22J115SEM	n/a	QAASN22A115SEM	TAPN26K115SEM	QVFN26V115SM	QVVPN26V115SM
071033	ISN528125MLR	QMSN26J125SEM	n/a	QAASN26A125SEM	n/a	QVFN28V125SM	QVVPN28V125SM
071036	ISN509040MFS	QMSN09J040ST	n/a	n/a	n/a	n/a	n/a
071037	ISN510045MFS	QMSN09J045ST	n/a	n/a	n/a	n/a	n/a
071038	ISN511050MFS	QMSN10J050ST	QASN10A050ST	QAASN10A050ST	TAPN11K050ST	QVFN11V050ST	QVVPN11V050ST
071039	ISN512055MFS	QMSN11J055ST	QASN11A055ST	QAASN11A055ST	n/a	QVFN13V055ST	QVVPN13V055ST
071040	ISN513060MFS	QMSN13J060ST	QASN13A060ST	QAASN13A060ST	TAPN13K060ST	n/a	n/a
071041	ISN515065MFS	QMSN13J065ST	QASN13A065ST	QAASN13A065ST	TAPN15K065ST	QVFN15V065ST	QVVPN15V065ST
071042	ISN516070MFS	QMSN15J070ST	QASN15A070ST	QAASN15A070ST	n/a	QVFN17V070ST	QVVPN17V070ST
071043	ISN517075MFS	QMSN15J075ST	QASN15A075ST	QAASN15A075ST	TAPN17K075ST	QVFN17V075ST	QVVPN17V075ST
071044	ISN518080MFS	QMSN18J080ST	QASN18A080ST	QAASN18A080ST	n/a	QVFN20V080ST	QVVPN20V080ST
071045	ISN519085MFS	QMSN18J085ST	QASN18A085ST	QAASN18A085ST	n/a	QVFN20V085ST	QVVPN20V085ST
071046	ISN520090MFS	QMSN18J090ST	QASN18A090ST	QAASN18A090ST	TAPN20K090ST	QVFN20V090ST	QVVPN20V090ST
071047	ISN522100MFS	QMSN20J100ST	QASN20A100ST	QAASN20A100ST	TAPN22K100ST	QVFN22V100ST	QVVPN22V100ST
071048	ISN524110MFS	QMSN22J110ST	n/a	QAASN22A110ST	n/a	QVFN22V110ST	QVVPN22V110ST
071049	ISN526115MFS	QMSN22J115ST	n/a	QAASN22A115ST	TAPN26K115ST	QVFN26V115ST	QVVPN26V115ST
071050	ISN528125MFS	QMSN26J125ST	n/a	QAASN26A125ST	n/a	QVFN28V125ST	QVVPN28V125ST
071053	ISN509040MLS	QMSN09J040SET	n/a	n/a	n/a	n/a	n/a
071054	ISN510045MLS	QMSN09J045SET	n/a	n/a	n/a	n/a	n/a
071055	ISN511050MLS	QMSN10J050SET	QASN10A050SET	QAASN10A050SET	TAPN11K050SET	QVFN11V050SET	QVVPN11V050SET
071056	ISN512055MLS	QMSN11J055SET	QASN11A055SET	QAASN11A055SET	n/a	QVFN13V055SET	QVVPN13V055SET
071057	ISN513060MLS	QMSN13J060SET	QASN13A060SET	QAASN13A060SET	TAPN13K060SET	n/a	n/a
071058	ISN515065MLS	QMSN13J065SET	QASN13A065SET	QAASN13A065SET	TAPN15K065SET	QVFN15V065SET	QVVPN15V065SET
071059	ISN516070MLS	QMSN15J070SET	QASN15A070SET	QAASN15A070SET	n/a	QVFN17V070SET	QVVPN17V070SET
071060	ISN517075MLS	QMSN15J075SET	QASN15A075SET	QAASN15A075SET	TAPN17K075SET	QVFN17V075SET	QVVPN17V075SET
071061	ISN518080MLS	QMSN18J080SET	QASN18A080SET	QAASN18A080SET	n/a	QVFN20V080SET	QVVPN20V080SET
071062	ISN519085MLS	QMSN18J085SET	QASN18A085SET	QAASN18A085SET	n/a	QVFN20V085SET	QVVPN20V085SET
071063	ISN520090MLS	QMSN18J090SET	QASN18A090SET	QAASN18A090SET	TAPN20K090SET	QVFN20V090SET	QVVPN20V090SET
071064	ISN522100MLS	QMSN20J100SET	QASN20A100SET	QAASN20A100SET	TAPN22K100SET	QVFN22V100SET	QVVPN22V100SET
071065	ISN524110MLS	QMSN22J110SET	n/a	QAASN22A110SET	n/a	QVFN22V110SET	QVVPN22V110SET
071066	ISN526115MLS	QMSN22J115SET	n/a	QAASN22A115SET	TAPN26K115SET	QVFN26V115SET	QVVPN26V115SET
071067	ISN528125MLS	QMSN26J125SET	n/a	QAASN26A125SET	n/a	QVFN28V125SET	QVVPN28V125SET
071121	EP2B-IP-107R	QMP08J107SM	n/a	n/a	n/a	n/a	n/a
071122	EP2B-IP-108R	QMP08J108SM	n/a	n/a	n/a	n/a	n/a
071124	EP2B-IP-111R	QMP09J111SM	n/a	n/a	n/a	n/a	n/a
071125	EP2B-IP-112R	QMP09J112SM	n/a	n/a	n/a	n/a	n/a
071127	EP2B-IP-115R	QMP10J115SM	QAP10A115SM	QAAP10A115SM	DVP11K115SM	QVP11V115SM	QVVP11V115SM
071128	EP2B-IP-200R	QMP10J200SM	QAP10A200SM	QAAP10A200SM	DVP11K200SM	QVP11V200SM	QVVP11V200SM
071129	EP2B-IP-203R	QMP11J203SM	QAP11A203SM	QAAP11A203SM	DVP13K203SM	QVP12V203SM	QVVP12V203SM
071131	EP2B-IP-207R	QMP13J207SM	QAP13A207SM	QAAP13A207SM	DVP15K207SM	QVP14V207SM	QVVP14V207SM
071132	EP2B-IP-208R	QMP13J208SM	QAP13A208SM	QAAP13A208SM	DVP15K208SM	QVP14V208SM	QVVP14V208SM

Note: This interchange guide is for reference only. **Some competitor bearings may not be shown.** If you are unable to find the bearing you are trying to interchange, please contact your local distributor or QM Bearings for assistance.

(continued on next page)

Blue Brute Bearings – Interchange Guide

Dodge®

Dodge Part #	Dodge Part Name	QM EC Series	QM CL Series		QM TA/DV Series	QM V-Lock® Series	
			Single-Collar	Double-Collar		Single-Nut	Double-Nut
071133	EP2B-IP-211R	QMP15J211SM	QAP15A211SM	QAAP15A211SM	n/a	QVP16V211SM	QVVP16V211SM
071134	EP2B-IP-212R	QMP15J212SM	QAP15A212SM	QAAP15A212SM	n/a	QVP16V212SM	QVVP16V212SM
071135	EP2B-IP-215R	QMP15J215SM	QAP15A215SM	QAAP15A215SM	n/a	QVP16V215SM	QVVP16V215SM
071136	EP2B-IP-300R	QMP15J300SM	QAP15A300SM	QAAP15A300SM	n/a	QVP16V300SM	QVVP16V300SM
071137	EP2B-IP-303R	QMP18J303SM	QAP18A303SM	QAAP18A303SM	n/a	QVP19V303SM	QVVP19V303SM
071138	EP2B-IP-304R	QMP18J304SM	QAP18A304SM	QAAP18A304SM	n/a	QVP19V304SM	QVVP19V304SM
071139	EP2B-IP-307R	QMP18J307SM	QAP18A307SM	QAAP18A307SM	DVP20K307SM	QVP19V307SM	QVVP19V307SM
071140	EP2B-IP-308R	QMP18J308SM	QAP18A308SM	QAAP18A308SM	DVP20K308SM	QVP19V308SM	QVVP19V308SM
071142	EP2B-IP-107RE	QMP08J107SEM	n/a	n/a	n/a	n/a	n/a
071143	EP2B-IP-108RE	QMP08J108SEM	n/a	n/a	n/a	n/a	n/a
071145	EP2B-IP-111RE	QMP09J111SEM	n/a	n/a	n/a	n/a	n/a
071146	EP2B-IP-112RE	QMP09J112SEM	n/a	n/a	n/a	n/a	n/a
071148	EP2B-IP-115RE	QMP10J115SEM	QAP10A115SEM	QAAP10A115SEM	DVP11K115SEM	QVP11V115SEM	QVVP11V115SEM
071149	EP2B-IP-200RE	QMP10J200SEM	QAP10A200SEM	QAAP10A200SEM	DVP11K200SEM	QVP11V200SEM	QVVP11V200SEM
071150	EP2B-IP-203RE	QMP11J203SEM	QAP11A203SEM	QAAP11A203SEM	DVP13K203SEM	QVP12V203SEM	QVVP12V203SEM
071152	EP2B-IP-207RE	QMP13J207SEM	QAP13A207SEM	QAAP13A207SEM	DVP15K207SEM	QVP14V207SEM	QVVP14V207SEM
071153	EP2B-IP-208RE	QMP13J208SEM	QAP13A208SEM	QAAP13A208SEM	DVP15K208SEM	QVP14V208SEM	QVVP14V208SEM
071154	EP2B-IP-211RE	QMP15J211SEM	QAP15A211SEM	QAAP15A211SEM	n/a	QVP16V211SEM	QVVP16V211SEM
071155	EP2B-IP-212RE	QMP15J212SEM	QAP15A212SEM	QAAP15A212SEM	n/a	QVP16V212SEM	QVVP16V212SEM
071156	EP2B-IP-215RE	QMP15J215SEM	QAP15A215SEM	QAAP15A215SEM	n/a	QVP16V215SEM	QVVP16V215SEM
071157	EP2B-IP-300RE	QMP15J300SEM	QAP15A300SEM	QAAP15A300SEM	n/a	QVP16V300SEM	QVVP16V300SEM
071158	EP2B-IP-303RE	QMP18J303SEM	QAP18A303SEM	QAAP18A303SEM	n/a	QVP19V303SEM	QVVP19V303SEM
071159	EP2B-IP-304RE	QMP18J304SEM	QAP18A304SEM	QAAP18A304SEM	n/a	QVP19V304SEM	QVVP19V304SEM
071160	EP2B-IP-307RE	QMP18J307SEM	QAP18A307SEM	QAAP18A307SEM	DVP20K307SEM	QVP19V307SEM	QVVP19V307SEM
071161	EP2B-IP-308RE	QMP18J308SEM	QAP18A308SEM	QAAP18A308SEM	DVP20K308SEM	QVP19V308SEM	QVVP19V308SEM
071163	EP2B-IP-107L	QMP08J107ST	n/a	n/a	n/a	n/a	n/a
071164	EP2B-IP-108L	QMP08J108ST	n/a	n/a	n/a	n/a	n/a
071166	EP2B-IP-111L	QMP09J111ST	n/a	n/a	n/a	n/a	n/a
071167	EP2B-IP-112L	QMP09J112ST	n/a	n/a	n/a	n/a	n/a
071169	EP2B-IP-115L	QMP10J115ST	QAP10A115ST	QAAP10A115ST	DVP11K115ST	QVP11V115ST	QVVP11V115ST
071170	EP2B-IP-200L	QMP10J200ST	QAP10A200ST	QAAP10A200ST	DVP11K200ST	QVP11V200ST	QVVP11V200ST
071171	EP2B-IP-203L	QMP11J203ST	QAP11A203ST	QAAP11A203ST	DVP13K203ST	QVP12V203ST	QVVP12V203ST
071173	EP2B-IP-207L	QMP13J207ST	QAP13A207ST	QAAP13A207ST	DVP15K207ST	QVP14V207ST	QVVP14V207ST
071174	EP2B-IP-208L	QMP13J208ST	QAP13A208ST	QAAP13A208ST	DVP15K208ST	QVP14V208ST	QVVP14V208ST
071175	EP2B-IP-211L	QMP15J211ST	QAP15A211ST	QAAP15A211ST	n/a	QVP16V211ST	QVVP16V211ST
071176	EP2B-IP-212L	QMP15J212ST	QAP15A212ST	QAAP15A212ST	n/a	QVP16V212ST	QVVP16V212ST
071177	EP2B-IP-215L	QMP15J215ST	QAP15A215ST	QAAP15A215ST	n/a	QVP16V215ST	QVVP16V215ST
071178	EP2B-IP-300L	QMP15J300ST	QAP15A300ST	QAAP15A300ST	n/a	QVP16V300ST	QVVP16V300ST
071179	EP2B-IP-303L	QMP18J303ST	QAP18A303ST	QAAP18A303ST	n/a	QVP19V303ST	QVVP19V303ST
071180	EP2B-IP-304L	QMP18J304ST	QAP18A304ST	QAAP18A304ST	n/a	QVP19V304ST	QVVP19V304ST
071181	EP2B-IP-307L	QMP18J307ST	QAP18A307ST	QAAP18A307ST	DVP20K307ST	QVP19V307ST	QVVP19V307ST
071182	EP2B-IP-308L	QMP18J308ST	QAP18A308ST	QAAP18A308ST	DVP20K308ST	QVP19V308ST	QVVP19V308ST
071184	EP2B-IP-107LE	QMP08J107SET	n/a	n/a	n/a	n/a	n/a

Note: This interchange guide is for reference only. **Some competitor bearings may not be shown.** If you are unable to find the bearing you are trying to interchange, please contact your local distributor or QM Bearings for assistance.

(continued on next page)

Blue Brute Bearings – Interchange Guide

Dodge®

Dodge Part #	Dodge Part Name	QM EC Series	QM CL Series		QM TA/DV Series	QM V-Lock® Series	
			Single-Collar	Double-Collar		Single-Nut	Double-Nut
071185	EP2B-IP-108LE	QMP08J108SET	n/a	n/a	n/a	n/a	n/a
071187	EP2B-IP-111LE	QMP09J111SET	n/a	n/a	n/a	n/a	n/a
071188	EP2B-IP-112LE	QMP09J112SET	n/a	n/a	n/a	n/a	n/a
071190	EP2B-IP-115LE	QMP10J115SET	QAP10A115SET	QAAP10A115SET	DVP11K115SET	QVP11V115SET	QVVP11V115SET
071191	EP2B-IP-200LE	QMP10J200SET	QAP10A200SET	QAAP10A200SET	DVP11K200SET	QVP11V200SET	QVVP11V200SET
071192	EP2B-IP-203LE	QMP11J203SET	QAP11A203SET	QAAP11A203SET	DVP13K203SET	QVP12V203SET	QVVP12V203SET
071194	EP2B-IP-207LE	QMP13J207SET	QAP13A207SET	QAAP13A207SET	DVP15K207SET	QVP14V207SET	QVVP14V207SET
071195	EP2B-IP-208LE	QMP13J208SET	QAP13A208SET	QAAP13A208SET	DVP15K208SET	QVP14V208SET	QVVP14V208SET
071196	EP2B-IP-211LE	QMP15J211SET	QAP15A211SET	QAAP15A211SET	n/a	QVP16V211SET	QVVP16V211SET
071197	EP2B-IP-212LE	QMP15J212SET	QAP15A212SET	QAAP15A212SET	n/a	QVP16V212SET	QVVP16V212SET
071198	EP2B-IP-215LE	QMP15J215SET	QAP15A215SET	QAAP15A215SET	n/a	QVP16V215SET	QVVP16V215SET
071199	EP2B-IP-300LE	QMP15J300SET	QAP15A300SET	QAAP15A300SET	n/a	QVP16V300SET	QVVP16V300SET
071200	EP2B-IP-303LE	QMP18J303SET	QAP18A303SET	QAAP18A303SET	n/a	QVP19V303SET	QVVP19V303SET
071201	EP2B-IP-304LE	QMP18J304SET	QAP18A304SET	QAAP18A304SET	n/a	QVP19V304SET	QVVP19V304SET
071202	EP2B-IP-307LE	QMP18J307SET	QAP18A307SET	QAAP18A307SET	DVP20K307SET	QVP19V307SET	QVVP19V307SET
071203	EP2B-IP-308LE	QMP18J308SET	QAP18A308SET	QAAP18A308SET	DVP20K308SET	QVP19V308SET	QVVP19V308SET
071205	EP4B-IP-207R	QMPR13J207SM	QAPR13A207SM	QAAPR13A207SM	n/a	QVPR14V207SM	QVPR14V207SM
071206	EP4B-IP-208R	QMPR13J208SM	QAPR13A208SM	QAAPR13A208SM	n/a	QVPR14V208SM	QVPR14V208SM
071207	EP4B-IP-211R	QMPR15J211SM	QAPR15A211SM	QAAPR15A211SM	n/a	QVPR16V211SM	QVPR16V211SM
071208	EP4B-IP-212R	QMPR15J212SM	QAPR15A212SM	QAAPR15A212SM	n/a	QVPR16V212SM	QVPR16V212SM
071209	EP4B-IP-215R	QMPR15J215SM	QAPR15A215SM	QAAPR15A215SM	n/a	QVPR16V215SM	QVPR16V215SM
071210	EP4B-IP-300R	QMPR15J300SM	QAPR15A300SM	QAAPR15A300SM	n/a	QVPR16V300SM	QVPR16V300SM
071211	EP4B-IP-303R	QMPR18J303SM	QAPR18A303SM	QAAPR18A303SM	n/a	QVPR19V303SM	QVPR19V303SM
071212	EP4B-IP-304R	QMPR18J304SM	QAPR18A304SM	QAAPR18A304SM	n/a	QVPR19V304SM	QVPR19V304SM
071213	EP4B-IP-307R	QMPR18J307SM	QAPR18A307SM	QAAPR18A307SM	n/a	QVPR19V307SM	QVPR19V307SM
071214	EP4B-IP-308R	QMPR18J308SM	QAPR18A308SM	QAAPR18A308SM	n/a	QVPR19V308SM	QVPR19V308SM
071215	EP4B-IP-315R	QMPF20J315SM	QAPF20A315SM	QAAPF20A315SM	DVPF22K315SM	QVPF22V315SM	QVVPF22V315SM
071216	EP4B-IP-400R	QMPF20J400SM	QAPF20A400SM	QAAPF20A400SM	DVPF22K400SM	QVPF22V400SM	QVVPF22V400SM
071217	EP4B-IP-407R	QMPF22J407SM	n/a	QAAPF22A407SM	DVPF26K407SM	QVPF26V407SM	QVVPF26V407SM
071218	EP4B-IP-408R	QMPF22J408SM	n/a	QAAPF22A408SM	DVPF26K408SM	QVPF26V408SM	QVVPF26V408SM
071219	EP4B-IP-415R	QMPF26J415SM	n/a	QAAPF26A415SM	n/a	QVPF28V415SM	QVVPF28V415SM
071220	EP4B-IP-500R	QMPF26J500SM	n/a	QAAPF26A500SM	n/a	QVPF28V500SM	QVVPF28V500SM
071222	EP4B-IP-207RE	QMPR13J207SEM	QAPR13A207SEM	QAAPR13A207SEM	n/a	QVPR14V207SEM	QVPR14V207SEM
071223	EP4B-IP-208RE	QMPR13J208SEM	QAPR13A208SEM	QAAPR13A208SEM	n/a	QVPR14V208SEM	QVPR14V208SEM
071224	EP4B-IP-211RE	QMPR15J211SEM	QAPR15A211SEM	QAAPR15A211SEM	n/a	QVPR16V211SEM	QVPR16V211SEM
071225	EP4B-IP-212RE	QMPR15J212SEM	QAPR15A212SEM	QAAPR15A212SEM	n/a	QVPR16V212SEM	QVPR16V212SEM
071226	EP4B-IP-215RE	QMPR15J215SEM	QAPR15A215SEM	QAAPR15A215SEM	n/a	QVPR16V215SEM	QVPR16V215SEM
071227	EP4B-IP-300RE	QMPR15J300SEM	QAPR15A300SEM	QAAPR15A300SEM	n/a	QVPR16V300SEM	QVPR16V300SEM
071228	EP4B-IP-303RE	QMPR18J303SEM	QAPR18A303SEM	QAAPR18A303SEM	n/a	QVPR19V303SEM	QVPR19V303SEM
071229	EP4B-IP-304RE	QMPR18J304SEM	QAPR18A304SEM	QAAPR18A304SEM	n/a	QVPR19V304SEM	QVPR19V304SEM
071230	EP4B-IP-307RE	QMPR18J307SEM	QAPR18A307SEM	QAAPR18A307SEM	n/a	QVPR19V307SEM	QVPR19V307SEM
071231	EP4B-IP-308RE	QMPR18J308SEM	QAPR18A308SEM	QAAPR18A308SEM	n/a	QVPR19V308SEM	QVPR19V308SEM
071232	EP4B-IP-315RE	QMPF20J315SEM	QAPF20A315SEM	QAAPF20A315SEM	DVPF22K315SEM	QVPF22V315SEM	QVVPF22V315SEM

Note: This interchange guide is for reference only. **Some competitor bearings may not be shown.** If you are unable to find the bearing you are trying to interchange, please contact your local distributor or QM Bearings for assistance.

(continued on next page)

Blue Brute Bearings – Interchange Guide

Dodge®

Dodge Part #	Dodge Part Name	QM EC Series	QM CL Series		QM TA/DV Series	QM V-Lock® Series	
			Single-Collar	Double-Collar		Single-Nut	Double-Nut
071233	EP4B-IP-400RE	QMPF20J400SEM	QAPF20A400SEM	QAAF20A400SEM	DVPF22K400SEM	QVPF22V400SEM	QVVPF22V400SEM
071234	EP4B-IP-407RE	QMPF22J407SEM	n/a	QAAF22A407SEM	DVPF26K407SEM	QVPF26V407SEM	QVVPF26V407SEM
071235	EP4B-IP-408RE	QMPF22J408SEM	n/a	QAAF22A408SEM	DVPF26K408SEM	QVPF26V408SEM	QVVPF26V408SEM
071236	EP4B-IP-415RE	QMPF26J415SEM	n/a	QAAF26A415SEM	n/a	QVPF28V415SEM	QVVPF28V415SEM
071237	EP4B-IP-500RE	QMPF26J500SEM	n/a	QAAF26A500SEM	n/a	QVPF28V500SEM	QVVPF28V500SEM
071239	EP4B-IP-207L	QMPR13J207ST	QAPR13A207ST	QAAPR13A207ST	n/a	QVPR14V207ST	QVVPR14V207ST
071240	EP4B-IP-208L	QMPR13J208ST	QAPR13A208ST	QAAPR13A208ST	n/a	QVPR14V208ST	QVVPR14V208ST
071241	EP4B-IP-211L	QMPR15J211ST	QAPR15A211ST	QAAPR15A211ST	n/a	QVPR16V211ST	QVVPR16V211ST
071242	EP4B-IP-212L	QMPR15J212ST	QAPR15A212ST	QAAPR15A212ST	n/a	QVPR16V212ST	QVVPR16V212ST
071243	EP4B-IP-215L	QMPR15J215ST	QAPR15A215ST	QAAPR15A215ST	n/a	QVPR16V215ST	QVVPR16V215ST
071244	EP4B-IP-300L	QMPR15J300ST	QAPR15A300ST	QAAPR15A300ST	n/a	QVPR16V300ST	QVVPR16V300ST
071245	EP4B-IP-303L	QMPR18J303ST	QAPR18A303ST	QAAPR18A303ST	n/a	QVPR19V303ST	QVVPR19V303ST
071246	EP4B-IP-304L	QMPR18J304ST	QAPR18A304ST	QAAPR18A304ST	n/a	QVPR19V304ST	QVVPR19V304ST
071247	EP4B-IP-307L	QMPR18J307ST	QAPR18A307ST	QAAPR18A307ST	n/a	QVPR19V307ST	QVVPR19V307ST
071248	EP4B-IP-308L	QMPR18J308ST	QAPR18A308ST	QAAPR18A308ST	n/a	QVPR19V308ST	QVVPR19V308ST
071249	EP4B-IP-315L	QMPF20J315ST	QAPF20A315ST	QAAF20A315ST	DVPF22K315ST	QVPF22V315ST	QVVPF22V315ST
071250	EP4B-IP-400L	QMPF20J400ST	QAPF20A400ST	QAAF20A400ST	DVPF22K400ST	QVPF22V400ST	QVVPF22V400ST
071251	EP4B-IP-407L	QMPF22J407ST	n/a	QAAF22A407ST	DVPF26K407ST	QVPF26V407ST	QVVPF26V407ST
071252	EP4B-IP-408L	QMPF22J408ST	n/a	QAAF22A408ST	DVPF26K408ST	QVPF26V408ST	QVVPF26V408ST
071253	EP4B-IP-415L	QMPF26J415ST	n/a	QAAF26A415ST	n/a	QVPF28V415ST	QVVPF28V415ST
071254	EP4B-IP-500L	QMPF26J500ST	n/a	QAAF26A500ST	n/a	QVPF28V500ST	QVVPF28V500ST
071256	EP4B-IP-207LE	QMPR13J207SET	QAPR13A207SET	QAAPR13A207SET	n/a	QVPR14V207SET	QVVPR14V207SET
071257	EP4B-IP-208LE	QMPR13J208SET	QAPR13A208SET	QAAPR13A208SET	n/a	QVPR14V208SET	QVVPR14V208SET
071258	EP4B-IP-211LE	QMPR15J211SET	QAPR15A211SET	QAAPR15A211SET	n/a	QVPR16V211SET	QVVPR16V211SET
071259	EP4B-IP-212LE	QMPR15J212SET	QAPR15A212SET	QAAPR15A212SET	n/a	QVPR16V212SET	QVVPR16V212SET
071260	EP4B-IP-215LE	QMPR15J215SET	QAPR15A215SET	QAAPR15A215SET	n/a	QVPR16V215SET	QVVPR16V215SET
071261	EP4B-IP-300LE	QMPR15J300SET	QAPR15A300SET	QAAPR15A300SET	n/a	QVPR16V300SET	QVVPR16V300SET
071262	EP4B-IP-303LE	QMPR18J303SET	QAPR18A303SET	QAAPR18A303SET	n/a	QVPR19V303SET	QVVPR19V303SET
071263	EP4B-IP-304LE	QMPR18J304SET	QAPR18A304SET	QAAPR18A304SET	n/a	QVPR19V304SET	QVVPR19V304SET
071264	EP4B-IP-307LE	QMPR18J307SET	QAPR18A307SET	QAAPR18A307SET	n/a	QVPR19V307SET	QVVPR19V307SET
071265	EP4B-IP-308LE	QMPR18J308SET	QAPR18A308SET	QAAPR18A308SET	n/a	QVPR19V308SET	QVVPR19V308SET
071266	EP4B-IP-315LE	QMPF20J315SET	QAPF20A315SET	QAAF20A315SET	DVPF22K315SET	QVPF22V315SET	QVVPF22V315SET
071267	EP4B-IP-400LE	QMPF20J400SET	QAPF20A400SET	QAAF20A400SET	DVPF22K400SET	QVPF22V400SET	QVVPF22V400SET
071268	EP4B-IP-407LE	QMPF22J407SET	n/a	QAAF22A407SET	DVPF26K407SET	QVPF26V407SET	QVVPF26V407SET
071269	EP4B-IP-408LE	QMPF22J408SET	n/a	QAAF22A408SET	DVPF26K408SET	QVPF26V408SET	QVVPF26V408SET
071270	EP4B-IP-415LE	QMPF26J415SET	n/a	QAAF26A415SET	n/a	QVPF28V415SET	QVVPF28V415SET
071271	EP4B-IP-500LE	QMPF26J500SET	n/a	QAAF26A500SET	n/a	QVPF28V500SET	QVVPF28V500SET
071289	EF4B-IP-107R	QMF08J107SM	n/a	n/a	n/a	n/a	n/a
071290	EF4B-IP-108R	QMF08J108SM	n/a	n/a	n/a	n/a	n/a
071292	EF4B-IP-111R	QMF09J111SM	n/a	n/a	n/a	n/a	n/a
071293	EF4B-IP-112R	QMF09J112SM	n/a	n/a	n/a	n/a	n/a
071295	EF4B-IP-115R	QMF10J115SM	QAF10A115SM	QAAF10A115SM	DVF11K115SM	QVF11V115SM	QVVF11V115SM
071296	EF4B-IP-200R	QMF10J200SM	QAF10A200SM	QAAF10A200SM	DVF11K200SM	QVF11V200SM	QVVF11V200SM

Note: This interchange guide is for reference only. **Some competitor bearings may not be shown.** If you are unable to find the bearing you are trying to interchange, please contact your local distributor or QM Bearings for assistance.

(continued on next page)

Blue Brute Bearings – Interchange Guide



Dodge Part #	Dodge Part Name	QM EC Series	QM CL Series		QM TA/DV Series	QM V-Lock® Series	
			Single-Collar	Double-Collar		Single-Nut	Double-Nut
071297	EF4B-IP-203R	QMF11J203SM	QAF11A203SM	QAAF11A203SM	DVF13K203SM	QVF12V203SM	QVVF12V203SM
071299	EF4B-IP-207R	QMF13J207SM	QAF13A207SM	QAAF13A207SM	DVF15K207SM	QVF14V207SM	QVVF14V207SM
071300	EF4B-IP-208R	QMF13J208SM	QAF13A208SM	QAAF13A208SM	DVF15K208SM	QVF14V208SM	QVVF14V208SM
071301	EF4B-IP-211R	QMF15J211SM	QAF15A211SM	QAAF15A211SM	n/a	QVF16V211SM	QVVF16V211SM
071302	EF4B-IP-212R	QMF15J212SM	QAF15A212SM	QAAF15A212SM	n/a	QVF16V212SM	QVVF16V212SM
071303	EF4B-IP-215R	QMF15J215SM	QAF15A215SM	QAAF15A215SM	DVF17K215SM	QVF16V215SM	QVVF16V215SM
071304	EF4B-IP-300R	QMF15J300SM	QAF15A300SM	QAAF15A300SM	DVF17K300SM	QVF16V300SM	QVVF16V300SM
071305	EF4B-IP-303R	QMF18J303SM	QAF18A303SM	QAAF18A303SM	n/a	QVF19V303SM	QVVF19V303SM
071306	EF4B-IP-304R	QMF18J304SM	QAF18A304SM	QAAF18A304SM	n/a	QVF19V304SM	QVVF19V304SM
071307	EF4B-IP-307R	QMF18J307SM	QAF18A307SM	QAAF18A307SM	DVF20K307SM	QVF19V307SM	QVVF19V307SM
071308	EF4B-IP-308R	QMF18J308SM	QAF18A308SM	QAAF18A308SM	DVF20K308SM	QVF19V308SM	QVVF19V308SM
071309	EF4B-IP-315R	QMF20J315SM	QAF20A315SM	QAAF20A315SM	DVF22K315SM	QVF22V315SM	QVVF22V315SM
071310	EF4B-IP-400R	QMF20J400SM	QAF20A400SM	QAAF20A400SM	DVF22K400SM	QVF22V400SM	QVVF22V400SM
071311	EF4B-IP-407R	QMF22J407SM	n/a	QAAF22A407SM	DVF26K407SM	QVVF26V407SM	QVVF26V407SM
071312	EF4B-IP-408R	QMF22J408SM	n/a	QAAF22A408SM	DVF26K408SM	QVVF26V408SM	QVVF26V408SM
071314	EF4B-IP-107RE	QMF08J107SEM	n/a	n/a	n/a	n/a	n/a
071315	EF4B-IP-108RE	QMF08J108SEM	n/a	n/a	n/a	n/a	n/a
071317	EF4B-IP-111RE	QMF09J111SEM	n/a	n/a	n/a	n/a	n/a
071318	EF4B-IP-112RE	QMF09J112SEM	n/a	n/a	n/a	n/a	n/a
071320	EF4B-IP-115RE	QMF10J115SEM	QAF10A115SEM	QAAF10A115SEM	DVF11K115SEM	QVF11V115SEM	QVVF11V115SEM
071321	EF4B-IP-200RE	QMF10J200SEM	QAF10A200SEM	QAAF10A200SEM	DVF11K200SEM	QVF11V200SEM	QVVF11V200SEM
071322	EF4B-IP-203RE	QMF11J203SEM	QAF11A203SEM	QAAF11A203SEM	DVF13K203SEM	QVF12V203SEM	QVVF12V203SEM
071324	EF4B-IP-207RE	QMF13J207SEM	QAF13A207SEM	QAAF13A207SEM	DVF15K207SEM	QVF14V207SEM	QVVF14V207SEM
071325	EF4B-IP-208RE	QMF13J208SEM	QAF13A208SEM	QAAF13A208SEM	DVF15K208SEM	QVF14V208SEM	QVVF14V208SEM
071326	EF4B-IP-211RE	QMF15J211SEM	QAF15A211SEM	QAAF15A211SEM	n/a	QVF16V211SEM	QVVF16V211SEM
071327	EF4B-IP-212RE	QMF15J212SEM	QAF15A212SEM	QAAF15A212SEM	n/a	QVF16V212SEM	QVVF16V212SEM
071328	EF4B-IP-215RE	QMF15J215SEM	QAF15A215SEM	QAAF15A215SEM	DVF17K215SEM	QVF16V215SEM	QVVF16V215SEM
071329	EF4B-IP-300RE	QMF15J300SEM	QAF15A300SEM	QAAF15A300SEM	DVF17K300SEM	QVF16V300SEM	QVVF16V300SEM
071330	EF4B-IP-303RE	QMF18J303SEM	QAF18A303SEM	QAAF18A303SEM	n/a	QVF19V303SEM	QVVF19V303SEM
071331	EF4B-IP-304RE	QMF18J304SEM	QAF18A304SEM	QAAF18A304SEM	n/a	QVF19V304SEM	QVVF19V304SEM
071332	EF4B-IP-307RE	QMF18J307SEM	QAF18A307SEM	QAAF18A307SEM	DVF20K307SEM	QVF19V307SEM	QVVF19V307SEM
071333	EF4B-IP-308RE	QMF18J308SEM	QAF18A308SEM	QAAF18A308SEM	DVF20K308SEM	QVF19V308SEM	QVVF19V308SEM
071334	EF4B-IP-315RE	QMF20J315SEM	QAF20A315SEM	QAAF20A315SEM	DVF22K315SEM	QVF22V315SEM	QVVF22V315SEM
071335	EF4B-IP-400RE	QMF20J400SEM	QAF20A400SEM	QAAF20A400SEM	DVF22K400SEM	QVF22V400SEM	QVVF22V400SEM
071336	EF4B-IP-407RE	QMF22J407SEM	n/a	QAAF22A407SEM	DVF26K407SEM	QVVF26V407SEM	QVVF26V407SEM
071337	EF4B-IP-408RE	QMF22J408SEM	n/a	QAAF22A408SEM	DVF26K408SEM	QVVF26V408SEM	QVVF26V408SEM
071339	EF4B-IP-107L	QMF08J107ST	n/a	n/a	n/a	n/a	n/a
071340	EF4B-IP-108L	QMF08J108ST	n/a	n/a	n/a	n/a	n/a
071342	EF4B-IP-111L	QMF09J111ST	n/a	n/a	n/a	n/a	n/a
071343	EF4B-IP-112L	QMF09J112ST	n/a	n/a	n/a	n/a	n/a
071345	EF4B-IP-115L	QMF10J115ST	QAF10A115ST	QAAF10A115ST	DVF11K115ST	QVF11V115ST	QVVF11V115ST
071346	EF4B-IP-200L	QMF10J200ST	QAF10A200ST	QAAF10A200ST	DVF11K200ST	QVF11V200ST	QVVF11V200ST
071347	EF4B-IP-203L	QMF11J203ST	QAF11A203ST	QAAF11A203ST	DVF13K203ST	QVF12V203ST	QVVF12V203ST

Note: This interchange guide is for reference only. **Some competitor bearings may not be shown.** If you are unable to find the bearing you are trying to interchange, please contact your local distributor or QM Bearings for assistance.

(continued on next page)

Blue Brute Bearings – Interchange Guide

Dodge®

Dodge Part #	Dodge Part Name	QM EC Series	QM CL Series		QM TA/DV Series	QM V-Lock® Series	
			Single-Collar	Double-Collar		Single-Nut	Double-Nut
071349	EF4B-IP-207L	QMF13J207ST	QAF13A207ST	QAAF13A207ST	DVF15K207ST	QVF14V207ST	QVVF14V207ST
071350	EF4B-IP-208L	QMF13J208ST	QAF13A208ST	QAAF13A208ST	DVF15K208ST	QVF14V208ST	QVVF14V208ST
071351	EF4B-IP-211L	QMF15J211ST	QAF15A211ST	QAAF15A211ST	n/a	QVF16V211ST	QVVF16V211ST
071352	EF4B-IP-212L	QMF15J212ST	QAF15A212ST	QAAF15A212ST	n/a	QVF16V212ST	QVVF16V212ST
071353	EF4B-IP-215L	QMF15J215ST	QAF15A215ST	QAAF15A215ST	DVF17K215ST	QVF16V215ST	QVVF16V215ST
071354	EF4B-IP-300L	QMF15J300ST	QAF15A300ST	QAAF15A300ST	DVF17K300ST	QVF16V300ST	QVVF16V300ST
071355	EF4B-IP-303L	QMF18J303ST	QAF18A303ST	QAAF18A303ST	n/a	QVF19V303ST	QVVF19V303ST
071356	EF4B-IP-304L	QMF18J304ST	QAF18A304ST	QAAF18A304ST	n/a	QVF19V304ST	QVVF19V304ST
071357	EF4B-IP-307L	QMF18J307ST	QAF18A307ST	QAAF18A307ST	DVF20K307ST	QVF19V307ST	QVVF19V307ST
071358	EF4B-IP-308L	QMF18J308ST	QAF18A308ST	QAAF18A308ST	DVF20K308ST	QVF19V308ST	QVVF19V308ST
071359	EF4B-IP-315L	QMF20J315ST	QAF20A315ST	QAAF20A315ST	DVF22K315ST	QVF22V315ST	QVVF22V315ST
071360	EF4B-IP-400L	QMF20J400ST	QAF20A400ST	QAAF20A400ST	DVF22K400ST	QVF22V400ST	QVVF22V400ST
071361	EF4B-IP-407L	QMF22J407ST	n/a	QAAF22A407ST	DVF26K407ST	QVVF26V407ST	QVVF26V407ST
071362	EF4B-IP-408L	QMF22J408ST	n/a	QAAF22A408ST	DVF26K408ST	QVVF26V408ST	QVVF26V408ST
071365	EF4B-IP-107LE	QMF08J107SET	n/a	n/a	n/a	n/a	n/a
071366	EF4B-IP-108LE	QMF08J108SET	n/a	n/a	n/a	n/a	n/a
071368	EF4B-IP-111LE	QMF09J111SET	n/a	n/a	n/a	n/a	n/a
071369	EF4B-IP-112LE	QMF09J112SET	n/a	n/a	n/a	n/a	n/a
071371	EF4B-IP-115LE	QMF10J115SET	QAF10A115SET	QAAF10A115SET	DVF11K115SET	QVF11V115SET	QVVF11V115SET
071372	EF4B-IP-200LE	QMF10J200SET	QAF10A200SET	QAAF10A200SET	DVF11K200SET	QVF11V200SET	QVVF11V200SET
071373	EF4B-IP-203LE	QMF11J203SET	QAF11A203SET	QAAF11A203SET	DVF13K203SET	QVF12V203SET	QVVF12V203SET
071375	EF4B-IP-207LE	QMF13J207SET	QAF13A207SET	QAAF13A207SET	DVF15K207SET	QVF14V207SET	QVVF14V207SET
071376	EF4B-IP-208LE	QMF13J208SET	QAF13A208SET	QAAF13A208SET	DVF15K208SET	QVF14V208SET	QVVF14V208SET
071377	EF4B-IP-211LE	QMF15J211SET	QAF15A211SET	QAAF15A211SET	n/a	QVF16V211SET	QVVF16V211SET
071378	EF4B-IP-212LE	QMF15J212SET	QAF15A212SET	QAAF15A212SET	n/a	QVF16V212SET	QVVF16V212SET
071379	EF4B-IP-215LE	QMF15J215SET	QAF15A215SET	QAAF15A215SET	DVF17K215SET	QVF16V215SET	QVVF16V215SET
071380	EF4B-IP-300LE	QMF15J300SET	QAF15A300SET	QAAF15A300SET	DVF17K300SET	QVF16V300SET	QVVF16V300SET
071381	EF4B-IP-303LE	QMF18J303SET	QAF18A303SET	QAAF18A303SET	n/a	QVF19V303SET	QVVF19V303SET
071382	EF4B-IP-304LE	QMF18J304SET	QAF18A304SET	QAAF18A304SET	n/a	QVF19V304SET	QVVF19V304SET
071383	EF4B-IP-307LE	QMF18J307SET	QAF18A307SET	QAAF18A307SET	DVF20K307SET	QVF19V307SET	QVVF19V307SET
071384	EF4B-IP-308LE	QMF18J308SET	QAF18A308SET	QAAF18A308SET	DVF20K308SET	QVF19V308SET	QVVF19V308SET
071385	EF4B-IP-315LE	QMF20J315SET	QAF20A315SET	QAAF20A315SET	DVF22K315SET	QVF22V315SET	QVVF22V315SET
071386	EF4B-IP-400LE	QMF20J400SET	QAF20A400SET	QAAF20A400SET	DVF22K400SET	QVF22V400SET	QVVF22V400SET
071387	EF4B-IP-407LE	QMF22J407SET	n/a	QAAF22A407SET	DVF26K407SET	QVVF26V407SET	QVVF26V407SET
071388	EF4B-IP-408LE	QMF22J408SET	n/a	QAAF22A408SET	DVF26K408SET	QVVF26V408SET	QVVF26V408SET
071390	EP2B-S2-107R	QMP08J107SM	n/a	n/a	n/a	n/a	n/a
071391	EP2B-S2-111R	QMP09J111SM	n/a	n/a	n/a	n/a	n/a
071392	EP2B-S2-115R	QMP10J115SM	QAP10A115SM	QAAP10A115SM	n/a	QVP11V115SM	QVVP11V115SM
071393	EP2B-S2-200R	QMP10J200SM	QAP10A200SM	QAAP10A200SM	n/a	QVP11V200SM	QVVP11V200SM
071394	EP2B-S2-203R	QMP11J203SM	QAP11A203SM	QAAP11A203SM	n/a	QVP12V203SM	QVVP12V203SM
071395	EP2B-S2-207R	QMP13J207SM	QAP13A207SM	QAAP13A207SM	n/a	QVP14V207SM	QVVP14V207SM
071396	EP2B-S2-211R	QMP15J211SM	QAP15A211SM	QAAP15A211SM	n/a	QVP16V211SM	QVVP16V211SM
071397	EP2B-S2-215R	QMP15J215SM	QAP15A215SM	QAAP15A215SM	n/a	QVP16V215SM	QVVP16V215SM

Note: This interchange guide is for reference only. **Some competitor bearings may not be shown.** If you are unable to find the bearing you are trying to interchange, please contact your local distributor or QM Bearings for assistance.

(continued on next page)

Blue Brute Bearings – Interchange Guide

Dodge®

Dodge Part #	Dodge Part Name	QM EC Series	QM CL Series		QM TA/DV Series	QM V-Lock® Series	
			Single-Collar	Double-Collar		Single-Nut	Double-Nut
			071398	EP2B-S2-300R		QMP15J300SM	QAP15A300SM
071399	EP2B-S2-307R	QMP18J307SM	QAP18A307SM	QAAP18A307SM	n/a	QVP19V307SM	QVVP19V307SM
071401	EP2B-S2-107RE	QMP08J107SEM	n/a	n/a	n/a	n/a	n/a
071402	EP2B-S2-111RE	QMP09J111SEM	n/a	n/a	n/a	n/a	n/a
071403	EP2B-S2-115RE	QMP10J115SEM	QAP10A115SEM	QAAP10A115SEM	n/a	QVP11V115SEM	QVVP11V115SEM
071404	EP2B-S2-200RE	QMP10J200SEM	QAP10A200SEM	QAAP10A200SEM	n/a	QVP11V200SEM	QVVP11V200SEM
071405	EP2B-S2-203RE	QMP11J203SEM	QAP11A203SEM	QAAP11A203SEM	n/a	QVP12V203SEM	QVVP12V203SEM
071406	EP2B-S2-207RE	QMP13J207SEM	QAP13A207SEM	QAAP13A207SEM	n/a	QVP14V207SEM	QVVP14V207SEM
071407	EP2B-S2-211RE	QMP15J211SEM	QAP15A211SEM	QAAP15A211SEM	n/a	QVP16V211SEM	QVVP16V211SEM
071408	EP2B-S2-215RE	QMP15J215SEM	QAP15A215SEM	QAAP15A215SEM	n/a	QVP16V215SEM	QVVP16V215SEM
071409	EP2B-S2-300RE	QMP15J300SEM	QAP15A300SEM	QAAP15A300SEM	n/a	QVP16V300SEM	QVVP16V300SEM
071410	EP2B-S2-307RE	QMP18J307SEM	QAP18A307SEM	QAAP18A307SEM	n/a	QVP19V307SEM	QVVP19V307SEM
071412	EP2B-S2-107L	QMP08J107ST	n/a	n/a	n/a	n/a	n/a
071413	EP2B-S2-111L	QMP09J111ST	n/a	n/a	n/a	n/a	n/a
071414	EP2B-S2-115L	QMP10J115ST	QAP10A115ST	QAAP10A115ST	n/a	QVP11V115ST	QVVP11V115ST
071415	EP2B-S2-200L	QMP10J200ST	QAP10A200ST	QAAP10A200ST	n/a	QVP11V200ST	QVVP11V200ST
071416	EP2B-S2-203L	QMP11J203ST	QAP11A203ST	QAAP11A203ST	n/a	QVP12V203ST	QVVP12V203ST
071417	EP2B-S2-207L	QMP13J207ST	QAP13A207ST	QAAP13A207ST	n/a	QVP14V207ST	QVVP14V207ST
071418	EP2B-S2-211L	QMP15J211ST	QAP15A211ST	QAAP15A211ST	n/a	QVP16V211ST	QVVP16V211ST
071419	EP2B-S2-215L	QMP15J215ST	QAP15A215ST	QAAP15A215ST	n/a	QVP16V215ST	QVVP16V215ST
071420	EP2B-S2-300L	QMP15J300ST	QAP15A300ST	QAAP15A300ST	n/a	QVP16V300ST	QVVP16V300ST
071421	EP2B-S2-307L	QMP18J307ST	QAP18A307ST	QAAP18A307ST	n/a	QVP19V307ST	QVVP19V307ST
071423	EP2B-S2-107LE	QMP08J107SET	n/a	n/a	n/a	n/a	n/a
071424	EP2B-S2-111LE	QMP09J111SET	n/a	n/a	n/a	n/a	n/a
071425	EP2B-S2-115LE	QMP10J115SET	QAP10A115SET	QAAP10A115SET	n/a	QVP11V115SET	QVVP11V115SET
071426	EP2B-S2-200LE	QMP10J200SET	QAP10A200SET	QAAP10A200SET	n/a	QVP11V200SET	QVVP11V200SET
071427	EP2B-S2-203LE	QMP11J203SET	QAP11A203SET	QAAP11A203SET	n/a	QVP12V203SET	QVVP12V203SET
071428	EP2B-S2-207LE	QMP13J207SET	QAP13A207SET	QAAP13A207SET	n/a	QVP14V207SET	QVVP14V207SET
071429	EP2B-S2-211LE	QMP15J211SET	QAP15A211SET	QAAP15A211SET	n/a	QVP16V211SET	QVVP16V211SET
071430	EP2B-S2-215LE	QMP15J215SET	QAP15A215SET	QAAP15A215SET	n/a	QVP16V215SET	QVVP16V215SET
071431	EP2B-S2-300LE	QMP15J300SET	QAP15A300SET	QAAP15A300SET	n/a	QVP16V300SET	QVVP16V300SET
071432	EP2B-S2-307LE	QMP18J307SET	QAP18A307SET	QAAP18A307SET	n/a	QVP19V307SET	QVVP19V307SET
071433	EP4B-S2-207R	QMPR13J207SM	QAPR13A207SM	QAAPR13A207SM	n/a	QVPR14V207SM	QVVPR14V207SM
071434	EP4B-S2-211R	QMPR15J211SM	QAPR15A211SM	QAAPR15A211SM	n/a	QVPR16V211SM	QVVPR16V211SM
071435	EP4B-S2-215R	QMPR15J215SM	QAPR15A215SM	QAAPR15A215SM	n/a	QVPR16V215SM	QVVPR16V215SM
071436	EP4B-S2-300R	QMPR15J300SM	QAPR15A300SM	QAAPR15A300SM	n/a	QVPR16V300SM	QVVPR16V300SM
071437	EP4B-S2-307R	QMPR18J307SM	QAPR18A307SM	QAAPR18A307SM	n/a	QVPR19V307SM	QVVPR19V307SM
071438	EP4B-S2-315R	QMPF20J315SM	QAPF20A315SM	QAAPF20A315SM	n/a	QVPF22V315SM	QVVPF22V315SM
071439	EP4B-S2-407R	QMPF22J407SM	n/a	QAAPF22A407SM	n/a	QVPF26V407SM	QVVPF26V407SM
071440	EP4B-S2-415R	QMPF26J415SM	n/a	QAAPF26A415SM	n/a	QVPF28V415SM	QVVPF28V415SM
071441	EP4B-S2-207RE	QMPR13J207SEM	QAPR13A207SEM	QAAPR13A207SEM	n/a	QVPR14V207SEM	QVVPR14V207SEM
071442	EP4B-S2-211RE	QMPR15J211SEM	QAPR15A211SEM	QAAPR15A211SEM	n/a	QVPR16V211SEM	QVVPR16V211SEM
071443	EP4B-S2-215RE	QMPR15J215SEM	QAPR15A215SEM	QAAPR15A215SEM	n/a	QVPR16V215SEM	QVVPR16V215SEM

Note: This interchange guide is for reference only. **Some competitor bearings may not be shown.** If you are unable to find the bearing you are trying to interchange, please contact your local distributor or QM Bearings for assistance.

(continued on next page)

Introduction
Blue Brute Bearings
Bearing Interchange Guide
Quick-Flex Couplings
Rigid Compression Couplings
Index

Blue Brute Bearings – Interchange Guide

Dodge®

Dodge Part #	Dodge Part Name	QM EC Series	QM CL Series		QM TA/DV Series	QM V-Lock® Series	
			Single-Collar	Double-Collar		Single-Nut	Double-Nut
071444	EP4B-S2-300RE	QMPR15J300SEM	QAPR15A300SEM	QAAPR15A300SEM	n/a	QVPR16V300SEM	QVVPR16V300SEM
071445	EP4B-S2-307RE	QMPR18J307SEM	QAPR18A307SEM	QAAPR18A307SEM	n/a	QVPR19V307SEM	QVVPR19V307SEM
071446	EP4B-S2-315RE	QMPF20J315SEM	QAPF20A315SEM	QAAPF20A315SEM	n/a	QVPF22V315SEM	QVVPF22V315SEM
071447	EP4B-S2-407RE	QMPF22J407SEM	n/a	QAAPF22A407SEM	n/a	QVPF26V407SEM	QVVPF26V407SEM
071448	EP4B-S2-415RE	QMPF26J415SEM	n/a	QAAPF26A415SEM	n/a	QVPF28V415SEM	QVVPF28V415SEM
071449	EP4B-S2-207L	QMPR13J207ST	QAPR13A207ST	QAAPR13A207ST	n/a	QVPR14V207ST	QVVPR14V207ST
071450	EP4B-S2-211L	QMPR15J211ST	QAPR15A211ST	QAAPR15A211ST	n/a	QVPR16V211ST	QVVPR16V211ST
071451	EP4B-S2-215L	QMPR15J215ST	QAPR15A215ST	QAAPR15A215ST	n/a	QVPR16V215ST	QVVPR16V215ST
071452	EP4B-S2-300L	QMPR15J300ST	QAPR15A300ST	QAAPR15A300ST	n/a	QVPR16V300ST	QVVPR16V300ST
071453	EP4B-S2-307L	QMPR18J307ST	QAPR18A307ST	QAAPR18A307ST	n/a	QVPR19V307ST	QVVPR19V307ST
071454	EP4B-S2-315L	QMPF20J315ST	QAPF20A315ST	QAAPF20A315ST	n/a	QVPF22V315ST	QVVPF22V315ST
071455	EP4B-S2-407L	QMPF22J407ST	n/a	QAAPF22A407ST	n/a	QVPF26V407ST	QVVPF26V407ST
071456	EP4B-S2-415L	QMPF26J415ST	n/a	QAAPF26A415ST	n/a	QVPF28V415ST	QVVPF28V415ST
071457	EP4B-S2-207LE	QMPR13J207SET	QAPR13A207SET	QAAPR13A207SET	n/a	QVPR14V207SET	QVVPR14V207SET
071458	EP4B-S2-211LE	QMPR15J211SET	QAPR15A211SET	QAAPR15A211SET	n/a	QVPR16V211SET	QVVPR16V211SET
071459	EP4B-S2-215LE	QMPR15J215SET	QAPR15A215SET	QAAPR15A215SET	n/a	QVPR16V215SET	QVVPR16V215SET
071460	EP4B-S2-300LE	QMPR15J300SET	QAPR15A300SET	QAAPR15A300SET	n/a	QVPR16V300SET	QVVPR16V300SET
071461	EP4B-S2-307LE	QMPR18J307SET	QAPR18A307SET	QAAPR18A307SET	n/a	QVPR19V307SET	QVVPR19V307SET
071462	EP4B-S2-315LE	QMPF20J315SET	QAPF20A315SET	QAAPF20A315SET	n/a	QVPF22V315SET	QVVPF22V315SET
071463	EP4B-S2-407LE	QMPF22J407SET	n/a	QAAPF22A407SET	n/a	QVPF26V407SET	QVVPF26V407SET
071464	EP4B-S2-415LE	QMPF26J415SET	n/a	QAAPF26A415SET	n/a	QVPF28V415SET	QVVPF28V415SET
071470	EF4B-S2-107R	QMF08J107SM	n/a	n/a	n/a	n/a	n/a
071471	EF4B-S2-111R	QMF09J111SM	n/a	n/a	n/a	n/a	n/a
071472	EF4B-S2-115R	QMF10J115SM	QAF10A115SM	QAAF10A115SM	n/a	QVF11V115SM	QVVF11V115SM
071473	EF4B-S2-200R	QMF10J200SM	QAF10A200SM	QAAF10A200SM	n/a	QVF11V200SM	QVVF11V200SM
071474	EF4B-S2-203R	QMF11J203SM	QAF11A203SM	QAAF11A203SM	n/a	QVF12V203SM	QVVF12V203SM
071475	EF4B-S2-207R	QMF13J207SM	QAF13A207SM	QAAF13A207SM	n/a	QVF14V207SM	QVVF14V207SM
071476	EF4B-S2-211R	QMF15J211SM	QAF15A211SM	QAAF15A211SM	n/a	QVF16V211SM	QVVF16V211SM
071477	EF4B-S2-215R	QMF15J215SM	QAF15A215SM	QAAF15A215SM	n/a	QVF16V215SM	QVVF16V215SM
071478	EF4B-S2-300R	QMF15J300SM	QAF15A300SM	QAAF15A300SM	n/a	QVF16V300SM	QVVF16V300SM
071479	EF4B-S2-307R	QMF18J307SM	QAF18A307SM	QAAF18A307SM	n/a	QVF19V307SM	QVVF19V307SM
071480	EF4B-S2-315R	QMF20J315SM	QAF20A315SM	QAAF20A315SM	n/a	QVF22V315SM	QVVF22V315SM
071481	EF4B-S2-407R	QMF22J407SM	QAF22A407SM	QAAF22A407SM	n/a	QVF28V407SM	QVVF28V407SM
071483	EF4B-S2-107RE	QMF08J107SEM	n/a	n/a	n/a	n/a	n/a
071484	EF4B-S2-111RE	QMF09J111SEM	n/a	n/a	n/a	n/a	n/a
071485	EF4B-S2-115RE	QMF10J115SEM	QAF10A115SEM	QAAF10A115SEM	n/a	QVF11V115SEM	QVVF11V115SEM
071486	EF4B-S2-200RE	QMF10J200SEM	QAF10A200SEM	QAAF10A200SEM	n/a	QVF11V200SEM	QVVF11V200SEM
071487	EF4B-S2-203RE	QMF11J203SEM	QAF11A203SEM	QAAF11A203SEM	n/a	QVF12V203SEM	QVVF12V203SEM
071488	EF4B-S2-207RE	QMF13J207SEM	QAF13A207SEM	QAAF13A207SEM	n/a	QVF14V207SEM	QVVF14V207SEM
071489	EF4B-S2-211RE	QMF15J211SEM	QAF15A211SEM	QAAF15A211SEM	n/a	QVF16V211SEM	QVVF16V211SEM
071490	EF4B-S2-215RE	QMF15J215SEM	QAF15A215SEM	QAAF15A215SEM	n/a	QVF16V215SEM	QVVF16V215SEM
071491	EF4B-S2-300RE	QMF15J300SEM	QAF15A300SEM	QAAF15A300SEM	n/a	QVF16V300SEM	QVVF16V300SEM
071492	EF4B-S2-307RE	QMF18J307SEM	QAF18A307SEM	QAAF18A307SEM	n/a	QVF19V307SEM	QVVF19V307SEM

Note: This interchange guide is for reference only. **Some competitor bearings may not be shown.** If you are unable to find the bearing you are trying to interchange, please contact your local distributor or QM Bearings for assistance.

(continued on next page)

Blue Brute Bearings – Interchange Guide

Dodge®

Dodge Part #	Dodge Part Name	QM EC Series	QM CL Series		QM TA/DV Series	QM V-Lock® Series	
			Single-Collar	Double-Collar		Single-Nut	Double-Nut
071493	EF4B-S2-315RE	QMF20J315SEM	QAF20A315SEM	QAAF20A315SEM	n/a	QVF22V315SEM	QVVF22V315SEM
071494	EF4B-S2-407RE	QMF22J407SEM	n/a	QAAF22A407SEM	n/a	QVF26V407SEM	QVVF26V407SEM
071496	EF4B-S2-107L	QMF08J107ST	n/a	n/a	n/a	n/a	n/a
071497	EF4B-S2-111L	QMF09J111ST	n/a	n/a	n/a	n/a	n/a
071498	EF4B-S2-115L	QMF10J115ST	QAF10A115ST	QAAF10A115ST	n/a	QVF11V115ST	QVVF11V115ST
071499	EF4B-S2-200L	QMF10J200ST	QAF10A200ST	QAAF10A200ST	n/a	QVF11V200ST	QVVF11V200ST
071500	EF4B-S2-203L	QMF11J203ST	QAF11A203ST	QAAF11A203ST	n/a	QVF12V203ST	QVVF12V203ST
071501	EF4B-S2-207L	QMF13J207ST	QAF13A207ST	QAAF13A207ST	n/a	QVF14V207ST	QVVF14V207ST
071502	EF4B-S2-211L	QMF15J211ST	QAF15A211ST	QAAF15A211ST	n/a	QVF16V211ST	QVVF16V211ST
071503	EF4B-S2-215L	QMF15J215ST	QAF15A215ST	QAAF15A215ST	n/a	QVF16V215ST	QVVF16V215ST
071504	EF4B-S2-300L	QMF15J300ST	QAF15A300ST	QAAF15A300ST	n/a	QVF16V300ST	QVVF16V300ST
071505	EF4B-S2-307L	QMF18J307ST	QAF18A307ST	QAAF18A307ST	n/a	QVF19V307ST	QVVF19V307ST
071506	EF4B-S2-315L	QMF20J315ST	QAF20A315ST	QAAF20A315ST	n/a	QVF22V315ST	QVVF22V315ST
071507	EF4B-S2-407L	QMF22J407ST	n/a	QAAF22A407ST	n/a	QVF26V407ST	QVVF26V407ST
071509	EF4B-S2-107LE	QMF08J107SET	n/a	n/a	n/a	n/a	n/a
071510	EF4B-S2-111LE	QMF09J111SET	n/a	n/a	n/a	n/a	n/a
071511	EF4B-S2-115LE	QMF10J115SET	QAF10A115SET	QAAF10A115SET	n/a	QVF11V115SET	QVVF11V115SET
071512	EF4B-S2-200LE	QMF10J200SET	QAF10A200SET	QAAF10A200SET	n/a	QVF11V200SET	QVVF11V200SET
071513	EF4B-S2-203LE	QMF11J203SET	QAF11A203SET	QAAF11A203SET	n/a	QVF12V203SET	QVVF12V203SET
071514	EF4B-S2-207LE	QMF13J207SET	QAF13A207SET	QAAF13A207SET	n/a	QVF14V207SET	QVVF14V207SET
071515	EF4B-S2-211LE	QMF15J211SET	QAF15A211SET	QAAF15A211SET	n/a	QVF16V211SET	QVVF16V211SET
071516	EF4B-S2-215LE	QMF15J215SET	QAF15A215SET	QAAF15A215SET	n/a	QVF16V215SET	QVVF16V215SET
071517	EF4B-S2-300LE	QMF15J300SET	QAF15A300SET	QAAF15A300SET	n/a	QVF16V300SET	QVVF16V300SET
071518	EF4B-S2-307LE	QMF18J307SET	QAF18A307SET	QAAF18A307SET	n/a	QVF19V307SET	QVVF19V307SET
071519	EF4B-S2-315LE	QMF20J315SET	QAF20A315SET	QAAF20A315SET	n/a	QVF22V315SET	QVVF22V315SET
071520	EF4B-S2-407LE	QMF22J407SET	n/a	QAAF22A407SET	n/a	QVF26V407SET	QVVF26V407SET
071521	EFC-S2-407R	QMCW22J407SM	n/a	QAACW22A407SM	n/a	QVCW26V407SM	QVVCW26V407SM
071522	EFC-S2-415R	QMCW26J415SM	n/a	QAACW26A415SM	n/a	QVCW28V415SM	QVVCW28V415SM
071523	EFC-S2-407RE	QMCW22J407SEM	n/a	QAACW22A407SEM	n/a	QVCW26V407SEM	QVVCW26V407SEM
071524	EFC-S2-415RE	QMCW26J415SEM	n/a	QAACW26A415SEM	n/a	QVCW28V415SEM	QVVCW28V415SEM
071525	EFC-S2-407L	QMCW22J407ST	n/a	QAACW22A407ST	n/a	QVCW26V407ST	QVVCW26V407ST
071526	EFC-S2-415L	QMCW26J415ST	n/a	QAACW26A415ST	n/a	QVCW28V415ST	QVVCW28V415ST
071527	EFC-S2-407LE	QMCW22J407SET	n/a	QAACW22A407SET	n/a	QVCW26V407SET	QVVCW26V407SET
071528	EFC-S2-415LE	QMCW26J415SET	n/a	QAACW26A415SET	n/a	QVCW28V415SET	QVVCW28V415SET

Note: This interchange guide is for reference only. **Some competitor bearings may not be shown.** If you are unable to find the bearing you are trying to interchange, please contact your local distributor or QM Bearings for assistance.

Blue Brute Bearings – Interchange Guide

Link-Belt®

Link-Belt Part Number	QM EC Series	QM CL Series		QM TA/DV Series	QM V-Lock® Series	
		Single-Collar	Double-Collar		Single-Nut	Double-Nut
C-B22431E	QMMC10J115SM	QAMC10A115SM	QAAMC10A115SM	n/a	n/a	n/a
C-B22431H	QMMC10J115ST	QAMC10A115ST	QAAMC10A115ST	n/a	n/a	n/a
C-B22432E	QMMC10J200SM	QAMC10A200SM	QAAMC10A200SM	n/a	n/a	n/a
C-B22432H	QMMC10J200ST	QAMC10A200ST	QAAMC10A200ST	n/a	n/a	n/a
C-B22435E	QMMC11J203SM	QAMC11A203SM	QAAMC11A203SM	n/a	n/a	n/a
C-B22435H	QMMC11J203ST	QAMC11A203ST	QAAMC11A203ST	n/a	n/a	n/a
C-B22436E	QMMC11J204SM	QAMC11A204SM	QAAMC11A204SM	n/a	n/a	n/a
C-B22436H	QMMC11J204ST	QAMC11A204ST	QAAMC11A204ST	n/a	n/a	n/a
C-B22439E	QMMC13J207SM	QAMC13A207SM	QAAMC13A207SM	n/a	n/a	n/a
C-B22439H	QMMC13J207ST	QAMC13A207ST	QAAMC13A207ST	n/a	n/a	n/a
C-B22440E	QMMC13J208SM	QAMC13A208SM	QAAMC13A208SM	n/a	n/a	n/a
C-B22440H	QMMC13J208ST	QAMC13A208ST	QAAMC13A208ST	n/a	n/a	n/a
C-B22443E	QMMC15J211SM	QAMC15A211SM	QAAMC15A211SM	n/a	n/a	n/a
C-B22443H	QMMC15J211ST	QAMC15A211ST	QAAMC15A211ST	n/a	n/a	n/a
C-B22444E	QMMC15J212SM	QAMC15A212SM	QAAMC15A212SM	n/a	n/a	n/a
C-B22444H	QMMC15J212ST	QAMC15A212ST	QAAMC15A212ST	n/a	n/a	n/a
C-B22447E	QMMC15J215SM	QAMC15A215SM	QAAMC15A215SM	n/a	n/a	n/a
C-B22447H	QMMC15J215ST	QAMC15A215ST	QAAMC15A215ST	n/a	n/a	n/a
C-B22448E	QMMC15J300SM	QAMC15A300SM	QAAMC15A300SM	n/a	n/a	n/a
C-B22448H	QMMC15J300ST	QAMC15A300ST	QAAMC15A300ST	n/a	n/a	n/a
C-B22451E	QMMC18J303SM	QAMC18A303SM	QAAMC18A303SM	n/a	n/a	n/a
C-B22451H	QMMC18J303ST	QAMC18A303ST	QAAMC18A303ST	n/a	n/a	n/a
C-B22455E	QMMC18J307SM	QAMC18A307SM	QAAMC18A307SM	n/a	n/a	n/a
C-B22455H	QMMC18J307ST	QAMC18A307ST	QAAMC18A307ST	n/a	n/a	n/a
C-B22456E	QMMC18J308SM	QAMC18A308SM	QAAMC18A308SM	n/a	n/a	n/a
C-B22456H	QMMC18J308ST	QAMC18A308ST	QAAMC18A308ST	n/a	n/a	n/a
EF-B22523E	QMF08J107SM	n/a	n/a	n/a	n/a	n/a
EF-B22523H	QMF08J107ST	n/a	n/a	n/a	n/a	n/a
EF-B22527E	QMF09J111SM	n/a	n/a	n/a	n/a	n/a
EF-B22527H	QMF09J111ST	n/a	n/a	n/a	n/a	n/a
EF-B22531E	QMF10J115SM	n/a	QAAF10A115SM	DVF11K115SM	QVF11V115SM	QVVF11V115SM
EF-B22531H	QMF10J115ST	n/a	QAAF10A115ST	DVF11K115ST	QVF11V115ST	QVVF11V115ST
EF-B22535E	QMF11J203SM	n/a	QAAF11A203SM	DVF13K203SM	QVF12V203SM	QVVF12V203SM
EF-B22535H	QMF11J203ST	n/a	QAAF11A203ST	DVF13K203ST	QVF12V203ST	QVVF12V203ST
EF-B22539E	QMF13J207SM	n/a	QAAF13A207SM	DVF15K207SM	QVF14V207SM	QVVF14V207SM
EF-B22539H	QMF13J207ST	n/a	QAAF13A207ST	DVF15K207ST	QVF14V207ST	QVVF14V207ST
EF-B22543E	QMF15J211SM	n/a	QAAF15A211SM	n/a	QVF16V211SM	QVVF16V211SM
EF-B22543H	QMF15J211ST	n/a	QAAF15A211ST	n/a	QVF16V211ST	QVVF16V211ST
EF-B22547E	QMF15J215SM	n/a	QAAF15A215SM	DVF17K215SM	QVF16V215SM	QVVF16V215SM
EF-B22547H	QMF15J215ST	n/a	QAAF15A215ST	DVF17K215ST	QVF16V215ST	QVVF16V215ST
EF-B22555E	QMF18J307SM	n/a	QAAF18A307SM	DVF20K307SM	QVF19V307SM	QVVF19V307SM
EF-B22555H	QMF18J307ST	n/a	QAAF18A307ST	DVF20K307ST	QVF19V307ST	QVVF19V307ST
EF-B22563E	QMF20J315SM	n/a	QAAF20A315SM	DVF22K315SM	QVF22V315SM	QVVF22V315SM

Note: This interchange guide is for reference only. **Some competitor bearings may not be shown.** If you are unable to find the bearing you are trying to interchange, please contact your local distributor or QM Bearings for assistance.

(continued on next page)

Blue Brute Bearings – Interchange Guide

Link-Belt®

Link-Belt Part Number	QM EC Series	QM CL Series		QM TA/DV Series	QM V-Lock® Series	
		Single-Collar	Double-Collar		Single-Nut	Double-Nut
EF-B22563H	QMF20J315ST	n/a	QAAF20A315ST	DVF22K315ST	QVF22V315ST	QVVF22V315ST
EF-B22564E	QMF20J400SM	n/a	QAAF20A400SM	DVF22K400SM	QVF22V400SM	QVVF22V400SM
EF-B22564H	QMF20J400ST	n/a	QAAF20A400ST	DVF22K400ST	QVF22V400ST	QVVF22V400ST
EP-B22423E	QMP08J107SM	n/a	n/a	n/a	n/a	n/a
EP-B22423H	QMP08J107ST	n/a	n/a	n/a	n/a	n/a
EP-B22424E	QMP08J108SM	n/a	n/a	n/a	n/a	n/a
EP-B22424H	QMP08J108ST	n/a	n/a	n/a	n/a	n/a
EP-B22427E	QMP09J111SM	n/a	n/a	n/a	n/a	n/a
EP-B22427H	QMP09J111ST	n/a	n/a	n/a	n/a	n/a
EP-B22428E	QMP09J112SM	n/a	n/a	n/a	n/a	n/a
EP-B22428H	QMP09J112ST	n/a	n/a	n/a	n/a	n/a
EP-B22431E	QMP10J115SM	QAP10A115SM	QAAP10A115SM	DVP11K115SM	QVP11V115SM	QVVP11V115SM
EP-B22431H	QMP10J115ST	QAP10A115ST	QAAP10A115ST	DVP11K115ST	QVP11V115ST	QVVP11V115ST
EP-B22432E	QMP10J200SM	QAP10A200SM	QAAP10A200SM	DVP11K200SM	QVP11V200SM	QVVP11V200SM
EP-B22432H	QMP10J200ST	QAP10A200ST	QAAP10A200ST	DVP11K200ST	QVP11V200ST	QVVP11V200ST
EP-B22435E	QMP11J203SM	QAP11A203SM	QAAP11A203SM	DVP13K203SM	QVP12V203SM	QVVP12V203SM
EP-B22435H	QMP11J203ST	QAP11A203ST	QAAP11A203ST	DVP13K203ST	QVP12V203ST	QVVP12V203ST
EP-B22439E	QMP13J207SM	QAP13A207SM	QAAP13A207SM	DVP15K207SM	QVP14V207SM	QVVP14V207SM
EP-B22439FE	QMPR13J207SM	QAPR13A207SM	QAAPR13A207SM	n/a	QVPR14V207SM	QVVP14V207SM
EP-B22439FH	QMPR13J207ST	QAPR13A207ST	QAAPR13A207ST	n/a	QVPR14V207ST	QVVP14V207ST
EP-B22439H	QMP13J207ST	QAP13A207ST	QAAP13A207ST	DVP15K207ST	QVP14V207ST	QVVP14V207ST
EP-B22440E	QMP13J208SM	QAP13A208SM	QAAP13A208SM	DVP15K208SM	QVP14V208SM	QVVP14V208SM
EP-B22440FE	QMPR13J208SM	QAPR13A208SM	QAAPR13A208SM	n/a	QVPR14V208SM	QVVP14V208SM
EP-B22440FH	QMPR13J208ST	QAPR13A208ST	QAAPR13A208ST	n/a	QVPR14V208ST	QVVP14V208ST
EP-B22440H	QMP13J208ST	QAP13A208ST	QAAP13A208ST	DVP15K208ST	QVP14V208ST	QVVP14V208ST
EP-B22443E	QMP15J211SM	QAP15A211SM	QAAP15A211SM	n/a	QVP16V211SM	QVVP16V211SM
EP-B22443FE	QMPR15J211SM	QAPR15A211SM	QAAPR15A211SM	n/a	QVPR16V211SM	QVVP16V211SM
EP-B22443FH	QMPR15J211ST	QAPR15A211ST	QAAPR15A211ST	n/a	QVPR16V211ST	QVVP16V211ST
EP-B22443H	QMP15J211ST	QAP15A211ST	QAAP15A211ST	n/a	QVP16V211ST	QVVP16V211ST
EP-B22444E	QMP15J212SM	QAP15A212SM	QAAP15A212SM	n/a	QVP16V212SM	QVVP16V212SM
EP-B22444FE	QMPR15J212SM	QAPR15A212SM	QAAPR15A212SM	n/a	QVPR16V212SM	QVVP16V212SM
EP-B22444FH	QMPR15J212ST	QAPR15A212ST	QAAPR15A212ST	n/a	QVPR16V212ST	QVVP16V212ST
EP-B22444H	QMP15J212ST	QAP15A212ST	QAAP15A212ST	n/a	QVP16V212ST	QVVP16V212ST
EP-B22447E	QMP15J215SM	QAP15A215SM	QAAP15A215SM	DVP17K215SM	QVP16V215SM	QVVP16V215SM
EP-B22447FE	QMPR15J215SM	QAPR15A215SM	QAAPR15A215SM	n/a	QVPR16V215SM	QVVP16V215SM
EP-B22447FH	QMPR15J215ST	QAPR15A215ST	QAAPR15A215ST	n/a	QVPR16V215ST	QVVP16V215ST
EP-B22447H	QMP15J215ST	QAP15A215ST	QAAP15A215ST	DVP17K215ST	QVP16V215ST	QVVP16V215ST
EP-B22448E	QMP15J300SM	QAP15A300SM	QAAP15A300SM	DVP17K300SM	QVP16V300SM	QVVP16V300SM
EP-B22448FE	QMPR15J300SM	QAPR15A300SM	QAAPR15A300SM	n/a	QVPR16V300SM	QVVP16V300SM
EP-B22448FH	QMPR15J300ST	QAPR15A300ST	QAAPR15A300ST	n/a	QVPR16V300ST	QVVP16V300ST
EP-B22448H	QMP15J300ST	QAP15A300ST	QAAP15A300ST	DVP17K300ST	QVP16V300ST	QVVP16V300ST
EP-B22451E	QMP18J303SM	QAP18A303SM	QAAP18A303SM	n/a	QVP19V303SM	QVVP19V303SM
EP-B22451FE	QMPR18J303SM	QAPR18A303SM	QAAPR18A303SM	n/a	QVPR19V303SM	QVVP19V303SM

Note: This interchange guide is for reference only. **Some competitor bearings may not be shown.** If you are unable to find the bearing you are trying to interchange, please contact your local distributor or QM Bearings for assistance.

(continued on next page)

Blue Brute Bearings – Interchange Guide

Link-Belt®

Link-Belt Part Number	QM EC Series	QM CL Series		QM TA/DV Series	QM V-Lock® Series	
		Single-Collar	Double-Collar		Single-Nut	Double-Nut
EP-B22451FH	QMPR18J303ST	QAPR18A303ST	QAAPR18A303ST	n/a	QVPR19V303ST	QVVP19V303ST
EP-B22451H	QMP18J303ST	QAP18A303ST	QAAP18A303ST	n/a	QVP19V303ST	QVVP19V303ST
EP-B22455E	QMP18J307SM	QAP18A307SM	QAAP18A307SM	DVP20K307SM	QVP19V307SM	QVVP19V307SM
EP-B22455FE	QMPR18J307SM	QAPR18A307SM	QAAPR18A307SM	n/a	QVPR19V307SM	QVVP19V307SM
EP-B22455FH	QMPR18J307ST	QAPR18A307ST	QAAPR18A307ST	n/a	QVPR19V307ST	QVVP19V307ST
EP-B22455H	QMP18J307ST	QAP18A307ST	QAAP18A307ST	DVP20K307ST	QVP19V307ST	QVVP19V307ST
EP-B22456E	QMP18J308SM	QAP18A308SM	QAAP18A308SM	DVP20K308SM	QVP19V308SM	QVVP19V308SM
EP-B22456FE	QMPR18J308SM	QAPR18A308SM	QAAPR18A308SM	n/a	QVPR19V308SM	QVVP19V308SM
EP-B22456FH	QMPR18J308ST	QAPR18A308ST	QAAPR18A308ST	n/a	QVPR19V308ST	QVVP19V308ST
EP-B22456H	QMP18J308ST	QAP18A308ST	QAAP18A308ST	DVP20K308ST	QVP19V308ST	QVVP19V308ST
EP-B22463E	QMP20J315SM	QAP20A315SM	QAAP20A315SM	DVP22K315SM	QVP22V315SM	QVVP22V315SM
EP-B22463FE	QMPF20J315SM	QAPF20A315SM	QAAPF20A315SM	DVPF22K315SM	QVPF22V315SM	QVVPF22V315SM
EP-B22463FH	QMPF20J315ST	QAPF20A315ST	QAAPF20A315ST	DVPF22K315ST	QVPF22V315ST	QVVPF22V315ST
EP-B22463H	QMP20J315ST	QAP20A315ST	QAAP20A315ST	DVP22K315ST	QVP22V315ST	QVVP22V315ST
EP-B22464E	QMP20J400SM	QAP20A400SM	QAAP20A400SM	DVP22K400SM	QVP22V400SM	QVVP22V400SM
EP-B22464FE	QMPF20J400SM	QAPF20A400SM	QAAPF20A400SM	DVPF22K400SM	QVPF22V400SM	QVVPF22V400SM
EP-B22464FH	QMPF20J400ST	QAPF20A400ST	QAAPF20A400ST	DVPF22K400ST	QVPF22V400ST	QVVPF22V400ST
EP-B22464H	QMP20J400ST	QAP20A400ST	QAAP20A400ST	DVP22K400ST	QVP22V400ST	QVVP22V400ST
EP-B22523E	QMP08J107SM	n/a	n/a	n/a	n/a	n/a
EP-B22523H	QMP08J107ST	n/a	n/a	n/a	n/a	n/a
EP-B22527E	QMP09J111SM	n/a	n/a	n/a	n/a	n/a
EP-B22527H	QMP09J111ST	n/a	n/a	n/a	n/a	n/a
EP-B22531E	QMP10J115SM	n/a	QAAP10A115SM	DVP11K115SM	QVP11V115SM	QVVP11V115SM
EP-B22531H	QMP10J115ST	n/a	QAAP10A115ST	DVP11K115ST	QVP11V115ST	QVVP11V115ST
EP-B22535E	QMP11J203SM	n/a	QAAP11A203SM	DVP13K203SM	QVP12V203SM	QVVP12V203SM
EP-B22535H	QMP11J203ST	n/a	QAAP11A203ST	DVP13K203ST	QVP12V203ST	QVVP12V203ST
EP-B22539E	QMP13J207SM	n/a	QAAP13A207SM	DVP15K207SM	QVP14V207SM	QVVP14V207SM
EP-B22539FE	QMPR13J207SM	n/a	QAAPR13A207SM	n/a	QVPR14V207SM	QVVP14V207SM
EP-B22539FH	QMPR13J207ST	n/a	QAAPR13A207ST	n/a	QVPR14V207ST	QVVP14V207ST
EP-B22539H	QMP13J207ST	n/a	QAAP13A207ST	DVP15K207ST	QVP14V207ST	QVVP14V207ST
EP-B22543E	QMP15J211SM	n/a	QAAP15A211SM	n/a	QVP16V211SM	QVVP16V211SM
EP-B22543FE	QMPR15J211SM	n/a	QAAPR15A211SM	n/a	QVPR16V211SM	QVVP16V211SM
EP-B22543FH	QMPR15J211ST	n/a	QAAPR15A211ST	n/a	QVPR16V211ST	QVVP16V211ST
EP-B22543H	QMP15J211ST	n/a	QAAP15A211ST	n/a	QVP16V211ST	QVVP16V211ST
EP-B22547E	QMP15J215SM	n/a	QAAP13A215SM	n/a	QVP16V215SM	QVVP16V215SM
EP-B22547FE	QMPR15J215SM	n/a	QAAPR15A215SM	n/a	QVPR16V215SM	QVVP16V215SM
EP-B22547FH	QMPR15J215ST	n/a	QAAPR15A215ST	n/a	QVPR16V215ST	QVVP16V215ST
EP-B22547H	QMP15J215ST	n/a	QAAP13A215ST	n/a	QVP16V215ST	QVVP16V215ST
EP-B22555E	QMP18J307SM	n/a	QAAP18A307SM	DVP20K307SM	QVP19V307SM	QVVP19V307SM
EP-B22555FE	QMPR18J307SM	n/a	QAAPR18A307SM	n/a	QVPR19V307SM	QVVP19V307SM
EP-B22555FH	QMPR18J307ST	n/a	QAAPR18A307ST	n/a	QVPR19V307ST	QVVP19V307ST
EP-B22555H	QMP18J307ST	n/a	QAAP18A307ST	DVP20K307ST	QVP19V307ST	QVVP19V307ST
EP-B22563FE	QMPF20J315SM	n/a	QAAPF20A315SM	DVPF22K315SM	QVPF22V315SM	QVVPF22V315SM

Note: This interchange guide is for reference only. **Some competitor bearings may not be shown.** If you are unable to find the bearing you are trying to interchange, please contact your local distributor or QM Bearings for assistance.

(continued on next page)

Blue Brute Bearings – Interchange Guide

Link-Belt®

Link-Belt Part Number	QM EC Series	QM CL Series		QM TA/DV Series	QM V-Lock® Series	
		Single-Collar	Double-Collar		Single-Nut	Double-Nut
EP-B22563FH	QMPF20J315ST	n/a	QAAPF20A315ST	DVPF22K315ST	QVPF22V315ST	QVVPF22V315ST
EP-B22564FE	QMPF20J400SM	n/a	QAAPF20A400SM	DVPF22K400SM	QVPF22V400SM	QVVPF22V400SM
EP-B22564FH	QMPF20J400ST	n/a	QAAPF20A400ST	DVPF22K400ST	QVPF22V400ST	QVVPF22V400ST
EP-B22571FE	QMPF22J407SM	n/a	QAAPF22A407SM	DVPF26K407SM	QVPF26V407SM	QVVPF26V407SM
EP-B22571FH	QMPF22J407ST	n/a	QAAPF22A407ST	DVPF26K407ST	QVPF26V407SET	QVVPF26V407SET
EP-B22572FE	QMPF22J408SM	n/a	QAAPF22A408SM	DVPF26K408SM	QVPF26V408SM	QVVPF26V408SM
EP-B22572FH	QMPF22J408ST	n/a	QAAPF22A408ST	DVPF26K408ST	QVPF26V408SET	QVVPF26V408SET
EP-B22579FE	QMPF26J415SM	n/a	QAAPF26A415SM	n/a	QVPF28V415SM	QVVPF28V415SM
EP-B22579FH	QMPF26J415ST	n/a	QAAPF26A415ST	n/a	QVPF28V415SET	QVVPF28V415SET
EP-B22580FE	QMPF26J500SM	n/a	QAAPF26A500SM	n/a	QVPF28V500SM	QVVPF28V500SM
EP-B22580FH	QMPF26J500ST	n/a	QAAPF26A500ST	n/a	QVPF28V500SET	QVVPF28V500SET
EP-B22623E	QMP08J107SM	n/a	n/a	n/a	n/a	n/a
EP-B22623H	QMP08J107ST	n/a	n/a	n/a	n/a	n/a
EP-B22631E	QMP10J115SM	QAP10A115SM	QAAP10A115SM	DVP11K115SM	QVP11V115SM	QVVP11V115SM
EP-B22631H	QMP10J115ST	QAP10A115ST	QAAP10A115ST	DVP11K115ST	QVP11V115ST	QVVP11V115ST
EP-B22635E	QMP11J203SM	QAP11A203SM	QAAP11A203SM	DVP13K203SM	QVP12V203SM	QVVP12V203SM
EP-B22635H	QMP11J203ST	QAP11A203ST	QAAP11A203ST	DVP13K203ST	QVP12V203ST	QVVP12V203ST
EP-B22639E	QMP13J207SM	QAP13A207SM	QAAP13A207SM	DVP15K207SM	QVP14V207SM	QVVP14V207SM
EP-B22639FE	QMPR13J207SM	QAPR13A207SM	QAAPR13A207SM	n/a	QVPR14V207SM	QVVP14V207SM
EP-B22639FH	QMPR13J207ST	QAPR13A207ST	QAAPR13A207ST	n/a	QVPR14V207ST	QVVP14V207ST
EP-B22639H	QMP13J207ST	QAP13A207ST	QAAP13A207ST	DVP15K207ST	QVP14V207ST	QVVP14V207ST
EP-B22643E	QMP15J211SM	QAP15A211SM	QAAP15A211SM	n/a	QVP16V211SM	QVVP16V211SM
EP-B22643FE	QMPR15J211SM	QAPR15A211SM	QAAPR15A211SM	n/a	QVPR16V211SM	QVVP16V211SM
EP-B22643FH	QMPR15J211ST	QAPR15A211ST	QAAPR15A211ST	n/a	QVPR16V211ST	QVVP16V211ST
EP-B22643H	QMP15J211ST	QAP15A211ST	QAAP15A211ST	n/a	QVP16V211ST	QVVP16V211ST
EP-B22647E	QMP15J215SM	QAP15A215SM	QAAP15A215SM	DVP17K215SM	QVP16V215SM	QVVP16V215SM
EP-B22647FE	QMPR15J215SM	QAPR15A215SM	QAAPR15A215SM	n/a	QVPR16V215SM	QVVP16V215SM
EP-B22647FH	QMPR15J215ST	QAPR15A215ST	QAAPR15A215ST	n/a	QVPR16V215ST	QVVP16V215ST
EP-B22647H	QMP15J215ST	QAP15A215ST	QAAP15A215ST	DVP17K215ST	QVP16V215ST	QVVP16V215ST
EP-B22655E	QMP18J307SM	QAP18A307SM	QAAP18A307SM	DVP20K307SM	QVP19V307SM	QVVP19V307SM
EP-B22655FE	QMPR18J307SM	QAPR18A307SM	QAAPR18A307SM	DVPF20K307SM	QVPR19V307SM	QVVP19V307SM
EP-B22655FH	QMPR18J307ST	QAPR18A307ST	QAAPR18A307ST	DVPF20K307ST	QVPR19V307ST	QVVP19V307ST
EP-B22655H	QMP18J307ST	QAP18A307ST	QAAP18A307ST	DVP20K307ST	QVP19V307ST	QVVP19V307ST
EP-B22663E	QMP20J315SM	QAP20A315SM	QAAP20A315SM	DVP22K315SM	QVP22V315SM	QVVP22V315SM
EP-B22663FE	QMPF20J315SM	QAPF20A315SM	QAAPF20A315SM	DVPF22K315SM	QVPF22V315SM	QVVPF22V315SM
EP-B22663FH	QMPF20J315ST	QAPF20A315ST	QAAPF20A315ST	DVPF22K315ST	QVPF22V315ST	QVVPF22V315ST
EP-B22663H	QMP20J315ST	QAP20A315ST	QAAP20A315ST	DVP22K315ST	QVP22V315ST	QVVP22V315ST
EP-B22671FE	QMPF22J407SM	n/a	QAAPF22A407SM	DVPF26K407SM	QVPF26V407SM	QVVPF26V407SM
EP-B22671FH	QMPF22J407ST	n/a	QAAPF22A407ST	DVPF26K407ST	QVPF26V407ST	QVVPF26V407ST
EP-B22679FE	QMPF26J415SM	n/a	QAAPF26A415SM	n/a	QVPF28V415SM	QVVPF28V415SM
EP-B22679FH	QMPF26J415ST	n/a	QAAPF26A415ST	n/a	QVPF28V415ST	QVVPF28V415ST
EPE-B22423E	QMP08J107SEM	n/a	n/a	n/a	n/a	n/a
EPE-B22423H	QMP08J107SET	n/a	n/a	n/a	n/a	n/a

Note: This interchange guide is for reference only. **Some competitor bearings may not be shown.** If you are unable to find the bearing you are trying to interchange, please contact your local distributor or QM Bearings for assistance.

(continued on next page)

Blue Brute Bearings – Interchange Guide

Link-Belt®

Link-Belt Part Number	QM EC Series	QM CL Series		QM TA/DV Series	QM V-Lock® Series	
		Single-Collar	Double-Collar		Single-Nut	Double-Nut
EPE-B22424E	QMP08J108SEM	n/a	n/a	n/a	n/a	n/a
EPE-B22424H	QMP08J108SET	n/a	n/a	n/a	n/a	n/a
EPE-B22427E	QMP09J111SEM	n/a	n/a	n/a	n/a	n/a
EPE-B22427H	QMP09J111SET	n/a	n/a	n/a	n/a	n/a
EPE-B22428E	QMP09J112SEM	n/a	n/a	n/a	n/a	n/a
EPE-B22428H	QMP09J112SET	n/a	n/a	n/a	n/a	n/a
EPE-B22431E	QMP10J115SEM	QAP10A115SEM	QAAP10A115SEM	DVP11K115SEM	QVP11V115SEM	QVVP11V115SEM
EPE-B22431H	QMP10J115SET	QAP10A115SET	QAAP10A115SET	DVP11K115SET	QVP11V115SET	QVVP11V115SET
EPE-B22432E	QMP10J200SEM	QAP10A200SEM	QAAP10A200SEM	DVP11K200SEM	QVP11V200SEM	QVVP11V200SEM
EPE-B22432H	QMP10J200SET	QAP10A200SET	QAAP10A200SET	DVP11K200SET	QVP11V200SET	QVVP11V200SET
EPE-B22435E	QMP11J203SEM	QAP11A203SEM	QAAP11A203SEM	DVP13K203SEM	QVP12V203SEM	QVVP12V203SEM
EPE-B22435H	QMP11J203SET	QAP11A203SET	QAAP11A203SET	DVP13K203SET	QVP12V203SET	QVVP12V203SET
EPE-B22439E	QMP13J207SEM	QAP13A207SEM	QAAP13A207SEM	DVP15K207SEM	QVP14V207SEM	QVVP14V207SEM
EPE-B22439FE	QMPR13J207SEM	QAPR13A207SEM	QAAPR13A207SEM	n/a	QVPR14V207SEM	QVVP14V207SEM
EPE-B22439FH	QMPR13J207SET	QAPR13A207SET	QAAPR13A207SET	n/a	QVPR14V207SET	QVVP14V207SET
EPE-B22439H	QMP13J207SET	QAP13A207SET	QAAP13A207SET	DVP15K207SET	QVP14V207SET	QVVP14V207SET
EPE-B22440E	QMP13J208SEM	QAP13A208SEM	QAAP13A208SEM	DVP15K208SEM	QVP14V208SEM	QVVP14V208SEM
EPE-B22440FE	QMPR13J208SEM	QAPR13A208SEM	QAAPR13A208SEM	n/a	QVPR14V208SEM	QVVP14V208SEM
EPE-B22440FH	QMPR13J208SET	QAPR13A208SET	QAAPR13A208SET	n/a	QVPR14V208SET	QVVP14V208SET
EPE-B22440H	QMP13J208SET	QAP13A208SET	QAAP13A208SET	DVP15K208SET	QVP14V208SET	QVVP14V208SET
EPE-B22443E	QMP15J211SEM	QAP15A211SEM	QAAP15A211SEM	n/a	QVP16V211SEM	QVVP16V211SEM
EPE-B22443FE	QMPR15J211SEM	QAPR15A211SEM	QAAPR15A211SEM	n/a	QVPR16V211SEM	QVVP16V211SEM
EPE-B22443FH	QMPR15J211SET	QAPR15A211SET	QAAPR15A211SET	n/a	QVPR16V211SET	QVVP16V211SET
EPE-B22443H	QMP15J211SET	QAP15A211SET	QAAP15A211SET	n/a	QVP16V211SET	QVVP16V211SET
EPE-B22444E	QMP15J212SEM	QAP15A212SEM	QAAP15A212SEM	n/a	QVP16V212SEM	QVVP16V212SEM
EPE-B22444FE	QMPR15J212SEM	QAPR15A212SEM	QAAPR15A212SEM	n/a	QVPR16V212SEM	QVVP16V212SEM
EPE-B22444FH	QMPR15J212SET	QAPR15A212SET	QAAPR15A212SET	n/a	QVPR16V212SET	QVVP16V212SET
EPE-B22444H	QMP15J212SET	QAP15A212SET	QAAP15A212SET	n/a	QVP16V212SET	QVVP16V212SET
EPE-B22447E	QMP15J215SEM	QAP15A215SEM	QAAP15A215SEM	DVP17K215SEM	QVP16V215SEM	QVVP16V215SEM
EPE-B22447FE	QMPR15J215SEM	QAPR15A215SEM	QAAPR15A215SEM	n/a	QVPR16V215SEM	QVVP16V215SEM
EPE-B22447FH	QMPR15J215SET	QAPR15A215SET	QAAPR15A215SET	n/a	QVPR16V215SET	QVVP16V215SET
EPE-B22447H	QMP15J215SET	QAP15A215SET	QAAP15A215SET	DVP17K215SET	QVP16V215SET	QVVP16V215SET
EPE-B22448E	QMP15J300SEM	QAP15A300SEM	QAAP15A300SEM	DVP17K300SEM	QVP16V300SEM	QVVP16V300SEM
EPE-B22448FE	QMPR15J300SEM	QAPR15A300SEM	QAAPR15A300SEM	n/a	QVPR16V300SEM	QVVP16V300SEM
EPE-B22448FH	QMPR15J300SET	QAPR15A300SET	QAAPR15A300SET	n/a	QVPR16V300SET	QVVP16V300SET
EPE-B22448H	QMP15J300SET	QAP15A300SET	QAAP15A300SET	DVP17K300SET	QVP16V300SET	QVVP16V300SET
EPE-B22451E	QMP18J303SEM	QAP18A303SEM	QAAP18A303SEM	n/a	QVP19V303SEM	QVVP19V303SEM
EPE-B22451FE	QMPR18J303SEM	QAPR18A303SEM	QAAPR18A303SEM	n/a	QVPR19V303SEM	QVVP19V303SEM
EPE-B22451FH	QMPR18J303SET	QAPR18A303SET	QAAPR18A303SET	n/a	QVPR19V303SET	QVVP19V303SET
EPE-B22451H	QMP18J303SET	QAP18A303SET	QAAP18A303SET	n/a	QVP19V303SET	QVVP19V303SET
EPE-B22455E	QMP18J307SEM	QAP18A307SEM	QAAP18A307SEM	DVP20K307SEM	QVP19V307SEM	QVVP19V307SEM
EPE-B22455FE	QMPR18J307SEM	QAPR18A307SEM	QAAPR18A307SEM	n/a	QVPR19V307SEM	QVVP19V307SEM
EPE-B22455FH	QMPR18J307SET	QAPR18A307SET	QAAPR18A307SET	n/a	QVPR19V307SET	QVVP19V307SET

Note: This interchange guide is for reference only. **Some competitor bearings may not be shown.** If you are unable to find the bearing you are trying to interchange, please contact your local distributor or QM Bearings for assistance.

(continued on next page)

Blue Brute Bearings – Interchange Guide

Link-Belt®

Link-Belt Part Number	QM EC Series	QM CL Series		QM TA/DV Series	QM V-Lock® Series	
		Single-Collar	Double-Collar		Single-Nut	Double-Nut
EPE-B22455H	QMP18J307SET	QAP18A307SET	QAAP18A307SET	DVP20K307SET	QVP19V307SET	QVVP19V307SET
EPE-B22456E	QMP18J308SEM	QAP18A308SEM	QAAP18A308SEM	DVP20K308SEM	QVP19V308SEM	QVVP19V308SEM
EPE-B22456FE	QMPR18J308SEM	QAPR18A308SEM	QAAPR18A308SEM	n/a	QVPR19V308SEM	QVVP19V308SEM
EPE-B22456FH	QMPR18J308SET	QAPR18A308SET	QAAPR18A308SET	n/a	QVPR19V308SET	QVVP19V308SET
EPE-B22456H	QMP18J308SET	QAP18A308SET	QAAP18A308SET	DVP20K308SET	QVP19V308SET	QVVP19V308SET
EPE-B22463E	QMP20J315SEM	QAP20A315SEM	QAAP20A315SEM	DVP22K315SEM	QVP22V315SEM	QVVP22V315SEM
EPE-B22463FE	QMPF20J315SEM	QAPF20A315SEM	QAAPF20A315SEM	DVPF22K315SEM	QVPF22V315SEM	QVVPF22V315SEM
EPE-B22463FH	QMPF20J315SET	QAPF20A315SET	QAAPF20A315SET	DVPF22K315SET	QVPF22V315SET	QVVPF22V315SET
EPE-B22463H	QMP20J315SET	QAP20A315SET	QAAP20A315SET	DVP22K315SET	QVP22V315SET	QVVP22V315SET
EPE-B22464E	QMP20J400SEM	QAP20A400SEM	QAAP20A400SEM	DVP22K400SEM	QVP22V400SEM	QVVP22V400SEM
EPE-B22464FE	QMPF20J400SEM	QAPF20A400SEM	QAAPF20A400SEM	DVPF22K400SEM	QVPF22V400SEM	QVVPF22V400SEM
EPE-B22464FH	QMPF20J400SET	QAPF20A400SET	QAAPF20A400SET	DVPF22K400SET	QVPF22V400SET	QVVPF22V400SET
EPE-B22464H	QMP20J400SET	QAP20A400SET	QAAP20A400SET	DVP22K400SET	QVP22V400SET	QVVP22V400SET
EPE-B22523E	QMP08J107SEM	n/a	n/a	n/a	n/a	n/a
EPE-B22523H	QMP08J107SET	n/a	n/a	n/a	n/a	n/a
EPE-B22527E	QMP09J111SEM	n/a	n/a	n/a	n/a	n/a
EPE-B22527H	QMP09J111SET	n/a	n/a	n/a	n/a	n/a
EPE-B22531E	QMP10J115SEM	n/a	QAAP10A115SEM	DVP11K115SEM	QVP11V115SEM	QVVP11V115SEM
EPE-B22531H	QMP10J115SET	n/a	QAAP10A115SET	DVP11K115SET	QVP11V115SET	QVVP11V115SET
EPE-B22535E	QMP11J203SEM	n/a	QAAP11A203SEM	DVP13K203SEM	QVP12V203SEM	QVVP12V203SEM
EPE-B22535H	QMP11J203SET	n/a	QAAP11A203SET	DVP13K203SET	QVP12V203SET	QVVP12V203SET
EPE-B22539E	QMP13J207SEM	n/a	QAAP13A207SEM	DVP15K207SEM	QVP14V207SEM	QVVP14V207SEM
EPE-B22539FE	QMPR13J207SEM	n/a	QAAPR13A207SEM	n/a	QVPR14V207SEM	QVVP14V207SEM
EPE-B22539FH	QMPR13J207SET	n/a	QAAPR13A207SET	n/a	QVPR14V207SET	QVVP14V207SET
EPE-B22539H	QMP13J207SET	n/a	QAAP13A207SET	DVP15K207SET	QVP14V207SET	QVVP14V207SET
EPE-B22543E	QMP15J211SEM	n/a	QAAP15A211SEM	n/a	QVP16V211SEM	QVVP16V211SEM
EPE-B22543FE	QMPR15J211SEM	n/a	QAAPR15A211SEM	n/a	QVPR16V211SEM	QVVP16V211SEM
EPE-B22543FH	QMPR15J211SET	n/a	QAAPR15A211SET	n/a	QVPR16V211SET	QVVP16V211SET
EPE-B22543H	QMP15J211SET	n/a	QAAP15A211SET	n/a	QVP16V211SET	QVVP16V211SET
EPE-B22547E	QMP15J215SEM	n/a	QAAP15A215SEM	n/a	QVP16V215SEM	QVVP16V215SEM
EPE-B22547FE	QMPR15J215SEM	n/a	QAAPR15A215SEM	n/a	QVPR16V215SEM	QVVP16V215SEM
EPE-B22547FH	QMPR15J215SET	n/a	QAAPR15A215SET	n/a	QVPR16V215SET	QVVP16V215SET
EPE-B22547H	QMP15J215SET	n/a	QAAP15A215SET	n/a	QVP16V215SET	QVVP16V215SET
EPE-B22555E	QMP18J307SEM	n/a	QAAP18A307SEM	DVP20K307SEM	QVP19V307SEM	QVVP19V307SEM
EPE-B22555FE	QMPR18J307SEM	n/a	QAAPR18A307SEM	n/a	QVPR19V307SEM	QVVP19V307SEM
EPE-B22555FH	QMPR18J307SET	n/a	QAAPR18A307SET	n/a	QVPR19V307SET	QVVP19V307SET
EPE-B22555H	QMP18J307SET	n/a	QAAP18A307SET	DVP20K307SET	QVP19V307SET	QVVP19V307SET
EPE-B22563FE	QMPF20J315SEM	n/a	QAAPF20A315SEM	DVPF22K315SEM	QVPF22V315SEM	QVVPF22V315SEM
EPE-B22563FH	QMPF20J315SET	n/a	QAAPF20A315SET	DVPF22K315SET	QVPF22V315SET	QVVPF22V315SET
EPE-B22564FE	QMPF20J400SEM	n/a	QAAPF20A400SEM	DVPF22K400SEM	QVPF22V400SEM	QVVPF22V400SEM
EPE-B22564FH	QMPF20J400SET	n/a	QAAPF20A400SET	DVPF22K400SET	QVPF22V400SET	QVVPF22V400SET
EPE-B22571FE	QMPF22J407SEM	n/a	QAAPF22A407SEM	DVPF26K407SEM	QVPR26V407SEM	QVVP16V215SEM
EPE-B22571FH	QMPF22J407SET	n/a	QAAPF22A407SET	DVPF26K407SET	QVPF26V407SET	QVVPF26V407SET

Note: This interchange guide is for reference only. **Some competitor bearings may not be shown.** If you are unable to find the bearing you are trying to interchange, please contact your local distributor or QM Bearings for assistance.

(continued on next page)

Blue Brute Bearings – Interchange Guide

Link-Belt®

Link-Belt Part Number	QM EC Series	QM CL Series		QM TA/DV Series	QM V-Lock® Series	
		Single-Collar	Double-Collar		Single-Nut	Double-Nut
EPE-B22572FE	QMPF22J408SEM	n/a	QAAPF22A408SEM	DVPF26K408SEM	QVPF26V408SEM	QVVPF26V408SEM
EPE-B22572FH	QMPF22J408SET	n/a	QAAPF22A408SET	DVPF26K408SET	QVPF26V408SET	QVVPF26V408SET
EPE-B22579FE	QMPF26J415SEM	n/a	QAAPF26A415SEM	n/a	QVPF28V415SEM	QVVPF28V415SEM
EPE-B22579FH	QMPF26J415SET	n/a	QAAPF26A415SET	n/a	QVPF28V415SET	QVVPF28V415SET
EPE-B22580FE	QMPF26J500SEM	n/a	QAAPF26A500SEM	n/a	QVPF28V500SEM	QVVPF28V500SEM
EPE-B22580FH	QMPF26J500SET	n/a	QAAPF26A500SET	n/a	QVPF28V500SET	QVVPF28V500SET
EPE-B22623E	QMP08J107SEM	n/a	n/a	n/a	n/a	n/a
EPE-B22623H	QMP08J107SET	n/a	n/a	n/a	n/a	n/a
EPE-B22631E	QMP10J115SEM	QAP10A115SEM	QAAP10A115SEM	DVP11K115SEM	QVP11V115SEM	QVVP11V115SEM
EPE-B22631H	QMP10J115SET	QAP10A115SET	QAAP10A115SET	DVP11K115SET	QVP11V115SET	QVVP11V115SET
EPE-B22635E	QMP11J203SEM	QAP11A203SEM	QAAP11A203SEM	DVP13K203SEM	QVP12V203SEM	QVVP12V203SEM
EPE-B22635H	QMP11J203SET	QAP11A203SET	QAAP11A203SET	DVP13K203SET	QVP12V203SET	QVVP12V203SET
EPE-B22639E	QMP13J207SEM	QAP13A207SEM	QAAP13A207SEM	DVP15K207SEM	QVP14V207SEM	QVVP14V207SEM
EPE-B22639FE	QMPR13J207SEM	QAPR13A207SEM	QAAPR13A207SEM	n/a	QVPR14V207SEM	QVVP14V207SEM
EPE-B22639FH	QMPR13J207SET	QAPR13A207SET	QAAPR13A207SET	n/a	QVPR14V207SET	QVVP14V207SET
EPE-B22639H	QMP13J207SET	QAP13A207SET	QAAP13A207SET	DVP15K207SET	QVP14V207SET	QVVP14V207SET
EPE-B22643E	QMP15J211SEM	QAP15A211SEM	QAAP15A211SEM	n/a	QVP16V211SEM	QVVP16V211SEM
EPE-B22643FE	QMPR15J211SEM	QAPR15A211SEM	QAAPR15A211SEM	n/a	QVPR16V211SEM	QVVP16V211SEM
EPE-B22643FH	QMPR15J211SET	QAPR15A211SET	QAAPR15A211SET	n/a	QVPR16V211SET	QVVP16V211SET
EPE-B22643H	QMP15J211SET	QAP15A211SET	QAAP15A211SET	n/a	QVP16V211SET	QVVP16V211SET
EPE-B22647E	QMP15J215SEM	QAP15A215SEM	QAAP15A215SEM	DVP17K215SEM	QVP16V215SEM	QVVP16V215SEM
EPE-B22647FE	QMPR15J215SEM	QAPR15A215SEM	QAAPR15A215SEM	n/a	QVPR16V215SEM	QVVP16V215SEM
EPE-B22647FH	QMPR15J215SET	QAPR15A215SET	QAAPR15A215SET	n/a	QVPR16V215SET	QVVP16V215SET
EPE-B22647H	QMP15J215SET	QAP15A215SET	QAAP15A215SET	DVP17K215SET	QVP16V215SET	QVVP16V215SET
EPE-B22655E	QMP18J307SEM	QAP18A307SEM	QAAP18A307SEM	DVP20K307SEM	QVP19V307SEM	QVVP19V307SEM
EPE-B22655FE	QMPR18J307SEM	QAPR18A307SEM	QAAPR18A307SEM	DVPF20K307SEM	QVPR19V307SEM	QVVP19V307SEM
EPE-B22655FH	QMPR18J307SET	QAPR18A307SET	QAAPR18A307SET	DVPF20K307SET	QVPR19V307SET	QVVP19V307SET
EPE-B22655H	QMP18J307SET	QAP18A307SET	QAAP18A307SET	DVP20K307SET	QVP19V307SET	QVVP19V307SET
EPE-B22663E	QMP20J315SEM	QAP20A315SEM	QAAP20A315SEM	DVP22K315SEM	QVP22V315SEM	QVVP22V315SEM
EPE-B22663FE	QMPF20J315SEM	QAPF20A315SEM	QAAPF20A315SEM	DVPF22K315SEM	QVPF22V315SEM	QVVPF22V315SEM
EPE-B22663FH	QMPF20J315SET	QAPF20A315SET	QAAPF20A315SET	DVPF22K315SET	QVPF22V315SET	QVVPF22V315SET
EPE-B22663H	QMP20J315SET	QAP20A315SET	QAAP20A315SET	DVP22K315SET	QVP22V315SET	QVVP22V315SET
EPE-B22671FE	QMPF22J407SEM	n/a	QAAPF22A407SEM	DVPF26K407SEM	QVPF26V407SEM	QVVPF26V407SEM
EPE-B22671FH	QMPF22J407SET	n/a	QAAPF22A407SET	DVPF26K407SET	QVPF26V407SET	QVVPF26V407SET
EPE-B22679FE	QMPF26J415SEM	n/a	QAAPF26A415SEM	n/a	QVPF28V415SEM	QVVPF28V415SEM
EPE-B22679FH	QMPF26J415SET	n/a	QAAPF26A415SET	n/a	QVPF28V415SET	QVVPF28V415SET
F-B22423E	QMFY08J107SM	n/a	n/a	n/a	n/a	n/a
F-B22423H	QMFY08J107ST	n/a	n/a	n/a	n/a	n/a
F-B22424E	QMFY08J108SM	n/a	n/a	n/a	n/a	n/a
F-B22424H	QMFY08J108ST	n/a	n/a	n/a	n/a	n/a
F-B22427E	QMFY09J111SM	n/a	n/a	n/a	n/a	n/a
F-B22427H	QMFY09J111ST	n/a	n/a	n/a	n/a	n/a
F-B22428E	QMFY09J112SM	n/a	n/a	n/a	n/a	n/a

Note: This interchange guide is for reference only. **Some competitor bearings may not be shown.** If you are unable to find the bearing you are trying to interchange, please contact your local distributor or QM Bearings for assistance.

(continued on next page)

Blue Brute Bearings – Interchange Guide

Link-Belt®

Link-Belt Part Number	QM EC Series	QM CL Series		QM TA/DV Series	QM V-Lock® Series	
		Single-Collar	Double-Collar		Single-Nut	Double-Nut
F-B22428H	QMFY09J112ST	n/a	n/a	n/a	n/a	n/a
F-B22431E	QMFY10J115SM	QAFY10A115SM	QAAFY10A115SM	n/a	QVfy11V115SM	QVVFY11V115SM
F-B22431H	QMFY10J115ST	QAFY10A115ST	QAAFY10A115ST	n/a	QVF11V115ST	QVVF11V115ST
F-B22432E	QMFY10J200SM	QAFY10A200SM	QAAFY10A200SM	n/a	QVfy11V200SM	QVVFY11V200SM
F-B22432H	QMFY10J200ST	QAFY10A200ST	QAAFY10A200ST	n/a	QVF11V200ST	QVVF11V200ST
F-B22435E	QMFY11J203SM	QAFY11A203SM	QAAFY11A203SM	n/a	QVfy12V203SM	QVVFY12V203SM
F-B22435H	QMFY11J203ST	QAFY11A203ST	QAAFY11A203ST	n/a	QVF12V203ST	QVVF12V203ST
F-B22436E	QMFY11J204SM	QAFY11A204SM	QAAFY11A204SM	n/a	QVfy12V204SM	QVVFY12V204SM
F-B22436H	QMFY11J204ST	QAFY11A204ST	QAAFY11A204ST	n/a	QVF12V204ST	QVVF12V204ST
F-B22439E	QMFY13J207SM	QAFY13A207SM	QAAFY13A207SM	n/a	QVfy14V207SM	QVVFY14V207SM
F-B22439H	QMFY13J207ST	QAFY13A207ST	QAAFY13A207ST	n/a	QVF14V207ST	QVVF14V207ST
F-B22440E	QMFY13J208SM	QAFY13A208SM	QAAFY13A208SM	n/a	QVfy14V208SM	QVVFY14V208SM
F-B22440H	QMFY13J208ST	QAFY13A208ST	QAAFY13A208ST	n/a	QVF14V208ST	QVVF14V208ST
F-B22443E	QMFY15J211SM	QAFY15A211SM	QAAFY15A211SM	n/a	QVfy16V211SM	QVVFY16V211SM
F-B22443H	QMFY15J211ST	QAFY15A211ST	QAAFY15A211ST	n/a	QVF16V211ST	QVVF16V211ST
F-B22444E	QMFY15J212SM	QAFY15A212SM	QAAFY15A212SM	n/a	QVfy16V212SM	QVVFY16V212SM
F-B22444H	QMFY15J212ST	QAFY15A212ST	QAAFY15A212ST	n/a	QVF16V212ST	QVVF16V212ST
F-B22447E	QMFY15J215SM	QAFY15A215SM	QAAFY15A215SM	n/a	QVfy16V215SM	QVVFY16V215SM
F-B22447H	QMFY15J215ST	QAFY15A215ST	QAAFY15A215ST	n/a	QVF16V215ST	QVVF16V215ST
F-B22448E	QMFY15J300SM	QAFY15A300SM	QAAFY15A300SM	n/a	QVfy16V300SM	QVVFY16V300SM
F-B22448H	QMFY15J300ST	QAFY15A300ST	QAAFY15A300ST	n/a	QVF16V300ST	QVVF16V300ST
F-B22451E	QMFL18J303SM	QAFL18A303SM	QAAFL18A303SM	n/a	QVFL19V303SM	QVFL19V303SM
F-B22451H	QMFL18J303ST	QAFL18A303ST	QAAFL18A303ST	n/a	QVFL19V303ST	QVFL19V303ST
F-B22455E	QMFL18J307SM	QAFL18A307SM	QAAFL18A307SM	n/a	QVFL19V307SM	QVFL19V307SM
F-B22455H	QMFL18J307ST	QAFL18A307ST	QAAFL18A307ST	n/a	QVFL19V307ST	QVFL19V307ST
F-B22456E	QMFL18J308SM	QAFL18A308SM	QAAFL18A308SM	n/a	QVFL19V308SM	QVFL19V308SM
F-B22456H	QMFL18J308ST	QAFL18A308ST	QAAFL18A308ST	n/a	QVFL19V308ST	QVFL19V308ST
F-B22463E	QMFL20J315SM	QAFL20A315SM	QAAFL20A315SM	n/a	QVFL22V315SM	QVFL22V315SM
F-B22463H	QMFL20J315ST	QAFL20A315ST	QAAFL20A315ST	n/a	QVFL22V315ST	QVFL22V315ST
F-B22464E	QMFL20J400SM	QAFL20A400SM	QAAFL20A400SM	n/a	QVFL22V400SM	QVFL22V400SM
F-B22464H	QMFL20J400ST	QAFL20A400ST	QAAFL20A400ST	n/a	QVFL22V400ST	QVFL22V400ST
F-B22631E	QMFY10J115SM	QAFY10A115SM	QAAFY10A115SM	n/a	QVfy11V115SM	QVVFY11V115SM
F-B22631H	QMFY10J115ST	QAFY10A115ST	QAAFY10A115ST	n/a	QVF11V115ST	QVVF11V115ST
F-B22635E	QMFY11J203SM	QAFY11A203SM	QAAFY11A203SM	n/a	QVfy12V203SM	QVVFY12V203SM
F-B22635H	QMFY11J203ST	QAFY11A203ST	QAAFY11A203ST	n/a	QVF12V203ST	QVVF12V203ST
F-B22639E	QMFY13J207SM	QAFY13A207SM	QAAFY13A207SM	n/a	QVfy14V207SM	QVVFY14V207SM
F-B22639H	QMFY13J207ST	QAFY13A207ST	QAAFY13A207ST	n/a	QVF14V207ST	QVVF14V207ST
F-B22643E	QMFY15J211SM	QAFY15A211SM	QAAFY15A211SM	n/a	QVfy16V211SM	QVVFY16V211SM
F-B22643H	QMFY15J211ST	QAFY15A211ST	QAAFY15A211ST	n/a	QVF16V211ST	QVVF16V211ST
F-B22647E	QMFY15J215SM	QAFY15A215SM	QAAFY15A215SM	n/a	QVfy16V215SM	QVVFY16V215SM
F-B22647H	QMFY15J215ST	QAFY15A215ST	QAAFY15A215ST	n/a	QVF16V215ST	QVVF16V215ST
F-B22655E	QMFL18J307SM	QAFL18A307SM	QAAFL18A307SM	n/a	QVFL19V307SM	QVFL19V307SM
F-B22655H	QMFL18J307ST	QAFL18A307ST	QAAFL18A307ST	n/a	QVFL19V307ST	QVFL19V307ST

Note: This interchange guide is for reference only. **Some competitor bearings may not be shown.** If you are unable to find the bearing you are trying to interchange, please contact your local distributor or QM Bearings for assistance.

(continued on next page)

Blue Brute Bearings – Interchange Guide

Link-Belt®

Link-Belt Part Number	QM EC Series	QM CL Series		QM TA/DV Series	QM V-Lock® Series	
		Single-Collar	Double-Collar		Single-Nut	Double-Nut
F-B22663E	QMFL20J315SM	QAFL20A315SM	QA AFL20A315SM	n/a	QVFL22V315SM	QVVFL22V315SM
F-B22663H	QMFL20J315ST	QAFL20A315ST	QA AFL20A315ST	n/a	QVFL22V315ST	QVVFL22V315ST
FC-B22423E	QMCW08J107SM	n/a	n/a	n/a	n/a	n/a
FC-B22423H	QMCW08J107ST	n/a	n/a	n/a	n/a	n/a
FC-B22424E	QMCW08J108SM	n/a	n/a	n/a	n/a	n/a
FC-B22424H	QMCW08J108ST	n/a	n/a	n/a	n/a	n/a
FC-B22427E	QMCW09J111SM	n/a	n/a	n/a	n/a	n/a
FC-B22427H	QMCW09J111ST	n/a	n/a	n/a	n/a	n/a
FC-B22428E	QMCW09J112SM	n/a	n/a	n/a	n/a	n/a
FC-B22428H	QMCW09J112ST	n/a	n/a	n/a	n/a	n/a
FC-B22431E	QMCW10J115SM	QACW10A115SM	QAACW10A115SM	DVC11K115SM	QVCW11V115SM	QVVCW11V115SM
FC-B22431H	QMCW10J115ST	QACW10A115ST	QAACW10A115ST	DVC11K115ST	QVCW11V115ST	QVVCW11V115ST
FC-B22432E	QMCW10J200SM	QACW10A200SM	QAACW10A200SM	DVC11K200SM	QVCW11V200SM	QVVCW11V200SM
FC-B22432H	QMCW10J200ST	QACW10A200ST	QAACW10A200ST	DVC11K200ST	QVCW11V200ST	QVVCW11V200ST
FC-B22435E	QMCW11J203SM	QACW11A203SM	QAACW11A203SM	DVC13K203SM	QVCW12V203SM	QVVCW12V203SM
FC-B22435H	QMCW11J203ST	QACW11A203ST	QAACW11A203ST	DVC13K203ST	QVCW12V203ST	QVVCW12V203ST
FC-B22436E	QMCW11J204SM	QACW11A204SM	QAACW11A204SM	DVC13K204SM	QVCW12V204SM	QVVCW12V204SM
FC-B22436H	QMCW11J204ST	QACW11A204ST	QAACW11A204ST	DVC13K204ST	QVCW12V204ST	QVVCW12V204ST
FC-B22439E	QMCW13J207SM	QACW13A207SM	QAACW13A207SM	DVC15K207SM	QVCW14V207SM	QVVCW14V207SM
FC-B22439H	QMCW13J207ST	QACW13A207ST	QAACW13A207ST	DVC15K207ST	QVCW14V207ST	QVVCW14V207ST
FC-B22440E	QMCW13J208SM	QACW13A208SM	QAACW13A208SM	DVC15K208SM	QVCW14V208SM	QVVCW14V208SM
FC-B22440H	QMCW13J208ST	QACW13A208ST	QAACW13A208ST	DVC15K208ST	QVCW14V208ST	QVVCW14V208ST
FC-B22443E	QMCW15J211SM	QACW15A211SM	QAACW15A211SM	n/a	QVCW16V211SM	QVVCW16V211SM
FC-B22443H	QMCW15J211ST	QACW15A211ST	QAACW15A211ST	n/a	QVCW16V211ST	QVVCW16V211ST
FC-B22444E	QMCW15J212SM	QACW15A212SM	QAACW15A212SM	n/a	QVCW16V212SM	QVVCW16V212SM
FC-B22444H	QMCW15J212ST	QACW15A212ST	QAACW15A212ST	n/a	QVCW16V212ST	QVVCW16V212ST
FC-B22447E	QMCW15J215SM	QACW15A215SM	QAACW15A215SM	DVC17K215SM	QVCW16V215SM	QVVCW16V215SM
FC-B22447H	QMCW15J215ST	QACW15A215ST	QAACW15A215ST	DVC17K215ST	QVCW16V215ST	QVVCW16V215ST
FC-B22448E	QMCW15J300SM	QACW15A300SM	QAACW15A300SM	DVC17K300SM	QVCW16V300SM	QVVCW16V300SM
FC-B22448H	QMCW15J300ST	QACW15A300ST	QAACW15A300ST	DVC17K300ST	QVCW16V300ST	QVVCW16V300ST
FC-B22451E	QMCW18J303SM	QACW18A303SM	QAACW18A303SM	n/a	QVCW19V303SM	QVVCW19V303SM
FC-B22451H	QMCW18J303ST	QACW18A303ST	QAACW18A303ST	n/a	QVCW19V303ST	QVVCW19V303ST
FC-B22455E	QMCW18J307SM	QACW18A307SM	QAACW18A307SM	DVC20K307SM	QVCW19V307SM	QVVCW19V307SM
FC-B22455H	QMCW18J307ST	QACW18A307ST	QAACW18A307ST	DVC20K307ST	QVCW19V307ST	QVVCW19V307ST
FC-B22456E	QMCW18J308SM	QACW18A308SM	QAACW18A308SM	DVC20K308SM	QVCW19V308SM	QVVCW19V308SM
FC-B22456H	QMCW18J308ST	QACW18A308ST	QAACW18A308ST	DVC20K308ST	QVCW19V308ST	QVVCW19V308ST
FC-B22463E	QMCW20J315SM	QACW20A315SM	QAACW20A315SM	DVC22K315SM	QVCW22V315SM	QVVCW22V315SM
FC-B22463H	QMCW20J315ST	QACW20A315ST	QAACW20A315ST	DVC22K315ST	QVCW22V315ST	QVVCW22V315ST
FC-B22464E	QMCW20J400SM	QACW20A400SM	QAACW20A400SM	DVC22K400SM	QVCW22V400SM	QVVCW22V400SM
FC-B22464H	QMCW20J400ST	QACW20A400ST	QAACW20A400ST	DVC22K400ST	QVCW22V400ST	QVVCW22V400ST
FC-B22623E	QMCW08J107SM	n/a	n/a	n/a	n/a	n/a
FC-B22623H	QMCW08J107ST	n/a	n/a	n/a	n/a	n/a
FC-B22627E	QMCW09J111SM	n/a	n/a	n/a	n/a	n/a

Note: This interchange guide is for reference only. **Some competitor bearings may not be shown.** If you are unable to find the bearing you are trying to interchange, please contact your local distributor or QM Bearings for assistance.

(continued on next page)

Blue Brute Bearings – Interchange Guide

Link-Belt®

Link-Belt Part Number	QM EC Series	QM CL Series		QM TA/DV Series	QM V-Lock® Series	
		Single-Collar	Double-Collar		Single-Nut	Double-Nut
FC-B22627H	QMCW09J111ST	n/a	n/a	n/a	n/a	n/a
FC-B22631E	QMCW10J115SM	QACW10A115SM	QAACW10A115SM	DVC11K115SM	QVCW11V115SM	QVVCW11V115SM
FC-B22631H	QMCW10J115ST	QACW10A115ST	QAACW10A115ST	DVC11K115ST	QVCW11V115ST	QVVCW11V115ST
FC-B22635E	QMCW11J203SM	QACW11A203SM	QAACW11A203SM	DVC13K203SM	QVCW12V203SM	QVVCW12V203SM
FC-B22635H	QMCW11J203ST	QACW11A203ST	QAACW11A203ST	DVC13K203ST	QVCW12V203ST	QVVCW12V203ST
FC-B22639E	QMCW13J207SM	QACW13A207SM	QAACW13A207SM	DVC15K207SM	QVCW14V207SM	QVVCW14V207SM
FC-B22639H	QMCW13J207ST	QACW13A207ST	QAACW13A207ST	DVC15K207ST	QVCW14V207ST	QVVCW14V207ST
FC-B22643E	QMCW15J211SM	QACW15A211SM	QAACW15A211SM	n/a	QVCW16V211SM	QVVCW16V211SM
FC-B22643H	QMCW15J211ST	QACW15A211ST	QAACW15A211ST	n/a	QVCW16V211ST	QVVCW16V211ST
FC-B22647E	QMCW15J215SM	QACW15A215SM	QAACW15A215SM	DVC17K215SM	QVCW16V215SM	QVVCW16V215SM
FC-B22647H	QMCW15J215ST	QACW15A215ST	QAACW15A215ST	DVC17K215ST	QVCW16V215ST	QVVCW16V215ST
FC-B22655E	QMCW18J307SM	QACW18A307SM	QAACW18A307SM	DVC20K307SM	QVCW19V307SM	QVVCW19V307SM
FC-B22655H	QMCW18J307ST	QACW18A307ST	QAACW18A307ST	DVC20K307ST	QVCW19V307ST	QVVCW19V307ST
FC-B22663E	QMCW20J315SM	QACW20A315SM	QAACW20A315SM	DVC22K315SM	QVCW22V315SM	QVVCW22V315SM
FC-B22663H	QMCW20J315ST	QACW20A315ST	QAACW20A315ST	DVC22K315ST	QVCW22V315ST	QVVCW22V315ST
FE-B22423E	QMFY08J107SEM	n/a	n/a	n/a	n/a	n/a
FE-B22423H	QMFY08J107SET	n/a	n/a	n/a	n/a	n/a
FE-B22424E	QMFY08J108SEM	n/a	n/a	n/a	n/a	n/a
FE-B22424H	QMFY08J108SET	n/a	n/a	n/a	n/a	n/a
FE-B22427E	QMFY09J111SEM	n/a	n/a	n/a	n/a	n/a
FE-B22427H	QMFY09J111SET	n/a	n/a	n/a	n/a	n/a
FE-B22428E	QMFY09J112SEM	n/a	n/a	n/a	n/a	n/a
FE-B22428H	QMFY09J112SET	n/a	n/a	n/a	n/a	n/a
FE-B22431E	QMFY10J115SEM	QAFY10A115SEM	QAAFY10A115SEM	n/a	QVFY11V115SEM	QVVFY11V115SEM
FE-B22431H	QMFY10J115SET	QAFY10A115SET	QAAFY10A115SET	n/a	QVFY11V115SET	QVVFY11V115SET
FE-B22432E	QMFY10J200SEM	QAFY10A200SEM	QAAFY10A200SEM	n/a	QVFY11V200SEM	QVVFY11V200SEM
FE-B22432H	QMFY10J200SET	QAFY10A200SET	QAAFY10A200SET	n/a	QVFY11V200SET	QVVFY11V200SET
FE-B22435E	QMFY11J203SEM	QAFY11A203SEM	QAAFY11A203SEM	n/a	QVFY12V203SEM	QVVFY12V203SEM
FE-B22435H	QMFY11J203SET	QAFY11A203SET	QAAFY11A203SET	n/a	QVFY12V203SET	QVVFY12V203SET
FE-B22436E	QMFY11J204SEM	QAFY11A204SEM	QAAFY11A204SEM	n/a	QVFY12V204SEM	QVVFY12V204SEM
FE-B22436H	QMFY11J204SET	QAFY11A204SET	QAAFY11A204SET	n/a	QVFY12V204SET	QVVFY12V204SET
FE-B22439E	QMFY13J207SEM	QAFY13A207SEM	QAAFY13A207SEM	n/a	QVFY14V207SEM	QVVFY14V207SEM
FE-B22439H	QMFY13J207SET	QAFY13A207SET	QAAFY13A207SET	n/a	QVFY14V207SET	QVVFY14V207SET
FE-B22440E	QMFY13J208SEM	QAFY13A208SEM	QAAFY13A208SEM	n/a	QVFY14V208SEM	QVVFY14V208SEM
FE-B22440H	QMFY13J208SET	QAFY13A208SET	QAAFY13A208SET	n/a	QVFY14V208SET	QVVFY14V208SET
FE-B22443E	QMFY15J211SEM	QAFY15A211SEM	QAAFY15A211SEM	n/a	QVFY16V211SEM	QVVFY16V211SEM
FE-B22443H	QMFY15J211SET	QAFY15A211SET	QAAFY15A211SET	n/a	QVFY16V211SET	QVVFY16V211SET
FE-B22444E	QMFY15J212SEM	QAFY15A212SEM	QAAFY15A212SEM	n/a	QVFY16V212SEM	QVVFY16V212SEM
FE-B22444H	QMFY15J212SET	QAFY15A212SET	QAAFY15A212SET	n/a	QVFY16V212SET	QVVFY16V212SET
FE-B22447E	QMFY15J215SEM	QAFY15A215SEM	QAAFY15A215SEM	n/a	QVFY16V215SEM	QVVFY16V215SEM
FE-B22447H	QMFY15J215SET	QAFY15A215SET	QAAFY15A215SET	n/a	QVFY16V215SET	QVVFY16V215SET
FE-B22448E	QMFY15J300SEM	QAFY15A300SEM	QAAFY15A300SEM	n/a	QVFY16V300SEM	QVVFY16V300SEM
FE-B22448H	QMFY15J300SET	QAFY15A300SET	QAAFY15A300SET	n/a	QVFY16V300SET	QVVFY16V300SET

Note: This interchange guide is for reference only. **Some competitor bearings may not be shown.** If you are unable to find the bearing you are trying to interchange, please contact your local distributor or QM Bearings for assistance.

(continued on next page)

Blue Brute Bearings – Interchange Guide

Link-Belt®

Link-Belt Part Number	QM EC Series	QM CL Series		QM TA/DV Series	QM V-Lock® Series	
		Single-Collar	Double-Collar		Single-Nut	Double-Nut
FE-B22451E	QMFL18J303SEM	QAF118A303SEM	QAAF118A303SEM	n/a	QVFL19V303SEM	QVVFL19V303SEM
FE-B22451H	QMFL18J303SET	QAF118A303SET	QAAF118A303SET	n/a	QVFL19V303SET	QVVFL19V303SET
FE-B22455E	QMFL18J307SEM	QAF118A307SEM	QAAF118A307SEM	n/a	QVFL19V307SEM	QVVFL19V307SEM
FE-B22455H	QMFL18J307SET	QAF118A307SET	QAAF118A307SET	n/a	QVFL19V307SET	QVVFL19V307SET
FE-B22456E	QMFL18J308SEM	QAF118A308SEM	QAAF118A308SEM	n/a	QVFL19V308SEM	QVVFL19V308SEM
FE-B22456H	QMFL18J308SET	QAF118A308SET	QAAF118A308SET	n/a	QVFL19V308SET	QVVFL19V308SET
FE-B22463E	QMFL20J315SEM	QAF120A315SEM	QAAF120A315SEM	n/a	QVFL22V315SEM	QVVFL22V315SEM
FE-B22463H	QMFL20J315SET	QAF120A315SET	QAAF120A315SET	n/a	QVFL22V315SET	QVVFL22V315SET
FE-B22464E	QMFL20J400SEM	QAF120A400SEM	QAAF120A400SEM	n/a	QVFL22V400SEM	QVVFL22V400SEM
FE-B22464H	QMFL20J400SET	QAF120A400SET	QAAF120A400SET	n/a	QVFL22V400SET	QVVFL22V400SET
FE-B22631E	QMFY10J115SEM	QAFY10A115SEM	QAAFY10A115SEM	n/a	QVFY11V115SEM	QVVFY11V115SEM
FE-B22631H	QMFY10J115SET	QAFY10A115SET	QAAFY10A115SET	n/a	QVFY11V115SET	QVVFY11V115SET
FE-B22635E	QMFY11J203SEM	QAFY11A203SEM	QAAFY11A203SEM	n/a	QVFY12V203SEM	QVVFY12V203SEM
FE-B22635H	QMFY11J203SET	QAFY11A203SET	QAAFY11A203SET	n/a	QVFY12V203SET	QVVFY12V203SET
FE-B22639E	QMFY13J207SEM	QAFY13A207SEM	QAAFY13A207SEM	n/a	QVFY14V207SEM	QVVFY14V207SEM
FE-B22639H	QMFY13J207SET	QAFY13A207SET	QAAFY13A207SET	n/a	QVFY14V207SET	QVVFY14V207SET
FE-B22643E	QMFY15J211SEM	QAFY15A211SEM	QAAFY15A211SEM	n/a	QVFY16V211SEM	QVVFY16V211SEM
FE-B22643H	QMFY15J211SET	QAFY15A211SET	QAAFY15A211SET	n/a	QVFY16V211SET	QVVFY16V211SET
FE-B22647E	QMFY15J215SEM	QAFY15A215SEM	QAAFY15A215SEM	n/a	QVFY16V215SEM	QVVFY16V215SEM
FE-B22647H	QMFY15J215SET	QAFY15A215SET	QAAFY15A215SET	n/a	QVFY16V215SET	QVVFY16V215SET
FE-B22655E	QMFL18J307SEM	QAF118A307SEM	QAAF118A307SEM	n/a	QVFL19V307SEM	QVVFL19V307SEM
FE-B22655H	QMFL18J307SET	QAF118A307SET	QAAF118A307SET	n/a	QVFL19V307SET	QVVFL19V307SET
FE-B22663E	QMFL20J315SEM	QAF120A315SEM	QAAF120A315SEM	n/a	QVFL22V315SEM	QVVFL22V315SEM
FE-B22663H	QMFL20J315SET	QAF120A315SET	QAAF120A315SET	n/a	QVFL22V315SET	QVVFL22V315SET
P-B22423E	QMPL08J107SM	n/a	n/a	n/a	n/a	n/a
P-B22423H	QMPL08J107ST	n/a	n/a	n/a	n/a	n/a
P-B22424E	QMPL08J108SM	n/a	n/a	n/a	n/a	n/a
P-B22424H	QMPL08J108ST	n/a	n/a	n/a	n/a	n/a
P-B22427E	QMPL09J111SM	n/a	n/a	n/a	n/a	n/a
P-B22427H	QMPL09J111ST	n/a	n/a	n/a	n/a	n/a
P-B22428E	QMPL09J112SM	n/a	n/a	n/a	n/a	n/a
P-B22428H	QMPL09J112ST	n/a	n/a	n/a	n/a	n/a
P-B22431E	QMPL10J115SM	QAPL10A115SM	QAAPL10A115SM	DVP11K115SM	QVPL11V115SM	QVVPL11V115SM
P-B22431H	QMPL10J115ST	QAPL10A115ST	QAAPL10A115ST	DVP11K115ST	QVPL11V115ST	QVVPL11V115ST
P-B22432E	QMPL10J200SM	QAPL10A200SM	QAAPL10A200SM	DVP11K200SM	QVPL11V200SM	QVVPL11V200SM
P-B22432H	QMPL10J200ST	QAPL10A200ST	QAAPL10A200ST	DVP11K200ST	QVPL11V200ST	QVVPL11V200ST
P-B22435E	QMPL11J203SM	QAPL11A203SM	QAAPL11A203SM	DVP13K203SM	QVPL12V203SM	QVVPL12V203SM
P-B22435H	QMPL11J203ST	QAPL11A203ST	QAAPL11A203ST	DVP13K203ST	QVPL12V203ST	QVVPL12V203ST
P-B22439E	QMPL13J207SM	QAPL13A207SM	QAAPL13A207SM	DVP15K207SM	QVPL14V207SM	QVVPL14V207SM
P-B22439FE	QMPL13J207SM	QAPL13A207SM	QAAPL13A207SM	DVP15K207SM	QVPL14V207SM	QVVPL14V207SM
P-B22439FH	QMPL13J207ST	QAPL13A207ST	QAAPL13A207ST	DVP15K207ST	QVPL14V207ST	QVVPL14V207ST
P-B22439H	QMPL13J207ST	QAPL13A207ST	QAAPL13A207ST	DVP15K207ST	QVPL14V207ST	QVVPL14V207ST
P-B22440E	QMPL13J208SM	QAPL13A208SM	QAAPL13A208SM	DVP15K208SM	QVPL14V208SM	QVVPL14V208SM

Note: This interchange guide is for reference only. **Some competitor bearings may not be shown.** If you are unable to find the bearing you are trying to interchange, please contact your local distributor or QM Bearings for assistance.

(continued on next page)

Blue Brute Bearings – Interchange Guide

Link-Belt®

Link-Belt Part Number	QM EC Series	QM CL Series		QM TA/DV Series	QM V-Lock® Series	
		Single-Collar	Double-Collar		Single-Nut	Double-Nut
P-B22440FE	QMPF13J208SM	QAPF13A208SM	QAAPF13A208SM	DVPF15K208SM	QVPF14V208SM	QVVPF14V208SM
P-B22440FH	QMPF13J208ST	QAPF13A208ST	QAAPF13A208ST	DVPF15K208ST	QVPF14V208ST	QVVPF14V208ST
P-B22440H	QMPL13J208ST	QAPL13A208ST	QAAPL13A208ST	DVP15K208ST	QVPL14V208ST	QVPL14V208ST
P-B22443E	QMPL15J211SM	QAPL15A211SM	QAAPL15A211SM	n/a	QVPL16V211SM	QVPL16V211SM
P-B22443FE	QMPF15J211SM	QAPF15A211SM	QAAPF15A211SM	n/a	QVPF16V211SM	QVVPF16V211SM
P-B22443FH	QMPF15J211ST	QAPF15A211ST	QAAPF15A211ST	n/a	QVPF16V211ST	QVVPF16V211ST
P-B22443H	QMPL15J211ST	QAPL15A211ST	QAAPL15A211ST	n/a	QVPL16V211ST	QVPL16V211ST
P-B22444E	QMPL15J212SM	QAPL15A212SM	QAAPL15A212SM	n/a	QVPL16V212SM	QVPL16V212SM
P-B22444FE	QMPF15J212SM	QAPF15A212SM	QAAPF15A212SM	n/a	QVPF16V212SM	QVVPF16V212SM
P-B22444FH	QMPF15J212ST	QAPF15A212ST	QAAPF15A212ST	n/a	QVPF16V212ST	QVVPF16V212ST
P-B22444H	QMPL15J212ST	QAPL15A212ST	QAAPL15A212ST	n/a	QVPL16V212ST	QVPL16V212ST
P-B22447E	QMPL15J215SM	QAPL15A215SM	QAAPL15A215SM	DVP17K215SM	QVPL16V215SM	QVPL16V215SM
P-B22447FE	QMPF15J215SM	QAPF15A215SM	QAAPF15A215SM	DVPF17K215SM	QVPF16V215SM	QVVPF16V215SM
P-B22447FH	QMPF15J215ST	QAPF15A215ST	QAAPF15A215ST	DVPF17K215ST	QVPF16V215ST	QVVPF16V215ST
P-B22447H	QMPL15J215ST	QAPL15A215ST	QAAPL15A215ST	DVP17K215ST	QVPL16V215ST	QVPL16V215ST
P-B22448E	QMPL15J300SM	QAPL15A300SM	QAAPL15A300SM	DVP17K300SM	QVPL16V300SM	QVPL16V300SM
P-B22448FE	QMPF15J300SM	QAPF15A300SM	QAAPF15A300SM	DVPF17K300SM	QVPF16V300SM	QVVPF16V300SM
P-B22448FH	QMPF15J300ST	QAPF15A300ST	QAAPF15A300ST	DVPF17K300ST	QVPF16V300ST	QVVPF16V300ST
P-B22448H	QMPL15J300ST	QAPL15A300ST	QAAPL15A300ST	DVP17K300ST	QVPL16V300ST	QVPL16V300ST
P-B22451E	QMPL18J303SM	QAPL18A303SM	QAAPL18A303SM	n/a	QVPL19V303SM	QVPL19V303SM
P-B22451FE	QMPF18J303SM	QAPF18A303SM	QAAPF18A303SM	n/a	QVPF19V303SM	QVVPF19V303SM
P-B22451FH	QMPF18J303ST	QAPF18A303ST	QAAPF18A303ST	n/a	QVPF19V303ST	QVVPF19V303ST
P-B22451H	QMPL18J303ST	QAPL18A303ST	QAAPL18A303ST	n/a	QVPL19V303ST	QVPL19V303ST
P-B22455E	QMPL18J307SM	QAPL18A307SM	QAAPL18A307SM	DVP20K307SM	QVPL19V307SM	QVPL19V307SM
P-B22455FE	QMPF18J307SM	QAPF18A307SM	QAAPF18A307SM	DVPF20K307SM	QVPF19V307SM	QVVPF19V307SM
P-B22455FH	QMPF18J307ST	QAPF18A307ST	QAAPF18A307ST	DVPF20K307ST	QVPF19V307ST	QVVPF19V307ST
P-B22455H	QMPL18J307ST	QAPL18A307ST	QAAPL18A307ST	DVP20K307ST	QVPL19V307ST	QVPL19V307ST
P-B22456E	QMPL18J308SM	QAPL18A308SM	QAAPL18A308SM	DVP20K308SM	QVPL19V308SM	QVPL19V308SM
P-B22456FE	QMPF18J308SM	QAPF18A308SM	QAAPF18A308SM	DVPF20K308SM	QVPF19V308SM	QVVPF19V308SM
P-B22456FH	QMPF18J308ST	QAPF18A308ST	QAAPF18A308ST	DVPF20K308ST	QVPF19V308ST	QVVPF19V308ST
P-B22456H	QMPL18J308ST	QAPL18A308ST	QAAPL18A308ST	DVP20K308ST	QVPL19V308ST	QVPL19V308ST
P-B22463E	QMPL20J315SM	QAPL20A315SM	QAAPL20A315SM	DVP22K315SM	QVPL22V315SM	QVPL22V315SM
P-B22463FE	QMPF20J315SM	QAPF20A315SM	QAAPF20A315SM	DVPF22K315SM	QVPF22V315SM	QVVPF22V315SM
P-B22463FH	QMPF20J315ST	QAPF20A315ST	QAAPF20A315ST	DVPF22K315ST	QVPF22V315ST	QVVPF22V315ST
P-B22463H	QMPL20J315ST	QAPL20A315ST	QAAPL20A315ST	DVP22K315ST	QVPL22V315ST	QVPL22V315ST
P-B22464E	QMPL20J400SM	QAPL20A400SM	QAAPL20A400SM	DVP22K400SM	QVPL22V400SM	QVPL22V400SM
P-B22464FE	QMPF20J400SM	QAPF20A400SM	QAAPF20A400SM	DVPF22K400SM	QVPF22V400SM	QVVPF22V400SM
P-B22464FH	QMPF20J400ST	QAPF20A400ST	QAAPF20A400ST	DVPF22K400ST	QVPF22V400ST	QVVPF22V400ST
P-B22464H	QMPL20J400ST	QAPL20A400ST	QAAPL20A400ST	DVP22K400ST	QVPL22V400ST	QVPL22V400ST
P-B22571FE	QMPF22J407SM	n/a	QAAPF22A407SM	DVPF26K407SM	QVPF26V407SM	QVVPF26V407SM
P-B22571FH	QMPF22J407ST	n/a	QAAPF22A407ST	DVPF26K407ST	QVPF26V407ST	QVVPF26V407ST
P-B22572FE	QMPF22J408SM	n/a	QAAPF22A408SM	DVPF26K408SM	QVPF26V408SM	QVVPF26V408SM
P-B22572FH	QMPF22J408ST	n/a	QAAPF22A408ST	DVPF26K408ST	QVPF26V408ST	QVVPF26V408ST

Note: This interchange guide is for reference only. **Some competitor bearings may not be shown.** If you are unable to find the bearing you are trying to interchange, please contact your local distributor or QM Bearings for assistance.

(continued on next page)

Blue Brute Bearings – Interchange Guide

Link-Belt®

Link-Belt Part Number	QM EC Series	QM CL Series		QM TA/DV Series	QM V-Lock® Series	
		Single-Collar	Double-Collar		Single-Nut	Double-Nut
P-B22579FE	QMPF26J415SM	n/a	QAAPF26A415SM	n/a	QVPF28V415SM	QVVPF28V415SM
P-B22579FH	QMPF26J415ST	n/a	QAAPF26A415ST	n/a	QVPF28V415ST	QVVPF28V415ST
P-B22580FE	QMPF26J500SM	n/a	QAAPF26A500SM	n/a	QVPF28V500SM	QVVPF28V500SM
P-B22580FH	QMPF26J500ST	n/a	QAAPF26A500ST	n/a	QVPF28V500ST	QVVPF28V500ST
P-B22623E	QMPL08J107SM	n/a	n/a	n/a	n/a	n/a
P-B22623H	QMPL08J107ST	n/a	n/a	n/a	n/a	n/a
P-B22631E	QMPL10J115SM	QAPL10A115SM	QAAPL10A115SM	DVP11K115SM	QVPL11V115SM	QVVPL11V115SM
P-B22631H	QMPL10J115ST	QAPL10A115ST	QAAPL10A115ST	DVP11K115ST	QVPL11V115ST	QVVPL11V115ST
P-B22635E	QMPL11J203SM	QAPL11A203SM	QAAPL11A203SM	DVP13K203SM	QVPL12V203SM	QVVPL12V203SM
P-B22635H	QMPL11J203ST	QAPL11A203ST	QAAPL11A203ST	DVP13K203ST	QVPL11V203ST	QVVPL12V203ST
P-B22639E	QMPL13J207SM	QAPL13A207SM	QAAPL13A207SM	DVP15K207SM	QVPL14V207SM	QVVPL14V207SM
P-B22639FE	QMPF13J207SM	QAPF13A207SM	QAAPF13A207SM	DVPF15K207SM	QVPF14V207SM	QVVPF14V207SM
P-B22639FH	QMPF13J207ST	QAPF13A207ST	QAAPF13A207ST	DVPF15K207ST	QVPF14V207ST	QVVPF14V207ST
P-B22639H	QMPL13J207ST	QAPL13A207ST	QAAPL13A207ST	DVP15K207ST	QVPL14V207ST	QVVPL14V207ST
P-B22643E	QMPL15J211SM	QAPL15A211SM	QAAPL15A211SM	n/a	QVPL16V211SM	QVVPL16V211SM
P-B22643FE	QMPF15J211SM	QAPF15A211SM	QAAPF15A211SM	n/a	QVPF16V211SM	QVVPF16V211SM
P-B22643FH	QMPF15J211ST	QAPF15A211ST	QAAPF15A211ST	n/a	QVPF16V211ST	QVVPF16V211ST
P-B22643H	QMPL15J211ST	QAPL15A211ST	QAAPL15A211ST	n/a	QVPL16V211ST	QVVPL16V211ST
P-B22647E	QMPL15J215SM	QAPL15A215SM	QAAPL15A215SM	DVP17K215SM	QVPL16V215SM	QVVPL16V215SM
P-B22647FE	QMPF15J215SM	QAPF15A215SM	QAAPF15A215SM	DVPF17K215SM	QVPF16V215SM	QVVPF16V215SM
P-B22647FH	QMPF15J215ST	QAPF15A215ST	QAAPF15A215ST	DVPF17K215ST	QVPF16V215ST	QVVPF16V215ST
P-B22647H	QMPL15J215ST	QAPL15A215ST	QAAPL15A215ST	DVP17K215ST	QVPL16V215ST	QVVPL16V215ST
P-B22655E	QMPL18J307SM	QAPL18A307SM	QAAPL18A307SM	DVP20K307SM	QVPL19V307SM	QVVPL19V307SM
P-B22655FE	QMPF18J307SM	QAPF18A307SM	QAAPF18A307SM	DVPF20K307SM	QVPF19V307SM	QVVPF19V307SM
P-B22655FH	QMPF18J307ST	QAPF18A307ST	QAAPF18A307ST	DVPF20K307ST	QVPF19V307ST	QVVPF19V307ST
P-B22655H	QMPL18J307ST	QAPL18A307ST	QAAPL18A307ST	DVP20K307ST	QVPL19V307ST	QVVPL19V307ST
P-B22663E	QMPL20J315SM	QAPL20A315SM	QAAPL20A315SM	DVP22K315SM	QVPL22V315SM	QVVPL22V315SM
P-B22663FE	QMPF20J315SM	QAPF20A315SM	QAAPF20A315SM	DVPF22K315SM	QVPF22V315SM	QVVPF22V315SM
P-B22663FH	QMPF20J315ST	QAPF20A315ST	QAAPF20A315ST	DVPF22K315ST	QVPF22V315ST	QVVPF22V315ST
P-B22663H	QMPL20J315ST	QAPL20A315ST	QAAPL20A315ST	DVP22K315ST	QVPL22V315ST	QVVPL22V315ST
P-B22671FE	QMPF22J407SM	n/a	QAAPF22A407SM	DVPF26K407SM	QVPF26V407SM	QVVPF26V407SM
P-B22671FH	QMPF22J407ST	n/a	QAAPF22A407ST	DVPF26K407ST	QVPF26V407ST	QVVPF26V407ST
P-B22679FE	QMPF26J415SM	n/a	QAAPF26A415SM	n/a	QVPF28V415SM	QVVPF28V415SM
P-B22679FH	QMPF26J415ST	n/a	QAAPF26A415ST	n/a	QVPF28V415ST	QVVPF28V415ST
PE-B22423E	QMPL08J107SEM	n/a	n/a	n/a	n/a	n/a
PE-B22423H	QMPL08J107SET	n/a	n/a	n/a	n/a	n/a
PE-B22424E	QMPL08J108SEM	n/a	n/a	n/a	n/a	n/a
PE-B22424H	QMPL08J108SET	n/a	n/a	n/a	n/a	n/a
PE-B22427E	QMPL09J111SEM	n/a	n/a	n/a	n/a	n/a
PE-B22427H	QMPL09J111SET	n/a	n/a	n/a	n/a	n/a
PE-B22428E	QMPL09J112SEM	n/a	n/a	n/a	n/a	n/a
PE-B22428H	QMPL09J112SET	n/a	n/a	n/a	n/a	n/a
PE-B22431E	QMPL10J115SEM	QAPL10A115SEM	QAAPL10A115SEM	DVP11K115SEM	QVPL11V115SEM	QVVPL11V115SEM

Note: This interchange guide is for reference only. **Some competitor bearings may not be shown.** If you are unable to find the bearing you are trying to interchange, please contact your local distributor or QM Bearings for assistance.

(continued on next page)

Blue Brute Bearings – Interchange Guide

Link-Belt®

Link-Belt Part Number	QM EC Series	QM CL Series		QM TA/DV Series	QM V-Lock® Series	
		Single-Collar	Double-Collar		Single-Nut	Double-Nut
PE-B22431H	QMPL10J115SET	QAPL10A115SET	QAAPL10A115SET	DVP11K115SET	QVPL11V115SET	QVVPL11V115SET
PE-B22432E	QMPL10J200SEM	QAPL10A200SEM	QAAPL10A200SEM	DVP11K200SEM	QVPL11V200SEM	QVVPL11V200SEM
PE-B22432H	QMPL10J200SET	QAPL10A200SET	QAAPL10A200SET	DVP11K200SET	QVPL11V200SET	QVVPL11V200SET
PE-B22435E	QMPL11J203SEM	QAPL11A203SEM	QAAPL11A203SEM	DVP13K203SEM	QVPL12V203SEM	QVVPL12V203SEM
PE-B22435H	QMPL11J203SET	QAPL11A203SET	QAAPL11A203SET	DVP13K203SET	QVPL12V203SET	QVVPL12V203SET
PE-B22439E	QMPL13J207SEM	QAPL13A207SEM	QAAPL13A207SEM	DVP15K207SEM	QVPL14V207SEM	QVVPL14V207SEM
PE-B22439FE	QMPF13J207SEM	QAPF13A207SEM	QAAPF13A207SEM	DVPF15K207SEM	QVPF14V207SEM	QVVPF14V207SEM
PE-B22439FH	QMPF13J207SET	QAPF13A207SET	QAAPF13A207SET	DVPF15K207SET	QVPF14V207SET	QVVPF14V207SET
PE-B22439H	QMPL13J207SET	QAPL13A207SET	QAAPL13A207SET	DVP15K207SET	QVPL14V207SET	QVVPL14V207SET
PE-B22440E	QMPL13J208SEM	QAPL13A208SEM	QAAPL13A208SEM	DVP15K208SEM	QVPL14V208SEM	QVVPL14V208SEM
PE-B22440FE	QMPF13J208SEM	QAPF13A208SEM	QAAPF13A208SEM	DVPF15K208SEM	QVPF14V208SEM	QVVPF14V208SEM
PE-B22440FH	QMPF13J208SET	QAPF13A208SET	QAAPF13A208SET	DVPF15K208SET	QVPF14V208SET	QVVPF14V208SET
PE-B22440H	QMPL13J208SET	QAPL13A208SET	QAAPL13A208SET	DVP15K208SET	QVPL14V208SET	QVVPL14V208SET
PE-B22443E	QMPL15J211SEM	QAPL15A211SEM	QAAPL15A211SEM	n/a	QVPL16V211SEM	QVVPL16V211SEM
PE-B22443FE	QMPF15J211SEM	QAPF15A211SEM	QAAPF15A211SEM	n/a	QVPF16V211SEM	QVVPF16V211SEM
PE-B22443FH	QMPF15J211SET	QAPF15A211SET	QAAPF15A211SET	n/a	QVPF16V211SET	QVVPF16V211SET
PE-B22443H	QMPL15J211SET	QAPL15A211SET	QAAPL15A211SET	n/a	QVPL16V211SET	QVVPL16V211SET
PE-B22444E	QMPL15J212SEM	QAPL15A212SEM	QAAPL15A212SEM	n/a	QVPL16V212SEM	QVVPL16V212SEM
PE-B22444FE	QMPF15J212SEM	QAPF15A212SEM	QAAPF15A212SEM	n/a	QVPF16V212SEM	QVVPF16V212SEM
PE-B22444FH	QMPF15J212SET	QAPF15A212SET	QAAPF15A212SET	n/a	QVPF16V212SET	QVVPF16V212SET
PE-B22444H	QMPL15J212SET	QAPL15A212SET	QAAPL15A212SET	n/a	QVPL16V212SET	QVVPL16V212SET
PE-B22447E	QMPL15J215SEM	QAPL15A215SEM	QAAPL15A215SEM	DVP17K215SEM	QVPL16V215SEM	QVVPL16V215SEM
PE-B22447FE	QMPF15J215SEM	QAPF15A215SEM	QAAPF15A215SEM	DVPF17K215SEM	QVPF16V215SEM	QVVPF16V215SEM
PE-B22447FH	QMPF15J215SET	QAPF15A215SET	QAAPF15A215SET	DVPF17K215SET	QVPF16V215SET	QVVPF16V215SET
PE-B22447H	QMPL15J215SET	QAPL15A215SET	QAAPL15A215SET	DVP17K215SET	QVPL16V215SET	QVVPL16V215SET
PE-B22448E	QMPL15J300SEM	QAPL15A300SEM	QAAPL15A300SEM	DVP17K300SEM	QVPL16V300SEM	QVVPL16V300SEM
PE-B22448FE	QMPF15J300SEM	QAPF15A300SEM	QAAPF15A300SEM	DVPF17K300SEM	QVPF16V300SEM	QVVPF16V300SEM
PE-B22448FH	QMPF15J300SET	QAPF15A300SET	QAAPF15A300SET	DVPF17K300SET	QVPF16V300SET	QVVPF16V300SET
PE-B22448H	QMPL15J300SET	QAPL15A300SET	QAAPL15A300SET	DVP17K300SET	QVPL16V300SET	QVVPL16V300SET
PE-B22451E	QMPL18J303SEM	QAPL18A303SEM	QAAPL18A303SEM	n/a	QVPL19V303SEM	QVVPL19V303SEM
PE-B22451FE	QMPF18J303SEM	QAPF18A303SEM	QAAPF18A303SEM	n/a	QVPF19V303SEM	QVVPF19V303SEM
PE-B22451FH	QMPF18J303SET	QAPF18A303SET	QAAPF18A303SET	n/a	QVPF19V303SET	QVVPF19V303SET
PE-B22451H	QMPL18J303SET	QAPL18A303SET	QAAPL18A303SET	n/a	QVPL19V303SET	QVVPL19V303SET
PE-B22455E	QMPL18J307SEM	QAPL18A307SEM	QAAPL18A307SEM	DVP20K307SEM	QVPL19V307SEM	QVVPL19V307SEM
PE-B22455FE	QMPF18J307SEM	QAPF18A307SEM	QAAPF18A307SEM	DVPF20K307SEM	QVPF19V307SEM	QVVPF19V307SEM
PE-B22455FH	QMPF18J307SET	QAPF18A307SET	QAAPF18A307SET	DVPF20K307SET	QVPF19V307SET	QVVPF19V307SET
PE-B22455H	QMPL18J307SET	QAPL18A307SET	QAAPL18A307SET	DVP20K307SET	QVPL19V307SET	QVVPL19V307SET
PE-B22456E	QMPL18J308SEM	QAPL18A308SEM	QAAPL18A308SEM	DVP20K308SEM	QVPL19V308SEM	QVVPL19V308SEM
PE-B22456FE	QMPF18J308SEM	QAPF18A308SEM	QAAPF18A308SEM	DVPF20K308SEM	QVPF19V308SEM	QVVPF19V308SEM
PE-B22456FH	QMPF18J308SET	QAPF18A308SET	QAAPF18A308SET	DVPF20K308SET	QVPF19V308SET	QVVPF19V308SET
PE-B22456H	QMPL18J308SET	QAPL18A308SET	QAAPL18A308SET	DVP20K308SET	QVPL19V308SET	QVVPL19V308SET
PE-B22463E	QMPL20J315SEM	QAPL20A315SEM	QAAPL20A315SEM	DVP22K315SEM	QVPL22V315SEM	QVVPL22V315SEM
PE-B22463FE	QMPF20J315SEM	QAPF20A315SEM	QAAPF20A315SEM	DVPF22K315SEM	QVPF22V315SEM	QVVPF22V315SEM

Note: This interchange guide is for reference only. **Some competitor bearings may not be shown.** If you are unable to find the bearing you are trying to interchange, please contact your local distributor or QM Bearings for assistance.

(continued on next page)

Blue Brute Bearings – Interchange Guide

Link-Belt®

Link-Belt Part Number	QM EC Series	QM CL Series		QM TA/DV Series	QM V-Lock® Series	
		Single-Collar	Double-Collar		Single-Nut	Double-Nut
PE-B22463FH	QMPF20J315SET	QAPF20A315SET	QAAPF20A315SET	DVPF22K315SET	QVPF22V315SET.	QVVPF22V315SET.
PE-B22463H	QMPL20J315SET	QAPL20A315SET	QAAPL20A315SET	DVP22K315SET	QVPL22V315SET	QVVPL22V315SET
PE-B22464E	QMPL20J400SEM	QAPL20A400SEM	QAAPL20A400SEM	DVP22K400SEM	QVPL22V400SEM	QVVPL22V400SEM
PE-B22464FE	QMPF20J400SEM	QAPF20A400SEM	QAAPF20A400SEM	DVPF22K400SEM	QVPF22V400SEM	QVVPF22V400SEM
PE-B22464FH	QMPF20J400SET	QAPF20A400SET	QAAPF20A400SET	DVPF22K400SET	QVPF22V400SET	QVVPF22V400SET
PE-B22464H	QMPL20J400SET	QAPL20A400SET	QAAPL20A400SET	DVP22K400SET	QVPL22V400SET	QVVPL22V400SET
PE-B22571FE	QMPF22J407SEM	n/a	QAAPF22A407SEM	DVPF26K407SEM	QVPF26V407SEM	QVVPF26V407SEM
PE-B22571FH	QMPF22J407SET	n/a	QAAPF22A407SET	DVPF26K407SET	QVPF26V407SET	QVVPF26V407SET
PE-B22572FE	QMPF22J408SEM	n/a	QAAPF22A408SEM	DVPF26K408SEM	QVPF26V408SEM	QVVPF26V408SEM
PE-B22572FH	QMPF22J408SET	n/a	QAAPF22A408SET	DVPF26K408SET	QVPF26V408SET	QVVPF26V408SET
PE-B22579FE	QMPF26J415SEM	n/a	QAAPF26A415SEM	n/a	QVPF28V415SEM	QVVPF28V415SEM
PE-B22579FH	QMPF26J415SET	n/a	QAAPF26A415SET	n/a	QVPF28V415SET	QVVPF28V415SET
PE-B22580FE	QMPF26J500SEM	n/a	QAAPF26A500SEM	n/a	QVPF28V500SEM	QVVPF28V500SEM
PE-B22580FH	QMPF26J500SET	n/a	QAAPF26A500SET	n/a	QVPF28V500SET	QVVPF28V500SET
PE-B22623E	QMPL08J107SEM	n/a	n/a	n/a	n/a	n/a
PE-B22623H	QMPL08J107SET	n/a	n/a	n/a	n/a	n/a
PE-B22631E	QMPL10J115SEM	QAPL10A115SEM	QAAPL10A115SEM	DVP11K115SEM	QVPL11V115SEM	QVVPL11V115SEM
PE-B22631H	QMPL10J115SET	QAPL10A115SET	QAAPL10A115SET	DVP11K115SET	QVPL11V115SET	QVVPL11V115SET
PE-B22635E	QMPL11J203SEM	QAPL11A203SEM	QAAPL11A203SEM	DVP13K203SEM	QVPL12V203SEM	QVVPL12V203SEM
PE-B22635H	QMPL11J203SET	QAPL11A203SET	QAAPL11A203SET	DVP13K203SET	QVPL11V203SET	QVVPL12V203SET
PE-B22639E	QMPL13J207SEM	QAPL13A207SEM	QAAPL13A207SEM	DVP15K207SEM	QVPL14V207SEM	QVVPL14V207SEM
PE-B22639FE	QMPF13J207SEM	QAPF13A207SEM	QAAPF13A207SEM	DVPF15K207SEM	QVPF14V207SEM	QVVPF14V207SEM
PE-B22639FH	QMPF13J207SET	QAPF13A207SET	QAAPF13A207SET	DVPF15K207SET	QVPF14V207SET	QVVPF14V207SET
PE-B22639H	QMPL13J207SET	QAPL13A207SET	QAAPL13A207SET	DVP15K207SET	QVPL14V207SET	QVVPL14V207SET
PE-B22643E	QMPL15J211SEM	QAPL15A211SEM	QAAPL15A211SEM	n/a	QVPL16V211SEM	QVVPL16V211SEM
PE-B22643FE	QMPF15J211SEM	QAPF15A211SEM	QAAPF15A211SEM	n/a	QVPF16V211SEM	QVVPF16V211SEM
PE-B22643FH	QMPF15J211SET	QAPF15A211SET	QAAPF15A211SET	n/a	QVPF16V211SET	QVVPF16V211SET
PE-B22643H	QMPL15J211SET	QAPL15A211SET	QAAPL15A211SET	n/a	QVPL16V211SET	QVVPL16V211SET
PE-B22647E	QMPL15J215SEM	QAPL15A215SEM	QAAPL15A215SEM	DVP17K215SEM	QVPL16V215SEM	QVVPL16V215SEM
PE-B22647FE	QMPF15J215SEM	QAPF15A215SEM	QAAPF15A215SEM	DVPF17K215SEM	QVPF16V215SEM	QVVPF16V215SEM
PE-B22647FH	QMPF15J215SET	QAPF15A215SET	QAAPF15A215SET	DVPF17K215SET	QVPF16V215SET	QVVPF16V215SET
PE-B22647H	QMPL15J215SET	QAPL15A215SET	QAAPL15A215SET	DVP17K215SET	QVPL16V215SET	QVVPL16V215SET
PE-B22655E	QMPL18J307SEM	QAPL18A307SEM	QAAPL18A307SEM	DVP20K307SEM	QVPL19V307SEM	QVVPL19V307SEM
PE-B22655FE	QMPF18J307SEM	QAPF18A307SEM	QAAPF18A307SEM	DVPF20K307SEM	QVPF19V307SEM	QVVPF19V307SEM
PE-B22655FH	QMPF18J307SET	QAPF18A307SET	QAAPF18A307SET	DVPF20K307SET	QVPF19V307SET	QVVPF19V307SET
PE-B22655H	QMPL18J307SET	QAPL18A307SET	QAAPL18A307SET	DVP20K307SET	QVPL19V307SET	QVVPL19V307SET
PE-B22663E	QMPL20J315SEM	QAPL20A315SEM	QAAPL20A315SEM	DVP22K315SEM	QVPL22V315SEM	QVVPL22V315SEM
PE-B22663FE	QMPF20J315SEM	QAPF20A315SEM	QAAPF20A315SEM	DVPF22K315SEM	QVPF22V315SEM	QVVPF22V315SEM
PE-B22663FH	QMPF20J315SET	QAPF20A315SET	QAAPF20A315SET	DVPF22K315SET	QVPF22V315SET	QVVPF22V315SET
PE-B22663H	QMPL20J315SET	QAPL20A315SET	QAAPL20A315SET	DVP22K315SET	QVPL22V315SET	QVVPL22V315SET
PE-B22671FE	QMPF22J407SEM	n/a	QAAPF22A407SEM	DVPF26K407SEM	QVPF26V407SEM	QVVPF26V407SEM
PE-B22671FH	QMPF22J407SET	n/a	QAAPF22A407SET	DVPF26K407SET	QVPF26V407SET	QVVPF26V407SET
PE-B22679FE	QMPF26J415SEM	n/a	QAAPF26A415SEM	n/a	QVPF28V415SEM	QVVPF28V415SEM

Note: This interchange guide is for reference only. **Some competitor bearings may not be shown.** If you are unable to find the bearing you are trying to interchange, please contact your local distributor or QM Bearings for assistance.

(continued on next page)

Blue Brute Bearings – Interchange Guide

Link-Belt®

Link-Belt Part Number	QM EC Series	QM CL Series		QM TA/DV Series	QM V-Lock® Series	
		Single-Collar	Double-Collar		Single-Nut	Double-Nut
PE-B22679FH	QMPF26J415SET	n/a	QAAPF26A415SET	n/a	QVPF28V415SET	QVVPF28V415SET
PK-B22423E	QMPL08J107SM	n/a	n/a	n/a	n/a	n/a
PK-B22423H	QMPL08J107ST	n/a	n/a	n/a	n/a	n/a
PK-B22424E	QMPL08J108SM	n/a	n/a	n/a	n/a	n/a
PK-B22424H	QMPL08J108ST	n/a	n/a	n/a	n/a	n/a
PK-B22427E	QMPL09J111SM	n/a	n/a	n/a	n/a	n/a
PK-B22427H	QMPL09J111ST	n/a	n/a	n/a	n/a	n/a
PK-B22428E	QMPL09J112SM	n/a	n/a	n/a	n/a	n/a
PK-B22428H	QMPL09J112ST	n/a	n/a	n/a	n/a	n/a
PK-B22431E	QMPL10J115SM	QAPL10A115SM	QAAPL10A115SM	DVP11K115SM	QVPL11V115SM	QVVP11V115SM
PK-B22431H	QMPL10J115ST	QAPL10A115ST	QAAPL10A115ST	DVP11K115ST	QVPL11V115ST	QVVP11V115ST
PK-B22432E	QMPL10J200SM	QAPL10A200SM	QAAPL10A200SM	DVP11K200SM	QVPL11V200SM	QVVP11V200SM
PK-B22432H	QMPL10J200ST	QAPL10A200ST	QAAPL10A200ST	DVP11K200ST	QVPL11V200ST	QVVP11V200ST
PK-B22435E	QMPL11J203SM	QAPL11A203SM	QAAPL11A203SM	DVP13K203SM	QVPL12V203SM	QVVP12V203SM
PK-B22435H	QMPL11J203ST	QAPL11A203ST	QAAPL11A203ST	DVP13K203ST	QVPL12V203ST	QVVP12V203ST
PK-B22439E	QMPL13J207SM	QAPL13A207SM	QAAPL13A207SM	DVP15K207SM	QVPL14V207SM	QVVP14V207SM
PK-B22439FE	QMPF13J207SM	QAPF13A207SM	QAAPF13A207SM	DVPF15K207SM	QVPF14V207SM	QVVPF14V207SM
PK-B22439FH	QMPF13J207ST	QAPF13A207ST	QAAPF13A207ST	DVPF15K207ST	QVPF14V207ST	QVVPF14V207ST
PK-B22439H	QMPL13J207ST	QAPL13A207ST	QAAPL13A207ST	DVP15K207ST	QVPL14V207ST	QVVP14V207ST
PK-B22440E	QMPL13J208SM	QAPL13A208SM	QAAPL13A208SM	DVP15K208SM	QVPL14V208SM	QVVP14V208SM
PK-B22440FE	QMPF13J208SM	QAPF13A208SM	QAAPF13A208SM	DVPF15K208SM	QVPF14V208SM	QVVPF14V208SM
PK-B22440FH	QMPF13J208ST	QAPF13A208ST	QAAPF13A208ST	DVPF15K208ST	QVPF14V208ST	QVVPF14V208ST
PK-B22440H	QMPL13J208ST	QAPL13A208ST	QAAPL13A208ST	DVP15K208ST	QVPL14V208ST	QVVP14V208ST
PK-B22443E	QMPL15J211SM	QAPL15A211SM	QAAPL15A211SM	n/a	QVPL16V211SM	QVVP16V211SM
PK-B22443FE	QMPF15J211SM	QAPF15A211SM	QAAPF15A211SM	n/a	QVPF16V211SM	QVVPF16V211SM
PK-B22443FH	QMPF15J211ST	QAPF15A211ST	QAAPF15A211ST	n/a	QVPF16V211ST	QVVPF16V211ST
PK-B22443H	QMPL15J211ST	QAPL15A211ST	QAAPL15A211ST	n/a	QVPL16V211ST	QVVP16V211ST
PK-B22444E	QMPL15J212SM	QAPL15A212SM	QAAPL15A212SM	n/a	QVPL16V212SM	QVVP16V212SM
PK-B22444FE	QMPF15J212SM	QAPF15A212SM	QAAPF15A212SM	n/a	QVPF16V212SM	QVVPF16V212SM
PK-B22444FH	QMPF15J212ST	QAPF15A212ST	QAAPF15A212ST	n/a	QVPF16V212ST	QVVPF16V212ST
PK-B22444H	QMPL15J212ST	QAPL15A212ST	QAAPL15A212ST	n/a	QVPL16V212ST	QVVP16V212ST
PK-B22447E	QMPL15J215SM	QAPL15A215SM	QAAPL15A215SM	DVP17K215SM	QVPL16V215SM	QVVP16V215SM
PK-B22447FE	QMPF15J215SM	QAPF15A215SM	QAAPF15A215SM	DVPF17K215SM	QVPF16V215SM	QVVPF16V215SM
PK-B22447FH	QMPF15J215ST	QAPF15A215ST	QAAPF15A215ST	DVPF17K215ST	QVPF16V215ST	QVVPF16V215ST
PK-B22447H	QMPL15J215ST	QAPL15A215ST	QAAPL15A215ST	DVP17K215ST	QVPL16V215ST	QVVP16V215ST
PK-B22448E	QMPL15J300SM	QAPL15A300SM	QAAPL15A300SM	DVP17K300SM	QVPL16V300SM	QVVP16V300SM
PK-B22448FE	QMPF15J300SM	QAPF15A300SM	QAAPF15A300SM	DVPF17K300SM	QVPF16V300SM	QVVPF16V300SM
PK-B22448FH	QMPF15J300ST	QAPF15A300ST	QAAPF15A300ST	DVPF17K300ST	QVPF16V300ST	QVVPF16V300ST
PK-B22448H	QMPL15J300ST	QAPL15A300ST	QAAPL15A300ST	DVP17K300ST	QVPL16V300ST	QVVP16V300ST
PK-B22451E	QMPL18J303SM	QAPL18A303SM	QAAPL18A303SM	n/a	QVPL19V303SM	QVVP19V303SM
PK-B22451FE	QMPF18J303SM	QAPF18A303SM	QAAPF18A303SM	n/a	QVPF19V303SM	QVVPF19V303SM
PK-B22451FH	QMPF18J303ST	QAPF18A303ST	QAAPF18A303ST	n/a	QVPF19V303ST	QVVPF19V303ST
PK-B22451H	QMPL18J303ST	QAPL18A303ST	QAAPL18A303ST	n/a	QVPL19V303ST	QVVP19V303ST

Note: This interchange guide is for reference only. **Some competitor bearings may not be shown.** If you are unable to find the bearing you are trying to interchange, please contact your local distributor or QM Bearings for assistance.

(continued on next page)

Blue Brute Bearings – Interchange Guide

Link-Belt®

Link-Belt Part Number	QM EC Series	QM CL Series		QM TA/DV Series	QM V-Lock® Series	
		Single-Collar	Double-Collar		Single-Nut	Double-Nut
PK-B22455E	QMPL18J307SM	QAPL18A307SM	QAAPL18A307SM	DVP20K307SM	QVPL19V307SM	QVVPL19V307SM
PK-B22455FE	QMPF18J307SM	QAPF18A307SM	QAAPF18A307SM	DVPF20K307SM	QVPF19V307SM	QVVPF19V307SM
PK-B22455FH	QMPF18J307ST	QAPF18A307ST	QAAPF18A307ST	DVPF20K307ST	QVPF19V307ST	QVVPF19V307ST
PK-B22455H	QMPL18J307ST	QAPL18A307ST	QAAPL18A307ST	DVP20K307ST	QVPL19V307ST	QVVPL19V307ST
PK-B22456E	QMPL18J308SM	QAPL18A308SM	QAAPL18A308SM	DVP20K308SM	QVPL19V308SM	QVVPL19V308SM
PK-B22456FE	QMPF18J308SM	QAPF18A308SM	QAAPF18A308SM	DVPF20K308SM	QVPF19V308SM	QVVPF19V308SM
PK-B22456FH	QMPF18J308ST	QAPF18A308ST	QAAPF18A308ST	DVPF20K308ST	QVPF19V308ST	QVVPF19V308ST
PK-B22456H	QMPL18J308ST	QAPL18A308ST	QAAPL18A308ST	DVP20K308ST	QVPL19V308ST	QVVPL19V308ST
PK-B22463E	QMPL20J315SM	QAPL20A315SM	QAAPL20A315SM	DVP22K315SM	QVPL22V315SM	QVVPL22V315SM
PK-B22463FE	QMPF20J315SM	QAPF20A315SM	QAAPF20A315SM	DVPF22K315SM	QVPF22V315SM	QVVPF22V315SM
PK-B22463FH	QMPF20J315ST	QAPF20A315ST	QAAPF20A315ST	DVPF22K315ST	QVPF22V315ST	QVVPF22V315ST
PK-B22463H	QMPL20J315ST	QAPL20A315ST	QAAPL20A315ST	DVP22K315ST	QVPL22V315ST	QVVPL22V315ST
PK-B22464E	QMPL20J400SM	QAPL20A400SM	QAAPL20A400SM	DVP22K400SM	QVPL22V400SM	QVVPL22V400SM
PK-B22464FE	QMPF20J400SM	QAPF20A400SM	QAAPF20A400SM	DVPF22K400SM	QVPF22V400SM	QVVPF22V400SM
PK-B22464FH	QMPF20J400ST	QAPF20A400ST	QAAPF20A400ST	DVPF22K400ST	QVPF22V400ST	QVVPF22V400ST
PK-B22464H	QMPL20J400ST	QAPL20A400ST	QAAPL20A400ST	DVP22K400ST	QVPL22V400ST	QVVPL22V400ST
PK-B22571FE	QMPF22J407SM	n/a	QAAPF22A407SM	DVPF26K407SM	QVPF26V407SM	QVVPF26V407SM
PK-B22571FH	QMPF22J407ST	n/a	QAAPF22A407ST	DVPF26K407ST	QVPF26V407ST	QVVPF26V407ST
PK-B22572FE	QMPF22J408SM	n/a	QAAPF22A408SM	DVPF26K408SM	QVPF26V408SM	QVVPF26V408SM
PK-B22572FH	QMPF22J408ST	n/a	QAAPF22A408ST	DVPF26K408ST	QVPF26V408ST	QVVPF26V408ST
PK-B22579FE	QMPF26J415SM	n/a	QAAPF26A415SM	n/a	QVPF28V415SM	QVVPF28V415SM
PK-B22579FH	QMPF26J415ST	n/a	QAAPF26A415ST	n/a	QVPF28V415ST	QVVPF28V415ST
PK-B22580FE	QMPF26J500SM	n/a	QAAPF26A500SM	n/a	QVPF28V500SM	QVVPF28V500SM
PK-B22580FH	QMPF26J500ST	n/a	QAAPF26A500ST	n/a	QVPF28V500ST	QVVPF28V500ST
PK-B22623E	QMPL08J107SM	n/a	n/a	n/a	n/a	n/a
PK-B22623H	QMPL08J107ST	n/a	n/a	n/a	n/a	n/a
PK-B22631E	QMPL10J115SM	QAPL10A115SM	QAAPL10A115SM	DVP11K115SM	QVPL11V115SM	QVVPL11V115SM
PK-B22631H	QMPL10J115ST	QAPL10A115ST	QAAPL10A115ST	DVP11K115ST	QVPL11V115ST	QVVPL11V115ST
PK-B22635E	QMPL11J203SM	QAPL11A203SM	QAAPL11A203SM	DVP13K203SM	QVPL12V203SM	QVVPL12V203SM
PK-B22635H	QMPL11J203ST	QAPL11A203ST	QAAPL11A203ST	DVP13K203ST	QVPL11V203ST	QVVPL12V203ST
PK-B22639E	QMPL13J207SM	QAPL13A207SM	QAAPL13A207SM	DVP15K207SM	QVPL14V207SM	QVVPL14V207SM
PK-B22639FE	QMPF13J207SM	QAPF13A207SM	QAAPF13A207SM	DVPF15K207SM	QVPF14V207SM	QVVPF14V207SM
PK-B22639FH	QMPF13J207ST	QAPF13A207ST	QAAPF13A207ST	DVPF15K207ST	QVPF14V207ST	QVVPF14V207ST
PK-B22639H	QMPL13J207ST	QAPL13A207ST	QAAPL13A207ST	DVP15K207ST	QVPL14V207ST	QVVPL14V207ST
PK-B22643E	QMPL15J211SM	QAPL15A211SM	QAAPL15A211SM	n/a	QVPL16V211SM	QVVPL16V211SM
PK-B22643FE	QMPF15J211SM	QAPF15A211SM	QAAPF15A211SM	n/a	QVPF16V211SM	QVVPF16V211SM
PK-B22643FH	QMPF15J211ST	QAPF15A211ST	QAAPF15A211ST	n/a	QVPF16V211ST	QVVPF16V211ST
PK-B22643H	QMPL15J211ST	QAPL15A211ST	QAAPL15A211ST	n/a	QVPL16V211ST	QVVPL16V211ST
PK-B22647E	QMPL15J215SM	QAPL15A215SM	QAAPL15A215SM	DVP17K215SM	QVPL16V215SM	QVVPL16V215SM
PK-B22647FE	QMPF15J215SM	QAPF15A215SM	QAAPF15A215SM	DVPF17K215SM	QVPF16V215SM	QVVPF16V215SM
PK-B22647FH	QMPF15J215ST	QAPF15A215ST	QAAPF15A215ST	DVPF17K215ST	QVPF16V215ST	QVVPF16V215ST
PK-B22647H	QMPL15J215ST	QAPL15A215ST	QAAPL15A215ST	DVP17K215ST	QVPL16V215ST	QVVPL16V215ST
PK-B22655E	QMPL18J307SM	QAPL18A307SM	QAAPL18A307SM	DVP20K307SM	QVPL19V307SM	QVVPL19V307SM

Note: This interchange guide is for reference only. **Some competitor bearings may not be shown.** If you are unable to find the bearing you are trying to interchange, please contact your local distributor or QM Bearings for assistance.

(continued on next page)

Blue Brute Bearings – Interchange Guide

Link-Belt®

Link-Belt Part Number	QM EC Series	QM CL Series		QM TA/DV Series	QM V-Lock® Series	
		Single-Collar	Double-Collar		Single-Nut	Double-Nut
PK-B22655FE	QMPF18J307SM	QAPF18A307SM	QAAPF18A307SM	DVPF20K307SM	QVPF19V307SM	QVVPF19V307SM
PK-B22655FH	QMPF18J307ST	QAPF18A307ST	QAAPF18A307ST	DVPF20K307ST	QVPF19V307ST	QVVPF19V307ST
PK-B22655H	QMPL18J307ST	QAPL18A307ST	QAAPL18A307ST	DVP20K307ST	QVPL19V307ST	QVPL19V307ST
PK-B22663E	QMPL20J315SM	QAPL20A315SM	QAAPL20A315SM	DVP22K315SM	QVPL22V315SM	QVPL22V315SM
PK-B22663FE	QMPF20J315SM	QAPF20A315SM	QAAPF20A315SM	DVPF22K315SM	QVPF22V315SM	QVVPF22V315SM
PK-B22663FH	QMPF20J315ST	QAPF20A315ST	QAAPF20A315ST	DVPF22K315ST	QVPF22V315ST	QVVPF22V315ST
PK-B22663H	QMPL20J315ST	QAPL20A315ST	QAAPL20A315ST	DVP22K315ST	QVPL22V315ST	QVPL22V315ST
PK-B22671FE	QMPF22J407SM	n/a	QAAPF22A407SM	DVPF26K407SM	QVPF26V407SM	QVVPF26V407SM
PK-B22671FH	QMPF22J407ST	n/a	QAAPF22A407ST	DVPF26K407ST	QVPF26V407ST	QVVPF26V407ST
PK-B22679FE	QMPF26J415SM	n/a	QAAPF26A415SM	n/a	QVPF28V415SM	QVVPF28V415SM
PK-B22679FH	QMPF26J415ST	n/a	QAAPF26A415ST	n/a	QVPF28V415ST	QVVPF28V415ST
PKE-B22423E	QMPL08J107SEM	n/a	n/a	n/a	n/a	n/a
PKE-B22423H	QMPL08J107SEM	n/a	n/a	n/a	n/a	n/a
PKE-B22424E	QMPL08J108SEM	n/a	n/a	n/a	n/a	n/a
PKE-B22424H	QMPL08J108SEM	n/a	n/a	n/a	n/a	n/a
PKE-B22427E	QMPL09J111SEM	n/a	n/a	n/a	n/a	n/a
PKE-B22427H	QMPL09J111SEM	n/a	n/a	n/a	n/a	n/a
PKE-B22428E	QMPL09J112SEM	n/a	n/a	n/a	n/a	n/a
PKE-B22428H	QMPL09J112SEM	n/a	n/a	n/a	n/a	n/a
PKE-B22431E	QMPL10J115SEM	QAPL10A115SEM	QAAPL10A115SEM	DVP11K115SEM	QVPL11V115SEM	QVPL11V115SEM
PKE-B22431H	QMPL10J115SET	QAPL10A115SET	QAAPL10A115SET	DVP11K115SET	QVPL11V115SET	QVPL11V115SET
PKE-B22432E	QMPL10J200SEM	QAPL10A200SEM	QAAPL10A200SEM	DVP11K200SEM	QVPL11V200SEM	QVPL11V200SEM
PKE-B22432H	QMPL10J200SET	QAPL10A200SET	QAAPL10A200SET	DVP11K200SET	QVPL11V200SET	QVPL11V200SET
PKE-B22435E	QMPL11J203SEM	QAPL11A203SEM	QAAPL11A203SEM	DVP13K203SEM	QVPL12V203SEM	QVPL12V203SEM
PKE-B22435H	QMPL11J203SET	QAPL11A203SET	QAAPL11A203SET	DVP13K203SET	QVPL12V203SET	QVPL12V203SET
PKE-B22439E	QMPL13J207SEM	QAPL13A207SEM	QAAPL13A207SEM	DVP15K207SEM	QVPL14V207SEM	QVPL14V207SEM
PKE-B22439FE	QMPF13J207SEM	QAPF13A207SEM	QAAPF13A207SEM	DVPF15K207SEM	QVPF14V207SEM	QVVPF14V207SEM
PKE-B22439FH	QMPF13J207SET	QAPF13A207SET	QAAPF13A207SET	DVPF15K207SET	QVPF14V207SET	QVVPF14V207SET
PKE-B22439H	QMPL13J207SET	QAPL13A207SET	QAAPL13A207SET	DVP15K207SET	QVPL14V207SET	QVPL14V207SET
PKE-B22440E	QMPL13J208SEM	QAPL13A208SEM	QAAPL13A208SEM	DVP15K208SEM	QVPL14V208SEM	QVPL14V208SEM
PKE-B22440FE	QMPF13J208SEM	QAPF13A208SEM	QAAPF13A208SEM	DVPF15K208SEM	QVPF14V208SEM	QVVPF14V208SEM
PKE-B22440FH	QMPF13J208SET	QAPF13A208SET	QAAPF13A208SET	DVPF15K208SET	QVPF14V208SET	QVVPF14V208SET
PKE-B22440H	QMPL13J208SET	QAPL13A208SET	QAAPL13A208SET	DVP15K208SET	QVPL14V208SET	QVPL14V208SET
PKE-B22443E	QMPL15J211SEM	QAPL15A211SEM	QAAPL15A211SEM	n/a	QVPL16V211SEM	QVPL16V211SEM
PKE-B22443FE	QMPF15J211SEM	QAPF15A211SEM	QAAPF15A211SEM	n/a	QVPF16V211SEM	QVVPF16V211SEM
PKE-B22443FH	QMPF15J211SET	QAPF15A211SET	QAAPF15A211SET	n/a	QVPF16V211SET	QVVPF16V211SET
PKE-B22443H	QMPL15J211SET	QAPL15A211SET	QAAPL15A211SET	n/a	QVPL16V211SET	QVPL16V211SET
PKE-B22444E	QMPL15J212SEM	QAPL15A212SEM	QAAPL15A212SEM	n/a	QVPL16V212SEM	QVPL16V212SEM
PKE-B22444FE	QMPF15J212SEM	QAPF15A212SEM	QAAPF15A212SEM	n/a	QVPF16V212SEM	QVVPF16V212SEM
PKE-B22444FH	QMPF15J212SET	QAPF15A212SET	QAAPF15A212SET	n/a	QVPF16V212SET	QVVPF16V212SET
PKE-B22444H	QMPL15J212SET	QAPL15A212SET	QAAPL15A212SET	n/a	QVPL16V212SET	QVPL16V212SET
PKE-B22447E	QMPL15J215SEM	QAPL15A215SEM	QAAPL15A215SEM	DVP17K215SEM	QVPL16V215SEM	QVPL16V215SEM
PKE-B22447FE	QMPF15J215SEM	QAPF15A215SEM	QAAPF15A215SEM	DVPF17K215SEM	QVPF16V215SEM	QVVPF16V215SEM

Note: This interchange guide is for reference only. **Some competitor bearings may not be shown.** If you are unable to find the bearing you are trying to interchange, please contact your local distributor or QM Bearings for assistance.

(continued on next page)

Blue Brute Bearings – Interchange Guide

Link-Belt®

Link-Belt Part Number	QM EC Series	QM CL Series		QM TA/DV Series	QM V-Lock® Series	
		Single-Collar	Double-Collar		Single-Nut	Double-Nut
PKE-B22447FH	QMPF15J215SET	QAPF15A215SET	QAAPF15A215SET	DVPF17K215SET	QVPF16V215SET	QVVPF16V215SET
PKE-B22447H	QMPL15J215SET	QAPL15A215SET	QAAPL15A215SET	DVP17K215SET	QVPL16V215SET	QVVPL16V215SET
PKE-B22448E	QMPL15J300SEM	QAPL15A300SEM	QAAPL15A300SEM	DVP17K300SEM	QVPL16V300SEM	QVVPL16V300SEM
PKE-B22448FE	QMPF15J300SEM	QAPF15A300SEM	QAAPF15A300SEM	DVPF17K300SEM	QVPF16V300SEM	QVVPF16V300SEM
PKE-B22448FH	QMPF15J300SET	QAPF15A300SET	QAAPF15A300SET	DVPF17K300SET	QVPF16V300SET	QVVPF16V300SET
PKE-B22448H	QMPL15J300SET	QAPL15A300SET	QAAPL15A300SET	DVP17K300SET	QVPL16V300SET	QVVPL16V300SET
PKE-B22451E	QMPL18J303SEM	QAPL18A303SEM	QAAPL18A303SEM	n/a	QVPL19V303SEM	QVVPL19V303SEM
PKE-B22451FE	QMPF18J303SEM	QAPF18A303SEM	QAAPF18A303SEM	n/a	QVPF19V303SEM	QVVPF19V303SEM
PKE-B22451FH	QMPF18J303SET	QAPF18A303SET	QAAPF18A303SET	n/a	QVPF19V303SET	QVVPF19V303SET
PKE-B22451H	QMPL18J303SET	QAPL18A303SET	QAAPL18A303SET	n/a	QVPL19V303SET	QVVPL19V303SET
PKE-B22455E	QMPL18J307SEM	QAPL18A307SEM	QAAPL18A307SEM	DVP20K307SEM	QVPL19V307SEM	QVVPL19V307SEM
PKE-B22455FE	QMPF18J307SEM	QAPF18A307SEM	QAAPF18A307SEM	DVPF20K307SEM	QVPF19V307SEM	QVVPF19V307SEM
PKE-B22455FH	QMPF18J307SET	QAPF18A307SET	QAAPF18A307SET	DVPF20K307SET	QVPF19V307SET	QVVPF19V307SET
PKE-B22455H	QMPL18J307SET	QAPL18A307SET	QAAPL18A307SET	DVP20K307SET	QVPL19V307SET	QVVPL19V307SET
PKE-B22456E	QMPL18J308SEM	QAPL18A308SEM	QAAPL18A308SEM	DVP20K308SEM	QVPL19V308SEM	QVVPL19V308SEM
PKE-B22456FE	QMPF18J308SEM	QAPF18A308SEM	QAAPF18A308SEM	DVPF20K308SEM	QVPF19V308SEM	QVVPF19V308SEM
PKE-B22456FH	QMPF18J308SET	QAPF18A308SET	QAAPF18A308SET	DVPF20K308SET	QVPF19V308SET	QVVPF19V308SET
PKE-B22456H	QMPL18J308SET	QAPL18A308SET	QAAPL18A308SET	DVP20K308SET	QVPL19V308SET	QVVPL19V308SET
PKE-B22463E	QMPL20J315SEM	QAPL20A315SEM	QAAPL20A315SEM	DVP22K315SEM	QVPL22V315SEM	QVVPL22V315SEM
PKE-B22463FE	QMPF20J315SEM	QAPF20A315SEM	QAAPF20A315SEM	DVPF22K315SEM	QVPF22V315SEM	QVVPF22V315SEM
PKE-B22463FH	QMPF20J315SET	QAPF20A315SET	QAAPF20A315SET	DVPF22K315SET	QVPF22V315SET.	QVVPF22V315SET.
PKE-B22463H	QMPL20J315SET	QAPL20A315SET	QAAPL20A315SET	DVP22K315SET	QVPL22V315SET	QVVPL22V315SET
PKE-B22464E	QMPL20J400SEM	QAPL20A400SEM	QAAPL20A400SEM	DVP22K400SEM	QVPL22V400SEM	QVVPL22V400SEM
PKE-B22464FE	QMPF20J400SEM	QAPF20A400SEM	QAAPF20A400SEM	DVPF22K400SEM	QVPF22V400SEM	QVVPF22V400SEM
PKE-B22464FH	QMPF20J400SET	QAPF20A400SET	QAAPF20A400SET	DVPF22K400SET	QVPF22V400SET	QVVPF22V400SET
PKE-B22464H	QMPL20J400SET	QAPL20A400SET	QAAPL20A400SET	DVP22K400SET	QVPL22V400SET	QVVPL22V400SET
PKE-B22571FE	QMPF22J407SEM	n/a	QAAPF22A407SEM	DVPF26K407SEM	QVPF26V407SEM	QVVPF26V407SEM
PKE-B22571FH	QMPF22J407SET	n/a	QAAPF22A407SET	DVPF26K407SET	QVPF26V407SET	QVVPF26V407SET
PKE-B22572FE	QMPF22J408SEM	n/a	QAAPF22A408SEM	DVPF26K408SEM	QVPF26V408SEM	QVVPF26V408SEM
PKE-B22572FH	QMPF22J408SET	n/a	QAAPF22A408SET	DVPF26K408SET	QVPF26V408SET	QVVPF26V408SET
PKE-B22579FE	QMPF26J415SEM	n/a	QAAPF26A415SEM	n/a	QVPF28V415SEM	QVVPF28V415SEM
PKE-B22579FH	QMPF26J415SET	n/a	QAAPF26A415SET	n/a	QVPF28V415SET	QVVPF28V415SET
PKE-B22580FE	QMPF26J500SEM	n/a	QAAPF26A500SEM	n/a	QVPF28V500SEM	QVVPF28V500SEM
PKE-B22580FH	QMPF26J500SET	n/a	QAAPF26A500SET	n/a	QVPF28V500SET	QVVPF28V500SET
PKE-B22623E	QMPL08J107SEM	n/a	n/a	n/a	n/a	n/a
PKE-B22623H	QMPL08J107SET	n/a	n/a	n/a	n/a	n/a
PKE-B22631E	QMPL10J115SEM	QAPL10A115SEM	QAAPL10A115SEM	DVP11K115SEM	QVPL11V115SEM	QVVPL11V115SEM
PKE-B22631H	QMPL10J115SET	QAPL10A115SET	QAAPL10A115SET	DVP11K115SET	QVPL11V115SET	QVVPL11V115SET
PKE-B22635E	QMPL11J203SEM	QAPL11A203SEM	QAAPL11A203SEM	DVP13K203SEM	QVPL12V203SEM	QVVPL12V203SEM
PKE-B22635H	QMPL11J203SET	QAPL11A203SET	QAAPL11A203SET	DVP13K203SET	QVPL11V203SET	QVVPL12V203SET
PKE-B22639FE	QMPL13J207SEM	QAPL13A207SEM	QAAPL13A207SEM	DVP15K207SEM	QVPL14V207SEM	QVVPL14V207SEM
PKE-B22639FH	QMPF13J207SEM	QAPF13A207SEM	QAAPF13A207SEM	DVPF15K207SEM	QVPF14V207SEM	QVVPF14V207SEM
PKE-B22639H	QMPF13J207SET	QAPF13A207SET	QAAPF13A207SET	DVPF15K207SET	QVPF14V207SET	QVVPF14V207SET

Note: This interchange guide is for reference only. **Some competitor bearings may not be shown.** If you are unable to find the bearing you are trying to interchange, please contact your local distributor or QM Bearings for assistance.

(continued on next page)

Blue Brute Bearings – Interchange Guide

Link-Belt®

Link-Belt Part Number	QM EC Series	QM CL Series		QM TA/DV Series	QM V-Lock® Series	
		Single-Collar	Double-Collar		Single-Nut	Double-Nut
PKE-B22639HE	QMPL13J207SET	QAPL13A207SET	QAAPL13A207SET	DVP15K207SET	QVPL14V207SET	QVVPL14V207SET
PKE-B22643E	QMPL15J211SEM	QAPL15A211SEM	QAAPL15A211SEM	n/a	QVPL16V211SEM	QVVPL16V211SEM
PKE-B22643FE	QMPF15J211SEM	QAPF15A211SEM	QAAPF15A211SEM	n/a	QVPF16V211SEM	QVVPF16V211SEM
PKE-B22643FH	QMPF15J211SET	QAPF15A211SET	QAAPF15A211SET	n/a	QVPF16V211SET	QVVPF16V211SET
PKE-B22643H	QMPL15J211SET	QAPL15A211SET	QAAPL15A211SET	n/a	QVPL16V211SET	QVVPL16V211SET
PKE-B22647E	QMPL15J215SEM	QAPL15A215SEM	QAAPL15A215SEM	DVP17K215SEM	QVPL16V215SEM	QVVPL16V215SEM
PKE-B22647FE	QMPF15J215SEM	QAPF15A215SEM	QAAPF15A215SEM	DVPF17K215SEM	QVPF16V215SEM	QVVPF16V215SEM
PKE-B22647FH	QMPF15J215SET	QAPF15A215SET	QAAPF15A215SET	DVPF17K215SET	QVPF16V215SET	QVVPF16V215SET
PKE-B22647H	QMPL15J215SET	QAPL15A215SET	QAAPL15A215SET	DVP17K215SET	QVPL16V215SET	QVVPL16V215SET
PKE-B22655E	QMPL18J307SEM	QAPL18A307SEM	QAAPL18A307SEM	DVP20K307SEM	QVPL19V307SEM	QVVPL19V307SEM
PKE-B22655FE	QMPF18J307SEM	QAPF18A307SEM	QAAPF18A307SEM	DVPF20K307SEM	QVPF19V307SEM	QVVPF19V307SEM
PKE-B22655FH	QMPF18J307SET	QAPF18A307SET	QAAPF18A307SET	DVPF20K307SET	QVPF19V307SET	QVVPF19V307SET
PKE-B22655H	QMPL18J307SET	QAPL18A307SET	QAAPL18A307SET	DVP20K307SET	QVPL19V307SET	QVVPL19V307SET
PKE-B22663E	QMPL20J315SEM	QAPL20A315SEM	QAAPL20A315SEM	DVP22K315SEM	QVPL22V315SEM	QVVPL22V315SEM
PKE-B22663FE	QMPF20J315SEM	QAPF20A315SEM	QAAPF20A315SEM	DVPF22K315SEM	QVPF22V315SEM	QVVPF22V315SEM
PKE-B22663FH	QMPF20J315SET	QAPF20A315SET	QAAPF20A315SET	DVPF22K315SET	QVPF22V315SET	QVVPF22V315SET
PKE-B22663H	QMPL20J315SET	QAPL20A315SET	QAAPL20A315SET	DVP22K315SET	QVPL22V315SET	QVVPL22V315SET
PKE-B22671FE	QMPF22J407SEM	n/a	QAAPF22A407SEM	DVPF26K407SEM	QVPF26V407SEM	QVVPF26V407SEM
PKE-B22671FH	QMPF22J407SET	n/a	QAAPF22A407SET	DVPF26K407SET	QVPF26V407SET	QVVPF26V407SET
PKE-B22679FE	QMPF26J415SEM	n/a	QAAPF26A415SEM	n/a	QVPF28V415SEM	QVVPF28V415SEM
PKE-B22679FH	QMPF26J415SET	n/a	QAAPF26A415SET	n/a	QVPF28V415SET	QVVPF28V415SET
T-B22431E	QMTU10J115SM	QATU10A115SM	QAATU10A115SM	n/a	QVTU11V115SM	QVVU11V115SM
T-B22431H	QMTU10J115ST	QATU10A115ST	QAATU10A115ST	n/a	QVTU11V115ST	QVVU11V115ST
T-B22432E	QMTU10J200SM	QATU10A200SM	QAATU10A200SM	n/a	QVTU11V200SM	QVVU11V200SM
T-B22432H	QMTU10J200ST	QATU10A200ST	QAATU10A200ST	n/a	QVTU11V200ST	QVVU11V200ST
T-B22435E	QMTU11J203SM	QATU11A203SM	QAATU11A203SM	n/a	QVTU12V203SM	QVVU12V203SM
T-B22435H	QMTU11J203ST	QATU11A203ST	QAATU11A203ST	n/a	QVTU12V203ST	QVVU12V203ST
T-B22436E	QMTU11J204SM	QATU11A204SM	QAATU11A204SM	n/a	QVTU12V204SM	QVVU12V204SM
T-B22436H	QMTU11J204ST	QATU11A204ST	QAATU11A204ST	n/a	QVTU12V204ST	QVVU12V204ST
T-B22439E	QMTU13J207SM	QATU13A207SM	QAATU13A207SM	n/a	QVTU14V207SM	QVVU14V207SM
T-B22439H	QMTU13J207ST	QATU13A207ST	QAATU13A207ST	n/a	QVTU14V207ST	QVVU14V207ST
T-B22440E	QMTU13J208SM	QATU13A208SM	QAATU13A208SM	n/a	QVTU14V208SM	QVVU14V208SM
T-B22440H	QMTU13J208ST	QATU13A208ST	QAATU13A208ST	n/a	QVTU14V208ST	QVVU14V208ST
T-B22443E	QMTU15J211SM	QATU15A211SM	QAATU15A211SM	n/a	QVTU16V211SM	QVVU16V211SM
T-B22443H	QMTU15J211ST	QATU15A211ST	QAATU15A211ST	n/a	QVTU16V211ST	QVVU16V211ST
T-B22444E	QMTU15J212SM	QATU15A212SM	QAATU15A212SM	n/a	QVTU16V212SM	QVVU16V212SM
T-B22444H	QMTU15J212ST	QATU15A212ST	QAATU15A212ST	n/a	QVTU16V212ST	QVVU16V212ST
T-B22447E	QMTU15J215SM	QATU15A215SM	QAATU15A215SM	n/a	QVTU16V215SM	QVVU16V215SM
T-B22447H	QMTU15J215ST	QATU15A215ST	QAATU15A215ST	n/a	QVTU16V215ST	QVVU16V215ST
T-B22448E	QMTU15J300SM	QATU15A300SM	QAATU15A300SM	n/a	QVTU16V300SM	QVVU16V300SM
T-B22448H	QMTU15J300ST	QATU15A300ST	QAATU15A300ST	n/a	QVTU16V300ST	QVVU16V300ST
T-B22451E	QMTU18J303SM	QATU18A303SM	QAATU18A303SM	n/a	QVTU19V303SM	QVVU19V303SM
T-B22451H	QMTU18J303ST	QATU18A303ST	QAATU18A303ST	n/a	QVTU19V303ST	QVVU19V303ST

Note: This interchange guide is for reference only. **Some competitor bearings may not be shown.** If you are unable to find the bearing you are trying to interchange, please contact your local distributor or QM Bearings for assistance.

(continued on next page)

Blue Brute Bearings – Interchange Guide

Link-Belt®

Link-Belt Part Number	QM EC Series	QM CL Series		QM TA/DV Series	QM V-Lock® Series	
		Single-Collar	Double-Collar		Single-Nut	Double-Nut
T-B22455E	QMTU18J307SM	QATU18A307SM	QAATU18A307SM	n/a	QVTU19V307SM	QVVTU19V307SM
T-B22455H	QMTU18J307ST	QATU18A307ST	QAATU18A307ST	n/a	QVTU19V307ST	QVVTU19V307ST
T-B22456E	QMTU18J308SM	QATU18A308SM	QAATU18A308SM	n/a	QVTU19V308SM	QVVTU19V308SM
T-B22456H	QMTU18J308ST	QATU18A308ST	QAATU18A308ST	n/a	QVTU19V308ST	QVVTU19V308ST
T-B22463E	QMTU20J315SM	QATU20A315SM	QAATU20A315SM	n/a	QVTU22V315SM	QVVTU22V315SM
T-B22463H	QMTU20J315ST	QATU20A315ST	QAATU20A315ST	n/a	QVTU22V315ST	QVVTU22V315ST
T-B22464E	QMTU20J400SM	QATU20A400SM	QAATU20A400SM	n/a	QVTU22V400SM	QVVTU22V400SM
T-B22464H	QMTU20J400ST	QATU20A400ST	QAATU20A400ST	n/a	QVTU22V400ST	QVVTU22V400ST
T-B22555E	QMTU18J307SM	QATU18A307SM	QAATU18A307SM	n/a	QVTU19V307SM	QVVTU19V307SM
T-B22555H	QMTU18J307ST	QATU18A307ST	QAATU18A307ST	n/a	QVTU19V307ST	QVVTU19V307ST
T-B22631E	QMTU10J115SM	QATU10A115SM	QAATU10A115SM	n/a	QVTU11V115SM	QVVTU11V115SM
T-B22631H	QMTU10J115ST	QATU10A115ST	QAATU10A115ST	n/a	QVTU11V115ST	QVVTU11V115ST
T-B22635E	QMTU11J203SM	QATU11A203SM	QAATU11A203SM	n/a	QVTU12V203SM	QVVTU12V203SM
T-B22635H	QMTU11J203ST	QATU11A203ST	QAATU11A203ST	n/a	QVTU12V203ST	QVVTU12V203ST
T-B22639E	QMTU13J207SM	QATU13A207SM	QAATU13A207SM	n/a	QVTU14V207SM	QVVTU14V207SM
T-B22639H	QMTU13J207ST	QATU13A207ST	QAATU13A207ST	n/a	QVTU14V207ST	QVVTU14V207ST
T-B22643E	QMTU15J211SM	QATU15A211SM	QAATU15A211SM	n/a	QVTU16V211SM	QVVTU16V211SM
T-B22643H	QMTU15J211ST	QATU15A211ST	QAATU15A211ST	n/a	QVTU16V211ST	QVVTU16V211ST
T-B22647E	QMTU15J215SM	QATU15A215SM	QAATU15A215SM	n/a	QVTU16V215SM	QVVTU16V215SM
T-B22647H	QMTU15J215ST	QATU15A215ST	QAATU15A215ST	n/a	QVTU16V215ST	QVVTU16V215ST
T-B22663E	QMTU20J315SM	QATU20A315SM	QAATU20A315SM	n/a	QVTU22V315SM	QVVTU22V315SM
T-B22663H	QMTU20J315ST	QATU20A315ST	QAATU20A315ST	n/a	QVTU22V315ST	QVVTU22V315ST

Note: This interchange guide is for reference only. **Some competitor bearings may not be shown.** If you are unable to find the bearing you are trying to interchange, please contact your local distributor or QM Bearings for assistance.

Blue Brute Bearings – Interchange Guide

NTN®

NTN Part Number	QM EC Series	QM CL Series		QM TA/DV Series	QM V-Lock® Series	
		Single-Collar	Double-Collar		Single-Nut	Double-Nut
SAF22511	n/a	n/a	n/a	TAPH11K115SM	QVPH11V115SM	QVVPH11V115SM
SAF22513	n/a	n/a	n/a	TAPH13K203SM	QVPH13V203SM	QVVPH13V203SM
SAF22515	n/a	n/a	n/a	TAPH15K207SM	QVPH15V207SM	QVVPH15V207SM
SAF22517	n/a	n/a	n/a	TAPH17K215SM	QVPH17V215SM	QVVPH17V215SM
SAF22520	n/a	n/a	n/a	TAPH20K307SM	QVPH20V307SM	QVVPH20V307SM
SAF22522	n/a	n/a	n/a	TAPH22K315SM	QVPH22V315SM	QVVPH22V315SM
SAF22526	n/a	n/a	n/a	TAPH26K407SM	QVPH26V407SM	QVVPH26V407SM
SAFS22511	n/a	n/a	n/a	TAPH11K115SM	QVPH11V115SM	QVVPH11V115SM
SAFS22513	n/a	n/a	n/a	TAPH13K203SM	QVPH13V203SM	QVVPH13V203SM
SAFS22515	n/a	n/a	n/a	TAPH15K207SM	QVPH15V207SM	QVVPH15V207SM
SAFS22517	n/a	n/a	n/a	TAPH17K215SM	QVPH17V215SM	QVVPH17V215SM
SAFS22520	n/a	n/a	n/a	TAPH20K307SM	QVPH20V307SM	QVVPH20V307SM
SAFS22522	n/a	n/a	n/a	TAPH22K315SM	QVPH22V315SM	QVVPH22V315SM
SAFS22526	n/a	n/a	n/a	TAPH26K407SM	QVPH26V407SM	QVVPH26V407SM
SFCW2215-207N1	n/a	n/a	n/a	T AFC15K207SM	QVFC15V207SM	QVVFC15V207SM
SFCW2215-208N1	n/a	n/a	n/a	T AFC15K208SM	QVFC15V208SM	QVVFC15V208SM
SFCW2217-215N1	n/a	n/a	n/a	T AFC17K215SM	QVFC17V215SM	QVVFC17V215SM
SFCW2217-300N1	n/a	n/a	n/a	T AFC17K300SM	QVFC17V300SM	QVVFC17V300SM
SFCW2220-307N1	n/a	n/a	n/a	T AFC20K307SM	QVFC20V307SM	QVVFC20V307SM
SFCW2220-308N1	n/a	n/a	n/a	T AFC20K308SM	QVFC20V308SM	QVVFC20V308SM
SFCW2222-315N1	n/a	n/a	n/a	T AFC22K315SM	QVFC22V315SM	QVVFC22V315SM
SFCW2222-400N1	n/a	n/a	n/a	T AFC22K400SM	QVFC22V400SM	QVVFC22V400SM
SFCW2226-407N1	n/a	n/a	n/a	T AFC26K407SM	QVFC26V407SM	QVVFC26V407SM
SFCW2226-408N1	n/a	n/a	n/a	T AFC26K408SM	QVFC26V408SM	QVVFC26V408SM
SPAW2211-115FN1	n/a	n/a	n/a	TAPH11K115SM	QVPH11V115SM	QVVPH11V115SM
SPAW2211-115N1	n/a	n/a	n/a	TAPA11K115SM	QVPA11V115SM	QVVPA11V115SM
SPAW2211-200FN1	n/a	n/a	n/a	TAPH11K200SM	QVPH11V200SM	QVVPH11V200SM
SPAW2211-200N1	n/a	n/a	n/a	TAPA11K200SM	QVPA11V200SM	QVVPA11V200SM
SPAW2211FN1	n/a	n/a	n/a	TAPH11K050SM	QVPH11V050SM	QVVPH11V050SM
SPAW2211N1	n/a	n/a	n/a	TAPA11K050SM	QVPA11V050SM	QVVPA11V050SM
SPAW2213-203FN1	n/a	n/a	n/a	TAPH13K203SM	QVPH13V203SM	QVVPH13V203SM
SPAW2213-203N1	n/a	n/a	n/a	TAPA13K203SM	QVPA13V203SM	QVVPA13V203SM
SPAW2213-204FN1	n/a	n/a	n/a	TAPH13K204SM	QVPH13V204SM	QVVPH13V204SM
SPAW2213-204N1	n/a	n/a	n/a	TAPA13K204SM	QVPA13V204SM	QVVPA13V204SM
SPAW2213FN1	n/a	n/a	n/a	TAPH13K060SM	n/a	n/a
SPAW2213N1	n/a	n/a	n/a	TAPA13K060SM	n/a	n/a
SPAW2215-207FN1	n/a	n/a	n/a	TAPH15K207SM	QVPH15V207SM	QVVPH15V207SM
SPAW2215-207N1	n/a	n/a	n/a	TAPA15K207SM	QVPA15V207SM	QVVPA15V207SM
SPAW2215-208FN1	n/a	n/a	n/a	TAPH15K208SM	QVPH15V208SM	QVVPH15V208SM
SPAW2215-208N1	n/a	n/a	n/a	TAPA15K208SM	QVPA15V208SM	QVVPA15V208SM
SPAW2215FN1	n/a	n/a	n/a	TAPH15K065SM	QVPH15V065SM	QVVPH15V065SM
SPAW2215N1	n/a	n/a	n/a	TAPA15K065SM	QVPA15V065SM	QVVPA15V065SM
SPAW2217-215FN1	n/a	n/a	n/a	TAPH17K215SM	QVPH17V215SM	QVVPH17V215SM

Note: This interchange guide is for reference only. **Some competitor bearings may not be shown.** If you are unable to find the bearing you are trying to interchange, please contact your local distributor or QM Bearings for assistance.

(continued on next page)

Blue Brute Bearings – Interchange Guide

NTN®

NTN Part Number	QM EC Series	QM CL Series		QM TA/DV Series	QM V-Lock® Series	
		Single-Collar	Double-Collar		Single-Nut	Double-Nut
SPAW2217-215N1	n/a	n/a	n/a	TAPA17K215SM	QVPA17V215SM	QVVPA17V215SM
SPAW2217-300FN1	n/a	n/a	n/a	TAPH17K300SM	QVPH17V300SM	QVVPH17V300SM
SPAW2217-300N1	n/a	n/a	n/a	TAPA17K300SM	QVPA17V300SM	QVVPA17V300SM
SPAW2217FN1	n/a	n/a	n/a	TAPH17K075SM	QVPH17V075SM	QVVPH17V075SM
SPAW2217N1	n/a	n/a	n/a	TAPA17K075SM	QVPA17V075SM	QVVPA17V075SM
SPAW2220-307FN1	n/a	n/a	n/a	TAPH20K307SM	QVPH20V307SM	QVVPH20V307SM
SPAW2220-307N1	n/a	n/a	n/a	TAPA20K307SM	QVPA20V307SM	QVVPA20V307SM
SPAW2220-308FN1	n/a	n/a	n/a	TAPH20K308SM	QVPH20V308SM	QVVPH20V308SM
SPAW2220-308N1	n/a	n/a	n/a	TAPA20K308SM	QVPA20V308SM	QVVPA20V308SM
SPAW2220FN1	n/a	n/a	n/a	TAPH20K090SM	QVPH20V090SM	QVVPH20V090SM
SPAW2220N1	n/a	n/a	n/a	TAPA20K090SM	QVPA20V090SM	QVVPA20V090SM
SPAW2222-315FN1	n/a	n/a	n/a	TAPH22K315SM	QVPH22V315SM	QVVPH22V315SM
SPAW2222-315N1	n/a	n/a	n/a	TAPA22K315SM	QVPA22V315SM	QVVPA22V315SM
SPAW2222-400FN1	n/a	n/a	n/a	TAPH22K400SM	QVPH22V400SM	QVVPH22V400SM
SPAW2222-400N1	n/a	n/a	n/a	TAPA22K400SM	QVPA22V400SM	QVVPA22V400SM
SPAW2222FN1	n/a	n/a	n/a	TAPH22K100SM	QVPH22V100SM	QVVPH22V100SM
SPAW2222N1	n/a	n/a	n/a	TAPA22K100SM	QVPA22V100SM	QVVPA22V100SM
SPAW2226-407FN1	n/a	n/a	n/a	TAPH26K407SM	QVPH26V407SM	QVVPH26V407SM
SPAW2226-407N1	n/a	n/a	n/a	TAPA26K407SM	QVPA26V407SM	QVVPA26V407SM
SPAW2226-408FN1	n/a	n/a	n/a	TAPH26K408SM	QVPH26V408SM	QVVPH26V408SM
SPAW2226-408N1	n/a	n/a	n/a	TAPA26K408SM	QVPA26V408SM	QVVPA26V408SM
SPAW2226FN1	n/a	n/a	n/a	TAPH26K115SM	QVPH26V115SM	QVVPH26V115SM
SPAW2226N1	n/a	n/a	n/a	TAPA26K115SM	QVPA26V115SM	QVVPA26V115SM
SPW2211-115FN1	n/a	n/a	n/a	TAPG11K115SM	QVPG11V115SM	QVVPG11V115SM
SPW2211-115N1	QMSN10J115SM	QASN10A115SM	QAASN10AA115SM	TAPN11K115SM	QVPN11V115SM	QVVPN11V115SM
SPW2211-200FN1	n/a	n/a	n/a	TAPG11K200SM	QVPG11V200SM	QVVPG11V200SM
SPW2211-200N1	QMSN10J200SM	QASN10A200SM	QAASN10AA200SM	TAPN11K200SM	QVPN11V200SM	QVVPN11V200SM
SPW2211FN1	n/a	n/a	n/a	TAPG11K050SM	QVPG11V050SM	QVVPG11V050SM
SPW2211N1	QMSN10J050SM	QASN10A050SM	QAASN10AA050SM	TAPN11K050SM	QVPN11V050SM	QVVPN11V050SM
SPW2213-203FN1	n/a	n/a	n/a	TAPG13K203SM	QVPG13V203SM	QVVPG13V203SM
SPW2213-203N1	QMSN11J203SM	QASN11A203SM	QAASN11A203SM	TAPN13K203SM	QVPN13V203SM	QVVPN13V203SM
SPW2213-204FN1	n/a	n/a	n/a	TAPG13K204SM	QVPG13V204SM	QVVPG13V204SM
SPW2213-204N1	QMSN11J204SM	QASN11A204SM	QAASN11A204SM	TAPN13K204SM	QVPN13V204SM	QVVPN13V204SM
SPW2213FN1	n/a	n/a	n/a	TAPG13K060SM	n/a	n/a
SPW2213N1	QMSN13J060SM	QASN11A060SM	QAASN11A060SM	TAPN13K060SM	n/a	n/a
SPW2215-207FN1	n/a	n/a	n/a	TAPG15K207SM	QVPG15V207SM	QVVPG15V207SM
SPW2215-207N1	QMSN13J207SM	QASN13A207SM	QAASN13A207SM	TAPN15K207SM	QVPN15V207SM	QVVPN15V207SM
SPW2215-208FN1	n/a	n/a	n/a	TAPG15K208SM	QVPG15V208SM	QVVPG15V208SM
SPW2215-208N1	QMSN13J208SM	QASN13A208SM	QAASN13A208SM	TAPN15K208SM	QVPN15V208SM	QVVPN15V208SM
SPW2215FN1	n/a	n/a	n/a	TAPG15K065SM	QVPG15V065SM	QVVPG15V065SM
SPW2215N1	QMSN13J065SM	QASN13A065SM	QAASN13A065SM	TAPN15K065SM	QVPN15V065SM	QVVPN15V065SM
SPW2217-215FN1	n/a	n/a	n/a	TAPG17K215SM	QVPG17V215SM	QVVPG17V215SM
SPW2217-215N1	QMSN15J215SM	QASN15A215SM	QAASN15A215SM	TAPN17K215SM	QVPN17V215SM	QVVPN17V215SM

Note: This interchange guide is for reference only. **Some competitor bearings may not be shown.** If you are unable to find the bearing you are trying to interchange, please contact your local distributor or QM Bearings for assistance.

(continued on next page)

Blue Brute Bearings – Interchange Guide

NTN®

NTN Part Number	QM EC Series	QM CL Series		QM TA/DV Series	QM V-Lock® Series	
		Single-Collar	Double-Collar		Single-Nut	Double-Nut
SPW2217-300FN1	n/a	n/a	n/a	TAPG17K300SM	QVPG17V300SM	QVVPG17V300SM
SPW2217-300N1	QMSN15J300SM	QASN15A300SM	QAASN15A300SM	TAPN17K300SM	QVPN17V300SM	QVVPN17V300SM
SPW2217FN1	n/a	n/a	n/a	TAPG17K075SM	QVPG17V075SM	QVVPG17V075SM
SPW2217N1	QMSN15J075SM	QASN15A075SM	QAASN15A075SM	TAPN17K075SM	QVPN17V075SM	QVVPN17V075SM
SPW2220-307FN1	n/a	n/a	n/a	TAPG20K307SM	QVPG20V307SM	QVVPG20V307SM
SPW2220-307N1	QMSN18J307SM	QASN18A307SM	QAASN18A307SM	TAPN20K307SM	QVPN20V307SM	QVVPN20V307SM
SPW2220-308FN1	n/a	n/a	n/a	TAPG20K308SM	QVPG20V308SM	QVVPG20V308SM
SPW2220-308N1	QMSN18J308SM	QASN18A308SM	QAASN18A308SM	TAPN20K308SM	QVPN20V308SM	QVVPN20V308SM
SPW2220FN1	n/a	n/a	n/a	TAPG20K090SM	QVPG20V090SM	QVVPG20V090SM
SPW2220N1	QMSN18J090SM	QASN18A090SM	QAASN18A090SM	TAPN20K090SM	QVPN20V090SM	QVVPN20V090SM
SPW2222-315FN1	n/a	n/a	n/a	TAPG22K315SM	QVPG22V315SM	QVVPG22V315SM
SPW2222-315N1	QMSN20J315SM	QASN20A315SM	QAASN20A315SM	TAPN22K315SM	QVPN22V315SM	QVVPN22V315SM
SPW2222-400FN1	n/a	n/a	n/a	TAPG22K400SM	QVPG22V400SM	QVVPG22V400SM
SPW2222-400N1	QMSN20J400SM	QASN20A400SM	QAASN20A400SM	TAPN22K400SM	QVPN22V400SM	QVVPN22V400SM
SPW2222FN1	n/a	n/a	n/a	TAPG22K100SM	QVPG22V100SM	QVVPG22V100SM
SPW2222N1	QMSN20J100SM	QASN20A100SM	QAASN20A100SM	TAPN22K100SM	QVPN22V100SM	QVVPN22V100SM
SPW2226-407FN1	n/a	n/a	n/a	TAPG26K407SM	QVPG26V407SM	QVVPG26V407SM
SPW2226-407N1	QMSN22J407SM	n/a	QAASN22A407SM	TAPN26K407SM	QVPN26V407SM	QVVPN26V407SM
SPW2226-408FN1	n/a	n/a	n/a	TAPG26K408SM	QVPG26V408SM	QVVPG26V408SM
SPW2226-408N1	QMSN22J408SM	n/a	QAASN22A408SM	TAPN26K408SM	QVPN26V408SM	QVVPN26V408SM
SPW2226FN1	n/a	n/a	n/a	TAPG26K115SM	QVPG26V115SM	QVVPG26V115SM
SPW2226N1	QMSN22J115SM	n/a	QAASN22A115SM	TAPN26K115SM	QVPN26V115SM	QVVPN26V115SM
SPW2228-415FN1	QMPG26J415SM	n/a	n/a	n/a	QVPG28V415SM	QVVPG28V415SM
SPW2228-415N1	QMSN26J415SM	n/a	QAASN26A415SM	n/a	QVSN28V415SM	QVVPN28V415SM
SPW2228-500FN1	QMPG26J500SM	n/a	n/a	n/a	QVPG28K500SM	QVVPG28V500SM
SPW2228-500N1	QMSN26J500SM	n/a	QAASN26A500SM	n/a	QVSN28K500SM	QVVPN28V500SM
SPW2228FN1	QMPG26J125SM	n/a	n/a	n/a	QVPG28K125SM	QVVPG28V125SM
SPW2228N1	QMSN26J125SM	n/a	QAASN26A125SM	n/a	QVSN28K125SM	QVVPN28V125SM
SPW2232-507FN1	QMPG30J507SM	n/a	n/a	n/a	n/a	n/a
SPW2232-508FN1	QMPG30J508SM	n/a	n/a	n/a	n/a	n/a

Note: This interchange guide is for reference only. **Some competitor bearings may not be shown.** If you are unable to find the bearing you are trying to interchange, please contact your local distributor or QM Bearings for assistance.

Blue Brute Bearings – Interchange Guide

Rexnord®

Rexnord Part Number	QM EC Series	QM CL Series		QM TA/DV Series	QM V-Lock® Series	
		Single-Collar	Double-Collar		Single-Nut	Double-Nut
KA-2107	QMPL08J107SM	n/a	n/a	n/a	n/a	n/a
KA-2107-72	QMPL08J107SM	n/a	n/a	n/a	n/a	n/a
KA-2108	QMPL08J108SM	n/a	n/a	n/a	n/a	n/a
KA-2108-72	QMPL08J108SM	n/a	n/a	n/a	n/a	n/a
KA-2111	QMPL09J111SM	n/a	n/a	n/a	n/a	n/a
KA-2111-72	QMPL09J111SM	n/a	n/a	n/a	n/a	n/a
KA-2112	QMPL09J112SM	n/a	n/a	n/a	n/a	n/a
KA-2112-72	QMPL09J112SM	n/a	n/a	n/a	n/a	n/a
KA-2115	QMPL10J115SM	QAPL10A115SM	QAAPL10A115SM	DVP11K115SM	QVPL11V115SM	QVVPL11V115SM
KA-2115-72	QMPL10J115SM	QAPL10A115SM	QAAPL10A115SM	DVP11K115SM	QVPL11V115SM	QVVPL11V115SM
KA-2200	QMPL10J200SM	QAPL10A200SM	QAAPL10A200SM	DVP11K200SM	QVPL11V200SM	QVVPL11V200SM
KA-2200-72	QMPL10J200SM	QAPL10A200SM	QAAPL10A200SM	DVP11K200SM	QVPL11V200SM	QVVPL11V200SM
KA-2203	QMPL11J203SM	QAPL11A203SM	QAAPL11A203SM	DVP13K203SM	QVPL12V203SM	QVVPL12V203SM
KA-2203-72	QMPL11J203SM	QAPL11A203SM	QAAPL11A203SM	DVP13K203SM	QVPL12V203SM	QVVPL12V203SM
KA-2204	QMPL11J204SM	QAPL11A204SM	QAAPL11A204SM	DVP13K204SM	QVPL12V204SM	QVVPL12V204SM
KA-2204-72	QMPL11J204SM	QAPL11A204SM	QAAPL11A204SM	DVP13K204SM	QVPL12V204SM	QVVPL12V204SM
KA-2207	QMPL13J207SM	QAPL13A207SM	QAAPL13A207SM	DVP15K207SM	QVPL14V207SM	QVVPL14V207SM
KA-2207-72	QMPL13J207SM	QAPL13A207SM	QAAPL13A207SM	DVP15K207SM	QVPL14V207SM	QVVPL14V207SM
KA-2207-F	QMPL13J207SM	QAPL13A207SM	QAAPL13A207SM	DVP15K207SM	QVPL14V207SM	QVVPL14V207SM
KA-2207-F-72	QMPL13J207SM	QAPL13A207SM	QAAPL13A207SM	DVP15K207SM	QVPL14V207SM	QVVPL14V207SM
KA-2208	QMPL13J208SM	QAPL13A208SM	QAAPL13A208SM	DVP15K208SM	QVPL14V208SM	QVVPL14V208SM
KA-2208-72	QMPL13J208SM	QAPL13A208SM	QAAPL13A208SM	DVP15K208SM	QVPL14V208SM	QVVPL14V208SM
KA-2208-F	QMPL13J208SM	QAPL13A208SM	QAAPL13A208SM	DVP15K208SM	QVPL14V208SM	QVVPL14V208SM
KA-2208-F-72	QMPL13J208SM	QAPL13A208SM	QAAPL13A208SM	DVP15K208SM	QVPL14V208SM	QVVPL14V208SM
KA-2211	QMPL15J211SM	QAPL15A211SM	QAAPL15A211SM	n/a	QVPL16V211SM	QVVPL16V211SM
KA-2211-72	QMPL15J211SM	QAPL15A211SM	QAAPL15A211SM	n/a	QVPL16V211SM	QVVPL16V211SM
KA-2211-F	QMPL15J211SM	QAPL15A211SM	QAAPL15A211SM	n/a	QVPL16V211SM	QVVPL16V211SM
KA-2211-F-72	QMPL15J211SM	QAPL15A211SM	QAAPL15A211SM	n/a	QVPL16V211SM	QVVPL16V211SM
KA-2212	QMPL15J212SM	QAPL15A212SM	QAAPL15A212SM	n/a	QVPL16V212SM	QVVPL16V212SM
KA-2212-72	QMPL15J212SM	QAPL15A212SM	QAAPL15A212SM	n/a	QVPL16V212SM	QVVPL16V212SM
KA-2212-F	QMPL15J212SM	QAPL15A212SM	QAAPL15A212SM	n/a	QVPL16V212SM	QVVPL16V212SM
KA-2212-F-72	QMPL15J212SM	QAPL15A212SM	QAAPL15A212SM	n/a	QVPL16V212SM	QVVPL16V212SM
KA-2215	QMPL15J215SM	QAPL15A215SM	QAAPL15A215SM	DVP17K215SM	QVPL16V215SM	QVVPL16V215SM
KA-2215-72	QMPL15J215SM	QAPL15A215SM	QAAPL15A215SM	DVP17K215SM	QVPL16V215SM	QVVPL16V215SM
KA-2215-F	QMPL15J215SM	QAPL15A215SM	QAAPL15A215SM	DVP17K215SM	QVPL16V215SM	QVVPL16V215SM
KA-2215-F-72	QMPL15J215SM	QAPL15A215SM	QAAPL15A215SM	DVP17K215SM	QVPL16V215SM	QVVPL16V215SM
KA-2300	QMPL15J300SM	QAPL15A300SM	QAAPL15A300SM	DVP17K300SM	QVPL16V300SM	QVVPL16V300SM
KA-2300-72	QMPL15J300SM	QAPL15A300SM	QAAPL15A300SM	DVP17K300SM	QVPL16V300SM	QVVPL16V300SM
KA-2300-F	QMPL15J300SM	QAPL15A300SM	QAAPL15A300SM	DVP17K300SM	QVPL16V300SM	QVVPL16V300SM
KA-2300-F-72	QMPL15J300SM	QAPL15A300SM	QAAPL15A300SM	DVP17K300SM	QVPL16V300SM	QVVPL16V300SM
KA-2303	QMPL18J303SM	QAPL18A303SM	QAAPL18A303SM	n/a	QVPL19V303SM	QVVPL19V303SM
KA-2303-72	QMPL18J303SM	QAPL18A303SM	QAAPL18A303SM	n/a	QVPL19V303SM	QVVPL19V303SM
KA-2303-F	QMPL18J303SM	QAPL18A303SM	QAAPL18A303SM	n/a	QVPL19V303SM	QVVPL19V303SM

Note: This interchange guide is for reference only. **Some competitor bearings may not be shown.** If you are unable to find the bearing you are trying to interchange, please contact your local distributor or QM Bearings for assistance.

(continued on next page)

Blue Brute Bearings – Interchange Guide

Rexnord®

Rexnord Part Number	QM EC Series	QM CL Series		QM TA/DV Series	QM V-Lock® Series	
		Single-Collar	Double-Collar		Single-Nut	Double-Nut
KA-2303-F-72	QMPF18J303SM	QAPF18A303SM	QAAPF18A303SM	n/a	QVPF19V303SM	QVVPF19V303SM
KA-2307	QMPL18J307SM	QAPL18A307SM	QAAPL18A307SM	DVP20K307SM	QVPL19V307SM	QVVPL19V307SM
KA-2307-72	QMPL18J307SM	QAPL18A307SM	QAAPL18A307SM	DVP20K307SM	QVPL19V307SM	QVVPL19V307SM
KA-2307-F	QMPF18J307SM	QAPF18A307SM	QAAPF18A307SM	DVPF20K307SM	QVPF19V307SM	QVVPF19V307SM
KA-2307-F-72	QMPF18J307SM	QAPF18A307SM	QAAPF18A307SM	DVPF20K307SM	QVPF19V307SM	QVVPF19V307SM
KA-2308	QMPL18J308SM	QAPL18A308SM	QAAPL18A308SM	DVP20K308SM	QVPL19V308SM	QVVPL19V308SM
KA-2308-72	QMPL18J308SM	QAPL18A308SM	QAAPL18A308SM	DVP20K308SM	QVPL19V308SM	QVVPL19V308SM
KA-2308-P	QMPF18J308SM	QAPF18A308SM	QAAPF18A308SM	DVPF20K308SM	QVPF19V308SM	QVVPF19V308SM
KA-2308-P-72	QMPF18J308SM	QAPF18A308SM	QAAPF18A308SM	DVPF20K308SM	QVPF19V308SM	QVVPF19V308SM
KA-2315	QMP20J315SM	QAP20A315SM	QAAP20A315SM	DVP22K315SM	QVP22V315SM	QVVP22V315SM
KA-2315-72	QMP20J315SM	QAP20A315SM	QAAP20A315SM	DVP22K315SM	QVP22V315SM	QVVP22V315SM
KA-2315-F	QMPF20J315SM	QAPF20A315SM	QAAPF20A315SM	DVPF22K315SM	QVPF22V315SM	QVVPF22V315SM
KA-2315-F-72	QMPF20J315SM	QAPF20A315SM	QAAPF20A315SM	DVPF22K315SM	QVPF22V315SM	QVVPF22V315SM
KA-2400	QMP20J400SM	QAP20A400SM	QAAP20A400SM	DVP22K400SM	QVP22V400SM	QVVP22V400SM
KA-2400-72	QMP20J400SM	QAP20A400SM	QAAP20A400SM	DVP22K400SM	QVP22V400SM	QVVP22V400SM
KA-2400-F	QMPF20J400SM	QAPF20A400SM	QAAPF20A400SM	n/a	QVPF22V400SM	QVVPF22V400SM
KA-2400-F-72	QMPF20J400SM	QAPF20A400SM	QAAPF20A400SM	n/a	QVPF22V400SM	QVVPF22V400SM
KA-3107	QMPL08J107SM	n/a	n/a	n/a	n/a	n/a
KA-3107-72	QMPL08J107SM	n/a	n/a	n/a	n/a	n/a
KA-3111	QMPL09J111SM	n/a	n/a	n/a	n/a	n/a
KA-3111-72	QMPL09J111SM	n/a	n/a	n/a	n/a	n/a
KA-3115	QMPL10J115SM	QAPL10A115SM	QAAPL10A115SM	DVP11K115SM	QVPL11V115SM	QVVPL11V115SM
KA-3115-72	QMPL10J115SM	QAPL10A115SM	QAAPL10A115SM	DVP11K115SM	QVPL11V115SM	QVVPL11V115SM
KA-3203	QMPL11J203SM	QAPL11A203SM	QAAPL11A203SM	DVP13K203SM	QVPL12V203SM	QVVPL12V203SM
KA-3203-72	QMPL11J203SM	QAPL11A203SM	QAAPL11A203SM	DVP13K203SM	QVPL12V203SM	QVVPL12V203SM
KA-3207	QMPL13J207SM	QAPL13A207SM	QAAPL13A207SM	DVP15K207SM	QVPL14V207SM	QVVPL14V207SM
KA-3207-72	QMPL13J207SM	QAPL13A207SM	QAAPL13A207SM	DVP15K207SM	QVPL14V207SM	QVVPL14V207SM
KA-3207-F	QMPF13J207SM	QAPF13A207SM	QAAPF13A207SM	DVPF15K207SM	QVPF14V207SM	QVVPF14V207SM
KA-3207-F-72	QMPF13J207SM	QAPF13A207SM	QAAPF13A207SM	DVPF15K207SM	QVPF14V207SM	QVVPF14V207SM
KA-3208	QMPL13J208SM	QAPL13A208SM	QAAPL13A208SM	DVP15K208SM	QVPL14V208SM	QVVPL14V208SM
KA-3208-72	QMPL13J208SM	QAPL13A208SM	QAAPL13A208SM	DVP15K208SM	QVPL14V208SM	QVVPL14V208SM
KA-3208-F	QMPF13J208SM	QAPF13A208SM	QAAPF13A208SM	DVPF15K208SM	QVPF14V208SM	QVVPF14V208SM
KA-3208-F-72	QMPF13J208SM	QAPF13A208SM	QAAPF13A208SM	DVPF15K208SM	QVPF14V208SM	QVVPF14V208SM
KA-3211	QMPL15J211SM	QAPL15A211SM	QAAPL15A211SM	n/a	QVPL16V211SM	QVVPL16V211SM
KA-3211-72	QMPL15J211SM	QAPL15A211SM	QAAPL15A211SM	n/a	QVPL16V211SM	QVVPL16V211SM
KA-3211-F	QMPF15J211SM	QAPF15A211SM	QAAPF15A211SM	n/a	QVPF16V211SM	QVVPF16V211SM
KA-3211-F-72	QMPF15J211SM	QAPF15A211SM	QAAPF15A211SM	n/a	QVPF16V211SM	QVVPF16V211SM
KA-3215	QMPL15J215SM	QAPL15A215SM	QAAPL15A215SM	DVP17K215SM	QVPL16V215SM	QVVPL16V215SM
KA-3215-72	QMPL15J215SM	QAPL15A215SM	QAAPL15A215SM	DVP17K215SM	QVPL16V215SM	QVVPL16V215SM
KA-3215-F	QMPF15J215SM	QAPF15A215SM	QAAPF15A215SM	DVPF17K215SM	QVPF16V215SM	QVVPF16V215SM
KA-3215-F-72	QMPF15J215SM	QAPF15A215SM	QAAPF15A215SM	DVPF17K215SM	QVPF16V215SM	QVVPF16V215SM
KA-3307	QMPL18J307SM	QAPL18A307SM	QAAPL18A307SM	DVP20K307SM	QVPL19V307SM	QVVPL19V307SM
KA-3307-72	QMPL18J307SM	QAPL18A307SM	QAAPL18A307SM	DVP20K307SM	QVPL19V307SM	QVVPL19V307SM

Note: This interchange guide is for reference only. **Some competitor bearings may not be shown.** If you are unable to find the bearing you are trying to interchange, please contact your local distributor or QM Bearings for assistance.

(continued on next page)

Blue Brute Bearings – Interchange Guide

Rexnord®

Rexnord Part Number	QM EC Series	QM CL Series		QM TA/DV Series	QM V-Lock® Series	
		Single-Collar	Double-Collar		Single-Nut	Double-Nut
KA-3307-F	QMPF18J307SM	QAPF18A307SM	QAAPF18A307SM	DVPF20K307SM	QVPF19V307SM	QVVPF19V307SM
KA-3307-F-72	QMPF18J307SM	QAPF18A307SM	QAAPF18A307SM	DVPF20K307SM	QVPF19V307SM	QVVPF19V307SM
KA-3308	QMPL18J308SM	QAPL18A308SM	QAAPL18A308SM	DVP20K308SM	QVPL19V308SM	QVVPL19V308SM
KA-3308-72	QMPL18J308SM	QAPL18A308SM	QAAPL18A308SM	DVP20K308SM	QVPL19V308SM	QVVPL19V308SM
KA-3308-F	QMPF18J308SM	QAPF18A308SM	QAAPF18A308SM	DVPF20K308SM	QVPF19V308SM	QVVPF19V308SM
KA-3308-F-72	QMPF18J308SM	QAPF18A308SM	QAAPF18A308SM	DVPF20K308SM	QVPF19V308SM	QVVPF19V308SM
KA-3315	QMP20J315SM	QAP20A315SM	QAAP20A315SM	DVP22K315SM	QVP22V315SM	QVVP22V315SM
KA-3315-72	QMP20J315SM	QAP20A315SM	QAAP20A315SM	DVP22K315SM	QVP22V315SM	QVVP22V315SM
KA-3315-F	QMPF20J315SM	QAPF20A315SM	QAAPF20A315SM	DVPF22K315SM	QVPF22V315SM	QVVPF22V315SM
KA-3315-F-72	QMPF20J315SM	QAPF20A315SM	QAAPF20A315SM	DVPF22K315SM	QVPF22V315SM	QVVPF22V315SM
KAS-2107	QMPL08J107SEM	n/a	n/a	n/a	n/a	n/a
KAS-2107-72	QMPL08J107SEM	n/a	n/a	n/a	n/a	n/a
KAS-2108	QMPL08J108SEM	n/a	n/a	n/a	n/a	n/a
KAS-2108-72	QMPL08J108SEM	n/a	n/a	n/a	n/a	n/a
KAS-2111	QMPL09J111SEM	n/a	n/a	n/a	n/a	n/a
KAS-2111-72	QMPL09J111SEM	n/a	n/a	n/a	n/a	n/a
KAS-2112	QMPL09J112SEM	n/a	n/a	n/a	n/a	n/a
KAS-2112-72	QMPL09J112SEM	n/a	n/a	n/a	n/a	n/a
KAS-2115	QMPL10J115SEM	QAPL10A115SEM	QAAPL10A115SEM	DVP11K115SEM	QVP11V115SEM	QVVP11V115SEM
KAS-2115-72	QMPL10J115SEM	QAPL10A115SEM	QAAPL10A115SEM	DVP11K115SEM	QVPL11V115SEM	QVVPL11V115SEM
KAS-2200	QMPL10J200SEM	QAPL10A200SEM	QAAPL10A200SEM	DVP11K200SEM	QVP11V200SEM	QVVP11V200SEM
KAS-2200-72	QMPL10J200SEM	QAPL10A200SEM	QAAPL10A200SEM	DVP11K200SEM	QVPL11V200SEM	QVVPL11V200SEM
KAS-2203	QMPL11J203SEM	QAPL11A203SEM	QAAPL11A203SEM	DVP13K203SEM	QVP12V203SEM	QVVP12V203SEM
KAS-2203-72	QMPL11J203SEM	QAPL11A203SEM	QAAPL11A203SEM	DVP13K203SEM	QVPL12V203SEM	QVVPL12V203SEM
KAS-2204	QMPL11J204SEM	QAPL11A204SEM	QAAPL11A204SEM	DVP13K204SEM	QVP12V204SEM	QVVP12V204SEM
KAS-2204-72	QMPL11J204SEM	QAPL11A204SEM	QAAPL11A204SEM	DVP13K204SEM	QVPL12V204SEM	QVVPL12V204SEM
KAS-2207	QMPL13J207SEM	QAPL13A207SEM	QAAPL13A207SEM	DVP15K207SEM	QVPL14V207SEM	QVVPL14V207SEM
KAS-2207-72	QMPL13J207SEM	QAPL13A207SEM	QAAPL13A207SEM	DVP15K207SEM	QVPL14V207SEM	QVVPL14V207SEM
KAS-2207-F	QMPF13J207SEM	QAPF13A207SEM	QAAPF13A207SEM	DVPF15K207SEM	QVPF14V207SEM	QVVPF14V207SEM
KAS-2207-F-72	QMPF13J207SEM	QAPF13A207SEM	QAAPF13A207SEM	DVPF15K207SEM	QVPF14V207SEM	QVVPF14V207SEM
KAS-2208	QMPL13J208SEM	QAPL13A208SEM	QAAPL13A208SEM	DVP15K208SEM	QVPL14V208SEM	QVVPL14V208SEM
KAS-2208-72	QMPL13J208SEM	QAPL13A208SEM	QAAPL13A208SEM	DVP15K208SEM	QVPL14V208SEM	QVVPL14V208SEM
KAS-2208-F	QMPF13J208SEM	QAPF13A208SEM	QAAPF13A208SEM	DVPF15K208SEM	QVPF14V208SEM	QVVPF14V208SEM
KAS-2208-F-72	QMPF13J208SEM	QAPF13A208SEM	QAAPF13A208SEM	DVPF15K208SEM	QVPF14V208SEM	QVVPF14V208SEM
KAS-2211	QMPL15J211SEM	QAPL15A211SEM	QAAPL15A211SEM	n/a	QVPL16V211SEM	QVVPL16V211SEM
KAS-2211-72	QMPL15J211SEM	QAPL15A211SEM	QAAPL15A211SEM	n/a	QVPL16V211SEM	QVVPL16V211SEM
KAS-2211-F	QMPF15J211SEM	QAPF15A211SEM	QAAPF15A211SEM	n/a	QVPF16V211SEM	QVVPF16V211SEM
KAS-2211-F-72	QMPF15J211SEM	QAPF15A211SEM	QAAPF15A211SEM	n/a	QVPF16V211SEM	QVVPF16V211SEM
KAS-2212	QMPL15J212SEM	QAPL15A212SEM	QAAPL15A212SEM	n/a	QVPL16V212SEM	QVVPL16V212SEM
KAS-2212-72	QMPL15J212SEM	QAPL15A212SEM	QAAPL15A212SEM	n/a	QVPL16V212SEM	QVVPL16V212SEM
KAS-2212-F	QMPF15J212SEM	QAPF15A212SEM	QAAPF15A212SEM	n/a	QVPF16V212SEM	QVVPF16V212SEM
KAS-2212-F-72	QMPF15J212SEM	QAPF15A212SEM	QAAPF15A212SEM	n/a	QVPF16V212SEM	QVVPF16V212SEM
KAS-2215	QMPL15J215SEM	QAPL15A215SEM	QAAPL15A215SEM	DVP17K215SEM	QVPL16V215SEM	QVVPL16V215SEM

Note: This interchange guide is for reference only. **Some competitor bearings may not be shown.** If you are unable to find the bearing you are trying to interchange, please contact your local distributor or QM Bearings for assistance.

(continued on next page)

Blue Brute Bearings – Interchange Guide

Rexnord®

Rexnord Part Number	QM EC Series	QM CL Series		QM TA/DV Series	QM V-Lock® Series	
		Single-Collar	Double-Collar		Single-Nut	Double-Nut
KAS-2215-72	QMPL15J215SEM	QAPL15A215SEM	QAAPL15A215SEM	DVP17K215SEM	QVPL16V215SEM	QVVPL16V215SEM
KAS-2215-F	QMPF15J215SEM	QAPF15A215SEM	QAAPF15A215SEM	DVPF17K215SEM	QVPF16V215SEM	QVVPF16V215SEM
KAS-2215-F-72	QMPF15J215SEM	QAPF15A215SEM	QAAPF15A215SEM	DVPF17K215SEM	QVPF16V215SEM	QVVPF16V215SEM
KAS-2300	QMPL15J300SEM	QAPL15A300SEM	QAAPL15A300SEM	DVP17K300SEM	QVPL16V300SEM	QVVPL16V300SEM
KAS-2300-72	QMPL15J300SEM	QAPL15A300SEM	QAAPL15A300SEM	DVP17K300SEM	QVPL16V300SEM	QVVPL16V300SEM
KAS-2300-F	QMPF15J300SEM	QAPF15A300SEM	QAAPF15A300SEM	DVPF17K300SEM	QVPF16V300SEM	QVVPF16V300SEM
KAS-2300-F-72	QMPF15J300SEM	QAPF15A300SEM	QAAPF15A300SEM	DVPF17K300SEM	QVPF16V300SEM	QVVPF16V300SEM
KAS-2303	QMPL18J303SEM	QAPL18A303SEM	QAAPL18A303SEM	n/a	QVPL19V303SEM	QVVPL19V303SEM
KAS-2303-72	QMPL18J303SEM	QAPL18A303SEM	QAAPL18A303SEM	n/a	QVPL19V303SEM	QVVPL19V303SEM
KAS-2303-F	QMPF18J303SEM	QAPF18A303SEM	QAAPF18A303SEM	n/a	QVPF19V303SEM	QVVPF19V303SEM
KAS-2303-F-72	QMPF18J303SEM	QAPF18A303SEM	QAAPF18A303SEM	n/a	QVPF19V303SEM	QVVPF19V303SEM
KAS-2307	QMPL18J307SEM	QAPL18A307SEM	QAAPL18A307SEM	DVP20K307SEM	QVPL19V307SEM	QVVPL19V307SEM
KAS-2307-72	QMPL18J307SEM	QAPL18A307SEM	QAAPL18A307SEM	DVP20K307SEM	QVPL19V307SEM	QVVPL19V307SEM
KAS-2307-F	QMPF18J307SEM	QAPF18A307SEM	QAAPF18A307SEM	DVPF20K307SEM	QVPF19V307SEM	QVVPF19V307SEM
KAS-2307-F-72	QMPF18J307SEM	QAPF18A307SEM	QAAPF18A307SEM	DVPF20K307SEM	QVPF19V307SEM	QVVPF19V307SEM
KAS-2308	QMPL18J308SEM	QAPL18A308SEM	QAAPL18A308SEM	DVP20K308SEM	QVPL19V308SEM	QVVPL19V308SEM
KAS-2308-72	QMPL18J308SEM	QAPL18A308SEM	QAAPL18A308SEM	DVP20K308SEM	QVPL19V308SEM	QVVPL19V308SEM
KAS-2308-F	QMPF18J308SEM	QAPF18A308SEM	QAAPF18A308SEM	DVPF20K308SEM	QVPF19V308SEM	QVVPF19V308SEM
KAS-2308-F-72	QMPF18J308SEM	QAPF18A308SEM	QAAPF18A308SEM	DVPF20K308SEM	QVPF19V308SEM	QVVPF19V308SEM
KAS-2315	QMP20J315SEM	QAP20A315SEM	QAAP20A315SEM	DVP22K315SEM	QVP22V315SEM	QVVP22V315SEM
KAS-2315-72	QMP20J315SEM	QAP20A315SEM	QAAP20A315SEM	DVP22K315SEM	QVP22V315SEM	QVVP22V315SEM
KAS-2315-F	QMPF20J315SEM	QAPF20A315SEM	QAAPF20A315SEM	DVPF22K315SEM	QVPF22V315SEM	QVVPF22V315SEM
KAS-2315-F-72	QMPF20J315SEM	QAPF20A315SEM	QAAPF20A315SEM	DVPF22K315SEM	QVPF22V315SEM	QVVPF22V315SEM
KAS-2400	QMP20J400SEM	QAP20A400SEM	QAAP20A400SEM	DVP22K400SEM	QVP22V400SEM	QVVP22V400SEM
KAS-2400-72	QMP20J400SEM	QAP20A400SEM	QAAP20A400SEM	DVP22K400SEM	QVP22V400SEM	QVVP22V400SEM
KAS-2400-F	QMPF20J400SEM	QAPF20A400SEM	QAAPF20A400SEM	n/a	QVPF22V400SEM	QVVPF22V400SEM
KAS-2400-F-72	QMPF20J400SEM	QAPF20A400SEM	QAAPF20A400SEM	n/a	QVPF22V400SEM	QVVPF22V400SEM
KAS-3107	QMPL08J107SEM	n/a	n/a	n/a	n/a	n/a
KAS-3107-72	QMPL08J107SEM	n/a	n/a	n/a	n/a	n/a
KAS-3111	QMPL09J111SEM	n/a	n/a	n/a	n/a	n/a
KAS-3111-72	QMPL09J111SEM	n/a	n/a	n/a	n/a	n/a
KAS-3115-72	QMPL10J115SEM	QAPL10A115SEM	QAAPL10A115SEM	DVP11K115SEM	QVPL11V115SEM	QVVPL11V115SEM
KAS-3203	QMPL11J203SEM	QAPL11A203SEM	QAAPL11A203SEM	DVP13K203SEM	QVPL12V203SEM	QVVPL12V203SEM
KAS-3203-72	QMPL11J203SEM	QAPL11A203SEM	QAAPL11A203SEM	DVP13K203SEM	QVPL12V203SEM	QVVPL12V203SEM
KAS-3207	QMPL13J207SEM	QAPL13A207SEM	QAAPL13A207SEM	DVP15K207SEM	QVPL14V207SEM	QVVPL14V207SEM
KAS-3207-72	QMPL13J207SEM	QAPL13A207SEM	QAAPL13A207SEM	DVP15K207SEM	QVPL14V207SEM	QVVPL14V207SEM
KAS-3207-F	QMPF13J207SEM	QAPF13A207SEM	QAAPF13A207SEM	DVPF15K207SEM	QVPF14V207SEM	QVVPF14V207SEM
KAS-3207-F-72	QMPF13J207SEM	QAPF13A207SEM	QAAPF13A207SEM	DVPF15K207SEM	QVPF14V207SEM	QVVPF14V207SEM
KAS-3208	QMPL13J208SEM	QAPL13A208SEM	QAAPL13A208SEM	DVP15K208SEM	QVPL14V208SEM	QVVPL14V208SEM
KAS-3208-72	QMPL13J208SEM	QAPL13A208SEM	QAAPL13A208SEM	DVP15K208SEM	QVPL14V208SEM	QVVPL14V208SEM
KAS-3208-F	QMPF13J208SEM	QAPF13A208SEM	QAAPF13A208SEM	DVPF15K208SEM	QVPF14V208SEM	QVVPF14V208SEM
KAS-3208-F-72	QMPF13J208SEM	QAPF13A208SEM	QAAPF13A208SEM	DVPF15K208SEM	QVPF14V208SEM	QVVPF14V208SEM
KAS-3211	QMPL15J211SEM	QAPL15A211SEM	QAAPL15A211SEM	n/a	QVPL16V211SEM	QVVPL16V211SEM

Note: This interchange guide is for reference only. **Some competitor bearings may not be shown.** If you are unable to find the bearing you are trying to interchange, please contact your local distributor or QM Bearings for assistance.

(continued on next page)

Blue Brute Bearings – Interchange Guide

Rexnord®

Rexnord Part Number	QM EC Series	QM CL Series		QM TA/DV Series	QM V-Lock® Series	
		Single-Collar	Double-Collar		Single-Nut	Double-Nut
KAS-3211-72	QMPL15J211SEM	QAPL15A211SEM	QAAPL15A211SEM	n/a	QVPL16V211SEM	QVVPL16V211SEM
KAS-3211-F	QMPF15J211SEM	QAPF15A211SEM	QAAPF15A211SEM	n/a	QVPF16V211SEM	QVVPF16V211SEM
KAS-3211-F-72	QMPF15J211SEM	QAPF15A211SEM	QAAPF15A211SEM	n/a	QVPF16V211SEM	QVVPF16V211SEM
KAS-3215	QMPL15J215SEM	QAPL15A215SEM	QAAPL15A215SEM	DVP17K215SEM	QVPL16V215SEM	QVVPL16V215SEM
KAS-3215-72	QMPL15J215SEM	QAPL15A215SEM	QAAPL15A215SEM	DVP17K215SEM	QVPL16V215SEM	QVVPL16V215SEM
KAS-3215-F	QMPF15J215SEM	QAPF15A215SEM	QAAPF15A215SEM	DVPF17K215SEM	QVPF16V215SEM	QVVPF16V215SEM
KAS-3215-F-72	QMPF15J215SEM	QAPF15A215SEM	QAAPF15A215SEM	DVPF17K215SEM	QVPF16V215SEM	QVVPF16V215SEM
KAS-3307	QMPL18J307SEM	QAPL18A307SEM	QAAPL18A307SEM	DVP20K307SEM	QVPL19V307SEM	QVVPL19V307SEM
KAS-3307-72	QMPL18J307SEM	QAPL18A307SEM	QAAPL18A307SEM	DVP20K307SEM	QVPL19V307SEM	QVVPL19V307SEM
KAS-3307-F	QMPF18J307SEM	QAPF18A307SEM	QAAPF18A307SEM	DVPF20K307SEM	QVPF19V307SEM	QVVPF19V307SEM
KAS-3307-F-72	QMPF18J307SEM	QAPF18A307SEM	QAAPF18A307SEM	DVPF20K307SEM	QVPF19V307SEM	QVVPF19V307SEM
KAS-3308	QMPL18J308SEM	QAPL18A308SEM	QAAPL18A308SEM	DVP20K308SEM	QVPL19V308SEM	QVVPL19V308SEM
KAS-3308-72	QMPL18J308SEM	QAPL18A308SEM	QAAPL18A308SEM	DVP20K308SEM	QVPL19V308SEM	QVVPL19V308SEM
KAS-3308-F	QMPF18J308SEM	QAPF18A308SEM	QAAPF18A308SEM	DVPF20K308SEM	QVPF19V308SEM	QVVPF19V308SEM
KAS-3308-F-72	QMPF18J308SEM	QAPF18A308SEM	QAAPF18A308SEM	DVPF20K308SEM	QVPF19V308SEM	QVVPF19V308SEM
KAS-3315	QMP20J315SEM	QAP20A315SEM	QAAP20A315SEM	DVP22K315SEM	QVP22V315SEM	QVVP22V315SEM
KAS-3315-72	QMP20J315SEM	QAP20A315SEM	QAAP20A315SEM	DVP22K315SEM	QVP22V315SEM	QVVP22V315SEM
KAS-3315-F	QMPF20J315SEM	QAPF20A315SEM	QAAPF20A315SEM	DVPF22K315SEM	QVPF22V315SEM	QVVPF22V315SEM
KAS-3315-F-72	QMPF20J315SEM	QAPF20A315SEM	QAAPF20A315SEM	DVPF22K315SEM	QVPF22V315SEM	QVVPF22V315SEM
KB-2107	QMFY08J107SM	n/a	n/a	n/a	n/a	n/a
KB-2107-72	QMFY08J107SM	n/a	n/a	n/a	n/a	n/a
KB-2108	QMFY08J108SM	n/a	n/a	n/a	n/a	n/a
KB-2108-72	QMFY08J108SM	n/a	n/a	n/a	n/a	n/a
KB-2111	QMFY09J111SM	n/a	n/a	n/a	n/a	n/a
KB-2111-72	QMFY09J111SM	n/a	n/a	n/a	n/a	n/a
KB-2112	QMFY09J112SM	n/a	n/a	n/a	n/a	n/a
KB-2112-72	QMFY09J112SM	n/a	n/a	n/a	n/a	n/a
KB-2115	QMFY10J115SM	QAFY10A115SM	QAAFY10A115SM	n/a	QVfy11V115SM	QVVFY11V115SM
KB-2115-72	QMFY10J115SM	QAFY10A115SM	QAAFY10A115SM	n/a	QVfy11V115SM	QVVFY11V115SM
KB-2200	QMFY10J200SM	QAFY10A200SM	QAAFY10A200SM	n/a	QVfy11V200SM	QVVFY11V200SM
KB-2200-72	QMFY10J200SM	QAFY10A200SM	QAAFY10A200SM	n/a	QVfy11V200SM	QVVFY11V200SM
KB-2203	QMFY11J203SM	QAFY11A203SM	QAAFY11A203SM	n/a	QVfy12V203SM	QVVFY12V203SM
KB-2203-72	QMFY11J203SM	QAFY11A203SM	QAAFY11A203SM	n/a	QVfy12V203SM	QVVFY12V203SM
KB-2204	QMFY11J204SM	QAFY11A204SM	QAAFY11A204SM	n/a	QVfy12V204SM	QVVFY12V204SM
KB-2204-72	QMFY11J204SM	QAFY11A204SM	QAAFY11A204SM	n/a	QVfy12V204SM	QVVFY12V204SM
KB-2207	QMFY13J207SM	QAFY13A207SM	QAAFY13A207SM	n/a	QVfy14V207SM	QVVFY14V207SM
KB-2207-72	QMFY13J207SM	QAFY13A207SM	QAAFY13A207SM	n/a	QVfy14V207SM	QVVFY14V207SM
KB-2208	QMFY13J208SM	QAFY13A208SM	QAAFY13A208SM	n/a	QVfy14V208SM	QVVFY14V208SM
KB-2208-72	QMFY13J208SM	QAFY13A208SM	QAAFY13A208SM	n/a	QVfy14V208SM	QVVFY14V208SM
KB-2211	QMFY15J211SM	QAFY15A211SM	QAAFY15A211SM	n/a	QVfy16V211SM	QVVFY16V211SM
KB-2211-72	QMFY15J211SM	QAFY15A211SM	QAAFY15A211SM	n/a	QVfy16V211SM	QVVFY16V211SM
KB-2212	QMFY15J212SM	QAFY15A212SM	QAAFY15A212SM	n/a	QVfy16V212SM	QVVFY16V212SM
KB-2212-72	QMFY15J212SM	QAFY15A212SM	QAAFY15A212SM	n/a	QVfy16V212SM	QVVFY16V212SM

Note: This interchange guide is for reference only. **Some competitor bearings may not be shown.** If you are unable to find the bearing you are trying to interchange, please contact your local distributor or QM Bearings for assistance.

(continued on next page)

Blue Brute Bearings – Interchange Guide

Rexnord®

Rexnord Part Number	QM EC Series	QM CL Series		QM TA/DV Series	QM V-Lock® Series	
		Single-Collar	Double-Collar		Single-Nut	Double-Nut
KB-2215	QMFY15J215SM	QAFY15A215SM	QAAFY15A215SM	n/a	QVFY16V215SM	QVVFY16V215SM
KB-2215-72	QMFY15J215SM	QAFY15A215SM	QAAFY15A215SM	n/a	QVFY16V215SM	QVVFY16V215SM
KB-2300	QMFY15J300SM	QAFY15A300SM	QAAFY15A300SM	n/a	QVFY16V300SM	QVVFY16V300SM
KB-2300-72	QMFY15J300SM	QAFY15A300SM	QAAFY15A300SM	n/a	QVFY16V300SM	QVVFY16V300SM
KB-2303	QMF18J303SM	QAF18A303SM	QAAFL18A303SM	n/a	QVFL19V303SM	QVVFL19V303SM
KB-2303-72	QMF18J303SM	QAF18A303SM	QAAFL18A303SM	n/a	QVFL19V303SM	QVVFL19V303SM
KB-2307	QMF18J307SM	QAF18A307SM	QAAFL18A307SM	n/a	QVFL19V307SM	QVVFL19V307SM
KB-2307-72	QMF18J307SM	QAF18A307SM	QAAFL18A307SM	n/a	QVFL19V307SM	QVVFL19V307SM
KB-2308	QMF18J308SM	QAF18A308SM	QAAFL18A308SM	n/a	QVFL19V308SM	QVVFL19V308SM
KB-2308-72	QMF18J308SM	QAF18A308SM	QAAFL18A308SM	n/a	QVFL19V308SM	QVVFL19V308SM
KB-2315	QMF20J315SM	QAF20A315SM	QAAFL20A315SM	n/a	QVFL22V315SM	QVVFL22V315SM
KB-2315-72	QMF20J315SM	QAF20A315SM	QAAFL20A315SM	n/a	QVFL22V315SM	QVVFL22V315SM
KB-2400	QMF20J400SM	QAF20A400SM	QAAFL20A400SM	n/a	QVFL22V400SM	QVVFL22V400SM
KB-2400-72	QMF20J400SM	QAF20A400SM	QAAFL20A400SM	n/a	QVFL22V400SM	QVVFL22V400SM
KB-3107	QMFY08J107SM	n/a	n/a	n/a	n/a	n/a
KB-3107-72	QMFY08J107SM	n/a	n/a	n/a	n/a	n/a
KB-3111	QMFY09J111SM	n/a	n/a	n/a	n/a	n/a
KB-3111-72	QMFY09J111SM	n/a	n/a	n/a	n/a	n/a
KB-3115	QMFY10J115SM	QAFY10A115SM	QAAFY10A115SM	n/a	QVFY11V115SM	QVVFY11V115SM
KB-3115-72	QMFY10J115SM	QAFY10A115SM	QAAFY10A115SM	n/a	QVFY11V115SM	QVVFY11V115SM
KB-3203	QMFY11J203SM	QAFY11A203SM	QAAFY11A203SM	n/a	QVFY12V203SM	QVVFY12V203SM
KB-3203-72	QMFY11J203SM	QAFY11A203SM	QAAFY11A203SM	n/a	QVFY12V203SM	QVVFY12V203SM
KB-3207	QMFY13J207SM	QAFY13A207SM	QAAFY13A207SM	n/a	QVFY14V207SM	QVVFY14V207SM
KB-3207-72	QMFY13J207SM	QAFY13A207SM	QAAFY13A207SM	n/a	QVFY14V207SM	QVVFY14V207SM
KB-3208	QMFY13J208SM	QAFY13A208SM	QAAFY13A208SM	n/a	QVFY14V208SM	QVVFY14V208SM
KB-3208-72	QMFY13J208SM	QAFY13A208SM	QAAFY13A208SM	n/a	QVFY14V208SM	QVVFY14V208SM
KB-3211	QMFY15J211SM	QAFY15A211SM	QAAFY15A211SM	n/a	QVFY16V211SM	QVVFY16V211SM
KB-3211-72	QMFY15J211SM	QAFY15A211SM	QAAFY15A211SM	n/a	QVFY16V211SM	QVVFY16V211SM
KB-3215	QMFY15J215SM	QAFY15A215SM	QAAFY15A215SM	n/a	QVFY16V215SM	QVVFY16V215SM
KB-3215-72	QMFY15J215SM	QAFY15A215SM	QAAFY15A215SM	n/a	QVFY16V215SM	QVVFY16V215SM
KB-3307	QMF18J307SM	QAF18A307SM	QAAFL18A307SM	n/a	QVFL19V307SM	QVVFL19V307SM
KB-3307-72	QMF18J307SM	QAF18A307SM	QAAFL18A307SM	n/a	QVFL19V307SM	QVVFL19V307SM
KB-3308	QMF18J308SM	QAF18A308SM	QAAFL18A308SM	n/a	QVFL19V308SM	QVVFL19V308SM
KB-3308-72	QMF18J308SM	QAF18A308SM	QAAFL18A308SM	n/a	QVFL19V308SM	QVVFL19V308SM
KB-3315	QMF20J315SM	QAF20A315SM	QAAFL20A315SM	n/a	QVFL22V315SM	QVVFL22V315SM
KB-3315-72	QMF20J315SM	QAF20A315SM	QAAFL20A315SM	n/a	QVFL22V315SM	QVVFL22V315SM
KBR-2107	QMCW08J107SM	n/a	n/a	n/a	n/a	n/a
KBR-2107-72	QMCW08J107SM	n/a	n/a	n/a	n/a	n/a
KBR-2108	QMCW08J108SM	n/a	n/a	n/a	n/a	n/a
KBR-2108-72	QMCW08J108SM	n/a	n/a	n/a	n/a	n/a
KBR-2111	QMCW09J111SM	n/a	n/a	n/a	n/a	n/a
KBR-2111-72	QMCW09J111SM	n/a	n/a	n/a	n/a	n/a
KBR-2112	QMCW09J112SM	n/a	n/a	n/a	n/a	n/a

Note: This interchange guide is for reference only. **Some competitor bearings may not be shown.** If you are unable to find the bearing you are trying to interchange, please contact your local distributor or QM Bearings for assistance.

(continued on next page)

Blue Brute Bearings – Interchange Guide

Rexnord®

Rexnord Part Number	QM EC Series	QM CL Series		QM TA/DV Series	QM V-Lock® Series	
		Single-Collar	Double-Collar		Single-Nut	Double-Nut
KBR-2112-72	QMCW09J112SM	n/a	n/a	n/a	n/a	n/a
KBR-2115	QMCW10J115SM	QACW10A115SM	QAACW10A115SM	n/a	QVCW11V115SM	QVVCW11V115SM
KBR-2115-72	QMCW10J115SM	QACW10A115SM	QAACW10A115SM	n/a	QVCW11V115SM	QVVCW11V115SM
KBR-2200	QMCW10J200SM	QACW10A200SM	QAACW10A200SM	n/a	QVCW11V200SM	QVVCW11V200SM
KBR-2200-72	QMCW10J200SM	QACW10A200SM	QAACW10A200SM	n/a	QVCW11V200SM	QVVCW11V200SM
KBR-2203	QMCW11J203SM	QACW11A203SM	QAACW11A203SM	n/a	QVCW12V203SM	QVVCW12V203SM
KBR-2203-72	QMCW11J203SM	QACW11A203SM	QAACW11A203SM	n/a	QVCW12V203SM	QVVCW12V203SM
KBR-2204	QMCW11J204SM	QACW11A204SM	QAACW11A204SM	n/a	QVCW12V204SM	QVVCW12V204SM
KBR-2204-72	QMCW11J204SM	QACW11A204SM	QAACW11A204SM	n/a	QVCW12V204SM	QVVCW12V204SM
KBR-2207	QMCW13J207SM	QACW13A207SM	QAACW13A207SM	n/a	QVCW14V207SM	QVVCW14V207SM
KBR-2207-72	QMCW13J207SM	QACW13A207SM	QAACW13A207SM	n/a	QVCW14V207SM	QVVCW14V207SM
KBR-2208	QMCW13J208SM	QACW13A208SM	QAACW13A208SM	n/a	QVCW14V208SM	QVVCW14V208SM
KBR-2208-72	QMCW13J208SM	QACW13A208SM	QAACW13A208SM	n/a	QVCW14V208SM	QVVCW14V208SM
KBR-2211	QMCW15J211SM	QACW15A211SM	QAACW15A211SM	n/a	QVCW16V211SM	QVVCW16V211SM
KBR-2211-72	QMCW15J211SM	QACW15A211SM	QAACW15A211SM	n/a	QVCW16V211SM	QVVCW16V211SM
KBR-2212	QMCW15J212SM	QACW15A212SM	QAACW15A212SM	n/a	QVCW16V212SM	QVVCW16V212SM
KBR-2212-72	QMCW15J212SM	QACW15A212SM	QAACW15A212SM	n/a	QVCW16V212SM	QVVCW16V212SM
KBR-2215	QMCW15J215SM	QACW15A215SM	QAACW15A215SM	n/a	QVCW16V215SM	QVVCW16V215SM
KBR-2215-72	QMCW15J215SM	QACW15A215SM	QAACW15A215SM	n/a	QVCW16V215SM	QVVCW16V215SM
KBR-2300	QMCW15J300SM	QACW15A300SM	QAACW15A300SM	n/a	QVCW16V300SM	QVVCW16V300SM
KBR-2300-72	QMCW15J300SM	QACW15A300SM	QAACW15A300SM	n/a	QVCW16V300SM	QVVCW16V300SM
KBR-2303	QMCW18J303SM	QACW18A303SM	QAACW18A303SM	n/a	QVCW19V303SM	QVVCW19V303SM
KBR-2303-72	QMCW18J303SM	QACW18A303SM	QAACW18A303SM	n/a	QVCW19V303SM	QVVCW19V303SM
KBR-2307	QMCW18J307SM	QACW18A307SM	QAACW18A307SM	n/a	QVCW19V307SM	QVVCW19V307SM
KBR-2307-72	QMCW18J307SM	QACW18A307SM	QAACW18A307SM	n/a	QVCW19V307SM	QVVCW19V307SM
KBR-2308	QMCW18J308SM	QACW18A308SM	QAACW18A308SM	n/a	QVCW19V308SM	QVVCW19V308SM
KBR-2308-72	QMCW18J308SM	QACW18A308SM	QAACW18A308SM	n/a	QVCW19V308SM	QVVCW19V308SM
KBR-2315	QMCW20J315SM	QACW20A315SM	QAACW20A315SM	n/a	QVCW22V315SM	QVVCW22V315SM
KBR-2315-72	QMCW20J315SM	QACW20A315SM	QAACW20A315SM	n/a	QVCW22V315SM	QVVCW22V315SM
KBR-2400	QMCW20J400SM	QACW20A400SM	QAACW20A400SM	n/a	QVCW22V400SM	QVVCW22V400SM
KBR-2400-72	QMCW20J400SM	QACW20A400SM	QAACW20A400SM	n/a	QVCW22V400SM	QVVCW22V400SM
KBR-3115	QMCW10J115SM	QACW10A115SM	QAACW10A115SM	n/a	QVCW11V115SM	QVVCW11V115SM
KBR-3115-72	QMCW10J115SM	QACW10A115SM	QAACW10A115SM	n/a	QVCW11V115SM	QVVCW11V115SM
KBR-3203	QMCW11J203SM	QACW11A203SM	QAACW11A203SM	n/a	QVCW12V203SM	QVVCW12V203SM
KBR-3203-72	QMCW11J203SM	QACW11A203SM	QAACW11A203SM	n/a	QVCW12V203SM	QVVCW12V203SM
KBR-3207	QMCW13J207SM	QACW13A207SM	QAACW13A207SM	n/a	QVCW14V207SM	QVVCW14V207SM
KBR-3207-72	QMCW13J207SM	QACW13A207SM	QAACW13A207SM	n/a	QVCW14V207SM	QVVCW14V207SM
KBR-3208	QMCW13J208SM	QACW13A208SM	QAACW13A208SM	n/a	QVCW14V208SM	QVVCW14V208SM
KBR-3208-72	QMCW13J208SM	QACW13A208SM	QAACW13A208SM	n/a	QVCW14V208SM	QVVCW14V208SM
KBR-3211	QMCW15J211SM	QACW15A211SM	QAACW15A211SM	n/a	QVCW16V211SM	QVVCW16V211SM
KBR-3211-72	QMCW15J211SM	QACW15A211SM	QAACW15A211SM	n/a	QVCW16V211SM	QVVCW16V211SM
KBR-3215	QMCW15J215SM	QACW15A215SM	QAACW15A215SM	n/a	QVCW16V215SM	QVVCW16V215SM
KBR-3215-72	QMCW15J215SM	QACW15A215SM	QAACW15A215SM	n/a	QVCW16V215SM	QVVCW16V215SM

Note: This interchange guide is for reference only. **Some competitor bearings may not be shown.** If you are unable to find the bearing you are trying to interchange, please contact your local distributor or QM Bearings for assistance.

(continued on next page)

Blue Brute Bearings – Interchange Guide

Rexnord®

Rexnord Part Number	QM EC Series	QM CL Series		QM TA/DV Series	QM V-Lock® Series	
		Single-Collar	Double-Collar		Single-Nut	Double-Nut
KBR-3307	QMCW18J307SM	QACW18A307SM	QAACW18A307SM	n/a	QVCW19V307SM	QVVCW19V307SM
KBR-3307-72	QMCW18J307SM	QACW18A307SM	QAACW18A307SM	n/a	QVCW19V307SM	QVVCW19V307SM
KBR-3308	QMCW18J308SM	QACW18A308SM	QAACW18A308SM	n/a	QVCW19V308SM	QVVCW19V308SM
KBR-3308-72	QMCW18J308SM	QACW18A308SM	QAACW18A308SM	n/a	QVCW19V308SM	QVVCW19V308SM
KBR-3315	QMCW20J315SM	QACW20A315SM	QAACW20A315SM	n/a	QVCW22V315SM	QVVCW22V315SM
KBR-3315-72	QMCW20J315SM	QACW20A315SM	QAACW20A315SM	n/a	QVCW22V315SM	QVVCW22V315SM
KBR-5107	QMCW08J107SM	n/a	n/a	n/a	n/a	n/a
KBR-5107-72	QMCW08J107SM	n/a	n/a	n/a	n/a	n/a
KBR-5108	QMCW08J108SM	n/a	n/a	n/a	n/a	n/a
KBR-5108-72	QMCW08J108SM	n/a	n/a	n/a	n/a	n/a
KBR-5111	QMCW09J111SM	n/a	n/a	n/a	n/a	n/a
KBR-5111-72	QMCW09J111SM	n/a	n/a	n/a	n/a	n/a
KBR-5112	QMCW09J112SM	n/a	n/a	n/a	n/a	n/a
KBR-5112-72	QMCW09J112SM	n/a	n/a	n/a	n/a	n/a
KBR-5115	QMCW10J115SM	n/a	QAACW10A115SM	n/a	QVCW11V115SM	QVVCW11V115SM
KBR-5115-72	QMCW10J115SM	n/a	QAACW10A115SM	n/a	QVCW11V115SM	QVVCW11V115SM
KBR-5200	QMCW10J200SM	n/a	QAACW10A200SM	n/a	QVCW11V200SM	QVVCW11V200SM
KBR-5200-72	QMCW10J200SM	n/a	QAACW10A200SM	n/a	QVCW11V200SM	QVVCW11V200SM
KBR-5203	QMCW11J203SM	n/a	QAACW11A203SM	n/a	QVCW12V203SM	QVVCW12V203SM
KBR-5203-72	QMCW11J203SM	n/a	QAACW11A203SM	n/a	QVCW12V203SM	QVVCW12V203SM
KBR-5204	QMCW11J204SM	n/a	QAACW11A204SM	n/a	QVCW12V204SM	QVVCW12V204SM
KBR-5204-72	QMCW11J204SM	n/a	QAACW11A204SM	n/a	QVCW12V204SM	QVVCW12V204SM
KBR-5207	QMCW13J207SM	n/a	QAACW13A207SM	n/a	QVCW14V207SM	QVVCW14V207SM
KBR-5207-72	QMCW13J207SM	n/a	QAACW13A207SM	n/a	QVCW14V207SM	QVVCW14V207SM
KBR-5211	QMCW15J211SM	n/a	QAACW15A211SM	n/a	QVCW16V211SM	QVVCW16V211SM
KBR-5211-72	QMCW15J211SM	n/a	QAACW15A211SM	n/a	QVCW16V211SM	QVVCW16V211SM
KBR-5212	QMCW15J212SM	n/a	QAACW15A212SM	n/a	QVCW16V212SM	QVVCW16V212SM
KBR-5212-72	QMCW15J212SM	n/a	QAACW15A212SM	n/a	QVCW16V212SM	QVVCW16V212SM
KBR-5215	QMCW15J215SM	n/a	QAACW15A215SM	n/a	QVCW16V215SM	QVVCW16V215SM
KBR-5215-72	QMCW15J215SM	n/a	QAACW15A215SM	n/a	QVCW16V215SM	QVVCW16V215SM
KBR-5300	QMCW15J300SM	n/a	QAACW15A300SM	n/a	QVCW16V300SM	QVVCW16V300SM
KBR-5300-72	QMCW15J300SM	n/a	QAACW15A300SM	n/a	QVCW16V300SM	QVVCW16V300SM
KBR-5303	QMCW18J303SM	n/a	QAACW18A303SM	n/a	QVCW19V303SM	QVVCW19V303SM
KBR-5303-72	QMCW18J303SM	n/a	QAACW18A303SM	n/a	QVCW19V303SM	QVVCW19V303SM
KBR-5307	QMCW18J307SM	n/a	QAACW18A307SM	n/a	QVCW19V307SM	QVVCW19V307SM
KBR-5307-72	QMCW18J307SM	n/a	QAACW18A307SM	n/a	QVCW19V307SM	QVVCW19V307SM
KBR-5315	QMCW20J315SM	n/a	QAACW20A315SM	n/a	QVCW22V315SM	QVVCW22V315SM
KBR-5315-72	QMCW20J315SM	n/a	QAACW20A315SM	n/a	QVCW22V315SM	QVVCW22V315SM
KBR-5400	QMCW20J400SM	n/a	QAACW20A400SM	n/a	QVCW22V400SM	QVVCW22V400SM
KBR-5400-72	QMCW20J400SM	n/a	QAACW20A400SM	n/a	QVCW22V400SM	QVVCW22V400SM
KBR-5407	QMCW22J407SM	n/a	QAACW22A407SM	n/a	QVCW26V407SM	QVVCW26V407SM
KBR-5407-72	QMCW22J407SM	n/a	QAACW22A407SM	n/a	QVCW26V407SM	QVVCW26V407SM
KBR-5408	QMCW22J408SM	n/a	QAACW22A408SM	n/a	QVCW26V408SM	QVVCW26V408SM

Note: This interchange guide is for reference only. **Some competitor bearings may not be shown.** If you are unable to find the bearing you are trying to interchange, please contact your local distributor or QM Bearings for assistance.

(continued on next page)

Blue Brute Bearings – Interchange Guide

Rexnord®

Rexnord Part Number	QM EC Series	QM CL Series		QM TA/DV Series	QM V-Lock® Series	
		Single-Collar	Double-Collar		Single-Nut	Double-Nut
KBR-5408-72	QMCW22J408SM	n/a	QAACW22A408SM	n/a	QVCW26V408SM	QVVCW26V408SM
KBR-5415	QMCW26J415SM	n/a	QAACW26A415SM	n/a	QVCW28V415SM	QVVCW28V415SM
KBR-5415-72	QMCW26J415SM	n/a	QAACW26A415SM	n/a	QVCW28V415SM	QVVCW28V415SM
KBR-5500	QMCW26J500SM	n/a	QAACW26A500SM	n/a	QVCW28V500SM	QVVCW28V500SM
KBR-5500-72	QMCW26J500SM	n/a	QAACW26A500SM	n/a	QVCW28V500SM	QVVCW28V500SM
KBR-5507	QMCW30J507SM	n/a	n/a	n/a	n/a	n/a
KBR-5507-72	QMCW30J507SM	n/a	n/a	n/a	n/a	n/a
KBR-5515	QMCW30J515SM	n/a	n/a	n/a	n/a	n/a
KBR-5515-72	QMCW30J515SM	n/a	n/a	n/a	n/a	n/a
KBR-5600	QMCW30J600SM	n/a	n/a	n/a	n/a	n/a
KBR-5600-72	QMCW30J600SM	n/a	n/a	n/a	n/a	n/a
KBR-5607	QMCW34J607SM	n/a	n/a	n/a	n/a	n/a
KBR-5607-72	QMCW34J607SM	n/a	n/a	n/a	n/a	n/a
KBR-5608	QMCW34J608SM	n/a	n/a	n/a	n/a	n/a
KBR-5608-72	QMCW34J608SM	n/a	n/a	n/a	n/a	n/a
KBR-5615	QMCW34J615SM	n/a	n/a	n/a	n/a	n/a
KBR-5615-72	QMCW34J615SM	n/a	n/a	n/a	n/a	n/a
KBR-5700	QMCW34J700SM	n/a	n/a	n/a	n/a	n/a
KBR-5700-72	QMCW34J700SM	n/a	n/a	n/a	n/a	n/a
KEF-2107	QMF08J107SM	n/a	n/a	n/a	n/a	n/a
KEF-2107-72	QMF08J107SM	n/a	n/a	n/a	n/a	n/a
KEF-2108	QMF08J108SM	n/a	n/a	n/a	n/a	n/a
KEF-2108-72	QMF08J108SM	n/a	n/a	n/a	n/a	n/a
KEF-2111	QMF09J111SM	n/a	n/a	n/a	n/a	n/a
KEF-2111-72	QMF09J111SM	n/a	n/a	n/a	n/a	n/a
KEF-2112	QMF09J112SM	n/a	n/a	n/a	n/a	n/a
KEF-2112-72	QMF09J112SM	n/a	n/a	n/a	n/a	n/a
KEF-2115	QMF10J115SM	QAF10A115SM	QAAF10A115SM	DVF11K115SM	QVF11V115SM	QVVF11V115SM
KEF-2115-72	QMF10J115SM	QAF10A115SM	QAAF10A115SM	DVF11K115SM	QVF11V115SM	QVVF11V115SM
KEF-2200	QMF10J200SM	QAF10A200SM	QAAF10A200SM	DVF11K200SM	QVF11V200SM	QVVF11V200SM
KEF-2200-72	QMF10J200SM	QAF10A200SM	QAAF10A200SM	DVF11K200SM	QVF11V200SM	QVVF11V200SM
KEF-2203	QMF11J203SM	QAF11A203SM	QAAF11A203SM	DVF13K203SM	QVF12V203SM	QVVF12V203SM
KEF-2203-72	QMF11J203SM	QAF11A203SM	QAAF11A203SM	DVF13K203SM	QVF12V203SM	QVVF12V203SM
KEF-2207	QMF13J207SM	QAF13A207SM	QAAF13A207SM	DVF15K207SM	QVF14V207SM	QVVF14V207SM
KEF-2207-72	QMF13J207SM	QAF13A207SM	QAAF13A207SM	DVF15K207SM	QVF14V207SM	QVVF14V207SM
KEF-2208	QMF13J208SM	QAF13A208SM	QAAF13A208SM	DVF15K208SM	QVF14V208SM	QVVF14V208SM
KEF-2208-72	QMF13J208SM	QAF13A208SM	QAAF13A208SM	DVF15K208SM	QVF14V208SM	QVVF14V208SM
KEF-2211	QMF15J211SM	QAF15A211SM	QAAF15A211SM	n/a	QVF16V211SM	QVVF16V211SM
KEF-2211-72	QMF15J211SM	QAF15A211SM	QAAF15A211SM	n/a	QVF16V211SM	QVVF16V211SM
KEF-2212	QMF15J212SM	QAF15A212SM	QAAF15A212SM	n/a	QVF16V212SM	QVVF16V212SM
KEF-2212-72	QMF15J212SM	QAF15A212SM	QAAF15A212SM	n/a	QVF16V212SM	QVVF16V212SM
KEF-2215	QMF15J215SM	QAF15A215SM	QAAF15A215SM	DVF17K215SM	QVF16V215SM	QVVF16V215SM
KEF-2215-72	QMF15J215SM	QAF15A215SM	QAAF15A215SM	DVF17K215SM	QVF16V215SM	QVVF16V215SM

Note: This interchange guide is for reference only. **Some competitor bearings may not be shown.** If you are unable to find the bearing you are trying to interchange, please contact your local distributor or QM Bearings for assistance.

(continued on next page)

Blue Brute Bearings – Interchange Guide

Rexnord®

Rexnord Part Number	QM EC Series	QM CL Series		QM TA/DV Series	QM V-Lock® Series	
		Single-Collar	Double-Collar		Single-Nut	Double-Nut
KEF-2300	QMF15J300SM	QAF15A300SM	QAAF15A300SM	DVF17K300SM	QVF16V300SM	QVVF16V300SM
KEF-2300-72	QMF15J300SM	QAF15A300SM	QAAF15A300SM	DVF17K300SM	QVF16V300SM	QVVF16V300SM
KEF-2303	QMF18J303SM	QAF18A303SM	QAAF18A303SM	n/a	QVF19V303SM	QVVF19V303SM
KEF-2303-72	QMF18J303SM	QAF18A303SM	QAAF18A303SM	n/a	QVF19V303SM	QVVF19V303SM
KEF-2307	QMF18J307SM	QAF18A307SM	QAAF18A307SM	DVF20K307SM	QVF19V307SM	QVVF19V307SM
KEF-2307-72	QMF18J307SM	QAF18A307SM	QAAF18A307SM	DVF20K307SM	QVF19V307SM	QVVF19V307SM
KEF-2308	QMF18J308SM	QAF18A308SM	QAAF18A308SM	DVF20K308SM	QVF19V308SM	QVVF19V308SM
KEF-2308-72	QMF18J308SM	QAF18A308SM	QAAF18A308SM	DVF20K308SM	QVF19V308SM	QVVF19V308SM
KEF-2315	QMF20J315SM	QAF20A315SM	QAAF20A315SM	DVF22K315SM	QVF22V315SM	QVVF22V315SM
KEF-2315-72	QMF20J315SM	QAF20A315SM	QAAF20A315SM	DVF22K315SM	QVF22V315SM	QVVF22V315SM
KEF-2400	QMF20J400SM	QAF20A400SM	QAAF20A400SM	DVF22K400SM	QVF22V400SM	QVVF22V400SM
KEF-2400-72	QMF20J400SM	QAF20A400SM	QAAF20A400SM	DVF22K400SM	QVF22V400SM	QVVF22V400SM
KEF-3107	QMF08J107SM	n/a	n/a	n/a	n/a	n/a
KEF-3107-72	QMF08J107SM	n/a	n/a	n/a	n/a	n/a
KEF-3111	QMF09J111SM	n/a	n/a	n/a	n/a	n/a
KEF-3111-72	QMF09J111SM	n/a	n/a	n/a	n/a	n/a
KEF-3115	QMF10J115SM	QAF10A115SM	QAAF10A115SM	DVF11K115SM	QVF11V115SM	QVVF11V115SM
KEF-3115-72	QMF10J115SM	QAF10A115SM	QAAF10A115SM	DVF11K115SM	QVF11V115SM	QVVF11V115SM
KEF-3203	QMF11J203SM	QAF11A203SM	QAAF11A203SM	DVF13K203SM	QVF12V203SM	QVVF12V203SM
KEF-3203-72	QMF11J203SM	QAF11A203SM	QAAF11A203SM	DVF13K203SM	QVF12V203SM	QVVF12V203SM
KEF-3207	QMF13J207SM	QAF13A207SM	QAAF13A207SM	DVF15K207SM	QVF14V207SM	QVVF14V207SM
KEF-3207-72	QMF13J207SM	QAF13A207SM	QAAF13A207SM	DVF15K207SM	QVF14V207SM	QVVF14V207SM
KEF-3208	QMF13J208SM	QAF13A208SM	QAAF13A208SM	DVF15K208SM	QVF14V208SM	QVVF14V208SM
KEF-3208-72	QMF13J208SM	QAF13A208SM	QAAF13A208SM	DVF15K208SM	QVF14V208SM	QVVF14V208SM
KEF-3211	QMF15J211SM	QAF15A211SM	QAAF15A211SM	n/a	QVF16V211SM	QVVF16V211SM
KEF-3211-72	QMF15J211SM	QAF15A211SM	QAAF15A211SM	n/a	QVF16V211SM	QVVF16V211SM
KEF-3215	QMF15J215SM	QAF15A215SM	QAAF15A215SM	DVF17K215SM	QVF16V215SM	QVVF16V215SM
KEF-3215-72	QMF15J215SM	QAF15A215SM	QAAF15A215SM	DVF17K215SM	QVF16V215SM	QVVF16V215SM
KEF-3307	QMF18J307SM	QAF18A307SM	QAAF18A307SM	DVF20K307SM	QVF19V307SM	QVVF19V307SM
KEF-3307-72	QMF18J307SM	QAF18A307SM	QAAF18A307SM	DVF20K307SM	QVF19V307SM	QVVF19V307SM
KEF-3308	QMF18J308SM	QAF18A308SM	QAAF18A308SM	DVF20K308SM	QVF19V308SM	QVVF19V308SM
KEF-3308-72	QMF18J308SM	QAF18A308SM	QAAF18A308SM	DVF20K308SM	QVF19V308SM	QVVF19V308SM
KEF-3315	QMF20J315SM	QAF20A315SM	QAAF20A315SM	DVF22K315SM	QVF22V315SM	QVVF22V315SM
KEF-3315-72	QMF20J315SM	QAF20A315SM	QAAF20A315SM	DVF22K315SM	QVF22V315SM	QVVF22V315SM
KEP-2107	QMP08J107SM	n/a	n/a	n/a	n/a	n/a
KEP-2107-72	QMP08J107SM	n/a	n/a	n/a	n/a	n/a
KEP-2108	QMP08J108SM	n/a	n/a	n/a	n/a	n/a
KEP-2108-72	QMP08J108SM	n/a	n/a	n/a	n/a	n/a
KEP-2111	QMP09J111SM	n/a	n/a	n/a	n/a	n/a
KEP-2111-72	QMP09J111SM	n/a	n/a	n/a	n/a	n/a
KEP-2112	QMP09J112SM	n/a	n/a	n/a	n/a	n/a
KEP-2112-72	QMP09J112SM	n/a	n/a	n/a	n/a	n/a
KEP-2115	QMP10J115SM	QAP10A115SM	QAAP10A115SM	DVP11K115SM	QVP11V115SM	QVVP11V115SM

Note: This interchange guide is for reference only. **Some competitor bearings may not be shown.** If you are unable to find the bearing you are trying to interchange, please contact your local distributor or QM Bearings for assistance.

(continued on next page)

Blue Brute Bearings – Interchange Guide

Rexnord®

Rexnord Part Number	QM EC Series	QM CL Series		QM TA/DV Series	QM V-Lock® Series	
		Single-Collar	Double-Collar		Single-Nut	Double-Nut
KEP-2115-72	QMP10J115SM	QAP10A115SM	QAAP10A115SM	DVP11K115SM	QVP11V115SM	QVVP11V115SM
KEP-2200	QMP10J200SM	QAP10A200SM	QAAP10A200SM	DVP11K200SM	QVP11V200SM	QVVP11V200SM
KEP-2200-72	QMP10J200SM	QAP10A200SM	QAAP10A200SM	DVP11K200SM	QVP11V200SM	QVVP11V200SM
KEP-2203	QMP11J203SM	QAP11A203SM	QAAP11A203SM	DVP13K203SM	QVP12V203SM	QVVP12V203SM
KEP-2203-72	QMP11J203SM	QAP11A203SM	QAAP11A203SM	DVP13K203SM	QVP12V203SM	QVVP12V203SM
KEP-2207	QMP13J207SM	QAP13A207SM	QAAP13A207SM	DVP15K207SM	QVP14V207SM	QVVP14V207SM
KEP-2207-72	QMP13J207SM	QAP13A207SM	QAAP13A207SM	DVP15K207SM	QVP14V207SM	QVVP14V207SM
KEP-2207-F	QMPR13J207SM	QAPR13A207SM	QAAPR13A207SM	n/a	QVPR14V207SM	QVVP14V207SM
KEP-2207-F-72	QMPR13J207SM	QAPR13A207SM	QAAPR13A207SM	n/a	QVPR14V207SM	QVVP14V207SM
KEP-2208	QMP13J208SM	QAP13A208SM	QAAP13A208SM	DVP15K208SM	QVP14V208SM	QVVP14V208SM
KEP-2208-72	QMP13J208SM	QAP13A208SM	QAAP13A208SM	DVP15K208SM	QVP14V208SM	QVVP14V208SM
KEP-2208-F	QMPR13J208SM	QAPR13A208SM	QAAPR13A208SM	n/a	QVPR14V208SM	QVVP14V208SM
KEP-2208-F-72	QMPR13J208SM	QAPR13A208SM	QAAPR13A208SM	n/a	QVPR14V208SM	QVVP14V208SM
KEP-2211	QMP15J211SM	QAP15A211SM	QAAP15A211SM	n/a	QVP16V211SM	QVVP16V211SM
KEP-2211-72	QMP15J211SM	QAP15A211SM	QAAP15A211SM	n/a	QVP16V211SM	QVVP16V211SM
KEP-2211-F	QMPR15J211SM	QAPR15A211SM	QAAPR15A211SM	n/a	QVPR16V211SM	QVVP16V211SM
KEP-2211-F-72	QMPR15J211SM	QAPR15A211SM	QAAPR15A211SM	n/a	QVPR16V211SM	QVVP16V211SM
KEP-2212	QMP15J212SM	QAP15A212SM	QAAP15A212SM	n/a	QVP16V212SM	QVVP16V212SM
KEP-2212-72	QMP15J212SM	QAP15A212SM	QAAP15A212SM	n/a	QVP16V212SM	QVVP16V212SM
KEP-2212-F	QMPR15J212SM	QAPR15A212SM	QAAPR15A212SM	n/a	QVPR16V212SM	QVVP16V212SM
KEP-2212-F-72	QMPR15J212SM	QAPR15A212SM	QAAPR15A212SM	n/a	QVPR16V212SM	QVVP16V212SM
KEP-2215	QMP15J215SM	QAP15A215SM	QAAP15A215SM	n/a	QVP16V215SM	QVVP16V215SM
KEP-2215-72	QMP15J215SM	QAP15A215SM	QAAP15A215SM	n/a	QVP16V215SM	QVVP16V215SM
KEP-2215-F	QMPR15J215SM	QAPR15A215SM	QAAPR15A215SM	n/a	QVPR16V215SM	QVVP16V215SM
KEP-2215-F-72	QMPR15J215SM	QAPR15A215SM	QAAPR15A215SM	n/a	QVPR16V215SM	QVVP16V215SM
KEP-2300	QMP15J300SM	QAP15A300SM	QAAP15A300SM	n/a	QVP16V300SM	QVVP16V300SM
KEP-2300-72	QMP15J300SM	QAP15A300SM	QAAP15A300SM	n/a	QVP16V300SM	QVVP16V300SM
KEP-2300-F	QMPR15J300SM	QAPR15A300SM	QAAPR15A300SM	n/a	QVPR16V300SM	QVVP16V300SM
KEP-2300-F-72	QMPR15J300SM	QAPR15A300SM	QAAPR15A300SM	n/a	QVPR16V300SM	QVVP16V300SM
KEP-2303	QMP18J303SM	QAP18A303SM	QAAP18A303SM	n/a	QVP19V303SM	QVVP19V303SM
KEP-2303-72	QMP18J303SM	QAP18A303SM	QAAP18A303SM	n/a	QVP19V303SM	QVVP19V303SM
KEP-2303-F	QMPR18J303SM	QAPR18A303SM	QAAPR18A303SM	n/a	QVPR19V303SM	QVVP19V303SM
KEP-2303-F-72	QMPR18J303SM	QAPR18A303SM	QAAPR18A303SM	n/a	QVPR19V303SM	QVVP19V303SM
KEP-2307	QMP18J307SM	QAP18A307SM	QAAP18A307SM	DVP20K307SM	QVP19V307SM	QVVP19V307SM
KEP-2307-72	QMP18J307SM	QAP18A307SM	QAAP18A307SM	DVP20K307SM	QVP19V307SM	QVVP19V307SM
KEP-2307-F	QMPR18J307SM	QAPR18A307SM	QAAPR18A307SM	n/a	QVPR19V307SM	QVVP19V307SM
KEP-2307-F-72	QMPR18J307SM	QAPR18A307SM	QAAPR18A307SM	n/a	QVPR19V307SM	QVVP19V307SM
KEP-2308	QMP18J308SM	QAP18A308SM	QAAP18A308SM	DVP20K308SM	QVP19V308SM	QVVP19V308SM
KEP-2308-72	QMP18J308SM	QAP18A308SM	QAAP18A308SM	DVP20K308SM	QVP19V308SM	QVVP19V308SM
KEP-2308-F	QMPR18J308SM	QAPR18A308SM	QAAPR18A308SM	n/a	QVPR19V308SM	QVVP19V308SM
KEP-2308-F-72	QMPR18J308SM	QAPR18A308SM	QAAPR18A308SM	n/a	QVPR19V308SM	QVVP19V308SM
KEP-2315-F	QMPF20J315SM	QAPF20A315SM	QAAPF20A315SM	DVPF22K315SM	QVPF22V315SM	QVVPF22V315SM
KEP-2315-F-72	QMPF20J315SM	QAPF20A315SM	QAAPF20A315SM	DVPF22K315SM	QVPF22V315SM	QVVPF22V315SM

Note: This interchange guide is for reference only. **Some competitor bearings may not be shown.** If you are unable to find the bearing you are trying to interchange, please contact your local distributor or QM Bearings for assistance.

(continued on next page)

Blue Brute Bearings – Interchange Guide

Rexnord®

Rexnord Part Number	QM EC Series	QM CL Series		QM TA/DV Series	QM V-Lock® Series	
		Single-Collar	Double-Collar		Single-Nut	Double-Nut
KEP-2400-F	QMPF20J400SM	QAPF20A400SM	QAAPF20A400SM	DVPF22K400SM	QVPF22V400SM	QVVPF22V400SM
KEP-2400-F-72	QMPF20J400SM	QAPF20A400SM	QAAPF20A400SM	DVPF22K400SM	QVPF22V400SM	QVVPF22V400SM
KEP-3107	QMP08J107SM	n/a	n/a	n/a	n/a	n/a
KEP-3107-72	QMP08J107SM	n/a	n/a	n/a	n/a	n/a
KEP-3111	QMP09J111SM	n/a	n/a	n/a	n/a	n/a
KEP-3111-72	QMP09J111SM	n/a	n/a	n/a	n/a	n/a
KEP-3115	QMP10J115SM	QAP10A115SM	QAAP10A115SM	DVP11K115SM	QVP11V115SM	QVVP11V115SM
KEP-3115-72	QMP10J115SM	QAP10A115SM	QAAP10A115SM	DVP11K115SM	QVP11V115SM	QVVP11V115SM
KEP-3203	QMP11J203SM	QAP11A203SM	QAAP11A203SM	DVP13K203SM	QVP12V203SM	QVVP12V203SM
KEP-3203-72	QMP11J203SM	QAP11A203SM	QAAP11A203SM	DVP13K203SM	QVP12V203SM	QVVP12V203SM
KEP-3207	QMP13J207SM	QAP13A207SM	QAAP13A207SM	DVP15K207SM	QVP14V207SM	QVVP14V207SM
KEP-3207-72	QMP13J207SM	QAP13A207SM	QAAP13A207SM	DVP15K207SM	QVP14V207SM	QVVP14V207SM
KEP-3207-F	QMPR13J207SM	QAPR13A207SM	QAAPR13A207SM	n/a	QVPR14V207SM	QVVP14V207SM
KEP-3207-F-72	QMPR13J207SM	QAPR13A207SM	QAAPR13A207SM	n/a	QVPR14V207SM	QVVP14V207SM
KEP-3208	QMP13J208SM	QAP13A208SM	QAAP13A208SM	DVP15K208SM	QVP14V208SM	QVVP14V208SM
KEP-3208-72	QMP13J208SM	QAP13A208SM	QAAP13A208SM	DVP15K208SM	QVP14V208SM	QVVP14V208SM
KEP-3208-F	QMPR13J208SM	QAPR13A208SM	QAAPR13A208SM	n/a	QVPR14V208SM	QVVP14V208SM
KEP-3208-F-72	QMPR13J208SM	QAPR13A208SM	QAAPR13A208SM	n/a	QVPR14V208SM	QVVP14V208SM
KEP-3211	QMP15J211SM	QAP15A211SM	QAAP15A211SM	n/a	QVP16V211SM	QVVP16V211SM
KEP-3211-72	QMP15J211SM	QAP15A211SM	QAAP15A211SM	n/a	QVP16V211SM	QVVP16V211SM
KEP-3211-F	QMPR15J211SM	QAPR15A211SM	QAAPR15A211SM	n/a	QVPR16V211SM	QVVP16V211SM
KEP-3211-F-72	QMPR15J211SM	QAPR15A211SM	QAAPR15A211SM	n/a	QVPR16V211SM	QVVP16V211SM
KEP-3215	QMP15J215SM	QAP15A215SM	QAAP15A215SM	n/a	QVP16V215SM	QVVP16V215SM
KEP-3215-72	QMP15J215SM	QAP15A215SM	QAAP15A215SM	n/a	QVP16V215SM	QVVP16V215SM
KEP-3215-F	QMPR15J215SM	QAPR15A215SM	QAAPR15A215SM	n/a	QVPR16V215SM	QVVP16V215SM
KEP-3215-F-72	QMPR15J215SM	QAPR15A215SM	QAAPR15A215SM	n/a	QVPR16V215SM	QVVP16V215SM
KEP-3307	QMP18J307SM	QAP18A307SM	QAAP18A307SM	DVP20K307SM	QVP19V307SM	QVVP19V307SM
KEP-3307-72	QMP18J307SM	QAP18A307SM	QAAP18A307SM	DVP20K307SM	QVP19V307SM	QVVP19V307SM
KEP-3307-F	QMPR18J307SM	QAPR18A307SM	QAAPR18A307SM	n/a	QVPR19V307SM	QVVP19V307SM
KEP-3307-F-72	QMPR18J307SM	QAPR18A307SM	QAAPR18A307SM	n/a	QVPR19V307SM	QVVP19V307SM
KEP-3308	QMP18J308SM	QAP18A308SM	QAAP18A308SM	DVP20K308SM	QVP19V308SM	QVVP19V308SM
KEP-3308-72	QMP18J308SM	QAP18A308SM	QAAP18A308SM	DVP20K308SM	QVP19V308SM	QVVP19V308SM
KEP-3308-F	QMPR18J308SM	QAPR18A308SM	QAAPR18A308SM	n/a	QVPR19V308SM	QVVP19V308SM
KEP-3308-F-72	QMPR18J308SM	QAPR18A308SM	QAAPR18A308SM	n/a	QVPR19V308SM	QVVP19V308SM
KEP-3315-F	QMPF20J315SM	QAPF20A315SM	QAAPF20A315SM	DVPF22K315SM	QVPF22V315SM	QVVPF22V315SM
KEP-3315-F-72	QMPF20J315SM	QAPF20A315SM	QAAPF20A315SM	DVPF22K315SM	QVPF22V315SM	QVVPF22V315SM
KEP-5407-F	QMPF22J407SM	n/a	QAAPF22A407SM	n/a	QVPF26V407SM	QVVPF26V407SM
KEP-5407-F-72	QMPF22J407SM	n/a	QAAPF22A407SM	n/a	QVPF26V407SM	QVVPF26V407SM
KEP-5408-F	QMPF22J408SM	n/a	QAAPF22A408SM	n/a	QVPF26V408SM	QVVPF26V408SM
KEP-5408-F-72	QMPF22J408SM	n/a	QAAPF22A408SM	n/a	QVPF26V408SM	QVVPF26V408SM
KEP-5415-F	QMPF26J415SM	n/a	QAAPF26A415SM	n/a	QVPF28V415SM	QVVPF28V415SM
KEP-5415-F-72	QMPF26J415SM	n/a	QAAPF26A415SM	n/a	QVPF28V415SM	QVVPF28V415SM
KEP-5500-F	QMPF26J500SM	n/a	QAAPF26A500SM	n/a	QVPF28V500SM	QVVPF28V500SM

Note: This interchange guide is for reference only. **Some competitor bearings may not be shown.** If you are unable to find the bearing you are trying to interchange, please contact your local distributor or QM Bearings for assistance.

(continued on next page)

Introduction
Blue Brute Bearings
Bearing Interchange Guide
Quick-Flex Couplings
Rigid Compression Couplings
Index

Blue Brute Bearings – Interchange Guide

Rexnord®

Rexnord Part Number	QM EC Series	QM CL Series		QM TA/DV Series	QM V-Lock® Series	
		Single-Collar	Double-Collar		Single-Nut	Double-Nut
KEP-5500-F-72	QMPF26J500SM	n/a	QAAPF26A500SM	n/a	QVPF28V500SM	QVVPF28V500SM
KF-5107	QMF08J107SM	n/a	n/a	n/a	n/a	n/a
KF-5107-72	QMF08J107SM	n/a	n/a	n/a	n/a	n/a
KF-5108	QMF08J108SM	n/a	n/a	n/a	n/a	n/a
KF-5108-72	QMF08J108SM	n/a	n/a	n/a	n/a	n/a
KF-5111	QMF09J111SM	n/a	n/a	n/a	n/a	n/a
KF-5111-72	QMF09J111SM	n/a	n/a	n/a	n/a	n/a
KF-5115	QMF10J115SM	n/a	QAAF10A115SM	n/a	QVFX11V115SM	QVVFX11V115SM
KF-5115-72	QMF10J115SM	n/a	QAAF10A115SM	n/a	QVFX11V115SM	QVVFX11V115SM
KF-5200	QMF10J200SM	n/a	QAAF10A200SM	n/a	QVFX11V200SM	QVVFX11V200SM
KF-5200-72	QMF10J200SM	n/a	QAAF10A200SM	n/a	QVFX11V200SM	QVVFX11V200SM
KF-5203	QMF11J203SM	n/a	QAAF11A203SM	n/a	QVFX12V203SM	QVVFX12V203SM
KF-5203-72	QMF11J203SM	n/a	QAAF11A203SM	n/a	QVFX12V203SM	QVVFX12V203SM
KF-5207	QMF13J207SM	n/a	QAAF13A207SM	n/a	QVFX14V207SM	QVVFX14V207SM
KF-5207-72	QMF13J207SM	n/a	QAAF13A207SM	n/a	QVFX14V207SM	QVVFX14V207SM
KF-5211	QMF15J211SM	n/a	QAAF15A211SM	n/a	QVFX16V211SM	QVVFX16V211SM
KF-5211-72	QMF15J211SM	n/a	QAAF15A211SM	n/a	QVFX16V211SM	QVVFX16V211SM
KF-5215	QMF15J215SM	n/a	QAAF15A215SM	n/a	QVFX16V215SM	QVVFX16V215SM
KF-5215-72	QMF15J215SM	n/a	QAAF15A215SM	n/a	QVFX16V215SM	QVVFX16V215SM
KF-5303	QMF18J303SM	n/a	QAAF18A303SM	n/a	QVFX19V303SM	QVVFX19V303SM
KF-5303-72	QMF18J303SM	n/a	QAAF18A303SM	n/a	QVFX19V303SM	QVVFX19V303SM
KF-5307	QMF18J307SM	n/a	QAAF18A307SM	n/a	QVFX19V307SM	QVVFX19V307SM
KF-5307-72	QMF18J307SM	n/a	QAAF18A307SM	n/a	QVFX19V307SM	QVVFX19V307SM
KF-5311	QMF20J311SM	n/a	QAAF20A311SM	n/a	QVFX22V311SM	QVVFX22V311SM
KF-5311-72	QMF20J311SM	n/a	QAAF20A311SM	n/a	QVFX22V311SM	QVVFX22V311SM
KF-5315	QMF20J315SM	n/a	QAAF20A315SM	n/a	QVFX22V315SM	QVVFX22V315SM
KF-5315-72	QMF20J315SM	n/a	QAAF20A315SM	n/a	QVFX22V315SM	QVVFX22V315SM
KF-5400	QMF20J400SM	n/a	QAAF20A400SM	n/a	QVFX22V400SM	QVVFX22V400SM
KF-5400-72	QMF20J400SM	n/a	QAAF20A400SM	n/a	QVFX22V400SM	QVVFX22V400SM
KF-5407Y	QMF22J407SM	n/a	QAAF22A407SM	n/a	QVFX26V407SM	QVVFX26V407SM
KF-5407Y-72	QMF22J407SM	n/a	QAAF22A407SM	n/a	QVFX26V407SM	QVVFX26V407SM
KF-5408Y	QMF22J408SM	n/a	QAAF22A408SM	n/a	QVFX26V408SM	QVVFX26V408SM
KF-5408Y-72	QMF22J408SM	n/a	QAAF22A408SM	n/a	QVFX26V408SM	QVVFX26V408SM
KF-5415	QMF26J415SM	n/a	QAAF26A415SM	n/a	QVFX28V415SM	QVVFX28V415SM
KF-5415-72	QMF26J415SM	n/a	QAAF26A415SM	n/a	QVFX28V415SM	QVVFX28V415SM
KF-5500	QMF26J500SM	n/a	QAAF26A500SM	n/a	QVFX28V500SM	QVVFX28V500SM
KF-5500-72	QMF26J500SM	n/a	QAAF26A500SM	n/a	QVFX28V500SM	QVVFX28V500SM
KF-9115	n/a	n/a	n/a	TAFK11K115SM	QVFK11V115SM	QVVFK11V115SM
KF-9115-72	n/a	n/a	n/a	TAFK11K115SM	QVFK11V115SM	QVVFK11V115SM
KF-9200	n/a	n/a	n/a	TAFK11K200SM	QVFK11V200SM	QVVFK11V200SM
KF-9200-72	n/a	n/a	n/a	TAFK11K200SM	QVFK11V200SM	QVVFK11V200SM
KF-9203	n/a	n/a	n/a	TAFK13K203SM	QVFK13V203SM	QVVFK13V203SM
KF-9203-72	n/a	n/a	n/a	TAFK13K203SM	QVFK13V203SM	QVVFK13V203SM

Note: This interchange guide is for reference only. **Some competitor bearings may not be shown.** If you are unable to find the bearing you are trying to interchange, please contact your local distributor or QM Bearings for assistance.

(continued on next page)

Blue Brute Bearings – Interchange Guide

Rexnord®

Rexnord Part Number	QM EC Series	QM CL Series		QM TA/DV Series	QM V-Lock® Series	
		Single-Collar	Double-Collar		Single-Nut	Double-Nut
KF-9207	n/a	n/a	n/a	TAFK15K207SM	QVFK15V207SM	QVVFK15V207SM
KF-9207-72	n/a	n/a	n/a	TAFK15K207SM	QVFK15V207SM	QVVFK15V207SM
KF-9208	n/a	n/a	n/a	TAFK15K208SM	QVFK15V208SM	QVVFK15V208SM
KF-9208-72	n/a	n/a	n/a	TAFK15K208SM	QVFK15V208SM	QVVFK15V208SM
KF-9215	n/a	n/a	n/a	TAFK17K215SM	QVFK17V215SM	QVVFK17V215SM
KF-9215-72	n/a	n/a	n/a	TAFK17K215SM	QVFK17V215SM	QVVFK17V215SM
KF-9300	n/a	n/a	n/a	TAFK17K300SM	QVFK17V300SM	QVVFK17V300SM
KF-9300-72	n/a	n/a	n/a	TAFK17K300SM	QVFK17V300SM	QVVFK17V300SM
KF-9307	n/a	n/a	n/a	TAFK20K307SM	QVFK20V307SM	QVVFK20V307SM
KF-9307-72	n/a	n/a	n/a	TAFK20K307SM	QVFK20V307SM	QVVFK20V307SM
KF-9308	n/a	n/a	n/a	TAFK22K315SM	QVFK22V315SM	QVVFK22V315SM
KF-9308-72	n/a	n/a	n/a	TAFK22K315SM	QVFK22V315SM	QVVFK22V315SM
KF-9400	n/a	n/a	n/a	TAFK22K400SM	QVFK22V400SM	QVVFK22V400SM
KF-9400-72	n/a	n/a	n/a	TAFK22K400SM	QVFK22V400SM	QVVFK22V400SM
KF-9407	n/a	n/a	n/a	TAFK26K407SM	QVFK26V407SM	QVVFK26V407SM
KF-9407-72	n/a	n/a	n/a	TAFK26K407SM	QVFK26V407SM	QVVFK26V407SM
KF-9408	n/a	n/a	n/a	TAFK26K408SM	QVFK26V408SM	QVVFK26V408SM
KF-9408-72	n/a	n/a	n/a	TAFK26K408SM	QVFK26V408SM	QVVFK26V408SM
KFS-5107	QMFx08J107SEM	n/a	n/a	n/a	n/a	n/a
KFS-5107-72	QMFx08J107SEM	n/a	n/a	n/a	n/a	n/a
KFS-5108	QMFx08J108SEM	n/a	n/a	n/a	n/a	n/a
KFS-5108-72	QMFx08J108SEM	n/a	n/a	n/a	n/a	n/a
KFS-5111	QMFx09J111SEM	n/a	n/a	n/a	n/a	n/a
KFS-5111-72	QMFx09J111SEM	n/a	n/a	n/a	n/a	n/a
KFS-5115	QMFx10J115SEM	n/a	QAAFx10A115SEM	n/a	QVFX11V115SEM	QVVFX11V115SEM
KFS-5115-72	QMFx10J115SEM	n/a	QAAFx10A115SEM	n/a	QVFX11V115SEM	QVVFX11V115SEM
KFS-5200	QMFx10J200SEM	n/a	QAAFx10A200SEM	n/a	QVFX11V200SEM	QVVFX11V200SEM
KFS-5200-72	QMFx10J200SEM	n/a	QAAFx10A200SEM	n/a	QVFX11V200SEM	QVVFX11V200SEM
KFS-5203	QMFx11J203SEM	n/a	QAAFx11A203SEM	n/a	QVFX12V203SEM	QVVFX12V203SEM
KFS-5203-72	QMFx11J203SEM	n/a	QAAFx11A203SEM	n/a	QVFX12V203SEM	QVVFX12V203SEM
KFS-5207	QMFx13J207SEM	n/a	QAAFx13A207SEM	n/a	QVFX14V207SEM	QVVFX14V207SEM
KFS-5207-72	QMFx13J207SEM	n/a	QAAFx13A207SEM	n/a	QVFX14V207SEM	QVVFX14V207SEM
KFS-5211	QMFx15J211SEM	n/a	QAAFx15A211SEM	n/a	QVFX16V211SEM	QVVFX16V211SEM
KFS-5211-72	QMFx15J211SEM	n/a	QAAFx15A211SEM	n/a	QVFX16V211SEM	QVVFX16V211SEM
KFS-5215	QMFx15J215SEM	n/a	QAAFx15A215SEM	n/a	QVFX16V215SEM	QVVFX16V215SEM
KFS-5215-72	QMFx15J215SEM	n/a	QAAFx15A215SEM	n/a	QVFX16V215SEM	QVVFX16V215SEM
KFS-5303	QMFx18J303SEM	n/a	QAAFx18A303SEM	n/a	QVFX19V303SEM	QVVFX19V303SEM
KFS-5303-72	QMFx18J303SEM	n/a	QAAFx18A303SEM	n/a	QVFX19V303SEM	QVVFX19V303SEM
KFS-5307	QMFx18J307SEM	n/a	QAAFx18A307SEM	n/a	QVFX19V307SEM	QVVFX19V307SEM
KFS-5307-72	QMFx18J307SEM	n/a	QAAFx18A307SEM	n/a	QVFX19V307SEM	QVVFX19V307SEM
KFS-5311	QMFx20J311SEM	n/a	QAAFx20A311SEM	n/a	QVFX22V311SEM	QVVFX22V311SEM
KFS-5311-72	QMFx20J311SEM	n/a	QAAFx20A311SEM	n/a	QVFX22V311SEM	QVVFX22V311SEM
KFS-5315	QMFx20J315SEM	n/a	QAAFx20A315SEM	n/a	QVFX22V315SEM	QVVFX22V315SEM

Note: This interchange guide is for reference only. **Some competitor bearings may not be shown.** If you are unable to find the bearing you are trying to interchange, please contact your local distributor or QM Bearings for assistance.

(continued on next page)

Blue Brute Bearings – Interchange Guide

Rexnord®

Rexnord Part Number	QM EC Series	QM CL Series		QM TA/DV Series	QM V-Lock® Series	
		Single-Collar	Double-Collar		Single-Nut	Double-Nut
KFS-5315-72	QMF20J315SEM	n/a	QAAF20A315SEM	n/a	QVFX22V315SEM	QVVF22V315SEM
KFS-5400	QMF20J400SEM	n/a	QAAF20A400SEM	n/a	QVFX22V400SEM	QVVF22V400SEM
KFS-5400-72	QMF20J400SEM	n/a	QAAF20A400SEM	n/a	QVFX22V400SEM	QVVF22V400SEM
KFS-5407Y	QMF22J407SEM	n/a	QAAF22A407SEM	n/a	QVFX26V407SEM	QVVF26V407SEM
KFS-5407Y-72	QMF22J407SEM	n/a	QAAF22A407SEM	n/a	QVFX26V407SEM	QVVF26V407SEM
KFS-5408Y	QMF22J408SEM	n/a	QAAF22A408SEM	n/a	QVFX26V408SEM	QVVF26V408SEM
KFS-5408Y-72	QMF22J408SEM	n/a	QAAF22A408SEM	n/a	QVFX26V408SEM	QVVF26V408SEM
KFS-5415	QMF26J415SEM	n/a	QAAF26A415SEM	n/a	QVFX28V415SEM	QVVF28V415SEM
KFS-5415-72	QMF26J415SEM	n/a	QAAF26A415SEM	n/a	QVFX28V415SEM	QVVF28V415SEM
KFS-5500	QMF26J500SEM	n/a	QAAF26A500SEM	n/a	QVFX28V500SEM	QVVF28V500SEM
KFS-5500-72	QMF26J500SEM	n/a	QAAF26A500SEM	n/a	QVFX28V500SEM	QVVF28V500SEM
KFS-9115	n/a	n/a	n/a	TAFK11K115SEM	QVFK11V115SEM	QVVF11V115SEM
KFS-9115-72	n/a	n/a	n/a	TAFK11K115SEM	QVFK11V115SEM	QVVF11V115SEM
KFS-9200	n/a	n/a	n/a	TAFK11K200SEM	QVFK11V200SEM	QVVF11V200SEM
KFS-9200-72	n/a	n/a	n/a	TAFK11K200SEM	QVFK11V200SEM	QVVF11V200SEM
KFS-9203	n/a	n/a	n/a	TAFK13K203SEM	QVFK13V203SEM	QVVF13V203SEM
KFS-9203-72	n/a	n/a	n/a	TAFK13K203SEM	QVFK13V203SEM	QVVF13V203SEM
KFS-9207	n/a	n/a	n/a	TAFK15K207SEM	QVFK15V207SEM	QVVF15V207SEM
KFS-9207-72	n/a	n/a	n/a	TAFK15K207SEM	QVFK15V207SEM	QVVF15V207SEM
KFS-9208	n/a	n/a	n/a	TAFK15K208SEM	QVFK15V208SEM	QVVF15V208SEM
KFS-9208-72	n/a	n/a	n/a	TAFK15K208SEM	QVFK15V208SEM	QVVF15V208SEM
KFS-9215	n/a	n/a	n/a	TAFK17K215SEM	QVFK17V215SEM	QVVF17V215SEM
KFS-9215-72	n/a	n/a	n/a	TAFK17K215SEM	QVFK17V215SEM	QVVF17V215SEM
KFS-9300	n/a	n/a	n/a	TAFK17K300SEM	QVFK17V300SEM	QVVF17V300SEM
KFS-9300-72	n/a	n/a	n/a	TAFK17K300SEM	QVFK17V300SEM	QVVF17V300SEM
KFS-9307	n/a	n/a	n/a	TAFK20K307SEM	QVFK20V307SEM	QVVF20V307SEM
KFS-9307-72	n/a	n/a	n/a	TAFK20K307SEM	QVFK20V307SEM	QVVF20V307SEM
KFS-9308	n/a	n/a	n/a	TAFK22K315SEM	QVFK22V315SEM	QVVF22V315SEM
KFS-9308-72	n/a	n/a	n/a	TAFK22K315SEM	QVFK22V315SEM	QVVF22V315SEM
KFS-9400	n/a	n/a	n/a	TAFK22K400SEM	QVFK22V400SEM	QVVF22V400SEM
KFS-9400-72	n/a	n/a	n/a	TAFK22K400SEM	QVFK22V400SEM	QVVF22V400SEM
KFS-9407	n/a	n/a	n/a	TAFK26K407SEM	QVFK26V407SEM	QVVF26V407SEM
KFS-9407-72	n/a	n/a	n/a	TAFK26K407SEM	QVFK26V407SEM	QVVF26V407SEM
KFS-9408	n/a	n/a	n/a	TAFK26K408SEM	QVFK26V408SEM	QVVF26V408SEM
KFS-9408-72	n/a	n/a	n/a	TAFK26K408SEM	QVFK26V408SEM	QVVF26V408SEM
KMC-2115	QMMC10J115SM	QAMC10A115SM	QAAMC10A115SM	n/a	n/a	n/a
KMC-2200	QMMC10J200SM	QAMC10A200SM	QAAMC10A200SM	n/a	n/a	n/a
KMC-2203	QMMC11J203SM	QAMC11A203SM	QAAMC11A203SM	n/a	n/a	n/a
KMC-2204	QMMC11J204SM	QAMC11A204SM	QAAMC11A204SM	n/a	n/a	n/a
KMC-2207	QMMC13J207SM	QAMC13A207SM	QAAMC13A207SM	n/a	n/a	n/a
KMC-2208	QMMC13J208SM	QAMC13A208SM	QAAMC13A208SM	n/a	n/a	n/a
KMC-2211	QMMC15J211SM	QAMC15A211SM	QAAMC15A211SM	n/a	n/a	n/a
KMC-2212	QMMC15J212SM	QAMC15A212SM	QAAMC15A212SM	n/a	n/a	n/a

Note: This interchange guide is for reference only. **Some competitor bearings may not be shown.** If you are unable to find the bearing you are trying to interchange, please contact your local distributor or QM Bearings for assistance.

(continued on next page)

Blue Brute Bearings – Interchange Guide

Rexnord®

Rexnord Part Number	QM EC Series	QM CL Series		QM TA/DV Series	QM V-Lock® Series	
		Single-Collar	Double-Collar		Single-Nut	Double-Nut
KMC-2215	QMMC15J215SM	QAMC15A215SM	QAAMC15A215SM	n/a	n/a	n/a
KMC-2300	QMMC15J300SM	QAMC15A300SM	QAAMC15A300SM	n/a	n/a	n/a
KMC-2303	QMMC18J303SM	QAMC18A303SM	QAAMC18A303SM	n/a	n/a	n/a
KMC-2307	QMMC18J307SM	QAMC18A307SM	QAAMC18A307SM	n/a	n/a	n/a
KMC-2308	QMMC18J308SM	QAMC18A308SM	QAAMC18A308SM	n/a	n/a	n/a
KMC-2311	QMMC20J311SM	QAMC20A311SM	QAAMC20A311SM	n/a	n/a	n/a
KMC-2315	QMMC20J315SM	QAMC20A315SM	QAAMC20A315SM	n/a	n/a	n/a
KMC-2400	QMMC20J400SM	QAMC20A400SM	QAAMC20A400SM	n/a	n/a	n/a
KMC-5115	QMMC10J115SM	n/a	QAAMC10A115SM	n/a	n/a	n/a
KMC-5200	QMMC10J200SM	n/a	QAAMC10A200SM	n/a	n/a	n/a
KMC-5203	QMMC11J203SM	n/a	QAAMC11A203SM	n/a	n/a	n/a
KMC-5207	QMMC13J207SM	n/a	QAAMC13A207SM	n/a	n/a	n/a
KMC-5211	QMMC15J211SM	n/a	QAAMC15A211SM	n/a	n/a	n/a
KMC-5215	QMMC15J215SM	n/a	QAAMC15A215SM	n/a	n/a	n/a
KMC-5303	QMMC18J303SM	n/a	QAAMC18A303SM	n/a	n/a	n/a
KMC-5307	QMMC18J307SM	n/a	QAAMC18A307SM	n/a	n/a	n/a
KMC-5311	QMMC20J311SM	n/a	QAAMC20A311SM	n/a	n/a	n/a
KMC-5315	QMMC20J315SM	n/a	QAAMC20A315SM	n/a	n/a	n/a
KMC-5400	QMMC20J400SM	n/a	QAAMC20A400SM	n/a	n/a	n/a
KMC-5407Y	QMMC22J407SM	n/a	QAAMC22A407SM	n/a	n/a	n/a
KMC-5408Y	QMMC22J408SM	n/a	QAAMC22A408SM	n/a	n/a	n/a
KMC-5415	QMMC26J415SM	n/a	QAAMC26A415SM	n/a	n/a	n/a
KMC-5500	QMMC26J500SM	n/a	QAAMC26A500SM	n/a	n/a	n/a
KMC-5507	QMMC30J507SM	n/a	n/a	n/a	n/a	n/a
KMC-5515	QMMC30J515SM	n/a	n/a	n/a	n/a	n/a
KMC-5600	QMMC30J600SM	n/a	n/a	n/a	n/a	n/a
KMC-5607	QMMC34J607SM	n/a	n/a	n/a	n/a	n/a
KMC-5615	QMMC34J615SM	n/a	n/a	n/a	n/a	n/a
KMC-5700	QMMC34J700SM	n/a	n/a	n/a	n/a	n/a
KMC-9115	n/a	n/a	n/a	TAMC11K115SM	QVMC11V115SM	QVVMC11V115SM
KMC-9200	n/a	n/a	n/a	TAMC11K200SM	QVMC11V200SM	QVVMC11V200SM
KMC-9203	n/a	n/a	n/a	TAMC13K203SM	QVMC13V203SM	QVVMC13V203SM
KMC-9207	n/a	n/a	n/a	TAMC15K207SM	QVMC15V207SM	QVVMC15V207SM
KMC-9208	n/a	n/a	n/a	TAMC15K207SM	QVMC15V207SM	QVVMC15V207SM
KMC-9215	n/a	n/a	n/a	TAMC17K215SM	QVMC17V215SM	QVVMC17V215SM
KMC-9300	n/a	n/a	n/a	TAMC17K300SM	QVMC17V300SM	QVVMC17V300SM
KMC-9307	n/a	n/a	n/a	TAMC20K307SM	QVMC20V307SM	QVVMC20V307SM
KMC-9315Y	n/a	n/a	n/a	TAMC22K315SM	QVMC22V315SM	QVVMC22V315SM
KMC-9400Y	n/a	n/a	n/a	TAMC22K400SM	QVMC22V400SM	QVVMC22V400SM
KMC-9407	n/a	n/a	n/a	TAMC26K407SM	QVMC26V407SM	QVVMC26V407SM
KP-5207	QMPXT13J207SM	n/a	QAAPXT13A207SM	n/a	QVPXT14V207SM	QVVPXT14V207SM
KP-5207-72	QMPXT13J207SM	n/a	QAAPXT13A207SM	n/a	QVPXT14V207SM	QVVPXT14V207SM
KP-5207-F	QMPX13J207SM	n/a	QAAPX13A207SM	n/a	QVPX14V207SM	QVVPX14V207SM

Note: This interchange guide is for reference only. **Some competitor bearings may not be shown.** If you are unable to find the bearing you are trying to interchange, please contact your local distributor or QM Bearings for assistance.

(continued on next page)

Introduction
Blue Brute Bearings
Bearing Interchange Guide
Quick-Flex Couplings
Rigid Compression Couplings
Index

Blue Brute Bearings – Interchange Guide

Rexnord®

Rexnord Part Number	QM EC Series	QM CL Series		QM TA/DV Series	QM V-Lock® Series	
		Single-Collar	Double-Collar		Single-Nut	Double-Nut
KP-5207-F-72	QMPX13J207SM	n/a	QAAPX13A207SM	n/a	QVPX14V207SM	QVVPX14V207SM
KP-5211	QMPXT15J211SM	n/a	QAAPXT15A211SM	n/a	QVPXT16V211SM	QVVPXT16V211SM
KP-5211-72	QMPXT15J211SM	n/a	QAAPXT15A211SM	n/a	QVPXT16V211SM	QVVPXT16V211SM
KP-5211-F	QMPX15J211SM	n/a	QAAPX15A211SM	n/a	QVPX16V211SM	QVVPX16V211SM
KP-5211-F-72	QMPX15J211SM	n/a	QAAPX15A211SM	n/a	QVPX16V211SM	QVVPX16V211SM
KP-5215	QMPXT15J215SM	n/a	QAAPXT15A215SM	n/a	QVPXT16V215SM	QVVPXT16V215SM
KP-5215-72	QMPXT15J215SM	n/a	QAAPXT15A215SM	n/a	QVPXT16V215SM	QVVPXT16V215SM
KP-5215-F	QMPX15J215SM	n/a	QAAPX15A215SM	n/a	QVPX16V215SM	QVVPX16V215SM
KP-5215-F-72	QMPX15J215SM	n/a	QAAPX15A215SM	n/a	QVPX16V215SM	QVVPX16V215SM
KP-5300	QMPXT15J300SM	n/a	QAAPXT15A300SM	n/a	QVPXT16V300SM	QVVPXT16V300SM
KP-5300-72	QMPXT15J300SM	n/a	QAAPXT15A300SM	n/a	QVPXT16V300SM	QVVPXT16V300SM
KP-5300-F	QMPX15J300SM	n/a	QAAPX15A300SM	n/a	QVPX16V300SM	QVVPX16V300SM
KP-5300-F-72	QMPX15J300SM	n/a	QAAPX15A300SM	n/a	QVPX16V300SM	QVVPX16V300SM
KP-5303-F	QMPX18J303SM	n/a	QAAPX18A303SM	n/a	QVPX19V303SM	QVVPX19V303SM
KP-5303-F-72	QMPX18J303SM	n/a	QAAPX18A303SM	n/a	QVPX19V303SM	QVVPX19V303SM
KP-5307-F	QMPX18J307SM	n/a	QAAPX18A307SM	n/a	QVPX19V307SM	QVVPX19V307SM
KP-5307-F-72	QMPX18J307SM	n/a	QAAPX18A307SM	n/a	QVPX19V307SM	QVVPX19V307SM
KP-5308-F	QMPX18J308SM	n/a	QAAPX18A308SM	n/a	QVPX19V308SM	QVVPX19V308SM
KP-5308-F-72	QMPX18J308SM	n/a	QAAPX18A308SM	n/a	QVPX19V308SM	QVVPX19V308SM
KP-5315-F	QMPX20J315SM	n/a	QAAPX20A315SM	n/a	QVPX22V315SM	QVVPX22V315SM
KP-5315-F-72	QMPX20J315SM	n/a	QAAPX20A315SM	n/a	QVPX22V315SM	QVVPX22V315SM
KP-5400-F	QMPX20J400SM	n/a	QAAPX20A400SM	n/a	QVPX22V400SM	QVVPX22V400SM
KP-5400-F-72	QMPX20J400SM	n/a	QAAPX20A400SM	n/a	QVPX22V400SM	QVVPX22V400SM
KP-5407-F	QMPX22J407SM	n/a	QAAPX22A407SM	n/a	QVPX26V407SM	QVVPX26V407SM
KP-5407-F-72	QMPX22J407SM	n/a	QAAPX22A407SM	n/a	QVPX26V407SM	QVVPX26V407SM
KP-5408-F	QMPX22J408SM	n/a	QAAPX22A408SM	n/a	QVPX26V408SM	QVVPX26V408SM
KP-5408-F-72	QMPX22J408SM	n/a	QAAPX22A408SM	n/a	QVPX26V408SM	QVVPX26V408SM
KP-5415-F	QMPX26J415SM	n/a	QAAPX26A415SM	n/a	QVPX28V415SM	QVVPX28V415SM
KP-5415-F-72	QMPX26J415SM	n/a	QAAPX26A415SM	n/a	QVPX28V415SM	QVVPX28V415SM
KP-5500-F	QMPX26J500SM	n/a	QAAPX26A500SM	n/a	QVPX28V500SM	QVVPX28V500SM
KP-5500-F-72	QMPX26J500SM	n/a	QAAPX26A500SM	n/a	QVPX28V500SM	QVVPX28V500SM
KP-5507-F	QMPX30J507SM	n/a	n/a	n/a	n/a	n/a
KP-5507-F-72	QMPX30J507SM	n/a	n/a	n/a	n/a	n/a
KP-5515-F	QMPX30J515SM	n/a	n/a	n/a	n/a	n/a
KP-5515-F-72	QMPX30J515SM	n/a	n/a	n/a	n/a	n/a
KP-5600-F	QMPX30J600SM	n/a	n/a	n/a	n/a	n/a
KP-5600-F-72	QMPX30J600SM	n/a	n/a	n/a	n/a	n/a
KP-5607-F	QMPX34J607SM	n/a	n/a	n/a	n/a	n/a
KP-5607-F-72	QMPX34J607SM	n/a	n/a	n/a	n/a	n/a
KP-5608-F	QMPX34J608SM	n/a	n/a	n/a	n/a	n/a
KP-5608-F-72	QMPX34J608SM	n/a	n/a	n/a	n/a	n/a
KP-5615-F	QMPX34J615SM	n/a	n/a	n/a	n/a	n/a
KP-5615-F-72	QMPX34J615SM	n/a	n/a	n/a	n/a	n/a

Note: This interchange guide is for reference only. **Some competitor bearings may not be shown.** If you are unable to find the bearing you are trying to interchange, please contact your local distributor or QM Bearings for assistance.

(continued on next page)

Blue Brute Bearings – Interchange Guide

Rexnord®

Rexnord Part Number	QM EC Series	QM CL Series		QM TA/DV Series	QM V-Lock® Series	
		Single-Collar	Double-Collar		Single-Nut	Double-Nut
KP-5700-F	QMPX34J700SM	n/a	n/a	n/a	n/a	n/a
KP-5700-F-72	QMPX34J700SM	n/a	n/a	n/a	n/a	n/a
KP-9207	n/a	n/a	n/a	TAPKT15K207SM	QVPKT15V207SM	QVVPKT15V207SM
KP-9207-72	n/a	n/a	n/a	TAPKT15K207SM	QVPKT15V207SM	QVVPKT15V207SM
KP-9207-F	n/a	n/a	n/a	TAPK15K207SM	QVPK15V207SM	QVVPK15V207SM
KP-9207-F-72	n/a	n/a	n/a	TAPK15K207SM	QVPK15V207SM	QVVPK15V207SM
KP-9208	n/a	n/a	n/a	TAPKT15K208SM	QVPKT15V208SM	QVVPKT15V208SM
KP-9208-72	n/a	n/a	n/a	TAPKT15K208SM	QVPKT15V208SM	QVVPKT15V208SM
KP-9208-F	n/a	n/a	n/a	TAPK15K208SM	QVPK15V208SM	QVVPK15V208SM
KP-9208-F-72	n/a	n/a	n/a	TAPK15K208SM	QVPK15V208SM	QVVPK15V208SM
KP-9215	n/a	n/a	n/a	TAPKT17K215SM	QVPKT17V215SM	QVVPKT17V215SM
KP-9215-72	n/a	n/a	n/a	TAPKT17K215SM	QVPKT17V215SM	QVVPKT17V215SM
KP-9215-F	n/a	n/a	n/a	TAPK17K215SM	QVPK17V215SM	QVVPK17V215SM
KP-9215-F-72	n/a	n/a	n/a	TAPK17K215SM	QVPK17V215SM	QVVPK17V215SM
KP-9300	n/a	n/a	n/a	TAPKT17K300SM	QVPKT17V300SM	QVVPKT17V300SM
KP-9300-72	n/a	n/a	n/a	TAPKT17K300SM	QVPKT17V300SM	QVVPKT17V300SM
KP-9300-F	n/a	n/a	n/a	TAPK17K300SM	QVPK17V300SM	QVVPK17V300SM
KP-9300-F-72	n/a	n/a	n/a	TAPK17K300SM	QVPK17V300SM	QVVPK17V300SM
KP-9307-F	n/a	n/a	n/a	TAPK20K307SM	QVPK20V307SM	QVVPK20V307SM
KP-9307-F-72	n/a	n/a	n/a	TAPK20K307SM	QVPK20V307SM	QVVPK20V307SM
KP-9308-F	n/a	n/a	n/a	TAPK20K308SM	QVPK20V308SM	QVVPK20V308SM
KP-9308-F-72	n/a	n/a	n/a	TAPK20K308SM	QVPK20V308SM	QVVPK20V308SM
KP-9315-F	n/a	n/a	n/a	TAPK22K315SM	QVPK22V315SM	QVVPK22V315SM
KP-9315-F-72	n/a	n/a	n/a	TAPK22K315SM	QVPK22V315SM	QVVPK22V315SM
KP-9400-F	n/a	n/a	n/a	TAPK22K400SM	QVPK22V400SM	QVVPK22V400SM
KP-9400-F-72	n/a	n/a	n/a	TAPK22K400SM	QVPK22V400SM	QVVPK22V400SM
KP-9407-F	n/a	n/a	n/a	TAPK26K407SM	QVPK26V407SM	QVVPK26V407SM
KP-9407-F-72	n/a	n/a	n/a	TAPK26K407SM	QVPK26V407SM	QVVPK26V407SM
KP-9408-F	n/a	n/a	n/a	TAPK26K408SM	QVPK26V408SM	QVVPK26V408SM
KP-9408-F-72	n/a	n/a	n/a	TAPK26K408SM	QVPK26V408SM	QVVPK26V408SM
KPS-5207	QMPXT13J207SEM	n/a	QAAPXT13A207SEM	n/a	QVPXT14V207SEM	QVVPXT14V207SEM
KPS-5207-72	QMPXT13J207SEM	n/a	QAAPXT13A207SEM	n/a	QVPXT14V207SEM	QVVPXT14V207SEM
KPS-5207-F	QMPX13J207SEM	n/a	QAAPX13A207SEM	n/a	QVPX14V207SEM	QVVPX14V207SEM
KPS-5207-F-72	QMPX13J207SEM	n/a	QAAPX13A207SEM	n/a	QVPX14V207SEM	QVVPX14V207SEM
KPS-5211	QMPXT15J211SEM	n/a	QAAPXT15A211SEM	n/a	QVPXT16V211SEM	QVVPXT16V211SEM
KPS-5211-72	QMPXT15J211SEM	n/a	QAAPXT15A211SEM	n/a	QVPXT16V211SEM	QVVPXT16V211SEM
KPS-5211-F	QMPX15J211SEM	n/a	QAAPX15A211SEM	n/a	QVPX16V211SEM	QVVPX16V211SEM
KPS-5211-F-72	QMPX15J211SEM	n/a	QAAPX15A211SEM	n/a	QVPX16V211SEM	QVVPX16V211SEM
KPS-5215	QMPXT15J215SEM	n/a	QAAPXT15A215SEM	n/a	QVPXT16V215SEM	QVVPXT16V215SEM
KPS-5215-72	QMPXT15J215SEM	n/a	QAAPXT15A215SEM	n/a	QVPXT16V215SEM	QVVPXT16V215SEM
KPS-5215-F	QMPX15J215SEM	n/a	QAAPX15A215SEM	n/a	QVPX16V215SEM	QVVPX16V215SEM
KPS-5215-F-72	QMPX15J215SEM	n/a	QAAPX15A215SEM	n/a	QVPX16V215SEM	QVVPX16V215SEM
KPS-5300	QMPXT15J300SEM	n/a	QAAPXT15A300SEM	n/a	QVPXT16V300SEM	QVVPXT16V300SEM

Note: This interchange guide is for reference only. **Some competitor bearings may not be shown.** If you are unable to find the bearing you are trying to interchange, please contact your local distributor or QM Bearings for assistance.

(continued on next page)

Introduction

Blue Brute Bearings

Bearing Interchange Guide

Quick-Flex Couplings

Rigid Compression Couplings

Index

Blue Brute Bearings – Interchange Guide

Rexnord®

Rexnord Part Number	QM EC Series	QM CL Series		QM TA/DV Series	QM V-Lock® Series	
		Single-Collar	Double-Collar		Single-Nut	Double-Nut
KPS-5300-72	QMPXT15J300SEM	n/a	QAAPXT15A300SEM	n/a	QVPXT16V300SEM	QVVPXT16V300SEM
KPS-5300-F	QMPX15J300SEM	n/a	QAAPX15A300SEM	n/a	QVPX16V300SEM	QVVPX16V300SEM
KPS-5300-F-72	QMPX15J300SEM	n/a	QAAPX15A300SEM	n/a	QVPX16V300SEM	QVVPX16V300SEM
KPS-5303-F	QMPX18J303SEM	n/a	QAAPX18A303SEM	n/a	QVPX19V303SEM	QVVPX19V303SEM
KPS-5303-F-72	QMPX18J303SEM	n/a	QAAPX18A303SEM	n/a	QVPX19V303SEM	QVVPX19V303SEM
KPS-5307-F	QMPX18J307SEM	n/a	QAAPX18A307SEM	n/a	QVPX19V307SEM	QVVPX19V307SEM
KPS-5307-F-72	QMPX18J307SEM	n/a	QAAPX18A307SEM	n/a	QVPX19V307SEM	QVVPX19V307SEM
KPS-5308-F	QMPX18J308SEM	n/a	QAAPX18A308SEM	n/a	QVPX19V308SEM	QVVPX19V308SEM
KPS-5308-F-72	QMPX18J308SEM	n/a	QAAPX18A308SEM	n/a	QVPX19V308SEM	QVVPX19V308SEM
KPS-5315-F	QMPX20J315SEM	n/a	QAAPX20A315SEM	n/a	QVPX22V315SEM	QVVPX22V315SEM
KPS-5315-F-72	QMPX20J315SEM	n/a	QAAPX20A315SEM	n/a	QVPX22V315SEM	QVVPX22V315SEM
KPS-5400-F	QMPX20J400SEM	n/a	QAAPX20A400SEM	n/a	QVPX22V400SEM	QVVPX22V400SEM
KPS-5400-F-72	QMPX20J400SEM	n/a	QAAPX20A400SEM	n/a	QVPX22V400SEM	QVVPX22V400SEM
KPS-5407-F	QMPX22J407SEM	n/a	QAAPX22A407SEM	n/a	QVPX26V407SEM	QVVPX26V407SEM
KPS-5407-F-72	QMPX22J407SEM	n/a	QAAPX22A407SEM	n/a	QVPX26V407SEM	QVVPX26V407SEM
KPS-5408-F	QMPX22J408SEM	n/a	QAAPX22A408SEM	n/a	QVPX26V408SEM	QVVPX26V408SEM
KPS-5408-F-72	QMPX22J408SEM	n/a	QAAPX22A408SEM	n/a	QVPX26V408SEM	QVVPX26V408SEM
KPS-5415-F	QMPX26J415SEM	n/a	QAAPX26A415SEM	n/a	QVPX28V415SEM	QVVPX28V415SEM
KPS-5415-F-72	QMPX26J415SEM	n/a	QAAPX26A415SEM	n/a	QVPX28V415SEM	QVVPX28V415SEM
KPS-5500-F	QMPX26J500SEM	n/a	QAAPX26A500SEM	n/a	QVPX28V500SEM	QVVPX28V500SEM
KPS-5500-F-72	QMPX26J500SEM	n/a	QAAPX26A500SEM	n/a	QVPX28V500SEM	QVVPX28V500SEM
KPS-5507-F	QMPX30J507SEM	n/a	n/a	n/a	n/a	n/a
KPS-5507-F-72	QMPX30J507SEM	n/a	n/a	n/a	n/a	n/a
KPS-5515-F	QMPX30J515SEM	n/a	n/a	n/a	n/a	n/a
KPS-5515-F-72	QMPX30J515SEM	n/a	n/a	n/a	n/a	n/a
KPS-5600-F	QMPX30J600SEM	n/a	n/a	n/a	n/a	n/a
KPS-5600-F-72	QMPX30J600SEM	n/a	n/a	n/a	n/a	n/a
KPS-5607-F	QMPX34J607SEM	n/a	n/a	n/a	n/a	n/a
KPS-5607-F-72	QMPX34J607SEM	n/a	n/a	n/a	n/a	n/a
KPS-5608-F	QMPX34J608SEM	n/a	n/a	n/a	n/a	n/a
KPS-5608-F-72	QMPX34J608SEM	n/a	n/a	n/a	n/a	n/a
KPS-5615-F	QMPX34J615SEM	n/a	n/a	n/a	n/a	n/a
KPS-5615-F-72	QMPX34J615SEM	n/a	n/a	n/a	n/a	n/a
KPS-5700-F	QMPX34J700SEM	n/a	n/a	n/a	n/a	n/a
KPS-5700-F-72	QMPX34J700SEM	n/a	n/a	n/a	n/a	n/a
KPS-9207	n/a	n/a	n/a	TAPKT15K207SEM	QVPKT15V207SEM	QVVPKT15V207SEM
KPS-9207-72	n/a	n/a	n/a	TAPKT15K207SEM	QVPKT15V207SEM	QVVPKT15V207SEM
KPS-9207-F	n/a	n/a	n/a	TAPK15K207SEM	QVPK15V207SEM	QVVPK15V207SEM
KPS-9207-F-72	n/a	n/a	n/a	TAPK15K207SEM	QVPK15V207SEM	QVVPK15V207SEM
KPS-9208	n/a	n/a	n/a	TAPKT15K208SEM	QVPKT15V208SEM	QVVPKT15V208SEM
KPS-9208-72	n/a	n/a	n/a	TAPKT15K208SEM	QVPKT15V208SEM	QVVPKT15V208SEM
KPS-9208-F	n/a	n/a	n/a	TAPK15K208SEM	QVPK15V208SEM	QVVPK15V208SEM
KPS-9208-F-72	n/a	n/a	n/a	TAPK15K208SEM	QVPK15V208SEM	QVVPK15V208SEM

Note: This interchange guide is for reference only. **Some competitor bearings may not be shown.** If you are unable to find the bearing you are trying to interchange, please contact your local distributor or QM Bearings for assistance.

(continued on next page)

Blue Brute Bearings – Interchange Guide

Rexnord®

Rexnord Part Number	QM EC Series	QM CL Series		QM TA/DV Series	QM V-Lock® Series	
		Single-Collar	Double-Collar		Single-Nut	Double-Nut
KPS-9215	n/a	n/a	n/a	TAPKT17K215SEM	QVPKT17V215SEM	QVVPKT17V215SEM
KPS-9215-72	n/a	n/a	n/a	TAPKT17K215SEM	QVPKT17V215SEM	QVVPKT17V215SEM
KPS-9215-F	n/a	n/a	n/a	TAPK17K215SEM	QVPK17V215SEM	QVVPK17V215SEM
KPS-9215-F-72	n/a	n/a	n/a	TAPK17K215SEM	QVPK17V215SEM	QVVPK17V215SEM
KPS-9300	n/a	n/a	n/a	TAPKT17K300SEM	QVPKT17V300SEM	QVVPKT17V300SEM
KPS-9300-72	n/a	n/a	n/a	TAPKT17K300SEM	QVPKT17V300SEM	QVVPKT17V300SEM
KPS-9300-F	n/a	n/a	n/a	TAPK17K300SEM	QVPK17V300SEM	QVVPK17V300SEM
KPS-9300-F-72	n/a	n/a	n/a	TAPK17K300SEM	QVPK17V300SEM	QVVPK17V300SEM
KPS-9307-F	n/a	n/a	n/a	TAPK20K307SEM	QVPK20V307SEM	QVVPK20V307SEM
KPS-9307-F-72	n/a	n/a	n/a	TAPK20K307SEM	QVPK20V307SEM	QVVPK20V307SEM
KPS-9308-F	n/a	n/a	n/a	TAPK20K308SEM	QVPK20V308SEM	QVVPK20V308SEM
KPS-9308-F-72	n/a	n/a	n/a	TAPK20K308SEM	QVPK20V308SEM	QVVPK20V308SEM
KPS-9315-F	n/a	n/a	n/a	TAPK22K315SEM	QVPK22V315SEM	QVVPK22V315SEM
KPS-9315-F-72	n/a	n/a	n/a	TAPK22K315SEM	QVPK22V315SEM	QVVPK22V315SEM
KPS-9400-F	n/a	n/a	n/a	TAPK22K400SEM	QVPK22V400SEM	QVVPK22V400SEM
KPS-9400-F-72	n/a	n/a	n/a	TAPK22K400SEM	QVPK22V400SEM	QVVPK22V400SEM
KPS-9407-F	n/a	n/a	n/a	TAPK26K407SEM	QVPK26V407SEM	QVVPK26V407SEM
KPS-9407-F-72	n/a	n/a	n/a	TAPK26K407SEM	QVPK26V407SEM	QVVPK26V407SEM
KPS-9408-F	n/a	n/a	n/a	TAPK26K408SEM	QVPK26V408SEM	QVVPK26V408SEM
KPS-9408-F-72	n/a	n/a	n/a	TAPK26K408SEM	QVPK26V408SEM	QVVPK26V408SEM
KT10-2303	QMTU18J303SM	QATU18A303SM	QAATU18A303SM	n/a	QVTU19V303SM	QVVTU19V303SM
KT10-2303-72	QMTU18J303SM	QATU18A303SM	QAATU18A303SM	n/a	QVTU19V303SM	QVVTU19V303SM
KT10-2307	QMTU18J307SM	QATU18A307SM	QAATU18A307SM	n/a	QVTU19V307SM	QVVTU19V307SM
KT10-2307-72	QMTU18J307SM	QATU18A307SM	QAATU18A307SM	n/a	QVTU19V307SM	QVVTU19V307SM
KT10-2308	QMTU18J308SM	QATU18A308SM	QAATU18A308SM	n/a	QVTU19V308SM	QVVTU19V308SM
KT10-2308-72	QMTU18J308SM	QATU18A308SM	QAATU18A308SM	n/a	QVTU19V308SM	QVVTU19V308SM
KT10-3307	QMTU18J307SM	QATU18A307SM	QAATU18A307SM	n/a	QVTU19V307SM	QVVTU19V307SM
KT10-3307-72	QMTU18J307SM	QATU18A307SM	QAATU18A307SM	n/a	QVTU19V307SM	QVVTU19V307SM
KT10-5303	QMTU18J303SM	n/a	QAATU18A303SM	n/a	QVTU19V303SM	QVVTU19V303SM
KT10-5303-72	QMTU18J303SM	n/a	QAATU18A303SM	n/a	QVTU19V303SM	QVVTU19V303SM
KT10-5307	QMTU18J307SM	n/a	QAATU18A307SM	n/a	QVTU19V307SM	QVVTU19V307SM
KT10-5307-72	QMTU18J307SM	n/a	QAATU18A307SM	n/a	QVTU19V307SM	QVVTU19V307SM
KT11-2315	QMTU20J315SM	QATU20A315SM	QAATU20A315SM	n/a	QVTU22V315SM	QVVTU22V315SM
KT11-2315-72	QMTU20J315SM	QATU20A315SM	QAATU20A315SM	n/a	QVTU22V315SM	QVVTU22V315SM
KT11-2400	QMTU20J400SM	QATU20A400SM	QAATU20A400SM	n/a	QVTU22V400SM	QVVTU22V400SM
KT11-2400-72	QMTU20J400SM	QATU20A400SM	QAATU20A400SM	n/a	QVTU22V400SM	QVVTU22V400SM
KT11-3315	QMTU20J315SM	QATU20A315SM	QAATU20A315SM	n/a	QVTU22V315SM	QVVTU22V315SM
KT11-3315-72	QMTU20J315SM	QATU20A315SM	QAATU20A315SM	n/a	QVTU22V315SM	QVVTU22V315SM
KT11-5315	QMTU20J315SM	n/a	QAATU20A315SM	n/a	QVTU22V315SM	QVVTU22V315SM
KT11-5315-72	QMTU20J315SM	n/a	QAATU20A315SM	n/a	QVTU22V315SM	QVVTU22V315SM
KT11-5400	QMTU20J400SM	n/a	QAATU20A400SM	n/a	QVTU22V400SM	QVVTU22V400SM
KT11-5400-72	QMTU20J400SM	n/a	QAATU20A400SM	n/a	QVTU22V400SM	QVVTU22V400SM
KT6-2115	QMTU10J115SM	QATU10A115SM	QAATU10A115SM	n/a	QVTU11V115SM	QVVTU11V115SM

Note: This interchange guide is for reference only. **Some competitor bearings may not be shown.** If you are unable to find the bearing you are trying to interchange, please contact your local distributor or QM Bearings for assistance.

(continued on next page)

Blue Brute Bearings – Interchange Guide

Rexnord®

Rexnord Part Number	QM EC Series	QM CL Series		QM TA/DV Series	QM V-Lock® Series	
		Single-Collar	Double-Collar		Single-Nut	Double-Nut
KT6-2115-72	QMTU10J115SM	QATU10A115SM	QAATU10A115SM	n/a	QVTU11V115SM	QVVTU11V115SM
KT6-2200	QMTU10J200SM	QATU10A200SM	QAATU10A200SM	n/a	QVTU11V200SM	QVVTU11V200SM
KT6-2200-72	QMTU10J200SM	QATU10A200SM	QAATU10A200SM	n/a	QVTU11V200SM	QVVTU11V200SM
KT6-3115	QMTU10J115SM	QATU10A115SM	QAATU10A115SM	n/a	QVTU11V115SM	QVVTU11V115SM
KT6-3115-72	QMTU10J115SM	QATU10A115SM	QAATU10A115SM	n/a	QVTU11V115SM	QVVTU11V115SM
KT6-5115	QMTU10J115SM	n/a	QAATU10A115SM	n/a	QVTU11V115SM	QVVTU11V115SM
KT6-5115-72	QMTU10J115SM	n/a	QAATU10A115SM	n/a	QVTU11V115SM	QVVTU11V115SM
KT7-2203	QMTU11J203SM	QATU11A203SM	QAATU11A203SM	n/a	QVTU12V203SM	QVVTU12V203SM
KT7-2203-72	QMTU11J203SM	QATU11A203SM	QAATU11A203SM	n/a	QVTU12V203SM	QVVTU12V203SM
KT7-2204	QMTU11J204SM	QATU11A204SM	QAATU11A204SM	n/a	QVTU12V204SM	QVVTU12V204SM
KT7-2204-72	QMTU11J204SM	QATU11A204SM	QAATU11A204SM	n/a	QVTU12V204SM	QVVTU12V204SM
KT7-3203	QMTU11J203SM	QATU11A203SM	QAATU11A203SM	n/a	QVTU12V203SM	QVVTU12V203SM
KT7-3203-72	QMTU11J203SM	QATU11A203SM	QAATU11A203SM	n/a	QVTU12V203SM	QVVTU12V203SM
KT7-5203	QMTU11J203SM	n/a	QAATU11A203SM	n/a	QVTU12V203SM	QVVTU12V203SM
KT7-5203-72	QMTU11J203SM	n/a	QAATU11A203SM	n/a	QVTU12V203SM	QVVTU12V203SM
KT8-2207	QMTU13J207SM	QATU13A207SM	QAATU13A207SM	n/a	QVTU14V207SM	QVVTU14V207SM
KT8-2207-72	QMTU13J207SM	QATU13A207SM	QAATU13A207SM	n/a	QVTU14V207SM	QVVTU14V207SM
KT8-2208	QMTU13J208SM	QATU13A208SM	QAATU13A208SM	n/a	QVTU14V208SM	QVVTU14V208SM
KT8-2208-72	QMTU13J208SM	QATU13A208SM	QAATU13A208SM	n/a	QVTU14V208SM	QVVTU14V208SM
KT8-3207	QMTU13J207SM	QATU13A207SM	QAATU13A207SM	n/a	QVTU14V207SM	QVVTU14V207SM
KT8-3207-72	QMTU13J207SM	QATU13A207SM	QAATU13A207SM	n/a	QVTU14V207SM	QVVTU14V207SM
KT8-3208	QMTU13J208SM	QATU13A208SM	QAATU13A208SM	n/a	QVTU14V208SM	QVVTU14V208SM
KT8-3208-72	QMTU13J208SM	QATU13A208SM	QAATU13A208SM	n/a	QVTU14V208SM	QVVTU14V208SM
KT8-5207	QMTU13J207SM	n/a	QAATU13A207SM	n/a	QVTU14V207SM	QVVTU14V207SM
KT8-5207-72	QMTU13J207SM	n/a	QAATU13A207SM	n/a	QVTU14V207SM	QVVTU14V207SM
KT9-2211	QMTU15J211SM	QATU15A211SM	QAATU15A211SM	n/a	QVTU16V211SM	QVVTU16V211SM
KT9-2211-72	QMTU15J211SM	QATU15A211SM	QAATU15A211SM	n/a	QVTU16V211SM	QVVTU16V211SM
KT9-2212	QMTU15J212SM	QATU15A212SM	QAATU15A212SM	n/a	QVTU16V212SM	QVVTU16V212SM
KT9-2212-72	QMTU15J212SM	QATU15A212SM	QAATU15A212SM	n/a	QVTU16V212SM	QVVTU16V212SM
KT9-2215	QMTU15J215SM	QATU15A215SM	QAATU15A215SM	n/a	QVTU16V215SM	QVVTU16V215SM
KT9-2215-72	QMTU15J215SM	QATU15A215SM	QAATU15A215SM	n/a	QVTU16V215SM	QVVTU16V215SM
KT9-2300	QMTU15J300SM	QATU15A300SM	QAATU15A300SM	n/a	QVTU16V300SM	QVVTU16V300SM
KT9-2300-72	QMTU15J300SM	QATU15A300SM	QAATU15A300SM	n/a	QVTU16V300SM	QVVTU16V300SM
KT9-3211	QMTU15J211SM	QATU15A211SM	QAATU15A211SM	n/a	QVTU16V211SM	QVVTU16V211SM
KT9-3211-72	QMTU15J211SM	QATU15A211SM	QAATU15A211SM	n/a	QVTU16V211SM	QVVTU16V211SM
KT9-3215	QMTU15J215SM	QATU15A215SM	QAATU15A215SM	n/a	QVTU16V215SM	QVVTU16V215SM
KT9-3215-72	QMTU15J215SM	QATU15A215SM	QAATU15A215SM	n/a	QVTU16V215SM	QVVTU16V215SM
KT9-5211	QMTU15J211SM	n/a	QAATU15A211SM	n/a	QVTU16V211SM	QVVTU16V211SM
KT9-5211-72	QMTU15J211SM	n/a	QAATU15A211SM	n/a	QVTU16V211SM	QVVTU16V211SM
KT9-5215	QMTU15J215SM	n/a	QAATU15A215SM	n/a	QVTU16V215SM	QVVTU16V215SM
KT9-5215-72	QMTU15J215SM	n/a	QAATU15A215SM	n/a	QVTU16V215SM	QVVTU16V215SM
KZAS-3115	QMPL10J115SEM	QAPL10A115SEM	QAAPL10A115SEM	DVP11K115SEM	QVPL11V115SEM	QVVPL11V115SEM
MA-2107	QMPL08J107SM	n/a	n/a	n/a	n/a	n/a

Note: This interchange guide is for reference only. **Some competitor bearings may not be shown.** If you are unable to find the bearing you are trying to interchange, please contact your local distributor or QM Bearings for assistance.

(continued on next page)

Blue Brute Bearings – Interchange Guide

Rexnord®

Rexnord Part Number	QM EC Series	QM CL Series		QM TA/DV Series	QM V-Lock® Series	
		Single-Collar	Double-Collar		Single-Nut	Double-Nut
MA-2107-72	QMPL08J107SM	n/a	n/a	n/a	n/a	n/a
MA-2108	QMPL08J108SM	n/a	n/a	n/a	n/a	n/a
MA-2108-72	QMPL08J108SM	n/a	n/a	n/a	n/a	n/a
MA-2111	QMPL09J111SM	n/a	n/a	n/a	n/a	n/a
MA-2111-72	QMPL09J111SM	n/a	n/a	n/a	n/a	n/a
MA-2112	QMPL09J112SM	n/a	n/a	n/a	n/a	n/a
MA-2112-72	QMPL09J112SM	n/a	n/a	n/a	n/a	n/a
MA-2115	QMPL10J115SM	QAPL10A115SM	QAAPL10A115SM	DVP11K115SM	QVPL11V115SM	QVVPL11V115SM
MA-2115-72	QMPL10J115SM	QAPL10A115SM	QAAPL10A115SM	DVP11K115SM	QVPL11V115SM	QVVPL11V115SM
MA-2200	QMPL10J200SM	QAPL10A200SM	QAAPL10A200SM	DVP11K200SM	QVPL11V200SM	QVVPL11V200SM
MA-2200-72	QMPL10J200SM	QAPL10A200SM	QAAPL10A200SM	DVP11K200SM	QVPL11V200SM	QVVPL11V200SM
MA-2203	QMPL11J203SM	QAPL11A203SM	QAAPL11A203SM	DVP13K203SM	QVPL12V203SM	QVVPL12V203SM
MA-2203-72	QMPL11J203SM	QAPL11A203SM	QAAPL11A203SM	DVP13K203SM	QVPL12V203SM	QVVPL12V203SM
MA-2204	QMPL11J204SM	QAPL11A204SM	QAAPL11A204SM	DVP13K204SM	QVPL12V204SM	QVVPL12V204SM
MA-2204-72	QMPL11J204SM	QAPL11A204SM	QAAPL11A204SM	DVP13K204SM	QVPL12V204SM	QVVPL12V204SM
MA-2207	QMPL13J207SM	QAPL13A207SM	QAAPL13A207SM	DVP15K207SM	QVPL14V207SM	QVVPL14V207SM
MA-2207-72	QMPL13J207SM	QAPL13A207SM	QAAPL13A207SM	DVP15K207SM	QVPL14V207SM	QVVPL14V207SM
MA-2207-F	QMPL13J207SM	QAPF13A207SM	QAAPF13A207SM	DVPF15K207SM	QVPF14V207SM	QVVPF14V207SM
MA-2207-F-72	QMPL13J207SM	QAPF13A207SM	QAAPF13A207SM	DVPF15K207SM	QVPF14V207SM	QVVPF14V207SM
MA-2208	QMPL13J208SM	QAPL13A208SM	QAAPL13A208SM	DVP15K208SM	QVPL14V208SM	QVVPL14V208SM
MA-2208-72	QMPL13J208SM	QAPL13A208SM	QAAPL13A208SM	DVP15K208SM	QVPL14V208SM	QVVPL14V208SM
MA-2208-F	QMPL13J208SM	QAPF13A208SM	QAAPF13A208SM	DVPF15K208SM	QVPF14V208SM	QVVPF14V208SM
MA-2208-F-72	QMPL13J208SM	QAPF13A208SM	QAAPF13A208SM	DVPF15K208SM	QVPF14V208SM	QVVPF14V208SM
MA-2211	QMPL15J211SM	QAPL15A211SM	QAAPL15A211SM	n/a	QVPL16V211SM	QVVPL16V211SM
MA-2211-72	QMPL15J211SM	QAPL15A211SM	QAAPL15A211SM	n/a	QVPL16V211SM	QVVPL16V211SM
MA-2211-F	QMPL15J211SM	QAPF15A211SM	QAAPF15A211SM	n/a	QVPF16V211SM	QVVPF16V211SM
MA-2211-F-72	QMPL15J211SM	QAPF15A211SM	QAAPF15A211SM	n/a	QVPF16V211SM	QVVPF16V211SM
MA-2212	QMPL15J212SM	QAPL15A212SM	QAAPL15A212SM	n/a	QVPL16V212SM	QVVPL16V212SM
MA-2212-72	QMPL15J212SM	QAPL15A212SM	QAAPL15A212SM	n/a	QVPL16V212SM	QVVPL16V212SM
MA-2212-F	QMPL15J212SM	QAPF15A212SM	QAAPF15A212SM	n/a	QVPF16V212SM	QVVPF16V212SM
MA-2212-F-72	QMPL15J212SM	QAPF15A212SM	QAAPF15A212SM	n/a	QVPF16V212SM	QVVPF16V212SM
MA-2215	QMPL15J215SM	QAPL15A215SM	QAAPL15A215SM	DVP17K215SM	QVPL16V215SM	QVVPL16V215SM
MA-2215-72	QMPL15J215SM	QAPL15A215SM	QAAPL15A215SM	DVP17K215SM	QVPL16V215SM	QVVPL16V215SM
MA-2215-F	QMPL15J215SM	QAPF15A215SM	QAAPF15A215SM	DVPF17K215SM	QVPF16V215SM	QVVPF16V215SM
MA-2215-F-72	QMPL15J215SM	QAPF15A215SM	QAAPF15A215SM	DVPF17K215SM	QVPF16V215SM	QVVPF16V215SM
MA-2300	QMPL15J300SM	QAPL15A300SM	QAAPL15A300SM	DVP17K300SM	QVPL16V300SM	QVVPL16V300SM
MA-2300-72	QMPL15J300SM	QAPL15A300SM	QAAPL15A300SM	DVP17K300SM	QVPL16V300SM	QVVPL16V300SM
MA-2300-F	QMPL15J300SM	QAPF15A300SM	QAAPF15A300SM	DVPF17K300SM	QVPF16V300SM	QVVPF16V300SM
MA-2300-F-72	QMPL15J300SM	QAPF15A300SM	QAAPF15A300SM	DVPF17K300SM	QVPF16V300SM	QVVPF16V300SM
MA-2303	QMPL18J303SM	QAPL18A303SM	QAAPL18A303SM	n/a	QVPL19V303SM	QVVPL19V303SM
MA-2303-72	QMPL18J303SM	QAPL18A303SM	QAAPL18A303SM	n/a	QVPL19V303SM	QVVPL19V303SM
MA-2303-F	QMPL18J303SM	QAPF18A303SM	QAAPF18A303SM	n/a	QVPF19V303SM	QVVPF19V303SM
MA-2303-F-72	QMPL18J303SM	QAPF18A303SM	QAAPF18A303SM	n/a	QVPF19V303SM	QVVPF19V303SM

Note: This interchange guide is for reference only. **Some competitor bearings may not be shown.** If you are unable to find the bearing you are trying to interchange, please contact your local distributor or QM Bearings for assistance.

(continued on next page)

Blue Brute Bearings – Interchange Guide

Rexnord®

Rexnord Part Number	QM EC Series	QM CL Series		QM TA/DV Series	QM V-Lock® Series	
		Single-Collar	Double-Collar		Single-Nut	Double-Nut
MA-2307	QMPL18J307SM	QAPL18A307SM	QAAPL18A307SM	DVP20K307SM	QVPL19V307SM	QVVPL19V307SM
MA-2307-72	QMPL18J307SM	QAPL18A307SM	QAAPL18A307SM	DVP20K307SM	QVPL19V307SM	QVVPL19V307SM
MA-2307-F	QMPL18J307SM	QAPL18A307SM	QAAPL18A307SM	DVP20K307SM	QVPL19V307SM	QVVPL19V307SM
MA-2307-F-72	QMPL18J307SM	QAPL18A307SM	QAAPL18A307SM	DVP20K307SM	QVPL19V307SM	QVVPL19V307SM
MA-2308	QMPL18J308SM	QAPL18A308SM	QAAPL18A308SM	DVP20K308SM	QVPL19V308SM	QVVPL19V308SM
MA-2308-72	QMPL18J308SM	QAPL18A308SM	QAAPL18A308SM	DVP20K308SM	QVPL19V308SM	QVVPL19V308SM
MA-2308-F	QMPL18J308SM	QAPL18A308SM	QAAPL18A308SM	DVP20K308SM	QVPL19V308SM	QVVPL19V308SM
MA-2308-F-72	QMPL18J308SM	QAPL18A308SM	QAAPL18A308SM	DVP20K308SM	QVPL19V308SM	QVVPL19V308SM
MA-2315	QMP20J315SM	QAP20A315SM	QAAP20A315SM	DVP22K315SM	QVP22V315SM	QVVP22V315SM
MA-2315-72	QMP20J315SM	QAP20A315SM	QAAP20A315SM	DVP22K315SM	QVP22V315SM	QVVP22V315SM
MA-2315-F	QMP20J315SM	QAP20A315SM	QAAP20A315SM	DVP22K315SM	QVP22V315SM	QVVP22V315SM
MA-2315-F-72	QMP20J315SM	QAP20A315SM	QAAP20A315SM	DVP22K315SM	QVP22V315SM	QVVP22V315SM
MA-2400	QMP20J400SM	QAP20A400SM	QAAP20A400SM	DVP22K400SM	QVP22V400SM	QVVP22V400SM
MA-2400-72	QMP20J400SM	QAP20A400SM	QAAP20A400SM	DVP22K400SM	QVP22V400SM	QVVP22V400SM
MA-2400-F	QMP20J400SM	QAP20A400SM	QAAP20A400SM	n/a	QVP22V400SM	QVVP22V400SM
MA-2400-F-72	QMP20J400SM	QAP20A400SM	QAAP20A400SM	n/a	QVP22V400SM	QVVP22V400SM
MA-3107	QMPL08J107SM	n/a	n/a	n/a	n/a	n/a
MA-3107-72	QMPL08J107SM	n/a	n/a	n/a	n/a	n/a
MA-3111	QMPL09J111SM	n/a	n/a	n/a	n/a	n/a
MA-3111-72	QMPL09J111SM	n/a	n/a	n/a	n/a	n/a
MA-3115	QMPL10J115SM	QAPL10A115SM	QAAPL10A115SM	DVP11K115SM	QVPL11V115SM	QVVPL11V115SM
MA-3115-72	QMPL10J115SM	QAPL10A115SM	QAAPL10A115SM	DVP11K115SM	QVPL11V115SM	QVVPL11V115SM
MA-3203	QMPL11J203SM	QAPL11A203SM	QAAPL11A203SM	DVP13K203SM	QVPL12V203SM	QVVPL12V203SM
MA-3203-72	QMPL11J203SM	QAPL11A203SM	QAAPL11A203SM	DVP13K203SM	QVPL12V203SM	QVVPL12V203SM
MA-3207	QMPL13J207SM	QAPL13A207SM	QAAPL13A207SM	DVP15K207SM	QVPL14V207SM	QVVPL14V207SM
MA-3207-72	QMPL13J207SM	QAPL13A207SM	QAAPL13A207SM	DVP15K207SM	QVPL14V207SM	QVVPL14V207SM
MA-3207-F	QMPL13J207SM	QAPL13A207SM	QAAPL13A207SM	DVP15K207SM	QVPL14V207SM	QVVPL14V207SM
MA-3207-F-72	QMPL13J207SM	QAPL13A207SM	QAAPL13A207SM	DVP15K207SM	QVPL14V207SM	QVVPL14V207SM
MA-3208	QMPL13J208SM	QAPL13A208SM	QAAPL13A208SM	DVP15K208SM	QVPL14V208SM	QVVPL14V208SM
MA-3208-72	QMPL13J208SM	QAPL13A208SM	QAAPL13A208SM	DVP15K208SM	QVPL14V208SM	QVVPL14V208SM
MA-3208-F	QMPL13J208SM	QAPL13A208SM	QAAPL13A208SM	DVP15K208SM	QVPL14V208SM	QVVPL14V208SM
MA-3208-F-72	QMPL13J208SM	QAPL13A208SM	QAAPL13A208SM	DVP15K208SM	QVPL14V208SM	QVVPL14V208SM
MA-3211	QMPL15J211SM	QAPL15A211SM	QAAPL15A211SM	n/a	QVPL16V211SM	QVVPL16V211SM
MA-3211-72	QMPL15J211SM	QAPL15A211SM	QAAPL15A211SM	n/a	QVPL16V211SM	QVVPL16V211SM
MA-3211-F	QMPL15J211SM	QAPL15A211SM	QAAPL15A211SM	n/a	QVPL16V211SM	QVVPL16V211SM
MA-3211-F-72	QMPL15J211SM	QAPL15A211SM	QAAPL15A211SM	n/a	QVPL16V211SM	QVVPL16V211SM
MA-3215	QMPL15J215SM	QAPL15A215SM	QAAPL15A215SM	DVP17K215SM	QVPL16V215SM	QVVPL16V215SM
MA-3215-72	QMPL15J215SM	QAPL15A215SM	QAAPL15A215SM	DVP17K215SM	QVPL16V215SM	QVVPL16V215SM
MA-3215-F	QMPL15J215SM	QAPL15A215SM	QAAPL15A215SM	DVP17K215SM	QVPL16V215SM	QVVPL16V215SM
MA-3215-F-72	QMPL15J215SM	QAPL15A215SM	QAAPL15A215SM	DVP17K215SM	QVPL16V215SM	QVVPL16V215SM
MA-3307	QMPL18J307SM	QAPL18A307SM	QAAPL18A307SM	DVP20K307SM	QVPL19V307SM	QVVPL19V307SM
MA-3307-72	QMPL18J307SM	QAPL18A307SM	QAAPL18A307SM	DVP20K307SM	QVPL19V307SM	QVVPL19V307SM
MA-3307-F	QMPL18J307SM	QAPL18A307SM	QAAPL18A307SM	DVP20K307SM	QVPL19V307SM	QVVPL19V307SM

Note: This interchange guide is for reference only. **Some competitor bearings may not be shown.** If you are unable to find the bearing you are trying to interchange, please contact your local distributor or QM Bearings for assistance.

(continued on next page)

Blue Brute Bearings – Interchange Guide

Rexnord®

Rexnord Part Number	QM EC Series	QM CL Series		QM TA/DV Series	QM V-Lock® Series	
		Single-Collar	Double-Collar		Single-Nut	Double-Nut
MA-3307-F-72	QMPF18J307SM	QAPF18A307SM	QAAPF18A307SM	DVPF20K307SM	QVPF19V307SM	QVVPF19V307SM
MA-3308	QMPL18J308SM	QAPL18A308SM	QAAPL18A308SM	DVP20K308SM	QVPL19V308SM	QVVPL19V308SM
MA-3308-72	QMPL18J308SM	QAPL18A308SM	QAAPL18A308SM	DVP20K308SM	QVPL19V308SM	QVVPL19V308SM
MA-3308-F	QMPF18J308SM	QAPF18A308SM	QAAPF18A308SM	DVPF20K308SM	QVPF19V308SM	QVVPF19V308SM
MA-3308-F-72	QMPF18J308SM	QAPF18A308SM	QAAPF18A308SM	DVPF20K308SM	QVPF19V308SM	QVVPF19V308SM
MA-3315	QMP20J315SM	QAP20A315SM	QAAP20A315SM	DVP22K315SM	QVP22V315SM	QVVP22V315SM
MA-3315-72	QMP20J315SM	QAP20A315SM	QAAP20A315SM	DVP22K315SM	QVP22V315SM	QVVP22V315SM
MA-3315-F	QMPF20J315SM	QAPF20A315SM	QAAPF20A315SM	DVPF22K315SM	QVPF22V315SM	QVVPF22V315SM
MA-3315-F-72	QMPF20J315SM	QAPF20A315SM	QAAPF20A315SM	DVPF22K315SM	QVPF22V315SM	QVVPF22V315SM
MAS-2107	QMPL08J107SEM	n/a	n/a	n/a	n/a	n/a
MAS-2107-72	QMPL08J107SEM	n/a	n/a	n/a	n/a	n/a
MAS-2108	QMPL08J108SEM	n/a	n/a	n/a	n/a	n/a
MAS-2108-72	QMPL08J108SEM	n/a	n/a	n/a	n/a	n/a
MAS-2111	QMPL09J111SEM	n/a	n/a	n/a	n/a	n/a
MAS-2111-72	QMPL09J111SEM	n/a	n/a	n/a	n/a	n/a
MAS-2112	QMPL09J112SEM	n/a	n/a	n/a	n/a	n/a
MAS-2112-72	QMPL09J112SEM	n/a	n/a	n/a	n/a	n/a
MAS-2115	QMPL10J115SEM	QAPL10A115SEM	QAAPL10A115SEM	DVP11K115SEM	QVPL11V115SEM	QVVPL11V115SEM
MAS-2115-72	QMPL10J115SEM	QAPL10A115SEM	QAAPL10A115SEM	DVP11K115SEM	QVPL11V115SEM	QVVPL11V115SEM
MAS-2200	QMPL10J200SEM	QAPL10A200SEM	QAAPL10A200SEM	DVP11K200SEM	QVPL11V200SEM	QVVPL11V200SEM
MAS-2200-72	QMPL10J200SEM	QAPL10A200SEM	QAAPL10A200SEM	DVP11K200SEM	QVPL11V200SEM	QVVPL11V200SEM
MAS-2203	QMPL11J203SEM	QAPL11A203SEM	QAAPL11A203SEM	DVP13K203SEM	QVPL12V203SEM	QVVPL12V203SEM
MAS-2203-72	QMPL11J203SEM	QAPL11A203SEM	QAAPL11A203SEM	DVP13K203SEM	QVPL12V203SEM	QVVPL12V203SEM
MAS-2204	QMPL11J204SEM	QAPL11A204SEM	QAAPL11A204SEM	DVP13K204SEM	QVPL12V204SEM	QVVPL12V204SEM
MAS-2204-72	QMPL11J204SEM	QAPL11A204SEM	QAAPL11A204SEM	DVP13K204SEM	QVPL12V204SEM	QVVPL12V204SEM
MAS-2207	QMPL13J207SEM	QAPL13A207SEM	QAAPL13A207SEM	DVP15K207SEM	QVPL14V207SEM	QVVPL14V207SEM
MAS-2207-72	QMPL13J207SEM	QAPL13A207SEM	QAAPL13A207SEM	DVP15K207SEM	QVPL14V207SEM	QVVPL14V207SEM
MAS-2207-F	QMPF13J207SEM	QAPF13A207SEM	QAAPF13A207SEM	DVPF15K207SEM	QVPF14V207SEM	QVVPF14V207SEM
MAS-2207-F-72	QMPF13J207SEM	QAPF13A207SEM	QAAPF13A207SEM	DVPF15K207SEM	QVPF14V207SEM	QVVPF14V207SEM
MAS-2208	QMPL13J208SEM	QAPL13A208SEM	QAAPL13A208SEM	DVP15K208SEM	QVPL14V208SEM	QVVPL14V208SEM
MAS-2208-72	QMPL13J208SEM	QAPL13A208SEM	QAAPL13A208SEM	DVP15K208SEM	QVPL14V208SEM	QVVPL14V208SEM
MAS-2208-F	QMPF13J208SEM	QAPF13A208SEM	QAAPF13A208SEM	DVPF15K208SEM	QVPF14V208SEM	QVVPF14V208SEM
MAS-2208-F-72	QMPF13J208SEM	QAPF13A208SEM	QAAPF13A208SEM	DVPF15K208SEM	QVPF14V208SEM	QVVPF14V208SEM
MAS-2211	QMPL15J211SEM	QAPL15A211SEM	QAAPL15A211SEM	n/a	QVPL16V211SEM	QVVPL16V211SEM
MAS-2211-72	QMPL15J211SEM	QAPL15A211SEM	QAAPL15A211SEM	n/a	QVPL16V211SEM	QVVPL16V211SEM
MAS-2211-F	QMPF15J211SEM	QAPF15A211SEM	QAAPF15A211SEM	n/a	QVPF16V211SEM	QVVPF16V211SEM
MAS-2211-F-72	QMPF15J211SEM	QAPF15A211SEM	QAAPF15A211SEM	n/a	QVPF16V211SEM	QVVPF16V211SEM
MAS-2212	QMPL15J212SEM	QAPL15A212SEM	QAAPL15A212SEM	n/a	QVPL16V212SEM	QVVPL16V212SEM
MAS-2212-72	QMPL15J212SEM	QAPL15A212SEM	QAAPL15A212SEM	n/a	QVPL16V212SEM	QVVPL16V212SEM
MAS-2212-F	QMPF15J212SEM	QAPF15A212SEM	QAAPF15A212SEM	n/a	QVPF16V212SEM	QVVPF16V212SEM
MAS-2212-F-72	QMPF15J212SEM	QAPF15A212SEM	QAAPF15A212SEM	n/a	QVPF16V212SEM	QVVPF16V212SEM
MAS-2215	QMPL15J215SEM	QAPL15A215SEM	QAAPL15A215SEM	DVP17K215SEM	QVPL16V215SEM	QVVPL16V215SEM
MAS-2215-72	QMPL15J215SEM	QAPL15A215SEM	QAAPL15A215SEM	DVP17K215SEM	QVPL16V215SEM	QVVPL16V215SEM

Note: This interchange guide is for reference only. **Some competitor bearings may not be shown.** If you are unable to find the bearing you are trying to interchange, please contact your local distributor or QM Bearings for assistance.

(continued on next page)

Blue Brute Bearings – Interchange Guide

Rexnord®

Rexnord Part Number	QM EC Series	QM CL Series		QM TA/DV Series	QM V-Lock® Series	
		Single-Collar	Double-Collar		Single-Nut	Double-Nut
MAS-2215-F	QMPF15J215SEM	QAPF15A215SEM	QAAPF15A215SEM	DVPF17K215SEM	QVPF16V215SEM	QVVPF16V215SEM
MAS-2215-F-72	QMPF15J215SEM	QAPF15A215SEM	QAAPF15A215SEM	DVPF17K215SEM	QVPF16V215SEM	QVVPF16V215SEM
MAS-2300	QMPL15J300SEM	QAPL15A300SEM	QAAPL15A300SEM	DVP17K300SEM	QVPL16V300SEM	QVVPL16V300SEM
MAS-2300-72	QMPL15J300SEM	QAPL15A300SEM	QAAPL15A300SEM	DVP17K300SEM	QVPL16V300SEM	QVVPL16V300SEM
MAS-2300-F	QMPF15J300SEM	QAPF15A300SEM	QAAPF15A300SEM	DVPF17K300SEM	QVPF16V300SEM	QVVPF16V300SEM
MAS-2300-F-72	QMPF15J300SEM	QAPF15A300SEM	QAAPF15A300SEM	DVPF17K300SEM	QVPF16V300SEM	QVVPF16V300SEM
MAS-2303	QMPL18J303SEM	QAPL18A303SEM	QAAPL18A303SEM	n/a	QVPL19V303SEM	QVVPL19V303SEM
MAS-2303-72	QMPL18J303SEM	QAPL18A303SEM	QAAPL18A303SEM	n/a	QVPL19V303SEM	QVVPL19V303SEM
MAS-2303-F	QMPF18J303SEM	QAPF18A303SEM	QAAPF18A303SEM	n/a	QVPF19V303SEM	QVVPF19V303SEM
MAS-2303-F-72	QMPF18J303SEM	QAPF18A303SEM	QAAPF18A303SEM	n/a	QVPF19V303SEM	QVVPF19V303SEM
MAS-2307	QMPL18J307SEM	QAPL18A307SEM	QAAPL18A307SEM	DVP20K307SEM	QVPL19V307SEM	QVVPL19V307SEM
MAS-2307-72	QMPL18J307SEM	QAPL18A307SEM	QAAPL18A307SEM	DVP20K307SEM	QVPL19V307SEM	QVVPL19V307SEM
MAS-2307-F	QMPF18J307SEM	QAPF18A307SEM	QAAPF18A307SEM	DVPF20K307SEM	QVPF19V307SEM	QVVPF19V307SEM
MAS-2307-F-72	QMPF18J307SEM	QAPF18A307SEM	QAAPF18A307SEM	DVPF20K307SEM	QVPF19V307SEM	QVVPF19V307SEM
MAS-2308	QMPL18J308SEM	QAPL18A308SEM	QAAPL18A308SEM	DVP20K308SEM	QVPL19V308SEM	QVVPL19V308SEM
MAS-2308-72	QMPL18J308SEM	QAPL18A308SEM	QAAPL18A308SEM	DVP20K308SEM	QVPL19V308SEM	QVVPL19V308SEM
MAS-2308-P	QMPF18J308SEM	QAPF18A308SEM	QAAPF18A308SEM	DVPF20K308SEM	QVPF19V308SEM	QVVPF19V308SEM
MAS-2308-P-72	QMPF18J308SEM	QAPF18A308SEM	QAAPF18A308SEM	DVPF20K308SEM	QVPF19V308SEM	QVVPF19V308SEM
MAS-2315	QMP20J315SEM	QAP20A315SEM	QAAP20A315SEM	DVP22K315SEM	QVP22V315SEM	QVVP22V315SEM
MAS-2315-72	QMP20J315SEM	QAP20A315SEM	QAAP20A315SEM	DVP22K315SEM	QVP22V315SEM	QVVP22V315SEM
MAS-2315-F	QMPF20J315SEM	QAPF20A315SEM	QAAPF20A315SEM	DVPF22K315SEM	QVPF22V315SEM	QVVPF22V315SEM
MAS-2315-F-72	QMPF20J315SEM	QAPF20A315SEM	QAAPF20A315SEM	DVPF22K315SEM	QVPF22V315SEM	QVVPF22V315SEM
MAS-2400	QMP20J400SEM	QAP20A400SEM	QAAP20A400SEM	DVP22K400SEM	QVP22V400SEM	QVVP22V400SEM
MAS-2400-72	QMP20J400SEM	QAP20A400SEM	QAAP20A400SEM	DVP22K400SEM	QVP22V400SEM	QVVP22V400SEM
MAS-2400-F	QMPF20J400SEM	QAPF20A400SEM	QAAPF20A400SEM	n/a	QVPF22V400SEM	QVVPF22V400SEM
MAS-2400-F-72	QMPF20J400SEM	QAPF20A400SEM	QAAPF20A400SEM	n/a	QVPF22V400SEM	QVVPF22V400SEM
MAS-3107	QMPL08J107SEM	n/a	n/a	n/a	n/a	n/a
MAS-3107-72	QMPL08J107SEM	n/a	n/a	n/a	n/a	n/a
MAS-3111	QMPL09J111SEM	n/a	n/a	n/a	n/a	n/a
MAS-3111-72	QMPL09J111SEM	n/a	n/a	n/a	n/a	n/a
MAS-3115	QMPL10J115SEM	QAPL10A115SEM	QAAPL10A115SEM	DVP11K115SEM	QVPL11V115SEM	QVVPL11V115SEM
MAS-3115-72	QMPL10J115SEM	QAPL10A115SEM	QAAPL10A115SEM	DVP11K115SEM	QVPL11V115SEM	QVVPL11V115SEM
MAS-3203	QMPL11J203SEM	QAPL11A203SEM	QAAPL11A203SEM	DVP13K203SEM	QVPL12V203SEM	QVVPL12V203SEM
MAS-3203-72	QMPL11J203SEM	QAPL11A203SEM	QAAPL11A203SEM	DVP13K203SEM	QVPL12V203SEM	QVVPL12V203SEM
MAS-3207	QMPL13J207SEM	QAPL13A207SEM	QAAPL13A207SEM	DVP15K207SEM	QVPL14V207SEM	QVVPL14V207SEM
MAS-3207-72	QMPL13J207SEM	QAPL13A207SEM	QAAPL13A207SEM	DVP15K207SEM	QVPL14V207SEM	QVVPL14V207SEM
MAS-3207-F	QMPF13J207SEM	QAPF13A207SEM	QAAPF13A207SEM	DVPF15K207SEM	QVPF14V207SEM	QVVPF14V207SEM
MAS-3207-F-72	QMPF13J207SEM	QAPF13A207SEM	QAAPF13A207SEM	DVPF15K207SEM	QVPF14V207SEM	QVVPF14V207SEM
MAS-3208	QMPL13J208SEM	QAPL13A208SEM	QAAPL13A208SEM	DVP15K208SEM	QVPL14V208SEM	QVVPL14V208SEM
MAS-3208-72	QMPL13J208SEM	QAPL13A208SEM	QAAPL13A208SEM	DVP15K208SEM	QVPL14V208SEM	QVVPL14V208SEM
MAS-3208-F	QMPF13J208SEM	QAPF13A208SEM	QAAPF13A208SEM	DVPF15K208SEM	QVPF14V208SEM	QVVPF14V208SEM
MAS-3208-F-72	QMPF13J208SEM	QAPF13A208SEM	QAAPF13A208SEM	DVPF15K208SEM	QVPF14V208SEM	QVVPF14V208SEM
MAS-3211	QMPL15J211SEM	QAPL15A211SEM	QAAPL15A211SEM	n/a	QVPL16V211SEM	QVVPL16V211SEM

Note: This interchange guide is for reference only. **Some competitor bearings may not be shown.** If you are unable to find the bearing you are trying to interchange, please contact your local distributor or QM Bearings for assistance.

(continued on next page)

Blue Brute Bearings – Interchange Guide

Rexnord®

Rexnord Part Number	QM EC Series	QM CL Series		QM TA/DV Series	QM V-Lock® Series	
		Single-Collar	Double-Collar		Single-Nut	Double-Nut
MAS-3211-72	QMPL15J211SEM	QAPL15A211SEM	QAAPL15A211SEM	n/a	QVPL16V211SEM	QVVPL16V211SEM
MAS-3211-F	QMPF15J211SEM	QAPF15A211SEM	QAAPF15A211SEM	n/a	QVPF16V211SEM	QVVPF16V211SEM
MAS-3211-F-72	QMPF15J211SEM	QAPF15A211SEM	QAAPF15A211SEM	n/a	QVPF16V211SEM	QVVPF16V211SEM
MAS-3215	QMPL15J215SEM	QAPL15A215SEM	QAAPL15A215SEM	DVP17K215SEM	QVPL16V215SEM	QVVPL16V215SEM
MAS-3215-72	QMPL15J215SEM	QAPL15A215SEM	QAAPL15A215SEM	DVP17K215SEM	QVPL16V215SEM	QVVPL16V215SEM
MAS-3215-F	QMPF15J215SEM	QAPF15A215SEM	QAAPF15A215SEM	DVPF17K215SEM	QVPF16V215SEM	QVVPF16V215SEM
MAS-3215-F-72	QMPF15J215SEM	QAPF15A215SEM	QAAPF15A215SEM	DVPF17K215SEM	QVPF16V215SEM	QVVPF16V215SEM
MAS-3307	QMPL18J307SEM	QAPL18A307SEM	QAAPL18A307SEM	DVP20K307SEM	QVPL19V307SEM	QVVPL19V307SEM
MAS-3307-72	QMPL18J307SEM	QAPL18A307SEM	QAAPL18A307SEM	DVP20K307SEM	QVPL19V307SEM	QVVPL19V307SEM
MAS-3307-F	QMPF18J307SEM	QAPF18A307SEM	QAAPF18A307SEM	DVPF20K307SEM	QVPF19V307SEM	QVVPF19V307SEM
MAS-3307-F-72	QMPF18J307SEM	QAPF18A307SEM	QAAPF18A307SEM	DVPF20K307SEM	QVPF19V307SEM	QVVPF19V307SEM
MAS-3308	QMPL18J308SEM	QAPL18A308SEM	QAAPL18A308SEM	DVP20K308SEM	QVPL19V308SEM	QVVPL19V308SEM
MAS-3308-72	QMPL18J308SEM	QAPL18A308SEM	QAAPL18A308SEM	DVP20K308SEM	QVPL19V308SEM	QVVPL19V308SEM
MAS-3308-F	QMPF18J308SEM	QAPF18A308SEM	QAAPF18A308SEM	DVPF20K308SEM	QVPF19V308SEM	QVVPF19V308SEM
MAS-3308-F-72	QMPF18J308SEM	QAPF18A308SEM	QAAPF18A308SEM	DVPF20K308SEM	QVPF19V308SEM	QVVPF19V308SEM
MAS-3315	QMP20J315SEM	QAP20A315SEM	QAAP20A315SEM	DVP22K315SEM	QVP22V315SEM	QVVP22V315SEM
MAS-3315-72	QMP20J315SEM	QAP20A315SEM	QAAP20A315SEM	DVP22K315SEM	QVP22V315SEM	QVVP22V315SEM
MAS-3315-F	QMPF20J315SEM	QAPF20A315SEM	QAAPF20A315SEM	DVPF22K315SEM	QVPF22V315SEM	QVVPF22V315SEM
MAS-3315-F-72	QMPF20J315SEM	QAPF20A315SEM	QAAPF20A315SEM	DVPF22K315SEM	QVPF22V315SEM	QVVPF22V315SEM
MB-2107	QMFY08J107SM	n/a	n/a	n/a	n/a	n/a
MB-2107-72	QMFY08J107SM	n/a	n/a	n/a	n/a	n/a
MB-2108	QMFY08J108SM	n/a	n/a	n/a	n/a	n/a
MB-2108-72	QMFY08J108SM	n/a	n/a	n/a	n/a	n/a
MB-2111	QMFY09J111SM	n/a	n/a	n/a	n/a	n/a
MB-2111-72	QMFY09J111SM	n/a	n/a	n/a	n/a	n/a
MB-2112	QMFY09J112SM	n/a	n/a	n/a	n/a	n/a
MB-2112-72	QMFY09J112SM	n/a	n/a	n/a	n/a	n/a
MB-2115	QMFY10J115SM	QAFY10A115SM	QAIFY10A115SM	n/a	QVFY11V115SM	QVVFY11V115SM
MB-2115-72	QMFY10J115SM	QAFY10A115SM	QAIFY10A115SM	n/a	QVFY11V115SM	QVVFY11V115SM
MB-2200	QMFY10J200SM	QAFY10A200SM	QAIFY10A200SM	n/a	QVFY11V200SM	QVVFY11V200SM
MB-2200-72	QMFY10J200SM	QAFY10A200SM	QAIFY10A200SM	n/a	QVFY11V200SM	QVVFY11V200SM
MB-2203	QMFY11J203SM	QAFY11A203SM	QAIFY11A203SM	n/a	QVFY12V203SM	QVVFY12V203SM
MB-2203-72	QMFY11J203SM	QAFY11A203SM	QAIFY11A203SM	n/a	QVFY12V203SM	QVVFY12V203SM
MB-2204	QMFY11J204SM	QAFY11A204SM	QAIFY11A204SM	n/a	QVFY12V204SM	QVVFY12V204SM
MB-2204-72	QMFY11J204SM	QAFY11A204SM	QAIFY11A204SM	n/a	QVFY12V204SM	QVVFY12V204SM
MB-2207	QMFY13J207SM	QAFY13A207SM	QAIFY13A207SM	n/a	QVFY14V207SM	QVVFY14V207SM
MB-2207-72	QMFY13J207SM	QAFY13A207SM	QAIFY13A207SM	n/a	QVFY14V207SM	QVVFY14V207SM
MB-2208	QMFY13J208SM	QAFY13A208SM	QAIFY13A208SM	n/a	QVFY14V208SM	QVVFY14V208SM
MB-2208-72	QMFY13J208SM	QAFY13A208SM	QAIFY13A208SM	n/a	QVFY14V208SM	QVVFY14V208SM
MB-2211	QMFY15J211SM	QAFY15A211SM	QAIFY15A211SM	n/a	QVFY16V211SM	QVVFY16V211SM
MB-2211-72	QMFY15J211SM	QAFY15A211SM	QAIFY15A211SM	n/a	QVFY16V211SM	QVVFY16V211SM
MB-2212	QMFY15J212SM	QAFY15A212SM	QAIFY15A212SM	n/a	QVFY16V212SM	QVVFY16V212SM
MB-2212-72	QMFY15J212SM	QAFY15A212SM	QAIFY15A212SM	n/a	QVFY16V212SM	QVVFY16V212SM

Note: This interchange guide is for reference only. **Some competitor bearings may not be shown.** If you are unable to find the bearing you are trying to interchange, please contact your local distributor or QM Bearings for assistance.

(continued on next page)

Blue Brute Bearings – Interchange Guide

Rexnord®

Rexnord Part Number	QM EC Series	QM CL Series		QM TA/DV Series	QM V-Lock® Series	
		Single-Collar	Double-Collar		Single-Nut	Double-Nut
MB-2215	QMFY15J215SM	QAFY15A215SM	QAAFY15A215SM	n/a	QVFY16V215SM	QVVFY16V215SM
MB-2215-72	QMFY15J215SM	QAFY15A215SM	QAAFY15A215SM	n/a	QVFY16V215SM	QVVFY16V215SM
MB-2300	QMFY15J300SM	QAFY15A300SM	QAAFY15A300SM	n/a	QVFY16V300SM	QVVFY16V300SM
MB-2300-72	QMFY15J300SM	QAFY15A300SM	QAAFY15A300SM	n/a	QVFY16V300SM	QVVFY16V300SM
MB-2303	QMFL18J303SM	QAF18A303SM	QAAFL18A303SM	n/a	QVFL19V303SM	QVVFL19V303SM
MB-2303-72	QMFL18J303SM	QAF18A303SM	QAAFL18A303SM	n/a	QVFL19V303SM	QVVFL19V303SM
MB-2307	QMFL18J307SM	QAF18A307SM	QAAFL18A307SM	n/a	QVFL19V307SM	QVVFL19V307SM
MB-2307-72	QMFL18J307SM	QAF18A307SM	QAAFL18A307SM	n/a	QVFL19V307SM	QVVFL19V307SM
MB-2308	QMFL18J308SM	QAF18A308SM	QAAFL18A308SM	n/a	QVFL19V308SM	QVVFL19V308SM
MB-2308-72	QMFL18J308SM	QAF18A308SM	QAAFL18A308SM	n/a	QVFL19V308SM	QVVFL19V308SM
MB-2315	QMFL20J315SM	QAF120A315SM	QAAFL20A315SM	n/a	QVFL22V315SM	QVVFL22V315SM
MB-2315-72	QMFL20J315SM	QAF120A315SM	QAAFL20A315SM	n/a	QVFL22V315SM	QVVFL22V315SM
MB-2400	QMFL20J400SM	QAF120A400SM	QAAFL20A400SM	n/a	QVFL22V400SM	QVVFL22V400SM
MB-2400-72	QMFL20J400SM	QAF120A400SM	QAAFL20A400SM	n/a	QVFL22V400SM	QVVFL22V400SM
MB-3107	QMFY08J107SM	n/a	n/a	n/a	n/a	n/a
MB-3107-72	QMFY08J107SM	n/a	n/a	n/a	n/a	n/a
MB-3111	QMFY09J111SM	n/a	n/a	n/a	n/a	n/a
MB-3111-72	QMFY09J111SM	n/a	n/a	n/a	n/a	n/a
MB-3115	QMFY10J115SM	QAFY10A115SM	QAAFY10A115SM	n/a	QVFY11V115SM	QVVFY11V115SM
MB-3115-72	QMFY10J115SM	QAFY10A115SM	QAAFY10A115SM	n/a	QVFY11V115SM	QVVFY11V115SM
MB-3203	QMFY11J203SM	QAFY11A203SM	QAAFY11A203SM	n/a	QVFY12V203SM	QVVFY12V203SM
MB-3203-72	QMFY11J203SM	QAFY11A203SM	QAAFY11A203SM	n/a	QVFY12V203SM	QVVFY12V203SM
MB-3207	QMFY13J207SM	QAFY13A207SM	QAAFY13A207SM	n/a	QVFY14V207SM	QVVFY14V207SM
MB-3207-72	QMFY13J207SM	QAFY13A207SM	QAAFY13A207SM	n/a	QVFY14V207SM	QVVFY14V207SM
MB-3208	QMFY13J208SM	QAFY13A208SM	QAAFY13A208SM	n/a	QVFY14V208SM	QVVFY14V208SM
MB-3208-72	QMFY13J208SM	QAFY13A208SM	QAAFY13A208SM	n/a	QVFY14V208SM	QVVFY14V208SM
MB-3211	QMFY15J211SM	QAFY15A211SM	QAAFY15A211SM	n/a	QVFY16V211SM	QVVFY16V211SM
MB-3211-72	QMFY15J211SM	QAFY15A211SM	QAAFY15A211SM	n/a	QVFY16V211SM	QVVFY16V211SM
MB-3215	QMFY15J215SM	QAFY15A215SM	QAAFY15A215SM	n/a	QVFY16V215SM	QVVFY16V215SM
MB-3215-72	QMFY15J215SM	QAFY15A215SM	QAAFY15A215SM	n/a	QVFY16V215SM	QVVFY16V215SM
MB-3307	QMFL18J307SM	QAF18A307SM	QAAFL18A307SM	n/a	QVFL19V307SM	QVVFL19V307SM
MB-3307-72	QMFL18J307SM	QAF18A307SM	QAAFL18A307SM	n/a	QVFL19V307SM	QVVFL19V307SM
MB-3308	QMFL18J308SM	QAF18A308SM	QAAFL18A308SM	n/a	QVFL19V308SM	QVVFL19V308SM
MB-3308-72	QMFL18J308SM	QAF18A308SM	QAAFL18A308SM	n/a	QVFL19V308SM	QVVFL19V308SM
MB-3315	QMFL20J315SM	QAF120A315SM	QAAFL20A315SM	n/a	QVFL22V315SM	QVVFL22V315SM
MB-3315-72	QMFL20J315SM	QAF120A315SM	QAAFL20A315SM	n/a	QVFL22V315SM	QVVFL22V315SM
MBR-2107	QMCW08J107SM	n/a	n/a	n/a	n/a	n/a
MBR-2107-72	QMCW08J107SM	n/a	n/a	n/a	n/a	n/a
MBR-2108	QMCW08J108SM	n/a	n/a	n/a	n/a	n/a
MBR-2108-72	QMCW08J108SM	n/a	n/a	n/a	n/a	n/a
MBR-2111	QMCW09J111SM	n/a	n/a	n/a	n/a	n/a
MBR-2111-72	QMCW09J111SM	n/a	n/a	n/a	n/a	n/a
MBR-2112	QMCW09J112SM	n/a	n/a	n/a	n/a	n/a

Note: This interchange guide is for reference only. **Some competitor bearings may not be shown.** If you are unable to find the bearing you are trying to interchange, please contact your local distributor or QM Bearings for assistance.

(continued on next page)

Blue Brute Bearings – Interchange Guide

Rexnord®

Rexnord Part Number	QM EC Series	QM CL Series		QM TA/DV Series	QM V-Lock® Series	
		Single-Collar	Double-Collar		Single-Nut	Double-Nut
MBR-2112-72	QMCW09J112SM	n/a	n/a	n/a	n/a	n/a
MBR-2115	QMCW10J115SM	QACW10A115SM	QAACW10A115SM	n/a	QVCW11V115SM	QVVCW11V115SM
MBR-2115-72	QMCW10J115SM	QACW10A115SM	QAACW10A115SM	n/a	QVCW11V115SM	QVVCW11V115SM
MBR-2200	QMCW10J200SM	QACW10A200SM	QAACW10A200SM	n/a	QVCW11V200SM	QVVCW11V200SM
MBR-2200-72	QMCW10J200SM	QACW10A200SM	QAACW10A200SM	n/a	QVCW11V200SM	QVVCW11V200SM
MBR-2203	QMCW11J203SM	QACW11A203SM	QAACW11A203SM	n/a	QVCW12V203SM	QVVCW12V203SM
MBR-2203-72	QMCW11J203SM	QACW11A203SM	QAACW11A203SM	n/a	QVCW12V203SM	QVVCW12V203SM
MBR-2204	QMCW11J204SM	QACW11A204SM	QAACW11A204SM	n/a	QVCW12V204SM	QVVCW12V204SM
MBR-2204-72	QMCW11J204SM	QACW11A204SM	QAACW11A204SM	n/a	QVCW12V204SM	QVVCW12V204SM
MBR-2207	QMCW13J207SM	QACW13A207SM	QAACW13A207SM	n/a	QVCW14V207SM	QVVCW14V207SM
MBR-2207-72	QMCW13J207SM	QACW13A207SM	QAACW13A207SM	n/a	QVCW14V207SM	QVVCW14V207SM
MBR-2208	QMCW13J208SM	QACW13A208SM	QAACW13A208SM	n/a	QVCW14V208SM	QVVCW14V208SM
MBR-2208-72	QMCW13J208SM	QACW13A208SM	QAACW13A208SM	n/a	QVCW14V208SM	QVVCW14V208SM
MBR-2211	QMCW15J211SM	QACW15A211SM	QAACW15A211SM	n/a	QVCW16V211SM	QVVCW16V211SM
MBR-2211-72	QMCW15J211SM	QACW15A211SM	QAACW15A211SM	n/a	QVCW16V211SM	QVVCW16V211SM
MBR-2212	QMCW15J212SM	QACW15A212SM	QAACW15A212SM	n/a	QVCW16V212SM	QVVCW16V212SM
MBR-2212-72	QMCW15J212SM	QACW15A212SM	QAACW15A212SM	n/a	QVCW16V212SM	QVVCW16V212SM
MBR-2215	QMCW15J215SM	QACW15A215SM	QAACW15A215SM	n/a	QVCW16V215SM	QVVCW16V215SM
MBR-2215-72	QMCW15J215SM	QACW15A215SM	QAACW15A215SM	n/a	QVCW16V215SM	QVVCW16V215SM
MBR-2300	QMCW15J300SM	QACW15A300SM	QAACW15A300SM	n/a	QVCW16V300SM	QVVCW16V300SM
MBR-2300-72	QMCW15J300SM	QACW15A300SM	QAACW15A300SM	n/a	QVCW16V300SM	QVVCW16V300SM
MBR-2303	QMCW18J303SM	QACW18A303SM	QAACW18A303SM	n/a	QVCW19V303SM	QVVCW19V303SM
MBR-2303-72	QMCW18J303SM	QACW18A303SM	QAACW18A303SM	n/a	QVCW19V303SM	QVVCW19V303SM
MBR-2307	QMCW18J307SM	QACW18A307SM	QAACW18A307SM	n/a	QVCW19V307SM	QVVCW19V307SM
MBR-2307-72	QMCW18J307SM	QACW18A307SM	QAACW18A307SM	n/a	QVCW19V307SM	QVVCW19V307SM
MBR-2308	QMCW18J308SM	QACW18A308SM	QAACW18A308SM	n/a	QVCW19V308SM	QVVCW19V308SM
MBR-2308-72	QMCW18J308SM	QACW18A308SM	QAACW18A308SM	n/a	QVCW19V308SM	QVVCW19V308SM
MBR-2315	QMCW20J315SM	QACW20A315SM	QAACW20A315SM	n/a	QVCW22V315SM	QVVCW22V315SM
MBR-2315-72	QMCW20J315SM	QACW20A315SM	QAACW20A315SM	n/a	QVCW22V315SM	QVVCW22V315SM
MBR-2400	QMCW20J400SM	QACW20A400SM	QAACW20A400SM	n/a	QVCW22V400SM	QVVCW22V400SM
MBR-2400-72	QMCW20J400SM	QACW20A400SM	QAACW20A400SM	n/a	QVCW22V400SM	QVVCW22V400SM
MBR-3115	QMCW10J115SM	QACW10A115SM	QAACW10A115SM	n/a	QVCW11V115SM	QVVCW11V115SM
MBR-3115-72	QMCW10J115SM	QACW10A115SM	QAACW10A115SM	n/a	QVCW11V115SM	QVVCW11V115SM
MBR-3203	QMCW11J203SM	QACW11A203SM	QAACW11A203SM	n/a	QVCW12V203SM	QVVCW12V203SM
MBR-3203-72	QMCW11J203SM	QACW11A203SM	QAACW11A203SM	n/a	QVCW12V203SM	QVVCW12V203SM
MBR-3207	QMCW13J207SM	QACW13A207SM	QAACW13A207SM	n/a	QVCW14V207SM	QVVCW14V207SM
MBR-3207-72	QMCW13J207SM	QACW13A207SM	QAACW13A207SM	n/a	QVCW14V207SM	QVVCW14V207SM
MBR-3208	QMCW13J208SM	QACW13A208SM	QAACW13A208SM	n/a	QVCW14V208SM	QVVCW14V208SM
MBR-3208-72	QMCW13J208SM	QACW13A208SM	QAACW13A208SM	n/a	QVCW14V208SM	QVVCW14V208SM
MBR-3211	QMCW15J211SM	QACW15A211SM	QAACW15A211SM	n/a	QVCW16V211SM	QVVCW16V211SM
MBR-3211-72	QMCW15J211SM	QACW15A211SM	QAACW15A211SM	n/a	QVCW16V211SM	QVVCW16V211SM
MBR-3215	QMCW15J215SM	QACW15A215SM	QAACW15A215SM	n/a	QVCW16V215SM	QVVCW16V215SM
MBR-3215-72	QMCW15J215SM	QACW15A215SM	QAACW15A215SM	n/a	QVCW16V215SM	QVVCW16V215SM

Note: This interchange guide is for reference only. **Some competitor bearings may not be shown.** If you are unable to find the bearing you are trying to interchange, please contact your local distributor or QM Bearings for assistance.

(continued on next page)

Introduction

Blue Brute Bearings

Bearing Interchange Guide

Quick-Flex Couplings

Rigid Compression Couplings

Index

Blue Brute Bearings – Interchange Guide

Rexnord®

Rexnord Part Number	QM EC Series	QM CL Series		QM TA/DV Series	QM V-Lock® Series	
		Single-Collar	Double-Collar		Single-Nut	Double-Nut
MBR-3307	QMCW18J307SM	QACW18A307SM	QAACW18A307SM	n/a	QVCW19V307SM	QVVCW19V307SM
MBR-3307-72	QMCW18J307SM	QACW18A307SM	QAACW18A307SM	n/a	QVCW19V307SM	QVVCW19V307SM
MBR-3308	QMCW18J308SM	QACW18A308SM	QAACW18A308SM	n/a	QVCW19V308SM	QVVCW19V308SM
MBR-3308-72	QMCW18J308SM	QACW18A308SM	QAACW18A308SM	n/a	QVCW19V308SM	QVVCW19V308SM
MBR-3315	QMCW20J315SM	QACW20A315SM	QAACW20A315SM	n/a	QVCW22V315SM	QVVCW22V315SM
MBR-3315-72	QMCW20J315SM	QACW20A315SM	QAACW20A315SM	n/a	QVCW22V315SM	QVVCW22V315SM
MBR-5107	QMCW08J107SM	n/a	n/a	n/a	n/a	n/a
MBR-5107-72	QMCW08J107SM	n/a	n/a	n/a	n/a	n/a
MBR-5108	QMCW08J108SM	n/a	n/a	n/a	n/a	n/a
MBR-5108-72	QMCW08J108SM	n/a	n/a	n/a	n/a	n/a
MBR-5111	QMCW09J111SM	n/a	n/a	n/a	n/a	n/a
MBR-5111-72	QMCW09J111SM	n/a	n/a	n/a	n/a	n/a
MBR-5112	QMCW09J112SM	n/a	n/a	n/a	n/a	n/a
MBR-5112-72	QMCW09J112SM	n/a	n/a	n/a	n/a	n/a
MBR-5115	QMCW10J115SM	n/a	QAACW10A115SM	n/a	QVCW11V115SM	QVVCW11V115SM
MBR-5115-72	QMCW10J115SM	n/a	QAACW10A115SM	n/a	QVCW11V115SM	QVVCW11V115SM
MBR-5200	QMCW10J200SM	n/a	QAACW10A200SM	n/a	QVCW11V200SM	QVVCW11V200SM
MBR-5200-72	QMCW10J200SM	n/a	QAACW10A200SM	n/a	QVCW11V200SM	QVVCW11V200SM
MBR-5203	QMCW11J203SM	n/a	QAACW11A203SM	n/a	QVCW12V203SM	QVVCW12V203SM
MBR-5203-72	QMCW11J203SM	n/a	QAACW11A203SM	n/a	QVCW12V203SM	QVVCW12V203SM
MBR-5204	QMCW11J204SM	n/a	QAACW11A204SM	n/a	QVCW12V204SM	QVVCW12V204SM
MBR-5204-72	QMCW11J204SM	n/a	QAACW11A204SM	n/a	QVCW12V204SM	QVVCW12V204SM
MBR-5207	QMCW13J207SM	n/a	QAACW13A207SM	n/a	QVCW14V207SM	QVVCW14V207SM
MBR-5207-72	QMCW13J207SM	n/a	QAACW13A207SM	n/a	QVCW14V207SM	QVVCW14V207SM
MBR-5211	QMCW15J211SM	n/a	QAACW15A211SM	n/a	QVCW16V211SM	QVVCW16V211SM
MBR-5211-72	QMCW15J211SM	n/a	QAACW15A211SM	n/a	QVCW16V211SM	QVVCW16V211SM
MBR-5212	QMCW15J212SM	n/a	QAACW15A212SM	n/a	QVCW16V212SM	QVVCW16V212SM
MBR-5212-72	QMCW15J212SM	n/a	QAACW15A212SM	n/a	QVCW16V212SM	QVVCW16V212SM
MBR-5215	QMCW15J215SM	n/a	QAACW15A215SM	n/a	QVCW16V215SM	QVVCW16V215SM
MBR-5215-72	QMCW15J215SM	n/a	QAACW15A215SM	n/a	QVCW16V215SM	QVVCW16V215SM
MBR-5300	QMCW15J300SM	n/a	QAACW15A300SM	n/a	QVCW16V300SM	QVVCW16V300SM
MBR-5300-72	QMCW15J300SM	n/a	QAACW15A300SM	n/a	QVCW16V300SM	QVVCW16V300SM
MBR-5303	QMCW18J303SM	n/a	QAACW18A303SM	n/a	QVCW19V303SM	QVVCW19V303SM
MBR-5303-72	QMCW18J303SM	n/a	QAACW18A303SM	n/a	QVCW19V303SM	QVVCW19V303SM
MBR-5307	QMCW18J307SM	n/a	QAACW18A307SM	n/a	QVCW19V307SM	QVVCW19V307SM
MBR-5307-72	QMCW18J307SM	n/a	QAACW18A307SM	n/a	QVCW19V307SM	QVVCW19V307SM
MBR-5315	QMCW20J315SM	n/a	QAACW20A315SM	n/a	QVCW22V315SM	QVVCW22V315SM
MBR-5315-72	QMCW20J315SM	n/a	QAACW20A315SM	n/a	QVCW22V315SM	QVVCW22V315SM
MBR-5400	QMCW20J400SM	n/a	QAACW20A400SM	n/a	QVCW22V400SM	QVVCW22V400SM
MBR-5400-72	QMCW20J400SM	n/a	QAACW20A400SM	n/a	QVCW22V400SM	QVVCW22V400SM
MBR-5407	QMCW22J407SM	n/a	QAACW22A407SM	n/a	QVCW26V407SM	QVVCW26V407SM
MBR-5407-72	QMCW22J407SM	n/a	QAACW22A407SM	n/a	QVCW26V407SM	QVVCW26V407SM
MBR-5408	QMCW22J408SM	n/a	QAACW22A408SM	n/a	QVCW26V408SM	QVVCW26V408SM

Note: This interchange guide is for reference only. **Some competitor bearings may not be shown.** If you are unable to find the bearing you are trying to interchange, please contact your local distributor or QM Bearings for assistance.

(continued on next page)

Blue Brute Bearings – Interchange Guide

Rexnord®

Rexnord Part Number	QM EC Series	QM CL Series		QM TA/DV Series	QM V-Lock® Series	
		Single-Collar	Double-Collar		Single-Nut	Double-Nut
MBR-5408-72	QMCW22J408SM	n/a	QAACW22A408SM	n/a	QVCW26V408SM	QVVCW26V408SM
MBR-5415	QMCW26J415SM	n/a	QAACW26A415SM	n/a	QVCW26V415SM	QVVCW26V415SM
MBR-5415-72	QMCW26J415SM	n/a	QAACW26A415SM	n/a	QVCW28V415SM	QVVCW28V415SM
MBR-5500	QMCW26J500SM	n/a	QAACW26A500SM	n/a	QVCW28V500SM	QVVCW28V500SM
MBR-5500-72	QMCW26J500SM	n/a	QAACW26A500SM	n/a	QVCW28V500SM	QVVCW28V500SM
MBR-5507	QMCW30J507SM	n/a	n/a	n/a	n/a	n/a
MBR-5507-72	QMCW30J507SM	n/a	n/a	n/a	n/a	n/a
MBR-5515	QMCW30J515SM	n/a	n/a	n/a	n/a	n/a
MBR-5515-72	QMCW30J515SM	n/a	n/a	n/a	n/a	n/a
MBR-5600	QMCW30J600SM	n/a	n/a	n/a	n/a	n/a
MBR-5600-72	QMCW30J600SM	n/a	n/a	n/a	n/a	n/a
MBR-5607	QMCW34J607SM	n/a	n/a	n/a	n/a	n/a
MBR-5607-72	QMCW34J607SM	n/a	n/a	n/a	n/a	n/a
MBR-5608	QMCW34J608SM	n/a	n/a	n/a	n/a	n/a
MBR-5608-72	QMCW34J608SM	n/a	n/a	n/a	n/a	n/a
MBR-5615	QMCW34J615SM	n/a	n/a	n/a	n/a	n/a
MBR-5615-72	QMCW34J615SM	n/a	n/a	n/a	n/a	n/a
MBR-5700	QMCW34J700SM	n/a	n/a	n/a	n/a	n/a
MBR-5700-72	QMCW34J700SM	n/a	n/a	n/a	n/a	n/a
MEF-2107	QMF08J107SM	n/a	n/a	n/a	n/a	n/a
MEF-2107-72	QMF08J107SM	n/a	n/a	n/a	n/a	n/a
MEF-2108	QMF08J108SM	n/a	n/a	n/a	n/a	n/a
MEF-2108-72	QMF08J108SM	n/a	n/a	n/a	n/a	n/a
MEF-2111	QMF09J111SM	n/a	n/a	n/a	n/a	n/a
MEF-2111-72	QMF09J111SM	n/a	n/a	n/a	n/a	n/a
MEF-2112	QMF09J112SM	n/a	n/a	n/a	n/a	n/a
MEF-2112-72	QMF09J112SM	n/a	n/a	n/a	n/a	n/a
MEF-2115	QMF10J115SM	QAF10A115SM	QAAF10A115SM	DVF11K115SM	QVF11V115SM	QVVF11V115SM
MEF-2115-72	QMF10J115SM	QAF10A115SM	QAAF10A115SM	DVF11K115SM	QVF11V115SM	QVVF11V115SM
MEF-2200	QMF10J200SM	QAF10A200SM	QAAF10A200SM	DVF11K200SM	QVF11V200SM	QVVF11V200SM
MEF-2200-72	QMF10J200SM	QAF10A200SM	QAAF10A200SM	DVF11K200SM	QVF11V200SM	QVVF11V200SM
MEF-2203	QMF11J203SM	QAF11A203SM	QAAF11A203SM	DVF13K203SM	QVF12V203SM	QVVF12V203SM
MEF-2203-72	QMF11J203SM	QAF11A203SM	QAAF11A203SM	DVF13K203SM	QVF12V203SM	QVVF12V203SM
MEF-2207	QMF13J207SM	QAF13A207SM	QAAF13A207SM	DVF15K207SM	QVF14V207SM	QVVF14V207SM
MEF-2207-72	QMF13J207SM	QAF13A207SM	QAAF13A207SM	DVF15K207SM	QVF14V207SM	QVVF14V207SM
MEF-2208	QMF13J208SM	QAF13A208SM	QAAF13A208SM	DVF15K208SM	QVF14V208SM	QVVF14V208SM
MEF-2208-72	QMF13J208SM	QAF13A208SM	QAAF13A208SM	DVF15K208SM	QVF14V208SM	QVVF14V208SM
MEF-2211	QMF15J211SM	QAF15A211SM	QAAF15A211SM	n/a	QVF16V211SM	QVVF16V211SM
MEF-2211-72	QMF15J211SM	QAF15A211SM	QAAF15A211SM	n/a	QVF16V211SM	QVVF16V211SM
MEF-2212	QMF15J212SM	QAF15A212SM	QAAF15A212SM	n/a	QVF16V212SM	QVVF16V212SM
MEF-2212-72	QMF15J212SM	QAF15A212SM	QAAF15A212SM	n/a	QVF16V212SM	QVVF16V212SM
MEF-2215	QMF15J215SM	QAF15A215SM	QAAF15A215SM	DVF17K215SM	QVF16V215SM	QVVF16V215SM
MEF-2215-72	QMF15J215SM	QAF15A215SM	QAAF15A215SM	DVF17K215SM	QVF16V215SM	QVVF16V215SM

Note: This interchange guide is for reference only. **Some competitor bearings may not be shown.** If you are unable to find the bearing you are trying to interchange, please contact your local distributor or QM Bearings for assistance.

(continued on next page)

Introduction
Blue Brute Bearings
Bearing Interchange Guide
Quick-Flex Couplings
Rigid Compression Couplings
Index

Blue Brute Bearings – Interchange Guide

Rexnord®

Rexnord Part Number	QM EC Series	QM CL Series		QM TA/DV Series	QM V-Lock® Series	
		Single-Collar	Double-Collar		Single-Nut	Double-Nut
MEF-2300	QMF15J300SM	QAF15A300SM	QAAF15A300SM	DVF17K300SM	QVF16V300SM	QVVF16V300SM
MEF-2300-72	QMF15J300SM	QAF15A300SM	QAAF15A300SM	DVF17K300SM	QVF16V300SM	QVVF16V300SM
MEF-2303	QMF18J303SM	QAF18A303SM	QAAF18A303SM	n/a	QVF19V303SM	QVVF19V303SM
MEF-2303-72	QMF18J303SM	QAF18A303SM	QAAF18A303SM	n/a	QVF19V303SM	QVVF19V303SM
MEF-2307	QMF18J307SM	QAF18A307SM	QAAF18A307SM	DVF20K307SM	QVF19V307SM	QVVF19V307SM
MEF-2307-72	QMF18J307SM	QAF18A307SM	QAAF18A307SM	DVF20K307SM	QVF19V307SM	QVVF19V307SM
MEF-2308	QMF18J308SM	QAF18A308SM	QAAF18A308SM	DVF20K308SM	QVF19V308SM	QVVF19V308SM
MEF-2308-72	QMF18J308SM	QAF18A308SM	QAAF18A308SM	DVF20K308SM	QVF19V308SM	QVVF19V308SM
MEF-2315	QMF20J315SM	QAF20A315SM	QAAF20A315SM	DVF22K315SM	QVF22V315SM	QVVF22V315SM
MEF-2315-72	QMF20J315SM	QAF20A315SM	QAAF20A315SM	DVF22K315SM	QVF22V315SM	QVVF22V315SM
MEF-2400	QMF20J400SM	QAF20A400SM	QAAF20A400SM	DVF22K400SM	QVF22V400SM	QVVF22V400SM
MEF-2400-72	QMF20J400SM	QAF20A400SM	QAAF20A400SM	DVF22K400SM	QVF22V400SM	QVVF22V400SM
MEF-3107	QMF08J107SM	n/a	n/a	n/a	n/a	n/a
MEF-3107-72	QMF08J107SM	n/a	n/a	n/a	n/a	n/a
MEF-3111	QMF09J111SM	n/a	n/a	n/a	n/a	n/a
MEF-3111-72	QMF09J111SM	n/a	n/a	n/a	n/a	n/a
MEF-3115	QMF10J115SM	QAF10A115SM	QAAF10A115SM	DVF11K115SM	QVF11V115SM	QVVF11V115SM
MEF-3115-72	QMF10J115SM	QAF10A115SM	QAAF10A115SM	DVF11K115SM	QVF11V115SM	QVVF11V115SM
MEF-3203	QMF11J203SM	QAF11A203SM	QAAF11A203SM	DVF13K203SM	QVF12V203SM	QVVF12V203SM
MEF-3203-72	QMF11J203SM	QAF11A203SM	QAAF11A203SM	DVF13K203SM	QVF12V203SM	QVVF12V203SM
MEF-3207	QMF13J207SM	QAF13A207SM	QAAF13A207SM	DVF15K207SM	QVF14V207SM	QVVF14V207SM
MEF-3207-72	QMF13J207SM	QAF13A207SM	QAAF13A207SM	DVF15K207SM	QVF14V207SM	QVVF14V207SM
MEF-3208	QMF13J208SM	QAF13A208SM	QAAF13A208SM	DVF15K208SM	QVF14V208SM	QVVF14V208SM
MEF-3208-72	QMF13J208SM	QAF13A208SM	QAAF13A208SM	DVF15K208SM	QVF14V208SM	QVVF14V208SM
MEF-3211	QMF15J211SM	QAF15A211SM	QAAF15A211SM	n/a	QVF16V211SM	QVVF16V211SM
MEF-3211-72	QMF15J211SM	QAF15A211SM	QAAF15A211SM	n/a	QVF16V211SM	QVVF16V211SM
MEF-3215	QMF15J215SM	QAF15A215SM	QAAF15A215SM	DVF17K215SM	QVF16V215SM	QVVF16V215SM
MEF-3215-72	QMF15J215SM	QAF15A215SM	QAAF15A215SM	DVF17K215SM	QVF16V215SM	QVVF16V215SM
MEF-3307	QMF18J307SM	QAF18A307SM	QAAF18A307SM	DVF20K307SM	QVF19V307SM	QVVF19V307SM
MEF-3307-72	QMF18J307SM	QAF18A307SM	QAAF18A307SM	DVF20K307SM	QVF19V307SM	QVVF19V307SM
MEF-3308	QMF18J308SM	QAF18A308SM	QAAF18A308SM	DVF20K308SM	QVF19V308SM	QVVF19V308SM
MEF-3308-72	QMF18J308SM	QAF18A308SM	QAAF18A308SM	DVF20K308SM	QVF19V308SM	QVVF19V308SM
MEF-3315	QMF20J315SM	QAF20A315SM	QAAF20A315SM	DVF22K315SM	QVF22V315SM	QVVF22V315SM
MEF-3315-72	QMF20J315SM	QAF20A315SM	QAAF20A315SM	DVF22K315SM	QVF22V315SM	QVVF22V315SM
MEP-2107	QMP08J107SM	n/a	n/a	n/a	n/a	n/a
MEP-2107-72	QMP08J107SM	n/a	n/a	n/a	n/a	n/a
MEP-2108	QMP08J108SM	n/a	n/a	n/a	n/a	n/a
MEP-2108-72	QMP08J108SM	n/a	n/a	n/a	n/a	n/a
MEP-2111	QMP09J111SM	n/a	n/a	n/a	n/a	n/a
MEP-2111-72	QMP09J111SM	n/a	n/a	n/a	n/a	n/a
MEP-2112	QMP09J112SM	n/a	n/a	n/a	n/a	n/a
MEP-2112-72	QMP09J112SM	n/a	n/a	n/a	n/a	n/a
MEP-2115	QMP10J115SM	QAP10A115SM	QAAP10A115SM	DVP11K115SM	QVP11V115SM	QVVP11V115SM

Note: This interchange guide is for reference only. **Some competitor bearings may not be shown.** If you are unable to find the bearing you are trying to interchange, please contact your local distributor or QM Bearings for assistance.

(continued on next page)

Blue Brute Bearings – Interchange Guide

Rexnord®

Rexnord Part Number	QM EC Series	QM CL Series		QM TA/DV Series	QM V-Lock® Series	
		Single-Collar	Double-Collar		Single-Nut	Double-Nut
MEP-2115-72	QMP10J115SM	QAP10A115SM	QAAP10A115SM	DVP11K115SM	QVP11V115SM	QVVP11V115SM
MEP-2200	QMP10J200SM	QAP10A200SM	QAAP10A200SM	DVP11K200SM	QVP11V200SM	QVVP11V200SM
MEP-2200-72	QMP10J200SM	QAP10A200SM	QAAP10A200SM	DVP11K200SM	QVP11V200SM	QVVP11V200SM
MEP-2203	QMP11J203SM	QAP11A203SM	QAAP11A203SM	DVP13K203SM	QVP12V203SM	QVVP12V203SM
MEP-2203-72	QMP11J203SM	QAP11A203SM	QAAP11A203SM	DVP13K203SM	QVP12V203SM	QVVP12V203SM
MEP-2207	QMP13J207SM	QAP13A207SM	QAAP13A207SM	DVP15K207SM	QVP14V207SM	QVVP14V207SM
MEP-2207-72	QMP13J207SM	QAP13A207SM	QAAP13A207SM	DVP15K207SM	QVP14V207SM	QVVP14V207SM
MEP-2207-F	QMPR13J207SM	QAPR13A207SM	QAAPR13A207SM	n/a	QVPR14V207SM	QVVP14V207SM
MEP-2207-F-72	QMPR13J207SM	QAPR13A207SM	QAAPR13A207SM	n/a	QVPR14V207SM	QVVP14V207SM
MEP-2208	QMP13J208SM	QAP13A208SM	QAAP13A208SM	DVP15K208SM	QVP14V208SM	QVVP14V208SM
MEP-2208-72	QMP13J208SM	QAP13A208SM	QAAP13A208SM	DVP15K208SM	QVP14V208SM	QVVP14V208SM
MEP-2208-F	QMPR13J208SM	QAPR13A208SM	QAAPR13A208SM	n/a	QVPR14V208SM	QVVP14V208SM
MEP-2208-F-72	QMPR13J208SM	QAPR13A208SM	QAAPR13A208SM	n/a	QVPR14V208SM	QVVP14V208SM
MEP-2211	QMP15J211SM	QAP15A211SM	QAAP15A211SM	n/a	QVP16V211SM	QVVP16V211SM
MEP-2211-72	QMP15J211SM	QAP15A211SM	QAAP15A211SM	n/a	QVP16V211SM	QVVP16V211SM
MEP-2211-F	QMPR15J211SM	QAPR15A211SM	QAAPR15A211SM	n/a	QVPR16V211SM	QVVP16V211SM
MEP-2211-F-72	QMPR15J211SM	QAPR15A211SM	QAAPR15A211SM	n/a	QVPR16V211SM	QVVP16V211SM
MEP-2212	QMP15J212SM	QAP15A212SM	QAAP15A212SM	n/a	QVP16V212SM	QVVP16V212SM
MEP-2212-72	QMP15J212SM	QAP15A212SM	QAAP15A212SM	n/a	QVP16V212SM	QVVP16V212SM
MEP-2212-F	QMPR15J212SM	QAPR15A212SM	QAAPR15A212SM	n/a	QVPR16V212SM	QVVP16V212SM
MEP-2212-F-72	QMPR15J212SM	QAPR15A212SM	QAAPR15A212SM	n/a	QVPR16V212SM	QVVP16V212SM
MEP-2215	QMP15J215SM	QAP15A215SM	QAAP15A215SM	n/a	QVP16V215SM	QVVP16V215SM
MEP-2215-72	QMP15J215SM	QAP15A215SM	QAAP15A215SM	n/a	QVP16V215SM	QVVP16V215SM
MEP-2215-F	QMPR15J215SM	QAPR15A215SM	QAAPR15A215SM	n/a	QVPR16V215SM	QVVP16V215SM
MEP-2215-F-72	QMPR15J215SM	QAPR15A215SM	QAAPR15A215SM	n/a	QVPR16V215SM	QVVP16V215SM
MEP-2300	QMP15J300SM	QAP15A300SM	QAAP15A300SM	n/a	QVP16V300SM	QVVP16V300SM
MEP-2300-72	QMP15J300SM	QAP15A300SM	QAAP15A300SM	n/a	QVP16V300SM	QVVP16V300SM
MEP-2300-F	QMPR15J300SM	QAPR15A300SM	QAAPR15A300SM	n/a	QVPR16V300SM	QVVP16V300SM
MEP-2300-F-72	QMPR15J300SM	QAPR15A300SM	QAAPR15A300SM	n/a	QVPR16V300SM	QVVP16V300SM
MEP-2303	QMP18J303SM	QAP18A303SM	QAAP18A303SM	n/a	QVP19V303SM	QVVP19V303SM
MEP-2303-72	QMP18J303SM	QAP18A303SM	QAAP18A303SM	n/a	QVP19V303SM	QVVP19V303SM
MEP-2303-F	QMPR18J303SM	QAPR18A303SM	QAAPR18A303SM	n/a	QVPR19V303SM	QVVP19V303SM
MEP-2303-F-72	QMPR18J303SM	QAPR18A303SM	QAAPR18A303SM	n/a	QVPR19V303SM	QVVP19V303SM
MEP-2307	QMP18J307SM	QAP18A307SM	QAAP18A307SM	DVP20K307SM	QVP19V307SM	QVVP19V307SM
MEP-2307-72	QMP18J307SM	QAP18A307SM	QAAP18A307SM	DVP20K307SM	QVP19V307SM	QVVP19V307SM
MEP-2307-F	QMPR18J307SM	QAPR18A307SM	QAAPR18A307SM	n/a	QVPR19V307SM	QVVP19V307SM
MEP-2307-F-72	QMPR18J307SM	QAPR18A307SM	QAAPR18A307SM	n/a	QVPR19V307SM	QVVP19V307SM
MEP-2308	QMP18J308SM	QAP18A308SM	QAAP18A308SM	DVP20K308SM	QVP19V308SM	QVVP19V308SM
MEP-2308-72	QMP18J308SM	QAP18A308SM	QAAP18A308SM	DVP20K308SM	QVP19V308SM	QVVP19V308SM
MEP-2308-F	QMPR18J308SM	QAPR18A308SM	QAAPR18A308SM	n/a	QVPR19V308SM	QVVP19V308SM
MEP-2308-F-72	QMPR18J308SM	QAPR18A308SM	QAAPR18A308SM	n/a	QVPR19V308SM	QVVP19V308SM
MEP-2315-F	QMPF20J315SM	QAPF20A315SM	QAAPF20A315SM	DVPF22K315SM	QVPF22V315SM	QVVPF22V315SM
MEP-2315-F-72	QMPF20J315SM	QAPF20A315SM	QAAPF20A315SM	DVPF22K315SM	QVPF22V315SM	QVVPF22V315SM

Note: This interchange guide is for reference only. **Some competitor bearings may not be shown.** If you are unable to find the bearing you are trying to interchange, please contact your local distributor or QM Bearings for assistance.

(continued on next page)

Blue Brute Bearings – Interchange Guide

Rexnord®

Rexnord Part Number	QM EC Series	QM CL Series		QM TA/DV Series	QM V-Lock® Series	
		Single-Collar	Double-Collar		Single-Nut	Double-Nut
MEP-2400-F	QMPF20J400SM	QAPF20A400SM	QAAPF20A400SM	DVPF22K400SM	QVPF22V400SM	QVVPF22V400SM
MEP-2400-F-72	QMPF20J400SM	QAPF20A400SM	QAAPF20A400SM	DVPF22K400SM	QVPF22V400SM	QVVPF22V400SM
MEP-3107	QMP08J107SM	n/a	n/a	n/a	n/a	n/a
MEP-3107-72	QMP08J107SM	n/a	n/a	n/a	n/a	n/a
MEP-3111	QMP09J111SM	n/a	n/a	n/a	n/a	n/a
MEP-3111-72	QMP09J111SM	n/a	n/a	n/a	n/a	n/a
MEP-3115	QMP10J115SM	QAP10A115SM	QAAP10A115SM	DVP11K115SM	QVP11V115SM	QVVP11V115SM
MEP-3115-72	QMP10J115SM	QAP10A115SM	QAAP10A115SM	DVP11K115SM	QVP11V115SM	QVVP11V115SM
MEP-3203	QMP11J203SM	QAP11A203SM	QAAP11A203SM	DVP13K203SM	QVP12V203SM	QVVP12V203SM
MEP-3203-72	QMP11J203SM	QAP11A203SM	QAAP11A203SM	DVP13K203SM	QVP12V203SM	QVVP12V203SM
MEP-3207	QMP13J207SM	QAP13A207SM	QAAP13A207SM	DVP15K207SM	QVP14V207SM	QVVP14V207SM
MEP-3207-72	QMP13J207SM	QAP13A207SM	QAAP13A207SM	DVP15K207SM	QVP14V207SM	QVVP14V207SM
MEP-3207-F	QMPR13J207SM	QAPR13A207SM	QAAPR13A207SM	n/a	QVPR14V207SM	QVPR14V207SM
MEP-3207-F-72	QMPR13J207SM	QAPR13A207SM	QAAPR13A207SM	n/a	QVPR14V207SM	QVPR14V207SM
MEP-3208	QMP13J208SM	QAP13A208SM	QAAP13A208SM	DVP15K208SM	QVP14V208SM	QVVP14V208SM
MEP-3208-72	QMP13J208SM	QAP13A208SM	QAAP13A208SM	DVP15K208SM	QVP14V208SM	QVVP14V208SM
MEP-3208-F	QMPR13J208SM	QAPR13A208SM	QAAPR13A208SM	n/a	QVPR14V208SM	QVPR14V208SM
MEP-3208-F-72	QMPR13J208SM	QAPR13A208SM	QAAPR13A208SM	n/a	QVPR14V208SM	QVPR14V208SM
MEP-3211	QMP15J211SM	QAP15A211SM	QAAP15A211SM	n/a	QVP16V211SM	QVVP16V211SM
MEP-3211-72	QMP15J211SM	QAP15A211SM	QAAP15A211SM	n/a	QVP16V211SM	QVVP16V211SM
MEP-3211-F	QMPR15J211SM	QAPR15A211SM	QAAPR15A211SM	n/a	QVPR16V211SM	QVPR16V211SM
MEP-3211-F-72	QMPR15J211SM	QAPR15A211SM	QAAPR15A211SM	n/a	QVPR16V211SM	QVPR16V211SM
MEP-3215	QMP15J215SM	QAP15A215SM	QAAP15A215SM	n/a	QVP16V215SM	QVVP16V215SM
MEP-3215-72	QMP15J215SM	QAP15A215SM	QAAP15A215SM	n/a	QVP16V215SM	QVVP16V215SM
MEP-3215-F	QMPR15J215SM	QAPR15A215SM	QAAPR15A215SM	n/a	QVPR16V215SM	QVPR16V215SM
MEP-3215-F-72	QMPR15J215SM	QAPR15A215SM	QAAPR15A215SM	n/a	QVPR16V215SM	QVPR16V215SM
MEP-3307	QMP18J307SM	QAP18A307SM	QAAP18A307SM	DVP20K307SM	QVP19V307SM	QVVP19V307SM
MEP-3307-72	QMP18J307SM	QAP18A307SM	QAAP18A307SM	DVP20K307SM	QVP19V307SM	QVVP19V307SM
MEP-3307-F	QMPR18J307SM	QAPR18A307SM	QAAPR18A307SM	n/a	QVPR19V307SM	QVPR19V307SM
MEP-3307-F-72	QMPR18J307SM	QAPR18A307SM	QAAPR18A307SM	n/a	QVPR19V307SM	QVPR19V307SM
MEP-3308	QMP18J308SM	QAP18A308SM	QAAP18A308SM	DVP20K308SM	QVP19V308SM	QVVP19V308SM
MEP-3308-72	QMP18J308SM	QAP18A308SM	QAAP18A308SM	DVP20K308SM	QVP19V308SM	QVVP19V308SM
MEP-3308-F	QMPR18J308SM	QAPR18A308SM	QAAPR18A308SM	n/a	QVPR19V308SM	QVPR19V308SM
MEP-3308-F-72	QMPR18J308SM	QAPR18A308SM	QAAPR18A308SM	n/a	QVPR19V308SM	QVPR19V308SM
MEP-3315-F	QMPF20J315SM	QAPF20A315SM	QAAPF20A315SM	DVPF22K315SM	QVPF22V315SM	QVVPF22V315SM
MEP-3315-F-72	QMPF20J315SM	QAPF20A315SM	QAAPF20A315SM	DVPF22K315SM	QVPF22V315SM	QVVPF22V315SM
MEP-5407-F	QMPF22J407SM	n/a	QAAPF22A407SM	n/a	QVPF26V407SM	QVVPF26V407SM
MEP-5407-F-72	QMPF22J407SM	n/a	QAAPF22A407SM	n/a	QVPF26V407SM	QVVPF26V407SM
MEP-5408-F	QMPF22J408SM	n/a	QAAPF22A408SM	n/a	QVPF26V408SM	QVVPF26V408SM
MEP-5408-F-72	QMPF22J408SM	n/a	QAAPF22A408SM	n/a	QVPF26V408SM	QVVPF26V408SM
MEP-5415-F	QMPF26J415SM	n/a	QAAPF26A415SM	n/a	QVPF28V415SM	QVVPF28V415SM
MEP-5415-F-72	QMPF26J415SM	n/a	QAAPF26A415SM	n/a	QVPF28V415SM	QVVPF28V415SM
MEP-5500-F	QMPF26J500SM	n/a	QAAPF26A500SM	n/a	QVPF28V500SM	QVVPF28V500SM

Note: This interchange guide is for reference only. **Some competitor bearings may not be shown.** If you are unable to find the bearing you are trying to interchange, please contact your local distributor or QM Bearings for assistance.

(continued on next page)

Blue Brute Bearings – Interchange Guide

Rexnord®

Rexnord Part Number	QM EC Series	QM CL Series		QM TA/DV Series	QM V-Lock® Series	
		Single-Collar	Double-Collar		Single-Nut	Double-Nut
MEP-5500-F-72	QMFP26J500SM	n/a	QAAFP26A500SM	n/a	QVPF28V500SM	QVVFP28V500SM
MF-5107	QMF08J107SM	n/a	n/a	n/a	n/a	n/a
MF-5107-72	QMF08J107SM	n/a	n/a	n/a	n/a	n/a
MF-5108	QMF08J108SM	n/a	n/a	n/a	n/a	n/a
MF-5108-72	QMF08J108SM	n/a	n/a	n/a	n/a	n/a
MF-5111	QMF09J111SM	n/a	n/a	n/a	n/a	n/a
MF-5111-72	QMF09J111SM	n/a	n/a	n/a	n/a	n/a
MF-5115	QMF10J115SM	n/a	QAAF10A115SM	n/a	QVFX11V115SM	QVVFX11V115SM
MF-5115-72	QMF10J115SM	n/a	QAAF10A115SM	n/a	QVFX11V115SM	QVVFX11V115SM
MF-5200	QMF10J200SM	n/a	QAAF10A200SM	n/a	QVFX11V200SM	QVVFX11V200SM
MF-5200-72	QMF10J200SM	n/a	QAAF10A200SM	n/a	QVFX11V200SM	QVVFX11V200SM
MF-5203	QMF11J203SM	n/a	QAAF11A203SM	n/a	QVFX12V203SM	QVVFX12V203SM
MF-5203-72	QMF11J203SM	n/a	QAAF11A203SM	n/a	QVFX12V203SM	QVVFX12V203SM
MF-5207	QMF13J207SM	n/a	QAAF13A207SM	n/a	QVFX14V207SM	QVVFX14V207SM
MF-5207-72	QMF13J207SM	n/a	QAAF13A207SM	n/a	QVFX14V207SM	QVVFX14V207SM
MF-5211	QMF15J211SM	n/a	QAAF15A211SM	n/a	QVFX16V211SM	QVVFX16V211SM
MF-5211-72	QMF15J211SM	n/a	QAAF15A211SM	n/a	QVFX16V211SM	QVVFX16V211SM
MF-5215	QMF15J215SM	n/a	QAAF15A215SM	n/a	QVFX16V215SM	QVVFX16V215SM
MF-5215-72	QMF15J215SM	n/a	QAAF15A215SM	n/a	QVFX16V215SM	QVVFX16V215SM
MF-5303	QMF18J303SM	n/a	QAAF18A303SM	n/a	QVFX19V303SM	QVVFX19V303SM
MF-5303-72	QMF18J303SM	n/a	QAAF18A303SM	n/a	QVFX19V303SM	QVVFX19V303SM
MF-5307	QMF18J307SM	n/a	QAAF18A307SM	n/a	QVFX19V307SM	QVVFX19V307SM
MF-5307-72	QMF18J307SM	n/a	QAAF18A307SM	n/a	QVFX19V307SM	QVVFX19V307SM
MF-5311	QMF20J311SM	n/a	QAAF20A311SM	n/a	QVFX22V311SM	QVVFX22V311SM
MF-5311-72	QMF20J311SM	n/a	QAAF20A311SM	n/a	QVFX22V311SM	QVVFX22V311SM
MF-5315	QMF20J315SM	n/a	QAAF20A315SM	n/a	QVFX22V315SM	QVVFX22V315SM
MF-5315-72	QMF20J315SM	n/a	QAAF20A315SM	n/a	QVFX22V315SM	QVVFX22V315SM
MF-5400	QMF20J400SM	n/a	QAAF20A400SM	n/a	QVFX22V400SM	QVVFX22V400SM
MF-5400-72	QMF20J400SM	n/a	QAAF20A400SM	n/a	QVFX22V400SM	QVVFX22V400SM
MF-5407Y	QMF22J407SM	n/a	QAAF22A407SM	n/a	QVFX26V407SM	QVVFX26V407SM
MF-5407Y-72	QMF22J407SM	n/a	QAAF22A407SM	n/a	QVFX26V407SM	QVVFX26V407SM
MF-5408Y	QMF22J408SM	n/a	QAAF22A408SM	n/a	QVFX26V408SM	QVVFX26V408SM
MF-5408Y-72	QMF22J408SM	n/a	QAAF22A408SM	n/a	QVFX26V408SM	QVVFX26V408SM
MF-5415	QMF26J415SM	n/a	QAAF26A415SM	n/a	QVFX28V415SM	QVVFX28V415SM
MF-5415-72	QMF26J415SM	n/a	QAAF26A415SM	n/a	QVFX28V415SM	QVVFX28V415SM
MF-5500	QMF26J500SM	n/a	QAAF26A500SM	n/a	QVFX28V500SM	QVVFX28V500SM
MF-5500-72	QMF26J500SM	n/a	QAAF26A500SM	n/a	QVFX28V500SM	QVVFX28V500SM
MF-9115	n/a	n/a	n/a	TAFK11K115SM	QVFK11V115SM	QVVFK11V115SM
MF-9115-72	n/a	n/a	n/a	TAFK11K115SM	QVFK11V115SM	QVVFK11V115SM
MF-9200	n/a	n/a	n/a	TAFK11K200SM	QVFK11V200SM	QVVFK11V200SM
MF-9200-72	n/a	n/a	n/a	TAFK11K200SM	QVFK11V200SM	QVVFK11V200SM
MF-9203	n/a	n/a	n/a	TAFK13K203SM	QVFK13V203SM	QVVFK13V203SM
MF-9203-72	n/a	n/a	n/a	TAFK13K203SM	QVFK13V203SM	QVVFK13V203SM

Note: This interchange guide is for reference only. **Some competitor bearings may not be shown.** If you are unable to find the bearing you are trying to interchange, please contact your local distributor or QM Bearings for assistance.

(continued on next page)

Introduction
Blue Brute Bearings
Bearing Interchange Guide
Quick-Flex Couplings
Rigid Compression Couplings
Index

Blue Brute Bearings – Interchange Guide

Rexnord®

Rexnord Part Number	QM EC Series	QM CL Series		QM TA/DV Series	QM V-Lock® Series	
		Single-Collar	Double-Collar		Single-Nut	Double-Nut
MF-9207	n/a	n/a	n/a	TAFK15K207SM	QVFK15V207SM	QVVFK15V207SM
MF-9207-72	n/a	n/a	n/a	TAFK15K207SM	QVFK15V207SM	QVVFK15V207SM
MF-9208	n/a	n/a	n/a	TAFK15K208SM	QVFK15V208SM	QVVFK15V208SM
MF-9208-72	n/a	n/a	n/a	TAFK15K208SM	QVFK15V208SM	QVVFK15V208SM
MF-9215	n/a	n/a	n/a	TAFK17K215SM	QVFK17V215SM	QVVFK17V215SM
MF-9215-72	n/a	n/a	n/a	TAFK17K215SM	QVFK17V215SM	QVVFK17V215SM
MF-9300	n/a	n/a	n/a	TAFK17K300SM	QVFK17V300SM	QVVFK17V300SM
MF-9300-72	n/a	n/a	n/a	TAFK17K300SM	QVFK17V300SM	QVVFK17V300SM
MF-9307	n/a	n/a	n/a	TAFK20K307SM	QVFK20V307SM	QVVFK20V307SM
MF-9307-72	n/a	n/a	n/a	TAFK20K307SM	QVFK20V307SM	QVVFK20V307SM
MF-9308	n/a	n/a	n/a	TAFK22K315SM	QVFK22V315SM	QVVFK22V315SM
MF-9308-72	n/a	n/a	n/a	TAFK22K315SM	QVFK22V315SM	QVVFK22V315SM
MF-9400	n/a	n/a	n/a	TAFK22K400SM	QVFK22V400SM	QVVFK22V400SM
MF-9400-72	n/a	n/a	n/a	TAFK22K400SM	QVFK22V400SM	QVVFK22V400SM
MF-9407	n/a	n/a	n/a	TAFK26K407SM	QVFK26V407SM	QVVFK26V407SM
MF-9407-72	n/a	n/a	n/a	TAFK26K407SM	QVFK26V407SM	QVVFK26V407SM
MF-9408	n/a	n/a	n/a	TAFK26K408SM	QVFK26V408SM	QVVFK26V408SM
MF-9408-72	n/a	n/a	n/a	TAFK26K408SM	QVFK26V408SM	QVVFK26V408SM
MFS-5107	QMF08J107SEM	n/a	n/a	n/a	n/a	n/a
MFS-5107-72	QMF08J107SEM	n/a	n/a	n/a	n/a	n/a
MFS-5108	QMF08J108SEM	n/a	n/a	n/a	n/a	n/a
MFS-5108-72	QMF08J108SEM	n/a	n/a	n/a	n/a	n/a
MFS-5111	QMF09J111SEM	n/a	n/a	n/a	n/a	n/a
MFS-5111-72	QMF09J111SEM	n/a	n/a	n/a	n/a	n/a
MFS-5115	QMF10J115SEM	n/a	QAAF10A115SEM	n/a	QVFX11V115SEM	QVVFX11V115SEM
MFS-5115-72	QMF10J115SEM	n/a	QAAF10A115SEM	n/a	QVFX11V115SEM	QVVFX11V115SEM
MFS-5200	QMF10J200SEM	n/a	QAAF10A200SEM	n/a	QVFX11V200SEM	QVVFX11V200SEM
MFS-5200-72	QMF10J200SEM	n/a	QAAF10A200SEM	n/a	QVFX11V200SEM	QVVFX11V200SEM
MFS-5203	QMF11J203SEM	n/a	QAAF11A203SEM	n/a	QVFX12V203SEM	QVVFX12V203SEM
MFS-5203-72	QMF11J203SEM	n/a	QAAF11A203SEM	n/a	QVFX12V203SEM	QVVFX12V203SEM
MFS-5207	QMF13J207SEM	n/a	QAAF13A207SEM	n/a	QVFX14V207SEM	QVVFX14V207SEM
MFS-5207-72	QMF13J207SEM	n/a	QAAF13A207SEM	n/a	QVFX14V207SEM	QVVFX14V207SEM
MFS-5211	QMF15J211SEM	n/a	QAAF15A211SEM	n/a	QVFX16V211SEM	QVVFX16V211SEM
MFS-5211-72	QMF15J211SEM	n/a	QAAF15A211SEM	n/a	QVFX16V211SEM	QVVFX16V211SEM
MFS-5215	QMF15J215SEM	n/a	QAAF15A215SEM	n/a	QVFX16V215SEM	QVVFX16V215SEM
MFS-5215-72	QMF15J215SEM	n/a	QAAF15A215SEM	n/a	QVFX16V215SEM	QVVFX16V215SEM
MFS-5303	QMF18J303SEM	n/a	QAAF18A303SEM	n/a	QVFX19V303SEM	QVVFX19V303SEM
MFS-5303-72	QMF18J303SEM	n/a	QAAF18A303SEM	n/a	QVFX19V303SEM	QVVFX19V303SEM
MFS-5307	QMF18J307SEM	n/a	QAAF18A307SEM	n/a	QVFX19V307SEM	QVVFX19V307SEM
MFS-5307-72	QMF18J307SEM	n/a	QAAF18A307SEM	n/a	QVFX19V307SEM	QVVFX19V307SEM
MFS-5311	QMF20J311SEM	n/a	QAAF20A311SEM	n/a	QVFX22V311SEM	QVVFX22V311SEM
MFS-5311-72	QMF20J311SEM	n/a	QAAF20A311SEM	n/a	QVFX22V311SEM	QVVFX22V311SEM
MFS-5315	QMF20J315SEM	n/a	QAAF20A315SEM	n/a	QVFX22V315SEM	QVVFX22V315SEM

Note: This interchange guide is for reference only. **Some competitor bearings may not be shown.** If you are unable to find the bearing you are trying to interchange, please contact your local distributor or QM Bearings for assistance.

(continued on next page)

Blue Brute Bearings – Interchange Guide

Rexnord®

Rexnord Part Number	QM EC Series	QM CL Series		QM TA/DV Series	QM V-Lock® Series	
		Single-Collar	Double-Collar		Single-Nut	Double-Nut
MFS-5315-72	QMF20J315SEM	n/a	QAAF20A315SEM	n/a	QVFX22V315SEM	QVFX22V315SEM
MFS-5400	QMF20J400SEM	n/a	QAAF20A400SEM	n/a	QVFX22V400SEM	QVFX22V400SEM
MFS-5400-72	QMF20J400SEM	n/a	QAAF20A400SEM	n/a	QVFX22V400SEM	QVFX22V400SEM
MFS-5407Y	QMF22J407SEM	n/a	QAAF22A407SEM	n/a	QVFX26V407SEM	QVFX26V407SEM
MFS-5407Y-72	QMF22J407SEM	n/a	QAAF22A407SEM	n/a	QVFX26V407SEM	QVFX26V407SEM
MFS-5408Y	QMF22J408SEM	n/a	QAAF22A408SEM	n/a	QVFX26V408SEM	QVFX26V408SEM
MFS-5408Y-72	QMF22J408SEM	n/a	QAAF22A408SEM	n/a	QVFX26V408SEM	QVFX26V408SEM
MFS-5415	QMF26J415SEM	n/a	QAAF26A415SEM	n/a	QVFX28V415SEM	QVFX28V415SEM
MFS-5415-72	QMF26J415SEM	n/a	QAAF26A415SEM	n/a	QVFX28V415SEM	QVFX28V415SEM
MFS-5500	QMF26J500SEM	n/a	QAAF26A500SEM	n/a	QVFX28V500SEM	QVFX28V500SEM
MFS-5500-72	QMF26J500SEM	n/a	QAAF26A500SEM	n/a	QVFX28V500SEM	QVFX28V500SEM
MFS-9115	n/a	n/a	n/a	TAFK11K115SEM	QVFK11V115SEM	QVFK11V115SEM
MFS-9115-72	n/a	n/a	n/a	TAFK11K115SEM	QVFK11V115SEM	QVFK11V115SEM
MFS-9200	n/a	n/a	n/a	TAFK11K200SEM	QVFK11V200SEM	QVFK11V200SEM
MFS-9200-72	n/a	n/a	n/a	TAFK11K200SEM	QVFK11V200SEM	QVFK11V200SEM
MFS-9203	n/a	n/a	n/a	TAFK13K203SEM	QVFK13V203SEM	QVFK13V203SEM
MFS-9203-72	n/a	n/a	n/a	TAFK13K203SEM	QVFK13V203SEM	QVFK13V203SEM
MFS-9207	n/a	n/a	n/a	TAFK15K207SEM	QVFK15V207SEM	QVFK15V207SEM
MFS-9207-72	n/a	n/a	n/a	TAFK15K207SEM	QVFK15V207SEM	QVFK15V207SEM
MFS-9208	n/a	n/a	n/a	TAFK15K208SEM	QVFK15V208SEM	QVFK15V208SEM
MFS-9208-72	n/a	n/a	n/a	TAFK15K208SEM	QVFK15V208SEM	QVFK15V208SEM
MFS-9215	n/a	n/a	n/a	TAFK17K215SEM	QVFK17V215SEM	QVFK17V215SEM
MFS-9215-72	n/a	n/a	n/a	TAFK17K215SEM	QVFK17V215SEM	QVFK17V215SEM
MFS-9300	n/a	n/a	n/a	TAFK17K300SEM	QVFK17V300SEM	QVFK17V300SEM
MFS-9300-72	n/a	n/a	n/a	TAFK17K300SEM	QVFK17V300SEM	QVFK17V300SEM
MFS-9307	n/a	n/a	n/a	TAFK20K307SEM	QVFK20V307SEM	QVFK20V307SEM
MFS-9307-72	n/a	n/a	n/a	TAFK20K307SEM	QVFK20V307SEM	QVFK20V307SEM
MFS-9308	n/a	n/a	n/a	TAFK22K315SEM	QVFK22V315SEM	QVFK22V315SEM
MFS-9308-72	n/a	n/a	n/a	TAFK22K315SEM	QVFK22V315SEM	QVFK22V315SEM
MFS-9400	n/a	n/a	n/a	TAFK22K400SEM	QVFK22V400SEM	QVFK22V400SEM
MFS-9400-72	n/a	n/a	n/a	TAFK22K400SEM	QVFK22V400SEM	QVFK22V400SEM
MFS-9407	n/a	n/a	n/a	TAFK26K407SEM	QVFK26V407SEM	QVFK26V407SEM
MFS-9407-72	n/a	n/a	n/a	TAFK26K407SEM	QVFK26V407SEM	QVFK26V407SEM
MFS-9408	n/a	n/a	n/a	TAFK26K408SEM	QVFK26V408SEM	QVFK26V408SEM
MFS-9408-72	n/a	n/a	n/a	TAFK26K408SEM	QVFK26V408SEM	QVFK26V408SEM
MMC-2115	QMMC10J115SM	QAMC10A115SM	QAAMC10A115SM	n/a	n/a	n/a
MMC-2200	QMMC10J200SM	QAMC10A200SM	QAAMC10A200SM	n/a	n/a	n/a
MMC-2203	QMMC11J203SM	QAMC11A203SM	QAAMC11A203SM	n/a	n/a	n/a
MMC-2204	QMMC11J204SM	QAMC11A204SM	QAAMC11A204SM	n/a	n/a	n/a
MMC-2207	QMMC13J207SM	QAMC13A207SM	QAAMC13A207SM	n/a	n/a	n/a
MMC-2208	QMMC13J208SM	QAMC13A208SM	QAAMC13A208SM	n/a	n/a	n/a
MMC-2211	QMMC15J211SM	QAMC15A211SM	QAAMC15A211SM	n/a	n/a	n/a
MMC-2212	QMMC15J212SM	QAMC15A212SM	QAAMC15A212SM	n/a	n/a	n/a

Note: This interchange guide is for reference only. **Some competitor bearings may not be shown.** If you are unable to find the bearing you are trying to interchange, please contact your local distributor or QM Bearings for assistance.

(continued on next page)

Blue Brute Bearings – Interchange Guide

Rexnord®

Rexnord Part Number	QM EC Series	QM CL Series		QM TA/DV Series	QM V-Lock® Series	
		Single-Collar	Double-Collar		Single-Nut	Double-Nut
MMC-2215	QMMC15J215SM	QAMC15A215SM	QAAMC15A215SM	n/a	n/a	n/a
MMC-2300	QMMC15J300SM	QAMC15A300SM	QAAMC15A300SM	n/a	n/a	n/a
MMC-2303	QMMC18J303SM	QAMC18A303SM	QAAMC18A303SM	n/a	n/a	n/a
MMC-2307	QMMC18J307SM	QAMC18A307SM	QAAMC18A307SM	n/a	n/a	n/a
MMC-2308	QMMC18J308SM	QAMC18A308SM	QAAMC18A308SM	n/a	n/a	n/a
MMC-2311	QMMC20J311SM	QAMC20A311SM	QAAMC20A311SM	n/a	n/a	n/a
MMC-2315	QMMC20J315SM	QAMC20A315SM	QAAMC20A315SM	n/a	n/a	n/a
MMC-2400	QMMC20J400SM	QAMC20A400SM	QAAMC20A400SM	n/a	n/a	n/a
MMC-5115	QMMC10J115SM	n/a	QAAMC10A115SM	n/a	n/a	n/a
MMC-5200	QMMC10J200SM	n/a	QAAMC10A200SM	n/a	n/a	n/a
MMC-5203	QMMC11J203SM	n/a	QAAMC11A203SM	n/a	n/a	n/a
MMC-5207	QMMC13J207SM	n/a	QAAMC13A207SM	n/a	n/a	n/a
MMC-5211	QMMC15J211SM	n/a	QAAMC15A211SM	n/a	n/a	n/a
MMC-5215	QMMC15J215SM	n/a	QAAMC15A215SM	n/a	n/a	n/a
MMC-5303	QMMC18J303SM	n/a	QAAMC18A303SM	n/a	n/a	n/a
MMC-5307	QMMC18J307SM	n/a	QAAMC18A307SM	n/a	n/a	n/a
MMC-5311	QMMC20J311SM	n/a	QAAMC20A311SM	n/a	n/a	n/a
MMC-5315	QMMC20J315SM	n/a	QAAMC20A315SM	n/a	n/a	n/a
MMC-5400	QMMC20J400SM	n/a	QAAMC20A400SM	n/a	n/a	n/a
MMC-5407Y	QMMC22J407SM	n/a	QAAMC22A407SM	n/a	n/a	n/a
MMC-5408Y	QMMC22J408SM	n/a	QAAMC22A408SM	n/a	n/a	n/a
MMC-5415	QMMC26J415SM	n/a	QAAMC26A415SM	n/a	n/a	n/a
MMC-5500	QMMC26J500SM	n/a	QAAMC26A500SM	n/a	n/a	n/a
MMC-5507	QMMC30J507SM	n/a	n/a	n/a	n/a	n/a
MMC-5515	QMMC30J515SM	n/a	n/a	n/a	n/a	n/a
MMC-5600	QMMC30J600SM	n/a	n/a	n/a	n/a	n/a
MMC-5607	QMMC34J607SM	n/a	n/a	n/a	n/a	n/a
MMC-5615	QMMC34J615SM	n/a	n/a	n/a	n/a	n/a
MMC-5700	QMMC34J700SM	n/a	n/a	n/a	n/a	n/a
MMC-9115	n/a	n/a	n/a	TAMC11K115SM	QVMC11V115SM	QVVMC11V115SM
MMC-9200	n/a	n/a	n/a	TAMC11K200SM	QVMC11V200SM	QVVMC11V200SM
MMC-9203	n/a	n/a	n/a	TAMC13K203SM	QVMC13V203SM	QVVMC13V203SM
MMC-9207	n/a	n/a	n/a	TAMC15K207SM	QVMC15V207SM	QVVMC15V207SM
MMC-9208	n/a	n/a	n/a	TAMC15K207SM	QVMC15V207SM	QVVMC15V207SM
MMC-9215	n/a	n/a	n/a	TAMC17K215SM	QVMC17V215SM	QVVMC17V215SM
MMC-9300	n/a	n/a	n/a	TAMC17K300SM	QVMC17V300SM	QVVMC17V300SM
MMC-9307	n/a	n/a	n/a	TAMC20K307SM	QVMC20V307SM	QVVMC20V307SM
MMC-9315Y	n/a	n/a	n/a	TAMC22K315SM	QVMC22V315SM	QVVMC22V315SM
MMC-9400Y	n/a	n/a	n/a	TAMC22K400SM	QVMC22V400SM	QVVMC22V400SM
MMC-9407	n/a	n/a	n/a	TAMC26K407SM	QVMC26V407SM	QVVMC26V407SM
MP-5207	QMPXT13J207SM	n/a	QAAPXT13A207SM	n/a	QVPXT14V207SM	QVVPXT14V207SM
MP-5207-72	QMPXT13J207SM	n/a	QAAPXT13A207SM	n/a	QVPXT14V207SM	QVVPXT14V207SM
MP-5207-F	QMPX13J207SM	n/a	QAAPX13A207SM	n/a	QVPX14V207SM	QVVPX14V207SM

Note: This interchange guide is for reference only. **Some competitor bearings may not be shown.** If you are unable to find the bearing you are trying to interchange, please contact your local distributor or QM Bearings for assistance.

(continued on next page)

Blue Brute Bearings – Interchange Guide

Rexnord®

Rexnord Part Number	QM EC Series	QM CL Series		QM TA/DV Series	QM V-Lock® Series	
		Single-Collar	Double-Collar		Single-Nut	Double-Nut
MP-5207-F-72	QMPX13J207SM	n/a	QAAPX13A207SM	n/a	QVPX14V207SM	QVVPX14V207SM
MP-5211	QMPXT15J211SM	n/a	QAAPXT15A211SM	n/a	QVPXT16V211SM	QVVPXT16V211SM
MP-5211-72	QMPXT15J211SM	n/a	QAAPXT15A211SM	n/a	QVPXT16V211SM	QVVPXT16V211SM
MP-5211-F	QMPX15J211SM	n/a	QAAPX15A211SM	n/a	QVPX16V211SM	QVVPX16V211SM
MP-5211-F-72	QMPX15J211SM	n/a	QAAPX15A211SM	n/a	QVPX16V211SM	QVVPX16V211SM
MP-5215	QMPXT15J215SM	n/a	QAAPXT15A215SM	n/a	QVPXT16V215SM	QVVPXT16V215SM
MP-5215-72	QMPXT15J215SM	n/a	QAAPXT15A215SM	n/a	QVPXT16V215SM	QVVPXT16V215SM
MP-5215-F	QMPX15J215SM	n/a	QAAPX15A215SM	n/a	QVPX16V215SM	QVVPX16V215SM
MP-5215-F-72	QMPX15J215SM	n/a	QAAPX15A215SM	n/a	QVPX16V215SM	QVVPX16V215SM
MP-5300	QMPXT15J300SM	n/a	QAAPXT15A300SM	n/a	QVPXT16V300SM	QVVPXT16V300SM
MP-5300-72	QMPXT15J300SM	n/a	QAAPXT15A300SM	n/a	QVPXT16V300SM	QVVPXT16V300SM
MP-5300-F	QMPX15J300SM	n/a	QAAPX15A300SM	n/a	QVPX16V300SM	QVVPX16V300SM
MP-5300-F-72	QMPX15J300SM	n/a	QAAPX15A300SM	n/a	QVPX16V300SM	QVVPX16V300SM
MP-5303-F	QMPX18J303SM	n/a	QAAPX18A303SM	n/a	QVPX19V303SM	QVVPX19V303SM
MP-5303-F-72	QMPX18J303SM	n/a	QAAPX18A303SM	n/a	QVPX19V303SM	QVVPX19V303SM
MP-5307-F	QMPX18J307SM	n/a	QAAPX18A307SM	n/a	QVPX19V307SM	QVVPX19V307SM
MP-5307-F-72	QMPX18J307SM	n/a	QAAPX18A307SM	n/a	QVPX19V307SM	QVVPX19V307SM
MP-5308-F	QMPX18J308SM	n/a	QAAPX18A308SM	n/a	QVPX19V308SM	QVVPX19V308SM
MP-5308-F-72	QMPX18J308SM	n/a	QAAPX18A308SM	n/a	QVPX19V308SM	QVVPX19V308SM
MP-5315-F	QMPX20J315SM	n/a	QAAPX20A315SM	n/a	QVPX22V315SM	QVVPX22V315SM
MP-5315-F-72	QMPX20J315SM	n/a	QAAPX20A315SM	n/a	QVPX22V315SM	QVVPX22V315SM
MP-5400-F	QMPX20J400SM	n/a	QAAPX20A400SM	n/a	QVPX22V400SM	QVVPX22V400SM
MP-5400-F-72	QMPX20J400SM	n/a	QAAPX20A400SM	n/a	QVPX22V400SM	QVVPX22V400SM
MP-5407-F	QMPX22J407SM	n/a	QAAPX22A407SM	n/a	QVPX26V407SM	QVVPX26V407SM
MP-5407-F-72	QMPX22J407SM	n/a	QAAPX22A407SM	n/a	QVPX26V407SM	QVVPX26V407SM
MP-5408-F	QMPX22J408SM	n/a	QAAPX22A408SM	n/a	QVPX26V408SM	QVVPX26V408SM
MP-5408-F-72	QMPX22J408SM	n/a	QAAPX22A408SM	n/a	QVPX26V408SM	QVVPX26V408SM
MP-5415-F	QMPX26J415SM	n/a	QAAPX26A415SM	n/a	QVPX28V415SM	QVVPX28V415SM
MP-5415-F-72	QMPX26J415SM	n/a	QAAPX26A415SM	n/a	QVPX28V415SM	QVVPX28V415SM
MP-5500-F	QMPX26J500SM	n/a	QAAPX26A500SM	n/a	QVPX28V500SM	QVVPX28V500SM
MP-5500-F-72	QMPX26J500SM	n/a	QAAPX26A500SM	n/a	QVPX28V500SM	QVVPX28V500SM
MP-5507-F	QMPX30J507SM	n/a	n/a	n/a	n/a	n/a
MP-5507-F-72	QMPX30J507SM	n/a	n/a	n/a	n/a	n/a
MP-5515-F	QMPX30J515SM	n/a	n/a	n/a	n/a	n/a
MP-5515-F-72	QMPX30J515SM	n/a	n/a	n/a	n/a	n/a
MP-5600-F	QMPX30J600SM	n/a	n/a	n/a	n/a	n/a
MP-5600-F-72	QMPX30J600SM	n/a	n/a	n/a	n/a	n/a
MP-5607-F	QMPX34J607SM	n/a	n/a	n/a	n/a	n/a
MP-5607-F-72	QMPX34J607SM	n/a	n/a	n/a	n/a	n/a
MP-5608-F	QMPX34J608SM	n/a	n/a	n/a	n/a	n/a
MP-5608-F-72	QMPX34J608SM	n/a	n/a	n/a	n/a	n/a
MP-5615-F	QMPX34J615SM	n/a	n/a	n/a	n/a	n/a
MP-5615-F-72	QMPX34J615SM	n/a	n/a	n/a	n/a	n/a

Note: This interchange guide is for reference only. **Some competitor bearings may not be shown.** If you are unable to find the bearing you are trying to interchange, please contact your local distributor or QM Bearings for assistance.

(continued on next page)

Blue Brute Bearings – Interchange Guide

Rexnord®

Rexnord Part Number	QM EC Series	QM CL Series		QM TA/DV Series	QM V-Lock® Series	
		Single-Collar	Double-Collar		Single-Nut	Double-Nut
MP-5700-F	QMPX34J700SM	n/a	n/a	n/a	n/a	n/a
MP-5700-F-72	QMPX34J700SM	n/a	n/a	n/a	n/a	n/a
MP-9207	n/a	n/a	n/a	TAPKT15K207SM	QVPKT15V207SM	QVVPKT15V207SM
MP-9207-72	n/a	n/a	n/a	TAPKT15K207SM	QVPKT15V207SM	QVVPKT15V207SM
MP-9207-F	n/a	n/a	n/a	TAPK15K207SM	QVPK15V207SM	QVVPK15V207SM
MP-9207-F-72	n/a	n/a	n/a	TAPK15K207SM	QVPK15V207SM	QVVPK15V207SM
MP-9208	n/a	n/a	n/a	TAPKT15K208SM	QVPKT15V208SM	QVVPKT15V208SM
MP-9208-72	n/a	n/a	n/a	TAPKT15K208SM	QVPKT15V208SM	QVVPKT15V208SM
MP-9208-F	n/a	n/a	n/a	TAPK15K208SM	QVPK15V208SM	QVVPK15V208SM
MP-9208-F-72	n/a	n/a	n/a	TAPK15K208SM	QVPK15V208SM	QVVPK15V208SM
MP-9215	n/a	n/a	n/a	TAPKT17K215SM	QVPKT17V215SM	QVVPKT17V215SM
MP-9215-72	n/a	n/a	n/a	TAPKT17K215SM	QVPKT17V215SM	QVVPKT17V215SM
MP-9215-F	n/a	n/a	n/a	TAPK17K215SM	QVPK17V215SM	QVVPK17V215SM
MP-9215-F-72	n/a	n/a	n/a	TAPK17K215SM	QVPK17V215SM	QVVPK17V215SM
MP-9300	n/a	n/a	n/a	TAPKT17K300SM	QVPKT17V300SM	QVVPKT17V300SM
MP-9300-72	n/a	n/a	n/a	TAPKT17K300SM	QVPKT17V300SM	QVVPKT17V300SM
MP-9300-F	n/a	n/a	n/a	TAPK17K300SM	QVPK17V300SM	QVVPK17V300SM
MP-9300-F-72	n/a	n/a	n/a	TAPK17K300SM	QVPK17V300SM	QVVPK17V300SM
MP-9307-F	n/a	n/a	n/a	TAPK20K307SM	QVPK20V307SM	QVVPK20V307SM
MP-9307-F-72	n/a	n/a	n/a	TAPK20K307SM	QVPK20V307SM	QVVPK20V307SM
MP-9308-F	n/a	n/a	n/a	TAPK20K308SM	QVPK20V308SM	QVVPK20V308SM
MP-9308-F-72	n/a	n/a	n/a	TAPK20K308SM	QVPK20V308SM	QVVPK20V308SM
MP-9315-F	n/a	n/a	n/a	TAPK22K315SM	QVPK22V315SM	QVVPK22V315SM
MP-9315-F-72	n/a	n/a	n/a	TAPK22K315SM	QVPK22V315SM	QVVPK22V315SM
MP-9400-F	n/a	n/a	n/a	TAPK22K400SM	QVPK22V400SM	QVVPK22V400SM
MP-9400-F-72	n/a	n/a	n/a	TAPK22K400SM	QVPK22V400SM	QVVPK22V400SM
MP-9407-F	n/a	n/a	n/a	TAPK26K407SM	QVPK26V407SM	QVVPK26V407SM
MP-9407-F-72	n/a	n/a	n/a	TAPK26K407SM	QVPK26V407SM	QVVPK26V407SM
MP-9408-F	n/a	n/a	n/a	TAPK26K408SM	QVPK26V408SM	QVVPK26V408SM
MP-9408-F-72	n/a	n/a	n/a	TAPK26K408SM	QVPK26V408SM	QVVPK26V408SM
MPS-5207	QMPXT13J207SEM	n/a	QAAPXT13A207SEM	n/a	QVPXT14V207SEM	QVVPXT14V207SEM
MPS-5207-72	QMPXT13J207SEM	n/a	QAAPXT13A207SEM	n/a	QVPXT14V207SEM	QVVPXT14V207SEM
MPS-5207-F	QMPX13J207SEM	n/a	QAAPX13A207SEM	n/a	QVPX14V207SEM	QVVPX14V207SEM
MPS-5207-F-72	QMPX13J207SEM	n/a	QAAPX13A207SEM	n/a	QVPX14V207SEM	QVVPX14V207SEM
MPS-5211	QMPXT15J211SEM	n/a	QAAPXT15A211SEM	n/a	QVPXT16V211SEM	QVVPXT16V211SEM
MPS-5211-72	QMPXT15J211SEM	n/a	QAAPXT15A211SEM	n/a	QVPXT16V211SEM	QVVPXT16V211SEM
MPS-5211-F	QMPX15J211SEM	n/a	QAAPX15A211SEM	n/a	QVPX16V211SEM	QVVPX16V211SEM
MPS-5211-F-72	QMPX15J211SEM	n/a	QAAPX15A211SEM	n/a	QVPX16V211SEM	QVVPX16V211SEM
MPS-5215	QMPXT15J215SEM	n/a	QAAPXT15A215SEM	n/a	QVPXT16V215SEM	QVVPXT16V215SEM
MPS-5215-72	QMPXT15J215SEM	n/a	QAAPXT15A215SEM	n/a	QVPXT16V215SEM	QVVPXT16V215SEM
MPS-5215-F	QMPX15J215SEM	n/a	QAAPX15A215SEM	n/a	QVPX16V215SEM	QVVPX16V215SEM
MPS-5215-F-72	QMPX15J215SEM	n/a	QAAPX15A215SEM	n/a	QVPX16V215SEM	QVVPX16V215SEM
MPS-5300	QMPXT15J300SEM	n/a	QAAPXT15A300SEM	n/a	QVPXT16V300SEM	QVVPXT16V300SEM

Note: This interchange guide is for reference only. **Some competitor bearings may not be shown.** If you are unable to find the bearing you are trying to interchange, please contact your local distributor or QM Bearings for assistance.

(continued on next page)

Blue Brute Bearings – Interchange Guide

Rexnord®

Rexnord Part Number	QM EC Series	QM CL Series		QM TA/DV Series	QM V-Lock® Series	
		Single-Collar	Double-Collar		Single-Nut	Double-Nut
MPS-5300-72	QMPXT15J300SEM	n/a	QAAPXT15A300SEM	n/a	QVPXT16V300SEM	QVVPXT16V300SEM
MPS-5300-F	QMPX15J300SEM	n/a	QAAPX15A300SEM	n/a	QVPX16V300SEM	QVVPX16V300SEM
MPS-5300-F-72	QMPX15J300SEM	n/a	QAAPX15A300SEM	n/a	QVPX16V300SEM	QVVPX16V300SEM
MPS-5303-F	QMPX18J303SEM	n/a	QAAPX18A303SEM	n/a	QVPX19V303SEM	QVVPX19V303SEM
MPS-5303-F-72	QMPX18J303SEM	n/a	QAAPX18A303SEM	n/a	QVPX19V303SEM	QVVPX19V303SEM
MPS-5307-F	QMPX18J307SEM	n/a	QAAPX18A307SEM	n/a	QVPX19V307SEM	QVVPX19V307SEM
MPS-5307-F-72	QMPX18J307SEM	n/a	QAAPX18A307SEM	n/a	QVPX19V307SEM	QVVPX19V307SEM
MPS-5308-F	QMPX18J308SEM	n/a	QAAPX18A308SEM	n/a	QVPX19V308SEM	QVVPX19V308SEM
MPS-5308-F-72	QMPX18J308SEM	n/a	QAAPX18A308SEM	n/a	QVPX19V308SEM	QVVPX19V308SEM
MPS-5315-F	QMPX20J315SEM	n/a	QAAPX20A315SEM	n/a	QVPX22V315SEM	QVVPX22V315SEM
MPS-5315-F-72	QMPX20J315SEM	n/a	QAAPX20A315SEM	n/a	QVPX22V315SEM	QVVPX22V315SEM
MPS-5400-F	QMPX20J400SEM	n/a	QAAPX20A400SEM	n/a	QVPX22V400SEM	QVVPX22V400SEM
MPS-5400-F-72	QMPX20J400SEM	n/a	QAAPX20A400SEM	n/a	QVPX22V400SEM	QVVPX22V400SEM
MPS-5407-F	QMPX22J407SEM	n/a	QAAPX22A407SEM	n/a	QVPX26V407SEM	QVVPX26V407SEM
MPS-5407-F-72	QMPX22J407SEM	n/a	QAAPX22A407SEM	n/a	QVPX26V407SEM	QVVPX26V407SEM
MPS-5408-F	QMPX22J408SEM	n/a	QAAPX22A408SEM	n/a	QVPX26V408SEM	QVVPX26V408SEM
MPS-5408-F-72	QMPX22J408SEM	n/a	QAAPX22A408SEM	n/a	QVPX26V408SEM	QVVPX26V408SEM
MPS-5415-F	QMPX26J415SEM	n/a	QAAPX26A415SEM	n/a	QVPX28V415SEM	QVVPX28V415SEM
MPS-5415-F-72	QMPX26J415SEM	n/a	QAAPX26A415SEM	n/a	QVPX28V415SEM	QVVPX28V415SEM
MPS-5500-F	QMPX26J500SEM	n/a	QAAPX26A500SEM	n/a	QVPX28V500SEM	QVVPX28V500SEM
MPS-5500-F-72	QMPX26J500SEM	n/a	QAAPX26A500SEM	n/a	QVPX28V500SEM	QVVPX28V500SEM
MPS-5507-F	QMPX30J507SEM	n/a	n/a	n/a	n/a	n/a
MPS-5507-F-72	QMPX30J507SEM	n/a	n/a	n/a	n/a	n/a
MPS-5515-F	QMPX30J515SEM	n/a	n/a	n/a	n/a	n/a
MPS-5515-F-72	QMPX30J515SEM	n/a	n/a	n/a	n/a	n/a
MPS-5600-F	QMPX30J600SEM	n/a	n/a	n/a	n/a	n/a
MPS-5600-F-72	QMPX30J600SEM	n/a	n/a	n/a	n/a	n/a
MPS-5607-F	QMPX34J607SEM	n/a	n/a	n/a	n/a	n/a
MPS-5607-F-72	QMPX34J607SEM	n/a	n/a	n/a	n/a	n/a
MPS-5608-F	QMPX34J608SEM	n/a	n/a	n/a	n/a	n/a
MPS-5608-F-72	QMPX34J608SEM	n/a	n/a	n/a	n/a	n/a
MPS-5615-F	QMPX34J615SEM	n/a	n/a	n/a	n/a	n/a
MPS-5615-F-72	QMPX34J615SEM	n/a	n/a	n/a	n/a	n/a
MPS-5700-F	QMPX34J700SEM	n/a	n/a	n/a	n/a	n/a
MPS-5700-F-72	QMPX34J700SEM	n/a	n/a	n/a	n/a	n/a
MPS-9207	n/a	n/a	n/a	TAPKT15K207SEM	QVPKT15V207SEM	QVVPKT15V207SEM
MPS-9207-72	n/a	n/a	n/a	TAPKT15K207SEM	QVPKT15V207SEM	QVVPKT15V207SEM
MPS-9207-F	n/a	n/a	n/a	TAPK15K207SEM	QVPK15V207SEM	QVVPK15V207SEM
MPS-9207-F-72	n/a	n/a	n/a	TAPK15K207SEM	QVPK15V207SEM	QVVPK15V207SEM
MPS-9208	n/a	n/a	n/a	TAPKT15K208SEM	QVPKT15V208SEM	QVVPKT15V208SEM
MPS-9208-72	n/a	n/a	n/a	TAPKT15K208SEM	QVPKT15V208SEM	QVVPKT15V208SEM
MPS-9208-F	n/a	n/a	n/a	TAPK15K208SEM	QVPK15V208SEM	QVVPK15V208SEM
MPS-9208-F-72	n/a	n/a	n/a	TAPK15K208SEM	QVPK15V208SEM	QVVPK15V208SEM

Note: This interchange guide is for reference only. **Some competitor bearings may not be shown.** If you are unable to find the bearing you are trying to interchange, please contact your local distributor or QM Bearings for assistance.

(continued on next page)

Blue Brute Bearings – Interchange Guide

Rexnord®

Rexnord Part Number	QM EC Series	QM CL Series		QM TA/DV Series	QM V-Lock® Series	
		Single-Collar	Double-Collar		Single-Nut	Double-Nut
MPS-9215	n/a	n/a	n/a	TAPKT17K215SEM	QVPKT17V215SEM	QVVPKT17V215SEM
MPS-9215-72	n/a	n/a	n/a	TAPKT17K215SEM	QVPKT17V215SEM	QVVPKT17V215SEM
MPS-9215-F	n/a	n/a	n/a	TAPK17K215SEM	QVPK17V215SEM	QVVPK17V215SEM
MPS-9215-F-72	n/a	n/a	n/a	TAPK17K215SEM	QVPK17V215SEM	QVVPK17V215SEM
MPS-9300	n/a	n/a	n/a	TAPKT17K300SEM	QVPKT17V300SEM	QVVPKT17V300SEM
MPS-9300-72	n/a	n/a	n/a	TAPKT17K300SEM	QVPKT17V300SEM	QVVPKT17V300SEM
MPS-9300-F	n/a	n/a	n/a	TAPK17K300SEM	QVPK17V300SEM	QVVPK17V300SEM
MPS-9300-F-72	n/a	n/a	n/a	TAPK17K300SEM	QVPK17V300SEM	QVVPK17V300SEM
MPS-9307-F	n/a	n/a	n/a	TAPK20K307SEM	QVPK20V307SEM	QVVPK20V307SEM
MPS-9307-F-72	n/a	n/a	n/a	TAPK20K307SEM	QVPK20V307SEM	QVVPK20V307SEM
MPS-9308-F	n/a	n/a	n/a	TAPK20K308SEM	QVPK20V308SEM	QVVPK20V308SEM
MPS-9308-F-72	n/a	n/a	n/a	TAPK20K308SEM	QVPK20V308SEM	QVVPK20V308SEM
MPS-9315-F	n/a	n/a	n/a	TAPK22K315SEM	QVPK22V315SEM	QVVPK22V315SEM
MPS-9315-F-72	n/a	n/a	n/a	TAPK22K315SEM	QVPK22V315SEM	QVVPK22V315SEM
MPS-9400-F	n/a	n/a	n/a	TAPK22K400SEM	QVPK22V400SEM	QVVPK22V400SEM
MPS-9400-F-72	n/a	n/a	n/a	TAPK22K400SEM	QVPK22V400SEM	QVVPK22V400SEM
MPS-9407-F	n/a	n/a	n/a	TAPK26K407SEM	QVPK26V407SEM	QVVPK26V407SEM
MPS-9407-F-72	n/a	n/a	n/a	TAPK26K407SEM	QVPK26V407SEM	QVVPK26V407SEM
MPS-9408-F	n/a	n/a	n/a	TAPK26K408SEM	QVPK26V408SEM	QVVPK26V408SEM
MPS-9408-F-72	n/a	n/a	n/a	TAPK26K408SEM	QVPK26V408SEM	QVVPK26V408SEM
MT10-2303	QMTU18J303SM	QATU18A303SM	QAATU18A303SM	n/a	QVTU19V303SM	QVVTU19V303SM
MT10-2303-72	QMTU18J303SM	QATU18A303SM	QAATU18A303SM	n/a	QVTU19V303SM	QVVTU19V303SM
MT10-2307	QMTU18J307SM	QATU18A307SM	QAATU18A307SM	n/a	QVTU19V307SM	QVVTU19V307SM
MT10-2307-72	QMTU18J307SM	QATU18A307SM	QAATU18A307SM	n/a	QVTU19V307SM	QVVTU19V307SM
MT10-2308	QMTU18J308SM	QATU18A308SM	QAATU18A308SM	n/a	QVTU19V308SM	QVVTU19V308SM
MT10-2308-72	QMTU18J308SM	QATU18A308SM	QAATU18A308SM	n/a	QVTU19V308SM	QVVTU19V308SM
MT10-3307	QMTU18J307SM	QATU18A307SM	QAATU18A307SM	n/a	QVTU19V307SM	QVVTU19V307SM
MT10-3307-72	QMTU18J307SM	QATU18A307SM	QAATU18A307SM	n/a	QVTU19V307SM	QVVTU19V307SM
MT10-5303	QMTU18J303SM	n/a	QAATU18A303SM	n/a	QVTU19V303SM	QVVTU19V303SM
MT10-5303-72	QMTU18J303SM	n/a	QAATU18A303SM	n/a	QVTU19V303SM	QVVTU19V303SM
MT10-5307	QMTU18J307SM	n/a	QAATU18A307SM	n/a	QVTU19V307SM	QVVTU19V307SM
MT10-5307-72	QMTU18J307SM	n/a	QAATU18A307SM	n/a	QVTU19V307SM	QVVTU19V307SM
MT11-2315	QMTU20J315SM	QATU20A315SM	QAATU20A315SM	n/a	QVTU22V315SM	QVVTU22V315SM
MT11-2315-72	QMTU20J315SM	QATU20A315SM	QAATU20A315SM	n/a	QVTU22V315SM	QVVTU22V315SM
MT11-2400	QMTU20J400SM	QATU20A400SM	QAATU20A400SM	n/a	QVTU22V400SM	QVVTU22V400SM
MT11-2400-72	QMTU20J400SM	QATU20A400SM	QAATU20A400SM	n/a	QVTU22V400SM	QVVTU22V400SM
MT11-3315	QMTU20J315SM	QATU20A315SM	QAATU20A315SM	n/a	QVTU22V315SM	QVVTU22V315SM
MT11-3315-72	QMTU20J315SM	QATU20A315SM	QAATU20A315SM	n/a	QVTU22V315SM	QVVTU22V315SM
MT11-5315	QMTU20J315SM	n/a	QAATU20A315SM	n/a	QVTU22V315SM	QVVTU22V315SM
MT11-5315-72	QMTU20J315SM	n/a	QAATU20A315SM	n/a	QVTU22V315SM	QVVTU22V315SM
MT11-5400	QMTU20J400SM	n/a	QAATU20A400SM	n/a	QVTU22V400SM	QVVTU22V400SM
MT11-5400-72	QMTU20J400SM	n/a	QAATU20A400SM	n/a	QVTU22V400SM	QVVTU22V400SM
MT6-2115	QMTU10J115SM	QATU10A115SM	QAATU10A115SM	n/a	QVTU11V115SM	QVVTU11V115SM

Note: This interchange guide is for reference only. **Some competitor bearings may not be shown.** If you are unable to find the bearing you are trying to interchange, please contact your local distributor or QM Bearings for assistance.

(continued on next page)

Blue Brute Bearings – Interchange Guide

Rexnord®

Rexnord Part Number	QM EC Series	QM CL Series		QM TA/DV Series	QM V-Lock® Series	
		Single-Collar	Double-Collar		Single-Nut	Double-Nut
MT6-2115-72	QMTU10J115SM	QATU10A115SM	QAATU10A115SM	n/a	QVTU11V115SM	QVVTU11V115SM
MT6-2200	QMTU10J200SM	QATU10A200SM	QAATU10A200SM	n/a	QVTU11V200SM	QVVTU11V200SM
MT6-2200-72	QMTU10J200SM	QATU10A200SM	QAATU10A200SM	n/a	QVTU11V200SM	QVVTU11V200SM
MT6-3115	QMTU10J115SM	QATU10A115SM	QAATU10A115SM	n/a	QVTU11V115SM	QVVTU11V115SM
MT6-3115-72	QMTU10J115SM	QATU10A115SM	QAATU10A115SM	n/a	QVTU11V115SM	QVVTU11V115SM
MT6-5115	QMTU10J115SM	n/a	QAATU10A115SM	n/a	QVTU11V115SM	QVVTU11V115SM
MT6-5115-72	QMTU10J115SM	n/a	QAATU10A115SM	n/a	QVTU11V115SM	QVVTU11V115SM
MT7-2203	QMTU11J203SM	QATU11A203SM	QAATU11A203SM	n/a	QVTU12V203SM	QVVTU12V203SM
MT7-2203-72	QMTU11J203SM	QATU11A203SM	QAATU11A203SM	n/a	QVTU12V203SM	QVVTU12V203SM
MT7-2204	QMTU11J204SM	QATU11A204SM	QAATU11A204SM	n/a	QVTU12V204SM	QVVTU12V204SM
MT7-2204-72	QMTU11J204SM	QATU11A204SM	QAATU11A204SM	n/a	QVTU12V204SM	QVVTU12V204SM
MT7-3203	QMTU11J203SM	QATU11A203SM	QAATU11A203SM	n/a	QVTU12V203SM	QVVTU12V203SM
MT7-3203-72	QMTU11J203SM	QATU11A203SM	QAATU11A203SM	n/a	QVTU12V203SM	QVVTU12V203SM
MT7-5203	QMTU11J203SM	n/a	QAATU11A203SM	n/a	QVTU12V203SM	QVVTU12V203SM
MT7-5203-72	QMTU11J203SM	n/a	QAATU11A203SM	n/a	QVTU12V203SM	QVVTU12V203SM
MT8-2207	QMTU13J207SM	QATU13A207SM	QAATU13A207SM	n/a	QVTU14V207SM	QVVTU14V207SM
MT8-2207-72	QMTU13J207SM	QATU13A207SM	QAATU13A207SM	n/a	QVTU14V207SM	QVVTU14V207SM
MT8-2208	QMTU13J208SM	QATU13A208SM	QAATU13A208SM	n/a	QVTU14V208SM	QVVTU14V208SM
MT8-2208-72	QMTU13J208SM	QATU13A208SM	QAATU13A208SM	n/a	QVTU14V208SM	QVVTU14V208SM
MT8-3207	QMTU13J207SM	QATU13A207SM	QAATU13A207SM	n/a	QVTU14V207SM	QVVTU14V207SM
MT8-3207-72	QMTU13J207SM	QATU13A207SM	QAATU13A207SM	n/a	QVTU14V207SM	QVVTU14V207SM
MT8-3208	QMTU13J208SM	QATU13A208SM	QAATU13A208SM	n/a	QVTU14V208SM	QVVTU14V208SM
MT8-3208-72	QMTU13J208SM	QATU13A208SM	QAATU13A208SM	n/a	QVTU14V208SM	QVVTU14V208SM
MT8-5207	QMTU13J207SM	n/a	QAATU13A207SM	n/a	QVTU14V207SM	QVVTU14V207SM
MT8-5207-72	QMTU13J207SM	n/a	QAATU13A207SM	n/a	QVTU14V207SM	QVVTU14V207SM
MT9-2211	QMTU15J211SM	QATU15A211SM	QAATU15A211SM	n/a	QVTU16V211SM	QVVTU16V211SM
MT9-2211-72	QMTU15J211SM	QATU15A211SM	QAATU15A211SM	n/a	QVTU16V211SM	QVVTU16V211SM
MT9-2212	QMTU15J212SM	QATU15A212SM	QAATU15A212SM	n/a	QVTU16V212SM	QVVTU16V212SM
MT9-2212-72	QMTU15J212SM	QATU15A212SM	QAATU15A212SM	n/a	QVTU16V212SM	QVVTU16V212SM
MT9-2215	QMTU15J215SM	QATU15A215SM	QAATU15A215SM	n/a	QVTU16V215SM	QVVTU16V215SM
MT9-2215-72	QMTU15J215SM	QATU15A215SM	QAATU15A215SM	n/a	QVTU16V215SM	QVVTU16V215SM
MT9-2300	QMTU15J300SM	QATU15A300SM	QAATU15A300SM	n/a	QVTU16V300SM	QVVTU16V300SM
MT9-2300-72	QMTU15J300SM	QATU15A300SM	QAATU15A300SM	n/a	QVTU16V300SM	QVVTU16V300SM
MT9-3211	QMTU15J211SM	QATU15A211SM	QAATU15A211SM	n/a	QVTU16V211SM	QVVTU16V211SM
MT9-3211-72	QMTU15J211SM	QATU15A211SM	QAATU15A211SM	n/a	QVTU16V211SM	QVVTU16V211SM
MT9-3215	QMTU15J215SM	QATU15A215SM	QAATU15A215SM	n/a	QVTU16V215SM	QVVTU16V215SM
MT9-3215-72	QMTU15J215SM	QATU15A215SM	QAATU15A215SM	n/a	QVTU16V215SM	QVVTU16V215SM
MT9-5211	QMTU15J211SM	n/a	QAATU15A211SM	n/a	QVTU16V211SM	QVVTU16V211SM
MT9-5211-72	QMTU15J211SM	n/a	QAATU15A211SM	n/a	QVTU16V211SM	QVVTU16V211SM
MT9-5215	QMTU15J215SM	n/a	QAATU15A215SM	n/a	QVTU16V215SM	QVVTU16V215SM
MT9-5215-72	QMTU15J215SM	n/a	QAATU15A215SM	n/a	QVTU16V215SM	QVVTU16V215SM
ZA-2107	QMPL08J107ST	n/a	n/a	n/a	n/a	n/a
ZA-2107-72	QMPL08J107ST	n/a	n/a	n/a	n/a	n/a

Note: This interchange guide is for reference only. **Some competitor bearings may not be shown.** If you are unable to find the bearing you are trying to interchange, please contact your local distributor or QM Bearings for assistance.

(continued on next page)

Blue Brute Bearings – Interchange Guide

Rexnord®

Rexnord Part Number	QM EC Series	QM CL Series		QM TA/DV Series	QM V-Lock® Series	
		Single-Collar	Double-Collar		Single-Nut	Double-Nut
ZA-2108	QMPL08J108ST	n/a	n/a	n/a	n/a	n/a
ZA-2108-72	QMPL08J108ST	n/a	n/a	n/a	n/a	n/a
ZA-2111	QMPL09J111ST	n/a	n/a	n/a	n/a	n/a
ZA-2111-72	QMPL09J111ST	n/a	n/a	n/a	n/a	n/a
ZA-2112	QMPL09J112ST	n/a	n/a	n/a	n/a	n/a
ZA-2112-72	QMPL09J112ST	n/a	n/a	n/a	n/a	n/a
ZA-2115	QMPL10J115ST	QAPL10A115ST	QAAPL10A115ST	DVP11K115ST	QVPL11V115ST	QVVPL11V115ST
ZA-2115-72	QMPL10J115ST	QAPL10A115ST	QAAPL10A115ST	DVP11K115ST	QVPL11V115ST	QVVPL11V115ST
ZA-2200	QMPL10J200ST	QAPL10A200ST	QAAPL10A200ST	DVP11K200ST	QVPL11V200ST	QVVPL11V200ST
ZA-2200-72	QMPL10J200ST	QAPL10A200ST	QAAPL10A200ST	DVP11K200ST	QVPL11V200ST	QVVPL11V200ST
ZA-2203	QMPL11J203ST	QAPL11A203ST	QAAPL11A203ST	DVP13K203ST	QVPL12V203ST	QVVPL12V203ST
ZA-2203-72	QMPL11J203ST	QAPL11A203ST	QAAPL11A203ST	DVP13K203ST	QVPL12V203ST	QVVPL12V203ST
ZA-2204	QMPL11J204ST	QAPL11A204ST	QAAPL11A204ST	DVP13K204ST	QVPL12V204ST	QVVPL12V204ST
ZA-2204-72	QMPL11J204ST	QAPL11A204ST	QAAPL11A204ST	DVP13K204ST	QVPL12V204ST	QVVPL12V204ST
ZA-2207	QMPL13J207ST	QAPL13A207ST	QAAPL13A207ST	DVP15K207ST	QVPL14V207ST	QVVPL14V207ST
ZA-2207-72	QMPL13J207ST	QAPL13A207ST	QAAPL13A207ST	DVP15K207ST	QVPL14V207ST	QVVPL14V207ST
ZA-2207-F	QMPL13J207ST	QAPF13A207ST	QAAPF13A207ST	DVPF15K207ST	QVPF14V207ST	QVVPF14V207ST
ZA-2207-F-72	QMPL13J207ST	QAPF13A207ST	QAAPF13A207ST	DVPF15K207ST	QVPF14V207ST	QVVPF14V207ST
ZA-2208	QMPL13J208ST	QAPL13A208ST	QAAPL13A208ST	DVP15K208ST	QVPL14V208ST	QVVPL14V208ST
ZA-2208-72	QMPL13J208ST	QAPL13A208ST	QAAPL13A208ST	DVP15K208ST	QVPL14V208ST	QVVPL14V208ST
ZA-2208-F	QMPL13J208ST	QAPF13A208ST	QAAPF13A208ST	DVPF15K208ST	QVPF14V208ST	QVVPF14V208ST
ZA-2208-F-72	QMPL13J208ST	QAPF13A208ST	QAAPF13A208ST	DVPF15K208ST	QVPF14V208ST	QVVPF14V208ST
ZA-2211	QMPL15J211ST	QAPL15A211ST	QAAPL15A211ST	n/a	QVPL16V211ST	QVVPL16V211ST
ZA-2211-72	QMPL15J211ST	QAPL15A211ST	QAAPL15A211ST	n/a	QVPL16V211ST	QVVPL16V211ST
ZA-2211-F	QMPL15J211ST	QAPF15A211ST	QAAPF15A211ST	n/a	QVPF16V211ST	QVVPF16V211ST
ZA-2211-F-72	QMPL15J211ST	QAPF15A211ST	QAAPF15A211ST	n/a	QVPF16V211ST	QVVPF16V211ST
ZA-2212	QMPL15J212ST	QAPL15A212ST	QAAPL15A212ST	n/a	QVPL16V212ST	QVVPL16V212ST
ZA-2212-72	QMPL15J212ST	QAPL15A212ST	QAAPL15A212ST	n/a	QVPL16V212ST	QVVPL16V212ST
ZA-2212-F	QMPL15J212ST	QAPF15A212ST	QAAPF15A212ST	n/a	QVPF16V212ST	QVVPF16V212ST
ZA-2212-F-72	QMPL15J212ST	QAPF15A212ST	QAAPF15A212ST	n/a	QVPF16V212ST	QVVPF16V212ST
ZA-2215	QMPL15J215ST	QAPL15A215ST	QAAPL15A215ST	DVP17K215ST	QVPL16V215ST	QVVPL16V215ST
ZA-2215-72	QMPL15J215ST	QAPL15A215ST	QAAPL15A215ST	DVP17K215ST	QVPL16V215ST	QVVPL16V215ST
ZA-2215-F	QMPL15J215ST	QAPF15A215ST	QAAPF15A215ST	DVPF17K215ST	QVPF16V215ST	QVVPF16V215ST
ZA-2215-F-72	QMPL15J215ST	QAPF15A215ST	QAAPF15A215ST	DVPF17K215ST	QVPF16V215ST	QVVPF16V215ST
ZA-2300	QMPL15J300ST	QAPL15A300ST	QAAPL15A300ST	DVP17K300ST	QVPL16V300ST	QVVPL16V300ST
ZA-2300-72	QMPL15J300ST	QAPL15A300ST	QAAPL15A300ST	DVP17K300ST	QVPL16V300ST	QVVPL16V300ST
ZA-2300-F	QMPL15J300ST	QAPF15A300ST	QAAPF15A300ST	DVPF17K300ST	QVPF16V300ST	QVVPF16V300ST
ZA-2300-F-72	QMPL15J300ST	QAPF15A300ST	QAAPF15A300ST	DVPF17K300ST	QVPF16V300ST	QVVPF16V300ST
ZA-2303	QMPL18J303ST	QAPL18A303ST	QAAPL18A303ST	n/a	QVPL19V303ST	QVVPL19V303ST
ZA-2303-72	QMPL18J303ST	QAPL18A303ST	QAAPL18A303ST	n/a	QVPL19V303ST	QVVPL19V303ST
ZA-2303-F	QMPL18J303ST	QAPF18A303ST	QAAPF18A303ST	n/a	QVPF19V303ST	QVVPF19V303ST
ZA-2303-F-72	QMPL18J303ST	QAPF18A303ST	QAAPF18A303ST	n/a	QVPF19V303ST	QVVPF19V303ST
ZA-2307	QMPL18J307ST	QAPL18A307ST	QAAPL18A307ST	DVP20K307ST	QVPL19V307ST	QVVPL19V307ST

Note: This interchange guide is for reference only. **Some competitor bearings may not be shown.** If you are unable to find the bearing you are trying to interchange, please contact your local distributor or QM Bearings for assistance.

(continued on next page)

Blue Brute Bearings – Interchange Guide

Rexnord®

Rexnord Part Number	QM EC Series	QM CL Series		QM TA/DV Series	QM V-Lock® Series	
		Single-Collar	Double-Collar		Single-Nut	Double-Nut
ZA-2307-72	QMPL18J307ST	QAPL18A307ST	QAAPL18A307ST	DVP20K307ST	QVPL19V307ST	QVVPL19V307ST
ZA-2307-F	QMPF18J307ST	QAPF18A307ST	QAAPF18A307ST	DVPF20K307ST	QVPF19V307ST	QVVPF19V307ST
ZA-2307-F-72	QMPF18J307ST	QAPF18A307ST	QAAPF18A307ST	DVPF20K307ST	QVPF19V307ST	QVVPF19V307ST
ZA-2308	QMPL18J308ST	QAPL18A308ST	QAAPL18A308ST	DVP20K308ST	QVPL19V308ST	QVVPL19V308ST
ZA-2308-72	QMPL18J308ST	QAPL18A308ST	QAAPL18A308ST	DVP20K308ST	QVPL19V308ST	QVVPL19V308ST
ZA-2308-F-72	QMPF18J308ST	QAPF18A308ST	QAAPF18A308ST	DVPF20K308ST	QVPF19V308ST	QVVPF19V308ST
ZA-2308-P	QMPF18J308ST	QAPF18A308ST	QAAPF18A308ST	DVPF20K308ST	QVPF19V308ST	QVVPF19V308ST
ZA-2315	QMP20J315ST	QAP20A315ST	QAAP20A315ST	DVP22K315ST	QVP22V315ST	QVVP22V315ST
ZA-2315-72	QMP20J315ST	QAP20A315ST	QAAP20A315ST	DVP22K315ST	QVP22V315ST	QVVP22V315ST
ZA-2315-F	QMPF20J315ST	QAPF20A315ST	QAAPF20A315ST	DVPF22K315ST	QVPF22V315ST	QVVPF22V315ST
ZA-2315-F-72	QMPF20J315ST	QAPF20A315ST	QAAPF20A315ST	DVPF22K315ST	QVPF22V315ST	QVVPF22V315ST
ZA-2400	QMP20J400ST	QAP20A400ST	QAAP20A400ST	DVP22K400ST	QVP22V400ST	QVVP22V400ST
ZA-2400-72	QMP20J400ST	QAP20A400ST	QAAP20A400ST	DVP22K400ST	QVP22V400ST	QVVP22V400ST
ZA-2400-F	QMPF20J400ST	QAPF20A400ST	QAAPF20A400ST	DVPF22K400ST	QVPF22V400ST	QVVPF22V400ST
ZA-2400-F-72	QMPF20J400ST	QAPF20A400ST	QAAPF20A400ST	n/a	QVPF22V400ST	QVVPF22V400ST
ZA-3107	QMPL08J107ST	n/a	n/a	n/a	n/a	n/a
ZA-3107-72	QMPL08J107ST	n/a	n/a	n/a	n/a	n/a
ZA-3111	QMPL09J111ST	n/a	n/a	n/a	n/a	n/a
ZA-3111-72	QMPL09J111ST	n/a	n/a	n/a	n/a	n/a
ZA-3115	QMPL10J115ST	QAPL10A115ST	QAAPL10A115ST	DVP11K115ST	QVPL11V115ST	QVVPL11V115ST
ZA-3115-72	QMPL10J115ST	QAPL10A115ST	QAAPL10A115ST	DVP11K115ST	QVPL11V115ST	QVVPL11V115ST
ZA-3203	QMPL11J203ST	QAPL11A203ST	QAAPL11A203ST	DVP13K203ST	QVPL12V203ST	QVVPL12V203ST
ZA-3203-72	QMPL11J203ST	QAPL11A203ST	QAAPL11A203ST	DVP13K203ST	QVPL12V203ST	QVVPL12V203ST
ZA-3207	QMPL13J207ST	QAPL13A207ST	QAAPL13A207ST	DVP15K207ST	QVPL14V207ST	QVVPL14V207ST
ZA-3207-72	QMPL13J207ST	QAPL13A207ST	QAAPL13A207ST	DVP15K207ST	QVPL14V207ST	QVVPL14V207ST
ZA-3207-F	QMPF13J207ST	QAPF13A207ST	QAAPF13A207ST	DVPF15K207ST	QVPF14V207ST	QVVPF14V207ST
ZA-3207-F-72	QMPF13J207ST	QAPF13A207ST	QAAPF13A207ST	DVPF15K207ST	QVPF14V207ST	QVVPF14V207ST
ZA-3208	QMPL13J208ST	QAPL13A208ST	QAAPL13A208ST	DVP15K208ST	QVPL14V208ST	QVVPL14V208ST
ZA-3208-72	QMPL13J208ST	QAPL13A208ST	QAAPL13A208ST	DVP15K208ST	QVPL14V208ST	QVVPL14V208ST
ZA-3208-F	QMPF13J208ST	QAPF13A208ST	QAAPF13A208ST	DVPF15K208ST	QVPF14V208ST	QVVPF14V208ST
ZA-3208-F-72	QMPF13J208ST	QAPF13A208ST	QAAPF13A208ST	DVPF15K208ST	QVPF14V208ST	QVVPF14V208ST
ZA-3211	QMPL15J211ST	QAPL15A211ST	QAAPL15A211ST	n/a	QVPL16V211ST	QVVPL16V211ST
ZA-3211-72	QMPL15J211ST	QAPL15A211ST	QAAPL15A211ST	n/a	QVPL16V211ST	QVVPL16V211ST
ZA-3211-F	QMPF15J211ST	QAPF15A211ST	QAAPF15A211ST	n/a	QVPF16V211ST	QVVPF16V211ST
ZA-3211-F-72	QMPF15J211ST	QAPF15A211ST	QAAPF15A211ST	n/a	QVPF16V211ST	QVVPF16V211ST
ZA-3215	QMPL15J215ST	QAPL15A215ST	QAAPL15A215ST	DVP17K215ST	QVPL16V215ST	QVVPL16V215ST
ZA-3215-72	QMPL15J215ST	QAPL15A215ST	QAAPL15A215ST	DVP17K215ST	QVPL16V215ST	QVVPL16V215ST
ZA-3215-F	QMPF15J215ST	QAPF15A215ST	QAAPF15A215ST	DVPF17K215ST	QVPF16V215ST	QVVPF16V215ST
ZA-3215-F-72	QMPF15J215ST	QAPF15A215ST	QAAPF15A215ST	DVPF17K215ST	QVPF16V215ST	QVVPF16V215ST
ZA-3307	QMPL18J307ST	QAPL18A307ST	QAAPL18A307ST	DVP20K307ST	QVPL19V307ST	QVVPL19V307ST
ZA-3307-72	QMPL18J307ST	QAPL18A307ST	QAAPL18A307ST	DVP20K307ST	QVPL19V307ST	QVVPL19V307ST
ZA-3307-F	QMPF18J307ST	QAPF18A307ST	QAAPF18A307ST	DVPF20K307ST	QVPF19V307ST	QVVPF19V307ST
ZA-3307-F-72	QMPF18J307ST	QAPF18A307ST	QAAPF18A307ST	DVPF20K307ST	QVPF19V307ST	QVVPF19V307ST

Note: This interchange guide is for reference only. **Some competitor bearings may not be shown.** If you are unable to find the bearing you are trying to interchange, please contact your local distributor or QM Bearings for assistance.

(continued on next page)

Blue Brute Bearings – Interchange Guide

Rexnord®

Rexnord Part Number	QM EC Series	QM CL Series		QM TA/DV Series	QM V-Lock® Series	
		Single-Collar	Double-Collar		Single-Nut	Double-Nut
ZA-3308	QMPL18J308ST	QAPL18A308ST	QAAPL18A308ST	DVP20K308ST	QVPL19V308ST	QVVPL19V308ST
ZA-3308-72	QMPL18J308ST	QAPL18A308ST	QAAPL18A308ST	DVP20K308ST	QVPL19V308ST	QVVPL19V308ST
ZA-3308-F	QMPL18J308ST	QAPL18A308ST	QAAPL18A308ST	DVP20K308ST	QVPL19V308ST	QVVPL19V308ST
ZA-3308-F-72	QMPL18J308ST	QAPL18A308ST	QAAPL18A308ST	DVP20K308ST	QVPL19V308ST	QVVPL19V308ST
ZA-3315	QMP20J315ST	QAP20A315ST	QAAP20A315ST	DVP22K315ST	QVP22V315ST	QVVP22V315ST
ZA-3315-72	QMP20J315ST	QAP20A315ST	QAAP20A315ST	DVP22K315ST	QVP22V315ST	QVVP22V315ST
ZA-3315-F	QMP20J315ST	QAP20A315ST	QAAP20A315ST	DVP22K315ST	QVP22V315ST	QVVP22V315ST
ZA-3315-F-72	QMP20J315ST	QAP20A315ST	QAAP20A315ST	DVP22K315ST	QVP22V315ST	QVVP22V315ST
ZAS-2107	QMPL08J107SET	n/a	n/a	n/a	n/a	n/a
ZAS-2107-72	QMPL08J107SET	n/a	n/a	n/a	n/a	n/a
ZAS-2108	QMPL08J108SET	n/a	n/a	n/a	n/a	n/a
ZAS-2108-72	QMPL08J108SET	n/a	n/a	n/a	n/a	n/a
ZAS-2111	QMPL09J111SET	n/a	n/a	n/a	n/a	n/a
ZAS-2111-72	QMPL09J111SET	n/a	n/a	n/a	n/a	n/a
ZAS-2112	QMPL09J112SET	n/a	n/a	n/a	n/a	n/a
ZAS-2112-72	QMPL09J112SET	n/a	n/a	n/a	n/a	n/a
ZAS-2115	QMPL10J115SET	QAPL10A115SET	QAAPL10A115SET	DVP11K115SET	QVP11V115SET	QVVP11V115SET
ZAS-2115-72	QMPL10J115SET	QAPL10A115SET	QAAPL10A115SET	DVP11K115SET	QVPL11V115SET	QVVPL11V115SET
ZAS-2200	QMPL10J200SET	QAPL10A200SET	QAAPL10A200SET	DVP11K200SET	QVP11V200SET	QVVP11V200SET
ZAS-2200-72	QMPL10J200SET	QAPL10A200SET	QAAPL10A200SET	DVP11K200SET	QVPL11V200SET	QVVPL11V200SET
ZAS-2203	QMPL11J203SET	QAPL11A203SET	QAAPL11A203SET	DVP13K203SET	QVP12V203SET	QVVP12V203SET
ZAS-2203-72	QMPL11J203SET	QAPL11A203SET	QAAPL11A203SET	DVP13K203SET	QVPL12V203SET	QVVPL12V203SET
ZAS-2204	QMPL11J204SET	QAPL11A204SET	QAAPL11A204SET	DVP13K204SET	QVP12V204SET	QVVP12V204SET
ZAS-2204-72	QMPL11J204SET	QAPL11A204SET	QAAPL11A204SET	DVP13K204SET	QVPL12V204SET	QVVPL12V204SET
ZAS-2207	QMPL13J207SET	QAPL13A207SET	QAAPL13A207SET	DVP15K207SET	QVPL14V207SET	QVVPL14V207SET
ZAS-2207-72	QMPL13J207SET	QAPL13A207SET	QAAPL13A207SET	DVP15K207SET	QVPL14V207SET	QVVPL14V207SET
ZAS-2207-F	QMPL13J207SET	QAPL13A207SET	QAAPL13A207SET	DVP15K207SET	QVPL14V207SET	QVVPL14V207SET
ZAS-2207-F-72	QMPL13J207SET	QAPL13A207SET	QAAPL13A207SET	DVP15K207SET	QVPL14V207SET	QVVPL14V207SET
ZAS-2208	QMPL13J208SET	QAPL13A208SET	QAAPL13A208SET	DVP15K208SET	QVPL14V208SET	QVVPL14V208SET
ZAS-2208-72	QMPL13J208SET	QAPL13A208SET	QAAPL13A208SET	DVP15K208SET	QVPL14V208SET	QVVPL14V208SET
ZAS-2208-F	QMPL13J208SET	QAPL13A208SET	QAAPL13A208SET	DVP15K208SET	QVPL14V208SET	QVVPL14V208SET
ZAS-2208-F-72	QMPL13J208SET	QAPL13A208SET	QAAPL13A208SET	DVP15K208SET	QVPL14V208SET	QVVPL14V208SET
ZAS-2211	QMPL15J211SET	QAPL15A211SET	QAAPL15A211SET	n/a	QVPL16V211SET	QVVPL16V211SET
ZAS-2211-72	QMPL15J211SET	QAPL15A211SET	QAAPL15A211SET	n/a	QVPL16V211SET	QVVPL16V211SET
ZAS-2211-F	QMPL15J211SET	QAPL15A211SET	QAAPL15A211SET	n/a	QVPL16V211SET	QVVPL16V211SET
ZAS-2211-F-72	QMPL15J211SET	QAPL15A211SET	QAAPL15A211SET	n/a	QVPL16V211SET	QVVPL16V211SET
ZAS-2212	QMPL15J212SET	QAPL15A212SET	QAAPL15A212SET	n/a	QVPL16V212SET	QVVPL16V212SET
ZAS-2212-72	QMPL15J212SET	QAPL15A212SET	QAAPL15A212SET	n/a	QVPL16V212SET	QVVPL16V212SET
ZAS-2212-F	QMPL15J212SET	QAPL15A212SET	QAAPL15A212SET	n/a	QVPL16V212SET	QVVPL16V212SET
ZAS-2212-F-72	QMPL15J212SET	QAPL15A212SET	QAAPL15A212SET	n/a	QVPL16V212SET	QVVPL16V212SET
ZAS-2215	QMPL15J215SET	QAPL15A215SET	QAAPL15A215SET	DVP17K215SET	QVPL16V215SET	QVVPL16V215SET
ZAS-2215-72	QMPL15J215SET	QAPL15A215SET	QAAPL15A215SET	DVP17K215SET	QVPL16V215SET	QVVPL16V215SET
ZAS-2215-F	QMPL15J215SET	QAPL15A215SET	QAAPL15A215SET	DVP17K215SET	QVPL16V215SET	QVVPL16V215SET

Note: This interchange guide is for reference only. **Some competitor bearings may not be shown.** If you are unable to find the bearing you are trying to interchange, please contact your local distributor or QM Bearings for assistance.

(continued on next page)

Blue Brute Bearings – Interchange Guide

Rexnord®

Rexnord Part Number	QM EC Series	QM CL Series		QM TA/DV Series	QM V-Lock® Series	
		Single-Collar	Double-Collar		Single-Nut	Double-Nut
ZAS-2215-F-72	QMPF15J215SET	QAPF15A215SET	QAAPF15A215SET	DVPF17K215SET	QVPF16V215SET	QVVPF16V215SET
ZAS-2300	QMPL15J300SET	QAPL15A300SET	QAAPL15A300SET	DVP17K300SET	QVPL16V300SET	QVVPL16V300SET
ZAS-2300-72	QMPL15J300SET	QAPL15A300SET	QAAPL15A300SET	DVP17K300SET	QVPL16V300SET	QVVPL16V300SET
ZAS-2300-F	QMPF15J300SET	QAPF15A300SET	QAAPF15A300SET	DVPF17K300SET	QVPF16V300SET	QVVPF16V300SET
ZAS-2300-F-72	QMPF15J300SET	QAPF15A300SET	QAAPF15A300SET	DVPF17K300SET	QVPF16V300SET	QVVPF16V300SET
ZAS-2303	QMPL18J303SET	n/a	n/a	n/a	QVPL19V303SET	QVVPL19V303SET
ZAS-2303-72	QMPL18J303SET	n/a	n/a	n/a	QVPL19V303SET	QVVPL19V303SET
ZAS-2303-F	QMPF18J303SET	n/a	n/a	n/a	QVPF19V303SET	QVVPF19V303SET
ZAS-2303-F-72	QMPF18J303SET	n/a	n/a	n/a	QVPF19V303SET	QVVPF19V303SET
ZAS-2307	QMPL18J307SET	QAPL18A307SET	QAAPL18A307SET	DVP20K307SET	QVPL19V307SET	QVVPL19V307SET
ZAS-2307-72	QMPL18J307SET	QAPL18A307SET	QAAPL18A307SET	DVP20K307SET	QVPL19V307SET	QVVPL19V307SET
ZAS-2307-F	QMPF18J307SET	QAPF18A307SET	QAAPF18A307SET	DVPF20K307SET	QVPF19V307SET	QVVPF19V307SET
ZAS-2307-F-72	QMPF18J307SET	QAPF18A307SET	QAAPF18A307SET	DVPF20K307SET	QVPF19V307SET	QVVPF19V307SET
ZAS-2308	QMPL18J308SET	QAPL18A308SET	QAAPL18A308SET	DVP20K308SET	QVPL19V308SET	QVVPL19V308SET
ZAS-2308-72	QMPL18J308SET	QAPL18A308SET	QAAPL18A308SET	DVP20K308SET	QVPL19V308SET	QVVPL19V308SET
ZAS-2308-F	QMPF18J308SET	QAPF18A308SET	QAAPF18A308SET	DVPF20K308SET	QVPF19V308SET	QVVPF19V308SET
ZAS-2308-F-72	QMPF18J308SET	QAPF18A308SET	QAAPF18A308SET	DVPF20K308SET	QVPF19V308SET	QVVPF19V308SET
ZAS-2315	QMP20J315SET	QAP20A315SET	QAAP20A315SET	DVP22K315SET	QVP22V315SET	QVVP22V315SET
ZAS-2315-72	QMP20J315SET	QAP20A315SET	QAAP20A315SET	DVP22K315SET	QVP22V315SET	QVVP22V315SET
ZAS-2315-F	QMPF20J315SET	QAPF20A315SET	QAAPF20A315SET	DVPF22K315SET	QVPF22V315SET	QVVPF22V315SET
ZAS-2315-F-72	QMPF20J315SET	QAPF20A315SET	QAAPF20A315SET	DVPF22K315SET	QVPF22V315SET	QVVPF22V315SET
ZAS-2400	QMP20J400SET	QAP20A400SET	QAAP20A400SET	DVP22K400SET	QVP22V400SET	QVVP22V400SET
ZAS-2400-72	QMP20J400SET	QAP20A400SET	QAAP20A400SET	DVP22K400SET	QVP22V400SET	QVVP22V400SET
ZAS-2400-F	QMPF20J400SET	QAPF20A400SET	QAAPF20A400SET	n/a	QVPF22V400SET	QVVPF22V400SET
ZAS-2400-F-72	QMPF20J400SET	QAPF20A400SET	QAAPF20A400SET	n/a	QVPF22V400SET	QVVPF22V400SET
ZAS-3107	QMPL08J107SET	n/a	n/a	n/a	n/a	n/a
ZAS-3107-72	QMPL08J107SET	n/a	n/a	n/a	n/a	n/a
ZAS-3111	QMPL09J111SET	n/a	n/a	n/a	n/a	n/a
ZAS-3111-72	QMPL09J111SET	n/a	n/a	n/a	n/a	n/a
ZAS-3115	QMPL10J115SET	QAPL10A115SET	QAAPL10A115SET	DVP11K115SET	QVP11V115SET	QVVP11V115SET
ZAS-3115-72	QMPL10J115SET	QAPL10A115SET	QAAPL10A115SET	DVP11K115SET	QVPL11V115SET	QVVPL11V115SET
ZAS-3203	QMPL11J203SET	QAPL11A203SET	QAAPL11A203SET	DVP13K203SET	QVP12V203SET	QVVP12V203SET
ZAS-3203-72	QMPL11J203SET	QAPL11A203SET	QAAPL11A203SET	DVP13K203SET	QVPL12V203SET	QVVPL12V203SET
ZAS-3207	QMPL13J207SET	QAPL13A207SET	QAAPL13A207SET	DVP15K207SET	QVPL14V207SET	QVVPL14V207SET
ZAS-3207-72	QMPL13J207SET	QAPL13A207SET	QAAPL13A207SET	DVP15K207SET	QVPL14V207SET	QVVPL14V207SET
ZAS-3207-F	QMPF13J207SET	QAPF13A207SET	QAAPF13A207SET	DVPF15K207SET	QVPF14V207SET	QVVPF14V207SET
ZAS-3207-F-72	QMPF13J207SET	QAPF13A207SET	QAAPF13A207SET	DVPF15K207SET	QVPF14V207SET	QVVPF14V207SET
ZAS-3208	QMPL13J208SET	QAPL13A208SET	QAAPL13A208SET	DVP15K208SET	QVPL14V208SET	QVVPL14V208SET
ZAS-3208-72	QMPL13J208SET	QAPL13A208SET	QAAPL13A208SET	DVP15K208SET	QVPL14V208SET	QVVPL14V208SET
ZAS-3208-F	QMPF13J208SET	QAPF13A208SET	QAAPF13A208SET	DVPF15K208SET	QVPF14V208SET	QVVPF14V208SET
ZAS-3208-F-72	QMPF13J208SET	QAPF13A208SET	QAAPF13A208SET	DVPF15K208SET	QVPF14V208SET	QVVPF14V208SET
ZAS-3211	QMPL15J211SET	QAPL15A211SET	QAAPL15A211SET	n/a	QVPL16V211SET	QVVPL16V211SET
ZAS-3211-72	QMPL15J211SET	QAPL15A211SET	QAAPL15A211SET	n/a	QVPL16V211SET	QVVPL16V211SET

Note: This interchange guide is for reference only. **Some competitor bearings may not be shown.** If you are unable to find the bearing you are trying to interchange, please contact your local distributor or QM Bearings for assistance.

(continued on next page)

Introduction
Blue Brute Bearings
Bearing Interchange Guide
Quick-Flex Couplings
Rigid Compression Couplings
Index

Blue Brute Bearings – Interchange Guide

Rexnord®

Rexnord Part Number	QM EC Series	QM CL Series		QM TA/DV Series	QM V-Lock® Series	
		Single-Collar	Double-Collar		Single-Nut	Double-Nut
ZAS-3211-F	QMPF15J211SET	QAPF15A211SET	QAAPF15A211SET	n/a	QVPF16V211SET	QVVPF16V211SET
ZAS-3211-F-72	QMPF15J211SET	QAPF15A211SET	QAAPF15A211SET	n/a	QVPF16V211SET	QVVPF16V211SET
ZAS-3215	QMPL15J215SET	QAPL15A215SET	QAAPL15A215SET	DVP17K215SET	QVPL16V215SET	QVVPL16V215SET
ZAS-3215-72	QMPL15J215SET	QAPL15A215SET	QAAPL15A215SET	DVP17K215SET	QVPL16V215SET	QVVPL16V215SET
ZAS-3215-F	QMPF15J215SET	QAPF15A215SET	QAAPF15A215SET	DVPF17K215SET	QVPF16V215SET	QVVPF16V215SET
ZAS-3215-F-72	QMPF15J215SET	QAPF15A215SET	QAAPF15A215SET	DVPF17K215SET	QVPF16V215SET	QVVPF16V215SET
ZAS-3307	QMPL18J307SET	QAPL18A307SET	QAAPL18A307SET	DVP20K307SET	QVPL19V307SET	QVVPL19V307SET
ZAS-3307-72	QMPL18J307SET	QAPL18A307SET	QAAPL18A307SET	DVP20K307SET	QVPL19V307SET	QVVPL19V307SET
ZAS-3307-F	QMPF18J307SET	QAPF18A307SET	QAAPF18A307SET	DVPF20K307SET	QVPF19V307SET	QVVPF19V307SET
ZAS-3307-F-72	QMPF18J307SET	QAPF18A307SET	QAAPF18A307SET	DVPF20K307SET	QVPF19V307SET	QVVPF19V307SET
ZAS-3308	QMPL18J308SET	QAPL18A308SET	QAAPL18A308SET	DVP20K308SET	QVPL19V308SET	QVVPL19V308SET
ZAS-3308-72	QMPL18J308SET	QAPL18A308SET	QAAPL18A308SET	DVP20K308SET	QVPL19V308SET	QVVPL19V308SET
ZAS-3308-F	QMPF18J308SET	QAPF18A308SET	QAAPF18A308SET	DVPF20K308SET	QVPF19V308SET	QVVPF19V308SET
ZAS-3308-F-72	QMPF18J308SET	QAPF18A308SET	QAAPF18A308SET	DVPF20K308SET	QVPF19V308SET	QVVPF19V308SET
ZAS-3315	QMP20J315SET	QAP20A315SET	QAAP20A315SET	DVP22K315SET	QVP22V315SET	QVVP22V315SET
ZAS-3315-72	QMP20J315SET	QAP20A315SET	QAAP20A315SET	DVP22K315SET	QVP22V315SET	QVVP22V315SET
ZAS-3315-F	QMPF20J315SET	QAPF20A315SET	QAAPF20A315SET	DVPF22K315SET	QVPF22V315SET	QVVPF22V315SET
ZAS-3315-F-72	QMPF20J315SET	QAPF20A315SET	QAAPF20A315SET	DVPF22K315SET	QVPF22V315SET	QVVPF22V315SET
ZB-2107	QMFY08J107ST	n/a	n/a	n/a	n/a	n/a
ZB-2107-72	QMFY08J107ST	n/a	n/a	n/a	n/a	n/a
ZB-2108	QMFY08J108ST	n/a	n/a	n/a	n/a	n/a
ZB-2108-72	QMFY08J108ST	n/a	n/a	n/a	n/a	n/a
ZB-2111	QMFY09J111ST	n/a	n/a	n/a	n/a	n/a
ZB-2111-72	QMFY09J111ST	n/a	n/a	n/a	n/a	n/a
ZB-2112	QMFY09J112ST	n/a	n/a	n/a	n/a	n/a
ZB-2112-72	QMFY09J112ST	n/a	n/a	n/a	n/a	n/a
ZB-2115	QMFY10J115ST	QAFY10A115ST	QAAFY10A115ST	n/a	QVFY11V115ST	QVVFY11V115ST
ZB-2115-72	QMFY10J115ST	QAFY10A115ST	QAAFY10A115ST	n/a	QVFY11V115ST	QVVFY11V115ST
ZB-2200	QMFY10J200ST	QAFY10A200ST	QAAFY10A200ST	n/a	QVFY11V200ST	QVVFY11V200ST
ZB-2200-72	QMFY10J200ST	QAFY10A200ST	QAAFY10A200ST	n/a	QVFY11V200ST	QVVFY11V200ST
ZB-2203	QMFY11J203ST	QAFY11A203ST	QAAFY11A203ST	n/a	QVFY12V203ST	QVVFY12V203ST
ZB-2203-72	QMFY11J203ST	QAFY11A203ST	QAAFY11A203ST	n/a	QVFY12V203ST	QVVFY12V203ST
ZB-2204	QMFY11J204ST	QAFY11A204ST	QAAFY11A204ST	n/a	QVFY12V204ST	QVVFY12V204ST
ZB-2204-72	QMFY11J204ST	QAFY11A204ST	QAAFY11A204ST	n/a	QVFY12V204ST	QVVFY12V204ST
ZB-2207	QMFY13J207ST	QAFY13A207ST	QAAFY13A207ST	n/a	QVFY14V207ST	QVVFY14V207ST
ZB-2207-72	QMFY13J207ST	QAFY13A207ST	QAAFY13A207ST	n/a	QVFY14V207ST	QVVFY14V207ST
ZB-2208	QMFY13J208ST	QAFY13A208ST	QAAFY13A208ST	n/a	QVFY14V208ST	QVVFY14V208ST
ZB-2208-72	QMFY13J208ST	QAFY13A208ST	QAAFY13A208ST	n/a	QVFY14V208ST	QVVFY14V208ST
ZB-2211	QMFY15J211ST	QAFY15A211ST	QAAFY15A211ST	n/a	QVFY16V211ST	QVVFY16V211ST
ZB-2211-72	QMFY15J211ST	QAFY15A211ST	QAAFY15A211ST	n/a	QVFY16V211ST	QVVFY16V211ST
ZB-2212	QMFY15J212ST	QAFY15A212ST	QAAFY15A212ST	n/a	QVFY16V212ST	QVVFY16V212ST
ZB-2212-72	QMFY15J212ST	QAFY15A212ST	QAAFY15A212ST	n/a	QVFY16V212ST	QVVFY16V212ST
ZB-2215	QMFY15J215ST	QAFY15A215ST	QAAFY15A215ST	n/a	QVFY16V215ST	QVVFY16V215ST

Note: This interchange guide is for reference only. **Some competitor bearings may not be shown.** If you are unable to find the bearing you are trying to interchange, please contact your local distributor or QM Bearings for assistance.

(continued on next page)

Blue Brute Bearings – Interchange Guide

Rexnord®

Rexnord Part Number	QM EC Series	QM CL Series		QM TA/DV Series	QM V-Lock® Series	
		Single-Collar	Double-Collar		Single-Nut	Double-Nut
ZB-2215-72	QMFY15J215ST	QAFY15A215ST	QAAFY15A215ST	n/a	QV FY16V215ST	QV VFY16V215ST
ZB-2300	QMFY15J300ST	QAFY15A300ST	QAAFY15A300ST	n/a	QV FY16V300ST	QV VFY16V300ST
ZB-2300-72	QMFY15J300ST	QAFY15A300ST	QAAFY15A300ST	n/a	QV FY16V300ST	QV VFY16V300ST
ZB-2303	QMFL18J303ST	QAF18A303ST	QAAF18A303ST	n/a	QV FL19V303ST	QV VFL19V303ST
ZB-2303-72	QMFL18J303ST	QAF18A303ST	QAAF18A303ST	n/a	QV FL19V303ST	QV VFL19V303ST
ZB-2307	QMFL18J307ST	QAF18A307ST	QAAF18A307ST	n/a	QV FL19V307ST	QV VFL19V307ST
ZB-2307-72	QMFL18J307ST	QAF18A307ST	QAAF18A307ST	n/a	QV FL19V307ST	QV VFL19V307ST
ZB-2308	QMFL18J308ST	QAF18A308ST	QAAF18A308ST	n/a	QV FL19V308ST	QV VFL19V308ST
ZB-2308-72	QMFL18J308ST	QAF18A308ST	QAAF18A308ST	n/a	QV FL19V308ST	QV VFL19V308ST
ZB-2315	QMFL20J315ST	QAF20A315ST	QAAF20A315ST	n/a	QV FL22V315ST	QV VFL22V315ST
ZB-2315-72	QMFL20J315ST	QAF20A315ST	QAAF20A315ST	n/a	QV FL22V315ST	QV VFL22V315ST
ZB-2400	QMFL20J400ST	QAF20A400ST	QAAF20A400ST	n/a	QV FL22V400ST	QV VFL22V400ST
ZB-2400-72	QMFL20J400ST	QAF20A400ST	QAAF20A400ST	n/a	QV FL22V400ST	QV VFL22V400ST
ZB-3107	QMFY08J107ST	n/a	n/a	n/a	n/a	n/a
ZB-3107-72	QMFY08J107ST	n/a	n/a	n/a	n/a	n/a
ZB-3111	QMFY09J111ST	n/a	n/a	n/a	n/a	n/a
ZB-3111-72	QMFY09J111ST	n/a	n/a	n/a	n/a	n/a
ZB-3115	QMFY10J115ST	QAFY10A115ST	QAAFY10A115ST	n/a	QV FY11V115ST	QV VFY11V115ST
ZB-3115-72	QMFY10J115ST	QAFY10A115ST	QAAFY10A115ST	n/a	QV FY11V115ST	QV VFY11V115ST
ZB-3203	QMFY11J203ST	QAFY11A203ST	QAAFY11A203ST	n/a	QV FY12V203ST	QV VFY12V203ST
ZB-3203-72	QMFY11J203ST	QAFY11A203ST	QAAFY11A203ST	n/a	QV FY12V203ST	QV VFY12V203ST
ZB-3207	QMFY13J207ST	QAFY13A207ST	QAAFY13A207ST	n/a	QV FY14V207ST	QV VFY14V207ST
ZB-3207-72	QMFY13J207ST	QAFY13A207ST	QAAFY13A207ST	n/a	QV FY14V207ST	QV VFY14V207ST
ZB-3208	QMFY13J208ST	QAFY13A208ST	QAAFY13A208ST	n/a	QV FY14V208ST	QV VFY14V208ST
ZB-3208-72	QMFY13J208ST	QAFY13A208ST	QAAFY13A208ST	n/a	QV FY14V208ST	QV VFY14V208ST
ZB-3211	QMFY15J211ST	QAFY15A211ST	QAAFY15A211ST	n/a	QV FY16V211ST	QV VFY16V211ST
ZB-3211-72	QMFY15J211ST	QAFY15A211ST	QAAFY15A211ST	n/a	QV FY16V211ST	QV VFY16V211ST
ZB-3215	QMFY15J215ST	QAFY15A215ST	QAAFY15A215ST	n/a	QV FY16V215ST	QV VFY16V215ST
ZB-3215-72	QMFY15J215ST	QAFY15A215ST	QAAFY15A215ST	n/a	QV FY16V215ST	QV VFY16V215ST
ZB-3307	QMFL18J307ST	QAF18A307ST	QAAF18A307ST	n/a	QV FL19V307ST	QV VFL19V307ST
ZB-3307-72	QMFL18J307ST	QAF18A307ST	QAAF18A307ST	n/a	QV FL19V307ST	QV VFL19V307ST
ZB-3308	QMFL18J308ST	QAF18A308ST	QAAF18A308ST	n/a	QV FL19V308ST	QV VFL19V308ST
ZB-3308-72	QMFL18J308ST	QAF18A308ST	QAAF18A308ST	n/a	QV FL19V308ST	QV VFL19V308ST
ZB-3315	QMFL20J315ST	QAF20A315ST	QAAF20A315ST	n/a	QV FL22V315ST	QV VFL22V315ST
ZB-3315-72	QMFL20J315ST	QAF20A315ST	QAAF20A315ST	n/a	QV FL22V315ST	QV VFL22V315ST
ZBR-2107	QMCW08J107ST	n/a	n/a	n/a	n/a	n/a
ZBR-2107-72	QMCW08J107ST	n/a	n/a	n/a	n/a	n/a
ZBR-2108	QMCW08J108ST	n/a	n/a	n/a	n/a	n/a
ZBR-2108-72	QMCW08J108ST	n/a	n/a	n/a	n/a	n/a
ZBR-2111	QMCW09J111ST	n/a	n/a	n/a	n/a	n/a
ZBR-2111-72	QMCW09J111ST	n/a	n/a	n/a	n/a	n/a
ZBR-2112	QMCW09J112ST	n/a	n/a	n/a	n/a	n/a
ZBR-2112-72	QMCW09J112ST	n/a	n/a	n/a	n/a	n/a

Note: This interchange guide is for reference only. **Some competitor bearings may not be shown.** If you are unable to find the bearing you are trying to interchange, please contact your local distributor or QM Bearings for assistance.

(continued on next page)

Blue Brute Bearings – Interchange Guide

Rexnord®

Rexnord Part Number	QM EC Series	QM CL Series		QM TA/DV Series	QM V-Lock® Series	
		Single-Collar	Double-Collar		Single-Nut	Double-Nut
ZBR-2115	QMCW10J115ST	QACW10A115ST	QAACW10A115ST	n/a	QVCW11V115ST	QVVCW11V115ST
ZBR-2115-72	QMCW10J115ST	QACW10A115ST	QAACW10A115ST	n/a	QVCW11V115ST	QVVCW11V115ST
ZBR-2200	QMCW10J200ST	QACW10A200ST	QAACW10A200ST	n/a	QVCW11V200ST	QVVCW11V200ST
ZBR-2200-72	QMCW10J200ST	QACW10A200ST	QAACW10A200ST	n/a	QVCW11V200ST	QVVCW11V200ST
ZBR-2203	QMCW11J203ST	QACW11A203ST	QAACW11A203ST	n/a	QVCW12V203ST	QVVCW12V203ST
ZBR-2203-72	QMCW11J203ST	QACW11A203ST	QAACW11A203ST	n/a	QVCW12V203ST	QVVCW12V203ST
ZBR-2204	QMCW11J204ST	QACW11A204ST	QAACW11A204ST	n/a	QVCW12V204ST	QVVCW12V204ST
ZBR-2204-72	QMCW11J204ST	QACW11A204ST	QAACW11A204ST	n/a	QVCW12V204ST	QVVCW12V204ST
ZBR-2207	QMCW13J207ST	QACW13A207ST	QAACW13A207ST	n/a	QVCW14V207ST	QVVCW14V207ST
ZBR-2207-72	QMCW13J207ST	QACW13A207ST	QAACW13A207ST	n/a	QVCW14V207ST	QVVCW14V207ST
ZBR-2208	QMCW13J208ST	QACW13A208ST	QAACW13A208ST	n/a	QVCW14V208ST	QVVCW14V208ST
ZBR-2208-72	QMCW13J208ST	QACW13A208ST	QAACW13A208ST	n/a	QVCW14V208ST	QVVCW14V208ST
ZBR-2211	QMCW15J211ST	QACW15A211ST	QAACW15A211ST	n/a	QVCW16V211ST	QVVCW16V211ST
ZBR-2211-72	QMCW15J211ST	QACW15A211ST	QAACW15A211ST	n/a	QVCW16V211ST	QVVCW16V211ST
ZBR-2212	QMCW15J212ST	QACW15A212ST	QAACW15A212ST	n/a	QVCW16V212ST	QVVCW16V212ST
ZBR-2212-72	QMCW15J212ST	QACW15A212ST	QAACW15A212ST	n/a	QVCW16V212ST	QVVCW16V212ST
ZBR-2215	QMCW15J215ST	QACW15A215ST	QAACW15A215ST	n/a	QVCW16V215ST	QVVCW16V215ST
ZBR-2215-72	QMCW15J215ST	QACW15A215ST	QAACW15A215ST	n/a	QVCW16V215ST	QVVCW16V215ST
ZBR-2300	QMCW15J300ST	QACW15A300ST	QAACW15A300ST	n/a	QVCW16V300ST	QVVCW16V300ST
ZBR-2300-72	QMCW15J300ST	QACW15A300ST	QAACW15A300ST	n/a	QVCW16V300ST	QVVCW16V300ST
ZBR-2303	QMCW18J303ST	QACW18A303ST	QAACW18A303ST	n/a	QVCW19V303ST	QVVCW19V303ST
ZBR-2303-72	QMCW18J303ST	QACW18A303ST	QAACW18A303ST	n/a	QVCW19V303ST	QVVCW19V303ST
ZBR-2307	QMCW18J307ST	QACW18A307ST	QAACW18A307ST	n/a	QVCW19V307ST	QVVCW19V307ST
ZBR-2307-72	QMCW18J307ST	QACW18A307ST	QAACW18A307ST	n/a	QVCW19V307ST	QVVCW19V307ST
ZBR-2308	QMCW18J308ST	QACW18A308ST	QAACW18A308ST	n/a	QVCW19V308ST	QVVCW19V308ST
ZBR-2308-72	QMCW18J308ST	QACW18A308ST	QAACW18A308ST	n/a	QVCW19V308ST	QVVCW19V308ST
ZBR-2315	QMCW20J315ST	QACW20A315ST	QAACW20A315ST	n/a	QVCW22V315ST	QVVCW22V315ST
ZBR-2315-72	QMCW20J315ST	QACW20A315ST	QAACW20A315ST	n/a	QVCW22V315ST	QVVCW22V315ST
ZBR-2400	QMCW20J400ST	QACW20A400ST	QAACW20A400ST	n/a	QVCW22V400ST	QVVCW22V400ST
ZBR-2400-72	QMCW20J400ST	QACW20A400ST	QAACW20A400ST	n/a	QVCW22V400ST	QVVCW22V400ST
ZBR-3115	QMCW10J115ST	QACW10A115ST	QAACW10A115ST	n/a	QVCW11V115ST	QVVCW11V115ST
ZBR-3115-72	QMCW10J115ST	QACW10A115ST	QAACW10A115ST	n/a	QVCW11V115ST	QVVCW11V115ST
ZBR-3203	QMCW11J203ST	QACW11A203ST	QAACW11A203ST	n/a	QVCW12V203ST	QVVCW12V203ST
ZBR-3203-72	QMCW11J203ST	QACW11A203ST	QAACW11A203ST	n/a	QVCW12V203ST	QVVCW12V203ST
ZBR-3207	QMCW13J207ST	QACW13A207ST	QAACW13A207ST	n/a	QVCW14V207ST	QVVCW14V207ST
ZBR-3207-72	QMCW13J207ST	QACW13A207ST	QAACW13A207ST	n/a	QVCW14V207ST	QVVCW14V207ST
ZBR-3208	QMCW13J208ST	QACW13A208ST	QAACW13A208ST	n/a	QVCW14V208ST	QVVCW14V208ST
ZBR-3208-72	QMCW13J208ST	QACW13A208ST	QAACW13A208ST	n/a	QVCW14V208ST	QVVCW14V208ST
ZBR-3211	QMCW15J211ST	QACW15A211ST	QAACW15A211ST	n/a	QVCW16V211ST	QVVCW16V211ST
ZBR-3211-72	QMCW15J211ST	QACW15A211ST	QAACW15A211ST	n/a	QVCW16V211ST	QVVCW16V211ST
ZBR-3215	QMCW15J215ST	QACW15A215ST	QAACW15A215ST	n/a	QVCW16V215ST	QVVCW16V215ST
ZBR-3215-72	QMCW15J215ST	QACW15A215ST	QAACW15A215ST	n/a	QVCW16V215ST	QVVCW16V215ST
ZBR-3307	QMCW18J307ST	QACW18A307ST	QAACW18A307ST	n/a	QVCW19V307ST	QVVCW19V307ST

Note: This interchange guide is for reference only. **Some competitor bearings may not be shown.** If you are unable to find the bearing you are trying to interchange, please contact your local distributor or QM Bearings for assistance.

(continued on next page)

Blue Brute Bearings – Interchange Guide

Rexnord®

Rexnord Part Number	QM EC Series	QM CL Series		QM TA/DV Series	QM V-Lock® Series	
		Single-Collar	Double-Collar		Single-Nut	Double-Nut
ZBR-3307-72	QMCW18J307ST	QACW18A307ST	QAACW18A307ST	n/a	QVCW19V307ST	QVVCW19V307ST
ZBR-3308	QMCW18J308ST	QACW18A308ST	QAACW18A308ST	n/a	QVCW19V308ST	QVVCW19V308ST
ZBR-3308-72	QMCW18J308ST	QACW18A308ST	QAACW18A308ST	n/a	QVCW19V308ST	QVVCW19V308ST
ZBR-3315	QMCW20J315ST	QACW20A315ST	QAACW20A315ST	n/a	QVCW22V315ST	QVVCW22V315ST
ZBR-3315-72	QMCW20J315ST	QACW20A315ST	QAACW20A315ST	n/a	QVCW22V315ST	QVVCW22V315ST
ZBR-5107	QMCW08J107ST	n/a	n/a	n/a	n/a	n/a
ZBR-5107-72	QMCW08J107ST	n/a	n/a	n/a	n/a	n/a
ZBR-5108	QMCW08J108ST	n/a	n/a	n/a	n/a	n/a
ZBR-5108-72	QMCW08J108ST	n/a	n/a	n/a	n/a	n/a
ZBR-5111	QMCW09J111ST	n/a	n/a	n/a	n/a	n/a
ZBR-5111-72	QMCW09J111ST	n/a	n/a	n/a	n/a	n/a
ZBR-5112	QMCW09J112ST	n/a	n/a	n/a	n/a	n/a
ZBR-5112-72	QMCW09J112ST	n/a	n/a	n/a	n/a	n/a
ZBR-5115	QMCW10J115ST	n/a	QAACW10A115ST	n/a	QVCW11V115ST	QVVCW11V115ST
ZBR-5115-72	QMCW10J115ST	n/a	QAACW10A115ST	n/a	QVCW11V115ST	QVVCW11V115ST
ZBR-5200	QMCW10J200ST	n/a	QAACW10A200ST	n/a	QVCW11V200ST	QVVCW11V200ST
ZBR-5200-72	QMCW10J200ST	n/a	QAACW10A200ST	n/a	QVCW11V200ST	QVVCW11V200ST
ZBR-5203	QMCW11J203ST	n/a	QAACW11A203ST	n/a	QVCW12V203ST	QVVCW12V203ST
ZBR-5203-72	QMCW11J203ST	n/a	QAACW11A203ST	n/a	QVCW12V203ST	QVVCW12V203ST
ZBR-5204	QMCW11J204ST	n/a	QAACW11A204ST	n/a	QVCW12V204ST	QVVCW12V204ST
ZBR-5204-72	QMCW11J204ST	n/a	QAACW11A204ST	n/a	QVCW12V204ST	QVVCW12V204ST
ZBR-5207	QMCW13J207ST	n/a	QAACW13A207ST	n/a	QVCW14V207ST	QVVCW14V207ST
ZBR-5207-72	QMCW13J207ST	n/a	QAACW13A207ST	n/a	QVCW14V207ST	QVVCW14V207ST
ZBR-5211	QMCW15J211ST	n/a	QAACW15A211ST	n/a	QVCW16V211ST	QVVCW16V211ST
ZBR-5211-72	QMCW15J211ST	n/a	QAACW15A211ST	n/a	QVCW16V211ST	QVVCW16V211ST
ZBR-5212	QMCW15J212ST	n/a	QAACW15A212ST	n/a	QVCW16V212ST	QVVCW16V212ST
ZBR-5212-72	QMCW15J212ST	n/a	QAACW15A212ST	n/a	QVCW16V212ST	QVVCW16V212ST
ZBR-5215	QMCW15J215ST	n/a	QAACW15A215ST	n/a	QVCW16V215ST	QVVCW16V215ST
ZBR-5215-72	QMCW15J215ST	n/a	QAACW15A215ST	n/a	QVCW16V215ST	QVVCW16V215ST
ZBR-5300	QMCW15J300ST	n/a	QAACW15A300ST	n/a	QVCW16V300ST	QVVCW16V300ST
ZBR-5300-72	QMCW15J300ST	n/a	QAACW15A300ST	n/a	QVCW16V300ST	QVVCW16V300ST
ZBR-5303	QMCW18J303ST	n/a	QAACW18A303ST	n/a	QVCW19V303ST	QVVCW19V303ST
ZBR-5303-72	QMCW18J303ST	n/a	QAACW18A303ST	n/a	QVCW19V303ST	QVVCW19V303ST
ZBR-5307	QMCW18J307ST	n/a	QAACW18A307ST	n/a	QVCW19V307ST	QVVCW19V307ST
ZBR-5307-72	QMCW18J307ST	n/a	QAACW18A307ST	n/a	QVCW19V307ST	QVVCW19V307ST
ZBR-5315	QMCW20J315ST	n/a	QAACW20A315ST	n/a	QVCW22V315ST	QVVCW22V315ST
ZBR-5315-72	QMCW20J315ST	n/a	QAACW20A315ST	n/a	QVCW22V315ST	QVVCW22V315ST
ZBR-5400	QMCW20J400ST	n/a	QAACW20A400ST	n/a	QVCW22V400ST	QVVCW22V400ST
ZBR-5400-72	QMCW20J400ST	n/a	QAACW20A400ST	n/a	QVCW22V400ST	QVVCW22V400ST
ZBR-5407	QMCW22J407ST	n/a	QAACW22A407ST	n/a	QVCW26V407ST	QVVCW26V407ST
ZBR-5407-72	QMCW22J407ST	n/a	QAACW22A407ST	n/a	QVCW26V407ST	QVVCW26V407ST
ZBR-5408	QMCW22J408ST	n/a	QAACW22A408ST	n/a	QVCW26V408ST	QVVCW26V408ST
ZBR-5408-72	QMCW22J408ST	n/a	QAACW22A408ST	n/a	QVCW26V408ST	QVVCW26V408ST

Note: This interchange guide is for reference only. **Some competitor bearings may not be shown.** If you are unable to find the bearing you are trying to interchange, please contact your local distributor or QM Bearings for assistance.

(continued on next page)

Blue Brute Bearings – Interchange Guide

Rexnord®

Rexnord Part Number	QM EC Series	QM CL Series		QM TA/DV Series	QM V-Lock® Series	
		Single-Collar	Double-Collar		Single-Nut	Double-Nut
ZBR-5415	QMCW26J415ST	n/a	QAACW26A415ST	n/a	QVCW28V415ST	QVVCW28V415ST
ZBR-5415-72	QMCW26J415ST	n/a	QAACW26A415ST	n/a	QVCW28V415ST	QVVCW28V415ST
ZBR-5500	QMCW26J500ST	n/a	QAACW26A500ST	n/a	QVCW28V500ST	QVVCW28V500ST
ZBR-5500-72	QMCW26J500ST	n/a	QAACW26A500ST	n/a	QVCW28V500ST	QVVCW28V500ST
ZBR-5507	QMCW30J507ST	n/a	n/a	n/a	n/a	n/a
ZBR-5507-72	QMCW30J507ST	n/a	n/a	n/a	n/a	n/a
ZBR-5515	QMCW30J515ST	n/a	n/a	n/a	n/a	n/a
ZBR-5515-72	QMCW30J515ST	n/a	n/a	n/a	n/a	n/a
ZBR-5600	QMCW30J600ST	n/a	n/a	n/a	n/a	n/a
ZBR-5600-72	QMCW30J600ST	n/a	n/a	n/a	n/a	n/a
ZBR-5607	QMCW34J607ST	n/a	n/a	n/a	n/a	n/a
ZBR-5607-72	QMCW34J607ST	n/a	n/a	n/a	n/a	n/a
ZBR-5608	QMCW34J608ST	n/a	n/a	n/a	n/a	n/a
ZBR-5608-72	QMCW34J608ST	n/a	n/a	n/a	n/a	n/a
ZBR-5615	QMCW34J615ST	n/a	n/a	n/a	n/a	n/a
ZBR-5615-72	QMCW34J615ST	n/a	n/a	n/a	n/a	n/a
ZBR-5700	QMCW34J700ST	n/a	n/a	n/a	n/a	n/a
ZBR-5700-72	QMCW34J700ST	n/a	n/a	n/a	n/a	n/a
ZEF-2107	QMF08J107ST	n/a	n/a	n/a	n/a	n/a
ZEF-2107-72	QMF08J107ST	n/a	n/a	n/a	n/a	n/a
ZEF-2108	QMF08J108ST	n/a	n/a	n/a	n/a	n/a
ZEF-2108-72	QMF08J108ST	n/a	n/a	n/a	n/a	n/a
ZEF-2111	QMF09J111ST	n/a	n/a	n/a	n/a	n/a
ZEF-2111-72	QMF09J111ST	n/a	n/a	n/a	n/a	n/a
ZEF-2112	QMF09J112ST	n/a	n/a	n/a	n/a	n/a
ZEF-2112-72	QMF09J112ST	n/a	n/a	n/a	n/a	n/a
ZEF-2115	QMF10J115ST	QAF10A115ST	QAAF10A115ST	DVF11K115ST	QVF11V115ST	QVVF11V115ST
ZEF-2115-72	QMF10J115ST	QAF10A115ST	QAAF10A115ST	DVF11K115ST	QVF11V115ST	QVVF11V115ST
ZEF-2200	QMF10J200ST	QAF10A200ST	QAAF10A200ST	DVF11K200ST	QVF11V200ST	QVVF11V200ST
ZEF-2200-72	QMF10J200ST	QAF10A200ST	QAAF10A200ST	DVF11K200ST	QVF11V200ST	QVVF11V200ST
ZEF-2203	QMF11J203ST	QAF11A203ST	QAAF11A203ST	DVF13K203ST	QVF12V203ST	QVVF12V203ST
ZEF-2203-72	QMF11J203ST	QAF11A203ST	QAAF11A203ST	DVF13K203ST	QVF12V203ST	QVVF12V203ST
ZEF-2207	QMF13J207ST	QAF13A207ST	QAAF13A207ST	DVF15K207ST	QVF14V207ST	QVVF14V207ST
ZEF-2207-72	QMF13J207ST	QAF13A207ST	QAAF13A207ST	DVF15K207ST	QVF14V207ST	QVVF14V207ST
ZEF-2208	QMF13J208ST	QAF13A208ST	QAAF13A208ST	DVF15K208ST	QVF14V208ST	QVVF14V208ST
ZEF-2208-72	QMF13J208ST	QAF13A208ST	QAAF13A208ST	DVF15K208ST	QVF14V208ST	QVVF14V208ST
ZEF-2211	QMF15J211ST	QAF15A211ST	QAAF15A211ST	n/a	QVF16V211ST	QVVF16V211ST
ZEF-2211-72	QMF15J211ST	QAF15A211ST	QAAF15A211ST	n/a	QVF16V211ST	QVVF16V211ST
ZEF-2212	QMF15J212ST	QAF15A212ST	QAAF15A212ST	n/a	QVF16V212ST	QVVF16V212ST
ZEF-2212-72	QMF15J212ST	QAF15A212ST	QAAF15A212ST	n/a	QVF16V212ST	QVVF16V212ST
ZEF-2215	QMF15J215ST	QAF15A215ST	QAAF15A215ST	DVF17K215ST	QVF16V215ST	QVVF16V215ST
ZEF-2215-72	QMF15J215ST	QAF15A215ST	QAAF15A215ST	DVF17K215ST	QVF16V215ST	QVVF16V215ST
ZEF-2300	QMF15J300ST	QAF15A300ST	QAAF15A300ST	DVF17K300ST	QVF16V300ST	QVVF16V300ST

Note: This interchange guide is for reference only. **Some competitor bearings may not be shown.** If you are unable to find the bearing you are trying to interchange, please contact your local distributor or QM Bearings for assistance.

(continued on next page)

Blue Brute Bearings – Interchange Guide

Rexnord®

Rexnord Part Number	QM EC Series	QM CL Series		QM TA/DV Series	QM V-Lock® Series	
		Single-Collar	Double-Collar		Single-Nut	Double-Nut
ZEF-2300-72	QMF15J300ST	QAF15A300ST	QAAF15A300ST	DVF17K300ST	QVF16V300ST	QVVF16V300ST
ZEF-2303	QMF18J303ST	QAF18A303ST	QAAF18A303ST	n/a	QVF19V303ST	QVVF19V303ST
ZEF-2303-72	QMF18J303ST	QAF18A303ST	QAAF18A303ST	n/a	QVF19V303ST	QVVF19V303ST
ZEF-2307	QMF18J307ST	QAF18A307ST	QAAF18A307ST	DVF20K307ST	QVF19V307ST	QVVF19V307ST
ZEF-2307-72	QMF18J307ST	QAF18A307ST	QAAF18A307ST	DVF20K307ST	QVF19V307ST	QVVF19V307ST
ZEF-2308	QMF18J308ST	QAF18A308ST	QAAF18A308ST	DVF20K308ST	QVF19V308ST	QVVF19V308ST
ZEF-2308-72	QMF18J308ST	QAF18A308ST	QAAF18A308ST	DVF20K308ST	QVF19V308ST	QVVF19V308ST
ZEF-2315	QMF20J315ST	QAF20A315ST	QAAF20A315ST	DVF22K315ST	QVF22V315ST	QVVF22V315ST
ZEF-2315-72	QMF20J315ST	QAF20A315ST	QAAF20A315ST	DVF22K315ST	QVF22V315ST	QVVF22V315ST
ZEF-2400	QMF20J400ST	QAF20A400ST	QAAF20A400ST	DVF22K400ST	QVF22V400ST	QVVF22V400ST
ZEF-2400-72	QMF20J400ST	QAF20A400ST	QAAF20A400ST	DVF22K400ST	QVF22V400ST	QVVF22V400ST
ZEF-3107	QMF08J107ST	n/a	n/a	n/a	n/a	n/a
ZEF-3107-72	QMF08J107ST	n/a	n/a	n/a	n/a	n/a
ZEF-3111	QMF09J111ST	n/a	n/a	n/a	n/a	n/a
ZEF-3111-72	QMF09J111ST	n/a	n/a	n/a	n/a	n/a
ZEF-3115	QMF10J115ST	QAF10A115ST	QAAF10A115ST	DVF11K115ST	QVF11V115ST	QVVF11V115ST
ZEF-3115-72	QMF10J115ST	QAF10A115ST	QAAF10A115ST	DVF11K115ST	QVF11V115ST	QVVF11V115ST
ZEF-3203	QMF11J203ST	QAF11A203ST	QAAF11A203ST	DVF13K203ST	QVF12V203ST	QVVF12V203ST
ZEF-3203-72	QMF11J203ST	QAF11A203ST	QAAF11A203ST	DVF13K203ST	QVF12V203ST	QVVF12V203ST
ZEF-3207	QMF13J207ST	QAF13A207ST	QAAF13A207ST	DVF15K207ST	QVF14V207ST	QVVF14V207ST
ZEF-3207-72	QMF13J207ST	QAF13A207ST	QAAF13A207ST	DVF15K207ST	QVF14V207ST	QVVF14V207ST
ZEF-3208	QMF13J208ST	QAF13A208ST	QAAF13A208ST	DVF15K208ST	QVF14V208ST	QVVF14V208ST
ZEF-3208-72	QMF13J208ST	QAF13A208ST	QAAF13A208ST	DVF15K208ST	QVF14V208ST	QVVF14V208ST
ZEF-3211	QMF15J211ST	QAF15A211ST	QAAF15A211ST	n/a	QVF16V211ST	QVVF16V211ST
ZEF-3211-72	QMF15J211ST	QAF15A211ST	QAAF15A211ST	n/a	QVF16V211ST	QVVF16V211ST
ZEF-3215	QMF15J215ST	QAF15A215ST	QAAF15A215ST	DVF17K215ST	QVF16V215ST	QVVF16V215ST
ZEF-3215-72	QMF15J215ST	QAF15A215ST	QAAF15A215ST	DVF17K215ST	QVF16V215ST	QVVF16V215ST
ZEF-3307	QMF18J307ST	QAF18A307ST	QAAF18A307ST	DVF20K307ST	QVF19V307ST	QVVF19V307ST
ZEF-3307-72	QMF18J307ST	QAF18A307ST	QAAF18A307ST	DVF20K307ST	QVF19V307ST	QVVF19V307ST
ZEF-3308	QMF18J308ST	QAF18A308ST	QAAF18A308ST	DVF20K308ST	QVF19V308ST	QVVF19V308ST
ZEF-3308-72	QMF18J308ST	QAF18A308ST	QAAF18A308ST	DVF20K308ST	QVF19V308ST	QVVF19V308ST
ZEF-3315	QMF20J315ST	QAF20A315ST	QAAF20A315ST	DVF22K315ST	QVF22V315ST	QVVF22V315ST
ZEF-3315-72	QMF20J315ST	QAF20A315ST	QAAF20A315ST	DVF22K315ST	QVF22V315ST	QVVF22V315ST
ZEP-2107	QMP08J107ST	n/a	n/a	n/a	n/a	n/a
ZEP-2107-72	QMP08J107ST	n/a	n/a	n/a	n/a	n/a
ZEP-2108	QMP08J108ST	n/a	n/a	n/a	n/a	n/a
ZEP-2108-72	QMP08J108ST	n/a	n/a	n/a	n/a	n/a
ZEP-2111	QMP09J111ST	n/a	n/a	n/a	n/a	n/a
ZEP-2111-72	QMP09J111ST	n/a	n/a	n/a	n/a	n/a
ZEP-2112	QMP09J112ST	n/a	n/a	n/a	n/a	n/a
ZEP-2112-72	QMP09J112ST	n/a	n/a	n/a	n/a	n/a
ZEP-2115	QMP10J115ST	QAP10A115ST	QAAP10A115ST	DVP11K115ST	QVP11V115ST	QVVP11V115ST
ZEP-2115-72	QMP10J115ST	QAP10A115ST	QAAP10A115ST	DVP11K115ST	QVP11V115ST	QVVP11V115ST

Note: This interchange guide is for reference only. **Some competitor bearings may not be shown.** If you are unable to find the bearing you are trying to interchange, please contact your local distributor or QM Bearings for assistance.

(continued on next page)

Blue Brute Bearings – Interchange Guide

Rexnord®

Rexnord Part Number	QM EC Series	QM CL Series		QM TA/DV Series	QM V-Lock® Series	
		Single-Collar	Double-Collar		Single-Nut	Double-Nut
ZEP-2200	QMP10J200ST	QAP10A200ST	QAAP10A200ST	DVP11K200ST	QVP11V200ST	QVVP11V200ST
ZEP-2200-72	QMP10J200ST	QAP10A200ST	QAAP10A200ST	DVP11K200ST	QVP11V200ST	QVVP11V200ST
ZEP-2203	QMP11J203ST	QAP11A203ST	QAAP11A203ST	DVP13K203ST	QVP12V203ST	QVVP12V203ST
ZEP-2203-72	QMP11J203ST	QAP11A203ST	QAAP11A203ST	DVP13K203ST	QVP12V203ST	QVVP12V203ST
ZEP-2207	QMP13J207ST	QAP13A207ST	QAAP13A207ST	DVP15K207ST	QVP14V207ST	QVVP14V207ST
ZEP-2207-72	QMP13J207ST	QAP13A207ST	QAAP13A207ST	DVP15K207ST	QVP14V207ST	QVVP14V207ST
ZEP-2207-F	QMPR13J207ST	QAPR13A207ST	QAAPR13A207ST	n/a	QVPR14V207ST	QVVP14V207ST
ZEP-2207-F-72	QMPR13J207ST	QAPR13A207ST	QAAPR13A207ST	n/a	QVPR14V207ST	QVVP14V207ST
ZEP-2208	QMP13J208ST	QAP13A208ST	QAAP13A208ST	DVP15K208ST	QVP14V208ST	QVVP14V208ST
ZEP-2208-72	QMP13J208ST	QAP13A208ST	QAAP13A208ST	DVP15K208ST	QVP14V208ST	QVVP14V208ST
ZEP-2208-F	QMPR13J208ST	QAPR13A208ST	QAAPR13A208ST	n/a	QVPR14V208ST	QVVP14V208ST
ZEP-2208-F-72	QMPR13J208ST	QAPR13A208ST	QAAPR13A208ST	n/a	QVPR14V208ST	QVVP14V208ST
ZEP-2211	QMP15J211ST	QAP15A211ST	QAAP15A211ST	n/a	QVP16V211ST	QVVP16V211ST
ZEP-2211-72	QMP15J211ST	QAP15A211ST	QAAP15A211ST	n/a	QVP16V211ST	QVVP16V211ST
ZEP-2211-F	QMPR15J211ST	QAPR15A211ST	QAAPR15A211ST	n/a	QVPR16V211ST	QVVP16V211ST
ZEP-2211-F-72	QMPR15J211ST	QAPR15A211ST	QAAPR15A211ST	n/a	QVPR16V211ST	QVVP16V211ST
ZEP-2212	QMP15J212ST	QAP15A212ST	QAAP15A212ST	n/a	QVP16V212ST	QVVP16V212ST
ZEP-2212-72	QMP15J212ST	QAP15A212ST	QAAP15A212ST	n/a	QVP16V212ST	QVVP16V212ST
ZEP-2212-F	QMPR15J212ST	QAPR15A212ST	QAAPR15A212ST	n/a	QVPR16V212ST	QVVP16V212ST
ZEP-2212-F-72	QMPR15J212ST	QAPR15A212ST	QAAPR15A212ST	n/a	QVPR16V212ST	QVVP16V212ST
ZEP-2215	QMP15J215ST	QAP15A215ST	QAAP15A215ST	n/a	QVP16V215ST	QVVP16V215ST
ZEP-2215-72	QMP15J215ST	QAP15A215ST	QAAP15A215ST	n/a	QVP16V215ST	QVVP16V215ST
ZEP-2215-F	QMPR15J215ST	QAPR15A215ST	QAAPR15A215ST	n/a	QVPR16V215ST	QVVP16V215ST
ZEP-2215-F-72	QMPR15J215ST	QAPR15A215ST	QAAPR15A215ST	n/a	QVPR16V215ST	QVVP16V215ST
ZEP-2300	QMP15J300ST	QAP15A300ST	QAAP15A300ST	n/a	QVP16V300ST	QVVP16V300ST
ZEP-2300-72	QMP15J300ST	QAP15A300ST	QAAP15A300ST	n/a	QVP16V300ST	QVVP16V300ST
ZEP-2300-F	QMPR15J300ST	QAPR15A300ST	QAAPR15A300ST	n/a	QVPR16V300ST	QVVP16V300ST
ZEP-2300-F-72	QMPR15J300ST	QAPR15A300ST	QAAPR15A300ST	n/a	QVPR16V300ST	QVVP16V300ST
ZEP-2303	QMP18J303ST	QAP18A303ST	QAAP18A303ST	n/a	QVP19V303ST	QVVP19V303ST
ZEP-2303-72	QMP18J303ST	QAP18A303ST	QAAP18A303ST	n/a	QVP19V303ST	QVVP19V303ST
ZEP-2303-F	QMPR18J303ST	QAPR18A303ST	QAAPR18A303ST	n/a	QVPR19V303ST	QVVP19V303ST
ZEP-2303-F-72	QMPR18J303ST	QAPR18A303ST	QAAPR18A303ST	n/a	QVPR19V303ST	QVVP19V303ST
ZEP-2307	QMP18J307ST	QAP18A307ST	QAAP18A307ST	DVP20K307ST	QVP19V307ST	QVVP19V307ST
ZEP-2307-72	QMP18J307ST	QAP18A307ST	QAAP18A307ST	DVP20K307ST	QVP19V307ST	QVVP19V307ST
ZEP-2307-F	QMPR18J307ST	QAPR18A307ST	QAAPR18A307ST	n/a	QVPR19V307ST	QVVP19V307ST
ZEP-2307-F-72	QMPR18J307ST	QAPR18A307ST	QAAPR18A307ST	n/a	QVPR19V307ST	QVVP19V307ST
ZEP-2308	QMP18J308ST	QAP18A308ST	QAAP18A308ST	DVP20K308ST	QVP19V308ST	QVVP19V308ST
ZEP-2308-72	QMP18J308ST	QAP18A308ST	QAAP18A308ST	DVP20K308ST	QVP19V308ST	QVVP19V308ST
ZEP-2308-F	QMPR18J308ST	QAPR18A308ST	QAAPR18A308ST	n/a	QVPR19V308ST	QVVP19V308ST
ZEP-2308-F-72	QMPR18J308ST	QAPR18A308ST	QAAPR18A308ST	n/a	QVPR19V308ST	QVVP19V308ST
ZEP-2315-F	QMPF20J315ST	QAPF20A315ST	QAAPF20A315ST	DVPF22K315ST	QVPF22V315ST	QVVPF22V315ST
ZEP-2315-F-72	QMPF20J315ST	QAPF20A315ST	QAAPF20A315ST	DVPF22K315ST	QVPF22V315ST	QVVPF22V315ST
ZEP-2400-F	QMPF20J400ST	QAPF20A400ST	QAAPF20A400ST	DVPF22K400ST	QVPF22V400ST	QVVPF22V400ST

Note: This interchange guide is for reference only. **Some competitor bearings may not be shown.** If you are unable to find the bearing you are trying to interchange, please contact your local distributor or QM Bearings for assistance.

(continued on next page)

Blue Brute Bearings – Interchange Guide

Rexnord®

Rexnord Part Number	QM EC Series	QM CL Series		QM TA/DV Series	QM V-Lock® Series	
		Single-Collar	Double-Collar		Single-Nut	Double-Nut
ZEP-2400-F-72	QMPF20J400ST	QAPF20A400ST	QAAPF20A400ST	DVPF22K400ST	QVPF22V400ST	QVVPF22V400ST
ZEP-3107	QMP08J107ST	n/a	n/a	n/a	n/a	n/a
ZEP-3107-72	QMP08J107ST	n/a	n/a	n/a	n/a	n/a
ZEP-3111	QMP09J111ST	n/a	n/a	n/a	n/a	n/a
ZEP-3111-72	QMP09J111ST	n/a	n/a	n/a	n/a	n/a
ZEP-3115	QMP10J115ST	QAP10A115ST	QAAP10A115ST	DVP11K115ST	QVP11V115ST	QVVP11V115ST
ZEP-3115-72	QMP10J115ST	QAP10A115ST	QAAP10A115ST	DVP11K115ST	QVP11V115ST	QVVP11V115ST
ZEP-3203	QMP11J203ST	QAP11A203ST	QAAP11A203ST	DVP13K203ST	QVP12V203ST	QVVP12V203ST
ZEP-3203-72	QMP11J203ST	QAP11A203ST	QAAP11A203ST	DVP13K203ST	QVP12V203ST	QVVP12V203ST
ZEP-3207	QMP13J207ST	QAP13A207ST	QAAP13A207ST	DVP15K207ST	QVP14V207ST	QVVP14V207ST
ZEP-3207-72	QMP13J207ST	QAP13A207ST	QAAP13A207ST	DVP15K207ST	QVP14V207ST	QVVP14V207ST
ZEP-3207-F	QMPR13J207ST	QAPR13A207ST	QAAPR13A207ST	n/a	QVPR14V207ST	QVVP14V207ST
ZEP-3207-F-72	QMPR13J207ST	QAPR13A207ST	QAAPR13A207ST	n/a	QVPR14V207ST	QVVP14V207ST
ZEP-3208	QMP13J208ST	QAP13A208ST	QAAP13A208ST	DVP15K208ST	QVP14V208ST	QVVP14V208ST
ZEP-3208-72	QMP13J208ST	QAP13A208ST	QAAP13A208ST	DVP15K208ST	QVP14V208ST	QVVP14V208ST
ZEP-3208-F	QMPR13J208ST	QAPR13A208ST	QAAPR13A208ST	n/a	QVPR14V208ST	QVVP14V208ST
ZEP-3208-F-72	QMPR13J208ST	QAPR13A208ST	QAAPR13A208ST	n/a	QVPR14V208ST	QVVP14V208ST
ZEP-3211	QMP15J211ST	QAP15A211ST	QAAP15A211ST	n/a	QVP16V211ST	QVVP16V211ST
ZEP-3211-72	QMP15J211ST	QAP15A211ST	QAAP15A211ST	n/a	QVP16V211ST	QVVP16V211ST
ZEP-3211-F	QMPR15J211ST	QAPR15A211ST	QAAPR15A211ST	n/a	QVPR16V211ST	QVVP16V211ST
ZEP-3211-F-72	QMPR15J211ST	QAPR15A211ST	QAAPR15A211ST	n/a	QVPR16V211ST	QVVP16V211ST
ZEP-3215	QMP15J215ST	QAP15A215ST	QAAP15A215ST	n/a	QVP16V215ST	QVVP16V215ST
ZEP-3215-72	QMP15J215ST	QAP15A215ST	QAAP15A215ST	n/a	QVP16V215ST	QVVP16V215ST
ZEP-3215-F	QMPR15J215ST	QAPR15A215ST	QAAPR15A215ST	n/a	QVPR16V215ST	QVVP16V215ST
ZEP-3215-F-72	QMPR15J215ST	QAPR15A215ST	QAAPR15A215ST	n/a	QVPR16V215ST	QVVP16V215ST
ZEP-3307	QMP18J307ST	QAP18A307ST	QAAP18A307ST	DVP20K307ST	QVP19V307ST	QVVP19V307ST
ZEP-3307-72	QMP18J307ST	QAP18A307ST	QAAP18A307ST	DVP20K307ST	QVP19V307ST	QVVP19V307ST
ZEP-3307-F	QMPR18J307ST	QAPR18A307ST	QAAPR18A307ST	n/a	QVPR19V307ST	QVVP19V307ST
ZEP-3307-F-72	QMPR18J307ST	QAPR18A307ST	QAAPR18A307ST	n/a	QVPR19V307ST	QVVP19V307ST
ZEP-3308	QMP18J308ST	QAP18A308ST	QAAP18A308ST	DVP20K308ST	QVP19V308ST	QVVP19V308ST
ZEP-3308-72	QMP18J308ST	QAP18A308ST	QAAP18A308ST	DVP20K308ST	QVP19V308ST	QVVP19V308ST
ZEP-3308-F	QMPR18J308ST	QAPR18A308ST	QAAPR18A308ST	n/a	QVPR19V308ST	QVVP19V308ST
ZEP-3308-F-72	QMPR18J308ST	QAPR18A308ST	QAAPR18A308ST	n/a	QVPR19V308ST	QVVP19V308ST
ZEP-3315-F	QMPF20J315ST	QAPF20A315ST	QAAPF20A315ST	DVPF22K315ST	QVPF22V315ST	QVVPF22V315ST
ZEP-3315-F-72	QMPF20J315ST	QAPF20A315ST	QAAPF20A315ST	DVPF22K315ST	QVPF22V315ST	QVVPF22V315ST
ZEP-5407-F	QMPF22J407ST	n/a	QAAPF22A407ST	n/a	QVPF26V407ST	QVVPF26V407ST
ZEP-5407-F-72	QMPF22J407ST	n/a	QAAPF22A407ST	n/a	QVPF26V407ST	QVVPF26V407ST
ZEP-5408-F	QMPF22J408ST	n/a	QAAPF22A408ST	n/a	QVPF26V408ST	QVVPF26V408ST
ZEP-5408-F-72	QMPF22J408ST	n/a	QAAPF22A408ST	n/a	QVPF26V408ST	QVVPF26V408ST
ZEP-5415-F	QMPF26J415ST	n/a	QAAPF26A415ST	n/a	QVPF28V415ST	QVVPF28V415ST
ZEP-5415-F-72	QMPF26J415ST	n/a	QAAPF26A415ST	n/a	QVPF28V415ST	QVVPF28V415ST
ZEP-5500-F	QMPF26J500ST	n/a	QAAPF26A500ST	n/a	QVPF28V500ST	QVVPF28V500ST
ZEP-5500-F-72	QMPF26J500ST	n/a	QAAPF26A500ST	n/a	QVPF28V500ST	QVVPF28V500ST

Note: This interchange guide is for reference only. **Some competitor bearings may not be shown.** If you are unable to find the bearing you are trying to interchange, please contact your local distributor or QM Bearings for assistance.

(continued on next page)

Blue Brute Bearings – Interchange Guide

Rexnord®

Rexnord Part Number	QM EC Series	QM CL Series		QM TA/DV Series	QM V-Lock® Series	
		Single-Collar	Double-Collar		Single-Nut	Double-Nut
ZF-5107	QMF08J107ST	n/a	n/a	n/a	n/a	n/a
ZF-5107-72	QMF08J107ST	n/a	n/a	n/a	n/a	n/a
ZF-5108	QMF08J108ST	n/a	n/a	n/a	n/a	n/a
ZF-5108-72	QMF08J108ST	n/a	n/a	n/a	n/a	n/a
ZF-5111	QMF09J111ST	n/a	n/a	n/a	n/a	n/a
ZF-5111-72	QMF09J111ST	n/a	n/a	n/a	n/a	n/a
ZF-5115	QMF10J115ST	n/a	QAAF10A115ST	n/a	QVFX11V115ST	QVFX11V115ST
ZF-5115-72	QMF10J115ST	n/a	QAAF10A115ST	n/a	QVFX11V115ST	QVFX11V115ST
ZF-5200	QMF10J200ST	n/a	QAAF10A200ST	n/a	QVFX11V200ST	QVFX11V200ST
ZF-5200-72	QMF10J200ST	n/a	QAAF10A200ST	n/a	QVFX11V200ST	QVFX11V200ST
ZF-5203	QMF11J203ST	n/a	QAAF11A203ST	n/a	QVFX12V203ST	QVFX12V203ST
ZF-5203-72	QMF11J203ST	n/a	QAAF11A203ST	n/a	QVFX12V203ST	QVFX12V203ST
ZF-5207	QMF13J207ST	n/a	QAAF13A207ST	n/a	QVFX14V207ST	QVFX14V207ST
ZF-5207-72	QMF13J207ST	n/a	QAAF13A207ST	n/a	QVFX14V207ST	QVFX14V207ST
ZF-5211	QMF15J211ST	n/a	QAAF15A211ST	n/a	QVFX16V211ST	QVFX16V211ST
ZF-5211-72	QMF15J211ST	n/a	QAAF15A211ST	n/a	QVFX16V211ST	QVFX16V211ST
ZF-5215	QMF15J215ST	n/a	QAAF15A215ST	n/a	QVFX16V215ST	QVFX16V215ST
ZF-5215-72	QMF15J215ST	n/a	QAAF15A215ST	n/a	QVFX16V215ST	QVFX16V215ST
ZF-5303	QMF18J303ST	n/a	QAAF18A303ST	n/a	QVFX19V303ST	QVFX19V303ST
ZF-5303-72	QMF18J303ST	n/a	QAAF18A303ST	n/a	QVFX19V303ST	QVFX19V303ST
ZF-5307	QMF18J307ST	n/a	QAAF18A307ST	n/a	QVFX19V307ST	QVFX19V307ST
ZF-5307-72	QMF18J307ST	n/a	QAAF18A307ST	n/a	QVFX19V307ST	QVFX19V307ST
ZF-5311	QMF20J311ST	n/a	QAAF20A311ST	n/a	QVFX22V311ST	QVFX22V311ST
ZF-5311-72	QMF20J311ST	n/a	QAAF20A311ST	n/a	QVFX22V311ST	QVFX22V311ST
ZF-5315	QMF20J315ST	n/a	QAAF20A315ST	n/a	QVFX22V315ST	QVFX22V315ST
ZF-5315-72	QMF20J315ST	n/a	QAAF20A315ST	n/a	QVFX22V315ST	QVFX22V315ST
ZF-5400	QMF20J400ST	n/a	QAAF20A400ST	n/a	QVFX22V400ST	QVFX22V400ST
ZF-5400-72	QMF20J400ST	n/a	QAAF20A400ST	n/a	QVFX22V400ST	QVFX22V400ST
ZF-5407Y	QMF22J407ST	n/a	QAAF22A407ST	n/a	QVFX26V407ST	QVFX26V407ST
ZF-5407Y-72	QMF22J407ST	n/a	QAAF22A407ST	n/a	QVFX26V407ST	QVFX26V407ST
ZF-5408Y	QMF22J408ST	n/a	QAAF22A408ST	n/a	QVFX26V408ST	QVFX26V408ST
ZF-5408Y-72	QMF22J408ST	n/a	QAAF22A408ST	n/a	QVFX26V408ST	QVFX26V408ST
ZF-5415	QMF26J415ST	n/a	QAAF26A415ST	n/a	QVFX28V415ST	QVFX28V415ST
ZF-5415-72	QMF26J415ST	n/a	QAAF26A415ST	n/a	QVFX28V415ST	QVFX28V415ST
ZF-5500	QMF26J500ST	n/a	QAAF26A500ST	n/a	QVFX28V500ST	QVFX28V500ST
ZF-5500-72	QMF26J500ST	n/a	QAAF26A500ST	n/a	QVFX28V500ST	QVFX28V500ST
ZF-9115	n/a	n/a	n/a	TAFK11K115ST	QVFK11V115ST	QVFK11V115ST
ZF-9115-72	n/a	n/a	n/a	TAFK11K115ST	QVFK11V115ST	QVFK11V115ST
ZF-9200	n/a	n/a	n/a	TAFK11K200ST	QVFK11V200ST	QVFK11V200ST
ZF-9200-72	n/a	n/a	n/a	TAFK11K200ST	QVFK11V200ST	QVFK11V200ST
ZF-9203	n/a	n/a	n/a	TAFK13K203ST	QVFK13V203ST	QVFK13V203ST
ZF-9203-72	n/a	n/a	n/a	TAFK13K203ST	QVFK13V203ST	QVFK13V203ST
ZF-9207	n/a	n/a	n/a	TAFK15K207ST	QVFK15V207ST	QVFK15V207ST

Note: This interchange guide is for reference only. **Some competitor bearings may not be shown.** If you are unable to find the bearing you are trying to interchange, please contact your local distributor or QM Bearings for assistance.

(continued on next page)

Blue Brute Bearings – Interchange Guide

Rexnord®

Rexnord Part Number	QM EC Series	QM CL Series		QM TA/DV Series	QM V-Lock® Series	
		Single-Collar	Double-Collar		Single-Nut	Double-Nut
ZF-9207-72	n/a	n/a	n/a	TAFK15K207ST	QVFK15V207ST	QVVFK15V207ST
ZF-9208	n/a	n/a	n/a	TAFK15K208ST	QVFK15V208ST	QVVFK15V208ST
ZF-9208-72	n/a	n/a	n/a	TAFK15K208ST	QVFK15V208ST	QVVFK15V208ST
ZF-9215	n/a	n/a	n/a	TAFK17K215ST	QVFK17V215ST	QVVFK17V215ST
ZF-9215-72	n/a	n/a	n/a	TAFK17K215ST	QVFK17V215ST	QVVFK17V215ST
ZF-9300	n/a	n/a	n/a	TAFK17K300ST	QVFK17V300ST	QVVFK17V300ST
ZF-9300-72	n/a	n/a	n/a	TAFK17K300ST	QVFK17V300ST	QVVFK17V300ST
ZF-9307	n/a	n/a	n/a	TAFK20K307ST	QVFK20V307ST	QVVFK20V307ST
ZF-9307-72	n/a	n/a	n/a	TAFK20K307ST	QVFK20V307ST	QVVFK20V307ST
ZF-9308	n/a	n/a	n/a	TAFK22K315ST	QVFK22V315ST	QVVFK22V315ST
ZF-9308-72	n/a	n/a	n/a	TAFK22K315ST	QVFK22V315ST	QVVFK22V315ST
ZF-9400	n/a	n/a	n/a	TAFK22K400ST	QVFK22V400ST	QVVFK22V400ST
ZF-9400-72	n/a	n/a	n/a	TAFK22K400ST	QVFK22V400ST	QVVFK22V400ST
ZF-9407	n/a	n/a	n/a	TAFK26K407ST	QVFK26V407ST	QVVFK26V407ST
ZF-9407-72	n/a	n/a	n/a	TAFK26K407ST	QVFK26V407ST	QVVFK26V407ST
ZF-9408	n/a	n/a	n/a	TAFK26K408ST	QVFK26V408ST	QVVFK26V408ST
ZF-9408-72	n/a	n/a	n/a	TAFK26K408ST	QVFK26V408ST	QVVFK26V408ST
ZFS-5107	QMFJ08J107SET	n/a	n/a	n/a	n/a	n/a
ZFS-5107-72	QMFJ08J107SET	n/a	n/a	n/a	n/a	n/a
ZFS-5108	QMFJ08J108SET	n/a	n/a	n/a	n/a	n/a
ZFS-5108-72	QMFJ08J108SET	n/a	n/a	n/a	n/a	n/a
ZFS-5111	QMFJ09J111SET	n/a	n/a	n/a	n/a	n/a
ZFS-5111-72	QMFJ09J111SET	n/a	n/a	n/a	n/a	n/a
ZFS-5115	QMFJ10J115SET	n/a	QAAF10A115SET	n/a	QVFX11V115SET	QVVFX11V115SET
ZFS-5115-72	QMFJ10J115SET	n/a	QAAF10A115SET	n/a	QVFX11V115SET	QVVFX11V115SET
ZFS-5200	QMFJ10J200SET	n/a	QAAF10A200SET	n/a	QVFX11V200SET	QVVFX11V200SET
ZFS-5200-72	QMFJ10J200SET	n/a	QAAF10A200SET	n/a	QVFX11V200SET	QVVFX11V200SET
ZFS-5203	QMFJ11J203SET	n/a	QAAF11A203SET	n/a	QVFX12V203SET	QVVFX12V203SET
ZFS-5203-72	QMFJ11J203SET	n/a	QAAF11A203SET	n/a	QVFX12V203SET	QVVFX12V203SET
ZFS-5207	QMFJ13J207SET	n/a	QAAF13A207SET	n/a	QVFX14V207SET	QVVFX14V207SET
ZFS-5207-72	QMFJ13J207SET	n/a	QAAF13A207SET	n/a	QVFX14V207SET	QVVFX14V207SET
ZFS-5211	QMFJ15J211SET	n/a	QAAF15A211SET	n/a	QVFX16V211SET	QVVFX16V211SET
ZFS-5211-72	QMFJ15J211SET	n/a	QAAF15A211SET	n/a	QVFX16V211SET	QVVFX16V211SET
ZFS-5215	QMFJ15J215SET	n/a	QAAF15A215SET	n/a	QVFX16V215SET	QVVFX16V215SET
ZFS-5215-72	QMFJ15J215SET	n/a	QAAF15A215SET	n/a	QVFX16V215SET	QVVFX16V215SET
ZFS-5303	QMFJ18J303SET	n/a	QAAF18A303SET	n/a	QVFX19V303SET	QVVFX19V303SET
ZFS-5303-72	QMFJ18J303SET	n/a	QAAF18A303SET	n/a	QVFX19V303SET	QVVFX19V303SET
ZFS-5307	QMFJ18J307SET	n/a	QAAF18A307SET	n/a	QVFX19V307SET	QVVFX19V307SET
ZFS-5307-72	QMFJ18J307SET	n/a	QAAF18A307SET	n/a	QVFX19V307SET	QVVFX19V307SET
ZFS-5311	QMFJ20J311SET	n/a	QAAF20A311SET	n/a	QVFX22V311SET	QVVFX22V311SET
ZFS-5311-72	QMFJ20J311SET	n/a	QAAF20A311SET	n/a	QVFX22V311SET	QVVFX22V311SET
ZFS-5315	QMFJ20J315SET	n/a	QAAF20A315SET	n/a	QVFX22V315SET	QVVFX22V315SET
ZFS-5315-72	QMFJ20J315SET	n/a	QAAF20A315SET	n/a	QVFX22V315SET	QVVFX22V315SET

Note: This interchange guide is for reference only. **Some competitor bearings may not be shown.** If you are unable to find the bearing you are trying to interchange, please contact your local distributor or QM Bearings for assistance.

(continued on next page)

Introduction
Blue Brute Bearings
Bearing Interchange Guide
Quick-Flex Couplings
Rigid Compression Couplings
Index

Blue Brute Bearings – Interchange Guide

Rexnord®

Rexnord Part Number	QM EC Series	QM CL Series		QM TA/DV Series	QM V-Lock® Series	
		Single-Collar	Double-Collar		Single-Nut	Double-Nut
ZFS-5400	QMF20J400SET	n/a	QAAF20A400SET	n/a	QVFX22V400SET	QVVF22V400SET
ZFS-5400-72	QMF20J400SET	n/a	QAAF20A400SET	n/a	QVFX22V400SET	QVVF22V400SET
ZFS-5407Y	QMF22J407SET	n/a	QAAF22A407SET	n/a	QVFX26V407SET	QVVF26V407SET
ZFS-5407Y-72	QMF22J407SET	n/a	QAAF22A407SET	n/a	QVFX26V407SET	QVVF26V407SET
ZFS-5408Y	QMF22J408SET	n/a	QAAF22A408SET	n/a	QVFX26V408SET	QVVF26V408SET
ZFS-5408Y-72	QMF22J408SET	n/a	QAAF22A408SET	n/a	QVFX26V408SET	QVVF26V408SET
ZFS-5415	QMF26J415SET	n/a	QAAF26A415SET	n/a	QVFX28V415SET	QVVF28V415SET
ZFS-5415-72	QMF26J415SET	n/a	QAAF26A415SET	n/a	QVFX28V415SET	QVVF28V415SET
ZFS-5500	QMF26J500SET	n/a	QAAF26A500SET	n/a	QVFX28V500SET	QVVF28V500SET
ZFS-5500-72	QMF26J500SET	n/a	QAAF26A500SET	n/a	QVFX28V500SET	QVVF28V500SET
ZFS-9115	n/a	n/a	n/a	TAFK11K115SET	QVFK11V115SET	QVVF11V115SET
ZFS-9115-72	n/a	n/a	n/a	TAFK11K115SET	QVFK11V115SET	QVVF11V115SET
ZFS-9200	n/a	n/a	n/a	TAFK11K200SET	QVFK11V200SET	QVVF11V200SET
ZFS-9200-72	n/a	n/a	n/a	TAFK11K200SET	QVFK11V200SET	QVVF11V200SET
ZFS-9203	n/a	n/a	n/a	TAFK13K203SET	QVFK13V203SET	QVVF13V203SET
ZFS-9203-72	n/a	n/a	n/a	TAFK13K203SET	QVFK13V203SET	QVVF13V203SET
ZFS-9207	n/a	n/a	n/a	TAFK15K207SET	QVFK15V207SET	QVVF15V207SET
ZFS-9207-72	n/a	n/a	n/a	TAFK15K207SET	QVFK15V207SET	QVVF15V207SET
ZFS-9208	n/a	n/a	n/a	TAFK15K208SET	QVFK15V208SET	QVVF15V208SET
ZFS-9208-72	n/a	n/a	n/a	TAFK15K208SET	QVFK15V208SET	QVVF15V208SET
ZFS-9215	n/a	n/a	n/a	TAFK17K215SET	QVFK17V215SET	QVVF17V215SET
ZFS-9215-72	n/a	n/a	n/a	TAFK17K215SET	QVFK17V215SET	QVVF17V215SET
ZFS-9300	n/a	n/a	n/a	TAFK17K300SET	QVFK17V300SET	QVVF17V300SET
ZFS-9300-72	n/a	n/a	n/a	TAFK17K300SET	QVFK17V300SET	QVVF17V300SET
ZFS-9307	n/a	n/a	n/a	TAFK20K307SET	QVFK20V307SET	QVVF20V307SET
ZFS-9307-72	n/a	n/a	n/a	TAFK20K307SET	QVFK20V307SET	QVVF20V307SET
ZFS-9308	n/a	n/a	n/a	TAFK22K315SET	QVFK22V315SET	QVVF22V315SET
ZFS-9308-72	n/a	n/a	n/a	TAFK22K315SET	QVFK22V315SET	QVVF22V315SET
ZFS-9400	n/a	n/a	n/a	TAFK22K400SET	QVFK22V400SET	QVVF22V400SET
ZFS-9400-72	n/a	n/a	n/a	TAFK22K400SET	QVFK22V400SET	QVVF22V400SET
ZFS-9407	n/a	n/a	n/a	TAFK26K407SET	QVFK26V407SET	QVVF26V407SET
ZFS-9407-72	n/a	n/a	n/a	TAFK26K407SET	QVFK26V407SET	QVVF26V407SET
ZFS-9408	n/a	n/a	n/a	TAFK26K408SET	QVFK26V408SET	QVVF26V408SET
ZFS-9408-72	n/a	n/a	n/a	TAFK26K408SET	QVFK26V408SET	QVVF26V408SET
ZMC-2115	QMMC10J115ST	QAMC10A115ST	QAAMC10A115ST	n/a	n/a	n/a
ZMC-2200	QMMC10J200ST	QAMC10A200ST	QAAMC10A200ST	n/a	n/a	n/a
ZMC-2203	QMMC11J203ST	QAMC11A203ST	QAAMC11A203ST	n/a	n/a	n/a
ZMC-2204	QMMC11J204ST	QAMC11A204ST	QAAMC11A204ST	n/a	n/a	n/a
ZMC-2207	QMMC13J207ST	QAMC13A207ST	QAAMC13A207ST	n/a	n/a	n/a
ZMC-2208	QMMC13J208ST	QAMC13A208ST	QAAMC13A208ST	n/a	n/a	n/a
ZMC-2211	QMMC15J211ST	QAMC15A211ST	QAAMC15A211ST	n/a	n/a	n/a
ZMC-2212	QMMC15J212ST	QAMC15A212ST	QAAMC15A212ST	n/a	n/a	n/a
ZMC-2215	QMMC15J215ST	QAMC15A215ST	QAAMC15A215ST	n/a	n/a	n/a

Note: This interchange guide is for reference only. **Some competitor bearings may not be shown.** If you are unable to find the bearing you are trying to interchange, please contact your local distributor or QM Bearings for assistance.

(continued on next page)

Blue Brute Bearings – Interchange Guide

Rexnord®

Rexnord Part Number	QM EC Series	QM CL Series		QM TA/DV Series	QM V-Lock® Series	
		Single-Collar	Double-Collar		Single-Nut	Double-Nut
ZMC-2300	QMMC15J300ST	QAMC15A300ST	QAAMC15A300ST	n/a	n/a	n/a
ZMC-2303	QMMC18J303ST	QAMC18A303ST	QAAMC18A303ST	n/a	n/a	n/a
ZMC-2307	QMMC18J307ST	QAMC18A307ST	QAAMC18A307ST	n/a	n/a	n/a
ZMC-2308	QMMC18J308ST	QAMC18A308ST	QAAMC18A308ST	n/a	n/a	n/a
ZMC-2311	QMMC20J311ST	QAMC20A311ST	QAAMC20A311ST	n/a	n/a	n/a
ZMC-2315	QMMC20J315ST	QAMC20A315ST	QAAMC20A315ST	n/a	n/a	n/a
ZMC-2400	QMMC20J400ST	QAMC20A400ST	QAAMC20A400ST	n/a	n/a	n/a
ZMC-5115	QMMC10J115ST	n/a	QAAMC10A115ST	n/a	n/a	n/a
ZMC-5200	QMMC10J200ST	n/a	QAAMC10A200ST	n/a	n/a	n/a
ZMC-5203	QMMC11J203ST	n/a	QAAMC11A203ST	n/a	n/a	n/a
ZMC-5207	QMMC13J207ST	n/a	QAAMC13A207ST	n/a	n/a	n/a
ZMC-5211	QMMC15J211ST	n/a	QAAMC15A211ST	n/a	n/a	n/a
ZMC-5215	QMMC15J215ST	n/a	QAAMC15A215ST	n/a	n/a	n/a
ZMC-5303	QMMC18J303ST	n/a	QAAMC18A303ST	n/a	n/a	n/a
ZMC-5307	QMMC18J307ST	n/a	QAAMC18A307ST	n/a	n/a	n/a
ZMC-5311	QMMC20J311ST	n/a	QAAMC20A311ST	n/a	n/a	n/a
ZMC-5315	QMMC20J315ST	n/a	QAAMC20A315ST	n/a	n/a	n/a
ZMC-5400	QMMC20J400ST	n/a	QAAMC20A400ST	n/a	n/a	n/a
ZMC-5407Y	QMMC22J407ST	n/a	QAAMC22A407ST	n/a	n/a	n/a
ZMC-5408Y	QMMC22J408ST	n/a	QAAMC22A408ST	n/a	n/a	n/a
ZMC-5415	QMMC26J415ST	n/a	QAAMC26A415ST	n/a	n/a	n/a
ZMC-5500	QMMC26J500ST	n/a	QAAMC26A500ST	n/a	n/a	n/a
ZMC-5507	QMMC30J507ST	n/a	n/a	n/a	n/a	n/a
ZMC-5515	QMMC30J515ST	n/a	n/a	n/a	n/a	n/a
ZMC-5600	QMMC30J600ST	n/a	n/a	n/a	n/a	n/a
ZMC-5607	QMMC34J607ST	n/a	n/a	n/a	n/a	n/a
ZMC-5615	QMMC34J615ST	n/a	n/a	n/a	n/a	n/a
ZMC-5700	QMMC34J700ST	n/a	n/a	n/a	n/a	n/a
ZMC-9115	n/a	n/a	n/a	TAMC11K115ST	QVMC11V115ST	QVVMC11V115ST
ZMC-9200	n/a	n/a	n/a	TAMC11K200ST	QVMC11V200ST	QVVMC11V200ST
ZMC-9203	n/a	n/a	n/a	TAMC13K203ST	QVMC13V203ST	QVVMC13V203ST
ZMC-9207	n/a	n/a	n/a	TAMC15K207ST	QVMC15V207ST	QVVMC15V207ST
ZMC-9208	n/a	n/a	n/a	TAMC15K207ST	QVMC15V207ST	QVVMC15V207ST
ZMC-9215	n/a	n/a	n/a	TAMC17K215ST	QVMC17V215ST	QVVMC17V215ST
ZMC-9300	n/a	n/a	n/a	TAMC17K300ST	QVMC17V300ST	QVVMC17V300ST
ZMC-9307	n/a	n/a	n/a	TAMC20K307ST	QVMC20V307ST	QVVMC20V307ST
ZMC-9315Y	n/a	n/a	n/a	TAMC22K315ST	QVMC22V315ST	QVVMC22V315ST
ZMC-9400Y	n/a	n/a	n/a	TAMC22K400ST	QVMC22V400ST	QVVMC22V400ST
ZMC-9407	n/a	n/a	n/a	TAMC26K407ST	QVMC26V407ST	QVVMC26V407ST
ZP-5207	QMPXT13J207ST	n/a	QAAPXT13A207ST	n/a	QVPXT14V207ST	QVVPXT14V207ST
ZP-5207-72	QMPXT13J207ST	n/a	QAAPXT13A207ST	n/a	QVPXT14V207ST	QVVPXT14V207ST
ZP-5207-F	QMPX13J207ST	n/a	QAAPX13A207ST	n/a	QVPX14V207ST	QVVPX14V207ST
ZP-5207-F-72	QMPX13J207ST	n/a	QAAPX13A207ST	n/a	QVPX14V207ST	QVVPX14V207ST

Note: This interchange guide is for reference only. **Some competitor bearings may not be shown.** If you are unable to find the bearing you are trying to interchange, please contact your local distributor or QM Bearings for assistance.

(continued on next page)

Introduction
Blue Brute Bearings
Bearing Interchange Guide
Quick-Flex Couplings
Rigid Compression Couplings
Index

Blue Brute Bearings – Interchange Guide

Rexnord®

Rexnord Part Number	QM EC Series	QM CL Series		QM TA/DV Series	QM V-Lock® Series	
		Single-Collar	Double-Collar		Single-Nut	Double-Nut
ZP-5211	QMPXT15J211ST	n/a	QAAPXT15A211ST	n/a	QVPXT16V211ST	QVVPXT16V211ST
ZP-5211-72	QMPXT15J211ST	n/a	QAAPXT15A211ST	n/a	QVPXT16V211ST	QVVPXT16V211ST
ZP-5211-F	QMPX15J211ST	n/a	QAAPX15A211ST	n/a	QVPX16V211ST	QVVPX16V211ST
ZP-5211-F-72	QMPX15J211ST	n/a	QAAPX15A211ST	n/a	QVPX16V211ST	QVVPX16V211ST
ZP-5215	QMPXT15J215ST	n/a	QAAPXT15A215ST	n/a	QVPXT16V215ST	QVVPXT16V215ST
ZP-5215-72	QMPXT15J215ST	n/a	QAAPXT15A215ST	n/a	QVPXT16V215ST	QVVPXT16V215ST
ZP-5215-F	QMPX15J215ST	n/a	QAAPX15A215ST	n/a	QVPX16V215ST	QVVPX16V215ST
ZP-5215-F-72	QMPX15J215ST	n/a	QAAPX15A215ST	n/a	QVPX16V215ST	QVVPX16V215ST
ZP-5300	QMPXT15J300ST	n/a	QAAPXT15A300ST	n/a	QVPXT16V300ST	QVVPXT16V300ST
ZP-5300-72	QMPXT15J300ST	n/a	QAAPXT15A300ST	n/a	QVPXT16V300ST	QVVPXT16V300ST
ZP-5300-F	QMPX15J300ST	n/a	QAAPX15A300ST	n/a	QVPX16V300ST	QVVPX16V300ST
ZP-5300-F-72	QMPX15J300ST	n/a	QAAPX15A300ST	n/a	QVPX16V300ST	QVVPX16V300ST
ZP-5303-F	QMPX18J303ST	n/a	QAAPX18A303ST	n/a	QVPX19V303ST	QVVPX19V303ST
ZP-5303-F-72	QMPX18J303ST	n/a	QAAPX18A303ST	n/a	QVPX19V303ST	QVVPX19V303ST
ZP-5307-F	QMPX18J307ST	n/a	QAAPX18A307ST	n/a	QVPX19V307ST	QVVPX19V307ST
ZP-5307-F-72	QMPX18J307ST	n/a	QAAPX18A307ST	n/a	QVPX19V307ST	QVVPX19V307ST
ZP-5308-F	QMPX18J308ST	n/a	QAAPX18A308ST	n/a	QVPX19V308ST	QVVPX19V308ST
ZP-5308-F-72	QMPX18J308ST	n/a	QAAPX18A308ST	n/a	QVPX19V308ST	QVVPX19V308ST
ZP-5315-F	QMPX20J315ST	n/a	QAAPX20A315ST	n/a	QVPX22V315ST	QVVPX22V315ST
ZP-5315-F-72	QMPX20J315ST	n/a	QAAPX20A315ST	n/a	QVPX22V315ST	QVVPX22V315ST
ZP-5400-F	QMPX20J400ST	n/a	QAAPX20A400ST	n/a	QVPX22V400ST	QVVPX22V400ST
ZP-5400-F-72	QMPX20J400ST	n/a	QAAPX20A400ST	n/a	QVPX22V400ST	QVVPX22V400ST
ZP-5407-F	QMPX22J407ST	n/a	QAAPX22A407ST	n/a	QVPX26V407ST	QVVPX26V407ST
ZP-5407-F-72	QMPX22J407ST	n/a	QAAPX22A407ST	n/a	QVPX26V407ST	QVVPX26V407ST
ZP-5408-F	QMPX22J408ST	n/a	QAAPX22A408ST	n/a	QVPX26V408ST	QVVPX26V408ST
ZP-5408-F-72	QMPX22J408ST	n/a	QAAPX22A408ST	n/a	QVPX26V408ST	QVVPX26V408ST
ZP-5415-F	QMPX26J415ST	n/a	QAAPX26A415ST	n/a	QVPX28V415ST	QVVPX28V415ST
ZP-5415-F-72	QMPX26J415ST	n/a	QAAPX26A415ST	n/a	QVPX28V415ST	QVVPX28V415ST
ZP-5500-F	QMPX26J500ST	n/a	QAAPX26A500ST	n/a	QVPX28V500ST	QVVPX28V500ST
ZP-5500-F-72	QMPX26J500ST	n/a	QAAPX26A500ST	n/a	QVPX28V500ST	QVVPX28V500ST
ZP-5507-F	QMPX30J507ST	n/a	n/a	n/a	n/a	n/a
ZP-5507-F-72	QMPX30J507ST	n/a	n/a	n/a	n/a	n/a
ZP-5515-F	QMPX30J515ST	n/a	n/a	n/a	n/a	n/a
ZP-5515-F-72	QMPX30J515ST	n/a	n/a	n/a	n/a	n/a
ZP-5600-F	QMPX30J600ST	n/a	n/a	n/a	n/a	n/a
ZP-5600-F-72	QMPX30J600ST	n/a	n/a	n/a	n/a	n/a
ZP-5607-F	QMPX34J607ST	n/a	n/a	n/a	n/a	n/a
ZP-5607-F-72	QMPX34J607ST	n/a	n/a	n/a	n/a	n/a
ZP-5608-F	QMPX34J608ST	n/a	n/a	n/a	n/a	n/a
ZP-5608-F-72	QMPX34J608ST	n/a	n/a	n/a	n/a	n/a
ZP-5615-F	QMPX34J615ST	n/a	n/a	n/a	n/a	n/a
ZP-5615-F-72	QMPX34J615ST	n/a	n/a	n/a	n/a	n/a
ZP-5700-F	QMPX34J700ST	n/a	n/a	n/a	n/a	n/a

Note: This interchange guide is for reference only. **Some competitor bearings may not be shown.** If you are unable to find the bearing you are trying to interchange, please contact your local distributor or QM Bearings for assistance.

(continued on next page)

Blue Brute Bearings – Interchange Guide

Rexnord®

Rexnord Part Number	QM EC Series	QM CL Series		QM TA/DV Series	QM V-Lock® Series	
		Single-Collar	Double-Collar		Single-Nut	Double-Nut
ZP-5700-F-72	QMPX34J700ST	n/a	n/a	n/a	n/a	n/a
ZP-9207	n/a	n/a	n/a	TAPKT15K207ST	QVPKT15V207ST	QVVPKT15V207ST
ZP-9207-72	n/a	n/a	n/a	TAPKT15K207ST	QVPKT15V207ST	QVVPKT15V207ST
ZP-9207-F	n/a	n/a	n/a	TAPK15K207ST	QVPK15V207ST	QVVPK15V207ST
ZP-9207-F-72	n/a	n/a	n/a	TAPK15K207ST	QVPK15V207ST	QVVPK15V207ST
ZP-9208	n/a	n/a	n/a	TAPKT15K208ST	QVPKT15V208ST	QVVPKT15V208ST
ZP-9208-72	n/a	n/a	n/a	TAPKT15K208ST	QVPKT15V208ST	QVVPKT15V208ST
ZP-9208-F	n/a	n/a	n/a	TAPK15K208ST	QVPK15V208ST	QVVPK15V208ST
ZP-9208-F-72	n/a	n/a	n/a	TAPK15K208ST	QVPK15V208ST	QVVPK15V208ST
ZP-9215	n/a	n/a	n/a	TAPKT17K215ST	QVPKT17V215ST	QVVPKT17V215ST
ZP-9215-72	n/a	n/a	n/a	TAPKT17K215ST	QVPKT17V215ST	QVVPKT17V215ST
ZP-9215-F	n/a	n/a	n/a	TAPK17K215ST	QVPK17V215ST	QVVPK17V215ST
ZP-9215-F-72	n/a	n/a	n/a	TAPK17K215ST	QVPK17V215ST	QVVPK17V215ST
ZP-9300	n/a	n/a	n/a	TAPKT17K300ST	QVPKT17V300ST	QVVPKT17V300ST
ZP-9300-72	n/a	n/a	n/a	TAPKT17K300ST	QVPKT17V300ST	QVVPKT17V300ST
ZP-9300-F	n/a	n/a	n/a	TAPK17K300ST	QVPK17V300ST	QVVPK17V300ST
ZP-9300-F-72	n/a	n/a	n/a	TAPK17K300ST	QVPK17V300ST	QVVPK17V300ST
ZP-9307-F	n/a	n/a	n/a	TAPK20K307ST	QVPK20V307ST	QVVPK20V307ST
ZP-9307-F-72	n/a	n/a	n/a	TAPK20K307ST	QVPK20V307ST	QVVPK20V307ST
ZP-9308-F	n/a	n/a	n/a	TAPK20K308ST	QVPK20V308ST	QVVPK20V308ST
ZP-9308-F-72	n/a	n/a	n/a	TAPK20K308ST	QVPK20V308ST	QVVPK20V308ST
ZP-9315-F	n/a	n/a	n/a	TAPK22K315ST	QVPK22V315ST	QVVPK22V315ST
ZP-9315-F-72	n/a	n/a	n/a	TAPK22K315ST	QVPK22V315ST	QVVPK22V315ST
ZP-9400-F	n/a	n/a	n/a	TAPK22K400ST	QVPK22V400ST	QVVPK22V400ST
ZP-9400-F-72	n/a	n/a	n/a	TAPK22K400ST	QVPK22V400ST	QVVPK22V400ST
ZP-9407-F	n/a	n/a	n/a	TAPK26K407ST	QVPK26V407ST	QVVPK26V407ST
ZP-9407-F-72	n/a	n/a	n/a	TAPK26K407ST	QVPK26V407ST	QVVPK26V407ST
ZP-9408-F	n/a	n/a	n/a	TAPK26K408ST	QVPK26V408ST	QVVPK26V408ST
ZP-9408-F-72	n/a	n/a	n/a	TAPK26K408ST	QVPK26V408ST	QVVPK26V408ST
ZPS-5207	QMPXT13J207SET	n/a	QAAPXT13A207SET	n/a	QVPXT14V207SET	QVVPXT14V207SET
ZPS-5207-72	QMPXT13J207SET	n/a	QAAPXT13A207SET	n/a	QVPXT14V207SET	QVVPXT14V207SET
ZPS-5207-F	QMPX13J207SET	n/a	QAAPX13A207SET	n/a	QVPX14V207SET	QVVPX14V207SET
ZPS-5207-F-72	QMPX13J207SET	n/a	QAAPX13A207SET	n/a	QVPX14V207SET	QVVPX14V207SET
ZPS-5211	QMPXT15J211SET	n/a	QAAPXT15A211SET	n/a	QVPXT16V211SET	QVVPXT16V211SET
ZPS-5211-72	QMPXT15J211SET	n/a	QAAPXT15A211SET	n/a	QVPXT16V211SET	QVVPXT16V211SET
ZPS-5211-F	QMPX15J211SET	n/a	QAAPX15A211SET	n/a	QVPX16V211SET	QVVPX16V211SET
ZPS-5211-F-72	QMPX15J211SET	n/a	QAAPX15A211SET	n/a	QVPX16V211SET	QVVPX16V211SET
ZPS-5215	QMPXT15J215SET	n/a	QAAPXT15A215SET	n/a	QVPXT16V215SET	QVVPXT16V215SET
ZPS-5215-72	QMPXT15J215SET	n/a	QAAPXT15A215SET	n/a	QVPXT16V215SET	QVVPXT16V215SET
ZPS-5215-F	QMPX15J215SET	n/a	QAAPX15A215SET	n/a	QVPX16V215SET	QVVPX16V215SET
ZPS-5215-F-72	QMPX15J215SET	n/a	QAAPX15A215SET	n/a	QVPX16V215SET	QVVPX16V215SET
ZPS-5300	QMPXT15J300SET	n/a	QAAPXT15A300SET	n/a	QVPXT16V300SET	QVVPXT16V300SET
ZPS-5300-72	QMPXT15J300SET	n/a	QAAPXT15A300SET	n/a	QVPXT16V300SET	QVVPXT16V300SET

Note: This interchange guide is for reference only. **Some competitor bearings may not be shown.** If you are unable to find the bearing you are trying to interchange, please contact your local distributor or QM Bearings for assistance.

(continued on next page)

Blue Brute Bearings – Interchange Guide

Rexnord®

Rexnord Part Number	QM EC Series	QM CL Series		QM TA/DV Series	QM V-Lock® Series	
		Single-Collar	Double-Collar		Single-Nut	Double-Nut
ZPS-5300-F	QMPX15J300SET	n/a	QAAPX15A300SET	n/a	QVPX16V300SET	QVVPX16V300SET
ZPS-5300-F-72	QMPX15J300SET	n/a	QAAPX15A300SET	n/a	QVPX16V300SET	QVVPX16V300SET
ZPS-5303-F	QMPX18J303SET	n/a	QAAPX18A303SET	n/a	QVPX19V303SET	QVVPX19V303SET
ZPS-5303-F-72	QMPX18J303SET	n/a	QAAPX18A303SET	n/a	QVPX19V303SET	QVVPX19V303SET
ZPS-5307-F	QMPX18J307SET	n/a	QAAPX18A307SET	n/a	QVPX19V307SET	QVVPX19V307SET
ZPS-5307-F-72	QMPX18J307SET	n/a	QAAPX18A307SET	n/a	QVPX19V307SET	QVVPX19V307SET
ZPS-5308-F	QMPX18J308SET	n/a	QAAPX18A308SET	n/a	QVPX19V308SET	QVVPX19V308SET
ZPS-5308-F-72	QMPX18J308SET	n/a	QAAPX18A308SET	n/a	QVPX19V308SET	QVVPX19V308SET
ZPS-5315-F	QMPX20J315SET	n/a	QAAPX20A315SET	n/a	QVPX22V315SET	QVVPX22V315SET
ZPS-5315-F-72	QMPX20J315SET	n/a	QAAPX20A315SET	n/a	QVPX22V315SET	QVVPX22V315SET
ZPS-5400-F	QMPX20J400SET	n/a	QAAPX20A400SET	n/a	QVPX22V400SET	QVVPX22V400SET
ZPS-5400-F-72	QMPX20J400SET	n/a	QAAPX20A400SET	n/a	QVPX22V400SET	QVVPX22V400SET
ZPS-5407-F	QMPX22J407SET	n/a	QAAPX22A407SET	n/a	QVPX26V407SET	QVVPX26V407SET
ZPS-5407-F-72	QMPX22J407SET	n/a	QAAPX22A407SET	n/a	QVPX26V407SET	QVVPX26V407SET
ZPS-5408-F	QMPX22J408SET	n/a	QAAPX22A408SET	n/a	QVPX26V408SET	QVVPX26V408SET
ZPS-5408-F-72	QMPX22J408SET	n/a	QAAPX22A408SET	n/a	QVPX26V408SET	QVVPX26V408SET
ZPS-5415-F	QMPX26J415SET	n/a	QAAPX26A415SET	n/a	QVPX28V415SET	QVVPX28V415SET
ZPS-5415-F-72	QMPX26J415SET	n/a	QAAPX26A415SET	n/a	QVPX28V415SET	QVVPX28V415SET
ZPS-5500-F	QMPX26J500SET	n/a	QAAPX26A500SET	n/a	QVPX28V500SET	QVVPX28V500SET
ZPS-5500-F-72	QMPX26J500SET	n/a	QAAPX26A500SET	n/a	QVPX28V500SET	QVVPX28V500SET
ZPS-5507-F	QMPX30J507SET	n/a	n/a	n/a	n/a	n/a
ZPS-5507-F-72	QMPX30J507SET	n/a	n/a	n/a	n/a	n/a
ZPS-5515-F	QMPX30J515SET	n/a	n/a	n/a	n/a	n/a
ZPS-5515-F-72	QMPX30J515SET	n/a	n/a	n/a	n/a	n/a
ZPS-5600-F	QMPX30J600SET	n/a	n/a	n/a	n/a	n/a
ZPS-5600-F-72	QMPX30J600SET	n/a	n/a	n/a	n/a	n/a
ZPS-5607-F	QMPX34J607SET	n/a	n/a	n/a	n/a	n/a
ZPS-5607-F-72	QMPX34J607SET	n/a	n/a	n/a	n/a	n/a
ZPS-5608-F	QMPX34J608SET	n/a	n/a	n/a	n/a	n/a
ZPS-5608-F-72	QMPX34J608SET	n/a	n/a	n/a	n/a	n/a
ZPS-5615-F	QMPX34J615SET	n/a	n/a	n/a	n/a	n/a
ZPS-5615-F-72	QMPX34J615SET	n/a	n/a	n/a	n/a	n/a
ZPS-5700-F	QMPX34J700SET	n/a	n/a	n/a	n/a	n/a
ZPS-5700-F-72	QMPX34J700SET	n/a	n/a	n/a	n/a	n/a
ZPS-9207	n/a	n/a	n/a	TAPKT15K207SET	QVPKT15V207SET	QVVPKT15V207SET
ZPS-9207-72	n/a	n/a	n/a	TAPKT15K207SET	QVPKT15V207SET	QVVPKT15V207SET
ZPS-9207-F	n/a	n/a	n/a	TAPK15K207SET	QVPK15V207SET	QVVPK15V207SET
ZPS-9207-F-72	n/a	n/a	n/a	TAPK15K207SET	QVPK15V207SET	QVVPK15V207SET
ZPS-9208	n/a	n/a	n/a	TAPKT15K208SET	QVPKT15V208SET	QVVPKT15V208SET
ZPS-9208-72	n/a	n/a	n/a	TAPKT15K208SET	QVPKT15V208SET	QVVPKT15V208SET
ZPS-9208-F	n/a	n/a	n/a	TAPK15K208SET	QVPK15V208SET	QVVPK15V208SET
ZPS-9208-F-72	n/a	n/a	n/a	TAPK15K208SET	QVPK15V208SET	QVVPK15V208SET
ZPS-9215	n/a	n/a	n/a	TAPKT17K215SET	QVPKT17V215SET	QVVPKT17V215SET

Note: This interchange guide is for reference only. **Some competitor bearings may not be shown.** If you are unable to find the bearing you are trying to interchange, please contact your local distributor or QM Bearings for assistance.

(continued on next page)

Blue Brute Bearings – Interchange Guide

Rexnord®

Rexnord Part Number	QM EC Series	QM CL Series		QM TA/DV Series	QM V-Lock® Series	
		Single-Collar	Double-Collar		Single-Nut	Double-Nut
ZPS-9215-72	n/a	n/a	n/a	TAPKT17K215SET	QVPKT17V215SET	QVVPKT17V215SET
ZPS-9215-F	n/a	n/a	n/a	TAPK17K215SET	QVPK17V215SET	QVVPK17V215SET
ZPS-9215-F-72	n/a	n/a	n/a	TAPK17K215SET	QVPK17V215SET	QVVPK17V215SET
ZPS-9300	n/a	n/a	n/a	TAPKT17K300SET	QVPKT17V300SET	QVVPKT17V300SET
ZPS-9300-72	n/a	n/a	n/a	TAPKT17K300SET	QVPKT17V300SET	QVVPKT17V300SET
ZPS-9300-F	n/a	n/a	n/a	TAPK17K300SET	QVPK17V300SET	QVVPK17V300SET
ZPS-9300-F-72	n/a	n/a	n/a	TAPK17K300SET	QVPK17V300SET	QVVPK17V300SET
ZPS-9307-F	n/a	n/a	n/a	TAPK20K307SET	QVPK20V307SET	QVVPK20V307SET
ZPS-9307-F-72	n/a	n/a	n/a	TAPK20K307SET	QVPK20V307SET	QVVPK20V307SET
ZPS-9308-F	n/a	n/a	n/a	TAPK20K308SET	QVPK20V308SET	QVVPK20V308SET
ZPS-9308-F-72	n/a	n/a	n/a	TAPK20K308SET	QVPK20V308SET	QVVPK20V308SET
ZPS-9315-F	n/a	n/a	n/a	TAPK22K315SET	QVPK22V315SET	QVVPK22V315SET
ZPS-9315-F-72	n/a	n/a	n/a	TAPK22K315SET	QVPK22V315SET	QVVPK22V315SET
ZPS-9400-F	n/a	n/a	n/a	TAPK22K400SET	QVPK22V400SET	QVVPK22V400SET
ZPS-9400-F-72	n/a	n/a	n/a	TAPK22K400SET	QVPK22V400SET	QVVPK22V400SET
ZPS-9407-F	n/a	n/a	n/a	TAPK26K407SET	QVPK26V407SET	QVVPK26V407SET
ZPS-9407-F-72	n/a	n/a	n/a	TAPK26K407SET	QVPK26V407SET	QVVPK26V407SET
ZPS-9408-F	n/a	n/a	n/a	TAPK26K408SET	QVPK26V408SET	QVVPK26V408SET
ZPS-9408-F-72	n/a	n/a	n/a	TAPK26K408SET	QVPK26V408SET	QVVPK26V408SET
ZT10-2303	QMTU18J303ST	QATU18A303ST	QAATU18A303ST	n/a	QVTU19V303ST	QVVTU19V303ST
ZT10-2303-72	QMTU18J303ST	QATU18A303ST	QAATU18A303ST	n/a	QVTU19V303ST	QVVTU19V303ST
ZT10-2307	QMTU18J307ST	QATU18A307ST	QAATU18A307ST	n/a	QVTU19V307ST	QVVTU19V307ST
ZT10-2307-72	QMTU18J307ST	QATU18A307ST	QAATU18A307ST	n/a	QVTU19V307ST	QVVTU19V307ST
ZT10-2308	QMTU18J308ST	QATU18A308ST	QAATU18A308ST	n/a	QVTU19V308ST	QVVTU19V308ST
ZT10-2308-72	QMTU18J308ST	QATU18A308ST	QAATU18A308ST	n/a	QVTU19V308ST	QVVTU19V308ST
ZT10-3307	QMTU18J307ST	QATU18A307ST	QAATU18A307ST	n/a	QVTU19V307ST	QVVTU19V307ST
ZT10-3307-72	QMTU18J307ST	QATU18A307ST	QAATU18A307ST	n/a	QVTU19V307ST	QVVTU19V307ST
ZT10-5303	QMTU18J303ST	n/a	QAATU18A303ST	n/a	QVTU19V303ST	QVVTU19V303ST
ZT10-5303-72	QMTU18J303ST	n/a	QAATU18A303ST	n/a	QVTU19V303ST	QVVTU19V303ST
ZT10-5307	QMTU18J307ST	n/a	QAATU18A307ST	n/a	QVTU19V307ST	QVVTU19V307ST
ZT10-5307-72	QMTU18J307ST	n/a	QAATU18A307ST	n/a	QVTU19V307ST	QVVTU19V307ST
ZT11-2315	QMTU20J315ST	QATU20A315ST	QAATU20A315ST	n/a	QVTU22V315ST	QVVTU22V315ST
ZT11-2315-72	QMTU20J315ST	QATU20A315ST	QAATU20A315ST	n/a	QVTU22V315ST	QVVTU22V315ST
ZT11-2400	QMTU20J400ST	QATU20A400ST	QAATU20A400ST	n/a	QVTU22V400ST	QVVTU22V400ST
ZT11-2400-72	QMTU20J400ST	QATU20A400ST	QAATU20A400ST	n/a	QVTU22V400ST	QVVTU22V400ST
ZT11-3315	QMTU20J315ST	QATU20A315ST	QAATU20A315ST	n/a	QVTU22V315ST	QVVTU22V315ST
ZT11-3315-72	QMTU20J315ST	QATU20A315ST	QAATU20A315ST	n/a	QVTU22V315ST	QVVTU22V315ST
ZT11-5315	QMTU20J315ST	n/a	QAATU20A315ST	n/a	QVTU22V315ST	QVVTU22V315ST
ZT11-5315-72	QMTU20J315ST	n/a	QAATU20A315ST	n/a	QVTU22V315ST	QVVTU22V315ST
ZT11-5400	QMTU20J400ST	n/a	QAATU20A400ST	n/a	QVTU22V400ST	QVVTU22V400ST
ZT11-5400-72	QMTU20J400ST	n/a	QAATU20A400ST	n/a	QVTU22V400ST	QVVTU22V400ST
ZT6-2115	QMTU10J115ST	QATU10A115ST	QAATU10A115ST	n/a	QVTU11V115ST	QVVTU11V115ST
ZT6-2115-72	QMTU10J115ST	QATU10A115ST	QAATU10A115ST	n/a	QVTU11V115ST	QVVTU11V115ST

Note: This interchange guide is for reference only. **Some competitor bearings may not be shown.** If you are unable to find the bearing you are trying to interchange, please contact your local distributor or QM Bearings for assistance.

(continued on next page)

Introduction
Blue Brute Bearings
Bearing Interchange Guide
Quick-Flex Couplings
Rigid Compression Couplings
Index

Blue Brute Bearings – Interchange Guide

Rexnord®

Rexnord Part Number	QM EC Series	QM CL Series		QM TA/DV Series	QM V-Lock® Series	
		Single-Collar	Double-Collar		Single-Nut	Double-Nut
ZT6-2200	QMTU10J200ST	QATU10A200ST	QAATU10A200ST	n/a	QVTU11V200ST	QVVTU11V200ST
ZT6-2200-72	QMTU10J200ST	QATU10A200ST	QAATU10A200ST	n/a	QVTU11V200ST	QVVTU11V200ST
ZT6-3115	QMTU10J115ST	QATU10A115ST	QAATU10A115ST	n/a	QVTU11V115ST	QVVTU11V115ST
ZT6-3115-72	QMTU10J115ST	QATU10A115ST	QAATU10A115ST	n/a	QVTU11V115ST	QVVTU11V115ST
ZT6-5115	QMTU10J115ST	n/a	QAATU10A115ST	n/a	QVTU11V115ST	QVVTU11V115ST
ZT6-5115-72	QMTU10J115ST	n/a	QAATU10A115ST	n/a	QVTU11V115ST	QVVTU11V115ST
ZT7-2203	QMTU11J203ST	QATU11A203ST	QAATU11A203ST	n/a	QVTU12V203ST	QVVTU12V203ST
ZT7-2203-72	QMTU11J203ST	QATU11A203ST	QAATU11A203ST	n/a	QVTU12V203ST	QVVTU12V203ST
ZT7-2204	QMTU11J204ST	QATU11A204ST	QAATU11A204ST	n/a	QVTU12V204ST	QVVTU12V204ST
ZT7-2204-72	QMTU11J204ST	QATU11A204ST	QAATU11A204ST	n/a	QVTU12V204ST	QVVTU12V204ST
ZT7-3203	QMTU11J203ST	QATU11A203ST	QAATU11A203ST	n/a	QVTU12V203ST	QVVTU12V203ST
ZT7-3203-72	QMTU11J203ST	QATU11A203ST	QAATU11A203ST	n/a	QVTU12V203ST	QVVTU12V203ST
ZT7-5203	QMTU11J203ST	n/a	QAATU11A203ST	n/a	QVTU12V203ST	QVVTU12V203ST
ZT7-5203-72	QMTU11J203ST	n/a	QAATU11A203ST	n/a	QVTU12V203ST	QVVTU12V203ST
ZT8-2207	QMTU13J207ST	QATU13A207ST	QAATU13A207ST	n/a	QVTU14V207ST	QVVTU14V207ST
ZT8-2207-72	QMTU13J207ST	QATU13A207ST	QAATU13A207ST	n/a	QVTU14V207ST	QVVTU14V207ST
ZT8-2208	QMTU13J208ST	QATU13A208ST	QAATU13A208ST	n/a	QVTU14V208ST	QVVTU14V208ST
ZT8-2208-72	QMTU13J208ST	QATU13A208ST	QAATU13A208ST	n/a	QVTU14V208ST	QVVTU14V208ST
ZT8-3207	QMTU13J207ST	QATU13A207ST	QAATU13A207ST	n/a	QVTU14V207ST	QVVTU14V207ST
ZT8-3207-72	QMTU13J207ST	QATU13A207ST	QAATU13A207ST	n/a	QVTU14V207ST	QVVTU14V207ST
ZT8-3208	QMTU13J208ST	QATU13A208ST	QAATU13A208ST	n/a	QVTU14V208ST	QVVTU14V208ST
ZT8-3208-72	QMTU13J208ST	QATU13A208ST	QAATU13A208ST	n/a	QVTU14V208ST	QVVTU14V208ST
ZT8-5207	QMTU13J207ST	n/a	QAATU13A207ST	n/a	QVTU14V207ST	QVVTU14V207ST
ZT8-5207-72	QMTU13J207ST	n/a	QAATU13A207ST	n/a	QVTU14V207ST	QVVTU14V207ST
ZT9-2211	QMTU15J211ST	QATU15A211ST	QAATU15A211ST	n/a	QVTU16V211ST	QVVTU16V211ST
ZT9-2211-72	QMTU15J211ST	QATU15A211ST	QAATU15A211ST	n/a	QVTU16V211ST	QVVTU16V211ST
ZT9-2212	QMTU15J212ST	QATU15A212ST	QAATU15A212ST	n/a	QVTU16V212ST	QVVTU16V212ST
ZT9-2212-72	QMTU15J212ST	QATU15A212ST	QAATU15A212ST	n/a	QVTU16V212ST	QVVTU16V212ST
ZT9-2215	QMTU15J215ST	QATU15A215ST	QAATU15A215ST	n/a	QVTU16V215ST	QVVTU16V215ST
ZT9-2215-72	QMTU15J215ST	QATU15A215ST	QAATU15A215ST	n/a	QVTU16V215ST	QVVTU16V215ST
ZT9-2300	QMTU15J300ST	QATU15A300ST	QAATU15A300ST	n/a	QVTU16V300ST	QVVTU16V300ST
ZT9-2300-72	QMTU15J300ST	QATU15A300ST	QAATU15A300ST	n/a	QVTU16V300ST	QVVTU16V300ST
ZT9-3211	QMTU15J211ST	QATU15A211ST	QAATU15A211ST	n/a	QVTU16V211ST	QVVTU16V211ST
ZT9-3211-72	QMTU15J211ST	QATU15A211ST	QAATU15A211ST	n/a	QVTU16V211ST	QVVTU16V211ST
ZT9-3215	QMTU15J215ST	QATU15A215ST	QAATU15A215ST	n/a	QVTU16V215ST	QVVTU16V215ST
ZT9-3215-72	QMTU15J215ST	QATU15A215ST	QAATU15A215ST	n/a	QVTU16V215ST	QVVTU16V215ST
ZT9-5211	QMTU15J211ST	n/a	QAATU15A211ST	n/a	QVTU16V211ST	QVVTU16V211ST
ZT9-5211-72	QMTU15J211ST	n/a	QAATU15A211ST	n/a	QVTU16V211ST	QVVTU16V211ST
ZT9-5215	QMTU15J215ST	n/a	QAATU15A215ST	n/a	QVTU16V215ST	QVVTU16V215ST
ZT9-5215-72	QMTU15J215ST	n/a	QAATU15A215ST	n/a	QVTU16V215ST	QVVTU16V215ST

Note: This interchange guide is for reference only. **Some competitor bearings may not be shown.** If you are unable to find the bearing you are trying to interchange, please contact your local distributor or QM Bearings for assistance.

(continued on next page)

Blue Brute Bearings – Interchange Guide

SealMaster®

SealMaster Part Number	QM EC Series	QM CL Series		QM TA/DV Series	QM V-Lock® Series	
		Single-Collar	Double-Collar		Single-Nut	Double-Nut
DRPB-203-2	n/a	n/a	n/a	TAPA13K203ST	QVPA13V203ST	QVVPA13V203ST
DRPB-203-C2	n/a	n/a	n/a	TAPA13K203SM	QVPA13V203SM	QVVPA13V203SM
DRPB-203-N2	n/a	n/a	n/a	TAPA13K203ST	QVPA13V203ST	QVVPA13V203ST
DRPB-204-2	n/a	n/a	n/a	TAPA13K204ST	QVPA13V204ST	QVVPA13V204ST
DRPB-204-C2	n/a	n/a	n/a	TAPA13K204SM	QVPA13V204SM	QVVPA13V204SM
DRPB-204-N2	n/a	n/a	n/a	TAPA13K204ST	QVPA13V204ST	QVVPA13V204ST
DRPB-207-2	n/a	n/a	n/a	TAPA15K207ST	QVPA15V207ST	QVVPA15V207ST
DRPB-207-C2	n/a	n/a	n/a	TAPA15K207SM	QVPA15V207SM	QVVPA15V207SM
DRPB-207-N2	n/a	n/a	n/a	TAPA15K207ST	QVPA15V207ST	QVVPA15V207ST
DRPB-208-2	n/a	n/a	n/a	TAPA15K208ST	QVPA15V208ST	QVVPA15V208ST
DRPB-208-C2	n/a	n/a	n/a	TAPA15K208SM	QVPA15V208SM	QVVPA15V208SM
DRPB-208-N2	n/a	n/a	n/a	TAPA15K208ST	QVPA15V208ST	QVVPA15V208ST
DRPB-215-2	n/a	n/a	n/a	TAPA17K215ST	QVPA17V215ST	QVVPA17V215ST
DRPB-215-C2	n/a	n/a	n/a	TAPA17K215SM	QVPA17V215SM	QVVPA17V215SM
DRPB-215-N2	n/a	n/a	n/a	TAPA17K215ST	QVPA17V215ST	QVVPA17V215ST
DRPB-300-2	n/a	n/a	n/a	TAPA17K300ST	QVPA17V300ST	QVVPA17V300ST
DRPB-300-C2	n/a	n/a	n/a	TAPA17K300SM	QVPA17V300SM	QVVPA17V300SM
DRPB-300-N2	n/a	n/a	n/a	TAPA17K300ST	QVPA17V300ST	QVVPA17V300ST
DRPB-307-2	n/a	n/a	n/a	TAPA20K307ST	QVPA20V307ST	QVVPA20V307ST
DRPB-307-C2	n/a	n/a	n/a	TAPA20K307SM	QVPA20V307SM	QVVPA20V307SM
DRPB-307-N2	n/a	n/a	n/a	TAPA20K307ST	QVPA20V307ST	QVVPA20V307ST
DRPB-308-2	n/a	n/a	n/a	TAPA20K308ST	QVPA20V308ST	QVVPA20V308ST
DRPB-308-C2	n/a	n/a	n/a	TAPA20K308SM	QVPA20V308SM	QVVPA20V308SM
DRPB-308-N2	n/a	n/a	n/a	TAPA20K308ST	QVPA20V308ST	QVVPA20V308ST
DRPBA-203-2	n/a	n/a	n/a	TAPA13K203ST	QVPA13V203ST	QVVPA13V203ST
DRPBA-203-C2	n/a	n/a	n/a	TAPA13K203SM	QVPA13V203SM	QVVPA13V203SM
DRPBA-203-N2	n/a	n/a	n/a	TAPA13K203ST	QVPA13V203ST	QVVPA13V203ST
DRPBA-204-2	n/a	n/a	n/a	TAPA13K204ST	QVPA13V204ST	QVVPA13V204ST
DRPBA-204-C2	n/a	n/a	n/a	TAPA13K204SM	QVPA13V204SM	QVVPA13V204SM
DRPBA-204-N2	n/a	n/a	n/a	TAPA13K204ST	QVPA13V204ST	QVVPA13V204ST
DRPBA-207-2	n/a	n/a	n/a	TAPA15K207ST	QVPA15V207ST	QVVPA15V207ST
DRPBA-207-C2	n/a	n/a	n/a	TAPA15K207SM	QVPA15V207SM	QVVPA15V207SM
DRPBA-207-N2	n/a	n/a	n/a	TAPA15K207ST	QVPA15V207ST	QVVPA15V207ST
DRPBA-208-2	n/a	n/a	n/a	TAPA15K208ST	QVPA15V208ST	QVVPA15V208ST
DRPBA-208-C2	n/a	n/a	n/a	TAPA15K208SM	QVPA15V208SM	QVVPA15V208SM
DRPBA-208-N2	n/a	n/a	n/a	TAPA15K208ST	QVPA15V208ST	QVVPA15V208ST
DRPBA-215-2	n/a	n/a	n/a	TAPA17K215ST	QVPA17V215ST	QVVPA17V215ST
DRPBA-215-C2	n/a	n/a	n/a	TAPA17K215SM	QVPA17V215SM	QVVPA17V215SM
DRPBA-215-N2	n/a	n/a	n/a	TAPA17K215ST	QVPA17V215ST	QVVPA17V215ST
DRPBA-300-2	n/a	n/a	n/a	TAPA17K300ST	QVPA17V300ST	QVVPA17V300ST
DRPBA-300-C2	n/a	n/a	n/a	TAPA17K300SM	QVPA17V300SM	QVVPA17V300SM
DRPBA-300-N2	n/a	n/a	n/a	TAPA17K300ST	QVPA17V300ST	QVVPA17V300ST
DRPBA-307-2	n/a	n/a	n/a	TAPA20K307ST	QVPA20V307ST	QVVPA20V307ST

Note: This interchange guide is for reference only. **Some competitor bearings may not be shown.** If you are unable to find the bearing you are trying to interchange, please contact your local distributor or QM Bearings for assistance.

(continued on next page)

Blue Brute Bearings – Interchange Guide

SealMaster®

SealMaster Part Number	QM EC Series	QM CL Series		QM TA/DV Series	QM V-Lock® Series	
		Single-Collar	Double-Collar		Single-Nut	Double-Nut
DRPBA-307-C2	n/a	n/a	n/a	TAPA20K307SM	QVPA20V307SM	QVVPA20V307SM
DRPBA-307-N2	n/a	n/a	n/a	TAPA20K307ST	QVPA20V307ST	QVVPA20V307ST
DRPBA-308-2	n/a	n/a	n/a	TAPA20K308ST	QVPA20V308ST	QVVPA20V308ST
DRPBA-308-C2	n/a	n/a	n/a	TAPA20K308SM	QVPA20V308SM	QVVPA20V308SM
DRPBA-308-N2	n/a	n/a	n/a	TAPA20K308ST	QVPA20V308ST	QVVPA20V308ST
EDPBA-203-2	n/a	n/a	n/a	TAPA13K203SET	QVPA13V203SET	QVVPA13V203SET
EDPBA-203-C2	n/a	n/a	n/a	TAPA13K203SEM	QVPA13V203SEM	QVVPA13V203SEM
EDPBA-203-N2	n/a	n/a	n/a	TAPA13K203SET	QVPA13V203SET	QVVPA13V203SET
EDPBA-204-2	n/a	n/a	n/a	TAPA13K204SET	QVPA13V204SET	QVVPA13V204SET
EDPBA-204-C2	n/a	n/a	n/a	TAPA13K204SEM	QVPA13V204SEM	QVVPA13V204SEM
EDPBA-204-N2	n/a	n/a	n/a	TAPA13K204SET	QVPA13V204SET	QVVPA13V204SET
EDPBA-207-2	n/a	n/a	n/a	TAPA15K207SET	QVPA15V207SET	QVVPA15V207SET
EDPBA-207-C2	n/a	n/a	n/a	TAPA15K207SEM	QVPA15V207SEM	QVVPA15V207SEM
EDPBA-207-N2	n/a	n/a	n/a	TAPA15K207SET	QVPA15V207SET	QVVPA15V207SET
EDPBA-208-2	n/a	n/a	n/a	TAPA15K208SET	QVPA15V208SET	QVVPA15V208SET
EDPBA-208-C2	n/a	n/a	n/a	TAPA15K208SEM	QVPA15V208SEM	QVVPA15V208SEM
EDPBA-208-N2	n/a	n/a	n/a	TAPA15K208SET	QVPA15V208SET	QVVPA15V208SET
EDPBA-215-2	n/a	n/a	n/a	TAPA17K215SET	QVPA17V215SET	QVVPA17V215SET
EDPBA-215-C2	n/a	n/a	n/a	TAPA17K215SEM	QVPA17V215SEM	QVVPA17V215SEM
EDPBA-215-N2	n/a	n/a	n/a	TAPA17K215SET	QVPA17V215SET	QVVPA17V215SET
EDPBA-300-2	n/a	n/a	n/a	TAPA17K300SET	QVPA17V300SET	QVVPA17V300SET
EDPBA-300-C2	n/a	n/a	n/a	TAPA17K300SEM	QVPA17V300SEM	QVVPA17V300SEM
EDPBA-300-N2	n/a	n/a	n/a	TAPA17K300SET	QVPA17V300SET	QVVPA17V300SET
EDPBA-307-2	n/a	n/a	n/a	TAPA20K307SET	QVPA20V307SET	QVVPA20V307SET
EDPBA-307-C2	n/a	n/a	n/a	TAPA20K307SEM	QVPA20V307SEM	QVVPA20V307SEM
EDPBA-307-N2	n/a	n/a	n/a	TAPA20K307SET	QVPA20V307SET	QVVPA20V307SET
EDPBA-308-2	n/a	n/a	n/a	TAPA20K308SET	QVPA20V308SET	QVVPA20V308SET
EDPBA-308-C2	n/a	n/a	n/a	TAPA20K308SEM	QVPA20V308SEM	QVVPA20V308SEM
EDPBA-308-N2	n/a	n/a	n/a	TAPA20K308SET	QVPA20V308SET	QVVPA20V308SET
EFBX1-1/2	QMF08J108SEM	n/a	n/a	n/a	n/a	n/a
EFBX1-11/16	QMF09J111SEM	n/a	n/a	n/a	n/a	n/a
EFBX1-15/16	QMF10J115SEM	QAF10A115SEM	QAAF10A115SEM	DVF11K115SEM	QVF11V115SEM	QVVF11V115SEM
EFBX1-3/4	QMF09J112SEM	n/a	n/a	n/a	n/a	n/a
EFBX1-7/16	QMF08J107SEM	n/a	n/a	n/a	n/a	n/a
EFBX2	QMF10J200SEM	QAF10A200SEM	QAAF10A200SEM	DVF11K200SEM	QVF11V200SEM	QVVF11V200SEM
EFBX2-1/2	QMF13J208SEM	QAF13A208SEM	QAAF13A208SEM	DVF15K208SEM	QVF14V208SEM	QVVF14V208SEM
EFBX2-11/16	QMF15J211SEM	QAF15A211SEM	QAAF15A211SEM	n/a	QVF16V211SEM	QVVF16V211SEM
EFBX2-15/16	QMF15J215SEM	QAF15A215SEM	QAAF15A215SEM	DVF17K215SEM	QVF16V215SEM	QVVF16V215SEM
EFBX2-3/16	QMF11J203SEM	QAF11A203SEM	QAAF11A203SEM	DVF13K203SEM	QVF12V203SEM	QVVF12V203SEM
EFBX2-3/4	QMF15J212SEM	QAF15A212SEM	QAAF15A212SEM	n/a	QVF16V212SEM	QVVF16V212SEM
EFBX2-7/16	QMF13J207SEM	QAF13A207SEM	QAAF13A207SEM	DVF15K207SEM	QVF14V207SEM	QVVF14V207SEM
EFBX3	QMF15J300SEM	QAF15A300SEM	QAAF15A300SEM	DVF17K300SEM	QVF16V300SEM	QVVF16V300SEM
EFBX3-1/2	QMF18J308SEM	QAF18A308SEM	QAAF18A308SEM	DVF20K308SEM	QVF19V308SEM	QVVF19V308SEM

Note: This interchange guide is for reference only. **Some competitor bearings may not be shown.** If you are unable to find the bearing you are trying to interchange, please contact your local distributor or QM Bearings for assistance.

(continued on next page)

Blue Brute Bearings – Interchange Guide

SealMaster®

SealMaster Part Number	QM EC Series	QM CL Series		QM TA/DV Series	QM V-Lock® Series	
		Single-Collar	Double-Collar		Single-Nut	Double-Nut
EFBX3-15/16	QMF20J315SEM	QAF20A315SEM	QAAF20A315SEM	DVF22K315SEM	QVF22V315SEM	QVVF22V315SEM
EFBX3-3/16	QMF18J303SEM	QAF18A303SEM	QAAF18A303SEM	n/a	QVF19V303SEM	QVVF19V303SEM
EFBX3-7/16	QMF18J307SEM	QAF18A307SEM	QAAF18A307SEM	DVF20K307SEM	QVF19V307SEM	QVVF19V307SEM
EFBX4	QMF20J400SEM	QAF20A400SEM	QAAF20A400SEM	DVF22K400SEM	QVF22V400SEM	QVVF22V400SEM
EPB-2X1-1/2	QMP08J108SEM	n/a	n/a	n/a	n/a	n/a
EPB-2X1-11/16	QMP09J111SEM	n/a	n/a	n/a	n/a	n/a
EPB-2X1-15/16	QMP10J115SEM	QAP10A115SEM	QAAP10A115SEM	DVP11K115SEM	QVP11V115SEM	QVVP11V115SEM
EPB-2X1-3/4	QMP09J112SEM	n/a	n/a	n/a	n/a	n/a
EPB-2X1-7/16	QMP08J107SEM	n/a	n/a	n/a	n/a	n/a
EPB-2X2	QMP10J200SEM	QAP10A200SEM	QAAP10A200SEM	DVP11K200SEM	QVP11V200SEM	QVVP11V200SEM
EPB-2X2-1/2	QMP13J208SEM	QAP13A208SEM	QAAP13A208SEM	DVP15K208SEM	QVP14V208SEM	QVVP14V208SEM
EPB-2X2-11/16	QMP15J211SEM	QAP15A211SEM	QAAP15A211SEM	n/a	QVP16V211SEM	QVVP16V211SEM
EPB-2X2-15/16	QMP15J215SEM	QAP13A215SEM	QAAP13A215SEM	n/a	QVP16V215SEM	QVVP16V215SEM
EPB-2X2-3/16	QMP11J203SEM	QAP11A203SEM	QAAP11A203SEM	DVP13K203SEM	QVP12V203SEM	QVVP12V203SEM
EPB-2X2-3/4	QMP15J212SEM	QAP15A212SEM	QAAP15A212SEM	n/a	QVP16V212SEM	QVVP16V212SEM
EPB-2X2-7/16	QMP13J207SEM	QAP13A207SEM	QAAP13A207SEM	DVP15K207SEM	QVP14V207SEM	QVVP14V207SEM
EPB-2X3	QMP15J300SEM	QAP15A300SEM	QAAP15A300SEM	n/a	QVP16V300SEM	QVVP16V300SEM
EPB-2X3-1/2	QMP18J308SEM	QAP18A308SEM	QAAP18A308SEM	DVP20K308SEM	QVP19V308SEM	QVVP19V308SEM
EPB-2X3-3/16	QMP18J303SEM	QAP18A303SEM	QAAP18A303SEM	n/a	QVP19V303SEM	QVVP19V303SEM
EPB-2X3-7/16	QMP18J307SEM	QAP18A307SEM	QAAP18A307SEM	DVP20K307SEM	QVP19V307SEM	QVVP19V307SEM
EPB-4X2-1/2	QMPR13J208SEM	QAPR13A208SEM	QAAPR13A208SEM	n/a	QVPR14V208SEM	QVVPR14V208SEM
EPB-4X2-11/16	QMPR15J211SEM	QAPR15A211SEM	QAAPR15A211SEM	n/a	QVPR16V211SEM	QVVPR16V211SEM
EPB-4X2-15/16	QMPR15J215SEM	QAPR15A215SEM	QAAPR15A215SEM	n/a	QVPR16V215SEM	QVVPR16V215SEM
EPB-4X2-3/4	QMPR15J212SEM	QAPR15A212SEM	QAAPR15A212SEM	n/a	QVPR16V212SEM	QVVPR16V212SEM
EPB-4X2-7/16	QMPR13J207SEM	QAPR13A207SEM	QAAPR13A207SEM	n/a	QVPR14V207SEM	QVVPR14V207SEM
EPB-4X3	QMPR15J300SEM	QAPR15A300SEM	QAAPR15A300SEM	n/a	QVPR16V300SEM	QVVPR16V300SEM
EPB-4X3-1/2	QMPR18J308SEM	QAPR18A308SEM	QAAPR18A308SEM	n/a	QVPR19V308SEM	QVVPR19V308SEM
EPB-4X3-15/16	QMPF20J315SEM	QAPF20A315SEM	QAAPF20A315SEM	DVPF22K315SEM	QVPF22V315SEM	QVVPF22V315SEM
EPB-4X3-3/16	QMPR18J303SEM	QAPR18A303SEM	QAAPR18A303SEM	n/a	QVPR19V303SEM	QVVPR19V303SEM
EPB-4X3-7/16	QMPR18J307SEM	QAPR18A307SEM	QAAPR18A307SEM	n/a	QVPR19V307SEM	QVVPR19V307SEM
EPB-4X4	QMPF20J400SEM	QAPF20A400SEM	QAAPF20A400SEM	DVPF22K400SEM	QVPF22V400SEM	QVVPF22V400SEM
EPB-4X4-1/2	QMPF22J408SEM	n/a	QAAPF22A408SEM	DVPF26K408SEM	QVPF26V408SEM	QVVPF26V408SEM
EPB-4X4-7/16	QMPF22J407SEM	n/a	QAAPF22A407SEM	DVPF26K407SEM	QVPF26V407SEM	QVVPF26V407SEM
ERPB-107-2	QMP08J107SET	n/a	n/a	n/a	n/a	n/a
ERPB-107-C2	QMP08J107SEM	n/a	n/a	n/a	n/a	n/a
ERPB-107-N2	QMP08J107SET	n/a	n/a	n/a	n/a	n/a
ERPB-108-2	QMP08J108SET	n/a	n/a	n/a	n/a	n/a
ERPB-108-C2	QMP08J108SEM	n/a	n/a	n/a	n/a	n/a
ERPB-108-N2	QMP08J108SET	n/a	n/a	n/a	n/a	n/a
ERPB-111-2	QMP09J111SET	n/a	n/a	n/a	n/a	n/a
ERPB-111-C2	QMP09J111SEM	n/a	n/a	n/a	n/a	n/a
ERPB-111-N2	QMP09J111SET	n/a	n/a	n/a	n/a	n/a
ERPB-112-2	QMP09J112SET	n/a	n/a	n/a	n/a	n/a

Note: This interchange guide is for reference only. **Some competitor bearings may not be shown.** If you are unable to find the bearing you are trying to interchange, please contact your local distributor or QM Bearings for assistance.

(continued on next page)

Introduction
Blue Brute Bearings
Bearing Interchange Guide
Quick-Flex Couplings
Rigid Compression Couplings
Index

Blue Brute Bearings – Interchange Guide

SealMaster®

SealMaster Part Number	QM EC Series	QM CL Series		QM TA/DV Series	QM V-Lock® Series	
		Single-Collar	Double-Collar		Single-Nut	Double-Nut
ERPB-112-C2	QMP09J112SEM	n/a	n/a	n/a	n/a	n/a
ERPB-112-N2	QMP09J112SET	n/a	n/a	n/a	n/a	n/a
ERPB-115-2	QMP10J115SET	QAP10A115SET	QAAP10A115SET	DVP11K115SET	QVP11V115SET	QVVP11V115SET
ERPB-115-C2	QMP10J115SEM	QAP10A115SEM	QAAP10A115SEM	DVP11K115SEM	QVP11V115SEM	QVVP11V115SEM
ERPB-115-N2	QMP10J115SET	QAP10A115SET	QAAP10A115SET	DVP11K115SET	QVP11V115SET	QVVP11V115SET
ERPB-200-2	QMP10J200SET	QAP10A200SET	QAAP10A200SET	DVP11K200SET	QVP11V200SET	QVVP11V200SET
ERPB-200-C2	QMP10J200SEM	QAP10A200SEM	QAAP10A200SEM	DVP11K200SEM	QVP11V200SEM	QVVP11V200SEM
ERPB-200-N2	QMP10J200SET	QAP10A200SET	QAAP10A200SET	DVP11K200SET	QVP11V200SET	QVVP11V200SET
ERPB-203-2	QMP11J203SET	QAP11A203SET	QAAP11A203SET	DVP13K203SET	QVP12V203SET	QVVP12V203SET
ERPB-203-C2	QMP11J203SEM	QAP11A203SEM	QAAP11A203SEM	DVP13K203SEM	QVP12V203SEM	QVVP12V203SEM
ERPB-203-N2	QMP11J203SET	QAP11A203SET	QAAP11A203SET	DVP13K203SET	QVP12V203SET	QVVP12V203SET
ERPB-207-2	QMP13J207SET	QAP13A207SET	QAAP13A207SET	DVP15K207SET	QVP14V207SET	QVVP14V207SET
ERPB-207-4	QMPR13J207SET	QAPR13A207SET	QAAPR13A207SET	n/a	QVPR14V207SET	QVVP14V207SET
ERPB-207-C2	QMP13J207SEM	QAP13A207SEM	QAAP13A207SEM	DVP15K207SEM	QVP14V207SEM	QVVP14V207SEM
ERPB-207-C4	QMPR13J207SEM	QAPR13A207SEM	QAAPR13A207SEM	n/a	QVPR14V207SEM	QVVP14V207SEM
ERPB-207-N2	QMP13J207SET	QAP13A207SET	QAAP13A207SET	DVP15K207SET	QVP14V207SET	QVVP14V207SET
ERPB-207-N4	QMPR13J207SET	QAPR13A207SET	QAAPR13A207SET	n/a	QVPR14V207SET	QVVP14V207SET
ERPB-208-2	QMP13J208SET	QAP13A208SET	QAAP13A208SET	DVP15K208SET	QVP14V208SET	QVVP14V208SET
ERPB-208-4	QMPR13J208SET	QAPR13A208SET	QAAPR13A208SET	n/a	QVPR14V208SET	QVVP14V208SET
ERPB-208-C2	QMP13J208SEM	QAP13A208SEM	QAAP13A208SEM	DVP15K208SEM	QVP14V208SEM	QVVP14V208SEM
ERPB-208-C4	QMPR13J208SEM	QAPR13A208SEM	QAAPR13A208SEM	n/a	QVPR14V208SEM	QVVP14V208SEM
ERPB-208-N2	QMP13J208SET	QAP13A208SET	QAAP13A208SET	DVP15K208SET	QVP14V208SET	QVVP14V208SET
ERPB-208-N4	QMPR13J208SET	QAPR13A208SET	QAAPR13A208SET	n/a	QVPR14V208SET	QVVP14V208SET
ERPB-211-2	QMP15J211SET	QAP15A211SET	QAAP15A211SET	n/a	QVP16V211SET	QVVP16V211SET
ERPB-211-4	QMPR15J211SET	QAPR15A211SET	QAAPR15A211SET	n/a	QVPR16V211SET	QVVP16V211SET
ERPB-211-C2	QMP15J211SEM	QAP15A211SEM	QAAP15A211SEM	n/a	QVP16V211SEM	QVVP16V211SEM
ERPB-211-C4	QMPR15J211SEM	QAPR15A211SEM	QAAPR15A211SEM	n/a	QVPR16V211SEM	QVVP16V211SEM
ERPB-211-N2	QMP15J211SET	QAP15A211SET	QAAP15A211SET	n/a	QVP16V211SET	QVVP16V211SET
ERPB-211-N4	QMPR15J211SET	QAPR15A211SET	QAAPR15A211SET	n/a	QVPR16V211SET	QVVP16V211SET
ERPB-212-2	QMP15J212SET	QAP15A212SET	QAAP15A212SET	n/a	QVP16V212SET	QVVP16V212SET
ERPB-212-4	QMPR15J212SET	QAPR15A212SET	QAAPR15A212SET	n/a	QVPR16V212SET	QVVP16V212SET
ERPB-212-C2	QMP15J212SEM	QAP15A212SEM	QAAP15A212SEM	n/a	QVP16V212SEM	QVVP16V212SEM
ERPB-212-C4	QMPR15J212SEM	QAPR15A212SEM	QAAPR15A212SEM	n/a	QVPR16V212SEM	QVVP16V212SEM
ERPB-212-N2	QMP15J212SET	QAP15A212SET	QAAP15A212SET	n/a	QVP16V212SET	QVVP16V212SET
ERPB-212-N4	QMPR15J212SET	QAPR15A212SET	QAAPR15A212SET	n/a	QVPR16V212SET	QVVP16V212SET
ERPB-215-2	QMP15J215SET	QAP15A215SET	QAAP15A215SET	n/a	QVP16V215SET	QVVP16V215SET
ERPB-215-4	QMPR15J215SET	QAPR15A215SET	QAAPR15A215SET	n/a	QVPR16V215SET	QVVP16V215SET
ERPB-215-C2	QMP15J215SEM	QAP15A215SEM	QAAP15A215SEM	n/a	QVP16V215SEM	QVVP16V215SEM
ERPB-215-C4	QMPR15J215SEM	QAPR15A215SEM	QAAPR15A215SEM	n/a	QVPR16V215SEM	QVVP16V215SEM
ERPB-215-N2	QMP15J215SET	QAP15A215SET	QAAP15A215SET	n/a	QVP16V215SET	QVVP16V215SET
ERPB-215-N4	QMPR15J215SET	QAPR15A215SET	QAAPR15A215SET	n/a	QVPR16V215SET	QVVP16V215SET
ERPB-300-2	QMP15J300SET	QAP15A300SET	QAAP15A300SET	n/a	QVP16V300SET	QVVP16V300SET
ERPB-300-4	QMPR15J300SET	QAPR15A300SET	QAAPR15A300SET	n/a	QVPR16V300SET	QVVP16V300SET

Note: This interchange guide is for reference only. **Some competitor bearings may not be shown.** If you are unable to find the bearing you are trying to interchange, please contact your local distributor or QM Bearings for assistance.

(continued on next page)

Blue Brute Bearings – Interchange Guide

SealMaster®

SealMaster Part Number	QM EC Series	QM CL Series		QM TA/DV Series	QM V-Lock® Series	
		Single-Collar	Double-Collar		Single-Nut	Double-Nut
ERP-B-300-C2	QMP15J300SEM	QAP15A300SEM	QAAP15A300SEM	n/a	QVP16V300SEM	QVVP16V300SEM
ERP-B-300-C4	QMPR15J300SEM	QAPR15A300SEM	QAAPR15A300SEM	n/a	QVPR16V300SEM	QVVP16V300SEM
ERP-B-300-N2	QMP15J300SET	QAP15A300SET	QAAP15A300SET	n/a	QVP16V300SET	QVVP16V300SET
ERP-B-300-N4	QMPR15J300SET	QAPR15A300SET	QAAPR15A300SET	n/a	QVPR16V300SET	QVVP16V300SET
ERP-B-303-2	QMP18J303SET	QAP18A303SET	QAAP18A303SET	n/a	QVP19V303SET	QVVP19V303SET
ERP-B-303-4	QMPR18J303SET	QAPR18A303SET	QAAPR18A303SET	n/a	QVPR19V303SET	QVVP19V303SET
ERP-B-303-C2	QMP18J303SEM	QAP18A303SEM	QAAP18A303SEM	n/a	QVP19V303SEM	QVVP19V303SEM
ERP-B-303-C4	QMPR18J303SEM	QAPR18A303SEM	QAAPR18A303SEM	n/a	QVPR19V303SEM	QVVP19V303SEM
ERP-B-303-N2	QMP18J303SET	QAP18A303SET	QAAP18A303SET	n/a	QVP19V303SET	QVVP19V303SET
ERP-B-303-N4	QMPR18J303SET	QAPR18A303SET	QAAPR18A303SET	n/a	QVPR19V303SET	QVVP19V303SET
ERP-B-307-2	QMP18J307SET	QAP18A307SET	QAAP18A307SET	DVP20K307SET	QVP19V307SET	QVVP19V307SET
ERP-B-307-4	QMPR18J307SET	QAPR18A307SET	QAAPR18A307SET	n/a	QVPR19V307SET	QVVP19V307SET
ERP-B-307-C2	QMP18J307SEM	QAP18A307SEM	QAAP18A307SEM	DVP20K307SEM	QVP19V307SEM	QVVP19V307SEM
ERP-B-307-C4	QMPR18J307SEM	QAPR18A307SEM	QAAPR18A307SEM	n/a	QVPR19V307SEM	QVVP19V307SEM
ERP-B-307-N2	QMP18J307SET	QAP18A307SET	QAAP18A307SET	DVP20K307SET	QVP19V307SET	QVVP19V307SET
ERP-B-307-N4	QMPR18J307SET	QAPR18A307SET	QAAPR18A307SET	n/a	QVPR19V307SET	QVVP19V307SET
ERP-B-308-2	QMP18J308SET	QAP18A308SET	QAAP18A308SET	DVP20K308SET	QVP19V308SET	QVVP19V308SET
ERP-B-308-4	QMPR18J308SET	QAPR18A308SET	QAAPR18A308SET	n/a	QVPR19V308SET	QVVP19V308SET
ERP-B-308-C2	QMP18J308SEM	QAP18A308SEM	QAAP18A308SEM	DVP20K308SEM	QVP19V308SEM	QVVP19V308SEM
ERP-B-308-C4	QMPR18J308SEM	QAPR18A308SEM	QAAPR18A308SEM	n/a	QVPR19V308SEM	QVVP19V308SEM
ERP-B-308-N2	QMP18J308SET	QAP18A308SET	QAAP18A308SET	DVP20K308SET	QVP19V308SET	QVVP19V308SET
ERP-B-308-N4	QMPR18J308SET	QAPR18A308SET	QAAPR18A308SET	n/a	QVPR19V308SET	QVVP19V308SET
ERP-B-315-4	QMPF20J315SET	QAPF20A315SET	QAAPF20A315SET	DVPF22K315SET	QVPF22V315SET	QVVPF22V315SET
ERP-B-315-C4	QMPF20J315SEM	QAPF20A315SEM	QAAPF20A315SEM	DVPF22K315SEM	QVPF22V315SEM	QVVPF22V315SEM
ERP-B-315-N4	QMPF20J315SET	QAPF20A315SET	QAAPF20A315SET	DVPF22K315SET	QVPF22V315SET	QVVPF22V315SET
ERP-B-400-4	QMPF20J400SET	QAPF20A400SET	QAAPF20A400SET	DVPF22K400SET	QVPF22V400SET	QVVPF22V400SET
ERP-B-400-C4	QMPF20J400SEM	QAPF20A400SEM	QAAPF20A400SEM	DVPF22K400SEM	QVPF22V400SEM	QVVPF22V400SEM
ERP-B-400-N4	QMPF20J400SET	QAPF20A400SET	QAAPF20A400SET	DVPF22K400SET	QVPF22V400SET	QVVPF22V400SET
ERP-B-407-4	QMPF22J407SET	n/a	QAAPF22A407SET	DVPF26K407SET	QVPF26V407SET	QVVPF26V407SET
ERP-B-407-C4	QMPF22J407SEM	n/a	QAAPF22A407SEM	DVPF26K407SEM	QVPF26V407SEM	QVVPF26V407SEM
ERP-B-407-N4	QMPF22J407SET	n/a	QAAPF22A407SET	DVPF26K407SET	QVPF26V407SET	QVVPF26V407SET
ERP-B-408-4	QMPF22J408SET	n/a	QAAPF22A408SET	DVPF26K408SET	QVPF26V408SET	QVVPF26V408SET
ERP-B-408-C4	QMPF22J408SEM	n/a	QAAPF22A408SEM	DVPF26K408SEM	QVPF26V408SEM	QVVPF26V408SEM
ERP-B-408-N4	QMPF22J408SET	n/a	QAAPF22A408SET	DVPF26K408SET	QVPF26V408SET	QVVPF26V408SET
ERP-B-415-4	QMPF26J415SET	n/a	QAAPF26A415SET	n/a	QVPF28V415SET	QVVPF28V415SET
ERP-B-415-C4	QMPF26J415SEM	n/a	QAAPF26A415SEM	n/a	QVPF28V415SEM	QVVPF28V415SEM
ERP-B-415-N4	QMPF26J415SET	n/a	QAAPF26A415SET	n/a	QVPF28V415SET	QVVPF28V415SET
ERP-B-500-4	QMPF26J500SET	n/a	QAAPF26A500SET	n/a	QVPF28V500SET	QVVPF28V500SET
ERP-B-500-C4	QMPF26J500SEM	n/a	QAAPF26A500SEM	n/a	QVPF28V500SEM	QVVPF28V500SEM
ERP-B-500-N4	QMPF26J500SET	n/a	QAAPF26A500SET	n/a	QVPF28V500SET	QVVPF28V500SET
ERP-BXT-207-4	n/a	n/a	n/a	TAPH15K207SET	QVPH15V207SET	QVVPH15V207SET
ERP-BXT-207-C4	n/a	n/a	n/a	TAPH15K207SEM	QVPH15V207SEM	QVVPH15V207SEM
ERP-BXT-207-N4	n/a	n/a	n/a	TAPH15K207SET	QVPH15V207SET	QVVPH15V207SET

Note: This interchange guide is for reference only. **Some competitor bearings may not be shown.** If you are unable to find the bearing you are trying to interchange, please contact your local distributor or QM Bearings for assistance.

(continued on next page)

Blue Brute Bearings – Interchange Guide

SealMaster®

SealMaster Part Number	QM EC Series	QM CL Series		QM TA/DV Series	QM V-Lock® Series	
		Single-Collar	Double-Collar		Single-Nut	Double-Nut
ERPBT-208-4	n/a	n/a	n/a	TAPH15K208SET	QVPH15V208SET	QVVPH15V208SET
ERPBT-208-C4	n/a	n/a	n/a	TAPH15K208SEM	QVPH15V208SEM	QVVPH15V208SEM
ERPBT-208-N4	n/a	n/a	n/a	TAPH15K208SET	QVPH15V208SET	QVVPH15V208SET
ERPBT-215-4	n/a	n/a	n/a	TAPH17K215SET	QVPH17V215SET	QVVPH17V215SET
ERPBT-215-C4	n/a	n/a	n/a	TAPH17K215SEM	QVPH17V215SEM	QVVPH17V215SEM
ERPBT-215-N4	n/a	n/a	n/a	TAPH17K215SET	QVPH17V215SET	QVVPH17V215SET
ERPBT-300-4	n/a	n/a	n/a	TAPH17K300SET	QVPH17V300SET	QVVPH17V300SET
ERPBT-300-C4	n/a	n/a	n/a	TAPH17K300SEM	QVPH17V300SEM	QVVPH17V300SEM
ERPBT-300-N4	n/a	n/a	n/a	TAPH17K300SET	QVPH17V300SET	QVVPH17V300SET
ERPBT-307-4	n/a	n/a	n/a	TAPH20K307SET	QVPH20V307SET	QVVPH20V307SET
ERPBT-307-C4	n/a	n/a	n/a	TAPH20K307SEM	QVPH20V307SEM	QVVPH20V307SEM
ERPBT-307-N4	n/a	n/a	n/a	TAPH20K307SET	QVPH20V307SET	QVVPH20V307SET
ERPBT-308-4	n/a	n/a	n/a	TAPH20K308SET	QVPH20V308SET	QVVPH20V308SET
ERPBT-308-C4	n/a	n/a	n/a	TAPH20K308SEM	QVPH20V308SEM	QVVPH20V308SEM
ERPBT-308-N4	n/a	n/a	n/a	TAPH20K308SET	QVPH20V308SET	QVVPH20V308SET
ERPBT-315-4	n/a	n/a	n/a	TAPH22K315SET	QVPH22V315SET	QVVPH22V315SET
ERPBT-315-C4	n/a	n/a	n/a	TAPH22K315SEM	QVPH22V315SEM	QVVPH22V315SEM
ERPBT-315-N4	n/a	n/a	n/a	TAPH22K315SET	QVPH22V315SET	QVVPH22V315SET
ERPBT-400-4	n/a	n/a	n/a	TAPH22K400SET	QVPH22V400SET	QVVPH22V400SET
ERPBT-400-C4	n/a	n/a	n/a	TAPH22K400SEM	QVPH22V400SEM	QVVPH22V400SEM
ERPBT-400-N4	n/a	n/a	n/a	TAPH22K400SET	QVPH22V400SET	QVVPH22V400SET
ERPBT-407-4	n/a	n/a	n/a	TAPH26K407SET	QVPH26V407SET	QVVPH26V407SET
ERPBT-407-C4	n/a	n/a	n/a	TAPH26K407SEM	QVPH26V407SEM	QVVPH26V407SEM
ERPBT-407-N4	n/a	n/a	n/a	TAPH26K407SET	QVPH26V407SET	QVVPH26V407SET
ETUX1-15/16	QMTU10J115SEM	QATU10A115SEM	QAATU10A115SEM	n/a	QVTU11V115SEM	QVVU11V115SEM
ETUX2	QMTU10J200SEM	QATU10A200SEM	QAATU10A200SEM	n/a	QVTU11V200SEM	QVVU11V200SEM
ETUX2-1/2	QMTU13J208SEM	QATU13A208SEM	QAATU13A208SEM	n/a	QVTU14V208SEM	QVVU14V208SEM
ETUX2-11/16	QMTU15J211SEM	QATU15A211SEM	QAATU15A211SEM	n/a	QVTU16V211SEM	QVVU16V211SEM
ETUX2-15/16	QMTU15J215SEM	QATU15A215SEM	QAATU15A215SEM	n/a	QVTU16V215SEM	QVVU16V215SEM
ETUX2-3/16	QMTU11J203SEM	QATU11A203SEM	QAATU11A203SEM	n/a	QVTU16V203SEM	QVVU16V203SEM
ETUX2-3/4	QMTU15J212SEM	QATU15A212SEM	QAATU15A212SEM	n/a	QVTU16V212SEM	QVVU16V212SEM
ETUX2-7/16	QMTU13J207SEM	QATU13A207SEM	QAATU13A207SEM	n/a	QVTU14V207SEM	QVVU14V207SEM
ETUX3	QMTU15J300SEM	QATU15A300SEM	QAATU15A300SEM	n/a	QVTU16V300SEM	QVVU16V300SEM
ETUX3-1/2	QMTU18J308SEM	QATU18A308SEM	QAATU18A308SEM	n/a	QVTU19V308SEM	QVVU19V308SEM
ETUX3-15/16	QMTU20J315SEM	QATU20A315SEM	QAATU20A315SEM	n/a	QVTU22V315SEM	QVVU22V315SEM
ETUX3-3/16	QMTU18J303SEM	QATU18A303SEM	QAATU18A303SEM	n/a	QVTU19V303SEM	QVVU19V303SEM
ETUX3-7/16	QMTU18J307SEM	QATU18A307SEM	QAATU18A307SEM	n/a	QVTU19V307SEM	QVVU19V307SEM
ETUX4	QMTU20J400SEM	QATU20A400SEM	QAATU20A400SEM	n/a	QVTU22V400SEM	QVVU22V400SEM
MFC-23X1-7/16	QMC08J107ST	n/a	n/a	n/a	n/a	n/a
MFC-24X1-1/2	QMC08J108ST	n/a	n/a	n/a	n/a	n/a
MFC-27X1-11/16	QMC09J111ST	n/a	n/a	n/a	n/a	n/a
MFC-28X1-3/4	QMC09J112ST	n/a	n/a	n/a	n/a	n/a
MFC-31X1-15/16	QMC10J115ST	QAC10A115ST	QAAC10A115ST	DVC11K115ST	QVC11V115ST	QVVC11V115ST

Note: This interchange guide is for reference only. **Some competitor bearings may not be shown.** If you are unable to find the bearing you are trying to interchange, please contact your local distributor or QM Bearings for assistance.

(continued on next page)

Blue Brute Bearings – Interchange Guide

SealMaster®

SealMaster Part Number	QM EC Series	QM CL Series		QM TA/DV Series	QM V-Lock® Series	
		Single-Collar	Double-Collar		Single-Nut	Double-Nut
MFC-32X2	QMC10J200ST	QAC10A200ST	QAAC10A200ST	DVC11K200ST	QVC11V200ST	QVVC11V200ST
MFC-35X2-3/16	QMC11J203ST	QAC11A203ST	QAAC11A203ST	DVC13K203ST	QVC12V203ST	QVVC12V203ST
MFC-36X2-1/4	QMC11J204ST	QAC11A204ST	QAAC11A204ST	DVC13K204ST	QVC12V204ST	QVVC12V204ST
MFC-39X2-7/16	QMC13J207ST	QAC13A207ST	QAAC13A207ST	DVC15K207ST	QVC14V207ST	QVVC14V207ST
MFC-40X2-1/2	QMC13J208ST	QAC13A208ST	QAAC13A208ST	DVC15K208ST	QVC14V208ST	QVVC14V208ST
MFC-43X2-11/16	QMC15J211ST	QAC15A211ST	QAAC15A211ST	n/a	QVC16V211ST	QVVC16V211ST
MFC-47X2-15/16	QMC15J215ST	QAC15A215ST	QAAC15A215ST	DVC17K215ST	QVC16V215ST	QVVC16V215ST
MFC-48X3	QMC15J300ST	QAC15A300ST	QAAC15A300ST	DVC17K300ST	QVC16V300ST	QVVC16V300ST
MFC-55X3-7/16	QMC18J307ST	QAC18A307ST	QAAC18A307ST	DVC20K307ST	QVC19V307ST	QVVC19V307ST
MFC-56X3-1/2	QMC18J308ST	QAC18A308ST	QAAC18A308ST	DVC20K308ST	QVC19V308ST	QVVC19V308ST
MFC-63X3-15/16	QMC20J315ST	QAC20A315ST	QAAC20A315ST	DVC22K315ST	QVC22V315ST	QVVC22V315ST
MFC-64X4	QMC20J400ST	QAC20A400ST	QAAC20A400ST	DVC22K400ST	QVC22V400ST	QVVC22V400ST
MRFC-23X1-7/16	QMC08J107ST	n/a	n/a	n/a	n/a	n/a
MRFC-24X1-1/2	QMC08J108ST	n/a	n/a	n/a	n/a	n/a
MRFC-27X1-11/16	QMC09J111ST	n/a	n/a	n/a	n/a	n/a
MRFC-28X1-3/4	QMC09J112ST	n/a	n/a	n/a	n/a	n/a
MRFC-31X1-15/16	QMC10J115ST	QAC10A115ST	QAAC10A115ST	DVC11K115ST	QVF11V115ST	QVVF11V115ST
MRFC-32X2	QMC10J200ST	QAC10A200ST	QAAC10A200ST	DVC11K200ST	QVF11V200ST	QVVF11V200ST
MRFC-35X2-3/16	QMC11J203ST	QAC11A203ST	QAAC11A203ST	DVC13K203ST	QVF12V203ST	QVVF12V203ST
MRFC-36X2-1/4	QMC11J204ST	QAC11A204ST	QAAC11A204ST	DVC13K204ST	QVF12V204ST	QVVF12V204ST
MRFC-39X2-7/16	QMC13J207ST	QAC13A207ST	QAAC13A207ST	DVC15K207ST	QVF14V207ST	QVVF14V207ST
MRFC-40X2-1/2	QMC13J208ST	QAC13A208ST	QAAC13A208ST	DVC15K208ST	QVF14V208ST	QVVF14V208ST
MRFC-43X2-11/16	QMC15J211ST	QAC15A211ST	QAAC15A211ST	n/a	QVF16V211ST	QVVF16V211ST
MRFC-47X2-15/16	QMC15J215ST	QAC15A215ST	QAAC15A215ST	DVC17K215ST	QVF16V215ST	QVVF16V215ST
MRFC-48X3	QMC15J300ST	QAC15A300ST	QAAC15A300ST	DVC17K300ST	QVF16V300ST	QVVF16V300ST
MRFC-55X3-7/16	QMC18J307ST	QAC18A307ST	QAAC18A307ST	DVC20K307ST	QVF19V307ST	QVVF19V307ST
MRFC-56X3-1/2	QMC18J308ST	QAC18A308ST	QAAC18A308ST	DVC20K308ST	QVF19V308ST	QVVF19V308ST
MRFC-63X3-15/16	QMC20J315ST	QAC20A315ST	QAAC20A315ST	DVC22K315ST	QVF22V315ST	QVVF22V315ST
MRFC-64X4	QMC20J400ST	QAC20A400ST	QAAC20A400ST	DVC22K400ST	QVF22V400ST	QVVF22V400ST
RFB-107	QMF08J107ST	n/a	n/a	n/a	n/a	n/a
RFB-107-C	QMF08J107SM	n/a	n/a	n/a	n/a	n/a
RFB-107-N	QMF08J107ST	n/a	n/a	n/a	n/a	n/a
RFB-108	QMF08J108ST	n/a	n/a	n/a	n/a	n/a
RFB-108-C	QMF08J108SM	n/a	n/a	n/a	n/a	n/a
RFB-108-N	QMF08J108ST	n/a	n/a	n/a	n/a	n/a
RFB-111	QMF09J111ST	n/a	n/a	n/a	n/a	n/a
RFB-111-C	QMF09J111SM	n/a	n/a	n/a	n/a	n/a
RFB-111-N	QMF09J111ST	n/a	n/a	n/a	n/a	n/a
RFB-112	QMF09J112ST	n/a	n/a	n/a	n/a	n/a
RFB-112-C	QMF09J112SM	n/a	n/a	n/a	n/a	n/a
RFB-112-N	QMF09J112ST	n/a	n/a	n/a	n/a	n/a
RFB-115	QMF10J115ST	QAF10A115ST	QAAF10A115ST	DVF11K115ST	QVF11V115ST	QVVF11V115ST
RFB-115-C	QMF10J115SM	QAF10A115SM	QAAF10A115SM	DVF11K115SM	QVF11V115SM	QVVF11V115SM

Note: This interchange guide is for reference only. **Some competitor bearings may not be shown.** If you are unable to find the bearing you are trying to interchange, please contact your local distributor or QM Bearings for assistance.

(continued on next page)

Blue Brute Bearings – Interchange Guide

SealMaster®

SealMaster Part Number	QM EC Series	QM CL Series		QM TA/DV Series	QM V-Lock® Series	
		Single-Collar	Double-Collar		Single-Nut	Double-Nut
RFB-115-N	QMF10J115ST	QAF10A115ST	QAAF10A115ST	DVF11K115ST	QVF11V115ST	QVVF11V115ST
RFB-200	QMF10J200ST	QAF10A200ST	QAAF10A200ST	DVF11K200ST	QVF11V200ST	QVVF11V200ST
RFB-200-C	QMF10J200SM	QAF10A200SM	QAAF10A200SM	DVF11K200SM	QVF11V200SM	QVVF11V200SM
RFB-200-N	QMF10J200ST	QAF10A200ST	QAAF10A200ST	DVF11K200ST	QVF11V200ST	QVVF11V200ST
RFB-203	QMF11J203ST	QAF11A203ST	QAAF11A203ST	DVF13K203ST	QVF12V203ST	QVVF12V203ST
RFB-203-C	QMF11J203SM	QAF11A203SM	QAAF11A203SM	DVF13K203SM	QVF12V203SM	QVVF12V203SM
RFB-203-N	QMF11J203ST	QAF11A203ST	QAAF11A203ST	DVF13K203ST	QVF12V203ST	QVVF12V203ST
RFB-207	QMF13J207ST	QAF13A207ST	QAAF13A207ST	DVF15K207ST	QVF14V207ST	QVVF14V207ST
RFB-207-C	QMF13J207SM	QAF13A207SM	QAAF13A207SM	DVF15K207SM	QVF14V207SM	QVVF14V207SM
RFB-207-N	QMF13J207ST	QAF13A207ST	QAAF13A207ST	DVF15K207ST	QVF14V207ST	QVVF14V207ST
RFB-208	QMF13J208ST	QAF13A208ST	QAAF13A208ST	DVF15K208ST	QVF14V208ST	QVVF14V208ST
RFB-208-C	QMF13J208SM	QAF13A208SM	QAAF13A208SM	DVF15K208SM	QVF14V208SM	QVVF14V208SM
RFB-208-N	QMF13J208ST	QAF13A208ST	QAAF13A208ST	DVF15K208ST	QVF14V208ST	QVVF14V208ST
RFB-211	QMF15J211ST	QAF15A211ST	QAAF15A211ST	n/a	QVF16V211ST	QVVF16V211ST
RFB-211-C	QMF15J211SM	QAF15A211SM	QAAF15A211SM	n/a	QVF16V211SM	QVVF16V211SM
RFB-211-N	QMF15J211ST	QAF15A211ST	QAAF15A211ST	n/a	QVF16V211ST	QVVF16V211ST
RFB-212	QMF15J212ST	QAF15A212ST	QAAF15A212ST	n/a	QVF16V212ST	QVVF16V212ST
RFB-212-C	QMF15J212SM	QAF15A212SM	QAAF15A212SM	n/a	QVF16V212SM	QVVF16V212SM
RFB-212-N	QMF15J212ST	QAF15A212ST	QAAF15A212ST	n/a	QVF16V212ST	QVVF16V212ST
RFB-215	QMF15J215ST	QAF15A215ST	QAAF15A215ST	DVF17K215ST	QVF16V215ST	QVVF16V215ST
RFB-215-C	QMF15J215SM	QAF15A215SM	QAAF15A215SM	DVF17K215SM	QVF16V215SM	QVVF16V215SM
RFB-215-N	QMF15J215ST	QAF15A215ST	QAAF15A215ST	DVF17K215ST	QVF16V215ST	QVVF16V215ST
RFB-300	QMF15J300ST	QAF15A300ST	QAAF15A300ST	DVF17K300ST	QVF16V300ST	QVVF16V300ST
RFB-300-C	QMF15J300SM	QAF15A300SM	QAAF15A300SM	DVF17K300SM	QVF16V300SM	QVVF16V300SM
RFB-300-N	QMF15J300ST	QAF15A300ST	QAAF15A300ST	DVF17K300ST	QVF16V300ST	QVVF16V300ST
RFB-303	QMF18J303ST	QAF18A303ST	QAAF18A303ST	n/a	QVF19V303ST	QVVF19V303ST
RFB-303-C	QMF18J303SM	QAF18A303SM	QAAF18A303SM	n/a	QVF19V303SM	QVVF19V303SM
RFB-303-N	QMF18J303ST	QAF18A303ST	QAAF18A303ST	n/a	QVF19V303ST	QVVF19V303ST
RFB-307	QMF18J307ST	QAF18A307ST	QAAF18A307ST	DVF20K307ST	QVF19V307ST	QVVF19V307ST
RFB-307-C	QMF18J307SM	QAF18A307SM	QAAF18A307SM	DVF20K307SM	QVF19V307SM	QVVF19V307SM
RFB-307-N	QMF18J307ST	QAF18A307ST	QAAF18A307ST	DVF20K307ST	QVF19V307ST	QVVF19V307ST
RFB-308	QMF18J308ST	QAF18A308ST	QAAF18A308ST	DVF20K308ST	QVF19V308ST	QVVF19V308ST
RFB-308-C	QMF18J308SM	QAF18A308SM	QAAF18A308SM	DVF20K308SM	QVF19V308SM	QVVF19V308SM
RFB-308-N	QMF18J308ST	QAF18A308ST	QAAF18A308ST	DVF20K308ST	QVF19V308ST	QVVF19V308ST
RFB-315	QMF20J315ST	QAF20A315ST	QAAF20A315ST	DVF22K315ST	QVF22V315ST	QVVF22V315ST
RFB-315-C	QMF20J315SM	QAF20A315SM	QAAF20A315SM	DVF22K315SM	QVF22V315SM	QVVF22V315SM
RFB-315-N	QMF20J315ST	QAF20A315ST	QAAF20A315ST	DVF22K315ST	QVF22V315ST	QVVF22V315ST
RFB-400	QMF20J400ST	QAF20A400ST	QAAF20A400ST	DVF22K400ST	QVF22V400ST	QVVF22V400ST
RFB-400-C	QMF20J400SM	QAF20A400SM	QAAF20A400SM	DVF22K400SM	QVF22V400SM	QVVF22V400SM
RFB-400-N	QMF20J400ST	QAF20A400ST	QAAF20A400ST	DVF22K400ST	QVF22V400ST	QVVF22V400ST
RFB-407	QMF22J407ST	n/a	QAAF22A407ST	DVF26K407ST	QVF26V407ST	QVVF26V407ST
RFB-407-C	QMF22J407SM	n/a	QAAF22A407SM	DVF26K407SM	QVF26V407SM	QVVF26V407SM
RFB-407-N	QMF22J407ST	n/a	QAAF22A407ST	DVF26K407ST	QVF26V407ST	QVVF26V407ST

Note: This interchange guide is for reference only. **Some competitor bearings may not be shown.** If you are unable to find the bearing you are trying to interchange, please contact your local distributor or QM Bearings for assistance.

(continued on next page)

Blue Brute Bearings – Interchange Guide

SealMaster®

SealMaster Part Number	QM EC Series	QM CL Series		QM TA/DV Series	QM V-Lock® Series	
		Single-Collar	Double-Collar		Single-Nut	Double-Nut
RFB-408	QMF22J408ST	n/a	QAAF22A408ST	DVF26K408ST	QVF26V408ST	QVVF26V408ST
RFB-408-C	QMF22J408SM	n/a	QAAF22A408SM	DVF26K408SM	QVF26V408SM	QVVF26V408SM
RFB-408-N	QMF22J408ST	n/a	QAAF22A408ST	DVF26K408ST	QVF26V408ST	QVVF26V408ST
RFBA-107	QMF08J107ST	n/a	n/a	n/a	n/a	n/a
RFBA-107-C	QMF08J107SM	n/a	n/a	n/a	n/a	n/a
RFBA-107-N	QMF08J107ST	n/a	n/a	n/a	n/a	n/a
RFBA-108	QMF08J108ST	n/a	n/a	n/a	n/a	n/a
RFBA-108-C	QMF08J108SM	n/a	n/a	n/a	n/a	n/a
RFBA-108-N	QMF08J108ST	n/a	n/a	n/a	n/a	n/a
RFBA-111	QMF09J111ST	n/a	n/a	n/a	n/a	n/a
RFBA-111-C	QMF09J111SM	n/a	n/a	n/a	n/a	n/a
RFBA-111-N	QMF09J111ST	n/a	n/a	n/a	n/a	n/a
RFBA-112	QMF09J112ST	n/a	n/a	n/a	n/a	n/a
RFBA-112-C	QMF09J112SM	n/a	n/a	n/a	n/a	n/a
RFBA-112-N	QMF09J112ST	n/a	n/a	n/a	n/a	n/a
RFBA-115	QMF10J115ST	QAF10A115ST	QAAF10A115ST	DVF11K115ST	QVF11V115ST	QVVF11V115ST
RFBA-115-C	QMF10J115SM	QAF10A115SM	QAAF10A115SM	DVF11K115SM	QVF11V115SM	QVVF11V115SM
RFBA-115-N	QMF10J115ST	QAF10A115ST	QAAF10A115ST	DVF11K115ST	QVF11V115ST	QVVF11V115ST
RFBA-200	QMF10J200ST	QAF10A200ST	QAAF10A200ST	DVF11K200ST	QVF11V200ST	QVVF11V200ST
RFBA-200-C	QMF10J200SM	QAF10A200SM	QAAF10A200SM	DVF11K200SM	QVF11V200SM	QVVF11V200SM
RFBA-200-N	QMF10J200ST	QAF10A200ST	QAAF10A200ST	DVF11K200ST	QVF11V200ST	QVVF11V200ST
RFBA-203	QMF11J203ST	QAF11A203ST	QAAF11A203ST	DVF13K203ST	QVF12V203ST	QVVF12V203ST
RFBA-203-C	QMF11J203SM	QAF11A203SM	QAAF11A203SM	DVF13K203SM	QVF12V203SM	QVVF12V203SM
RFBA-203-N	QMF11J203ST	QAF11A203ST	QAAF11A203ST	DVF13K203ST	QVF12V203ST	QVVF12V203ST
RFBA-207	QMF13J207ST	QAF13A207ST	QAAF13A207ST	DVF15K207ST	QVF14V207ST	QVVF14V207ST
RFBA-207-C	QMF13J207SM	QAF13A207SM	QAAF13A207SM	DVF15K207SM	QVF14V207SM	QVVF14V207SM
RFBA-207-N	QMF13J207ST	QAF13A207ST	QAAF13A207ST	DVF15K207ST	QVF14V207ST	QVVF14V207ST
RFBA-208	QMF13J208ST	QAF13A208ST	QAAF13A208ST	DVF15K208ST	QVF14V208ST	QVVF14V208ST
RFBA-208-C	QMF13J208SM	QAF13A208SM	QAAF13A208SM	DVF15K208SM	QVF14V208SM	QVVF14V208SM
RFBA-208-N	QMF13J208ST	QAF13A208ST	QAAF13A208ST	DVF15K208ST	QVF14V208ST	QVVF14V208ST
RFBA-211	QMF15J211ST	QAF15A211ST	QAAF15A211ST	n/a	QVF16V211ST	QVVF16V211ST
RFBA-211-C	QMF15J211SM	QAF15A211SM	QAAF15A211SM	n/a	QVF16V211SM	QVVF16V211SM
RFBA-211-N	QMF15J211ST	QAF15A211ST	QAAF15A211ST	n/a	QVF16V211ST	QVVF16V211ST
RFBA-215	QMF15J215ST	QAF15A215ST	QAAF15A215ST	DVF17K215ST	QVF16V215ST	QVVF16V215ST
RFBA-215-C	QMF15J215SM	QAF15A215SM	QAAF15A215SM	DVF17K215SM	QVF16V215SM	QVVF16V215SM
RFBA-215-N	QMF15J215ST	QAF15A215ST	QAAF15A215ST	DVF17K215ST	QVF16V215ST	QVVF16V215ST
RFBA-300	QMF15J300ST	QAF15A300ST	QAAF15A300ST	DVF17K300ST	QVF16V300ST	QVVF16V300ST
RFBA-300-C	QMF15J300SM	QAF15A300SM	QAAF15A300SM	DVF17K300SM	QVF16V300SM	QVVF16V300SM
RFBA-300-N	QMF15J300ST	QAF15A300ST	QAAF15A300ST	DVF17K300ST	QVF16V300ST	QVVF16V300ST
RFBA-303	QMF18J303ST	QAF18A303ST	QAAF18A303ST	n/a	QVF19V303ST	QVVF19V303ST
RFBA-303-C	QMF18J303SM	QAF18A303SM	QAAF18A303SM	n/a	QVF19V303SM	QVVF19V303SM
RFBA-303-N	QMF18J303ST	QAF18A303ST	QAAF18A303ST	n/a	QVF19V303ST	QVVF19V303ST
RFBA-307	QMF18J307ST	QAF18A307ST	QAAF18A307ST	DVF20K307ST	QVF19V307ST	QVVF19V307ST

Note: This interchange guide is for reference only. **Some competitor bearings may not be shown.** If you are unable to find the bearing you are trying to interchange, please contact your local distributor or QM Bearings for assistance.

(continued on next page)

Blue Brute Bearings – Interchange Guide

SealMaster®

SealMaster Part Number	QM EC Series	QM CL Series		QM TA/DV Series	QM V-Lock® Series	
		Single-Collar	Double-Collar		Single-Nut	Double-Nut
RFBA-307-C	QMF18J307SM	QAF18A307SM	QAAF18A307SM	DVF20K307SM	QVF19V307SM	QVVF19V307SM
RFBA-307-N	QMF18J307ST	QAF18A307ST	QAAF18A307ST	DVF20K307ST	QVF19V307ST	QVVF19V307ST
RFBA-308	QMF18J308ST	QAF18A308ST	QAAF18A308ST	DVF20K308ST	QVF19V308ST	QVVF19V308ST
RFBA-308-C	QMF18J308SM	QAF18A308SM	QAAF18A308SM	DVF20K308SM	QVF19V308SM	QVVF19V308SM
RFBA-308-N	QMF18J308ST	QAF18A308ST	QAAF18A308ST	DVF20K308ST	QVF19V308ST	QVVF19V308ST
RFBA-315	QMF20J315ST	QAF20A315ST	QAAF20A315ST	DVF22K315ST	QVF22V315ST	QVVF22V315ST
RFBA-315-C	QMF20J315SM	QAF20A315SM	QAAF20A315SM	DVF22K315SM	QVF22V315SM	QVVF22V315SM
RFBA-315-N	QMF20J315ST	QAF20A315ST	QAAF20A315ST	DVF22K315ST	QVF22V315ST	QVVF22V315ST
RFBA-400	QMF20J400ST	QAF20A400ST	QAAF20A400ST	DVF22K400ST	QVF22V400ST	QVVF22V400ST
RFBA-400-C	QMF20J400SM	QAF20A400SM	QAAF20A400SM	DVF22K400SM	QVF22V400SM	QVVF22V400SM
RFBA-400-N	QMF20J400ST	QAF20A400ST	QAAF20A400ST	DVF22K400ST	QVF22V400ST	QVVF22V400ST
RFBA-407	QMF22J407ST	n/a	QAAF22A407ST	DVF26K407ST	QVF26V407ST	QVVF26V407ST
RFBA-407-C	QMF22J407SM	n/a	QAAF22A407SM	DVF26K407SM	QVF26V407SM	QVVF26V407SM
RFBA-407-N	QMF22J407ST	n/a	QAAF22A407ST	DVF26K407ST	QVF26V407ST	QVVF26V407ST
RFBA-408	QMF22J408ST	n/a	QAAF22A408ST	DVF26K408ST	QVF26V408ST	QVVF26V408ST
RFBA-408-C	QMF22J408SM	n/a	QAAF22A408SM	DVF26K408SM	QVF26V408SM	QVVF26V408SM
RFBA-408-N	QMF22J408ST	n/a	QAAF22A408ST	DVF26K408ST	QVF26V408ST	QVVF26V408ST
RFP-107	QMCW08J107ST	n/a	n/a	n/a	n/a	n/a
RFP-107-C	QMCW08J107SM	n/a	n/a	n/a	n/a	n/a
RFP-107-N	QMCW08J107ST	n/a	n/a	n/a	n/a	n/a
RFP-111	QMCW09J111ST	n/a	n/a	n/a	n/a	n/a
RFP-111-C	QMCW09J111SM	n/a	n/a	n/a	n/a	n/a
RFP-111-N	QMCW09J111ST	n/a	QAACW09A111ST	n/a	n/a	n/a
RFP-115	QMCW10J115ST	QACW10A115ST	QAACW10A115ST	DVC11K115ST	QVCW11V115ST	QVVCW11V115ST
RFP-115-C	QMCW10J115SM	QACW10A115SM	QAACW10A115SM	DVC11K115SM	QVCW11V115SM	QVVCW11V115SM
RFP-115-N	QMCW10J115ST	QACW10A115ST	QAACW10A115ST	DVC11K115ST	QVCW11V115ST	QVVCW11V115ST
RFP-200	QMCW10J200ST	QACW10A200ST	QAACW10A200ST	DVC11K200ST	QVCW11V200ST	QVVCW11V200ST
RFP-200-C	QMCW10J200SM	QACW10A200SM	QAACW10A200SM	DVC11K200SM	QVCW11V200SM	QVVCW11V200SM
RFP-200-N	QMCW10J200ST	QACW10A200ST	QAACW10A200ST	DVC11K200ST	QVCW11V200ST	QVVCW11V200ST
RFP-203	QMCW11J203ST	QACW11A203ST	QAACW11A203ST	DVC13K203ST	QVCW12V203ST	QVVCW12V203ST
RFP-203-C	QMCW11J203SM	QACW11A203SM	QAACW11A203SM	DVC13K203SM	QVCW12V203SM	QVVCW12V203SM
RFP-203-N	QMCW11J203ST	QACW11A203ST	QAACW11A203ST	DVC13K203ST	QVCW12V203ST	QVVCW12V203ST
RFP-207	QMCW13J207ST	QACW13A207ST	QAACW13A207ST	DVC15K207ST	QVCW14V207ST	QVVCW14V207ST
RFP-207-C	QMCW13J207SM	QACW13A207SM	QAACW13A207SM	DVC15K207SM	QVCW14V207SM	QVVCW14V207SM
RFP-207-N	QMCW13J207ST	QACW13A207ST	QAACW13A207ST	DVC15K207ST	QVCW14V207ST	QVVCW14V207ST
RFP-208	QMCW13J208ST	QACW13A208ST	QAACW13A208ST	DVC15K208ST	QVCW14V208ST	QVVCW14V208ST
RFP-208-C	QMCW13J208SM	QACW13A208SM	QAACW13A208SM	DVC15K208SM	QVCW14V208SM	QVVCW14V208SM
RFP-208-N	QMCW13J208ST	QACW13A208ST	QAACW13A208ST	DVC15K208ST	QVCW14V208ST	QVVCW14V208ST
RFP-211	QMCW15J211ST	QACW15A211ST	QAACW15A211ST	n/a	QVCW16V211ST	QVVCW16V211ST
RFP-211-C	QMCW15J211SM	QACW15A211SM	QAACW15A211SM	n/a	QVCW16V211SM	QVVCW16V211SM
RFP-211-N	QMCW15J211ST	QACW15A211ST	QAACW15A211ST	n/a	QVCW16V211ST	QVVCW16V211ST
RFP-212	QMCW15J212ST	QACW15A212ST	QAACW15A212ST	n/a	QVCW16V212ST	QVVCW16V212ST
RFP-212-C	QMCW15J212SM	QACW15A212SM	QAACW15A212SM	n/a	QVCW16V212SM	QVVCW16V212SM

Note: This interchange guide is for reference only. **Some competitor bearings may not be shown.** If you are unable to find the bearing you are trying to interchange, please contact your local distributor or QM Bearings for assistance.

(continued on next page)

Blue Brute Bearings – Interchange Guide

SealMaster®

SealMaster Part Number	QM EC Series	QM CL Series		QM TA/DV Series	QM V-Lock® Series	
		Single-Collar	Double-Collar		Single-Nut	Double-Nut
RFP-212-N	QMCW15J212ST	QACW15A212ST	QAACW15A212ST	n/a	QVCW16V212ST	QVVCW16V212ST
RFP-215	QMCW15J215ST	QACW15A215ST	QAACW15A215ST	DVC17K215ST	QVCW16V215ST	QVVCW16V215ST
RFP-215-C	QMCW15J215SM	QACW15A215SM	QAACW15A215SM	DVC17K215SM	QVCW16V215SM	QVVCW16V215SM
RFP-215-N	QMCW15J215ST	QACW15A215ST	QAACW15A215ST	DVC17K215ST	QVCW16V215ST	QVVCW16V215ST
RFP-300	QMCW15J300ST	QACW15A300ST	QAACW15A300ST	DVC17K300ST	QVCW16V300ST	QVVCW16V300ST
RFP-300-C	QMCW15J300SM	QACW15A300SM	QAACW15A300SM	DVC17K300SM	QVCW16V300SM	QVVCW16V300SM
RFP-300-N	QMCW15J300ST	QACW15A300ST	QAACW15A300ST	DVC17K300ST	QVCW16V300ST	QVVCW16V300ST
RFP-303	QMCW18J303ST	QACW18A303ST	QAACW18A303ST	n/a	QVCW19V303ST	QVVCW19V303ST
RFP-303-C	QMCW18J303SM	QACW18A303SM	QAACW18A303SM	n/a	QVCW19V303SM	QVVCW19V303SM
RFP-303-N	QMCW18J303ST	QACW18A303ST	QAACW18A303ST	n/a	QVCW19V303ST	QVVCW19V303ST
RFP-307	QMCW18J307ST	QACW18A307ST	QAACW18A307ST	DVC20K307ST	QVCW19V307ST	QVVCW19V307ST
RFP-307-C	QMCW18J307SM	QACW18A307SM	QAACW18A307SM	DVC20K307SM	QVCW19V307SM	QVVCW19V307SM
RFP-307-N	QMCW18J307ST	QACW18A307ST	QAACW18A307ST	DVC20K307ST	QVCW19V307ST	QVVCW19V307ST
RFP-308	QMCW18J308ST	QACW18A308ST	QAACW18A308ST	DVC20K308ST	QVCW19V308ST	QVVCW19V308ST
RFP-308-C	QMCW18J308SM	QACW18A308SM	QAACW18A308SM	DVC20K308SM	QVCW19V308SM	QVVCW19V308SM
RFP-308-N	QMCW18J308ST	QACW18A308ST	QAACW18A308ST	DVC20K308ST	QVCW19V308ST	QVVCW19V308ST
RFP-315	QMCW20J315ST	QACW20A315ST	QAACW20A315ST	DVC22K315ST	QVCW22V315ST	QVVCW22V315ST
RFP-315-C	QMCW20J315SM	QACW20A315SM	QAACW20A315SM	DVC22K315SM	QVCW22V315SM	QVVCW22V315SM
RFP-315-N	QMCW20J315ST	QACW20A315ST	QAACW20A315ST	DVC22K315ST	QVCW22V315ST	QVVCW22V315ST
RFP-400	QMCW20J400ST	QACW20A400ST	QAACW20A400ST	DVC22K400ST	QVCW22V400ST	QVVCW22V400ST
RFP-400-C	QMCW20J400SM	QACW20A400SM	QAACW20A400SM	DVC22K400SM	QVCW22V400SM	QVVCW22V400SM
RFP-400-N	QMCW20J400ST	QACW20A400ST	QAACW20A400ST	DVC22K400ST	QVCW22V400ST	QVVCW22V400ST
RFP-407	QMCW22J407ST	n/a	QAACW22A407ST	DVC26K407ST	QVCW26V407ST	QVVCW26V407ST
RFP-407-C	QMCW22J407SM	n/a	QAACW22A407SM	DVC26K407SM	QVCW26V407SM	QVVCW26V407SM
RFP-407-N	QMCW22J407ST	n/a	QAACW22A407ST	DVC26K407ST	QVCW26V407ST	QVVCW26V407ST
RFP-408	QMCW22J408ST	n/a	QAACW22A408ST	DVC26K408ST	QVCW26V408ST	QVVCW26V408ST
RFP-408-C	QMCW22J408SM	n/a	QAACW22A408SM	DVC26K408SM	QVCW26V408SM	QVVCW26V408SM
RFP-408-N	QMCW22J408ST	n/a	QAACW22A408ST	DVC26K408ST	QVCW26V408ST	QVVCW26V408ST
RFP-415	QMCW26J415ST	n/a	QAACW26A415ST	n/a	QVCW28V415ST	QVVCW28V415ST
RFP-415-C	QMCW26J415SM	n/a	QAACW26A415SM	n/a	QVCW28V415SM	QVVCW28V415SM
RFP-415-N	QMCW26J415ST	n/a	QAACW26A415ST	n/a	QVCW28V415ST	QVVCW28V415ST
RFP-500	QMCW26J500ST	n/a	QAACW26A500ST	n/a	QVCW28V500ST	QVVCW28V500ST
RFP-500-C	QMCW26J500SM	n/a	QAACW26A500SM	n/a	QVCW28V500SM	QVVCW28V500SM
RFP-500-N	QMCW26J500ST	n/a	QAACW26A500ST	n/a	QVCW28V500ST	QVVCW28V500ST
RFPA-107	QMCW08J107ST	n/a	n/a	n/a	n/a	n/a
RFPA-107-C	QMCW08J107SM	n/a	n/a	n/a	n/a	n/a
RFPA-107-N	QMCW08J107ST	n/a	n/a	n/a	n/a	n/a
RFPA-111	QMCW09J111ST	n/a	n/a	n/a	n/a	n/a
RFPA-111-C	QMCW09J111SM	n/a	n/a	n/a	n/a	n/a
RFPA-111-N	QMCW09J111ST	n/a	n/a	n/a	n/a	n/a
RFPA-115	QMCW10J115ST	QACW10A115ST	QAACW10A115ST	DVC11K115ST	QVCW11V115ST	QVVCW11V115ST
RFPA-115-C	QMCW10J115SM	QACW10A115SM	QAACW10A115SM	DVC11K115SM	QVCW11V115SM	QVVCW11V115SM
RFPA-115-N	QMCW10J115ST	QACW10A115ST	QAACW10A115ST	DVC11K115ST	QVCW11V115ST	QVVCW11V115ST

Note: This interchange guide is for reference only. **Some competitor bearings may not be shown.** If you are unable to find the bearing you are trying to interchange, please contact your local distributor or QM Bearings for assistance.

(continued on next page)

Blue Brute Bearings – Interchange Guide

SealMaster®

SealMaster Part Number	QM EC Series	QM CL Series		QM TA/DV Series	QM V-Lock® Series	
		Single-Collar	Double-Collar		Single-Nut	Double-Nut
RFPA-200	QMCW10J200ST	QACW10A200ST	QAACW10A200ST	DVC11K200ST	QVCW11V200ST	QVVCW11V200ST
RFPA-200-C	QMCW10J200SM	QACW10A200SM	QAACW10A200SM	DVC11K200SM	QVCW11V200SM	QVVCW11V200SM
RFPA-200-N	QMCW10J200ST	QACW10A200ST	QAACW10A200ST	DVC11K200ST	QVCW11V200ST	QVVCW11V200ST
RFPA-203	QMCW11J203ST	QACW11A203ST	QAACW11A203ST	DVC13K203ST	QVCW12V203ST	QVVCW12V203ST
RFPA-203-C	QMCW11J203SM	QACW11A203SM	QAACW11A203SM	DVC13K203SM	QVCW12V203SM	QVVCW12V203SM
RFPA-203-N	QMCW11J203ST	QACW11A203ST	QAACW11A203ST	DVC13K203ST	QVCW12V203ST	QVVCW12V203ST
RFPA-207	QMCW13J207ST	QACW13A207ST	QAACW13A207ST	DVC15K207ST	QVCW14V207ST	QVVCW14V207ST
RFPA-207-C	QMCW13J207SM	QACW13A207SM	QAACW13A207SM	DVC15K207SM	QVCW14V207SM	QVVCW14V207SM
RFPA-207-N	QMCW13J207ST	QACW13A207ST	QAACW13A207ST	DVC15K207ST	QVCW14V207ST	QVVCW14V207ST
RFPA-208	QMCW13J208ST	QACW13A208ST	QAACW13A208ST	DVC15K208ST	QVCW14V208ST	QVVCW14V208ST
RFPA-208-C	QMCW13J208SM	QACW13A208SM	QAACW13A208SM	DVC15K208SM	QVCW14V208SM	QVVCW14V208SM
RFPA-208-N	QMCW13J208ST	QACW13A208ST	QAACW13A208ST	DVC15K208ST	QVCW14V208ST	QVVCW14V208ST
RFPA-211	QMCW15J211ST	QACW15A211ST	QAACW15A211ST	n/a	QVCW16V211ST	QVVCW16V211ST
RFPA-211-C	QMCW15J211SM	QACW15A211SM	QAACW15A211SM	n/a	QVCW16V211SM	QVVCW16V211SM
RFPA-211-N	QMCW15J211ST	QACW15A211ST	QAACW15A211ST	n/a	QVCW16V211ST	QVVCW16V211ST
RFPA-212	QMCW15J212ST	QACW15A212ST	QAACW15A212ST	n/a	QVCW16V212ST	QVVCW16V212ST
RFPA-212-C	QMCW15J212SM	QACW15A212SM	QAACW15A212SM	n/a	QVCW16V212SM	QVVCW16V212SM
RFPA-212-N	QMCW15J212ST	QACW15A212ST	QAACW15A212ST	n/a	QVCW16V212ST	QVVCW16V212ST
RFPA-215	QMCW15J215ST	QACW15A215ST	QAACW15A215ST	DVC17K215ST	QVCW16V215ST	QVVCW16V215ST
RFPA-215-C	QMCW15J215SM	QACW15A215SM	QAACW15A215SM	DVC17K215SM	QVCW16V215SM	QVVCW16V215SM
RFPA-215-N	QMCW15J215ST	QACW15A215ST	QAACW15A215ST	DVC17K215ST	QVCW16V215ST	QVVCW16V215ST
RFPA-300	QMCW15J300ST	QACW15A300ST	QAACW15A300ST	DVC17K300ST	QVCW16V300ST	QVVCW16V300ST
RFPA-300-C	QMCW15J300SM	QACW15A300SM	QAACW15A300SM	DVC17K300SM	QVCW16V300SM	QVVCW16V300SM
RFPA-300-N	QMCW15J300ST	QACW15A300ST	QAACW15A300ST	DVC17K300ST	QVCW16V300ST	QVVCW16V300ST
RFPA-303	QMCW18J303ST	QACW18A303ST	QAACW18A303ST	n/a	QVCW19V303ST	QVVCW19V303ST
RFPA-303-C	QMCW18J303SM	QACW18A303SM	QAACW18A303SM	n/a	QVCW19V303SM	QVVCW19V303SM
RFPA-303-N	QMCW18J303ST	QACW18A303ST	QAACW18A303ST	n/a	QVCW19V303ST	QVVCW19V303ST
RFPA-307	QMCW18J307ST	QACW18A307ST	QAACW18A307ST	DVC20K307ST	QVCW19V307ST	QVVCW19V307ST
RFPA-307-C	QMCW18J307SM	QACW18A307SM	QAACW18A307SM	DVC20K307SM	QVCW19V307SM	QVVCW19V307SM
RFPA-307-N	QMCW18J307ST	QACW18A307ST	QAACW18A307ST	DVC20K307ST	QVCW19V307ST	QVVCW19V307ST
RFPA-308	QMCW18J308ST	QACW18A308ST	QAACW18A308ST	DVC20K308ST	QVCW19V308ST	QVVCW19V308ST
RFPA-308-C	QMCW18J308SM	QACW18A308SM	QAACW18A308SM	DVC20K308SM	QVCW19V308SM	QVVCW19V308SM
RFPA-308-N	QMCW18J308ST	QACW18A308ST	QAACW18A308ST	DVC20K308ST	QVCW19V308ST	QVVCW19V308ST
RFPA-315	QMCW20J315ST	QACW20A315ST	QAACW20A315ST	DVC22K315ST	QVCW22V315ST	QVVCW22V315ST
RFPA-315-C	QMCW20J315SM	QACW20A315SM	QAACW20A315SM	DVC22K315SM	QVCW22V315SM	QVVCW22V315SM
RFPA-315-N	QMCW20J315ST	QACW20A315ST	QAACW20A315ST	DVC22K315ST	QVCW22V315ST	QVVCW22V315ST
RFPA-400	QMCW20J400ST	QACW20A400ST	QAACW20A400ST	DVC22K400ST	QVCW22V400ST	QVVCW22V400ST
RFPA-400-C	QMCW20J400SM	QACW20A400SM	QAACW20A400SM	DVC22K400SM	QVCW22V400SM	QVVCW22V400SM
RFPA-400-N	QMCW20J400ST	QACW20A400ST	QAACW20A400ST	DVC22K400ST	QVCW22V400ST	QVVCW22V400ST
RFPA-407	QMCW22J407ST	n/a	QAACW22A407ST	DVC26K407ST	QVC26V407ST	QVVC26V407ST
RFPA-407-C	QMCW22J407SM	n/a	QAACW22A407SM	DVC26K407SM	QVC26V407SM	QVVC26V407SM
RFPA-407-N	QMCW22J407ST	n/a	QAACW22A407ST	DVC26K407ST	QVC26V407ST	QVVC26V407ST
RFPA-408	QMCW22J408ST	n/a	QAACW22A408ST	DVC26K408ST	QVC26V408ST	QVVC26V408ST

Note: This interchange guide is for reference only. **Some competitor bearings may not be shown.** If you are unable to find the bearing you are trying to interchange, please contact your local distributor or QM Bearings for assistance.

(continued on next page)

Blue Brute Bearings – Interchange Guide

SealMaster®

SealMaster Part Number	QM EC Series	QM CL Series		QM TA/DV Series	QM V-Lock® Series	
		Single-Collar	Double-Collar		Single-Nut	Double-Nut
RFPA-408-C	QMCW22J408SM	n/a	QAACW22A408SM	DVC26K408SM	QVCW26V408SM	QVVCW26V408SM
RFPA-408-N	QMCW22J408ST	n/a	QAACW22A408ST	DVC26K408ST	QVCW26V408ST	QVVCW26V408ST
RFPA-415	QMCW26J415ST	n/a	QAACW26A415ST	n/a	QVCW28V415ST	QVVCW28V415ST
RFPA-415-C	QMCW26J415SM	n/a	QAACW26A415SM	n/a	QVCW28V415SM	QVVCW28V415SM
RFPA-415-N	QMCW26J415ST	n/a	QAACW26A415ST	n/a	QVCW28V415ST	QVVCW28V415ST
RFPA-500	QMCW26J500ST	n/a	QAACW26A500ST	n/a	QVCW28V500ST	QVVCW28V500ST
RFPA-500-C	QMCW26J500SM	n/a	QAACW26A500SM	n/a	QVCW28V500SM	QVVCW28V500SM
RFPA-500-N	QMCW26J500ST	n/a	QAACW26A500ST	n/a	QVCW28V500ST	QVVCW28V500ST
RPB-107-2	QMP08J107ST	n/a	n/a	n/a	n/a	n/a
RPB-107-C2	QMP08J107SM	n/a	n/a	n/a	n/a	n/a
RPB-107-N2	QMP08J107ST	n/a	n/a	n/a	n/a	n/a
RPB-108-2	QMP08J108ST	n/a	n/a	n/a	n/a	n/a
RPB-108-C2	QMP08J108SM	n/a	n/a	n/a	n/a	n/a
RPB-108-N2	QMP08J108ST	n/a	n/a	n/a	n/a	n/a
RPB-111-2	QMP09J111ST	n/a	n/a	n/a	n/a	n/a
RPB-111-C2	QMP09J111SM	n/a	n/a	n/a	n/a	n/a
RPB-111-N2	QMP09J111ST	n/a	n/a	n/a	n/a	n/a
RPB-112-2	QMP09J112ST	n/a	n/a	n/a	n/a	n/a
RPB-112-C2	QMP09J112SM	n/a	n/a	n/a	n/a	n/a
RPB-112-N2	QMP09J112ST	n/a	n/a	n/a	n/a	n/a
RPB-115-2	QMP10J115ST	QAP10A115ST	QAAP10A115ST	DVP11K115ST	QVP11V115ST	QVVP11V115ST
RPB-115-C2	QMP10J115SM	QAP10A115SM	QAAP10A115SM	DVP11K115SM	QVP11V115SM	QVVP11V115SM
RPB-115-N2	QMP10J115ST	QAP10A115ST	QAAP10A115ST	DVP11K115ST	QVP11V115ST	QVVP11V115ST
RPB-200-2	QMP10J200ST	QAP10A200ST	QAAP10A200ST	DVP11K200ST	QVP11V200ST	QVVP11V200ST
RPB-200-C2	QMP10J200SM	QAP10A200SM	QAAP10A200SM	DVP11K200SM	QVP11V200SM	QVVP11V200SM
RPB-200-N2	QMP10J200ST	QAP10A200ST	QAAP10A200ST	DVP11K200ST	QVP11V200ST	QVVP11V200ST
RPB-203-2	QMP11J203ST	QAP11A203ST	QAAP11A203ST	DVP13K203ST	QVP12V203ST	QVVP12V203ST
RPB-203-C2	QMP11J203SM	QAP11A203SM	QAAP11A203SM	DVP13K203SM	QVP12V203SM	QVVP12V203SM
RPB-203-N2	QMP11J203ST	QAP11A203ST	QAAP11A203ST	DVP13K203ST	QVP12V203ST	QVVP12V203ST
RPB-207-2	QMP13J207ST	QAP13A207ST	QAAP13A207ST	DVP15K207ST	QVP14V207ST	QVVP14V207ST
RPB-207-4	QMPR13J207ST	QAPR13A207ST	QAAPR13A207ST	n/a	QVPR14V207ST	QVVP14V207ST
RPB-207-C2	QMP13J207SM	QAP13A207SM	QAAP13A207SM	DVP15K207SM	QVP14V207SM	QVVP14V207SM
RPB-207-C4	QMPR13J207SM	QAPR13A207SM	QAAPR13A207SM	n/a	QVPR14V207SM	QVVP14V207SM
RPB-207-N2	QMP13J207ST	QAP13A207ST	QAAP13A207ST	DVP15K207ST	QVP14V207ST	QVVP14V207ST
RPB-207-N4	QMPR13J207ST	QAPR13A207ST	QAAPR13A207ST	n/a	QVPR14V207ST	QVVP14V207ST
RPB-208-2	QMP13J208ST	QAP13A208ST	QAAP13A208ST	DVP15K208ST	QVP14V208ST	QVVP14V208ST
RPB-208-4	QMPR13J208ST	QAPR13A208ST	QAAPR13A208ST	n/a	QVPR14V208ST	QVVP14V208ST
RPB-208-C2	QMP13J208SM	QAP13A208SM	QAAP13A208SM	DVP15K208SM	QVP14V208SM	QVVP14V208SM
RPB-208-C4	QMPR13J208SM	QAPR13A208SM	QAAPR13A208SM	n/a	QVPR14V208SM	QVVP14V208SM
RPB-208-N2	QMP13J208ST	QAP13A208ST	QAAP13A208ST	DVP15K208ST	QVP14V208ST	QVVP14V208ST
RPB-208-N4	QMPR13J208ST	QAPR13A208ST	QAAPR13A208ST	n/a	QVPR14V208ST	QVVP14V208ST
RPB-211-2	QMP15J211ST	QAP15A211ST	QAAP15A211ST	n/a	QVP16V211ST	QVVP16V211ST
RPB-211-4	QMPR15J211ST	QAPR15A211ST	QAAPR15A211ST	n/a	QVPR16V211ST	QVVP16V211ST

Note: This interchange guide is for reference only. **Some competitor bearings may not be shown.** If you are unable to find the bearing you are trying to interchange, please contact your local distributor or QM Bearings for assistance.

(continued on next page)

Blue Brute Bearings – Interchange Guide

SealMaster®

SealMaster Part Number	QM EC Series	QM CL Series		QM TA/DV Series	QM V-Lock® Series	
		Single-Collar	Double-Collar		Single-Nut	Double-Nut
RPB-211-C2	QMP15J211SM	QAP15A211SM	QAAP15A211SM	n/a	QVP16V211SM	QVVP16V211SM
RPB-211-C4	QMPR15J211SM	QAPR15A211SM	QAAPR15A211SM	n/a	QVPR16V211SM	QVVP16V211SM
RPB-211-N2	QMP15J211ST	QAP15A211ST	QAAP15A211ST	n/a	QVP16V211ST	QVVP16V211ST
RPB-211-N4	QMPR15J211ST	QAPR15A211ST	QAAPR15A211ST	n/a	QVPR16V211ST	QVVP16V211ST
RPB-212-2	QMP15J212ST	QAP15A212ST	QAAP15A212ST	n/a	QVP16V212ST	QVVP16V212ST
RPB-212-C2	QMP15J212SM	QAP15A212SM	QAAP15A212SM	n/a	QVP16V212SM	QVVP16V212SM
RPB-212-N2	QMP15J212ST	QAP15A212ST	QAAP15A212ST	n/a	QVP16V212ST	QVVP16V212ST
RPB-215-2	QMP15J215ST	QAP15A215ST	QAAP15A215ST	n/a	QVP16V215ST	QVVP16V215ST
RPB-215-4	QMPR15J215ST	QAPR15A215ST	QAAPR15A215ST	n/a	QVPR16V215ST	QVVP16V215ST
RPB-215-C2	QMP15J215SM	QAP15A215SM	QAAP15A215SM	n/a	QVP16V215SM	QVVP16V215SM
RPB-215-C4	QMPR15J215SM	QAPR15A215SM	QAAPR15A215SM	n/a	QVPR16V215SM	QVVP16V215SM
RPB-215-N2	QMP15J215ST	QAP15A215ST	QAAP15A215ST	n/a	QVP16V215ST	QVVP16V215ST
RPB-215-N4	QMPR15J215ST	QAPR15A215ST	QAAPR15A215ST	n/a	QVPR16V215ST	QVVP16V215ST
RPB-300-2	QMP15J300ST	QAP15A300ST	QAAP15A300ST	n/a	QVP16V300ST	QVVP16V300ST
RPB-300-4	QMPR15J300ST	QAPR15A300ST	QAAPR15A300ST	n/a	QVPR16V300ST	QVVP16V300ST
RPB-300-C2	QMP15J300SM	QAP15A300SM	QAAP15A300SM	n/a	QVP16V300SM	QVVP16V300SM
RPB-300-C4	QMPR15J300SM	QAPR15A300SM	QAAPR15A300SM	n/a	QVPR16V300SM	QVVP16V300SM
RPB-300-N2	QMP15J300ST	QAP15A300ST	QAAP15A300ST	n/a	QVP16V300ST	QVVP16V300ST
RPB-300-N4	QMPR15J300ST	QAPR15A300ST	QAAPR15A300ST	n/a	QVPR16V300ST	QVVP16V300ST
RPB-303-2	QMP18J303ST	QAP18A303ST	QAAP18A303ST	n/a	QVP19V303ST	QVVP19V303ST
RPB-303-4	QMPR18J303ST	QAPR18A303ST	QAAPR18A303ST	n/a	QVPR19V303ST	QVVP19V303ST
RPB-303-C2	QMP18J303SM	QAP18A303SM	QAAP18A303SM	n/a	QVP19V303SM	QVVP19V303SM
RPB-303-C4	QMPR18J303SM	QAPR18A303SM	QAAPR18A303SM	n/a	QVPR19V303SM	QVVP19V303SM
RPB-303-N2	QMP18J303ST	QAP18A303ST	QAAP18A303ST	n/a	QVP19V303ST	QVVP19V303ST
RPB-303-N4	QMPR18J303ST	QAPR18A303ST	QAAPR18A303ST	n/a	QVPR19V303ST	QVVP19V303ST
RPB-307-2	QMP18J307ST	QAP18A307ST	QAAP18A307ST	DVP20K307ST	QVP19V307ST	QVVP19V307ST
RPB-307-4	QMPR18J307ST	QAPR18A307ST	QAAPR18A307ST	n/a	QVPR19V307ST	QVVP19V307ST
RPB-307-C2	QMP18J307SM	QAP18A307SM	QAAP18A307SM	DVP20K307SM	QVP19V307SM	QVVP19V307SM
RPB-307-C4	QMPR18J307SM	QAPR18A307SM	QAAPR18A307SM	n/a	QVPR19V307SM	QVVP19V307SM
RPB-307-N2	QMP18J307ST	QAP18A307ST	QAAP18A307ST	DVP20K307ST	QVP19V307ST	QVVP19V307ST
RPB-307-N4	QMPR18J307ST	QAPR18A307ST	QAAPR18A307ST	n/a	QVPR19V307ST	QVVP19V307ST
RPB-308-2	QMP18J308ST	QAP18A308ST	QAAP18A308ST	DVP20K308ST	QVP19V308ST	QVVP19V308ST
RPB-308-4	QMPR18J308ST	QAPR18A308ST	QAAPR18A308ST	n/a	QVPR19V308ST	QVVP19V308ST
RPB-308-C2	QMP18J308SM	QAP18A308SM	QAAP18A308SM	DVP20K308SM	QVP19V308SM	QVVP19V308SM
RPB-308-C4	QMPR18J308SM	QAPR18A308SM	QAAPR18A308SM	n/a	QVPR19V308SM	QVVP19V308SM
RPB-308-N2	QMP18J308ST	QAP18A308ST	QAAP18A308ST	DVP20K308ST	QVP19V308ST	QVVP19V308ST
RPB-308-N4	QMPR18J308ST	QAPR18A308ST	QAAPR18A308ST	n/a	QVPR19V308ST	QVVP19V308ST
RPB-315-4	QMPF20J315ST	QAPF20A315ST	QAAPF20A315ST	DVPF22K315ST	QVPF22V315ST	QVVPF22V315ST
RPB-315-C4	QMPF20J315SM	QAPF20A315SM	QAAPF20A315SM	DVPF22K315SM	QVPF22V315SM	QVVPF22V315SM
RPB-315-N4	QMPF20J315ST	QAPF20A315ST	QAAPF20A315ST	DVPF22K315ST	QVPF22V315ST	QVVPF22V315ST
RPB-400-4	QMPF20J400ST	QAPF20A400ST	QAAPF20A400ST	DVPF22K400ST	QVPF22V400ST	QVVPF22V400ST
RPB-400-C4	QMPF20J400SM	QAPF20A400SM	QAAPF20A400SM	DVPF22K400SM	QVPF22V400SM	QVVPF22V400SM
RPB-400-N4	QMPF20J400ST	QAPF20A400ST	QAAPF20A400ST	DVPF22K400ST	QVPF22V400ST	QVVPF22V400ST

Note: This interchange guide is for reference only. **Some competitor bearings may not be shown.** If you are unable to find the bearing you are trying to interchange, please contact your local distributor or QM Bearings for assistance.

(continued on next page)

Blue Brute Bearings – Interchange Guide

SealMaster®

SealMaster Part Number	QM EC Series	QM CL Series		QM TA/DV Series	QM V-Lock® Series	
		Single-Collar	Double-Collar		Single-Nut	Double-Nut
RPB-407-4	QMPF22J407ST	n/a	QAAPF22A407ST	DVPF26K407ST	QVPF26V407ST	QVVPF26V407ST
RPB-407-C4	QMPF22J407SM	n/a	QAAPF22A407SM	DVPF26K407SM	QVPF26V407SM	QVVPF26V407SM
RPB-407-N4	QMPF22J407ST	n/a	QAAPF22A407ST	DVPF26K407ST	QVPF26V407ST	QVVPF26V407ST
RPB-408-4	QMPF22J408ST	n/a	QAAPF22A408ST	DVPF26K408ST	QVPF26V408ST	QVVPF26V408ST
RPB-408-C4	QMPF22J408SM	n/a	QAAPF22A408SM	DVPF26K408SM	QVPF26V408SM	QVVPF26V408SM
RPB-408-N4	QMPF22J408ST	n/a	QAAPF22A408ST	DVPF26K408ST	QVPF26V408ST	QVVPF26V408ST
RPB-415-4	QMPF26J415ST	n/a	QAAPF26A415ST	n/a	QVPF28V415ST	QVVPF28V415ST
RPB-415-C4	QMPF26J415SM	n/a	QAAPF26A415SM	n/a	QVPF28V415SM	QVVPF28V415SM
RPB-415-N4	QMPF26J415ST	n/a	QAAPF26A415ST	n/a	QVPF28V415ST	QVVPF28V415ST
RPB-500-4	QMPF26J500ST	n/a	QAAPF26A500ST	n/a	QVPF28V500ST	QVVPF28V500ST
RPB-500-C4	QMPF26J500SM	n/a	QAAPF26A500SM	n/a	QVPF28V500SM	QVVPF28V500SM
RPB-500-N4	QMPF26J500ST	n/a	QAAPF26A500ST	n/a	QVPF28V500ST	QVVPF28V500ST
RPBA-107-2	QMP08J107ST	n/a	n/a	n/a	n/a	n/a
RPBA-107-C2	QMP08J107SM	n/a	n/a	n/a	n/a	n/a
RPBA-107-N2	QMP08J107ST	n/a	n/a	n/a	n/a	n/a
RPBA-108-2	QMP08J108ST	n/a	n/a	n/a	n/a	n/a
RPBA-108-C2	QMP08J108SM	n/a	n/a	n/a	n/a	n/a
RPBA-108-N2	QMP08J108ST	n/a	n/a	n/a	n/a	n/a
RPBA-111-2	QMP09J111ST	n/a	n/a	n/a	n/a	n/a
RPBA-111-C2	QMP09J111SM	n/a	n/a	n/a	n/a	n/a
RPBA-111-N2	QMP09J111ST	n/a	n/a	n/a	n/a	n/a
RPBA-112-2	QMP09J112ST	n/a	n/a	n/a	n/a	n/a
RPBA-112-C2	QMP09J112SM	n/a	n/a	n/a	n/a	n/a
RPBA-112-N2	QMP09J112ST	n/a	n/a	n/a	n/a	n/a
RPBA-115-2	QMP10J115ST	QAP10A115ST	QAAP10A115ST	DVP11K115ST	QVP11V115ST	QVVP11V115ST
RPBA-115-C2	QMP10J115SM	QAP10A115SM	QAAP10A115SM	DVP11K115SM	QVP11V115SM	QVVP11V115SM
RPBA-115-N2	QMP10J115ST	QAP10A115ST	QAAP10A115ST	DVP11K115ST	QVP11V115SM	QVVP11V115SM
RPBA-200-2	QMP10J200ST	QAP10A200ST	QAAP10A200ST	DVP11K200ST	QVP11V200ST	QVVP11V200ST
RPBA-200-C2	QMP10J200SM	QAP10A200SM	QAAP10A200SM	DVP11K200SM	QVP11V200SM	QVVP11V200SM
RPBA-200-N2	QMP10J200ST	QAP10A200ST	QAAP10A200ST	DVP11K200ST	QVP11V200SM	QVVP11V200SM
RPBA-203-2	QMP11J203ST	QAP11A203ST	QAAP11A203ST	DVP13K203ST	QVP12V203ST	QVVP12V203ST
RPBA-203-C2	QMP11J203SM	QAP11A203SM	QAAP11A203SM	DVP13K203SM	QVP12V203SM	QVVP12V203SM
RPBA-203-N2	QMP11J203ST	QAP11A203ST	QAAP11A203ST	DVP13K203ST	QVP12V203SM	QVVP12V203SM
RPBA-207-2	QMP13J207ST	QAP13A207ST	QAAP13A207ST	DVP15K207ST	QVP14V207ST	QVVP14V207ST
RPBA-207-4	QMP13J207ST	QAPR13A207ST	QAAPR13A207ST	n/a	QVPR14V207ST	QVVP14V207ST
RPBA-207-C2	QMP13J207SM	QAP13A207SM	QAAP13A207SM	DVP15K207SM	QVP14V207SM	QVVP14V207SM
RPBA-207-C4	QMP13J207SM	QAPR13A207SM	QAAPR13A207SM	n/a	QVPR14V207SM	QVVP14V207SM
RPBA-207-N2	QMP13J207ST	QAP13A207ST	QAAP13A207ST	DVP15K207ST	QVP14V207ST	QVVP14V207ST
RPBA-207-N4	QMP13J207ST	QAPR13A207ST	QAAPR13A207ST	n/a	QVPR14V207ST	QVVP14V207ST
RPBA-208-2	QMP13J208ST	QAP13A208ST	QAAP13A208ST	DVP15K208ST	QVP14V208ST	QVVP14V208ST
RPBA-208-4	QMP13J208ST	QAPR13A208ST	QAAPR13A208ST	n/a	QVPR14V208ST	QVVP14V208ST
RPBA-208-C2	QMP13J208SM	QAP13A208SM	QAAP13A208SM	DVP15K208SM	QVP14V208SM	QVVP14V208SM
RPBA-208-C4	QMP13J208SM	QAPR13A208SM	QAAPR13A208SM	n/a	QVPR14V208SM	QVVP14V208SM

Note: This interchange guide is for reference only. **Some competitor bearings may not be shown.** If you are unable to find the bearing you are trying to interchange, please contact your local distributor or QM Bearings for assistance.

(continued on next page)

Blue Brute Bearings – Interchange Guide

SealMaster®

SealMaster Part Number	QM EC Series	QM CL Series		QM TA/DV Series	QM V-Lock® Series	
		Single-Collar	Double-Collar		Single-Nut	Double-Nut
RPBA-208-N2	QMP13J208ST	QAP13A208ST	QAAP13A208ST	DVP15K208ST	QVP14V208ST	QVVP14V208ST
RPBA-208-N4	QMPR13J208ST	QAPR13A208ST	QAAPR13A208ST	n/a	QVPR14V208ST	QVVP14V208ST
RPBA-211-2	QMP15J211ST	QAP15A211ST	QAAP15A211ST	n/a	QVP16V211ST	QVVP16V211ST
RPBA-211-4	QMPR15J211ST	QAPR15A211ST	QAAPR15A211ST	n/a	QVPR16V211ST	QVVP16V211ST
RPBA-211-C2	QMP15J211SM	QAP15A211SM	QAAP15A211SM	n/a	QVP16V211SM	QVVP16V211SM
RPBA-211-C4	QMPR15J211SM	QAPR15A211SM	QAAPR15A211SM	n/a	QVPR16V211SM	QVVP16V211SM
RPBA-211-N2	QMP15J211ST	QAP15A211ST	QAAP15A211ST	n/a	QVP16V211ST	QVVP16V211ST
RPBA-211-N4	QMPR15J211ST	QAPR15A211ST	QAAPR15A211ST	n/a	QVPR16V211ST	QVVP16V211ST
RPBA-212-2	QMP15J212ST	QAP15A212ST	QAAP15A212ST	n/a	QVP16V212ST	QVVP16V212ST
RPBA-212-4	QMPR15J212ST	QAPR15A212ST	QAAPR15A212ST	n/a	QVPR16V212ST	QVVP16V212ST
RPBA-212-C2	QMP15J212SM	QAP15A212SM	QAAP15A212SM	n/a	QVP16V212SM	QVVP16V212SM
RPBA-212-C4	QMPR15J212SM	QAPR15A212SM	QAAPR15A212SM	n/a	QVPR16V212SM	QVVP16V212SM
RPBA-212-N2	QMP15J212ST	QAP15A212ST	QAAP15A212ST	n/a	QVP16V212ST	QVVP16V212ST
RPBA-212-N4	QMPR15J212ST	QAPR15A212ST	QAAPR15A212ST	n/a	QVPR16V212ST	QVVP16V212ST
RPBA-215-2	QMP15J215ST	QAP15A215ST	QAAP15A215ST	n/a	QVP16V215ST	QVVP16V215ST
RPBA-215-4	QMPR15J215ST	QAPR15A215ST	QAAPR15A215ST	n/a	QVPR16V215ST	QVVP16V215ST
RPBA-215-C2	QMP15J215SM	QAP15A215SM	QAAP15A215SM	n/a	QVP16V215SM	QVVP16V215SM
RPBA-215-C4	QMPR15J215SM	QAPR15A215SM	QAAPR15A215SM	n/a	QVPR16V215SM	QVVP16V215SM
RPBA-215-N2	QMP15J215ST	QAP15A215ST	QAAP15A215ST	n/a	QVP16V215ST	QVVP16V215ST
RPBA-215-N4	QMPR15J215ST	QAPR15A215ST	QAAPR15A215ST	n/a	QVPR16V215ST	QVVP16V215ST
RPBA-300-2	QMP15J300ST	QAP15A300ST	QAAP15A300ST	n/a	QVP16V300ST	QVVP16V300ST
RPBA-300-4	QMPR15J300ST	QAPR15A300ST	QAAPR15A300ST	n/a	QVPR16V300ST	QVVP16V300ST
RPBA-300-C2	QMP15J300SM	QAP15A300SM	QAAP15A300SM	n/a	QVP16V300SM	QVVP16V300SM
RPBA-300-C4	QMPR15J300SM	QAPR15A300SM	QAAPR15A300SM	n/a	QVPR16V300SM	QVVP16V300SM
RPBA-300-N2	QMP15J300ST	QAP15A300ST	QAAP15A300ST	n/a	QVP16V300ST	QVVP16V300ST
RPBA-300-N4	QMPR15J300ST	QAPR15A300ST	QAAPR15A300ST	n/a	QVPR16V300ST	QVVP16V300ST
RPBA-303-2	QMP18J303ST	QAP18A303ST	QAAP18A303ST	n/a	QVP19V303ST	QVVP19V303ST
RPBA-303-4	QMPR18J303ST	QAPR18A303ST	QAAPR18A303ST	n/a	QVPR19V303ST	QVVP19V303ST
RPBA-303-C2	QMP18J303SM	QAP18A303SM	QAAP18A303SM	n/a	QVP19V303SM	QVVP19V303SM
RPBA-303-C4	QMPR18J303SM	QAPR18A303SM	QAAPR18A303SM	n/a	QVPR19V303SM	QVVP19V303SM
RPBA-303-N2	QMP18J303ST	QAP18A303ST	QAAP18A303ST	n/a	QVP19V303ST	QVVP19V303ST
RPBA-303-N4	QMPR18J303ST	QAPR18A303ST	QAAPR18A303ST	n/a	QVPR19V303ST	QVVP19V303ST
RPBA-307-2	QMP18J307ST	QAP18A307ST	QAAP18A307ST	DVP20K307ST	QVP19V307ST	QVVP19V307ST
RPBA-307-4	QMPR18J307ST	QAPR18A307ST	QAAPR18A307ST	DVPF20K307ST	QVPR19V307ST	QVVP19V307ST
RPBA-307-C2	QMP18J307SM	QAP18A307SM	QAAP18A307SM	DVP20K307SM	QVP19V307SM	QVVP19V307SM
RPBA-307-C4	QMPR18J307SM	QAPR18A307SM	QAAPR18A307SM	DVPF20K307SM	QVPR19V307SM	QVVP19V307SM
RPBA-307-N2	QMP18J307ST	QAP18A307ST	QAAP18A307ST	DVP20K307ST	QVP19V307ST	QVVP19V307ST
RPBA-307-N4	QMPR18J307ST	QAPR18A307ST	QAAPR18A307ST	DVPF20K307ST	QVPR19V307ST	QVVP19V307ST
RPBA-308-2	QMP18J308ST	QAP18A308ST	QAAP18A308ST	DVP20K308ST	QVP19V308ST	QVVP19V308ST
RPBA-308-4	QMPR18J308ST	QAPR18A308ST	QAAPR18A308ST	DVPF20K308ST	QVPR19V308ST	QVVP19V308ST
RPBA-308-C2	QMP18J308SM	QAP18A308SM	QAAP18A308SM	DVP20K308SM	QVP19V308SM	QVVP19V308SM
RPBA-308-C4	QMPR18J308SM	QAPR18A308SM	QAAPR18A308SM	DVPF20K308SM	QVPR19V308SM	QVVP19V308SM
RPBA-308-N2	QMP18J308ST	QAP18A308ST	QAAP18A308ST	DVP20K308ST	QVP19V308ST	QVVP19V308ST

Note: This interchange guide is for reference only. **Some competitor bearings may not be shown.** If you are unable to find the bearing you are trying to interchange, please contact your local distributor or QM Bearings for assistance.

(continued on next page)

Blue Brute Bearings – Interchange Guide

SealMaster®

SealMaster Part Number	QM EC Series	QM CL Series		QM TA/DV Series	QM V-Lock® Series	
		Single-Collar	Double-Collar		Single-Nut	Double-Nut
RPBA-308-N4	QMPR18J308ST	QAPR18A308ST	QAAPR18A308ST	n/a	QVPR19V308ST	QVVPR19V308ST
RPBA-315-4	QMPF20J315ST	QAPF20A315ST	QAAPF20A315ST	DVPF22K315ST	QVPF22V315ST	QVVPF22V315ST
RPBA-315-C4	QMPF20J315SM	QAPF20A315SM	QAAPF20A315SM	DVPF22K315SM	QVPF22V315SM	QVVPF22V315SM
RPBA-315-N4	QMPF20J315ST	QAPF20A315ST	QAAPF20A315ST	DVPF22K315ST	QVPF22V315ST	QVVPF22V315ST
RPBA-400-4	QMPF20J400ST	QAPF20A400ST	QAAPF20A400ST	DVPF22K400ST	QVPF22V400ST	QVVPF22V400ST
RPBA-400-C4	QMPF20J400SM	QAPF20A400SM	QAAPF20A400SM	DVPF22K400SM	QVPF22V400SM	QVVPF22V400SM
RPBA-400-N4	QMPF20J400ST	QAPF20A400ST	QAAPF20A400ST	DVPF22K400ST	QVPF22V400ST	QVVPF22V400ST
RPBA-407-4	QMPF22J407ST	n/a	QAAPF22A407ST	DVPF26K407ST	QVPF26V407ST	QVVPF26V407ST
RPBA-407-C4	QMPF22J407SM	n/a	QAAPF22A407SM	DVPF26K407SM	QVPF26V407SM	QVVPF26V407SM
RPBA-407-N4	QMPF22J407ST	n/a	QAAPF22A407ST	DVPF26K407ST	QVPF26V407ST	QVVPF26V407ST
RPBA-408-4	QMPF22J408ST	n/a	QAAPF22A408ST	DVPF26K408ST	QVPF26V408ST	QVVPF26V408ST
RPBA-408-C4	QMPF22J408SM	n/a	QAAPF22A408SM	DVPF26K408SM	QVPF26V408SM	QVVPF26V408SM
RPBA-408-N4	QMPF22J408ST	n/a	QAAPF22A408ST	DVPF26K408ST	QVPF26V408ST	QVVPF26V408ST
RPBA-415-4	QMPF26J415ST	n/a	QAAPF26A415ST	n/a	QVPF28V415ST	QVVPF28V415ST
RPBA-415-C4	QMPF26J415SM	n/a	QAAPF26A415SM	n/a	QVPF28V415SM	QVVPF28V415SM
RPBA-415-N4	QMPF26J415ST	n/a	QAAPF26A415ST	n/a	QVPF28V415ST	QVVPF28V415ST
RPBA-500-4	QMPF26J500ST	n/a	QAAPF26A500ST	n/a	QVPF28V500ST	QVVPF28V500ST
RPBA-500-C4	QMPF26J500SM	n/a	QAAPF26A500SM	n/a	QVPF28V500SM	QVVPF28V500SM
RPBA-500-N4	QMPF26J500ST	n/a	QAAPF26A500ST	n/a	QVPF28V500ST	QVVPF28V500ST
RPBXT-207-4	n/a	n/a	n/a	TAPH15K207ST	QVPH15V207ST	QVVPH15V207ST
RPBXT-207-C4	n/a	n/a	n/a	TAPH15K207SM	QVPH15V207SM	QVVPH15V207SM
RPBXT-207-N4	n/a	n/a	n/a	TAPH15K207ST	QVPH15V207ST	QVVPH15V207ST
RPBXT-208-4	n/a	n/a	n/a	TAPH15K208ST	QVPH15V208ST	QVVPH15V208ST
RPBXT-208-C4	n/a	n/a	n/a	TAPH15K208SM	QVPH15V208SM	QVVPH15V208SM
RPBXT-208-N4	n/a	n/a	n/a	TAPH15K208ST	QVPH15V208ST	QVVPH15V208ST
RPBXT-215-4	n/a	n/a	n/a	TAPH17K215ST	QVPH17V215ST	QVVPH17V215ST
RPBXT-215-C4	n/a	n/a	n/a	TAPH17K215SM	QVPH17V215SM	QVVPH17V215SM
RPBXT-215-N4	n/a	n/a	n/a	TAPH17K215ST	QVPH17V215ST	QVVPH17V215ST
RPBXT-300-4	n/a	n/a	n/a	TAPH17K300ST	QVPH17V300ST	QVVPH17V300ST
RPBXT-300-C4	n/a	n/a	n/a	TAPH17K300SM	QVPH17V300SM	QVVPH17V300SM
RPBXT-300-N4	n/a	n/a	n/a	TAPH17K300ST	QVPH17V300ST	QVVPH17V300ST
RPBXT-307-4	n/a	n/a	n/a	TAPH20K307ST	QVPH20V307ST	QVVPH20V307ST
RPBXT-307-C4	n/a	n/a	n/a	TAPH20K307SM	QVPH20V307SM	QVVPH20V307SM
RPBXT-307-N4	n/a	n/a	n/a	TAPH20K307ST	QVPH20V307ST	QVVPH20V307ST
RPBXT-308-4	n/a	n/a	n/a	TAPH20K308ST	QVPH20V308ST	QVVPH20V308ST
RPBXT-308-C4	n/a	n/a	n/a	TAPH20K308SM	QVPH20V308SM	QVVPH20V308SM
RPBXT-308-N4	n/a	n/a	n/a	TAPH20K308ST	QVPH20V308ST	QVVPH20V308ST
RPBXT-315-4	n/a	n/a	n/a	TAPH22K315ST	QVPH22V315ST	QVVPH22V315ST
RPBXT-315-C4	n/a	n/a	n/a	TAPH22K315SM	QVPH22V315SM	QVVPH22V315SM
RPBXT-315-N4	n/a	n/a	n/a	TAPH22K315ST	QVPH22V315ST	QVVPH22V315ST
RPBXT-400-4	n/a	n/a	n/a	TAPH22K400ST	QVPH22V400ST	QVVPH22V400ST
RPBXT-400-C4	n/a	n/a	n/a	TAPH22K400SM	QVPH22V400SM	QVVPH22V400SM
RPBXT-400-N4	n/a	n/a	n/a	TAPH22K400ST	QVPH22V400ST	QVVPH22V400ST

Note: This interchange guide is for reference only. **Some competitor bearings may not be shown.** If you are unable to find the bearing you are trying to interchange, please contact your local distributor or QM Bearings for assistance.

(continued on next page)

Blue Brute Bearings – Interchange Guide

SealMaster®

SealMaster Part Number	QM EC Series	QM CL Series		QM TA/DV Series	QM V-Lock® Series	
		Single-Collar	Double-Collar		Single-Nut	Double-Nut
RPBXT-407-4	n/a	n/a	n/a	TAPH26K407ST	QVPH26V407ST	QVVPH26V407ST
RPBXT-407-C4	n/a	n/a	n/a	TAPH26K407SM	QVPH26V407SM	QVVPH26V407SM
RPBXT-407-N4	n/a	n/a	n/a	TAPH26K407ST	QVPH26V407ST	QVVPH26V407ST
RPBXT-408-4	n/a	n/a	n/a	TAPH26K408ST	QVPH26V408ST	QVVPH26V408ST
RPBXT-408-C4	n/a	n/a	n/a	TAPH26K408SM	QVPH26V408SM	QVVPH26V408SM
RPBXT-408-N4	n/a	n/a	n/a	TAPH26K408ST	QVPH26V408ST	QVVPH26V408ST
SPB-107-2	QMP08J107ST	n/a	n/a	n/a	n/a	n/a
SPB-107-C2	QMP08J107SM	n/a	n/a	n/a	n/a	n/a
SPB-107-N2	QMP08J107ST	n/a	n/a	n/a	n/a	n/a
SPB-108-2	QMP08J108ST	n/a	n/a	n/a	n/a	n/a
SPB-108-C2	QMP08J108SM	n/a	n/a	n/a	n/a	n/a
SPB-108-N2	QMP08J108ST	n/a	n/a	n/a	n/a	n/a
SPB-111-2	QMP09J111ST	n/a	n/a	n/a	n/a	n/a
SPB-111-C2	QMP09J111SM	n/a	n/a	n/a	n/a	n/a
SPB-111-N2	QMP09J111ST	n/a	n/a	n/a	n/a	n/a
SPB-112-2	QMP09J112ST	n/a	n/a	n/a	n/a	n/a
SPB-112-C2	QMP09J112SM	n/a	n/a	n/a	n/a	n/a
SPB-112-N2	QMP09J112ST	n/a	n/a	n/a	n/a	n/a
SPB-115-2	QMP10J115ST	QAP10A115ST	QAAP10A115ST	DVP11K115ST	QVP11V115ST	QVVP11V115ST
SPB-115-C2	QMP10J115SM	QAP10A115SM	QAAP10A115SM	DVP11K115SM	QVP11V115SM	QVVP11V115SM
SPB-115-N2	QMP10J115ST	QAP10A115ST	QAAP10A115ST	DVP11K115ST	QVP11V115ST	QVVP11V115ST
SPB-200-2	QMP10J200ST	QAP10A200ST	QAAP10A200ST	DVP11K200ST	QVP11V200ST	QVVP11V200ST
SPB-200-C2	QMP10J200SM	QAP10A200SM	QAAP10A200SM	DVP11K200SM	QVP11V200SM	QVVP11V200SM
SPB-200-N2	QMP10J200ST	QAP10A200ST	QAAP10A200ST	DVP11K200ST	QVP11V200ST	QVVP11V200ST
SPB-203-2	QMP11J203ST	QAP11A203ST	QAAP11A203ST	DVP13K203ST	QVP12V203ST	QVVP12V203ST
SPB-203-C2	QMP11J203SM	QAP11A203SM	QAAP11A203SM	DVP13K203SM	QVP12V203SM	QVVP12V203SM
SPB-203-N2	QMP11J203ST	QAP11A203ST	QAAP11A203ST	DVP13K203ST	QVP12V203ST	QVVP12V203ST
SPB-207-2	QMP13J207ST	QAP13A207ST	QAAP13A207ST	DVP15K207ST	QVP14V207ST	QVVP14V207ST
SPB-207-C2	QMP13J207SM	QAP13A207SM	QAAP13A207SM	DVP15K207SM	QVP14V207SM	QVVP14V207SM
SPB-207-N2	QMP13J207ST	QAP13A207ST	QAAP13A207ST	DVP15K207ST	QVP14V207ST	QVVP14V207ST
SPB-208-2	QMP13J208ST	QAP13A208ST	QAAP13A208ST	DVP15K208ST	QVP14V208ST	QVVP14V208ST
SPB-208-C2	QMP13J208SM	QAP13A208SM	QAAP13A208SM	DVP15K208SM	QVP14V208SM	QVVP14V208SM
SPB-208-N2	QMP13J208ST	QAP13A208ST	QAAP13A208ST	DVP15K208ST	QVP14V208ST	QVVP14V208ST
SPB-211-2	QMP15J211ST	QAP15A211ST	QAAP15A211ST	n/a	QVP16V211ST	QVVP16V211ST
SPB-211-C2	QMP15J211SM	QAP15A211SM	QAAP15A211SM	n/a	QVP16V211SM	QVVP16V211SM
SPB-211-N2	QMP15J211ST	QAP15A211ST	QAAP15A211ST	n/a	QVP16V211ST	QVVP16V211ST
SPB-212-2	QMP15J212ST	QAP15A212ST	QAAP15A212ST	n/a	QVP16V212ST	QVVP16V212ST
SPB-212-C2	QMP15J212SM	QAP15A212SM	QAAP15A212SM	n/a	QVP16V212SM	QVVP16V212SM
SPB-212-N2	QMP15J212ST	QAP15A212ST	QAAP15A212ST	n/a	QVP16V212ST	QVVP16V212ST
SPB-215-2	QMP15J215ST	QAP15A215ST	QAAP15A215ST	n/a	QVP16V215ST	QVVP16V215ST
SPB-215-C2	QMP15J215SM	QAP15A215SM	QAAP15A215SM	n/a	QVP16V215SM	QVVP16V215SM
SPB-215-N2	QMP15J215ST	QAP15A215ST	QAAP15A215ST	n/a	QVP16V215ST	QVVP16V215ST
SPB-300-2	QMP15J300ST	QAP15A300ST	QAAP15A300ST	n/a	QVP16V300ST	QVVP16V300ST

Note: This interchange guide is for reference only. **Some competitor bearings may not be shown.** If you are unable to find the bearing you are trying to interchange, please contact your local distributor or QM Bearings for assistance.

(continued on next page)

Blue Brute Bearings – Interchange Guide

SealMaster®

SealMaster Part Number	QM EC Series	QM CL Series		QM TA/DV Series	QM V-Lock® Series	
		Single-Collar	Double-Collar		Single-Nut	Double-Nut
SPB-300-C2	QMP15J300SM	QAP15A300SM	QAAP15A300SM	n/a	QVP16V300SM	QVVP16V300SM
SPB-300-N2	QMP15J300ST	QAP15A300ST	QAAP15A300ST	n/a	QVP16V300ST	QVVP16V300ST
SPB-303-2	QMP18J303ST	QAP18A303ST	QAAP18A303ST	n/a	QVP19V303ST	QVVP19V303ST
SPB-303-C2	QMP18J303SM	QAP18A303SM	QAAP18A303SM	n/a	QVP19V303SM	QVVP19V303SM
SPB-303-N2	QMP18J303ST	QAP18A303ST	QAAP18A303ST	n/a	QVP19V303ST	QVVP19V303ST
SPB-307-2	QMP18J307ST	QAP18A307ST	QAAP18A307ST	DVP20K307ST	QVP19V307ST	QVVP19V307ST
SPB-307-C2	QMP18J307SM	QAP18A307SM	QAAP18A307SM	DVP20K307SM	QVP19V307SM	QVVP19V307SM
SPB-307-N2	QMP18J307ST	QAP18A307ST	QAAP18A307ST	DVP20K307ST	QVP19V307ST	QVVP19V307ST
SPB-308-2	QMP18J308ST	QAP18A308ST	QAAP18A308ST	DVP20K308ST	QVP19V308ST	QVVP19V308ST
SPB-308-C2	QMP18J308SM	QAP18A308SM	QAAP18A308SM	DVP20K308SM	QVP19V308SM	QVVP19V308SM
SPB-308-N2	QMP18J308ST	QAP18A308ST	QAAP18A308ST	DVP20K308ST	QVP19V308ST	QVVP19V308ST
SPB-315-4	QMPF20J315ST	QAPF20A315ST	QAAPF20A315ST	n/a	QVPF22V315ST	QVVPF22V315ST
SPB-315-C4	QMPF20J315SM	QAPF20A315SM	QAAPF20A315SM	n/a	QVPF22V315SM	QVVPF22V315SM
SPB-315-N4	QMPF20J315ST	QAPF20A315ST	QAAPF20A315ST	n/a	QVPF22V315ST	QVVPF22V315ST
SPB-400-4	QMPF20J400ST	QAPF20A400ST	QAAPF20A400ST	n/a	QVPF22V400ST	QVVPF22V400ST
SPB-400-C4	QMPF20J400SM	QAPF20A400SM	QAAPF20A400SM	n/a	QVPF22V400SM	QVVPF22V400SM
SPB-400-N4	QMPF20J400ST	QAPF20A400ST	QAAPF20A400ST	n/a	QVPF22V400ST	QVVPF22V400ST
SPB-407-4	QMPF22J407ST	n/a	QAAPF22A407ST	n/a	QVPF26V407ST	QVVPF26V407ST
SPB-407-C4	QMPF22J407SM	n/a	QAAPF22A407SM	n/a	QVPF26V407SM	QVVPF26V407SM
SPB-407-N4	QMPF22J407ST	n/a	QAAPF22A407ST	n/a	QVPF26V407ST	QVVPF26V407ST
SPB-408-4	QMPF22J408ST	n/a	QAAPF22A408ST	n/a	QVPF26V408ST	QVVPF26V408ST
SPB-408-C4	QMPF22J408SM	n/a	QAAPF22A408SM	n/a	QVPF26V408SM	QVVPF26V408SM
SPB-408-N4	QMPF22J408ST	n/a	QAAPF22A408ST	n/a	QVPF26V408ST	QVVPF26V408ST
SPB-415-4	QMPF26J415ST	n/a	QAAPF26A415ST	n/a	QVPF28V415ST	QVVPF28V415ST
SPB-415-C4	QMPF26J415SM	n/a	QAAPF26A415SM	n/a	QVPF28V415SM	QVVPF28V415SM
SPB-415-N4	QMPF26J415ST	n/a	QAAPF26A415ST	n/a	QVPF28V415ST	QVVPF28V415ST
SPB-500-4	QMPF26J500ST	n/a	QAAPF26A500ST	n/a	QVPF28V500ST	QVVPF28V500ST
SPB-500-C4	QMPF26J500SM	n/a	QAAPF26A500SM	n/a	QVPF28V500SM	QVVPF28V500SM
SPB-500-N4	QMPF26J500ST	n/a	QAAPF26A500ST	n/a	QVPF28V500ST	QVVPF28V500ST

Note: This interchange guide is for reference only. **Some competitor bearings may not be shown.** If you are unable to find the bearing you are trying to interchange, please contact your local distributor or QM Bearings for assistance.

(continued on next page)

Blue Brute Bearings – Interchange Guide

SKF®

SKF Part Number	QM EC Series	QM CL Series		QM TA/DV Series	QM V-Lock® Series	
		Single-Collar	Double-Collar		Single-Nut	Double-Nut
FSYE2-1/2	QMPR13J208SEM	QAPR13A208SEM	QAAPR13A208SEM	n/a	QVPR14V208SEM	QVVPR14V208SEM
FSYE2-1/2-18	QMPR13J208SET	QAPR13A208SET	QAAPR13A208SET	n/a	QVPR14V208SET	QVVPR14V208SET
FSYE2-1/2-3	QMPR13J208SEB	QAPR13A208SEB	QAAPR13A208SEB	n/a	QVPR14V208SEB	QVVPR14V208SEB
FSYE2-1/2H	QMPR13J208SM	QAPR13A208SM	QAAPR13A208SM	n/a	QVPR14V208SM	QVVPR14V208SM
FSYE2-1/2H-18	QMPR13J208ST	QAPR13A208ST	QAAPR13A208ST	n/a	QVPR14V208ST	QVVPR14V208ST
FSYE2-1/2H-3	QMPR13J208SB	QAPR13A208SB	QAAPR13A208SB	n/a	QVPR14V208SB	QVVPR14V208SB
FSYE2-1/2N	QMPR13J208SEM	QAPR13A208SEM	QAAPR13A208SEM	n/a	QVPR14V208SEM	QVVPR14V208SEM
FSYE2-1/2N-118	QMPR13J208SET	QAPR13A208SET	QAAPR13A208SET	n/a	QVPR14V208SET	QVVPR14V208SET
FSYE2-1/2NH	QMPR13J208SM	QAPR13A208SM	QAAPR13A208SM	n/a	QVPR14V208SM	QVVPR14V208SM
FSYE2-1/2NH-118	QMPR13J208ST	QAPR13A208ST	QAAPR13A208ST	n/a	QVPR14V208ST	QVVPR14V208ST
FSYE2-11/16	QMPR15J211SEM	QAPR15A211SEM	QAAPR15A211SEM	n/a	QVPR16V211SEM	QVVPR16V211SEM
FSYE2-11/16-18	QMPR15J211SET	QAPR15A211SET	QAAPR15A211SET	n/a	QVPR16V211SET	QVVPR16V211SET
FSYE2-11/16-3	QMPR15J211SEB	QAPR15A211SEB	QAAPR15A211SEB	n/a	QVPR16V211SEB	QVVPR16V211SEB
FSYE2-11/16H	QMPR15J211SM	QAPR15A211SM	QAAPR15A211SM	n/a	QVPR16V211SM	QVVPR16V211SM
FSYE2-11/16H-18	QMPR15J211ST	QAPR15A211ST	QAAPR15A211ST	n/a	QVPR16V211ST	QVVPR16V211ST
FSYE2-11/16H-3	QMPR15J211SB	QAPR15A211SB	QAAPR15A211SB	n/a	QVPR16V211SB	QVVPR16V211SB
FSYE2-11/16N	QMPR15J211SEM	QAPR15A211SEM	QAAPR15A211SEM	n/a	QVPR16V211SEM	QVVPR16V211SEM
FSYE2-11/16N-118	QMPR15J211SET	QAPR15A211SET	QAAPR15A211SET	n/a	QVPR16V211SET	QVVPR16V211SET
FSYE2-11/16NH	QMPR15J211SM	QAPR15A211SM	QAAPR15A211SM	n/a	QVPR16V211SM	QVVPR16V211SM
FSYE2-11/16NH-118	QMPR15J211ST	QAPR15A211ST	QAAPR15A211ST	n/a	QVPR16V211ST	QVVPR16V211ST
FSYE2-15/16	QMPR15J215SEM	QAPR15A215SEM	QAAPR15A215SEM	n/a	QVPR16V215SEM	QVVPR16V215SEM
FSYE2-15/16-18	QMPR15J215SET	QAPR15A215SET	QAAPR15A215SET	n/a	QVPR16V215SET	QVVPR16V215SET
FSYE2-15/16-3	QMPR15J215SEB	QAPR15A215SEB	QAAPR15A215SEB	n/a	QVPR16V215SEB	QVVPR16V215SEB
FSYE2-15/16H	QMPR15J215SM	QAPR15A215SM	QAAPR15A215SM	n/a	QVPR16V215SM	QVVPR16V215SM
FSYE2-15/16H-18	QMPR15J215ST	QAPR15A215ST	QAAPR15A215ST	n/a	QVPR16V215ST	QVVPR16V215ST
FSYE2-15/16H-3	QMPR15J215SB	QAPR15A215SB	QAAPR15A215SB	n/a	QVPR16V215SB	QVVPR16V215SB
FSYE2-15/16N	QMPR15J215SEM	QAPR15A215SEM	QAAPR15A215SEM	n/a	QVPR16V215SEM	QVVPR16V215SEM
FSYE2-15/16N-118	QMPR15J215SET	QAPR15A215SET	QAAPR15A215SET	n/a	QVPR16V215SET	QVVPR16V215SET
FSYE2-15/16NH	QMPR15J215SM	QAPR15A215SM	QAAPR15A215SM	n/a	QVPR16V215SM	QVVPR16V215SM
FSYE2-15/16NH-118	QMPR15J215ST	QAPR15A215ST	QAAPR15A215ST	n/a	QVPR16V215ST	QVVPR16V215ST
FSYE2-3/4	QMPR15J212SEM	QAPR15A212SEM	QAAPR15A212SEM	n/a	QVPR16V212SEM	QVVPR16V212SEM
FSYE2-3/4-18	QMPR15J212SET	QAPR15A212SET	QAAPR15A212SET	n/a	QVPR16V212SET	QVVPR16V212SET
FSYE2-3/4-3	QMPR15J212SEB	QAPR15A212SEB	QAAPR15A212SEB	n/a	QVPR16V212SEB	QVVPR16V212SEB
FSYE2-3/4H	QMPR15J212SM	QAPR15A212SM	QAAPR15A212SM	n/a	QVPR16V212SM	QVVPR16V212SM
FSYE2-3/4H-18	QMPR15J212ST	QAPR15A212ST	QAAPR15A212ST	n/a	QVPR16V212ST	QVVPR16V212ST
FSYE2-3/4H-3	QMPR15J212SB	QAPR15A212SB	QAAPR15A212SB	n/a	QVPR16V212SB	QVVPR16V212SB
FSYE2-3/4N	QMPR15J212SEM	QAPR15A212SEM	QAAPR15A212SEM	n/a	QVPR16V212SEM	QVVPR16V212SEM
FSYE2-3/4N-118	QMPR15J212SET	QAPR15A212SET	QAAPR15A212SET	n/a	QVPR16V212SET	QVVPR16V212SET
FSYE2-3/4NH	QMPR15J212SM	QAPR15A212SM	QAAPR15A212SM	n/a	QVPR16V212SM	QVVPR16V212SM
FSYE2-3/4NH-118	QMPR15J212ST	QAPR15A212ST	QAAPR15A212ST	n/a	QVPR16V212ST	QVVPR16V212ST
FSYE2-7/16	QMPR13J207SEM	QAPR13A207SEM	QAAPR13A207SEM	n/a	QVPR14V207SEM	QVVPR14V207SEM
FSYE2-7/16-18	QMPR13J207SET	QAPR13A207SET	QAAPR13A207SET	n/a	QVPR14V207SET	QVVPR14V207SET
FSYE2-7/16-3	QMPR13J207SEB	QAPR13A207SEB	QAAPR13A207SEB	n/a	QVPR14V207SEB	QVVPR14V207SEB

Note: This interchange guide is for reference only. **Some competitor bearings may not be shown.** If you are unable to find the bearing you are trying to interchange, please contact your local distributor or QM Bearings for assistance.

(continued on next page)

Blue Brute Bearings – Interchange Guide

SKF®

SKF Part Number	QM EC Series	QM CL Series		QM TA/DV Series	QM V-Lock® Series	
		Single-Collar	Double-Collar		Single-Nut	Double-Nut
FSYE2-7/16H	QMPR13J207SM	QAPR13A207SM	QAAPR13A207SM	n/a	QVPR14V207SM	QVVPR14V207SM
FSYE2-7/16H-18	QMPR13J207ST	QAPR13A207ST	QAAPR13A207ST	n/a	QVPR14V207ST	QVVPR14V207ST
FSYE2-7/16H-3	QMPR13J207SB	QAPR13A207SB	QAAPR13A207SB	n/a	QVPR14V207SB	QVVPR14V207SB
FSYE2-7/16N	QMPR13J207SEM	QAPR13A207SEM	QAAPR13A207SEM	n/a	QVPR14V207SEM	QVVPR14V207SEM
FSYE2-7/16N-118	QMPR13J207SET	QAPR13A207SET	QAAPR13A207SET	n/a	QVPR14V207SET	QVVPR14V207SET
FSYE2-7/16NH	QMPR13J207SM	QAPR13A207SM	QAAPR13A207SM	n/a	QVPR14V207SM	QVVPR14V207SM
FSYE2-7/16NH-118	QMPR13J207ST	QAPR13A207ST	QAAPR13A207ST	n/a	QVPR14V207ST	QVVPR14V207ST
FSYE3	QMPR15J300SEM	QAPR15A300SEM	QAAPR15A300SEM	n/a	QVPR16V300SEM	QVVPR16V300SEM
FSYE3-1/2	QMPR18J308SEM	QAPR18A308SEM	QAAPR18A308SEM	n/a	QVPR19V308SEM	QVVPR19V308SEM
FSYE3-1/2-18	QMPR18J308SET	QAPR18A308SET	QAAPR18A308SET	n/a	QVPR19V308SET	QVVPR19V308SET
FSYE3-1/2-3	QMPR18J308SEB	QAPR18A308SEB	QAAPR18A308SEB	n/a	QVPR19V308SEB	QVVPR19V308SEB
FSYE3-1/2H	QMPR18J308SM	QAPR18A308SM	QAAPR18A308SM	n/a	QVPR19V308SM	QVVPR19V308SM
FSYE3-1/2H-18	QMPR18J308ST	QAPR18A308ST	QAAPR18A308ST	n/a	QVPR19V308ST	QVVPR19V308ST
FSYE3-1/2H-3	QMPR18J308SB	QAPR18A308SB	QAAPR18A308SB	n/a	QVPR19V308SB	QVVPR19V308SB
FSYE3-1/2N	QMPR18J308SEM	QAPR18A308SEM	QAAPR18A308SEM	n/a	QVPR19V308SEM	QVVPR19V308SEM
FSYE3-1/2N-118	QMPR18J308SET	QAPR18A308SET	QAAPR18A308SET	n/a	QVPR19V308SET	QVVPR19V308SET
FSYE3-1/2NH	QMPR18J308SM	QAPR18A308SM	QAAPR18A308SM	n/a	QVPR19V308SM	QVVPR19V308SM
FSYE3-1/2NH-118	QMPR18J308ST	QAPR18A308ST	QAAPR18A308ST	n/a	QVPR19V308ST	QVVPR19V308ST
FSYE3-11/16	QMPF20J311SEM	QAPF20A311SEM	QAAPF20A311SEM	n/a	QVPF22V311SEM	QVVPF22V311SEM
FSYE3-11/16-18	QMPF20J311SET	QAPF20A311SET	QAAPF20A311SET	n/a	QVPF22V311SET	QVVPF22V311SET
FSYE3-11/16-3	QMPF20J311SEB	QAPF20A311SEB	QAAPF20A311SEB	n/a	QVPF22V311SEB	QVVPF22V311SEB
FSYE3-11/16H	QMPF20J311SM	QAPF20A311SM	QAAPF20A311SM	n/a	QVPF22V311SM	QVVPF22V311SM
FSYE3-11/16H-18	QMPF20J311ST	QAPF20A311ST	QAAPF20A311ST	n/a	QVPF22V311ST	QVVPF22V311ST
FSYE3-11/16H-3	QMPF20J311SB	QAPF20A311SB	QAAPF20A311SB	n/a	QVPF22V311SB	QVVPF22V311SB
FSYE3-11/16N	QMPF20J311SEM	QAPF20A311SEM	QAAPF20A311SEM	n/a	QVPF22V311SEM	QVVPF22V311SEM
FSYE3-11/16N-118	QMPF20J311SET	QAPF20A311SET	QAAPF20A311SET	n/a	QVPF22V311SET	QVVPF22V311SET
FSYE3-11/16NH	QMPF20J311SM	QAPF20A311SM	QAAPF20A311SM	n/a	QVPF22V311SM	QVVPF22V311SM
FSYE3-11/16NH-118	QMPF20J311ST	QAPF20A311ST	QAAPF20A311ST	n/a	QVPF22V311ST	QVVPF22V311ST
FSYE3-15/16	QMPF20J315SEM	QAPF20A315SEM	QAAPF20A315SEM	DVPF22K315SEM	QVPF22V315SEM	QVVPF22V315SEM
FSYE3-15/16-18	QMPF20J315SET	QAPF20A315SET	QAAPF20A315SET	DVPF22K315SET	QVPF22V315SET	QVVPF22V315SET
FSYE3-15/16-3	QMPF20J315SEB	QAPF20A315SEB	QAAPF20A315SEB	DVPF22K315SEB	QVPF22V315SEB	QVVPF22V315SEB
FSYE3-15/16H	QMPF20J315SM	QAPF20A315SM	QAAPF20A315SM	DVPF22K315SM	QVPF22V315SM	QVVPF22V315SM
FSYE3-15/16H-18	QMPF20J315ST	QAPF20A315ST	QAAPF20A315ST	DVPF22K315ST	QVPF22V315ST	QVVPF22V315ST
FSYE3-15/16H-3	QMPF20J315SB	QAPF20A315SB	QAAPF20A315SB	DVPF22K315SB	QVPF22V315SB	QVVPF22V315SB
FSYE3-15/16N	QMPF20J315SEM	QAPF20A315SEM	QAAPF20A315SEM	DVPF22K315SEM	QVPF22V315SEM	QVVPF22V315SEM
FSYE3-15/16N-118	QMPF20J315SET	QAPF20A315SET	QAAPF20A315SET	DVPF22K315SET	QVPF22V315SET	QVVPF22V315SET
FSYE3-15/16NH	QMPF20J315SM	QAPF20A315SM	QAAPF20A315SM	DVPF22K315SM	QVPF22V315SM	QVVPF22V315SM
FSYE3-15/16NH-118	QMPF20J315ST	QAPF20A315ST	QAAPF20A315ST	DVPF22K315ST	QVPF22V315ST	QVVPF22V315ST
FSYE3-18	QMPR15J300SET	QAPR15A300SET	QAAPR15A300SET	n/a	QVPR16V300SET	QVVPR16V300SET
FSYE3-3	QMPR15J300SEB	QAPR15A300SEB	QAAPR15A300SEB	n/a	QVPR16V300SEB	QVVPR16V300SEB
FSYE3-7/16	QMPR18J307SEM	QAPR18A307SEM	QAAPR18A307SEM	n/a	QVPR19V307SEM	QVVPR19V307SEM
FSYE3-7/16-18	QMPR18J307SET	QAPR18A307SET	QAAPR18A307SET	n/a	QVPR19V307SET	QVVPR19V307SET
FSYE3-7/16-3	QMPR18J307SEB	QAPR18A307SEB	QAAPR18A307SEB	n/a	QVPR19V307SEB	QVVPR19V307SEB

Note: This interchange guide is for reference only. **Some competitor bearings may not be shown.** If you are unable to find the bearing you are trying to interchange, please contact your local distributor or QM Bearings for assistance.

(continued on next page)

Blue Brute Bearings – Interchange Guide

SKF®

SKF Part Number	QM EC Series	QM CL Series		QM TA/DV Series	QM V-Lock® Series	
		Single-Collar	Double-Collar		Single-Nut	Double-Nut
FSYE3-7/16H	QMPR18J307SM	QAPR18A307SM	QAAPR18A307SM	n/a	QVPR19V307SM	QVVPR19V307SM
FSYE3-7/16H-18	QMPR18J307ST	QAPR18A307ST	QAAPR18A307ST	n/a	QVPR19V307ST	QVVPR19V307ST
FSYE3-7/16H-3	QMPR18J307SB	QAPR18A307SB	QAAPR18A307SB	n/a	QVPR19V307SB	QVVPR19V307SB
FSYE3-7/16N	QMPR18J307SEM	QAPR18A307SEM	QAAPR18A307SEM	n/a	QVPR19V307SEM	QVVPR19V307SEM
FSYE3-7/16N-118	QMPR18J307SET	QAPR18A307SET	QAAPR18A307SET	n/a	QVPR19V307SET	QVVPR19V307SET
FSYE3-7/16NH	QMPR18J307SM	QAPR18A307SM	QAAPR18A307SM	n/a	QVPR19V307SM	QVVPR19V307SM
FSYE3-7/16NH-118	QMPR18J307ST	QAPR18A307ST	QAAPR18A307ST	n/a	QVPR19V307ST	QVVPR19V307ST
FSYE3H	QMPR15J300SM	QAPR15A300SM	QAAPR15A300SM	n/a	QVPR16V300SM	QVVPR16V300SM
FSYE3H-18	QMPR15J300ST	QAPR15A300ST	QAAPR15A300ST	n/a	QVPR16V300ST	QVVPR16V300ST
FSYE3H-3	QMPR15J300SB	QAPR15A300SB	QAAPR15A300SB	n/a	QVPR16V300SB	QVVPR16V300SB
FSYE3N	QMPR15J300SEM	QAPR15A300SEM	QAAPR15A300SEM	n/a	QVPR16V300SEM	QVVPR16V300SEM
FSYE3N-118	QMPR15J300SET	QAPR15A300SET	QAAPR15A300SET	n/a	QVPR16V300SET	QVVPR16V300SET
FSYE3NH	QMPR15J300SM	QAPR15A300SM	QAAPR15A300SM	n/a	QVPR16V300SM	QVVPR16V300SM
FSYE3NH-118	QMPR15J300ST	QAPR15A300ST	QAAPR15A300ST	n/a	QVPR16V300ST	QVVPR16V300ST
FSYE4	QMPF20J400SEM	QAPF20A400SEM	QAAPF20A400SEM	DVPF22K400SEM	QVPF22V400SEM	QVVPF22V400SEM
FSYE4-1/2	QMPF22J408SEM	n/a	QAAPF22A408SEM	DVPF26K408SEM	QVPF26V408SEM	QVVPF26V408SEM
FSYE4-1/2-18	QMPF22J408SET	n/a	QAAPF22A408SET	DVPF26K408SET	QVPF26V408SET	QVVPF26V408SET
FSYE4-1/2-3	QMPF22J408SEB	n/a	QAAPF22A408SEB	DVPF26K408SEB	QVPF26V408SEB	QVVPF26V408SEB
FSYE4-1/2H	QMPF22J408SM	n/a	QAAPF22A408SM	DVPF26K408SM	QVPF26V408SM	QVVPF26V408SM
FSYE4-1/2H-18	QMPF22J408ST	n/a	QAAPF22A408ST	DVPF26K408ST	QVPF26V408ST	QVVPF26V408ST
FSYE4-1/2H-3	QMPF22J408SB	n/a	QAAPF22A408SB	DVPF26K408SB	QVPF26V408SB	QVVPF26V408SB
FSYE4-15/16	QMPF26J415SEM	n/a	QAAPF26A415SEM	n/a	QVPF28V415SEM	QVVPF28V415SEM
FSYE4-15/16-18	QMPF26J415SET	n/a	QAAPF26A415SET	n/a	QVPF28V415SET	QVVPF28V415SET
FSYE4-15/16-3	QMPF26J415SEB	n/a	QAAPF26A415SEB	n/a	QVPF28V415SEB	QVVPF28V415SEB
FSYE4-15/16H	QMPF26J415SM	n/a	QAAPF26A415SM	n/a	QVPF28V415SM	QVVPF28V415SM
FSYE4-15/16H-18	QMPF26J415ST	n/a	QAAPF26A415ST	n/a	QVPF28V415ST	QVVPF28V415ST
FSYE4-15/16H-3	QMPF26J415SB	n/a	QAAPF26A415SB	n/a	QVPF28V415SB	QVVPF28V415SB
FSYE4-18	QMPF20J400SET	QAPF20A400SET	QAAPF20A400SET	DVPF22K400SET	QVPF22V400SET	QVVPF22V400SET
FSYE4-3	QMPF20J400SEB	QAPF20A400SEB	QAAPF20A400SEB	DVPF22K400SEB	QVPF22V400SEB	QVVPF22V400SEB
FSYE4-7/16	QMPF22J407SEM	n/a	QAAPF22A407SEM	DVPF26K407SEM	QVPF26V407SEM	QVVPF26V407SEM
FSYE4-7/16-18	QMPF22J407SET	n/a	QAAPF22A407SET	DVPF26K407SET	QVPF26V407SET	QVVPF26V407SET
FSYE4-7/16-3	QMPF22J407SEB	n/a	QAAPF22A407SEB	DVPF26K407SEB	QVPF26V407SEB	QVVPF26V407SEB
FSYE4-7/16H	QMPF22J407SM	n/a	QAAPF22A407SM	DVPF26K407SM	QVPF26V407SM	QVVPF26V407SM
FSYE4-7/16H-18	QMPF22J407ST	n/a	QAAPF22A407ST	DVPF26K407ST	QVPF26V407ST	QVVPF26V407ST
FSYE4-7/16H-3	QMPF22J407SB	n/a	QAAPF22A407SB	DVPF26K407SB	QVPF26V407SB	QVVPF26V407SB
FSYE4H	QMPF20J400SM	QAPF20A400SM	QAAPF20A400SM	DVPF22K400SM	QVPF22V400SM	QVVPF22V400SM
FSYE4H-18	QMPF20J400ST	QAPF20A400ST	QAAPF20A400ST	DVPF22K400ST	QVPF22V400ST	QVVPF22V400ST
FSYE4H-3	QMPF20J400SB	QAPF20A400SB	QAAPF20A400SB	DVPF22K400SB	QVPF22V400SB	QVVPF22V400SB
FSYE4N	QMPF20J400SEM	QAPF20A400SEM	QAAPF20A400SEM	DVPF22K400SEM	QVPF22V400SEM	QVVPF22V400SEM
FSYE4N-118	QMPF20J400SET	QAPF20A400SET	QAAPF20A400SET	DVPF22K400SET	QVPF22V400SET	QVVPF22V400SET
FSYE4NH	QMPF20J400SM	QAPF20A400SM	QAAPF20A400SM	DVPF22K400SM	QVPF22V400SM	QVVPF22V400SM
FSYE4NH-118	QMPF20J400ST	QAPF20A400ST	QAAPF20A400ST	DVPF22K400ST	QVPF22V400ST	QVVPF22V400ST
FYE1-1/2	QMF08J108SEM	n/a	n/a	n/a	n/a	n/a

Note: This interchange guide is for reference only. **Some competitor bearings may not be shown.** If you are unable to find the bearing you are trying to interchange, please contact your local distributor or QM Bearings for assistance.

(continued on next page)

Blue Brute Bearings – Interchange Guide

SKF®

SKF Part Number	QM EC Series	QM CL Series		QM TA/DV Series	QM V-Lock® Series	
		Single-Collar	Double-Collar		Single-Nut	Double-Nut
FYE1-1/2-18	QMF08J108SET	n/a	n/a	n/a	n/a	n/a
FYE1-1/2-3	QMF08J108SEB	n/a	n/a	n/a	n/a	n/a
FYE1-1/2H	QMF08J108SM	n/a	n/a	n/a	n/a	n/a
FYE1-1/2H-18	QMF08J108ST	n/a	n/a	n/a	n/a	n/a
FYE1-1/2H-3	QMF08J108SB	n/a	n/a	n/a	n/a	n/a
FYE1-11/16	QMF09J111SEM	n/a	n/a	n/a	n/a	n/a
FYE1-11/16-18	QMF09J111SET	n/a	n/a	n/a	n/a	n/a
FYE1-11/16-3	QMF09J111SEB	n/a	n/a	n/a	n/a	n/a
FYE1-11/16H	QMF09J111SM	n/a	n/a	n/a	n/a	n/a
FYE1-11/16H-18	QMF09J111ST	n/a	n/a	n/a	n/a	n/a
FYE1-11/16H-3	QMF09J111SB	n/a	n/a	n/a	n/a	n/a
FYE1-15/16	QMF10J115SEM	QAF10A115SEM	QAAF10A115SEM	DVF11K115SEM	QVF11V115SEM	QVVF11V115SEM
FYE1-15/16-18	QMF10J115SET	QAF10A115SET	QAAF10A115SET	DVF11K115SET	QVF11V115SET	QVVF11V115SET
FYE1-15/16-3	QMF10J115SEB	QAF10A115SEB	QAAF10A115SEB	DVF11K115SEB	QVF11V115SEB	QVVF11V115SEB
FYE1-15/16H	QMF10J115SM	QAF10A115SM	QAAF10A115SM	DVF11K115SM	QVF11V115SM	QVVF11V115SM
FYE1-15/16H-18	QMF10J115ST	QAF10A115ST	QAAF10A115ST	DVF11K115ST	QVF11V115ST	QVVF11V115ST
FYE1-15/16H-3	QMF10J115SB	QAF10A115SB	QAAF10A115SB	DVF11K115SB	QVF11V115SB	QVVF11V115SB
FYE1-3/4	QMF09J112SEM	n/a	n/a	n/a	n/a	n/a
FYE1-3/4-18	QMF09J112SET	n/a	n/a	n/a	n/a	n/a
FYE1-3/4-3	QMF09J112SEB	n/a	n/a	n/a	n/a	n/a
FYE1-3/4H	QMF09J112SM	n/a	n/a	n/a	n/a	n/a
FYE1-3/4H-18	QMF09J112ST	n/a	n/a	n/a	n/a	n/a
FYE1-3/4H-3	QMF09J112SB	n/a	n/a	n/a	n/a	n/a
FYE1-7/16	QMF08J107SEM	n/a	n/a	n/a	n/a	n/a
FYE1-7/16-18	QMF08J107SET	n/a	n/a	n/a	n/a	n/a
FYE1-7/16-3	QMF08J107SEB	n/a	n/a	n/a	n/a	n/a
FYE1-7/16H	QMF08J107SM	n/a	n/a	n/a	n/a	n/a
FYE1-7/16H-18	QMF08J107ST	n/a	n/a	n/a	n/a	n/a
FYE1-7/16H-3	QMF08J107SB	n/a	n/a	n/a	n/a	n/a
FYE2	QMF10J200SEM	QAF10A200SEM	QAAF10A200SEM	DVF11K200SEM	QVF11V200SEM	QVVF11V200SEM
FYE2-1/2	QMF13J208SEM	QAF13A208SEM	QAAF13A208SEM	DVF15K208SEM	QVF14V208SEM	QVVF14V208SEM
FYE2-1/2-18	QMF13J208SET	QAF13A208SET	QAAF13A208SET	DVF15K208SET	QVF14V208SET	QVVF14V208SET
FYE2-1/2-3	QMF13J208SEB	QAF13A208SEB	QAAF13A208SEB	DVF15K208SEB	QVF14V208SEB	QVVF14V208SEB
FYE2-1/2H	QMF13J208SM	QAF13A208SM	QAAF13A208SM	DVF15K208SM	QVF14V208SM	QVVF14V208SM
FYE2-1/2H-18	QMF13J208ST	QAF13A208ST	QAAF13A208ST	DVF15K208ST	QVF14V208ST	QVVF14V208ST
FYE2-1/2H-3	QMF13J208SB	QAF13A208SB	QAAF13A208SB	DVF15K208SB	QVF14V208SB	QVVF14V208SB
FYE2-11/16	QMF15J211SEM	QAF15A211SEM	QAAF15A211SEM	n/a	QVF16V211SEM	QVVF16V211SEM
FYE2-11/16-18	QMF15J211SET	QAF15A211SET	QAAF15A211SET	n/a	QVF16V211SET	QVVF16V211SET
FYE2-11/16-3	QMF15J211SEB	QAF15A211SEB	QAAF15A211SEB	n/a	QVF16V211SEB	QVVF16V211SEB
FYE2-11/16H	QMF15J211SM	QAF15A211SM	QAAF15A211SM	n/a	QVF16V211SM	QVVF16V211SM
FYE2-11/16H-18	QMF15J211ST	QAF15A211ST	QAAF15A211ST	n/a	QVF16V211ST	QVVF16V211ST
FYE2-11/16H-3	QMF15J211SB	QAF15A211SB	QAAF15A211SB	n/a	QVF16V211SB	QVVF16V211SB
FYE2-15/16	QMF15J215SEM	QAF15A215SEM	QAAF15A215SEM	DVF17K215SEM	QVF16V215SEM	QVVF16V215SEM

Note: This interchange guide is for reference only. **Some competitor bearings may not be shown.** If you are unable to find the bearing you are trying to interchange, please contact your local distributor or QM Bearings for assistance.

(continued on next page)

Introduction
Blue Brute Bearings
Bearing Interchange Guide
Quick-Flex Couplings
Rigid Compression Couplings
Index

Blue Brute Bearings – Interchange Guide

SKF®

SKF Part Number	QM EC Series	QM CL Series		QM TA/DV Series	QM V-Lock® Series	
		Single-Collar	Double-Collar		Single-Nut	Double-Nut
FYE2-15/16-18	QMF15J215SET	QAF15A215SET	QAAF15A215SET	DVF17K215SET	QVF16V215SET	QVVF16V215SET
FYE2-15/16-3	QMF15J215SEB	QAF15A215SEB	QAAF15A215SEB	DVF17K215SEB	QVF16V215SEB	QVVF16V215SEB
FYE2-15/16H	QMF15J215SM	QAF15A215SM	QAAF15A215SM	DVF17K215SM	QVF16V215SM	QVVF16V215SM
FYE2-15/16H-18	QMF15J215ST	QAF15A215ST	QAAF15A215ST	DVF17K215ST	QVF16V215ST	QVVF16V215ST
FYE2-15/16H-3	QMF15J215SB	QAF15A215SB	QAAF15A215SB	DVF17K215SB	QVF16V215SB	QVVF16V215SB
FYE2-18	QMF10J200SET	QAF10A200SET	QAAF10A200SET	DVF11K200SET	QVF11V200SET	QVVF11V200SET
FYE2-3	QMF10J200SEB	QAF10A200SEB	QAAF10A200SEB	DVF11K200SEB	QVF11V200SEB	QVVF11V200SEB
FYE2-3/16	QMF11J203SEM	QAF11A203SEM	QAAF11A203SEM	DVF11K203SEM	QVF11V203SEM	QVVF11V203SEM
FYE2-3/16-18	QMF11J203SET	QAF11A203SET	QAAF11A203SET	DVF11K203SET	QVF11V203SET	QVVF11V203SET
FYE2-3/16-3	QMF11J203SEB	QAF11A203SEB	QAAF11A203SEB	DVF11K203SEB	QVF11V203SEB	QVVF11V203SEB
FYE2-3/16H	QMF11J203SM	QAF11A203SM	QAAF11A203SM	DVF11K203SM	QVF11V203SM	QVVF11V203SM
FYE2-3/16H-18	QMF11J203ST	QAF11A203ST	QAAF11A203ST	DVF11K203ST	QVF11V203ST	QVVF11V203ST
FYE2-3/16H-3	QMF11J203SB	QAF11A203SB	QAAF11A203SB	DVF11K203SB	QVF11V203SB	QVVF11V203SB
FYE2-3/4	QMF15J212SEM	QAF15A212SEM	QAAF15A212SEM	n/a	QVF16V212SEM	QVVF16V212SEM
FYE2-3/4-18	QMF15J212SET	QAF15A212SET	QAAF15A212SET	n/a	QVF16V212SET	QVVF16V212SET
FYE2-3/4-3	QMF15J212SEB	QAF15A212SEB	QAAF15A212SEB	n/a	QVF16V212SEB	QVVF16V212SEB
FYE2-3/4H	QMF15J212SM	QAF15A212SM	QAAF15A212SM	n/a	QVF16V212SM	QVVF16V212SM
FYE2-3/4H-18	QMF15J212ST	QAF15A212ST	QAAF15A212ST	n/a	QVF16V212ST	QVVF16V212ST
FYE2-3/4H-3	QMF15J212SB	QAF15A212SB	QAAF15A212SB	n/a	QVF16V212SB	QVVF16V212SB
FYE2-7/16	QMF13J207SEM	QAF13A207SEM	QAAF13A207SEM	DVF15K207SEM	QVF14V207SEM	QVVF14V207SEM
FYE2-7/16-18	QMF13J207SET	QAF13A207SET	QAAF13A207SET	DVF15K207SET	QVF14V207SET	QVVF14V207SET
FYE2-7/16-3	QMF13J207SEB	QAF13A207SEB	QAAF13A207SEB	DVF15K207SEB	QVF14V207SEB	QVVF14V207SEB
FYE2-7/16H	QMF13J207SM	QAF13A207SM	QAAF13A207SM	DVF15K207SM	QVF14V207SM	QVVF14V207SM
FYE2-7/16H-18	QMF13J207ST	QAF13A207ST	QAAF13A207ST	DVF15K207ST	QVF14V207ST	QVVF14V207ST
FYE2-7/16H-3	QMF13J207SB	QAF13A207SB	QAAF13A207SB	DVF15K207SB	QVF14V207SB	QVVF14V207SB
FYE2H	QMF10J200SM	QAF10A200SM	QAAF10A200SM	DVF11K200SM	QVF11V200SM	QVVF11V200SM
FYE2H-18	QMF10J200ST	QAF10A200ST	QAAF10A200ST	DVF11K200ST	QVF11V200ST	QVVF11V200ST
FYE2H-3	QMF10J200SB	QAF10A200SB	QAAF10A200SB	DVF11K200SB	QVF11V200SB	QVVF11V200SB
FYE3	QMF15J300SEM	QAF15A300SEM	QAAF15A300SEM	DVF17K300SEM	QVF16V300SEM	QVVF16V300SEM
FYE3-11/16	QMF20J311SEM	QAF20A311SEM	QAAF20A311SEM	n/a	QVF22V311SEM	QVVF22V311SEM
FYE3-11/16-18	QMF20J311SET	QAF20A311SET	QAAF20A311SET	n/a	QVF22V311SET	QVVF22V311SET
FYE3-11/16-3	QMF20J311SEB	QAF20A311SEB	QAAF20A311SEB	n/a	QVF22V311SEB	QVVF22V311SEB
FYE3-11/16H	QMF20J311SM	QAF20A311SM	QAAF20A311SM	n/a	QVF22V311SM	QVVF22V311SM
FYE3-11/16H-18	QMF20J311ST	QAF20A311ST	QAAF20A311ST	n/a	QVF22V311ST	QVVF22V311ST
FYE3-11/16H-3	QMF20J311SB	QAF20A311SB	QAAF20A311SB	n/a	QVF22V311SB	QVVF22V311SB
FYE3-15/16	QMF20J315SEM	QAF20A315SEM	QAAF20A315SEM	DVF22K315SEM	QVF22V315SEM	QVVF22V315SEM
FYE3-15/16-18	QMF20J315SET	QAF20A315SET	QAAF20A315SET	DVF22K315SET	QVF22V315SET	QVVF22V315SET
FYE3-15/16-3	QMF20J315SEB	QAF20A315SEB	QAAF20A315SEB	DVF22K315SEB	QVF22V315SEB	QVVF22V315SEB
FYE3-15/16H	QMF20J315SM	QAF20A315SM	QAAF20A315SM	DVF22K315SM	QVF22V315SM	QVVF22V315SM
FYE3-15/16H-18	QMF20J315ST	QAF20A315ST	QAAF20A315ST	DVF22K315ST	QVF22V315ST	QVVF22V315ST
FYE3-15/16H-3	QMF20J315SB	QAF20A315SB	QAAF20A315SB	DVF22K315SB	QVF22V315SB	QVVF22V315SB
FYE3-18	QMF15J300SET	QAF15A300SET	QAAF15A300SET	DVF17K300SET	QVF16V300SET	QVVF16V300SET
FYE3-3	QMF15J300SEB	QAF15A300SEB	QAAF15A300SEB	DVF17K300SEB	QVF16V300SEB	QVVF16V300SEB

Note: This interchange guide is for reference only. **Some competitor bearings may not be shown.** If you are unable to find the bearing you are trying to interchange, please contact your local distributor or QM Bearings for assistance.

(continued on next page)

Blue Brute Bearings – Interchange Guide

SKF®

SKF Part Number	QM EC Series	QM CL Series		QM TA/DV Series	QM V-Lock® Series	
		Single-Collar	Double-Collar		Single-Nut	Double-Nut
FYE3-7/16	QMF18J307SEM	QAF18A307SEM	QAAF18A307SEM	DVF20K307SEM	QVF19V307SEM	QVVF19V307SEM
FYE3-7/16	QMF18J308SEM	QAF18A308SEM	QAAF18A308SEM	DVF20K308SEM	QVF19V308SEM	QVVF19V308SEM
FYE3-7/16-18	QMF18J307SET	QAF18A307SET	QAAF18A307SET	DVF20K307SET	QVF19V307SET	QVVF19V307SET
FYE3-7/16-18	QMF18J308SET	QAF18A308SET	QAAF18A308SET	DVF20K308SET	QVF19V308SET	QVVF19V308SET
FYE3-7/16-3	QMF18J307SEB	QAF18A307SEB	QAAF18A307SEB	DVF20K307SEB	QVF19V307SEB	QVVF19V307SEB
FYE3-7/16-3	QMF18J308SEB	QAF18A308SEB	QAAF18A308SEB	DVF20K308SEB	QVF19V308SEB	QVVF19V308SEB
FYE3-7/16H	QMF18J307SM	QAF18A307SM	QAAF18A307SM	DVF20K307SM	QVF19V307SM	QVVF19V307SM
FYE3-7/16H	QMF18J308SM	QAF18A308SM	QAAF18A308SM	DVF20K308SM	QVF19V308SM	QVVF19V308SM
FYE3-7/16H-18	QMF18J307ST	QAF18A307ST	QAAF18A307ST	DVF20K307ST	QVF19V307ST	QVVF19V307ST
FYE3-7/16H-18	QMF18J308ST	QAF18A308ST	QAAF18A308ST	DVF20K308ST	QVF19V308ST	QVVF19V308ST
FYE3-7/16H-3	QMF18J307SB	QAF18A307SB	QAAF18A307SB	DVF20K307SB	QVF19V307SB	QVVF19V307SB
FYE3-7/16H-3	QMF18J308SB	QAF18A308SB	QAAF18A308SB	DVF20K308SB	QVF19V308SB	QVVF19V308SB
FYE3H	QMF15J300SM	QAF15A300SM	QAAF15A300SM	DVF17K300SM	QVF16V300SM	QVVF16V300SM
FYE3H-18	QMF15J300ST	QAF15A300ST	QAAF15A300ST	DVF17K300ST	QVF16V300ST	QVVF16V300ST
FYE3H-3	QMF15J300SB	QAF15A300SB	QAAF15A300SB	DVF17K300SB	QVF16V300SB	QVVF16V300SB
FYE4	QMF20J400SEM	QAF20A400SEM	QAAF20A400SEM	DVF22K400SEM	QVF22V400SEM	QVVF22V400SEM
FYE4-18	QMF20J400SET	QAF20A400SET	QAAF20A400SET	DVF22K400SET	QVF22V400SET	QVVF22V400SET
FYE4-3	QMF20J400SEB	QAF20A400SEB	QAAF20A400SEB	DVF22K400SEB	QVF22V400SEB	QVVF22V400SEB
FYE4H	QMF20J400SM	QAF20A400SM	QAAF20A400SM	DVF22K400SM	QVF22V400SM	QVVF22V400SM
FYE4H-18	QMF20J400ST	QAF20A400ST	QAAF20A400ST	DVF22K400ST	QVF22V400ST	QVVF22V400ST
FYE4H-3	QMF20J400SB	QAF20A400SB	QAAF20A400SB	DVF22K400SB	QVF22V400SB	QVVF22V400SB
FYR1-1/2	QMFY08J108SEM	n/a	n/a	n/a	n/a	n/a
FYR1-1/2-18	QMFY08J108SET	n/a	n/a	n/a	n/a	n/a
FYR1-1/2-3	QMFY08J108SEB	n/a	n/a	n/a	n/a	n/a
FYR1-1/2H	QMFY08J108SM	n/a	n/a	n/a	n/a	n/a
FYR1-1/2H-18	QMFY08J108ST	n/a	n/a	n/a	n/a	n/a
FYR1-1/2H-3	QMFY08J108SB	n/a	n/a	n/a	n/a	n/a
FYR1-11/16	QMFY09J111SEM	n/a	n/a	n/a	n/a	n/a
FYR1-11/16-18	QMFY09J111SET	n/a	n/a	n/a	n/a	n/a
FYR1-11/16-3	QMFY09J111SEB	n/a	n/a	n/a	n/a	n/a
FYR1-11/16H	QMFY09J111SM	n/a	n/a	n/a	n/a	n/a
FYR1-11/16H-18	QMFY09J111ST	n/a	n/a	n/a	n/a	n/a
FYR1-11/16H-3	QMFY09J111SB	n/a	n/a	n/a	n/a	n/a
FYR1-15/16	QMFY10J115SEM	QAFY10A115SEM	QAAFY10A115SEM	n/a	QVFY11V115SEM	QVVFY11V115SEM
FYR1-15/16-18	QMFY10J115SET	QAFY10A115SET	QAAFY10A115SET	n/a	QVFY11V115SET	QVVFY11V115SET
FYR1-15/16-3	QMFY10J115SEB	QAFY10A115SEB	QAAFY10A115SEB	n/a	QVFY11V115SEB	QVVFY11V115SEB
FYR1-15/16H	QMFY10J115SM	QAFY10A115SM	QAAFY10A115SM	n/a	QVFY11V115SM	QVVFY11V115SM
FYR1-15/16H-18	QMFY10J115ST	QAFY10A115ST	QAAFY10A115ST	n/a	QVFY11V115ST	QVVFY11V115ST
FYR1-15/16H-3	QMFY10J115SB	QAFY10A115SB	QAAFY10A115SB	n/a	QVFY11V115SB	QVVFY11V115SB
FYR1-3/4	QMFY09J112SEM	n/a	n/a	n/a	n/a	n/a
FYR1-3/4-18	QMFY09J112SET	n/a	n/a	n/a	n/a	n/a
FYR1-3/4-3	QMFY09J112SEB	n/a	n/a	n/a	n/a	n/a
FYR1-3/4H	QMFY09J112SM	n/a	n/a	n/a	n/a	n/a

Note: This interchange guide is for reference only. **Some competitor bearings may not be shown.** If you are unable to find the bearing you are trying to interchange, please contact your local distributor or QM Bearings for assistance.

(continued on next page)

Blue Brute Bearings – Interchange Guide

SKF®

SKF Part Number	QM EC Series	QM CL Series		QM TA/DV Series	QM V-Lock® Series	
		Single-Collar	Double-Collar		Single-Nut	Double-Nut
FYR1-3/4H-18	QMFY09J112ST	n/a	n/a	n/a	n/a	n/a
FYR1-3/4H-3	QMFY09J112SB	n/a	n/a	n/a	n/a	n/a
FYR1-7/16	QMFY08J107SEM	n/a	n/a	n/a	n/a	n/a
FYR1-7/16-18	QMFY08J107SET	n/a	n/a	n/a	n/a	n/a
FYR1-7/16-3	QMFY08J107SEB	n/a	n/a	n/a	n/a	n/a
FYR1-7/16H	QMFY08J107SM	n/a	n/a	n/a	n/a	n/a
FYR1-7/16H-18	QMFY08J107ST	n/a	n/a	n/a	n/a	n/a
FYR1-7/16H-3	QMFY08J107SB	n/a	n/a	n/a	n/a	n/a
FYR2	QMFY10J200SEM	QAFY10A200SEM	QAAFY10A200SEM	n/a	QVFY11V200SEM	QVVFY11V200SEM
FYR2-1/2	QMFY13J208SEM	QAFY13A208SEM	QAAFY13A208SEM	n/a	QVFY14V208SEM	QVVFY14V208SEM
FYR2-1/2-18	QMFY13J208SET	QAFY13A208SET	QAAFY13A208SET	n/a	QVFY14V208SET	QVVFY14V208SET
FYR2-1/2-3	QMFY13J208SEB	QAFY13A208SEB	QAAFY13A208SEB	n/a	QVFY14V208SEB	QVVFY14V208SEB
FYR2-1/2H	QMFY13J208SM	QAFY13A208SM	QAAFY13A208SM	n/a	QVFY14V208SM	QVVFY14V208SM
FYR2-1/2H-18	QMFY13J208ST	QAFY13A208ST	QAAFY13A208ST	n/a	QVFY14V208ST	QVVFY14V208ST
FYR2-1/2H-3	QMFY13J208SB	QAFY13A208SB	QAAFY13A208SB	n/a	QVFY14V208SB	QVVFY14V208SB
FYR2-11/16	QMFY15J211SEM	QAFY15A211SEM	QAAFY15A211SEM	n/a	QVFY16V211SEM	QVVFY16V211SEM
FYR2-11/16-18	QMFY15J211SET	QAFY15A211SET	QAAFY15A211SET	n/a	QVFY16V211SET	QVVFY16V211SET
FYR2-11/16-3	QMFY15J211SEB	QAFY15A211SEB	QAAFY15A211SEB	n/a	QVFY16V211SEB	QVVFY16V211SEB
FYR2-11/16H	QMFY15J211SM	QAFY15A211SM	QAAFY15A211SM	n/a	QVFY16V211SM	QVVFY16V211SM
FYR2-11/16H-18	QMFY15J211ST	QAFY15A211ST	QAAFY15A211ST	n/a	QVFY16V211ST	QVVFY16V211ST
FYR2-11/16H-3	QMFY15J211SB	QAFY15A211SB	QAAFY15A211SB	n/a	QVFY16V211SB	QVVFY16V211SB
FYR2-15/16	QMFY15J215SEM	QAFY15A215SEM	QAAFY15A215SEM	n/a	QVFY16V215SEM	QVVFY16V215SEM
FYR2-15/16-18	QMFY15J215SET	QAFY15A215SET	QAAFY15A215SET	n/a	QVFY16V215SET	QVVFY16V215SET
FYR2-15/16-3	QMFY15J215SEB	QAFY15A215SEB	QAAFY15A215SEB	n/a	QVFY16V215SEB	QVVFY16V215SEB
FYR2-15/16H	QMFY15J215SM	QAFY15A215SM	QAAFY15A215SM	n/a	QVFY16V215SM	QVVFY16V215SM
FYR2-15/16H-18	QMFY15J215ST	QAFY15A215ST	QAAFY15A215ST	n/a	QVFY16V215ST	QVVFY16V215ST
FYR2-15/16H-3	QMFY15J215SB	QAFY15A215SB	QAAFY15A215SB	n/a	QVFY16V215SB	QVVFY16V215SB
FYR2-18	QMFY10J200SET	QAFY10A200SET	QAAFY10A200SET	n/a	QVFY11V200SET	QVVFY11V200SET
FYR2-3	QMFY10J200SEB	QAFY10A200SEB	QAAFY10A200SEB	n/a	QVFY11V200SEB	QVVFY11V200SEB
FYR2-3/16	QMFY11J203SEM	QAFY11A203SEM	QAAFY11A203SEM	n/a	QVFY12V203SEM	QVVFY12V203SEM
FYR2-3/16-18	QMFY11J203SET	QAFY11A203SET	QAAFY11A203SET	n/a	QVFY12V203SET	QVVFY12V203SET
FYR2-3/16-3	QMFY11J203SEB	QAFY11A203SEB	QAAFY11A203SEB	n/a	QVFY12V203SEB	QVVFY12V203SEB
FYR2-3/16H	QMFY11J203SM	QAFY11A203SM	QAAFY11A203SM	n/a	QVFY12V203SM	QVVFY12V203SM
FYR2-3/16H-18	QMFY11J203ST	QAFY11A203ST	QAAFY11A203ST	n/a	QVFY12V203ST	QVVFY12V203ST
FYR2-3/16H-3	QMFY11J203SB	QAFY11A203SB	QAAFY11A203SB	n/a	QVFY12V203SB	QVVFY12V203SB
FYR2-3/4	QMFY15J212SEM	QAFY15A212SEM	QAAFY15A212SEM	n/a	QVFY16V212SEM	QVVFY16V212SEM
FYR2-3/4-18	QMFY15J212SET	QAFY15A212SET	QAAFY15A212SET	n/a	QVFY16V212SET	QVVFY16V212SET
FYR2-3/4-3	QMFY15J212SEB	QAFY15A212SEB	QAAFY15A212SEB	n/a	QVFY16V212SEB	QVVFY16V212SEB
FYR2-3/4H	QMFY15J212SM	QAFY15A212SM	QAAFY15A212SM	n/a	QVFY16V212SM	QVVFY16V212SM
FYR2-3/4H-18	QMFY15J212ST	QAFY15A212ST	QAAFY15A212ST	n/a	QVFY16V212ST	QVVFY16V212ST
FYR2-3/4H-3	QMFY15J212SB	QAFY15A212SB	QAAFY15A212SB	n/a	QVFY16V212SB	QVVFY16V212SB
FYR2-7/16	QMFY13J207SEM	QAFY13A207SEM	QAAFY13A207SEM	n/a	QVFY14V207SEM	QVVFY14V207SEM
FYR2-7/16-18	QMFY13J207SET	QAFY13A207SET	QAAFY13A207SET	n/a	QVFY14V207SET	QVVFY14V207SET

Note: This interchange guide is for reference only. **Some competitor bearings may not be shown.** If you are unable to find the bearing you are trying to interchange, please contact your local distributor or QM Bearings for assistance.

(continued on next page)

Blue Brute Bearings – Interchange Guide

SKF®

SKF Part Number	QM EC Series	QM CL Series		QM TA/DV Series	QM V-Lock® Series	
		Single-Collar	Double-Collar		Single-Nut	Double-Nut
FYR2-7/16-3	QMFY13J207SEB	QAFY13A207SEB	QAAFY13A207SEB	n/a	QVFY14V207SEB	QVVFY14V207SEB
FYR2-7/16H	QMFY13J207SM	QAFY13A207SM	QAAFY13A207SM	n/a	QVFY14V207SM	QVVFY14V207SM
FYR2-7/16H-18	QMFY13J207ST	QAFY13A207ST	QAAFY13A207ST	n/a	QVFY14V207ST	QVVFY14V207ST
FYR2-7/16H-3	QMFY13J207SB	QAFY13A207SB	QAAFY13A207SB	n/a	QVFY14V207SB	QVVFY14V207SB
FYR2H	QMFY10J200SM	QAFY10A200SM	QAAFY10A200SM	n/a	QVFY11V200SM	QVVFY11V200SM
FYR2H-18	QMFY10J200ST	QAFY10A200ST	QAAFY10A200ST	n/a	QVFY11V200ST	QVVFY11V200ST
FYR2H-3	QMFY10J200SB	QAFY10A200SB	QAAFY10A200SB	n/a	QVFY11V200SB	QVVFY11V200SB
FYR3	QMFY15J300SEM	QAFY15A300SEM	QAAFY15A300SEM	n/a	QVFY16V300SEM	QVVFY16V300SEM
FYR3-1/2	QMFY18J308SEM	QAFY18A308SEM	QAAFY18A308SEM	n/a	QVFY19V308SEM	QVVFY19V308SEM
FYR3-1/2-18	QMFY18J308SET	QAFY18A308SET	QAAFY18A308SET	n/a	QVFY19V308SET	QVVFY19V308SET
FYR3-1/2-3	QMFY18J308SEB	QAFY18A308SEB	QAAFY18A308SEB	n/a	QVFY19V308SEB	QVVFY19V308SEB
FYR3-1/2H	QMFY18J308SM	QAFY18A308SM	QAAFY18A308SM	n/a	QVFY19V308SM	QVVFY19V308SM
FYR3-1/2H-18	QMFY18J308ST	QAFY18A308ST	QAAFY18A308ST	n/a	QVFY19V308ST	QVVFY19V308ST
FYR3-1/2H-3	QMFY18J308SB	QAFY18A308SB	QAAFY18A308SB	n/a	QVFY19V308SB	QVVFY19V308SB
FYR3-11/16	QMFY20J311SEM	QAFY20A311SEM	QAAFY20A311SEM	n/a	QVFY22V311SEM	QVVFY22V311SEM
FYR3-11/16-18	QMFY20J311SET	QAFY20A311SET	QAAFY20A311SET	n/a	QVFY22V311SET	QVVFY22V311SET
FYR3-11/16-3	QMFY20J311SEB	QAFY20A311SEB	QAAFY20A311SEB	n/a	QVFY22V311SEB	QVVFY22V311SEB
FYR3-11/16H	QMFY20J311SM	QAFY20A311SM	QAAFY20A311SM	n/a	QVFY22V311SM	QVVFY22V311SM
FYR3-11/16H-18	QMFY20J311ST	QAFY20A311ST	QAAFY20A311ST	n/a	QVFY22V311ST	QVVFY22V311ST
FYR3-11/16H-3	QMFY20J311SB	QAFY20A311SB	QAAFY20A311SB	n/a	QVFY22V311SB	QVVFY22V311SB
FYR3-15/16	QMFY20J315SEM	QAFY20A315SEM	QAAFY20A315SEM	n/a	QVFY22V315SEM	QVVFY22V315SEM
FYR3-15/16-18	QMFY20J315SET	QAFY20A315SET	QAAFY20A315SET	n/a	QVFY22V315SET	QVVFY22V315SET
FYR3-15/16-3	QMFY20J315SEB	QAFY20A315SEB	QAAFY20A315SEB	n/a	QVFY22V315SEB	QVVFY22V315SEB
FYR3-15/16H	QMFY20J315SM	QAFY20A315SM	QAAFY20A315SM	n/a	QVFY22V315SM	QVVFY22V315SM
FYR3-15/16H-18	QMFY20J315ST	QAFY20A315ST	QAAFY20A315ST	n/a	QVFY22V315ST	QVVFY22V315ST
FYR3-15/16H-3	QMFY20J315SB	QAFY20A315SB	QAAFY20A315SB	n/a	QVFY22V315SB	QVVFY22V315SB
FYR3-18	QMFY15J300SET	QAFY15A300SET	QAAFY15A300SET	n/a	QVFY16V300SET	QVVFY16V300SET
FYR3-3	QMFY15J300SEB	QAFY15A300SEB	QAAFY15A300SEB	n/a	QVFY16V300SEB	QVVFY16V300SEB
FYR3-7/16	QMFY18J307SEM	QAFY18A307SEM	QAAFY18A307SEM	n/a	QVFY19V307SEM	QVVFY19V307SEM
FYR3-7/16-18	QMFY18J307SET	QAFY18A307SET	QAAFY18A307SET	n/a	QVFY19V307SET	QVVFY19V307SET
FYR3-7/16-3	QMFY18J307SEB	QAFY18A307SEB	QAAFY18A307SEB	n/a	QVFY19V307SEB	QVVFY19V307SEB
FYR3-7/16H	QMFY18J307SM	QAFY18A307SM	QAAFY18A307SM	n/a	QVFY19V307SM	QVVFY19V307SM
FYR3-7/16H-18	QMFY18J307ST	QAFY18A307ST	QAAFY18A307ST	n/a	QVFY19V307ST	QVVFY19V307ST
FYR3-7/16H-3	QMFY18J307SB	QAFY18A307SB	QAAFY18A307SB	n/a	QVFY19V307SB	QVVFY19V307SB
FYR3H	QMFY15J300SM	QAFY15A300SM	QAAFY15A300SM	n/a	QVFY16V300SM	QVVFY16V300SM
FYR3H-18	QMFY15J300ST	QAFY15A300ST	QAAFY15A300ST	n/a	QVFY16V300ST	QVVFY16V300ST
FYR3H-3	QMFY15J300SB	QAFY15A300SB	QAAFY15A300SB	n/a	QVFY16V300SB	QVVFY16V300SB
FYR4	QMFY20J400SEM	QAFY20A400SEM	QAAFY20A400SEM	n/a	QVFY22V400SEM	QVVFY22V400SEM
FYR4-18	QMFY20J400SET	QAFY20A400SET	QAAFY20A400SET	n/a	QVFY22V400SET	QVVFY22V400SET
FYR4-3	QMFY20J400SEB	QAFY20A400SEB	QAAFY20A400SEB	n/a	QVFY22V400SEB	QVVFY22V400SEB
FYR4H	QMFY20J400SM	QAFY20A400SM	QAAFY20A400SM	n/a	QVFY22V400SM	QVVFY22V400SM
FYR4H-18	QMFY20J400ST	QAFY20A400ST	QAAFY20A400ST	n/a	QVFY22V400ST	QVVFY22V400ST
FYR4H-3	QMFY20J400SB	QAFY20A400SB	QAAFY20A400SB	n/a	QVFY22V400SB	QVVFY22V400SB

Note: This interchange guide is for reference only. **Some competitor bearings may not be shown.** If you are unable to find the bearing you are trying to interchange, please contact your local distributor or QM Bearings for assistance.

(continued on next page)

Introduction
Blue Brute Bearings
Bearing Interchange Guide
Quick-Flex Couplings
Rigid Compression Couplings
Index

Blue Brute Bearings – Interchange Guide

SKF®

SKF Part Number	QM EC Series	QM CL Series		QM TA/DV Series	QM V-Lock® Series	
		Single-Collar	Double-Collar		Single-Nut	Double-Nut
FYRP1-1/2	QMCW08J108SEM	n/a	n/a	n/a	n/a	n/a
FYRP1-1/2-18	QMCW08J108SET	n/a	n/a	n/a	n/a	n/a
FYRP1-1/2-3	QMCW08J108SEB	n/a	n/a	n/a	n/a	n/a
FYRP1-1/2H	QMCW08J108SM	n/a	n/a	n/a	n/a	n/a
FYRP1-1/2H-18	QMCW08J108ST	n/a	n/a	n/a	n/a	n/a
FYRP1-1/2H-3	QMCW08J108SB	n/a	n/a	n/a	n/a	n/a
FYRP1-11/16	QMCW09J111SEM	n/a	n/a	n/a	n/a	n/a
FYRP1-11/16-18	QMCW09J111SET	n/a	n/a	n/a	n/a	n/a
FYRP1-11/16-3	QMCW09J111SEB	n/a	n/a	n/a	n/a	n/a
FYRP1-11/16H	QMCW09J111SM	n/a	n/a	n/a	n/a	n/a
FYRP1-11/16H-18	QMCW09J111ST	n/a	n/a	n/a	n/a	n/a
FYRP1-11/16H-3	QMCW09J111SB	n/a	n/a	n/a	n/a	n/a
FYRP1-15/16	QMCW10J115SEM	QACW10A115SEM	QAACW10A115SEM	DVC11K115SEM	QVCW11V115SEM	QVVCW11V115SEM
FYRP1-15/16-18	QMCW10J115SET	QACW10A115SET	QAACW10A115SET	DVC11K115SET	QVCW11V115SET	QVVCW11V115SET
FYRP1-15/16-3	QMCW10J115SEB	QACW10A115SEB	QAACW10A115SEB	DVC11K115SEB	QVCW11V115SEB	QVVCW11V115SEB
FYRP1-15/16H	QMCW10J115SM	QACW10A115SM	QAACW10A115SM	DVC11K115SM	QVCW11V115SM	QVVCW11V115SM
FYRP1-15/16H-18	QMCW10J115ST	QACW10A115ST	QAACW10A115ST	DVC11K115ST	QVCW11V115ST	QVVCW11V115ST
FYRP1-15/16H-3	QMCW10J115SB	QACW10A115SB	QAACW10A115SB	DVC11K115SB	QVCW11V115SB	QVVCW11V115SB
FYRP1-3/4	QMCW09J112SEM	n/a	n/a	n/a	n/a	n/a
FYRP1-3/4-18	QMCW09J112SET	n/a	n/a	n/a	n/a	n/a
FYRP1-3/4-3	QMCW09J112SEB	n/a	n/a	n/a	n/a	n/a
FYRP1-3/4H	QMCW09J112SM	n/a	n/a	n/a	n/a	n/a
FYRP1-3/4H-18	QMCW09J112ST	n/a	n/a	n/a	n/a	n/a
FYRP1-3/4H-3	QMCW09J112SB	n/a	n/a	n/a	n/a	n/a
FYRP1-7/16	QMCW08J107SEM	n/a	n/a	n/a	n/a	n/a
FYRP1-7/16-18	QMCW08J107SET	n/a	n/a	n/a	n/a	n/a
FYRP1-7/16-3	QMCW08J107SEB	n/a	n/a	n/a	n/a	n/a
FYRP1-7/16H	QMCW08J107SM	n/a	n/a	n/a	n/a	n/a
FYRP1-7/16H-18	QMCW08J107ST	n/a	n/a	n/a	n/a	n/a
FYRP1-7/16H-3	QMCW08J107SB	n/a	n/a	n/a	n/a	n/a
FYRP2	QMCW10J200SEM	QACW10A200SEM	QAACW10A200SEM	DVC11K200SEM	QVCW11V200SEM	QVVCW11V200SEM
FYRP2-1/2	QMCW13J208SEM	QACW13A208SEM	QAACW13A208SEM	DVC15K208SEM	QVCW14V208SEM	QVVCW14V208SEM
FYRP2-1/2-18	QMCW13J208SET	QACW13A208SET	QAACW13A208SET	DVC15K208SET	QVCW14V208SET	QVVCW14V208SET
FYRP2-1/2-3	QMCW13J208SEB	QACW13A208SEB	QAACW13A208SEB	DVC15K208SEB	QVCW14V208SEB	QVVCW14V208SEB
FYRP2-1/2H	QMCW13J208SM	QACW13A208SM	QAACW13A208SM	DVC15K208SM	QVCW14V208SM	QVVCW14V208SM
FYRP2-1/2H-18	QMCW13J208ST	QACW13A208ST	QAACW13A208ST	DVC15K208ST	QVCW14V208ST	QVVCW14V208ST
FYRP2-1/2H-3	QMCW13J208SB	QACW13A208SB	QAACW13A208SB	DVC15K208SB	QVCW14V208SB	QVVCW14V208SB
FYRP2-11/16	QMCW15J211SEM	QACW15A211SEM	QAACW15A211SEM	n/a	QVCW16V211SEM	QVVCW16V211SEM
FYRP2-11/16-18	QMCW15J211SET	QACW15A211SET	QAACW15A211SET	n/a	QVCW16V211SET	QVVCW16V211SET
FYRP2-11/16-3	QMCW15J211SEB	QACW15A211SEB	QAACW15A211SEB	n/a	QVCW16V211SEB	QVVCW16V211SEB
FYRP2-11/16H	QMCW15J211SM	QACW15A211SM	QAACW15A211SM	n/a	QVCW16V211SM	QVVCW16V211SM
FYRP2-11/16H-18	QMCW15J211ST	QACW15A211ST	QAACW15A211ST	n/a	QVCW16V211ST	QVVCW16V211ST
FYRP2-11/16H-3	QMCW15J211SB	QACW15A211SB	QAACW15A211SB	n/a	QVCW16V211SB	QVVCW16V211SB

Note: This interchange guide is for reference only. **Some competitor bearings may not be shown.** If you are unable to find the bearing you are trying to interchange, please contact your local distributor or QM Bearings for assistance.

(continued on next page)

Blue Brute Bearings – Interchange Guide

SKF®

SKF Part Number	QM EC Series	QM CL Series		QM TA/DV Series	QM V-Lock® Series	
		Single-Collar	Double-Collar		Single-Nut	Double-Nut
FYRP2-15/16	QMCW15J215SEM	QACW15A215SEM	QAACW15A215SEM	DVC17K215SEM	QVCW16V215SEM	QVVCW16V215SEM
FYRP2-15/16-18	QMCW15J215SET	QACW15A215SET	QAACW15A215SET	DVC17K215SET	QVCW16V215SET	QVVCW16V215SET
FYRP2-15/16-3	QMCW15J215SEB	QACW15A215SEB	QAACW15A215SEB	DVC17K215SEB	QVCW16V215SEB	QVVCW16V215SEB
FYRP2-15/16H	QMCW15J215SM	QACW15A215SM	QAACW15A215SM	DVC17K215SM	QVCW16V215SM	QVVCW16V215SM
FYRP2-15/16H-18	QMCW15J215ST	QACW15A215ST	QAACW15A215ST	DVC17K215ST	QVCW16V215ST	QVVCW16V215ST
FYRP2-15/16H-3	QMCW15J215SB	QACW15A215SB	QAACW15A215SB	DVC17K215SB	QVCW16V215SB	QVVCW16V215SB
FYRP2-18	QMCW10J200SET	QACW10A200SET	QAACW10A200SET	DVC11K200SET	QVCW11V200SET	QVVCW11V200SET
FYRP2-3	QMCW10J200SEB	QACW10A200SEB	QAACW10A200SEB	DVC11K200SEB	QVCW11V200SEB	QVVCW11V200SEB
FYRP2-3/16	QMCW11J203SEM	QACW11A203SEM	QAACW11A203SEM	DVC13K203SEM	QVCW12V203SEM	QVVCW12V203SEM
FYRP2-3/16-18	QMCW11J203SET	QACW11A203SET	QAACW11A203SET	DVC13K203SET	QVCW12V203SET	QVVCW12V203SET
FYRP2-3/16-3	QMCW11J203SEB	QACW11A203SEB	QAACW11A203SEB	DVC13K203SEB	QVCW12V203SEB	QVVCW12V203SEB
FYRP2-3/16H	QMCW11J203SM	QACW11A203SM	QAACW11A203SM	DVC13K203SM	QVCW12V203SM	QVVCW12V203SM
FYRP2-3/16H-18	QMCW11J203ST	QACW11A203ST	QAACW11A203ST	DVC13K203ST	QVCW12V203ST	QVVCW12V203ST
FYRP2-3/16H-3	QMCW11J203SB	QACW11A203SB	QAACW11A203SB	DVC13K203SB	QVCW12V203SB	QVVCW12V203SB
FYRP2-3/4	QMCW15J212SEM	QACW15A212SEM	QAACW15A212SEM	n/a	QVCW16V212SEM	QVVCW16V212SEM
FYRP2-3/4-18	QMCW15J212SET	QACW15A212SET	QAACW15A212SET	n/a	QVCW16V212SET	QVVCW16V212SET
FYRP2-3/4-3	QMCW15J212SEB	QACW15A212SEB	QAACW15A212SEB	n/a	QVCW16V212SEB	QVVCW16V212SEB
FYRP2-3/4H	QMCW15J212SM	QACW15A212SM	QAACW15A212SM	n/a	QVCW16V212SM	QVVCW16V212SM
FYRP2-3/4H-18	QMCW15J212ST	QACW15A212ST	QAACW15A212ST	n/a	QVCW16V212ST	QVVCW16V212ST
FYRP2-3/4H-3	QMCW15J212SB	QACW15A212SB	QAACW15A212SB	n/a	QVCW16V212SB	QVVCW16V212SB
FYRP2-7/16	QMCW13J207SEM	QACW13A207SEM	QAACW13A207SEM	DVC15K207SEM	QVCW14V207SEM	QVVCW14V207SEM
FYRP2-7/16-18	QMCW13J207SET	QACW13A207SET	QAACW13A207SET	DVC15K207SET	QVCW14V207SET	QVVCW14V207SET
FYRP2-7/16-3	QMCW13J207SEB	QACW13A207SEB	QAACW13A207SEB	DVC15K207SEB	QVCW14V207SEB	QVVCW14V207SEB
FYRP2-7/16H	QMCW13J207SM	QACW13A207SM	QAACW13A207SM	DVC15K207SM	QVCW14V207SM	QVVCW14V207SM
FYRP2-7/16H-18	QMCW13J207ST	QACW13A207ST	QAACW13A207ST	DVC15K207ST	QVCW14V207ST	QVVCW14V207ST
FYRP2-7/16H-3	QMCW13J207SB	QACW13A207SB	QAACW13A207SB	DVC15K207SB	QVCW14V207SB	QVVCW14V207SB
FYRP2H	QMCW10J200SM	QACW10A200SM	QAACW10A200SM	DVC11K200SM	QVCW11V200SM	QVVCW11V200SM
FYRP2H-18	QMCW10J200ST	QACW10A200ST	QAACW10A200ST	DVC11K200ST	QVCW11V200ST	QVVCW11V200ST
FYRP2H-3	QMCW10J200SB	QACW10A200SB	QAACW10A200SB	DVC11K200SB	QVCW11V200SB	QVVCW11V200SB
FYRP3	QMCW15J300SEM	QACW15A300SEM	QAACW15A300SEM	DVC17K300SEM	QVCW16V300SEM	QVVCW16V300SEM
FYRP3-1/2	QMCW18J308SEM	QACW18A308SEM	QAACW18A308SEM	DVC20K308SEM	QVCW19V308SEM	QVVCW19V308SEM
FYRP3-1/2-18	QMCW18J308SET	QACW18A308SET	QAACW18A308SET	DVC20K308SET	QVCW19V308SET	QVVCW19V308SET
FYRP3-1/2-3	QMCW18J308SEB	QACW18A308SEB	QAACW18A308SEB	DVC20K308SEB	QVCW19V308SEB	QVVCW19V308SEB
FYRP3-1/2H	QMCW18J308SM	QACW18A308SM	QAACW18A308SM	DVC20K308SM	QVCW19V308SM	QVVCW19V308SM
FYRP3-1/2H-18	QMCW18J308ST	QACW18A308ST	QAACW18A308ST	DVC20K308ST	QVCW19V308ST	QVVCW19V308ST
FYRP3-1/2H-3	QMCW18J308SB	QACW18A308SB	QAACW18A308SB	DVC20K308SB	QVCW19V308SB	QVVCW19V308SB
FYRP3-15/16	QMCW20J315SEM	QACW20A315SEM	QAACW20A315SEM	DVC22K315SEM	QVCW22V315SEM	QVVCW22V315SEM
FYRP3-15/16-18	QMCW20J315SET	QACW20A315SET	QAACW20A315SET	DVC22K315SET	QVCW22V315SET	QVVCW22V315SET
FYRP3-15/16-3	QMCW20J315SEB	QACW20A315SEB	QAACW20A315SEB	DVC22K315SEB	QVCW22V315SEB	QVVCW22V315SEB
FYRP3-15/16H	QMCW20J315SM	QACW20A315SM	QAACW20A315SM	DVC22K315SM	QVCW22V315SM	QVVCW22V315SM
FYRP3-15/16H-18	QMCW20J315ST	QACW20A315ST	QAACW20A315ST	DVC22K315ST	QVCW22V315ST	QVVCW22V315ST
FYRP3-15/16H-3	QMCW20J315SB	QACW20A315SB	QAACW20A315SB	DVC22K315SB	QVCW22V315SB	QVVCW22V315SB
FYRP3-18	QMCW15J300SET	QACW15A300SET	QAACW15A300SET	DVC17K300SET	QVCW16V300SET	QVVCW16V300SET

Note: This interchange guide is for reference only. **Some competitor bearings may not be shown.** If you are unable to find the bearing you are trying to interchange, please contact your local distributor or QM Bearings for assistance.

(continued on next page)

Blue Brute Bearings – Interchange Guide

SKF®

SKF Part Number	QM EC Series	QM CL Series		QM TA/DV Series	QM V-Lock® Series	
		Single-Collar	Double-Collar		Single-Nut	Double-Nut
FYRP3-3	QMCW15J300SEB	QACW15A300SEB	QAACW15A300SEB	DVC17K300SEB	QVCW16V300SEB	QVVCW16V300SEB
FYRP3-7/16	QMCW18J307SEM	QACW18A307SEM	QAACW18A307SEM	DVC20K307SEM	QVCW19V307SEM	QVVCW19V307SEM
FYRP3-7/16-18	QMCW18J307SET	QACW18A307SET	QAACW18A307SET	DVC20K307SET	QVCW19V307SET	QVVCW19V307SET
FYRP3-7/16-3	QMCW18J307SEB	QACW18A307SEB	QAACW18A307SEB	DVC20K307SEB	QVCW19V307SEB	QVVCW19V307SEB
FYRP3-7/16H	QMCW18J307SM	QACW18A307SM	QAACW18A307SM	DVC20K307SM	QVCW19V307SM	QVVCW19V307SM
FYRP3-7/16H-18	QMCW18J307ST	QACW18A307ST	QAACW18A307ST	DVC20K307ST	QVCW19V307ST	QVVCW19V307ST
FYRP3-7/16H-3	QMCW18J307SB	QACW18A307SB	QAACW18A307SB	DVC20K307SB	QVCW19V307SB	QVVCW19V307SB
FYRP3H	QMCW15J300SM	QACW15A300SM	QAACW15A300SM	DVC17K300SM	QVCW16V300SM	QVVCW16V300SM
FYRP3H-18	QMCW15J300ST	QACW15A300ST	QAACW15A300ST	DVC17K300ST	QVCW16V300ST	QVVCW16V300ST
FYRP3H-3	QMCW15J300SB	QACW15A300SB	QAACW15A300SB	DVC17K300SB	QVCW16V300SB	QVVCW16V300SB
FYRP4	QMCW20J400SEM	QACW20A400SEM	QAACW20A400SEM	DVC22K400SEM	QVCW22V400SEM	QVVCW22V400SEM
FYRP4-18	QMCW20J400SET	QACW20A400SET	QAACW20A400SET	DVC22K400SET	QVCW22V400SET	QVVCW22V400SET
FYRP4-3	QMCW20J400SEB	QACW20A400SEB	QAACW20A400SEB	DVC22K400SEB	QVCW22V400SEB	QVVCW22V400SEB
FYRP4H	QMCW20J400SM	QACW20A400SM	QAACW20A400SM	DVC22K400SM	QVCW22V400SM	QVVCW22V400SM
FYRP4H-18	QMCW20J400ST	QACW20A400ST	QAACW20A400ST	DVC22K400ST	QVCW22V400ST	QVVCW22V400ST
FYRP4H-3	QMCW20J400SB	QACW20A400SB	QAACW20A400SB	DVC22K400SB	QVCW22V400SB	QVVCW22V400SB
SAF2250/3-7/16	n/a	n/a	n/a	TAPA20K307SM	QVPA20V307SM	QVVPA20V307SM
SAF22511/1-15/16	n/a	n/a	n/a	TAPA11K115SM	QVPA11V115SM	QVVPA11V115SM
SAF22511/2	n/a	n/a	n/a	TAPA11K200SM	QVPA11V200SM	QVVPA11V200SM
SAF22513/2-1/4	n/a	n/a	n/a	TAPA13K204SM	QVPA13V204SM	QVVPA13V204SM
SAF22513/2-3/16	n/a	n/a	n/a	TAPA13K204SM	QVPA13V204SM	QVVPA13V204SM
SAF22515/2-1/2	n/a	n/a	n/a	TAPA15K208SM	QVPA15V208SM	QVVPA15V208SM
SAF22515/2-7/16	n/a	n/a	n/a	TAPA15K207SM	QVPA15V207SM	QVVPA15V207SM
SAF22517/3	n/a	n/a	n/a	TAPA17K300SM	QVPA17V300SM	QVVPA17V300SM
SAF22517X2-15/16	n/a	n/a	n/a	TAPA17K215SM	QVPA17V215SM	QVVPA17V215SM
SAF22520/3-1/2	n/a	n/a	n/a	TAPA20K308SM	QVPA20V308SM	QVVPA20V308SM
SAF22522/3-15/16	n/a	n/a	n/a	TAPA22K315SM	QVPA22V315SM	QVVPA22V315SM
SAF22522/4	n/a	n/a	n/a	TAPA22K400SM	QVPA22V400SM	QVVPA22V400SM
SAF22526/4-1/2	n/a	n/a	n/a	TAPA26K408SM	QVPA26V408SM	QVVPA26V408SM
SAF22526/4-7/16	n/a	n/a	n/a	TAPA26K407SM	QVPA26V407SM	QVVPA26V407SM
SAFD2250/3-7/16	n/a	n/a	n/a	TAPA20K307SM	QVPA20V307SM	QVVPA20V307SM
SAFD22511/1-15/16	n/a	n/a	n/a	TAPA11K115SM	QVPA11V115SM	QVVPA11V115SM
SAFD22511/2	n/a	n/a	n/a	TAPA11K200SM	QVPA11V200SM	QVVPA11V200SM
SAFD22513/2-1/4	n/a	n/a	n/a	TAPA13K204SM	QVPA13V204SM	QVVPA13V204SM
SAFD22513/2-3/16	n/a	n/a	n/a	TAPA13K204SM	QVPA13V204SM	QVVPA13V204SM
SAFD22515/2-1/2	n/a	n/a	n/a	TAPA15K208SM	QVPA15V208SM	QVVPA15V208SM
SAFD22515/2-7/16	n/a	n/a	n/a	TAPA15K207SM	QVPA15V207SM	QVVPA15V207SM
SAFD22517/3	n/a	n/a	n/a	TAPA17K300SM	QVPA17V300SM	QVVPA17V300SM
SAFD22517X2-15/16	n/a	n/a	n/a	TAPA17K215SM	QVPA17V215SM	QVVPA17V215SM
SAFD22520/3-1/2	n/a	n/a	n/a	TAPA20K308SM	QVPA20V308SM	QVVPA20V308SM
SAFD22522/3-15/16	n/a	n/a	n/a	TAPA22K315SM	QVPA22V315SM	QVVPA22V315SM
SAFD22522/4	n/a	n/a	n/a	TAPA22K400SM	QVPA22V400SM	QVVPA22V400SM
SAFD22526/4-1/2	n/a	n/a	n/a	TAPA26K408SM	QVPA26V408SM	QVVPA26V408SM

Note: This interchange guide is for reference only. **Some competitor bearings may not be shown.** If you are unable to find the bearing you are trying to interchange, please contact your local distributor or QM Bearings for assistance.

(continued on next page)

Blue Brute Bearings – Interchange Guide

SKF®

SKF Part Number	QM EC Series	QM CL Series		QM TA/DV Series	QM V-Lock® Series	
		Single-Collar	Double-Collar		Single-Nut	Double-Nut
SAFD22526/4-7/16	n/a	n/a	n/a	TAPA26K407SM	QVPA26V407SM	QVPPA26V407SM
SAFS2250/3-7/16	n/a	n/a	n/a	TAPA20K307SM	QVPA20V307SM	QVPPA20V307SM
SAFS22511/1-15/16	n/a	n/a	n/a	TAPA11K115SM	QVPA11V115SM	QVPPA11V115SM
SAFS22511/2	n/a	n/a	n/a	TAPA11K200SM	QVPA11V200SM	QVPPA11V200SM
SAFS22513/2-3/16	n/a	n/a	n/a	TAPA13K204SM	QVPA13V204SM	QVPPA13V204SM
SAFS22515/2-1/2	n/a	n/a	n/a	TAPA15K208SM	QVPA15V208SM	QVPPA15V208SM
SAFS22515/2-7/16	n/a	n/a	n/a	TAPA15K207SM	QVPA15V207SM	QVPPA15V207SM
SAFS22517/3	n/a	n/a	n/a	TAPA17K300SM	QVPA17V300SM	QVPPA17V300SM
SAFS22517X2-15/16	n/a	n/a	n/a	TAPA17K215SM	QVPA17V215SM	QVPPA17V215SM
SAFS22520/3-1/2	n/a	n/a	n/a	TAPA20K308SM	QVPA20V308SM	QVPPA20V308SM
SAFS22522/3-15/16	n/a	n/a	n/a	TAPA22K315SM	QVPA22V315SM	QVPPA22V315SM
SAFS22522/4	n/a	n/a	n/a	TAPA22K400SM	QVPA22V400SM	QVPPA22V400SM
SAFS22526/4-1/2	n/a	n/a	n/a	TAPA26K408SM	QVPA26V408SM	QVPPA26V408SM
SAFS22526/4-7/16	n/a	n/a	n/a	TAPA26K407SM	QVPA26V407SM	QVPPA26V407SM
SAFS2513/2-1/4	n/a	n/a	n/a	TAPA13K204SM	QVPA13V204SM	QVPPA13V204SM
SNA2250/3-7/16	QMSN18J307SM	QASN18A307SM	QAASN18A307SM	TAPN20K307SM	QVPN20V307SM	QVVPN20V307SM
SNA22511/1-15/16	QMSN10J115SM	QASN10A115SM	QAASN10A115SM	TAPN11K115SM	QVPN11V115SM	QVVPN11V115SM
SNA22511/2	QMSN10J200SM	QASN10A200SM	QAASN10A200SM	TAPN11K200SM	QVPN11V200SM	QVVPN11V200SM
SNA22513/2-1/4	QMSN11J204SM	QASN11A204SM	QAASN11A204SM	TAPN13K204SM	QVPN13V204SM	QVVPN13V204SM
SNA22513/2-3/16	QMSN11J203SM	QASN11A203SM	QAASN11A203SM	TAPN13K203SM	QVPN13V203SM	QVVPN13V203SM
SNA22515/2-1/2	QMSN13J208SM	QASN13A208SM	QAASN13A208SM	TAPN15K208SM	QVPN15V208SM	QVVPN15V208SM
SNA22515/2-7/16	QMSN13J207SM	QASN13A207SM	QAASN13A207SM	TAPN15K207SM	QVPN15V207SM	QVVPN15V207SM
SNA22517/3	QMSN15J300SM	QASN15A300SM	QAASN15A300SM	TAPN17K300SM	QVPN17V300SM	QVVPN17V300SM
SNA22517X2-15/16	QMSN15J215SM	QASN15A215SM	QAASN15A215SM	TAPN17K215SM	QVPN17V215SM	QVVPN17V215SM
SNA22520/3-1/2	QMSN18J308SM	QASN18A308SM	QAASN18A308SM	TAPN20K308SM	QVPN20V308SM	QVVPN20V308SM
SNA22522/3-15/16	QMSN20J315SM	QASN20A315SM	QAASN20A315SM	TAPN22K315SM	QVPN22V315SM	QVVPN22V315SM
SNA22522/4	QMSN20J400SM	QASN20A400SM	QAASN20A400SM	TAPN22K400SM	QVPN22V400SM	QVVPN22V400SM
SNA22526/4-1/2	QMSN22J408SM	n/a	QAASN22A408SM	TAPN26K408SM	QVPN26V408SM	QVVPN26V408SM
SNA22526/4-7/16	QMSN22J407SM	n/a	QAASN22A407SM	TAPN26K407SM	QVPN26V407SM	QVVPN26V407SM
SNH2250/3-7/16	QMSN18J307SM	QASN18A307SM	QAASN18A307SM	TAPN20K307SM	QVPN20V307SM	QVVPN20V307SM
SNH22509/40TG	QMSN09J040SM	n/a	n/a	n/a	n/a	n/a
SNH22510/45TG	QMSN09J045SM	n/a	n/a	n/a	n/a	n/a
SNH22511/1-15/16	QMSN10J115SM	QASN10A115SM	QAASN10A115SM	TAPN11K115SM	QVPN11V115SM	QVVPN11V115SM
SNH22511/2	QMSN10J200SM	QASN10A200SM	QAASN10A200SM	TAPN11K200SM	QVPN11V200SM	QVVPN11V200SM
SNH22511/50TG	QMSN10J050SM	QASN10A050SM	QAASN10A050SM	TAPN11K050SM	QVPN11V050SM	QVVPN11V050SM
SNH22511/55TG	QMSN11J055SM	QASN11A055SM	QAASN11A055SM	n/a	QVPN13V055SM	QVVPN13V055SM
SNH22513/2-1/4	QMSN11J204SM	QASN11A204SM	QAASN11A204SM	TAPN13K204SM	QVPN13V204SM	QVVPN13V204SM
SNH22513/2-3/16	QMSN11J203SM	QASN11A203SM	QAASN11A203SM	TAPN13K203SM	QVPN13V203SM	QVVPN13V203SM
SNH22513/60TG	QMSN13J060SM	QASN13A060SM	QAASN13A060SM	TAPN13K060SM	n/a	n/a
SNH22515/2-1/2	QMSN13J208SM	QASN13A208SM	QAASN13A208SM	TAPN15K208SM	QVPN15V208SM	QVVPN15V208SM
SNH22515/2-7/16	QMSN13J207SM	QASN13A207SM	QAASN13A207SM	TAPN15K207SM	QVPN15V207SM	QVVPN15V207SM
SNH22515/65TG	QMSN13J065SM	QASN13A065SM	QAASN13A065SM	TAPN15K065SM	QVPN15V065SM	QVVPN15V065SM
SNH22516/70TG	QMSN15J070SM	QASN15A070SM	QAASN15A070SM	n/a	QVPN17V070SM	QVVPN17V070SM

Note: This interchange guide is for reference only. **Some competitor bearings may not be shown.** If you are unable to find the bearing you are trying to interchange, please contact your local distributor or QM Bearings for assistance.

(continued on next page)

Blue Brute Bearings – Interchange Guide

SKF®

SKF Part Number	QM EC Series	QM CL Series		QM TA/DV Series	QM V-Lock® Series	
		Single-Collar	Double-Collar		Single-Nut	Double-Nut
SNH22517/3	QMSN15J300SM	QASN15A300SM	QAASN15A300SM	TAPN17K300SM	QVPN17V300SM	QVVPN17V300SM
SNH22517/75TG	QMSN15J075SM	QASN15A075SM	QAASN15A075SM	TAPN17K075SM	QVPN17V075SM	QVVPN17V075SM
SNH22517X2-15/16	QMSN15J215SM	QASN15A215SM	QAASN15A215SM	TAPN17K215SM	QVPN17V215SM	QVVPN17V215SM
SNH22518/80TG	QMSN18J080SM	QASN18A080SM	QAASN18A080SM	n/a	QVPN20V080SM	QVVPN20V080SM
SNH22519/85TG	QMSN18J085SM	QASN18A085SM	QAASN18A085SM	n/a	QVPN20V085SM	QVVPN20V085SM
SNH22520/3-1/2	QMSN18J308SM	QASN18A308SM	QAASN18A308SM	TAPN20K308SM	QVPN20V308SM	QVVPN20V308SM
SNH22520/90TG	QMSN18J090SM	QASN18A090SM	QAASN18A090SM	TAPN20K090SM	QVPN20V090SM	QVVPN20V090SM
SNH22522/100TG	QMSN20J100SM	QASN20A100SM	QAASN20A100SM	TAPN22K100SM	QVPN22V100SM	QVVPN22V100SM
SNH22522/3-15/16	QMSN20J315SM	QASN20A315SM	QAASN20A315SM	TAPN22K315SM	QVPN22V315SM	QVVPN22V315SM
SNH22522/4	QMSN20J400SM	QASN20A400SM	QAASN20A400SM	TAPN22K400SM	QVPN22V400SM	QVVPN22V400SM
SNH22524/110TG	QMSN22J110SM	n/a	QAASN22A110SM	n/a	QVPN26V110SM	QVVPN26V110SM
SNH22526/115TG	QMSN22J115SM	n/a	QAASN22A115SM	TAPN26K115SM	QVPN26V115SM	QVVPN26V115SM
SNH22526/4-1/2	QMSN22J408SM	n/a	QAASN22A408SM	TAPN26K408SM	QVPN26V408SM	QVVPN26V408SM
SNH22526/4-7/16	QMSN22J407SM	n/a	QAASN22A407SM	TAPN26K407SM	QVPN26V407SM	QVVPN26V407SM
SNH22528/125TG	QMSN26J125SM	n/a	QAASN26A125SM	n/a	QVPN28V125SM	QVVPN28V125SM
SSNAD2250/3-7/16	n/a	n/a	n/a	TAPG20K307SM	QVPG20V307SM	QVVPG20V307SM
SSNAD22511/1-15/16	n/a	n/a	n/a	TAPG11K115SM	QVPG11V115SM	QVVPG11V115SM
SSNAD22511/2	n/a	n/a	n/a	TAPG11K200SM	QVPG11V200SM	QVVPG11V200SM
SSNAD22513/2-1/4	n/a	n/a	n/a	TAPG13K204SM	QVPG13V204SM	QVVPG13V204SM
SSNAD22513/2-3/16	n/a	n/a	n/a	TAPG13K204SM	QVPG13V204SM	QVVPG13V204SM
SSNAD22515/2-1/2	n/a	n/a	n/a	TAPG15K208SM	QVPG15V208SM	QVVPG15V208SM
SSNAD22515/2-7/16	n/a	n/a	n/a	TAPG15K207SM	QVPG15V207SM	QVVPG15V207SM
SSNAD22517/3	n/a	n/a	n/a	TAPG17K300SM	QVPG17V300SM	QVVPG17V300SM
SSNAD22517X2-15/16	n/a	n/a	n/a	TAPG17K215SM	QVPG17V215SM	QVVPG17V215SM
SSNAD22520/3-1/2	n/a	n/a	n/a	TAPG20K308SM	QVPG20V308SM	QVVPG20V308SM
SSNAD22522/3-15/16	n/a	n/a	n/a	TAPG22K315SM	QVPG22V315SM	QVVPG22V315SM
SSNAD22522/4	n/a	n/a	n/a	TAPG22K400SM	QVPG22V400SM	QVVPG22V400SM
SSNAD22526/4-1/2	n/a	n/a	n/a	TAPG26K408SM	QVPG26V408SM	QVVPG26V408SM
SSNAD22526/4-7/16	n/a	n/a	n/a	TAPG26K407SM	QVPG26V407SM	QVVPG26V407SM
SSNH2250/3-7/16	n/a	n/a	n/a	TAPG20K307SM	QVPG20V307SM	QVVPG20V307SM
SSNH22511/1-15/16	n/a	n/a	n/a	TAPG11K115SM	QVPG11V115SM	QVVPG11V115SM
SSNH22511/2	n/a	n/a	n/a	TAPG11K200SM	QVPG11V200SM	QVVPG11V200SM
SSNH22513/2-1/4	n/a	n/a	n/a	TAPG13K204SM	QVPG13V204SM	QVVPG13V204SM
SSNH22513/2-3/16	n/a	n/a	n/a	TAPG13K204SM	QVPG13V204SM	QVVPG13V204SM
SSNH22515/2-1/2	n/a	n/a	n/a	TAPG15K208SM	QVPG15V208SM	QVVPG15V208SM
SSNH22515/2-7/16	n/a	n/a	n/a	TAPG15K207SM	QVPG15V207SM	QVVPG15V207SM
SSNH22517/3	n/a	n/a	n/a	TAPG17K300SM	QVPG17V300SM	QVVPG17V300SM
SSNH22517X2-15/16	n/a	n/a	n/a	TAPG17K215SM	QVPG17V215SM	QVVPG17V215SM
SSNH22520/3-1/2	n/a	n/a	n/a	TAPG20K308SM	QVPG20V308SM	QVVPG20V308SM
SSNH22522/3-15/16	n/a	n/a	n/a	TAPG22K315SM	QVPG22V315SM	QVVPG22V315SM
SSNH22522/4	n/a	n/a	n/a	TAPG22K400SM	QVPG22V400SM	QVVPG22V400SM
SSNH22526/4-1/2	n/a	n/a	n/a	TAPG26K408SM	QVPG26V408SM	QVVPG26V408SM
SSNH22526/4-7/16	n/a	n/a	n/a	TAPG26K407SM	QVPG26V407SM	QVVPG26V407SM

Note: This interchange guide is for reference only. **Some competitor bearings may not be shown.** If you are unable to find the bearing you are trying to interchange, please contact your local distributor or QM Bearings for assistance.

(continued on next page)

Blue Brute Bearings – Interchange Guide

SKF®

SKF Part Number	QM EC Series	QM CL Series		QM TA/DV Series	QM V-Lock® Series	
		Single-Collar	Double-Collar		Single-Nut	Double-Nut
SSNHD2250/3-7/16	n/a	n/a	n/a	TAPG20K307SM	QVPG20V307SM	QVVPG20V307SM
SSNHD22511/1-15/16	n/a	n/a	n/a	TAPG11K115SM	QVPG11V115SM	QVVPG11V115SM
SSNHD22511/2	n/a	n/a	n/a	TAPG11K200SM	QVPG11V200SM	QVVPG11V200SM
SSNHD22513/2-1/4	n/a	n/a	n/a	TAPG13K204SM	QVPG13V204SM	QVVPG13V204SM
SSNHD22513/2-3/16	n/a	n/a	n/a	TAPG13K204SM	QVPG13V204SM	QVVPG13V204SM
SSNHD22515/2-1/2	n/a	n/a	n/a	TAPG15K208SM	QVPG15V208SM	QVVPG15V208SM
SSNHD22515/2-7/16	n/a	n/a	n/a	TAPG15K207SM	QVPG15V207SM	QVVPG15V207SM
SSNHD22517/3	n/a	n/a	n/a	TAPG17K300SM	QVPG17V300SM	QVVPG17V300SM
SSNHD22517X2-15/16	n/a	n/a	n/a	TAPG17K215SM	QVPG17V215SM	QVVPG17V215SM
SSNHD22520/3-1/2	n/a	n/a	n/a	TAPG20K308SM	QVPG20V308SM	QVVPG20V308SM
SSNHD22522/3-15/16	n/a	n/a	n/a	TAPG22K315SM	QVPG22V315SM	QVVPG22V315SM
SSNHD22522/4	n/a	n/a	n/a	TAPG22K400SM	QVPG22V400SM	QVVPG22V400SM
SSNHD22526/4-1/2	n/a	n/a	n/a	TAPG26K408SM	QVPG26V408SM	QVVPG26V408SM
SSNHD22526/4-7/16	n/a	n/a	n/a	TAPG26K407SM	QVPG26V407SM	QVVPG26V407SM
SYE1-11/16	QMP09J111SEM	n/a	n/a	n/a	n/a	n/a
SYE1-11/16-18	QMP09J111SET	n/a	n/a	n/a	n/a	n/a
SYE1-11/16-3	QMP09J111SEB	n/a	n/a	n/a	n/a	n/a
SYE1-11/16H	QMP09J111SM	n/a	n/a	n/a	n/a	n/a
SYE1-11/16H-18	QMP09J111ST	n/a	n/a	n/a	n/a	n/a
SYE1-11/16H-3	QMP09J111SB	n/a	n/a	n/a	n/a	n/a
SYE1-11/16N	QMP09J111SEM	n/a	n/a	n/a	n/a	n/a
SYE1-11/16N-118	QMP09J111SET	n/a	n/a	n/a	n/a	n/a
SYE1-11/16NH	QMP09J111SM	n/a	n/a	n/a	n/a	n/a
SYE1-11/16NH-118	QMP09J111ST	n/a	n/a	n/a	n/a	n/a
SYE1-15/16	QMP10J115SEM	QAP10A115SEM	QAAP10A115SEM	DVP11K115SEM	QVP11V115SEM	QVVP11V115SEM
SYE1-15/16-18	QMP10J115SET	QAP10A115SET	QAAP10A115SET	DVP11K115SET	QVP11V115SET	QVVP11V115SET
SYE1-15/16-3	QMP10J115SEB	QAP10A115SEB	QAAP10A115SEB	DVP11K115SEB	QVP11V115SEB	QVVP11V115SEB
SYE1-15/16H	QMP10J115SM	QAP10A115SM	QAAP10A115SM	DVP11K115SM	QVP11V115SM	QVVP11V115SM
SYE1-15/16H-18	QMP10J115ST	QAP10A115ST	QAAP10A115ST	DVP11K115ST	QVP11V115ST	QVVP11V115ST
SYE1-15/16H-3	QMP10J115SB	QAP10A115SB	QAAP10A115SB	DVP11K115SB	QVP11V115SB	QVVP11V115SB
SYE1-15/16N	QMP10J115SEM	QAP10A115SEM	QAAP10A115SEM	DVP11K115SEM	QVP11V115SEM	QVVP11V115SEM
SYE1-15/16N-118	QMP10J115SET	QAP10A115SET	QAAP10A115SET	DVP11K115SET	QVP11V115SET	QVVP11V115SET
SYE1-15/16NH	QMP10J115SM	QAP10A115SM	QAAP10A115SM	DVP11K115SM	QVP11V115SM	QVVP11V115SM
SYE1-15/16NH-118	QMP10J115ST	QAP10A115ST	QAAP10A115ST	DVP11K115ST	QVP11V115ST	QVVP11V115ST
SYE1-7/16	QMP08J107SEM	n/a	n/a	n/a	n/a	n/a
SYE1-7/16-18	QMP08J107SET	n/a	n/a	n/a	n/a	n/a
SYE1-7/16-3	QMP08J107SEB	n/a	n/a	n/a	n/a	n/a
SYE1-7/16H	QMP08J107SM	n/a	n/a	n/a	n/a	n/a
SYE1-7/16H-18	QMP08J107ST	n/a	n/a	n/a	n/a	n/a
SYE1-7/16H-3	QMP08J107SB	n/a	n/a	n/a	n/a	n/a
SYE1-7/16N	QMP08J107SEM	n/a	n/a	n/a	n/a	n/a
SYE1-7/16N-118	QMP08J107SET	n/a	n/a	n/a	n/a	n/a
SYE1-7/16NH	QMP08J107SM	n/a	n/a	n/a	n/a	n/a

Note: This interchange guide is for reference only. **Some competitor bearings may not be shown.** If you are unable to find the bearing you are trying to interchange, please contact your local distributor or QM Bearings for assistance.

(continued on next page)

Introduction
Blue Brute Bearings
Bearing Interchange Guide
Quick-Flex Couplings
Rigid Compression Couplings
Index

Blue Brute Bearings – Interchange Guide

SKF®

SKF Part Number	QM EC Series	QM CL Series		QM TA/DV Series	QM V-Lock® Series	
		Single-Collar	Double-Collar		Single-Nut	Double-Nut
SYE1-7/16NH-118	QMP08J107ST	n/a	n/a	n/a	n/a	n/a
SYE2	QMP10J200SEM	QAP10A200SEM	QAAP10A200SEM	DVP11K200SEM	QVP11V200SEM	QVVP11V200SEM
SYE2-1/2	QMP13J208SEM	QAP13A208SEM	QAAP13A208SEM	DVP15K208SEM	QVP14V208SEM	QVVP14V208SEM
SYE2-1/2-18	QMP13J208SET	QAP13A208SET	QAAP13A208SET	DVP15K208SET	QVP14V208SET	QVVP14V208SET
SYE2-1/2-3	QMP13J208SEB	QAP13A208SEB	QAAP13A208SEB	DVP15K208SEB	QVP14V208SEB	QVVP14V208SEB
SYE2-1/2H	QMP13J208SM	QAP13A208SM	QAAP13A208SM	DVP15K208SM	QVP14V208SM	QVVP14V208SM
SYE2-1/2H-18	QMP13J208ST	QAP13A208ST	QAAP13A208ST	DVP15K208ST	QVP14V208ST	QVVP14V208ST
SYE2-1/2H-3	QMP13J208SB	QAP13A208SB	QAAP13A208SB	DVP15K208SB	QVP14V208SB	QVVP14V208SB
SYE2-1/2N	QMP13J208SEM	QAP13A208SEM	QAAP13A208SEM	DVP15K208SEM	QVP14V208SEM	QVVP14V208SEM
SYE2-1/2N-118	QMP13J208SET	QAP13A208SET	QAAP13A208SET	DVP15K208SET	QVP14V208SET	QVVP14V208SET
SYE2-1/2NH	QMP13J208SM	QAP13A208SM	QAAP13A208SM	DVP15K208SM	QVP14V208SM	QVVP14V208SM
SYE2-1/2NH-118	QMP13J208ST	QAP13A208ST	QAAP13A208ST	DVP15K208ST	QVP14V208ST	QVVP14V208ST
SYE2-11/16	QMP15J211SEM	QAP15A211SEM	QAAP15A211SEM	n/a	QVP16V211SEM	QVVP16V211SEM
SYE2-11/16-18	QMP15J211SET	QAP15A211SET	QAAP15A211SET	n/a	QVP16V211SET	QVVP16V211SET
SYE2-11/16-3	QMP15J211SEB	QAP15A211SEB	QAAP15A211SEB	n/a	QVP16V211SEB	QVVP16V211SEB
SYE2-11/16H	QMP15J211SM	QAP15A211SM	QAAP15A211SM	n/a	QVP16V211SM	QVVP16V211SM
SYE2-11/16H-18	QMP15J211ST	QAP15A211ST	QAAP15A211ST	n/a	QVP16V211ST	QVVP16V211ST
SYE2-11/16H-3	QMP15J211SB	QAP15A211SB	QAAP15A211SB	n/a	QVP16V211SB	QVVP16V211SB
SYE2-11/16N	QMP15J211SEM	QAP15A211SEM	QAAP15A211SEM	n/a	QVP16V211SEM	QVVP16V211SEM
SYE2-11/16N-118	QMP15J211SET	QAP15A211SET	QAAP15A211SET	n/a	QVP16V211SET	QVVP16V211SET
SYE2-11/16NH	QMP15J211SM	QAP15A211SM	QAAP15A211SM	n/a	QVP16V211SM	QVVP16V211SM
SYE2-11/16NH-118	QMP15J211ST	QAP15A211ST	QAAP15A211ST	n/a	QVP16V211ST	QVVP16V211ST
SYE2-15/16	QMP15J215SEM	QAP15A215SEM	QAAP15A215SEM	DVP17K215SEM	QVP16V215SEM	QVVP16V215SEM
SYE2-15/16-18	QMP15J215SET	QAP15A215SET	QAAP15A215SET	DVP17K215SET	QVP16V215SET	QVVP16V215SET
SYE2-15/16-3	QMP15J215SEB	QAP15A215SEB	QAAP15A215SEB	DVP17K215SEB	QVP16V215SEB	QVVP16V215SEB
SYE2-15/16H	QMP15J215SM	QAP15A215SM	QAAP15A215SM	DVP17K215SM	QVP16V215SM	QVVP16V215SM
SYE2-15/16H-18	QMP15J215ST	QAP15A215ST	QAAP15A215ST	DVP17K215ST	QVP16V215ST	QVVP16V215ST
SYE2-15/16H-3	QMP15J215SB	QAP15A215SB	QAAP15A215SB	DVP17K215SB	QVP16V215SB	QVVP16V215SB
SYE2-15/16N	QMP15J215SEM	QAP15A215SEM	QAAP15A215SEM	DVP17K215SEM	QVP16V215SEM	QVVP16V215SEM
SYE2-15/16N-118	QMP15J215SET	QAP15A215SET	QAAP15A215SET	DVP17K215SET	QVP16V215SET	QVVP16V215SET
SYE2-15/16NH	QMP15J215SM	QAP15A215SM	QAAP15A215SM	DVP17K215SM	QVP16V215SM	QVVP16V215SM
SYE2-15/16NH-118	QMP15J215ST	QAP15A215ST	QAAP15A215ST	DVP17K215ST	QVP16V215ST	QVVP16V215ST
SYE2-18	QMP10J200SET	QAP10A200SET	QAAP10A200SET	DVP11K200SET	QVP11V200SET	QVVP11V200SET
SYE2-3	QMP10J200SEB	QAP10A200SEB	QAAP10A200SEB	DVP11K200SEB	QVP11V200SEB	QVVP11V200SEB
SYE2-3/16	QMP11J203SEM	QAP11A203SEM	QAAP11A203SEM	DVP13K203SEM	QVP12V203SEM	QVVP12V203SEM
SYE2-3/16-18	QMP11J203SET	QAP11A203SET	QAAP11A203SET	DVP13K203SET	QVP12V203SET	QVVP12V203SET
SYE2-3/16-3	QMP11J203SEB	QAP11A203SEB	QAAP11A203SEB	DVP13K203SEB	QVP12V203SEB	QVVP12V203SEB
SYE2-3/16H	QMP11J203SM	QAP11A203SM	QAAP11A203SM	DVP13K203SM	QVP12V203SM	QVVP12V203SM
SYE2-3/16H-18	QMP11J203ST	QAP11A203ST	QAAP11A203ST	DVP13K203ST	QVP12V203ST	QVVP12V203ST
SYE2-3/16H-3	QMP11J203SB	QAP11A203SB	QAAP11A203SB	DVP13K203SB	QVP12V203SB	QVVP12V203SB
SYE2-3/16N	QMP11J203SEM	QAP11A203SEM	QAAP11A203SEM	DVP13K203SEM	QVP12V203SEM	QVVP12V203SEM
SYE2-3/16N-118	QMP11J203SET	QAP11A203SET	QAAP11A203SET	DVP13K203SET	QVP12V203SET	QVVP12V203SET
SYE2-3/16NH	QMP11J203SM	QAP11A203SM	QAAP11A203SM	DVP13K203SM	QVP12V203SM	QVVP12V203SM

Note: This interchange guide is for reference only. **Some competitor bearings may not be shown.** If you are unable to find the bearing you are trying to interchange, please contact your local distributor or QM Bearings for assistance.

(continued on next page)

Blue Brute Bearings – Interchange Guide

SKF®

SKF Part Number	QM EC Series	QM CL Series		QM TA/DV Series	QM V-Lock® Series	
		Single-Collar	Double-Collar		Single-Nut	Double-Nut
SYE2-3/16NH-118	QMP11J203ST	QAP11A203ST	QAAP11A203ST	DVP13K203ST	QVP12V203ST	QVVP12V203ST
SYE2-3/4	QMP15J212SEM	QAP15A212SEM	QAAP15A212SEM	n/a	QVP16V212SEM	QVVP16V212SEM
SYE2-3/4-18	QMP15J212SET	QAP15A212SET	QAAP15A212SET	n/a	QVP16V212SET	QVVP16V212SET
SYE2-3/4-3	QMP15J212SEB	QAP15A212SEB	QAAP15A212SEB	n/a	QVP16V212SEB	QVVP16V212SEB
SYE2-3/4H	QMP15J212SM	QAP15A212SM	QAAP15A212SM	n/a	QVP16V212SM	QVVP16V212SM
SYE2-3/4H-18	QMP15J212ST	QAP15A212ST	QAAP15A212ST	n/a	QVP16V212ST	QVVP16V212ST
SYE2-3/4H-3	QMP15J212SB	QAP15A212SB	QAAP15A212SB	n/a	QVP16V212SB	QVVP16V212SB
SYE2-3/4N	QMP15J212SEM	QAP15A212SEM	QAAP15A212SEM	n/a	QVP16V212SEM	QVVP16V212SEM
SYE2-3/4N-118	QMP15J212SET	QAP15A212SET	QAAP15A212SET	n/a	QVP16V212SET	QVVP16V212SET
SYE2-3/4NH	QMP15J212SM	QAP15A212SM	QAAP15A212SM	n/a	QVP16V212SM	QVVP16V212SM
SYE2-3/4NH-118	QMP15J212ST	QAP15A212ST	QAAP15A212ST	n/a	QVP16V212ST	QVVP16V212ST
SYE2-7/16	QMP13J207SEM	QAP13A207SEM	QAAP13A207SEM	DVP15K207SEM	QVP14V207SEM	QVVP14V207SEM
SYE2-7/16-18	QMP13J207SET	QAP13A207SET	QAAP13A207SET	DVP15K207SET	QVP14V207SET	QVVP14V207SET
SYE2-7/16-3	QMP13J207SEB	QAP13A207SEB	QAAP13A207SEB	DVP15K207SEB	QVP14V207SEB	QVVP14V207SEB
SYE2-7/16H	QMP13J207SM	QAP13A207SM	QAAP13A207SM	DVP15K207SM	QVP14V207SM	QVVP14V207SM
SYE2-7/16H-18	QMP13J207ST	QAP13A207ST	QAAP13A207ST	DVP15K207ST	QVP14V207ST	QVVP14V207ST
SYE2-7/16H-3	QMP13J207SB	QAP13A207SB	QAAP13A207SB	DVP15K207SB	QVP14V207SB	QVVP14V207SB
SYE2-7/16N	QMP13J207SEM	QAP13A207SEM	QAAP13A207SEM	DVP15K207SEM	QVP14V207SEM	QVVP14V207SEM
SYE2-7/16N-118	QMP13J207SET	QAP13A207SET	QAAP13A207SET	DVP15K207SET	QVP14V207SET	QVVP14V207SET
SYE2-7/16NH	QMP13J207SM	QAP13A207SM	QAAP13A207SM	DVP15K207SM	QVP14V207SM	QVVP14V207SM
SYE2-7/16NH-118	QMP13J207ST	QAP13A207ST	QAAP13A207ST	DVP15K207ST	QVP14V207ST	QVVP14V207ST
SYE2H	QMP10J200SM	QAP10A200SM	QAAP10A200SM	DVP11K200SM	QVP11V200SM	QVVP11V200SM
SYE2H-18	QMP10J200ST	QAP10A200ST	QAAP10A200ST	DVP11K200ST	QVP11V200ST	QVVP11V200ST
SYE2H-3	QMP10J200SB	QAP10A200SB	QAAP10A200SB	DVP11K200SB	QVP11V200SB	QVVP11V200SB
SYE2N	QMP10J200SEM	QAP10A200SEM	QAAP10A200SEM	DVP11K200SEM	QVP11V200SEM	QVVP11V200SEM
SYE2N-118	QMP10J200SET	QAP10A200SET	QAAP10A200SET	DVP11K200SET	QVP11V200SET	QVVP11V200SET
SYE2NH	QMP10J200SM	QAP10A200SM	QAAP10A200SM	DVP11K200SM	QVP11V200SM	QVVP11V200SM
SYE2NH-118	QMP10J200ST	QAP10A200ST	QAAP10A200ST	DVP11K200ST	QVP11V200ST	QVVP11V200ST
SYE3	QMP15J300SEM	QAP15A300SEM	QAAP15A300SEM	DVP17K300SEM	QVP16V300SEM	QVVP16V300SEM
SYE3-1/2	QMP18J308SEM	QAP18A308SEM	QAAP18A308SEM	DVP20K308SEM	QVP19V308SEM	QVVP19V308SEM
SYE3-1/2-18	QMP18J308SET	QAP18A308SET	QAAP18A308SET	DVP20K308SET	QVP19V308SET	QVVP19V308SET
SYE3-1/2-3	QMP18J308SEB	QAP18A308SEB	QAAP18A308SEB	DVP20K308SEB	QVP19V308SEB	QVVP19V308SEB
SYE3-1/2H	QMP18J308SM	QAP18A308SM	QAAP18A308SM	DVP20K308SM	QVP19V308SM	QVVP19V308SM
SYE3-1/2H-18	QMP18J308ST	QAP18A308ST	QAAP18A308ST	DVP20K308ST	QVP19V308ST	QVVP19V308ST
SYE3-1/2H-3	QMP18J308SB	QAP18A308SB	QAAP18A308SB	DVP20K308SB	QVP19V308SB	QVVP19V308SB
SYE3-1/2N	QMP18J308SEM	QAP18A308SEM	QAAP18A308SEM	DVP20K308SEM	QVP19V308SEM	QVVP19V308SEM
SYE3-1/2N-118	QMP18J308SET	QAP18A308SET	QAAP18A308SET	DVP20K308SET	QVP19V308SET	QVVP19V308SET
SYE3-1/2NH	QMP18J308SM	QAP18A308SM	QAAP18A308SM	DVP20K308SM	QVP19V308SM	QVVP19V308SM
SYE3-1/2NH-118	QMP18J308ST	QAP18A308ST	QAAP18A308ST	DVP20K308ST	QVP19V308ST	QVVP19V308ST
SYE3-18	QMP15J300SET	QAP15A300SET	QAAP15A300SET	DVP17K300SET	QVP16V300SET	QVVP16V300SET
SYE3-3	QMP15J300SEB	QAP15A300SEB	QAAP15A300SEB	DVP17K300SEB	QVP16V300SEB	QVVP16V300SEB
SYE3-7/16	QMP18J307SEM	QAP18A307SEM	QAAP18A307SEM	DVP20K307SEM	QVP19V307SEM	QVVP19V307SEM
SYE3-7/16-18	QMP18J307SET	QAP18A307SET	QAAP18A307SET	DVP20K307SET	QVP19V307SET	QVVP19V307SET

Note: This interchange guide is for reference only. **Some competitor bearings may not be shown.** If you are unable to find the bearing you are trying to interchange, please contact your local distributor or QM Bearings for assistance.

(continued on next page)

Blue Brute Bearings – Interchange Guide

SKF®

SKF Part Number	QM EC Series	QM CL Series		QM TA/DV Series	QM V-Lock® Series	
		Single-Collar	Double-Collar		Single-Nut	Double-Nut
SYE3-7/16-3	QMP18J307SEB	QAP18A307SEB	QAAP18A307SEB	DVP20K307SEB	QVP19V307SEB	QVVP19V307SEB
SYE3-7/16H	QMP18J307SM	QAP18A307SM	QAAP18A307SM	DVP20K307SM	QVP19V307SM	QVVP19V307SM
SYE3-7/16H-18	QMP18J307ST	QAP18A307ST	QAAP18A307ST	DVP20K307ST	QVP19V307ST	QVVP19V307ST
SYE3-7/16H-3	QMP18J307SB	QAP18A307SB	QAAP18A307SB	DVP20K307SB	QVP19V307SB	QVVP19V307SB
SYE3-7/16N	QMP18J307SEM	QAP18A307SEM	QAAP18A307SEM	DVP20K307SEM	QVP19V307SEM	QVVP19V307SEM
SYE3-7/16N-118	QMP18J307SET	QAP18A307SET	QAAP18A307SET	DVP20K307SET	QVP19V307SET	QVVP19V307SET
SYE3-7/16NH	QMP18J307SM	QAP18A307SM	QAAP18A307SM	DVP20K307SM	QVP19V307SM	QVVP19V307SM
SYE3-7/16NH-118	QMP18J307ST	QAP18A307ST	QAAP18A307ST	DVP20K307ST	QVP19V307ST	QVVP19V307ST
SYE3H	QMP15J300SM	QAP15A300SM	QAAP15A300SM	DVP17K300SM	QVP16V300SM	QVVP16V300SM
SYE3H-18	QMP15J300ST	QAP15A300ST	QAAP15A300ST	DVP17K300ST	QVP16V300ST	QVVP16V300ST
SYE3H-3	QMP15J300SB	QAP15A300SB	QAAP15A300SB	DVP17K300SB	QVP16V300SB	QVVP16V300SB
SYE3N	QMP15J300SEM	QAP15A300SEM	QAAP15A300SEM	DVP17K300SEM	QVP16V300SEM	QVVP16V300SEM
SYE3N-118	QMP15J300SET	QAP15A300SET	QAAP15A300SET	DVP17K300SET	QVP16V300SET	QVVP16V300SET
SYE3NH	QMP15J300SM	QAP15A300SM	QAAP15A300SM	DVP17K300SM	QVP16V300SM	QVVP16V300SM
SYE3NH-118	QMP15J300ST	QAP15A300ST	QAAP15A300ST	DVP17K300ST	QVP16V300ST	QVVP16V300ST
SYR1-1/2	QMPL08J108SEM	n/a	n/a	n/a	n/a	n/a
SYR1-1/2-18	QMPL08J108SET	n/a	n/a	n/a	n/a	n/a
SYR1-1/2-3	QMPL08J108SEB	n/a	n/a	n/a	n/a	n/a
SYR1-1/2H	QMPL08J108SM	n/a	n/a	n/a	n/a	n/a
SYR1-1/2H-18	QMPL08J108ST	n/a	n/a	n/a	n/a	n/a
SYR1-1/2H-3	QMPL08J108SB	n/a	n/a	n/a	n/a	n/a
SYR1-1/2N	QMPL08J108SEM	n/a	n/a	n/a	n/a	n/a
SYR1-1/2N-118	QMPL08J108SET	n/a	n/a	n/a	n/a	n/a
SYR1-1/2NH	QMPL08J108SM	n/a	n/a	n/a	n/a	n/a
SYR1-1/2NH-118	QMPL08J108ST	n/a	n/a	n/a	n/a	n/a
SYR1-11/16	QMPL09J111SEM	n/a	n/a	n/a	n/a	n/a
SYR1-11/16-18	QMPL09J111SET	n/a	n/a	n/a	n/a	n/a
SYR1-11/16-3	QMPL09J111SEB	n/a	n/a	n/a	n/a	n/a
SYR1-11/16H	QMPL09J111SM	n/a	n/a	n/a	n/a	n/a
SYR1-11/16H-18	QMPL09J111ST	n/a	n/a	n/a	n/a	n/a
SYR1-11/16H-3	QMPL09J111SB	n/a	n/a	n/a	n/a	n/a
SYR1-11/16N	QMPL09J111SEM	n/a	n/a	n/a	n/a	n/a
SYR1-11/16N-118	QMPL09J111SET	n/a	n/a	n/a	n/a	n/a
SYR1-11/16NH	QMPL09J111SM	n/a	n/a	n/a	n/a	n/a
SYR1-11/16NH-118	QMPL09J111ST	n/a	n/a	n/a	n/a	n/a
SYR1-15/16	QMPL10J115SEM	QAPL10A115SEM	QAAPL10A115SEM	DVP11K115SEM	QVPL11V115SEM	QVVP11V115SEM
SYR1-15/16-18	QMPL10J115SET	QAPL10A115SET	QAAPL10A115SET	DVP11K115SET	QVPL11V115SET	QVVP11V115SET
SYR1-15/16-3	QMPL10J115SEB	QAPL10A115SEB	QAAPL10A115SEB	DVP11K115SEB	QVPL11V115SEB	QVVP11V115SEB
SYR1-15/16H	QMPL10J115SM	QAPL10A115SM	QAAPL10A115SM	DVP11K115SM	QVPL11V115SM	QVVP11V115SM
SYR1-15/16H-18	QMPL10J115ST	QAPL10A115ST	QAAPL10A115ST	DVP11K115ST	QVPL11V115ST	QVVP11V115ST
SYR1-15/16H-3	QMPL10J115SB	QAPL10A115SB	QAAPL10A115SB	DVP11K115SB	QVPL11V115SB	QVVP11V115SB
SYR1-15/16N	QMPL10J115SEM	QAPL10A115SEM	QAAPL10A115SEM	DVP11K115SEM	QVPL11V115SEM	QVVP11V115SEM
SYR1-15/16N-118	QMPL10J115SET	QAPL10A115SET	QAAPL10A115SET	DVP11K115SET	QVPL11V115SET	QVVP11V115SET

Note: This interchange guide is for reference only. **Some competitor bearings may not be shown.** If you are unable to find the bearing you are trying to interchange, please contact your local distributor or QM Bearings for assistance.

(continued on next page)

Blue Brute Bearings – Interchange Guide

SKF®

SKF Part Number	QM EC Series	QM CL Series		QM TA/DV Series	QM V-Lock® Series	
		Single-Collar	Double-Collar		Single-Nut	Double-Nut
SYR1-15/16NH	QMPL10J115SM	QAPL10A115SM	QAAPL10A115SM	DVP11K115SM	QVPL11V115SM	QVVPL11V115SM
SYR1-15/16NH-118	QMPL10J115ST	QAPL10A115ST	QAAPL10A115ST	DVP11K115ST	QVPL11V115ST	QVVPL11V115ST
SYR1-3/4	QMPL09J112SEM	n/a	n/a	n/a	n/a	n/a
SYR1-3/4-18	QMPL09J112SET	n/a	n/a	n/a	n/a	n/a
SYR1-3/4-3	QMPL09J112SEB	n/a	n/a	n/a	n/a	n/a
SYR1-3/4H	QMPL09J112SM	n/a	n/a	n/a	n/a	n/a
SYR1-3/4H-18	QMPL09J112ST	n/a	n/a	n/a	n/a	n/a
SYR1-3/4H-3	QMPL09J112SB	n/a	n/a	n/a	n/a	n/a
SYR1-3/4N	QMPL09J112SEM	n/a	n/a	n/a	n/a	n/a
SYR1-3/4N-118	QMPL09J112SET	n/a	n/a	n/a	n/a	n/a
SYR1-3/4NH	QMPL09J112SM	n/a	n/a	n/a	n/a	n/a
SYR1-3/4NH-118	QMPL09J112ST	n/a	n/a	n/a	n/a	n/a
SYR1-7/16	QMPL08J107SEM	n/a	n/a	n/a	n/a	n/a
SYR1-7/16-18	QMPL08J107SET	n/a	n/a	n/a	n/a	n/a
SYR1-7/16-3	QMPL08J107SEB	n/a	n/a	n/a	n/a	n/a
SYR1-7/16H	QMPL08J107SM	n/a	n/a	n/a	n/a	n/a
SYR1-7/16H-18	QMPL08J107ST	n/a	n/a	n/a	n/a	n/a
SYR1-7/16H-3	QMPL08J107SB	n/a	n/a	n/a	n/a	n/a
SYR1-7/16N	QMPL08J107SEM	n/a	n/a	n/a	n/a	n/a
SYR1-7/16N-118	QMPL08J107SET	n/a	n/a	n/a	n/a	n/a
SYR1-7/16NH	QMPL08J107SM	n/a	n/a	n/a	n/a	n/a
SYR1-7/16NH-118	QMPL08J107ST	n/a	n/a	n/a	n/a	n/a
SYR2	QMPL10J200SEM	QAPL10A200SEM	QAAPL10A200SEM	DVP11K200SEM	QVPL11V200SEM	QVVPL11V200SEM
SYR2-1/2	QMPL13J208SEM	QAPL13A208SEM	QAAPL13A208SEM	DVP15K208SEM	QVPL14V208SEM	QVVPL14V208SEM
SYR2-1/2-18	QMPL13J208SET	QAPL13A208SET	QAAPL13A208SET	DVP15K208SET	QVPL14V208SET	QVVPL14V208SET
SYR2-1/2-3	QMPL13J208SEB	QAPL13A208SEB	QAAPL13A208SEB	DVP15K208SEB	QVPL14V208SEB	QVVPL14V208SEB
SYR2-1/2H	QMPL13J208SM	QAPL13A208SM	QAAPL13A208SM	DVP15K208SM	QVPL14V208SM	QVVPL14V208SM
SYR2-1/2H-18	QMPL13J208ST	QAPL13A208ST	QAAPL13A208ST	DVP15K208ST	QVPL14V208ST	QVVPL14V208ST
SYR2-1/2H-3	QMPL13J208SB	QAPL13A208SB	QAAPL13A208SB	DVP15K208SB	QVPL14V208SB	QVVPL14V208SB
SYR2-1/2N	QMPL13J208SEM	QAPL13A208SEM	QAAPL13A208SEM	DVP15K208SEM	QVPL14V208SEM	QVVPL14V208SEM
SYR2-1/2N-118	QMPL13J208SET	QAPL13A208SET	QAAPL13A208SET	DVP15K208SET	QVPL14V208SET	QVVPL14V208SET
SYR2-1/2NH	QMPL13J208SM	QAPL13A208SM	QAAPL13A208SM	DVP15K208SM	QVPL14V208SM	QVVPL14V208SM
SYR2-1/2NH-118	QMPL13J208ST	QAPL13A208ST	QAAPL13A208ST	DVP15K208ST	QVPL14V208ST	QVVPL14V208ST
SYR2-11/16	QMPL15J211SEM	QAPL15A211SEM	QAAPL15A211SEM	n/a	QVPL16V211SEM	QVVPL16V211SEM
SYR2-11/16-18	QMPL15J211SET	QAPL15A211SET	QAAPL15A211SET	n/a	QVPL16V211SET	QVVPL16V211SET
SYR2-11/16-3	QMPL15J211SEB	QAPL15A211SEB	QAAPL15A211SEB	n/a	QVPL16V211SEB	QVVPL16V211SEB
SYR2-11/16H	QMPL15J211SM	QAPL15A211SM	QAAPL15A211SM	n/a	QVPL16V211SM	QVVPL16V211SM
SYR2-11/16H-18	QMPL15J211ST	QAPL15A211ST	QAAPL15A211ST	n/a	QVPL16V211ST	QVVPL16V211ST
SYR2-11/16H-3	QMPL15J211SB	QAPL15A211SB	QAAPL15A211SB	n/a	QVPL16V211SB	QVVPL16V211SB
SYR2-11/16N	QMPL15J211SEM	QAPL15A211SEM	QAAPL15A211SEM	n/a	QVPL16V211SEM	QVVPL16V211SEM
SYR2-11/16N-118	QMPL15J211SET	QAPL15A211SET	QAAPL15A211SET	n/a	QVPL16V211SET	QVVPL16V211SET
SYR2-11/16NH	QMPL15J211SM	QAPL15A211SM	QAAPL15A211SM	n/a	QVPL16V211SM	QVVPL16V211SM
SYR2-11/16NH-118	QMPL15J211ST	QAPL15A211ST	QAAPL15A211ST	n/a	QVPL16V211ST	QVVPL16V211ST

Note: This interchange guide is for reference only. **Some competitor bearings may not be shown.** If you are unable to find the bearing you are trying to interchange, please contact your local distributor or QM Bearings for assistance.

(continued on next page)

Introduction
Blue Brute Bearings
Bearing Interchange Guide
Quick-Flex Couplings
Rigid Compression Couplings
Index

Blue Brute Bearings – Interchange Guide

SKF®

SKF Part Number	QM EC Series	QM CL Series		QM TA/DV Series	QM V-Lock® Series	
		Single-Collar	Double-Collar		Single-Nut	Double-Nut
SYR2-15/16	QMPL15J215SEM	QAPL15A215SEM	QAAPL15A215SEM	DVP17K215SEM	QVPL16V215SEM	QVVPL16V215SEM
SYR2-15/16-18	QMPL15J215SET	QAPL15A215SET	QAAPL15A215SET	DVP17K215SET	QVPL16V215SET	QVVPL16V215SET
SYR2-15/16-3	QMPL15J215SEB	QAPL15A215SEB	QAAPL15A215SEB	DVP17K215SEB	QVPL16V215SEB	QVVPL16V215SEB
SYR2-15/16H	QMPL15J215SM	QAPL15A215SM	QAAPL15A215SM	DVP17K215SM	QVPL16V215SM	QVVPL16V215SM
SYR2-15/16H-18	QMPL15J215ST	QAPL15A215ST	QAAPL15A215ST	DVP17K215ST	QVPL16V215ST	QVVPL16V215ST
SYR2-15/16H-3	QMPL15J215SB	QAPL15A215SB	QAAPL15A215SB	DVP17K215SB	QVPL16V215SB	QVVPL16V215SB
SYR2-15/16N	QMPL15J215SEM	QAPL15A215SEM	QAAPL15A215SEM	DVP17K215SEM	QVPL16V215SEM	QVVPL16V215SEM
SYR2-15/16N-118	QMPL15J215SET	QAPL15A215SET	QAAPL15A215SET	DVP17K215SET	QVPL16V215SET	QVVPL16V215SET
SYR2-15/16NH	QMPL15J215SM	QAPL15A215SM	QAAPL15A215SM	DVP17K215SM	QVPL16V215SM	QVVPL16V215SM
SYR2-15/16NH-118	QMPL15J215ST	QAPL15A215ST	QAAPL15A215ST	DVP17K215ST	QVPL16V215ST	QVVPL16V215ST
SYR2-18	QMPL10J200SET	QAPL10A200SET	QAAPL10A200SET	DVP11K200SET	QVPL11V200SET	QVVPL11V200SET
SYR2-3	QMPL10J200SEB	QAPL10A200SEB	QAAPL10A200SEB	DVP11K200SEB	QVPL11V200SEB	QVVPL11V200SEB
SYR2-3/16	QMPL11J203SEM	QAPL11A203SEM	QAAPL11A203SEM	DVP13K203SEM	QVPL12V203SEM	QVVPL12V203SEM
SYR2-3/16-18	QMPL11J203SET	QAPL11A203SET	QAAPL11A203SET	DVP13K203SET	QVPL12V203SET	QVVPL12V203SET
SYR2-3/16-3	QMPL11J203SEB	QAPL11A203SEB	QAAPL11A203SEB	DVP13K203SEB	QVPL12V203SEB	QVVPL12V203SEB
SYR2-3/16H	QMPL11J203SM	QAPL11A203SM	QAAPL11A203SM	DVP13K203SM	QVPL12V203SM	QVVPL12V203SM
SYR2-3/16H-18	QMPL11J203ST	QAPL11A203ST	QAAPL11A203ST	DVP13K203ST	QVPL12V203ST	QVVPL12V203ST
SYR2-3/16H-3	QMPL11J203SB	QAPL11A203SB	QAAPL11A203SB	DVP13K203SB	QVPL12V203SB	QVVPL12V203SB
SYR2-3/16N	QMPL11J203SEM	QAPL11A203SEM	QAAPL11A203SEM	DVP13K203SEM	QVPL12V203SEM	QVVPL12V203SEM
SYR2-3/16N-118	QMPL11J203SET	QAPL11A203SET	QAAPL11A203SET	DVP13K203SET	QVPL12V203SET	QVVPL12V203SET
SYR2-3/16NH	QMPL11J203SM	QAPL11A203SM	QAAPL11A203SM	DVP13K203SM	QVPL12V203SM	QVVPL12V203SM
SYR2-3/16NH-118	QMPL11J203ST	QAPL11A203ST	QAAPL11A203ST	DVP13K203ST	QVPL12V203ST	QVVPL12V203ST
SYR2-3/4	QMPL15J212SEM	QAPL15A212SEM	QAAPL15A212SEM	n/a	QVPL16V212SEM	QVVPL16V212SEM
SYR2-3/4-18	QMPL15J212SET	QAPL15A212SET	QAAPL15A212SET	n/a	QVPL16V212SET	QVVPL16V212SET
SYR2-3/4-3	QMPL15J212SEB	QAPL15A212SEB	QAAPL15A212SEB	n/a	QVPL16V212SEB	QVVPL16V212SEB
SYR2-3/4H	QMPL15J212SM	QAPL15A212SM	QAAPL15A212SM	n/a	QVPL16V212SM	QVVPL16V212SM
SYR2-3/4H-18	QMPL15J212ST	QAPL15A212ST	QAAPL15A212ST	n/a	QVPL16V212ST	QVVPL16V212ST
SYR2-3/4H-3	QMPL15J212SB	QAPL15A212SB	QAAPL15A212SB	n/a	QVPL16V212SB	QVVPL16V212SB
SYR2-3/4N	QMPL15J212SEM	QAPL15A212SEM	QAAPL15A212SEM	n/a	QVPL16V212SEM	QVVPL16V212SEM
SYR2-3/4N-118	QMPL15J212SET	QAPL15A212SET	QAAPL15A212SET	n/a	QVPL16V212SET	QVVPL16V212SET
SYR2-3/4NH	QMPL15J212SM	QAPL15A212SM	QAAPL15A212SM	n/a	QVPL16V212SM	QVVPL16V212SM
SYR2-3/4NH-118	QMPL15J212ST	QAPL15A212ST	QAAPL15A212ST	n/a	QVPL16V212ST	QVVPL16V212ST
SYR2-7/16	QMPL13J207SEM	QAPL13A207SEM	QAAPL13A207SEM	DVP15K207SEM	QVPL14V207SEM	QVVPL14V207SEM
SYR2-7/16-18	QMPL13J207SET	QAPL13A207SET	QAAPL13A207SET	DVP15K207SET	QVPL14V207SET	QVVPL14V207SET
SYR2-7/16-3	QMPL13J207SEB	QAPL13A207SEB	QAAPL13A207SEB	DVP15K207SEB	QVPL14V207SEB	QVVPL14V207SEB
SYR2-7/16H	QMPL13J207SM	QAPL13A207SM	QAAPL13A207SM	DVP15K207SM	QVPL14V207SM	QVVPL14V207SM
SYR2-7/16H-18	QMPL13J207ST	QAPL13A207ST	QAAPL13A207ST	DVP15K207ST	QVPL14V207ST	QVVPL14V207ST
SYR2-7/16H-3	QMPL13J207SB	QAPL13A207SB	QAAPL13A207SB	DVP15K207SB	QVPL14V207SB	QVVPL14V207SB
SYR2-7/16N	QMPL13J207SEM	QAPL13A207SEM	QAAPL13A207SEM	DVP15K207SEM	QVPL14V207SEM	QVVPL14V207SEM
SYR2-7/16N-118	QMPL13J207SET	QAPL13A207SET	QAAPL13A207SET	DVP15K207SET	QVPL14V207SET	QVVPL14V207SET
SYR2-7/16NH	QMPL13J207SM	QAPL13A207SM	QAAPL13A207SM	DVP15K207SM	QVPL14V207SM	QVVPL14V207SM
SYR2-7/16NH-118	QMPL13J207ST	QAPL13A207ST	QAAPL13A207ST	DVP15K207ST	QVPL14V207ST	QVVPL14V207ST
SYR2H	QMPL10J200SM	QAPL10A200SM	QAAPL10A200SM	DVP11K200SM	QVPL11V200SM	QVVPL11V200SM

Note: This interchange guide is for reference only. **Some competitor bearings may not be shown.** If you are unable to find the bearing you are trying to interchange, please contact your local distributor or QM Bearings for assistance.

(continued on next page)

Blue Brute Bearings – Interchange Guide

SKF®

SKF Part Number	QM EC Series	QM CL Series		QM TA/DV Series	QM V-Lock® Series	
		Single-Collar	Double-Collar		Single-Nut	Double-Nut
SYR2H-18	QMPL10J200ST	QAPL10A200ST	QAAPL10A200ST	DVP11K200ST	QVPL11V200ST	QVVPL11V200ST
SYR2H-3	QMPL10J200SB	QAPL10A200SB	QAAPL10A200SB	DVP11K200SB	QVPL11V200SB	QVVPL11V200SB
SYR2N	QMPL10J200SEM	QAPL10A200SEM	QAAPL10A200SEM	DVP11K200SEM	QVPL11V200SEM	QVVPL11V200SEM
SYR2N-118	QMPL10J200SET	QAPL10A200SET	QAAPL10A200SET	DVP11K200SET	QVPL11V200SET	QVVPL11V200SET
SYR2NH	QMPL10J200SM	QAPL10A200SM	QAAPL10A200SM	DVP11K200SM	QVPL11V200SM	QVVPL11V200SM
SYR2NH-118	QMPL10J200ST	QAPL10A200ST	QAAPL10A200ST	DVP11K200ST	QVPL11V200ST	QVVPL11V200ST
SYR3	QMPL15J300SEM	QAPL15A300SEM	QAAPL15A300SEM	DVP17K300SEM	QVPL16V300SEM	QVVPL16V300SEM
SYR3-1/2	QMPL18J308SEM	QAPL18A308SEM	QAAPL18A308SEM	DVP20K308SEM	QVPL19V308SEM	QVVPL19V308SEM
SYR3-1/2-18	QMPL18J308SET	QAPL18A308SET	QAAPL18A308SET	DVP20K308SET	QVPL19V308SET	QVVPL19V308SET
SYR3-1/2-3	QMPL18J308SEB	QAPL18A308SEB	QAAPL18A308SEB	DVP20K308SEB	QVPL19V308SEB	QVVPL19V308SEB
SYR3-1/2H	QMPL18J308SM	QAPL18A308SM	QAAPL18A308SM	DVP20K308SM	QVPL19V308SM	QVVPL19V308SM
SYR3-1/2H-18	QMPL18J308ST	QAPL18A308ST	QAAPL18A308ST	DVP20K308ST	QVPL19V308ST	QVVPL19V308ST
SYR3-1/2H-3	QMPL18J308SB	QAPL18A308SB	QAAPL18A308SB	DVP20K308SB	QVPL19V308SB	QVVPL19V308SB
SYR3-1/2N	QMPL18J308SEM	QAPL18A308SEM	QAAPL18A308SEM	DVP20K308SEM	QVPL19V308SEM	QVVPL19V308SEM
SYR3-1/2N-118	QMPL18J308SET	QAPL18A308SET	QAAPL18A308SET	DVP20K308SET	QVPL19V308SET	QVVPL19V308SET
SYR3-1/2NH	QMPL18J308SM	QAPL18A308SM	QAAPL18A308SM	DVP20K308SM	QVPL19V308SM	QVVPL19V308SM
SYR3-1/2NH-118	QMPL18J308ST	QAPL18A308ST	QAAPL18A308ST	DVP20K308ST	QVPL19V308ST	QVVPL19V308ST
SYR3-15/16	QMP20J315SEM	QAP20A315SEM	QAAP20A315SEM	n/a	QVP22V315SEM	QVVP22V315SEM
SYR3-15/16-18	QMP20J315SET	QAP20A315SET	QAAP20A315SET	n/a	QVP22V315SET	QVVP22V315SET
SYR3-15/16-3	QMP20J315SEB	QAP20A315SEB	QAAP20A315SEB	n/a	QVP22V315SEB	QVVP22V315SEB
SYR3-15/16H	QMP20J315SM	QAP20A315SM	QAAP20A315SM	n/a	QVP22V315SM	QVVP22V315SM
SYR3-15/16H-18	QMP20J315ST	QAP20A315ST	QAAP20A315ST	n/a	QVP22V315ST	QVVP22V315ST
SYR3-15/16H-3	QMP20J315SB	QAP20A315SB	QAAP20A315SB	n/a	QVP22V315SB	QVVP22V315SB
SYR3-15/16N	QMP20J315SEM	QAP20A315SEM	QAAP20A315SEM	n/a	QVP22V315SEM	QVVP22V315SEM
SYR3-15/16N-118	QMP20J315SET	QAP20A315SET	QAAP20A315SET	n/a	QVP22V315SET	QVVP22V315SET
SYR3-15/16NH	QMP20J315SM	QAP20A315SM	QAAP20A315SM	n/a	QVP22V315SM	QVVP22V315SM
SYR3-15/16NH-118	QMP20J315ST	QAP20A315ST	QAAP20A315ST	n/a	QVP22V315ST	QVVP22V315ST
SYR3-18	QMPL15J300SET	QAPL15A300SET	QAAPL15A300SET	DVP17K300SET	QVPL16V300SET	QVVPL16V300SET
SYR3-3	QMPL15J300SEB	QAPL15A300SEB	QAAPL15A300SEB	DVP17K300SEB	QVPL16V300SEB	QVVPL16V300SEB
SYR3-7/16	QMPL18J307SEM	QAPL18A307SEM	QAAPL18A307SEM	DVP20K307SEM	QVPL19V307SEM	QVVPL19V307SEM
SYR3-7/16-18	QMPL18J307SET	QAPL18A307SET	QAAPL18A307SET	DVP20K307SET	QVPL19V307SET	QVVPL19V307SET
SYR3-7/16-3	QMPL18J307SEB	QAPL18A307SEB	QAAPL18A307SEB	DVP20K307SEB	QVPL19V307SEB	QVVPL19V307SEB
SYR3-7/16H	QMPL18J307SM	QAPL18A307SM	QAAPL18A307SM	DVP20K307SM	QVPL19V307SM	QVVPL19V307SM
SYR3-7/16H-18	QMPL18J307ST	QAPL18A307ST	QAAPL18A307ST	DVP20K307ST	QVPL19V307ST	QVVPL19V307ST
SYR3-7/16H-3	QMPL18J307SB	QAPL18A307SB	QAAPL18A307SB	DVP20K307SB	QVPL19V307SB	QVVPL19V307SB
SYR3-7/16N	QMPL18J307SEM	QAPL18A307SEM	QAAPL18A307SEM	DVP20K307SEM	QVPL19V307SEM	QVVPL19V307SEM
SYR3-7/16N-118	QMPL18J307SET	QAPL18A307SET	QAAPL18A307SET	DVP20K307SET	QVPL19V307SET	QVVPL19V307SET
SYR3-7/16NH	QMPL18J307SM	QAPL18A307SM	QAAPL18A307SM	DVP20K307SM	QVPL19V307SM	QVVPL19V307SM
SYR3-7/16NH-118	QMPL18J307ST	QAPL18A307ST	QAAPL18A307ST	DVP20K307ST	QVPL19V307ST	QVVPL19V307ST
SYR3H	QMPL15J300SM	QAPL15A300SM	QAAPL15A300SM	DVP17K300SM	QVPL16V300SM	QVVPL16V300SM
SYR3H-18	QMPL15J300ST	QAPL15A300ST	QAAPL15A300ST	DVP17K300ST	QVPL16V300ST	QVVPL16V300ST
SYR3H-3	QMPL15J300SB	QAPL15A300SB	QAAPL15A300SB	DVP17K300SB	QVPL16V300SB	QVVPL16V300SB
SYR3N	QMPL15J300SEM	QAPL15A300SEM	QAAPL15A300SEM	DVP17K300SEM	QVPL16V300SEM	QVVPL16V300SEM

Note: This interchange guide is for reference only. **Some competitor bearings may not be shown.** If you are unable to find the bearing you are trying to interchange, please contact your local distributor or QM Bearings for assistance.

(continued on next page)

Introduction

Blue Brute Bearings

Bearing Interchange Guide

Quick-Flex Couplings

Rigid Compression Couplings

Index

Blue Brute Bearings – Interchange Guide

SKF®

SKF Part Number	QM EC Series	QM CL Series		QM TA/DV Series	QM V-Lock® Series	
		Single-Collar	Double-Collar		Single-Nut	Double-Nut
SYR3N-118	QMPL15J300SET	QAPL15A300SET	QAAPL15A300SET	DVP17K300SET	QVPL16V300SET	QVPL16V300SET
SYR3NH	QMPL15J300SM	QAPL15A300SM	QAAPL15A300SM	DVP17K300SM	QVPL16V300SM	QVPL16V300SM
SYR3NH-118	QMPL15J300ST	QAPL15A300ST	QAAPL15A300ST	DVP17K300ST	QVPL16V300ST	QVPL16V300ST
SYR4	QMP20J400SEM	QAP20A400SEM	QAAP20A400SEM	n/a	QVP22V400SEM	QVVP22V400SEM
SYR4-18	QMP20J400SET	QAP20A400SET	QAAP20A400SET	n/a	QVP22V400SET	QVVP22V400SET
SYR4-3	QMP20J400SEB	QAP20A400SEB	QAAP20A400SEB	n/a	QVP22V400SEB	QVVP22V400SEB
SYR4H	QMP20J400SM	QAP20A400SM	QAAP20A400SM	n/a	QVP22V400SM	QVVP22V400SM
SYR4H-18	QMP20J400ST	QAP20A400ST	QAAP20A400ST	n/a	QVP22V400ST	QVVP22V400ST
SYR4H-3	QMP20J400SB	QAP20A400SB	QAAP20A400SB	n/a	QVP22V400SB	QVVP22V400SB
SYR4N	QMP20J400SEM	QAP20A400SEM	QAAP20A400SEM	n/a	QVP22V400SEM	QVVP22V400SEM
SYR4N-118	QMP20J400SET	QAP20A400SET	QAAP20A400SET	n/a	QVP22V400SET	QVVP22V400SET
SYR4NH	QMP20J400SM	QAP20A400SM	QAAP20A400SM	n/a	QVP22V400SM	QVVP22V400SM
SYR4NH-118	QMP20J400ST	QAP20A400ST	QAAP20A400ST	n/a	QVP22V400ST	QVVP22V400ST
SYT40F	QMSN09J040SM	n/a	n/a	n/a	n/a	n/a
SYT40FTS	QMSN09J040ST	n/a	n/a	n/a	n/a	n/a
SYT40L	QMSN09J040SEM	n/a	n/a	n/a	n/a	n/a
SYT40LTS	QMSN09J040SET	n/a	n/a	n/a	n/a	n/a
SYT45F	QMSN09J045SM	n/a	n/a	n/a	n/a	n/a
SYT45FTS	QMSN09J045ST	n/a	n/a	n/a	n/a	n/a
SYT45L	QMSN09J045SEM	n/a	n/a	n/a	n/a	n/a
SYT45LTS	QMSN09J045SET	n/a	n/a	n/a	n/a	n/a
SYT50F	QMSN10J050SM	QASN10A050SM	QAASN10A050SM	TAPN11K050SM	QVSN11V050SM	QVSN11V050SM
SYT50FTS	QMSN10J050ST	QASN10A050ST	QAASN10A050ST	TAPN11K050ST	QVSN11V050ST	QVSN11V050ST
SYT50L	QMSN10J050SEM	QASN10A050SEM	QAASN10A050SEM	TAPN11K050SEM	QVSN11V050SEM	QVSN11V050SEM
SYT50LTS	QMSN10J050SET	QASN10A050SET	QAASN10A050SET	TAPN11K050SET	QVSN11V050SET	QVSN11V050SET
SYT55F	QMSN11J055SM	QASN11A055SM	QAASN11A055SM	n/a	QVSN12V055SM	QVSN12V055SM
SYT55FTS	QMSN11J055ST	QASN11A055ST	QAASN11A055ST	n/a	QVSN12V055ST	QVSN12V055ST
SYT55L	QMSN11J055SEM	QASN11A055SEM	QAASN11A055SEM	n/a	QVSN12V055SEM	QVSN12V055SEM
SYT55LTS	QMSN11J055SET	QASN11A055SET	QAASN11A055SET	n/a	QVSN12V055SET	QVSN12V055SET
SYT60F	QMSN13J060SM	QASN13A060SM	QAASN13A060SM	TAPN13K060SM	n/a	n/a
SYT60FTS	QMSN13J060ST	QASN13A060ST	QAASN13A060ST	TAPN13K060ST	n/a	n/a
SYT60L	QMSN13J060SEM	QASN13A060SEM	QAASN13A060SEM	TAPN13K060SEM	n/a	n/a
SYT60LTS	QMSN13J060SET	QASN13A060SET	QAASN13A060SET	TAPN13K060SET	n/a	n/a
SYT65F	QMSN13J065SM	QASN13A065SM	QAASN13A065SM	TAPN15K065SM	QVSN14V065SM	QVSN14V065SM
SYT65FTS	QMSN13J065ST	QASN13A065ST	QAASN13A065ST	TAPN15K065ST	QVSN14V065ST	QVSN14V065ST
SYT65L	QMSN13J065SEM	QASN13A065SEM	QAASN13A065SEM	TAPN15K065SEM	QVSN14V065SEM	QVSN14V065SEM
SYT65LTS	QMSN13J065SET	QASN13A065SET	QAASN13A065SET	TAPN15K065SET	QVSN14V065SET	QVSN14V065SET
SYT70F	QMSN15J070SM	QASN15A070SM	QAASN15A070SM	n/a	QVSN16V070SM	QVSN16V070SM
SYT70FTS	QMSN15J070ST	QASN15A070ST	QAASN15A070ST	n/a	QVSN16V070ST	QVSN16V070ST
SYT70L	QMSN15J070SEM	QASN15A070SEM	QAASN15A070SEM	n/a	QVSN16V070SEM	QVSN16V070SEM
SYT70LTS	QMSN15J070SET	QASN15A070SET	QAASN15A070SET	n/a	QVSN16V070SET	QVSN16V070SET
SYT75F	QMSN15J075SM	QASN15A075SM	QAASN15A075SM	TAPN17K075SM	QVSN16V075SM	QVSN16V075SM
SYT75FTS	QMSN15J075ST	QASN15A075ST	QAASN15A075ST	TAPN17K075ST	QVSN16V075ST	QVSN16V075ST

Note: This interchange guide is for reference only. **Some competitor bearings may not be shown.** If you are unable to find the bearing you are trying to interchange, please contact your local distributor or QM Bearings for assistance.

(continued on next page)

Blue Brute Bearings – Interchange Guide

SKF®

SKF Part Number	QM EC Series	QM CL Series		QM TA/DV Series	QM V-Lock® Series	
		Single-Collar	Double-Collar		Single-Nut	Double-Nut
SYT75L	QMSN15J075SEM	QASN15A075SEM	QAASN15A075SEM	TAPN17K075SEM	QVSN16V075SEM	QVSN16V075SEM
SYT75LTS	QMSN15J075SET	QASN15A075SET	QAASN15A075SET	TAPN17K075SET	QVSN16V075SET	QVSN16V075SET
TBR1-15/16	QMTU10J115SEM	QATU10A115SEM	QAATU10A115SEM	n/a	QVTU11V115SEM	QVVTU11V115SEM
TBR1-15/16-18	QMTU10J115SET	QATU10A115SET	QAATU10A115SET	n/a	QVTU11V115SET	QVVTU11V115SET
TBR1-15/16-3	QMTU10J115SEB	QATU10A115SEB	QAATU10A115SEB	n/a	QVTU11V115SEB	QVVTU11V115SEB
TBR1-15/16H	QMTU10J115SM	QATU10A115SM	QAATU10A115SM	n/a	QVTU11V115SM	QVVTU11V115SM
TBR1-15/16H-18	QMTU10J115ST	QATU10A115ST	QAATU10A115ST	n/a	QVTU11V115ST	QVVTU11V115ST
TBR1-15/16H-3	QMTU10J115SB	QATU10A115SB	QAATU10A115SB	n/a	QVTU11V115SB	QVVTU11V115SB
TBR2	QMTU10J200SEM	QATU10A200SEM	QAATU10A200SEM	n/a	QVTU11V200SEM	QVVTU11V200SEM
TBR2-1/2	QMTU13J208SEM	QATU13A208SEM	QAATU13A208SEM	n/a	QVTU14V208SEM	QVVTU14V208SEM
TBR2-1/2-18	QMTU13J208SET	QATU13A208SET	QAATU13A208SET	n/a	QVTU14V208SET	QVVTU14V208SET
TBR2-1/2-3	QMTU13J208SEB	QATU13A208SEB	QAATU13A208SEB	n/a	QVTU14V208SEB	QVVTU14V208SEB
TBR2-1/2H	QMTU13J208SM	QATU13A208SM	QAATU13A208SM	n/a	QVTU14V208SM	QVVTU14V208SM
TBR2-1/2H-18	QMTU13J208ST	QATU13A208ST	QAATU13A208ST	n/a	QVTU14V208ST	QVVTU14V208ST
TBR2-1/2H-3	QMTU13J208SB	QATU13A208SB	QAATU13A208SB	n/a	QVTU14V208SB	QVVTU14V208SB
TBR2-11/16	QMTU15J211SEM	QATU15A211SEM	QAATU15A211SEM	n/a	QVTU16V211SEM	QVVTU16V211SEM
TBR2-11/16-18	QMTU15J211SET	QATU15A211SET	QAATU15A211SET	n/a	QVTU16V211SET	QVVTU16V211SET
TBR2-11/16-3	QMTU15J211SEB	QATU15A211SEB	QAATU15A211SEB	n/a	QVTU16V211SEB	QVVTU16V211SEB
TBR2-11/16H	QMTU15J211SM	QATU15A211SM	QAATU15A211SM	n/a	QVTU16V211SM	QVVTU16V211SM
TBR2-11/16H-18	QMTU15J211ST	QATU15A211ST	QAATU15A211ST	n/a	QVTU16V211ST	QVVTU16V211ST
TBR2-11/16H-3	QMTU15J211SB	QATU15A211SB	QAATU15A211SB	n/a	QVTU16V211SB	QVVTU16V211SB
TBR2-15/16	QMTU15J215SEM	QATU15A215SEM	QAATU15A215SEM	n/a	QVTU16V215SEM	QVVTU16V215SEM
TBR2-15/16-18	QMTU15J215SET	QATU15A215SET	QAATU15A215SET	n/a	QVTU16V215SET	QVVTU16V215SET
TBR2-15/16-3	QMTU15J215SEB	QATU15A215SEB	QAATU15A215SEB	n/a	QVTU16V215SEB	QVVTU16V215SEB
TBR2-15/16H	QMTU15J215SM	QATU15A215SM	QAATU15A215SM	n/a	QVTU16V215SM	QVVTU16V215SM
TBR2-15/16H-18	QMTU15J215ST	QATU15A215ST	QAATU15A215ST	n/a	QVTU16V215ST	QVVTU16V215ST
TBR2-15/16H-3	QMTU15J215SB	QATU15A215SB	QAATU15A215SB	n/a	QVTU16V215SB	QVVTU16V215SB
TBR2-18	QMTU10J200SET	QATU10A200SET	QAATU10A200SET	n/a	QVTU11V200SET	QVVTU11V200SET
TBR2-3	QMTU10J200SEB	QATU10A200SEB	QAATU10A200SEB	n/a	QVTU11V200SEB	QVVTU11V200SEB
TBR2-3/16	QMTU11J203SEM	QATU11A203SEM	QAATU11A203SEM	n/a	QVTU12V203SEM	QVVTU12V203SEM
TBR2-3/16-18	QMTU11J203SET	QATU11A203SET	QAATU11A203SET	n/a	QVTU12V203SET	QVVTU12V203SET
TBR2-3/16-3	QMTU11J203SEB	QATU11A203SEB	QAATU11A203SEB	n/a	QVTU12V203SEB	QVVTU12V203SEB
TBR2-3/16H	QMTU11J203SM	QATU11A203SM	QAATU11A203SM	n/a	QVTU12V203SM	QVVTU12V203SM
TBR2-3/16H-18	QMTU11J203ST	QATU11A203ST	QAATU11A203ST	n/a	QVTU12V203ST	QVVTU12V203ST
TBR2-3/16H-3	QMTU11J203SB	QATU11A203SB	QAATU11A203SB	n/a	QVTU12V203SB	QVVTU12V203SB
TBR2-3/4	QMTU15J212SEM	QATU15A212SEM	QAATU15A212SEM	n/a	QVTU16V212SEM	QVVTU16V212SEM
TBR2-3/4-18	QMTU15J212SET	QATU15A212SET	QAATU15A212SET	n/a	QVTU16V212SET	QVVTU16V212SET
TBR2-3/4-3	QMTU15J212SEB	QATU15A212SEB	QAATU15A212SEB	n/a	QVTU16V212SEB	QVVTU16V212SEB
TBR2-3/4H	QMTU15J212SM	QATU15A212SM	QAATU15A212SM	n/a	QVTU16V212SM	QVVTU16V212SM
TBR2-3/4H-18	QMTU15J212ST	QATU15A212ST	QAATU15A212ST	n/a	QVTU16V212ST	QVVTU16V212ST
TBR2-3/4H-3	QMTU15J212SB	QATU15A212SB	QAATU15A212SB	n/a	QVTU16V212SB	QVVTU16V212SB
TBR2-7/16	QMTU13J207SEM	QATU13A207SEM	QAATU13A207SEM	n/a	QVTU14V207SEM	QVVTU14V207SEM
TBR2-7/16-18	QMTU13J207SET	QATU13A207SET	QAATU13A207SET	n/a	QVTU14V207SET	QVVTU14V207SET

Note: This interchange guide is for reference only. **Some competitor bearings may not be shown.** If you are unable to find the bearing you are trying to interchange, please contact your local distributor or QM Bearings for assistance.

(continued on next page)

Blue Brute Bearings – Interchange Guide

SKF®

SKF Part Number	QM EC Series	QM CL Series		QM TA/DV Series	QM V-Lock® Series	
		Single-Collar	Double-Collar		Single-Nut	Double-Nut
TBR2-7/16-3	QMTU13J207SEB	QATU13A207SEB	QAATU13A207SEB	n/a	QVTU14V207SEB	QVVTU14V207SEB
TBR2-7/16H	QMTU13J207SM	QATU13A207SM	QAATU13A207SM	n/a	QVTU14V207SM	QVVTU14V207SM
TBR2-7/16H-18	QMTU13J207ST	QATU13A207ST	QAATU13A207ST	n/a	QVTU14V207ST	QVVTU14V207ST
TBR2-7/16H-3	QMTU13J207SB	QATU13A207SB	QAATU13A207SB	n/a	QVTU14V207SB	QVVTU14V207SB
TBR2H	QMTU10J200SM	QATU10A200SM	QAATU10A200SM	n/a	QVTU11V200SM	QVVTU11V200SM
TBR2H-18	QMTU10J200ST	QATU10A200ST	QAATU10A200ST	n/a	QVTU11V200ST	QVVTU11V200ST
TBR2H-3	QMTU10J200SB	QATU10A200SB	QAATU10A200SB	n/a	QVTU11V200SB	QVVTU11V200SB
TBR3	QMTU15J300SEM	QATU15A300SEM	QAATU15A300SEM	n/a	QVTU16V300SEM	QVVTU16V300SEM
TBR3-1/2	QMTU18J308SEM	QATU18A308SEM	QAATU18A308SEM	n/a	QVTU19V308SEM	QVVTU19V308SEM
TBR3-1/2-18	QMTU18J308SET	QATU18A308SET	QAATU18A308SET	n/a	QVTU19V308SET	QVVTU19V308SET
TBR3-1/2-3	QMTU18J308SEB	QATU18A308SEB	QAATU18A308SEB	n/a	QVTU19V308SEB	QVVTU19V308SEB
TBR3-1/2H	QMTU18J308SM	QATU18A308SM	QAATU18A308SM	n/a	QVTU19V308SM	QVVTU19V308SM
TBR3-1/2H-18	QMTU18J308ST	QATU18A308ST	QAATU18A308ST	n/a	QVTU19V308ST	QVVTU19V308ST
TBR3-1/2H-3	QMTU18J308SB	QATU18A308SB	QAATU18A308SB	n/a	QVTU19V308SB	QVVTU19V308SB
TBR3-15/16	QMTU20J315SEM	QATU20A315SEM	QAATU20A315SEM	n/a	QVTU22V315SEM	QVVTU22V315SEM
TBR3-15/16-18	QMTU20J315SET	QATU20A315SET	QAATU20A315SET	n/a	QVTU22V315SET	QVVTU22V315SET
TBR3-15/16-3	QMTU20J315SEB	QATU20A315SEB	QAATU20A315SEB	n/a	QVTU22V315SEB	QVVTU22V315SEB
TBR3-15/16H	QMTU20J315SM	QATU20A315SM	QAATU20A315SM	n/a	QVTU22V315SM	QVVTU22V315SM
TBR3-15/16H-18	QMTU20J315ST	QATU20A315ST	QAATU20A315ST	n/a	QVTU22V315ST	QVVTU22V315ST
TBR3-15/16H-3	QMTU20J315SB	QATU20A315SB	QAATU20A315SB	n/a	QVTU22V315SB	QVVTU22V315SB
TBR3-18	QMTU15J300SET	QATU15A300SET	QAATU15A300SET	n/a	QVTU16V300SET	QVVTU16V300SET
TBR3-3	QMTU15J300SEB	QATU15A300SEB	QAATU15A300SEB	n/a	QVTU16V300SEB	QVVTU16V300SEB
TBR3-7/16	QMTU18J307SEM	QATU18A307SEM	QAATU18A307SEM	n/a	QVTU19V307SEM	QVVTU19V307SEM
TBR3-7/16-18	QMTU18J307SET	QATU18A307SET	QAATU18A307SET	n/a	QVTU19V307SET	QVVTU19V307SET
TBR3-7/16-3	QMTU18J307SEB	QATU18A307SEB	QAATU18A307SEB	n/a	QVTU19V307SEB	QVVTU19V307SEB
TBR3-7/16H	QMTU18J307SM	QATU18A307SM	QAATU18A307SM	n/a	QVTU19V307SM	QVVTU19V307SM
TBR3-7/16H-18	QMTU18J307ST	QATU18A307ST	QAATU18A307ST	n/a	QVTU19V307ST	QVVTU19V307ST
TBR3-7/16H-3	QMTU18J307SB	QATU18A307SB	QAATU18A307SB	n/a	QVTU19V307SB	QVVTU19V307SB
TBR3H	QMTU15J300SM	QATU15A300SM	QAATU15A300SM	n/a	QVTU16V300SM	QVVTU16V300SM
TBR3H-18	QMTU15J300ST	QATU15A300ST	QAATU15A300ST	n/a	QVTU16V300ST	QVVTU16V300ST
TBR3H-3	QMTU15J300SB	QATU15A300SB	QAATU15A300SB	n/a	QVTU16V300SB	QVVTU16V300SB
TBR4	QMTU20J400SEM	QATU20A400SEM	QAATU20A400SEM	n/a	QVTU22V400SEM	QVVTU22V400SEM
TBR4-18	QMTU20J400SET	QATU20A400SET	QAATU20A400SET	n/a	QVTU22V400SET	QVVTU22V400SET
TBR4-3	QMTU20J400SEB	QATU20A400SEB	QAATU20A400SEB	n/a	QVTU22V400SEB	QVVTU22V400SEB
TBR4H	QMTU20J400SM	QATU20A400SM	QAATU20A400SM	n/a	QVTU22V400SM	QVVTU22V400SM
TBR4H-18	QMTU20J400ST	QATU20A400ST	QAATU20A400ST	n/a	QVTU22V400ST	QVVTU22V400ST
TBR4H-3	QMTU20J400SB	QATU20A400SB	QAATU20A400SB	n/a	QVTU22V400SB	QVVTU22V400SB

Note: This interchange guide is for reference only. **Some competitor bearings may not be shown.** If you are unable to find the bearing you are trying to interchange, please contact your local distributor or QM Bearings for assistance.

Quick-Flex Couplings – Features/Benefits



Too Good to Be True?

Sometimes a simple solution comes along that really works as claimed and you can only wonder why you hadn't heard about it sooner. The Quick-Flex flexible coupling, made by QM Bearings, is such a product.

Install Quick-Flex couplings when you need to transmit torque from a drive shaft to a driven shaft. The flexible insert tolerates angular, radial and axial misalignment. Choose from four insert compounds, depending on your application's torque, vibration and shock load characteristics.

Simple for Good Reasons

The keep-it-simple approach has its advantages. Quick-Flex couplings require no lubrication and are easy to install and maintain. Once the two coupling hubs, insert and cover are installed for the first time, **the coupling hubs will not need to be moved again for the life of the equipment.** The straight-forward design means there is no possible interference between the coupling hubs if the insert fails. **Plus, the urethane insert can be easily changed without moving the hubs.**

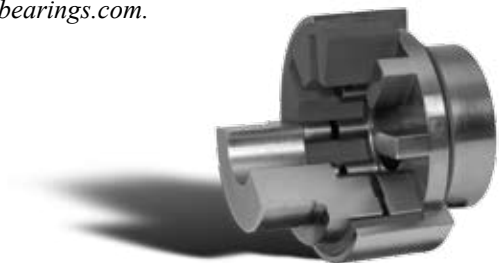
Wide Range of Applications

Lower your maintenance costs with one of the most rugged coupling designs available for a wide range of applications:

- ⇨ Hydraulics
- ⇨ Compressors
- ⇨ Paper machine rolls
- ⇨ Pumps
- ⇨ Vibrating screens
- ⇨ Air moving equipment
- ⇨ Reducers
- ⇨ Conveyors
- ⇨ Motors
- ⇨ Pulp machines
- ⇨ And more

Ready to Try Quick-Flex?

Quick-Flex couplings are direct replacements for virtually all comparable couplings in use. Choose from standard couplings, single-ended spacer couplings and double ended spacer couplings. With sizes accommodating shafts from 1/2" to 11-1/4" and torque ratings from 504 in-lbs to 1,670,825 in-lbs, there is a Quick-Flex coupling for most any application. Contact your local distributor or QM Bearings for more information or visit www.qmbearings.com.



QUICK-FLEX COUPLINGS – CONTENTS

Introduction	333-334
Ordering/Nomenclature	335-337
Inserts and Covers	338-342
Standard Couplings	343-346
Single Ended Spacer Couplings	347-349
Double Ended Spacer Couplings	350-352
Bushing Style Couplings	353-355
Mill Motor Couplings	356
Splined Hub Couplings	357
Engineering Information	358-367
Installation Guides	368-379

Quick-Flex Couplings – Features/Benefits

Three Types to Suit Your Application



Standard Coupling
Shown with high speed cover



Single Ended Spacer Coupling
Shown with low speed split cover



Double Ended Spacer Coupling
Shown with high speed split covers

Quick-Flex Benefits

Compare Quick-Flex couplings to other brands to realize a wide range of benefits:

- ⇒ Replace insert in minutes to reduce downtime
- ⇒ Require no lubrication
- ⇒ Absorb shock loads
- ⇒ Reduce vibration
- ⇒ Accept misalignment
- ⇒ Highest torque ratings available in a flexible coupling
- ⇒ Reduce inventory costs—only spare part required is a urethane insert that can be replaced in just a few minutes
- ⇒ Order for immediate shipment (stocked in five warehouses across North America)
- ⇒ Accept shaft sizes from 1/2” to 11-1/4” and up to 1,670,825 in.-lbs. of torque
- ⇒ Extend shaft separation from 1” to 120” by ordering single and double-ended spacer couplings
- ⇒ Eliminate the need to move or disassemble the drive to replace the insert
- ⇒ Choose stainless steel versions for harsh environments
- ⇒ High speed covers for high RPM applications and split covers for high torque applications available
- ⇒ Select from four insert compounds for varying torque needs and temperature ranges up to 350 F (177 C)
- ⇒ Eliminate axial forces under high torque with split cover option
- ⇒ All surfaces on coupling hubs and spacer bodies are precision machined for high speed applications
- ⇒ Use for extremely high RPM applications when dynamically balanced (optional)

Compare the Quick-Flex Advantages

	QM Quick-Flex	Jaw Coupling	Grid Coupling	Gear Coupling	Chain Coupling	Tire Coupling	Disc Coupling
No hub teeth wear	✓					✓	✓
Easy to replace without moving hubs	✓		✓		✓	✓	✓
High torque ratings	✓			✓	✓		✓
Hubs not damaged by insert failure	✓					✓	✓
Never needs lubrication	✓	✓				✓	✓
High speed capacity	✓			✓			✓
Fewer loose pieces	✓	✓					
Cushions shock	✓	✓	✓			✓	
Compact	✓	✓		✓	✓		✓
Lower cost	✓	✓			✓		

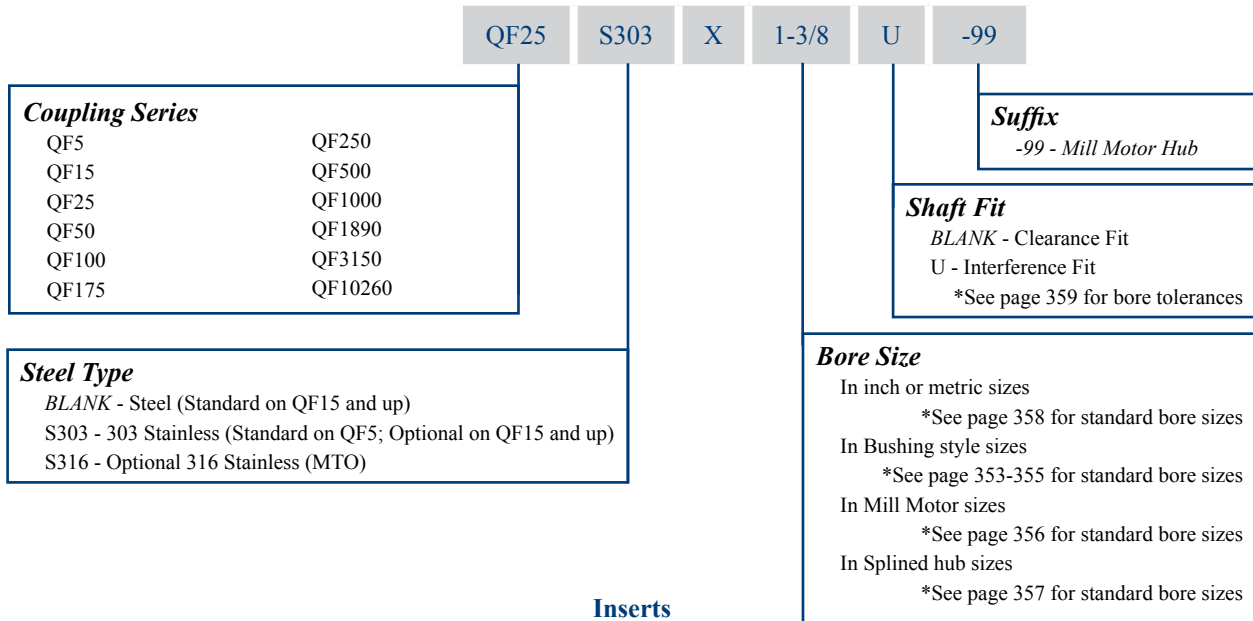
Quick-Flex Couplings – Ordering/Nomenclature

Quick-Flex Standard Coupling Ordering/Nomenclature

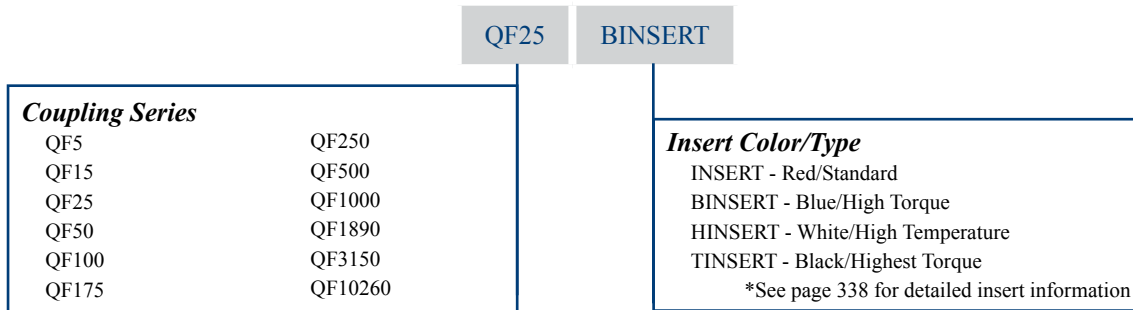
A complete standard coupling unit consists of:

- ⇒ 2 Hubs
- ⇒ 1 Insert
- ⇒ 1 Cover

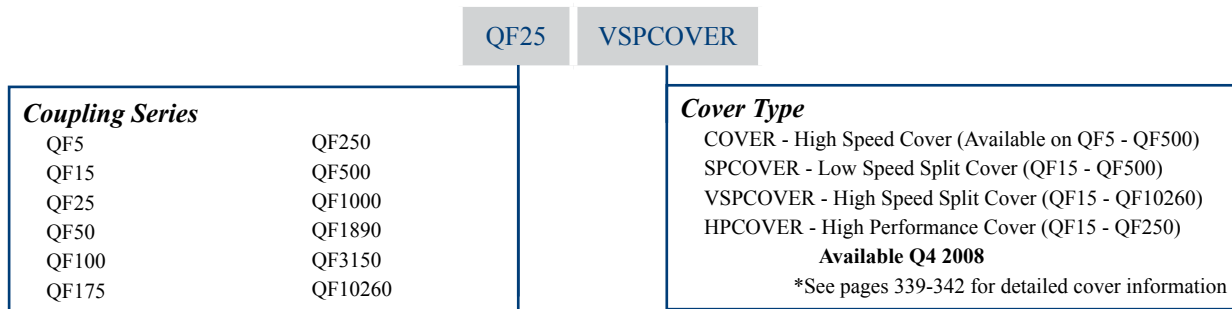
Hubs



Inserts



Covers



(continued on next page)

Quick-Flex Couplings – Ordering/Nomenclature

Quick-Flex Spacer Coupling Ordering/Nomenclature

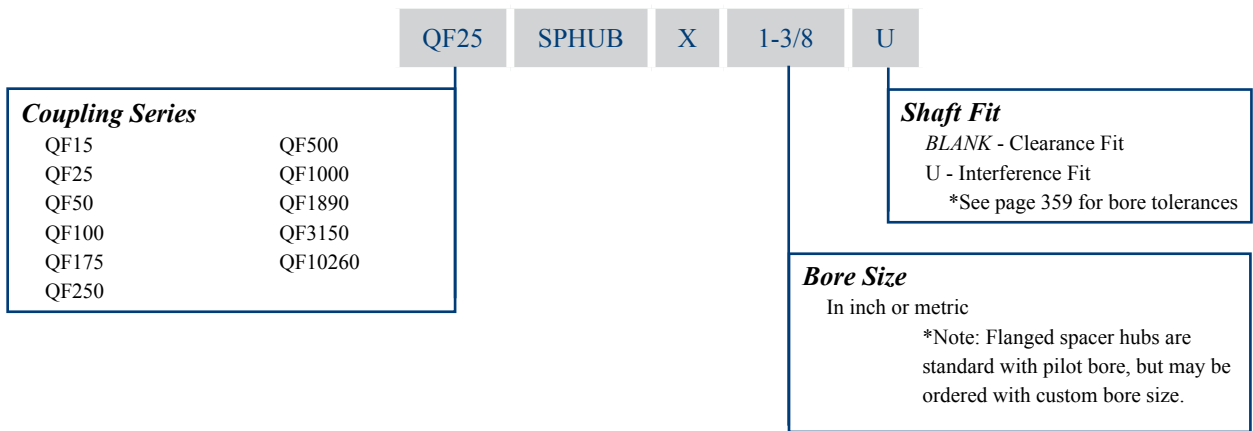
A complete *single ended* spacer coupling unit consists of:

- ⇒ 1 Standard Hub (see page 335)
- ⇒ 1 Flanged Spacer Hub
- ⇒ 1 Single Ended Spacer Body
- ⇒ 1 Insert (see page 338)
- ⇒ 1 Cover (see pages 339-342)

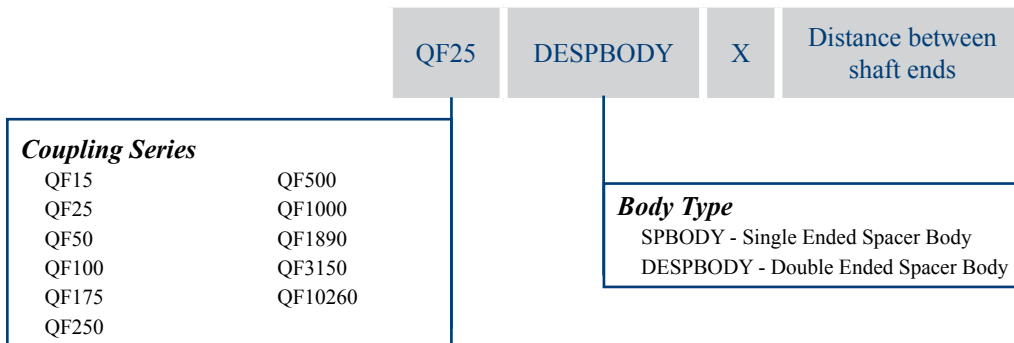
A complete *double ended* spacer coupling unit consists of:

- ⇒ 2 Standard Hubs (see page 335)
- ⇒ 1 Double Ended Spacer Body
- ⇒ 2 Inserts (see page 338)
- ⇒ 2 Covers (see pages 339-342)

Flanged Spacer Hubs



Spacer Bodies



Quick-Flex Couplings – Ordering/Nomenclature

Selecting Quick-Flex Couplings

Quick-Flex Coupling Selection Using Inch-Pound Torque Ratings

To select the correct Quick-Flex coupling for your application, use the formulas below, the torque ratings on pages 360-361 and the maximum bore sizes and speed ratings on pages 343-357 to determine which Quick-Flex coupling meets the design torque, maximum shaft size and speed rating of your application. For help on applications with large shaft separations please contact your local distributor or QM Bearings. If you need further assistance please contact either your local distributor, QM Bearings or visit www.qmbearings.com.

$$\begin{aligned} \text{Design Torque (in/lbs)} &= \text{Actual Torque (in/lbs)} \times \text{Service Factor (see pages 364-365)} \\ \text{Actual Torque (in/lbs)} &= \frac{63025 \times \text{HP}}{\text{RPM}} \end{aligned}$$

where:

$$\begin{aligned} \text{HP} &= \text{Drive Horsepower} \\ \text{RPM} &= \text{Drive Shaft Revolutions Per Minute} \end{aligned}$$

Quick-Flex Coupling Selection Using Newton Meter Torque Ratings

To select the correct Quick-Flex coupling for your application, use the formulas below, the torque ratings on page 362 and maximum bore sizes and speed ratings on pages 343-357 to determine which Quick-Flex coupling meets the design torque, maximum shaft size and speed rating of your application. For applications with shaft separations larger than allowable please contact your local distributor or QM Bearings. If you need further assistance please contact either your local distributor or QM Bearings or visit www.qmbearings.com.

$$\begin{aligned} \text{Design Torque (Nm)} &= \text{Actual Torque (Nm)} \times \text{Service Factor (see pages 364-365)} \\ \text{Actual Torque (Nm)} &= \frac{9550 \times \text{kW}}{\text{RPM}} \end{aligned}$$

where:

$$\begin{aligned} \text{kW} &= \text{Drive Kilowatts} \\ \text{RPM} &= \text{Drive Shaft Revolutions Per Minute} \end{aligned}$$

Helpful Conversion Formulas

$$\begin{aligned} (\text{Nm} \leftrightarrow \text{in/lbs}) &\rightarrow 1 \text{ Nm} = 8.85 \text{ in/lbs} \\ (\text{kW} \leftrightarrow \text{HP}) &\rightarrow 1 \text{ Kw} = 1.341 \text{ HP} \end{aligned}$$

Go Online

QM Bearings now has an [Interactive Coupling Wizard](#) to help you select the proper coupling. Just input your known specifications and QM Bearings will pick the Quick-Flex coupling to suit your application. Visit www.qmbearings.com to find out more.

Quick-Flex Couplings – Inserts & Covers

Quick-Flex Coupling Inserts

Quick-Flex flexible urethane coupling inserts are resistant to most chemicals (see page 366-367) and available in four materials for varying temperature and torque needs:

Quick-Flex red insert (standard)

The standard red Quick-Flex insert is made from a relatively soft urethane compound. This insert is well suited for a wide range of applications. The standard insert excels in vibration dampening and cushioning of shock loads and is best for reversing applications or applications with quick starting and stopping of high inertial loads. This insert offers an operational temperature range of -60 F to 212 F (-50 C to 100 C).

Quick-Flex blue insert (high torque)

The blue Quick-Flex insert is made from a relatively stiff urethane compound. This insert is well suited for applications with moderate to high torque. Quick-Flex couplings with the blue insert deliver high torque while maintaining a degree of torsional softness and the ability to dampen vibration. They are excellent replacements for gear, disc, or grid style couplings. This insert offers an operational temperature range of -60 F to 212 F (-50 C to 100 C).

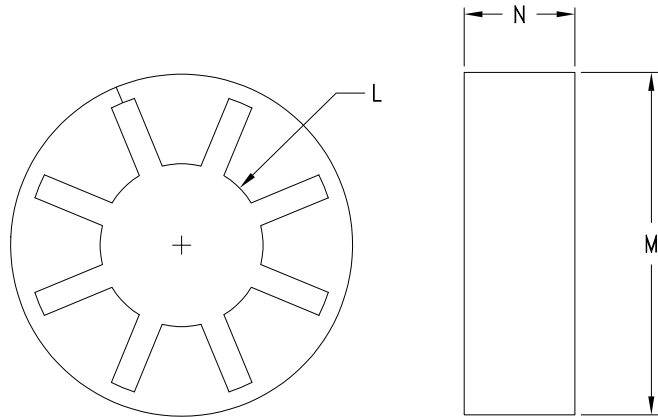
Quick-Flex white insert (high temperature)

The white Quick-Flex insert is made of a heat resistant urethane compound for use in applications where heat is a concern. This insert can handle temperatures up to 350 F (177 C) and provides torque capabilities equal to our blue insert.

Quick-Flex black insert (highest torque)

The black Quick-Flex insert offers the highest torque ratings of any of our inserts. This insert is well suited for very high torque applications and Quick-Flex couplings with a black insert are excellent replacements for gear style couplings. This insert offers an operational temperature range of -60 F to 212 F (-50 C to 100 C).

Quick-Flex Insert Dimensions



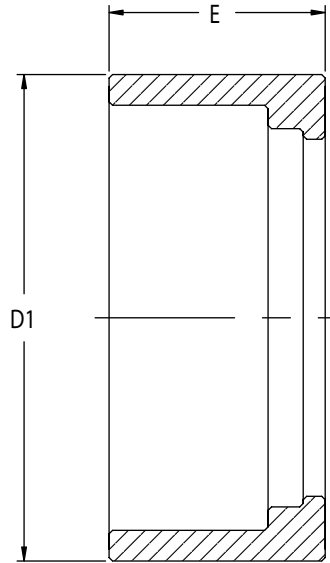
Quick-Flex Insert Dimensions (in.)

Coupling Series	L	M	N	Wt. (lbs)
QF5	1.23	2.23	0.63	0.05
QF15	1.66	2.86	0.85	0.10
QF25	2.16	3.80	1.23	0.30
QF50	2.41	5.05	1.64	0.80
QF100	3.05	6.44	2.02	1.45
QF175	3.90	7.37	2.35	2
QF250	4.13	8.20	2.32	3
QF500	4.34	9.98	2.63	5
QF1000	6.19	11.30	2.96	6
QF1890	7.60	13.61	3.24	9
QF3150	9.15	15.93	3.67	13
QF10260	11.25	19.04	5.43	31

Quick-Flex Couplings – Inserts & Covers

Quick-Flex Coupling Covers

Quick-Flex High Speed Cover



* Quick-Flex High Speed Covers are designed for applications where low torque and/or high speed is present.

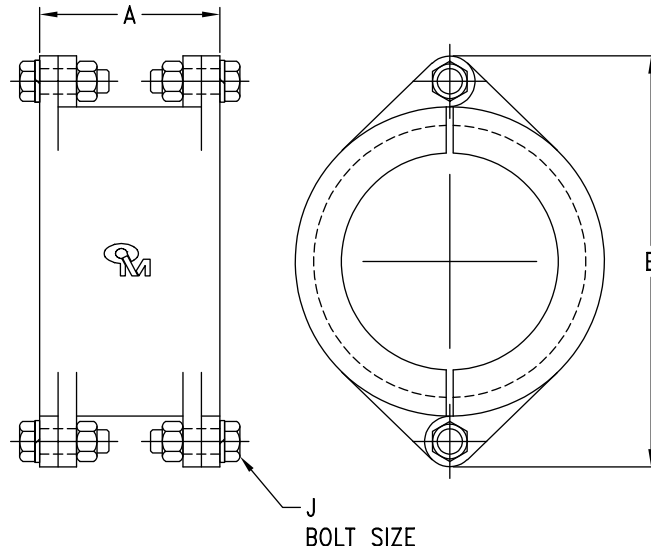
Quick-Flex High Speed Cover Dimensions (in.)

Cover Part #	Maximum RPM	D1	E
QF5COVER	12000	2.49	0.95
QF15COVER	9000	3.16	1.35
QF25COVER	7000	4.21	1.95
QF50COVER	6000	5.48	2.38
QF100COVER	4800	7.00	2.96
QF175COVER	4200	8.00	3.27
QF250COVER	3800	8.88	3.50
QF500COVER	3400	10.77	4.05

Quick-Flex Couplings – Inserts & Covers

Quick-Flex Coupling Covers *(continued)*

Quick-Flex Low Speed Split Cover



* Quick-Flex Low Speed Split Covers excel in applications where there is a high amount of torque and low speeds are present while eliminating axial loading.

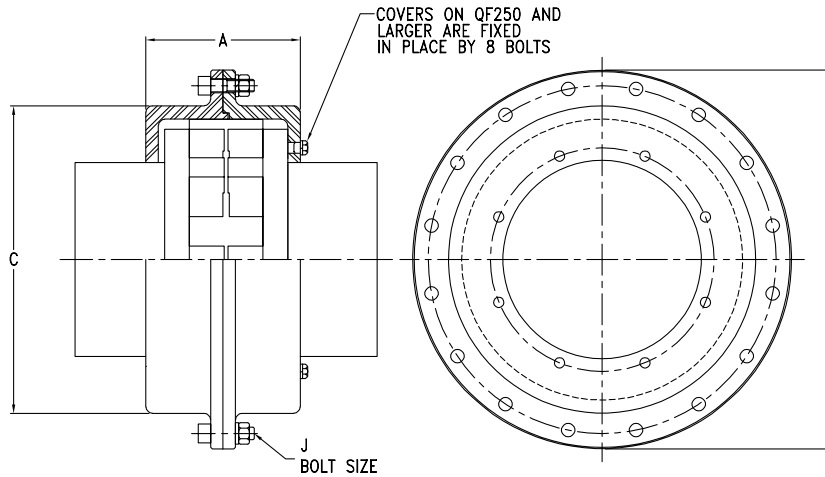
Quick-Flex Low Speed Split Cover Dimensions (in.)

Cover Part #	Maximum RPM	A	B	J
QF15SPCOVER	400	2.00	4.79	(4) 3/8 nc x 1
QF25SPCOVER	375	3.07	5.71	(4) 3/8 nc x 1-1/4
QF50SPCOVER	350	3.46	7.58	(4) 3/8 nc x1
QF100SPCOVER	300	4.66	9.13	(4) 3/8 nc x 1-1/4
QF175SPCOVER	250	4.88	11.12	(4) 1/2 nc x 1-1/4
QF250SPCOVER	200	5.13	12.00	(4) 1/2 nc x 1-1/2

Quick-Flex Couplings – Inserts & Covers

Quick-Flex Coupling Covers (continued)

Quick-Flex High Speed Split Cover



* Quick-Flex High Speed Split Covers are ideal in applications where high torque is combined with higher speeds all the while eliminating axial loading.

Quick-Flex High Speed Split Cover Dimensions (in.)

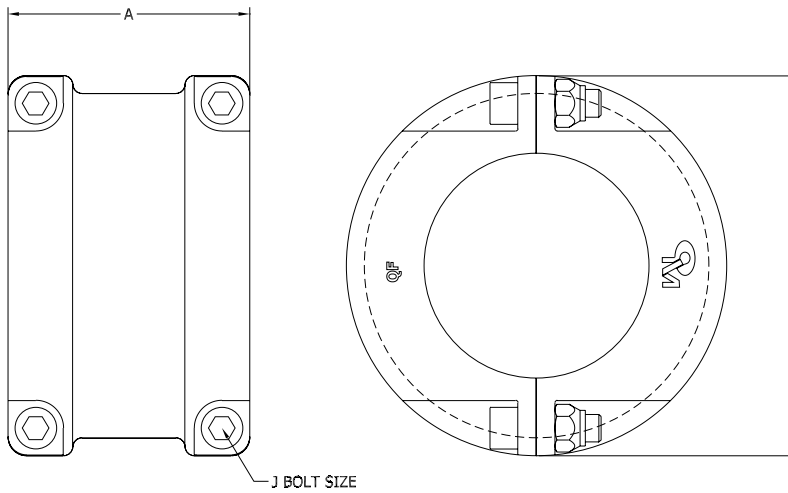
Cover Part #	Maximum RPM	A	B	C	J
QF15VSPCOVER	9000	1.78	4.70	3.38	(8) 1/4 nc x 3/4
QF25VSPCOVER	7000	2.50	5.62	4.24	(8) 1/4 nc x 3/4
QF50VSPCOVER	6000	3.46	7.30	5.58	(8) 3/8 nc x 1
QF100VSPCOVER	4800	4.66	8.77	7.16	(8) 3/8 nc x 1-1/4
QF175VSPCOVER	4200	4.88	9.20	8.04	(8) 3/8 nc x 1-1/4
QF250VSPCOVER	3800	4.67	10.50	8.86	(8) 3/8 nc x 1-1/4
QF500VSPCOVER	3400	5.88	13.50	10.75	(16) 1/2 nc x 1-3/4
QF1000VSPCOVER	3000	6.21	15.25	12.38	(16) 1/2 nc x 1-3/4
QF1890VSPCOVER	2800	7.32	17.75	14.75	(16) 1/2 nc x 2
QF3150VSPCOVER	2000	7.42	19.59	16.98	(20) 1/2 nc x 2
QF10260VSPCOVER	1200	10.85	24.38	20.60	(20) 1/2 nc x 2

* Available split horizontally upon request (Will result in reduced torque capacity)

Quick-Flex Couplings – Inserts & Covers

Quick-Flex Coupling Covers *(continued)*

Quick-Flex Aluminum HP (High Performance) Cover **NEW**



* Quick-Flex Aluminum High Performance Covers are designed for all applications including high or low torque and speed ratings while eliminating axial loading.

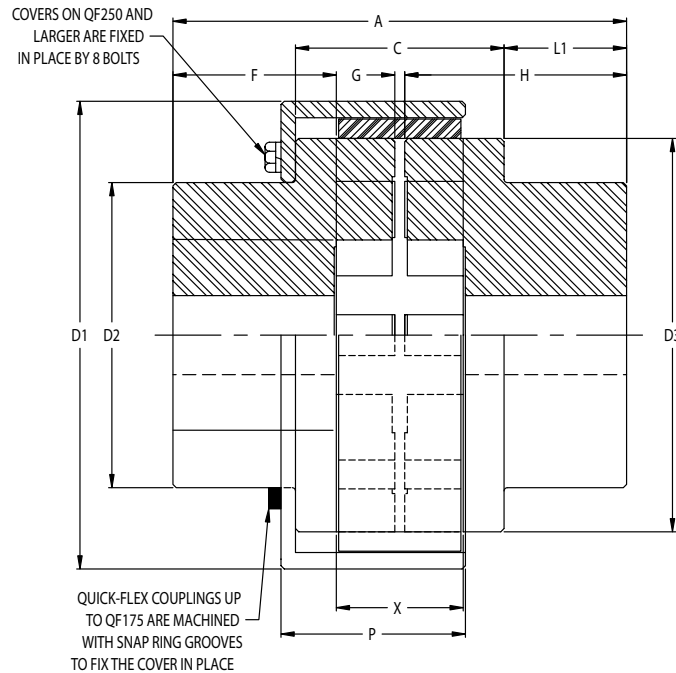
Quick-Flex Aluminum HP (High Performance) Cover Dimensions (in.)

Cover Part #	Maximum RPM	A	B	J
QF15HPCOVER	9000	1.93	3.99	(4) 1/4 nc x 7/8
QF25HPCOVER	7000	2.61	5.34	(4) 3/8 nc x 1-1/4
QF50HPCOVER	6000	3.02	7.28	(4) 1/2 nc x 2
QF100HPCOVER	4800	5.96	7.76	(4) 1/2 nc x 2-1/4
QF175HPCOVER	4200	6.17	8.52	(4) 5/8 nc x 2-1/2
QF250HPCOVER	3800	9.24	14.35	(4) 3/4 nc x 3-1/2

* Available Q4 2008

Quick-Flex Couplings – Standard Couplings

Quick-Flex Standard Coupling with High Speed Cover



Quick-Flex Standard Coupling with High Speed Cover Dimensions (in.)

Coupling Series	Pilot Bore Diameter	Maximum Bore Size	Maximum RPM	Maximum Torque (in-lbs)**	A	C	D1	D2	D3	F	G _{MIN}	G _{MAX}	H	L1	P	X	Wt* (lbs)
QF5	19/64	1-1/4	12000	819	2.80	1.03	2.49	2.00	2.07	1.08	0.062	0.092	1.37	0.88	0.95	0.66	4
QF15	17/32	1-5/8	9000	2075	3.54	1.28	3.16	2.31	2.55	1.34	0.036	0.110	1.75	1.14	1.35	0.88	5
QF25	5/8	2-1/8	7000	6461	4.86	2.00	4.21	3.19	3.37	1.81	0.080	0.205	2.39	1.42	1.95	1.21	11
QF50	23/32	2-3/8	6000	14001	5.96	2.42	5.48	3.52	4.49	2.16	0.035	0.208	2.96	1.78	2.38	1.66	15
QF100	15/16	3	4800	28115	7.07	3.48	7.00	4.25	5.92	2.46	0.140	0.290	3.40	1.76	2.96	2.19	37
QF175	1	3-7/8	4200	47122	7.69	3.67	8.00	5.50	6.75	2.67	0.188	0.208	3.75	2.00	3.27	2.45	57
QF250	1-1/2	4-1/8	3800	61726	8.51	3.96	8.88	5.79	7.48	3.10	0.100	0.230	4.21	2.33	3.50	2.49	71
QF500	1-7/8	4-1/2	3400	115497	10.13	4.67	10.77	7.00	9.25	3.75	0.125	0.250	5.00	2.75	4.05	2.75	126

* Weights shown are approximate weights of complete coupling assemblies including two pilot-bore hubs, cover and insert

** When used with blue insert (see page 360 for complete torque ratings).

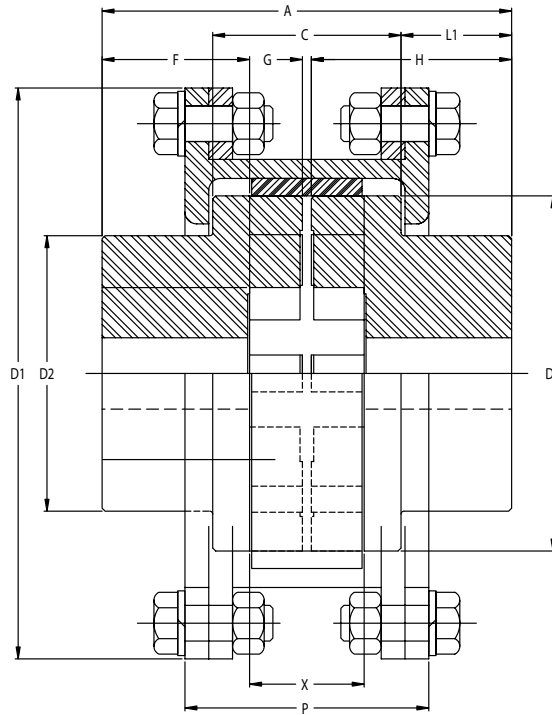
Quick-Flex Insert Maximum Torque Ratings (in-lbs)

Coupling Series	RED	BLUE	WHITE	BLACK
QF5	377	819	n/a	n/a
QF15	1059	2075	2075	n/a
QF25	3426	6461	6461	n/a
QF50	7066	14002	14002	n/a
QF100	14178	28115	28115	n/a
QF175	24602	47123	47123	n/a
QF250	31091	61726	61726	n/a
QF500	60091	115497	115497	n/a

Note: When using high speed cover, use of black insert not recommended. In an application where high torque is present, use split cover option.

Quick-Flex Couplings – Standard Couplings

Quick-Flex Standard Coupling with Low Speed Split Cover



Quick-Flex Standard Coupling with Low Speed Split Cover Dimensions (in.)

Coupling Series	Pilot Bore Diameter	Maximum Bore Size	Maximum RPM	Maximum Torque (in-lbs)**	A	C	D1	D2	D3	F	G _{MIN}	G _{MAX}	H	L1	P	X	Wt* (lbs)
QF15	17/32	1-5/8	400	4001	3.54	1.28	4.79	2.31	2.55	1.34	0.036	0.099	1.75	1.14	2.00	0.88	6
QF25	5/8	2-1/8	375	12449	4.86	2.00	5.71	3.19	3.37	1.81	0.080	0.133	2.39	1.42	3.07	1.21	13
QF50	23/32	2-3/8	350	26478	5.96	2.42	7.58	3.52	4.49	2.16	0.035	0.101	2.96	1.78	3.46	1.66	19
QF100	15/16	3	300	53641	7.07	3.48	9.13	4.25	5.92	2.46	0.140	0.380	3.40	1.76	4.66	2.19	44
QF175	1	3-7/8	250	88256	7.69	3.67	11.12	5.50	6.75	2.67	0.188	0.375	3.75	2.00	4.88	2.45	72
QF250	1-1/2	4-1/8	200	118929	8.51	3.96	12.00	5.79	7.48	3.10	0.100	0.365	4.21	2.33	5.13	2.49	87

* Weights shown are approximate weights of complete coupling assemblies including two pilot-bore hubs, cover and insert

** When used with black insert (see page 361 for complete torque ratings).

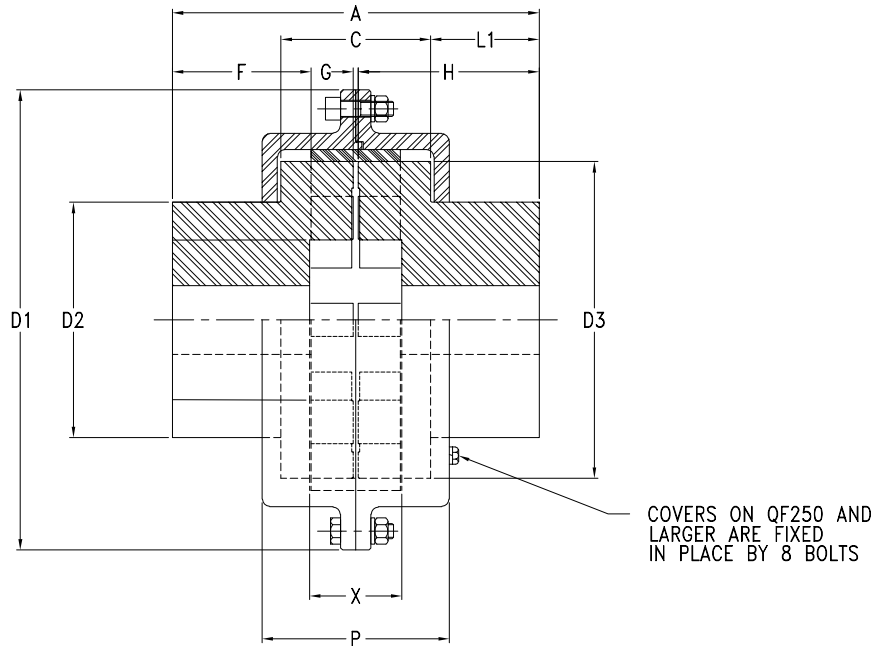
Quick-Flex Insert Maximum Torque Ratings (in-lbs)

Coupling Series	RED	BLUE	WHITE	BLACK
QF15	1324	2594	2594	4001
QF25	4283	8077	8077	12449
QF50	8833	17502	17502	26479
QF100	17723	35144	35144	53642
QF175	30753	58903	58903	88257
QF250	38864	77158	77158	118930

Note: When using low speed split cover, please refer to maximum RPM column on above graph for allowable speed ratings.

Quick-Flex Couplings – Standard Couplings

Quick-Flex Standard Coupling with High Speed Split Cover



Quick-Flex Standard Coupling with High Speed Split Cover Dimensions (in.)

Coupling Series	PB Diameter	Maximum Bore Size		Maximum RPM	Maximum Torque (in-lbs)**	A	C	D1	D2	D3	F	G _{MIN}	G _{MAX}	H	L1	P	X	Wt* (lbs)
		Square Key	Shallow Key															
QF15	17/32	1-5/8	-	9000	4001	3.54	1.28	4.70	2.31	2.55	1.34	0.036	0.126	1.75	1.14	1.78	0.88	7
QF25	5/8	2-1/8	-	7000	12449	4.86	2.00	5.62	3.19	3.37	1.81	0.080	0.140	2.39	1.42	2.50	1.21	13
QF50	23/32	2-3/8	-	6000	26479	5.96	2.42	7.30	3.52	4.49	2.16	0.035	0.220	2.96	1.78	3.46	1.66	20
QF100	15/16	3	-	4800	53642	7.07	3.48	8.77	4.25	5.92	2.46	0.140	0.380	3.40	1.76	4.66	2.19	47
QF175	1	3-7/8	-	4200	88257	7.69	3.67	9.20	5.50	6.75	2.67	0.188	0.348	3.75	2.00	4.88	2.45	65
QF250	1-1/2	4-1/8	-	3800	118930	8.51	3.96	10.50	5.79	7.48	3.10	0.100	0.258	4.21	2.33	4.67	2.49	81
QF500	1-7/8	4-1/2	-	3400	219429	10.13	4.67	13.50	7.00	9.25	3.75	0.125	0.375	5.00	2.75	5.88	2.75	149
QF1000	1-7/8	5-1/2	6-3/16	3000	310466	12.19	4.99	15.25	7.81	10.50	4.60	0.160	0.410	6.00	3.60	6.21	3.04	226
QF1890	2-1/2	7	7-9/16	2400	553981	14.70	5.91	17.75	9.50	12.80	5.74	0.202	0.454	7.26	4.45	7.32	3.35	410
QF3150	2-1/2	8	9-1/8	2000	871138	16.08	6.29	19.59	11.00	15.09	6.18	0.070	0.455	7.98	5.00	7.42	3.99	542
QF10260	2-1/2	11	11-1/4	1200	1670825	20.01	9.10	24.38	15.00	17.75	7.22	0.127	0.492	9.88	5.45	10.85	5.68	1136

* Weights shown are approximate weights of complete coupling assemblies including two pilot-bore hubs, cover and insert

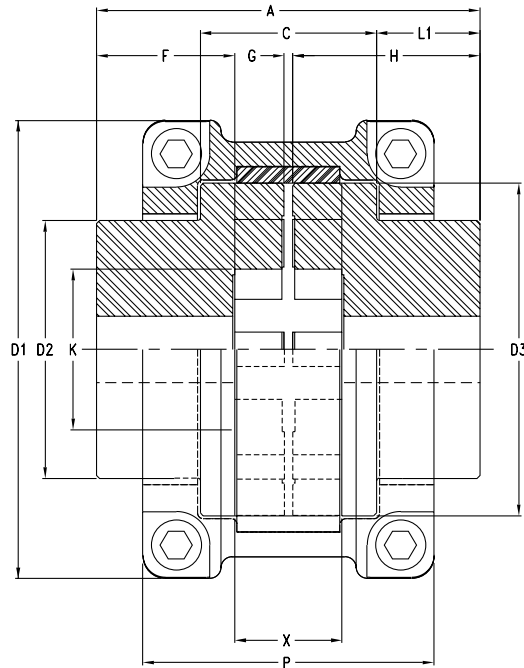
** When used with black insert (see page 361 for complete torque ratings).

Quick-Flex Insert Maximum Torque Ratings (in-lbs)

Coupling Series	RED	BLUE	WHITE	BLACK
QF15	1324	2594	2594	4001
QF25	4283	8077	8077	12449
QF50	8833	17502	17502	26479
QF100	17723	35144	35144	53642
QF175	30753	58903	58903	88257
QF250	38864	77158	77158	118930
QF500	75114	144372	144372	219429
QF1000	106208	203746	203746	310466
QF1890	175840	344594	344594	553982
QF3150	300387	566434	566434	871139
QF10260	n/a	1131179	1131179	1670826

Quick-Flex Couplings – Standard Couplings

Quick-Flex Standard Coupling with Aluminum HP (High Performance) Cover



Quick-Flex Standard Coupling with Aluminum HP (High Performance) Cover Dimensions (in.)

Coupling Series	PB Diameter	Maximum Bore Size		Maximum RPM	Maximum Torque (in-lbs)**	A	C	D1	D2	D3	F	G _{MIN}	G _{MAX}	H	L1	P	X	Wt* (lbs)
		Square Key	Shallow Key															
QF15	17/32	1-5/8	-	9000	4001	3.54	1.28	3.99	2.31	2.55	1.34	0.036	.220	1.75	1.14	1.93	0.88	5
QF25	5/8	2-1/8	-	7000	12449	4.86	2.00	5.34	3.19	3.37	1.81	0.080	0.160	2.39	1.42	2.61	1.21	12
QF50	23/32	2-3/8	-	6000	26479	5.96	2.42	7.28	3.52	4.49	2.16	0.035	0.160	2.96	1.78	3.02	1.66	17
QF100	15/16	3	-	4800	53642	7.07	3.48	7.76	4.25	5.92	2.46	0.140	0.370	3.40	1.76	5.96	2.19	40
QF175	1	3-7/8	-	4200	88257	7.69	3.67	8.52	5.50	6.75	2.67	0.188	0.368	3.75	2.00	6.17	2.45	59
QF250	1-1/2	4-1/8	-	3800	118930	8.51	3.96	10.29	5.79	7.48	3.10	0.100	0.318	4.21	2.33	6.54	2.49	81

* Weights shown are approximate weights of complete coupling assemblies including two pilot-bore hubs, cover and insert

** When used with black insert (see page 361 for complete torque ratings).

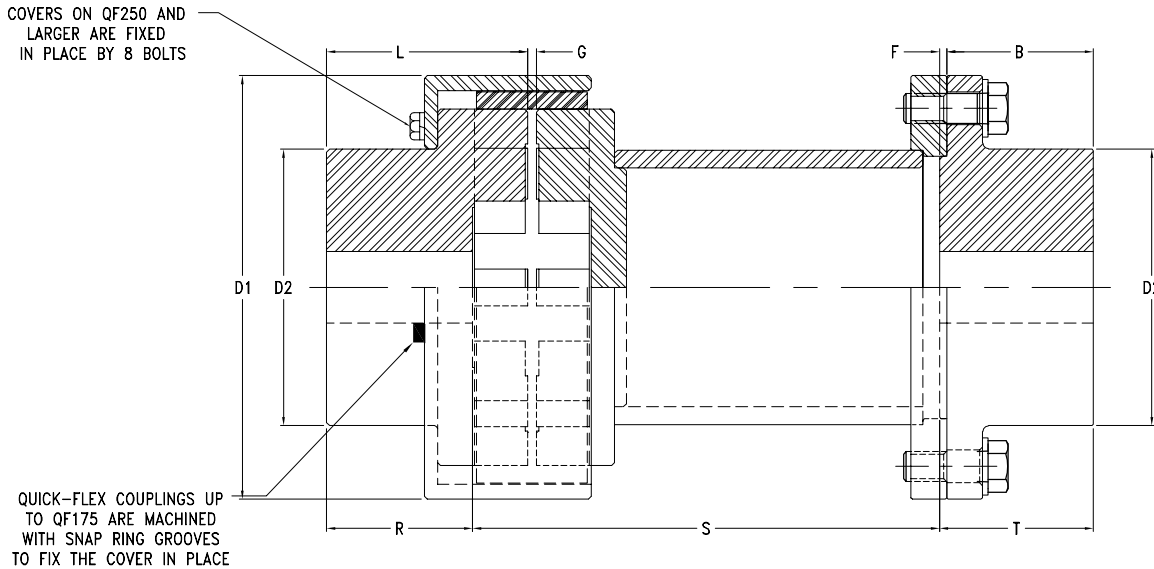
* Available Q4 2008

Quick-Flex Insert Maximum Torque Ratings (in-lbs)

Coupling Series	RED	BLUE	WHITE	BLACK
QF15	1324	2594	2594	4001
QF25	4283	8077	8077	12449
QF50	8833	17502	17502	26479
QF100	17723	35144	35144	53642
QF175	30753	58903	58903	88257
QF250	38864	77158	77158	118930

Quick-Flex Couplings – Single-Ended Spacer Couplings

Quick-Flex Single-Ended Spacer Coupling with High Speed Cover



Quick-Flex Single-Ended Spacer Coupling with High Speed Cover Dimensions (in.)

Coupling Series	PB Diameter	Maximum Bore Size		Maximum Torque (in-lbs)**	B	D1	D2	F	G _{MIN}	G _{MAX}	L	R	S _{MAX} *	T
		Square Key	Shallow Key											
QF15	17/32	1-5/8	-	2075	1.50	3.16	2.31	0.04	0.036	0.110	1.75	1.34	10	1.54
QF25	5/8	2-1/8	-	6461	2.01	4.21	3.19	0.04	0.080	0.205	2.39	1.81	12	2.05
QF50	23/32	2-3/8	-	14001	2.41	5.48	3.52	0.04	0.035	0.208	2.96	2.16	14	2.45
QF100	15/16	3	-	28115	2.38	7.00	4.20	0.15	0.140	0.290	3.40	2.40	16	2.53
QF175	1	3-7/8	-	47122	2.85	8.00	5.50	0.15	0.188	0.208	3.75	2.62	18	3.00
QF250	1-1/2	4-1/8	-	61726	3.08	8.88	5.79	0.15	0.100	0.230	4.21	3.06	20	3.23
QF500	1-7/8	4-1/2	-	115497	3.08	10.77	7.00	0.15	0.125	0.250	5.00	3.72	24	3.23

* Dimension shown is maximum distance between shafts. Please provide S dimension when ordering.

** When used with blue insert (see page 360 for complete torque ratings).

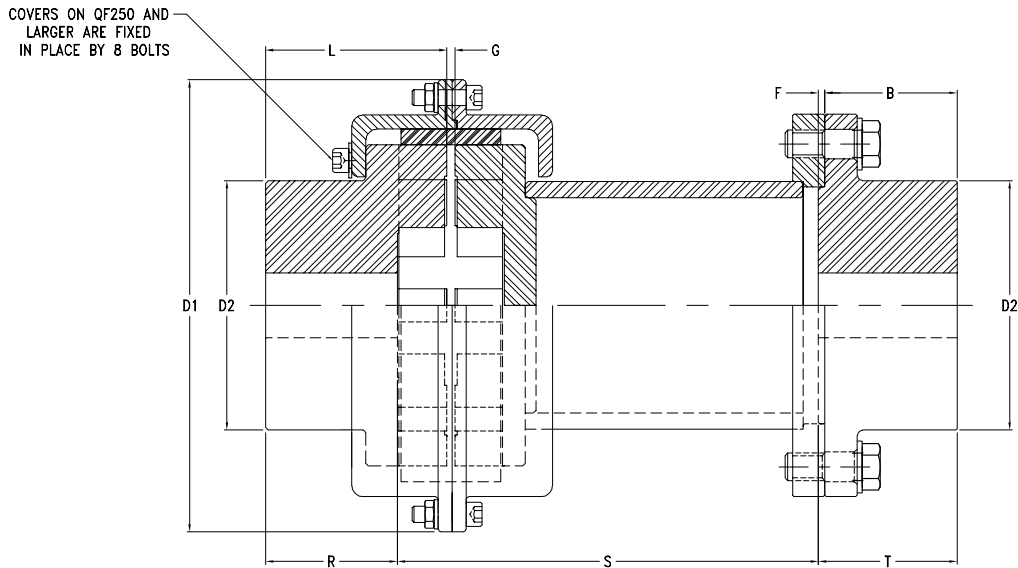
Quick-Flex Insert Maximum Torque Ratings (in-lbs)

Coupling Series	RED	BLUE	WHITE	BLACK
QF5	377	819	n/a	n/a
QF15	1059	2075	2075	n/a
QF25	3426	6461	6461	n/a
QF50	7066	14002	14002	n/a
QF100	14178	28115	28115	n/a
QF175	24602	47123	47123	n/a
QF250	31091	61726	61726	n/a
QF500	60091	115497	115497	n/a

Note: When using high speed cover, use of black insert not recommended. In an application where high torque is present, use split cover option.

Quick-Flex Couplings – Single-Ended Spacer Couplings

Quick-Flex Single-Ended Spacer Coupling with High Speed Split Cover



Quick-Flex Single-Ended Spacer Coupling with High Speed Split Cover Dimensions (in.)

Coupling Series	PB Diameter	Maximum Bore Size		Maximum Torque (in.-lbs)**	B	D1	D2	F	G _{MIN}	G _{MAX}	L	R	S _{MAX} *	T
		Square Key	Shallow Key											
QF15	17/32	1-5/8	-	4001	1.50	3.380	2.31	0.04	0.036	0.126	1.75	1.34	10	1.54
QF25	5/8	2-1/8	-	12449	2.01	5.615	3.19	0.04	0.080	0.140	2.39	1.81	12	2.05
QF50	23/32	2-3/8	-	26479	2.41	7.303	3.52	0.04	0.035	0.220	2.96	2.16	14	2.45
QF100	15/16	3	-	53643	2.38	8.766	4.20	0.15	0.140	0.380	3.40	2.40	16	2.53
QF175	1	3-7/8	-	88258	2.85	9.196	5.50	0.15	0.188	0.348	3.75	2.62	18	3.00
QF250	1-1/2	4-1/8	-	118930	3.08	10.50	5.79	0.15	0.100	0.258	4.21	3.06	20	3.23
QF500	1-7/8	4-1/2	-	219429	3.08	13.50	7.00	0.15	0.125	0.375	5.00	3.72	24	3.23
QF1000	1-7/8	5-1/2	6-3/16	310466	3.27	15.25	7.81	0.15	0.160	0.410	6.00	4.60	30	3.42
QF1890	2-1/2	7	7-9/16	553981	3.45	17.75	9.50	0.15	0.202	0.454	7.26	5.74	30	3.60
QF3150	2-1/2	8	9-1/8	871138	4.38	19.59	11.00	0.20	0.070	0.455	7.98	6.18	36	4.58
QF10260	2-1/2	11	11-1/4	1670825	6.80	24.38	13.00	0.20	0.127	0.492	9.88	7.22	36	7.00

* Dimension shown is maximum distance between shafts. Please provide S dimension when ordering.

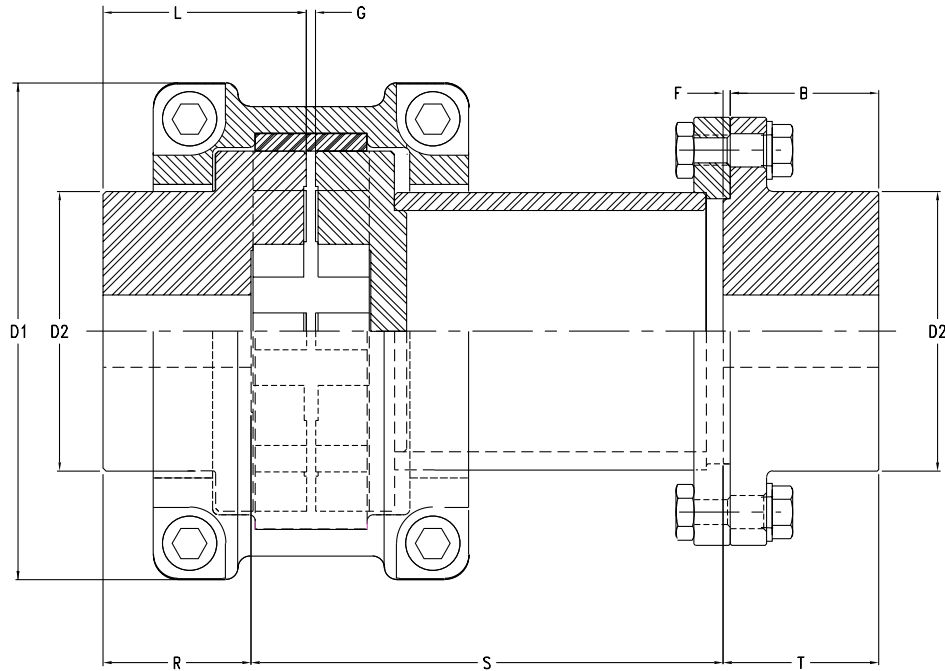
** When used with black insert (see page 361 for complete torque ratings).

Quick-Flex Insert Maximum Torque Ratings (in.-lbs)

Coupling Series	RED	BLUE	WHITE	BLACK
QF15	1324	2594	2594	4001
QF25	4283	8077	8077	12449
QF50	8833	17502	17502	26479
QF100	17723	35144	35144	53642
QF175	30753	58903	58903	88257
QF250	38864	77158	77158	118930
QF500	75114	144372	144372	219429
QF1000	106208	203746	203746	310466
QF1890	175840	344594	344594	553982
QF3150	300387	566434	566434	871139
QF10260	n/a	1131179	1131179	1670826

Quick-Flex Couplings – Single-Ended Spacer Couplings

Quick-Flex Single-Ended Spacer Coupling with Aluminum HP (High Performance) Cover



Quick-Flex Single-Ended Spacer Coupling with Aluminum HP (High Performance) Cover Dimensions (in.)

Coupling Series	PB Diameter	Maximum Bore Size		Maximum Torque (in-lbs)**	B	D1	D2	F	G _{MIN}	G _{MAX}	L	R	S _{MAX} *	T
		Square Key	Shallow Key											
QF15	17/32	1-5/8	-	4001	1.50	3.99	2.31	0.04	0.036	0.220	1.75	1.34	10	1.54
QF25	5/8	2-1/8	-	12449	2.01	5.34	3.19	0.04	0.080	0.160	2.39	1.81	12	2.05
QF50	23/32	2-3/8	-	26479	2.41	7.28	3.52	0.04	0.035	0.160	2.96	2.16	14	2.45
QF100	15/16	3	-	53642	2.38	7.76	4.25	0.15	0.140	0.370	3.40	2.40	16	2.53
QF175	1	3-7/8	-	88257	2.85	8.52	5.50	0.15	0.188	0.368	3.75	2.62	18	3.00
QF250	1-1/2	4-1/8	-	118930	3.08	10.29	5.79	0.15	0.100	0.318	4.21	3.06	20	3.23

* Dimension shown is maximum distance between shafts. Please provide S dimension when ordering.

** When used with black insert (see page 361 for complete torque ratings).

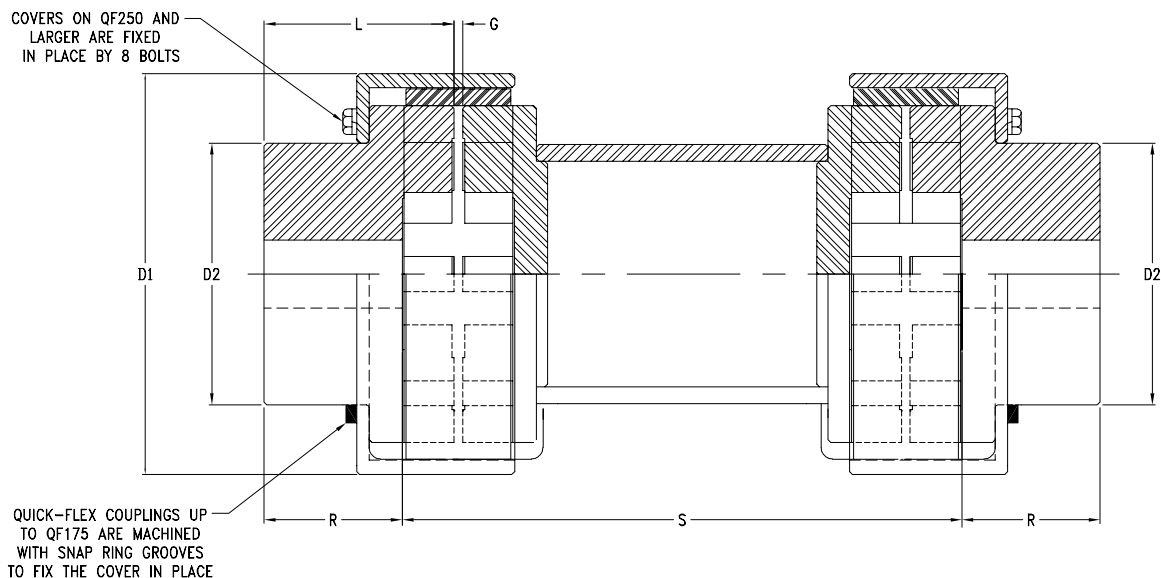
§ Available Q4 2008

Quick-Flex Insert Maximum Torque Ratings (in-lbs)

Coupling Series	RED	BLUE	WHITE	BLACK
QF15	1324	2594	2594	4001
QF25	4283	8077	8077	12449
QF50	8833	17502	17502	26479
QF100	17723	35144	35144	53642
QF175	30753	58903	58903	88257
QF250	38864	77158	77158	118930

Quick-Flex Couplings – Double-Ended Spacer Couplings

Quick-Flex Double-Ended Spacer Coupling with High Speed Covers



Quick-Flex Double-Ended Spacer Coupling with High Speed Covers Dimensions (in.)

Coupling Series	PB Diameter	Maximum Bore Size		Maximum Torque (in-lbs)**	D1	D2	L	G _{MIN}	G _{MAX}	R	S*
		Square Key	Shallow Key								
QF15	17/32	1-5/8	-	2075	3.16	2.31	1.75	0.062	0.110	1.34	See Note*
QF25	5/8	2-1/8	-	6461	4.21	3.19	2.39	0.062	0.205	1.81	See Note*
QF50	23/32	2-3/8	-	14001	5.48	3.52	2.96	0.062	0.208	2.16	See Note*
QF100	15/16	3	-	28115	7.00	4.25	3.40	0.188	0.290	2.40	See Note*
QF175	1	3-7/8	-	47122	8.00	5.50	3.75	0.188	0.208	2.62	See Note*
QF250	1-1/2	4-1/8	-	61726	8.88	5.79	4.21	0.188	0.230	3.06	See Note*
QF500	1-7/8	4-1/2	-	115497	10.77	7.00	5.00	0.188	0.250	3.72	See Note*

* Please provide S dimension when ordering.

** When used with blue insert (see page 360 for complete torque ratings).

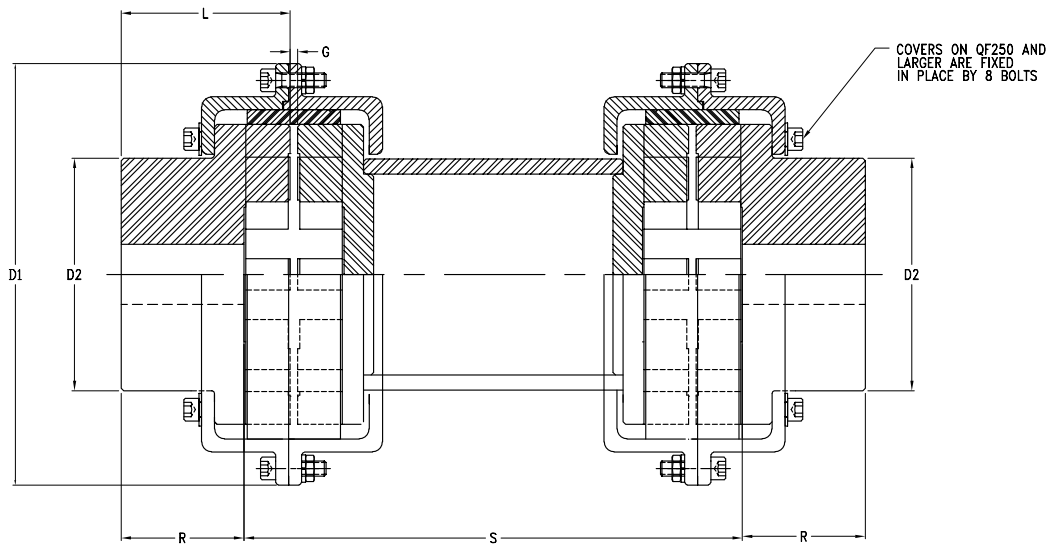
Quick-Flex Insert Maximum Torque Ratings (in-lbs)

Coupling Series	RED	BLUE	WHITE	BLACK
QF5	377	819	n/a	n/a
QF15	1059	2075	2075	n/a
QF25	3426	6461	6461	n/a
QF50	7066	14002	14002	n/a
QF100	14178	28115	28115	n/a
QF175	24602	47123	47123	n/a
QF250	31091	61726	61726	n/a
QF500	60091	115497	115497	n/a

Note: When using high speed cover, use of black insert not recommended. In an application where high torque is present, use split cover option.

Quick-Flex Couplings – Double-Ended Spacer Couplings

Quick-Flex Double-Ended Spacer Coupling with High Speed Split Covers



Quick-Flex Double-Ended Spacer Coupling with High Speed Split Covers Dimensions (in.)

Coupling Series	PB Diameter	Maximum Bore Size		Maximum Torque (in-lbs)**	D1	D2	L	G _{MIN}	G _{MAX}	R	S*
		Square Key	Shallow Key								
QF15	17/32	1-5/8	-	4001	3.97	2.31	1.75	0.036	0.126	1.34	See Note*
QF25	5/8	2-1/8	-	12449	5.62	3.19	2.39	0.080	0.140	1.81	See Note*
QF50	23/32	2-3/8	-	26479	6.60	3.52	2.96	0.035	0.220	2.16	See Note*
QF100	15/16	3	-	53642	7.82	4.25	3.40	0.140	0.380	2.40	See Note*
QF175	1	3-7/8	-	88257	9.30	5.50	3.75	0.188	0.348	2.62	See Note*
QF250	1-1/2	4-1/8	-	118930	10.26	5.79	4.21	0.100	0.258	3.06	See Note*
QF500	1-7/8	4-1/2	-	219429	12.29	7.00	5.00	0.125	0.375	3.72	See Note*
QF1000	1-7/8	5-1/2	6-3/16	310466	15.25	7.81	6.00	0.160	0.410	4.60	See Note*
QF1890	2-1/2	7	7-9/16	553981	17.75	9.50	7.26	0.202	0.454	5.74	See Note*
QF3150	2-1/2	8	9-1/8	871138	19.59	11.00	7.98	0.070	0.455	6.18	See Note*
QF10260	2-1/2	11	11-1/4	1670825	24.38	15.00	9.88	0.127	0.492	7.22	See Note*

* Please provide S dimension when ordering.

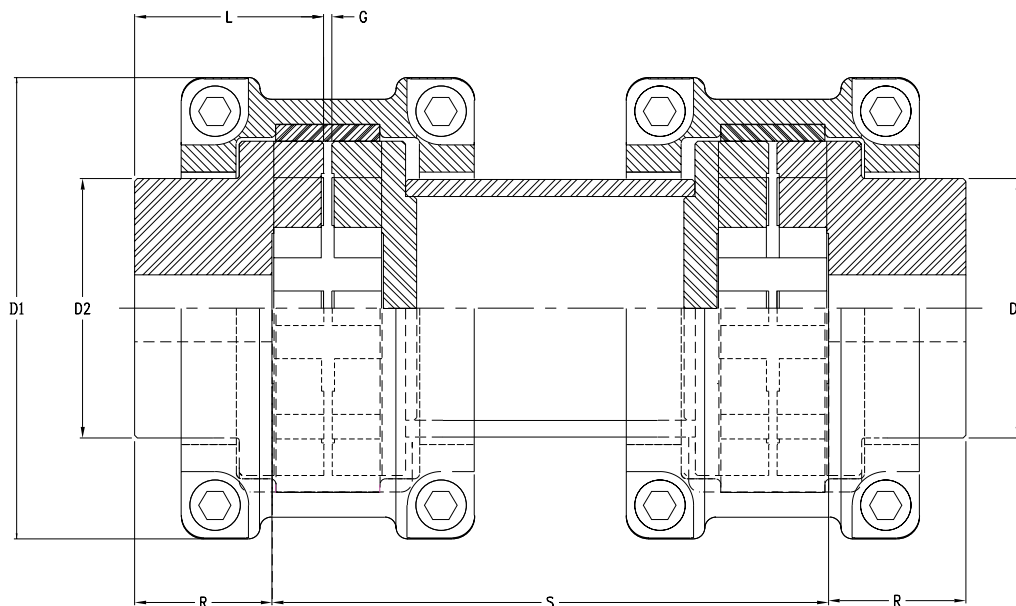
** When used with black insert (see page 361 for complete torque ratings).

Quick-Flex Insert Maximum Torque Ratings (in-lbs)

Coupling Series	RED	BLUE	WHITE	BLACK
QF15	1324	2594	2594	4001
QF25	4283	8077	8077	12449
QF50	8833	17502	17502	26479
QF100	17723	35144	35144	53642
QF175	30753	58903	58903	88257
QF250	38864	77158	77158	118930
QF500	75114	144372	144372	219429
QF1000	106208	203746	203746	310466
QF1890	175840	344594	344594	553982
QF3150	300387	566434	566434	871139
QF10260	n/a	1131179	1131179	1670826

Quick-Flex Couplings – Double-Ended Spacer Couplings

Quick-Flex Double-Ended Spacer Coupling with Aluminum HP (High Performance) Covers



Quick-Flex Double-Ended Spacer Coupling with Aluminum HP (High Performance) Covers Dimensions (in.)

Coupling Series	PB Diameter	Maximum Bore Size		Maximum Torque (in-lbs)**	D1	D2	L	G _{MIN}	G _{MAX}	R	S*
		Square Key	Shallow Key								
QF15	17/32	1-5/8	-	4001	3.99	2.31	1.75	0.036	0.220	1.34	See Note*
QF25	5/8	2-1/8	-	12449	5.34	3.19	2.39	0.080	0.160	1.81	See Note*
QF50	23/32	2-3/8	-	26479	7.28	3.52	2.96	0.035	0.160	2.16	See Note*
QF100	15/16	3	-	53642	7.76	4.25	3.40	0.140	0.370	2.40	See Note*
QF175	1	3-7/8	-	88257	8.52	5.50	3.75	0.180	0.368	2.62	See Note*
QF250	1-1/2	4-1/8	-	118930	10.29	5.79	4.21	0.100	0.318	3.06	See Note*

* Please provide S dimension when ordering.

** When used with black insert (see page 361 for complete torque ratings).

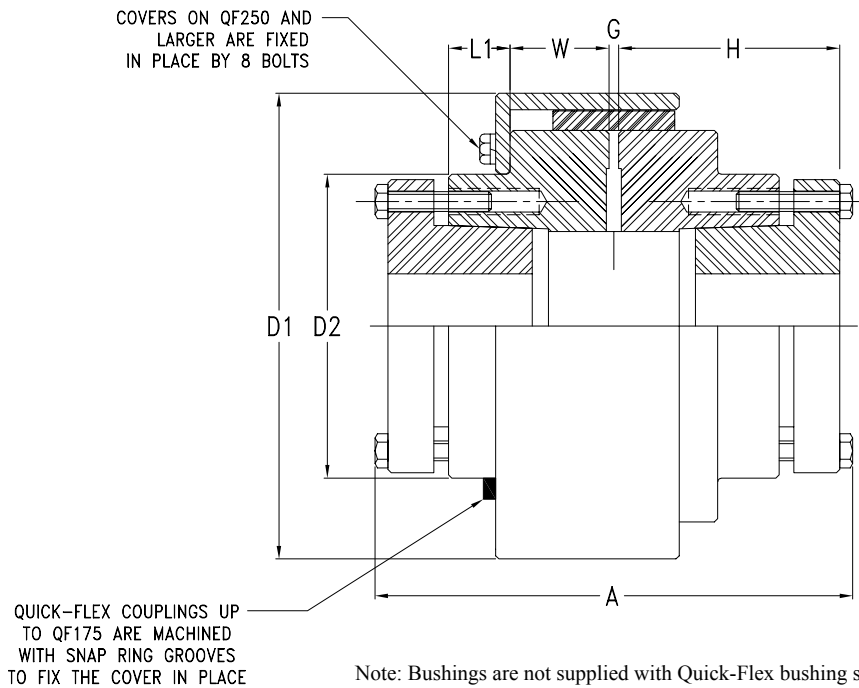
‡ Available Q4 2008

Quick-Flex Insert Maximum Torque Ratings (in-lbs)

Coupling Series	RED	BLUE	WHITE	BLACK
QF15	1324	2594	2594	4001
QF25	4283	8077	8077	12449
QF50	8833	17502	17502	26479
QF100	17723	35144	35144	53642
QF175	30753	58903	58903	88257
QF250	38864	77158	77158	118930

Quick-Flex Couplings – Bushing Style Interchange Couplings

Quick-Flex Browning® Style Hubs



Quick-Flex Browning® Style Hub Dimensions (in.)

Coupling Series	Bushing Type	Bushing Torque Rating (in-lbs)	Bore Range	A	D1	D2	G _{MIN}	G _{MAX}	H	L1	W	Wt (lbs)
QF5	G	1800	1/2" – 1"	2.75	2.49	2.00	0.062	0.092	0.91	0.45	0.50	2
QF15**	H	3730	3/8" – 1-1/2"	3.06	3.16	2.31	0.036	0.099	1.31	0.70	0.61	5
QF25	P1	9460	1/2" – 1-3/4"	5.58	4.21	3.19	0.080	0.205	2.76	0.92	0.96	8
QF50	P1	10300	1/2" – 1-7/8"	6.03	5.50	3.52	0.035	0.208	2.98	0.93	1.18	13
QF100	Q1	20500	3/4" – 2-11/16"	7.63	7.00	4.29	0.140	0.290	3.72	1.04	1.64	24
QF175	R1	40900	1-1/8" – 3-3/4"	8.66	8.00	5.50	0.188	0.208	3.96	1.33	1.75	34
QF250	R1	40900	1-1/8" – 3-3/4"	8.72	8.87	5.79	0.100	0.230	4.26	1.22	1.88	45
QF500	S1	52000	1-11/16" – 4-1/4"	12.18	10.77	7.00	0.125	0.250	6.00	2.31	2.25	96

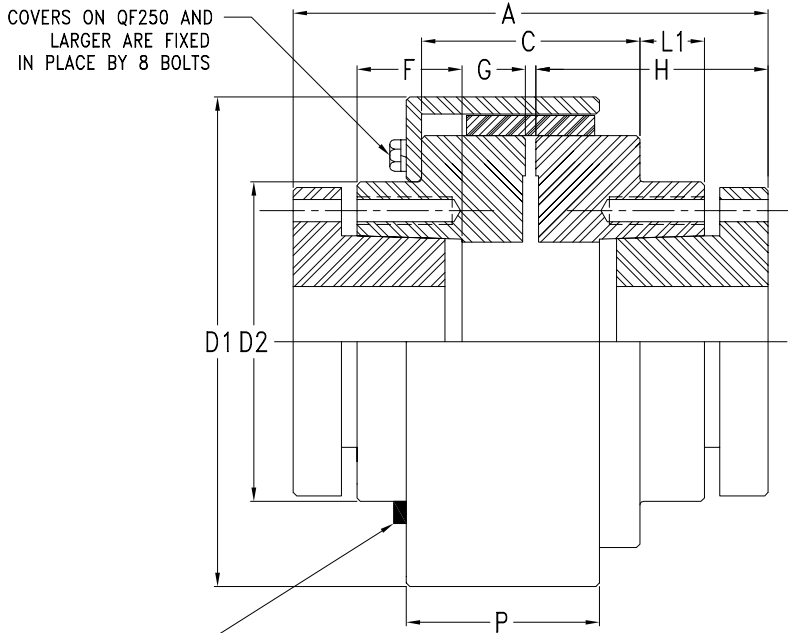
* QM Bearings is not affiliated with EPT®, owner of the Browning® trademark.

** Available with low speed split cover only.

Note: Bushing limits torque rating and speed rating

Quick-Flex Couplings – Bushing Style Interchange Couplings

Quick-Flex QD® Style Hubs



COVERS ON QF250 AND LARGER ARE FIXED IN PLACE BY 8 BOLTS

QUICK-FLEX COUPLINGS UP TO QF175 ARE MACHINED WITH SNAP RING GROOVES TO FIX THE COVER IN PLACE

Note: Bushing Style couplings are available with all cover and insert options.

Note: Bushings are not supplied with Quick-Flex bushing style interchange coupling hubs.

Quick-Flex QD® Style Hub Dimensions (in.)

Coupling Series	Bushing Type	Bushing Torque Rating (in-lbs)	Bore Range	A	C	D1	D2	F	G _{MIN}	G _{MAX}	H	L1	P	Wt (lbs)
QF15**	JA	1000	1/2" – 1-1/4"	3.56	1.28	3.16	2.31	0.84	0.036	0.099	1.75	0.64	1.33	5
QF25	SD	3500	1/2" – 1-7/8"	4.83	1.99	4.21	3.19	1.15	0.080	0.205	2.39	0.76	1.93	9
QF50	SD	5000	1/2" – 2"	5.98	2.42	5.50	3.52	1.50	0.035	0.208	2.96	1.12	1.80	15
QF100	SK	7000	1/2" – 2-5/8"	6.99	3.48	7.00	4.25	1.68	0.140	0.290	3.40	0.97	2.96	25
QF175	SF	11000	1/2" – 2-15/16"	7.67	3.67	8.00	5.50	1.83	0.188	0.208	3.75	1.16	3.27	35
QF250	SF	11000	1/2" – 2-15/16"	8.61	3.96	8.88	5.79	2.26	0.100	0.230	4.21	1.48	3.50	47
QF500	F	30000	1" – 4"	10.63	4.69	10.77	7.00	2.63	0.125	0.250	5.22	1.63	4.05	99

* QM Bearings is not affiliated with Baldor, owner of the QD® trademark.

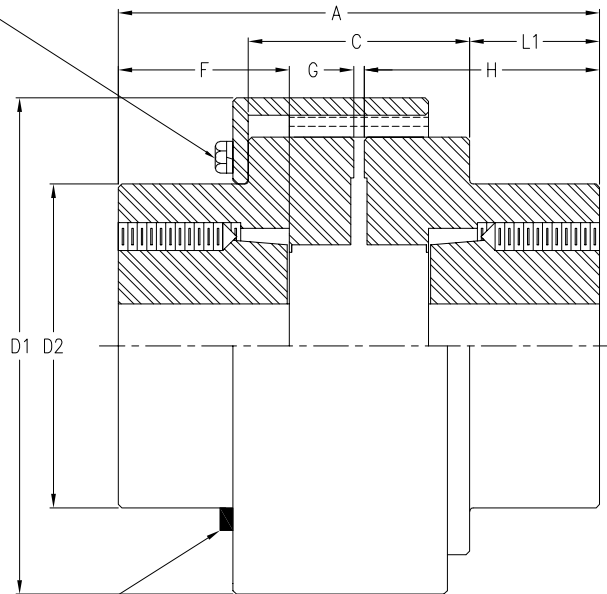
** Available with low speed split cover only.

Note: Bushing limits torque rating and speed rating

Quick-Flex Couplings – Bushing Style Interchange Couplings

Quick-Flex TAPER-LOCK® Style Hubs

COVERS ON QF250 AND
LARGER ARE FIXED
IN PLACE BY 8 BOLTS



QUICK-FLEX COUPLINGS UP
TO QF175 ARE MACHINED
WITH SNAP RING GROOVES
TO FIX THE COVER IN PLACE

Note: Bushing Style couplings are available with all cover and insert options.

Note: Bushings are not supplied with Quick-Flex bushing style interchange coupling hubs.

Quick-Flex TAPER-LOCK® Style Hub Dimensions (in.)

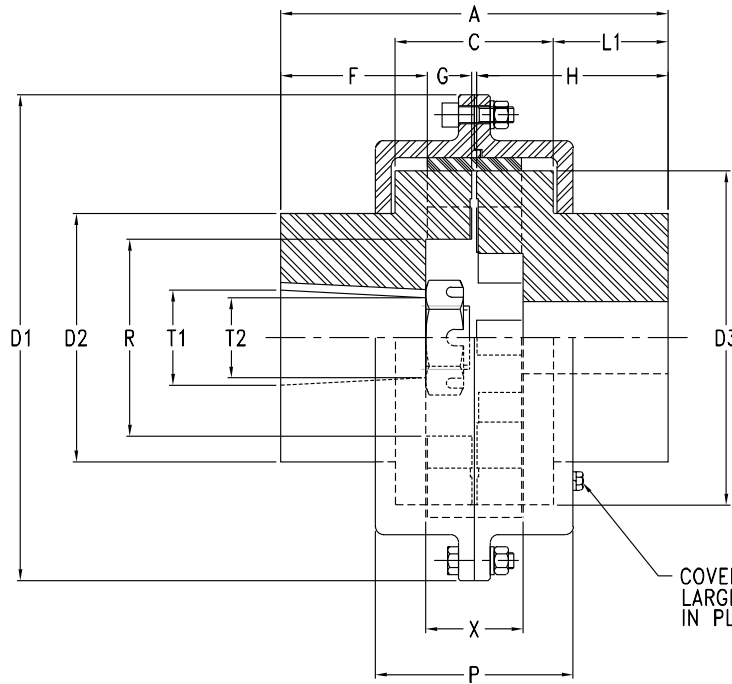
Coupling Series	Bushing Type	Bushing Torque Rating (in-lbs)	Bore Range	Maximum RPM	A	C	D1	D2	F	G _{MIN}	G _{MAX}	H	L1	Wt (lbs)
QF5	1108	1200	1/2" – 1-1/8"	5000	2.45	1.03	2.49	2.00	0.89	0.062	0.092	1.18	0.70	4
QF25	1610	4300	1/2" – 1-3/4"	4500	3.64	2.00	4.21	3.19	1.03	0.080	0.205	1.65	0.43	8
QF50	2012	7150	1/2" – 1-7/8"	4000	4.26	2.42	5.50	3.52	1.51	0.035	0.208	2.10	1.24	14
QF100	2517	11600	3/4" – 2-11/16"	3200	6.78	3.48	7.00	4.25	2.98	0.140	0.290	3.30	1.65	25
QF175	3020	24000	1-1/8" – 3-1/4"	2800	7.75	3.67	8.00	5.50	3.12	0.188	0.208	3.78	2.04	34
QF250	3020	24000	1-1/8" – 3-1/4"	2500	7.99	3.96	8.87	5.79	3.29	0.100	0.230	3.90	2.10	46

* QM Bearings is not affiliated with Reliance Electric Industrial Company, owner of the TAPER-LOCK® trademark.

Note: Bushing limits torque rating and speed rating

Quick-Flex Couplings – Mill Motor Couplings

Quick-Flex Mill Motor Style Hubs



Note: Mill Motor Style couplings are available with all cover and and insert options.

COVERS ON QF250 AND LARGER ARE FIXED IN PLACE BY 8 BOLTS

Quick-Flex Mill Motor Hub Dimensions (in.)

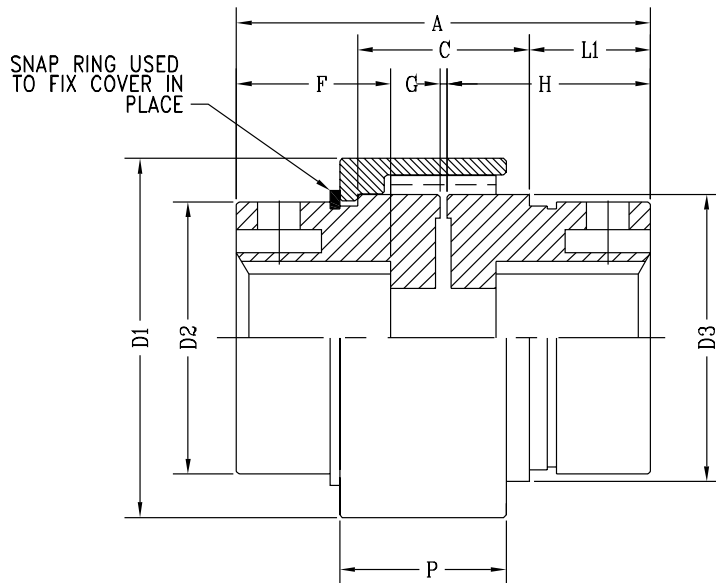
Motor Frame Sizes			QM Coupling	A	C	D1	D2	D3	F	G _{MIN}	G _{MAX}	H	L1	P	R	T1*	T2*	X	Wt (lbs)
600 Series	800 Series	AC Series																	
2 602	802 A, B, C	AC 1, 2, 4	**QF100	7.07	3.48	8.77	4.25	5.92	2.46	0.140	0.380	3.40	1.76	4.66	3.05	1.694	1.438	2.19	47
			QF250	8.41	3.96	10.50	5.79	7.48	3.00	0.100	0.258	4.21	2.33	4.67	4.13	1.751	1.438	2.49	81
603 604	803 804	-	QF250	8.51	3.96	10.50	5.79	7.48	3.10	0.100	0.258	4.21	2.33	4.67	4.13	1.958	1.635	2.49	81
			QF500	9.88	4.67	13.50	7.00	9.25	3.50	0.125	0.375	5.00	2.75	5.88	4.34	2.000	1.635	2.75	149
606	806	AC 8, 12	**QF250	8.51	3.96	10.50	5.79	7.48	3.10	0.100	0.258	4.21	2.33	4.67	4.13	2.406	2.083	2.49	81
			QF500	10.13	4.67	13.50	7.00	9.25	3.75	0.125	0.375	5.00	2.75	5.88	4.34	2.474	2.083	2.75	149
			QF1000	11.59	4.99	15.25	7.81	10.50	4.00	0.160	0.410	6.00	3.60	6.21	6.19	2.500	2.083	3.04	226
608	808	-	**QF500	10.13	4.67	13.50	7.00	9.25	3.75	0.125	0.375	5.00	2.75	5.88	4.34	2.922	2.531	2.75	149
			QF1000	12.09	4.99	15.25	7.81	10.50	4.50	0.160	0.410	6.00	3.60	6.21	6.19	3.000	2.531	3.04	226
			QF1890	13.46	5.91	17.75	9.50	12.80	4.50	0.202	0.454	7.26	4.45	7.32	7.60	3.000	2.531	3.35	410
610	810	AC 18	QF1000	12.09	4.99	15.25	7.81	10.50	4.50	0.160	0.410	6.00	3.60	6.21	6.12	3.250	2.781	3.04	226
			QF1890	13.46	5.91	17.75	9.50	12.80	4.50	0.202	0.454	7.26	4.45	7.32	7.60	3.250	2.781	3.35	410
612	812	AC 25, 30	QF1000	12.19	4.99	15.25	7.81	10.50	4.60	0.160	0.410	6.00	3.60	6.21	6.19	3.583	3.104	3.04	226
			QF1890	13.96	5.91	17.75	9.50	12.80	5.00	0.202	0.454	7.26	4.45	7.32	7.60	3.625	3.104	3.35	410
614	814	AC 40, 50	QF1890	13.96	5.91	17.75	9.50	12.80	5.00	0.202	0.454	7.26	4.45	7.32	7.60	4.250	3.729	3.35	410

* Standard mill motor taper (1-1/4" - 12")

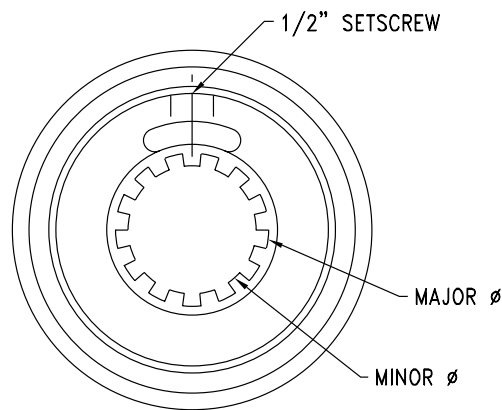
**May need to use standard socket to tighten mill motor nut. Impact socket may not fit.

Quick-Flex Couplings – Splined Hub Couplings

Quick-Flex Splined Hubs



Note: Splined Hub couplings are available with all cover and insert options.



* All of our splined-hub couplings come standard with blind set-screws. Since the set-screws never touch the shaft, there is never any damage to the splined shaft, all the while spreading the pressure over a larger area for a tighter compression.

Quick-Flex Splined Hub Dimensions (in.)

Part Number	Coupling Series	Spline Form					A	C	D1	D2	D3	F	G _{MIN}	G _{MAX}	H	L1	P	Wt (lbs)
		# of Teeth	Diametrel Pitch	Pitch Diameter	Major Diameter	Minor Diameter												
QF25SPL13T16/32	QF25	13	16/32	0.813	0.897	0.750	4.86	2.00	4.21	3.19	3.37	1.81	0.08	0.21	2.39	1.42	1.95	10
QF25SPL13T8/16	QF25	13	8/16	1.625	1.794	1.500	4.86	2.00	4.21	3.19	3.37	1.81	0.08	0.21	2.39	1.42	1.95	10
QF25SPL14T12/24	QF25	14	12/24	1.167	1.283	1.087	4.86	2.00	4.21	3.19	3.37	1.81	0.08	0.21	2.39	1.42	1.95	10
QF50SPL13T16/32	QF50	13	16/32	0.813	0.897	0.750	5.96	2.42	5.48	3.52	4.49	2.16	0.04	0.21	2.96	1.78	2.38	17
QF50SPL13T8/16	QF50	13	8/16	1.625	1.794	1.500	5.96	2.42	5.48	3.52	4.49	2.16	0.04	0.21	2.96	1.78	2.38	17
QF50SPL14T12/24	QF50	14	12/24	1.167	1.283	1.087	5.96	2.42	5.48	3.52	4.49	2.16	0.04	0.21	2.96	1.78	2.38	17

Quick-Flex Couplings – Engineering Information

Quick-Flex Standard Bore Sizes

Standard Bore Sizes (in.) - Clearance Fit

Coupling Series	PB	1/2	5/8	3/4	7/8	1	1-1/8	1-3/16	1-1/4	1-3/8	1-7/16	1-1/2	1-5/8	1-3/4	1-7/8	1-15/16	2	2-1/8	2-3/16	2-1/4	2-3/8	2-7/16	2-1/2	2-5/8	2-3/4	2-7/8	2-15/16	3	
QF5	x	x	x	x	x	x	x	x	x																				
QF15	x		x	x	x	x	x	x	x	x	x	x	x																
QF25	x			x	x	x	x	x	x	x	x	x	x	x	x	x	x												
QF50	x				x	x	x	x	x	x	x	x	x	x	x	x	x	x	x	x	x	x							
QF100	x											x	x	x	x	x	x				x	x	x	x	x	x	x	x	
QF175	x																												
QF250	x																												
QF500	x																												
QF1000	x																												
QF1890	x																												
QF3150	x																												
QF10260	x																												

Standard Bore Sizes (mm) - Clearance Fit

Coupling Series	PB	11	12	14	15	16	18	19	20	22	24	25	28	30	32	34	35	38	40	42	45	48	50	55	60	65	70	75	
QF5	x	x	x	x	x	x	x		x	x	x	x																	
QF15	x							x	x	x	x	x	x	x	x		x	x	x										
QF25	x							x			x	x	x	x	x	x	x	x	x	x	x	x	x						
QF50	x													x	x		x	x	x	x	x		x	x	x				
QF100	x																						x	x	x	x	x	x	
QF175	x																												
QF250	x																												
QF500	x																												
QF1000	x																												
QF1890	x																												
QF3150	x																												
QF10260	x																												

Quick-Flex Couplings – Engineering Information

Quick-Flex Bore Tolerances and Keyway Sizes

Bore Tolerances and Keyway Sizes (in.)

Nominal Shaft Diameter Range	Nominal Keyway Size		Bore Tolerance for Class 1 Fit				Set Screw Size (2 @ 120°)
	Width	Depth	Clearance Fit Over Nominal		Interference Fit Under Nominal		
1/2 – 9/16	1/8	1/16	+0.0010	-0.0000	-0.0005	-0.0010	5/16
5/8 – 7/8	3/16	3/32	+0.0010	-0.0000	-0.0005	-0.0010	5/16
15/16 – 1-1/4	1/4	1/8	+0.0010	-0.0000	-0.0005	-0.0010	5/16
1-5/16 – 1-3/8	5/16	5/32	+0.0010	-0.0000	-0.0005	-0.0010	5/16
1-7/16 – 1-3/4	3/8	3/16	+0.0010	-0.0000	-0.0005	-0.0015	5/16
1-13/16 – 2-1/4	1/2	1/4	+0.0015	-0.0000	-0.0005	-0.0015	3/8
2-5/16 – 2-3/4	5/8	5/16	+0.0015	-0.0000	-0.0010	-0.0020	1/2
2-13/16 – 3-1/4	3/4	3/8	+0.0015	-0.0000	-0.0010	-0.0020	5/8
3-5/16 – 3-3/4	7/8	7/16	+0.0015	-0.0000	-0.0015	-0.0025	5/8
3-13/16 – 4-1/2	1	1/2	+0.0020	-0.0000	-0.0025	-0.0035	5/8
4-9/16 – 5-1/2	1-1/4	5/8	+0.0020	-0.0000	-0.0030	-0.0040	7/8
5-9/16 – 6-1/2	1-1/2	3/4	+0.0020	-0.0000	-0.0035	-0.0045	7/8
6-9/16 – 7-1/2	1-3/4	7/8	+0.0025	-0.0000	-0.0040	-0.0050	1
7-9/16 – 9	2	1	+0.0025	-0.0000	-0.0040	-0.0050	1-1/4
9-1/16 – 11	2-1/2	1-1/4	+0.0030	-0.0000	-0.0050	-0.0060	1-1/4

Bore Tolerances and Keyway Sizes (mm)

Nominal Shaft Diameter Range		Nominal Key Size		Nominal Keyway Size		Bore Tolerance for Class 1 Fit				Set Screw Size (2 @ 120°)
Over	Up to & Including	Width	Depth	Width	Depth	Clearance Fit Over Nominal		Interference Fit Under Nominal		
6	8	2	2	2	1	+0.015	-0.000	-0.013	-0.025	6 x 6
8	10	3	3	3	1.4	+0.015	-0.000	-0.013	-0.025	6 x 6
10	12	4	4	4	1.8	+0.015	-0.000	-0.013	-0.025	6 x 6
12	17	5	5	5	2.3	+0.025	-0.000	-0.013	-0.025	6 x 6
17	22	6	6	6	2.8	+0.025	-0.000	-0.013	-0.025	8 x 8
22	30	8	7	8	3.3	+0.025	-0.000	-0.013	-0.025	8 x 8
30	38	10	8	10	3.3	+0.025	-0.000	-0.013	-0.038	10 x 10
38	44	12	8	12	3.3	+0.025	-0.000	-0.013	-0.038	10 x 10
44	50	14	9	14	3.8	+0.038	-0.000	-0.013	-0.038	12 x 12
50	58	16	10	16	4.3	+0.038	-0.000	-0.025	-0.051	12 x 12
58	65	18	11	18	4.4	+0.038	-0.000	-0.025	-0.051	12 x 12
65	75	20	12	20	4.9	+0.038	-0.000	-0.025	-0.051	16 x 16
75	85	22	14	22	5.4	+0.038	-0.000	-0.025	-0.051	16 x 16
85	95	25	14	25	5.4	+0.038	-0.000	-0.038	-0.064	16 x 16
95	110	28	16	28	6.4	+0.051	-0.000	-0.064	-0.089	16 x 16
110	130	32	18	32	7.4	+0.051	-0.000	-0.076	-0.102	20 x 20
130	150	36	20	36	8.4	+0.051	-0.000	-0.089	-0.114	20 x 20
150	170	40	22	40	9.4	+0.051	-0.000	-0.089	-0.114	20 x 20

Quick-Flex Couplings – Engineering Information

Quick-Flex Coupling Torque Ratings with High Speed Cover

Coupling Series	Insert Part #	Insert Color	Continuous Torque (in-lbs)	HP Ratings @ Various RPM (Service Factor = 1)									
				50	100	300	600	900	1200	1750	2400	3600	5000
QF5	QF5INSERT	Red	377	0.3	0.6	1.8	4	5	7	10	14	22	30
	QF5BINSERT	Blue	819	0.7	1.3	3.9	8	12	16	23	31	47	65
QF15	QF15INSERT	Red	1059	0.8	1.7	5	10	15	20	29	40	60	84
	QF15HINSERT	White	2075	1.3	3.3	9.9	20	30	40	58	79	119	165
QF25	QF15BINSERT	Blue	2075	1.3	3.3	9.9	20	30	40	58	79	119	165
	QF25INSERT	Red	3426	2.7	5.4	16.3	33	49	65	95	130	196	272
QF50	QF25HINSERT	White	6461	5.1	10.3	30.8	62	92	123	179	246	369	513
	QF25BINSERT	Blue	6461	5.1	10.3	30.8	62	92	123	179	246	369	513
QF100	QF50INSERT	Red	7066	5.6	11.2	33.6	67	101	135	196	269	404	561
	QF50HINSERT	White	14002	11.1	22.2	66.6	133	200	267	389	533	800	1111
QF175	QF50BINSERT	Blue	14002	11.1	22.2	66.6	133	200	267	389	533	800	1111
	QF100INSERT	Red	14178	11	22	67	135	202	270	394	540	810	1125
QF250	QF100HINSERT	White	28115	22	45	134	268	401	535	781	1071	1606	2230
	QF100BINSERT	Blue	28115	22	45	134	268	401	535	781	1071	1606	2230
QF500	QF175INSERT	Red	24602	20	39	117	234	351	468	683	937	1405	1952
	QF175HINSERT	White	47123	37	75	224	449	673	897	1308	1794	2692	3738
QF500	QF175BINSERT	Blue	47123	37	75	224	449	673	897	1308	1794	2692	3738
	QF250INSERT	Red	31091	25	49	148	296	444	592	863	1184	1776	2467
QF500	QF250HINSERT	White	61726	49	98	294	588	881	1175	1717	2351	3526	4897
	QF250BINSERT	Blue	61726	49	98	294	588	881	1175	1717	2351	3526	4897
QF500	QF500INSERT	Red	60091	48	95	286	572	858	1144	1669	2288	3432	4767
	QF500HINSERT	White	115497	92	183	550	1100	1649	2199	3207	4398	6597	9163
	QF500BINSERT	Blue	115497	92	183	550	1100	1649	2199	3207	4398	6597	9163

*Quick-Flex flexible couplings can sustain momentary peak torque loads in excess of 200 percent of its maximum torque rating.

Quick-Flex Couplings – Engineering Information

Quick-Flex Coupling Torque Ratings with Split Covers

Coupling Series	Insert Part #	Insert Color	Continuous Torque (in-lbs)	HP Ratings @ Various RPM (Service Factor = 1)									
				50	100	300	600	900	1200	1750	2400	3600	5000
QF15	QF15INSERT	Red	1324	1	2	6	13	19	25	37	50	76	105
	QF15HINSERT	White	2594	2	4	12	25	37	49	72	99	148	206
	QF15BINSERT	Blue	2594	2	4	12	25	37	49	72	99	148	206
	QF15TINSERT	Black	4001	3	6	19	38	57	76	111	152	229	317
QF25	QF25INSERT	Red	4283	3	7	20	41	61	82	119	163	245	340
	QF25HINSERT	White	8077	6	13	38	77	115	164	224	308	461	641
	QF25BINSERT	Blue	8077	6	13	38	77	115	164	224	308	461	641
	QF25TINSERT	Black	12449	10	20	59	119	178	237	346	474	711	988
QF50	QF50INSERT	Red	8833	7	14	42	84	126	168	245	336	505	701
	QF50HINSERT	White	17502	14	28	83	167	250	333	486	666	1000	1388
	QF50BINSERT	Blue	17502	14	28	83	167	250	333	486	666	1000	1388
	QF50TINSERT	Black	26479	21	42	126	252	378	504	735	1008	1512	2101
QF100	QF100INSERT	Red	17723	14	28	84	169	253	337	492	675	1012	1406
	QF100HINSERT	White	35144	28	56	167	335	502	669	976	1338	2007	2788
	QF100BINSERT	Blue	35144	28	56	167	335	502	669	976	1338	2007	2788
	QF100TINSERT	Black	53642	43	85	255	511	766	1021	1489	2043	3064	4256
QF175	QF175INSERT	Red	30753	24	49	146	293	439	586	854	1171	1757	2400
	QF175HINSERT	White	58903	47	93	280	561	841	1122	1636	2243	3365	4673
	QF175BINSERT	Blue	58903	47	93	280	561	841	1122	1636	2243	3365	4673
	QF175TINSERT	Black	88257	70	140	420	840	1260	1680	2451	3361	5041	7002
QF250	QF250INSERT	Red	38864	31	62	185	370	555	740	1079	1480	2220	3083
	QF250HINSERT	White	77158	61	122	367	735	1102	1469	2142	2938	4407	6121
	QF250BINSERT	Blue	77158	61	122	367	735	1102	1469	2142	2938	4407	6121
	QF250TINSERT	Black	118930	94	189	566	1132	1698	2264	3302	4529	6793	9435
QF500	QF500INSERT	Red	75114	60	119	358	715	1073	1430	2086	2860	4291	5959
	QF500HINSERT	White	144372	115	229	687	1374	2062	2749	4009	5498	8247	11454
	QF500BINSERT	Blue	144372	115	229	687	1374	2062	2749	4009	5498	8247	11454
	QF500TINSERT	Black	219429	174	348	1044	2089	3133	4178	6093	8356	12534	17408
QF1000	QF1000INSERT	Red	106208	84	169	506	1011	1517	2022	2949	4044	6067	
	QF1000HINSERT	White	203746	162	323	970	1940	2910	3879	5657	7759	11638	
	QF1000BINSERT	Blue	203746	179	323	970	1940	2910	3879	5657	7759	11638	
	QF1000TINSERT	Black	310466	246	493	1478	2956	4433	5911	8621	11823	17734	
QF1890	QF1890INSERT	Red	175840	140	279	837	1674	2511	3348	4883			
	QF1890HINSERT	White	344594	273	547	1640	3281	4921	6561	9568			
	QF1890BINSERT	Blue	344594	273	547	1640	3281	4921	6561	9568			
	QF1890TINSERT	Black	553982	439	879	2637	5274	7911	10548	15382			
QF3150	QF3150INSERT	Red	300387	238	477	1430	2860	4290	5719	8341			
	QF3150HINSERT	White	566434	449	899	2696	5392	8089	10785	15728			
	QF3150BINSERT	Blue	566434	449	899	2696	5392	8089	10785	15728			
	QF3150TINSERT	Black	871139	691	1382	4147	8293	12440	16587	24189			
QF10260	QF10260HINSERT	White	1131179	897	1795	5384	10769	16153	21538	31409			
	QF10260BINSERT	Blue	1131179	897	1795	5384	10769	16153	21538	31409			
	QF10260TINSERT	Black	1670826	1326	2651	7953	15906	23859	31813	46393			

*Quick-Flex flexible couplings can sustain momentary peak torque loads in excess of 200 percent of its maximum torque rating.

Quick-Flex Couplings – Engineering Information

Quick-Flex Coupling Metric Torque Ratings and Misalignment Tolerances

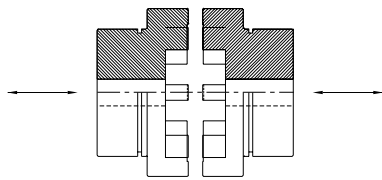
Coupling Series	Maximum Bore (mm)	Insert Part #	Insert Color	Continuous Torque Rating (Nm)		Radial Misalignment Tolerance (mm)	Axial Misalignment Tolerance (mm)	Angular Misalignment Tolerance
				High Speed Cover	Split Covers			
QF5	38	QF5INSERT	RED	43	54	0.51	1.98	2°
		QF5BINSERT	BLUE	93	117			
		QF5TINSERT	BLACK	-	179			
QF15	41	QF15INSERT	RED	121	151	0.99	2.95	2°
		QF15HINSERT	WHITE	236	295			
		QF15BINSERT	BLUE	236	295			
QF25	53	QF25INSERT	RED	390	487	0.99	2.95	2°
		QF25HINSERT	WHITE	735	919			
		QF25BINSERT	BLUE	735	919			
QF50	60	QF50INSERT	RED	804	1005	0.97	2.95	2°
		QF50HINSERT	WHITE	1593	1992			
		QF50BINSERT	BLUE	1593	1992			
QF100	76	QF100INSERT	RED	1613	2017	1.47	3.96	2°
		QF100HINSERT	WHITE	3200	3999			
		QF100BINSERT	BLUE	3200	3999			
QF175	98	QF175INSERT	RED	2800	3500	1.47	4.45	1.3°
		QF175HINSERT	WHITE	5363	6703			
		QF175BINSERT	BLUE	5363	6703			
QF250	104	QF250INSERT	RED	3538	4423	1.47	5.94	1.3°
		QF250HINSERT	WHITE	7024	8781			
		QF250BINSERT	BLUE	7024	8781			
QF500	114	QF500INSERT	RED	6838	8548	1.47	5.94	1°
		QF500HINSERT	WHITE	13144	16429			
		QF500BINSERT	BLUE	13144	16429			
QF1000	173	QF1000INSERT	RED	-	12086	1.47	5.94	1°
		QF1000HINSERT	WHITE	-	23186			
		QF1000BINSERT	BLUE	-	23186			
QF1890	192	QF1890INSERT	RED	-	20011	1.47	7.92	1°
		QF1890HINSERT	WHITE	-	39215			
		QF1890BINSERT	BLUE	-	39215			
QF3150	231	QF3150INSERT	RED	-	34184	1.98	7.92	1°
		QF3150HINSERT	WHITE	-	64460			
		QF3150BINSERT	BLUE	-	64460			
QF10260	285	QF10260HINSERT	WHITE	-	128728	1.98	7.92	1°
		QF10260BINSERT	BLUE	-	128728			
		QF10260TINSERT	BLACK	-	190140			

*Quick-Flex flexible couplings can sustain momentary peak torque loads in excess of 200 percent of its maximum torque rating.

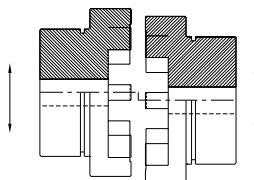
Quick-Flex Couplings – Engineering Information

Quick-Flex Coupling Misalignment Tolerances

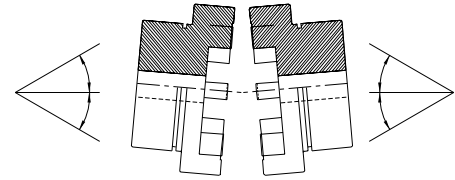
Coupling Series	Radial Misalignment Tolerance (in)	Axial Misalignment Tolerance (in)	Angular Misalignment Tolerance
QF5	0.020	0.078	2°
QF15	0.039	0.116	2°
QF25	0.039	0.116	2°
QF50	0.038	0.116	2°
QFI00	0.058	0.156	2°
QF175	0.058	0.175	1.3°
QF250	0.058	0.234	1.3°
QF500	0.058	0.234	1°
QFI000	0.058	0.234	1°
QFI890	0.058	0.312	1°
QF3150	0.078	0.312	1°
QF10260	0.078	0.312	1°



Axial Misalignment



Radial Misalignment



Angular Misalignment

Quick-Flex Couplings – Engineering Information

Quick-Flex Coupling Service Factors for Applications

Application	Service Factor	Application	Service Factor
Aerators	2.5	Food Industry	
Aggregate Processing, Cement, Mining Kilns		Beet Slicer	2.0
Direct or on Line Shaft of Reducer		Bottling, Can, Filling Machine	1.5
With Final Drive Machined Spur Gears	2.25	Cereal Cooker	1.5
With Single Helical or Herringbone Gears	2.0	Dough Mixer, Meat Grinder	2.0
Crushers, Ore or Stone	2.75	Forced Draft Motor driven thru fluid or Electric Slip Clutch	1.25
Dryer, Rotary	2.0	Gas Recirculating	1.50
Grizzly	2.25	Induced Draft with damper control or blade cleaner	1.50
Hammermill or Hog	2.0	Induced Draft without controls	2.0
Tumbling Mill or Barrel	2.0	Feeders	
Agitators		Apron, Belt, Disc, Screw	1.25
Vertical, Horizontal, Screw, Propeller, Paddle	1.25	Reciprocating	2.5
Barge Haul Puller	1.75	Generators	
Blowers		Even Load	1.25
Centrifugal	1.5	Hoist or Railway Service	1.75
Lobe or Vane	1.5	Welder Load	2.0
Brewing and Distilling		Hammermill	1.75
Bottle and Can Filling Machines	1.5	Laundry Washer Or Tumbler	2.0
Brew Kettle	1.25	Line Shafts Any Processing Machinery	1.5
Cookers, Continuous Duty	1.5	Lumber	
Lauter Tub	1.75	Band Resaw	2.0
Mash Tub	1.5	Circular Resaw, Cutoff	2.0
Scale Hopper, Frequent Peaks	2.0	Edger, Head Rig, Hog	2.5
Clarifier Or Classifier	1.25	Gang Saw (Reciprocating)	3.0
Clay Working Industry		Log Haul	2.5
Brick Press, Briquette Machine, Clay Working Machine, Pug Mill	2.0	Planer	2.0
Compressors		Rolls, Non-Reversing	1.5
Centrifugal	1.25	Rolls, Reversing	2.5
Rotary, Lobe or Vane	1.5	Sawdust Conveyor	1.5
Rotary, Screw	1.5	Slab Conveyor	2.0
Reciprocating		Sorting Table	1.75
Direct Connected	Refer to Factory	Trimmer	2.0
Without Flywheels	Refer to Factory	Machine Tools	
With Flywheel and Gear between Compressor and Prime Monitor		Auxiliary and Traverse Drive	1.0
1 Cylinder, Single Acting	3.0	Bending Roll, Notching Press, Punch, Press, Planer,	
1 Cylinder, Double Acting	3.0	Plate Reversing	1.75
2 Cylinders, Single Acting	3.0	Main Drive	1.5
2 Cylinders Double Acting	3.0	Metal Rolling Mills	
3 Cylinders Single Acting	3.0	Coilers (Up or Down) Cold Mill Only	1.75
3 Cylinders, Double Acting	2.0	Coilers (Up or Down) Hot Mill Only	2.25
4 Or More Cyl. Single Acting	2.5	Coke Plants	
4 Or More Cyl. Double Acting	2.5	Pusher Ram Drive	2.75
Conveyors		Door Opener	2.25
Apron, Assembly, Belt, Chain, Flight, Screw	1.75	Pusher or Larry Car Traction Drive	3.25
Bucket	1.75	Continuous Caster	2.0
Live Roll, Shaker and Reciprocating	3.0	Cold Mills	
Bridge, Travel or Trolley	2.50	Strip Mills	Refer to Factory
Dredgers		Temper Mills	Refer to Factory
Cable Reel	2.0	Cooling Beds	1.75
Conveyors	1.50	Drawbench	2.25
Cutter Head, Jig Drive	2.5	Feed Rolls - Blooming Mills	3.25
Maneuvering Winch	1.75	Furnace Pushers	2.25
Pumps (Uniform Load)	1.75	Hot and Cold Saws	2.25
Screen Drive, Stacker	2.0	Hot Mills	
Utility Winch	2.0	Strip or Sheet Mills	Refer to Factory
Dynamometer	1.5	Reversing Blooming	Refer to Factory
Elevators - Bucket, Centrifugal Discharge	1.75	Slabbing Mills	Refer to Factory
Exciter, Generator	1.5	Edger Drives	Refer to Factory
Extruder, Plastic	1.5	Ingot Cars	2.25
Fans		Manipulators	3.25
Centrifugal	1.25	Merchant Mills	Refer to Factory
Cooling Tower	2.0	Mill Tables	
Forced Draft-Across the Line Start	1.75	Roughing Breakdown Mills	3.25
		Hot Bed or Transfer (non-reversing)	1.75
		Runout (reversing)	3.25
		Runout (non-reversing, non-plugging)	2.25
		Reel Drives	2.0
		Rod Mills	Refer to Factory
		Screwdown	2.25
		Seamless Tube Mills	
		Piercer	3.25

(continued on next page)

Quick-Flex Couplings – Engineering Information

Quick-Flex Coupling Service Factors for Applications (Continued)

Application	Service Factor	Application	Service Factor
Thrust Block	2.25	One or two mills in line	2.0
Tube Conveyor Rolls	2.25	Three or more mills in line	2.50
Reeler	2.25	Washer	2.75
Kick Out	2.25		
Shear, Croppers	Refer to Factory	Screens	
Sideguards	3.25	Air Washing	1.5
Skelp Mills	Refer to Factory	Grizzly	2.5
Slitters (Steel Mill only)	2.0	Rotary Coal or Sand	2.0
Soaking Pit Cover Drives		Vibrating	2.5
Lift	1.25	Water	1.5
Travel	2.25		
Straighteners	2.25	Sewage Disposal Equipment	
Unscramblers (Billet Bundle Busters)	2.25	Bar Screen, Chemical Feeders, Collectors, Dewatering Screen, Grit Collector	1.5
Wire Drawing Machinery	2.0	Mill Stands, Turbine Driven with all Helical or Herringbone Gears	1.75
Mixers (also see Agitators)		Electric Drive or Steam Engine Drive with Helical or Herringbone	2.0
Concrete	1.75		
Muller	1.5	Stoker	1.0
Oil Industry			
Chiller	1.50	Sugar Industry	
Oilwell Pumping (not over 150% peak torque)	2.5	Cone Carrier and Leveler	2.25
Paraffin Filter Press	1.75	Cane Knife and Crusher	2.5
Rotary Kilm	2.5	Mill Stands, Turbine Driver with all helical or Herringbone Gears	1.75
Paper Mills		Electric Drive or Steam Engine Drive with helical, Herringbone, or Spur Gears with any Prime Mover	2.0
Barker, Auxiliary, Hydraulic	2.5		
Barker, Mechanical	2.5	Textile Industry	
Barker, Drum L.S. shaft of reducer with final drive- Helical or Herringbone Gear	2.5	Batcher	1.5
Machined Spur Gear	3.0	Calendar, Card Machine	1.75
Cast Tooth Spur Gear	3.0	Cloth Finishing Machine	1.75
Beater & Pulper	2.0	Dry Can, Loom	1.75
Bleachers, Coaters	1.5	Dyeing Machinery	1.5
Calendar & Super Calendar	2.0	Knitting Machine	Refer to Factory
Chipper	3.0	Mangle, Napper, Soaper	1.5
Converting Machine	1.50	Spinner, Tenter Frame, Winder	1.75
Couch	2.00		
Cutter, Felt Whipper	2.25	Tumbling Barrel	2.0
Cylinder, Dryer	2.00		
Felt Stretcher	1.75	Winch, Maneuvering - Dredge, Marine	1.5
Fourdrinier	2.00		
Jordan	2.5	Windlass	1.5
Log Haul	2.5		
Line Shaft	1.75		
Press	2.0		
Pulp Grinder	2.0		
Reel, Rewinder, Winder	2.0		
Stock Chest, Washer, Thickeners	1.75		
Stock Pumps, Centrifugal			
Constant Speed	1.25		
Frequent Speed Changes Under Load	1.5		
Suction Roll	2.0		
Press, Printing	1.5		
Pug Mill	1.75		
Pulverizers			
Hammermill and Hog	1.75		
Roller	1.5		
Pumps Centrifugal			
Constant Speed	1.0		
Frequent Speed Changes Under Load	1.75		
Descaling, with Accumulators	1.75		
Gear, Rotary, or Vane	1.75		
Pumps Reciprocating			
1 Cyl., single or double acting	3.0		
2 Cyl., single acting	2.5		
2 Cyl., double acting	2.0		
3 or more cylinders	2.0		
Rubber Industry			
Calendar	2.25		
Cracker, Plasticolour	2.5		
Extruder	2.0		
Tire & Tube Press Opener (peak torque)	1.5		
Warming Mill			

Engine Drive Service Factors

Service Factors for engine drives are those required for applications where good flywheel regulation prevents torque fluctuation greater than 20%. For drives where torque fluctuations are greater or where the operation is near a serious critical or torsional vibration, a mass elastic study is necessary.

To determine an engine drive service factor, first determine the application service factor for motors. Then, use that to find the correct engine service factor in the table below. When the application service factor for motors is greater than 2.0 or where 1, 2 or 3 cylinder engines are involved, please contact your local distributor or QM Bearings with complete application details for engineering review.

Application Service Factor	Engine Service Factor	
	4 to 5 Cylinders	6+ Cylinders
1.0	2.0	1.5
1.25	2.25	1.75
1.5	2.5	2.0
1.75	2.75	2.25
2.0	3.0	2.5

Quick-Flex Couplings – Engineering Information

Quick-Flex Coupling Insert Chemical Compatibility Chart

A - Little to no effect B - Minor to moderate effect C - Severe effect to destruction N - No data. Test prior to use		Urethane	A - Little to no effect B - Minor to moderate effect C - Severe effect to destruction N - No data. Test prior to use		Urethane	A - Little to no effect B - Minor to moderate effect C - Severe effect to destruction N - No data. Test prior to use		Urethane
Acetaldehyde	C		Barium Hydroxide	A	Diester Oil	B		
Acetamide	N		Beer	A	Dimethyl Acetamide	C		
Acetic Acid	C		Benzaldehyde	B	Dimethyl Formamide	C		
Acetic Anhydride	C		Benzene	C	Dodecyl Mercaptan	B		
Acetone	C		Benzoic Acid	B	DTE Oil	B		
Acetyl Bromide	C		Black Sulphate Liquors	N	Dibutyl Ether	B		
Acetyl Chloride	C		Bleach Solutions	N	EP Lubes	A		
Acetylene	C		Boric Acid	A	Esso #90 Lube Oil	A		
Adipic Acid	A		Brake Fluid	N	Ether	B		
Aero Shell Grease	B		Bromine	B	Ethyl Acetate	C		
Aero Lubriplate	A		Bunker Oil	A	Ethyl Alcohol (Ethanol)	C		
Aero Safe 2300	N		Butane	A	Formic Acid	C		
Aerozene 50	N		Butyl Acetate	C	Freon, 12 or 113	A		
Aluminum Acetate	N		Butyl Alcohol	B	Fuel Oil	B		
Aluminum Bromide	N		Calcium Carbonate	B	Gasoline	B		
Aluminum Chloride	B		Calcium Chloride	A	Glucose	A		
Aluminum Sulfate	B		Calcium Hydroxide	A	Glue	N		
Ammonia	B		Calcium Nitrate	B	Glycerin	A		
Ammonium Carbonate	B		Calcium Sulfate	B	Heptane	A		
Ammonium Chloride	N		Carbon Dioxide	A	Hexane	A		
Ammonium Hydroxide	B		Carbon Disulfide	B	Hydrazine	C		
Ammonium Nitrate	B		Carbon Monoxide	A	Hydrobromic Acid	B		
Ammonium Persulfate	B		Carbon Tetrachloride	C	Hydrocarbon Oil	A		
Ammonium Sulfate	B		Chlorine	N	Hydrochloric Acid	B		
Ammonium Sulfide	B		Chloroacetic Acid	C	Hydrofluoric Acid	B		
Ammonium Thiocyanate	B		Chloroform	C	Hydrogen	A		
Amonnium Acetate	C		Chromic Acid	C	Hydrogen Peroxide	B		
Amyl Acetate	C		Chromium Potassium Sulfate	B	Hydrogen Sulfide	C		
Amyl Alcohol	C		Citric Acid	B	Hydrologic Acid	B		
Aniline	C		Corn Oil	A	Iodine	A		
Aniline Hydrochloride	C		Cottonseed Oil	A	Isobutyl Alcohol	N		
Animal Fats & Oils	B		Cresol	C	Isopropyl Chloride	N		
Antimony Salts	B		Crude Oil	B	Isopropyl Ether	B		
Aqua Regia	C		Cupric Chloride	A	Isopropyl Alcohol (Propanol)	B		
Arsenic Salts	B		Cupric Nitrate	B	JP4 Oil	B		
ASTM Oil #1	A		Cupric Sulfate	B	JP5 & 6 Oil	C		
ASTM Oil #2	B		Cutting Oil	B	Kerosene	B		
ASTM Oil #3	B		Cyclohexane	B	Lactic Acid	B		
ASTM Reference Fuel	A		Cyclohexanone	C	Lead Acetate	B		
ASTM Reference Fuel	B		Dibutyl Phthalate	C	Linseed Oil	B		
Atlantic Oil	A		Dichlorobenzene	C	Liquefied Petroleum Gas	A		
Barium Carbonate	B		Diesel Fuel	B	Lubrication Oil	B		

(continued on next page)

Quick-Flex Couplings – Engineering Information

Quick-Flex Coupling Insert Chemical Compatibility Chart (Continued)

A - Little to no effect B - Minor to moderate effect C - Severe effect to destruction N - No data. Test prior to use	Urethane	A - Little to no effect B - Minor to moderate effect C - Severe effect to destruction N - No data. Test prior to use	Urethane	A - Little to no effect B - Minor to moderate effect C - Severe effect to destruction N - No data. Test prior to use	Urethane
Lye	N	Petroleum	B	Sodium Hypochlorite	C
Magnesium Chloride	N	Phenol (carbolic acid)	C	Sodium Nitrate	B
Magnesium Hydroxide	A	Phosphoric Acid	C	Sodium Silicate	A
Magnesium Salts	B	Potassium Cyanide	A	Sodium Sulfate	B
Malaic Acid	C	Potassium Salts	B	Sodium Sulfide	B
Mercury	B	Propane	B	Steam	C
Methyl Alcohol (methanol)	A	Propyl Alcohol	B	Styrene	B
Methyl Ethyl Ketone	C	Propylene Glycol	B	Sulfur Dioxide	B
Methylene Chloride	C	Pydraul Oil	C	Sulfuric Acid	C
MIL-D-5606 Oil	C	SAE #10 Oil	A	Tannic Acid	A
MIL-L-7808 Oil	B	Seawater	A	Tartaric Acid	A
Mineral Oil	A	Silicic Acid	B	Toluene	C
Mineral Spirits	N	Silver Nitrate	B	Transformer Oil	B
Naphthalene	B	Skydrol Oil	C	Turpentine	C
Natural Gas	B	Soap	B	Urea	B
Nickel Salts	C	Sodium Acetate	A	Varnish	B
Oxygen	A	Sodium Bicarbonate	B	Water	B
Ozone	A	Sodium Borate	B		
Paimitic Acid	A	Sodium Carbonate	B		
Paint Thinner	B	Sodium Chloride	B		
Peanut Oil	A	Sodium Cyanide	B		
Perchloric Acid	C	Sodium Hydrosulfite	B		
Perchloroethylene	C	Sodium Hydroxide	B		

Quick-Flex Couplings – Installation Guides

Quick-Flex Standard Coupling Installation Guide

Please complete the following steps to install QM Quick-Flex couplings.

You should have the following pieces before starting the job:

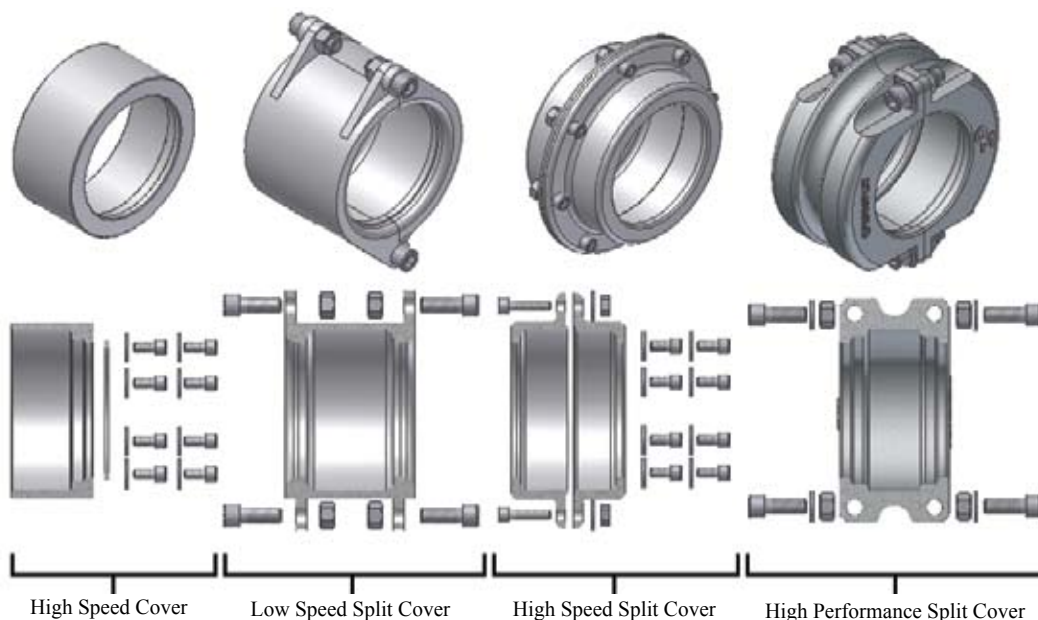
- 2 Hubs
- 1 Insert
- 1 Cover* with included hardware

*Please note: It is critical to identify what style cover you are using, as this will change the hardware included as well as the installation procedure.

There are four types of covers (Figure 1):

- High speed cover: QF5 through QF175 use standard snap ring to secure cover in place. QF250 and larger use eight bolts with lock washers.
- Low Speed split cover: This cover is free floating locating between the shoulders of the two hubs. All sizes come with four bolts for securing the two halves together around the insert.
- High speed split cover: QF15 through QF250 use eight bolts around the rim to secure the two halves together, QF500 through QF1890 use 16 bolts and QF3150 and larger use 20 bolts. QF250 and larger use eight bolts with lock washers to secure the cover to one of the hubs.
- High performance split cover: This cover is free floating locating on the insert with an internal radial groove. All sizes come with four socket head cap screws for securing the two halves together around the insert.

Figure 1. Quick-Flex cover types and included hardware



Quick-Flex Couplings – Installation Guides

Quick-Flex Standard Coupling Installation Guide *(continued)*

Installation:

1. Check the bore size of the coupling halves and the shafts and ensure that they are the correct bore size to fit the application.
2. If necessary, clean and deburr the shafts.
3. Identify cover style:
 - a. If using a High speed cover, it should be placed on the driven shaft. If space does not permit then it can be mounted on the drive shaft. If cover uses a snap ring, slide the snap ring down the shaft, then slide the cover onto shaft with the larger opening facing the shaft separation.
 - b. If using a Low speed or High performance split cover, leave cover aside and continue to Step 4.
 - c. If using a High speed split cover, QF250 and larger use bolts and washers to secure in place.
4. Install the first hub. It should be mounted so that the end of the shaft is flush with surface “A” as shown in Figure 2. It is acceptable for the shaft to extend past “A” as long as it is not past the teeth shown as “B”.
Please note: Standard hubs are supplied with a clearance fit and should slide onto the shaft without excessive force. If the hubs have been ordered with interference fit then heat the coupling halves to approximately 572 F (300 C) before installing on shafts.
5. Install the second hub with the insert in place. This will set the hubs at the minimum hub gap (G_{Min}) dimension, ensuring proper clearance. For specific G_{Min} and G_{Max} dimensions see Table 1.
6. Tighten both hubs securely to the shafts.
7. Check coupling for misalignment (Table 2) and align as necessary.
8. Install the cover:
 - a. High speed cover: slide the cover over the hub and insert until fully rested against the shoulder of the hub. QF5 through QF175 use standard snap rings to hold the cover in place. QF250 and larger couplings use eight bolts and washers. Use the included hardware to secure the cover.
 - b. Low speed or High performance split cover: place each half over the insert and secure using the four bolt/washer/nut hardware combinations supplied.
 - c. High speed split cover: slide the two cover halves over the hub and insert until faces meet. Install the radial outer bolts used to secure the two halves together. Install the bolts to secure the cover to one hub.

Maximum RPM and Balance

The QM Quick-Flex coupling is machined on all surfaces and thus its dynamic balance is good. If the coupling is run at a high speed it is important that the key used to attach the hubs is the same length as the hub. The set screws should also be changed to full length to fill the hole. Please refer to Table 3 for maximum RPM ratings.

Quick-Flex Couplings – Installation Guides

Quick-Flex Standard Coupling Installation Guide *(continued)*

Figure 2. Proper shaft-to-hub alignment

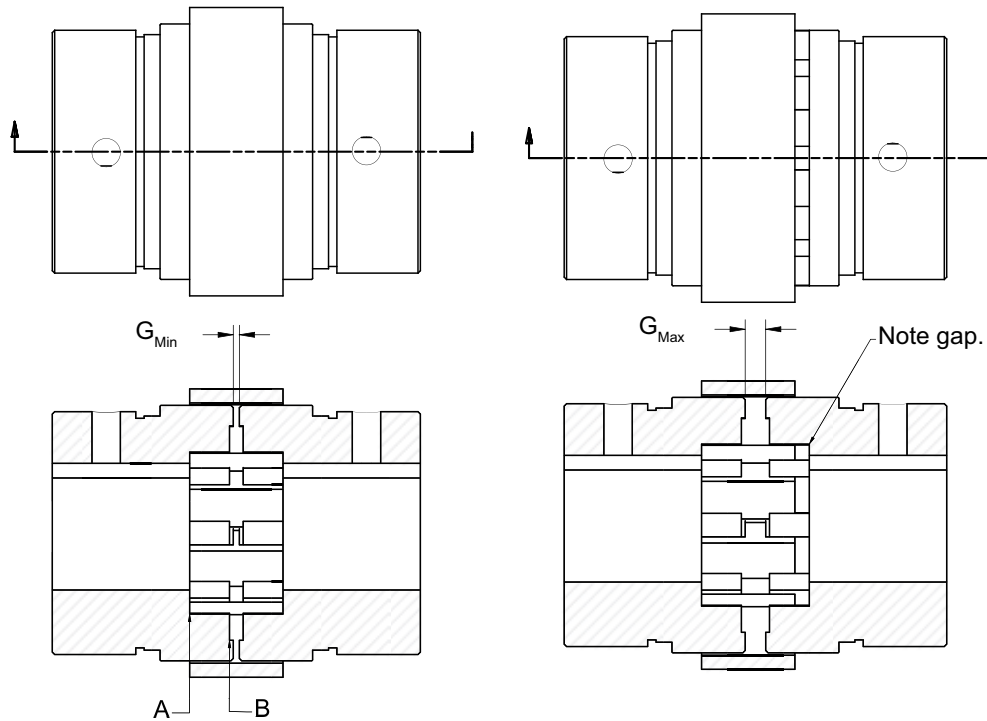


TABLE 1. Quick-Flex Hub Gap (G) Dimensions

Coupling Size	High Speed Cover		Low Speed Split Cover		High Speed Split Cover		High Performance Split Cover	
	G _{Min} (in.)	G _{Max} (in.)	G _{Min} (in.)	G _{Max} (in.)	G _{Min} (in.)	G _{Max} (in.)	G _{Min} (in.)	G _{Max} (in.)
QF5	0.063	0.092	n/a	n/a	n/a	n/a	n/a	n/a
QF15	0.036	0.110	0.036	0.099	0.036	0.126	0.036	0.220
QF25	0.080	0.205	0.080	0.133	0.080	0.140	0.080	0.160
QF50	0.035	0.208	0.035	0.101	0.035	0.220	0.035	0.160
QF100	0.140	0.290	0.140	0.380	0.140	0.380	0.140	0.370
QF175	0.188	0.208	0.188	0.375	0.188	0.348	0.180	0.368
QF250	0.100	0.230	0.100	0.365	0.100	0.250	0.100	0.318
QF500	0.125	0.250	n/a	n/a	0.125	0.375	n/a	n/a
QF1000	0.160	0.388	n/a	n/a	0.160	0.410	n/a	n/a
QF1890	0.202	0.278	n/a	n/a	0.202	0.454	n/a	n/a
QF3150	0.070	0.305	n/a	n/a	0.070	0.455	n/a	n/a
QF10260	0.127	0.505	n/a	n/a	0.127	0.492	n/a	n/a

Quick-Flex Couplings – Installation Guides

Quick-Flex Standard Coupling Installation Guide *(continued)*

TABLE 2. Quick-Flex Misalignment Tolerances

Coupling Size	Radial Misalignment Tolerance (in.)	Axial Misalignment Tolerance (in.)	Angular Misalignment Tolerance (degrees)
QF5	0.020	0.078	2°
QF15	0.039	0.116	2°
QF25	0.039	0.116	2°
QF50	0.039	0.116	2°
QF100	0.058	0.156	2°
QF175	0.058	0.175	1.3°
QF250	0.058	0.234	1.3°
QF500	0.058	0.234	1°
QF1000	0.058	0.234	1°
QF1890	0.058	0.312	1°
QF3150	0.078	0.312	1°
QF10260	0.078	0.312	1°

TABLE 3. Quick-Flex Maximum RPM Ratings[†]

Coupling Size	High Speed Cover	Low Speed Split Cover	High Speed Split Cover	High Performance Split Cover
QF5	12000	n/a	n/a	n/a
QF15	9000	400	n/a	8100
QF25	7000	375	n/a	6300
QF50	6000	350	6000	5400
QF100	4800	300	4800	4320
QF175	4200	250	4200	3780
QF250	3800	200	3800	3420
QF500	3400	n/a	3400	n/a
QF1000	3000	n/a	3000	n/a
QF1890	2400	n/a	2400	n/a
QF3150	2000	n/a	2000	n/a
QF10260	1200	n/a	1200	n/a

[†]Please note: Maximum RPM ratings are for off-the-shelf Quick-Flex couplings. If your application requires higher RPM ratings, the couplings should be dynamically balanced.

Quick-Flex Couplings – Installation Guides

Quick-Flex Single-Ended Spacer Coupling Installation Guide

Please complete the following steps to install QM Quick-Flex single-ended spacer couplings.

You should have the following pieces before starting the job:

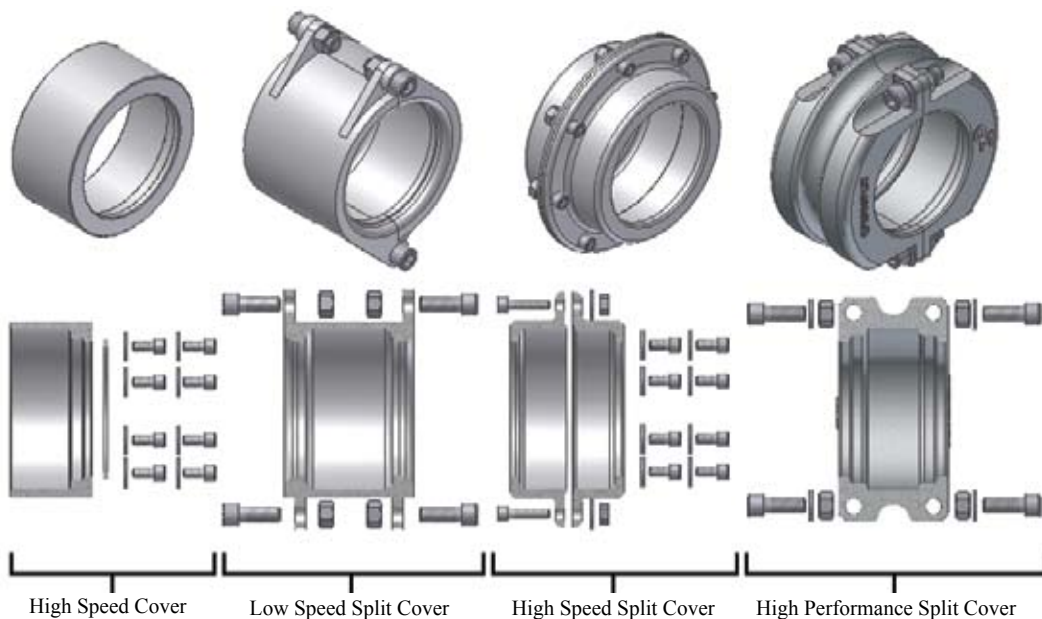
- 1 Coupling hub
- 1 Flanged hub
- 1 Spacer body
- 1 Insert
- 1 Cover* with included hardware

*Please note: It is critical to identify what style cover you are using, as this will change the hardware included as well as the installation procedure.

There are four types of covers (Figure 1):

- High speed cover: QF5 through QF175 use a standard snap ring to secure cover in place. QF250 and larger use eight bolts with lock washers.
- Low speed split cover: This cover is free floating locating between the shoulders of the two hubs. All sizes come with four bolts for securing the two halves together around the insert.
- High speed split cover: This cover will be sent from the factory in four pieces to fit over the spacer body. QF15 through QF250 use eight bolts around the rim to secure the two halves together, QF500 through QF1890 use 16 bolts and QF3150 and larger use 20 bolts. QF250 and larger use eight bolts with lock washers to secure the cover to one of the hubs.
- High performance split cover: This cover is free floating locating on the insert with an internal radial groove. All sizes come with four socket head cap screws for securing the two halves together around the insert.

Figure 1. Quick-Flex cover types and included hardware



Quick-Flex Couplings – Installation Guides

Quick-Flex Single Ended Spacer Coupling Installation Guide *(continued)*

Installation:

Please note: The Quick-Flex single ended spacer coupling must be oriented with the flanged hub on the drive shaft and the coupling hub with insert on the driven shaft (Figure 2),

1. Check the bore size of the coupling hub and flanged hub to the shafts and ensure that they are the correct bore size to fit the application.
2. If necessary, clean and deburr the shafts.
3. Identify cover style:
 - a. If using a High speed cover, it should be placed on the driven shaft. If cover uses a snap ring, slide the snap ring down the shaft, then slide the cover onto shaft with the larger opening facing the shaft separation.
 - b. If using a Low speed or High performance split cover, leave cover aside and continue to Step 4.
 - c. If using a High speed split cover, QF250 and larger use bolts and washers to secure in place.
4. Install the coupling hub. It should be mounted so that the end of the shaft is flush with surface “A” as shown in Figure 2. It is acceptable for the shaft to extend past “A” as long as it is not past the teeth shown as “B”.
Please note: Standard hubs are supplied with a clearance fit and should slide onto the shaft without excessive force. If the hubs have been ordered with interference fit then heat the coupling halves to approximately 572 F (300 C) before installing on shafts.
5. Install the flanged hub using the spacer body and insert to locate the flanged hub on the drive shaft. This will set the hubs at the minimum hub gap (G_{Min}) dimension when the insert is tight between the coupling hub and spacer body, ensuring proper clearance. For specific G_{Min} and G_{Max} dimensions see Table 1.
6. Tighten the flanged hub and coupling hub securely to the shafts using the set screws.
7. Check coupling for misalignment (Table 2) and align as necessary.
8. Install the cover:
 - a. High speed cover: slide the cover over the coupling hub and insert until fully rested against the shoulder of the coupling hub. QF5 through QF175 use standard snap rings to hold the cover in place. QF250 and larger couplings use eight bolts and washers. Use the included hardware to secure the cover.
 - b. Low speed or High performance split cover: place each half over the insert and secure using the four bolt/washer/nut hardware combinations supplied.
 - c. High speed split cover: match the four pieces into two complete cover halves using the flange face detail to distinguish the two halves. For QF250 and larger, make sure the cover half with the eight holes for mounting to the coupling hub is on the coupling hub side, not the spacer side. Bolt the four pieces together using the supplied hardware ensuring the splits in each half are rotated 90 degrees relative to each other. Install the bolts to secure the cover to the coupling hub.
9. Ensure the four spacer body bolts through the flange are tight along with all other bolts and set screws.

Quick-Flex Couplings – Installation Guides

Quick-Flex Single Ended Spacer Coupling Installation Guide *(continued)*

RPM and Balance

The QM Quick-Flex coupling is machined on all surfaces and thus its dynamic balance is good. If the coupling is run at a high speed it is important that the key used to attach the coupling hubs is the same length as the coupling hub. The set screws should also be changed to full length to fill the hole.

Figure 2. Proper shaft-to-hub alignment

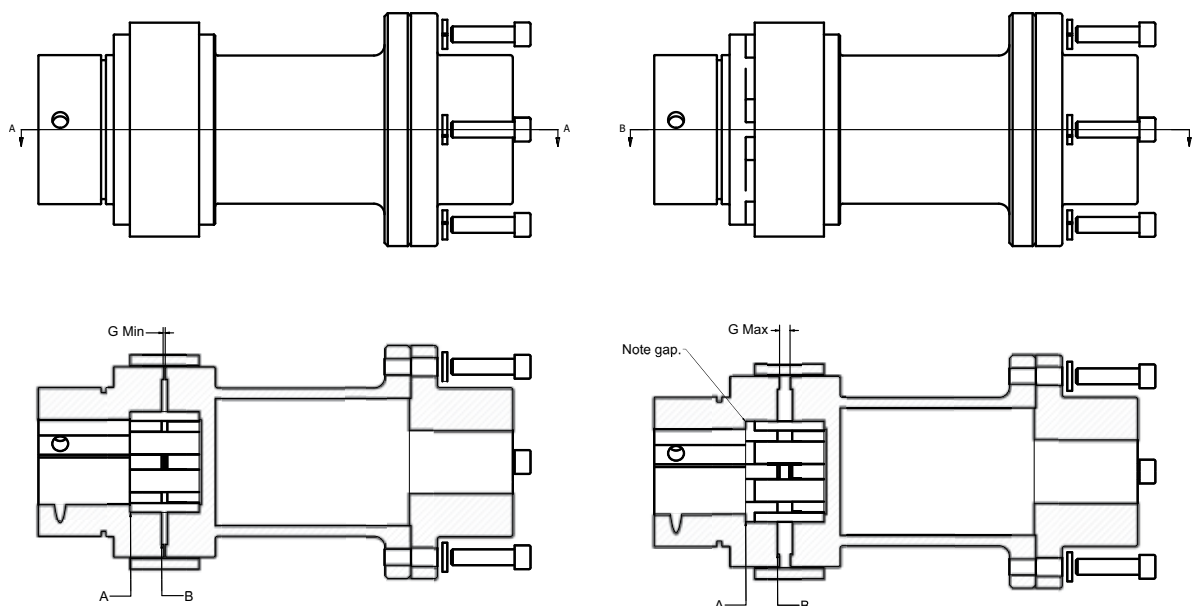


TABLE 1. Quick-Flex Coupling Hub Gap (G) Dimensions

Coupling Size	High Speed Cover		Low Speed Split Cover		High Speed Split Cover		High Performance Split Cover	
	G _{Min} (in.)	G _{Max} (in.)	G _{Min} (in.)	G _{Max} (in.)	G _{Min} (in.)	G _{Max} (in.)	G _{Min} (in.)	G _{Max} (in.)
QF5	0.063	0.092	n/a	n/a	n/a	n/a	n/a	n/a
QF15	0.036	0.110	0.036	0.099	0.036	0.126	0.036	0.220
QF25	0.080	0.205	0.080	0.133	0.080	0.140	0.080	0.160
QF50	0.035	0.208	0.035	0.101	0.035	0.220	0.035	0.160
QF100	0.140	0.290	0.140	0.380	0.140	0.380	0.140	0.370
QF175	0.188	0.208	0.188	0.375	0.188	0.348	0.180	0.368
QF250	0.100	0.230	0.100	0.365	0.100	0.250	0.100	0.318
QF500	0.125	0.250	n/a	n/a	0.125	0.375	n/a	n/a
QF1000	0.160	0.388	n/a	n/a	0.160	0.410	n/a	n/a
QF1890	0.202	0.278	n/a	n/a	0.202	0.454	n/a	n/a
QF3150	0.070	0.305	n/a	n/a	0.070	0.455	n/a	n/a
QF10260	0.127	0.505	n/a	n/a	0.127	0.492	n/a	n/a

Introduction
Blue Brake Bearings
Bearing Interchange Guide
Quick-Flex Couplings
Rigid Compression Couplings
Index

Quick-Flex Couplings – Installation Guides

Quick-Flex Single Ended Spacer Coupling Installation Guide *(continued)*

TABLE 2. Quick-Flex Misalignment Tolerances

Coupling Size	Radial Misalignment Tolerance (in.)	Axial Misalignment Tolerance (in.)	Angular Misalignment Tolerance (degrees)
QF5	0.020	0.078	2°
QF15	0.039	0.116	2°
QF25	0.039	0.116	2°
QF50	0.039	0.116	2°
QF100	0.058	0.156	2°
QF175	0.058	0.175	1.3°
QF250	0.058	0.234	1.3°
QF500	0.058	0.234	1°
QF1000	0.058	0.234	1°
QF1890	0.058	0.312	1°
QF3150	0.078	0.312	1°
QF10260	0.078	0.312	1°

Quick-Flex Couplings – Installation Guides

Quick-Flex Double Ended Spacer Coupling Installation Guide

Please complete the following steps to install QM Quick-Flex double ended spacer couplings.

You should have the following pieces before starting the job:

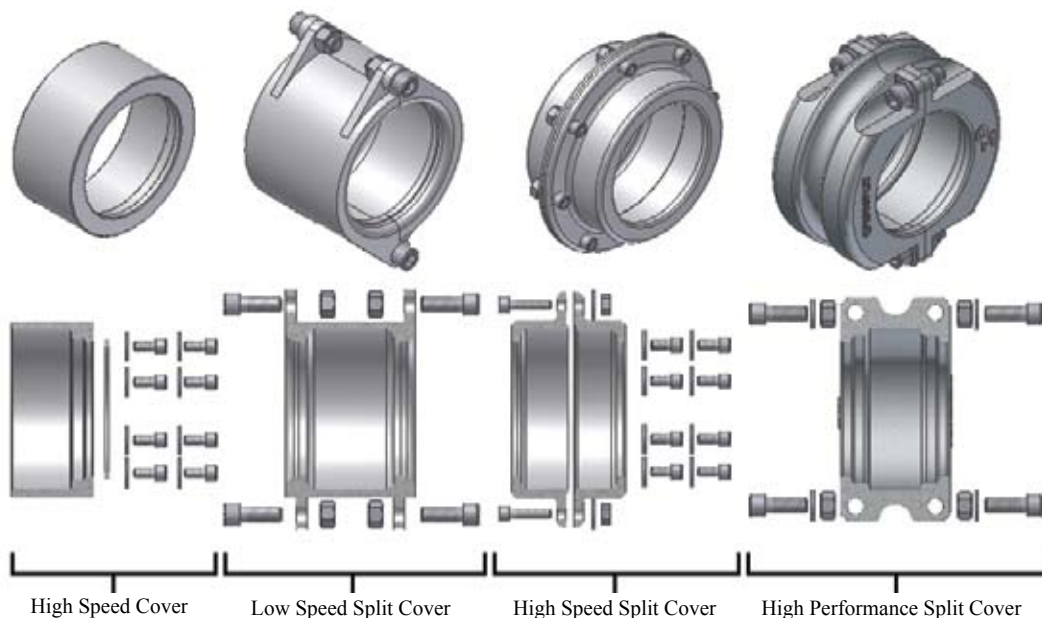
- 2 Hubs
- 1 Spacer body
- 2 Inserts
- 2 Covers* with included hardware

*Please note: It is critical to identify what style cover you are using, as this will change the hardware included as well as the installation procedure.

There are four types of covers (Figure 1):

- High speed cover: QF5 through QF175 use a standard snap ring to secure cover in place. QF250 and larger use eight bolts with lock washers.
- Low speed split cover: This cover is free floating locating between the shoulders of the two hubs. All sizes come with four bolts for securing the two halves together around the insert.
- High speed split cover: This cover will be sent from the factory in four pieces to fit over the spacer body. QF15 through QF250 use eight bolts around the rim to secure the two halves together, QF500 through QF1890 use 16 bolts and QF3150 and larger use 20 bolts. QF250 and larger use eight bolts with lock washers to secure the cover to one of the hubs.
- High performance split cover: This cover is free floating locating on the insert with an internal radial groove. All sizes come with four socket head cap screws for securing the two halves together around the insert.

Figure 1. Quick-Flex cover types and included hardware



Quick-Flex Couplings – Installation Guides

Quick-Flex Double Ended Spacer Coupling Installation Guide *(continued)*

Installation:

1. Check the bore size of the coupling halves and the shafts and ensure that they are the correct bore size to fit the application.
2. If necessary, clean and deburr the shafts.
3. Identify cover style:
 - a. If using high speed covers QF5 through QF175, slide one snap ring down each shaft, then slide one cover onto each shaft with the larger opening facing the shaft separation. For QF250 and larger slide one cover onto each shaft with the larger opening facing the shaft separation.
 - b. If using Low speed or High performance split covers, leave covers aside and continue to Step 4.
 - c. If using high speed split covers, QF250 and larger use bolts and washers to secure in place.
4. Install the hubs. They should be mounted so that the end of the shaft is flush with surface “A” as shown in Figure 2. *Please note: Standard hubs are supplied with a clearance fit and should slide onto the shaft without excessive force. If the hubs have been ordered with interference fit then heat the coupling halves to approximately 572 F (300 C) before installing on shafts.*
5. Install the spacer body and inserts. Slide all three components (spacer body and two inserts) tight to one side and check the gap from the insert face to hub flange face shown as surface “A” in figure 2. This should not exceed $((2 \times G_{\text{Max}}) - (2 \times G_{\text{Min}}))$ using the appropriate minimum hub gap (G_{Min}) and the maximum hub gap (G_{Max}) from Table 1. If this gap exceeds your calculation, adjust one or both hubs to set within specs, paying attention not to have the shaft end extend past surface “B” as shown in Figure 2.
6. Tighten both hubs securely to the shafts using the set screws.
7. Check coupling for misalignment (Table 2) and align as necessary.
8. Install the cover:
 - a. High speed cover: slide the cover over the coupling hub and insert until fully rested against the shoulder of the coupling hub. Use the included hardware to secure the cover.
 - b. Low speed or High performance split cover: place each half over the insert and secure using the four bolt/washer/nut hardware combinations supplied.
 - c. High speed split cover: match the four pieces into two complete cover halves using the flange face detail to distinguish the two halves. For QF250 and larger, make sure the cover half with the eight holes for mounting to the coupling hub is on the coupling hub side, not the spacer side. Bolt the four pieces together using the supplied hardware ensuring the splits in each half are rotated 90 degrees relative to each other. Install bolts to secure the cover to the coupling hub.

Quick-Flex Couplings – Installation Guides

Quick-Flex Double Ended Spacer Coupling Installation Guide *(continued)*

RPM and Balance

The QM Quick-Flex coupling is machined on all surfaces and thus its dynamic balance is good. If the coupling is run at a high speed it is important that the key used to attach the coupling hubs is the same length as the coupling hub. The set screws should also be changed to full length to fill the hole.

Figure 2. Proper shaft-to-hub alignment

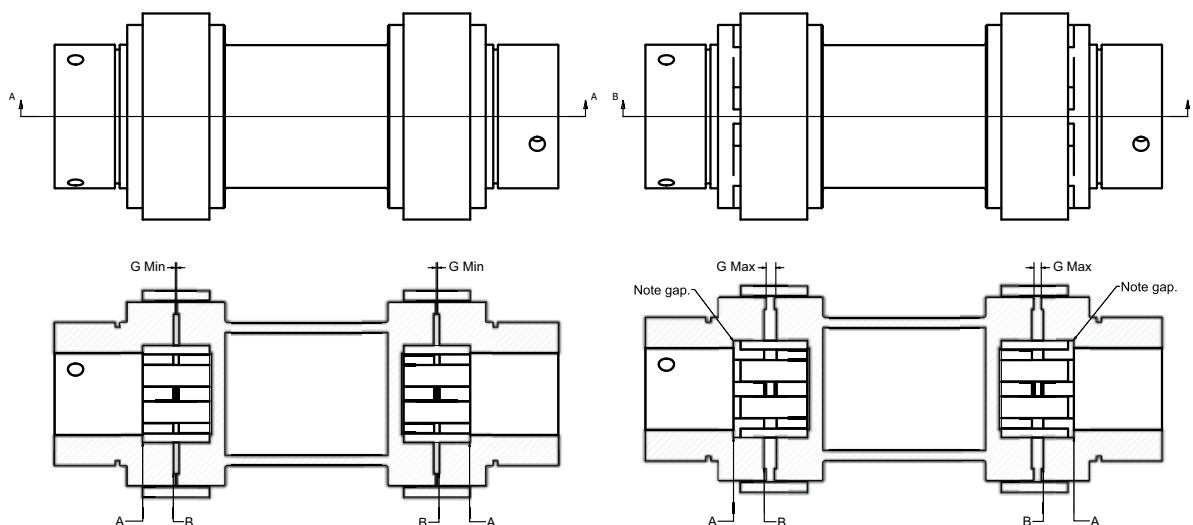


TABLE 1. Quick-Flex Coupling Hub Gap (G) Dimensions

Coupling Size	High Speed Cover		Low Speed Split Cover		High Speed Split Cover		High Performance Split Cover	
	G _{Min} (in.)	G _{Max} (in.)	G _{Min} (in.)	G _{Max} (in.)	G _{Min} (in.)	G _{Max} (in.)	G _{Min} (in.)	G _{Max} (in.)
QF5	0.063	0.092	n/a	n/a	n/a	n/a	n/a	n/a
QF15	0.036	0.110	0.036	0.099	0.036	0.126	0.036	0.220
QF25	0.080	0.205	0.080	0.133	0.080	0.140	0.080	0.160
QF50	0.035	0.208	0.035	0.101	0.035	0.220	0.035	0.160
QF100	0.140	0.290	0.140	0.380	0.140	0.380	0.140	0.370
QF175	0.188	0.208	0.188	0.375	0.188	0.348	0.180	0.368
QF250	0.100	0.230	0.100	0.365	0.100	0.250	0.100	0.318
QF500	0.125	0.250	n/a	n/a	0.125	0.375	n/a	n/a
QF1000	0.160	0.388	n/a	n/a	0.160	0.410	n/a	n/a
QF1890	0.202	0.278	n/a	n/a	0.202	0.454	n/a	n/a
QF3150	0.070	0.305	n/a	n/a	0.070	0.455	n/a	n/a
QF10260	0.127	0.505	n/a	n/a	0.127	0.492	n/a	n/a

Quick-Flex Couplings – Installation Guides

Quick-Flex Double Ended Spacer Coupling Installation Guide *(continued)*

TABLE 2. Quick-Flex Misalignment Tolerances

Coupling Size	Radial Misalignment Tolerance (in.)	Axial Misalignment Tolerance (in.)	Angular Misalignment Tolerance (degrees)
QF5	0.040	0.156	4°
QF15	0.078	0.232	4°
QF25	0.078	0.232	4°
QF50	0.116	0.232	4°
QF100	0.116	0.312	4°
QF175	0.116	0.350	2.6°
QF250	0.116	0.468	2.6°
QF500	0.116	0.468	2°
QF1000	0.116	0.468	2°
QF1890	0.116	0.624	2°
QF3150	0.156	0.624	2°
QF10260	0.156	0.624	2°

QM Rigid Compression Couplings – Features/Benefits

Trust the Strength of QM's Rigid Compression Couplings

The well-proven steel design of QM Bearings rigid compression couplings is ideal for tough applications where strength and affordability are important. Guaranteed for life against breakage, the cast steel couplings are an excellent choice for joining two shafts of the same size. This kind of coupling is also known as a “rigid clamp style” coupling.

The compression couplings are made from cast steel. The castings are first rough machined. Then, a 1/16” spacer

is placed between the coupling halves which are bolted together for final boring. The spacer is removed and the result is a compression clamp on the shaft.

Available in standard sizes for shafts 1-7/16” through 5”. Custom sizes are available upon request.



QM Rigid Compression Couplings – Ribbed Steel Couplings

Ribbed Steel Couplings



Ribbed Steel Rigid Compression Coupling Dimensions (in.)

Part #	Shaft Size	OD	Length	Assembly Bolts	Wt (lbs)
GD107	1-7/16	4.50	6.188	(4) 1/2	14.5
GD108	1-1/2	4.50	6.188	(4) 1/2	14
GD115	1-15/16	5.25	8.000	(4) 1/2	22.5
GD200	2	5.25	8.000	(4) 1/2	22
GD203	2-3/16	6.00	8.625	(4) 5/8	30.5
GD204	2-1/4	6.00	8.625	(4) 5/8	30
GD207	2-7/16	6.25	9.688	(6) 5/8	45
GD208	2-1/2	6.25	9.688	(6) 5/8	44
GD215	2-15/16	7.25	11.375	(6) 3/4	67
GD300	3	7.25	11.375	(6) 3/4	65
GD307	3-7/16	8.50	13.188	(6) 7/8	104
GD308	3-1/2	8.50	13.188	(6) 7/8	101
GD315	3-15/16	9.75	15.250	(6) 1	156
GD400	4	9.75	15.250	(6) 1	152
GD407	4-7/16	10.25	18.188	(6) 1-1/8	192
GD408	4-1/2	10.25	18.188	(6) 1-1/8	187
GD415	4-15/16	11.25	19.63	(6) 1-1/8	235
GD500	5	11.25	19.63	(6) 1-1/8	230

Index – By QM Bearings Part Number & Key Words

'B' Seal - DVC20K090S

	A	CJDR055MM	13	CKCC050MM	17, 18	CKDR300	13, 14	CVCC315	18
	B	CJDR060MM	13	CKCC055MM	18	CKDR307	13, 14	CVCC400	18
		CJDR065MM	13	CKCC060MM	17, 18	CKDR308	13, 14	CVDR060MM	14
'B' Seal	3, 7, 9, 22, 24, 50, 52, 80, 82, 100, 102, 129- 131	CJDR075MM	13	CKCC065MM	17, 18	CKDR311	14	CVDR065MM	14
		CJDR080MM	13	CKCC070MM	18	CKDR312	14	CVDR070MM	14
		CJDR090MM	13	CKCC075MM	17, 18	CKDR315	13, 14	CVDR075MM	14
	C	CJDR100MM	13	CKCC080MM	18	CKDR400	13, 14	CVDR080MM	14
'C' Seal	3, 7, 9, 22, 24, 50, 52, 80, 82, 100, 102, 129- 131	CJDR107	13	CKCC085MM	18	CKDR407	13, 14	CVDR090MM	14
		CJDR108	13	CKCC090MM	17, 18	CKDR408	13, 14	CVDR100MM	14
		CJDR111	13	CKCC100MM	17, 18	CKVR11	15, 16	CVDR207	14
'CC' Collar	3, 7, 10, 11, 17, 18, 23, 24, 51, 52, 81, 82, 101, 102	CJDR112	13	CKCC115	17, 18	CKVR13	15, 16	CVDR208	14
		CJDR115	13	CKCC200	17, 18	CKVR15	15, 16	CVDR211	14
		CJDR115MM	13	CKCC203	17, 18	CKVR17	15, 16	CVDR212	14
'CFP' Backing Plate	3, 7, 10, 11, 17, 18, 23, 24, 51, 52, 81, 82, 101, 102	CJDR200	13	CKCC204	17, 18	CKVR20	15, 16	CVDR215	14
		CJDR203	13	CKCC207	17, 18	CKVR22	15, 16	CVDR300	14
		CJDR204	13	CKCC208	17, 18	CKVR26	15, 16	CVDR303	14
CFP10	19	CJDR207	13	CKCC211	18	'CS' Cover	3, 11, 12, 23, 24, 51, 52, 81, 82, 101, 102	CVDR304	14
CFP11	19	CJDR208	13	CKCC212	18			CVDR307	14
CFP13	19	CJDR211	13	CKCC215	17, 18	CS08	12	CVDR308	14
CFP15	19	CJDR212	13	CKCC300	17, 18	CS09	12	CVDR315	14
CFP18	19	CJDR215	13	CKCC307	17, 18	CS10	12	CVDR400	14
CFP20	19	CJDR300	13	CKCC308	17, 18	CS11	12	CVVR11	16
'CJ' Cover	3, 11, 13, 15, 17, 23, 51, 81, 82, 101	CJDR303	13	CKCC311	18	CS13	12	CVVR12	16
		CJDR304	13	CKCC312	18	CS14V	12	CVVR13	16
CJCC050MM	17	CJDR307	13	CKCC315	17, 18	CS15	12	CVVR15	16
CJCC055MM	17	CJDR308	13	CKCC400	17, 18	CS16	12	CVVR18	16
CJCC060MM	17	CJDR315	13	CKDR050MM	13, 14	CS17	12	CVVR22	16
CJCC065MM	17	CJDR400	13	CKDR055MM	14	CS18	12	CVVR26	16
CJCC075MM	17	CJDR407	13	CKDR060MM	13, 14	CS19	12		
CJCC090MM	17	CJDR408	13	CKDR065MM	13, 14	CS20	12		
CJCC100MM	17	CJDR415	13	CKDR070MM	14	CS22	12		
CJCC115	17	CJDR500	13	CKDR075MM	13, 14	CS26	12		
CJCC200	17	CJDR507	13	CKDR080MM	14	CS30	12		
CJCC203	17	CJVR08	15	CKDR085MM	14	'CV' Cover	3, 11, 14, 16, 18, 23, 24, 51, 81, 101	DVC11K050S	111
CJCC204	17	CJVR09	15	CKDR090MM	13, 14			DVC11K115S	111
CJCC207	17	CJVR10	15	CKDR100MM	13, 14			DVC11K200S	111
CJCC208	17	CJVR11	15	CKDR115	13, 14	CVCC060MM	18	DVC13K060S	111
CJCC215	17	CJVR13	15	CKDR115MM	13, 14	CVCC065MM	18	DVC13K203S	111
CJCC300	17	CJVR15	15	CKDR200	13, 14	CVCC075MM	18	DVC13K204S	111
CJCC307	17	CJVR18	15	CKDR203	13, 14	CVCC090MM	18	DVC15K065S	111
CJCC308	17	CJVR20	15	CKDR204	13, 14	CVCC100MM	18	DVC15K207S	111
CJCC315	17	CJVR22	15	CKDR207	13, 14	CVCC207	18	DVC15K208S	111
CJCC400	17	CJVR26	15	CKDR208	13, 14	CVCC208	18	DVC17K075S	111
CJDR040MM	13	CJVR30	15	CKDR211	14	CVCC215	18	DVC17K215S	111
CJDR045MM	13	'CK' Cover	3, 11, 13, 15, 17, 23, 51, 81, 101, 102	CKDR211	14	CVCC300	18	DVC17K300S	111
CJDR050MM	13			CKDR215	13, 14	CVCC307	18	DVC20K090S	111
						CVCC308	18		

D

'DR' Seal 3, 11, 15,
14, 23, 24, 51, 52,
81, 82, 101, 102

Index – By QM Bearings Part Number & Key Words

DVC20K203S - QAAF10A050S

DVC20K307S	111	DVP22K400S	103	102, 128	Static	118	QAAC10A050S	64
DVC20K308S	111	DVPF17K075S	107	HSY Backing Plate 3, 7,	Radial	119, 122-127	QAAC10A115S	64
DVC22K100S	111	DVPF17K215S	107	10, 11, 17, 18, 23,	Ratings	122-127	QAAC10A200S	64
DVC22K315S	111	DVPF17K300S	107	24, 51, 52, 81, 82,			QAAC11A203S	64
DVC22K400S	111	DVPF20K090S	107	101, 102	Locking Styles		QAAC11A204S	64
DVC26K115S	111	DVPF20K307S	107	HSY10	Concentric (CL)	3,	QAAC13A065S	64
DVC26K407S	111	DVPF20K308S	107	HSY11	4, 7, 50-79		QAAC13A207S	64
DVC26K408S	111	DVPF22K100S	107	HSY13	Eccentric (EC)	3,	QAAC13A208S	64
DVF11K050S	114	DVPF22K315S	107	HSY14	4, 7, 80-99		QAAC15A075S	64
DVF11K115S	114	DVPF22K400S	107	HSY15	Tapered Adapter	3,	QAAC15A211S	64
DVF11K200S	114	DVPF26K115S	107	HSY16	4, 7, 100-117		QAAC15A215S	64
DVF13K060S	114	DVPF26K407S	107	HSY18	V-Lock	3, 4, 7, 22-49	QAAC15A300S	64
DVF13K203S	114	DVPF26K408S	107	HSY19	Lubrication	137, 140,	QAAC18A090S	65
DVF13K204S	114			HSY20	142, 145, 149		QAAC18A307S	65
DVF15K065S	114	Dynamic Capacity 119-121		HSY22			QAAC18A308S	65
DVF15K207S	114				I		QAAC20A100S	65
DVF15K208S	114	E		Installation Guides			QAAC20A315S	65
DVF17K075S	114	F		CL Series	141-143		QAAC20A400S	65
DVF17K215S	114	G		EC Series	144-146		QAAC22A115S	65
DVF17K300S	114			Quick-Flex			QAAC22A407S	65
DVF20K090S	114	GD107	381	Standard	368-371		QAAC22A408S	65
DVF20K307S	114	GD108	381	Single-ended spacer	372-375		QAACW10A050S	66
DVF20K308S	114	GD115	381	Double-ended spacer			QAACW10A115S	66
DVF22K100S	114	GD200	381		376-379		QAACW10A200S	66
DVF22K315S	114	GD203	381	TA/DV Series	147-150		QAACW11A203S	66
DVF22K400S	114	GD204	381	V-Lock Series	138-140		QAACW11A204S	66
DVF26K115S	114	GD207	381	Interchange Guide	151		QAACW13A065S	66
DVF26K407S	114	GD208	381	Internal Radial			QAACW13A207S	66
DVF26K408S	114	GD215	381	Clearances	134-135		QAACW13A208S	66
DVP11K050S	103	GD300	381	J			QAACW15A075S	66
DVP11K115S	103	GD307	381	K			QAACW15A211S	66
DVP11K200S	103	GD308	381	L			QAACW15A215S	66
DVP13K060S	103	GD315	381	Life, bearings	119,		QAACW15A300S	66
DVP13K203S	103	GD400	381		122-127		QAACW18A090S	67
DVP13K204S	103	GD407	381	Loads, bearings			QAACW18A307S	67
DVP15K065S	103	GD408	381	Drive	118		QAACW18A308S	67
DVP15K207S	103	GD415	381	Equivalent Radial	119		QAACW20A100S	67
DVP15K208S	103	GD500	381	Imposed	118		QAACW20A315S	67
DVP17K075S	103	Grease	137, 140, 142,	Minimum	119		QAACW20A400S	67
DVP17K215S	103		145, 149				QAACW22A115S	67
DVP17K300S	103	H		Operating Conditions			QAACW22A407S	67
DVP20K090S	103	Housing Loads	128	Load	119		QAACW22A408S	67
DVP20K307S	103	Housings, Bearings	3, 4,	Speed	129		QAACW26A130S	67
DVP20K308S	103		5, 7, 22, 24, 50,	Temperature	131		QAACW26A415S	67
DVP22K100S	103		52, 80, 82, 100,	P			QAACW26A500S	67
DVP22K315S	103			Q			QAAF10A050S	68

Index – By QM Bearings Part Number & Key Words

QAAF10A115SS - QAASN13A207S

QAAF10A115S	68	QAAFX15A075S	72	QAAMC13A060S	75	QAAPF13A208S	60	QAAPR20A400S	62
QAAF10A200S	68	QAAFX15A211S	72	QAAMC13A065S	75	QAAPF15A075S	60	QAAPX13A060S	63
QAAF11A203S	68	QAAFX15A215S	72	QAAMC13A207S	75	QAAPF15A211S	60	QAAPX13A065S	63
QAAF11A204S	68	QAAFX15A300S	72	QAAMC13A208S	75	QAAPF15A215S	60	QAAPX13A207S	63
QAAF13A065S	68	QAAFX18A090S	72	QAAMC15A070S	75	QAAPF15A300S	60	QAAPX13A208S	63
QAAF13A207S	68	QAAFX18A307S	72	QAAMC15A075S	75	QAAPF18A090S	61	QAAPX15A070S	63
QAAF13A208S	68	QAAFX18A308S	72	QAAMC15A211S	75	QAAPF18A307S	61	QAAPX15A075S	63
QAAF15A075S	68	QAAFX20A100S	72	QAAMC15A212S	75	QAAPF18A308S	61	QAAPX15A211S	63
QAAF15A211S	68	QAAFX20A315S	72	QAAMC15A215S	75	QAAPF20A100S	61	QAAPX15A212S	63
QAAF15A215S	68	QAAFX20A400S	72	QAAMC15A300S	75	QAAPF20A315S	61	QAAPX15A215S	63
QAAF15A300S	68	QAAFX22A115S	72	QAAMC18A080S	76	QAAPF20A400S	61	QAAPX15A300S	63
QAAF18A090S	69	QAAFX22A407S	72	QAAMC18A090S	76	QAAPF22A115S	61	QAAPX18A080S	63
QAAF18A307S	69	QAAFX22A408S	72	QAAMC18A303S	76	QAAPF22A407S	61	QAAPX18A090S	63
QAAF18A308S	69	QAAFX26A130S	72	QAAMC18A304S	76	QAAPF22A408S	61	QAAPX18A303S	63
QAAF20A100S	69	QAAFX26A415S	72	QAAMC18A307S	76	QAAPF26A130S	61	QAAPX18A304S	63
QAAF20A315S	69	QAAFX26A500S	72	QAAMC18A308S	76	QAAPF26A415S	61	QAAPX18A307S	63
QAAF20A400S	69	QAAFY10A050S	73	QAAMC20A100S	76	QAAPF26A500S	61	QAAPX18A308S	63
QAAF22A115S	69	QAAFY10A115S	73	QAAMC20A311S	76	QAAPL10A050S	55	QAAPX20A100S	63
QAAF22A407S	69	QAAFY10A200S	73	QAAMC20A315S	76	QAAPL10A115S	55	QAAPX20A311S	63
QAAF22A408S	69	QAAFY11A203S	73	QAAMC20A400S	76	QAAPL10A200S	55	QAAPX20A315S	63
QAAFL10A050S	70	QAAFY11A204S	73	QAAMC22A115S	76	QAAPL11A203S	55	QAAPX20A400S	63
QAAFL10A115S	70	QAAFY13A065S	73	QAAMC22A407S	76	QAAPL11A204S	55	QAAPX22A115S	63
QAAFL10A200S	70	QAAFY13A207S	73	QAAMC22A408S	76	QAAPL13A065S	55	QAAPX22A407S	63
QAAFL11A203S	70	QAAFY13A208S	73	QAAMC26A130S	76	QAAPL13A207S	55	QAAPX22A408S	63
QAAFL11A204S	70	QAAFY15A075S	73	QAAMC26A415S	76	QAAPL13A208S	55	QAAPX26A130S	63
QAAFL13A065S	70	QAAFY15A215S	73	QAAMC26A500S	76	QAAPL15A075S	55	QAAPX26A415S	63
QAAFL13A207S	70	QAAFY15A211S	73	QAAP10A050S	53	QAAPL15A215S	55	QAAPX26A500S	63
QAAFL13A208S	70	QAAFY15A300S	73	QAAP10A115S	53	QAAPL15A300S	55	QAAPXT13A060S	59
QAAFL15A075S	70	QAAFY18A090S	74	QAAP10A200S	53	QAAPL18A090S	56	QAAPXT13A065S	59
QAAFL15A211S	70	QAAFY18A307S	74	QAAP11A203S	53	QAAPL18A307S	56	QAAPXT13A207S	59
QAAFL15A215S	70	QAAFY18A308S	74	QAAP11A204S	53	QAAPL18A308S	56	QAAPXT13A208S	59
QAAFL15A300S	70	QAAFY20A100S	74	QAAP13A065S	53	QAAPL20A100S	56	QAAPXT15A070S	59
QAAFL18A090S	71	QAAFY20A315S	74	QAAP13A207S	53	QAAPL20A315S	56	QAAPXT15A075S	59
QAAFL18A307S	71	QAAFY20A400S	74	QAAP13A208S	53	QAAPL20A400S	56	QAAPXT15A211S	59
QAAFL18A308S	71	QAAFY22A115S	74	QAAP15A075S	53	QAAPR13A065S	56	QAAPXT15A212S	59
QAAFL20A100S	71	QAAFY22A407S	74	QAAP15A211S	53	QAAPR13A207S	62	QAAPXT15A215S	59
QAAFL20A315S	71	QAAFY22A408S	74	QAAP15A215S	53	QAAPR13A208S	62	QAAPXT15A300S	59
QAAFL20A400S	71	QAAFY26A130S	74	QAAP15A300S	53	QAAPR15A075S	62	QAASN10A050S	57
QAAFX10A050S	72	QAAFY26A415S	74	QAAP18A090S	54	QAAPR15A211S	62	QAASN10A115S	57
QAAFX10A115S	72	QAAFY26A500S	74	QAAP18A307S	54	QAAPR15A215S	62	QAASN10A200S	57
QAAFX10A200S	72	QAAMC10A050S	75	QAAP18A308S	54	QAAPR15A300S	62	QAASN11A055S	57
QAAFX11A203S	72	QAAMC10A115S	75	QAAP20A100S	54	QAAPR18A090S	62	QAASN11A203S	57
QAAFX11A204S	72	QAAMC10A200S	75	QAAP20A315S	54	QAAPR18A307S	62	QAASN11A204S	57
QAAFX13A065S	72	QAAMC11A055S	75	QAAP20A400S	54	QAAPR18A308S	62	QAASN13A060S	57
QAAFX13A207S	72	QAAMC11A203S	75	QAAPF13A065S	60	QAAPR20A100S	62	QAASN13A065S	57
QAAFX13A208S	72	QAAMC11A204S	75	QAAPF13A207S	60	QAAPR20A315S	62	QAASN13A207S	57

Index – By QM Bearings Part Number & Key Words

QAASN13A208S - QASN10A200S

QAASN13A208S	57	QAC13A065S	64	QAF18A307S	69	QAMC11A055S	75	QAPF15A075S	61
QAASN15A070S	57	QAC13A207S	64	QAF18A308S	69	QAMC11A203S	75	QAPF15A211S	61
QAASN15A075S	57	QAC13A208S	64	QAF20A100S	69	QAMC11A204S	75	QAPF15A215S	61
QAASN15A211S	57	QAC15A070S	64	QAF20A315S	69	QAMC13A060S	75	QAPF15A300S	61
QAASN15A212S	57	QAC15A075S	64	QAF20A400S	69	QAMC13A065S	75	QAPF18A090S	62
QAASN15A215S	57	QAC15A211S	64	QAF10A050S	70	QAMC13A207S	75	QAPF18A307S	62
QAASN15A300S	57	QAC15A215S	64	QAF10A115S	70	QAMC13A208S	75	QAPF18A308S	62
QAASN18A080S	58	QAC15A300S	64	QAF10A200S	70	QAMC15A070S	75	QAPF20A100S	62
QAASN18A090S	58	QAC18A090S	65	QAF11A203S	70	QAMC15A075S	75	QAPF20A315S	62
QAASN18A303S	58	QAC18A307S	65	QAF11A204S	70	QAMC15A211S	75	QAPF20A400S	62
QAASN18A304S	58	QAC18A308S	65	QAF13A065S	70	QAMC15A212S	75	QAPL10A050S	55
QAASN18A307S	58	QAC20A100S	65	QAF13A207S	70	QAMC15A215S	75	QAPL10A115S	55
QAASN18A308S	58	QAC20A315S	65	QAF13A208S	70	QAMC15A300S	75	QAPL10A200S	55
QAASN20A100S	58	QAC20A400S	65	QAF15A070S	70	QAMC18A080S	76	QAPL11A203S	55
QAASN20A311S	58	QACW10A050S	66	QAF15A075S	70	QAMC18A090S	76	QAPL11A204S	55
QAASN20A315S	58	QACW10A115S	66	QAF15A211S	70	QAMC18A303S	76	QAPL13A065S	55
QAASN20A400S	58	QACW10A200S	66	QAF15A215S	70	QAMC18A304S	76	QAPL13A207S	55
QAASN22A115S	58	QACW11A203S	66	QAF15A300S	70	QAMC18A307S	76	QAPL13A208S	55
QAASN22A407S	58	QACW11A204S	66	QAF18A090S	71	QAMC18A308S	76	QAPL15A070S	55
QAASN22A408S	58	QACW13A065S	66	QAF18A307S	71	QAMC20A100S	76	QAPL15A075S	55
QAASN26A130S	58	QACW13A207S	66	QAF18A308S	71	QAMC20A311S	76	QAPL15A211S	55
QAASN26A415S	58	QACW13A208S	66	QAF120A100S	71	QAMC20A315S	76	QAPL15A215S	55
QAASN26A500S	58	QACW15A070S	66	QAF120A315S	71	QAMC20A400S	76	QAPL15A300S	55
QAATU10A050S	77	QACW15A075S	66	QAF120A400S	71	QAP10A050S	53	QAPL18A090S	56
QAATU10A115S	77	QACW15A211S	66	QAFY10A050S	73	QAP10A115S	53	QAPL18A307S	56
QAATU10A200S	77	QACW15A215S	66	QAFY10A115S	73	QAP10A200S	53	QAPL18A308S	56
QAATU11A203S	77	QACW15A300S	66	QAFY10A200S	73	QAP11A203S	53	QAPL20A100S	56
QAATU11A204S	77	QACW18A090S	67	QAFY11A203S	73	QAP11A204S	53	QAPL20A315S	56
QAATU13A065S	77	QACW18A308S	67	QAFY11A204S	73	QAP13A065S	53	QAPL20A400S	56
QAATU13A207S	77	QACW20A100S	67	QAFY13A065S	73	QAP13A207S	53	QAPR13A065S	55
QAATU13A208S	77	QACW20A315S	67	QAFY13A207S	73	QAP13A208S	53	QAPR13A207S	62
QAATU15A075S	77	QACW20A400S	67	QAFY13A208S	73	QAP15A070S	53	QAPR13A208S	62
QAATU15A211S	77	QAF10A050S	68	QAFY15A070S	73	QAP15A075S	53	QAPR15A070S	62
QAATU15A215S	77	QAF10A115S	68	QAFY15A075S	73	QAP15A211S	53	QAPR15A075S	62
QAATU15A300S	77	QAF10A200S	68	QAFY15A211S	73	QAP15A215S	53	QAPR15A211S	62
QAATU18A090S	78	QAF11A203S	68	QAFY15A215S	73	QAP15A300S	53	QAPR15A215S	62
QAATU18A307S	78	QAF11A204S	68	QAFY15A300S	73	QAP18A090S	54	QAPR15A300S	62
QAATU18A308S	78	QAF13A065S	68	QAFY18A090S	74	QAP18A307S	54	QAPR18A090S	62
QAATU20A100S	78	QAF13A207S	68	QAFY18A307S	74	QAP18A308S	54	QAPR18A307S	62
QAATU20A315S	78	QAF13A208S	68	QAFY18A308S	74	QAP20A100S	54	QAPR18A308S	62
QAATU20A400S	78	QAF15A070S	68	QAFY20A100S	74	QAP20A315S	54	QAPR20A100S	62
QAC10A050S	64	QAF15A075S	68	QAFY20A315S	74	QAP20A400S	54	QAPR20A315S	62
QAC10A115S	64	QAF15A211S	68	QAFY20A400S	74	QAPF13A065S	61	QAPR20A400S	62
QAC10A200S	64	QAF15A215S	68	QAMC10A050S	75	QAPF13A207S	61	QASN10A050S	57
QAC11A203S	64	QAF15A300S	68	QAMC10A115S	75	QAPF13A208S	61	QASN10A115S	57
QAC11A204S	64	QAF18A090S	69	QAMC10A200S	75	QAPF15A070S	61	QASN10A200S	57

Index – By QM Bearings Part Number & Key Words

QASN11A055S - QMCW15J300S

QASN11A055S	57	345, 348, 350, 351, 356, 361-363, 370, 371, 374, 375, 377, 378	QF175HINSERT	360-362	QF3150INSERT	361, 362	QMC13J207S	91	
QASN11A203S	57		QF175HPCOVER	342	QF3150TINSERT	361, 362	QMC13J208S	91	
QASN11A204S	57		QF175INSERT	360-362	QF3150VSPCOVER	341	QMC15J070S	91	
QASN13A060S	57		QF175SPCOVER	340	QF5	335, 338, 343, 353, 355, 358, 360, 362, 363, 370, 371, 374, 375, 377, 378	QMC15J075S	91	
QASN13A065S	57	QF1000BINSERT	361, 362	QF175TINSERT	361, 362	QF50	335, 336, 338, 343-358, 360-363, 370, 371, 374, 375, 377, 378	QMC15J211S	91
QASN13A207S	57	QF1000HINSERT	361, 362	QF175VSPCOVER	341	QF500	335, 336, 338, 343, 345, 347, 348, 350, 351, 353, 354, 356, 360-363, 370, 371, 374, 375, 377, 378	QMC15J212S	91
QASN13A208S	57	QF1000INSERT	361, 362	QF1890	335, 336, 338, 345, 348, 350, 351, 356, 361-363, 370, 371, 374, 375, 377, 378	QF500BINSERT	360-362	QMC15J215S	91
QASN15A070S	57	QF1000TINSERT	361, 362	QF1890BINSERT	361, 362	QF500COVER	339	QMC15J300S	91
QASN15A075S	57	QF1000VSPCOVER	341	QF1890HINSERT	361, 362	QF500HINSERT	360-362	QMC18J080S	91
QASN15A211S	57	QF100BINSERT	360-362	QF1890INSERT	361, 362	QF500INSERT	360-362	QMC18J085S	91
QASN15A212S	57	QF100COVER	339	QF1890TINSERT	361, 362	QF500TINSERT	361, 362	QMC18J090S	91
QASN15A215S	57	QF100HINSERT	360-362	QF1890VSPCOVER	341	QF500VSPCOVER	341	QMC18J303S	91
QASN15A300S	57	QF100HPCOVER	342	QF25	335, 336, 338, 343-358, 360-363, 370, 371, 374, 375, 377, 378	QF50HINSERT	360-362	QMC18J304S	91
QASN18A080S	58	QF100INSERT	360-362	QF250	335, 336, 338, 343-358, 360-363, 370, 371, 374, 375, 377, 378	QF50HPCOVER	342	QMC18J307S	91
QASN18A090S	58	QF100SPCOVER	340	QF250BINSERT	360-362	QF50INSERT	360-362	QMC18J308S	91
QASN18A303S	58	QF100TINSERT	361, 362	QF250COVER	339	QF50TINSERT	361, 362	QMC20J100S	91
QASN18A304S	58	QF100VSPCOVER	341	QF250HINSERT	360-362	QF50VSPCOVER	360-362	QMC20J311S	91
QASN18A307S	58	QF10260	335, 336, 338, 345, 348, 350, 351, 356, 361-363, 370, 371, 374, 375, 377, 378	QF250HPCOVER	342	QF50BINSERT	360, 362	QMC20J312S	91
QASN18A308S	58	QF10260BINSERT	361, 362	QF250INSERT	360-362	QF50COVER	339	QMC20J315S	91
QASN20A100S	58	QF10260HINSERT	361, 362	QF250SPCOVER	340	QF50HPCOVER	342	QMC20J400S	91
QASN20A311S	58	QF10260TINSERT	361, 362	QF250TINSERT	361, 362	QF50INSERT	360-362	QMC22J110S	91
QASN20A315S	58	QF10260VSPCOVER	341	QF250VSPCOVER	341	QF50TINSERT	361, 362	QMC22J115S	91
QASN20A400S	58	QF15	335, 336, 338, 343-358, 360-363, 370, 371, 374, 375, 377, 378	QF25BINSERT	360-362	QF50VSPCOVER	360-362	QMC22J407S	91
QATU10A050S	77	QF15BINSERT	360-362	QF25COVER	339	QF50COVER	339	QMC22J408S	91
QATU10A115S	77	QF15COVER	339	QF25HINSERT	360-362	QF50HINSERT	360-362	QMCW08J107S	92
QATU10A200S	77	QF15HINSERT	360-362	QF25HPCOVER	342	QF50HPCOVER	342	QMCW08J108S	92
QATU11A203S	77	QF15HPCOVER	342	QF25INSERT	360-362	QF50INSERT	360-362	QMCW09J040S	92
QATU11A204S	77	QF15INSERT	360-362	QF25SPCOVER	340	QF50SPCOVER	340	QMCW09J045S	92
QATU13A065S	77	QF15TINSERT	361, 362	QF25TINSERT	361, 362	QF50TINSERT	361, 362	QMCW09J111S	92
QATU13A207S	77	QF15VSPCOVER	341	QF25VSPCOVER	341	QF50VSPCOVER	341	QMCW09J112S	92
QATU13A208S	77	QF175	335, 336, 338, 343-358, 360-363, 370, 371, 374, 375, 377, 378	QF25BINSERT	360-362	QF5BINSERT	360, 362	QMCW10J050S	92
QATU15A070S	77	QF175BINSERT	360-362	QF25COVER	339	QF5COVER	339	QMCW10J115S	92
QATU15A075S	77	QF175HINSERT	360-362	QF25HINSERT	360-362	QF5INSERT	360, 362	QMCW10J200S	92
QATU15A211S	77	QF175HPCOVER	342	QF25HPCOVER	342	QMC08J107S	91	QMCW11J055S	92
QATU15A215S	77	QF175INSERT	360-362	QF25INSERT	360-362	QMC08J108S	91	QMCW11J203S	92
QATU15A300S	77	QF175SPCOVER	340	QF25SPCOVER	340	QMC09J040S	91	QMCW11J204S	92
QATU18A090S	78	QF175TINSERT	361, 362	QF25TINSERT	361, 362	QMC09J045S	91	QMCW13J060S	92
QATU18A307S	78	QF175VSPCOVER	341	QF25VSPCOVER	341	QMC09J111S	91	QMCW13J065S	92
QATU18A308S	78	QF3150	335, 336, 338, 345, 348, 350, 351, 356, 361-363, 370, 371, 374, 375, 377, 378	QF25BINSERT	360-362	QMC09J112S	91	QMCW13J207S	92
QATU20A100S	78	QF3150BINSERT	361, 362	QF25HINSERT	360-362	QMC10J050S	91	QMCW13J208S	92
QATU20A315S	78	QF3150HINSERT	361, 362	QF25HPCOVER	342	QMC10J115S	91	QMCW15J070S	92
QATU20A400S	78	QF3150INSERT	360-362	QF25INSERT	360-362	QMC10J200S	91	QMCW15J075S	92
QF100	335, 336, 338, 343-358, 360-363, 370, 371, 374, 375, 377, 378	QF3150VSPCOVER	341	QF25SPCOVER	340	QMC11J055S	91	QMCW15J211S	92
QF1000	335, 336, 338, 343-358, 360-363, 370, 371, 374, 375, 377, 378	QF3150TINSERT	361, 362	QF25TINSERT	361, 362	QMC11J203S	91	QMCW15J212S	92
QF1000	335, 336, 338, 343-358, 360-363, 370, 371, 374, 375, 377, 378	QF3150VSPCOVER	341	QF25VSPCOVER	341	QMC11J204S	91	QMCW15J215S	92
		QF3150BINSERT	361, 362	QF25BINSERT	360-362	QMC13J060S	91	QMCW15J300S	92
		QF3150HINSERT	361, 362	QF25COVER	339	QMC13J065S	91		

Index – By QM Bearings Part Number & Key Words

QMCW18J080S - QMP13J065S

QMCW18J080S	92	QMF15J070S	93	QMFL18J090S	94	QMFY22J115S	96	QMFY26J415S	95
QMCW18J085S	92	QMF15J075S	93	QMFL18J303S	94	QMFY22J407S	96	QMFY26J500S	95
QMCW18J090S	92	QMF15J211S	93	QMFL18J304S	94	QMFY22J408S	96	QMMC10J050S	98
QMCW18J303S	92	QMF15J212S	93	QMFL18J307S	94	QMFY26J130S	96	QMMC10J115S	98
QMCW18J304S	92	QMF15J215S	93	QMFL18J308S	94	QMFY26J415S	96	QMMC10J200S	98
QMCW18J307S	92	QMF15J300S	93	QMFL20J100S	94	QMFY26J500S	96	QMMC11J055S	98
QMCW18J308S	92	QMF18J080S	93	QMFL20J311S	94	QMFY08J107S	95	QMMC11J203S	98
QMCW20J100S	92	QMF18J085S	93	QMFL20J312S	94	QMFY08J108S	95	QMMC11J204S	98
QMCW20J311S	92	QMF18J090S	93	QMFL20J315S	94	QMFY09J040S	95	QMMC13J060S	98
QMCW20J312S	92	QMF18J303S	93	QMFL20J400S	94	QMFY09J045S	95	QMMC13J065S	98
QMCW20J315S	92	QMF18J304S	93	QMFY08J107S	96	QMFY09J111S	95	QMMC13J207S	98
QMCW20J400S	92	QMF18J307S	93	QMFY08J108S	96	QMFY09J112S	95	QMMC13J208S	98
QMCW22J110S	92	QMF18J308S	93	QMFY09J040S	96	QMFY10J050S	95	QMMC15J070S	98
QMCW22J115S	92	QMF20J100S	93	QMFY09J045S	96	QMFY10J115S	95	QMMC15J075S	98
QMCW22J407S	92	QMF20J311S	93	QMFY09J111S	96	QMFY10J200S	95	QMMC15J211S	98
QMCW22J408S	92	QMF20J312S	93	QMFY09J112S	96	QMFY11J055S	95	QMMC15J212S	98
QMCW26J125S	92	QMF20J315S	93	QMFY10J050S	96	QMFY11J203S	95	QMMC15J215S	98
QMCW26J130S	92	QMF20J400S	93	QMFY10J115S	96	QMFY11J204S	95	QMMC15J300S	98
QMCW26J415S	92	QMF22J110S	93	QMFY10J200S	96	QMFY13J060S	95	QMMC18J080S	98
QMCW26J500S	92	QMF22J115S	93	QMFY11J055S	96	QMFY13J065S	95	QMMC18J090S	98
QMCW30J140S	92	QMF22J407S	93	QMFY11J203S	96	QMFY13J207S	95	QMMC18J303S	98
QMCW30J150S	92	QMF22J408S	93	QMFY11J204S	96	QMFY13J208S	95	QMMC18J304S	98
QMCW30J507S	92	QMFL08J107S	94	QMFY13J060S	96	QMFY15J070S	95	QMMC18J307S	98
QMCW30J508S	92	QMFL08J108S	94	QMFY13J065S	96	QMFY15J075S	95	QMMC18J308S	98
QMCW30J515S	92	QMFL09J040S	94	QMFY13J207S	96	QMFY15J211S	95	QMMC20J100S	98
QMCW30J600S	92	QMFL09J045S	94	QMFY13J208S	96	QMFY15J212S	95	QMMC20J311S	98
QMCW34J607S	92	QMFL09J111S	94	QMFY15J070S	96	QMFY15J215S	95	QMMC20J312S	98
QMCW34J608S	92	QMFL09J112S	94	QMFY15J075S	96	QMFY15J300S	95	QMMC20J315S	98
QMCW34J615S	92	QMFL10J050S	94	QMFY15J211S	96	QMFY18J080S	95	QMMC20J400S	98
QMCW34J700S	92	QMFL10J115S	94	QMFY15J212S	96	QMFY18J085S	95	QMMC22J115S	98
QMF08J107S	93	QMFL10J200S	94	QMFY15J215S	96	QMFY18J090S	95	QMMC22J407S	98
QMF08J108S	93	QMFL11J055S	94	QMFY15J300S	96	QMFY18J303S	95	QMMC22J408S	98
QMF09J040S	93	QMFL11J203S	94	QMFY18J080S	96	QMFY18J304S	95	QMP08J107S	83
QMF09J045S	93	QMFL11J204S	94	QMFY18J085S	96	QMFY18J307S	95	QMP08J108S	83
QMF09J111S	93	QMFL13J060S	94	QMFY18J090S	96	QMFY18J308S	95	QMP09J040S	83
QMF09J112S	93	QMFL13J065S	94	QMFY18J110S	96	QMFY20J100S	95	QMP09J045S	83
QMF10J050S	93	QMFL13J207S	94	QMFY18J125S	96	QMFY20J311S	95	QMP09J111S	83
QMF10J115S	93	QMFL13J208S	94	QMFY18J303S	96	QMFY20J312S	95	QMP09J112S	83
QMF10J200S	93	QMFL15J070S	94	QMFY18J304S	96	QMFY20J315S	95	QMP10J050S	83
QMF11J055S	93	QMFL15J075S	94	QMFY18J307S	96	QMFY20J400S	95	QMP10J115S	83
QMF11J203S	93	QMFL15J211S	94	QMFY18J308S	96	QMFY22J110S	95	QMP10J200S	83
QMF11J204S	93	QMFL15J212S	94	QMFY20J100S	96	QMFY22J115S	95	QMP11J055S	83
QMF13J060S	93	QMFL15J215S	94	QMFY20J311S	96	QMFY22J407S	95	QMP11J203S	83
QMF13J065S	93	QMFL15J300S	94	QMFY20J312S	96	QMFY22J408S	95	QMP11J204S	83
QMF13J207S	93	QMFL18J080S	94	QMFY20J315S	96	QMFY26J125S	95	QMP13J060S	83
QMF13J208S	93	QMFL18J085S	94	QMFY20J400S	96	QMFY26J130S	95	QMP13J065S	83
				QMFY20J100S	96				
				QMFY20J311S	96				
				QMFY20J312S	96				
				QMFY20J315S	96				
				QMFY22J110S	96				
				QMFY22J115S	96				
				QMFY22J407S	96				
				QMFY22J408S	96				
				QMFY26J125S	96				
				QMFY26J130S	96				

Introduction
Blue Brute Bearings
Bearing Interchange Guide
Quick-Flex Couplings
Rigid Compression Couplings
Index

Index – By QM Bearings Part Number & Key Words

QMP13J207S - QMT1X9

QMP13J207S	83	QMPF26J125S	85	QMPL10J050S	84	QMPX13J065S	88	QMPXT15J075S	89
QMP13J208S	83	QMPF26J130S	85	QMPL10J115S	84	QMPX13J207S	88	QMPXT15J211S	89
QMP15J070S	83	QMPF26J415S	85	QMPL10J200S	84	QMPX13J208S	88	QMPXT15J212S	89
QMP15J075S	83	QMPF26J500S	85	QMPL11J055S	84	QMPX15J070S	88	QMPXT15J215S	89
QMP15J211S	83	QMPF30J140S	85	QMPL11J203S	84	QMPX15J075S	88	QMPXT15J300S	89
QMP15J212S	83	QMPF30J150S	85	QMPL11J204S	84	QMPX15J211S	88	QMSN09J040S	7690
QMP15J215S	83	QMPF30J507S	85	QMPL13J060S	84	QMPX15J212S	88	QMSN09J045S	7690
QMP15J300S	83	QMPF30J508S	85	QMPL13J065S	84	QMPX15J215S	88	QMSN09J111S	790
QMP18J080S	83	QMPF30J515S	85	QMPL13J207S	84	QMPX15J300S	88	QMSN09J112S	90
QMP18J085S	83	QMPF30J600S	85	QMPL13J208S	84	QMPX18J080S	88	QMSN10J050S	90
QMP18J090S	83	QMPF34J170S	85	QMPL15J070S	84	QMPX18J085S	88	QMSN10J115S	90
QMP18J303S	83	QMPF34J180S	85	QMPL15J075S	84	QMPX18J090S	88	QMSN10J200S	90
QMP18J304S	83	QMPF34J607S	85	QMPL15J211S	84	QMPX18J303S	88	QMSN11J055S	90
QMP18J307S	83	QMPF34J608S	85	QMPL15J212S	84	QMPX18J304S	88	QMSN11J203S	90
QMP18J308S	83	QMPF34J615S	85	QMPL15J215S	84	QMPX18J307S	88	QMSN11J204S	90
QMP20J100S	83	QMPF34J700S	85	QMPL15J300S	84	QMPX18J308S	88	QMSN13J060S	90
QMP20J311S	83	QMPG26J125S	87	QMPL18J080S	84	QMPX20J100S	88	QMSN13J065S	90
QMP20J312S	83	QMPG26J130S	87	QMPL18J085S	84	QMPX20J311S	88	QMSN13J207S	90
QMP20J315S	83	QMPG26J415S	87	QMPL18J090S	84	QMPX20J312S	88	QMSN13J208S	90
QMP20J400S	83	QMPG26J500S	87	QMPL18J303S	84	QMPX20J315S	88	QMSN15J070S	90
QMPF13J060S	85	QMPG30J507S	87	QMPL18J304S	84	QMPX20J400S	88	QMSN15J075S	90
QMPF13J065S	85	QMPG30J508S	87	QMPL18J307S	84	QMPX22J110S	88	QMSN15J211S	90
QMPF13J207S	85	QMPG30J515S	87	QMPL18J308S	84	QMPX22J115S	88	QMSN15J212S	90
QMPF13J208S	85	QMPG30J600S	87	QMPL20J100S	84	QMPX22J407S	88	QMSN15J215S	90
QMPF15J070S	85	QMPG34J607S	87	QMPL20J311S	84	QMPX22J408S	88	QMSN15J300S	90
QMPF15J075S	85	QMPG34J608S	87	QMPL20J312S	84	QMPX26J125S	88	QMSN18J080S	90
QMPF15J211S	85	QMPG34J615S	87	QMPL20J315S	84	QMPX26J130S	88	QMSN18J085S	90
QMPF15J212S	85	QMPG34J700S	87	QMPL20J400S	84	QMPX26J415S	88	QMSN18J090S	90
QMPF15J215S	85	QMPH26J125S	87	QMPR13J060S	86	QMPX26J500S	88	QMSN18J303S	90
QMPF15J300S	85	QMPH26J130S	87	QMPR13J065S	86	QMPX30J140S	88	QMSN18J304S	90
QMPF18J080S	85	QMPH26J415S	87	QMPR13J207S	86	QMPX30J150S	88	QMSN18J307S	90
QMPF18J085S	85	QMPH26J500S	87	QMPR13J208S	86	QMPX30J507S	88	QMSN18J308S	90
QMPF18J090S	85	QMPH30J507S	87	QMPR15J070S	86	QMPX30J508S	88	QMSN20J100S	90
QMPF18J303S	85	QMPH30J508S	87	QMPR15J075S	86	QMPX30J515S	88	QMSN20J311S	90
QMPF18J304S	85	QMPH30J515S	87	QMPR15J211S	86	QMPX30J600S	88	QMSN20J312S	90
QMPF18J307S	85	QMPH30J600S	87	QMPR15J212S	86	QMPX34J170S	88	QMSN20J315S	90
QMPF18J308S	85	QMPH34J607S	87	QMPR15J215S	86	QMPX34J180S	88	QMSN20J400S	90
QMPF20J100S	85	QMPH34J608S	87	QMPR15J300S	86	QMPX34J607S	88	QMSN22J110S	90
QMPF20J311S	85	QMPH34J615S	87	QMPR18J080S	86	QMPX34J608S	88	QMSN22J115S	90
QMPF20J312S	85	QMPH34J700S	87	QMPR18J085S	86	QMPX34J615S	88	QMSN22J407S	90
QMPF20J315S	85	QMPL08J107S	84	QMPR18J090S	86	QMPX34J700S	88	QMSN22J408S	90
QMPF20J400S	85	QMPL08J108S	84	QMPR18J303S	86	QMPXT13J060S	89	QMSN26J125S	90
QMPF22J110S	85	QMPL09J040S	84	QMPR18J304S	86	QMPXT13J065S	89	QMSN26J130S	90
QMPF22J115S	85	QMPL09J045S	84	QMPR18J307S	86	QMPXT13J207S	89	QMSN26J415S	90
QMPF22J407S	85	QMPL09J111S	84	QMPR18J308S	86	QMPXT13J208S	89	QMSN26J500S	90
QMPF22J408S	85	QMPL09J112S	84	QMPX13J060S	88	QMPXT15J070S	89	QMT1X9	21

Index – By QM Bearings Part Number & Key Words

QMT1X12 - QVFK22V100S

QMT1X12	21	QMTU20J400S	97	QVCW11V200S	46	QVF19V080S	38	QVFC17V070S	40
QMT1X18	21	Quick-Flex Couplings		QVCW12V055S	46	QVF19V085S	38	QVFC17V075S	40
QMT1X24	21	Bore Sizes		QVCW12V203S	46	QVF19V090S	38	QVFC17V211S	40
QMT2X12	21		343-355, 358	QVCW12V204S	46	QVF19V303S	38	QVFC17V212S	40
QMT2X18	21	Bore Tolerances	359	QVCW14V060S	46	QVF19V304S	38	QVFC17V215S	40
QMT2X36	21	Chemical		QVCW14V065S	46	QVF19V307S	38	QVFC17V300S	40
QMTF12-115	20	Compatibility	366	QVCW14V207S	46	QVF19V308S	38	QVFC20V080S	40
QMTF12-203	20	Inserts	338	QVCW14V208S	46	QVF22V100S	38	QVFC20V085S	40
QMTF12-207	20	Keyway Sizes	359	QVCW16V070S	46	QVF22V311S	38	QVFC20V090S	40
QMTF12-215	20	Misalignment	363	QVCW16V075S	46	QVF22V312S	38	QVFC20V303S	40
QMTF12-215	20	Selection	337	QVCW16V075S	46	QVF22V315S	38	QVFC20V304S	40
QMTF12-307	20	Service Factors	364, 365	QVCW16V211S	46	QVF22V400S	38	QVFC20V307S	40
QMTF12-315	20	Torque Ratings	343-355, 360-362	QVCW16V212S	46	QVF26V110S	38	QVFC20V308S	40
QMTF18-215	20			QVCW16V215S	46	QVF26V115S	38	QVFC22V100S	40
QMTF18-307	20	QVC11V050S	45	QVCW16V300S	46	QVF26V407S	38	QVFC22V311S	40
QMTF18-315	20	QVC11V115S	45	QVCW19V080S	46	QVF26V408S	38	QVFC22V312S	40
QMTF24-207	20	QVC11V200S	45	QVCW19V085S	46	QVFB15V060S	39	QVFC22V315S	40
QMTF24-215	20	QVC12V055S	45	QVCW19V090S	46	QVFB15V065S	39	QVFC22V400S	40
QMTF24-307	20	QVC12V203S	45	QVCW19V303S	46	QVFB15V207S	39	QVFC26V110S	40
QMTF24-315	20	QVC12V204S	45	QVCW19V304S	46	QVFB15V208S	39	QVFC26V115S	40
QMTU10J050S	97	QVC14V060S	45	QVCW19V307S	46	QVFB17V070S	39	QVFC26V407S	40
QMTU10J115S	97	QVC14V065S	45	QVCW19V308S	46	QVFB17V075S	39	QVFC26V408S	40
QMTU10J200S	97	QVC14V207S	45	QVCW22V100S	46	QVFB17V211S	39	QVFK11V050S	43
QMTU11J055S	97	QVC14V208S	45	QVCW22V311S	46	QVFB17V212S	39	QVFK11V115S	43
QMTU11J203S	97	QVC16V070S	45	QVCW22V312S	46	QVFB17V215S	39	QVFK11V200S	43
QMTU11J204S	97	QVC16V075S	45	QVCW22V315S	46	QVFB17V300S	39	QVFK13V055S	43
QMTU13J060S	97	QVC16V211S	45	QVCW22V400S	46	QVFB20V080S	39	QVFK13V203S	43
QMTU13J065S	97	QVC16V212S	45	QVCW26V110S	46	QVFB20V085S	39	QVFK13V204S	43
QMTU13J207S	97	QVC16V215S	45	QVCW26V115S	46	QVFB20V090S	39	QVFK15V060S	43
QMTU13J208S	97	QVC16V300S	45	QVCW26V407S	46	QVFB20V303S	39	QVFK15V065S	43
QMTU15J070S	97	QVC19V080S	45	QVCW26V408S	46	QVFB20V304S	39	QVFK15V207S	43
QMTU15J075S	97	QVC19V085S	45	QVF11V050S	38	QVFB20V307S	39	QVFK15V208S	43
QMTU15J211S	97	QVC19V090S	45	QVF11V115S	38	QVFB20V308S	39	QVFK17V070S	43
QMTU15J212S	97	QVC19V303S	45	QVF11V200S	38	QVFB22V100S	39	QVFK17V075S	43
QMTU15J215S	97	QVC19V304S	45	QVF12V055S	38	QVFB22V311S	39	QVFK17V211S	43
QMTU15J300S	97	QVC19V307S	45	QVF12V203S	38	QVFB22V312S	39	QVFK17V212S	43
QMTU18J080S	97	QVC19V308S	45	QVF12V204S	38	QVFB22V315S	39	QVFK17V215S	43
QMTU18J085S	97	QVC22V100S	45	QVF14V060S	38	QVFB22V400S	39	QVFK17V300S	43
QMTU18J090S	97	QVC22V311S	45	QVF14V065S	38	QVFB26V110S	39	QVFK20V080S	43
QMTU18J303S	97	QVC22V312S	45	QVF14V207S	38	QVFB26V115S	39	QVFK20V085S	43
QMTU18J304S	97	QVC22V315S	45	QVF14V208S	38	QVFB26V407S	39	QVFK20V090S	43
QMTU18J307S	97	QVC22V400S	45	QVF16V070S	38	QVFB26V408S	39	QVFK20V303S	43
QMTU18J308S	97	QVC26V110S	45	QVF16V075S	38	QVFC15V060S	40	QVFK20V304S	43
QMTU20J100S	97	QVC26V115S	45	QVF16V211S	38	QVFC15V065S	40	QVFK20V307S	43
QMTU20J311S	97	QVC26V407S	45	QVF16V212S	38	QVFC15V207S	40	QVFK20V308S	43
QMTU20J312S	97	QVC26V408S	45	QVF16V215S	38	QVFC15V208S	40	QVFK22V100S	43
QMTU20J315S	97	QVCW11V050S	46	QVF16V300S	38				
		QVCW11V115S	46						

Index – By QM Bearings Part Number & Key Words

QVFK22V311S - QVVF26V115S

QVFK22V311S	43	QVFX14V060S	42	QVFX22V311S	44	QVVC11V200S	45	QVVCW19V080S	46
QVFK22V312S	43	QVFX14V065S	42	QVFX22V312S	44	QVVC12V055S	45	QVVCW19V085S	46
QVFK22V315S	43	QVFX14V207S	42	QVFX22V315S	44	QVVC12V203S	45	QVVCW19V090S	46
QVFK22V400S	43	QVFX14V208S	42	QVFX22V400S	44	QVVC12V204S	45	QVVCW19V303S	46
QVFK26V110S	43	QVFX16V070S	42	QVFX26V110S	44	QVVC14V060S	45	QVVCW19V304S	46
QVFK26V115S	43	QVFX16V075S	42	QVFX26V115S	44	QVVC14V065S	45	QVVCW19V307S	46
QVFK26V407S	43	QVFX16V211S	42	QVFX26V407S	44	QVVC14V207S	45	QVVCW19V308S	46
QVFK26V408S	43	QVFX16V212S	42	QVFX26V408S	44	QVVC14V208S	45	QVVCW22V100S	46
QVFL11V050S	41	QVFX16V215S	42	QVFX28V125S	44	QVVC16V070S	45	QVVCW22V311S	46
QVFL11V115S	41	QVFX16V300S	42	QVFX28V130S	44	QVVC16V075S	45	QVVCW22V312S	46
QVFL11V200S	41	QVFX19V080S	42	QVFX28V415S	44	QVVC16V211S	45	QVVCW22V315S	46
QVFL12V055S	41	QVFX19V085S	42	QVFX28V500S	44	QVVC16V212S	45	QVVCW22V400S	46
QVFL12V203S	41	QVFX19V090S	42	QVMC11V050S	47	QVVC16V215S	45	QVVCW26V110S	46
QVFL12V204S	41	QVFX19V303S	42	QVMC11V115S	47	QVVC16V300S	45	QVVCW26V115S	46
QVFL14V060S	41	QVFX19V304S	42	QVMC11V200S	47	QVVC19V080S	45	QVVCW26V407S	46
QVFL14V065S	41	QVFX19V307S	42	QVMC13V055S	47	QVVC19V085S	45	QVVCW26V408S	46
QVFL14V207S	41	QVFX19V308S	42	QVMC13V203S	47	QVVC19V090S	45	QVVF11V050S	38
QVFL14V208S	41	QVFX22V100S	42	QVMC13V204S	47	QVVC19V303S	45	QVVF11V115S	38
QVFL16V070S	41	QVFX22V311S	42	QVMC15V060S	47	QVVC19V304S	45	QVVF11V200S	38
QVFL16V075S	41	QVFX22V312S	42	QVMC15V065S	47	QVVC19V307S	45	QVVF12V055S	38
QVFL16V211S	41	QVFX22V315S	42	QVMC15V207S	47	QVVC19V308S	45	QVVF12V203S	38
QVFL16V212S	41	QVFX22V400S	42	QVMC15V208S	47	QVVC22V100S	45	QVVF12V204S	38
QVFL16V215S	41	QVFX11V050S	44	QVMC17V070S	47	QVVC22V311S	45	QVVF14V060S	38
QVFL16V300S	41	QVFX11V115S	44	QVMC17V075S	47	QVVC22V312S	45	QVVF14V065S	38
QVFL19V080S	41	QVFX11V200S	44	QVMC17V211S	47	QVVC22V315S	45	QVVF14V207S	38
QVFL19V085S	41	QVFX12V055S	44	QVMC17V212S	47	QVVC22V400S	45	QVVF14V208S	38
QVFL19V090S	41	QVFX12V203S	44	QVMC17V215S	47	QVVC26V110S	45	QVVF16V070S	38
QVFL19V303S	41	QVFX12V204S	44	QVMC17V300S	47	QVVC26V115S	45	QVVF16V075S	38
QVFL19V304S	41	QVFX14V060S	44	QVMC20V080S	47	QVVC26V407S	45	QVVF16V211S	38
QVFL19V307S	41	QVFX14V065S	44	QVMC20V085S	47	QVVC26V408S	45	QVVF16V212S	38
QVFL19V308S	41	QVFX14V207S	44	QVMC20V090S	47	QVVCW11V050S	46	QVVF16V215S	38
QVFL22V100S	41	QVFX14V208S	44	QVMC20V303S	47	QVVCW11V115S	46	QVVF16V300S	38
QVFL22V311S	41	QVFX16V070S	44	QVMC20V304S	47	QVVCW11V200S	46	QVVF19V080S	38
QVFL22V312S	41	QVFX16V075S	44	QVMC20V307S	47	QVVCW12V055S	46	QVVF19V085S	38
QVFL22V315S	41	QVFX16V211S	44	QVMC20V308S	47	QVVCW12V203S	46	QVVF19V090S	38
QVFL22V400S	41	QVFX16V212S	44	QVMC22V100S	47	QVVCW12V204S	46	QVVF19V303S	38
QVFL26V110S	41	QVFX16V215S	44	QVMC22V311S	47	QVVCW14V060S	46	QVVF19V304S	38
QVFL26V115S	41	QVFX16V300S	44	QVMC22V312S	47	QVVCW14V065S	46	QVVF19V307S	38
QVFL26V407S	41	QVFX19V080S	44	QVMC22V315S	47	QVVCW14V207S	46	QVVF19V308S	38
QVFL26V408S	41	QVFX19V085S	44	QVMC22V400S	47	QVVCW14V208S	46	QVVF22V100S	38
QVFX11V050S	42	QVFX19V090S	44	QVMC26V110S	47	QVVCW16V070S	46	QVVF22V311S	38
QVFX11V115S	42	QVFX19V303S	44	QVMC26V115S	47	QVVCW16V075S	46	QVVF22V312S	38
QVFX11V200S	42	QVFX19V304S	44	QVMC26V407S	47	QVVCW16V211S	46	QVVF22V315S	38
QVFX12V055S	42	QVFX19V307S	44	QVMC26V408S	47	QVVCW16V212S	46	QVVF22V400S	38
QVFX12V203S	42	QVFX19V308S	44	QVVC11V050S	45	QVVCW16V215S	46	QVVF26V110S	38
QVFX12V204S	42	QVFX22V100S	44	QVVC11V115S	45	QVVCW16V300S	46	QVVF26V115S	38

Index – By QM Bearings Part Number & Key Words

QVVF26V407S - QVVP16V300S

QVVF26V407S	38	QVVFC22V311S	40	QVVFL14V060S	41	QVVFX19V304S	42	QVVMC11V200S	47
QVVF26V408S	38	QVVFC22V312S	40	QVVFL14V065S	41	QVVFX19V307S	42	QVVMC13V055S	47
QVVF15V060S	42	QVVFC22V315S	40	QVVFL14V207S	41	QVVFX19V308S	42	QVVMC13V203S	47
QVVF15V065S	42	QVVFC22V400S	40	QVVFL14V208S	41	QVVFX22V100S	42	QVVMC13V204S	47
QVVF15V207S	42	QVVFC26V110S	40	QVVFL16V070S	41	QVVFX22V311S	42	QVVMC15V060S	47
QVVF15V208S	42	QVVFC26V115S	40	QVVFL16V075S	41	QVVFX22V312S	42	QVVMC15V065S	47
QVVF17V070S	42	QVVFC26V407S	40	QVVFL16V211S	41	QVVFX22V315S	42	QVVMC15V207S	47
QVVF17V075S	42	QVVFC26V408S	40	QVVFL16V212S	41	QVVFX22V400S	42	QVVMC15V208S	47
QVVF17V211S	42	QVVFK11V050S	43	QVVFL16V215S	41	QVVFY11V050S	44	QVVMC17V070S	47
QVVF17V212S	42	QVVFK11V115S	43	QVVFL16V300S	41	QVVFY11V115S	44	QVVMC17V075S	47
QVVF17V215S	42	QVVFK11V200S	43	QVVFL19V080S	41	QVVFY11V200S	44	QVVMC17V211S	47
QVVF17V300S	42	QVVFK13V055S	43	QVVFL19V085S	41	QVVFY12V055S	44	QVVMC17V212S	47
QVVF20V080S	42	QVVFK13V203S	43	QVVFL19V090S	41	QVVFY12V203S	44	QVVMC17V215S	47
QVVF20V085S	42	QVVFK13V204S	43	QVFL19V303S	41	QVVFY12V204S	44	QVVMC17V300S	47
QVVF20V090S	42	QVVFK15V060S	43	QVVFL19V304S	41	QVVFY14V060S	44	QVVMC20V080S	47
QVVF20V303S	42	QVVFK15V065S	43	QVVFL19V307S	41	QVVFY14V065S	44	QVVMC20V085S	47
QVVF20V304S	42	QVVFK15V207S	43	QVVFL19V308S	41	QVVFY14V207S	44	QVVMC20V090S	47
QVVF20V307S	42	QVVFK15V208S	43	QVVFL22V100S	41	QVVFY14V208S	44	QVVMC20V303S	47
QVVF20V308S	42	QVVFK17V070S	43	QVVFL22V311S	41	QVVFY16V070S	44	QVVMC20V304S	47
QVVF22V100S	42	QVVFK17V075S	43	QVVFL22V312S	41	QVVFY16V075S	44	QVVMC20V307S	47
QVVF22V311S	42	QVVFK17V211S	43	QVVFL22V315S	41	QVVFY16V211S	44	QVVMC20V308S	47
QVVF22V312S	42	QVVFK17V212S	43	QVVFL22V400S	41	QVVFY16V212S	44	QVVMC22V100S	47
QVVF22V315S	42	QVVFK17V215S	43	QVVFL26V110S	41	QVVFY16V215S	44	QVVMC22V311S	47
QVVF22V400S	42	QVVFK17V300S	43	QVVFL26V115S	41	QVVFY16V300S	44	QVVMC22V312S	47
QVVF26V110S	42	QVVFK20V080S	43	QVVFL26V407S	41	QVVFY19V080S	44	QVVMC22V315S	47
QVVF26V115S	42	QVVFK20V085S	43	QVVFL26V408S	41	QVVFY19V085S	44	QVVMC22V400S	47
QVVF26V407S	42	QVVFK20V090S	43	QVVFX11V050S	42	QVVFY19V090S	44	QVVMC26V110S	47
QVVF26V408S	42	QVVFK20V303S	43	QVVFX11V115S	42	QVVFY19V303S	44	QVVMC26V115S	47
QVVFC15V060S	40	QVVFK20V304S	43	QVVFX11V200S	42	QVVFY19V304S	44	QVVMC26V407S	47
QVVFC15V065S	40	QVVFK20V307S	43	QVVFX12V055S	42	QVVFY19V307S	44	QVVMC26V408S	47
QVVFC15V207S	40	QVVFK20V308S	43	QVVFX12V203S	42	QVVFY19V308S	44	QVVP11V050S	25
QVVFC15V208S	40	QVVFK22V100S	43	QVVFX12V204S	42	QVVFY22V100S	44	QVVP11V115S	25
QVVFC17V070S	40	QVVFK22V311S	43	QVVFX14V060S	42	QVVFY22V311S	44	QVVP11V200S	25
QVVFC17V075S	40	QVVFK22V312S	43	QVVFX14V065S	42	QVVFY22V312S	44	QVVP12V055S	25
QVVFC17V211S	40	QVVFK22V315S	43	QVVFX14V207S	42	QVVFY22V315S	44	QVVP12V203S	25
QVVFC17V212S	40	QVVFK22V400S	43	QVVFX14V208S	42	QVVFY22V400S	44	QVVP12V204S	25
QVVFC17V215S	40	QVVFK26V110S	43	QVVFX16V070S	42	QVVFY26V110S	44	QVVP14V060S	25
QVVFC17V300S	40	QVVFK26V115S	43	QVVFX16V075S	42	QVVFY26V115S	44	QVVP14V065S	25
QVVFC20V080S	40	QVVFK26V407S	43	QVVFX16V211S	42	QVVFY26V407S	44	QVVP14V207S	25
QVVFC20V085S	40	QVVFK26V408S	43	QVVFX16V212S	42	QVVFY26V408S	44	QVVP14V208S	25
QVVFC20V090S	40	QVVFL11V050S	41	QVVFX16V215S	42	QVVFY28V125S	44	QVVP16V070S	25
QVVFC20V303S	40	QVVFL11V115S	41	QVVFX16V300S	42	QVVFY28V130S	44	QVVP16V075S	25
QVVFC20V304S	40	QVVFL11V200S	41	QVVFX19V080S	42	QVVFY28V415S	44	QVVP16V211S	25
QVVFC20V307S	40	QVVFL12V055S	41	QVVFX19V085S	42	QVVFY28V500S	44	QVVP16V212S	25
QVVFC20V308S	40	QVVFL12V203S	41	QVVFX19V090S	42	QVVMC11V050S	47	QVVP16V215S	25
QVVFC22V100S	40	QVVFL12V204S	41	QVVFX19V303S	42	QVVMC11V115S	47	QVVP16V300S	25

Index – By QM Bearings Part Number & Key Words

QVVP19V080S - QVVPN20V304S

QVVP19V080S	25	QVVPF11V200S	31	QVVPG20V080S	35	QVVPH22V315S	36	QVVPL12V055S	26
QVVP19V085S	25	QVVPF12V055S	31	QVVPG20V085S	35	QVVPH22V400S	36	QVVPL12V203S	26
QVVP19V090S	25	QVVPF12V203S	31	QVVPG20V090S	35	QVVPH26V110S	36	QVVPL12V204S	26
QVVP19V303S	25	QVVPF12V204S	31	QVVPG20V303S	35	QVVPH26V115S	36	QVVPL14V060S	26
QVVP19V304S	25	QVVPF14V060S	31	QVVPG20V304S	35	QVVPH26V407S	36	QVVPL14V065S	26
QVVP19V307S	25	QVVPF14V065S	31	QVVPG20V307S	35	QVVPH26V408S	36	QVVPL14V207S	26
QVVP19V308S	25	QVVPF14V207S	31	QVVPG20V308S	35	QVVPH28V125S	36	QVVPL14V208S	26
QVVP22V100S	25	QVVPF14V208S	31	QVVPG22V100S	35	QVVPH28V415S	36	QVVPL16V070S	26
QVVP22V311S	25	QVVPF16V070S	31	QVVPG22V311S	35	QVVPH28V500S	36	QVVPL16V075S	26
QVVP22V312S	25	QVVPF16V075S	31	QVVPG22V312S	35	QVVPH28V130S	36	QVVPL16V211S	26
QVVP22V315S	25	QVVPF16V211S	31	QVVPG22V315S	35	QVVPK15V060S	37	QVVPL16V212S	26
QVVP22V400S	25	QVVPF16V212S	31	QVVPG22V400S	35	QVVPK15V065S	37	QVVPL16V215S	26
QVVPA11V050S	27	QVVPF16V215S	31	QVVPG26V110S	35	QVVPK15V207S	37	QVVPL16V300S	26
QVVPA11V115S	27	QVVPF16V300S	31	QVVPG26V115S	35	QVVPK15V208S	37	QVVPL19V080S	26
QVVPA11V200S	27	QVVPF19V080S	31	QVVPG26V407S	35	QVVPK17V070S	37	QVVPL19V085S	26
QVVPA13V055S	27	QVVPF19V085S	31	QVVPG26V408S	35	QVVPK17V075S	37	QVVPL19V090S	26
QVVPA13V203S	27	QVVPF19V090S	31	QVVPG28V125S	35	QVVPK17V211S	37	QVVPL19V303S	26
QVVPA13V204S	27	QVVPF19V303S	31	QVVPG28V415S	35	QVVPK17V212S	37	QVVPL19V304S	26
QVVPA15V060S	27	QVVPF19V304S	31	QVVPG28V500S	35	QVVPK17V215S	37	QVVPL19V307S	26
QVVPA15V065S	27	QVVPF19V307S	31	QVVPG28V130S	35	QVVPK17V300S	37	QVVPL19V308S	26
QVVPA15V207S	27	QVVPF19V308S	31	QVVPH11V050S	36	QVVPK20V080S	37	QVVPL22V100S	26
QVVPA15V208S	27	QVVPF22V100S	31	QVVPH11V115S	36	QVVPK20V085S	37	QVVPL22V311S	26
QVVPA17V070S	27	QVVPF22V311S	31	QVVPH11V200S	36	QVVPK20V090S	37	QVVPL22V312S	26
QVVPA17V075S	27	QVVPF22V312S	31	QVVPH13V055S	36	QVVPK20V303S	37	QVVPL22V315S	26
QVVPA17V211S	27	QVVPF22V315S	31	QVVPH13V203S	36	QVVPK20V304S	37	QVVPL22V400S	26
QVVPA17V212S	27	QVVPF22V400S	31	QVVPH13V204S	36	QVVPK20V307S	37	QVVPN11V050S	28
QVVPA17V215S	27	QVVPF26V110S	31	QVVPH15V060S	36	QVVPK20V308S	37	QVVPN11V115S	28
QVVPA17V300S	27	QVVPF26V115S	31	QVVPH15V065S	36	QVVPK22V100S	37	QVVPN11V200S	28
QVVPA20V080S	27	QVVPF26V407S	31	QVVPH15V207S	36	QVVPK22V311S	37	QVVPN13V055S	28
QVVPA20V085S	27	QVVPF26V408S	31	QVVPH15V208S	36	QVVPK22V312S	37	QVVPN13V203S	28
QVVPA20V090S	27	QVVPG11V050S	35	QVVPH17V070S	36	QVVPK22V315S	37	QVVPN13V204S	28
QVVPA20V303S	27	QVVPG11V115S	35	QVVPH17V075S	36	QVVPK22V400S	37	QVVPN15V060S	28
QVVPA20V304S	27	QVVPG11V200S	35	QVVPH17V211S	36	QVVPK26V110S	37	QVVPN15V065S	28
QVVPA20V307S	27	QVVPG13V055S	35	QVVPH17V212S	36	QVVPK26V115S	37	QVVPN15V207S	28
QVVPA20V308S	27	QVVPG13V203S	35	QVVPH17V215S	36	QVVPK26V407S	37	QVVPN15V208S	28
QVVPA22V100S	27	QVVPG13V204S	35	QVVPH17V300S	36	QVVPK26V408S	37	QVVPN17V070S	28
QVVPA22V311S	27	QVVPG15V060S	35	QVVPH20V080S	36	QVVPKT13V055S	30	QVVPN17V075S	28
QVVPA22V312S	27	QVVPG15V065S	35	QVVPH20V085S	36	QVVPKT13V203S	30	QVVPN17V211S	28
QVVPA22V315S	27	QVVPG15V207S	35	QVVPH20V090S	36	QVVPKT13V204S	30	QVVPN17V212S	28
QVVPA22V400S	27	QVVPG15V208S	35	QVVPH20V303S	36	QVVPKT15V060S	30	QVVPN17V215S	28
QVVPA26V110S	27	QVVPG17V070S	35	QVVPH20V304S	36	QVVPKT15V065	30	QVVPN17V300S	28
QVVPA26V115S	27	QVVPG17V075S	35	QVVPH20V307S	36	QVVPKT15V207S	30	QVVPN20V080S	28
QVVPA26V407S	27	QVVPG17V211S	35	QVVPH20V308S	36	QVVPKT15V208S	30	QVVPN20V085S	28
QVVPA26V408S	27	QVVPG17V212S	35	QVVPH22V100S	36	QVVPL11V050S	26	QVVPN20V090S	28
QVVPF11V050S	31	QVVPG17V215S	35	QVVPH22V311S	36	QVVPL11V115S	26	QVVPN20V303S	28
QVVPF11V115S	31	QVVPG17V300S	35	QVVPH22V312S	36	QVVPL11V200S	26	QVVPN20V304S	28

