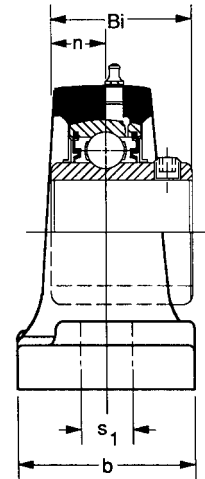
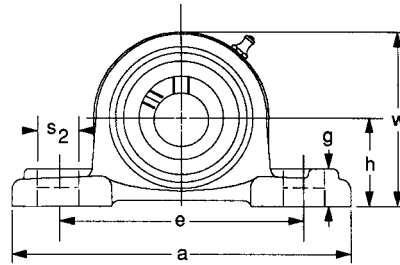
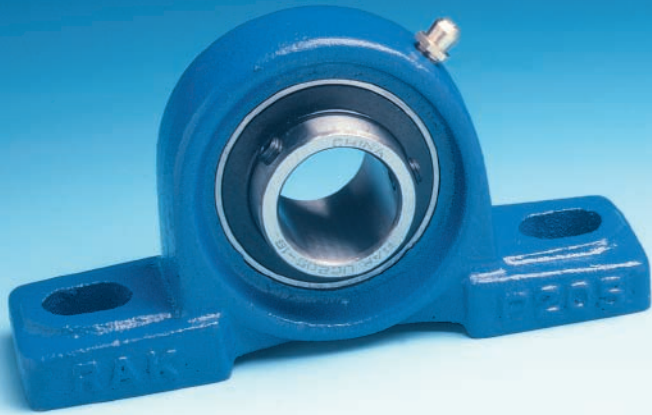


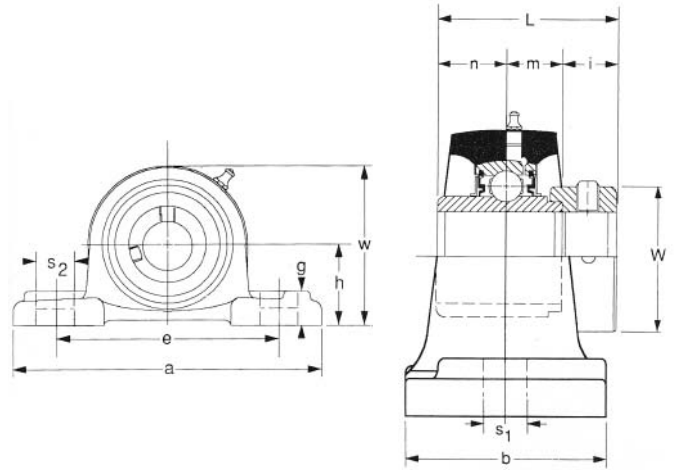
POWER RITE UCP 200 Series Pillow Blocks Standard Shaft Height



UNIT NO.	SHAFT DIA.	DIMENSIONS (in)										BEARING NO.	HOUSING NO.	WT. LBS.
		<i>h</i>	<i>a</i>	<i>e</i>	<i>b</i>	<i>S</i> ₁	<i>S</i> ₂	<i>g</i>	<i>w</i>	<i>Bi</i>	<i>n</i>			
UCP 202-10	5/8	1 3/16	5	3 3/4	1 1/2	1/2	3/4	21/32	2 15/32	1.221	.500	UC 202-10	P 202	1.40
UCP 204-12	3/4	1 5/16	5	3 3/4	1 1/2	1/2	3/4	5/8	2 31/64	1.221	.500	UC 204-12	P 204	1.43
UCP 205-14	7/8	1 7/16	5 1/2	4 1/8	1 1/2	1/2	3/4	5/8	2 25/32	1.343	.563	UC 205-14	P 205	1.81
UCP 205-15	15/16											1.76		
UCP 205-16	1											1.74		
UCP 206-18	1 1/8	1 11/16	6 1/2	4 3/4	1 7/8	21/32	13/16	23/32	3 5/16	1.500	.626	UC 206-18	P 206	2.84
UCP 206-19	1 3/16											2.76		
UCP 206-20	1 1/4											2.71		
UCP 207-20	1 1/4	1 7/8	6 9/16	5	1 7/8	21/32	13/16	23/32	3 21/32	1.689	.689	UC 207-20	P 207	3.57
UCP 207-21	1 5/16											3.53		
UCP 207-22	1 3/8											3.46		
UCP 207-23	1 7/16											3.40		
UCP 208-24	1 1/2	1 15/16	7 1/4	5 13/32	2 1/8	21/32	13/16	25/32	3 27/32	1.937	.748	UC 208-24	P 208	4.50
UCP 209-26	1 5/8	2 1/8	7 15/32	5 3/4	2 1/8	21/32	13/16	55/64	4 3/16	1.937	.748	UC 209-26	P 209	5.25
UCP 209-27	1 11/16											5.16		
UCP 209-28	1 3/4											5.07		
UCP 210-30	1 7/8	2 1/4	8 1/8	6 1/4	2 3/8	25/32	7/8	7/8	4 7/16	2.032	.748	UC 210-30	P 210	6.11
UCP 210-31	1 15/16											6.00		
UCP 211-32	2	2 1/2	8 5/8	6 23/32	2 3/8	25/32	7/8	61/64	4 29/32	2.189	.874	UC 211-32	P 211	7.63
UCP 211-34	2 1/8											7.25		
UCP 211-35	2 3/16											7.10		
UCP 212-36	2 1/4	2 3/4	9 1/2	7 1/4	2 3/4	25/32	1	31/32	5 7/16	2.563	1.000	UC 212-36	P 212	10.67
UCP 212-38	2 3/8											10.19		
UCP 212-39	2 7/16											10.00		
UCP 213-40	2 1/2	3	10 7/16	8	2 53/64	1	1 3/16	63/64	5 29/32	2.563	1.000	UC 213-40	P 213	12.48
UCP 214-44	2 3/4	3 1/8	10 15/32	8 9/32	2 27/32	1	1 3/16	1 7/64	6 5/32	2.937	1.189	UC 214-44	P 214	16.07
UCP 215-47	2 15/16	3 1/4	10 13/16	8 17/32	2 29/32	1	1 3/16	1 3/16	6 3/8	3.063	1.311	UC 215-47	P 215	17.50

RELUBRICATION FEATURE IS STANDARD

POWER RITE HCP 200 Series Pillow Blocks Standard Shaft Height

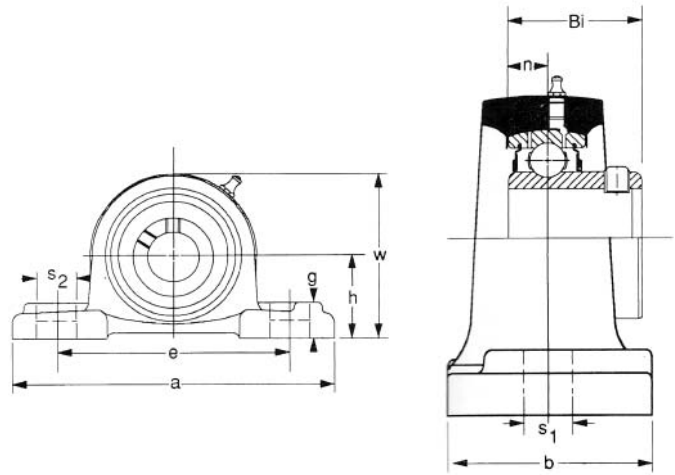


UNIT NO.	SHAFT	DIMENSIONS (in.)													Bolt Size In.	Bearing No.	Housing No.
		h	a	e	b	S ₁	S ₂	g	w	L	n	m	i	W			
HCP 202-10	5/8	1 3/16	5	3 3/4	1 1/2	1/2	3/4	21/32	2 15/32	1.721	.673	.673	0.3740	1.26	3/8	HC 202-10	P 202
HCP 204-12	3/4	1 5/16	5	3 3/4	1 1/2	1/2	3/4	5/8	2 31/64	1.721	.673	.673	0.3740	1.26	3/8	HC 204-12	P 204
HCP 205-14 HCP 205-15 HCP 205-16	7/8 15/16 1	1 7/16	5 1/2	4 1/8	1 1/2	1/2	3/4	5/8	2 25/32	1.748	.689	.685	0.3740	1.50	3/8	HC 205-14 HC 205-15 HC 205-15	P 205
HCP 206-18 HCP 206-19 HCP 206-20	1 1/8 1 3/16 1 1/4	1 11/16	6 1/2	4 3/4	1 7/8	21/32	13/16	23/32	3 5/16	1.906	.721	.717	0.4685	1.75	1/2	HC 206-18 HC 206-19 HC 206-20	P 206
HCP 207-20 HCP 207-21 HCP 207-22 HCP 207-23	1 1/4 1 5/16 1 3/8 1 7/16	1 7/8	6 9/16	5	1 7/8	21/32	13/16	23/32	3 21/32	2.012	.740	.740	0.5315	2.19	1/2	HC 207-20 HC 207-21 HC 207-22 HC 207-23	P 207
HCP 208-24	1 1/2	1 15/16	7 1/4	5 13/32	2 1/8	21/32	13/16	25/32	3 27/32	2.217	.843	.843	0.5315	2.37	1/2	HC 208-24	P 208
HCP 209-26 HCP 209-27 HCP 209-28	1 5/8 1 11/16 1 3/4	2 1/8	7 15/32	5 3/4	2 1/8	21/32	13/16	55/64	4 3/16	2.217	.843	.843	0.5315	2.50	1/2	HC 209-26 HC 209-27 HC 209-28	P 209
HCP 210-30 HCP 210-31	1 7/8 1 15/16	2 1/4	8 1/8	6 1/4	2 3/8	25/32	7/8	7/8	4 7/16	2.469	.969	.969	0.5315	2.75	5/8	HC 210-30 HC 210-31	P 210
HCP 211-32 HCP 211-34 HCP 211-35	2 2 1/8 2 3/16	2 1/2	8 5/8	6 23/32	2 3/8	25/32	7/8	61/64	4 29/32	2.811	1.095	1.091	0.6299	3.00	5/8	HC 211-32 HC 211-34 HC 211-35	P 211

RELUBRICATION FEATURE IS STANDARD.

POWER RITE SBP 200 Series

Pillow Blocks
Standard Shaft Height



Unit No.	Shaft Diam.	DIMENSIONS (in.)										Bolt Size In.	Bearing No.	Housing No.
		h	a	e	b	S ₁	S ₂	g	w	Bi	n			
SBP 202-10	5/8	1 3/16	4 7/8	3 5/8	1 7/32	7/16	7/8	1/2	2 1/4	0.866	0.236	3/8	SB 202-10	P 202
SBP 204-12	3/4	1 5/16	5	3 3/4	1 1/2	1/2	3/4	5/8	2 31/64	0.984	0.276	3/8	SB 204-12	P 204
SBP 205-14 SBP 205-15 SBP 205-16	7/8 15/16 1	1 7/16	5 1/2	4 1/8	1 1/2	1/2	3/4	5/8	2 25/32	1.063	0.295	3/8	SB 205-14 SB 205-15 SB 205-16	P 205
SBP 206-18 SBP 206-19 SBP 206-20	1 1/8 1 3/16 1 1/4	1 11/16	6 1/2	4 3/4	1 7/8	21/32	13/16	23/32	3 5/16	1.181	0.315	1/2	SB 206-18 SB 206-19 SB 206-20	P 206
SBP 207-20 SBP 207-21 SBP 207-22 SBP 207-23	1 1/4 1 5/16 1 3/8 1 7/16	1 7/8	6 9/16	5	1 7/8	21/32	13/16	23/32	3 21/32	1.260	0.335	1/2	SB 207-20 SB 207-21 SB 207-22 SB 207-23	P 207
SBP 208-24	1 1/2	1 15/16	7 1/4	5.13/32	2 1/8	21/32	13/16	25/32	3 27/32	1.339	0.354	1/2	SB 208-24	P 208

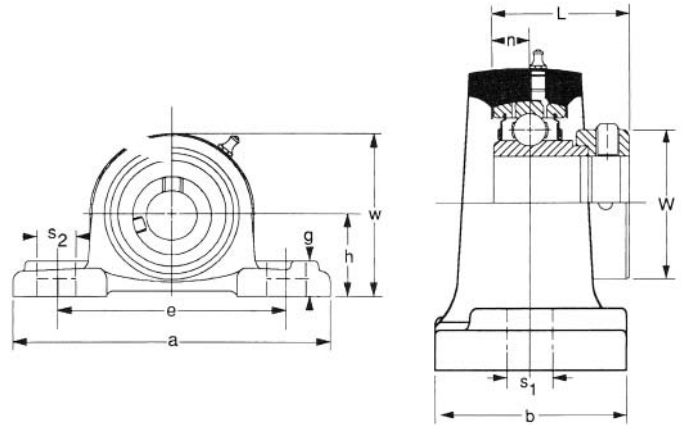
RELUBRICATION FEATURE IS STANDARD.

POWER RITE

SAP 200 Series

Pillow Blocks

Standard Shaft Height

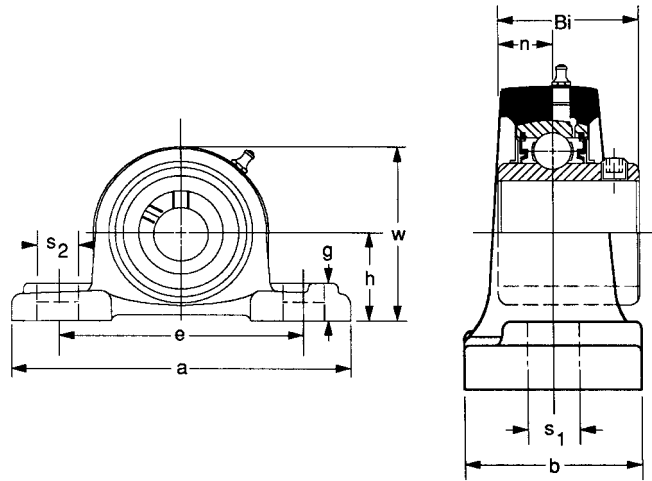
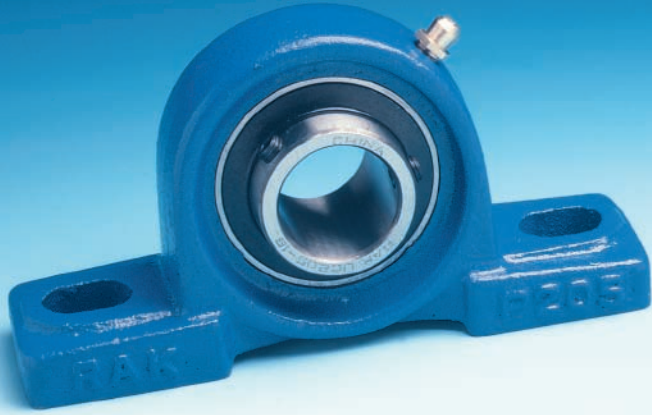


Unit No.	Shaft Diam.	DIMENSIONS (in.)													Bolt Size In.	Bearing No.	Housing No.
		h	a	e	b	S ₁	S ₂	g	w	L	n	m	i	W			
SAP 202-10	5/8	1 3/16	4 7/8	3 5/8	1 7/32	7/16	7/8	1/2	2 1/4	1.125	0.236	0.49	0.3760	1.13	3/8	SA 202-10	P 202
SAP 204-12	3/4	1 5/16	5	3 3/4	1 1/2	1/2	3/4	5/8	2 31/64	1.22	0.276	0.55	0.3776	1.26	3/8	SA 204-12	P 204
SAP 205-14	7/8															SA 205-14	
SAP 205-15	15/16	1 7/16	5 1/2	4 1/8	1 1/2	1/2	3/4	5/8	2 25/32	1.221	0.295	0.55	0.3740	1.50	3/8	SA 205-15	P 205
SAP 205-16	1															SA 205-16	
SAP 206-18	1 1/8															SA 206-18	
SAP 206-19	1 3/16	1 11/16	6 1/2	4 3/4	1 7/8	21/32	113/16	23/32	3 5/16	1.406	0.315	0.58	0.4677	1.75	1/2	SA 206-19	P 206
SAP 206-20	1 1/4															SA 206-20	
SAP 207-20	1 1/4															SA 207-20	
SAP 207-21	1 5/16	1 7/8	6 9/16	5	1 7/8	21/32	13/16	23/32	3 31/32	1.532	0.335	0.63	0.5315	2.19	1/2	SA 207-21	P 207
SAP 207-22	1 3/8															SA 207-22	
SAP 207-23	1 7/16															SA 207-23	
SAP 208-24	1 1/2	1 15/16	7 1/4	5 13/32	2 1/8	21/32	13/16	25/32	3 27/32	1.721	0.354	0.76	0.5323	2.38	1/2	SA 208-24	P 208
SAP 209-26	1 5/8															SA 209-26	
SAP 209-27	1 11/16	2 1/8	7 15/32	5 3/4	2 1/8	21/32	13/16	55/64	4 3/16	1.721	0.374	0.76	0.5323	2.50	1/2	SA 209-27	P 209
SAP 209-28	1 3/4															SA 209-28	

RELUBRICATION FEATURE IS STANDARD.

POWER RITE UCAK 200 Series

Pillow Blocks
Low Shaft Height

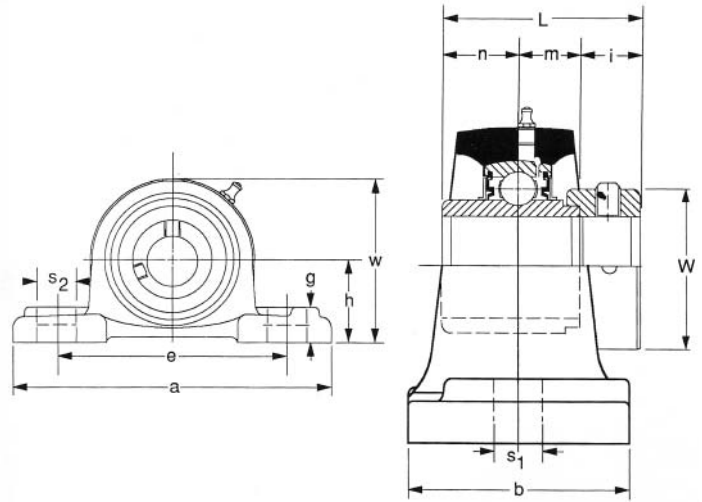


UNIT NO.	SHAFT DIA.	DIMENSIONS (in)										BEARING NO.	HOUSING NO.	WT. LBS.
		<i>h</i>	<i>a</i>	<i>e</i>	<i>b</i>	<i>S</i> ₁	<i>S</i> ₂	<i>g</i>	<i>w</i>	<i>Bi</i>	<i>n</i>			
UCAK 204-12	3/4	1 1/4	5	3 3/4	1 1/2	7/16	5/8	9/16	2 17/32	1.221	.500	UC 204-12	AK 204	1.6
UCAK 205-14	7/8	1 5/16	5 1/2	4 1/8	1 1/2	1/2	3/4	5/8	2 11/16	1.343	.563	UC 205-14	AK 205	2.1
UCAK 205-15	15/16											UC 205-15		
UCAK 205-16	1											UC 205-16		
UCAK 206-18	1 1/8	1 9/16	6 1/2	4 3/4	1 7/8	19/32	13/16	23/32	3 3/16	1.500	.626	UC 206-18	AK 206	2.9
UCAK 206-19	1 3/16											UC 206-19		
UCAK 206-20	1 1/4											UC 206-20		
UCAK 207-20	1 1/4	1 13/16	7	5 3/8	1 7/8	19/32	7/8	3/4	3 11/16	1.689	.689	UC 207-20	AK 207	4.2
UCAK 207-21	1 5/16											UC 207-21		
UCAK 207-22	1 3/8											UC 207-22		
UCAK 207-23	1 7/16											UC 207-23		
UCAK 208-24	1 1/2	1 15/16	7 1/4	5 13/32	2 1/8	21/32	13/16	25/32	3 27/32	1.937	.748	UC 208-24	AK 208	4.9
UCAK 209-26	1 5/8	2 1/16	7 3/4	5 63/64	2 5/32	19/32	63/64	29/32	4 11/64	1.937	.748	UC 209-26	AK 209	6.2
UCAK 209-27	1 11/16											UC 209-27		
UCAK 209-28	1 3/4											UC 209-28		
UCAK 210-30	1 7/8	2 3/16	8 3/8	6 1/2	2 9/32	19/32	63/64	29/32	4 7/16	2.032	.748	UC 210-30	AK 210	6.8
UCAK 210-31	1 15/16											UC 210-31		
UCAK 211-32	2	2 7/16	9 1/4	7 1/8	2 47/64	3/4	1 1/8	15/16	4 59/64	2.189	.874	UC 211-32	AK 211	11.7
UCAK 211-34	2 1/8											UC 211-34		
UCAK 211-35	2 3/16											UC 211-35		
UCAK 212-36	2 1/4	2 11/16	9 3/4	7 5/8	2 3/4	3/4	1 1/8	1 1/8	5 7/16	2.563	1.000	UC 212-36	AK 212	12.7
UCAK 212-38	2 3/8											UC 212-38		
UCAK 212-39	2 7/16											UC 212-39		

RELUBRICATION FEATURE IS STANDARD

POWER RITE HCAK 200 Series

Pillow Blocks
Low Shaft Height

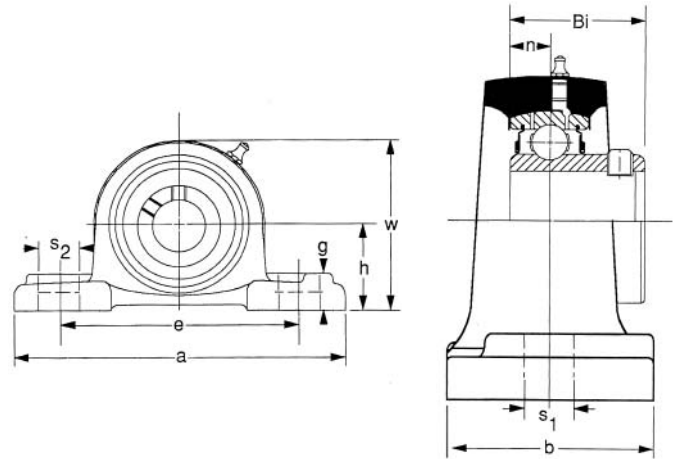


Unit No.	Shaft Diam.	DIMENSIONS (in.)											Bolt Size In.	Bearing No.	Housing No.	
		h	a	e	b	S ₁	S ₂	g	w	L	n	m				W
HCAK 204-12	3/4	1 1/4	5	3 3/4	1 1/2	7/16	5/8	9/16	2 17/32	1.721	0.673	0.673	1.26	3/8	HC 204-12	AK 204
HCAK 205-14	7/8	1 5/16	5 1/2	4 1/8	1 1/2	1/2	3/4	5/8	2 11/16	1.748	0.689	0.685	1.50	3/8	HC 205-14	AK 205
HCAK 205-15	5/16														HC 205-15	
HCAK 205-16	1														HC 205-16	
HCAK 206-18	1 1/8	1 9/16	6 1/2	4 3/4	1 7/8	19/32	13/16	23/32	3 3/16	1.906	0.721	0.717	1.75	1/2	HC 206-18	AK 206
HCAK 206-19	1 3/16														HC 206-19	
HCAK 206-20	1 1/4														HC 206-20	
HCAK 207-20	1 1/4	1 13/16	7	5 3/8	1 7/8	19/32	7/8	3/4	3 11/16	2.012	0.740	0.740	2.19	1/2	HC 207-20	AK 207
HCAK 207-21	1 5/16														HC 207-21	
HCAK 207-22	1 3/8														HC 207-22	
HCAK 207-23	1 7/16														HC 207-23	
HCAK 208-24	1 1/2	1 15/16	7 1/4	5 13/32	2 1/8	21/32	13/16	25/32	3 27/32	2.217	0.843	0.843	2.37	1/2	HC 208-24	AK 208
HCAK 209-26	1 5/8	2 1/16	7 3/4	5 63/64	2 5/32	19/32	63/64	29/32	4 11/64	2.217	0.843	0.843	2.50	1/2	HC 209-26	AK 209
HCAK 209-27	1 11/16														HC 209-27	
HCAK 210-28	1 3/4														HC 209-28	
HCAK 210-30	1 7/8	2 3/16	8 3/8	6 1/2	2 9/32	19/32	63/64	29/32	4 7/16	2.469	0.969	0.969	2.75	1/2	HC 210-30	AK 210
HCAK 210-31	1 15/16														HC 210-31	
HCAK 211-32	2	2 7/16	9 1/4	7 1/8	2 47/64	3/4	1 1/8	15/16	4 59/64	2.811	1.095	1.091	3.00	5/8	HC 211-32	AK 211
HCAK 211-34	2 1/8														HC 211-34	
HCAK 211-35	2 3/16														HC 211-35	
HCAK 212-36	2 1/4	2 11/16	9 3/4	7 5/8	2 3/4	3/4	1 1/8	1 1/8	5 7/16	3.063	1.221	1.217	3.31	5/8	HC 212-36	AK 212
HCAK 212-38	2 3/8														HC 212-38	
HCAK 212-39	2 7/16														HC 212-39	

RELUBRICATION FEATURE IS STANDARD.

POWER RITE SBAK 200 Series

Pillow Blocks
Low Shaft Height

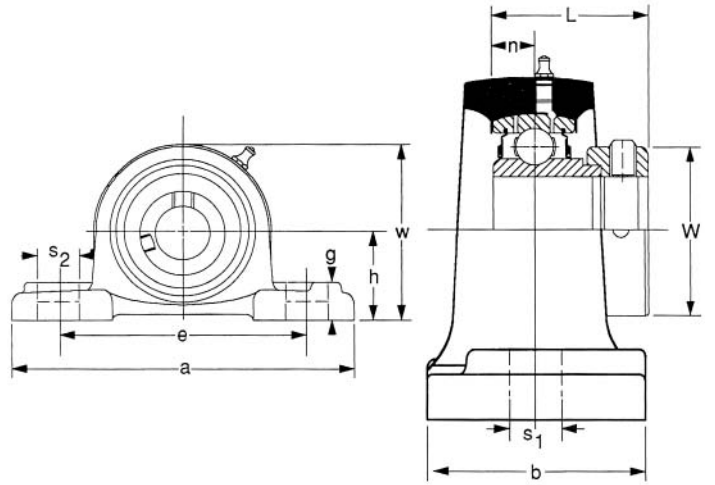


Unit No.	Shaft Diam.	DIMENSIONS (in.)										Bolt Size In.	Bearing No.	Housing No.
		h	a	e	b	S ₁	S ₂	g	w	Bi	n			
SBAK 204-12	3/4	1 1/4	5	3 3/4	1 1/2	7/16	5/8	9/16	2 17/32	0.984	0.276	3/8	SB 204-12	AK 204
SBAK 205-14 SBAK 205-15 SBAK 205-16	7/8 15/16 1	1 5/16	5 1/2	4 1/8	1 1/2	1/2	3/4	5/8	2 11/16	1.063	0.295	3/8	SB 205-14 SB 205-15 SB 205-16	AK 205
SBAK 206-18 SBAK 206-29 SBAK 206-20	1 1/8 1 3/16 1 1/4	1 9/16	6 1/2	4 3/4	1 7/8	19/32	13/16	23/32	3 3/16	1.181	0.315	1/2	SB 206-18 SB 206-19 SB 206-20	AK 206
SBAK 207-20 SBAK 207-21 SBAK 207-22 SBAK 207-23	1 1/4 1 5/16 1 3/8 1 7/16	1 13/16	7	5 3/8	1 7/8	19/32	7/8	3/4	3 11/16	1.260	0.335	1/2	SB 207-20 SB 207-21 SB 207-22 SB 207-23	AK 207
SBAK 208-24	1 1/2	1 1/516	7 1/4	5 13/32	2 1/8	21/32	13/16	25/32	3 27/32	1.339	0.354	1/2	SB 208-24	AK 208
SBAK 209-27 SBAK 209-28	1 11/16 1 3/4	2 1/16	7 3/4	5 63/64	2 5/32	19/32	63/64	29/32	4 11/64	1.622	0.402	1/2	SB 209-27 SB 209-28	AK 209

RELUBRICATION FEATURE IS STANDARD.

POWER RITE SAAK 200 Series

Pillow Blocks Standard Shaft Height

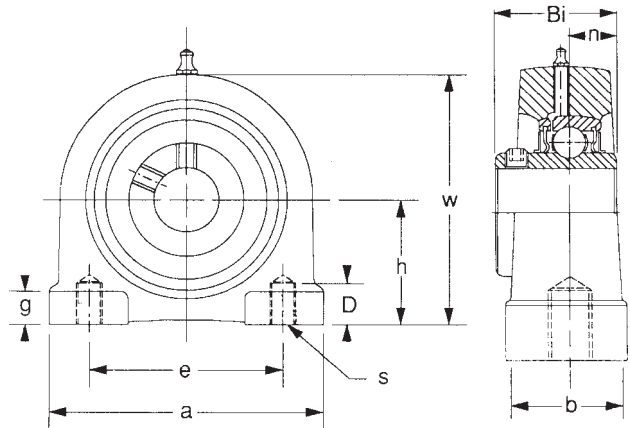


Unit No.	Shaft Diam.	DIMENSIONS (in.)													Bolt Size In.	Bearing No.	Housing No.
		h	a	e	b	S ₁	S ₂	g	w	L	n	m	i	W			
SAAK 204-12	3/4	1 1/4	5	3 3/4	1 1/2	7/16	5/8	9/16	2 17/32	1.221	0.276	0.55	0.3776	1.26	3/8	SA 204-12	AK 204
SAAK 205-14 SAAK 205-15 SAAK 205-16	7/8 15/16 1	1 5/16	5 1/2	4 1/8	1 1/2	1/2	3/4	5/8	2 11/16	1.221	0.295	0.55	0.3740	1.50	3/8	SA 205-14 SA 205-15 SA 205-16	AK 205
SAAK 206-18 SAAK 206-19 SAAK 206-20	1 1/8 1 3/16 1 1/4	1 9/16	6 1/2	4 3/4	1 7/8	19/32	13/16	23/32	3 3/16	1.406	0.315	0.58	0.4677	1.75	1/2	SA 206-18 SA 206-19 SA 206-20	AK 206
SAAK 207-20 SAAK 207-21 SAAK 207-22 SAAK 207-23	1 1/4 1 5/16 1 3/8 1 7/16	1 13/16	7	5 3/8	1 7/8	19/32	7/8	3/4	3 11/16	1.532	0.335	0.63	0.5315	2.19	1/2	SA 207-20 SA 207-21 SA 207-22 SA 207-23	AK 207
SAAK 208-24	1 1/2	1 15/16	7 1/4	5 13/32	2 1/8	21/32	13/16	25/32	3 27/32	1.721	0.354	0.76	0.5323	2.38	1/2	SA 208-24	AK 208
SAAK 209-26 SAAK 209-27 SAAK 209-28	1 5/8 1 11/16 1 3/4	2 1/16	7 3/4	5 63/64	2 5/32	19/32	63/64	29/32	4 11/64	1.721	0.374	0.76	0.5323	2.50	1/2	SA 209-26 SA 209-27 SA 209-28	AK 209

RELUBRICATION FEATURE IS STANDARD.

POWER RITE UCPA 200 Series

Pillow Blocks
Tapped Base

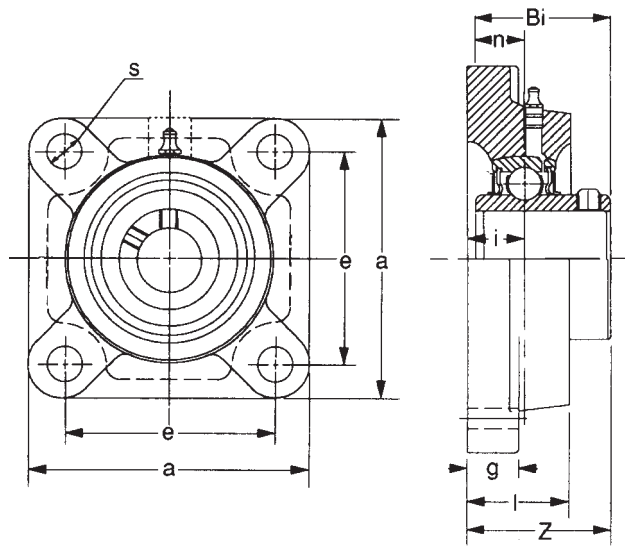
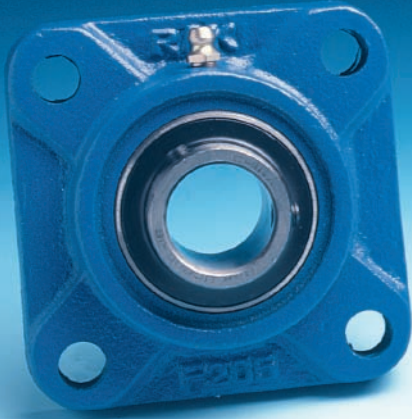


UNIT NO.	SHAFT DIA.	DIMENSIONS (in.)										BEARING NO.	HOUSING NO.	WT. LBS.
		<i>h</i>	<i>a</i>	<i>e</i>	<i>b</i>	<i>s</i>	<i>g</i>	<i>w</i>	<i>D. Min. Tap Depth</i>	<i>Bi</i>	<i>n</i>			
UCPA 204-12	3/4	1 3/16	3	2 3/64	1 9/16	3/8	7/16	2 7/16	1/2	1.221	.500	UC 204-12	PA 204	1.20
UCPA 205-14	7/8											UC 205-14		1.40
UCPA 205-15	15/16	1 7/16	3 5/16	2 13/64	1 25/32	3/8	15/32	2 27/32	1/2	1.343	.563	UC 205-15	PA 205	1.37
UCPA 205-16	1											UC 205-16		1.34
UCPA 206-18	1 1/8											UC 206-18		2.35
UCPA 206-19	1 3/16	1 11/16	3 11/16	2 19/32	1 31/32	7/16	15/32	3 5/16	5/8	1.500	.626	UC 206-19	PA 206	2.32
UCPA 206-20	1 1/4											UC 206-20		2.29
UCPA 207-20	1 1/4											UC 207-20		3.13
UCPA 207-21	1 5/16											UC 207-21		3.08
UCPA 207-22	1 3/8	1 7/8	4 11/32	3 5/32	2 5/32	1/2	1/2	3 3/4	3/4	1.689	.689	UC 207-22	PA 207	3.03
UCPA 207-23	1 7/16											UC 207-23		2.97
UCPA 208-24	1 1/2	1 15/16	4 9/16	3 5/16	2 9/32	1/2	1/2	3 15/16	3/4	1.937	.748	UC 208-24	PA 208	3.67
UCPA 209-26	1 5/8											UC 209-26		4.75
UCPA 209-27	1 11/16	2 9/64	4 23/32	3 35/64	2 3/8	1/2	1/2	4 1/4	3/4	1.937	.748	UC 209-27	PA 209	4.68
UCPA 209-28	1 3/4											UC 209-28		4.61
UCPA 210-30	1 7/8	2 1/4	5 1/8	3 45/64	2 17/32	5/8	9/16	4 9/16	7/8	2.032	.748	UC 210-30	PA 210	5.66
UCPA 210-31	1 15/16											UC 210-31		5.57

RELUBRICATION FEATURE IS STANDARD.

POWER RITE UCF 200 Series

Standard Four Bolt Flange Units



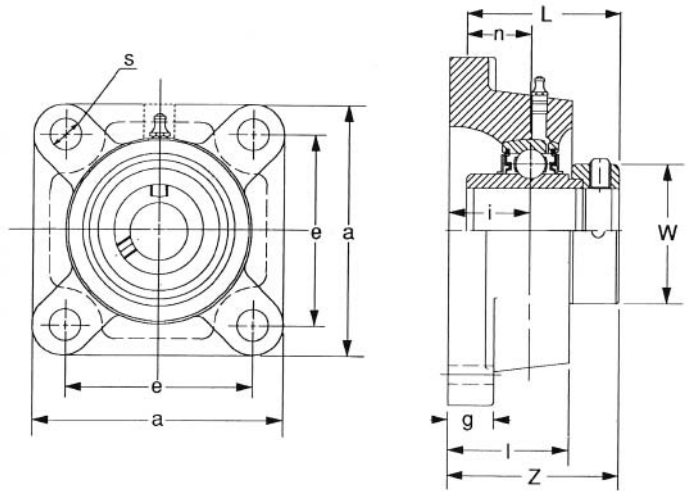
UNIT NO.	SHAFT DIA.	DIMENSIONS (in.)									BEARING NO.	HOUSING NO.	WT. LBS.
		a	e	i	g	l	s	Z	Bi	n			
UCF 202-10	5/8	3	2 1/8	.592	3/8	1	27/64	1 5/16	1.221	0.500	UC 202-10	F 202	1.32
UCF 204-12	3/4	3 3/8	2 1/2	.592	7/16	1	27/64	1 5/16	1.221	0.500	UC 204-12	F 204	1.30
UCF 205-14	7/8	3 3/4	2 3/4	.631	1/2	1 1/16	15/32	1 13/32	1.343	0.560	UC 205-14	F 205	1.87
UCF 205-15	15/16										1.83		
UCF 205-16	1										1.81		
UCF 206-18	1 1/8	4 1/4	3 1/4	.720	9/16	1 7/32	15/32	1 19/32	1.500	0.626	UC 206-18	F 206	2.51
UCF 206-19	1 3/16										2.43		
UCF 206-20	1 1/4										2.38		
UCF 207-20	1 1/4	4 19/32	3 5/8	.750	19/32	1 11/32	17/32	1 3/4	1.689	0.689	UC 207-20	F 207	3.37
UCF 207-21	1 5/16										3.33		
UCF 207-22	1 3/8										3.26		
UCF 207-23	1 7/16										3.20		
UCF 208-24	1 1/2	5 1/8	4	.834	19/32	1 13/32	37/64	2 1/64	1.937	0.748	UC 208-24	F 208	4.59
UCF 209-26	1 5/8	5 3/8	4 1/8	.874	5/8	1 1/2	37/64	2 1/16	1.937	0.748	UC 209-26	F 209	5.40
UCF 209-27	1 11/16										5.31		
UCF 209-28	1 3/4										5.22		
UCF 210-30	1 7/8	5 5/8	4 3/8	.874	5/8	1 9/16	37/64	2 5/32	2.032	0.748	UC 210-30	F 210	5.69
UCF 210-31	1 15/16										5.47		
UCF 211-32	2	6 3/8	5 1/8	.998	23/32	1 11/16	45/64	2 5/16	2.189	0.874	UC 211-32	F 211	7.94
UCF 211-34	2 1/8										7.69		
UCF 211-35	2 3/16										7.54		
UCF 212-36	2 1/4	6 7/8	5 5/8	1.156	23/32	1 7/8	45/64	2 23/32	2.563	1.000	UC 212-36	F 212	10.43
UCF 212-38	2 3/8										10.10		
UCF 212-39	2 7/16										9.94		
UCF 213-40	2 1/2	7 3/8	5 7/8	1.187	7/8	1 31/32	45/64	2 3/4	2.563	1.000	UC 213-40	F 213	12.39
UCF 214-44	2 3/4	7 19/32	6	1.221	7/8	2 1/8	45/64	2 31/32	2.937	1.189	UC 214-44	F 214	13.51
UCF 215-47	2 15/16	7 7/8	6 1/4	1.342	7/8	2 7/32	45/64	3 3/32	3.063	1.311	UC 215-47	F 215	15.40

RELUBRICATION FEATURE IS STANDARD.

POWER RITE HCFS 200 Series

Flange Units

Standard 4 Bolt

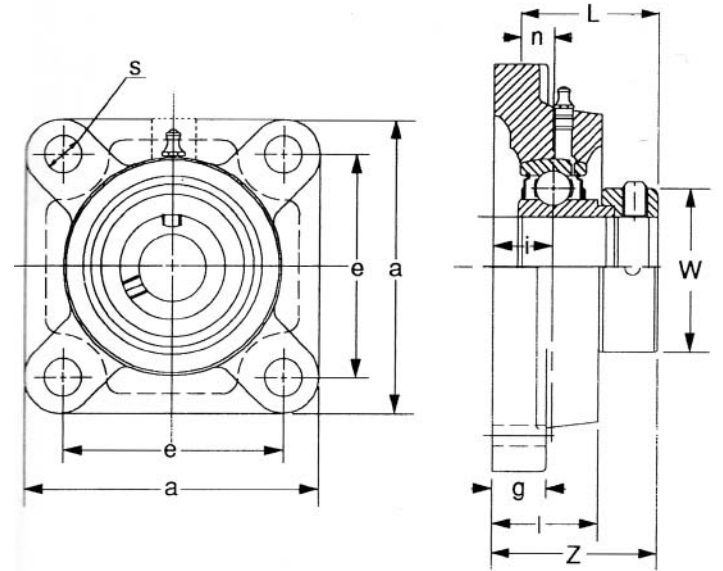


Unit No.	Shaft Diam.	DIMENSIONS (in.)										Bolt Size In.	Bearing No.	Housing No.
		a	e	i	g	l	S ₁	Z	L	n	W			
HCFS 204-12	3/4	3 3/8	2 1/2	.750	3/8	1 15/16	15/32	1.7953	1.721	0.673	1.26	3/8	HC 204-12	FS 204
HCFS 205-14 HCFS 205-15 HCFS 205-16	7/8 15/16 1	3 3/4	2 3/4	.826	7/16	1 3/8	15/32	1.8819	1.748	0.689	1.50	3/8	HC 205-14 HC 205-15 HC 205-16	FS 205
HCFS 206-18 HCFS 206-19 HCFS 206-20	1 1/8 13/16 1 1/4	4 1/4	3 1/4	.826	5/8	1 15/32	17/32	2.0079	1.906	0.721	1.75	7/16	HC 206-18 HC 206-19 HC 206-20	FS 206
HCFS 207-20 HCFS 207-21 HCFS 207-22 HCFS 207-23	1 1/4 1 5/16 1 3/8 1 7/16	4 5/8	3 5/8	.906	1/2	1 1/2	17/32	2.1772	2.012	0.740	2.19	7/16	HC 207-20 HC 207-21 HC 207-22 HC 207-23	FS 207
HCFS 208-24	1 1/2	5/18	4	1	21/32	1 17/32	37/64	2.3740	2.217	0.843	2.37	1/2	HC 208-24	FS 208
HCFS 209-26 HCFS 209-27 HCFS 209-28	1 5/8 1 11/16 1 3/4	5 3/8	4 1/8	1	23/32	1 9/16	21/32	2.3740	2.217	0.843	2.50	9/16	HC 209-26 HC 209-27 HC 209-28	FS 209
HCFS 210-30 HCFS 210-31	1 7/8 1 15/16	5 5/8	4 3/8	1.142	5/8	1 13/16	21/32	2.6417	2.469	0.964	2.75	9/16	HC 210-30 HC 210-31	FS 210
HCFS 211-32 HCFS 211-34 HCFS 211-35	2 2 1/8 2 3/16	6 3/8	5 1/8	1.260	11/16	1 31/32	45/64	2.9803	2.811	1.095	3.00	5/8	HC 211-32 HC 211-34 HC 211-35	FS 211
HCFS 212-36 HCFS 212-38 HCFS 212-39	2 1/4 2 3/8 2 7/16	6 7/8	5 5/8	1.343	11/16	25.32	45/64	3.1890	3.063	1.221	3.31	5/8	HC 212-36 HC 212-38 HC 212-39	FS 212

RELUBRICATION FEATURE IS STANDARD.

POWER RITE SBF 200 Series

Flange Units
Standard 4 Bolt

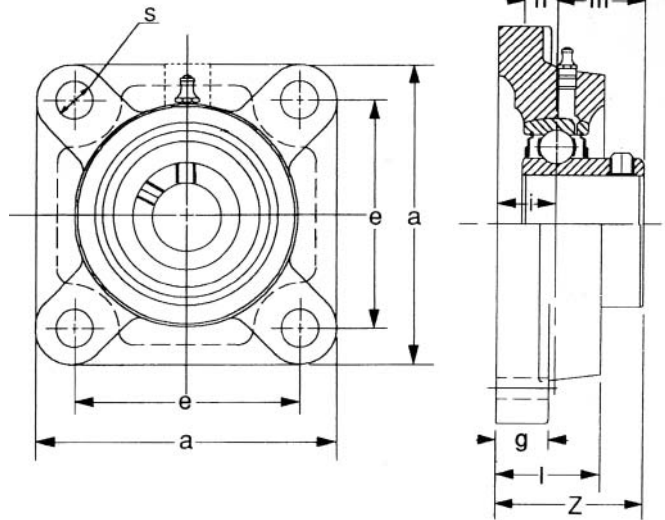


Unit No.	Shaft Diam.	DIMENSIONS (in.)										Bolt Size In.	Bearing No.	Housing No.
		a	e	i	g	l	S ₂	Z	L	n	W			
SBF 204-12	3/4	3 3/8	2 1/2	.592	7/16	1	27/64	1.5157	1.221	0.276	1.26	3/8	SB 204-12	F 204
SBF 205-14	7/8	3 3/4	2 3/4	.631	1/2	1 1/16	15/32	1.5551	1.221	0.295	1.50	3/8	SB 205-14	F 205
SBF 205-15	15/16												SB 205-15	
SBF 205-16	1												SB 205-16	
SBF 206-18	1 1/8	4 1/4	3 1/4	.71975	9/16	1 7/32	15/32	1.7717	1.406	0.315	1.75	3/8	SB 206-18	F 206
SBF 206-19	1 3/16												SB 206-19	
SBF 206-20	1 1/4												SB 206-20	
SBF 207-20	1 1/4	4 19/32	3 5/8	.750	19/32	1 11/32	17/32	1.9094	1.532	0.335	2.19	7/16	SB 207-20	F 207
SBF 207-21	1 5/16												SB 207-21	
SBF 207-22	1 3/8												SB 207-22	
SBF 207-23	1 7/16												SB 207-23	
SBF 208-24	1 1/2	5 1/8	4	.834	19/32	1 13/32	37/64	2.1220	1.721	0.354	2.38	1/2	SB 208-24	F 208
SBF 209-26	1 5/8	5 3/8	4 1/8	.874	5/8	1 1/2	37/64	2.1614	1.721	0.374	2.50	1/2	SB 209-26	F 209
SBF 209-27	1 11/16												SB 209-27	
SBF 209-28	1 3/4												SB 209-28	
SBF 210-30	1 7/8	5 5/8	4 3/8	.873	5/8	1 9/16	37/64	2.1614	1.721	0.394	2.75	1/2	SB 210-30	F 210
SBF 210-31	1 15/16												SB 210-31	

RELUBRICATION FEATURE IS STANDARD.

POWER RITE SAF 200 Series

Flange Units
Standard 4 Bolt

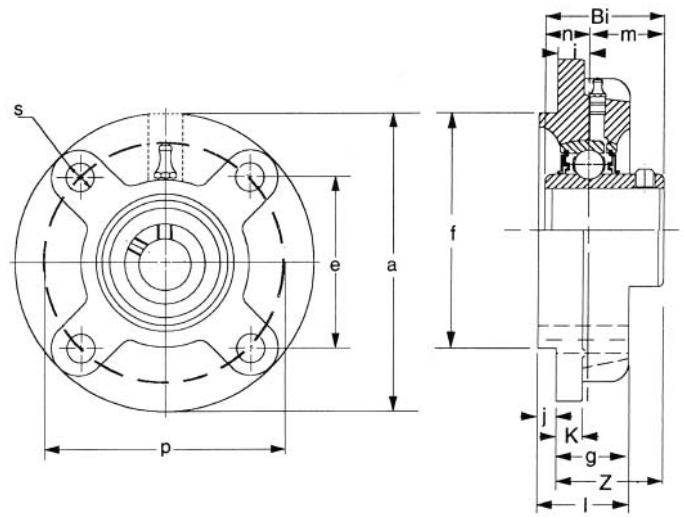


Unit No.	Shaft Diam.	DIMENSIONS (in.)										Bolt Size In.	Bearing No.	Housing No.
		a	e	i	g	l	S ₂	Z	L	n	W			
SAF 204-12	3/4	3 3/8	2 1/2	.592	7/16	1	27/64	1.2795	0.984	0.276	0.69	3/8	SA 204-12	F 204
SAF 205-14	7/8	3 3/4	2 3/4	.631	1/2	1 1/16	15/32	1.3976	1.063	0.295	0.77	3/8	SA 205-14	F 205
SAF 205-15	15/16												SA 205-15	
SAF 205-16	1												SA 205-16	
SAF 206-18	1 1/8	4 1/4	3 1/4	.71975	9/16	1 7/32	15/32	1.5472	1.181	0.315	0.83	3/8	SA 206-18	F 206
SAF 206-19	1 3/16												SA 206-19	
SAF 206-20	1 1/4												SA 206-20	
SAF 207-20	1 1/4	4 19/32	3 5/8	.750	19/32	1 11/32	17/32	1.6378	1.260	0.335	0.89	7/16	SA 207-20	F 207
SAF 207-21	1 5/16												SA 207-21	
SAF 207-22	1 3/8												SA 207-22	
SAF 207-23	1 7/16												SA 207-23	
SAF 208-24	1 1/2	5 1/8	4	.834	19/32	1 13/32	37/64	1.8976	1.496	0.354	1.06	1/2	SA 207-24	F 208

RELUBRICATION FEATURE IS STANDARD.

POWER RITE UCFC 200 Series

Flange Units
Cartridge 4 Bolt

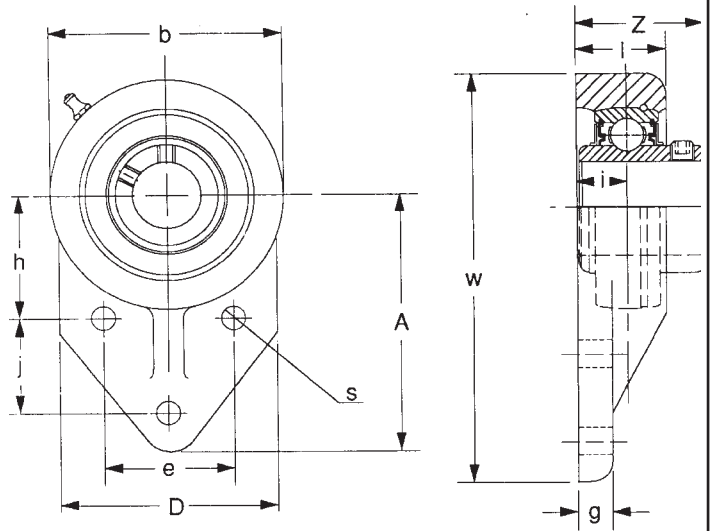


UNIT NO.	SHAFT	DIMENSIONS (in.)													Bolt Size In.	Bearing No.	Housing No.
		a	p	e	i	l	S ₁	j	K	g	f ₄	Z	Bi	n			
UCFC 204-12	3/4	3 15/16	3 5/64	2 11/64	25/64	1	15/32	13/64	9/32	13/16	2.4409	1.1102	1.221	0.500	3/8	UC 204-12	FC 204
UCFC 205-14	7/8															UC 205-14	
UCFC 205-15	15/16	4 17/32	3 35/64	2 1/2	25/64	1 1/16	15/32	15/64	9/32	53/64	2.7559	1.1654	1.343	0.563	3/8	UC 205-15	FC 205
UCFC 205-16	1															UC 205-16	
UCFC 206-18	1 1/8															UC 206-18	
UCFC 206-19	1 3/16	4 9/32	3 15/16	2 25/32	25/64	1 7/32	15/32	5/16	5/16	29/32	3.1496	1.2638	1.500	0.626	3/8	UC 206-19	FC 206
UCFC 206-20	1 1/4															UC 206-20	
UCFC 207-20	1 1/4															UC 207-20	
UCFC 207-21	1 5/16															UC 207-21	
UCFC 207-22	1 3/8	5 5/16	4 21/64	3 1/16	7/16	1 11/32	35/64	5/16	11/32	1 1/32	3.5433	1.4370	1.689	0.689	7/16	UC 207-22	FC 207
UCFC 207-23	1 7/16															UC 207-23	
UCFC 208-24	1 1/2	5 23/32	4 23/32	3 11/32	7/16	1 13/32	35/64	25/64	11/32	1 1/32	3.9370	1.6260	1.937	0.748	7/16	UC 208-24	FC 208
UCFC 209-26	1 5/8															UC 209-26	
UCFC 209-27	1 11/16	6 5/16	5 13/64	4 43/64	25/64	1 1/2	5/8	15/32	9/16	1 1/32	4.1388	1.5787	1.937	0.748	1/2	UC 209-27	FC 209
UCFC 209-28	1 3/4															UC 209-28	
UCFC 210-30	1 7/8															UC 210-30	
UCFC 210-31	1 15/16	6 1/2	5 7/16	3 27/32	25/64	1 9/16	5/8	15/32	9/16	1 7/64	4.3307	1.6732	2.032	0.748	1/2	UC 210-31	FC 210
UCFC 211-32	2															UC 211-32	
UCFC 211-34	2 1/8	7 9/32	5 29/32	4 11/64	33/64	1 11/16	3/4	15/32	19/32	1 7/32	4.9215	1.8307	2.189	0.874	5/8	UC 211-34	FC 211
UCFC 211-35	2 3/16															UC 211-35	
UCFC 212-36	2 1/4															UC 212-36	
UCFC 212-38	2 3/8	7 11/16	6 19/64	4 29/64	43/64	1 7/8	3/4	15/32	19/32	1 27/64	5.3150	2.2362	2.563	1.000	5/8	UC 212-38	FC 212
UCFC 212-39	2 7/16															UC 212-39	

RELUBRICATION FEATURE IS STANDARD.

POWER RITE UCFB 200 Series

Flange Bracket
3 Bolt

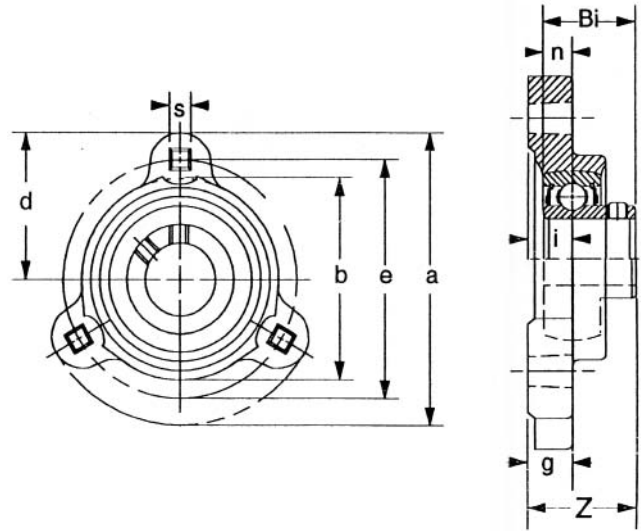


UNIT NO.	SHAFT DIA.	DIMENSIONS (in.)											BEARING NO.	HOUSING NO.	WT. LBS.	
		w	A	b	D	i	l	s	g	h	j	e				z
UCFB 204-12	3/4	4 1/4	3	2 1/2	2 3/8	5/8	1	25/64	5/16	1 11/16	7/8	1 1/2	1.347	UC 204-12	FB 204	1.45
UCFB 205-14	7/8													UC 205-14		
UCFB 205-15	15/16	4 3/4	3 3/8	2 3/4	2 1/2	21/32	1 1/8	25/64	3/8	1 13/16	1 1/8	1 5/8	1.433	UC 205-15	FB 205	2.00
UCFB 205-16	1													UC 205-16		
UCFB 206-18	1 1/8													UC 206-18		
UCFB 206-19	1 3/16	5 3/8	3 3/4	3 1/4	2 3/4	47/64	1 1/4	25/64	3/8	2 1/16	1 1/4	1 7/8	1.610	UC 206-19	FB 206	2.50
UCFB 206-20	1 1/4													UC 206-20		
UCFB 207-20	1 1/4													UC 207-20		
UCFB 207-21	1 5/16													UC 207-21		
UCFB 207-22	1 3/8	6 1/8	4 1/4	3 3/4	3 1/4	53/64	1 7/16	33/64	1/2	2 3/8	1 1/4	2	1.827	UC 207-22	FB 207	2.90
UCFB 207-23	1 7/16													UC 207-23		
UCFB 208-24	1 1/2	6 15/32	4 1/2	3 15/16	3 1/16	53/64	1 13/32	15/32	5/8	2 3/8	1 5/8	1 31/32	2.016	UC 208-24	FB 208	3.50
UCFB 209-26	1 5/8													UC 209-26		
UCFB 209-27	1 11/16	6 27/32	4 3/4	4 3/16	3 5/32	53/64	1 1/2	15/32	23/32	2 9/16	1 11/16	2 1/8	2.016	UC 209-27	FB 209	4.90
UCFB 209-28	1 3/4													UC 209-28		
UCFB 210-30	1 7/8	7 1/2	5 3/16	4 5/8	4	53/64	1 1/2	33/64	1/2	2 15/16	1 5/8	2 3/4	2.110	UC 210-30	FB 210	5.40
UCFB 210-31	1 15/16													UC 210-31		

RELUBRICATION FEATURE IS STANDARD.

POWER RITE SBF3X 200 Series

Flange Units
Ductile 3 Bolt

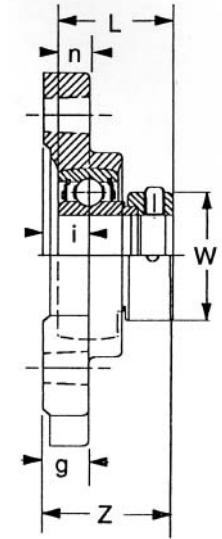
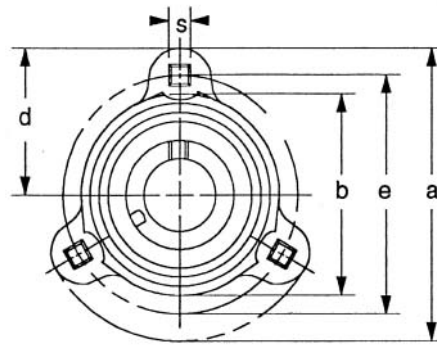


Unit No.	Shaft Diam.	DIMENSIONS (in.)										Bolt Size In.	Bearing No.	Housing No.
		a	e	i	b	d	g	s	Z	Bi	n			
SBF3X 202-10	5/8 1 1/16	3 3/16	2 1/2	.3180	2 3/32	1 19/32	13/32	9/32	0.99	0.886	0.236	1/4	SB 202-10	F3X 202
SBF3X 204-12	3/4	3 9/16	2 13/16	.4370	2.13/64	1 25/32	7/16	11/32	1.13	0.984	0.276	5/16	SB 204-12	F3X 204
SBF3X 205-14	7/8	3 3/4	3	.4370	2 13/16	1 7/8	1/2	11/32	1.20	1.063	0.295	5/16	SB 205-14	F3X 205
SBF3X 205-15	15/16												SB 205-15	
SBF3X 205-16	1												SB 205-16	
SBF3X 206-18	1 1/8	4 9/16	3 9/16	.4370	3	2 9/32	19/32	13/32	1.26	1.181	0.315	3/8	SB 206-18	F3X 206
SBF3X 206-19	1 3/16												SB 206-19	
SBF3X 206-20	1 1/4												SB 206-20	
SBF3X 207-20	1 1/4	4 13/16	3 15/16	.5000	3 15/32	2 13/32	19/32	13/32	1.39	1.260	0.335	3/8	SB 207-20	F3X 207
SBF3X 207-21	1 5/16												SB 207-21	
SBF3X 207-22	1 3/8												SB 207-22	
SBF3X 207-23	1 7/16												SB 207-23	

RELUBRICATION FEATURE IS STANDARD.

POWER RITE SAF3X 200 Series

Flange Units
Ductile 3 Bolt

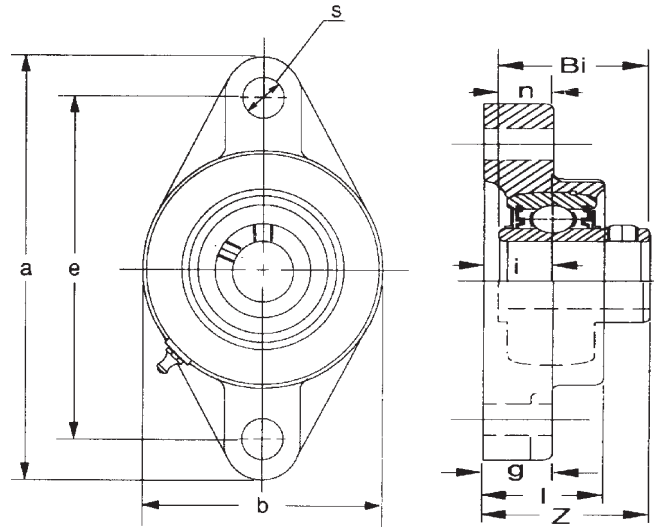


Unit No.	Shaft Diam.	DIMENSIONS (in.)										Bolt Size In.	Bearing No.	Housing No.
		a	e	i	b	d	g	s	Z	Bi	n			
SAF3X 202-10	5/8	3 3/16	2 1/2	.3180	2 3/32	1 19/32	13/32	9/32	1.23	1.125	0.236	1/4	SA 202-10	F3X 202
SAF3X 204-12	3/4	3 9/16	2 13/16	.4370	2. 13/64	1 25/32	7/16	11/32	1.36	1.221	0.276	5/16	SA 204-12	F3X 204
SAF3X 205-14	7/8	3 3/4	3	.4370	2 13/16	1 7/8	1/2	11/32	1.36	1.221	0.295	5/16	SA 205-14	F3X 205
SAF3X 205-15	15/16												SA 205-15	
SAF3X 205-16	1												SA 205-16	
SAF3X 206-18	1 1/8	4 9/16	3 9/16	.4370	3	2 9/32	19/32	13/32	1.49	1.406	0.315	3/8	SA 206-18	F3X 206
SAF3X 206-19	1 3/16												SA 206-19	
SAF3X 206-20	1 1/4												SA 206-20	
SAF3X 207-20	1 1/4	4 13/16	3 15/16	.5000	3 15/32	2 13/32	19/32	13/32	1.66	1.532	0.335	3/8	SA 207-20	F3X 207
SAF3X 207-21	1 5/16												SA 207-21	
SAF3X 207-22	1 3/8												SA 207-22	
SAF3X 207-23	1 7/16												SA 207-23	

RELUBRICATION FEATURE IS STANDARD.

POWER RITE UCFL 200 Series

Standard 2 Bolt
Flange Unit

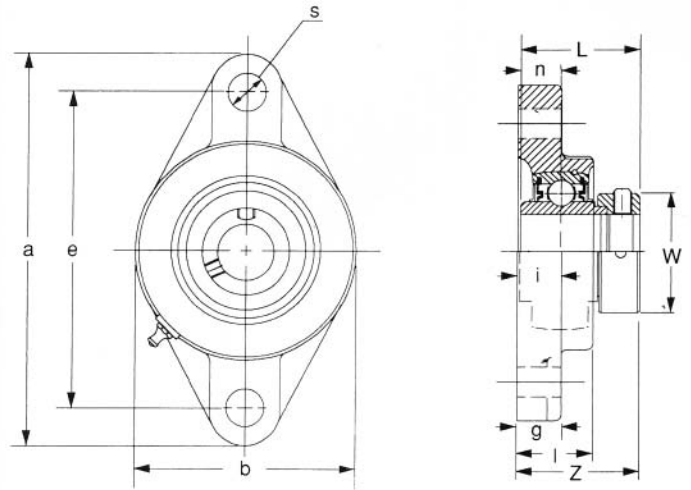


UNIT NO.	SHAFT DIA.	DIMENSIONS (in.)										BEARING NO.	HOUSING NO.	WT. LBS.
		a	e	i	g	l	s	b	Z	Bi	n			
UCFL 202-10	5/8	3 7/8	3	.594	7/16	1	27/64	2 1/8	1.3150	1.221	.500	UC 202-10	FL 202	1.20
UCFL 204-12	3/4	4 7/16	3 17/32	.591	7/16	1	27/64	2 3/8	1.3110	1.221	.500	UC 204-12	FL 204	1.04
UCFL 205-14	7/8	5 1/8	3 57/64	.630	1/2	1 1/16	17/32	2 11/16	1.4053	1.343	.563	UC 205-14	FL 205	1.52
UCFL 205-15	15/16											UC 205-15		1.48
UCFL 205-16	1											UC 205-16		1.46
UCFL 206-18	1 1/8	5 13/16	4 19/32	.709	1/2	1 7/32	37/64	3 5/32	1.5827	1.500	.626	UC 206-18	FL 206	2.38
UCFL 206-19	1 3/16											UC 206-19		2.29
UCFL 206-20	1 1/4											UC 206-20		2.25
UCFL 207-20	1 1/4	6 11/32	5 1/8	.748	9/16	1 11/32	37/64	3 17/32	1.7480	1.689	.689	UC 207-20	FL 207	3.00
UCFL 207-21	1 5/16											UC 207-21		2.95
UCFL 207-22	1 3/8											UC 207-22		2.89
UCFL 207-23	1 7/16											UC 207-23		2.82
UCFL 208-24	1 1/2	6 7/8	5 21/32	.828	9/16	1 13/32	37/64	3 15/16	2.0157	1.937	.748	UC 208-24	FL 208	4.14
UCFL 209-26	1 5/8	7 13/32	5 27/32	.866	19/32	1 1/2	21/32	4 1/4	2.0551	1.937	.748	UC 209-26	FL 209	4.54
UCFL 209-27	1 11/16											UC 209-27		4.45
UCFL 209-28	1 3/4											UC 209-28		4.37
UCFL 210-30	1 7/8	7 3/4	6 3/16	.866	19/32	1 9/16	21/32	4 17/32	2.1496	2.032	.748	UC 210-30	FL 210	5.31
UCFL 210-31	1 15/16											UC 210-31		4.97
UCFL 211-32	2	8 13/16	7 1/4	1	23/32	1 11/16	45/64	5 1/8	2.3150	2.189	.874	UC 211-32	FL 211	7.28
UCFL 211-34	2 1/8											UC 211-34		7.03
UCFL 211-35	2 3/16											UC 211-35		6.90

RELUBRICATION FEATURE IS STANDARD.

POWER RITE HCFT 200 Series

Flange Units
Standard 2 Bolt

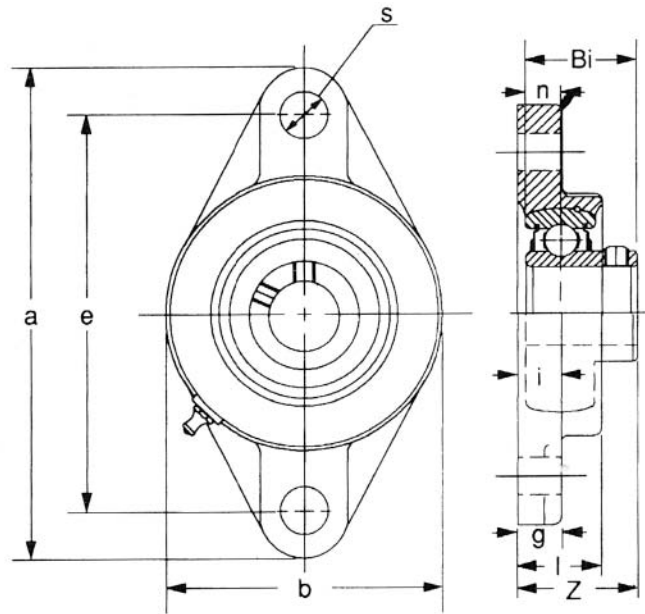


Unit No.	Shaft Diam.	DIMENSIONS (in.)											Bolt Size In.	Bearing No.	Housing No.
		a	e	i	g	l	S ₂	b	Z	L	n	W			
HCFT 204-12	3/4	4 7/16	3 17/32	.75	7/16	1 1/4	15/32	2 3/8	1.7953	1.721	0.673	1.26	3/8	HC 204-12	FT 204
HCFT 205-14 HCFT 205-15 HCFT 205-16	7/8 15/16 1	4 7/8	3 57/64	.75	17/32	1 5/16	15/32	2 3/4	1.8110	1.748	0.689	1.50	3/8	HC 205-14 HC 205-15 HC 205-16	FT 205
HCFT 206-18 HCFT 206-19 HCFT 206-20	1 1/8 1 3/16 1 1/4	5 9/16	4 19/32	.826	17/32	1 3/8	15/32	3 1/8	2.0118	1.906	0.721	1.75	3/8	HC 206-18 HC 206-19 HC 206-20	FT 206
HCFT 207-20 HCFT 207-21 HCFT 207-22 HCFT 207-23	1 1/4 1 5/16 1 3/8 1 7/16	6 1/8	5 1/8	.906	9/16	1 15/32	37/64	3 5/8	2.1772	2.012	0.740	2.19	1/2	HC 207-20 HC 207-21 HC 207-22 HC 207-23	FT 207
HCFT 208-24	1 1/2	6 3/4	5 21/32	1	9/16	1 17/32	17/32	4 1/8	2.3740	2.217	0.843	2.37	7/16	HC 208-24	FT 208
HCFT 209-26 HCFT 209-27 HCFT 209-28	1 5/8 1 11/16 1 3/4	7 1/16	5 27/32	1	9/16	1 3/4	21/32	4 3/8	2.3740	2.217	0.843	2.50	9/16	HC 209-26 HC 209-27 HC 209-28	FT 209
HCFT 210-30 HCFT 210-31	1 7/8 1 15/16	7 7/16	6 3/16	1.181	9/16	1 27/32	21/32	4 9/16	2.6811	2.469	0.969	2.75	9/16	HC 210-30 HC 210-31	FT 210
HCFT 211-32 HCFT 211-34 HCFT 211-35	2 2 1/8 2 3/16	8 1/2	7 1/4	1.299	13/16	1 31/32	21/32	5 1/4	3.0315	2.811	1.095	3.00	9/16	HC 211-32 HC 211-34 HC 211-35	FT 211
HCFT 212-36 HCFT 212-38 HCFT 212-39	2 1/4 2 3/8 2 7/16	9 1/4	7 15/16	1.344	13/16	2 3/32	21/32	5 7/16	3.1890	3.063	1.221	3.31	9/16	HC 212-36 HC 212-38 HC 212-39	FT 212

RELUBRICATION FEATURE IS STANDARD.

POWER RITE SBFL 200 Series

Flange Units
Standard 2 Bolt

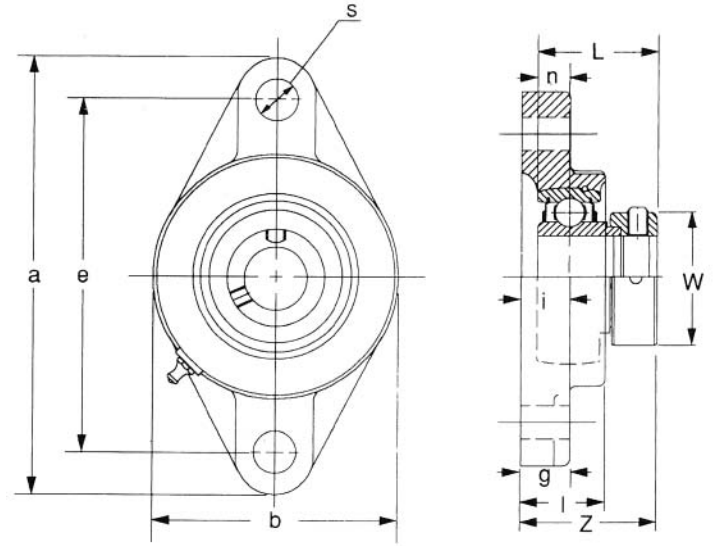


Unit No.	Shaft Diam.	DIMENSIONS (in.)										Bolt Size In.	Bearing No.	Housing No.
		a	e	i	g	l	S ₂	b	Z	Bi	n			
SBFL 202-10	5/8	3 29/32	3	.515	25/64	55/64	27/64	2 1/8	1.1457	.866	.236	3/8	SB 202-10	FL 202
SBFL 204-12	3/4	4 7/16	3 17/32	.591	7/16	1	27/64	2 3/8	1.2795	.984	.276	3/8	SB 204-12	FL 204
SBFL 205-14	7/8	5 1/8	3 57/64	.630	1/2	1 1/16	17/32	2 11/16	1.3976	1.063	.295	7/16	SB 205-14	FL 205
SBFL 205-15	15/16												SB 205-15	
SBFL 205-16	1												SB 205-16	
SBFL 206-18	1 1/8	5 13/16	4 19/32	.709	1/2	1 7/32	17/32	3 5/32	1.5354	1.181	.315	7/16	SB 206-18	FL 206
SBFL 206-19	1 3/16												SB 206-19	
SBFL 206-20	1 1/4												SB 206-20	
SBFL 207-20	1 1/4	6 11/32	5 1/8	.748	9/16	1 11/32	37/64	3 17/32	1.6339	1.260	.335	1/2	SB 207-20	FL 207
SBFL 207-21	1 5/16												SB 207-21	
SBFL 207-22	1 3/8												SB 207-22	
SBFL 207-23	1 7/16												SB 207-23	
SBFL 208-24	1 1/2	6 7/8	5 21/32	.828	9/16	1 13/32	37/64	3 15/16	1.8898	1.339	.354	1/2	SB 208-24	FL 208
SBFL 209-26	1 11/16 1 3/4	7 13/32	5 27/32	.866	19/32	1 1/2	21/32	4 1/4	1.8740	1.622	.402	9/16	SB 209-26	FL 209
SBFL 209-27													SB 209-27	
SBFL 209-28													SB 209-28	

RELUBRICATION FEATURE IS STANDARD.

POWER RITE SAFL 200 Series

Flange Units
Standard 2 Bolt

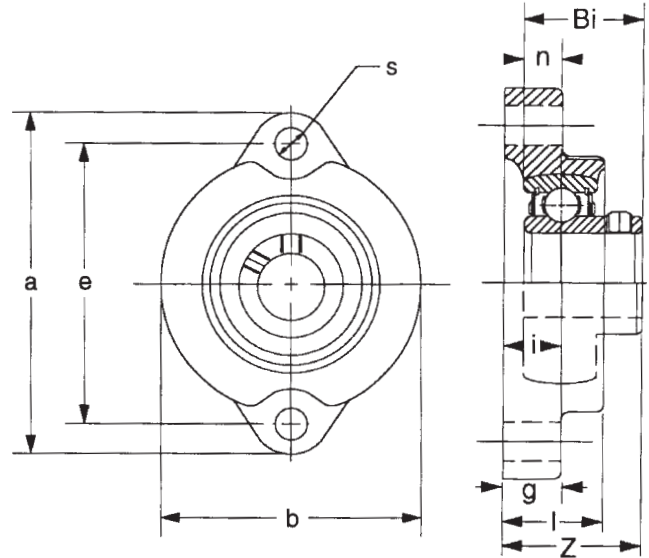


Unit No.	Shaft Diam.	DIMENSIONS (in.)											Bolt Size In.	Bearing No.	Housing No.
		a	e	i	g	l	S ₂	b	Z	L	n	W			
SAFL 204-12	3/4	4 7/16	3 17/32	.591	7/16	1	27/64	2 3/8	1.5157	1.221	.276	1.26	3/8	SA 204-12	FL 204
SAFL 205-14	7/8	5 1/8	3 57/64	.630	1/2	1 1/16	17/32	2 11/16	1.5551	1.221	.295	1.50	7/16	SA 205-14	FL 205
SAFL 205-15	15/16													SA 205-15	
SAFL 205-16	1													SA 205-16	
SAFL 206-18	1 1/8	5 13/16	4 19/32	.709	1/2	1 7/32	17/32	3 5/32	1.7598	1.406	.315	1.75	7/16	SA 206-18	FL 206
SAFL 206-19	1 3/16													SA 206-19	
SAFL 206-20	1 1/4													SA 206-19	
SAFL 207-20	1 1/4	6 11/32	5 1/8	.748	9/16	1 11/32	37/64	3 17/32	1.9055	1.532	.335	2.19	1/2	SA 207-20	FL 207
SAFL 207-21	1 5/16													SA 207-21	
SAFL 207-22	1 3/8													SA 207-22	
SAFL 207-23	1 7/16													SA 207-23	
SAFL 208-24	1 1/2	6 7/8	5 21/32	.828	9/16	1 13/32	37/64	3 15/16	2.1142	1.721	.354	2.38	1/2	SA 208-24	FL 208
SAFL 209-26	1 5/8	7 13/32	5 27/32	.866	19/32	1 1/2	21/32	4 1/4	2.1535	1.721	.374	2.50	9/16	SA 209-26	FL 209
SAFL 209-27	1 11/16													SA 209-27	
SAFL 209-28	1 3/4													SA 209-28	

RELUBRICATION FEATURE IS STANDARD.

POWER RITE SBLF 200 Series

Light Duty 2 Bolt
Flange Units

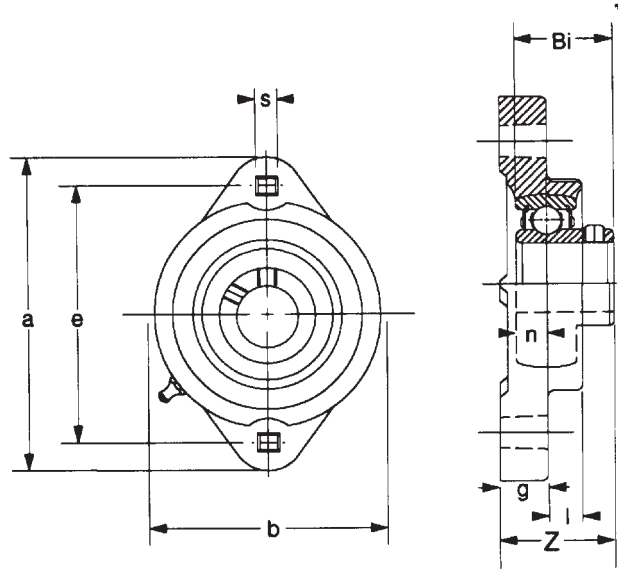


UNIT NO.	SHAFT DIA.	DIMENSIONS (in.)										BEARING NO.	HOUSING NO.	WT. LBS.
		<i>a</i>	<i>e</i>	<i>i</i>	<i>g</i>	<i>l</i>	<i>s</i>	<i>b</i>	<i>Z</i>	<i>Bi</i>	<i>n</i>			
SBLF 204-12	3/4	3 17/32	2 13/16	.438	7/16	25/32	25/64	2 13/32	1.125	.984	.276	SB 204-12	LF 204	.66
SBLF 205-14	7/8	3 3/4	2 63/64	.438	7/16	25/32	25/64	2 17/32	1.205	1.063	.295	SB 205-14	LF 205	.86
SBLF 205-15	15/16											SB 205-15		
SBLF 205-16	1											SB 205-16		
SBLF 206-18	1 1/8	4 7/16	3 9/16	.469	15/32	7/8	15/32	3	1.300	1.181	.315	SB 206-18	LF 206	1.25
SBLF 206-19	1 3/16											SB 206-19		
SBLF 206-20	1 1/4											SB 206-20		
SBLF 207-20	1 1/4	4 13/16	3 15/16	.516	33/64	15/16	15/32	3 1/2	1.402	1.260	.335	SB 207-20	LF 207	1.70
SBLF 207-21	1 5/16											SB 207-21		
SBLF 207-22	1 3/8											SB 207-22		
SBLF 207-23	1 7/16											SB 207-23		

RELUBRICATION FEATURE IS STANDARD.

POWER RITE SBFX 200 Series

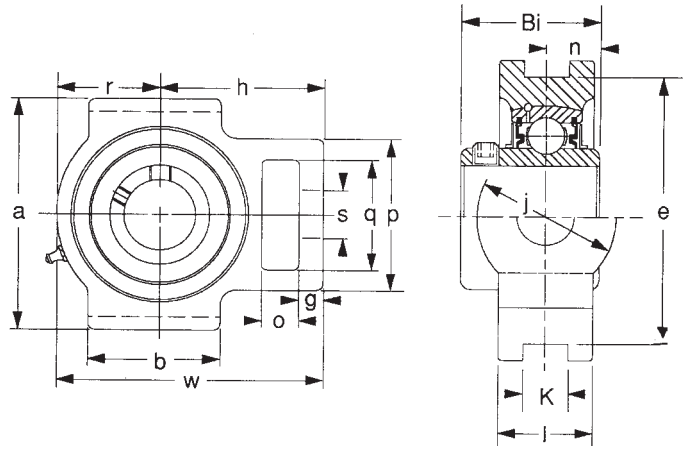
Ductile 2 Bolt
Flange Units



UNIT NO.	SHAFT DIA.	DIMENSIONS (in.)									BEARING NO.	HOUSING NO.	WT. LBS.
		a	e	g	l	s	b	Z	Bi	n			
SBFX 202-10	5/8	3 3/16	2 1/2	3/8	5/16	9/32	1 15/16	.0988	.866	.236	SB 202-10	FX 202	.55
SBFX 204-12	3/4	3 9/16	2 13/16	7/16	11/32	11/32	2 1/4	1.126	.984	.276	SB 204-12	FX 204	.64
SBFX 205-14	7/8										SB 205-14		
SBFX 205-15	15/16	3 3/4	3	7/16	25/64	11/32	2 1/2	1.205	1.063	.295	SB 205-15	FX 205	.78
SBFX 205-16	1										SB 205-16		
SBFX 206-18	1 1/8										SB 206-18		
SBFX 206-19	1 3/16	4 7/16	3 9/16	15/32	27/64	13/32	3 3/32	1.303	1.181	.315	SB 206-19	FX 206	1.10
SBFX 206-20	1 1/4										SB 206-20		
SBFX 207-20	1 1/4										SB 207-20		
SBFX 207-21	1 5/16	4 13/16	3 15/16	1/2	7/16	13/32	3 1/3	1.386	1.260	.335	SB 207-21	FX 207	1.46
SBFX 207-22	1 3/8										SB 207-22		
SBFX 207-23	1 7/16										SB 207-23		

RELUBRICATION FEATURE IS STANDARD.

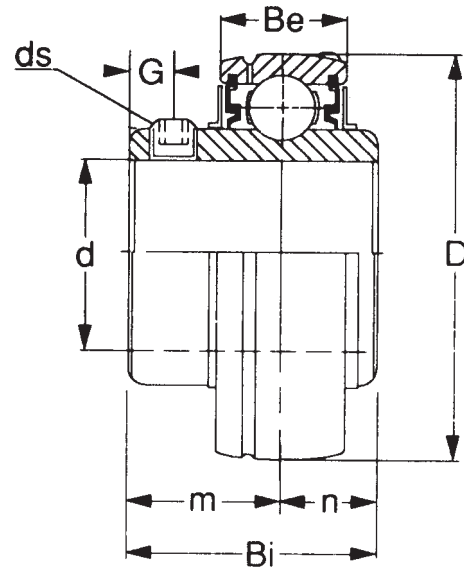
POWER RITE UCT 200 Series Take Up Units



UNIT NO.	SHAFT DIA.	DIMENSIONS (in.)																BEARING NO.	HOUSING NO.	WT. LBS.
		o	g	p	q	s	b	k	e	a	w	j	l	r	h	Bi	n			
UCT 204-12	3/4	5/8	13/32	2	1 1/4	3/4	2	17/32	3	3 1/2	3 11/16	1 1/4	13/16	1 5/16	2 13/32	1.221	.500	UC 204-12	T 204	1.81
UCT 205-14	7/8																	UC 205-14		
UCT 205-15	15/16	5/8	13/32	2	1 1/4	3/4	2	17/32	3	3 1/2	3 13/16	1 1/4	15/16	1 3/8	2 7/16	1.343	.563	UC 205-15	T 205	1.87
UCT 205-16	1																	UC 205-16		
UCT 206-18	1 1/8																	UC 206-18		
UCT 206-19	1 3/16	5/8	13/32	2 7/32	1 15/32	55/64	2 1/4	17/32	3 1/2	1 1/32	4 7/16	1 15/32	1 3/32	1 11/16	2 3/4	1.500	.626	UC 206-19	T 206	2.87
UCT 206-20	1 1/4																	UC 206-20		
UCT 207-20	1 1/4																	UC 207-20		
UCT 207-21	1 5/16	5/8	1/2	2 17/32	1 15/32	55/64	2 17/32	17/32	3 1/2	4 1/32	5 3/32	1 15/32	1 3/16	2	3 1/16	1.689	.689	UC 207-21	T 207	3.77
UCT 207-22	1 3/8																	UC 207-22		
UCT 207-23	1 7/16																	UC 207-23		
UCT 208-24	1 1/2	3/4	5/8	3 9/32	1 15/16	19/64	3 9/32	11/16	4 1/64	4 1/2	5 21/32	1 15/16	1 5/16	2 27/32	3 15/32	1.937	.748	UC 208-24	T 208	5.60
UCT 209-26	1 5/8																	UC 209-26		
UCT 209-27	1 11/16	3/4	5/8	3 9/32	1 15/16	1 9/64	3 9/32	11/16	4 1/64	4 19/32	5 21/32	1 15/16	1 3/8	2 1/4	3 7/16	1.937	.748	UC 209-27	T 209	5.71
UCT 209-28	1 3/4																	UC 209-28		
UCT 210-30	1 7/8	3/4	5/8	3 9/32	1 15/16	1 9/64	3 3/8	11/16	4 1/64	4 19/32	5 7/8	1 15/16	1 15/32	2 5/16	3 17/32	2.032	.748	UC 210-30	T 210	5.95
UCT 210-31	1 15/16																	UC 210-31		

RELUBRICATION FEATURE IS STANDARD.

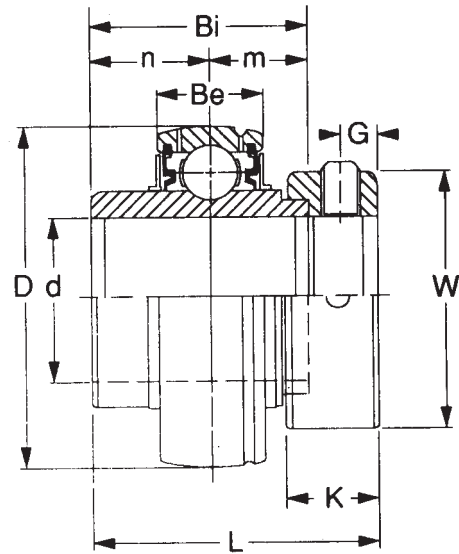
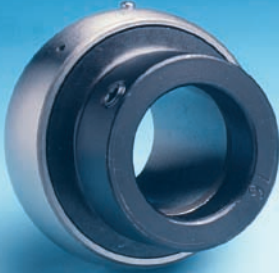
POWER RITE UC 200 Series Insert Bearings



UNIT NO.	SHAFT DIA.	DIMENSIONS (in.)						ds	Basic Load Rating (lbs.)		WT. LBS.
		D	Bi	Be	n	m	G		DYNAMIC	STATIC	
UC 202-10	5/8	1.8504	1.2205	0.6693	0.500	0.7205	0.1969	1/4-28	2230	1390	0.30
UC 204-12	3/4	1.8504	1.2205	0.6693	0.500	0.7205	0.1969	1/4-28	2230	1390	0.35
UC 204-20mm	20mm										0.35
UC 205-14	7/8	2.0472	1.3425	0.669	0.563	0.7795	0.1969	1/4-28	2420	1560	0.51
UC 205-15	15/16										0.51
UC 205-16	1										0.46
UC 205-25mm	25mm										0.51
UC 206-18	1 1/8	2.4409	1.500	0.748	0.626	0.8740	0.1969	1/4-28	3390	2250	0.77
UC 206-19	1 3/16										0.73
UC 206-20	1 1/4										0.73
UC 206-30mm	30mm										0.73
UC 207-20	1 1/4	2.8346	1.6890	0.787	0.689	1.000	0.2559	5/16-24	4470	3090	1.23
UC 207-21	1 5/16										1.17
UC 207-22	1 3/8										1.12
UC 207-23	1 7/16										1.06
UC 207-35mm	35mm										1.06
UC 208-24	1 1/2	3.1496	1.9370	0.827	0.748	1.1890	0.3150	5/16-24	5660	3990	1.57
UC 208-40mm	40mm										1.52
UC-209-26	1 5/8	3.3465	1.9370	0.866	0.748	1.1890	0.3150	5/16-24	5660	3990	1.79
UC 209-27	1 11/16										1.70
UC 209-28	1 3/4										1.61
UC 209-45mm	45mm										1.61
UC 210-30	1 7/8	3.5433	2.0315	0.9449	0.748	1.2835	0.3937	3/8-24	6080	4430	1.98
UC 210-31	1 15/16										1.81
UC 210-50mm	50mm										1.84
UC 211-32	2	3.9370	2.1890	0.9843	0.874	1.3150	0.3937	3/8-24	7490	5620	2.89
UC 211-34	2 1/8										2.65
UC 211-35	2 3/16										2.54
UC 211-55mm	55mm										2.46
UC-212-36	2 1/4	4.3307	2.5630	1.0630	1.000	1.5630	0.3937	3/8-24	9040	6940	3.53
UC 212-38	2 3/8										3.42
UC 212-39	2 7/16										3.31
UC 212-60mm	60mm										3.31
UC 213-40	2 1/2	4.7244	2.5630	1.1024	1.000	1.5630	0.3937	3/8-24	9920	7720	4.41
UC 213-65mm	65mm										4.41
UC 215-47	2 15/16	5.1181	3.0630	1.2598	1.311	1.7520	0.4724	7/16-20	11500	9260	5.07
UC 215-75mm	75mm										6.49

RELUBRICATION FEATURE IS STANDARD.

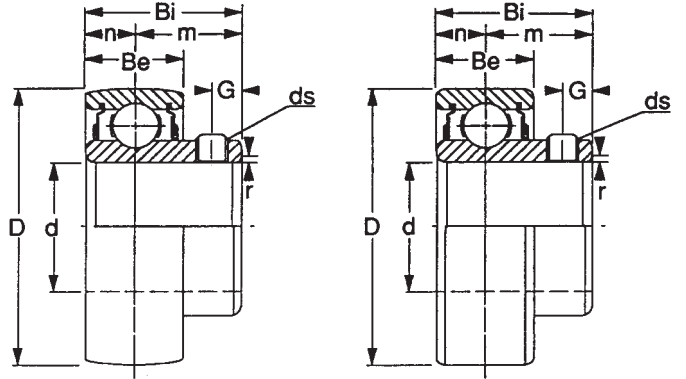
POWER RITE HC 200 Series Insert Bearings



UNIT NO.	SHAFT DIA.	DIMENSIONS (in.)										Basic Load Rating (lbs.)		WT. LBS.
		D	L	Bi	Be	n	m	W	K	G	ds	DYNAMIC	STATIC	
HC 204-12	3/4	1.8504	1.7205	1.3465	0.6693	0.6732	0.6732	1.3110	0.5315	0.1969	1/4-28	2230	1390	.49
HC 205-14	7/8													.66
HC 205-15	15/16	2.0472	1.7480	1.3740	0.6693	0.6890	0.6850	1.5000	0.5315	0.1969	1/4-28	2420	1560	.64
HC 205-16	1													.60
HC 206-18	1 1/8													.93
HC 206-19	1 3/16	2.4409	1.9055	1.4370	0.7480	0.7205	0.7165	1.7520	0.6260	0.2362	5/16-24	3390	2250	.93
HC 206-20	1 1/4													.90
HC 207-20	1 1/4													1.57
HC 207-21	1 5/16													1.53
HC 207-22	1 3/8	2.8346	2.0118	1.4803	0.7874	0.7402	0.7402	2.1890	0.6890	0.2559	5/16-24	4470	3090	1.50
HC 207-23	1 7/16													1.37
HC 208-24	1 1/2	3.1496	2.2165	1.6850	0.8270	0.8425	0.8425	2.3740	0.7205	0.2559	5/16-24	5660	3990	1.92
HC 209-26	1 5/8													2.18
HC 209-27	1 11/16	3.3465	2.2165	1.6850	0.8661	0.8425	0.8425	2.5000	0.7205	0.2559	5/16-24	5660	3990	2.05
HC 209-28	1 3/4													1.98
HC 210-30	1 7/8	3.5433	2.4685	1.9370	0.9449	0.9685	0.9685	2.7520	0.7205	0.2559	5/16-24	6080	4430	2.51
HC 210-31	1 15/16													2.31

RELUBRICATION FEATURE IS STANDARD.

POWER RITE SB/CSB 200 Series Insert Bearings



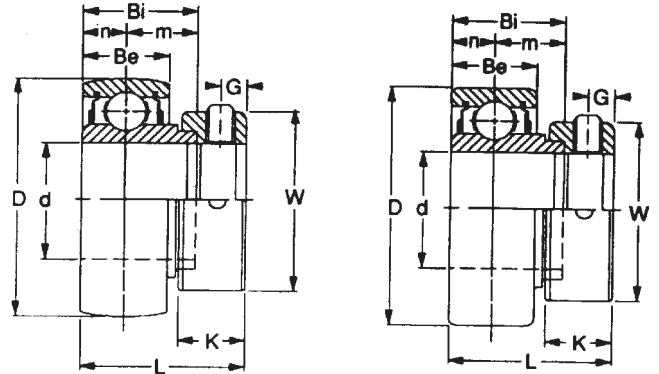
UNIT NO.	SHAFT DIA.	DIMENSIONS (in.)							Basic Load Rating (lbs.)		WT. LBS.
		D	Bi	Be	n	m	G	ds	DYNAMIC	STATIC	
SB 202-10	5/8	0.5748	0.8661	0.4724	0.2362	0.6300	0.1772	10-32	2230	1390	.20
SB 204-12	3/4	1.8504	0.9840	0.5512	0.2756	0.7080	0.1772	1/4-28	2230	1390	.33
SB 205-14	7/8										.40
SB 205-15	15/16	2.0472	1.0630	0.5906	0.2953	0.7677	0.1969	1/4-28	2420	1560	.38
SB 205-16	1										.35
SB 206-18	1 1/8										.60
SB 206-19	1 3/16	2.4409	1.1811	0.6299	0.3150	0.8661	0.2170	1/4-28	3390	2250	.57
SB 206-20	1 1/4										.56
SB 207-20	1 1/4										.99
SB 207-21	1 5/16	2.8346	1.2598	0.6693	0.3346	0.9252	0.2362	5/16-24	4470	3090	.92
SB 207-22	1 3/8										.85
SB 207-23	1 7/16										.79
SB 208-24	1 1/2	3.1496	1.3386	0.7087	0.3543	0.9843	0.3150	5/16-24	5660	3990	1.29

RELUBRICATION FEATURE IS STANDARD.

CSB 202-10	5/8	1.5748	0.8661	0.4724	0.2362	0.6300	0.1772	10-32	2230	1390	.20
CSB 204-12	3/4	1.8504	0.9840	0.5512	0.2756	0.7080	0.1772	1/4-28	2230	1390	.33
CSB 205-14	7/8										.40
CSB 205-15	15/16	2.0472	1.0630	0.5906	0.2953	0.7677	0.1969	1/4-28	2420	1560	.38
CSB 205-16	1										.35
CSB 206-18	1 1/8										.60
CSB 206-19	1 3/16	2.4409	1.1811	0.6299	0.3150	0.8661	0.2170	1/4-28	3390	2250	.57
CSB 206-20	1 1/4										.56
CSB 207-20	1 1/4										.99
CSB 207-21	1 5/16	2.8346	1.2598	0.6693	0.3346	0.9252	0.2362	5/16-24	4470	3090	.92
CSB 207-22	1 3/8										.85
CSB 207-23	1 7/16										.79
CSB 208-24	1 1/2	3.1496	1.3386	0.7087	0.3543	0.9843	0.3150	5/16-24	5660	3990	1.29

NON-RELUBRICATION FEATURE IS STANDARD.

POWER RITE SA/CSA 200 Series Insert Bearings



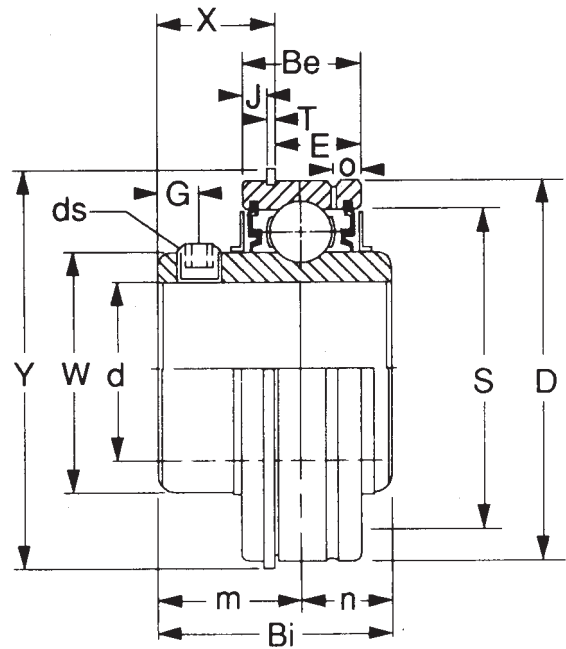
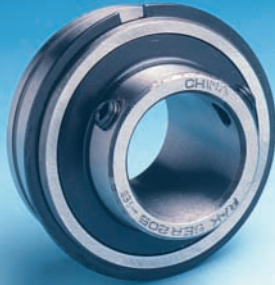
UNIT NO.	SHAFT DIA.	DIMENSIONS (in.)										Basic Load Rating (lbs.)		WT. LBS.
		D	L	Bi	Be	n	m	W	K	G	ds	DYNAMIC	STATIC	
SA 204-12	3/4	1.8504	1.2205	0.8465	0.5512	0.2756	0.5709	1.3110	0.5315	0.1969	1/4-28	2230	1390	.33
SA 205-14	7/8													.46
SA 205-15	15/16	2.0472	1.2205	0.8465	0.5906	0.2953	0.5572	1.5000	0.5315	0.1969	1/4-28	2420	1560	.42
SA 205-16	1													.40
SA 206-18	1 1/8													.73
SA 206-19	1 3/16	2.4409	1.4055	0.9370	0.6299	0.3150	0.6220	1.7520	0.6260	0.2362	5/16-24	3390	2250	.68
SA 206-20	1 1/4													.64
SA 207-20	1 1/4													1.23
SA 207-21	1 5/16													1.19
SA 207-22	1 3/8	2.8346	1.5315	1.0000	0.6693	0.3346	0.6654	2.1890	0.6890	0.2559	5/16-24	4470	3090	1.12
SA 207-23	1 7/16													1.06
SA 208-24	1 1/2	3.1496	1.7205	3.1496	0.7087	0.3543	0.8346	2.3740	0.7205	0.2559	5/16-24	5660	3990	1.50

RELUBRICATION FEATURE IS STANDARD.

CSA 204-12	3/4	1.8504	1.2205	0.8465	0.5512	0.2756	0.5709	1.3110	0.5315	0.1969	1/4-28	2230	1390	.33
CSA 205-14	7/8													.46
CSA 205-15	15/16	2.0472	1.2205	0.8465	0.5906	0.2953	0.5572	1.5000	0.5315	0.1969	1/4-28	2420	1560	.42
CSA 205-16	1													.40
CSA 206-18	1 1/8													.73
CSA 206-19	1 3/16	2.4409	1.4055	0.9370	0.6299	0.3150	0.6220	1.7520	0.6260	0.2362	5/16-24	3390	2250	.68
CSA 206-20	1 1/4													.64
CSA 207-20	1 1/4													1.23
CSA 207-21	1 5/16													1.19
CSA 207-22	1 3/8	2.8346	1.5315	1.0000	0.6693	0.3346	0.6654	2.1890	0.6890	0.2559	5/16-24	4470	3090	1.12
CSA 207-23	1 7/16													1.06
CSA 208-24	1 1/2	3.1496	1.7205	3.1496	0.7087	0.3543	0.8346	2.3740	0.7205	0.2559	5/16-24	5660	3990	1.50

NON-RELUBRICATION FEATURE IS STANDARD.

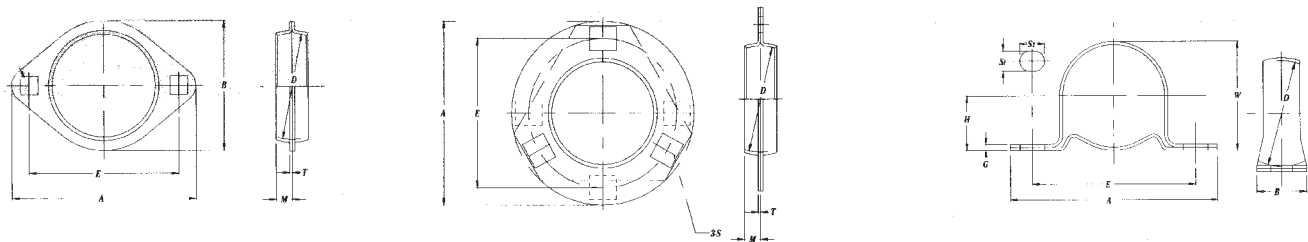
POWER RITE SER 200 Series Insert Bearings



UNIT NO.	SHAFT DIA.	DIMENSIONS (in.)														Load Rating (lbs.)		WT. LBS.
		D	Bi	Be	n	m	E	W	o	T	J	G	S	Y	X	DYNAMIC	STATIC	
SER 204-12	3/4	1.8504	1.2205	0.6260	0.4528	0.7677	.4366	1.1417	1.1575	0.0421	0.1402	0.1969	1.6252	2.0748	0.5957	2230	1410	.56
SER 205-14	7/8																	
SER 205-15	15/16	2.0472	1.3740	0.7520	0.5157	0.8583	0.6093	1.3750	0.2047	0.0421	0.0937	0.1969	1.8593	2.2795	0.6213	2420	1610	.68
SER 205-16	1																	
SER 206-18	1 1/8																	
SER 206-19	1 3/16	2.4409	1.5000	0.8740	0.6260	0.8740	0.6875	1.5937	0.2205	0.0650	0.1250	0.1969	2.1562	2.6654	0.6272	3390	2320	.93
SER 206-20	1 1/4																	
SER 207-20	1 1/4																	
SER 207-21	1 5/16																	
SER 207-22	1 3/8	2.8346	1.6890	0.9376	0.6890	1.0000	0.7500	1.8593	0.2205	0.0650	0.1250	0.2559	2.5625	3.0945	0.7213	4470	3130	1.37
SER 207-23	1 7/16																	
SER 208-24	1 1/2	3.1496	1.9370	1.0945	0.7480	1.1890	0.9062	2.0625	0.2520	0.0650	0.1250	0.3150	2.8281	3.4094	0.8307	5070	3640	2.00
SER 209-26	1 5/8																	
SER 209-27	1 11/16	3.3465	1.9370	1.0945	0.7480	1.1890	0.9062	2.3518	0.2520	0.6650	0.1250	0.3150	3.0625	3.6063	0.8307	5660	4150	2.30
SER 209-28	1 3/4																	
SER 210-30	1 7/8	3.5433	2.0315	1.1260	0.7480	1.2835	0.9062	2.4687	0.2953	0.0949	0.1250	0.3937	3.2187	3.7992	0.9386	6120	4650	2.43
SER 210-31	1 15/16																	
SER 211-32	2																	
SER 211-34	2 1/8	3.9370	2.1890	1.1890	0.8740	1.3150	0.9687	2.7187	0.2953	0.0949	0.1250	0.3937	3.5625	4.1929	0.9386	7500	5840	3.00
SER 211-35	2 3/16																	

RELUBRICATION FEATURE IS STANDARD.

POWER RITE Pressed Steel Pillow Blocks & Flanges



2-BOLT FLANGETTE

Part Number	Shaft Size	A	B	E	M	2-S	T	D
40M-2	1/2 - 5/8	3 3/16	2 15/16	2 1/2	9/32	9/32	.083	40mm
47M-2	3/4	3 9/16	2 5/8	2 13/16	5/16	11/32	.083	47mm
52M-2	7/8 - 1	3 3/4	2 51/64	3	11/32	11/32	.083	52mm
62M-2	1 1/16 - 1 1/4S	4 7/16	3 5/16	3 9/16	11/32	13/32	.104	62mm
72M-2	1 1/4 - 1 7/16	4 15/16	3 11/16	3 15/16	7/16	13/32	.104	72mm

Optional Features: 1. Zinc Plated 2. Rubber Grommet

3-BOLT FLANGETTE (TRIANGULAR)

Part Number	Shaft Size	A	E	M	3-S	T	D
40MM-3T	1/2 - 5/8	3 3/16	2 1/2	9/32	9/32	.075	40mm
47MM-3T	3/4	3 9/16	2 13/16	5/16	11/32	.083	47mm
52MM-3T	7/8 - 1	3 3/4	3	11/32	11/32	.083	52mm
62MM-3T	1 1/16 - 1 1/4S	4 7/16	3 9/16	11/32	13/32	.104	62mm
72MM-3T	1 1/4 - 1 7/16	4 13/16	3 15/16	3/8	13/32	.104	72mm

Optional Features: 1. Zinc Plated 2. Rubber Grommet

4-BOLT FLANGETTE

80MM-4	1 1/2 - 1 9/16	5 13/16	4 11/16	13/32	17/32	.134	80mm
85MM-4	1 5/8 - 1 3/4	5 7/8	4 3/4	7/16	17/32	.134	85mm
90MM-4	1 7/8 - 2	6 1/8	5	7/16	17/32	.149	90mm
100MM-4	2 - 2 3/16	6 9/16	5 7/16	15/32	17/32	.149	100mm

Optional Features: 1. Zinc Plated 2. Relubricatable 3. Rubber Grommet

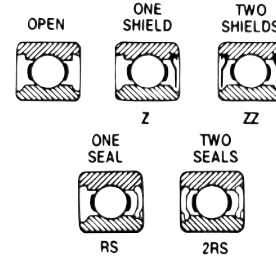
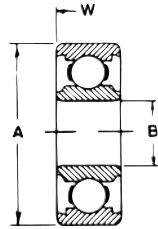
PILLOW BLOCK

Part Number	Shaft Size	A	B	E	G	H	S ₁	S ₂	D
40MPB-ST	1/2 - 5/8	3 5/8	1	2 11/16	.133	7/8	11/32	1/2	40mm
47MPB-ST	3/4	4 1/8	1	3	.178	1	13/32	1/2	47mm
52MPB-ST	7/8 - 1	4 1/2	1 1/8	3 3/8	.208	1 1/8	13/32	9/16	52mm
62MPB-ST	1 1/16 - 1 1/4S	4 7/8	1 1/8	3 3/4	.238	1 5/16	13/32	9/16	62mm
72MPB-ST	1 1/4 - 1 7/16	5 3/4	1 1/4	4 1/4	.238	1 9/16	17/32	3/4	72mm

Optional Features: 1. Zinc Plated 2. Snap-together Fit 3. Rubber Grommet

POWER RITE 6000 Series

Single Row Radial Metric Extra Light Series



DIMENSIONS

Bearing No.	BORE-B			O. D. - A.			WIDTH-W			BALLS	Bearing No.
	mm	inches	Tolerance +.0000 to Minus	mm	inches	Tolerance +.0000 to Minus	mm	inches	Tolerance +.0000 to Minus	No. Size	
6000	10	.3937	.0003	26	1.0236	.0004	8	.3150	.0050	7-3/16	6000
6001	12	.4724	.0003	28	1.1024	.0004	8	.3150	.0050	8-3/16	6001
6002	15	.5906	.0003	32	1.2598	.0005	9	.3543	.0050	9-3/16	6002
6003	17	.6693	.0003	35	1.3780	.0005	10	.3937	.0050	10-3/16	6003
6004	20	.7874	.0004	42	1.6535	.0005	12	.4724	.0050	9-1/4	6004
6005	25	.9843	.0004	47	1.8504	.0005	12	.4724	.0050	10-1/4	6005
6006	30	1.1811	.0004	55	2.1654	.0005	13	.5118	.0050	11-9/32	6006
6007	35	1.3780	.0005	62	2.4409	.0005	14	.5512	.0050	11-5/16	6007
6008	40	1.5748	.0005	68	2.6772	.0005	15	.5906	.0050	12-5/16	6008
6009	45	1.7717	.0005	75	2.9528	.0005	16	.6299	.0050	13-11/32	6009
6010	50	1.9685	.0005	80	3.1496	.0005	16	.6299	.0050	14-11/32	6010
6011	55	2.1654	.0006	90	3.5433	.0006	18	.7087	.0050	13-13/32	6011
6012	60	2.3622	.0006	95	3.7402	.0006	18	.7087	.0050	13-7/16	6012
6013	65	2.5591	.0006	100	3.9370	.0006	18	.7087	.0050	14-7/16	6013
6014	70	2.7559	.0006	110	4.3307	.0006	20	.7874	.0050	13-1/2	6014
6015	75	2.9528	.0006	115	4.5276	.0006	20	.7874	.0050	14-1/2	6015
6016	80	3.1496	.0006	125	4.9213	.0008	22	.8661	.0050	14-17/32	6016

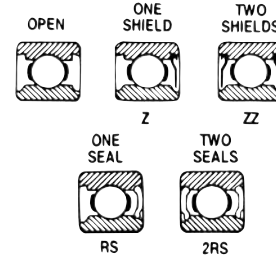
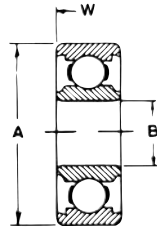
Tolerances shown above are ABEC 1.

RADIAL LOAD RATINGS

Bearing No.	33-1/3	50	100	200	300	500	1000	1500	1800	2500	3600	5000
6000	790	680	550	435	380	320	255	220	210	190	165	150
6001	880	765	610	480	425	355	285	245	235	210	185	165
6002	965	845	670	530	465	390	310	270	255	230	205	180
6003	1035	895	720	570	500	420	335	290	275	245	220	195
6004	1625	1410	1125	880	780	660	525	455	430	385	340	305
6005	1735	1510	1205	955	830	700	560	490	460	410	365	325
6006	2280	1985	1580	1250	1095	925	735	640	605	540	480	430
6007	2755	2495	1905	1510	1325	1110	885	775	730	655	580	520
6008	2880	2500	1995	1580	1380	1175	925	810	760	685	605	540
6009	3610	3060	2500	1930	1735	1465	1160	1015	955	855	760	680
6010	3740	3250	2590	2060	1825	1515	1200	1050	990	890	785	705
6011	4875	4245	3380	2680	2345	1975	1570	1370	1290	1155	1025	915
6012	5595	4850	3880	3065	2690	2270	1800	1575	1480	1325	1175	1055
6013	5775	5005	4005	3165	2780	2340	1860	1625	1525	1370	1215	1090
6014	7105	6195	4930	3905	3415	2880	2290	2000	1880	1685	1490	1340
6015	7265	6310	5035	3980	3490	2940	2340	2040	1920	1725	1525	1365
6016	8225	7150	5705	4510	3955	3330	2645	2310	2175	1950	1725	1545

POWER RITE 6200 Series

Single Row Radial Metric Light Series



DIMENSIONS

Bearing No.	BORE-B			O. D. - A.			WIDTH-W			BALLS	Bearing No.
	mm	inches	Tolerance +.0000 to Minus	mm	inches	Tolerance +.0000 to Minus	mm	inches	Tolerance +.0000 to Minus	No. Size	
6200	10	.3937	.0003	30	1.1811	.0004	9	.3543	.0050	7-3/16	6200
6201	12	.4724	.0003	32	1.2598	.0005	10	.3937	.0050	7-15/64	6201
6202	15	.5906	.0003	35	1.3780	.0005	11	.4331	.0050	8-15/64	6202
6203	17	.6693	.0003	40	1.5748	.0005	12	.4724	.0050	8-17/64	6203
6204	20	.7874	.0004	47	1.8504	.0005	14	.5512	.0050	8-5/16	6204
6205	25	.9843	.0004	52	2.0472	.0005	15	.5906	.0050	9-5/16	6205
6206	30	1.1811	.0004	62	2.4409	.0005	16	.6299	.0050	9-3/8	6206
6207	35	1.3780	.0005	72	2.8346	.0005	17	.6693	.0050	9-7/16	6207
6208	40	1.5748	.0005	80	3.1496	.0005	18	.7087	.0050	9-1/2	6208
6209	45	1.7717	.0005	85	3.3465	.0006	19	.7480	.0050	9-1/2	6209
6210	50	1.9685	.0005	90	3.5433	.0006	20	.7874	.0050	10-1/2	6210
6211	55	2.1654	.0006	100	3.9370	.0006	21	.8268	.0050	10-9/16	6211
6212	60	2.3622	.0006	110	4.3307	.0006	22	.8661	.0050	10-5/8	6212
6213	65	2.5591	.0006	120	4.7244	.0006	23	.9055	.0050	10-11/16	6213
6214	70	2.7559	.0006	125	4.9213	.0008	24	.9449	.0050	10-11/16	6214
6215	75	2.9528	.0006	130	5.1181	.0008	25	.9843	.0050	11-11/16	6215
6216	80	3.1496	.0006	140	5.5118	.0008	26	1.0236	.0050	10-3/4	6216

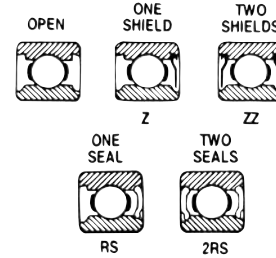
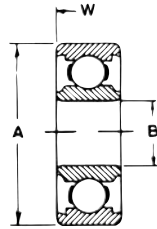
Tolerances shown above are ABEC 1.

RADIAL LOAD RATINGS

Bearing No.	33-1/3	50	100	200	300	500	1000	1500	1800	2500	3600	5000
6200	1030	900	715	565	495	420	335	290	275	230	215	195
6201	1180	1030	815	645	565	475	380	330	310	280	245	220
6202	1325	1150	920	730	635	535	425	370	350	320	275	250
6203	1660	1440	1150	915	795	670	535	465	440	395	350	310
6204	2230	1950	1560	1230	1090	910	725	630	590	550	480	420
6205	2425	2110	1680	1335	1165	985	780	685	645	575	510	455
6206	3570	3125	2495	1965	1745	1460	1160	1010	945	875	770	670
6207	4440	3880	3080	2440	2140	1800	1430	1250	1180	1050	930	845
6208	5640	4920	3910	3100	2710	2280	1815	1580	1490	1350	1180	1055
6209	5650	4940	3920	3110	2720	2290	1825	1590	1500	1360	1190	1106
6210	6060	5290	4200	3330	2910	2460	1940	1700	1600	1425	1270	1400
6211	7510	6535	5210	4130	3610	3045	2420	2110	1985	1780	1575	1410
6212	9070	7920	6290	4990	4360	3680	2920	2550	2400	2150	1900	1725
6213	10770	9410	7470	5930	5180	4370	3470	3030	2850	2550	2260	2045
6214	10770	9410	7470	5930	5180	4370	3470	3030	2850	2550	2260	2045
6215	11600	10150	8095	6380	5660	4735	3770	3270	3075	2840	2495	2170
6216	12580	10945	8725	6920	6050	5105	4050	3535	3325	2985	2540	2365

POWER RITE 6300 Series

Single Row Radial Metric Medium Series



DIMENSIONS

Bearing No.	BORE-B			O. D. - A.			WIDTH-W			BALLS	Bearing No.
	mm	inches	Tolerance +.0000 to Minus	mm	inches	Tolerance +.0000 to Minus	mm	inches	Tolerance +.0000 to Minus	No. Size	
6300	10	.3937	.0003	35	1.3780	.0005	11	.4331	.0050	6-9/32	6300
6301	12	.4724	.0003	37	1.4567	.0005	12	.4724	.0050	6-5/16	6301
6302	15	.5906	.0003	42	1.6535	.0005	13	.5118	.0050	7-5/16	6302
6303	17	.6693	.0003	47	1.8504	.0005	14	.5512	.0050	7-11/32	6303
6304	20	.7874	.0004	52	2.0472	.0005	15	.5906	.0050	7-3/8	6304
6305	25	.9843	.0004	62	2.4409	.0005	17	.6693	.0050	8-13/32	6305
6306	30	1.1811	.0004	72	2.8346	.0005	19	.7480	.0050	8-15/32	6306
6307	35	1.3780	.0005	80	3.1496	.0005	21	.8268	.0050	8-17/32	6307
6308	40	1.5748	.0005	90	3.5433	.0006	23	.9055	.0050	8-19/32	6308
6309	45	1.7717	.0005	100	3.9370	.0006	25	.9843	.0050	8-11/16	6309
6310	50	1.9685	.0005	110	4.3307	.0006	27	1.0630	.0050	8-3/4	6310
6311	55	2.1654	.0006	120	4.7244	.0006	29	1.1417	.0050	8-13/16	6311
6312	60	2.3622	.0006	130	5.1181	.0008	31	1.2205	.0050	8-7/8	6312
6313	65	2.5591	.0006	140	5.5118	.0008	33	1.2992	.0050	8-15/16	6313
6314	70	2.7559	.0006	150	5.9055	.0008	35	1.3780	.0050	8-1	6314
6315	75	2.9528	.0006	160	6.2992	.0010	37	1.4567	.0050	8-1 1/8	6315
6316	80	3.1496	.0006	170	6.6929	.0010	39	1.5354	.0050	8-1 3/16	6316

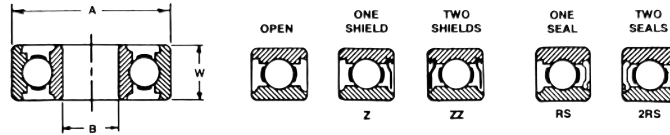
Tolerances shown above are ABEC 1.

RADIAL LOAD RATINGS

Bearing No.	33-1/3	50	100	200	300	500	1000	1500	1800	2500	3600	5000
6300	1390	1210	965	765	670	565	450	390	370	330	290	260
6301	1685	1465	1165	917	810	680	540	475	445	400	355	315
6302	1985	1725	1375	1090	955	805	635	600	530	460	420	375
6303	2360	2065	1650	1300	1150	960	770	665	625	580	510	440
6304	2765	2415	1915	1525	1320	1120	885	775	730	650	580	520
6305	3550	3106	2480	1950	1730	1450	1150	1000	940	870	763	665
6306	4850	4245	3385	2670	2365	1980	1575	1370	1285	1190	1040	905
6307	5775	5025	4005	3180	2770	2345	1850	1625	1530	1360	1215	1090
6308	7060	6140	4895	3885	3390	2860	2260	1985	1870	1660	1480	1330
6309	9130	7970	6330	5030	4390	3710	2920	2570	2405	2145	1915	1715
6310	10700	9340	7410	5880	5140	4330	3425	3000	2830	2515	2240	2010
6311	12400	10850	8655	6820	6050	5060	4030	3500	3290	3038	2665	2320
6312	14200	12425	9910	7810	6930	5795	4615	4005	3765	3480	3053	2655
6313	16040	14005	11125	8825	7710	6505	5165	4510	4240	3805	3365	3020
6314	18060	15720	12525	9910	8680	7320	5810	5075	4775	4285	3790	3430
6315	21130	18385	14650	11620	10160	8565	6800	5940	5585	5010	4435	4015
6316	22780	19820	15790	12530	10950	9253	7330	6405	6025	5400	4780	4330

POWER RITE R Series

Single Row Radial Inch Small Bearings



R-SERIES DIMENSIONS

Bearing Number	BORE-B			O. D. - A.			WIDTH-W TOLERANCE + .0000 - .0050				BALLS No. Size	Bearing Number
	Fraction	inches	Tolerance +.0000 to Minus	Fraction	inches	Tolerance +.0000 to Minus	Open		Shield & Sealed			
							Fraction	inches	Fraction	inches		
R4	1/4	.2500	.0003	5/8	.6250	.0004		.1960				R4
R4A	1/4	.2500	.0003	3/4	.7500	.0004	7/32	.2188	9/32	.2812	6-5/32	R4A
R6	3/8	.3750	.0003	7/8	.8750	.0004	7/32	.2188	9/32	.2812	7-5/32	R6
R8	1/2	.5000	.0003	1-1/8	1.1250	.0004	1/4	.2500	5/16	.3125	8-3/16	R8
R10	5/8	.6250	.0003	1-3/8	1.3750	.0005	9/32	.2812	11/32	.3438	10-3/16	R10
R12	3/4	.7500	.0004	1-5/8	1.6250	.0005	5/16	.3125	7/16	.4375	9-1/4	R12
R14	7/8	.8750	.0004	1-7/8	1.8750	.0005	3/8	.3750	1/2	.5000	10-1/4	R14
R16	1	1.0000	.0004	2	2.0000	.0005	3/8	.3750	1/2	.5000	10-1/4	R16
R18	1-1/8	1.1250	.0004	2-1/8	2.1250	.0005	3/8	.3750	1/2	.5000	11-9/32	R18
R20	1-1/4	1.2500	.0005	2-1/4	2.2500	.0005	3/8	.3750	1/2	.5000	12-9/32	R20
R22	1-3/8	1.3750	.0005	2-1/2	2.2500	.0005	7/16	.4375	9/16	.5625	11-5/16	R22
R24	1-1/2	1.5000	.0005	2-5/8	2.6250	.0005	7/16	.4375	9/16	.5625	11-11/32	R24

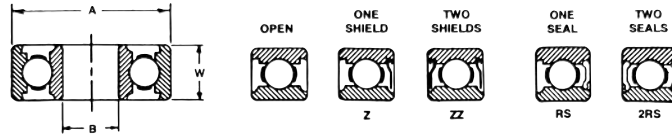
Tolerances shown above are ABEC 1.

RADIAL LOAD RATINGS

Bearing Number	33-1/3	50	100	200	300	500	1000	1500	1800	2500	3600	5000
R4	255	225	175	140	120	105	80	70	65	60	55	45
R4A	490	425	340	270	235	200	160	140	130	115	105	95
R6	575	500	400	320	275	235	185	160	150	135	120	105
R8	885	765	615	485	425	360	285	250	235	210	185	165
R10	1030	890	715	570	495	420	330	290	270	245	217	195
R12	1620	1405	1125	885	780	655	520	455	430	385	340	300
R14	1730	1510	1200	950	830	700	555	485	455	410	365	325
R16	1730	1510	1200	950	830	700	555	495	455	410	365	325
R18	2295	1990	1590	1260	1105	930	740	645	605	545	480	430
R20	2420	2100	1680	1330	1165	980	780	680	640	575	510	455
R22	2760	2395	1915	1515	1325	1120	890	775	730	655	580	520
R24	3275	2820	2275	1795	1575	1330	1055	920	865	775	690	610

POWER RITE 600 Series

Single Row Radial Metric Extra Small Bearings



600 SERIES DIMENSIONS

Bearing Number	BORE-B			O. D. - A.			WIDTH-W			BALLS	Bearing Number
	mm	inches	Tolerance +.0000 to Minus	mm	inches	Tolerance +.0000 to Minus	mm	inches	Tolerance +.0000 to Minus	No. Size	
634	4	.1575	.0003	16	.6299	.0004	5	.1969	.0050	8-3/32	634
635	5	.1969	.0003	19	.7480	.0004	6	.2362	.0050	6-9/64	635
626	6	.2362	.0003	19	.7480	.0004	6	.2362	.0050	6-9/64	626
627	7	.2756	.0003	22	.8661	.0004	7	.2756	.0050	7-5/32	627
608	8	.3150	.0003	22	.8661	.0004	7	.2756	.0050	7-5/32	608
629	9	.3543	.0003	26	1.0236	.0004	9	.3150	.0050	7-3/16	629

Tolerances shown above are ABEC 1.

RADIAL LOAD RATINGS

Bearing Number	33-1/3	50	100	200	300	500	1000	1500	1800	2500	3600	5000
634	150	135	105	85	75	60	50	45	40	35	30	30
635	415	350	290	225	200	165	130	115	110	100	90	80
626	415	350	290	225	200	165	130	115	110	100	90	80
627	565	495	390	310	270	230	180	160	150	135	120	105
608	565	495	390	310	270	230	180	160	150	135	120	105
629	785	670	545	400	380	320	255	220	210	185	165	150

UC = SET SCREW LOCKING – WIDE INNER RING
 SB = SET SCREW LOCKING – NARROW INNER RING
 CSB = SET SCREW LOCKING COLLAR – NARROW INNER RING – CYLINDRICAL OUTER RING
 HC (NA) = ECCENTRIC LOCKING COLLAR – WIDE INNER RING
 SA = ECCENTRIC LOCKING COLLAR – NARROW INNER RING
 CSA = ECCENTRIC LOCKING COLLAR – NARROW INNER RING – CYLINDRICAL OUTER RING
 SER = SET SCREW LOCKING – WIDE INNER RING + SNAP RING
 P = PILLOW BLOCK HOUSING – STANDARD SHAFT HEIGHT
 AK = PILLOW BLOCK HOUSING – LOW SHAFT HEIGHT
 PA = PILLOW BLOCK HOUSING – TAPPED BASE
 F, FS = FOUR BOLT FLANGE HOUSING
 FB = THREE BOLT FLANGE BRACKET HOUSING
 FL, FT = STANDARD TWO BOLT FLANGE HOUSING
 LF = LIGHT DUTY TWO BOLT FLANGE HOUSING
 FX = DUCTILE TWO BOLT FLANGE HOUSING
 T = TAKE UP HOUSING (WIDE SLOT)

INTERCHANGE							
POWER RITE	BROWNING	DODGE	FAFNIR	FYH	NTN	PEER	SEAL-MASTER
UCP	MPS2	P2B-SC	RASC	UCP	UCP	UCP	NP
SBP	–	–	SAS	–	–	FHSP	VP
SAP	VPE1	P2B-SXV	VAS	–	–	FHP	VP-E
HCP	VPE2	P2B-SXR	RASC	NAP	UELPL	HCP	–
UCAK	MPLS2	SCB	–	SL	UCPL	UCLP	NPL
SBAK	VPLS1	–	SAK	–	ASPL	FHSLP	VPL
SAAK	VPLE1	–	VAK	–	AELPL	FHLP	VPL-E
HCAK	VPLE2	SXRB	RAK	NAPK	UELPL	HCLP	–
UCPA	VTBS	–	–	UCPA	UCUP	UCPA	TB
UCF	VF4S2	F4B-SC	RCJC	UCF	UCF	UCF	SF
SBF	VF4S2	–	–	–	–	FHSF	VF
SAF	VF4E2	F4B-SVX	VCJ	–	–	FHF	VF-E
HCFS	VF4E2	–	RCJ	–	–	HCFS	VF-E
UCFB	–	–	–	UCFB	UCFH	UCFB	FB
UCFL	VF2S2	F2B-SC	RCJTC	UCFL	UCFL	UCFT	SFT
SBFL	VF2S2	–	SCJT	–	–	FHSFT	VFT
SAFL	VF2E2	F2B-SXV	VCJT	–	–	FHFT	VFT-E
HCFT	VF2E2	–	RCJT	NANFL	UELFLU	HCFTS	VFT-E
SBLF	–	–	–	BLF	–	FHSLF	–
SALF	VF2E2	–	–	ALF	–	FHLF	VFT-E
SBFX	VF2S1	–	SFTD	–	–	FHSFX	LFT
SAFX	VF2E1	–	VFTD	–	–	FHFX	LFT-E
UCT	MTWS	WSTV-SC	–	UCT	UCT	UCT	ST
SER	–	–	GC-KRRG-2	ER	UCS-DINR	SER	ER
UC	VS2	SC	GC-KRRB	UC	UC	UC	2-
SB	VS1	–	GYA-RRB	SB	AS	FHS	L-
CSB	–	–	GYA-RR	SBB	–	FHSR	SL-
SA	VE1	SXV	GRA-RRB	SA	AEL	FH	L-E
CSA	–	–	GRA-RR	SAA	AEL-N	FHR	SL-E
HC	VE2	SXR	G-KRRB	NA	UEL	HC	R-
SBF3X	–	–	–	–	–	FHSF3X	LF-16
SAF3X	–	–	VFD1	–	–	FHF3X	LF-16E
UCFC	–	FC-SC	–	UCFC	UCFC	UCFC	SFC-16