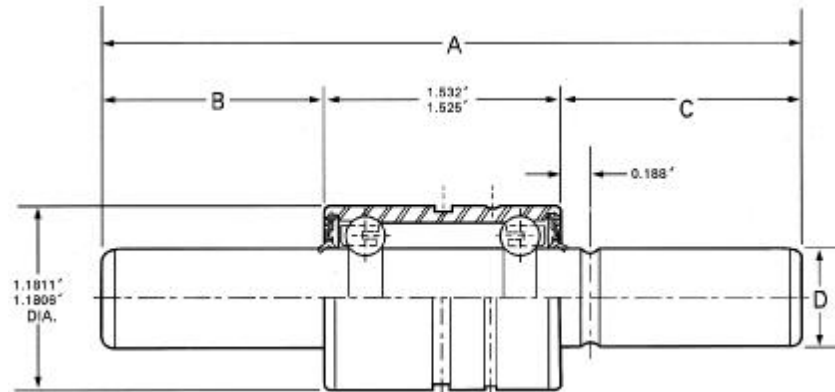


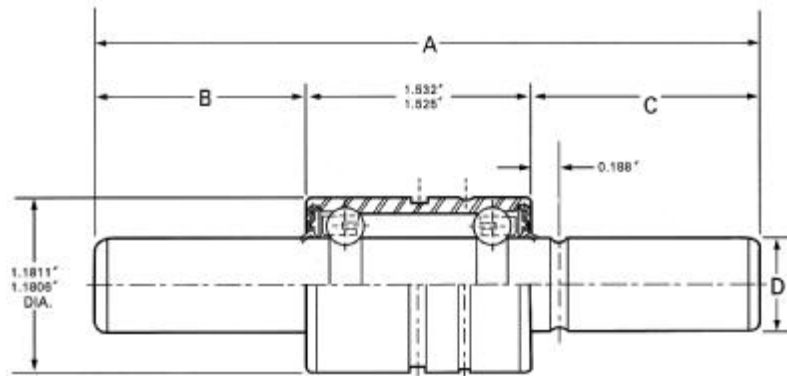
W- Series

PEAK No.	NSK No.	FAG No.	A	B	C	D
WIB163073	885154	W2289	2.89	0.16	1.20	0.6267
WIB163083	885165	W2325	3.25	0.16	1.56	0.6267
WIB163090		W2355-3	3.55	0.67	1.35	0.6267
WIB163093	885330	W2366	3.66	0.73	1.40	0.6267
WIB163094		W2371	3.71	0.69	1.50	0.6267
WIB163096		W2375-3	3.76	0.56	1.67	0.6267
WIB163098	885307	W2385	3.86	0.67	1.66	0.6267
WIB1630102	885321	W2401-3	4.02	0.67	1.82	0.6267
WIB1630103	8858140	W2406-1	4.06	0.92	1.61	0.6267
WIB1630105	885329	W2415-1	4.15	0.80	1.82	0.6267
WIB1630106	885097	W2417-2	4.17	0.81	1.83	0.6267
WIB1630109	885107B	W2431	4.31	0.58	2.20	0.6267
WIB1630110	885332	W2434	4.35	0.84	1.97	0.6267
WIB1630111	885528	W2435	4.36	0.77	2.06	0.6267
WIB1630112	885167	W2439	4.39	0.94	1.92	0.6267
WIB1630112A	885167D	W2440-4	4.40	1.15	1.72	0.6267
WIB1630112B		W2441-1	4.41	1.06	1.82	0.6267
WIB1630114A	885156	W2446	4.47	1.08	1.86	0.6267
WIB1630116	885337A	W2454	4.55	0.81	2.21	0.6267
WIB1630116A	885162	W2456	4.56	1.10	1.93	0.6267
WIB1630116B		W2456-1	4.57	1.07	1.97	0.6267
WIB1630119	885118	W2468	4.69	1.47	1.69	0.6267
WIB1630119B-OS	885118-OS	W6468-1	4.69	1.47	1.69	0.6290
WIB1630120	885221	W2472	4.72	1.44	1.75	0.6267
WIB1630121	885222	W2475	4.75	1.50	1.72	0.6267
WIB1630121A	885105	W2476-2	4.76	1.61	2.07	0.6267
WIB1630121-OS	885105-OS2	W6476	4.76	1.16	2.07	0.6290
WIB1630122B	885168C-1	W2481-1	4.81	1.13	2.16	0.6267
WIB1630122D	885476	W2481	4.81	1.34	1.94	0.6267
WIB1630123		W2485	4.85	0.77	2.56	0.6267
WIB1630124	885100B	W2486-2	4.87	1.25	2.09	0.6267



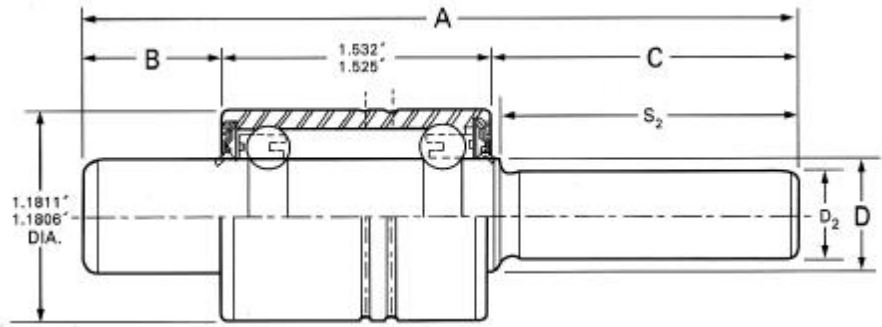
W- Series

PEAK No.	NSK No.	FAG No.	A	B	C	D
WIB1630128	885141	W2503	5.03	1.02	2.48	0.6267
WIB1630128A	885151B	W2503-6	5.03	1.75	1.75	0.6267
WIB1630129	885169-1	W2507	5.08	1.25	2.30	0.6267
WIB1630135A	885437	W2532	5.33	2.00	1.79	0.6267
WIB1630136A	885158P	W2537	5.37	1.54	2.30	0.6267
WIB1630139		W2547	5.47	0.91	3.03	0.6267
WIB1630139A	885603	W2548-1	5.49	1.38	2.58	0.6267
WIB1630143	885144	W2562	5.63	1.58	2.52	0.6267
WIB1630146		W2575	5.76	2.51	1.71	0.6267
WIB1630146A	885694	W2575-2	5.75	2.43	1.79	0.6267
WIB1630162	885117	W2637	6.37	2.30	2.55	0.6267
WIB1630102	885321	W3399	4.00	0.69	1.78	0.6275
WIB1630122	885168AA	W3481-5	4.81	1.58	1.70	0.6275
WIB1630132	885521	W3520-2	5.20	1.58	2.09	0.6275
WIB1630133	885611	W3522-1	5.22	1.17	2.52	0.6275
WIB1630154	885613	W3607	6.07	1.17	3.37	0.6275
WIB163093-OS	885330-OS	W6366	3.66	0.73	1.40	0.6290
WIB163098-OS	885307-OS	W6385	3.86	0.67	1.66	0.6290
WIB1630102-OS	885321-OS	W6401-3	4.02	0.67	1.82	0.6290
WIB1630103-OS	885140-OS	W6406-1	4.06	0.92	1.61	0.6290
WIB1630105-OS	885329-OS	W6415-1	4.15	0.80	1.82	0.6290
WIB1630109-OS	885111D-OS2	W6428-1	4.28	1.08	1.67	0.6290
WIB1630110C-OS	885524S-OS2	W6433-2	4.33	1.14	1.66	0.6290
WIB1630110-OS	885332-OS	W6434	4.36	0.77	2.06	0.6290
WIB1630112-OS	885167-OS2	W6439	4.39	0.94	1.92	0.6290



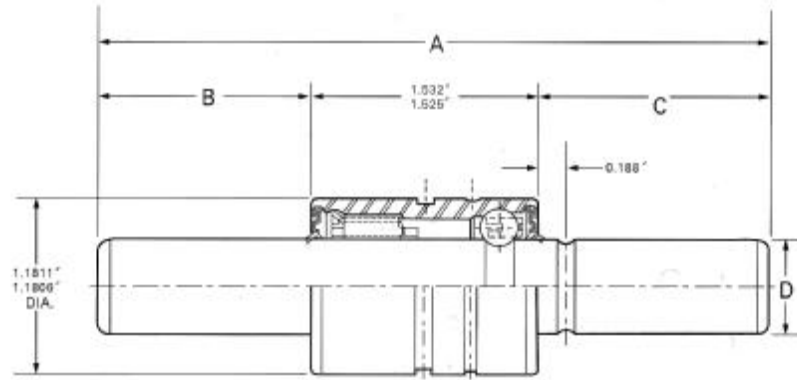
W- Series

PEAK No.	NSK No.	FAG No.	A	B	C	D
WIB1630112A-OS	885167D-OS2	W6440-4	4.40	1.15	1.72	0.6290
WIB1630113-OS	885155-OS	W6445	4.45	1.25	1.67	0.6290
WIB1630113A-OS	885156-OS	W6446	4.47	1.08	1.86	0.6290
WIB1630114-OS	885697-OS2	W6450-2	4.50	1.26	1.71	0.6290
WIB1630116-OS	885337A-OS	W6454	4.55	0.81	2.21	0.6290
WIB1630116A-OS	885162-OS	W6456	4.56	1.10	1.93	0.6290
WIB1630119-OS	885118-OS2	W6468	4.69	1.47	1.69	0.6290
WIB1630119B-OS	885118-OS	W6468-1	4.69	1.47	1.69	0.6290
WIB1630119A-OS	885135S-OS2	W6470	4.70	1.28	1.89	0.6290
WIB1630121-OS	885105-OS	W6476	4.76	1.16	2.07	0.6290
WIB1630122-OS		W6478-1	4.79	1.24	2.02	0.6290
WIB1630122D-OS	885476-OS2	W6481	4.81	1.33	1.95	0.6290
WIB1630122B-OS	885168C-OS2	W6481-1	4.81	1.13	2.16	0.6290
WIB1630123-OS		W6484	4.84	1.45	1.86	0.6290
WIB1630124-OS	885100B-OS2	W6486-2	4.87	1.25	2.09	0.6290
WIB1630128-OS	885141-OS2	W6503	5.03	1.02	2.48	0.6290
WIB1630129-OS	885169-OS2	W6507	5.08	1.25	2.30	0.6290
WIB1630134-OS	885113B-OS	W6527	5.27	1.68	2.06	0.6290
WIB1630136-OS	885093S-OS	W6534-1	5.34	2.06	1.75	0.6290
WIB1630136A-OS	885158P-OS	W6537	5.37	1.54	2.30	0.6290
WIB1630138-OS	885158-OS2	W6543	5.44	1.61	2.30	0.6290
WIB1630139-OS	885603-OS2	W6548-1	5.49	1.38	2.58	0.6290
WIB1630141-OS	885248-OS2	W6555	5.55	1.93	2.09	0.6290
WIB1630143A-OS	885144-OS2	W6562	5.62	1.58	2.52	0.6290
WIB1630146-OS	885694S-OS2	W6575-1	5.75	2.43	1.79	0.6290
WIB1630162-OS	885117-OS	W6637	6.37	2.30	2.55	0.6290



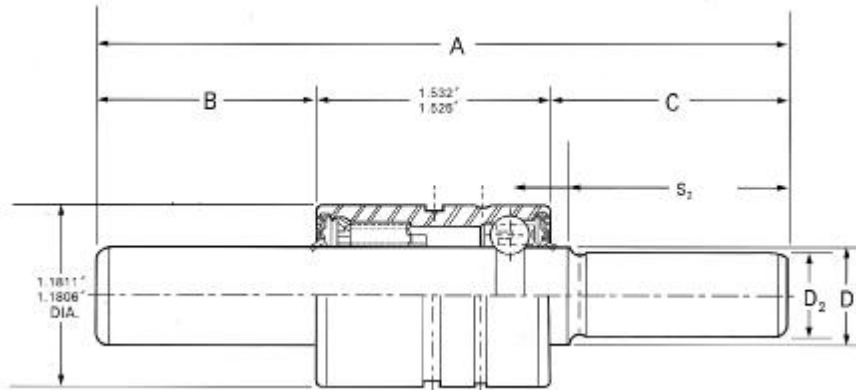
W-S Series

PEAK No.	NSK No.	FAG No.	A	B	C	D	D ₁	S ₁	D ₂	S ₂
WIB163085	885122	W2334S	3.35	0.51	1.30	0.6267			0.4739	1.18
WIB163088		W2346-1S	3.47	0.49	1.45	0.6267			0.4739	1.33
WIB163088A		W2346-2S	3.47	0.56	1.38	0.6267			0.4739	1.28
WIB163090		W2355S	3.55	0.61	1.41	0.6267			0.4739	1.33
WIB163092		W2364-5S	3.64	0.65	1.46	0.6267			0.4739	1.36
WIB163092A	885477	W2364S	3.64	0.99	1.12	0.6267			0.4739	1.02
WIB163093		W2366-1S	3.66	0.65	1.49	0.6267			0.4739	1.33
WIB163099	885474	W2387S	3.88	0.89	1.46	0.6267			0.4739	1.32
WIB1630100		W2391S	3.92	0.65	1.74	0.6267	0.4739	0.58	0.4739	1.63
WIB1630100A		W2394S	3.95	0.84	1.58	0.6267			0.4739	1.44
WIB1630101		W2397S	3.98	0.98	1.46	0.6267			0.4739	1.36
WIB1630102A	885147	W2404S	4.04	0.88	1.63	0.6267			0.4739	1.50
WIB1630103		W2405-1S	4.05	0.65	1.87	0.6267			0.4739	1.69
WIB1630105C	BWF30-15-A-RR6	W2415-1S	4.15	0.93	1.70	0.6267			0.4739	1.56
WIB1630106		W2417S	4.17	1.18	1.46	0.6267			0.4739	1.32
WIB1630106A		W2418-3S	4.18	0.73	1.92	0.6267			0.4739	1.61
WIB1630107		W2420-1S	4.20	0.81	1.87	0.6267			0.4739	1.69
WIB1630109		W2431-SS	4.31	0.99	1.79	0.6267			0.4739	1.66
WIB1630115		W2453-1S	4.54	0.65	2.35	0.6267			0.4739	1.44
WIB1630124B	885326	W2488S	4.88	1.65	1.70	0.6267			0.4739	1.56
WIB1630102		W3399-2S	4.00	0.69	1.78	0.6275			0.4739	1.70
WIB163085-OS	885122-OS2	W6334S	3.35	1.30	0.51	0.6290			0.4744	1.18
WIB163092-OS	885477-OS2	W6364-1S	3.64	0.99	1.12	0.6290			0.4744	1.08
WIB163099-OS	885474-OS2	W6387S	3.88	0.89	1.46	0.6290			0.4744	1.33
WIB1630101-OS		W6397-2S	3.98	0.95	1.50	0.6290			0.4744	1.38
WIB1630101-OS		W6397-3S	3.98	0.98	1.46	0.6290			0.4744	1.36
WIB1630103-OS		W6407-1S	4.07	0.85	1.70	0.6290	0.4739	0.71	0.4744	1.56
WIB1630104-OS		W6407-2S	4.08	0.77	1.77	0.6290			0.4744	1.65
WIB1630105B-OS		W6415-1S	4.15	0.93	1.70	0.6290			0.4744	1.57
WIB1630106B0S	8854390S2	W6418S	4.18	0.99	1.66	0.6290			0.4744	1.53



WN- Series

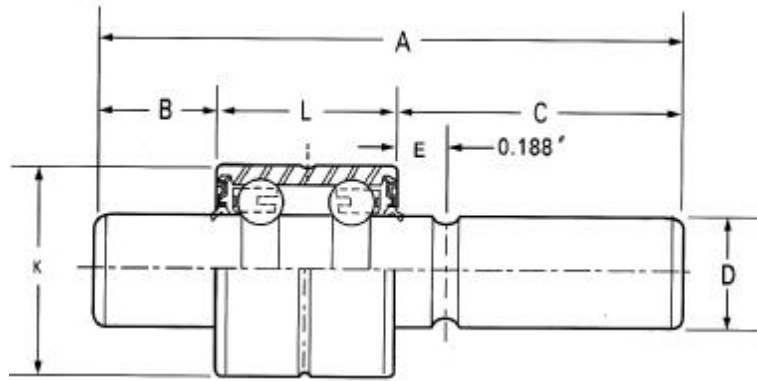
PEAK No.	NSK No.	FAG No.	A	B	C	D
WIR163068		WN2269	2.69	0.99	0.18	0.6267
WIR163093		WN2366-4	3.66	0.73	1.40	0.6267
WIR163096	665343	WN2375-3	3.76	0.56	1.67	0.6267
WIR1630102		WN2401-5	4.02	0.67	1.82	0.6267
WIR1630104		WN2410	4.10	1.03	1.54	0.6267
WIR1630105	665329	WN2415-1	4.15	0.80	1.82	0.6267
WIR1630110		WN2434	4.35	0.84	1.97	0.6267
WIR1630114		WN2447	4.48	1.42	1.52	0.6267
WIR1630114A		WN2448-1	4.49	0.75	2.21	0.6267
WIR1630114B		WN2450-2	4.50	1.26	1.71	0.6267
WIR1630116	665337A	WN2454	4.55	0.81	2.21	0.6267
WIR1630116A		WN2456-1	4.56	1.10	1.93	0.6267
WIR1630117	665430S	WN2462-1	4.62	1.34	1.75	0.6267
WIR1630119	665333	WN2468-2	4.69	0.71	2.44	0.6267
WIR1630121		WN2475	4.75	1.10	2.12	0.6267
WIR1630121A		WN2476	4.76	1.16	2.07	0.6267
WIR1630126		WN2497	4.97	1.45	1.99	0.6267
WIR1630139B		WN2547	5.47	0.91	3.03	0.6267
WIR1630139A	665603	WN2548	5.49	1.38	2.58	0.6267
WIR1630139	665413	WN2548-1	5.49	1.63	2.33	0.6267
WIR1630102A		WN3399	4.00	0.69	1.78	0.6275
WIR1630132		WN3520-2	5.20	1.58	2.09	0.6275
WIR1630154		WN3607	6.07	1.17	3.37	0.6275
WIR1630154-OS	665613	WN3607-1	6.07	1.17	3.37	0.6275
WIR16301105A-OS	665329ATL-OS	WN6415-1	4.15	0.80	1.82	0.6290
WIR1630116A-OS	665337A-OS2	WN6454	4.55	0.81	2.21	0.6290
WI41630116-OS	665325-OS	WN6456	4.56	1.10	1.93	0.6290
WIR1630139-OS	665693-OS2	WN6548	5.49	1.38	2.58	0.6290
WIR1630154-OS		WN7607-1	6.07	1.17	3.37	0.6290



WN—S Series

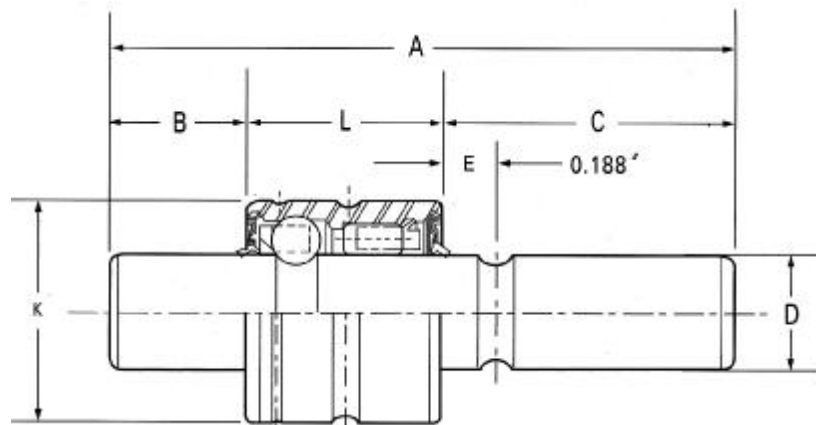
PEAK No.	NSK No.	FAG No.	A	B	C	D	D ₂	S ₂
WIR163091		WN2358-1S	3.59	0.53	1.53	0.6267	0.4739	1.44
WIR163092		WN2364-7S	3.64	0.59	1.52	0.6267	0.4739	1.43
WIR163096		WN2375-4S	3.76	0.56	1.67	0.6267	0.4739	1.59
WIR163099		WN2388-2S	3.89	0.73	1.63	0.6267	0.4739	1.55
WIR1630101	665331	WN2397S	3.98	0.98	1.46	0.6267	0.4739	1.36
WIR1630103		WN2405S	4.06	0.65	1.88	0.6267	0.4739	1.79
WIR1630105		WN2413-2S	4.13	1.21	1.39	0.6267	0.4739	1.26
WIR1630106		WN2419S	4.19	0.87	1.80	0.6267	0.4739	1.72
WIR1630110		WN24334-4S	4.35	0.84	1.97	0.6267	0.4739	1.90
WIR1630117		WN2461-1S	4.62	0.72	2.37	0.6267	0.4739	2.29
WIR1630122		WN2479S	4.80	1.24	2.03	0.6267	0.4739	1.95
WIR1630102		WN3399-2S	4.00	0.69	1.78	0.6275	0.4739	1.70
WIR1630101-OS		WN6397S	3.98	0.98	1.46	0.6290	0.4744	1.36





WS- Series

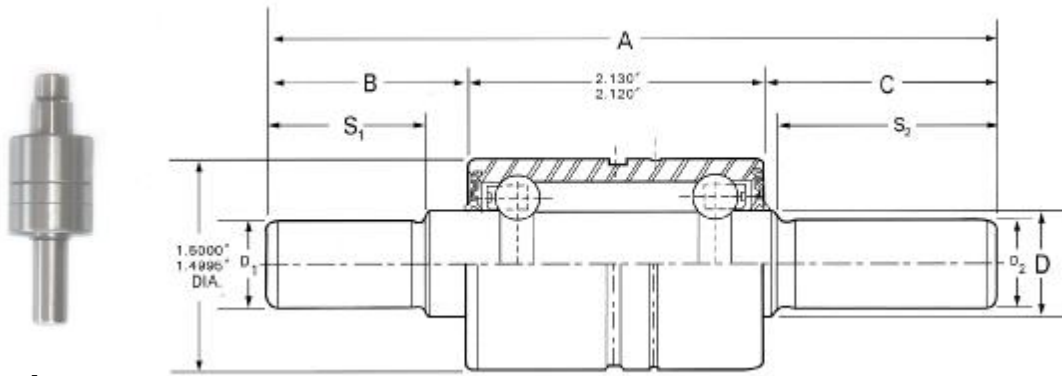
PEAK No.	NSK No.	FAG No.	A	B	C	D	E	K	L	D ₁	S ₁	D ₂	S ₂
WIB163067		WS2262	2.62	0.33	1.23	0.6267		1.18	1.06	0.5133	0.26	0.4739	1.19
WIB163066		WS2263	2.59	0.98	0.08	0.6267		1.18	1.53				
WIB163071		WS2279	2.80	0.37	1.36	0.6267		1.18	1.06			0.4739	1.28
WIB122478		WS2307	3.07	0.53	1.48	0.4739		0.94	1.06				
WIB163079		WS2311	3.11	0.54	1.52	0.6267	0.188	1.18	1.06				
WIB132480		WS2315-1	3.15	0.56	1.28	0.5000		0.94	1.31				
WIB163080		WS2315-2	3.15	0.62	1.47	0.6267		1.18	1.06				
WIB122483		WS2325	3.26	0.63	1.31	0.4739		0.94	1.31				
WIB163085	885342+	WS2332-1	3.33	0.68	1.59	0.6267	0.188	1.18	1.06				
WIB163085A		WS2333	3.33	0.68	1.59	0.6267		1.18	1.06			0.4739	1.49
WIB163085B		WS2334-6	3.35	0.67	1.61	0.6267		1.18	1.06	0.5906	0.56	0.4739	1.38
WIB163087		WS2340-2	3.41	0.53	1.34	0.6267		1.18	1.53			0.4739	1.25
WIB153087		WS2344-1	3.44	0.53	1.50	0.5906	0.188	1.18	1.42				
WIB153087A		WS2344-4	3.44	0.53	1.50	0.5906		1.18	1.42			0.4739	1.35
WIB163087A		WS2344-6	3.44	0.53	1.50	0.6267		1.18	1.42			0.4739	1.35
WIB163088		WS2345	3.46	0.70	1.69	0.6267		1.18	1.06				
WIB163089		WS2349	3.49	0.76	1.32	0.6267		1.18	1.42				
WIB163089A		WS2351	3.51	0.82	1.63	0.6267		1.18	1.06			0.4739	1.50
WIB173691		WS2357-2	3.57	0.55	1.49	0.6693		1.42	1.53			0.5906	1.34
WIB163091		WS358-1	3.58	0.67	1.50	0.6267		1.18	1.41	0.5906	0.57	0.4739	1.35
WIB122692	BWF26-36A	WS2362	3.62	0.67	1.38	0.4739		1.02	1.57				
WIB122694	BWF26-14RUJ	WS2372	3.72	0.85	1.34	0.4739		1.02	1.53				
WIB203696		WS2377-2	3.78	0.67	1.65	0.7874		1.42	1.46	0.6267	0.67	0.6267	1.64
WIB153098		WS2383	3.84	0.90	1.41	0.5906		1.18	1.53				
WIB163098		WS2385-7	3.86	0.67	1.66	0.6267		1.18	1.53				
WB1226102		WS2401	4.02	1.06	1.38	0.4739		1.02	1.57				
WIB1938102	885881	WS2401-3	4.02	0.55	1.84			1.50	1.63			0.6267	1.76
WIB2047111		WS2436	4.36	0.60	1.90	0.7874		1.85	1.87			0.6267	1.88
WIB1938113		WS2443	4.44	1.13	1.68			1.50	1.63	0.6267	1.00	0.6267	1.56
WIB1938119	885786	WS2468-2	4.69	1.05	2.01			1.50	1.63			0.6267	1.89



WNS- Series

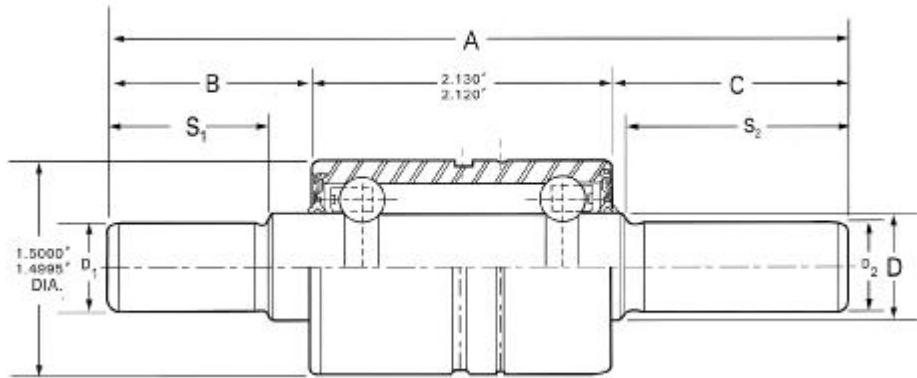
PEAK No.	NSK	FAG No.	A4	B	C	D	E	K	L	D ₁	S ₁	D ₂	S ₂
WIR163067		WNS2299-2	2.99	0.64	1.29	0.6267		1.18	1.06			0.4739	1.21
WIR163083		WNS2325-1	3.25	0.72	1.47	0.6267		1.18	1.06				
WIR122485	664101	WNS2332	3.33	0.81	1.46	0.4733		0.94	1.06				
WIR163085		WNS2335	3.35	0.56	1.73	0.6267		1.18	1.06			0.4739	1.63
WIR163086		WNS2337-1	3.38	0.57	1.63	0.6267		1.18	1.18			0.4739	1.55
WIR16387A		WNS2340	3.41	0.53	1.34	0.6267		1.18	1.53			0.4739	1.25
WIR153087		WNS2344-2	3.44	0.65	1.38	0.5906		1.18	1.42				
WIR163087		WNS2344-6	3.44	0.53	1.50	0.6267		1.18	1.42			0.4739	1.35
WIR163088		WNS2348-5	3.48	0.76	1.66	0.6267		1.18	1.06			0.4739	1.56
WIR163090		WNS2353	3.53	0.65	1.64	0.6267		1.18	1.24			0.4739	1.56
WIR153090		WNS2354-2	3.54	0.71	1.30	0.5906		1.18	1.53			0.4739	1.22
WIR163091		WNS2360-1	3.60	0.52	1.35	0.6267		1.18	1.73			0.4739	1.25
WIR1530104		WNS2411	4.11	1.03	1.56	0.5906		1.18	1.53			0.4739	1.44
WIR1530106		WNS2417	4.17	1.09	1.56	0.5906		1.18	1.53			0.4739	1.44
WIR1630108		WNS2426	4.26	0.73	2.01	0.6267		1.18	1.53			0.4739	1.93
WIR1530109		WNS2430-2	4.30	0.70	1.56	0.5906	0.188	1.18	2.05				
WIR1530119		WNS2466	4.67	1.06	1.56	0.5906		1.18	2.05			0.4739	1.44
WIR2036122		WNS2482	4.82	1.14	1.63	0.7874		1.42	2.05	0.5906	1.13	0.4739	1.44
WIR1530125		WNS2493	4.93	0.70	2.19	0.5906	0.188	1.18	2.05				
WIR2555127		WNS2500	5.00	0.98	1.65	1.000		2.17	2.36			0.6267	1.61
WIR2555127A		WNS2500-1	5.00	0.98	1.65	1.000		2.17	2.36			0.5906	1.61
WIR2036131		WNS2514	5.15	1.30	1.80	0.7874		1.42	2.05	0.5906	1.29	0.5906	1.68
WIR2547136		WNS2535-1	5.36	0.93	2.31	1.000		1.88	2.13	0.7465	0.82	0.6267	2.11
WIR2555157		WNS2616-6	6.17	1.39	2.41	1.000		2.17	2.36	0.7465	0.50	0.6267	2.28
WIR163076		WNS6299-2	2.99	0.64	1.29	0.6267		1.18	1.06			0.4759	1.21

WATER PUMP BEARINGS— WK Series



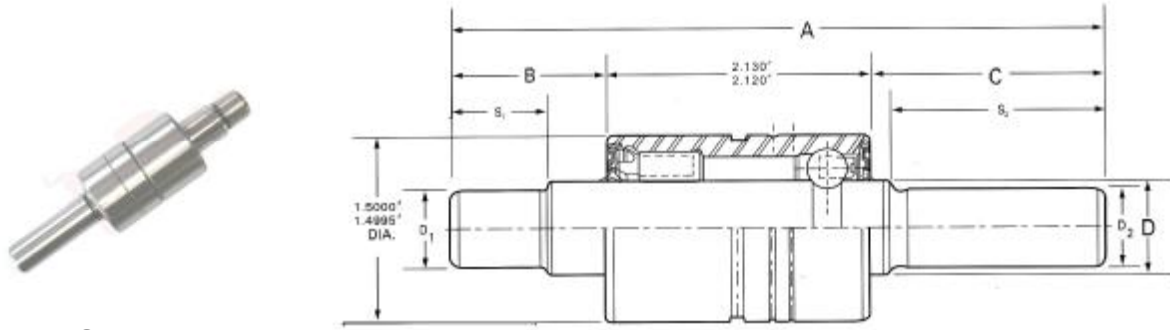
WK Series

PEAK No.	NSK No.	FAG No.	A	B	C	D	D ₁	S ₁	D ₂	S ₂
WIB1938117		WK2461	4.62	0.53	1.96	0.7465			0.6267	1.86
WIB1938120		WK2474-2	4.74	1.02	1.60	0.7465			0.6267	1.50
WIB1938123		WK2484-1	4.85	1.22	1.50	0.7465	0.6267	0.55	0.6267	1.30
WIB1938125		WK2493	4.93	1.00	1.80	0.7465			0.6267	1.65
WIB1938126		WK2494-1	4.94	1.04	1.78	0.7465	0.6267	0.90	0.6267	1.60
WIB1938126A	885832	WK2495	4.95	1.21	1.61	0.7465	0.6267	1.08	0.6267	1.47
WIB1938127		WK2500-2	5.00	1.23	1.64	0.7465			0.6267	1.50
WIB1938127A	885875SC	WK2500A	5.00	1.05	1.83	0.7465	0.6267	0.35	0.6267	1.72
WIB1938127B		WK2501	5.01	1.15	1.74	0.7465			0.6267	1.58
WIB1938128	885869	WK2501-3	5.02	1.22	1.67	0.7465	0.6267	0.54	0.6267	1.55
WIB1938132	885852	WK2520	5.20	1.17	1.90	0.7465	0.6267	0.47	0.6267	1.70
WIB1938134B		WK2528-2	5.28	1.19	1.96	0.7465			0.6267	1.86
WIB1938135	885781	WK2531	5.31	1.47	1.71	0.7465			0.6267	1.61
WIB1938135A		WK2531-2	5.31	1.47	1.72	0.7465	0.6267	0.67	0.6267	1.62
WIB1938136	885735	WK2534	5.34	1.25	1.96	0.7465			0.6267	1.86
WIB1938137	885737	WK2537-1	5.37	1.43	1.82	0.7465	0.6267	0.49	0.6267	1.71
WIB1938137A	885870	WK2538-2	5.38	1.59	1.67	0.7465	0.6267	0.56	0.6267	1.55
WIB1938140	885821	WK2550	5.50	1.40	1.97	0.7465	0.6267	0.61	0.6267	1.88
WIB1938140A	885771	WK2553	5.53	1.29	2.11	0.7465	0.6267	0.54	0.6267	1.99
WIB1938142		WK2559-2	5.59	1.25	2.21	0.7465			0.6267	2.04
WIB1938142A	885851	WK2560	5.61	1.55	1.93	0.7465	0.6267	1.41	0.6267	1.79
WIB1938144	885862B	WK2565-6	5.65	1.21	2.31	0.7465	0.6267	0.48	0.6267	1.99
WIB1938146A	885802B	WK2575	5.75	1.75	1.88	0.7465			0.6267	1.73
WIB1938146B	885747	WK2575-1	5.75	1.43	2.19	0.7465	0.6267	0.54	0.6267	1.99
WIB1938146	885760	WK2575-4	5.75	1.43	2.19	0.7465	0.6267	1.20	0.6267	2.02
WIB1938149A	885740	WK2486	5.86	1.62	2.12	0.7465	0.6267	1.39	0.6267	1.95
WIB1938149B	885801	WK2587	5.87	2.10	1.64	0.7465			0.6267	1.50
WIB1938151	885764	WK2592	5.93	1.38	2.42	0.7455			0.6267	2.30
WIB1938151A		WK2596	5.96	1.21	2.62	0.7465	0.6267	0.48	0.6267	2.11



WK Series

PEAK No.	NSK No.	FAG No.	A	B	C	D	D ₁	S ₁	D ₂	S ₂
WIB1938153	885807C	WK2604	6.04	1.80	2.11	0.7465			0.6267	1.97
WIB1938154	885795SC	WK2607A	6.07	1.17	2.78	0.7465	0.6267	0.35	0.6267	2.25
WIB1938157	885746	WK2616-2	6.17	1.56	2.48	0.7465			0.6267	2.35
WIB1938158		WK2623	6.23	1.70	2.40	0.7465	0.6267	0.56	0.6267	2.23
WIB1938161		WK2634-1	6.34	1.84	2.37	0.7465	0.6267	1.31	0.6267	2.20
WIB1938162	885858	WK2637	6.38	1.40	2.85	0.7465	0.6267	0.60	0.6287	2.76
WIB1938120-OS		WK6474-2	4.74	1.02	1.60	0.7465			0.6290	1.54
WIB1938120A-OS		WK6474-2D	4.74	1.02	1.60	0.7465			0.6290	1.54
WIB1938123-OS		WK6484-1	4.85	1.22	1.50	0.7465	0.6290	0.55	0.6290	1.30
WIB1938125-OS		WK6493	4.93	1.00	1.80	0.7465			0.6290	1.65
WIB1938126A-OS	885832-OS2	WK6495	4.95	1.22	1.61	0.7465	0.6287	1.08	0.6287	1.47
WIB1938127-OS	885811-OS2	WK6500-2	5.00	1.24	1.64	0.7465			0.6287	1.50
WIB1938127A-OS	885775SC-OS	WK6500B	5.00	1.05	1.83	0.7465	0.6275	0.35	0.695	1.72
WIB1938128-OS	885869-OS	WK6501-3B	5.02	1.22	1.67	0.7465	0.6267	0.54	0.6287	1.55
WIB1938132-OS	885852-OS2	WK6520B	5.20	1.17	1.90	0.7465	0.6267	0.47	0.6287	1.70
WIB1938135B-OS		WK6530B	5.30	1.25	1.93	0.7465	0.6290	0.28	0.6290	1.74
WIB1938135-OS	885781-OS2	WK6531	5.31	1.47	1.71	0.7465			0.6287	1.61
WIB1938135A-OS		WK6531-3	5.31	1.18	2.00	0.7485			0.6290	1.90
WIB1938136-OS	885735-OS2	WK6534	5.34	1.26	1.96	0.7485			0.6287	1.86
WIB1938137-OS	885737-OS	WK6537-1B	5.37	1.43	1.82	0.7485	0.6267	0.49	0.6287	1.71
WIB1938137A-OS	885810-OS2	WK5438	5.38	1.45	1.81	0.7485	0.6287	1.30	0.6287	1.67
WIB1938137B-OS	885870-OS	WK6538-2B	5.38	1.59	1.67	0.7485	0.6267	0.56	0.6287	1.55
WIB1938140-OS	885821-OS	WK6550B	5.50	1.40	1.97	0.7485	0.6267	0.61	0.6287	1.88
WIB1938141-OS	885720-OS2	WK655302	5.54	1.56	1.85	0.7485			0.6287	1.72
WIB1938142-OS	885719-OS2	WK6558	5.58	1.73	1.72	0.7485			0.6287	1.61
WIB1938142A-OS	885815-OS2	WK6559-2	5.59	1.25	2.21	0.7485			0.6287	2.04
WIB1938142B-OS	885851-OS2	WK6560	5.61	1.55	1.93	0.7485	0.6267	1.41	0.6287	1.79
WIB1938143-OS	885815A-OS	WK6564	5.64	1.40	2.11	0.7485			0.6287	1.94
WIB1938146A-OS	885818-OS2	WK6574-2	5.74	1.76	1.86	0.7485			0.6287	1.69
WIB1938146B-OS	885747-OS	WK6575-1B	5.75	1.43	2.19	0.7485	0.6267	0.54	0.6287	2.02



WKN-- Series

PEAK No.	NSK No.	FAG No.	A	B	C	D	D ₁	S ₁	D ₂	S ₂
WIR193891	665803	WKN2357	3.58	1.31	0.14	0.7465				
WIR1938115		WKN2452-1	4.52	1.37	1.02	0.7465				
WIR1938115A	665853	WKN2454D	4.54	0.92	1.49	0.7465			0.4739	1.41
WIR1938117B	665853	WKN2460D	4.60	1.06	1.41	0.7465	0.6267	0.35	0.4739	1.33
WIR1938120	665757	WKN2474-2	4.74	1.02	1.60	0.7465			0.6267	1.54
WIR1938122		WKN2480	4.80	0.94	1.74	0.7465			0.6267	1.58
WIR1938125	665729	WKN2493	4.94	1.14	1.67	0.7465			0.6267	1.54
WIR1938127		WKN2501	5.01	1.15	1.74	0.7465			0.6267	1.58
WIR1938128		WKN2502	5.02	1.10	1.79	0.7465			0.6267	1.69
WIR1938133		WKN2524	5.25	1.28	1.84	0.7465			0.6267	1.73
WIR1938133A		WKN2524D	5.25	1.28	1.84	0.7465			0.6267	1.73
WIR1938135		WKN2530	5.30	1.25	1.93	0.7465	0.6267	0.28	0.6267	1.76
WIR1938135A	665781	WKN2531	5.31	1.47	1.71	0.7465			0.6267	1.61
WIR1938135B	665879	WKN2531-3	5.31	1.18	2.00	0.7465			0.6267	1.90
WIR1938135C		WKN2531-8D	5.31	1.19	2.00	0.7465			0.4739	1.90
WIR1938135D		WKN2531-9D	5.31	1.47	1.71	0.7465			0.4739	1.61
WIR1938136	665735B	WKN2534	5.34	1.26	1.96	0.7465			0.6267	1.86
WIR1938137	665816	WKN2541-1	5.41	1.21	1.56	0.7465	0.6267	0.48	0.6267	1.56
WIR1938138		WKN2544-2	5.44	1.41	1.91	0.7465			0.6267	1.45
WIR1938142	665705	WIN2558-2	5.58	1.45	2.01	0.7465			0.6267	1.84
WIR1938144		WKN2564-6	5.65	1.21	2.31	0.7465	0.6267	0.48	0.6267	1.99
WIR1938146		WKN2575-1	5.75	1.43	2.19	0.7465	0.6267	0.54	0.6267	2.02
WIR1938146A	665760	WKN2575-4	5.75	1.43	2.19	0.7465	0.6267	1.20	0.6267	2.02
WIR1938149		WKN2588	5.88	1.45	2.30	0.7465			0.6267	2.14
WIR1938151		WKN2592	5.93	1.38	2.42	0.7465			0.6267	2.42
WIR1938151A	665714	WKN2592-2	5.93	1.38	2.42	0.7465	0.6267	0.51	0.6267	2.30
WIR1938151B	665877A	WKN2596-1	5.96	1.22	2.61	0.7465	0.6267	0.48	0.6267	2.18
WIR1938153		WKN2602-2	6.02	1.82	2.07	0.7465	0.6267	1.14	0.6267	1.70
WIR1938153A	665807	WKN2604	6.04	1.80	2.11	0.7465			0.6267	1.98
WIR1938156B	665746	WKN2616	6.16	1.56	2.48	0.7465			0.6267	2.36