

P.T. INTERNATIONAL CORP.

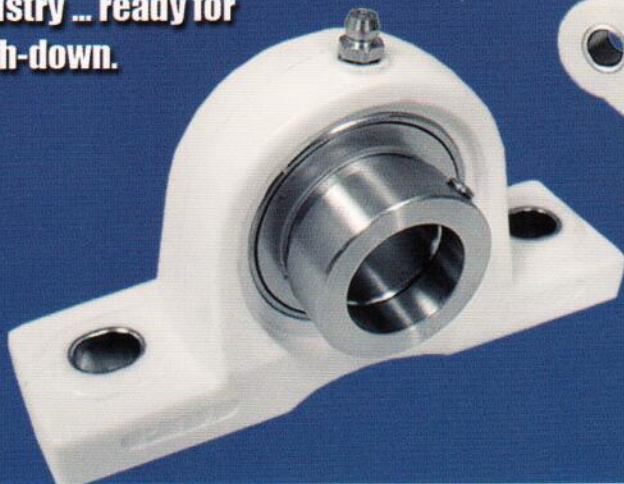
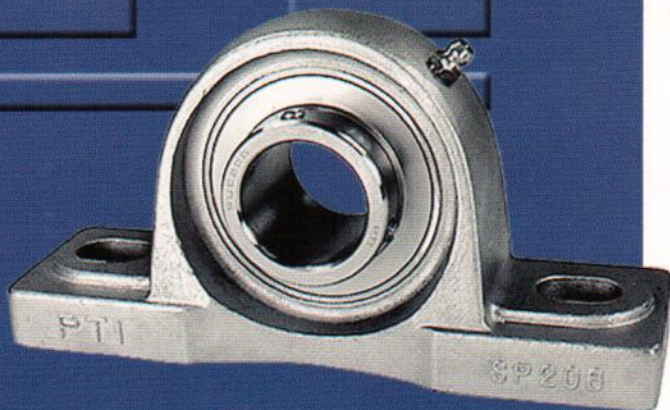


Stainless Steel & Thermoplastic Units
with Stainless Eccentric Collar
or Set Screw Lock Inserts



www.ptintl.com

P.T. International Corp. offers stainless steel inserts in Stainless, PBT Thermoplastic or Nickel Plated Housings. Specifically designed for the Food, Beverage and Chemical industry ... ready for wash-down.



Metric & American Industrial Power Transmission Products

P.T. INTERNATIONAL CORP.

Metric & American Industrial Power Transmission Products



© Copyright 2008 by P.T. International Corp. - All Rights Reserved
® Registered trademark, P.T. International Corp., Charlotte, NC, USA

Stock Products

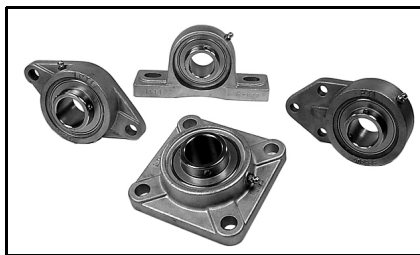
Mounted Ball Bearings	Set Screw Lock-UC, SB, CSB, SER; Eccentric Locking Collar-HC, SA, CSA Adapter Mount Styles-UK, GSH. Normal Duty 200 Series (Standard and All Stainless), Medium Duty X00 Series, Heavy Duty 300 Series Inch & Metric Bores – thru 140mm Shaft Sizes. Housing Materials: Cast, Ductile, Stainless and Thermoplastic: Pillow Block, 2-Bolt, 3-Bolt & 4-Bolt Flanges, 2 & 4 Bolt Piloted Flange, Narrow & Wide Slot Take Ups, Tapped Base, Steel Flangettes, 2-Bolt, Swivel Units, Hanger Units, Cylindrical Units, Flanged Brackets, Stainless and custom styles.
Roller Chain	Metric (BS) 04B, 05B, 06B, 08B, 10B, 12B, 16B, 20B, 24B, 28B, 32B, 40B, 48B & 56B- Single, Double, Triple – Standard, Nickel, Stainless, Hollow Pin, Lube Free Chain ANSI 25,35,40,41,50,60,80,100,120,140,160,200 – Single, Double, Triple-Std, Stainless Agricultural Chain: CA2040, 2050, 2060, CA550; Lumber Chain: 81X, 81XH Conveyor, Attachment & Specialty Chain per Order
Split Pillow Blocks & Plummer Blocks	Housings - Split - Cast Iron, Ductile & Steel SNHF/SN/SNS/SNF 200, 300, 500, 600 Series thru 140mm Shaft Sizes SAF/SAFD/SAFS 200, 300, 500, 600, Series thru 8" Shaft, TAC Seals SDAF Series thru 14 inch Shaft Size SD-Series, S3000K Series thru 300mm Shaft Size HFO/HFOE Housing for Oil Lube Flange Bearing Housing - 722505 Series thru 100mm Shaft Sizes Din 505 Series Bronze Sleeve Journal Bearings thru 140mm Shaft Sizes
Spherical Bearings	Spherical 222, 223, 230 & 231 Series Roller Bearings, Others on Request Single & Double Row Ball - 1200, 1300, 2200 & 2300 Series
Radial Ball Bearings	6000, 6200, 6300, 5200, 5300, R-Series, 600 Series
Guide Bearings/Rail Profiles	Winkel Linear Bearings, Flanges, Profile Guide Rails
Adapters	Metric Bores H-Series (20 to 440mm) Inch Bores SNW, SNP & H-Series (3/4" to 13-7/16")
Withdrawal Sleeves	Metric: 40 to 400mm Bore for 222, 230 & 223 Bearings
Timing Pulleys	HTD & Super Torque 8 & 14mm Pitch, 22 to 216 Teeth, standard widths include 20, 30, 50 & 85mm – TL Bushed Stock, BS available
T- Series Pulleys	5 & 10mm Pitch, 10 to 60 Teeth in 8, 10, 16, 25, 50mm Widths, TL & BS Types.
Synchronous Pulleys	XL,L & H Series 1/5, 3/8, 1/2" Pitch - 3/8 to 2" Widths, TL Bushed & BS Types.
Metric Sheaves	SPZ, SPA, SPB, SPC Series, 56 to 710mm O.D., 1-6 Grooves, some to 8 & 10.
Taper Bushings	1008 - 5050 - Standard Metric & Inch Bores - 10 to 125mm and 1/2" to 5" bores, BSW Threads and UNC Threads
HRC Type Couplings	Flexible Element, Jaw Type, Metric and Inch Bores, Taper Bushed thru 75mm or 3". Bored to Size thru 125mm or 5" Shaft Sizes
Chain Tensioner	Roll-Ring® Chain Tensioner for BS 05 to 20B / Ansi 35 to 100
Rod Ends	Male & Female Rod Ends – thru 35mm Bores, Stainless, Maintenance Free
Sprockets	Metric A-Plate, B-Hub & TB-Taper Bushed Types – MPB 06B thru 24B Chain Size from 8 up to 125 Teeth - Single, Double, Triple Profiles. Idler & Double - Single Types
Locknuts & Lockwashers	Metric & Inch - Size 0 thru 44, KM & MB Locknuts, N & W Lock-washers
Other	Custom Castings, Gear, Gear-motors, Key stock, European PT Metric Sourcing

P.T. INTERNATIONAL CORP.

(7-24 hours) Ph:(704) 588.1091
Ph:(800) 763.4434
Fax:(704) 588.5738
e-mail: info@ptintl.com
www.ptintl.com

P.O. Box 411244 (28241)
1817 Westinghouse Blvd. (28273)
Charlotte, NC, USA

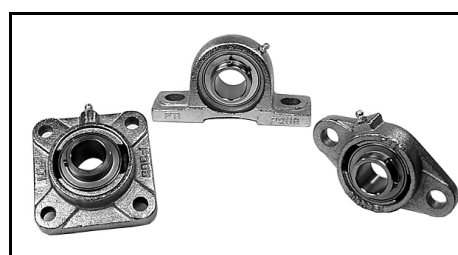
Table of Contents



Stainless Units



Thermoplastic Units



Nickel Plated Units

All Stainless Steel Units

Stainless Steel Housing with Stainless Steel Bearing	Page
Stainless, Thermoplastic & Nickel Plated Mounted Units / Overview	2
Ball Bearing Selection Criteria	3
Pillow Block, Set Screw Lock, SUCSP 200 Series.....	4
Pillow Block, Eccentric Collar, SHCSP 200 Series.....	5
Tapped Base Pillow Block, Set Screw Lock, SUCSPA 200 Series	6
Tapped Base Pillow Block, Eccentric Collar, SHCSPA 200 Series.....	7
4-Bolt Flange, Set Screw Lock, SUCSF 200 Series.....	8
4-Bolt Flange, Eccentric Collar, SHCSF 200 Series	9
2-Bolt Flange, Set Screw Lock, SUCSFL 200 Series	10
2-Bolt Flange, Eccentric Collar, SHCSFL 200 Series	11
3-Bolt Flange Bracket, Set Screw Lock, SUCSFB 200 Series.....	12
3-Bolt Flange Bracket, Eccentric Collar, SHCSFB 200 Series	13
Narrow Slot Take-Up Unit, Set Screw Lock, SUCST 200 Series.....	14
Narrow Slot Take-Up Unit, Eccentric Collar, SHCST 200 Series	15
4-Bolt Flange, Set Screw Lock, SUCSFCS 200 Series	16
4-Bolt Flange, Eccentric Lock, SHCSFCS 200 Series.....	17

Thermoplastic/Stainless Steel Units

Thermoplastic Housing with Stainless Steel Insert Bearings	Page
Pillow Block, Set Screw Lock, SUCTP 200 Series	18
Pillow Block, Eccentric Collar, SHCTP 200 Series	19
Tapped Base Pillow Block, Set Screw Lock, SUCTTB 200 Series	20
Tapped Base Pillow Block, Eccentric Collar, SHCTTB 200 Series	21
4-Bolt Flange, Set Screw Lock, SUCTF 200 Series	22
4-Bolt Flange, Eccentric Collar, SHCTF 200 Series.....	23
2-Bolt Flange Bracket, Set Screw Lock, SUCTFL 200 Series	24
2-Bolt Flange Bracket, Eccentric Collar, SHCTFL 200 Series	25
3-Bolt Flange Bracket, Set Screw Lock, SUCTFB 200 Series	26
3-Bolt Flange Bracket, Eccentric Collar, SHCTFB 200 Series	27
Take-Up Unit, Set Screw Lock, SUCTT 200 Series	28
Take-Up Unit, Eccentric Collar, SHCTT 200 Series	29
End Covers and Back Seals for Thermoplastic Housings	30

Nickel Plated Units

Nickel Plated Cast Iron Housing with Stainless Steel Insert Bearings.....	31
---	----



Stainless Steel Insert Bearing only	Page
Set Screw Lock Insert, Ratings, SUC Series	32
Eccentric Collar Lock Insert, Ratings, SHC Series.....	33

Stainless, Thermoplastic & Nickel Plated Mounted Units



P.T. International Corp. (PTI) offers mounted ball bearing units in all **stainless steel**, corrosion resistant **thermoplastic housing** with a stainless insert or with a **nickel plated cast iron housing**.

Stainless Steel Insert bearings are specifically designed for the food, beverage and chemical industry. All three housing types interchange dimensionally with the conventional cast iron mounted bearing units. With the Stainless and Thermoplastic housings there is **NO plating to chip!** The Stainless Steel Insert is also available in two mounting versions: the popular Set Screw type and the new Eccentric Lock version for quick simple installation.



Set Screw Insert



Eccentric Lock Insert

Each bearing is lubricated with a food grade USDA H-1 Lube – Mobile FM222 Grease Lubricant which has the NSF H1 registration.

PTI offers you an economical choice for your corrosion resistant needs. Housing and stainless bearing specifications are listed in the following pages for specific sizes available.

There are Back Seals and Covers for additional sealing protection for the Thermoplastic Units.



Thermoplastic Covers

PTI also offers a full range of standard mounted ball bearings in European metric and American standard housing dimensions. A broad assortment of housing configurations are available from stock in addition to several brands of inserts, some with special features. We differentiate these various brands with a silver or gold series designation, and they are offered at different price points. Ask sales for details and size options from stock.



Stainless & Thermoplastic Units

3 Housing Options:
Stainless AISI 304,
PBT Thermoplastic with
covers available
Nickel Plated

Seals: Rubber & AISI 302

AISI 420 Stainless
Set Screws

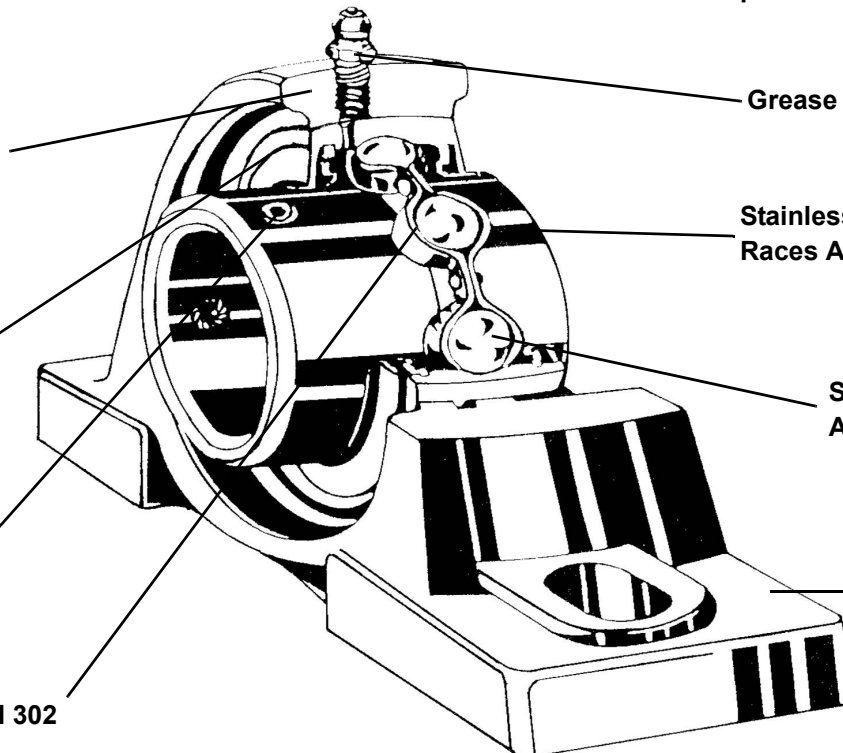
Cage: AISI 302

Grease Fitting AISI 304

Stainless Inner & Outer
Races AISI 440C

Stainless Balls
AISI 440C

Solid Base



Ball Bearing Selection Criteria



Table A

Load

There are basically two types of bearing loads: Radial and Thrust. For proper selection, the value of these loads must be determined. Service factors for applications can vary from uniform, light or heavy shock loads. The service factor for uniform loads is 1.0, for light shock loads use 2.0 and for heavy shock use 3.0 times the load.

Speed

When selecting bearings, the maximum speed published is intended as a guide. It is also generally assumed in life calculations that heavy loads are not applied at the maximum speeds, but rather light loads at high speeds and heavier loads at lower speeds. Heavy loads and high speeds will increase bearing operating temperatures which can effect the lubricant, seals and the cages or retainers. Bearing speeds are limited primarily by tolerance grade of bearing ball and raceway, lubricant, ambient conditions, retainer design, and type of bearing seal.

Brand

PTI Silver Series Ball Bearing Mounted Units have steel cages. The bearings are grease lubricated and have a steel slinger with a lip seal on each side of the bearing. Triple lip seals are also available. PTI Brand = Siler Sreies.

PTI Gold Series Ball Bearing Mounted Units have a molded nylon cage. The bearings are grease lubricated and typically have a lip seal between 2 pieces of zinc plated steel. The limiting speeds are called out on the Ball Bearing pages. The gold series is a popular European brand and marked as such

Life

The L_{10} Life is the expected life of a bearing based on normal conditions. Factors involving temperatures, ambient conditions, i.e. chemical, moisture and maintenance intervals are not factored into the basic formula. But they must be considered or factored into your selection criteria. To determine the L_{10} hours of life for ball bearing use the following:

$$L_{10} = (C/P)^3 \times 16667/\text{rpm}$$

where: L_{10} = Life hours. C = Dynamic capacity (lb).

P = Equivalent Radial load. When P is a radial load only, then P = the actual radial load. If there is a thrust and radial load acting on the bearing, then these loads must be converted into an equivalent load. The equivalent load formula is:

$$P = (X \times F_R) + (Y \times F_A)$$

where P = equivalent load (lb). See table A, where:

F_R = radial load (lb), F_A = thrust axial load (lb), e = thrust load to radial load factor (see table A), X = radial load factor (table A), Y = thrust factor (table A), C_0 = basic static rating. The first step is to find X and Y . Calculate F_A/C_0 to determine e . Then calculate F_A/F_R and compare to e to determine the X and Y factors to use from table A. Next substitute all known values into $P = (X \times F_R) + (Y \times F_A)$ equation. Then put the value of P into the L_{10} life formula to determine the life hours of the bearing. Rpm is the shaft speed in revolutions per minute.

$\frac{F_A}{C_0}$	e	Radial/Thrust Factors			
		If F_A/F_R is equal to or less than e		If F_A/F_R is greater than e	
		$F_A/F_R \leq e$		$F_A/F_R > e$	
		X	Y	X	Y
.014	.19	1	0	.56	2.30
.021	.21	1	0	.56	2.15
.028	.22	1	0	.56	1.99
.042	.24	1	0	.56	1.85
.056	.26	1	0	.56	1.71
.070	.27	1	0	.56	1.63
.084	.28	1	0	.56	1.55
.110	.30	1	0	.56	1.45
.170	.34	1	0	.56	1.31
.280	.38	1	0	.56	1.15
.420	.42	1	0	.56	1.04
.560	.44	1	0	.56	1.00

Misalignment

There are two types of misalignment: **Static**, which refers usually to a bearing alignment in a housing and **Dynamic**, which is usually a misalignment that can be handled within the bearing while operating. Aligned bearings run smoother, cooler, and quieter than misaligned units. Consequently, misaligned bearings will run hotter than aligned units. Cooler running bearings will operate longer than hot running bearings. Single Row ball bearings in housings will generally handle +/- 2% static misalignment but only slight dynamic misalignment. Spherical Roller bearings, as a comparison, can handle larger dynamic misalignments.

Temperature / Lubrication

Bearings that operate at higher temperatures may also experience a reduced life. There are no specific simple formulas to predict this, but a good understanding and experience of the application will help maximize bearing life. PTI Stainless Steel bearing inserts are lubricated with Mobile FM222 H1 Food Grade grease. A slight showing of grease purging from the seal area is optimal. When re-lubricating, small amounts of grease at frequent intervals is more desirable than large quantities infrequently. Re-lube while the bearing is rotating if possible. The normal operating temperatures for these bearings are 10°F to 200°F in a clean environment. Higher or lower operating temperatures will require the use of a special lube. Higher ambient temperatures require lube with special features and the bearing races should also be specially heat treated or "normalized" to improve their resistance to warping. Also, special seals, internal clearance and frequent lubrication (possibly daily) may be necessary. A bearing required to operate above 250° F will need to be de-rated in capacity. Load de-rated factors can be provided for elevated temperatures. Special seals, lubricant, internal clearances can also be provided.

Other Conditions

Determine if a standard cast iron housing and the standard bearing will withstand the operating environment. Thermoplastic, Stainless Steel and Nickel plated housings along with Stainless Steel bearing inserts for wash down applications are also available. Consult PTI for other needs or requirements.

Stainless Steel Pillow Block

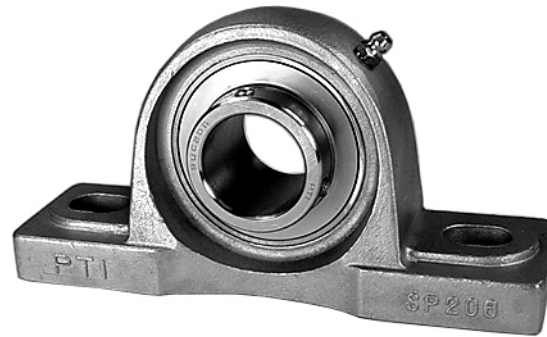


SUCSP 200 Silver Series

Stainless Steel Normal Duty Bearing

Set Screw Lock, Solid Base

Metric and Inch Bores



Housing: AISI 304 Stainless, Solid Base
Grease Fitting: AISI 304

Bearing Insert:

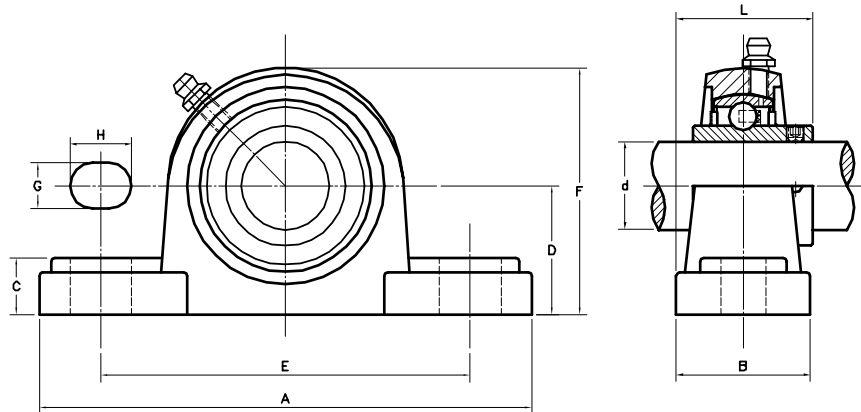
Inner & Outer Race: AISI 440C Stainless

Cage & Set Screw: AISI 302 Stainless

Balls: AISI 440C Stainless

Seals: Rubber & AISI 302 Stainless

Grease: USDA H-1, Mobile FM222



Part No.	Shaft Size d		Dimensions (mm) (in)									Bearing No.	Housing No.	Wt. kg
	mm	in	A	B	C	D	E	F	G	H	L			
SUCSP201-8		1/2	126	38	15.1	33.3	95	65.1	11	17.5	37.3	SUC201-8	SP204	0.8
SUCSP202-10		5/8	5.0	1.50	0.59	1.312	3.75	2.56	0.43	0.68	1.46	SUC202-10		
SUCSP204-20MM	20		126	38	15.1	33.3	95	65.1	11	17.5	37.3	SUC204-20MM	SP204	0.8
SUCSP204-12		3/4	5.0	1.50	0.59	1.312	3.75	2.56	0.43	0.68	1.46	SUC204-12		
SUCSP205-25MM	25		140	38	16	36.5	105	70	12.9	17.9	38.8	SUC205-25MM	SP205	1.0
SUCSP205-14		7/8	5.5	1.50	0.63	1.437	4.13	2.76	0.5	0.70	1.52	SUC205-14		
SUCSP205-5		15/16										SUC205-15		
SUCSP205-16		1										SUC205-16		
SUCSP206-30MM	30		165	48	18	42.9	121	83	14.3	21	46.2	SUC206-30MM	SP206	1.6
SUCSP206-18		1-1/8	6.5	1.89	0.70	1.687	4.75	3.26	0.56	0.82	1.81	SUC206-18		
SUCSP206-19		1-3/16										SUC206-19		
SUCSP206-20		1-1/4										SUC206-20		
SUCSP207-35MM	35		167	48	19	47.6	127	94	14.3	22	49.4	SUC207-35MM	SP207	2.0
SUCSP207-20		1-1/4	6.6	1.89	0.75	1.875	5.00	3.70	0.56	0.86	1.94	SUC207-20		
SUCSP207-22		1-3/8										SUC207-22		
SUCSP207-23		1-7/16										SUC207-23		
SUCSP208-40MM	40		184	54	19	49.2	136.5	100	14.3	22	57.2	SUC208-40MM	SP208	2.5
SUCSP208-24		1-1/2	7.25	2.13	0.75	1.937	5.38	3.94	0.56	0.86	2.25	SUC208-24		
SUCSP209-45MM	45		190	54	20	54	146	109	15	21	57.2	SUC209-45MM	SP209	2.8
SUCSP209-28		1-3/4	7.48	2.13	0.79	2.125	5.75	4.29	0.59	0.83	2.25	SUC209-28		
SUCSP210-50MM	50		206	60	22	57.2	159	114	18	24	62.5	SUC210-50MM	SP210	3.5
SUCSP210-31		1-15/16	8.11	2.36	0.87	2.250	6.26	4.49	0.71	0.94	2.46	SUC210-31		
SUCSP210-32		2										SUC210-32		
SUCSP211-55MM	55		219	60	23	63.5	171	126	20	25	69.7	SUC211-50MM	SP211	4.0
SUCSP211-32		1-7/8	8.62	2.36	0.91	2.50	6.73	4.96	0.79	0.98	2.75	SUC211-32		
SUCSP211-35		2-3/16										SUC211-35		
SUCSP212-60MM	60		24.1	70	25	69.8	184	138	20	25	79.5	SUC212-60MM	SP212	5.8
SUCSP212-39		2-7/16	9.5	2.75	1.10	2.75	7.24	5.43	0.79	0.98	3.13	SUC212-39		

Note: Larger sizes available upon request.

Stainless Steel Pillow Block

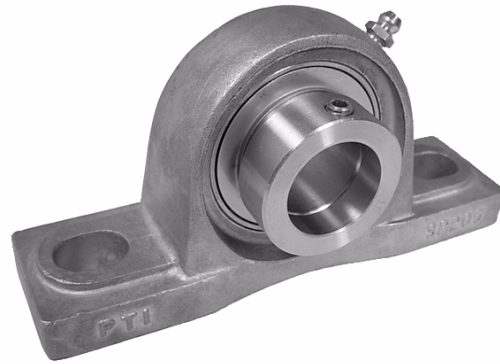


SHCSP 200 Silver Series

Stainless Steel Normal Duty Bearing

Eccentric Lock, Solid Base

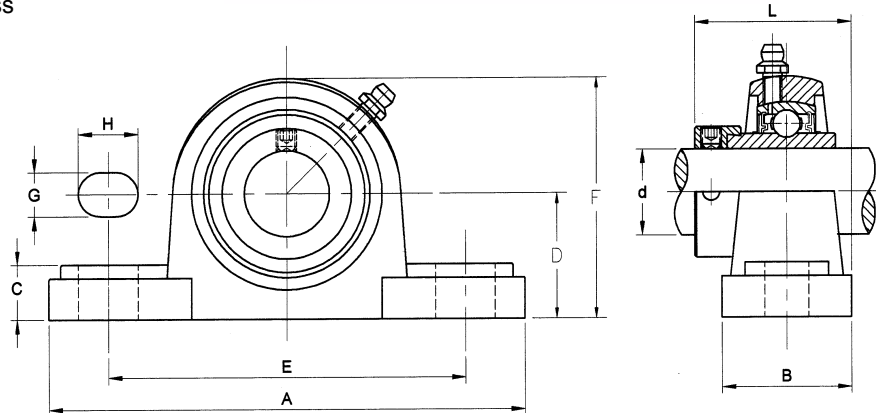
Metric and Inch Bores



Housing: AISI 304 Stainless, Solid Base
Grease Fitting: AISI 304

Bearing Insert:

Inner & Outer Race: AISI 440C Stainless
Cage & Set Screw: AISI 302 Stainless
Balls: AISI 440C Stainless
Seals: Rubber & AISI 302 Stainless
Grease: USDA H-1, Mobile FM222
Collar: 304 Stainless



Part No.	Shaft Size d		Dimensions (mm) (in)									Bearing No.	Housing No.	Wt. kg
	mm	in	A	B	C	D	E	F	G	H	L			
SHCSP201-8		1/2	126	38	15.1	33.3	95	65.1	11	17.5	45.6	SHC201-8	SP204	0.8
SHCSP202-10		5/8	5.0	1.50	0.59	1.312	3.75	2.56	0.43	0.68	1.80	SHC202-10		
SHCSP204-20MM	20		126	38	15.1	33.3	95	65.1	11	17.5	45.6	SHC204-20MM	SP204	0.8
SHCSP204-12		3/4	5.0	1.50	0.59	1.312	3.75	2.56	0.43	0.68	1.80	SHC204-12		
SHCSP205-25MM	25		140	38	16	36.5	105	70	12.9	17.9	45.9	SHC205-25MM	SP205	1.0
SHCSP205-14		7/8	5.5	1.50	0.63	1.437	4.13	2.76	0.5	0.70	1.81	SHC205-14		
SHCSP205-5		15/16										SHC205-15		
SHCSP205-16		1										SHC205-16		
SHCSP206-30MM	30		165	48	18	42.9	121	83	14.3	21	54.1	SHC206-30MM	SP206	1.6
SHCSP206-18		1-1/8	6.5	1.89	0.70	1.687	4.75	3.26	0.56	0.82	2.13	SHC206-18		
SHCSP206-19		1-3/16										SHC206-19		
SHCSP206-20		1-1/4										SHC206-20		
SHCSP207-35MM	35		167	48	19	47.6	127	94	14.3	22	56.3	SHC207-35MM	SP207	2.0
SHCSP207-20		1-1/4	6.6	1.89	0.75	1.875	5.00	3.70	0.56	0.86	2.22	SHC207-20		
SHCSP207-22		1-3/8										SHC207-22		
SHCSP207-23		1-7/16										SHC207-23		
SHCSP208-40MM	40		184	54	19	49.2	136.5	100	14.3	22	61.9	SHC208-40MM	SP208	2.5
SHCSP208-24		1-1/2	7.25	2.13	0.75	1.937	5.38	3.94	0.56	0.86	2.44	SHC208-24		
SHCSP209-45MM	45		190	54	20	54	146	109	15	21	61.9	SHC209-45MM	SP209	2.8
SHCSP209-28		1-3/4	7.48	2.13	0.79	2.125	5.75	4.29	0.59	0.83	2.44	SHC209-28		
SHCSP210-50MM	50		206	60	22	57.2	159	114	18	24	68.1	SHC210-50MM	SP210	3.5
SHCSP210-31		1-15/16	8.11	2.36	0.87	2.250	6.26	4.49	0.71	0.94	2.68	SHC210-31		
SHCSP210-32		2										SHC210-32		
SHCSP211-55MM	55		219	60	23	63.5	171	126	20	25	73.6	SHC211-50MM	SP211	4.0
SHCSP211-32		1-7/8	8.62	2.36	0.91	2.50	6.73	4.96	0.79	0.98	2.90	SHC211-32		
SHCSP211-35		2-3/16										SHC211-35		
SHCSP212-60MM	60		24.1	70	25	69.8	184	138	20	25	81.8	SHC212-60MM	SP212	5.8
SHCSP212-39		2-7/16	9.5	2.75	1.10	2.75	7.24	5.43	0.79	0.98	3.22	SHC212-39		

Stainless Steel Tapped Base



SUCSPA 200 Silver Series

Stainless Steel Normal Duty Bearing

Set Screw Lock, Solid Base

Metric and Inch Bores



Housing:

AISI 304 Stainless, Solid Base

Grease Fitting: AISI 304

Bearing Insert:

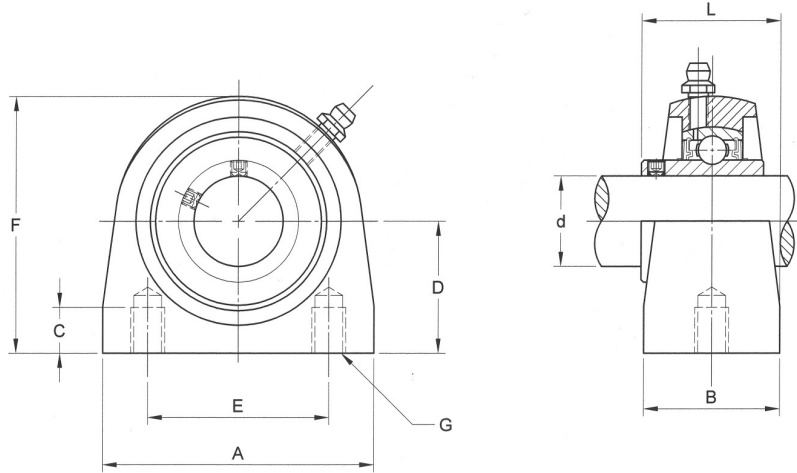
Inner & Outer Race: AISI 440C Stainless

Cage & Set Screw: AISI 302 Stainless

Balls: AISI 440C Stainless

Seals: Rubber & AISI 302 Stainless

Grease: USDA H-1, Mobile FM222



Part No.	Shaft Size d		Dimensions (mm) (in)								Bearing No.	Housing No.	Wt. kg
	mm	in	A	B	C	D	E	F	G	L			
SUCSPA201-8		1/2	73	38	13	33.3	50.8	65	—	37.3	SUC201-8	SPA204	0.8
SUCSPA202-10		5/8	2.87	1.53	0.5	1.31	2	2.56	3/8-16		SUC202-10		
SUCSPA204-20MM	20		73	38	13	33.3	50.8	65	—	37.3	SUC204-20MM	SPA204	0.8
SUCSPA204-12		3/4	2.87	1.53	0.5	1.312	2	2.56	3/8-16	1.47	SUC204-12		
SUCSPA205-25MM	25		76	38	13	36.5	50.8	71	—	38.8	SUC205-25MM	SPA205	1.0
SUCSPA205-14		7/8	3.0	1.53	0.5	1.437	2	2.79	3/8-16	1.53	SUC205-14		
SUCSPA205-15		15/16									SUC205-15		
SUCSPA205-16		1									SUC205-16		
SUCSPA206-30MM	30		102	38	16	42.9	76.2	86	—	41.2	SUC206-30MM	SPA206	1.6
SUCSPA206-18		1-1/8	4.0	1.53	0.63	1.687	3	3.38	7/16-14	1.62	SUC206-18		
SUCSPA206-19		1-3/16									SUC206-19		
SUCSPA206-20		1-1/4									SUC206-20		
SUCSPA207-35MM	35		108	48	19	47.6	82.6	95	—	49.4	SUC207-35MM	SPA207	2.0
SUCSPA207-20		1-1/4	4.25	1.89	0.75	1.875	3.25	3.74	1/2-13	1.94	SUC207-20		
SUCSPA207-22		1-3/8									SUC207-22		
SUCSPA207-23		1-7/16									SUC207-23		
SUCSPA208-40MM	40		117	48	19	49.2	88.9	100	—	54.2	SUC208-40MM	SPA208	2.5
SUCSPA208-24		1-1/2	4.60	1.89	0.75	1.937	3.50	3.94	1/2-13	2.13	SUC208-24		
SUCSPA209-45MM	45		127	51	19	54	95.3	108	—	55.7	SUC209-45MM	SPA209	2.8
SUCSPA209-28		1-3/4	5.00	2.01	0.75	2.125	3.75	4.25	1/2-13	2.19	SUC209-28		
SUCSPA210-50MM	50		140	51	22	57.2	101.6	117	—	58.1	SUC210-50MM	SPA210	3.5
SUCSPA210-31		1-15/16	5.51	2.01	0.87	2.250	4.00	4.61	5/8-11	2.29	SUC210-31		
SUCSPA210-32		2									SUC210-32		

Stainless Steel Tapped Base

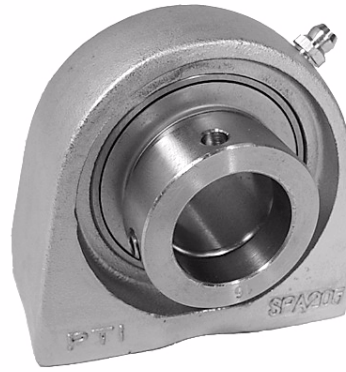


SHCSPA 200 Silver Series

Stainless Steel Normal Duty Bearing

Eccentric Lock, Solid Base

Metric and Inch Bores



Housing:

AISI 304 Stainless, Solid Base

Grease Fitting: AISI 304

Bearing Insert:

Inner & Outer Race: AISI 440C Stainless

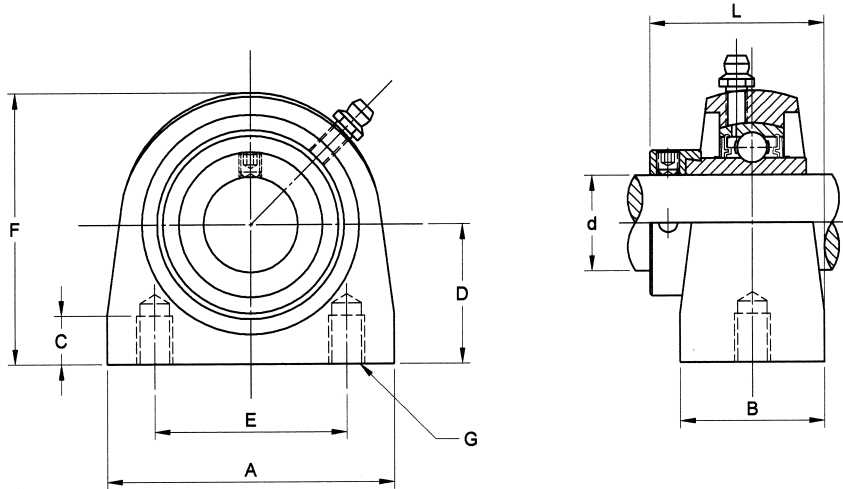
Cage & Set Screw: AISI 302 Stainless

Balls: AISI 440C Stainless

Seals: Rubber & AISI 302 Stainless

Grease: USDA H-1, Mobile FM222

Collar: AISI 304 Stainless



Part No.	Shaft Size d		Dimensions (mm) (in)								Bearing No.	Housing No.	Wt. kg
	mm	in	A	B	C	D	E	F	G	L			
SHCSPA201-8		1/2	73	38	13	33.3	50.8	65	—	45.6	SHC201-8	SPA204	0.8
SHCSPA202-10		5/8	2.87	1.53	0.5	1.312	2	2.56	3/8-16	1.80	SHC202-10		
SHCSPA204-20MM	20		73	38	13	33.3	50.8	65	—	45.6	SHC204-20MM	SPA204	0.8
SHCSPA204-12		3/4	2.87	1.53	0.5	1.312	2	2.56	3/8-16	1.80	SHC204-12		
SHCSPA205-25MM	25		76	38	13	36.5	50.8	71	—	45.9	SHC205-25MM	SPA205	1.0
SHCSPA205-14		7/8	3.0	1.53	0.5	1.437	2	2.79	3/8-16	1.81	SHC205-14		
SHCSPA205-15		15/16									SHC205-15		
SHCSPA205-16		1									SHC205-16		
SHCSPA206-30MM	30		102	38	16	42.9	76.2	86	—	49.1	SHC206-30MM	SPA206	1.6
SHCSPA206-18		1-1/8	4.0	1.53	0.63	1.687	3	3.38	7/16-14	1.93	SHC206-18		
SHCSPA206-19		1-3/16									SHC206-19		
SHCSPA206-20		1-1/4									SHC206-20		
SHCSPA207-35MM	35		108	48	19	47.6	82.6	95	—	56.3	SHC207-35MM	SPA207	2.0
SHCSPA207-20		1-1/4	4.25	1.89	0.75	1.875	3.25	3.74	1/2-13	2.22	SHC207-20		
SHCSPA207-22		1-3/8									SHC207-22		
SHCSPA207-23		1-7/16									SHC207-23		
SHCSPA208-40MM	40		117	48	19	49.2	88.9	100	—	58.9	SHC208-40MM	SPA208	2.5
SHCSPA208-24		1-1/2	4.60	1.89	0.75	1.937	3.50	3.94	1/2-13	2.32	SHC208-24		
SHCSPA209-45MM	45		127	51	19	54	95.3	108	—	60.4	SHC209-45MM	SPA209	2.8
SHCSPA209-28		1-3/4	5.00	2.01	0.75	2.125	3.75	4.25	1/2-13	2.38	SHC209-28		
SHCSPA210-50MM	50		140	51	22	57.2	101.6	117	—	63.6	SHC210-50MM	SPA210	3.5
SHCSPA210-31		1-15/16	5.51	2.01	0.87	2.250	4.00	4.61	5/8-11	2.50	SHC210-31		
SHCSPA210-32		2									SHC210-32		

Stainless Steel 4-Bolt Flange



SUCSF 200 Silver Series

Stainless Steel Normal Duty Bearing

Set Screw Lock, Solid Flange

Metric and Inch Bores



Housing:

AISI 304 Stainless, Solid Base

Grease Fitting: AISI 304

Bearing Insert:

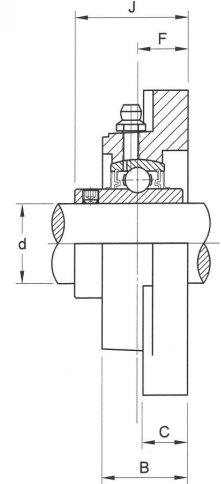
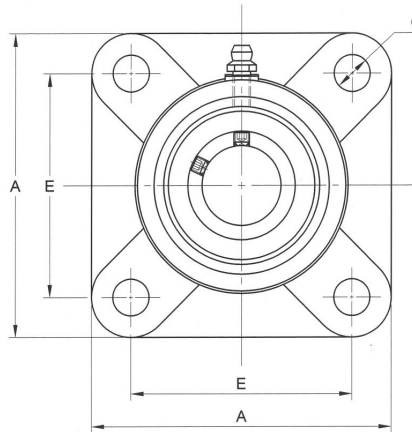
Inner & Outer Race: AISI 440C Stainless

Cage & Set Screw: AISI 302 Stainless

Balls: AISI 440C Stainless

Seals: Rubber & AISI 302 Stainless

Grease: USDA H-1, Mobile FM222



Part No.	Shaft Size d		Dimensions (mm) (in)							Bearing No.	Housing No.	Wt. kg
	mm	in	A	B	C	E	F	G	L			
SUCSF201-8		1/2	86	25.4	12.0	63.5	15.1	11	33.4	SUC201-8	SF204	0.8
SUCSF202-10		5/8	3.38	1.00	0.47	2.50	0.59	0.43	1.31	SUC202-10		
SUCSF204-20MM	20		86	25.4	12.0	63.5	15.1	11	33.4	SUC204-20MM	SF204	0.8
SUCSF204-12		3/4	3.38	1.00	0.47	2.50	0.59	0.43	1.31	SUC204-12		
SUCSF205-25MM	25		95	27	14.0	70	15.9	11.5	35.7	SUC205-25MM	SF205	1.0
SUCSF205-14		7/8	3.75	1.06	0.55	2.75	0.63	0.45	1.40	SUC205-14		
SUCSF205-15		15/16								SUC205-15		
SUCSF205-16		1								SUC205-16		
SUCSF206-30MM	30		108	30	14.0	82.5	17.9	13.1	40.1	SUC206-30MM	SF206	1.6
SUCSF206-18		1-1/8	4.25	1.18	0.55	3.25	0.7	0.51	1.57	SUC206-18		
SUCSF206-19		1-3/16								SUC206-19		
SUCSF206-20		1-1/4								SUC206-20		
SUCSF207-35MM	35		117.5	33	14.3	92	19.1	13.1	44.5	SUC207-35MM	SF207	2.0
SUCSF207-20		1-1/4	4.62	1.3	0.56	3.63	0.75	0.51	1.75	SUC207-20		
SUCSF207-22		1-3/8								SUC207-22		
SUCSF207-23		1-7/16								SUC207-23		
SUCSF208-40MM	40		130	36	14.3	101.6	21	14	51.2	SUC208-40MM	SF208	2.5
SUCSF208-24		1-1/2	5.12	1.47	0.56	4.00	0.83	0.55	2.01	SUC208-24		
SUCSF209-45MM	45		137	38	14.3	104.8	21.8	16	52	SUC209-45MM	SF209	2.8
SUCSF209-28		1-3/4	5.39	1.50	0.56	4.13	0.86	0.63	2.05	SUC209-28		
SUCSF210-50MM	50		143	39	15.1	111	21.8	16	54.3	SUC210-50MM	SF210	3.5
SUCSF210-31		1-15/16	5.63	1.54	0.59	4.37	0.86	0.63	2.14	SUC210-31		
SUCSF210-32		2								SUC210-32		
SUCSF211-55MM	55		162	43	20.5	130	25	16.0	58.4	SUC211-55MM	SF211	4.5
SUCSF211-35		2-3/16	6.38	1.69	0.81	5.12	0.98	0.63	2.30	SUC211-35		
SUCSF212-60MM	60		175	48	20	111	29	19.0	68.7	SUC212-60MM	SF212	5.4
SUCSF212-39		2-7/16	6.89	1.89	0.79	4.37	1.14	0.75	2.70	SUC212-39		

Note: Larger sizes available upon request. Larger Bearing inserts are stock.

Stainless Steel 4-Bolt Flange



SHCSF 200 Silver Series

Stainless Steel Normal Duty Bearing

Eccentric Lock Collar, Solid Flange

Metric and Inch Bores



Housing:

AISI 304 Stainless, Solid Flange

Grease Fitting: AISI 304

Bearing Insert:

Inner & Outer Race: AISI 440C Stainless

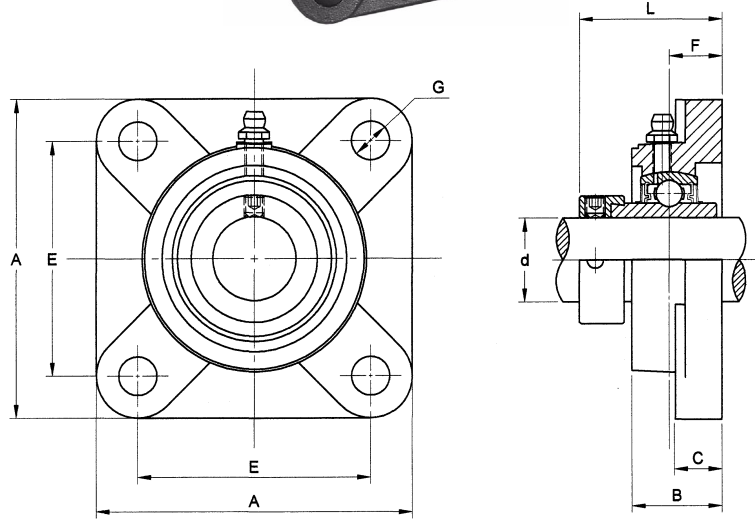
Cage & Set Screw: AISI 302 Stainless

Collar: AISI 304 Stainless

Balls: AISI 440C Stainless

Seals: Rubber & AISI 302 Stainless

Grease: USDA H-1, Mobile FM222



Part No.	Shaft Size d		Dimensions (mm) (in)							Bearing No.	Housing No.	Wt. kg
	mm	in	A	B	C	E	F	G	L			
SHCSF201-8		1/2	86	25.4	12.0	63.5	15.1	11	41.7	SHC201-8	SF204	0.8
SHCSF202-10		5/8	3.38	1.00	0.47	2.50	0.59	0.43	1.64	SHC202-10	SF204	0.8
SHCSF204-20MM	20		86	25.4	12.0	63.5	15.1	11	41.7	SHC204-20MM	SF204	0.8
SHCSF204-12		3/4	3.38	1.00	0.47	2.50	0.59	0.43	1.64	SHC204-12	SF204	0.8
SHCSF205-25MM	25		95	27	14.0	70	15.9	11.5	42.8	SHC205-25MM	SF205	1.0
SHCSF205-14		7/8	3.75	1.06	0.55	2.75	0.63	0.45	1.69	SHC205-14	SF205	1.0
SHCSF205-15		15/16								SHC205-15	SF205	1.0
SHCSF205-16		1								SHC205-16	SF205	1.0
SHCSF206-30MM	30		108	30	14.0	82.5	17.9	13.1	48.0	SHC206-30MM	SF206	1.6
SHCSF206-18		1-1/8	4.25	1.18	0.55	3.25	0.70	0.51	1.89	SHC206-18	SF206	1.6
SHCSF206-19		1-3/16								SHC206-19	SF206	1.6
SHCSF206-20		1-1/4								SHC206-20	SF206	1.6
SHCSF207-35MM	35		117.5	33	14.3	92	19.1	13.1	51.4	SHC207-35MM	SF207	2.0
SHCSF207-20		1-1/4	4.62	1.3	0.56	3.63	0.75	0.51	2.02	SHC207-20	SF207	2.0
SHCSF207-22		1-3/8								SHC207-22	SF207	2.0
SHCSF207-23		1-7/16								SHC207-23	SF207	2.0
SHCSF208-40MM	40		130	36	14.3	101.6	21	14	55.9	SHC208-40MM	SF208	2.5
SHCSF208-24		1-1/2	5.12	1.47	0.56	4.00	0.83	0.55	2.20	SHC208-24	SF208	2.5
SHCSF209-45MM	45		137	38	14.3	104.8	21.8	16	56.7	SHC209-45MM	SF209	2.8
SHCSF209-28		1-3/4	5.39	1.50	0.56	4.13	0.86	0.63	2.23	SHC209-28	SF209	2.8
SHCSF210-50MM	50		143	39	15.1	111	21.8	16	59.9	SHC210-50MM	SF210	3.5
SHCSF210-31		1-15/16	5.63	1.54	0.59	4.37	0.86	0.63	2.36	SHC210-31	SF210	3.5
SHCSF210-32		2								SHC210-32	SF210	3.5
SHCSF211-55MM	55		162	43	20.5	130	25	16	68.6	SHC211-55MM	SF211	4.5
SHCSF211-35		2-3/16	6.38	1.69	0.81	5.12	0.98	0.63	2.70	SHC211-35	SF211	4.5
SHCSF212-60MM	60		175	48	20	111	29	19	75.8	SHC212-60MM	SF212	5.4
SHCSF212-39		2-7/16	6.89	1.89	0.79	4.37	1.14	0.75	2.98	SHC212-39	SF212	5.4

Stainless Steel 2-Bolt Flange



SUCSFL 200 Silver Series

Stainless Steel Normal Duty Bearing
Set Screw Lock, Solid Base
Metric and Inch Bores

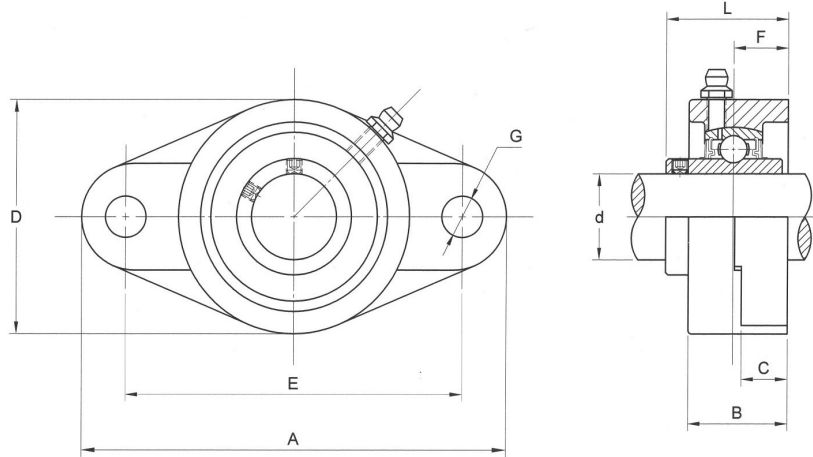


Housing:

AISI 304 Stainless, Solid Base
 Grease Fitting: AISI 304

Bearing Insert:

Inner & Outer Race: AISI 440C Stainless
 Cage & Set Screw: AISI 302 Stainless
 Balls: AISI 440C Stainless
 Seals: Rubber & AISI 302 Stainless
 Grease: USDA H-1, Mobile FM222



Part No.	Shaft Size d		Dimensions (mm) (in)								Bearing No.	Housing No.	Wt. kg
	mm	in	A	B	C	D	E	F	G	L			
SUCSFL201-8 SUCSFL202-10		1/2 5/8	4.40	1.00	0.45	2.36	3.53	0.59	0.39	1.31	SUC201-8 SUC202-10	SFL204	0.8
SUCSFL204-20MM SUCSFL204-12	20	3/4	112	25.4	11.5	60	89.7	15.1	10	33.4	SUC204-20MM SUC204-12		
SUCSFL205-25MM SUCSFL205-14 SUCSFL205-15 SUCSFL205-16	25	7/8 15/16 1	125	27	13	68	98.8	15.9	12	35.7	SUC205-25MM SUC205-14 SUC205-15 SUC205-16	SFL205	1.0
SUCSFL206-30MM SUCSFL206-18 SUCSFL206-19 SUCSFL206-20	30	1-1/8 1-3/16 1-1/4	141	30	13	80	116.7	17.9	12	40.1	SUC206-30MM SUC206-18 SUC206-19 SUC206-20	SFL206	1.6
SUCSFL207-35MM SUCSFL207-20 SUCSFL207-22 SUCSFL207-23	35	1-1/4 1-3/8 1-7/16	155.5	33	14.3	90	130.2	19.1	13	44.5	SUC207-35MM SUC207-20 SUC207-22 SUC207-23	SFL207	2.0
SUCSFL208-40MM SUCSFL208-24	40	1-1/2	171.5	36	14.3	100	143.7	21	14	51.2	SUC208-40MM SUC208-24	SFL208	2.5
SUCSFL209-45MM SUCSFL209-28	45	1-3/4	179	38	14.3	108	148.4	21.8	15	52	SUC209-45MM SUC209-28	SFL209	2.8
SUCSFL210-50MM SUCSFL210-31 SUCSFL210-32	50	1-15/16 2	179	39	15.1	115	157	21.8	15	54.4	SUC210-50MM SUC210-31 SUC210-32	SFL210	3.5
SUCSFL211-55MM SUCSFL211-32 SUCSFL211-35	55	2 2-3/16	223	43	18	129	184	25	19	58.4	SUC211-55MM SUC211-32 SUC211-35	FL211	4.0
SUCSFL212-60MM SUCSFL212-39	60	2-7/16	248	48	17	138	202	29	23	68.7	SUC212-60MM SUC212-39	FL212	5.8

Note: Larger sizes available upon request. Larger Bearings inserts are stock.

Stainless Steel 2-Bolt Flange

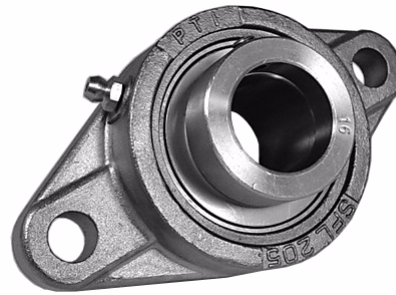


SHCSFL 200 Silver Series

Stainless Steel Normal Duty Bearing

Eccentric Lock, Solid Base

Metric and Inch Bores



Housing:

AISI 304 Stainless, Solid Base

Grease Fitting: AISI 304

Bearing Insert:

Inner & Outer Race: AISI 440C Stainless

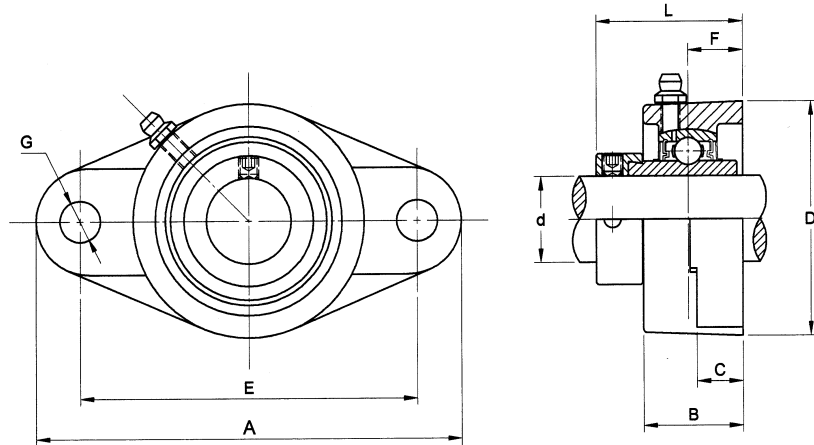
Cage & Set Screw: AISI 302 Stainless

Balls: AISI 440C Stainless

Seals: Rubber & AISI 302 Stainless

Grease: USDA H-1, Mobile FM222

Collar: AISI 304 Stainless



Part No.	Shaft Size d		Dimensions (mm) (in)								Bearing No.	Housing No.	Wt. kg
	mm	in	A	B	C	D	E	F	G	L			
SHCSFL201-8		1/2	112	25.4	11.5	60	89.7	15.1	10	41.7	SHC201-8	SFL204	0.8
SHCSFL202-10		5/8	4.40	1.00	0.45	2.36	3.53	0.59	0.39	1.64	SHC202-10		
SHCSFL204-20MM	20		112	25.4	11.5	60	89.7	15.1	10	41.7	SHC204-20MM	SFL205	1.0
SHCSFL204-12		3/4	4.40	1.00	0.45	2.36	3.53	0.59	0.39	1.64	SHC204-12		
SHCSFL205-25MM	25		125	27	13	68	98.8	15.9	12	42.8	SHC205-25MM	SFL206	1.6
SHCSFL205-14		7/8	4.92	1.06	0.51	2.67	3.89	0.63	0.47	1.69	SHC205-14		
SHCSFL205-15		15/16									SHC205-15		
SHCSFL205-16		1									SHC205-16		
SHCSFL206-30MM	30		141	30	13	80	116.7	17.9	12	48	SHC206-30MM	SFL207	2.0
SHCSFL206-18		1-1/8	5.55	1.18	0.51	3.15	4.59	0.7	0.47	1.89	SHC206-18		
SHCSFL206-19		1-3/16									SHC206-19		
SHCSFL206-20		1-1/4									SHC206-20		
SHCSFL207-35MM	35		155.5	33	14.3	90	130.2	19.1	13	51.4	SHC207-35MM	SFL208	2.5
SHCSFL207-20		1-1/4	6.12	1.30	0.56	3.54	5.12	0.75	0.50	2.02	SHC207-20		
SHCSFL207-22		1-3/8									SHC207-22		
SHCSFL207-23		1-7/16									SHC207-23		
SHCSFL208-40MM	40		171.5	36	14.3	100	143.7	21	14	55.9	SHC208-40MM	SFL209	2.8
SHCSFL208-24		1-1/2	6.75	1.42	0.56	3.94	5.66	0.83	0.55	2.20	SHC208-24		
SHCSFL209-45MM	45		179	38	14.3	108	148.4	21.8	15	56.7	SHC209-45MM	SFL210	3.5
SHCSFL209-28		1-3/4	7.05	1.50	0.56	4.25	5.84	0.86	0.59	2.23	SHC209-28		
SHCSFL210-50MM	50		179	39	15.1	115	157	21.8	15	59.9	SHC210-50MM	FL211	4.0
SHCSFL210-31		1-15/16	7.05	1.54	0.59	4.53	6.18	0.86	0.59	2.36	SHC210-31		
SHCSFL210-32		2									SHC210-32		
SHCSFL211-55MM	55		223	43	18	129	184	25	19	68.6	SHC211-55MM	FL212	5.8
SHCSFL211-32		2	8.78	1.69	0.71	5.08	7.25	0.98	0.75	2.70	SHC211-32		
SHCSFL211-35		2-3/16									SHC211-35		
SHCSFL212-60MM	60		248	48	17	138	202	29	23	75.8	SHC212-60MM		
SHCSFL212-39		2-7/16	9.76	1.89	0.67	5.43	7.95	1.14	0.90	2.98	SHC212-39		

Stainless Steel 3-Bolt Flanged Bracket



SUCSFB 200 Silver Series

Stainless Steel Normal Duty Bearing
Set Screw Lock, Solid Base
Metric and Inch Bores

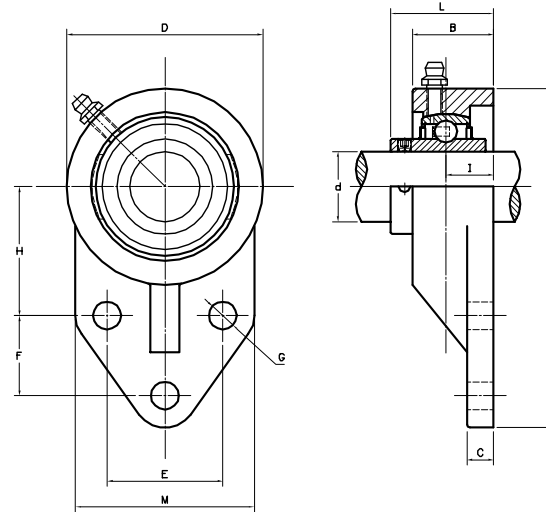


Housing:

AISI 304 Stainless, Solid Base
 Grease Fitting: AISI 304

Bearing Insert:

Inner & Outer Race: AISI 440C Stainless
 Cage & Set Screw: AISI 302 Stainless
 Balls: AISI 440C Stainless
 Seals: Rubber & AISI 302 Stainless
 Grease: USDA H-1, Mobile FM222



Part No.	Shaft Size d		Dimensions (mm) (in)											Bearing No.	Housing No..	Wt. kg
	mm	in	A	B	C	D	E	F	G	H	I	L	M			
SUCSFB201-8		1/2	108.0	25.4	8	63	38.1	22.2	9.9	42.9	16	34.3	60	SUC201-8	SFB204	0.8
SUCSFB202-10		5/8	4.25	1.00	0.31	2.48	1.50	0.87	0.39	1.69	0.63	1.35	2.36	SUC202-10		
SUCSFB204-20MM	20		108.0	25.4	8	63	38.1	22.2	9.9	42.9	16	34.3	60	SUC204-20MM	SFB204	0.8
SUCSFB204-12		3/4	4.25	1.00	0.31	2.48	1.50	0.87	0.39	1.69	0.63	1.35	2.36	SUC204-12		
SUCSFB205-25MM	25		121	29	9.5	70.0	41.3	28.6	9.9	46	17	36.8	64	SUC205-25MM	SFB205	1.0
SUCSFB205-14		7/8	4.76	1.14	0.37	2.75	1.63	1.13	0.4	1.81	0.67	1.45	2.51	SUC205-14		
SUCSFB205-15		15/16												SUC205-15		
SUCSFB205-16		1												SUC205-16		
SUCSFB206-30MM	30		137	32	9.5	83.0	47.6	31.8	9.9	52.4	19	41.2	70	SUC206-30MM	SFB206	1.6
SUCSFB206-18		1-1/8	5.39	1.25	0.37	3.27	1.87	1.25	0.39	2.06	0.75	1.62	2.75	SUC206-18		
SUCSFB206-19		1-3/16												SUC206-19		
SUCSFB206-20		1-1/4												SUC206-20		
SUCSFB207-35MM	35		156	37	13.5	95.0	50.8	31.8	13.1	60.3	21	46.4	82.5	SUC207-35MM	SFB207	2.0
SUCSFB207-20		1-1/4	6.12	1.45	0.53	3.74	2.00	1.25	0.52	2.37	0.83	1.83	3.24	SUC207-20		
SUCSFB207-22		1-3/8												SUC207-22		
SUCSFB207-23		1-7/16												SUC207-23		
SUCSFB208-40MM	40		164	34	16	100	50.8	41	11.1	60	21	51.2	78	SUC208-40MM	SFB208	2.5
SUCSFB208-24		1-1/2	6.46	1.34	0.63	3.94	2.0	1.61	0.44	2.36	0.83	2.02	3.07	SUC208-24		
SUCSFB209-45MM	45		174	34	18	106	54	42.9	11.1	65	21	51.2	80	SUC209-45MM	SFB209	2.8
SUCSFB209-28		1-3/4	6.85	1.34	0.71	4.17	2.13	1.69	0.44	2.56	0.83	2.02	3.15	SUC209-28		
SUCSFB210-50MM	50		191	38	13	118	69.9	41.3	13.1	74.6	21	53.6	102	SUC210-50MM	SFB210	3.5
SUCSFB210-31		1-15/16	7.52	1.50	0.51	4.65	2.75	1.63	0.52	2.94	0.83	2.11	4.02	SUC210-31		
SUCSFB210-32		2												SUC210-32		

Stainless Steel 3-Bolt Flanged Bracket

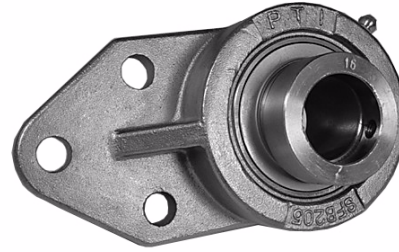


SHCSFB 200 Silver Series

Stainless Steel Normal Duty Bearing

Eccentric Lock, Solid Base

Metric and Inch Bores



Housing:

AISI 304 Stainless, Solid Base

Grease Fitting: AISI 304

Bearing Insert:

Inner & Outer Race: AISI 440C Stainless

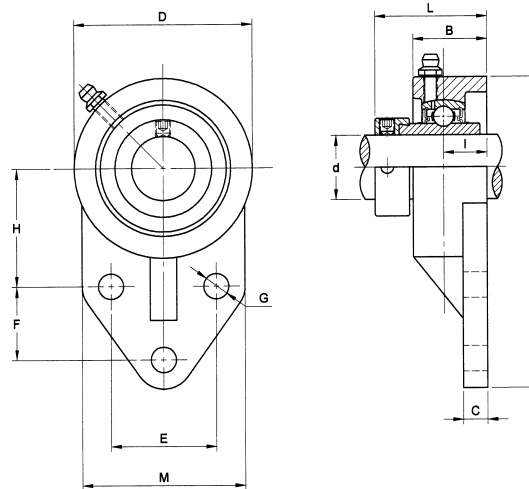
Cage & Set Screw: AISI 302 Stainless

Balls: AISI 440C Stainless

Seals: Rubber & AISI 302 Stainless

Grease: USDA H-1, Mobile FM222

Collar: AISI 304 Stainless



Part No.	Shaft Size d		Dimensions (mm) (in)											Bearing No.	Housing No..	Wt. kg
	mm	in	A	B	C	D	E	F	G	H	I	L	M			
SHCSFB201-8		1/2	108	25.4	8	63	38.1	22.2	9.9	42.9	16	42.6	60	SHC201-8	SFB204	0.8
SHCSFB202-10		5/8	4.25	1.00	0.31	2.48	1.50	0.87	0.39	1.69	0.63	1.68	2.36	SHC202-10		
SHCSFB204-20MM	20		108.0	25.4	8	63	38.1	22.2	9.9	42.9	16	42.6	60	SHC204-20MM	SFB204	0.8
SHCSFB204-12		3/4	4.25	1.00	0.31	2.48	1.50	0.87	0.39	1.69	0.63	1.68	2.36	SHC204-12		
SHCSFB205-25MM	25		121	29	9.5	70.0	41.3	28.6	9.9	46	17	43.9	64	SHC205-25MM	SFB205	1.0
SHCSFB205-14		7/8	4.76	1.14	0.37	2.75	1.63	1.13	0.4	1.81	0.67	1.73	2.51	SHC205-14		
SHCSFB205-15		15/16												SHC205-15		
SHCSFB205-16		1												SHC205-16		
SHCSFB206-30MM	30		137	32	9.5	83.0	47.6	31.8	9.9	52.4	19	49.1	70	SHC206-30MM	SFB206	1.6
SHCSFB206-18		1-1/8	5.39	1.25	0.37	3.27	1.87	1.25	0.39	2.06	0.75	1.93	2.75	SHC206-18		
SHCSFB206-19		1-3/16												SHC206-19		
SHCSFB206-20		1-1/4												SHC206-20		
SHCSFB207-35MM	35		156	37	13.5	95.0	50.8	31.8	13.1	60.3	21	53.3	82.5	SHC207-35MM	SFB207	2.0
SHCSFB207-20		1-1/4	6.12	1.45	0.53	3.74	2.00	1.25	0.52	2.37	0.83	2.10	3.24	SHC207-20		
SHCSFB207-22		1-3/8												SHC207-22		
SHCSFB207-23		1-7/16												SHC207-23		
SHCSFB208-40MM	40		164	34	16	100	50.8	41	11.1	60	21	55.9	78	SHC208-40MM	SFB208	2.5
SHCSFB208-24		1-1/2	6.46	1.34	0.63	3.94	2.0	1.61	0.44	2.36	0.83	2.20	3.07	SHC208-24		
SHCSFB209-45MM	45		174	34	18	106	54	42.9	11.1	65	21	55.9	80	SHC209-45MM	SFB209	2.8
SHCSFB209-28		1-3/4	6.85	1.34	0.71	4.17	2.13	1.69	0.44	2.56	0.83	2.20	3.15	SHC209-28		
SHCSFB210-50MM	50		191	38	13	118	69.9	41.3	13.1	74.6	21	59.1	102	SHC210-50MM	SFB210	3.5
SHCSFB210-31		1-15/16	7.52	1.50	0.51	4.65	2.75	1.63	0.52	2.94	0.83	2.33	4.02	SHC210-31		
SHCSFB210-32		2												SHC210-32		

Stainless Steel Narrow Slot Take-Up



SUCST 200 Silver Series

Stainless Steel Normal Duty Bearing

Set Screw Lock

Metric and Inch Bores



Housing:

AISI 304 Stainless

Grease Fitting: AISI 304

Bearing Insert:

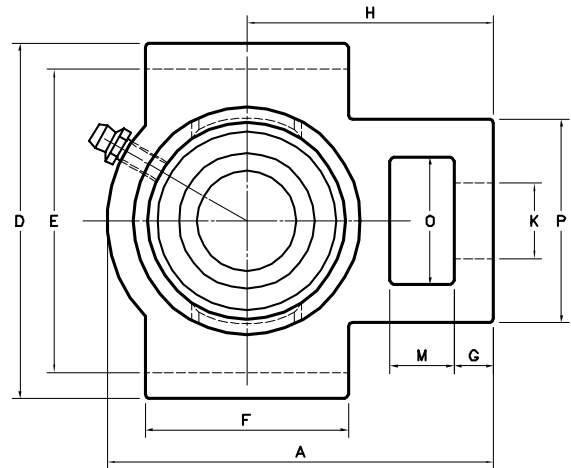
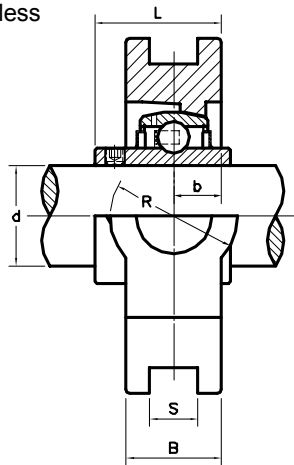
Inner & Outer Race: AISI 440C Stainless

Cage & Set Screws: AISI 302 Stainless

Balls: AISI 440C Stainless

Seals: Rubber & AISI 302 Stainless

Grease: USDA H-1, Mobile FM222



Part No.	Shaft Size d		Dimensions (mm) (in)														Bearing No.	Housing No.	Wt. kg	
	mm	in	A	B	b	D	E	F	G	H	K	L	M	O	P	R				S
SUCST201-8		1/2	3.70	0.83	0.41	3.50	2.99	2.01	0.39	2.40	0.75	1.13	0.63	1.26	2.01	1.26	0.47	SUCST201-8	ST204	1.0
SUCST202-10		5/8																SUCST202-10		
SUCST204-20MM	20		94	21	10.5	89	76	51	10	61	19	28.75	16	32	51	32	12	SUC204-20MM	ST205	1.2
SUCST204-12		3/4	3.70	0.83	0.41	3.50	2.99	2.01	0.39	2.40	0.75	1.13	0.63	1.26	2.01	1.26	0.47	SUC204-12		
SUCST205-25MM	25		97	24	12	89	76	51	10	62	19	31.78	16	32	51	32	12	SUC205-25MM	ST206	1.8
SUCST205-14		7/8	3.82	0.94	0.47	3.50	2.99	2.01	0.39	2.44	0.75	1.25	0.63	1.26	2.01	1.26	0.47	SUC205-14		
SUCST205-15		15/16																SUC205-15		
SUCST205-16		1																SUC205-16		
SUCST206-30MM	30		113	28	14	102	89	57	10	70	22	36.17	16	37	56	37	12	SUC206-30MM	ST207	2.2
SUCST206-18		1-1/8	4.45	1.10	0.55	4.02	3.50	2.24	0.39	2.76	0.87	1.42	0.63	1.46	2.20	1.46	0.47	SUC206-18		
SUCST206-19		1-3/16																SUC206-19		
SUCST206-20		1-1/4																SUC206-20		
SUCST207-35MM	35		129	30	15	102	89	64	13	78	22	40.37	16	37	64	37	12	SUC207-35MM	ST208	2.7
SUCST207-20		1-1/4	5.08	1.18	0.59	4.02	3.50	2.52	0.51	3.07	0.87	1.59	0.63	1.46	2.52	1.46	0.47	SUC207-20		
SUCST207-22		1-3/8																SUC207-22		
SUCST207-23		1-7/16																SUC207-23		
SUCST208-40MM	40		144	33	16.5	114	102	83	16	88	29	46.6	19	49	83	49	16	SUC208-40MM		
SUCST208-24		1-1/2	5.67	1.30	0.65	4.49	4.02	3.27	0.63	3.46	1.14	1.83	0.75	1.93	3.27	1.93	0.63	SUC208-24		

Stainless Steel Narrow Slot Take-Up

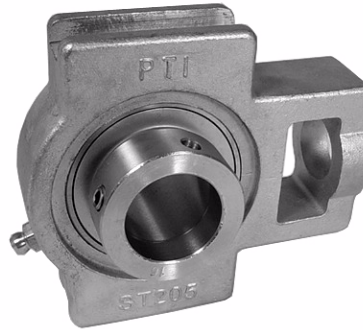


SHCST 200 Silver Series

Stainless Steel Normal Duty Bearing

Eccentric Lock

Metric and Inch Bores



Housing:

AISI 304 Stainless

Grease Fitting: AISI 304

Bearing Insert:

Inner & Outer Race: AISI 440C Stainless

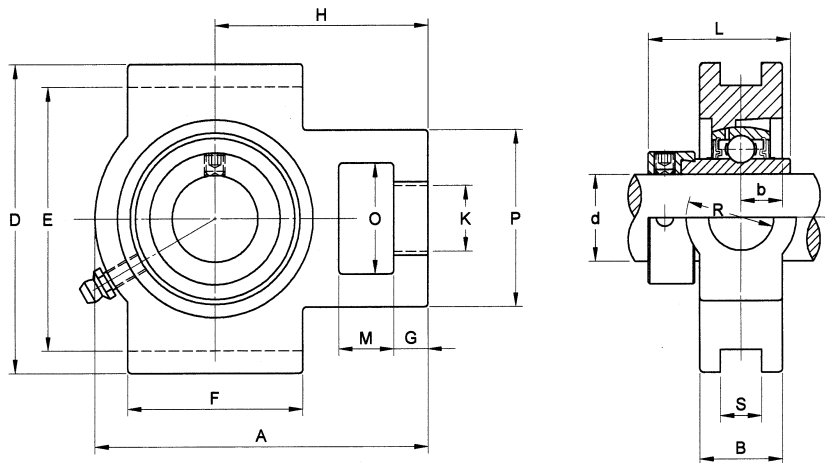
Cage & Set Screw: AISI 302 Stainless

Balls: AISI 440C Stainless

Seals: Rubber & AISI 302 Stainless

Grease: USDA H-1, Mobile FM222

Collar: AISI 304 Stainless



Part No.	Shaft Size d		Dimensions (mm) (in)														Bearing No.	Housing No.	Wt. kg	
	mm	in	A	B	b	D	E	F	G	H	K	L	M	O	P	R				S
SHCST201-8		1/2	94	21	10.5	89	76	51	10	61	19	37.1	16	32	51	32	12	SHC201-8	ST204	1.0
SHCST202-10		5/8	3.70	0.88	0.41	3.50	2.99	2.01	0.39	2.40	0.75	1.46	0.63	1.26	2.01	1.26	0.47	SHC202-10		
SHCST204-20MM	20		94	21	10.5	89	76	51	10	61	19	37.1	16	32	51	32	12	SHC204-20MM	ST204	1.0
SHCST204-12		3/4	3.70	0.83	0.41	3.50	2.99	2.01	0.39	2.40	0.75	1.46	0.63	1.26	2.01	1.26	0.47	SHC204-12		
SHCST205-25MM	25		97	24	12	89	76	51	10	62	19	3.89	16	32	51	32	12	SHC205-25MM	ST205	1.2
SHCST205-14		7/8	3.82	0.94	0.47	3.50	2.99	2.01	0.39	2.44	0.75	1.53	0.63	1.26	2.01	1.26	0.47	SHC205-14		
SHCST205-15		15/16																SHC205-15		
SHCST205-16		1																SHC205-16		
SHCST206-30MM	30		113	28	14	102	89	57	10	70	22	44.1	16	37	56	37	12	SHC206-30MM	ST206	1.8
SHCST206-18		1-1/8	4.45	1.10	0.55	4.02	3.50	2.24	0.39	2.76	0.87	1.74	0.63	1.46	2.20	1.46	0.47	SHC206-18		
SHCST206-19		1-3/16																SHC206-19		
SHCST206-20		1-1/4																SHC206-20		
SHCST207-35MM	35		129	30	15	102	89	64	13	78	22	47.3	16	37	64	37	12	SHC207-35MM	ST207	2.2
SHCST207-20		1-1/4	5.08	1.18	0.59	4.02	3.50	2.52	0.51	3.07	0.87	1.86	0.63	1.46	2.52	1.46	0.47	SHC207-20		
SHCST207-22		1-3/8																SHC207-22		
SHCST207-23		1-7/16																SHC207-23		
SHCST208-40MM	40		144	33	16.5	114	102	83	16	88	29	51.4	19	49	83	49	16	SHC208-40MM	ST208	2.7
SHCST208-24		1-1/2	5.67	1.30	0.65	4.49	4.02	3.27	0.63	3.46	1.14	2.02	0.75	1.93	3.27	1.93	0.63	SHC208-24		

Stainless Steel Piloted 4-Bolt Flange



SUCSFCS 200 Silver Series

Stainless Steel Normal Duty Bearing
Set Screw Lock, Solid Flange
Metric and Inch Bores

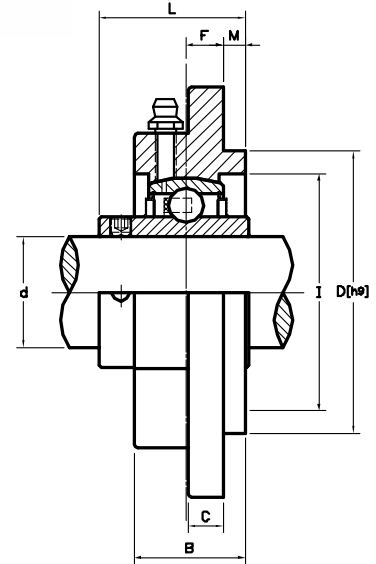
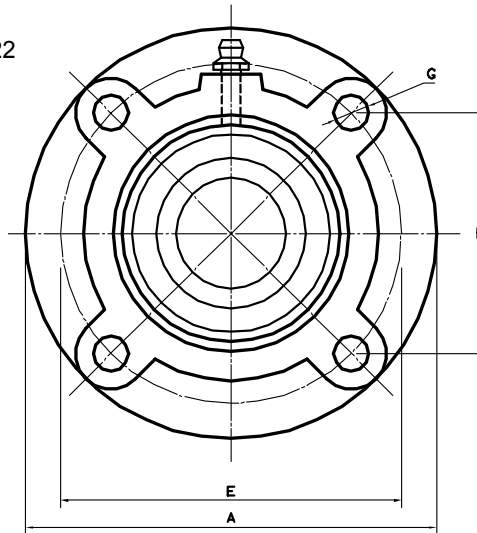


Housing:

AISI 304 Stainless, Solid Flange
 Grease Fitting: AISI 304

Bearing Insert:

Inner & Outer Race: AISI 440C Stainless
 Cage: AISI 302 Stainless
 Balls: AISI 440C Stainless
 Seals: Rubber & AISI 302 Stainless
 Set Screw: AISI 302 Stainless
 Grease: USDA H-1, Mobile FM222



Part No.	Shaft Size d		Dimensions (mm) (in)											Bearing No.	Housing No.	Wt. kg
	mm	in	A	B	C	D (hg)	E	F	G	H	I	L	M			
SUCSFCS207-35MM	35		127	31.7	9.5	85.7	104.8	8	12	74.2	76	33.4	9.5	SUC207-35MM	SFCS207	2.0
SUCSFCS207-20		1-1/4	5.00	1.25	0.37	3.375	4.13	0.31	0.47	2.92	2.99	1.31	0.37	SUC207-20		
SUCSFCS207-22		1-3/8												SUC207-22		
SUCSFCS207-23		1-7/16												SUC207-23		
SUCSFCS208-40MM	40		133	37.3	11	92	111.1	9	12	78.5	84	39.2	11.1	SUC208-40MM	SFCS208	2.5
SUCSFCS208-24		1-1/2	5.24	1.47	0.43	3.625	4.37	0.35	0.47	3.09	3.31	1.54	0.44	SUC208-24		
SUCSFCS209-45MM	45		145	33.3	11.5	101.6	120.7	9	14	78.5	89	39.2	11.1	SUC209-45MM	SFCS209	2.8
SUCSFCS209-28		1-3/4	5.711	1.31	0.45	4.000	4.75	0.35	0.55	3.09	3.50	1.54	0.44	SUC209-28		
SUCSFCS210-50MM	50		155.6	37.3	11	108	130.2	8	14	92	97.6	40.6	11.9	SUC210-50MM	SFCS210	3.5
SUCSFCS210-31		1-15/16	6.13	1.47	0.43	4.250	5.12	0.31	0.55	3.62	3.84	1.6	0.47	SUC210-31		
SUCSFCS210-32		2												SUC210-32		
— SUCSFCS216-47	-	2-15/16	222 8.74	57 2.24	16 0.63	162 6.375	190.5 7.48	12 0.47	19 0.75	134.3 5.29	148 5.83	61.3 2.41	22 0.87	— SUCX216-47	SFCS216	5.4

Stainless Steel Piloted 4-Bolt Flange



SHCSFCS 200 Silver Series

**Stainless Steel Normal Duty Bearing
Eccentric Lock Collar, Solid Flange
Metric and Inch Bores**

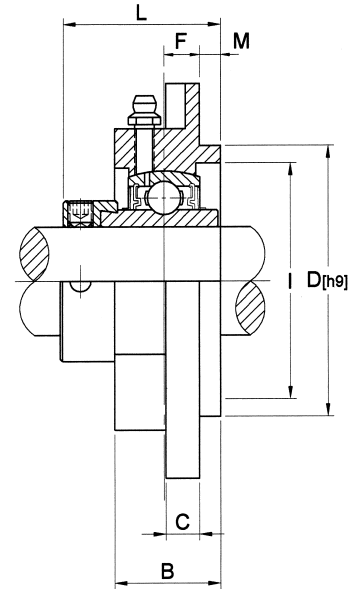
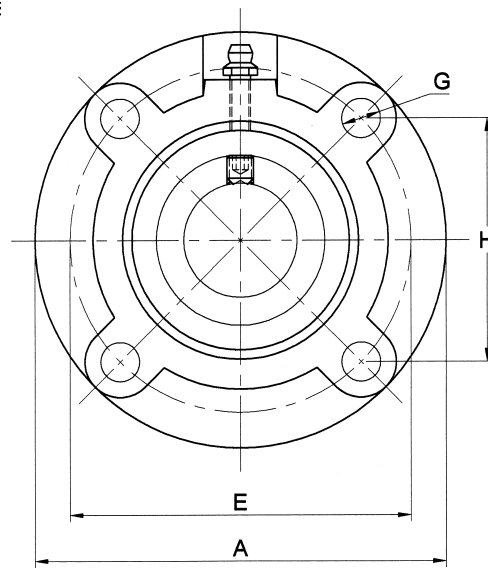


Housing:

AISI 304 Stainless, Solid Flange
Grease Fitting: AISI 304

Bearing Insert:

Inner & Outer Race: AISI 440C Stainless
Cage: AISI 302 Stainless
Collar: AISI 304 Stainless
Balls: AISI 440C Stainless
Seals: Rubber & AISI 302 Stainless
Set Screw: AISI 302 Stainless
Grease: USDA H-1, Mobile FM222



Part No.	Shaft Size d		Dimensions (mm) (in)											Bearing No.	Housing No.	Wt. kg
	mm	in	A	B	C	D (h ₉)	E	F	G	H	I	L	M			
SHCSFCS207-35MM	35		127	31.7	9.5	85.7	105	8	12	74.2	76	49.8	9.5	SHC207-35MM	SFCS207	2.0
SHCSFCS207-20		1-1/4	5.00	1.25	0.37	3.375	4.13	0.31	0.47	2.92	2.99	1.96	0.37	SHC207-20		
SHCSFCS207-22		1-3/8												SHC207-22		
SHCSFCS207-23		1-7/16												SHC207-23		
SHCSFCS208-40MM	40		133	37.3	11	92	111	9	12	78.5	84	55	11.1	SHC208-40MM	SFCS208	2.5
SHCSFCS208-24		1-1/2	5.24	1.47	0.43	3.625	4.37	0.35	0.47	3.09	3.31	2.17	0.44	SHC208-24		
SHCSFCS209-45MM	45		133	37.3	11.5	101.6	120.7	9	14.0	78.5	89	55	11.1	SHC209-45MM	SFCS209	2.8
SHCSFCS209-28		1-3/4	5.24	1.47	0.45	4.000	4.75	0.35	0.55	3.09	3.50	2.17	0.44	SHC209-28		
SHCSFCS210-50MM	50		155.6	37.3	11	108	130	8	14	92	97.6	58	11.9	SHC210-50MM	SFCS210	3.5
SHCSFCS210-31		1-15/16	6.13	1.47	0.43	4.250	5.12	0.31	0.55	3.62	3.84	2.28	0.47	SHC210-31		
SHCSFCS210-32		2												SHC210-32		

Thermoplastic Pillow Block



SUCTP 200 Silver Series

- Stainless Steel Normal Duty Bearing
- PBT White / Black Thermoplastic Housing
- Set Screw Lock, Solid Base
- Metric and Inch Bores



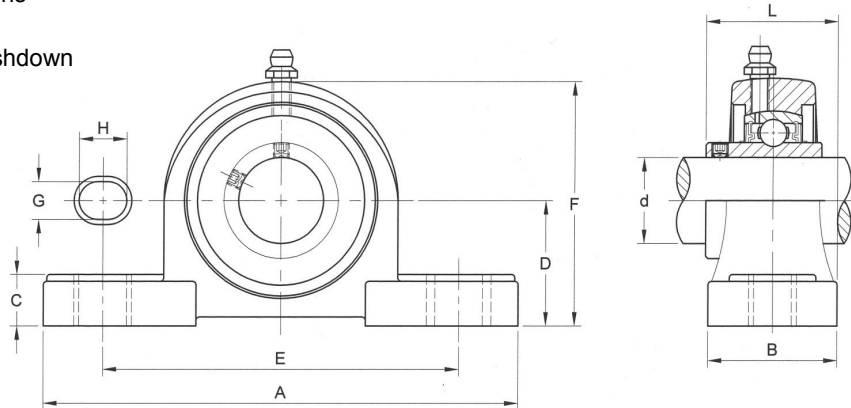
Black Housing Option

Housing:

- Material: Reinforced PBT (polybutylene terephthalate)
- Working Temperatures: -10°F to 210°F
- Interchanges with standard housing dimensions
- Sleeves and bushings are stainless steel
- Solid base, smooth housing designed for washdown
- Excellent chemical resistance
- Grease Fitting: AISI 304

Bearing Insert:

- Inner & Outer Race: AISI 440C Stainless
- Cage & Set Screw: AISI 302 Stainless
- Balls: AISI 440C Stainless
- Seals: Rubber & AISI 302 Stainless
- Grease: Mobile FM222 USDA H-1
- End covers available from stock



Part No.	Shaft Size d		Dimensions (mm) (in)									Bearing No.	Housing No.	Wt. kg
	mm	in	A	B	C	D	E	F	G	H	L			
SUCTP201-8		1/2	127	38	14.2	33.3	95	65	11	14	37.3	SUC201-8	TP204	0.3
SUCTP202-10		5/8	5.00	1.50	0.56	1.312	3.74	2.55	0.43	0.55	1.46	SUC202-10	TP204	0.3
SUCTP204-20MM	20		127	38	14.2	33.3	95	65	11	14	37.3	SUC204-20MM	TP204	0.3
SUCTP204-12		3/4	5.00	1.50	0.56	1.312	3.74	2.55	0.43	0.55	1.46	SUC204-12	TP204	0.3
SUCTP205-25MM	25		140	38	14.5	36.5	105	71	11	14	38.8	SUC205-25MM	TP205*	0.4
SUCTP205-14		7/8	5.51	1.50	0.57	1.437	4.13	2.79	0.43	0.55	1.52	SUC205-14	TP205A	
SUCTP205-15		15/16										SUC205-15		
SUCTP205-16		1										SUC205-16		
SUCTP206-30MM	30		162	46	17.8	42.9	119	83	14	18	45.2	SUC206-30MM	TP206*	0.7
SUCTP206-18		1-1/8	6.41	1.81	0.70	1.687	4.69	3.26	0.55	0.71	1.77	SUC206-18	TP206*	
SUCTP206-19		1-3/16										SUC206-19	TP206*	
SUCTP206-20		1-1/4										SUC206-20	TP206*	
SUCTP207-35MM	35		167	48	18	47.6	127	94	14	18	49.4	SUC207-35MM	TP207*	0.9
SUCTP207-20		1-1/4	6.57	1.89	0.71	1.875	5.00	3.70	0.55	0.71	1.94	SUC207-20	TP207*	
SUCTP207-22		1-3/8										SUC207-22	TP207*	
SUCTP207-23		1-7/16										SUC207-23	TP207*	
SUCTP208-40MM	40		184	54	19.5	49.2	137	98	14	18	57.2	SUC208-40MM	TP208*	1.1
SUCTP208-24		1-1/2	7.24	2.13	0.77	1.937	5.39	3.85	0.55	0.71	2.25	SUC208-24	TP208*	
SUCTP209-45MM	45		192	54	23	54	146	106	17	20	57.2	SUC209-45MM	TP209	1.3
SUCTP209-28		1-3/4	7.56	2.13	0.91	2.125	5.75	4.17	0.67	0.79	2.25	SUC209-28	TP209	
SUCTP210-50MM	50		206	60	23	57.2	159	114	17	20	62.6	SUC210-50MM	TP210	1.5
SUCTP210-31		1-15/16	8.11	2.36	0.91	2.250	6.26	4.49	0.67	0.79	2.46	SUC210-31	TP210	
SUCTP210-32		2										SUC210-32	TP210	
SUCTP211-55MM	55		219	60	23	63.5	171	126	17	20	93.4	SUC211-55MM	TP211	1.9
SUCTP211-32		2	8.62	2.36	0.91	2.50	6.73	4.96	0.67	0.79	3.68	SUC211-32	TP211	
SUCTP211-35		2-3/16										SUC211-35	TP211	
SUCTP212-60MM	60		241	70	28	69.8	184	138	17	20	109.7	SUC212-60MM	TP212	2.6
SUCTP212-39		2-7/16	9.50	2.75	1.10	2.75	7.24	5.43	0.67	0.79	4.32	SUC212-39	TP212	

Note: Larger sizes are available upon request. * Black housing also available from stock. TP205A lube fitting at 45°.

Thermoplastic Pillow Block



SHCTP 200 Silver Series

Stainless Steel Normal Duty Bearing
PBT White / Black Thermoplastic Housing
Eccentric Lock Collar, Solid Base
Metric and Inch Bores



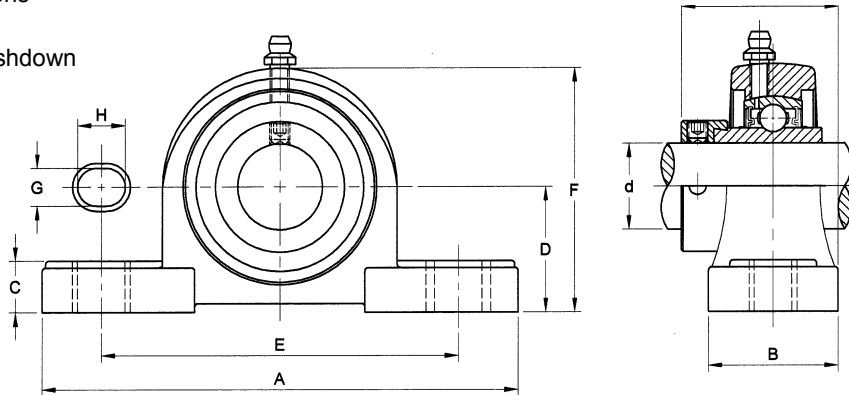
Black Housing Option

Housing:

Material: Reinforced PBT (polybutylene terephthalate)
 Working Temperatures: -10°F to 210°F
 Interchanges with standard housing dimensions
 Sleeves and bushings are stainless steel
 Solid base, smooth housing designed for washdown
 Excellent chemical resistance
 Grease Fitting: AISI 304

Bearing Insert:

Inner & Outer Race: AISI 440C Stainless
 Cage & Set Screw: AISI 302 Stainless
 Collar: AISI 304 Stainless
 Balls: AISI 440C Stainless
 Seals: Rubber & AISI 302 Stainless
 Grease: Mobile FM222 USDA H-1
 End covers available from stock



Part No.	Shaft Size d		Dimensions (mm) (in)									Bearing No.	Housing No.	Wt. kg
	mm	in	A	B	C	D	E	F	G	H	L			
SHCTP201-8		1/2	127	38	14.2	33.3	95	65	11	14	45.6	SHC201-8	TP204	0.3
SHCTP202-10		5/8	5.00	1.50	0.26	1.312	3.74	2.55	0.43	0.55	1.80	SHC202-10	TP204	0.3
SHCTP204-20MM	20		127	38	14.2	33.3	95	65	11	14	45.6	SHC204-20MM	TP204	0.3
SHCTP204-12		3/4	5.00	1.50	0.56	1.312	3.74	2.55	0.43	0.55	1.80	SHC204-12		
SHCTP205-25MM	25		140	38	14.5	36.5	105	71	11	14	45.9	SHC205-25MM		
SHCTP205-14		7/8	5.51	1.50	0.57	1.437	4.13	2.79	0.43	0.55	1.81	SHC205-14	TP205*	0.4
SHCTP205-15		15/16										SHC205-15	TP205A	
SHCTP205-16		1										SHC205-16		
SHCTP206-30MM	30		162	46	17.8	42.9	119	83	14	18	53.1	SHC206-30MM		
SHCTP206-18		1-1/8	6.41	1.81	0.70	1.687	4.69	3.26	0.55	0.71	2.09	SHC206-18	TP206*	0.7
SHCTP206-19		1-3/16										SHC206-19		
SHCTP206-20		1-1/4										SHC206-20		
SHCTP207-35MM	35		167	48	18	47.6	127	94	14	18	56.3	SHC207-35MM		
SHCTP207-20		1-1/4	6.57	1.89	0.71	1.875	5.00	3.70	0.55	0.71	2.22	SHC207-20	TP207*	0.9
SHCTP207-22		1-3/8										SHC207-22		
SHCTP207-23		1-7/16										SHC207-23		
SHCTP208-40MM	40		184	54	19.5	49.2	137	98	14	18	61.9	SHC208-40MM	TP208*	1.1
SHCTP208-24		1-1/2	7.24	2.13	0.77	1.937	5.39	3.85	0.55	0.71	2.44	SHC208-24		
SHCTP209-45MM	45		192	54	23	54	146	106	17	20	61.9	SHC209-45MM	TP209	1.3
SHCTP209-28		1-3/4	7.56	2.13	0.91	2.125	5.75	4.17	0.67	0.79	2.44	SHC209-28		
SHCTP210-50MM	50		206	60	23	57.2	159	114	17	20	68.1	SHC210-50MM		
SHCTP210-31		1-15/16	8.11	2.36	0.91	2.250	6.26	4.49	0.67	0.79	2.68	SHC210-31	TP210	1.5
SHCTP210-32		2										SHC210-32		
SHCTP211-55MM	55		219	60	23	63.5	171	126	17	20	73.6	SHC211-55MM		
SHCTP211-32		2	8.62	2.36	0.91	2.50	6.73	4.96	0.67	0.79	2.90	SHC211-32	TP211	1.9
SHCTP211-35		2-3/16										SHC211-35		
SHCTP212-60MM	60		241	70	28	69.8	184	138	17	20	81.8	SHC212-60MM	TP212	2.6
SHCTP212-39		2-7/16	9.50	2.75	1.10	2.75	7.24	5.43	0.67	0.79	3.22	SHC212-39		

Note: Larger sizes are available upon request. * Black housing also available from stock. TP205A Lube Fitting at 45°.

Thermoplastic Tapped Base



SUCTTB 200 Silver Series

Stainless Steel Normal Duty Bearing

PBT Thermoplastic Housing

Set Screw Lock, Solid Base

Metric and Inch Bores



Housing:

Material: Reinforced PBT (polybutylene terephthalate)

Working Temperatures: -10°F to 210°F

Interchanges with standard housing dimensions

Sleeves and bushings are stainless steel

Solid base, smooth housing designed for washdown

Excellent chemical resistance

Grease Fitting: AISI 304

Bearing Insert:

Inner & Outer Race: AISI 440C Stainless

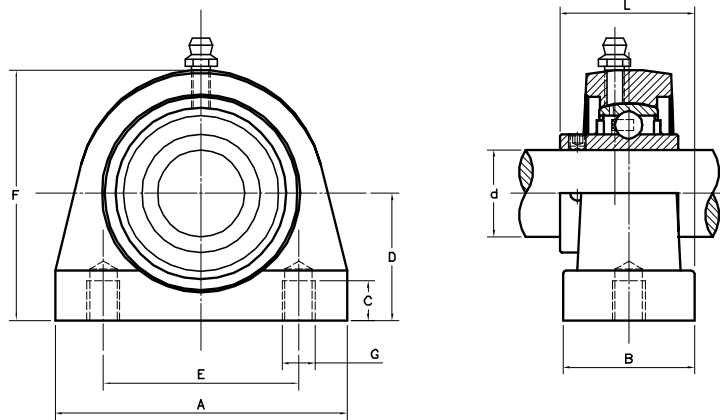
Cage & Set Screw: AISI 302 Stainless

Balls: AISI 440C Stainless

Seals: Rubber & AISI 302 Stainles

Grease: Mobile FM222 USDA H-1

End covers available from stock



Part No.	Shaft Size d		Dimensions (mm) (in)								Bearing No.	Housing No.	Wt. kg
	mm	in	A	B	C	D	E	F	G	L			
SUCTTB201-8		1/2	72.8	34.5	10	33.3	50.8	66	-	35.6	SUC201-8	TTB204	0.3
SUCTTB202-10		5/8	2.87	1.36	0.39	1.32	2.0	2.60	3/8-16	1.40	SUC202-10	TTB204	0.3
SUCTTB204-20MM	20		72.8	34.5	10	33.3	50.8	66	-	35.6	SUC204-20MM	TTB204	0.3
SUCTTB204-12		3/4	2.87	1.36	0.39	1.132	2.0	2.60	3/8-16	1.40	SUC204-12		
SUCTTB205-25MM	25		76.2	39.5	13	36.5	50.8*	73.5	-	39.6	SUC205-25MM		
SUCTTB205-14		7/8	3.0	1.56	0.51	1.437	2.0	2.89	3/8-16	1.56	SUC205-14	TTB205*	0.4
SUCTTB205-15		15/16									SUC205-15		
SUCTTB205-16		1									SUC205-16		
SUCTTB206-30MM	30		101	42.5	13	42.9	76.2	84	-	43.5	SUC206-30MM		
SUCTTB206-18		1-1/8	3.98	1.67	0.51	1.687	3	3.31	7/16-14	1.71	SUC206-18	TTB206	0.7
SUCTTB206-19		1-3/16									SUC206-19		
SUCTTB206-20		1-1/4									SUC206-20		
SUCTTB207-35MM	35		110	47.5	13	47.6	82.6	95	-	49.2	SUC207-35MM		
SUCTTB207-20		1-1/4	4.33	1.87	0.51	1.875	3.25	3.74	1/2-13	1.94	SUC207-20	TTB207	0.9
SUCTTB207-22		1-3/8									SUC207-22		
SUCTTB207-23		1-7/16									SUC207-23		
SUCTTB208-40MM	40		120	48	15	49.2	88.9	100.5	-	54.2	SUC208-40MM	TTB208	1.1
SUCTTB208-24		1-1/2	4.72	1.89	0.59	1.937	3.50	3.96	1/2-13	2.13	SUC208-24		
SUCTTB209-45MM	45		124	50	19	54	95.3	108.5	-	55.2	SUC209-45MM	TTB209	1.3
SUCTTB209-28		1-3/4	4.89	1.97	0.75	2.125	3.75	4.27	1/2-13	2.17	SUC209-28		
SUCTTB210-50MM	50		135	54	22	57.2	101.6	115	-	59.6	SUC210-50MM	TTB210	1.5
SUCTTB210-31		1-15/16	5.31	2.13	0.87	2.250	4.00	4.53	5/8-11	2.35	SUC210-31		
SUCTTB210-32		2									SUC210-32		

Note: TPA205X Housing size with 56mm or 2-13/64" bolt centers also stocked. Larger sizes available upon request.

Thermoplastic Tapped Base



SHCTTB 200 Silver Series

Stainless Steel Normal Duty Bearing

PBT Thermoplastic Housing

Eccentric Lock Collar, Solid Base

Metric and Inch Bores



Housing:

Material: Reinforced PBT (polybutylene terephthalate)

Working Temperatures: -10°F to 210°F

Interchanges with standard housing dimensions

Sleeves and bushings are stainless steel

Solid base, smooth housing designed for washdown

Excellent chemical resistance

Grease Fitting: AISI 304

Bearing Insert:

Inner & Outer Race: AISI 440C Stainless

Cage & Set Screw: AISI 302 Stainless

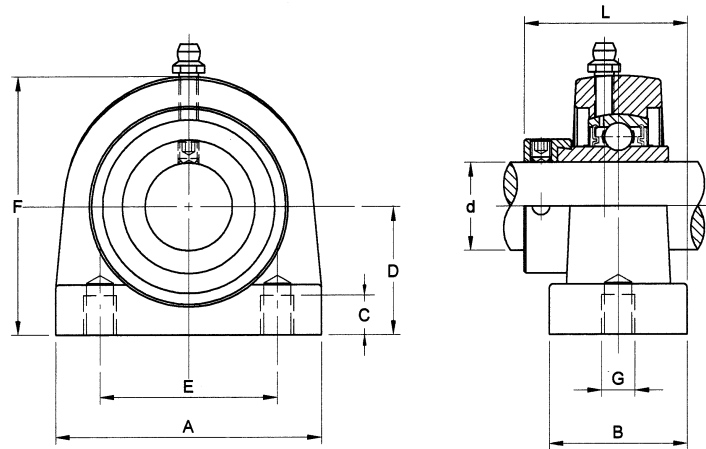
Collar: AISI 304 Stainless

Balls: AISI 440C Stainless

Seals: Rubber & AISI 302 Stainless

Grease: Mobile FM222 USDA H-1

End covers available from stock



Part No.	Shaft Size d		Dimensions (mm) (in)								Bearing No.	Housing No.	Wt. kg
	mm	in	A	B	C	D	E	F	G	L			
SHCTTB201-8		1/2	72.8	34.5	10	33.3	50.8	66	-	43.85	SHC201-8	TTB204	0.3
SHCTTB202-10		5/8	2.87	1.36	0.39	1.32	2.0	2.60	3/8-16	1.73	SHC202-10		
SHCTTB204-20MM	20		72.8	34.5	10	33.3	50.8	66	-	43.85	SHC204-20MM	TTB204	0.3
SHCTTB204-12		3/4	2.87	1.36	0.39	1.132	2.0	2.60	3/8-16	1.73	SHC204-12		
SHCTTB205-25MM	25		76.2	39.5	13	36.5	50.8*	73.5	-	46.65	SHC205-25MM	TTB205*	0.4
SHCTTB205-14		7/8	3.0	1.56	0.51	1.437	2.0	2.89	3/8-16	1.84	SHC205-14		
SHCTTB205-15		15/16									SHC205-15		
SHCTTB205-16		1									SHC205-16		
SHCTTB206-30MM	30		101	42.5	13	42.9	76.2	84	-	51.35	SHC206-30MM	TTB206	0.7
SHCTTB206-18		1-1/8	3.98	1.67	0.51	1.687	3	3.31	7/16-14	2.02	SHC206-18		
SHCTTB206-19		1-3/16									SHC206-19		
SHCTTB206-20		1-1/4									SHC206-20		
SHCTTB207-35MM	35		110	47.5	13	47.6	82.6	95	-	56.05	SHC207-35MM	TTB207	0.9
SHCTTB207-20		1-1/4	4.33	1.87	0.51	1.875	3.25	3.74	1/2-13	2.21	SHC207-20		
SHCTTB207-22		1-3/8									SHC207-22		
SHCTTB207-23		1-7/16									SHC207-23		
SHCTTB208-40MM	40		120	48	15	49.2	88.9	100.5	-	58.9	SHC208-40MM	TTB208	1.1
SHCTTB208-24		1-1/2	4.72	1.89	0.59	1.937	3.50	3.96	1/2-13	2.32	SHC208-24		
SHCTTB209-45MM	45		124	50	19	54	95.3	108.5	-	59.9	SHC209-45MM	TTB209	1.3
SHCTTB209-28		1-3/4	4.89	1.97	0.75	2.125	3.75	4.27	1/2-13	2.36	SHC209-28		
SHCTTB210-50MM	50		135	54	22	57.2	101.6	115	-	65.1	SHC210-50MM	TTB210	1.5
SHCTTB210-31		1-15/16	5.31	2.13	0.87	2.250	4.00	4.53	5/8-11	2.56	SHC210-31		
SHCTTB210-32		2									SHC210-32		

Note: TPA205X Housing size with 56mm or 2-13/64" bolt centers also stocked. Larger sizes available upon request.

Thermoplastic 4-Bolt Flange Units



SUCTF 200 Silver Series

- Stainless Steel Normal Duty Bearing
- PBT Thermoplastic Housing
- Set Screw Lock, Solid Base
- Metric and Inch Bores



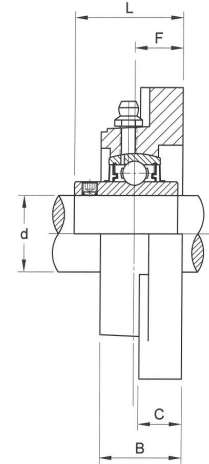
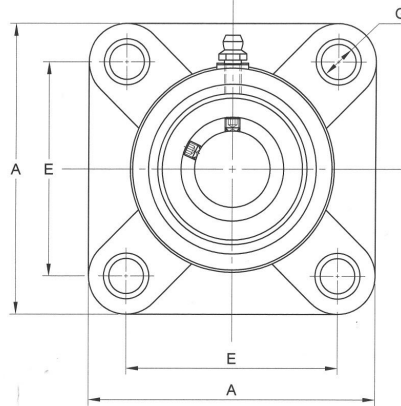
Black Housing Option

Housing:

- Material: Reinforced PBT (polybutylene terephthalate)
- Working Temperatures: -10°F to 210°F
- Interchanges with standard housing dimensions
- Sleeves and bushings are stainless steel
- Solid base, smooth housing designed for washdown
- Excellent chemical resistance
- Grease Fitting: AISI 304

Bearing Insert:

- Inner & Outer Race: AISI 440C Stainless
- Cage & Set Screw: AISI 302 Stainless
- Balls: AISI 440C Stainless
- Seals: Rubber & AISI 302 Stainless
- Grease: Mobile FM222 USDA H-1
- End covers and Back covers are available from stock



Part No.	Shaft Size d		Dimensions (mm) (in)							Bearing No.	Housing No	Wt. kg
	mm	in	A	B	C	E	F	G	L			
SUCTF201-8		1/2	86	27	13.4	63.5	15	11	33.4	SUC201-8	TF204	0.3
SUCTF202-10		5/8	3.38	1.06	0.50	2.50	0.59	0.47	1.31	SUC202-10		
SUCTF204-20MM	20		86	27	13.4	63.5	15	11	33.4	SUC204-20MM	TF204	0.3
SUCTF204-12		3/4	3.38	1.06	0.50	2.50	0.59	0.47	1.31	SUC204-12		
SUCTF205-25MM	25		95	28	14.0	70	16	11	35.8	SUC205-25MM	TF205*	0.4
SUCTF205-14		7/8	3.75	1.10	0.55	2.75	0.62	0.47	1.41	SUC205-14		
SUCTF205-15		15/16								SUC205-15		
SUCTF205-16		1								SUC205-16		
SUCTF206-30MM	30		107	31	14.3	83	19.0	11	41.2	SUC206-30MM	TF206	0.7
SUCTF206-18		1-1/8	4.21	1.22	0.56	3.25	0.74	0.47	1.62	SUC206-18		
SUCTF206-19		1-3/16								SUC206-19		
SUCTF206-20		1-1/4								SUC206-20		
SUCTF207-35MM	35		117	34	16.0	92	19.0	13	44.4	SUC207-35MM	TF207	0.9
SUCTF207-20		1-1/4	4.60	1.33	0.62	3.63	0.74	0.55	1.75	SUC207-20		
SUCTF207-22		1-3/8								SUC207-22		
SUCTF207-23		1-7/16								SUC207-23		
SUCTF208-40MM	40		130	37.5	20.0	102	21	14	51.2	SUC208-40MM	TF208	1.1
SUCTF208-24		1-1/2	5.12	1.47	0.78	4.00	0.82	0.63	2.02	SUC208-24		
SUCTF209-45MM	45		137	41	19	105	22	17	52.2	SUC209-45MM	TF209	1.3
SUCTF209-28		1-3/4	5.39	1.61	0.75	4.13	0.87	0.63	2.06	SUC209-28		
SUCTF210-50MM	50		143	43	21	111	22	17	54.6	SUC210-50MM	TF210	1.5
SUCTF210-31		1-15/16	5.63	1.69	0.83	4.37	0.87	0.63	2.15	SUC210-31		
SUCTF210-32		2								SUC210-32		
SUCTF211-55MM	55		162	58.4	23	130	26	19	59.4	SUC211-55MM	TF211	2.1
SUCTF211-32		2	6.30	2.30	0.91	5.12	1.02	0.75	2.34	SUC211-32		
SUCTF211-35		2-3/16								SUC211-35		
SUCTF212-60MM	60		175	68.7	25	143	29	23	68.7	SUC212-60MM	TF212	2.5
SUCTF212-39		2-7/16	6.89	2.70	0.98	5.63	1.14	0.91	2.70	SUC212-39		

Note: * Black Housing also available from stock. Other sizes available on request.

Thermoplastic 4-Bolt Flange Units



SHCTF 200 Silver Series

- Stainless Steel Normal Duty Bearing**
- PBT Thermoplastic Housing**
- Eccentric Lock Collar, Solid Base**
- Metric and Inch Bores**



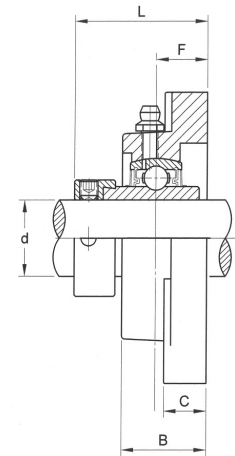
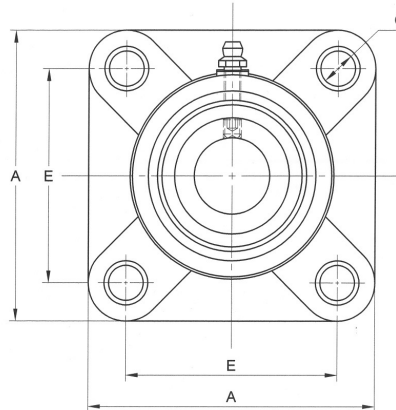
Black Housing Option

Housing:

- Material: Reinforced PBT (polybutylene terephthalate)
- Working Temperatures: -10°F to 210°F
- Interchanges with standard housing dimensions
- Sleeves and bushings are stainless steel
- Solid base, smooth housing designed for washdown
- Excellent chemical resistance
- Grease Fitting: AISI 304

Bearing Insert:

- Inner & Outer Race: AISI 440C Stainless
- Cage & Set Screw: AISI 302 Stainless
- Collar: AISI 304 Stainless
- Balls: AISI 440C Stainless
- Seals: Rubber & AISI 302 Stainless
- Grease: Mobile FM222 USDA H-1
- End covers and back covers are available from stock



Part No.	Shaft Size d		Dimensions (mm) (in)							Bearing No.	Housing No	Wt. kg
	mm	in	A	B	C	E	F	G	L			
SHCTF201-8		1/2	86	27	13.4	63.5	15	11	41.6	SHC201-8	TF204	0.3
SHCTF202-10		5/8	3.38	1.06	0.50	2.50	0.59	0.47	1.64	SHC202-10		
SHCTF204-20MM	20		86	27	13.4	63.5	15	11	41.6	SHC204-20MM	TF204	0.3
SHCTF204-12		3/4	3.38	1.06	0.50	2.50	0.59	0.47	1.64	SHC204-12		
SHCTF205-25MM	25		95	28	14.0	70	16	11	42.9	SHC205-25MM	TF205*	0.4
SHCTF205-14		7/8	3.75	1.10	0.55	2.75	0.62	0.47	1.69	SHC205-14		
SHCTF205-15		15/16								SHC205-15		
SHCTF205-16		1								SHC205-16		
SHCTF206-30MM	30		107	31	14.3	83	19.0	11	49.1	SHC206-30MM	TF206	0.7
SHCTF206-18		1-1/8	4.21	1.22	0.56	3.25	0.74	0.47	1.93	SHC206-18		
SHCTF206-19		1-3/16								SHC206-19		
SHCTF206-20		1-1/4								SHC206-20		
SHCTF207-35MM	35		117	34	16.0	92	19.0	13	51.3	SHC207-35MM	TF207	0.9
SHCTF207-20		1-1/4	4.60	1.33	0.62	3.63	0.74	0.55	2.02	SHC207-20		
SHCTF207-22		1-3/8								SHC207-22		
SHCTF207-23		1-7/16								SHC207-23		
SHCTF208-40MM	40		130	37.5	20.0	102	21	14	55.9	SHC208-40MM	TF208	1.1
SHCTF208-24		1-1/2	5.12	1.47	0.78	4.00	0.82	0.63	2.20	SHC208-24		
SHCTF209-45MM	45		137	41	19	105	22	17	56.9	SHC209-45MM	TF209	1.3
SHCTF209-28		1-3/4	5.39	1.61	0.75	4.13	0.87	0.63	2.24	SHC209-28		
SHCTF210-50MM	50		143	43	21	111	22	17	60.1	SHC210-50MM	TF210	1.5
SHCTF210-31		1-15/16	5.63	1.69	0.83	4.37	0.87	0.63	2.37	SHC210-31		
SHCTF210-32		2								SHC210-32		
SHCTF211-55MM	55		162	58.4	23	130	26	19	69.6	SHC211-55MM	TF211	2.2
SHCTF211-32		2	6.30	2.30	0.91	5.12	1.02	0.75	2.74	SHC211-32		
SHCTF211-35		2-3/16								SHC211-35		
SHCTF212-60MM	60		175	68.7	25	143	29	23	75.8	SHC212-60MM	TF212	2.7
SHCTF212-39		2-7/16	6.89	2.70	0.98	5.63	1.14	0.91	2.98	SHC212-39		

Note: Larger sizes available upon request. * Black Housing also available from stock.

Thermoplastic 2-Bolt Flange



SUCTFL 200 Silver Series

Stainless Steel Normal Duty Bearing

PBT Thermoplastic Housing

Set Screw Lock, Solid Flange

Metric and Inch Bores



Black Housing Option

Housing:

Material: Reinforced PBT (polybutylene terephthalate)

Working Temperatures: -10°F to 210°F

Interchanges with standard housing dimensions

Sleeves and bushings are stainless steel

Smooth housing designed for washdown

Excellent chemical resistance

Grease Fitting: AISI 304

Bearing Insert:

Inner & Outer Race: AISI 440C Stainless

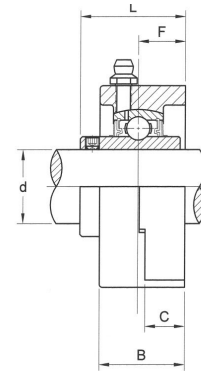
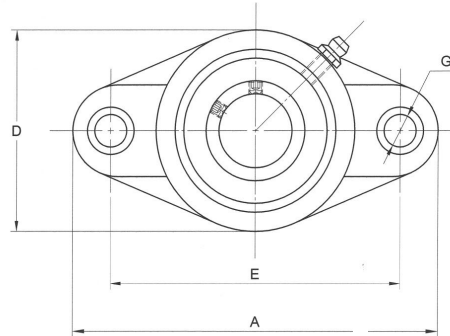
Cage & Set Screw: AISI 302 Stainless

Balls: AISI 440C Stainless

Seals: Rubber & AISI 302 Stainless

Grease: Mobile FM222 USDA H-1

End covers and back covers are available from stock



Part No.	Shaft Size d		Dimensions (mm) (in)								Bearing No.	Housing No.	Wt. kg
	mm	in	A	B	C	D	E	F	G	L			
SUCTFL201-8		1/2	113	27	13.4	64	90	15	11	33.3	SUC201-8	TFL204	0.3
SUCTFL202-10		5/8	4.44	1.06	0.52	2.51	3.54	0.59	0.43	1.31	SUC202-10	TFL204	0.3
SUCTFL204-20MM	20		113	27	13.4	64	90	15	11	33.3	SUC204-20MM	TFL204	0.3
SUCTFL204-12		3/4	4.44	1.06	0.52	2.51	3.54	0.59	0.43	1.31	SUC204-12	TFL204	0.3
SUCTFL205-25MM	25		130	29.1	13.5	68	99	16	11	35.8	SUC205-25MM	TFL205*	0.4
SUCTFL205-14		7/8	5.11	1.14	0.53	2.67	3.90	0.62	0.43	1.40	SUC205-14	TFL205*	0.4
SUCTFL205-15		15/16									SUC205-15	TFL205*	0.4
SUCTFL205-16		1									SUC205-16	TFL205*	0.4
SUCTFL206-30MM	30		148.0	31	14.3	80	117	18	11	40.2	SUC206-30MM	TFL206*	0.7
SUCTFL206-18		1-1/8	5.83	1.22	0.56	3.15	4.60	0.70	0.43	1.58	SUC206-18	TFL206*	0.7
SUCTFL206-19		1-3/16									SUC206-19	TFL206*	0.7
SUCTFL206-20		1-1/4									SUC206-20	TFL206*	0.7
SUCTFL207-35MM	35		161	34	16	90	130	19	13	44.4	SUC207-35MM	TFL207	0.9
SUCTFL207-20		1-1/4	6.33	1.33	0.62	3.54	5.12	0.74	0.50	1.74	SUC207-20	TFL207	0.9
SUCTFL207-22		1-3/8									SUC207-22	TFL207	0.9
SUCTFL207-23		1-7/16									SUC207-23	TFL207	0.9
SUCTFL208-40MM	40		175	37.5	20	100	144	21	14	51.2	SUC208-40MM	TFL208	1.1
SUCTFL208-24		1-1/2	6.88	1.48	0.79	3.94	5.67	0.82	0.55	2.01	SUC208-24	TFL208	1.1
SUCTFL209-45MM	45		189	41	21	108	149	24	17	54.2	SUC209-45MM	TFL209	1.3
SUCTFL209-28		1-3/4	7.44	1.61	0.83	4.25	5.87	0.94	0.67	2.13	SUC209-28	TFL209	1.3
SUCTFL210-50MM	50		197	43	21	115	157	25	17	57.6	SUC210-50MM	TFL210	1.5
SUCTFL210-31		1-15/16	7.76	1.69	0.83	4.53	6.18	0.94	0.67	2.27	SUC210-31	TFL210	1.5
SUCTFL210-32		2									SUC210-32	TFL210	1.5
SUCTFL211-55MM	55		224	58.4	23	129	184	26	19	59.4	SUC211-55MM	TFL211	2.0
SUCTFL211-32		2	8.81	2.30	0.91	5.08	7.24	1.02	0.75	2.34	SUC211-32	TFL211	2.0
SUCTFL211-35		2-3/16									SUC211-35	TFL211	2.0
SUCTFL212-60MM	60		250	68.7	25	138	212	29	23	68.7	SUC212-60MM	TFL212	2.5
SUCTFL212-39		2-7/16	9.84	2.70	0.98	5.43	8.35	1.14	0.91	2.70	SUC212-39	TFL212	2.5

Note: Larger sizes are available upon request. * Black Housing also available from stock, other sizes available on request.

Thermoplastic 2-Bolt Flange



SHCTFL 200 Silver Series

- Stainless Steel Normal Duty Bearing
- PBT Thermoplastic Housing
- Eccentric Lock Collar, Solid Base
- Metric and Inch Bores



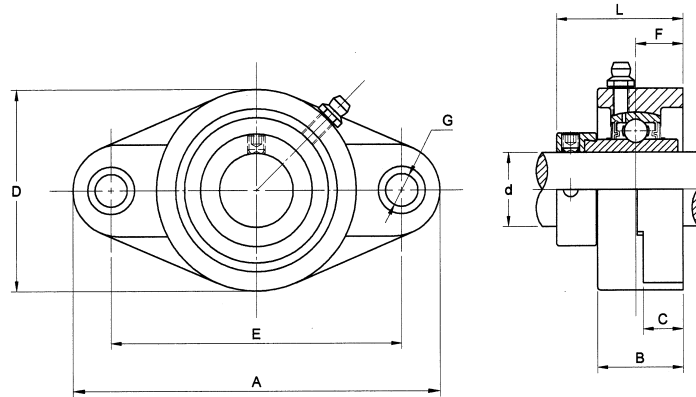
Black Housing Option

Housing:

- Material: Reinforced PBT (polybutylene terephthalate)
- Working Temperatures: -10°F to 210°F
- Interchanges with standard housing dimensions
- Sleeves and bushings are stainless steel
- Solid base, smooth housing designed for washdown
- Excellent chemical resistance
- Grease Fitting: AISI 304

Bearing Insert:

- Inner & Outer Race: AISI 440C Stainless
- Cage & Set Screw: AISI 302 Stainless
- Collar: AISI 304 Stainless
- Balls: AISI 440C Stainless
- Seals: Rubber & AISI 302 Stainless
- Grease: Mobile FM222 USDA H-1
- End covers and back covers are available from stock



Part No.	Shaft Size d		Dimensions (mm) (in)								Bearing No.	Housing No.	Wt. kg
	mm	in	A	B	C	D	E	F	G	L			
SHCTFL201-8		1/2	113	27	13.4	64	90	15	11	44.9	SHC201-8	TFL204	0.3
SHCTFL202-10		5/8	4.44	1.06	0.52	2.51	3.54	0.59	0.43	1.77	SHC202-10		
SHCTFL204-20MM	20		113	27	13.4	64	90	15	11	44.9	SHC204-20MM	TFL204	0.3
SHCTFL204-12		3/4	4.44	1.06	0.52	2.51	3.54	0.59	0.43	1.77	SHC204-12		
SHCTFL205-25MM	25		130	29.1	13.5	68	99	16	11	46.7	SHC205-25MM	TFL205*	0.4
SHCTFL205-14		7/8	5.11	1.14	0.53	2.67	3.90	0.62	0.43	1.84	SHC205-14		
SHCTFL205-15		15/16									SHC205-15		
SHCTFL205-16		1									SHC205-16		
SHCTFL206-30MM	30		148.0	31	14.3	80	117	18	11	52.3	SHC206-30MM	TFL206*	0.7
SHCTFL206-18		1-1/8	5.83	1.22	0.56	3.15	4.60	0.70	1.43	2.06	SHC206-18		
SHCTFL206-19		1-3/16									SHC206-19		
SHCTFL206-20		1-1/4									SHC206-20		
SHCTFL207-35MM	35		161	34	16	90	130	19	13	57.7	SHC207-35MM	TFL207	0.9
SHCTFL207-20		1-1/4	6.33	1.33	0.62	3.54	5.12	0.74	0.50	2.27	SHC207-20		
SHCTFL207-22		1-3/8									SHC207-22		
SHCTFL207-23		1-7/16									SHC207-23		
SHCTFL208-40MM	40		175	37.5	20	100	144	21	14	65.1	SHC208-40MM	TFL208	1.1
SHCTFL208-24		1-1/2	6.88	1.48	0.79	3.94	5.67	0.82	0.55	2.56	SHC208-24		
SHCTFL209-45MM	45		189	41	21	108	149	24	17	65.1	SHC209-45MM	TFL209	1.3
SHCTFL209-28		1-3/4	7.44	1.61	0.83	4.25	5.87	0.94	0.67	2.56	SHC209-28		
SHCTFL210-50MM	50		197	43	21	115	157	25	17	70.7	SHC210-50MM	TFL210	1.5
SHCTFL210-31		1-15/16	7.76	1.69	0.83	4.53	6.18	0.94	0.67	2.78	SHC210-31		
SHCTFL210-32		2									SHC210-32		
SHCTFL211-55MM	55		2.24	58.4	23	129	184	26	19	69.6	SHC211-55MM	TFL211	2.1
SHCTFL211-32		2	8.81	2.30	0.91	5.08	7.24	1.02	0.75	2.34	SHC211-32		
SHCTFL211-35		2-3/16									SHC211-35		
SHCTFL212-60MM	60		250	68.7	25	138	212	29	23	75.8	SHC212-60MM	TFL212	2.6
SHCTFL212-39		2-7/16	9.84	2.70	0.98	5.43	8.35	1.14	0.91	2.70	SHC212-39		

Note: Larger sizes are available upon request. * Black Housing also available from stock.

Thermoplastic 3-Bolt Flange Bracket



SUCTFB 200 Silver Series

Stainless Steel Normal Duty Bearing

PBT Thermoplastic Housing

Set Screw Lock, Solid Flange

Metric and Inch Bores



Housing:

Material: Reinforced PBT (polybutylene terephthalate)

Working Temperatures: -10°F to 210°F

Interchanges with standard housing dimensions

Sleeves and bushings are stainless steel

Smooth housing designed for washdown

Excellent chemical resistance

Grease Fitting: AISI 304

Bearing Insert:

Inner & Outer Race: AISI 440C Stainless

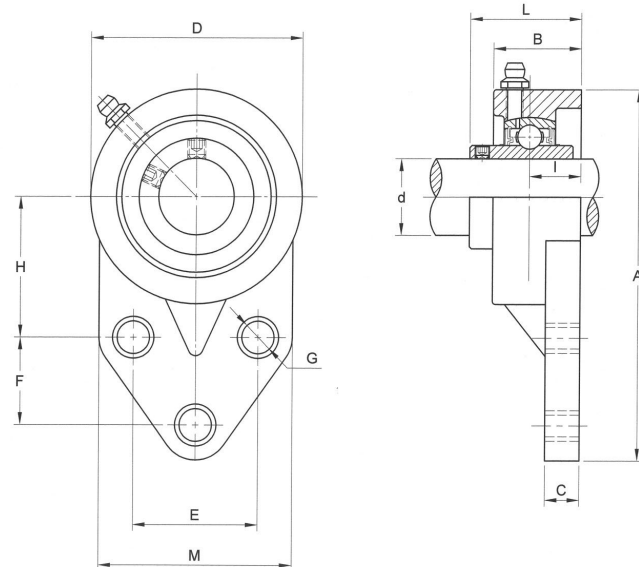
Cage & Set Screw: AISI 302 Stainless

Balls: AISI 440C Stainless

Seals: Rubber & AISI 302 Stainless

Grease: Mobile FM222 USDA H-1

End covers and back covers are available from stock



Part No.	Shaft Size d		Dimensions (mm) (in)											Bearing No.	Housing No.	Wt. kg
	mm	in	A	B	C	D	E	F	G	H	I	L	M			
SUCTFB201-8		1/2	108.0	26.5	11.4	63.5	38.1	22.2	10.7	42.9	16	34.3	62.0	SUC201-8	TFB204	0.3
SUCTFB202-10		5/8	4.25	1.04	0.45	2.50	1.50	0.87	0.42	1.69	0.63	1.35	2.44	SUC202-10		
SUCTFB204-20MM	20		108.0	26.5	11.4	63.5	38.1	22.2	10.7	42.9	16	34.3	62.0	SUC204-20MM	TFB204	0.3
SUCTFB204-12		3/4	4.25	1.04	0.45	2.50	1.50	0.87	0.42	1.69	0.63	1.35	2.44	SUC204-142		
SUCTFB205-25MM	25		121	28	11.4	70.0	41.3	28.6	10.7	46	17	36.8	63.5	SUC205-25MM	TFB205	0.4
SUCTFB205-14		7/8	4.76	1.10	0.45	2.75	1.63	1.13	0.42	1.81	0.67	1.45	2.50	SUC205-14		
SUCTFB205-15		15/16												SUC205-15		
SUCTFB205-16		1												SUC205-16		
SUCTFB206-30MM	30		138	30.5	13.3	83.0	47.6	31.8	10.7	52.4	19	41.2	76.0	SUC206-30MM	TFB206	0.7
SUCTFB206-18		1-1/8	5.43	1.20	0.51	3.25	1.870	1.25	0.42	2.06	0.75	1.62	3.00	SUC206-18		
SUCTFB206-19		1-3/16												SUC206-19		
SUCTFB206-20		1-1/4												SUC206-20		
SUCTFB207-35MM	35		156	32.0	15	95.0	50.8	31.8	13.1	60.3	21	46.4	89.0	SUC207-35MM	TFB207	0.9
SUCTFB207-20		1-1/4	6.14	1.25	0.59	3.75	2.00	1.25	0.52	2.37	0.83	1.83	3.50	SUC207-20		
SUCTFB207-22		1-3/8												SUC207-22		
SUCTFB207-23		1-7/16												SUC207-23		
SUCTFB208-40MM	40		164	35	16	100	50	41.3	13.1	66.3	21	51.2	78	SUC208-40MM	TFB208	1.1
SUCTFB208-24		1-1/2	6.46	1.48	0.63	3.94	1.97	1.63	0.52	2.73	0.83	2.02	3.07	SUC208-24		

Note: Larger sizes available upon request.

Thermoplastic 3-Bolt Flange Bracket



SHCTFB 200 Silver Series

Stainless Steel Normal Duty Bearing

PBT Thermoplastic Housing

Eccentric Lock, Solid Base

Metric and Inch Bores



Housing:

Material: Reinforced PBT (polybutylene terephthalate)

Working Temperatures: -10°F to 210°F

Interchanges with standard housing dimensions

Sleeves and bushings are stainless steel

Solid base, smooth housing designed for washdown

Excellent chemical resistance

Grease Fitting: AISI 304

Bearing Insert:

Inner & Outer Race: AISI 440C Stainless

Cage & Set Screw: AISI 302 Stainless

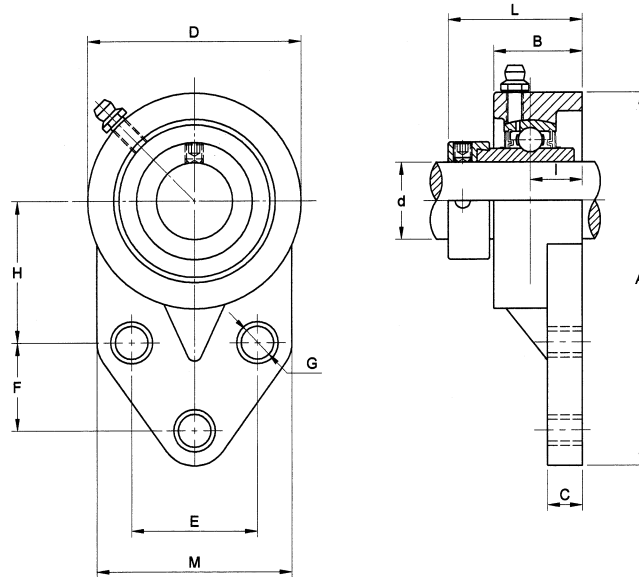
Collar: AISI 304 Stainless

Balls: AISI 440C Stainless

Seals: Rubber & AISI 302 Stainless

Grease: Mobile FM222 USDA H-1

End covers and back covers are available from stock



Part No.	Shaft Size d		Dimensions (mm) (in)											Bearing No.	Housing No.	Wt. kg
	mm	in	A	B	C	D	E	F	G	H	I	L	M			
SHCTFB201-8		1/2	108.0	26.5	11.4	63.5	38.1	22.2	10.7	42.9	16	42.6	62.0	SHC201-8	TFB204	0.3
SHCTFB202-10		5/8	4.25	1.04	0.45	2.50	1.50	0.87	0.42	1.69	0.63	1.68	2.44	SHC202-10		
SHCTFB204-20MM	20		108.0	26.5	11.4	63.5	38.1	22.2	10.7	42.9	16	42.6	62.0	SHC204-20MM	TFB204	0.3
SHCTFB204-12		3/4	4.25	1.04	0.45	2.50	1.50	0.87	0.42	1.69	0.63	1.68	2.44	SHC204-142		
SHCTFB205-25MM	25		121	28	11.4	70.0	41.3	28.6	10.7	46	17	43.9	63.5	SHC205-25MM	TFB205	0.4
SHCTFB205-14		7/8	4.76	1.10	0.45	2.75	1.63	1.13	0.42	1.81	0.67	1.73	2.50	SHC205-14		
SHCTFB205-15		15/16												SHC205-15		
SHCTFB205-16		1												SHC205-16		
SHCTFB206-30MM	30		138	30.5	13.3	83.0	47.6	31.8	10.7	52.4	19	49.1	76.0	SHC206-30MM	TFB206	0.7
SHCTFB206-18		1-1/8	5.43	1.20	0.51	3.25	1.870	1.25	0.42	2.06	0.75	1.93	3.00	SHC206-18		
SHCTFB206-19		1-3/16												SHC206-19		
SHCTFB206-20		1-1/4												SHC206-20		
SHCTFB207-35MM	35		156	32.0	15	95.0	50.8	31.8	13.1	60.3	21	53.3	89.0	SHC207-35MM	TFB207	0.9
SHCTFB207-20		1-1/4	6.14	1.25	0.59	3.75	2.00	1.25	0.52	2.37	0.83	2.10	3.50	SHC207-20		
SHCTFB207-22		1-3/8												SHC207-22		
SHCTFB207-23		1-7/16												SHC207-23		
SHCTFB208-40MM	40		164	35	16	100	50	41.3	13.1	66.3	21	55.9	78	SHC208-40MM	TFB208	1.1
SHCTFB208-24		1-1/2	6.46	1.48	0.63	3.94	1.97	1.63	0.52	2.73	0.83	2.20	3.07	SHC208-24		

Note: Larger sizes available upon request.

Thermoplastic Take-Up Units



- SUCTT 200 Silver Series**
- Stainless Steel Normal Duty Bearing**
- PBT Thermoplastis Housing**
- Set Screw Lock**
- Metric and Inch Bores**
- Narrow Slot**

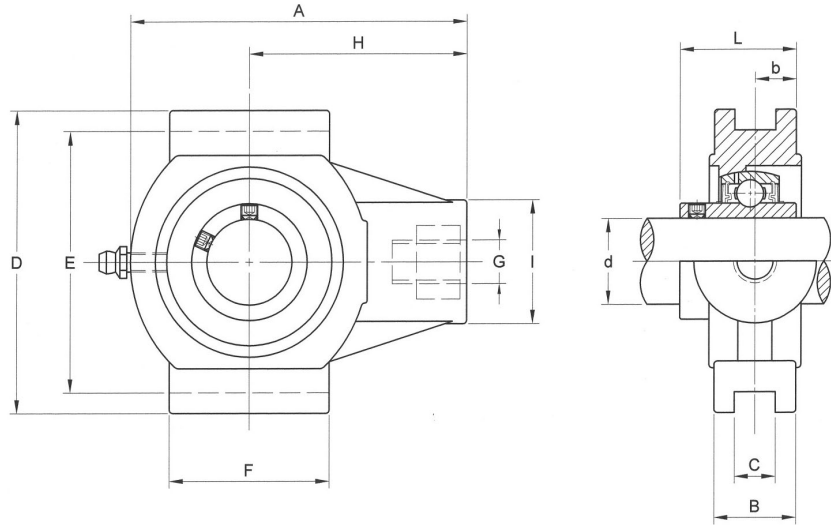


Housing:

- Material: Reinforced PBT (polybutylene terephthalate)
- Working Temperatures: -10°F to 210°F
- Interchanges with standard housing dimensions
- Sleeves and bushings are stainless steel
- Smooth housing designed for washdown
- Excellent chemical resistance
- Grease Fitting: AISI 304

Bearing Insert:

- Inner & Outer Race: AISI 440C Stainless
- Cage & Set Screw: AISI 302 Stainless
- Balls: AISI 440C Stainless
- Seals: Rubber & AISI 302 Stainless
- Grease: Mobile FM222 USDA H-1
- End covers available from stock



Part No.	Shaft Size d		Dimensions (mm) (in)											Bearing No.	Housing No. **	Wt. kg
	mm	in	A	B	b	C**	D	E	F	G*	H	I	L			
SUCTT201-8		1/2	99	24	12.7	12	88	76	47	—	64	36	31	SUC201-8	TT204	0.3
SUCTT202-10		5/8	3.90	0.94	0.50	0.47	3.46	2.99	1.85	1/2-13	2.52	1.42	1.22	SUC202-10		
SUCTT204-20MM	20		99	24	12.7	12	88	76	47	—	64	36	31	SUC204-20MM	TT204	0.3
SUCTT204-12		3/4	3.90	0.94	0.50	0.47	3.46	2.99	1.85	1/2-13	2.52	1.42	1.22	SUC204-12		
SUCTT205-25MM	25		99	24	14.3	12	88	76	47	—	64	36	34.1	SUC205-25MM	TT205	0.4
SUCTT205-14		7/8	3.90	0.94	0.56	0.47	3.46	2.99	1.85	1/2-13	2.52	1.42	1.34	SUC205-14		
SUCTT205-15		15/16												SUC205-15		
SUCTT205-16		1												SUC205-16		
SUCTT206-30MM	30		125	28	15.9	12	102	89	63	—	76	40	38.1	SUC206-30MM	TT206	0.7
SUCTT206-18		1-1/8	4.92	1.10	0.63	0.47	4.02	3.50	2.48	5/8-11	2.99	1.57	1.50	SUC206-18		
SUCTT206-19		1-3/16												SUC206-19		
SUCTT206-20		1-1/4												SUC206-20		
SUCTT207-35MM	35		125	28	17.5	12	102	89	63	—	76	40	42.9	SUC207-35MM	TT207	0.9
SUCTT207-20		1-1/4	4.92	1.10	0.69	0.47	4.02	3.50	2.48	5/8-11	2.99	1.57	1.69	SUC207-20		
SUCTT207-22		1-3/8												SUC207-22		
SUCTT207-23		1-7/16												SUC207-23		

Note: * Threaded Insert (G dimension) stocked only in inch threads. ** Wide Slot optional. Larger sizes on request.

Thermoplastic Take-Up Units



- SHCTT 200 Silver Series**
- Stainless Steel Normal Duty Bearing**
- PBT Thermoplastic Housing**
- Eccentric Lock Collar**
- Metric and Inch Bores**
- Narrow Slot**

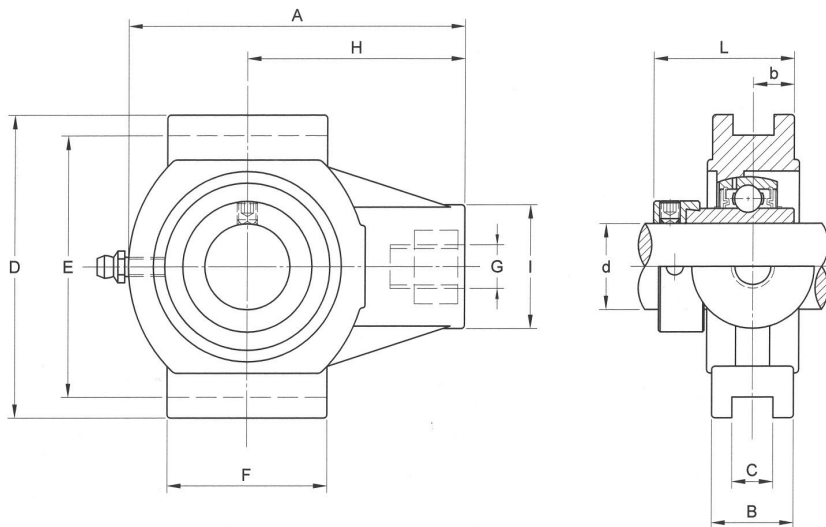


Housing:

- Material: Reinforced PBT (polybutylene terephthalate)
- Working Temperatures: -10°F to 210°F
- Interchanges with standard housing dimensions
- Sleeves and bushings are stainless steel
- Solid base, smooth housing designed for washdown
- Excellent chemical resistance
- Grease Fitting: AISI 304

Bearing Insert:

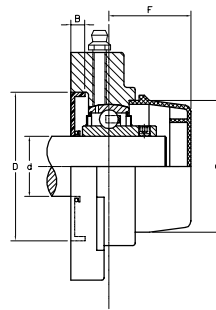
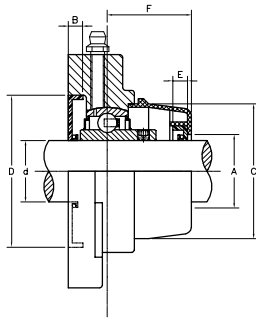
- Inner & Outer Race: AISI 440C Stainless
- Cage: AISI 302 Stainless
- Collar: AISI 304 Stainless
- Balls: AISI 440C Stainless
- Seals: Rubber & AISI 302 Stainless
- Set Screw: AISI 302 Stainless
- Grease: Mobile FM222 USDA H-1
- End covers available from stock



Part No.	Shaft Size d		Dimensions (mm) (in)											Bearing No.	Housing No.	Wt. kg
	mm	in	A	B	b	C**	D	E	F	G*	H	I	L			
SHCTT201-8		1/2	3.90	24	12	0.47	3.46	2.99	1.85	—	2.52	1.42	39.3	SHC201-8	TT204	0.3
SHCTT202-10		5/8	3.90	0.94	0.47	0.47	3.46	2.99	1.85	1/2-13	2.52	1.42	1.55	SHC202-10		
SHCTT204-20MM	20		99	24	12	12	88	76	47	—	64	36	39.3	SHC204-20MM	TT204	0.2
SHCTT204-12		3/4	3.90	0.94	0.47	0.47	3.46	2.99	1.85	1/2-13	2.52	1.42	1.55	SHC204-12		
SHCTT205-25MM	25		99	24	12	12	88	76	47	—	64	36	41.2	SHC205-25MM	TT205	0.4
SHCTT205-15		15/16	3.90	0.94	0.47	0.47	3.46	2.99	1.85	1/2-13	2.52	1.42	1.62	SHC205-15		
SHCTT205-16		1												SHC205-16		
SHCTT206-30MM	30		125	28	14	12	102	89	63	—	76	40	46.0	SHC206-30MM	TT206	0.7
SHCTT206-19		1-3/16	4.92	1.10	0.55	0.47	4.02	3.50	2.48	5/8-11	2.99	1.57	1.81	SHC206-19		
SHCTT206-20		1-1/4												SHC206-20		
SHCTT207-35MM	35		125	28	14	12	102	89	63	—	76	40	49.8	SHC207-35MM	TT207	0.9
SHCTT207-20		1-1/4	4.92	1.10	0.55	0.47	4.02	3.50	2.48	5/8-11	2.99	1.57	1.96	SHC207-20		
SHCTT207-22		1-3/8												SHC207-22		
SHCTT207-23		1-7/16												SHC207-23		

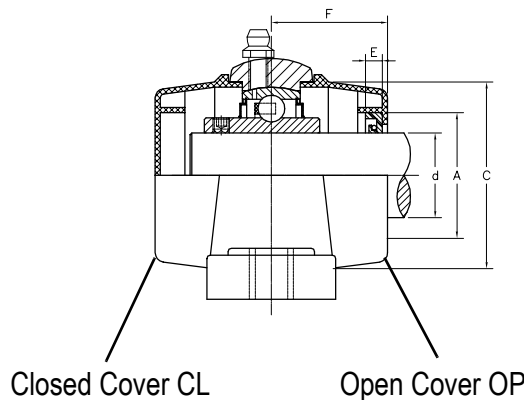
Note: * Threaded Insert (G dimension) stocked only in inch threads. ** Wide Slot optional.

PBT Covers for Thermoplastic Housings



Flange with Open Cover OP
and Back Cover BK

Flange with Closed Cover CL
and Back Cover BK

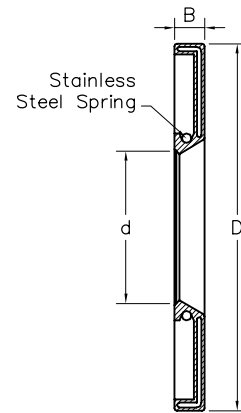


Closed Cover CL

Open Cover OP



Flange Back Cover BK



Pillow Block

Part No.	Shaft Size d		Dimensions (mm) (in)						
	mm	in	A	B	C	D	E	F (PB)	F (Flg)
PBT 204 OP PBT 204 BK PBT 204 CL	20	3/4	32 1.26	6 0.24	50 1.97	52 2.05	7 0.28	32 1.26	31 1.22
PBT 205 OP PBT 205 BK PBT 205 CL	25	7/8, 15/16, 1	37 1.46	6 0.24	55 2.17	62 2.44	7 0.28	36 1.42	33 1.30
PBT 206 OP PBT 206 BK PBT 206 CL	30	1-1/8, 1-3/16, 1-1/4	42 1.65	6 0.24	64 2.52	72 2.83	7 0.28	43 1.69	39 1.54
PBT 207 OP PBT 207 BK PBT 207 CL	35	1-1/4, 1-3/8, 1-7/16	47 1.85	6 0.24	74.5 2.93	82 3.23	7 0.28	46 1.81	42 1.65
PBT 208 OP PBT 208 BK PBT 208 CL	40	1-1/2	52 2.05	6 0.24	84 3.31	88 3.46	7 0.28	53 2.09	47 1.85
PBT 209 OP PBT 209 BK PBT 209 CL	45	1-5/8, 1-11/16, 1-3/4	57 2.24	6 0.24	89 3.50	93 3.66	7 0.28	68 2.67	63 2.48
PBT 210 OP PBT 210 BK PBT 210 CL	50	1-7/8, 1-15/16, 2	62 2.44	6 0.24	94 3.70	98 3.86	7 0.28	72 2.83	67 2.64

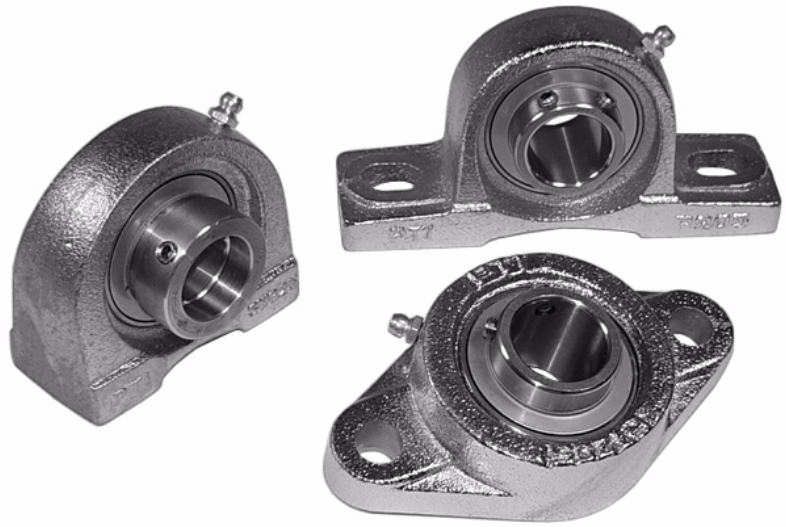
Note: Back cover may require using a SB Type insert (narrow inner ring). Pry tab on covers allows easy removal.

Nickel-Plated Housings & Stainless Inserts



Pillow Blocks, 2 & 4 Bolt Flanges, Tapped Bases

PTI stocks a variety of Nickel Plated Pillow Blocks, 2-Bolt and 4-Bolt Flange Housings, Tapped Bases, and 3-Bolt Flanged Brackets. PTI can also nickel plate any cast housing. All of our housings will accept either our Set Screw (SUC) or Eccentric Lock (SHC) Stainless Steel Insert. So listed below are just a few of the more popular units. This is an economical option for corrosion resistance. All of our Stainless Steel Bearing Inserts contain Mobile FM222 NSF H1 Food Grade Lubricant. Standard sizes shown below can be assembled from stock or per order. Dimension pages are available on the web or from our full catalog.



Shaft Size		Pillow Block Nickel Hsg. & SS Brg	2-Bolt Flange Nickel Hsg. & SS Brg	2-Bolt Flange Nickel Hsg & SS Brg	4-Bolt Flange Nickel Hsg & SS Brg
mm	in	Part No.	Part No.	Part No.	Part No.
20	3/4	SUCNP204-20MM	SUCNFT204-20MM	SUCNFL204-20MM	SUCNF204-20MM
		SUCNP204-12	SUCNFT204-12	SUCNFL204-12	SUCNF204-12
25	1	SUCNP205-25MM	SUCNFT205-25MM	SUCNFL205-25MM	SUCNF205-25MM
		SUCNP205-16	SUCNFT205-16	SUCNFL205-16	SUCNF205-16
30	1-3/16 1-1/4	SUCNP206-30MM	SUCNFT206-30MM	SUCNFL206-30MM	SUCNF206-30MM
		SUCNP206-19	SUCNFT206-19	SUCNFL206-19	SUCNF206-19
		SUCNP206-20	SUCNFT206-20	SUCNFL206-20	SUCNF206-20
35	1-1/4 1-3/8 1-7/16	SUCNP207-35MM	SUCNFT207-35MM	SUCNFL207-35MM	SUCNF207-35MM
		SUCNP207-20	SUCNFT207-20	SUCNFL207-20	SUCNF207-20
		SUCNP207-22	SUCNFT207-22	SUCNFL207-22	SUCNF207-22
		SUCNP207-23	SUCNFT207-23	SUCNFL207-23	SUCNF207-23
40	1-1/2	SUCNP208-40MM	SUCNFT208-40MM	SUCNFL208-40MM	SUCNF208-40MM
		SUCNP208-24	SUCNFT208-24	SUCNFL208-24	SUCNF208-24
45	1-3/4	SUCNP209-45MM	SUCNFT209-45MM	SUCNFL209-45MM	SUCNF209-45MM
		SUCNP209-28	SUCNFT209-28	SUCNFL209-28	SUCNF209-28
50	1-15/16 2	SUCNP210-50MM	SUCNFT210-50MM	SUCNFL210-50MM	SUCNF210-50MM
		SUCNP210-31	SUCNFT210-31	SUCNFL210-31	SUCNF210-31
		SUCNP210-32	SUCNFT210-32	SUCNFL210-32	SUCNF210-32

Note: To specify eccentric collar type inserts replace SUC with SHC.

Stainless Steel Ball Bearing Inserts



SUC 200 Silver Series

Stainless Steel Normal Duty Bearing

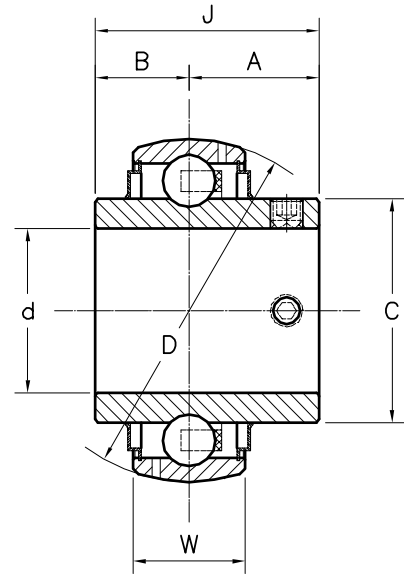
Set Screw Lock

Metric and Inch Bores

Wide Inner Ring

Bearing Insert:

- Inner & Outer Race: AISI 440C Stainless
- Cage: AISI 302 Stainless
- Balls: AISI 400C Stainless
- Seals: Rubber & AISI 302 Stainless
- Set Screws: AISI 302 Stainless
- Grease: USDA H-1, Mobile FM222



Part No.	Shaft Size d		Dimensions (mm) (in)						Basic Load Rating CN lbf	Basic Static Load Rating C _o lbf	Max rpm	Wt. kg
	mm	in	A	B	C	D	J	W				
SUC204-20MM	20		18.3	12.7	28.5	47	31	17	10560	5190	7450	0.2
SUC204-12		3/4	0.72	0.5	1.12	1.8504	1.22	0.669	2400	1180		
SUC205-25MM	25		19.8	14.3	34	52	34.1	17	11440	6290	6250	0.2
SUC205-14		7/8	0.78	0.56	1.34	2.0472	1.34	0.669	2600	1430		
SUC205-16		1										
SUC206-30MM	30		22.2	15.9	40	62	38.1	19	16280	8900	5300	0.3
SUC206-19		1-3/16	0.87	0.63	1.57	2.4409	1.5	0.748	3700	2030		
SUC206-20		1-1/4										
SUC207-35MM	35		25.4	17.5	46.7	72	42.9	20	21340	12320	4500	0.5
SUC207-20		1-1/4	1.0	0.69	1.84	2.8346	1.69	0.787	4850	2800		
SUC207-22		1-3/8										
SUC207-23		1-7/16										
SUC208-40MM	40		30.2	19	52.7	80	49.2	21	24640	14080	4000	0.7
SUC208-24		1-1/2	1.19	0.75	2.07	3.1496	1.94	0.827	5600	3200		
SUC209-45MM	45		30.2	19	57.3	85	49.2	22	27280	15840	3700	0.7
SUC209-28		1-3/4	1.19	0.75	2.26	3.3465	1.94	0.866	6200	3600		
SUC210-50MM	50		32.6	19	62.2	90	51.6	24	29920	18500	3400	0.8
SUC210-31		1-15/16	1.28	0.75	2.45	3.5433	2.03	0.945	6800	4200		
SUC210-32		2										
SUC211-55MM	55		33.4	22.2	68.8	100	55.6	25	32560	24640	3100	1.1
SUC211-32		2	1.31	0.87	2.71	3.93	2.19	0.984	7400	5600		
SUC211-35		2-3/16										
SUC212-60MM	60		39.7	25.4	75.4	110	65.1	27	39600	30360	2800	1.5
SUC212-39		2-7/16	1.56	1.00	2.97	4.3307	2.56	1.063	9000	6900		
SUC215-47	-	2-15/16	1.75	1.31	3.62	5.1181	3.06	1.26	48400	40700	2300	2.2
SUC215-48	-	3							11000	9250		

Note: Larger sizes possible. Consult PTI.

Stainless Steel Ball Bearing Inserts



SHC 200 Silver Series

Stainless Steel, Normal Duty

Eccentric Collar Lock

Metric and Inch Bores

Wide Inner Ring

Bearing Insert:

Inner & Outer Race: AISI 440C Stainless

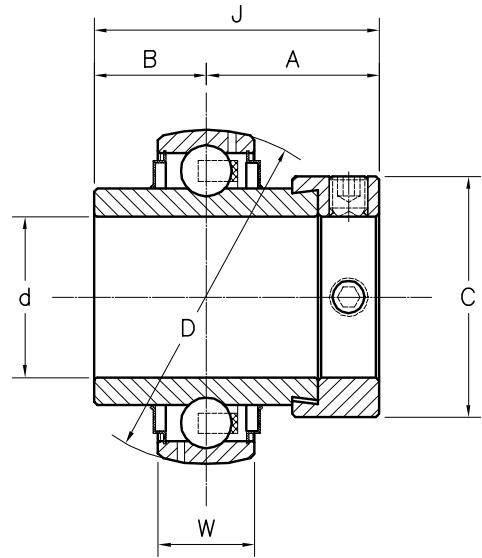
Cage & Set Screw: AISI 302 Stainless

Balls: AISI 400C Stainless

Seals: Rubber & AISI 302 Stainless

Collar: AISI 304 Stainless

Grease: USDA H-1, Mobile FM222



Part No.	Shaft Size d		Dimensions (mm) (in)						Basic Load Rating C N lbf	Basic Static Load Rating C ₀ N lbf	Max rpm	Wt. kg
	mm	in	A	B	C	D	J	W				
SHC201-8		1/2	26.6	12.7	33.3	47	39.3	17	10560	5190	7450	0.2
SHC202-10		5/8	1.05	0.50	1.31	1.850	1.55	0.67	2400	1180		
SHC204-20MM	20		26.6	12.7	33.3	47	39.3	17	10560	5190	7450	0.2
SHC204-12		3/4	1.05	0.50	1.31	1.850	1.55	0.67	2400	1180		
SHC205-25MM	25		26.9	14.3	38.1	52	41.2	17	11440	6290	6250	0.3
SHC205-14		7/8	1.06	0.56	1.50	2.047	1.62	0.67	2600	1430		
SHC205-15		15/16										
SHC205-16		1										
SHC206-30MM	30		30.1	15.9	44.5	62	46.1	19	16280	8900	5300	0.5
SHC206-18		1-1/8	1.19	0.63	1.75	2.441	1.82	0.75	3700	2030		
SHC206-19		1-3/16										
SHC206-20		1-1/4										
SHC207-35MM	35		32.3	17.5	55.6	72	49.8	20	21340	14080	4500	0.7
SHC207-20		1-1/4	1.27	0.69	2.19	2.835	1.96	0.79	4850	2800		
SHC207-22		1-3/8										
SHC207-23		1-7/16										
SHC208-40MM	40		34.9	19.0	60.3	80	53.9	21	24640	14080	4000	0.8
SHC208-24		1-1/2	1.38	0.75	2.37	3.150	2.12	0.83	5600	3200		
SHC209-45MM	45		34.9	19.0	63.5	85	53.9	22	27280	15840	3700	1.1
SHC209-26		1-5/8	1.38	0.75	2.50	3.347	2.12	0.87	6200	3600		
SHC209-27		1-11/16										
SHC209-28		1-3/4										
SHC210-50MM	50		38.1	19.0	69.9	90	57.0	24	29920	18500	3400	1.2
SHC210-30		1-7/8	1.50	0.75	2.75	3.543	2.24	0.94	6800	4200		
SHC210-31		1-15/16										
SHC210-32		2										
SHC211-55MM	55		43.6	22.2	76.2	100	65.8	25	43030	28950	3100	1.4
SHC211-32		2	1.71	.87	3.00	3.937	2.59	0.98	9780	6580		
SHC211-34		2-1/8										
SHC211-35		2-3/16										
SHC212-60MM	60		46.8	25.4	84.2	110	72.2	27	52000	35590	2800	1.8
SHC212-36		2-1/4	1.84	1.00	3.31	4.331	2.84	1.06	11800	8090		
SHC212-38		2-3/8										
SHC212-39		2-7/16										

Note: Larger sizes on request.

Metric Equivalents

mm	in.	mm	in.	mm	in.	mm	in.	mm	in.	mm	in.	mm	in.
1	0.0394	21	0.8268	41	1.6142	61	2.4016	81	3.1890	105	4.1339	205	8.0709
2	0.0787	22	0.8661	42	1.6535	62	2.4409	82	3.2283	110	4.3307	210	8.2677
3	0.1181	23	0.9055	43	1.6929	63	2.4803	83	3.2677	115	4.5276	215	8.4646
4	0.1575	24	0.9449	44	1.7323	64	2.5197	84	3.3071	120	4.7244	220	8.6614
5	0.1969	25	0.9843	45	1.7717	65	2.5591	85	3.3465	125	4.9213	225	8.8583
6	0.2362	26	1.0236	46	1.8110	66	2.5984	86	3.3858	130	5.1181	230	9.0551
7	0.2756	27	1.0630	47	1.8504	67	2.6378	87	3.4252	135	5.3150	235	9.2520
8	0.3150	28	1.1024	48	1.8898	68	2.6772	88	3.4646	140	5.5118	240	9.4488
9	0.3543	29	1.1417	49	1.9291	69	2.7165	89	3.5039	145	5.7087	245	9.6457
10	0.3937	30	1.1811	50	1.9685	70	2.7559	90	3.5433	150	5.9055	250	9.8425
11	0.4332	31	1.2205	51	2.0079	71	2.7953	91	3.5827	155	6.1024	255	10.0394
12	0.4724	32	1.2598	52	2.0472	72	2.8346	92	3.6220	160	6.2992	260	10.2362
13	0.5118	33	1.2992	53	2.0866	73	2.8740	93	3.6614	165	6.4961	265	10.4331
14	0.5512	34	1.3386	54	2.1260	74	2.9134	94	3.7008	170	6.6929	270	10.6299
15	0.5906	35	1.3780	55	2.1654	75	2.9528	95	3.7402	175	6.8898	275	10.8268
16	0.6299	36	1.4173	56	2.2047	76	2.9921	96	3.7795	180	7.0866	280	11.0236
17	0.6693	37	1.4567	57	2.2441	77	3.0315	97	3.8189	185	7.2835	285	11.2205
18	0.7087	38	1.4961	58	2.2835	78	3.0709	98	3.8583	190	7.4803	290	11.4173
19	0.7480	39	1.5354	59	2.3228	79	3.1102	99	3.8976	195	7.6772	295	11.6142
20	0.7874	40	1.5748	60	2.3622	80	3.1496	100	3.9370	200	7.8740	300	11.8110

Decimal Equivalents

1/64	0.0156	17/64	0.2656	33/64	0.5156	49/64	0.7656
1/32	0.0313	9/32	0.2813	17/32	0.5313	25/32	0.7813
3/64	0.0469	19/64	0.2969	35/64	0.5469	51/64	0.7969
1/16	0.0625	5/16	0.3125	9/16	0.5625	13/16	0.8125
5/64	0.0781	21/64	0.3281	37/64	0.5781	53/64	0.8281
3/32	0.0938	11/32	0.3438	19/32	0.5938	27/32	0.8438
7/64	0.1094	23/64	0.3594	39/64	0.6094	55/64	0.8594
1/8	0.1250	3/8	0.3750	5/8	0.6250	7/8	0.8750
9/64	0.1406	25/64	0.3906	41/64	0.6406	57/64	0.8906
5/32	0.1563	13/32	0.4063	21/32	0.6563	29/32	0.9063
11/64	0.1719	27/64	0.4219	43/64	0.6719	59/64	0.9219
3/16	0.1875	7/16	0.4375	11/16	0.6875	15/16	0.9375
13/64	0.2031	29/64	0.4531	45/64	0.7031	61/64	0.9531
7/32	0.2188	15/32	0.4688	23/32	0.7188	31/32	0.9688
15/64	0.2344	31/64	0.4844	47/64	0.7344	63/64	0.9844
1/4	0.2500	1/2	0.5000	3/4	0.7500	1	1.0000

Metric

Inch

Metric

Inch

1 Millimeter (mm)	=	0.0393701 Inch (in)	1 Kilogram (kg)	=	2.204 pounds (lb)
25.4 Millimeters (mm)	=	1 inch (in)	1 Joule (J)	=	0.7375621 Foot-Pounds (ft-lb)
1 Meter (m)	=	3.2808 (ft)	1 Square Centimeter (cm ²)	=	0.1550003 Square Inches (in ²)
1 Meter (m)	=	39.37 inches (in)	1 Cubic Meter (m ³)	=	35.31466 Cubic Feet (ft ³)
1 Newton (N)	=	0.102 Kilogram-Force (kp)	1 Kilogram per Square Centimeter (kg/cm ²)	=	14.22334 Pounds per square Inch (lb/in ²)
1 Newton (N)	=	0.2248 Pound-Force (lbf)	1 Kilogram per Meter (kg/m)	=	0.67197 Pounds per Foot (lb/ft)
1 Bar	=	100 Kilopascals (kPa)	1 U.S. Horsepower (HP)	=	0.7457 Kilowatt (kw)
1 Bar	=	14.50377 Pounds per Square Inch (lb/in ²)	1 Metric Horsepower (CV)	=	0.9863203 U.S. Horsepower (HP)

WARNING: The information provided about Product and Product Interchange in this catalog is to be used as a general reference by individuals qualified to recognize unreasonable selections. Because of the possibility of danger to person(s), and/or property as a result of accidents involving improper product use, it is important that correct installations and operating procedures be followed. Proper installation and maintenance procedures are necessary to assure safe operations under the given conditions. Guards and other safety devices may be required to meet safety codes. These are not supplied by nor are they the responsibility of P.T. International Corp.

All information provided in this catalog is provided for your convenience and was correct at the time of printing with the exception of clerical and or printing errors. Data is subject to change without notice. Pricing shall be in effect at the time of shipment.



www.ptintl.com

P.T. International Corp.
P.O. Box 411244
1817 Westinghouse Blvd. (28273)
Charlotte, NC 28241
USA

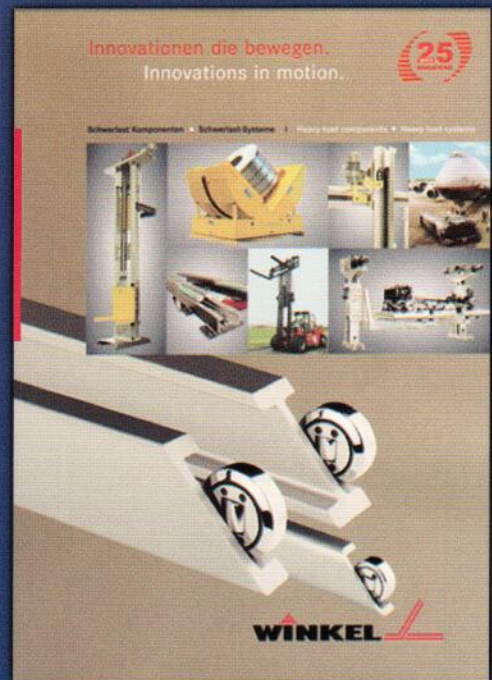
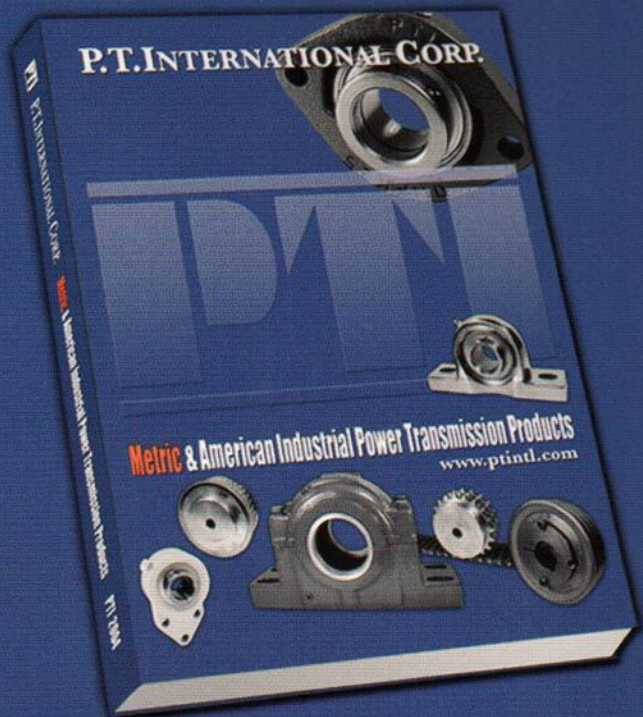
Phone:
704-588-1091
800-763-4434

After Hours Services: 704-588-1091

Fax: 704-588-5738



ISO-9001: 2000
Certified



Metric & American Industrial Power Transmission Products