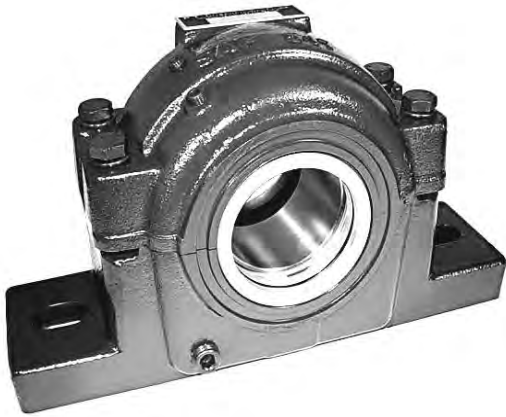


SAF Split Pillow Blocks



Features and Seal Options



LER Seals PER Seals LER-DC EPR Cover

The new PTI SAF Series Pillow Blocks include unique features, multiple seal options and are stocked in 3 different housing materials: Cast Iron, Ductile Iron and Cast Steel. These units can handle a variety of application conditions including heavy loads, high and low speeds, grease or oil lube and offer seal options for the most challenging environments. This block is extremely versatile and economical. The SAF Block has industry standard mounting and shaft center height dimensions.

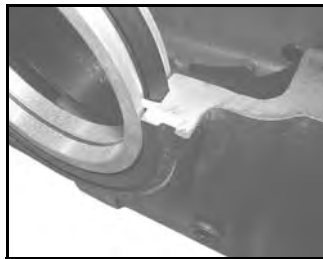
The new solid base housing is one of the most robust blocks available. The design includes an internal oil cross-port channel to ensure balanced oil levels for both sets of rollers of the spherical bearing. If high speed is a requirement, double row ball bearings can also be used. For circulation oil systems, large drain holes are standard on each side of the block. The drains accept standard oil site glasses.

Housing caps and bases are paired to ensure a controlled bearing fit; housing match marks are standard. Large pry slots help make access to the bearing easy.

The LER is a popular standard labyrinth seal for SAF blocks. The PER interchanges completely and includes an o-ring shaft seal for a snug fit on the shaft. The O-ring will cause the PER to generally spin with the shaft. The EPR end cover seals one end of the housing.



LER-DC Dust Cover/Wiper Seal can be used with both LER or PER seals. They provide an additional barrier and flinger for contaminants. The housings machined face provides for an ideal contact for the wiper seal to shroud seal area and create an additional labyrinth.

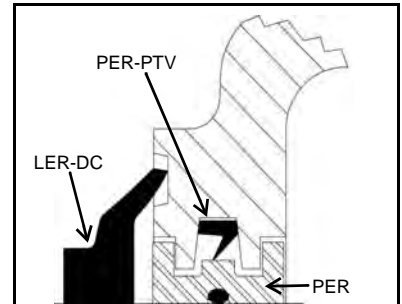


PER-PTV-ring is a lip contact seal installed over the PER and within the housing seal grooves. The PTV-ring seal allows the grease to slowly purge creating a barrier for contaminants. The lip contact seal can be reversed to also retain the grease for applications where contamination is of less concern or access for re-lube is difficult.

Seal Options:

1. LER Standard Labyrinth Seal
2. LER-DC Dust Cover/Wiper Seal for LER or PER Seals
3. PER Labyrinth with O-ring
4. PER-PTV-ring Seal for use with PER Labyrinth
5. TER Taconite with V-ring face seal
6. TER-OS Taconite Seal with Oil Seal.
7. EPR End Covers

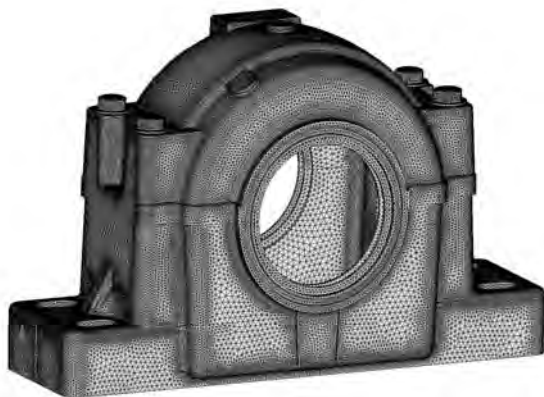
The LER-DC in combination with the PER and PER-PTV Seal, provides optimum protection for low speed application in harsh environments.



TER-OS Seal

The TER taconite seal is available in two versions...one with a V-ring face seal and the other with an oil seal as a shaft contact seal. Both include a felt shaft seal and an o-ring seal for the housing side to provide a tight yet flexible fit.

The Design



Finite Element Analysis "mesh" construction (shown on left) provides the model for analyzing static loads. The loading model is shown on the right.



More Split Pillow Blocks & Special Purpose Units



SAF and SDAF blocks for 222, 230, 231 and 232 series spherical roller bearings thru 18" shaft diameter are stock and larger sizes are available on request. Smaller sizes will accommodate double row ball bearings for high speed applications. Ductile Iron and Cast steel housing are also available, with stock typical on the popular sizes. Each have taconite seals and end cover options.



SDAF Asymmetric Series Split Blocks allow the spherical bearing to be positioned closer to the shaft locking device which reduces the resultant bending moment. Typically these split blocks are used on shaft sizes that exceed 18" diameter. However smaller units of this asymmetric design are also possible. Housings can be provided in Cast Iron, Ductile Iron or Cast Steel and for 231 and 232 large bore spherical roller bearings. The SE vertical labyrinth sealed units include an internal contact lip seal.



The new SNG Metric Plummer blocks interchange with the PTI SNHF series. Some additional seals are available for both the SNG 500 and SNG 600 series (for 222 and 223 series spherical bearings). Like the SAF series, the SNG will accommodate double row ball bearings for high speed applications. With the SNG unit, it will also accommodate 200 Series block requirements (direct mount) using felt seals and straight bore spherical bearings. FSSNG 4-Bolt Base units also available. SN 500, 600, 200 and 300 Series Metric Blocks are also available from stock.



The S3000 and SD3100 Series are both large bore adapter mounted Metric Plummer Blocks, designed for 230 and 231 Series Spherical Bearings. The SD units are available in cast iron, ductile and cast steel to 380mm shaft diameter. The S3000 Blocks are typically cast iron and available in ductile on request and thru 260mm Shaft diameter. These blocks are industry standard European Metric designs. Taconite seals and End Covers also available.



HSPA Take-Up Units are generally made to order and can be provided in shaft sizes thru 360 mm. Standard units accommodate 230, 222, 231 or 232 series tapered bore spherical bearings. These are normally used in pairs to tension large overland conveyor belt systems. Custom dimensions are possible to accommodate existing guides.



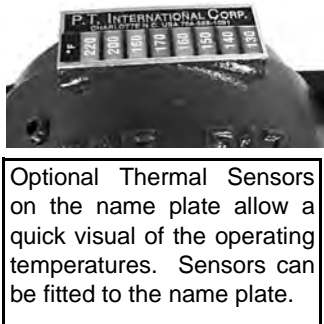
HFO & HFOE units are specifically designed for high speed fans intended for oil lubrication. Internal slingers distribute the oil lubricant evenly. Oil sight glasses are included for monitoring lubrication levels. These units will also accommodate oil circulation systems. Direct mount (straight bore) spherical bearings are the standard units. Housings for taper bore (adapter mount) bearings are available on request. Standard units are normal stock thru 170mm shaft diameters. Larger sizes on request. Housings are typically cast iron; ductile iron is available on request.

Custom Housings

PTI will modify existing housings to accommodate special mounting or application requirements. Customized cast housing shapes and features are also possible.



Oil Sight Glass



Optional Thermal Sensors on the name plate allow a quick visual of the operating temperatures. Sensors can be fitted to the name plate.



PTI can provide housings prepared to receive vibration and thermal sensors.



Split Block Bearings & Accessories



Spherical Roller & Double Row Ball Bearings



Spherical Roller



Double Row Ball

Spherical Roller Bearings are typically used for heavy loads and lower speeds, while Double Row Ball Bearings are primarily used for lighter loads and higher speeds. PTI offers both for our range of inch Split Pillow Blocks and metric Plummer Blocks. Stock Spherical Roller Bearing sizes include 230, 231, 232 & 223 series. Ball Bearing sizes include 1200, 1300, 2200 and 2300 Series. Both types are normally lubricated with grease, however oil is typically used for higher speeds. Split Block Housings can also accommodate both lubrication methods depending on seal options. For selection assistance consult PTI.

Adapter Sleeves - Standard & Hydraulic



Standard Adapter



Hydraulic Adapter

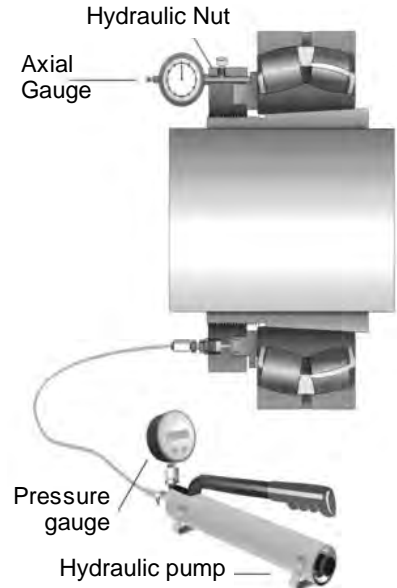
PTI stocks all of the standard inch and metric bore adapters for both tapered bore Spherical Roller Bearings and Double Row Ball Bearings used with standard split pillow blocks and plummer blocks.

Therefore both H-Series (with inch and metric bores) and SNW Adapters (with inch shaft) sizes are stock. Adapters 7-3/16" and larger will typically be offered as the hydraulic type which includes a provision for the bearing to be removed or adjusted during installation with hydraulic pressure. The hydraulic feature is especially helpful during installation should the initial position of the bearing be incorrect. Hydraulic pressure from a portable pump will loosen the bearing for repositioning.

Hydraulic Mounting Nuts



HMV..C Hydraulic Mounting Nuts are a re-usable tool to assist bearing installation. The face of the nut is a piston that will push on the bearing inner ring as hydraulic pressure develops from a hand pump. This pressure gently pushes the tapered bore bearing onto the tapered adapter, to a final recommend position. The process removes internal clearance from the bearing as the inner ring expands slightly effectively creating a press fit of the bearing onto the shaft. Mounting large units with spanner wrenches can be very difficult and the Hydraulic Nuts makes installation easy. Sizes thru 96 are normal stock. Larger sizes are also possible.



Spanner Wrenches

Spanner Wrenches thru size 44 (8" shaft diameter) are stock. For larger bearings, a hydraulic nut should be used to simplify bearing mounting on a tapered adapter.



Lock-nuts and Lock-washers

Locknuts and Lock-washers are available separately for use to secure direct mount straight bore bearings. Locknuts can also be customized with jack screws and will press on the bearing inner ring to assist bearing mounting. For infrequent mounting, this is an economical tool that will simplify installation.



Withdrawal Sleeves - Standard & Hydraulic



Standard Withdrawal Sleeve



Hydraulic Withdrawal Sleeve

Withdrawal sleeves are typically available for metric shaft diameters and include threads on the large end of the taper for a locknut to dismount the bearing. The Hydraulic removal feature, consists of oil grooves on the sleeve OD and ID to assist both mounting and removal. This feature is suggested for bearings above 200mm bore. Withdrawal sleeves for inch shaft diameters are also available on request.

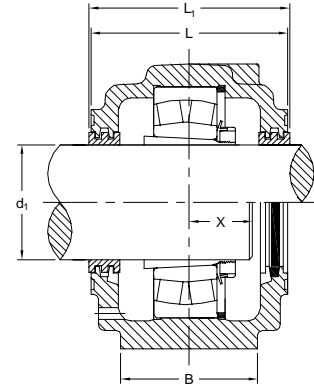
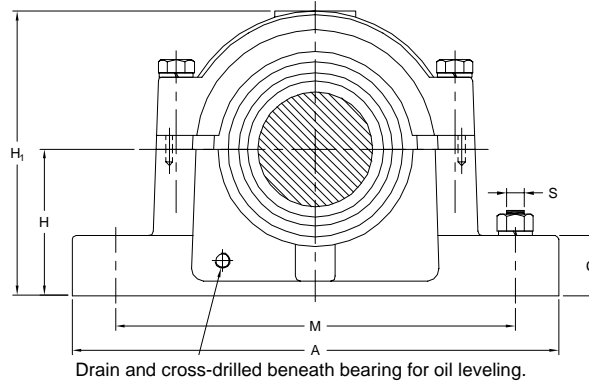
Pillow Block Housings



SAF 500 Series

These Pillow Block Housings accept self-aligning ball or spherical roller bearings with adapter sleeves. They are available in cast iron (SAF), Ductile (SAFD) or cast steel (SAFS). SAF = 2-bolt base, FSAF = 4-bolt base, SAF 522 through SAF 544 only with 4-bolt base. SAF housings are

supplied standard with triple labyrinth LER seals. PER, LER-DC and TER Taconite seals are also available as an option. End covers and taconite seals also available. For fixed bearings use the fixing ring included. For expansion units, remove fixing ring(s).



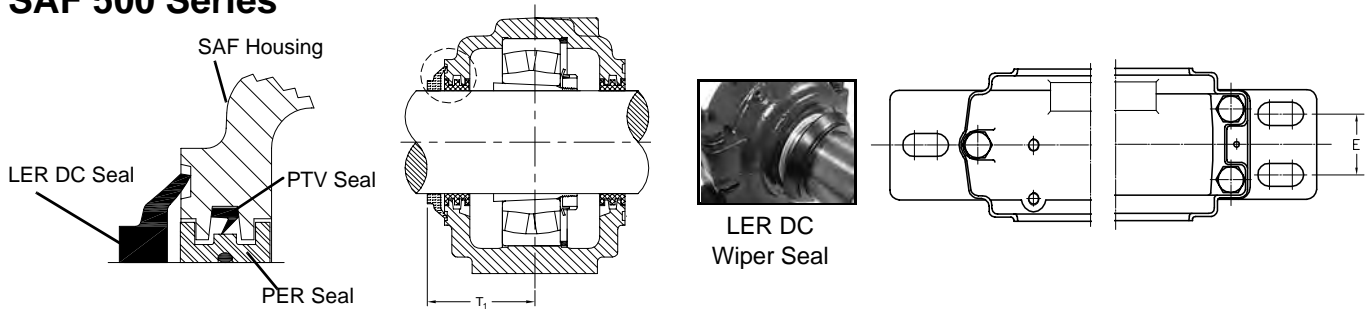
Dimensions in inches

Cast Iron Part No.	Ductile Part No.	Steel Part No.	Shaft Size d ₁	H	H ₁	L	L ₁	A	B	C	M max	M min	E	T ₁	S Bolt	X	Wt. lb
SAF505	—	—	3/4	1.500	2.94	2.75	2.88	6.50	1.75	0.69	5.50	4.63	—	—	(2) 1/2	0.81	4.0
SAF506	—	—	15/16	1.750	3.38	3.06	3.25	7.50	2.00	0.69	6.13	5.25	—	—	(2) 1/2	0.94	6.0
SAF507	—	—	1-3/16	2.000	3.81	3.19	3.25	7.50	2.00	0.81	6.13	5.63	—	1.59	(2) 1/2	1.00	8.0
SAF509	SAFD509	SAFS509	1-7/16	2.250	4.38	3.44	3.63	8.25	2.38	0.81	7.00	6.25	—	3.03	(2) 1/2	1.00	9.3
SAF510	SAFD510	SAFS510	1-11/16	2.500	4.75	3.44	3.88	8.25	2.38	0.94	7.00	6.50	—	3.25	(2) 1/2	1.06	10.1
SAF511	SAFD511	SAFS511	1-15/16	2.750	5.25	3.75	4.50	9.63	2.75	0.94	7.88	7.38	—	3.38	(2) 5/8	1.09	12.5
SAF513	SAFD513	SAFS513	2-3/16	3.000	5.94	4.25	4.50	11.00	3.13	1.00	9.50	8.13	—	3.63	(2) 5/8	1.28	19.0
FSAF513	FSAFD513	FSAFS513	2-3/16	3.000	5.94	4.25	4.50	11.00	3.13	1.00	9.50	8.13	1.88	3.63	(4) 1/2	1.28	18.3
SAF515	SAFD515	SAFS515	2-7/16	3.250	6.38	4.63	4.75	11.25	3.13	1.13	9.63	8.63	—	3.81	(2) 5/8	1.38	18.3
FSAF515	FSAFD515	FSAFS515	2-7/16	3.250	6.38	4.63	4.75	11.25	3.13	1.13	9.63	8.63	1.88	3.81	(4) 1/2	1.38	17.9
SAF516	SAFD516	SAFS516	2-11/16	3.500	6.88	4.75	4.88	13.00	3.50	1.19	11.00	9.63	—	4.13	(2) 3/4	1.44	27.3
FSAF516	FSAFD516	FSAFS516	2-11/16	3.500	6.88	4.75	4.88	13.00	3.50	1.19	11.00	9.63	2.13	4.13	(4) 5/8	1.44	26.9
SAF517	SAFD517	SAFS517	2-15/16	3.750	7.31	4.81	5.00	13.00	3.50	1.25	11.00	9.88	—	3.91	(2) 3/4	1.53	31.8
FSAF517	FSAFD517	FSAFS517	2-15/16	3.750	7.31	4.81	5.00	13.00	3.50	1.25	11.00	9.88	2.13	3.91	(4) 5/8	1.53	29.8
SAF518	SAFD518	SAFS518	3-3/16	4.000	7.75	5.50	5.75	13.75	3.88	1.31	11.63	10.38	—	4.06	(2) 3/4	1.69	36.6
FSAF518	FSAFD518	FSAFS518	3-3/16	4.000	7.75	5.50	5.75	13.75	3.88	1.31	11.63	10.38	2.13	4.06	(4) 5/8	1.69	37.5
SAF520	SAFD520	SAFS520	3-7/16	4.500	8.75	5.81	6.00	15.25	4.38	1.75	13.13	11.63	—	4.38	(2) 7/8	2.00	52.5
FSAF520	FSAFD520	FSAFS520	3-7/16	4.500	8.75	5.81	6.00	15.25	4.38	1.75	13.13	11.63	2.38	4.38	(4) 3/4	2.00	50.3
SAF522	SAFD522	SAFS522	3-15/16	4.938	9.63	6.44	6.50	16.50	4.75	2.00	14.50	12.63	2.75	4.56	(4) 3/4	2.06	69.2
SAF524	SAFD524	SAFS524	4-3/16	5.250	10.25	7.13	7.38	16.50	4.75	2.13	14.50	13.25	2.75	5.00	(4) 3/4	2.22	71.2
SAF526	SAFD526	SAFS526	4-7/16	6.000	11.50	7.75	8.00	18.38	5.13	2.38	16.00	14.63	3.25	5.31	(4) 7/8	2.38	94.8
SAF528	SAFD528	SAFS528	4-15/16	6.000	11.75	7.38	7.63	20.13	5.88	2.38	17.13	16.00	3.38	5.13	(4) 1	2.50	110.0
SAF530	SAFD530	SAFS530	5-3/16	6.313	12.50	8.13	8.38	21.25	6.25	2.50	18.25	17.00	3.75	5.50	(4) 1	2.72	138.0
SAF532	SAFD532	SAFS532	5-7/16	6.688	13.31	8.50	8.75	22.00	6.25	2.63	19.25	17.38	3.75	5.69	(4) 1	2.94	158.0
SAF534	SAFD534	SAFS534	5-15/16	7.063	14.19	9.25	9.63	24.75	6.75	2.75	21.63	19.38	4.25	5.06	(4) 1	3.09	185.0
SAF536	SAFD536	SAFS536	6-7/16	7.500	14.88	9.63	10.00	26.75	7.13	3.00	23.63	20.88	4.63	5.25	(4) 1	3.13	217.0
SAF538	SAFD538	SAFS538	6-15/16	7.875	15.69	10.50	10.75	28.00	7.50	3.13	24.38	21.63	4.50	5.69	(4) 1-1/4	3.28	285.0
SAF540	SAFD540	SAFS540	7-3/16	8.250	16.50	11.00	11.25	29.50	8.00	3.38	25.00	22.50	5.00	7.06	(4) 1-1/4	3.44	331.0
SAF544	SAFD544	SAFS544	7-15/16	9.500	18.63	11.75	12.00	32.75	8.75	3.75	27.88	24.75	5.25	7.25	(4) 1-1/2	3.81	391.0

Pillow Block Housing Accessories



SAF 500 Series



Shaft Size * in	Housing Part No.	Bearing Part No.	Adapter		Seals					Fixing Rings		End Cover Part No.
			SNW Type Part No.	H Type Part No.	LER Part No.	LER DC Part No.	PER Part No.	PER-PTV V-Ring	TER Part No.	Part No.	Qty.	
3/4	SAF505	1205K	SNW05 x 3/4	H205 x 3/4	LER6	—	—	—	—	FR52 x 5	2	—
		2205K	SNW05 x 3/4	H305 x 3/4						FR52 x 7	1	
15/16	SAF506	1206K	SNW06 x 15/16	H306 x 15/16	LER10	—	—	—	—	FR62 x 7	2	—
		2206K	SNW06 x 15/16	H306 x 15/16						FR62 x 10	1	
1-3/16	SAF507	1207K	SNW07 x 1-3/16	H207 x 1-3/16	LER14	—	—	—	—	FR72 x 8	2	—
		2207K	SNW07 x 1-3/16	H307 x 1-3/16						FR72 x 10	1	
1-7/16	SAF509	1209K	SNW09 x 1-7/16	H209 x 1-7/16	LER17	—	PER17	PER17-PTV	TER17	FR85 x 10	1	EPR03
		2209K	SNW09 x 1-7/16	H309 x 1-7/16						FR85 x 6	1	
		22209K	SNW09 x 1-7/16	H309 x 1-7/16						FR85 x 6	1	
1-11/16	SAF510	1210K	SNW10 x 1-11/16	H210 x 1-11/16	LER20	—	PER20	PER20-PTV	TER20	FR90 x 10	1	EPR04
		2210K	SNW10 x 1-11/16	H310 x 1-11/16						FR90 x 7	1	
		22210K	SNW10 x 1-11/16	H310 x 1-11/16						FR90 x 7	1	
1-15/16	SAF511	1211K	SNW11 x 1-15/16	H211 x 1-15/16	LER24	—	PER24	PER24-PTV	TER24	FR100 x 10	2	EPR05
		2211K	SNW11 x 1-15/16	H311 x 1-15/16						FR100 x 6	1	
		22211K	SNW11 x 1-15/16	H311 x 1-15/16						FR100 x 6	1	
2-3/16	SAF513 FSAF513	1213K	SNW13 x 2-3/16	H213 x 2-3/16	LER29	—	PER29	PER29-PTV	TER29	FR120 x 8	2	EPR06
		2213K	SNW13 x 2-3/16	H313 x 2-3/16						FR120 x 8	1	
		22213K	SNW13 x 2-3/16	H313 x 2-3/16						FR120 x 8	1	
2-7/16	SAF515 FSAF515	1215K	SNW15 x 2-7/16	H215 x 2-7/16	LER37	—	PER37	PER37-PTV	TER37	FR130 x 6	2	EPR07
		2215K	SNW15 x 2-7/16	H315 x 2-7/16						FR130 x 10	1	
		22215K	SNW15 x 2-7/16	H315 x 2-7/16						FR130 x 10	1	
2-11/16	SAF516 FSAF516	1216K	SNW16 x 2-11/16	H216 x 2-11/16	LER44	—	PER44	PER44-PTV	TER44	FR140 x 8.5	2	EPR08
		2216K	SNW16 x 2-11/16	H316 x 2-11/16						FR140 x 10	1	
		22216K	SNW16 x 2-11/16	H316 x 2-11/16						FR140 x 10	1	
2-15/16	SAF517 FSAF517	1217K	SNW17 x 2-15/16	H217 x 2-15/16	LER53	LER53 DC	PER53	PER53-PTV	TER53	FR150 x 9	2	EPR09
		2217K	SNW17 x 2-15/16	H317 x 2-15/16						FR150 x 10	1	
		22217K	SNW17 x 2-15/16	H317 x 2-15/16						FR150 x 10	1	
3-3/16	SAF518 FSAF518	1218K	SNW18 x 3-3/16	H218 x 3-3/16	LER188	LER188 DC	PER188	PER188-PTV	TER188	FR160 x 10	2	EPR11
		2218K	SNW18 x 3-3/16	H318 x 3-3/16						FR160 x 10	1	
		22218K	SNW18 x 3-3/16	H318 x 3-3/16						FR160 x 10	1	
3-7/16	SAF520 FSAF520	1220K	SNW20 x 3-7/16	H220 x 3-7/16	LER102	LER102 DC	PER102	PER102-PTV	TER102	FR180 x 11	2	EPR12
		2220K	SNW20 x 3-7/16	H320 x 3-7/16						FR180 x 10	1	
		22220K	SNW20 x 3-7/16	H320 x 3-7/16						FR180 x 10	1	
3-15/16	SAF522	1222K	SNW22 x 3-15/16	H222 x 3-15/16	LER109	LER109 DC	PER109	PER109-PTV	TER109	FR200 x 12.5	2	EPR13
		2222K	SNW22 x 3-15/16	H322 x 3-15/16						FR200 x 10	1	
		22222K	SNW22 x 3-15/16	H322 x 3-15/16						FR200 x 10	1	
4-3/16	SAF524	22224K	SNW24 x 4-3/16	H3124 x 4-3/16	LER113	LER113 DC	PER113	PER113-PTV	TER113	FR215 x 10	1	EPR14
4-7/16	SAF526	22226K	SNW26 x 4-7/16	H3126 x 4-7/16	LER117	LER117 DC	PER117	PER117-PTV	TER117	FR230 x 10	1	EPR15
4-15/16	SAF528	22228K	SNW28 x 4-15/16	H3128 x 4-15/16	LER122	LER122 DC	PER122	PER122-PTV	TER122	FR250 x 10	1	EPR27
5-3/16	SAF530	22230K	SNW30 x 5-3/16	H3130 x 5-3/16	LER125	LER125 DC	PER125	PER125-PTV	TER125	FR270 x 10	1	EPR16
5-7/16	SAF532	22232K	SNW32 x 5-7/16	H3132 x 5-7/16	LER130	LER130 DC	PER130	PER130-PTV	TER130	FR290 x 10	1	EPR16
5-15/16	SAF534	22234K	SNW34 x 5-15/16	H3134 x 5-15/16	LER140	LER140 DC	PER140	PER140-PTV	TER140	FR310 x 10	1	EPR18
6-7/16	SAF536	22236K	SNW36 x 6-7/16	H3136 x 6-7/16	LER148	LER148 DC	PER148	PER148-PTV	TER148	FR320 x 10	1	EPR19
6-15/16	SAF538	22238K	SNW38 x 6-15/16	H3138 x 6-15/16	LER155	LER155 DC	PER155	PER155-PTV	TER155	FR340 x 10	1	EPR20
7-3/16	SAF540	22240K	SNW40 x 7-3/16	H3140 x 7-3/16	LER159	LER159 DC	PER159	PER159-PTV	TER159	FR360 x 10	1	EPR21
7-15/16	SAF544	22244K	SNW44 x 7-15/16	H3144 x 7-15/16	LER167	LER167 DC	PER167	PER167-PTV	TER167	FR400 x 10	1	EPR23

Note: Bearing part Number in bold face is a double row taper bore spherical and most popular. Typical suffix to the bearing part number is C3W33 where C3 is the internal clearance and W33 indicates a lube groove on the bearing O.D. For example specify 22220K C3W33. * For other shaft sizes possible see following pages.

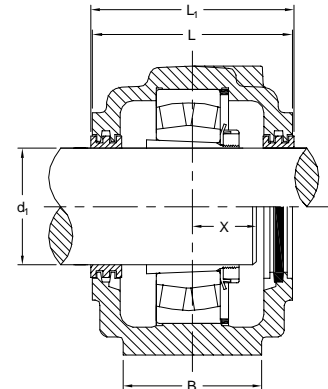
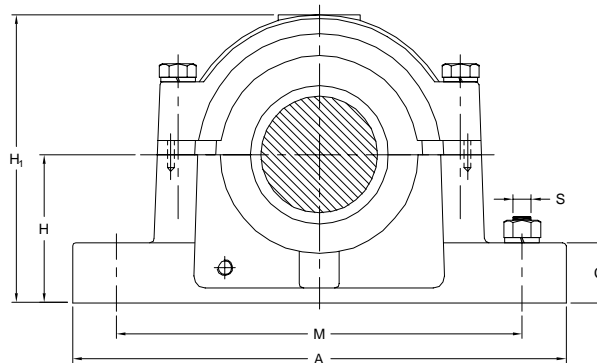
Pillow Block Housings



SAF 600 Series

These Pillow Block Housings will accept self-aligning ball (for high speed) or spherical roller bearings with adapter sleeves (for heavy load applications). They are available in cast iron (SAF) or cast steel (SAFS). SAF = 2 bolt base, FSAF = 4 bolt base, SAF 618 through SAF

638 only with 4 bolt base. SAF housings are supplied standard with triple labyrinth seals. End covers and taconite seals available on request. Each housing includes fixing rings(s). When removed, the units will accommodate shaft expansion.



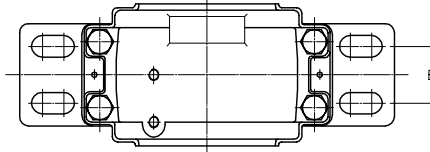
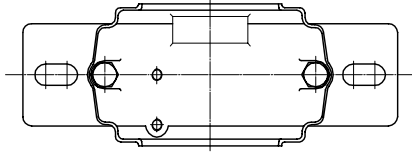
Dimensions in inches

Cast Part No. *	Shaft Size d ₁	A	B	C	E	H	H ₁	L	L ₁	M max	M min	S Bolt	X	Wt. lb
SAF 609	1-7/16	9.63	2.75	1.00	—	2.750	5.31	4.13	4.25	7.88	7.38	(2) 5/8	1.06	13.6
SAF 610	1-11/16	10.63	2.75	1.13	—	3.000	5.81	4.50	4.63	9.00	7.75	(2) 5/8	1.13	17.8
SAF 611	1-15/16	11.00	3.13	1.19	—	3.250	6.19	4.75	4.88	9.50	8.13	(2) 5/8	1.19	21.3
FSAF 611	1-15/16	11.00	3.13	1.19	2.00	3.250	6.19	4.75	4.88	9.50	8.13	(4) 1/2	1.19	21.3
SAF 613	2-3/16	13.00	3.50	1.25	—	3.500	6.94	5.25	5.38	11.00	9.63	(2) 3/4	1.38	30.2
FSAF 613	2-3/16	13.00	3.50	1.25	2.13	3.500	6.94	5.25	5.38	11.00	9.63	(4) 5/8	1.38	30.2
SAF 615	2-7/16	13.75	3.88	1.31	—	4.000	7.81	5.88	6.25	11.63	10.38	(2) 3/4	1.38	41.3
FSAF 615	2-7/16	13.75	3.88	1.31	2.13	4.000	7.81	5.88	6.25	11.63	10.38	(4) 5/8	1.38	41.3
SAF 616	2-11/16	14.25	3.88	1.31	—	4.250	8.25	6.13	6.50	12.63	10.63	(2) 3/4	1.38	48.0
FSAF 616	2-11/16	14.25	3.88	1.31	2.13	4.250	8.25	6.13	6.50	12.63	10.63	(4) 5/8	1.38	48.0
SAF 617	2-15/16	15.25	4.38	1.75	—	4.500	8.75	6.50	6.75	13.13	11.63	(2) 7/8	1.56	71.0
FSAF 617	2-15/16	15.25	4.38	1.75	2.38	4.500	8.75	6.50	6.75	13.13	11.63	(4) 3/4	1.56	71.0
SAF 618	3-3/16	15.50	4.38	2.00	2.25	4.750	9.19	6.63	6.88	13.50	12.00	(4) 3/4	2.16	76.0
SAF 620	3-7/16	16.50	4.75	2.13	2.75	5.250	10.25	7.13	7.38	14.50	13.25	(4) 3/4	2.44	98.0
SAF 622	3-15/16	18.38	5.13	2.38	3.25	6.000	11.50	7.75	8.00	16.00	14.63	(4) 7/8	2.59	125.0
SAF 624	4-3/16	21.25	6.25	2.50	3.75	6.313	12.50	8.13	8.38	18.25	17.00	(4) 1	2.75	166.0
SAF 626	4-7/16	22.00	6.25	2.63	3.75	6.689	13.31	8.50	8.75	19.25	17.38	(4) 1	2.94	193.0
SAF 628	4-15/16	24.75	6.75	2.75	4.25	7.063	14.19	9.25	9.38	21.63	19.38	(4) 1	3.16	244.0
SAF 630	5-3/16	26.75	7.13	3.00	4.63	7.500	14.88	9.63	9.75	23.63	20.88	(4) 1	3.41	271.0
SAF 632	5-7/16	28.00	7.50	3.13	4.50	7.875	15.69	10.50	10.63	24.38	21.63	(4) 1-1/4	3.59	280.0
SAF 634	5-15/16	29.50	8.00	3.38	5.00	8.250	16.50	11.00	11.25	25.00	22.50	(4) 1-1/4	3.75	345.0
SAF 636	6-7/16	31.25	8.25	3.50	5.25	8.875	17.75	11.25	11.38	26.63	24.00	(4) 1-1/4	3.90	375.0
SAF 638	6-15/16	32.75	8.75	3.75	5.25	9.500	18.63	11.75	12.00	27.88	24.75	(4) 1-1/2	4.06	480.0
SAF 640	7-3/16	34.25	9.00	4.00	5.50	9.875	20	11.87	12.06	29.50	26.25	(4) 1-1/2	4.25	500.0

Note: * Ductile SAFD and Steel SAFS housings available on request.

Pillow Block Housing Accessories

SAF 600 Series



TER-OS Seal
Option



Shaft Size *	Housing Part No.	Bearing Part No.*	Basic Dynamic Rating C kN	Adapter Sleeves**		Seals		Fixing Rings		End Covers Part No.
				SNW Type Part No.	H Type Part No.	Standard Part No.	Optional Taconite Part No.	Part No.	Qty.	
1-7/16	SAF 609	1309K	38	SNW 09 x 1-7/16	H 309 x 1-7/16	LER 17	TER 17	FR100 x 10.5	2	EPR 03
		2309K	54	SNW 09 x 1-7/16	H 2309 x 1-7/16			FR100 x 10	1	
		21309K	100	SNW 09 x 1-7/16	H 309 x 1-7/16			FR100 x 10.5	2	
		22309K	135	SNW 109 x 1-7/16	H 2309 x 1-7/16			FR100 x 10	1	
1-11/16	SAF 610	1310K	41	SNW 10 x 1-11/16	H 310 x 1-11/16	LER 20	TER 20	FR110 x 11.5	2	EPR 04
		2310K	64.0	SNW 10 x 1-11/16	H 2310 x 1-11/16			FR110 x 10	1	
		21310K	120	SNW 10 x 1-11/16	H 310 x 1-11/16			FR110 x 11.5	2	
		22310K	175	SNW 110 x 1-11/16	H 2310 x 1-11/16			FR110 x 10	1	
1-15/16	SAF 611 FSAF 611	1311K	51	SNW 11 x 1-15/16	H 311 x 1-15/16	LER 24	TER 24	FR120 x 12	2	EPR 05
		2311K	75	SNW 11 x 1-15/16	H 2311 x 1-15/16			FR120 x 10	1	
		21311K	138	SNW 11 x 1-15/16	H 311 x 1-15/16			FR120 x 12	2	
		22311K	195	SNW 111 x 1-15/16	H 2311 x 1-15/16			FR120 x 10	1	
2-3/16	SAF 613 FSAF 613	1313K	62	SNW 13 x 2-3/16	H 313 x 2-3/16	LER 32	TER 32	FR140 x 12.5	2	EPR 06
		2313K	95	SNW 13 x 2-3/16	H 2313 x 2-3/16			FR140 x 10	1	
		21313K	184	SNW 13 x 2-3/16	H 313 x 2-3/16			FR140 x 12.5	2	
		22313K	250	SNW 113 x 2-3/16	H 2313 x 2-3/16			FR140 x 10	1	
2-7/16	SAF 615 FSAF 615	1315K	80	SNW 15 x 2-7/16	H 315 x 2-7/16	LER 37	TER 37	FR160 x 14	2	EPR 07
		2315K	122	SNW 15 x 2-7/16	H 2315 x 2-7/16			FR160 x 10	1	
		21315K	234	SNW 15 x 2-7/16	H 315 x 2-7/16			FR160 x 14	2	
		22315K	340	SNW 115 x 2-7/16	H 2315 x 2-7/16			FR160 x 10	1	
2-11/16	SAF 616 FSAF 616	1316K	88	SNW 16 x 2-11/16	H 316 x 2-11/16	LER 44	TER 44	FR170 x 14.5	2	EPR 08
		2316K	137	SNW 16 x 2-11/16	H 2316 x 2-11/16			FR170 x 10	1	
		21316K	255	SNW 16 x 2-11/16	H 316 x 2-11/16			FR170 x 14.5	2	
		22316K	370	SNW 116 x 2-11/16	H 2316 x 2-11/16			FR170 x 10	1	
2-15/16	SAF 617 FSAF 617	1317K	98	SNW 17 x 2-15/16	H 317 x 2-15/16	LER 184	TER 184	FR180 x 14.5	2	EPR 10
		2317K	140	SNW 17 x 2-15/16	H 2317 x 2-15/16			FR180 x 10	1	
		21317K	290	SNW 17 x 2-15/16	H 317 x 2-15/16			FR180 x 14.5	2	
		22317K	420	SNW 117 x 2-15/16	H 2317 x 2-15/16			FR180 x 10	1	
3-3/16	SAF 618	1318K	180	SNW 18 x 3-3/16	H 318 x 3-3/16	LER 188	TER 188	FR190 x 11.5	2	EPR 11
		2318K	153	SNW 18 x 3-3/16	H 2318 x 3-3/16			FR190 x 10	1	
		21318K	320	SNW 18 x 3-3/16	H 318 x 3/16			FR190 x 11.5	2	
		22318K	475	SNW 118 x 3-3/16	H 2318 x 3-3/16			FR190 x 10	1	
3-7/16	SAF 620	1320K	143	SNW 20 x 3-7/16	H 320 x 3-7/16	LER 102	TER 102	FR215 x 18	2	EPR 12
		2320K	190	SNW 20 x 3-7/16	H 2320 x 3-7/16			FR215 x 10	1	
		21320K	380	SNW 20 x 3-7/16	H 320 x 3-7/16			FR215 x 18	2	
		22320K	600	SNW 120 x 37/16	H 2320 x 3-7/16			FR215 x 10	1	
3-15/16	SAF 622	1322K	160	SNW 22 x 3-15/16	H 322 x 3-15/16	LER109	TER 109	FR240 x 20	2	EPR 13
		21322K	460	SNW 22 x 3-15/16	H 322 x 3-15/16			FR240 x 20	2	
		22322K	720	SNW 122 x 3-15/16	H 2322 x 3-15/16			FR240 x 10	1	
4-3/16	SAF 624	22324K	840	SNW 124 x 4-3/16	H 2324 x 4-3/16	LER 113	TER 113	FR260 x 10	1	EPR 14
4-7/16	SAF 626	22326K	970	SNW 126 x 4-7/16	H 2326 x 4-7/16	LER 117	TER 117	FR280 x 10	1	EPR 15
4-15/16	SAF 628	22328K	1120	SNW 128 x 4-15/16	H 2328 x 4-15/16	LER 122	TER 122	FR300 x 10	1	EPR 27
5-3/16	SAF 630	22330K	1250	SNW 130 x 5-3/16	H 2330 x 5-3/16	LER 125	TER 125	FR320 x 10	1	EPR 16
5-7/16	SAF 632	22332K	1375	SNW 132 x 5-7/16	H 2332 x 5-7/16	LER 130	TER 130	FR340 x 10	1	EPR 16
5-15/16	SAF 634	22334K	1540	SNW 134 x 5-15/16	H 2334 x 5-15/16	LER 140	TER 140	FR360 x 10	1	EPR 18
6-7/16	SAF 636	22336K	1725	SNW 136 x 6-7/16	H 2336 x 6-7/16	LER 148	TER 148	FR380 x 10	1	EPR 19
6-15/16	SAF 638	22338K	1860	SNW 138 x 6-15/16	H 2338 x 6-15/16	LER 155	TER 155	FR400 x 10	1	EPR 20
7-3/16	SAF 640	22340K	2010	SNW 140 x 7-3/16	H 2340 x 7-3/16	LER 159	—	FR420 x 10	1	EPR 21

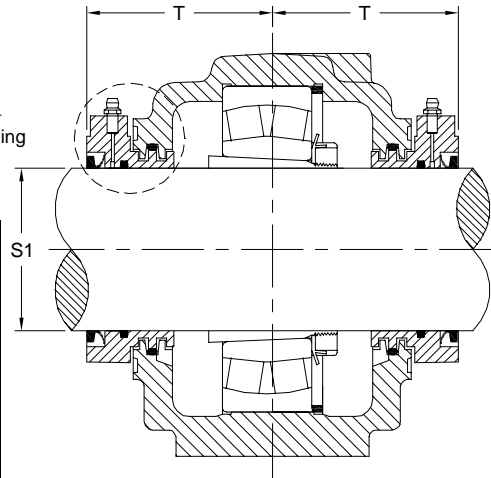
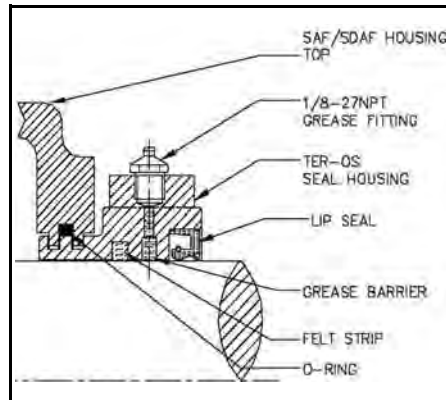
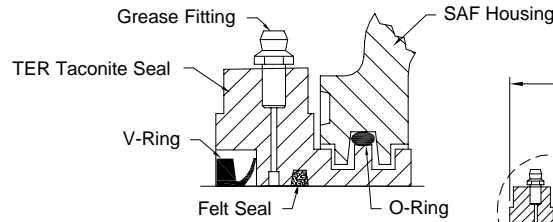
Note: * Popular bearing in bold. ** Select either adapter. Complete bearing part no. will be 22220K C3 W33 where K indicates a taper bore (for adapters), C3 is the internal clearance and W33 is the lube groove on the O.D.

SAF Split Block Accessories



Tac Seals

- Taconite Seal options for SAF Housings.
- Fits Industry Standard Housing Grooves.



Shaft Size S1	SAF 500 Housing Part No.	SAF 600 Housing Part No.	TAC Seal Part No.	TER-OS Part No.	Length T
1-3/16	SAF 507	—	TER 14	TER 14-OS	1.59
1-7/16	SAF 509	SAF 609	TER 17	TER 17-OS	3.03
1-11/16	SAF 510	SAF 610	TER 20	TER 20-OS	3.25
1-5/16	SAF 511	SAF 611	TER 24	TER 24-OS	3.38
2-3/16	SAF 513	SAF 613	TER 29	TER 29-OS	3.63
2-7/16	SAF 515	SAF 615	TER 37	TER 37-OS	3.81
2-11/16	SAF 516	SAF 616	TER 44	TER 44-OS	4.13
2-13/16	SAF 517	SAF 617	TER 53	TER 53-OS	3.91
3-3/16	SAF 518	SAF 618	TER 188	TER 188-OS	4.06
3-7/16	SAF 520	SAF 620	TER 102	TER 102-OS	4.38
3-15/16	SAF 522	SAF 622	TER 109	TER 109-OS	4.56
4-3/16	SAF 524	SAF 624	TER 113	TER 113-OS	5.00
4-7/16	SAF 526	SAF 626	TER 117	TER 117-OS	5.31
4-15/16	SAF 528	SAF 628	TER 122	TER 122-OS	5.13
5-3/16	SAF 530	SAF 630	TER 125	TER 125-OS	5.50
5-7/16	SAF 532	SAF 632	TER 130	TER 130-OS	5.69
5-15/16	SAF 534	SAF 634	TER 140	TER 140-OS	5.06
6-7/16	SAF 536	SAF 636	TER 148	TER 148-OS	5.25
6-15/16	SAF 538	SAF 638	TER 155	TER 155-OS	6.69
7-3/16	SAF 540	—	TER 159	TER 159-OS	7.06
7-15/16	SAF 544	—	TER 167	TER 167-OS	7.25

Pillow Block Housings



Optional Shaft Sizes for SAF 500 & 600 Series

SAF Series Pillow Blocks can accept different shaft sizes by changing Seals and Adapters.

Shown below are the other, less popular, but stock parts that accommodate other standard shaft sizes.

Part numbers listed below are Cast Iron. Ductile and Steel housings are stock for the SAF 500 Series and are available on request for the SAF 600 Series.



SAF 500 Series

Shaft Size	Housing Part No. *	Bearing Part No.	Adapter		Seal Part No.
			SNW Type Part No.	H Type Part No.	
11/16 3/4	SAF 505	2205K	SNW05 x 11/16	H305 x 11/16	LER 7
		2205K	SNW05 x 3/4	H305 x 3/4	LER 6
15/16 1	SAF 506	2206K	SNW06 x 15/16	H306 x 15/16	LER 10
		2206K	SNW06 x 1	H306 x 1	LER 11
1-3/16	SAF 507	22207K	SNW07 x 1-3/16	H307 x 1-3/16	LER 14
1-1/2	SAF 509	22209K	SNW09 x 1-1/2	H309 x 1-1/2	LER 18
1-3/4	SAF 510	22210K	SNW10 x 1-3/4	H310 x 1-3/4	LER 21
2	SAF 511	22211K	SNW11 x 2	H311 x 2	LER 25
2-1/4	SAF 513 FSAF 513	22213K	SNW13 x 2-1/4	H313 x 2-1/4	LER 30
		22215K	SNW15 x 2-1/2	H315 x 2-1/2	LER 38
2-3/4	SAF 516 FSAF 516	22216K	SNW16 x 2-3/4	H316 x 2-3/4	LER 45
		22217K	SNW17 x 3	H317 x 3	LER 54
3-1/4	SAF 518 FSAF 518	22218K	SNW18 x 3-1/4	H318 x 3-1/4	LER 70
3-1/2	SAF 520 FSAF 520	22220K	SNW20 x 3-1/2	H320 x 3-1/2	LER 103
		22222K	SNW22 x 4	H322 x 4	LER 110
4-1/4	SAF 524	22224K	SNW24 x 4-1/4	H3124 x 4-1/4	LER 114
4-1/2	SAF 526	22226K	SNW26 x 4-1/2	H3126 x 4-1/2	LER 118
5	SAF 528	22228K	SNW28 x 5	H3128 x 5	LER 123
5-1/4	SAF 530	22230K	SNW30 x 5-1/4	H3130 x 5-1/4	LER 126
5-1/2	SAF 532	22232K	SNW32 x 5-1/2	H3132 x 5-1/2	LER 131
6	SAF 534	22234K	SNW34 x 6	H3134 x 6	LER 141
6-1/2	SAF 536	22236K	SNW36 x 6-1/2	H3136 x 6-1/2	LER 149
7	SAF 538	22238K	SNW38 x 7	H3138 x 7	LER 156
8	SAF 544	22244K	SNW44 x 8	H3144 x 8	LER 168

Note: * Ductile and Steel housings are also stock.

SAF 600 Series

Shaft Size	Housing Part No.	Bearing Part No.	Adapter		Seal Part No.
			SNW Type Part No.	H Type Part No.	
1-1/2	SAF 609	22309K	SNW109 x 1-1/2	H2309 x 1-1/2	LER 18
1-3/4	SAF 610	22310K	SNW110 x 1-3/4	H2310 x 1-3/4	LER 21
2	SAF 611 FSAF 611	22311K	SNW111 x 2	H2311 x 2	LER 25
2-1/4	SAF 613 FSAF 613	22313K	SNW113 x 2-1/4	H2313 x 2-1/4	LER 33
2-1/2	SAF 615 FSAF 615	22315K	SNW115 x 2-1/2	H2315 x 2-1/2	LER 38
2-3/4	SAF 616 FSAF 616	22316K	SNW116 x 2-3/4	H2316 x 2-3/4	LER 45
3	SAF 617 FSAF 617	22317K	SNW117 x 3	H2317 x 3	LER 185
3-1/4	SAF 618	22318K	SNW118 x 3-1/4	H2318 x 3-1/4	LER 189
3-1/2	SAF 620	22320K	SNW120 x 3-1/2	H2320 x 3-1/2	LER 103
4	SAF 622	22322K	SNW122 x 4	H2322 x 4	LER 110
4-1/4	SAF 624	22324K	SNW124 x 4-1/4	H2324 x 4-1/4	LER 114
4-1/2	SAF 626	22326K	SNW126 x 4-1/2	H2326 x 4-1/2	LER 118
5	SAF 628	22328K	SNW128 x 5	H2328 x 5	LER 123
5-1/4	SAF 630	22330K	SNW130 x 5-1/4	H2330 x 5-1/4	LER 126
6	SAF 634	22334K	SNW134 x 6	H2334 x 6	LER 141
6-1/2	SAF 636	22336K	SNW136 x 6-1/2	H2336 x 6-1/2	LER 149
7	SAF 638	22338K	SNW138 x 7	H2338 x 7	LER 156

Pillow Block Housings

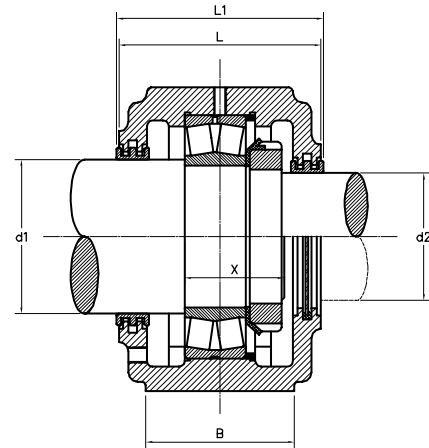
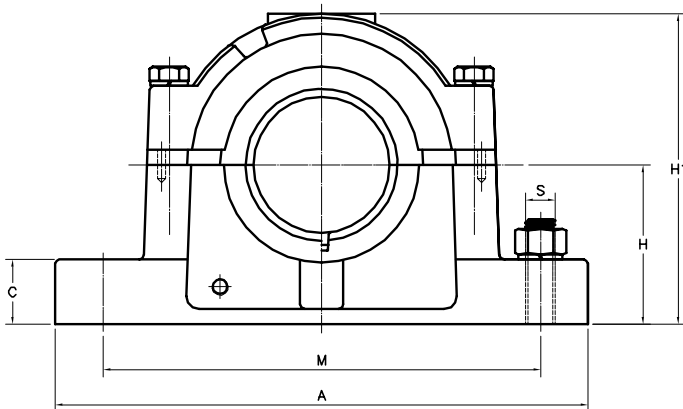


SAF 200 Series



These Pillow Block Housings accept triple self-aligning ball or spherical roller bearings with straight bore. They are available in cast iron (SAF), Ductile (SAFD) or cast steel (SAFS). SAF = 2-bolt base, FSAF = 4-bolt base, SAF 222 through SAF 244 only with 4-bolt base. SAF housings

are supplied standard with triple labyrinth seals. End covers and Taconite seals available on request. Each housing includes a fixing ring for non-expansion. Removing the ring allows the bearing to float as the expansion bearing.



Dimensions in inches

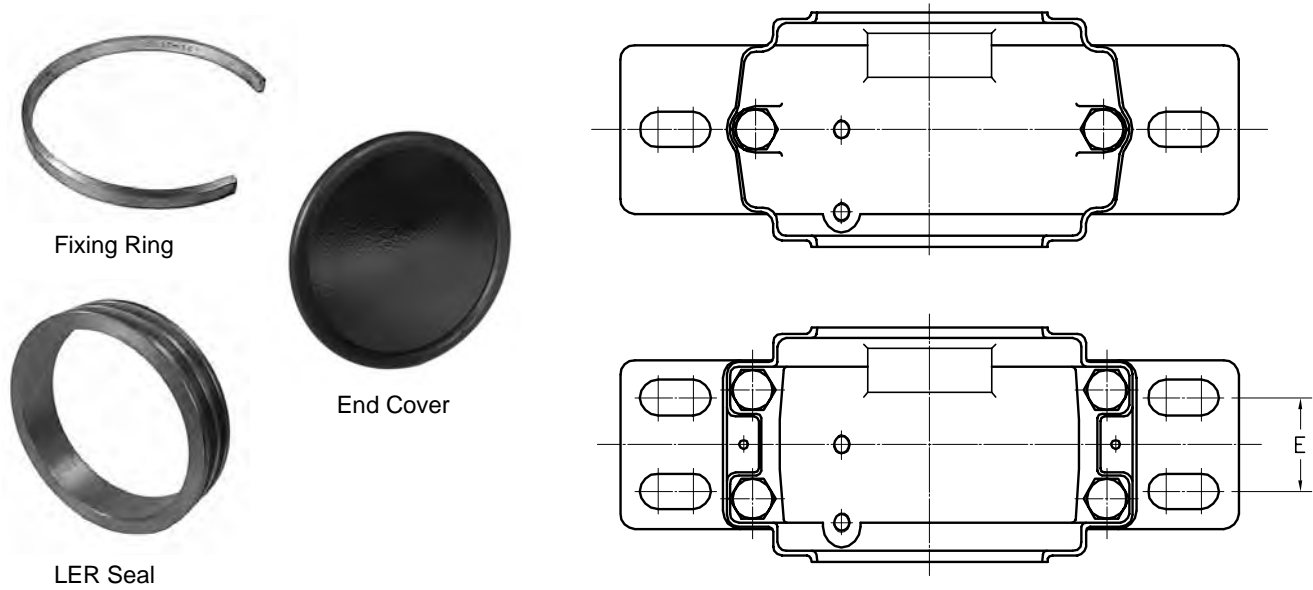
Cast Part No. *	Shaft Size		A	B	C	E	H	H ₁	L	L ₁	M max	M min	S Bolt	X	Wt. lb
	d ₁	d ₂													
SAF 216	3-5/8	3	13.00	3.50	1.19	—	3.500	6.88	4.75	4.88	11.00	9.63	(2) 3/4	1.44	30
FSAF 216	3-5/8	3	13.00	3.50	1.19	2.13	3.500	6.88	4.75	4.88	11.00	9.63	(4) 5/8	1.44	30
SAF 217	3-15/16	3-3/16	13.00	3.50	1.25	—	3.750	7.31	4.81	5.00	11.00	9.88	(2) 3/4	1.53	32
FSAF 217	3-15/16	3-3/16	13.00	3.50	1.25	2.13	3.750	7.31	4.81	5.00	11.00	9.88	(4) 5/8	1.53	32
SAF 218	4-1/8	3-3/8	13.75	3.88	1.31	—	4.000	7.75	5.50	5.75	11.63	10.38	(4) 5/8	1.69	38
FSAF 218	4-1/8	3-3/8	13.75	3.88	1.31	2.13	4.000	7.75	5.50	5.75	11.63	10.38	(4) 5/8	1.69	38
SAF 220	4-1/2	3-13/16	15.25	4.38	1.75	—	4.500	8.75	5.81	6.00	13.13	11.63	(4) 3/4	2.00	60
FSAF 220	4-1/2	3-13/16	15.25	4.38	1.75	2.38	4.500	8.75	5.81	6.00	13.13	11.63	(4) 3/4	2.00	60
SAF 222	4-7/8	4-3/16	16.50	4.75	2.00	2.75	4.934	9.63	6.44	6.50	14.50	12.63	(4) 3/4	2.06	78
SAF 224	5-5/16	4-9/16	16.50	4.75	2.13	2.75	5.250	10.25	7.13	7.38	14.50	13.25	(4) 3/4	2.22	91
SAF 226	5-7/8	4-15/16	18.38	5.13	2.38	3.25	6.000	11.50	7.75	8.00	16.00	14.63	(4) 7/8	2.38	125
SAF 228	6-1/4	5-5/16	20.13	5.88	2.38	3.38	6.000	11.75	7.38	7.63	17.13	16.00	(4) 1	2.50	129
SAF 230	6-5/8	5-3/4	21.25	6.25	2.50	3.75	6.313	12.50	8.13	8.38	18.25	17.00	(4) 1	2.72	165
SAF 232	7	6-1/16	22.00	6.25	2.63	3.75	6.688	13.31	8.50	8.75	19.25	17.38	(4) 1	2.94	179
SAF 234	7-7/16	6-7/16	24.75	6.75	2.75	4.25	7.063	14.19	9.25	9.63	21.63	19.38	(4) 1	3.09	228
SAF 236	7-13/16	6-7/8	26.75	7.13	3.00	4.63	7.500	14.88	9.63	10.00	23.63	20.88	(4) 1	3.13	258
SAF 238	8-3/8	7-1/4	28.00	7.50	3.13	4.50	7.875	15.69	10.50	10.75	24.38	21.63	(4) 1-1/4	3.28	305
SAF 240	8-3/4	7-5/8	29.50	8.00	3.38	5.00	8.250	16.50	11.00	11.25	25.00	22.50	(4) 1-1/4	3.44	364
SAF 244	9-9/16	8-5/16	32.75	8.75	3.75	5.25	9.500	18.63	11.75	12.00	27.88	24.75	(4) 1-1/2	3.81	500

Note: * Ductile and Steel housings are available on request.

Pillow Block Housings



SAF 200 Series



Housing Part No.	Bearing Part No.	Basic Dynamic Rating C kN	Shaft Size		Locknut Part No.	Lockwasher Part No.	Seals - Part No.		Fixing Rings		End Cover Part No.
			d ₁	d ₂			d ₁	d ₂	Part No.	Qty.	
SAF 216 FSAF 216	1216	40	3-5/8	3	AN 16	W 16	LER 82	LER 54	FR140 x 8.5	2	EPR 09
	2216	51							FR140 x 10	1	
	22216	175							FR140 x 10	1	
SAF 217 FSAF 217	1217	49	3-15/16	3-3/16	AN 17	W 17	LER 89	LER 63	FR150 x 9	2	EPR 09
	2217	58.5							FR150 x 10	1	
	22217	210							FR150 x 10	1	
SAF 218 FSAF 218	1218	57	4-1/8	3-3/8	AN 18	W 18	LER 112	LER 191	FR160 x 10	2	EPR 11
	2218	71							FR160 x 10	1	
	22218	250							FR160 x 10	1	
SAF 220 FSAF 220	1220	69.5	4-1/2	3-13/16	AN 20	W 20	LER 118	LER 106	FR180 x 11	2	EPR 12
	2220	98							FR180 x 10	1	
	22220	310							FR180 x 10	1	
SAF 222	1222	88	4-7/8	4-3/16	AN 22	W 22	LER 121	LER 113	FR200 x 12.5	2	EPR 14
	2222	124							FR200 x 10	1	
	22222	405							FR200 x 10	1	
SAF 224	22224	465	5-5/16	4-9/16	AN 24	W 24	LER 127	LER 119	FR215 x 10	1	EPR 15
SAF 226	22226	545	5-7/8	4-15/16	AN 26	W 26	LER 136	LER 122	FR230 x 10	1	EPR 27
SAF 228	22228	605	6-1/4	5-5/16	AN 28	W 28	LER 144	LER 127	FR250 x 10	1	EPR 16
SAF 230	22230	730	6-5/8	5-3/4	AN 30	W 30	LER 151	LER 134	FR270 x 10	1	EPR 17
SAF 232	22232	860	7	6-1/16	AN 32	W 32	LER 156	LER 142	FR290 x 10	1	EPR 18
SAF 234	22234	975	7-7/16	6-7/16	AN 34	W 34	LER 161	LER 148	FR310 x 10	1	EPR 19
SAF 236	22236	1000	7-13/16	6-7/8	AN 36	W 36	LER 165	LER 154	FR320 x 10	1	EPR 20
SAF 238	22238	1100	8-3/8	7-1/4	AN 38	W 38	LER 171	LER 160	FR340 x 10	1	EPR 21
SAF 240	22240	1250	8-3/4	7-5/8	AN 40	W 40	LER 175	LER 164	FR360 x 10	1	EPR 22
SAF 244	22244	1500	9-9/16	8-5/16	N 44	W 44	LER 179	LER 170	FR400 x 10	1	EPR 24

Note: Bearing part number in bold face is a double row straight bore spherical and the most popular. Typical suffix to the bearing part number is C3W33 where C3 is the internal clearance and W33 indicates a lube groove on the bearing O.D.
Example: 22220C3W33.

Pillow Block Housings

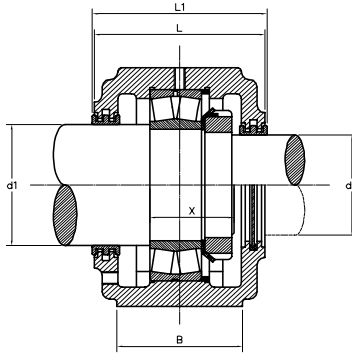
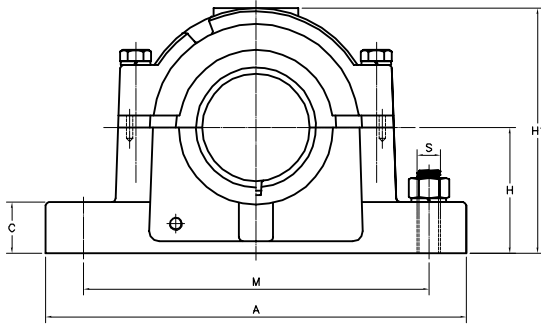


SAF 300 Series



These Pillow Block Housings accept self-aligning ball or spherical roller bearings with straight bores. They are available in cast iron (SAF) or cast steel (SAFS). SAF = 2-bolt base, FSAF = 4-bolt base, SAF 318 through SAF 338

only with 4-bolt base. SAF housings are supplied standard with triple labyrinth seals. FSAF 311 through FSAF 317 are made to order. Each housing includes a fixing ring for non-expansion. Removing the ring allows bearing expansion.



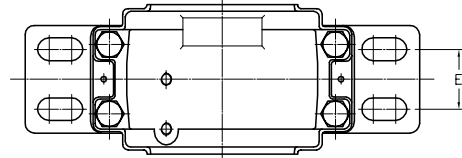
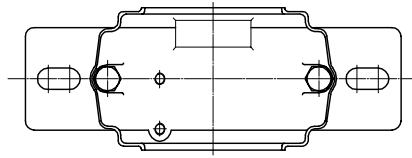
Dimensions in inches

Part No.	Shaft Size		A	B	C	E	H	H ₁	L	L ₁	M min	M max	S Bolt	X	Wt. lb
	d ₁	d ₂													
SAF 308	1-15/16	1-7/16	8.25	2.38	1.00	—	2.500	4.81	3.88	4.00	6.25	7.00	(2) 1/2	1.06	10
SAF 309	2-1/8	1-11/16	9.63	2.75	1.00	—	2.750	5.31	4.13	4.25	7.38	7.88	(2) 5/8	1.06	13
SAF 310	2-3/8	1-7/8	10.63	2.75	1.13	—	3.000	5.81	4.50	4.63	7.75	9.00	(2) 5/8	1.13	17
SAF 311	2-9/16	2-1/16	11.00	3.13	1.19	—	3.250	6.19	4.75	4.88	8.13	9.50	(2) 5/8	1.19	21
FSAF 311	2-9/16	2-1/16	11.00	3.13	1.19	2.00	3.250	6.19	4.75	4.88	8.13	9.50	(4) 1/2	1.19	21
SAF 312	2-7/8	2-1/4	11.25	3.13	1.19	—	3.250	6.38	5.13	5.25	8.63	9.38	(2) 5/8	1.19	25
FSAF 312	2-7/8	2-1/4	11.25	3.13	1.19	1.88	3.250	6.38	5.13	5.25	8.63	9.38	(4) 1/2	1.19	25
SAF 313	3-1/16	2-7/16	13.00	3.50	1.25	—	3.500	6.94	5.25	5.38	9.63	11.00	(2) 3/4	1.38	30
FSAF 313	3-1/16	2-7/16	13.00	3.50	1.25	2.13	3.500	6.94	5.25	5.38	9.63	11.00	(4) 5/8	1.38	30
SAF 314	3-1/4	2-5/8	13.00	3.50	1.25	—	3.750	7.38	5.25	5.38	9.88	11.00	(2) 3/4	1.38	32
FSAF 314	3-1/4	2-5/8	13.00	3.50	1.25	2.13	3.750	7.38	5.25	5.38	9.88	11.00	(4) 5/8	1.38	32
SAF 315	3-7/16	2-13/16	13.75	3.88	1.31	—	4.000	7.81	5.88	6.25	10.38	11.63	(2) 3/4	1.38	41
FSAF 315	3-7/16	2-13/16	13.75	3.88	1.31	2.13	4.000	7.81	5.88	6.25	10.38	11.63	(4) 5/8	1.38	41
SAF 316	3-5/8	3	14.25	3.88	1.31	—	4.250	8.25	6.13	6.50	10.63	12.63	(2) 3/4	1.38	49
FSAF 316	3-5/8	3	14.25	3.88	1.31	2.13	4.250	8.25	6.13	6.50	10.63	12.63	(4) 5/8	1.38	49
SAF 317	3-15/16	3-3/16	15.25	4.38	1.75	—	4.500	8.75	6.50	6.75	11.63	13.13	(2) 7/8	1.56	65
FSAF 317	3-15/16	3-3/16	15.25	4.38	1.75	2.38	4.500	8.75	6.50	6.75	11.63	13.13	(4) 3/4	1.56	65
SAF 318	4-1/8	3-3/8	15.50	4.38	2.00	2.25	4.750	9.19	6.63	6.88	12.00	13.50	(4) 3/4	2.16	75
SAF 320	4-1/2	3-13/16	16.50	4.75	2.13	2.75	5.000	10.25	7.13	7.38	13.25	14.50	(4) 3/4	2.44	91
SAF 322	4-7/8	4-3/16	18.38	5.13	2.38	3.25	6.000	11.50	7.75	8.00	14.63	16.00	(4) 7/8	2.59	120
SAF 324	5-5/16	4-9/16	21.25	6.25	2.50	3.75	6.313	12.50	8.13	8.38	17.00	18.25	(4) 1	2.75	166
SAF 326	5-7/8	4-15/16	22.00	6.25	2.63	3.75	6.688	13.31	8.50	8.75	17.38	19.25	(4) 1	2.94	184
SAF 328	6-1/4	5-5/16	24.75	6.75	2.75	4.25	7.063	14.19	9.25	9.38	19.38	21.63	(4) 1	3.16	243
SAF 330	6-5/8	5-3/4	26.75	7.13	3.00	4.63	7.500	14.88	9.63	9.75	20.88	23.63	(4) 1	3.41	259
SAF 332	7	6-1/16	28.00	7.50	3.13	4.50	7.875	15.69	10.50	10.63	21.63	24.38	(4) 1-1/4	3.59	299
SAF 334	7-7/16	6-7/16	29.50	8.00	3.38	5.00	8.250	16.50	11.00	11.25	22.50	25.00	(4) 1-1/4	3.75	355
SAF 336	7-13/16	6-7/8	31.25	8.25	3.50	5.25	8.875	17.75	11.25	11.38	24.00	26.63	(4) 1-1/4	3.90	360
SAF 338	8-3/8	7-1/4	32.75	8.75	3.75	5.25	9.500	18.63	11.75	12.00	24.75	27.88	(4) 1-1/2	4.06	477
SAF 340	8-3/4	7-5/8	34.25	9.00	4.00	5.50	9.875	20.0	11.87	12.06	26.25	29.50	(4) 1-1/2	4.25	480

Pillow Block Housings



SAF 300 Series



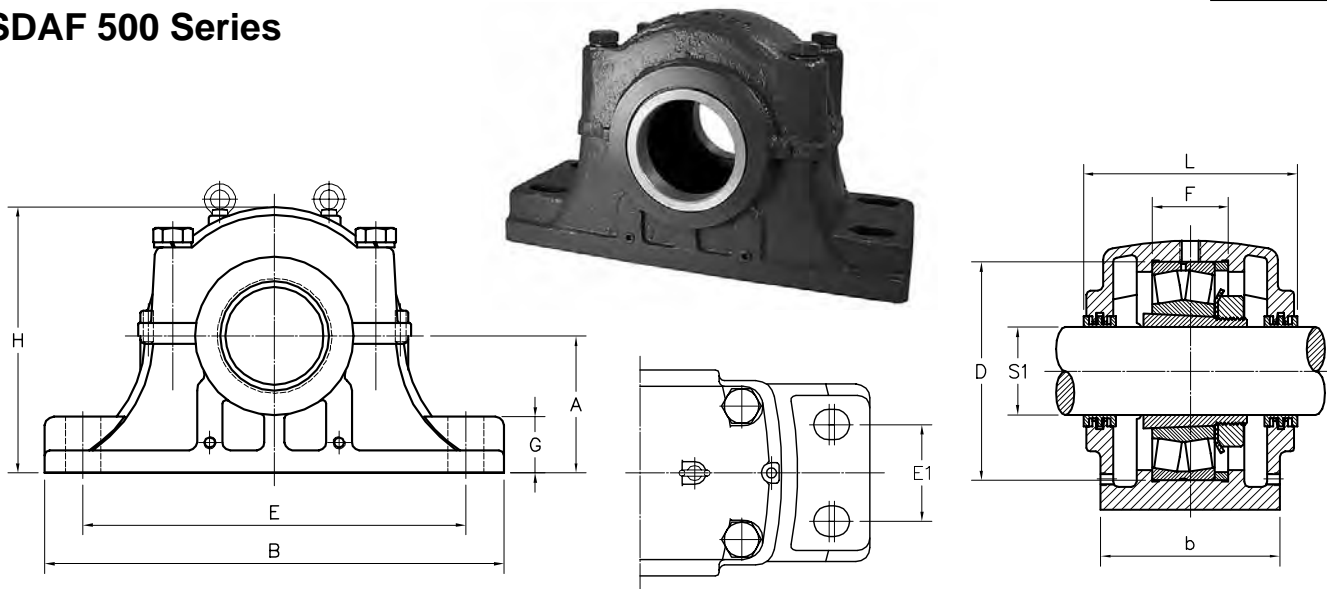
Housing Part No.	Bearing Part No.	Basic Dynamic Rating C kN	Shaft Size		Locknut Part No.	Lock-washer Part No.	Seals		Fixing Rings		End Cover Part No.
			d1	d2			d1	d2	Part No.	Qty.	
SAF 308	1308 2308 21308 22308	29 45 82 112	1-15/16	1-7/16	N08	W08	LER 24	LER 17	FR90 x 10 FR90 x 10 FR90 x 10 FR90 x 10	2 1 2 1	EPR03
SAF 309	1309 2309 21309 22309	38 54 100 135	2-1/8	1-11/16	N09	W09	LER 28	LER 20	FR100 x 10.5 FR100 x 10 FR100 x 10.5 FR100 x 10	2 1 2 1	EPR04
SAF 310	1310 2310 21310 22310	41.5 64 120 175	2-3/8	1-7/8	N10	W10	LER 35	LER 23	FR110 x 11.5 FR110 x 10 FR110 x 11.5 FR110 x 10	2 1 2 1	EPR05
SAF 311 FSAF 311	1311 2311 21311 22311	51 75 138 195	2-9/16	2-1/16	N11	W11	LER 40	LER 27	FR120 x 12 FR120 x 10 FR120 x 12 FR120 x 10	2 1 2 1	EPR06
SAF 313 FSAF 313	1313 2313 21313 22313	62 95 184 250	3-1/16	2-7/16	N13	W13	LER 55	LER 37	FR140 x 12.5 FR140 x 10 FR140 x 12.5 FR140 x 10	2 1 2 1	EPR07
SAF 314 FSAF 314	1314 2314 21314 22314	75 110 207 310	3-1/4	2-5/8	N14	W14	LER 64	LER 43	FR150 x 12.5 FR150 x 10 FR150 x 12.5 FR150 x 10	2 1 2 1	—
SAF 315 FSAF 315	1315 2315 21315 22315	80 122 234 340	3-7/16	2-13/16	AN15	W15	LER 79	LER 46	FR160 x 14 FR160 x 10 FR160 x 14 FR160 x 10	2 1 2 1	EPR08
SAF 316 FSAF 316	1316 2316 21316 22316	88 137 255 370	3-5/8	3	AN16	W16	LER 84	LER 60	FR170 x 14.5 FR170 x 10 FR170 x 14.5 FR170 x 10	2 1 2 1	EPR10
SAF 317 FSAF 317	1317 2317 21317 22317	98 140 290 420	3-15/16	3-3/16	AN17	W17	LER 109	LER 188	FR180 x 14.5 FR180 x 10 FR180 x 14.5 FR180 x 10	2 1 2 1	EPR11
SAF 318 FSAF 318	1318 2318 21318 22318	108 153 320 475	4-1/8	3-3/8	AN18	W18	LER 112	LER 191	FR190 x 15.5 FR190 x 10 FR190 x 15.5 FR190 x 10	2 1 2 1	EPR11
SAF 320	1320 2320 21320 22320	143 190 380 600	4-1/2	3-13/16	AN20	W20	LER 118	LER 106	FR215 x 18 FR215 x 10 FR215 x 18 FR215 x 10	2 1 2 1	EPR12
SAF 322	1322 21322 22322	160 460 720	4-7/8	4-3/16	AN22	W22	LER121	LER 113	FR240 x 20 FR240 x 20 FR240 x 10	2 2 1	EPR14
SAF 324	22324	840	5-5/16	4-9/16	AN24	W24	LER 127	LER 119	FR260 x 10	1	EPR15
SAF 326	22326	970	5-7/8	4-15/16	AN26	W26	LER 136	LER 122	FR280 x 10	1	EPR27
SAF 328	22328	1120	6-1/4	5-5/16	AN28	W28	LER 144	LER 127	FR300 x 10	1	EPR16
SAF 330	22330	1250	6-5/8	5-3/4	AN30	W30	LER 151	LER 134	FR320 x 10	1	EPR17
SAF 332	22332	1375	7	6-1/16	AN32	W32	LER 156	LER 142	FR340 x 10	1	EPR18
SAF 334	22334	1540	7-7/16	6-7/16	AN34	W34	LER 161	LER 148	FR360 x 10	1	EPR19
SAF 336	22336	1725	7-13/16	6-7/8	AN36	W36	LER 165	LER 154	FR380 x 10	1	EPR 20
SAF 338	22338	1860	8-3/8	7-1/4	AN38	W38	LER 171	LER 160	FR400 x 10	1	EPR21
SAF 340	22340	2010	8-3/4	7-5/8	AN40	W40	LER 175	LER 164	FR420 x 10	1	EPR 22

Note: Bearing part number in bold face is a double row straight bore spherical and the most popular. Typical suffix to the bearing part number is C3W33 where C3 is the internal clearance and W33 indicates a lube groove on the bearing O.D. Example: 22320C3W33.

Pillow Block Housings



SDAF 500 Series



SDAF 500 - Housing Dimensions

Dimensions in inches

Housing No.	A	B	b	D		E		E1	F	G	H	L	Bolts (No. Req'd)	Wt. lb
				mm	Max	Min	mm							
SDAF 520	4.500	15.25	6.00	180	13.12	11.63	3.38	55.8	1.88	8.94	6.75	(4) 3/4	65	
SDAF 522	4.937	16.50	6.75	200	14.50	12.63	4.00	62.8	2.12	9.88	7.25	(4) 7/8	96	
SDAF 524	5.250	16.50	6.88	215	14.50	13.25	4.12	67.8	2.50	10.50	7.38	(4) 7/8	107	
SDAF 526	6.000	18.38	7.50	230	16.00	14.63	4.50	73.8	2.38	11.88	8.00	(4) 1	147	
SDAF 528	6.000	20.12	7.50	250	17.12	16.00	4.50	77.8	2.38	12.06	7.94	(4) 1-1/8	131	
SDAF 530	6.312	21.25	7.88	270	18.25	17.00	4.75	82.8	2.50	12.81	8.38	(4) 1-1/8	157	
SDAF 532	6.687	22.00	8.25	290	19.25	17.38	5.00	89.8	2.50	13.69	8.75	(4) 1/8	187	
SDAF 534	7.062	24.75	9.00	310	21.63	19.38	5.50	95.8	2.50	14.25	9.63	(4) 1/4	212	
SDAF 536	7.500	26.75	9.38	320	23.63	20.88	5.88	95.8	2.75	15.50	10.00	(4) 1/4	292	
SDAF 538	7.875	27.63	10.00	340	23.50	21.50	6.25	101.8	3.00	16.25	10.63	(4) 1-3/8	338	
SDAF 540	8.250	28.75	10.50	360	25.00	23.00	6.75	107.8	3.25	17.12	11.12	(4) 1-3/8	344	
SDAF 544	9.500	32.00	11.25	400	27.88	25.63	7.25	117.8	3.50	19.25	11.88	(4) 1-1/2	513	

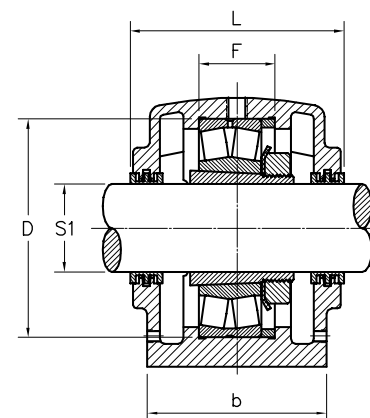
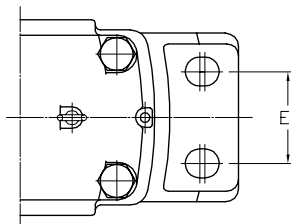
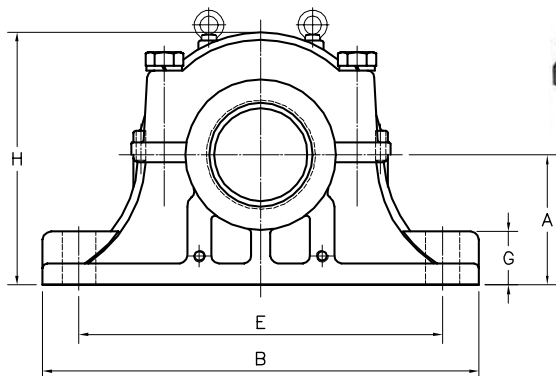
SDAF 225 - Pillow Block Part Number

Shaft Diameter S-1 in	Complete Pillow Block Part No.	Pillow Block Housing Only Part No.	Bearing Part No. *	Basic Dynamic Load Rating C kN	Adapter Locknut and Lockwasher Part No.	Labyrinth Seal (2 required) Part No.	Fixing Ring (1 required) Part No.	End Cover (optional) Part No.
3-7/16	SDAF 22520	SDAF 520	22220 K	310	SNW 20 x 3-7/16	LER 75	FR180 x 10	EPR 11
3-15/16	SDAF 22522	SDAF 522	22222 K	405	SNW 22 x 3-15/16	LER 93	FR200 x 10	EPR 13
4-3/16	SDAF 22524	SDAF 524	22224 K	465	SNW 24 x 4-3/16	LER 113	FR215 x 10	EPR 14
4-7/16	SDAF 22526	SDAF 526	22226 K	545	SNW 26 x 4-7/16	LER 117	FR230 x 10	EPR 15
4-15/16	SDAF 22528	SDAF 528	22228 K	605	SNW 28 x 4-15/16	LER 122	FR250 x 10	EPR 27
5-3/16	SDAF 22530	SDAF 530	22230 K	730	SNW 30 x 5-3/16	LER 125	FR270 x 10	EPR 16
5-7/16	SDAF 22532	SDAF 532	22232 K	860	SNW 32 x 5-7/16	LER 130	FR290 x 10	EPR 16
5-15/16	SDAF 22534	SDAF 534	22234 K	975	SNW 34 x 5-15/16	LER 140	FR310 x 10	EPR 18
6-7/16	SDAF 22536	SDAF 536	22236 K	1000	SNW 36 x 6-7/16	LER 148	FR310 x 10	EPR 19
6-15/16	SDAF 22538	SDAF 538	22238 K	1100	SNW 38 x 6-15/16	LER 224	FR340 x 10	EPR 21
7-3/16	SDAF 22540	SDAF 540	22240 K	1250	SNW 40 x 7-3/16	LER 228	FR360 x 10	EPR 22
7-15/16	SDAF 22544	SDAF 544	22244 K	1500	SNW 44 x 7-15/16	LER 236	FR400 x 10	EPR 24

Note: * Typical suffix to the bearing part number is C3W33 where C3 is the internal clearance and W33 indicates a lube groove on the bearing O.D. K indicates a taper bore bearing. For example specify 22220 K C3W33. Other clearances available upon request. Seals and Fixing Ring included with Pillow Block Housing. Taconite seals also available.

Pillow Block Housings

SDAF 600 Series



SDAF 600 - Housing Dimensions

Dimensions in inches

Housing No.	A	B	b	D	E		E1	F	G	H	L	Bolts (No. Req'd)	Wt. lb
					mm	Min in							
SDAF 616	4.250	14.25	5.50	170	10.63	12.63	3.25	67.8	1.75	8.25	6.38	(4) 5/8	49
SDAF 617	4.500	15.25	6.00	180	11.63	12.13	3.38	69.8	1.88	8.94	6.75	(4) 3/4	67
SDAF 618	4.750	15.50	6.12	190	12.00	13.50	3.63	73.8	2.00	9.44	6.88	(4) 3/4	72
SDAF 620	5.250	16.50	6.88	215	13.25	14.50	4.12	82.8	2.25	10.50	7.38	(4) 7/8	110
SDAF 622	6.000	18.38	7.50	240	14.63	16.00	4.50	89.8	2.38	11.88	8.00	(4) 1	147
SDAF 624	6.312	21.25	7.88	260	17.00	18.25	4.75	95.8	2.50	12.81	8.38	(4) 1-1/8	172
SDAF 626	6.687	22.00	8.25	280	17.38	19.25	5.00	102.8	2.50	13.69	8.75	(4) 1-1/8	194
SDAF 628	7.062	24.75	9.00	300	19.38	21.63	5.50	111.8	2.50	14.25	9.38	(4) 1-1/4	228
SDAF 630	7.500	26.75	9.38	320	20.88	23.63	5.88	117.8	2.75	15.19	9.75	(4) 1-1/4	300
SDAF 632	7.875	27.63	10.00	340	21.50	23.50	6.25	123.8	3.00	16.25	10.63	(4) 1-3/8	355
SDAF 634	8.250	28.75	10.50	360	23.00	25.00	6.75	129.8	3.25	17.12	11.12	(4) 1-3/8	392
SDAF 636	8.875	30.50	10.75	380	24.12	26.63	6.88	135.8	3.25	17.94	11.38	(4) 1-1/2	405
SDAF 638	9.500	32.00	11.25	400	25.63	27.88	7.25	141.8	3.50	19.25	11.88	(4) 1-1/2	484
SDAF 640	9.875	33.50	11.75	420	26.63	29.25	7.63	147.8	3.50	19.94	12.38	(4) 1-5/8	564

SDAF 226 - Pillow Block Part Number

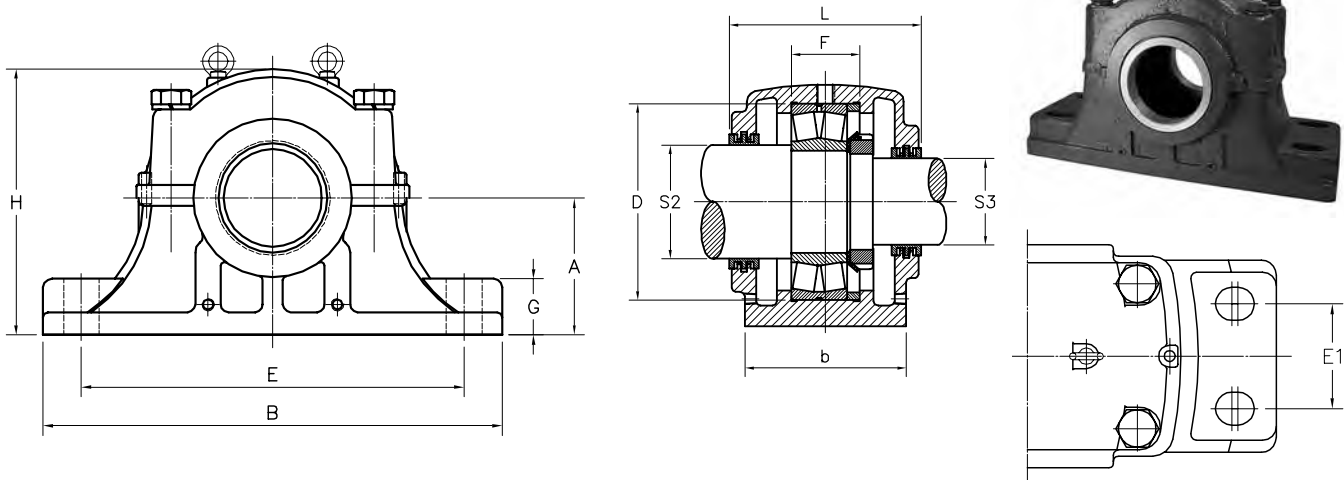
Shaft Diameter S-1 in	Complete Pillow Block Part No.	Pillow Block Housing Only Part No.	Bearing Part No. *	Basic Dynamic Load Rating C kN	Adapter Locknut and Lockwasher Part No.	Labyrinth Seal (2 required) Part No.	Fixing Ring (1 required) Part No.	End Cover (optional) Part No.
2-11/16	SDAF 22616	SDAF 616	22316 K	370	SNW 116 x 2-11/16	LER 44	FR170 x 10	EPR 8
2-15/16	SDAF 22617	SDAF 617	22317 K	420	SNW 117 x 2-15/16	LER 59	FR180 x 10	EPR 10
3-3/16	SDAF 22618	SDAF 618	22318 K	475	SNW 118 x 3-3/16	LER 69	FR190 x 10	EPR 11
3-7/16	SDAF 22620	SDAF 620	22320 K	600	SNW 120 x 3-7/16	LER 75	FR215 x 10	EPR 11
3-15/16	SDAF 22622	SDAF 622	22322 K	720	SNW 122 x 3-15/16	LER 93	FR240 x 10	EPR 13
4-3/16	SDAF 22624	SDAF 624	22324 K	840	SNW 124 x 4-3/16	LER 113	FR260 x 10	EPR 14
4-7/16	SDAF 22626	SDAF 626	22326 K	970	SNW 126 x 4-7/16	LER 117	FR280 x 10	EPR 15
4-15/16	SDAF 22628	SDAF 628	22328 K	1120	SNW 128 x 4-15/16	LER 122	FR300 x 10	EPR 27
5-3/16	SDAF 22630	SDAF 630	22330 K	1250	SNW 130 x 5-3/16	LER 125	FR310 x 10	EPR 16
5-7/16	SDAF 22632	SDAF 632	22332 K	1375	SNW 132 x 5-7/16	LER 211	FR340 x 10	EPR 17
5-15/16	SDAF 22634	SDAF 634	22334 K	1540	SNW 134 x 5-15/16	LER 215	FR360 x 10	EPR 19
6-7/16	SDAF 22636	SDAF 636	22336 K	1725	SNW 136 x 6-7/16	LER 220	FR380 x 10	EPR 26
6-15/16	SDAF 22638	SDAF 638	22338 K	1860	SNW 138 x 6-15/16	LER 224	FR400 x 10	EPR 21
7-3/16	SDAF 22640	SDAF 640	22340 K	2010	SNW 140 x 7-3/16	LER 228	FR420 x 10	EPR 22

Note: * Typical suffix to the bearing part number is C3W33 where C3 is the internal clearance and W33 indicates a lube groove on the bearing O.D. K indicates a taper bore bearing. For example specify 22322 K C3W33. Other clearances available upon request. Seals and Fixing Ring included with Pillow Block Housing. Taconite Seals also available.

Pillow Block Housings



SDAF 200 Series



SDAF 200 - Housing Dimensions

Dimensions in inches

Housing No.	A	B	b	E		E1	F	G	H	L	Bolts (No. Req'd)	Wt. lb
				mm	Min Max							
SDAF 220	4.500	15.25	6.00	180	11.63 13.12	3.38	55.8	1.88	8.94	6.75	(4) 3/4	69
SDAF 222	4.937	16.50	6.75	200	12.63 14.50	4.00	62.8	2.12	9.88	7.25	(4) 1-7/8	100
SDAF 224	5.250	16.50	6.88	215	13.25 14.50	4.12	67.8	2.25	10.50	7.38	(4) 7/8	106
SDAF 226	6.000	18.38	7.50	230	14.63 16.00	4.50	73.8	2.38	11.88	8.00	(4) 1	147
SDAF 228	6.000	20.12	7.50	250	16.00 17.12	4.50	77.8	2.38	12.06	7.94	(4) 1	141
SDAF 230	6.312	21.25	7.88	270	17.00 18.25	4.75	82.8	2.50	12.81	8.38	(4) 1-1/8	157
SDAF 232	6.687	22.00	8.25	290	17.38 19.25	5.00	89.8	2.50	13.69	8.75	(4) 1-1/8	188
SDAF 234	7.062	24.75	9.00	310	19.38 21.63	5.50	95.8	2.50	14.25	9.63	(4) 1-1/4	212
SDAF 236	7.500	26.75	9.38	320	20.88 23.63	5.88	95.8	2.75	15.19	10.00	(4) 1-1/4	276
SDAF 238	7.875	27.63	10.00	340	21.50 23.50	6.25	101.8	3.00	16.25	10.63	(4) 1-3/8	338
SDAF 240	8.250	28.75	10.50	360	23.00 25.00	5.75	107.8	3.25	17.12	11.12	(4) 1-3/8	344
SDAF 244	9.500	32.00	11.25	400	25.63 27.88	7.25	117.8	3.50	19.25	11.88	(4) 1-1/2	520

SDAF 222 - Pillow Block Part Number

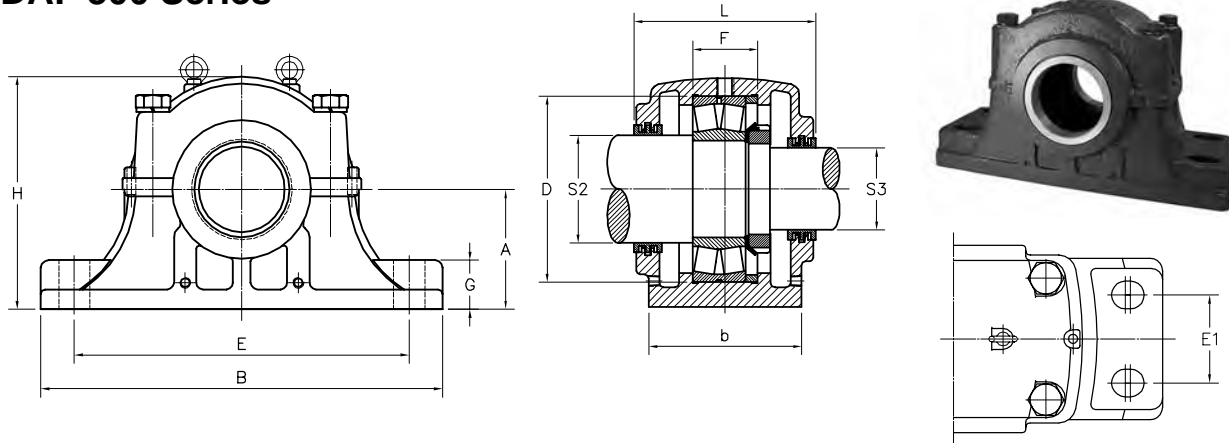
Shaft Dia.		Complete Pillow Block Part No.	Pillow Block Housing Only Part No.	Bearing Part No. *	Basic Dynamic Load Rating C kN	Locknut Part No.	Lockwasher Part No.	Labyrinth Seal Ring Part No.		Fixing Ring (1 Required) Part No.	End Cover (optional) Part No.
S-2 in	S-3 in							S-2 in	S-3 in		
4-1/2	3-13/16	SDAF 22220	SDAF 220	22220	310	AN 20	W 20	LER 205	LER 87	FR180 x 10	EPR 12
4-7/8	4-3/16	SDAF 22222	SDAF 222	22222	405	AN 22	W 22	LER 121	LER 113	FR200 x 10	EPR 14
5-5/16	4-9/16	SDAF 22224	SDAF 224	22224	465	AN 24	W 24	LER 127	LER 119	FR215 x 10	EPR 15
5-7/8	4-15/16	SDAF 22226	SDAF 226	22226	545	AN 26	W 26	LER 136	LER 122	FR230 x 10	EPR 27
6-1/4	5-5/16	SDAF 22228	SDAF 228	22228	605	AN 28	W 28	LER 144	LER 127	FR250 x 10	EPR 16
6-5/8	5-3/4	SDAF 22230	SDAF 230	22230	730	AN 30	W 30	LER 151	LER 134	FR270 x 10	EPR 17
7	6-1/16	SDAF 22232	SDAF 232	22232	860	AN 32	W 32	LER 156	LER 142	FR290 x 10	EPR 18
7-7/16	6-7/16	SDAF 22234	SDAF 234	22234	975	AN 34	W 34	LER 161	LER 148	FR310 x 10	EPR 19
7-13/16	6-7/8	SDAF 22236	SDAF 236	22236	1000	AN 36	W 36	LER 165	LER 154	FR310 x 10	EPR 20
8-3/8	7-1/4	SDAF 22238	SDAF 238	22238	1100	AN 38	W 38	LER 240	LER 229	FR340 x 10	EPR 22
8-3/4	7-5/8	SDAF 22240	SDAF 240	22240	1250	AN 40	W 40	LER 244	LER 233	FR360 x 10	EPR 23
9-9/16	8-5/16	SDAF 22244	SDAF 244	22244	1500	AN 44	W 44	LER 248	LER 239	FR400 x 10	EPR 25

Note: * Typical suffix to the bearing part number is C3W33 where C3 is the internal clearance and W33 indicates a lube groove on the bearing O.D. For example specify 22220 C3W33. Other bearing clearance available upon request. Seals and Fixing Ring included with Pillow Block Housing.

Pillow Block Housings



SDAF 300 Series



SDAF 300 K - Housing Dimensions

Dimensions in inches

Housing No.	A	B	b	D		E		E1	F	G	H	L	Bolts (No. Req'd)	Wt. lb
				mm	Min	Max	mm							
SDAF 316	4.250	14.25	5.50	170	10.63	12.63	3.25	67.8	1.75	8.25	6.38	(4) 5/8	53	
SDAF 317	4.500	15.25	6.00	180	11.63	13.12	3.38	69.8	1.88	8.94	6.75	(4) 3/4	67	
SDAF 318	4.750	15.50	6.12	190	12.00	13.50	3.63	73.8	2.00	9.44	6.88	(4) 3/4	72	
SDAF 320	5.250	16.50	6.88	215	13.25	14.50	4.12	82.8	2.25	10.50	7.38	(4) 7/8	106	
SDAF 322	6.000	18.38	7.50	240	14.63	16.00	4.50	89.8	2.38	11.88	8.00	(4) 1	149	
SDAF 324	6.312	21.25	7.88	260	17.00	18.25	4.75	95.8	2.50	12.81	8.38	(4) 1-1/8	172	
SDAF 326	6.687	22.00	8.25	280	17.38	19.25	5.00	102.8	2.50	13.69	8.75	(4) 1-1/8	195	
SDAF 328	7.437	24.75	9.00	300	19.38	21.63	5.50	111.8	2.50	14.25	9.38	(4) 1-1/4	228	
SDAF 330	7.500	26.75	9.38	320	20.88	23.63	5.88	117.8	2.75	15.19	9.75	(4) 1-1/4	302	
SDAF 332	7.875	27.63	10.00	340	21.50	23.50	6.25	123.8	3.00	16.25	10.63	(4) 1-3/8	355	
SDAF 334	8.250	28.75	10.50	360	23.00	25.00	6.75	129.8	3.25	17.12	11.12	(4) 1-3/8	380	
SDAF 336	8.875	30.50	10.75	380	24.12	26.38	6.88	135.8	3.25	17.94	11.38	(4) 1-1/2	405	
SDAF 338	9.500	32.00	11.25	400	25.63	27.88	7.25	141.8	3.50	19.25	11.88	(4) 1-1/2	522	
SDAF 340	9.875	33.50	11.75	420	26.63	29.25	7.63	147.8	3.50	19.94	12.38	(4) 1-5/8	564	

SDAF 223 - Pillow Block Part Number

Shaft Dia.		Complete Pillow Block. Part No.	Pillow Block Housing Only Part No.	Bearing Part No. *	Basic Dynamic Load Rating C kN	Locknut Part No.	Lockwasher Part No.	Labyrinth Seal Part No.		Fixing Ring (1 Req'd) Part No.	End Cover (optional) Part No.
S-2 in	S-3 in							S-2 in	S-3 in		
3-5/8	3	SDAF 22316	SDAF 316	22316	370	AN 16	W 16	LER 84	LER 60	FR170 x 10	EPR 10
3-15/16	3-3/16	SDAF 22317	SDAF 317	22317	420	AN 17	W 17	LER 93	LER 69	FR180 x 10	EPR 11
4-1/8	3-3/8	SDAF 22318	SDAF 318	22318	475	AN 18	W 18	LER 96	LER 72	FR190 x 10	EPR 11
4-1/2	3-13/16	SDAF 22320	SDAF 320	22320	600	AN 20	W 20	LER 205	LER 87	FR215 x 10	EPR 12
4-7/8	4-3/16	SDAF 22322	SDAF 322	22322	720	AN 22	W 22	LER 121	LER 113	FR240 x 10	EPR 14
5-5/16	4-9/16	SDAF 22324	SDAF 324	22324	840	AN 24	W 24	LER 127	LER 119	FR260 x 10	EPR 15
5-7/8	4-15/16	SDAF 22326	SDAF 326	22326	970	AN 26	W 26	LER 136	LER 122	FR280 x 10	EPR 27
6-1/4	5-5/16	SDAF 22328	SDAF 328	22328	1120	AN 28	W 28	LER 144	LER 127	FR300 x 10	EPR 16
6-5/8	5-3/4	SDAF 22330	SDAF 330	22330	1250	AN 30	W 30	LER 151	LER 134	FR310 x 10	EPR 17
7	6-1/16	SDAF 22332	SDAF 332	22332	1375	AN 32	W 32	LER 225	LER 217	FR340 x 10	EPR 19
7-7/16	6-7/16	SDAF 22334	SDAF 334	22334	1540	AN 34	W 34	LER 230	LER 220	FR360 x 10	EPR 26
7-13/16	6-7/8	SDAF 22336	SDAF 336	22336	1725	AN 36	W 36	LER 234	LER 223	FR380 x 10	EPR 21
8-3/8	7-1/4	SDAF 22338	SDAF 338	22338	1860	AN 38	W 38	LER 240	LER 229	FR400 x 10	EPR 22
8-3/4	7-5/8	SDAF 22340	SDAF 340	22340	2010	AN 40	W 40	LER 244	LER 233	FR420 x 10	EPR 23

Note: * Typical suffix to the bearing part number is C3W33 where C3 is the internal clearance and W33 indicates a lube groove on the bearing O.D. For example specify 22316 C3W33. Other bearing clearance available upon request.

Seals and Fixing Ring included with Pillow Block Housing.

Pillow Block Housings

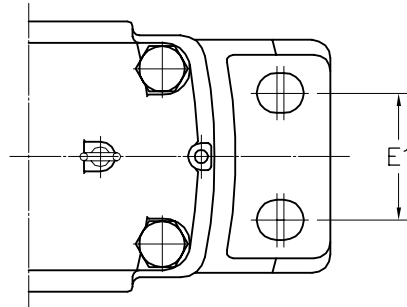
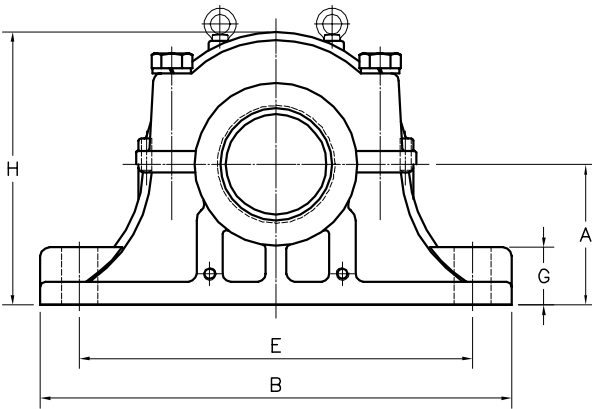
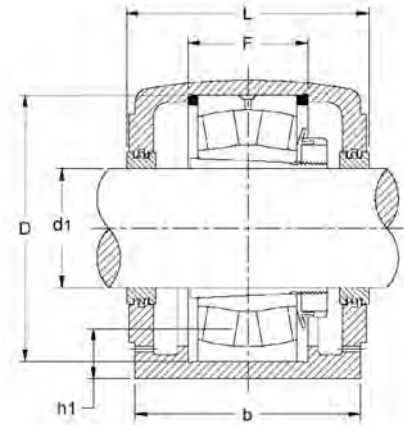


SAF 000 Series (Cast Iron)

SAFS 000 Series (Steel)



SAF 000 Series Split Blocks are heavy duty units and available in Cast Iron and Steel. Ductile units available on request. These housings utilize the 230 Series Spherical Roller Bearing and can be fitted with Taconite Seals for harsh environments. Other housing modifications for RTD or Vibration Sensors are available on request.



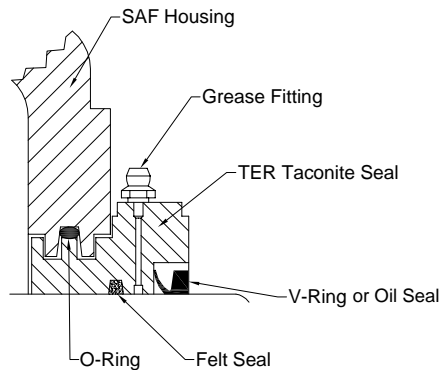
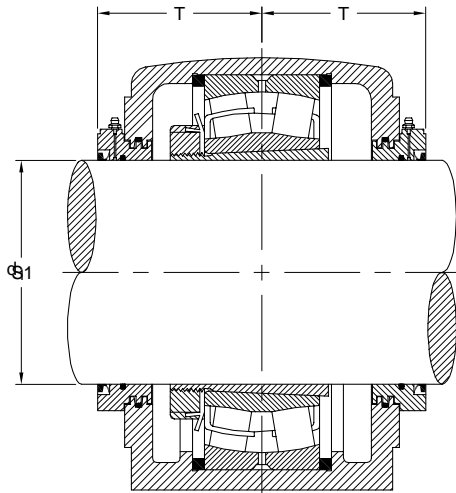
SAF & SAFS 000 K - Housing Dimensions

Dimensions in inches

Cast Iron Housing No.	Steel Housing No.	A	B	b	D		E	E1	F	G	H	Static oil level h ₁	L	T	Base Bolts (No. Req'd)	Wt. lb (Cast)
					mm	Max Min										
SAF024 K x 4-3/16	SAFS024 K x 4-3/16	4.500	15.25	4.38	180	13.12 11.63	2.38	65.6	1.75	8.75	1.6	6.00	4.50	(4) 3/4	48	
SAF026 K x 4-7/16	SAFS026 K x 4-7/16	4.937	16.50	4.75	200	14.50 12.63	2.75	71.6	2.00	9.63	1.7	6.50	4.62	(4) 3/4	56	
SAF028 K x 4-15/16	SAFS028 K x 4-15/16	5.250	16.50	4.75	210	14.50 13.25	2.75	72.6	2.12	10.25	1.8	7.38	5.06	(4) 3/4	69	
SAF030 K x 5-3/16	SAFS030 K x 5-3/16	6.000	18.38	5.12	225	16.00 14.63	3.25	75.6	2.38	11.56	2.2	8.00	5.40	(4) 7/8	107	
SAF032 K x 5-7/16	SAFS032 K x 5-7/16	6.000	18.38	5.12	240	16.00 14.63	3.25	79.6	2.38	11.56	2.1	8.00	5.47	(4) 7/8	125	
SAF034 K x 5-15/16	SAFS034 K x 5-15/16	6.000	20.12	5.88	260	17.12 16.00	3.38	86.6	2.38	11.75	1.7	7.63	5.16	(4) 1	120	
SAF036 K x 6-7/16	SAFS036 K x 6-7/16	6.687	22.00	6.25	280	19.25 17.38	3.75	93.6	2.63	13.50	—	8.75	—	(4) 1	172	
SAF038 K x 6-15/16	SAFS038 K x 6-15/16	6.687	22.00	6.25	290	19.25 17.38	3.75	94.6	2.63	13.50	2.1	8.75	5.72	(4) 1	167	
SAF040 K x 7-3/16	SAFS040 K x 7-3/16	7.062	24.75	6.75	310	21.63 19.38	4.25	101.6	2.75	14.38	2.0	9.63	5.72	(4) 1	193	
SAF044 K x 7-15/16	SAFS044 K x 7-15/16	7.875	28.00	7.50	340	24.38 21.63	4.50	109.6	3.12	15.88	2.3	10.63	6.30	(4) 1-1/4	304	
SAF048 K x 8-7/16	SAFS048 K x 8-7/16	8.250	29.50	8.00	360	25.00 22.50	5.00	111.6	3.38	16.50	2.3	11.25	6.72	(4) 1-1/4	270	
SAF048 K x 8-1/2	SAFS048 K x 8-1/2	8.250	29.50	8.00	360	25.00 22.50	5.00	111.6	3.38	16.50	2.3	11.25	6.72	(4) 1-1/4	270	
SAF048 K x 8-15/16	SAFS048 K x 8-15/16	8.250	29.50	8.00	360	25.00 22.50	5.00	111.6	3.38	16.50	2.3	11.25	6.72	(4) 1-1/4	270	
SAF048 K x 9	SAFS048 K x 9	8.250	29.50	8.00	360	25.00 22.50	5.00	111.6	3.38	16.50	2.3	11.25	6.72	(4) 1-1/4	270	
SAF052 K x 9-7/16	SAFS052 K x 9-7/16	9.500	32.75	8.75	400	27.88 24.75	5.25	123.6	3.75	18.63	3.0	12.00	8.07	(4) 1-1/2	450	
SAF052 K x 9-1/2	SAFS052 K x 9-1/2	9.500	32.75	8.75	400	27.88 24.75	5.25	123.6	3.75	18.63	3.0	12.00	8.07	(4) 1-1/2	450	
SAF056 K x 9-15/16	SAFS056 K x 9-15/16	9.875	34.75	9.00	420	29.50 26.25	5.50	125.6	4.00	20.19	3.0	12.25	7.32	(4) 1-1/2	507	
SAF056 K x 10	SAFS056 K x 10	9.875	34.75	9.00	420	29.50 26.25	5.50	125.6	4.00	20.19	3.0	12.25	7.32	(4) 1-1/2	507	
SAF056 K x 10-7/16	SAFS056 K x 10-7/16	9.875	34.75	9.00	420	29.50 26.25	5.50	125.6	4.00	20.19	3.0	12.25	7.32	(4) 1-1/2	507	
SAF056 K x 10-1/2	SAFS056 K x 10-1/2	9.875	34.75	9.00	420	29.50 26.25	5.50	125.6	4.00	20.19	3.0	12.25	7.32	(4) 1-1/2	507	

Pillow Block Housing Accessories

SAF & SAFS 000 Series



- The SAF 000 Housing includes LER or ER Seals and fixing rings.
- For a complete assembly order a Spherical Bearing and Adapter.
- The adapter includes a locknut and lockwasher or locking clip.
- Adapters above 8" are recommended with a Hydraulic removal feature.
- Hydraulic mounting nuts are also available as an installation tool. See HMV Nuts.

SAF & SAFS 230K - Pillow Block Part Numbers

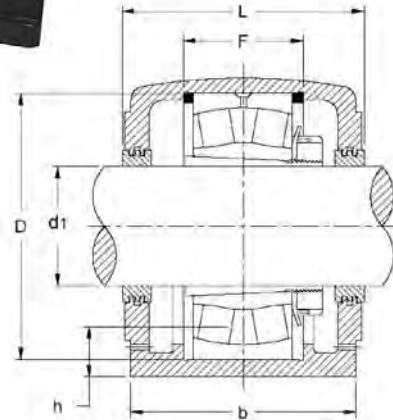
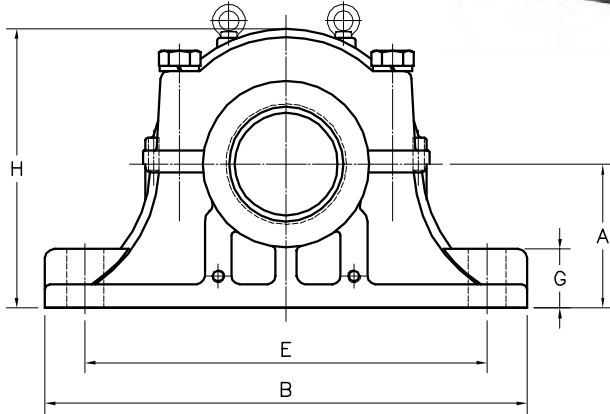
Shaft Size d ₁ in	Complete Pillow Block Part No. **	Pillow Block Housing Only Part No. **	Bearing Part No.	Basic Dynamic Load Rating C kN	Adapter Part No.	Labyrinth Seal Ring (2 Req'd) Part No.	Fixing Ring (2 Req'd) Part No.	End Cover (optional) Part No.	Taconite Seal Part No.
4-3/16	SAF23024 K x 4-3/16	SAF024 K x 4-3/16	23024 K C3W33	300	H 3024 x 4-3/16	LER 113*	FR180 x 10	EPR 14	TER113
4-7/16	SAF23026 K x 4-7/16	SAF026 K x 4-7/16	23026 K C3W33	370	H 3026 x 4-7/16	LER 117*	FR200 x 10	EPR 15	TER117
4-15/16	SAF23028 K x 4-15/16	SAF028 K x 4-15/16	23028 K C3W33	395	H 3028 x 4-15/16	LER 122*	FR210 x 10	EPR 27	TER122
5-3/16	SAF23030 K x 5-3/16	SAF030 K x 5-3/16	23030 K C3W33	435	H 3030 x 5-3/16	LER 125*	FR225 x 10	EPR 16	TER125
5-7/16	SAF23032 K x 5-7/16	SAF032 K x 5-7/16	23032 K C3W33	500	H 3032 x 5-7/16	LER 130*	FR240 x 10	EPR 16	TER130
5-15/16	SAF23034 K x 5-15/16	SAF034 K x 5-15/16	23034 K C3W33	620	H 3034 x 5-15/16	LER 140*	FR260 x 10	EPR 18	TER140
6-7/16	SAF23036 K x 6-7/16	SAF036 K x 6-7/16	23036 K C3W33	720	H 3036 x 6-7/16	LER 148*	FR280 x 10	EPR 19	TER148
6-15/16	SAF23038 K x 6-15/16	SAF038 K x 6-15/16	23038 K C3W33	750	H 3038 x 6-15/16	LER 155*	FR290 x 10	EPR 20	TER155
7-3/16	SAF23040 K x 7-3/16	SAF040 K x 7-3/16	23040 K C3W33	875	H 3040 x 7-3/16	LER 159*	FR310 x 10	EPR 21	TER159
7-15/16	SAF23044 K x 7-15/16	SAF044 K x 7-15/16	23044 K C3W33	1040	H 3044 x 7-15/16	LER 167*	FR340 x 10	EPR 23	TER167
8-7/16	SAF23048 K x 8-7/16	SAF048 K x 8-7/16	23048 K C3W33	1125	OH 3048 x 8-7/16	LER 550	FR360 x 10	—	TER550
8-1/2	SAF23048 K x 8-1/2	SAF048 K x 8-1/2	23048 K C3W33	1125	OH 3048 x 8-1/2	LER 551	FR360 x 10	—	TER551
8-15/16	SAF23048 K x 8-15/16	SAF048 K x 8-15/16	23048 K C3W33	1125	OH 3048 x 8-15/16	LER 552	FR360 x 10	—	TER552
9	SAF23048 K x 9	SAF048 K x 9	23048 K C3W33	1125	OH 3048 x 9	LER 513	FR360 x 10	—	TER513
9-7/16	SAF23052 K x 9-7/16	SAF052 K x 9-7/16	23052 K C3W33	1400	OH 3052 x 9-7/16	LER 553	FR400 x 10	—	TER553
9-1/2	SAF23052 K x 9-1/2	SAF052 K x 9-1/2	23052 K C3W33	1400	OH 3052 x 9-1/2	LER 178	FR400 x 10	—	TER178
9-15/16	SAF23056 K x 9-15/16	SAF056 K x 9-15/16	23056 K C3W33	1500	OH 3056 x 9-15/16	ER 751	FR420 x 10	—	TER751
10	SAF23056 K x 10	SAF056 K x 10	23056 K C3W33	1500	OH 3056 x 10	ER 705	FR420 x 10	—	TER705
10-7/16	SAF23056 K x 10-7/16	SAF056 K x 10-7/16	23056 K C3W33	1500	OH 3056 x 10-7/16	ER 745	FR420 x 10	—	TER745
10-1/2	SAF23056 K x 10-1/2	SAF056 K x 10-1/2	23056 K C3W33	1500	OH 3056 x 10-1/2	ER 710	FR420 x 10	—	TER710

Note: * PER Seals also stock. ** For Steel Housings change part number to SAFS.

Pillow Block Housings



SDAF 230 Series



SDAF 230 K - Housing Dimensions

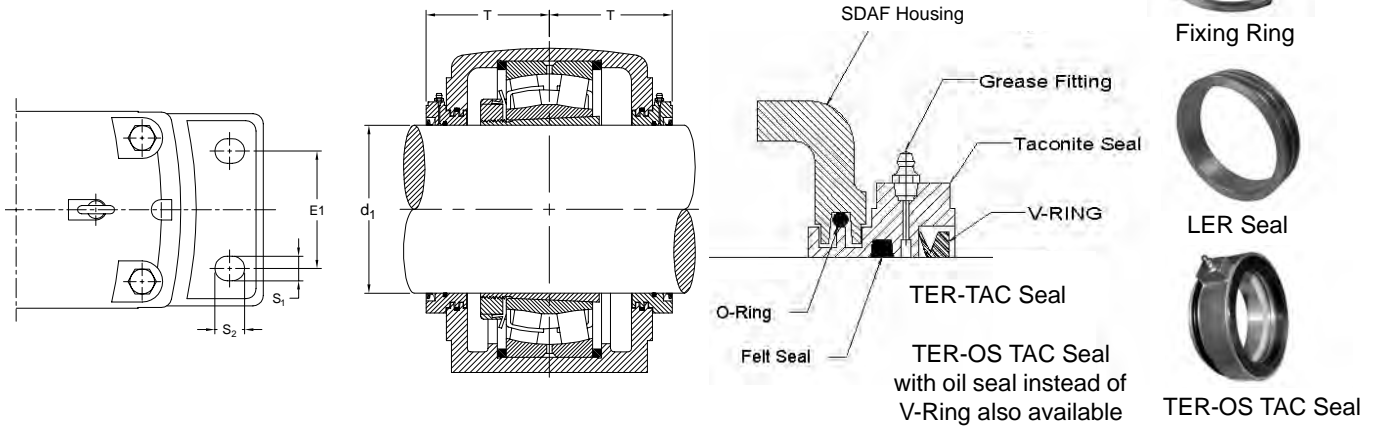
Dimensions in inches

Housing No. *	A	B	b	D mm	E		E1	F mm	G	H	Static Oil Level h	L	Cap Bolts (No. Required)	Base Bolts (No. Required)	S ₁	S ₂	T	Wt. lb
					Max	Min												
SDAF 3060 K x 10-15/16 SDAF 3060 K x 11	12	38-1/4	14-3/4	500	33-1/2	32-3/4	9	180	3-3/8	23-7/16	4.40	15-1/2	(4)1-1/4	(4)1-5/8	1-7/8	2-1/4	9-7/16	1150
SDAF 3064 K x 11-7/16 SDAF 3064 K x 11-1/2 SDAF 3064 K x 11-15/16 SDAF 3064 K x 12	12-13/16	41-3/4	15-3/4	540	35	38-1/2	10-1/2	196	4-1/4	25-3/4	4.00	16-1/4	(4)1-1/2	(4)1-5/8	2-1/4	3	9-7/16	1275
SDAF 3068 K x 12-7/16 SDAF 3068 K x 12-1/2	14	43-3/4	17-5/8	580	36-3/4	38-1/4	10-3/4	210	5	27-3/4	3.38	18-1/4	(4)1-1/2	(4)1-7/8	2-3/8	3-1/8	10-1/8	1600
SDAF 3072 K x 12-15/16 SDAF 3072 K x 13 SDAF 3072 K x 13-7/16 SDAF 3072 K x 13-1/2	14-1/2	46	17-1/8	600	39-1/4	40-3/4	11	212	5-1/4	29	3.72	17-1/4	(4)1-1/2	(4)1-7/8	2-7/16	3-3/16	10-3/16	1650
SDAF 3076 K x 13-15/16 SDAF 3076 K x 14	14-1/2	46	17-1/8	620	39-1/4	40-3/4	11	214	5-1/4	28-7/8	3.38	17-5/8	(4)1-1/2	(4)1-7/8	2-7/16	3-3/16	10-1/4	1700
SDAF 3080 K x 14-15/16 SDAF 3080 K x 15	14-1/2	46	17-1/8	600	39-1/4	40-3/4	11	168	5-1/4	29	4.44	17-1/4	(4)1-1/2	(4)2	2-7/16	3-1/8	10-15/16	2300
SDAF 3084 K x 15-3/4	14-1/2	46	17-1/8	620	39-1/4	40-3/4	11	170	5-1/4	29	4.10	17-1/4	(4)1-1/2	(4)2	2-7/16	3-1/8	10-15/16	2300
SDAF 3088 K x 16-1/2	15-1/2	48-3/4	18-3/4	650	41-7/8	43-3/8	12-1/4	177	5-1/2	30-1/2"	4.50	19-1/4	(4)1-1/2	(4)2-1/4	2-3/8	3-1/4	11-15/16	2500
SDAF 3092 K x 17	15-1/2	48-3/4	18-3/4	680	41-7/8	43-3/8	12-1/4	183	5-1/2	30-1/2"	4.00	19-1/4	(4)1-1/2	(4)2-1/4	2-3/8	3-1/4	11-15/16	2800
SDAF 3096 K x 18	17	53	21	700	44-3/8	46-1/8	14-1/2	185	5-1/2	33-3/4	5-13	21-3/4	(4)1-1/2	(4)2-1/4	2-3/8	3-1/4	13-3/16	4300
SDAF 30/500 K x 18-1/2	17	53	21	720	44-3/8	46-1/8	14-1/2	187	5-1/2	33-3/4	4.75	21-3/4	(4)1-1/2	(4)2-1/4	2-3/8	3-1/4	13-3/16	4400
SDAF 30/530 K x 19-1/2	18	54-1/4	21-5/8	780	47-1/8	48-7/8	15	205	5-3/4	35-3/4	4.81	22-1/4	(4)1-1/2	(4)2-1/2	2-5/8	3-1/2	—	5200
SDAF 30/560 K x 21	18	54-1/4	21-5/8	820	47-1/8	48-7/8	15	225	5-3/4	35-3/4	—	22-1/4	(4)1-1/2	(4)2-1/2	2-5/8	3-1/2	—	5400
SDAF 30/600 K x 22	20	60	22	870	54-1/8	58-7/8	15	220	6	40	—	24-5/8	(4)2	(4)3	3-1/4	3-3/4	—	5800
SDAF 30/630 K x 24	20	60	22	920	54-1/8	58-7/8	15	232	6	40	—	24-5/8	(4)2	(4)3	3-1/4	3-3/4	—	5800

Note: * SDAFD (Ductile) and SDAFS (Steel) housings available on request.

Pillow Block Housing Accessories

SDAF 230 Series



SDAF 230K - Pillow Block Part Numbers

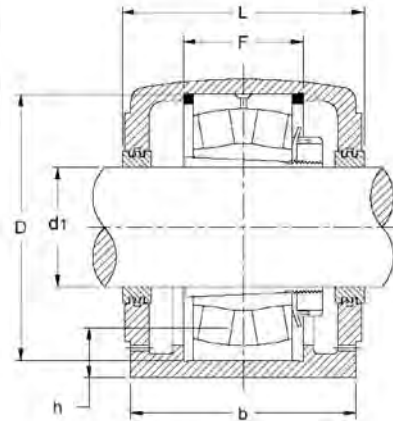
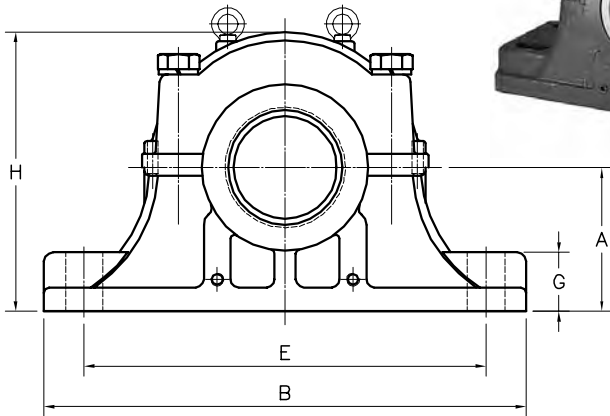
Shaft Size d ₁ in	Complete Pillow Block Part No.	Pillow Block Housing Only Part No. **	Bearing Part No. *	Basic Dynamic Load Rating C kN	Adapter Part No.	Labyrinth Seal Ring (2 Req'd) Part No.	Fixing Ring (1 Req'd) Part No.	End Cover Part No.	Taconite Seal Part No.
9-7/16	SDAF 23052 K x 9-7/16	SDAF 3052 K x 9-7/16	23052KC3W33	2200	OH3052 x 9-7/16	LER553	FR400 x 10	EPR5217-2	TER553
9-1/2	SDAF 23052 K x 9-1/2	SDAF 3052 K x 9-1/2			OH3052 x 9-1/2	LER178			TER178
9-15/16	SDAF 23056 K x 9-15/16	SDAF 3056 K x 9-15/16	23056KC3W33	2250	OH3056 x 9-15/16	ER751	FR420 x 10	EPR5217-1	TER751
10	SDAF 23056 K x 10	SDAF 3056 K x 10			OH3056 x 10	ER705			TER705
10-7/16	SDAF 23056 K x 10-7/16	SDAF 3056 K x 10-7/16			OH3056 x 10-7/16	ER745			TER745
10-1/2	SDAF 23056 K x 10-1/2	SDAF 3056 K x 10-1/2			OH3056 x 10-1/2	ER710			TER710
10-15/16	SDAF 23060 K x 10-15/16	SDAF 3060 K x 10-15/16	23060KC3W33	2800	OH3060 x 10-15/16	ER858	FR460 x 10	EPR5217-9	TER858
11	SDAF 23060 K x 11	SDAF 3060 K x 11			OH3060 x 11	ER825			TER825
11-7/16	SDAF 23064 K x 11-7/16	SDAF 3064 K x 11-7/16	23064KC3W33	3200	OH3064 x 11-7/16	ER861	FR480 x 10	EPR5217-16	TER861
11-1/2	SDAF 23064 K x 11-1/2	SDAF 3064 K x 11-1/2			OH3064 x 11-1/2	ER832			TER832
11-15/16	SDAF 23064 K x 11-15/16	SDAF 3064 K x 11-15/16			OH3064 x 11-15/16	ER859			TER859
12	SDAF 23064 K x 12	SDAF 3064 K x 12			OH3064 x 12	ER818			TER818
12-7/16	SDAF 23068 K x 12-7/16	SDAF 3068 K x 12-7/16	23068KC3W33	3600	OH3068 x 12-7/16	ER865	FR520 x 10	EPR5217-29	TER865
12-1/2	SDAF 23068 K x 12-1/2	SDAF 3068 K x 12-1/2			OH3068 x 12-1/2	ER866			TER866
12-15/16	SDAF 23072 K x 12-15/16	SDAF 3072 K x 12-15/16	23072KC3W33	2750	OH3072 x 12-15/16	ER869	FR540 x 10	EPR5217-27	TER869
13	SDAF 23072 K x 13	SDAF 3072 K x 13			OH3072 x 13	ER846			TER846
13-7/16	SDAF 23072 K x 13-7/16	SDAF 3072 K x 13-7/16			OH3072 x 13-7/16	ER872			TER872
13-1/2	SDAF 23072 K x 13-1/2	SDAF 3072 K x 13-1/2			OH3072 x 13-1/2	ER823			TER823
13-15/16	SDAF 23076 K x 13-15/16	SDAF 3076 K x 13-15/16	23076KC3W33	3900	OH3076 x 13-15/16	ER875	FR560 x 10	EPR5217-12	TER875
14	SDAF 23076 K x 14	SDAF 3076 K x 14			OH3076 x 14	ER876			TER876
14-15/16	SDAF 23080 K x 14-15/16	SDAF 3080 K x 14-15/16	23080KC3W33	4200	OH3080 x 14-15/16	ER847R	FR600 x 10	EPR5217-21	TER847R
15	SDAF 23080 K x 15	SDAF 3080 K x 15			OH3080 x 15	ER847			TER847
15-3/4	SDAF 23084 K x 15-3/4	SDAF 3084 K x 15-3/4	23084KC3W33	5200	OH3084 x 15-3/4	ER969	FR620 x 10	EPR5217-23	TER969
16-1/2	SDAF 23088 K x 16-1/2	SDAF 3088 K x 16-1/2	23088KC3W33	5200	OH3088 x 16-1/2	ER958	FR650 x 10	EPR5217-25	TER958
17	SDAF 23092 K x 17	SDAF 3092 K x 17	23092KC3W33	5700	OH3092 x 17	ER838	FR680 x 10	EPR838	TER838
18	SDAF 23096 K x 18	SDAF 3096 K x 18	23096KC3W33	6200	OH3096 x 18	ER888	FR700 x 10	EPR888	TER888
18-1/2	SDAF 230/500 K x 18-1/2	SDAF 30/500 x 18-1/2	230/500KC3W33	3677	OH30/500 x 18-1/2	ER978	FR720 x 10	EPR978	TER978
19-1/2	SDAF 230/530 K x 19-1/2	SDAF 30/530 x 19-1/2	230/530KC3W33	4360	OH30/530 x 19-1/2	ER926	FR780x 10	EPR926	TER926
21	SDAF 230/560 K x 21	SDAF 30/560 x 21	230/560KC3W33	5100	OH30/560 x 21	ER933	FR820 x 10	EPR933	TER933
22	SDAF 230/600 K x 22	SDAF 30/600 x 22	230/600KC3W33	5200	OH30/600 x 22	ER986	FR870 x 10	EPR986	TER986
24	SDAF 230/630 K x 24	SDAF 30/630 x 24	230/630KC3W33	5700	OH30/630 x 24	ER987	FR920 x 10	EPR987	TER987

Note: * Typical suffix to the bearing part number is KC3W33 where K indicates taper bore, C3 is the internal clearance and W33 indicates a lube groove on the bearing O.D. For example specify 23064 K C3W33. Other bearing clearances available upon request. ** Pillow Block housing includes Fixing Rings and ER or LER Seals.

Pillow Block Housings



SDAF 231 Series



SDAF 231 K - Housing Dimensions

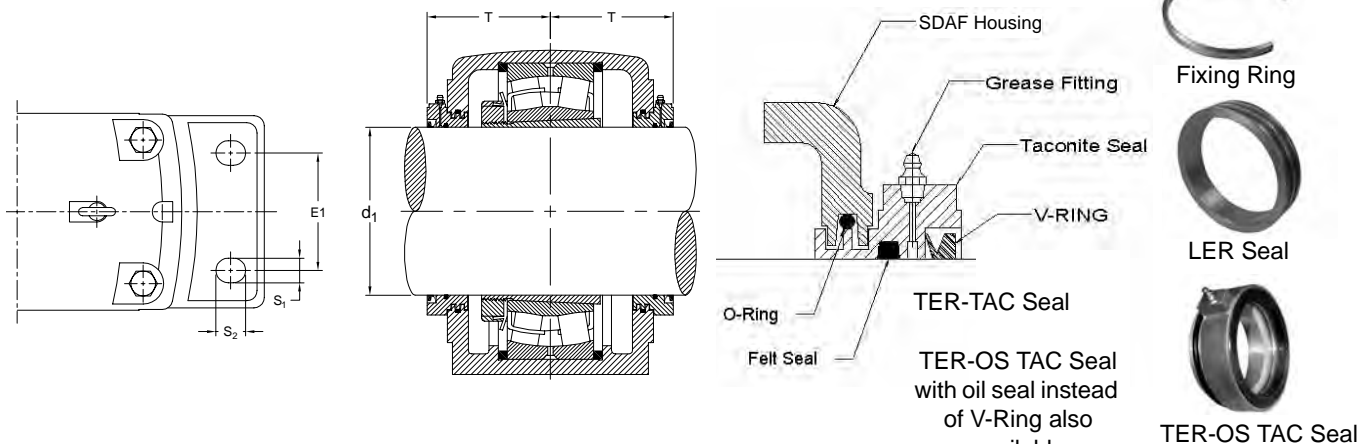
Dimensions in inches

Housing No. *	A	B	b	D		E		E1	F	G	H	Static Oil Level h	L	Cap Bolts (No. Required)	Base Bolts	S ₁	S ₂	T	Wt. lb
				mm	Max	Min	mm												
SDAF 3152 K x 9-7/16 SDAF 3152 K x 9-1/2	10-1/4	38-1/4	13-1/8	440	30-1/2	29	8-3/4	164	3-3/4	20-3/4	3.13	14-1/4	(4)1-1/4	(4)1-5/8	1-3/4	2-1/2	8-3/8	1050	
SDAF 3156 K x 9-15/16 SDAF 3156 K x 10 SDAF 3156 K x 10-7/16 SDAF 3156 K x 10-1/2	12	38-1/4	14-3/4	460	33-1/2	32-3/4	9	166	3-3/8	23-7/16	3.50	15-1/2	(4)1-1/4	(4)1-5/8	1-7/8	2-1/4	9-1/2	1250	
SDAF 3160 K x 10-15/16 SDAF 3160 K x 11	12	38-1/4	14-3/4	500	33-1/2	32-3/4	9	180	3-3/8	23-7/16	3.80	15-1/2	(4)1-1/4	(4)1-5/8	1-7/8	2-1/4	9-1/2	1350	
SDAF 3164 K x 11-7/16 SDAF 3164 K x 11-1/2 SDAF 3164 K x 11-15/16 SDAF 3164 K x 12	12-13/16	41-3/4	15-3/4	540	35	38-1/2	10-1/2	196	4-1/4	25-3/4	4.00	16-1/4	(4)1-1/2	(4)1-7/8	2-1/4	3	10-3/8	1830	
SDAF 3168 K x 12-7/16 SDAF 3168 K x 12-1/2	14	43-3/4	17-5/8	580	36-3/4	38-1/4	10-3/4	210	5	27-3/4	4.63	18-1/4	(4)1-1/2	(4)2	2-3/8	3-1/8	11-1/4	2450	
SDAF 3172 K x 12-15/16 SDAF 3172 K x 13 SDAF 3172 K x 13-7/16 SDAF 3172 K x 13-1/2	14-1/2	46	17-1/8	600	39-1/4	40-3/4	11	212	5-1/4	29	4.63	17-1/4	(4)1-1/2	(4)2	2-7/16	3-3/16	10-7/8	2500	
SDAF 3176 K x 13-15/16 SDAF 3176 K x 14	14-1/2	46	17-1/8	620	39-1/4	40-3/4	11	214	5-1/4	28-7/8	4.30	17-5/8	(4)1-1/2	(4)2	2-7/16	3-3/16	10-7/8	2500	
SDAF 3180 K x 14-15/16 SDAF 3180 K x 15	15-1/2	48-3/4	18-3/4	650	41-3/4	43-1/2	12-1/4	220	5-1/2	30-1/2	4.81	19-1/4	(4)1-1/2	(4)2-1/4	2-3/8	3-1/4	12	2800	
SDAF 3184 K x 15-3/4	17	53	21	700	44-3/8	46-1/8	14-1/2	224	5-1/2	33-3/4	5.60	21-3/4	(4)1-1/2	(4)2-1/4	2-11/16	3-9/16	13-1/4	4300	
SDAF 3188 K x 16-1/2	17	53	21	720	44-3/8	46-1/8	14-1/2	246	5-1/2	33-3/4	5.30	21-3/4	(4)1-1/2	(4)2-1/4	2-11/16	3-9/16	13-1/4	4300	
SDAF 3192 K x 17	18	54-1/4	21-5/8	760	47-1/8	48-7/8	15	260	5-3/4	35-3/4	5.50	21-5/8	(4)1-1/2	(4)2-1/2	2-13/16	3-5/8	13-1/4	5000	
SDAF 3196 K x 18	18	54-1/4	21-5/8	790	47-1/8	48-7/8	15	268	5-3/4	35-3/4	5.20	21-5/8	(4)1-1/2	(4)2-1/2	2-13/16	3-5/8	13-1/2	5200	
SDAF 31/500 K x 18-1/2	18	54-1/4	21-5/8	830	47-1/8	48-7/8	15	284	5-3/4	35-3/4	—	21-5/8	(4)1-1/2	(4)2-1/2	2-7/8	3-5/8	—	5200	
SDAF 31/530 K x 19-1/2	20	60	22	870	52-3/8	54-1/8	15	292	6	40	—	24-5/8	(4)2	(4)3	3-1/4	3-3/4	—	5600	
SDAF 31/560 K x 21	20	60	22	920	52-3/8	54-1/8	15	300	6	40	—	24-5/8	(4)2	(4)3	3-1/4	3-3/4	—	5600	
SDAF 31/600 K x 22	23-1/4	64-1/4	26-5/8	980	57-1/8	58-7/8	19-5/8	320	6-1/4	47-1/4	—	27-3/4	(4)2-1/2	(4)3	3-1/4	3-3/4	—	6000	
SDAF 31/630 K x 24	23-1/4	64-1/4	26-5/8	1030	57-1/8	58-7/8	19-5/8	335	6-1/4	47-1/4	—	27-3/4	(4)2-1/2	(4)3	3-1/4	3-3/4	—	6000	

Note: * SDAFD (Ductile) and SDAFS (Steel) housings available on request.

Pillow Block Housing Accessories

SDAF 231 Series



SDAF 231K - Pillow Block Part Numbers

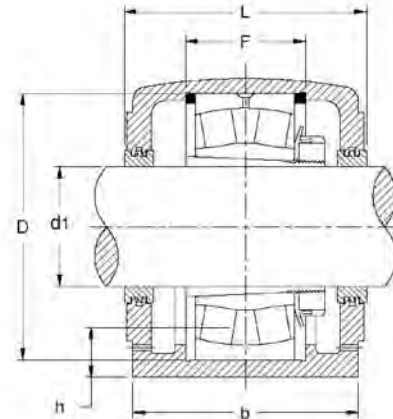
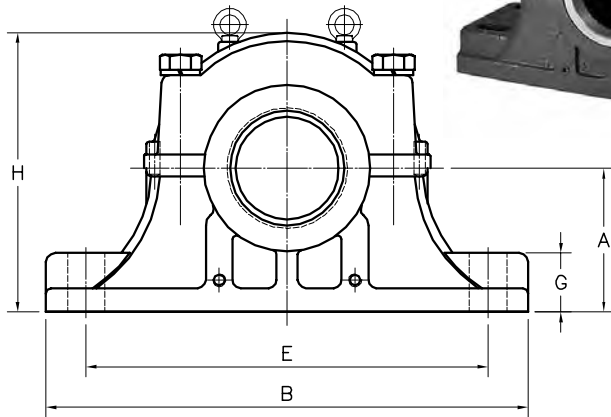
Shaft Size d ₁ in	Complete Pillow Block Part No.	Pillow Block Housing Only Part No. **	Bearing Part No. *	Basic Dynamic Load Rating C kN	Adapter Part No.	Labyrinth Seal Ring (2 Req'd) Part No.	Fixing Ring (2 Req'd) Part No.	End Cover Part No.	Taconite Seal Part No.
9-7/16	SDAF 23152 K x 9-7/16	SDAF 3152 K x 9-7/16	23152KC3W33	2200	OH 3152 x 9-7/16	LER 553	FR440 x 10	EPR 5217-2	TER 553
9-1/2	SDAF 23152 K x 9-1/2	SDAF 3152 K x 9-1/2			OH 3152 x 9-1/2	LER 178			TER 178
9-15/16	SDAF 23156 K x 9-15/16	SDAF 3156 K x 9-15/16	23156KC3W33	2250	OH 3156 x 9-15/16	ER 751	FR460 x 10	EPR 5217-1	TER 751
10	SDAF 23156 K x 10	SDAF 3156 K x 10			OH 3156 x 10	ER 705			TER 705
10-7/16	SDAF 23156 K x 10-7/16	SDAF 3156 K x 10-7/16			OH 3156 x 10-7/16	ER 745			TER 745
10-1/2	SDAF 23156 K x 10-1/2	SDAF 3156 K x 10-1/2			OH 3156 x 10-1/2	ER 710			TER 710
10-15/16	SDAF 23160 K x 10-15/16	SDAF 3160 K x 10-15/16	23160KC3W33	2800	OH 3160 x 10-15/16	ER 858	FR5000 x 10	EPR 5217-9	TER 858
11	SDAF 23160 K x 11	SDAF 3160 K x 11			OH 3160 x 11	ER 825			TER 825
11-7/16	SDAF 23164 K x 11-7/16	SDAF 3164 K x 11-7/16	23164KC3W33	3200	OH 3164 x 11-7/16	ER 861	FR540 x 10	EPR 5217-16	TER 861
11-1/2	SDAF 23164 K x 11-1/2	SDAF 3164 K x 11-1/2			OH 3164 x 11-1/2	ER 832			TER 832
11-15/16	SDAF 23164 K x 11-15/16	SDAF 3164 K x 11-15/16			OH 3164 x 11-15/16	ER 859			TER 859
12	SDAF 23164 K x 12	SDAF 3164 K x 12			OH 3164 x 12	ER 818			TER 818
12-7/16	SDAF 23168 K x 12-7/16	SDAF 3168 K x 12-7/16	23168KC3W33	3600	OH 3168 x 12-7/16	ER 865	FR580 x 10	EPR 5217-29	TER 865
12-1/2	SDAF 23168 K x 12-1/2	SDAF 3168 K x 12-1/2			OH 3168 x 12-1/2	ER 866			TER 866
12-15/16	SDAF 23172 K x 12-15/16	SDAF 3172 K x 12-15/16	23172KC3W33	2750	OH 3172 x 12-15/16	ER 869	FR600 x 10	EPR 5217-27	TER 869
13	SDAF 23172 K x 13	SDAF 3172 K x 13			OH 3172 x 13	ER 846			TER 846
13-7/16	SDAF 23172 K x 13-7/16	SDAF 3172 K x 13-7/16			OH 3172 x 13-7/16	ER 872			TER 872
13-1/2	SDAF 23172 K x 13-1/2	SDAF 3172 K x 13-1/2			OH 3172 x 13-1/2	ER 823			TER 823
13-15/16	SDAF 23176 K x 13-15/16	SDAF 3176 K x 13-15/16	23176KC3W33	3900	OH 3176 x 13-15/16	ER 875	FR620 x 10	EPR 5217-12	TER 875
14	SDAF 23176 K x 14	SDAF 3176 K x 14			OH 3176 x 14	ER 876			TER 876
14-15/16	SDAF 23180 K x 14-15/16	SDAF 3180 K x 14-15/16	23180KC3W33	4200	OH 3180 x 14-15/16	ER 847R	FR650 x 10	EPR 5217-21	TER 847R
15	SDAF 23180 K x 15	SDAF 3180 K x 15			OH 3180 x 15	ER 847			TER 847
15-3/4	SDAF 23184 K x 15-3/4	SDAF 3184 K x 15-3/4	23184KC3W33	5200	OH 3184 x 15-3/4	ER 969	FR700 x 10	EPR 5217-23	TER 969
16-1/2	SDAF 23188 K x 16-1/2	SDAF 3188 K x 16-1/2	23188KC3W33	5200	OH 3188 x 16-1/2	ER 958	FR720 x 10	EPR 5217-25	TER 958
17	SDAF 23192 K x 17	SDAF 3192 K x 17	23192KC3W33	5700	OH 3192 x 17	ER 838	FR760 x 10	EPR 838	TER 838
18	SDAF 23196 K x 18	SDAF 3196 K x 18	23196KC3W33	6200	OH 3196 x 18	ER 888	FR790 x 10	EPR 888	TER 888
18-1/2	SDAF 231/500K x 18-1/2	SDAF 31/500 x 18-1/2	231/500KC3W33	6700	OH 31/500 x 18-1/2	ER 978	FR830 x 10	EPR 978	TER 978
19-1/2	SDAF 231/530K x 19-1/2	SDAF 31/530 x 19-1/2	231/530KC3W33	7100	OH 31/530 x 19-1/2	ER 926	FR870x 10	EPR 926	TER 926
21	SDAF 231/560K x 21	SDAF 31/560 x 21	231/560KC3W33	7900	OH 31/560 x 21	ER 933	FR920 x 10	EPR 933	TER 933
22	SDAF 231/600K x 22	SDAF 31/600 x 22	231/600KC3W33	8900	OH 31/600 x 22	ER 986	FR980 x 10	EPR 986	TER 986
24	SDAF 231/630K x 24	SDAF 31/630 x 24	231/630KC3W33	10000	OH 31/630 x 24	ER 987	FR1030 x 10	EPR 987	TER 987

Note: *Typical suffix to the bearing part number is KC3W33 where K indicates taper bore, C3 is the internal clearance and W33 indicates a lube groove on the bearing O.D. For example specify 23164KC3W33. Other bearing clearances available upon request. ** Pillow Block housing includes Fixing Rings and ER or LER Seals.

Pillow Block Housings



SDAF 232 Series



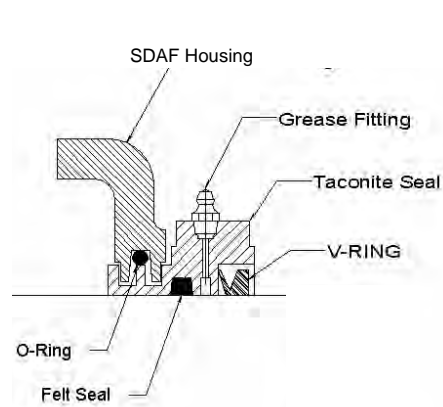
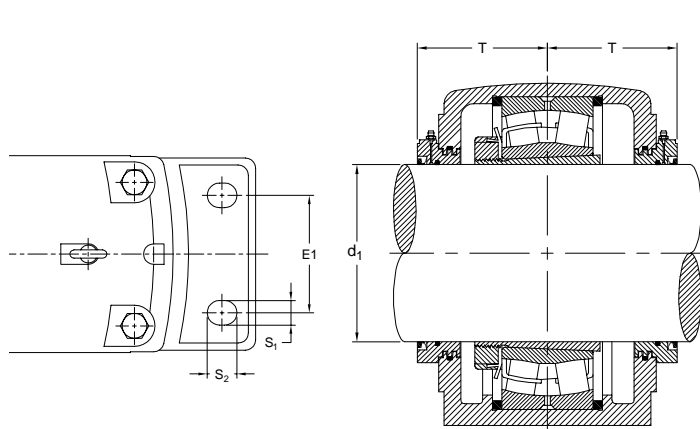
SDAF 232 K - Housing Dimensions

Dimensions in inches

Housing No.	A	B	b	D		E		E1	F	G	H	Static Oil Level h	L	T	Cap Bolts (No. Required)	Base Bolts	S ₁	S ₂	Wt. lb
				mm	Max	Min	mm												
SDAF 3248 K x 8-15/16	10-1/4	35	13-1/8	440	30-1/2	29	8-3/4	180	3-3/4	20-7/8	3.2	14-1/4	17-1/2	(4) 1-1/4	(4) 1-5/8	1-3/4	2-1/8	1100	
SDAF 3252 K x 9-7/16	12	38-1/4	14-3/4	480	33-3/8	32-7/8	9	194	4	23-7/16	3.1	15-1/2	19	(4) 1-1/4	(4) 1-5/8	1-3/4	2-1/8	1350	
SDAF 3252 K x 9-1/2																			
SDAF 3256 K x 9-15/16	12	38-1/4	14-3/4	500	33-3/8	32-7/8	9	196	4	23-7/16	3.5	15-1/2	19	(4) 1-1/4	(4) 1-5/8	1-3/4	2-1/8	1400	
SDAF 3256 K x 10																			
SDAF 3256 K x 10-7/16																			
SDAF 3256 K x 10-1/2																			
SDAF 3260 K x 10-15/16	12-13/16	41-3/4	15-3/4	540	36-3/8	35-1/8	10-1/2	212	4-1/2	25-3/4	3.8	16	20-3/4	(4) 1-1/4	(4) 1-7/8	1-3/4	2-1/8	1900	
SDAF 3260 K x 11																			
SDAF 3264 K x 11-7/16	14	43-3/4	17-3/4	580	38-1/4	36-3/4	10-3/4	228	5	27-7/8	4.0	18-3/4	22-1/2	(4) 1-1/2	(4) 2	2-1/8	2-7/8	2500	
SDAF 3264 K x 11-1/2																			
SDAF 3264 K x 11-15/16																			
SDAF 3264 K x 12																			
SDAF 3268 K x 12-7/16	14-1/2	46	17-1/8	620	40-3/4	39-1/4	11	244	5-1/4	29	4.6	17-1/4	21-3/4	(4) 1-1/2	(4) 2	2-3/8	3-1/8	2600	
SDAF 3268 K x 12-1/2																			
SDAF 3272 K x 12-15/16	15-1/2	48-3/4	18-3/4	650	43-1/2	41-3/4	12-1/4	252	5-1/2	30-1/2	4.6	19-1/4	24	(4) 1-1/2	(4) 2-1/4	2-3/8	3-1/4	2900	
SDAF 3272 K x 13																			
SDAF 3272 K x 13-7/16																			
SDAF 3272 K x 13-1/2																			
SDAF 3276 K x 13-15/16	15-1/2	48-3/4	18-3/4	680	43-1/2	41-3/4	12-1/4	260	5-1/2	30-1/2	4.3	19-1/4	24	(4) 1-1/2	(4) 2-1/4	2-3/8	3-1/4	3000	
SDAF 3276 K x 14																			
SDAF 3280 K x 14-15/16	17	53	21	720	46-1/8	41-3/4	14-1/2	276	5-1/2	33-3/4	4.8	19-1/4	26-1/2	(4) 1-1/2	(4) 2-1/4	2-3/8	3-1/4	4500	
SDAF 3280 K x 15																			
SDAF 3284 K x 15-3/4	18	54-1/4	21-5/8	760	49-7/8	47-1/8	15	292	5-3/4	35-3/4	5.6	21-5/8	—	(4) 1-1/2	(4) 2-1/2	2-5/8	3-1/2	5000	
SDAF 3288 K x 16-1/2	18	54-1/4	21-5/8	790	48-7/8	47-1/8	15	300	5-3/4	35-3/4	5.3	21-5/8	27	(4) 1-1/2	(4) 2-1/2	2-5/8	3-1/2	5000	
SDAF 3292 K x 17	18	54-1/4	21-5/8	830	48-7/8	47-1/8	15	316	5-3/4	35-3/4	5.5	21-5/8	—	(4) 1-1/2	(4) 2-1/2	2-5/8	3-1/2	5000	
SDAF 3296 K x 18	20	60	22	870	54-1/8	52-3/8	16	330	6	40	5.2	21-5/8	27	(4) 2	(4) 3	2-5/8	3-1/2	5300	
SDAF32/500 K x 18-1/2	20	60	22	920	54-1/8	52-3/8	16	356	6	40	—	24-5/8	—	(4) 2	(4) 3	3-1/4	3-3/4	5300	
SDAF32/530 K x 19-1/2	23-1/4	64-1/8	26-5/8	980	65-1/8	63-3/8	19-5/8	375	6-1/4	47-1/4	—	27-3/4	—	(4) 2-1/2	(4) 3	3-1/4	3-3/4	5600	
SDAF32/600 K x 22	24-1/5	69	28-1/4	1090	61-3/8	59-5/8	20	408	7	48	—	29-1/2	—	(4) 2-1/2	(4) 3	3-1/8	3-7/8	5600	

Pillow Block Housing Accessories

SDAF 232 Series



LER Seal



TER-OS TAC Seal

SDAF 232K - Pillow Block Part Numbers

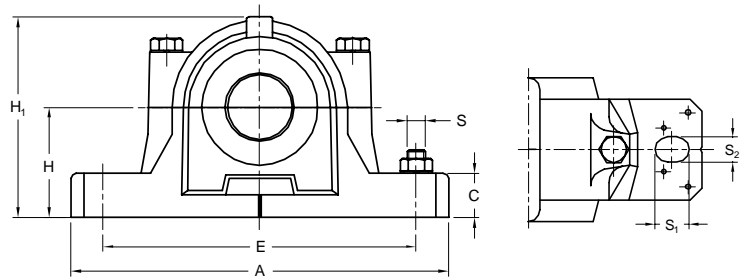
Shaft Size d ₁ in	Complete Pillow Part No.	Pillow Block Housing Only Part No.	Bearing Part No.	Basic Dynamic Load Rating C kN	Adapter Part No.	Labyrinth Seal Ring 2 Req'd Part No.	Fixing Ring 2 Req'd Part No.	End Cover Part No.	Taconite Seal Part No.
9-7/16 9-1/2	SDAF23252 K x 9-7/16 SDAF23252 K x 9-1/2	SDAF3252 K x 9-7/16 SDAF3252 K x 9-1/2	23252KC3W33	2760	OH3252 x 9-7/16 OH3252 x 9-1/2	LER553 LER178	FR480 x 10	EPR5217-2	TER553 TER178
9-15/16 10 10-7/16 10-1/2	SDAF23256 K x 9-15/16 SDAF23256 K x 10 SDAF23256 K x 10-7/16 SDAF23256 K x 10-1/2	SDAF3256 K x 9-15/16 SDAF3256 K x 10 SDAF3256 K x 10-7/16 SDAF3256 K x 10-1/2	23256KC3W33	2930	OH3256 x 9-15/16 OH3256 x 10 OH3256 x 10-7/16 OH3256 x 10-1/2	LER751 ER705 ER745 ER710	FR500 x 10	EPR5217-1	TER751 TER705 TER745 TER710
10-15/16 11	SDAF23260 K x 10-15/16 SDAF23260 K x 11	SDAF3260 K x 10-15/16 SDAF3260 K x 11	23260KC3W33	3450	OH3260 x 10-15/16 OH3260 x 11	ER858 ER825	FR540 x 10	EPR5217-9	TER858 TER825
11-7/16 11-1/2 11-15/16 12	SDAF23264 K x 11-7/16 SDAF23264 K x 11-1/2 SDAF23264 K x 11-15/16 SDAF23264 K x 12	SDAF3264 K x 11-7/16 SDAF3264 K x 11-1/2 SDAF3264 K x 11-15/16 SDAF3264 K x 12	23264KC3W33	4000	OH3264 x 11-7/16 OH3264 x 11-1/2 OH3264 x 11-15/16 OH3264 x 12	ER861 ER832 ER859 ER818	FR580 x 10	EPR5217-16	TER861 TER832 TER859 TER818
12-7/16 12-1/2	SDAF23268 K x 12-7/16 SDAF23268 K x 12-1/2	SDAF3268 K x 12-7/16 SDAF3268 K x 12-1/2	23268KC3W33	4450	OH3268 x 12-7/16 OH3268 x 12-1/2	ER865 ER866	FR620 x 10	EPR5217-29	TER865 TER866
12-15/16 13 13-7/16 13-1/2	SDAF23272 K x 12-15/16 SDAF23272 K x 13 SDAF23272 K x 13-7/16 SDAF23272 K x 13-1/2	SDAF3272 K x 12-15/16 SDAF3272 K x 13 SDAF3272 K x 13-7/16 SDAF3272 K x 13-1/2	23272KC3W33	4850	OH3272 x 12-15/16 OH3272 x 13 OH3272 x 13-7/16 OH3272 x 13-1/2	ER869 ER846 ER872 ER823	FR650 x 10	EPR5217-27	TER869 TER846 TER872 TER823
13-15/16 14	SDAF23276 K x 13-15/16 SDAF23276 K x 14	SDAF3276 K x 13-15/16 SDAF3276 K x 14	23276KC3W33	5200	OH3276 x 13-15/16 OH3276 x 14	ER875 ER876	FR680 x 10	EPR5217-12	TER875 TER876
14-15/16 15	SDAF23280 K x 14-15/16 SDAF23280 K x 15	SDAF3280 K x 14-15/16 SDAF3280 K x 15	23280KC3W33	5850	OH3280 x 14-15/16 OH3280 x 15	ER847R ER847	FR720 x 10	EPR5217-21	TER847R TER847
15-3/4	SDAF23284 K x 15-3/4	SDAF3284 K x 15-3/4	23284KC3W33	6550	OH3284 x 15-3/4	ER969	FR760 x 10	EPR5217-23	TER969
16-1/2	SDAF23288 K x 16-1/2	SDAF3288 K x 16-1/2	23288KC3W33	6900	OH3288 x 16-1/2	ER958	FR790 x 10	EPR5217-25	TER958
17	SDAF23292 K x 17	SDAF3292 K x 17	23292KC3W33	7750	OH3292 x 17	ER838	FR830 x 10	EPR838	TER838
18	SDAF23296 K x 18	SDAF3296 K x 18	23296KC3W33	8300	OH3296 x 18	ER888	FR870 x 10	EPR888	TER888
18-1/2	SDAF232/500 K x 18-1/2	SDAF32/500 K x 18-1/2	232/500K C3W33	9300	OH32/500 x 18-1/2	ER978	FR920 x 10	EPR978	TER978
19-1/2	SDAF232/530 K x 19-1/2	SDAF32/530 K x 19-1/2	232/530K C3W33	11000	OH32/530 x 19-1/2	ER926	FR980 x 10	EPR926	TER926
22	SDAF232/600 K x 22**	SDAF32/600 K x 22	232/600K C3W33	13000	OH32/600 x 22	ER921	FR1090 x 10	EPR921	TER921

Note: Typical suffix to the bearing part number is KC3W33 where K indicates taper bore, C3 is the internal clearance and W33 indicates a lube groove on the bearing O.D. For example specify 23256 K C3W33. Other bearing clearances available upon request. ** Available in an Asymmetric Housing Design.

Plummer Block Housings



SNG 500 Series (Formerly SNHF Series)



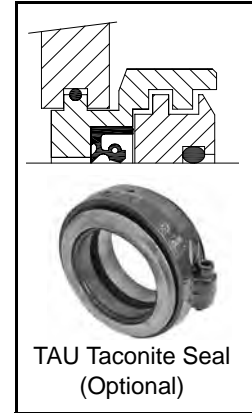
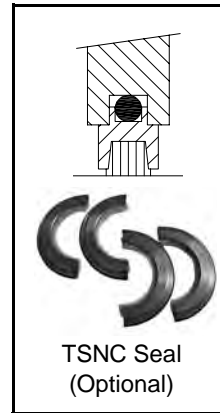
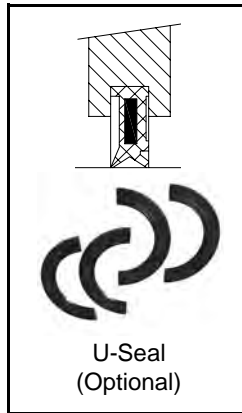
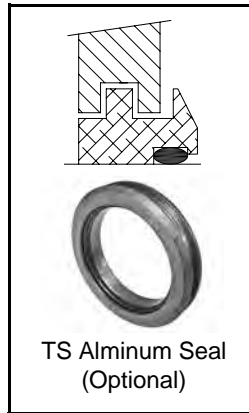
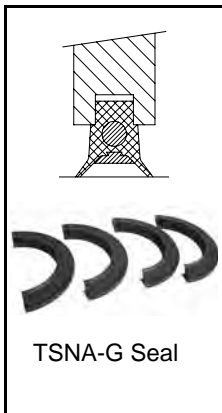
Industry Standard Metric Block Dimensions
Interchangeable with Competitive Units

Seal Options:

- TSNA-G Seal - Split Rubber
- TS-Seal - Aluminum with O-Ring (optional)
- U-Seal - Split Rubber Steel Reinforced (optional)
- TSNC - Split Steel and Felt Seal (optional)
- TAU - Taconite Seal (optional)

Housings: Cast Iron, Ductile (optional)
Adapter Mounted Ball or Spherical Bearing
End Covers and Taconite Seals Available
Interchanges with PTI's SNHF type
4-Bolt Base optional, see FSSNG-D Series (Ductile)

Seal Options



Housing Part No.	Dimensions (mm)															Wt. kg
	d ₁	A	B	C	D	d ₂	E	F	H	H ₁	L	T	S	S ₁	S ₂	
SNG506-605	25	185	52	22	62	36.5	150	32	50	87	77	—	M10	13	22	2
SNG507-606	30	185	52	22	72	46.5	150	34	50	92	82	—	M10	13	20	2
SNG508-607	35	205	60	25	80	51.5	170	39	60	106	85	—	M12	15	20	3
SNG509	40	205	60	25	85	56.5	170	30	60	109	85	70	M12	15	20	3
SNG510-608	45	205	60	25	90	62	170	41	60	112	90	72	M12	15	20	4
SNG511-609	50	255	70	28	100	67	210	44	70	127	95	75	M16	18	23	5
SNG512-610	55	255	70	30	110	72	210	48	70	133	105	80	M16	18	23	6
SNG513-611	60	275	80	30	120	77	230	51	80	148	110	82	M16	18	24	6
SNG515-612	65	280	80	30	130	87	230	56	80	154	115	87	M16	18	26	7
SNG516-613	70	315	90	32	140	92.5	260	58	95	175	120	89	M20	22	29	9
SNG517	75	320	90	32	150	97.5	260	61	95	181	125	95	M20	22	30	10
SNG518-615	80	345	100	35	160	102.5	290	65	100	192	140	102	M20	22	27	12
SNG519-616	85	345	100	35	170	131	290	68	112	209	145	102	M20	22	27	15
SNG520-617	90	380	110	40	180	137.5	320	70	112	215	160	109	M24	26	32	19
SNG522-619	100	410	120	45	200	147.5	350	80	125	239	175	117	M24	26	32	23
SNG524-620	110	410	120	45	215	157.5	350	86	140	271	185	122	M24	26	32	32
SNG526	115	445	130	50	230	167.5	380	90	150	290	190	125	M24	28	35	36
SNG528	125	500	150	50	250	177.5	420	98	150	302	205	133	M30	35	42	47
SNG530	135	530	160	60	270	192.5	450	106	160	323	220	142	M30	35	42	59
SNG532	140	550	160	60	290	202.5	470	114	170	344	235	150	M30	35	42	65

Note: SNG 500 Series housings can be used as SNG 200 housings by using felt seals.

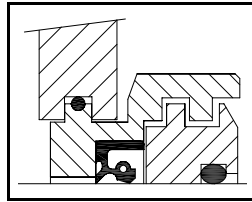
Plummer Block Housing Accessories



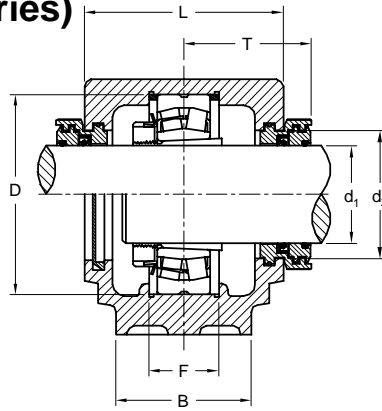
SNG 500 Series (Formerly SNHF Series)



TAC Seal



TAU Taconite Seal



End Cover

Housing Part No.	Bearing Options				Adapter Part No.	Fixing Rings		Seals				End Cover Part No. (optional)
	Ball Bearing		Spherical Bearings			Part No.	Qty.	TSNG Seal (optional)	TS Seal Part No. (optional)	U-Seal Part No. (optional)	TAU Taconite Seal Part No.	
	Part No.	Basic Dynamic Load Rating C Kn	Part No.	Basic Dynamic Load Rating C Kn								
SNG506	1206 K	15.6	—	—	H206	FR62/8	2	—	U506TS	U506	—	—
	2206 K	31.0	22206 K	48	H306	FR62/6	2	—	U506TS	U506	—	—
SNG507	1207 K	16.0	—	—	H207	FR72/8.5	2	TSN507G	U507TS	U507	—	EC 507A
	2207 K	35.0	22207 K	67	H307	FR72/5.5	2	TSN507G	U507TS	U507	—	EC 507A
SNG508	1208 K	19.3	—	—	H208	FR80/10.5	2	TSN508G	U508TS	U508	TAU508	EC 508A
	2208 K	36.0	22208 K	73	H308	FR80/8	2	TSN508G	U508TS	U508	TAU508	EC 508A
SNG509	1209 K	22.0	—	—	H209	FR85/5.5	2	TSN509G	U509TS	U509	TAU509	EC 509A
	2209 K	39.0	22209 K	77	H309	FR85/7	1	TSN509G	U509TS	U509	TAU509	EC 509A
SNG510	1210 K	22.8	—	—	H210	FR90/10.5	2	TSN510G	U510TS	U510	TAU510	EC 510A
	2210 K	42.0	22210 K	84	H310	FR90/9	2	TSN510G	U510TS	U510	TAU510	EC 510A
SNG511	1211 K	27.0	—	—	H211	FR100/11.5	2	TSN511G	U511TS	U511	TAU511	EC 511A
	2211 K	45.0	22211 K	115	H311	FR100/9.5	2	TSN511G	U511TS	U511	TAU511	EC 511A
SNG512	1212 K	30.0	—	—	H212	FR110/13	2	TSN512G	U512TS	U512	TAU512	EC 512A
	2212 K	47.0	22212 K	122	H312	FR110/10	2	TSN512G	U512TS	U512	TAU512	EC 512A
SNG513	1213 K	31.0	—	—	H213	FR120/14	2	TSN513G	U513TS	U513	TAU513	EC 513A
	2213 K	50.0	22213 K	148	H313	FR120/10	2	TSN513G	U513TS	U513	TAU513	EC 513A
SNG515	1215 K	39.0	—	—	H215	FR130/15.5	2	TSN515G	U515TS	U515	TAU515	EC 515A
	2215 K	55.0	22215 K	156	H315	FR130/12.5	2	TSN515G	U515TS	U515	TAU515	EC 515A
SNG516	1216 K	40.0	—	—	H216	FR140/16	2	TSN516G	U516TS	U516	TAU516	EC 516A
	2216 K	59.0	22216 K	175	H316	FR140/12.5	2	TSN516G	U516TS	U516	TAU516	EC 516A
SNG517	1217 K	49.0	—	—	H217	FR150/16.5	2	TSN517G	U517TS	U517	TAU517	EC 517A
	2217 K	63.0	22217 K	210	H317	FR150/12.5	2	TSN517G	U517TS	U517	TAU517	EC 517A
SNG518	1218 K	57.0	—	—	H218	FR160/17.5	2	TSN518G	U518TS	U518	TAU518	EC 518A
	2218 K	65.0	22218 K	250	H318	FR160/12.5	2	TSN518G	U518TS	U518	TAU518	EC 518A
	—	—	23218 K	311	H2318	FR160/12.6	1	TSN518G	U518TS	U518	TAU518	EC 518A
SNG519	1219 K	64.0	—	—	H219	FR170/18	2	TSN519G	U519TS	U519	TAU519	EC 519A
	2219 K	68.0	22219 K	280	H319	FR170/12.5	2	TSN519G	U519TS	U519	TAU519	EC 519A
SNG520	2220 K	71.0	22220 K	310	H320	FR180/12	2	TSN520G	U520TS	U520	TAU520	EC 520A
	—	—	23220 K	414	H2320	FR180/9.7	1	TSN520G	U520TS	U520	TAU520	EC 520A
SNG522	2222 K	77.0	22222 K	405	H322	FR200/13.5	2	TSN522G	U522TS	U522	TAU522	EC 522A
	—	—	23222 K	518	H2322	FR200/10.2	1	TSN522G	U522TS	U522	TAU522	EC 522A
SNG524	—	—	22224 K	465	H3124	FR215/14	2	TSN524G	U524TS	U524	TAU524	EC 524A
	—	—	23224 K	610	H2324	FR215/10	1	TSN524G	U524TS	U524	TAU524	EC 524A
SNG526	—	—	22226 K	545	H3126	FR230/13	2	TSN526G	U526TS	U526	TAU526	EC 526A
	—	—	23226 K	690	H2326	FR230/10	1	TSN526G	U526TS	U526	TAU526	EC 526A
SNG528	—	—	22228 K	605	H3128	FR250/15	2	TSN528G	U528TS	U528	TAU528	EC 528A
	—	—	23228 K	799	H2328	FR250/10	1	TSN528G	U528TS	U528	TAU528	EC 528A
SNG530	—	—	22230 K	730	H3130	FR270/16.5	2	TSN530G	U530TS	U530	TAU530	EC 530A
	—	—	23230 K	937	H2330	FR270/10	1	TSN530G	U530TS	U530	TAU530	EC 530A

Note: Bearing Part Number in **bold face** is a double row spherical and most popular. Typical suffix to the bearing part number is C3W33 where C3 is the internal clearance and W33 indicates a lube groove on the bearing O.D. K indicates taper bore bearing. For example specify 22220 K C3W33. Other clearances available upon request.

Metric Plummer Block



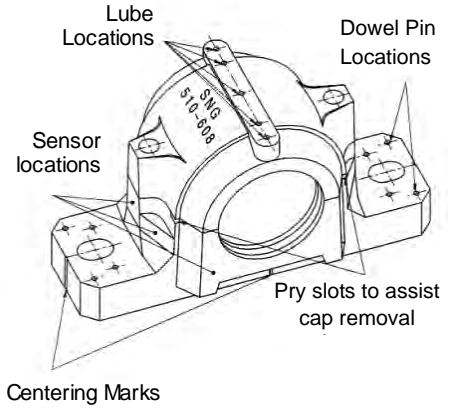
SNG 500-600 Series



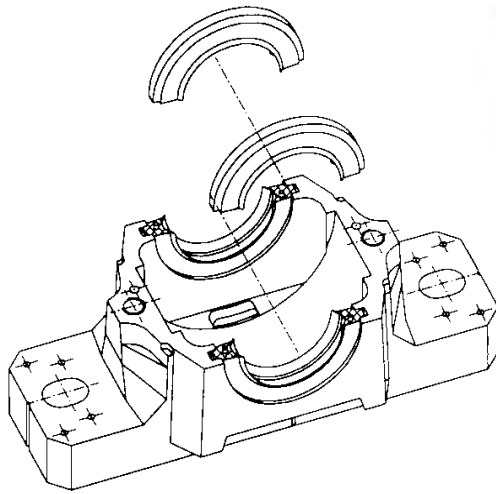
SNG 500-600 Series



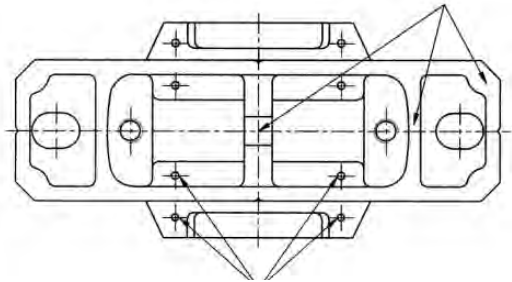
The SNG Series can be provided with 4-Bolt mounting (FSSNG Series). Cast Iron material is standard, and Ductile is also available from production.



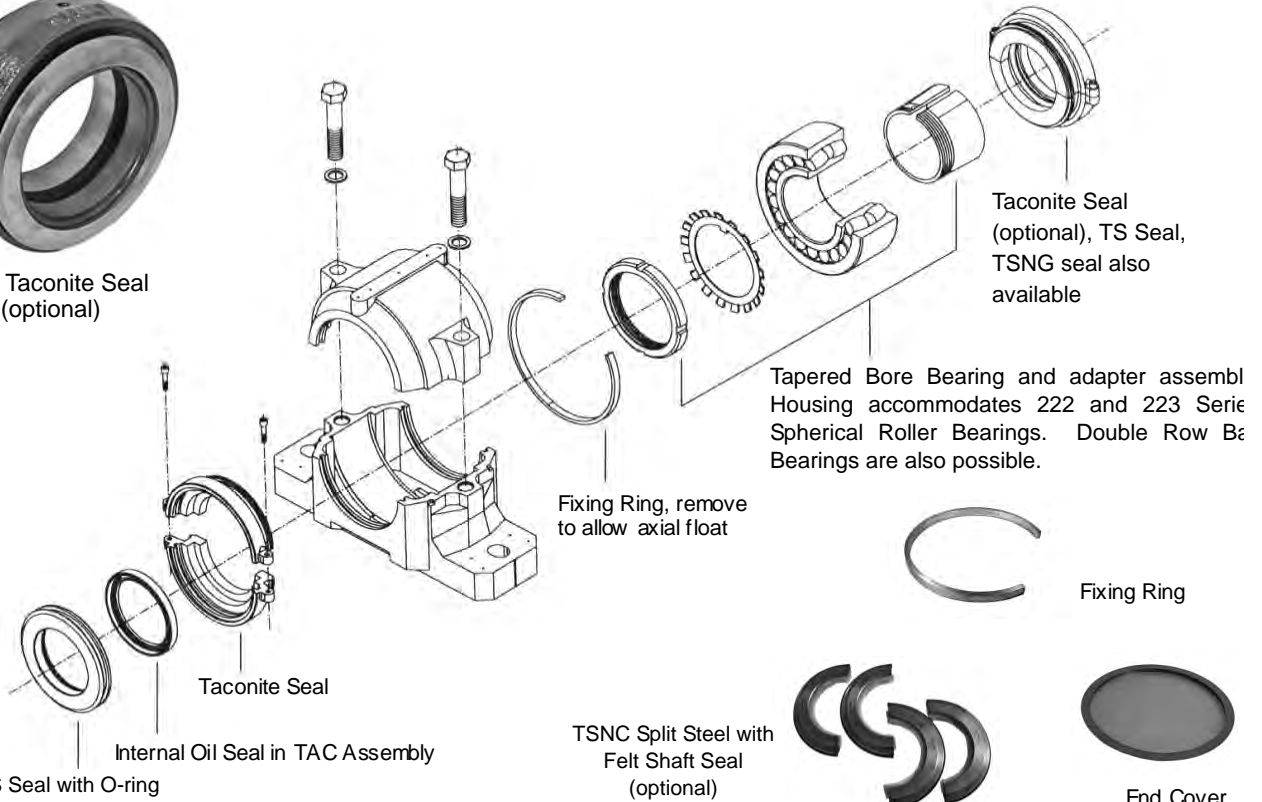
Split TNSG Seals for 500 and 600 Series shafts sizes—accommodates metric and inch shaft sizes. Can be replaced without removing shaft.



TS Seal with O-ring (optional)



TAU Taconite Seal (optional)





Metric Plummer Blocks

FSSNG-D 500-600 Series

4-Bolt Ductile Iron Housing



TS Seal with O-ring (optional)

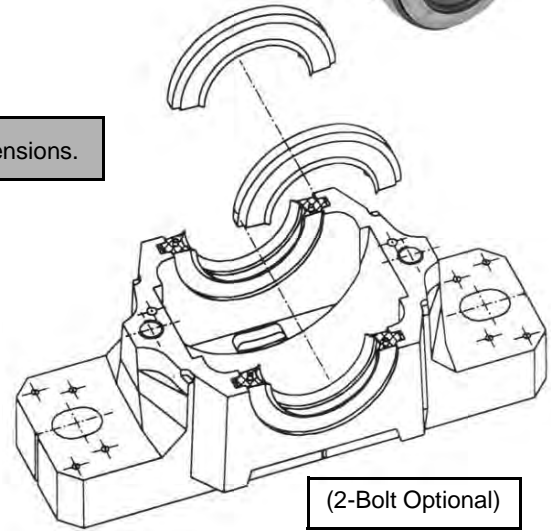
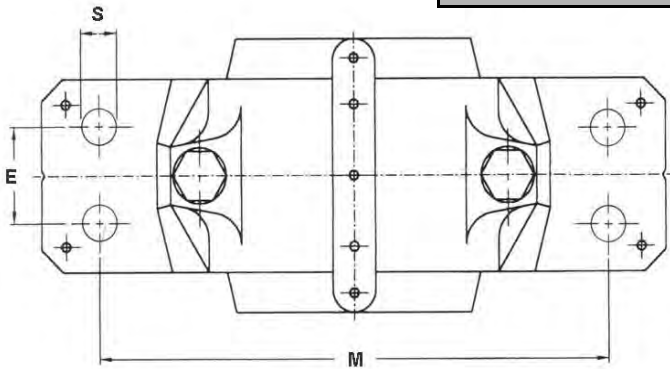
Split TSNG Seals for 500 or 600 Series will accommodate both metric and inch shaft sizes. The TSNG Seal can be replaced without moving the shaft.



TAU Taconite Seal (optional)



See SNG page for other dimensions.



(2-Bolt Optional)

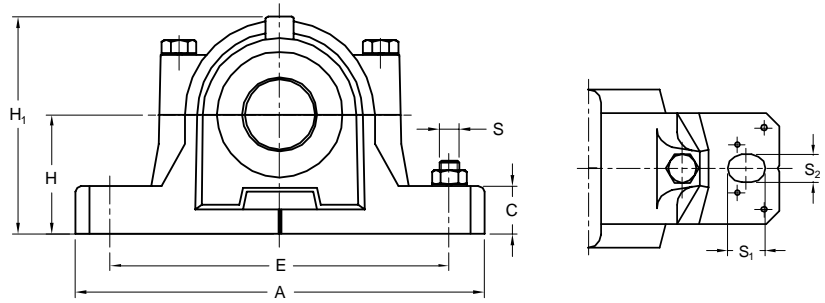
Housing Part No.	E	M	S	Bolt	SNG 500 Seal				SNG 600 Seal		
					Rubber Seal Part No.	Optional Felt Seal Part No.	Shaft (mm)	Shaft (in)	Part No.	Shaft (mm)	Shaft (in)
FSSNG508-607D	34	160	11	M10	TSNA508G	TSNC508	35	1-3/8	TSNA607G	30	1-3/16
FSSNG509D	34	160	11	M10	TSNA509G	TSNC509	40	1-1/2	—	—	—
FSSNG510-608D	34	160	11	M10	TSNA510G	TSNC510	45	1-11/16, 1-3/4	TSNA608G	35	1-3/8
FSSNG511-609D	40	200	14	M12	TSNA511G	TSNC511	50	1-15/16, 2	TSNA609G	40	1-1/2
FSSNG512-610D	40	200	14	M12	TSNA512G	TSNC512	55	2-3/16	TSNA610G	45	1-11/16, 1-3/4
FSSNG513-611D	48	220	14	M12	TSNA513G	TSNC513	60	2-1/4	TSNA611G	50	1-15/16, 2
FSSNG515-612D	48	220	14	M12	TSNA515G	TSNC515	65	2-7/16, 2-1/2	TSNA612G	55	2-3/16
FSSNG516-613D	52	252	18	M16	TSNA516G	TSNC516	70	2-11/16, 2-3/4	TSNA613G	60	2-1/4
FSSNG517D	52	252	18	M16	TSNA517G	TSNC517	75	2-15/16, 3	—	—	—
FSSNG518-615D	58	280	18	M16	TSNA518G	TSNC518	80	3-3/16	TSNA615G	65	2-3/16, 2-1/2
FSSNG519-616D	58	280	18	M16	TSNA519G	TSNC519	85	3-3/8	TSNA616G	70	2-11/16, 2-3/4
FSSNG520-617D	66	300	18	M16	TSNA520G	TSNC520	90	3-7/16, 3-1/2	TSNA617G	75	2-15/16, 3
FSSNG522-619D	74	320	18	M16	TSNA522G	TSNC522	100	3-15/16, 4	TSNA619G	85	3-3/8
FSSNG524-620D	74	330	18	M16	TSNA524G	TSNC524	110	4-3/16, 4-1/4	TSNA620G	90	3-7/16, 3-1/2
FSSNG526D	80	370	22	M20	TSNA526G	TSNC526	115	4-7/16, 4-1/2			
FSSNG528D	92	400	26	M24	TSNA528G	TSNC528	125	4-15/16, 5			
FSSNG530D	100	430	26	M24	TSNA530G	TSNC530	135	5-3/16, 5-1/4			
FSSNG532D	100	450	26	M24	TSNA532G	TSNC532	140	5-7/16, 5-1/2			

Note: The TSNG is an all rubber premium design seal and will accommodate a variety of shaft sizes - both inch and metric. 4-halves are required for 1 block and are included in each seal kit. The design allows seal replacement without removing the shaft.

Plummer Block Housings



SNG 600 Series (Formerly SNHF Series)

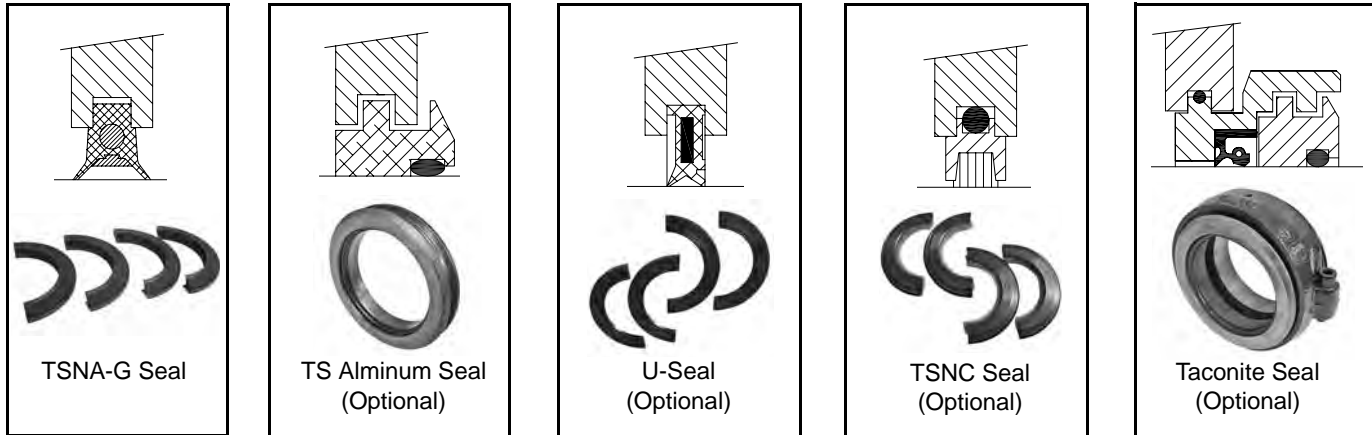


Industry Standard Metric Block Dimensions
Interchangeable with Competitive Units
Seal Options:

- TSNA-G Seal - Split Rubber
- TS-Seal - Aluminum with O-Ring (optional)
- U-Seal - Split Rubber Steel Reinforced (optional)
- TSNC - Split Steel and Felt Seal (optional)
- TAU - Taconite Seal (optional)

Housings: Cast Iron, Ductile (optional)
Adapter Mounted Ball or Spherical Bearing
End Covers and Taconite Seals Available
Interchanges with PTI's SNHF type
4-Bolt Base optional, see FSSNG-D Series (Ductile)

Seal Options



Housing Part No.	Dimensions (mm)															Wt. kg
	d ₁	A	B	C	D	d ₂	E	F	H	H ₁	L	T	S	S ₁	S ₂	
SNG508-607	30	205	60	25	80	51.5	170	39	60	106	85	70	M12	15	20	2.8
SNG510-608	35	205	60	25	90	62	170	41	60	112	90	72	M12	15	20	3.1
SNG511-609	40	255	70	28	100	67	210	44	70	127	95	75	M16	18	23	4.5
SNG512-610	45	255	70	30	110	72	210	48	70	133	105	80	M16	18	23	5.0
SNG513-611	50	275	80	30	120	77	230	51	80	148	110	82	M16	18	24	6.1
SNG515-612	55	280	80	30	130	87	230	56	80	154	115	87	M16	18	26	6.5
SNG516-613	60	315	90	32	140	92.5	260	58	95	175	120	89	M20	22	29	9.0
SNG518-615	65	345	100	35	160	102.5	290	65	100	192	140	102	M20	22	27	12.4
SNG519-616	70	345	100	35	170	131	290	68	112	209	145	102	M20	22	27	13.5
SNG520-617	75	380	110	40	180	137.5	320	70	112	215	160	109	M24	26	32	17.5
SNG522-619	85	410	120	45	200	147.5	350	80	125	239	175	117	M24	26	32	20.5
SNG524-620	90	410	120	45	215	157.5	350	86	140	271	185	122	M24	26	32	25.5

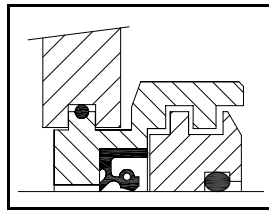
Plummer Block Housing Accessories



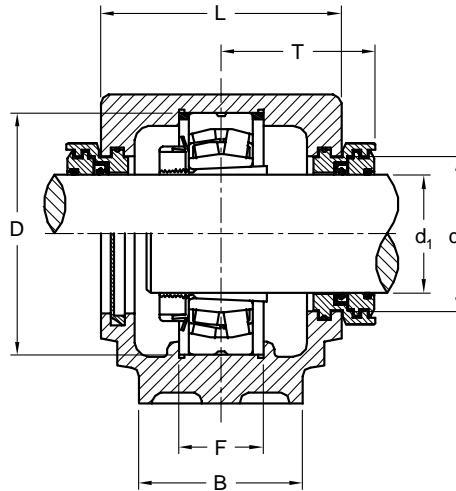
SNG 600 Series (Formerly SNHF Series)



TAC Seal



TAU Taconite Seal



End Cover

Housing Part No.	Bearing Options				Adapter Part No.	Fixing Rings		Seals				End Cover (optional)
	Ball Bearing		Spherical Bearings			Part No.	Qty.	TSNG Seal Part No.	TS Seal Part No. (optional)	U-Seal Part No. (optional)	TAU Taconite Seal Part No. (optional)	
	Part No.	Basic Dynamic Load Rating C kN	Part No.	Basic Dynamic Load Rating C kN								
SNG508-607	1307 K	25.0	—	—	H307	FR80/9	2	TSN607G	U607TS	U607	—	EC 508A
	2307 K	39.0	—	—	H2307	FR80/8	1					
SNG510-608	1308 K	29.0	21308 K	82	H308	FR90/9	2	TSN608G	U608TS	U608	TAU608	EC 510A
	2308 K	15.0	22308 K	112	H2308	FR90/8	1					
SNG511-609	1309 K	38.0	21309 K	100	H309	FR100/9.5	2	TSN609G	U609TS	U609	TAU609	EC 511A
	2309 K	54.0	22309 K	135	H2309	FR100/8	1					
SNG512-610	1310 K	41.5	21310 K	120	H310	FR110/10.5	2	TSN610G	U610TS	U610	TAU610	EC 512A
	2310 K	64.0	22310 K	175	H2310	FR110/8	1					
SNG513-611	1311 K	51.0	21311 K	138	H311	FR120/11	2	TSN611G	U611TS	U611	TAU611	EC 513A
	2311 K	75.0	22311 K	195	H2311	FR120/8	1					
SNG515-612	1312 K	57.0	21312 K	161	H312	FR130/12.5	2	TSN612G	U612TS	U612	TAU612	EC 515A
	2312 K	86.5	22312 K	230	H2312	FR130/10	1					
SNG516-613	1313 K	62.0	21313 K	184	H313	FR140/12.5	2	TSN613G	U613TS	U613	TAU613	EC 516A
	2313 K	95.0	22313 K	250	H2313	FR140/10	1					
SNG518-615	1315 K	80.0	21315 K	235	H315	FR160/14	2	TSN615G	U615TS	U615	TAU615	EC 518A
	2315 K	122.0	22315 K	340	H2315	FR160/10	1					
SNG519-616	1316 K	88.0	21316 K	258	H316	FR170/14.5	2	TSN616G	U616TS	U616	TAU616	EC 519A
	2316 K	137.0	22316 K	370	H2316	FR170/10	1					
SNG520-617	1317 K	98.0	21317 K	290	H317	FR180/14.5	2	TSN617G	U617TS	U617	TAU617	EC 520A
	2317 K	140.0	22317 K	420	H2317	FR180/10	1					
SNG522-619	1319 K	130.0	—	—	H319	FR200/17.5	2	TSN619G	U619TS	U619	TAU619	EC 522A
	3219 K	160.0	22319 K	515	H2319	FR200/13	1					
SNG524-620	—	—	21320 K	385	H320	FR215/19.5	2	TSN620G	U620TS	U620	TAU620	EC 524A
	2320 K	190.0	22320 K	600	H2320	FR215/13	1					

Note: Typical suffix to the bearing part number is C3W33 where C3 is the internal clearance and W33 indicates a lube groove on the bearing O.D. K indicates taper bore bearing. For example specify 22310 K C3W33. Other clearances available upon request.

Plummer Block Housings



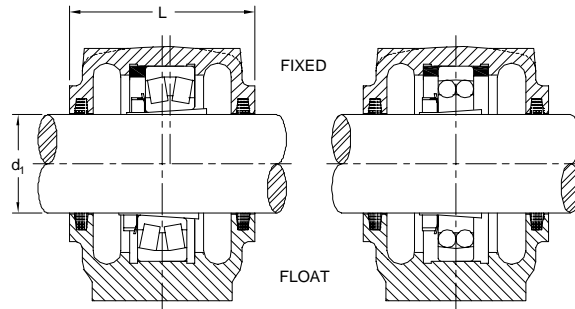
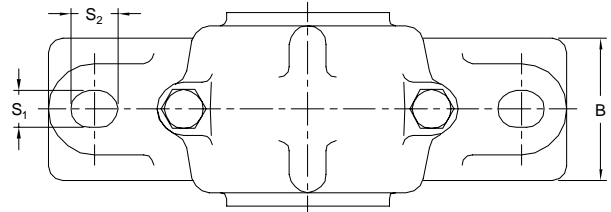
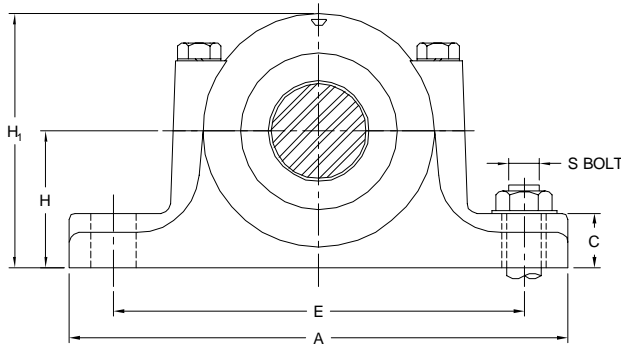
SN 500 Series SSN 500 Series

The SN Housing will accept the self-aligning ball or spherical roller bearing with adapter sleeves. The SN is designed according to DIN 736. Each size is supplied with standard felt seals and fixing rings. Double lip ZF seals are also stocked as an option. SN Housings are cast iron

and SSN Housings are ductile. SSN blocks have solid feet (no bolt holes) and allow base bolt holes to be drilled per request. Dimensions are the same as basic size. Specify SSN, size and bolt hole needs. Drawing can be provided. Bearing and adapter sleeves sold separately.



Optional ZF Rubber Seal



Dimensions in mm

SN Series Housing Part No.	SSN Series Housing Part No.	Shaft Size d_1	A	B	C	E	H	H_1	L	S	S_1	S_2	Wt. kg
SN 505	—	20	165	46	19	130	40	71	67	M 12	15	20	1.4
SN 506	—	25	185	52	22	150	50	87	77	M 12	15	20	1.9
SN 507	—	30	185	52	22	150	50	92	82	M 12	15	20	2.2
SN 508	SSN 508	35	205	60	25	170	60	106	85	M 12	15	20	2.9
SN 509	SSN 509	40	205	60	25	170	60	109	85	M 12	15	20	3.0
SN 510	SSN 510	45	205	60	25	170	60	112	90	M 12	15	20	3.2
SN 511	SSN 511	50	255	70	28	210	70	127	95	M 16	18	24	4.4
SN 512	SSN 512	55	255	70	30	210	70	133	105	M 16	18	24	5.1
SN 513	SSN 513	60	275	80	30	230	80	148	110	M 16	18	24	6.4
SN 515	SSN 515	65	280	80	30	230	80	154	115	M 16	18	24	7.1
SN 516	SSN 516	70	315	90	32	260	95	175	120	M 20	22	28	9.7
SN 517	SSN 517	75	320	90	32	260	95	181	125	M 20	22	28	10.3
SN 518	SSN 518	80	345	100	35	290	100	192	140	M 20	22	28	12.6
SN 519	—	85	345	100	35	290	112	209	145	M 20	22	28	14
SN 520	SSN 520	90	380	110	40	320	112	215	160	M 24	26	32	17
SN 522	SSN 522	100	410	120	45	350	125	239	175	M 24	26	32	22
SN 524	SSN 524	110	410	120	45	350	140	271	185	M 24	26	32	26
SN 526	SSN 526	115	445	130	50	380	150	290	190	M 24	28	35	32
SN 528	SSN 528	125	500	150	50	420	150	302	205	M 30	35	42	42
SN 530	SSN 530	135	530	160	60	450	160	323	220	M 30	35	42	51
SN 532	SSN 532	140	550	160	60	470	170	344	235	M 30	35	42	57

Plummer Block Housing Accessories



Bearings, Adapter Sleeves, Seal Kits and Fixing Rings

Shaft Size mm	Housing Part No.	Bearing Part No.	Basic Dynamic Rating C kN	Sleeve Part No.	Seal Kits		Fixing Rings		End Cover Part No.	Initial Grease Quantity g
					Felt Seals Standard (2 Required)	ZF Seals Optional (2 Required)	Part No.	Qty		
20	SN505 SSN505	1205 K	12	H 205	FS100 x 5 x 6	ZF05	FR 52 x 5	2	—	25
		2205 K	17	H 305			FR 52 x 7	1		
		22205 K	35	H 305			FR 52 x 7	1		
25	SN506 SSN506	1206 K	16	H 206	FS100 x 5 x 6	ZF06	FR 62 x 7	2	—	40
		2206 K	26	H 306			FR 62 x 10	1		
		22206 K	48	H 306			FR 62 x 10	1		
30	SN507 SSN507	1207 K	16	H 207	FS120 x 5 x 6	ZF07	FR 72 x 8	2	—	50
		2207 K	32	H 307			FR 72 x 10	1		
		22207 K	62	H 307			FR 72 x 10	1		
35	SN508 SSN508	1208 K	19	H 208	FS130 x 5 x 6	ZF08	FR 80 x 7.5	2	—	60
		2208 K	32	H 308			FR 80 x 10	1		
		22208 K	73	H 308			FR 80 x 10	1		
40	SN509 SSN509	1209 K	22	H 209	FS150 x 5 x 6	ZF09	FR 85 x 6	2	—	65
		2209 K	28	H 309			FR 85x x8	1		
		22209 K	77	H 309			FR 85 x 8	1		
45	SN510 SSN510	1210 K	23	H 210	FS165 x 5 x 6	ZF10	FR 90 x 6.5	2	EC 510	75
		2210 K	28	H 310			FR 90 x 10	1		
		22210 K	84	H 310			FR 90 x 10	1		
50	SN511 SSN511	1211 K	27	H 211	FS200 x 6.5 x 8	ZF11	FR 100 x 6	2	EC 511	100
		2211 K	39	H 311			FR 100 x 8	1		
		22211 K	115	H 311			FR 100 x 8	1		
55	SN512 SSN512	1212 K	30	H 212	FS200 x 6.5 x 8	ZF12	FR 110 x 8	2	—	150
		2212 K	48	H 312			FR 110 x 10	1		
		22212 K	122	H 312			FR 110 x 10	1		
60	SN513 SSN513	1213 K	31	H 213	FS210 x 6.5 x 8	ZF13	FR 120 x 10	2	EC 513	180
		2213 K	57	H 313			FR 120 x 12	1		
		22213 K	148	H 313			FR 120 x 12	1		
65	SN515 SSN515	1215 K	39	H 215	FS230 x 6.5 x 8	ZF15	FR 130 x 8	2	EC 515	230
		2215 K	44	H 315			FR 130 x 10	1		
		22215 K	156	H 315			FR 130 x 10	1		
70	SN516 SSN516	1216 K	40	H 216	FS260 x 7.5 x 9	ZF16	FR 140 x 8.5	2	EC 516	280
		2216 K	51	H 316			FR 140 x 10	1		
		22216 K	175	H 316			FR 140 x 10	1		
75	SN517 SSN517	1217 K	49	H 217	FS260 x 7.5 x 9	ZF17	FR 150 x 9	2	EC 517	330
		2217 K	59	H 317			FR 150 x 10	1		
		22217 K	250	H 317			FR 150 x 10	1		
80	SN518 SSN518	1218 K	57	H 218	FS150 x 7.5 x 9	ZF18	FR 160 x 16.5	2	EC 518	430
		2218 K	71	H 318			FR 160 x 11.2	2		
		22218 K	250	H 318			FR 160 x 11.2	2		
		23218 K	311	H 2318			FR 1601 x 10	1		
85	SN519 SSN519	1219 K	64	H 219	FS155 x 7.5 x 9	ZF19	FR 170 x 10.5	2	—	480
		2219 K	83	H 319			FR 170 x 10	1		
		22219 K	280	H 319			FR 170 x 10	1		
90	SN520 SSN520	1220 K	70	H 220	FS165 x 8.5 x 10	ZF20	FR 180 x 18.1	2	EC 520	630
		2220 K	98	H 320			FR 180 x 12.1	2		
		22220 K	310	H 320			FR 180 x 12.1	2		
		23220 K	410	H 2320			FR 180 x 10	1		
100	SN522 SSN522	1222 K	88	H 222	FS185 x 10 x 12	ZF22	FR 200 x 21	2	EC 522	850
		2222 K	124	H 322			FR 200 x 13.5	2		
		22222 K	405	H 322			FR 200 x 13.5	2		
		23222 K	510	H 2322			FR 200 x 10	1		
110	SN524 SSN524	22224 K	465	H 3124	FS200 x 10 x 12	ZF24	FR 215 x 14	2	EC 524	1000
		23224 K	605	H 2324			FR 215 x 10	1		
115	SN526 SSN526	22226 K	545	H 3126	FS210 x 10 x 12	ZF26	FR 230 x 13	2	EC 526	1100
		23226 K	680	H 2326			FR 230 x 10	1		
125	SN528 SSN528	22228 K	605	H 3128	FS230 x 10 x 12	ZF28	FR 250 x 15	2	EC 528	1400
		23228 K	790	H 2328			FR 250 x 10	1		
135	SN530 SSN530	22230 K	730	H 3130	FS245 x 10 x 12	ZF30	FR 270 x 16.5	2	EC 530	1700
		23230 K	930	H 2330			FR 270 x 10	1		
140	SN532 SSN532	22232 K	860	H 3132	FS260 x 10 x 12	ZF32	FR 290 x 17	2	EC 532	2000
		23232 K	1060	H 2332			FR 290 x 10	1		

Note: The SN Housing accepts Ball or Spherical Roller Bearings. Typical suffix to the bearing part number is C3W33 where C3 is the internal clearance and W33 indicates a lube groove on the bearing O.D. K indicates taper bore bearing. For example specify 22220KC3W33.

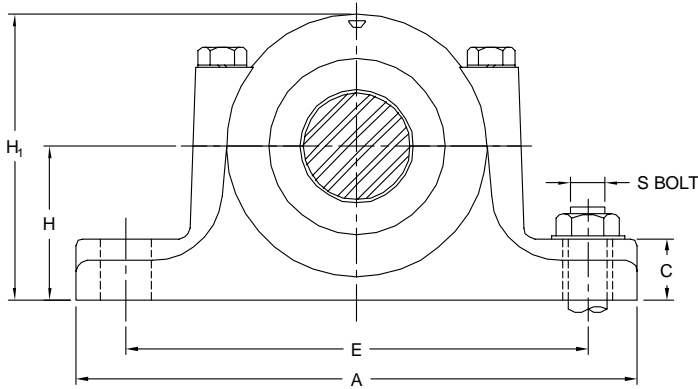
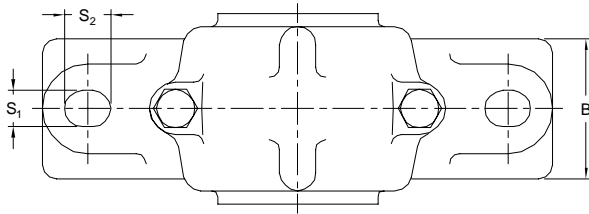
Plummer Block Housings



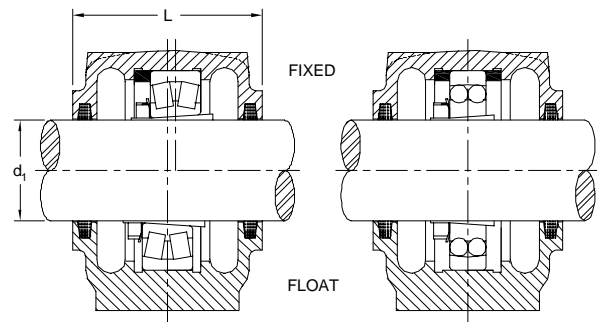
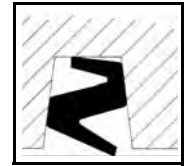
SN 600 Series

The SN Housing accept self-aligning ball or spherical roller bearing with adapter sleeve. They are designed according to DIN 736. Each is supplied with standard felt seals and fixing rings. Double lip

ZF rubber type seals are also stocked as an option. Housings are cast iron. Bearings and adapter sleeves sold separately.



Optional ZF Rubber Seal



Dimensions in mm

Part No.	Shaft Size d ₁	A	B	C	E	H	H ₁	L	S	S ₁	S ₂	Wt. kg
SN 605	20	185	45	22	150	50	71	77	M 10	13	22	1.8
SN 606	25	185	45	22	150	50	92	82	M 10	13	20	2.0
SN 607	30	205	50	25	170	60	106	85	M 12	15	20	2.6
SN 608	35	205	50	25	170	60	112	90	M 12	15	20	3.0
SN 609	40	225	58	28	210	70	127	95	M 12	18	23	4.2
SN 610	45	255	60	30	210	70	133	105	M 16	18	23	4.8
SN 611	50	275	65	30	230	80	148	110	M 16	18	24	6.1
SN 612	55	280	65	30	230	80	154	115	M 16	18	26	6.5
SN 613	60	315	75	32	260	95	175	120	M 20	22	29	8.9
SN 615	65	345	85	35	290	100	192	140	M 20	22	27	13
SN 616	70	345	85	35	290	112	209	145	M 20	22	27	15
SN 617	75	380	95	40	320	112	215	160	M 24	26	32	17
SN 618	80	380	110	40	320	112	220	160	M 24	26	32	18
SN 619	85	410	100	45	350	125	239	175	M 24	26	32	19
SN 620	90	410	100	45	350	140	271	185	M 24	26	32	25
SN 622	100	450	115	50	390	150	295	190	M 24	28	35	35
SN 624	110	530	160	60	450	160	320	200	M 30	35	42	53
SN 626	115	550	160	60	470	170	340	210	M 30	35	42	62
SN 628	125	620	170	65	520	180	367	235	M 30	35	42	85
SN 630	135	650	180	65	560	190	385	245	M 30	35	42	96
SN 632	140	680	190	70	580	200	405	255	M 36	42	50	115

Plummer Block Housing Accessories

Bearings, Adapter Sleeves, Seal Kits and Fixing Rings



Shaft Size mm	Housing Part No.	Bearing Part No.	Basic Dynamic Rating C kN	Sleeve Part No.	Seal Kits - Part No.		Fixing Rings		Initial Grease Quantity g
					Felt Seals Standard (2 Required)	ZF Rubber Seals Optional (2 Required)	Size Part No.	Qty	
20	SN 605	1305 K	18	H 305	FS100 x 5 x 6	ZF 05	FR 62 x 8.5	2	40
		2305 K	24	H 2305			FR 62 x 10	1	
25	SN 606	1306 K	21	H 306	FS100 x 5 x 6	ZF 06	FR 72 x 9	2	50
		2306 K	31	H 2306			FR 72 x 10	1	
30	SN 607	1307 K	25	H 307	FS120 x 5 x 6	ZF 07	FR 80 x 10	2	60
		2307 K	39	H 2307			FR 80 x 10	1	
35	SN 608	1308 K	29	H 308	FS130 x 5 x 6	ZF 08	FR 90 x 10	2	75
		2308 K	45	H 2308			FR 90 x 10	1	
		22308 K	112	H 2308			FR 90 x 10	1	
40	SN 609	1309 K	38	H 309	FS150 x 5 x 6	ZF 09	FR 100 x 10.5	2	100
		2309 K	54	H 2309			FR 100 x 10	1	
		22309 K	135	H 2309			FR 100 x 10	1	
45	SN 610	1310 K	41	H 310	FS165 x 5 x 6	ZF 10	FR 110 x 11.5	2	150
		2310 K	64	H 2310			FR 110 x 10	1	
		22310 K	175	H 2310			FR 110x x10	1	
50	SN 611	1311 K	51	H 311	FS200 x 6.5 x 8	ZF 11	FR 120 x 12	2	180
		2311 K	75	H 2311			FR 120 x 10	1	
		22311 K	195	H 2311			FR 120 x 10	1	
55	SN 612	1312 K	57	H 312	FS200 x 6.5 x 8	ZF 12	FR 130 x 12.5	2	230
		2312 K	86	H 2312			FR 130 x 10	1	
		22312 K	230	H 2312			FR 130 x 10	1	
60	SN 613	1313 K	62	H 313	FS210 x 6.5 x 8	ZF 13	FR 140 x 12.5	2	280
		2313 K	95	H 2313			FR 140 x 10	1	
		22313 K	250	H 2313			FR 140 x 10	1	
65	SN 615	1315 K	80	H 315	FS230 x 6.5 x 8	ZF 15	FR 160 x 14	2	430
		2315 K	122	H 2315			FR 160 x 10	1	
		22315 K	340	H 2315			FR 160 x 10	1	
70	SN 616	1316 K	88	H 316	FS260 x 7.5 x 9	ZF 16	FR 170 x 14.5	2	480
		2316 K	137	H 2316			FR 170 x 10	1	
		22316 K	370	H 2316			FR 170 x 10	1	
75	SN 617	1317 K	98	H 317	FS260 x 7.5 x 9	ZF 17	FR 180 x 14.5	2	630
		2317 K	140	H 2317			FR 180 x 10	1	
		22317 K	420	H 2317			FR 180 x 10	1	
80	SN 618	1318 K	108	H 318	FS150 x 7.5 x 9	ZF 18	FR 190 x 15.5	2	750
		2318 K	153	H 2318			FR 190 x 10	1	
		22318 K	475	H 2318			FR 190 x 10	1	
85	SN 619	1319 K	133	H 319	FS155 x 7.5 x 9	ZF 19	FR 200 x 16	2	850
		2319 K	165	H 2319			FR 200 x 10	1	
		20319 K	317	H 319			FR 200 x 16	2	
		22319 K	515	H 2319			FR 200 x 10	1	
90	SN 620	1320 K	143	H 320	FS 165 x 8.5 x 10	ZF 20	FR 215 x 18	2	1000
		2320 K	190	H 2320			FR 215 x 10	1	
		20320 K	336	H 320			FR 215 x 18	2	
		22320 K	600	H 2320			FR 215 x 10	1	
100	SN 622	20322 K	400	H 322	FS 185 x 10 x 12	ZF 22	FR 240 x 20	2	1100
		22322 K	720	H 2322			FR 240 x 10	1	
110	SN 624	20324 K	466	H 3124	FS 200 x 10 x 12	ZF 24	FR 260 x 20.5	2	1300
		22324 K	840	H 2324			FR 260 x 10	1	
115	SN 626	20326 K	528	H 3126	FS 210 x 10 x 12	ZF 26	FR 280 x 22.5	2	1600
		22326 K	970	H 2326			FR 280 x 10	1	
125	SN 628	20328 K	616	H 3128	FS 230 x 10 x 12	ZF 28	FR 300 x 25	2	2000
		22328 K	1120	H 2328			FR 300 x 10	1	
135	SN 630	20330 K	686	H 3130	FS 245 x 10 x 12	ZF 30	FR 320 x 26.5	2	2200
		22330 K	1250	H 2330			FR 320 x 10	1	
140	SN 632	20332 K	760	H 3132	FS 260 x 10 x 12	ZF 32	FR 340 x 28	2	2400
		22332 K	1375	H 2332			FR 340 x 10	1	

Note: The SN Housing accepts Ball or Spherical Roller Bearings. Typical suffix to the bearing part number is C3W33 where C3 is the internal clearance and W33 indicates a lube groove on the bearing O.D. K indicates taper bore bearing. For example specify 22311KC3W33. 213 Series Bearing also possible for above housings with H300 Series Adapter.

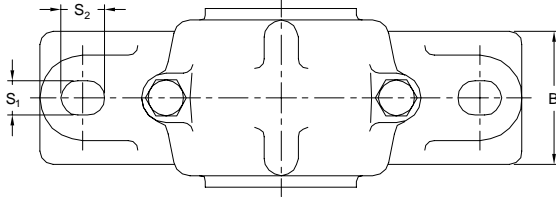
Plummer Block Housings



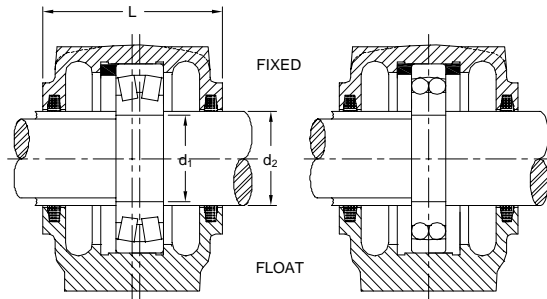
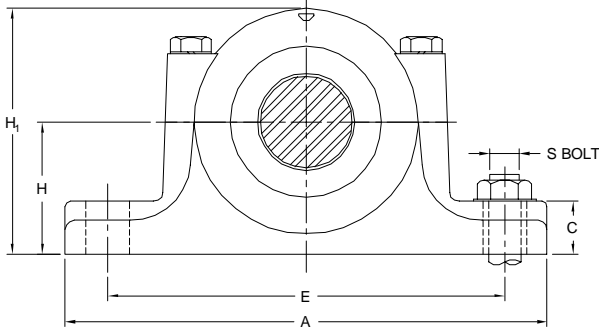
SN 200 Series

The SN Housings are an industry standard and are designed according to DIN 738. Each housing includes felt seals. V-ring Buna ZF Seals are also stocked as an option. See ZF option on next page. Fixing rings are furnished with the housing. Identify bearing choice when ordering for appropriate quantity of fixing rings.

Fixing ring removal creates an expansion bearing. SSN series blocks allow base bolt holes drilled per need. They are also available on request and have same basic dimensions for size listed. Specify SSN, size and bolt hole needs. **Note: Spacer sleeve if required for d_2 seal to be supplied by user.**



Optional ZF Rubber Seal



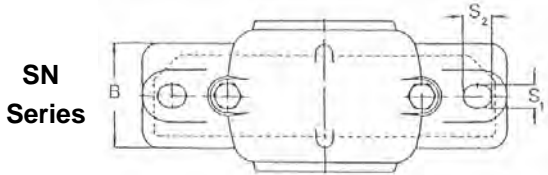
Dimensions in mm

Part No.	d_1	d_2	H	H_1	L	A	B	C	E	S_1	S_2	S	Weight kg
SN205	25	30	40	71	67	165	42	19	130	13	20	M 10	1.2
SN206	30	35	50	87	77	185	45	22	150	13	22	M 10	1.8
SN207	35	45	50	92	82	185	45	22	150	13	20	M 10	2.0
SN208	40	50	60	106	85	205	50	25	170	15	20	M 12	2.5
SN209	45	55	60	109	85	205	50	25	170	15	20	M 12	2.9
SN210	50	60	60	112	90	205	50	25	170	15	20	M 12	3.0
SN211	55	65	70	127	95	255	58	28	210	18	23	M 16	4.2
SN212	60	70	70	133	105	255	60	30	210	18	23	M 16	4.8
SN213	65	75	80	148	110	275	65	30	230	18	24	M 16	6.1
SN214	70	80	80	150	115	275	80	30	230	18	23	M 16	6.5
SN215	75	85	80	154	120	280	65	32	230	22	29	M 16	8.8
SN216	80	90	95	181	125	320	75	32	260	22	30	M 20	10.0
SN217	85	95	95	192	140	345	85	35	260	22	27	M 20	12.5
SN218	90	100	100	209	145	345	85	35	290	22	27	M 20	14.5
SN219	95	110	112	210	140	345	100	35	290	22	27	M 20	15.0
SN220	100	115	112	215	160	380	95	40	320	26	32	M 24	16.5
SN222	110	125	125	239	175	410	100	45	350	26	32	M 24	18.5
SN224	120	135	140	271	185	410	100	45	350	26	32	M 24	24.5
SN226	130	145	150	290	190	445	110	50	380	28	35	M 24	33.5
SN228	140	155	150	302	205	500	130	50	420	35	42	M 30	43.5
SN230	150	165	160	323	220	530	140	60	450	35	42	M 30	51.5
SN232	160	175	170	344	235	550	140	60	470	35	42	M 30	57.5

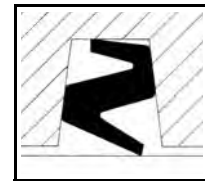
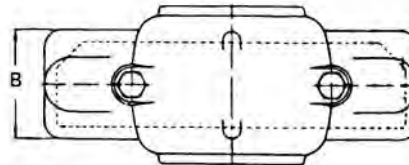
Plummer Block Housing Accessories



Bearings, Seal Kits and Fixing Rings



SSN Series



ZF Seal Option

Shaft Size d ₂ mm	Housing Part No.	Bearing Part No.	Basic Dynamic Rating C kN	Seal Kits		Fixing Rings	
				Felt Seals Standard (2 Required)	ZF Rubber Seals Optional (2 Required)	Size	Qty
30	SN 205	1205	12	FS120 x 5 x 6	ZF07	FR 52 x 5	2
		2205	17			FR 52 x 7	1
		22205	35			FR 52 x 7	1
35	SN 206	1206	16	FS130 x 5 x 6	ZF08	FR 62 x 7	2
		2206	26			FR 62 x 10	1
		22206	48			FR 62 x 10	1
45	SN 207	1207	16	FS165 x 5 x 6	ZF10	FR 72 x 8	2
		2207	32			FR 72 x 10	1
		22207	62			FR 72 x 10	1
50	SN 208	1208	19	FS200 x 6.5 x 8	ZF11	FR 80 x 7.5	2
		2208	32			FR 80 x 10	1
		22208	73			FR 80 x 10	1
55	SN 209	1209	22	FS200 x 6.5 x 6	ZF12	FR 85 x 6	2
		2209	28			FR 85 x 8	1
		22209	77			FR 85 x 8	1
60	SN 210	1210	23	FS210 x 6.5 x 8	ZF13	FR 90 x 6.5	2
		2210	28			FR 90 x 10	1
		22210	84			FR 90 x 10	1
65	SN 211	1211	27	FS230 x 6.5 x 8	ZF15	FR 100 x 6	2
		2211	39			FR 100 x 8	1
		22211	115			FR 100 x 8	1
70	SN 212	1212	30	FS260 x 7.5 x 9	ZF16	FR 110 x 8	2
		2212	48			FR 110 x 10	1
		22212	122			FR 110 x 10	1
75	SN 213	1213	31	FS260 x 7.5 x 9	ZF17	FR 120 x 10	2
		2213	57			FR 120 x 12	1
		22213	148			FR 120 x 12	1
80	SN 214	1214	34.5	FS150 x 7.5 x 9	ZF18	FR 125 x 10	2
		2214	44			FR 125 x 13	1
		22214	148			FR 125 x 13	1
85	SN 215	1215	39	FS155 x 7.5 x 9	ZF19	FR 130 x 8	2
		2215	44			FR 130 x 10	1
		22215	156			FR 130 x 10	1
90	SN 216	1216	40	FS165 x 8.5 x 10	ZF20	FR 140 x 8.5	2
		2216	51			FR 140 x 10	1
		22216	175			FR 140 x 10	1
95	SN 217	1217	49	FS175 x 8.5 x 10	ZF21	FR 150 x 9	2
		2217	59			FR 150 x 10	1
		22217	250			FR 150 x 10	1
100	SN 218	1218	57	FS185 x 10 x 12	ZF22	FR 160 x 16.2	2
		2218	71			FR 160 x 11.2	2
		22218	250			FR 160 x 11.2	2
		23218	311			FR 160 x 10	1
110	SN 219	22219	280	FS210 x 10 x 12	ZF24	FR 170 x 10.5	2
115	SN 220	1220	70	FS210 x 10 x 12	ZF26	FR 180 x 18.1	2
		2220	98			FR 180 x 12.1	2
		22220	310			FR 180 x 12.1	2
		23220	410			FR 180 x 10	1
125	SN 222	1222	88	FS230 x 10 x 12	ZF28	FR 200 x 21	2
		2222	124			FR 200 x 13.5	2
		22222	405			FR 200 x 13.5	2
		23222	510			FR 200 x 10	1
135	SN 224	22224	465	FS245 x 10 x 12	ZF30	FR 215 x 14	2
		23224	605			FR 215 x 10	1
145	SN 226	22226	545	FS265 x 10 x 12	ZF33	FR 230 x 13	2
		23226	680			FR 230 x 10	1
155	SN 228	22228	605	FS280 x 10 x 12	ZF35	FR 250 x 15	2
		23228	790			FR 250 x 10	1
165	SN 230	22230	730	FS300 x 10 x 12	ZF37	FR 270 x 16.5	2
		23230	930			FR 270 x 10	1
175	SN 232	22232	860	FS300 x 10 x 12	ZF39	FR 290 x 17	2
		23232	1060			FR 290 x 10	1

Note: Optional ZF seal fits Shaft Size d₂. Optional lockwasher and lock nut also available.

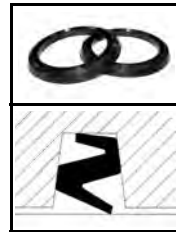
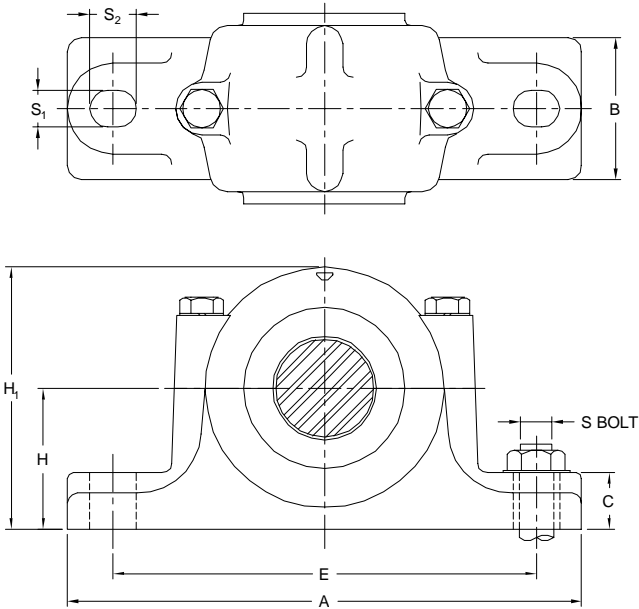
Plummer Block Housings



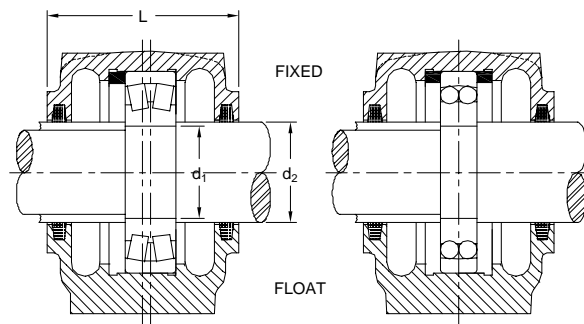
SN 300 Series

The SN Housings are fully interchangeable and are designed according to DIN 739. Each housing includes felt seals. V-ring Buna seals are also stocked as an option. See ZF type option next page. Fixing rings are

furnished with the housing. Identify bearing choice when ordering for appropriate quantity of fixing rings. Fixing ring removal creates expansion bearing. **Note: Spacer sleeve for d_2 seal to be supplied by user.**



Optional ZF Rubber Seal



Dimensions in mm

Part No.	d_1	d_2	H	H_1	L	A	B	C	E	S_1	S_2	S	Weight kg
SN305	25	30	50	90	77	185	45	22	150	13	22	M 10	1.8
SN306	30	35	50	92	82	185	45	22	150	13	20	M 10	2.0
SN307	35	45	60	106	85	205	50	25	170	15	20	M 12	2.6
SN308	40	50	60	112	90	205	50	25	170	15	20	M 12	3.0
SN309	45	55	70	127	95	255	58	28	210	18	23	M 12	4.2
SN310	50	60	70	133	105	255	60	30	210	18	23	M 16	4.8
SN311	55	65	80	148	110	275	65	30	230	18	24	M 16	6.1
SN312	60	70	80	154	115	280	65	30	230	18	26	M 16	6.5
SN313	65	75	95	175	120	315	75	32	260	22	29	M 20	8.9
SN314	70	80	95	185	130	320	90	32	260	22	31	M 20	10.0
SN315	75	85	100	192	140	345	85	35	290	22	27	M 20	12.5
SN316	80	90	112	209	145	345	85	35	290	22	27	M 20	14.5
SN317	85	95	112	215	160	380	95	40	320	26	32	M 24	16.5
SN318	90	105	112	220	160	380	110	40	320	26	32	M 24	18.0
SN319	95	110	125	239	175	410	100	45	350	26	32	M 24	18.5
SN320	100	115	140	271	185	410	100	45	350	26	32	M 24	24.5
SN322	110	125	150	295	190	450	115	50	390	28	35	M 24	34.5
SN324	120	135	160	320	200	530	160	60	450	35	42	M 30	51.9
SN326	130	150	170	340	210	550	160	60	470	35	42	M 30	60.5
SN328	140	160	180	367	235	620	170	65	520	35	42	M 30	82.0
SN330	150	170	190	385	245	650	180	65	560	35	42	M 30	92.0
SN332	160	180	200	405	255	680	190	70	580	42	50	M 36	112.0

Plummer Block Housing Accessories



Bearings, Seal Kits and Fixing Rings

Shaft Size d ₂ mm	Housing Part No.	Bearing Part No.	Basic Dynamic Rating C kN	Seal Kits		Fixing Rings	
				Felt Seals Standard (2 Required)	ZF Rubber Seals Optional (2 Required)	Size	Qty
30	SN 305	1305	18	FS120 x 5 x 6	ZF07	FR 62 x 9	2
		2305	24			FR 62 x 10	1
		21305	41			FR 62 x 9	2
35	SN 306	1306	21	FS130 x 5 x 6	ZF08	FR 72 x 8.5	2
		2306	31			FR 72 x 10	1
		21306	55			FR 72 x 8.5	2
45	SN 307	1307	25	FS165 x 5 x 6	ZF10	FR 80 x 10	2
		2307	39			FR 80 x 10	1
		21307	65			FR 80 x 10	2
50	SN 308	1308	29	FS200 x 6.5 x 8	ZF11	FR 90 x 10	2
		2308	45			FR 90 x 10	1
		21308	82			FR 90 x 10	2
		22308	112			FR 90 x 10	1
55	SN 309	1309	38	FS200 x 6.5 x 6	ZF12	FR 100 x 10.5	2
		2309	54			FR 100 x 10	1
		21309	100			FR 100 x 10.5	2
		22309	135			FR 100 x 10	1
60	SN 310	1310	41	FS210 x 6.5 x 8	ZF13	FR 110 x 11.5	2
		2310	64			FR 110 x 10	1
		21310	120			FR 110 x 11.5	2
		22310	175			FR 100 x 10	1
65	SN 311	1311	51	FS230 x 6.5 x 8	ZF15	FR 120 x 12	2
		2311	75			FR 120 x 10	1
		21311	138			FR 120 x 12	2
		22311	195			FR 120 x 10	2
70	SN 312	1312	57	FS260 x 7.5 x 9	ZF16	FR 130 x 12.5	2
		2312	86			FR 130 x 10	1
		21312	160			FR 130 x 12.5	2
		22312	230			FR 130 x 10	1
75	SN 313	1313	62	FS260 x 7.5 x 9	ZF17	FR 140 x 12.5	2
		2313	95			FR 140 x 10	1
		21313	184			FR 140 x 12.5	2
		22313	250			FR 140 x 10	1
80	SN 314	1314	75	FS150 x 7.5 x 9	ZF18	FR 150 x 13	2
		2314	110			FR 150 x 10	1
		21314	207			FR 150 x 13	2
		22314	310			FR 150 x 10	1
85	SN 315	1315	80	FS155 x 7.5 x 9	ZF19	FR 160 x 14	2
		2315	122			FR 160 x 10	1
		21315	235			FR 160 x 14	2
		22315	340			FR 160 x 10	1
90	SN 316	1316	88	FS165 x 8.5 x 10	ZF20	FR 170 x 14.5	2
		2316	137			FR 170 x 10	1
		21316	258			FR 170 x 14.5	2
		22316	370			FR 170 x 10	1
95	SN 317	1317	98	FS175 x 8.5 x 10	ZF21	FR 180 x 14.5	2
		2317	140			FR 180 x 10	1
		21317	292			FR 180 x 14.5	2
		22317	420			FR 180 x 10	1
105	SN 318	1318	108	FS185 x 10 x 12	-	FR 190 x 15.5	2
		2318	153			FR 190 x 10	1
		21318	320			FR 190 x 15.5	2
		22318	475			FR 190 x 10	1
110	SN 319	1319	133	FS210 x 10 x 12	ZF24	FR 200 x 16	2
		2319	165			FR 200 x 10	1
		21319	350			FR 200 x 16	2
		22319	515			FR 200 x 10	1
115	SN 320	1320	143	FS210 x 10 x 12	ZF26	FR 215 x 18	2
		2320	190			FR 215 x 10	1
		21320	385			FR 215 x 18	2
		22320	600			FR 215 x 10	1
125	SN 322	20322	400	FS230 x 10 x 12	ZF28	FR 240 x 20	2
		21322	460			FR 240 x 20	2
		22322	720			FR 240 x 10	1
135	SN 324	20324	466	FS230 x 10 x 12	ZF30	FR 260 x 20.5	2
		22324	840			FR 260 x 10	1
150	SN 326	20326	528	FS260 x 10 x 12	ZF34	FR 280 x 22.5	2
		22326	970			FR 280 x 10	1
160	SN 328	20328	616	FS265 x 10 x 12	ZF36	FR 300 x 25	2
		22328	1120			FR 300 x 10	1
170	SN 330	20330	686	FS280 x 10 x 12	ZF38	FR 320 x 26.5	2
		22330	1250			FR 320 x 10	1
180	SN 332	20332	760	FS300 x 10 x 12	ZF40	FR 340 x 28	2
		22332	1375			FR 340 x 10	1

Bronze Journal Bearings



DIN 505 Series

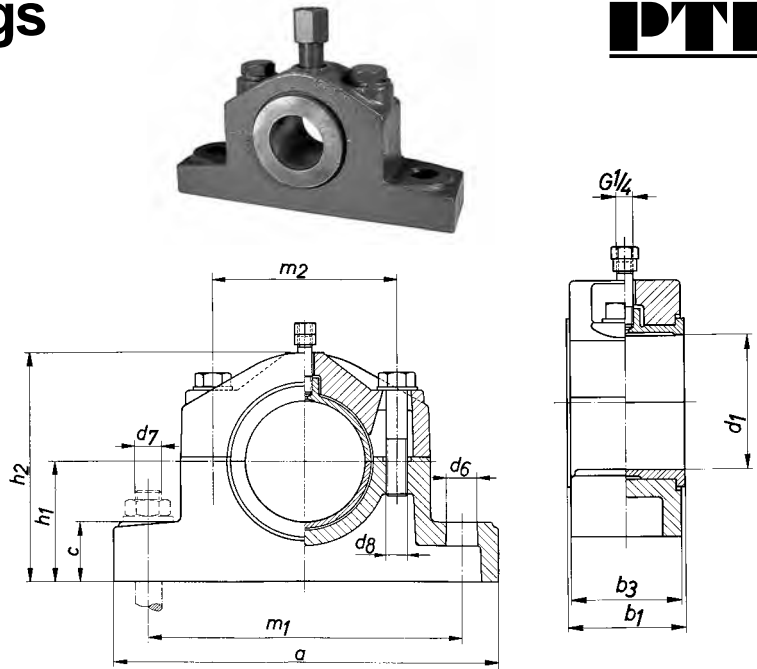
DIN 505 Bronze bearings are designed for applications in lumber, steel, chemical, waste treatment and food industries. They will operate at sliding speeds up to 1.5 m/sec (300 ft/min). Housings are cast iron, journals are bronze. These bearings are suitable for high temperature applications: standard greases to approximately 110°C (230°F), synthetic or solid lubricants to approximately 450°C (840°F). Lube is channeled into the unloaded zone of the bearing cap through a groove. Other journal types on request, see other types below. Allowable loading: up to 450 N/cm² and sliding loads up to 250 (N·m)/(cm²·s) where:

N = bearing load (Newtons)

s = seconds

cm = surface area (centimeters)

m = meters

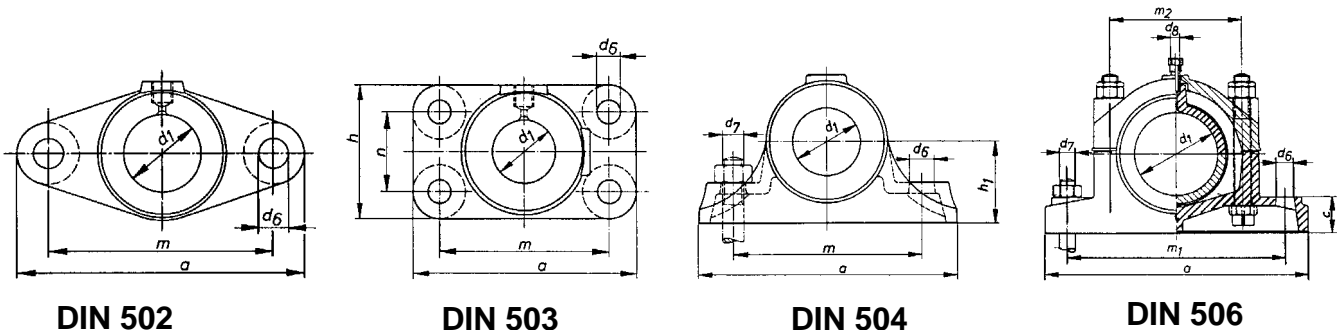


Part No.	Shaft d ₁	a	b ₁	b ₃	c	d ₆	d ₇	d ₈	h ₁	h ₂	m ₁	m ₂	Wt. kg
DIN505-25	25	165	45	40	22	15	M12	M10	40	78	125	65	1.6
DIN505-30	30												
DIN505-35	35	180	50	45	25	15	M12	M10	50	95	140	75	2.3
DIN505-40	40												
DIN505-45	45	210	55	50	30	19	M16	M12	60	114	160	90	3.3
DIN505-50	50												
DIN505-55	55	225	60	55	35	19	M16	M12	70	132	175	100	4.4
DIN505-60	60												
DIN505-70	70	270	65	60	40	24	M20	M16	80	154	210	120	7.1
DIN505-80	80	290	75	70	45	24	M20	M16	90	170	230	130	10.2
DIN505-90	90	330	85	80	50	28	M24	M20	100	188	265	150	13.4
DIN505-100	100	355	95	90	55	28	M24	M20	110	210	290	170	19.0
DIN505-110	110												
DIN505-125	125	420	110	100	60	35	M30	M24	130	250	340	200	29.2
DIN505-140	140	440	125	120	65	35	M30	M24	150	280	360	220	39.0

Dimensions in mm.

Other DIN 500 Series Units

(Request Dimension Sheets)

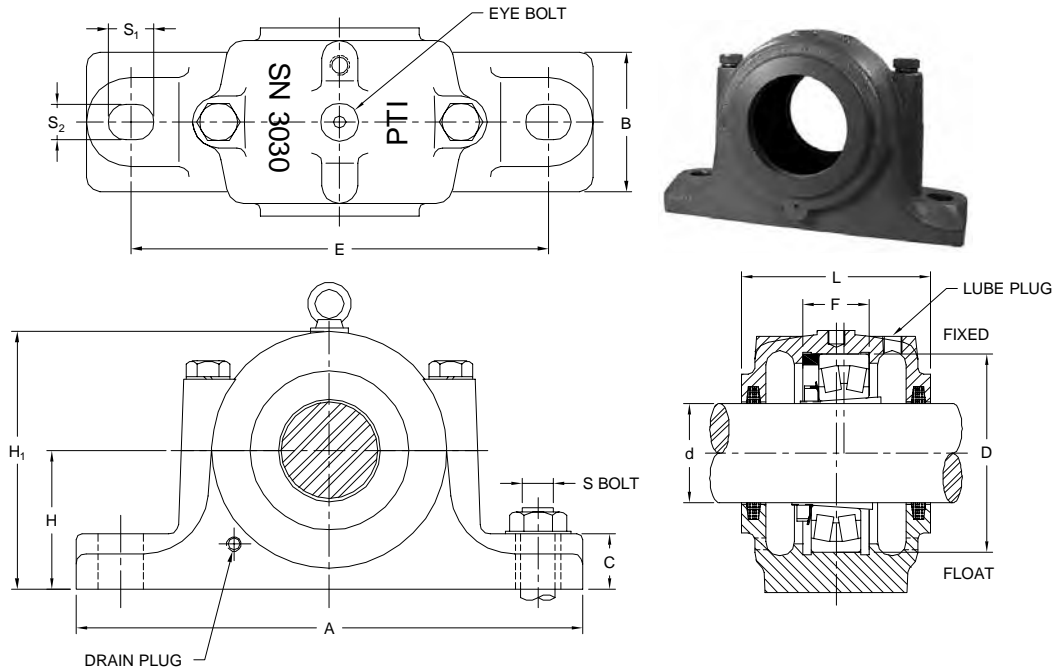


Plummer Block Housings



S 3000K Series

The S 3000 K Series is a heavy duty metric block which uses the 230 Bearing Series. Cast iron blocks include Felt Seals and Fixing Rings. Adapters and Bearings sold separately.



Housing Part No.	Dimensions (mm)													Wt. kg
	d	A	B	C	D	E	F	H	H ₁	L	S	S ₁	S ₂	
S3024K	110	390	110	40	180	320	56	112	215	150	M 24	30	36	17
S3026K	115	420	120	45	200	350	62	125	239	160	M 24	30	36	20
S3028K	125	420	120	45	210	350	63	140	259	170	M 24	30	36	25
S3030K	135	460	130	45	225	380	66	150	278	175	M 24	30	36	29
S3032K	140	470	130	50	240	390	70	150	288	190	M 24	30	36	37
S3034K	150	540	160	55	260	450	77	160	365	200	M 30	36	48	45
S3036K	160	560	160	55	280	470	84	170	385	210	M 30	36	48	65
S3038K	170	560	160	55	290	470	85	170	405	210	M 30	36	48	67
S3040K	180	615	170	60	310	515	92	180	425	235	M 30	36	48	72
S3044K	200	690	190	70	340	580	100	200	460	255	M 36	42	50	98
S3048K	220	720	200	75	360	610	102	210	495	265	M 36	42	50	110
S3052K	240	820	220	80	400	680	114	240	547	285	M 45	52	70	148
S3056K	260	860	230	80	420	720	116	250	567	295	M 45	52	70	165

Housing Part No.	Bearing Part No.	Basic Dynamic Rating C kN	Adapter Sleeves Part No.	Fixing Rings		Felt Seals		End Cover Part No.	Initial Grease Quantity g
				Part No.	Qty	Part No.	Qty		
S3024K	23024KC3W33	300	H3024	FR 180/10	1	10 x 8.5 x 195	4	DK 128	0.50
S3026K	23026KC3W33	370	H3026	FR 200/10	1	10 x 8.5 x 200	4	DK 133	0.80
S3028K	23028KC3W33	395	H3028	FR 210/10	1	14 x 11 x 225	4	DK 151	0.90
S3030K	23030KC3W33	435	H3030	FR 225/10	1	14 x 11 x 240	4	DK 161	1.10
S3032K	23032KC3W33	500	H3032	FR 240/10	1	14 x 11 x 250	4	DK 166	1.20
S3034K	23034KC3W33	620	H3034	FR 260/10	1	16 x 12 x 270	4	DK 180	1.50
S3036K	23036KC3W33	720	H3036	FR 280/10	1	16 x 12 x 285	4	DK 190	1.70
S3038K	23038KC3W33	750	H3038	FR 290/10	1	16 x 12 x 300	4	DK 200	1.90
S3040K	23040KC3W33	875	H3040	FR 310/10	1	16 x 12 x 315	4	DK 210	2.20
S3044K	23044KC3W33	1040	H3044	FR 340/10	1	16 x 12 x 350	4	DK 230	2.90
S3048K	23048KC3W33	1125	H3048	FR 360/10	1	16 x 12 x 380	4	DK 250	4.00
S3052K	23052KC3W33	1400	H3052	FR 400/10	1	16 x 12 x 410	4	DK 270	4.50
S3056K	23056KC3W33	1500	H3056	FR 420/10	1	16 x 12 x 445	4	DK 290	5.20

Plummer Block Housings

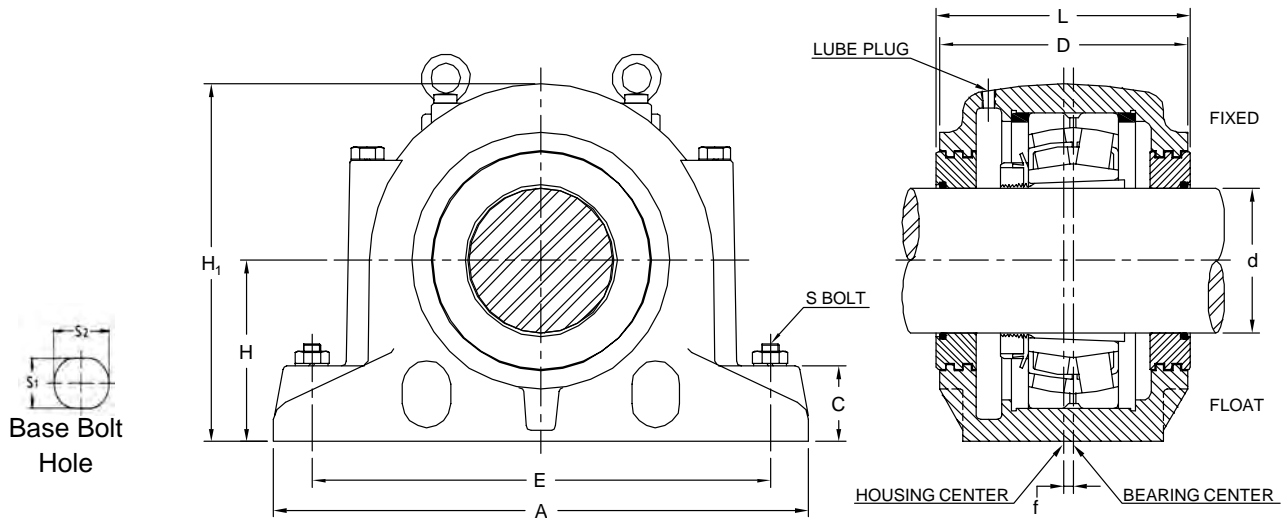


SD 3100 TS Series

The SD 3100 Series is an extra heavy duty housing that uses an adapter mounted bearing. The unit includes fixing rings and labyrinth seal rings. Standard housing is cast iron. Ductile and steel housings are also stocked, end covers on request.



SD 3000 & SD 3200 Series available on request.



Dimensions in mm

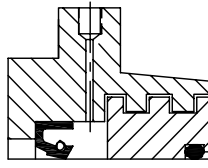
Housing Part No.	d	A	b	C	D	e	E	f	H	H ₁	L	S	S ₁	S ₂	T	x	Wt. kg
SD 3134TS	150	510	180	70	230	100	430	14	170	335	240	M24	28	34	154	65	65
SD 3136TS	160	530	190	75	240	110	450	15	180	355	250	M24	28	34	159	68	75
SD 3138TS	170	560	210	80	260	120	480	10	190	375	270	M24	28	34	168	80	95
SD 3140TS	180	610	230	85	280	130	510	10	210	410	290	M30	35	42	178	82	120
SD 3144TS	200	640	240	90	290	140	540	12	220	435	300	M30	35	42	184	90	135
SD 3148TS	220	700	260	95	310	150	600	12	240	475	320	M30	35	42	194	100	180
SD 3152TS	240	770	280	100	320	160	650	13	260	515	330	M36	42	50	200	105	215
SD 3156TS	260	790	280	105	320	160	670	16	280	550	330	M36	42	50	200	105	250
SD 3160TS	280	830	310	110	350	190	710	22	300	590	360	M36	42	50	213	110	300
SD 3164TS	300	880	330	115	370	200	750	23	320	630	380	M36	42	50	224	120	330
SD 3168 NTS	320	950	360	120	400	220	810	24	340	675	410	M36	42	50	—	155	380
SD 3172 NTS	340	1000	360	120	400	220	840	30	350	695	410	M36	42	50	—	160	420
SD 3176 NTS	360	1040	360	120	400	220	870	30	360	715	410	M36	42	50	247	165	490
SD 3180 NTS	380	1120	390	125	430	240	950	30	380	755	440	M42	50	70	—	170	570
SD 3184 NTS	400	1170	420	130	460	260	1000	35	410	810	470	M42	50	70	—	190	610

Housing Part No.	d	A	b	C	D	e	E	f	H	H ₁	L	S	S ₁	S ₂	T	x	Wt. kg
SD 3168TS	320	965	380	120	390	240	840	25	340	670	400	M45	54	72	244	135	430
SD 3172TS	340	1040	390	130	390	255	890	22	360	720	400	M50	60	80	249	145	560
SD 3176TS	360	1120	400	135	405	255	980	22	380	950	415	M55	68	90	260	145	770
SD 3180TS	380	1245	420	140	425	270	1050	22	400	790	435	M60	76	96	272	150	870

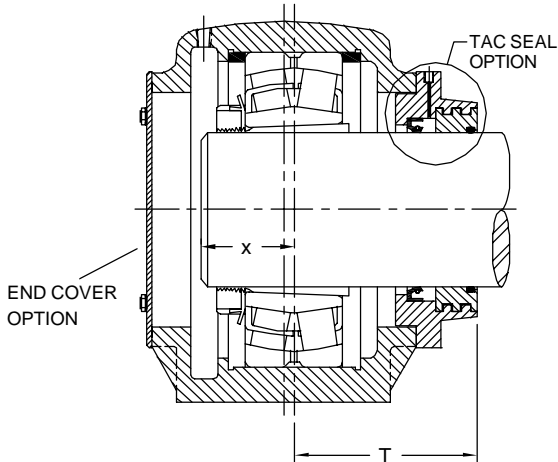
Plummer Block Housings



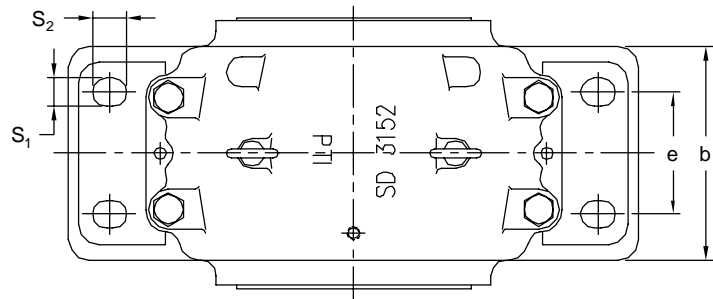
SD 3100 TS Series



TAC SEAL OPTION



END COVER OPTION



Size Part No.	Labyrinth Seals Part No.	Bearings Part No.	Sleeves Part No.	Basic Dynamic Load Rating C kN	Fixing Rings		O Ring Dia. x Length	Grease Qty. First Application in kg
					Part No.	Qty.		
SD 3134	TS 34	23134 K	H 3134	890	FR 280/10	2	4 x 530	1.8
SD 3136	TS 36	23136 K	H 3136	1040	FR 300/10	2	4 x 560	2.2
SD 3138	TS 38	23138 K	H 3138	1200	FR 320/10	2	4 x 590	2.9
SD 3140	TS 40	23140 K	H 3140	1350	FR 340/10	2	4 x 620	3.8
SD 3144	TS 44	23144 K	H 3144	1550	FR 370/10	2	4 x 680	4.4
SD 3148	TS 48	23148 K	H 3148	1750	FR 400/10	2	4 x 750	5.5
SD 3152	TS 52	23152 K	H 3152	2200	FR 440/10	2	4 x 810	7.0
SD 3156	TS 56	23156 K	H 3156	2250	FR 460/10	2	4 x 870	7.4
SD 3160	TS 60	23160 K	H 3160	2800	FR 500/10	2	4 x 940	10.5
SD 3164	TS 64	23164 K	H 3164	3200	FR 540/10	2	4 x 1000	13.0
SD 3168 N	TS 68	23168 K	H3168	3600	FR 580/10	2	4 x 1100	20.0
SD 3172 N	TS 72	23172 K	H3172	3750	FR 600/10	2	4 x 1100	20.0
SD 3176 N	TS 76	23176 K	H3176	3900	FR 620/10	2	4 x 1200	25.0
SD 3180 N	TS 80	23180 K	H3180	4200	FR 650/10	2	4 x 1200	25.0
SD 3184 N	TS 84	23184 K	H3184	5200	FR 700/10	2	4 x 1300	35.0

Size Part No.	Labyrinth Seals Part No.	Bearings Part No.	Sleeves Part No.	Basic Dynamic Load Rating C kN	Fixing Rings		O Ring Dia. x Length	Grease Qty. First Application in kg
					Part No.	Qty.		
SD 3168	TS 68	23168 K	H3168	3600	FR 580/10	2	4 x 1100	20.0
SD 3172	TS 72	23172 K	H3172	3750	FR 600/10	2	4 x 1100	20.0
SD 3176	TS 76	23176 K	H3176	3900	FR 620/10	2	4 x 1200	25.0
SD 3180	TS 80	23180 K	H 3140	4200	FR 650/10	2	4 x 1200	25.0

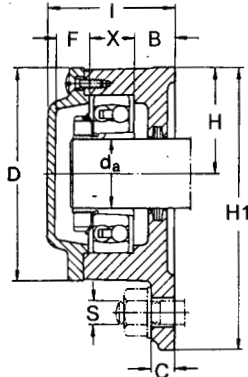


Flanged Housings

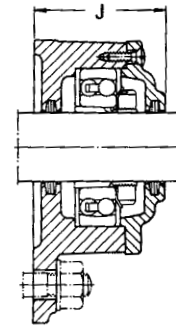
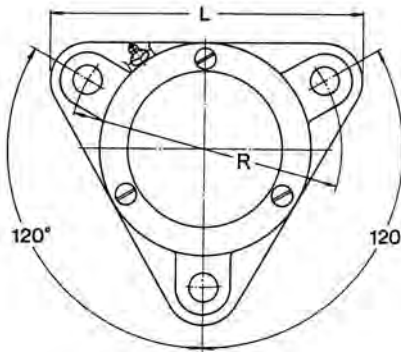
722500 Series - 3 Bolt Triangular

For 1200, 2200 & 222 Series Bearings

These Flanged Housings accommodate 1220, 2200 series Ball and 222 series Spherical Bearings. Type A housings are closed one end, and Type B are open on both ends. Both are supplied with seals and fixing rings. For expansion units omit the fixing ring. Specify Type A or B when ordering. Units are normal stock.



Type A - Closed End



Type B - Open End

Part No. Closed End	Part No. Open End	Bore da	Dimensions (mm)											Wt. kg	
			B	C	D	F	H	H ₁	I	J	L	R	S		X
722505DA	722505DB	20	15	10	75	12.5	38.0	100	51.5	56.5	110	96	10	20	1.1
722506DA	722506DB	25	16	12	86	15.0	44.0	117	57.0	59.5	130	116	10	22	1.5
722507DA	722507DB	30	16	12	97	14.5	48.5	130	59.5	63.5	145	130	12	25	1.8
722508DA	722508DB	35	17	12	108	18.0	54.0	143	64.0	65.5	160	140	12	25	2.3
722509DA	722509DB	40	19	12	113	16.5	60.0	160	64.5	69.5	180	160	12	25	3.0
722510DA	722510DB	45	22	15	118	17.5	60.0	160	68.5	73.0	180	160	12	25	3.5
722511DA	722511DB	50	24	15	128	19.5	65.0	172	75.5	81.5	192	170	12	27	4.1
722512DA	722512DB	55	23	15	142	19.0	72.0	189	77.0	82.0	210	180	12	30	4.8
722513DA	722513DB	60	22	15	152	20.0	78.0	203	80.0	86.0	225	190	12	33	5.9

Bearings, Sleeves and Accessories

Size Part No.	Bearing Part No.	Basic Dynamic Rating C kN	Sleeve Part No.	Fixing Ring Part No.	Seals Part No.
722505D	1205K	12.2	H205	FR5 x 52	FS120
	2205K	17.0	H305	ZW42 x 52	
	22205K	35.0	H305	ZW42 x 52	
722506D	1206K	15.6	H206	FR6 x 62	FS120
	2206K	25.5	H306	ZW50 x 62	
	22206K	48.0	H306	ZW50 x 62	
722507D	1207K	16.0	H207	FR8 x 72	FS130
	2207K	32.0	H307	ZW65 x 72	
	22207K	67.0	H307	ZW65 x 72	
722508D	1208K	19.3	H208	FR7 x 80	FS130
	2208K	31.5	H308	ZW70 x 80	
	22208K	73.0	H308	ZW70 x 80	
722509D	1209K	22.0	H209	FR6 x 85	FS150
	2209K	28.0	H309	ZW75 x 85	
	22209K	77.0	H309	ZW75 x 85	

Size Part No.	Bearing Part No.	Basic Dynamic Rating C kN	Sleeve Part No.	Fixing Ring Part No.	Seals Part No.
722510D	1210K	22.8	H210	FR5 x 90	FS165
	2210K	28.0	H310	ZW80 x 90	
	22210K	84.0	H310	ZW80 x 90	
722511D	1211K	27.0	H211	FR6 x 100	FS200
	2211K	39.0	H311	ZW85 x 100	
	22211K	115.0	H311	ZW85 x 100	
722512D	1212K	30.0	H212	FR8 x 110	FS200
	2212K	47.5	H312	ZW90 x 110	
	22212K	122.0	H312	ZW90 x 110	
722513D	1213K	31.0	H213	FR10 x 120	FS210
	2213K	57.0	H313	ZW100 x 120	
	22213K	148.0	H313	ZW100 x 120	

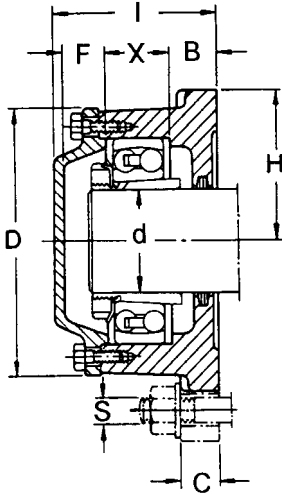
Flanged Housings



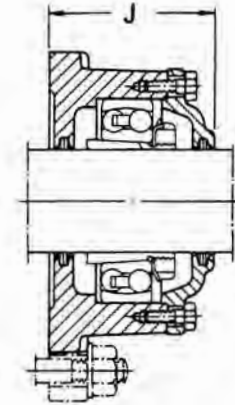
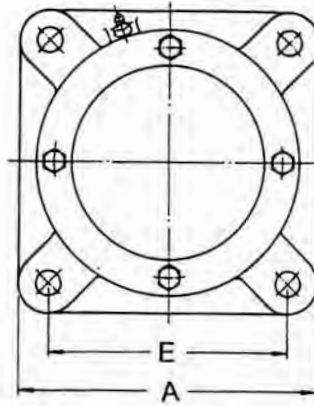
722500 Series - 4 Bolt Flange

For 1200, 2200, & 222 Series Bearings

These 722500 Series Flange Housings utilize self aligning Ball or Spherical Roller Bearings. Type A housings are closed end, Type B are open on both ends. Seals and fixing rings are included. For expansion units omit the fixing ring. Specify Type A or B when ordering. Units are normal stock.



Type A - Closed End



Type B - Open End

Part No. Closed End	Part No. Open End	Bore d	Dimensions (mm)											Wt. kg
			A	B	C	D	E	F	H	I	J	S	X	
722515A	722515B	65	190	30	25	168	152	27	95	104	104	16	41	9.4
722516A	722516B	70	196	31	25	176	152	30	98	110	110	16	43	10.0
722517A	722517B	75	210	31	25	188	170	30	105	114	114	16	46	11.5
722518A	722518B	80	210	30	25	198	170	31	105	118	118	16	50	12.5
722520A	722520B	90	250	30	30	224	198	33	125	127	127	20	56	18.0
722522A	722522B	100	270	30	30	246	219	38	135	137	137	20	63	22.0

Bearings, Sleeves and Accessories

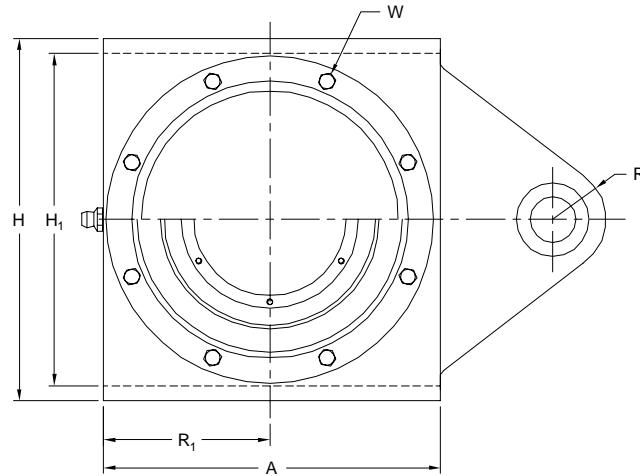
Size Part No.	Bearing Part No.	Basic Dynamic Rating C kN	Sleeve Part No.	Fixing Ring		Seals Part No.
				Qty	Part No.	
722515	1215K	39.0	H215	2	FR 8 x 130	FS260
	2215K	44.0	H315	1	FR 10 x 130	
	22215K	156.0	H315	1	FR 10 x 130	
722516	1216K	40.0	H216	2	FR 8.5 x 10	FS330
	2216K	51.0	H316	1	FR 10 x 140	
	22216K	175.0	H316	1	FR 10 x 140	
722517	1217K	48.0	H217	2	FR 9 x 150	FS330
	2217K	58.5	H317	1	FR 10 x 150	
	22217K	210.0	H317	1	FR 10 x 150	

Size Part No.	Bearing Part No.	Basic Dynamic Rating C kN	Sleeve Part No.	Fixing Ring		Seals Part No.
				Qty	Part No.	
722518	1218K	57.0	H218	2	FR 10 x 160	FS350
	2218K	71.0	H318	1	FR 10 x 160	
	22218K	250.0	H318	1	FR 10 x 160	
722520	1220K	69.5	H220	1	FR 10 x 180 and FR 12 x 180	FS370
				1	FR 10 x 180	
	22220K	310.0	H320	1	FR 10 x 180	
722522	1222K	88.0	H222	2	FR 12.5 x 200	FS460
	2222K	124.0	H322	1	FR 10 x 200	
	22222K	405.0	H322	1	FR 10 x 200	

HSPA Take-Up Units



HSPA Take-Up Units mount on customer supplied frames. When used in pairs, they provide adjustment for conveyor systems. Housings can be provided with bearing and adapter. Custom units are also possible.

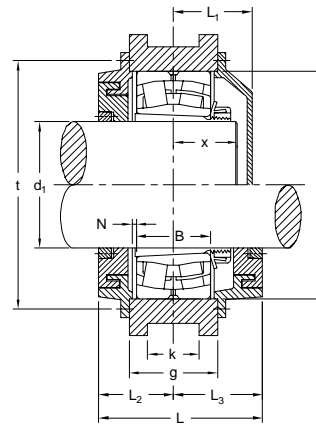
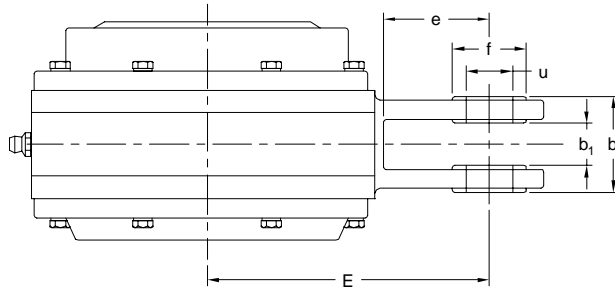


Dimensions in mm

Part No.	Shaft d ₁	A	R ₁	H	H ₁	E	e	f	u	b	b ₁	L	L ₁	L ₂	L ₃	g	k
HSPA2211 K	50	150	75	150	135	105	30	60	20	42	22	109	35	49	60	50	34
HSPA2212 K	55	165	82.5	165	150	120	37	60	25	50	26	120	40	54	66	60	43
HSPA2213 K	60	160	80	180	155	145	65	60	30	66	30	135	53	62	73	78	53
HSPA2216 K	70	180	90	200	175	155	65	60	30	66	30	145	58	67	78	78	53
HSPA2218 K	80	210	105	230	200	170	65	60	30	66	30	168	63	78	90	78	53
HSPA2220K	90	235	117.5	250	220	185	67	65	35	70	36	170	65	80	90	69	40
HSPA2222K	100	255	125	270	240	200	70	70	40	76	40	199	68	94	105	78	53
HSPA2224K	110	275	135	290	260	210	70	70	40	76	40	180	69	85	95	78	53
HSPA2226K	115	295	147.5	310	290	220	70	70	40	76	40	194	78	87	110	82	53
HSPA2228K	125	315	155	330	300	230	70	70	40	76	40	226	78	113	113	83	53
HSPA3028K	125	260	130	300	270	225	90	90	50	150	60	156	68	68	88	70	45
HSPA3030K	135	280	140	320	290	235	90	90	50	150	60	194	82	82	112	85	45
HSPA3132K	140	370	185	370	340	350	160	100	61	132	62	229	108	108	121	116	65
HSPA3034K	150	325	162.5	360	330	260	90	90	50	150	60	201	88	88	113	102	65
HSPA3134K	150	375	187.5	400	370	395	180	100	60	132	62	249	113	113	136	120	65
HSPA2236K	160	420	210	440	410	380	170	140	80	135	65	255	95	120	135	114	60
HSPA3036K	160	350	175	390	360	275	90	90	50	150	60	201	88	88	113	110	65
HSPA3136K	160	400	200	440	410	360	158	140	80	135	65	248	105	113	135	120	60
HSPA3236K	160	420	210	450	410	300	90	140	80	140	70	285	110	135	150	140	93
HSPA3038K	170	375	180	440	400	290	90	90	50	150	60	211	88	93	118	105	65
HSPA3040K	180	390	200	430	400	275	85	120	70	125	62	240	108	107	133	125	83
HSPA3140K	180	420	210	440	410	360	140	100	60	140	70	270	115	120	150	140	100
HSPA3044K	200	430	210	480	440	325	100	100	60	200	70	241	103	103	138	120	65
HSPA3144K	200	470	235	510	480	530	260	140	100	144	74	276	128	128	148	150	65
HSPA3148K	220	520	260	540	500	515	250	250	100	215	123	328	129	149	179	152	65
HSPA3052K	240	500	245	540	500	515	250	250	100	215	123	261	113	113	148	135	65
HSPA3152K	240	550	275	570	540	565	270	250	100	225	135	336	140.5	150.5	185.5	175	80
HSPA3252K	240	596	298	610	570	615	300	240	100	240	173	375	157.5	167.5	207.5	205	103
HSPA3156K	260	600	300	610	570	615	300	200	100	240	173	351	148	158	193	175	103
HSPA3160K	280	630	315	650	610	650	310	200	100	270	170	385	155	170	215	190	130
HSPA2260K	280	660	330	680	640	630	280	200	105	220	150	370	160.5	174.5	195.5	177	80
HSPA3260K	280	680	340	690	650	680	310	260	100	270	190	404	187	182	222	230	115
HSPA3164K	300	680	340	700	660	680	340	240	110	300	180	395	192	180	215	210	140
HSPA3168K	320	740	370	740	700	720	310	240	120	300	180	445	200	200	245	220	150
HSPA3268K	320	735	385	740	700	750	310	240	110	300	213	475	238	203	272	265	123
HSPA3272K	340	800	400	830	790	765	310	280	130	330	213	509	222	227	282	275	123
HSPA3176K	360	750	375	790	740	750	320	230	110	300	200	459	202	202	257	230	120
HSPA3276K	360	810	405	820	780	780	305	240	110	300	213	529	257	232	297	295	123

Note: Housing can be supplied as fixed (F) or floating (L). Housing also supplied for thru shafts (B) or closed (A). Specify at the time of order. Material = Cast Steel

HSPA Take-Up Units



Dimensions in mm

Part No.		Basic Dynamic Load Rating C kN	Bearing Dimensions		Cover Plate			Mounting Dimensions			Housing Weight kg
Bearing	Sleeve		D	B	W	t	Qty	X	N	R	
22211K	H311	115	100	25	M 8	115	12	27	2	30	9.5
22212K	H312	122	110	28	M 8	125	12	30	2	35	10
22213K	H313	148	120	31	M 8	135	16	35	2	40	12
22216K	H316	175	140	33	M 8	155	16	40	2	40	17
22218K	H318	250	160	40	M 8	180	16	45	2	40	24
22220K	H320	310	180	46	M 8	205	12	46	2.5	40	27
22222K	H322	405	200	53	M 8	220	16	55	2.5	45	29
22224K	H3124	465	215	58	M 8	240	16	58	2.5	45	30
22226K	H3126	545	230	64	M 12	260	12	61	3	45	38
22228K	H3128	605	250	68	M 10	275	16	65	3	45	43
23028K	H3028	395	210	53	M 10	235	16	55	3	70	50
23030K	H3030	435	225	56	M 12	250	16	60	2	70	60
23132K	H3132	840	270	86	M 12	300	16	78	3	90	125
23034K	OH3034	620	260	67	M 12	285	16	68	2	70	105
23134K	OH3134	890	280	88	M 12	330	16	80	3	90	180
22236K	OH3136	1000	320	86	M 16	360	16	80	3	100	230
23036K	OH3036	720	280	74	M 12	310	16	72	3	70	132
23038K	OH3038	750	290	75	M 16	325	16	72	3	70	135
23040K	OH3040	875	310	82	M 16	340	16	78	3	80	160
23140K	OH3140	1350	340	112	M 16	380	16	95	2	80	175
23044K	OH3044	1040	340	90	M 16	375	16	80	3	80	185
23144K	OH3144	1550	370	120	M 16	410	16	95	4	120	265
23148K	OH3148	1750	400	128	M 20	455	16	110	4	150	310
23052K	OH3052	1400	400	104	M 16	440	16	94	4	150	240
23152K	OH3152	2200	440	144	M 24	490	16	115	4	150	330
23252K	OH2352	2760	480	174	M 20	535	16	130	3	150	420
23156K	OH3156	2250	460	146	M 24	510	16	120	4	150	360
23160K	OH3160	2800	500	160	M 24	550	16	130	4	150	440
22260K	OH3160	1890	540	140	M 20	600	16	120	4	170	530
23260K	OH3260	3450	540	192	M 24	600	16	145	4	180	625
23164K	OH3164	3200	540	176	M 24	590	16	135	4	180	580
23168K	OH3168	3600	580	190	M 24	630	16	160	4	200	640
23268K	OH3268	4450	620	224	M 24	680	16	210	5	200	650
23272K	OH3272	4850	650	232	M 24	890	16	190	5	225	890
23176K	OH3176	3900	620	194	M 24	700	16	170	5	200	720
23276K	OH3276	5200	680	240	M 30	730	16	220	5	200	910

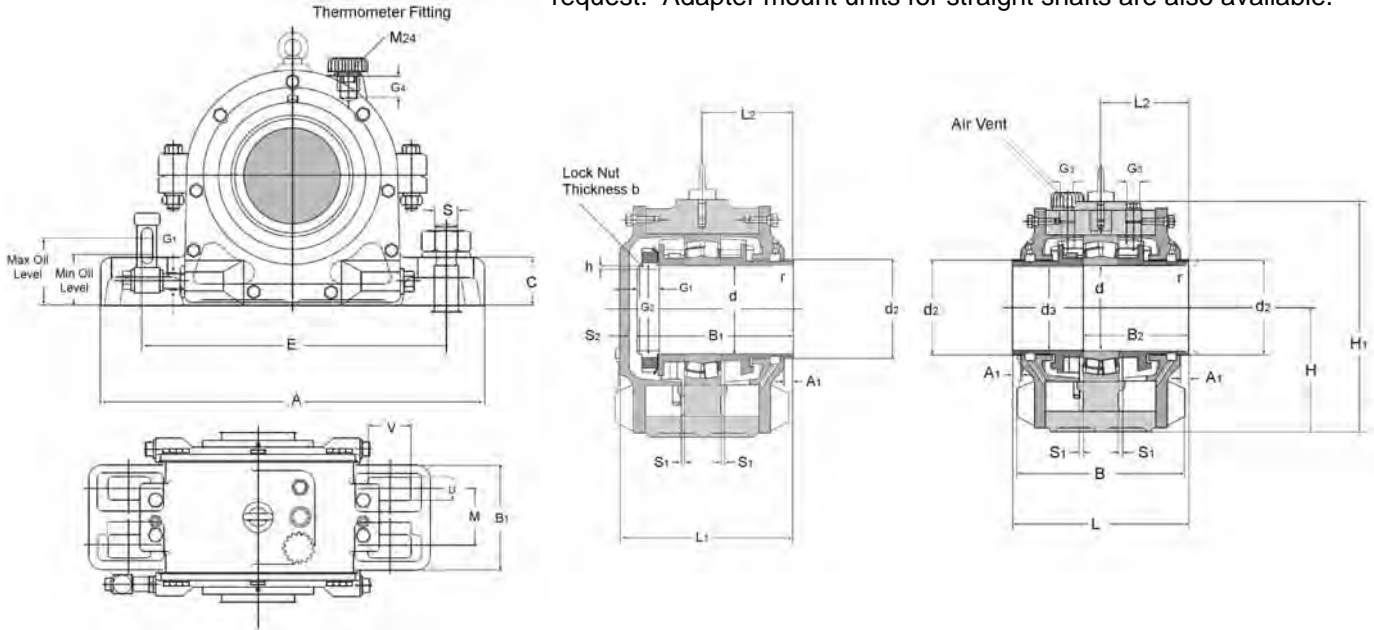
Plummer Block Housings



HFO 200 Series - Oil Lubrication



The HFO/HFOE housings are suitable for high speeds and / or temperatures. These housings include Oil Splash Rings for assisting lubrication of the bearing in high speed applications, such as fans. Housings are Cast Iron. Ductile housings are also available on request. Labyrinth seals are standard and housing can be supplied with open or closed ends. Air vents and oil level gauges are included with each housing. Circulating oil provisions can also be included on request. Adapter mount units for straight shafts are also available.



Part No.	d	A	B	B ₁	B ₂	C	d ₂	d ₃	E	H	H ₁	L	L ₁	M	S	S ₁	U	V	Wt. kg
HFO 217	85	330	182	110	105	35	96	83	260	125	230	180	165	60	M20	5	24	40	33
HFO 218	90	360	190	120	112	45	100	88	290	135	245	190	170	70	M20	5	24	40	42
HFO 219	95	360	210	120	118	40	105	93	290	140	255	200	184	80	M20	5	24	40	45
HFO 220	100	400	205	130	123	50	110	98	320	145	270	206	186	75	M24	5	28	45	55
HFO 222	110	420	216	145	138	50	120	108	347	160	290	229	203	75	M24	5	28	45	70
HFO 224	120	420	245	170	164	55	135	118	347	170	315	276	240	90	M24	8	28	45	95
HFO 226	130	450	260	180	164	60	145	128	377	180	335	270	240	100	M24	8	28	45	100
HFO 228	140	500	265	180	170	65	160	138	415	190	355	280	250	100	M30	8	35	45	125
HFO 230	150	540	265	190	173	65	170	148	450	200	375	280	250	115	M30	8	35	50	140
HFO 232	160	560	280	205	193	65	178	158	470	215	405	316	280	120	M30	10	35	50	165

Part No.	Part Code	A1	G1	G3	GA	G4	h	L2	r	Bearing Part No.	Basic Dynamic Load Rating C kN	Locknut Part No.	Lock-washer Part No.	Oil Quantity in Liters
HFO 217	GOS 217	7.5	R 1/2	R 3/8	M85 x 2	27	4	90	1.6	22217	210	KM 17	MB 17	0.7
HFO 218	GOS 218	10		R 3/8	M90 x 2	27	4	95	1.6	22218	250	KM 18	MB 18	0.8
HFO 219	GOS 219	8		R 3/8	M95 x 2	27	4	100	1.6	22219	280	KM 19	MB 19	0.9
HFO 220	GOS 220	10		R 1/2	M100 x 2	27	4	103	1.6	22220	310	KM 20	MB 20	1.0
HFO 222	GOS 222	13		R 1/2	M110 x 2	27	5	114.5	1.6	22222	405	KM 22	MB 22	1.5
HFO 224	GOS 224	18		R 1/2	M120 x 2	27	6	138	1.6	22224	465	KM 24	MB 24	1.9
HFO 226	GOS 226	15		R 1/2	M130 x 2	32	6	135	2.5	22226	545	KM 26	MB 26	2.5
HFO 228	GOS 228	15		R 3/4	M140 x 2	33	6	140	2.5	22228	605	KM 28	MB 28	2.7
HFO 230	GOS 230	15		R 3/4	M150 x 2	44	6	140	2.5	22230	730	KM 30	MB 30	3.0
HFO 232	GOS 232	18		R 3/4	M160 x 3	38	7	158	2.5	22232	860	KM 32	MB 32	3.3

Dimensions in mm

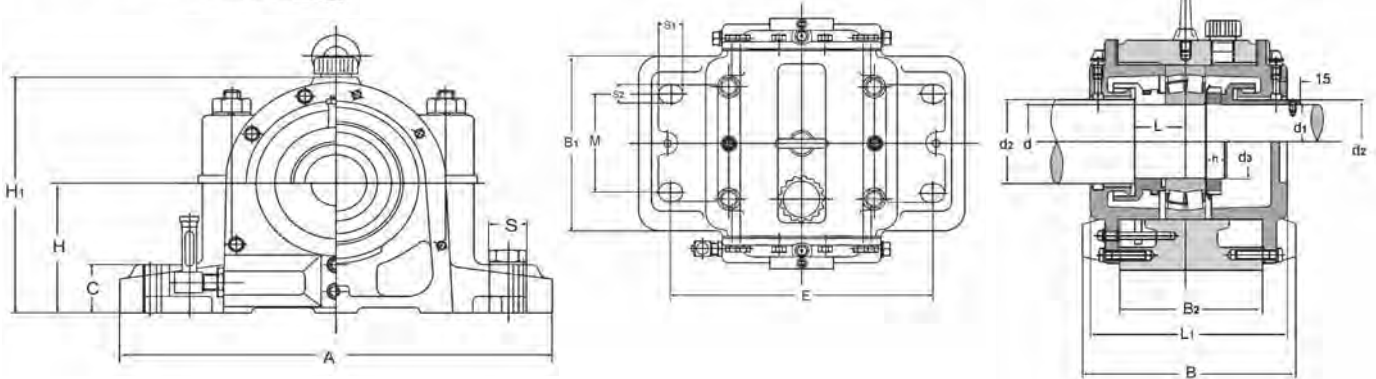
Plummer Block Housings



HFOE 200 Series - Oil Lubrication



The HFO/HFOE housings are suitable for high speeds and/or high temperatures. These housings include Oil Splash Rings for assisting lubrication of the bearing in high speed applications such as fans. Housings are Cast Iron. Ductile housings are also available on request. Labyrinth seals are standard and housings can be supplied with open or closed ends. Air vents and oil level gauges are included with each housing. Circulating oil provisions can also be included on request. Adapter mount units for straight shafts are also available.



Part No.	d	A	B	B ₁	B ₂	C	d ₁	d ₂	d ₃	E	G	H	H ₁	L	L ₁	M	S	S ₁	S ₂	Wt. kg
HFOE 217	85	410	225	150	160	48	82	90	M 85x2	340	235	135	250	61.5	19	80	M 20	25	35	45
HFOE 218	90	410	225	150	160	48	87	95	M 90x2	340	235	135	250	61	20	80	M 20	25	35	50
HFOE 219	95	490	250	160	170	50	92	100	M 92x2	400	260	150	275	67	20	80	M 24	30	45	62
HFOE 220	100	490	250	160	170	50	97	110	M 100x2	400	265	150	280	60	22	80	M 24	30	45	68
HFOE 222	110	510	250	165	175	50	107	116	M 110x2	420	265	165	305	70	22	80	M 24	30	45	75
HFOE 224	120	550	250	165	175	55	117	126	M 120x2	440	265	175	325	72	23	80	M 30	36	50	80
HFOE 226	130	570	260	175	185	65	127	136	M 130x2	460	275	190	350	77	24	90	M 30	36	50	90
HFOE 228	140	570	260	175	180	65	137	150	M 140x2	460	275	190	365	73	24	100	M 30	36	50	100
HFOE 230	150	660	275	190	200	70	147	156	M 150x2	530	290	220	400	82	27	100	M 36	42	60	120
HFOE 232	160	660	290	200	210	70	155	170	M 160x3	530	305	220	410	80	30	110	M 36	42	60	135
HFOE 234	170	710	300	200	210	85	165	176	M 170x3	580	315	260	465	90	30	110	M 36	42	60	160
HFOE 236	180	710	300	200	210	85	175	190	M 180x3	580	315	260	465	90	32	110	M 36	42	60	165
HFOE 238	190	820	350	240	250	90	185	196	M 190x3	670	365	270	485	95	32	130	M 42	48	70	240
HFOE 240	200	830	360	240	260	90	195	210	M 200x3	670	375	280	510	100	34	130	M 42	48	70	250
HFOE 244	220	880	380	240	280	105	212	230	Tr220x4	720	395	310	565	108	36	130	M 42	48	70	310

Size Part No.	Part Code	Bearing Part No.	Basic Dynamic Load Rating C kN	Locknut Part No.	Lockwasher Part No.	Oil Quantity in Liters
HFOE 217	GOF 217	22217	210	KM 17	MB 17	1.2
HFOE 218	GOF 218	22218	250	KM 18	MB 18	1.3
HFOE 219	GOF 219	22219	280	KM 19	MB 19	1.4
HFOE 220	GOF 220	22220	310	KM 20	MB 20	1.5
HFOE 222	GOF 222	22222	405	KM 22	MB 22	1.9
HFOE 224	GOF 224	22224	465	KM 24	MB 24	2.1
HFOE 226	GOF 226	22226	545	KM 26	MB 26	2.1
HFOE 228	GOF 228	22228	605	KM 28	MB 28	3.5
HFOE 230	GOF 230	22230	730	KM 30	MB 30	4.0
HFOE 232	GOF 232	22232	860	KM 32	MB 32	4.0
HFOE 234	GOF 234	22234	975	KM 34	MB 34	5.7
HFOE 236	GOF 236	22236	1000	KM 36	MB 36	5.7
HFOE 238	GOF 238	22238	1100	KM 38	MB 38	7.0
HFOE 240	GOF 240	22240	1250	KM 40	MB 40	8.0
HFOE 244	GOF 244	22244	1500	KM 44	MB 44	10.0

Dimensions in mm

Double Bearing Housings

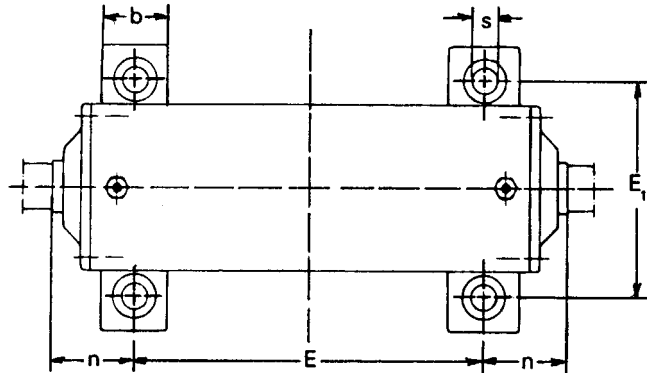
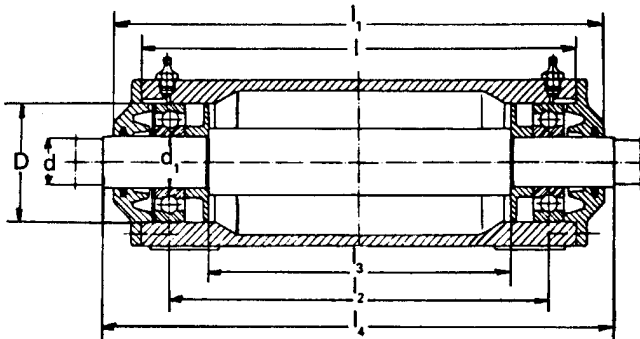
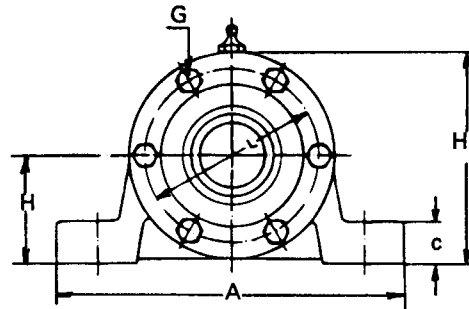


PDFN Series

Grease Lube for Fan Applications

PDFN units are an alternative to pillow block housings for high speed fan applications. Alignment error is virtually eliminated. Deep groove ball bearings allow high speed operation. Maintenance is simplified as excess grease will be centrifuged into the middle

housing area. Housings normally supplied without bearings and shaft. If shaft and bearings are desired, specify shaft length and note bearings when ordering. Shaft can be supplied to suit need.



Part No.	d	d ₁	H	H ₁	l	l ₁	l ₂	l ₃	l ₄	A	b	c	E	E ₁	n	s	D	L	G	Bearing Part No.
PDFN306	24	30	50	100	210	226	171.5	140.0	240	160	40	18	150	130	45.0	15	72	84	4 x M 6	6306C3
PDFN307	28	35	60	116	239	260	195.5	160.0	275	190	45	18	175	150	49.5	15	80	95	4 x M 6	6307C3
PDFN308	32	40	60	121	298	315	255.5	214.0	331	190	52	20	225	150	53.0	15	90	104	4 x M 6	6308C3
PDFN309	38	45	70	137	340	360	279.5	236.0	376	210	52	22	250	170	63.0	15	100	115	4 x M 6	6309C3
PDFN310	42	50	70	142	360	377	311.5	266.0	393	210	60	25	275	170	59.0	15	110	125	6 x M 6	6310C3
PDFN311	48	55	80	158	400	422	335.5	288.0	438	260	60	25	300	210	69.0	19	120	136	4 x M 8	6311C3
PDFN312	48	60	80	165	437	460	383.5	334.0	476	260	70	25	340	210	68.0	19	130	148	6 x M 8	6312C3
PDFN313	55	65	95	185	470	492	402.5	349.0	508	280	70	25	360	230	74.0	19	140	158	6 x M 8	6313C3
PDFN314	60	70	95	190	490	512	420.5	365.0	532	290	70	25	380	230	76.0	19	150	168	6 x M 8	6314C3
PDFN315	65	75	100	200	508	547	448.5	389.0	567	320	80	30	400	260	83.5	19	160	176	6 x M 8	6315C3
PDFN316	70	80	112	220	525	556	466.5	405.0	576	320	80	30	420	260	78.0	19	170	190	6 x M 10	6316C3
PDFN317	75	85	112	225	559	590	486.0	422.5	610	350	80	30	440	290	85.0	19	180	200	6 x M 10	6317C3
PDFN318	80	90	112	230	575	605	510.0	446.5	625	350	85	30	460	290	82.5	19	190	210	6 x M 10	6318C3
PDFN319	85	95	125	253	605	648	540.0	470.5	668	400	90	36	480	320	94.0	24	200	220	6 x M 10	6319C3

Dimensions in mm.