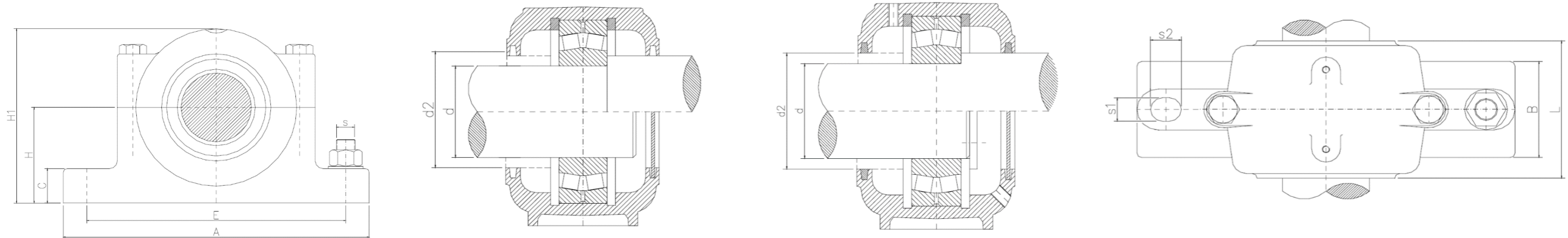


SN 200 Series - Plummer block housings (split)

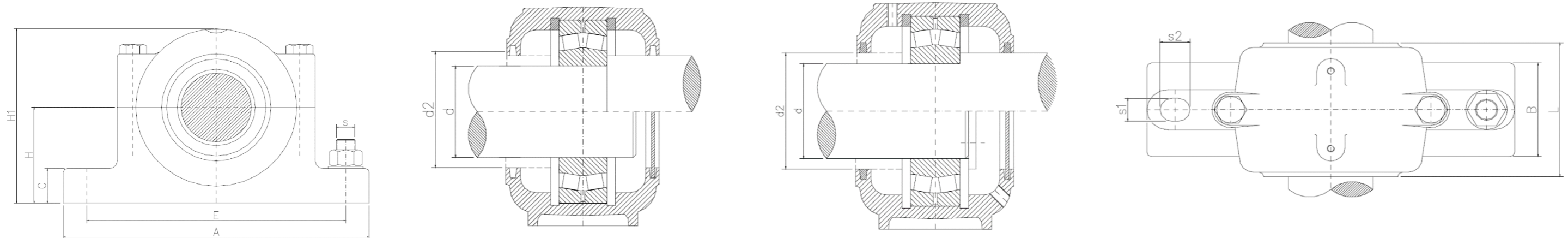
for spherical ball and roller bearings on a cylindrical shaft, felt seals included, cast iron GG 20. Also available in ductile iron (GGG), with lubricating and grease outlet holes and grease quantity regulator.



Without lubrication and grease outlet holes

With lubrication and grease outlet holes

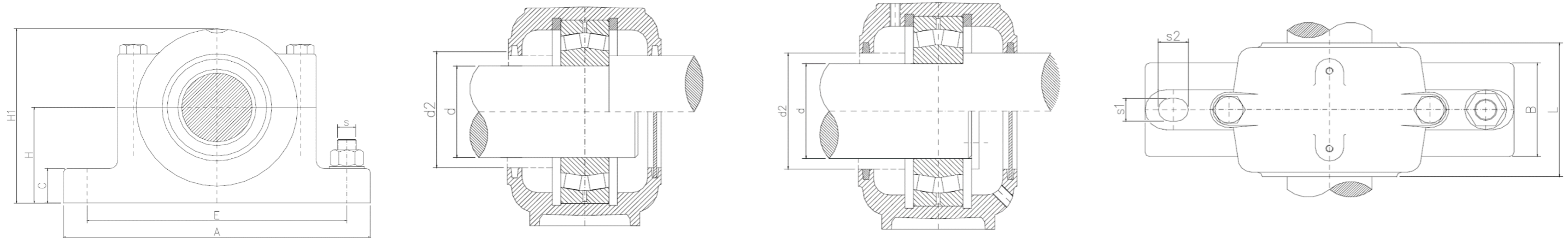
Part No.	Shaft size		Dimensions (mm)							Mounting		Bearing	Fixing Rings		Housing No.	End cover	Weight (kg)
	d (mm)	d2	A	E	L	B	H1	H	C	s1	s2		Bolt				
SN 205	25	30	165	130	67	46	75	40	19	15	20	M12	1205	2 x FR 52-5	SN 205	Optional	1,10
													2205	1 x FR 52-7			
													22205	1 x FR 52-7			
SN 206	30	35	185	150	77	52	90	50	22	15	20	M12	1206	2 x FR 62-7	SN206	Optional	1,60
													2206	1 x FR 62-10			
													22206	1 x FR 62-10			
SN 207	35	45	185	150	82	52	95	50	22	15	20	M12	1207	2 x FR 72-8	SN 207	Optional	1,90
													2207	1 x FR 72-10			
													22207	1 x FR 72-10			
SN 208	40	50	205	170	85	60	110	60	25	15	20	M12	1208	2 x FR 80-7,5	SN 208	Optional	2,60
													2208	1 x FR 80-10			
													22208	1 x FR 80-10			
SN 209	45	55	205	170	85	60	110	60	25	15	20	M12	1209	2 x FR 85-6	SN 209	Optional	2,80
													2209	1 x FR 85-8			
													22209	1 x FR 85-8			
SN 210	50	60	205	170	90	60	115	60	25	15	20	M12	1210	2 x FR 90-6,5	SN 210	Optional	3,00
													2210	1 x 90-10			
													22210	1 x 90-10			



Without lubrication and grease outlet holes

With lubrication and grease outlet holes

Part No.	Shaft size		Dimensions (mm)							Mounting		Bearings	Fixing Rings		Housing No.	End cover	Weight (kg)
	d (mm)	d2	A	E	L	B	H1	H	C	s1	s2		Bolt				
SN 211	55	65	255	210	95	70	130	70	28	18	23	M16	1211	2 x FR 100-6	SN 211	Optional	4,00
													2211	1 x FR 100-8			
													22211	1 x FR 100-8			
SN 212	60	70	255	210	105	70	135	70	28	18	23	M16	1212	2 x FR 110-8	SN 212	Optional	4,60
													2212	1 x FR 110-10			
													22212	1 x FR 110-10			
SN 213	65	75	275	230	110	80	150	80	30	18	23	M16	1213	2 x FR 120-10	SN 213	Optional	5,90
													2213	1 x FR 120-10			
													22213	1 x FR 120-12			
SN 214	70	80	275	230	115	80	157	80	30	18	23	M16	1214	2 x FR 125-10	SN 214	Optional	6,50
													2214	1 x FR 125-13			
													22214	1 x FR 125-13			
SN 215	75	85	280	230	115	80	155	80	30	18	23	M16	1215	2 x FR 130-8	SN 215	Optional	6,70
													2215	1 x FR 130-10			
													22215	1 x FR 130-10			
SN 216	80	90	315	260	120	90	175	95	32	22	27	M20	1216	2 x FR 140-8,5	SN 216	Optional	8,50
													2216	1 x FR 140-10			
													22216	1 x FR 140-10			



Without lubrication and grease outlet holes

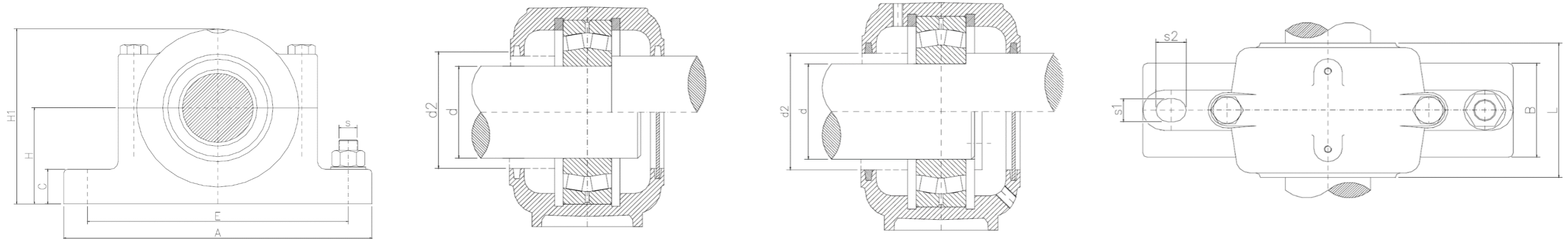
With lubrication and grease outlet holes

Part No.	Shaft size		Dimensions (mm)							Mounting		Bearings	Fixing Rings		Housing No.	End cover	Weight (kg)
	d (mm)	d2	A	E	L	B	H1	H	C	s1	s2		Bolt				
SN 217	85	95	320	260	125	90	185	95	32	22	27	M20	1217	2 x FR 150-9	SN 217	Optional	9,30
													2217	1 x FR 150-10			
													22217	1 x FR 150-10			
SN 218	90	100	345	290	145	100	195	100	35	22	27	M20	1218	2 x FR 160-16,2	SN 218	Optional	11,80
													2218	2 x FR 160-11,2			
													22218	2 x FR 160-11,2			
													23218	1 x FR 160-10			
SN 220	100	115	380	320	160	110	215	112	40	26	32	M24	1220	2 x FR 180-18,1	SN 220	Optional	13,60
													2220	2 x FR 180-12,1			
													22220	2 x FR 180-12,1			
													23220	1 x FR 180-10			
SN 222	110	125	410	350	175	120	240	125	45	26	32	M24	1222	2 x FR 200-21	SN 222	Optional	15,50
													2222	2 x FR 200-13,5			
													22222	2 x FR 200-13,5			
													23222	1 x FR 200-10			
SN 224	120	135	410	350	185	120	270	140	45	26	32	M24	22224	2 x FR 215-14	SN 224	Optional	19,80
													23224	2 x FR 215-10			



SN 200 Series - Plummer block housings (split)

for spherical ball and roller bearings on a cylindrical shaft, felt seals included, cast iron GG 20. Also available in ductile iron (GGG), with lubricating and grease outlet holes and grease quantity regulator.



Without lubrication and grease outlet holes

With lubrication and grease outlet holes

Part No.	Shaft size		Dimensions (mm)							Mounting		Bearings	Fixing Rings		Housing No.	End cover	Weight (kg)
	d (mm)	d2	A	E	L	B	H1	H	C	s1	s2		Bolt				
SN 226	130	145	445	380	190	130	290	150	50	26	35	M24	22226	2 x FR 230-13	SN 226	Optional	22,40
													23226	1 x FR 230-10			
SN 228	140	155	500	420	205	150	305	150	50	35	42	M30	22228	2 x FR 250-15	SN 228	Optional	28,30
													23228	1 x FR 259-10			
SN 230	150	165	530	450	220	160	325	160	60	35	42	M30	22230	2 x FR 270-16,5	SN 230	Optional	36,00
													23230	1 x FR 270-10			
SN 232	160	175	550	470	235	160	345	170	60	35	42	M30	22232	2 x FR 290-17	SN 232	Optional	43,10
													23232	1 x FR 290-10			