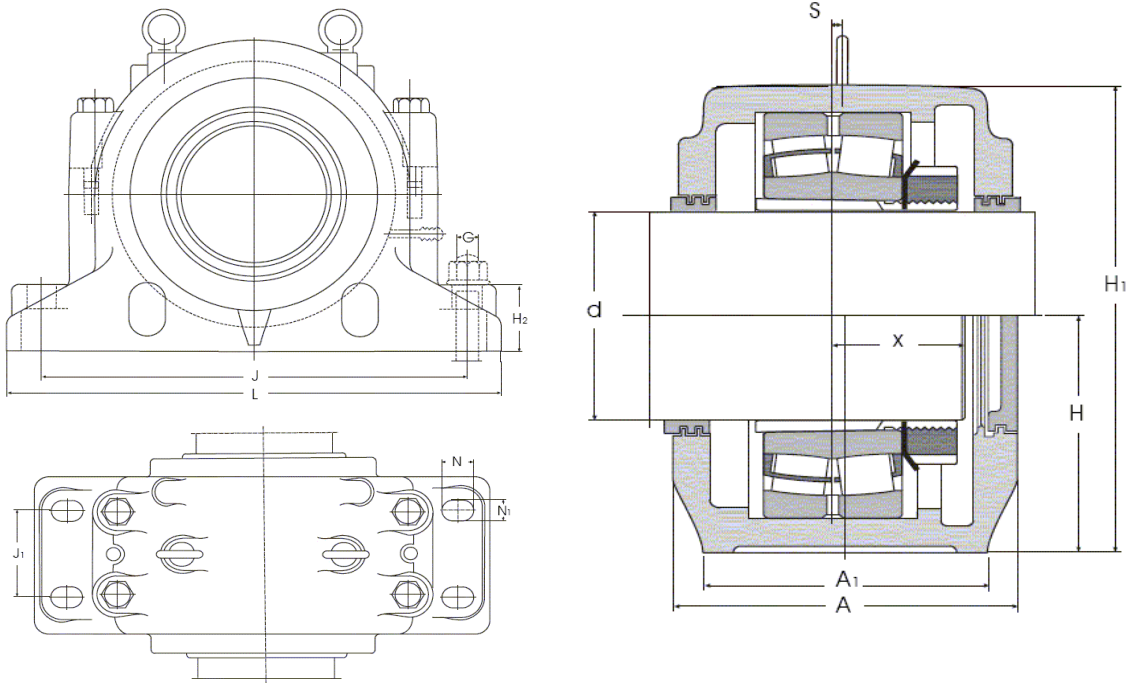




PLUMMER BLOCK HOUSING (split)
Series SD 3100 TS of cast iron GG 25
 for spherical roller bearings with adapter sleeve



These Housings can also be manufactured of ductile iron or cast steel..
 Housings sizes from SD 3168 up to SD 3188 on request.
 Special seals on request as falt or kevlar.

Reference No.	Weight	Dimension in mm														
Housings with 2 labyrinth seals w/o bearings	kg	d	A	A ₁	A ₂	H ₁	H	H ₂	J	J ₁	L	G	N ₁	N	x	S
SD 3134 TS	65	150	230	180	240	335	170	70	430	100	510	24	28	34	78	14
SD 3136 TS	75	160	240	190	250	355	180	75	450	110	530	24	28	34	83	15
SD 3138 TS	95	170	260	210	270	375	190	80	480	120	560	24	28	34	88	10
SD 3140 TS	120	180	280	230	290	410	210	85	510	130	610	30	35	42	93	10
SD 3144 TS	135	200	290	240	300	435	220	90	540	140	640	30	35	42	100	12
SD 3148 TS	180	220	310	260	320	475	240	95	600	150	700	30	35	42	106	12
SD 3152 TS	215	240	320	280	330	515	260	100	650	160	770	36	42	50	116	13
SD 3156 TS	250	260	320	280	330	550	280	105	570	160	790	36	42	50	119	16
SD 3160 TS	300	280	350	310	360	590	300	110	710	190	830	36	42	50	125	22
SD 3164 TS	333	300	370	330	380	630	320	115	750	200	880	36	42	50	135	23

Corresponding bearing and accessory parts

Reference No.	Labyrinth seals	Reference of bearing and sleeve	Fixing rings	"O" ring ø x lenght	Grease qty. First application in kg
Ousings w/o bearings			Qty.		
SD 3134	TS 34	23134 K/H 3134	FR 10/280	2 4 x 530	1,8
SD 3136	TS 36	23136 K/H 3136	FR 10/300	2 4 x 560	2,2
SD 3138	TS 38	23138 K/H 3138	FR 10/320	2 4 x 590	2,9
SD 3140	TS 40	23140 K/H 3140	FR 10/340	2 4 x 620	3,8
SD 3144	TS 44	23144 K/H 3144	FR 10/370	2 4 x 680	4,4
SD 3148	TS 48	23148 K/H 3148	FR 10/400	2 4 x 750	5,5
SD 3152	TS 52	23152 K/H 3152	FR 10/440	2 4 x 810	7,0
SD 3156	TS 56	23156 K/H 3156	FR 10/460	2 4 x 870	7,4
SD 3160	TS 60	23160 K/H 3160	FR 10/500	2 4 x 940	10,5
SD 3164	TS 64	23164 K/H 3164	FR 10/540	2 4 x 1000	13,0

PTI

SD Plummer Block Housings

SD Series 31... housings are split plummer blocks for spherical roller bearings with adapter sleeves. They are fitted with labyrinth seals. Housings for shaft ends are supplied with end cover (GG20).

Material

SD Plummer Block Housings are manufactured as standard, from Grey Cast Iron GG25. Housings from Spheroidal Cast Iron GGG40 or Cast Steel GS45 are available for bearing applications requiring higher loading.

Loading

SD Plummer Block Housings are designed for loads applied vertically to the bridging surface. In these instances the permissible load is determined by the load rating of fitted bearing. Should loads be applied at other angles, checks should be carried out to determine whether the housing connecting bolts and the mounting bolts are still suitable.

Loading of the housings

If these housings are used at various directions the guide values for breaking loads will change. A factor of about 1.8 x is applied to housings SD from material GGG 40 and GS 45.

Loading of the connecting bolts

Bolts to strength class 8.8 are supplied as standard for joining the housing upper and lower parts. Maximum values for radial loadings applied at various loading directions can be obtained from the adjacent table.

Torque

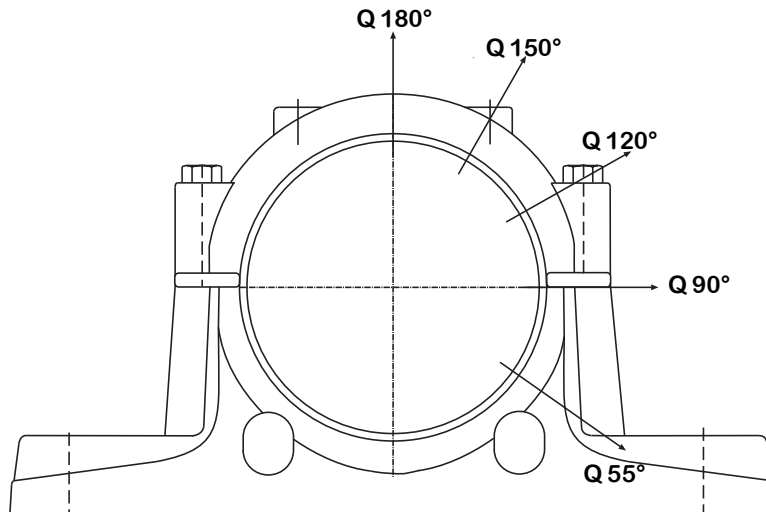
The fixing and connecting bolts must be tightened in accordance with guidelines. Values for relative torques can be obtained from the adjacent table.

Seals

To allow fitting of the labyrinth seal on the shaft, Perbunan cord is laid between the shaft and labyrinth seal.

This also functions as a seal and allows minor axial movement of the labyrinth seal during heat expansion of the shaft. If the shaft terminates in the housing, an end cover (material GG20) is supplied instead of the labyrinth seal.

Breaking loads for SD 31...-Plummer Block Housings



Housing Ref No	Breaking loads kN					Connecting bolts Torque		Maximum load kN		
	Q 180°	Q 150°	Q 120°	Q 90°	Q 55°	DIN 931 8.8	Nm	Q 180°	Q 150°	Q 120°
SD 3134 TS	850	680	760	1000	2100	M20 x 130	200	280	320	560
SD 3136 TS	950	760	850	1150	2400	M20 x 130	200	280	320	560
SD 3138 TS	1100	880	1000	1300	2700	M20 x 140	200	280	320	560
SD 3140 TS	1300	1000	1100	1600	3200	M24 x 150	350	380	440	760
SD 3144 TS	1600	1300	1400	1900	4000	M24 x 150	350	380	440	760
SD 3148 TS	1700	1400	1500	2000	4200	M24 x 160	350	380	440	760
SD 3152 TS	1900	1500	1700	2300	4700	M27 x 180	380	540	610	1050
SD 3156 TS	2000	1600	1800	2400	5000	M30 x 200	400	620	720	1260
SD 3160 TS	2400	1900	2200	2900	6000	M30 x 200	400	620	720	1260
SD 3164 TS	2800	2200	2500	3400	7000	M30 x 200	400	620	720	1260