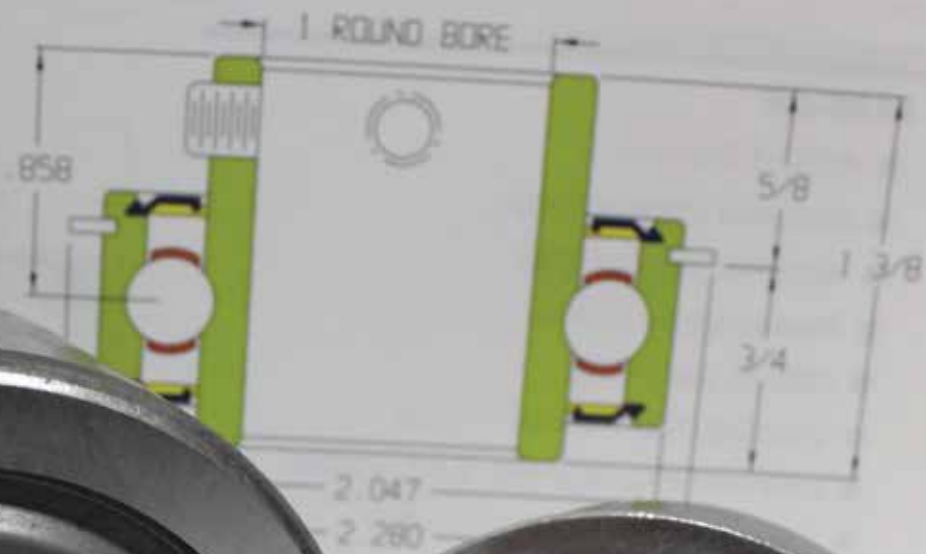


# BEARING INDEX GUIDE

24-GP

- ABEC-1 Precision
- Machined metal housing
- Hardened chrome steel
- Precision ground finish
- 3150 lb. load rating
- Oversized round bores
- Extended inner race
- Temperature
- Front & rear
- Front
- Ball



**OmniMetalcraft**corp.



**Bearing Number**      **Page Reference**

24864.....	49	102046.....	13	102241.....	4	114135.....	33
26838.....	53	102047.....	17	102245.....	12	114193.....	35
27949.....	45	102051.....	15	102248.....	5	114195.....	36
27951.....	47	102052.....	15	102249.....	16	114196.....	38
27953.....	51	102053.....	15	102251.....	27	114197.....	35
27955.....	48	102054.....	19	102255.....	10	114198.....	37
27956.....	46	102055.....	20	102259.....	4	114199.....	39
27957.....	47	102060.....	23	102268.....	22	114200.....	35
27958.....	51	102061.....	23	102272.....	12	114201.....	37
27959.....	53	102084.....	18	102273.....	22	114202.....	39
27960.....	55	102086.....	24	102274.....	26	114203.....	36
27962.....	56	102101.....	30	102279.....	8	114204.....	38
27963.....	52	102126.....	14	102292.....	6	114205.....	39
27964.....	54	102130.....	18	102293.....	6	114206.....	59
27965.....	57	102139.....	28	102304.....	8	114208.....	34
31439.....	21	102145.....	13	102309.....	10	114209.....	34
44832.....	5	102152.....	12	102310.....	10	114210.....	34
44833.....	6	102154.....	7	102311.....	9	114231.....	31
44834.....	6	102155.....	28	102312.....	9	114233.....	31
44835.....	7	102160.....	8	102314.....	23	114234.....	31
44836.....	10	102162.....	23	102320.....	25	114235.....	32
44837.....	11	102164.....	19	110244.....	28	114236.....	32
44881.....	42	102168.....	12	110260.....	27	114237.....	39
45053.....	24	102171.....	14	110346.....	43	114238.....	35
45054.....	44	102172.....	16	110528.....	7	114249.....	44
45067.....	55	102173.....	13	110658.....	17	114416.....	29
45068.....	56	102175.....	5	111433.....	40	114475.....	40
45077.....	30	102176.....	14	111434.....	43	114621.....	40
45080.....	54	102178.....	4	111692.....	26	114624.....	58
45081.....	52	102177.....	15	111856.....	3	114625.....	58
45082.....	50	102180.....	14	112768.....	30	114734.....	34
45101.....	46	102181.....	17	112798.....	41	114735.....	36
45102.....	45	102186.....	43	112896.....	29	114879.....	33
45103.....	50	102187.....	41	112974.....	29	115137.....	27
45104.....	48	102188.....	3	113124.....	44	115178.....	58
45149.....	42	102191.....	41	113141.....	26	115270.....	59
45150.....	20	102194.....	21	113365.....	26	115271.....	59
45171.....	22	102195.....	17	113498.....	38	115275.....	58
45172.....	22	102197.....	24	113499.....	32	115899.....	7
45173.....	16	102200.....	25	113500.....	8	115901.....	3
45207.....	18	102201.....	25	113584.....	28	115902.....	9
45208.....	21	102203.....	57	113870.....	27	115934.....	3
102040.....	16	102204.....	57	114090.....	37	115970.....	19
102041.....	18	102205.....	25	114091.....	36	115971.....	9
102043.....	13	102228.....	5	114092.....	33		
102044.....	4	102229.....	19	114128.....	42		

**Bearing Assembly Components**

**Bearing Number**      **Page Reference**

102041.....	20
102052.....	9
102053.....	9, 10
102061.....	24
102130.....	18
102145.....	5, 6
102147.....	49, 50
102165.....	53, 54
102180.....	6, 7
102181.....	10
102215.....	47, 48
102216.....	46, 47







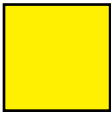


102217.....	55
102218.....	56
102219.....	57
102220.....	45, 46
102222.....	51, 52
102229.....	21
102249.....	16
102268.....	22
102273.....	22
114128.....	42
114249.....	44

**Adapter/Sleeve Number**      **Page Reference**

24863.....	45, 47, 49
24865.....	45, 48, 49
26839.....	51, 53
27966.....	46, 48, 50
27967.....	51, 53
27968.....	55
27969.....	56
27970.....	52, 54
27971.....	57
27972.....	47
45051.....	24
45052.....	30, 44

45065.....	55
45066.....	56
45078.....	50
45079.....	52, 54
45100.....	46
45133.....	20, 42
102057.....	5, 6, 9, 10
102058.....	6, 7, 10, 11
102080.....	16, 18, 21,
	22, 42

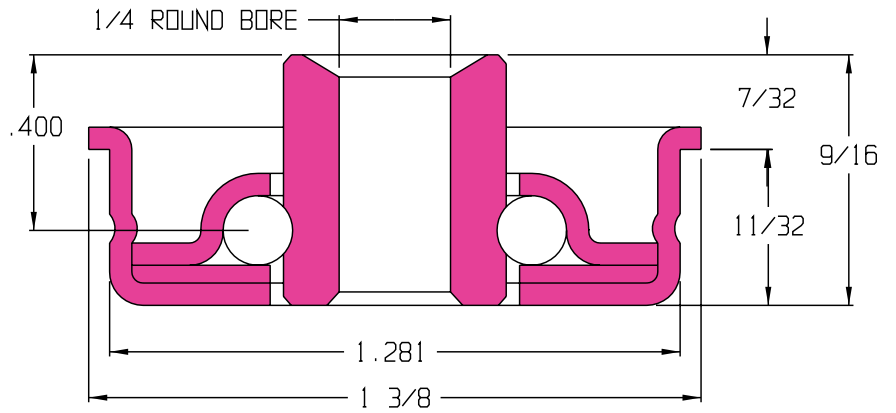
The following bearing drawings are colored to make features easier to see. The key below describes the meaning behind each color.

<b>Color</b>		<b>Bearing Feature</b>
	<i>Magenta</i>	<i>Unground</i>
	<i>Cyan</i>	<i>Semi-Precision</i>
	<i>Hatched Cyan</i>	<i>Semi-Precision Stainless Steel</i>
	<i>Green</i>	<i>Precision</i>
	<i>Hatched Green</i>	<i>Precision Stainless Steel</i>
	<i>Red</i>	<i>Plastic</i>
	<i>Yellow</i>	<i>Seals</i>
	<i>Blue</i>	<i>Shields</i>
	<i>Orange</i>	<i>Ball Retainer (Cage)</i>

## UNGROUND CRIMPED BEARINGS

### 111856-O

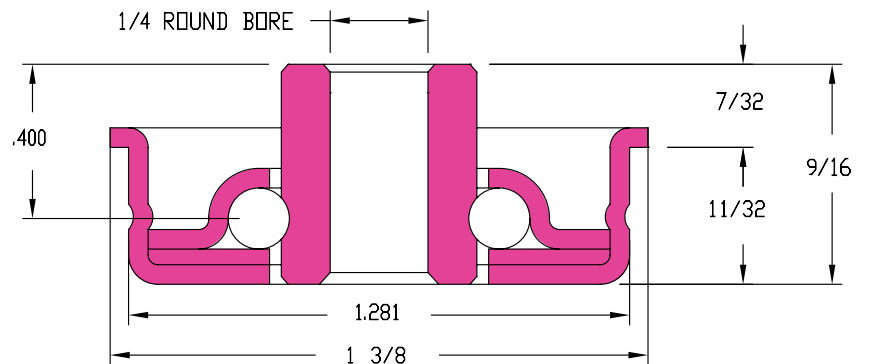
- Non-Precision
- Stamped metal construction
- Zinc plated mild steel
- 47 lb. load rating
- Temperature rating -20°F / 140°F



UNGROUND CRIMPED

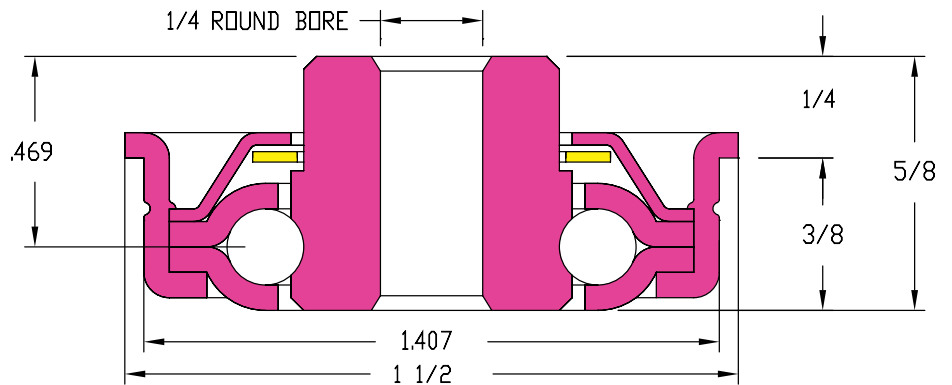
### 115901-O

- Non-Precision
- Stamped metal construction
- Zinc plated mild steel
- 47 lb. load rating
- Temperature rating -20°F / 140°F
- Max speed 200 rpm



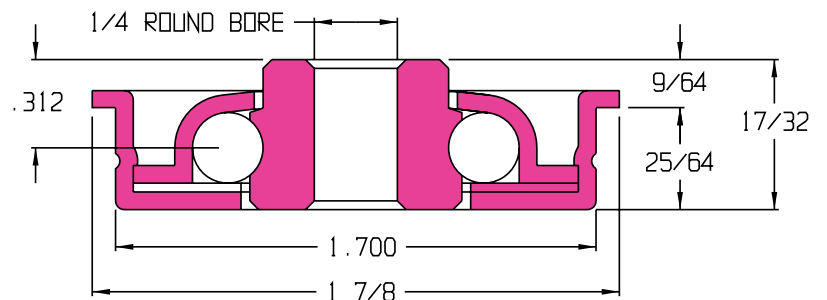
### 115934-O

- Non-Precision
- Stamped metal construction
- Zinc plated mild steel
- 75 lb. load rating
- Temperature rating -40°F / 140°F
- Front seal



### 102188-O

- Non-Precision
- Stamped metal construction
- Zinc plated mild steel
- 135 lb. load rating
- Temperature rating -20°F / 140°F
- Max speed 200 rpm

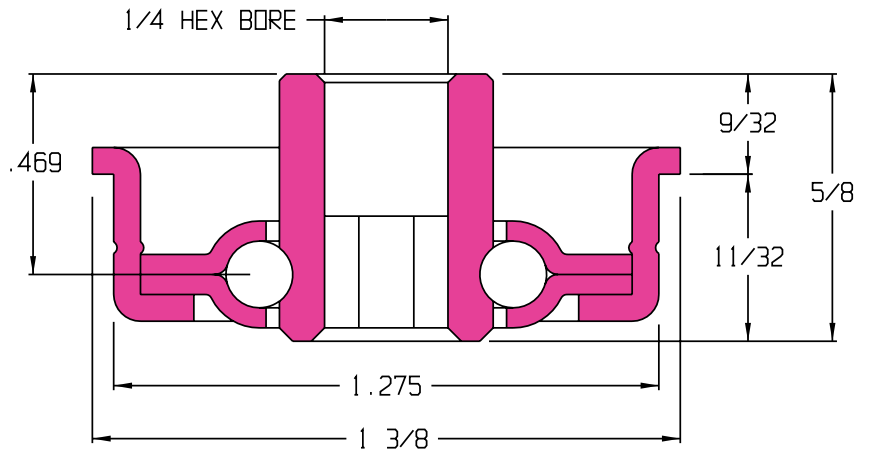


**UNGROUND CRIMPED BEARINGS**

**UNGROUND CRIMPED**

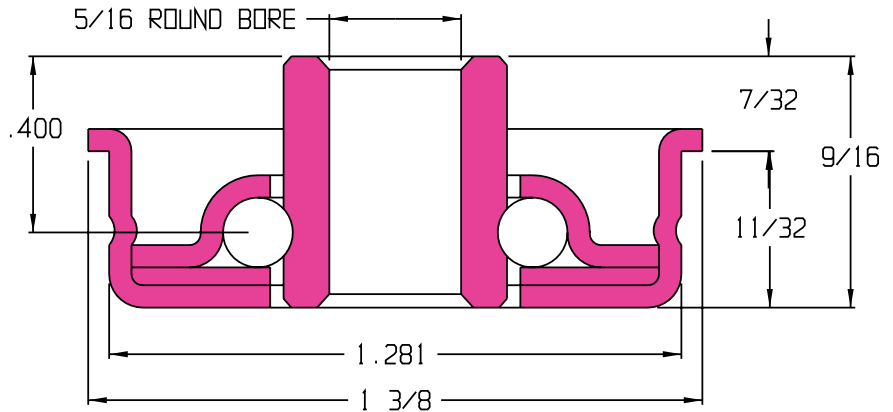
**102178-O**

- Non-Precision
- Stamped metal construction
- Zinc plated mild steel
- 47 lb. load rating
- Temperature rating -40°F / 140°F



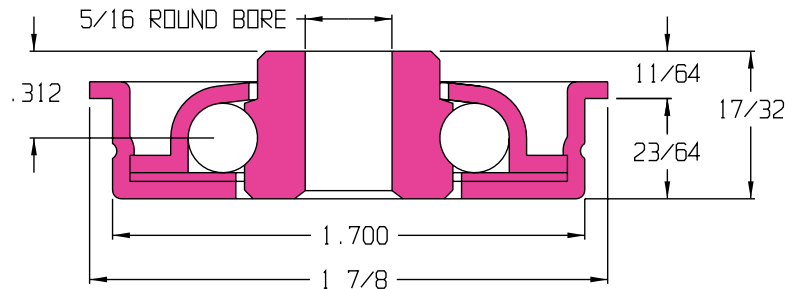
**102241-O**

- Non-Precision
- Stamped metal construction
- Zinc plated mild steel
- 60 lb. load rating
- Temperature rating -20°F / 140°F



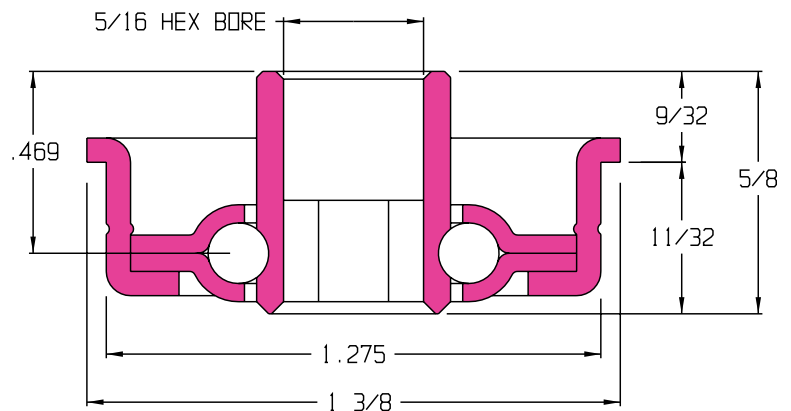
**102259-GP & -O**

- Non-Precision
- Stamped metal construction
- Zinc plated mild steel
- 135 lb. load rating
- Temperature rating -20°F / 350°F (140°F for oiled)
- Max speed 200 rpm



**102044-O**

- Non-Precision
- Stamped metal construction
- Zinc plated mild steel
- 47 lb. load rating
- Temperature rating -40°F / 140°F

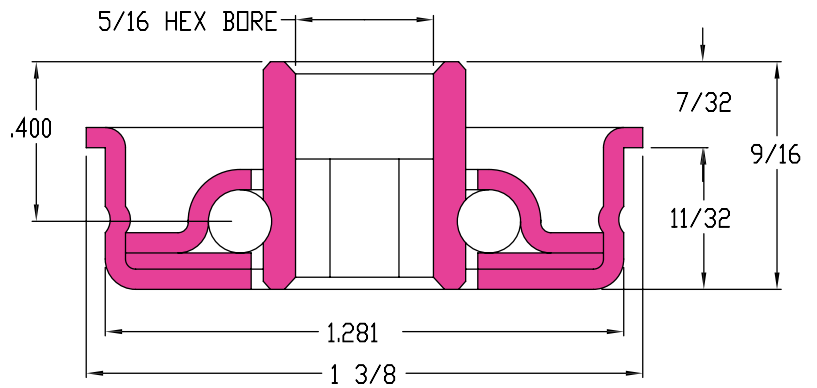


# UNGROUND CRIMPED BEARINGS

UNGROUND  
CRIMPED

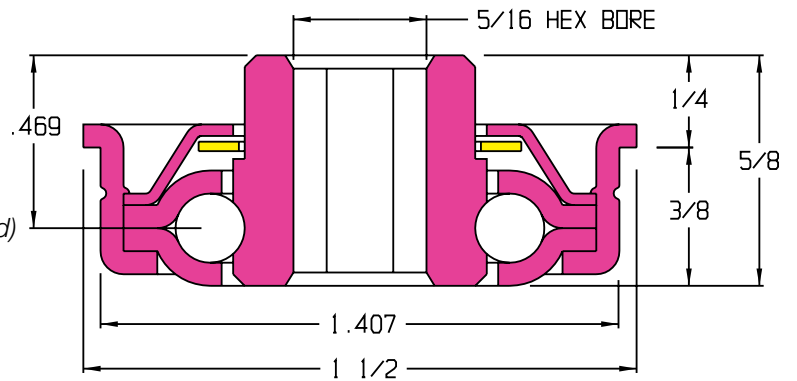
## 102228-GP & -O

- Non-Precision
- Stamped metal construction
- Zinc plated mild steel
- 60 lb. load rating



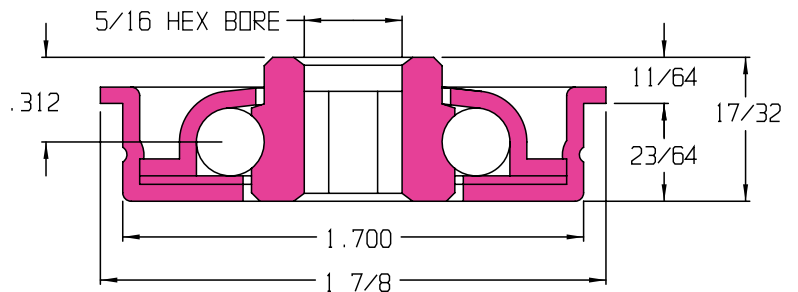
## 102175-GP & -O

- Non-Precision
- Stamped metal construction
- Zinc plated mild steel
- 75 lb. load rating
- Temperature rating -40°F / 250°F (140°F for oiled)
- Front seal



## 102248-O

- Non-Precision
- Stamped metal construction
- Zinc plated mild steel
- 135 lb. load rating
- Temperature rating -20°F / 140°F
- Max speed 200 rpm

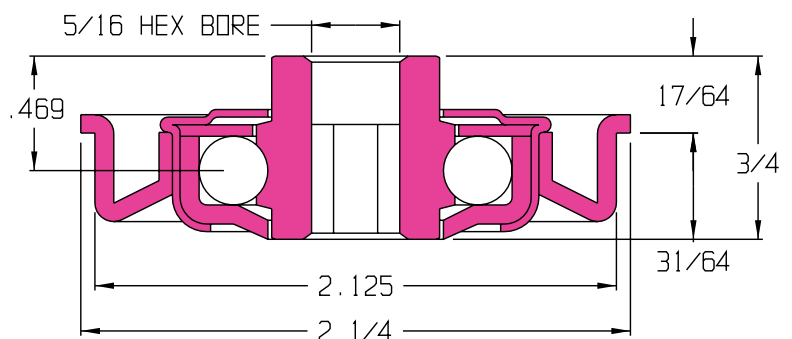


## 44832-O

Bearing Part No.: 102145

Adapter No.: 102057

- Non-Precision
- Stamped metal construction
- Zinc plated mild steel
- Stamped metal adapter
- 145 lb. load rating
- Temperature rating -40°F / 140°F



**UNGROUND CRIMPED BEARINGS**

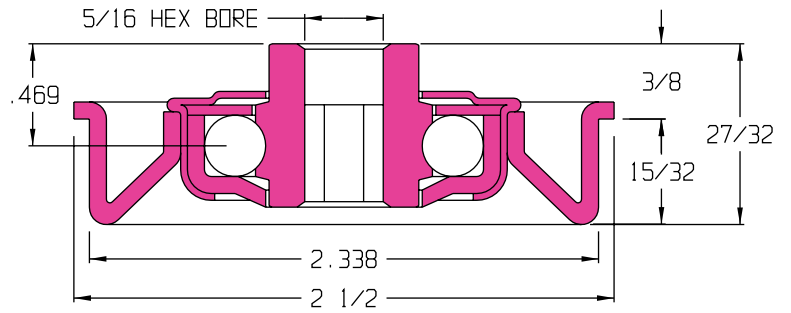
**UNGROUND CRIMPED**

**44833-O**

Bearing Part No.: 102145

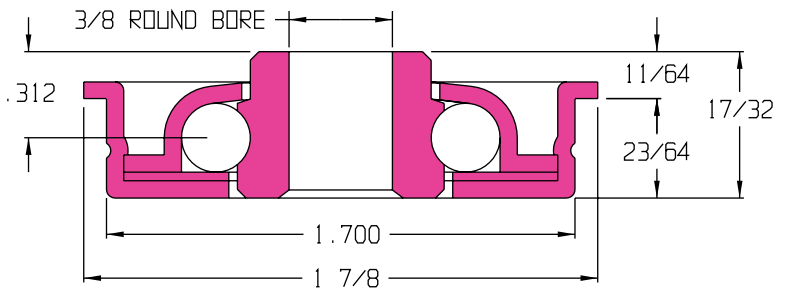
Adapter No.: 102058

- Non-Precision
- Stamped metal construction
- Zinc plated mild steel
- Stamped metal adapter
- 145 lb. load rating
- Temperature rating -40°F / 140°F
- Front & rear seals



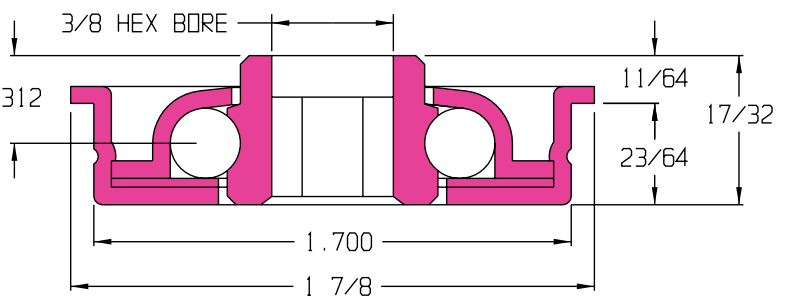
**102293-O**

- Non-Precision
- Stamped metal construction
- Zinc plated mild steel
- 135 lb. load rating
- Temperature rating -20°F / 140°F
- Max speed 200 rpm



**102292-O**

- Non-Precision
- Stamped metal construction
- Zinc plated mild steel
- 135 lb. load rating
- Temperature rating -20°F / 140°F
- Max speed 200 rpm

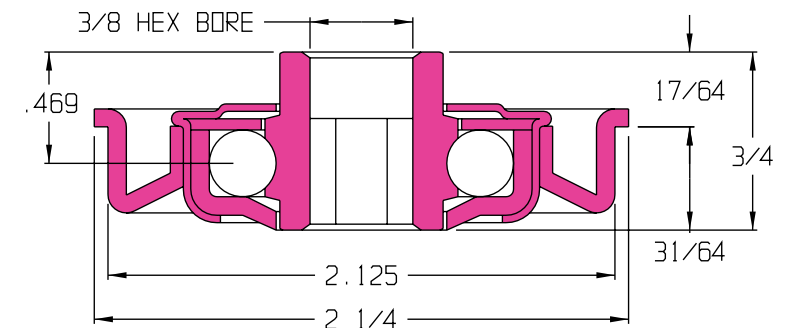


**44834-O**

Bearing Part No.: 102180

Adapter No.: 102057

- Non-Precision
- Stamped metal construction
- Zinc plated mild steel
- Stamped metal adapter
- 145 lb. load rating
- Temperature rating -40°F / 300°F





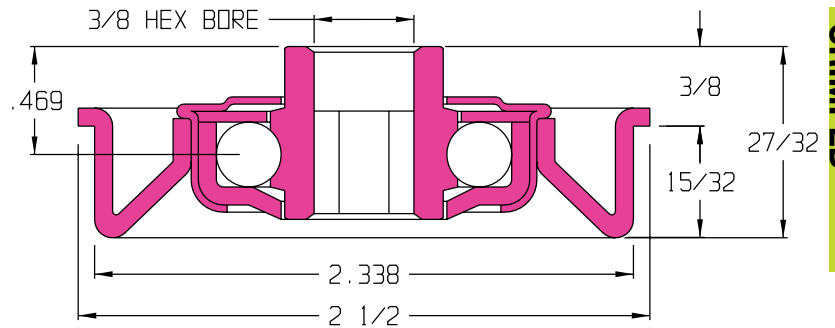
## UNGROUND CRIMPED BEARINGS

### 44835-O

Bearing Part No.: 102180

Adapter No.: 102058

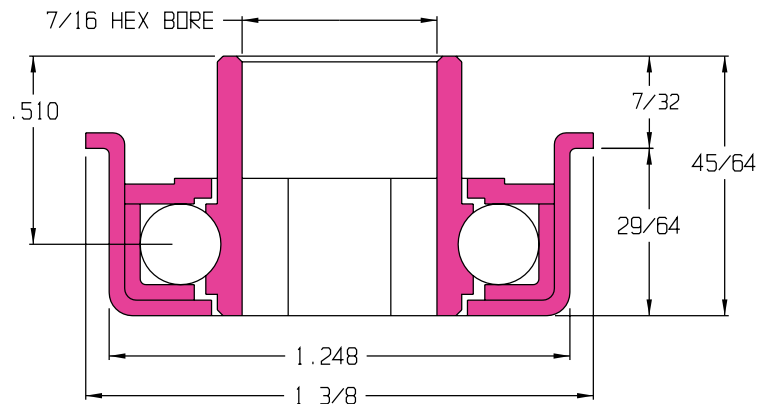
- Non-Precision
- Stamped metal construction
- Zinc plated mild steel
- Stamped metal adapter
- 145 lb. load rating
- Temperature rating -40°F / 300°F



UNGROUND CRIMPED

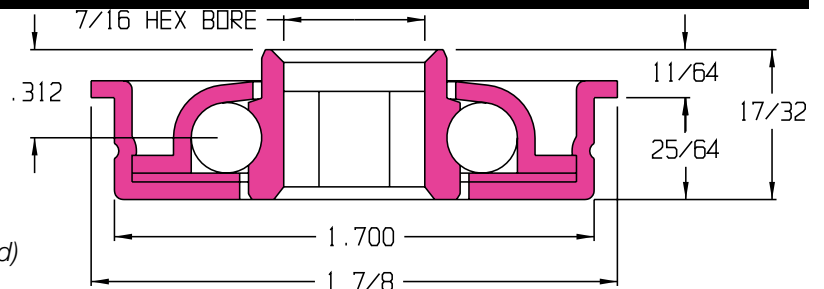
### 110528-GP & -O

- Non-Precision
- Stamped metal construction
- Zinc plated mild steel
- 198 lb. load rating
- Temperature rating -20°F / 350°F (140°F for oiled)



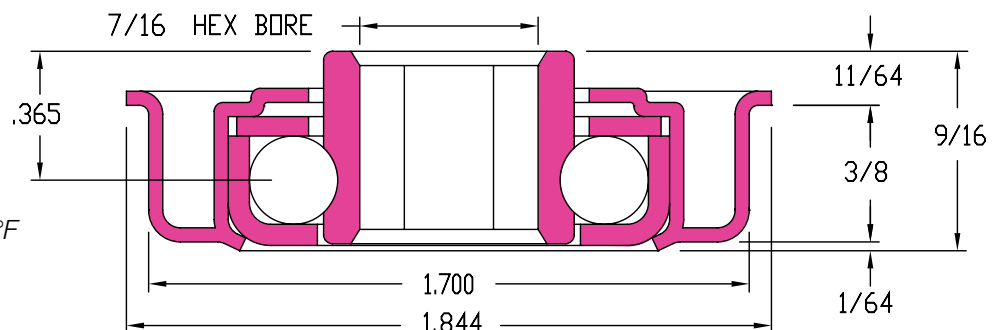
### 102154-GP & -O

- Non-Precision
- Stamped metal construction
- Zinc plated mild steel
- 135 lb. load rating
- Temperature rating -20°F / 350°F (140°F for oiled)
- Max speed 200 rpm



### 115899-GP & -O

- Non-Precision
- Stamped metal construction
- Zinc plated mild steel
- 135 lb. load rating
- Temperature rating -20°F / 350°F (140°F for oiled)
- Max speed 200 rpm

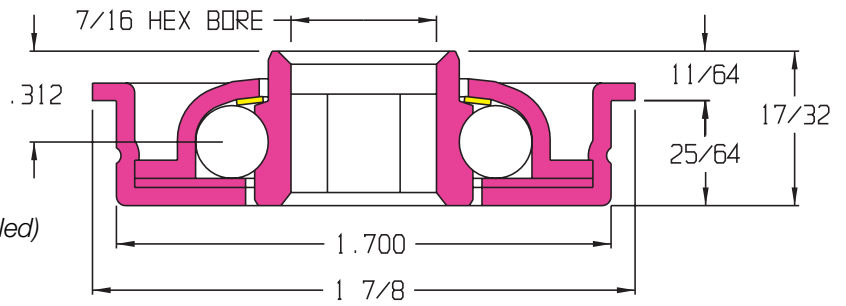


## UNGROUND CRIMPED BEARINGS

UNGROUND CRIMPED

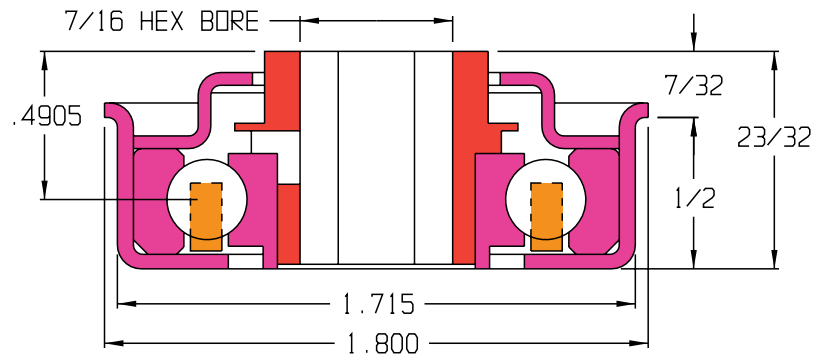
### 102279-GP & -O

- Non-Precision
- Stamped metal construction
- Zinc plated mild steel
- 135 lb. load rating
- Temperature rating -20°F / 250°F (140°F for oiled)
- Max speed 200 rpm
- Nylatron Seal



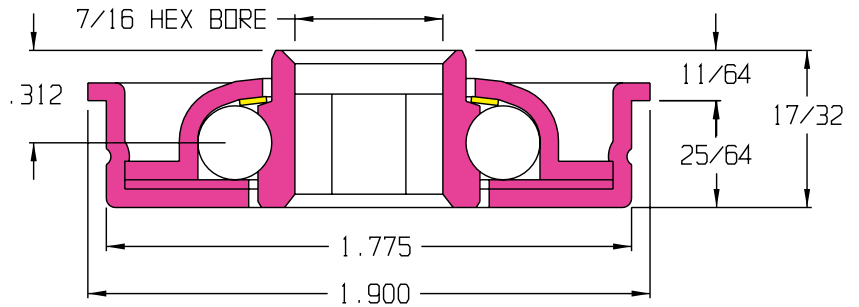
### 113500-GP

- Non-Precision
- Stamped metal construction
- Zinc plated mild steel
- 428 lb. load rating
- Temperature rating -20°F / 350°F
- Front felt seal
- Ball retainer
- Regreasable



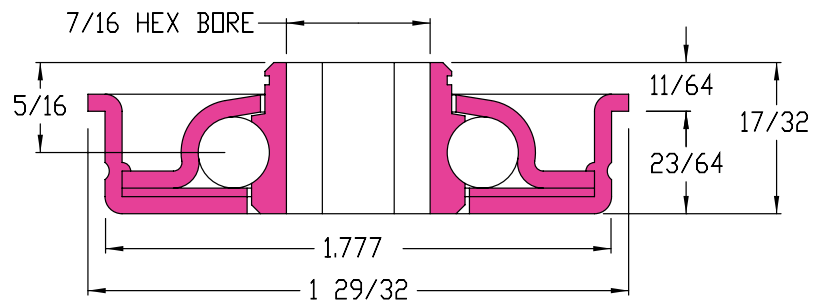
### 102304-O

- Non-Precision
- Stamped metal construction
- Zinc plated mild steel
- 135 lb. load rating
- Temperature rating -20°F / 140°F
- Max speed 200 rpm
- Nylatron seal



### 102160-GP & -O

- Non-Precision
- Stamped metal construction
- Zinc plated mild steel
- 130 lb. load rating
- Temperature rating -40°F / 300°F

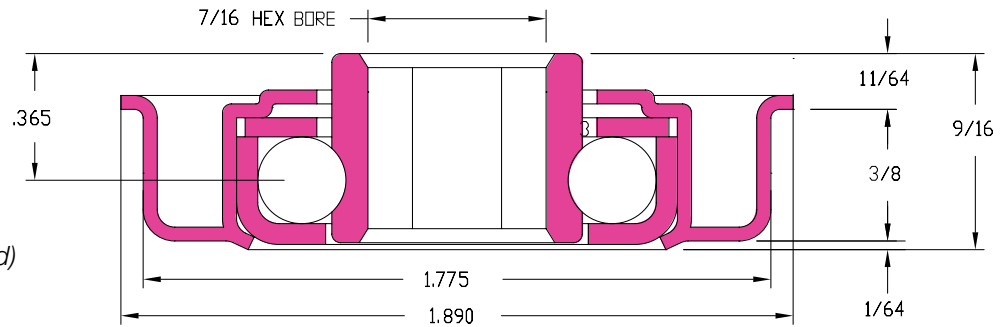


# UNGROUND CRIMPED BEARINGS

UNGROUND CRIMPED

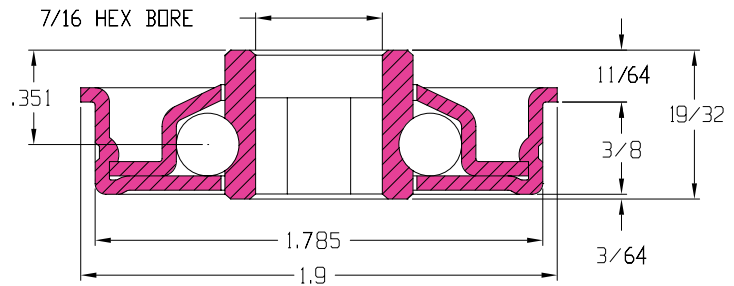
## 115902-GP & -O

- Non-Precision
- Stamped metal construction
- Zinc plated mild steel
- 130 lb. load rating
- Temperature rating -40°F / 350°F (140°F for oiled)
- Max speed 200 rpm



## 115971- GP

- Non-Precision
- Stamped metal construction
- 300 series stainless steel
- 140 lb. load rating
- Temperature rating -40°F/300°F
- Max speed 200 rpm

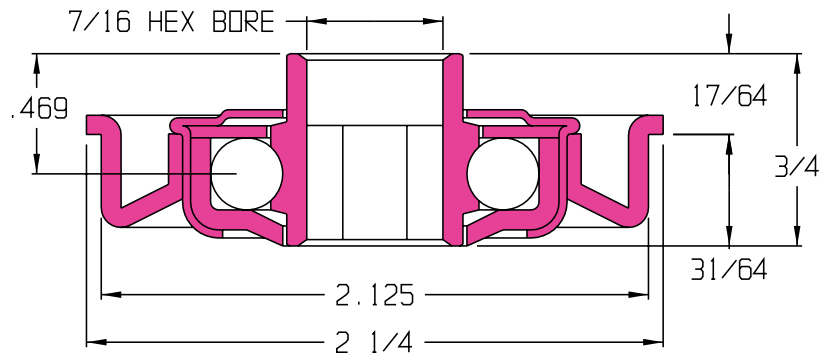


## 102311

Bearing Part No.: 102052

Adapter No.: 102057

- Non-Precision
- Stamped metal construction
- Zinc plated mild steel
- Stamped metal adapter
- 145 lb. load rating
- Temperature rating -40°F / 140°F
- Lightly oiled

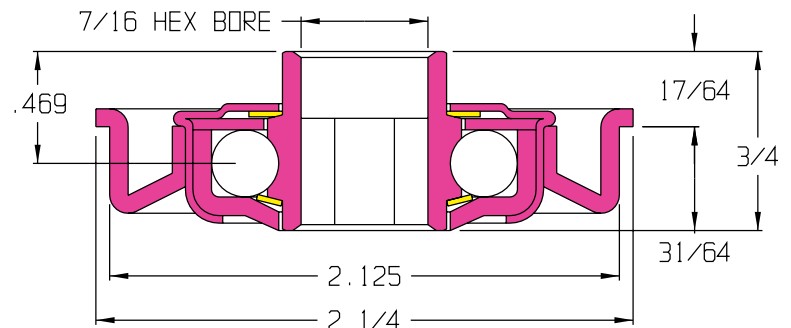


## 102312

Bearing Part No.: 102053

Adapter No.: 102057

- Non-Precision
- Stamped metal construction
- Zinc plated mild steel
- Stamped metal adapter
- 145 lb. load rating
- Temperature rating -40°F / 250°F
- Front & rear seals
- Grease packed



Refer to color key on page 2

**UNGROUND CRIMPED BEARINGS**

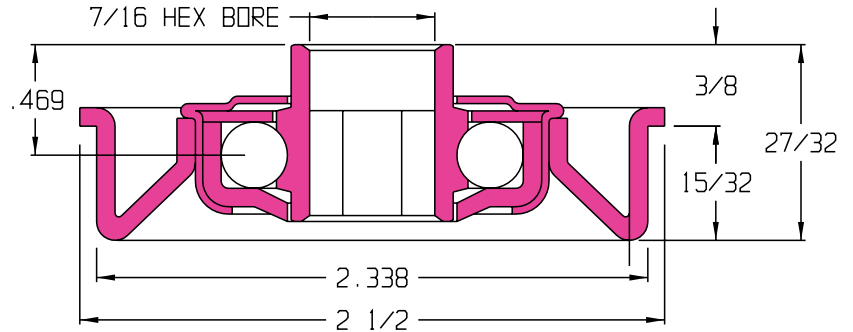
**UNGROUND CRIMPED**

**102309**

Bearing Part No.: 102052

Adapter No.: 102058

- Non-Precision
- Stamped metal construction
- Zinc plated mild steel
- Stamped metal adapter
- 145 lb. load rating
- Temperature rating -40°F / 140°F
- Lightly oiled

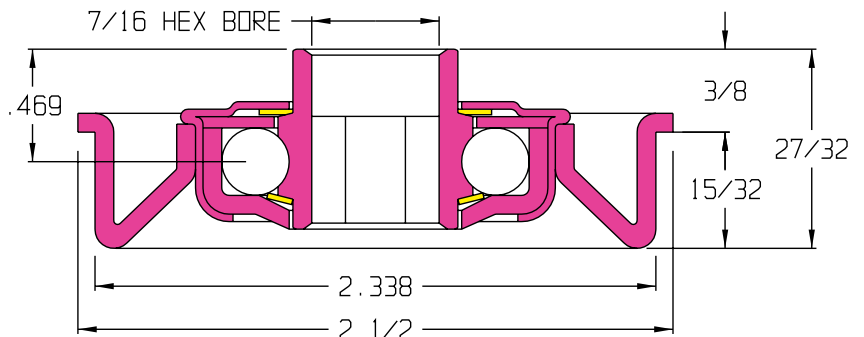


**102310**

Bearing Part No.: 102053

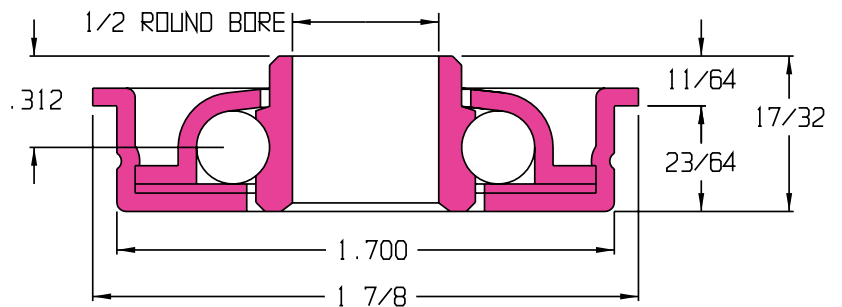
Adapter No.: 102058

- Non-Precision
- Stamped metal construction
- Zinc plated mild steel
- Stamped metal adapter
- 145 lb. load rating
- Temperature rating -40°F / 250°F
- Front & rear seals
- Grease packed



**102255-O**

- Non-Precision
- Stamped metal construction
- Zinc plated mild steel
- 135 lb. load rating
- Temperature rating -20°F / 140°F
- Max speed 200 rpm

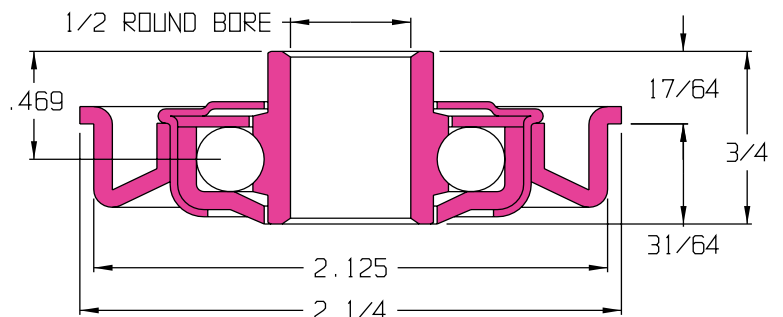


**44836-GP**

Bearing Part No.: 102181

Adapter No.: 102057

- Non-Precision
- Stamped metal construction
- Zinc plated mild steel
- Stamped metal adapter
- 145 lb. load rating
- Temperature rating -40°F / 300°F



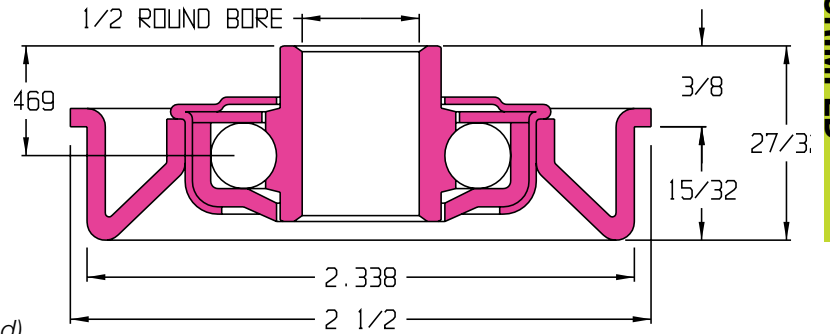
## UNGROUND CRIMPED BEARINGS

### 44837-O & -GP

Bearing Part No.: 102181

Adapter No.: 102058

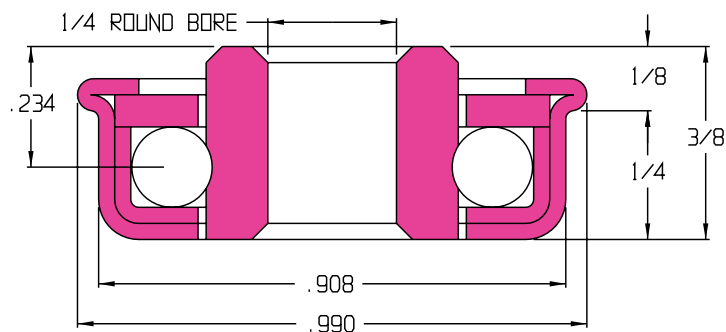
- Non-Precision
- Stamped metal construction
- Zinc plated mild steel
- Stamped metal adapter
- 145 lb. load rating
- Temperature rating  $-40^{\circ}\text{F} / 300^{\circ}\text{F}$  ( $140^{\circ}\text{F}$  for oiled)



UNGROUND  
CRIMPED

**102245-O**

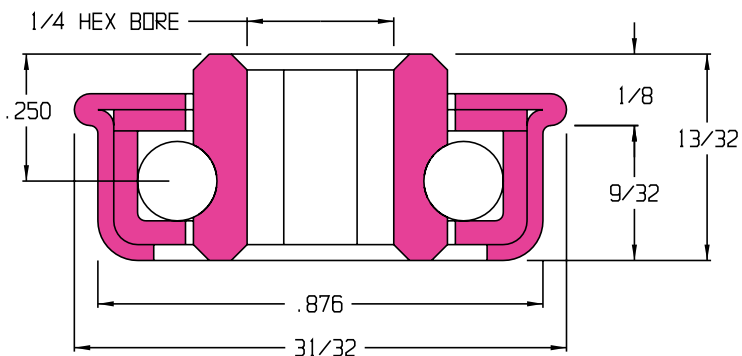
- Non-Precision
- Stamped metal construction
- Zinc plated mild steel
- 30 lb. load rating



**UNGROUND PRESS FIT**

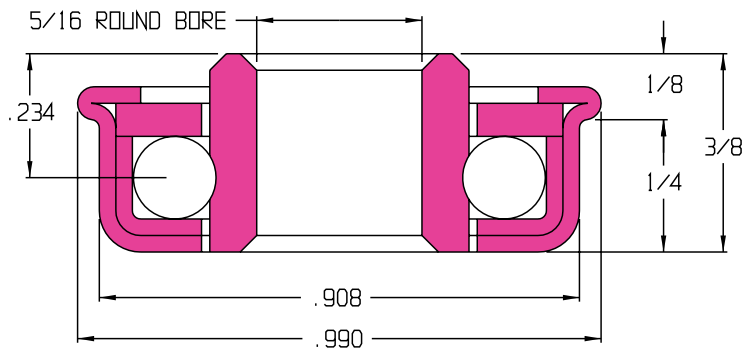
**102168-GP**

- Non-Precision
- Stamped metal construction
- Zinc plated mild steel
- 40 lb. load rating
- Temperature rating -40°F / 300°F



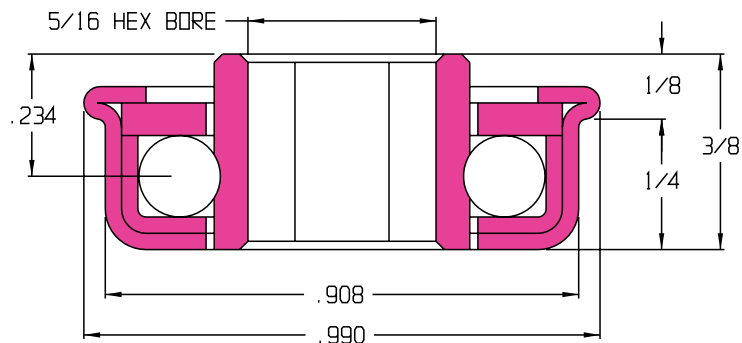
**102272-O**

- Non-Precision
- Stamped metal construction
- Zinc plated mild steel
- 30 lb. load rating



**102152-GP & -O**

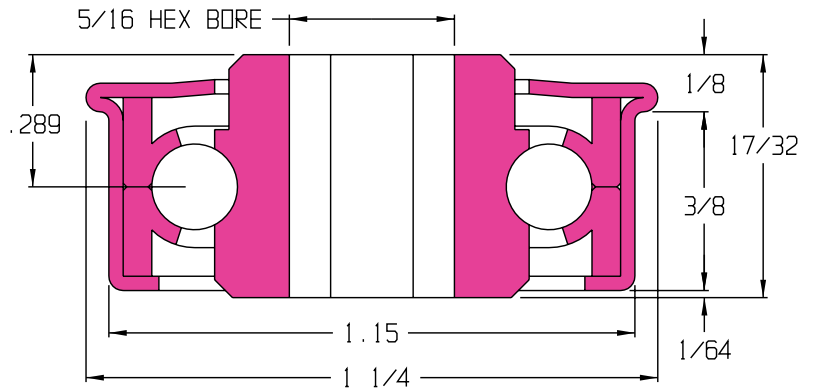
- Non-Precision
- Stamped metal construction
- Zinc plated mild steel
- 30 lb. load rating



## UNGROUND PRESS FIT BEARINGS

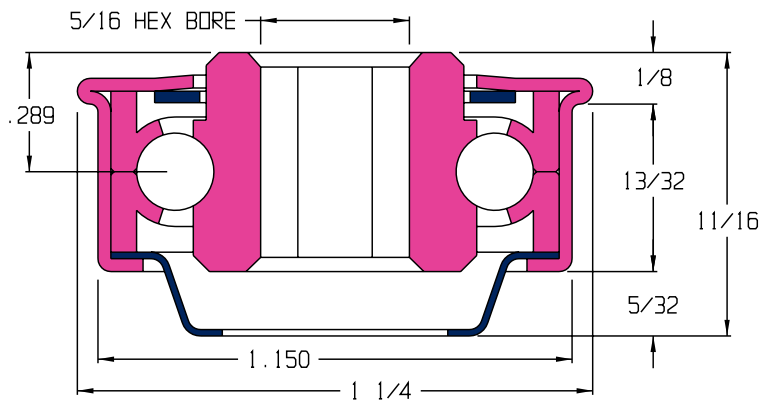
### 102043-O

- Non-Precision
- Stamped metal construction
- Zinc plated mild steel
- 75 lb. load rating
- Temperature rating -40°F / 140°F



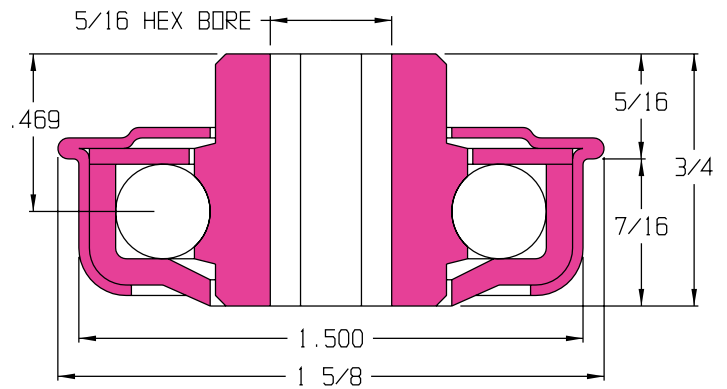
### 102046-GP & -O

- Non-Precision
- Stamped metal construction
- Zinc plated mild steel
- 75 lb. load rating
- Temperature rating -40°F / 250°F (140°F for oiled)
- Front & rear shield



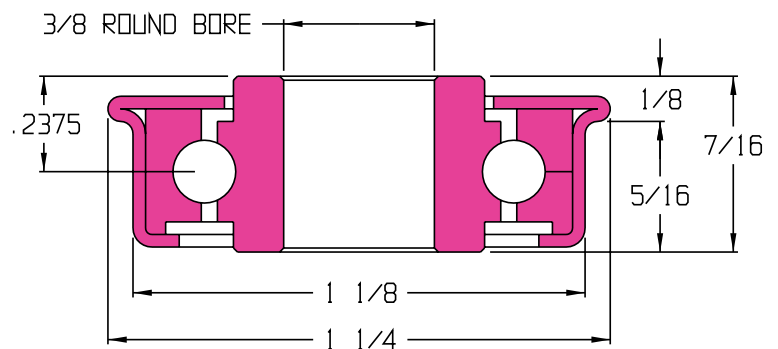
### 102145-O

- Non-Precision
- Stamped metal construction
- Zinc plated mild steel
- 145 lb. load rating
- Temperature rating -40°F / 140°F



### 102173-GP

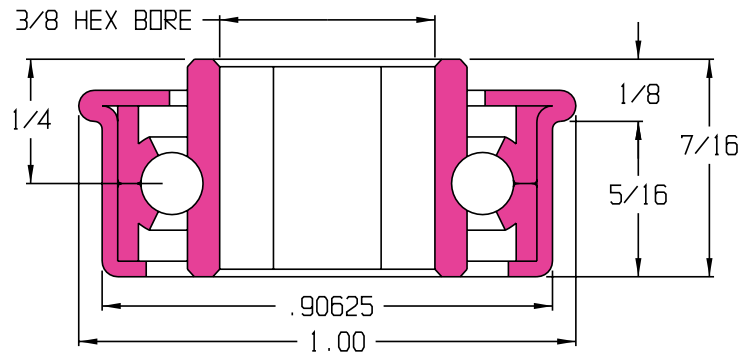
- Non-Precision
- Stamped metal construction
- Zinc plated mild steel
- 75 lb. load rating
- Temperature rating -40°F / 250°F



**UNGROUND PRESS FIT BEARINGS**

**102171-O**

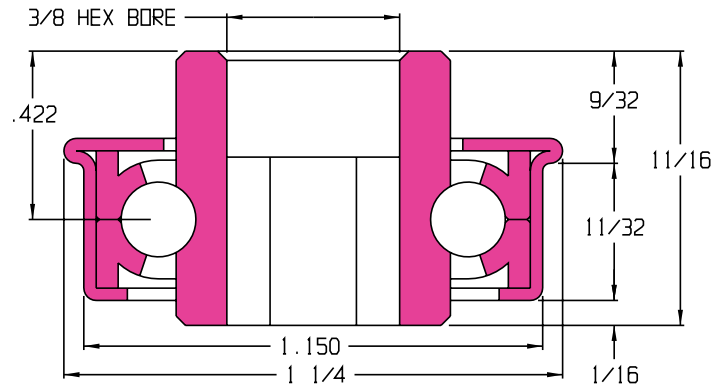
- Non-Precision
- Stamped metal construction
- Zinc plated mild steel
- 35 lb. load rating
- Temperature rating -40°F / 140°F



UNGROUND PRESS FIT

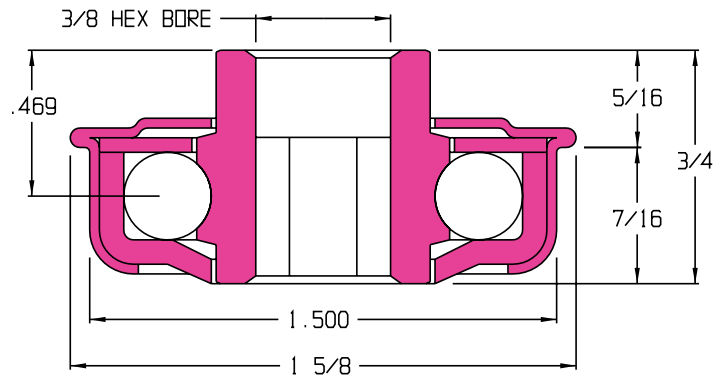
**102176-O**

- Non-Precision
- Stamped metal construction
- Zinc plated mild steel
- 75 lb. load rating
- Temperature rating -40°F / 140°F



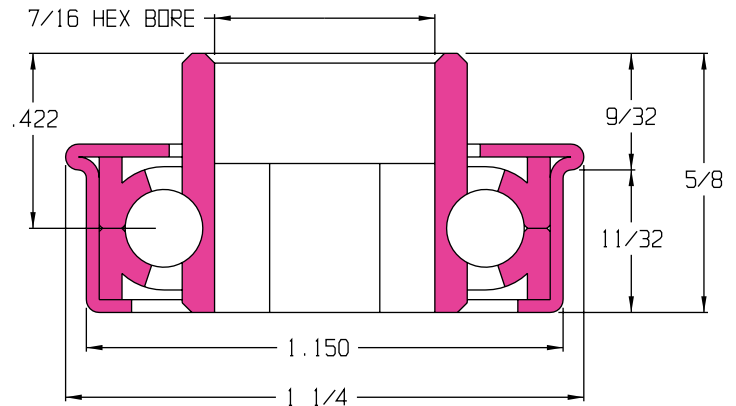
**102180-GP & -O**

- Non-Precision
- Stamped metal construction
- Zinc plated mild steel
- 145 lb. load rating
- Temperature rating -40°F / 300°F (140°F for oiled)



**102126-O**

- Non-Precision
- Stamped metal construction
- Zinc plated mild steel
- 75 lb. load rating
- Temperature rating -40°F / 140°F

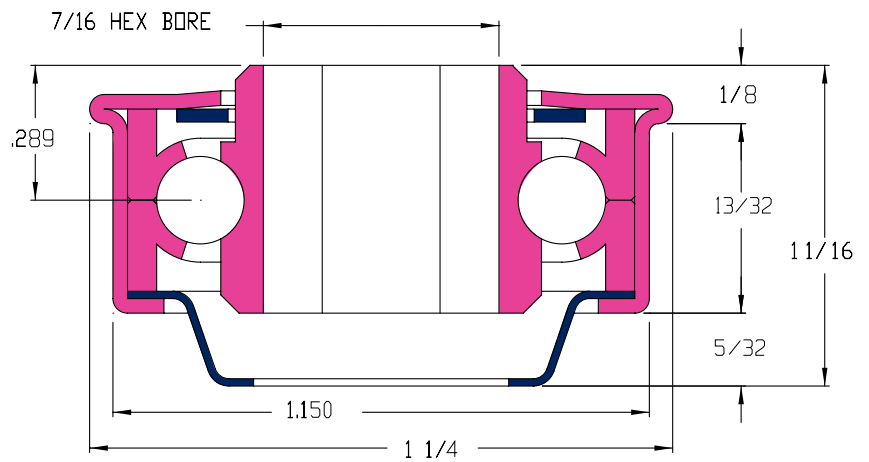




## UNGROUND PRESS FIT BEARINGS

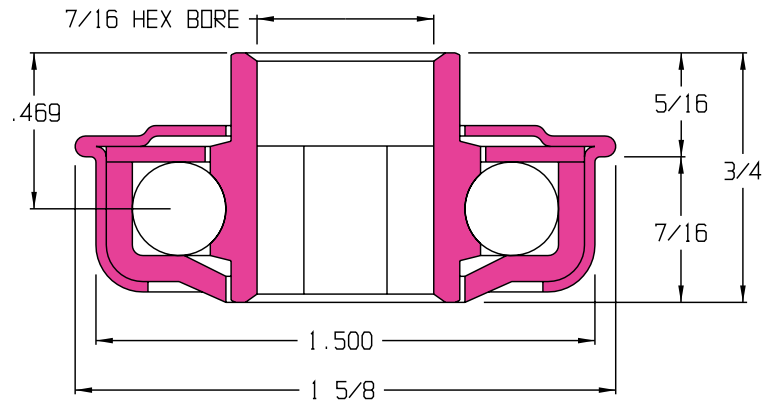
### 102177-O

- Non-Precision
- Stamped metal construction
- Zinc plated mild steel
- 75 lb. load rating
- Temperature rating -40°F/145°F
- Front & rear shields
- Replaceable



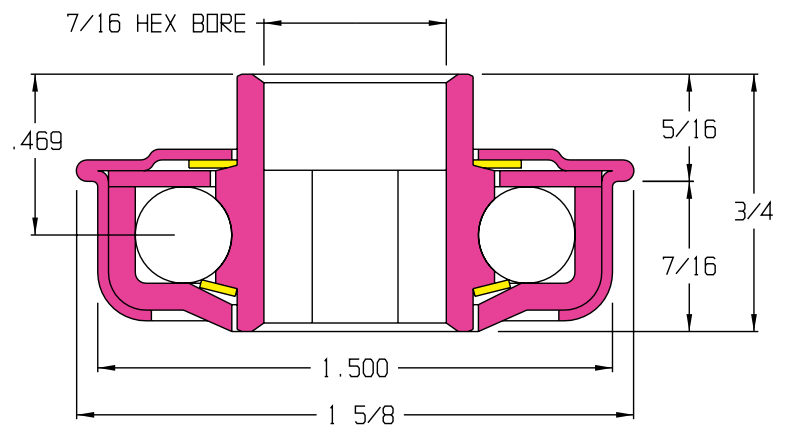
### 102052-O

- Non-Precision
- Stamped metal construction
- Zinc plated mild steel
- 145 lb. load rating
- Temperature rating -40°F / 140°F



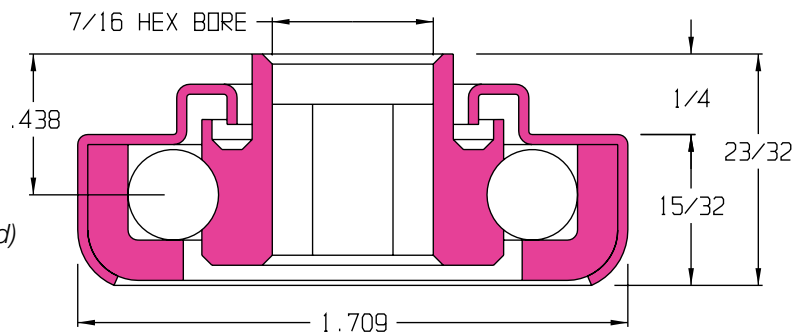
### 102053-GP

- Non-Precision
- Stamped metal construction
- Zinc plated mild steel
- 145 lb. load rating
- Temperature rating -40°F / 250°F
- Front & rear polymer seal



### 102051-GP & -O

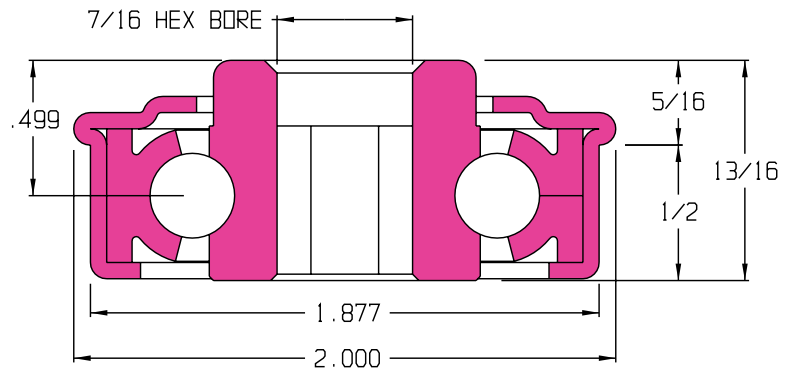
- Non-precision
- Stamped metal construction
- Zinc plated mild steel
- 150 lb. load rating
- Temperature rating -40°F / 300°F (140°F for oiled)
- Labyrinth shield



**UNGROUND PRESS FIT BEARINGS**

**102040-GP & -O**

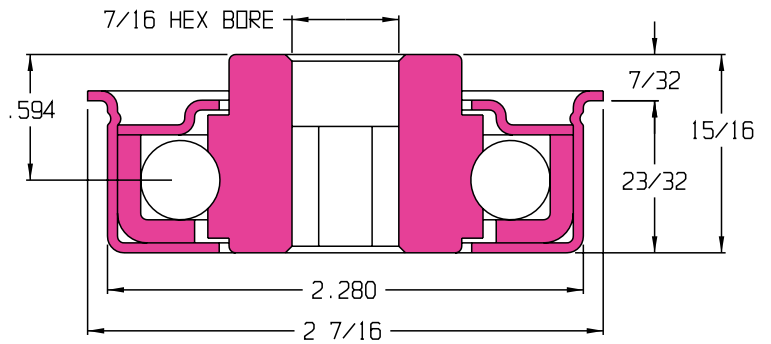
- Non-Precision
- Stamped metal construction
- Zinc plated mild steel
- 190 lb. load rating
- Temperature rating -40°F / 300°F (140°F for oiled)



UNGROUND PRESS FIT

**102249-GP & -O**

- Non-Precision
- Stamped metal construction
- Zinc plated mild steel
- 425 lb. load rating
- Temperature rating -20°F / 220°F (140°F for oiled)

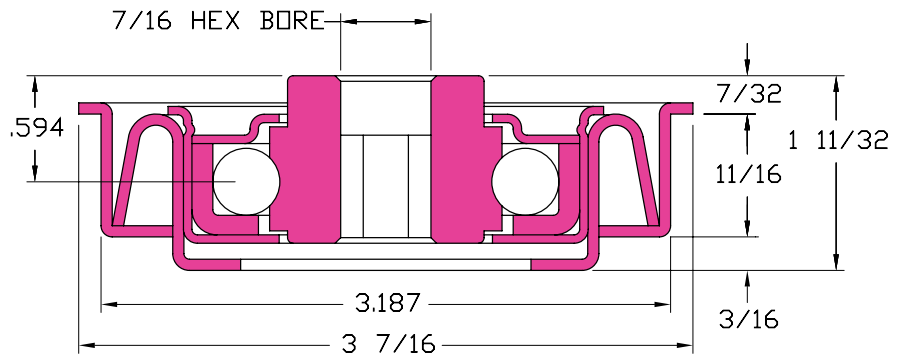


**45173-GP**

Bearing Part No.: 102249

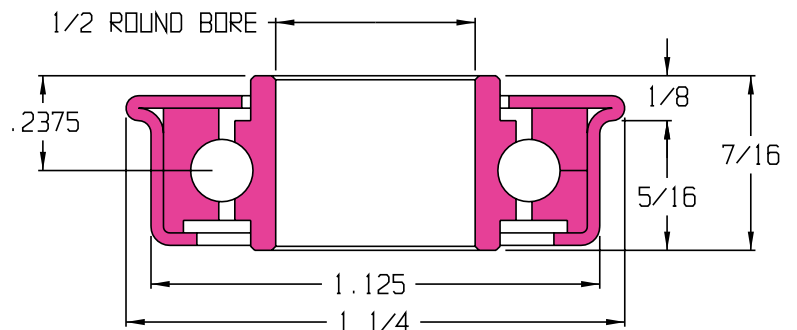
Adaptor No.: 102080

- Non-precision
- Stamped metal construction
- Zinc plated mild steel
- Stamped metal adaptor
- 425 lb. load rating
- Temperature rating -20°F / 350°F
- Replaceable



**102172-GP**

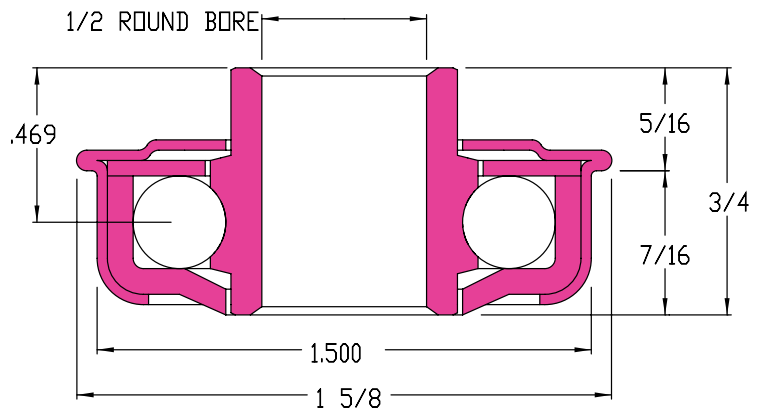
- Non-Precision
- Stamped metal construction
- Zinc plated mild steel
- 75 lb. load rating
- Temperature rating -40°F / 250°F



## UNGROUND PRESS FIT BEARINGS

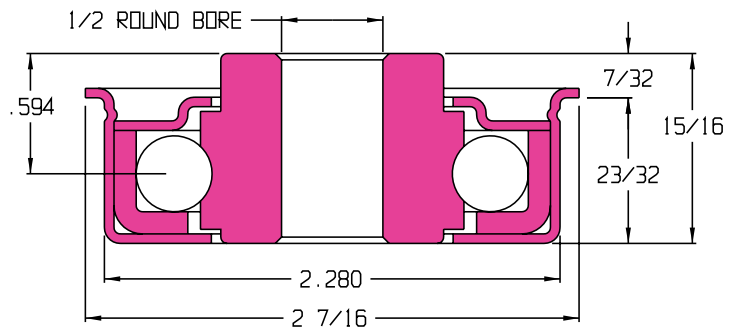
### 102181-GP & -O

- Non-Precision
- Stamped metal construction
- Zinc plated mild steel
- 145 lb. load rating
- Temperature rating -40°F / 300°F (140°F for oiled)



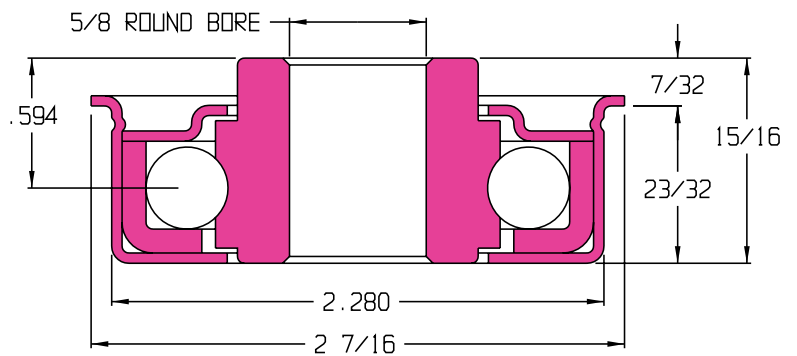
### 102195-GP & -O

- Non-Precision
- Stamped metal construction
- Zinc plated mild steel
- 425 lb. load rating
- Temperature rating -20°F / 220°F (140°F for oiled)



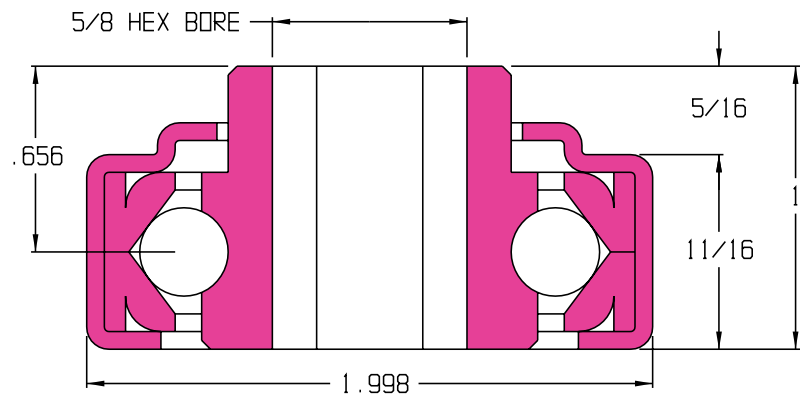
### 110658-GP

- Non-Precision
- Stamped metal construction
- Zinc plated mild steel
- 425 lb. load rating
- Temperature rating -20°F / 220°F



### 102047-GP & -O

- Non-precision
- Stamped metal construction
- Zinc plated mild steel
- 225 lb. load rating
- Temperature rating -40°F / 300°F (140°F for oiled)

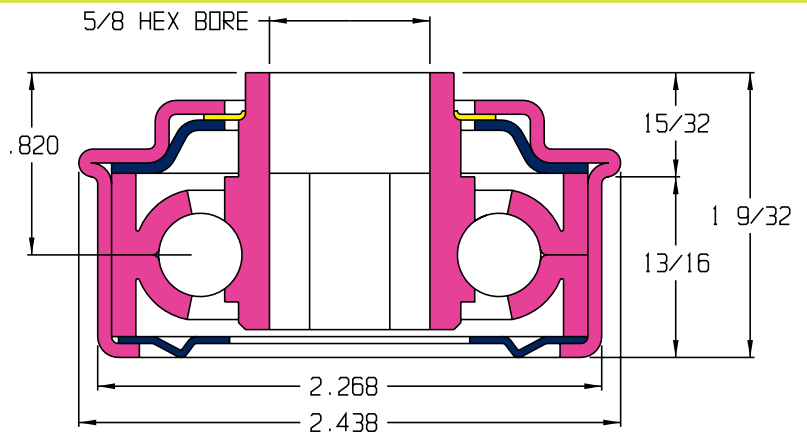


**UNGROUND PRESS FIT BEARINGS**

**UNGROUND PRESS FIT**

**102130-GP**

- Non-Precision
- Stamped metal construction
- Zinc plated mild steel
- 425 lb. load rating
- Temperature rating -40°F / 250°F
- Front & rear shields
- Front polymer seal

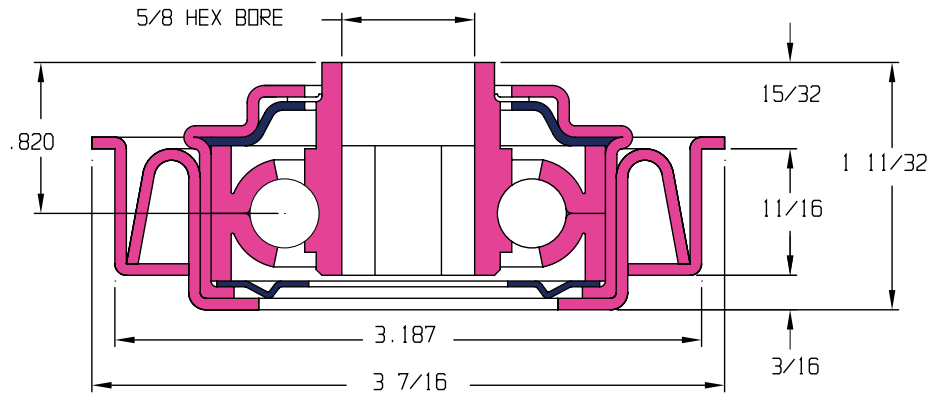


**45207-GP**

Bearing Part No.: 102130-GP

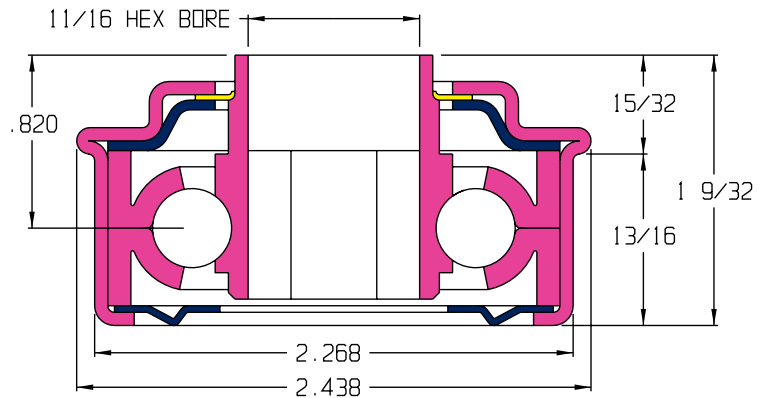
Adapter No.: 102080

- Non-Precision
- Stamped metal construction
- Zinc plated mild steel
- Stamped metal adapter
- 425 lb. load rating
- Temperature rating -40°F / 250°F
- Front & rear shields
- Front polymer seal
- Replaceable



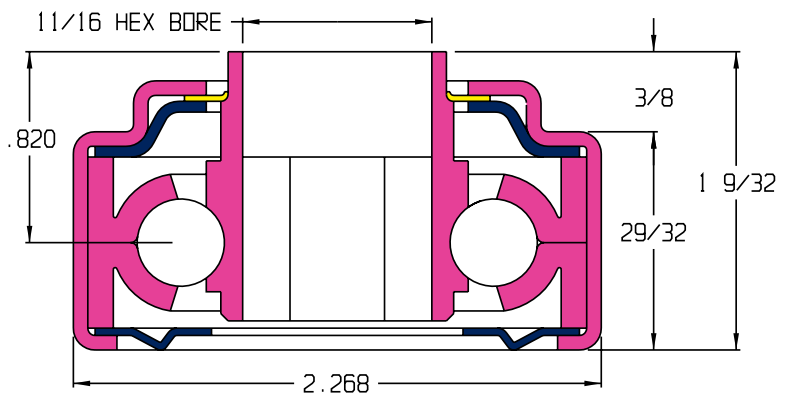
**102041-GP**

- Non-Precision
- Stamped metal construction
- Zinc plated mild steel
- 425 lb. load rating
- Temperature rating -40°F / 250°F
- Front & rear shields
- Front polymer seal



**102084-GP**

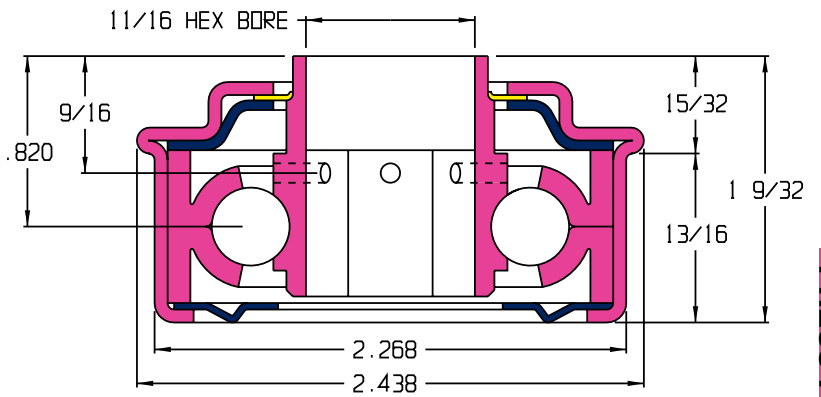
- Non-Precision
- Stamped metal construction
- Zinc plated mild steel
- 425 lb. load rating
- Temperature rating -40°F / 250°F
- Front & rear shields
- Front polymer seal



## UNGROUND PRESS FIT BEARINGS

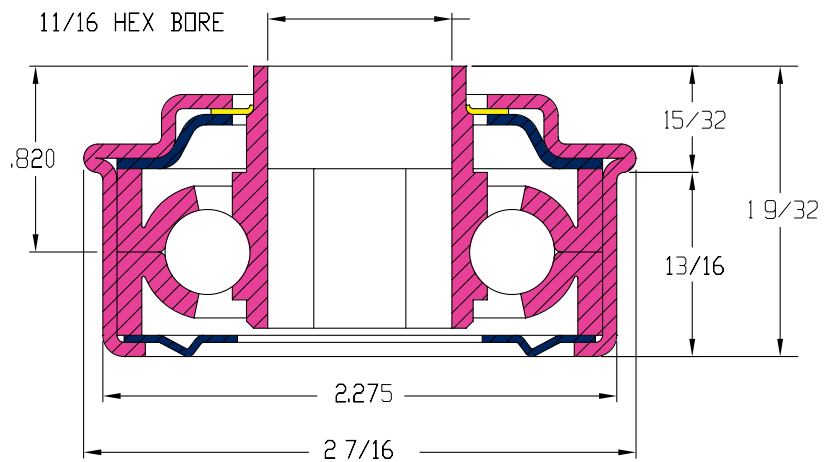
### 102229-GP

- Non-Precision
- Stamped metal construction
- Zinc plated mild steel
- 425 lb. load rating
- Temperature rating -40°F / 250°F
- Front & rear shields
- Front polymer seal
- Regreaseable



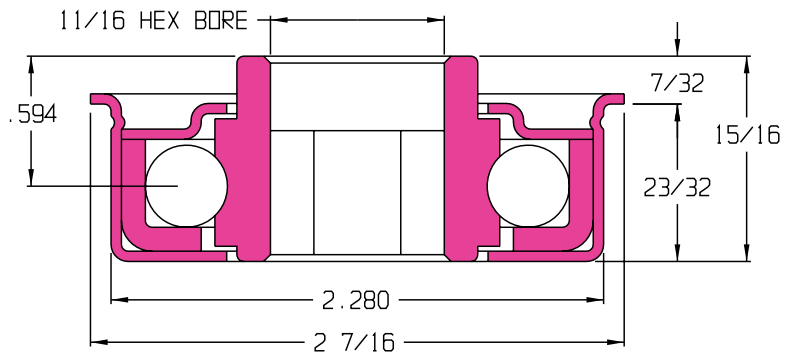
### 115970-GP

- Non-Precision
- Stamped metal construction
- 300 series stainless steel
- 425 lb. load rating
- Temperature rating -40°F/250°F
- Front polymer seal
- Front & rear shields
- Replaceable



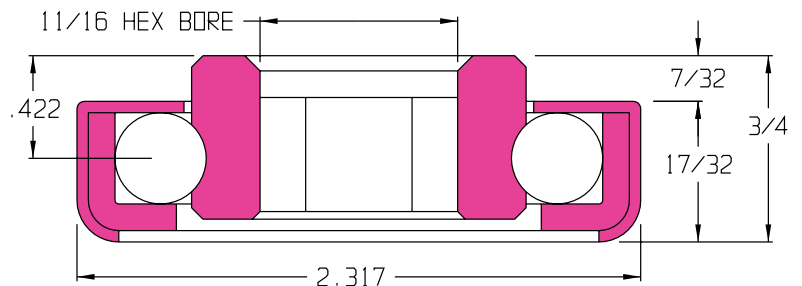
### 102164-GP

- Non-Precision
- Stamped metal construction
- Zinc plated mild steel
- 425 lb. load rating
- Temperature rating -20°F / 220°F



### 102054-GP & -O

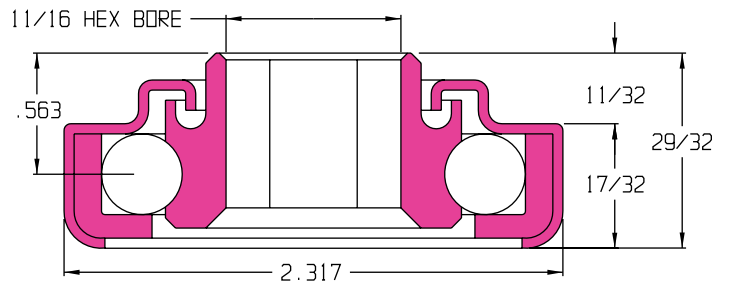
- Non-precision
- Stamped metal construction
- Zinc plated mild steel
- 325 lb. load rating
- Temperature rating -40°F / 300°F (140°F for oiled)



UNGROUND PRESS FIT

**102055-GP & -O**

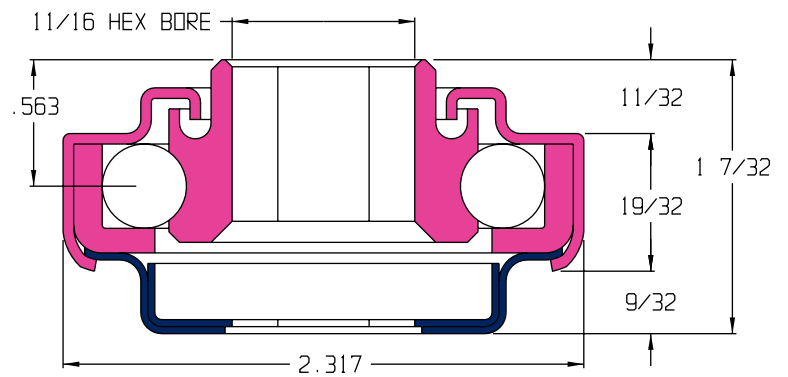
- Non-precision
- Stamped metal construction
- Zinc plated mild steel
- 325 lb. load rating
- Temperature rating -40°F / 300°F (140°F for oiled)
- Labyrinth shield



**UNGROUND PRESS FIT**

**102056-GP**

- Non-precision
- Stamped metal construction
- Zinc plated mild steel
- 325 lb. load rating
- Temperature rating -40°F / 300°F
- Front Labyrinth shield
- Rear shield

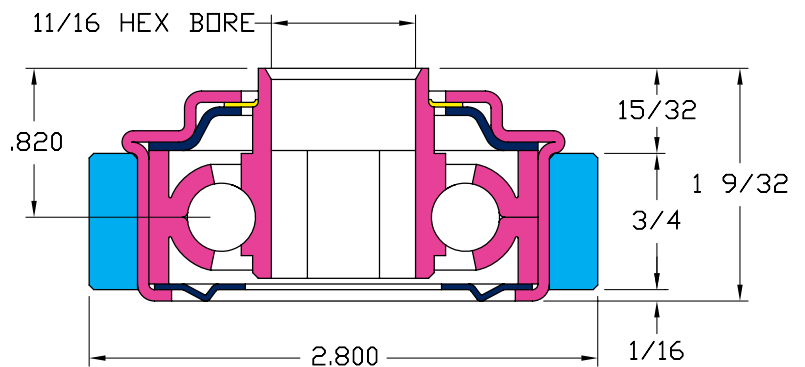


**45150-GP**

Bearing Part No.: 102041

Sleeve Part No.: 45133

- Non-precision
- Stamped metal construction
- Zinc plated mild steel
- 425 lb. load rating
- Temperature rating -40°F / 250°F
- Metal adapter sleeve
- Front & rear shields
- Front polymer seal
- Replaceable



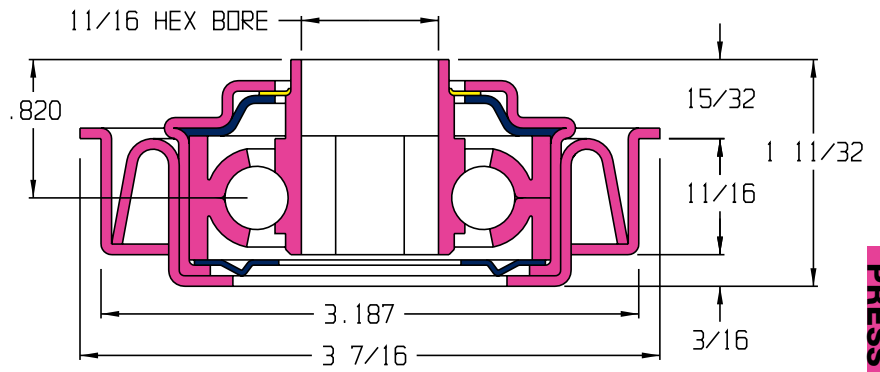
## UNGROUND PRESS FIT BEARINGS

### 31439

Bearing Part No.: 102041

Adapter No.: 102080

- Non-Precision
- Stamped metal construction
- Zinc plated mild steel
- Stamped metal adapter
- 425 lb. load rating
- Temperature rating -40°F / 250°F
- Front & rear shields
- Front polymer seal

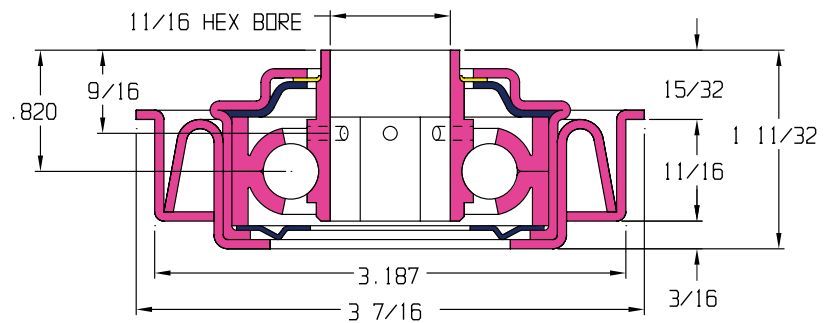


### 45208-GP

Bearing Part No.: 102229-GP

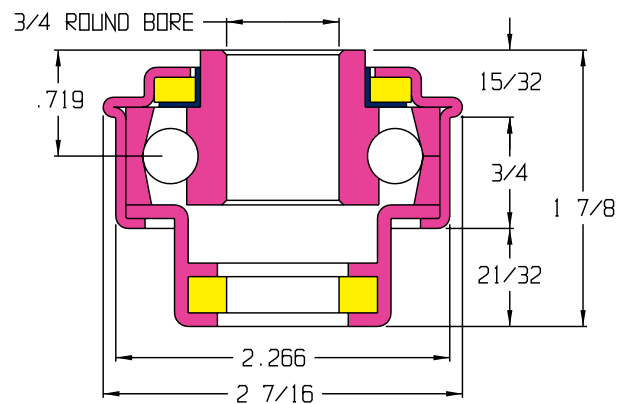
Adapter No.: 102080

- Non-Precision
- Stamped metal construction
- Zinc plated mild steel
- Stamped metal adapter
- 425 lb. load rating
- Temperature rating -40°F / 250°F
- Front & rear shields
- Front polymer seal
- Replaceable
- Regreasable



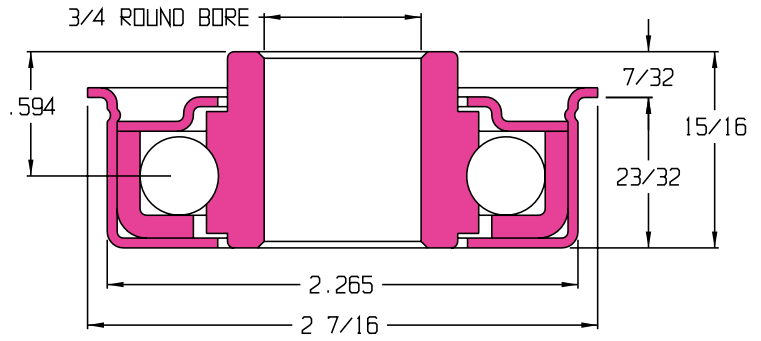
### 102194-GP

- Non-Precision
- Stamped metal construction
- Zinc plated mild steel
- 305 lb. load rating
- Temperature rating -10°F / 180°F
- Front & rear felt seal
- Front & rear shield
- Regreasable



**102273-GP**

- Non-Precision
- Stamped metal construction
- Zinc plated mild steel
- 425 lb. load rating
- Temperature rating -20°F / 220°F

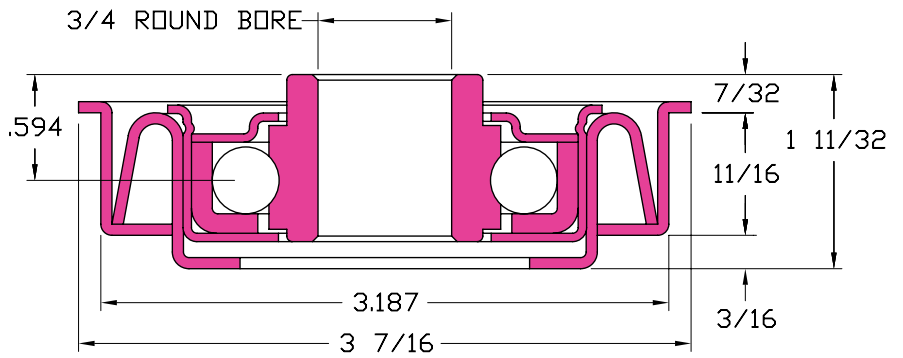


**45171-GP**

Bearing Part No.: 102273

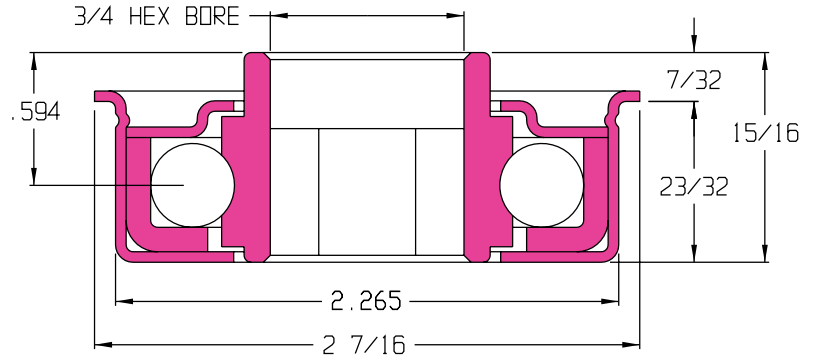
Adaptor No.: 102080

- Non-precision
- Stamped metal construction
- Zinc plated mild steel
- Stamped metal adaptor
- 425 lb. load rating
- Temperature rating -20°F / 350°F
- Replaceable



**102268-GP**

- Non-Precision
- Stamped metal construction
- Zinc plated mild steel
- 425 lb. load rating
- Temperature rating -20°F / 220°F

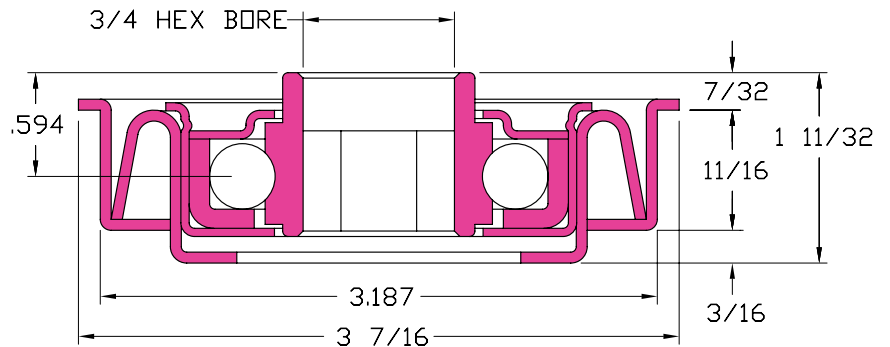


**45172-GP**

Bearing Part No.: 102268

Adaptor No.: 102080

- Non-precision
- Stamped metal construction
- Zinc plated mild steel
- Stamped metal adaptor
- 425 lb. load rating
- Temperature rating -20°F / 350°F
- Replaceable



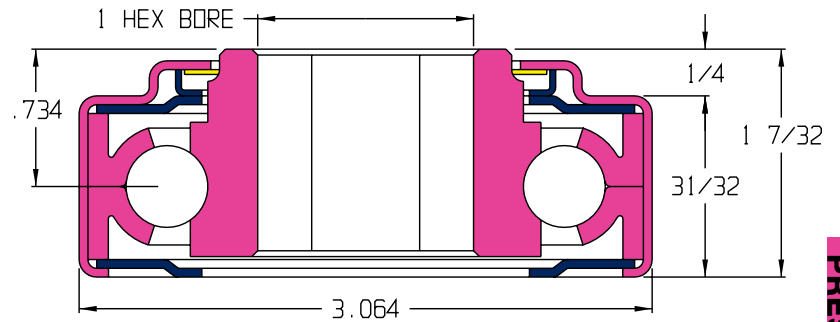
UNGROUND PRESS FIT



## UNGROUND PRESS FIT BEARINGS

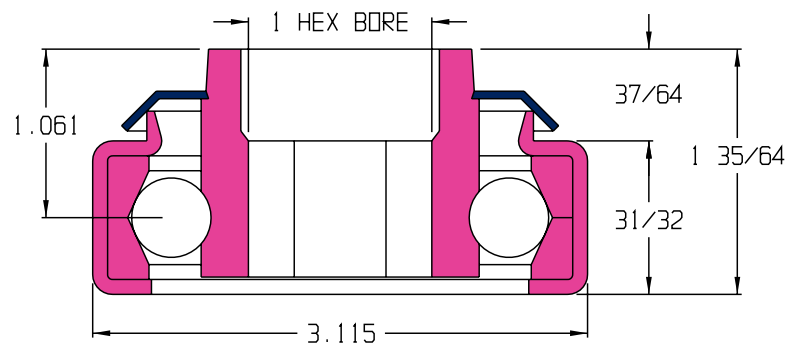
### 102314-GP

- Non-precision
- Stamped metal construction
- Zinc plated mild steel
- 603 lb. load rating
- Temperature rating -40°F / 250°F
- Front & rear shield
- Front polymer seal



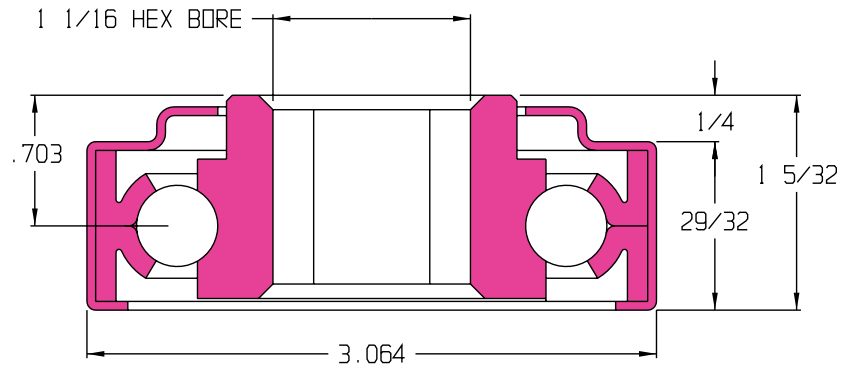
### 102162-GP

- Non-precision
- Stamped metal construction
- Zinc plated mild steel
- 1000 lb. load rating
- Front shield



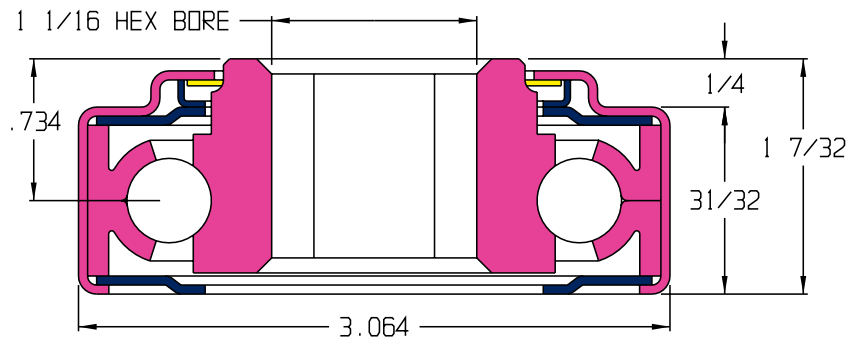
### 102060-GP

- Non-precision
- Stamped metal construction
- Zinc plated mild steel
- 603 lb. load rating
- Temperature rating -40°F / 300°F



### 102061-GP

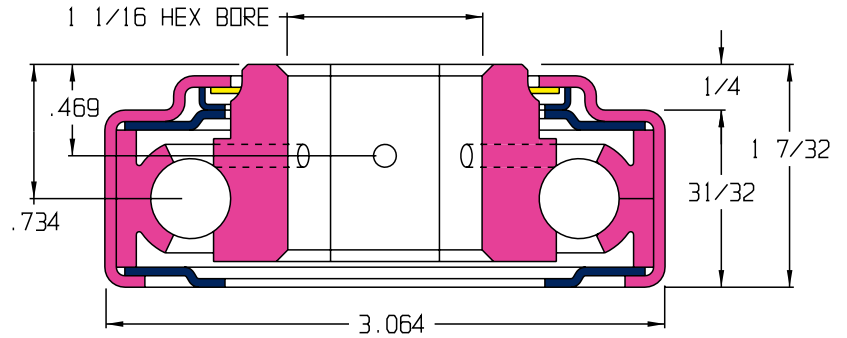
- Non-precision
- Stamped metal construction
- Zinc plated mild steel
- 603 lb. load rating
- Temperature rating -40°F / 250°F
- Front & rear shields
- Front polymer seal



## UNGROUND PRESS FIT BEARINGS

### 102086-GP

- Non-precision
- Stamped metal construction
- Zinc plated mild steel
- 603 lb. load rating
- Temperature rating -40°F / 250°F
- Front & rear shields
- Front polymer seal
- Regreasable

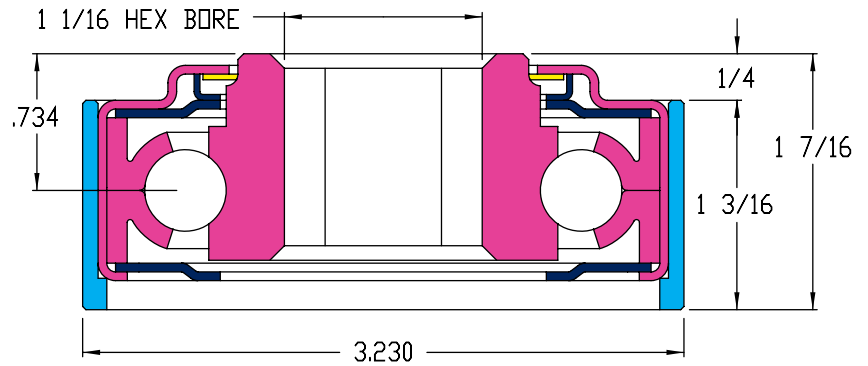


### 45053-GP

Bearing Part No.: 102061-GP

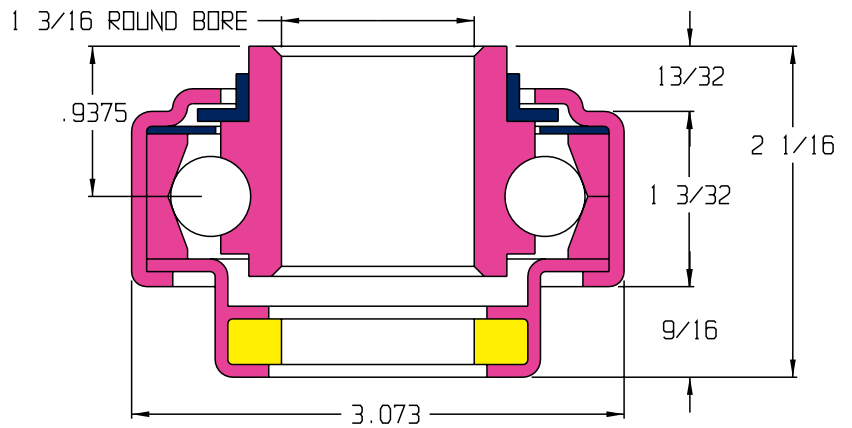
Sleeve Part No.: 45051

- Non-precision
- Stamped metal construction
- Zinc plated mild steel
- Metal adapter sleeve
- 603 lb. load rating
- Temperature rating -40°F / 250°F
- Front & rear shields
- Front polymer seal
- Replaceable



### 102197-GP

- Non-precision
- Stamped metal construction
- Zinc plated mild steel
- 1250 lb. load rating
- Temperature rating -10°F / 225°F
- Front labyrinth shield
- Rear felt seal
- Regreasable

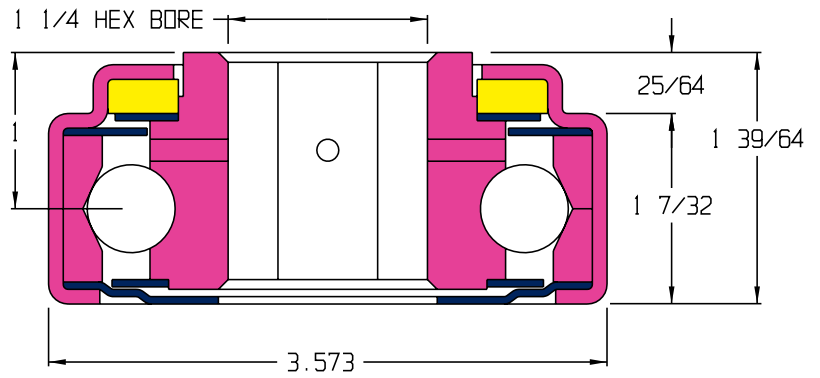


UNGROUND PRESS FIT

# UNGROUND PRESS FIT BEARINGS

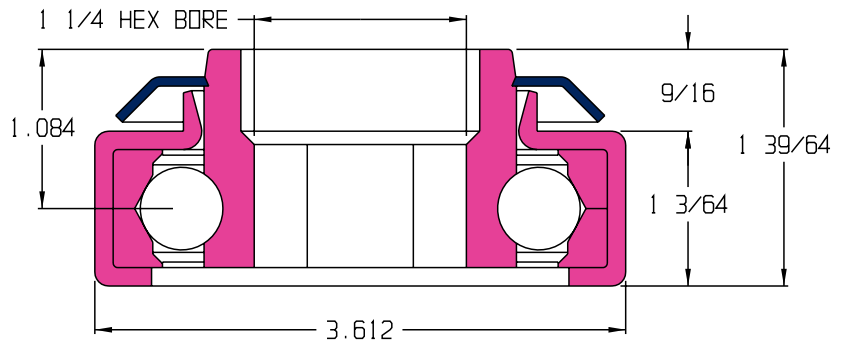
## 102205-GP

- Non-precision
- Stamped metal construction
- Zinc plated mild steel
- 2250 lb. load rating
- Temperature rating -10°F / 225°F
- Front & rear labyrinth shields
- Front felt seal
- Regreasable



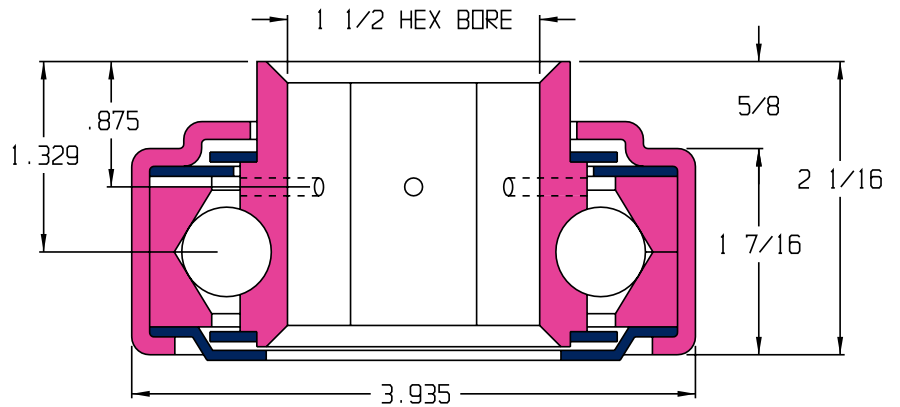
## 102200-O

- Non-precision
- Stamped metal construction
- Zinc plated mild steel
- 1800 lb. load rating
- Front shield



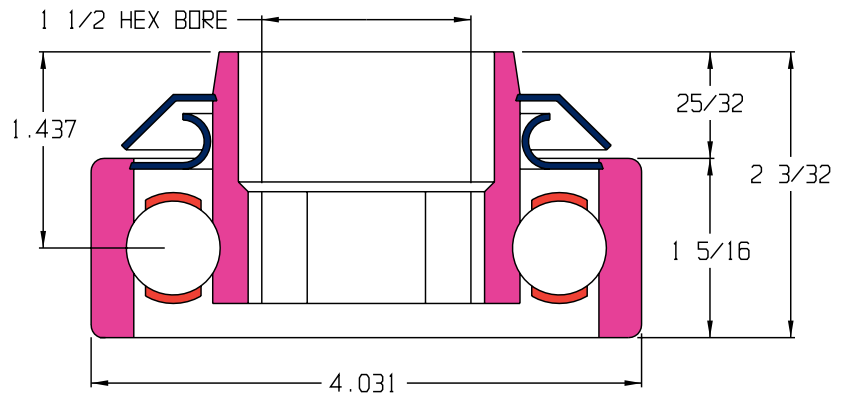
## 102320-GP

- Non-precision
- Stamped metal construction
- Zinc plated mild steel
- 3750 lb. load rating
- Temperature rating -10°F / 180°F
- Front & rear labyrinth shields
- Regreasable



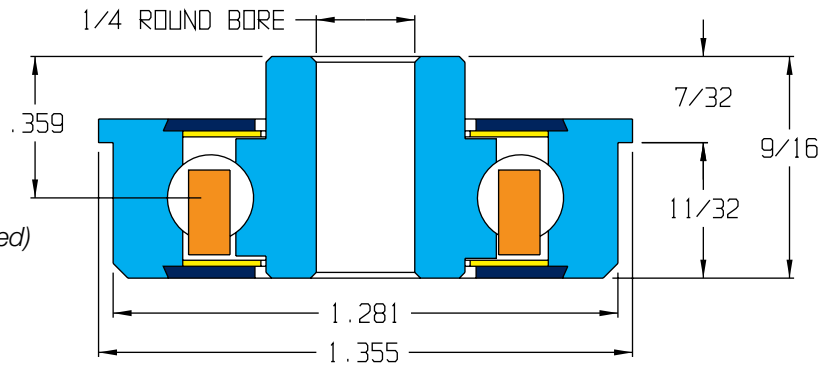
## 102201-O

- Non-precision
- Stamped metal construction
- Zinc plated mild steel
- 3800 lb. load rating
- Front shield



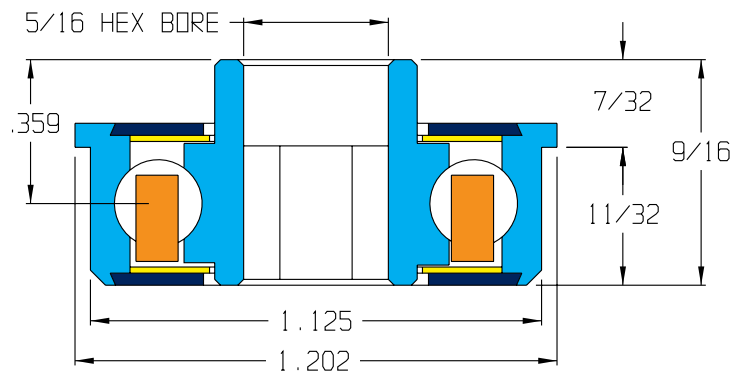
### 111692-GP & -O

- Semi-precision
- Machined metal construction
- Heat treated mild steel
- 276 lb. load rating
- Temperature rating -20°F / 220°F (140°F for oiled)
- Max speed 1200 rpm
- Front & rear nylatron seal
- Front & rear shield
- Ball retainer



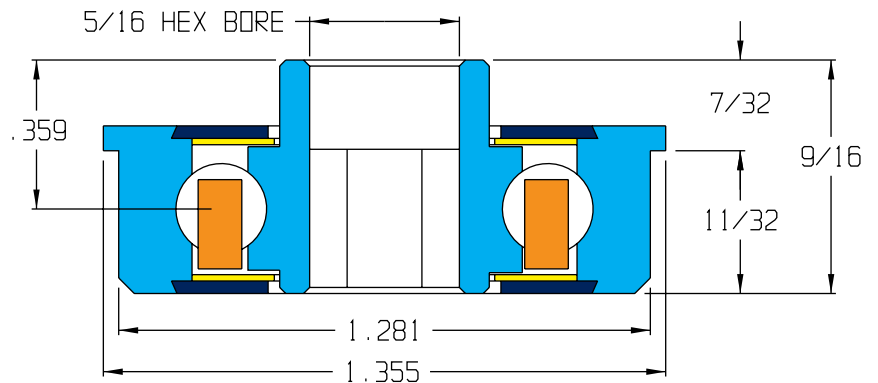
### 113365

- Semi-precision
- Machined metal construction
- Heat treated mild steel
- 276 lb. load rating
- Temperature rating -20°F / 220°F
- Max speed 1200 rpm
- Front & rear nylatron seal
- Front & rear shield
- Ball retainer
- Grease packed



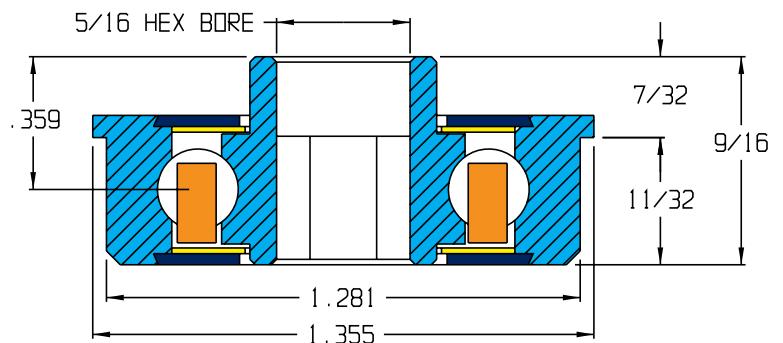
### 102274-GP & -O

- Semi-precision
- Machined metal construction
- Heat treated mild steel
- 276 lb. load rating
- Temperature rating -20°F / 220°F (140°F for oiled)
- Max speed 1200 rpm
- Front & rear nylatron seal
- Front & rear shield
- Ball retainer



### 113141-O

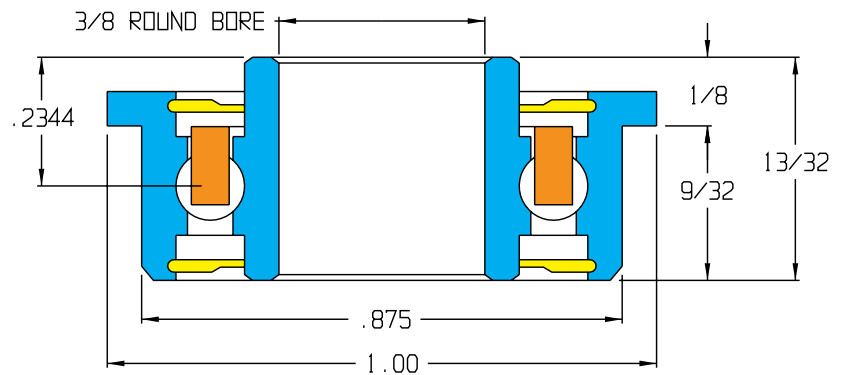
- Semi-precision
- Machined metal construction
- 316 Stainless steel
- 276 lb. load rating
- Temperature rating -20°F / 220°F
- Max speed 1200 rpm
- Front & rear nylatron seal
- Front & rear 304 stainless steel shield
- Ball retainer



## SEMI-PRECISION BEARINGS

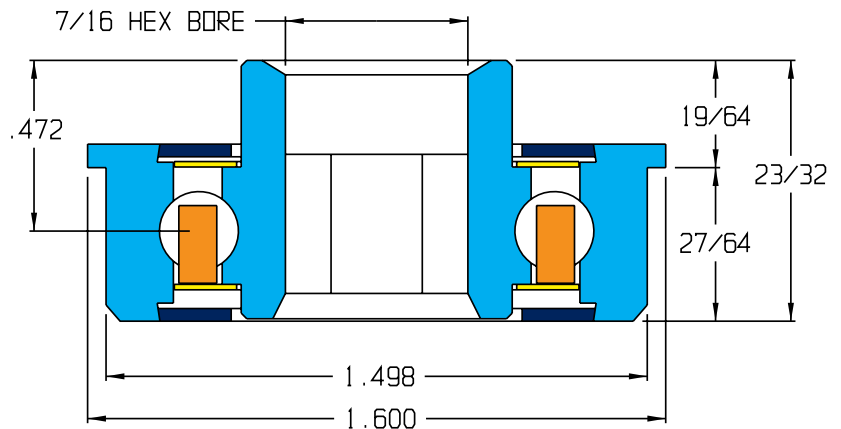
### 115137-GP

- Semi-precision
- Machined metal construction
- Heat treated mild steel
- 450 lb. load rating
- Temperature rating -10°F / 225°F
- Max speed 2500 rpm
- Front & rear seals
- Ball retainer



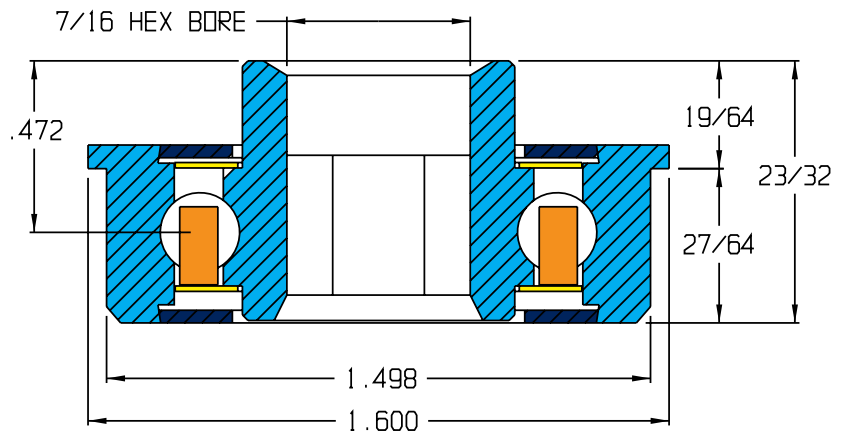
### 102251-GP & -O

- Semi-precision
- Machined metal housing
- Heat treated mild steel
- 302 lb. load rating
- Temperature rating -20°F / 220°F (140°F for oiled)
- Max speed 1200 rpm
- Front & rear nylatron seal
- Front & rear shield
- Ball retainer



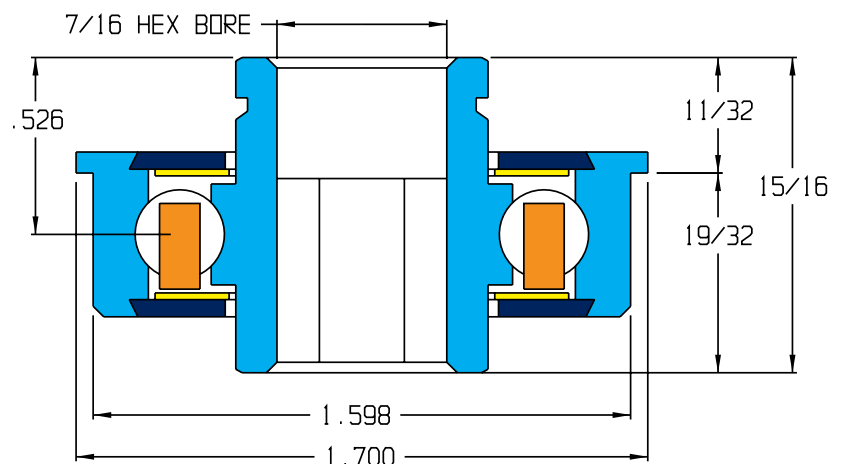
### 113870-GP

- Semi-precision
- Machined metal construction
- 316 Stainless steel
- 302 lb. load rating
- Temperature rating -20°F / 220°F
- Max speed 1200 rpm
- Front & rear nylatron seal
- Front & rear 304 stainless steel shield
- Ball retainer



### 110260-O

- Semi-precision
- Machined metal construction
- Heat treated mild steel
- 428 lb. load rating
- Temperature rating -20°F / 140°F
- Max speed 1200 rpm
- Front & rear seals
- Front & rear shields
- Ball retainer

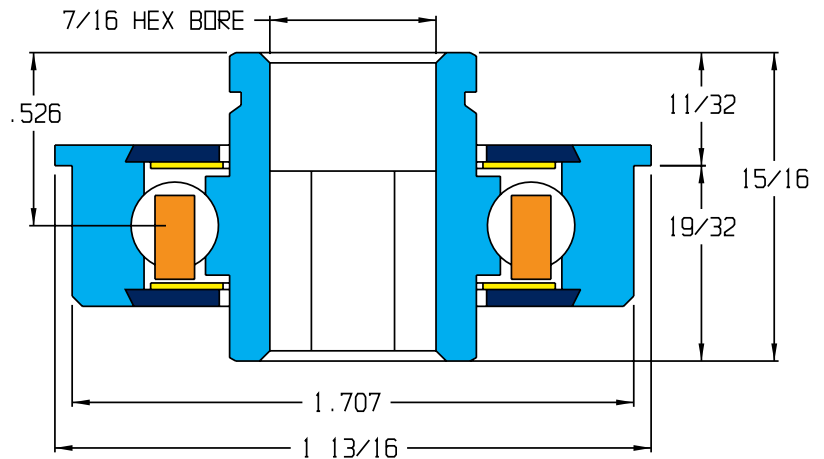


Refer to color key on page 2

SEMI-PRECISION

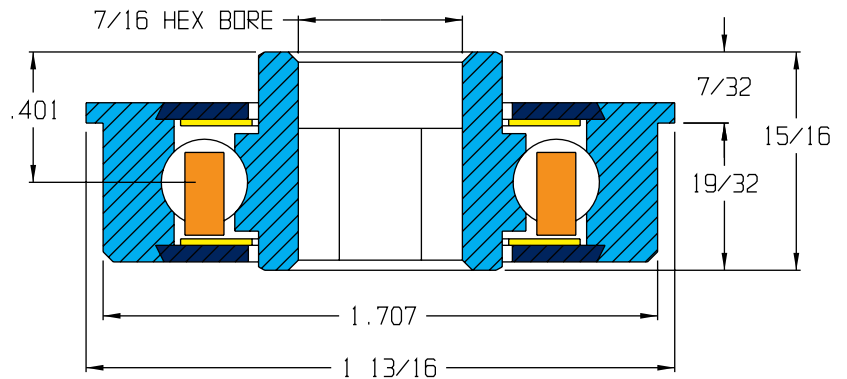
### 102155-GP

- Semi-precision
- Machined metal housing
- Heat treated mild steel
- 428 lb. load rating
- Temperature rating -20°F / 220°F
- Max speed 1200 rpm
- Front & rear nylatron seal
- Front & rear shield
- Ball retainer



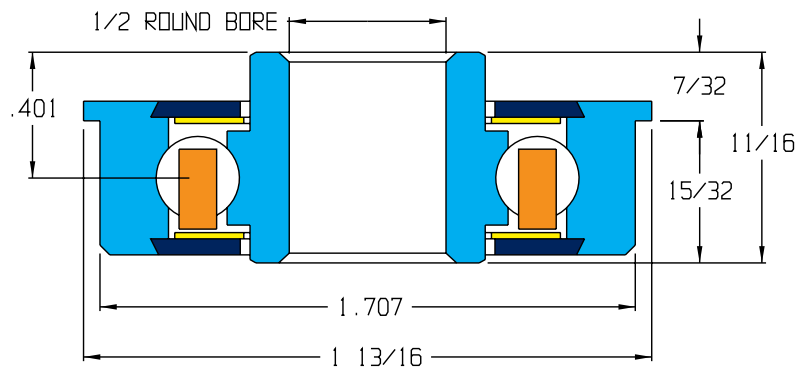
### 110244-GP

- Semi-precision
- Machined metal construction
- 316 Stainless steel
- 142 lb. load rating
- Temperature rating -20°F / 220°F
- Max speed 1200 rpm
- Front & rear nylatron seal
- Front & rear 304 stainless steel shield
- Ball retainer



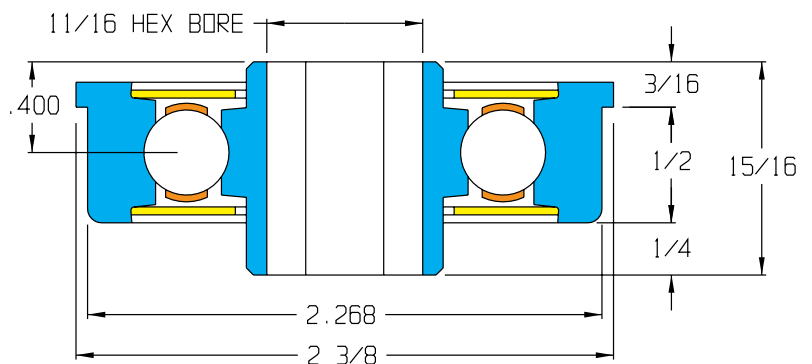
### 113584-GP & -O

- Semi-precision
- Machined metal housing
- Heat treated mild steel
- 428 lb. load rating
- Temperature rating -20°F / 220°F (140°F for oiled)
- Max speed 1200 rpm
- Front & rear nylatron seal
- Front & rear shield
- Ball retainer



### 102139-GP

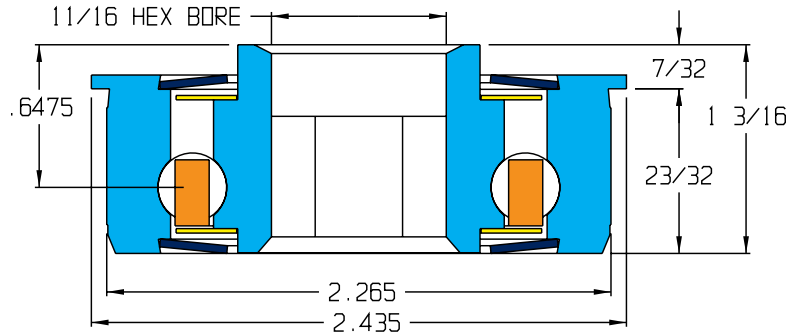
- Semi-precision
- Machined metal housing
- Heat treated mild steel
- 1113 lb. load rating
- Temperature rating -30°F / 260°F
- Front & rear nitrile seal
- Ball retainer



## SEMI-PRECISION BEARINGS

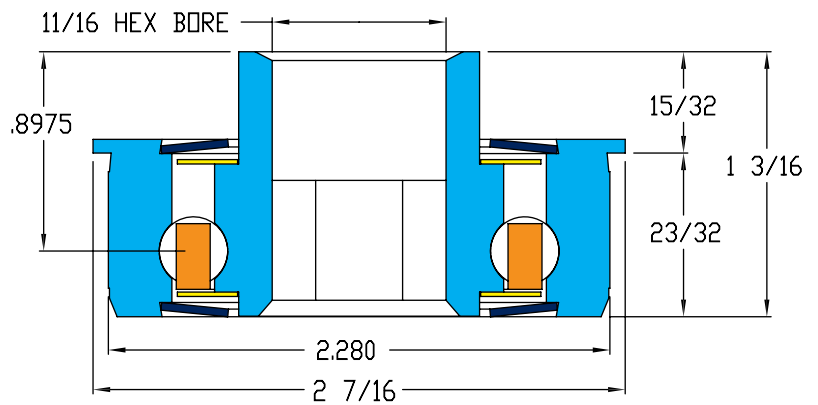
### 112974-GP

- Semi-precision
- 1050 lb. load rating
- Machined metal housing
- Heat treated mild steel
- Temperature rating  $-20^{\circ}\text{F} / 220^{\circ}\text{F}$
- Max speed 1200 rpm
- Front & rear seals
- Front & rear shields
- Ball retainer



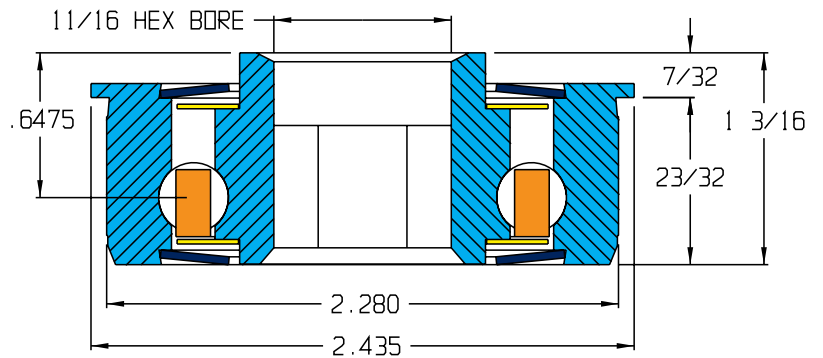
### 112896-GP

- Semi-precision
- Machined metal construction
- Heat treated mild steel
- 1050 lb. load rating
- Temperature rating  $-20^{\circ}\text{F} / 220^{\circ}\text{F}$
- Max speed 1200 rpm
- Front & rear shields
- Front & rear seals
- Ball retainer
- Replaceable



### 114416-GP

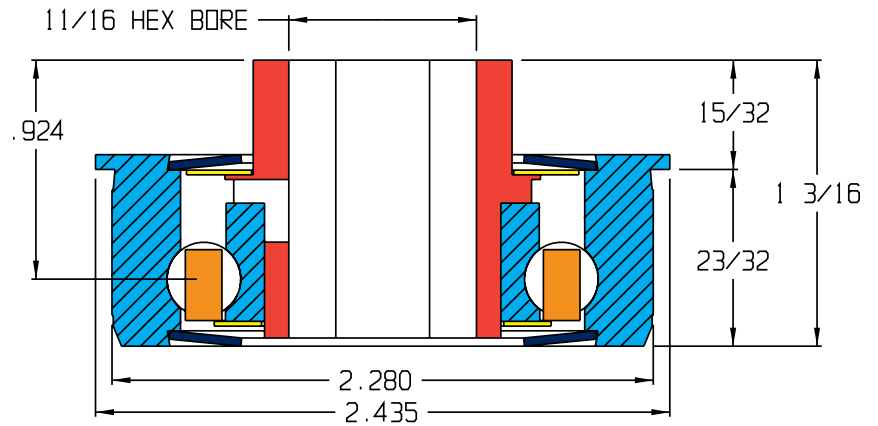
- Semi-precision
- 350 lb. load rating
- Machined metal housing
- 316 Stainless steel
- Temperature rating  $-20^{\circ}\text{F} / 220^{\circ}\text{F}$
- Max speed 1200 rpm
- Front & rear seals
- Front & rear shields
- Ball retainer



SEMI-PRECISION

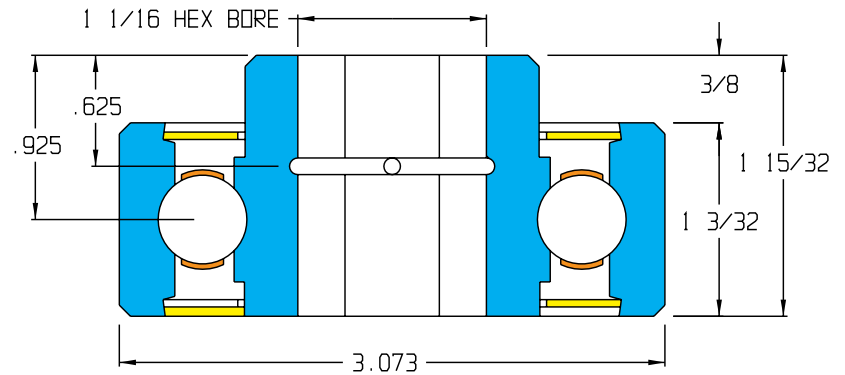
### 112768-GP

- Semi-precision
- 350 lb. load rating
- Machined metal housing
- 316 Stainless steel
- Temperature rating -20°F / 220°F
- Max speed 1200 rpm
- Front & rear seals
- Front & rear shields
- Plastic inner race
- Ball retainer
- Regreasable



### 102101-GP

- Semi-precision
- 2065 lb. load rating
- Machined metal housing
- Heat treated mild steel
- Temperature rating -30°F / 260°F
- Front & rear Teflon seal
- Regreasable
- Ball retainers

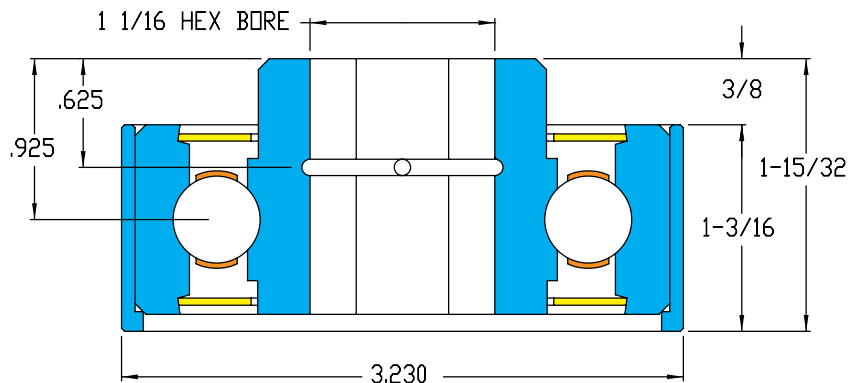


### 45077-GP

Bearing Part No.: 102101-GP

Sleeve Part No.: 45052

- Semi-precision
- Machined metal housing
- Heat treated mild steel
- Metal adapter sleeve
- 2065 lb. load rating
- Temperature rating -30°F / 260°F
- Front & rear Teflon seals
- Ball retainer
- Regreaseable
- Replaceable

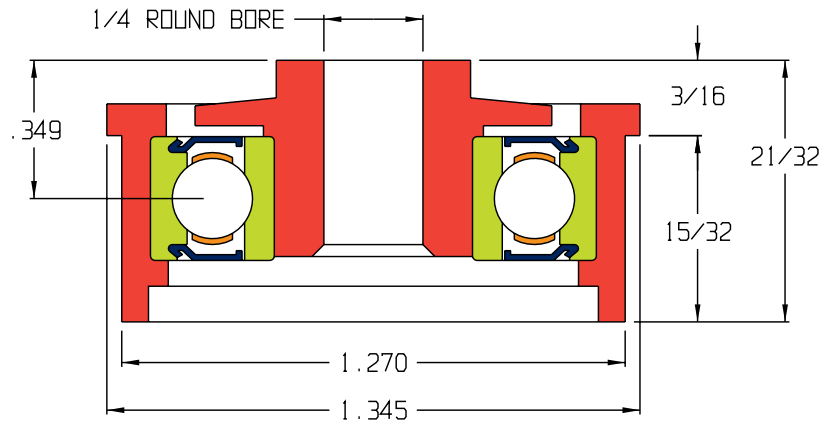




# POLYPROPYLENE HOUSED ABEC-1 PRECISION BEARINGS

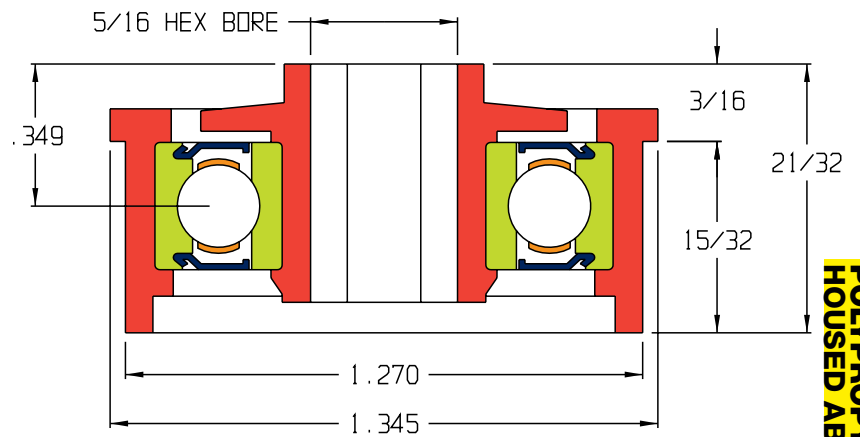
## 114234-O

- ABEC-1 Precision
- 300 lb. load rating
- Polypropylene housing
- Temperature rating -10°F / 200°F
- Front & rear shields
- Ball retainer



## 114231-GP

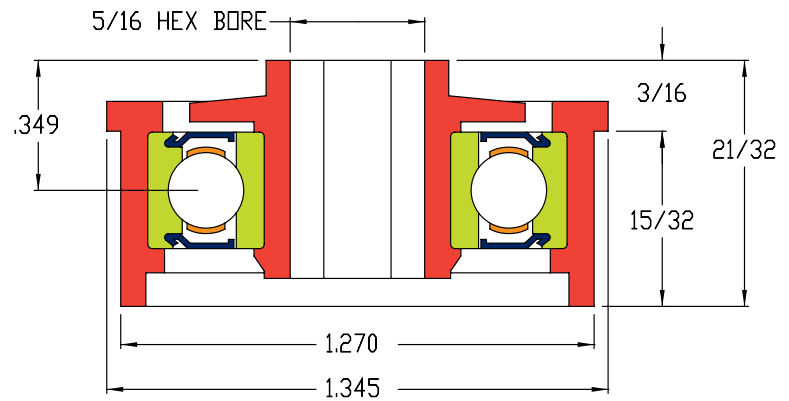
- ABEC-1 Precision
- 300 lb. load rating
- Polypropylene housing
- Temperature rating -10°F / 200°F
- Front & rear shields
- Ball retainer



POLYPROPYLENE  
HOUSED ABEC-1

## 114233-O

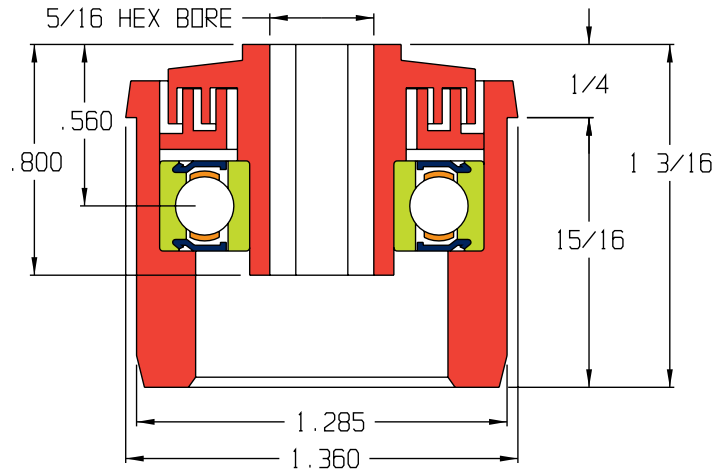
- ABEC-1 Precision
- 300 lb. load rating
- Polypropylene outer housing
- Temperature rating -20°F / 200°F
- Front & rear shields
- Ball retainer



**POLYPROPYLENE HOUSED ABEC-1 PRECISION BEARINGS**

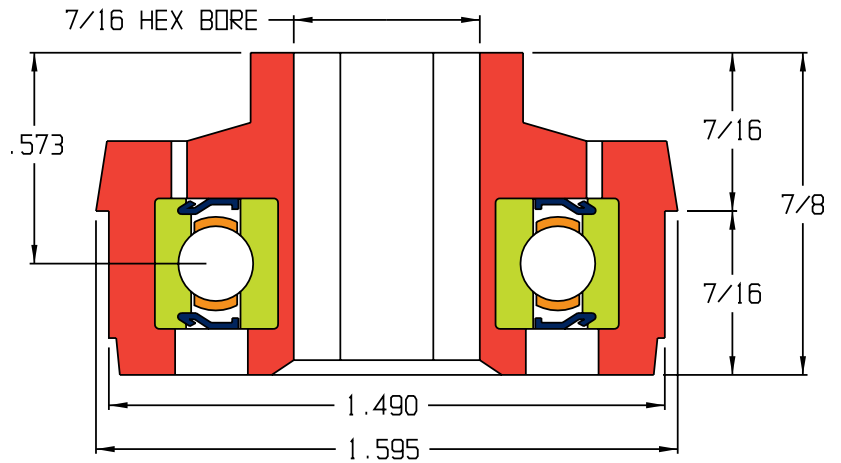
**113499-GP**

- ABEC-1 Precision
- 300 lb. load rating
- Polypropylene housing and hex adapter
- Temperature rating 10°F / 150°F
- Front double-labyrinth shielded housing
- Front and back bearing metal shield
- Ball retainer



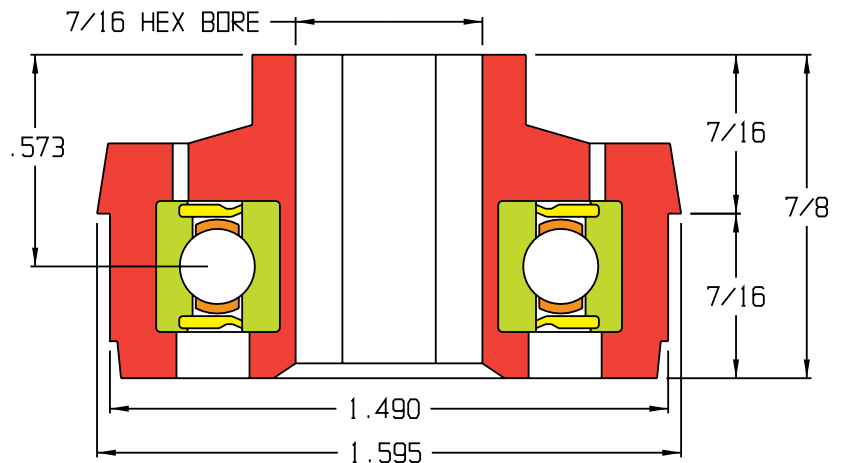
**114235-GP**

- ABEC-1 Precision
- 300 lb. load rating
- Polypropylene housing
- Temperature rating -10°F / 200°F
- Front & rear shields
- Ball retainer



**114236-GP**

- ABEC-1 Precision
- 300 lb. load rating
- Polypropylene housing
- Temperature rating -10°F / 200°F
- Front & rear seals
- Ball retainer

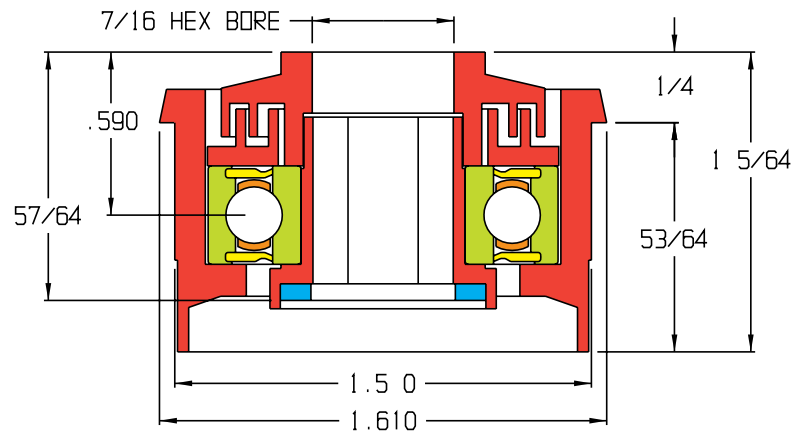


**POLYPROPYLENE HOUSED ABEC-1**

## POLYPROPYLENE HOUSED ABEC-1 PRECISION BEARINGS

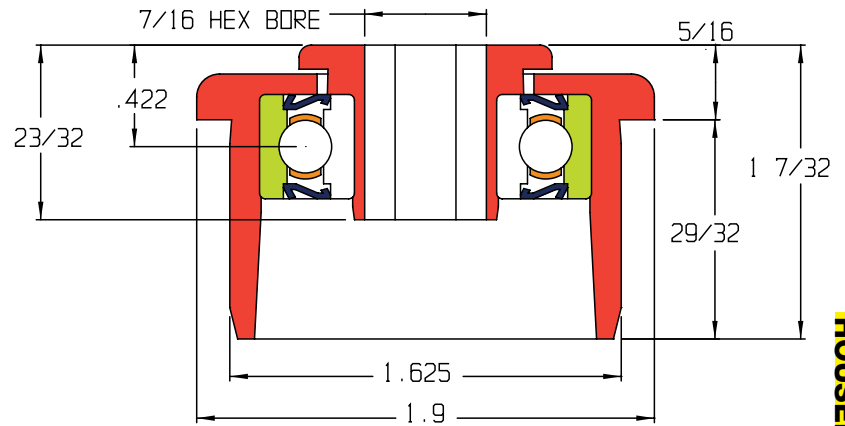
### 114092-GP

- ABEC-1 Precision
- 300 lb. load rating
- Polypropylene housing
- Temperature rating 10°F / 150°F
- Front & rear seals
- Double labyrinth shields
- Ball retainer
- Metal washer



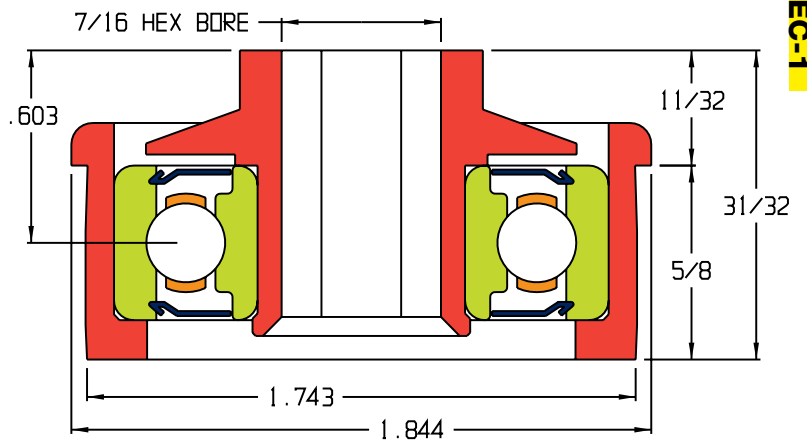
### 114879-GP

- ABEC-1 Precision
- 300 lb. load rating
- Polypropylene housing and hex adapter
- Temperature rating -10°F / 200°F
- Front & rear shields
- Ball retainer



### 114135-GP

- ABEC-1 Precision
- 300 lb. load rating
- Polypropylene housing
- Temperature rating -10°F / 200°F
- Front & rear shields
- Ball retainer

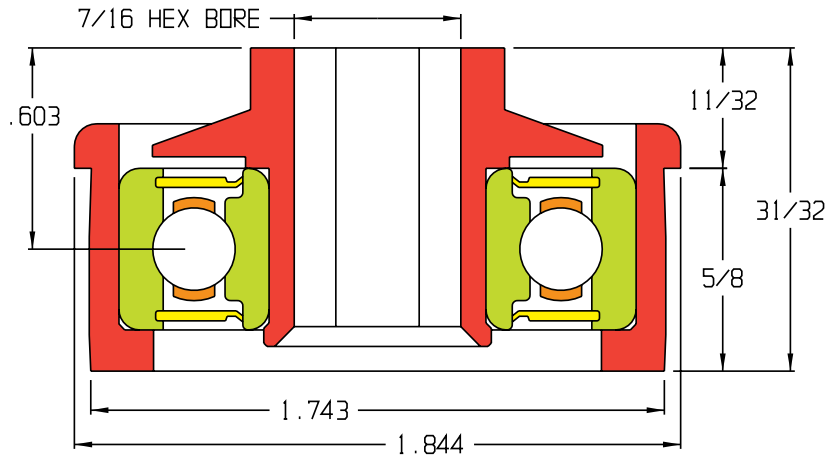


POLYPROPYLENE  
HOUSED ABEC-1

**POLYPROPYLENE HOUSED ABEC-1 PRECISION BEARINGS**

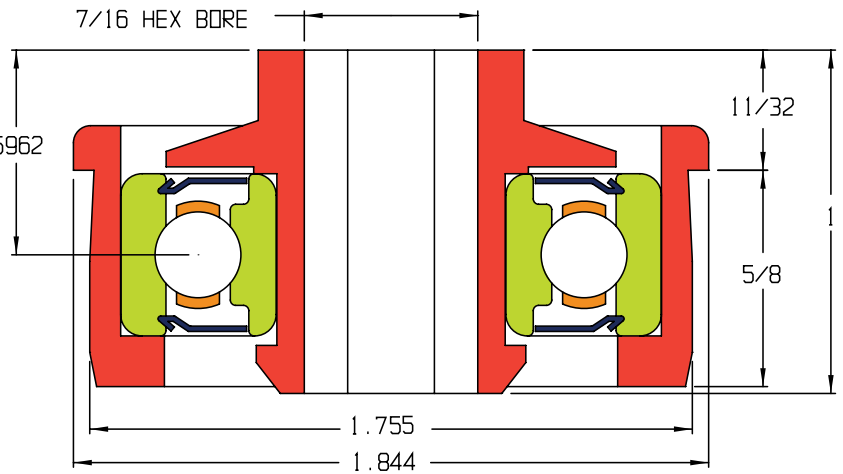
**114209-GP**

- ABEC-1 Precision
- 300 lb. load rating
- Polypropylene housing
- Temperature rating -10°F / 200°F
- Front & rear seals
- Ball retainer



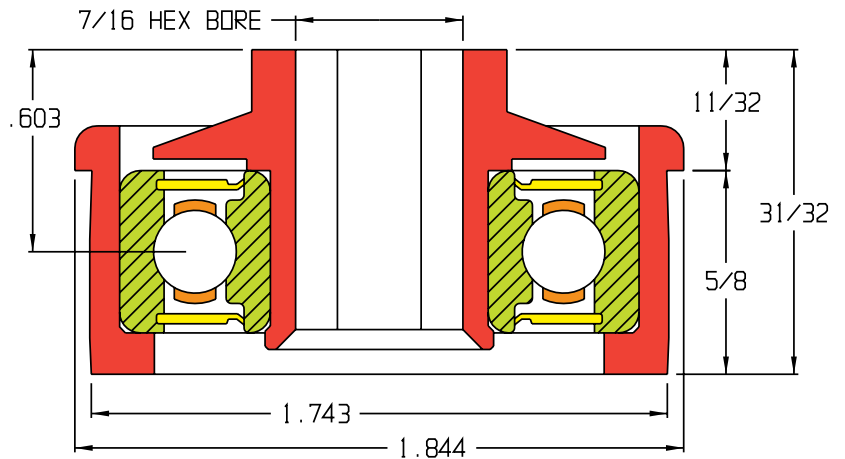
**114208-O**

- ABEC-1 Precision
- 300 lb. load rating
- Polypropylene housing and hex adapter .5962
- Temperature rating -10°F / 200°F
- Front & rear shields
- Ball retainer



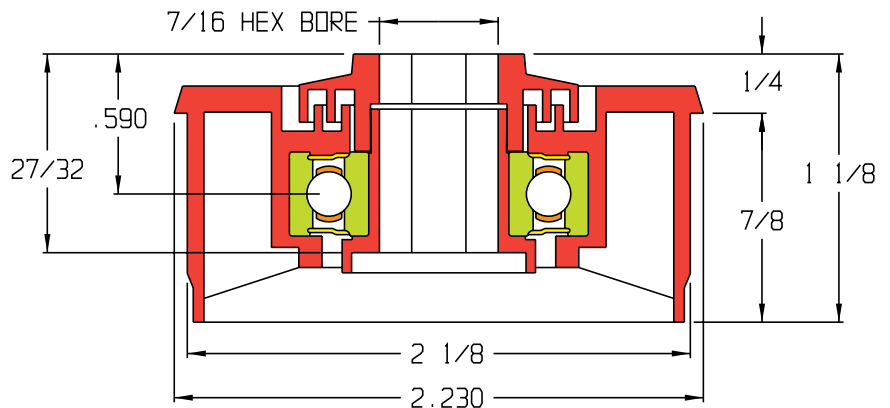
**114210-GP**

- ABEC-1 Precision
- 300 lb. load rating
- Polypropylene housing
- 316 Stainless Steel construction
- Temperature rating -10°F / 200°F
- Front & rear seals
- Ball retainer



**114734-GP**

- ABEC-1 Precision
- 300 lb. load rating
- Polypropylene housing
- Temperature rating 10°F / 150°F
- Front & rear seals
- Double labyrinth shields
- Ball retainer

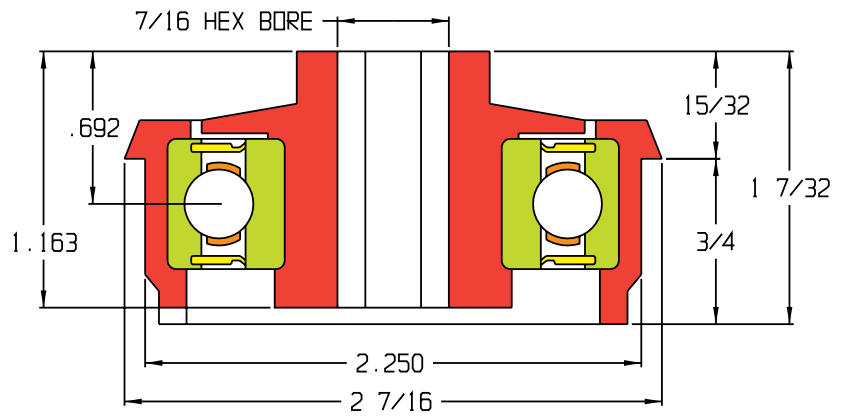


POLYPROPYLENE HOUSED ABEC-1

## POLYPROPYLENE HOUSED ABEC-1 PRECISION BEARINGS

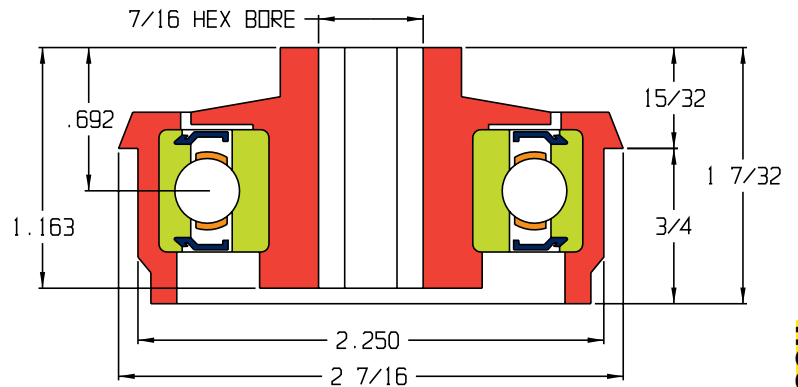
### 114193-GP

- ABEC-1 Precision
- 300 lb. load rating
- Polypropylene housing
- Temperature rating -10°F / 200°F
- Front seal
- Front & rear shields



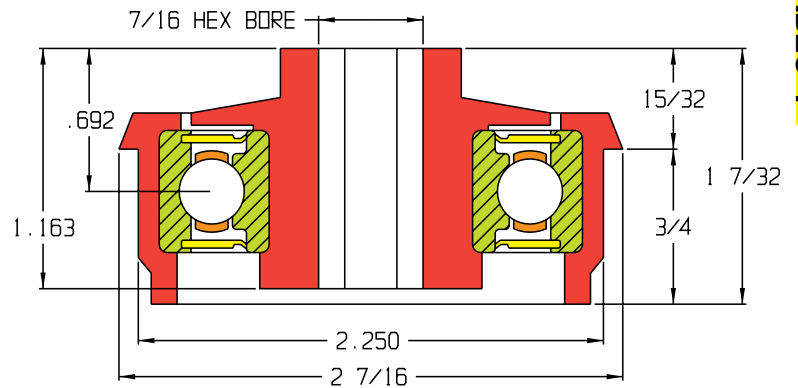
### 114200-GP

- ABEC-1 Precision
- 300 lb. load rating
- Polypropylene housing
- Temperature rating -10°F / 200°F
- Front & rear shields
- Ball retainer



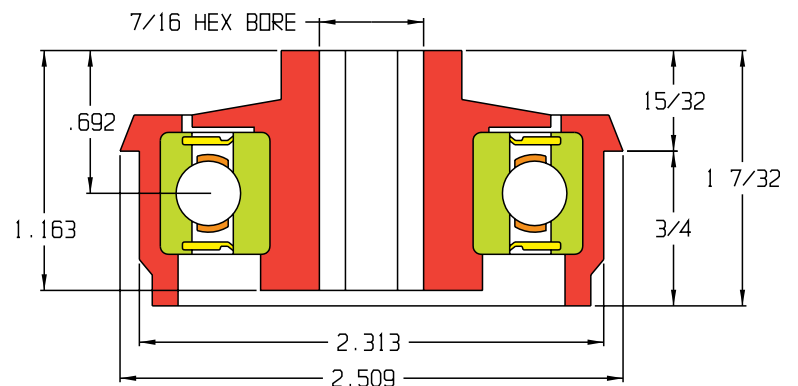
### 114238-GP

- ABEC-1 Precision
- 300 lb. load rating
- Polypropylene housing
- 440C Stainless Steel construction
- Temperature rating -10°F / 200°F
- Front & rear seals
- Ball retainer



### 114197-GP

- ABEC-1 Precision
- 300 lb. load rating
- Polypropylene housing
- Temperature rating -10°F / 200°F
- Front & rear seals
- Ball retainer

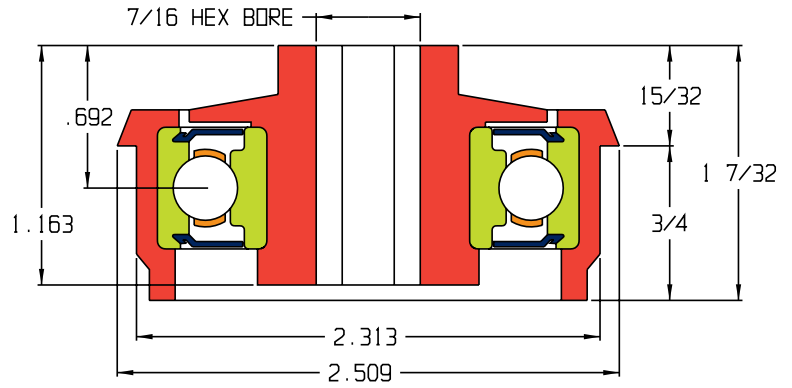


POLYPROPYLENE  
HOUSED ABEC-1

**POLYPROPYLENE HOUSED ABEC-1 PRECISION BEARINGS**

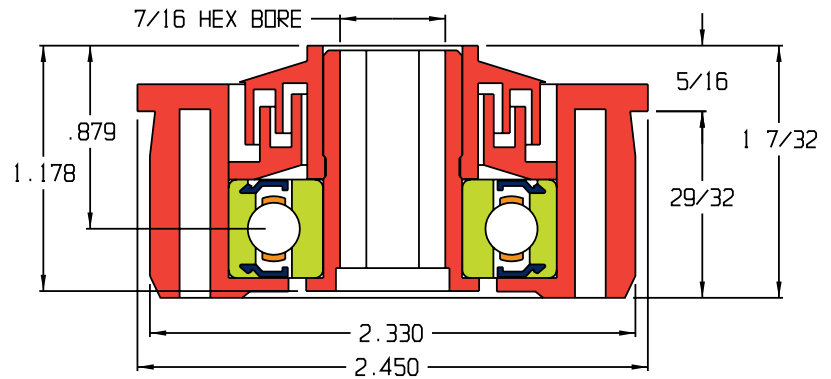
**114203-GP**

- ABEC-1 Precision
- 300 lb. load rating
- Polypropylene housing
- Temperature rating -10°F / 200°F
- Front & rear shields
- Ball retainer



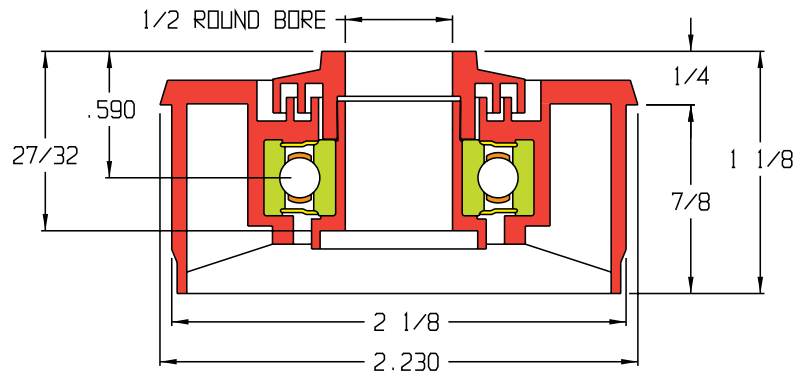
**114091-GP**

- ABEC-1 Precision
- 300 lb. load rating
- Polypropylene housing
- Temperature rating 10°F / 150°F
- Front & rear shields
- Double labyrinth shields
- Ball retainer



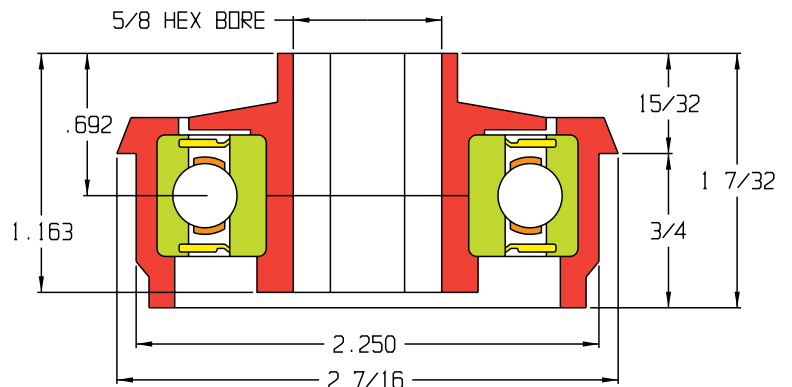
**114735-GP**

- ABEC-1 Precision
- 300 lb. load rating
- Polypropylene housing
- Temperature rating 10°F / 150°F
- Front & rear seals
- Double labyrinth shields
- Ball retainer



**114195-GP**

- ABEC-1 Precision
- 300 lb. load rating
- Polypropylene housing
- Temperature rating -10°F / 200°F
- Front & rear seals
- Ball retainer

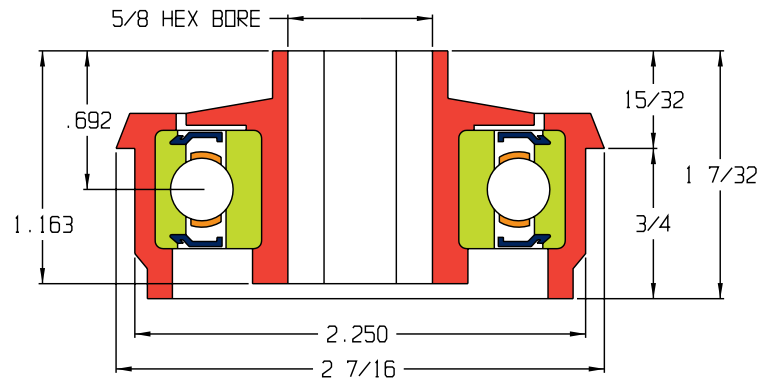


**POLYPROPYLENE HOUSED ABEC-1**

# POLYPROPYLENE HOUSED ABEC-1 PRECISION BEARINGS

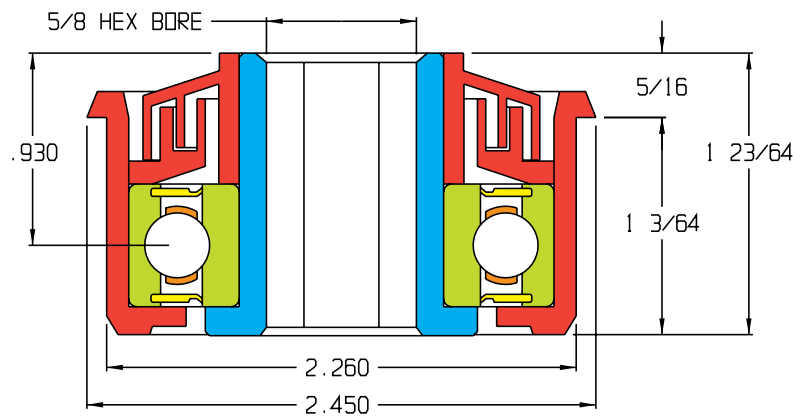
## 114201-GP

- ABEC-1 Precision
- 300 lb. load rating
- Polypropylene housing
- Temperature rating -10°F / 200°F
- Front & rear shields
- Ball retainer



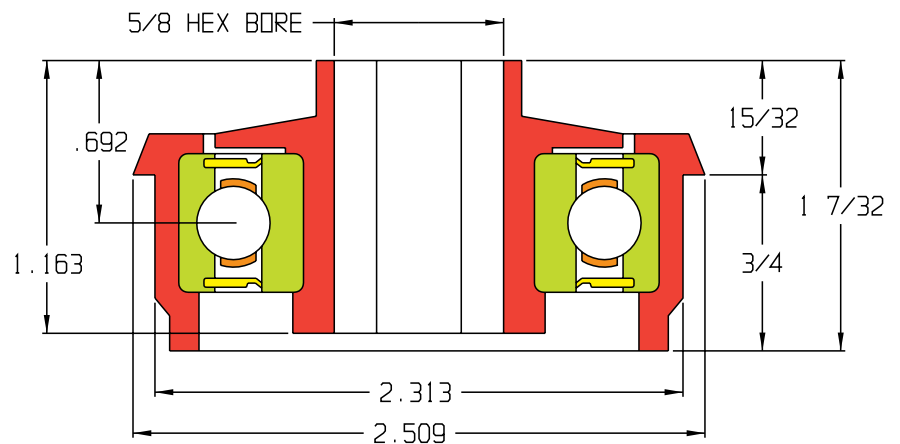
## 114090-GP

- ABEC-1 Precision
- 300 lb. load rating
- Polypropylene housing
- Machined metal inner race
- Temperature rating 10°F / 150°F
- Front & rear seals
- Double labyrinth shields
- Ball retainer



## 114198-GP

- ABEC-1 Precision
- 300 lb. load rating
- Polypropylene housing
- Temperature rating -10°F / 200°F
- Front & rear seals
- Ball retainer

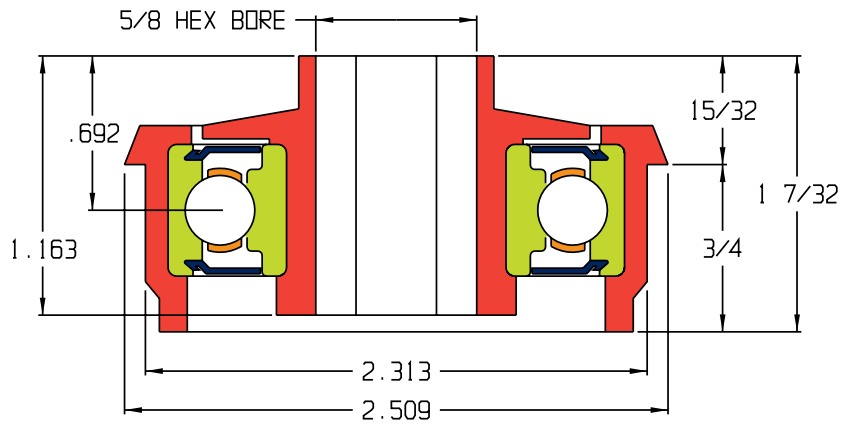


POLYPROPYLENE  
HOUSED ABEC-1

**POLYPROPYLENE HOUSED ABEC-1 PRECISION BEARINGS**

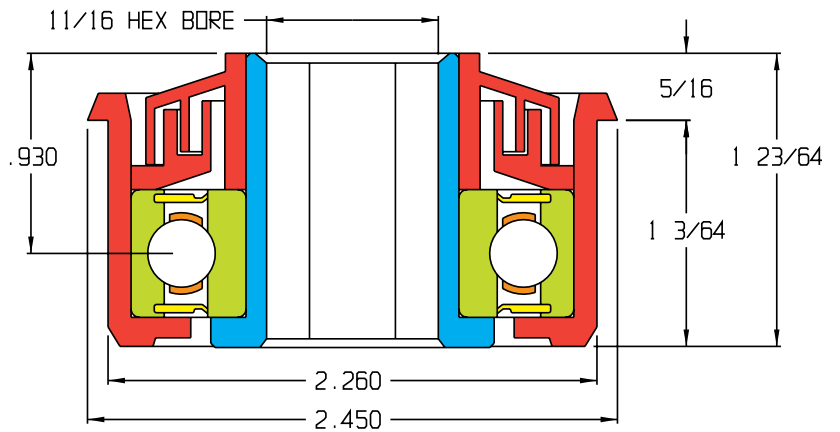
**114204-GP**

- ABEC-1 Precision
- 300 lb. load rating
- Polypropylene housing
- Temperature rating -10°F / 200°F
- Front & rear shields
- Ball retainer



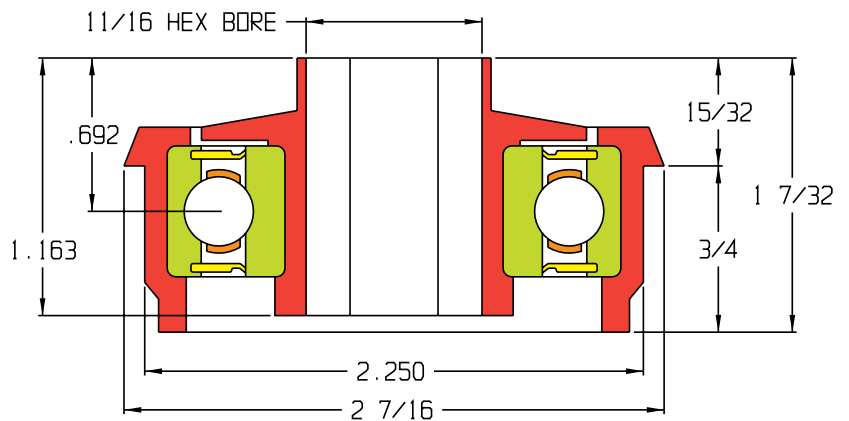
**113498-GP**

- ABEC-1 Precision
- 300 lb. load rating
- Polypropylene housing
- Machined metal inner race
- Temperature rating 10°F / 150°F
- Front & rear seals
- Double labyrinth shields
- Ball retainer



**114196-GP**

- ABEC-1 Precision
- 300 lb. load rating
- Polypropylene housing
- Temperature rating -10°F / 200°F
- Front & rear seals
- Ball retainer



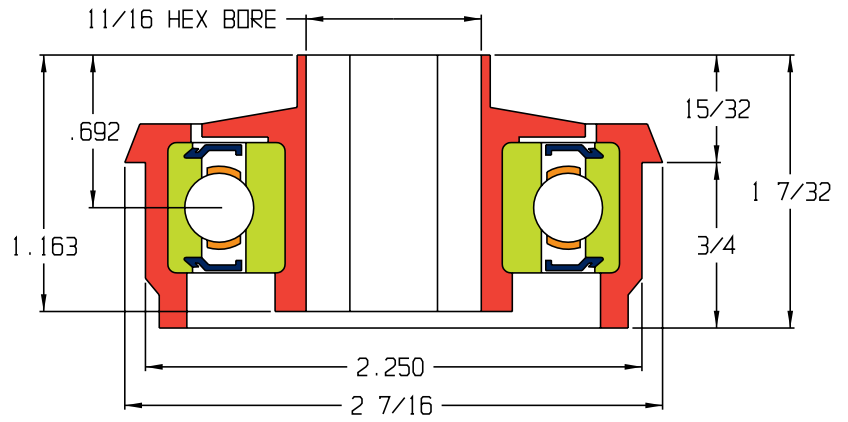
**POLYPROPYLENE HOUSED ABEC-1**



# POLYPROPYLENE HOUSED ABEC-1 PRECISION BEARINGS

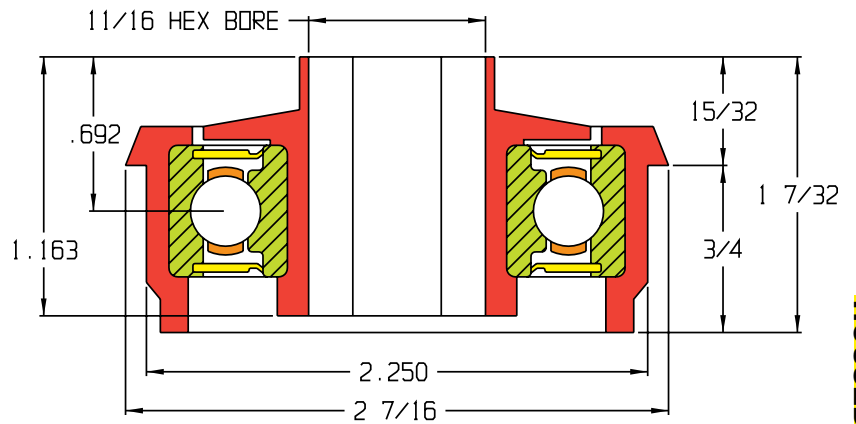
## 114202-GP

- ABEC-1 Precision
- 300 lb. load rating
- Polypropylene housing
- Temperature rating -10°F / 200°F
- Front & rear shields
- Ball retainer



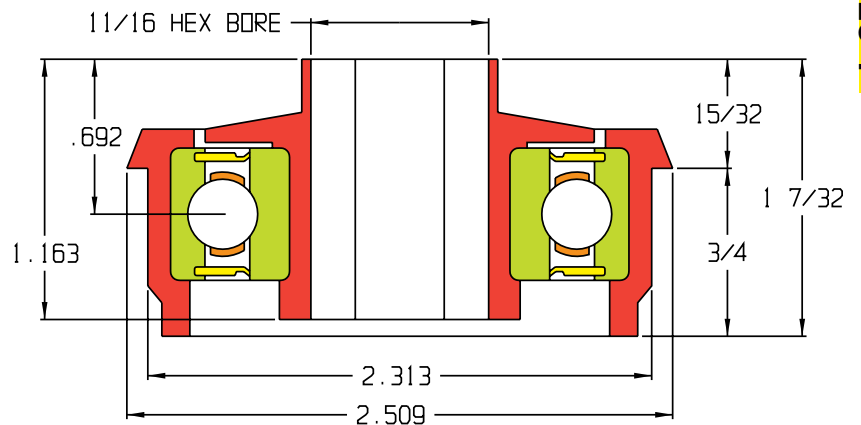
## 114237-GP

- ABEC-1 Precision
- 300 lb. load rating
- Polypropylene housing
- 440C Stainless Steel construction
- Temperature rating -10°F / 200°F
- Front & rear seals
- Ball retainer



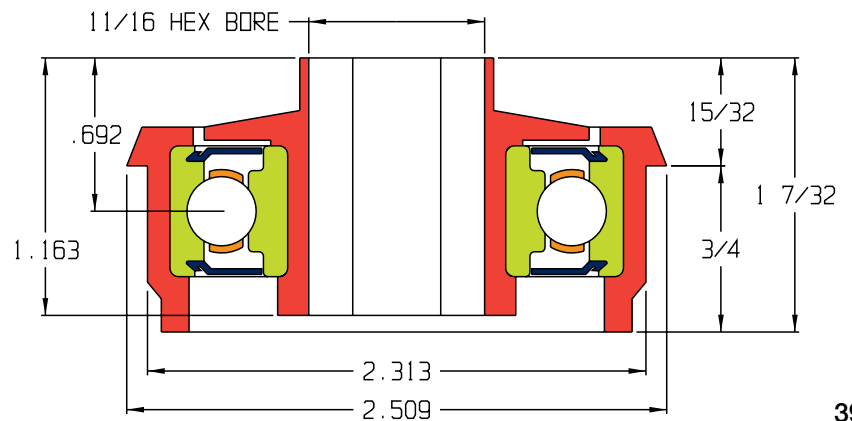
## 114199-GP

- ABEC-1 Precision
- 300 lb. load rating
- Polypropylene housing
- Temperature rating -10°F / 200°F
- Front & rear seals
- Ball retainer



## 114205-GP

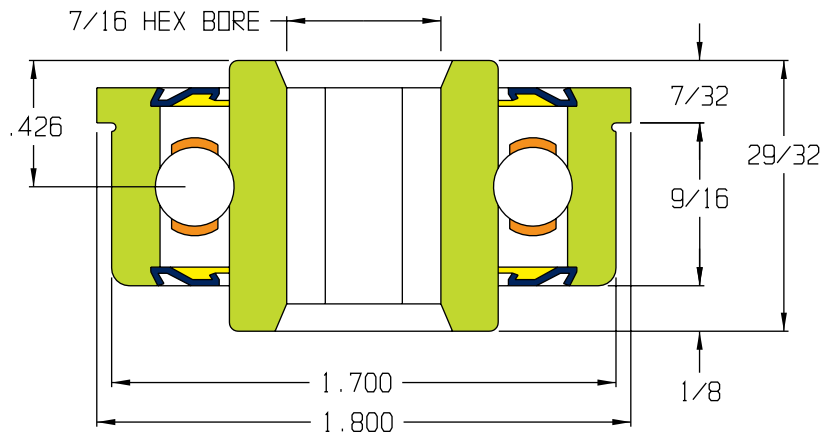
- ABEC-1 Precision
- 300 lb. load rating
- Polypropylene housing
- Temperature rating -10°F / 200°F
- Front & rear shields
- Ball retainer



POLYPROPYLENE  
HOUSED ABEC-1

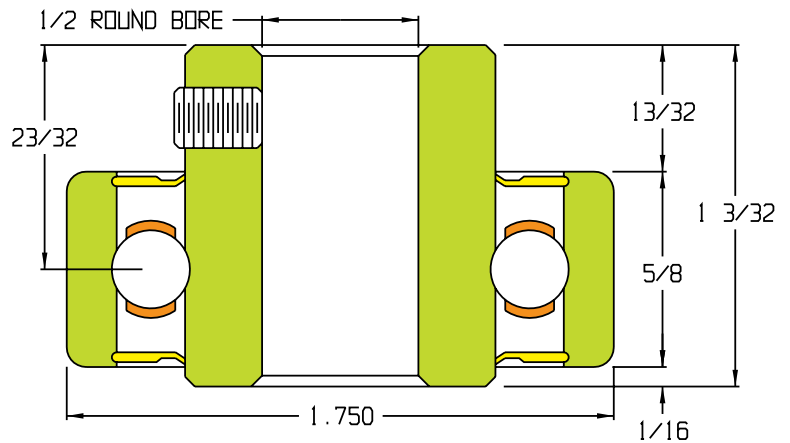
**114621-GP**

- ABEC-1 Precision
- Machined all metal housing
- Hardened chrome steel
- Precision ground finish
- 2150 lb. load rating
- Temperature rating -10°F / 225°F
- Front & rear seals
- Front & rear shields
- Ball retainer



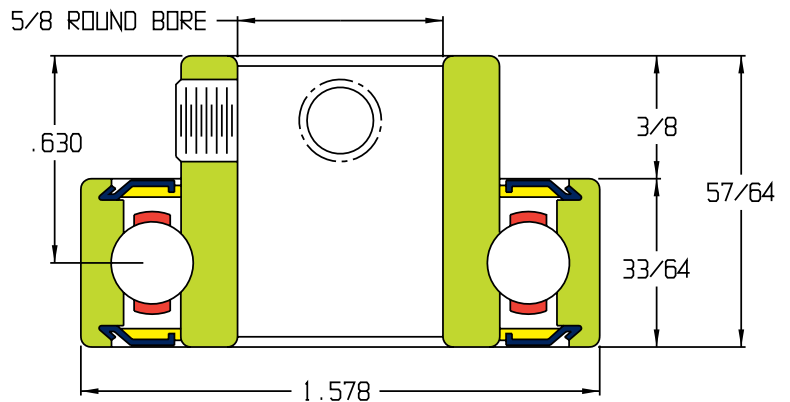
**114475-GP**

- ABEC-1 Precision
- Machined metal housing
- Hardened chrome steel
- Precision ground finish
- 2150 lb. load rating
- Oversized round bores
- Extended inner race with 2 set-screws
- Temperature rating -10°F / 225°F
- Front & rear nylon seals
- Ball retainer



**111433-GP**

- ABEC-1 Precision
- Machined metal housing
- Hardened chrome steel
- Precision ground finish
- 2160 lb. load rating
- Oversized round bores
- Extended inner race with 2 set-screws
- Temperature rating -10°F / 225°F
- Front & rear seals
- Front & rear shields
- Ball retainer

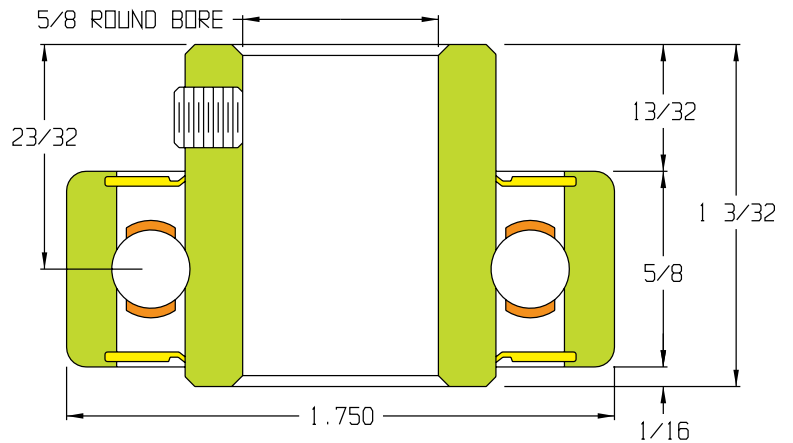


**ALL METAL ABEC-1**

## ALL METAL ABEC-1 PRECISION BEARINGS

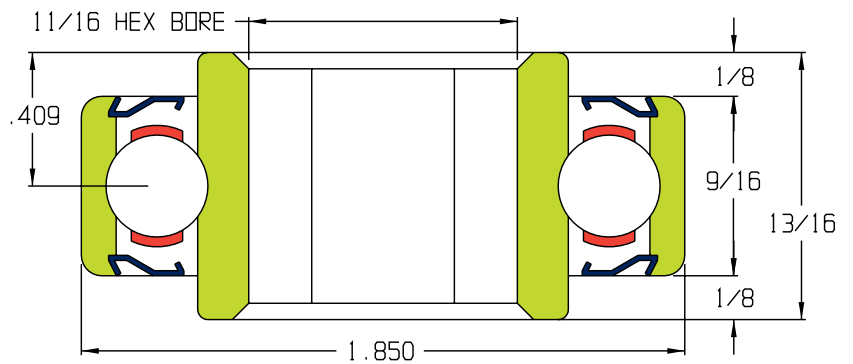
### 102187-GP

- ABEC-1 Precision
- Machined metal housing
- Hardened chrome steel
- Precision ground finish
- 2150 lb. load rating
- Oversized round bores
- Extended inner race with 2 set-screws
- Temperature rating -10°F / 225°F
- Front & rear synthetic rubber seal
- Ball retainer



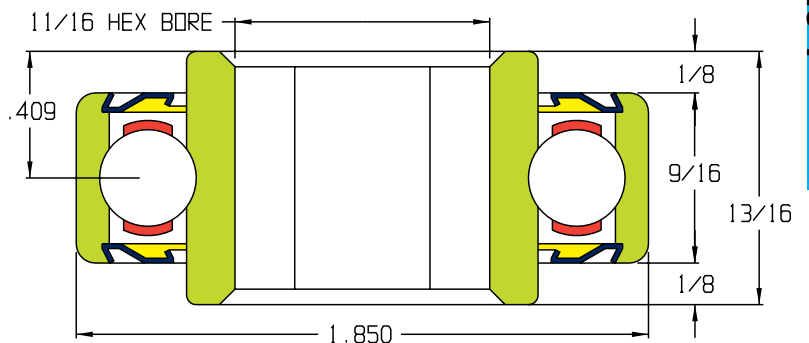
### 112798-O

- ABEC-1 Precision
- Machined metal housing
- Hardened chrome steel
- Precision ground finish
- 2150 lb. load rating
- Temperature rating -10°F / 225°F
- Front & rear shields
- Ball retainer



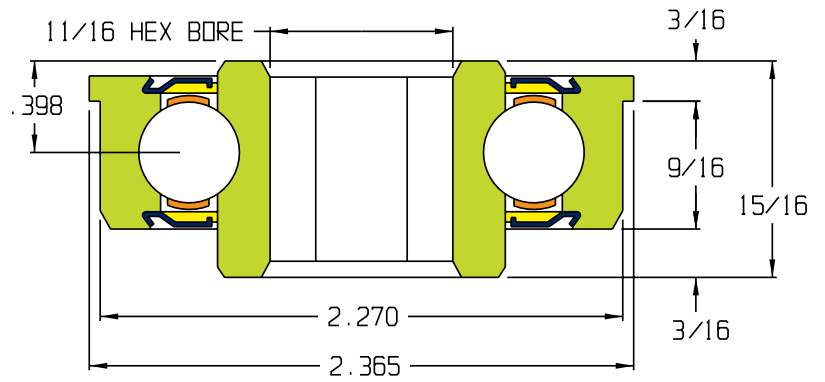
### 102191-GP

- ABEC-1 Precision
- Hardened chrome steel
- Precision ground finish
- 2150 lb. load rating
- Temperature rating -10°F / 225°F
- Front & rear seals
- Front & rear shields
- Ball retainer



### 114128-GP

- ABEC-1 Precision
- Machined all metal housing
- Hardened chrome steel
- Precision ground finish
- 2845 lb. load rating
- Temperature rating -10°F / 225°F
- Front & rear seals
- Front & back shields
- Ball retainer

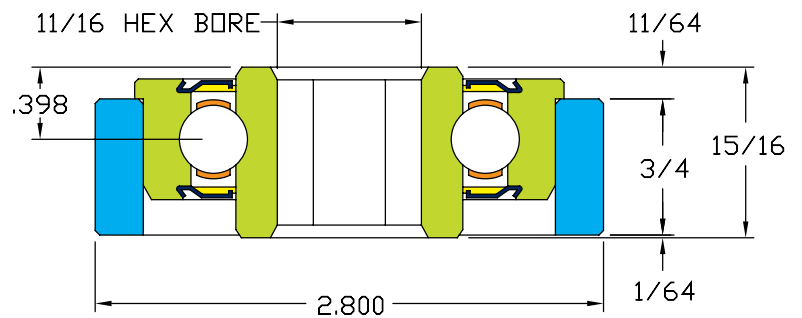


### 45149-GP

Bearing Part No.: 114128

Sleeve Part No.: 45133

- ABEC-1 Precision
- Machined all metal housing
- Hardened chrome steel
- Precision ground finish
- Metal adapter sleeve
- 2845 lb. load rating
- Temperature rating -10° / 225°F
- Front & rear shields
- Front & rear seals
- Ball retainer
- Replaceable

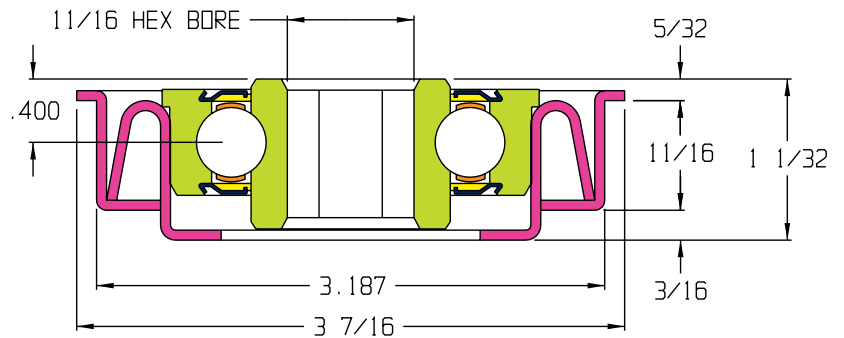


### 44881-GP

Bearing Part No.: 114128

Adapter No.: 102080

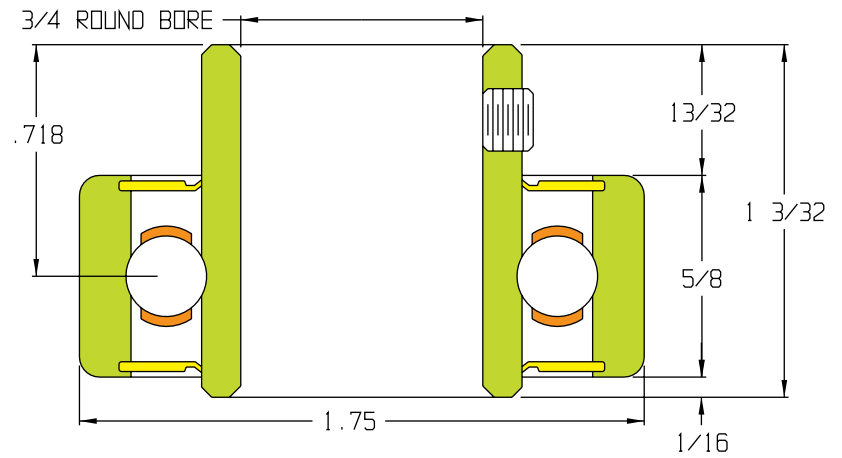
- ABEC-1 Precision
- Machined all metal housing
- Hardened chrome steel
- Precision ground finish
- Stamped metal adapter
- 2845 lb. load rating
- Temperature rating -10°F / 225°F
- Front & rear seals
- Front & back shields
- Ball retainer



## ALL METAL ABEC-1 PRECISION BEARINGS

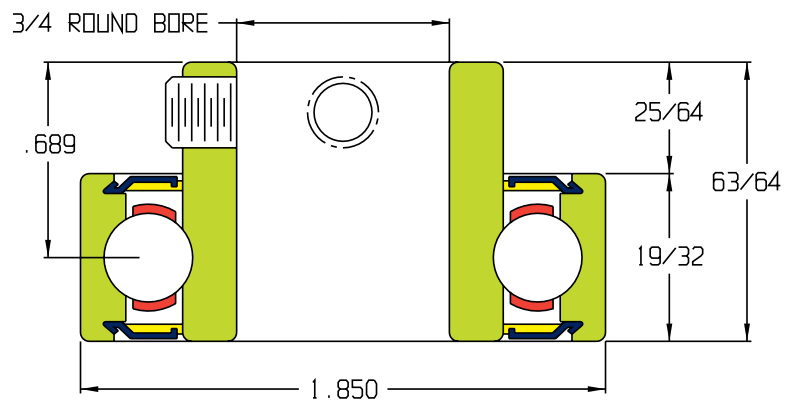
### 102186-GP

- ABEC-1 Precision
- Machined metal housing
- Hardened chrome steel
- Precision ground finish
- 2150 lb. load rating
- Oversized round bores
- Extended inner race with 2 set-screws
- Temperature rating -10°F / 225°F
- Front & rear synthetic rubber seals
- Ball retainer



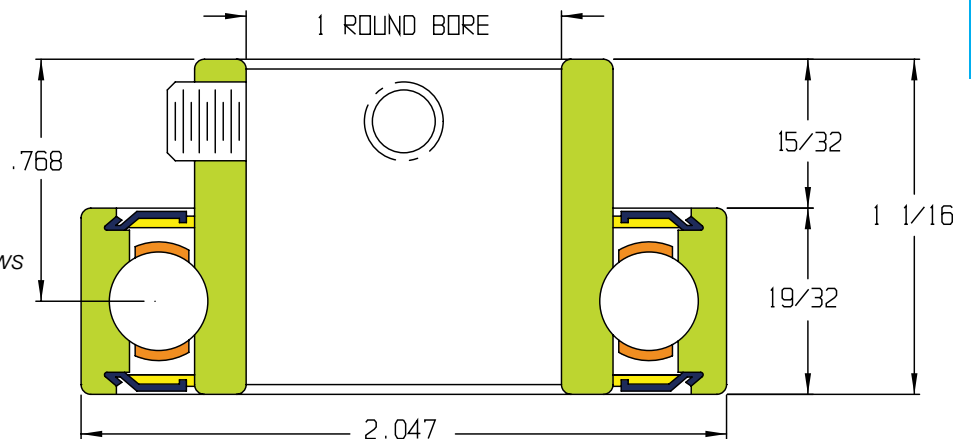
### 111434

- ABEC-1 Precision
- Machined metal housing
- Hardened chrome steel
- Precision ground finish
- 2900 lb. load rating
- Oversized round bores
- Extended inner race with 2 set-screws
- Temperature rating -10°F / 225°F
- Front & rear seals
- Front & rear shields
- Ball retainer



### 110346-GP

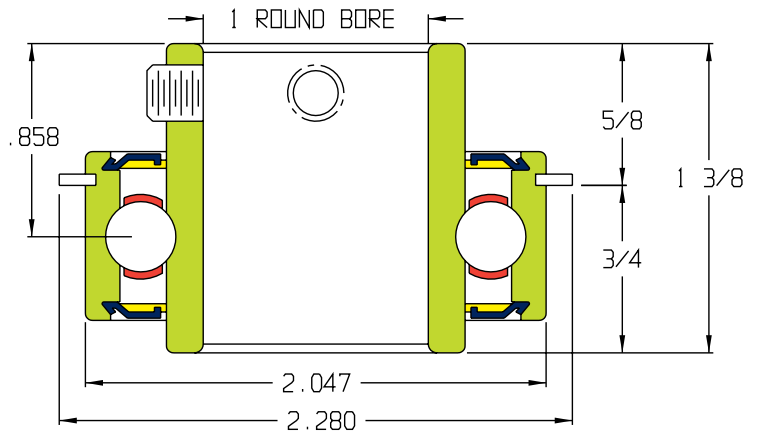
- ABEC-1 Precision
- Machined all metal housing
- Hardened chrome steel body
- Precision ground finish
- 3150 lb. load rating
- Extended inner race with 2 set-screws
- Temperature rating -10°F / 225°F
- Front & rear rubber seals
- Front & rear shields
- Ball retainer
- Replaceable



ALL METAL  
ABEC-1

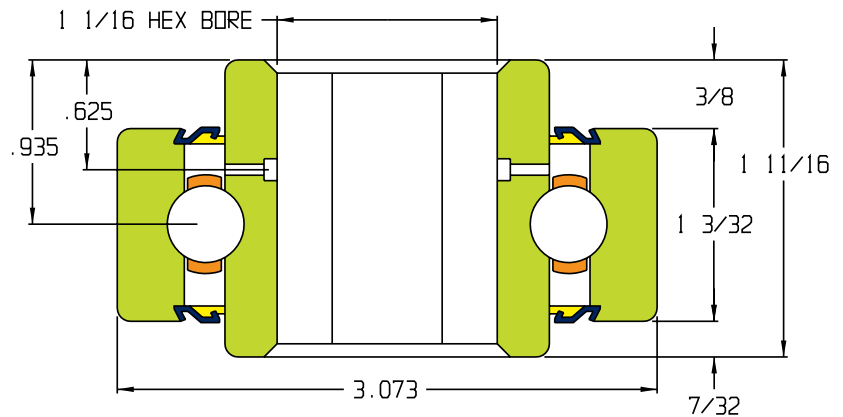
### 113124-GP

- ABEC-1 Precision
- Machined metal housing
- Hardened chrome steel
- Precision ground finish
- 3150 lb. load rating
- Oversized round bores
- Extended inner race with 2 set-screws
- Temperature rating -10°F / 225°F
- Front & rear seals
- Front & rear shields
- Ball retainer



### 114249-GP

- ABEC-1 Precision
- Machined all metal housing
- Hardened chrome steel
- Precision ground finish
- 4000 lb. load rating
- Temperature rating -10°F / 225°F
- Front & rear seals
- Front & rear shields
- Ball retainer
- Regreaseable

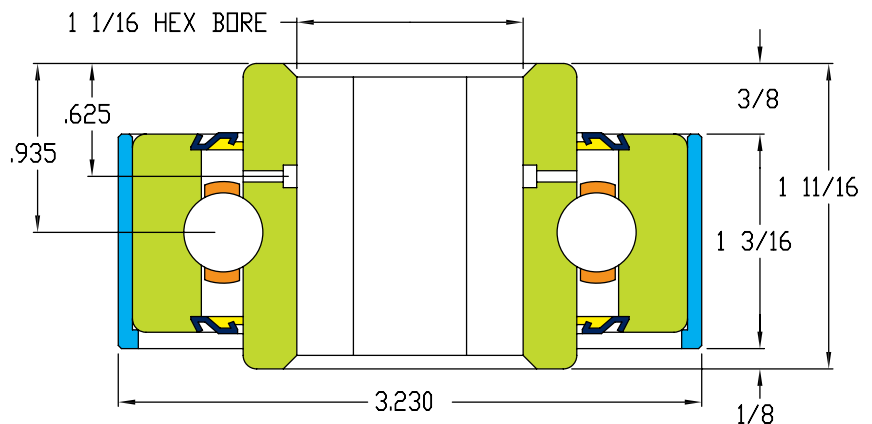


### 45054-GP

Bearing Part No.: 114249-GP

Sleeve Part No.: 45052

- ABEC-1 Precision
- Hardened chrome steel
- Precision ground finish
- Metal adapter sleeve
- 4000 lb. load rating
- Temperature rating -10°F / 225°F
- Front & rear seals
- Front & rear shields
- Ball retainer
- Regreaseable
- Replaceable



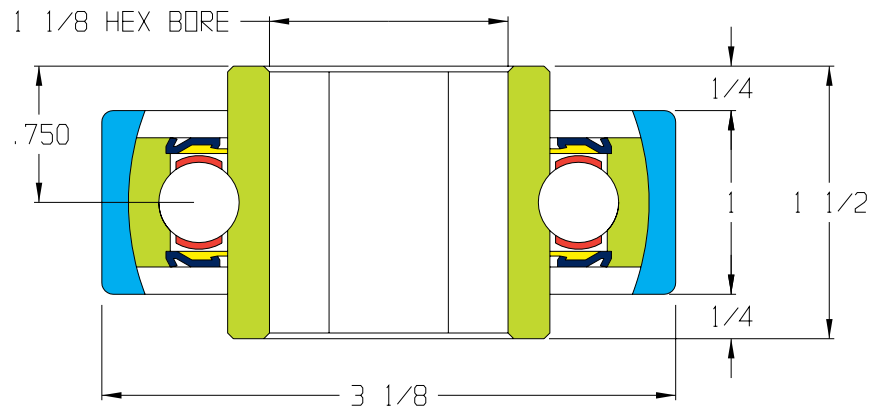
## ALL METAL ABEC-1 PRECISION BEARINGS

### 27949

Bearing Part No.: 102220-GP

Sleeve Part No.: 24863

- ABEC-1 Precision
- Hardened chrome steel
- Precision ground finish
- Spherical all metal body
- Metal adapter sleeve
- 5770 lb. load rating
- Temperature rating -10°F / 225°F
- Front & rear synthetic rubber seals
- Front & rear shields
- Ball retainer
- Replaceable

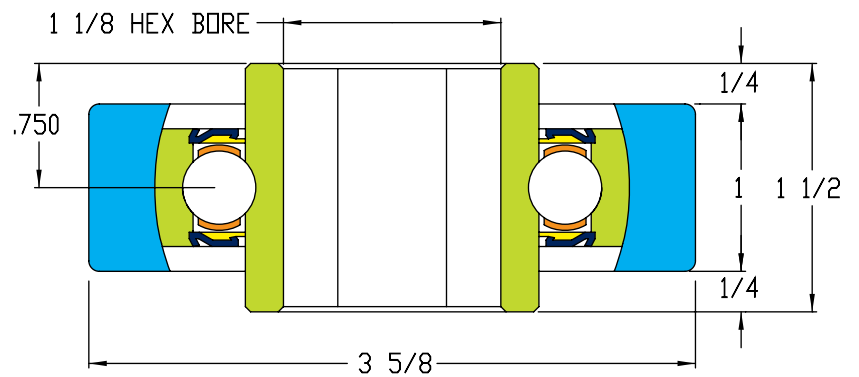


### 45102-GP

Bearing Part No.: 102220-GP

Sleeve Part No.: 24865

- ABEC-1 Precision
- Hardened chrome steel
- Precision ground finish
- Spherical all metal body
- Metal adapter sleeve
- 5770 lb. load rating
- Temperature rating -10°F / 225°F
- Front & rear rubber seals
- Front & rear shields
- Ball retainer
- Replaceable



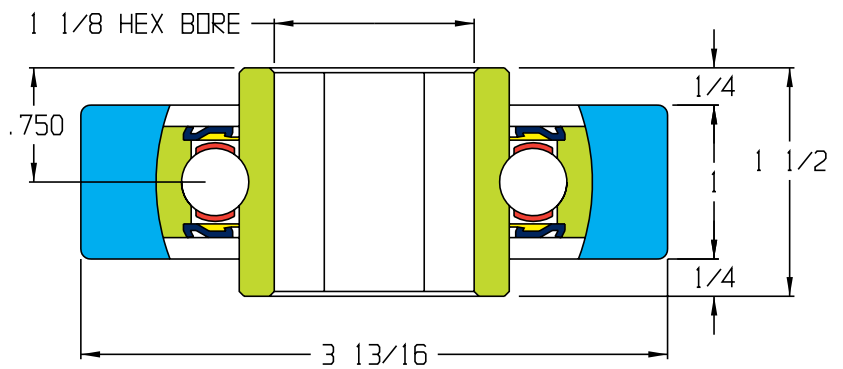
## ALL METAL ABEC-1 PRECISION BEARINGS

### 27956

Bearing Part No.: 102220-GP

Sleeve Part No.: 27966

- ABEC-1 Precision
- Hardened chrome steel
- Precision ground finish
- Spherical all metal body
- Metal adapter sleeve
- 5770 lb. load rating
- Temperature rating -10°F / 225°F
- Front & rear synthetic rubber seal
- Front & rear shield
- Ball retainer
- Replaceable

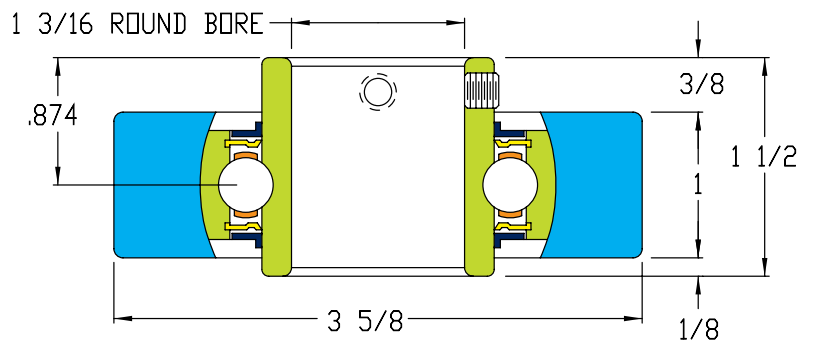


### 45101-GP

Bearing Part No.: 102216-GP

Sleeve Part No.: 45100

- ABEC-1 Precision
- Hardened chrome steel
- Precision ground finish
- Spherical all metal body
- Metal adapter sleeve
- Extended inner race with 2 set-screws
- 4370 lb. load rating
- Temperature rating -10°F / 225°F
- Front & rear rubber seals
- Front & rear shields
- Ball retainer
- Replaceable





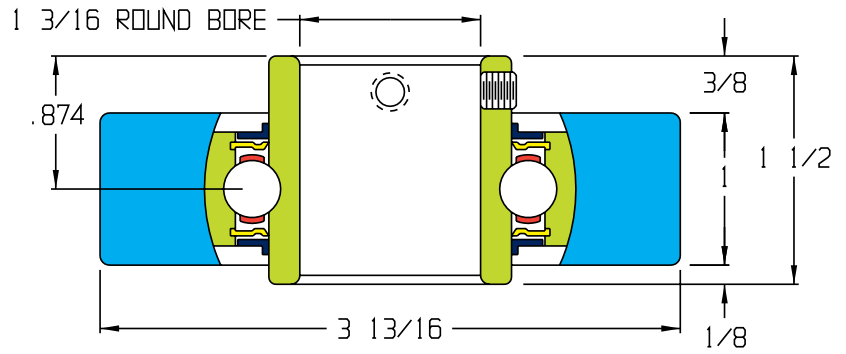
## ALL METAL ABEC-1 PRECISION BEARINGS

### 27957

Bearing Part No.: 102216-GP

Sleeve Part No.: 27972

- ABEC-1 Precision
- Hardened chrome steel
- Precision ground finish
- Spherical all metal body
- Metal adapter sleeve
- Extended inner race with 2 set-screws
- 4370 lb. load rating
- Temperature rating -10°F / 225°F
- Front & rear synthetic rubber seals
- Front & rear shields
- Ball retainer
- Replaceable

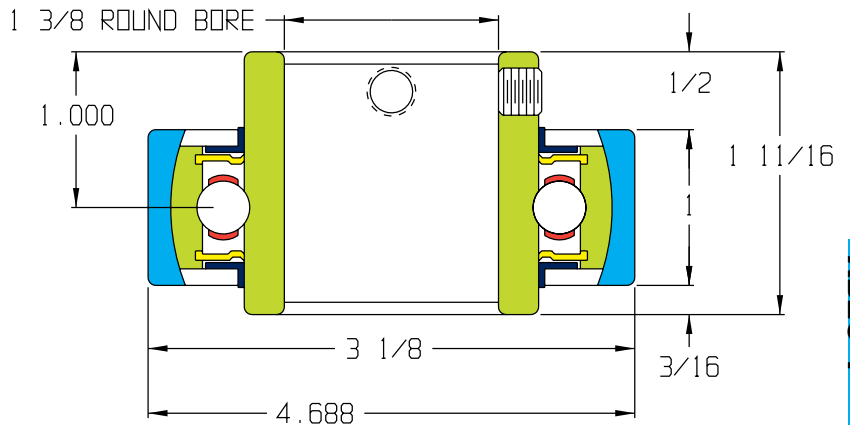


### 27951

Bearing Part No.: 102215-GP

Sleeve Part No.: 24863

- ABEC-1 Precision
- Hardened chrome steel
- Precision ground finish
- Spherical all metal body
- Metal adapter sleeve
- Extended inner race with 2 set-screws
- 5770 lb. load rating
- Temperature rating -10°F / 225°F
- Front & rear synthetic rubber seals
- Front & rear shields
- Ball retainer
- Replaceable



ALL METAL  
ABEC-1

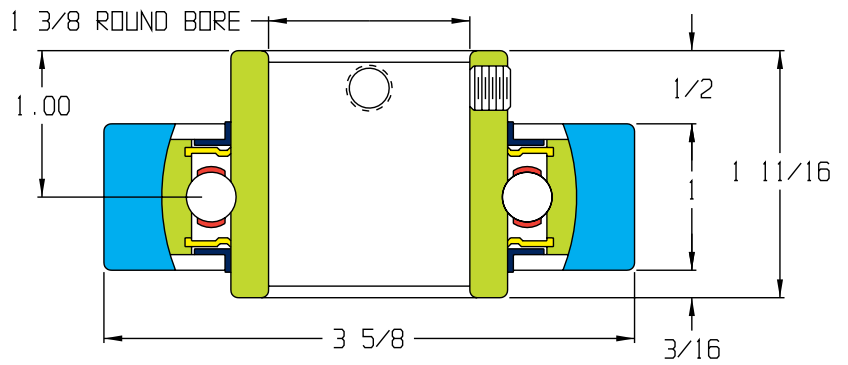
**ALL METAL ABEC-1 PRECISION BEARINGS**

**27955**

Bearing Part No.: 102215-GP

Sleeve Part No.: 24865

- ABEC-1 Precision
- Hardened chrome steel
- Precision ground finish
- Spherical all metal body
- Metal adapter sleeve
- Extended inner race with 2 set-screws
- 5770 lb. load rating
- Temperature rating -10°F / 225°F
- Front & rear synthetic rubber seals
- Front & rear shields
- Ball retainer
- Replaceable

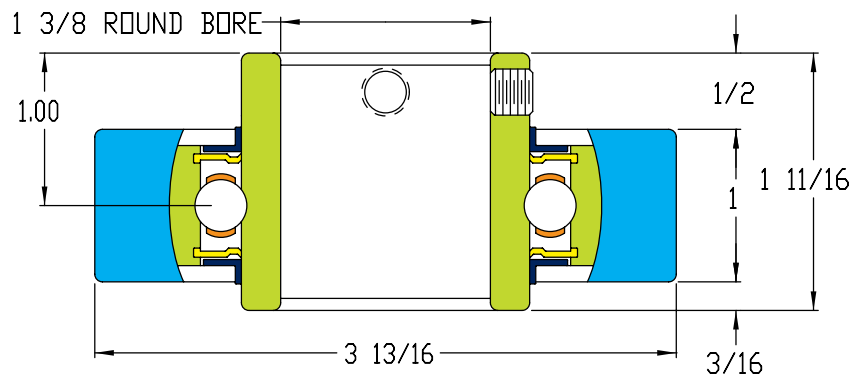


**45104-GP**

Bearing Part No.: 102215-GP

Sleeve Part No.: 27966

- ABEC-1 Precision
- Hardened chrome steel
- Precision ground finish
- Spherical all metal body
- Metal adapter sleeve
- Extended inner race with 2 set-screws
- 5770 lb. load rating
- Temperature rating -10°F / 225°F
- Front & rear rubber seals
- Front & rear shields
- Ball retainer
- Replaceable



ALL METAL  
ABEC-1

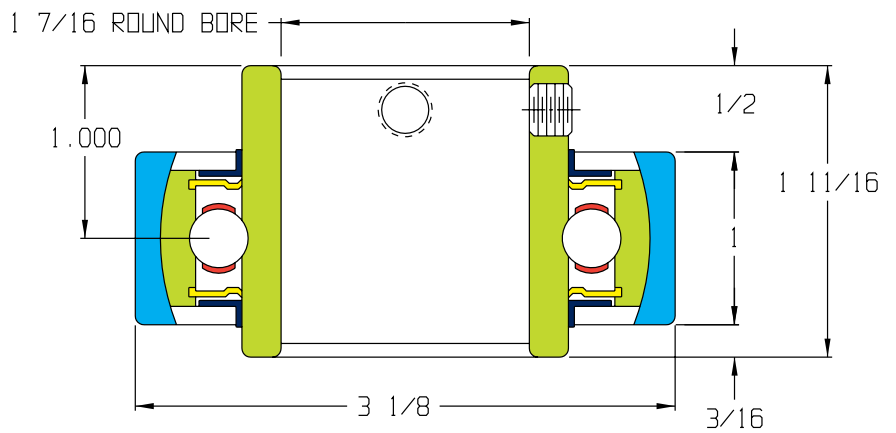
## ALL METAL ABEC-1 PRECISION BEARINGS

### 24862

Bearing Part No.: 102147-GP

Sleeve Part No.: 24863

- ABEC-1 Precision
- Hardened chrome steel
- Precision ground finish
- Spherical all metal body
- Metal adapter sleeve
- Extended inner race with 2 set-screws
- 5770 lb. load rating
- Temperature rating -10°F / 225°F
- Front & rear synthetic rubber seals
- Front & rear shields
- Ball retainer
- Replaceable

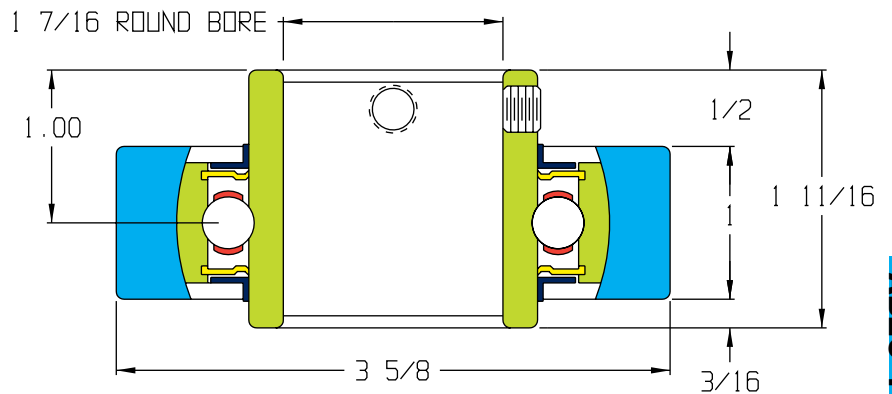


### 24864

Bearing Part No.: 102147-GP

Sleeve Part No.: 24865

- ABEC-1 Precision
- Hardened chrome steel
- Precision ground finish
- Spherical all metal body
- Metal adapter sleeve
- Extended inner race with 2 set-screws
- 5770 lb. load rating
- Temperature rating -10°F / 225°F
- Front & rear synthetic rubber seals
- Front & rear shields
- Ball retainer
- Replaceable



ALL METAL  
ABEC-1

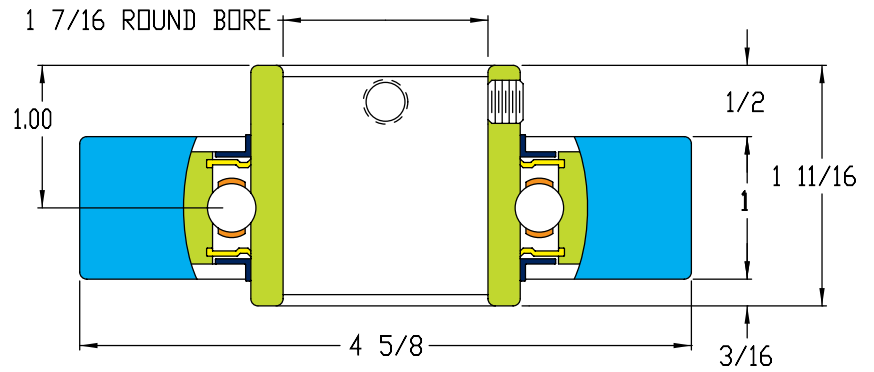
**ALL METAL ABEC-1 PRECISION BEARINGS**

**45103-GP**

Bearing Part No.: 102147-GP

Sleeve Part No.: 27966

- ABEC-1 Precision
- Hardened chrome steel
- Precision ground finish
- Spherical all metal body
- Metal adapter sleeve
- Extended inner race with 2 set-screws
- 5770 lb. load rating
- Temperature rating -10°F / 225°F
- Front & rear rubber seals
- Front & rear shields
- Ball retainer
- Replaceable

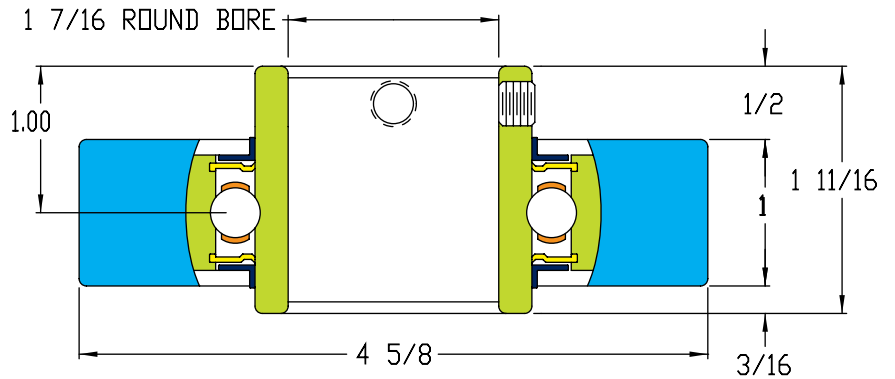


**45082-GP**

Bearing Part No.: 102147-GP

Sleeve Part No.: 45078

- ABEC-1 Precision
- Hardened chrome steel
- Precision ground finish
- Spherical all metal body
- Metal adapter sleeve
- Extended inner race with 2 set-screws
- 5770 lb. load rating
- Temperature rating -10°F / 225°F
- Front & rear rubber seals
- Front & rear shields
- Ball retainer
- Replaceable



**ALL METAL ABEC-1**

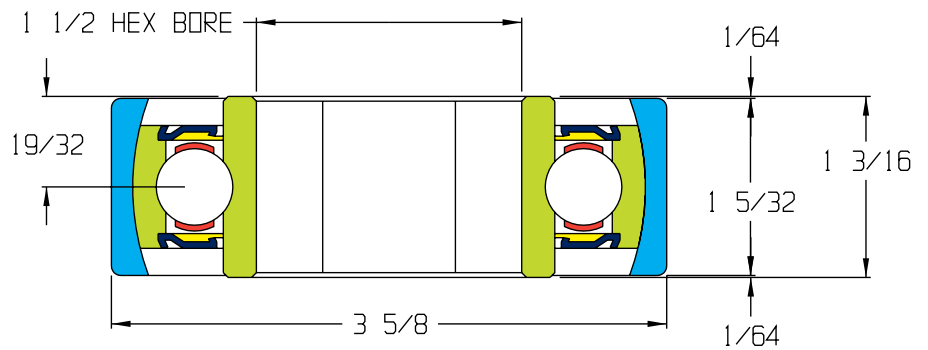
## ALL METAL ABEC-1 PRECISION BEARINGS

### 27953

Bearing Part No.: 102222-GP

Sleeve Part No.: 26839

- ABEC-1 Precision
- Machined all metal housing
- Hardened chrome steel
- Precision ground finish
- Spherical body with adapter sleeve
- 7350 lb. load rating
- Temperature rating -10°F / 225°F
- Front & rear synthetic rubber seals
- Front & rear shields
- Ball retainer
- Replaceable

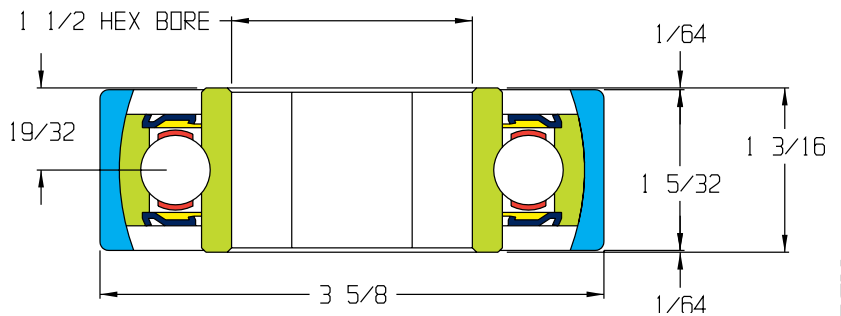


### 27958

Bearing Part No.: 102222-GP

Sleeve Part No.: 27967

- ABEC-1 Precision
- Hardened chrome steel
- Precision ground finish
- Spherical all metal body
- Metal adapter sleeve
- 7350 lb. load rating
- Temperature rating -10°F / 225°F
- Front & rear synthetic rubber seals
- Front & rear shields
- Ball retainer
- Replaceable



ALL METAL  
ABEC-1

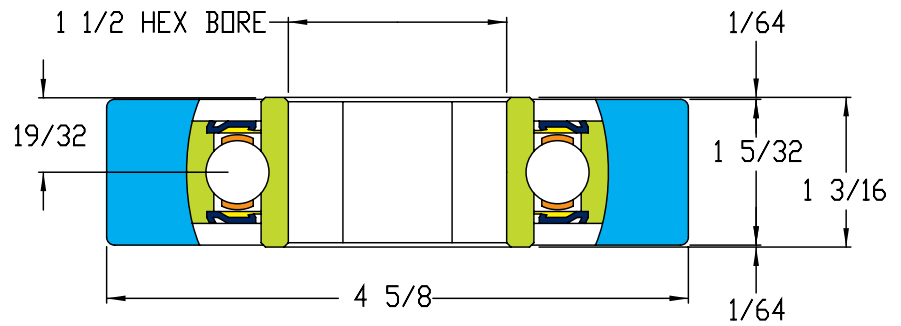
## ALL METAL ABEC-1 PRECISION BEARINGS

### 45081-GP

Bearing Part No.: 102222-GP

Sleeve Part No.: 45079

- ABEC-1 Precision
- Hardened chrome steel
- Precision ground finish
- Spherical all metal body
- Metal adapter sleeve
- 7350 lb. load rating
- Temperature rating -10°F / 225°F
- Front & rear rubber seals
- Front & rear shields
- Ball retainer
- Replaceable

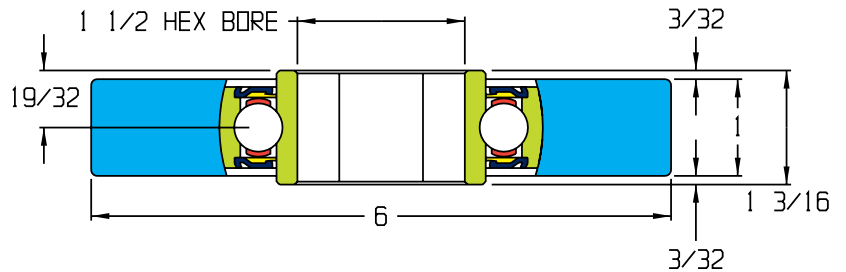


### 27963

Bearing Part No.: 102222-GP

Sleeve Part No.: 27970

- ABEC-1 Precision
- Hardened chrome steel
- Precision ground finish
- Spherical all metal body
- Metal adapter sleeve
- 7350 lb. load rating
- Temperature rating -10°F / 225°F
- Front & rear synthetic rubber seals
- Front & rear shields
- Ball retainer
- Replaceable



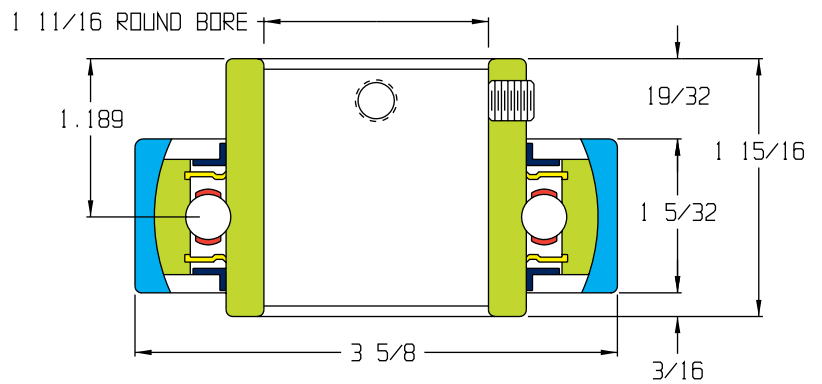
## ALL METAL ABEC-1 PRECISION BEARINGS

### 26838

Bearing Part No.: 102165-GP

Sleeve Part No.: 26839

- ABEC-1 Precision
- Hardened chrome steel
- Precision ground finish
- Spherical all metal body
- Metal adapter sleeve
- Extended inner race with 2 set-screws
- 7350 lb. load rating
- Temperature rating -10°F / 225°F
- Front & rear synthetic rubber seals
- Front & rear shields
- Ball retainer
- Replaceable

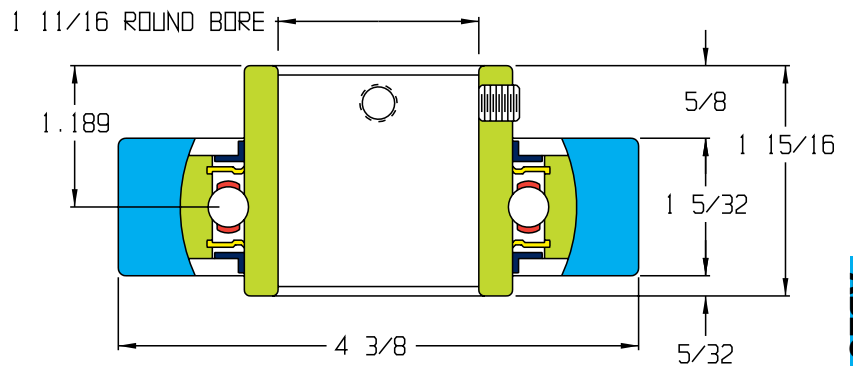


### 27959

Bearing Part No.: 102165-GP

Sleeve Part No.: 27967

- ABEC-1 Precision
- Hardened chrome steel
- Precision ground finish
- Spherical all metal body
- Metal adapter sleeve
- Extended inner race with 2 set-screws
- 7350 lb. load rating
- Temperature rating -10°F / 225°F
- Front & rear synthetic rubber seals
- Front & rear shields
- Ball retainer
- Replaceable



ALL METAL  
ABEC-1

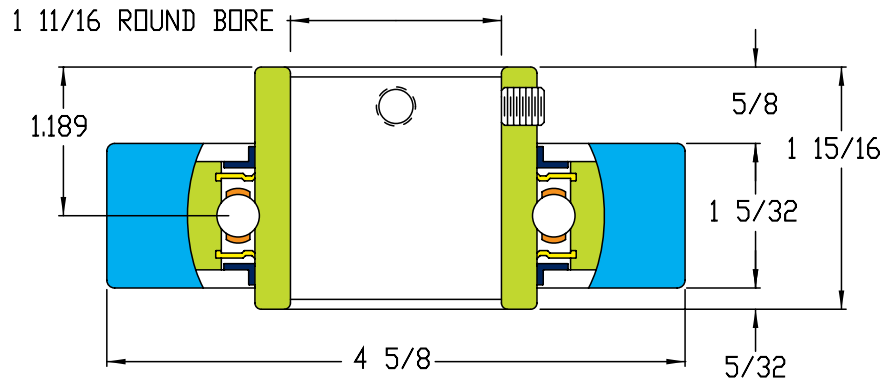
## ALL METAL ABEC-1 PRECISION BEARINGS

### 45080-GP

Bearing Part No.: 102165-GP

Sleeve Part No.: 45079

- ABEC-1 Precision
- Hardened chrome steel
- Precision ground finish
- Spherical all metal body
- Metal adapter sleeve
- Extended inner race with 2 set-screws
- 7350 lb. load rating
- Temperature rating -10°F / 225°F
- Front & rear rubber seals
- Front & rear shields
- Ball retainer
- Replaceable

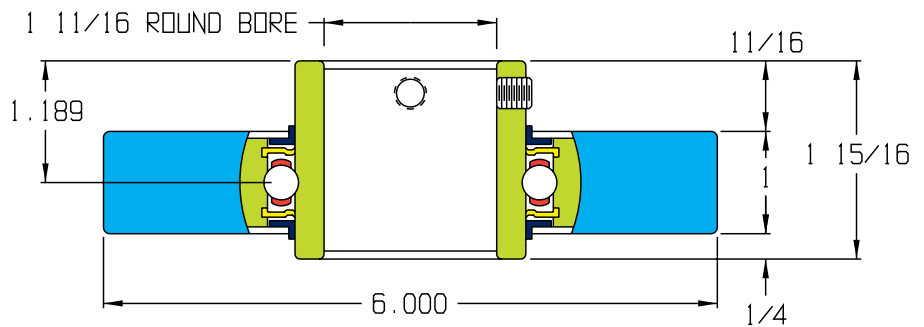


### 27964

Bearing Part No.: 102165-GP

Sleeve Part No.: 27970

- ABEC-1 Precision
- Hardened chrome steel
- Precision ground finish
- Spherical all metal body
- Metal adapter sleeve
- Extended inner race with 2 set-screws
- 7350 lb. load rating
- Temperature rating -10°F / 225°F
- Front & rear synthetic rubber seals
- Front & rear shields
- Ball retainer
- Replaceable



ALL METAL  
ABEC-1



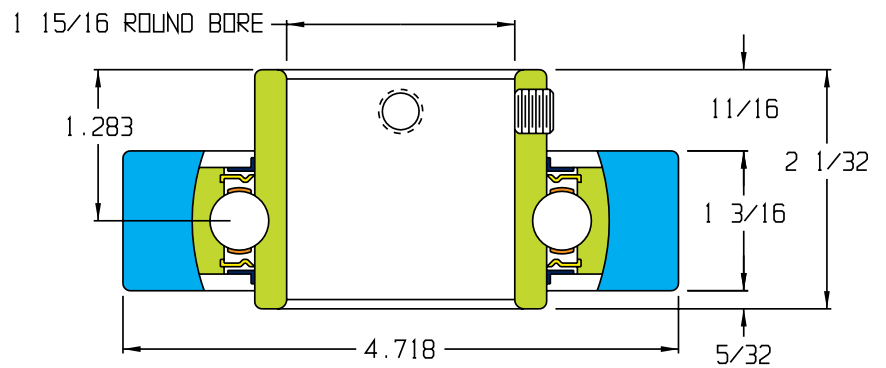
## ALL METAL ABEC-1 PRECISION BEARINGS

### 27960

Bearing Part No.: 102217-GP

Sleeve Part No.: 27968

- ABEC-1 Precision
- Hardened chrome steel
- Precision ground finish
- Spherical all metal body
- Metal adapter sleeve
- Extended inner race with 2 set-screws
- 7880 lb. load rating
- Temperature rating -10°F / 225°F
- Front & rear synthetic rubber seals
- Front & rear shields
- Ball retainer
- Replaceable

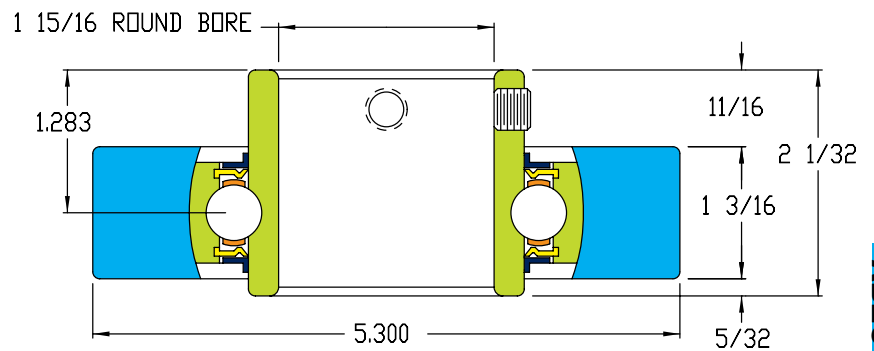


### 45067-GP

Bearing Part No.: 102217-GP

Sleeve Part No.: 45065

- ABEC-1 Precision
- Hardened chrome steel
- Precision ground finish
- Spherical all metal body
- Metal adapter sleeve
- 7880 lb. load rating
- Extended inner race with 2 set-screws
- Temperature rating -10°F / 225°F
- Front & rear rubber seals
- Front & rear shields
- Ball retainer
- Replaceable



ALL METAL  
ABEC-1

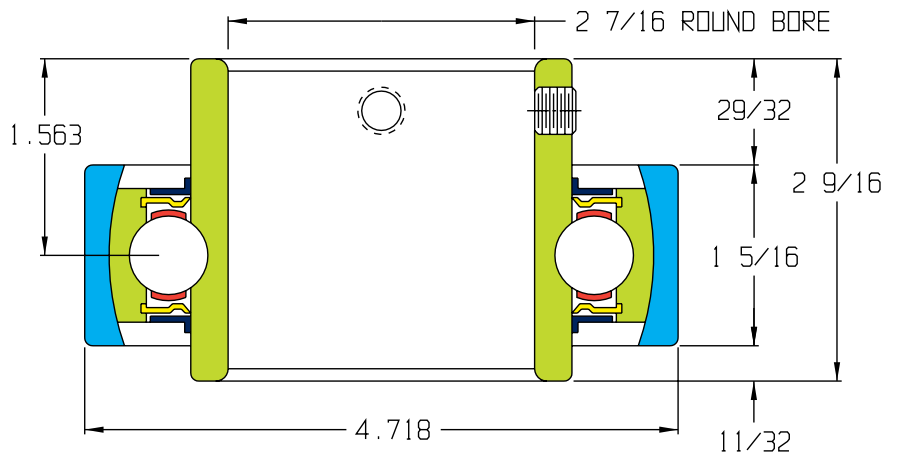
## ALL METAL ABEC-1 PRECISION BEARINGS

### 27962

Bearing Part No.: 102218-GP

Sleeve Part No.: 27969

- ABEC-1 Precision
- Hardened chrome steel
- Precision ground finish
- Spherical all metal body
- Metal adapter sleeve
- Extended inner race with 2 set-screws
- 13980 lb. load rating
- Temperature rating -10°F / 225°F
- Front & rear synthetic rubber seals
- Front & rear shields
- Ball retainer
- Replaceable

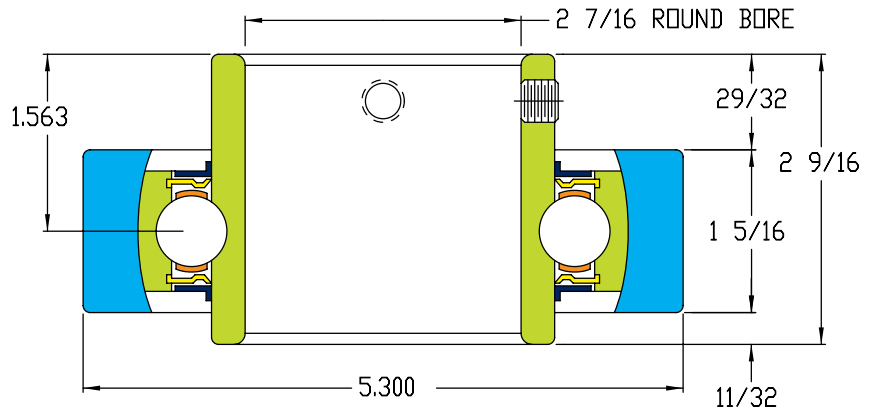


### 45068-GP

Bearing Part No.: 102218-GP

Sleeve Part No.: 45066

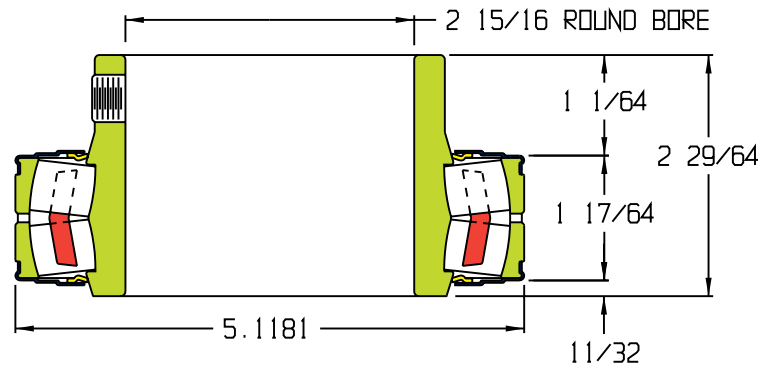
- ABEC-1 Precision
- Hardened chrome steel
- Precision ground finish
- Spherical all metal body
- Metal adapter sleeve
- Extended inner race with 2 set-screws
- 13980 lb. load rating
- Temperature rating -10°F / 225°F
- Front & rear rubber seals
- Front & rear shields
- Ball retainer
- Replaceable



## ALL METAL ABEC-1 PRECISION BEARINGS

### 102203-GP

- ABEC-1 Precision
- Machined metal housing
- Hardened chrome steel
- Precision ground finish
- Double row of rolling elements
- 41500 lb. load rating
- Extended inner race with 2 set-screws
- Front & rear nylon seals
- Front & rear shields
- Ball retainer

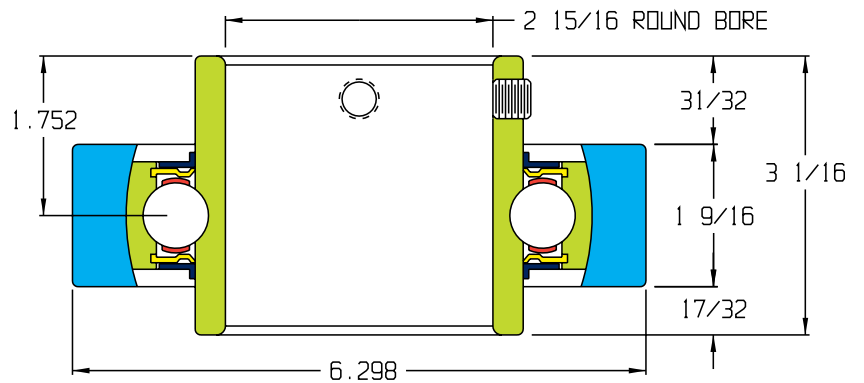


### 27965

Bearing Part No.: 102219-GP

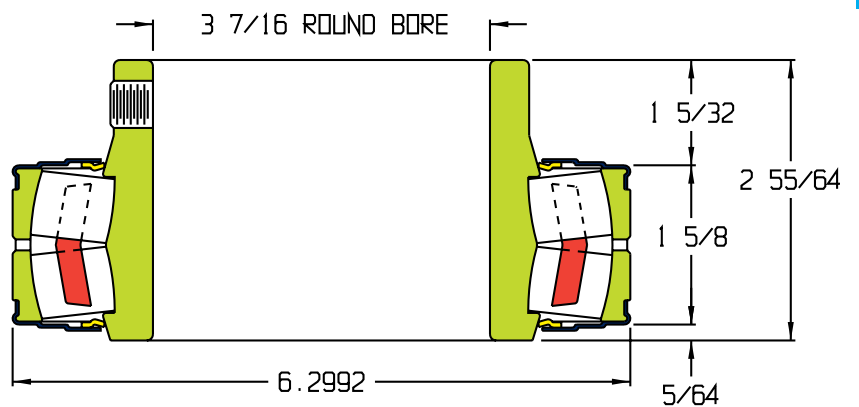
Sleeve Part No.: 27971

- ABEC-1 Precision
- Hardened chrome steel
- Precision ground finish
- Spherical all metal body
- Metal adapter sleeve
- Extended inner race with 2 set-screws
- 14830 lb. load rating
- Temperature rating -10°F / 225°F
- Front & rear synthetic rubber seals
- Front & rear shields
- Ball retainer
- Replaceable



### 102204-GP

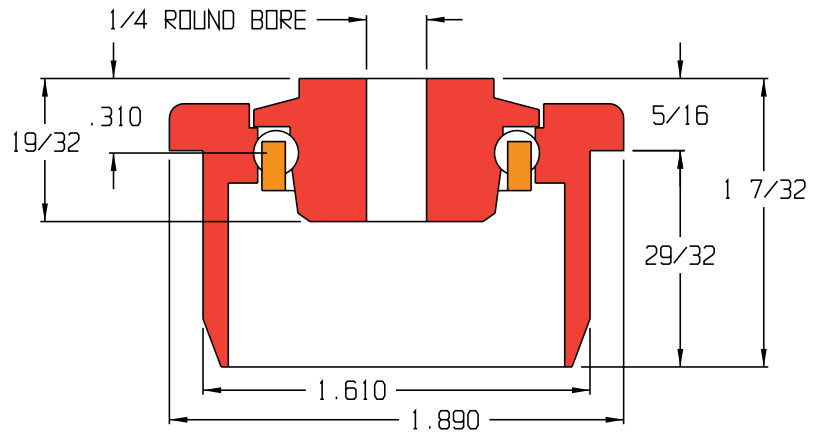
- ABEC-1 Precision
- Machined metal housing
- Hardened chrome steel
- Precision ground finish
- Double row of rolling elements
- 64000 lb. load rating
- Extended inner race with 2 set-screws
- Front & rear nylon seals
- Front & rear shields
- Ball retainer



## PLASTIC BEARINGS

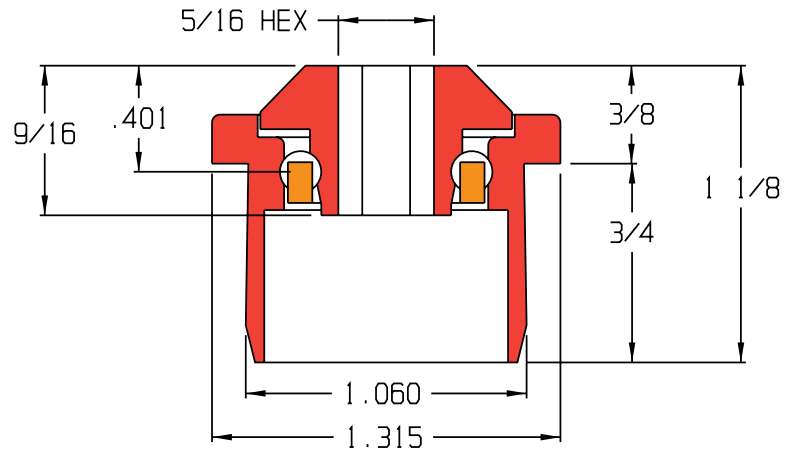
### 115275

- Molded plastic bodies
- 420 Stainless steel balls
- No lubrication required
- 40 lb. load rating
- Temperature rating -122°F / 212°F
- Ball retainer



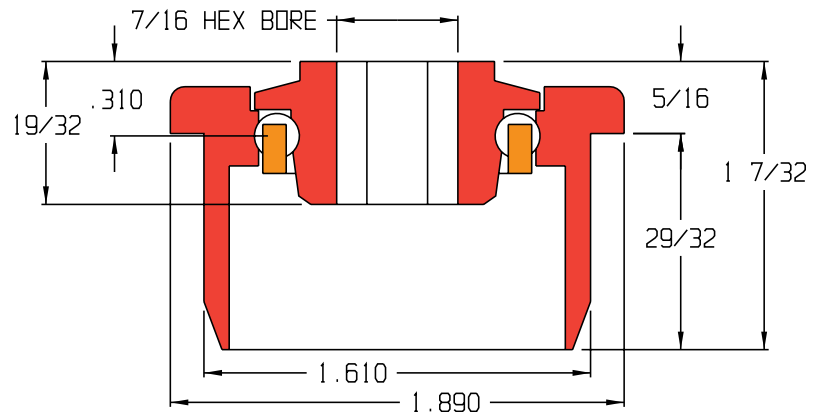
### 114625

- Molded plastic bodies
- 420 Stainless steel balls
- No lubrication required
- 40 lb. load rating
- Temperature rating -122°F / 212°F
- Ball retainer



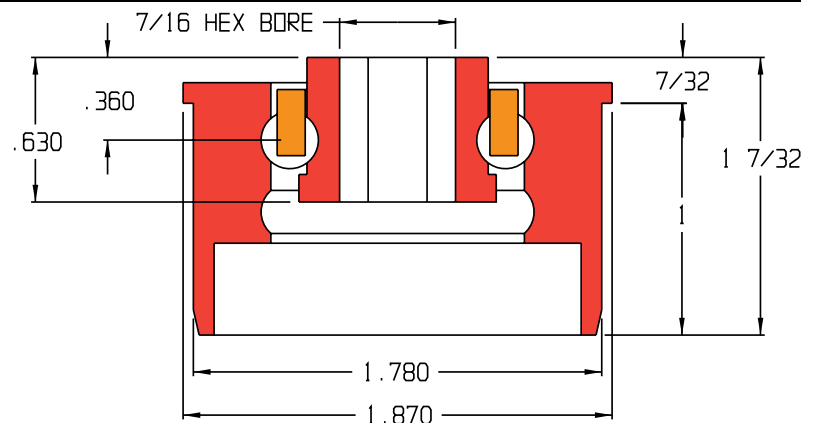
### 114624

- Molded plastic bodies
- 420 Stainless steel balls
- No lubrication required
- 40 lb. load rating
- Temperature rating -122°F / 212°F
- Ball retainer



### 115178

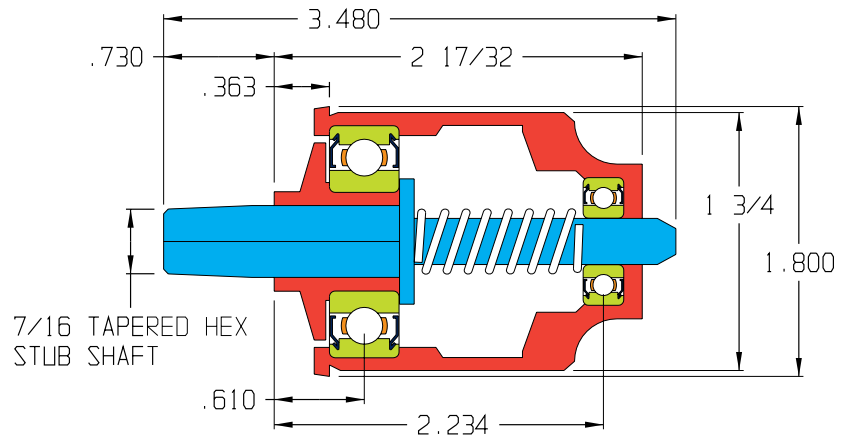
- Molded plastic bodies
- 420 Stainless steel balls
- No lubrication required
- 69 lb. load rating
- Temperature rating up to 180°F
- Nylon ball retainer



# FRAMESAVER CARTRIDGES

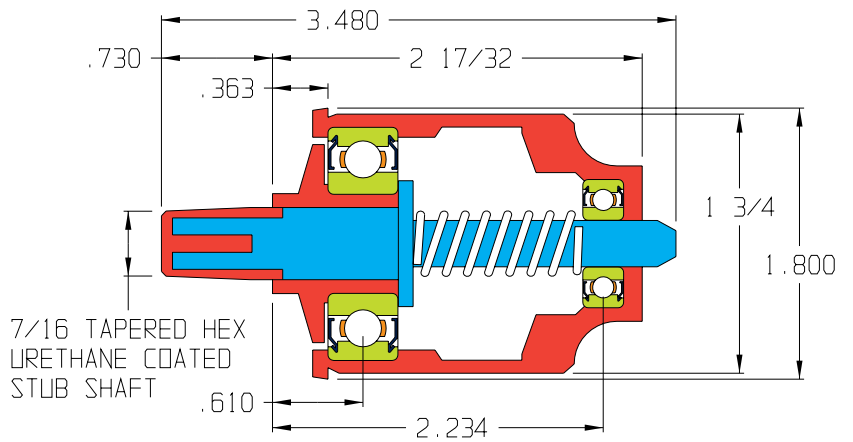
## 114206-GP

- (2) ABEC-1 Precision bearings
- Spring loaded stub axle
- Sintered bronze axle shaft
- Tapered hex axle shape
- Polypropylene housing
- 105 lb. load rating
- Temperature rating -10°F / 200°F
- Front & rear shields on both bearings



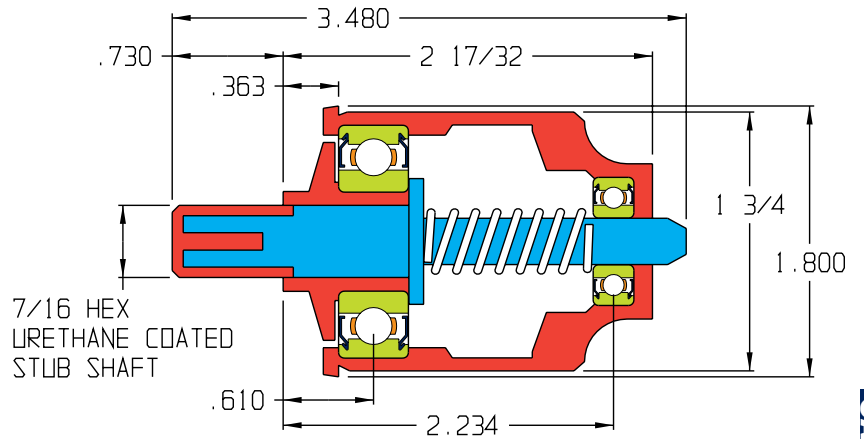
## 115270-GP

- (2) ABEC-1 Precision bearings
- Spring loaded stub axle
- Urethane coated axle shaft
- Tapered hex axle shape
- Polypropylene housing
- 105 lb. load rating
- Temperature rating -10°F / 200°F
- Front & rear shields on both bearings



## 115271-GP

- (2) ABEC-1 Precision bearings
- Spring loaded stub axle
- Urethane coated axle shaft
- Straight hex axle shape
- Polypropylene housing
- 105 lb. load rating
- Temperature rating -10°F / 200°F
- Front & rear shields on both bearings







**OmniMetalcraft**corp.

P.O. Box 352 ■ Alpena, Michigan 49707  
Phone 989.358.7000  
Fax 989.358.7020  
info@omni.com  
www.omni.com