

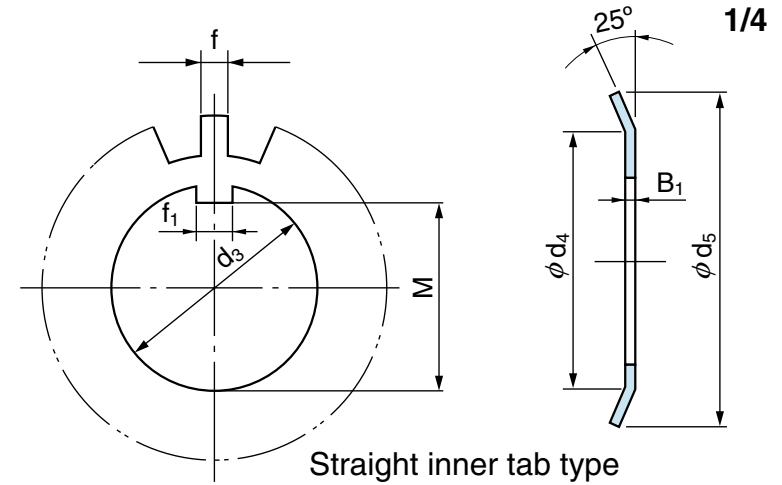
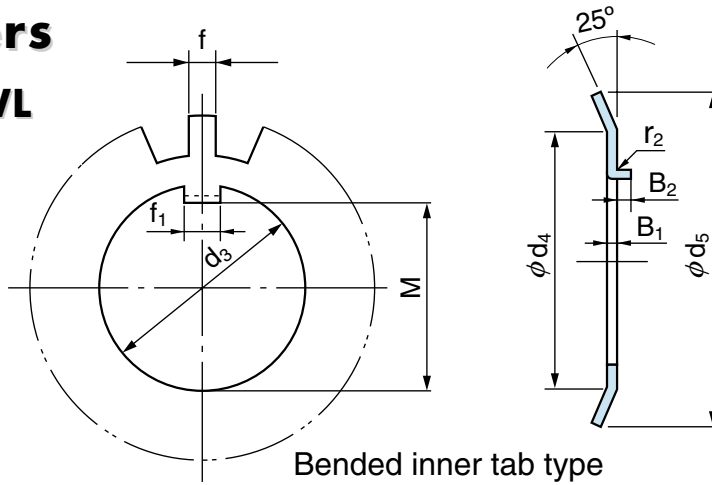
• Lockwashers

•

Series AW/AWL

Lockwashers

Series AW/AWL



| No. | | Dimensions (mm) | | | | | | | | | | No. of Teeth | Mass of (kg/100pcs) (reference) | Locknut No. |
|------------------|--------------------|-----------------|----------------|----------------|----------------|------|----------------|------------------|----------------|---|----|--------------|---------------------------------|-------------|
| Bended inner tab | Straight inner tab | d ₃ | d ₄ | d ₅ | f ₁ | M | B ₁ | Bended inner tab | | f | | | | |
| | | | | | | | | B ₂ | r ₂ | | | | | |
| AW 02 | AW 02X | 15 | 21 | 28 | 4 | 13.5 | 1 | 2.5 | 1 | 4 | 13 | 0.253 | AN 02 | |
| AW 03 | AW 03X | 17 | 24 | 32 | 4 | 15.5 | 1 | 2.5 | 1 | 4 | 13 | 0.313 | AN 03 | |
| AW 04 | AW 04X | 20 | 26 | 36 | 4 | 18.5 | 1 | 2.5 | 1 | 4 | 13 | 0.350 | AN 04 | |
| AW 05 | AW 05X | 25 | 32 | 42 | 5 | 23 | 1.2 | 2.5 | 1 | 5 | 13 | 0.640 | AN 05 | |
| AW 06 | AW 06X | 30 | 38 | 49 | 5 | 27.5 | 1.2 | 2.5 | 1 | 5 | 13 | 0.780 | AN 06 | |
| AW 07 | AW 07X | 35 | 44 | 57 | 6 | 32.5 | 1.2 | 2.5 | 1 | 5 | 15 | 1.04 | AN 07 | |
| AW 08 | AW 08X | 40 | 50 | 62 | 6 | 37.5 | 1.2 | 2.5 | 1 | 6 | 15 | 1.23 | AN 08 | |
| AW 09 | AW 09X | 45 | 56 | 69 | 6 | 42.5 | 1.2 | 2.5 | 1 | 6 | 17 | 1.52 | AN 09 | |
| AW 10 | AW 10X | 50 | 61 | 74 | 6 | 47.5 | 1.2 | 2.5 | 1 | 6 | 17 | 1.60 | AN 10 | |
| AW 11 | AW 11X | 55 | 67 | 81 | 8 | 52.5 | 1.2 | 4 | 1 | 7 | 17 | 1.96 | AN 11 | |
| AW 12 | AW 12X | 60 | 73 | 86 | 8 | 57.5 | 1.5 | 4 | 1.2 | 7 | 17 | 2.53 | AN 12 | |
| AW 13 | AW 13X | 65 | 79 | 92 | 8 | 62.5 | 1.5 | 4 | 1.2 | 7 | 19 | 2.90 | AN 13 | |

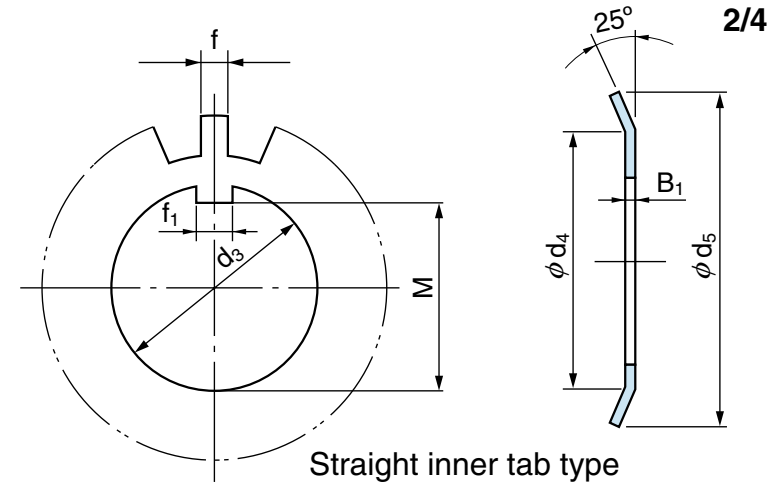
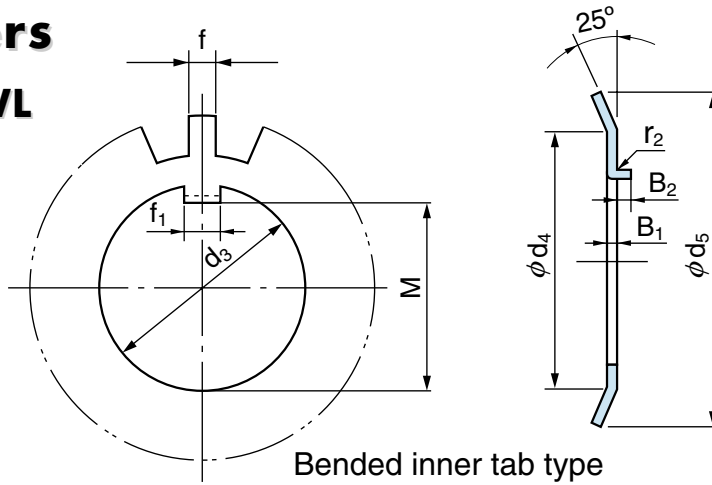
Note The straight inner tab type is used for the narrow slot type adapter ass'y (suffix X).

For the wide slot type adapter ass'y, either of lockwashers with bended inner tab or straight inner tab can be used.



Lockwashers

Series AW/AWL



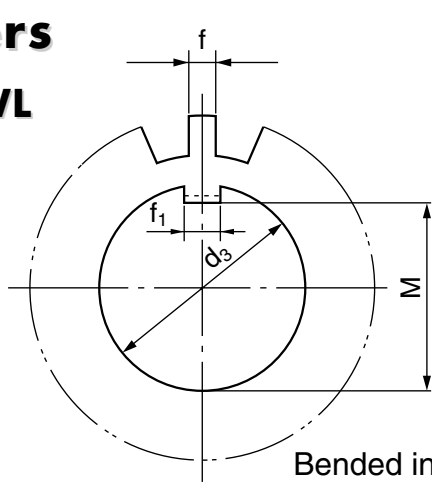
| No. | | Dimensions (mm) | | | | | | | | | | No. of Teeth | Mass (kg/100pcs) (reference) | Locknut No. |
|------------------|--------------------|-----------------|----------------|----------------|----------------|-------|----------------|------------------|----------------|----|----|--------------|------------------------------|-------------|
| Bended inner tab | Straight inner tab | d ₃ | d ₄ | d ₅ | f ₁ | M | B ₁ | Bended inner tab | | f | | | | |
| | | | | | | | | B ₂ | r ₂ | | | | | |
| AW 14 | AW 14X | 70 | 85 | 98 | 8 | 66.5 | 1.5 | 4 | 1.2 | 8 | 19 | 3.34 | AN 14 | |
| AW 15 | AW 15X | 75 | 90 | 104 | 8 | 71.5 | 1.5 | 4 | 1.2 | 8 | 19 | 3.56 | AN 15 | |
| AW 16 | AW 16X | 80 | 95 | 112 | 10 | 76.5 | 1.8 | 4 | 1.2 | 8 | 19 | 4.64 | AN 16 | |
| AW 17 | AW 17X | 85 | 102 | 119 | 10 | 81.5 | 1.8 | 4 | 1.2 | 8 | 19 | 5.24 | AN 17 | |
| AW 18 | AW 18X | 90 | 108 | 126 | 10 | 86.5 | 1.8 | 4 | 1.2 | 10 | 19 | 6.23 | AN 18 | |
| AW 19 | AW 19X | 95 | 113 | 133 | 10 | 91.5 | 1.8 | 4 | 1.2 | 10 | 19 | 6.70 | AN 19 | |
| AW 20 | AW 20X | 100 | 120 | 142 | 12 | 96.5 | 1.8 | 6 | 1.2 | 10 | 19 | 7.65 | AN 20 | |
| AW 21 | AW 21X | 105 | 126 | 145 | 12 | 100.5 | 1.8 | 6 | 1.2 | 12 | 19 | 8.26 | AN 21 | |
| AW 22 | AW 22X | 110 | 133 | 154 | 12 | 105.5 | 1.8 | 6 | 1.2 | 12 | 19 | 9.40 | AN 22 | |
| AW 23 | AW 23X | 115 | 137 | 159 | 12 | 110.5 | 2 | 6 | 1.5 | 12 | 19 | 10.8 | AN 23 | |
| AW 24 | AW 24X | 120 | 138 | 164 | 14 | 115 | 2 | 6 | 1.5 | 12 | 19 | 10.5 | AN 24 | |
| AW 25 | AW 25X | 125 | 148 | 170 | 14 | 120 | 2 | 6 | 1.5 | 12 | 19 | 11.8 | AN 25 | |

Note The straight inner tab type is used for the narrow slot type adapter ass'y (suffix X).

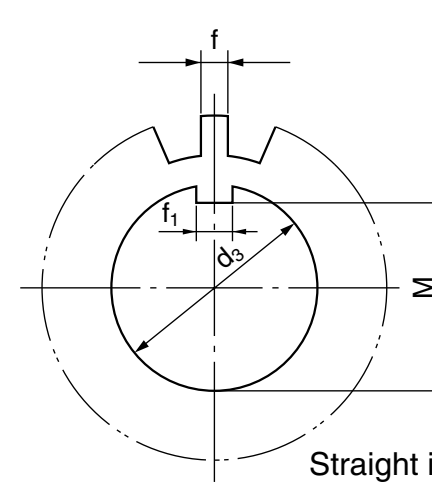
For the wide slot type adapter ass'y, either of lockwashers with bended inner tab or straight inner tab can be used.

Lockwashers

Series AW/AWL



Bended inner tab type



Straight inner tab type

3/4

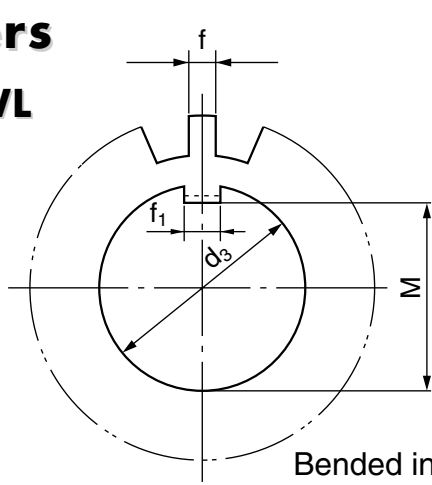
| No. | | Dimensions (mm) | | | | | | | | | | No. of Teeth | Mass of (kg/100pcs) (reference) | Locknut No. |
|------------------|--------------------|-----------------|----------------|----------------|----------------|-------|----------------|------------------|----------------|----|----|--------------|---------------------------------|-------------|
| Bended inner tab | Straight inner tab | d ₃ | d ₄ | d ₅ | f ₁ | M | B ₁ | Bended inner tab | | f | | | | |
| | | | | | | | | B ₂ | r ₂ | | | | | |
| AW 26 | AW 26X | 130 | 149 | 175 | 14 | 125 | 2 | 6 | 1.5 | 12 | 19 | 11.3 | AN 26 | |
| AW 27 | AW 27X | 135 | 160 | 185 | 14 | 130 | 2 | 6 | 1.5 | 14 | 19 | 14.4 | AN 27 | |
| AW 28 | AW 28X | 140 | 160 | 192 | 16 | 135 | 2 | 8 | 1.5 | 14 | 19 | 14.2 | AN 28 | |
| AW 29 | AW 29X | 145 | 171 | 202 | 16 | 140 | 2 | 8 | 1.5 | 14 | 19 | 16.8 | AN 29 | |
| AW 30 | AW 30X | 150 | 171 | 205 | 16 | 145 | 2 | 8 | 1.5 | 14 | 19 | 15.5 | AN 30 | |
| AW 31 | AW 31X | 155 | 182 | 212 | 16 | 147.5 | 2.5 | 8 | 1.5 | 16 | 19 | 20.9 | AN 31 | |
| AW 32 | AW 32X | 160 | 182 | 217 | 18 | 154 | 2.5 | 8 | 1.5 | 16 | 19 | 22.2 | AN 32 | |
| AW 33 | AW 33X | 165 | 193 | 222 | 18 | 157.5 | 2.5 | 8 | 1.5 | 16 | 19 | 24.1 | AN 33 | |
| AW 34 | AW 34X | 170 | 193 | 232 | 18 | 164 | 2.5 | 8 | 1.5 | 16 | 19 | 24.7 | AN 34 | |
| AW 36 | AW 36X | 180 | 203 | 242 | 20 | 174 | 2.5 | 8 | 1.5 | 18 | 19 | 26.8 | AN 36 | |
| AW 38 | AW 38X | 190 | 214 | 252 | 20 | 184 | 2.5 | 8 | 1.5 | 18 | 19 | 27.8 | AN 38 | |
| AW 40 | AW 40X | 200 | 226 | 262 | 20 | 194 | 2.5 | 8 | 1.5 | 18 | 19 | 29.3 | AN 40 | |

Note The straight inner tab type is used for the narrow slot type adapter ass'y (suffix X).

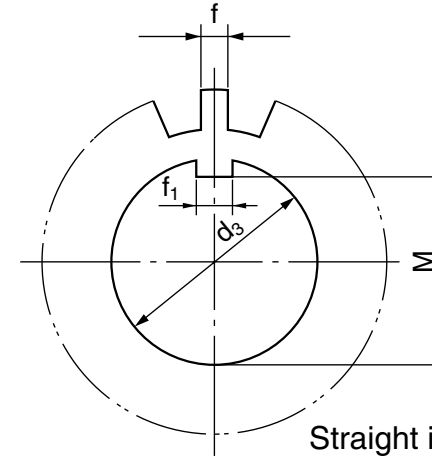
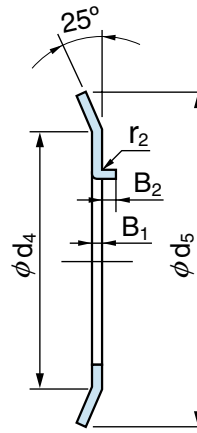
For the wide slot type adapter ass'y, either of lockwashers with bended inner tab or straight inner tab can be used.

Lockwashers

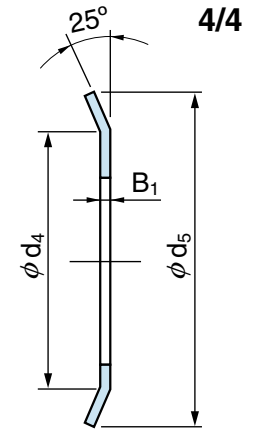
Series AW/AWL



Bended inner tab type



Straight inner tab type



| No. | | Dimensions (mm) | | | | | | | | | No. of Teeth | Mass of (kg/100pcs) (reference) | Locknut No. |
|------------------|--------------------|-----------------|----------------|----------------|----------------|-----|----------------|------------------|----------------|----|--------------|---------------------------------|-------------|
| Bended inner tab | Straight inner tab | d ₃ | d ₄ | d ₅ | f ₁ | M | B ₁ | Bended inner tab | | f | | | |
| | | | | | | | | B ₂ | r ₂ | | | | |
| AWL 24 | AWL 24X | 120 | 133 | 155 | 14 | 115 | 2 | 6 | 1.5 | 12 | 19 | 7.70 | ANL 24 |
| AWL 26 | AWL 26X | 130 | 143 | 165 | 14 | 125 | 2 | 6 | 1.5 | 12 | 19 | 8.70 | ANL 26 |
| AWL 28 | AWL 28X | 140 | 151 | 175 | 16 | 135 | 2 | 8 | 1.5 | 14 | 19 | 10.9 | ANL 28 |
| AWL 30 | AWL 30X | 150 | 164 | 190 | 16 | 145 | 2 | 8 | 1.5 | 14 | 19 | 11.3 | ANL 30 |
| AWL 32 | AWL 32X | 160 | 174 | 200 | 18 | 154 | 2.5 | 8 | 1.5 | 16 | 19 | 16.2 | ANL 32 |
| AWL 34 | AWL 34X | 170 | 184 | 210 | 18 | 164 | 2.5 | 8 | 1.5 | 16 | 19 | 19.0 | ANL 34 |
| AWL 36 | AWL 36X | 180 | 192 | 220 | 20 | 174 | 2.5 | 8 | 1.5 | 18 | 19 | 18.0 | ANL 36 |
| AWL 38 | AWL 38X | 190 | 202 | 230 | 20 | 184 | 2.5 | 8 | 1.5 | 18 | 19 | 20.5 | ANL 38 |
| AWL 40 | AWL 40X | 200 | 218 | 250 | 20 | 194 | 2.5 | 8 | 1.5 | 18 | 19 | 21.4 | ANL 40 |

Note The straight inner tab type is used for the narrow slot type adapter ass'y (suffix X).

For the wide slot type adapter ass'y, either of lockwashers with bended inner tab or straight inner tab can be used.