

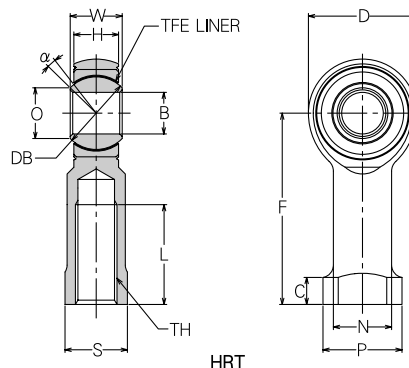
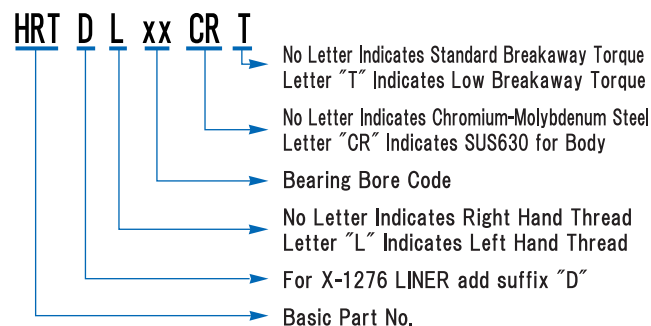
HRT

ROD END FEMALE **SELF-LUBRICATING** **3 PIECE**

Materials

	HRT	HRT-CR
BODY	Chromium-Molybdenum Steel Zinc Plated	SUS630 Stainless Steel Passivated
RACE	410 Stainless Steel / Heat Treated	410 Stainless Steel / Heat Treated
BALL	440C Stainless Steel / Heat Treated	440C Stainless Steel / Heat Treated
LINER	Teflon / Fabric	Teflon / Fabric

Description of Types



Dimensions in mm

MINEBEA Part No.	φB H7	φD ± 0.5	W ₀ ± 0.13	H ± 0.13	F ± 0.5	TH JIS Class 2	L ± 0.7	φN ± 0.5	φP ± 0.5	C +0.2 -0.7	S ± 0.25	α (deg.)	φO Ref.	S φDB Ref.	No Load Rotational Breakaway Torque N · m	Static Limit Load kN(3)		Radial Static Ultimate Load (3) kN	Fatigue Load (3) kN	Approx. Weight g
																Standard	Radial			
HRT3	3	16.0	7.0	5.25	30.0	M3 × 0.5	16	7.0	9	3.5	8	18	5.2	8.73	0.06 ~ 0.68 (0.6 ~ 6.9kgf · cm)	14.70	1.96	30.89	5.14	29
HRT4	4	18.0	9.5	7.75	32.0	M4 × 0.7		8.5	11		10	16	5.8	11.11		31.38	3.53	43.34	7.15	35
HRT5	5	20.5	11.0	8.75	35.0	M5 × 0.8	19	10.8	15	4.5	12	15	7.8	13.49		27.94	5.09	34.91	5.78	40
HRT6	6	20.5		37.0	M6 × 1.0	12.5		17	14		14	10.9	15.48	34.02	5.29	42.46	7.06	51		
HRT8	8	23.0	12.5	8.25	41.0	M8 × 1.25	22	12.5	17	6.5	15	8	12.2	17.46	0.12 ~ 1.13 (1.2 ~ 11.5kgf · cm)	37.65	6.76	47.07	7.84	73
HRT10	10	26.0		10.75	46.0	M10 × 1.5		24	14.0		19	20	10	15.4		22.22	78.06	8.33	97.57	16.18
HRT12	12	34.0	13.25	57.0	M12 × 1.75	32	18.5	24	7.5	9.5	8	18.9	25.40	0.23 ~ 1.80 (2.3 ~ 18.4kgf · cm)		82.96	9.02	103.65	17.25	165
HRT14	14	36.0	17.0	14.25	60.0	M14 × 2.0	33	19.0	25		8.5	21	11		19.0	26.19	95.32	9.31	119.15	19.80
HRT15	15	38.0	18.0	15.25	62.0	M16 × 2.0	34	20.0	27	9.5	23	10	19.2		26.99	100.71	9.70	125.81	20.98	218
HRT16	16	39.0	19.0		63.5		M16 × 2.0	35	22.0		27	24	12	20.4	28.58	101.40	10.29	126.70	21.08	241
HRT17	17	41.0	20.0	16.30	68.0	M16 × 1.5	37	23.0	28	10.0	26	10	32.3	47.62	120.62	12.16	150.72	25.10	283	
HRT18	18	43.0			74.0	M18 × 1.5	40	24.0	30		26	13			22.9	31.75	121.30	12.84	151.61	25.20
HRT20	20	45.0	22.0	19.30	76.0	M20 × 1.5	41	25.0	30	12.0	30	6	27.1	34.92	156.21	15.10	195.25	32.55	580	
HRT22	22	52.0			85.0	M22 × 1.5	47	28.0	36		30	6	32.3	47.62	302.43	20.88	378.04	63.05	1230	
HRT25	25	70.0	35.0	25.30	105.0	M24 × 2.0	54	42.0	50	14.0	43	15	36.8	50.80	283.70	23.24	354.60	59.13	1620	
HRT28	28	75.0			110.0	M27 × 2.0	58	44.0	56		47	14			40.4	54.77	271.93	24.81	339.89	56.68
HRT30	30	78.0	37.0	26.30	120.0	M30 × 2.0	62	48.0	60	16.0	51									

Notes

- Teflon liner permanently bonded to race I.D.
 - Axial load indicates either the smaller value of static load or proof load.
 - Select Type "CR" for higher load capability.
 - Made to order only.
 - No Load Rotational Breakaway Torque.
Low Torque All Size: 0.02N · m MAX
(Radial Clearance 0.05mm MAX)
- Please consult MINEBEA for availability of bearings in this series.

Bore size	~ 3	~ 6	~ 10	~ 18	~ 30
H7 Tolerance (μm)	+ 10 0	+ 12 0	+ 15 0	+ 18 0	+ 21 0