

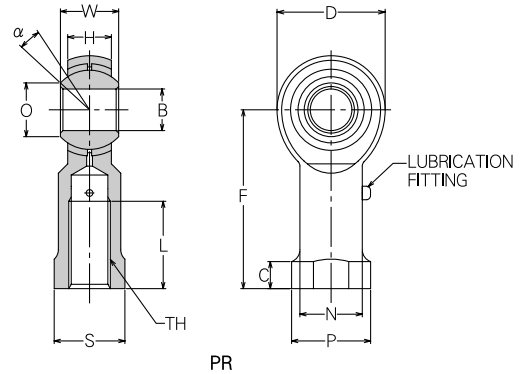
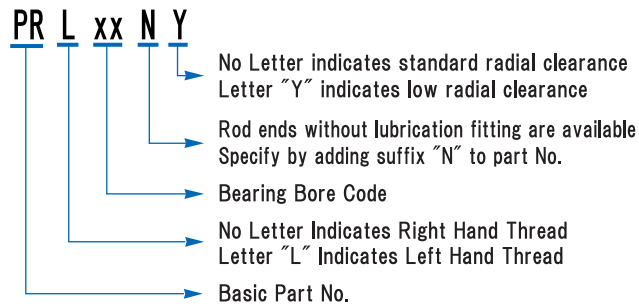
PR

ROD END FEMALE	METAL TO METAL	4 PIECE
----------------	----------------	---------

Materials

BODY Low Carbon Steel / Zinc Plated
INSERT Copper Alloy
BALL Bearing Steel / Chrome Plated

Description of Types



Dimensions in mm

MINEBEA Part No.	ϕB H7	ϕD ± 0.5	$\frac{W}{O}$ -0.13	H ± 0.13	F ± 0.5	TH JIS Class 2	L ± 0.7	ϕN ± 0.5	ϕP ± 0.5	C $+0.2$ -0.7	S ± 0.25	α (deg.)	ϕO Ref.	S ϕ DB Ref.	Radial Static Limit Load kN	Static Ultimate Load kN	Approx. Weight g
PR3 (1)	3	12	6	4.50	21	M3 \times 0.5	10	6.5	8.0	3.0	7	14	5.2	7.94	4.60	7.15	9
PR4 (1)	4	14	7	5.25	24	M4 \times 0.7	12	8.0	9.5	4.0	8	13	6.5	9.52	5.68	8.82	13
PR5	5	16	8	6.00	27	M5 \times 0.8	14	9.0	11.0	5.0	9		7.7	11.11	7.84	12.25	17
PR6	6	18	9	6.75	30	M6 \times 1.0		10.0	13.0		5.0	11	14	10.4	15.88	13.63	21.28
PR8	8	22	12	9.00	36	M8 \times 1.25	17	12.5	16.0	6.5	14	13	12.9	19.05	18.82	29.41	72
PR10	10	26	14	10.50	43	M10 \times 1.5	21	15.0	19.0		17		15.4	22.22	25.20	39.42	107
PR12	12	30	16	12.00	50	M12 \times 1.75	24	17.5	22.0	8.0	19	15	16.9	25.40	30.49	47.75	160
PR14	14	34	19	13.50	57	M14 \times 2.0	27	20.0	25.0		22		19.4	28.58	38.04	59.64	210
PR16	16	38	21	15.00	64	M16 \times 2.0	33	22.0	27.0	10.0	27	14	21.9	31.75	46.28	72.47	295
PR18	18	42	23	16.50	71	M18 \times 1.5	36	25.0	31.0		30		24.4	34.92	53.83	84.33	380
PR20	20	46	25	18.00	77	M20 \times 1.5	40	27.5	34.0	12.0	32	15	25.8	38.10	63.93	100.22	490
PR22	22	50	28	20.00	84	M22 \times 1.5	43	30.0	37.0								

Notes

- Lubrication fittings are not available for PR3, PR4.
- Radial Clearance
 Standard Clearance: 0.051mm MAX
 Low Clearance: 0.030mm MAX

○ Please consult MINEBEA for availability of bearings in this series.

Bore size	~ 3	~ 6	~ 10	~ 18	~ 30
H7 Tolerance (μm)	+ 10 0	+ 12 0	+ 15 0	+ 18 0	+ 21 0