

# PR-E

**ROD END MALE** | **METAL TO METAL** | **4 PIECE**

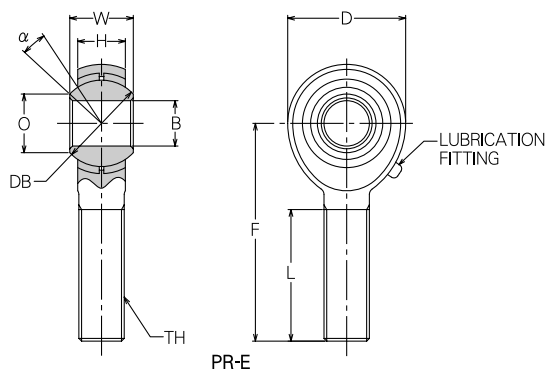
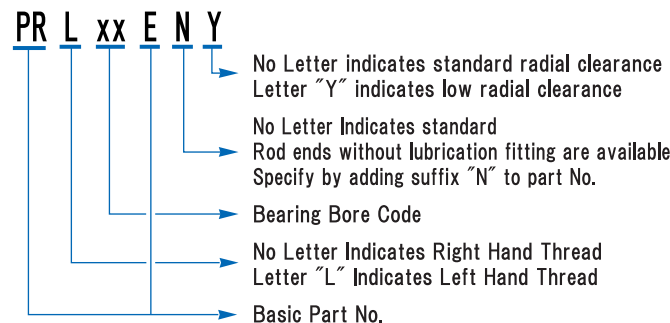
### Materials

**BODY** Low Carbon Steel / Zinc Plated

**INSERT** Copper Alloy

**BALL** Bearing Steel / Chrome Plated

### Description of Types



Dimensions in mm

MINEBEA Part No.	$\phi B$ H7	$\phi D$ $\pm 0.5$	$W$ 0 $-0.13$	$H$ $\pm 0.13$	$F$ $\pm 0.5$	TH JIS Class 2	$L$ $\pm 0.7$	$\alpha$ (deg.)	$\phi O$ Ref.	$S \phi DB$ Ref.	Radial Static Limit Load kN	Static Ultimate Load kN	Approx. Weight g
PR3E (1)	3	12	6	4.50	27	M3 × 0.5	15	14	5.2	7.94	1.56	2.45	7
PR4E (1)	4	14	7	5.25	30	M4 × 0.7	17	13	6.5	9.52	2.25	3.53	10
PR5E	5	16	8	6.00	33	M5 × 0.8	20		7.7	11.11	4.51	7.06	13
PR6E	6	18	9	6.75	36	M6 × 1.0	22	14	9.0	12.70	6.37	9.90	19
PR8E	8	22	12	9.00	42	M8 × 1.25	25	13	10.4	15.88	13.72	21.47	32
PR10E	10	26	14	10.50	48	M10 × 1.5	29		12.9	19.05	18.82	29.41	54
PR12E	12	30	16	12.00	54	M12 × 1.75	33	16	15.4	22.22	25.20	39.42	85
PR14E	14	34	19	13.50	60	M14 × 2.0	36	15	16.9	25.40	30.49	47.75	126
PR16E	16	38	21	15.00	66	M16 × 2.0	40		19.4	28.58	38.04	59.64	185
PR18E	18	42	23	16.50	72	M18 × 1.5	44	21.9	31.75	46.28	72.47	258	
PR20E	20	46	25	18.00	78	M20 × 1.5	47	14	24.4	34.92	53.83	84.33	340
PR22E	22	50	28	20.00	84	M22 × 1.5	51	15	25.8	38.10	63.93	100.22	435

### Notes

- Lubrication fitting are not available for PR3E, PR4E.
  - Radial Clearance  
Standard Clearance: 0.051mm MAX  
Low Clearance: 0.030mm MAX
- Please consult MINEBEA for availability of bearings in this series.

Bore size	~ 3	~ 6	~ 10	~ 18	~ 30
H7 Tolerance ( $\mu m$ )	+ 10 0	+ 12 0	+ 15 0	+ 18 0	+ 21 0