

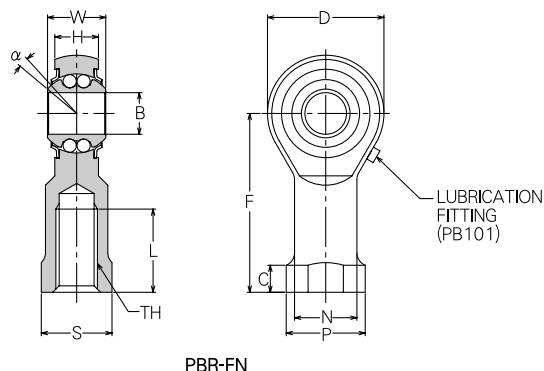
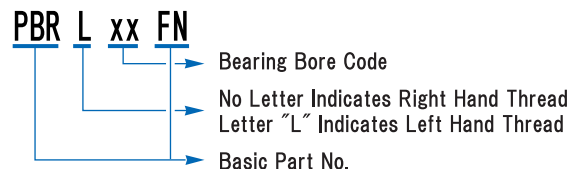
# PBR-FN

**ROD END FEMALE BALL INSERT LOW TORQUE**

**Materials**

**BODY** Chrome Molybdenum Steel / Zinc Plated  
**INNER RACE** Bearing Steel / Chrome Plated  
**BALL** Bearing Steel

**Description of Types**



Dimensions in mm

| MINEBEA Part No. | $\phi B$<br>H7 | $\phi D$<br>$\pm 0.5$ | $W$<br>0<br>$-0.13$ | $H$<br>$\pm 0.13$ | $F$<br>$\pm 0.5$ | $TH$<br>JIS Class 2 | $L$<br>$\pm 0.7$ | $\phi N$<br>$\pm 0.5$ | $\phi P$<br>$\pm 0.5$ | $C$<br>$+0.2$<br>$-0.7$ | $S$<br>$\pm 0.25$ | $\alpha$<br>(deg.) | Basic Static Limit Load<br>kN | Basic Dynamic Limit Load<br>kN | Approx. Weight<br>g |
|------------------|----------------|-----------------------|---------------------|-------------------|------------------|---------------------|------------------|-----------------------|-----------------------|-------------------------|-------------------|--------------------|-------------------------------|--------------------------------|---------------------|
| PBR5FN           | 5              | 18                    | 8                   | 6.75              | 27               | M5 × 0.8            | 14               | 9.0                   | 11                    | 4.0                     | 9                 | 5.5                | 0.42                          | 1.15                           | 20                  |
| PBR6FN           | 6              | 20                    | 9                   | 6.75              | 30               | M6 × 1.0            | 12               | 10.0                  | 13                    | 5.0                     | 11                | 8.0                | 0.64                          | 2.74                           | 24                  |
| PBR8FN           | 8              | 24                    | 12                  | 9.00              | 36               | M8 × 1.25           | 16               | 12.5                  | 16                    |                         | 14                | 8.5                | 1.00                          | 4.00                           | 44                  |
| PBR10FN          | 10             | 28                    | 14                  | 10.50             | 43               | M10 × 1.5           | 20               | 15.0                  | 19                    | 6.5                     | 17                | 8.0                | 1.44                          | 4.45                           | 72                  |
| PBR12FN          | 12             | 32                    | 16                  | 12.00             | 50               | M12 × 1.75          | 22               | 17.5                  | 22                    |                         | 19                | 7.5                | 1.79                          | 4.95                           | 107                 |
| PBR14FN          | 14             | 36                    | 19                  | 13.50             | 57               | M14 × 2.0           | 25               | 20.0                  | 25                    | 8.0                     | 22                | 6.0                | 2.00                          | 5.59                           | 160                 |
| PBR16FN          | 16             | 42                    | 21                  | 15.00             | 64               | M16 × 2.0           | 28               | 22.0                  | 27                    |                         | 8.0               | 2.34               | 6.24                          | 224                            |                     |
| PBR18FN          | 18             | 46                    | 23                  | 16.50             | 71               | M18 × 1.5           | 32               | 25.0                  | 31                    | 10.0                    | 27                | 8.5                | 2.89                          | 7.10                           | 293                 |
| PBR20FN          | 20             | 50                    | 25                  | 18.00             | 77               | M20 × 1.5           | 33               | 27.5                  | 34                    |                         | 30                | 7.0                | 3.45                          | 7.90                           | 367                 |
| PBR22FN          | 22             | 54                    | 28                  | 20.00             | 84               | M22 × 1.5           | 37               | 30.0                  | 38                    | 12.0                    | 32                | 8.0                | 3.98                          | 9.29                           | 480                 |
| PBR25FN          | 25             | 64                    | 31                  | 22.00             | 94               | M24 × 2.0           | 42               |                       | 35                    | 10.0                    | 30                | 5.0                | 5.67                          | 11.03                          | 602                 |
| PBR30FN          | 30             | 70                    | 37                  | 25.00             | 110              | M30 × 2.0           | 51               | 40.0                  | 50                    | 15.0                    | 41                | 7.5                | 7.45                          | 14.15                          | 978                 |

**Notes**

1. Made to order only.
  2. Lubrication: MIL-PRF-23827 (yellow) grease
  3. Radial Clearance All Size: 0.010mm MAX
- Please consult MINEBEA for availability of bearings in this series.

| Bore size                   | ~ 3       | ~ 6       | ~ 10      | ~ 18      | ~ 30      |
|-----------------------------|-----------|-----------|-----------|-----------|-----------|
| H7 Tolerance<br>( $\mu m$ ) | + 10<br>0 | + 12<br>0 | + 15<br>0 | + 18<br>0 | + 21<br>0 |