

PBR-EFN

ROD END MALE | BALL INSERT | LOW TORQUE

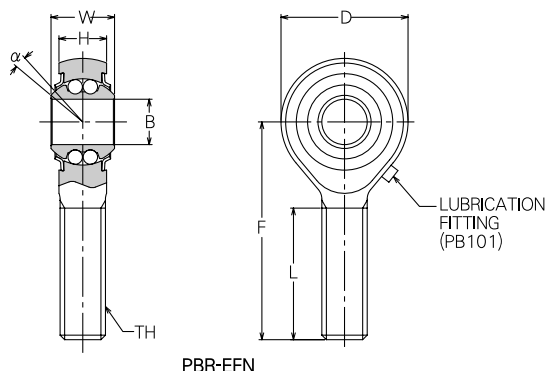
Materials

BODY Chrome Molybdenum Steel / Zinc Plated
INNER RACE Bearing Steel / Chrome Plated
BALL Bearing Steel

Description of Types

PBR L xx EFN

- Bearing Bore Code
- No Letter Indicates Right Hand Thread
Letter "L" Indicates Left Hand Thread
- Basic Part No.



Dimensions in mm

MINEBEA Part No.	ϕB H7	ϕD ± 0.5	W 0 -0.13	H ± 0.13	F ± 0.5	TH JIS Class 2	L ± 0.7	α (deg.)	Basic Static Limit Load kN	Basic Dynamic Limit Load kN	Approx. Weight g
PBR5EFN	5	18	8	6.75	33	M5 × 0.8	16	5.5	0.42	1.15	16
PBR6EFN	6	20	9	6.75	36	M6 × 1.0	22	8.0	0.64	2.74	19
PBR8EFN	8	24	12	9.00	42	M8 × 1.25	25	8.5	1.00	4.00	36
PBR10EFN	10	28	14	10.50	48	M10 × 1.5	29	8.0	1.44	4.45	60
PBR12EFN	12	32	16	12.00	54	M12 × 1.75	33	7.5	1.79	4.95	87
PBR14EFN	14	36	19	13.50	60	M14 × 2.0	36	6.0	2.00	5.59	135
PBR16EFN	16	42	21	15.00	66	M16 × 2.0	40	8.0	2.34	6.24	190
PBR18EFN	18	46	23	16.50	72	M18 × 1.5	44	8.5	2.89	7.10	270
PBR20EFN	20	50	25	18.00	78	M20 × 1.5	47	7.0	3.45	7.90	338
PBR22EFN	22	54	28	20.00	84	M22 × 1.5	51	8.0	3.98	9.29	450
PBR25EFN	25	64	31	22.00	94	M24 × 2.0	57	5.0	5.67	11.03	572
PBR30EFN	30	70	37	25.00	110	M30 × 2.0	66	7.5	7.45	14.15	992

Notes

- Made to order only.
 - Lubrication: MIL-PRF-23827 (yellow) grease
 - Radial Clearance All Size: 0.010mm MAX
- Please consult MINEBEA for availability of bearings in this series.

Bore size	~ 3	~ 6	~ 10	~ 18	~ 30
H7 Tolerance (μm)	+ 10 0	+ 12 0	+ 15 0	+ 18 0	+ 21 0