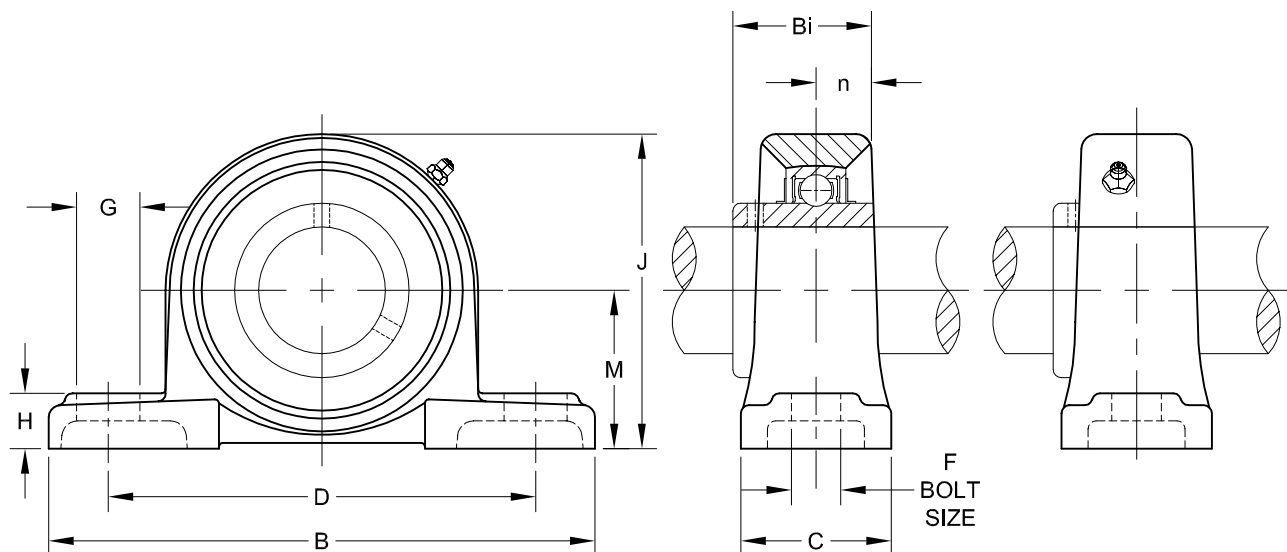


MOUNTED BALL BEARING 2-BOLT PILLOW BLOCK

UCP 200 Series—Normal Duty Set Screw Locking Collar

SHAFT SIZE	MOLINE PART #	UNIT #	DIMENSIONS (INCHES)				
			M	B	D	C	F
1/2 5/8 3/4	19421008 19421010 19421012	UCP201-8 UCP202-10 UCP204-12	1 5/16	5	3.779	1.456	1/2
7/8 15/16 1	19421014 19421015 19421100	UCP205-14 UCP205-15 UCP205-16	1 7/16	5 1/2	4 1/8	1 1/2	1/2
1 1/8 1 3/16 1 1/4	19421102 19421103 19421104-06	UCP206-18 UCP206-19 UCP206-20	1 11/16	6.30	4 3/4	1.732	.551
1 1/4 1 5/16 1 3/8 1 7/16	19421104 19421105 19421106 19421107	UCP207-20 UCP207-21 UCP207-22 UCP207-23	1 7/8	6.575	5	1-7/8	.590
1 1/2 1 9/16	19421108 19421109	UCP208-24 UCP208-25	1 15/16	7.09	5.354	2.047	.590

For sale as complete units, inserts and housings.



MOUNTED BALL BEARING 2-BOLT PILLOW BLOCK

SHAFT SIZE	DIMENSIONS (INCHES)					BOLT SIZE (INCHES)	WEIGHT LBS.
	G	H	J	Bi	n		
1/2 5/8 3/4	.630	.551	2.511	1.22	0.500	3/8	1.43
7/8 15/16 1	3/4	.590	2.736	1.339	0.563	3/8	1.59
1 1/8 1 3/16 1 1/4	3/4	.630	3.228	1.50	0.626	1/2	2.54
1 1/4 1 5/16 1 3/8 1 7/16	3/4	.669	3.622	1.689	0.689	1/2	3.37
1 1/2 1 9/16	13/16	.709	3.858	1.937	0.748	1/2	4.14



For personal service and special requests, please call us at 800.242.4633.

CAD drawings available upon request at no additional charge.



Post Office Box 99, Batavia, Illinois 60510, USA
630.584.4600, 800.242.4633, 630.584.1999 fax
www.molinebearing.com, sales@molinebearing.com

MOLINE BEARING CO.

TEL # **800.242.4633**

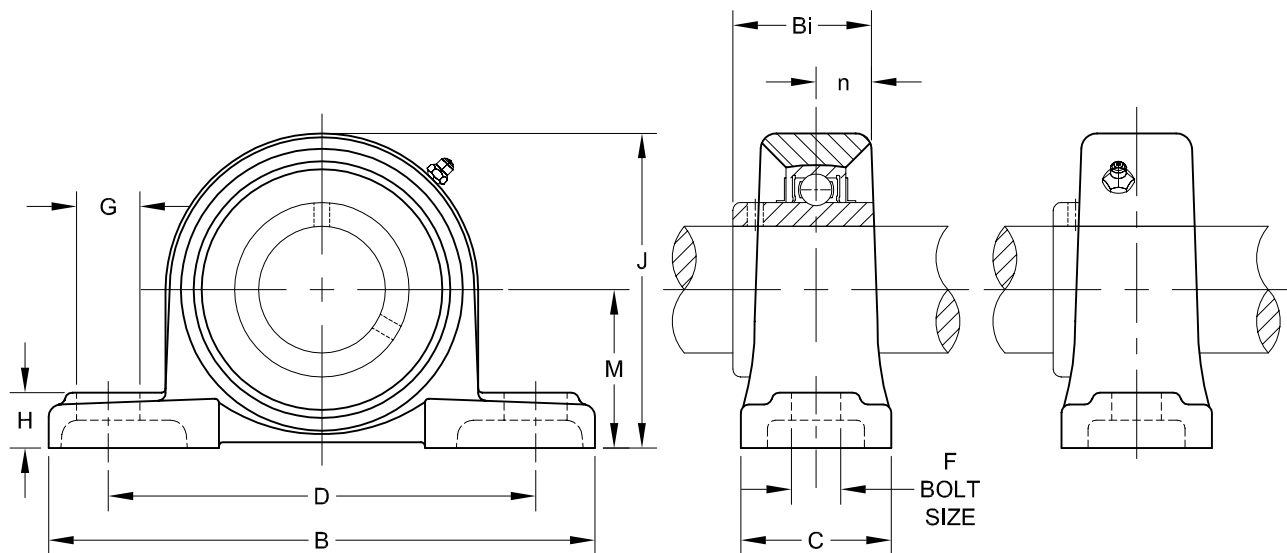
93

MOUNTED BALL BEARING 2-BOLT PILLOW BLOCK CONTINUED

UCP 200 Series—Normal Duty Set Screw Locking Collar

SHAFT SIZE	MOLINE PART #	UNIT #	DIMENSIONS (INCHES)				
			M	B	D	C	F
1 5/8 1 11/16 1 3/4	19421110 19421111 19421112	UCP209-26 UCP209-27 UCP209-28	2 1/8	7.44	5 3/4	2-1/8	.590
1 7/8 1 15/16 2	19421114 19421115 19421200-10	UCP210-30 UCP210-31 UCP210-32	2 1/4	8.031	6 1/4	2.244	3/4
2 2 1/8 2 3/16	19421200 19421202 19421203	UCP211-32 UCP211-34 UCP211-35	2 1/2	8.543	6.771	2-3/8	3/4
2 1/4 2 3/8 2 7/16	19421204 19421206 19421207	UCP212-36 UCP212-38 UCP212-39	2 3/4	9.370	7.323	2.598	3/4
2 1/2	19421208	UCP213-40	3	10.315	8	2 3/4	.905
2 3/4	19421212	UCP214-44	3 1/8	10.472	8.268	2.834	.905
2 15/16 3	19421215 19421300	UCP215-47 UCP215-48	3 1/4	10.787	8.543	2.913	.984
3 7/16	19421307	UCP218-55	4	12.835	10.315	3.465	1.05

For sale as complete units, inserts and housings.



MOUNTED BALL BEARING 2-BOLT PILLOW BLOCK CONTINUED

SHAFT SIZE	DIMENSIONS (INCHES)					BOLT SIZE (INCHES)	WEIGHT LBS.
	G	H	J	Bi	n		
1 5/8 1 11/16 1 3/4	13/16	.787	4.153	1.937	0.748	1/2	4.63
1 7/8 1 15/16 2	.866	.827	4.417	2.031	0.748	5/8	5.51
2 2 1/8 2 3/16	.866	.866	4.901	2.189	0.874	5/8	7.28
2 1/4 2 3/8 2 7/16	.984	.945	5.394	2.563	1.000	5/8	12.13
2 1/2	1.142	1.023	5.866	2.566	1.000	3/4	12.35
2 3/4	1.142	1.063	6.102	2.937	1.189	3/4	14.55
2 15/16 3	1.142	1.102	6.363	3.063	1.311	3/4	16.09
3 1/16	1.181	1.30	7.795	3.78	1.563	7/8	32.40



For personal service and special requests, please call us at 800.242.4633.
CAD drawings available upon request at no additional charge.



Post Office Box 99, Batavia, Illinois 60510, USA
630.584.4600, 800.242.4633, 630.584.1999 fax
www.molinebearing.com, sales@molinebearing.com

MOLINE BEARING CO.

TEL # **800.242.4633**

MOUNTED BALL BEARING 2-BOLT FLANGE

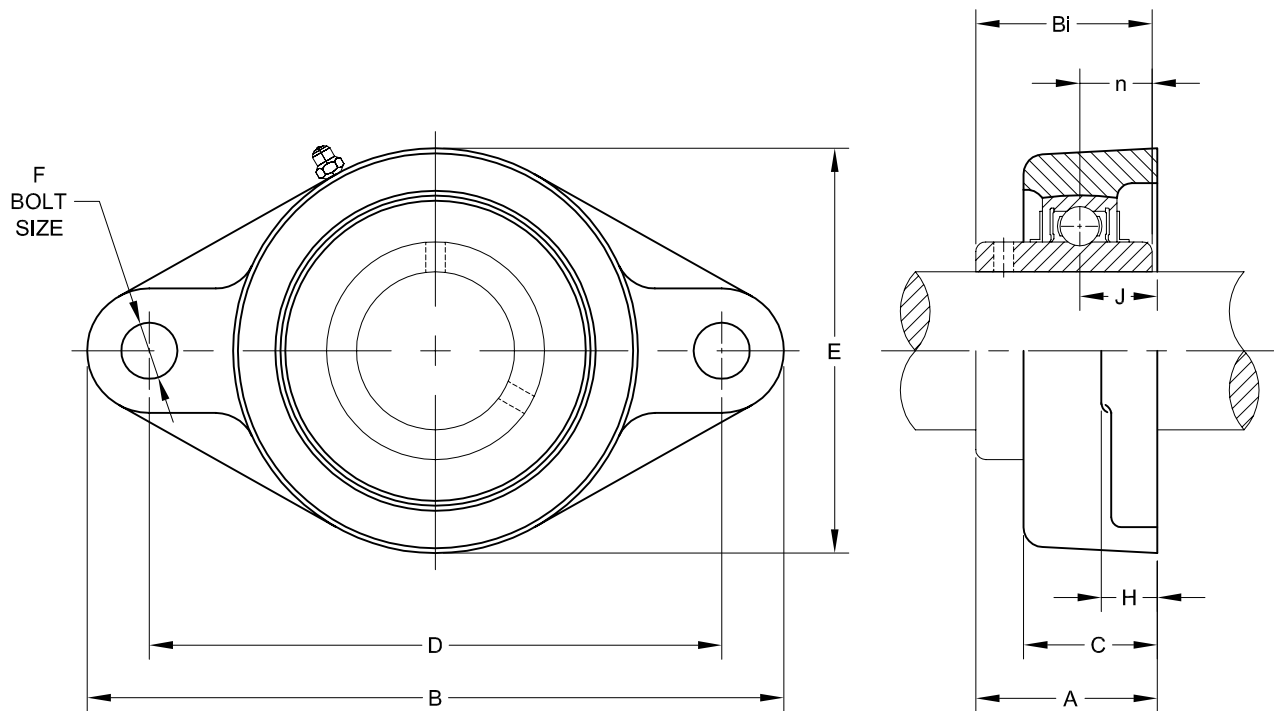
UCFL 200 Series—Normal Duty Set Screw Locking Collar

SHAFT SIZE	MOLINE PART #	UNIT #	DIMENSIONS (INCHES)										BOLT SIZE (INCHES)	WEIGHT LBS.	
			B	E	J	H	C	F	E	A	Bi	n			
1/2	19401008	UCFL201-8													
5/8	19401010	UCFL202-10	4.489	3.543	.591	.433	1	.452	2.362	1.311	1.220	0.500	3/8	1.06	
3/4	19401012	UCFL204-12													
7/8	19401014	UCFL205-14													
15/16	19401015	UCFL205-15	5.118	3.898	.630	.512	1.062	.452	2.677	1.406	1.339	0.563	3/8	1.43	
1	19401100	UCFL205-16													
1 1/8	19401102	UCFL206-18													
1 3/16	19401103	UCFL206-19	5.827	4.606	.709	.512	1.220	.452	3 1/8	1.583	1.500	0.626	3/8	2.16	
1 1/4	19401104-06	UCFL206-20													
1 1/4	19401104	UCFL207-20													
1 5/16	19401105	UCFL207-21	6.338	5.118	.748	.551	1.338	.551	3 9/16	1.748	1.689	0.689	1/2	2.76	
1 3/8	19401106	UCFL207-22													
1 7/16	19401107	UCFL207-23													
1 1/2	19401108	UCFL208-24													
1 9/16	19401109	UCFL208-25	6.890	5.669	.827	.551	1.417	.551	3 15/16	2.016	1.937	0.748	1/2	3.64	
1 5/8	19401110	UCFL209-26													
1 11/16	19401111	UCFL209-27	7.401	5.827	.866	.630	1.496	.709	4 1/4	2.055	1.937	0.748	5/8	4.30	
1 3/4	19401112	UCFL209-28													
1 7/8	19401114	UCFL210-30													
1 15/16	19401115	UCFL210-31	7.756	6.181	.866	.630	1.575	.709	4 1/2	2.150	2.031	0.748	5/8	4.96	
2	19401200-10	UCFL210-32													
2	19401200	UCFL211-32													
2 1/8	19401202	UCFL211-34	8.819	7.244	.984	.709	1.693	.709	5 1/8	2.299	2.189	0.874	5/8	7.27	
2 3/16	19401203	UCFL211-35													
2 1/4	19401204	UCFL212-36													
2 3/8	19401206	UCFL212-38	9.842	7.953	1.142	.709	1.890	.709	5 1/2	2.705	2.563	1.00	5/8	9.37	
2 7/16	19401207	UCFL212-39													
2 1/2	19401208	UCFL213-40	10.157	8.268	1.181	.787	1.968	.905	6 1/8	2.744	2.563	1.00	3/4	11.68	
2 3/4	19401212	UCFL214-44	10.433	8.504	1.22	.787	2.126	.905	6 5/16	2.969	2.937	1.189	3/4	13.23	
2 15/16	19401215	UCFL215-47													
3	19401300	UCFL215-48	10.827	8.858	1.339	.866	2.165	.905	6 1/2	3.091	3.063	1.311	3/4	14.33	

For sale as complete units, inserts and housings.



MOUNTED BALL BEARING 2-BOLT FLANGE



For personal service and special requests, please call us at 800.242.4633.
CAD drawings available upon request at no additional charge.



MOLINE BEARING CO.

Post Office Box 99, Batavia, Illinois 60510, USA
630.584.4600, 800.242.4633, 630.584.1999 fax
www.molinebearing.com, sales@molinebearing.com

TEL # **800.242.4633**

97

MOUNTED BALL BEARING 4-BOLT FLANGE

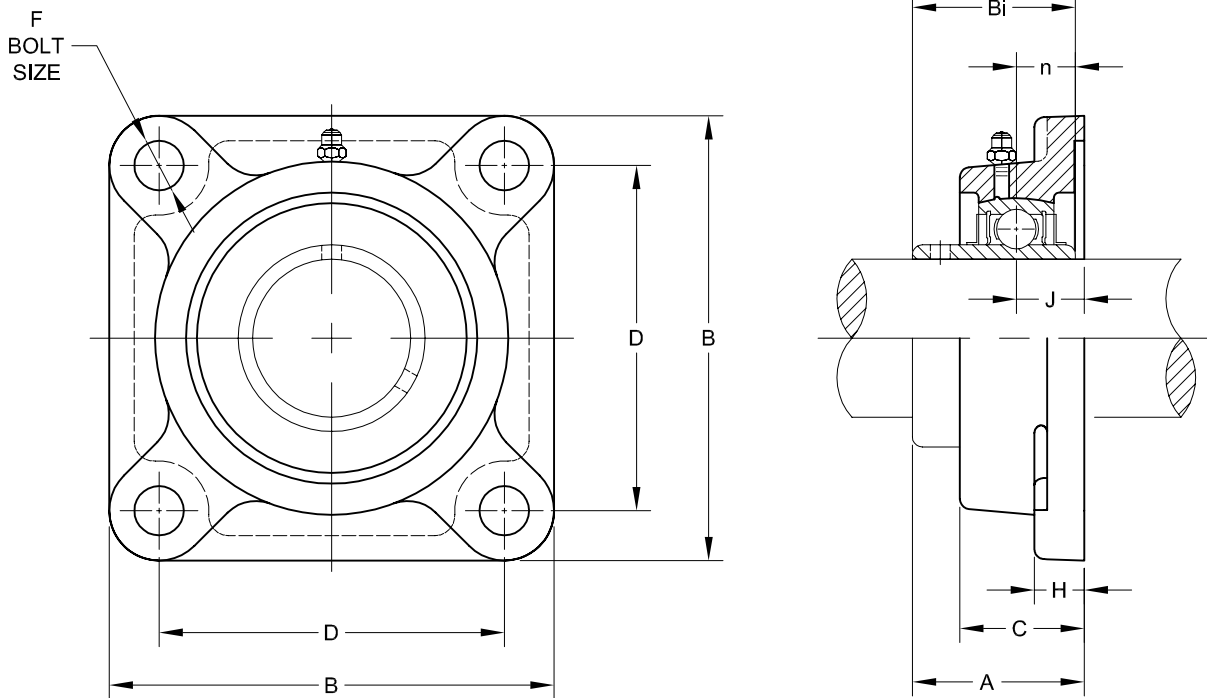
UCF 200 Series—Normal Duty Set Screw Locking Collar

SHAFT SIZE	MOLINE PART #	UNIT #	DIMENSIONS (INCHES)									BOLT SIZE (INCHES)	WEIGHT LBS.	
			B	D	J	H	C	F	A	Bi	n			
1/2	19411008	UCF201-8												
5/8	19411010	UCF202-10	3.386	2.520	.591	.433	1	.453	1.311	1.22	0.500	3/8	1.35	
3/4	19411012	UCF204-12												
7/8	19411014	UCF205-14												
15/16	19411015	UCF205-15	3 3/4	2 3/4	.630	.512	1.063	.453	1.406	1.339	0.563	3/8	1.76	
1	19411100	UCF205-16												
1 1/8	19411102	UCF206-18												
1 3/16	19411103	UCF206-19	4 1/4	3.267	.709	.512	1.220	.453	1.583	1.500	0.626	3/8	2.36	
1 1/4	19411104-06	UCF206-20												
1 1/4	19411104	UCF207-20												
1 5/16	19411105	UCF207-21	4.606	3.622	.748	.591	1.339	.551	1.748	1.689	0.689	1/2	3.09	
1 3/8	19411106	UCF207-22												
1 7/16	19411107	UCF207-23												
1 1/2	19411108	UCF208-24												
1 9/16	19411109	UCF208-25	5.118	4.016	.827	.591	1.417	.551	2.016	1.937	0.748	1/2	3.97	
1 5/8	19411110	UCF209-26												
1 11/16	19411111	UCF209-27	5.394	4.134	.866	.630	1.496	.630	2.055	1.937	0.748	1/2	4.85	
1 3/4	19411112	UCF209-28												
1 7/8	19411114	UCF210-30												
1 15/16	19411115	UCF210-31	5.630	4.370	.866	.630	1.574	.709	2.150	2.031	0.748	1/2	5.29	
2	19411200-10	UCF210-32												
2	19411200	UCF211-32												
2 1/8	19411202	UCF211-34	6.378	5.118	.984	.709	1.693	.709	2.299	2.189	0.874	5/8	7.27	
2 3/16	19411203	UCF211-35												
2 1/4	19411204	UCF212-36												
2 3/8	19411206	UCF212-38	6.890	5.630	1.142	.709	1.890	.709	2.705	2.563	1.000	5/8	9.26	
2 7/16	19411207	UCF212-39												
2 1/2	19411208	UCF213-40	7.362	5.866	1.181	.866	1.968	.709	2.744	2.563	1.000	5/8	11.68	
2 3/4	19411212	UCF214-44	7.598	5.984	1.220	.866	2.125	.709	2.969	2.937	1.189	5/8	13.01	
2 15/16	19411215	UCF215-47												
3	19411300	UCF215-48	7 7/8	6.259	1.339	.866	2.205	.709	3.091	3.063	1.311	5/8	13.89	
3 1/16	19411307	UCF218-55	9.25	7.362	1.575	.984	2.677	.906	3.791	3.78	1.563	3/4	25.57	

For sale as complete units, inserts and housings.



MOUNTED BALL BEARING 4-BOLT FLANGE



For personal service and special requests, please call us at 800.242.4633.

CAD drawings available upon request at no additional charge.



MOLINE BEARING CO.

Post Office Box 99, Batavia, Illinois 60510, USA
630.584.4600, 800.242.4633, 630.584.1999 fax
www.molinebearing.com, sales@molinebearing.com

TEL # **800.242.4633**

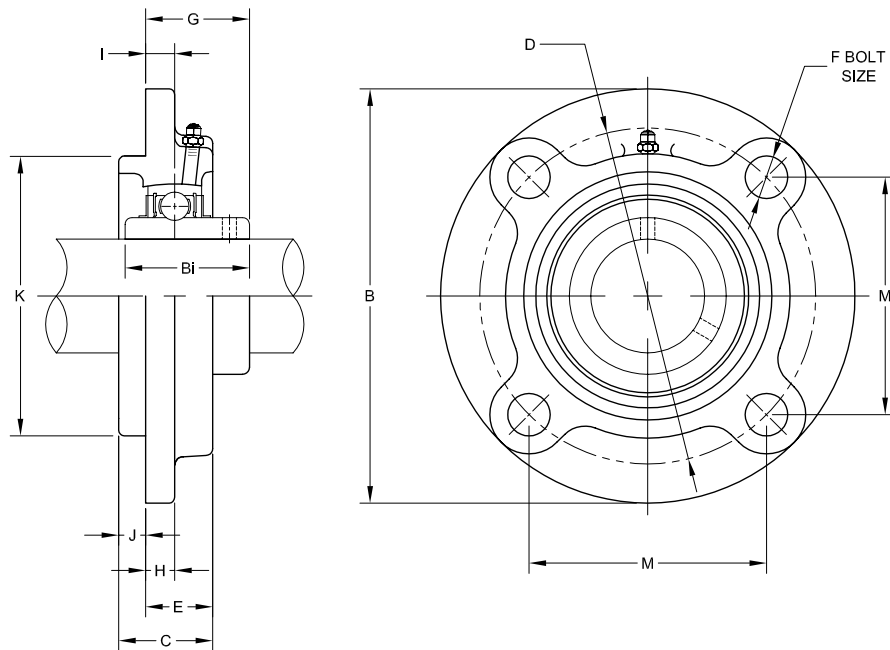
99

MOUNTED BALL BEARING PILOTED FLANGE

UCFC 200 Series—Normal Duty Set Screw Locking Collar

SHAFT SIZE	MOLINE PART #	UNIT #	DIMENSIONS (INCHES)					
			B	D	M	I	C	F
3/4	19431012	UCFC204-12	3 15/16	3.701	2.169	.394	1	.453
7/8	19431014	UCFC205-14	4.527	3.543	2.504	.394	1.063	.472
15/16	19431015	UCFC205-15						
1	19431100	UCFC205-16						
1 1/8	19431102	UCFC206-18	4.921	3.937	2.783	.394	1.220	.472
1 3/16	19431103	UCFC206-19						
1 1/4	19431104-06	UCFC206-20						
1 1/4	19431104	UCFC207-20	5.315	4.331	3.063	.433	1.338	.551
1 5/16	19431105	UCFC207-21						
1 3/8	19431106	UCFC207-22						
1 7/16	19431107	UCFC207-23						
1 1/2	19431108	UCFC208-24	5.709	4.724	3.338	.433	1.417	.551
1 9/16	19431109	UCFC208-25						

For sale as complete units, inserts and housings.



MOUNTED BALL BEARING PILOTED FLANGE

SHAFT SIZE	DIMENSIONS (INCHES)						BOLT SIZE (INCHES)	WEIGHT LBS.
	J	H	E	K	G	Bi		
3/4	.197	.236	.807	2.4409	1.114	1.2205	3/8	1.68
7/8 15/16 1	.236	.275	.827	2.7559	1.169	1.3386	3/8	2.12
1 1/8 1 3/16 1 1/4	.315	.315	.905	3.1496	1.268	1.50	3/8	3.02
1 1/4 1 5/16 1 3/8 1 7/16	.315	.354	1.023	3.5433	1.433	1.689	7/16	3.75
1 1/2 1 9/16	.394	.354	1.023	3.937	1.622	1.937	7/16	4.41



For personal service and special requests, please call us at 800.242.4633.

CAD drawings available upon request at no additional charge.



MOLINE BEARING CO.

Post Office Box 99, Batavia, Illinois 60510, USA
630.584.4600, 800.242.4633, 630.584.1999 fax
www.molinebearing.com, sales@molinebearing.com

TEL # **800.242.4633**

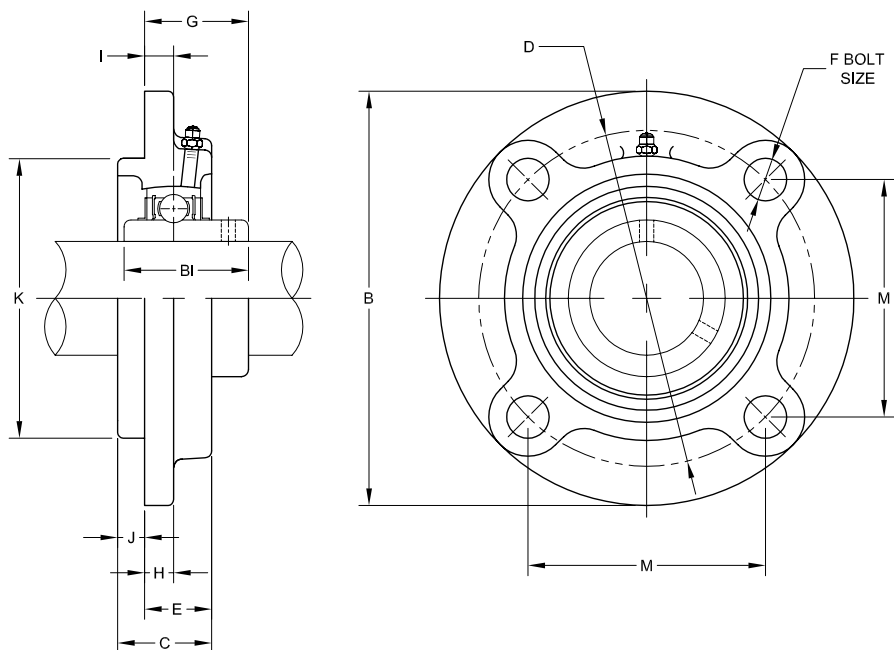
101

MOUNTED BALL BEARING PILOTED FLANGE CONTINUED

UCFC 200 Series—Normal Duty Set Screw Locking Collar

SHAFT SIZE	MOLINE PART #	UNIT #	DIMENSIONS (INCHES)					
			B	D	M	I	C	F
1 5/8	19431110	UCFC209-26	6.299	5.197	3.673	.394	1.496	.630
1 11/16	19431111	UCFC209-27						
1 3/4	19431112	UCFC209-28						
1 7/8	19431114	UCFC210-30	6.496	5.433	3.842	.394	1.575	.630
1 15/16	19431115	UCFC210-31						
2	19431200-10	UCFC210-32						
2	19431200	UCFC211-32	7.283	5.905	4.177	.512	1.653	.748
2 1/8	19431202	UCFC211-34						
2 3/16	19431203	UCFC211-35						
2 1/4	19431204	UCFC212-36	7.677	6.299	4.453	.669	1.890	.748
2 3/8	19431206	UCFC212-38						
2 7/16	19431207	UCFC212-39						
2 1/2	19431208	UCFC213-40	8.071	6.693	4.732	.630	1.929	.748
	19431212	UCFC214-44	8.465	6.969	4.925	.669	2.126	.748
2 15/16	19431215	UCFC215-47	8.661	7.244	5.122	.669	2.165	.748
3	19431300	UCFC215-48						

For sale as complete units, inserts and housings.



MOUNTED BALL BEARING PILOTED FLANGE CONTINUED

SHAFT SIZE	DIMENSIONS (INCHES)						BOLT SIZE (INCHES)	WEIGHT LBS.
	J	H	E	K	G	Bi		
1 5/8 1 11/16 1 3/4	.472	.394	1.023	4.1339	1.583	1.937	1/2	5.95
1 7/8 1 15/16 2	.472	.551	1.102	4.3307	1.677	2.0315	1/2	6.39
2 2 1/8 2 3/16	.472	.512	1.181	4.9213	1.827	2.189	5/8	9.26
2 1/4 2 3/8 2 7/16	.472	.591	1.417	5.315	2.232	2.563	5/8	10.89
2 1/2	.551	.591	1.378	5.709	2.193	2.563	5/8	12.57
	.551	.630	1.496	5.905	2.417	2.937	5/8	14.99
2 5/16 3	.630	.669	1.535	6.2992	2.461	3.063	5/8	29.76



For personal service and special requests, please call us at 800.242.4633.

CAD drawings available upon request at no additional charge.



MOLINE BEARING CO.

Post Office Box 99, Batavia, Illinois 60510, USA
630.584.4600, 800.242.4633, 630.584.1999 fax
www.molinebearing.com, sales@molinebearing.com

TEL # **800.242.4633**

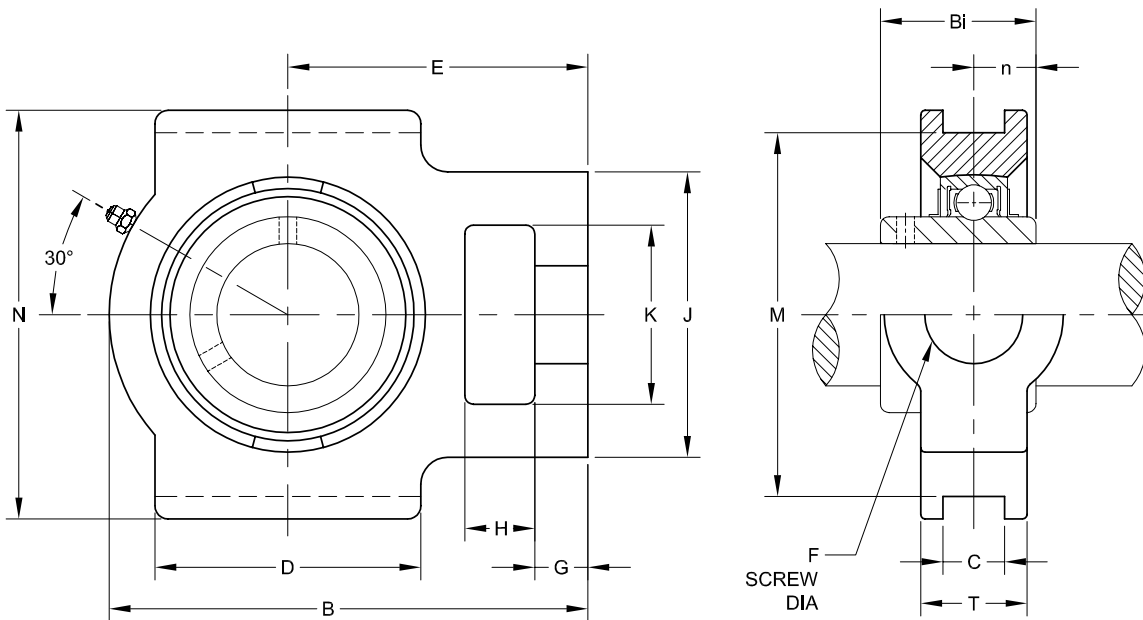
103

MOUNTED BALL BEARING WIDE SLOT TAKE-UP

UCT 200 Series—Normal Duty Set Screw Locking Collar

SHAFT SIZE	MOLINE PART #	UNIT #	DIMENSIONS (INCHES)						
			H	G	J	K	F	D	C
1/2	19451008	UCT201-08	5/8	3/8	2	1 1/4	3/4	2	15/32
5/8	19451010	UCT202-10							
3/4	19451012	UCT204-12							
7/8	19451014	UCT205-14	5/8	3/8	2	1 1/4	7/8	2	15/32
15/16	19451015	UCT205-15							
1	19451100	UCT205-16							
1 1/8	19451102	UCT206-18	5/8	3/8	2 3/16	1 7/16	7/8	2 1/4	15/32
1 3/16	19451103	UCT206-19							
1 1/4	19451104-06	UCT206-20							
1 1/4	19451104	UCT207-20	5/8	1/2	2 1/2	1 7/16	7/8	2 1/2	15/32
1 5/16	19451105	UCT207-21							
1 3/8	19451106	UCT207-22							
1 7/16	19451107	UCT207-23							
1 1/2	19451108	UCT208-24	3/4	5/8	3 1/4	1 15/16	1 1/8	3 1/4	5/8
1 9/16	19451109	UCT208-25							

For sale as complete units, inserts and housings.



MOUNTED BALL BEARING WIDE SLOT TAKE-UP

SHAFT SIZE	DIMENSIONS (INCHES)							WEIGHT LBS.
	M	N	B	T	E	Bi	n	
1/2 5/8 3/4	3	3 1/2	3 11/16	1 3/16	2 3/8	1.220	.550	1.85
7/8 15/16 1	3	3 1/2	3 13/16	1 5/16	2 7/16	1.339	.563	1.76
1 1/8 1 3/16 1 1/4	3 1/2	4	4 7/16	1 3/32	2 3/4	1.500	.626	2.42
1 1/4 1 5/16 1 3/8 1 7/16	3 1/2	4	5 1/16	1 3/16	3 1/16	1.689	.689	3.53
1 1/2 1 9/16	4	4 1/2	5 11/16	1 5/16	3 1/2	1.937	.748	5.51



For personal service and special requests, please call us at 800.242.4633.

CAD drawings available upon request at no additional charge.



MOLINE BEARING CO.

Post Office Box 99, Batavia, Illinois 60510, USA
630.584.4600, 800.242.4633, 630.584.1999 fax
www.molinebearing.com, sales@molinebearing.com

TEL # **800.242.4633**

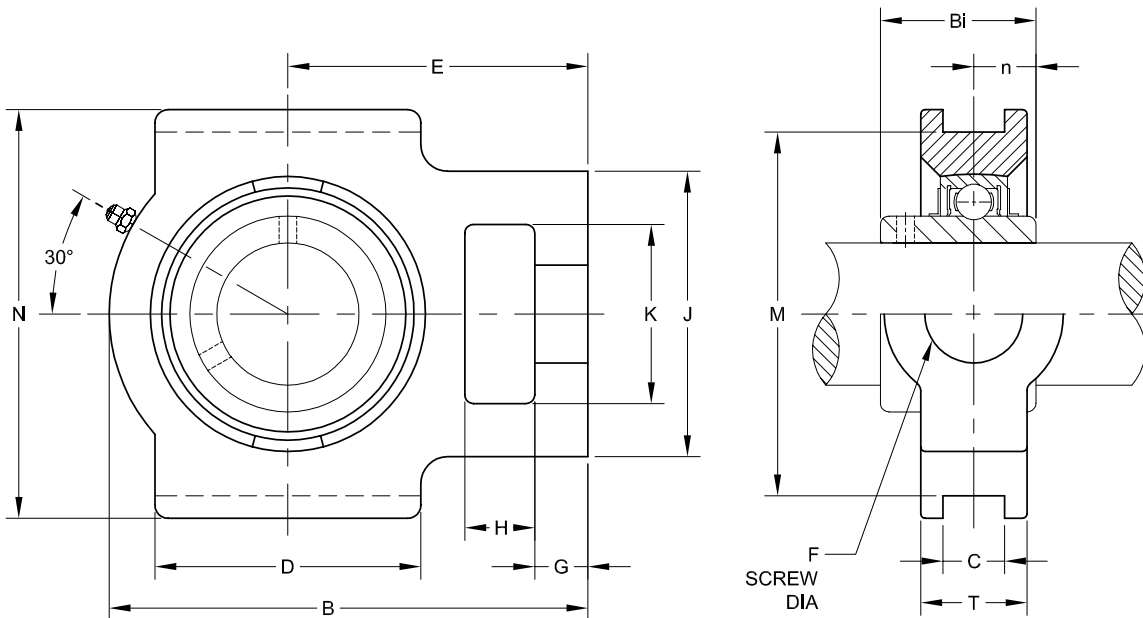
105

MOUNTED BALL BEARING WIDE SLOT TAKE-UP CONTINUED

UCT 200 Series—Normal Duty Set Screw Locking Collar

SHAFT SIZE	MOLINE PART #	UNIT #	DIMENSIONS (INCHES)						
			H	G	J	K	F	D	C
1 5/8	19451110	UCT209-26	3/4	5/8	3 1/4	1 15/16	1 1/8	3 1/4	5/8
1 1 1/16	19451111	UCT209-27							
1 3/4	19451112	UCT209-28							
1 7/8	19451114	UCT210-30	3/4	5/8	3 1/4	1 15/16	1 1/8	3 3/8	1 1/16
1 15/16	19451115	UCT210-31							
2	19451200-10	UCT210-32							
2	19451200	UCT211-32	1	3/4	4	2 1/2	1 3/8	3 3/4	27/32
2 1/8	19451202	UCT211-34							
2 3/16	19451203	UCT211-35							
2 1/4	19451204	UCT212-36	1 1/4	3/4	4	2 1/2	1 3/8	4	27/32
2 3/8	19451206	UCT212-38							
2 7/16	19451207	UCT212-39							
2 1/2	19451208	UCT213-40	1 1/4	13/16	4 3/8	2 3/4	1 5/8	4 3/4	1 1/32
2 3/4	19451212	UCT214-44							
2 15/16	19451215	UCT215-47							
3	19451300	UCT215-48	1 1/4	13/16	4 3/8	2 3/4	1 5/8	4 3/4	1 1/32

For sale as complete units, inserts and housings.



MOUNTED BALL BEARING WIDE SLOT TAKE-UP CONTINUED

SHAFT SIZE	DIMENSIONS (INCHES)							WEIGHT LBS.
	M	N	B	T	E	Bi	n	
1 5/8 1 11/16 1 3/4	4	4 5/8	5 11/16	1 3/8	3 7/16	1.937	.748	5.29
1 7/8 1 15/16 2	4	4 5/8	5 7/8	1 15/32	3 9/16	2.031	.748	5.29
2 2 1/8 2 3/16	5 1/8	5 3/4	6 3/4	1 1/2	4 3/16	2.189	.874	9.04
2 1/4 2 3/8 2 7/16	5 1/8	5 3/4	7 5/8	1 21/32	4 11/16	2.563	1.000	11.02
2 1/2	5 15/16	6 9/16	8 13/16	1 3/4	5 3/8	2.563	1.000	15.43
2 3/4	5 15/16	6 9/16	8 13/16	1 13/16	5 3/8	2.937	1.189	15.65
2 15/16 3	5 15/16	6 9/16	9 1/8	1 7/8	5 1/2	3.062	1.311	16.50



For personal service and special requests, please call us at 800.242.4633.
CAD drawings available upon request at no additional charge.



MOLINE BEARING CO.

Post Office Box 99, Batavia, Illinois 60510, USA
630.584.4600, 800.242.4633, 630.584.1999 fax
www.molinebearing.com, sales@molinebearing.com

TEL # **800.242.4633**

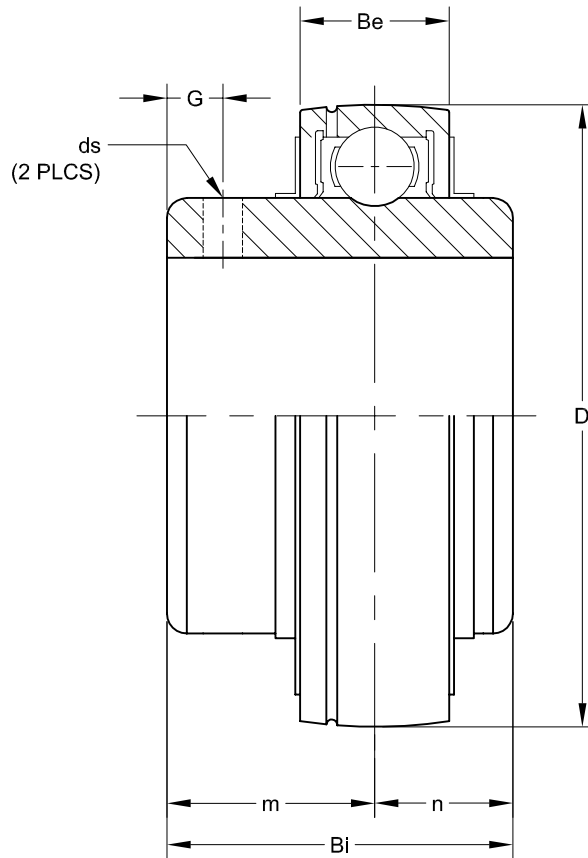
107

MOUNTED BALL BEARING UC 200 SERIES INSERT

SHAFT SIZE	MOLINE PART #	UNIT #	DIMENSIONS (INCHES)							WEIGHT LBS.
			D	Bi	Be	n	m	G	ds	
1/2	15400008	UC201-8								
5/8	15400010	UC202-10	1.8504	1.2205	.6299	.5	.7205	.185	1/4-28	.45
3/4	15400012	UC204-12								
7/8	15400014	UC205-14								
15/16	15400015	UC205-15	2.0472	1.3386	.6693	.563	.7756	.2165	1/4-28	.42
1	15400100	UC205-16								
1 1/8	15400102	UC206-18								
1 3/16	15400103	UC206-19	2.4409	1.50	.748	.626	.874	.2165	1/4-28	.68
1 1/4	15400104-06	UC206-20								
1 1/4	15400104	UC207-20								
1 5/16	15400105	UC207-21	2.8346	1.689	.7874	.689	1.0	.2283	5/16-24	1.06
1 3/8	15400106	UC207-22								
1 7/16	15400107	UC207-23								
1 1/2	15400108	UC208-24								
1 9/16	15400109	UC208-25	3.1496	1.937	.8268	.748	1.189	.315	5/16-24	1.37
1 5/8	15400110	UC209-26								
1 11/16	15400111	UC209-27	3.3465	1.937	.8661	.748	1.189	.315	5/16-24	1.48
1 3/4	15400112	UC209-28								
1 7/8	15400114	UC210-30								
1 15/16	15400115	UC210-31	3.5433	2.0315	.9055	.748	1.2835	.3543	3/8-24	1.72
2	15400200-10	UC210-32								
2	15400200	UC211-32								
2 1/8	15400202	UC211-34	3.937	2.189	.9843	.874	1.315	.3543	3/8-24	2.27
2 3/16	15400203	UC211-35								
2 1/4	15400204	UC212-36								
2 3/8	15400206	UC212-38	4.3307	2.563	1.063	1.00	1.563	.4134	3/8-24	3.20
2 7/16	15400207	UC212-39								
2 1/2	15400208	UC213-40	4.7244	2.563	1.1024	1.00	1.563	.4724	3/8-24	3.77
2 3/4	15400212	UC214-44	4.9213	2.937	1.1811	1.189	1.748	.4724	1/2-20	4.54
2 15/16	15400215	UC215-47								
3	15400300	UC215-48	5.1181	3.063	1.1811	1.311	1.752	.4724	1/2-20	4.89
3 7/16	15400307	UC218-55	6.299	3.78	1.457	1.563	2.217	.551	.472	10.05



MOUNTED BALL BEARING UC 200 SERIES INSERT



For personal service and special requests, please call us at 800.242.4633.

CAD drawings available upon request at no additional charge.



MOLINE BEARING CO.

Post Office Box 99, Batavia, Illinois 60510, USA
630.584.4600, 800.242.4633, 630.584.1999 fax
www.molinebearing.com, sales@molinebearing.com

TEL # **800.242.4633**

109

MOUNTED BALL BEARING 2-BOLT PILLOW BLOCK

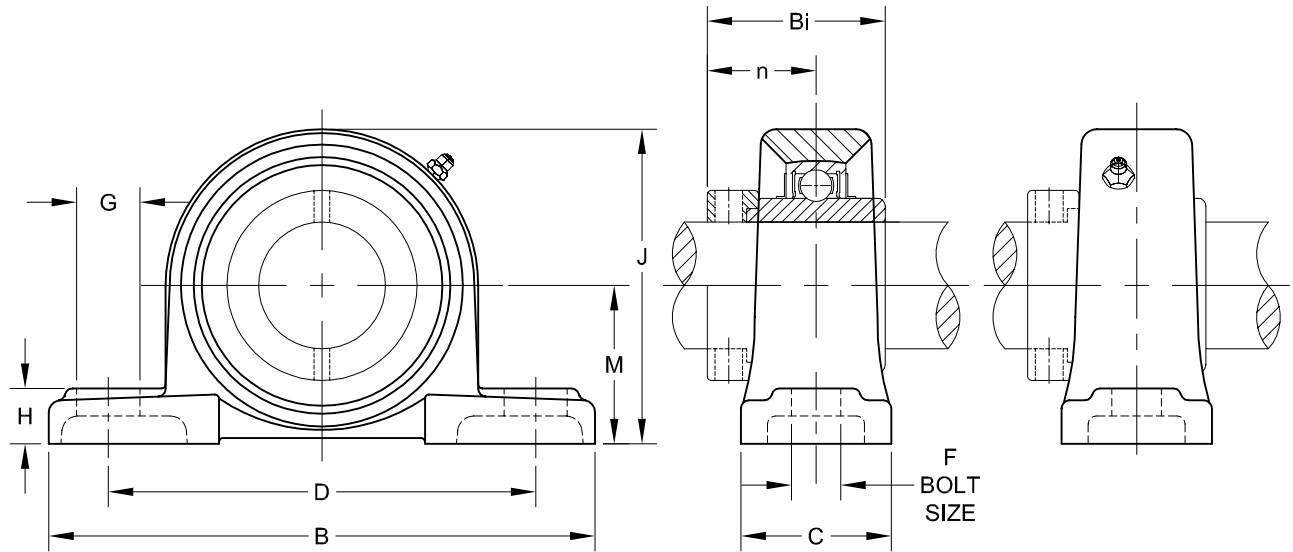
HCP 200 Series—Normal Duty Eccentric Locking Collar

SHAFT SIZE	MOLINE PART #	UNIT #	DIMENSIONS (INCHES)										BOLT SIZE (INCHES)	WEIGHT LBS.
			M	B	D	C	F	G	H	J	Bi	n		
3/4	19521012	HCP204-12	1 5/16	5	3.779	1.456	1/2	.630	.551	2.511	1.713	0.669	3/8	1.59
7/8	19521014	HCP205-14	1 7/16	5 1/2	4 1/8	1 1/2	1/2	3/4	.590	2.736	1.744	0.685	3/8	1.76
1 5/16	19521015	HCP205-15												
1	19521100	HCP205-16												
1 1/8	19521102	HCP206-18	1 11/16	6.30	4 3/4	1.732	.551	3/4	.630	3.228	1.901	0.626	1/2	2.98
1 3/16	19521103	HCP206-19												
1 1/4	19521104-06	HCP206-20												
1 1/4	19521104	HCP207-20	1 7/8	6.575	5	1 7/8	.590	3/4	.669	3.622	2.012	0.740	1/2	3.75
1 5/16	19521105	HCP207-21												
1 3/8	19521106	HCP207-22												
1 7/16	19521107	HCP207-23												
1 1/2	19521108	HCP208-24	1 15/16	7.09	5.354	2.047	.590	13/16	.709	3.858	2.216	0.842	1/2	4.41
1 9/16	19521109	HCP208-25												
1 5/8	19521110	HCP209-26	2 1/8	7.44	5 3/4	2 1/8	.590	13/16	.787	4.153	2.216	0.842	1/2	5.34
1 11/16	19521111	HCP209-27												
1 3/4	19521112	HCP209-28												
1 7/8	19521114	HCP210-30	2 1/4	8.031	6 1/4	2.244	3/4	.866	.827	4.417	2.468	0.968	5/8	6.06
1 15/16	19521115	HCP210-31												
2	19521200-10	HCP210-32												
2	19521200	HCP211-32	2 1/2	8.543	6.771	2 3/8	3/4	.866	.866	4.901	2.807	1.090	5/8	7.85
2 1/8	19521202	HCP211-34												
2 3/16	19521203	HCP211-35												
2 1/4	19521204	HCP212-36	2 3/4	9.370	7.323	2.598	3/4	.984	.945	5.394	3.059	1.216	5/8	11.46
2 3/8	19521206	HCP212-38												
2 7/16	19521207	HCP212-39												
2 1/2	19521208	HCP213-40	3	10.315	8	2 3/4	.905	1.142	1.023	5.866	3.374	1.342	3/4	13.89
2 3/4	19521212	HCP214-44	3 1/8	10.472	8.268	2.834	.905	1.142	1.063	6.102	3.374	1.342	3/4	15.43
2 15/16	19521215	HCP215-47	3 1/4	10.787	8.543	2.913	.984	1.142	1.102	6.363	3.626	1.468	3/4	17.20
3	19521300	HCP215-48												

For sale as complete units, inserts and housings.



MOUNTED BALL BEARING 2-BOLT PILLOW BLOCK



For personal service and special requests, please call us at 800.242.4633.

CAD drawings available upon request at no additional charge.



MOLINE BEARING CO.

Post Office Box 99, Batavia, Illinois 60510, USA
630.584.4600, 800.242.4633, 630.584.1999 fax
www.molinebearing.com, sales@molinebearing.com

TEL # **800.242.4633**

111

MOUNTED BALL BEARING 2-BOLT FLANGE

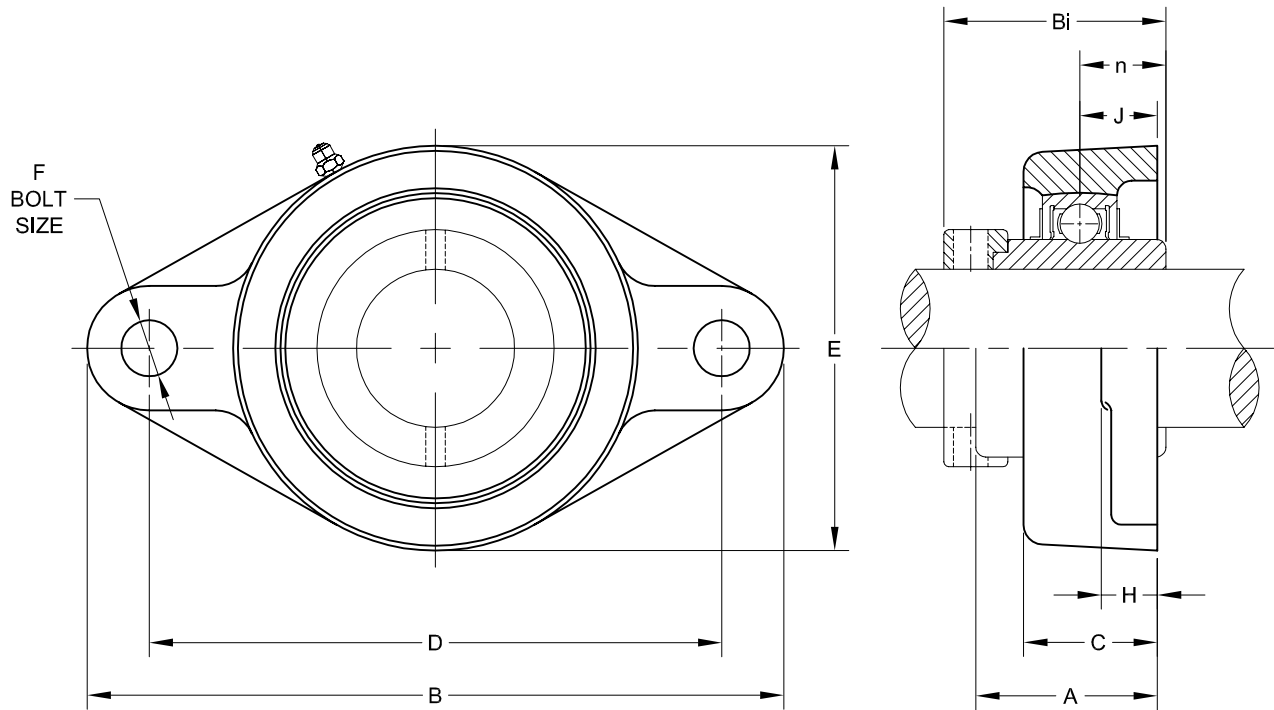
HCFL 200 Series—Normal Duty Eccentric Locking Collar

SHAFT SIZE	MOLINE PART #	UNIT #	DIMENSIONS (INCHES)										BOLT SIZE (INCHES)	WEIGHT LBS.
			B	D	J	H	C	F	E	A	Bi	n		
3/4	19501012	HCFL204-12	4.489	3.543	.591	.433	1	.452	2.362	1.311	1.634	.669	3/8	1.54
7/8	19501014	HCFL205-14	5.118	3.898	.630	.512	1.062	.452	2.677	1.406	1.689	.685	3/8	1.76
15/16	19501015	HCFL205-15												
1	19501100	HCFL205-16												
1 1/8	19501102	HCFL206-18	5.827	4.606	.709	.512	1.220	.452	3 1/8	1.583	1.894	.716	3/8	2.64
1 3/16	19501103	HCFL206-19												
1 1/4	19501104-06	HCFL206-20												
1 1/4	19501104	HCFL207-20	6.338	5.118	.748	.551	1.338	.551	3 9/16	1.748	2.020	.740	1/2	3.53
1 5/16	19501105	HCFL207-21												
1 3/8	19501106	HCFL207-22												
1 7/16	19501107	HCFL207-23												
1 1/2	19501108	HCFL208-24	6.890	5.669	.827	.551	1.417	.551	3 15/16	2.016	2.201	.842	1/2	4.19
1 9/16	19501109	HCFL208-25												
1 5/8	19501110	HCFL209-26	7.401	5.827	.866	.630	1.496	.709	4 1/4	2.055	2.240	.842	5/8	5.07
1 11/16	19501111	HCFL209-27												
1 3/4	19501112	HCFL209-28												
1 7/8	19501114	HCFL210-30	7.756	6.181	.866	.630	1.575	.709	4 1/2	2.150	2.366	.969	5/8	5.73
1 15/16	19501115	HCFL210-31												
2	19501200-10	HCFL210-32												
2	19501200	HCFL211-32	8.819	7.244	.984	.709	1.693	.709	5 1/8	2.299	2.701	1.091	5/8	8.38
2 1/8	19501202	HCFL211-34												
2 3/16	19501203	HCFL211-35												
2 1/4	19501204	HCFL212-36	9.842	7.953	1.142	.709	1.890	.709	5 1/2	2.705	2.984	1.216	5/8	10.58
2 3/8	19501206	HCFL212-38												
2 7/16	19501207	HCFL212-39												
2 1/2	19501208	HCFL213-40	10.157	8.268	1.181	.787	1.968	.905	6 1/8	2.744	3.213	1.342	3/4	13.23
2 3/4	19501212	HCFL214-44	10.433	8.504	1.22	.787	2.126	.905	6 5/16	2.969	3.252	1.342	3/4	13.89
2 15/16	19501215	HCFL215-47	10.827	8.858	1.339	.866	2.165	.905	6 1/2	3.091	3.496	1.468	3/4	15.87
3	19501300	HCFL215-48												

For sale as complete units, inserts and housings.



MOUNTED BALL BEARING 2-BOLT FLANGE



For personal service and special requests, please call us at 800.242.4633.

CAD drawings available upon request at no additional charge.



MOLINE BEARING CO.

Post Office Box 99, Batavia, Illinois 60510, USA
630.584.4600, 800.242.4633, 630.584.1999 fax
www.molinebearing.com, sales@molinebearing.com

TEL # **800.242.4633**

113

MOUNTED BALL BEARING 4-BOLT FLANGE

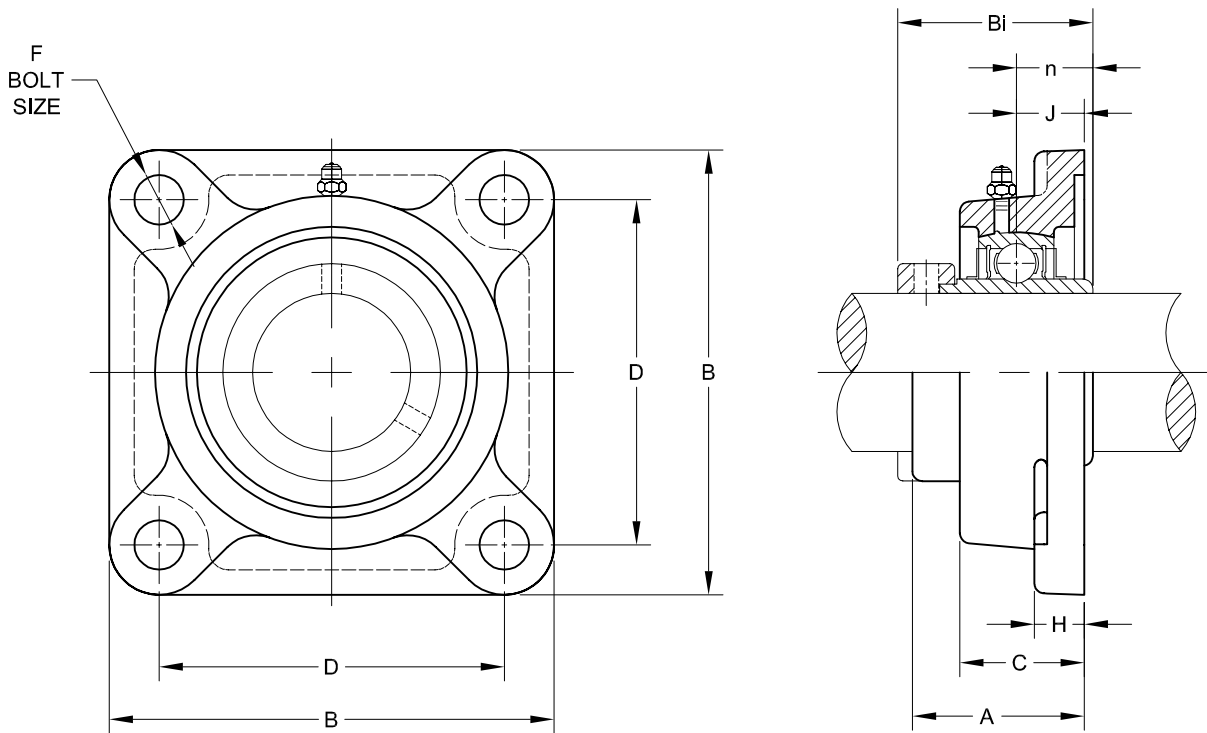
HCF 200 Series—Normal Duty Eccentric Locking Collar

SHAFT SIZE	MOLINE PART #	UNIT #	DIMENSIONS (INCHES)									BOLT SIZE (INCHES)	WEIGHT LBS.
			B	D	J	H	C	F	A	Bi	n		
3/4	19511012	HCF204-12	3.386	2.520	0.591	.433	1	.453	1.311	1.634	.669	3/8	1.39
7/8	19511014	HCF205-14	3 3/4	2 3/4	.630	.512	1.063	.453	1.406	1.689	.685	3/8	1.76
1 5/16	19511015	HCF205-15											
1	19511100	HCF205-16											
1 1/8	19511102	HCF206-18	4 1/4	3.267	.709	.512	1.220	.453	1.583	1.894	.716	3/8	2.64
1 3/16	19511103	HCF206-19											
1 1/4	19511104-06	HCF206-20											
1 1/4	19511104	HCF207-20	4.606	3.622	.748	.591	1.339	.551	1.748	2.020	.740	1/2	3.53
1 5/16	19511105	HCF207-21											
1 3/8	19511106	HCF207-22											
1 7/16	19511107	HCF207-23											
1 1/2	19511108	HCF208-24	5.118	4.016	.827	.591	1.417	.551	2.016	2.201	.842	1/2	4.19
1 9/16	19511109	HCF208-25											
1 5/8	19511110	HCF209-26	5.394	4.134	.866	.630	1.496	.630	2.055	2.240	.842	1/2	5.07
1 11/16	19511111	HCF209-27											
1 3/4	19511112	HCF209-28											
1 7/8	19511114	HCF210-30	5.630	4.370	.866	.630	1.574	.709	2.150	2.366	.969	1/2	5.73
1 15/16	19511115	HCF210-31											
2	19511200-10	HCF210-32											
2	19511200	HCF211-32	6.378	5.118	.984	.709	1.693	.709	2.299	2.701	1.091	5/8	8.38
2 1/8	19511202	HCF211-34											
2 3/16	19511203	HCF211-35											
2 1/4	19511204	HCF212-36	6.890	5.630	1.142	.709	1.890	.709	2.705	2.984	1.216	5/8	10.58
2 3/8	19511206	HCF212-38											
2 7/16	19511207	HCF212-39											
2 1/2	19511208	HCF213-40	7.362	5.866	1.181	.866	1.968	.709	2.744	3.213	1.342	5/8	13.23
2 3/4	19511212	HCF214-44	7.598	5.984	1.220	.866	2.125	.709	2.969	3.252	1.342	5/8	13.89
2 15/16	19511215	HCF215-47	7-7/8	6.259	1.339	.866	2.205	.709	3.091	3.496	1.468	5/8	15.87
3	19511300	HCF215-48											

For sale as complete units, inserts and housings.



MOUNTED BALL BEARING 4-BOLT FLANGE



For personal service and special requests, please call us at 800.242.4633.

CAD drawings available upon request at no additional charge.



MOLINE BEARING CO.

Post Office Box 99, Batavia, Illinois 60510, USA
630.584.4600, 800.242.4633, 630.584.1999 fax
www.molinebearing.com, sales@molinebearing.com

TEL # **800.242.4633**

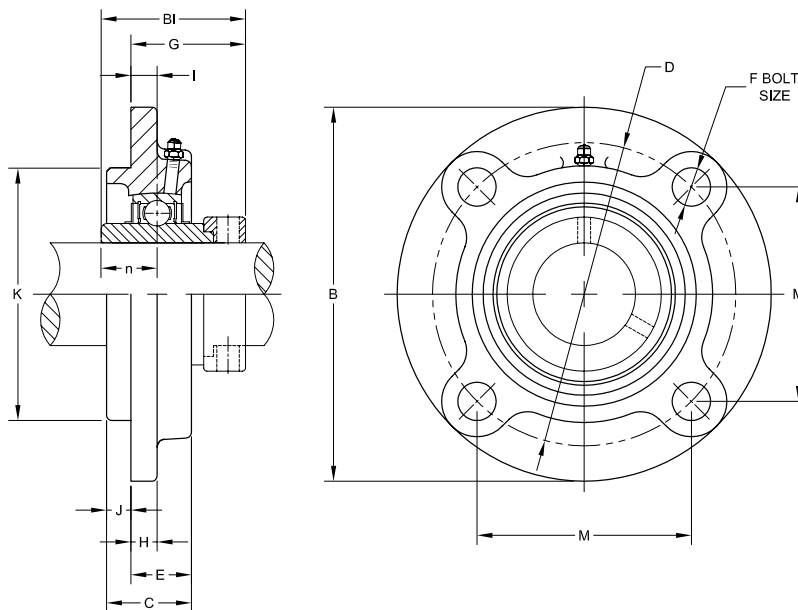
115

MOUNTED BALL BEARING PILOTED FLANGE

HCFC 200 Series—Normal Duty Eccentric Locking Collar

SHAFT SIZE	MOLINE PART #	UNIT #	SHAFT SIZE	DIMENSIONS (INCHES)					
				B	D	M	E	C	F
3/4	19531012	HCFC204-12	3/4	3 15/16	3.701	2.169	.394	1	.453
7/8	19531014	HCFC205-14	7/8	4.527	3.543	2.504	.394	1.063	.472
15/16	19531015	HCFC205-15	15/16						
1	19531100	HCFC205-16	1						
1 1/8	19531102	HCFC206-18	1 1/8	4.921	3.937	2.783	.394	1.220	.472
1 3/16	19531103	HCFC206-19	1 3/16						
1 1/4	19531104-06	HCFC206-20	1 1/4						
1 1/4	19531104	HCFC207-20	1 1/4	5.315	4.331	3.063	.433	1.338	.551
1 5/16	19531105	HCFC207-21	1 5/16						
1 3/8	19531106	HCFC207-22	1 3/8						
1 7/16	19531107	HCFC207-23	1 7/16						
1 1/2	19531108	HCFC208-24	1 1/2	5.709	4.724	3.338	.433	1.417	.551
1 9/16	19531109	HCFC208-25	1 9/16						
1 5/8	19531110	HCFC209-26	1 5/8	6.299	5.197	3.673	.394	1.496	.630
1 11/16	19531111	HCFC209-27	1 11/16						
1 3/4	19531112	HCFC209-28	1 3/4						

For sale as complete units, inserts and housings.



MOUNTED BALL BEARING PILOTED FLANGE

SHAFT SIZE	DIMENSIONS (INCHES)							BOLT SIZE (IN)	WEIGHT LBS.
	J	H	I	K	G	Bi	n		
3/4	.197	.236	.807	2.4409	1.437	1.712	.6693	3/8	1.68
7/8 15/16 1	.236	.275	.827	2.7559	1.453	1.744	.685	3/8	2.12
1 1/8 1 3/16 1 1/4	.315	.315	.905	3.1496	1.580	1.901	.7165	3/8	3.02
1 1/4 1 5/16 1 3/8 1 7/16	.315	.354	1.023	3.5433	1.705	2.012	.7402	7/16	3.75
1 1/2 1 9/16	.394	.354	1.023	3.937	1.807	2.216	.8425	7/16	4.41
1 5/8 1 11/16 1 3/4	.472	.394	1.023	4.1339	1.768	2.216	.8425	1/2	5.95



For personal service and special requests, please call us at 800.242.4633.

CAD drawings available upon request at no additional charge.



MOLINE BEARING CO.

Post Office Box 99, Batavia, Illinois 60510, USA
630.584.4600, 800.242.4633, 630.584.1999 fax
www.molinebearing.com, sales@molinebearing.com

TEL # **800.242.4633**

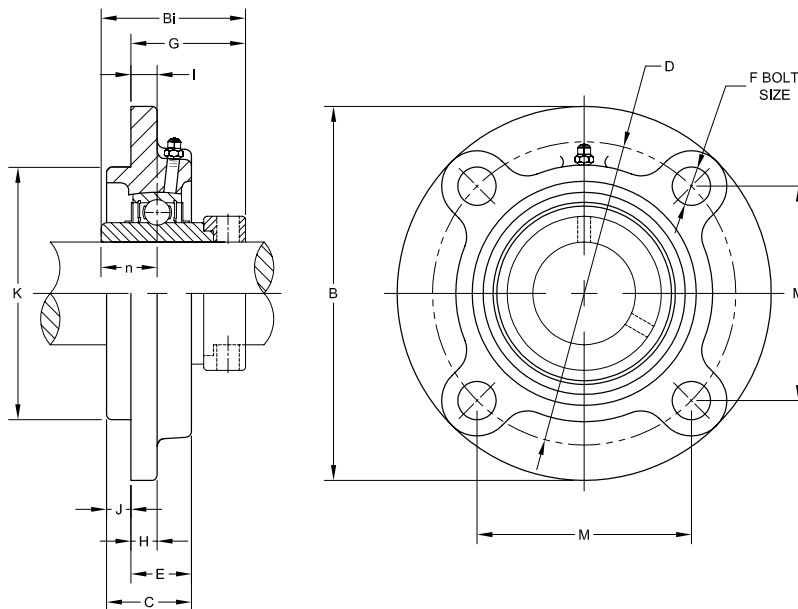
117

MOUNTED BALL BEARING PILOTED FLANGE CONTINUED

HCFC 200 Series—Normal Duty Eccentric Locking Collar

SHAFT SIZE	MOLINE PART #	UNIT #	SHAFT SIZE	DIMENSIONS (INCHES)					
				B	D	M	E	C	F
1 7/8	19531114	HCFC210-30	1 7/8						
1 15/16	19531115	HCFC210-31	1 15/16	6.496	5.433	3.842	.394	1.575	.630
2	19531200-10	HCFC210-32	2						
2	19531200	HCFC211-32	2						
2 1/8	19531202	HCFC211-34	2 1/8	7.283	5.905	4.177	.512	1.653	.748
2 3/16	19531203	HCFC211-35	2 3/16						
2 1/4	19531204	HCFC212-36	2 1/4						
2 3/8	19531206	HCFC212-38	2 3/8	7.677	6.299	4.453	.669	1.890	.748
2 7/16	19531207	HCFC212-39	2 7/16						
2 1/2	19531208	HCFC213-40	2 1/2	8.071	6.693	4.732	.630	1.929	.748
2 3/4	19531212	HCFC214-44	2 3/4	8.465	6.969	4.925	.669	2.126	.748
2 15/16	19531215	HCFC215-47	2 15/16						
3	19531300	HCFC215-48	3	8.661	7.244	5.122	.669	2.165	.748

For sale as complete units, inserts and housings.



MOUNTED BALL BEARING PILOTED FLANGE CONTINUED

SHAFT SIZE	DIMENSIONS (INCHES)							BOLT SIZE (IN)	WEIGHT LBS.
	J	H	I	K	G	Bi	n		
1 7/8 1 15/16 2	.472	.551	1.102	4.3307	1.894	2.468	.9685	1/2	6.39
2 2 1/8 2 3/16	.472	.512	1.181	4.9213	2.228	2.811	1.0906	5/8	9.26
2 1/4 2 3/8 2 7/16	.472	.591	1.417	5.315	2.512	3.063	1.2165	5/8	10.89
2 1/2	.551	.591	1.378	5.709	2.661	3.374	1.3425	5/8	12.57
2 3/4	.551	.630	1.496	5.905	2.701	3.374	1.342	5/8	14.99
2 15/16 3	.630	.669	1.535	6.2992	2.866	3.626	1.4685	5/8	29.76



For personal service and special requests, please call us at 800.242.4633.
CAD drawings available upon request at no additional charge.



Post Office Box 99, Batavia, Illinois 60510, USA
630.584.4600, 800.242.4633, 630.584.1999 fax
www.molinebearing.com, sales@molinebearing.com

MOLINE BEARING CO.

TEL # **800.242.4633**

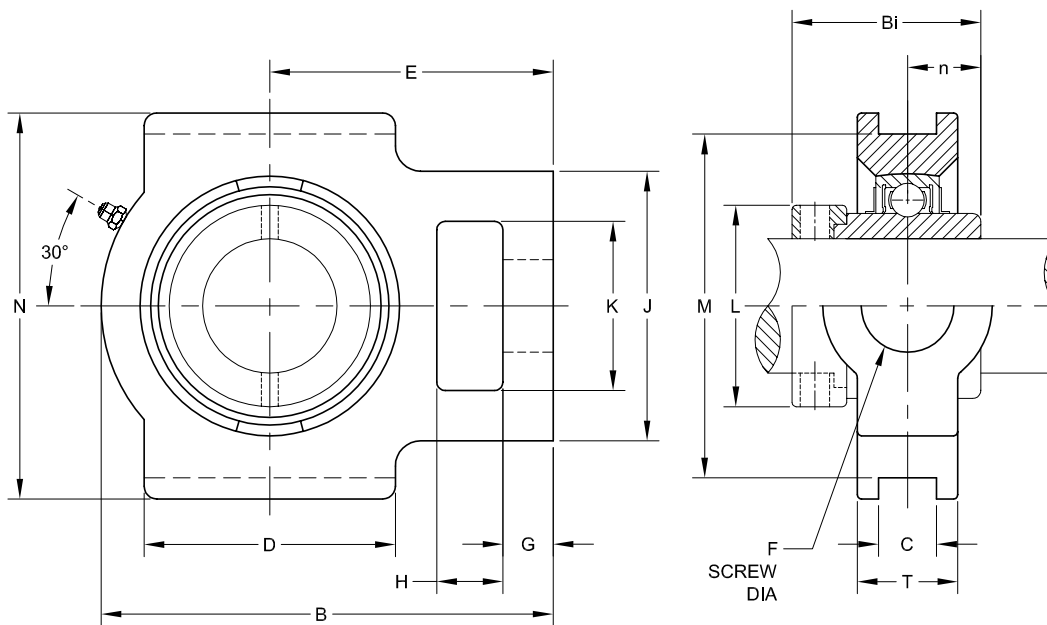
119

MOUNTED BALL BEARING WIDE SLOT TAKE-UP

HCT 200 Series—Normal Duty Eccentric Locking Collar

SHAFT SIZE	MOLINE PART #	UNIT #	DIMENSIONS (INCHES)						
			H	G	J	K	F	D	C
3/4	19551012	HCT204-12	.630	.394	2.244	1.260	.748	2.008	.472
7/8	19551014	HCT205-14	.630	.394	2.244	1.260	.748	2.008	.472
15/16	19551015	HCT205-15							
1	19551100	HCT205-16							
1 1/8	19551102	HCT206-18	.630	.394	2.205	1.457	.866	2.244	.472
1 3/16	19551103	HCT206-19							
1 1/4	19551104-06	HCT206-20							
1 1/4	19551104	HCT207-20	.630	.512	2.520	1.457	.866	2.520	.472
1 5/16	19551105	HCT207-21							
1 3/8	19551106	HCT207-22							
1 7/16	19551107	HCT207-23							
1 1/2	19551108	HCT208-24	.748	.630	3.268	1.929	1.142	3.268	.630
1 9/16	19551109	HCT208-25							
1 5/8	19551110	HCT209-26	.748	.630	3.268	1.929	1.142	3.268	.630
1 11/16	19551111	HCT209-27							
1 3/4	19551112	HCT209-28							

For sale as complete units, inserts and housings.



MOUNTED BALL BEARING WIDE SLOT TAKE-UP

SHAFT SIZE	DIMENSIONS (INCHES)							WEIGHT LBS.
	M	N	B	T	E	Bi	n	
3/4	2.992	3.504	3.701	.827	2.401	1.712	.669	1.85
7/8 15/16 1	2.992	3.504	3.701	.945	2.441	1.744	.685	2.03
1 1/8 1 3/16 1 1/4	3.504	4.016	4.449	1.102	2.756	1.901	.716	3.06
1 1/4 1 5/16 1 3/8 1 7/16	3.504	4.016	5.079	1.181	3.071	2.012	.740	4.03
1 1/2 1 9/16	4.016	4.488	5.669	1.299	3.464	2.216	.842	5.82
1 5/8 1 11/16 1 3/4	4.016	4.606	5.669	1.378	3.425	2.216	.842	5.89



For personal service and special requests, please call us at 800.242.4633.

CAD drawings available upon request at no additional charge.



MOLINE BEARING CO.

Post Office Box 99, Batavia, Illinois 60510, USA
630.584.4600, 800.242.4633, 630.584.1999 fax
www.molinebearing.com, sales@molinebearing.com

TEL # **800.242.4633**

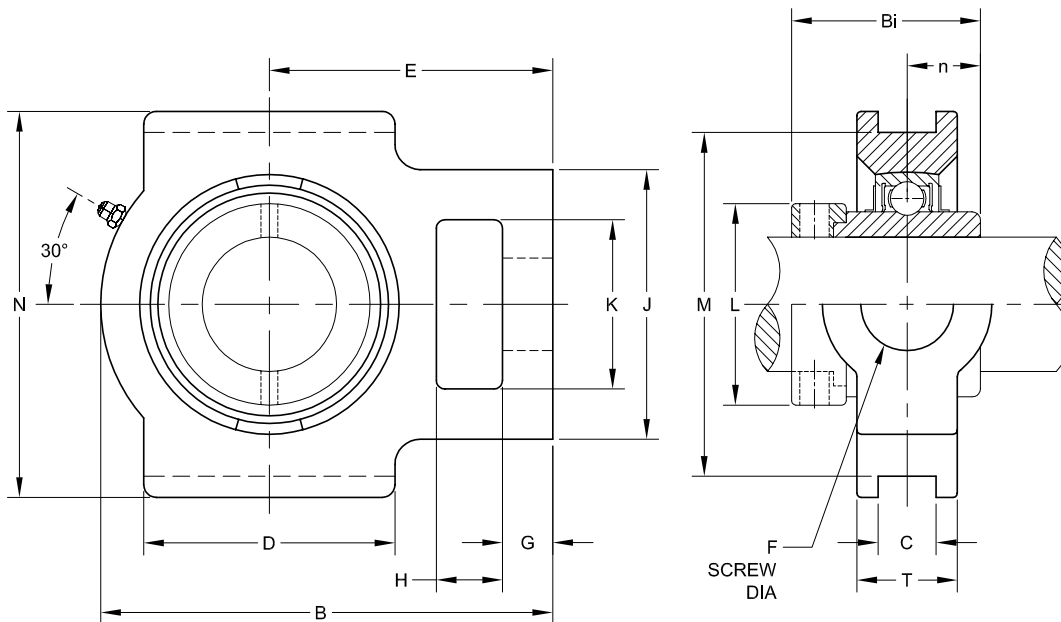
121

MOUNTED BALL BEARING WIDE SLOT TAKE-UP CONTINUED

HCT 200 Series—Normal Duty Eccentric Locking Collar

SHAFT SIZE	MOLINE PART #	UNIT #	DIMENSIONS (INCHES)						
			H	G	J	K	F	D	C
1 $\frac{7}{8}$	19551114	HCT210-30	.748	.630	3.268	1.929	1.142	3.386	.630
1 $\frac{15}{16}$	19551115	HCT210-31							
2	19551200-10	HCT210-32							
2	19551200	HCT211-32	.984	.748	4.016	2.520	1.378	3.740	.866
2 $\frac{1}{8}$	19551202	HCT211-34							
2 $\frac{3}{16}$	19551203	HCT211-35							
2 $\frac{1}{4}$	19551204	HCT212-36	1.260	.748	4.016	2.520	1.378	4.016	.866
2 $\frac{3}{8}$	19551206	HCT212-38							
2 $\frac{7}{16}$	19551207	HCT212-39							
2 $\frac{1}{2}$	19551208	HCT213-40	1.260	.827	4.370	2.756	1.614	4.764	1.024
2 $\frac{3}{4}$	19551212	HCT214-44	1.260	.827	4.370	2.756	1.614	4.764	1.024
2 $\frac{15}{16}$	19551215	HCT215-47	1.260	.827	4.370	2.756	1.614	4.764	1.024
3	19551300	HCT215-48							

For sale as complete units, inserts and housings.



MOUNTED BALL BEARING WIDE SLOT TAKE-UP CONTINUED

SHAFT SIZE	DIMENSIONS (INCHES)							WEIGHT LBS.
	M	N	B	T	E	Bi	n	
1 7/8 1 15/16 2	4.016	4.606	5.866	1.457	3.543	2.468	.968	6.19
2 2 1/8 2 3/16	5.118	5.748	6.732	1.496	4.173	2.807	1.090	9.41
2 1/4 2 3/8 2 7/16	5.118	5.748	7.638	1.653	4.685	3.059	1.216	11.60
2 1/2	9.882	6.575	8.819	1.732	5.394	3.374	1.342	16.64
2 3/4	9.882	6.575	8.819	1.811	5.394	3.374	1.342	16.80
2 15/16 3	9.882	6.575	9.134	1.890	5.512	3.626	1.468	17.92



For personal service and special requests, please call us at 800.242.4633.

CAD drawings available upon request at no additional charge.



Post Office Box 99, Batavia, Illinois 60510, USA
630.584.4600, 800.242.4633, 630.584.1999 fax
www.molinebearing.com, sales@molinebearing.com

MOLINE BEARING CO.

TEL # **800.242.4633**

123

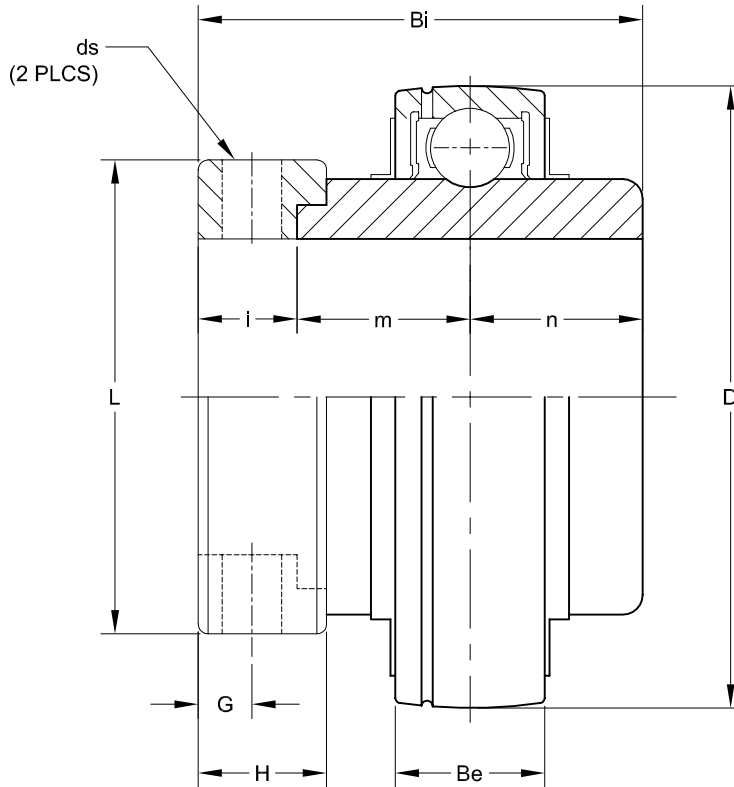
MOUNTED BALL BEARING HC 200 SERIES INSERT

Normal Duty Eccentric Locking Collar

SHAFT SIZE	MOLINE #	UNIT #	DIMENSIONS (INCHES)										WEIGHT LBS.
			D	Bi	Be	n	m	l	L	H	G	ds	
3/4	15500012	HC204-12	1.8504	1.7126	.6693	.6693	.6693	.374	1.311	.5315	.189	1/4-28	.46
7/8	15500014	HC205-14	2.0472	1.7441	.6693	.685	.685	.374	1.50	.5315	.189	1/4-28	.51
1 1/16	15500015	HC205-15											
1	15500100	HC205-16											
1 1/8	15500102	HC206-18	2.4409	1.9016	.748	.7165	.7165	.4685	1.752	.626	.2362	5/16-24	.82
1 3/16	15500103	HC206-19											
1 1/4	15500104-06	HC206-20											
1 1/4	15500104	HC207-20	2.8346	2.0118	.7874	.7402	.7402	.5315	2.189	.689	.2677	5/16-24	1.32
1 5/16	15500105	HC207-21											
1 3/8	15500106	HC207-22											
1 7/16	15500107	HC207-23											
1 1/2	15500108	HC208-24	3.1496	2.2165	.8268	.8425	.8425	.5315	2.374	.7205	.2677	5/16-24	1.68
1 9/16	15500109	HC208-25											
1 5/8	15500110	HC209-26	3.3465	2.2165	.8661	.8425	.8425	.5315	2.752	.7205	.2559	5/16-24	1.74
1 11/16	15500111	HC209-27											
1 3/4	15500112	HC209-28											
1 7/8	15500114	HC210-30	3.5433	2.4685	.9055	.9685	.9685	.5315	2.752	.7205	.2559	5/16-24	2.01
1 15/16	15500115	HC210-31											
2	15500200-10	HC210-32											
2	15500200	HC211-32	3.937	2.811	.9449	1.0906	1.0906	.6299	3.00	.8189	.315	3/8-24	2.78
2 1/8	15500202	HC211-34											
2 3/16	15500203	HC211-35											
2 1/4	15500204	HC212-36	4.3307	3.063	1.0236	1.2165	1.2165	.6299	3.315	.874	.323	3/8-24	4.12
2 3/8	15500206	HC212-38											
2 7/16	15500207	HC212-39											
2 1/2	15500208	HC213-40	4.7244	3.374	1.063	1.3425	1.3425	.689	3.3858	.9252	.315	3/8-24	4.65
2 3/4	15500212	HC214-44	4.921	3.374	1.181	1.342	1.4685	.689	3.811	.9252	.354	3/8-24	6.02
2 15/16	15500215	HC215-47	5.1181	3.626	1.1811	1.4685	1.4685	.689	4.0157	.3546	.3546	3/8-24	6.87
3	15500300	HC215-48											



MOUNTED BALL BEARING HC 200 SERIES INSERT



For personal service and special requests, please call us at 800.242.4633. CAD drawings available upon request at no additional charge.



MOLINE BEARING CO.

Post Office Box 99, Batavia, Illinois 60510, USA
630.584.4600, 800.242.4633, 630.584.1999 fax
www.molinebearing.com, sales@molinebearing.com

TEL # **800.242.4633**

125