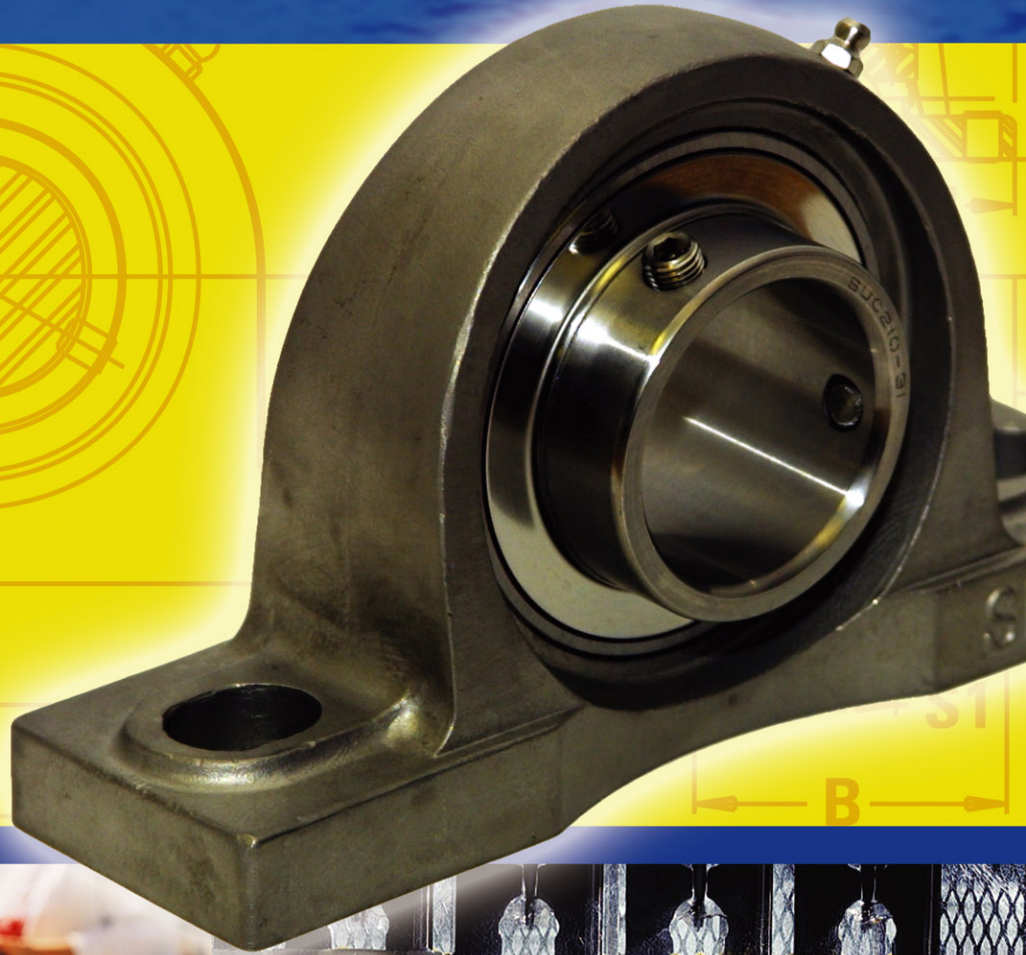


MARINER[®]

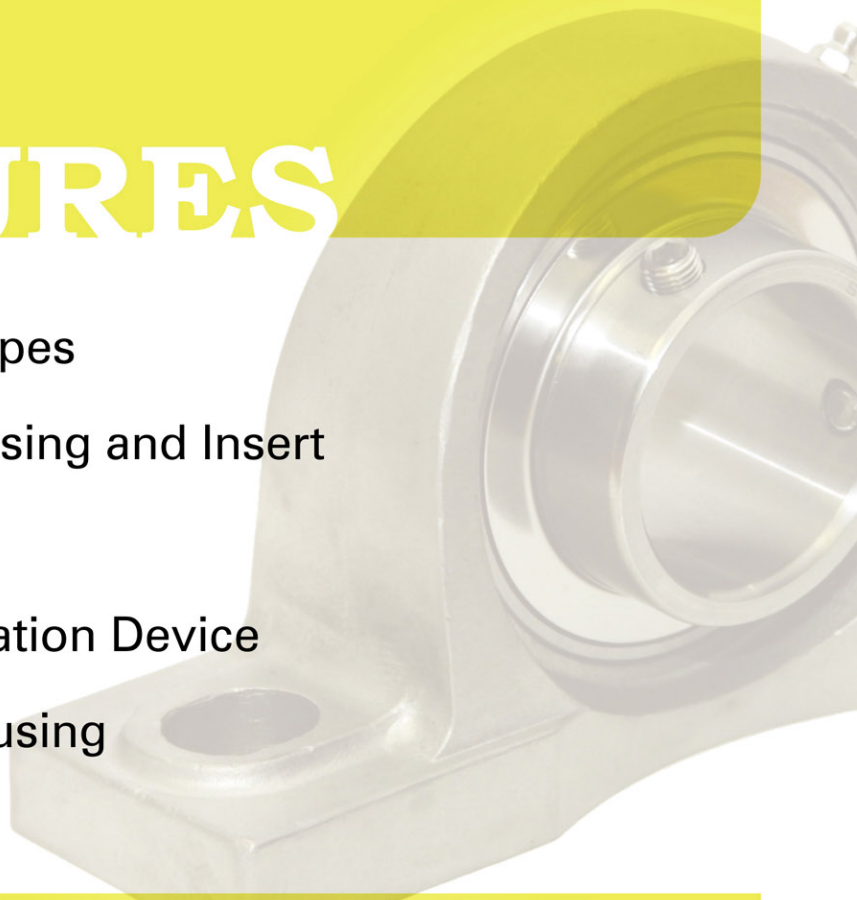
All Stainless Steel Mounted Units



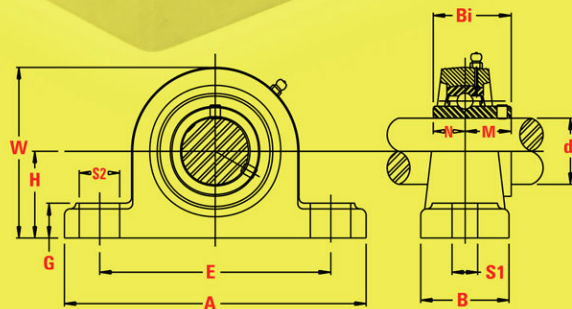
Weathers the storm.

Mariner Bearing FEATURES

- Solid Base for All Types
- Entire Stainless Housing and Insert
- Food Grade Grease
- Outer Ring Anti-Rotation Device
- Investment Cast Housing

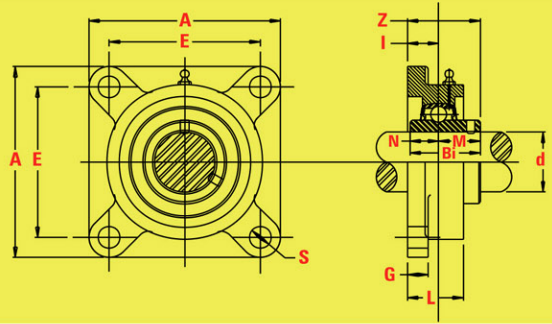


SUCSP



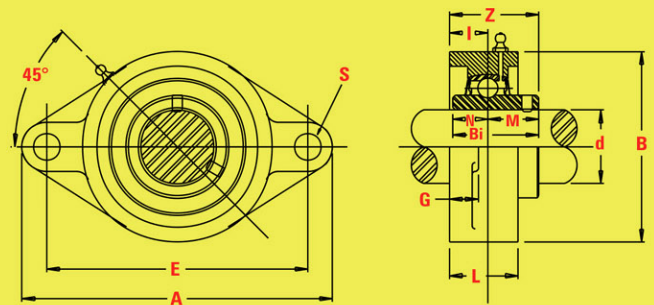
Unit No.	Shaft Diam.	Dimensions (inches)											Bolt Used (in.)
	d	H	A	E	B	S2	S1	G	W	Bi	N	M	
SUCSP 201-8	1/2	1 5/16	4 31/32	3 3/4	1 1/2	3/4	1/2	19/32	2 9/16	1.2205	0.5000	0.7205	3/8
SUCSP 202-10	5/8	1 5/16	4 31/32	3 3/4	1 1/2	3/4	1/2	19/32	2 9/16	1.2205	0.5000	0.7205	3/8
SUCSP 204-12	3/4	1 5/16	4 31/32	3 3/4	1 1/2	3/4	1/2	19/32	2 9/16	1.2205	0.5000	0.7205	3/8
SUCSP 205-16	1	1 7/16	5 1/2	4 1/8	1 1/2	3/4	1/2	5/8	2 3/4	1.3425	0.5630	0.7795	3/8
SUCSP 206-19	1 3/16	1 11/16	6 1/2	4 3/4	1 7/8	13/16	21/32	23/32	3 1/4	1.5000	0.6260	0.8740	1/2
SUCSP 206-20	1 1/4	1 11/16	6 1/2	4 3/4	1 7/8	13/16	21/32	23/32	3 1/4	1.5000	0.6260	0.8740	1/2
SUCSP 207-20	1 1/4	1 7/8	6 9/16	5	1 7/8	13/16	21/32	3/4	3 11/16	1.6890	0.6890	1.0000	1/2
SUCSP 207-22	1 3/8	1 7/8	6 9/16	5	1 7/8	13/16	21/32	3/4	3 11/16	1.6890	0.6890	1.0000	1/2
SUCSP 207-23	1 7/16	1 7/8	6 9/16	5	1 7/8	13/16	21/32	3/4	3 11/16	1.6890	0.6890	1.0000	1/2
SUCSP 208-24	1 1/2	1 15/16	7 1/4	5 13/32	2 1/8	29/32	21/32	3/4	3 15/16	1.9370	0.7480	1.1890	1/2
SUCSP 209-28	1 3/4	2 1/8	7 15/32	5 3/4	2 1/8	29/32	21/32	25/32	4 9/32	1.9370	0.7480	1.1890	1/2
SUCSP 210-31	1 15/16	2 1/4	8 1/8	6 1/4	2 3/8	31/32	25/32	7/8	4 15/32	2.0315	0.7480	1.2835	5/8
SUCSP 210-32	2	2 1/4	8 1/8	6 1/4	2 3/8	31/32	25/32	7/8	4 15/32	2.0315	0.7480	1.2835	5/8

SUCSF



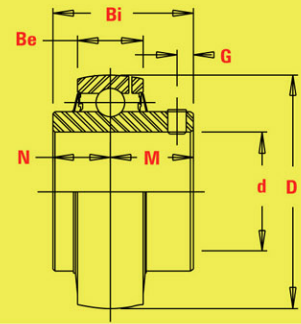
Unit No.	Shaft Diam. d	Dimensions (inches)										Bolt Used (in.)
		A	E	I	G	L	S	Z	Bi	N	M	
SUCSF 201-8	1/2	3 3/8	2 17/32	19/32	15/32	1	15/32	1 5/16	1.2205	0.5000	0.7205	3/8
SUCSF 202-10	5/8	3 3/8	2 17/32	19/32	15/32	1	15/32	1 5/16	1.2205	0.5000	0.7205	3/8
SUCSF 204-12	3/4	3 3/8	2 17/32	19/32	15/32	1	15/32	1 5/16	1.2205	0.5000	0.7205	3/8
SUCSF 205-16	1	3 3/4	2 3/4	5/8	9/16	1 1/16	15/32	1 13/32	1.3425	0.5630	0.7795	3/8
SUCSF 206-19	1 3/16	4 1/4	3 9/32	23/32	9/16	1 7/32	15/32	1 19/32	1.5000	0.6260	0.8740	3/8
SUCSF 206-20	1 1/4	4 1/4	3 9/32	23/32	9/16	1 7/32	15/32	1 19/32	1.5000	0.6260	0.8740	3/8
SUCSF 207-20	1 1/4	4 19/32	3 5/8	3/4	9/16	1 11/32	9/16	1 3/4	1.6890	0.6890	1.0000	7/16
SUCSF 207-22	1 3/8	4 19/32	3 5/8	3/4	9/16	1 11/32	9/16	1 3/4	1.6890	0.6890	1.0000	7/16
SUCSF 207-23	1 7/16	4 19/32	3 5/8	3/4	9/16	1 11/32	9/16	1 3/4	1.6890	0.6890	1.0000	7/16
SUCSF 208-24	1 1/2	5 1/8	4 1/32	13/16	9/16	1 13/32	5/8	2 1/32	1.9370	0.7480	1.1890	1/2
SUCSF 209-28	1 3/4	5 13/32	4 1/8	7/8	9/16	1 1/2	5/8	2 1/16	1.9370	0.7480	1.1890	1/2
SUCSF 210-31	1 15/16	5 5/8	4 3/8	7/8	19/32	1 9/16	5/8	2 5/32	2.0315	0.7480	1.2835	1/2
SUCSF 210-32	2	5 5/8	4 3/8	7/8	19/32	1 9/16	5/8	2 5/32	2.0315	0.7480	1.2835	1/2

SUCSFL



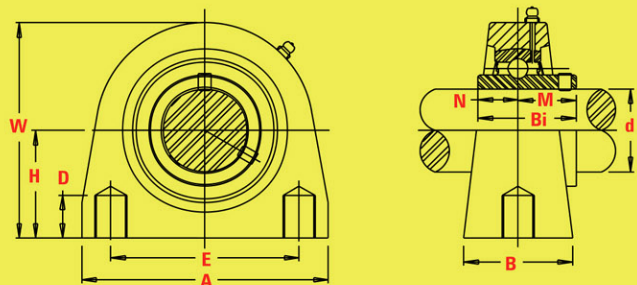
Unit No.	Shaft Diam. d	Dimensions (inches)										Bolt Used (in.)	
		A	E	I	G	L	S	B	Z	Bi	N		M
SUCSFL 201-8	1/2	4 7/16	3 17/32	19/32	13/32	1	15/32	2 3/8	1 5/16	1.2205	0.5000	0.7205	3/8
SUCSFL 202-10	5/8	4 7/16	3 17/32	19/32	13/32	1	15/32	2 3/8	1 5/16	1.2205	0.5000	0.7205	3/8
SUCSFL 204-12	3/4	4 7/16	3 17/32	19/32	13/32	1	15/32	2 3/8	1 5/16	1.2205	0.5000	0.7205	3/8
SUCSFL 205-16	1	5 1/8	3 29/32	5/8	13/32	1 1/16	5/8	2 11/16	1 13/32	1.3425	0.5630	0.7795	1/2
SUCSFL 206-19	1 3/16	5 13/16	4 19/32	23/32	13/32	1 7/32	5/8	3 5/32	1 19/32	1.5000	0.6260	0.8740	1/2
SUCSFL 206-20	1 1/4	5 13/16	4 19/32	23/32	13/32	1 7/32	5/8	3 5/32	1 19/32	1.5000	0.6260	0.8740	1/2
SUCSFL 207-20	1 1/4	6 11/32	5 1/8	3/4	7/16	1 11/32	5/8	3 17/32	1 3/4	1.6890	0.6890	1.0000	1/2
SUCSFL 207-22	1 3/8	6 11/32	5 1/8	3/4	7/16	1 11/32	5/8	3 17/32	1 3/4	1.6890	0.6890	1.0000	1/2
SUCSFL 207-23	1 7/16	6 11/32	5 1/8	3/4	7/16	1 11/32	5/8	3 17/32	1 3/4	1.6890	0.6890	1.0000	1/2
SUCSFL 208-24	1 1/2	6 7/8	5 21/32	13/16	7/16	1 13/32	5/8	3 15/16	2 1/32	1.9370	0.7480	1.1890	1/2
SUCSFL 209-28	1 3/4	7 13/32	5 13/16	7/8	1/2	1 1/2	5/8	4 1/4	2 1/16	1.9370	0.7480	1.1890	1/2
SUCSFL 210-31	1 15/16	7 3/4	6 3/16	7/8	1/2	1 9/16	3/4	4 17/32	2 5/32	2.0315	0.7480	1.2835	5/8
SUCSFL 210-32	2	7 3/4	6 3/16	7/8	1/2	1 9/16	3/4	4 17/32	2 5/32	2.0315	0.7480	1.2835	5/8

SUC



Unit No.	Dimensions (inches)							Setscrew	Basic Load Ratings (XXX)	
	d	D	Bi	Be	N	M	G		Dynamic	Static
SUC 201-8	1/2	1.8504	1.2205	0.6299	0.5000	0.7205	0.1969	M6x0.75	1650	990
SUC 202-10	5/8	1.8504	1.2205	0.6299	0.5000	0.7205	0.1969	M6x0.75	1650	990
SUC 204-12	3/4	1.8504	1.2205	0.6299	0.5000	0.7205	0.1969	M6x0.75	2210	1390
SUC 205-16	1	2.0472	1.3425	0.6693	0.5630	0.7795	0.1969	M6x0.75	2430	1570
SUC 206-19	1 3/16	2.4409	1.5000	0.7480	0.6260	0.8740	0.1969	M8x1.0	3350	2250
SUC 206-20	1 1/4	2.4409	1.5000	0.7480	0.6260	0.8740	0.1969	M8x1.0	3350	2250
SUC 207-20	1 1/4	2.8346	1.6890	0.7874	0.6890	1.0000	0.2756	M8x1.0	4430	3060
SUC 207-22	1 3/8	2.8346	1.6890	0.7874	0.6890	1.0000	0.2756	M8x1.0	4430	3060
SUC 207-23	1 7/16	2.8346	1.6890	0.7874	0.6890	1.0000	0.2756	M8x1.0	4430	3060
SUC 208-24	1 1/2	3.1496	1.9370	0.8661	0.7480	1.1890	0.3150	M8x1.0	5640	3990
SUC 209-28	1 3/4	3.3465	1.9370	0.8661	0.7480	1.1890	0.3150	M8x1.0	5640	3990
SUC 210-31	1 15/16	3.5433	2.0315	0.9449	0.7480	1.2835	0.3937	M10x1.25	6060	4450
SUC 210-32	2	3.5433	2.0315	0.9449	0.7480	1.2835	0.3937	M10x1.25	6060	4450

SUCSPA



Unit No.	Shaft Diam. d	Dimensions (inches)								Bolt Used (in.)	
		H	A	E	B	W	D	Bi	N		M
SUCSPA 201-8	1/2	1 5/16	2 7/8	2	1 1/2	2 9/16	1/2	1.2205	0.5000	0.7205	3/8 - 16
SUCSPA 202-10	5/8	1 5/16	2 7/8	2	1 1/2	2 9/16	1/2	1.2205	0.5000	0.7205	3/8 - 16
SUCSPA 204-12	3/4	1 5/16	2 7/8	2	1 1/2	2 9/16	1/2	1.2205	0.5000	0.7205	3/8 - 16
SUCSPA 205-16	1	1 7/16	3	2	1 1/2	2 25/32	1/2	1.3425	0.5630	0.7795	3/8 - 16
SUCSPA 206-19	1 3/16	1 11/16	4 1/32	3	1 1/2	3 3/8	5/8	1.5000	0.6260	0.8740	7/16 - 14
SUCSPA 206-20	1 1/4	1 11/16	4 1/32	3	1 1/2	3 3/8	5/8	1.5000	0.6260	0.8740	7/16 - 14
SUCSPA 207-20	1 1/4	1 7/8	4 1/4	3 1/4	1 7/8	3 3/4	3/4	1.6890	0.6890	1.0000	1/2 - 13
SUCSPA 207-22	1 3/8	1 7/8	4 1/4	3 1/4	1 7/8	3 3/4	3/4	1.6890	0.6890	1.0000	1/2 - 13
SUCSPA 207-23	1 7/16	1 7/8	4 1/4	3 1/4	1 7/8	3 3/4	3/4	1.6890	0.6890	1.0000	1/2 - 13
SUCSPA 208-24	1 1/2	1 15/16	4 19/32	3 1/2	1 7/8	3 15/16	3/4	1.9370	0.7480	1.1890	1/2 - 13
SUCSPA 209-28	1 3/4	2 1/8	5	3 3/4	2	4 1/4	3/4	1.9370	0.7480	1.1890	1/2 - 13
SUCSPA 210-31	1 15/16	2 1/4	5 1/2	4	2	4 19/32	7/8	2.0315	0.7480	1.2835	5/8 - 11
SUCSPA 210-32	2	2 1/4	5 1/2	4	2	4 19/32	7/8	2.0315	0.7480	1.2835	5/8 - 11