

Link-Belt® , MB, & Rexnord® Bearings | Product Catalog

(English-Inch/Metric)



Section Index

Description	Page	Description	Page
1 Rexnord Spherical Roller Bearings	5	6 Link-Belt® 300 Series Heavy Duty Ball Bearings	335
Features & Benefits	6	Features & Benefits	336
Nomenclature	8	Nomenclature	337
Engineering	9	Engineering	338
Pillow Blocks	17	Pillow Blocks	343
Flange Blocks	39	Flange Blocks	347
Cartridge Blocks	57	Cartridge Blocks	351
Take-up Blocks	67	Take-up Blocks	353
Take-up Assemblies	73	Take-up Frames	354
Duplex Units	87	Unmounted Replacement Bearings	355
Unmounted Replacement Bearings	89	7 MB 25 & 35 Series Ball Bearings	359
Replacement Kits	95	Features & Benefits	360
SHURLOK® Installation Tools	96	Nomenclature	362
2 Link-Belt® Spherical Roller Bearings	97	Engineering	364
Features & Benefits	98	Pillow Blocks	369
Nomenclature	100	Flange Blocks	377
Engineering	101	Cartridge Blocks	394
Pillow Blocks	107	Take-up Blocks	395
Flange Blocks	125	Take-up Frames	399
Cartridge Blocks	137	Hanger Units	401
Take-up Blocks	143	Unmounted Replacement Bearings	403
Take-up Assemblies	145	8 MB Krown Regal® Ball Bearings	411
Take-up Frames	149	Features & Benefits	412
Unmounted Replacement Bearings	151	Nomenclature	414
Replacement Kits	155	Engineering	415
3 Link-Belt® Split Housed Spherical Roller Bearings	157	Pillow Blocks	419
Features & Benefits	158	Flange Blocks	422
Nomenclature	161	Unmounted Replacement Bearings	428
Engineering	164	9 Link-Belt® Rigid Sleeve Bearings	431
Pillow Blocks	185	Features & Benefits	432
Take-up Assemblies	203	Nomenclature	433
Unmounted Bearings	205	Engineering	434
Replacement Kits	215	Pillow Blocks	439
4 Link-Belt® Klean-Gard & Dura-Klean	227	Flange Blocks	445
Features & Benefits	228	Take-up Assemblies	446
Nomenclature	229	Replacement Kits	447
Engineering	230	10 Link-Belt® Flex Block Sleeve Bearings	451
Pillow Blocks - Klean-Gard™	233	Features & Benefits	452
Flange Blocks - Klean-Gard™	235	Nomenclature	453
Pillow Blocks - Dura-Klean™	241	Engineering	454
Flange Blocks - Dura-Klean™	243	Pillow Blocks	457
Take-up Blocks - Dura-Klean™	246	Flange Blocks	458
5 Link-Belt® 200 Series Ball Bearings	247	Take-up Frames	460
Features & Benefits	248	11 Link-Belt® Cylindrical Roller Bearings	461
Nomenclature	250	Features & Benefits	462
Engineering	252	Nomenclature	463
Pillow Blocks	257	Engineering	464
Flange Blocks	275	Single Row Unmounted Units	481
Take-up Blocks	305	Double Row Unmounted Units	489
Take-up Assemblies	311	12 Engineering Section	491
Take-up Frames	315		
Hanger and Trough Units	319		
Unmounted Replacement Bearings	321		

Alphabetical Index

1100 - FX3Y200

Series Number	Page	Series Number	Page	Series Number	Page
1100	440	B400L	151-152	F3Y200	279
21300	442	B500L	153	FB/FEB22400	125-126
1000(Z)	439	B600L	154	FB/FEB22600	127
105-120mm Bore Cylindricals Single Row	486	BPLB6800(F)	189	FB3S200	285
130-150mm Bore Cylindricals Single Row	487	C25	370	FB3U200	284
160-200mm Bore Cylindricals Single Row	488	C25K	369	FBB22400	131
2(K)1400(Z)	443	C35	372	FBB22600	132
2000U	89	C35K	371	FC225	378
21200(Z)	441	CB22400	141	FC225K	377
21500(Z)	444	CB22600	142	FC235	380
22200LB,LBK	205	CL25	374	FC235K	379
22300LB,LBK	206	CL25K	373	FC3U200	287-288
23000LB,LBK	207	CSEB22400	137-138	FC3Y200	286
23100LB,LBK	208	CSEB22500	139	FC425	382
23200LB,LBK	209	CSEB22600	140	FC425K	381
23900LB,LBK	210	CU/CEU300	352	FC435	384
25-40mm Bore Cylindricals Single Row	481	CU/CEU3K00	351	FC435K	383
25-60mm Bore Cylindricals Double Row	489	DSB22400	145	FCB22400	133-134
3000U	90	DSB22500	146	FCB22600	135
3200F	459	DSB2800	446	FCU/FCEU300	350
3200FX	458	DSHB22500	147	FCU/FCEU3K00	349
3200P	457	DSL6800	203	FF200	320
45-55mm Bore Cylindricals Single Row	482	EFB22500	129	FPS225	390
5000U	91	EFB22600	130	FPS325	393
6000U	92	EFRB22400	128	FPSR2(K)	391
60-70mm Bore Cylindricals Single Row	483	EPB/EPEB22400	119	FRU(G)200	299
65-95mm Bore Cylindricals Double Row	490	EPB/EPEB22400F	120	FRW(G)200	300
75-85mm Bore Cylindricals Single Row	484	EPB/EPEB22500(F)	121	FRY(G)200	298
9000U	93	EPB/EPEB22600	122	FU(G)200	296
90-100mm Bore Cylindricals Single Row	485	EPB/EPEB22600F	123	FU/FEU300	348
A20000	212	ER	408	FU/FEU3K00	347
A20000M	213	ER-K	407	FW(G)200	297
A20000S	211	F2200(Z)	445	FX3S200	278
		F3S200	283	FX3U200	276
		F3U200	280-281	FX3W200	277
		F3W200	282	FX3Y200	275

Series Number	Page	Series Number	Page	Series Number	Page
FXRU(G)200	293	MFB25	385	PKLB7800F	194
FXRW(G)200	294	MS	303	PL3S200	268
FXRY(G)200	292	MSC	303	PL3U200	266
FXU(G)200	290	MSL	409	PL3W200	267
FXW(G)200	291	MSLN	410	PL3Y200	265
FXY(G)200	289	MST	301	PLB23000K	197
FY(G)200	295	MSTR	302	PLB23000	198
GMSA	304	NT3U200	314	PLB23100K	199
GMSB	304	P2U300	345	PLB23100	200
HEX BORE	329	P3C200	257	PLB23200K	201
HM3U200	319	P3S200	262	PLB23200	202
KC45	419	P3U200	259-260	PLB6600F	185-187
KC55	420	P3W200	261	PLB6600FD8	188
KCL45	421	P3Y200	258	PLB6800(F)	185-187
KF/KLFS200	237	PB/PEB22400	107-108	PLB6800(F)D8	188
KF/KLFSS200	238	PB/PEB22400F	109	PLB6900(F)	195
KFB/KLFBS200	239	PB/PEB22500(F)	110	PLB7600F	193
KFB/KLFBSS200	240	PB/PEB22600	111	PLB7800(F)	193
KFC245	422	PB/PEB22600F	112	PLB7900(F)	196
KFC255	423	PFC425	387	PLY300	346
KFC445	424	PFC425K	386	PS25	376
KFC455	425	PFC435	389	PSU200	272
KFX/KLFXS200	235	PFC435K	388	PSW200	273
KFX/KLFXSS200	236	PFC445	426	PSY200	271
KMB25	403	PFC455	427	PT3S200	270
KMB35	405	PH3U200	264	PT3U200	269
KMB45	428	PH3Y200	263	PU/PEU300	344
KMB55	429	PKB/PKEB22400	113-114	PU/PEU3K00	343
KP/KLPS200	233	PKB/PKEB22400F	115	RER(K)	394
KP/KLPSS200	234	PKB/PKEB22500F	116	ROUND BORE	330-331
LC	317,460	PKB/PKEB22600	117	SAF22300	196
LHD_FRAME	149,354	PKB/PKEB22600F	118	SAF22600	195
MB25	404	PKLB6600F	190-191	SG200	328
MB35	406	PKLB6800F	190-191	SQUARE BORE	332-333
MCHB	401	PKLB6800FD8	192	T3S200	307
MEHB	402	PKLB7600F	194	T3U200	306

Alphabetical Index

T3Y200 - ZT9000

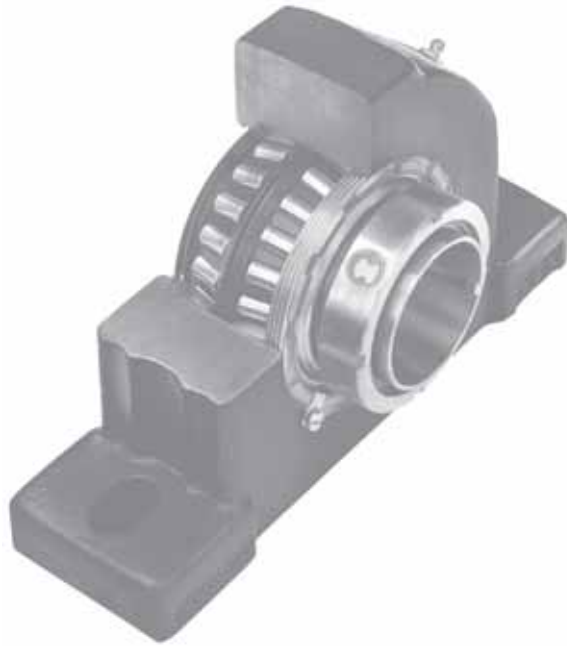
Series Number	Page	Series Number	Page	Series Number	Page
T3Y200	305	ZA(S)2000-72	25	ZEP3000	34
TAS3U200	311	ZA(S)3000	21	ZEP5000	35
TB22400	143	ZA(S)3000-72	26	ZEP6000	36
TB22600	144	ZA(S)5000	22	ZEP9000	37
TBC25	375	ZA(S)5000-72	27	ZF(S)5000	44
TC25	396	ZA(S)6000	23	ZF(S)6000	45
TC25K	395	ZA(S)6000-72	28	ZF(S)9000	46
TC35	398	ZA(S)9000	24	ZFT5000	84
TC35K	397	ZA(S)9000-72	29	ZGT5000	85
TDS3U200	312-313	ZAF(S)5000	17	ZHT5000	73-74
TFPS325	392	ZAF(S)6000	18	ZHT6000	75-76
TH3S200	310	ZAT2000	82	ZMC2000	62
TH3U200	309	ZAT3000	83	ZMC3000	63
TH3Y200	308	ZB(S)2000	39	ZMC5000	64
TP	315,399	ZB(S)3000	40	ZMC6000	65
TPT	315,399	ZB(S)5000	41	ZMC9000	66
TQP	316,400	ZB(S)6000	42	ZNT2000	78
TSP	315,399	ZB S)9000	43	ZNT3000	79
TSPT	315,399	ZBR2000	52	ZNT5000	80
TU300	353	ZBR3000	53	ZNT6000	81
U(B)200	323	ZBR5000	54	ZP(S)5000	30
U(B)G200	324-325	ZBR6000	55	ZP(S)6000	31
UG300L	356	ZBR9000	56	ZP(S)9000	32
UG3K00L	355	ZCS2000	57	ZST5000	77
W(B)200	326	ZCS3000	58	ZT2000	67
W(B)G200	327	ZCS5000	59	ZT3000	68
WF3S200	244	ZCS6000	60	ZT5000	69
WFB3S200	245	ZCS9000	61	ZT6000	70
WFX3S200	243	ZD2000	87	ZT9000	71
WP3S200	241	ZD5000	88		
WPT3S200	242	ZEF2000	47		
WTH3S200	246	ZEF3000	48		
Y(B)200	321	ZEF5000	49		
Y(B)G200	322	ZEF6000	50		
YG300	357	ZEF9000	51		
ZA(S)2000	19-20	ZEP2000	33		

Rexnord® Spherical Roller Bearing



Rexnord® Roller Bearings represent the continuation of 80 years of bearing technology and experience.

Rexnord Spherical Roller Bearings



Easy Bearing Clearance Adjustment

Can be field adjusted to meet application needs.

Replaceable Bearing

Available in single set collar, double set collar, eccentric lock and Adapter mounting to suit load and installation requirements.

Shaft Ready

Pre lubricated with our standard grease for normal operation; other lubricants available for special conditions.

Superfinished Raceways

Super-finished raceways provide a cool running, quiet, high speed and high load capacity bearing

Rugged Housing

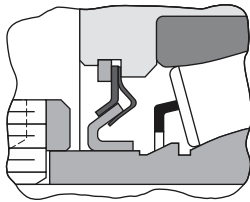
Standard material — cast iron. Steel or ductile iron available on request.

Multiple Housing Styles

Providing mounting features to match the operational and structural requirements.

Interchangeable Seals – Seal Types

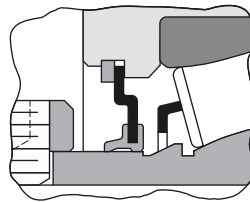
“Z” Seal Clearance



Denoted with a “Z” prefix in the model number. The standard seal used in the majority of applications.

- No frictional drag — generates no heat
- No speed limitations
- All metal — no temperature limitations

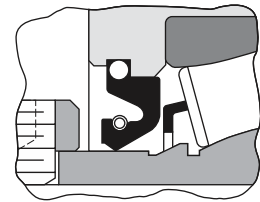
“K” Seal Light Contact



Substitute prefix “K” for “Z” in model number. Molded nitrile rubber lip seals out contaminants.

- Protects against contaminants
- Handles high speeds
- Less drag and heat generation than heavy contact seals

“M” Seal Heavy Contact



Substitute prefix “M” for “Z” in model number. Premium elastomer, spring loaded contact lip.

- Protects against liquids and grit
- Spring loaded lip assures constant contact-even during misalignment
- Molded-in garter spring retains seal in housing
- Seals in lubricant on horizontal and vertical shafts
- Available in viton material

Auxiliary Cap Seals

Closed End Shield



Use C Suffix in model number

- Protects from rotating shaft exposure
- Protects from foreign material penetration

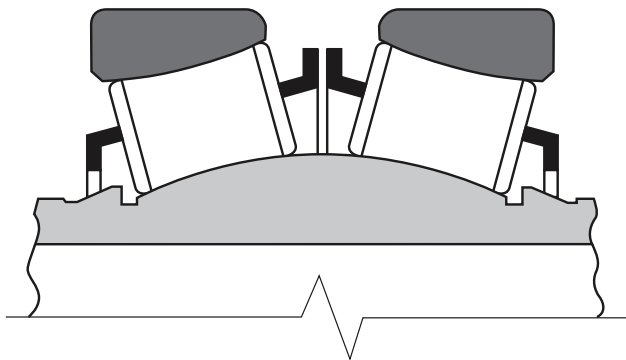
Auxiliary Cap Seals

Recommended for severe environments – they provide supplemental protection for the primary seal.

- Seals against liquids and gritty contaminants. Particularly effective against water washdown, taconite, cement, sand or caking build-up
- Provides safety, encloses rotating mounting hardware
- Protects primary seal from physical damage
- May be filled with grease to provide purging action
- Available as open or closed end cap



Self-Alignment



Integral Self-Alignment

Rexnord® Roller Bearings represent the continuation of 80 years of bearing technology and experience. This design allows the inner race to misalign freely in any direction up to 3° of total misalignment.

By design, Rexnord Bearings accept both radial and thrust loads under static, oscillatory, or dynamic conditions. The load is taken on the roller raceways, not the roller ends. This means that when thrust loaded up to their allowable limit, **Rexnord Bearings do not exhibit roller end wear.**

Featuring Rexnord's NEW SHÜRLOK® Adapter Mounts – Taking the Mystery Out of Mounting

Auxiliary end caps & three field interchangeable seal options ensures long bearing life through a full range of applications

Super-finished raceways provide a cool running, quiet, high speed and high load capacity bearing

Hour Glass Roller elements are precision ground and super finished to provide longer bearing life



Self aligning spherical roller bearing provides a total of 3 degrees static and dynamic misalignment

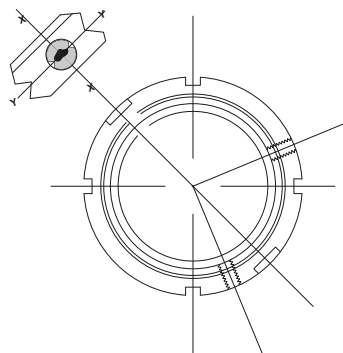
Adapter sleeve assembly allows easy installation/removal, plus enables use of commercial grade shafts

Positive Locking System allows minimal vibration during operation, therefore not requiring scheduled inspections for snugness of mountings

Spyglass® Optical Strain Sensor (OSS) Technology reduces installation errors by changing color when tight



Positive Locking System

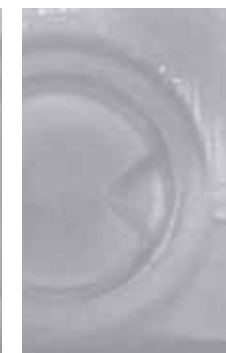


Mounting lockout utilizing Spyglass OSS

Not Installed



Installed



Easy Installation: Simply tighten the locknut until the Spyglass® shows proper indication

Rexnord 6000 Series SHÜRLOK Roller Bearings are Also Available With These Housings



Pillow Block



Flanged Units



Flanged Cartridge



Take-up Units



Take-up Assemblies

Nomenclature

Symbol	Description	A	Z	A	-	2	207	F
A	Two open auxiliary end caps	}	}	}	-	}	}	}
B	Two auxiliary end caps							
X	(open on housing side, closed on threaded cover side) Designates "SPECIAL UNITS", contact Rexnord Industries							
Z	Clearance seal	}	}	}	-	}	}	}
K	Light contact seal							
M	Heavy contact seal							
A	Pillow block, fixed	}	}	}	-	}	}	}
AS	Pillow block, floating							
AF	Pillow block, fixed SAF interchange							
AFS	Pillow block, floating SAF interchange							
P	Pillow block, fixed							
PS	Pillow block, floating							
EP	Pillow block, fixed Type E interchange							
B	Flanged block, fixed 4 bolt							
EF	Flanged block, fixed 4 bolt Type E interchange							
F	Flanged block, fixed 4 or 6 bolt							
FS	Flanged block, floating 4 or 6 bolt							
BR	Flanged cartridge block, fixed 4 bolt round							
CS	Cartridge block, steel housing							
MC	Cartridge block, cast iron housing							
D	Duplex unit							
N	Take-up block for protected screw frame							
T	Take-up block for center pull frame							
AT	Center pull take-up assembly							
NT	Protected screw take-up assembly							
HT	Center pull take-up assembly							
FT	Elevator boot end take-up assembly							
GT	Elevator head end take-up assembly							
ST	Center pull spring loaded take-up assembly							
11	Size code – only for take-up blocks & assemblies	}	}	}	-	}	}	}
2	2000 Series, single set collar							
3	3000 Series, eccentric locking collar							
5	5000 Series, double set collar							
6	6000 Series, SHÜRLOK® tapered adapter sleeve							
9	9000 Series, tapered adapter sleeve							
207	2 7/16" – last two digits in 16 th of an inch	}	}	}	-	}	}	}
100MM	100 millimeters							
24	Inches of take-up adjustment – only for take-up assemblies	}	}	}	-	}	}	}
A	One open auxiliary end cap (threaded cover side)							
B	One closed auxiliary end cap (threaded cover side)							
C	Closed end cap							
F	Four bolt housing (pillow blocks only)							
G	Face locked threaded cover							
H	Reverse assembly							
S	Machined pilot on face of flanged units							
V	Viton seal material (when M seal suffix is used)							
Y	Redesigned shaft size – not interchangeable							
72	Steel housing	}	}	}	-	}	}	}
78	Steel retainers							
82	Anti fretting bore							

Rexnord Spherical Roller Bearings

To select a bearing, determine the applied radial load, the applied thrust load, the desired Rating Life, and applicable operating conditions. The procedure shown here will aid in selecting a bearing to meet an L₁₀ design life. The formulas for calculating life expectancy should be used to determine the Rating Life L₁₀ for the bearing selected.

The selection procedures and rating formulas shown here are in agreement with The American Bearing Manufacturers Association Standards and ANSI/ABMA STD 9-1990. Ratings are based on fatigue life. The Rating Life L₁₀ or fatigue life at 90% reliability is the usual basis for bearing selection.

To assure a satisfactory bearing application, fitting practice, mounting, lubrication, sealing, static rating, housing strength, operating conditions and maintenance must be considered.

Selection

Step 1

Determine an appropriate L₁₀ design life.

Type of service	Operating time, hours per year	Design life, years	L ₁₀ design life, hours
Light seasonal usage	500 to 750	3-5	3,000
Heavy seasonal usage	1,400 to 1,600	4-6	8,000
Industrial—8 hour shift	2,000	10	20,000
Industrial—16 hour shift	4,000	10	40,000
Industrial—continuous	8,700	10	80,000 to 100,000

Step 2

Determine a required $\left(\frac{C}{P}\right)$ from Table 1.

Step 3

Calculate the required C and select a roller bearing.

a For radial load only:

$$P = F_r$$

$$\text{required } C = \left(\frac{C}{P}\right)P \text{ using } \left(\frac{C}{P}\right) \text{ from Step 2}$$

Select a roller bearing from Table 2 with a basic load rating C equal to or greater than the required C.

Step 3 (continued)

b For combined radial and thrust loads:

Select a trial roller bearing of the desired shaft size from Table 2.

Calculate the ratio of thrust load F_a to the radial load F_r.

$$\frac{F_a}{F_r}$$

Calculate the equivalent radial load P

$$P = X F_r + Y F_a$$

If $\frac{F_a}{F_r}$ is equal to or less than e, then $P = X_1 F_r + Y_1 F_a$

If $\frac{F_a}{F_r}$ is greater than e, then $P = X_2 F_r + Y_2 F_a$

For values of e, X₁, Y₁, X₂, and Y₂, see Table 2.

Calculate the required C

$$\text{required } C = \left(\frac{C}{P}\right)P \text{ using } \left(\frac{C}{P}\right) \text{ from Step 2.}$$

Consult Table 2, basic load rating. If a smaller bearing meets, or nearly meets, the required C, its life expectancy can be calculated.

Note: If the load P is greater than .25C, consult Rexnord Bearing Division.

Selection

Symbols for formulas:
 C = basic load rating, pounds (or newtons)
 Co = static load rating, pounds (or newtons)
 e = a reference value
 Fa = thrust load, pounds (or newtons)
 Fr = radial load, pounds (or newtons)

L₁₀ = rating life, hours
 n = speed, revolutions per minute
 P = equivalent radial load, pounds (or newtons)
 X = radial factor
 Y = thrust factor

Basic Formula

$$\left(\frac{C}{P}\right) = \left(\frac{L_{10} \times n \times 60}{1,000,000}\right)^{3/10}$$

$$L_{10} = \frac{\left(\frac{C}{P}\right)^{10/3} \times 1,000,000}{n \times 60}$$

Life Expectancy

To calculate the Rating Life L₁₀ of any selected or trial bearing:

Step 1

Determine the equivalent radial load P.

a For radial load only:

$$P = Fr$$

b For combined radial and thrust load:

$$P = XFr + YFa$$

if $\frac{Fa}{Fr}$ is equal to or less than e, then

$$P = X1Fr + Y1Fa$$

if $\frac{Fa}{Fr}$ is greater than e, then

$$P = X2Fr + Y2Fa$$

For values of e, X1, Y1, X2, and Y2, consult the appropriate bearing rating Table 2.

Step 2

Calculate the ratio of the basic load rating C to the equivalent radial load.

$$\left(\frac{C}{P}\right)$$

Step 3

Approximate the bearing life from Table 1.

Life Adjustment

The Rating Life, L₁₀, may be modified for some applications in accordance with the formula

$$Ln = a1a2a3L_{10}$$

where Ln = Adjusted life for (100-n) % reliability,

a1 = Life adjustment factor for reliability

a2 = Life adjustment factor

for material and processing

a3 = Life adjustment factor for operating conditions.

For most normal applications, all factors will be taken as 1, and the Rating Life used as the selection basis or life estimate. In addition, as long as standard catalog bearings are used, a2 will be normally set equal to one.

The factor a3 covers such things as lubrication, misalignment, and temperature. Some conditions that could yield a3 significantly different than unity include speeds less than 20000 DN or greater than 200000 DN, temperatures below -40°F (-40°C) or above 275°F (135°C). For other possible conditions, as well as additional information on life adjustment factors, consult Rexnord Bearing Division.

Table 1 • Relation of L₁₀ life and speed to $\left(\frac{C}{P}\right)$

Bearing Life Hours L ₁₀	Speed, n									
	50	100	200	300	400	500	600	700	800	
3000	1.93	2.38	2.93	3.31	3.61	3.86	4.07	4.27	4.44	
4000	2.11	2.59	3.19	3.61	3.93	4.20	4.44	4.65	4.84	
5000	2.25	2.77	3.42	3.86	4.20	4.50	4.75	4.97	5.18	
6000	2.38	2.93	3.61	4.07	4.44	4.75	5.02	5.25	5.47	
8000	2.59	3.19	3.93	4.44	4.84	5.18	5.47	5.73	5.96	
10000	2.77	3.42	4.20	4.75	5.18	5.54	5.85	6.12	6.37	
12000	2.93	3.61	4.44	5.02	5.47	5.85	6.18	6.47	6.73	
14000	3.07	3.78	4.65	5.25	5.73	6.12	6.47	6.77	7.05	
16000	3.19	3.93	4.84	5.47	5.96	6.37	6.73	7.05	7.34	
18000	3.31	4.07	5.02	5.66	6.18	6.60	6.97	7.30	7.60	
20000	3.42	4.20	5.18	5.85	6.37	6.81	7.20	7.54	7.85	
25000	3.65	4.50	5.54	6.25	6.81	7.29	7.70	8.06	8.39	
30000	3.86	4.75	5.85	6.60	7.20	7.70	8.13	8.51	8.86	
35000	4.04	4.97	6.12	6.92	7.54	8.06	8.51	8.92	9.28	
40000	4.20	5.18	6.37	7.20	7.85	8.39	8.86	9.28	9.66	
45000	4.36	5.36	6.60	7.46	8.13	8.69	9.18	9.61	10.00	
50000	4.50	5.54	6.81	7.70	8.39	8.97	9.48	9.92	10.30	
60000	4.75	5.85	7.20	8.13	8.86	9.48	10.00	10.50	10.90	
70000	4.97	6.12	7.54	8.51	9.28	9.92	10.50	11.00	11.40	
80000	5.18	6.37	7.85	8.86	9.66	10.30	10.90	11.40	11.90	
90000	5.36	6.60	8.13	9.18	10.00	10.70	11.30	11.80	12.30	
100000	5.54	6.81	8.39	9.48	10.30	11.00	11.70	12.20	12.70	
150000	6.25	7.70	9.48	10.70	11.70	12.50	13.20	13.80	14.40	
200000	6.81	8.39	10.30	11.70	12.70	13.60	14.40	15.00	15.70	
	Speed, n									
	900	1000	1200	1500	1800	2400	3000	3600	6000	
3000	4.60	4.75	5.02	5.36	5.66	6.18	6.60	6.97	8.13	
4000	5.02	5.18	5.47	5.85	6.18	6.73	7.20	7.60	8.86	
5000	5.36	5.54	5.85	6.25	6.60	7.20	7.70	8.13	9.48	
6000	5.66	5.85	6.18	6.60	6.97	7.60	8.13	8.59	10.00	
8000	6.18	6.37	6.73	7.20	7.60	8.29	8.86	9.36	10.90	
10000	6.60	6.81	7.20	7.70	8.13	8.86	9.48	10.00	11.70	
12000	6.97	7.20	7.60	8.13	8.59	9.36	10.00	10.60	12.30	
14000	7.30	7.54	7.96	8.51	8.99	9.80	10.50	11.10	12.90	
16000	7.60	7.85	8.29	8.86	9.36	10.20	10.90	11.50	13.40	
18000	7.88	8.13	8.59	9.18	9.70	10.60	11.30	11.90	13.90	
20000	8.13	8.39	8.86	9.48	10.00	10.90	11.70	12.30	14.40	
25000	8.69	8.97	9.48	10.10	10.70	11.70	12.50	13.20	15.40	
30000	9.18	9.48	10.00	10.70	11.30	12.30	13.20	13.90	16.20	
35000	9.61	9.92	10.50	11.20	11.80	12.90	13.80	14.60	17.00	
40000	10.00	10.30	10.90	11.70	12.30	13.40	14.40	15.20	17.70	
45000	10.40	10.70	11.30	12.10	12.80	13.90	14.90	15.70	18.30	
50000	10.70	11.00	11.70	12.50	13.20	14.40	15.40	16.20	18.90	
60000	11.30	11.70	12.30	13.20	13.90	15.20	16.20	17.10	20.00	
70000	11.80	12.20	12.90	13.80	14.60	15.90	17.00	17.90	20.90	
80000	12.30	12.70	13.40	14.40	15.20	16.50	17.70	18.70	21.80	
90000	12.80	13.20	13.90	14.90	15.70	17.10	18.30	19.40	22.60	
100000	13.20	13.60	14.40	15.40	16.20	17.70	18.90	20.00	23.30	
150000	14.90	15.40	16.20	17.30	18.30	20.00	21.40	22.60	26.30	
200000	16.20	16.70	17.70	18.90	20.00	21.80	23.30	24.60	28.70	

Table 2 • Load Ratings and Speed Limits

Size Code	Co Static load rating		C Basic load rating		Approximate speed limit RPM			e	$\frac{F_a}{F_r} \leq e$		$\frac{F_a}{F_r} > e$	
	newtons	pounds	newtons	pounds	Z seal	K seal	M seal		X1	Y1	X2	Y2
	2	44433	9900	44433	9900	6500	4500		4400	0.46	1.00	1.47
3	63732	14200	64181	14300	5750	4000	3700	0.46	1.00	1.47	0.67	2.20
4	71811	16000	71362	15900	5250	3600	3300	0.46	1.00	1.47	0.67	2.20
5	95598	21300	90661	20200	4450	3100	2800	0.46	1.00	1.47	0.67	2.20
6	117590	26200	105023	23400	4050	2800	2500	0.39	1.00	1.75	0.67	2.60
7	142724	31800	122078	27200	3650	2500	2200	0.39	1.00	1.75	0.67	2.60
8	210046	46800	171448	38200	3300	2300	2000	0.39	1.00	1.75	0.67	2.60
9	249991	55700	210046	46800	2800	1900	1700	0.39	1.00	1.75	0.67	2.60
10	412462	91900	368029	82000	2400	1700	1400	0.39	1.00	1.75	0.67	2.60
11	572241	127500	529603	118000	2050	1400	1200	0.39	1.00	1.75	0.67	2.60
12	649886	144800	630138	140400	1850	-	1100	0.33	1.00	2.00	0.67	3.00
13	995026	221700	717657	159900	1600	-	1000	0.33	1.00	2.00	0.67	3.00
14	1267458	282400	852751	190000	1000	-	900	0.33	1.00	2.00	0.67	3.00
15	1394024	310600	954632	212700	900	-	800	0.33	1.00	2.00	0.67	3.00
16	1622471	361500	1056065	235300	800	-	700	0.33	1.00	2.00	0.67	3.00

Adjustment Table

Size Code	Shaft Size, Inches			Factory Adjustment (Average Speeds)		Recommended Adjustment High Speeds			Clearance Adjustment Inches per 1/12 Turn	
	2000 Series	3000 Series	5000 Series	Std. Axial Clearance Inches	Std. Radial Clearance Inches	Speeds Over	Axial Clearance Inches	Radial Clearance Inches	Axial	Radial
2-4	3/4 - 1 1/2	1 7/16	1 7/16	.007-.012	.0022-.0037	2000 RPM	.012-.017	.0037-.0053	0.005	0.0016
5-6	1 11/16 - 2	1 11/16 - 1 15/16	1 1/2 - 1 15/16	.007-.012	.0020-.0034	1500 RPM	.012-.017	.0034-.0049	0.005	0.0014
7-9	2 3/16 - 3	2 3/16 - 2 15/16	2 - 2 15/16	.010-.017	.0026-.0044	1250 RPM	.017-.024	.0044-.0062	0.007	0.0018
10-11	3 3/16 - 4	3 7/16 - 3 15/16	3 3/16 - 4	.010-.017	.0025-.0043	1000 RPM	.017-.024	.0043-.0060	0.007	0.0018
12-13	4 3/16 - 5	.015-.025	.0032-.0054	750 RPM	.025-.035	.0054-.0076	0.010	0.0022
14-16	5 7/16 - 7	.015-.025	.0032-.0054	500 RPM	.025-.035	.0054-.0076	0.010	0.0022

Adjustment Table

Size Code	Shaft Size, Inches		Factory Adjustment (Average Speeds)		Recommended Adjustment High Speeds			Clearance Adjustment Inches per 1/12 Turn	
	6000 Series	9000 Series	Std. Axial Clearance Inches	Std. Radial Clearance Inches	Speeds Over	Axial Clearance Inches	Radial Clearance Inches	Axial	Radial
2-4007-.012	.0022-.0037	2000 RPM	.012-.017	.0037-.0053	0.005	0.0016
5-6	1 15/16007-.012	.0020-.0034	1500 RPM	.012-.017	.0034-.0049	0.005	0.0014
7-9	2 3/16 - 2 15/16	1 15/16 - 2 1/2	.010-.017	.0026-.0044	1250 RPM	.017-.024	.0044-.0062	0.007	0.0018
10-11	3 3/16 - 3 15/16	2 11/16 - 3 7/16	.010-.017	.0025-.0043	1000 RPM	.017-.024	.0043-.0060	0.007	0.0018
12-13	4 3/16 - 4 15/16	3 11/16 - 4 7/16	.015-.025	.0032-.0054	750 RPM	.025-.035	.0054-.0076	0.010	0.0022
14-16	...	4 15/16 - 6 7/16	.015-.025	.0032-.0054	500 RPM	.025-.035	.0054-.0076	0.010	0.0022

Table 3 • Rexnord Size Code Interchange Table

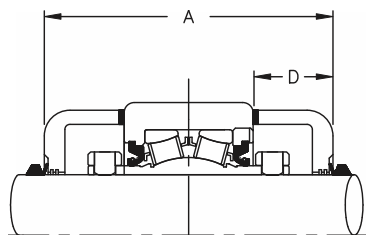
Shaft Size	REX 2000 Single Set Collar Bearing Number	REX 3000 Twist Lock Eccentric Lock Bearing Number	REX 5000 Double Set Collar Bearing Number	REX 6000 ShurLok Tapered Adapter Bearing Number	REX 9000 Tapered Adapter Bearing Number	Size Code	Approx Outer Race Dia.
3/4 15/16 25mm 1	2012 2015 2025MM 2100					2	2.370
1-1/8 30mm 1-3/16 1-1/4	2102 2030MM 2103 2104					3	2.630
35mm 1-7/16 1-1/2	2035MM 2107 2108	3107	5107			4	2.830
1-1/2 40mm 1-11/16 1-3/4 45mm	2040MM 2111 2112 2045MM	3111	5108 5040MM 5111			5	3.340
1-15/16 50mm 2	2115 2050MM 2200	3115	5115 5050MM	6115		6	3.540
50mm 1-15/16 2 55mm 2-3/16 2-1/4	2055MM 2203 2204	3203	5200 5055MM 5203	6203	9050MM 9115 9200	7	3.940
55mm 2-3-16 60mm 2-3/8 2-7/16 2-1/2 65mm	2060MM 2206 2207 2208 2065MM	3207 3208	5060MM 5207 5065MM	6206 6207	9055MM 9203	8	4.320
2-7/16 2-1/2 2-11/16 2/3/4 70mm 2-15/16 75mm 3	2211 2212 2070MM 2215 2075MM 2300	3211 3215	5208 5211 5070MM 5215 5075MM	6211 6212 6215	9207 9208	9	5.120
2-11/16 2-15/16 75mm 80mm 3-3/16 85mm 3-7/16 3-1/2 90mm	2080MM 2303 2085MM 2307 2308 2090MM	3307 3308	5080MM 5303 5085MM 5307 5090MM	6303 6307	9211 9215 9075MM	10	5.900
80mm 3-3/16 3-7/16 3-11/16 100mm 3-15/16 4	2311 2100MM 2315 2400	3315	5311 5100MM 5315 5400	6311 6315	9080MM 9303 9307	11	7.090
3-11/16 100mm 3-15/16 4 4-3-16 110mm 4-7/16 4-1/2 115mm			5403Y 5110MM 5407Y 5408Y 5115MM	6403Y 6407Y	9311Y 9100MM 9315Y 9400Y	12	7.680
4-3/16 4-7/16 125mm 4-15/16 5 130mm			5125MM 5415 5500 5130MM	6415	9403 9407	13	9.050
4-15/16 5 5-7/16 140mm			5507 5140MM		9415 9500	14	10.630
5-3-16 5-7/16 150mm 5-15/16 6 160mm			5150MM 5515 5600 5160MM		9503 9507	15	11.420
5-15/16 6 6-7/16 6-15/16 7 180mm			5607 5615 5700 5180MM		9515 9600 9607	16	12.600

Auxiliary Cap Seals

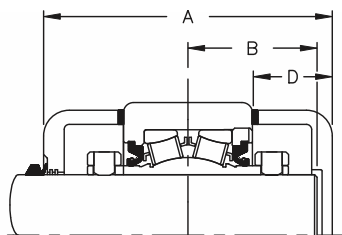
Kit Nomenclature

Symbol	Description
A	open cap } closed cap }
B	
S	floating type } leave blank for fixed type }
*	
4-16	bearing size code from dimension page
215	2 15/16" last two digits in 16th of an inch } not required for closed style caps }
*	

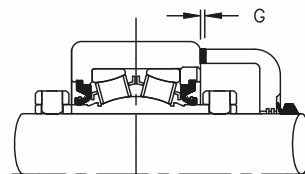
A S 9 - 215



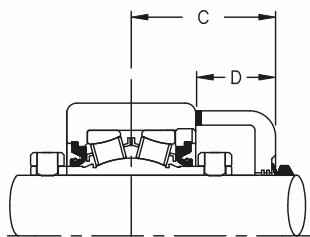
"A" Prefix
(Two Open Caps)
Example: AMA5207



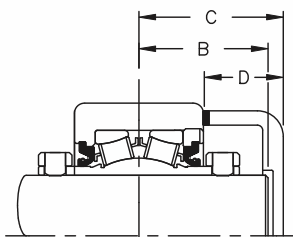
"B" Prefix
(1 Open 1 Closed Caps)
Example: BMA5207



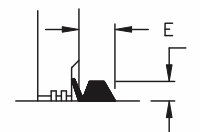
Gasket
Thickness



"A" SUFFIX
(One Open Cap)
Example: MA5207A



"B" SUFFIX
(One Closed Cap)
Example: MA5207B



V-Ring Seal Detail

Cast Iron Auxiliary Cap

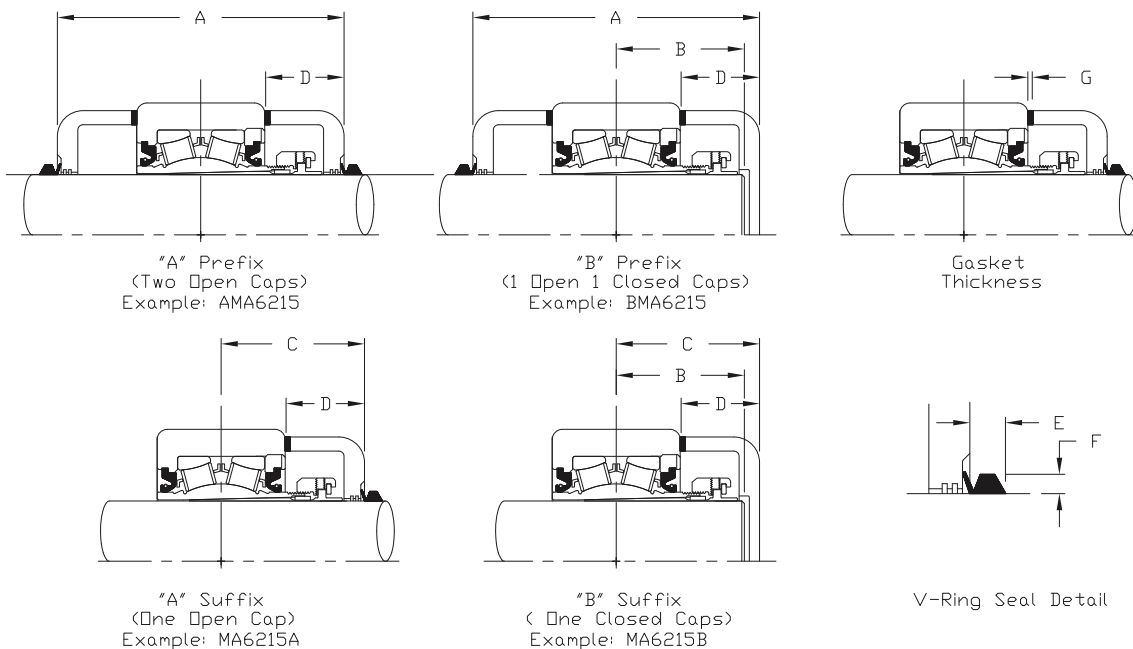
Size Code	Fixed Bearings Only				Floating (Expansion) Bearings Only				V-Ring Seal		Gasket
	A	B	C	D*	A	B	C	D*	E	F	G
4	5 5/16	2 5/16	2 11/16	1 9/16	5 1/2	2 3/8	2 3/4	1 17/32	3/8	3/16	3/16
5	5 1/2	2 7/16	2 3/4	1 17/32	5 3/4	2 1/2	2 7/8	1 15/32			
6	5 9/16	2 7/16	2 13/16	1 9/16	5 3/4	2 1/2	2 7/8	1 17/32			
7	5 3/4	2 1/2	2 7/8	1 19/32	6 1/16	2 5/8	3 1/16	1 21/32			
8	6 1/16	2 3/4	3 1/16	1 23/32	6 5/16	2 3/4	3 3/16	1 23/32	7/16	1/4	
9	7	3 1/8	3 1/2	1 15/16	6 15/16	3 1/16	3 1/2	1 25/32			
10	6 15/16	3 1/16	3 1/2	1 13/16	7 3/8	3 5/8	3 11/16	1 29/32			
11	8 5/16	3 5/8	4 3/16	2 5/32	8 9/16	3 3/4	4 5/16	2 5/32	9/16	5/16	
12	8 1/2	3 3/4	4 1/4	2 3/16	9 3/8	4 5/16	4 11/16	2 1/2			
13	10 1/8	4 1/2	5 1/16	2 9/32	10 9/16	4 3/4	5 5/16	2 9/32			
14	10 1/8	4 1/2	5 1/16	2 9/32	11 1/16	5	5 9/16	2 5/8			
15	11 1/16	4 15/16	5 9/16	2 5/8	11 1/2	4 15/16	5 3/4	2 3/4	5/8	3/8	
16	11 3/16	5	5 5/8	2 1/2	11 5/8	5 1/4	5 13/16	2 5/8			

Adapter Auxiliary End Cap Dimensions

Kit Nomenclature

Symbol	Description
A	open cap
B	closed cap
S	floating type
*	leave blank for fixed type
6-13	bearing size code from dimension page
6	Type "A" open caps
6000	type "B" closed caps
215	2 15/16" last two digits in 16th of an inch
*	not required for closed style caps

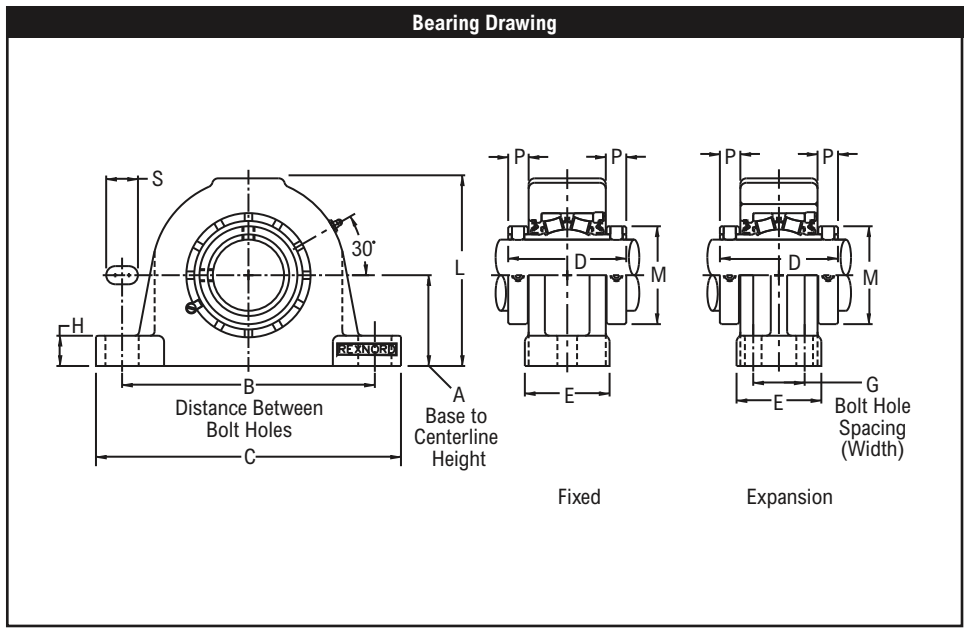
A S 9 6 215



6000 Series Adapter Mount Auxiliary Cap Dimensions

Cast Iron Auxiliary Caps

Bearing Number	Size Code	Fixed Bearings Only				Floating (Expansion) ZAFS Bearings Only				Floating (Expansion) ZPS, ZFS Bearings Only				V-Ring Seal		Gasket
		A	B	C	D	A	B	C	D	A	B	C	D	E	F	
6115	6	5 7/8	2 9/16	2 15/16	1 23/32	6 1/4	2 11/16	3 1/8	1 29/32	6 1/2	2 13/16	3 1/4	1 29/32	3/8	3/16	3/16
6203	7	6 1/16	2 5/8	3 1/32	1 3/4	6 7/16	2 25/32	3 7/32	1 15/16	6 5/8	2 7/8	3 5/16	1 15/16			
6206	8	6 11/16	3 1/32	3 11/32	2 1/32	7 3/16	3 5/32	3 19/32	2 9/32	7 7/16	3 9/32	3 23/32	2 9/32			
6207																
6211	9	7 1/4	3 1/16	3 5/8	2 1/16	7 3/4	3 7/16	3 7/8	2 5/16	8	3 9/16	4	2 5/16	7/16	1/4	
6212																
6215																
6303	10	7 15/16	3 17/32	3 31/32	2 1/4	8 7/16	3 25/32	4 7/32	2 1/2	8 11/16	3 29/32	4 11/32	2 1/2	9/16	5/16	
6307																
6311	11	9	3 15/16	4 1/2	2 7/16	9 1/2	4 3/16	4 3/4	2 11/16	9 3/4	4 5/16	4 7/8	2 11/16	9/16	5/16	
6315																
6403Y	12	9 7/16	4 5/32	4 23/32	2 19/32	10 3/16	4 21/32	5 3/32	2 31/32	10 7/16	4 31/32	5 7/32	2 31/32	9/16	5/16	
6407Y																
6415	13	11 5/8	5 1/4	5 13/16	3 1/32	12 3/8	5 5/8	6 3/16	3 13/32	12 13/16	5 27/32	6 13/32	3 13/32			



Product Features

- SAF Interchange
- Precision milled ends
- Corrosion resistant powder coating
- Cast iron housing
- Misalignment capabilities - Total of 3°
- Broad range of sealing options
- Factory set clearance & lubrication
- Precision ground & superfinished raceways
- See Features & Benefits for additional info.

Bearing Dimensions																						
Size Code	Shaft Diameter	Expansion				Fixed				A Base to Centerline Height	B Min. Distance Between Bolt Holes	B Max. Distance Between Bolt Holes	G Bolt Hole Spacing (Width)	C	D	E	F Bolts	H	M	S		
		Part Number	L	P	Approx. Weight	Part Number	L	P	Approx. Weight													
Two-Bolt Pillow Block																						
6	1 15/16	ZAFS5115	5 5/16	7/8	20.00	ZAF5115	5 5/16	11/16	16.50	2 3/4	7 3/8	7 7/8	-	9.625	3 13/16	2 3/4	5/8	1	2 15/16	15/16		
7	2 3/16	ZAFS5203	5 31/32	31/32	25.50	ZAF5203	5 31/32	25/32	21.00	3	8 1/8	9 1/2	-	11.000	4 1/8	3 1/8	5/8	1	3 1/4	1 3/8		
8	2 7/16	ZAFS5207	6 25/32	1 1/16	32.50	ZAF5207	6 25/32	7/8	32.50	3 1/4	8 5/8	9 5/8	-	11.125	4 3/8	3 1/8	5/8	1 1/4	3 9/16	1 3/16		
9	2 11/16	ZAFS5211	7 1/2	1 1/8	45.00	ZAF5211	7 1/2	7/8	45.50	3 1/2	9 7/8	11	-	12.594	4 7/8	3 1/2	3/4	1	4 1/16	1 3/8		
		2 15/16	ZAFS5215		7 3/4	45.50	ZAF5215	7 3/4	7/8	45.00											3 3/4	
10	3 3/16	ZAFS5303	8 1/4	1 3/16	60.00	ZAF5303	8 1/4	15/16	53.00	4	10 3/8	11 5/8	-	13.750	5 5/16	3 7/8	3/4	1 5/8	4 15/16	1 7/16		
		3 7/16	ZAFS5307		9 9/32	76.50	ZAF5307	9 9/32	15/16	76.50											4 1/2	11 5/8
Four-Bolt Pillow Block																						
8	2 7/16	ZAFS5207F	6 25/32	1 1/16	31.50	ZAF5207F	6 25/32	7/8	31.00	3 1/4	8 5/8	9 5/8	1 7/8	11.125	4 3/8	3 1/8	1/2	1 1/4	3 9/16	1 1/16		
9	2 11/16	ZAFS5211F	7 1/2	1 1/8	44.50	ZAF5211F	7 1/2	7/8	44.50	3 1/2	9 7/8	11	2 1/8	12.594	4 7/8	3 1/2	5/8	1	4 1/16	1 1/4		
		2 15/16	ZAFS5215F		7 3/4	45.50	ZAF5215F	7 3/4	7/8	45.00											3 3/4	
10	3 3/16	ZAFS5303F	8 1/4	1 3/16	60.00	ZAF5303F	8 1/4	15/16	53.00	4	10 3/8	11 5/8	2 1/8	13.750	5 5/16	3 7/8	5/8	1 5/8	4 15/16	1 5/16		
		3 7/16	ZAFS5307F		9 9/32	75.50	ZAF5307F	9 9/32	15/16	75.00											4 1/2	11 5/8
11	3 15/16	ZAFS5315F	10 5/16	1 5/16	104.00	ZAF5315F	10 5/16	1 1/16	102.00	4 15/16	12 19/32	14 1/2	2 3/4	16.500	6 1/4	4 3/4	3/4	1 25/32	5 5/8	1 53/64		
12	4 7/16	ZAFS5407YF	11 7/8	1 3/8	144.00	ZAF5407YF	11 7/8	1	143.00	6	14 1/2	16	3 1/4	18.375	6 1/4	5 1/8	7/8	2 1/16	6 3/16	1 3/4		
13	4 15/16	ZAFS5415F	12 9/16	1 9/16	209.00	ZAF5415F	12 9/16	1 3/16	207.00	6	15 5/8	17 3/8	3 3/8	19.703	7 7/8	5 7/8	1	2 1/16	7 1/16	1 15/16		
14	5 7/16	ZAFS5507F	13 11/16	1 19/32	248.00	ZAF5507F	13 7/16	1 7/32	233.00	6 11/16	17 3/8	19 1/4	3 3/4	22.000	8	6 1/4	1	2 5/8	8 3/16	2		
15	5 15/16	ZAFS5515F	14 9/16	1 17/32	295.00	ZAF5515F	14 1/4	1 5/32	274.00	7 1/16	19 3/8	21 5/8	4 1/4	24.750	8 1/8	6 3/4	1	2 3/4	8 11/16	2 3/16		
	6	ZAFS5600F			290.00	ZAF5600F			269.00													
16	6 7/16	ZAFS5607F	15 3/4	1 21/32	355.00	ZAF5607F	15 5/16	1 9/32	337.00	7 1/2	20 7/8	23 5/8	4 5/8	26.750	8 3/4	7 1/8	1	3	9 3/4	2 7/16		
	6 1/2	ZAFS5608F			353.00	ZAF5608F			335.00													
	6 15/16	ZAFS5615F	16 1/8		376.00	ZAF5615F	347.00		7 7/8	21 5/8	24 3/8	4 1/2	28.000	7 1/2		1 1/4	3 1/8					
	7	ZAFS5700F			372.00	ZAF5700F	345.00															

Additional Notes

Please call 1-866-REXNORD for availability
 Metric bore sizes available, see Rexnord Interchangeability guide
 Lubrication fitting tap size: for size code 8 thru 11, 1/8" PT; for all other size codes, 1/4" PT
 Base to centerline tolerance, +/- .005"
 Bore size = nominal shaft size +.001"/-.000"
 Expansion - size code 8 is 3/8", size code 9 thru 11 is 1/2" & size code 12 thru 13 is 3/4"
 Seals - To specify K or M seal, replace "Z" in part number with "K" or "M"
 "K" seals only available in size codes 8 thru 11

Auxiliary end caps - available in all sizes
 Pad length tolerance, +/- .0075" for size codes 8 thru 13, +/- .015" for size codes 14 thru 16
 Selection Guide, see Rexnord Spherical Roller Bearings Selection Guide section
 Load Ratings & Speed Limits, see Rexnord Spherical Roller Bearings Load Ratings & Speed Limits section
 Note: Dimensions subject to change. Certified dimensions of ordered material furnished on request.

ZAF6000, ZAFS6000

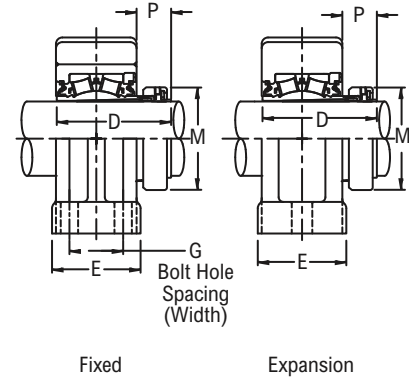
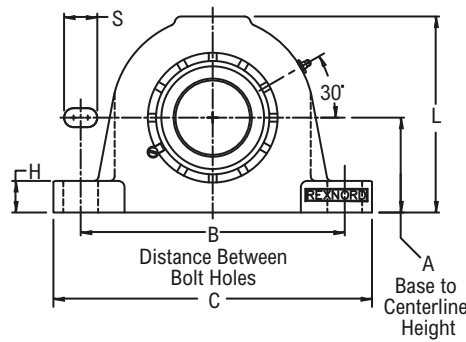


Photo Shows a 2-Bolt Spherical Roller Bearing Pillow Block Unit

Product Features

- Optical Strain Sensor Technology
- Positive locking system
- Tapered adapter sleeve
- SAF Interchange
- Precision milled ends
- Corrosion resistant powder coating
- Cast iron housing
- Misalignment capabilities - Total of 3°
- Broad range of sealing options
- See Features & Benefits for additional info.

Bearing Drawing



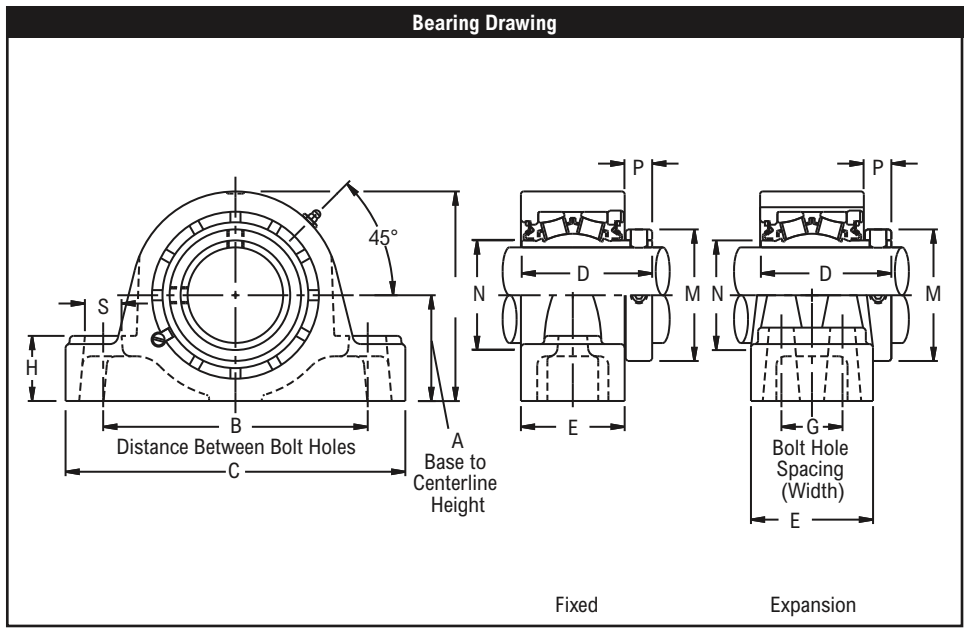
Bearing Dimensions

Size Code	Shaft Diameter	Expansion		Fixed		A Base to Centerline Height	B Min. Distance Between Bolt Holes	B Max. Distance Between Bolt Holes	G Bolt Hole Spacing (Width)	C	D	E	F Bolts	H	L	M	P	S
		Part Number	Approx. Weight	Part Number	Approx. Weight													
Two-Bolt Pillow Block																		
6	1 15/16	ZAFS6115	20.00	ZAF6115	16.50	2 3/4	7 7/8	7 7/8	-	9.625	3 41/64	2 3/4	5/8	1	5 5/16	2 55/64	1 1/8	1 5/16
7	2 3/16	ZAFS6203	25.50	ZAF6203	21.00	3	8 1/8	9 1/2	-	11.000	3 49/64	3 1/8	5/8	1	5 31/32	3 15/64	1 5/32	1 3/8
8	2 7/16	ZAFS6207	32.50	ZAF6207	32.50	3 1/4	8 5/8	9 5/8	-	11.125	4 5/32	3 1/8	5/8	1 1/4	6 25/32	3 19/32	1 27/64	1 3/16
9	2 11/16	ZAFS6211	45.00	ZAF6211	45.00	3 1/2	9 7/8	11	-	12.594	4 17/32	3 1/2	3/4	1	7 1/2	4 3/32	1 25/64	1 3/8
	2 15/16	ZAFS6215		ZAF6215		3 3/4								1 1/4				
10	3 3/16	ZAFS6303	59.00	ZAF6303	52.00	4	10 3/8	11 5/8	-	13.750	5 9/64	3 7/8	3/4	1 5/8	8 1/4	4 61/64	1 19/32	1 7/16
	3 7/16	ZAFS6307		ZAF6307		4 1/2												
Four-Bolt Pillow Block																		
8	2 7/16	ZAFS6207F	31.00	ZAF6207F	31.00	3 1/4	8 5/8	9 5/8	1 7/8	11.125	4 5/32	3 1/8	1/2	1 1/4	6 25/32	3 19/32	1 27/64	1 1/16
9	2 11/16	ZAFS6211F	44.50	ZAF6211F	44.50	3 1/2	9 7/8	11	2 1/8	12.594	4 17/32	3 1/2	5/8	1	7 1/2	4 3/32	1 25/64	1 1/4
	2 15/16	ZAFS6215F		ZAF6215F		3 3/4								1 1/4				
10	3 3/16	ZAFS6303F	59.00	ZAF6303F	52.00	4	10 3/8	11 5/8	2 1/8	13.750	5 9/64	3 7/8	5/8	1 5/8	8 1/4	4 61/64	1 19/32	1 5/16
	3 7/16	ZAFS6307F		ZAF6307F		4 1/2												
11	3 15/16	ZAFS6315F	103.00	ZAF6315F	103.00	4 15/16	12 19/32	14 1/2	2 3/4	16.500	5 31/32	4 3/4	3/4	1 25/32	10 5/16	5 43/64	1 47/64	1 53/64
12	4 7/16	ZAFS6407YF	144.00	ZAF6407YF	144.00	6	14 1/2	16	3 1/4	18.375	6 1/4	5 1/8	7/8	2 1/16	11 7/8	6 1/16	1 7/8	1 3/4
13	4 15/16	ZAFS6415F	208.00	ZAF6415F	208.00	6	15 5/8	17 3/8	3 3/8	19.703	7 15/16	5 7/8	1	2 1/16	12 9/16	6 61/64	2 1/4	1 15/16

Additional Notes

Please call 1-866-REXNORD for availability
 Lubrication fitting tap size: for size code 8 thru 11, 1/8" PT: for all other size codes, 1/4" PT
 Base to centerline tolerance, +/- .005"
 Expansion - size code 8 is 3/8", size code 9 thru 11 is 1/2" & size code 12 thru 13 is 3/4"
 Seals - To specify K or M seal, replace "Z" in part number with "K" or "M"
 "K" seals only available in size codes 8 thru 11
 Auxiliary end caps - available in all sizes

Pad length tolerance, +/- .0075" for size codes 8 thru 13, +/- .015" for size codes 14 thru 16
 Selection Guide, see Rexnord Spherical Roller Bearings Selection Guide section
 Load Ratings & Speed Limits, see Rexnord Spherical Roller Bearings Load Ratings & Speed Limits section
 Note: Dimensions subject to change. Certified dimensions of ordered material furnished on request.



Product Features

- Corrosion resistant powder coating
- Cast iron housing
- Misalignment capabilities - Total of 3°
- Broad range of sealing options
- Factory set clearance & lubrication
- Precision ground & superfinished raceways
- Hardened spring locking collar
- Field interchangeable seals
- Fixed or Expansion - Total of 3/8" expansion
- See Features & Benefits for additional info.

Bearing Dimensions																						
Size Code	Shaft Diameter	Expansion					Fixed					A Base to Centerline Height	B Distance Between Bolt Holes	G Bolt Hole Spacing (Width)	D	F Bolts	M	N	P	Approx. Weight		
		Part Number	C	E	H	L	S	Part Number	C	E	H										L	S
Two-Bolt Pillow Block																						
2	3/4	-	-	-	-	-	ZA2012	5 7/8	2	3/4	3 1/16	7/8	1 9/16	4 3/8	-	2 9/16	1/2	1 3/4	1 5/16	9/16	4.40	
	15/16	-	-	-	-	-	ZA2015	5 7/8	2	3/4	3 1/16	7/8	1 9/16	4 3/8	-	2 9/16	1/2	1 3/4	1 5/16	9/16	4.30	
	1	-	-	-	-	-	ZA2100	5 7/8	2	3/4	3 1/16	7/8	1 9/16	4 3/8	-	2 9/16	1/2	1 3/4	1 5/16	9/16	4.20	
3	1 1/8	-	-	-	-	-	ZA2102	6 5/8	2 1/8	7/8	3 7/16	7/8	1 3/4	4 3/4	-	2 11/16	1/2	2	1 17/32	9/16	5.50	
	1 3/16	-	-	-	-	-	ZA2103	6 5/8	2 1/8	7/8	3 7/16	7/8	1 3/4	4 3/4	-	2 11/16	1/2	2	1 17/32	9/16	5.40	
	1 1/4	-	-	-	-	-	ZA2104	6 5/8	2 1/8	7/8	3 7/16	7/8	1 3/4	4 3/4	-	2 11/16	1/2	2	1 17/32	9/16	5.40	
4	1 7/16	ZAS2107	6 9/16	2 3/16	1	3 7/8	7/8	ZA2107	6 9/16	2 1/4	1 3/16	3 11/16	13/16	1 7/8	5	-	2 7/8	1/2	2 5/16	1 3/4	11/16	7.00
	1 1/2	ZAS2108	6 9/16	2 3/16	1	3 7/8	7/8	ZA2108	6 9/16	2 1/4	1 3/16	3 11/16	13/16	1 7/8	5	-	2 7/8	1/2	2 5/16	1 3/4	11/16	6.90
5	1 11/16	ZAS2111	7 1/8	2 7/16	1 1/8	4 3/8	7/8	ZA2111	7 1/8	2 1/2	1 5/16	4 1/4	13/16	2 1/8	5 1/2	-	3 1/8	1/2	2 5/8	2 1/32	11/16	9.50
	1 3/4	ZAS2112	7 1/8	2 7/16	1 1/8	4 3/8	7/8	ZA2112	7 1/8	2 1/2	1 5/16	4 1/4	13/16	2 1/8	5 1/2	-	3 1/8	1/2	2 5/8	2 1/32	11/16	9.40
6	1 15/16	ZAS2115	8 3/8	2 1/2	1 3/8	4 9/16	15/16	ZA2115	8 1/8	2 1/2	1 3/8	4 9/16	15/16	2 1/4	6 1/4	-	3 1/8	5/8	2 15/16	2 5/16	11/16	10.90
	2	ZAS2200	8 3/8	2 1/2	1 3/8	4 9/16	15/16	ZA2200	8 1/8	2 1/2	1 3/8	4 9/16	15/16	2 1/4	6 1/4	-	3 1/8	5/8	2 15/16	2 5/16	11/16	10.70
7	2 3/16	ZAS2203	8 7/8	2 9/16	1 5/8	5	15/16	ZA2203	8 5/8	2 9/16	1 5/8	5	15/16	2 1/2	6 3/4	-	3 5/16	5/8	3 1/4	2 5/8	25/32	13.50
	2 1/4	ZAS2204	8 7/8	2 9/16	1 5/8	5	15/16	ZA2204	8 5/8	2 9/16	1 5/8	5	15/16	2 1/2	6 3/4	-	3 5/16	5/8	3 1/4	2 5/8	25/32	13.30
8	2 3/8	ZAS2206	9 1/4	2 11/16	1 5/8	5 1/2	15/16	ZA2206	9 1/8	2 11/16	1 5/8	5 1/2	15/16	2 3/4	7 1/8	-	3 1/2	5/8	3 9/16	2 29/32	7/8	16.10
	2 7/16	ZAS2207	9 1/4	2 11/16	1 5/8	5 1/2	15/16	ZA2207	9 1/8	2 11/16	1 5/8	5 1/2	15/16	2 3/4	7 1/8	-	3 1/2	5/8	3 9/16	2 29/32	7/8	16.30
	2 1/2	ZAS2208	9 1/4	2 11/16	1 5/8	5 1/2	15/16	ZA2208	9 1/8	2 11/16	1 5/8	5 1/2	15/16	2 3/4	7 1/8	-	3 1/2	5/8	3 9/16	2 29/32	7/8	16.60
9	2 11/16	ZAS2211	10 7/16	3 3/16	2	6 7/16	1	ZA2211	10 7/16	3 3/16	2	6 7/16	1	3 1/4	8 1/8	-	4	3/4	4 1/16	3 3/8	13/16	27.30
	2 3/4	ZAS2212	10 7/16	3 3/16	2	6 7/16	1	ZA2212	10 7/16	3 3/16	2	6 7/16	1	3 1/4	8 1/8	-	4	3/4	4 1/16	3 3/8	13/16	26.90
	2 15/16	ZAS2215	10 7/16	3 3/16	2	6 7/16	1	ZA2215	10 7/16	3 3/16	2	6 7/16	1	3 1/4	8 1/8	-	4	3/4	4 1/16	3 3/8	13/16	26.00
	3	ZAS2300	10 7/16	3 3/16	2	6 7/16	1	ZA2300	10 7/16	3 3/16	2	6 7/16	1	3 1/4	8 1/8	-	4	3/4	4 1/16	3 3/8	13/16	25.60
10	3 3/16	ZAS2303	13	3 7/16	2 1/4	7 1/2	1 5/8	ZA2303	13	3 7/16	2 1/4	7 1/2	1 5/8	3 3/4	10	-	4 3/8	7/8	4 15/16	3 31/32	15/16	41.80
	3 7/16	ZAS2307	13	3 7/16	2 1/4	7 1/2	1 5/8	ZA2307	13	3 7/16	2 1/4	7 1/2	1 5/8	3 3/4	10	-	4 3/8	7/8	4 15/16	3 31/32	15/16	40.30
	3 1/2	ZAS2308	13	3 7/16	2 1/4	7 1/2	1 5/8	ZA2308	13	3 7/16	2 1/4	7 1/2	1 5/8	3 3/4	10	-	4 3/8	7/8	4 15/16	3 31/32	15/16	39.80
11	3 11/16	ZAS2311	14 1/4	4 1/8	2 1/8	8 1/2	1 3/4	ZA2311	14 1/4	4 1/8	2 1/8	8 1/2	1 3/4	4 1/8	10 7/8	-	5 3/16	1	5 5/8	4 9/16	1 1/16	58.00
	3 15/16	ZAS2315	14 1/4	4 1/8	2 1/8	8 1/2	1 3/4	ZA2315	14 1/4	4 1/8	2 1/8	8 1/2	1 3/4	4 1/8	10 7/8	-	5 3/16	1	5 5/8	4 9/16	1 1/16	56.00
	4	ZAS2400	14 1/4	4 1/8	2 1/8	8 1/2	1 3/4	ZA2400	14 1/4	4 1/8	2 1/8	8 1/2	1 3/4	4 1/8	10 7/8	-	5 3/16	1	5 5/8	4 9/16	1 1/16	55.00
Four-Bolt Pillow Block																						
6	1 15/16	ZAS2115F	8 3/8	3 3/16	1 3/8	4 9/16	13/16	ZA2115F	8 3/8	3 3/16	1 3/8	4 9/16	13/16	2 1/4	6 1/4	1 19/32	3 1/8	1/2	2 15/16	2 5/16	11/16	13.20
	2	ZAS2200F	8 3/8	3 3/16	1 3/8	4 9/16	13/16	ZA2200F	8 3/8	3 3/16	1 3/8	4 9/16	13/16	2 1/4	6 1/4	1 19/32	3 1/8	1/2	2 15/16	2 5/16	11/16	13.10
7	2 3/16	ZAS2203F	8 7/8	3 1/4	1 5/8	5	13/16	ZA2203F	8 7/8	3 1/4	1 5/8	5	13/16	2 1/2	6 3/4	1 11/16	3 5/16	1/2	3 1/4	2 5/8	25/32	15.30
	2 1/4	ZAS2204F	8 7/8	3 1/4	1 5/8	5	13/16	ZA2204F	8 7/8	3 1/4	1 5/8	5	13/16	2 1/2	6 3/4	1 11/16	3 5/16	1/2	3 1/4	2 5/8	25/32	15.10
8	2 3/8	ZAS2206F	9 1/4	3 3/8	1 3/4	5 1/2	13/16	ZA2206F	9 1/4	3 3/8	1 3/4	5 1/2	13/16	2 3/4	7 1/8	1 3/4	3 1/2	1/2	3 9/16	2 29/32	7/8	16.90
	2 7/16	ZAS2207F	9 1/4	3 3/8	1 3/4	5 1/2	13/16	ZA2207F	9 1/4	3 3/8	1 3/4	5 1/2	13/16	2 3/4	7 1/8	1 3/4	3 1/2	1/2	3 9/16	2 29/32	7/8	16.60
2 1/2	ZAS2208F	9 1/4	3 3/8	1 3/4	5 1/2	13/16	ZA2208F	9 1/4	3 3/8	1 3/4	5 1/2	13/16	2 3/4	7 1/8	1 3/4	3 1/2	1/2	3 9/16	2 29/32	7/8	16.40	

Continued...

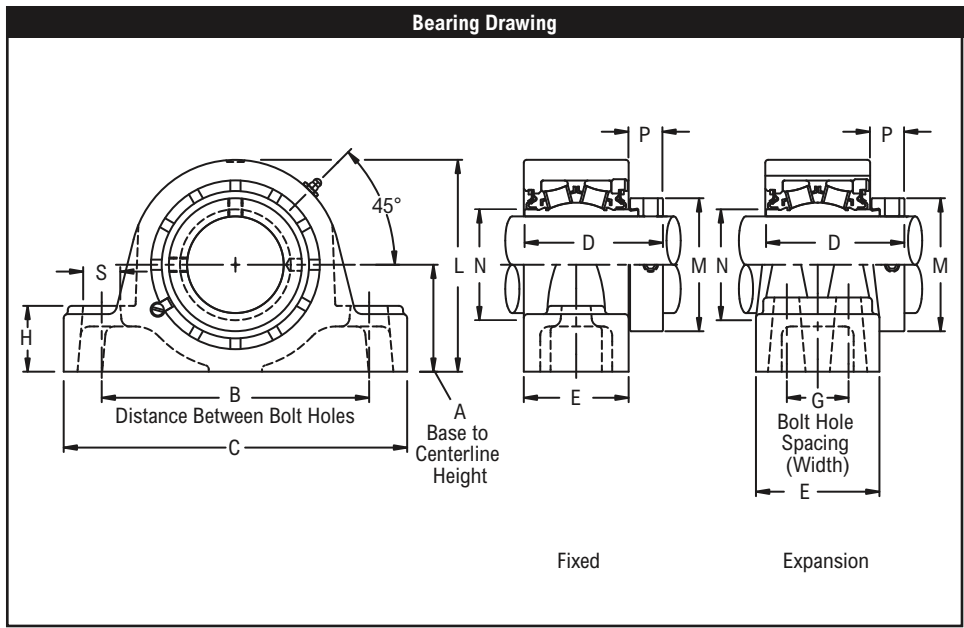
Continued...

Bearing Dimensions																						
Size Code	Shaft Diameter	Expansion					Fixed					A Base to Centerline Height	B Distance Between Bolt Holes	G Bolt Hole Spacing (Width)	D	F Bolts	M	N	P	Approx. Weight		
		Part Number	C	E	H	L	S	Part Number	C	E	H										L	S
Four-Bolt Pillow Block(continued)																						
9	2 11/16	ZAS2211F	10 7/16	3 3/4	2 1/4	6 7/16	15/16	ZA2211F	10 7/16	3 3/4	2 1/4	6 7/16	15/16	3 1/4	8 1/8	1 7/8	4	5/8	4 1/16	3 3/8	13/16	28.00
	2 3/4	ZAS2212F						ZA2212F														27.80
	2 15/16	ZAS2215F						ZA2215F														26.80
	3	ZAS2300F						ZA2300F														26.50
10	3 3/16	ZAS2303F	13	4 1/8	2 1/4	7 1/2	1 1/2	ZA2303F	13	4 1/8	2 1/4	7 1/2	1 1/2	3 3/4	10	2	4 3/8	3/4	4 15/16	3 31/32	15/16	42.10
	3 7/16	ZAS2307F						ZA2307F														40.60
	3 1/2	ZAS2308F						ZA2308F														40.10
	3 11/16	ZAS2311F						ZA2311F														63.00
11	3 15/16	ZAS2315F	15 1/4	4 1/2	2 5/8	8 5/8	1 1/4	ZA2315F	15 1/4	4 1/2	2 5/8	8 1/2	1 1/4	4 1/4	12 1/2	2 1/4	5 3/16	3/4	5 5/8	4 9/16	1 1/16	61.00
	4	ZAS2400F						ZA2400F														60.00

Additional Notes

Please call 1-866-REXNORD for availability
 Metric bore sizes available, see Rexnord Interchangeability guide
 Lubrication fitting tap size: for fixed units, 1/8" PT: for expansion units, 1/4"-28 UNF
 Base to centerline tolerance, +/- .005"
 Bore size = nominal shaft size +.001"/-.000"
 Expansion - is 3/8" for all size codes
 Seals - To specify K or M seal, replace "Z" in part number with "K" or "M"

Auxiliary end caps - available in all size codes except for size codes 2 & 3 and ZAS series
 Selection Guide, see Rexnord Spherical Roller Bearings Selection Guide section
 Load Ratings & Speed Limits, see Rexnord Spherical Roller Bearings Load Ratings & Speed Limits section
 Note: Dimensions subject to change. Certified dimensions of ordered material furnished on request.



Product Features

- Corrosion resistant powder coating
- Cast iron housing
- Misalignment capabilities - Total of 3°
- Broad range of sealing options
- Factory set clearance & lubrication
- Precision ground & superfinished raceways
- Eccentric locking collar
- Field interchangeable seals
- Fixed or Expansion - Total of 3/8" expansion
- See Features & Benefits for additional info.

Bearing Dimensions																						
Size Code	Shaft Diameter	Expansion						Fixed						A Base to Centerline Height	B Distance Between Bolt Holes	G Bolt Hole Spacing (Width)	D	F Bolts	M	N	P	Approx. Weight
		Part Number	C	E	H	L	S	Part Number	C	E	H	L	S									
Two-Bolt Pillow Block																						
4	1 7/16	ZAS3107	6 9/16	2 3/16	1 3/8	7/8	ZA3107	6 9/16	2 1/4	1 3/16	3 11/16	13/16	1 7/8	5	-	2 59/64	1/2	2 5/16	1 3/4	25/32	7.20	
5	1 11/16	ZAS3111	7 1/8	2 7/16	1 1/8	4 3/8	7/8	ZA3111	7 1/8	2 1/2	1 5/16	4 1/4	13/16	2 1/8	5 1/2	-	3 3/16	1/2	2 5/8	2 1/32	3/4	9.70
6	1 15/16	ZAS3115	8 3/8	2 1/2	1 3/8	4 9/16	15/16	ZA3115	8 1/8	2 1/2	1 3/8	4 9/16	15/16	2 1/4	6 1/4	-	3 9/32	5/8	2 3/4	2 5/16	27/32	11.10
7	2 3/16	ZAS3203	8 7/8	2 9/16	1 5/8	5 15/16		ZA3203	8 5/8	2 9/16	1 5/8	5 15/16		2 1/2	6 3/4	-	3 1/2	5/8	3 1/4	2 5/8	31/32	13.80
8	2 7/16	ZAS3207	9 1/4	2 11/16	1 5/8	5 1/2	15/16	ZA3207	9 1/8	2 11/16	1 5/8	5 1/2	15/16	2 3/4	7 1/8	-	3 21/32	5/8	3 9/16	2 29/32	1 1/64	16.50
	2 1/2	ZA3208																				
9	2 11/16	ZAS3211	10 7/16	3 3/16	2	6 7/16	1 1/16	ZA3211	10 7/16	3 3/16	2	6 7/16	1 1/16	3 1/4	8 1/8	-	4 13/64	3/4	4 1/16	3 3/8	1 1/64	27.70
	2 15/16	ZAS3215						26.40														
10	3 7/16	ZAS3307	13	3 7/16	2 1/4	7 1/2	1 5/8	ZA3307	13	3 7/16	2 1/4	7 1/2	1 5/8	3 3/4	10	-	4 37/64	7/8	4 15/16	3 31/32	1 9/64	40.90
	3 1/2	ZAS3308						40.40														
11	3 15/16	ZAS3315	14 1/4	4 1/8	2 1/8	8 1/2	1 3/4	ZA3315	14 1/4	4 1/8	2 1/8	8 1/2	1 3/4	4 1/8	10 7/8	-	5 3/16	1	5 5/8	4 9/16	1 1/16	56.00
Four-Bolt Pillow Block																						
6	1 15/16	ZAS3115F	8 3/8	3 3/16	1 3/8	4 9/16	13/16	ZA3115F	8 3/8	3 3/16	1 3/8	4 9/16	13/16	2 1/4	6 1/4	1 19/32	3 9/32	1/2	2 3/4	2 5/16	27/32	13.40
7	2 3/16	ZAS3203F	8 7/8	3 1/4	1 5/8	5 13/16		ZA3203F	8 7/8	3 1/4	1 5/8	5 13/16		2 1/2	6 3/4	1 11/16	3 1/2	1/2	3 1/4	2 5/8	31/32	15.60
8	2 7/16	ZAS3207F	9 1/4	3 3/8	1 3/4	5 1/2	13/16	ZA3207F	9 1/4	3 3/8	1 3/4	5 1/2	13/16	2 3/4	7 1/8	1 3/4	3 21/32	1/2	3 9/16	2 29/32	1 1/64	16.80
	2 1/2	ZAS3208F																				
9	2 11/16	ZAS3211F	10 7/16	3 3/4	2 1/4	6 7/16	15/16	ZA3211F	10 7/16	3 3/4	2 1/4	6 7/16	15/16	3 1/4	8 1/8	1 7/8	4 13/64	5/8	4 1/16	3 3/8	1 1/64	28.40
	2 15/16	ZAS3215F						27.20														
10	3 7/16	ZAS3307F	13	4 1/8	2 1/4	7 1/2	1 1/2	ZA3307F	13	4 1/8	2 1/4	7 1/2	1 1/2	3 3/4	10	2	4 37/64	3/4	4 15/16	3 31/32	1 9/64	41.20
	3 1/2	ZAS3308F						40.70														
11	3 15/16	ZAS3315F	15 1/4	4 1/2	2 5/8	8 5/8	1 1/4	ZA3315F	15 1/4	4 1/2	2 5/8	8 5/8	1 1/4	4 1/4	12 1/2	2 1/4	5 3/16	3/4	5 5/8	4 9/16	1 1/16	61.00

Additional Notes

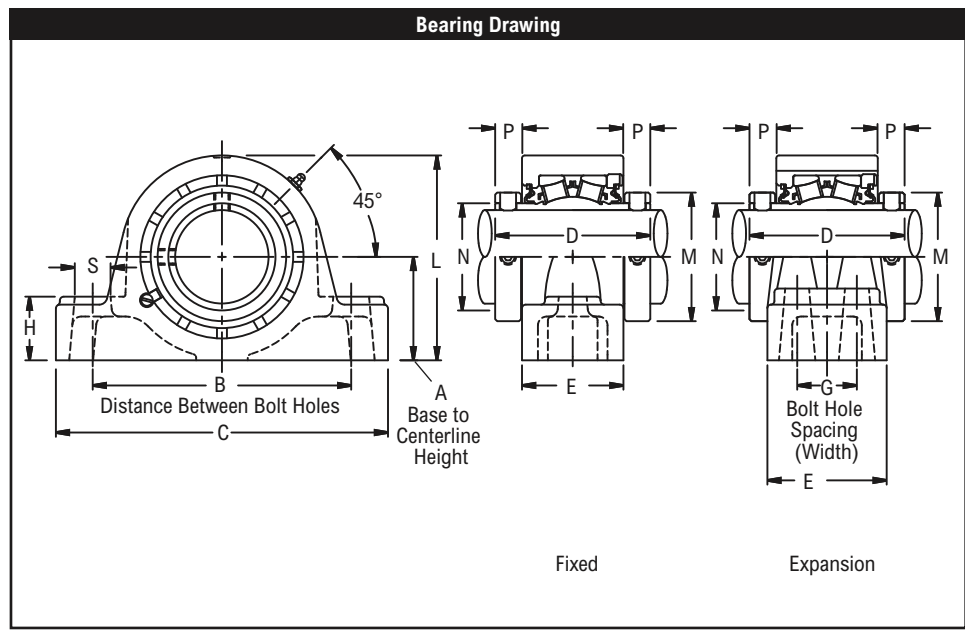
Please call 1-866-REXNORD for availability
 Lubrication fitting tap size: for fixed units, 1/8" PT; for expansion units, 1/4"-28 UNF
 Base to centerline tolerance, +/--.005"
 Bore size = nominal shaft size +.001"/-.000"
 Expansion - is 3/8" for all size codes
 Seals - To specify K or M seal, replace "Z" in part number with "K" or "M"
 Auxiliary end caps - available in all size codes except ZAS series

Selection Guide, see Rexnord Spherical Roller Bearings Selection Guide section
 Load Ratings & Speed Limits, see Rexnord Spherical Roller Bearings Load Ratings & Speed Limits section
 Note: Dimensions subject to change. Certified dimensions of ordered material furnished on request.



Product Features

- Corrosion resistant powder coating
- Cast iron housing
- Misalignment capabilities - Total of 3°
- Broad range of sealing options
- Factory set clearance & lubrication
- Precision ground & superfinished raceways
- Two hardened spring locking collars
- Field interchangeable seals
- Fixed or Expansion - Total of 3/8" expansion
- See Features & Benefits for additional info.



Bearing Dimensions																						
Size Code	Shaft Diameter	Expansion					Fixed					A Base to Centerline Height	B Distance Between Bolt Holes	G Bolt Hole Spacing (Width)	D	F Bolts	M	N	P	Approx. Weight		
		Part Number	C	E	H	L	S	Part Number	C	E	H										L	S
Two-Bolt Pillow Block																						
4	1 7/16	ZAS5107	6 9/16	2 3/16	1	3 7/8	7/8	ZAS5107	6 9/16	2 1/4	1 3/16	3 11/16	13/16	1 7/8	5	-	3 9/16	1/2	2 5/16	1 3/4	11/16	7.50
5	1 1/2	ZAS5108	7 1/8	2 7/16	1 1/8	4 3/8	7/8	ZAS5108	7 1/8	2 1/2	1 5/16	4 1/4	13/16	2 1/8	5 1/2	-	3 13/16	1/2	2 5/8	2 1/32	11/16	10.50
	1 11/16	ZAS5111						ZAS5111														10.10
6	1 15/16	ZAS5115	8 3/8	2 1/2	1 3/8	4 9/16	15/16	ZAS5115	8 1/8	2 1/2	1 3/8	4 9/16	15/16	2 1/4	6 1/4	-	3 13/16	5/8	2 15/16	2 5/16	11/16	11.50
7	2	ZAS5200	8 7/8	2 9/16	1 5/8	5	15/16	ZAS5200	8 5/8	2 9/16	1 5/8	5	15/16	2 1/2	6 3/4	-	4 1/8	5/8	3 1/4	2 5/8	25/32	15.20
	2 3/16	ZAS5203						ZAS5203														15.80
8	2 7/16	ZAS5207	9 1/4	2 11/16	1 5/8	5 1/2	15/16	ZAS5207	9 1/8	2 11/16	1 5/8	5 1/2	15/16	2 3/4	7 1/8	-	4 3/8	5/8	3 9/16	2 29/32	7/8	17.10
9	2 1/2	ZAS5208	10 7/16	3 3/16	2	6 7/16	1 1/16	ZAS5208	10 7/16	3 3/16	2	6 7/16	1 1/16	3 1/4	8 1/8	-	4 7/8	3/4	4 1/16	3 3/8	13/16	30.00
	2 11/16	ZAS5211						ZAS5211														29.00
	2 15/16	ZAS5215						ZAS5215														28.50
10	3 3/16	ZAS5303	13	3 7/16	2 1/4	7 1/2	1 5/8	ZAS5303	13	3 7/16	2 1/4	7 1/2	1 5/8	3 3/4	10	-	5 5/16	7/8	4 15/16	3 31/32	15/16	44.40
	3 7/16	ZAS5307						ZAS5307														42.50
11	3 11/16	ZAS5311	14 1/4	4 1/8	2 1/8	8 1/2	1 3/4	ZAS5311	14 1/4	4 1/8	2 1/8	8 1/2	1 3/4	4 1/8	10 7/8	-	6 1/4	1	5 5/8	4 9/16	1 1/16	60.50
	3 15/16	ZAS5315						ZAS5315														59.50
	4	ZAS5400						ZAS5400														58.50
Four-Bolt Pillow Block																						
6	1 15/16	ZAS5115F	8 3/8	3 3/16	1 3/8	4 9/16	13/16	ZAS5115F	8 3/8	3 3/16	1 3/8	4 9/16	13/16	2 1/4	6 1/4	1 19/32	3 13/16	1/2	2 15/16	2 5/16	11/16	13.80
7	2	ZAS5200F	8 7/8	3 1/4	1 5/8	5	13/16	ZAS5200F	8 7/8	3 1/4	1 5/8	5	13/16	2 1/2	6 3/4	1 11/16	4 1/8	1/2	3 1/4	2 5/8	25/32	17.00
	2 3/16	ZAS5203F						ZAS5203F														17.60
8	2 7/16	ZAS5207F	9 1/4	3 3/8	1 3/4	5 1/2	13/16	ZAS5207F	9 1/4	3 3/8	1 3/4	5 1/2	13/16	2 3/4	7 1/8	1 3/4	4 3/8	1/2	3 9/16	2 29/32	7/8	17.90
9	2 1/2	ZAS5208F	10 7/16	3 3/4	2 1/4	6 7/16	15/16	ZAS5208F	10 7/16	3 3/4	2 1/4	6 7/16	15/16	3 1/4	8 1/8	1 7/8	4 7/8	5/8	4 1/16	3 3/8	13/16	30.70
	2 11/16	ZAS5211F						ZAS5211F														29.70
	2 15/16	ZAS5215F						ZAS5215F														29.20
10	3 3/16	ZAS5303F	13	4 1/8	2 1/4	7 1/2	1 1/2	ZAS5303F	13	4 1/8	2 1/4	7 1/2	1 1/2	3 3/4	10	2	5 5/16	3/4	4 15/16	3 31/32	15/16	44.70
	3 7/16	ZAS5307F						ZAS5307F														42.80
11	3 11/16	ZAS5311F	15 1/4	4 1/2	2 5/8	8 5/8	1 1/4	ZAS5311F	15 1/4	4 1/2	2 5/8	8 1/2	1 1/4	4 1/4	12 1/2	2 1/4	6 1/4	3/4	5 5/8	4 9/16	1 1/16	65.50
	3 15/16	ZAS5315F						ZAS5315F														64.50
	4	ZAS5400F						ZAS5400F														63.50

Additional Notes

Please call 1-866-REXNORD for availability

Metric bore sizes available, see Rexnord Interchangeability guide

Lubrication fitting tap size: for fixed units, 1/8" PT; for expansion units, 1/4"-28 UNF

Base to centerline tolerance, +/- .005"

Bore size = nominal shaft size + .001"/-.000"

Expansion - is 3/8" for all size codes

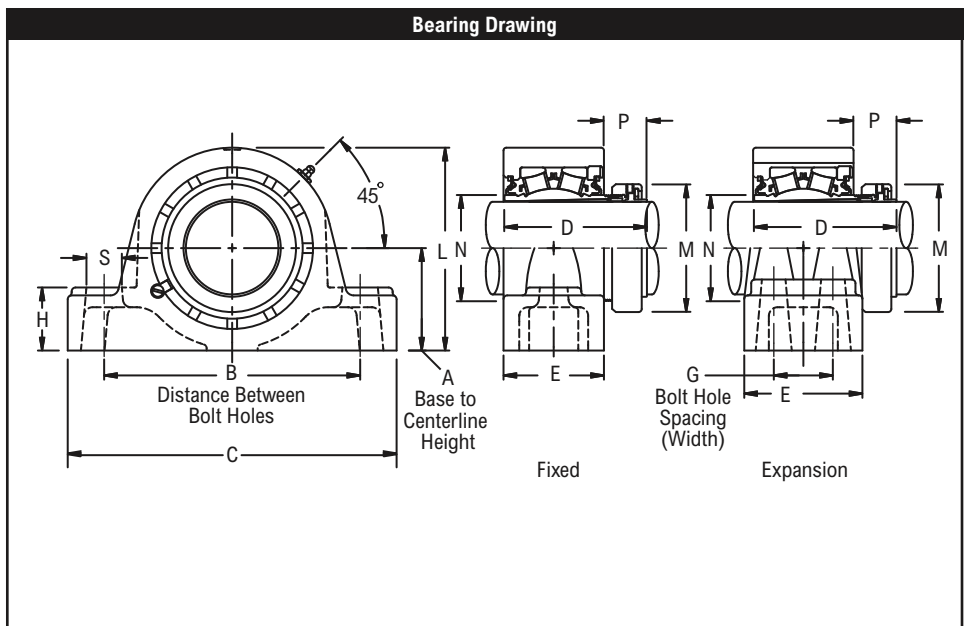
Seals - To specify K or M seal, replace "Z" in part number with "K" or "M"

Auxiliary end caps - available in all size codes except ZAS series

Selection Guide, see Rexnord Spherical Roller Bearings Selection Guide section

Load Ratings & Speed Limits, see Rexnord Spherical Roller Bearings Load Ratings & Speed Limits section

Note: Dimensions subject to change. Certified dimensions of ordered material furnished on request.



Bearing Dimensions																			
Size Code	Shaft Diameter	Expansion			Fixed			A Base to Centerline Height	B Distance Between Bolt Holes	G Bolt Hole Spacing (Width)	D	E	F Bolts	H	M	N	P	S	Approx. Weight
		Part Number	C	L	Part Number	C	L												
Two-Bolt Pillow Block																			
6	1 15/16	ZAS6115	8 3/8	4 9/16	ZA6115	8 1/8	4 9/16	2 1/4	6 1/4	-	3 41/64	2 1/2	5/8	1 3/8	2 55/64	2 5/16	1 1/8	15/16	10.90
7	2 3/16	ZAS6203	8 7/8	5	ZA6203	8 5/8	5	2 1/2	6 3/4	-	3 49/64	2 9/16	5/8	1 5/8	3 15/64	2 5/8	1 5/32	15/16	12.90
8	2 3/8	ZAS6206	9 1/4	5 1/2	ZA6206	9 1/8	5 1/2	2 3/4	7 1/8	-	4 5/32	2 11/16	5/8	1 5/8	3 19/32	2 29/32	1 27/64	15/16	16.30
	2 7/16	ZAS6207			ZA6207														
9	2 11/16	ZAS6211	10 7/16	6 7/16	ZA6211	10 7/16	6 7/16	3 1/4	8 1/8	-	4 17/32	3 3/16	3/4	2	4 3/32	3 3/8	1 25/64	1 1/16	27.30
	2 3/4	ZAS6212			ZA6212														26.90
	2 15/16	ZAS6215			ZA6215														26.00
10	3 3/16	ZAS6303	13	7 1/2	ZA6303	13	7 1/2	3 3/4	10	-	5 9/64	3 7/16	7/8	2 1/4	4 61/64	3 31/32	1 19/32	1 5/8	41.80
	3 7/16	ZAS6307			ZA6307														40.30
11	3 11/16	ZAS6311	14 1/4	8 1/2	ZA6311	14 1/4	8 1/2	4 1/8	10 7/8	-	5 31/32	4 1/8	1	2 1/8	5 43/64	4 9/16	1 47/64	1 3/4	58.00
	3 15/16	ZAS6315			ZA6315														56.00
Four-Bolt Pillow Block																			
6	1 15/16	ZAS6115F	8 3/8	4 9/16	ZA6115F	8 3/8	4 9/16	2 1/4	6 1/4	1 19/32	3 41/64	3 3/16	1/2	1 3/8	2 55/64	2 5/16	1 1/8	13/16	11.70
7	2 3/16	ZAS6203F	8 7/8	5	ZA6203F	8 7/8	5	2 1/2	6 3/4	1 11/16	3 49/64	3 1/4	1/2	1 5/8	3 15/64	2 5/8	1 5/32	13/16	15.30
8	2 3/8	ZAS6206F	9 1/4	5 1/2	ZA6206F	9 1/4	5 1/2	2 3/4	7 1/8	1 3/4	4 5/32	3 3/8	1/2	1 3/4	3 19/32	2 29/32	1 27/64	13/16	16.90
	2 7/16	ZAS6207F			ZA6207F														
9	2 11/16	ZAS6211F	10 7/16	6 7/16	ZA6211F	10 7/16	6 7/16	3 1/4	8 1/8	1 7/8	4 17/32	3 3/4	5/8	2 1/4	4 3/32	3 3/8	1 25/64	15/16	28.00
	2 3/4	ZAS6212F			ZA6212F														26.80
	2 15/16	ZAS6215F			ZA6215F														26.80
10	3 3/16	ZAS6303F	13	7 1/2	ZA6303F	13	7 1/2	3 3/4	10	2	5 9/64	4 1/8	3/4	2 1/4	4 61/64	3 31/32	1 19/32	1 1/2	42.10
	3 7/16	ZAS6307F			ZA6307F														40.60
11	3 11/16	ZAS6311F	15 1/4	8 5/8	ZA6311F	15 1/4	8 1/2	4 1/4	12 1/2	2 1/4	5 31/32	4 1/2	3/4	2 5/8	5 43/64	4 9/16	1 47/64	1 1/4	63.00
	3 15/16	ZAS6315F			ZA6315F														61.00

Additional Notes

Please call 1-866-REXNORD for availability
 Lubrication fitting tap size: for fixed units, 1/8" PT; for expansion units, 1/4"-28 UNF
 Base to centerline tolerance, +/- .005"
 Expansion - is 3/8" for all size codes
 Seals - To specify K or M seal, replace "Z" in part number with "K" or "M"
 Auxiliary end caps - available in all size codes except ZAS series

Selection Guide, see Rexnord Spherical Roller Bearings Selection Guide section
 Load Ratings & Speed Limits, see Rexnord Spherical Roller Bearings Load Ratings & Speed Limits section
 Note: Dimensions subject to change. Certified dimensions of ordered material furnished on request.



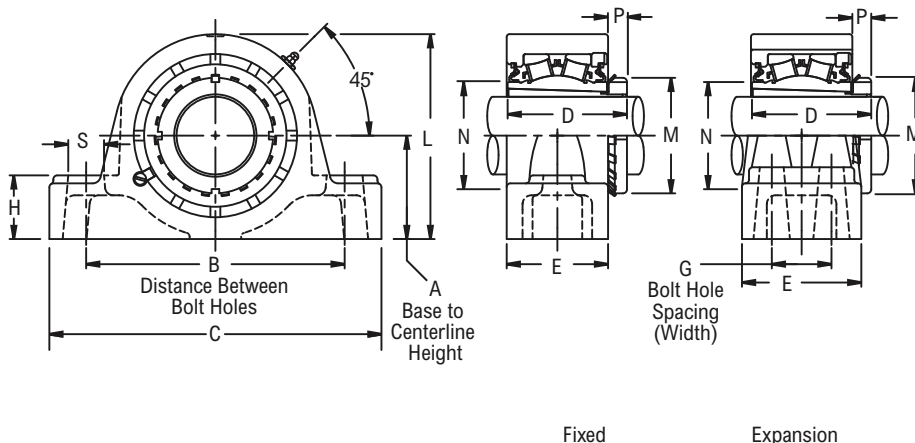
Photo Shows a 2-Bolt Spherical Roller Bearing Pillow Block Unit

ZA9000, ZAS9000

Product Features

- Corrosion resistant powder coating
- Cast iron housing
- Misalignment capabilities - Total of 3°
- Broad range of sealing options
- Factory set clearance & lubrication
- Precision ground & superfinished raceways
- Enhanced life mounting style
- Field interchangeable seals
- Fixed or Expansion - Total of 3/8" expansion
- See Features & Benefits for additional info.

Bearing Drawing



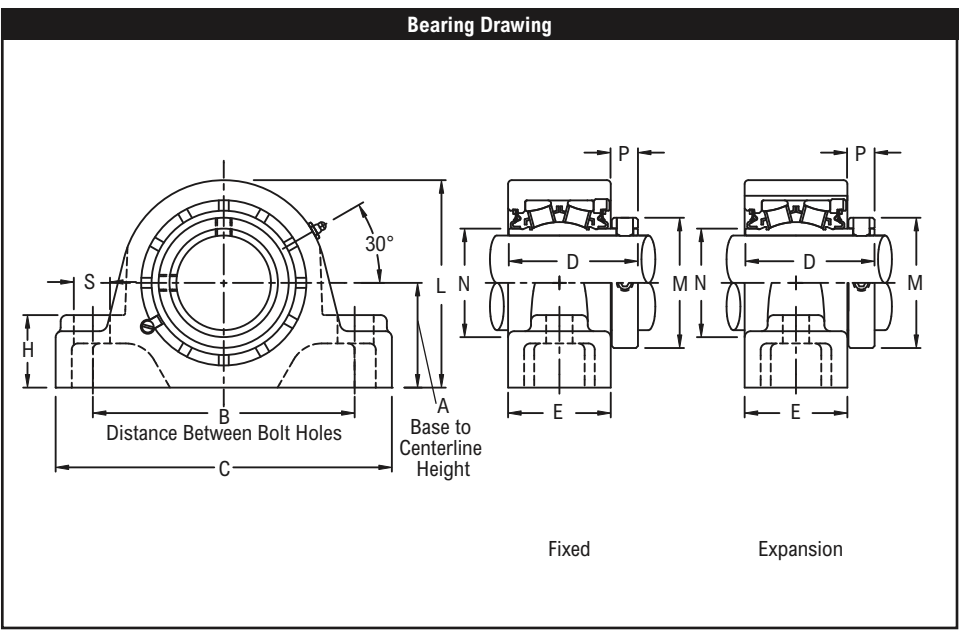
Bearing Dimensions

Size Code	Shaft Diameter	Expansion			Fixed			A Base to Centerline Height	B Distance Between Bolt Holes	G Bolt Hole Spacing (Width)	D	E	F Bolts	H	M	N	P	S	Approx. Weight
		Part Number	C	L	Part Number	C	L												
Two-Bolt Pillow Block																			
7	1 15/16	ZAS9115	8 7/8	5	ZA9115	8 5/8	5	2 1/2	6 3/4	-	3 5/32	2 9/16	5/8	1 5/8	2 31/32	2 5/8	1 9/32	15/16	13.70
		2			ZAS9200														ZA9200
8	2 3/16	ZAS9203	9 1/4	5 1/2	ZA9203	9 1/8	5 1/2	2 3/4	7 1/8	-	3 11/32	2 11/16	5/8	1 5/8	3 3/8	2 29/32	2 23/32	15/16	16.40
9	2 7/16	ZAS9207	10 7/16	6 7/16	ZA9207	10 7/16	6 7/16	3 1/4	8 1/8	-	3 3/4	3 3/16	3/4	2	3 5/8	3 3/8	2 3/32	1 1/16	26.60
		2 1/2			ZAS9208														ZA9208
10	2 11/16	ZAS9211	13	7 1/2	ZA9211	13	7 1/2	3 3/4	10	-	4 1/4	3 7/16	7/8	2 1/4	4 13/32	3 31/32	1 3/16	1 5/8	43.00
		2 15/16			ZAS9215														ZA9215
11	3 3/16	ZAS9303	14 1/4	8 1/2	ZA9303	14 1/4	8 1/2	4 1/8	10 7/8	-	5 1/16	4 1/8	1	2 1/8	5 3/16	4 9/16	15/16	1 3/4	61.00
		3 7/16			ZAS9307														ZA9307
Four-Bolt Pillow Block																			
7	1 15/16	ZAS9115F	8 7/8	5	ZA9115F	8 7/8	5	2 1/2	6 3/4	1 11/16	3 5/32	3 1/4	1/2	1 5/8	2 31/32	2 5/8	1 9/32	13/16	15.50
		2			ZAS9200F														ZA9200F
8	2 3/16	ZAS9203F	9 1/4	5 1/2	ZA9203F	9 1/4	5 1/2	2 3/4	7 1/8	1 3/4	3 11/32	3 3/8	1/2	1 3/4	3 3/8	2 29/32	2 23/32	13/16	17.20
9	2 7/16	ZAS9207F	10 7/16	6 7/16	ZA9207F	10 7/16	6 7/16	3 1/4	8 1/8	1 7/8	3 3/4	3 3/4	5/8	2 1/4	3 5/8	3 3/8	2 3/32	15/16	27.30
		2 1/2			ZAS9208F														ZA9208F
10	2 11/16	ZAS9211F	13	7 1/2	ZA9211F	13	7 1/2	3 3/4	10	2	4 1/4	4 1/8	3/4	2 1/4	4 13/32	3 31/32	1 3/16	1 1/2	43.30
		2 15/16			ZAS9215F														ZA9215F
11	3 3/16	ZAS9303F	15 1/4	8 5/8	ZA9303F	15 1/4	8 1/2	4 1/4	12 1/2	2 1/4	5 1/16	4 1/2	3/4	2 5/8	5 3/16	4 9/16	15/16	1 1/4	66.00
		3 7/16			ZAS9307F														ZA9307F

Additional Notes

Please call 1-866-REXNORD for availability
 Lubrication fitting tap size: for fixed units, 1/8" PT; for expansion units, 1/4"-28 UNF
 Base to centerline tolerance, +/- .005"
 Expansion - is 3/8" for all size codes
 Seals - To specify K or M seal, replace "Z" in part number with "K" or "M"
 Auxiliary end caps - available in all size codes except ZAS series

Selection Guide, see Rexnord Spherical Roller Bearings Selection Guide section
 Load Ratings & Speed Limits, see Rexnord Spherical Roller Bearings Load Ratings & Speed Limits section
 Note: Dimensions subject to change. Certified dimensions of ordered material furnished on request.



Product Features

- Corrosion resistant powder coating
- Cast steel housing
- Misalignment capabilities - Total of 3°
- Broad range of sealing options
- Factory set clearance & lubrication
- Precision ground & superfinished raceways
- Hardened spring locking collar
- Field interchangeable seals
- Fixed or Expansion - Total of 3/8" expansion
- See Features & Benefits for additional info.

Bearing Dimensions																	
Size Code	Shaft Diameter	Expansion		Fixed		A Base to Centerline Height	B Distance Between Bolt Holes	C	D	E	F Bolts	H	M	N	P	S	Approx. Weight
		Part Number	L	Part Number	L												
4	1 7/16	ZAS210772	3 7/8	ZA210772	3 11/16	1 7/8	5	6 7/8	2 7/8	2 1/4	1/2	1 3/16	2 5/16	1 3/4	11/16	13/16	7.50
	1 1/2	ZAS210872		ZA210872													
5	1 11/16	ZAS211172	4 3/8	ZA211172	4 1/4	2 1/8	5 1/2	7 3/8	3 1/8	2 1/2	1/2	1 5/16	2 5/8	2 1/32	11/16	13/16	10.50
	1 3/4	ZAS211272		ZA211272													
6	1 15/16	ZAS211572	4 9/16	ZA211572	4 9/16	2 1/4	6 1/4	8 3/8	3 1/8	2 1/2	5/8	1 3/8	2 15/16	2 5/16	11/16	15/16	11.70
	2	ZAS220072		ZA220072													
7	2 3/16	ZAS220372	5	ZA220372	5	2 1/2	6 3/4	8 7/8	3 5/16	2 9/16	5/8	1 5/8	3 1/4	2 5/8	13/16	15/16	14.50
	2 1/4	ZAS220472		ZA220472													
8	2 3/8	ZAS220672	5 1/2	ZA220672	5 1/2	2 3/4	7 1/8	9 1/4	3 1/2	2 11/16	5/8	1 3/4	3 9/16	2 29/32	7/8	15/16	18.00
	2 7/16	ZAS220772		ZA220772													
	2 1/2	ZAS220872		ZA220872													
9	2 11/16	ZAS221172	6 7/16	ZA221172	6 7/16	3 1/4	8 1/8	10 7/16	4	3 3/16	3/4	2 1/4	4 1/16	3 3/8	7/8	1 1/16	25.50
	2 3/4	ZAS221272		ZA221272													
	2 15/16	ZAS221572		ZA221572													
	3	ZAS230072		ZA230072													
10	3 3/16	ZAS230372	7 1/2	ZA230372	7 1/2	3 3/4	10	13	4 3/8	3 7/16	7/8	2 1/4	4 15/16	3 31/32	15/16	1 5/8	42.50
	3 7/16	ZAS230772		ZA230772													
	3 1/2	ZAS230872		ZA230872													
11	3 11/16	ZAS231172	8 1/2	ZA231172	8 1/2	4 1/8	11 3/4	15 1/4	5 3/16	4	1	2 5/8	5 5/8	4 9/16	1 1/16	2 1/4	52.50
	3 15/16	ZAS231572		ZA231572													
	4	ZAS240072		ZA240072													

Additional Notes

Please call 1-866-REXNORD for availability

Metric bore sizes available, see Rexnord Interchangeability guide

Lubrication fitting tap size: for fixed units, 1/8" PT: for expansion units, 1/4"-28 UNF

Base to centerline tolerance, +/- .005"

Bore size = nominal shaft size +.001"/-.000"

Expansion - is 3/8" for all size codes

Seals - To specify K or M seal, replace "Z" in part number with "K" or "M"

Auxiliary end caps - available in all size codes except ZAS series

Selection Guide, see Rexnord Spherical Roller Bearings Selection Guide section

Load Ratings & Speed Limits, see Rexnord Spherical Roller Bearings Load Ratings & Speed Limits section

Note: Dimensions subject to change. Certified dimensions of ordered material furnished on request.

ZA3000-72, ZAS3000-72

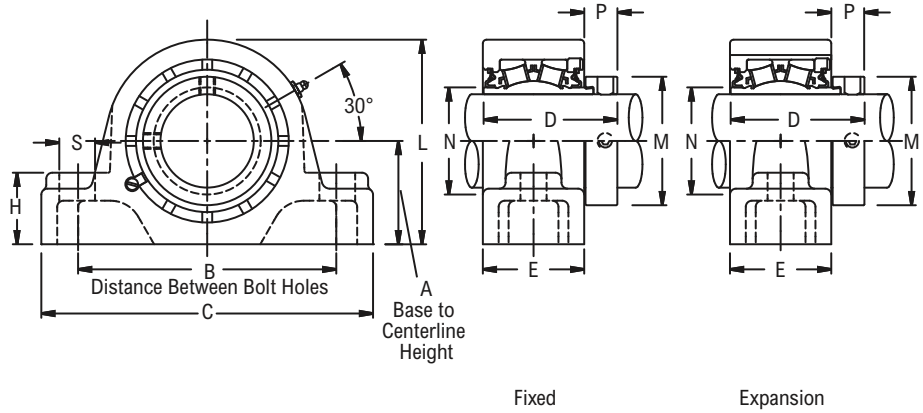


Photo Shows a 2-Bolt Spherical Roller Bearing Pillow Block Unit

Product Features

- Corrosion resistant powder coating
- Cast steel housing
- Misalignment capabilities - Total of 3°
- Broad range of sealing options
- Factory set clearance & lubrication
- Precision ground & superfinished raceways
- Eccentric locking collar
- Field interchangeable seals
- Fixed or Expansion - Total of 3/8" expansion
- See Features & Benefits for additional info.

Bearing Drawing



Bearing Dimensions

Size Code	Shaft Diameter	Expansion		Fixed		A Base to Centerline Height	B Distance Between Bolt Holes	C	D	E	F Bolts	H	M	N	P	S	Approx. Weight
		Part Number	L	Part Number	L												
4	1 7/16	ZAS310772	3 7/8	ZA310772	3 11/16	1 7/8	5	6 7/8	2 59/64	2 1/4	1/2	1 3/16	2 5/16	1 3/4	25/32	13/16	8.00
5	1 11/16	ZAS311172	4 3/8	ZA311172	4 1/4	2 1/8	5 1/2	7 3/8	3 3/16	2 1/2	1/2	1 5/16	2 5/8	2 1/32	3/4	13/16	10.50
6	1 15/16	ZAS311572	4 9/16	ZA311572	4 9/16	2 1/4	6 1/4	8 3/8	3 9/32	2 1/2	5/8	1 3/8	2 3/4	2 5/16	27/32	15/16	12.00
7	2 3/16	ZAS320372	5	ZA320372	5	2 1/2	6 3/4	8 7/8	3 1/2	2 9/16	5/8	1 5/8	3 1/4	2 5/8	31/32	15/16	15.00
8	2 7/16	ZAS320772	5 1/2	ZA320772	5 1/2	2 3/4	7 1/8	9 1/4	3 21/32	2 11/16	5/8	1 3/4	3 9/16	2 29/32	1 1/64	15/16	18.00
	2 1/2	ZAS320872		ZA320872													
9	2 11/16	ZAS321172	6 7/16	ZA321172	6 7/16	3 1/4	8 1/8	10 7/16	4 13/64	3 3/16	3/4	2 1/4	4 1/16	3 3/8	1 1/64	1 1/16	26.80
	2 15/16	ZAS321572		ZA321572													
10	3 7/16	ZAS330772	7 1/2	ZA330772	7 1/2	3 3/4	10	13	4 37/64	3 7/16	7/8	2 1/4	4 15/16	3 31/32	1 9/64	1 5/8	42.50
	3 1/2	ZAS330872		ZA330872													
11	3 15/16	ZAS331572	8 1/2	ZA331572	8 1/2	4 1/8	11 3/4	15 1/4	5 3/16	4	1	2 5/8	5 5/8	4 9/16	1 1/16	2 1/4	52.00

Additional Notes

Please call 1-866-REXNORD for availability
 Lubrication fitting tap size: for fixed units, 1/8" PT; for expansion units, 1/4"-28 UNF
 Base to centerline tolerance, +/- .005"
 Bore size = nominal shaft size +.001"/-.000"
 Expansion - is 3/8" for all size codes
 Seals - To specify K or M seal, replace "Z" in part number with "K" or "M"
 Auxiliary end caps - available in all size codes except ZAS series

Selection Guide, see Rexnord Spherical Roller Bearings Selection Guide section
 Load Ratings & Speed Limits, see Rexnord Spherical Roller Bearings Load Ratings & Speed Limits section
 Note: Dimensions subject to change. Certified dimensions of ordered material furnished on request.

ZA5000-72, ZAS5000-72

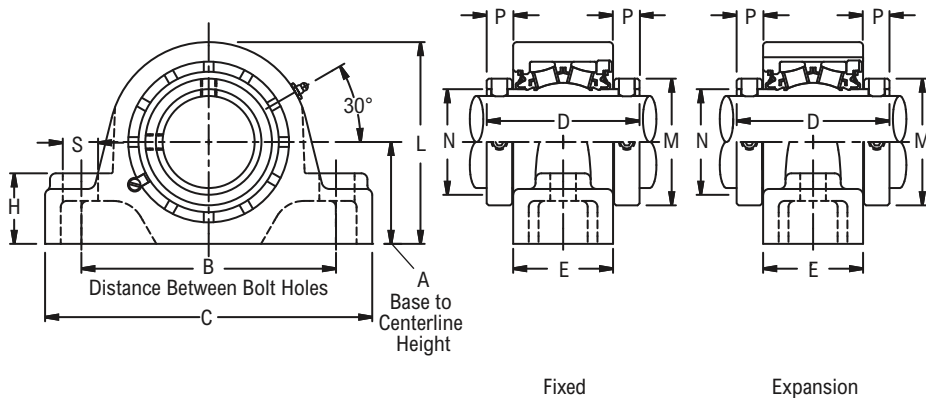


Photo Shows a 2-Bolt Spherical Roller Bearing Pillow Block Unit

Product Features

- Corrosion resistant powder coating
- Cast steel housing
- Misalignment capabilities - Total of 3°
- Broad range of sealing options
- Factory set clearance & lubrication
- Precision ground & superfinished raceways
- Two hardened spring locking collars
- Field interchangeable seals
- Fixed or Expansion - Total of 3/8" expansion
- See Features & Benefits for additional info.

Bearing Drawing



Bearing Dimensions

Size Code	Shaft Diameter	Expansion			Fixed			A Base to Centerline Height	B Distance Between Bolt Holes	C	D	E	F Bolts	H	M	N	P	S
		Part Number	L	Approx. Weight	Part Number	L	Approx. Weight											
4	1 7/16	ZAS510772	3 7/8	8.50	ZA510772	3 11/16	7.30	1 7/8	5	6 7/8	3 9/16	2 1/4	1/2	1 3/16	2 5/16	1 3/4	1 1/16	13/16
	1 1/2	ZAS510872	4 3/8	12.10	ZA510872	4 1/4	10.70	2 1/8	5 1/2	7 3/8	3 13/16	2 1/2	1/2	1 5/16	2 5/8	2 1/32	1 1/16	13/16
1 11/16	ZAS511172	11.70		ZA511172	10.30													
6	1 15/16	ZAS511572	4 9/16	12.80	ZA511572	4 9/16	11.90	2 1/4	6 1/4	8 3/8	3 13/16	2 1/2	5/8	1 3/8	2 15/16	2 5/16	1 1/16	15/16
	2	ZAS520072	5	16.50	ZA520072	5	16.00	2 1/2	6 3/4	8 7/8	4 1/8	2 9/16	5/8	1 5/8	3 1/4	2 5/8	13/16	15/16
2 3/16	ZAS520372	15.20		ZA520372	15.40													
8	2 7/16	ZAS520772	5 1/2	19.40	ZA520772	5 1/2	18.60	2 3/4	7 1/8	9 1/4	4 3/8	2 11/16	5/8	1 3/4	3 9/16	2 29/32	7/8	15/16
	2 1/2	ZAS520872	6 7/16	29.70	ZA520872	6 7/16	28.90	3 1/4	8 1/8	10 7/16	4 7/8	3 3/16	3/4	2 1/4	4 1/16	3 3/8	7/8	1 1/16
	2 11/16	ZAS521172		28.70	ZA521172		27.90											
2 15/16	ZAS521572	28.20		ZA521572	27.40													
10	3 3/16	ZAS530372	7 1/2	46.60	ZA530372	7 1/2	42.10	3 3/4	10	13	5 5/16	3 7/16	7/8	2 1/4	4 15/16	3 31/32	15/16	1 5/8
	3 7/16	ZAS530772		44.70	ZA530772		40.20											
	3 11/16	ZAS531172		59.50	ZA531172		50.80											
11	3 15/16	ZAS531572	8 1/2	58.50	ZA531572	8 1/2	49.80	4 1/8	11 3/4	15 1/4	6 1/4	4	1	2 5/8	5 5/8	4 9/16	1 1/16	2 1/4
	4	ZAS540072		57.50	ZA540072		48.80											

Additional Notes

Please call 1-866-REXNORD for availability
 Metric bore sizes available, see Rexnord Interchangeability guide
 Lubrication fitting tap size: for fixed units, 1/8" PT; for expansion units, 1/4"-28 UNF
 Base to centerline tolerance, +/- .005"
 Bore size = nominal shaft size +.001"/-.000"
 Expansion - is 3/8" for all size codes
 Seals - To specify K or M seal, replace "Z" in part number with "K" or "M"

Auxiliary end caps - available in all size codes except ZAS series
 Selection Guide, see Rexnord Spherical Roller Bearings Selection Guide section
 Load Ratings & Speed Limits, see Rexnord Spherical Roller Bearings Load Ratings & Speed Limits section
 Note: Dimensions subject to change. Certified dimensions of ordered material furnished on request.

ZA6000-72, ZAS6000-72

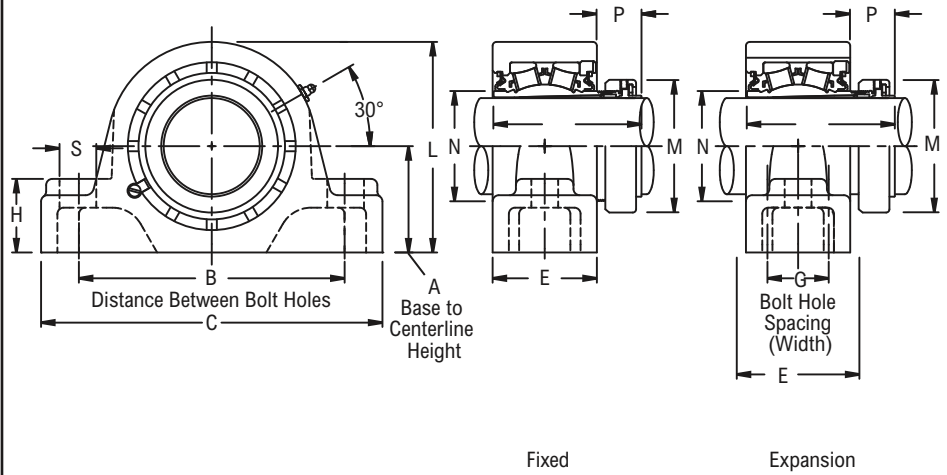


Photo Shows a 2-Bolt Spherical Roller Bearing Pillow Block Unit

Product Features

- Optical Strain Sensor Technology
- Positive locking system
- Tapered adapter sleeve
- Corrosion resistant powder coating
- Cast steel housing
- Misalignment capabilities - Total of 3°
- Broad range of sealing options
- Factory set clearance & lubrication
- Precision ground & superfinished raceways
- See Features & Benefits for additional info.

Bearing Drawing



Bearing Dimensions

Size Code	Shaft Diameter	Expansion		Fixed		A Base to Centerline Height	B Distance Between Bolt Holes	C	D	E	F Bolts	H	L	M	N	P	S	
		Part Number	Approx. Weight	Part Number	Approx. Weight													
6	1 15/16	ZAS611572	12.20	ZA611572	11.30	2 1/4	6 1/4	8 3/8	3 41/64	2 1/2	5/8	1 3/8	4 9/16	2 55/64	2 5/16	1 1/8	15/16	
7	2 3/16	ZAS620372	14.80	ZA620372	14.30	2 1/2	6 3/4	8 7/8	3 49/64	2 9/16	5/8	1 5/8	5	3 15/64	2 5/8	1 5/32	15/16	
8	2 3/8	ZAS620672	18.50	ZA620672	17.70	2 3/4	7 1/8	9 1/4	4 5/32	2 11/16	5/8	1 3/4	5 1/2	3 19/32	2 29/32	1 27/64	15/16	
		2 7/16	ZAS620772	18.40	ZA620772													17.60
9	2 11/16	ZAS621172	27.00	ZA621172	26.20	3 1/4	8 1/8	10 7/16	4 17/32	3 3/16	3/4	2 1/4	6 7/16	4 3/32	3 3/8	1 25/64	1 1/16	
		2 3/4	ZAS621272	26.60	ZA621272													25.80
		2 15/16	ZAS621572	25.50	ZA621572													24.70
10	3 3/16	ZAS630372	44.00	ZA630372	39.50	3 3/4	10	13	5 9/64	3 7/16	7/8	2 1/4	7 1/2	4 61/64	3 31/32	1 19/32	1 5/8	
		3 7/16	ZAS630772	42.50	ZA630772													41.50
11	3 11/16	ZAS631172	57.00	ZA631172	48.30	4 1/8	11 3/4	15 1/4	5 31/32	4	1	2 5/8	8 1/2	5 43/64	4 9/16	1 47/64	2 1/4	
		3 15/16	ZAS631572	55.00	ZA631572													46.30

Additional Notes

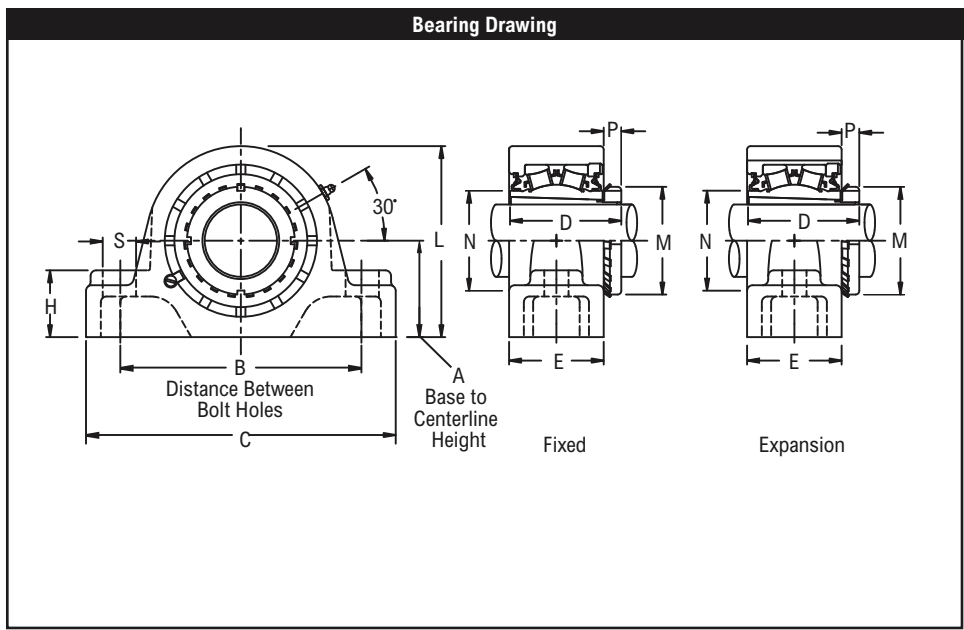
Please call 1-866-REXNORD for availability
 Lubrication fitting tap size: for fixed units, 1/8" PT; for expansion units, 1/4"-28 UNF
 Base to centerline tolerance, +/- .005"
 Expansion - is 3/8" for all size codes
 Seals - To specify K or M seal, replace "Z" in part number with "K" or "M"
 Auxiliary end caps - available in all size codes except ZAS series

Selection Guide, see Rexnord Spherical Roller Bearings Selection Guide section
 Load Ratings & Speed Limits, see Rexnord Spherical Roller Bearings Load Ratings & Speed Limits section
 Note: Dimensions subject to change. Certified dimensions of ordered material furnished on request.



Product Features

- Corrosion resistant powder coating
- Cast steel housing
- Misalignment capabilities - Total of 3°
- Broad range of sealing options
- Factory set clearance & lubrication
- Precision ground & superfinished raceways
- Enhanced life mounting style
- Field interchangeable seals
- Fixed or Expansion - Total of 3/8" expansion
- See Features & Benefits for additional info.



Bearing Dimensions																	
Size Code	Shaft Diameter	Expansion		Fixed		A Base to Centerline Height	B Distance Between Bolt Holes	C	D	E	F Bolts	H	L	M	N	P	S
		Part Number	Approx. Weight	Part Number	Approx. Weight												
7	1 15/16	ZAS911572	15.00	ZA911572	14.50	2 1/2	6 3/4	8 7/8	3 5/32	2 9/16	5/8	1 5/8	5	2 31/32	2 5/8	19/32	15/16
	2	ZAS920072	14.90	ZA920072	14.40												
8	2 3/16	ZAS920372	18.70	ZA920372	17.90	2 3/4	7 1/8	9 1/4	3 11/32	2 11/16	5/8	1 3/4	5 1/2	3 3/8	2 29/32	23/32	15/16
	2 7/16	ZAS920772	26.30	ZA920772	25.50												
9	2 1/2	ZAS920872	25.90	ZA920872	25.10	3 1/4	8 1/8	10 7/16	3 3/4	3 3/16	3/4	2 1/4	6 7/16	3 5/8	3 3/8	23/32	1 1/16
	2 11/16	ZAS921172	45.20	ZA921172	40.70												
10	2 15/16	ZAS921572	44.00	ZA921572	39.50	3 3/4	10	13	4 1/4	3 7/16	7/8	2 1/4	7 1/2	4 13/32	3 31/32	13/16	1 5/8
	3 3/16	ZAS930372	60.00	ZA930372	51.30												
11	3 7/16	ZAS930772	57.00	ZA930772	49.30	4 1/8	11 3/4	15 1/4	5 1/16	4	1	2 5/8	8 1/2	5 3/16	4 9/16	15/16	2 1/4

Additional Notes

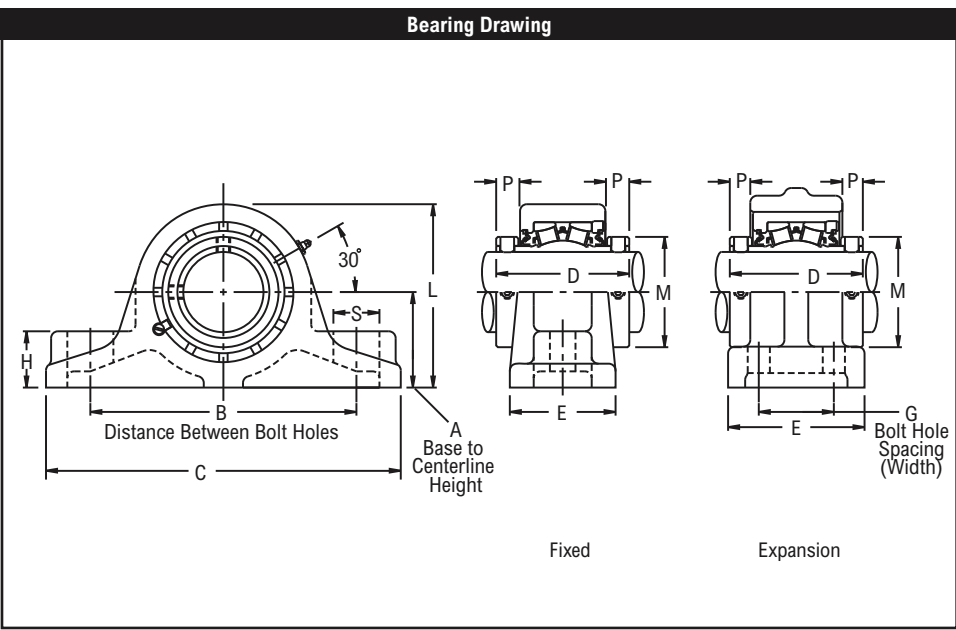
Please call 1-866-REXNORD for availability
 Lubrication fitting tap size: for fixed units, 1/8" PT; for expansion units, 1/4"-28 UNF
 Base to centerline tolerance, +/- .005"
 Expansion - is 3/8" for all size codes
 Seals - To specify K or M seal, replace "Z" in part number with "K" or "M"
 Auxiliary end caps - available in all size codes except ZAS series
 Selection Guide, see Rexnord Spherical Bearings Selection Guide section

Load Ratings & Speed Limits, see Rexnord Spherical Roller Bearings Load Ratings & Speed Limits section
 Note: Dimensions subject to change. Certified dimensions of ordered material furnished on request.



Product Features

- Corrosion resistant powder coating
- Cast iron housing
- Misalignment capabilities - Total of 3°
- Broad range of sealing options
- Factory set clearance & lubrication
- Precision ground & superfinished raceways
- Two hardened spring locking collars
- Field interchangeable seals
- Fixed or Expansion - Up to 3/4" expansion
- See Features & Benefits for additional info.

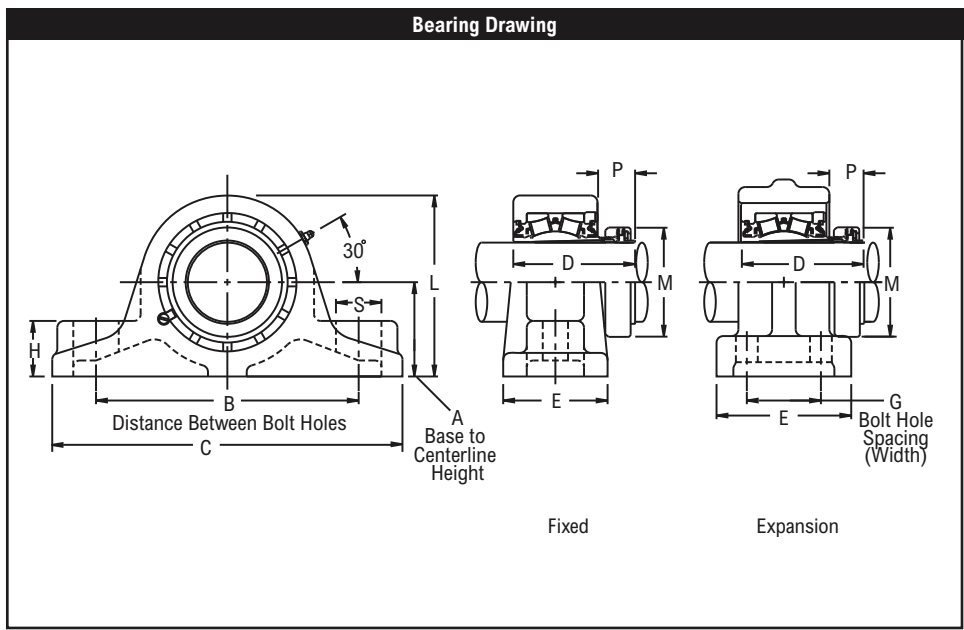


Bearing Dimensions																				
Size Code	Shaft Diameter	Expansion				Fixed				A Base to Centerline Height	B Distance Between Bolt Holes	G Bolt Hole Spacing (Width)	C	D	E	F Bolts	H	M	S	
		Part Number	L	P	Approx. Weight	Part Number	L	P	Approx. Weight											
Two-Bolt Pillow Block																				
4	1 7/16	ZPS5107	4 11/32	9/16	10.70	ZP5107	3 31/32	11/16	8.10	2 1/8	5 7/8	-	8 1/8	3 9/16	2 7/16	1/2	1 1/8	2 5/16	1 1/8	
5	1 1/2	ZPS5108	4 13/16	1/2	15.70	ZP5108	4 7/16	11/16	11.90	2 5/16	6 1/2	-	9	3 13/16	2 13/16	1/2	1 5/16	2 5/8	1 1/4	
		1 11/16			ZPS5111	15.10			ZP5111											11.60
6	1 15/16	ZPS5115	4 15/16	9/16	16.10	ZP5115	4 3/4	11/16	13.40	2 1/2	7	-	9 3/4	3 13/16	2 7/8	5/8	1 7/16	2 15/16	1 1/4	
7	2	ZPS5200	5 23/32	11/16	21.80	ZP5200	5 1/4	13/16	17.50	2 3/4	7 1/2	-	10 1/4	4 1/8	3 1/8	5/8	1 5/8	3 1/4	1 1/4	
		2 3/16			ZPS5203	21.60			ZP5203											16.90
8	2 7/16	ZPS5207	6 3/16	3/4	25.90	ZP5207	5 3/4	7/8	21.20	3	8 1/4	-	11 1/4	4 3/8	3 3/8	3/4	1 3/4	3 9/16	1 3/8	
9	2 1/2	ZPS5208	7 3/16	3/4	43.40	ZP5208	6 23/32	7/8	35.20	3 1/2	9 3/4	-	13	4 7/8	3 7/8	7/8	2 1/16	4 1/16	1 5/8	
		2 11/16			ZPS5211	42.50			ZP5211											33.90
		2 15/16			ZPS5215	40.40			ZP5215											32.60
Four-Bolt Pillow Block																				
6	1 15/16	ZPS5115F	5 5/32	9/16	17.70	ZP5115F	5	11/16	15.80	2 1/2	7	2 1/4	9 3/4	3 13/16	4	5/8	1	2 15/16	1 1/4	
7	2	ZPS5200F	5 23/32	11/16	22.10	ZP5200F	5 1/2	13/16	19.60	2 3/4	7 1/2	2 1/4	10 1/4	4 1/8	4 1/8	5/8	1	3 1/4	1 1/4	
		2 3/16			ZPS5203F	21.70			ZP5203F											18.80
8	2 7/16	ZPS5207F	6 7/32	3/4	27.40	ZP5207F	6	7/8	24.40	3	8 1/4	2 5/8	11 1/4	4 3/8	4 1/2	5/8	1 1/8	3 9/16	1 15/16	
9	2 1/2	ZPS5208F	7 5/16	3/4	44.20	ZP5208F	7 1/16	7/8	38.20	3 1/2	9 3/4	2 3/4	13	4 7/8	5	3/4	1 3/8	4 1/16	1 1/2	
		2 11/16			ZPS5211F	43.40			ZP5211F											37.20
10	3 3/16	ZPS5303F	8 3/8	13/16	59.00	ZP5303F	8 1/8	15/16	52.00	4	11 1/2	3	15	5 5/16	5	3/4	1 1/2	4 15/16	1 1/2	
		3 7/16			ZPS5307F	57.00			ZP5307F											51.00
		3 11/16			ZPS5311F	98.00			ZP5311F											86.00
11	3 15/16	ZPS5315F	10 1/4	15/16	96.00	ZP5315F	9 7/8	1 1/16	84.00	5	13 1/4	3 1/2	16 3/4	6 1/4	6	7/8	1 1/2	5 5/8	1 1/2	
		4			ZPS5400F	95.00			ZP5400F											83.00
		4 3/16			ZPS5403YF	122.00			ZP5403YF											110.00
12	4 7/16	ZPS5407YF	11 5/8	7/8	119.00	ZP5407YF	11 1/4	1	108.00	5 3/4	14 3/4	4	18 1/2	6 1/4	6 3/4	1	1 3/4	6 3/16	1 13/16	
		4 1/2			ZPS5408YF	118.00			ZP5408YF											107.00
		4 15/16			ZPS5415F	206.00			ZP5415F											171.00
13	5	ZPS5500F	13 1/8	15/16	203.00	ZP5500F	12 1/2	1 5/32	168.00	6 1/8	16	4 1/4	20 1/4	7 7/8	7 1/2	1 1/8	1 7/8	7 1/16	2	
		5 7/16			ZPS5507F	226.00			ZP5507F											211.00
14	5 15/16	ZPS5515F	14 3/8	1 3/32	274.00	ZP5515F	14 3/4	1 5/32	255.00	7 1/16	20 1/2	4 3/16	24 3/4	8 1/8	6 3/4	1 1/8	2 1/8	8 11/16	2 1/4	
		6			ZPS5600F	273.00			ZP5600F											254.00
		6 7/16			ZPS5607F	366.00			ZP5607F											339.00
16	6 15/16	ZPS5615F	16 3/4	1 3/16	352.00	ZP5615F	16 5/16	1 9/32	328.00	7 7/8	23	4 7/16	28	8 3/4	7 1/2	1 1/4	2 3/8	9 3/4	2 5/16	
		7			ZPS5700F	348.00			ZP5700F											326.00

Additional Notes

Please call 1-866-REXNORD for availability
 Metric bore sizes available, see Rexnord Interchangeability guide
 Lubrication fitting tap size: for size code 4 thru 11, 1/8" PT; for all other size codes, 1/4" PT
 Base to centerline tolerance, +/- .005"
 Bore size = nominal shaft size +.001"/-.000"
 Expansion - size code 4 thru 8 is 3/8", size code 9 thru 11 is 1/2" & size code 12 thru 16 is 3/4"
 Seals - To specify K or M seal, replace "Z" in part number with "K" or "M"

"K" seals only available in size codes 4 thru 11
 Auxiliary end caps - available in all sizes
 Selection Guide, see Rexnord Spherical Roller Bearings Selection Guide section
 Load Ratings & Speed Limits, see Rexnord Spherical Roller Bearings Load Ratings & Speed Limits section
 Note: Dimensions subject to change. Certified dimensions of ordered material furnished on request.



Product Features

- Optical Strain Sensor Technology
- Positive locking system
- Tapered adapter sleeve
- Corrosion resistant powder coating
- Cast iron housing
- Misalignment capabilities - Total of 3°
- Broad range of sealing options
- Factory set clearance & lubrication
- Precision ground & superfinished raceways
- See Features & Benefits for additional info.

Bearing Dimensions																				
Size Code	Shaft Diameter	Expansion				Fixed				A Base to Centerline Height	B Distance Between Bolt Holes	G Bolt Hole Spacing (Width)	C	D	E	F Bolts	H	M	S	
		Part Number	L	P	Approx. Weight	Part Number	L	P	Approx. Weight											
Two-Bolt Pillow Block																				
6	1 15/16	ZPS6115	4 15/16	1	16.10	ZP6115	4 3/4	1 1/8	13.40	2 1/2	7	-	9 3/4	3 41/64	2 7/8	5/8	1 7/16	2 55/64	1 1/4	
7	2 3/16	ZPS6203	5 23/32	1 1/16	21.80	ZP6203	5 1/4	1 5/32	17.50	2 3/4	7 1/2	-	10 1/4	3 49/64	3 1/8	5/8	1 5/8	3 15/64	1 1/4	
8	2 3/8	ZPS6206	6 3/16	1 19/64	25.90	ZP6206	5 3/4	1 27/64	22.20	3	8 1/4	-	11 1/4	4 5/32	3 3/8	3/4	1 3/4	3 19/32	1 3/8	
		2 7/16				ZPS6207			ZP6207											21.20
9	2 11/16	ZPS6211	7 3/16	1 17/64	43.40	ZP6211	6 23/32	1 25/64	35.20	3 1/2	9 3/4	-	13	4 17/32	3 7/8	7/8	2 1/16	4 3/32	1 5/8	
		2 3/4			ZPS6212	ZP6212			42.40											34.20
		2 15/16			ZPS6215	ZP6215			42.50											33.90
Four-Bolt Pillow Block																				
6	1 15/16	ZPS6115F	5 5/32	1	17.70	ZP6115F	5	1 1/8	15.80	2 1/2	7	2 1/4	9 3/4	3 41/64	4	5/8	1	2 55/64	1 1/4	
7	2 3/16	ZPS6203F	5 23/32	1 1/16	22.10	ZP6203F	5 1/2	1 5/32	19.60	2 3/4	7 1/2	2 1/4	10 1/4	3 49/64	4 1/8	5/8	1	3 15/64	1 1/4	
8	2 3/8	ZPS6206F	6 7/32	1 19/64	28.40	ZP6206F	6	1 27/64	25.40	3	8 1/4	2 5/8	11 1/4	4 5/32	4 1/2	5/8	1 1/8	3 19/32	1 15/16	
		2 7/16			ZPS6207F	ZP6207F			27.40											24.40
9	2 11/16	ZPS6211F	7 5/16	1 17/64	44.20	ZP6211F	7 1/16	1 25/64	38.20	3 1/2	9 3/4	2 3/4	13	4 17/32	5	3/4	1 3/8	4 3/32	1 1/2	
		2 3/4			ZPS6212F	ZP6212F			42.50											36.50
		2 15/16			ZPS6215F	ZP6215F			43.40											37.20
10	3 3/16	ZPS6303F	8 3/8	1 15/32	59.00	ZP6303F	8 1/8	1 19/32	52.00	4	11 1/2	3	15	5 9/64	5	3/4	1 1/2	4 61/64	1 1/2	
		3 7/16			ZPS6307F	ZP6307F			57.00											51.00
11	3 11/16	ZPS6311F	10 1/4	1 39/64	98.00	ZP6311F	9 7/8	1 47/64	86.00	5	13 1/4	3 1/2	16 3/4	5 31/32	6	7/8	1 1/2	5 43/64	1 1/2	
		3 15/16			ZPS6315F	ZP6315F			96.00											84.00
12	4 3/16	ZPS6403YF	11 5/8	1 3/4	122.00	ZP6403YF	11 1/4	1 7/8	110.00	5 3/4	14 3/4	4	18 1/2	6 1/4	6 3/4	1	1 3/4	6 1/16	1 13/16	
		4 7/16			ZPS6407YF	ZP6407YF			119.00											118.00
13	4 15/16	ZPS6415F	13 1/8	2 1/64	206.00	ZP6415F	12 1/2	2 1/4	171.00	6 1/8	16	4 1/4	20 1/4	7 15/16	7 1/2	1 1/8	1 7/8	6 61/64	2	

Additional Notes

Please call 1-866-REXNORD for availability

Lubrication fitting tap size: for size code 6 thru 11, 1/8" PT; for all other size codes, 1/4" PT

Base to centerline tolerance, +/- .005"

Expansion - size code 6 thru 8 is 3/8", size code 9 thru 11 is 1/2" & size code 12 thru 13 is 3/4"

Seals - To specify K or M seal, replace "Z" in part number with "K" or "M" "K" seals only available in size codes 6 thru 11

Auxiliary end caps - available in all sizes

Selection Guide, see Rexnord Spherical Roller Bearings Selection Guide section

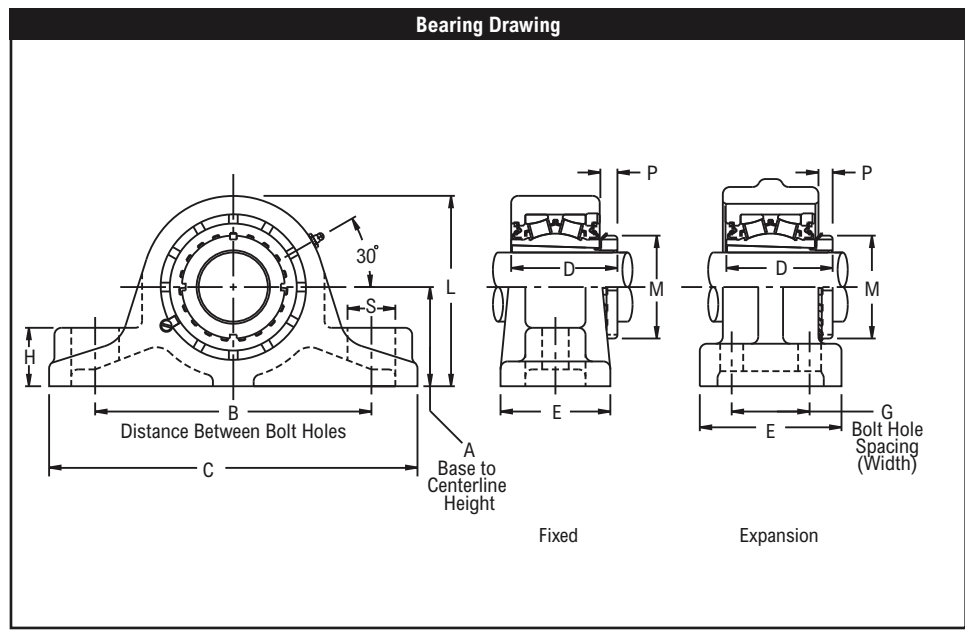
Load Ratings & Speed Limits, see Rexnord Spherical Roller Bearings Load Ratings & Speed Limits section

Note: Dimensions subject to change. Certified dimensions of ordered material furnished on request.



Product Features

- Corrosion resistant powder coating
- Cast iron housing
- Misalignment capabilities - Total of 3°
- Broad range of sealing options
- Factory set clearance & lubrication
- Precision ground & superfinished raceways
- Enhanced life mounting style
- Field interchangeable seals
- Fixed or Expansion - Up to 3/4" expansion
- See Features & Benefits for additional info.

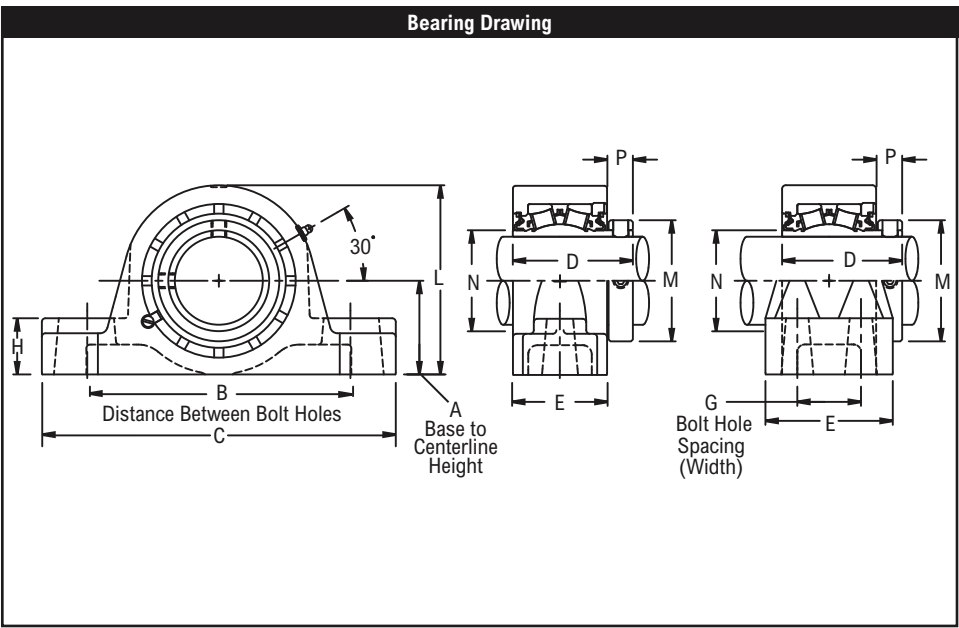


Bearing Dimensions																					
Size Code	Shaft Diameter	Expansion					Fixed					A Base to Centerline Height	B Distance Between Bolt Holes	G Bolt Hole Spacing (Width)	C	E	F Bolts	H	M	S	
		Part Number	D	L	P	Approx. Weight	Part Number	D	L	P	Approx. Weight										
Two-Bolt Pillow Block																					
7	1 15/16	ZPS9115	3 5/32	5 23/32	1/2	20.50	ZP9115	3 5/32	5 1/4	19/32	16.00	2 3/4	7 1/2	-	10 1/4	3 1/8	5/8	1 5/8	2 31/32	1 1/4	
	2	ZPS9200				20.30	ZP9200				15.90										
8	2 3/16	ZPS9203	3 11/32	6 3/16	19/32	24.80	ZP9203	3 11/32	5 3/4	23/32	20.10	3	8 1/4	-	11 1/4	3 3/8	3/4	1 3/4	3 3/8	1 3/8	
	2 7/16	ZPS9207				40.60	ZP9207				32.20										
9	2 1/2	ZPS9208	3 3/4	7 3/16	19/32	40.50	ZP9208	3 27/32	6 23/32	23/32	31.90	3 1/2	9 3/4	-	13	3 7/8	7/8	2 1/16	3 5/8	1 5/8	
Four-Bolt Pillow Block																					
7	1 15/16	ZPS9115F	3 5/32	5 23/32	1/2	20.50	ZP9115F	3 5/32	5 1/2	19/32	18.10	2 3/4	7 1/2	2 1/4	10 1/4	4 1/8	5/8	1	2 31/32	1 1/4	
	2	ZPS9200F				20.30	ZP9200F				17.90										
8	2 3/16	ZPS9203F	3 11/32	6 7/32	19/32	26.70	ZP9203F	3 11/32	6	23/32	22.80	3	8 1/4	2 5/8	11 1/4	4 1/2	5/8	1 1/8	3 3/8	1 1/4	
	2 7/16	ZPS9207F				41.80	ZP9207F				35.40										
9	2 1/2	ZPS9208F	3 3/4	7 5/16	19/32	41.70	ZP9208F	3 27/32	7 1/16	23/32	34.60	3 1/2	9 3/4	2 3/4	13	5	3/4	1 3/8	3 5/8	1 1/2	
10	2 11/16	ZPS9211F	4 1/4	8 3/8	11/16	56.00	ZP9211F	4 1/4	8 1/8	13/16	51.20	4	11 1/2	3	15	5	3/4	1 1/2	4 13/32	1 1/2	
	2 15/16	ZPS9215F				55.00	ZP9215F				50.00										
11	3 3/16	ZPS9303F	5 1/16	10 1/4	13/16	95.00	ZP9303F	5 1/16	9 7/8	15/16	83.00	5	13 1/4	3 1/2	16 3/4	6	7/8	1 1/2	5 3/16	1 1/2	
	3 7/16	ZPS9307F				93.00	ZP9307F				81.00										
12	3 11/16	ZPS9311YF	5 13/32	11 5/8	29/32	121.00	ZP9311YF	5 9/32	11 1/4	1 1/32	110.00	5 3/4	14 3/4	4	18 1/2	6 3/4	1	1 3/4	5 23/32	1 7/8	
	3 15/16	ZPS9315YF				119.00	ZP9315YF				108.00										
	4	ZPS9400YF				118.00	ZP9400YF				107.00										
13	4 3/16	ZPS9403F	6 3/4	13 1/8	29/32	204.00	ZP9403F	6 13/16	12 1/2	1 1/8	174.00	6 1/8	16	4 1/4	20 1/4	7 1/2	1 1/8	1 7/8	6 1/8	2	
	4 7/16	ZPS9407F				202.00	ZP9407F				168.00										
14	4 15/16	ZPS9415F	7 3/16	14 3/8	1 5/32	222.00	ZP9415F	7	14	1 1/8	202.00	6 11/16	18 5/16	3 11/16	22	6 1/4	1 1/8	2	7 3/32	2 1/16	
	5	ZPS9500F				220.00	ZP9500F				201.00										
15	5 3/16	ZPS9503F	7 3/16	15 3/32	1 3/8	273.00	ZP9503F	7 7/16	14 3/4	1 5/16	254.00	7 1/16	20 1/2	4 3/16	24 3/4	6 3/4	1 1/8	2 1/8	8 1/16	2 1/16	
	5 7/16	ZPS9507F				269.00	ZP9507F				250.00										
16	5 15/16	ZPS9515F	7 3/4	16 3/4	1 3/4	350.00	ZP9515F	7 3/4	16 5/16	1 11/16	328.00	7 7/8	23	4 7/16	28	7 1/2	1 1/4	2 3/8	9 1/16	2 5/16	
	6	ZPS9600F				349.00	ZP9600F				327.00										
	6 7/16	ZPS9607F				342.00	ZP9607F				320.00										

Additional Notes

Please call 1-866-REXNORD for availability
 Lubrication fitting tap size: for size code 7 thru 11, 1/8" PT: for all other size codes, 1/4" PT
 Base to centerline tolerance, +/- .005"
 Expansion - size code 7 thru 8 is 3/8", size code 9 thru 11 is 1/2" & size code 12 thru 16 is 3/4"
 Seals - To specify K or M seal, replace "Z" in part number with "K" or "M"
 "K" seals only available in size codes 7 thru 11

Auxiliary end caps - available in all sizes
 Selection Guide, see Rexnord Spherical Roller Bearings Selection Guide section
 Load Ratings & Speed Limits, see Rexnord Spherical Roller Bearings Load Ratings & Speed Limits section
 Note: Dimensions subject to change. Certified dimensions of ordered material furnished on request.



Product Features

- Corrosion resistant powder coating
- Cast iron housing
- Misalignment capabilities - Total of 3°
- Broad range of sealing options
- Factory set clearance & lubrication
- Precision ground & superfinished raceways
- Hardened spring locking collar
- Field interchangeable seals
- See Features & Benefits for additional info.

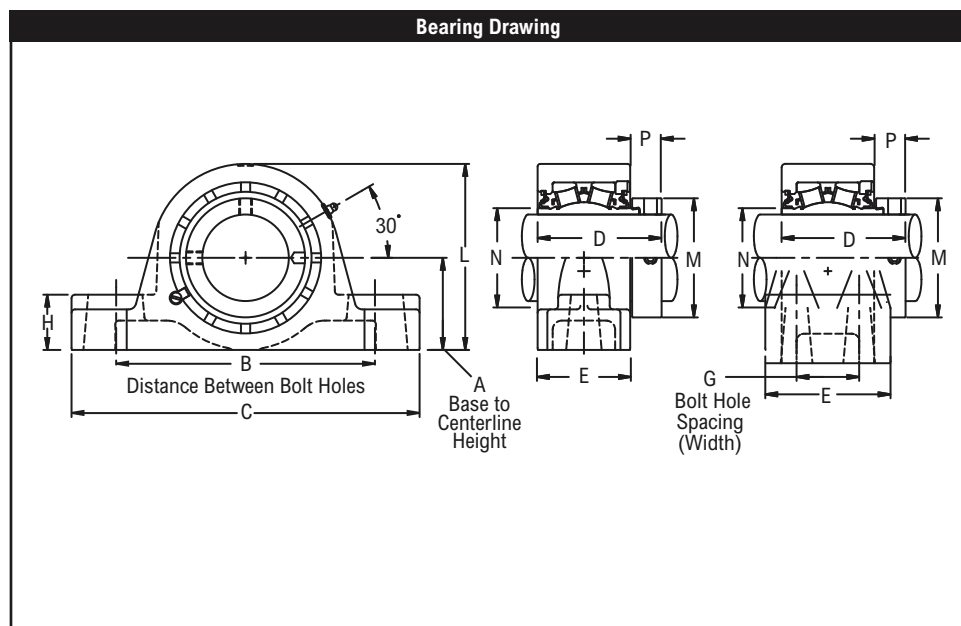
Bearing Dimensions

Size Code	Shaft Diameter	Part Number	A Base to Centerline Height	B Min. Distance Between Bolt Holes	B Max. Distance Between Bolt Holes	G Bolt Hole Spacing (Width)	C	D	E	F Bolts	H	L	M	N	P	Approx. Weight
Two-Bolt Pillow Block																
3	1 1/8	ZEP2102	1 1/2	4 7/16	5	-	6 3/8	2 11/16	2 1/8	1/2	7/8	3 1/4	2	1 17/32	9/16	5.80
	1 3/16	ZEP2103														5.70
	1 1/4	ZEP2104														6.90
4	1 7/16	ZEP2107	1 7/8	4 3/4	6	-	7 3/8	2 7/8	2 1/4	1/2	1 1/8	3 7/8	2 5/16	1 3/4	11/16	6.90
	1 1/2	ZEP2108	2 1/8	5 1/4	6 1/2	-	7 7/8	2 7/8	2 1/4	1/2	1 1/4	4 3/8	2 5/16	1 3/4	11/16	9.50
5	1 11/16	ZEP2111	2 1/8	5 1/4	6 1/2	-	7 7/8	3 1/8	2 1/2	1/2	1 1/4	4 3/8	2 5/8	2 1/32	11/16	9.90
	1 3/4	ZEP2112	2 1/4	6 1/16	7 1/4	-	8 7/8	3 1/8	2 1/2	5/8	1 5/16	4 9/16	2 5/8	2 1/32	11/16	11.80
6	1 15/16	ZEP2115	2 1/4	6 1/16	7 1/4	-	8 7/8	3 1/8	2 1/2	5/8	1 5/16	4 9/16	2 15/16	2 5/16	11/16	11.50
	2	ZEP2200														11.40
7	2 3/16	ZEP2203	2 1/2	6 9/16	8	-	9 5/8	3 5/16	2 9/16	5/8	1 1/2	5	3 1/4	2 5/8	25/32	14.80
	2 1/4	ZEP2204	2 3/4	6 15/16	8 3/4	-	10 1/2				1 5/8	5 7/16			3/4	18.60
8	2 3/8	ZEP2206	2 3/4	6 15/16	8 3/4	-	10 1/2	3 1/2	2 11/16	5/8	1 5/8	5 1/2	3 9/16	2 29/32	7/8	18.30
	2 7/16	ZEP2207														18.20
	2 1/2	ZEP2208														17.90
9	2 11/16	ZEP2211	3 1/8	7 13/16	9 3/4	-	11 13/16	4	3 3/16	3/4	1 7/8	6 5/16	4 1/16	3 3/8	13/16	29.30
	2 3/4	ZEP2212														28.80
	2 15/16	ZEP2215														27.70
	3	ZEP2300														27.50
10	3 3/16	ZEP2303	3 3/4	9 5/16	11 5/16	-	13 13/16	4 3/8	3 1/2	7/8	2 1/4	7 1/2	4 15/16	3 31/32	15/16	44.50
	3 7/16	ZEP2307														42.50
	3 1/2	ZEP2308														42.00
Four-Bolt Pillow Block																
8	2 3/8	ZEP2206F	2 3/4	6 15/16	8 3/4	1 7/8	10 1/2	3 1/2	3 5/8	5/8	1 5/8	5 1/2	3 9/16	2 29/32	7/8	18.40
	2 7/16	ZEP2207F														18.30
	2 1/2	ZEP2208F														18.00
9	2 11/16	ZEP2211F	3 1/8	7 13/16	9 7/8	2 1/8	11 13/16	4	4 1/4	5/8	1 7/8	6 5/16	4 1/16	3 3/8	13/16	28.50
	2 3/4	ZEP2212F														28.30
	2 15/16	ZEP2215F														27.30
	3	ZEP2300F														27.00
10	3 3/16	ZEP2303F	3 3/4	9 5/16	11 5/16	2 3/8	13 13/16	4 3/8	4 3/4	3/4	2 1/4	7 1/2	4 15/16	3 31/32	15/16	45.00
	3 7/16	ZEP2307F														43.00
	3 1/2	ZEP2308F														42.50
11	3 11/16	ZEP2311F	4 1/4	12	13	2 1/4	15 1/4	5 3/16	4 1/2	3/4	2 5/8	8 5/8	5 5/8	4 9/16	1 1/16	63.00
	3 15/16	ZEP2315F														61.00
	4	ZEP2400F														60.00

Additional Notes

Please call 1-866-REXNORD for availability
 Metric bore sizes available, see Rexnord Interchangeability guide
 Lubrication fitting tap size, 1/8" PT
 Base to centerline tolerance, +/- .005"
 Bore size = nominal shaft size + .001" / -.000"
 Seals - To specify K or M seal, replace "Z" in part number with "K" or "M"
 Auxiliary end caps - available in all size codes except for size code 3

Selection Guide, see Rexnord Spherical Roller Bearings Selection Guide section
 Load Ratings & Speed Limits, see Rexnord Spherical Roller Bearings Load Ratings & Speed Limits section
 Note: Dimensions subject to change. Certified dimensions of ordered material furnished on request.

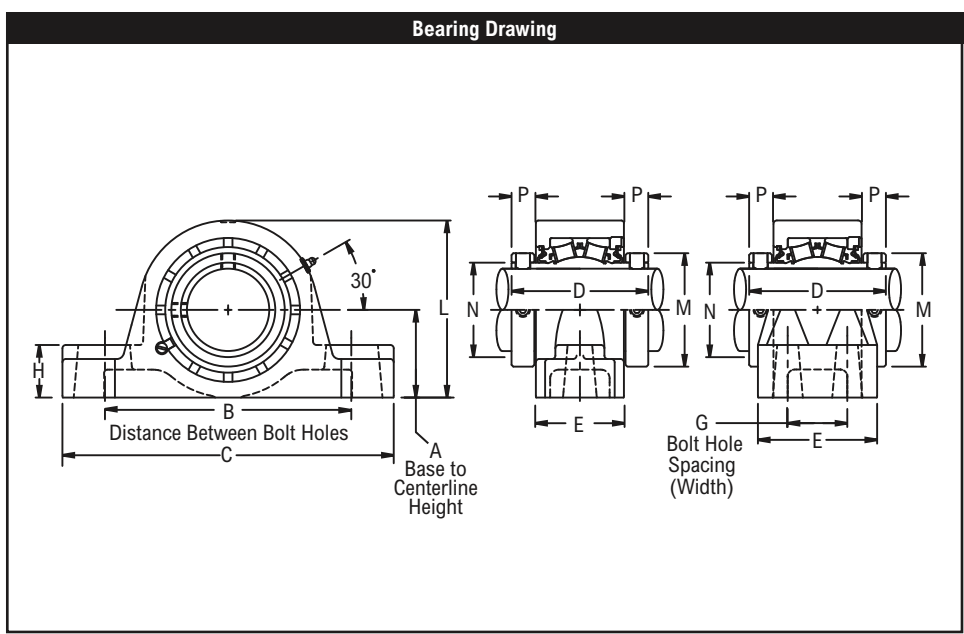


Bearing Dimensions																
Size Code	Shaft Diameter	Part Number	A Base to Centerline Height	B Min. Distance Between Bolt Holes	B Max. Distance Between Bolt Holes	G Bolt Hole Spacing (Width)	C	D	E	F Bolts	H	L	M	N	P	Approx. Weight
Two-Bolt Pillow Block																
4	1 7/16	ZEP3107	1 7/8	4 3/4	6	-	7 3/8	2 59/64	2 1/4	1/2	1 1/8	3 7/8	2 5/16	1 3/4	25/32	7.10
5	1 11/16	ZEP3111	2 1/8	5 1/4	6 1/2	-	7 7/8	3 3/16	2 1/2	1/2	1 1/4	4 3/8	2 5/8	2 1/32	3/4	10.10
6	1 15/16	ZEP3115	2 1/4	6 1/16	7 1/4	-	8 7/8	3 9/32	2 1/2	5/8	1 9/16	4 9/16	2 3/4	2 5/16	27/32	11.70
7	2 3/16	ZEP3203	2 1/2	6 9/16	8	-	9 5/8	3 1/2	2 9/16	5/8	1 1/2	5	3 1/4	2 5/8	31/32	15.10
8	2 7/16	ZEP3207	2 3/4	6 15/16	8 3/4	-	10 1/2	3 21/32	2 11/16	5/8	1 5/8	5 1/2	3 9/16	2 29/32	1 1/64	18.40
	2 1/2	ZEP3208														18.10
9	2 11/16	ZEP3211	3 1/8	7 13/16	9 3/4	-	11 13/16	4 13/64	3 3/16	3/4	1 7/8	6 5/16	4 1/16	3 3/8	1 1/64	29.50
	2 15/16	ZEP3215														28.10
10	3 7/16	ZEP3307	3 3/4	9 5/16	11 5/16	-	13 13/16	4 37/64	3 1/2	7/8	2 1/4	7 1/2	4 15/16	3 31/32	1 9/64	43.10
	3 1/2	ZEP3308														42.20
Four-Bolt Pillow Block																
8	2 7/16	ZEP3207F	2 3/4	6 15/16	8 3/4	1 7/8	10 1/2	3 21/32	3 5/8	5/8	1 5/8	5 1/2	3 9/16	2 29/32	1 1/64	18.50
	2 1/2	ZEP3208F														18.20
9	2 11/16	ZEP3211F	3 1/8	7 13/16	9 7/8	2 1/8	11 13/16	4 13/64	4 1/4	5/8	1 7/8	6 5/16	4 1/16	3 3/8	1 1/64	28.70
	2 15/16	ZEP3215F														27.70
10	3 7/16	ZEP3307F	3 3/4	9 5/16	11 5/16	2 3/8	13 13/16	4 37/64	4 3/4	3/4	2 1/4	7 1/2	4 15/16	3 31/32	1 9/64	43.60
	3 1/2	ZEP3308F														42.70
11	3 15/16	ZEP3315F	4 1/4	12	13	2 1/4	15 1/4	5 3/16	4 1/2	3/4	2 5/8	8 5/8	5 5/8	4 9/16	1 1/16	61.00

Additional Notes

Please call 1-866-REXNORD for availability
 Lubrication fitting tap size, 1/8" PT
 Base to centerline tolerance, +/- .005"
 Bore size = nominal shaft size +.001"/-.000"
 Seals - To specify K or M seal, replace "Z" in part number with "K" or "M"
 Auxiliary end caps - available in all size codes
 Selection Guide, see Rexnord Spherical Roller Bearings Selection Guide section

Load Ratings & Speed Limits, see Rexnord Spherical Roller Bearings Load Ratings & Speed Limits section
 Note: Dimensions subject to change. Certified dimensions of ordered material furnished on request.



Bearing Dimensions

Size Code	Shaft Diameter	Part Number	A Base to Centerline Height	B Min. Distance Between Bolt Holes	B Max. Distance Between Bolt Holes	G Bolt Hole Spacing (Width)	C	D	E	F Bolts	H	L	M	N	P	Approx. Weight
Two-Bolt Pillow Block																
4	1 7/16	ZEP5107	1 7/8	4 3/4	6	-	7 3/8	3 9/16	2 1/4	1/2	1 1/8	3 7/8	2 5/16	1 3/4	11/16	7.40
5	1 1/2	ZEP5108	2 1/8	5 1/4	6 1/2	-	7 7/8	3 13/16	2 1/2	1/2	1 1/4	4 3/8	2 5/8	2 1/32	11/16	10.90
	1 11/16	ZEP5111														10.50
6	1 15/16	ZEP5115	2 1/4	6 1/16	7 1/4	-	8 7/8	3 13/16	2 1/2	5/8	1 5/16	4 9/16	2 15/16	2 5/16	11/16	12.10
7	2	ZEP5200	2 1/2	6 9/16	8	-	9 5/8	4 1/8	2 9/16	5/8	1 1/2	5	3 1/4	2 5/8	25/32	16.50
	2 3/16	ZEP5203														15.90
8	2 7/16	ZEP5207	2 3/4	6 15/16	8 3/4	-	10 1/2	4 3/8	2 11/16	5/8	1 5/8	5 1/2	3 9/16	2 29/32	7/8	19.30
9	2 1/2	ZEP5208	3 1/8	7 13/16	9 3/4	-	11 13/16	4 7/8	3 3/16	3/4	1 7/8	6 5/16	4 1/16	3 3/8	13/16	31.50
	2 11/16	ZEP5211														30.50
	2 15/16	ZEP5215														30.10
10	3 3/16	ZEP5303	3 3/4	9 5/16	11 5/16	-	13 13/16	5 5/16	3 1/2	7/8	2 1/4	7 1/2	4 15/16	3 31/32	15/16	47.10
	3 7/16	ZEP5307														44.70
Four-Bolt Pillow Block																
8	2 7/16	ZEP5207F	2 3/4	6 15/16	8 3/4	1 7/8	10 1/2	4 3/8	3 5/8	5/8	1 5/8	5 1/2	3 9/16	2 29/32	7/8	19.40
	2 1/2	ZEP5208F														31.00
9	2 11/16	ZEP5211F	3 1/8	7 13/16	9 7/8	2 1/8	11 13/16	4 7/8	4 1/4	5/8	1 7/8	6 5/16	4 1/16	3 3/8	13/16	30.00
	2 15/16	ZEP5215F														29.70
10	3 3/16	ZEP5303F	3 3/4	9 5/16	11 5/16	2 3/8	13 13/16	5 5/16	4 3/4	3/4	2 1/4	7 1/2	4 15/16	3 31/32	15/16	47.60
	3 7/16	ZEP5307F														45.20
11	3 11/16	ZEP5311F	4 1/4	12	13	2 1/4	15 1/4	6 1/4	4 1/2	3/4	2 5/8	8 5/8	5 5/8	4 9/16	1 1/16	65.50
	3 15/16	ZEP5315F														64.80
	4	ZEP5400F														63.50
12	4 3/16	ZEP5403YF	4 3/4	12 7/8	14 1/8	2 1/2	16 1/2	6 1/4	4 5/8	3/4	2 3/4	9 3/8	6 3/16	5 1/32	1	81.00
	4 7/16	ZEP5407YF														78.00
	4 1/2	ZEP5408YF														76.00
13	4 15/16	ZEP5415F	5 1/2	14 7/8	16 1/8	2 3/4	18 1/2	7 7/8	5 9/16	7/8	3	11 1/8	7 1/16	5 3/4	1 3/16	150.00
	5	ZEP5500F														147.00

Additional Notes

Please call 1-866-REXNORD for availability

Metric bore sizes available, see Rexnord Interchangeability guide

Lubrication fitting tap size: for size code 4 thru 11, 1/8" PT; for all other size codes, 1/4" PT

Base to centerline tolerance, +/- .005"

Bore size = nominal shaft size +.001"/-.000"

Seals - To specify K or M seal, replace "Z" in part number with "K" or "M"

"K" seals only available in size codes 4 thru 11

Auxiliary end caps - available in all size codes

Selection Guide, see Rexnord Spherical Roller Bearings Selection Guide section

Load Ratings & Speed Limits, see Rexnord Spherical Roller Bearings Load Ratings & Speed Limits section

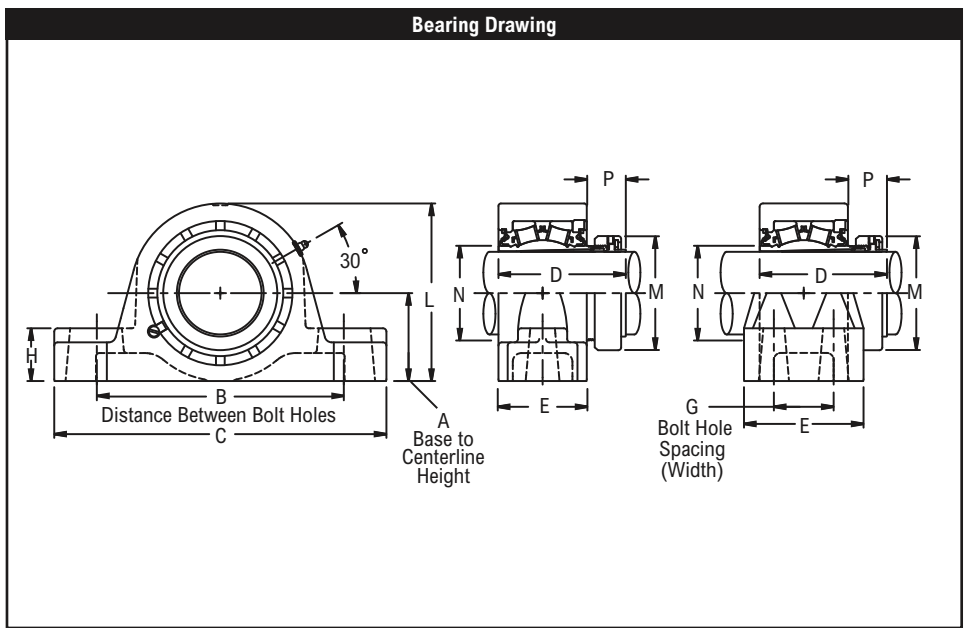
Note: Dimensions subject to change. Certified dimensions of ordered material furnished on request.



Photo Shows a 2-Bolt Spherical Roller Bearing Pillow Block Unit

Product Features

- Optical Strain Sensor Technology
- Positive locking system
- Tapered adapter sleeve
- Corrosion resistant powder coating
- Cast iron housing
- Misalignment capabilities - Total of 3°
- Broad range of sealing options
- Factory set clearance & lubrication
- Precision ground & superfinished raceways
- See Features & Benefits for additional info.



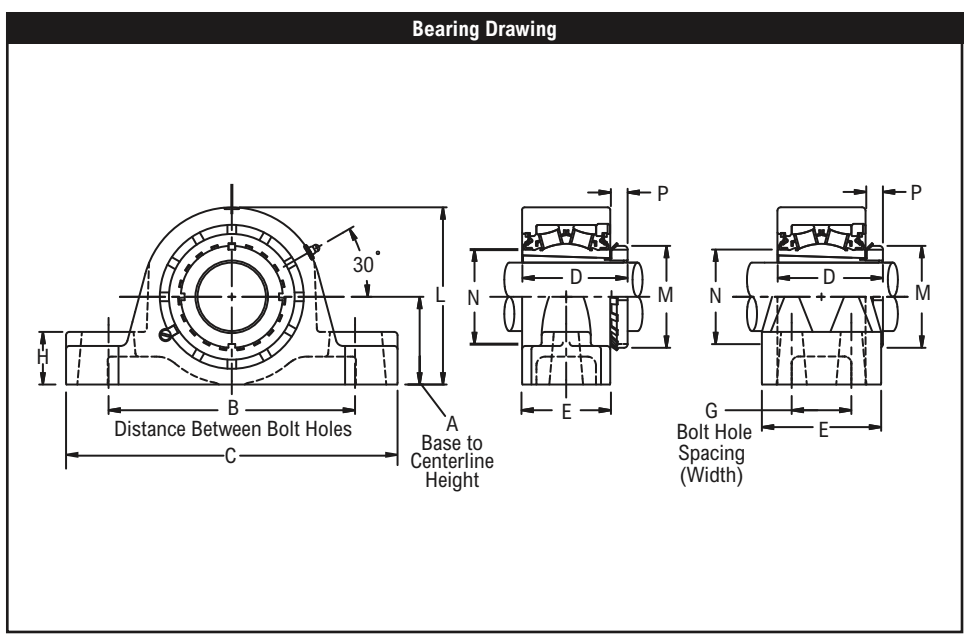
Bearing Dimensions

Size Code	Shaft Diameter	Part Number	A Base to Centerline Height	B Min. Distance Between Bolt Holes	B Max. Distance Between Bolt Holes	G Bolt Hole Spacing (Width)	C	D	E	F Bolts	H	L	M	N	P	Approx. Weight
Two-Bolt Pillow Block																
6	1 15/16	ZEP6115	2 1/4	6 1/16	7 1/4	-	8 7/8	3 41/64	2 1/2	5/8	1 5/16	4 9/16	2 55/64	2 5/16	1 1/8	12.10
7	2 3/16	ZEP6203	2 1/2	6 9/16	8	-	9 5/8	3 49/64	2 9/16	5/8	1 1/2	5	3 15/64	2 5/8	1 5/32	16.50
8	2 3/8	ZEP6206	2 3/4	6 15/16	8 3/4	-	10 1/2	4 5/32	2 11/16	5/8	1 5/8	5 1/2	3 19/32	2 29/32	1 27/64	19.30
	2 7/16	ZEP6207														18.50
9	2 11/16	ZEP6211	3 1/8	7 13/16	9 3/4	-	11 13/16	4 17/32	3 3/16	3/4	1 7/8	6 5/16	4 3/32	3 3/8	1 25/64	31.50
	2 3/4	ZEP6212														31.00
	2 15/16	ZEP6215														28.70
10	3 3/16	ZEP6303	3 3/4	9 5/16	11 5/16	-	13 13/16	5 9/64	3 1/2	7/8	2 1/4	7 1/2	4 61/64	3 31/32	1 19/32	47.10
	3 7/16	ZEP6307														44.70
Four-Bolt Pillow Block																
8	2 3/8	ZEP6206F	2 3/4	6 15/16	8 3/4	1 7/8	10 1/2	4 5/32	3 5/8	5/8	1 5/8	5 1/2	3 19/32	2 29/32	1 27/64	19.40
	2 7/16	ZEP6207F														18.30
9	2 11/16	ZEP6211F	3 1/8	7 13/16	9 7/8	2 1/8	11 13/16	4 17/32	4 1/4	5/8	1 7/8	6 5/16	4 3/32	3 3/8	1 25/64	31.00
	2 3/4	ZEP6212F														30.50
	2 15/16	ZEP6215F														28.20
10	3 3/16	ZEP6303F	3 3/4	9 5/16	11 5/16	2 3/8	13 13/16	5 9/64	4 3/4	3/4	2 1/4	7 1/2	4 61/64	3 31/32	1 19/32	47.60
	3 7/16	ZEP6307F														45.20
11	3 11/16	ZEP6311F	4 1/4	12	13	2 1/4	15 1/4	5 31/32	4 1/2	3/4	2 5/8	8 5/8	5 43/64	4 9/16	1 47/64	65.50
	3 15/16	ZEP6315F														64.80
12	4 3/16	ZEP6403YF	4 3/4	12 7/8	14 1/8	2 1/2	16 1/2	6 1/4	4 5/8	3/4	2 3/4	9 3/8	6 1/16	5 1/32	1 7/8	81.00
	4 7/16	ZEP6407YF														78.00
13	4 15/16	ZEP6415F	5 1/2	14 7/8	16 1/8	2 3/4	18 1/2	7 15/16	5 9/16	7/8	3	11 1/8	6 61/64	5 3/4	2 1/4	150.00

Additional Notes

Please call 1-866-REXNORD for availability
 Lubrication fitting tap size: for size code 6 thru 11, 1/8" PT: for all other size codes, 1/4" PT
 Base to centerline tolerance, +/- .005"
 Seals - To specify K or M seal, replace "Z" in part number with "K" or "M"
 "K" seals only available in size codes 6 thru 11
 Auxiliary end caps - available in all size codes

Selection Guide, see Rexnord Spherical Roller Bearings Selection Guide section
 Load Ratings & Speed Limits, see Rexnord Spherical Roller Bearings Load Ratings & Speed Limits section
 Note: Dimensions subject to change. Certified dimensions of ordered material furnished on request.



Bearing Dimensions

Size Code	Shaft Diameter	Part Number	A Base to Centerline Height	B Min. Distance Between Bolt Holes	B Max. Distance Between Bolt Holes	G Bolt Hole Spacing (Width)	C	D	E	F Bolts	H	L	M	N	P	Approx. Weight
Two-Bolt Pillow Block																
7	1 15/16	ZEP9115	2 1/2	6 9/16	8	-	9 5/8	3 5/32	2 9/16	5/8	1 1/2	5	2 31/32	2 5/8	19/32	15.00
	2	ZEP9200														14.90
8	2 3/16	ZEP9203	2 3/4	6 15/16	8 3/4	-	10 1/2	3 11/32	2 11/16	5/8	1 5/8	5 1/2	3 3/8	2 29/32	23/32	18.60
9	2 7/16	ZEP9207	3 1/8	7 13/16	9 3/4	-	11 13/16	3 3/4	3 3/16	3/4	1 7/8	6 5/16	3 5/8	3 3/8	23/32	28.10
	2 1/2	ZEP9208														27.70
10	2 11/16	ZEP9211	3 3/4	9 5/16	11 5/16	-	13 13/16	4 1/4	3 1/2	7/8	2 1/4	7 1/2	4 13/32	3 31/32	13/16	45.70
	2 15/16	ZEP9215														44.50
Four-Bolt Pillow Block																
8	2 3/16	ZEP9203F	2 3/4	6 15/16	8 3/4	1 7/8	10 1/2	3 11/32	3 5/8	5/8	1 5/8	5 1/2	3 3/8	2 29/32	23/32	18.70
9	2 7/16	ZEP9207F	3 1/8	7 13/16	9 7/8	2 1/8	11 13/16	3 3/4	4 1/4	5/8	1 7/8	6 5/16	3 5/8	3 3/8	23/32	27.60
	2 1/2	ZEP9208F														27.20
10	2 11/16	ZEP9211F	3 3/4	9 5/16	11 5/16	2 3/8	13 13/16	4 1/4	4 3/4	3/4	2 1/4	7 1/2	4 13/32	3 31/32	13/16	46.20
	2 15/16	ZEP9215F														45.00
11	3 3/16	ZEP9303F	4 1/4	12	13	2 1/4	15 1/4	5 1/16	4 1/2	3/4	2 5/8	8 5/8	5 3/16	4 9/16	15/16	70.00
	3 7/16	ZEP9307F														68.00
12	3 11/16	ZEP9311YF	4 3/4	12 7/8	14 1/8	2 1/2	16 1/2	5 13/32	4 5/8	3/4	2 3/4	9 3/8	5 23/32	5 1/32	1 1/32	78.20
	3 15/16	ZEP9315YF														75.90
	4	ZEP9400YF														75.40
13	4 3/16	ZEP9403F	5 1/2	14 7/8	16 1/8	2 3/4	18 1/2	6 3/4	5 9/16	7/8	3	11 1/8	6 1/8	5 3/4	1 1/8	150.00
	4 7/16	ZEP9407F														148.00

Additional Notes

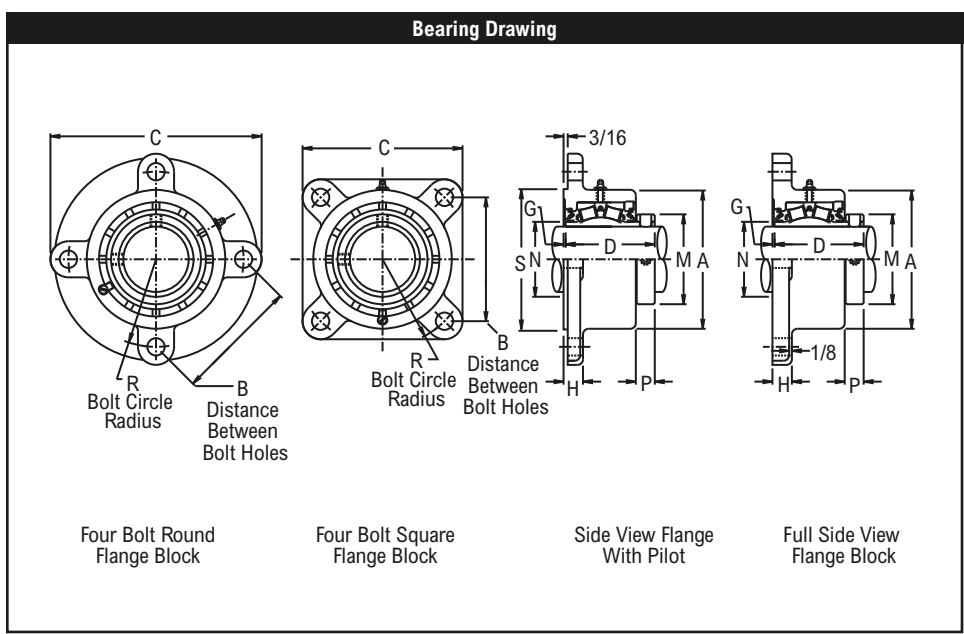
Please call 1-866-REXNORD for availability
 Lubrication fitting tap size: for size code 7 thru 11, 1/8" PT: for all other size codes, 1/4" PT
 Base to centerline tolerance, +/--.005"
 Seals - To specify K or M seal, replace "Z" in part number with "K" or "M"
 "K" seals only available in size codes 7 thru 11
 Auxiliary end caps - available in all size codes

Selection Guide, see Rexnord Spherical Roller Bearings Selection Guide section
 Load Ratings & Speed Limits, see Rexnord Spherical Roller Bearings Load Ratings & Speed Limits section
 Note: Dimensions subject to change. Certified dimensions of ordered material furnished on request.

www.rexnord.com

Rexnord Industries, LLC, 7601 Rockville Road, Indianapolis, IN 46214-3120 USA
Phone: 317-273-5500 Fax: 317-273-5620





Product Features

- Corrosion resistant powder coating
- Cast iron housing
- Misalignment capabilities - Total of 3°
- Broad range of sealing options
- Factory set clearance & lubrication
- Precision ground & superfinished raceways
- Hardened spring locking collar
- Field interchangeable seals
- See Features & Benefits for additional info.

Bearing Dimensions

Size Code	Shaft Diameter	Expansion		Fixed		B Distance Between Bolt Holes	R Bolt Circle Radius	C	D	F Bolts	G	H	M	N	P	S	Approx. Weight
		Part Number	A	Part Number	A												
3-Bolt Round																	
2	3/4	-	-	ZB2012	2 7/8	3 37/64	2 1/16	5 1/8	2 9/16	3/8	1/32	9/16	1 3/4	1 5/16	9/16	3	4.30
	15/16	-	-	ZB2015													4.20
	1	-	-	ZB2100													
3	1 1/8	-	-	ZB2102	3 1/8	3 57/64	2 1/4	5 1/2	2 11/16	3/8	1/32	19/32	2	1 17/32	9/16	3 1/4	5.20
	1 3/16	-	-	ZB2103													5.10
	1 1/4	-	-	ZB2104													5.00
4	1 7/16	ZBS2107	3 3/4	ZB2107	3 7/16	4 21/64	2 1/2	6 1/4	2 7/8	1/2	1/32	5/8	2 5/16	1 3/4	11/16	3 9/16	6.80
	1 1/2	ZBS2108		ZB2108													6.70
4-Bolt Round																	
5	1 11/16	ZBS2111	4 1/4	ZB2111	3 15/16	3 57/64	2 3/4	6 3/4	3 1/8	1/2	1/32	5/8	2 5/8	2 1/32	11/16	4 1/16	8.60
	1 3/4	ZBS2112		ZB2112													8.40
6	1 15/16	ZBS2115	4 1/2	ZB2115	4 1/4	4 1/16	2 7/8	7	3 1/8	1/2	1/16	11/16	2 15/16	2 5/16	11/16	4 3/8	9.80
	2	ZBS2200		ZB2200													9.60
7	2 3/16	ZBS2203	4 7/8	ZB2203	4 7/8	4 1/2	3 3/16	7 3/4	3 5/16	5/8	3/32	11/16	3 1/4	2 5/8	13/16	5	13.30
	2 1/4	ZBS2204		ZB2204													13.10
8	2 3/8	ZBS2206	5 3/8	ZB2206	5 3/8	4 49/64	3 3/8	8 1/8	3 1/2	5/8	3/32	3/4	3 9/16	2 29/32	7/8	5 7/16	16.70
	2 7/16	ZBS2207		ZB2207													16.60
	2 1/2	ZBS2208		ZB2208													16.40
9	2 11/16	ZBS2211	6 1/4	ZB2211	6 1/4	5 9/16	3 15/16	9 1/2	4	3/4	3/32	7/8	4 1/16	3 3/8	7/8	6 5/16	26.50
	2 3/4	ZBS2212		ZB2212													26.10
	2 15/16	ZBS2215		ZB2215													25.60
	3	ZBS2300		ZB2300													25.10
4-Bolt Square																	
10	3 3/16	ZBS2303	7 3/8	ZB2303	7 3/8	6 23/32	4 3/4	8 7/16	4 3/8	3/4	1/4	1	4 15/16	3 31/32	15/16	7 3/8	37.00
	3 7/16	ZBS2307		ZB2307													34.60
	3 1/2	ZBS2308		ZB2308													34.10
11	3 11/16	ZBS2311	8 3/8	ZB2311	8 1/2	7 19/32	5 3/8	9 3/4	5 3/16	7/8	1/4	1 1/8	5 5/8	4 9/16	1 1/16	8 1/2	59.00
	3 15/16	ZBS2315		ZB2315													56.00
	4	ZBS2400		ZB2400													

Additional Notes

Please call 1-866-REXNORD for availability

Metric bore sizes available, see Rexnord Interchangeability guide

Lubrication fitting tap size, 1/8" PT

Bore size = nominal shaft size +.001"/-.000"

Machined pilot available, add suffix S

Seals - To specify K or M seal, replace "Z" in part number with "K" or "M"

Auxiliary end caps - available in all size codes except for size codes 2 thru 6

Also not available on size code 7 on flange side of non-piloted bearings and size code 7 thru 9 on flange side of piloted bearings

Pilot Diameter tolerance, +.000"/-.003"

Selection Guide, see Rexnord Spherical Roller Bearings Selection Guide section

Load Ratings & Speed Limits, see Rexnord Spherical Roller Bearings Load Ratings & Speed Limits section

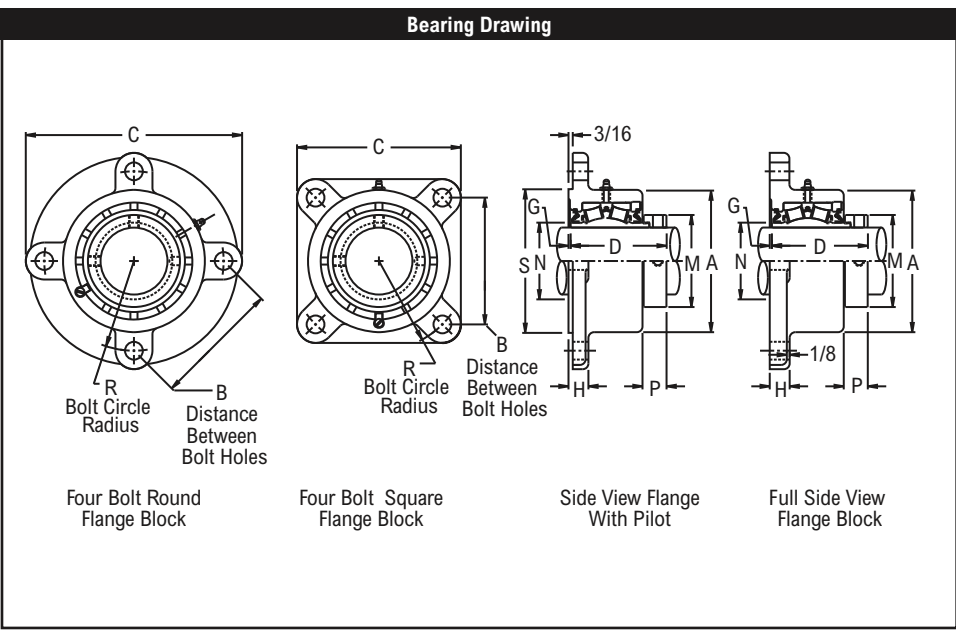
Note: Dimensions subject to change. Certified dimensions of ordered material furnished on request.



Product Features

- Corrosion resistant powder coating
- Cast iron housing
- Misalignment capabilities - Total of 3°
- Broad range of sealing options
- Factory set clearance & lubrication
- Precision ground & superfinished raceways
- Eccentric locking collar
- Field interchangeable seals

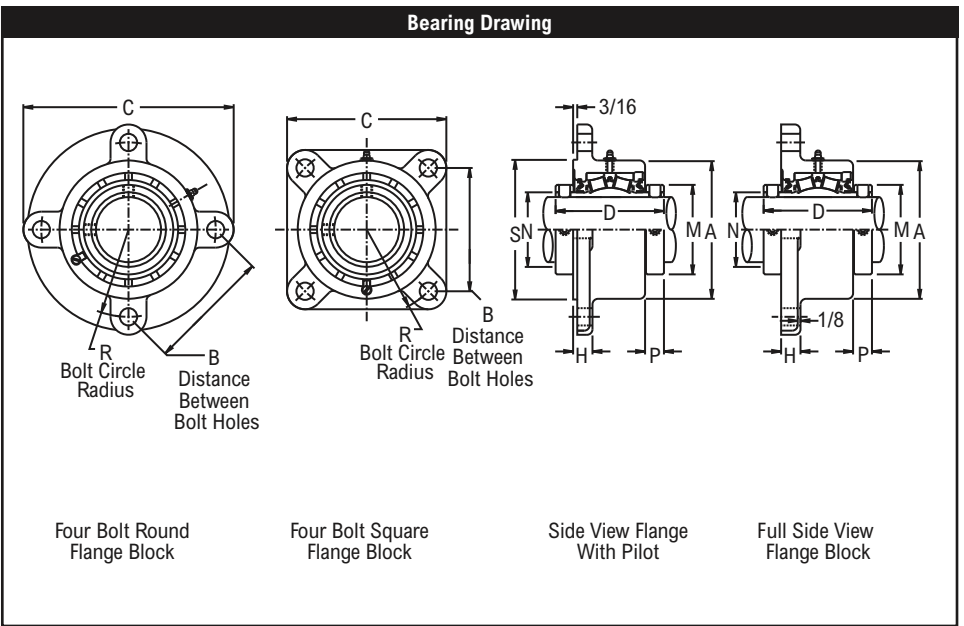
See Features & Benefits for additional info.



Bearing Dimensions																	
Size Code	Shaft Diameter	Expansion		Fixed		B Distance Between Bolt Holes	R Bolt Circle Radius	C	D	F Bolts	G	H	M	N	P	S	Approx. Weight
		Part Number	A	Part Number	A												
3-Bolt Round																	
4	1 7/16	ZBS3107	3 3/4	ZB3107	3 7/16	4 21/64	2 1/2	6 1/4	2 59/64	1/2	1/32	5/8	2 5/16	1 3/4	25/32	3 9/16	7.00
4-Bolt Round																	
5	1 11/16	ZBS3111	4 1/4	ZB3111	3 15/16	3 57/64	2 3/4	6 3/4	3 3/16	1/2	1/32	5/8	2 5/8	2 1/32	3/4	4 1/16	8.80
6	1 15/16	ZBS3115	4 1/2	ZB3115	4 1/4	4 1/16	2 7/8	7	3 9/32	1/2	1/16	11/16	2 3/4	2 5/16	27/32	4 3/8	10.00
7	2 3/16	ZBS3203	4 7/8	ZB3203	4 7/8	4 1/2	3 3/16	7 3/4	3 1/2	5/8	3/32	11/16	3 1/4	2 5/8	31/32	5	13.60
8	2 7/16	ZBS3207	5 3/8	ZB3207	5 3/8	4 49/64	3 3/8	8 1/8	3 21/32	5/8	3/32	3/4	3 9/16	2 29/32	1 1/64	5 7/16	16.80
	2 1/2	ZBS3208															ZB3208
9	2 11/16	ZBS3211	6 1/4	ZB3211	6 1/4	5 9/16	3 15/16	9 1/2	4 13/64	3/4	3/32	7/8	4 1/16	3 3/8	1 1/64	6 5/16	27.10
	2 15/16	ZBS3215															ZB3215
4-Bolt Square																	
10	3 7/16	ZBS3307	7 3/8	ZB3307	7 3/8	6 23/32	4 3/4	8 7/16	4 37/64	3/4	1/4	1	4 15/16	3 31/32	1 9/64	7 3/8	35.70
	3 1/2	ZBS3308															ZB3308
11	3 15/16	ZBS3315	8 3/8	ZB3315	8 1/2	7 19/32	5 3/8	9 3/4	5 3/16	7/8	1/4	1 1/8	5 5/8	4 9/16	1 1/16	8 1/2	56.00

Additional Notes

Please call 1-866-REXNORD for availability Lubrication fitting tap size, 1/8" PT Bore size = nominal shaft size +.001"/-.000" Machined pilot available, add suffix S Seals - To specify K or M seal, replace "Z" in part number with "K" or "M" Auxiliary end caps - available in all size codes except for size codes 4 thru 6 Also not available on size code 7 on flange side of non-piloted bearings and size code 7 thru 9 on flange side of piloted bearings	Pilot Diameter tolerance, +.000"/-.003" Selection Guide, see Rexnord Spherical Roller Bearings Selection Guide section Load Ratings & Speed Limits, see Rexnord Spherical Roller Bearings Load Ratings & Speed Limits section Note: Dimensions subject to change. Certified dimensions of ordered material furnished on request.
--	---



Bearing Dimensions

Size Code	Shaft Diameter	Expansion		Fixed		B Distance Between Bolt Holes	R Bolt Circle Radius	C	D	F Bolts	H	M	N	P	S	Approx. Weight		
		Part Number	A	Part Number	A													
3-Bolt Round																		
4	1 7/16	ZBS5107	3 3/4	ZB5107	3 7/16	4 21/64	2 1/2	6 1/4	3 9/16	1/2	5/8	2 5/16	1 3/4	11/16	3 9/16	7.10		
4-Bolt Round																		
5	1 1/2	ZBS5108	4 1/4	ZB5108	3 15/16	3 57/64	2 3/4	6 3/4	3 13/16	1/2	5/8	2 5/8	2 1/32	11/16	4 1/16	9.60		
		1 11/16														ZBS5111	ZB5111	9.20
6	1 15/16	ZBS5115	4 1/2	ZB5115	4 1/4	4 1/16	2 7/8	7	3 13/16	1/2	11/16	2 15/16	2 5/16	11/16	4 3/8	10.40		
		2														ZBS5200	ZB5200	15.00
7	2 3/16	ZBS5203	4 7/8	ZB5203	4 7/8	4 1/2	3 3/16	7 3/4	4 1/8	5/8	11/16	3 1/4	2 5/8	13/16	5	14.40		
		2 7/16														ZBS5207	ZB5207	17.70
8	2 1/2	ZBS5208	5 3/8	ZB5208	5 3/8	4 49/64	3 3/8	8 1/8	4 3/8	5/8	3/4	3 9/16	2 29/32	7/8	5 7/16	29.20		
		2 11/16														ZBS5211	ZB5211	28.20
		2 15/16														ZBS5215	ZB5215	27.70
4-Bolt Square																		
10	3 3/16	ZBS5303	7 3/8	ZB5303	7 3/8	6 23/32	4 3/4	8 7/16	5 5/16	3/4	1	4 15/16	3 31/32	15/16	7 3/8	39.60		
		3 7/16														ZBS5307	ZB5307	37.70
11	3 11/16	ZBS5311	8 3/8	ZB5311	8 1/2	7 19/32	5 3/8	9 3/4	6 1/4	7/8	1 1/8	5 5/8	4 9/16	1 1/16	8 1/2	61.50		
		3 15/16														ZBS5315	ZB5315	60.50
		4														ZBS5400	ZB5400	59.50

Additional Notes

Please call 1-866-REXNORD for availability

Metric bore sizes available, see Rexnord Interchangeability guide

Lubrication fitting tap size, 1/8" PT

Bore size = nominal shaft size +.001"/-.000"

Machined pilot available, add suffix S

Seals - To specify K or M seal, replace "Z" in part number with "K" or "M"

Auxiliary end caps - available in all size codes except for size codes 4 thru 6

Also not available on size code 7 on flange side of non-piloted bearings and size code 7 thru 9 on flange side of piloted bearings

Pilot Diameter tolerance, +.000"/-.003"

Selection Guide, see Rexnord Spherical Roller Bearings Selection Guide section

Load Ratings & Speed Limits, see Rexnord Spherical Roller Bearings Load Ratings & Speed Limits section

Note: Dimensions subject to change. Certified dimensions of ordered material furnished on request.

ZB6000, ZBS6000

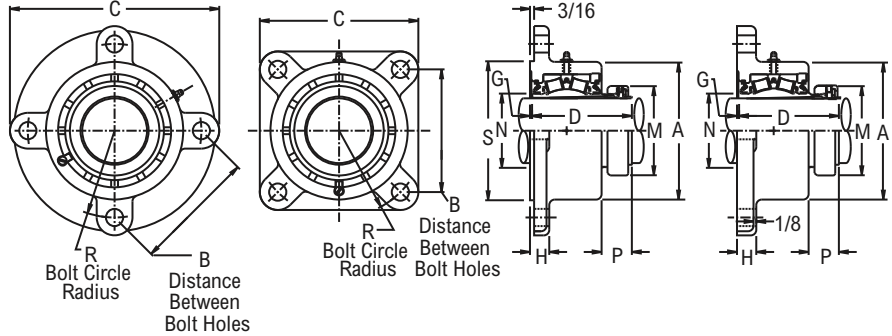


Photo Shows a 4-Bolt Spherical Roller Bearing Flanged Unit

Product Features

- Optical Strain Sensor Technology
- Positive locking system
- Tapered adapter sleeve
- Corrosion resistant powder coating
- Cast iron housing
- Misalignment capabilities - Total of 3°
- Broad range of sealing options
- Factory set clearance & lubrication
- Precision ground & superfinished raceways
- See Features & Benefits for additional info.

Bearing Drawing



Four Bolt Round Flange Block

Four Bolt Square Flange Block

Side View Flange With Pilot

Full Side View Flange Block

Bearing Dimensions

Size Code	Shaft Diameter	Expansion		Fixed		B Distance Between Bolt Holes	R Bolt Circle Radius	C	D	F Bolts	G	H	M	N	P	S	Approx. Weight	
		Part Number	A	Part Number	A													
4-Bolt Round																		
6	1 15/16	ZBS6115	4 1/2	ZB6115	4 1/4	4 1/16	2 7/8	7	3 41/64	1/2	1/16	11/16	2 55/64	2 5/16	1 1/8	4 3/8	9.80	
7	2 3/16	ZBS6203	4 7/8	ZB6203	4 7/8	4 1/2	3 3/16	7 3/4	3 49/64	5/8	3/32	11/16	3 15/64	2 5/8	1 5/32	5	13.30	
8	2 3/8	ZBS6206	5 3/8	ZB6206	5 3/8	4 49/64	3 3/8	8 1/8	4 5/32	5/8	3/32	3/4	3 19/32	2 29/32	1 27/64	5 7/16	16.70	
	2 7/16	ZBS6207															ZB6207	16.60
9	2 11/16	ZBS6211	6 1/4	ZB6211	6 1/4	5 9/16	3 15/16	9 1/2	4 17/32	3/4	3/32	7/8	4 3/32	3 3/8	1 25/64	6 5/16	26.50	
	2 3/4	ZBS6212															ZB6212	26.10
	2 15/16	ZBS6215															ZB6215	25.60
4-Bolt Square																		
10	3 3/16	ZBS6303	7 3/8	ZB6303	7 3/8	6 23/32	4 3/4	8 7/16	5 9/64	3/4	1/4	1	4 61/64	3 31/32	1 19/32	7 3/8	37.00	
	3 7/16	ZBS6307															ZB6307	34.60
11	3 11/16	ZBS6311	8 3/8	ZB6311	8 1/2	7 19/32	5 3/8	9 3/4	5 31/32	7/8	1/4	1 1/8	5 43/64	4 9/16	1 47/64	8 1/2	59.00	
	3 15/16	ZBS6315															ZB6315	56.00

Additional Notes

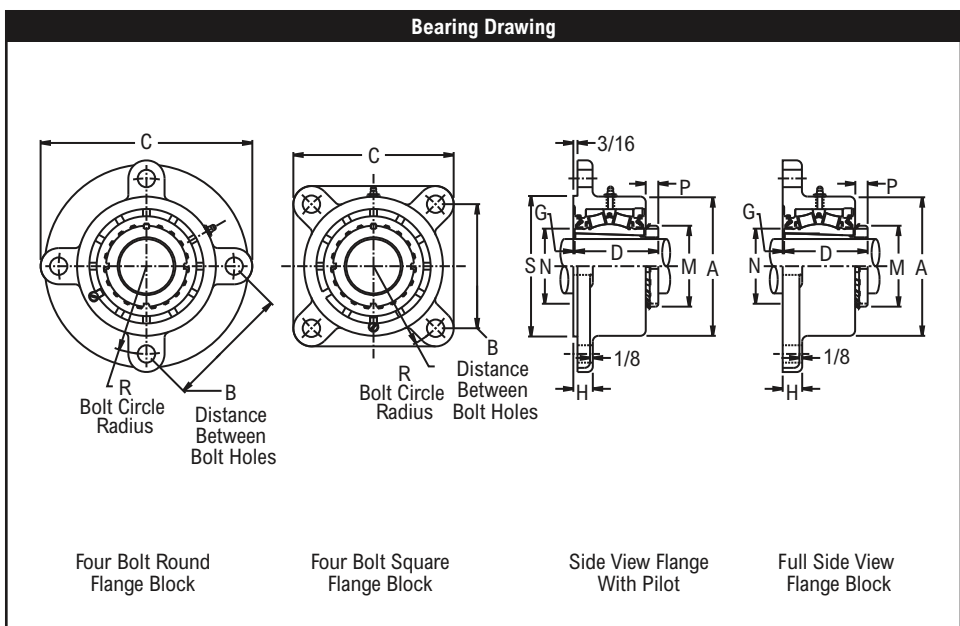
Please call 1-866-REXNORD for availability
 Lubrication fitting tap size, 1/8" PT
 Machined pilot available, add suffix S
 Seals - To specify K or M seal, replace "Z" in part number with "K" or "M"
 Auxiliary end caps - available in all size codes except for size code 6
 Also not available on size code 7 on flange side of non-piloted bearings and size code 7 thru 9 on flange side of piloted bearings
 Pilot Diameter tolerance, +.000"/-.003"

Selection Guide, see Rexnord Spherical Roller Bearings Selection Guide section
 Load Ratings & Speed Limits, see Rexnord Spherical Roller Bearings Load Ratings & Speed Limits section
 Note: Dimensions subject to change. Certified dimensions of ordered material furnished on request.



Product Features

- Corrosion resistant powder coating
- Cast iron housing
- Misalignment capabilities - Total of 3°
- Broad range of sealing options
- Factory set clearance & lubrication
- Precision ground & superfinished raceways
- Enhanced life mounting style
- Field interchangeable seals
- See Features & Benefits for additional info.



Bearing Dimensions

Size Code	Shaft Diameter	Expansion		Fixed		B Distance Between Bolt Holes	R Bolt Circle Radius	C	D	F Bolts	G	H	M	N	P	S	Approx. Weight
		Part Number	A	Part Number	A												
4-Bolt Round																	
7	1 15/16	ZBS9115	4 7/8	ZB9115	4 7/8	4 1/2	3 3/16	7 3/4	3 5/32	5/8	3/32	11/16	2 31/32	2 5/8	19/32	5	13.50
	2	ZBS9200		ZB9200													13.40
8	2 3/16	ZBS9203	5 3/8	ZB9203	5 3/8	4 49/64	3 3/8	8 1/8	3 11/32	5/8	3/32	3/4	3 3/8	2 29/32	23/32	5 7/16	17.00
9	2 7/16	ZBS9207	6 1/4	ZB9207	6 1/4	5 9/16	3 15/16	9 1/2	3 3/4	3/4	3/32	7/8	3 5/8	3 3/8	23/32	6 5/16	25.80
	2 1/2	ZBS9208		ZB9208													25.40
4-Bolt Square																	
10	2 11/16	ZBS9211	7 3/8	ZB9211	7 3/8	6 23/32	4 3/4	8 7/16	4 1/4	3/4	1/4	1	4 13/32	3 31/32	13/16	7 3/8	38.20
	2 15/16	ZBS9215		ZB9215													37.00
	3	ZBS9300		ZB9300													36.50
11	3 3/16	ZBS9303	8 3/8	ZB9303	8 1/2	7 19/32	5 3/8	9 3/4	5 1/16	7/8	1/4	1 1/8	5 3/16	4 9/16	15/16	8 1/2	62.00
	3 7/16	ZBS9307		ZB9307													60.00

Additional Notes

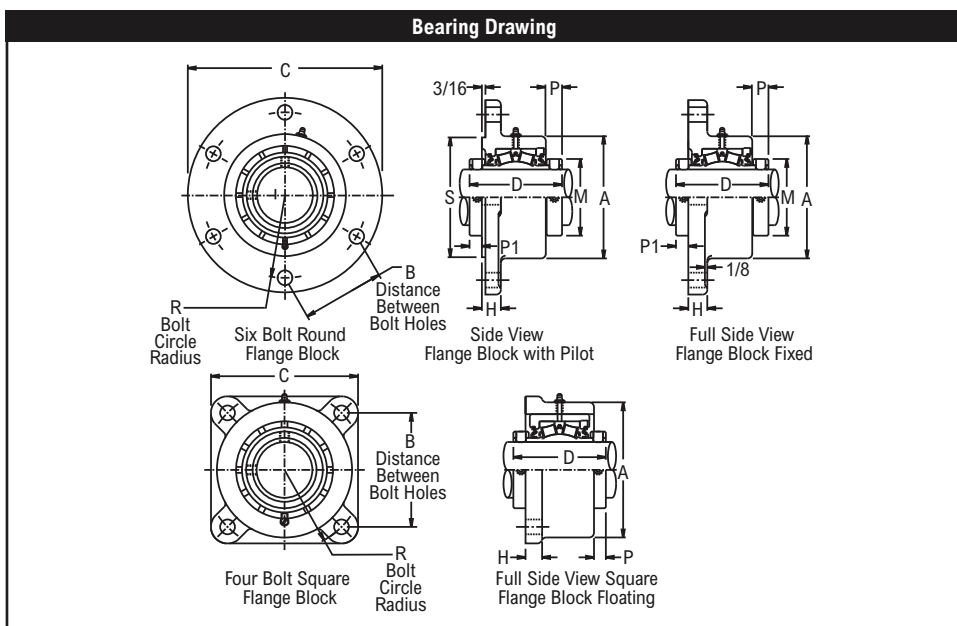
Please call 1-866-REXNORD for availability
 Lubrication fitting tap size, 1/8" PT
 Machined pilot available, add suffix S
 Seals - To specify K or M seal, replace "Z" in part number with "K" or "M"
 Auxiliary end caps - available in all size codes except for size code 7 on flange side of non-piloted bearings and size code 7 thru 9 on flange side of piloted bearings
 Pilot Diameter tolerance, +.000"/-.003"

Selection Guide, see Rexnord Spherical Roller Bearings Selection Guide section
 Load Ratings & Speed Limits, see Rexnord Spherical Roller Bearings Load Ratings & Speed Limits section
 Note: Dimensions subject to change. Certified dimensions of ordered material furnished on request.



Product Features

- Corrosion resistant powder coating
- Cast iron housing
- Misalignment capabilities - Total of 3°
- Broad range of sealing options
- Factory set clearance & lubrication
- Precision ground & superfinished raceways
- Two hardened spring locking collars
- Field interchangeable seals
- Fixed or Expansion - Up to 3/4" expansion
- See Features & Benefits for additional info.



Bearing Dimensions

Size Code	Shaft Diameter	Expansion						Fixed					B Distance Between Bolt Holes	R Bolt Circle Radius	C	D	H	M	P1	
		Part Number	A	F Bolts	P	S	Approx. Weight	Part Number	A	F Bolts	P	S								Approx. Weight
4-Bolt Square																				
4	1 7/16	ZFS5107	4 7/16	1/2	15/32	4 7/16	9.60	ZF5107	3 11/16	1/2	11/16	3 9/16	7.60	3 23/32	2 5/8	4 15/16	3 9/16	5/8	2 5/16	1/2
5	1 1/2	ZFS5108	5	1/2	13/32	4 3/4	12.60	ZF5108	4 1/4	1/2	23/32	4 1/16	10.40	3 57/64	2 3/4	5 1/8	3 13/16	5/8	2 5/8	15/32
	ZFS5111	12.30					ZF5111	9.70												
6	1 15/16	ZFS5115	5 1/8	1/2	13/32	5 1/8	12.80	ZF5115	4 1/2	1/2	11/16	4 3/8	10.40	4 1/16	2 7/8	5 5/16	3 13/16	5/8	2 15/16	15/32
7	2	ZFS5200	5 3/4	5/8	1/2	5 5/8	18.00	ZF5200	5	5/8	51/64	5	14.40	4 1/2	3 3/16	5 7/8	4 1/8	11/16	3 1/4	21/32
	ZFS5203	17.30					ZF5203	13.70												
8	2 7/16	ZFS5207	6	5/8	9/16	6	20.30	ZF5207	5 1/2	5/8	7/8	5 7/16	17.50	5 1/32	3 9/16	6 7/16	4 3/8	3/4	3 9/16	5/8
9	2 1/2	ZFS5208	7 1/8	3/4	5/8	7 1/8	35.40	ZF5208	6 1/2	3/4	7/8	6 5/16	29.90	6 1/64	4 1/4	7 3/4	4 7/8	7/8	4 1/16	21/32
	ZFS5211	34.10					ZF5211	28.90												
	ZFS5215	33.20					ZF5215	26.90												
10	3 3/16	ZFS5303	8	3/4	9/16	8	47.00	ZF5303	7 3/8	3/4	15/16	7 3/8	40.00	6 23/32	4 3/4	8 7/16	5 5/16	1	4 15/16	11/16
	ZFS5307	45.50					ZF5307	38.00												
11	3 11/16	ZFS5311	9 1/2	1	11/16	9 1/2	80.00	ZF5311	8 7/8	1	1 1/16	8 7/8	71.00	8 5/16	5 7/8	10 9/16	6 1/4	1 1/8	5 5/8	13/16
	ZFS5315	77.00					ZF5315	69.00												
	ZFS5400	76.00					ZF5400	68.00												
6-Bolt Round																				
12	4 3/16	ZFS5403Y	11 5/8	1	11/16	11 5/8	127.00	ZF5403Y	9 1/2	1	1	10 3/8	98.00	6 7/16	6 7/16	15 1/8	6 1/4	1 1/4	6 3/16	3/4
	ZFS5407Y	124.00					ZF5407Y	96.00												
	ZFS5408Y	123.00					ZF5408Y	95.00												
13	4 15/16	ZFS5415	12 9/16	1	23/32	12 9/16	184.00	ZF5415	11 3/16	1 1/8	1 3/16	11 3/16	159.00	7	7	16 1/2	7 7/8	1 1/2	7 1/16	3/4
	ZFS5500	183.00					ZF5500	156.00												

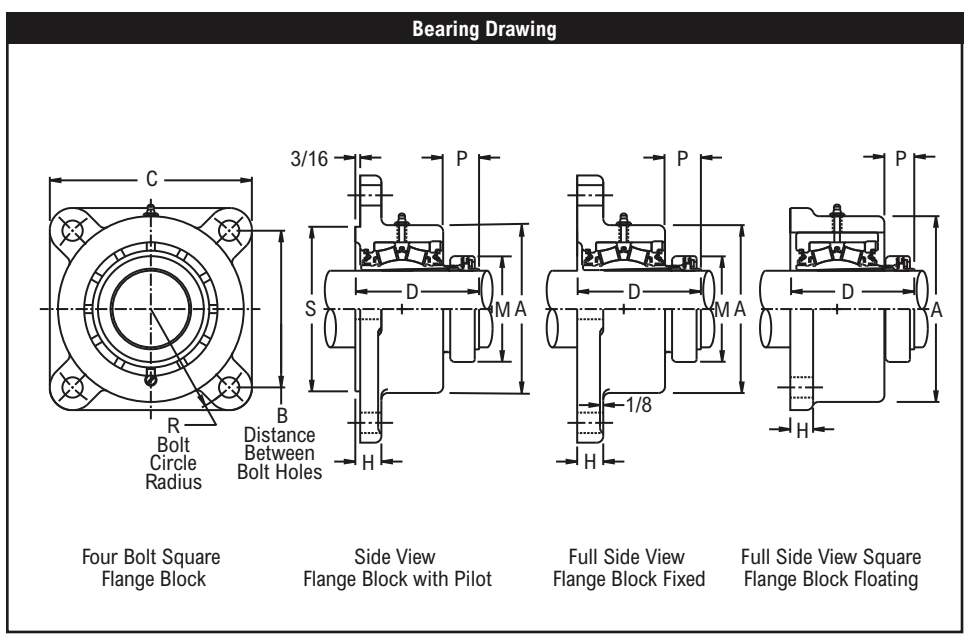
Additional Notes

Please call 1-866-REXNORD for availability
 Metric bore sizes available, see Rexnord Interchangeability guide
 Lubrication fitting tap size: for size code 4 thru 11, 1/8" PT; for all other size codes, 1/4" PT
 Bore size = nominal shaft size +.001"/-.000"
 Machined pilot available, add suffix S
 Expansion - size code 4 thru 8 is 3/8", size code 9 thru 11 is 1/2" & size code 12 thru 13 is 3/4"
 Seals - To specify K or M seal, replace "Z" in part number with "K" or "M"
 "K" seals only available in size codes 4 thru 11

Auxiliary end caps - available in all size codes except for size codes 4 thru 6 on flange side of piloted bearings and size code 12 ZFS bearings
 Pilot Diameter tolerance, +.000"/-.003"
 Selection Guide, see Rexnord Spherical Roller Bearings Selection Guide section
 Load Ratings & Speed Limits, see Rexnord Spherical Roller Bearings Load Ratings & Speed Limits section
 Note: Dimensions subject to change. Certified dimensions of ordered material furnished on request.



- Product Features**
- Optical Strain Sensor Technology
 - Positive locking system
 - Tapered adapter sleeve
 - Corrosion resistant powder coating
 - Cast iron housing
 - Misalignment capabilities - Total of 3°
 - Broad range of sealing options
 - Factory set clearance & lubrication
 - Precision ground & superfinished raceways
 - See Features & Benefits for additional info.



Bearing Dimensions

Size Code	Shaft Diameter	Expansion						Fixed						B Distance Between Bolt Holes	R Bolt Circle Radius	C	D	H	M	
		Part Number	A	F Bolts	P	S	Approx. Weight	Part Number	A	F Bolts	P	S	Approx. Weight							
4-Bolt Square																				
6	1 15/16	ZFS6115	5 1/8	1/2	1	5 1/8	12.80	ZF6115	4 1/2	1/2	1 1/8	4 3/8	10.40	4 1/16	2 7/8	5 5/16	3 41/64	5/8	2 55/64	
7	2 3/16	ZFS6203	5 3/4	5/8	1 1/16	5 5/8	18.00	ZF6203	5	5/8	1 5/32	5	14.40	4 1/2	3 3/16	5 7/8	3 49/64	11/16	3 15/64	
8	2 3/8	ZFS6206	6	5/8	1 19/64	6	20.60	ZF6206	5 1/2	5/8	1 27/64	5 7/16	17.80	5 1/32	3 9/16	6 7/16	4 5/32	3/4	3 19/32	
		2 7/16					ZFS6207	20.30					ZF6207							17.50
9	2 11/16	ZFS6211	7 1/8	3/4	1 17/64	7 1/8	35.40	ZF6211	6 1/2	3/4	1 25/64	6 5/16	29.90	6 1/64	4 1/4	7 3/4	4 17/32	7/8	4 3/32	
		2 3/4					ZFS6212	34.70					ZF6212							29.20
		2 15/16					ZFS6215	34.10					ZF6215							28.90
10	3 3/16	ZFS6303	8	3/4	1 15/32	8	47.00	ZF6303	7 3/8	3/4	1 19/32	7 3/8	40.00	6 23/32	4 3/4	8 7/16	5 9/64	1	4 61/64	
		3 7/16					ZFS6307	45.50					ZF6307							38.00
11	3 11/16	ZFS6311	9 1/2	1	1 39/64	9 1/2	80.00	ZF6311	8 7/8	1	1 47/64	8 7/8	71.00	8 5/16	5 7/8	10 9/16	5 31/32	1 1/8	5 43/64	
		3 15/16					ZFS6315	77.00					ZF6315							69.00
6-Bolt Round																				
12	4 3/16	ZFS6403Y	11 5/8	1	1 3/4	11 5/8	127.00	ZF6403Y	9 1/2	1	1 7/8	10 3/8	98.00	6 7/16	6 7/16	15 1/8	6 1/4	1 1/4	6 1/16	
		4 7/16					ZFS6407Y	124.00					ZF6407Y							96.00
13	4 15/16	ZFS6415	12 9/16	1	2 1/64	12 9/16	184.00	ZF6415	11 3/16	1 1/8	2 1/4	11 3/16	159.00	7	7	16 1/2	7 15/16	1 1/2	6 61/64	

Additional Notes

Please call 1-866-REXNORD for availability

Lubrication fitting tap size: for size code 6 thru 11, 1/8" PT; for all other size codes, 1/4" PT

Machined pilot available, add suffix S

Expansion - size code 6 thru 8 is 3/8", size code 9 thru 11 is 1/2" & size code 12 thru 13 is 3/4"

Seals - To specify K or M seal, replace "Z" in part number with "K" or "M" "K" seals only available in size codes 6 thru 11

Auxiliary end caps - available in all size codes except for size code 6 on flange side of piloted bearings and size code 12 ZFS bearings

Selection Guide, see Rexnord Spherical Roller Bearings Selection Guide section

Load Ratings & Speed Limits, see Rexnord Spherical Roller Bearings Load Ratings & Speed Limits section

Note: Dimensions subject to change. Certified dimensions of ordered material furnished on request.

ZF9000, ZFS9000

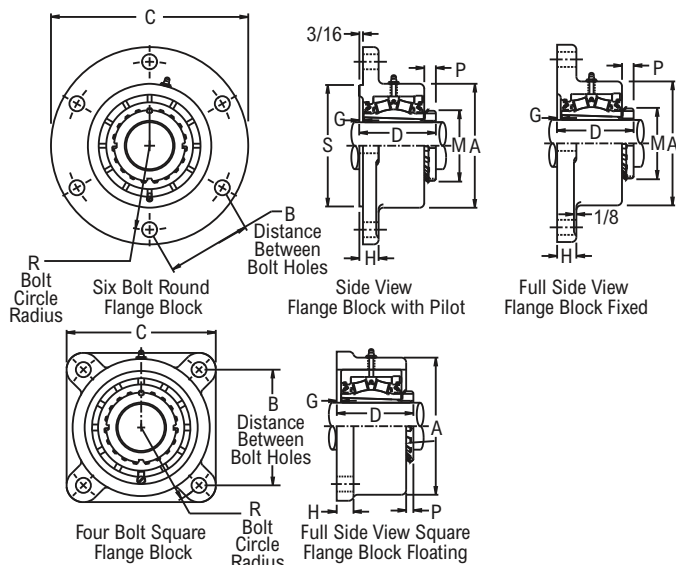


Photo Shows a 4-Bolt Spherical Roller Bearing Flanged Unit

Product Features

- Corrosion resistant powder coating
- Cast iron housing
- Misalignment capabilities - Total of 3°
- Broad range of sealing options
- Factory set clearance & lubrication
- Precision ground & superfinished raceways
- Enhanced life mounting style
- Field interchangeable seals
- Fixed or Expansion - Up to 3/4" expansion
- See Features & Benefits for additional info.

Bearing Drawing



Bearing Dimensions

Size Code	Shaft Diameter	Flange Block - Expansion							Flange Block - Fixed							B Distance Between Bolt Holes	R Bolt Circle Radius	C	H	M		
		Part Number	A	D	F Bolts	G	P	S	Approx. Weight	Part Number	A	D	F Bolts	G	P						S	Approx. Weight
4-Bolt Square																						
7	1 15/16	ZFS9115	5 3/4	3 7/16	5/8	5/16	5/16	5 5/8	16.00	ZF9115	5	3 1/4	5/8	11/64	9/16	5	12.90	4 1/2	3 3/16	5 7/8	11/16	2 31/32
	2	ZFS9200							15.00	ZF9200							12.70					
8	2 3/16	ZFS9203	6	3 21/32	5/8	5/16	11/32	6	19.00	ZF9203	5 1/2	3 19/32	5/8	1/4	23/32	5 7/16	16.40	5 1/32	3 9/16	6 7/16	3/4	3 3/8
9	2 7/16	ZFS9207	7 1/8	4 3/32	3/4	1/4	15/32	7 1/8	31.00	ZF9207	6 1/2	4 3/32	3/4	15/64	23/32	6 5/16	26.60	6 1/64	4 1/4	7 3/4	7/8	3 5/8
	2 1/2	ZFS9208								ZF9208							26.40					
10	2 11/16	ZFS9211	8	4 5/8	3/4	3/8	7/16	8	45.30	ZF9211	7 3/8	4 1/2	3/4	1/4	13/16	7 3/8	37.00	6 23/32	4 3/4	8 7/16	1	4 13/32
	2 15/16	ZFS9215							44.00	ZF9215							37.00					
	3	ZFS9300							43.00	ZF9300							36.60					
11	3 3/16	ZFS9303	9 1/2	5 7/16	1	3/8	9/16	9 1/2	79.00	ZF9303	8 7/8	5 5/16	1	1/4	15/16	8 7/8	66.00	8 5/16	5 7/8	10 9/16	1 1/8	5 3/16
	3 7/16	ZFS9307							76.00	ZF9307							65.00					
6-Bolt Round																						
12	3 11/16	ZFS9311Y	11 5/8	5 19/32	1	3/16	23/32	11 5/8	126.00	ZF9311Y	9 1/2	5 17/32	1	1/8	1 1/32	10 3/8	96.00	6 7/16	6 7/16	15 1/8	1 1/4	5 23/32
	3 15/16	ZFS9315Y							124.00	ZF9315Y							94.00					
	4	ZFS9400Y							123.00	ZF9400Y							93.00					
13	4 3/16	ZFS9403	12 9/16	7 1/16	1	5/16	5/8	12 9/16	184.00	ZF9403	11 3/16	7 1/32	1 1/8	9/32	1 1/16	11 3/16	159.00	7	7	16 1/2	1 1/2	6 1/8
	4 7/16	ZFS9407							182.00	ZF9407							157.00					

Additional Notes

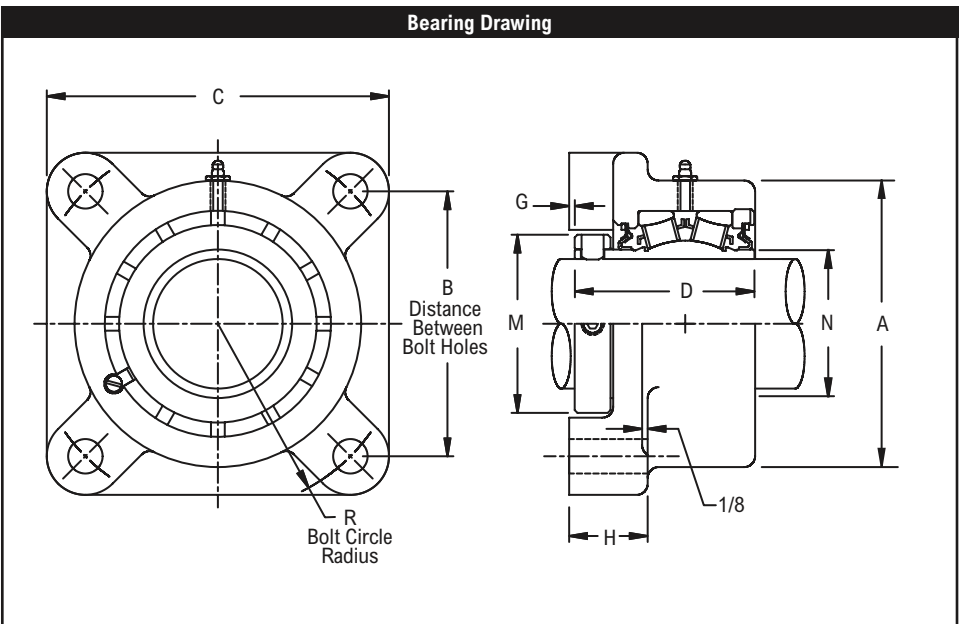
Please call 1-866-REXNORD for availability
 Lubrication fitting tap size: for size code 7 thru 11, 1/8" PT: for all other size codes, 1/4" PT
 Machined pilot available, add suffix S
 Expansion - size code 7 thru 8 is 3/8", size code 9 thru 11 is 1/2" & size code 12 thru 13 is 3/4"
 Seals - To specify K or M seal, replace "Z" in part number with "K" or "M"
 "K" seals only available in size codes 7 thru 11

Auxiliary end caps - available in all size codes except size code 12 ZFS bearings
 Selection Guide, see Rexnord Spherical Roller Bearings Selection Guide section
 Load Ratings & Speed Limits, see Rexnord Spherical Roller Bearings Load Ratings & Speed Limits section
 Note: Dimensions subject to change. Certified dimensions of ordered material furnished on request.



Product Features

- Corrosion resistant powder coating
- Cast iron housing
- Misalignment capabilities - Total of 3°
- Broad range of sealing options
- Factory set clearance & lubrication
- Precision ground & superfinished raceways
- Hardened spring locking collar
- Field interchangeable seals
- See Features & Benefits for additional info.



Bearing Dimensions													
Size Code	Shaft Diameter	Part Number	B Distance Between Bolt Holes	R Bolt Circle Radius	A	C	D	F Bolts	G	H	M	N	Approx. Weight
4	1 7/16	ZEF2107	3 1/2	2 15/32	3 11/16	4 5/8	2 7/8	1/2	1/16	1 3/8	2 5/16	1 3/4	7.20
	1 1/2	ZEF2108	4 1/8	2 59/64	4 1/4	5 3/8			1/8	1 7/16			10.00
5	1 11/16	ZEF2111	4 1/8	2 59/64	4 1/4	5 3/8	3 1/8	1/2	1/8	1 7/16	2 5/8	2 1/32	10.00
	1 3/4	ZEF2112	4 3/8	3 3/32	4 1/2	5 5/8				1 1/2			11.20
6	1 15/16	ZEF2115	4 3/8	3 3/32	4 1/2	5 5/8	3 1/8	1/2	1/8	1 1/2	2 15/16	2 5/16	11.00
	2	ZEF2200											10.80
7	2 3/16	ZEF2203	4 7/8	3 29/64	5	6 1/4	3 5/16	5/8	1/8	1 1/2	3 1/4	2 5/8	14.10
8	2 7/16	ZEF2207	5 3/8	3 51/64	5 1/2	6 7/8	3 1/2	5/8	3/16	1 11/16	3 9/16	2 29/32	17.30
	2 1/2	ZEF2208											17.10
9	2 11/16	ZEF2211	6	4 1/4	6 1/2	7 3/4	4	3/4	3/16	1 13/16	4 1/16	3 3/8	28.40
	2 3/4	ZEF2212											28.20
	2 15/16	ZEF2215											27.20
	3	ZEF2300											26.90
10	3 3/16	ZEF2303	7	4 61/64	7 3/8	9 1/4	4 3/8	3/4	1/4	1 15/16	4 15/16	3 31/32	42.00
	3 7/16	ZEF2307											40.50
	3 1/2	ZEF2308											40.00
11	3 11/16	ZEF2311	7 3/4	5 31/64	8 7/8	10 1/4	5 3/16	7/8	1/4	2 3/16	5 5/8	4 9/16	64.00
	3 15/16	ZEF2315											69.00
	4	ZEF2400											68.00

Additional Notes

Please call 1-866-REXNORD for availability
 Metric bore sizes available, see Rexnord Interchangeability guide
 Lubrication fitting tap size, 1/8" PT
 Bore size = nominal shaft size +.001"/-.000"
 Seals - To specify K or M seal, replace "Z" in part number with "K" or "M"
 Auxiliary end caps - available in all size codes
 Selection Guide, see Rexnord Spherical Roller Bearings Selection Guide section

Load Ratings & Speed Limits, see Rexnord Spherical Roller Bearings Load Ratings & Speed Limits section
 Note: Dimensions subject to change. Certified dimensions of ordered material furnished on request.

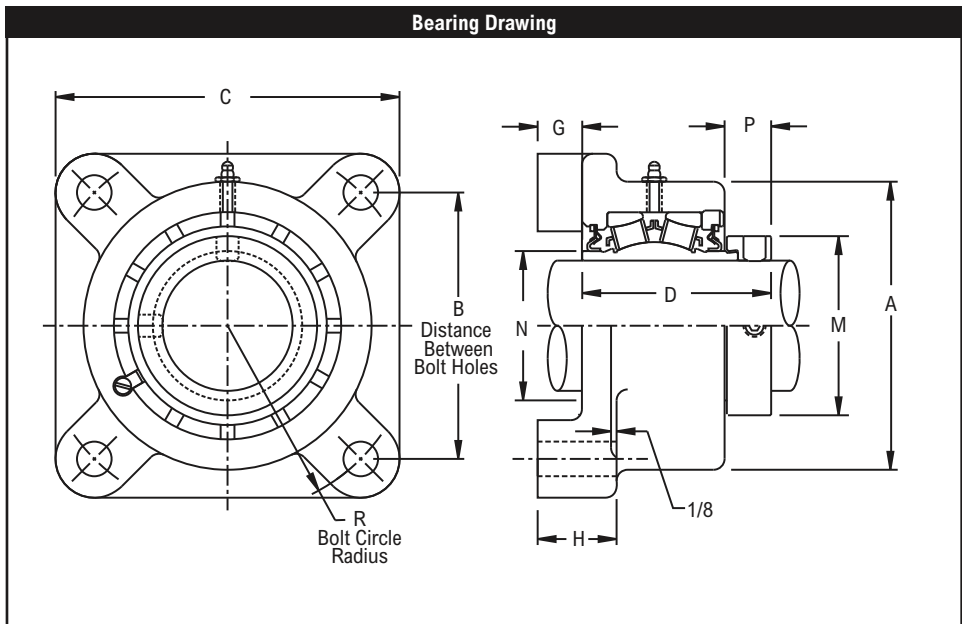


Photo Shows a 4-Bolt Spherical Roller Bearing Flanged Unit

Product Features

- Corrosion resistant powder coating
- Cast iron housing
- Misalignment capabilities - Total of 3°
- Broad range of sealing options
- Factory set clearance & lubrication
- Precision ground & superfinished raceways
- Eccentric locking collar
- Field interchangeable seals

See Features & Benefits for additional info.



Bearing Dimensions														
Size Code	Shaft Diameter	Part Number	B Distance Between Bolt Holes	R Bolt Circle Radius	A	C	D	F Bolts	G	H	M	N	P	Approx. Weight
4	1 7/16	ZEF3107	3 1/2	2 15/32	3 11/16	4 5/8	2 59/64	1/2	3/4	1 3/8	2 5/16	1 3/4	25/32	7.40
5	1 11/16	ZEF3111	4 1/8	2 59/64	4 1/4	5 3/8	3 3/16	1/2	13/16	1 7/16	2 5/8	2 1/32	3/4	10.30
6	1 15/16	ZEF3115	4 3/8	3 3/32	4 1/2	5 3/8	3 9/32	1/2	7/8	1 1/2	2 3/4	2 5/16	27/32	11.20
7	2 3/16	ZEF3203	4 7/8	3 29/64	5	6 1/4	3 1/2	5/8	15/16	1 1/2	3 1/4	2 5/8	31/32	11.00
8	2 7/16	ZEF3207	5 3/8	3 51/64	5 1/2	6 7/8	3 21/32	5/8	1 1/16	1 11/16	3 9/16	2 29/32	1 1/64	17.50
	2 1/2	ZEF3208												16.50
9	2 11/16	ZEF3211	6	4 1/4	6 1/2	7 3/4	4 13/64	3/4	1 1/16	1 13/16	4 1/16	3 3/8	1 1/64	28.60
	2 15/16	ZEF3215												27.60
10	3 7/16	ZEF3307	7	4 61/64	7 3/8	9 1/4	4 37/64	3/4	1 11/64	1 15/16	4 15/16	3 31/32	1 9/64	41.10
	3 1/2	ZEF3308												40.20
11	3 15/16	ZEF3315	7 3/4	5 31/64	8 7/8	10 1/4	5 3/16	7/8	1 5/16	2 3/16	5 5/8	4 9/16	1 1/16	62.70

Additional Notes

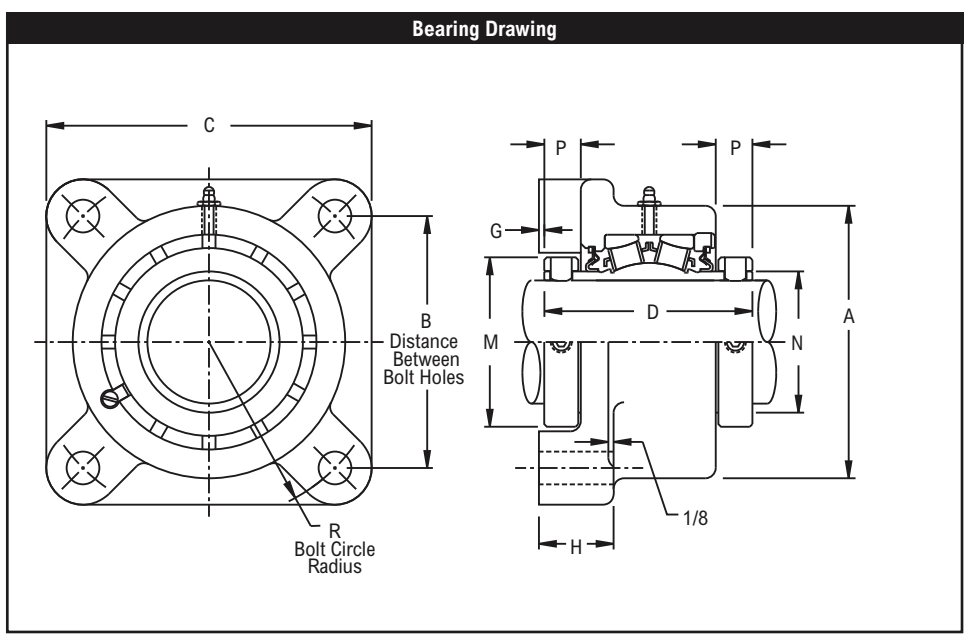
Please call 1-866-REXNORD for availability
 Lubrication fitting tap size, 1/8" PT
 Bore size = nominal shaft size +.001"/-.000"
 Seals - To specify K or M seal, replace "Z" in part number with "K" or "M"
 Auxiliary end caps - available in all size codes
 Selection Guide, see Rexnord Spherical Roller Bearings Selection Guide section

Load Ratings & Speed Limits, see Rexnord Spherical Roller Bearings Load Ratings & Speed Limits section
 Note: Dimensions subject to change. Certified dimensions of ordered material furnished on request.



Product Features

- Corrosion resistant powder coating
- Cast iron housing
- Misalignment capabilities - Total of 3°
- Broad range of sealing options
- Factory set clearance & lubrication
- Precision ground & superfinished raceways
- Two hardened spring locking collars
- Field interchangeable seals
- See Features & Benefits for additional info.



Bearing Dimensions

Size Code	Shaft Diameter	Part Number	B Distance Between Bolt Holes	R Bolt Circle Radius	A	C	D	F Bolts	G	H	M	N	P	Approx. Weight
4	1 7/16	ZEF5107	3 1/2	2 15/32	3 11/16	4 5/8	3 9/16	1/2	1/16	1 3/8	2 5/16	1 3/4	1 1/16	7.70
5	1 1/2	ZEF5108	4 1/8	2 59/64	4 1/4	5 3/8	3 13/16	1/2	1/8	1 7/16	2 5/8	2 1/32	1 1/16	11.00
	1 11/16	ZEF5111												10.60
6	1 15/16	ZEF5115	4 3/8	3 3/32	4 1/2	5 3/8	3 13/16	1/2	1/8	1 1/2	2 15/16	2 5/16	1 1/16	11.70
7	2	ZEF5200	4 7/8	3 29/64	5	6 1/4	4 1/8	5/8	1/8	1 1/2	3 1/4	2 5/8	13/16	15.70
	2 3/16	ZEF5203												15.10
8	2 7/16	ZEF5207	5 3/8	3 51/64	5 1/2	6 7/8	4 3/8	5/8	3/16	1 11/16	3 9/16	2 29/32	7/8	18.30
	2 1/2	ZEF5208												31.10
9	2 11/16	ZEF5211	6	4 1/4	6 1/2	7 3/4	4 7/8	3/4	3/16	1 13/16	4 1/16	3 3/8	7/8	30.10
	2 15/16	ZEF5215												29.60
10	3 3/16	ZEF5303	7	4 61/64	7 3/8	9 1/4	5 5/16	3/4	1/4	1 15/16	4 15/16	3 31/32	15/16	44.60
	3 7/16	ZEF5307												42.70
11	3 11/16	ZEF5311	7 3/4	5 31/64	8 7/8	10 1/4	6 1/4	7/8	1/4	2 3/16	5 5/8	4 9/16	1 1/16	66.50
	3 15/16	ZEF5315												65.50
	4	ZEF5400												64.50

Additional Notes

Please call 1-866-REXNORD for availability
 Metric bore sizes available, see Rexnord Interchangeability guide
 Lubrication fitting tap size, 1/8" PT
 Bore size = nominal shaft size +.001"/-.000"
 Seals - To specify K or M seal, replace "Z" in part number with "K" or "M"
 Auxiliary end caps - available in all size codes
 Selection Guide, see Rexnord Spherical Roller Bearings Selection Guide section

Load Ratings & Speed Limits, see Rexnord Spherical Roller Bearings Load Ratings & Speed Limits section
 Note: Dimensions subject to change. Certified dimensions of ordered material furnished on request.

ZEF6000

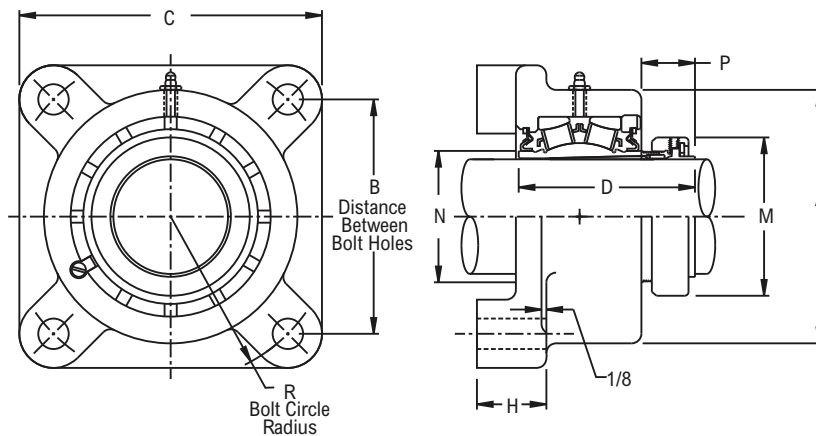


Photo Shows a 4-Bolt Spherical Roller Bearing Flanged Unit

Product Features

- Optical Strain Sensor Technology
- Positive locking system
- Tapered adapter sleeve
- Corrosion resistant powder coating
- Cast iron housing
- Misalignment capabilities - Total of 3°
- Broad range of sealing options
- Factory set clearance & lubrication
- Precision ground & superfinished raceways
- See Features & Benefits for additional info.

Bearing Drawing



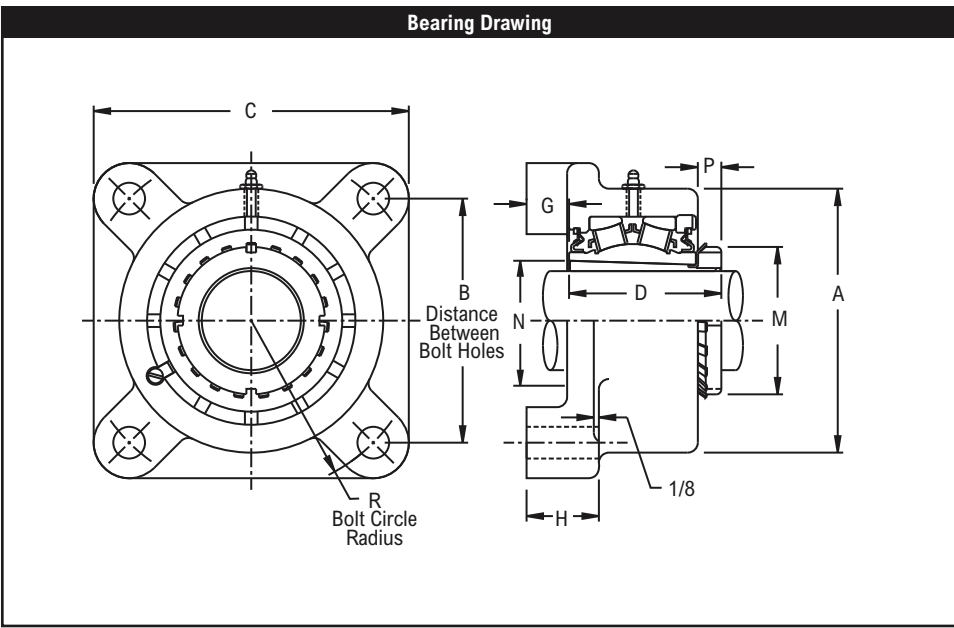
Bearing Dimensions

Size Code	Shaft Diameter	Part Number	B Distance Between Bolt Holes	R Bolt Circle Radius	A	C	D	F Bolts	H	M	N	P	Approx. Weight
6	1 ¹⁵ / ₁₆	ZEF6115	4 ³ / ₈	3 ³ / ₃₂	4 ¹ / ₂	5 ⁵ / ₈	3 ⁴¹ / ₆₄	1/2	1 ¹ / ₂	2 ⁵⁵ / ₆₄	2 ⁵ / ₁₆	1 ¹ / ₈	11.70
7	2 ³ / ₁₆	ZEF6203	4 ⁷ / ₈	3 ²⁹ / ₆₄	5	6 ¹ / ₄	3 ⁴⁹ / ₆₄	5/8	1 ¹ / ₂	3 ¹⁵ / ₆₄	2 ⁵ / ₈	1 ⁵ / ₃₂	15.70
8	2 ³ / ₈	ZEF6206	5 ³ / ₈	3 ⁵¹ / ₆₄	5 ¹ / ₂	6 ⁷ / ₈	4 ⁵ / ₃₂	5/8	1 ¹¹ / ₁₆	3 ¹⁹ / ₃₂	2 ²⁹ / ₃₂	1 ²⁷ / ₆₄	18.90
	2 ⁷ / ₁₆	ZEF6207											18.30
9	2 ¹¹ / ₁₆	ZEF6211	6	4 ¹ / ₄	6 ¹ / ₂	7 ³ / ₄	4 ¹⁷ / ₃₂	3/4	1 ¹³ / ₁₆	4 ³ / ₃₂	3 ³ / ₈	1 ²⁵ / ₆₄	31.10
	2 ³ / ₄	ZEF6212											30.10
	2 ¹⁵ / ₁₆	ZEF6215											29.60
10	3 ³ / ₁₆	ZEF6303	7	4 ⁶¹ / ₆₄	7 ³ / ₈	9 ¹ / ₄	5 ⁹ / ₆₄	3/4	1 ¹⁵ / ₁₆	4 ⁶¹ / ₆₄	3 ³¹ / ₃₂	1 ¹⁹ / ₃₂	44.60
	3 ⁷ / ₁₆	ZEF6307											42.70
11	3 ¹¹ / ₁₆	ZEF6311	7 ³ / ₄	5 ³¹ / ₆₄	8 ⁷ / ₈	10 ¹ / ₄	5 ³¹ / ₃₂	7/8	2 ³ / ₁₆	5 ⁴³ / ₆₄	4 ⁹ / ₁₆	1 ⁴⁷ / ₆₄	66.50
	3 ¹⁵ / ₁₆	ZEF6315											65.50

Additional Notes

Please call 1-866-REXNORD for availability
 Lubrication fitting tap size, 1/8" PT
 Seals - To specify K or M seal, replace "Z" in part number with "K" or "M"
 Auxiliary end caps - available in all size codes
 Selection Guide, see Rexnord Spherical Roller Bearings Selection Guide section
 Load Ratings & Speed Limits, see Rexnord Spherical Roller Bearings Load Ratings & Speed Limits section

Note: Dimensions subject to change. Certified dimensions of ordered material furnished on request.



Product Features

- Corrosion resistant powder coating
- Cast iron housing
- Misalignment capabilities - Total of 3°
- Broad range of sealing options
- Factory set clearance & lubrication
- Precision ground & superfinished raceways
- Enhanced life mounting style
- Field interchangeable seals
- See Features & Benefits for additional info.

Bearing Dimensions

Size Code	Shaft Diameter	Part Number	B Distance Between Bolt Holes	R Bolt Circle Radius	A	C	D	F Bolts	G	H	M	N	P	Approx. Weight
7	1 15/16	ZEF9115	4 7/8	3 29/64	5	6 1/4	3 5/32	5/8	15/16	1 1/2	2 31/32	2 5/8	19/32	14.30
	2	ZEF9200												14.20
8	2 3/16	ZEF9203	5 3/8	3 51/64	5 1/2	6 7/8	3 11/32	5/8	1 1/16	1 11/16	3 3/8	2 29/32	23/32	17.60
	2 7/16	ZEF9207												27.70
9	2 1/2	ZEF9208	6	4 1/4	6 1/2	7 3/4	3 3/4	3/4	1 1/16	1 13/16	3 5/8	3 3/8	23/32	27.40
	2 11/16	ZEF9211												42.30
10	2 15/16	ZEF9215	7	4 61/64	7 3/8	9 1/4	4 1/4	3/4	1 11/64	1 15/16	4 13/32	3 31/32	13/16	41.10
	3	ZEF9300												40.40
11	3 3/16	ZEF9303	7 3/4	5 31/64	8 7/8	10 1/4	5 1/16	7/8	1 5/16	2 3/16	5 3/16	4 9/16	15/16	67.00
	3 7/16	ZEF9307												65.00

Additional Notes

Please call 1-866-REXNORD for availability
 Lubrication fitting tap size, 1/8" PT
 Seals - To specify K or M seal, replace "Z" in part number with "K" or "M"
 Auxiliary end caps - available in all size codes
 Selection Guide, see Rexnord Spherical Roller Bearings Selection Guide section
 Load Ratings & Speed Limits, see Rexnord Spherical Roller Bearings Load Ratings & Speed Limits section

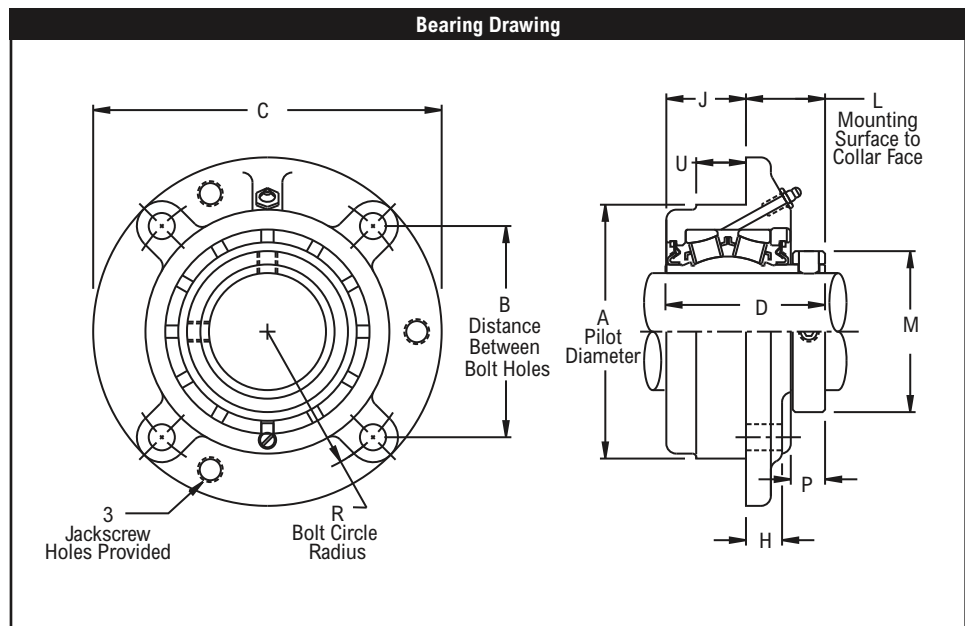
Note: Dimensions subject to change. Certified dimensions of ordered material furnished on request.



Product Features

- Corrosion resistant powder coating
- Cast iron housing
- Misalignment capabilities - Total of 3°
- Broad range of sealing options
- Factory set clearance & lubrication
- Precision ground & superfinished raceways
- Hardened spring locking collar
- Field interchangeable seals

See Features & Benefits for additional info.



Bearing Dimensions															
Size Code	Shaft Diameter	Part Number	A Pilot Diameter	B Distance Between Bolt Holes	L Mounting Surface to Collar Face	R Bolt Circle Radius	C	D	F Bolts	H	J	M	P	U	Approx. Weight
4-Bolt															
2	3/4	ZBR2012	3.000	2 9/16	1 5/16	1 13/16	4 3/8	2 9/16	5/16	7/16	1 1/4	1 3/4	9/16	5/8	3.70
	15/16	ZBR2015													3.60
	1	ZBR2100													3.50
3	1 1/8	ZBR2102	3.375	2 59/64	1 5/16	2 1/16	5	2 11/16	3/8	7/16	1 3/8	2	9/16	3/4	4.90
	1 3/16	ZBR2103													4.80
	1 1/4	ZBR2104													4.60
4	1 7/16	ZBR2107	3.625	3 3/32	1 1/2	2 3/16	5 1/4	2 7/8	3/8	1/2	1 3/8	2 5/16	11/16	3/4	5.40
	1 1/2	ZBR2108													5.20
5	1 11/16	ZBR2111	4.250	3 5/8	1 19/32	2 9/16	6 1/8	3 1/8	7/16	1/2	1 17/32	2 5/8	11/16	7/8	8.40
	1 3/4	ZBR2112													8.10
6	1 15/16	ZBR2115	4.500	3 51/64	1 9/16	2 11/16	6 3/8	3 1/8	7/16	9/16	1 9/16	2 15/16	11/16	7/8	8.80
	2	ZBR2200													8.70
7	2 3/16	ZBR2203	5.000	4 1/4	1 3/4	3	7 1/8	3 5/16	1/2	9/16	1 9/16	3 1/4	13/16	1	13.80
	2 1/4	ZBR2204													13.70
8	2 3/8	ZBR2206	5.500	4 19/32	1 13/16	3 1/4	7 5/8	3 1/2	1/2	5/8	1 11/16	3 9/16	7/8	1	14.90
	2 7/16	ZBR2207													14.80
	2 1/2	ZBR2208													14.40
9	2 11/16	ZBR2211	6.375	5 19/64	2	3 3/4	8 3/4	4	5/8	3/4	2	4 1/16	7/8	1 1/4	23.40
	2 3/4	ZBR2212													23.00
	2 15/16	ZBR2215													22.30
	3	ZBR2300													21.80
10	3 3/16	ZBR2303	7.375	6 3/32	2 3/8	4 5/16	10 1/4	4 3/8	3/4	15/16	2	4 15/16	15/16	1 1/4	35.50
	3 7/16	ZBR2307													34.00
	3 1/2	ZBR2308													33.50
11	3 11/16	ZBR2311	8.125	6 5/8	2 11/16	4 11/16	10 7/8	5 3/16	3/4	1 1/8	2 1/2	5 5/8	1 1/16	1 1/2	52.00
	3 15/16	ZBR2315													49.00
	4	ZBR2400													48.50

Additional Notes

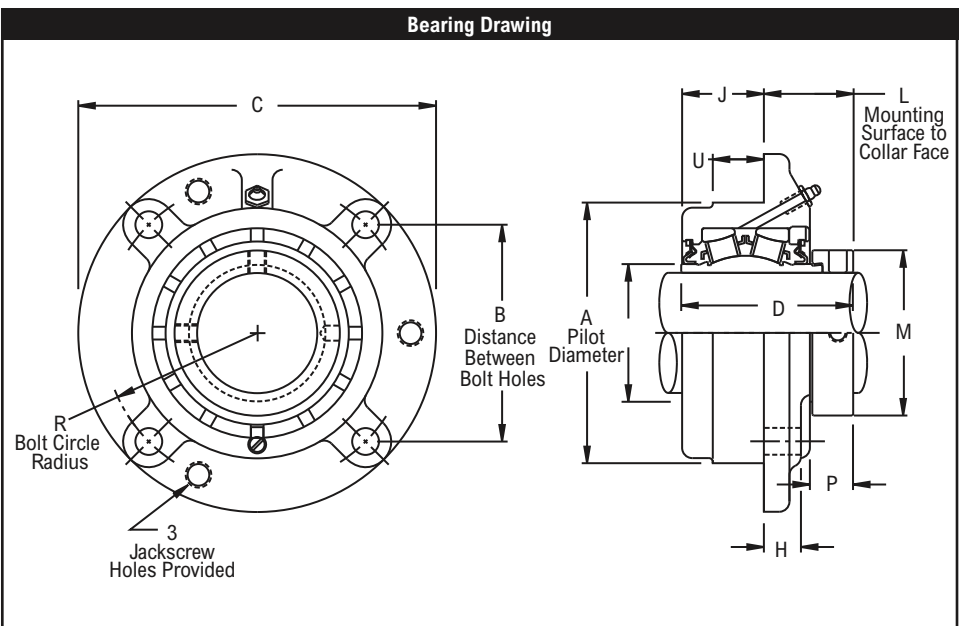
Please call 1-866-REXNORD for availability
 Metric bore sizes available, see Rexnord Interchangeability guide
 Lubrication fitting tap size, 1/8" PT
 Bore size = nominal shaft size +.001"/-.000"
 Pilot Diameter tolerance, +.000"/-.002"
 Bore tolerance for mounting, +.002"/-.000"
 Seals - To specify K or M seal, replace "Z" in part number with "K" or "M"
 Auxiliary end caps - available in all size codes except for size codes 2 & 3

Selection Guide, see Rexnord Spherical Roller Bearings Selection Guide section
 Load Ratings & Speed Limits, see Rexnord Spherical Roller Bearings Load Ratings & Speed Limits section
 Note: Dimensions subject to change. Certified dimensions of ordered material furnished on request.



Product Features

- Corrosion resistant powder coating
- Cast iron housing
- Misalignment capabilities - Total of 3°
- Broad range of sealing options
- Factory set clearance & lubrication
- Precision ground & superfinished raceways
- Eccentric locking collar
- Field interchangeable seals
- See Features & Benefits for additional info.



Bearing Dimensions

Size Code	Shaft Diameter	Part Number	A Pilot Diameter	B Distance Between Bolt Holes	L Mounting Surface to Collar Face	R Bolt Circle Radius	C	D	F Bolts	H	J	M	P	U	Approx. Weight
4-Bolt															
4	1 7/16	ZBR3107	3.625	3 3/32	1 1/2	2 3/16	5 1/4	2 59/64	3/8	1/2	1 3/8	2 5/16	25/32	3/4	5.60
5	1 11/16	ZBR3111	4.250	3 5/8	1 19/32	2 9/16	6 1/8	3 3/16	7/16	1/2	1 17/32	2 5/8	3/4	7/8	8.60
6	1 15/16	ZBR3115	4.500	3 51/64	1 23/32	2 11/16	6 3/8	3 9/32	7/16	9/16	1 9/16	2 15/16	27/32	7/8	9.00
7	2 3/16	ZBR3203	5.000	4 1/4	1 15/16	3	7 1/8	3 1/2	1/2	9/16	1 9/16	3 1/4	31/32	1	14.10
8	2 7/16	ZBR3207	5.500	4 19/32	1 31/32	3 1/4	7 5/8	3 21/32	1/2	5/8	1 11/16	3 9/16	1 1/64	1	15.00
	2 1/2	ZBR3208													14.60
9	2 11/16	ZBR3211	6.375	5 19/64	2 13/64	3 3/4	8 3/4	4 13/64	5/8	3/4	2	4 1/16	1 1/64	1 1/4	23.80
	2 15/16	ZBR3215													22.70
10	3 7/16	ZBR3307	7.375	6 3/32	2 37/64	4 5/16	10 1/4	4 37/64	3/4	15/16	2	4 15/16	1 9/64	1 1/4	34.40
	3 1/2	ZBR3308													33.90
11	3 15/16	ZBR3315	8.125	6 5/8	2 11/16	4 11/16	10 7/8	5 3/16	3/4	1 1/8	2 1/2	5 5/8	1 1/16	1 1/2	49.00

Additional Notes

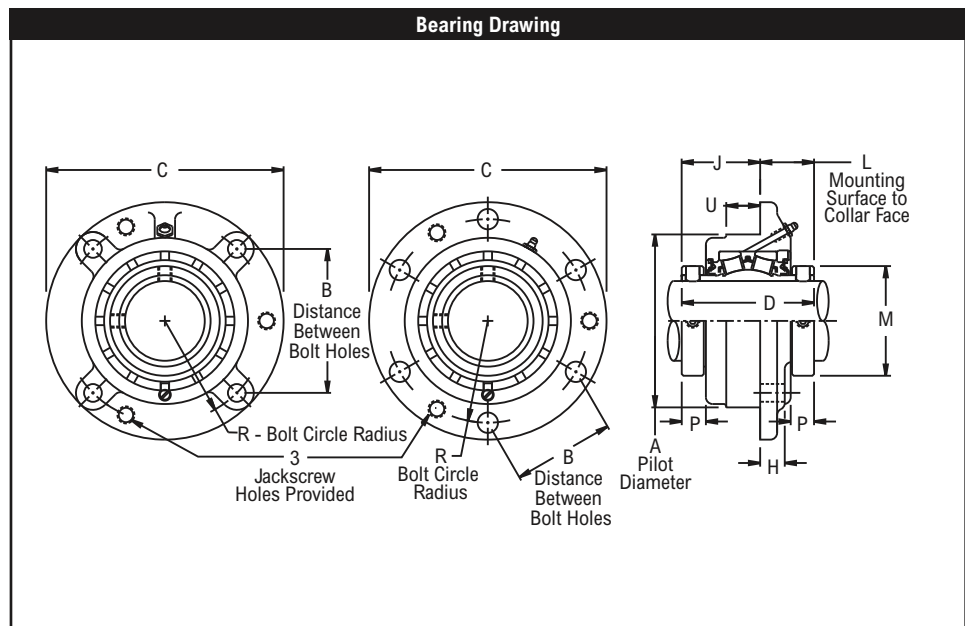
<p>Please call 1-866-REXNORD for availability Lubrication fitting tap size, 1/8" PT Bore size = nominal shaft size +.001"/-.000" Pilot Diameter tolerance, +.000"/-.002" Bore tolerance for mounting, +.002"/-.000" Seals - To specify K or M seal, replace "Z" in part number with "K" or "M" Auxiliary end caps - available in all size codes</p>	<p>Selection Guide, see Rexnord Spherical Roller Bearings Selection Guide section Load Ratings & Speed Limits, see Rexnord Spherical Roller Bearings Load Ratings & Speed Limits section Note: Dimensions subject to change. Certified dimensions of ordered material furnished on request.</p>
---	---



Product Features

- Corrosion resistant powder coating
- Cast iron housing
- Misalignment capabilities - Total of 3°
- Broad range of sealing options
- Factory set clearance & lubrication
- Precision ground & superfinished raceways
- Two hardened spring locking collars
- Field interchangeable seals

See Features & Benefits for additional info.

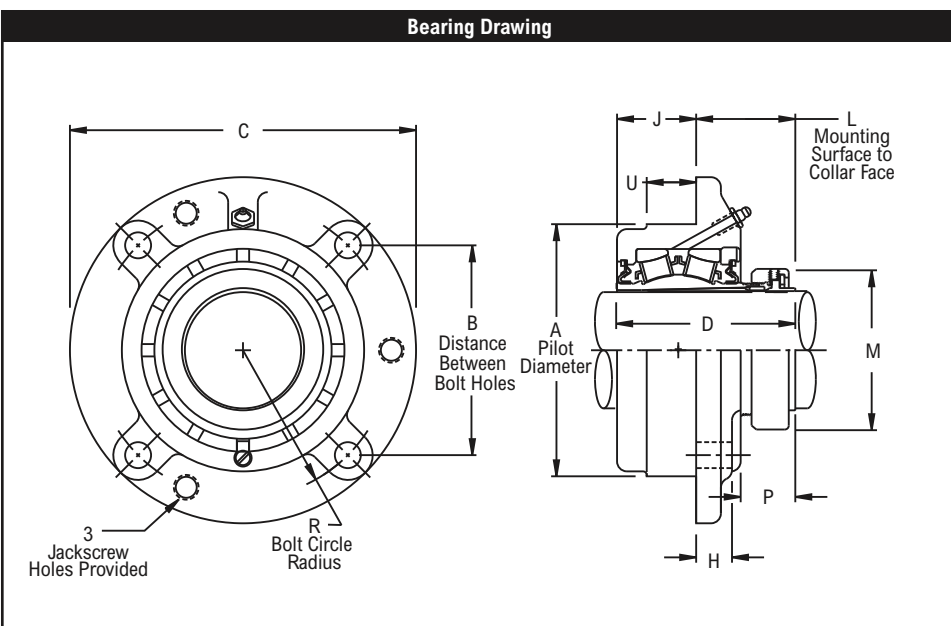


Bearing Dimensions															
Size Code	Shaft Diameter	Part Number	A Pilot Diameter	B Distance Between Bolt Holes	L Mounting Surface to Collar Face	R Bolt Circle Radius	C	D	F Bolts	H	J	M	P	U	Approx. Weight
4-Bolt															
4	1 7/16	ZBR5107	3.625	3 3/32	1 1/2	2 3/16	5 1/4	3 9/16	3/8	1/2	2 1/16	2 5/16	11/16	3/4	5.90
5	1 1/2	ZBR5108	4.250	3 5/8	1 19/32	2 9/16	6 1/8	3 13/16	7/16	1/2	2 7/32	2 5/8	11/16	7/8	9.10
	1 11/16	ZBR5111													8.70
6	1 15/16	ZBR5115	4.500	3 51/64	1 9/16	2 11/16	6 3/8	3 13/16	7/16	9/16	2 1/4	2 15/16	11/16	7/8	9.60
7	2	ZBR5200	5.000	4 1/4	1 3/4	3	7 1/8	4 1/8	1/2	9/16	2 3/8	3 1/4	13/16	1	13.70
	2 3/16	ZBR5203													13.00
8	2 7/16	ZBR5207	5.500	4 19/32	1 13/16	3 1/4	7 5/8	4 3/8	1/2	5/8	2 9/16	3 9/16	7/8	1	15.90
9	2 1/2	ZBR5208	6.375	5 19/64	2	3 3/4	8 3/4	4 7/8	5/8	3/4	2 7/8	4 1/16	7/8	1 1/4	26.10
	2 11/16	ZBR5211													24.80
	2 15/16	ZBR5215													22.70
10	3 3/16	ZBR5303	7.375	6 3/32	2 3/8	4 5/16	10 1/4	5 5/16	3/4	15/16	2 15/16	4 15/16	15/16	1 1/4	38.00
	3 7/16	ZBR5307													36.50
11	3 11/16	ZBR5311	8.125	6 5/8	2 11/16	4 11/16	10 7/8	6 1/4	3/4	1 1/8	3 9/16	5 5/8	1 1/16	1 1/2	56.00
	3 15/16	ZBR5315													53.00
	4	ZBR5400													52.00
6-Bolt															
12	4 7/16	ZBR5407Y	10.250	5 7/8	2 5/16	5 7/8	13 1/2	6 1/4	3/4	1	3 15/16	6 3/16	1	2	84.00
	4 1/2	ZBR5408Y													83.00
13	4 15/16	ZBR5415	11.000	6 3/8	2 31/32	6 3/8	14 3/4	7 7/8	7/8	1 1/4	4 29/32	7 1/16	1 5/32	2 1/4	128.00
	5	ZBR5500													125.00
14	5 7/16	ZBR5507	13.000	7 1/4	3 7/32	7 1/4	17	8	7/8	1 3/8	4 25/32	8 3/16	1 7/32	2	184.00
15	5 15/16	ZBR5515	14.000	8 1/4	3 1/16	8 1/4	19	8 1/8	7/8	1	5 1/16	8 11/16	1 5/32	1 3/8	214.00
	6	ZBR5600													213.00
16	6 7/16	ZBR5607	15.000	8 1/2	3 3/8	8 1/2	19	8 3/4	1	1	5 3/8	9 3/4	1 9/32	1 1/2	246.00
	6 15/16	ZBR5615													241.00
	7	ZBR5700													239.00

Additional Notes

Please call 1-866-REXNORD for availability
 Metric bore sizes available, see Rexnord Interchangeability guide
 Lubrication fitting tap size: for size code 4 thru 11, 1/8" PT; for all other size codes, 1/4" PT
 Bore size = nominal shaft size +.001"/-.000"
 Pilot Diameter tolerance, +.000"/-.002" for size codes 4 thru 13
 Pilot Diameter tolerance, +.000"/-.005" for size codes 14 thru 16
 Bore tolerance for mounting, +.002"/-.000" for size codes 4 thru 13
 Bore tolerance for mounting, +.005"/-.000" for size codes 14 thru 16

Seals - To specify K or M seal, replace "Z" in part number with "K" or "M"
 "K" seals only available in size codes 4 thru 11
 Auxiliary end caps - available in all size codes
 Selection Guide, see Rexnord Spherical Roller Bearings Selection Guide section
 Load Ratings & Speed Limits, see Rexnord Spherical Roller Bearings Load Ratings & Speed Limits section
 Note: Dimensions subject to change. Certified dimensions of ordered material furnished on request.



Product Features

- Optical Strain Sensor Technology
- Positive locking system
- Tapered adapter sleeve
- Corrosion resistant powder coating
- Cast iron housing
- Misalignment capabilities - Total of 3°
- Broad range of sealing options
- Factory set clearance & lubrication
- Precision ground & superfinished raceways
- See Features & Benefits for additional info.

Bearing Dimensions

Size Code	Shaft Diameter	Part Number	A Pilot Diameter	B Distance Between Bolt Holes	L Mounting Surface to Collar Face	R Bolt Circle Radius	C	D	F Bolts	H	J	M	P	U	Approx. Weight
4-Bolt															
6	1 15/16	ZBR6115	4.500	3 51/64	2	2 11/16	6 3/8	3 41/64	7/16	9/16	1 41/64	2 55/64	1 1/8	7/8	9.60
7	2 3/16	ZBR6203	5.000	4 1/4	2 7/64	3	7 1/8	3 49/64	1/2	9/16	1 21/32	3 15/64	1 5/32	1	13.70
8	2 3/8	ZBR6206	5.500	4 19/32	2 23/64	3 1/4	7 5/8	4 5/32	1/2	5/8	1 51/64	3 19/32	1 27/64	1	16.20
	2 7/16	ZBR6207													15.90
9	2 11/16	ZBR6211	6.375	5 19/64	2 17/32	3 3/4	8 3/4	4 17/32	5/8	3/4	2	4 3/32	1 25/64	1 1/4	26.10
	2 3/4	ZBR6212													24.80
	2 15/16	ZBR6215													22.70
10	3 3/16	ZBR6303	7.375	6 3/32	3 1/32	4 5/16	10 1/4	5 9/64	3/4	15/16	2 7/64	4 61/64	1 19/32	1 1/4	38.00
	3 7/16	ZBR6307													36.50
11	3 11/16	ZBR6311	8.125	6 5/8	3 23/64	4 11/16	10 7/8	5 31/32	3/4	1 1/8	2 39/64	5 43/64	1 47/64	1 1/2	56.00
	3 15/16	ZBR6315													53.00
6-Bolt															
12	4 3/16	ZBR6403Y	10.250	5 7/8	3 3/16	5 7/8	13 1/2	6 1/4	3/4	1	3 1/16	6 1/16	1 7/8	2	84.00
	4 7/16	ZBR6407Y													83.00
13	4 15/16	ZBR6415	11.000	6 3/8	4 1/16	6 3/8	14 3/4	7 15/16	7/8	1 1/4	3 7/8	6 61/64	2 1/4	2 1/4	128.00

Additional Notes

Please call 1-866-REXNORD for availability
 Lubrication fitting tap size: for size code 6 thru 11, 1/8" PT: for all other size codes, 1/4" PT
 Pilot Diameter tolerance, +.000"/-.002"
 Bore tolerance for mounting, +.002"/-.000"
 Seals - To specify K or M seal, replace "Z" in part number with "K" or "M"
 "K" seals only available in size codes 6 thru 11
 Auxiliary end caps - available in all size codes

Selection Guide, see Rexnord Spherical Roller Bearings Selection Guide section
 Load Ratings & Speed Limits, see Rexnord Spherical Roller Bearings Load Ratings & Speed Limits section
 Note: Dimensions subject to change. Certified dimensions of ordered material furnished on request.

ZBR9000

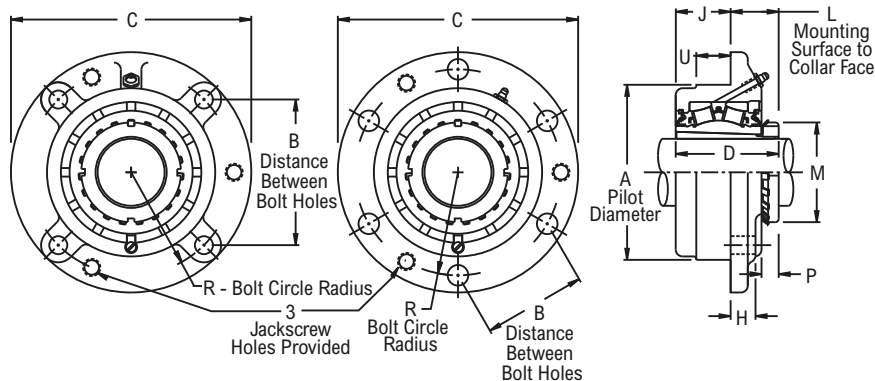


Photo Shows a 4-Bolt Spherical Roller Bearing Flanged Cartridge Unit

Product Features

- Corrosion resistant powder coating
- Cast iron housing
- Misalignment capabilities - Total of 3°
- Broad range of sealing options
- Factory set clearance & lubrication
- Precision ground & superfinished raceways
- Enhanced life mounting style
- Field interchangeable seals
- See Features & Benefits for additional info.

Bearing Drawing



Bearing Dimensions

Size Code	Shaft Diameter	Part Number	A Pilot Diameter	B Distance Between Bolt Holes	L Mounting Surface to Collar Face	R Bolt Circle Radius	C	D	F Bolts	H	J	M	P	U	Approx. Weight
4-Bolt															
7	1 15/16	ZBR9115	5.000	4 1/4	1 19/32	3	7 1/8	3 5/32	1/2	9/16	1 9/16	2 31/32	19/32	1	12.20
	2	ZBR9200													12.10
8	2 3/16	ZBR9203	5.500	4 19/32	1 21/32	3 1/4	7 5/8	3 11/32	1/2	5/8	1 11/16	3 3/8	23/32	1	15.20
9	2 7/16	ZBR9207	6.375	5 19/64	1 3/4	3 3/4	8 3/4	3 3/4	5/8	3/4	2	3 5/8	23/32	1 1/4	22.70
	2 1/2	ZBR9208													22.30
10	2 11/16	ZBR9211	7.375	6 3/32	2 1/4	4 5/16	10 1/4	4 1/4	3/4	15/16	2	4 13/32	13/16	1 1/4	36.40
	2 15/16	ZBR9215													35.40
	3	ZBR9300													34.70
11	3 3/16	ZBR9303	8.125	6 5/8	2 9/16	4 11/16	10 7/8	5 1/16	3/4	1 1/8	2 1/2	5 3/16	15/16	1 1/2	55.50
	3 7/16	ZBR9307													53.50
6-Bolt															
12	3 11/16	ZBR9311Y	10.250	5 7/8	2 11/32	5 7/8	13 1/2	5 13/32	3/4	1	3 1/16	5 23/32	1 1/32	2	84.20
	3 15/16	ZBR9315Y													81.90
	4	ZBR9400Y													81.40
13	4 3/16	ZBR9403	11.000	6 3/8	2 7/8	6 3/8	14 3/4	6 3/4	7/8	1 1/4	3 7/8	6 1/8	1 1/8	2 1/4	128.00
	4 7/16	ZBR9407													126.00
14	4 15/16	ZBR9415	13.000	7 1/4	3 5/16	7 1/4	17	7 3/16	7/8	1 3/8	3 7/8	7 3/32	1 1/8	2	178.00
	5	ZBR9500													177.00
15	5 7/16	ZBR9507	14.000	8 1/4	3 3/8	8 1/4	19	7 9/16	7/8	1	4 3/16	8 1/16	1 5/16	1 3/8	209.00
16	5 15/16	ZBR9515	15.000	8 1/2	3 1/2	8 1/2	19	7 3/4	1	1	4 1/4	9 1/16	1 11/16	1 1/2	241.00
	6	ZBR9600													240.00
	6 7/16	ZBR9607													233.00

Additional Notes

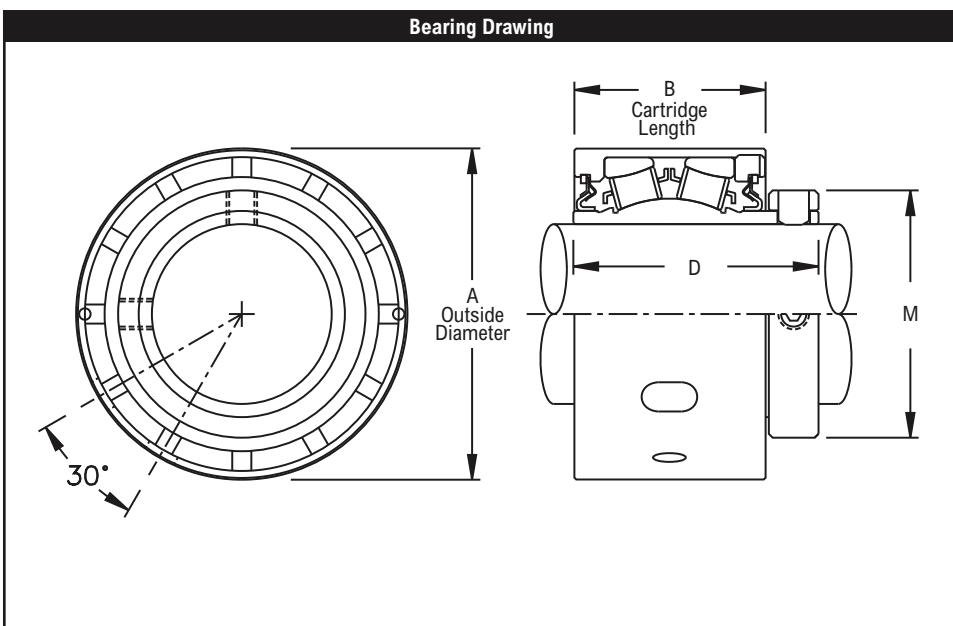
Please call 1-866-REXNORD for availability
 Lubrication fitting tap size: for size code 7 thru 11, 1/8" PT: for all other size codes, 1/4" PT
 Pilot Diameter tolerance, +.000"/-.002" for size codes 7 thru 13
 Pilot Diameter tolerance, +.000"/-.005" for size codes 14 thru 16
 Bore tolerance for mounting, +.002"/-.000" for size codes 7 thru 13
 Bore tolerance for mounting, +.005"/-.000" for size codes 14 thru 16
 Seals - To specify K or M seal, replace "Z" in part number with "K" or "M"

"K" seals only available in size codes 7 thru 11
 Auxiliary end caps - available in all size codes
 Selection Guide, see Rexnord Spherical Roller Bearings Selection Guide section
 Load Ratings & Speed Limits, see Rexnord Spherical Roller Bearings Load Ratings & Speed Limits section
 Note: Dimensions subject to change. Certified dimensions of ordered material furnished on request.



Product Features

- Steel housing
- Misalignment capabilities - Total of 3°
- Broad range of sealing options
- Factory set clearance & lubrication
- Precision ground & superfinished raceways
- Hardened spring locking collar
- Field interchangeable seals
- See Features & Benefits for additional info.



Bearing Dimensions							
Size Code	Shaft Diameter	Part Number	A Outside Diameter	B Cartridge Length	D	M	Approx. Weight
4	1 ⁷ / ₁₆	ZCS2107	3.1240	2.203	2 ⁷ / ₈	2 ⁵ / ₁₆	2.90
	1 ¹ / ₂	ZCS2108					2.80
5	1 ¹¹ / ₁₆	ZCS2111	3.6360	2.453	3 ¹ / ₈	2 ⁵ / ₈	4.50
	1 ³ / ₄	ZCS2112					4.40
6	1 ¹⁵ / ₁₆	ZCS2115	3.8330	2.453	3 ¹ / ₈	2 ¹⁵ / ₁₆	5.00
	2	ZCS2200					4.80
7	2 ³ / ₁₆	ZCS2203	4.2270	2.578	3 ⁵ / ₁₆	3 ¹ / ₄	6.40
	2 ¹ / ₄	ZCS2204					6.30
8	2 ³ / ₈	ZCS2206	4.6210	2.640	3 ¹ / ₂	3 ⁹ / ₁₆	7.60
	2 ⁷ / ₁₆	ZCS2207					7.50
	2 ¹ / ₂	ZCS2208					7.30
9	2 ¹¹ / ₁₆	ZCS2211	5.4070	3.140	4	4 ¹ / ₁₆	12.30
	2 ³ / ₄	ZCS2212					11.90
	2 ¹⁵ / ₁₆	ZCS2215					10.80
	3	ZCS2300					10.50
10	3 ³ / ₁₆	ZCS2303	6.1940	3.453	4 ³ / ₈	4 ¹⁵ / ₁₆	17.90
	3 ⁷ / ₁₆	ZCS2307					16.40
	3 ¹ / ₂	ZCS2308					15.90
11	3 ¹¹ / ₁₆	ZCS2311	7.3750	4.000	5 ³ / ₁₆	5 ⁵ / ₈	31.10
	3 ¹⁵ / ₁₆	ZCS2315					28.80
	4	ZCS2400					28.10

Additional Notes

<p>Please call 1-866-REXNORD for availability</p> <p>Metric bore sizes available, see Rexnord Interchangeability guide</p> <p>Lubrication fitting tap size, 1/4-28 UNF</p> <p>Bore size = nominal shaft size +.001"/-.000"</p> <p>O.D. tolerance, +.000"/-.002"</p> <p>Locking plug thread size, 5/8"-18 UNF</p> <p>Locking plug & grease fitting supplied with bearing</p> <p>Recommended engagement of locking plug into cartridge slot is .125" +/- .015"</p>	<p>Seals - To specify K or M seal, replace "Z" in part number with "K" or "M"</p> <p>Auxiliary end caps - not available</p> <p>Selection Guide, see Rexnord Spherical Roller Bearings Selection Guide section</p> <p>Load Ratings & Speed Limits, see Rexnord Spherical Roller Bearings Load Ratings & Speed Limits section</p> <p>Note: Dimensions subject to change. Certified dimensions of ordered material furnished on request.</p>
--	---

ZCS3000

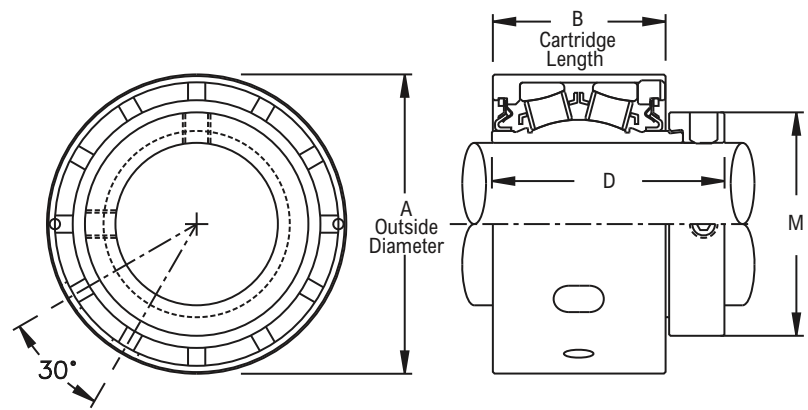


Photo Shows a Spherical Roller Bearing Cartridge Unit with Steel Housing

Product Features

- Steel housing
- Misalignment capabilities - Total of 3°
- Broad range of sealing options
- Factory set clearance & lubrication
- Precision ground & superfinished raceways
- Eccentric locking collar
- Field interchangeable seals
- See Features & Benefits for additional info.

Bearing Drawing



Bearing Dimensions

Size Code	Shaft Diameter	Part Number	A Outside Diameter	B Cartridge Length	D	M	Approx. Weight
4	1 ⁷ / ₁₆	ZCS3107	3.1240	2.203	2 ⁵⁹ / ₆₄	2 ⁵ / ₁₆	3.10
5	1 ¹¹ / ₁₆	ZCS3111	3.6360	2.453	3 ³ / ₁₆	2 ⁵ / ₈	4.70
6	1 ¹⁵ / ₁₆	ZCS3115	3.8330	2.453	3 ⁹ / ₃₂	2 ³ / ₄	3.50
7	2 ³ / ₁₆	ZCS3203	4.2270	2.578	3 ¹ / ₂	3 ¹ / ₄	6.70
8	2 ⁷ / ₁₆	ZCS3207	4.6210	2.640	3 ²¹ / ₃₂	3 ⁹ / ₁₆	7.70
	2 ¹ / ₂	ZCS3208					7.60
9	2 ¹¹ / ₁₆	ZCS3211	5.4070	3.140	4 ¹³ / ₆₄	4 ¹ / ₁₆	12.50
	2 ¹⁵ / ₁₆	ZCS3215					11.50
10	3 ⁷ / ₁₆	ZCS3307	6.1940	3.453	4 ³⁷ / ₆₄	4 ¹⁵ / ₁₆	17.00
	3 ¹ / ₂	ZCS3308					16.10
11	3 ¹⁵ / ₁₆	ZCS3315	7.3750	4.000	5 ³ / ₁₆	5 ⁵ / ₈	28.80

Additional Notes

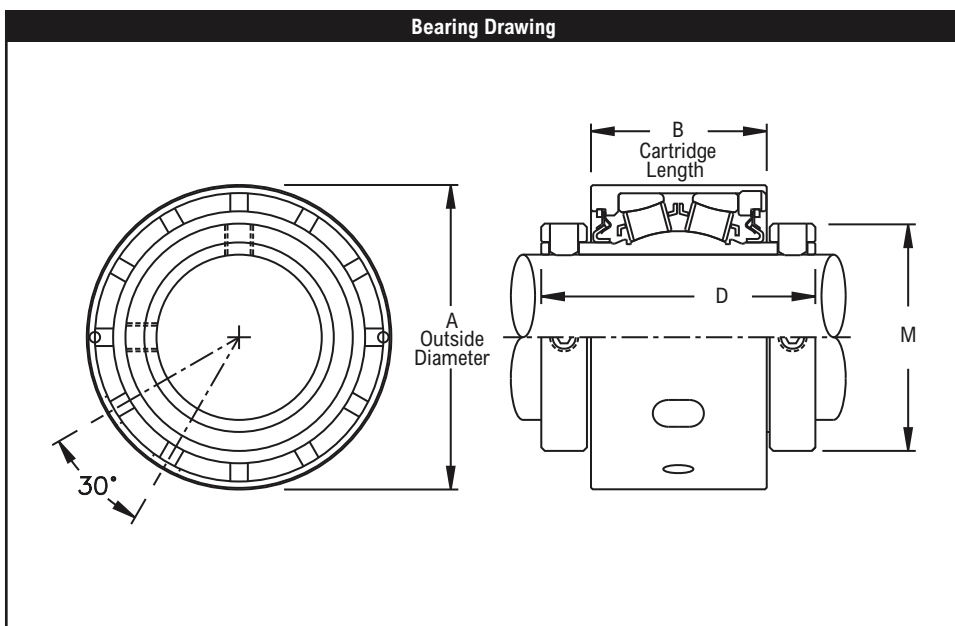
Please call 1-866-REXNORD for availability
Lubrication fitting tap size, 1/4-28 UNF
Bore size = nominal shaft size +.001"/-.000"
O.D. tolerance, +.000"/-.002"
Locking plug thread size, 5/8"-18 UNF
Locking plug & grease fitting supplied with bearing
Recommended engagement of locking plug into cartridge slot is .125" +/- .015"
Seals - To specify K or M seal, replace "Z" in part number with "K" or "M"

Auxiliary end caps - not available
Selection Guide, see Rexnord Spherical Roller Bearings Selection Guide section
Load Ratings & Speed Limits, see Rexnord Spherical Roller Bearings Load Ratings & Speed Limits section
Note: Dimensions subject to change. Certified dimensions of ordered material furnished on request.



Product Features

- Steel housing
- Misalignment capabilities - Total of 3°
- Broad range of sealing options
- Factory set clearance & lubrication
- Precision ground & superfinished raceways
- Two hardened spring locking collars
- Field interchangeable seals
- See Features & Benefits for additional info.



Bearing Dimensions							
Size Code	Shaft Diameter	Part Number	A Outside Diameter	B Cartridge Length	D	M	Approx. Weight
4	1 7/16	ZCS5107	3.1240	2.203	3 9/16	2 5/16	3.30
5	1 1/2	ZCS5108	3.6360	2.453	3 13/16	2 5/8	5.70
	1 11/16	ZCS5111					5.10
6	1 15/16	ZCS5115	3.8330	2.453	3 13/16	2 15/16	5.30
7	2	ZCS5200	4.2270	2.578	4 1/8	3 1/4	8.10
	2 3/16	ZCS5203					7.50
8	2 7/16	ZCS5207	4.6210	2.640	4 3/8	3 9/16	8.70
9	2 1/2	ZCS5208	5.4070	3.140	4 7/8	4 1/16	15.10
	2 11/16	ZCS5211					14.10
	2 15/16	ZCS5215					12.10
10	3 3/16	ZCS5303	6.1940	3.453	5 5/16	4 15/16	19.80
	3 7/16	ZCS5307					17.90
11	3 11/16	ZCS5311	7.3750	4.000	6 1/4	5 5/8	33.60
	3 15/16	ZCS5315					32.60
	4	ZCS5400					31.60

Additional Notes

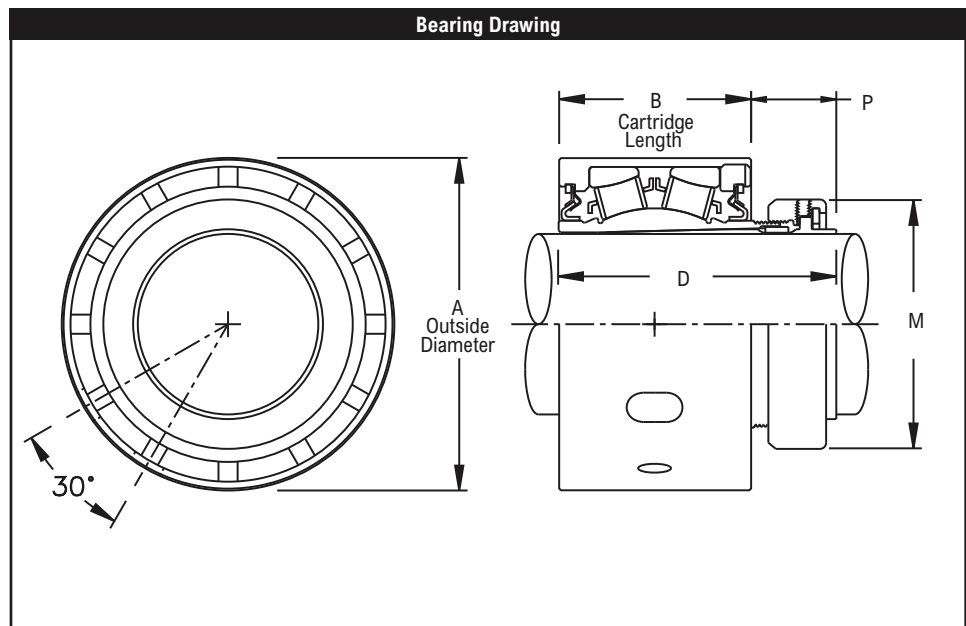
Please call 1-866-REXNORD for availability
 Metric bore sizes available, see Rexnord Interchangeability guide
 Lubrication fitting tap size, 1/4-28 UNF
 Bore size = nominal shaft size +.001"/-.000"
 O.D. tolerance, +.000"/-.002"
 Locking plug thread size, 5/8"-18 UNF
 Locking plug & grease fitting supplied with bearing
 Recommended engagement of locking plug into cartridge slot is .125" +/- .015"

Seals - To specify K or M seal, replace "Z" in part number with "K" or "M"
 Auxiliary end caps - not available
 Selection Guide, see Rexnord Spherical Roller Bearings Selection Guide section
 Load Ratings & Speed Limits, see Rexnord Spherical Roller Bearings Load Ratings & Speed Limits section
 Note: Dimensions subject to change. Certified dimensions of ordered material furnished on request.



Product Features

- Optical Strain Sensor Technology
- Positive locking system
- Tapered adapter sleeve
- Steel housing
- Misalignment capabilities - Total of 3°
- Broad range of sealing options
- Factory set clearance & lubrication
- Precision ground & superfinished raceways
- Field interchangeable seals
- See Features & Benefits for additional info.

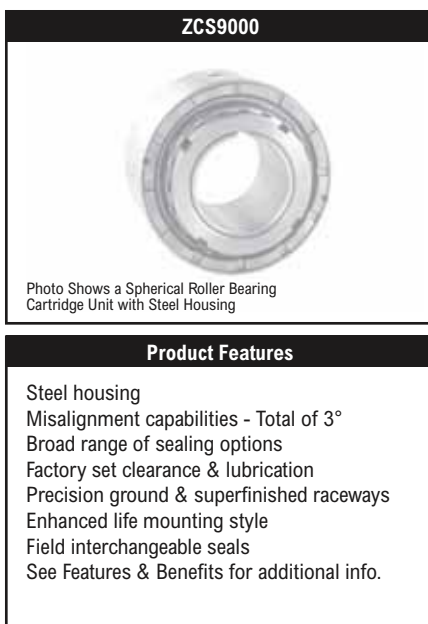


Bearing Dimensions								
Size Code	Shaft Diameter	Part Number	A Outside Diameter	B Cartridge Length	D	M	P	Approx. Weight
6	1 ¹⁵ / ₁₆	ZCS6115	3.8330	2.453	3 ⁴¹ / ₆₄	2 ⁵⁵ / ₆₄	1 ¹ / ₈	5.30
7	2 ³ / ₁₆	ZCS6203	4.2770	2.578	3 ⁴⁹ / ₆₄	3 ¹⁵ / ₆₄	1 ⁵ / ₃₂	8.10
8	2 ³ / ₈	ZCS6206	4.6210	2.640	4 ⁵ / ₃₂	3 ¹⁹ / ₃₂	1 ²⁷ / ₆₄	9.10
	2 ⁷ / ₁₆	ZCS6207						8.70
9	2 ¹¹ / ₁₆	ZCS6211	5.4070	3.140	4 ¹⁷ / ₃₂	4 ³ / ₃₂	1 ²⁵ / ₆₄	15.10
	2 ³ / ₄	ZCS6212						14.10
	2 ¹⁵ / ₁₆	ZCS6215						12.10
10	3 ³ / ₁₆	ZCS6303	6.1940	3.453	5 ⁹ / ₆₄	4 ⁶¹ / ₆₄	1 ¹⁹ / ₃₂	19.80
	3 ⁷ / ₁₆	ZCS6307						17.90
11	3 ¹¹ / ₁₆	ZCS6311	7.3750	4.000	5 ³¹ / ₃₂	5 ⁴³ / ₆₄	1 ⁴⁷ / ₆₄	33.60
	3 ¹⁵ / ₁₆	ZCS6315						32.60

Additional Notes

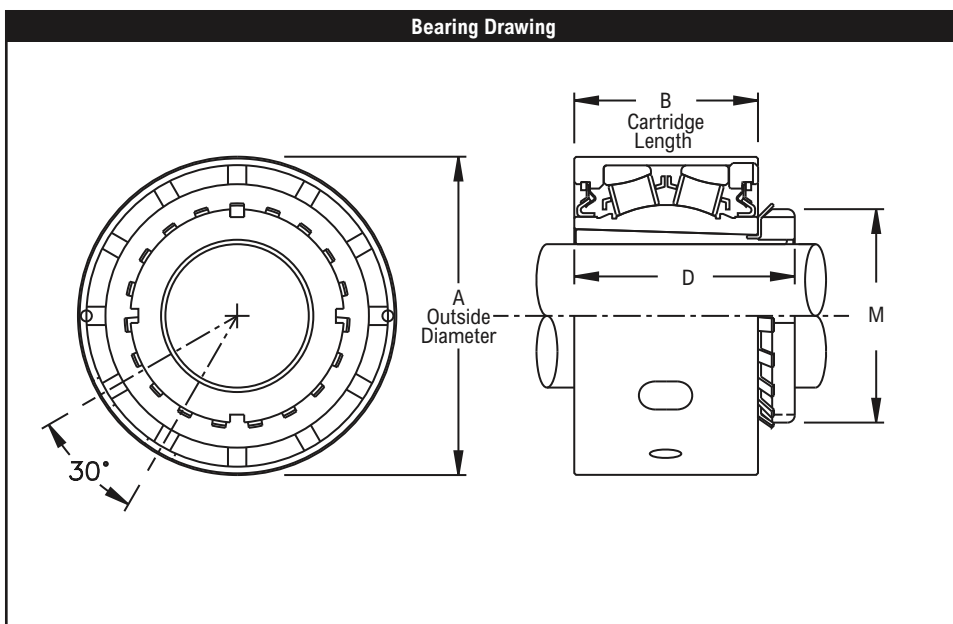
Please call 1-866-REXNORD for availability
 Lubrication fitting tap size, 1/4-28 UNF
 Bore size = nominal shaft size +.001"/-.000"
 O.D. tolerance, +.000"/-.002"
 Locking plug thread size, 5/8"-18 UNF
 Locking plug & grease fitting supplied with bearing
 Recommended engagement of locking plug into cartridge slot is .125" +/- .015"
 Seals - To specify K or M seal, replace "Z" in part number with "K" or "M"

Auxiliary end caps - not available
 Selection Guide, see Rexnord Spherical Roller Bearings Selection Guide section
 Load Ratings & Speed Limits, see Rexnord Spherical Roller Bearings Load Ratings & Speed Limits section
 Note: Dimensions subject to change. Certified dimensions of ordered material furnished on request.



Product Features

- Steel housing
- Misalignment capabilities - Total of 3°
- Broad range of sealing options
- Factory set clearance & lubrication
- Precision ground & superfinished raceways
- Enhanced life mounting style
- Field interchangeable seals
- See Features & Benefits for additional info.



Bearing Dimensions

Size Code	Shaft Diameter	Part Number	A Outside Diameter	B Cartridge Length	D	M	Approx. Weight
7	1 15/16	ZCS9115	4.2270	2.578	3 5/32	2 31/32	6.60
	2	ZCS9200					6.50
8	2 3/16	ZCS9203	4.6210	2.640	3 11/32	3 3/8	7.90
9	2 7/16	ZCS9207	5.4070	3.140	3 3/4	3 5/8	11.60
	2 1/2	ZCS9208					11.20
10	2 11/16	ZCS9211	6.1940	3.453	4 1/4	4 13/32	19.10
	2 15/16	ZCS9215					17.90
	3	ZCS9300					17.20
11	3 3/16	ZCS9303	7.3750	4.000	5 1/16	5 3/16	34.30
	3 7/16	ZCS9307					32.30

Additional Notes

Please call 1-866-REXNORD for availability

Lubrication fitting tap size, 1/4-28 UNF

Bore size = nominal shaft size +.001”/-0.000”

O.D. tolerance, +.000”/-0.002”

Locking plug thread size, 5/8”-18 UNF

Locking plug & grease fitting supplied with bearing

Recommended engagement of locking plug into cartridge slot is .125” +/-0.015”

Seals - To specify K or M seal, replace “Z” in part number with “K” or “M”

Auxiliary end caps - not available

Selection Guide, see Rexnord Spherical Roller Bearings Selection Guide section

Load Ratings & Speed Limits, see Rexnord Spherical Roller Bearings Load Ratings & Speed Limits section

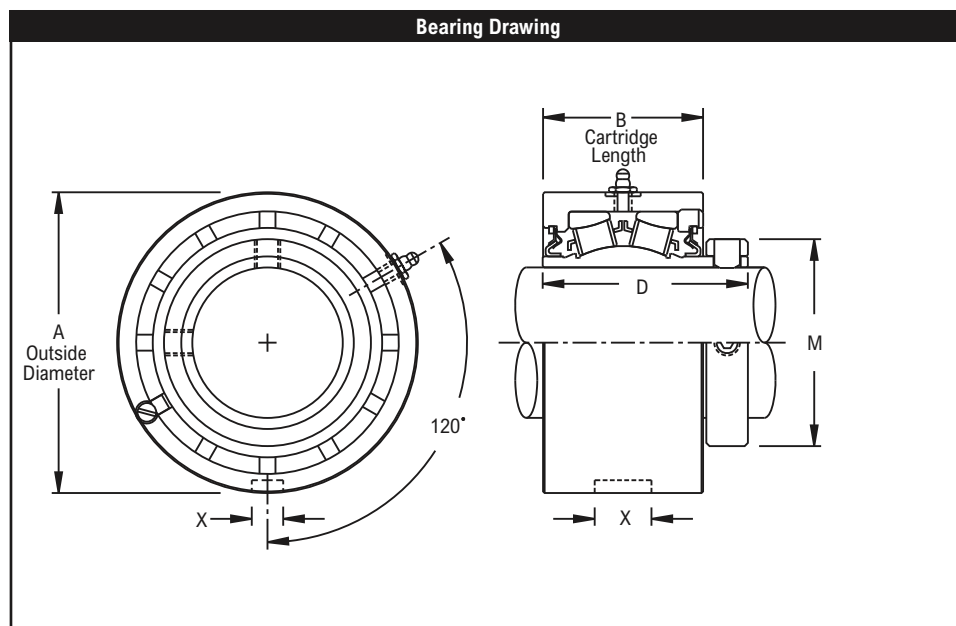
Note: Dimensions subject to change. Certified dimensions of ordered material furnished on request.



Product Features

- Corrosion resistant powder coating
- Cast iron housing
- Misalignment capabilities - Total of 3°
- Broad range of sealing options
- Factory set clearance & lubrication
- Precision ground & superfinished raceways
- Hardened spring locking collar
- Field interchangeable seals

See Features & Benefits for additional info.




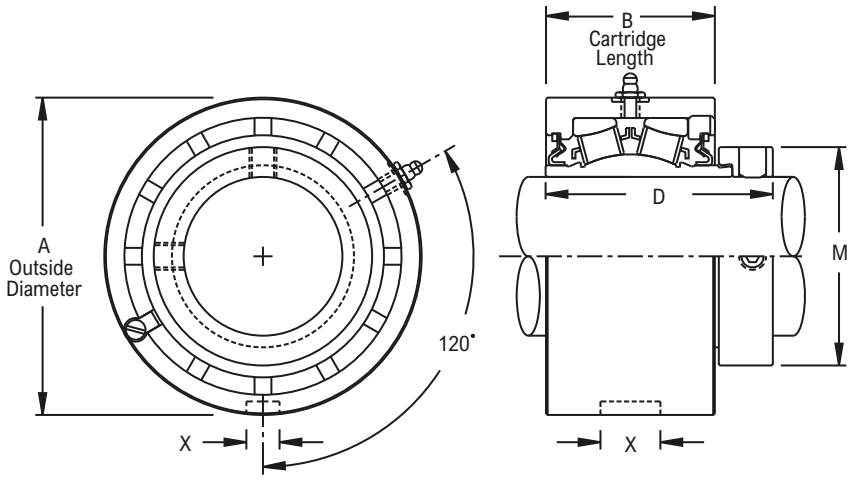
Bearing Dimensions

Size Code	Shaft Diameter	Part Number	A Outside Diameter	B Cartridge Length	D	M	X Depth	X Length	X Width	Approx. Weight
2	3/4	ZMC2012	3.0000	2	2 9/16	1 3/4	-	-	-	3.10
	15/16	ZMC2015								2.90
	1	ZMC2100								
3	1 1/8	ZMC2102	3.2190	2 1/8	2 11/16	2	-	-	-	3.50
	1 3/16	ZMC2103								3.40
	1 1/4	ZMC2104								3.30
4	1 7/16	ZMC2107	3.4370	2 3/16	2 7/8	2 5/16	3/16	29/32	0.531	3.90
	1 1/2	ZMC2108								3.80
5	1 11/16	ZMC2111	3.9370	2 7/16	3 1/8	2 5/8	3/16	29/32	0.531	5.60
	1 3/4	ZMC2112								5.40
6	1 15/16	ZMC2115	4.1250	2 7/16	3 1/8	2 15/16	3/16	29/32	0.531	5.80
	2	ZMC2200								5.60
7	2 3/16	ZMC2203	4.5310	2 9/16	3 5/16	3 1/4	3/16	29/32	0.531	7.50
	2 1/4	ZMC2204								7.30
8	2 3/8	ZMC2206	5.0000	2 5/8	3 1/2	3 9/16	3/16	29/32	0.531	9.50
	2 7/16	ZMC2207								9.40
	2 1/2	ZMC2208								9.20
9	2 11/16	ZMC2211	5.8750	3 1/8	4	4 1/16	1/4	1 1/32	0.594	15.90
	2 3/4	ZMC2212								15.50
	2 15/16	ZMC2215								14.40
	3	ZMC2300								14.10
10	3 3/16	ZMC2303	6.7500	3 7/16	4 3/8	4 15/16	9/32	1 1/16	0.594	22.50
	3 7/16	ZMC2307								20.50
	3 1/2	ZMC2308								20.00
11	3 11/16	ZMC2311	8.1250	4 1/8	5 3/16	5 5/8	5/16	1 9/32	0.781	38.50
	3 15/16	ZMC2315								36.50
	4	ZMC2400								35.80

Additional Notes

Please call 1-866-REXNORD for availability
 Metric bore sizes available, see Rexnord Interchangeability guide
 Lubrication fitting tap size, 1/8 PT
 Bore size = nominal shaft size +.001"/-.000"
 O.D. tolerance, +.000"/-.002"
 Seals - To specify K or M seal, replace "Z" in part number with "K" or "M"
 Auxiliary end caps - not available

Selection Guide, see Rexnord Spherical Roller Bearings Selection Guide section
 Load Ratings & Speed Limits, see Rexnord Spherical Roller Bearings Load Ratings & Speed Limits section
 Note: Dimensions subject to change. Certified dimensions of ordered material furnished on request.

ZMC3000	Bearing Drawing
 <p style="font-size: small;">Photo Shows a Spherical Roller Bearing Cartridge Unit with Cast Iron Housing</p>	
Product Features	
<ul style="list-style-type: none"> Corrosion resistant powder coating Cast iron housing Misalignment capabilities - Total of 3° Broad range of sealing options Factory set clearance & lubrication Precision ground & superfinished raceways Eccentric locking collar Field interchangeable seals See Features & Benefits for additional info. 	

Bearing Dimensions										
Size Code	Shaft Diameter	Part Number	A Outside Diameter	B Cartridge Length	D	M	X Depth	X Length	X Width	Approx. Weight
4	1 7/16	ZMC3107	3.4370	2 3/16	2 59/64	2 5/16	3/16	29/32	0.531	4.10
5	1 11/16	ZMC3111	3.9370	2 7/16	3 3/16	2 5/8	3/16	29/32	0.531	5.80
6	1 15/16	ZMC3115	4.1250	2 7/16	3 9/32	2 15/16	3/16	29/32	0.531	6.00
7	2 3/16	ZMC3203	4.5310	2 9/16	3 1/2	3 1/4	3/16	29/32	0.531	7.80
8	2 7/16	ZMC3207	5.0000	2 5/8	3 21/32	3 9/16	3/16	29/32	0.531	9.60
	2 1/2	ZMC3208								9.50
9	2 11/16	ZMC3211	5.8750	3 1/8	4 13/64	4 1/16	1/4	1 1/32	0.594	16.10
	2 15/16	ZMC3215								15.10
10	3 7/16	ZMC3307	6.7500	3 7/16	4 37/64	4 15/16	9/32	1 1/16	0.594	21.10
	3 1/2	ZMC3308								20.20
11	3 15/16	ZMC3315	8.1250	4 1/8	5 3/16	5 5/8	5/16	1 9/32	0.781	36.50

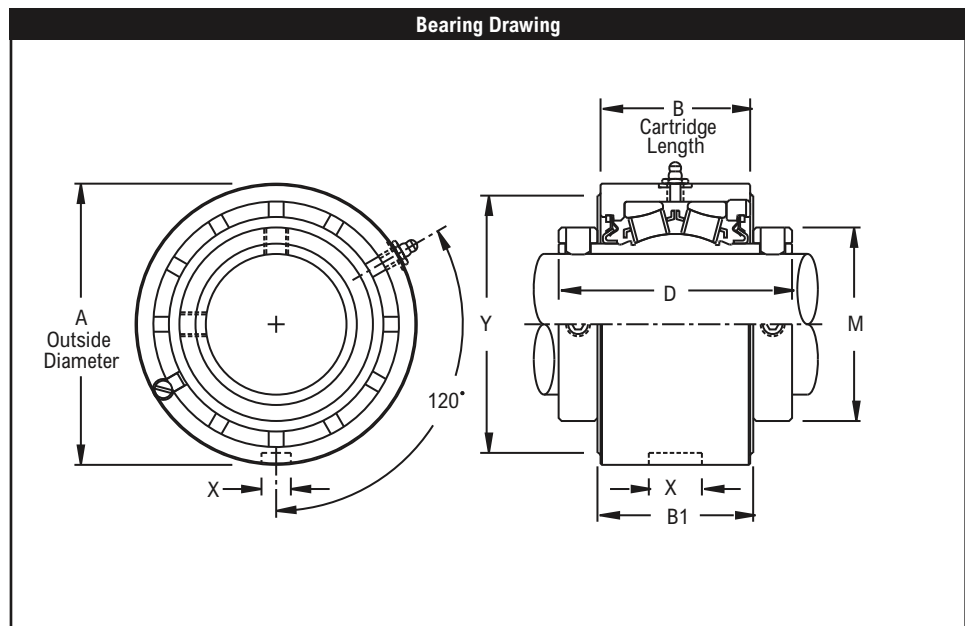
Additional Notes	
<p>Please call 1-866-REXNORD for availability Lubrication fitting tap size, 1/8 PT Bore size = nominal shaft size +.001"/-.000" O.D. tolerance, +.000"/-.002" Seals - To specify K or M seal, replace "Z" in part number with "K" or "M" Auxiliary end caps - not available Selection Guide, see Rexnord Spherical Roller Bearings Selection Guide section</p>	<p>Load Ratings & Speed Limits, see Rexnord Spherical Roller Bearings Load Ratings & Speed Limits section Note: Dimensions subject to change. Certified dimensions of ordered material furnished on request.</p>



Product Features

- Corrosion resistant powder coating
- Cast iron housing
- Misalignment capabilities - Total of 3°
- Broad range of sealing options
- Factory set clearance & lubrication
- Precision ground & superfinished raceways
- Two hardened spring locking collars
- Field interchangeable seals

See Features & Benefits for additional info.



Bearing Dimensions													
Size Code	Shaft Diameter	Part Number	A Outside Diameter	B Cartridge Length	B1	D	M	X Depth	X Length	X Width	Y	Approx. Weight	
4	1 7/16	ZMC5107	3.4370	2 3/16	-	3 9/16	2 5/16	3/16	29/32	0.531	-	4.30	
	1 1/2	ZMC5108											6.50
5	1 11/16	ZMC5111	3.9370	2 7/16	-	3 13/16	2 5/8	3/16	29/32	0.531	-	5.90	
	1 15/16	ZMC5115											6.50
7	2	ZMC5200	4.5310	2 9/16	-	4 1/8	3 1/4	3/16	29/32	0.531	-	9.50	
	2 3/16	ZMC5203											8.80
8	2 7/16	ZMC5207	5.0000	2 5/8	-	4 3/8	3 9/16	3/16	29/32	0.531	-	10.60	
	2 1/2	ZMC5208											18.70
9	2 11/16	ZMC5211	5.8750	3 1/8	-	4 7/8	4 1/16	1/4	1 1/32	0.594	-	17.70	
	2 15/16	ZMC5215											15.70
10	3 3/16	ZMC5303	6.7500	3 7/16	-	5 5/16	4 15/16	9/32	1 1/16	0.594	-	24.70	
	3 7/16	ZMC5307											22.80
11	3 11/16	ZMC5311	8.1250	4 1/8	-	6 1/4	5 5/8	5/16	1 9/32	0.781	-	44.00	
	3 15/16	ZMC5315											41.50
12	4	ZMC5400	8.7500	4 1/4	-	6 1/4	6 3/16	5/16	1 1/2	0.781	-	41.00	
	4 3/16	ZMC5403Y											50.00
	4 7/16	ZMC5407Y											47.00
13	4 1/2	ZMC5408Y	10.4370	5 9/16	6	7 7/8	7 1/16	5/16	1 1/2	0.781	7 25/32	95.00	
	4 15/16	ZMC5415											92.00
14	5	ZMC5500	11.5000	5 9/16	5 7/8	8	8 3/16	7/32	1 1/2	0.781	9 9/16	114.00	
	5 7/16	ZMC5507											134.00
15	5 15/16	ZMC5515	12.2500	5 7/8	6 1/8	8 1/8	8 21/32	7/32	1 1/2	0.781	10 3/8	133.00	
	6	ZMC5600											180.00
16	6 7/16	ZMC5607	13.5630	6 3/16	6 1/2	8 3/4	9 23/32	7/32	1 1/2	0.781	11 3/8	167.00	
	6 15/16	ZMC5615											166.00
	7	ZMC5700											

Additional Notes

Please call 1-866-REXNORD for availability

Metric bore sizes available, see Rexnord Interchangeability guide

Lubrication fitting tap size: for size code 4 thru 11, 1/8" PT; for all other size codes, 1/4" PT

Bore size = nominal shaft size +.001"/-.000"

O.D. tolerance, for size code 4 thru 11 +.000"/-.002": for all other size codes, +.000"/-.003"

Seals - To specify K or M seal, replace "Z" in part number with "K" or "M"

"K" seals only available in size codes 4 thru 11

Auxiliary end caps - not available

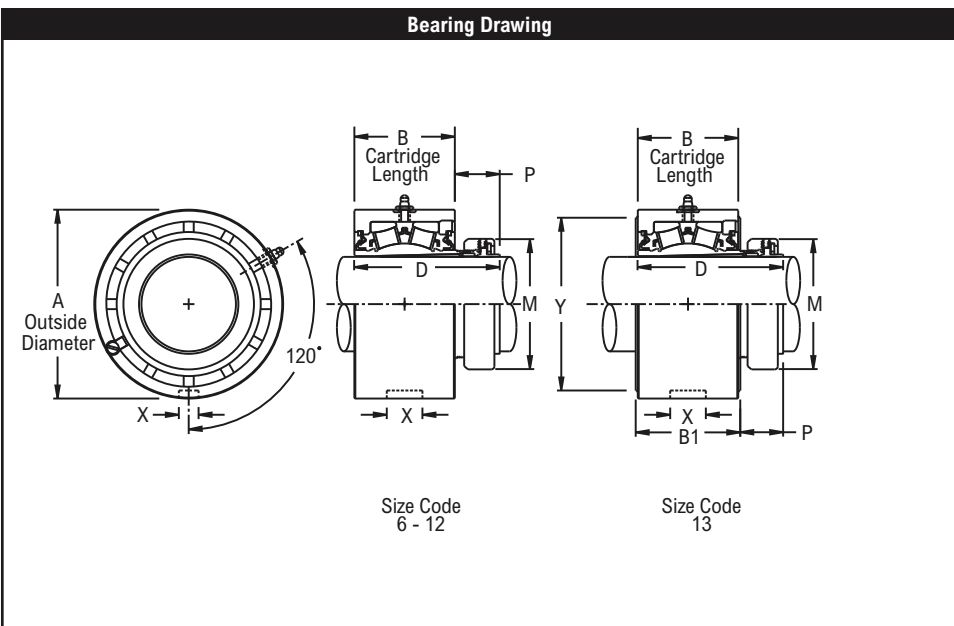
Selection Guide, see Rexnord Spherical Roller Bearings Selection Guide section

Load Ratings & Speed Limits, see Rexnord Spherical Roller Bearings Load Ratings & Speed Limits section

Note: Dimensions subject to change. Certified dimensions of ordered material furnished on request.



Photo Shows a Spherical Roller Bearing Cartridge Unit with Cast Iron Housing



- Product Features**
- Optical Strain Sensor Technology
 - Positive locking system
 - Tapered adapter sleeve
 - Corrosion resistant powder coating
 - Cast iron housing
 - Misalignment capabilities - Total of 3°
 - Broad range of sealing options
 - Factory set clearance & lubrication
 - Precision ground & superfinished raceways
 - See Features & Benefits for additional info.

Bearing Dimensions													
Size Code	Shaft Diameter	Part Number	A Outside Diameter	B Cartridge Length	B1	D	M	P	X Depth	X Length	X Width	Y	Approx. Weight
6	1 15/16	ZMC6115	4.1250	2 7/16	-	3 41/64	2 55/64	1 1/8	3/16	29/32	0.531	-	6.50
7	2 3/16	ZMC6203	4.5310	2 9/16	-	3 49/64	3 15/64	1 5/32	3/16	29/32	0.531	-	9.50
8	2 3/8	ZMC6206	5.0000	2 5/8	-	4 5/32	3 19/32	1 27/64	3/16	29/32	0.531	-	10.90
	2 7/16	ZMC6207											10.60
9	2 11/16	ZMC6211	5.8750	3 1/8	-	4 17/32	4 3/32	1 25/64	1/4	1 1/32	0.594	-	18.70
	2 3/4	ZMC6212											17.70
	2 15/16	ZMC6215											15.70
10	3 3/16	ZMC6303	6.7500	3 7/16	-	5 9/64	4 61/64	1 19/32	9/32	1 1/16	0.594	-	24.70
	3 7/16	ZMC6307											22.80
11	3 11/16	ZMC6311	8.1250	4 1/8	-	5 31/32	5 49/64	1 47/64	5/16	1 9/32	0.781	-	44.00
	3 15/16	ZMC6315											41.50
12	4 3/16	ZMC6403Y	8.7500	4 1/4	-	6 1/4	6 1/16	1 7/8	5/16	1 1/2	0.781	-	50.00
	4 7/16	ZMC6407Y											47.00
13	4 15/16	ZMC6415	10.4370	5 9/16	6	7 15/16	6 61/64	2 1/4	5/16	1 1/2	0.781	7 25/32	95.00

Additional Notes

Please call 1-866-REXNORD for availability
 Lubrication fitting tap size: for size code 6 thru 11, 1/8" PT: for all other size codes, 1/4" PT
 Bore size = nominal shaft size +.001"/-.000"
 O.D. tolerance, for size code 6 thru 11 +.000"/-.002": for all other size codes, +.000"/-.003"
 Seals - To specify K or M seal, replace "Z" in part number with "K" or "M"
 "K" seals only available in size codes 6 thru 11

Auxiliary end caps - not available
 Selection Guide, see Rexnord Spherical Roller Bearings Selection Guide section
 Load Ratings & Speed Limits, see Rexnord Spherical Roller Bearings Load Ratings & Speed Limits section
 Note: Dimensions subject to change. Certified dimensions of ordered material furnished on request.

ZMC9000

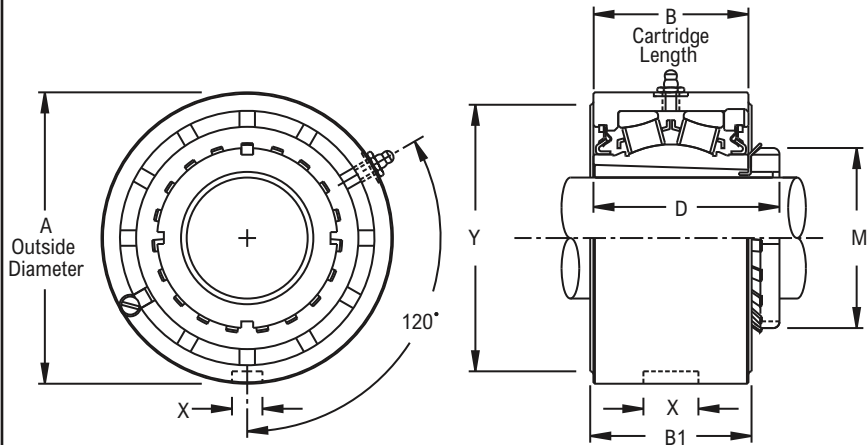


Photo Shows a Spherical Roller Bearing Cartridge Unit with Cast Iron Housing

Product Features

- Corrosion resistant powder coating
- Cast iron housing
- Misalignment capabilities - Total of 3°
- Broad range of sealing options
- Factory set clearance & lubrication
- Precision ground & superfinished raceways
- Enhanced life mounting style
- Field interchangeable seals
- See Features & Benefits for additional info.

Bearing Drawing



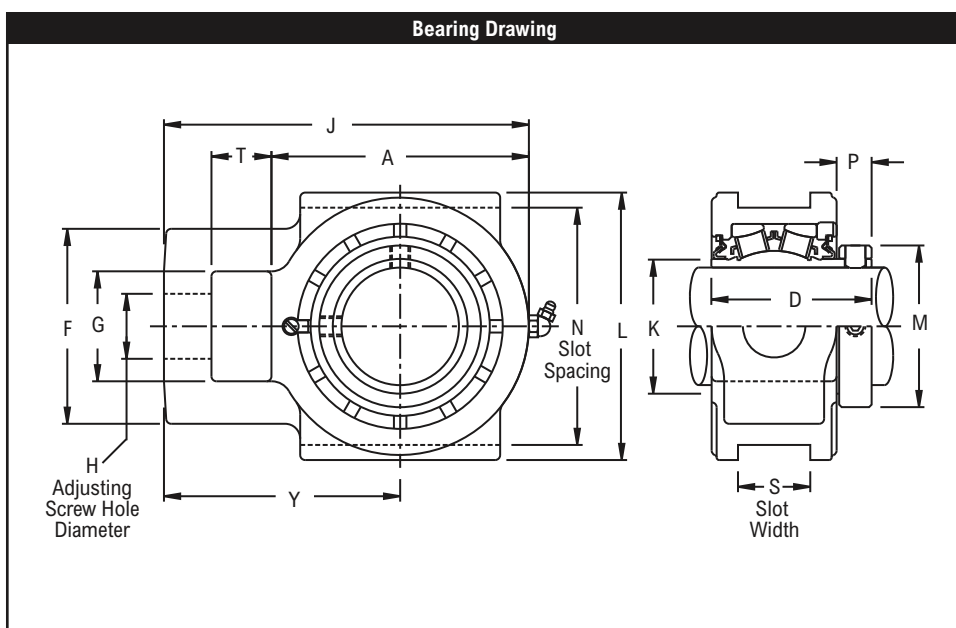
Bearing Dimensions

Size Code	Shaft Diameter	Part Number	A Outside Diameter	B Cartridge Length	B1	D	M	X Depth	X Length	X Width	Y	Approx. Weight
7	1 ¹⁵ / ₁₆	ZMC9115	4.5310	2 ⁹ / ₁₆	-	3 ⁵ / ₃₂	2 ³¹ / ₃₂	³ / ₁₆	²⁹ / ₃₂	0.531	-	7.60
	2	ZMC9200										7.40
8	2 ³ / ₁₆	ZMC9203	5.0000	2 ⁵ / ₈	-	3 ¹¹ / ₃₂	3 ³ / ₈	³ / ₁₆	²⁹ / ₃₂	0.531	-	9.60
9	2 ⁷ / ₁₆	ZMC9207	5.8750	3 ¹ / ₈	-	3 ²⁷ / ₃₂	3 ⁵ / ₈	¹ / ₄	1 ¹ / ₃₂	0.594	-	15.60
	2 1/2	ZMC9208										15.20
10	2 ¹¹ / ₁₆	ZMC9211	6.7500	3 ⁷ / ₁₆	-	4 1/4	4 ¹³ / ₃₂	⁹ / ₃₂	1 ¹ / ₁₆	0.594	-	23.80
	2 ¹⁵ / ₁₆	ZMC9215										22.50
	3	ZMC9300										22.10
11	3 ³ / ₁₆	ZMC9303	8.1250	4 1/8	-	5 ³ / ₃₂	5 ³ / ₁₆	⁵ / ₁₆	1 ⁹ / ₃₂	0.781	-	41.00
	3 ⁷ / ₁₆	ZMC9307										39.40
12	3 ¹¹ / ₁₆	ZMC9311Y	8.7500	4 1/4	-	5 ¹³ / ₃₂	5 ²³ / ₃₂	⁵ / ₁₆	1 1/2	0.781	-	48.50
	3 ¹⁵ / ₁₆	ZMC9315Y										46.20
	4	ZMC9400Y										45.70
13	4 ³ / ₁₆	ZMC9403	10.4370	5 ⁹ / ₁₆	6	6 ¹³ / ₁₆	6 1/8	⁵ / ₁₆	1 1/2	0.781	7 ²⁵ / ₃₂	92.00
	4 ⁷ / ₁₆	ZMC9407										90.00
14	4 ¹⁵ / ₁₆	ZMC9415	11.5000	5 ⁹ / ₁₆	5 ⁷ / ₈	7 ³ / ₁₆	7 ³ / ₃₂	⁷ / ₃₂	1 1/2	0.781	9 ⁹ / ₁₆	115.00
	5	ZMC9500										108.00
15	5 ⁷ / ₁₆	ZMC9507	12.2500	5 ⁷ / ₈	6 1/8	7 ⁷ / ₁₆	8 1/16	⁷ / ₃₂	1 1/2	0.781	10 ³ / ₈	130.00
16	5 ¹⁵ / ₁₆	ZMC9515	13.5630	6 ³ / ₁₆	6 1/2	7 ³ / ₄	9 1/16	⁷ / ₃₂	1 1/2	0.781	11 ³ / ₈	178.00
	6	ZMC9600										177.00
	6 ⁷ / ₁₆	ZMC9607										170.00

Additional Notes

Please call 1-866-REXNORD for availability
 Lubrication fitting tap size: for size code 7 thru 11, 1/8" PT: for all other size codes, 1/4" PT
 Bore size = nominal shaft size +.001"/-.000"
 O.D. tolerance, for size code 7 thru 11 +.000"/-.002": for all other size codes, +.000"/-.003"
 Seals - To specify K or M seal, replace "Z" in part number with "K" or "M"
 "K" seals only available in size codes 7 thru 11

Auxiliary end caps - not available
 Selection Guide, see Rexnord Spherical Roller Bearings Selection Guide section
 Load Ratings & Speed Limits, see Rexnord Spherical Roller Bearings Load Ratings & Speed Limits section
 Note: Dimensions subject to change. Certified dimensions of ordered material furnished on request.



Product Features

- Corrosion resistant powder coating
- Cast iron housing
- Misalignment capabilities - Total of 3°
- Broad range of sealing options
- Factory set clearance & lubrication
- Precision ground & superfinished raceways
- Hardened spring locking collar
- Field interchangeable seals
- See Features & Benefits for additional info.

Bearing Dimensions																	Allowable Working Load (2/3 Yield Strength)	Approx. Weight
Size Code	Shaft Diameter	Part Number	H Adjusting Screw Hole Diameter	N Slot Spacing	S Slot Width	A	D	F	G	J	K	L	M	P	T	Y		
2	3/4	ZT22012	3/4	3	17/32	3	2 9/16	2	1 1/4	4 1/16	1 5/16	3 5/8	1 3/4	9/16	5/8	2 9/16	4,400	4.00
	15/16	ZT22015																3.90
	1	ZT22100																3.90
3	1 1/8	ZT32102	7/8	3 1/2	17/32	3 3/8	2 11/16	2 5/16	1 7/16	4 9/16	1 17/32	4 1/8	2	9/16	5/8	2 7/8	5,700	5.50
	1 3/16	ZT32103																5.40
	1 1/4	ZT32104																5.30
4	1 7/16	ZT42107	7/8	3 1/2	17/32	3 3/4	2 7/8	2 7/16	1 7/16	5 1/16	1 3/4	4 1/8	2 5/16	11/16	5/8	3 1/4	7,600	6.40
	1 1/2	ZT42108																6.30
5	1 11/16	ZT52111	1 1/8	4	11/16	4 1/4	3 1/8	3 5/16	1 15/16	5 15/16	2 1/32	4 3/4	2 5/8	11/16	3/4	3 13/16	12,300	9.80
	1 3/4	ZT52112																9.70
6	1 15/16	ZT62115	1 1/8	4	11/16	4 1/2	3 1/8	3 5/16	1 15/16	6 3/16	2 5/16	4 1/2	2 15/16	11/16	3/4	3 15/16	12,300	10.10
	2	ZT62200																9.90
7	2 3/16	ZT72203	1 3/8	4 1/2	13/16	5	3 9/16	3 7/8	2 1/4	7 1/8	2 5/8	5 1/4	3 1/4	13/16	1 1/4	4 5/8	13,500	13.60
	2 1/4	ZT72204																13.40
8	2 3/8	ZT82206	1 3/8	5 1/8	1 1/16	5 1/2	3 1/2	4 1/4	2 1/4	7 13/16	2 29/32	5 7/8	3 9/16	7/8	1 1/4	5 1/16	20,900	18.30
	2 7/16	ZT82207																18.20
	2 1/2	ZT82208																17.90
9	2 11/16	ZT92211	1 5/8	5 15/16	1 13/16	6 7/16	4	4 7/8	2 3/4	9 1/8	3 3/8	6 11/16	4 1/16	7/8	1 1/2	5 15/16	26,800	28.80
	2 3/4	ZT92212																28.40
	2 15/16	ZT92215																27.60
	3	ZT92300																27.00
10	3 3/16	ZT102303	1 7/8	6 13/16	1 13/16	7 3/8	4 3/8	5 3/8	2 7/8	10	3 31/32	7 13/16	4 15/16	15/16	1 5/8	6 5/16	27,300	42.50
	3 7/16	ZT102307																40.50
	3 1/2	ZT102308																40.00
11	3 11/16	ZT112311	2 1/8	8 5/8	2 1/16	8 7/8	5 3/16	5 3/8	3 3/8	12 1/8	4 9/16	9 7/16	5 5/8	1 1/16	2 1/8	7 11/16	45,400	71.00
	3 15/16	ZT112315																68.00
	4	ZT112400																67.00

Additional Notes

Please call 1-866-REXNORD for availability
 Metric bore sizes available, see Rexnord Interchangeability guide
 Lubrication fitting tap size, 1/8 PT
 Bore size = nominal shaft size +.001"/-.000"
 Take-up slot spacing & width tolerance, +.005"/-.015"
 Seals - To specify K or M seal, replace "Z" in part number with "K" or "M"
 Auxiliary end caps - available in all size codes except for size codes 2 & 3
 Allowable working load is 2/3 yield strength

Selection Guide, see Rexnord Spherical Roller Bearings Selection Guide section
 Load Ratings & Speed Limits, see Rexnord Spherical Roller Bearings Load Ratings & Speed Limits section
 Note: Dimensions subject to change. Certified dimensions of ordered material furnished on request.

ZT3000

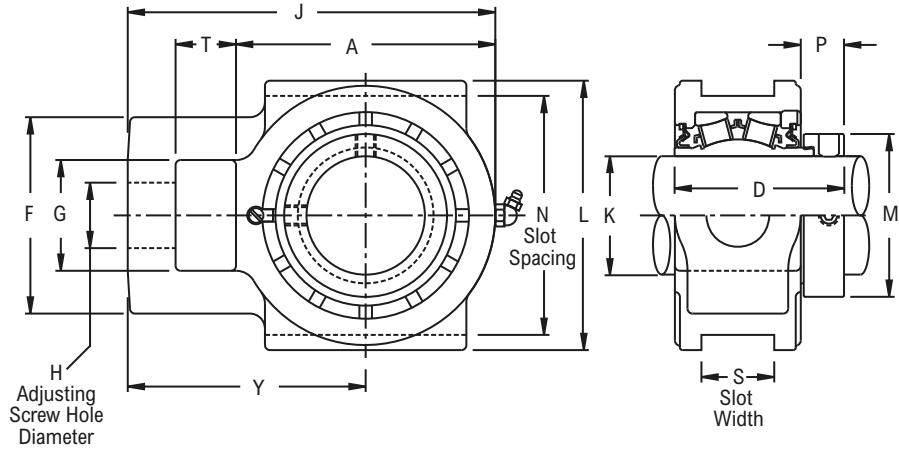


Photo Shows a Spherical Roller Bearing Take-Up Unit

Product Features

- Corrosion resistant powder coating
- Cast iron housing
- Misalignment capabilities - Total of 3°
- Broad range of sealing options
- Factory set clearance & lubrication
- Precision ground & superfinished raceways
- Eccentric locking collar
- Field interchangeable seals
- See Features & Benefits for additional info.

Bearing Drawing



Bearing Dimensions

Size Code	Shaft Diameter	Part Number	H Adjusting Screw Hole Diameter	N Slot Spacing	S Slot Width	A	D	F	G	J	K	L	M	P	T	Y	Allowable Working Load (2/3 Yield Strength)	Approx. Weight
4	1 7/16	ZT43107	7/8	3 1/2	17/32	3 3/4	2 59/64	2 7/16	1 7/16	5 1/16	1 3/4	4 1/8	2 5/16	25/32	5/8	3 1/4	7,600	6.60
5	1 11/16	ZT53111	1 1/8	4	11/16	4 1/4	3 3/16	3 5/16	1 15/16	5 15/16	2 1/32	4 3/4	2 5/8	3/4	3/4	3 13/16	12,300	10.00
6	1 15/16	ZT63115	1 1/8	4	11/16	4 1/2	3 9/32	3 5/16	1 15/16	6 3/16	2 5/16	4 1/2	2 3/4	27/32	3/4	3 15/16	12,300	13.50
7	2 3/16	ZT73203	1 3/8	4 1/2	13/16	5	3 1/2	3 7/8	2 1/4	7 1/8	2 5/8	5 1/4	3 1/4	31/32	1 1/4	4 5/8	13,500	13.90
8	2 7/16	ZT83207	1 3/8	5 1/8	1 1/16	5 1/2	3 21/32	4 1/4	2 1/4	7 13/16	2 29/32	5 7/8	3 9/16	1 1/64	1 1/4	5 1/16	20,900	18.40
	2 1/2	ZT83208																
9	2 11/16	ZT93211	1 5/8	5 15/16	1 13/16	6 7/16	4 13/64	4 7/8	2 3/4	9 1/8	3 3/8	6 11/16	4 1/16	1 1/64	1 1/2	5 15/16	26,800	29.00
	2 15/16	ZT93215																
10	3 7/16	ZT103307	1 7/8	6 13/16	1 13/16	7 3/8	4 37/64	5 3/8	2 7/8	10	3 31/32	7 13/16	4 15/16	1 9/64	1 5/8	6 5/16	27,300	41.10
	3 1/2	ZT103308																
11	3 15/16	ZT113315	2 1/8	8 5/8	2 1/16	8 7/8	5 3/16	5 3/8	3 3/8	12 3/8	4 9/16	9 7/16	5 5/8	1 1/16	2 1/8	7 11/16	45,400	68.00

Additional Notes

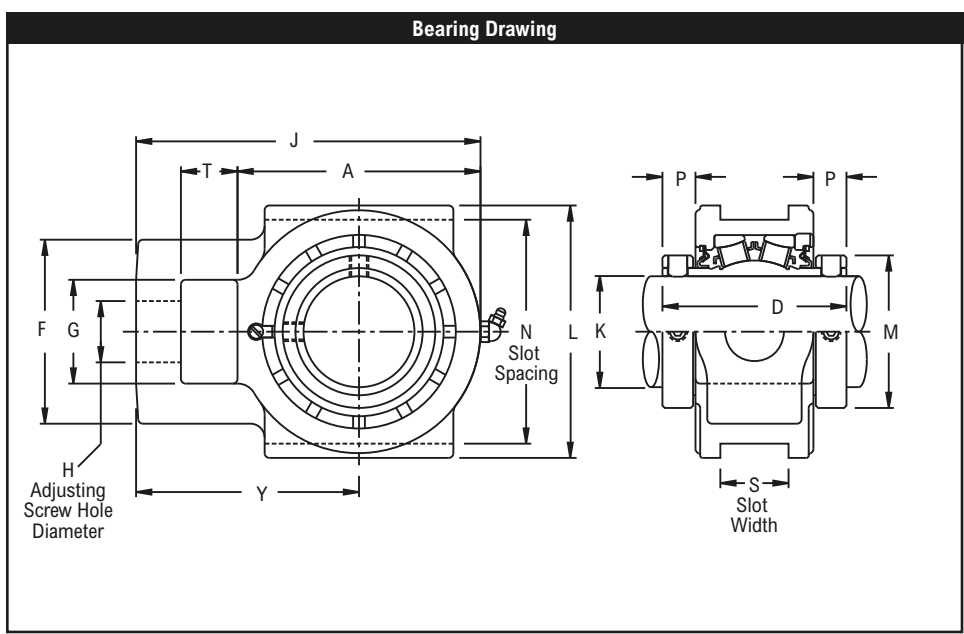
Please call 1-866-REXNORD for availability
 Lubrication fitting tap size, 1/8 PT
 Bore size = nominal shaft size +.001"/-.000"
 Take-up slot spacing & width tolerance, +.005"/-.015"
 Seals - To specify K or M seal, replace "Z" in part number with "K" or "M"
 Auxiliary end caps - available in all size codes
 Allowable working load is 2/3 yield strength

Selection Guide, see Rexnord Spherical Roller Bearings Selection Guide section
 Load Ratings & Speed Limits, see Rexnord Spherical Roller Bearings Load Ratings & Speed Limits section
 Note: Dimensions subject to change. Certified dimensions of ordered material furnished on request.



Product Features

- Corrosion resistant powder coating
- Cast iron housing
- Misalignment capabilities - Total of 3°
- Broad range of sealing options
- Factory set clearance & lubrication
- Precision ground & superfinished raceways
- Two hardened spring locking collars
- Field interchangeable seals
- See Features & Benefits for additional info.



Bearing Dimensions																		
Size Code	Shaft Diameter	Part Number	H Adjusting Screw Hole Diameter	N Slot Spacing	S Slot Width	A	D	F	G	J	K	L	M	P	T	Y	Allowable Working Load (2/3 Yield Strength)	Approx. Weight
4	1 7/16	ZT45107	7/8	3 1/2	17/32	3 3/4	3 9/16	2 7/16	1 7/16	5 1/16	1 3/4	4 1/8	2 5/16	11/16	5/8	3 1/4	7,600	6.80
5	1 1/2	ZT55108	1 1/8	4	11/16	4 1/4	3 13/16	3 5/16	1 15/16	5 15/16	2 1/32	4 3/4	2 5/8	11/16	3/4	3 13/16	12,300	10.90
	1 11/16	ZT55111															10.20	
6	1 15/16	ZT65115	1 1/8	4	11/16	4 1/2	3 13/16	3 5/16	1 15/16	6 3/16	2 5/16	4 1/2	2 15/16	11/16	3/4	3 15/16	12,300	10.80
7	2	ZT75200	1 3/8	4 1/2	13/16	5	4 1/8	3 7/8	2 1/4	7 1/8	2 5/8	5 1/4	3 1/4	13/16	1 1/4	4 5/8	13,500	15.20
	2 3/16	ZT75203															14.50	
8	2 7/16	ZT85207	1 3/8	5 1/8	1 1/16	5 1/2	4 3/8	4 1/4	2 1/4	7 13/16	2 29/32	5 7/8	3 9/16	7/8	1 1/4	5 1/16	20,900	19.40
9	2 1/2	ZT95208	1 5/8	5 15/16	1 13/16	6 7/16	4 7/8	4 7/8	2 3/4	9 1/8	3 3/8	6 11/16	4 1/16	7/8	1 1/2	5 15/16	26,800	31.50
	2 11/16	ZT95211															30.10	
	2 15/16	ZT95215															28.80	
10	3 3/16	ZT105303	1 7/8	6 13/16	1 13/16	7 3/8	5 5/16	5 3/8	2 7/8	10	3 31/32	7 13/16	4 15/16	15/16	1 5/8	6 5/16	27,300	44.00
	3 7/16	ZT105307															42.00	
11	3 11/16	ZT115311	2 1/8	8 5/8	2 1/16	8 7/8	6 1/4	5 3/8	3 3/8	12 1/8	4 9/16	9 7/16	5 5/8	1 1/16	2 1/8	7 11/16	45,400	75.00
	3 15/16	ZT115315															72.00	
	4	ZT115400															71.00	
12	4 3/16	ZT125403Y	2 1/8	9 1/2	2 1/16	9 13/16	6 1/4	6 3/8	3 3/8	13 7/16	5 1/32	10 3/8	6 3/16	1	2 1/8	8 11/16	53,700	94.00
	4 7/16	ZT125407Y															91.00	
	4 1/2	ZT125408Y															90.00	
13	4 15/16	ZT135415	2 3/8	10 1/4	2 1/16	10 7/8	7 7/8	6 1/4	3 3/4	14 7/8	5 3/4	11 1/4	7 1/16	1 5/32	2 1/2	9 7/16	68,000	130.00
	5	ZT135500															127.00	
14	5 7/16	ZT145507	3 1/8	14 1/8	2 9/16	15 3/8	8	8	5	20 5/8	6 1/2	16	8 3/16	1 1/32	3 1/2	12 7/16	140,900	417.00
15	5 15/16	ZT155515	3 1/8	14 1/8	2 9/16	15 3/8	8 1/8	8	5	20 5/8	7 7/32	16	8 11/16	1 5/32	3 1/2	12 15/16	140,900	426.00
	6	ZT155600															424.00	
16	6 7/16	ZT165607	3 1/8	14 1/8	2 9/16	15 3/8	8 3/4	8	5	20 5/8	8 1/16	16	9 3/4	1 9/32	3 1/2	12 15/16	165,300	433.00
	6 15/16	ZT165615															428.00	
	7	ZT165700															426.00	

Additional Notes

Please call 1-866-REXNORD for availability

Metric bore sizes available, see Rexnord Interchangeability guide

Lubrication fitting tap size: for size code 4 thru 11, 1/8" PT; for all other size codes, 1/4" PT

Bore size = nominal shaft size +.001"/-.000"

Take-up slot spacing & width tolerance, +.005"/-.015"

Seals - To specify K or M seal, replace "Z" in part number with "K" or "M"

"K" seals only available in size codes 4 thru 11

Auxiliary end caps - available in all size codes

Allowable working load is 2/3 yield strength

Selection Guide, see Rexnord Spherical Roller Bearings Selection Guide section

Load Ratings & Speed Limits, see Rexnord Spherical Roller Bearings Load Ratings & Speed Limits section

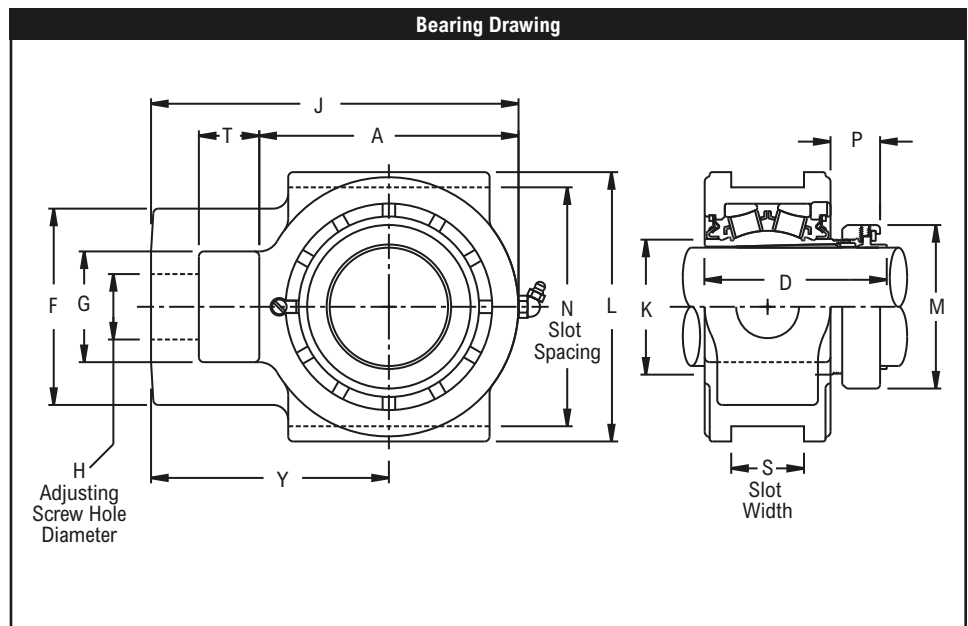
Note: Dimensions subject to change. Certified dimensions of ordered material furnished on request.



Photo Shows a Spherical Roller Bearing Take-Up Unit

Product Features

- Optical Strain Sensor Technology
- Positive locking system
- Tapered adapter sleeve
- Corrosion resistant powder coating
- Cast iron housing
- Misalignment capabilities - Total of 3°
- Broad range of sealing options
- Factory set clearance & lubrication
- Precision ground & superfinished raceways
- See Features & Benefits for additional info.

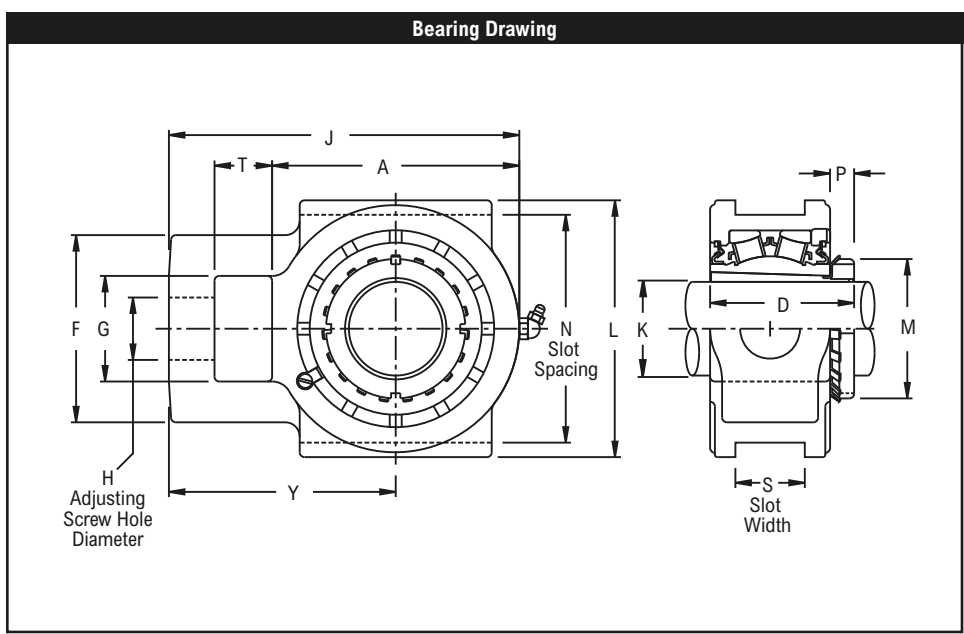


Bearing Dimensions																	Allowable Working Load (2/3 Yield Strength)	Approx. Weight
Size Code	Shaft Diameter	Part Number	H Adjusting Screw Hole Diameter	N Slot Spacing	S Slot Width	A	D	F	G	J	K	L	M	P	T	Y		
6	1 15/16	ZT66115	1 1/8	4	11/16	4 1/2	3 41/64	3 5/16	1 15/16	6 3/16	2 5/16	4 1/2	2 55/64	1 1/8	3/4	3 15/16	12,300	10.80
7	2 3/16	ZT76203	1 3/8	4 1/2	13/16	5	3 49/64	3 7/8	2 1/4	7 1/8	2 5/8	5 1/4	3 15/64	1 5/32	1 1/4	4 5/8	13,500	15.20
8	2 3/8	ZT86206	1 3/8	5 1/8	1 1/16	5 1/2	4 5/32	4 1/4	2 1/4	7 13/16	2 29/32	5 7/8	3 19/32	1 27/64	1 1/4	5 1/16	20,900	19.90
	2 7/16	ZT86207																19.40
9	2 11/16	ZT96211	1 5/8	5 15/16	1 13/16	6 7/16	4 17/32	4 7/8	2 3/4	9 1/8	3 3/8	6 11/16	4 3/32	1 25/64	1 1/2	5 15/16	26,800	31.50
	2 3/4	ZT96212																30.10
	2 15/16	ZT96215																28.80
10	3 3/16	ZT106303	1 7/8	6 13/16	1 13/16	7 3/8	5 9/64	5 3/8	2 7/8	10	3 31/32	7 13/16	4 61/64	1 19/32	1 5/8	6 5/16	27,300	44.00
	3 7/16	ZT106307																42.00
11	3 11/16	ZT116311	2 1/8	8 5/8	2 1/16	8 7/8	5 31/32	5 3/8	3 3/8	12 1/8	4 9/16	9 7/16	5 43/64	1 47/64	2 1/8	7 11/16	45,400	75.00
	3 15/16	ZT116315																72.00
12	4 3/16	ZT126403Y	2 1/8	9 1/2	2 1/16	9 13/16	6 1/4	6 3/8	3 3/8	13 7/16	5 1/32	10 3/8	6 1/16	1 7/8	2 1/8	8 11/16	53,700	94.00
	4 7/16	ZT126407Y																91.00
13	4 15/16	ZT136415	2 3/8	10 1/4	2 1/16	10 7/8	7 15/16	6 1/4	3 3/4	14 7/8	5 3/4	11 1/4	6 61/64	2 1/4	2 1/2	9 7/16	68,000	130.00

Additional Notes

Please call 1-866-REXNORD for availability
 Lubrication fitting tap size: for size code 6 thru 11, 1/8" PT: for all other size codes, 1/4" PT
 Take-up slot spacing & width tolerance, +.005"/-.015"
 Seals - To specify K or M seal, replace "Z" in part number with "K" or "M"
 "K" seals only available in size codes 6 thru 11
 Auxiliary end caps - available in all size codes
 Allowable working load is 2/3 yield strength

Selection Guide, see Rexnord Spherical Roller Bearings Selection Guide section
 Load Ratings & Speed Limits, see Rexnord Spherical Roller Bearings Load Ratings & Speed Limits section
 Note: Dimensions subject to change. Certified dimensions of ordered material furnished on request.



Product Features

- Corrosion resistant powder coating
- Cast iron housing
- Misalignment capabilities - Total of 3°
- Broad range of sealing options
- Factory set clearance & lubrication
- Precision ground & superfinished raceways
- Enhanced life mounting style
- Field interchangeable seals
- See Features & Benefits for additional info.

Bearing Dimensions

Size Code	Shaft Diameter	Part Number	H Adjusting Screw Hole Diameter	N Slot Spacing	S Slot Width	A	D	F	G	J	K	L	M	P	T	Y	Allowable Working Load (2/3 Yield Strength)	Approx. Weight
7	1 15/16	ZT79115	1 3/8	4 1/2	13/16	5	3 5/32	3 7/8	2 1/4	7 1/8	2 5/8	5 1/4	2 31/32	19/32	1 1/4	4 5/8	13,500	13.70
	2	ZT79200																13.60
8	2 3/16	ZT89203	1 3/8	5 1/8	1 1/16	5 1/2	3 11/32	4 1/4	2 1/4	7 13/16	2 29/32	5 7/8	3 3/8	23/32	1 1/4	5 1/16	20,900	18.70
9	2 7/16	ZT99207	1 5/8	5 15/16	1 13/16	6 7/16	3 27/32	4 7/8	2 3/4	9 1/8	3 3/8	6 11/16	3 5/8	23/32	1 1/2	5 15/16	26,800	29.10
	2 1/2	ZT99208																28.70
10	2 11/16	ZT109211	1 7/8	6 13/16	1 13/16	7 3/8	4 1/4	5 3/8	2 7/8	10	3 31/32	7 13/16	4 13/32	13/16	1 5/8	6 5/16	27,300	42.60
	2 15/16	ZT109215																41.40
	3	ZT109300																40.70
11	3 3/16	ZT119303	2 1/8	8 5/8	2 1/16	8 7/8	5 3/32	5 3/8	3 3/8	12 1/8	4 9/16	9 7/16	5 3/16	15/16	2 1/8	7 11/16	45,400	75.50
	3 7/16	ZT119307																73.50
12	3 11/16	ZT129311Y	2 1/8	9 1/2	2 1/16	9 13/16	5 13/32	6 3/8	3 3/8	13 7/16	5 1/32	10 3/8	5 23/32	1 1/32	2 1/8	8 11/16	53,700	91.20
	3 15/16	ZT129315Y																88.90
	4	ZT129400Y																88.40
13	4 3/16	ZT139403	2 3/8	10 1/4	2 1/16	10 7/8	6 13/16	6 1/4	3 3/4	14 7/8	5 3/4	11 1/4	6 1/8	1 1/8	2 1/2	9 7/16	68,000	130.00
	4 7/16	ZT139407																128.00
14	4 15/16	ZT149415	3 1/8	14 1/8	2 9/16	15 3/8	7 3/16	8	5	20 5/8	6 1/2	16	7 3/32	1 1/8	3 1/2	12 7/16	140,900	411.00
	5	ZT149500																410.00
15	5 7/16	ZT159507	3 1/8	14 1/8	2 9/16	15 3/8	7 7/16	8	5	20 5/8	7 7/32	16	8 1/16	1 5/16	3 1/2	12 15/16	140,900	421.00
	5 15/16	ZT169515																428.00
16	6	ZT169600	3 1/8	14 1/8	2 9/16	15 3/8	7 3/4	8	5	20 5/8	8 1/16	16	9 1/16	1 11/16	3 1/2	12 15/16	165,300	427.00
	6 7/16	ZT169607																420.00

Additional Notes

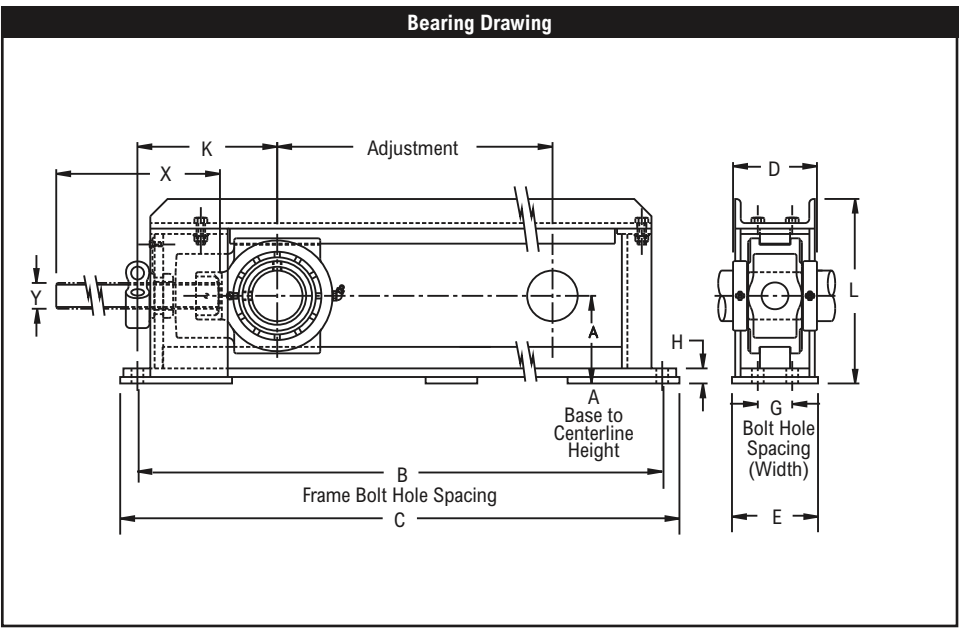
Please call 1-866-REXNORD for availability
 Lubrication fitting tap size: for size code 7 thru 11, 1/8" PT; for all other size codes, 1/4" PT
 Take-up slot spacing & width tolerance, +.005"/-.015"
 Seals - To specify K or M seal, replace "Z" in part number with "K" or "M"
 "K" seals only available in size codes 7 thru 11
 Auxiliary end caps - available in all size codes
 Allowable working load is 2/3 yield strength

Selection Guide, see Rexnord Spherical Roller Bearings Selection Guide section
 Load Ratings & Speed Limits, see Rexnord Spherical Roller Bearings Load Ratings & Speed Limits section
 Note: Dimensions subject to change. Certified dimensions of ordered material furnished on request.



Product Features

- Center pull type frame
- Corrosion resistant powder coating
- Cast iron housing
- Misalignment capabilities - Total of 3°
- Broad range of sealing options
- Factory set clearance & lubrication
- Precision ground & superfinished raceways
- Field interchangeable seals
- See Features & Benefits for additional info.



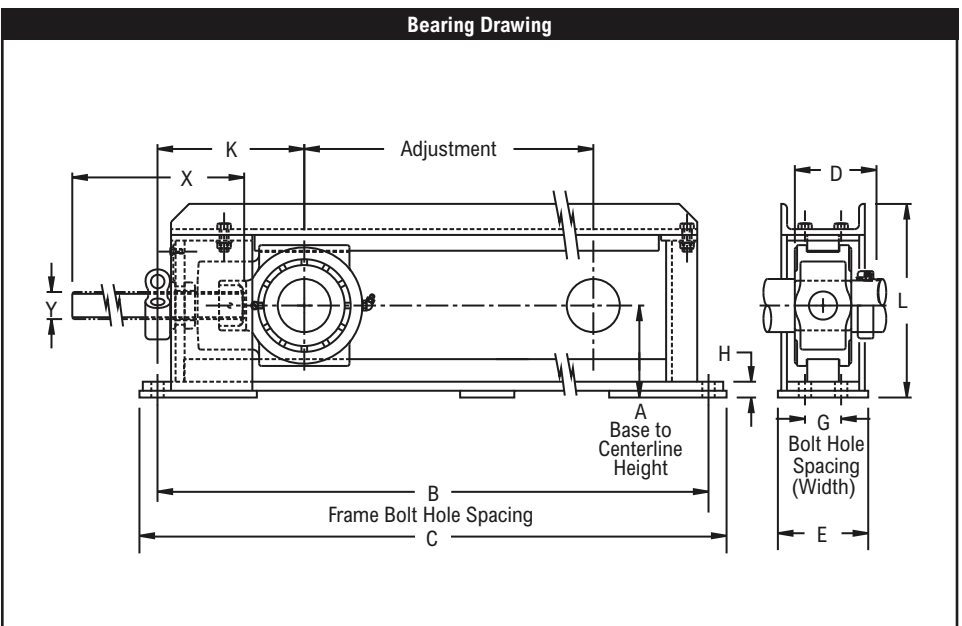
Bearing Dimensions																		
Size Code	Shaft Diameter	Complete Take-up Assembly	Travel Length	A Base to Centerline Height	B Frame Bolt Hole Spacing	G Bolt Hole Spacing (Width)	C	D	E	F	H	K	L	X	Y	Adjust.	Allowable Working Load	Approx. Weight
2-Bolt																		
5	1 1/2	ZHT55108	12 18 24	3 15/16	27 1/2 33 1/2 39 1/2	-	29 1/2 35 1/2 41 1/2	3 13/16	4	5/8	7/8	6 9/16	8 7/16	19 1/2 25 1/2 31 1/2	1-8NC	15 21 27	12,300	59 69 77
	1 11/16	ZHT55111	30 36		45 1/2 51 1/2		47 1/2 53 1/2							37 1/2 43 1/2		33 39		86 95
6	1 15/16	ZHT65115	12 18 24	3 15/16	27 1/2 33 1/2 39 1/2	-	29 1/2 35 1/2 41 1/2	3 13/16	4	5/8	7/8	6 9/16	8 7/16	19 1/2 25 1/2 31 1/2	1-8NC	15 21 27	12,300	59 69 77
			30 36		45 1/2 51 1/2		47 1/2 53 1/2							37 1/2 43 1/2		33 39		86 95
7	2	ZHT75200	12 18 24	4 7/16	27 1/2 33 1/2 39 1/2	-	29 1/2 35 1/2 41 1/2	4 1/8	4	5/8	1 3/16	6 13/16	9	20 26 32	1 1/4-7NC	15 21 27	13,000	70 81 90
	2 3/16	ZHT75203	30 36		45 1/2 51 1/2		47 1/2 53 1/2							38 44		33 39		98 108
8	2 7/16	ZHT85207	12 18 24	4 3/8	28 1/2 34 1/2 40 1/2	-	30 1/2 36 1/2 42 1/2	4 3/8	4	3/4	3/4	7 1/2	9 3/16	20 26 32	1 1/4-7NC	15 21 27	16,300	77 86 96
			30 36		46 1/2 52 1/2		48 1/2 54 1/2							38 44		33 39		107 119
4-Bolt																		
9	2 1/2	ZHT95208	12 18	5 1/8	30 1/2 36 1/2	2	32 1/2 38 1/2	4 7/8	5	5/8	7/8	8 1/8	10 3/4	21 3/4 27 3/4	1 1/2-6NC	16 22	26,800	128 142
	2 11/16	ZHT95211	24 30		42 1/2 48 1/2		44 1/2 50 1/2							33 3/4 39 3/4		28 34		159 174
	2 15/16	ZHT95215	36		54 1/2		56 1/2							45 3/4		40		191
10	3 3/16	ZHT105303	12 18	5 5/8	32 38	2	34 1/4 40 1/4	5 5/16	5	3/4	7/8	8 3/4	11 13/16	22 28	1 3/4-5NC	16 1/4 22 1/4	27,300	152 177
	3 7/16	ZHT105307	24 30 36		44 50 56		46 1/4 52 1/4 58 1/4							34 40 46		28 1/4 34 1/4 40 1/4		186 205 224
11	3 11/16	ZHT115311	12 18	7	36 42	2 1/2	38 1/2 44 1/2	6 1/4	6	3/4	7/8	10 5/8	14 3/16	26 32	2-4 1/2NC	17 1/2 23 1/2	38,400	241 270
	3 15/16	ZHT115315	24 30		48 54		50 1/2 56 1/2							38 44		29 1/2 35 1/2		290 311
	4	ZHT115400	36		60		62 1/2							50		41 1/2		337

Continued...

Continued...

Bearing Dimensions																		
Size Code	Shaft Diameter	Complete Take-up Assembly	Travel Length	A Base to Centerline Height	B Frame Bolt Hole Spacing	G Bolt Hole Spacing (Width)	C	D	E	F	H	K	L	X	Y	Adjust.	Allowable Working Load	Approx. Weight
4-Bolt(continued)																		
12	4 3/16	ZHT125403Y	12 18 24	7 1/2	40 3/4 46 3/4 52 3/4	5	45 3/4 51 3/4 57 3/4	6 1/4	8 7/8	1 1/8	1	12 1/4	15 1/2	26 32 38	2- 4 1/2 NC	19 25 31	53,300	331 362 391
	4 7/16	ZHT125407Y	30 36 42		58 3/4 64 3/4 70 3/4		63 3/4 69 3/4 75 3/4							44 50 56				
13	4 15/16	ZHT135415	12 18 24	8 1/8	44 1/2 50 1/2 56 1/2	5 1/2	49 1/2 55 1/2 61 1/2	7 7/8	9 7/8	1 1/8	1	13 1/2	16 3/4	29 35 41	2 1/4- 4 1/2 NC	20 1/4 26 1/4 32 1/4	68,000	440 460 496
	5	ZHT135500	30 36 42		62 1/2 68 1/2 74 1/2		67 1/2 73 1/2 79 1/2							47 53 59		38 1/4 44 1/4 50 1/4		527 555 587
14	5 7/16	ZHT145507	18 30 42	10 9/16	55 67 79	7	61 73 85	8	12	1 3/4	1 1/2	23 1/2	22 1/2	36 48 60	3- 4 NC	18 30 42	136,700	1293 1420 1547
15	5 15/16	ZHT155515	18 30	10 9/16	55 67	7	61 73	8 1/8	12	1 3/4	1 1/2	23 1/2	22 1/2	36 48	3- 4 NC	18 30	136,700	1300 1427
	6	ZHT155600	42		79		85							60		42		1554
16	6 7/16	ZHT165607	18	10 9/16	55	7	61	8 3/4	12	1 3/4	1 1/2	23 1/2	22 1/2	36	3-4 NC	18	136,700	1304
	6 15/16	ZHT165615	30		67		73							48		30		1431
	7	ZHT165700	42		79		85							60		42		1558

Additional Notes	
<p>Please call 1-866-REXNORD for availability Metric bore sizes available, see Rexnord Interchangeability guide Lubrication fitting tap size: for size code 5 thru 11, 1/8" PT; for all other size codes, 1/4" PT Bore size = nominal shaft size +.001"/-.000" Seals - To specify K or M seal, replace "Z" in part number with "K" or "M" "K" seals only available in size codes 5 thru 11 Auxiliary end caps - available in all size codes</p>	<p>Allowable working load is 2/3 yield strength Selection Guide, see Rexnord Spherical Roller Bearings Selection Guide section Load Ratings & Speed Limits, see Rexnord Spherical Roller Bearings Load Ratings & Speed Limits section Note: Dimensions subject to change. Certified dimensions of ordered material furnished on request.</p>



- Product Features**
- Optical Strain Sensor Technology
 - Positive locking system
 - Tapered adapter sleeve
 - Center pull type frame
 - Corrosion resistant powder coating
 - Cast iron housing
 - Misalignment capabilities - Total of 3°
 - Broad range of sealing options
 - Factory set clearance & lubrication
 - See Features & Benefits for additional info.

Bearing Dimensions																			
Size Code	Shaft Diameter	Complete Take-up Assembly	Travel Length	A Base to Centerline Height	B Frame Bolt Hole Spacing	G Bolt Hole Spacing (Width)	C	D	E	F	H	K	L	X	Y	Adjust.	Allowable Working Load	Approx. Weight	
2-Bolt																			
6	1 15/16	ZHT66115	12	3 15/16	27 1/2	-	29 1/2	3 41/64	4	5/8	7/8	6 9/16	8 7/16	19 1/2	1-8 NC	15	12,300	59	
			18		33 1/2		35 1/2							25 1/2					21
			24		39 1/2		41 1/2							31 1/2					27
			30		45 1/2		47 1/2							37 1/2					33
			36		51 1/2		53 1/2							43 1/2					39
7	2 3/16	ZHT76203	12	4 7/16	27 1/2	-	29 1/2	3 49/64	4	5/8	1 3/16	6 13/16	9	20	1 1/4-7 NC	15	13,000	70	
			18		33 1/2		35 1/2							26					21
			24		39 1/2		41 1/2							32					27
			30		45 1/2		47 1/2							38					33
			36		51 1/2		53 1/2							44					39
8	2 3/8	ZHT86206	12	4 3/8	28 1/2	-	30 1/2	4 5/32	4	3/4	3/4	7 1/2	9 3/16	20	1 1/4-7 NC	15	16,300	77	
			18		34 1/2		36 1/2							26					21
	24	40 1/2	42 1/2		32		27												
	30	46 1/2	48 1/2		38		33												
	36	52 1/2	54 1/2		44		39												
9	2 11/16	ZHT96211	12	5 1/8	30 1/2	2	32 1/2	4 17/32	5	5/8	7/8	8 1/8	10 3/4	21 3/4	1 1/2-6 NC	16	26,800	128	
	18	36 1/2	38 1/2		27 3/4		22												
	24	42 1/2	44 1/2		33 3/4		28												
9	2 3/4	ZHT96212	30	5 1/8	48 1/2	2	50 1/2	4 17/32	5	5/8	7/8	8 1/8	10 3/4	39 3/4	1 1/2-6 NC	34	26,800	174	
	36	54 1/2	56 1/2		45 3/4		40												
10	3 3/16	ZHT106303	12	5 5/8	32	2	34 1/4	5 9/64	5	3/4	7/8	8 3/4	11 13/16	22	1 3/4-5 NC	16 1/4	27,300	152	
			18		38		40 1/4							28					22 1/4
	24	44	46 1/4		34		28 1/4												
	30	50	52 1/4		40		34 1/4												
	36	56	58 1/4		46		40 1/4												
11	3 11/16	ZHT116311	12	7	36	2 1/2	38 1/2	5 31/32	6	3/4	7/8	10 5/8	14 3/16	26	2-4 1/2 NC	17 1/2	38,400	241	
			18		42		44 1/2							32					23 1/2
	24	48	50 1/2		38		29 1/2												
	30	54	56 1/2		44		35 1/2												
	36	60	62 1/2		50		41 1/2												
12	4 3/16	ZHT126403Y	12	7 1/2	40 3/4	5	45 3/4	6 1/4	8 7/8	1 1/8	1	12 1/4	15 1/2	26	2-4 1/2 NC	19	53,300	331	
			18		46 3/4		51 3/4							32					25
	24	52 3/4	57 3/4		38		31												
	30	58 3/4	63 3/4		44		37												
	36	64 3/4	69 3/4		50		43												
42	70 3/4	75 3/4	56	49															

Continued...

Continued...

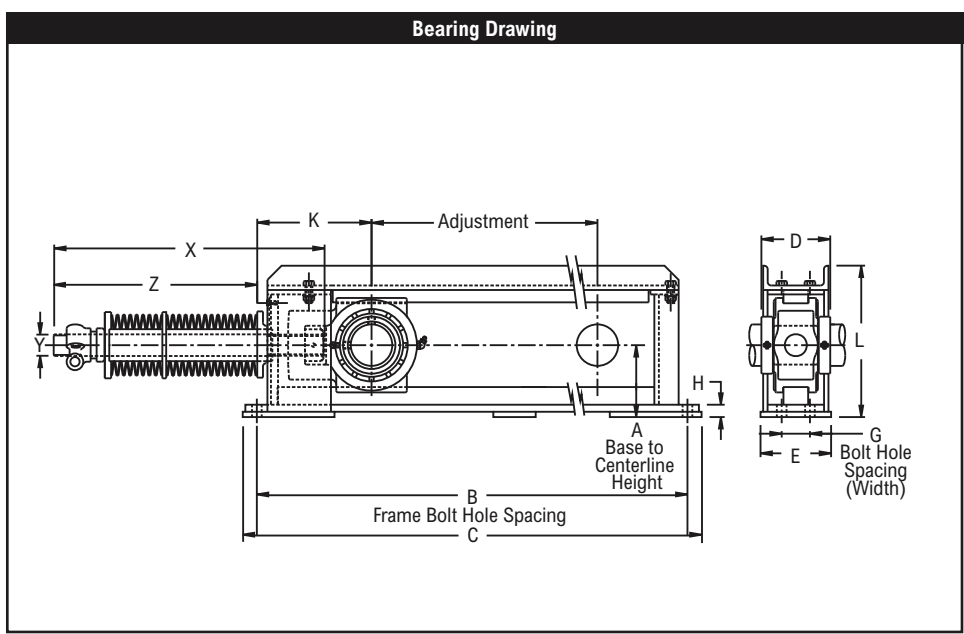
Bearing Dimensions																		
Size Code	Shaft Diameter	Complete Take-up Assembly	Travel Length	A Base to Centerline Height	B Frame Bolt Hole Spacing	G Bolt Hole Spacing (Width)	C	D	E	F	H	K	L	X	Y	Adjust.	Allowable Working Load	Approx. Weight
4-Bolt(continued)																		
13	4 ¹⁵ / ₁₆	ZHT136415	12	8 ¹ / ₈	44 ¹ / ₂	5 ¹ / ₂	49 ¹ / ₂	7 ¹⁵ / ₁₆	9 ⁷ / ₈	1 ¹ / ₈	1	13 ¹ / ₂	16 ³ / ₄	29	2 ¹ / ₄ - 4 ¹ / ₂ NC	20 ¹ / ₄ 26 ¹ / ₄ 32 ¹ / ₄ 38 ¹ / ₄ 44 ¹ / ₄ 50 ¹ / ₄	68,000	440
			18		50 ¹ / ₂		55 ¹ / ₂							35				460
			24		56 ¹ / ₂		61 ¹ / ₂							41				496
			30		62 ¹ / ₂		67 ¹ / ₂							47				527
			36		68 ¹ / ₂		73 ¹ / ₂							53				555
			42		74 ¹ / ₂		79 ¹ / ₂							59				587

Additional Notes	
<p>Please call 1-866-REXNORD for availability Lubrication fitting tap size: for size code 6 thru 11, 1/8" PT; for all other size codes, 1/4" PT Seals - To specify K or M seal, replace "Z" in part number with "K" or "M" "K" seals only available in size codes 6 thru 11 Auxiliary end caps - available in all size codes Allowable working load is 2/3 yield strength</p>	<p>Selection Guide, see Rexnord Spherical Roller Bearings Selection Guide section Load Ratings & Speed Limits, see Rexnord Spherical Roller Bearings Load Ratings & Speed Limits section Note: Dimensions subject to change. Certified dimensions of ordered material furnished on request.</p>



Photo Shows a Center Pull Spring Loaded Take-Up Frame with Spherical Roller Bearing Take-Up Unit

- Product Features**
- Center pull type spring loaded frame
 - Corrosion resistant powder coating
 - Cast iron housing
 - Misalignment capabilities - Total of 3°
 - Broad range of sealing options
 - Factory set clearance & lubrication
 - Precision ground & superfinished raceways
 - Field interchangeable seals
 - See Features & Benefits for additional info.



Bearing Dimensions																					
Size Code	Shaft Diameter	Part Number	Adjust.	A Base to Centerline Height	B Frame Bolt Hole Spacing	G Bolt Hole Spacing (Width)	C	D	E	F	H	K	L	X	Y	Z	Working Load Inches of Spring Deflection			Allowable Working Load	Approx. Weight
																	1	3	5		
2-Bolt																					
5	1 1/2	ZST5510818	21	3 15/16	33 1/2	-	35 1/2	3 13/16	4	5/8	7/8	6 9/16	8 7/16	43	1-8 NC	39	870	1,800	3,400	12,300	69.00
	1 11/16	ZST5511118																			
6	1 15/16	ZST6511518	21	3 15/16	33 1/2	-	35 1/2	3 13/16	4	5/8	7/8	6 9/16	8 7/16	43	1-8 NC	39	870	1,800	3,400	12,300	69.00
	2	ZST7520018																			
7	2 3/16	ZST7520318	21	4 7/16	33 1/2	-	35 1/2	4 1/8	4	5/8	1 3/16	6 13/16	9	43	1 1/4-7 NC	39	870	1,800	3,400	13,000	81.00
	2 7/16	ZST8520718																			
8	2 7/16	ZST8520718	21	4 3/8	34 1/2	-	36 1/2	4 3/8	4	3/4	3/4	7 1/2	9 3/16	43	1 1/4-7 NC	39	870	1,800	3,400	16,300	86.00
	2 1/2	ZST9520818																			
4-Bolt																					
9	2 1/2	ZST9520818	22	5 1/8	36 1/2	2	38 1/2	4 7/8	5	5/8	7/8	8 1/8	10 3/4	45	1 1/2-6 NC	40 1/4	1,300	3,400	5,250	26,800	142.00
	2 11/16	ZST9521118																			
	2 15/16	ZST9521518																			
10	3 3/16	ZST10530318	22 1/4	5 5/8	38	2	40 1/4	5 5/16	5	3/4	7/8	8 3/4	11 13/16	45	1 3/4-5 NC	40 1/4	1,800	3,700	6,800	27,300	177.00
	3 7/16	ZST10530718																			
11	3 11/16	ZST11531118	23 1/2	7	42	2 1/2	44 1/2	6 1/4	6	3/4	7/8	10 5/8	14 3/16	48 1/2	2-4 1/2 NC	41	2,600	5,200	9,400	38,400	270.00
	3 15/16	ZST11531518																			
	4	ZST11540018																			
12	4 3/16	ZST125403Y18	25	7 1/2	46 3/4	5	51 3/4	6 1/4	8 7/8	1 1/8	1	12 1/4	15 1/2	48 1/2	2-4 1/2 NC	41	2,600	5,200	9,400	53,300	362.00
	4 7/16	ZST125407Y18																			
13	4 15/16	ZST13541518	26 1/4	8 1/8	50 1/2	5 1/2	55 1/2	7 7/8	9 7/8	1 1/8	1	13 1/2	16 3/4	52	2 1/4-4 1/2 NC	45 1/2	4,475	11,200	18,000	68,000	460.00
	5	ZST13550018																			

Additional Notes

Please call 1-866-REXNORD for availability
 Metric bore sizes available, see Rexnord Interchangeability guide
 Lubrication fitting tap size: for size code 5 thru 11, 1/8" PT; for all other size codes, 1/4" PT
 Bore size = nominal shaft size +.001"/-.000"
 Seals - To specify K or M seal, replace "Z" in part number with "K" or "M"
 "K" seals only available in size codes 5 thru 11
 Auxiliary end caps - available in all size codes

Allowable frame load is 2/3 yield strength
 Selection Guide, see Rexnord Spherical Roller Bearings Selection Guide section
 Load Ratings & Speed Limits, see Rexnord Spherical Roller Bearings Load Ratings & Speed Limits section
 Note: Dimensions subject to change. Certified dimensions of ordered material furnished on request.

ZNT2000

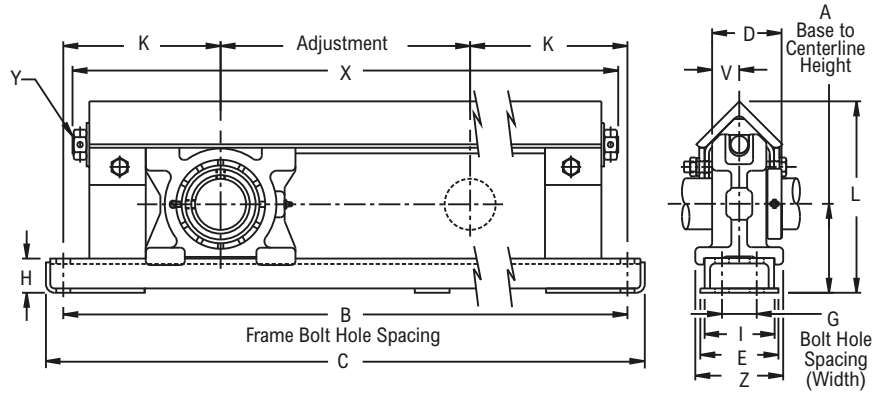


Photo Shows a Protected Screw Type Take-Up Frame with Spherical Roller Bearing Take-Up Unit

Product Features

- Protected screw type frame
- Corrosion resistant powder coating
- Cast iron housing
- Misalignment capabilities - Total of 3°
- Broad range of sealing options
- Factory set clearance & lubrication
- Precision ground & superfinished raceways
- Field interchangeable seals
- See Features & Benefits for additional info.

Bearing Drawing



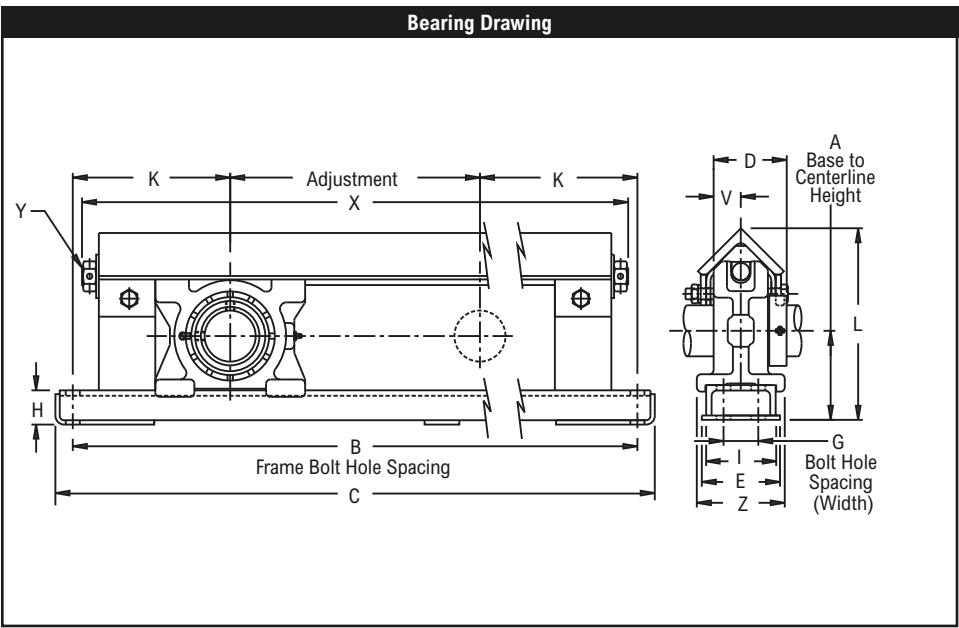
Bearing Dimensions

Size Code	Shaft Diameter	Complete Take-up Assembly	Travel Length	A Base to Centerline Height	B Frame Bolt Hole Spacing	G Bolt Hole Spacing (Width)	C	D	E	F	H	I	K	L	V	X	Y	Z	Adjust.	Allowable Working Load	Approx. Weight
2-Bolt																					
6	1 15/16	ZNT62115	12 18 24	3 15/16	26 1/2 32 1/2 38 1/2	-	28 1/2 34 1/2 40 1/2	3 1/8	3 1/2	5/8	1 3/4	3	7 1/4	8 1/4	1 7/32	25 3/8 31 3/8 37 3/8	3/4 - 10NC	3 13/16	12 18 24	3,000	45 50 56
	2	ZNT62200	30 36		44 1/2 50 1/2		46 1/2 52 1/2									43 3/8 49 3/8			30 36		24 30 36
7	2 3/16	ZNT72203	12 18 24	4 3/16	27 1/2 33 1/2 39 1/2	-	29 1/2 35 1/2 41 1/2	3 5/16	3 1/2	5/8	1 3/4	3	7 3/4	8 11/16	1 9/32	26 3/8 32 3/8 38 3/8	3/4 - 10NC	3 13/16	12 18 24	3,600	49 54 66
	2 1/4	ZNT72204	30 36		45 1/2 51 1/2		47 1/2 53 1/2									44 3/8 50 3/8			30 36		24 30 36
8	2 3/8	ZNT82206	12 18	4 3/8	28 1/2 34 1/2	-	30 1/2 36 1/2	3 1/2	3 1/2	3/4	1 3/4	3	8 1/4	9 1/8	1 5/16	27 3/4 33 3/4	7/8 - 9NC	3 15/16	12 18	4,400	59 63
	2 7/16	ZNT82207	24 30		40 1/2 46 1/2		42 1/2 48 1/2									39 3/4 45 3/4			24 30		24 30
	2 1/2	ZNT82208	36		52 1/2		54 1/2									51 3/4 57 3/4			36		36
4-Bolt																					
9	2 11/16	ZNT92211	12 18	5 1/8	30 1/2 36 1/2	2	32 1/2 38 1/2	4	4 1/2	3/4	2	4	9 1/4	10 5/8	1 9/16	30 36	1 - 8NC	5 1/16	12 18	6,800	85 93
	2 15/16	ZNT92215	24 30		42 1/2 48 1/2		44 1/2 50 1/2									42 48			24 30		
	3	ZNT92300	36		54 1/2		56 1/2									54			36		
10	3 3/16	ZNT102303	12 18	5 5/8	32 38	2	34 1/4 40 1/4	4 3/8	4 1/2	3/4	2	4	10	11 3/4	1 23/32	32 38	1 1/8 - 7NC	5 3/16	12 18	8,400	118 127
	3 7/16	ZNT102307	24 30		44 50		46 1/4 52 1/4									44 50			24 30		
	3 1/2	ZNT102308	36		56		58 1/4									56			36		
11	3 11/16	ZNT112311	12 18	7	36 42	2 1/2	38 1/2 44 1/2	5 3/16	5 1/2	3/4	2 1/4	5	12	14 1/2	2 1/16	36 5/16 42 5/16	1 1/4 - 7NC	6 3/8	12 18	15,600	209 217
	3 15/16	ZNT112315	24 30		48 54		50 1/2 56 1/2									48 54			24 30		
	4	ZNT112400	36		60		62 1/2									60 5/16			36		

Additional Notes

Please call 1-866-REXNORD for availability
 Metric bore sizes available, see Rexnord Interchangeability guide
 Lubrication fitting tap size, 1/8 PT
 Bore size = nominal shaft size +.001"/-.000"
 Seals - To specify K or M seal, replace "Z" in part number with "K" or "M"
 Auxiliary end caps - available in all size codes
 Allowable working load is 2/3 yield strength

Selection Guide, see Rexnord Spherical Roller Bearings Selection Guide section
 Load Ratings & Speed Limits, see Rexnord Spherical Roller Bearings Load Ratings & Speed Limits section
 Note: Dimensions subject to change. Certified dimensions of ordered material furnished on request.



Product Features

- Protected screw type frame
- Corrosion resistant powder coating
- Cast iron housing
- Misalignment capabilities - Total of 3°
- Broad range of sealing options
- Factory set clearance & lubrication
- Precision ground & superfinished raceways
- Field interchangeable seals
- See Features & Benefits for additional info.

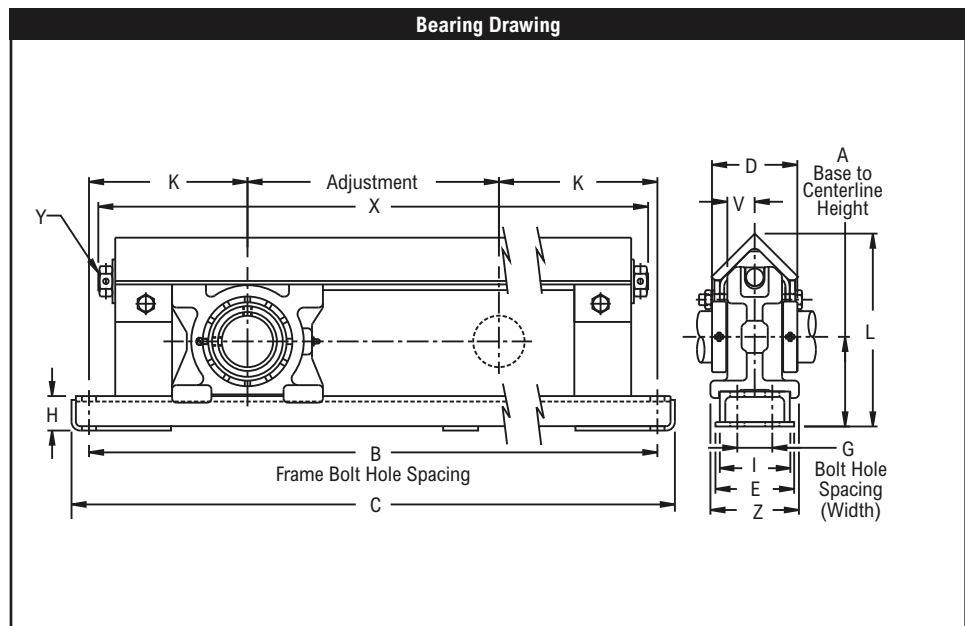
Bearing Dimensions

Size Code	Shaft Diameter	Complete Take-up Assembly	Travel Length	A Base to Centerline Height	B Frame Bolt Hole Spacing	G Bolt Hole Spacing (Width)	C	D	E	F	H	I	K	L	V	X	Y	Z	Adjust.	Allowable Working Load	Approx. Weight	
2-Bolt																						
6	1 15/16	ZNT63115	12	3 15/16	26 1/2	-	28 1/2	3 9/32	3 1/2	5/8	1 3/4	3 7/4	8 1/4	1 7/32	25 3/8	3 4-10 NC	3 13/16	12	3,000	45		
			18		34 1/2		31 3/8														18	50
			24		38 1/2		37 3/8														24	56
			30		44 1/2		43 3/8														30	63
			36		50 1/2		49 3/8														36	70
7	2 3/16	ZNT73203	12	4 3/16	27 1/2	-	29 1/2	3 1/2	3 1/2	5/8	1 3/4	3 7 3/4	8 11/16	1 9/32	26 3/8	3 4-10 NC	3 13/16	12	3,600	49		
			18		33 1/2		32 3/8														18	54
			24		39 1/2		38 3/8														24	66
			30		45 1/2		44 3/8														30	73
			36		51 1/2		50 3/8														36	78
8	2 7/16	ZNT83207	12	4 3/8	28 1/2	-	30 1/2	3 21/32	3 1/2	3/4	1 3/4	3 8 1/4	9 1/8	1 5/16	27 3/4	7 8-9 NC	3 15/16	12	4,400	59		
			18		34 1/2		33 3/4														18	63
	24	40 1/2	39 3/4		24		74															
	30	46 1/2	45 3/4		30		79															
	36	52 1/2	51 3/4		36		85															
4-Bolt																						
9	2 11/16	ZNT93211	12	5 1/8	30 1/2	2	32 1/2	4 13/64	4 1/2	3/4	2	4 9 1/4	10 5/8	1 9/16	30	1-8 NC	5 1/16	12	6,800	85		
			18		36 1/2		38 1/2														18	93
	24	42 1/2	44 1/2		24		113															
	30	48 1/2	50 1/2		30		120															
	36	54 1/2	56 1/2		36		128															
10	3 7/16	ZNT103307	12	5 5/8	32	2	34 1/4	4 37/64	4 1/2	3/4	2	4 10	11 3/4	1 23/32	32	1 1/8-7 NC	5 3/16	12	8,400	118		
			18		38		40 1/4														18	127
	24	44	46 1/4		24		145															
30	50	52 1/4	30		154																	
36	56	58 1/4	36		166																	
11	3 15/16	ZNT113315	12	7	36	2 1/2	38 1/2	5 3/16	5 1/2	3/4	2 1/4	5 12	14 1/2	2 1/16	36 5/16	1 1/4-7 NC	6 3/8	12	15,600	209		
			18		42		44 1/2														18	217
			24		48		50 1/2														24	249
			30		54		56 1/2														30	269
			36		60		62 1/2														36	279

Additional Notes

Please call 1-866-REXNORD for availability
 Lubrication fitting tap size, 1/8 PT
 Bore size = nominal shaft size +.001"/-.000"
 Seals - To specify K or M seal, replace "Z" in part number with "K" or "M"
 Auxiliary end caps - available in all size codes
 Allowable working load is 2/3 yield strength
 Selection Guide, see Rexnord Spherical Roller Bearings Selection Guide section

Load Ratings & Speed Limits, see Rexnord Spherical Roller Bearings Load Ratings & Speed Limits section
 Note: Dimensions subject to change. Certified dimensions of ordered material furnished on request.



Product Features

- Protected screw type frame
- Corrosion resistant powder coating
- Cast iron housing
- Misalignment capabilities - Total of 3°
- Broad range of sealing options
- Factory set clearance & lubrication
- Precision ground & superfinished raceways
- Field interchangeable seals

See Features & Benefits for additional info.

Bearing Dimensions																			Adjust.	Allowable Working Load	Approx. Weight
Size Code	Shaft Diameter	Complete Take-up Assembly	Travel Length	A Base to Centerline Height	B Frame Bolt Hole Spacing	G Bolt Hole Spacing (Width)	C	D	E	F	H	I	K	L	V	X	Y	Z			
2-Bolt																					
6	1 15/16	ZNT65115	12	3 15/16	26 1/2	-	28 1/2	3 13/16	3 1/2	5/8	1 3/4	3	7 1/4	8 1/4	1 7/32	25 3/8	3/4-10 NC	3 13/16	12		
			18		32 1/2		31 3/8									18					
			24		38 1/2		37 3/8									24					
			30		44 1/2		43 3/8									30					
			36		50 1/2		49 3/8									36					
7	2	ZNT75200	12	4 3/16	27 1/2	-	29 1/2	4 1/8	3 1/2	5/8	1 3/4	3	7 3/4	8 11/16	1 9/32	26 3/8	3/4-10 NC	3 13/16	12		
			18		33 1/2		32 3/8									18					
	24	39 1/2	38 3/8		24																
	30	45 1/2	44 3/8		30																
	36	51 1/2	50 3/8		36																
8	2 7/16	ZNT85207	12	4 3/8	28 1/2	-	30 1/2	4 3/8	3 1/2	3/4	1 3/4	3	8 1/4	9 1/8	1 5/16	27 3/4	7/8-9 NC	3 15/16	12		
			18		34 1/2		33 3/4									18					
			24		40 1/2		39 3/4									24					
			30		46 1/2		45 3/4									30					
			36		52 1/2		51 3/4									36					
4-Bolt																					
9	2 1/2	ZNT95208	12	5 1/8	30 1/2	2	32 1/2	4 7/8	4 1/2	3/4	2	4	9 1/4	10 5/8	1 9/16	30	1-8 NC	5 1/16	12		
	18	36 1/2	38 1/2		18																
	24	42 1/2	44 1/2		24																
	30	48 1/2	50 1/2		30																
10	3 3/16	ZNT105303	12	5 5/8	32	2	34 1/4	5 5/16	4 1/2	3/4	2	4	10	11 3/4	1 23/32	32	1 1/8-7 NC	5 3/16	12		
	18	38	40 1/4		18																
	24	44	46 1/4		24																
	30	50	52 1/4		30																
11	3 11/16	ZNT115311	12	7	36	2 1/2	38 1/2	6 1/4	5 1/2	3/4	2 1/4	5	12	14 1/2	2 1/16	36 5/16	1 1/4-7 NC	6 3/8	12		
	18	42	44 1/2		18																
	24	48	50 1/2		24																
	30	54	56 1/2		30																
	4	ZNT115400	36		60		62 1/2								60 5/16			36			

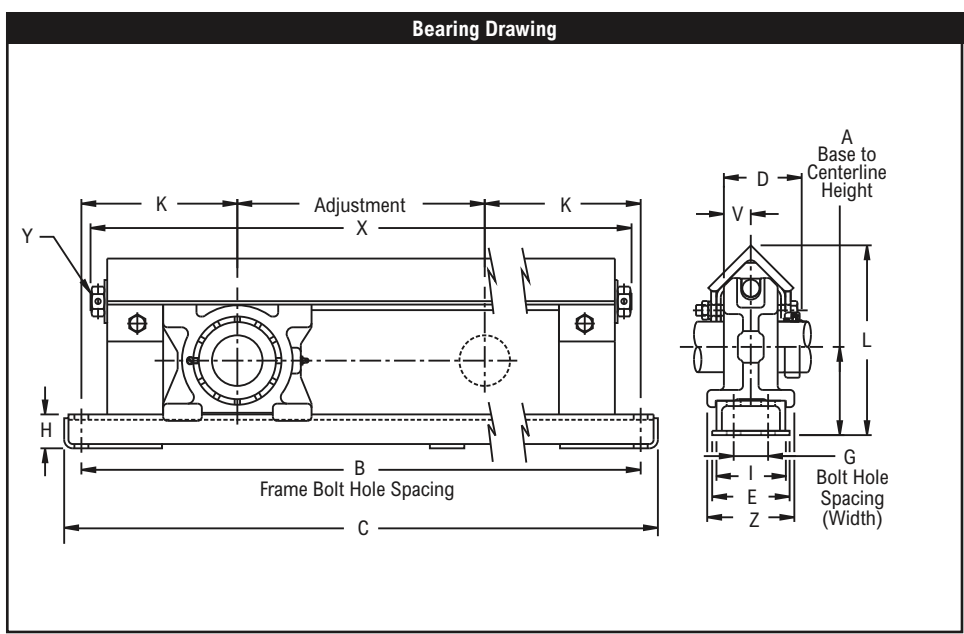
Additional Notes

Please call 1-866-REXNORD for availability
 Metric bore sizes available, see Rexnord Interchangeability guide
 Lubrication fitting tap size, 1/8 PT
 Bore size = nominal shaft size +.001"/-.000"
 Seals - To specify K or M seal, replace "Z" in part number with "K" or "M"
 Auxiliary end caps - available in all size codes
 Allowable working load is 2/3 yield strength

Selection Guide, see Rexnord Spherical Roller Bearings Selection Guide section
 Load Ratings & Speed Limits, see Rexnord Spherical Roller Bearings Load Ratings & Speed Limits section
 Note: Dimensions subject to change. Certified dimensions of ordered material furnished on request.



- Product Features**
- Optical Strain Sensor Technology
 - Positive locking system
 - Tapered adapter sleeve
 - Protected screw type frame
 - Corrosion resistant powder coating
 - Cast iron housing
 - Misalignment capabilities - Total of 3°
 - Broad range of sealing options
 - Factory set clearance & lubrication
 - See Features & Benefits for additional info.



Bearing Dimensions																					
Size Code	Shaft Diameter	Complete Take-up Assembly	Travel Length	A Base to Centerline Height	B Frame Bolt Hole Spacing	G Bolt Hole Spacing (Width)	C	D	E	F	H	I	K	L	V	X	Y	Z	Adjust.	Allowable Working Load	Approx. Weight
2-Bolt																					
6	1 15/16	ZNT66115	12	3 15/16	26 1/2	-	28 1/2	3 41/64	3 1/2	5/8	1 3/4	3	7 1/4	8 1/4	1 7/32	25 3/8	3/4-10 NC	3 13/16	12	3,000	47
			18		34 1/2		31 3/8									52					
			24		40 1/2		37 3/8									58					
			30		46 1/2		43 3/8									65					
			36		52 1/2		49 3/8									72					
7	2 3/16	ZNT76203	12	4 3/16	27 1/2	-	29 1/2	3 49/64	3 1/2	5/8	1 3/4	3	7 3/4	8 11/16	1 9/32	26 3/8	3/4-10 NC	3 13/16	12	3,600	51
			18		33 1/2		32 3/8									56					
			24		39 1/2		38 3/8									68					
			30		45 1/2		44 3/8									75					
			36		51 1/2		50 3/8									80					
8	2 3/8	ZNT86206	12	4 3/8	28 1/2	-	30 1/2	4 5/32	3 1/2	3/4	1 3/4	3	8 1/4	9 1/8	1 5/16	27 3/4	7/8-9 NC	3 15/16	12	4,400	61
			18		34 1/2		33 3/4									65					
	24	40 1/2	39 3/4		76																
	30	46 1/2	45 3/4		81																
	2 7/16	ZNT86207	36		52 1/2		54 1/2								51 3/4			36		87	
4-Bolt																					
9	2 11/16	ZNT96211	12	5 1/8	30 1/2	2	32 1/2	4 17/32	4 1/2	3/4	2	4	9 1/4	10 5/8	1 9/16	30	1-8 NC	5 1/16	12	6,800	87
	18	36 1/2	38 1/2		95																
	24	42 1/2	44 1/2		115																
	30	48 1/2	50 1/2		122																
	2 3/4	ZNT96212	36		54 1/2		56 1/2								48			36		130	
	2 15/16	ZNT96215	36		54 1/2		56 1/2								54			36		130	
10	3 3/16	ZNT106303	12	5 5/8	32	2	34 1/4	5 9/64	4 1/2	3/4	2	4	10	11 3/4	1 23/32	32	1 1/8-7 NC	5 3/16	12	8,400	120
			18		38		40 1/4									129					
	24	44	46 1/4		147																
	30	50	52 1/4		156																
	3 7/16	ZNT106307	36		56		58 1/4								56			36		168	
11	3 11/16	ZNT116311	12	7	36	2 1/2	38 1/2	5 31/32	5 1/2	3/4	2 1/4	5	12	14 1/2	2 1/16	36 5/16	1 1/4-7 NC	6 3/8	12	15,600	211
			18		42		44 1/2									219					
	24	48	50 1/2		251																
	30	54	56 1/2		271																
	3 15/16	ZNT116315	36		60		62 1/2								60 5/16			36		281	

Additional Notes

Please call 1-866-REXNORD for availability
 Lubrication fitting tap size, 1/8 PT
 Bore size = nominal shaft size +.001"/-.000"
 Seals - To specify K or M seal, replace "Z" in part number with "K" or "M"
 Auxiliary end caps - available in all size codes
 Allowable working load is 2/3 yield strength
 Selection Guide, see Rexnord Spherical Roller Bearings Selection Guide section

Load Ratings & Speed Limits, see Rexnord Spherical Roller Bearings Load Ratings & Speed Limits section
 Note: Dimensions subject to change. Certified dimensions of ordered material furnished on request.

ZAT2000

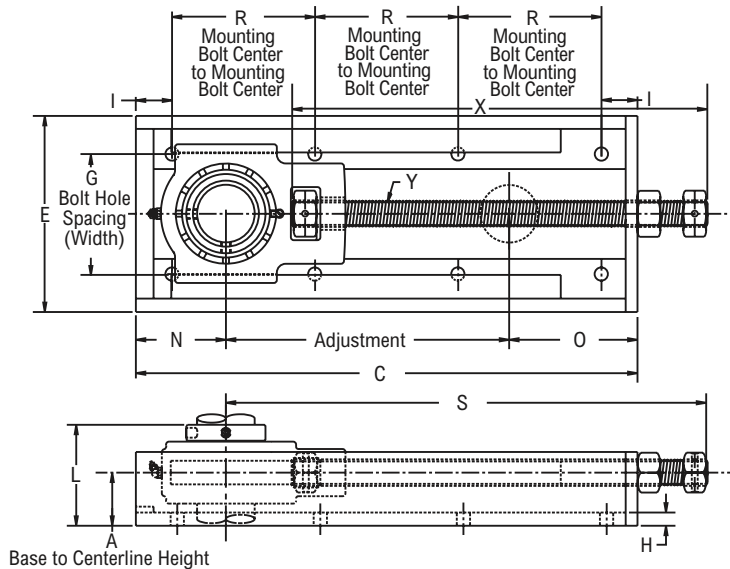


Photo Shows a Center Pull, Side Mounted Take-Up Frame with Spherical Roller Bearing Take-Up Unit

Product Features

- Center pull side mounted frame
- Corrosion resistant powder coating
- Cast iron housing
- Misalignment capabilities - Total of 3°
- Broad range of sealing options
- Factory set clearance & lubrication
- Precision ground & superfinished raceways
- Field interchangeable seals
- See Features & Benefits for additional info.

Bearing Drawing



Bearing Dimensions

Size Code	Shaft Diameter	Part Number	Adjust.	A Base to Centerline Height	G Bolt Hole Spacing (Width)	R Mounting Bolt Center to Mounting Bolt Center	C	E	F	H	I	L	N	O	S	X	Y	Approx. Weight
6-Bolt																		
4	1 7/16	ZAT421079	9	1 7/8	3 9/16	6 7/16	15 7/8	5 3/16	1/2	3/16	1 1/2	3 5/8	3	3 7/8	15	13 1/8	3/4-10 NC	18.40
5	1 11/16	ZAT521119	9	2	4 1/16	7	17	5 13/16	1/2	1/4	1 1/2	3 7/8	3 1/4	4 3/4	16	13 1/2	7/8-9 NC	26.80
6	1 15/16	ZAT621159	9	2	4 1/16	7	17	5 13/16	1/2	1/4	1 1/2	3 7/8	3 1/4	4 3/4	16	13 1/2	7/8-9 NC	27.10
7	2 3/16	ZAT722039	9	2	4 13/16	7 1/2	18	6 9/16	1/2	1/4	1 1/2	4	3 9/16	5 7/16	16 15/16	14 5/16	1-8 NC	33.70
8-Bolt																		
8	2 7/16	ZAT8220712	12	2 1/4	5 1/16	6 1/16	21 11/16	7 5/16	1/2	5/16	1 3/4	4 7/16	3 13/16	5 7/8	20 3/4	18	1 1/8-7 NC	51.00
9	2 15/16	ZAT9221512	12	2 7/16	5 3/8	6 1/2	23	8 1/8	1/2	5/16	1 3/4	4 7/8	4 1/4	6 3/4	21 3/4	18 1/2	1 1/4-7 NC	75.00

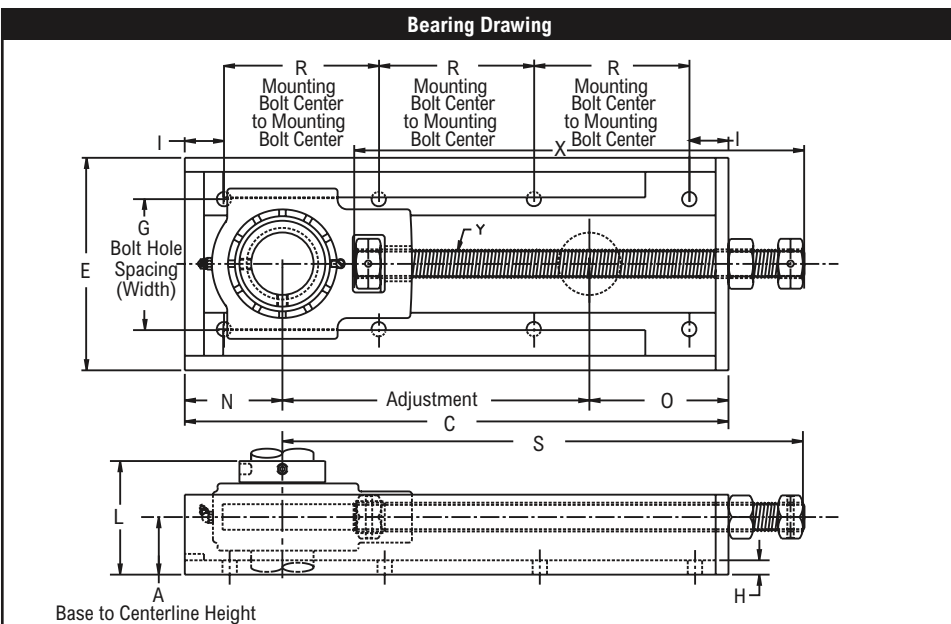
Additional Notes

Please call 1-866-REXNORD for availability
 Metric bore sizes available, see Rexnord Interchangeability guide
 Lubrication fitting tap size, 1/8 PT
 Bore size = nominal shaft size +.001”/-0.000”
 Seals - To specify K or M seal, replace “Z” in part number with “K” or “M”
 Auxiliary end caps - available in all size codes on outboard side only
 Selection Guide, see Rexnord Spherical Roller Bearings Selection Guide section

Load Ratings & Speed Limits, see Rexnord Spherical Roller Bearings Load Ratings & Speed Limits section
 Note: Dimensions subject to change. Certified dimensions of ordered material furnished on request.



Photo Shows a Center Pull, Side Mounted Take-Up Frame with Spherical Roller Bearing Take-Up Unit



Bearing Dimensions

Size Code	Shaft Diameter	Part Number	Adjust.	A Base to Centerline Height	G Bolt Hole Spacing (Width)	R Mounting Bolt Center to Mounting Bolt Center	C	E	F	H	I	L	N	O	S	X	Y	Approx. Weight
6-Bolt																		
4	1 7/16	ZAT431079	9	1 7/8	3 9/16	6 7/16	15 7/8	5 3/16	1/2	3/16	1 1/2	3 5/8	3	3 7/8	15	13 1/8	3/4-10 NC	18.40
5	1 11/16	ZAT531119	9	2	4 1/16	7	17	5 13/16	1/2	1/4	1 1/2	3 7/8	3 1/4	4 3/4	16	13 1/2	7/8-9 NC	26.80
6	1 15/16	ZAT631159	9	2	4 1/16	7	17	5 13/16	1/2	1/4	1 1/2	3 7/8	3 1/4	4 3/4	16	13 1/2	7/8-9 NC	27.10
7	2 3/16	ZAT732039	9	2	4 13/16	7 1/2	18	6 9/16	1/2	1/4	1 1/2	4	3 9/16	5 7/16	16 15/16	14 5/16	1-8 NC	33.70
8-Bolt																		
8	2 7/16	ZAT8320712	12	2 1/4	5 1/16	6 1/16	21 11/16	7 5/16	1/2	5/16	1 3/4	4 7/16	3 13/16	5 7/8	20 3/4	18	1 1/8-7 NC	51.00
9	2 15/16	ZAT9321512	12	2 7/16	5 3/8	6 1/2	23	8 1/8	1/2	5/16	1 3/4	4 7/8	4 1/4	6 3/4	21 3/4	18 1/2	1 1/4-7 NC	75.00

Additional Notes

Please call 1-866-REXNORD for availability
 Lubrication fitting tap size, 1/8 PT
 Bore size = nominal shaft size +.001"/-.000"
 Seals - To specify K or M seal, replace "Z" in part number with "K" or "M"
 Auxiliary end caps - available in all size codes on outboard side only
 Selection Guide, see Rexnord Spherical Roller Bearings Selection Guide section

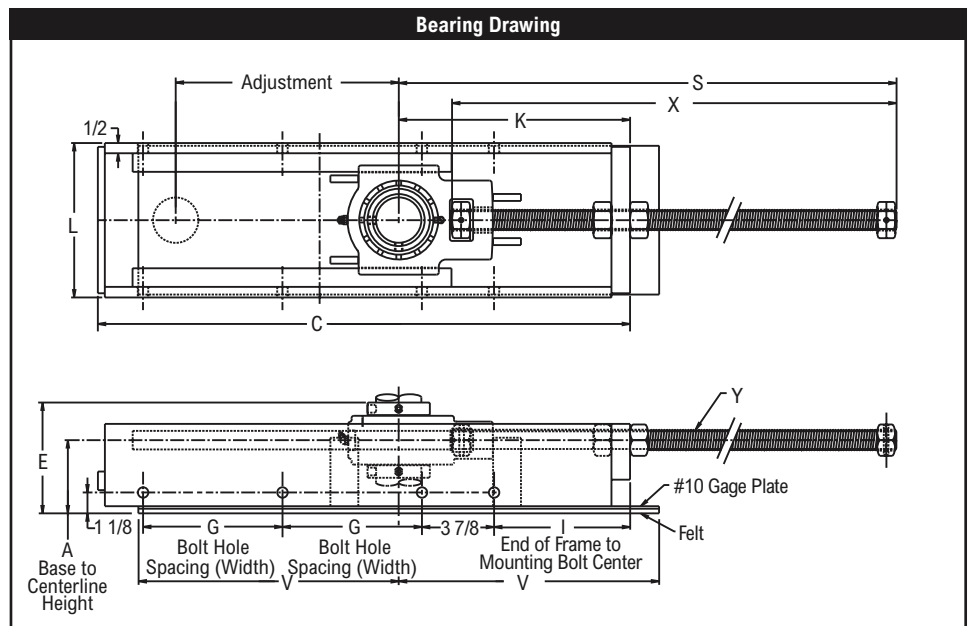
Load Ratings & Speed Limits, see Rexnord Spherical Roller Bearings Load Ratings & Speed Limits section
 Note: Dimensions subject to change. Certified dimensions of ordered material furnished on request.



Photo Shows an Elevator Boot Take-Up Frame with Spherical Roller Bearing Take-Up Unit

Product Features

- Center pull elevator boot frame
- Back plate makes casing dust tight
- Corrosion resistant powder coating
- Cast iron housing
- Misalignment capabilities - Total of 3°
- Broad range of sealing options
- Factory set clearance & lubrication
- Precision ground & superfinished raceways
- Field interchangeable seals
- See Features & Benefits for additional info.



Bearing Dimensions																
Size Code	Shaft Diameter	Part Number	A Base to Centerline Height	G Bolt Hole Spacing (Width)	I End of Frame at Rod End to Mounting Bolt Center	C	E	F	K	L	S	V	X	Y	Adjust.	Approx. Weight
6	1 15/16	ZFT651159	3 11/16	6	5 1/2	23 1/2	5 5/8	1/2	10 5/8	7 3/16	21 3/4	11	19 1/2	7/8-9 NC	9	63.00
8	2 7/16	ZFT8520712	3 15/16	7 1/2	7 5/16	28 5/8	6 1/8	1/2	12 7/16	8 5/16	27	14	24 1/4	1 1/8-7 NC	12	88.00
9	2 1/2	ZFT9520812	4 3/8	7 1/2	8 3/4	30 3/8	6 13/16	1/2	13 7/8	8 5/8	28 5/8	14	25 3/8	1 1/4-7 NC	12	117.00
	2 11/16	ZFT9521112														115.00
	2 15/16	ZFT9521512														114.00

Additional Notes

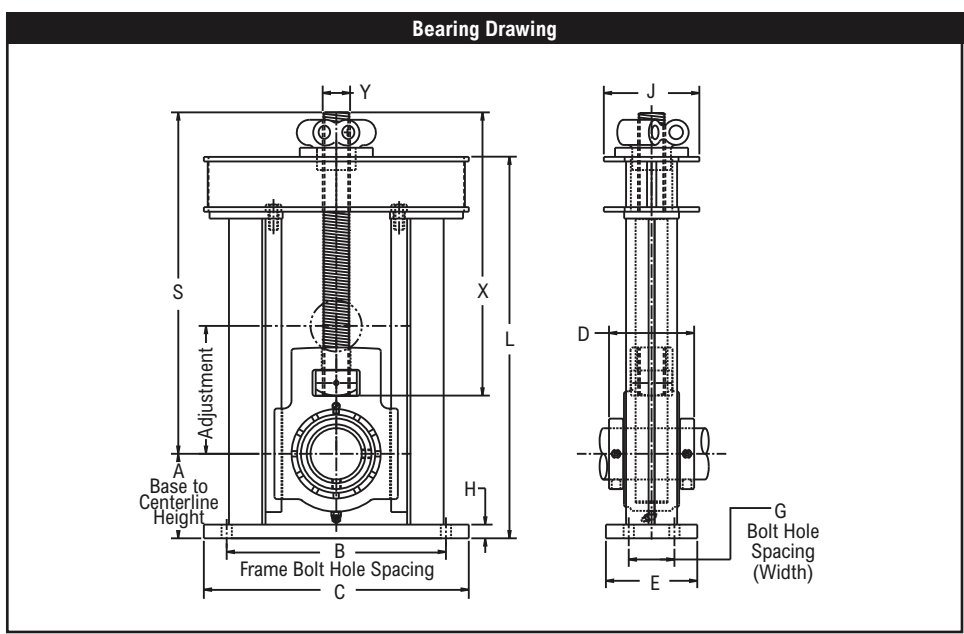
Please call 1-866-REXNORD for availability
 Metric bore sizes available, see Rexnord Interchangeability guide
 Lubrication fitting tap size, 1/8 PT
 Bore size = nominal shaft size +.001"/-.000"
 Seals - To specify K or M seal, replace "Z" in part number with "K" or "M"
 Auxiliary end caps - available in all size codes
 Selection Guide, see Rexnord Spherical Roller Bearings Selection Guide section

Load Ratings & Speed Limits, see Rexnord Spherical Roller Bearings Load Ratings & Speed Limits section
 Note: Dimensions subject to change. Certified dimensions of ordered material furnished on request.



Product Features

- Center pull elevator head frame
- Corrosion resistant powder coating
- Cast iron housing
- Misalignment capabilities - Total of 3°
- Broad range of sealing options
- Factory set clearance & lubrication
- Precision ground & superfinished raceways
- Field interchangeable seals
- See Features & Benefits for additional info.



Bearing Dimensions																		
Size Code	Shaft Diameter	Part Number	A Base to Centerline Height	B Frame Bolt Hole Spacing	G Bolt Hole Spacing (Width)	C	D	E	F	H	J	L	S	X	Y	Adjust.	Allowable Working Load	Approx. Weight
6	1 15/16	ZGT651156	3 5/16	10	1 3/4	12	3 13/16	3 1/2	1/2	1/2	4 15/16	16 1/2	15 7/8	13 5/8	1-8 NC	6	12,300	50.00
8	2 7/16	ZGT852077	4 1/8	11	2	13 1/2	4 3/8	4	5/8	3/4	4 15/16	19 7/16	18 3/4	13 5/8	1 1/4-7 NC	7	20,900	74.00
9	2 1/2	ZGT952087	4 5/8	12	2 1/2	14 1/2	4 7/8	5	5/8	3/4	5 1/4	20 7/8	17 7/8	15 1/2	1 1/2-6 NC	7	26,800	103.00
	2 11/16	ZGT952117																101.00
10	2 15/16	ZGT952157	5 1/8	13	3	16	5 5/16	5	3/4	3/4	6	25 1/16	23 3/16	19 1/2	1 3/4-5 NC	10	27,300	140.00
	3 7/16	ZGT10530710																138.00
11	3 3/16	ZGT10530310	5 13/16	14	3	17	6 1/4	5	3/4	3/4	8 1/4	27 3/4	26 7/16	22	2-4 1/2 NC	10	45,400	214.00
	3 15/16	ZGT11531510																211.00
	4	ZGT11540010																210.00
12	4 7/16	ZGT125407Y10	6 13/16	17	3 1/2	20	6 1/4	6	7/8	3/4	9 1/4	32 1/4	29 1/2	24 1/2	2-4 1/2 NC	10 1/2	53,700	260.00
13	4 15/16	ZGT13541510	7 3/16	18	3 1/2	21	7 7/8	6	7/8	3/4	9 7/16	34 5/8	31 3/4	26 5/16	2 1/4-4 1/2 NC	10 1/2	68,000	329.00
	5	ZGT13550010																326.00
14	5 7/16	ZGT14550710	9 11/16	23	7	31	8	10	1 1/8	1	10 1/2	44 7/8	42 1/4	35	3-4 NC	10 1/2	125,000	1,200.00
15	5 15/16	ZGT15551510	9 11/16	23	7	31	8 1/8	10	1 1/8	1	10 1/2	44 7/8	42 1/4	35	3-4 NC	10 1/2	125,000	1,200.00
	6	ZGT15560010																
16	6 7/16	ZGT16560710	9 11/16	23	7	31	8 3/4	10	1 1/8	1	10 1/2	44 7/8	42 1/4	35	3-4 NC	10 1/2	125,000	1,200.00
	6 15/16	ZGT16561510																
	7	ZGT16570010																

Additional Notes

Please call 1-866-REXNORD for availability
 Metric bore sizes available, see Rexnord Interchangeability guide
 Lubrication fitting tap size, 1/8 PT
 Bore size = nominal shaft size +.001"/-.000"
 Seals - To specify K or M seal, replace "Z" in part number with "K" or "M"
 Auxiliary end caps - available in all size codes
 Allowable working load is 2/3 yield strength

Selection Guide, see Rexnord Spherical Roller Bearings Selection Guide section
 Load Ratings & Speed Limits, see Rexnord Spherical Roller Bearings Load Ratings & Speed Limits section
 Note: Dimensions subject to change. Certified dimensions of ordered material furnished on request.

www.rexnord.com

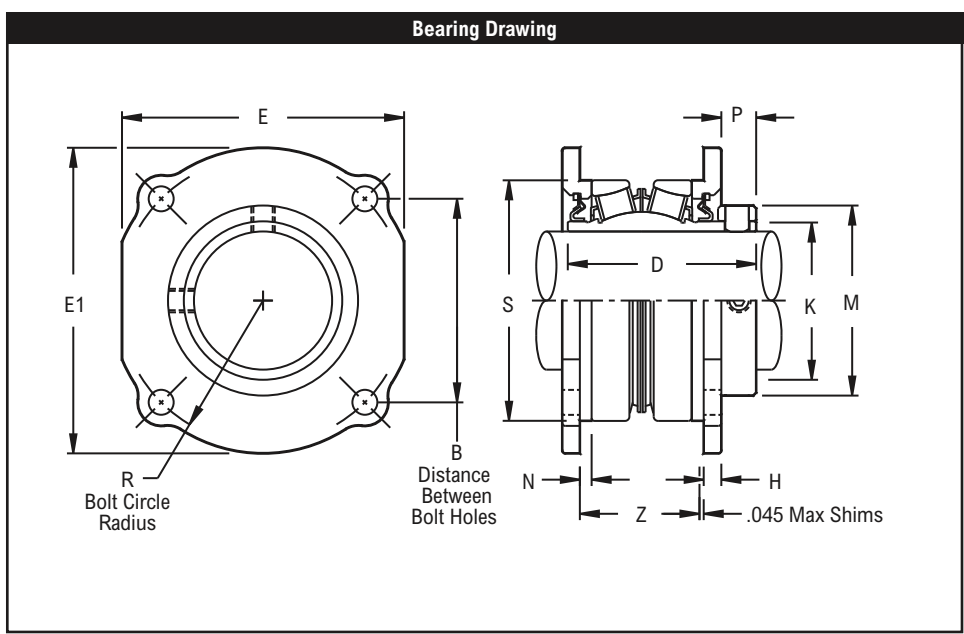
Rexnord Industries, LLC, 7601 Rockville Road, Indianapolis, IN 46214-3120 USA
Phone: 317-273-5500 Fax: 317-273-5620





Product Features

- Corrosion resistant powder coating
- Cast iron housing
- Misalignment capabilities - Total of 3°
- Broad range of sealing options
- Factory set clearance & lubrication
- Precision ground & superfinished raceways
- Hardened spring locking collar
- Field interchangeable seals
- See Features & Benefits for additional info.



Bearing Dimensions																	
Size Code	Shaft Diameter	Part Number	B Distance Between Bolt Holes	R Bolt Circle Radius	D	E1	E	F	H	K	M	N	P	S	Z	Recommended Housing Bore Diameter	Approx. Weight
4	1 7/16	ZD2107	2 9/16	1 13/16	2 7/8	3 3/4	3 5/16	3/8	5/16	1 3/4	2 5/16	7/32	5/8	2.8375	1.725	2.8360	3.00
	1 1/2	ZD2108															2.90
5	1 11/16	ZD2111	2 7/8	2 1/32	3 1/8	4 1/4	3 3/4	3/8	5/16	2 1/32	2 5/8	3/16	5/8	3.3495	1.930	3.3480	4.20
	1 3/4	ZD2112															4.00
6	1 15/16	ZD2115	3	2 1/8	3 1/8	4 1/2	4	3/8	5/16	2 5/16	2 15/16	3/16	21/32	3.5465	1.875	3.5450	4.60
	2	ZD2200															4.50
7	2 3/16	ZD2203	3 13/32	2 13/32	3 5/16	5 1/8	4 9/16	7/16	5/16	2 5/8	3 1/4	1/8	11/16	3.9400	1.880	3.9385	6.20
	2 1/4	ZD2204															6.10
8	2 3/8	ZD2206	3 23/32	2 5/8	3 1/2	5 1/2	4 15/16	1/2	5/16	2 29/32	3 9/16	1/4	3/4	4.3337	2.225	4.3322	7.80
	2 7/16	ZD2207															7.70
	2 1/2	ZD2208															7.50
9	2 11/16	ZD2211	4 21/64	3 1/16	4	6 1/2	6	1/2	3/8	3 3/8	4 1/16	1/4	3/4	5.1202	2.600	5.1187	13.30
	2 3/4	ZD2212															13.10
	2 15/16	ZD2215															12.10
	3	ZD2300															11.60
10	3 3/16	ZD2303	4 61/64	3 1/2	4 3/8	7 3/8	6 13/16	5/8	7/16	3 31/32	4 15/16	3/16	7/8	5.9075	2.664	5.9060	18.70
	3 7/16	ZD2307															17.20
	3 1/2	ZD2308															16.80
11	3 11/16	ZD2311	6 3/16	4 3/8	5 3/16	9 1/8	8 5/8	5/8	17/32	4 9/16	5 5/8	15/64	1	7.0890	3.190	7.0875	35.50
	3 15/16	ZD2315															31.20
	4	ZD2400															30.50

Additional Notes

Please call 1-866-REXNORD for availability
 Metric bore sizes available, see Rexnord Interchangeability guide
 Bore size = nominal shaft size +.001"/-.000"
 Outer race O.D. tolerance, +.000"/-.001"
 Recommended housing bore diameter tolerance, +.002"/-.000"
 Seals - To specify K or M seal, replace "Z" in part number with "K" or "M"
 Auxiliary end caps - not available

Selection Guide, see Rexnord Spherical Roller Bearings Selection Guide section
 Load Ratings & Speed Limits, see Rexnord Spherical Roller Bearings Load Ratings & Speed Limits section
 Note: Dimensions subject to change. Certified dimensions of ordered material furnished on request.

ZD5000

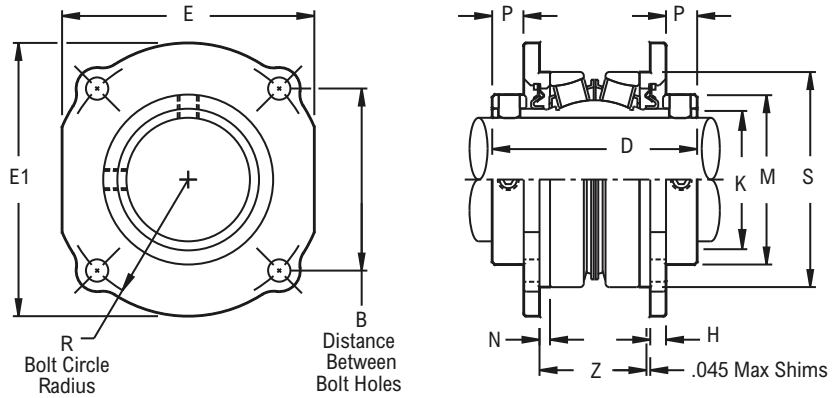


Photo Shows a Spherical Roller Bearing Duplex Unit

Product Features

- Corrosion resistant powder coating
- Cast iron housing
- Misalignment capabilities - Total of 3°
- Broad range of sealing options
- Factory set clearance & lubrication
- Precision ground & superfinished raceways
- Two hardened spring locking collars
- Field interchangeable seals
- See Features & Benefits for additional info.

Bearing Drawing



Bearing Dimensions

Size Code	Shaft Diameter	Part Number	B Distance Between Bolt Holes	R Bolt Circle Radius	D	E1	E	F	H	K	M	N	P	S	Z	Recommended Housing Bore Diameter	Approx. Weight
4	1 7/16	ZD5107	2 9/16	1 13/16	3 9/16	3 3/4	3 5/16	3/8	5/16	1 3/4	2 5/16	7/32	5/8	2.8375	1.725	2.8360	3.40
5	1 1/2	ZD5108	2 7/8	2 1/32	3 13/16	4 1/4	3 3/4	3/8	5/16	2 1/32	2 5/8	3/16	5/8	3.3495	1.930	3.3480	5.40
	1 11/16	ZD5111															4.80
6	1 15/16	ZD5115	3	2 1/8	3 13/16	4 1/2	4	3/8	5/16	2 5/16	2 15/16	3/16	2 1/32	3.5465	1.875	3.5450	5.20
7	2	ZD5200	3 13/32	2 13/32	4 1/8	5 1/8	4 9/16	7/16	5/16	2 5/8	3 1/4	1/8	1 1/16	3.9400	1.880	3.9385	7.90
	2 3/16	ZD5203															7.30
8	2 7/16	ZD5207	3 23/32	2 5/8	4 3/8	5 1/2	4 15/16	1/2	5/16	2 29/32	3 9/16	1/4	3/4	4.3337	2.225	4.3322	8.80
9	2 1/2	ZD5208	4 2 1/64	3 1/16	4 7/8	6 1/2	6	1/2	3/8	3 3/8	4 1/16	1/4	3/4	5.1202	2.600	5.1187	16.60
	2 11/16	ZD5211															15.30
	2 15/16	ZD5215															13.20
10	3 3/16	ZD5303	4 6 1/64	3 1/2	5 5/16	7 3/8	6 13/16	5/8	7/16	3 3 1/32	4 15/16	3/16	7/8	5.9075	2.664	5.9060	21.20
	3 7/16	ZD5307															19.40
11	3 11/16	ZD5311	6 3/16	4 3/8	6 1/4	9 1/8	8 5/8	5/8	1 7/32	4 9/16	5 5/8	1 5/64	1	7.0890	3.190	7.0875	38.00
	3 15/16	ZD5315															35.00
	4	ZD5400															34.00

Additional Notes

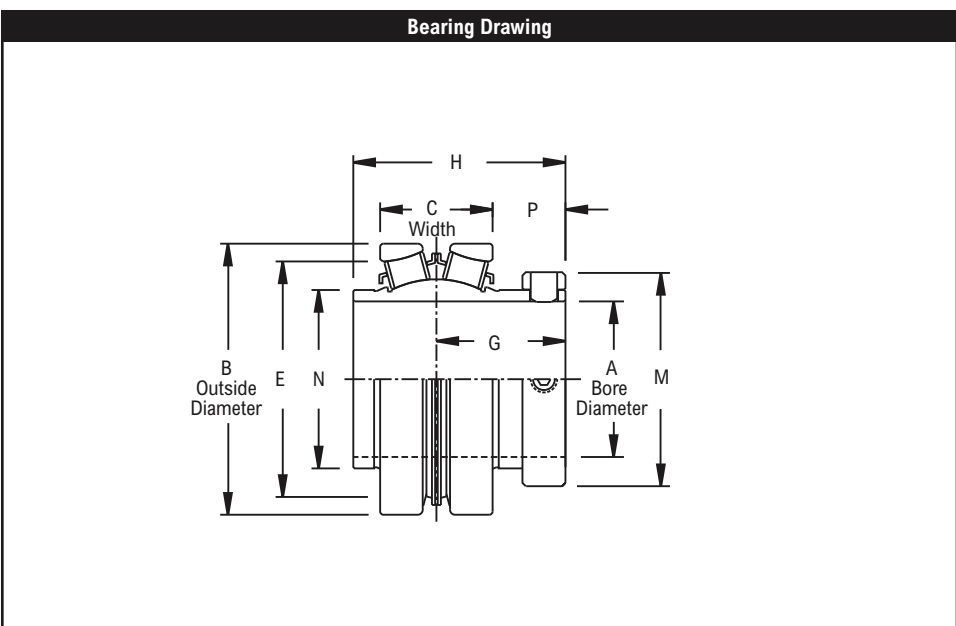
Please call 1-866-REXNORD for availability
 Metric bore sizes available, see Rexnord Interchangeability guide
 Bore size = nominal shaft size +.001"/-.000"
 Outer race O.D. tolerance, +.000"/-.001"
 Recommended housing bore diameter tolerance, +.002"/-.000"
 Seals - To specify K or M seal, replace "Z" in part number with "K" or "M"
 Auxiliary end caps - not available

Selection Guide, see Rexnord Spherical Roller Bearings Selection Guide section
 Load Ratings & Speed Limits, see Rexnord Spherical Roller Bearings Load Ratings & Speed Limits section
 Note: Dimensions subject to change. Certified dimensions of ordered material furnished on request.



Product Features

- Precision ground & superfinished raceways
- Hardened spring locking collar
- Self aligning
- See Features & Benefits for additional info.



Bearing Dimensions												
Size Code	Shaft Diameter	Part Number	A Bore Diameter	B Outside Diameter	C Bearing Width	E	G	H	M	N	P	Approx. Weight
2	³ / ₄	2012U	0.7500	2.3780	1.1200	1.93	1.57	2.57	1.74	1.31	0.98	1.20
	¹⁵ / ₁₆	2015U	0.9375									
	1	2100U	1.0000									
3	¹ / ₈	2102U	1.1250	2.6280	1.3100	2.18	1.62	2.69	1.96	1.53	0.97	1.60
	¹ / ₁₆	2103U	1.1875									
	¹ / ₄	2104U	1.2500									
4	¹ / ₁₆	2107U	1.4375	2.8375	1.3100	2.38	1.78	2.88	2.30	1.75	1.12	1.70
	¹ / ₂	2108U	1.5000									
5	¹ / ₁₆	2111U	1.6875	3.3495	1.5800	2.78	1.91	3.13	2.58	2.02	1.12	2.70
	³ / ₄	2112U	1.7500									
6	¹ / ₁₆	2115U	1.9375	3.5465	1.5300	3.04	1.91	3.13	2.89	2.31	1.14	3.10
	2	2200U	2.0000									
7	² / ₁₆	2203U	2.1875	3.9400	1.6600	3.38	2.06	3.32	3.25	2.62	1.24	4.00
	² / ₄	2204U	2.2500									
8	² / ₈	2206U	2.3750	4.3337	1.7500	3.76	2.19	3.51	3.56	2.90	1.31	5.00
	² / ₁₆	2207U	2.4375									
	² / ₂	2208U	2.5000									
9	² / ₁₆	2211U	2.6875	5.1202	2.1300	4.45	2.44	4.00	4.05	3.37	1.37	8.50
	² / ₄	2212U	2.7500									
	² / ₁₆	2215U	2.9375									
	3	2300U	3.0000									
10	³ / ₁₆	2303U	3.1875	5.9075	2.3100	5.11	2.66	4.39	4.91	3.97	1.50	12.00
	³ / ₁₆	2307U	3.4375									
	³ / ₂	2308U	3.5000									
11	³ / ₁₆	2311U	3.6875	7.0890	2.7500	6.16	3.13	5.20	5.63	4.56	1.75	21.50
	³ / ₁₆	2315U	3.9375									
	4	2400U	4.0000									

Additional Notes

Please call 1-866-REXNORD for availability
 Metric bore sizes available, see Rexnord Interchangeability guide
 Bearing O.D. tolerance, +.0000"/-.0010"
 Bore tolerance for all size codes, +.0010"/-.0000"
 Selection Guide, see Rexnord Spherical Roller Bearings Selection Guide section
 Load Ratings & Speed Limits, see Rexnord Spherical Roller Bearings Load Ratings & Speed Limits section

Note: Dimensions subject to change. Certified dimensions of ordered material furnished on request.

3000U


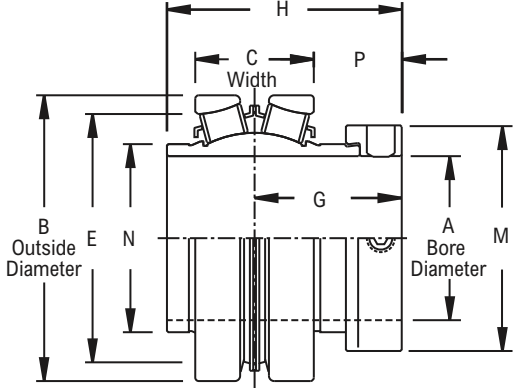


Photo Shows an Unmounted Spherical Roller Bearing

Product Features

Precision ground & superfinished raceways
Eccentric locking collar
Self aligning
See Features & Benefits for additional info.

Bearing Drawing



Bearing Dimensions												
Size Code	Shaft Diameter	Part Number	A Bore Diameter	B Outside Diameter	C Bearing Width	E	G	H	M	N	P	Approx. Weight
4	1 7/16	3107U	1.4375	2.8375	1.3100	2.38	1.83	2.92	2.30	1.75	1.17	1.90
5	1 11/16	3111U	1.6875	3.3495	1.5800	2.78	1.95	3.18	2.58	2.02	1.17	2.90
6	1 15/16	3115U	1.9375	3.5465	1.5300	3.04	2.06	3.28	2.89	2.31	1.29	3.30
7	2 3/16	3203U	2.1875	3.9400	1.6600	3.38	2.24	3.50	3.25	2.62	1.42	4.30
8	2 7/16	3207U	2.4375	4.3337	1.7500	3.76	2.33	3.65	3.56	2.90	1.45	5.20
	2 1/2	3208U	2.5000									
9	2 11/16	3211U	2.6875	5.1202	2.1300	4.45	2.63	4.20	4.05	3.37	1.57	8.50
	2 15/16	3215U	2.9375									
10	3 7/16	3307U	3.4375	5.9075	2.3100	5.11	2.84	4.57	4.91	3.97	1.68	11.50
	3 1/2	3308U	3.5000									
11	3 15/16	3315U	3.9375	7.0890	2.7500	6.16	3.13	5.19	5.63	4.56	1.75	20.70

Additional Notes

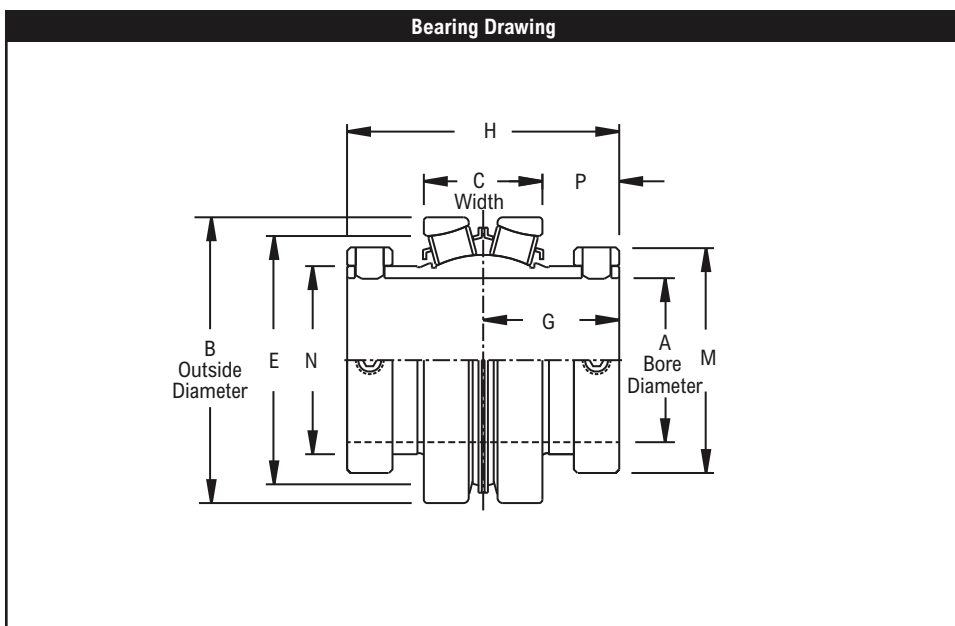
Please call 1-866-REXNORD for availability
 Bearing O.D. tolerance, +.0000"/-.0010"
 Bore tolerance for all size codes, +.0010"/-.0000"
 Selection Guide, see Rexnord Spherical Roller Bearings Selection Guide section
 Load Ratings & Speed Limits, see Rexnord Spherical Roller Bearings Load Ratings & Speed Limits section

Note: Dimensions subject to change. Certified dimensions of ordered material furnished on request.



Product Features

- Precision ground & superfinished raceways
- Two hardened spring locking collars
- Self aligning
- See Features & Benefits for additional info.



Bearing Dimensions												
Size Code	Shaft Diameter	Part Number	A Bore Diameter	B Outside Diameter	C Bearing Width	E	G	H	M	N	P	Approx. Weight
4	1 7/16	5107U	1.4375	2.8375	1.3100	2.38	1.78	3.56	2.30	1.75	1.12	2.20
5	1 1/2	5108U	1.5000	3.3495	1.5800	2.78	1.91	3.81	2.58	2.02	1.12	3.50
	1 11/16	5111U	1.6875									
6	1 15/16	5115U	1.9375	3.5465	1.5300	3.04	1.91	3.81	2.89	2.31	1.14	3.70
7	2	5200U	2.0000	3.9400	1.6600	3.38	2.06	4.13	3.25	2.62	1.24	5.50
	2 3/16	5203U	2.1875									
8	2 7/16	5207U	2.4375	4.3337	1.7500	3.76	2.19	4.37	3.56	2.90	1.31	6.00
9	2 1/2	5208U	2.5000	5.1202	2.1300	4.45	2.44	4.87	4.05	3.37	1.37	10.50
	2 11/16	5211U	2.6875									
	2 15/16	5215U	2.9375									
10	3 3/16	5303U	3.1875	5.9075	2.3100	5.11	2.66	5.32	4.91	3.97	1.50	14.50
	3 7/16	5307U	3.4375									
11	3 11/16	5311U	3.6875	7.0890	2.7500	6.16	3.13	6.25	5.63	4.56	1.75	24.50
	3 15/16	5315U	3.9375									
	4	5400U	4.0000									
12	4 3/16	5403YU	4.1875	7.6820	2.6800	6.80	3.12	6.25	6.19	5.03	1.78	27.00
	4 7/16	5407YU	4.4375									
	4 1/2	5408YU	4.5000									
13	4 15/16	5415U	4.9375	9.0579	3.5600	7.87	3.94	7.88	7.05	5.75	2.10	57.50
	5	5500U	5.0000									
14	5 7/16	5507U	5.4375	10.6329	4.0000	9.18	4.00	8.00	8.18	6.50	2.00	75.00
15	5 15/16	5515U	5.9375	11.4203	4.0000	9.86	4.07	8.13	8.64	7.20	2.06	87.00
	6	5600U	6.0000									
16	6 7/16	5607U	6.4375	12.6014	4.2500	10.88	4.38	8.75	9.72	8.05	2.25	107.00
	6 15/16	5615U	6.9375									
	7	5700U	7.0000									

Additional Notes

Please call 1-866-REXNORD for availability

Metric bore sizes available, see Rexnord Interchangeability guide

Bearing O.D. tolerance for size codes 4 thru 13, +.0000"/-.0010": for all other size codes, +.0000"/-.0015"

Bore tolerance for all size codes, +.0010"/-.0000"

Selection Guide, see Rexnord Spherical Roller Bearings Selection Guide section

Load Ratings & Speed Limits, see Rexnord Spherical Roller Bearings Load Ratings & Speed Limits section

Note: Dimensions subject to change. Certified dimensions of ordered material furnished on request.

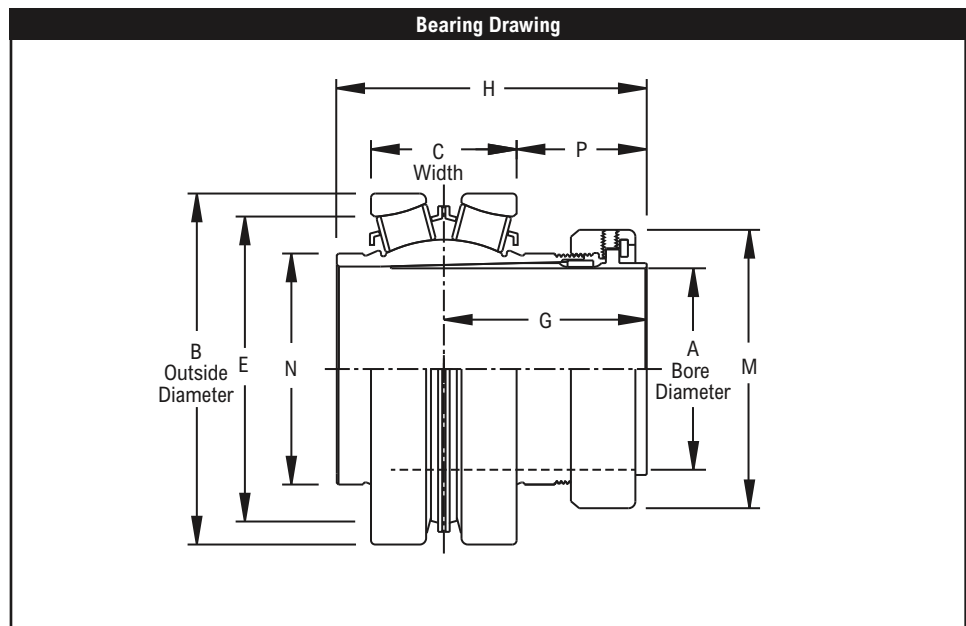
6000U



Photo Shows an Unmounted Spherical Roller Bearing

Product Features

- Optical Strain Sensor Technology
- Positive locking system
- Tapered adapter sleeve
- Precision ground & superfinished raceways
- Self aligning
- See Features & Benefits for additional info.



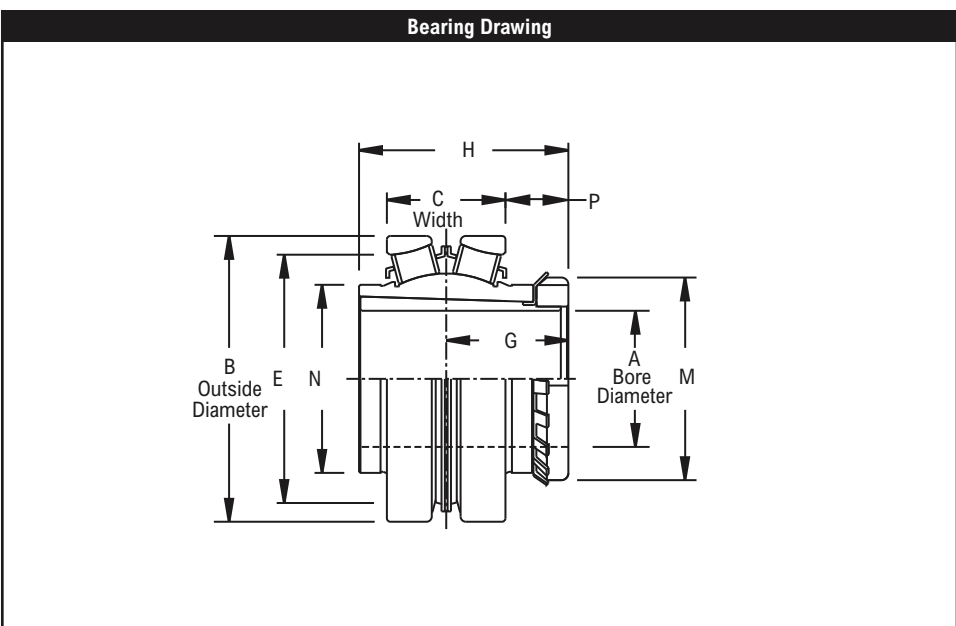
Bearing Dimensions

Size Code	Shaft Diameter	Part Number	A Bore Diameter	B Outside Diameter	C Bearing Width	E	G	H	M	N	P	Approx. Weight	
6	1 ¹⁵ / ₁₆	6115U	1.9375	3.5465	1.5300	3.04	2.34	3.64	2.86	2.31	1.58	3.10	
7	2 ³ / ₁₆	6203U	2.1875	3.9400	1.6600	3.38	2.43	3.77	3.24	2.62	1.60	4.00	
8	2 ³ / ₈	6206U	2.3750	4.3337	1.7500	3.76	2.74	4.16	3.59	2.90	1.86	5.00	
		2 ⁷ / ₁₆	6207U										2.4375
9	2 ¹¹ / ₁₆	6211U	2.6875	5.1202	2.1300	4.45	2.96	4.53	4.09	3.37	1.90	8.50	
		2 ³ / ₄	6212U										2.7500
		2 ¹⁵ / ₁₆	6215U										2.9375
10	3 ³ / ₁₆	6303U	3.1875	5.9075	2.3100	5.11	3.31	5.14	4.95	3.97	2.15	12.00	
		3 ⁷ / ₁₆	6307U										3.4375
11	3 ¹¹ / ₁₆	6311U	3.6875	7.0890	2.7500	6.16	3.79	5.97	5.67	4.56	2.42	21.50	
		3 ¹⁵ / ₁₆	6315U										3.9375
12	4 ³ / ₁₆	6403YU	4.1875	7.6820	2.6800	6.80	4.00	6.25	6.06	5.03	2.66	27.50	
		4 ⁷ / ₁₆	6407YU										4.4375
13	4 ¹⁵ / ₁₆	6415U	4.9375	9.0579	3.5600	7.87	5.02	7.93	6.95	5.75	3.24	48.00	

Additional Notes

Please call 1-866-REXNORD for availability
 Bearing O.D. tolerance, +.0000"/-.0010"
 Bore tolerance for all size codes, +.0010"/-.0000"
 Selection Guide, see Rexnord Spherical Roller Bearings Selection Guide section
 Load Ratings & Speed Limits, see Rexnord Spherical Roller Bearings Load Ratings & Speed Limits section

Note: Dimensions subject to change. Certified dimensions of ordered material furnished on request.



Product Features

- Precision ground & superfinished raceways
- Enhanced life mounting style
- Self aligning
- See Features & Benefits for additional info.

Bearing Dimensions												
Size Code	Shaft Diameter	Part Number	A Bore Diameter	B Outside Diameter	C Bearing Width	E	G	H	M	N	P	Approx. Weight
7	1 15/16	9115U	1.9400	3.9400	1.6600	3.38	1.89	3.14	2.97	2.62	1.06	4.20
	2	9200U	2.0000									
8	2 3/16	9203U	2.1900	4.3337	1.7500	3.76	2.03	3.34	3.38	2.90	1.15	5.30
9	2 7/16	9207U	2.4400	5.1202	2.1300	4.45	2.18	3.74	3.63	3.37	1.11	7.80
	2 1/2	9208U	2.5000									
10	2 11/16	9211U	2.6900	5.9075	2.3100	5.11	2.53	4.25	4.41	3.97	1.37	13.00
	2 15/16	9215U	2.9400									
	3	9300U	3.0000									
11	3 3/16	9303U	3.1900	7.0890	2.7500	6.16	3.01	5.07	5.19	4.56	1.63	25.00
	3 7/16	9307U	3.4400									
12	3 11/16	9311YU	3.6900	7.6820	2.6800	6.80	3.16	5.41	5.72	5.03	1.82	25.00
	3 15/16	9315YU	3.9400									
	4	9400YU	4.0000									
13	4 3/16	9403U	4.1900	9.0579	3.5600	7.87	3.85	6.76	6.13	5.75	2.07	57.00
	4 7/16	9407U	4.4400									
14	4 15/16	9415U	4.9400	10.6329	4.0000	9.18	4.13	7.19	7.09	6.50	2.13	69.00
	5	9500U	5.0000									
15	5 3/16	9503U	5.1900	11.4203	4.0000	9.86	4.38	7.57	8.06	7.20	2.38	85.00
	5 7/16	9507U	5.4400									
16	5 15/16	9515U	5.9400	12.6014	4.2500	10.88	4.50	7.75	9.06	8.05	2.37	104.00
	6	9600U	6.0000									
	6 7/16	9607U	6.4400									

Additional Notes

Please call 1-866-REXNORD for availability
 Bearing O.D. tolerance for size codes 7 thru 13, +.0000"/-.0010": for all other size codes, +.0000"/-.0015"
 Bore tolerance for all size codes, +.0010"/-.0000"
 Selection Guide, see Rexnord Spherical Roller Bearings Selection Guide section
 Load Ratings & Speed Limits, see Rexnord Spherical Roller Bearings Load Ratings & Speed Limits section

Note: Dimensions subject to change. Certified dimensions of ordered material furnished on request.

www.rexnord.com

Rexnord Industries, LLC, 7601 Rockville Road, Indianapolis, IN 46214-3120 USA
Phone: 317-273-5500 Fax: 317-273-5620



Rexnord Replacement Kits



Set Collar Kit



Eccentric Locking Collar Kit



Threaded Cover Kit



Adapter Sleeve Kit



Z Seal Kit - Contains 2 Seal Assemblies



K Seal Kit - Contains 2 Seal Assemblies



M Seal Kit - Contains 2 Seal Assemblies



Microlock Assembly Kit

Part Numbers

Size Code	Z	K	M	Threaded Cover Kit	Set Collar Kit	Eccentric Locking Collar Kit	Microlock Assembly Kit	Adapter Assembly Kit
2	ZS2	KS2	MS2	TC2	SC2	-	ML2	-
3	ZS3	KS3	MS3	TC3	SC3	-	ML2	-
4	ZS4	KS4	MS4	TC4	SC4	SC3107	ML2	-
5	ZS5	KS5	MS5	TC5	SC5	SC3111	ML2	-
6	ZS6	KS6	MS6	TC6	SC6	SC3115	ML2	-
7	ZS7	KS7	MS7	TC7	SC7	SC3203	ML2	AK7115 AK7200
8	ZS8	KS8	MS8	TC8	SC8	SC3207 SC3208	ML3	AK8203
9	ZS9	KS9	MS9	TC9	SC9	SC3211 SC3215	ML3	AK9207 AK9208
10	ZS10	KS10	MS10	TC10	SC10	SC3307 SC3308	ML4*	AK10211 AK10215 AK10300
11	ZS11	KS11	MS11	TC11	SC11	SC3315	ML4	AK11303 AK11307 AK11308
12	ZS12Y	-	MS12Y	TC12Y	SC12Y	-	ML4	AK12311Y AK12315Y AK12400Y
13	ZS13	-	MS13	TC13	SC13	-	ML4	AK13403 AK13407
14	ZS14NEW	-	MS14	TC14NEW	SC14	-	ML4	AK14415 AK14500
15	ZS15NEW	-	MS15	TC15NEW	SC15	-	ML4	AK15503 AK15507
16	ZS16NEW	-	MS16	TC16NEW	SC16	-	ML4	AK16515 AK16600 AK16607

Additional Notes

*Floating units require ML-3

Rexnord is pleased to offer a quick installation tool for the SHÜRLOK bearing. This tool is designed as a supplement to the spanner wrench or drift pin method. The installation tool can be attached to a 3/4" or 1/2" drive ratchet, torque wrench, or breaker bar which can be used as a lever arm. Simply fit the installation tool over the locknut by placing the tool's teeth into the locknut slots. The tool's unique shape allows it to be used from the side or the top of the bearing. To order, refer to the table below for the installation tool that fits your shaft size.

Part Number	Size Code	Shaft Sizes
105-90420-11	6	1-15/16"
105-90420-21	7	2-3/16"
105-90420-31	8	2-3/8", 2-7/16"
105-90420-41	9	2-11/16", 2-3/4", 2-15/16"
105-90420-51	10	3-3/16", 3-7/16"
105-90420-61	11	3-11/16", 3-15/16"
105-90420-71	12	4-3/16", 4-7/16"
105-90420-81	13	4-15/16"



Link-Belt® Spherical Roller Bearing




Easy to mount,
sealed, pre-lubricated
and do not require
bearing adjustment
during mounting.

Series B22400, B22500 & B22600 Spherical Roller Bearing Units and Takeups – Features and Benefits

Series B22400 are single collar mounted spherical roller bearing units. Series B22500 are double collar mounted spherical roller bearing units. Series B22600 are adapter mounted spherical roller bearing units. These units provide economic

and versatile arrangements for supporting shafts carrying substantial radial or combination radial and thrust loads. These units are especially adaptable for conveyors, elevators, general industrial machinery, heavier duty fans and blowers, power transmission

applications, ditchers, trenchers, pavers and other such applications. These series of bearings are easy to mount, sealed, pre-lubricated and do not require bearing adjustment during mounting.



1. Mounting Feature
 - B22400 Series – Spring locking collar locks inner ring securely to shaft.
 - B22500 Series – Two spring locking collars lock inner ring securely to shaft.
 - B22600 Series – Tapered adapter mounting system.
2. Choice of three seals, floating labyrinth Type H, spring-loaded lip Type E, and triple lip Type E7.
3. Long inner ring for high stability and load support.
4. Self-aligning double row spherical roller bearing adjusts $\pm 2^\circ$ to allow for alignment variations between shaft and supporting structure.
5. Double contoured retainer pockets assure accurate roller control.
6. Sturdy, compact one-piece cast iron or cast steel housing.
7. Slotted bolt holes in pillow block bases facilitate mounting; bottom of base is machined.

Spherical Roller Bearings

Self-aligning double row spherical roller bearings have high LDN values and are designed to distribute the load over the symmetrical rollers, assuring positive tracking and smooth operation. The large roller complement provides high capacity for radial or combined radial-thrust loads.

Osculation clearance at the ends of the rollers compensates for shock loads and prevents destructive edge loading. These precision bearings with double contoured retainer pockets are designed to meet a broad range of application requirements.



Spring Locking Collar (s) - B22400 & B22500 Series

The spring locking collar(s) design provides a secure grip of the wide inner ring bearing to the shaft. The set screws extend through the inner ring of the bearing and lock firmly onto the shaft. Installation is fast and simple. Correctly tightening

the set screws produces elastic strain in the spring locking collar resulting in a continuous pressure on the set screw threads and providing a positive lock.



Adapter Mount – B22600 Series

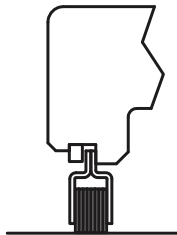
The adapter mounting provides better concentricity and shaft control, increasing service life. Where Turned, Ground and Polished shafting is the norm on collar-mounted units, the maximized mounting power of the B22600 allows for Commercial Grade Shafting compatibility (a commonly used grade of shafting due to its price and availability). Shaft damage from set screws is eliminated with the B22600's improved mounting design. Shaft damage

from the bearing inner ring fretting to the shaft (the result of a clearance or loose fit) is also eliminated. These improvements facilitate easier bearing removal, replacement bearing installation and longer shaft service life.

Interchangeable Seals-Seal Types

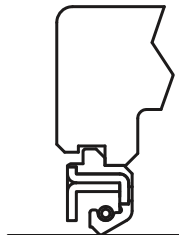
Three standard sealing systems are available each offering maximum protection for the bearing. These seals are interchangeable and are designed for grease lubrication.

Type H Seal



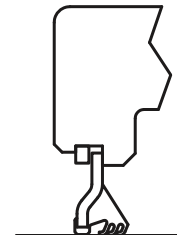
Type H floating labyrinth seals have multiple self-centering rings held securely in a steel carrier. Type H seals are normally furnished.

Type E Seal



Type E spring loaded lip seals utilize a spring to provide uniform pressure for keeping the sealing lip in contact with the inner ring. Type E seals are normally used for liquid splash environments.

Type E7 Seal



Type E7 triple lip seal with metal outboard guard is designed for the most severe of applications. The outboard metal guard protects the inner seal lips from abrasion and damage. The three molded, heavy contact lips provide excellent protection from abrasive media, dust and moisture.

One-Piece Cast Iron or Cast Steel Housings

Compact one-piece housings provide for strength and load support. Scientifically contoured housing design provides superior rigidity. Cast iron or cast steel pillow blocks have two or four slotted bolt holes with ample space

provided for drilling dowel pin holes. Flanged and flanged cartridge units have drilled mounting holes and machined mounting surfaces for maximum stability. Cartridge units have cast iron or steel housings and are finished

to precision tolerances. Takeup units have machined slots for smooth, precise operation. Pillow blocks, flanged, and cartridge units are available for fixed or expansion operation.



Nomenclature

Symbol	Description	P	E	-B22	4	39	F	H	C	17H
C	Cartridge unit	}	}	}	}	}	}	}	}	}
CSE	Cartridge unit; steel housing									
EF	Flanged unit; 4-bolt square									
EP	Pillow block; cast iron									
F	Flanged unit; 3- and 4-bolt									
FB	Flanged bracket unit									
FC	Flanged cartridge unit; 4-bolt round									
P	Pillow block									
PK	Pillow block; cast steel housing									
T	Takeup unit, slotted guides									
DS	Takeup, conveyor, hinged top, welded steel frame	}	}	}	}	}	}	}	}	
DSH	Takeup, conveyor, extra strength, welded steel frame									
R	Collar opposite cover (B22400 only)	}	}	}	}	}	}	}	}	}
E	Expansion unit (not used with CSE symbol)									
B22	Spherical roller bearing; extended inner ring separable outer rings									
4	400 series designation (one locking collar)	}	}	}	}	}	}	}	}	}
5	500 series designation (two locking collars)									
6	600 series designation (adapter mounted)									
B	Inner ring bore equal to a bore of preceding smaller bearing group	}	}	}	}	}	}	}	}	}
39	Shaft diameter in 16ths of an inch									
M55	Metric series, bore in mm	}	}	}	}	}	}	}	}	}
F	Four bolt base pillow block									
H	Floating labyrinth seal									
E	Spring-loaded lip seal	}	}	}	}	}	}	}	}	}
E7	Triple lip seal									
C	Closed end unit	}	}	}	}	}	}	}	}	}
18	Takeup adjustment, inches									
17H	Grease designation	}	}	}	}	}	}	}	}	}
4	Clearance other than standard									

Series B22400, B22500 & B22600 Spherical Roller Bearing

To select a bearing, determine the applied radial load, the applied thrust load, the desired Rating Life, and applicable operating conditions. The procedure shown here will aid in selecting a bearing to meet an L10 design life. The formulas for calculating life expectancy should be used to determine the Rating Life L10 for the bearing selected.

The selection procedures and rating formulas shown here are in agreement with The American Bearing Manufacturers Association Standards and ANSI/ABMA Standards STD 11-1990. Ratings are based on fatigue life. The Rating Life L10 or fatigue life at 90% reliability is the usual basis for bearing selection. For radial load applications only,

Table 4, can be used to select a bearing or to determine L10 life expectancy.

To assure a satisfactory bearing application, fitting practice, mounting, lubrication, sealing, static rating, housing strength, operating conditions and maintenance must be considered.

Selection

Step 1

Determine an appropriate L10 design life.

Type of service	Operating time, hours per year	Design life, years	L10 design life, hours
Light seasonal usage	500 to 750	3-5	3,000
Heavy seasonal usage	1,400 to 1,600	4-6	8,000
Industrial—8 hour shift	2,000	10	20,000
Industrial—16 hour shift	4,000	10	40,000
Industrial—continuous	8,700	10	80,000 to 100,000

Step 2

Determine a required $\left(\frac{C}{P}\right)$ from Table 1.

Step 3

Calculate the required C and select a roller bearing.

a For radial load only:

$$P = F_r$$

$$\text{required } C = \left(\frac{C}{P}\right)P \text{ using } \left(\frac{C}{P}\right) \text{ from Step 2}$$

Select a roller bearing from Table 2 with a basic load rating C equal to or greater than the required C.

Step 3 (continued)

b For combined radial and thrust loads:

Select a trial roller bearing of the desired shaft size from Table 2. Calculate the ratio of thrust load F_a to the radial load F_r .

$$\frac{F_a}{F_r}$$

Calculate the equivalent radial load P

$$P = X F_r + Y F_a$$

If $\frac{F_a}{F_r}$ is equal to or less than e, then $P = X_1 F_r + Y_1 F_a$

If $\frac{F_a}{F_r}$ is greater than e, then $P = X_2 F_r + Y_2 F_a$

For values of e, X_1 , Y_1 , X_2 , and Y_2 , see Table 2.

Calculate the required C

$$\text{required } C = \left(\frac{C}{P}\right)P \text{ using } \left(\frac{C}{P}\right) \text{ from Step 2.}$$

Consult Table 2, basic load rating. If a smaller bearing meets, or nearly meets, the required C, its life expectancy can be calculated.

Note: If the load P is greater than .25C, consult Rexnord Bearing Division.

Selection

Symbols for formulas:
 C = basic load rating, pounds (or newtons)
 Co = static load rating, pounds (or newtons)
 e = a reference value
 Fa = thrust load, pounds (or newtons)
 Fr = radial load, pounds (or newtons)
 L10 = rating life, hours

n = speed, revolutions per minute
 P = equivalent radial load, pounds (or newtons)
 X = radial factor
 Y = thrust factor

Basic Formula

$$\left(\frac{C}{P}\right) = \left(\frac{L_{10} \times n \times 60}{1,000,000}\right)^{3/10}$$

$$L_{10} = \frac{\left(\frac{C}{P}\right)^{10/3} \times 1,000,000}{n \times 60}$$

Life Expectancy

To calculate the Rating Life L10 of any selected or trial bearing:

Step 1

Determine the equivalent radial load P.

a For radial load only:

$$P = Fr$$

b For combined radial and thrust load:

$$P = XFr + YFa$$

if $\frac{Fa}{Fr}$ is equal to or less than e, then
 $P = X1Fr + Y1Fa$

if $\frac{Fa}{Fr}$ is greater than e, then
 $P = X2Fr + Y2Fa$

For values of e, X1, Y1, X2, and Y2, consult the appropriate bearing rating Table 2.

Step 2

Calculate the ratio of the basic load rating C to the equivalent radial load.

$$\left(\frac{C}{P}\right)$$

Step 3

Approximate the bearing life from Table 1.

Life Adjustment

The Rating Life, L10, may be modified for some applications in accordance with the formula

$$Ln = a1a2a3L10$$

where Ln = Adjusted life for (100-n) % reliability,

a1 = Life adjustment factor for reliability

a2 = Life adjustment factor

for material and processing

a3 = Life adjustment factor for operating conditions.

For most normal applications, all factors will be taken as 1, and the Rating Life used as the selection basis or life estimate. In addition, as long as standard catalog bearings are used, a2 will be normally set equal to one.

The factor a3 covers such things as lubrication, misalignment, and temperature. Some conditions that could yield as significantly different than unity include speeds less than 20000 DN or greater than 200000 DN, temperatures below -40°F (-40°C) or above 275°F (135°C). For other possible conditions, as well as additional information on life adjustment factors, consult Rexnord Bearing Division.

Table 1 • Relation of L10 life and speed to $\left(\frac{C}{P}\right)$

Bearing Life Hours L10	Speed, n									
	50	100	200	300	400	500	600	700	800	
3000	1.93	2.38	2.93	3.31	3.61	3.86	4.07	4.27	4.44	
4000	2.11	2.59	3.19	3.61	3.93	4.20	4.44	4.65	4.84	
5000	2.25	2.77	3.42	3.86	4.20	4.50	4.75	4.97	5.18	
6000	2.38	2.93	3.61	4.07	4.44	4.75	5.02	5.25	5.47	
8000	2.59	3.19	3.93	4.44	4.84	5.18	5.47	5.73	5.96	
10000	2.77	3.42	4.20	4.75	5.18	5.54	5.85	6.12	6.37	
12000	2.93	3.61	4.44	5.02	5.47	5.85	6.18	6.47	6.73	
14000	3.07	3.78	4.65	5.25	5.73	6.12	6.47	6.77	7.05	
16000	3.19	3.93	4.84	5.47	5.96	6.37	6.73	7.05	7.34	
18000	3.31	4.07	5.02	5.66	6.18	6.60	6.97	7.30	7.60	
20000	3.42	4.20	5.18	5.85	6.37	6.81	7.20	7.54	7.85	
25000	3.65	4.50	5.54	6.25	6.81	7.29	7.70	8.06	8.39	
30000	3.86	4.75	5.85	6.60	7.20	7.70	8.13	8.51	8.86	
35000	4.04	4.97	6.12	6.92	7.54	8.06	8.51	8.92	9.28	
40000	4.20	5.18	6.37	7.20	7.85	8.39	8.86	9.28	9.66	
45000	4.36	5.36	6.60	7.46	8.13	8.69	9.18	9.61	10.00	
50000	4.50	5.54	6.81	7.70	8.39	8.97	9.48	9.92	10.30	
60000	4.75	5.85	7.20	8.13	8.86	9.48	10.00	10.50	10.90	
70000	4.97	6.12	7.54	8.51	9.28	9.92	10.50	11.00	11.40	
80000	5.18	6.37	7.85	8.86	9.66	10.30	10.90	11.40	11.90	
90000	5.36	6.60	8.13	9.18	10.00	10.70	11.30	11.80	12.30	
100000	5.54	6.81	8.39	9.48	10.30	11.00	11.70	12.20	12.70	
150000	6.25	7.70	9.48	10.70	11.70	12.50	13.20	13.80	14.40	
200000	6.81	8.39	10.30	11.70	12.70	13.60	14.40	15.00	15.70	
	Speed, n									
	900	1000	1200	1500	1800	2400	3000	3600	6000	
3000	4.60	4.75	5.02	5.36	5.66	6.18	6.60	6.97	8.13	
4000	5.02	5.18	5.47	5.85	6.18	6.73	7.20	7.60	8.86	
5000	5.36	5.54	5.85	6.25	6.60	7.20	7.70	8.13	9.48	
6000	5.66	5.85	6.18	6.60	6.97	7.60	8.13	8.59	10.00	
8000	6.18	6.37	6.73	7.20	7.60	8.29	8.86	9.36	10.90	
10000	6.60	6.81	7.20	7.70	8.13	8.86	9.48	10.00	11.70	
12000	6.97	7.20	7.60	8.13	8.59	9.36	10.00	10.60	12.30	
14000	7.30	7.54	7.96	8.51	8.99	9.80	10.50	11.10	12.90	
16000	7.60	7.85	8.29	8.86	9.36	10.20	10.90	11.50	13.40	
18000	7.88	8.13	8.59	9.18	9.70	10.60	11.30	11.90	13.90	
20000	8.13	8.39	8.86	9.48	10.00	10.90	11.70	12.30	14.40	
25000	8.69	8.97	9.48	10.10	10.70	11.70	12.50	13.20	15.40	
30000	9.18	9.48	10.00	10.70	11.30	12.30	13.20	13.90	16.20	
35000	9.61	9.92	10.50	11.20	11.80	12.90	13.80	14.60	17.00	
40000	10.00	10.30	10.90	11.70	12.30	13.40	14.40	15.20	17.70	
45000	10.40	10.70	11.30	12.10	12.80	13.90	14.90	15.70	18.30	
50000	10.70	11.00	11.70	12.50	13.20	14.40	15.40	16.20	18.90	
60000	11.30	11.70	12.30	13.20	13.90	15.20	16.20	17.10	20.00	
70000	11.80	12.20	12.90	13.80	14.60	15.90	17.00	17.90	20.90	
80000	12.30	12.70	13.40	14.40	15.20	16.50	17.70	18.70	21.80	
90000	12.80	13.20	13.90	14.90	15.70	17.10	18.30	19.40	22.60	
100000	13.20	13.60	14.40	15.40	16.20	17.70	18.90	20.00	23.30	
150000	14.90	15.40	16.20	17.30	18.30	20.00	21.40	22.60	26.30	
200000	16.20	16.70	17.70	18.90	20.00	21.80	23.30	24.60	28.70	

Table 2 • Load Ratings and Speed Limits

Size Code	Co Static load rating		C Basic load rating		Approximate speed limit RPM*			e	Fa/Fr ≤ e		Fa/Fr > e	
	newtons	pounds	newtons	pounds	H seal	E seal	E7 seal		X1	Y1	X2	Y2
B416	66100	14900	51200	11500	4500	3500	---	0.51	1.00	1.32	0.67	1.96
B420	80500	18100	60900	13700	4000	3000	2375	0.48	1.00	1.40	0.67	2.08
B424 B524 B624	93200	20900	64900	14600	3600	2750	2175	0.44	1.00	1.54	0.67	2.29
B428 B528	127700	28700	89800	20200	3100	2350	1850	0.45	1.00	1.51	0.67	2.25
B432 B531 B631	147700	33200	94300	21200	2800	2150	1675	0.40	1.00	1.68	0.67	2.50
B436 B536 B635	197500	44400	117400	26400	2500	1950	1500	0.40	1.00	1.68	0.67	2.50
B440 B540 B639	238000	53500	139700	31400	2300	1750	1350	0.38	1.00	1.80	0.67	2.68
B448 B548 B647	318000	71500	185900	41800	1950	1500	1150	0.38	1.00	1.79	0.67	2.67
B456 B556 B655	403400	90700	226800	51000	1650	1250	1000	0.38	1.00	1.77	0.67	2.64
B464 B564 B663	609400	137000	351800	79100	1400	1100	850	0.36	1.00	1.88	0.67	2.79
B572 B671	790200	178000	419400	94300	1300	1000	775	0.38	1.00	1.80	0.67	2.68
B580 B679	944700	212000	520400	117000	1200	900	650	0.37	1.00	1.83	0.67	2.72

If the load P is greater than .25C, consult Rexnord Bearing Division.

For vertical shift application, consult Rexnord Bearing Division.

* Based on grease lubrication and moderate load.

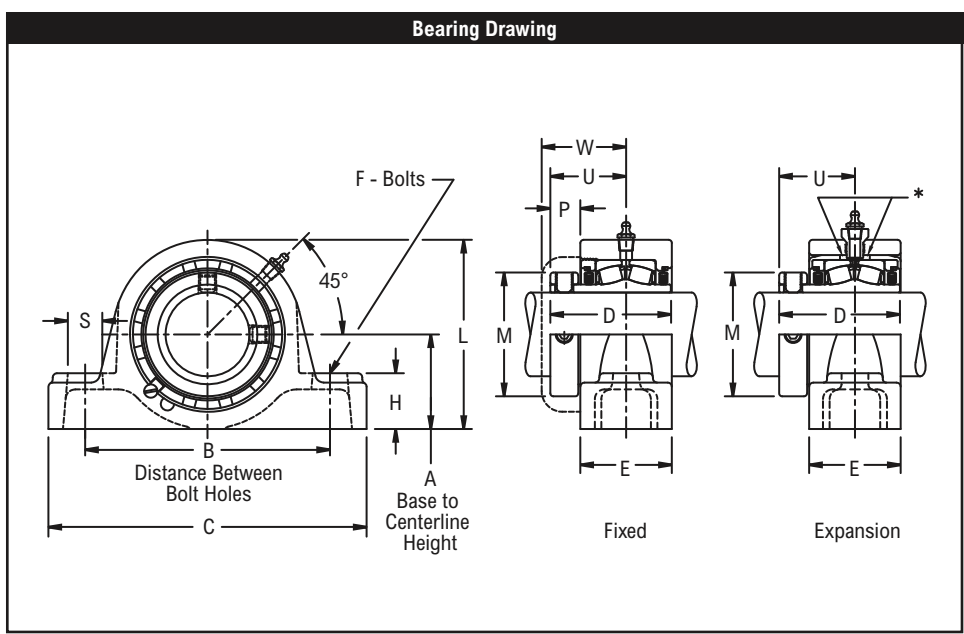
Table 3 • Size Code Interchange Table

	B22400 Series Single Set Collar	B22500 Series Double Set Collar	B22600 Series Tapered Adapter	Size Code
Shaft Size	Bearing Number	Bearing Number	Bearing Number	
1 25mm	B22416 B224M25			B416
1-3/16 1-1/4 30mm	B22419 B22420 B224M30			B420
1-7/16 1-1/2 35mm	B22423 B22424 B224M35	B22523	B22623	B424 B524 B624
1-1/2 1-5/8 1-11/16 1-3/4 40mm	B224B24 B22426 B22427 B22428 B224M40	B22527		B428 B528
1-3/4 1-15/16 2 45mm 50mm	B224B28 B22431 B22432 B224M45 B224M50	B22531	B22631	B432 B531 B631
2 2-3/16 2-1/4 55mm	B22435 B22436 B224M55	B22532 B22535	B22635	B436 B536 B635
2-1/4 2-7/16 2-1/2 60mm	B224B36 B22439 B22440 B224M60	B22539	B22639	B440 B540 B639
2-11/16 2-3/4 2-15/16 3 65mm 70mm 75mm	B22443 B22444 B22447 B22448 B224M65 B224M70 B224M75	B22543 B22547	B22643 B22647	B448 B548 B647
3-3/16 3-7/16 3-1/2 80mm 85mm	B22451 B22455 B22456 B224M80 B224M85	B22555	B22655	B456 B556 B655
3-11/16 3-15/16 4 90mm 100mm	B22459 B22463 B22464 B224M90 B224M100	B22563 B22564	B22663	B464 B564 B663
4-3/16 4-7/16 4-1/2 110mm 115mm		B22567 B22571 B22572 B225M110 B225M115	B22671	B572 B671
4-15/16 5 125mm		B22579 B22580 B225M125	B22679	B580 B679

Table 4 • Radial load ratings in pounds at Various RPM for Appropriate L₁₀ Life Hours

Size Code	L ₁₀ Lifehours	50	100	200	300	400	500	600	700	800	900	1000	1200	1500	1800	2000	2500	3000	3500
B416	8000	*	*	*	2589	2375	2221	2103	2008	1929	1862	1804	1708	1598	1513	1466	1371	1298	1239
	20000	*	2735	2221	1967	1804	1688	1598	1526	1466	1415	1371	1298	1214	1149	1113	1041	986	941
	40000	2735	2221	1804	1598	1466	1371	1298	1239	1190	1149	1113	1054	986	933	904	846	801	765
	100000	2078	1688	1371	1214	1113	1041	986	941	904	873	846	801	749	709	687	642	608	581
B420	8000	*	*	*	3085	2830	2646	2506	2392	2298	2219	2150	2035	1903	1802	1746	1633	1546	1476
	20000	*	3258	2646	2343	2150	2010	1903	1817	1746	1685	1633	1546	1446	1369	1326	1240	1174	1121
	40000	3258	2646	2150	1903	1746	1633	1546	1476	1418	1369	1326	1256	1174	1112	1077	1008	954	911
	100000	2475	2010	1633	1446	1326	1240	1174	1121	1077	1040	1008	954	892	845	818	765	725	692
B424	8000	*	*	*	3287	3016	2820	2670	2549	2449	2364	2291	2169	2028	1920	1861	1740	1648	1573
B524	20000	*	3472	2820	2497	2291	2142	2028	1937	1861	1796	1740	1648	1541	1459	1413	1322	1252	1195
B624	40000	3472	2820	2291	2028	1861	1740	1648	1573	1511	1459	1413	1338	1252	1185	1148	1074	1017	971
	100000	2638	2142	1740	1541	1413	1322	1252	1195	1148	1108	1074	1017	951	900	872	816	772	737
B428	8000	*	*	*	4548	4172	3902	3694	3527	3389	3271	3169	3001	2806	2657	2574	2408	2280	2176
B528	20000	*	4804	3902	3455	3169	2964	2806	2680	2574	2485	2408	2280	2132	2018	1956	1829	1732	1653
	40000	4804	3902	3169	2806	2574	2408	2280	2176	2091	2018	1956	1852	1732	1639	1588	1486	1407	1343
	100000	3649	2964	2408	2132	1956	1829	1732	1653	1588	1533	1486	1407	1315	1245	1207	1129	1068	1020
B432	8000	*	*	*	4773	4379	4095	3877	3702	3557	3433	3326	3149	2945	2789	2702	2527	2392	2284
B531	20000	*	5042	4095	3626	3326	3111	2945	2812	2702	2608	2527	2392	2237	2118	2052	1920	1817	1735
B631	40000	5042	4095	3326	2945	2702	2527	2392	2284	2195	2118	2052	1943	1817	1721	1667	1559	1476	1409
	100000	3830	3111	2527	2237	2052	1920	1817	1735	1667	1609	1559	1476	1381	1307	1266	1184	1121	1071
B436	8000	*	*	*	5944	5453	5100	4828	4610	4429	4275	4142	3922	3668	3473	3365	3147	2979	2845
B536	20000	*	6278	5100	4516	4142	3874	3668	3502	3365	3248	3147	2979	2786	2638	2556	2390	2263	2161
B635	40000	6278	5100	4142	3668	3365	3147	2979	2845	2733	2638	2556	2420	2263	2143	2076	1942	1838	1755
	100000	4769	3874	3147	2786	2556	2390	2263	2161	2076	2004	1942	1838	1719	1628	1577	1475	1396	1333
B440	8000	*	*	*	7070	6485	6065	5743	5483	5268	5085	4927	4664	4362	4130	4002	3743	3543	
B540	20000	*	7468	6065	5371	4927	4608	4362	4165	4002	3863	3743	3543	3314	3138	3040	2843	2692	
B639	40000	7468	6065	4927	4362	4002	3743	3543	3383	3250	3138	3040	2878	2692	2548	2469	2309	2186	
	100000	5673	4608	3743	3314	3040	2843	2692	2570	2469	2383	2309	2186	2045	1936	1876	1754	1661	
B448	8000	*	*	*	9412	8633	8074	7645	7299	7013	6769	6558	6209	5807	5498	5327	4982		
B548	20000	*	9941	8074	7150	6558	6134	5807	5545	5327	5142	4982	4717	4412	4177	4047	3785		
B647	40000	9941	8074	6558	5807	5327	4982	4717	4504	4327	4177	4047	3831	3583	3393	3287	3074		
	100000	7552	6134	4982	4412	4047	3785	3583	3421	3287	3173	3074	2911	2722	2577	2497	2335		
B456	8000	*	*	*	11483	10534	9852	9327	8906	8556	8259	8002	7576	7085	6708	6500	6079		
B556	20000	*	12129	9852	8723	8002	7484	7085	6765	6500	6274	6079	5755	5383	5096	4937	4618		
B655	40000	12129	9852	8002	7085	6500	6079	5755	5495	5279	5096	4937	4675	4372	4139	4010	3751		
	100000	9214	7484	6079	5383	4937	4618	4372	4174	4010	3871	3751	3551	3321	3144	3047	2849		
B464	8000	*	*	*	17810	16338	15280	14466	13813	13270	12809	12411	11750	10989	10405	10081			
B564	20000	*	18811	15280	13530	12411	11607	10989	10493	10081	9731	9428	8926	8348	7904	7658			
B663	40000	18811	15280	12411	10989	10081	9428	8926	8523	8188	7904	7658	7250	6781	6420	6220			
	100000	14290	11607	9428	8348	7658	7162	6781	6474	6220	6004	5817	5508	5151	4877	4725			
B572	8000	*	*	*	21233	19477	18216	17246	16467	15820	15271	14796	14008	13101	12404				
B671	20000	*	22426	18216	16130	14796	13838	13101	12509	12018	11601	11240	10642	9952	9423				
	40000	22426	18216	14796	13101	12018	11240	10642	10161	9762	9423	9130	8644	8084	7654				
	100000	17036	13838	11240	9952	9130	8538	8084	7719	7415	7158	6935	6566	6141	5814				
B580	8000	*	*	*	26344	24165	22601	21398	20431	19628	18947	18357	17380	16255					
B679	20000	*	27825	22601	20012	18357	17169	16255	15520	14911	14393	13945	13203	12348					
	40000	27825	22601	18357	16255	14911	13945	13203	12606	12111	11691	11327	10724	10030					
	100000	21137	17169	13945	12348	11327	10594	10030	9577	9201	8881	8605	8147	7619					

* Load exceeds 25% of the C rating, consult Rexnord Bearing Division.



Bearing Dimensions

Size Code	Shaft Diameter	Expansion				Fixed			A Base to Centerline Height	B Distance Between Bolt Holes	C	D	E	F	H	M	P	U	W	Approx. Weight
		Part Number	L	S	Part Number	L	S													
B416	1	PEB22416H	3 5/16	5/8	PB22416H	3 1/8	5/8	1 9/16	4 3/8	5 15/16	2 9/16	2 1/16	3/8	7/8	1 3/4	17/32	1 9/16	1 29/32	5.00	
	25.00	PEB224M25H	84.10	15.90	PB224M25H	79.40	15.90	39.67	111.10	150.80	65.09	52.40	10.00	22.20	44.40	13.50	39.70	48.40	2.10	
B420	1 3/16	PEB22419H	3 5/8	5/8	PB22419H	3 1/2	5/8	1 3/4	4 3/4	6 5/16	2 11/16	2 3/16	3/8	1 1/16	1 31/32	17/32	1 5/8	1 31/32	6.00	
	30.00	PEB224M30H	92.10	15.90	PB224M30H	88.90	15.90	44.45	120.60	160.30	68.26	55.60	10.00	27.00	50.00	13.50	41.30	50.00	2.90	
B424	1 7/16	PEB22423H	3 7/8	7/8	PB22423H	3 11/16	13/16	1 7/8	5	6 9/16	2 7/8	2 1/4	1/2	1 3/16	2 5/16	21/32	1 25/32	2 3/16	7.00	
	35.00	PEB224M35H	98.40	22.22	PB224M35H	93.70	20.60	47.62	127.00	166.69	73.02	57.20	12.00	30.20	58.70	16.70	45.20	55.60	3.20	
B428	1 5/8	PEB22426H	4 3/8	7/8	PB22426H	4 1/4	13/16	2 1/8	5 1/2	7 1/8	3 1/8	2 1/2	1/2	1 5/16	2 19/32	21/32	1 29/32	2 1/4	10.00	
	40.00	PEB224M40H	111.10	22.22	PB224M40H	108.00	20.60	53.98	139.70	180.98	79.38	63.50	12.00	33.30	65.90	16.70	48.40	57.20	4.70	
	1 11/16	PEB22427H	4 3/8	7/8	PB22427H	4 1/4	13/16	2 1/8	5 1/2	7 1/8	3 1/8	2 1/2	1/2	1 5/16	2 19/32	21/32	1 29/32	2 1/4	10.00	
B432	1 15/16	PEB22431H	4 9/16	15/16	PB22431H	4 9/16	15/16	2 1/4	6 1/4	8 1/8	3 1/8	2 1/2	5/8	1 3/8	2 7/8	21/32	1 29/32	2 9/32	12.00	
	45.00	PEB224M45H	115.90	23.80	PB224M45H	115.90	23.80	57.15	158.80	206.38	79.38	63.50	16.00	34.90	73.00	16.70	48.40	57.90	5.50	
	50.00	PEB224M50H			PB224M50H														5.20	
B436	2 3/16	PEB22435H	5	15/16	PB22435H	5	15/16	2 1/2	6 3/4	8 5/8	3 5/16	2 9/16	5/8	1 5/8	3 1/4	25/32	2 1/16	2 7/16	14.00	
	55.00	PEB224M55H	127.00	23.80	PB224M55H	127.00	23.80	63.50	171.40	219.08	84.14	65.10	16.00	41.30	82.60	19.80	52.40	61.90	6.50	
B440	2 7/16	PEB22439H	5 1/2	15/16	PB22439H	5 1/2	15/16	2 3/4	7 1/8	9 1/8	3 1/2	2 11/16	5/8	1 5/8	3 9/16	27/32	2 3/16	2 9/16	17.00	
	60.00	PEB224M60H	139.70	23.80	PB224M60H	139.70	23.80	69.85	181.00	231.78	88.90	68.30	16.00	41.30	90.50	21.40	55.60	65.10	8.00	
B448	2 11/16	PEB22443H	6 7/16	1 1/16	PB22443H	6 7/16	1 1/16	3 1/4	8 1/8	10 7/16	4	3 3/16	3/4	2	4 1/16	27/32	2 7/16	2 25/32	29.00	
	2 3/4	PEB22444H			PB22444H														27.00	
	2 15/16	PEB22447H			PB22447H															
	3	PEB22448H			PB22448H															
	65.00	PEB224M65H			PB224M65H															13.20
70.00	PEB224M70H	163.50	27.00	PB224M70H	163.50	27.00	82.55	206.40	265.10	101.60	81.00	20.00	57.20	103.20	21.40	61.90	70.60	13.00		
75.00	PEB224M75H			PB224M75H															12.50	
B456	3 3/16	PEB22451H	7 1/2	1 5/8	PB22451H	7 1/2	1 5/8	3 3/4	10	13	4 3/8	3 7/16	7/8	2 1/4	4 29/32	15/16	2 21/32	3	43.00	
	3 7/16	PEB22455H			PB22455H														42.00	
	3 1/2	PEB22456H			PB22456H														41.00	
	80.00	PEB224M80H	190.50	41.30	PB224M80H	190.50	41.30	95.25	254.00	330.20	111.12	87.30	24.00	57.20	124.60	23.80	67.50	76.20	19.60	
85.00	PEB224M85H			PB224M85H															19.10	

Continued...

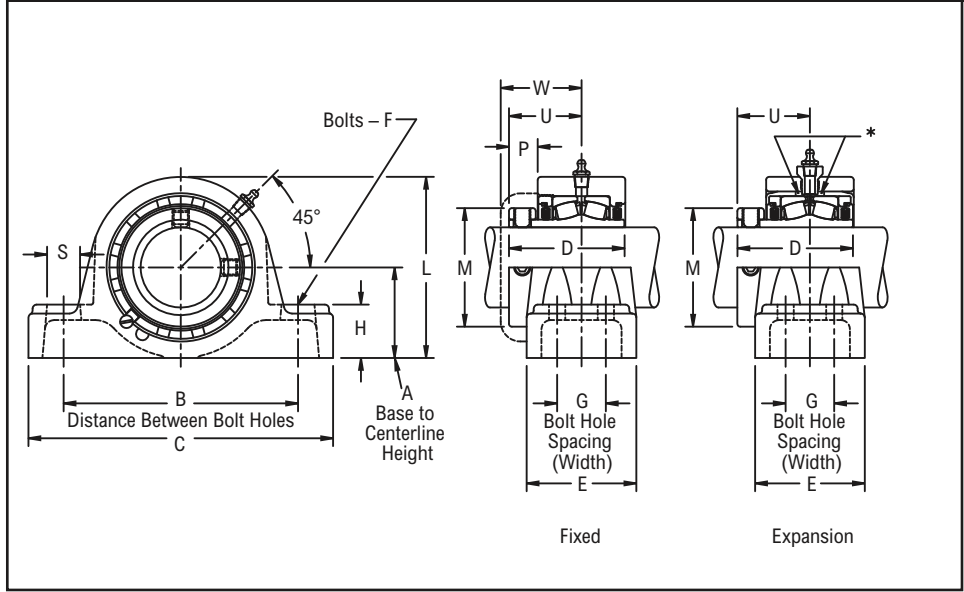
PB22400F, PEB22400F



Product Features

- Corrosion resistant powder coating
- Cast iron housing
- Misalignment capabilities - Total of 4°
- Broad range of sealing options
- Factory set clearance & lubrication
- Hardened spring locking collar
- Field interchangeable seals
- Fixed or Expansion - Total of 3/8" expansion
- See Features & Benefits for additional info.

Bearing Drawing



Bearing Dimensions

Size Code	Shaft Diameter	Expansion		Fixed		A Base to Centerline Height	B Distance Between Bolt Holes	G Bolt Hole Spacing (Width)	C	D	E	F	H	L	M	P	S	U	W	Approx. Weight
		Part Number	Part Number	Part Number	Part Number															
B432	1 15/16	PEB22431FH	PB22431FH	2 1/4	6 1/4	1 19/32	8 3/8	3 1/8	3 3/16	1/2	1 3/8	4 9/16	2 7/8	2 1/32	13 1/16	1 29/32	2 9/32	13.00		
	2	PEB22432FH	PB22432FH																6.30	
	50.00	PEB224M50FH	PB224M50FH	57.15	158.80	40.50	212.70	79.38	81.00	12.00	34.90	115.90	73.00	16.70	20.60	48.40	57.90	5.90		
B436	2 3/16	PEB22435FH	PB22435FH	2 1/2	6 3/4	1 11/16	8 7/8	3 5/16	3 1/4	1/2	1 5/8	5	3 1/4	2 5/32	13 1/16	2 1/16	2 7/16	15.00		
	2 1/4	PEB22436FH	PB22436FH																	
	55.00	PEB224M55FH	PB224M55FH	63.50	171.40	42.90	225.40	84.14	82.60	12.00	41.30	127.00	82.60	19.80	20.60	52.40	61.90	6.90		
B440	2 7/16	PEB22439FH	PB22439FH	2 3/4	7 1/8	1 3/4	9 1/4	3 1/2	3 3/8	1/2	1 3/4	5 1/2	3 9/16	2 7/32	13 1/16	2 3/16	2 9/16	19.00		
	2 1/2	PEB22440FH	PB22440FH																	
	60.00	PEB224M60FH	PB224M60FH	69.85	181.00	44.40	235.00	88.90	85.70	12.00	44.40	139.70	90.50	21.40	20.60	55.60	65.10	8.60		
B448	2 11/16	PEB22443FH	PB22443FH																30.00	
	2 3/4	PEB22444FH	PB22444FH	3 1/4	8 1/8	1 7/8	10 7/16	4	3 3/4	5/8	2 1/4	6 7/16	4 1/16	2 7/32	15 1/16	2 7/16	2 25/32	29.00		
	2 15/16	PEB22447FH	PB22447FH																28.00	
	3	PEB22448FH	PB22448FH																28.00	
	65.00	PEB224M65FH	PB224M65FH																13.70	
	70.00	PEB224M70FH	PB224M70FH	82.55	206.40	47.60	265.10	101.60	95.20	16.00	57.20	163.50	103.20	21.40	23.80	61.90	70.60	13.50		
B456	3 3/16	PEB22451FH	PB22451FH																45.00	
	3 7/16	PEB22455FH	PB22455FH	3 3/4	10	2	13	4 3/8	4 1/8	3/4	2 1/4	7 1/2	4 29/32	15 1/16	1 1/2	2 21/32	3	43.00		
	3 1/2	PEB22456FH	PB22456FH																	
	80.00	PEB224M80FH	PB224M80FH	95.25	254.00	50.80	330.20	111.12	104.80	20.00	57.20	190.50	124.60	23.80	38.10	67.50	76.20	20.50		
85.00	PEB224M85FH	PB224M85FH																20.00		
B464	3 11/16	PEB22459FH	PB22459FH																69.00	
	3 15/16	PEB22463FH	PB22463FH	4 1/4	12 1/2	2 1/4	15 1/4	5 1/16	4 1/2	3/4	2 5/8	8 1/2	5 5/8	1 1/16	1 1/4	3 1/16	3 7/16	67.00		
	4	PEB22464FH	PB22464FH																66.00	
	90.00	PEB224M90FH	PB224M90FH	107.95	317.50	57.20	387.40	128.59	114.30	20.00	66.70	215.90	142.90	27.00	31.80	77.80	87.30	32.10		
100.00	PEB224M100FH	PB224M100FH																30.30		

Additional Notes

Please call 1-866-REXNORD for availability
 Lubrication fitting tap size, 1/8" PT
 Base to centerline tolerance, +/- .005" (+/- 0.13mm)
 Expansion - is 3/8" for all size codes
 H labyrinth seals standard
 All size codes available with type E lip seals & E7 triple lip seals
 Selection Guide, see Link-Belt Spherical Roller Bearings Selection Guide section

Load Ratings & Speed Limits, see Link-Belt Spherical Roller Bearings Load Ratings & Speed Limits section
 Note: Dimensions subject to change. Certified dimensions of ordered material furnished on request.

PB22500, PEB22500, PB22500F, PEB22500F

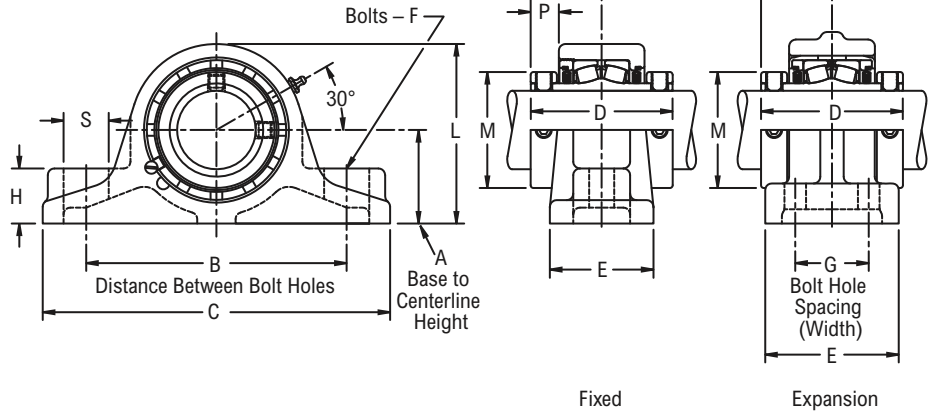


Photo Shows a 4-Bolt Spherical Roller Bearing Pillow Block Unit

Product Features

- Corrosion resistant powder coating
- Cast iron housing
- Misalignment capabilities - Total of 4°
- Broad range of sealing options
- Factory set clearance & lubrication
- Two hardened spring locking collars
- Field interchangeable seals
- Fixed or Expansion - Total of 3/8" expansion
- See Features & Benefits for additional info.

Bearing Drawing



Bearing Dimensions

Size Code	Shaft Diameter	Expansion		Fixed		A Base to Centerline Height	B Distance Between Bolt Holes	G Bolt Hole Spacing (Width)	C	D	E	F	H	M	P	S	U	Approx. Weight
		Part Number	L	Part Number	L													
Two-Bolt Pillow Block																		
B524	1 7/16	PEB22523H	4 11/32	PB22523H	3 31/32	2 1/8	5 7/8	-	8 1/8	3 9/16	2 7/16	1/2	1 1/8	2 5/16	11/16	1 1/8	1 25/32	10.00
B528	1 11/16	PEB22527H	4 13/16	PB22527H	4 7/16	2 5/16	6 1/2	-	9	3 13/16	2 13/16	1/2	1 5/16	2 19/32	23/32	1 1/4	1 29/32	12.00
B531	1 15/16	PEB22531H	4 15/16	PB22531H	4 3/4	2 1/2	7	-	9 3/4	3 13/16	2 7/8	5/8	1 7/16	2 7/8	23/32	1 1/4	1 29/32	14.00
B536	2	PEB22532H	5 23/32	PB22532H	5 1/4	2 3/4	7 1/2	-	10 1/4	4 1/8	3 1/8	5/8	1 5/8	3 1/4	25/32	1 1/4	2 1/16	21.00
	2 3/16	PEB22535H		PB22535H														20.00
B540	2 7/16	PEB22539H	6 3/16	PB22539H	5 3/4	3	8 1/4	-	11 1/4	4 3/8	3 3/8	3/4	1 3/4	3 9/16	13/16	1 3/8	2 3/16	24.00
B548	2 11/16	PEB22543H	7 3/16	PB22543H	6 23/32	3 1/2	9 3/4	-	13	4 7/8	3 7/8	7/8	2 1/16	4 1/16	29/32	1 5/8	2 7/16	39.00
	2 15/16	PEB22547H		PB22547H														37.00
Four-Bolt Pillow Block																		
B531	1 15/16	PEB22531FH	5 5/32	PB22531FH	5	2 1/2	7	2 1/4	9 3/4	3 13/16	4	5/8	1	2 7/8	23/32	1 1/4	1 29/32	16.00
B536	2	PEB22532FH	5 23/32	PB22532FH	5 1/2	2 3/4	7 1/2	2 1/4	10 1/4	4 1/8	4 1/8	5/8	1	3 1/4	25/32	1 1/4	2 1/16	22.00
	2 3/16	PEB22535FH		PB22535FH														26.00
B540	2 7/16	PEB22539FH	6 7/32	PB22539FH	6	3	8 1/4	2 5/8	11 1/4	4 3/8	4 1/2	3/4	1 1/8	3 9/16	13/16	1 15/16	2 3/16	26.00
B548	2 11/16	PEB22543FH	7 5/16	PB22543FH	7 1/16	3 1/2	9 3/4	2 3/4	13	4 7/8	5	3/4	1 3/8	4 1/16	29/32	1 1/2	2 7/16	38.00
	2 15/16	PEB22547FH		PB22547FH														36.00
B556	3 7/16	PEB22555FH	8 3/8	PB22555FH	8 1/8	4	11 1/2	3	15	5 5/16	5	7/8	1 1/2	4 29/32	15/16	1 1/2	2 21/32	56.00
B564	3 15/16	PEB22563FH	8 13/16	PB22563FH	8 13/16	4 7/16	12 1/4	3 3/8	15 5/8	6 1/8	5 5/8	7/8	2 7/8	5 5/8	1 1/16	1 3/4	3 1/16	76.00
	4	PEB22564FH		PB22564FH														92.00
B572	4 3/16	PEB22567FH	9 3/8	PB22567FH	9 3/8	4 3/4	13 1/2	2 1/2	16 1/2	6 3/4	4 3/4	3/4	2 3/4	6 1/8	1 1/8	1 3/8	3 3/8	88.00
	4 7/16	PEB22571FH		PB22571FH														87.00
	4 1/2	PEB22572FH		PB22572FH														87.00
B580	110.00	PEB225M110FH	238.10	PB225M110FH	238.10	120.65	342.90	63.50	419.10	171.45	120.60	20.00	69.80	155.60	28.60	34.90	85.70	40.70
	115.00	PEB225M115FH		PB225M115FH														39.50
	4 15/16	PEB22579FH		PB22579FH														129.00
5	PEB22580FH	PB22580FH	128.00															
125.00	PEB225M125FH	PB225M125FH	276.20	139.70	393.70	69.80	469.90	184.15	136.50	24.00	76.20	174.60	31.00	38.10	92.10	58.10		

Additional Notes

Please call 1-866-REXNORD for availability
 Lubrication fitting tap size, 1/8" PT
 Base to centerline tolerance, +/- .005" (+/- 0.13mm)
 Expansion - is 3/8" for all size codes
 H labyrinth seals standard
 All size codes available with type E lip seals & E7 triple lip seals
 Selection Guide, see Link-Belt Spherical Roller Bearings Selection Guide section

Load Ratings & Speed Limits, see Link-Belt Spherical Roller Bearings Load Ratings & Speed Limits section
 Note: Dimensions subject to change. Certified dimensions of ordered material furnished on request.

PB22600F, PEB22600F

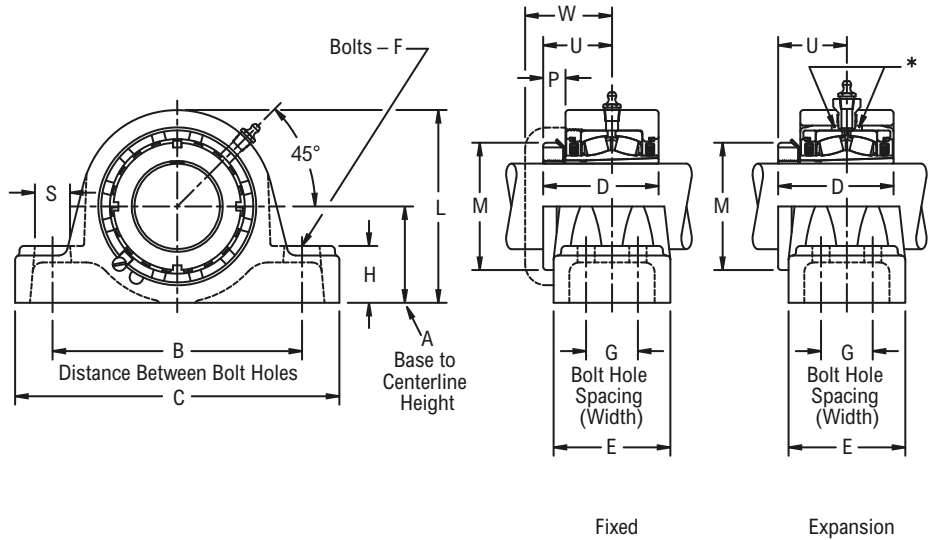


Photo Shows a 4-Bolt Spherical Roller Bearing Pillow Block Unit

Product Features

- Corrosion resistant powder coating
- Cast iron housing
- Misalignment capabilities - Total of 4°
- Broad range of sealing options
- Factory set clearance & lubrication
- Enhanced life mounting style
- Field interchangeable seals
- Fixed or Expansion - Total of 3/8" expansion
- See Features & Benefits for additional info.

Bearing Drawing



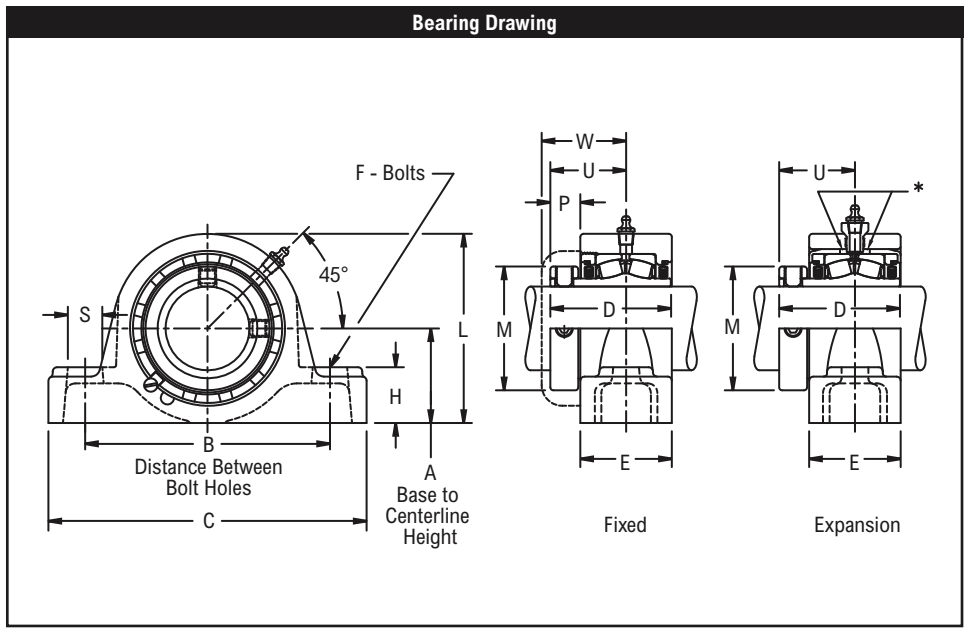
Bearing Dimensions

Size Code	Shaft Diameter	Expansion		Fixed		A Base to Centerline Height	B Distance Between Bolt Holes	G Bolt Hole Spacing (Width)	C	D	E	F	H	M	P	S	U	W	Approx. Weight
		Part Number	L	Part Number	L														
B631	1 15/16	PEB22631FH	4 9/16	PB22631FH	4 9/16	2 1/4	6 1/4	1 19/32	8 3/8	3.08	3 3/16	1/2	1 3/8	2 31/32	39/64	13/16	1 55/64	2 9/32	13.00
B635	2 3/16	PEB22635FH	5	PB22635FH	5	2 1/2	6 3/4	1 11/16	8 7/8	3.16	3 1/4	1/2	1 5/8	3 5/32	5/8	13/16	1 29/32	2 7/16	15.00
B639	2 7/16	PEB22639FH	5 1/2	PB22639FH	5 1/2	2 3/4	7 1/8	1 3/4	9 1/4	3.28	3 3/8	1/2	1 3/4	3 5/8	5/8	13/16	1 31/32	2 9/16	19.00
B647	2 11/16	PEB22643FH	6 7/16	PB22643FH	6 7/16	3 1/4	8 1/8	1 7/8	10 7/16	3.86	3 3/4	5/8	2 1/4	4 5/32	45/64	15/16	2 19/64	2 25/32	30.00
	2 15/16	PEB22647FH		PB22647FH															
B655	3 7/16	PEB22655FH	7 1/2	PB22655FH	7 1/2	3 3/4	10	2	13	4.29	4 1/8	3/4	2 1/4	4 15/16	55/64	1 1/2	2 37/64	3	43.00
B663	3 15/16	PEB22663FH	8 1/2	PB22663FH	8 1/2	4 1/4	12 1/2	2 1/4	15 1/4	4.94	4 1/2	3/4	2 5/8	5 7/16	15/16	1 1/4	2 15/16	3 7/16	67.00
B671	4 7/16	PEB22671FH	9 3/8	PB22671FH	9 3/8	4 3/4	13 1/2	2 1/2	16 1/2	5.53	4 3/4	3/4	2 3/4	6 1/8	1 1/32	1 3/8	3 9/32	3 3/4	88.00
B679	4 15/16	PEB22679FH	10 7/8	PB22679FH	10	5 1/2	15 1/2	2 3/4	18 1/2	6.06	5 3/8	7/8	3	6 3/4	1 3/16	1 1/2	3 19/32	4	128.00

Additional Notes

Please call 1-866-REXNORD for availability
 Lubrication fitting tap size, 1/8" PT
 Base to centerline tolerance, +/- .005" (+/- 0.13mm)
 Expansion - is 3/8" for all size codes
 Dimensions for "D", "P" & "U" based on unmounted condition
 H labyrinth seals standard
 All size codes available with type E lip seals & E7 triple lip seals

Selection Guide, see Link-Belt Spherical Roller Bearings Selection Guide section
 Load Ratings & Speed Limits, see Link-Belt Spherical Roller Bearings Load Ratings & Speed Limits section
 Note: Dimensions subject to change. Certified dimensions of ordered material furnished on request.



Bearing Dimensions

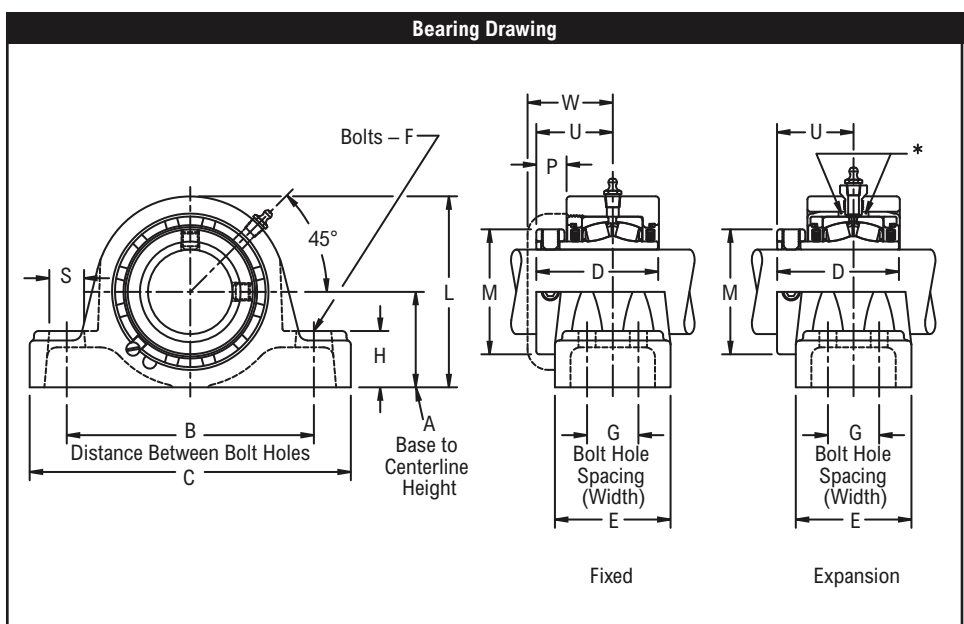
Size Code	Shaft Diameter	Expansion		Fixed		A Base to Centerline Height	B Distance Between Bolt Holes	C	D	E	F	H	M	P	S	U	W	Approx. Weight					
		Part Number	L	Part Number	L																		
B420	1 3/16	-	-	PKB22419H	3 1/2	1 3/4	4 3/4	6 5/16	2 11/16	2 3/16	3/8	1 1/16	1 31/32	17/32	5/8	1 5/8	1 31/32	7.00					
	1 1/4	-	-	PKB22420H		88.90	44.45	120.60	160.30	68.26	55.60	10.00	27.00	50.00	13.50	15.90	41.30	50.00	3.20				
	30.00	-	-	PKB224M30H		88.90	44.45	120.60	160.30	68.26	55.60	10.00	27.00	50.00	13.50	15.90	41.30	50.00	3.20				
B424	1 7/16	PKEB22423H	3 7/8	PKB22423H	3 11/16	1 7/8	5	6 7/8	2 7/8	2 1/4	1/2	1 3/16	2 5/16	2 1/32	1 9/16	1 25/32	2 3/16	7.00					
	1 1/2	PKEB22424H		PKB22424H		35.00	PKEB224M35H	98.40	PKB224M35H	93.70	47.62	127.00	174.60	73.02	57.20	12.00	30.20	58.70	16.70	20.60	45.20	55.60	3.40
	35.00	PKEB224M35H		98.40		PKB224M35H	93.70	47.62	127.00	174.60	73.02	57.20	12.00	30.20	58.70	16.70	20.60	45.20	55.60	3.40			
B428	1 5/8	PKEB22426H	4 3/8	PKB22426H	4 1/4	2 1/8	5 1/2	7 3/8	3 1/8	2 1/2	1/2	1 5/16	2 19/32	2 1/32	1 3/16	1 29/32	2 1/4	10.00					
	1 11/16	PKEB22427H		PKB22427H		40.00	PKEB224M40H	111.10	PKB224M40H	108.00	53.98	139.70	187.30	79.38	63.50	12.00	33.30	65.90	16.70	20.60	48.40	57.20	4.80
	1 3/4	PKEB22428H		PKB22428H		40.00	PKEB224M40H	111.10	PKB224M40H	108.00	53.98	139.70	187.30	79.38	63.50	12.00	33.30	65.90	16.70	20.60	48.40	57.20	4.80
B432	1 15/16	PKEB22431H	4 9/16	PKB22431H	4 9/16	2 1/4	6 1/4	8 3/8	3 1/8	2 1/2	5/8	1 3/8	2 7/8	2 1/32	1 5/16	1 29/32	2 9/32	12.00					
	2	PKEB22432H		PKB22432H		45.00	PKEB224M45H	115.90	PKB224M45H	115.90	57.15	158.80	212.70	79.38	63.50	16.00	34.90	73.00	16.70	23.80	48.40	57.90	5.80
	45.00	PKEB224M45H		115.90		PKB224M45H	115.90	57.15	158.80	212.70	79.38	63.50	16.00	34.90	73.00	16.70	23.80	48.40	57.90	5.80			
B436	2 3/16	PKEB22435H	5	PKB22435H	5	2 1/2	6 3/4	8 7/8	3 5/16	2 9/16	5/8	1 5/8	3 1/4	2 5/32	1 5/16	2 7/16	16.00						
	2 1/4	PKEB22436H		PKB22436H		55.00	PKEB224M55H	127.00	PKB224M55H	127.00	63.50	171.40	225.40	84.14	65.10	16.00	41.30	82.60	19.80	23.80	52.40	61.90	7.10
	55.00	PKEB224M55H		127.00		PKB224M55H	127.00	63.50	171.40	225.40	84.14	65.10	16.00	41.30	82.60	19.80	23.80	52.40	61.90	7.10			
B440	2 7/16	PKEB22439H	5 1/2	PKB22439H	5 1/2	2 3/4	7 1/8	9 1/4	3 1/2	2 11/16	5/8	1 3/4	3 9/16	2 7/32	1 5/16	2 3/16	2 9/16	19.00					
	2 1/2	PKEB22440H		PKB22440H		60.00	PKEB224M60H	139.70	PKB224M60H	139.70	69.85	181.00	235.00	88.90	68.30	16.00	44.40	90.50	21.40	23.80	55.60	65.10	8.60
	60.00	PKEB224M60H		139.70		PKB224M60H	139.70	69.85	181.00	235.00	88.90	68.30	16.00	44.40	90.50	21.40	23.80	55.60	65.10	8.60			
B448	2 11/16	PKEB22443H	6 7/16	PKB22443H	6 7/16	3 1/4	8 1/8	10 7/16	4	3 3/16	3/4	2 1/4	4 1/16	2 7/32	1 1/16	2 7/16	2 25/32	30.00					
	2 3/4	PKEB22444H		PKB22444H		70.00	PKEB224M70H	163.50	PKB224M70H	163.50	82.55	206.40	265.10	101.60	81.00	20.00	57.20	103.20	21.40	27.00	61.90	70.60	13.50
	2 15/16	PKEB22447H		PKB22447H		75.00	PKEB224M75H	163.50	PKB224M75H	163.50	82.55	206.40	265.10	101.60	81.00	20.00	57.20	103.20	21.40	27.00	61.90	70.60	13.50
	3	PKEB22448H		PKB22448H		65.00	PKEB224M65H	163.50	PKB224M65H	163.50	82.55	206.40	265.10	101.60	81.00	20.00	57.20	103.20	21.40	27.00	61.90	70.60	13.50
	65.00	PKEB224M65H		163.50		PKB224M65H	163.50	82.55	206.40	265.10	101.60	81.00	20.00	57.20	103.20	21.40	27.00	61.90	70.60	13.50			
B456	3 3/16	PKEB22451H	7 1/2	PKB22451H	7 1/2	3 3/4	10	13	4 3/8	3 7/16	7/8	2 1/4	4 29/32	1 5/16	1 5/8	2 21/32	3	45.00					
	3 7/16	PKEB22455H		PKB22455H		80.00	PKEB224M80H	190.50	PKB224M80H	190.50	95.25	254.00	330.20	111.12	87.30	24.00	57.20	124.60	23.80	41.30	67.50	76.20	20.20
	3 1/2	PKEB22456H		PKB22456H		85.00	PKEB224M85H	190.50	PKB224M85H	190.50	95.25	254.00	330.20	111.12	87.30	24.00	57.20	124.60	23.80	41.30	67.50	76.20	19.70
	80.00	PKEB224M80H		190.50		PKB224M80H	190.50	95.25	254.00	330.20	111.12	87.30	24.00	57.20	124.60	23.80	41.30	67.50	76.20	20.20			
B464	3 11/16	PKEB22459H	8 1/2	PKB22459H	8 1/2	4 1/4	11 3/4	15 1/4	5 1/16	4 3/16	1	2 5/8	5 5/8	1 1/16	2 1/4	3 1/16	3 7/16	64.00					
	3 15/16	PKEB22463H		PKB22463H		85.00	PKEB224M85H	190.50	PKB224M85H	190.50	95.25	254.00	330.20	111.12	87.30	24.00	57.20	124.60	23.80	41.30	67.50	76.20	19.70

Continued...



Product Features

- Corrosion resistant powder coating
- Cast steel housing
- Misalignment capabilities - Total of 4°
- Broad range of sealing options
- Factory set clearance & lubrication
- Hardened spring locking collar
- Field interchangeable seals
- Fixed or Expansion - Total of 3/8" expansion
- See Features & Benefits for additional info.

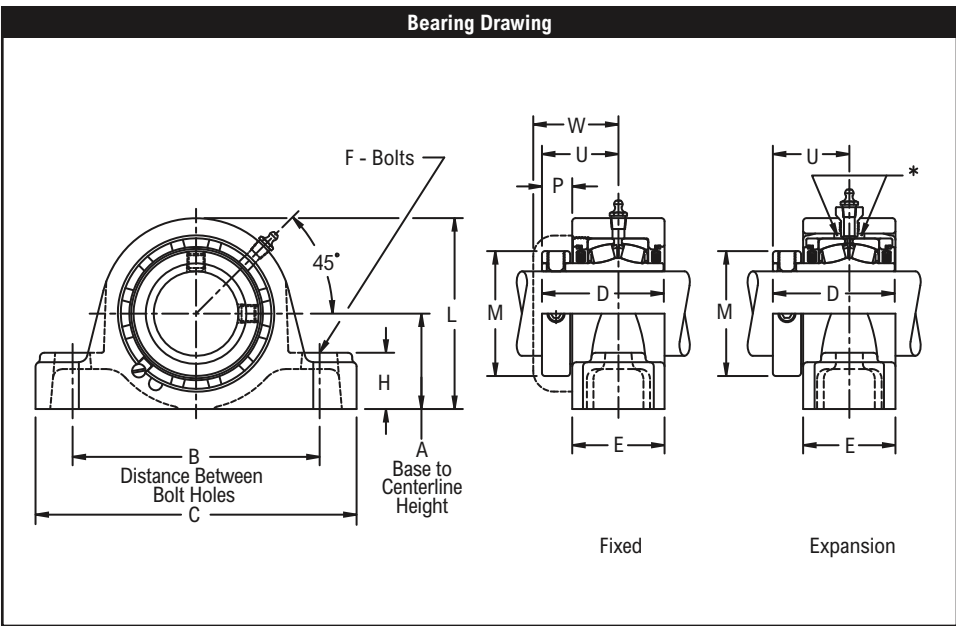


Bearing Dimensions																				
Size Code	Shaft Diameter	Expansion		Fixed		A Base to Centerline Height	B Distance Between Bolt Holes	G Bolt Hole Spacing (Width)	C	D	E	F	H	L	M	P	S	U	W	Approx. Weight
		Part Number	Part Number	Part Number	Part Number															
B432	1 15/16	PKEB22431FH	PKB22431FH	2 1/4	6 1/4	1 19/32	8 3/8	3 1/8	3 3/16	1/2	1 3/8	4 9/16	2 7/8	2 1/32	13 1/16	1 29/32	2 9/32	13.00		
	2	PKEB22432FH	PKB22432FH	57.15	158.80	40.50	212.70	79.38	81.00	12.00	34.90	115.90	73.00	16.70	20.60	48.40	57.90	6.10		
	50.00	PKEB224M45FH	PKB224M45FH	50.00	PKEB224M50FH	PKB224M50FH												5.80		
B436	2 3/16	PKEB22435FH	PKB22435FH	2 1/2	6 3/4	1 11/16	8 7/8	3 5/16	3 1/4	1/2	1 5/8	5	3 1/4	25/32	13 1/16	2 1/16	2 7/16	16.00		
	2 1/4	PKEB22436FH	PKB22436FH	63.50	171.40	42.90	225.40	84.14	82.60	12.00	41.30	127.00	82.60	19.80	20.60	52.40	61.90	7.30		
	55.00	PKEB224M55FH	PKB224M55FH																	
B440	2 7/16	PKEB22439FH	PKB22439FH	2 3/4	7 1/8	1 3/4	9 1/4	3 1/2	3 3/8	1/2	1 3/4	5 1/2	3 9/16	27/32	13 1/16	2 3/16	2 9/16	20.00		
	2 1/2	PKEB22440FH	PKB22440FH	69.85	181.00	44.40	235.00	88.90	85.70	12.00	44.40	139.70	90.50	21.40	20.60	55.60	65.10	9.30		
	60.00	PKEB224M60FH	PKB224M60FH																	
B448	2 11/16	PKEB22443FH	PKB22443FH	3 1/4	8 1/8	1 7/8	10 7/16	4	3 3/4	5/8	2 1/4	6 7/16	4 1/16	27/32	15 1/16	2 7/16	2 25/32	30.00		
	2 3/4	PKEB22444FH	PKB22444FH															29.00		
	2 15/16	PKEB22447FH	PKB22447FH															28.00		
	3	PKEB22448FH	PKB22448FH															13.70		
	65.00	PKEB224M65FH	PKB224M65FH															13.50		
	70.00	PKEB224M70FH	PKB224M70FH															13.00		
B456	3 3/16	PKEB22451FH	PKB22451FH	3 3/4	10	2	13	4 3/8	4 1/8	3/4	2 1/4	7 1/2	4 29/32	15 1/16	1 1/2	2 21/32	3	49.00		
	3 7/16	PKEB22455FH	PKB22455FH															47.00		
	3 1/2	PKEB22456FH	PKB22456FH															22.00		
	80.00	PKEB224M80FH	PKB224M80FH															21.50		
	85.00	PKEB224M85FH	PKB224M85FH																	
B464	3 11/16	PKEB22459FH	PKB22459FH	4 1/4	12 1/2	2 1/4	15 1/4	5 1/16	4 1/2	3/4	2 5/8	8 1/2	5 5/8	1 1/16	1 1/4	3 1/16	3 7/16	76.00		
	3 15/16	PKEB22463FH	PKB22463FH															74.00		
	4	PKEB22464FH	PKB22464FH															73.00		
	90.00	PKEB224M90FH	PKB224M90FH															35.20		
	100.00	PKEB224M100FH	PKB224M100FH															33.50		

Additional Notes

Please call 1-866-REXNORD for availability
 Lubrication fitting tap size, 1/8" PT
 Base to centerline tolerance, +/- .005" (+/- 0.13mm)
 Expansion - is 3/8" for all size codes
 H labyrinth seals standard
 All size codes available with type E lip seals & E7 triple lip seals
 Selection Guide, see Link-Belt Spherical Roller Bearings Selection Guide section

Load Ratings & Speed Limits, see Link-Belt Spherical Roller Bearings Load Ratings & Speed Limits section
 Note: Dimensions subject to change. Certified dimensions of ordered material furnished on request.



Product Features

- Self aligning type E interchange
- Corrosion resistant powder coating
- Cast iron housing
- Misalignment capabilities - Total of 4°
- Broad range of sealing options
- Factory set clearance & lubrication
- Hardened spring locking collar
- Field interchangeable seals
- Fixed or Expansion - Total of 3/8" expansion
- See Features & Benefits for additional info.

Bearing Dimensions																																
Size Code	Shaft Diameter	Expansion		Fixed		A Base to Centerline Height	B Min. Distance Between Bolt Holes	B Max. Distance Between Bolt Holes	C	D	E	F	H	L	M	P	U	W	Approx. Weight													
		Part Number	Part Number																													
B424	1 7/16	EPEB22423H	EPB22423H	1 7/8	4 3/4	6	7 3/8	2 7/8	2 1/4	1/2	1 1/8	3 7/8	2 5/16	21/32	1 25/32	2 3/16			8.00													
	35.00	EPEB224M35H	EPB224M35H	47.62	120.60	152.40	187.30	73.02	57.20	12.00	28.60	98.40	58.70	16.70	45.20	55.60		3.10														
B428	1 1/2	EPEB224B24H	EPB224B24H	2 1/8	5 1/4	6 1/2	7 7/8	3 1/8	2 1/2	1/2	1 1/4	4 3/8	2 19/32	21/32	1 29/32	2 1/4			11.00													
	1 5/8	EPEB22426H	EPB22426H																													
	40.00	EPEB224M40H	EPB224M40H														53.98	133.40	165.10	200.00	79.38	63.50	12.00	31.80	111.10	65.90	16.70	48.40	57.20		5.40	
B432	1 3/4	EPEB224B28H	EPB224B28H	2 1/4	6 1/16	7 1/4	8 7/8	3 1/8	2 1/2	5/8	1 5/16	4 9/16	2 7/8	21/32	1 29/32	2 9/32			12.00													
	1 15/16	EPEB22431H	EPB22431H																													
	2	EPEB22432H	EPB22432H																													
	45.00	EPEB224M45H	EPB224M45H														57.15	154.00	184.20	225.40	79.38	63.50	16.00	33.30	115.90	73.00	16.70	48.40	57.90		5.50	
	50.00	EPEB224M50H	EPB224M50H																5.20													
B436	2 3/16	EPEB22435H	EPB22435H	2 1/2	6 9/16	8	9 5/8	3 5/16	2 9/16	5/8	1 1/2	5	3 1/4	25/32	2 1/16	2 7/16			15.00													
	55.00	EPEB224M55H	EPB224M55H	63.50	166.70	203.20	244.50	84.14	65.10	16.00	38.10	127.00	82.60	19.80	52.40	61.90		6.60														
B440	2 1/4	EPEB224B36H	EPB224B36H	2 3/4	6 15/16	8 3/4	10 1/2	3 1/2	2 11/16	5/8	1 5/8	5 1/2	3 9/16	27/32	2 3/16	2 9/16			17.00													
	2 7/16	EPEB22439H	EPB22439H																													
	2 1/2	EPEB22440H	EPB22440H																													
	60.00	EPEB224M60H	EPB224M60H	69.85	176.20	222.20	266.70	88.90	68.30	16.00	41.30	139.70	90.50	21.40	55.60	65.10		8.20														
B448	2 11/16	EPEB22443H	EPB22443H	3 1/8	7 13/16	9 3/4	11 13/16	4	3 3/16	3/4	1 7/8	6 5/16	4 1/16	27/32	2 7/16	2 25/32			28.00													
	2 3/4	EPEB22444H	EPB22444H																													
	2 15/16	EPEB22447H	EPB22447H																													
	3	EPEB22448H	EPB22448H																													
	65.00	EPEB224M65H	EPB224M65H																													13.50
	70.00	EPEB224M70H	EPB224M70H																13.30													
	75.00	EPEB224M75H	EPB224M75H																12.80													
B456	3 3/16	EPEB22451H	EPB22451H	3 3/4	9 5/16	11 5/16	13 13/16	4 3/8	3 1/2	7/8	2 1/4	7 1/2	4 29/32	15/16	2 21/32	3			43.00													
	3 7/16	EPEB22455H	EPB22455H																													
	3 1/2	EPEB22456H	EPB22456H																													
	80.00	EPEB224M80H	EPB224M80H														95.25	236.50	287.30	350.80	111.12	88.90	24.00	57.20	190.50	124.60	23.80	67.50	76.20		20.00	
	85.00	EPEB224M85H	EPB224M85H																19.50													

Additional Notes

Please call 1-866-REXNORD for availability

Lubrication fitting tap size, 1/8" PT

Base to centerline tolerance, +/- .005" (+/- 0.13mm)

Expansion - is 3/8" for all size codes

H labyrinth seals standard

All size codes available with type E lip seals & E7 triple lip seals

Selection Guide, see Link-Belt Spherical Roller Bearings Selection Guide section

Load Ratings & Speed Limits, see Link-Belt Spherical Roller Bearings Load Ratings & Speed Limits section

Note: Dimensions subject to change. Certified dimensions of ordered material furnished on request.

EPB22400F, EPEB22400F

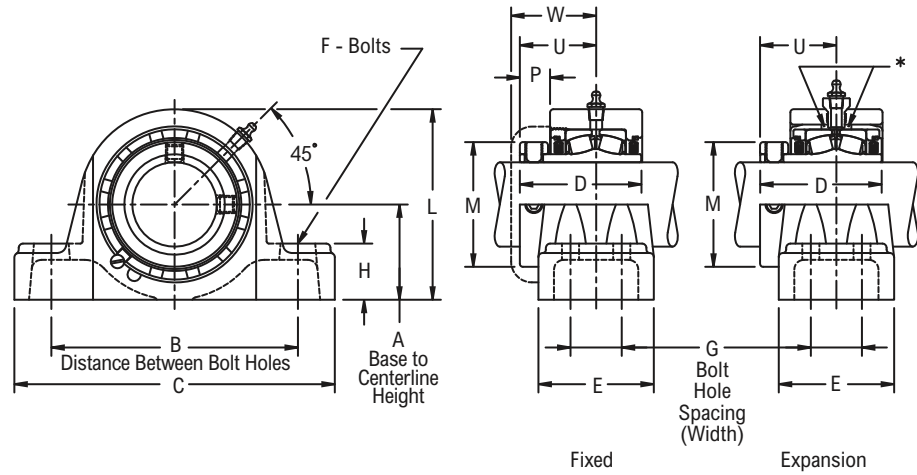


Photo Shows a 4-Bolt Spherical Roller Bearing Pillow Block Unit

Product Features

- Self aligning type E interchange
- Corrosion resistant powder coating
- Cast iron housing
- Misalignment capabilities - Total of 4°
- Broad range of sealing options
- Factory set clearance & lubrication
- Hardened spring locking collar
- Field interchangeable seals
- Fixed or Expansion - Total of 3/8" expansion
- See Features & Benefits for additional info.

Bearing Drawing



Bearing Dimensions

Size Code	Shaft Diameter	Expansion		Fixed		A Base to Centerline Height	B Min. Distance Between Bolt Holes	B Max. Distance Between Bolt Holes	G Bolt Hole Spacing (Width)	C	D	E	F	H	L	M	P	U	W	Approx. Weight
		Part Number	Part Number																	
B440	2 1/4	EPEB224B36FH	EPB224B36FH																	21.00
	2 7/16	EPEB22439FH	EPB22439FH																	20.00
	2 1/2	EPEB22440FH	EPB22440FH																	
	60.00	EPEB224M60FH	EPB224M60FH	69.85	176.20	222.20	47.60	266.70	88.90	92.10	16.00	41.30	139.70	90.50	21.4	55.60	65.1	8.80		
B448	2 11/16	EPEB22443FH	EPB22443FH																	31.00
	2 3/4	EPEB22444FH	EPB22444FH																	
	2 15/16	EPEB22447FH	EPB22447FH																	29.00
	3	EPEB22448FH	EPB22448FH																	
	65.00	EPEB224M65FH	EPB224M65FH	79.38	198.40	250.80	54.00	300.00	101.60	108.00	16.00	47.60	160.30	103.20	21.4	61.90	70.6	14.00	13.80	
75.00	EPEB224M75FH	EPB224M75FH																		13.30
B456	3 3/16	EPEB22451FH	EPB22451FH																	47.00
	3 7/16	EPEB22455FH	EPB22455FH																	46.00
	3 1/2	EPEB22456FH	EPB22456FH																	45.00
	80.00	EPEB224M80FH	EPB224M80FH	95.25	236.50	290.50	60.30	350.80	111.12	120.60	20.00	57.20	190.50	124.60	23.8	67.50	76.2	21.30	20.80	
85.00	EPEB224M85FH	EPB224M85FH																		
B464	3 11/16	EPEB22459FH	EPB22459FH																	69.00
	3 15/16	EPEB22463FH	EPB22463FH																	67.00
	4	EPEB22464FH	EPB22464FH																	66.00
	90.00	EPEB224M90FH	EPB224M90FH	107.95	301.60	330.20	57.20	387.40	128.59	114.30	20.00	66.70	215.90	142.90	27.0	77.80	87.3	32.10	30.30	
100.00	EPEB224M100FH	EPB224M100FH																		

Additional Notes

Please call 1-866-REXNORD for availability
 Lubrication fitting tap size, 1/8" PT
 Base to centerline tolerance, +/- .005" (+/- 0.13mm)
 Expansion - is 3/8" for all size codes
 H labyrinth seals standard
 All size codes available with type E lip seals & E7 triple lip seals
 Selection Guide, see Link-Belt Spherical Roller Bearings Selection Guide section

Load Ratings & Speed Limits, see Link-Belt Spherical Roller Bearings Load Ratings & Speed Limits section
 Note: Dimensions subject to change. Certified dimensions of ordered material furnished on request.

EPB22500, EPEB22500, EPB22500F, EPEB22500F

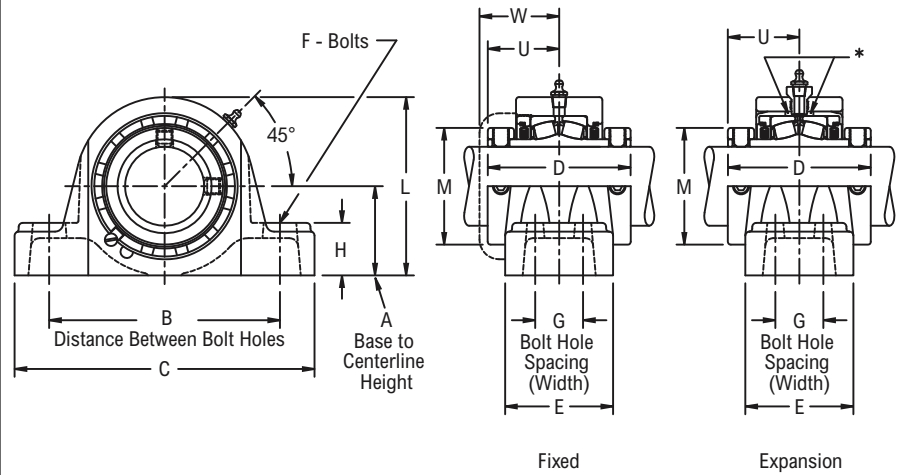


Photo Shows a 2-Bolt Spherical Roller Bearing Pillow Block Unit

Product Features

- Self aligning type E interchange
- Corrosion resistant powder coating
- Cast iron housing
- Misalignment capabilities - Total of 4°
- Broad range of sealing options
- Factory set clearance & lubrication
- Two hardened spring locking collars
- Field interchangeable seals
- Fixed or Expansion - Total of 3/8" expansion
- See Features & Benefits for additional info.

Bearing Drawing



Bearing Dimensions

Size Code	Shaft Diameter	Expansion		Fixed		A Base to Centerline Height	B Min. Distance Between Bolt Holes	B Max. Distance Between Bolt Holes	G Bolt Hole Spacing (Width)	C	D	E	F	H	L	M	U	W	Approx. Weight
		Part Number	Part Number																
Two-Bolt Pillow Block																			
B524	1 7/16	EPEB22523H	EPB22523H	1 7/8	4 3/4	6	-	7 3/8	3 9/16	2 1/4	1/2	1 1/8	3 7/8	2 5/16	1 25/32	2 3/16	8.00		
B528	1 11/16	EPEB22527H	EPB22527H	2 1/8	5 1/2	6 1/2	-	7 7/8	3 13/16	2 1/2	1/2	1 1/4	4 3/8	2 19/32	1 29/32	2 1/4	12.00		
B531	1 15/16	EPEB22531H	EPB22531H	2 1/4	6 1/16	7 1/4	-	8 7/8	3 13/16	2 1/2	5/8	1 9/16	4 9/16	2 7/8	1 29/32	2 9/32	13.00		
B536	2 3/16	EPEB22535H	EPB22535H	2 1/2	6 9/16	8	-	9 5/8	4 1/8	2 9/16	5/8	1 1/2	5	3 1/4	2 1/16	2 7/16	16.00		
B540	2 7/16	EPEB22539H	EPB22539H	2 3/4	6 15/16	8 3/4	-	10 1/2	4 3/8	2 11/16	5/8	1 5/8	5 1/2	3 9/16	2 3/16	2 9/16	18.00		
B548	2 11/16	EPEB22543H	EPB22543H	3 1/8	7 13/16	9 3/4	-	11 11/16	4 7/8	3 13/16	3/4	1 7/8	6 5/16	4 1/16	2 7/16	2 25/32	31.00		
	2 15/16	EPEB22547H	EPB22547H														29.00		
B556	3 7/16	EPEB22555H	EPB22555H	3 3/4	9 5/16	11 5/16	-	13 13/16	5 5/16	3 1/2	7/8	2 1/4	7 1/2	4 29/32	2 21/32	3	45.00		
Four-Bolt Pillow Block																			
B540	2 7/16	EPEB22539FH	EPB22539FH	2 3/4	6 15/16	8 3/4	1 7/8	10 1/2	4 3/8	3 5/8	5/8	1 5/8	5 1/2	3 9/16	2 3/16	2 9/16	21.00		
B548	2 11/16	EPEB22543FH	EPB22543FH	3 1/8	7 13/16	9 7/8	2 1/8	11 13/16	4 7/8	4 1/4	5/8	1 7/8	6 5/16	4 1/16	2 7/16	2 25/32	33.00		
	2 15/16	EPEB22547FH	EPB22547FH														31.00		
B556	3 7/16	EPEB22555FH	EPB22555FH	3 3/4	9 5/16	11 7/16	2 3/8	13 13/16	5 5/16	4 3/4	3/4	2 1/4	7 1/2	4 29/32	2 21/32	3	48.00		
B564	3 15/16	EPEB22563FH	EPB22563FH	4 1/4	11 7/8	13	2 1/4	15 1/4	6 1/8	4 1/2	3/4	2 5/8	8 5/8	5 5/8	3 1/16	3 7/16	71.00		
	4	EPEB22564FH	EPB22564FH														70.00		
B572	4 3/16	EPEB22567FH	EPB22567FH	4 3/4	12 3/4	14 1/8	2 1/2	16 1/2	6 3/4	4 3/4	3/4	2 3/4	9 3/8	6 1/8	3 3/8	3 3/4	92.00		
	4 7/16	EPEB22571FH	EPB22571FH														88.00		
	4 1/2	EPEB22572FH	EPB22572FH														87.00		
	110.00	EPEB225M110FH	EPB225M110FH														120.65	323.90	358.80
115.00	EPEB225M115FH	EPB225M115FH															39.50		
B580	4 15/16	EPEB22579FH	EPB22579FH	5 1/2	14 5/16	16 1/8	2 3/4	18 1/2	7 1/4	5 3/8	7/8	3	10 7/8	6 7/8	3 5/8	4	129.00		
	5	EPEB22580FH	EPB22580FH														128.00		
	125.00	EPEB225M125FH	EPB225M125FH														139.70	363.60	409.60

Additional Notes

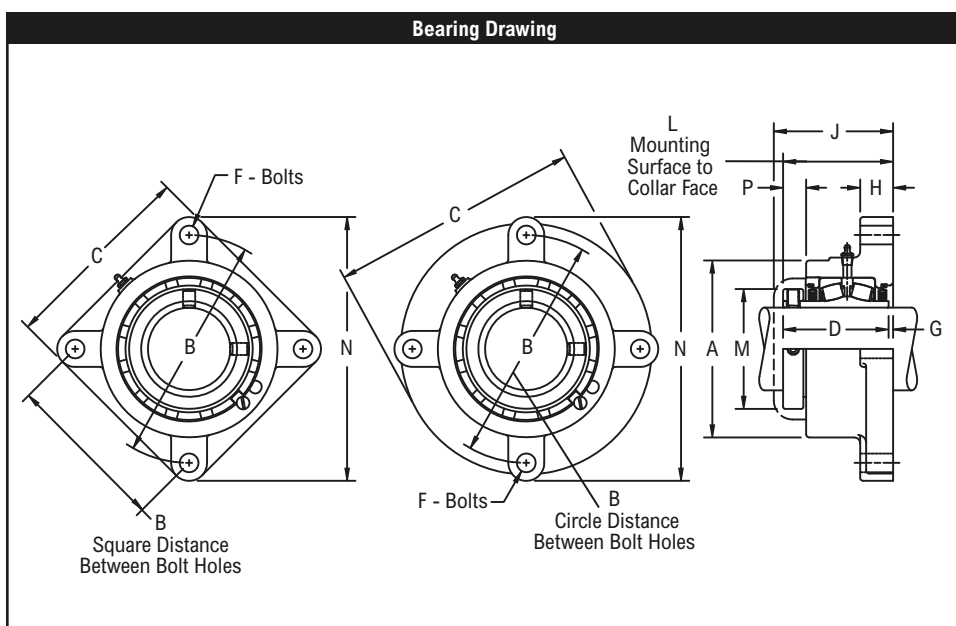
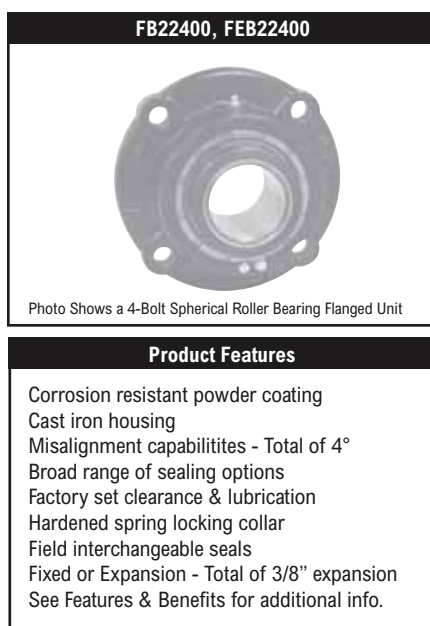
Please call 1-866-REXNORD for availability
 Lubrication fitting tap size, 1/8" PT
 Base to centerline tolerance, +/- .005" (+/- 0.13mm)
 Expansion - is 3/8" for all size codes
 H labyrinth seals standard
 All size codes available with type E lip seals & E7 triple lip seals
 Selection Guide, see Link-Belt Spherical Roller Bearings Selection Guide section

Load Ratings & Speed Limits, see Link-Belt Spherical Roller Bearings Load Ratings & Speed Limits section
 Note: Dimensions subject to change. Certified dimensions of ordered material furnished on request.

www.rexnord.com

Rexnord Industries, LLC, 7601 Rockville Road, Indianapolis, IN 46214-3120 USA
Phone: 317-273-5500 Fax: 317-273-5620





Bearing Dimensions																																						
Size Code	Shaft Diameter	Expansion		Fixed		B Square Distance Between Bolt Holes	B Circle Distance Between Bolt Holes	L Mounting Surface to Collar Face	C	D	F Bolts	G	H	J	M	N	P	Approx. Weight																				
		Part Number	A	Part Number	A																																	
3-Bolt Round																																						
B416	1	FEB22416H	3 1/4	FB22416H	2 7/8	-	4 1/8	2 19/32	4 3/4	2 9/16	3/8	1/32	9/16	2 15/16	1 3/4	5 1/8	17/32	3.00																				
		25.00	FEB224M25H	82.60	FB224M25H	73.00	-	104.78	65.90	120.60	65.09	10.00	0.80	14.30	74.60	44.40	130.20	13.50	1.30																			
B420	1 3/16	FEB22419H	3 1/2	FB22419H	3 1/8	-	4 1/2	2 23/32	5 1/8	2 11/16	3/8	1/32	19/32	3 1/16	1 31/32	5 1/2	17/32	6.00																				
	1 1/4	FEB22420H		FB22420H															30.00	FEB224M30H	88.90	FB224M30H	79.40	-	114.30	69.00	130.20	68.26	10.00	0.80	15.10	77.80	50.00	139.70	13.50	2.40		
B424	1 7/16	FEB22423H	3 3/4	FB22423H	3 7/16	-	5	2 29/32	5 7/8	2 7/8	1/2	1/32	5/8	3 5/16	2 5/16	6 1/4	21/32	7.00																				
	1 1/2	FEB22424H		FB22424H															35.00	FEB224M35H	95.20	FB224M35H	87.30	-	127.00	73.80	149.20	73.02	12.00	0.80	15.90	84.10	58.70	158.80	16.70	3.20		
4-Bolt Round																																						
B428	1 5/8	FEB22426H	4 1/4	FB22426H	3 15/16	3 57/64	5 1/2	3 5/32	6 3/8	3 1/8	1/2	1/32	5/8	3 1/2	2 19/32	6 3/4	21/32	9.00																				
	1 11/16	FEB22427H		FB22427H															40.00	FEB224M40H	108.00	FB224M40H	100.00	98.83	139.70	80.20	161.90	79.38	12.00	0.80	15.90	88.90	65.90	171.40	16.70	4.30		
	1 3/4	FEB22428H		FB22428H																																		
B432	1 15/16	FEB22431H	4 1/2	FB22431H	4 1/4	4 1/16	5 3/4	3 3/16	6 11/16	3 1/8	1/2	1/16	11/16	3 9/16	2 7/8	7	21/32	10.00																				
	2	FEB22432H		FB22432H															45.00	FEB224M45H	114.30	FB224M45H	108.00	103.17	146.05	81.00	169.90	79.38	12.00	1.60	17.50	90.50	73.00	177.80	16.70	5.00		
		FEB224M50H		FB224M50H															50.00																			
B436	2 3/16	FEB22435H	4 7/8	FB22435H	4 7/8	4 1/2	6 3/8	3 13/32	7 3/8	3 5/16	5/8	3/32	11/16	3 25/32	3 1/4	7 3/4	25/32	14.00																				
	2 1/4	FEB22436H		FB22436H															55.00	FEB224M55H	123.80	FB224M55H	123.80	114.30	161.92	86.50	187.30	84.14	16.00	2.40	17.50	96.00	82.60	196.80	19.80	6.50		
B440	2 7/16	FEB22439H	5 3/8	FB22439H	5 3/8	4 49/64	6 3/4	3 19/32	7 3/4	3 1/2	5/8	3/32	3/4	3 31/32	3 9/16	8 1/8	27/32	17.00																				
	2 1/2	FEB22440H		FB22440H															60.00	FEB224M60H	136.50	FB224M60H	136.50	121.06	171.45	91.30	196.80	88.90	16.00	2.40	19.00	100.80	90.50	206.40	21.40	7.90		
B448	2 11/16	FEB22443H	6 1/4	FB22443H	6 1/4	5 9/16	7 7/8	4 3/32	9 1/8	4	3/4	3/32	7/8	4 7/16	4 1/16	9 1/2	27/32	28.00																				
	2 3/4	FEB22444H		FB22444H																																		
	2 15/16	FEB22447H		FB22447H																																		
	3	FEB22448H		FB22448H																																		
		FEB224M65H		FB224M65H															65.00	FEB224M65H																		
	FEB224M70H	FB224M70H	70.00	FEB224M70H	158.80	FB224M70H	158.80	141.27	200.02	104.00	231.80	101.60	20.00	2.40	22.20	112.70	103.20	241.30	21.40	12.50																		
	FEB224M75H	FB224M75H	75.00																																			
4-Bolt Square																																						
B456	3 3/16	FEB22451H	7 3/8	FB22451H	7 3/8	6 23/32	9 1/2	4 9/16	8 7/16	4 3/8	3/4	1/4	1	4 29/32	4 29/32	11 7/16	15/16	41.00																				
	3 7/16	FEB22455H		FB22455H																																		
	3 1/2	FEB22456H		FB22456H																																		
		FEB224M80H		FB224M80H															80.00	FEB224M80H	187.30	FB224M80H	187.30	170.64	241.30	115.90	214.31	111.12	20.00	6.40	25.40	124.60	124.60	290.50	23.80	18.60		
		FEB224M85H		FB224M85H															85.00																			

Continued...

Continued...

Bearing Dimensions																		
Size Code	Shaft Diameter	Expansion		Fixed		B Square Distance Between Bolt Holes	B Circle Distance Between Bolt Holes	L Mounting Surface to Collar Face	C	D	F Bolts	G	H	J	M	N	P	Approx. Weight
		Part Number	A	Part Number	A													
4-Bolt Square(continued)																		
B464	3 11/16	FEB22459H	8 3/8	FB22459H	8 1/2	7 19/32	10 3/4	5 7/32	9 3/4	5 1/16	7/8	1/4	1 1/8	5 5/8	5 5/8	12 29/32	1 1/32	59.00
	3 15/16	FEB22463H		FB22463H														57.00
	4	FEB22464H	FB22464H															
	90.00	FEB224M90H	212.70	FB224M90H	215.90													192.88
	100.00	FEB224M100H		FB224M100H														25.90

Additional Notes	
<p>Please call 1-866-REXNORD for availability Lubrication fitting tap size, 1/8" PT Expansion - is 3/8" for all size codes For expansion units, dimensions "G", "L" & "P" are minimum values. For maximum values, add 3/8" H labyrinth seals standard All size codes available with type E lip seals & E7 triple lip seals</p>	<p>Selection Guide, see Link-Belt Spherical Roller Bearings Selection Guide section Load Ratings & Speed Limits, see Link-Belt Spherical Roller Bearings Load Ratings & Speed Limits section Note: Dimensions subject to change. Certified dimensions of ordered material furnished on request.</p>

EFRB22400

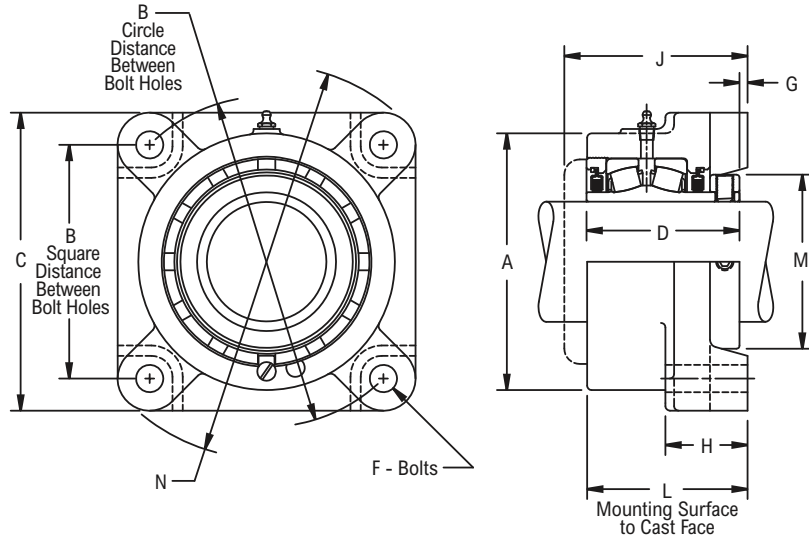


Photo Shows a 4-Bolt Spherical Roller Bearing Flanged Unit

Product Features

- Self aligning type E interchange
- Corrosion resistant powder coating
- Cast iron housing
- Misalignment capabilities - Total of 4°
- Broad range of sealing options
- Factory set clearance & lubrication
- Hardened spring locking collar
- Field interchangeable seals
- See Features & Benefits for additional info.

Bearing Drawing



Bearing Dimensions

Size Code	Shaft Diameter	Part Number	B Square Distance Between Bolt Holes	B Circle Distance Between Bolt Holes	L Mounting Surface to Cast Face	A	C	D	F Bolts	G	H	J	M	N	Approx. Weight
B424	1 7/16	EFRB22423H	3 1/2	4 61/64	2 31/32	3 11/16	4 5/8	2 7/8	1/2	1/16	1 3/8	4 1/32	2 5/16	6 1/16	8.00
	35.00	EFRB224M35H	88.90	125.81	75.40	93.70	117.50	73.02	12.00	1.60	34.90	102.40	58.70	154.00	3.40
B428	1 1/2	EFRB224B24H	4 1/8	5 53/64	3 9/32	4 1/4	5 3/8	3 1/8	1/2	1/8	1 7/16	4 9/32	2 19/32	7 7/32	11.00
	1 5/8	EFRB22426H													10.00
	1 11/16	EFRB22427H	104.80	148.03	83.30	108.00	136.50	79.38	12.00	3.20	36.50	108.70	65.90	183.40	5.10
	40.00	EFRB224M40H													5.10
B432	1 3/4	EFRB224B28H	4 3/8	6 3/16	3 9/32	4 1/2	5 5/8	3 1/8	1/2	1/8	1 7/16	4 5/16	2 7/8	7 5/16	11.00
	1 15/16	EFRB22431H													10.00
	2	EFRB22432H	111.10	157.18	83.30	114.30	142.90	79.38	12.00	3.20	36.50	109.50	73.00	185.70	5.30
	45.00	EFRB224M45H													5.30
	50.00	EFRB224M50H	5.00												
B436	2 3/16	EFRB22435H	4 7/8	6 57/64	3 1/2	5	6 1/4	3 5/16	5/8	1/8	1 9/16	4 5/8	3 1/4	8 9/32	15.00
	55.00	EFRB224M55H	123.80	175.03	88.90	127.00	158.80	84.14	16.00	3.20	39.70	117.50	82.60	210.30	7.10
B440	2 1/4	EFRB224B36H	5 3/8	7 19/32	3 23/32	5 1/2	6 7/8	3 1/2	5/8	3/16	1 23/32	4 15/16	3 9/16	8 31/32	18.00
	2 7/16	EFRB22439H													17.00
	2 1/2	EFRB22440H	136.50	192.89	94.50	139.70	174.60	88.90	16.00	4.80	43.70	125.40	90.50	227.80	7.90
	60.00	EFRB224M60H													7.90
B448	2 11/16	EFRB22443H	6	8 31/64	4 7/32	6 1/2	7 3/4	4	3/4	3/16	1 25/32	5 13/32	4 1/16	10 1/8	26.00
	2 3/4	EFRB22444H													25.00
	2 15/16	EFRB22447H	65.00	215.49	107.20	165.10	196.90	101.60	20.00	4.80	45.20	137.30	103.20	257.20	11.70
	70.00	EFRB224M70H													11.70
	75.00	EFRB224M75H	11.00												
		80.00	EFRB224M80H	152.40											
	85.00	EFRB224M85H	11.00												
B456	3 3/16	EFRB22451H	7	9 59/64	4 21/32	7 3/8	9 1/4	4 3/8	3/4	1/4	1 31/32	5 3/4	4 29/32	11 21/32	42.00
	3 7/16	EFRB22455H													41.00
	3 1/2	EFRB22456H	177.80	251.23	118.30	187.30	235.00	111.12	20.00	6.40	50.00	146.00	124.60	296.10	40.00
	80.00	EFRB224M80H													18.90
85.00	EFRB224M85H	18.40													
B464	3 11/16	EFRB22459H	7 3/4	10 61/64	5 15/32	8 7/8	10 1/4	5 1/16	7/8	1/4	2 7/32	6 5/8	5 5/8	12 31/32	58.00
	3 15/16	EFRB22463H													56.00
	4	EFRB22464H	196.80	278.21	138.90	225.40	260.40	128.59	24.00	6.40	56.40	168.30	142.90	329.40	27.20
	90.00	EFRB224M90H													27.20
100.00	EFRB224M100H	25.40													

Additional Notes

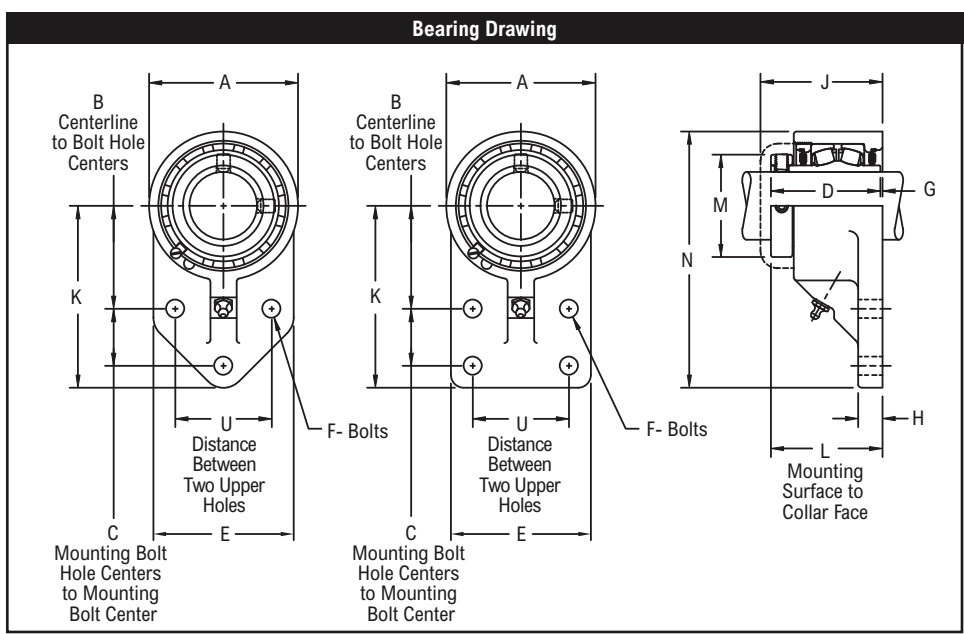
Please call 1-866-REXNORD for availability
 Lubrication fitting tap size, 1/8" PT
 H labyrinth seals standard
 All size codes available with type E lip seals & E7 triple lip seals
 Selection Guide, see Link-Belt Spherical Roller Bearings Selection Guide section
 Load Ratings & Speed Limits, see Link-Belt Spherical Roller Bearings Load Ratings & Speed Limits section

Note: Dimensions subject to change. Certified dimensions of ordered material furnished on request.



Product Features

- Corrosion resistant powder coating
- High test iron housing
- Misalignment capabilities - Total of 4°
- Broad range of sealing options
- Factory set clearance & lubrication
- Hardened spring locking collar
- Field interchangeable seals
- See Features & Benefits for additional info.

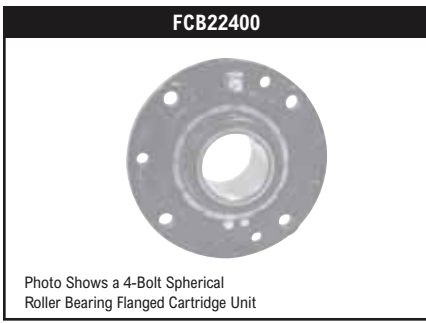


Bearing Dimensions																																
Size Code	Shaft Diameter	Part Number	B Centerline to Bolt Hole Centers	C Mounting Bolt Hole Centers to Mounting Bolt Center	L Mounting Surface to Collar Face	U Distance Between Two Upper Holes	A	D	E	F	G	H	J	K	M	N	Approx. Weight															
3-Bolt																																
B424	1 7/16	FBB22423H	2 3/8	1 1/4	2 29/32	2	3 7/16	2 7/8	3 1/4	1/2	1/32	5/8	3 5/16	4 1/4	2 5/16	5 31/32	6.40															
	1 1/2	FBB22424H																														
	35.00	FBB224M35H																60.30	31.80	73.80	50.80	87.30	73.02	82.60	12.00	0.80	15.90	84.10	108.00	58.70	151.60	2.90
B432	1 15/16	FBB22431H	2 15/16	1 5/8	3 3/16	2 3/4	4 1/4	3 1/8	4	1/2	1/16	1 1/16	3 9/16	5 3/16	2 7/8	7 5/16	10.00															
	2	FBB22432H																														
	45.00	FBB224M45H																74.60	41.30	81.00	69.80	108.00	79.38	101.60	12.00	1.60	17.50	90.50	131.80	73.00	185.70	4.40
	50.00	FBB224M50H																														4.30
4-Bolt																																
B440	2 7/16	FBB22439H	3 3/4	1 3/4	3 19/32	3	5 3/8	3 1/2	4 7/8	5/8	3/32	3/4	3 31/32	6 1/4	3 9/16	8 15/16	17.50															
	2 1/2	FBB22440H																														
	60.00	FBB224M60H																95.20	44.40	91.30	76.20	136.50	88.90	123.80	16.00	2.40	19.00	100.80	158.80	90.50	227.00	8.10
B448	2 11/16	FBB22443H	3 7/8	2 1/4	4 3/32	4	6 1/4	4	5 3/4	3/4	3/32	7/8	4 7/16	7	4 1/16	10 1/8	30.00															
	2 3/4	FBB22444H																														
	2 15/16	FBB22447H																														
	3	FBB22448H																														
	65.00	FBB224M65H																98.40	57.20	104.00	101.60	158.80	101.60	146.00	20.00	2.40	22.20	112.70	177.80	103.20	257.20	13.70
	70.00	FBB224M70H																														13.50
75.00	FBB224M75H	12.80																														

Additional Notes

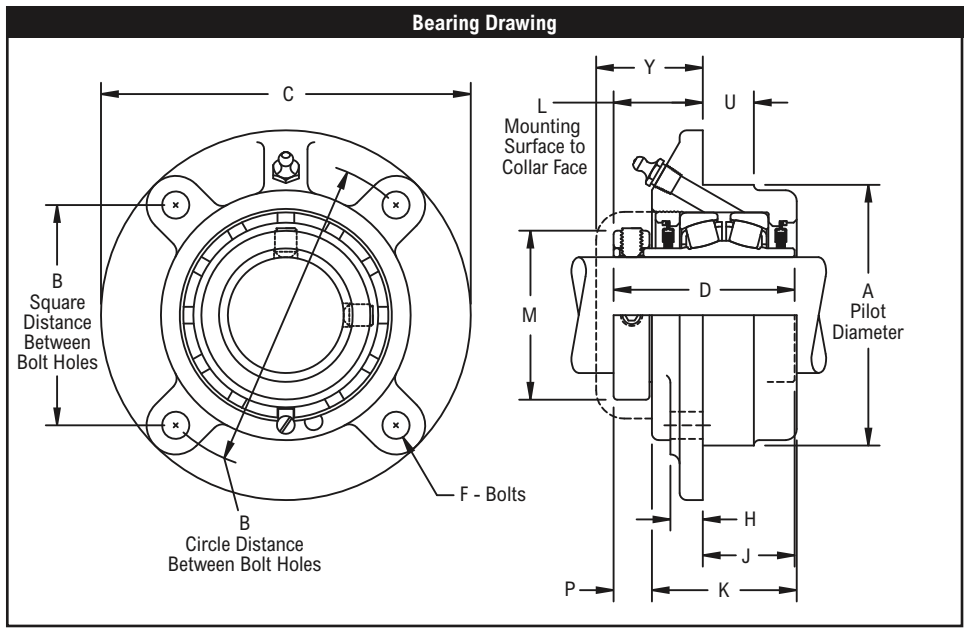
Please call 1-866-REXNORD for availability
 Lubrication fitting tap size: for size code B424, 1/4"-28 UNF: for all other size codes, 1/8" PT
 H labyrinth seals standard
 All size codes available with type E lip seals & E7 triple lip seals
 Selection Guide, see Link-Belt Spherical Roller Bearings Selection Guide section

Load Ratings & Speed Limits, see Link-Belt Spherical Roller Bearings Load Ratings & Speed Limits section
 Note: Dimensions subject to change. Certified dimensions of ordered material furnished on request.



Product Features

- Self aligning type E interchange
- Corrosion resistant powder coating
- Cast iron housing
- Misalignment capabilities - Total of 4°
- Broad range of sealing options
- Factory set clearance & lubrication
- Hardened spring locking collar
- Field interchangeable seals
- See Features & Benefits for additional info.



Bearing Dimensions																																		
Size Code	Shaft Diameter	Part Number	A Pilot Diameter	B Square Distance Between Bolt Holes	B Circle Distance Between Bolt Holes	L Mounting Surface to Collar Face	C	D	F Bolts	H	J	K	M	P	U	Y	Approx. Weight																	
4-Bolt																																		
B416	1	FCB22416H	3.000	2 9/16	3 5/8	1 9/32	4 3/8	2 9/16	5/16	7/16	1 1/4	2	1 3/4	17/32	5/8	1 5/8	4.00																	
	25.00	FCB224M25H	76.200	65.10	92.08	32.50	111.10	65.09	8.00	11.10	31.80	50.80	44.40	13.50	15.90	41.30	1.60																	
B420	1 3/16	FCB22419H	3.375	2 59/64	4 1/8	1 9/32	5	2 11/16	3/8	7/16	1 3/8	2 1/4	1 31/32	17/32	3/4	1 5/8	5.00																	
	1 1/4	FCB22420H																30.00	FCB224M30H	85.720	74.20	104.78	32.50	127.00	68.26	10.00	11.10	34.90	57.20	50.00	13.50	19.00	41.30	2.20
B424	1 7/16	FCB22423H	3.625	3 3/32	4 3/8	1 15/32	5 1/4	2 7/8	3/8	1/2	1 3/8	2 3/16	2 5/16	21/32	3/4	1 7/8	6.00																	
	1 1/2	FCB22424H																35.00	FCB224M35H	92.080	78.60	111.12	37.30	133.40	73.02	10.00	12.70	34.90	55.60	58.70	16.70	19.00	47.60	2.60
B428	1 5/8	FCB22426H	4.250	3 5/8	5 1/8	1 17/32	6 1/8	3 1/8	7/16	1/2	1 17/32	2 7/16	2 19/32	21/32	7/8	1 7/8	9.00																	
	1 11/16	FCB22427H																40.00	FCB224M40H	107.950	92.10	130.18	38.90	155.60	79.38	10.00	12.70	38.90	61.90	65.90	16.70	22.20	47.60	3.80
	1 3/4	FCB22428H																45.00	FCB224M45H	114.300	96.40	136.52	38.90	161.90	79.38	10.00	14.30	39.70	61.90	73.00	16.70	22.20	48.40	4.00
B432	1 15/16	FCB22431H	4.500	3 51/64	5 3/8	1 17/32	6 3/8	3 1/8	7/16	9/16	1 9/16	2 7/16	2 7/8	21/32	7/8	1 29/32	9.00																	
	2	FCB22432H																50.00	FCB224M50H	114.300	96.40	136.52	38.90	161.90	79.38	10.00	14.30	39.70	61.90	73.00	16.70	22.20	48.40	4.00
	45.00	FCB224M45H																114.300	96.40	136.52	38.90	161.90	79.38	10.00	14.30	39.70	61.90	73.00	16.70	22.20	48.40	4.30		
B436	2 3/16	FCB22435H	5.000	4 1/4	6	1 21/32	7 1/8	3 5/16	1/2	9/16	1 9/16	2 1/2	3 1/4	25/32	1	2 1/32	12.00																	
	2 1/4	FCB22436H																55.00	FCB224M55H	127.000	107.90	152.40	42.10	181.00	84.14	12.00	14.30	39.70	63.50	82.60	19.80	25.40	51.60	5.60
B440	2 7/16	FCB22439H	5.500	4 19/32	6 1/2	1 13/16	7 5/8	3 1/2	1/2	5/8	1 11/16	2 5/8	3 9/16	7/8	1	2 5/32	16.00																	
	2 1/2	FCB22440H																60.00	FCB224M60H	139.700	116.70	165.10	46.00	193.70	88.90	12.00	15.90	42.90	66.70	90.50	22.20	25.40	54.80	7.20
B448	2 11/16	FCB22443H	6.375	5 19/64	7 1/2	1 31/32	8 3/4	4	5/8	3/4	2	3 1/8	4 1/16	27/32	1 1/4	2 5/16	25.00																	
	2 3/4	FCB22444H																70.00	FCB224M70H	161.920	134.50	190.50	50.00	222.20	101.60	16.00	19.00	50.80	79.40	103.20	21.40	31.80	58.70	11.40
	2 15/16	FCB22447H																75.00	FCB224M75H	161.920	134.50	190.50	50.00	222.20	101.60	16.00	19.00	50.80	79.40	103.20	21.40	31.80	58.70	11.00
	3	FCB22448H																80.00	FCB224M80H	187.320	154.80	219.08	61.90	260.40	111.12	20.00	23.80	50.80	87.30	124.60	23.80	31.80	70.60	17.40
	85.00	FCB224M85H																187.320	154.80	219.08	61.90	260.40	111.12	20.00	23.80	50.80	87.30	124.60	23.80	31.80	70.60	16.90		
B456	3 3/16	FCB22451H	7.375	6 3/32	8 5/8	2 7/16	10 1/4	4 3/8	3/4	15/16	2	3 7/16	4 29/32	15/16	1 1/4	2 25/32	38.00																	
	3 7/16	FCB22455H																80.00	FCB224M80H	187.320	154.80	219.08	61.90	260.40	111.12	20.00	23.80	50.80	87.30	124.60	23.80	31.80	70.60	17.40
	3 1/2	FCB22456H																85.00	FCB224M85H	187.320	154.80	219.08	61.90	260.40	111.12	20.00	23.80	50.80	87.30	124.60	23.80	31.80	70.60	16.90
	80.00	FCB224M80H																187.320	154.80	219.08	61.90	260.40	111.12	20.00	23.80	50.80	87.30	124.60	23.80	31.80	70.60	16.90		

Continued...

www.rexnord.com

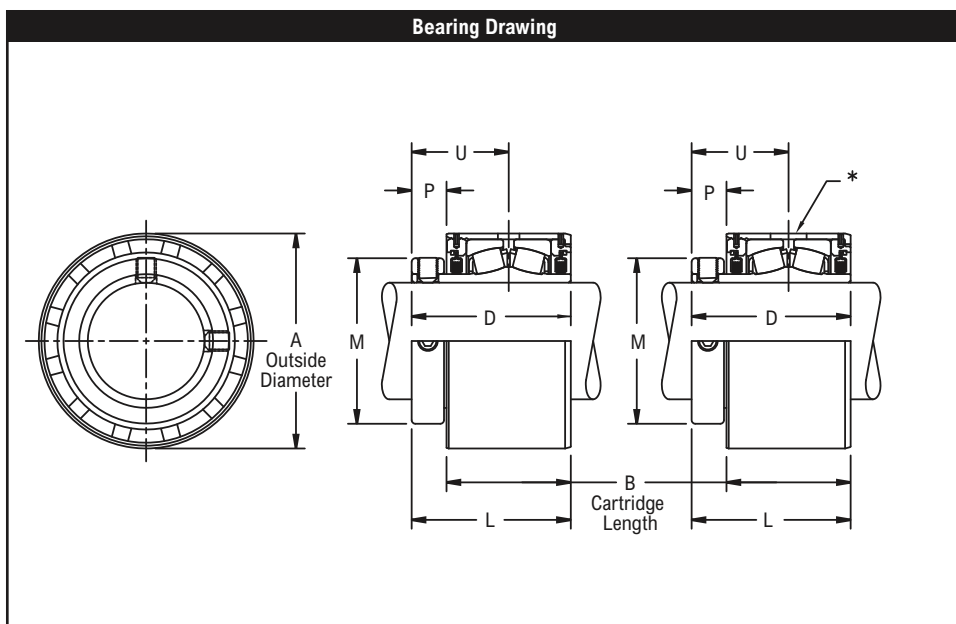
Rexnord Industries, LLC, 7601 Rockville Road, Indianapolis, IN 46214-3120 USA
Phone: 317-273-5500 Fax: 317-273-5620





Product Features

- Steel housing
- Misalignment capabilities - Total of 4°
- Broad range of sealing options
- Factory set clearance & lubrication
- Hardened spring locking collar
- Field interchangeable seals
- See Features & Benefits for additional info.



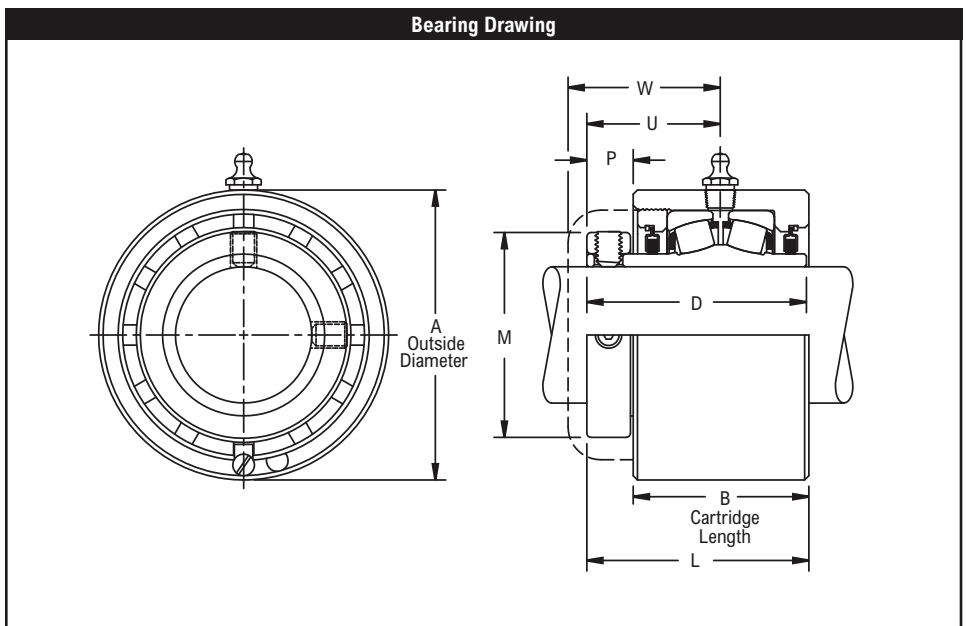
Bearing Dimensions										
Size Code	Shaft Diameter	Part Number	A Outside Diameter	B Cartridge Length	D	L	M	P	U	Approx. Weight
B416	1	CSEB22416H	2.6650	2	2 9/16	2 9/16	1 3/4	9/16	1 9/16	3.00
	25.00	CSEB224M25H	67.6900	50.800	65.09	65.10	44.40	14.30	39.70	1.30
B420	1 3/16	CSEB22419H	2.9150	2 1/8	2 11/16	2 11/16	1 31/32	9/16	1 5/8	4.00
	1 1/4	CSEB22420H								
	30.00	CSEB224M30H	74.0400	53.980	68.26	68.30	50.00	14.30	41.30	1.70
B424	1 7/16	CSEB22423H	3.1240	2 3/16	2 7/8	2 7/8	2 5/16	11/16	1 25/32	4.00
	1 1/2	CSEB22424H								
	35.00	CSEB224M35H	79.3500	55.560	73.02	73.00	58.70	17.50	45.20	1.80
B428	1 5/8	CSEB22426H	3.6360	2 7/16	3 1/8	3 1/8	2 19/32	11/16	1 29/32	6.00
	1 11/16	CSEB22427H								
	1 3/4	CSEB22428H								
	40.00	CSEB224M40H	92.3500	61.910	79.38	79.40	65.90	17.50	48.40	2.50
B432	1 15/16	CSEB22431H	3.8330	2 25/64	3 1/8	3 1/8	2 7/8	23/32	1 29/32	6.00
	2	CSEB22432H								
	45.00	CSEB224M45H								
	50.00	CSEB224M50H	97.3600	60.720	79.38	79.40	73.00	18.30	48.40	2.60
B436	2 3/16	CSEB22435H	4.2270	2 1/2	3 5/16	3 5/16	3 1/4	13/16	2 1/16	7.00
	2 1/4	CSEB22436H								
	55.00	CSEB224M55H	107.3600	63.500	84.14	84.10	82.60	20.60	52.40	3.20
B440	2 1/4	CSEB224B36H	4.6210	2 5/8	3 1/2	3 1/2	3 9/16	7/8	2 3/16	8.00
	2 7/16	CSEB22439H								
	2 1/2	CSEB22440H								
	60.00	CSEB224M60H	117.3700	66.680	88.90	88.90	90.50	22.20	55.60	3.90
B448	2 11/16	CSEB22443H	5.4070	3 1/8	4	4	4 1/16	7/8	2 7/16	14.00
	2 3/4	CSEB22444H								
	2 15/16	CSEB22447H								
	3	CSEB22448H	13.00							
	65.00	CSEB224M65H	6.60							
	70.00	CSEB224M70H	137.3400	79.380	101.60	101.60	103.20	22.20	61.90	6.40
75.00	CSEB224M75H	5.90								
B456	3 3/16	CSEB22451H	6.1940	3 7/16	4 3/8	4 3/8	4 29/32	15/16	2 21/32	20.00
	3 7/16	CSEB22455H								
	3 1/2	CSEB22456H								
	80.00	CSEB224M80H	157.3300	87.310	111.12	111.10	124.60	23.80	67.50	9.00

Continued...



Product Features

- Corrosion resistant powder coating
- Cast iron housing
- Misalignment capabilities - Total of 4°
- Broad range of sealing options
- Factory set clearance & lubrication
- Hardened spring locking collar
- Field interchangeable seals
- See Features & Benefits for additional info.



Bearing Dimensions																						
Size Code	Shaft Diameter	Part Number	A Outside Diameter	B Cartridge Length	D	L	M	P	U	W	Approx. Weight											
B416	1	CB22416H	3.0000	2	2 9/16	2 19/32	1 3/4	17/32	1 9/16	1 29/32	3.00											
	25.00	CB224M25H	76.2000	50.800	65.09	65.90	44.40	13.50	39.70	48.40	1.40											
B420	1 3/16	CB22419H	3.2190	2 1/8	2 11/16	2 23/32	1 31/32	17/32	1 5/8	1 31/32	4.00											
	1 1/4	CB22420H										30.00	CB224M30H	81.7600	53.980	68.26	69.00	50.00	13.50	41.30	50.00	1.70
B424	1 7/16	CB22423H	3.4370	2 3/16	2 7/8	2 29/32	2 5/16	21/32	1 25/32	2 3/16	4.00											
	1 1/2	CB22424H										35.00	CB224M35H	87.3000	55.560	73.02	73.80	58.70	16.70	45.20	55.60	2.10
B428	1 5/8	CB22426H	3.9370	2 7/16	3 1/8	3 5/32	2 19/32	21/32	1 29/32	2 1/4	6.00											
	1 11/16	CB22427H										40.00	CB224M40H	100.0000	61.910	79.38	80.20	65.90	16.70	48.40	57.20	2.90
	1 3/4	CB22428H										45.00	CB224M45H	104.7800	61.910	79.38	80.20	73.00	16.70	48.40	57.90	3.10
B432	1 15/16	CB22431H	4.1250	2 7/16	3 1/8	3 5/32	2 7/8	21/32	1 29/32	2 9/32	6.00											
	2	CB22432H										50.00	CB224M50H	104.7800	61.910	79.38	80.20	73.00	16.70	48.40	57.90	3.00
	2 3/16	CB22435H										55.00	CB224M55H	115.0900	65.090	84.14	84.90	82.60	19.80	52.40	61.90	3.80
B436	2 1/4	CB22436H	4.5310	2 9/16	3 5/16	3 11/32	3 1/4	25/32	2 1/16	2 7/16	8.00											
	55.00	CB224M55H										115.0900	65.090	84.14	84.90	82.60	19.80	52.40	61.90	3.80		
B440	2 7/16	CB22439H	5.0000	2 5/8	3 1/2	3 17/32	3 9/16	27/32	2 3/16	2 9/16	10.00											
	2 1/2	CB22440H										60.00	CB224M60H	127.0000	66.680	88.90	89.70	90.50	21.40	55.60	65.10	4.80
B448	2 11/16	CB22443H	5.8750	3 1/8	4	4 1/32	4 1/16	27/32	2 7/16	2 25/32	18.00											
	2 3/4	CB22444H										17.00										
	2 15/16	CB22447H										16.00										
	3	CB22448H										65.00	CB224M65H	149.2200	79.380	101.60	102.40	103.20	21.40	61.90	70.60	8.10
	70.00	CB224M70H										7.80										
75.00	CB224M75H	8.00																				
B456	3 3/16	CB22451H	6.7500	3 7/16	4 3/8	4 3/8	4 29/32	15/16	2 21/32	3	25.00											
	3 7/16	CB22455H										23.00										
	3 1/2	CB22456H										80.00	CB224M80H	171.4500	87.310	111.12	111.10	124.60	23.80	67.50	76.20	11.20
	85.00	CB224M85H										11.00										

Additional Notes

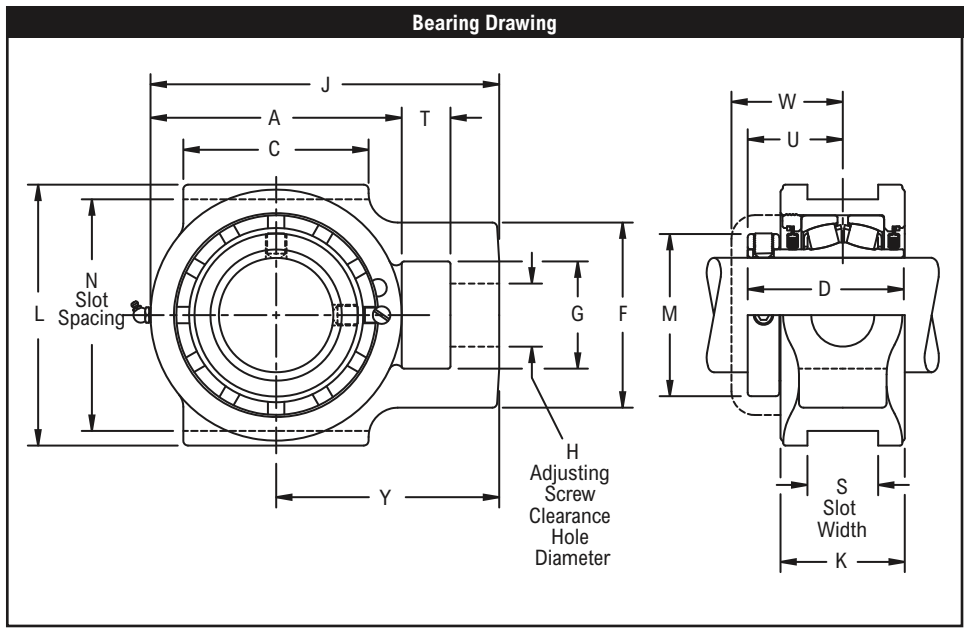
Please call 1-866-REXNORD for availability
 Lubrication fitting tap size, 1/8" PT
 O.D. tolerance, +.000"/-.002" (+0.00mm/-0.05mm)
 Bore tolerance for mounting, +.002"/-.000" (+0.05mm/-0.00mm)
 H labyrinth seals standard
 All size codes available with type E lip seals & E7 triple lip seals
 Selection Guide, see Link-Belt Spherical Roller Bearings Selection Guide section

Load Ratings & Speed Limits, see Link-Belt Spherical Roller Bearings Load Ratings & Speed Limits section
 Note: Dimensions subject to change. Certified dimensions of ordered material furnished on request.



Product Features

- Corrosion resistant powder coating
- Cast iron housing
- Misalignment capabilities - Total of 4°
- Broad range of sealing options
- Factory set clearance & lubrication
- Hardened spring locking collar
- Field interchangeable seals
- See Features & Benefits for additional info.



Bearing Dimensions																			
Size Code	Shaft Diameter	Part Number	H Adjusting Screw Hole Diameter	N Slot Spacing	S Slot Width	A	C	D	F	G	J	K	L	M	T	U	W	Y	Approx. Weight
B416	1	TB22416H	3/4	3.000	0.531	3	2 1/4	2 3/16	2	1 1/4	4 1/16	2	3 5/8	1 3/4	5/8	1 9/16	1 29/32	2 9/16	4.40
	25.00	TB224M25H	19.10	76.200	13.490	76.20	57.20	65.09	50.80	31.80	103.20	50.80	92.10	44.40	15.90	39.70	48.40	65.10	2.00
B420	1 3/16	TB22419H	7/8	3.500	0.531	3 3/8	2 1/2	2 11/16	2 5/16	1 7/16	4 9/16	2 1/8	4 1/8	1 31/32	5/8	1 5/8	1 31/32	2 7/8	5.70
	1 1/4	TB22420H	7/8	3.500	0.531	3 3/8	2 1/2	2 11/16	2 5/16	1 7/16	4 9/16	2 1/8	4 1/8	1 31/32	5/8	1 5/8	1 31/32	2 7/8	5.60
	30.00	TB224M30H	22.20	88.900	13.490	85.73	63.50	68.26	58.70	36.50	115.90	53.90	104.80	50.00	15.90	41.30	50.00	73.00	2.60
B424	1 7/16	TB22423H	7/8	3.500	0.531	3 3/4	2 3/4	2 7/8	2 3/8	1 7/16	5 1/16	2 3/16	4 1/8	2 5/16	5/8	1 25/32	2 3/16	3 1/4	6.40
	1 1/2	TB22424H	7/8	3.500	0.531	3 3/4	2 3/4	2 7/8	2 3/8	1 7/16	5 1/16	2 3/16	4 1/8	2 5/16	5/8	1 25/32	2 3/16	3 1/4	6.40
	35.00	TB224M35H	22.20	88.900	13.490	95.25	69.80	73.02	60.30	36.50	128.60	55.60	104.80	58.70	15.90	45.20	55.60	82.60	2.90
B428	1 5/8	TB22426H	1 1/8	4.000	0.687	4 1/4	3 1/4	3 1/8	3 3/16	1 15/16	5 15/16	2 7/16	4 3/4	2 19/32	3/4	1 29/32	2 1/4	3 13/16	9.70
	1 11/16	TB22427H	1 1/8	4.000	0.687	4 1/4	3 1/4	3 1/8	3 3/16	1 15/16	5 15/16	2 7/16	4 3/4	2 19/32	3/4	1 29/32	2 1/4	3 13/16	9.50
	1 3/4	TB22428H	1 1/8	4.000	0.687	4 1/4	3 1/4	3 1/8	3 3/16	1 15/16	5 15/16	2 7/16	4 3/4	2 19/32	3/4	1 29/32	2 1/4	3 13/16	9.50
	40.00	TB224M40H	28.60	101.600	17.460	107.95	82.60	79.38	81.00	49.20	150.80	61.90	120.60	65.90	19.00	48.40	57.20	96.80	4.50
B432	1 15/16	TB22431H	1 1/8	4.000	0.687	4 1/2	3 3/8	3 1/8	3 3/16	1 15/16	6 3/16	2 7/16	4 1/2	2 7/8	3/4	1 29/32	2 9/32	3 15/16	9.90
	2	TB22432H	1 1/8	4.000	0.687	4 1/2	3 3/8	3 1/8	3 3/16	1 15/16	6 3/16	2 7/16	4 1/2	2 7/8	3/4	1 29/32	2 9/32	3 15/16	9.70
	2 1/4	TB22435H	1 1/8	4.000	0.687	4 1/2	3 3/8	3 1/8	3 3/16	1 15/16	6 3/16	2 7/16	4 1/2	2 7/8	3/4	1 29/32	2 9/32	3 15/16	9.70
	45.00	TB224M45H	28.60	101.600	17.460	114.30	85.70	79.38	81.00	49.20	157.20	61.90	114.30	73.00	19.00	48.40	57.90	100.00	4.70
	50.00	TB224M50H	28.60	101.600	17.460	114.30	85.70	79.38	81.00	49.20	157.20	61.90	114.30	73.00	19.00	48.40	57.90	100.00	4.70
B436	2 3/16	TB22435H	1 3/8	4.500	0.813	5	3 3/4	3 5/16	3 3/4	2 1/4	7 1/8	2 1/2	5 1/4	3 1/4	1 1/4	2 1/16	2 7/16	4 5/8	14.10
	2 1/4	TB22436H	1 3/8	4.500	0.813	5	3 3/4	3 5/16	3 3/4	2 1/4	7 1/8	2 1/2	5 1/4	3 1/4	1 1/4	2 1/16	2 7/16	4 5/8	14.10
	55.00	TB224M55H	34.90	114.300	20.640	127.00	95.20	84.14	95.20	57.20	181.00	63.50	133.40	82.60	31.80	52.40	61.90	117.50	6.80
B440	2 7/16	TB22439H	1 3/8	5.125	1.063	5 1/2	4	3 1/2	4 1/8	2 1/2	7 13/16	2 5/8	5 7/8	3 9/16	1 1/4	2 3/16	2 9/16	5 1/16	18.00
	2 1/2	TB22440H	1 3/8	5.125	1.063	5 1/2	4	3 1/2	4 1/8	2 1/2	7 13/16	2 5/8	5 7/8	3 9/16	1 1/4	2 3/16	2 9/16	5 1/16	17.80
	60.00	TB224M60H	34.90	130.180	26.990	139.70	101.60	88.90	104.80	63.50	198.40	66.70	149.20	90.50	31.80	55.60	65.10	128.60	8.30
B448	2 11/16	TB22443H	1 5/8	5.937	1.812	6 7/16	4 3/4	4	4 3/4	2 3/4	9 1/8	3 1/8	6 11/16	4 1/16	1 1/2	2 7/16	2 25/32	5 15/16	23.60
	2 3/4	TB22444H	1 5/8	5.937	1.812	6 7/16	4 3/4	4	4 3/4	2 3/4	9 1/8	3 1/8	6 11/16	4 1/16	1 1/2	2 7/16	2 25/32	5 15/16	23.50
	2 15/16	TB22447H	1 5/8	5.937	1.812	6 7/16	4 3/4	4	4 3/4	2 3/4	9 1/8	3 1/8	6 11/16	4 1/16	1 1/2	2 7/16	2 25/32	5 15/16	23.00
	3	TB22448H	1 5/8	5.937	1.812	6 7/16	4 3/4	4	4 3/4	2 3/4	9 1/8	3 1/8	6 11/16	4 1/16	1 1/2	2 7/16	2 25/32	5 15/16	22.90
	65.00	TB224M65H	41.30	150.810	46.020	163.50	120.60	101.60	120.60	69.80	231.80	79.40	169.90	103.20	38.10	61.90	70.60	150.80	10.60
	70.00	TB224M70H	41.30	150.810	46.020	163.50	120.60	101.60	120.60	69.80	231.80	79.40	169.90	103.20	38.10	61.90	70.60	150.80	10.30
	75.00	TB224M75H	41.30	150.810	46.020	163.50	120.60	101.60	120.60	69.80	231.80	79.40	169.90	103.20	38.10	61.90	70.60	150.80	10.20
B456	3 7/16	TB22455H	1 7/8	6.812	1.812	7 3/8	5 1/2	4 3/8	4 7/8	2 7/8	10	3 7/16	7 13/16	4 29/32	1 5/8	2 21/32	3	6 5/16	43.50
	3 1/2	TB22456H	1 7/8	6.812	1.812	7 3/8	5 1/2	4 3/8	4 7/8	2 7/8	10	3 7/16	7 13/16	4 29/32	1 5/8	2 21/32	3	6 5/16	43.10
	80.00	TB224M80H	47.60	173.020	46.020	187.30	139.70	111.12	123.80	73.00	254.00	87.30	198.40	124.60	41.30	67.50	76.20	160.30	20.50
	85.00	TB224M85H	47.60	173.020	46.020	187.30	139.70	111.12	123.80	73.00	254.00	87.30	198.40	124.60	41.30	67.50	76.20	160.30	20.00
B464	3 15/16	TB22463H	2 1/8	8.625	2.062	8 7/8	7	5 1/16	5 1/4	3 1/8	12 1/8	4 1/8	9 7/16	5 5/8	2 1/8	3 1/16	3 7/16	7 11/16	77.00
	4	TB22464H	2 1/8	8.625	2.062	8 7/8	7	5 1/16	5 1/4	3 1/8	12 1/8	4 1/8	9 7/16	5 5/8	2 1/8	3 1/16	3 7/16	7 11/16	76.00
	90.00	TB224M90H	53.98	219.080	52.370	225.40	177.80	128.59	133.40	79.40	308.00	104.80	239.70	142.90	54.00	77.80	87.30	195.30	34.90
	100.00	TB224M100H	53.98	219.080	52.370	225.40	177.80	128.59	133.40	79.40	308.00	104.80	239.70	142.90	54.00	77.80	87.30	195.30	34.50

Additional Notes

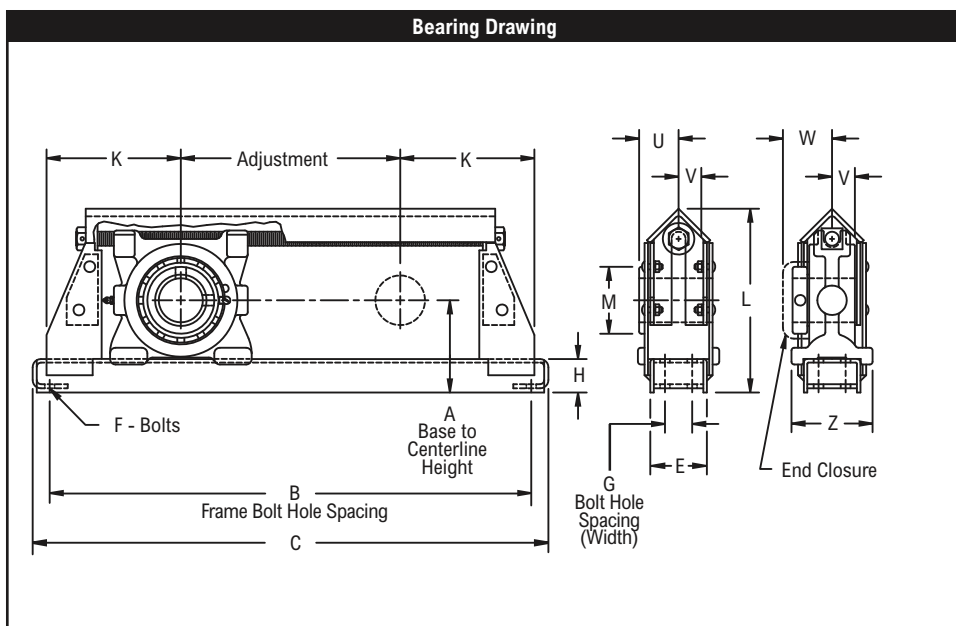
Please call 1-866-REXNORD for availability
 Lubrication fitting tap size, 1/8" PT
 Take-up slot spacing & width tolerance, +.005"/-.015" (+0.13mm/-0.38mm)
 H labyrinth seals standard
 All size codes available with type E lip seals & E7 triple lip seals
 Load Ratings & Speed Limits, see Link-Belt Spherical Roller Bearings Load Ratings & Speed Limits section

Selection Guide, see Link-Belt Spherical Roller Bearings Selection Guide section
 Note: Dimensions subject to change. Certified dimensions of ordered material furnished on request.



Product Features

- Protected screw type frame
- Corrosion resistant powder coating
- Cast iron housing
- Misalignment capabilities - Total of 4°
- Broad range of sealing options
- Factory set clearance & lubrication
- Field interchangeable seals
- See Features & Benefits for additional info.



Bearing Dimensions																			
Size Code	Shaft Diameter	Complete Take-up Assembly	Travel Length	A Base to Centerline Height	B Frame Bolt Hole Spacing	G Bolt Hole Spacing (Width)	C	E	F	H	K	L	M	U	V	W	Z	Adjust.	Approx. Weight
B432	1 15/16	DSB22431H	12 18 24	3 15/16	26 1/2 32 1/2 38 1/2	-	28 1/2 34 1/2 40 1/2	3	5/8	1 3/4	7 1/4	8 1/4	2 7/8	1 29/32	1 1/4	2 9/32	4 1/8	12 18 24	43 49 54
	45.00	DSB224M45H	12 18 24	100.00	673.1 825.5 977.9	-	723.9 876.3 1028.7	76.20	16.00	44.40	184.20	209.60	73.00	48.40	31.80	57.90	104.80	304.8 457.2 609.6	19.5 22.2 24.5
	50.00	DSB224M50H	12 18 24																
B436	2 3/16	DSB22435H	12 18 24	4 3/16	27 1/2 33 1/2 39 1/2	-	29 1/2 35 1/2 41 1/2	3	5/8	1 3/4	7 3/4	8 11/16	3 1/4	2 1/16	1 9/32	2 7/16	4 1/8	12 18 24	49 55 60
	55.00	DSB224M55H	12 18 24	106.40	698.5 850.9 1003.3	-	749.3 901.7 1054.1	76.20	16.00	44.40	196.80	220.70	82.60	52.40	32.50	61.90	104.80	304.8 457.2 609.6	22.2 24.9 27.2
B440	2 7/16	DSB22439H	12 18 24 30	4 3/8	28 1/2 34 1/2 40 1/2 46 1/2	-	30 1/2 36 1/2 42 1/2 48 1/2	3	3/4	1 3/4	8 1/4	9 1/8	3 9/16	2 3/16	1 3/8	2 9/16	4 1/8	12 18 24 30	55 61 66 71
	60.00	DSB224M60H	12 18 24 30	111.10	723.9 876.3 1028.7 1181.1	-	774.7 927.1 1079.5 1231.9	76.20	20.00	44.40	209.60	231.80	90.50	55.60	34.90	65.10	104.80	304.8 457.2 609.6 762.0	24.9 27.2 29.9 32.2
B448	2 15/16	DSB22447H	12 18 24 30	5 1/8	30 1/2 36 1/2 42 1/2 48 1/2	2	32 1/2 38 1/2 44 1/2 50 1/2	4	5/8	2	9 1/4	10 5/8	4 1/16	2 7/16	1 5/8	2 25/32	5 1/8	12 18 24 30	80 89 97 105
	65.00	DSB224M65H	12 18 24 30	130.20	774.4 927.1 1079.5 1231.9	50.80	825.5 977.9 1130.3 1282.7	101.60	16.00	50.80	235.00	269.90	103.20	61.90	41.30	70.60	130.20	304.8 457.2 609.6 762.0	36.3 40.4 44.4 47.6
	70.00	DSB224M70H	12 18 24 30																
B456	3 7/16	DSB22455H	12 18 24 30	5 5/8	32 38 44 50	2	34 1/4 40 1/4 46 1/4 52 1/4	4	3/4	2	10	11 13/16	4 29/32	2 21/32	1 23/32	3	5 5/8	12 18 24 30	107 116 124 132
	80.00	DSB224M80H	12 18 24 30	142.90	812.8 965.2 1117.6 1270.0	50.80	870.0 1022.4 1174.8 1327.2	101.60	20.00	50.80	254.00	300.00	124.60	67.50	43.60	76.20	142.90	304.8 457.2 609.6 762.0	48.5 52.6 56.2 59.9
	85.00	DSB224M85H	12 18 24 30																
B464	3 15/16	DSB22463H	12 18 24 30	7	36 42 48 54	2 1/2	38 1/2 44 1/2 50 1/2 56 1/2	5	3/4	2 1/4	12	14 11/16	5 5/8	3 1/16	2	3 7/16	6 7/8	12 18 24 30	180 192 202 212
	90.00	DSB224M90H	12 18 24 30	177.80	914.4 1066.8 1219.2 1371.6	63.50	977.9 1120.3 1262.7 1405.1	127.00	20.00	57.20	304.80	373.10	142.90	77.80	50.80	87.30	174.60	304.8 457.2 609.6 762.0	81.6 87.1 91.6 96.2
	100.00	DSB224M100H	12 18 24 30																

Additional Notes

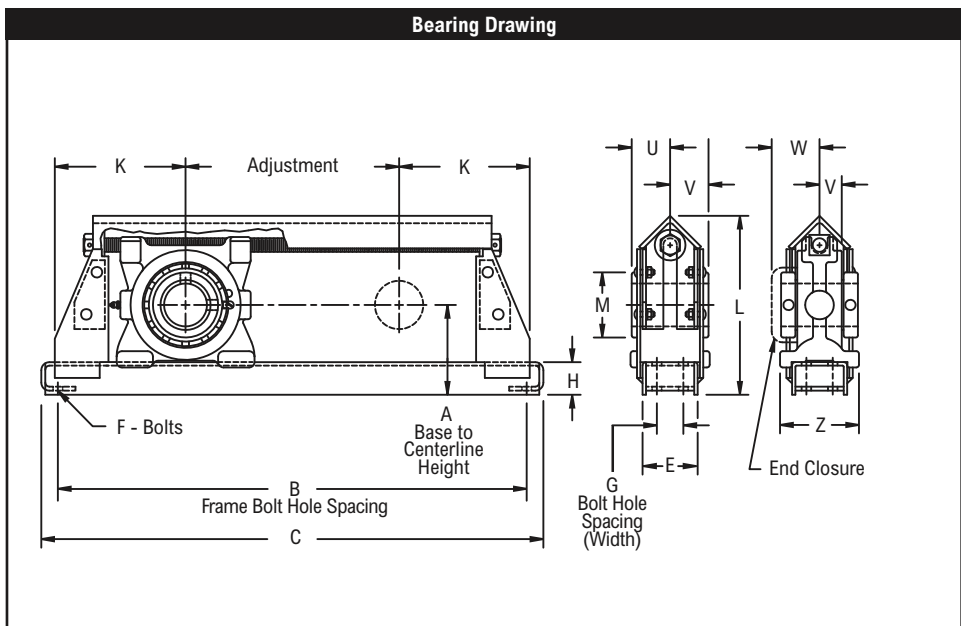
Please call 1-866-REXNORD for availability
 Lubrication fitting tap size, 1/8" PT
 For size code B464, frame has hinged top construction
 Frames with 18" (457.20mm) adjustment or more have center supporting pad welded to bottom of frame
 H labyrinth seals standard
 All size codes available with type E lip seals & E7 triple lip seals

Selection Guide, see Link-Belt Spherical Roller Bearings Selection Guide section
 Load Ratings & Speed Limits, see Link-Belt Spherical Roller Bearings Load Ratings & Speed Limits section
 Note: Dimensions subject to change. Certified dimensions of ordered material furnished on request.



Product Features

- Protected screw type frame
- Corrosion resistant powder coating
- Cast iron housing
- Misalignment capabilities - Total of 4°
- Broad range of sealing options
- Factory set clearance & lubrication
- Field interchangeable seals
- See Features & Benefits for additional info.



Bearing Dimensions																			
Size Code	Shaft Diameter	Complete Take-up Assembly	Travel Length	A Base to Centerline Height	B Frame Bolt Hole Spacing	G Bolt Hole Spacing (Width)	C	E	F	H	K	L	M	U	V	W	Z	Adjust.	Approx. Weight
B572	4 ⁷ / ₁₆	DSB22571H	18 24 30	7 1/2	42 48 54	2 1/2	44 1/2 50 1/2 56 1/2	5	3/4	2 1/4	12	15 11/16	6 1/8	3 3/8	3 3/8	3 3/4	6 7/8	18 24 30	238 250 263
	110.00	DSB225M110H	18 24 30	190.50	1066.8 1219.2 1371.6	63.50	1130.3 1282.7 1435.1	127.00	20.00	57.20	304.80	398.50	155.60	85.70	85.70	95.20	174.60	457.2 609.6 762.0	108.0 113.4 119.3
	115.00	DSB225M115H																	
B580	4 ¹⁵ / ₁₆	DSB22579H	18 24 30	10	47 53 59	3	50 1/2 56 1/2 62 1/2	6	7/8	4	14 1/2	20 1/4	6 7/8	3 5/8	3 5/8	4	7 7/8	18 24 30	406 424 441
	125.00	DSB225M125H	18 24 30	254.00	1193.8 1346.2 1498.6	76.20	1282.7 1435.1 1587.5	152.40	24.00	101.60	368.30	514.40	174.80	91.90	91.90	101.60	200.10	457.2 609.6 762.0	184.2 192.3 200.0

Additional Notes

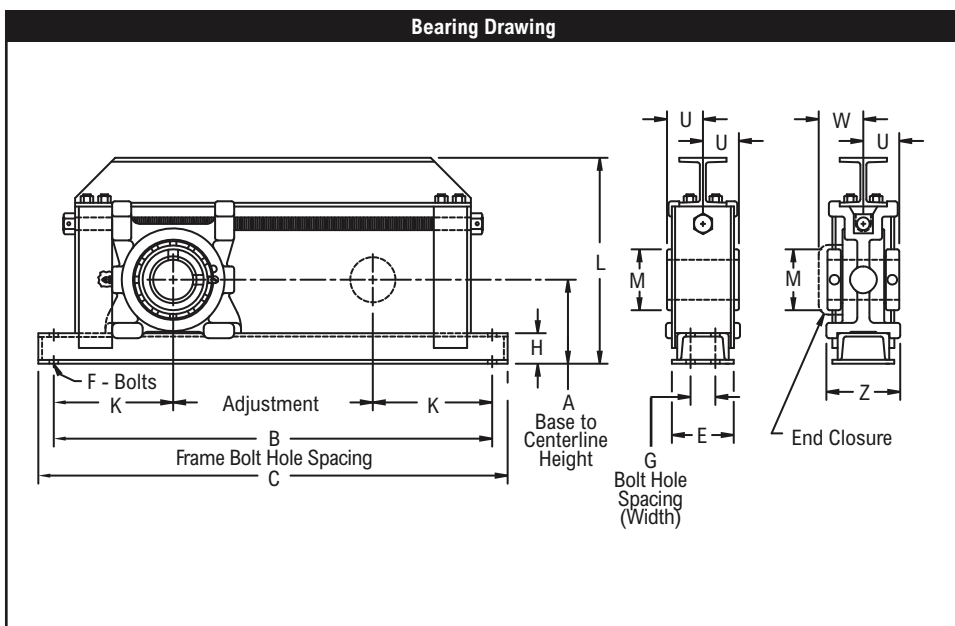
Please call 1-866-REXNORD for availability
 Lubrication fitting tap size, 1/8" PT
 Frames have hinged top construction
 Frames have center supporting pad welded to bottom of frame
 H labyrinth seals standard
 All size codes available with type E lip seals & E7 triple lip seals
 Selection Guide, see Link-Belt Spherical Roller Bearings Selection Guide section

Load Ratings & Speed Limits, see Link-Belt Spherical Roller Bearings Load Ratings & Speed Limits section
 Note: Dimensions subject to change. Certified dimensions of ordered material furnished on request.



Product Features

- Extra strength welded steel frame
- Corrosion resistant powder coating
- Cast iron housing
- Misalignment capabilities - Total of 4°
- Broad range of sealing options
- Factory set clearance & lubrication
- Field interchangeable seals
- See Features & Benefits for additional info.



Bearing Dimensions																			
Size Code	Shaft Diameter	Complete Take-up Assembly	Travel Length	A Base to Centerline Height	B Frame Bolt Hole Spacing	G Bolt Hole Spacing (Width)	C	E	F	H	K	L	M	U	W	Z	Adjust.	Approx. Weight	
B531	1 15/16	DSHB22531H	12	3 15/16	27 1/2	-	29 1/2	3 1/2	5/8	1 3/4	7 3/4	10 5/8	2 7/8	1 29/32	2 9/32	4 1/8	12	78	
			18		33 1/2		35 1/2										18	88	
			24		39 1/2		41 1/2										24	98	
B536	2 3/16	DSHB22535H	12	4 7/16	27 1/2	-	29 1/2	4 1/2	5/8	2	7 3/4	11 1/4	3 1/4	2 1/16	2 7/16	5 1/4	12	83	
			18		33 1/2		35 1/2										18	93	
			24		39 1/2		41 1/2										24	103	
B540	2 7/16	DSHB22539H	12	4 5/8	28 1/2	-	30 1/2	4 1/2	3/4	2	8 1/4	12 13/16	3 9/16	2 3/16	2 9/16	5 1/4	12	105	
			18		34 1/2		36 1/2										18	118	
			24		40 1/2		42 1/2										24	132	
B548	2 15/16	DSHB22547H	12	5 1/8	30 1/2	2	32 1/2	4 1/2	5/8	2	9 1/4	13 15/16	4 1/16	2 7/16	2 25/32	5 1/4	12	125	
			18		36 1/2		38 1/2										18	140	
			24		42 1/2		44 1/2										24	155	
			30		48 1/2		50 1/2										30	170	
			36		54 1/2		56 1/2										36	185	
B556	3 7/16	DSHB22555H	12	5 5/8	32	2	34 1/4	4 1/2	3/4	2	10	15 1/16	4 29/32	2 21/32	3	5 5/8	12	146	
			18		38		40 1/4										18	162	
			24		44		46 1/4										24	178	
			30		50		52 1/4										30	194	
			36		56		58 1/4										36	210	
B564	3 15/16	DSHB22563H	12	7	36	2 1/2	38 1/2	5 1/2	3/4	2 1/4	12	17 1/16	5 5/8	3 1/16	3 7/16	6 7/8	12	260	
			18		42		44 1/2										18	278	
			24		48		50 1/2										24	296	
			30		54		56 1/2										30	314	
			36		60		62 1/2										36	332	

Additional Notes

Please call 1-866-REXNORD for availability
 Lubrication fitting tap size, 1/8" PT
 H labyrinth seals standard
 All size codes available with type E lip seals & E7 triple lip seals
 Selection Guide, see Link-Belt Spherical Roller Bearings Selection Guide section
 Load Ratings & Speed Limits, see Link-Belt Spherical Roller Bearings Load Ratings & Speed Limits section

Note: Dimensions subject to change. Certified dimensions of ordered material furnished on request.

www.rexnord.com

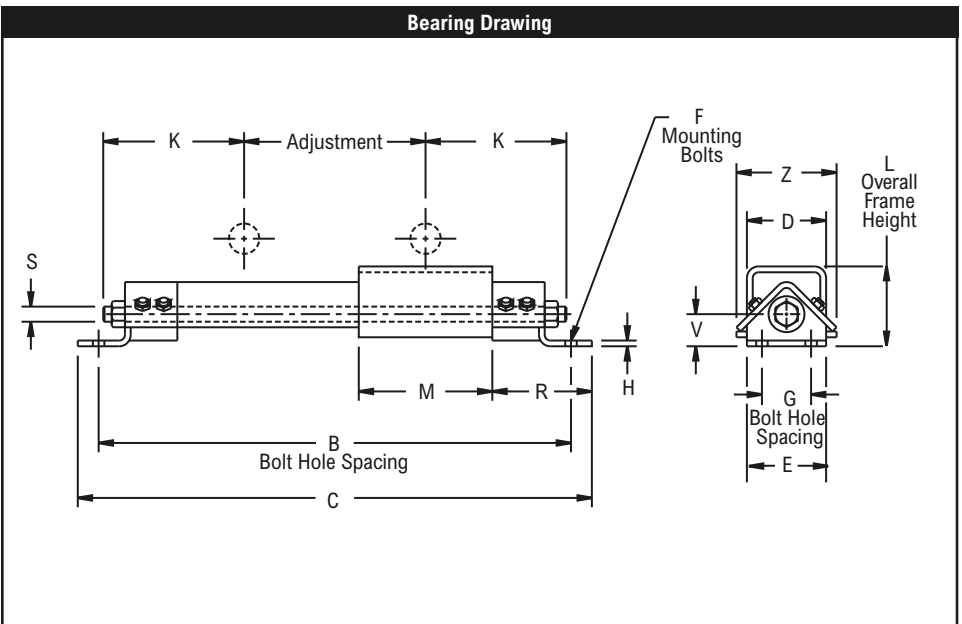
Rexnord Industries, LLC, 7601 Rockville Road, Indianapolis, IN 46214-3120 USA
Phone: 317-273-5500 Fax: 317-273-5620





Product Features

- Protected screw type frame
- Welded steel frame



Bearing Dimensions																				
Size Code	Available Shaft Sizes			Part Number	Adjustment Length	B Bolt Hole Spacing	G Bolt Hole Spacing in Width Direction	L Overall Frame Height	C	D	E	F	H	K	M	R	S	V	Z	Approx. Weight
	PB/PKB 22400/22600 Series	PB22500 Series	EPB22400/22500/22600 Series																	
LHD20	1 3/16-2 1/2	1 7/16-2 7/16	1 7/16-2 1/2	LHD2012	12	29	2 1/2	5 1/4	31	4	5	5 5/8	1 1/4	8 1/2	11	4	3/4	2	6 1/4	48.00
				LHD2018	18	35			37											52.00
				LHD2024	24	41			43											56.00
				LHD2030	30	47			49											65.00
				LHD2036	36	53			55											70.00
				LHD2048	48	65			67											81.00
LHD25	2 11/16-3	2 11/16-2 15/16	2 11/16-3	LHD2512	12	32 3/4	3	6 1/4	35 1/4	5	5 1/2	5 5/8	3/8	10 3/8	13 1/4	5	1	2 9/16	7 1/8	81.00
				LHD2518	18	38 3/4			41 1/4											100.00
				LHD2524	24	44 3/4			47 1/4											110.00
				LHD2530	30	50 3/4			53 1/4											115.00
				LHD2536	36	56 3/4			59 1/4											120.00
				LHD2548	48	68 3/4			71 1/4											127.00
LHD30	3 3/16-3 1/2	3 7/16	-	LHD3012	12	35 1/2	3	7	38 1/4	6	6 1/2	3/4	1/2	11 3/4	14 1/4	6	1	2 1/2	9	158.00
				LHD3018	18	41 1/2			44 1/4											162.00
				LHD3024	24	47 1/2			50 1/4											166.00
				LHD3030	30	53 1/2			56 1/4											173.00
				LHD3036	36	59 1/2			62 1/4											183.00
				LHD3048	48	71 1/2			74 1/4											214.00
LHD35	3 11/16-4	3 15/16-4 1/2	3 3/16-3 1/2	LHD3512	12	37 1/4	3	7	40	6	6 1/2	3/4	1/2	12 5/8	16	6	1 1/4	2 1/2	9	173.00
				LHD3518	18	43 1/4			46											190.00
				LHD3524	24	49 1/4			52											195.00
				LHD3530	30	55 1/4			58											200.00
				LHD3536	36	61 1/4			64											210.00
				LHD3548	48	73 1/4			76											234.00
LHD40	-	4 15/16-5	-	LHD4012	12	41 1/4	3	7	44	7	6 1/2	3/4	1/2	14 5/8	20	6	1 1/2	2 1/2	9 13/16	175.00
				LHD4018	18	47 1/4			50											220.00
				LHD4024	24	53 1/4			56											265.00
				LHD4030	30	59 1/4			62											270.00
				LHD4036	36	65 1/4			68											290.00
				LHD4048	48	77 1/4			80											300.00
LHD50	-	-	-	LHD5012	12	47	4	7 3/4	49 1/2	8 1/2	7	7/8	1/2	17 1/2	23 1/2	6 3/4	1 1/2	3 3/8	11 1/4	290.00
				LHD5018	18	53			55 1/2											300.00
				LHD5024	24	59			61 1/2											325.00
				LHD5030	30	65			67 1/2											330.00
				LHD5036	36	71			73 1/2											350.00
				LHD5048	48	83			85 1/2											360.00

Additional Notes

Please call 1-866-REXNORD for availability

Take-up frames can be furnished drilled to accommodate pillow block i.e. LHD20-12 drilled for pillow block part number

Note: Dimensions subject to change. Certified dimensions of ordered material furnished on request.

www.rexnord.com

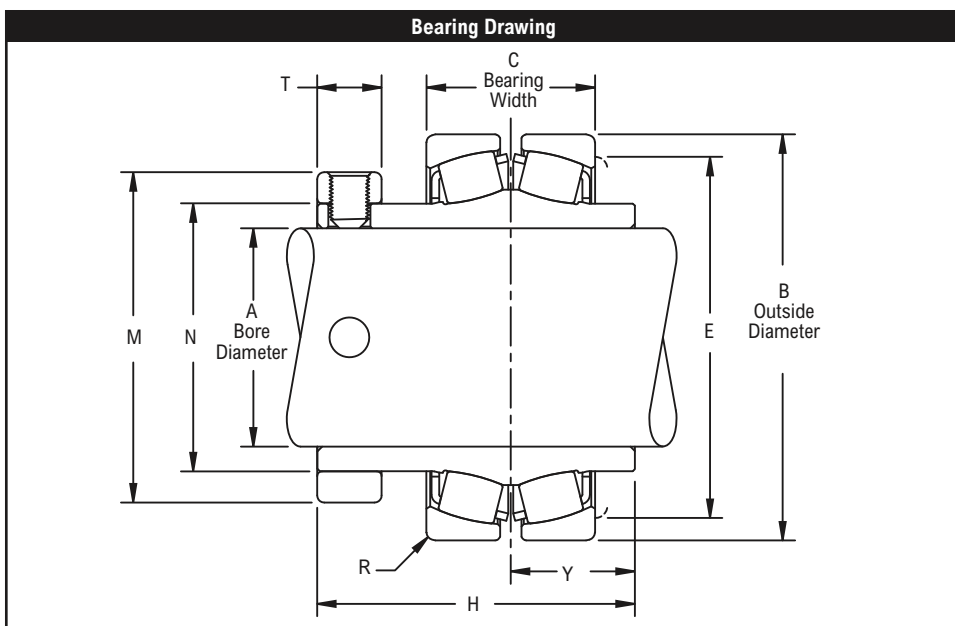
Rexnord Industries, LLC, 7601 Rockville Road, Indianapolis, IN 46214-3120 USA
Phone: 317-273-5500 Fax: 317-273-5620





Product Features

- Hardened spring locking collar
- Self aligning
- See Features & Benefits for additional info.



Bearing Dimensions																							
Size Code	Shaft Diameter	Part Number	A Bore Diameter	B Outside Diameter	C Bearing Width	E	H	M	N	R	T	Y	Approx. Weight										
B416	1	B416L	1.0000	2.3750	1.1880	2	2.56	1.75	1.307	0.046	1/2	1	1.30										
	25.00	B4M25L	25.0000	60.3250	30.1800	50.80	65.09	44.40	33.200	1.170	12.70	25.40	0.60										
B420	1 3/16	B419L	1.1875	2.6250	1.3120	2 5/16	2.69	1.97	1.532	0.062	1/2	1 1/16	1.80										
	1 1/4	B420L	1.2500																				
	30.00	B4M30L	30.0000	66.6750	33.3200	58.70	68.26	50.00	38.910	1.570	12.70	26.99	0.80										
B424	1 7/16	B423L	1.4375	2.8345	1.3100	2 1/2	2.88	2.31	1.745	0.062	5/8	1 3/32	2.20										
	1 1/2	B424L	1.5000																				
	35.00	B4M35L	35.0000	71.9960	33.2700	63.50	73.02	58.70	44.320	1.570	15.90	27.78	1.00										
B428	1 1/2	B4B24L	1.5000	3.3464	1.5780	2 7/8	3.13	2.59	2.027	0.062	5/8	1 7/32	3.20										
	1 5/8	B426L	1.6250																				
	1 11/16	B427L	1.6875																				
	1 3/4	B428L	1.7500																				
40.00	B4M40L	40.0000	84.9980	40.0800	73.00	79.38	65.90	51.480	1.570	15.90	30.96	1.40											
B432	1 3/4	B4B28L	1.7500	3.5433	1.5260	3 3/16	3.13	2.88	2.307	0.078	5/8	1 7/32	3.30										
	1 15/16	B431L	1.9375																				
	2	B432L	2.0000																				
	45.00	B4M45L	45.0000											90.0000	38.7600	81.00	79.38	73.00	58.590	1.980	15.90	30.96	1.50
50.00	B4M50L	50.0000																					
B436	2 3/16	B435L	2.1875	3.9370	1.6560	3 1/2	3.31	3.25	2.620	0.062	3/4	1 1/4	4.60										
	2 1/4	B436L	2.2500																				
	55.00	B4M55L	55.0000	100.0000	42.0600	88.90	84.14	82.60	66.550	1.570	19.00	31.75	2.10										
B440	2 1/4	B4B36L	2.2500	4.3307	1.7500	3 7/8	3.50	3.56	2.901	0.078	13/16	1 5/16	5.80										
	2 7/16	B439L	2.4375																				
	2 1/2	B440L	2.5000																				
	60.00	B4M60L	60.0000	110.0000	44.4500	98.40	88.90	90.50	73.690	1.980	20.60	33.34	2.60										
B448	2 11/16	B443L	2.6875	5.1172	2.1250	4 17/32	4.00	4.06	3.370	0.078	13/16	1 9/16	9.50										
	2 3/4	B444L	2.7500																				
	2 15/16	B447L	2.9375																				
	3	B448L	3.0000																				
	65.00	B4M65L	65.0000											129.9770	53.9800	115.10	101.60	103.20	85.600	1.980	20.60	39.69	4.30
	70.00	B4M70L	70.0000																				
75.00	B4M75L	75.0000																					
B456	3 3/16	B451L	3.1875	5.9045	2.3130	5 11/32	4.38	4.91	3.975	0.125	27/32	1 23/32	13.50										
	3 7/16	B455L	3.4375																				

Continued...

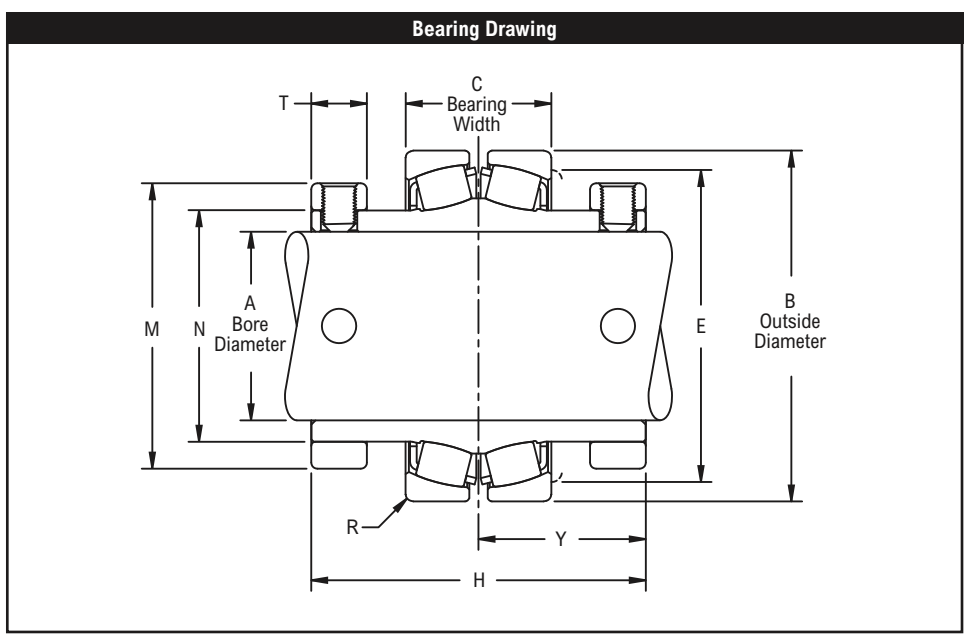
Continued...

Bearing Dimensions													
Size Code	Shaft Diameter	Part Number	A Bore Diameter	B Outside Diameter	C Bearing Width	E	H	M	N	R	T	Y	Approx. Weight
B456	3 1/2	B456L	3.5000	5.9045	2.3130	5 11/32	4.38	4.91	3.975	0.125	27/32	1 23/32	13.50
	80.00	B4M80L	80.0000	149.9740	58.7500	135.70	111.12	124.60	100.970	3.180	21.40	43.66	6.10
85.00	B4M85L	85.0000	6.10										
B464	3 11/16	B459L	3.6875	7.0856	2.7500	6 3/8	5.06	5.63	4.561	0.125	31/32	2	24.00
	3 15/16	B463L	3.9375										
	4	B464L	4.0000										
	90.00	B4M90L	90.0000	179.9740	69.8500	161.90	128.59	142.90	115.850	3.180	24.60	50.80	10.80
	100.00	B4M100L	100.0000										

Additional Notes	
Please call 1-866-REXNORD for availability Bearing O.D. tolerance, +.001"/-.000" (+0.025mm/-0.000mm) Bore tolerance, +.0010"/-.0000" (+0.025mm/-0.000mm) Bearing width tolerance, +/- .025" (+/-0.64mm) Housing must allow clearance for this adjustment on dimension "C" Selection Guide, see Link-Belt Spherical Roller Bearings Selection Guide section	Load Ratings & Speed Limits, see Link-Belt Spherical Roller Bearings Load Ratings & Speed Limits section Note: Dimensions subject to change. Certified dimensions of ordered material furnished on request.



Photo Shows an Unmounted Spherical Roller Bearing Unit



Product Features

- Two hardened spring locking collars
- Self aligning
- See Features & Benefits for additional info.

Bearing Dimensions

Size Code	Shaft Diameter	Part Number	A Bore Diameter	B Outside Diameter	C Bearing Width	E	H	M	N	R	T	Y	Approx. Weight
B524	1 7/16	B523L	1.4375	2.8345	1.3100	2 1/2	3.56	2.31	1.745	0.062	5/8	1 25/32	2.40
B528	1 11/16	B527L	1.6875	3.3464	1.5780	2 7/8	3.81	2.59	2.027	0.062	5/8	1 29/32	3.50
B531	1 15/16	B531L	1.9375	3.5433	1.5260	3 3/16	3.81	2.88	2.307	0.078	5/8	1 29/32	3.80
B536	2	B532L	2.0000	3.9370	1.6560	3 1/2	4.13	3.25	2.620	0.062	3/4	2 1/16	6.00
	2 3/16	B535L	2.1875										
B540	2 7/16	B539L	2.4375	4.3307	1.7500	3 7/8	4.38	3.56	2.901	0.078	13/16	2 3/16	7.20
B548	2 11/16	B543L	2.6875	5.1172	2.1250	4 17/32	4.88	4.06	3.370	0.078	13/16	2 7/16	11.10
	2 15/16	B547L	2.9375										
B556	3 7/16	B555L	3.4375	5.9045	2.3130	5 11/32	5.31	4.91	3.975	0.125	27/32	2 21/32	15.70
B564	3 15/16	B563L	3.9375	7.0856	2.7500	6 3/8	6.13	5.63	4.561	0.125	31/32	3 1/16	26.70
	4	B564L	4.0000										
B572	4 3/16	B567L	4.1875	7.4792	2.9740	6 5/8	6.75	6.13	5.000	0.125	1	3 3/8	37.00
	4 7/16	B571L	4.4375										
	4 1/2	B572L	4.5000										
	110.00	B5M110L	110.0000										
	115.00	B5M115L	115.0000	189.9720	75.5400	168.30	171.45	155.60	127.000	3.180	25.40	85.72	16.70
B580	4 15/16	B579L	4.9375	8.4634	3.4370	7 1/2	7.25	6.88	5.594	0.125	1 3/32	3 5/8	41.20
	5	B580L	5.0000										
	125.00	B5M125L	125.0000										

Additional Notes

Please call 1-866-REXNORD for availability

Bearing O.D. tolerance, +.001”/-0.000” (+0.025mm/-0.000mm)

Bore tolerance, +.0010”/-0.0000” (+0.025mm/-0.000mm)

Bearing width tolerance, +/-0.025” (+/-0.64mm)

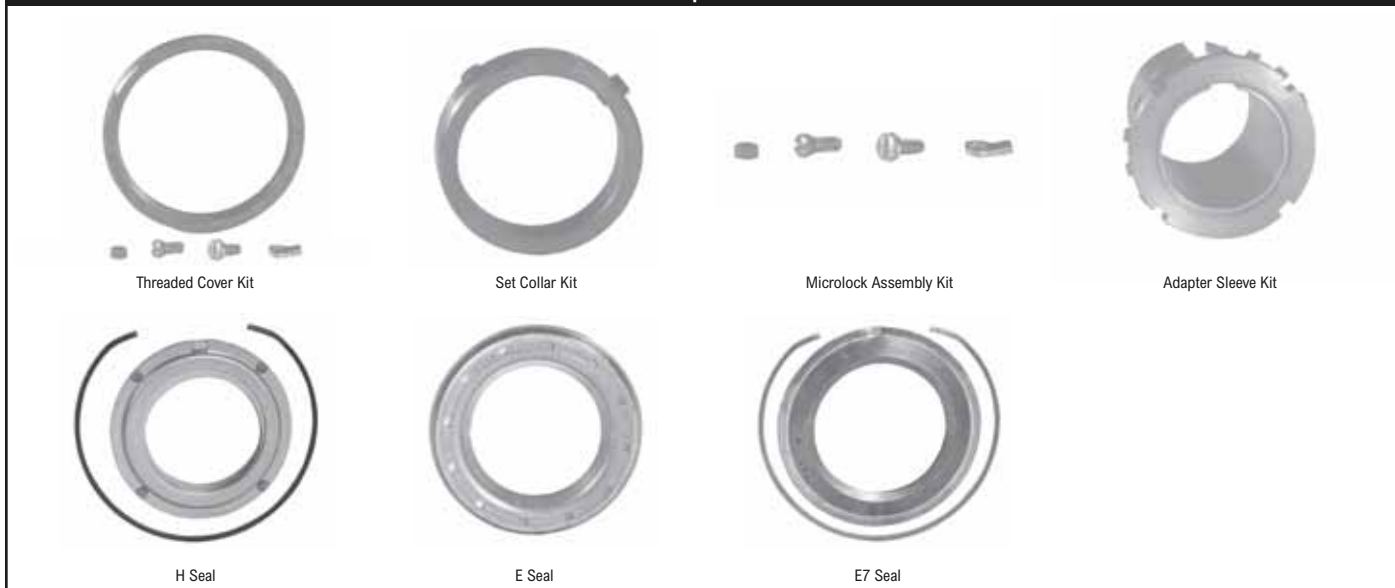
Housing must allow clearance for this adjustment on dimension “C”

Selection Guide, see Link-Belt Spherical Roller Bearings Selection Guide section

Load Ratings & Speed Limits, see Link-Belt Spherical Roller Bearings Load Ratings & Speed Limits section

Note: Dimensions subject to change. Certified dimensions of ordered material furnished on request.

Link-Belt Replacement Kits



Part Numbers

Size Code	H	E	E7	Threaded Cover Kit	Set Collar Kit	Microlock Assembly Kit	Adapter Assembly Kit
B416	B417HS	B417ES	B417E7S	B417TC	B417SC	B436MLK*	-
B420	B420HS	B420ES	B420E7S	B420TC	B420SC	B436MLK*	-
B424 B524 B624	B424HS	B424ES	B424E7S	B424TC	B424SC	B436MLK*	SNW623
B428 B528	B428HS	B428ES	B428E7S	B428TC	B428SC	B436MLK*	-
B432 B531 B631	B432HS	B432ES	B432E7S	B432TC	B432SC	B436MLK*	SNW631
B436 B536 B635	B436HS	B436ES	B436E7S	B436TC	B436SC	B436MLK*	SNW635
B440 B540 B639	B440HS	B440ES	B440E7S	B440TC	B440SC	B448MLK ▶	SNW639
B448 B548 B647	B448HS	B448ES	B448E7S	B448TC	B448SC	B448MLK ▶	SNW647
B456 B556 B665	B456HS	B456ES	B456E7S	B456TC	B456SC	B580MLK ◇	SNW655
B464 B564 B663	B464HS	B464ES	B464E7S	B464TC	B464SC	B580MLK ◇	SNW663
B572 B671	B572HS	B572ES	B572E7S	B572TC	B225725S	B580MLK ◇	SNW671
B580 B679	B580HS	B580ES	B580E7S	B580TC	B225805S	B580MLK ◇	SNW679

Additional Notes

- * CB cartridge blocks in these size codes require B436MLK1 Microlock Kit
- ▶ CB cartridge blocks in these size codes require B456MLK Microlock Kit
- ◇ CB cartridge blocks in these size codes require B572MLK Microlock Kit

www.rexnord.com

Rexnord Industries, LLC, 7601 Rockville Road, Indianapolis, IN 46214-3120 USA
Phone: 317-273-5500 Fax: 317-273-5620



Link-Belt® Split Housed Spherical Roller Bearings

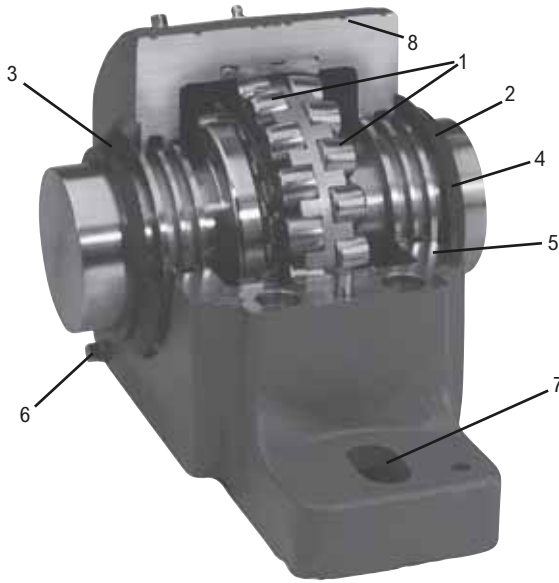


Provide high load carrying capacity for radial or combination radial and thrust loads

Series 6600, 6800, 6900, SAF22600, 7600, 7800, 7900, SAF22300 Spherical Roller Bearing

Self-aligning spherical roller bearing pillow blocks and takeups provide high load carrying capacity for radial or combination radial and thrust loads.

They are designed for use on conveyors, dryers, road building equipment, runout tables, fans, crushers, hammermills and many other high-precision, heavy-duty applications.



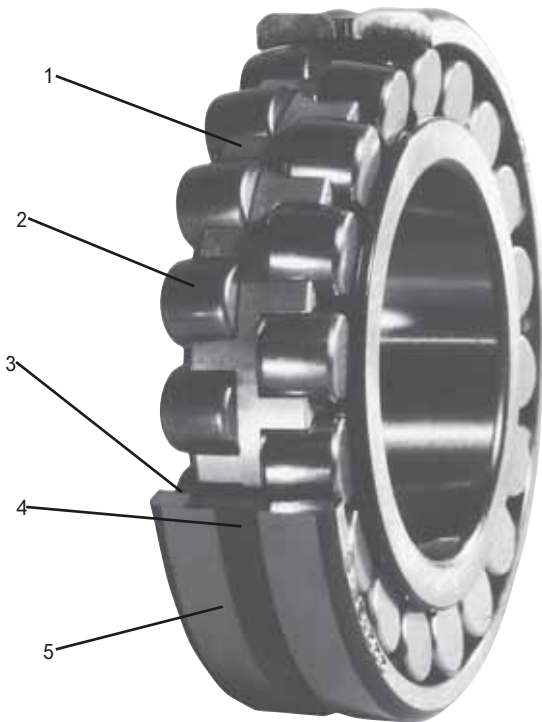
1. Spherical roller bearings may be direct or adapter mounted. Housings have provision for fixed or expansion mounting.
2. Choice of seals — Type R multilabyrinth, D5 Pentac®, or Type D8 independently flushable seals — effectively retain lubricant and exclude contaminants.
3. Removable housing cap facilitates bearing mounting, inspection and maintenance.
4. Mating surfaces are machined. Caps and bases matched and marked.
5. Base and cap are dowelled for accurate assembly and security.
6. Oil or grease lubrication ready. Large lubricant reservoir in base prolongs lubrication interval.
7. Slotted bolt holes in base facilitate mounting; machined finish on base for firm seating on supporting surface. Pry slots for easy cap removal.
8. Dimpled flats for bearing monitor probes.

Series 22200, 22300, 23000 Spherical Roller Bearings

Self-aligning and self-contained spherical roller bearings provide high capacity for heavy-duty and high-precision applications.

They are used extensively on earth-moving equipment, vibrating screens, steel mill and paper mill equipment,

embossing rolls, printing presses, and torque converters.

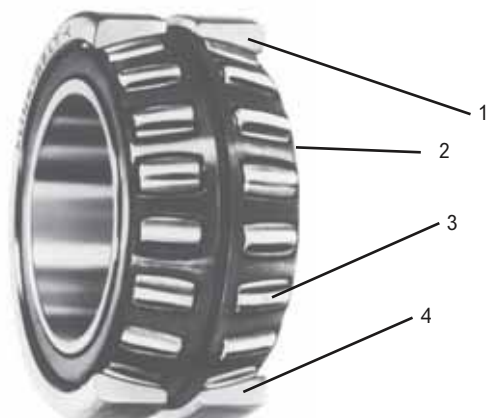


1. Positive roller guidance is provided from rugged retainer design.
2. Large high-capacity rollers for extended bearing life.
3. Controlled raceway curvatures afford precise osculation clearance preventing roller edge loading.
4. Micro-finished raceways assure smooth operation.
5. Outer ring groove and three symmetrically spaced holes for maximum lubrication access.

Series A20000 Spherical Roller Bearings

Self-aligning separable outer ring bearings of single row adjustable and double row adjustable or non adjustable types for high capacity and

minimum space requirements. These compact bearings feature the latest design refinements.



1. Controlled raceway curvatures afford precise osculation clearance to avoid edge loading and provide high capacity.
2. Roller guidance is provided by double contoured coined steel retainer pockets.
3. Large rollers for extended bearing life.
4. Micro-finished raceways assure smooth operation.

Rollers

Rollers Symmetrical roller design permits natural roller positioning and distribution of load in dynamic operation. Curvatures of roller contact surfaces are contoured to control stress distribution under all combinations of radial and thrust loads within design capacities.

Rings

The geometry and sections of the outer and inner rings and rollers result in high capacity and long bearing life. Controlled raceway curvatures on inner and outer rings and rollers afford precise osculation clearances preventing roller edge loading. Outer ring raceways are spherically finished to provide freedom of alignment under variable conditions.

Retainers

Double contoured deep coined pockets provide accurate roller guidance. Separate retainer for each row of rollers allows rollers to seek ultimate rolling path and operating angle for all radial/thrust load conditions.

A Seal Choice for Every Environment

A Seal Choice for Every Environment

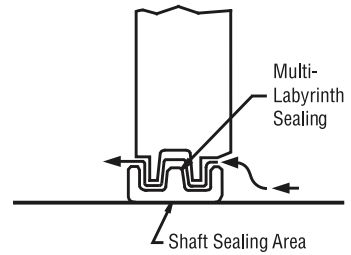
Select the proper seal from Link-Belt's seal menu.

	Triple Ring R Seal	PenTac [®] D5 Seal	Taconite D8 Seal	Wash Down T Seal
Dirt/ Dust	X	XX	XXX	X
Speed	XXX	XX	X	XX
Wash Down	X	XX	XX	XXX

X Good XX Better XXX Best

Metal Triple-Ring R Seal

This industry standard seal provides a labyrinth grease chamber between the housing grooves and the seal rings. Operates at high speed; good for moderate dust, dirt or moisture.

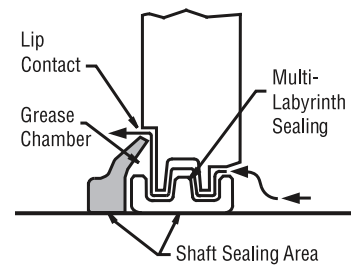


D5 PenTac 5-Point Sealing System

Rugged contact lip seal, molded on a Kevlar[®] body, rotates with the shaft. The PenTac seal acts as a flinger, keeping debris away from the seal area, and provides five seal points.

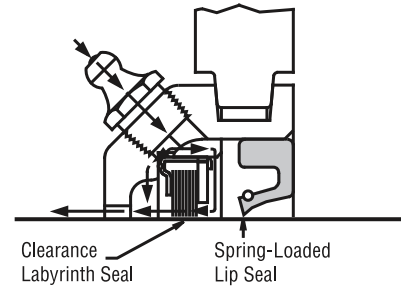
D5 PenTac 5-Point Sealing System

- 1 - Seals shaft
- 2 - Seals housing
- 3 - Creates a grease chamber to prevent bearing contamination
- 4 - Acts as a flinger
- 5 - Grease chambers created by multi-labyrinth chamber



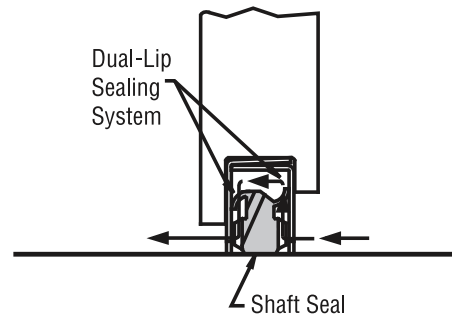
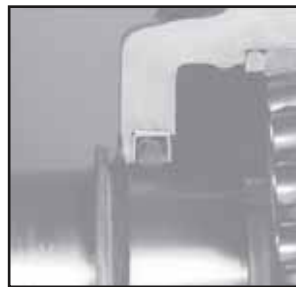
D8 Taconite Sealing System

A rugged cast carrier protects a metal labyrinth outboard seal and a spring-loaded inboard seal. When independently lubricated, the D8 system directs the grease between the two seals, purging all contaminants before they can reach the bearing chamber. Thousands are in use in the toughest applications worldwide.



Exclusive T Water Seal

Available on special order, this patented seal was developed for use on equipment which experiences constant water splash or frequent wash down. The unique T-shaped lip seal rides in a stainless steel carrier and rotates with the shaft. It seals the shaft and its one-way, double-contact lips allow for grease purge from the bearing chamber, but prevent the reverse flow of water or debris. Link Belt's T seal is the standard in the environmental equipment industry. Link Belt Bearing offers Pillow Blocks with special features for severe wash down environments. Black Rilsan Nylon 11 coated housings, stainless steel hardware and end caps or solid closed end housings, and the patented T contact water seal are the standard features of the BP-LB6800 series. Units may be further modified to meet specific needs.



Shaft	Part Number	Shaft	Part Number
1 7/16"	BP-LB6823	3 3/16"	BP-LB6851*
2 3/16"	BP-LB6835*	3 15/16"	BP-LB6863F
2 7/16"	BP-LB6839*	4 1/2"	BP-LB6872F
2 11/16"	BP-LB6843*	4 15/16"	BP-LB6879F
2 15/16"	BP-LB6847*		

*For four-bolt base add suffix "F."

Unit with one side solid cast closed, add "C" suffix.

Symbol	Description	P	E	LB	79	65	F	B	C	-T2/	3
BP	Pillow block; two-piece; black Rilsan nylon II coated	}	}	}	}	}	}	}	}	}	}
P	Pillow block; two-piece										
PK	Pillow block; two-piece cast steel housing (66, 68, 76 and 78 series)										
DS	Takeup, welded steel frame, hinged top										
E	Expansion Mounting										
LB	Spherical roller bearing										
66	Adapter mounted with 23000LBK bearing	}	}	}	}	}	}	}	}	}	}
68	Adapter mounted with 22200LBK bearing										
69	Adapter mounted with 22300LBK bearing										
76	Direct shaft mounted with 23000LB bearing										
78	Direct shaft mounted with 22200LB bearing										
79	Direct shaft mounted with 22300LB bearing										
M	Metric bore adapter mount										
39	Shaft diameter in 16ths of an inch — adapter mounted	}	}	}	}	}	}	}	}	}	}
65	Inner ring bore in millimeters — direct shaft mounted										
60	Shaft diameter in millimeters — adapter mounted										
F	Four bolt base pillow block										
None	"T" Water seals	}	}	}	}	}	}	}	}	}	}
D5	Pentac™ 5-point seals										
D8	Independently flushable seal										
B	Felt contact seal										
R	Multi-labyrinth seal										
H	Multi-labyrinth seal (6600, 7600 series only)										
C	Closed end unit										
T2	Locknut and washer included (76, 78, 79 series)										
2	Internal clearance less than C0	}	}	}	}	}	}	}	}	}	}
0	Basic C0 internal clearance										
None	Internal clearance greater than C0 (standard)										
4	Internal clearance greater than C3										
12	Takeup adjustment, inches										

SAF22600, SAF22300 Nomenclature

Symbol	Description	F	SAF	226	17	-215 /
F	Four bolt base	}	}	}	}	}
SAF	Pillow block; two-piece; inch series; labyrinth seal					
None S	Gray Iron } Cast Steel }	} Housing Material		}	}	}
None E	Fixed Unit — Furnish with spacer ring } Expansion Unit }					
223 226	Direct shaft mounted with 22300LB spherical roller bearing } Adapter mounted with 22300LBK spherical roller bearing }					
17	One-fifth bearing bore diameter in mm	}	}	}	}	}
C	Closed end unit					
T	Lockwasher and locknut NOT INCLUDED (22300 Series)	}	}	}	}	}
None 215	Direct shaft mounted shaft size } Adapter mounted shaft size in inch and 1/16, i.e., 215 is 2 15/16 inch shaft size }					
2 0 None 4	Internal clearance less than C0 } Basic internal clearance } Internal clearance greater than C0 (standard) } Internal clearance greater than C3 }	} Radial Clearance		}	}	}

Large Bore Nomenclature

Symbol	Description	P	LB	222	44	K	C	71516
P PK	Pillow block; two piece } Pillow block; two piece cast steel }	}	}	}	}	}	}	}
LB	Spherical Roller Bearing							
222 223 225 226 230 231 232	Direct shaft mounted with 22200LB bearing } Direct shaft mounted with 22300LB bearing } Adapter mounted with 22200LBK bearing } Adapter mounted with 22300LBK bearing } Adapter or direct shaft mounted with 23000 bearing } Adapter or direct shaft mounted with 23100 bearing } Adapter or direct shaft mounted with 23200 bearing }							
44	One-fifth bearing bore diameter in mm	}	}	}	}	}	}	}
K	Tapered bore bearing							
C	End closure	}	}	}	}	}	}	}
71516	7 15/16" – shaft size							

Symbol	Description	2	22	16	LB	K	W33	C2	C0	C3	C4	W22	C40	C50	W4
2	Used to distinguish from other series														
22	Bearing dimension series (22, 23, 30, 31, 32, 39)														
16	One-fifth of bore diameter (mm)														
LB	Designation for Link-Belt spherical roller bearing														
None	Cylindrical bore														
K	Tapered bore														
W33	Lubrication holes and groove in outer ring (standard)														
C2	Internal clearance less than C0														
C0	Basic internal clearance														
C3	Internal clearance greater than C0 (standard)														
C4	Internal clearance greater than C3														
W22	Reduced O.D. tolerance in center of standard tolerance range														
C40	Reduced O.D. tolerance on high side														
C50	Reduced O.D. tolerance on low side														
W4	Inner ring marked to show high point of eccentricity														

A 20000 Nomenclature

Symbol	Description	A	22	196	M	C0	C40
A	Spherical roller bearing, separable outer ring(s)						
22	Basic bearing series						
23	Larger O.D. or greater load rating than series 22						
24	Larger O.D. or greater load rating than series 23						
196	Bore size in hundredths of an inch						
None	Double row roller bearing; separable outer rings						
M	Double row bearing; separable outer rings with spacer for preadjusted clearance						
S	Single row roller bearing; adjustable						
C2	Internal clearance less than C0						
C0	Standard internal clearance						
C3	Internal clearance greater than C0						
W22	Reduced O.D. tolerance in center of tolerance range						
C40	Reduced O.D. tolerance in high half of tolerance range						
C50	Reduced O.D. tolerance in low half of tolerance range						

Series 6600, 6800, 6900, 7600, 7800, 7900, 22600, 22300, 22200, 23000, A20000, A20000M

To select a pillow block, determine the applied radial load, the applied thrust load, the desired Rating Life, the required minimum shaft size, and applicable operating conditions. The procedure shown here will aid in selecting a pillow block to meet an L₁₀ design life. The formulas for calculating life expectancy should be used to determine the Rating Life L₁₀ for the pillow block selected. Spherical roller bearing pillow blocks are available in Series 6600, 6800, 22600, 7600, 7800, and 22300. Because a number of series are available, several different pillow blocks that will fulfill and L₁₀ life requirement can often be chosen.

Some of the factors to consider when choosing between series are: cost, speed limit, minimum shaft diameter, thrust load, space limitations, and type of shaft mounting.

The selection procedures and rating formulas shown here are in agreement with The American Bearing Manufacturers Association Standards and ANSI/ ABMA Standards STD 11-1990. Ratings are based on fatigue life.

The Rating Life L₁₀ or fatigue life at 90% reliability is the usual basis for bearing selection.

For radial load applications only, Table 3 can be used to select a unit or to determine L₁₀ life expectancy.

To assure a satisfactory bearing application, fitting practice, mounting, lubrication, sealing, static rating, housing strength, operating conditions and maintenance must be considered.

Selection

Step 1

Determine an appropriate L₁₀ design life.

Type of service	Operating time, hours per year	Design life, years	L ₁₀ design life, hours
Heavy seasonal usage	1,400 to 1,600	4-6	8,000
Industrial—8 hour shift	2,000	10	20,000
Industrial—16 hour shift	4,000	10	40,000
Industrial—continuous	8,700	10	80,000 to 100,000
Industrial—High reliability	—	—	120,000 to 300,000

Step 2

Determine a required $\left(\frac{C}{P}\right)$ from Table 1.

Step 3

Calculate the required C and select a roller bearing pillow block.

a For radial load only: $P = F_r$

Required $C = \left(\frac{C}{P}\right) P$ using $\left(\frac{C}{P}\right)$ from Step 2

Select a roller bearing pillow block from Table 2 or Table 4 having a basic load rating C equal to or greater than the required C.

b For combined radial and thrust loads:

Select a roller bearing pillow block of the desired shaft size from Table 2 or Table 4 Calculate the ratio of thrust load F_a to the radial load F_r .

$$\frac{F_a}{F_r}$$

Calculate the equivalent radial load P

$$P = X F_r + Y F_a$$

If $\frac{F_a}{F_r}$ is equal to or less than e, then $P = X_1 F_r + Y_1 F_a$

If $\frac{F_a}{F_r}$ is greater than e, then $P = X_2 F_r + Y_2 F_a$

For values of e, X₁, Y₁, X₂, and Y₂, see Table 2 or Table 4

Required $C = \left(\frac{C}{P}\right) P$ using $\left(\frac{C}{P}\right)$ from Step 2

Consult the bearing rating Table 2 or Table 4, to see if the selected bearing meets or exceeds the required C. The life expectancy of other sizes and series of bearings can be calculated similarly.

Selection

Symbols for formulas:

C = basic load rating, pounds (or newtons)
 Co = static load rating, pounds (or newtons)
 e = a reference value
 Fa = thrust load, pounds (or newtons)
 Fr = radial load, pounds (or newtons)

L₁₀ = rating life, hours
 n = speed, revolutions per minute
 P = equivalent radial load, pounds (or newtons)
 X = radial factor
 Y = thrust factor

Basic Formula

$$\left(\frac{C}{P}\right) = \left(\frac{L_{10} \times n \times 60}{1,000,000}\right)^{3/10}$$

$$L_{10} = \frac{\left(\frac{C}{P}\right)^{10/3} \times 1,000,000}{n \times 60}$$

Life Expectancy

To calculate the Rating Life L₁₀ of any selected or trial bearing:

Step 1

Determine the equivalent radial load P.

a For radial load only:

$$P = F_r$$

b For combined radial and thrust load:

$$P = X F_r + Y F_a$$

if $\frac{F_a}{F_r}$ is equal to or less than e, then

$$P = X_1 F_r + Y_1 F_a$$

if $\frac{F_a}{F_r}$ is greater than e, then

$$P = X_2 F_r + Y_2 F_a$$

For values of e, X₁, Y₁, X₂, and Y₂, consult the appropriate bearing rating Table 2 Table 4.

Step 2

Calculate the ratio of the basic load rating C to the equivalent radial load.

$$\left(\frac{C}{P}\right)$$

Step 3

Approximate the bearing life from Table 1.

Live Adjustment

The Rating Life, L₁₀, may be modified for some applications in accordance with the formula

$$L_n = a_1 a_2 a_3 L_{10}$$

where L_n = Adjusted life for (100-n) % reliability,

a₁ = Life adjustment factor for reliability

a₂ = Life adjustment factor

for material and processing

a₃ = Life adjustment factor for operating conditions.

For most normal applications, all factors will be taken as 1, and the Rating Life used as the selection basis or life estimate. In addition, as long as standard catalog bearings are used, a₂ will be normally set equal to one.

The factor a₃ covers such things as lubrication, misalignment, and temperature. Some conditions that could yield a₃ significantly different than unity include speeds less than 20000 DN or greater than 200000 DN, temperatures below -40°F (-40°C) or above 275°F (135°C). For other possible conditions, as well as additional information on life adjustment factors, consult Rexnord Bearing Division.

Table 1 • Relation of L₁₀ life and speed to $\left(\frac{C}{P}\right)$

Bearing Life Hours L ₁₀	Speed, N									
	50	100	200	300	400	500	600	700	800	
3000	1.93	2.38	2.93	3.31	3.61	3.86	4.07	4.27	4.44	
4000	2.11	2.59	3.19	3.61	3.93	4.20	4.44	4.65	4.84	
5000	2.25	2.77	3.42	3.86	4.20	4.50	4.75	4.97	5.18	
6000	2.38	2.93	3.61	4.07	4.44	4.75	5.02	5.25	5.47	
8000	2.59	3.19	3.93	4.44	4.84	5.18	5.47	5.73	5.96	
10000	2.77	3.42	4.20	4.75	5.18	5.54	5.85	6.12	6.37	
12000	2.93	3.61	4.44	5.02	5.47	5.85	6.18	6.47	6.73	
14000	3.07	3.78	4.65	5.25	5.73	6.12	6.47	6.77	7.05	
16000	3.19	3.93	4.84	5.47	5.96	6.37	6.73	7.05	7.34	
18000	3.31	4.07	5.02	5.66	6.18	6.60	6.97	7.30	7.60	
20000	3.42	4.20	5.18	5.85	6.37	6.81	7.20	7.54	7.85	
25000	3.65	4.50	5.54	6.25	6.81	7.29	7.70	8.06	8.39	
30000	3.86	4.75	5.85	6.60	7.20	7.70	8.13	8.51	8.86	
35000	4.04	4.97	6.12	6.92	7.54	8.06	8.51	8.92	9.28	
40000	4.20	5.18	6.37	7.20	7.85	8.39	8.86	9.28	9.66	
45000	4.36	5.36	6.60	7.46	8.13	8.69	9.18	9.61	10.00	
50000	4.50	5.54	6.81	7.70	8.39	8.97	9.48	9.92	10.30	
60000	4.75	5.85	7.20	8.13	8.86	9.48	10.00	10.50	10.90	
70000	4.97	6.12	7.54	8.51	9.28	9.92	10.50	11.00	11.40	
80000	5.18	6.37	7.85	8.86	9.66	10.30	10.90	11.40	11.90	
90000	5.36	6.60	8.13	9.18	10.00	10.70	11.30	11.80	12.30	
100000	5.54	6.81	8.39	9.48	10.30	11.00	11.70	12.20	12.70	
150000	6.25	7.70	9.48	10.70	11.70	12.50	13.20	13.80	14.40	
200000	6.81	8.39	10.30	11.70	12.70	13.60	14.40	15.00	15.70	
	Speed, n									
	900	1000	1200	1500	1800	2400	3000	3600	6000	
3000	4.60	4.75	5.02	5.36	5.66	6.18	6.60	6.97	8.13	
4000	5.02	5.18	5.47	5.85	6.18	6.73	7.20	7.60	8.86	
5000	5.36	5.54	5.85	6.25	6.60	7.20	7.70	8.13	9.48	
6000	5.66	5.85	6.18	6.60	6.97	7.60	8.13	8.59	10.00	
8000	6.18	6.37	6.73	7.20	7.60	8.29	8.86	9.36	10.90	
10000	6.60	6.81	7.20	7.70	8.13	8.86	9.48	10.00	11.70	
12000	6.97	7.20	7.60	8.13	8.59	9.36	10.00	10.60	12.30	
14000	7.30	7.54	7.96	8.51	8.99	9.80	10.50	11.10	12.90	
16000	7.60	7.85	8.29	8.86	9.36	10.20	10.90	11.50	13.40	
18000	7.88	8.13	8.59	9.18	9.70	10.60	11.30	11.90	13.90	
20000	8.13	8.39	8.86	9.48	10.00	10.90	11.70	12.30	14.40	
25000	8.69	8.97	9.48	10.10	10.70	11.70	12.50	13.20	15.40	
30000	9.18	9.48	10.00	10.70	11.30	12.30	13.20	13.90	16.20	
35000	9.61	9.92	10.50	11.20	11.80	12.90	13.80	14.60	17.00	
40000	10.00	10.30	10.90	11.70	12.30	13.40	14.40	15.20	17.70	
45000	10.40	10.70	11.30	12.10	12.80	13.90	14.90	15.70	18.30	
50000	10.70	11.00	11.70	12.50	13.20	14.40	15.40	16.20	18.90	
60000	11.30	11.70	12.30	13.20	13.90	15.20	16.20	17.10	20.00	
70000	11.80	12.20	12.90	13.80	14.60	15.90	17.00	17.90	20.90	
80000	12.30	12.70	13.40	14.40	15.20	16.50	17.70	18.70	21.80	
90000	12.80	13.20	13.90	14.90	15.70	17.10	18.30	19.40	22.60	
100000	13.20	13.60	14.40	15.40	16.20	17.70	18.90	20.00	23.30	
150000	14.90	15.40	16.20	17.30	18.30	20.00	21.40	22.60	26.30	
200000	16.20	16.70	17.70	18.90	20.00	21.80	23.30	24.60	28.70	

Series A2000S

A2000S single row angular contact spherical roller bearings are suitable for a wide variety of mounting arrangements. In the application of these bearings, it is important to consider that radial loads produce a thrust reaction which must be opposed by another force... usually the thrust reaction from another bearing. This force maintains the bearing rings in their correct operating position.

Normally, two single row angular contact bearings are mounted opposed to one another on a common shaft. As thrust or thrust reactions are always present, it is advisable to calculate both bearing lives concurrently. The selection procedures and rating formulas shown here are in agreement with The American Bearing Manufacturers Association

Standards and ANSI/ ABMA STD 11-1990. Ratings are based on fatigue life. The Rating Life L10 or fatigue life at 90% reliability is the usual basis for bearing selection. To assure a satisfactory bearing application, fitting practice, mounting, lubrication, sealing, static rating, housing strength, operating conditions and maintenance must be considered.

Selection

Step 1

Determine an appropriate L10 design life.

Type of service	Operating time, hours per year	Design life, years	L10 design life, hours
Light seasonal usage	500 to 750	3-5	3,000
Heavy seasonal usage	1,400 to 1,600	4-6	8,000
Industrial—8 hour shift	2,000	10	20,000
Industrial—16 hour shift	4,000	10	40,000
Industrial—continuous	8,700	10	80,000 to 100,000
Continuous—high reliability	—	—	120,000 to 300,000

Step 2

Determine a required $\left(\frac{C}{P}\right)$ from Table 1.

Step 3

Determine a required shaft diameter and make a temporary selection for each bearing to fit this shaft.

Step 4

Calculate each induced thrust reaction TF from the radial loads Fr on each bearing.

$$TF = \frac{0.5 Fr}{Y2}$$

This reaction is directed along the shaft and tends to separate the individual inner ring and roller assemblies from their outer rings.

Step 5

Calculate resultant bearing thrust load Fa.

$$Fa = Tf + T$$

Tf is the thrust reaction from the opposite single row angular contact bearing. The applied thrust load T is positive (+) if in the same direction as Tf, and negative (-) if in the opposite direction. If Fa is negative, substitute zero for Fa.

Step 6

Calculate the ratio of the resultant bearing thrust load Fa to the radial load Fr for each bearing.

Step 7

Calculate the equivalent radial load P for both trial bearings.

$$P = XFr + YFa$$

If $\frac{Fa}{Fr}$ is equal to or less than e, then

$$P = X1Fr + Y1Fa \quad \text{where} \quad \begin{matrix} X1 = 1.0 \\ Y1 = 0 \end{matrix}$$

If $\frac{Fa}{Fr}$ is greater than e, then $P = X2Fr + Y2Fa$.

For values of e, X2, and Y2, see the bearing rating table.

Step 8

Calculate the required C rating of each bearing to verify the trial selections.

$$\text{required } C = \left(\frac{C}{P}\right) P \text{ using } \left(\frac{C}{P}\right) \text{ from Step 2}$$

Consult the bearing rating table to see if the selected bearings meet or exceed the required C in each case.

Selection

Symbols for formulas:

C = basic load rating, pounds (or newtons)
 Co = static load rating, pounds (or newtons)
 e = a reference value
 Fa = thrust load, pounds (or newtons)
 Fr = radial load, pounds (or newtons)

L₁₀ = rating life, hours
 n = speed, revolutions per minute
 P = equivalent radial load, pounds (or newtons)
 X = radial factor
 Y = thrust factor

Basic Formula

$$\left(\frac{C}{P}\right) = \left(\frac{L_{10} \times n \times 60}{1,000,000}\right)^{3/10}$$

$$L_{10} = \frac{\left(\frac{C}{P}\right)^{10/3} \times 1,000,000}{n \times 60}$$

Life Expectancy (pair of bearings)

To calculate the Rating Life L₁₀ of any pair of selected or trial bearings:

Step 1

Calculate each induced thrust reaction T_F from the radial loads F_r on each bearing.

$$T_F = \frac{0.5 F_r}{Y_2}$$

This reaction is directed along the shaft and tends to separate the individual inner ring and roller assemblies from their outer rings.

Step 2

Calculate each resultant bearing thrust load Fa.

$$F_a = T_F + T$$

T_F is the thrust reaction from the opposite single row angular contact bearing. The applied thrust load T is positive (+) if in the same direction as T_F, and negative (-) if in the opposite direction. If Fa is negative, substitute zero for Fa.

Step 3

Calculate the ratio of the resultant bearing thrust load Fa to the radial load Fr for each bearing.

Step 4

Calculate the equivalent radial load P for both trial bearings. P = XF_r + YF_a

If $\frac{F_a}{F_r}$ is equal to or less than e, then
 $P = X1F_r + Y1F_a$ where

If $\frac{F_a}{F_r}$ is greater than e, then
 $P = X2F_r + Y2F_a$.

For values of e, X₂, and Y₂ see the bearing rating table.

Step 5

Calculate each ratio of the bearing basic load rating C to its equivalent radial load.

$$\left(\frac{C}{P}\right)$$

Step 6

Approximate life expectancy of each bearing from Table 1.

Life Adjustment

The Rating Life, L₁₀, may be modified for some applications in accordance with the formula

$$L_n = a_1 a_2 a_3 L_{10}$$

where L_n = Adjusted life for (100-n) % reliability,
 a₁ = Life adjustment factor for reliability
 a₂ = Life adjustment factor for material and processing
 a₃ = Life adjustment factor for operating conditions.

For most normal applications, all factors will be taken as 1, and the Rating Life used as the selection basis or life estimate. In addition, as long as standard catalog bearings are used, a₂ will be normally set equal to one. The factor a₃ covers such things as lubrication, misalignment, and temperature. Some conditions that could yield a₃ significantly different than unity include speeds less than 20000 DN or greater than 200000 DN, temperatures below -40°F (-40°C) or above 275°F (135°C). For other possible conditions, as well as additional information on life adjustment factors, consult Rexnord Bearing Division.

Table 1 • Relation of L₁₀ life and speed to $\left(\frac{C}{P}\right)$

Bearing Life Hours L ₁₀	Speed, N								
	50	100	200	300	400	500	600	700	800
3000	1.93	2.38	2.93	3.31	3.61	3.86	4.07	4.27	4.44
4000	2.11	2.59	3.19	3.61	3.93	4.20	4.44	4.65	4.84
5000	2.25	2.77	3.42	3.86	4.20	4.50	4.75	4.97	5.18
6000	2.38	2.93	3.61	4.07	4.44	4.75	5.02	5.25	5.47
8000	2.59	3.19	3.93	4.44	4.84	5.18	5.47	5.73	5.96
10000	2.77	3.42	4.20	4.75	5.18	5.54	5.85	6.12	6.37
12000	2.93	3.61	4.44	5.02	5.47	5.85	6.18	6.47	6.73
14000	3.07	3.78	4.65	5.25	5.73	6.12	6.47	6.77	7.05
16000	3.19	3.93	4.84	5.47	5.96	6.37	6.73	7.05	7.34
18000	3.31	4.07	5.02	5.66	6.18	6.60	6.97	7.30	7.60
20000	3.42	4.20	5.18	5.85	6.37	6.81	7.20	7.54	7.85
25000	3.65	4.50	5.54	6.25	6.81	7.29	7.70	8.06	8.39
30000	3.86	4.75	5.85	6.60	7.20	7.70	8.13	8.51	8.86
35000	4.04	4.97	6.12	6.92	7.54	8.06	8.51	8.92	9.28
40000	4.20	5.18	6.37	7.20	7.85	8.39	8.86	9.28	9.66
45000	4.36	5.36	6.60	7.46	8.13	8.69	9.18	9.61	10.00
50000	4.50	5.54	6.81	7.70	8.39	8.97	9.48	9.92	10.30
60000	4.75	5.85	7.20	8.13	8.86	9.48	10.00	10.50	10.90
70000	4.97	6.12	7.54	8.51	9.28	9.92	10.50	11.00	11.40
80000	5.18	6.37	7.85	8.86	9.66	10.30	10.90	11.40	11.90
90000	5.36	6.60	8.13	9.18	10.00	10.70	11.30	11.80	12.30
100000	5.54	6.81	8.39	9.48	10.30	11.00	11.70	12.20	12.70
150000	6.25	7.70	9.48	10.70	11.70	12.50	13.20	13.80	14.40
200000	6.81	8.39	10.30	11.70	12.70	13.60	14.40	15.00	15.70
	Speed, n								
	900	1000	1200	1500	1800	2400	3000	3600	6000
3000	4.60	4.75	5.02	5.36	5.66	6.18	6.60	6.97	8.13
4000	5.02	5.18	5.47	5.85	6.18	6.73	7.20	7.60	8.86
5000	5.36	5.54	5.85	6.25	6.60	7.20	7.70	8.13	9.48
6000	5.66	5.85	6.18	6.60	6.97	7.60	8.13	8.59	10.00
8000	6.18	6.37	6.73	7.20	7.60	8.29	8.86	9.36	10.90
10000	6.60	6.81	7.20	7.70	8.13	8.86	9.48	10.00	11.70
12000	6.97	7.20	7.60	8.13	8.59	9.36	10.00	10.60	12.30
14000	7.30	7.54	7.96	8.51	8.99	9.80	10.50	11.10	12.90
16000	7.60	7.85	8.29	8.86	9.36	10.20	10.90	11.50	13.40
18000	7.88	8.13	8.59	9.18	9.70	10.60	11.30	11.90	13.90
20000	8.13	8.39	8.86	9.48	10.00	10.90	11.70	12.30	14.40
25000	8.69	8.97	9.48	10.10	10.70	11.70	12.50	13.20	15.40
30000	9.18	9.48	10.00	10.70	11.30	12.30	13.20	13.90	16.20
35000	9.61	9.92	10.50	11.20	11.80	12.90	13.80	14.60	17.00
40000	10.00	10.30	10.90	11.70	12.30	13.40	14.40	15.20	17.70
45000	10.40	10.70	11.30	12.10	12.80	13.90	14.90	15.70	18.30
50000	10.70	11.00	11.70	12.50	13.20	14.40	15.40	16.20	18.90
60000	11.30	11.70	12.30	13.20	13.90	15.20	16.20	17.10	20.00
70000	11.80	12.20	12.90	13.80	14.60	15.90	17.00	17.90	20.90
80000	12.30	12.70	13.40	14.40	15.20	16.50	17.70	18.70	21.80
90000	12.80	13.20	13.90	14.90	15.70	17.10	18.30	19.40	22.60
100000	13.20	13.60	14.40	15.40	16.20	17.70	18.90	20.00	23.30
150000	14.90	15.40	16.20	17.30	18.30	20.00	21.40	22.60	26.30
200000	16.20	16.70	17.70	18.90	20.00	21.80	23.30	24.60	28.70

Table 2 • 6600, 6800, 7600, 7800 Series Load ratings and speed limits

Basic Bearing Number		Bearing Size Number	Co Static Load Rating pounds/ newtons	C Basic Load Rating pounds/ newtons	Approximate Speed Limit RPM*			e		$\frac{F_a}{F_r} \leq e$		$\frac{F_a}{F_r} > e$		
Adapter Mounted	Direct Shaft Mounted				Oil	Grease	D5 Seal 1mm Push-in#	X1	Y1	X2	Y2			
Number	Bearing Seat mm											Number		
1 7/16	LB6823	22209LB	23600	20800	6200	5300	5300	0.26	1.00	2.6	0.67	3.9
1 1/2	LB6824													
40	LB68M40				105000	92500								
1 11/16	LB6827	22210LB	25500	22000	5500	5000	5000	0.26	1.00	2.8	0.67	4.2
1 3/4	LB6828													
45	LB68M45				113000	97900								
1 15/16	LB6831	22211LB	32500	27000	5000	4500	4500	0.23	1.00	2.9	0.67	4.4
2	LB6832													
50	LB68M50				145000	120000								
2 3/16	LB6835	22213LB	46500	38000	4300	3800	3800	0.24	1.00	2.8	0.67	4.2
60	LB68M60				207000	169000								
2 7/16	LB6839	75	LB7875	22215LB	53000	41500	3700	3400	3400	0.22	1.00	3.1	0.67	4.6
65	LB68M65				236000	185000								
2 11/16	LB6843	80	LB7880	22216LB	58500	46500	3500	3200	3200	0.22	1.00	3.1	0.67	4.7
70	LB68M70				260000	207000								
2 15/16	LB6847	85	LB7885	22217LB	73500	58500	3250	3000	3000	0.22	1.00	3.0	0.67	4.5
3	LB6848													
75	LB68M75				327000	260000								
3 3/16	LB6851	90	LB7890	22218LB	81500	64000	3000	2600	2600	0.23	1.00	2.9	0.67	4.3
80	LB68M80				363000	285000								
3 7/16	LB6855	100	LB78100	22220LB	104000	80000	2800	2200	2200	0.24	1.00	2.8	0.67	4.2
3 1/2	LB6856													
90	LB68M90				463000	356000								
3 11/16	LB6859	110	LB78110	22222LB	132000	102000	2500	2000	2000	0.25	1.00	2.7	0.67	4.0
3 15/16	LB6863													
4	LB6864				587000	454000								
100	LB68M100													
4 3/16	LB6867	120	LB78120	22224LB	163000	120000	2300	1900	1900	0.25	1.00	2.7	0.67	4.0
110	LB68M110				725000	534000								
4 7/16	LB6871	130	LB78130	22226LB	196000	143000	2100	1800	1800	0.26	1.00	2.6	0.67	3.9
4 1/2	LB6872													
115	LB68M115				872000	636000								
4 15/16	LB6879	140	LB78140	22228LB	228000	166000	1950	1700	1700	0.25	1.00	2.7	0.67	4.0
5	LB6880													
125	LB68M125				1010000	738000								

Table 2 • 6600, 6800, 7600, 7800 Series Load ratings and speed limits (continued)

Basic Bearing Number		Bearing Size Number	Co Static Load Rating	C Basic Load Rating	Approximate Speed Limit RPM*	e	$\frac{F_a}{F_r} \leq e$		$\frac{F_a}{F_r} > e$						
Adapter Mounted							Direct Shaft Mounted		Oil	Grease	D5 Seal 1mm Push-in#	X1	Y1	X2	Y2
Shaft Diameter inches/mm	Number						Bearing Seat mm	Number							
5 3/16 135	LB6883 LB68M135	150	LB78150	22230LB	270000 1200000	190000 845000	1850	1600	1600	0.25	1.00	2.7	0.67	4.0	
5 7/16 140	LB6887 LB68M140	160	LB78160	22232LB	310000 1380000	216000 961000	1700	1500	1500	0.26	1.00	2.6	0.67	3.9	
5 15/16 6 150	LB6895 LB6896 LB68M150	170	LB78170	22234LB	345000 1530000	250000 1110000	1600	1300	1300	0.26	1.00	2.6	0.67	3.9	
6 7/16 6 1/2 160	LB68103 LB68104 LB68M160	180	LB78180	22236LB	365000 1620000	255000 1130000	1500	1300	1300	0.25	1.00	2.7	0.67	4.0	
6 15/16 7 170	LB68111 LB68112 LB68M170	190	LB78190	22238LB	415000 1850000	270000 1200000	1400	1200	1200	0.28	1.00	2.4	0.67	3.6	
7 3/16 180	LB68115 LB68M180	200	LB78200	22240LB	450000 2000000	300000 1330000	1300	1100	1100	0.29	1.00	2.3	0.67	3.5	
7 1/2 7 15/16 8 200	LB68120 LB68127 LB68128 LB68M200	220	LB78220	22244LB	550000 2450000	365000 1620000	1200	1000	1000	0.29	1.00	2.3	0.67	3.5	
8 7/16 8 1/2 8 15/16 9 220	LB66135 LB66136 LB66143 LB66144 LB66M220	240	LB76240	23048LB	490000 2180000	260000 1160000	1100	1000	1000	0.25	1.00	2.7	0.67	4.1	
9 7/16 9 1/2 9 15/16 10 10 7/16 10 1/2 260	LB66B151 LB66B152 LB66159 LB66160 LB66167 LB66168 LB66M260	280	LB76280	23056LB	670000 2980000	345000 1530000	950	850	850	0.25	1.00	2.7	0.67	4.1	

* Speed limits are based on the following:

1. Type R seals properly aligned.
 - a. For the type B seals, limit is 800 surface feet per minute (4.0 m/s) with good alignment.
 - b. For type D8 seals, limit is 1500 surface feet per minute (7.6 m/s) with good alignment.
2. Proper operating internal clearance.
3. Adequate lubrication and maintenance (special lubricants and/or more frequent relubrication may be required).
4. Normal room temperature environment and no extraneous heat sources, such that bearing operating temperature does not exceed 100°C (212°F).
5. Equivalent radial load not greater than 7% of C.
6. Axial load, if any, not greater than 20% of radial load.

D5 Pentac™ speed limits in the chart are based on pushing the Pentac™ seal against the housing face a distance of 1mm as specified by the service instructions. The Pentac™ seal can be pressed in a distance of 2mm for high contaminant environments. The speed limit at a 2mm “Push-In” distance should be limited to 80% of those listed in the chart.

Table 3 • Radial Load Ratings in Pounds at Various RPM for Appropriate L10 Life Hours

Basic Unit Number		L10 Minimum Life, hours	Radial Load Ratings, pounds																	
Adapter Mounted	Direct Shaft Mounted		Speed, RPM																	
			50	100	200	300	400	500	600	700	800	900	1000	1200	1500	1800	2000	2500	3000	3500
LB6823		8000	8017	6512	5289	4683	4296	4018	3804	3632	3490	3368	3264	3090	2890	2736	2651	2479	2347	2241
LB6824		20000	6090	4947	4018	3558	3264	3052	2890	2759	2651	2559	2479	2347	2195	2078	2014	1883	1783	1703
LB68M40		40000	4947	4018	3264	2890	2651	2479	2347	2241	2153	2078	2014	1907	1783	1688	1636	1530	1448	1383
		100000	3758	3052	2479	2195	2014	1883	1783	1703	1636	1579	1530	1448	1355	1282	1243	1162	1100	1051
LB6827		8000	8479	6887	5594	4954	4544	4250	4024	3842	3691	3563	3452	3268	3056	2894	2804	2622	2483	2370
LB6828		20000	6441	5232	4250	3763	3452	3228	3056	2918	2804	2706	2622	2483	2322	2198	2130	1992	1886	1801
LB68M45		40000	5232	4250	3452	3056	2804	2622	2483	2370	2277	2198	2130	2017	1886	1786	1730	1618	1532	1463
		100000	3975	3228	2622	2322	2130	1992	1886	1801	1730	1670	1618	1532	1433	1356	1314	1229	1164	1111
LB6831		8000	10406	8453	6866	6079	5577	5216	4938	4715	4530	4372	4236	4011	3751	3551	3441	3218	3047	2909
LB6832		20000	7905	6421	5216	4618	4236	3962	3751	3582	3441	3322	3218	3047	2850	2698	2614	2445	2315	2210
LB68M50		40000	6421	5216	4236	3751	3441	3218	3047	2909	2795	2698	2614	2475	2315	2191	2123	1986	1880	1795
		100000	4878	3962	3218	2850	2614	2445	2315	2210	2123	2049	1986	1880	1758	1665	1613	1508	1428	1364
LB6835		8000	14646	11896	9663	8556	7849	7340	6950	6636	6375	6154	5962	5645	5279	4998	4843	4529	4288	4094
LB68M60		20000	11126	9037	7340	6500	5962	5576	5279	5041	4843	4675	4529	4288	4011	3797	3679	3441	3258	3110
		40000	9037	7340	5962	5279	4843	4529	4288	4094	3934	3797	3679	3483	3258	3084	2988	2795	2646	2526
		100000	6865	5576	4529	4011	3679	3441	3258	3110	2988	2884	2795	2646	2475	2343	2270	2123	2010	1919
LB6839	LB7875	8000	15995	12992	10553	9344	8572	8016	7590	7247	6962	6721	6511	6165	5766	5459	5289	4946	4683	4472
LB68M65		20000	12151	9869	8016	7098	6511	6090	5766	5505	5289	5105	4946	4683	4380	4147	4018	3758	3558	3397
		40000	9869	8016	6511	5766	5289	4946	4683	4472	4296	4147	4018	3804	3558	3368	3263	3052	2890	2759
		100000	7497	6090	4946	4380	4018	3758	3558	3397	3263	3150	3052	2890	2703	2559	2479	2319	2195	2096
LB6843	LB7880	8000	17922	14557	11824	10470	9604	8982	8504	8120	7801	7530	7296	6908	6460	6116	5926	5542	5247	5010
LB68M70		20000	13615	11059	8982	7954	7296	6824	6460	6168	5926	5720	5542	5247	4908	4646	4502	4210	3986	3806
		40000	11059	8982	7296	6460	5926	5542	5247	5010	4814	4646	4502	4262	3986	3774	3657	3420	3238	3091
		100000	8401	6824	5542	4908	4502	4210	3986	3806	3657	3530	3420	3238	3028	2867	2778	2598	2460	2348
LB6847	LB7885	8000	22547	18314	14876	13172	12083	11300	10699	10215	9814	9474	9179	8690	8127	7695	7455	6973	6602	6303
LB6848		20000	17128	13912	11300	10006	9179	8584	8127	7760	7455	7197	6973	6602	6174	5845	5664	5297	5015	4788
LB68M75		40000	13912	11300	9179	8127	7455	6973	6602	6303	6056	5845	5664	5362	5015	4748	4600	4302	4073	3889
		100000	10569	8584	6973	6174	5664	5297	5015	4788	4600	4441	4302	4073	3810	3607	3495	3268	3094	2955
LB6851	LB7890	8000	24667	20036	16274	14410	13219	12363	11705	11176	10737	10364	10042	9507	8892	8418	8156	7628	7222	6896
LB68M80		20000	18738	15220	12363	10947	10042	9391	8892	8490	8156	7873	7628	7222	6755	6395	6196	5795	5486	5238
		40000	15220	12363	10042	8892	8156	7628	7222	6896	6625	6395	6196	5866	5486	5194	5033	4707	4456	4255
		100000	11562	9391	7628	6755	6196	5795	5486	5238	5033	4858	4707	4456	4168	3946	3823	3576	3385	3232
LB6855	LB78100	8000	30834	25045	20343	18013	16523	15453	14631	13970	13421	12955	12552	11884	11115	10523	10196	9535	9028	8620
LB6856		20000	23423	19025	15453	13684	12552	11739	11115	10612	10196	9842	9535	9028	8443	7994	7745	7244		
LB68M90		40000	19025	15453	12552	11115	10196	9535	9028	8620	8281	7994	7745	7333	6858	6493	6291	5884	5584	
		100000	14453	11739	9535	8443	7745	7244	6858	6548	6291	6073	5884	5570	5210	4932	4779	4470		
LB6859	LB78110	8000	39313	31932	25937	22966	21067	19703	18654	17811	17112	16518	16004	15152	14171	13417	12999	12158		
LB6863		20000	29864	24257	19703	17447	16004	14968	14171	13531	12999	12548	12158	11510	10765	10192	9875	9236		
LB6864		40000	24257	19703	16004	14171	12999	12158	11510	10990	10559	10192	9875	9349	8744	8279	8021	7502		
LB68M100		100000	18427	14968	12158	10765	9875	9236	8744	8349	8021	7743	7502	7102	6642	6289	6093	5699		
LB6867	LB78120	8000	46251	37567	30514	27019	24785	23180	21946	20955	20132	19433	18828	17826	16672	15784				
LB68M110		20000	35135	28538	23180	20525	18828	17609	16672	15918	15293	14762	14303	13542	12665	11991				
		40000	28538	23180	18828	16672	15293	14303	13542	12930	12422	11991	11618	10999	10287	9739				
		100000	21679	17609	14303	12665	11618	10865	10287	9822	9436	9109	8825	8356	7815	7399				
LB6871	LB78130	8000	55115	44768	36363	32198	29536	27623	26153	24971	23990	23157	22437	21243	19867	18810				
LB6872		20000	41869	34008	27623	24459	22437	20984	19867	18969	18224	17592	17044	16137	15092	14289				
LB68M115		40000	34008	27623	22437	19867	18224	17044	16137	15408	14803	14289	13844	13107	12259	11606				
		100000	25834	20984	17044	15092	13844	12948	12259	11705	11245	10855	10517	9957	9312	8817				
LB6879	LB78140	8000	63980	51968	42211	37377	34286	32066	30359	28987	27849	26882	26046	24659	23063					
LB6880		20000	48603	39478	32066	28393	26046	24359	23063	22020	21156	20421	19786	18733	17520					
LB68M125		40000	39478	32066	26046	23063	21156	19786	18733	17886	17184	16587	16071	15216	14230					
		100000	29990	24359	19786	17520	16071	15030	14230	13587	13054	12601	12209	11559	10810					
LB6883	LB78150	8000	73230	59481	48314	42780	39243	36702	34748	33178	31875	30769	29811	28225	26397					
LB68M135		20000	55630	45186	36702	32498	29811	27881	26397	25204	24214	23374	22646	21441	20053					
		40000	45186	36702	29811	26397	24214	22646	21441	20472	19668	18985	18395	17415	16288					
		100000	34326	27881	22646	20053	18395	17204	16288	15552	14941	14422	13974	13230	12373					
LB6887	LB78160	8000	83251	67621	54925	48635	44613	41724	39504	37718	36237	34979	33891	32087	30009					
LB68M140		20000	63242	51369	41724	36946	33891	31696	30009	28653	27528	26572	25745	24375	22797					
		40000	51369	41724	33891	30009	27528	25745	24375	23273	22360	21583	20912	19799	18517					
		100000	39023	31696	25745	22797	20912	19558	18517	17680	16986	16396	15886	15040	14066					
LB6895	LB78170	8000	96356	78265	63571	56290	51636	48292	45723	43655	41941	40485	39225	37138	34733					
LB6896		20000	73197	59455	48292	42761	39225	36686	34733	33163	31861	30755	29798	28212	26385					
LB68M150		40000	59455	48292	39225	34733	31861	29798	28212	26937	25879	24981	24203	22915	21431					
		100000	45165	36686	29798	26385	24203	22636	21431	20463	19659	18977								

Table 4 • Series 6900, 7900, SAF22600, SAF22300 Load Ratings and Speed Limits

Basic Bearing Number		Bearing Size Number	Co Static Load Rating	C Basic Load Rating	Approximate Speed Limit RPM*		e	$\frac{F_a}{F_r} \leq e$		$\frac{F_a}{F_r} > e$			
Adapter Mounted	Direct Shaft Mounted				Oil	Grease		X1	Y1	X2	Y2		
Shaft Diameter	Number	Bearing Seat mm	Number		pounds/ newtons	pounds/ newtons							
inches													
1 7/16	LB6923	45	LB7945	22309LB	40000	35500	4800	3800	0.36	1.00	1.9	0.67	2.8
1 1/2	LB6924				178000	158000							
1 11/16	LB6927	50	LB7950	22310LB	48000	42500	4300	3400	0.36	1.00	1.9	0.67	2.8
					214000	189000							
1 15/16	LB6931	55	LB7955	22311LB	57000	50000	4000	3200	0.36	1.00	1.9	0.67	2.8
2	LB6932				254000	222000							
2 3/16	LB6935	65	LB7965	22313LB	80000	65500	3400	2600	0.34	1.00	2.0	0.67	3.0
					356000	291000							
2 7/16	LB6939	75	LB7975	22315LB	98000	83000	3000	2200	0.34	1.00	2.0	0.67	3.0
2 1/2	LB6940				436000	369000							
2 11/16	LB6943	80	LB7980	22316LB	112000	93000	2800	2000	0.34	1.00	2.0	0.67	3.0
					498000	414000							
2 15/16	LB6947	85	LB7985	22317LB	122000	102000	2600	1900	0.33	1.00	2.0	0.67	3.0
					543000	454000							
3 3/16	22618-303	90	22318	22318LB	140000	114000	2400	1800	0.33	1.00	2.0	0.67	3.0
					623000	507000							
3 7/16	22620-307	100	22320	22320LB	183000	146000	2200	1700	0.34	1.00	2.0	0.67	3.0
3 1/2	22620-308				814000	649000							
3 15/16	22622-315	110	22322	22322LB	236000	180000	2000	1600	0.33	1.00	2.1	0.67	3.1
4	22622-400				1050000	801000							
4 3/16	22624-403	120	22324	22324LB	260000	204000	1800	1400	0.33	1.00	2.1	0.67	3.1
					1160000	907000							
4 7/16	22626-407	130	22326	22326LB	305000	236000	1700	1300	0.33	1.00	2.1	0.67	3.1
					1360000	1050000							
4 15/16	22628-415	140	22328	22328LB	360000	275000	1500	1100	0.34	1.00	2.0	0.67	3.0
5	22628-500				1600000	1220000							
5 3/16	22630-503	150	22330	22330LB	405000	310000	1400	1000	0.33	1.00	2.0	0.67	3.0
					1800000	1380000							
5 7/16	22632-507	160	22332	22332LB	425000	325000	1300	950	0.37	1.00	1.8	0.67	2.7
					1890000	1450000							
5 15/16	22634-515	170	22334	22334LB	475000	360000	1300	950	0.37	1.00	1.8	0.67	2.7
					2110000	1600000							

If the load P is greater than .25C, consult Rexnord Bearing Division.

*Speed limits are based on the following:

1. Negligible seal torque (e.g., non-contact seals)
2. Proper operating internal clearance.
3. Adequate lubrication and maintenance (special lubricants and/or more frequent relubrication may be required).
4. Normal room temperature environment and no extraneous heat sources, such that bearing operating temperature does not exceed 100°C (212°F).
5. Equivalent radial load not greater than 7% of C.
6. Axial load, if any, not greater than 20% of radial load.

Table 5 • Radial Load Ratings in Pounds at Various RPM for Appropriate L10 Life Hours

Basic Unit Number		L10 Minimum Life, hours	Radial Load Ratings, pounds																	
Adapter Mounted	Direct Shaft Mounted		Speed, RPM																	
			50	100	200	300	400	500	600	700	800	900	1000	1200	1500	1800	2000	2500	3000	3500
LB6923 LB6924	LB7945	8000	13682	11114	9027	7993	7332	6857	6492	6199	5956	5749	5570	5274	4932	4670	4524	4231	4006	3825
		20000	10394	8443	6857	6072	5570	5209	4932	4709	4524	4367	4231	4006	3747	3547	3437	3214	3043	2906
		40000	8443	6857	5570	4932	4524	4231	4006	3825	3675	3547	3437	3254	3043	2881	2792	2611	2472	2360
		100000	6413	5209	4231	3747	3437	3214	3043	2906	2792	2695	2611	2472	2312	2189	2121	1983	1878	1793
LB6927	LB7950	8000	16380	13305	10807	9569	8778	8210	7773	7421	7130	6882	6668	6313	5905	5590	5416	5066	4796	4579
		20000	12444	10107	8210	7269	6668	6237	5905	5638	5416	5228	5066	4796	4485	4247	4115	3848	3643	3479
		40000	10107	8210	6668	5905	5416	5066	4796	4579	4399	4247	4115	3896	3643	3449	3342	3126	2959	2826
		100000	7678	6237	5066	4485	4115	3848	3643	3479	3342	3226	3126	2959	2768	2620	2539	2374	2248	2146
LB6931 LB6932	LB7955	8000	19271	15653	12714	11258	10327	9658	9144	8731	8388	8097	7845	7428	6947	6577	6372	5960	5642	5387
		20000	14639	11891	9658	8552	7845	7337	6947	6633	6372	6151	5960	5642	5277	4996	4841	4527	4286	4093
		40000	11891	9658	7845	6947	6372	5960	5642	5387	5176	4996	4841	4583	4286	4058	3932	3677	3482	3324
		100000	9033	7337	5960	5277	4841	4527	4286	4093	3932	3795	3677	3482	3256	3083	2987	2793	2645	2525
LB6935	LB7965	8000	25245	20505	16656	14748	13529	12653	11979	11438	10989	10607	10277	9730	9100	8616	8348	7807	7391	7057
		20000	19178	15577	12653	11203	10277	9612	9100	8689	8348	8058	7807	7391	6913	6545	6341	5931	5615	5361
		40000	15577	12653	10277	9100	8348	7807	7391	7057	6780	6545	6341	6004	5615	5316	5151	4817	4561	4355
		100000	11833	9612	7807	6913	6341	5931	5615	5361	5151	4972	4817	4561	4265	4038	3913	3659	3465	3308
LB6939 LB6940	LB7975	8000	31990	25984	21106	18688	17143	16033	15180	14494	13924	13441	13023	12330	11531	10918	10578	9893	9366	8943
		20000	24301	19739	16033	14197	13023	12180	11531	11010	10578	10211	9893	9366	8760	8294	8036	7515	7115	6794
		40000	19739	16033	13023	11531	10578	9893	9366	8943	8592	8294	8036	7608	7115	6736	6527	6104	5779	5518
		100000	14995	12180	9893	8760	8036	7515	7115	6794	6527	6300	6104	5779	5405	5117	4958	4637	4390	4192
LB6943	LB7980	8000	35844	29115	23648	20940	19208	17965	17008	16240	15602	15060	14592	13815	12921	12233	11852	11085	10495	10021
		20000	27229	22117	17965	15907	14592	13647	12921	12337	11852	11441	11085	10495	9815	9293	9004	8421	7972	7612
		40000	22117	17965	14592	12921	11852	11085	10495	10021	9627	9293	9004	8524	7972	7548	7313	6840	6476	6183
		100000	16801	13647	11085	9815	9004	8421	7972	7612	7313	7059	6840	6476	6056	5734	5556	5196	4919	4697
LB6947	LB7985	8000	39313	31932	25937	22966	21067	19703	18654	17811	17112	16518	16004	15152	14171	13417	12999	12158	11510	10990
		20000	29864	24257	19703	17447	16004	14968	14171	13531	12999	12548	12158	11510	10765	10192	9875	9349	8744	8349
		40000	24257	19703	16004	14171	12999	12158	11510	10990	10559	10192	9875	9349	8744	8279	8021	7502	7102	6781
		100000	18427	14968	12158	10765	9875	9236	8744	8349	8021	7743	7502	7102	6642	6289	6093	5699	5395	5152
22618	22318	8000	43938	35689	28988	25668	23546	22021	20849	19907	19125	18461	17887	16935	15838	14995	14529	13588	12865	12283
		20000	33378	27111	22021	19499	17887	16729	15838	15122	14529	14024	13588	12865	12032	11391	11037	10322	9773	9331
		40000	27111	22021	17887	15838	14529	13588	12865	12283	11801	11391	11037	10449	9773	9253	8965	8384	7938	7579
		100000	20595	16729	13588	12032	11037	10322	9773	9331	8965	8653	8384	7938	7424	7029	6810	6369	6030	5758
22620	22320	8000	56272	45707	37125	32873	30155	28203	26701	25495	24494	23643	22908	21688	20284	19204	18607	17402	16476	15731
		20000	42747	34722	28203	24973	22908	21424	20284	19367	18607	17961	17402	16476	15409	14589	14135	13220	12516	11950
		40000	34722	28203	22908	20284	18607	17402	16476	15731	15113	14589	14135	13382	12516	11850	11481	10738	10166	9707
		100000	26376	21424	17402	15409	14135	13220	12516	11950	11481	11082	10738	10166	9508	9002	8722	8157	7723	7374
22622	22322	8000	69376	56351	45771	40529	37178	34770	32920	31432	30198	29149	28242	26739	25008	23677	22940	21454	20313	19395
		20000	52702	42807	34770	30788	28242	26414	25008	23877	22940	22143	21454	20313	18997	17986	17426	16298	15431	14733
		40000	42807	34770	28242	25008	22940	21454	20313	19395	18633	17986	17426	16499	15431	14609	14155	13238	12534	11967
		100000	32519	26414	21454	18997	17426	16298	15431	14733	14155	13663	13238	12534	11722	11098	10753	10056	9521	9091
22624	22324	8000	78626	63864	51874	45933	42135	39406	37309	35623	34224	33036	32008	30304	28342	26833	25999	24315	23021	21980
		20000	59729	48515	39406	34893	32008	29935	28342	27061	25999	25096	24315	23021	21530	20384	19750	18471	17488	16698
		40000	48515	39406	32008	28342	25999	24315	23021	21980	21117	20384	19750	18699	17488	16557	16042	15003	14205	13563
		100000	36855	29935	24315	21530	19750	18471	17488	16698	16042	15485	15003	14205	13285	12578	12186	11397	10791	10303
22626	22326	8000	90960	73882	60011	53138	48744	45588	43161	41211	39592	38218	37029	35058	32788	31043	30077	28129	26632	25428
		20000	69098	56125	45588	40367	37029	34631	32788	31306	30077	29033	28129	26632	24908	23582	22848	21369	20231	19317
		40000	56125	45588	37029	32788	30077	28129	26632	25428	24430	23582	22848	21632	20231	19154	18558	17357	16433	15690
		100000	42636	34631	28129	24908	22848	21369	20231	19317	18558	17914	17357	16433	15369	14551	14098	13185	12483	11919
22628	22328	8000	105991	86092	69928	61919	56799	53121	50294	48021	46135	44534	43148	40851	38206	36173	35047	32778	31033	29631
		20000	80517	65400	53121	47037	43148	40354	38206	36480	35047	33830	32778	31033	29024	27479	26624	24900	23574	22509
		40000	65400	53121	43148	38206	35047	32778	31033	29631	28467	27479	26624	25207	23574	22320	21625	20225	19148	18283
		100000	49682	40354	32778	29024	26624	24900	23574	22509	21625	20874	20225	19148	17909	16955	16428	15364	14546	13889
22630	22330	8000	119481	97049	78828	69800	64028	59882	56695	54133	52007	50201	48640	46051	43069	40776	39508	36949	34983	33402
		20000	90765	73724	59882	53024	48640	45490	43069	41122	39508	38136	36949	34983	32717	30976	30012	28069	26575	25374
		40000	73724	59882	48640	43069	39508	36949	34983	33402	32090	30976	30012	28415	26575	25160	24378	22799	21585	20610
		100000	56005	45490	36949	32717	30012	28069	26575	25374	24378	23531	22799	21585	20188	19113	18519	17319	16398	15657
22632	22332	8000	125262	101745	82642	73177	67126	62780	59438	56752	54524	52631	50993	48279	45153	42749	41419	38737	36675	35018
		20000	95156	77291	62780	55589	50993	47691	45153	43112	41419	39981	38737	36675	34301	32475	31464	29427	27861	26602
		40000	77291	62780	50993	45153	41419	38737	36675	35018	33643	32475	31464	29790	27861	26378	25557	23902	22630	21607
		100000	58715	47691	38737	34301	31464	29427	27861	26602	25557	24670	23902	22630	21165	20038	19415	18157	17191	16414

Table 6 • Series 22200LB, 22200LBK Load Ratings and Speed Limits

Bearing Number		Co Static Load Rating		C Basic Load Rating		Speed Limit, rpm		e	$\frac{F_a}{F_r} \leq e$		$\frac{F_a}{F_r} > e$	
Cylindrical Bore	Tapered bore	newtons	pounds	newtons	pounds	Grease	Oil		X1	Y1	X2	Y2
22209LB	22209LBK	105000	23600	92500	20800	5300	6200	0.26	1.00	2.6	0.67	3.9
22210LB	22210LBK	113000	25500	97900	22000	5000	5500	0.26	1.00	2.8	0.67	4.2
22211LB	22211LBK	145000	32500	120000	27000	4500	5000	0.23	1.00	2.9	0.67	4.4
22212LB	22212LBK	180000	40500	151000	34000	4000	4500	0.24	1.00	2.8	0.67	4.2
22213LB	22213LBK	207000	46500	169000	38000	3800	4300	0.24	1.00	2.8	0.67	4.2
22214LB	22214LBK	222000	50000	178000	40000	3600	4000	0.23	1.00	2.9	0.67	4.4
22215LB	22215LBK	236000	53000	185000	41500	3400	3700	0.22	1.00	3.1	0.67	4.6
22216LB	22216LBK	260000	58500	207000	46500	3200	3500	0.22	1.00	3.1	0.67	4.7
22217LB	22217LBK	327000	73500	260000	58500	3000	3250	0.22	1.00	3.0	0.67	4.5
22218LB	22218LBK	363000	81500	285000	64000	2600	3000	0.23	1.00	2.9	0.67	4.3
22219LB	22219LBK	400000	90000	316000	71000	2400	2900	0.24	1.00	2.9	0.67	4.3
22220LB	22220LBK	463000	104000	356000	80000	2200	2800	0.24	1.00	2.8	0.67	4.2
22222LB	22222LBK	587000	132000	454000	102000	2000	2500	0.25	1.00	2.7	0.67	4.0
22224LB	22224LBK	725000	163000	534000	120000	1900	2300	0.25	1.00	2.7	0.67	4.0
22226LB	22226LBK	872000	196000	636000	143000	1800	2100	0.26	1.00	2.6	0.67	3.9
22228LB	22228LBK	1010000	228000	738000	166000	1700	1950	0.25	1.00	2.7	0.67	4.0
22230LB	22230LBK	1200000	270000	845000	190000	1600	1850	0.25	1.00	2.7	0.67	4.0
22232LB	22232LBK	1380000	310000	961000	216000	1500	1700	0.26	1.00	2.6	0.67	3.9
22234LB	22234LBK	1530000	345000	1110000	250000	1300	1600	0.26	1.00	2.6	0.67	3.9
22236LB	22236LBK	1620000	365000	1130000	255000	1300	1500	0.25	1.00	2.7	0.67	4.0
22238LB	22238LBK	1850000	415000	1200000	270000	1200	1400	0.28	1.00	2.4	0.67	3.6
22240LB	22240LBK	2000000	450000	1330000	300000	1100	1300	0.29	1.00	2.3	0.67	3.5
22244LB	22244LBK	2450000	550000	1620000	365000	1000	1200	0.29	1.00	2.3	0.67	3.5
22248LB	22248LBK	2890000	650000	1870000	420500	750	950	0.27	1.00	2.5	0.67	3.7

If the load P is greater than .25C, consult Rexnord Bearing Division.

Speed limits are based on the following:

1. Negligible seal torque (e.g., non-contact seals)
2. Proper operating internal clearance.
3. Adequate lubrication and maintenance (special lubricants and/or more frequent relubrication may be required).
4. Normal room temperature environment and no extraneous heat sources, such that bearing operating temperature does not exceed 100°C (212°F).
5. Equivalent radial load not greater than 7% of C.
6. Axial load, if any, not greater than 20% of radial load.

Table 7 • Series 22300LB,22300LBK Load Ratings and Speed Limits

Bearing Number		Co Static Load Rating		C Basic Load Rating		Speed Limit rpm		$\frac{F_a}{F_r} \leq e$		$\frac{F_a}{F_r} > e$		
Cylindrical Bore	Tapered Bore	newtons	pounds	newtons	pounds	Grease	Oil	e	X1	Y1	X2	Y2
22308LB	22308LBK	145000	32500	129000	29000	4500	5600	0.36	1.00	1.9	0.67	2.8
22309LB	22309LBK	178000	40000	158000	35500	3800	4800	0.36	1.00	1.9	0.67	2.8
22310LB	22310LBK	214000	48000	189000	42500	3600	4300	0.36	1.00	1.9	0.67	2.8
22311LB	22311LBK	254000	57000	222000	50000	3200	4000	0.36	1.00	1.9	0.67	2.8
22312LB	22312LBK	302000	68000	260000	58500	3000	3800	0.35	1.00	1.9	0.67	2.8
22313LB	22313LBK	356000	80000	291000	65500	2600	3400	0.34	1.00	2.0	0.67	3.0
22314LB	22314LBK	378000	85000	320000	72000	2400	3200	0.34	1.00	2.0	0.67	3.0
22315LB	22315LBK	436000	98000	369000	83000	2200	3000	0.34	1.00	2.0	0.67	3.0
22316LB	22316LBK	498000	112000	414000	93000	2000	2800	0.34	1.00	2.0	0.67	3.0
22317LB	22317LBK	543000	122000	454000	102000	1900	2600	0.33	1.00	2.0	0.67	3.0
22318LB	22318LBK	623000	140000	507000	114000	1800	2400	0.33	1.00	2.0	0.67	3.0
22319LB	22319LBK	681000	153000	556000	125000	1800	2400	0.33	1.00	2.0	0.67	3.0
22320LB	22320LBK	814000	183000	649000	146000	1700	2200	0.34	1.00	2.0	0.67	3.0
22322LB	22322LBK	1050000	236000	801000	180000	1600	2000	0.33	1.00	2.1	0.67	3.1
22324LB	22324LBK	1160000	260000	907000	204000	1400	1800	0.33	1.00	2.1	0.67	3.1
22326LB	22326LBK	1360000	305000	1050000	236000	1300	1700	0.33	1.00	2.1	0.67	3.1
22328LB	22328LBK	1600000	360000	1220000	275000	1100	1500	0.34	1.00	2.0	0.67	3.0
22330LB	22330LBK	1800000	405000	1380000	310000	1000	1400	0.33	1.00	2.0	0.67	3.0
22332LB	22332LBK	1890000	425000	1450000	325000	950	1300	0.37	1.00	1.8	0.67	2.7
22334LB	22334LBK	2110000	475000	1600000	360000	950	1300	0.37	1.00	1.8	0.67	2.7
22336LB	22336LBK	2360000	530000	1730000	390000	900	1200	0.37	1.00	1.8	0.67	2.7
22338LB	22338LBK	2540000	570000	1850000	415000	850	1100	0.37	1.00	1.8	0.67	2.7
22340LB	22340LBK	2800000	630000	2070000	465000	850	1100	0.36	1.00	1.9	0.67	2.8
22344LB	22344LBK	3340000	750000	2360000	530000	700	900	0.35	1.00	2.0	0.67	2.9
22348LB	22348LBK	3800000	854500	2600000	584500	670	850	0.32	1.00	2.1	0.67	3.2
22356LB	22356LBK	5150000	1157800	3500000	787000	560	710	0.31	1.00	2.1	0.67	3.2

If the load P is greater than .25C, consult Rexnord Bearing Division.

Speed limits are based on the following:

1. Negligible seal torque (e.g., non-contact seals)
2. Proper operating internal clearance.
3. Adequate lubrication and maintenance (special lubricants and/or more frequent relubrication may be required).
4. Normal room temperature environment and no extraneous heat sources, such that bearing operating temperature does not exceed 100°C (212°F).
5. Equivalent radial load not greater than 7% of C.
6. Axial load, if any, not greater than 20% of radial load.

Table 8 – Series 23000LB, 23000LBK Load Ratings and Speed Limits

Bearing Number		Co Static Load Rating		C Basic Dynamic Load Rating		Speed Limit, rpm		Fa/Fr ≤ e			Fa/Fr > e	
Cylindrical Bore	Tapered Bore	newtons	pounds	newtons	pounds	Grease	Oil	e	X1	Y1	X2	Y2
23044LB	23044LBK	1980000	445100	1090000	245000	950	1200	0.24	1.00	2.8	0.67	4.1
23048LB	23048LBK	2180000	490000	1160000	260000	950	1100	0.25	1.00	2.7	0.67	4.1
23052LB	23052LBK	2580000	580000	1430000	321500	800	950	0.25	1.00	2.7	0.67	4.1
23056LB	23056LBK	2980000	670000	1530000	345000	800	950	0.25	1.00	2.7	0.67	4.1
23060LB	23060LBK	3700000	832000	1920000	431600	670	850	0.24	1.00	2.8	0.67	4.2
23064LB	23064LBK	3850000	865500	1960000	440600	630	800	0.24	1.00	2.8	0.67	4.2
23068LB	23068LBK	4400000	989200	2280000	512600	560	710	0.24	1.00	2.8	0.67	4.2
23072LB	23072LBK	4700000	1056600	2390000	537500	530	670	0.24	1.00	2.8	0.67	4.2
23076LB	23076LBK	5100000	1146500	2500000	562000	530	630	0.22	1.00	3.0	0.67	4.5
23080LB	23080LBK	5900000	1326500	2970000	668000	480	600	0.23	1.00	3.0	0.67	4.4
23084LB	23084LBK	5850000	1315200	2910000	654200	450	560	0.23	1.00	2.9	0.67	4.3
23088LB	23088LBK	6350000	1427500	3150000	708200	430	530	0.23	1.00	2.9	0.67	4.3
23092LB	23092LBK	7100000	1596200	3450000	775600	400	500	0.22	1.00	3.1	0.67	4.6
23096LB	23096LBK	7950000	1787200	3800000	854300	400	480	0.22	1.00	3.1	0.67	4.6
230530LB	230530LBK	9200000	2068200	4400000	989200	340	430	0.22	1.00	3.1	0.67	4.6
230560LB	230560LBK	10700000	2405500	5000000	1124000	320	400	0.22	1.00	3.0	0.67	4.5
230600LB	230600LBK	12200000	2743000	5450000	1225200	300	360	0.21	1.00	3.3	0.67	4.8
230630LB	230630LBK	12700000	2855000	5900000	1326400	280	340	0.22	1.00	3.1	0.67	4.7

If the load P is greater than .25C, consult Rexnord Bearing Division.

Speed limits are based on the following:

1. Negligible seal torque (e.g., non-contact seals)
2. Proper operating internal clearance.
3. Adequate lubrication and maintenance (special lubricants and/or more frequent relubrication may be required).

4. Normal room temperature environment and no extraneous heat sources, such that bearing operating temperature does not exceed 100°C (212°F).

5. Equivalent radial load not greater than 7% of C.
6. Axial load, if any, not greater than 20% of radial load.

Table 9 – Series 23100LB, 23100LBK Load Ratings and Speed Limits

Bearing Number		Co Static Load Rating		C Basic Dynamic Load Rating		Speed Limit, rpm		Fa/Fr ≤ e			Fa/Fr > e	
Cylindrical Bore	Tapered Bore	newtons	pounds	newtons	pounds	Grease	Oil	e	X1	Y1	X2	Y2
23144LB	23144LBK	2710000	609200	1570000	353000	710	950	0.30	1.00	2.2	0.67	3.3
23148LB	23148LBK	3100000	697000	1790000	402500	670	850	0.30	1.00	2.2	0.67	3.3
23152LB	23152LBK	3750000	843000	2160000	485500	600	800	0.32	1.00	2.1	0.67	3.2
23156LB	23156LBK	4000000	899300	2230000	501500	560	750	0.30	1.00	2.2	0.67	3.3
23160LB	23160LBK	4800000	1079000	2670000	600500	500	670	0.31	1.00	2.2	0.67	3.3
23164LB	23164LBK	5500000	1236500	3050000	685700	480	600	0.31	1.00	2.1	0.67	3.2
23168LB	23168LBK	6600000	1483800	3600000	809500	430	560	0.31	1.00	2.1	0.67	3.2
23172LB	23172LBK	7100000	1596200	3800000	854500	400	530	0.31	1.00	2.2	0.67	3.2
23176LB	23176LBK	7600000	1708500	4000000	899200	400	500	0.30	1.00	2.2	0.67	3.3
23180LB	23180LBK	7900000	1776000	4150000	933000	380	480	0.29	1.00	2.3	0.67	3.4
23184LB	23184LBK	9400000	2113200	5000000	1124000	340	450	0.31	1.00	2.2	0.67	3.3
23188LB	23188LBK	10300000	2315500	5300000	1191500	320	430	0.30	1.00	2.2	0.67	3.3
23192LB	23192LBK	10900000	2450500	5700000	1281400	300	400	0.31	1.00	2.2	0.67	3.3
23196LB	23196LBK	11700000	2630500	6050000	1360100	300	380	0.31	1.00	2.2	0.67	3.3
231530LB	231530LBK	14100000	3169800	7150000	1607400	260	340	0.30	1.00	2.2	0.67	3.3
231560LB	231560LBK	15500000	3484500	7850000	1764800	240	320	0.30	1.00	2.3	0.67	3.4
231600LB	231600LBK	17500000	3934000	8750000	1967000	220	280	0.30	1.00	2.3	0.67	3.4
231630LB	231630LBK	19400000	4361100	9600000	2158100	200	260	0.30	1.00	2.3	0.67	3.4

If the load P is greater than .25C, consult Rexnord Bearing Division.

Speed limits are based on the following:

1. Negligible seal torque (e.g., non-contact seals)
2. Proper operating internal clearance.
3. Adequate lubrication and maintenance (special lubricants and/or more frequent relubrication may be required).

4. Normal room temperature environment and no extraneous heat sources, such that bearing operating temperature does not exceed 100°C (212°F).

5. Equivalent radial load not greater than 7% of C.
6. Axial load, if any, not greater than 20% of radial load.

Table 10 – Series 23200LB, 23200LBK Load Ratings and Speed Limits

Bearing Number		Co Static Load Rating		C Basic Dynamic Load Rating		Speed Limit, rpm		Fa/Fr ≤ e			Fa/Fr > e	
Cylindrical Bore	Tapered Bore	newtons	pounds	newtons	pounds	Grease	Oil	e	X1	Y1	X2	Y2
23244LB	23244LBK	3400000	764500	2020000	454000	670	900	0.35	1.00	1.9	0.67	2.9
23248LB	23248LBK	4050000	910500	2440000	548500	630	800	0.37	1.00	1.8	0.67	2.7
23252LB	23252LBK	4550000	1022900	2740000	616000	560	750	0.37	1.00	1.8	0.67	2.7
23256LB	23256LBK	4900000	1101600	2880000	647500	530	670	0.35	1.00	1.9	0.67	2.9
23260LB	23260LBK	5900000	1326400	3400000	764500	480	630	0.35	1.00	1.9	0.67	2.9
23264LB	23264LBK	6900000	1551200	3900000	877000	450	600	0.36	1.00	1.9	0.67	2.8
23268LB	23268LBK	7800000	1753500	4400000	989200	400	530	0.36	1.00	1.9	0.67	2.8
23272LB	23272LBK	8550000	1922100	4800000	1079000	380	500	0.36	1.00	1.9	0.67	2.8
23276LB	23276LBK	9200000	2068500	5150000	1157800	360	480	0.35	1.00	1.9	0.67	2.9
23280LB	23280LBK	10400000	2338000	5800000	1303900	340	450	0.36	1.00	1.9	0.67	2.8
23284LB	23284LBK	11700000	2630500	6450000	1450000	320	430	0.35	1.00	1.9	0.67	2.9
23288LB	23288LBK	12800000	2877500	6900000	1551200	300	400	0.35	1.00	1.9	0.67	2.9
23292LB	23292LBK	13700000	3080000	7350000	1652400	280	380	0.36	1.00	1.9	0.67	2.8
23296LB	23296LBK	14400000	3237500	7850000	1764800	260	360	0.36	1.00	1.9	0.67	2.8

If the load P is greater than .25C, consult Rexnord Bearing Division.

Speed limits are based on the following:

1. Negligible seal torque (e.g., non-contact seals)
2. Proper operating internal clearance.
3. Adequate lubrication and maintenance (special lubricants and/or more frequent relubrication may be required).
4. Normal room temperature environment and no extraneous heat sources, such that bearing operating temperature does not exceed 100°C (212°F).
5. Equivalent radial load not greater than 7% of C.
6. Axial load, if any, not greater than 20% of radial load.

Table 11 – Series 23900LB, 23900LBK Load Ratings and Speed Limits

Bearing Number		Co Static Load Rating		C Basic Dynamic Load Rating		Speed Limit, rpm		Fa/Fr ≤ e			Fa/Fr > e	
Cylindrical Bore	Tapered Bore	newtons	pounds	newtons	pounds	Grease	Oil	e	X1	Y1	X2	Y2
23944LB	23944LBK	1240000	279000	625000	140500	1000	1300	0.18	1.00	3.8	0.67	5.7
23948LB	23948LBK	1300000	292500	635000	143000	950	1200	0.17	1.00	4.0	0.67	6.0

If the load P is greater than .25C, consult Rexnord Bearing Division.

Speed limits are based on the following:

1. Negligible seal torque (e.g., non-contact seals)
2. Proper operating internal clearance.
3. Adequate lubrication and maintenance (special lubricants and/or more frequent relubrication may be required).
4. Normal room temperature environment and no extraneous heat sources, such that bearing operating temperature does not exceed 100°C (212°F).
5. Equivalent radial load not greater than 7% of C.
6. Axial load, if any, not greater than 20% of radial load.

Table 12 • Series A2000S Load Ratings and Speed Limits

Bearing number	Weight		Co Static Load Rating		C Basic Load Rating		Approx. Speed Limit RPM [^]	e	X2	Y2		
	Kilograms	pounds	newtons	pounds	newtons	pounds						
A22100S	0.2	0.5	36	500	8210	33	300	7480	7100	0.51	0.40	1.17
A22150S	0.3	0.6	46	600	10500	37	800	8510	5700	0.44	0.40	1.37
A22196S	0.5	1.1	73	800	16600	55	100	12400	4500	0.40	0.40	1.49
A23225S	0.6	1.4	98	800	22200	68	500	15400	4000	0.40	0.40	1.49
A22262S	0.9	2.0	136	100	30600	93	200	21000	3500	0.37	0.40	1.61
A23275S	2.1	4.7	187	700	42200	150	300	33800	2850	0.40	0.40	1.49
A22300S	1.4	3.0	159	200	35800	108	500	24400	3100	0.38	0.40	1.59
A23300S	2.3	5.0	201	500	45300	132	600	29800	2650	0.38	0.40	1.57
A23334S	2.0	4.4										
A22413S	4.1	9.0	395	100	88800	244	700	55000	2100	0.38	0.40	1.60

Please consult for availability.

[^] For oil lubrication only. For grease lubrication, use 75% of these values.

Table 13 • Series A20000, A20000M Load Ratings and Speed Limits

Bearing Number	Weight		Co Static Load Rating		C Basic Load Rating		Approximate speed limit RPM*	e	$\frac{F_a}{F_r} \leq e$		$\frac{F_a}{F_r} > e$	
	kilograms	pounds	newtons	newtons	newtons	pounds			X1	Y1	X2	Y2
A22100	0.4	1.0										
A22100M	0.4	1.0	66 100	14900	51 200	11500	7100	0.51	1.00	1.32	0.67	1.96
A22112	0.4	0.9										
A22112M	0.4	0.9										
A22118	0.6	1.3	80 500	18100	60 900	13700	6200	0.48	1.00	1.40	0.67	2.08
A22118M	0.6	1.4										
A22125	0.5	1.1										
A22125M	0.5	1.2										
A22137	0.6	1.3	93 200	20900	64 900	14600	5700	0.44	1.00	1.54	0.67	2.29
A22137M	0.6	1.4										
A22150	0.5	1.2										
A22150M	0.6	1.3										
A22177	0.9	2.0	127 700	28700	89 800	20200	4800	0.45	1.00	1.51	0.67	2.25
A22177M	0.9	2.0										
A22196	1.0	2.1	147 700	33200	94 300	21200	4500	0.40	1.00	1.68	0.67	2.50
A22196M	1.0	2.3										
A23196	1.4	3.1	189 000	42500	130 300	29300	4200	0.45	1.00	1.50	0.67	2.24
A23196M	1.5	3.3										
A24196	2.0	4.3	245 500	55200	164 600	37000	3850	0.48	1.00	1.39	0.67	2.07
A24196M	2.1	4.7										
A23200	1.4	3.2										
A23200M	1.5	3.3	197 500	44400	117 400	26400	4000	0.40	1.00	1.68	0.67	2.50
A23225	1.3	2.8										
A23225M	1.3	2.9										
A24236	1.8	3.9	238 000	53500	139 700	31400	3600	0.38	1.00	1.80	0.67	2.68
A24236M	2.0	4.3										
A22262	1.9	4.2	272 700	61300	159 700	35900	3500	0.37	1.00	1.81	0.67	2.70
A23262	2.9	6.5	249 400	67300	194 400	43700	3250	0.42	1.00	1.62	0.67	2.42
A23262M	3.1	6.9										
A23275	4.2	9.3	375 000	84300	257 500	57900	2850	0.40	1.00	1.67	0.67	2.49
A23275M	4.4	9.8										
A22275	3.0	6.6	318 000	71500	185 900	41800	3100	0.38	1.00	1.79	0.67	2.67
A22275M	3.1	6.8										
A22295	2.7	6.0										
A22295M	2.8	6.2										
A23334	4.0	8.9	403 400	90700	226 800	51000	2650	0.38	1.00	1.77	0.67	2.64
A23334M	4.3	9.4										
A22343	4.3	9.4	516 000	116000	274 000	61600	2600	0.43	1.00	1.57	0.67	2.33
A22343M	4.4	9.8										
A22351	4.9	10.9										
A22351M	5.1	11.3										
A22362	4.7	10.4										
A22362M	4.9	10.8										
A24374	7.5	16.0	609 400	137000	351 800	79100	2200	0.36	1.00	1.88	0.67	2.79
A22354	9.6	21.1										
A22354M	10.0	22.1										
A22400	8.6	18.9	790 200	178000	419 400	94300	2100	0.38	1.00	1.80	0.67	2.68
A22400M	8.8	19.3										
A22413	8.4	18.6										
A22413M	8.7	19.1										
A23472	13.6	30.0	944 700	212000	520 400	117000	1800	0.37	1.00	1.83	0.67	2.72

* For oil lubrication only. For grease lubrication, use 75% of these values.

Cylindrical Bore Bearings - Radial Clearances									
Series 22200, 22300, 23000, 23100, 23200		Radial Internal Clearance, Inches							
		C2		C0		C3 (basic)		C4	
Basic Size	Bore (mm)	Min	Max	Min	Max	Min	Max	Min	Max
08	40	0.0006	0.0012	0.0012	0.0018	0.0018	0.0024	0.0024	0.0032
09	45	0.0008	0.0014	0.0014	0.0022	0.0022	0.0030	0.0030	0.0039
10	50								
11	55	0.0010	0.0017	0.0017	0.0026	0.0026	0.0036	0.0036	0.0047
12	60								
13	65								
14	70	0.0012	0.0020	0.0020	0.0032	0.0032	0.0044	0.0044	0.0057
15	75								
16	80								
17	85	0.0014	0.0025	0.0025	0.0039	0.0039	0.0053	0.0053	0.0071
18	90								
19	95								
20	100								
22	110	0.0017	0.0031	0.0031	0.0048	0.0048	0.0064	0.0064	0.0083
24	120								
26	130	0.0020	0.0038	0.0038	0.0057	0.0057	0.0075	0.0075	0.0095
28	140								
30	150	0.0024	0.0043	0.0043	0.0065	0.0065	0.0087	0.0087	0.0110
32	160								
34	170	0.0026	0.0047	0.0047	0.0071	0.0071	0.0095	0.0095	0.0122
36	180								
38	190	0.0028	0.0051	0.0051	0.0079	0.0079	0.0103	0.0103	0.0133
40	200								
44	220	0.0032	0.0055	0.0055	0.0087	0.0087	0.0114	0.0114	0.0149
48	240	0.0036	0.0059	0.0059	0.0095	0.0095	0.0126	0.0126	0.0165
52	260	0.0039	0.0067	0.0067	0.0103	0.0103	0.0138	0.0138	0.0180
56	280								
60	300	0.0044	0.0075	0.0075	0.0110	0.0110	0.0145	0.0145	0.0197
64	320	0.0047	0.0079	0.0079	0.0122	0.0122	0.0161	0.0161	0.0217
68	340								
72	360	0.0051	0.0087	0.0087	0.0134	0.0134	0.0177	0.0177	0.0236
76	380								
80	400								
84	420	0.0055	0.0094	0.0094	0.0146	0.0146	0.0197	0.0197	0.0260
88	440								
92	460	0.0055	0.0102	0.0102	0.0161	0.0161	0.0217	0.0217	0.0283
96	480								
	530	0.0059	0.0110	0.0110	0.0173	0.0173	0.0236	0.0236	0.0307
	560								
	600	0.0067	0.0122	0.0122	0.0189	0.0189	0.0256	0.0256	0.0335
	630								

C2 = Internal clearance less than C0

C0 = Internal clearance

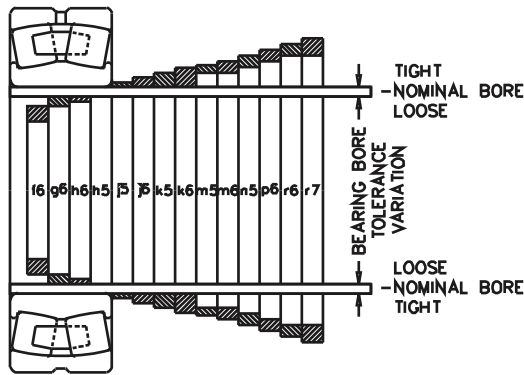
C3 = Internal clearance greater than C0

C4 = Internal clearance greater than C3

Tapered Bore Bearings - Radial Clearances									
Series 22200, 22300, 23000, 23100, 23200		Radial Internal Clearance, Inches							
		C2		C0		C3 (basic)		C4	
Basic Size	Bore (mm)	Min	Max	Min	Max	Min	Max	Min	Max
08	40	0.0008	0.0014	0.0014	0.0020	0.0020	0.0026	0.0026	0.0033
09	45	0.0012	0.0018	0.0018	0.0024	0.0024	0.0031	0.0031	0.0039
10	50								
11	55	0.0014	0.0022	0.0022	0.0030	0.0030	0.0037	0.0037	0.0047
12	60								
13	65								
14	70	0.0018	0.0028	0.0028	0.0037	0.0037	0.0047	0.0047	0.0059
15	75								
16	80								
17	85								
18	90	0.0020	0.0030	0.0030	0.0043	0.0043	0.0055	0.0055	0.0071
19	95								
20	100								
22	110								
24	120	0.0025	0.0039	0.0039	0.0053	0.0053	0.0067	0.0067	0.0087
26	130								
28	140	0.0030	0.0047	0.0047	0.0063	0.0063	0.0079	0.0079	0.0102
30	150								
32	160								
34	170	0.0033	0.0051	0.0051	0.0071	0.0071	0.0091	0.0091	0.0118
36	180								
38	190	0.0037	0.0055	0.0055	0.0079	0.0079	0.0102	0.0102	0.0134
40	200								
44	220	0.0041	0.0063	0.0063	0.0087	0.0087	0.0114	0.0114	0.0146
48	240								
52	260	0.0047	0.0071	0.0071	0.0098	0.0098	0.0126	0.0126	0.0161
56	280								
60	300	0.0053	0.0079	0.0079	0.0106	0.0106	0.0138	0.0138	0.0177
64	320								
68	340	0.0059	0.0087	0.0087	0.0118	0.0118	0.0154	0.0154	0.0193
72	360								
76	380								
80	400	0.0065	0.0094	0.0094	0.0130	0.0130	0.0169	0.0169	0.0213
84	420								
88	440	0.0075	0.0106	0.0106	0.0142	0.0142	0.0185	0.0185	0.0232
92	460								
96	480	0.0083	0.0118	0.0118	0.0157	0.0157	0.0205	0.0205	0.0256
100	500								
104	520								
108	540	0.0091	0.0130	0.0130	0.0173	0.0173	0.0224	0.0224	0.0283
112	560								
116	580	0.0102	0.0146	0.0146	0.0193	0.0193	0.0248	0.0248	0.0311
120	600								
124	620	0.0114	0.0161	0.0161	0.0213	0.0213	0.0268	0.0268	0.0343
128	640								
132	660	0.0126	0.0181	0.0181	0.0236	0.0236	0.0299	0.0299	0.0386
136	680								

C2 = Internal clearance less than C0
 C0 = Internal clearance
 C3 = Internal clearance greater than C0
 C4 = Internal clearance greater than C3

Shaft Bearing Seat Diameters



Bearing bore tolerances are in accord with the system of tolerancing established by the International Standards Organization (ISO) and adopted by the American Bearing Manufacturers Association (ABMA) and the American National Standards Institute (ANSI).

A system of limits and fits has been established by ISO for shafts. A portion of this system has been adopted by ABMA to provide flexibility in selecting shaft fits. Shaft fits are designated by a lower case letter and a number, such as h6. The letter indicates the location of the shaft tolerance limits with respect to the nominal bearing bore. The number indicates the size of the tolerance zone.

Shaft fits recommended for various types of applications are listed in the table at right. A graphic relationship of various shaft fits is illustrated in the figure at the left.

Many factors influence the proper fit on the bearing inner ring on a shaft. The magnitude of the load and its direction with respect to bearing inner or outer rings are generally the first factors considered in shaft fit selection. The effects of other factors such as vibration, shock, temperature, speed, etc. are of secondary importance but sometimes need to be considered. Where assembly or disassembly requirements are of prime importance special shaft fits may be required. Appropriate diameter shafting is determined (as shown) from the tables below.

Class of Fit and Shaft Diameters

Bearing Series 22200, 22300, 23000	Nominal bearing bore and shaft diameter		Bearing bore tolerance#		Bearing/Shaft diameter fits*									
					f6		g6		h6		h5		j5	
					Tolerance		Tolerance		Tolerance		Tolerance		Tolerance	
Basic Size	inches	mm			Fit	Shaft Dia.	Fit	Shaft Dia.	Fit	Shaft Dia.	Fit	Shaft Dia.	Fit	Shaft Dia.
08	1.5748	40.000	+0.000	-.0005	.0005L	-0.0010	.0001T	-0.0004	.0005T	0.0000	.0005T	0.0000	.0007T	0.0002
09	1.7717	45.000	+0	-12	.0016L	-0.0016	.0010L	-0.0010	.0006L	-0.0006	.0004L	-0.0004	.0002L	-0.0002
10	1.9685	50.000			41L	-41	25L	-25	16L	-16	11L	-11	5L	-5
11	2.1654	55.000	+0.000	-.0006										
12	2.3622	60.000			.0006L	-0.0012	.0002T	-0.0004	.0006T	0.0000	.0006T	0.0000	.0008T	0.0002
13	2.5591	65.000			.0019L	-0.0019	.0011L	-0.0011	.0007L	-0.0007	.0005L	-0.0005	.0003L	-0.0003
14	2.7559	70.000	+0	-15	15L	-30	5T	-10	15T	+0	15T	+0	21T	6
15	2.9528	75.000			49L	-49	29L	-29	19L	-19	13L	-13	7L	-7
16	3.1496	80.000												
17	3.3465	85.000	+0.000	-.0008										
18	3.5433	90.000			.0006L	-0.0014	.0003T	-0.0005	.0008T	0.0000	.0008T	0.0000	.0010T	0.0002
19	3.7402	95.000			.0023L	-0.0023	.0014L	-0.0014	.0009L	-0.0009	.0006L	-0.0006	.0004L	-0.0004
20	3.9370	100.000	+0	-20	16L	-36	8T	-12	20T	+0	20T	+0	26T	6
22	4.3307	110.000			58L	-58	34L	-34	22L	-22	15L	-15	9L	-9
24	4.7244	120.000												
26	5.1181	130.000	+0.000	-.0010										
28	5.5118	140.000			.0006L	-0.0016	.0004T	-0.0006	.0010T	0.00000013T	0.0003
30	5.9055	150.000			.0026L	-0.0026	.0016L	-0.0016	.0010L	-0.00100005L	-0.0004
32	6.2992	160.000	+0	-25	18L	-43	11T	-14	25T	+0	32T	7
34	6.6929	170.000			68L	-68	39L	-39	25L	-25	11L	-11
36	7.0866	180.000												
38	7.4803	190.000	+0.000	-.0012	.0008L	-0.0020	.0006T	-0.0006	.0012T	0.0000
40	7.8740	200.000			.0032L	-0.0032	.0018L	-0.0018	.0012L	-0.0012
44	8.6614	220.000	+0	-30	20L	-50	15T	-15	30T	+0
48	9.4488	240.000			79L	-79	44L	-44	29L	-29
52	10.2362	260.000	+0.000	-.0014	.0008L	-0.0022	.0007T	-0.0007	.0014T	0.0000
					.0034L	-0.0034	.0019L	-0.0019	.0012L	-0.0012
56	11.0236	280.000	+0	-35	21L	-56	18T	-17	35T	+0
60	11.811	300.000			88L	-88	49L	-49	32L	-32

1µm = .001 mm

■ For solid steel shafts.

★ = basic load rating of bearing.

#The arithmetical mean of the largest and smallest single diameter to be within tolerance shown.

Allowable deviations from mean diameter per ANSI/ABMA STD 20, latest printing."

Class of Fit Selection							
Operating condition			Examples	Nominal shaft diameter		Class of fit	Remarks
				mm	inches		
Inner ring stationary in relation to direction of load	All loads	Inner ring has to be easily displaced	Wheel on stationary shaft	All diameters		g6	
		Inner ring does not have to be easily displaced	Tension pulleys and rope sheaves			h6	
Direction of load indeterminate or inner ring rotating in relation to direction of load.	Radial load		Electric apparatus, machine tools, pumps, ventilators, industrial trucks,	<=40	<=1.57	j6 k6 m6	When greater accuracy is required, use j5, k5 and m5 for j6, k6, and m6 respectively.
	Light load<=0.08C★			40—100	1.57—3.94		
	Normal load >0.08C★<=0.18C★		Applications in general, electrical motors, turbines pumps, combustion engines, gear transmissions, wood working machines	<=40 40—65 65—100 100—140 140—280 280—500 >500	<=1.57 1.57—2.56 2.56—3.94 3.94—5.52 5.52—11.10 11.10—19.7 >19.7	k5 m5 m6 n6 p6 r6 r7	
	Heavy load>0.18C★		Journal boxes for locomotives & other heavyrail vehicles, traction motors	<=40 40—65 65—100 100—140 140—200 >200	<=1.57 1.57—2.56 2.56—3.94 3.94—5.52 5.52—7.88 >7.88	m5 m6 n6 p6 r6 r7	Greater internal clearance may be required

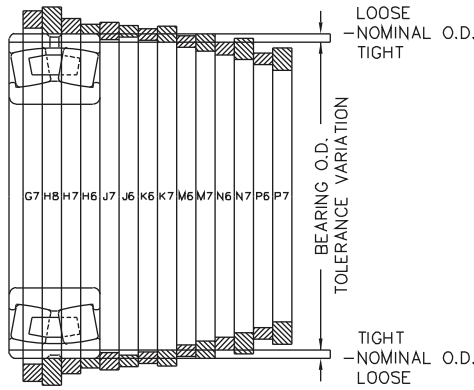
Bearing/Shafts Diameter Fits*															
j6		k5		k6		m5		m6		n6		p6		r6	
Tolerance		Tolerance		Tolerance		Tolerance		Tolerance		Tolerance		Tolerance		Tolerance	
Fit	Shaft Dia.	Fit	Shaft Dia.	Fit	Shaft Dia.	Fit	Shaft Dia.	Fit	Shaft Dia.	Fit	Shaft Dia.	Fit	Shaft Dia.	Fit	Shaft Dia.
.0009T	0.0004	.0010T	0.0005	.0012T	0.0007	.0013T	0.0008	.0015T	0.001	.0018T	0.0013
.0002L	-.0002	.0001T	0.0001	.0001T	0.0001	.0004T	0.0004	.0004T	0.0004	.0007T	0.0007
23T	11	25T	13	30T	18	32T	20	37T	25	45T	33
5L	-5	2T	2	2T	2	9T	9	9T	9	17T	17
.0010T	0.0004	.0012T	0.0006	.0014T	0.0008	.0016T	0.001	.0018T	0.0012	.0021T	0.0015	.0027T	0.021	.	.
.0003L	-.0003	.0001T	0.0001	.0001T	0.0001	.0005T	0.0005	.0005T	0.0005	.0008T	0.0008	.0014T	0.0014	.	.
22T	12	30T	15	36T	21	39T	24	45T	30	54T	39	66T	51	.	.
7L	-7	2T	2	2T	2	11T	11	11T	11	20T	20	32T	32	.	.
.0013T	0.0005	.0015T	0.0007	.0018T	0.001	.0019T	0.0011	.0022T	0.0014	.0027T	0.0019	.0033T	0.0025	.0037T	0.0029
.0004L	-.0004	.0001T	0.0001	.0001T	0.0001	.0005T	0.0005	.0005T	0.0005	.0010T	0.001	.0016T	0.0016	.0020T	0.002
33T	13	38T	18	45T	25	48T	28	55T	35	65T	45	79T	59	93T	73
9L	-9	3T	3	3T	3	13T	13	13T	13	23T	23	37T	37	51T	51
.0016T	0.006	.0018T	0.0008	.0021T	0.0011	.0023T	0.0013	.0026T	0.0016	.0032T	0.002	.0038T	0.0028	.0045T	0.0035
.0004L	-.0004	.0001T	0.0001	.0001T	0.0001	.0006T	0.0006	.0006T	0.0006	.0012T	0.0011	.0018T	0.0018	.0025T	0.0025
39T	14	46T	21	53T	28	58T	33	65T	40	77T	52	93T	68	115T	90
11L	-11	3T	3	3T	3	15T	15	15T	15	27T	27	43T	43	65T	65
.0019T	0.0007	.0022T	0.001	.0026T	0.0014	.0026T	0.0014	.0030T	0.0018	.0038T	0.0026	.0044T	0.0032	.0054T	0.0042
.0005L	-.0005	.0002T	0.0002	.0002T	0.0002	.0006T	0.0006	.0006T	0.0006	.0014T	0.0014	.0020T	0.002	.0030T	0.003
46T	16	54T	24	63T	33	67T	37	76T	46	90T	60	109T	79	136T	106
16L	-16	4T	4	4T	4	17T	17	17T	17	31T	31	50T	50	77T	77
.0021T	0.0007	.0025T	0.0011	.0028T	0.0014	.0031T	0.0017	.0034T	0.002	.0040T	0.0026	.0048T	0.0034	.0061T	0.0047
.0006L	-.0006	.0002T	0.0002	.0002T	0.0002	.0008T	0.0008	.0008T	0.0008	.0014T	0.0014	.0022T	0.0022	.0035T	0.0035
51T	16	62T	27	71T	36	78T	43	87T	52	101T	66	123T	88	161T	126
16L	-16	4T	4	4T	4	20T	20	20T	20	34T	34	56T	56	94T	94

* Symbol L indicates a loose or clearance fit; Symbol T indicates a tight or interference fit.

The appropriate shaft diameter for any class of fit can be easily determined by applying the shaft tolerance to the nominal shaft diameter. Example: (Using basic bearing size 08 and fit class f6).

		inches			mm	
Nominal shaft diameter	=	1.5748	1.5748	=	40	40
Shaft diameter tolerance	=	-0.001	-0.0016	=	-0.025	-0.041
Resultant shaft diameter	=	1.5738	1.5732	=	39.975	39.959

Housing Bearing Seat Diameters



Bearing outside diameter tolerances are in accord with the system of tolerancing established by the International Standards Organization (ISO) and adopted by the American Bearing Manufacturers Association (ABMA) and the American National Standards Institute (ANSI).

A system of limits and fits has been established by ISO for shafts. A portion of this system has been adopted by ABMA to provide flexibility in selecting shaft fits. Housing fits are designated by a capital letter and a number, such as H7. The letter indicates the location of the housing bore tolerance limits with respect to the nominal bearing O.D. The number indicates the size of the tolerance zone.

Housing fits recommended for various types of applications are listed in the table at right. A graphic relationship of various housing fits is illustrated in the figure at the left.

The class of fit is determined by nature of loading (oscillating, vibrating, reversing, etc.), axial movement requirements, temperature conditions, housing material and cross section of housing.

Shaft expansion increases bearing center distances and requires all but one bearing on a shaft to be movable axially in the housing. In most bearings the outer rings are subjected to stationary loads which permit a loose housing fit.

Operating temperature may affect the housing fit, as the housing may dissipate heat rapidly and not expand with the outer ring. However, the loose fit must never be greater than necessary. Excessive looseness results in less accurate shaft centering and additional ring deformation under load.

The appropriate housing bores are determined (as shown) from the tables below.

Class of Fit and Housing Bores

Bearing Series					Nominal bearing O.D. and housing bore		Bearing bore tolerance #		Bearing/Housing diameter fits [^]									
									G7		H8		H7		H6		J7	
Basic Size					inches	mm	Fit	Housing Bore	Fit	Housing Bore	Fit	Housing Bore	Fit	Housing Bore	Fit	Housing Bore		
222, 232	223	230	231	09	3.3465	85.000	+0.000	-.0006	.0005L	0.0005	.0000	+0.000	.0000	+0.000	.0000	+0.000	.0005T	-0.0005
				10	3.5433	90.000			.0025L	0.0019	.0028L	0.0022	.0020L	0.0014	.0015L	0.0009	.0015L	0.0009
				11	3.9370	100.000	+0	-15	12L	12	0	+0	0	+0	0	+0	13T	-13
				12	4.3307	110.000			62L	47	69L	54	50L	35	37L	22	37L	22
				13	4.7244	120.000												
				14	4.9312	125.000	+0.000	-.0008	.0006L	0.0006	.0000	+0.000	.0000	+0.000	.0000	+0.000	.0006T	-0.0006
				15	5.1181	130.000			.0030L	0.0022	.0033L	0.0025	.0024L	0.0016	.0018L	0.0010	.0018L	0.0010
				16	5.5118	140.000	+0	-20	14L	14	0	+0	0	+0	0	+0	14T	-14
				17	5.9055	150.000			74L	54	83L	63	60L	40	45L	25	46L	26
				18	6.2992	165.000	+0.000	-.0010	.0006L	0.0006	.0000	+0.000	.0000	+0.000	.0000	+0.000	.0006T	-0.0006
				19	6.6929	170.000			.0032L	0.0022	.0035L	0.0025	.0026L	0.0016	.0020L	0.0010	.0020L	0.0010
				20	7.0866	180.000	+0	-25	14L	14	0	+0	0	+0	0	+0	14T	-14
				22	7.4803	190.000	+0.000	-.0012										
				24	7.8740	200.000			.0006L	0.0006	.0000	+0.000	.0000	+0.000	.0000	+0.000	.0007T	-0.0007
				26	8.2677	210.000			.0036L	0.0024	.0040L	0.0028	.0030L	0.0018	.0024L	0.0012	.0023L	0.0011
				28	8.4646	215.000												
				30	8.8583	225.000	+0	-30	15L	15	0	+0	0	+0	0	+0	16T	-16
				32	9.0551	230.000			91L	61	102L	72	76L	46	59L	29	60L	30
				34	9.4488	240.000												
				36	9.8425	250.000												
				38	10.2362	260.000	+0.000	-.0014	.0007L	0.0007	.0000	+0.000	.0000	+0.000	.0000	+0.000	.0007T	-0.0007
				40	10.6299	270.000			.0041L	0.0027	.0044L	0.0030	.0034L	0.0020	.0026L	0.0012	.0027L	0.0013
				42	11.0236	280.000												
				44	11.4173	290.000	+0	-35	17L	17	0	+0	0	+0	0	+0	16T	-16
				46	11.8110	300.000			104L	69	116L	81	87L	52	67L	32	71L	36
				48	12.2047	310.000												
				50	12.5984	320.000	+0.000	-.0016	.0007L	0.0007	.0000	+0.000	.0000	+0.000	.0000	+0.000	.0007L	-0.0007
				52	13.3858	340.000			.0045L	0.0029	.0051L	0.0035	.0038L	0.0022	.0030L	0.0014	.0031L	0.0015
				54	14.1732	360.000			18L	18	0	+0	0	+0	0	+0	18T	-18
				56	14.5669	370.000	+0	-40	115L	75	129L	89	97L	57	76L	36	79L	39
				58	14.9606	380.000												
				60	15.7480	400.000												
				62	16.5354	420.000	+0.000	-.0018	.0008L	0.0008	.0000	+0.000	.0000	+0.000	.0000	+0.000	.0009T	-0.0009
				64	17.3228	440.000			.0051L	0.0033	.0056L	0.0038	.0043L	0.0025	.0034L	0.0016	.0034L	0.0016
				66			+0	-45	20L	20	0	+0	0	+0	0	+0	20T	-20
				68	18.1102	460.000			128L	83	142L	97	108L	63	85L	40	88L	43

The arithmetical mean of the largest and smallest single diameter to be within tolerance shown.

Allowable deviations from mean diameter per ANSI/ABMA STD 20, latest printing."

[^] Symbol L indicates a loose or clearance fit. Symbol T indicates a tight or interference fit.

The appropriate housing bore for any class of fit can be easily determined by applying the housing tolerance to the nominal housing bore.

Example: (Using basic bearing size 09 and fit class G7).

			inches				mm
Nominal housing bore	=	3.3465	3.3465	=	85.000	85.000	
Shaft bore tolerance	=	+ .0005	+ .0019	=	+ 0.012	+ 0.047	
Resultant housing bore	=	3.3470	3.3484	=	85.012	85.047	

Class of Fit Selection						
Housing construction	Operating condition		Examples	Class of Fit	Remarks	
Housing not split radially	Housing rotating in relation to direction of load	Heavy Loads on bearings in thin-walled housing	Supporting wheels in cranes, wheel hubs with roller bearings, crank bearings	P6*	Outer ring not axially displaceable	
		Normal and heavy loads	Wheel hubs with roller bearings, crank bearings	N6*		
		Light loads	Conveyor rollers, rope sheaves, tension pulleys	M6*		
Housing split or housing not split radially	Direction of load indeterminate	Heavy shock loads	Electrical fraction motors	K6*	Outer ring, as a rule, not axially displaceable	
		Heavy and normal loads where outer ring does not have to be axially displaceable	Electrical motors, pumps, crankshaft main bearings		J6*	Outer ring as a rule, axially displaceable
	Normal and light loads where displaceability of outer ring is desirable					
	Housing stationary in relation to direction of load	Shock loads, a temporary complete unloading		Journal boxes for rail vehicles	H6*	Outer ring easily displaceable axially
		All loads	Housing not split radially	Bearing applications in general, journal boxes for rail vehicles		
Housing split radially			Line shafting			
Heat supplied through shaft		Dryer cylinders	G7			

Bearing/Housing Diameter Fits [▲]															
J6		K6		K7		M6		M7		N6		N7		P7	
Tolerance		Tolerance		Tolerance		Tolerance		Tolerance		Tolerance		Tolerance		Tolerance	
Fit	Housing Bore	Fit	Housing Bore	Fit	Housing Bore	Fit	Housing Bore	Fit	Housing Bore	Fit	Housing Bore	Fit	Housing Bore	Fit	Housing Bore
.0002T	-.0002	.0007T	-.0007	.0010T	-.0010	.0012T	-.0012	.0014T	-.0014	.0016T	-.0016	.0018T	-.0018	.0025T	-.0025
.0013L	0.0007	.0008L	0.0002	.0010L	0.0004	.0003L	-.0003	.0006L	0	.0001T	-.0007	.0002L	-.0004	.0005T	-.0011
6T	-6	18T	-18	25T	-25	28T	-28	35T	-35	38T	-38	45T	-45	59T	-59
31L	16	19L	4	25L	10	9L	-6	15L	0	1T	-16	5L	-10	9T	-24
.0003T	0.0003	.0008T	-.0008	.0011T	-.0011	.0013T	-.0013	.0016T	-.0016	.0019T	-.0019	.0022T	-.0022	.0028T	-.0028
.0015L	0.0007	.0010L	0.0002	.0013L	0.0005	.0005L	-.0003	.0008L	0	.0001T	-.0009	.0002L	-.0006	.0004T	-.0012
7T	-7	21T	-21	28T	-28	33T	-33	40T	-40	45T	-45	52T	-52	68T	-68
38L	18	24L	4	32L	12	12L	-8	20L	0	0T	-20	8L	-12	8T	-28
.0003T	-.0003	.0008T	-.0008	.0011T	-.0011	.0013T	-.0013	.0016T	-.0016	.0019T	-.0019	.0022T	-.0022	.0028T	-.0028
.0017L	0.0007	.0012L	0.0002	.0015L	0.0005	.0007L	-.0003	.0010L	0	.0001L	-.0009	.0004L	-.0006	.0002T	-.0012
7T	-7	21T	-21	28T	-28	33T	-33	40T	-40	45T	-45	52T	-52	68T	-68
43L	18	29L	4	37L	12	17L	-8	25L	0	5L	-20	13L	-12	3T	-28
.0003T	-.0003	.0010T	-.0010	.0013T	-.0013	.0015T	-.0015	.0018T	-.0018	.0022T	-.0022	.0026T	-.0026	.0032T	-.0032
.0021L	0.0009	.0014L	0.0002	.0017L	0.0005	.0009L	-.0003	.0012L	0	.0002L	-.0010	.0004L	-.0008	.0002T	-.0014
7T	-7	24T	-24	33T	-33	37T	-37	46T	-46	51T	-51	60T	-60	79T	-79
52L	22	35L	5	43L	13	22L	-8	30L	0	8L	-22	16L	-14	3T	-33
.0003T	-.0003	.0010T	-.0010	.0014T	-.0014	.0016T	-.0016	.0020T	-.0020	.0023T	-.0023	.0028T	-.0028	.0034T	-.0034
.0023L	0.0009	.0016L	0.0002	.0020L	0.0006	.0010L	-.0004	.0014L	0	.0003L	-.0011	.0006L	-.0008	0	-.0014
7T	-7	22T	-27	36T	-36	41T	-41	52T	-52	57T	-57	66T	-66	88T	-88
60L	25	40L	5	51L	16	26L	-9	35L	0	10L	-25	21L	-14	1T	-36
.0003T	-.0003	.0012T	-.0012	.0016T	-.0016	.0018T	-.0018	.0022T	-.0022	.0026T	-.0026	.0030T	-.0030	.0039T	-.0039
.0027L	0.0011	.0018L	0.0002	.0022L	0.0006	.0012L	-.0004	.0016L	0	.0004L	-.0012	.0008L	-.0008	.0001T	-.0017
7T	-7	29T	-29	40T	-40	46T	-46	57T	-57	62T	-62	73T	-73	98T	-98
69L	29	47L	7	57L	17	30L	-10	40L	0	14L	-26	26L	-16	1T	-41
.0003T	-.0003	.0012T	-.0012	.0018T	-.0018	.0020T	-.0020	.0025T	-.0025	.0028T	-.0028	.0034T	-.0034	.0044T	-.0044
.0031L	0.0013	.0022L	0.0004	.0025L	0.0007	.0014L	-.0004	.0018L	0	.0006L	-.0012	.0009L	-.0009	.0001T	-.0019
7T	-7	32T	-32	45T	-45	50T	-50	63T	-63	67T	-67	80T	-80	108T	-108
78L	33	53L	8	63L	18	35L	-10	45L	0	18L	-27	28L	-17	0	-45

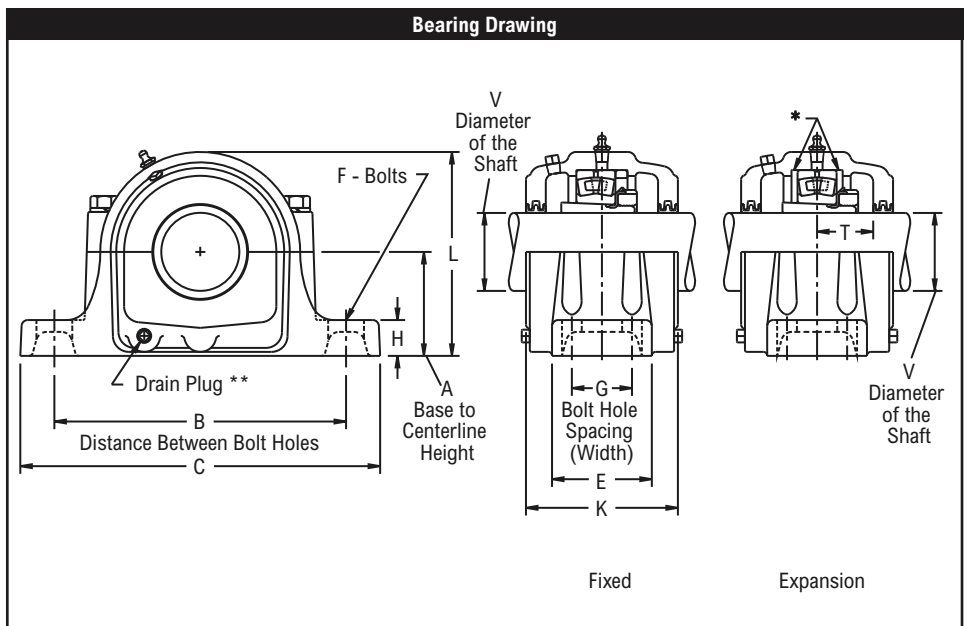
■ For cast iron or steel housings. For housings of light metal, select tolerances which give slightly tighter fits than those shown.

* Where wider tolerances are permissible P7, N7, M7, K7, J7 and H7 may be used for P6, N6, M6, K6, J6 and H6 respectively.



Product Features

- Corrosion resistant powder coating
- Two piece cast iron housing
- Broad range of sealing options
- Fixed or Expansion - Up to 3/8" expansion
- Matched base & cap
- Large reservoir for grease or oil storage
- Tapered adapter mounted
- See Features & Benefits for additional info.



Bearing Dimensions																
Size Code	V Shaft Diameter	Part Number	A Base to Centerline Height	B Min. Distance Between Bolt Holes	B Max. Distance Between Bolt Holes	G Bolt Hole Spacing (Width)	C	E	F	H	K	L	P	T	Approx. Weight	
Two-Bolt Pillow Block																
22209	1 7/16	PLB6823R	2 1/4	6 1/4	7	-	8 1/4	2 3/8	1/2	13/16	3 5/8	4 3/8	6 1/4	1 1/16	11.00	
	1 1/2	PLB6824R														40.00
22210	1 11/16	PLB6827R	2 1/2	6 1/2	7	-	8 1/4	2 3/8	1/2	15/16	3 5/8	4 3/4	6 5/8	1 1/8	12.00	
	1 3/4	PLB6828R														45.00
22211	1 15/16	PLB6831R	2 3/4	7 3/8	7 7/8	-	9 5/8	2 3/4	5/8	15/16	3 7/8	5 1/4	7 1/4	1 3/16	14.00	
	2	PLB6832R														50.00
22213	2 3/16	PLB6835R	3	8 1/8	9 1/2	-	11	3 1/4	5/8	1	4 3/8	5 15/16	8 1/4	1 13/32	22.00	
	60.00	PLB68M60R														76.20
22215	2 7/16	PLB6839R	3 1/4	8 5/8	9 5/8	-	11 1/4	3 1/8	5/8	1 1/8	4 3/4	6 3/8	8 3/8	1 15/32	27.00	
	65.00	PLB68M65R														82.55
22216	2 11/16	PLB6843R	3 1/2	9 5/8	11	-	13	3 1/2	3/4	1 1/4	5 1/4	7	9 1/2	1 1/2	38.00	
	70.00	PLB68M70R														88.90
22217	2 15/16	PLB6847R	3 3/4	9 7/8	11	-	13	3 1/2	3/4	1 1/4	5	7 5/16	10	1 19/32	42.00	
	3	PLB6848R														75.00
22218	3 3/16	PLB6851R	4	10 1/4	11 3/4	-	13 3/4	3 7/8	3/4	1 5/16	5 7/8	7 15/16	10 1/2	1 3/4	47.00	
	80.00	PLB68M80R														101.60
22220	3 7/16	PLB6855R	4 1/2	11 5/8	13 1/8	-	15 1/4	4 3/8	7/8	1 1/2	6	8 7/8	11 3/4	1 29/32	71.00	
	3 1/2	PLB6856R														90.00
Four-Bolt Pillow Block																
22215	2 7/16	PLB6839FR	3 1/4	8 5/8	9 5/8	1 7/8	11 1/4	3 1/8	1/2	1 1/8	4 3/4	6 3/8	8 3/8	1 15/32	27.00	
	65.00	PLB68M65FR														82.55
22216	2 11/16	PLB6843FR	3 1/2	9 5/8	11	2	13	3 1/2	5/8	1 1/4	5 1/4	7	9 1/2	1 1/2	38.00	
	70.00	PLB68M70FR														88.90
22217	2 15/16	PLB6847FR	3 3/4	9 7/8	11	2	13	3 1/2	5/8	1 1/4	5	7 5/16	10	1 19/32	42.00	
	3	PLB6848FR														75.00
22218	3 3/16	PLB6851FR	4	10 3/8	11 5/8	2 1/8	13 3/4	3 7/8	5/8	1 5/16	5 7/8	7 15/16	10 1/2	1 3/4	47.00	
	80.00	PLB68M80FR														101.60
22220	3 7/16	PLB6855FR	4 1/2	11 5/8	13 1/8	2 3/8	15 1/4	4 1/2	3/4	1 1/2	6	8 7/8	11 3/4	1 29/32	71.00	
	3 1/2	PLB6856FR														90.00

Continued...

Continued...

Bearing Dimensions																											
Size Code	V Shaft Diameter	Part Number	A Base to Centerline Height	B Min. Distance Between Bolt Holes	B Max. Distance Between Bolt Holes	G Bolt Hole Spacing (Width)	C	E	F Bolts	H	K	L	P	T	Approx. Weight												
Four-Bolt Pillow Block(continued)																											
22220	90.00	PLB68M90FR	114.30	295.30	333.40	60.30	387.40	114.30	20.00	38.10	152.40	225.40	298.40	48.40	30.80												
22222	3 11/16	PLB6859FR	4 15/16	12 5/8	14 1/2	2 3/4	16 1/2	4 3/4	3/4	1 5/8	6 1/2	9 5/8	12 1/4	2 1/8	87.00												
	3 15/16	PLB6863FR																									
	4	PLB6864FR																									
	100.00	PLB68M100FR	125.41	320.70	368.30	69.80	419.10	120.60	20.00	41.30	165.10	244.50	311.20	54.00	39.50												
22224	4 3/16	PLB6867FR	5 1/4	13 1/4	14 1/2	2 3/4	16 1/2	4 3/4	3/4	1 3/4	7 1/8	10 7/16	13 1/2	2 9/32	104.00												
	110.00	PLB68M110FR	133.35	336.60	368.30	69.80	419.10	120.60	20.00	44.40	181.00	265.10	342.90	57.90	47.20												
22226	4 7/16	PLB6871FR	6	14 5/8	16	3 1/4	18 3/8	5 1/8	7/8	1 7/8	7 3/4	11 11/32	14 1/2	2 15/32	149.00												
	4 1/2	PLB6872FR																									
	115.00	PLB68M115FR														152.40	371.50	406.40	82.60	466.70	130.20	24.00	47.60	196.80	288.10	368.30	62.70
22228	4 15/16	PLB6879FR	6	16	17 1/8	3 3/8	20 1/8	5 7/8	1	1 15/16	7 3/4	11 13/16	15 1/2	2 5/8	167.00												
	5	PLB6880FR																									
	125.00	PLB68M125FR	152.40	406.40	435.00	85.70	511.20	149.20	24.00	49.20	196.80	300.00	393.70	66.70	71.20												
22230	5 3/16	PLB6883FR	6 5/16	17	18 1/4	3 3/4	21 1/4	6 1/4	1	2	8 1/8	12 9/16	16	2 3/4	187.00												
	135.00	PLB68M135FR	160.34	431.80	463.60	95.20	539.80	158.80	24.00	50.80	206.40	319.10	406.40	69.80	84.80												
22232	5 7/16	PLB6887FR	6 11/16	17 3/8	19 1/4	3 3/4	22	6 1/4	1	2	8 1/2	13 3/8	17	2 31/32	221.00												
	140.00	PLB68M140FR	169.86	441.30	489.00	95.20	558.80	158.80	24.00	50.80	215.90	339.70	431.80	75.40	94.80												
22234	5 15/16	PLB6895FR	7 1/16	19 3/8	21 5/8	4 1/4	24 3/4	6 3/4	1	2 1/8	9 1/4	14 1/4	18	3 1/8	280.00												
	6	PLB6896FR																									
	150.00	PLB68M150FR														179.39	492.10	549.30	108.00	628.60	171.40	24.00	54.00	235.00	362.00	457.20	79.40
22236	6 7/16	PLB68103FR	7 1/2	20 7/8	23 5/8	4 5/8	26 3/4	7 1/8	1	2 1/8	9 5/8	14 15/16	18 3/4	3 5/32	304.00												
	6 1/2	PLB68104FR																									
	160.00	PLB68M160FR														190.50	530.20	600.10	117.50	679.40	181.00	24.00	54.00	244.50	379.40	476.20	80.20
22238	6 15/16	PLB68111FR	7 7/8	21 5/8	24 3/8	4 1/2	28	7 1/2	1 1/4	2 3/8	10 1/4	15 13/16	20 1/2	3 5/16	370.00												
	7	PLB68112FR																									
	170.00	PLB68M170FR														200.02	549.30	619.10	114.30	711.20	190.50	30.00	60.30	260.40	401.60	520.70	84.10
22240	7 3/16	PLB68115FR	8 1/4	22 1/2	25	5	29 1/2	8	1 1/4	2 3/8	11	16 3/4	22 1/4	3 17/32	450.00												
	180.00	PLB68M180FR	209.55	571.50	635.00	127.00	749.30	203.20	30.00	60.30	279.40	425.40	565.20	89.70	204.10												
22244	7 1/2	PLB68120FR	9 1/2	24 3/4	27 7/8	5 1/4	32 3/4	8 3/4	1 1/2																		
	7 15/16	PLB22544K71516														2 3/4	11 3/16	18 9/16	24 1/2	3 13/16	675.00						
		PLB68127FR																				3 3/4	11 7/8	18 5/8	-	-	
		PLB22544K8																				2 3/4	11 3/16	18 9/16	24 1/2	3 13/16	665.00
		PLB68128FR																				3 3/4	11 7/8	18 5/8	-	-	
200.00	PLB68M200FR	241.30	628.60	708.00	133.40	831.80	222.20	36.00	69.80	284.20	471.50	622.30	96.80	301.60													

Continued...

Continued...

Bearing Dimensions															
Size Code	V Shaft Diameter	Part Number	A Base to Centerline Height	B Min. Distance Between Bolt Holes	B Max. Distance Between Bolt Holes	G Bolt Hole Spacing (Width)	C	E	F Bolts	H	K	L	P	T	Approx. Weight
Four-Bolt Pillow Block(continued)															
22248	8 7/16	PLB22548K8716	10 1/4	29	30 1/2	8 3/4	35	14 1/2	1 5/8	3 3/4	14 1/8	20 1/2	-	-	1,000.00
	8 15/16	PLB22548K81516													
23048	8 7/16	PLB66135FH	8 1/4	22 1/2	25	5	29 1/2	8	1 1/4	2 3/8	11	16 3/4	22 1/4	3 13/16	430.00
	8 1/2	PLB66136FH													
	9	PLB66144FH													
	220.00	PLB66M220FH													
23056	9 15/16	PLB66159FH	9 1/2	24 3/4	27 7/8	5 1/4	32 3/4	8 3/4	1 1/2	2 3/4	11 3/4	19 1/16	24 1/2	4 1/4	540.00
	10	PLB66160FH													530.00
	10 7/16	PLB66167FH													515.00
	10 1/2	PLB66168FH													510.00
	9 7/16	PLB66B151FH													550.00
	9 1/2	PLB66B152FH													545.00
260.00	PLB66M260FH	241.30	628.60	708.00	133.40	831.80	222.20	36.00	69.80	298.40	484.20	622.30	108.00	247.20	

Additional Notes

Please call 1-866-REXNORD for availability
 Lubrication fitting tap size: for 4 1/2" (115mm) and smaller shaft sizes, 1/8" PT:
 for all other shaft sizes, 1/4" PT
 Expansion - is 1/4" for 1 3/4" (40mm) and smaller shaft sizes: all other shaft sizes provide 3/8"
 Drain plug tap size - for 3 3/16" (80mm) and smaller shaft sizes, 1/8" PT: for 3 7/16" (90mm) thru 6" (150mm), 1/4" PT: for all other shaft sizes, 1/2" PT
 Minimum extension of shaft beyond locknut, .06" for closed end unit
 Dimension "P" is recommended dimension for cap removal

Multi-labyrinth seals standard
 All shaft sizes available with type D5 Pentac seals
 Selection Guide, see Link-Belt Split Spherical Roller Bearings Selection Guide section
 Load Ratings & Speed Limits, see Link-Belt Split Spherical Bearings Load Ratings & Speed Limits section
 Note: Dimensions subject to change. Certified dimensions of ordered material furnished on request.

PLB6800D8, PLB6800FD8, PLB6600FD8

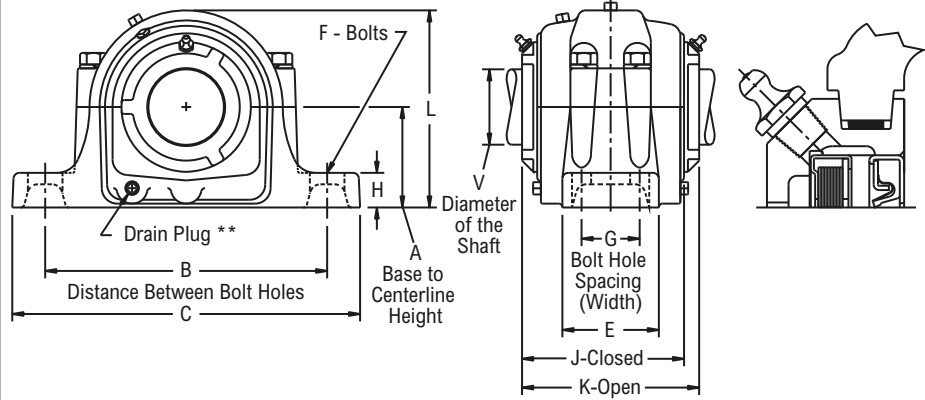


Photo Shows a 2-Bolt Spherical Roller Bearing Two-Piece Pillow Block Unit with Independently Flushable Seals

Product Features

- Corrosion resistant powder coating
- Two piece cast iron housing
- Independently flushable seals
- Fixed or Expansion - Up to 3/8" expansion
- Matched base & cap
- Large reservoir for grease or oil storage
- Tapered adapter mounted
- See Features & Benefits for additional info.

Bearing Drawing



Bearing Dimensions

Size Code	V Shaft Diameter	Part Number	A Base to Centerline Height	B Min. Distance Between Bolt Holes	B Max. Distance Between Bolt Holes	G Bolt Hole Spacing (Width)	C	E	F	H	J	K	L	P	T	Approx. Weight
Two-Bolt Pillow Block																
22209	1 7/16	PLB6823D8	2 1/4	6 1/4	7	-	8 1/4	2 3/8	1/2	13/16	4 7/16	5	4 3/8	6 1/4	1 1/16	12.00
	1 1/2	PLB6824D8														11.00
22210	1 11/16	PLB6827D8	2 1/2	6 1/2	7	-	8 1/4	2 3/8	1/2	15/16	4 13/32	4 15/16	4 3/4	6 5/8	1 1/8	13.00
	1 15/16	PLB6831D8														16.00
22211	2	PLB6832D8	2 3/4	7 3/8	7 7/8	-	9 5/8	2 3/4	5/8	15/16	4 23/32	5 5/16	5 1/4	7 1/4	1 3/16	14.00
	2	PLB6835D8														24.00
22213	2 3/16	PLB6839D8	3	8 1/8	9 1/2	-	11	3 1/4	5/8	1	5 1/8	5 5/8	5 15/16	8 1/4	1 13/32	30.00
22215	2 7/16	PLB6843D8	3 1/4	8 5/8	9 5/8	-	11 1/4	3 1/8	5/8	1 1/8	5 17/32	5 15/16	6 3/8	8 3/8	1 15/32	38.00
22216	2 11/16	PLB6847D8	3 1/2	9 5/8	11	-	13	3 1/2	3/4	1 1/4	6 1/32	6 9/16	7	9 1/2	1 1/2	47.00
22217	3	PLB6848D8	3 3/4	9 7/8	11	-	13 3/4	3 7/8	3/4	1 1/4	5 11/16	6 3/8	7 5/16	10	1 19/32	42.00
	3	PLB6851D8														52.00
22218	3 3/16	PLB6855D8	4	10 1/4	11 3/4	-	15 1/4	4 3/8	7/8	1 1/2	6 21/32	7 5/16	8 7/8	11 3/4	1 29/32	79.00
22220	3 7/16	PLB6839FD8	3 1/4	8 5/8	9 5/8	1 7/8	11 1/4	3 1/8	1/2	1 1/8	5 17/32	5 15/16	6 3/8	8 3/8	1 15/32	30.00
22215	2 7/16	PLB6847FD8	3 3/4	9 7/8	11	2	13	3 1/2	5/8	1 1/4	5 11/16	6 3/8	7 5/16	10	1 19/32	47.00
22217	2 15/16	PLB6851FD8	4	10 3/8	11 5/8	2 1/8	13 3/4	3 7/8	5/8	1 5/16	6 3/4	7 3/8	7 15/16	10 1/2	1 3/4	52.00
22218	3 3/16	PLB6855FD8	4 1/2	11 5/8	13 1/8	2 3/8	15 1/4	4 1/2	3/4	1 1/2	6 21/32	7 5/16	8 7/8	11 3/4	1 29/32	79.00
22222	3 11/16	PLB6859FD8	4 15/16	12 5/8	14 1/2	2 3/4	16 1/2	4 3/4	3/4	1 5/8	7 7/32	7 15/16	9 5/8	12 1/4	2 1/8	98.00
	3 15/16	PLB6863FD8														116.00
22224	4 3/16	PLB6867FD8	5 1/4	13 1/4	14 1/2	2 3/4	16 1/2	4 3/4	3/4	1 3/4	7 31/32	8 9/16	10 7/16	13 1/2	2 9/32	116.00
22226	4 7/16	PLB6871FD8	6	14 5/8	16	3 1/4	18 3/8	5 1/8	7/8	1 7/8	8 31/64	9 7/32	11 19/32	14 1/2	2 15/32	165.00
22228	4 15/16	PLB6879FD8	6	16	17 1/8	3 3/8	20 1/8	5 7/8	1	1 15/16	8 7/32	8 15/16	11 13/16	15 1/2	2 5/8	184.00
22232	5 7/16	PLB6887FD8	6 11/16	17 3/8	19 1/4	3 3/4	22	6 1/4	1	2	9 5/32	9 13/16	13 3/8	17	2 31/32	244.00
22234	5 15/16	PLB6895FD8	7 1/16	19 3/8	21 5/8	4 1/4	24 3/4	6 3/4	1	2 1/8	10 1/8	11	14 1/4	18	3 1/8	309.00
	6	PLB6896FD8														322.00
22236	6 7/16	PLB68103FD8	7 1/2	20 7/8	23 5/8	4 5/8	26 3/4	7 1/8	1	2 1/8	10 11/16	11 3/8	14 15/16	18 3/4	3 5/32	322.00
	6 1/2	PLB68104FD8														411.00
22238	6 15/16	PLB68111FD8	7 7/8	21 5/8	24 3/8	4 1/2	28	7 1/2	1 1/4	2 3/8	11 11/32	12 1/16	15 13/16	20 1/2	3 5/16	411.00
	7	PLB68112FD8														750.00
22244	7 1/2	PLB68120FD8	9 1/2	24 3/4	27 7/8	5 1/4	32 3/4	8 3/4	1 1/2	2 3/4	12 3/16	13 3/16	18 9/16	24 1/2	3 13/16	750.00
	7 15/16	PLB68127FD8														478.00
23048	8	PLB68128FD8	8 1/4	22 1/2	25	5	29 1/2	8	1 1/4	2 3/8	12 1/32	12 11/16	16 3/4	22 1/4	3 13/16	478.00
	8 7/16	PLB66135FD8														605.00
23056	8 1/2	PLB66136FD8	9 1/2	24 3/4	27 7/8	5 1/4	32 3/4	8 3/4	1 1/2	2 3/4	13 9/32	14 7/16	19 1/16	24 1/2	4 1/4	605.00
	9	PLB66144FD8														
	9 1/2	PLB66B152FD8														
	10 1/2	PLB66168FD8														

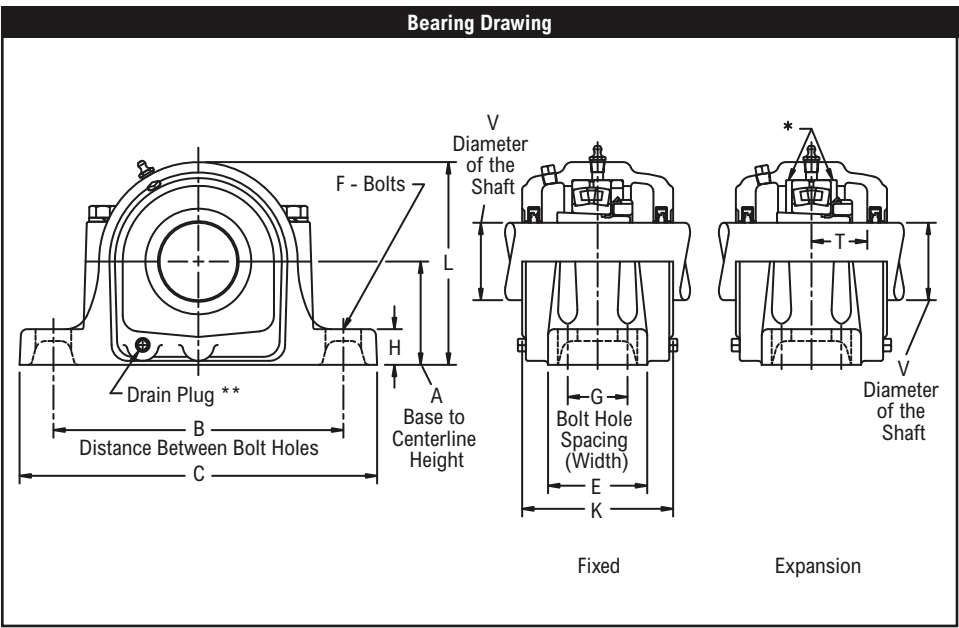
Additional Notes

Please call 1-866-REXNORD for availability
 Lubrication fitting tap size: for 4 1/2" (115mm) and smaller shaft sizes, 1/8" PT:
 for all other shaft sizes, 1/4" PT
 Seal assembly lubrication fitting tap size: for 1 3/4" and smaller shaft sizes,
 1/4-28 UNF: for all other shaft sizes, 1/8" PT
 Recommended shaft finish under D8 seals, 10-20 micro inches
 Expansion - is 1/4" for 1 3/4" (40mm) and smaller shaft sizes: all other shaft
 sizes provide 3/8"
 Drain plug tap size - for 3 3/16" (80mm) and smaller shaft sizes, 1/8" PT: for 3
 7/16" (90mm) thru 6" (150mm), 1/4" PT: for all other shaft sizes, 1/2" PT

Minimum extension of shaft beyond locknut, .06" for closed end unit
 Dimension "P" is recommended dimension for cap removal
 Taconite seals standard
 Selection Guide, see Link-Belt Split Spherical Roller Bearings Selection
 Guide section
 Load Ratings & Speed Limits, see Link-Belt Split Spherical Bearings
 Load Ratings & Speed Limits section
 Note: Dimensions subject to change. Certified dimensions of ordered material
 furnished on request.



- Product Features**
- Corrosion resistant nylon coating
 - Two piece cast iron housing
 - Stainless steel hardware
 - Patented T contact water seal
 - Fixed or Expansion - Up to 3/8" expansion
 - Matched base & cap
 - Large reservoir for grease or oil storage
 - Tapered adapter mounted
 - See Features & Benefits for additional info.



Bearing Dimensions															
Size Code	V Shaft Diameter	Part Number	A Base to Centerline Height	B Min. Distance Between Bolt Holes	B Max. Distance Between Bolt Holes	G Bolt Hole Spacing (Width)	C	E	F	H	K	L	P	T	Approx. Weight
Two-Bolt Pillow Block															
22209	1 7/16	BPLB6823	2 1/4	6 1/4	7	-	8 1/4	2 3/8	1/2	13/16	3 5/8	4 3/8	6 1/4	1 1/16	11.00
22213	2 3/16	BPLB6835	3	8 1/8	9 1/2	-	11	3 1/4	5/8	1	4 3/8	5 15/16	8 1/4	1 13/32	22.00
22215	2 7/16	BPLB6839	3 1/4	8 5/8	9 5/8	-	11 1/4	3 1/8	5/8	1 1/8	4 3/4	6 3/8	8 3/8	1 15/32	27.00
22216	2 11/16	BPLB6843	3 1/2	9 5/8	11	-	13	3 1/2	3/4	1 1/4	5 1/4	7	9 1/2	1 1/2	38.00
22217	2 15/16	BPLB6847	3 3/4	9 7/8	11	-	13	3 1/2	3/4	1 1/4	5	7 5/16	10	1 19/32	42.00
22218	3 3/16	BPLB6851	4	10 1/4	11 3/4	-	13 3/4	3 7/8	3/4	1 5/16	5 7/8	7 15/16	10 1/2	1 3/4	47.00
Four-Bolt Pillow Block															
22215	2 7/16	BPLB6839F	3 1/4	8 5/8	9 5/8	1 7/8	11 1/4	3 1/8	1/2	1 1/8	4 3/4	6 3/8	8 3/8	1 15/32	27.00
22216	2 11/16	BPLB6843F	3 1/2	9 5/8	11	2	13	3 1/2	5/8	1 1/4	5 1/4	7	9 1/2	1 1/2	38.00
22217	2 15/16	BPLB6847F	3 3/4	9 7/8	11	2	13	3 1/2	5/8	1 1/4	5	7 5/16	10	1 19/32	42.00
22218	3 3/16	BPLB6851F	4	10 3/8	11 5/8	2 1/8	13 3/4	3 7/8	5/8	1 5/16	5 7/8	7 15/16	10 1/2	1 3/4	47.00
22222	3 15/16	BPLB6863F	4 15/16	12 5/8	14 1/2	2 3/4	16 1/2	4 3/4	3/4	1 5/8	6 1/2	9 5/8	12 1/4	2 1/8	87.00
22226	4 1/2	BPLB6872F	6	14 5/8	16	3 1/4	18 3/8	5 1/8	7/8	1 7/8	7 3/4	11 11/32	14 1/2	2 15/32	149.00
22228	4 15/16	BPLB6879F	6	16	17 1/8	3 3/8	20 1/8	5 7/8	1	1 15/16	7 3/4	11 13/16	15 1/2	2 5/8	167.00

Additional Notes

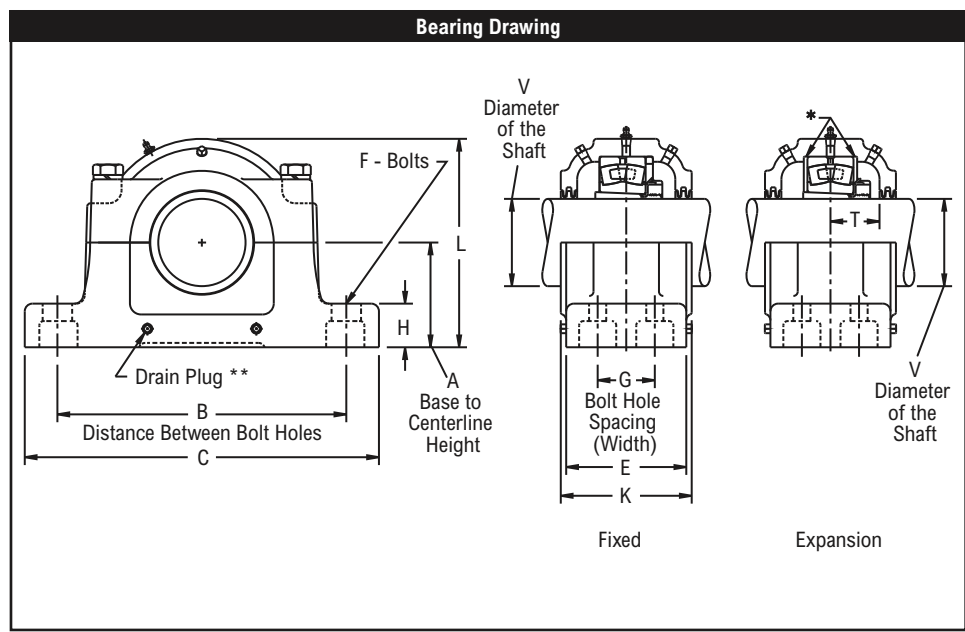
Please call 1-866-REXNORD for availability
 Lubrication fitting tap size: for 4 1/2" and smaller shaft sizes, 1/8" PT: for all other shaft sizes, 1/4" PT
 Expansion - is 1/4" for 1 7/16" : all other shaft sizes provide 3/8"
 Drain plug tap size - for 3 3/16" and smaller shaft sizes, 1/8" PT: for all other shaft sizes, 1/4" PT
 Minimum extension of shaft beyond locknut, .06" for closed end unit
 Dimension "P" is recommended dimension for cap removal

Exclusive T water seals standard
 Selection Guide, see Link-Belt Split Spherical Roller Bearings Selection Guide section
 Load Ratings & Speed Limits, see Link-Belt Split Spherical Bearings Load Ratings & Speed Limits section
 Note: Dimensions subject to change. Certified dimensions of ordered material furnished on request.



Product Features

- Corrosion resistant powder coating
- Two piece cast steel housing
- Broad range of sealing options
- Fixed or Expansion - Up to 3/8" expansion
- Matched base & cap
- Large reservoir for grease or oil storage
- Tapered adapter mounted
- See Features & Benefits for additional info.



Bearing Dimensions																
Size Code	V Shaft Diameter	Part Number	A Base to Centerline Height	B Min. Distance Between Bolt Holes	B Max. Distance Between Bolt Holes	G Bolt Hole Spacing (Width)	C	E	F	H	K	L	P	T	Approx. Weight	
22215	2 7/16	PKLB6839FR	3 1/4	8 5/8	9 5/8	1 7/8	11 1/4	4 3/8	1/2	1 1/2	4 3/4	6 3/8	10 1/4	1 15/32	37.00	
	65.00	PKLB68M65FR	82.55	219.10	244.50	47.60	285.80	111.10	12.00	38.10	120.60	161.90	260.40	37.30	16.80	
22216	2 11/16	PKLB6843FR	3 1/2	9 5/8	11	2	13	4 7/8	5/8	1 5/8	5 1/4	7	11	1 1/2	51.00	
	70.00	PKLB68M70FR	88.90	244.50	279.40	50.80	330.20	123.80	16.00	41.30	133.40	177.80	279.40	38.10	23.10	
22217	2 15/16	PKLB6847FR	3 3/4	9 7/8	11	2	13	4 7/8	5/8	1 5/8	5 1/4	7 3/8	11 1/2	1 19/32	51.00	
	3	PKLB6848FR													51.00	
	75.00	PKLB68M75FR	95.25	250.80	279.40	50.80	330.20	123.80	16.00	41.30	133.40	187.30	292.10	40.50	23.10	
22220	3 7/16	PKLB6855FR	4 1/2	11 5/8	13 1/8	2 3/8	15 1/4	6	3/4	1 7/8	6 1/2	8 13/16	13 3/4	1 29/32	97.00	
	3 1/2	PKLB6856FR													97.00	
	90.00	PKLB68M90FR	114.30	295.30	333.40	60.30	387.40	152.40	20.00	47.60	165.10	223.80	349.20	48.40	44.00	
22222	3 11/16	PKLB6859FR	4 15/16	12 5/8	14 1/2	2 3/4	16 1/2	6 1/2	3/4	2	7	9 3/4	15 1/4	2 1/8	112.00	
	3 15/16	PKLB6863FR													112.00	
	4	PKLB6864FR													112.00	
	100.00	PKLB68M100FR	125.41	320.70	368.30	69.80	419.10	165.10	20.00	50.80	177.80	247.60	387.40	54.00	50.80	
22226	4 7/16	PKLB6871FR	6	14 5/8	16	3 1/4	18 3/8	7 1/4	7/8	2 1/4	7 3/4	11 1/2	18 1/4	2 15/32	200.00	
	4 1/2	PKLB6872FR													196.00	
	115.00	PKLB68M115FR	152.40	371.50	406.40	82.60	466.70	184.20	24.00	57.20	196.80	292.10	463.60	62.70	88.90	
22228	4 15/16	PKLB6879FR	6	16	17 1/8	3 3/8	20 1/8	6 7/8	1	2 1/2	7 1/2	11 15/16	19 1/4	2 5/8	207.00	
	5	PKLB6880FR													207.00	
	125.00	PKLB68M125FR	152.40	406.40	435.00	85.70	511.20	174.60	24.00	63.50	190.50	303.20	489.00	66.70	93.90	
22232	5 7/16	PKLB6887FR	6 11/16	17 3/8	19 1/4	3 3/4	22	8	1	2 3/4	8 1/2	13 1/2	20 1/2	2 31/32	270.00	
	140.00	PKLB68M140FR													169.86	441.30
22234	5 15/16	PKLB6895FR	7 1/16	19 3/8	21 5/8	4 1/4	24 3/4	8 3/4	1	3	9 1/4	14 1/4	22 1/4	3 1/8	368.00	
	6	PKLB6896FR													368.00	
	150.00	PKLB68M150FR	179.39	492.10	549.30	108.00	628.60	222.20	24.00	76.20	235.00	362.00	565.20	79.40	166.90	
22236	6 7/16	PKLB68103FR	7 1/2	20 7/8	23 5/8	4 5/8	26 3/4	9 1/8	1	3 1/4	9 5/8	14 15/16	23 1/4	3 5/32	390.00	
	6 1/2	PKLB68104FR													390.00	
	160.00	PKLB68M160FR	190.50	530.20	600.10	117.50	679.40	231.80	24.00	82.60	244.50	379.40	590.60	80.20	176.90	
22238	6 15/16	PKLB68111FR	7 7/8	21 5/8	24 3/8	4 1/2	28	9 3/4	1 1/4	3 1/4	10 1/4	15 13/16	25	3 5/16	470.00	
	7	PKLB68112FR													470.00	
	170.00	PKLB68M170FR	200.02	549.30	619.10	114.30	711.20	247.60	30.00	82.60	260.40	401.60	635.00	84.10	213.20	
22244	7 1/2	PKLB68120FR	9 1/2	25 7/8	27 5/8	7 1/4	32	12	1 3/4	4	12 5/8	18 11/16	29 1/4	3 13/16	875.00	
	7 15/16	PKLB68127FR													875.00	
	8	PKLB68128FR	875.00	875.00	875.00	875.00	875.00	875.00	875.00	875.00	875.00	875.00	875.00	875.00	875.00	

Continued...

PLB7800, PLB7800F, PLB7600F

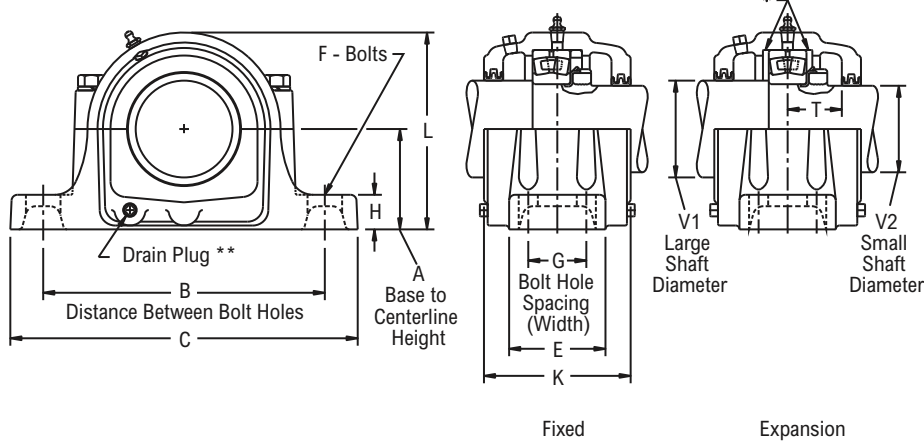


Photo Shows a 2-Bolt Spherical Roller Bearing Two-Piece Pillow Block Unit

Product Features

- Corrosion resistant powder coating
- Two piece cast iron housing
- Fixed or Expansion - Up to 3/8" expansion
- Matched base & cap
- Large reservoir for grease or oil storage
- Direct shaft mounted
- See Features & Benefits for additional info.

Bearing Drawing



Bearing Dimensions

Size Code	Shaft Diameter	V1 Large Shaft Diameter	V2 Small Shaft Diameter	Part Number	A Base to Centerline Height	B Min. Distance Between Bolt Holes	B Max. Distance Between Bolt Holes	G Bolt Hole Spacing (Width)	C	E	F Bolts	H	K	L	P	T	Approx. Weight
Two-Bolt Pillow Block																	
22215	2.95	3 7/16	2 13/16	PLB7875R	3 1/4	8 5/8	9 5/8	-	11 1/4	3 1/8	5/8	1 1/8	4 3/4	6 3/8	8 3/8	1 15/32	35.00
22216	3.15	3 5/8	3	PLB7880R	3 1/2	9 5/8	11	-	13	3 1/2	3/4	1 1/4	5 1/4	7	9 1/2	1 1/2	35.00
22217	3.35	3 15/16	3 3/16	PLB7885R	3 3/4	9 7/8	11	-	13	3 1/2	3/4	1 1/4	5	7 5/16	10	1 19/32	40.00
22218	3.54	4 1/8	3 3/8	PLB7890R	4	10 3/8	11 5/8	-	13 3/4	3 7/8	3/4	1 5/16	5 7/8	7 15/16	10 1/2	1 3/4	42.00
22220	3.94	4 1/2	3 13/16	PLB78100R	4 1/2	11 5/8	13 1/8	-	15 1/4	4 3/8	7/8	1 1/2	6	8 7/8	11 3/4	1 29/32	62.00
Four-Bolt Pillow Block																	
22215	2.95	3 7/16	2 13/16	PLB7875FR	3 1/4	8 5/8	9 5/8	1 7/8	11 1/4	3 1/8	1/2	1 1/8	4 3/4	6 3/8	8 3/8	1 15/32	35.00
22216	3.15	3 5/8	3	PLB7880FR	3 1/2	9 5/8	11	2	13	3 1/2	5/8	1 1/4	5 1/4	7	9 1/2	1 1/2	35.00
22217	3.35	3 15/16	3 3/16	PLB7885FR	3 3/4	9 7/8	11	2	13	3 1/2	5/8	1 1/4	5	7 5/16	10	1 19/32	40.00
22218	3.54	4 1/8	3 3/8	PLB7890FR	4	10 3/8	11 5/8	2 1/8	13 3/4	3 7/8	5/8	1 5/16	5 7/8	7 15/16	10 1/2	1 3/4	42.00
22220	3.94	4 1/2	3 13/16	PLB78100FR	4 1/2	11 5/8	13 1/8	2 3/8	15 1/4	4 1/2	3/4	1 1/2	6	8 7/8	11 3/4	1 29/32	62.00
22222	4.33	4 7/8	4 3/16	PLB78110FR	4 15/16	12 5/8	14 1/2	2 3/4	16 1/2	4 3/4	3/4	1 5/8	6 1/2	9 5/8	12 1/4	2 1/8	78.00
22224	4.72	5 5/16	4 9/16	PLB78120FR	5 1/4	13 1/4	14 1/2	2 3/4	16 1/2	4 3/4	3/4	1 3/4	7 1/8	10 7/16	13 1/2	2 9/32	102.00
22226	5.12	5 7/8	4 15/16	PLB78130FR	6	14 5/8	16	3 1/4	18 3/8	5 1/8	7/8	1 7/8	7 3/4	11 19/32	14 1/2	2 15/32	141.00
22228	5.51	6 1/4	5 5/16	PLB78140FR	6	16	17 1/8	3 3/8	20 1/8	5 7/8	1	1 15/16	7 3/4	11 13/16	15 1/2	2 5/8	162.00
22230	5.91	6 5/8	5 3/4	PLB78150FR	6 5/16	17	18 1/4	3 3/4	21 1/4	6 1/4	1	2	8 1/8	12 9/16	16	2 3/4	182.00
22232	6.30	7	6 1/16	PLB78160FR	6 11/16	17 3/8	19 1/4	3 3/4	22	6 1/4	1	2	8 1/2	13 3/8	17	2 31/32	202.00
22234	6.69	7 7/16	6 7/16	PLB78170FR	7 1/16	19 3/8	21 5/8	4 1/4	24 3/4	6 3/4	1	2 1/8	9 1/4	14 1/4	18	3 1/8	240.00
22236	7.09	7 13/16	6 7/8	PLB78180FR	7 1/2	20 7/8	23 5/8	4 5/8	26 3/4	7 1/8	1	2 1/8	9 5/8	14 15/16	18 3/4	3 5/32	279.00
22238	7.48	8 3/8	7 1/4	PLB78190FR	7 7/8	21 5/8	24 3/8	4 1/2	28	7 1/2	1 1/4	2 3/8	10 1/4	15 13/16	20 1/2	3 5/16	345.00
22240	7.87	8 3/4	7 5/8	PLB78200FR	8 1/4	22 1/2	25	5	29 1/2	8	1 1/4	2 3/8	11	16 3/4	22 1/4	3 17/32	415.00
22244	8.66	9 9/16	8 5/16	PLB22244	9 1/2	24 3/4	27 7/8	5 1/4	32 3/4	8 3/4	1 1/2	3 3/4	11 7/8	18 5/8	-	-	620.00
				PLB78220FR													
22248	9.45	10 1/2	9 3/16	PLB22248	10 1/4	29	30 1/2	8 3/4	35	14 1/2	1 5/8	3 3/4	14 1/8	20 1/2	-	-	976.00
23048	9.45	10 1/2	9 3/16	PLB76240FH	8 1/4	22 1/2	25	5	29 1/2	8	1 1/4	2 3/8	11	16 3/4	22 1/4	3 13/16	430.00
23056	11.02	12	10 3/4	PLB76280FH	9 1/2	24 3/4	27 7/8	5 1/4	32 3/4	8 3/4	1 1/2	2 3/4	11 3/4	19 1/16	24 1/2	4 1/4	595.00

Additional Notes

Please call 1-866-REXNORD for availability
 Lubrication fitting tap size: for 3.5433" (90mm) and smaller shaft sizes, 1/8"
 PT: for all other shaft sizes, 1/4" PT
 Expansion - is 3/8" for all shaft sizes
 Drain plug tap size - for 3.5433" (90mm) and smaller shaft sizes,
 1/8" PT: for 3.9370" (100mm) thru 6.6929" (170mm), 1/4" PT: for all other shaft sizes, 1/2" PT
 Minimum extension of shaft beyond locknut, .06" for closed end unit
 Dimension "P" is recommended dimension for cap removal

Multi-labyrinth seals standard
 Selection Guide, see Link-Belt Split Spherical Roller Bearings Selection Guide section
 Load Ratings & Speed Limits, see Link-Belt Split Spherical Bearings Load Ratings & Speed Limits section
 For shaft bearing seat diameters, see Link-Belt Split Spherical Bearings Shaft & Housing Seat Diameters section
 Note: Dimensions subject to change. Certified dimensions of ordered material furnished on request.

PLB6900, PLB6900F, SAF22600

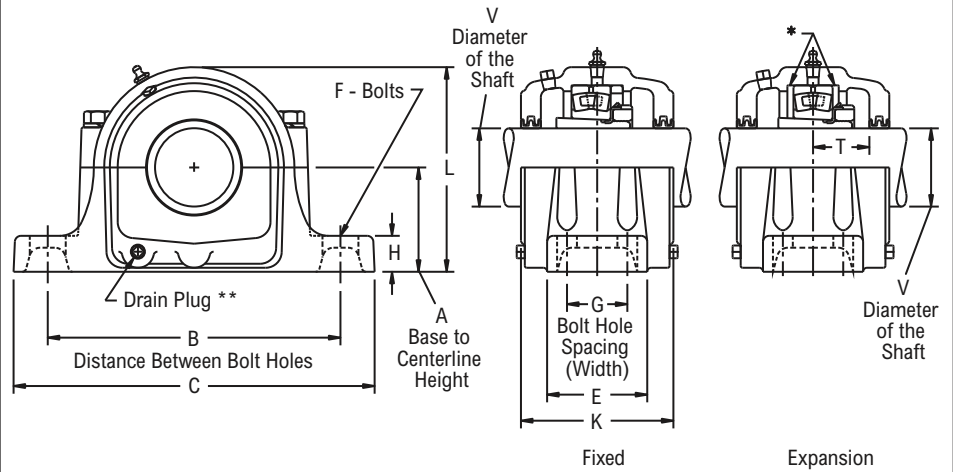


Photo Shows a 2-Bolt Spherical Roller Bearing Two-Piece Pillow Block Unit

Product Features

- Corrosion resistant powder coating
- Two piece cast iron housing
- Broad range of sealing options
- Fixed or Expansion - Up to 3/8" expansion
- Matched base & cap
- Large reservoir for grease or oil storage
- Tapered adapter mounted
- See Features & Benefits for additional info.

Bearing Drawing



Bearing Dimensions

Size Code	V Shaft Diameter	Part Number	A Base to Centerline Height	B Min. Distance Between Bolt Holes	B Max. Distance Between Bolt Holes	G Bolt Hole Spacing (Width)	C	E	F Bolts	H	K	L	P	T	Approx. Weight
Two-Bolt Pillow Block															
22309	1 7/16	PLB6923R	2 3/4	7 1/4	8	-	9 5/8	2 3/4	5/8	1	4 1/8	5 3/8	7 1/2	1 5/16	20.00
	1 1/2	PLB6924R													
22310	1 11/16	PLB6927R	3	7 3/4	9	-	10 5/8	2 3/4	5/8	1 1/8	4 1/2	5 7/8	7 7/8	1 15/32	23.00
22311	1 15/16	PLB6931R	3 1/4	8 1/8	9 1/2	-	11	3 1/8	5/8	1 3/16	4 3/4	6 5/16	8 1/2	1 9/16	28.00
	2	PLB6932R													
22313	2 3/16	PLB6935R	3 1/2	9 5/8	11	-	13	3 1/2	3/4	1 1/4	5 1/4	7	9 5/8	1 23/32	41.00
22315	2 7/16	PLB6939R	4	10 3/8	11 5/8	-	13 3/4	3 7/8	3/4	1 5/16	5 7/8	7 15/16	10 1/2	1 15/16	52.00
	2 1/2	PLB6940R													
22316	2 11/16	PLB6943R	4 1/4	10 5/8	12 5/8	-	14 1/4	3 7/8	3/4	1 5/16	6 1/8	8 3/8	11 1/4	2	59.00
22317	2 15/16	PLB6947R	4 1/2	11 5/8	13 1/8	-	15 1/4	4 3/8	7/8	1 1/2	6 1/2	8 7/8	11 3/4	2 1/2	71.00
Four-Bolt Pillow Block															
22313	2 3/16	PLB6935FR	3 1/2	9 5/8	11	2	13	3 1/2	5/8	1 1/4	5 1/4	7	9 5/8	1 23/32	41.00
22315	2 7/16	PLB6939FR	4	10 3/8	11 5/8	2 1/8	13 3/4	3 7/8	5/8	1 5/16	5 7/8	7 15/16	10 1/2	1 15/16	52.00
	2 1/2	PLB6940FR													
22316	2 11/16	PLB6943FR	4 1/4	10 5/8	12 5/8	2 1/4	14 1/4	3 7/8	5/8	1 5/16	6 1/8	8 3/8	11 1/4	2	59.00
22317	2 15/16	PLB6947FR	4 1/2	11 5/8	13 1/8	2 3/8	15 1/4	4 3/8	3/4	1 1/2	6 1/2	8 7/8	11 3/4	2 1/2	71.00
22318	3 3/16	SAF22618303	4 3/4	12	13 1/2	2 1/4	15 1/2	4 3/8	3/4	2	6 7/8	9 1/4	12 1/4	2 7/32	97.00
22320	3 7/16	SAF22620307	5 1/4	13 1/4	14 1/2	2 3/4	16 1/2	4 3/4	3/4	1 3/4	7 1/8	10 7/16	13 1/2	2 7/16	111.00
	3 1/2	SAF22620308													
22322	3 15/16	SAF22622315	6	14 5/8	16	3 1/4	18 3/8	5 1/8	7/8	1 7/8	7 3/4	11 11/16	14 1/2	2 21/32	149.00
	4	SAF22622400													
22324	4 3/16	SAF22624403	6 5/16	17	18 1/4	3 3/4	21 1/4	6 1/4	1	2 1/2	8 3/8	12 1/2	16	2 13/16	225.00
22326	4 7/16	SAF22626407	6 11/16	17 3/8	19 1/4	3 3/4	22	6 1/4	1	2 5/8	8 3/4	13 5/16	17	3 5/16	228.00
22328	4 15/16	SAF22628415	7 1/16	19 3/8	21 5/8	4 1/4	24 3/4	6 3/4	1	2 3/4	9 5/8	14 3/16	18	3 1/4	330.00
	5	SAF22628500													
22330	5 3/16	SAF22630503	7 1/2	20 7/8	23 5/8	4 5/8	26 3/4	7 1/8	1	3	9 3/4	14 7/8	18 3/4	3 7/16	375.00
22332	5 7/16	SAF22632507	7 7/8	21 1/8	24 3/8	4 1/2	28	7 1/2	1 1/4	3 1/8	10 3/4	15 11/16	20 1/2	3 5/8	430.00
22334	5 15/16	SAF22634515	8 1/4	22 1/2	25	5	29 1/2	8	1 1/4	3 3/8	11 1/4	16 1/2	22 1/4	3 3/4	515.00
22348	8 15/16	PLB22648K81516	12	32 3/4	33 1/2	9	38 1/4	14 3/4	1 5/8	3 1/2	15 1/2	24	-	-	1,370.00
22356	10 7/16	PLB22656K10716	14	36 3/4	38 1/4	10 3/4	43 3/4	18 1/4	2	5	18	28	-	-	2,262.00

Additional Notes

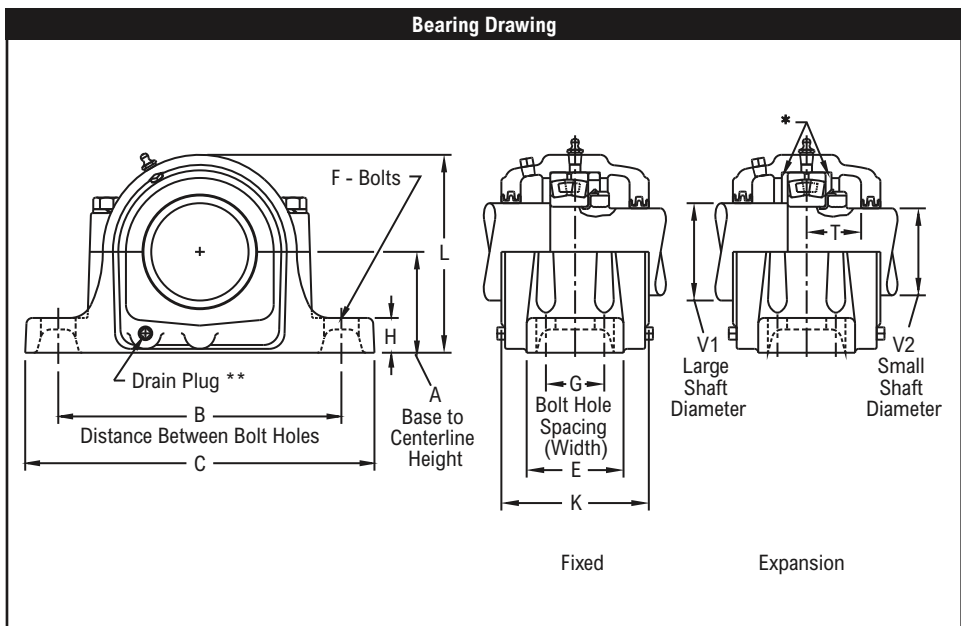
Please call 1-866-REXNORD for availability
 Lubrication fitting tap size: for 2 11/16" and smaller shaft sizes,
 1/8" PT: for all other shaft sizes, 1/4" PT
 Expansion - is 3/8" for all shaft sizes
 Drain plug tap size - for 2 11/16" and smaller shaft sizes,
 1/8" PT: for all other shaft sizes, 1/4" PT
 Minimum extension of shaft beyond locknut, .06" for closed end unit
 Dimension "P" is recommended dimension for cap removal

Multi-labyrinth seals standard
 All shaft sizes available with type D5 Pentac seals
 Selection Guide, see Link-Belt Split Spherical Roller Bearings Selection
 Guide section
 Load Ratings & Speed Limits, see Link-Belt Split Spherical Bearings Load
 Ratings & Speed Limits section
 Note: Dimensions subject to change. Certified dimensions of ordered material
 furnished on request.



Product Features

- Corrosion resistant powder coating
- Two piece cast iron housing
- Fixed or Expansion - Up to 3/8" expansion
- Matched base & cap
- Large reservoir for grease or oil storage
- Direct shaft mounted
- See Features & Benefits for additional info.



Bearing Dimensions																	
Size Code	Shaft Diameter	V1 Large Shaft Diameter	V2 Small Shaft Diameter	Part Number	A Base to Centerline Height	B Min. Distance Between Bolt Holes	B Max. Distance Between Bolt Holes	G Bolt Hole Spacing (Width)	C	E	F Bolts	H	K	L	P	T	Approx. Weight
Two-Bolt Pillow Block																	
22309	1.77	2 1/8	1 11/16	PLB7945R	2 3/4	7 1/4	8	-	9 5/8	2 3/4	5/8	1	4 1/8	5 3/8	7 1/2	1 5/16	18.00
22310	1.97	2 3/8	1 7/8	PLB7950R	3	7 3/4	9	-	10 5/8	2 3/4	5/8	1 1/8	4 1/2	5 7/8	7 7/8	1 15/32	22.00
22311	2.17	2 9/16	2 1/16	PLB7955R	3 1/4	8 1/8	9 1/2	-	11	3 1/8	5/8	1 3/16	4 3/4	6 3/16	8 1/2	1 9/16	27.00
22313	2.56	3 1/16	2 7/16	PLB7965R	3 1/2	9 5/8	11	-	13	3 1/2	3/4	1 1/4	5 1/4	7	9 5/8	1 23/32	39.00
22315	2.95	3 7/16	2 13/16	PLB7975R	4	10 3/8	11 5/8	-	13 3/4	3 7/8	3/4	1 5/16	5 7/8	7 15/16	10 1/2	1 15/16	50.00
22316	3.15	3 5/8	3	PLB7980R	4 1/4	10 5/8	12 5/8	2 1/8	14 1/4	3 7/8	3/4	1 5/16	6 1/8	8 3/8	11 1/4	2	58.00
22317	3.35	3 15/16	3 3/16	PLB7985R	4 1/2	11 5/8	13 1/8	-	15 1/4	4 3/8	7/8	1 1/2	6 1/2	8 7/8	11 3/4	2 1/2	71.00
Four-Bolt Pillow Block																	
22313	2.56	3 1/16	2 7/16	PLB7965FR	3 1/2	9 5/8	11	2	13	3 1/2	5/8	1 1/4	5 1/4	7	9 5/8	1 23/32	39.00
22315	2.95	3 7/16	2 13/16	PLB7975FR	4	10 3/8	11 5/8	2 1/8	13 3/4	3 7/8	5/8	1 5/16	5 7/8	7 15/16	10 1/2	1 15/16	50.00
22316	3.15	3 5/8	3	PLB7980FR	4 1/4	10 5/8	12 5/8	2 1/8	14 1/4	3 7/8	5/8	1 5/16	6 1/8	8 3/8	11 1/4	2	58.00
22317	3.35	3 15/16	3 3/16	PLB7985FR	4 1/2	11 5/8	13 1/8	2 3/8	15 1/4	4 3/8	3/4	1 1/2	6 1/2	8 7/8	11 3/4	2 1/2	71.00
22318	3.54	4 1/8	3 3/8	SAF22318	4 3/4	12	13 1/2	2 1/4	15 1/2	4 3/8	3/4	2	6 7/8	9 3/16	12 1/4	2 7/32	94.00
22320	3.94	4 1/2	3 13/16	SAF22320	5 1/4	13 1/4	14 1/2	2 3/4	16 1/2	4 3/4	3/4	1 3/4	7 1/8	10 7/16	13 1/2	2 7/16	118.00
22322	4.33	4 7/8	4 3/16	SAF22322	6	14 5/8	16	3 1/4	18 3/8	5 1/8	7/8	1 7/8	7 3/4	11 11/16	14 1/2	2 21/32	147.00
22324	4.72	5 5/16	4 9/16	SAF22324	6 5/16	17	18 1/4	3 3/4	21 1/4	6 1/4	1	2 1/2	8 3/8	12 1/2	16	2 13/16	215.00
22326	5.12	5 7/8	4 15/16	SAF22326	6 11/16	17 3/8	19 1/4	3 3/4	22	6 1/4	1	2 5/8	8 3/4	13 5/16	17	3 5/16	215.00
22328	5.51	6 1/4	5 5/16	SAF22328	7 1/16	19 3/8	21 5/8	4 1/4	24 3/4	6 3/4	1	2 3/4	9 3/8	14 3/16	18	3 1/4	320.00
22330	5.91	6 5/8	5 3/4	SAF22330	7 1/2	20 7/8	23 5/8	4 5/8	26 3/4	7 1/8	1	3	9 3/4	14 7/8	18 3/4	3 7/16	350.00
22332	6.30	7	6 1/16	SAF22332	7 7/8	21 5/8	24 3/8	4 1/2	28	7 1/2	1 1/4	3 1/8	10 3/4	15 11/16	20 1/2	3 5/8	410.00
22334	6.69	7 7/16	6 7/16	SAF22334	8 1/4	22 1/2	25	5	29 1/2	8	1 1/4	3 3/8	11 1/4	16 1/2	22 1/4	3 3/4	485.00
22348	9.45	10 1/2	9 1/16	PLB22348	12	32 3/4	33 1/2	9	38 1/4	14 3/4	1 5/8	3 1/2	15 1/2	24	-	-	1,322.00
22356	11.02	12 3/4	10 3/4	PLB22356	14	36 3/4	38 1/4	10 3/4	43 3/4	18 1/4	2	5	18	28	-	-	2,203.00

Additional Notes

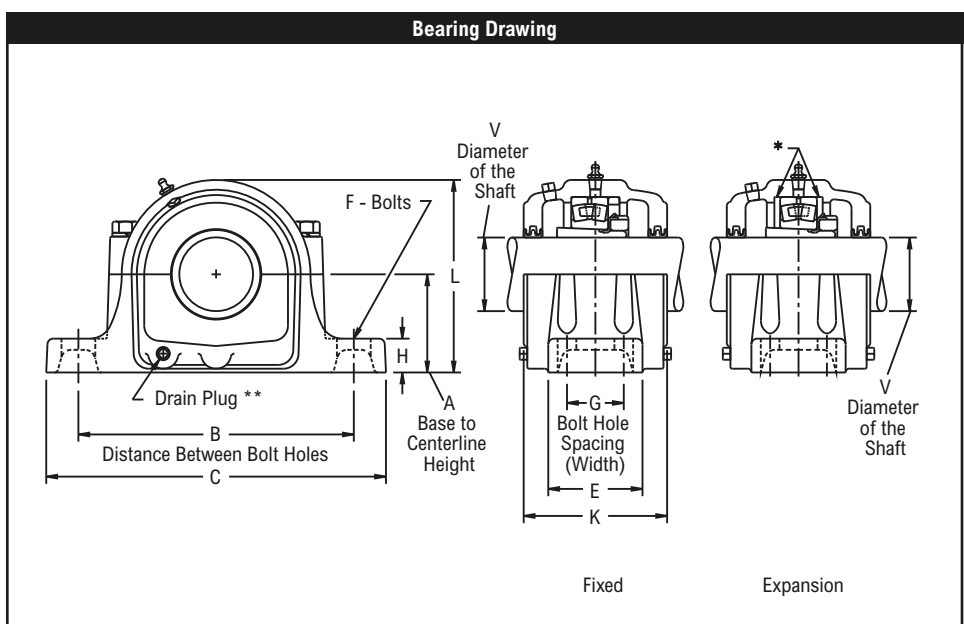
Please call 1-866-REXNORD for availability
 Lubrication fitting tap size: for 3.1496" (80mm) and smaller shaft sizes, 1/8" PT:
 for all other shaft sizes, 1/4" PT
 Expansion - is 3/8" for all shaft sizes
 Drain plug tap size - for 3.1496" (80mm) and smaller shaft sizes, 1/8" PT: for
 3.3465" (85mm) thru 4.3307" (110mm), 1/4" PT: for 4.7244" (120mm) thru
 6.2992" (160mm), 3/8" PT: for all other shaft sizes, 1/2" PT
 Minimum extension of shaft beyond locknut, .06" for closed end unit
 Dimension "P" is recommended dimension for cap removal
 Multi-labyrinth seals standard

SAF pillow blocks include locknut and washer
 Selection Guide, see Link-Belt Split Spherical Roller Bearings Selection
 Guide section
 Load Ratings & Speed Limits, see Link-Belt Split Spherical Bearings Load
 Ratings & Speed Limits section
 For shaft bearing seat diameters, see Link-Belt Split Spherical Bearings Shaft &
 Housing Seat Diameters section
 Note: Dimensions subject to change. Certified dimensions of ordered material
 furnished on request.



Product Features

- Corrosion resistant powder coating
- Two piece cast iron housing
- Broad range of sealing options
- Fixed or Expansion - Up to 3/8" expansion
- Matched base & cap
- Large reservoir for grease or oil storage
- Tapered adapter mounted
- See Features & Benefits for additional info.



Bearing Dimensions													
Size Code	Shaft Diameter	Part Number	A Base to Centerline Height	B Min. Distance Between Bolt Holes	B Max. Distance Between Bolt Holes	G Bolt Hole Spacing (Width)	C	E	F Bolts	H	K	L	Approx. Weight
Four-Bolt Pillow Block													
23044	7 15/16 8	PLB23044K71516 PLB23044K8	7 7/8	21 5/8	24 3/8	4 1/2	28	7 1/2	1 1/4	3 1/8	10 3/4	15 11/16	413.00
23048	8 1/2 8 15/16 9	PLB23048K812 PLB23048K81516 PLB23048K9	8 1/4	22 1/2	25	5	29 1/2	8	1 1/4	3 3/8	11 1/8	16 11/16	474.00
23052	9 7/16 9 1/2	PLB23052K9716 PLB23052K912	9 1/2	24 3/4	27 7/8	5 1/4	32 3/4	8 3/4	1 1/2	3 3/4	11 7/8	18 13/16	530.00
23056	9 15/16 10 10 7/16	PLB23056K91516 PLB23056K10 PLB23056K10716	9 7/8	26 1/4	29 1/2	5 1/2	34 1/4	9	1 1/2	4	12 1/16	20 3/16	800.00
23060	10 15/16 11	PLB23060K101516 PLB23060K11	12	32 3/4	33 1/2	9	38 1/4	14 3/4	1 5/8	3 1/2	15 1/2	24	1,200.00
23064	11 15/16 12	PLB23064K111516 PLB23064K12	12	32 3/4	33 1/2	9	38 1/4	15 1/8	1 5/8	3 1/2	16 1/2	24	1,250.00
23068	12 1/2	PLB23068K1212	12	32	33 1/2	10	39	15 1/4	1 7/8	4 3/16	15 3/4	24	1,550.00
23072	12 15/16 13	PLB23072K121516 PLB23072K13	12 13/16	35	36 1/2	10 1/2	41 3/4	15 3/4	1 7/8	4 1/2	16 1/4	26	1,650.00
23076	13 15/16 14	PLB23076K131516 PLB23076K14	12 13/16	35	36 1/2	10 1/2	41 3/4	15 3/4	1 7/8	4 1/2	16 1/4	26	1,700.00 3,245.00
23080	15	PLB23080K15	14 1/2	39 1/4	40 3/4	11	46	17 1/8	2	5	18	28 3/4	2,300.00
23084	15 3/4	PLB23084K1534	14 1/2	39 1/4	40 3/4	11	46	17 1/8	2	5	18	28 3/4	2,300.00
23088	16 1/2	PLB23088K1612	15 1/2	41 1/2	43 1/2	12 1/4	48 3/4	18 3/4	2 1/4	5 1/2	19 3/8	31	2,550.00
23092	17	PLB23092K17	15 1/2	41 1/2	43 1/2	12 1/4	48 3/4	18 3/4	2 1/4	5 1/2	19 3/8	31	2,850.00
23096	18	PLB23096K18	17	44 1/2	46 5/8	14 1/2	52 3/4	22 1/4	2 1/4	5 1/2	21 3/4	34	4,250.00
230530	19 1/2	PLB230530K1912	18	47 1/8	48 7/8	15	54 1/4	21 5/8	2 1/2	5 3/4	22 3/4	35 3/4	5,200.00
230560	21	PLB230560K21	18	47 1/8	48 7/8	15	54 1/4	21 5/8	2 1/2	5 3/4	22 3/4	35 3/4	3,745.00
230600	22	PLB230600K22	20	52 1/2	54	16	60	22	3	6	24 5/8	40	5,525.00
230630	24	PLB230630K24	20	52 1/2	54	16	60	22	3	6	24 5/8	40	5,356.00

Additional Notes

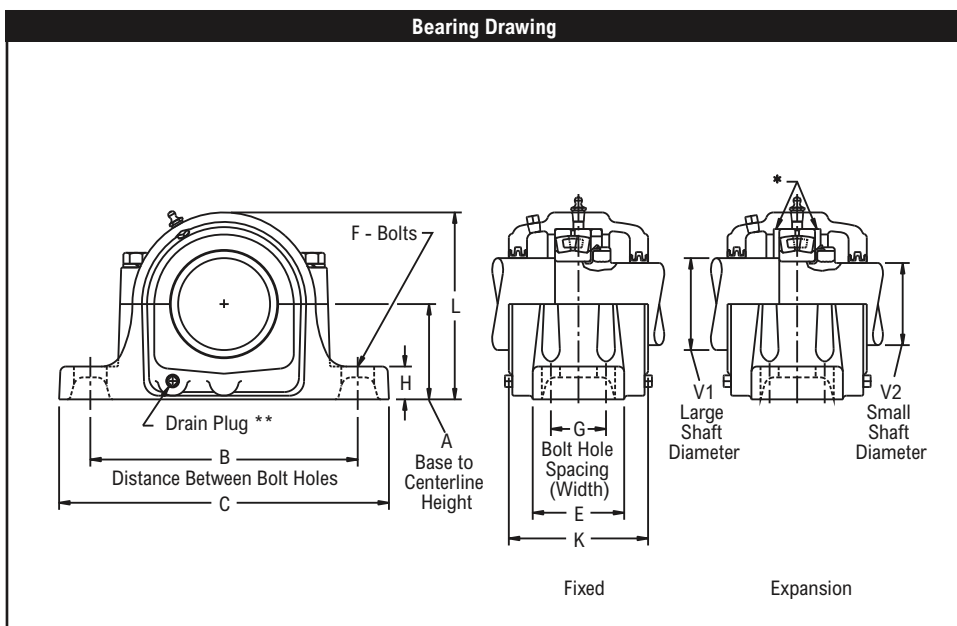
Please Call 1-866-REXNORD for availability
 Lubrication Fitting Tap Size, 1/4" PT
 Expansion is 3/8" for all shaft sizes
 Multi-labyrinth seals standard
 Selection Guide, see Link-Belt Split Spherical Roller Bearing Selection Guide section
 Load Ratings & Speed Limits, see Link-Belt Split Spherical Roller Bearing Load Ratings & Speed Limits section

Note: Dimensions subject to change. Certified dimensions of ordered material furnished on request.



Product Features

- Corrosion resistant powder coating
- Two piece cast iron housing
- Fixed or Expansion - Up to 3/8" expansion
- Matched base & cap
- Large reservoir for grease or oil storage
- Direct shaft mounted
- See Features & Benefits for additional info.



Bearing Dimensions

Size Code	Shaft Diameter	V1 Large Shaft Diameter	V2 Small Shaft Diameter	Part Number	A Base to Centerline Height	B Min. Distance Between Bolt Holes	B Max. Distance Between Bolt Holes	G Bolt Hole Spacing (Width)	C	E	F Bolts	H	L	Approx. Weight
Four-Bolt Pillow Block														
23044	8.66	9 9/16	8 5/16	PLB23044	7 7/8	21 5/8	24 3/8	4 1/2	28	7 1/2	1 1/4	3 1/8	15 11/16	413.00
23048	9.45	10 1/2	9 3/16	PLB23048	8 1/4	22 1/2	25	5	29 1/2	8	1 1/4	3 3/8	16 11/16	388.00
23052	10.24	11 1/2	9 15/16	PLB23052	9 1/2	24 3/4	27 7/8	5 1/4	32 3/4	8 3/4	1 1/2	3 3/4	18 13/16	547.00
23056	11.02	12 1/2	10 3/4	PLB23056	9 7/8	26 1/4	29 1/2	5 1/2	34 1/4	9	1 1/2	4	20 3/16	528.00
23060	11.81	13	11 1/2	PLB23060	12	32 3/4	33 1/2	9	38 1/4	14 3/4	1 5/8	3 1/2	24	1,200.00
23064	12.60	13 3/4	12 1/4	PLB23064	12	32 3/4	33 1/2	9	38 1/4	15 1/8	1 5/8	3 1/2	24	1,300.00
23068	13.39	15	13	PLB23068	12	32	33 1/2	10	39	15 1/4	1 7/8	4 3/16	24	1,550.00
23072	14.17	15 3/4	13 3/4	PLB23072	12 13/16	35	36 1/2	10 1/2	41 3/4	15 3/4	1 7/8	4 1/2	26	1,650.00
23076	14.96	16 3/4	14 1/2	PLB23076	12 13/16	35	36 1/2	10 1/2	41 3/4	15 3/4	1 7/8	4 1/2	26	1,700.00
23080	15.75	17 1/2	15 3/8	PLB23080	14 1/2	39 1/4	40 3/4	11	46	17 1/8	2	5	28 3/4	2,300.00
23084	16.54	18	16	PLB23084	14 1/2	39 1/4	40 3/4	11	46	17 1/8	2	5	28 3/4	2,300.00
23088	17.32	19 1/2	17	PLB23088	15 1/2	41 1/2	43 1/2	12 1/4	48 3/4	18 3/4	2 1/4	5 1/2	31	2,550.00
23092	18.11	20	17 3/4	PLB23092	15 1/2	41 1/2	43 1/2	12 1/4	48 3/4	18 3/4	2 1/4	5 1/2	31	2,850.00
23096	18.90	21	18 1/2	PLB23096	17	44 1/2	46 5/8	14 1/2	52 3/4	22 1/4	2 1/4	5 1/2	34	4,250.00
230530	20.87	22 1/2	20 3/8	PLB230530	18	47 1/8	48 7/8	15	54 1/4	21 5/8	2 1/2	5 3/4	35 3/4	5,200.00
230560	22.05	-	-	PLB230560	18	47 1/8	48 7/8	15	54 1/4	21 5/8	2 1/2	5 3/4	35 3/4	3,745.00

Additional Notes

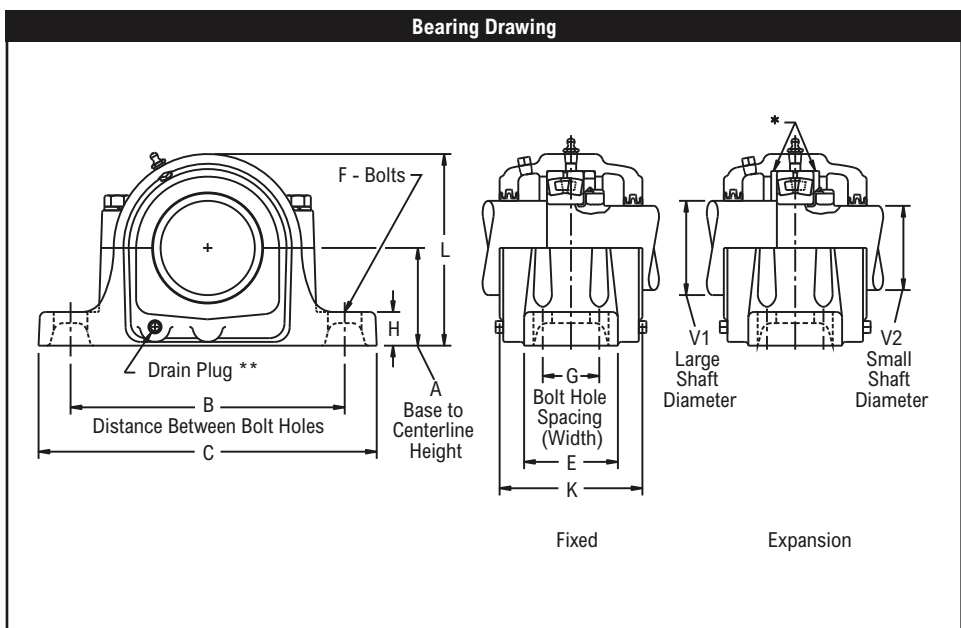
Please Call 1-866-REXNORD for availability
 Lubrication Fitting Tap Size, 1/4" PT
 Expansion is 3/8" for all shaft sizes
 Multi-labyrinth seals standard
 Selection Guide, see Link-Belt Split Spherical Roller Bearing Selection Guide section
 Load Ratings & Speed Limits, see Link-Belt Split Spherical Roller Bearing Load Ratings & Speed Limits section

Note: Dimensions subject to change. Certified dimensions of ordered material furnished on request.



Product Features

- Corrosion resistant powder coating
- Two piece cast iron housing
- Fixed or Expansion - Up to 3/8" expansion
- Matched base & cap
- Large reservoir for grease or oil storage
- Direct shaft mounted
- See Features & Benefits for additional info.



Bearing Dimensions

Size Code	Shaft Diameter	V1 Large Shaft Diameter	V2 Small Shaft Diameter	Part Number	A Base to Centerline Height	B Min. Distance Between Bolt Holes	B Max. Distance Between Bolt Holes	G Bolt Hole Spacing (Width)	C	E	F Bolts	H	L	Approx. Weight
Four-Bolt Pillow Block														
23144	8.66	9 ⁹ / ₁₆	8 ⁵ / ₁₆	PLB23144	8 1/4	22 1/2	25	5	29 1/2	8	1 1/4	3 3/8	16 1/2	466.00
23148	9.45	10 1/2	9 3/16	PLB23148	9 1/2	24 3/4	27 7/8	5 1/4	32 3/4	8 3/4	1 1/2	3 3/4	18 5/8	782.00
23152	10.24	11 1/2	9 15/16	PLB23152	10 1/4	29	30 1/2	8 3/4	35	14 1/2	1 5/8	3 3/4	20 1/2	985.00
23156	11.02	12 1/2	10 3/4	PLB23156	12	32 3/4	33 1/2	9	38 1/4	14 3/4	1 5/8	3 1/2	24	1,206.00
23160	11.81	13	11 1/2	PLB23160	12	32 3/4	33 1/2	9	38 1/4	15 1/8	1 5/8	3 1/2	24	1,305.00
23164	12.60	14	12 1/4	PLB23164	12 13/16	35	36 1/2	10 1/2	41 3/4	15 3/4	1 7/8	4 1/2	26	1,504.00
23168	13.39	15	13	PLB23168	14	36 3/4	38 1/4	10 3/4	43 3/4	18 1/4	2	5	28	2,172.00
23172	14.17	16	13 3/4	PLB23172	14 1/2	39 1/4	40 3/4	11	46	17 1/8	2	5	28 3/4	2,322.00
23176	14.96	17	14 1/2	PLB23176	14 1/2	39 1/4	40 3/4	11	46	17 1/8	2	5	28 3/4	2,348.00
23180	15.75	17 1/2	15 1/4	PLB23180	15 1/2	41 1/2	43 1/2	12 1/4	48 3/4	18 3/4	2 1/4	5 1/2	31	2,979.00
23184	16.54	18 1/2	15 3/4	PLB23184	17	44 1/2	46 5/8	14 1/2	52 3/4	22 1/4	2 1/4	5 1/2	34	3,894.00
23188	17.32	19 1/2	17	PLB23188	17	44 1/2	46 5/8	14 1/2	52 3/4	22 1/4	2 1/4	5 1/2	34	3,852.00
23192	18.11	20	17 3/4	PLB23192	18	47 1/8	48 7/8	15	54 1/4	21 5/8	2 1/2	5 3/4	35 3/4	4,391.00
23196	18.90	21	18 1/2	PLB23196	18	47 1/8	48 7/8	15	54 1/4	21 5/8	2 1/2	5 3/4	35 3/4	4,506.00
231530	20.87	-	-	PLB231530	20	52 1/2	54	16	60	22	3	6	40	6,002.00
231560	22.05	-	-	PLB231560	20	52 1/2	54	16	60	22	3	6	40	5,881.00

Additional Notes

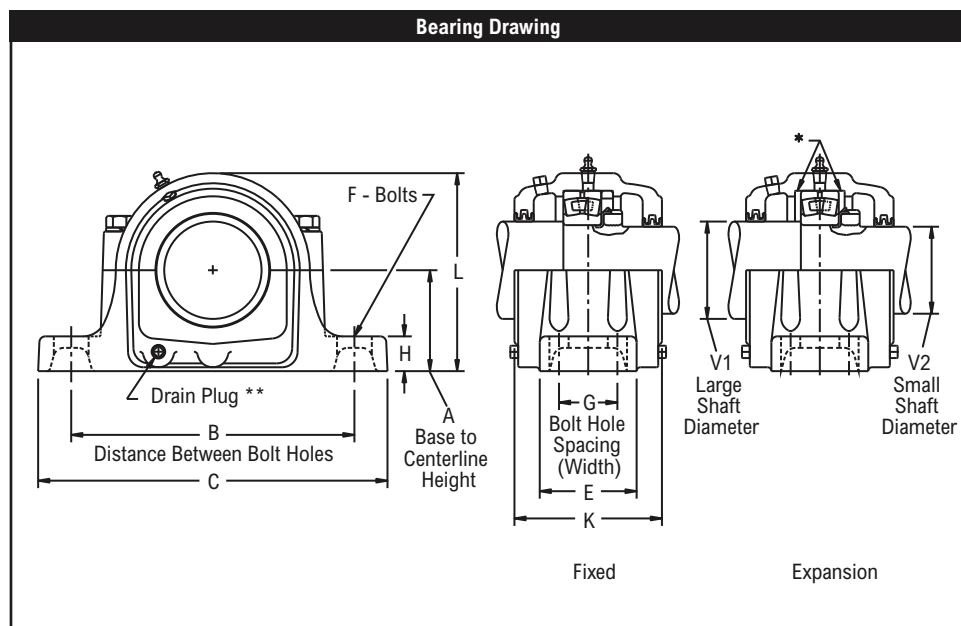
Please Call 1-866-REXNORD for availability
 Lubrication Fitting Tap Size, 1/4" PT
 Expansion is 3/8" for all shaft sizes
 Multi-labyrinth seals standard
 Selection Guide, see Link-Belt Split Spherical Roller Bearing Selection Guide section
 Load Ratings & Speed Limits, see Link-Belt Split Spherical Roller Bearing Load Ratings & Speed Limits section

Note: Dimensions subject to change. Certified dimensions of ordered material furnished on request.



Product Features

- Corrosion resistant powder coating
- Two piece cast iron housing
- Fixed or Expansion - Up to 3/8" expansion
- Matched base & cap
- Large reservoir for grease or oil storage
- Direct shaft mounted
- See Features & Benefits for additional info.



Bearing Dimensions

Size Code	Shaft Diameter	V1 Large Shaft Diameter	V2 Small Shaft Diameter	Part Number	A Base to Centerline Height	B Min. Distance Between Bolt Holes	B Max. Distance Between Bolt Holes	G Bolt Hole Spacing (Width)	C	E	F Bolts	H	L	Approx. Weight
Four-Bolt Pillow Block														
23244	8.66	9 9/16	8 5/16	PLB23244	9 1/2	24 3/4	27 7/8	5 1/4	32 3/4	8 3/4	1 1/2	3 3/4	18 5/8	661.00
23248	9.45	10 1/2	9 3/16	PLB23248	10 1/4	29	30 1/2	8 3/4	35	14 1/2	1 5/8	3 3/4	20 1/2	1,032.00
23252	10.24	11 1/2	9 15/16	PLB23252	12	32 3/4	33 1/2	9	38 1/4	15 1/8	1 5/8	3 1/2	24	1,247.00
23256	11.02	12 1/2	10 3/4	PLB23256	12	32 3/4	33 1/2	9	38 1/4	15 1/8	1 5/8	3 1/2	24	1,400.00
23260	11.81	13	11 1/2	PLB23260	12 13/16	35	36 1/2	10 1/2	41 3/4	15 3/4	1 7/8	4 1/2	26	1,754.00
23264	12.60	14	12 1/4	PLB23264	14	36 3/4	38 1/4	10 3/4	43 3/4	18 1/4	2	5	28	2,243.00
23268	13.39	15	13	PLB23268	14 1/2	39 1/4	40 3/4	11	46	17 1/8	2	5	28 3/4	2,492.00
23272	14.17	16	13 3/4	PLB23272	15 1/2	41 1/2	43 1/2	12 1/4	48 3/4	18 3/4	2 1/4	5 1/2	31	3,143.00
23276	14.96	17	14 1/2	PLB23276	15 1/2	41 1/2	43 1/2	12 1/4	48 3/4	18 3/4	2 1/4	5 1/2	31	3,100.00
23280	15.75	17 1/2	15 1/4	PLB23280	17	44 1/2	46 5/8	14 1/2	52 3/4	22 1/4	2 1/4	5 1/2	34	4,132.00
23284	16.54	18 1/2	15 3/4	PLB23284	18	47 1/8	48 7/8	15	54 1/4	21 5/8	2 1/2	5 3/4	35 3/4	4,636.00
23288	17.32	19 1/2	17	PLB23288	18	47 1/8	48 7/8	15	54 1/4	21 5/8	2 1/2	5 3/4	35 3/4	4,608.00
23292	18.11	20	17 3/4	PLB23292	18	47 1/8	48 7/8	15	54 1/4	21 5/8	2 1/2	5 3/4	35 3/4	4,461.00
23296	18.90	21	18 1/2	PLB23296	20	52 1/2	54	16	60	22	3	6	40	6,362.00

Additional Notes

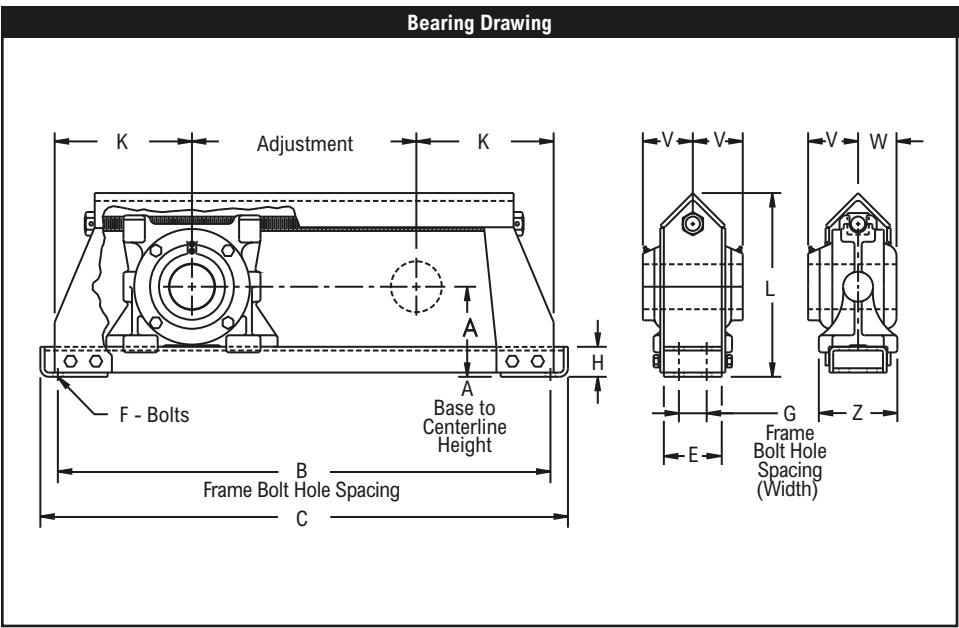
Please Call 1-866-REXNORD for availability
 Lubrication Fitting Tap Size, 1/4" PT
 Expansion is 3/8" for all shaft sizes
 Multi-labyrinth seals standard
 Selection Guide, see Link-Belt Split Spherical Roller Bearing Selection Guide section
 Load Ratings & Speed Limits, see Link-Belt Split Spherical Roller Bearing Load Ratings & Speed Limits section

Note: Dimensions subject to change. Certified dimensions of ordered material furnished on request.



Product Features

- Protected screw type frame
- Corrosion resistant powder coating
- Cast iron housing
- Independently flushable seals
- Tapered adapter mounted
- See Features & Benefits for additional info.

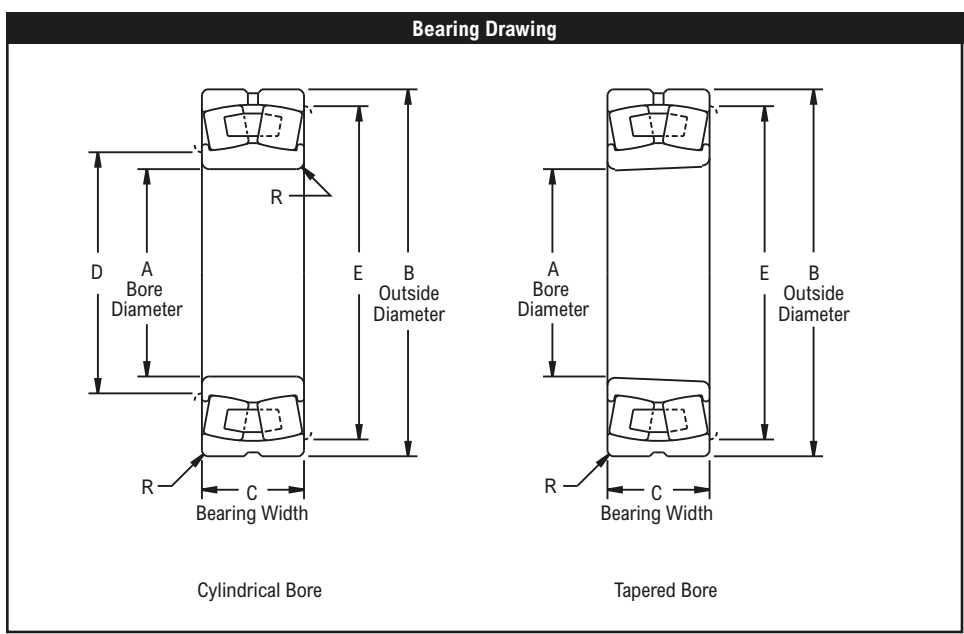
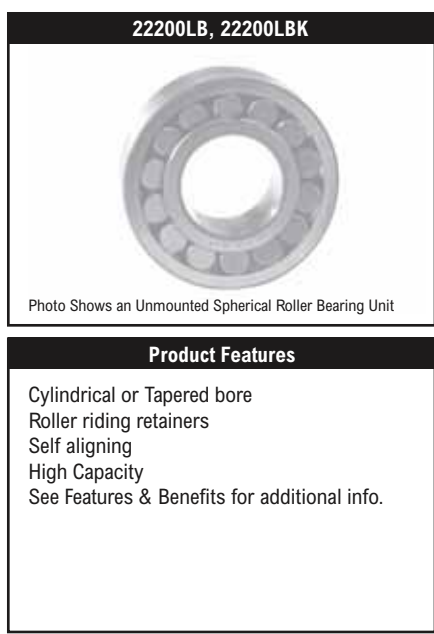


Bearing Dimensions																
Size Code	Shaft Diameter	Adjust.	Part Number	A Base to Centerline Height	B Frame Bolt Hole Spacing	G Frame Bolt Hole Spacing (Width)	C	E	F	H	K	L	V	W	Z	Approx. Weight
22215	2 7/16	12	DSL683912	5 1/8	30 1/2	2	32 1/2	4	5/8	2	9 1/4	10 7/8	3 15/32	2 19/32	5 5/8	94.00
		18	DSL683918		36 1/2		38 1/2									103.00
		24	DSL683924		42 1/2		44 1/2									111.00
		30	DSL683930		48 1/2		50 1/2									119.00
22217	2 15/16	12	DSL684712	5 5/8	32	2	34 1/4	4	3/4	2	10	11 13/16	3 1/2	2 5/8	5 5/8	120.00
		18	DSL684718		38		40 1/4									130.00
		24	DSL684724		44		46 1/4									145.00
		30	DSL684730		50		52 1/4									155.00
22220	3 7/16	12	DSL685512	7	36	2 1/2	38 1/2	5	3/4	2 1/4	12	14 11/16	4 1/8	3 1/4	6 7/8	206.00
		18	DSL685518		42		44 1/2									218.00
		24	DSL685524		48		50 1/2									230.00
		30	DSL685530		54		56 1/2									242.00
22222	3 15/16	12	DSL686312	7 1/2	36	2 1/2	38 1/2	5	3/4	2 1/4	12	15 11/16	4 3/8	3 1/2	6 7/8	255.00
		18	DSL686318		42		44 1/2									270.00
		24	DSL686324		48		50 1/2									285.00
		30	DSL686330		54		56 1/2									300.00
22226	4 7/16	18	DSL687118	10	47	3	50 1/2	6	7/8	4	14 1/2	20 1/4	4 7/8	3 3/4	7 7/8	414.00
		24	DSL687124		53		56 1/2									432.00
		30	DSL687130		59		62 1/2									450.00
22228	4 15/16	18	DSL687918	10 1/2	49	3	52 1/2	6	1	4	15 1/2	21 1/8	4 3/4	3 27/32	7 7/8	475.00
		24	DSL687924		55		58 1/2									494.00
		30	DSL687930		61		64 1/2									515.00
22234	5 15/16	18	DSL689518	12 1/8	55 7/8	3 3/4	60 1/4	7 1/2	1 1/4	4	18 15/16	25 1/2	5 33/64	4 1/2	9 7/8	708.00
		24	DSL689524		61 7/8		66 1/4									726.00
		30	DSL689530		67 7/8		72 1/4									746.00
		42	DSL689542		79 7/8		84 1/4									784.00

Additional Notes

Please call 1-866-REXNORD for availability
 Expansion - is 3/8" for all shaft sizes
 For shaft sizes 2 7/16" thru 2 15/16", frame has removable top construction
 Frames with adjustment of 18" (457.2mm) or more have center supporting pad welded to bottom of frame
 Taconite seals standard
 Selection Guide, see Link-Belt Split Spherical Roller Bearings Selection Guide section

Load Ratings & Speed Limits, see Link-Belt Split Spherical Bearings Load Ratings & Speed Limits section
 Note: Dimensions subject to change. Certified dimensions of ordered material furnished on request.



Bearing Dimensions

Cylindrical Part Number	Tapered Part Number	A Bore Diameter	B Outside Diameter	C Bearing Width	D	E	R	Approx. Weight
22209LBC3	22209LBK3	1.7717	3.3465	0.9055	2.10	3.00	0.039	1.30
22210LBC3	22210LBK3	1.9685	3.5433		2.30	3.20		1.40
22211LBC3	22211LBK3	2.1654	3.9370	0.9843	2.60	3.60	0.059	1.90
22212LBC3	22212LBK3	2.3622	4.3307	1.1024	2.80	4.00		2.60
22213LBC3	22213LBK3	2.5591	4.7244	1.2205	2.90	4.40	0.059	3.40
22214LBC3	22214LBK3	2.7559	4.9213		3.10	4.60		3.70
22215LBC3	22215LBK3	2.9528	5.1181	1.2992	3.30	4.80	0.079	3.90
22216LBC3	22216LBK3	3.1496	5.5118		3.50	5.10		4.90
22217LBC3	22217LBK3	3.3465	5.9055	1.4173	3.70	5.50	0.079	6.10
22218LBC3	22218LBK3	3.5433	6.2992	1.5748	3.90	5.90		7.60
22219LBC3	22219LBK3	3.7402	6.6929	1.6929	4.20	6.20	0.079	9.50
22220LBC3	22220LBK3	3.9370	7.0866	1.8110	4.40	6.60		11.40
22222LBC3	22222LBK3	4.3307	7.8740	2.0866	4.80	7.40	0.098	16.60
22224LBC3	22224LBK3	4.7244	8.4646	2.2835	5.20	8.00		20.20
22226LBC3	22226LBK3	5.1181	9.0551	2.5197	5.70	8.50	0.098	25.10
22228LBC3	22228LBK3	5.5118	9.8425	2.6772	6.10	9.30		32.40
22230LBC3	22230LBK3	5.9055	10.6299	2.8740	6.50	10.10	0.118	40.90
22232LBC3	22232LBK3	6.2992	11.4173	3.1496	6.90	10.90		52.00
22234LBC3	22234LBK3	6.6929	12.2047	3.3858	7.40	11.50	0.118	64.60
22236LBC3	22236LBK3	7.0866	12.5984		7.80	11.90		67.40
22238LBC3	22238LBK3	7.4803	13.3858	3.6220	8.20	12.70	0.118	81.90
22240LBC3	22240LBK3	7.8740	14.1732	3.8583	8.60	13.50		95.00
22244LBC3	22244LBK3	8.6614	15.7480	4.2520	9.40	15.10	0.157	133.00
22248LBC3	22248LBK3	9.4488	17.3228	4.7244	10.60	16.30		175.70

Additional Notes

Please call 1-866-REXNORD for availability

Tapered bore, 1:12 on diameter

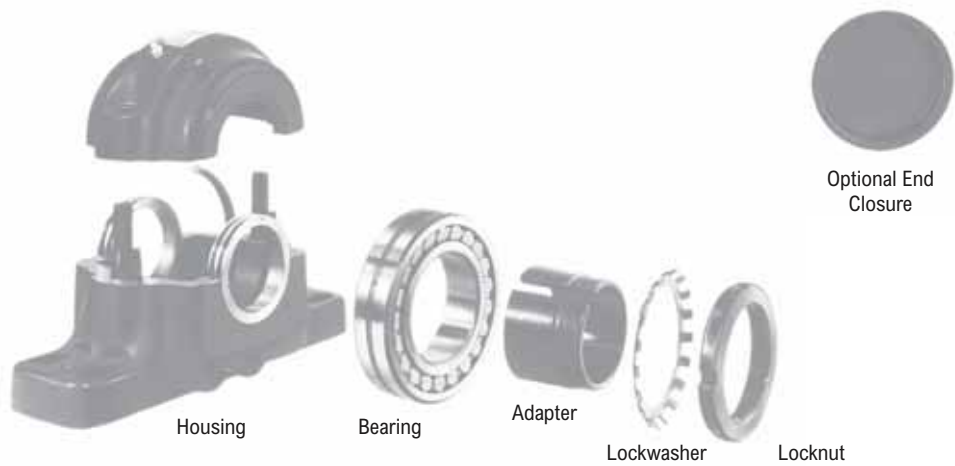
Dimension "R" is the largest fillet radius that will clear bearing corners

Selection Guide, see Link-Belt Split Spherical Roller Bearings Selection Guide section

Load Ratings & Speed Limits, see Link-Belt Split Spherical Bearings Load Ratings & Speed Limits section

For shaft bearing seat diameters, see Link-Belt Split Spherical Bearings Shaft & Housing Seat Diameters section

Note: Dimensions subject to change. Certified dimensions of ordered material furnished on request.



Part Numbers

Shaft Diameter	Pillow Block	Spherical Roller Bearing	Labyrinth Seal	Adapter Assembly	C-Spacer Ring	End Closure	2-Bolt Cast Iron Adapter Housing	4-Bolt Cast Iron Adapter Housing
	Part Number	Part Number	Part Number	Part Number	Part Number	Part Number	Part Number	Part Number
1 7/16	PLB6823R	22209LBKC3	LB69233R	H309023	68244	LB69246R	PLB6823R02	-
1 1/2	PLB6824R	22209LBKC3	LB69243R	H309024	68244	LB69246R	PLB6824R02	-
1 11/16	PLB6827R	22210LBKC3	LB69273R	H310027	68284	LB69286R	PLB6827R02	-
1 3/4	PLB6828R	22210LBKC3	LB69283R	H310028	68284	LB69286R	PLB6828R02	-
1 15/16	PLB6831R	22211LBKC3	LB69313RA	H311031	69244	LB69326R	PLB6831R02	-
2	PLB6832R	22211LBKC3	LB69323R	H311032	69244	LB69326R	PLB6832R02	-
2 3/16	PLB6835R	22213LBKC3	LB69353RA	H313035	69324	LB69366R	PLB6835R02	-
2 7/16	PLB6839R*	22215LBKC3	LB68393RA	H315039	68404	LB68406R	PLB6839R02	-
2 11/16	PLB6843R*	22216LBKC3	LB68433RA	H316043	68444	LB68446R	PLB6843R02	-
2 15/16	PLB6847R*	22217LBKC3	LB68473RA	H317047	68484	LB68486R	PLB6847R02	-
3	PLB6848R*	22217LBKC3	LB68483R	H317048	68484	LB68486R	PLB6848R02	-
3 3/16	PLB6851R*	22218LBKC3	LB68513R	H318051	68524	LB68526R	PLB6851R02	-
3 7/16	PLB6855R*	22220LBKC3	LB68553RA	H320055	68564	LB68566R	PLB6855R02	-
3 1/2	PLB6856R*	22220LBKC3	LB68563R	H320056	68564	LB68566R	PLB6856R02	-
3 15/16	PLB6859FR	22222LBKC3	LB68593R	H322059	68644	LB68646R	-	PLB6859FR02
3 15/16	PLB6863FR	22222LBKC3	LB68633RA	H322063	68644	LB68646R	-	PLB6863FR02
4	PLB6864FR	22222LBKC3	LB68643R	H322064	68644	LB68646R	-	PLB6864FR02
4 3/16	PLB6867FR	22224LBKC3	LB68673R	H3124067	68684	LB68686R	-	PLB6867FR02
4 7/16	PLB6871FR	22226LBKC3	LB68713RA	H3126071	68724	LB68726R	-	PLB6871FR02
4 1/2	PLB6872FR	22226LBKC3	LB68723R	H3126072	68724	LB68726R	-	PLB6872FR02
4 15/16	PLB6879FR	22228LBKC3	LB68793R	H3128079	68804	LB68806R	-	PLB6879FR02
5	PLB6880FR	22228LBKC3	LB68803R	H3128080	68804	LB68806R	-	PLB6880FR02
5 3/16	PLB6883FR	22230LBKC3	LB68833R	H3130083	68844	LB68846R	-	PLB6883FR02
5 7/16	PLB6887FR	22232LBKC3	LB68873R	H3132087	68924	LB68886R	-	PLB6887FR02
5 15/16	PLB6895FR	22234LBKC3	LB68953R	H3134095	68964	LB68966R	-	PLB6895FR02
6	PLB6896FR	22234LBKC3	LB68963R	H3134096	68964	LB68966R	-	PLB6896FR02
6 7/16	PLB68103FR	22236LBKC3	LB681033R	H3136103	681044	LB681046R	-	PLB68103FR02
6 1/2	PLB68104FR	22236LBKC3	LB681043R	H3136104	681044	LB681046R	-	PLB68104FR02
6 15/16	PLB68111FR	22238LBKC3	LB681113R	H3138111	681124	LB681126R	-	PLB68111FR02
7	PLB68112FR	22238LBKC3	LB681123R	H3138112	681124	LB681126R	-	PLB68112FR02
7 3/16	PLB68115FR	22240LBKC3	LB681153R	H3140115	681164	LB681166R	-	PLB68115FR02
7 1/2	PLB68120FR	22244LBKC3	LB681203R	H3144120	681284	LB681286R	-	PLB68120FR02
7 15/16	PLB68127FR	22244LBKC3	LB681273R	H3144127	681284	LB681286R	-	PLB68127FR02
8	PLB68128FR	22244LBKC3	LB681283R	SNW448	681284	LB681286R	-	PLB68128FR02

Continued...

Continued...

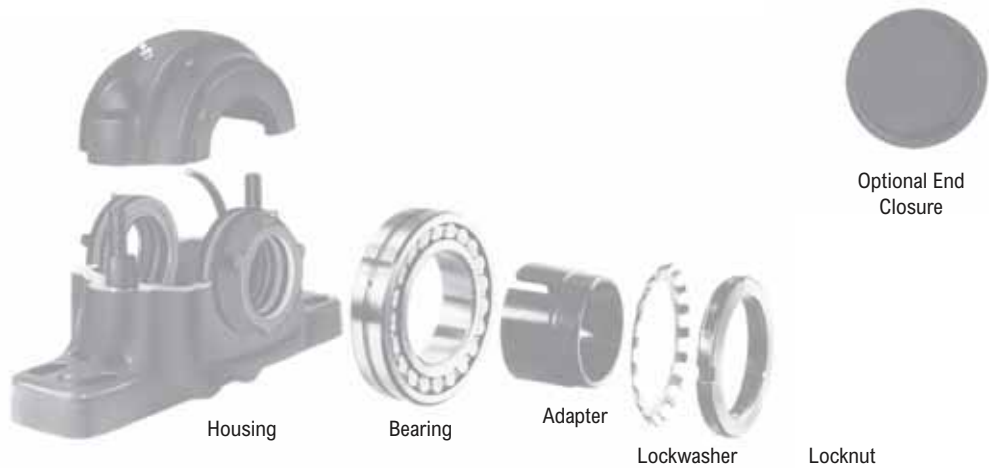
Part Numbers								
Shaft Diameter	Pillow Block	Spherical Roller Bearing	Labyrinth Seal	Adapter Assembly	C-Spacer Ring	End Closure	2-Bolt Cast Iron Adapter Housing	4-Bolt Cast Iron Adapter Housing
	Part Number	Part Number	Part Number	Part Number	Part Number	Part Number	Part Number	Part Number
8 ⁷ / ₁₆	PLB66135FH	23048LBKC3	LB661353H	SNP30488716	661444	LB661446	-	PLB66135FH02
8 ¹ / ₂	PLB66136FH	23048LBKC3	LB661363H	SNP3048812	661444	LB661446	-	PLB66136FH02
9	PLB66144FH	23048LBKC3	LB661443H	SNP30489	661444	LB661446	-	PLB66144FH02
9 ⁷ / ₁₆	PLB66B151FH	23056LBKC3	LB66B1513H	SNP30569716	661684	LB661686	-	PLB66B151FH02
9 ¹ / ₂	PLB66B152FH	23056LBKC3	LB66B1523H	SNP3056912	661684	LB661686	-	PLB66B152FH02
9 ¹⁵ / ₁₆	PLB66159FH	23056LBKC3	LB661593H	SNP305691516	661684	LB661686	-	PLB66159FH02
10	PLB66160FH	23056LBKC3	LB661603H	SNP305610	661684	LB661686	-	PLB66160FH02
10 ⁷ / ₁₆	PLB66167FH	23056LBKC3	LB661673H	SNP305610716	661684	LB661686	-	PLB66167FH02
10 ¹ / ₂	PLB66168FH	23056LBKC3	LB661683H	SNP30561012	661684	LB661686	-	PLB66168FH02
40.00	PLB68M40R	22209LBKC3	LB69M403R	H309	68244	LB69246R	PLB68M40R02	-
45.00	PLB68M45R	22210LBKC3	LB69M453R	H310	68284	LB69286R	PLB68M45R02	-
50.00	PLB68M50R	22211LBKC3	LB69M503R	H311	69244	LB69326R	PLB68M50R02	-
60.00	PLB68M60R	22213LBKC3	LB69M603R	H313	69324	LB69M606R	PLB68M60R02	-
65.00	PLB68M65R*	22215LBKC3	LB68M653R	H315	68404	LB68M656R	PLB68M65R02	-
70.00	PLB68M70R*	22216LBKC3	LB68M703R	H316	68444	LB68446R	PLB68M70R02	-
75.00	PLB68M75R*	22217LBKC3	LB68M753R	H317	68484	LB68486R	PLB68M75R02	-
80.00	PLB68M80R*	22218LBKC3	LB68M803R	H318	68524	LB68526R	PLB68M80R02	-
90.00	PLB68M90R*	22220LBKC3	LB68M903R	H320	68564	LB68566R	PLB68M90R02	-
100.00	PLB68M100FR	22222LBKC3	LB68633R	H322	68644	LB68646R		PLB68M100FR02
110.00	PLB68M110FR	22224LBKC3	LB68M1103R	H3124	68684	LB68686R	-	PLB68M110FR02
115.00	PLB68M115FR	22226LBKC3	LB68M1153R	H3126	68724	LB68726R	-	PLB68M115FR02
125.00	PLB68M125FR	22228LBKC3	LB68M1253R	H3128	68804	LB68806R	-	PLB68M125FR02
135.00	PLB68M135FR	22230LBKC3	LB68M1353R	H3130	68844	LB68846R	-	PLB68M135FR02
140.00	PLB68M140FR	22232LBKC3	LB68M1403R	H3132	68924	LB68886R	-	PLB68M140FR02
150.00	PLB68M150FR	22234LBKC3	LB68M1503R	H3134	68964	LB68966R	-	PLB68M150FR02
160.00	PLB68M160FR	22236LBKC3	LB68M1603R	H3136	681044	LB681046R	-	PLB68M160FR02
170.00	PLB68M170FR	22238LBKC3	LB68M1703R	H3138	681124	LB681126R	-	PLB68M170FR02
180.00	PLB68M180FR	22240LBKC3	LB68M1803R	H3140	681164	LB681166R	-	PLB68M180FR02
200.00	PLB68M200FR	22244LBKC3	LB68M2003R	H3144	681284	LB681286R	-	PLB68M200FR02
220.00	PLB66M220FH	23048LBKC3	LB66M2203H	H3048	661444	LB661446	-	PLB66M220FH02
260.00	PLB66M260FH	23056LBKC3	LB66M2603H	H3056	661684	LB661686	-	PLB66M260FH02

Additional Notes

*2 - bolt base listed. For 4-bolt base add suffix F; i.e. PLB6839FR Pillow Block or PLB6839FR02 housing.

Housing part numbers listed above include seals and C-Spacer ring.

PLB6600D8, PLB6800D8 Spherical Roller Bearing Unit Replacement Parts



Part Numbers

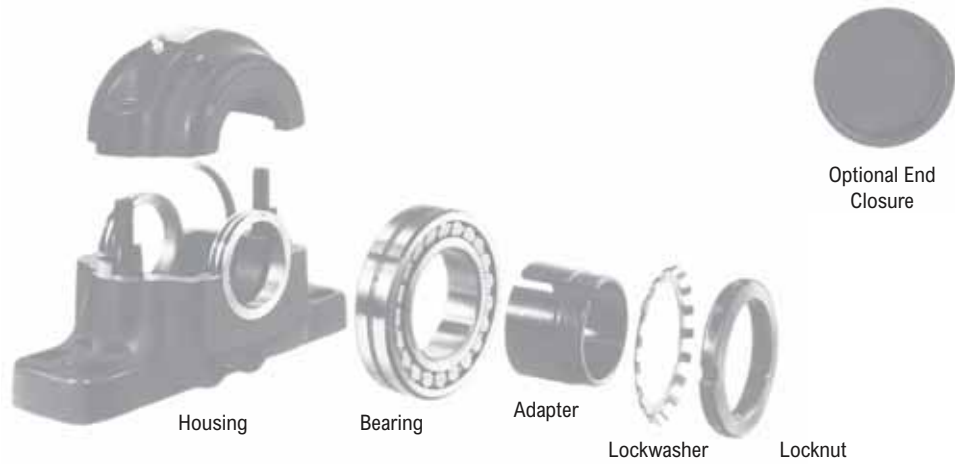
Shaft Diameter	Pillow Block	Spherical Roller Bearing	D8 Seal	Adapter Assembly	C-Spacer	End Closure	2-Bolt Cast Iron Adapter Mounted Housing	4-Bolt Cast Iron Adapter Mounted Housing
	Part Number	Part Number	Part Number	Part Number	Part Number	Part Number	Part Number	Part Number
1 7/16	PLB6823D8	22209LBKC3	LB6923D8	H309023	68244	LB6924D86	PLB6823D802	-
1 1/2	PLB6824D8	22209LBKC3	LB6924D8	H309024	68244	LB6924D86	PLB6824D802	-
1 11/16	PLB6827D8	22210LBKC3	LB6927D8	H310027	68284	LB6928D86	PLB6827D802	-
1 15/16	PLB6831D8	22211LBKC3	LB6931D8	H311031	69244	LB6932D86	PLB6831D802	-
2	PLB6832D8	22211LBKC3	LB6932D8	H311032	69244	LB6932D86	PLB6832D802	-
2 3/16	PLB6835D8	22213LBKC3	LB6935D8	H313035	69324	LB6936D86	PLB6835D802	-
2 7/16	PLB6839D8*	22215LBKC3	LB6839D8	H315039	68404	LB6840D86	PLB6839D802	-
2 11/16	PLB6843D8*	22216LBKC3	LB6843D8	H316043	68444	LB6844D86	PLB6843D802	-
2 15/16	PLB6847D8*	22217LBKC3	LB6847D8	H317047	68484	LB6848D86	PLB6847D802	-
3	PLB6848D8*	22217LBKC3	LB6848D8	H317048	68484	LB6848D86	PLB6848D802	-
3 3/16	PLB6851D8*	22218LBKC3	LB6851D8	H318051	68524	LB6852D86	PLB6851D802	-
3 7/16	PLB6855D8*	22220LBKC3	LB6855D8	H320055	68564	LB6856D86	PLB6855D802	-
3 11/16	PLB6859FD8	22222LBKC3	LB6859D8	H322059	68644	LB6868D86	-	PLB6859FD802
3 15/16	PLB6863FD8	22222LBKC3	LB6863D8	H322063	68644	LB6868D86	-	PLB6863FD802
4 3/16	PLB6867FD8	22224LBKC3	LB6867D8	H3124067	68684	LB6868D86	-	PLB6867FD802
4 7/16	PLB6871FD8	22226LBKC3	LB6871D8	H3126071	68724	LB6880D86	-	PLB6871FD802
4 15/16	PLB6879FD8	22228LBKC3	LB6879D8	H3128079	68804	LB6880D86	-	PLB6879FD802
5 7/16	PLB6887FD8	22232LBKC3	LB6887D8	H3132087	68924	LB6888D86	-	PLB6887FD802
5 15/16	PLB6895FD8	22234LBKC3	LB6895D8	H3134095	68964	LB68104D86	-	PLB6895FD802
6	PLB6896FD8	22234LBKC3	LB6896D8	H3134096	68964	LB68104D86	-	PLB6896FD802
6 7/16	PLB68103FD8	22236LBKC3	LB68103D8	H3136103	681044	LB68104D86	-	PLB68103FD802
6 1/2	PLB68104FD8	22236LBKC3	LB68104D8	H3136104	681044	LB68104D86	-	PLB68104FD802
6 15/16	PLB68111FD8	22238LBKC3	LB68111D8	H3138111	681124	LB68112D86	-	PLB68111FD802
7	PLB68112FD8	22238LBKC3	LB68112D8	H3138112	681124	LB68112D86	-	PLB68112FD802
7 1/2	PLB68120FD8	22244LBKC3	LB68120D8	H3144120	681284	LB68128D86	-	PLB68120FD802
7 15/16	PLB68127FD8	22244LBKC3	LB68127D8	H3144127	681284	LB68128D86	-	PLB68127FD802
8	PLB68128FD8	22244LBKC3	LB68128D8	SNW448	681284	LB68128D86	-	PLB68128FD802
8 7/16	PLB66135FD8	23048LBKC3	LB66135D8	SNP30488716	661444	LB66144D86	-	PLB66135FD802
8 1/2	PLB66136FD8	23048LBKC3	LB66136D8	SNP3048812	661444	LB66144D86	-	PLB66136FD802
9	PLB66144FD8	23048LBKC3	LB66144D8	SNP30489	661444	LB66144D86	-	PLB66144FD802
9 1/2	PLB66B152FD8	23056LBKC3	LB66152D8	SNP3056912	661684	LB66168D86	-	PLB66B152FD802
10 1/2	PLB66168FD8	23056LBKC3	LB66168D8	SNP30561012	661684	LB66168D86	-	PLB66168FD802

Additional Notes

*2 - bolt base listed. For 4-bolt base add suffix F; i.e. PLB6839FD8 Pillow Block or PLB6839FD802 housing.

Housing part numbers listed above include seals and C-Spacer ring.

PLB2300K Spherical Roller Bearing Unit Replacement Parts



PLB2300K Spherical Roller Bearing Unit Replacement Parts

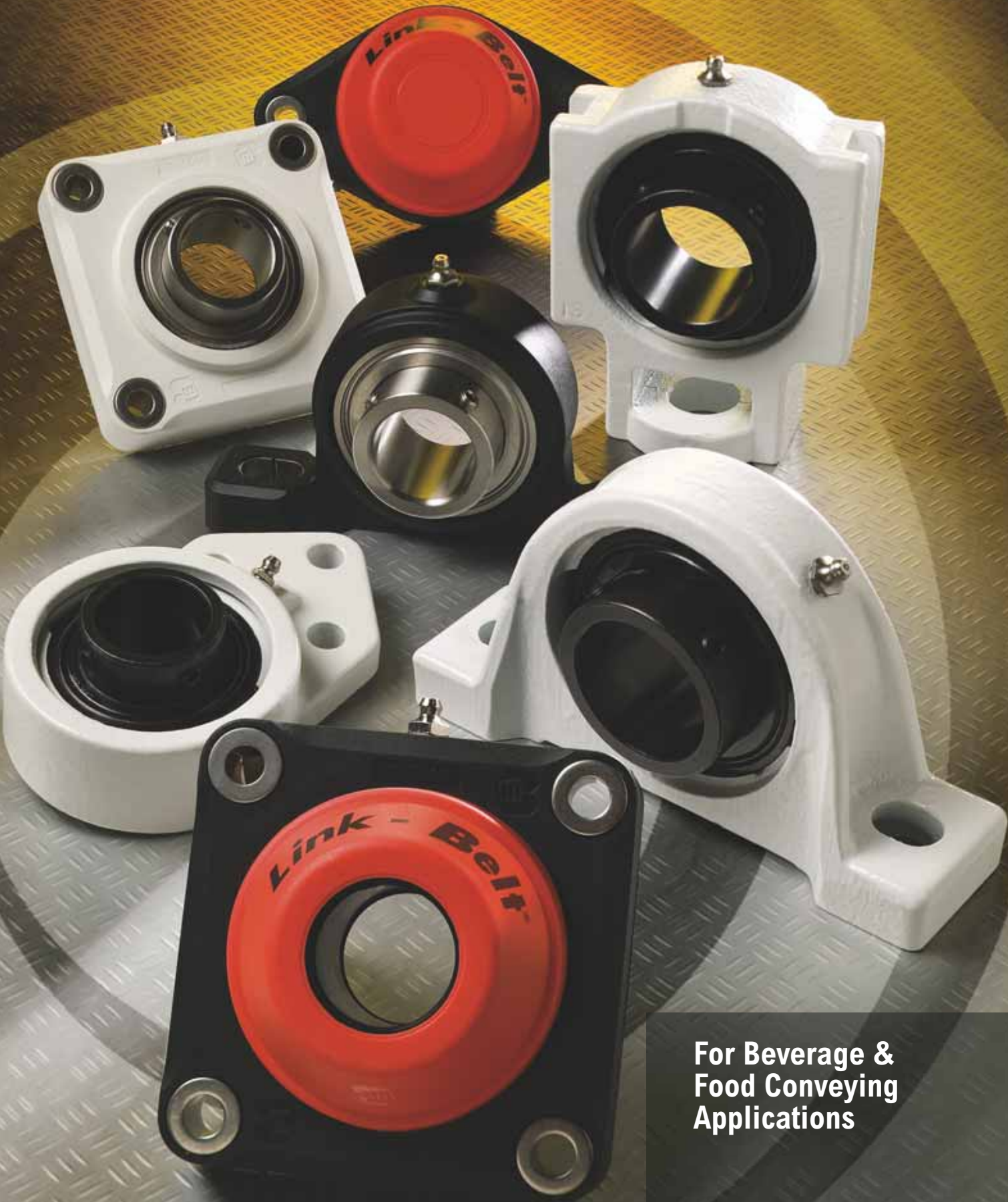
Part Numbers

Shaft Diameter	Part Number	Bearing Insert	Adapter Assy	Housing Part Number
7 ¹⁵ / ₁₆	PLB23044K71516	23044LBKC3	H3044127	PLB044K7151602
8	PLB23044K8	23044LBKC3	SNW30448	PLB044K802
8 ¹ / ₂	PLB23048K812	23048LBKC3	SNP3048812	PLB048K81202
8 ¹⁵ / ₁₆	PLB23048K81516	23048LBKC3	SNP30481516	PLB048K8151602
9	PLB23048K9	23048LBKC3	SNP30489	PLB048K902
9 ⁷ / ₁₆	PLB23052K9716	23052LBKC3	SNP30529716	PLB052K971602
9 ¹ / ₂	PLB23052K912	23052LBKC3	SNP30529716	PLB052K91202
9 ¹⁵ / ₁₆	PLB23056K91516	23056LBKC3	SNP305691516	PLB056K9151602
10	PLB23056K10	23056LBKC3	SNP305610	PLB056K1002
10 ⁷ / ₁₆	PLB23056K10716	23056LBKC3	SNP305610716	PLB056K1071602
10 ¹⁵ / ₁₆	PLB23060K101516	23060LBKC3	SNP3060101516	PLB3060K10151602
11	PLB23060K11	23060LBKC3	SNP3060101516	PLB3060K1102
11 ¹⁵ / ₁₆	PLB23064K111516	23064LBKC3	SNP3064111516	PLB3064K11151602
12	PLB23064K12	23064LBKC3	SNP306412	PLB3064K1202
12 ¹ / ₂	PLB23068K1212	23068LBKC3	SNP30681212	PLB3068K121202
12 ¹⁵ / ₁₆	PLB23072K121516	23072LBKC3	SNP3072121516	PLB3072K12151602
13	PLB23072K13	23072LBKC3	SNP307213	PLB3072K1302
13 ¹⁵ / ₁₆	PLB23076K131516	23076LBKC3	SNP3076131516	PLB3076K13151602
14	PLB23076K14	23076LBKC3	SNP307614	PLB3076K1402
15	PLB23080K15	23080LBKC3	SNP308015	PLB3080K1502
15 ³ / ₄	PLB23084K1534	23084LBKC3	SNP30841534	PLB3084K153402
16 ¹ / ₂	PLB23088K1612	23088LBKC3	SNP30881612	PLB3088K161202
17	PLB23092K17	23092LBKC3	SNP309217	PLB3092K1702
18	PLB23096K18	23096LBKC3	SNP309618	PLB3096K1802
19 ¹ / ₂	PLB230530K1912	230530LBKC3	SNP305301912	PLB30530K191202
21	PLB230560K21	230560LBKC3	SNP3056021	PLB30560K2102
22	PLB230600K22	230600LBKC3	SNP3060022	PLB30600K2202
24	PLB230630K24	230630LBKC3	SNP3063024	PLB30630K2402

Additional Notes

Housing part numbers listed above include seals and C-Spacer ring.

Link-Belt® Klean-Gard™ & Dura-Klean™



For Beverage &
Food Conveying
Applications

Link-Belt® Klean-Guard™ & Dura-Klean™ Ball Bearings

For Beverage & Food Conveying Applications:

Select Link-Belt Dura-Klean or Klean-Gard bearings

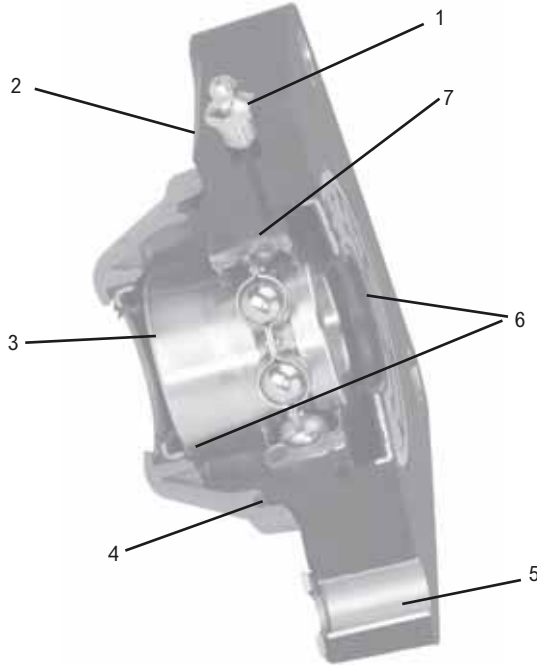
Klean-Gard

Polyamide (black) or polypropylene (white) housings available. Antimicrobial products and stainless steel inserts available. Available in pillow blocks, 2-bolt, 3-bolt & 4-bolt flanges. Snap on cap (open or closed) available.

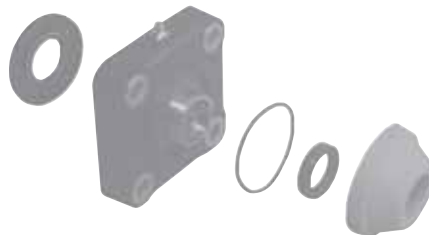
Dura-Klean

Rilsan nylon coated with black oxide inserts and food grade grease.

Available in pillow blocks, 2-bolt, 3-bolt & 4-bolt flanges and take-up units up to 1 15/16" bore size.



1. Corrosion resistant fittings for relubrication. Bearing insert factory prelubricated with food-grade grease.
2. Rugged, reinforced housing material available in Polyamide (black) or Polypropylene (white) for extreme corrosion resistance.
3. Inch or metric shaft sizes available.
4. Both open and closed auxiliary safety caps fit tightly to the machined housing and are sealed with heavy duty O-rings.
5. AISI 316 stainless steel spacer bushing and washer for trouble-free, positive mounting.
6. Front and rear auxiliary rotary shaft seals provided with spring loaded double lip seal to guard critical bearing components and prevent conveyor contamination.
7. Alignable, high capacity, stainless steel or black oxide ball bearing mounted with setscrews to the shaft. Integral bearing lip seals.



Klean-Gard Bearings are furnished with antimicrobial product protection. It is formulated to inhibit the growth of bacteria, mold and mildew that may cause discoloration, odor or degradation. Always maintain good hygiene; proper cleaning procedures are still required.

Interchangeable with cast iron units Beverage bearing configuration available upon request, add the prefix "W."

Klean-Gard Nomenclature

Symbol	Description	K	FX	-	S	2	E	20	DC
K	Polyamide (Black) housing material	}	}	-	}	}	}	}	}
KL	Polypropylene (White) housing material								
W	Beverage unit with water drainage features								
F	Flanged unit, 3 and 4 bolt	}	}	-	}	}	}	}	}
FB	Flanged bracket unit, 3 bolt								
FX	Flanged unit, 2 bolt								
P	Pillow block, standard backing								
S	Extended inner ring, black oxide coated rings, molded lip seals				}				
SS	Extended inner ring, stainless steel insert, molded lip seals								
2	Series 200 ball bearing designation								
E	Inner ring bore equal to a bore of the next larger bearing group								
20	Shaft size in sixteenths of an inch	}	}	-	}	}	}	}	}
M30	Shaft size in millimeters								
None	Open end unit, basic unit				}				}
C	Closed end unit, no auxiliary seals								
D	Open end unit, end cap with seal and rear auxiliary dual lip seal								
DC	Closed end unit, end cap and rear auxiliary dual lip seal								

Dura-Klean Nomenclature

Symbol	Description	W	F	3	S	2	E	20	E
W	Dura-Klean (White) housing	}	}	}	}	}	}	}	}
F	Flanged unit, 3 and 4 bolt								
FB	Flanged bracket unit, 3 bolt	}	}	}	}	}	}	}	}
FX	Flanged unit, 2 bolt								
P	Pillow block, standard backing								
PT	Pillow block, tapped base								
TH	Take-up, wide slot								
3	Integral bearing seals								
S	Extended inner ring, spring locking, black oxide coated rings								
2	Series 200 ball bearing designation								
E	Inner ring bore equal to a bore of the next larger bearing group								
20	Shaft size in sixteenths of an inch	}	}	}	}	}	}	}	}
M30	Shaft size in millimeters								
E	Molded single lip seals								

Klean-Gard & Dura-Klean Ball Bearings

To select a bearing, determine the applied radial load, the applied thrust load, the desired Rating Life, and applicable operating conditions. The procedure shown here will aid in selecting a bearing to meet an L10 design life. The formulas for calculating life expectancy should be used to determine the Rating Life L10 for the bearing selected. The selection procedures and rating formulas

shown here are in agreement with The American Bearing Manufacturers Association Standards and ANSI/ABMA Standards STD 9-1990. Ratings are based on fatigue life. The Rating Life or fatigue life at 90% reliability is the usual basis for bearing selection. Series S200 and SS200 are extended on one side only for compactness and low cost. In combination with its companion line of

economically designed housings, this series is applicable to light or moderate duty requirements. Also, economically designed housings must be applied within proportionate load limits. To assure a satisfactory bearing application, fitting practice, mounting, lubrication, sealing, static rating, housing strength, operating conditions and maintenance must be considered.

Selection

Step 1

Determine an appropriate L10 design life.

Type of service	Operating time, hours per year	Design life, years	L10 design life, hours
Light seasonal usage	500 to 750	3-5	3,000
Heavy seasonal usage	1,400 to 1,600	4-6	8,000
Industrial—8 hour shift	2,000	10	20,000

Step 2

Determine a required $\left(\frac{C}{P}\right)$ from Table 1.

Step 3

Calculate the required C and select a ball bearing.

a For radial load only:

$$P = F_r$$

$$\text{required } C = \left(\frac{C}{P}\right)P \text{ using } \left(\frac{C}{P}\right) \text{ from Step 2}$$

Select a ball bearing from Table 3 with a basic load rating C equal to or greater than the required C.

b For combined radial and thrust loads when $\frac{F_a}{F_r}$ is 0.19 or less:

$$P = F_r$$

$$\text{required } C = \left(\frac{C}{P}\right)P \text{ using } \left(\frac{C}{P}\right) \text{ from Step 2}$$

Select a ball bearing from Table 3 with a basic load rating C equal to or greater than the required C.

Step 3 (continued)

c For combined radial and thrust loads when $\frac{F_a}{F_r}$ is greater than 0.19, use the following trial method:

$$\text{Maximum } P = .56F_r + 2.30F_a$$

$$\text{Maximum required } C = \left(\frac{C}{P}\right)P \text{ using } \left(\frac{C}{P}\right) \text{ from Step 2}$$

Select a trial ball bearing with a basic load rating C from Table 3 approximately equal to the maximum required C.

With this trial bearing calculate: $\frac{F_a}{Nd^2}$

Determine X and Y from Table 2.

Calculate P for the trial bearing.

$$P = XF_r + YF_a$$

$$\text{required } C = \left(\frac{C}{P}\right)P \text{ for the trial bearing using } \left(\frac{C}{P}\right) \text{ from Step 2}$$

Consult Table 3, basic load rating. If a smaller bearing meets or nearly meets the required C, its life expectancy can be calculated.

Note: If the load P is greater than .15C for series S200 and SS200, consult Rexnord Bearing Products.

Selection

Symbols for formulas:

C = basic load rating, pounds (or newtons)
 Co = static load rating, pounds (or newtons)
 e = a reference value
 Fa = thrust load, pounds (or newtons)
 Fr = radial load, pounds (or newtons)

L10 = rating life, hours
 n = speed, revolutions per minute
 P = equivalent radial load, pounds (or newtons)
 X = radial factor
 Y = thrust factor

Basic formula

$$\left(\frac{C}{P}\right) = \left(\frac{L_{10} \times n \times 60}{1,000,000}\right)^{1/3}$$

$$L_{10} = \frac{\left(\frac{C}{P}\right)^3 \times 1,000,000}{n \times 60}$$

Life Expectancy

To calculate the Rating Life L10 of any selected or trial bearing:

Step 1 Determine the equivalent radial load P.

- a For radial load only:
P = Fr
- b For combined radial and thrust load:
P = XFr + YFa using X and Y from Table 2 below.

Step 2 Calculate the ratio of basic load rating C to the equivalent radial load.

$$\left(\frac{C}{P}\right)$$

Step 3 Approximate the bearing life from Table 1.

Table 1 • Relation of L10 life and speed to $\left(\frac{C}{P}\right)$

Bearing life, hours L10	$\left(\frac{C}{P}\right)$ ratio								
	Speed, n								
	50	100	200	300	400	500	600	700	800
3000	2.08	2.62	3.30	3.77	4.15	4.47	4.75	5.01	5.23
4000	2.29	2.88	3.63	4.15	4.57	4.92	5.23	5.51	5.76
5000	2.46	3.10	3.91	4.47	4.92	5.30	5.64	5.93	6.20
6000	2.62	3.30	4.15	4.75	5.23	5.64	5.99	6.30	6.59
8000	2.88	3.63	4.57	5.23	5.76	6.20	6.59	6.94	7.25
10000	3.10	3.91	4.92	5.64	6.20	6.68	7.10	7.47	7.81
12000	3.30	4.15	5.23	5.99	6.59	7.10	7.54	7.94	8.30
14000	3.47	4.37	5.51	6.30	6.94	7.47	7.94	8.36	8.74
16000	3.63	4.57	5.76	6.59	7.25	7.81	8.30	8.74	9.14
18000	3.77	4.75	5.99	6.86	7.54	8.13	8.63	9.09	9.50
20000	3.91	4.92	6.20	7.10	7.81	8.42	8.94	9.41	9.84
25000	4.21	5.30	6.68	7.65	8.42	9.07	9.63	10.1	10.6
30000	4.47	5.64	7.10	8.13	8.94	9.63	10.2	10.8	11.3
35000	4.71	5.93	7.47	8.55	9.41	10.1	10.8	11.3	11.9
40000	4.92	6.20	7.81	8.94	9.84	10.6	11.3	11.9	12.4
45000	5.12	6.45	8.13	9.30	10.2	11.0	11.7	12.3	12.9
50000	5.30	6.68	8.42	9.63	10.6	11.4	12.1	12.8	13.4
60000	5.64	7.10	8.94	10.2	11.3	12.1	12.9	13.6	14.2
70000	5.93	7.47	9.41	10.8	11.9	12.8	13.6	14.3	14.9
80000	6.20	7.81	9.84	11.3	12.4	13.4	14.2	14.9	15.6
90000	6.45	8.13	10.2	11.7	12.9	13.9	14.8	15.5	16.2
100000	6.68	8.42	10.6	12.1	13.4	14.4	15.3	16.1	16.8
150000	7.65	9.63	12.1	13.9	15.3	16.5	17.5	18.4	19.3
200000	8.42	10.6	13.4	15.3	16.8	18.1	19.3	20.3	21.2
	Speed, n								
	900	1000	1200	1500	1800	2400	3600	6000	10000
3000	5.44	5.64	5.99	6.45	6.86	7.54	8.63	10.2	12.1
4000	5.99	6.20	6.59	7.10	7.54	8.30	9.50	11.3	13.4
5000	6.45	6.68	7.10	7.65	8.13	8.94	10.2	12.1	14.4
6000	6.86	7.10	7.54	8.13	8.63	9.50	10.9	12.9	15.3
8000	7.54	7.81	8.30	8.94	9.50	10.5	12.0	14.2	16.8
10000	8.13	8.42	8.94	9.63	10.2	11.3	12.9	15.3	18.1
12000	8.63	8.94	9.50	10.2	10.9	12.0	13.7	16.2	19.3
14000	9.09	9.41	10.0	10.8	11.4	12.6	14.4	17.1	20.3
16000	9.50	9.84	10.5	11.3	12.0	13.2	15.1	17.9	21.2
18000	9.88	10.2	10.9	11.7	12.4	13.7	15.7	18.6	22.0
20000	10.2	10.6	11.3	12.1	12.9	14.2	16.2	19.3	22.8
25000	11.0	11.4	12.1	13.1	13.9	15.3	17.5	20.7	24.6
30000	11.7	12.1	12.9	13.9	14.8	16.2	18.6	22.0	26.1
35000	12.3	12.8	13.6	14.6	15.5	17.1	19.6	23.2	27.5
40000	12.9	13.4	14.2	15.3	16.2	17.9	20.5	24.3	28.7
45000	13.4	13.9	14.8	15.9	16.9	18.6	21.3	25.2	29.9
50000	13.9	14.4	15.3	16.5	17.5	19.3	22.0	26.1	31.0
60000	14.8	15.3	16.2	17.5	18.6	20.5	23.4	27.8	32.9
70000	15.5	16.1	17.1	18.4	19.6	21.5	24.6	29.2	34.6
80000	16.2	16.8	17.9	19.3	20.5	22.5	25.8	30.5	36.2
90000	16.9	17.5	18.6	20.0	21.3	23.4	26.8	31.8	37.7
100000	17.5	18.1	19.3	20.7	22.0	24.3	27.8	32.9	39.0
150000	20.0	20.7	22.0	23.7	25.2	27.8	31.8	37.7	44.6
200000	22.0	22.8	24.3	26.1	27.8	30.5	35.0	41.4	49.1

Table 2 • X and Y factors for ball bearings

Fa Nd ²	e	Fa Fr ≤ e		Fa Fr > e	
		X	Y	X	Y
25	.19	1.0	0	.56	2.30
37.5	.21	1.0	0	.56	2.15
50	.22	1.0	0	.56	1.99
75	.24	1.0	0	.56	1.85
100	.26	1.0	0	.56	1.71
125	.27	1.0	0	.56	1.63
150	.28	1.0	0	.56	1.56
200	.30	1.0	0	.56	1.45
300	.34	1.0	0	.56	1.31
500	.38	1.0	0	.56	1.15
750	.42	1.0	0	.56	1.04
1000	.44	1.0	0	.56	1.00

For values between those in the table linear interpolation can be used.

Life Adjustment

The Rating Life, L10, may be modified for some applications in accordance with the formula

$$L'n = a1a2a3L10$$

where L'n = Adjusted life for (100-n) % reliability,

- a1 = Life adjustment factor for reliability
- a2 = Life adjustment factor for material and processing
- a3 = Life adjustment factor for operating conditions.

For most normal applications, all factors will be taken as 1, and the Rating Life used as the selection basis or life estimate. In addition, as long as standard catalog bearings are used, a2 will be normally set equal to one. The factor a3 covers such things as lubrication, misalignment, and temperature. Some conditions that could yield as significantly different than unity include speeds less than 20000 DN or greater than 200000 DN, temperatures below -40°F (-40°C) or above 275°F (135°C). For other possible conditions, as well as additional information on life adjustment factors, consult Rexnord Bearing Products.

Table 3 • Load ratings, speed limits and ball data

Size Code	C ₀ Static load rating		C Basic load rating		Approximate speed limit RPM*	d Ball diameter inches	N Number of balls	Nd2
	newtons	pounds	newtons	pounds				
	204	6 590	1480	9 830				
205	7 830	1760	10 810	2430	6800	5/16	9	.879
206	11 300	2530	15 030	3380	5600	3/8	9	1.27
207	15 300	3440	19 880	4470	4800	7/16	9	1.72
208	19 900	4460	25 100	5640	4500	1/2	9	2.25
209	20 400	4590	25 220	5670	4000	1/2	9	2.25
210	23 200	5220	27 090	6090	3600	1/2	10	2.50

If the load P is greater than .15C for S200 and SS200 consult Rexnord Bearing Products.

*Based on grease lubrication and moderate load.

Table 4 • Radial load ratings in pounds at various RPM for appropriate L₁₀ life hours

Size Code	L ₁₀ Minimum life hours	Radial load ratings, pounds/Speed, RPM																			
		50	100	200	300	400	500	600	700	800	900	1000	1200	1500	1800	2000	2500	3000	3500	4000	5000
204	8000	489	427	387	361	341	323	310	297	286	270	253	237	230	213	201	191	183	170
	20000	...	451	361	314	288	268	253	239	228	220	213	201	186	176	170	158	149	142	136	126
	40000	454	361	288	253	228	213	201	191	183	176	170	160	149	140	136	127	119	114	109	96
	100000	331	263	209	182	166	154	145	137	131	126	122	115	107	100	97	90	85	80	77	71
205	8000	537	469	425	396	374	355	340	326	314	297	277	260	253	234	220	210	201	186
	20000	...	496	396	345	316	294	277	263	250	242	234	220	205	193	187	173	163	155	149	138
	40000	498	396	316	277	250	234	220	209	201	193	186	176	163	154	149	139	131	124	119	111
	100000	364	289	229	200	182	169	159	151	144	139	134	126	117	110	106	99	93	88	84	78
206	8000	745	651	590	549	519	492	471	451	434	411	384	360	350	323	304	290	277	257
	20000	...	688	549	378	438	407	384	363	346	335	323	304	282	267	258	239	225	214	205	191
	40000	691	549	438	384	346	323	304	289	277	266	257	243	225	212	206	191	180	171	164	152
	100000	505	401	318	278	252	234	221	209	200	193	186	175	162	153	148	137	129	123	117	109
207	8000	984	859	778	725	684	649	622	595	573	541	506	474	461	426	401	381	365	338
	20000	...	908	725	631	577	537	506	479	456	441	426	401	372	351	339	314	296	282	270	250
	40000	912	759	577	506	456	426	401	380	365	351	338	319	296	279	271	251	236	224	216	200
	100000	668	530	421	367	334	310	292	277	265	255	246	231	215	202	195	181	171	162	155	144
208	8000	1100	968	877	816	771	731	701	670	645	610	569	534	519	479	451	429	411	381
	20000	...	1020	816	711	650	605	569	539	514	496	479	451	419	395	382	354	333	317	304	282
	40000	1020	816	650	569	514	480	452	428	411	395	380	359	334	313	304	282	266	252	242	225
	100000	752	597	474	414	376	349	328	312	298	287	277	261	242	228	220	204	192	182	174	162
209	8000	1240	1080	986	918	867	821	787	753	725	685	640	600	583	539	507	482	462	428
	20000	...	1150	918	799	731	680	640	606	578	558	539	507	471	444	429	397	374	356	341	316
	40000	1150	918	731	640	578	539	507	481	461	443	427	404	375	352	342	317	298	283	272	252
	100000	847	672	534	466	423	393	370	351	336	323	312	294	273	256	248	230	216	205	197	182
210	8000	1330	1160	1050	985	931	882	845	809	778	736	687	644	626	578	544	518	496	466
	20000	...	1230	985	858	785	730	687	651	620	599	578	544	505	476	461	426	401	382	366	341
	40000	1240	985	785	687	620	597	545	517	495	476	459	433	402	378	367	340	320	304	292	266
	100000	909	722	573	500	455	422	397	377	361	347	335	315	293	275	266	247	232	221	211	191

Operation in the high speed shaded areas requires frequent relubrication.

Heavy lines define recommended speed ranges of bearing and seal variations.

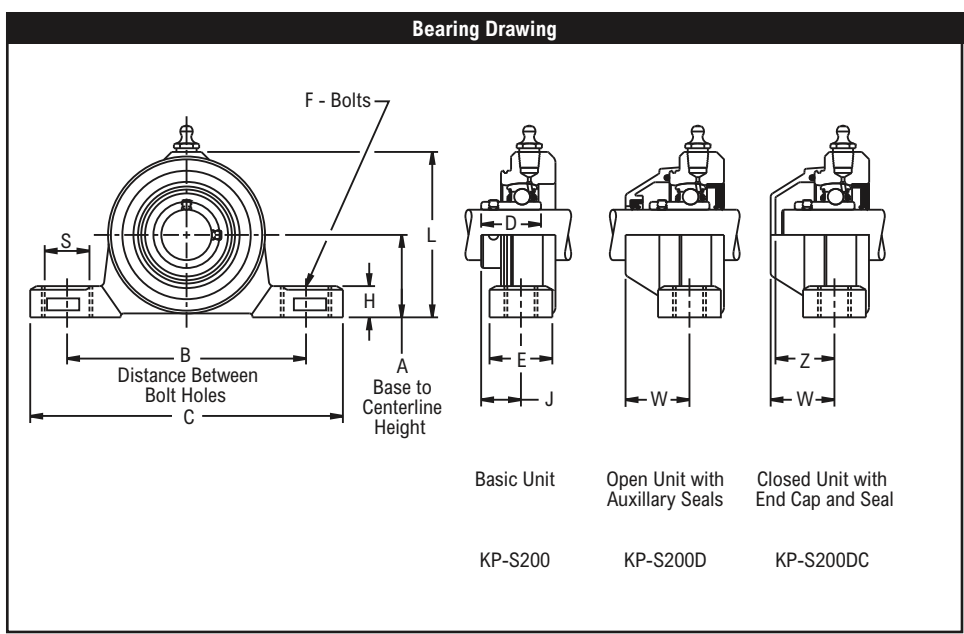
If the load P is greater than .15C for S200 and SS200 consult Rexnord Bearing Products.



Photo Shows a 2-Bolt Ball Bearing Pillow Block Unit with Polyamide Housing

Product Features

- Reinforced Polyamide or Polypropylene housing
- Stainless steel bushing & washers
- Inner & outer rings black oxide coated
- Spring locking setscrew mount
- Alignable & relubricatable
- Prelubricated with food grade grease
- See Features & Benefits for additional info.



Bearing Dimensions

Size Code	Shaft Diameter	Polyamide	Polypropylene	A Base to Centerline Height	B Distance Between Bolt Holes	C	D	E	F	H	J	L	S	W	Z	Approx. Weight
		Part Number	Part Number													
204	³ / ₄	KPS212	KLPS212	1 ⁵ / ₁₆	3 ²⁵ / ₃₂	5 ¹ / ₃₂	1 ¹ / ₈	1 ³ / ₁₆	³ / ₈	⁴³ / ₆₄	³ / ₄	3 ¹ / ₃₂	⁷ / ₈	1 ⁷ / ₃₂	1 ¹ / ₈	1.50
	20.00	KPS2M20	KLPS2M20	33.30	96.00	128.00	28.58	30.00	10.00	17.00	19.00	77.00	22.00	30.80	28.80	0.68
205	1	KPS216	KLPS216	1 ⁷ / ₁₆	4 ¹¹ / ₆₄	5 ³¹ / ₆₄	1 ¹¹ / ₆₄	1 ²³ / ₆₄	³ / ₈	⁴³ / ₆₄	¹³ / ₁₆	3 ¹¹ / ₃₂	⁷ / ₈	1 ⁹ / ₃₂	1 ¹³ / ₆₄	1.80
	25.00	KPS2M25	KLPS2M25	36.50	106.00	140.00	29.77	34.50	10.00	17.00	20.60	85.00	22.00	32.70	30.70	0.80
206	1 ³ / ₁₆	KPS219	KLPS219	1 ¹¹ / ₁₆	4 ⁴⁹ / ₆₄	6 ²⁷ / ₆₄	1 ¹¹ / ₃₂	1 ²⁷ / ₆₄	1/2	²⁵ / ₃₂	⁶¹ / ₆₄	3 ⁵⁵ / ₆₄	¹⁵ / ₁₆	1 ³ / ₈	1 ¹⁹ / ₆₄	1.80
	1 ¹ / ₄	KPS2E20	KLPS2E20													
	30.00	KPS2M30	KLPS2M30													
207	1 ¹ / ₄	KPS220	KLPS220	1 ⁷ / ₈	4 ³¹ / ₃₂	6 ³⁷ / ₆₄	1 ⁹ / ₁₆	1 ³³ / ₆₄	1/2	²⁵ / ₃₂	1 ⁷ / ₆₄	4 ¹ / ₄	¹⁵ / ₁₆	1 ⁹ / ₁₆	1 ¹⁵ / ₃₂	2.00
	1 ³ / ₈	KPS222	KLPS222													
	35.00	KPS2M35	KLPS2M35													
208	1 ¹ / ₂	KPS224	KLPS224	2	5 ¹¹ / ₃₂	7 ⁹ / ₃₂	1 ²¹ / ₃₂	1 ³³ / ₆₄	1/2	²⁵ / ₃₂	1 ¹³ / ₆₄	4 ¹³ / ₃₂	¹⁵ / ₁₆	1 ⁴¹ / ₆₄	1 ⁹ / ₁₆	2.20
	40.00	KPS2M40	KLPS2M40	50.80	136.00	185.00	42.06	38.60	12.00	20.00	30.60	112.00	24.00	41.60	39.60	1.00

Additional Notes

Please call 1-866-REXNORD for availability
 Lubrication fitting tap size, Rp 1/8" parallel thread per ISO 7/1 latest revision
 Note: 1/8" PT external thread will not fit
 Polypropylene housings furnished with viton seals, o-ring & AISI 316 stainless steel bushings and washers
 Selection Guide, see Klean-Gard/Dura-Klean Selection Guide section
 Load Ratings & Speed Limits, see Klean-Gard/Dura-Klean Load Ratings & Speed Limits section

Note: Dimensions subject to change. Certified dimensions of ordered material furnished on request.

KPSS200, KLPSS200

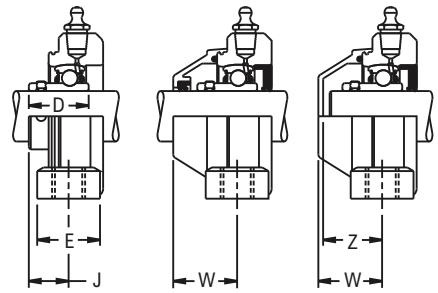
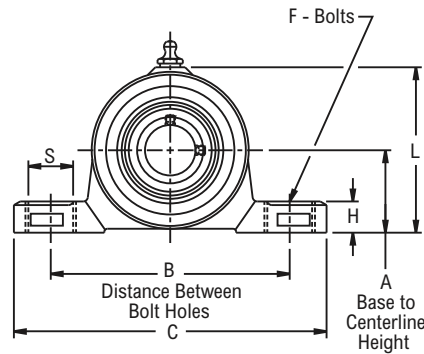


Photo Shows a 2-Bolt Ball Bearing Pillow Block Unit with Stainless Steel Insert and Polyamide Housing

Product Features

- Reinforced Polyamide or Polypropylene housing
- Stainless steel bearing insert
- Stainless steel bushing & washers
- Alignable & relubricatable
- Spring locking setscrew mount
- Prelubricated with food grade grease
- See Features & Benefits for additional info.

Bearing Drawing



Basic Unit Open Unit with Auxillary Seals Closed Unit with End Cap and Seal
 KP-SS200 KP-SS200D KP-SS200DC

Bearing Dimensions

Size Code	Shaft Diameter	Polyamide	Polypropylene	A Base to Centerline Height	B Distance Between Bolt Holes	C	D	E	F	H	J	L	S	W	Z	Approx. Weight
		Part Number	Part Number													
204	3/4	KPSS212	KLPSS212	1 5/16	3 25/32	5 1/32	1 1/8	1 3/16	3/8	43/64	3/4	3 1/32	7/8	1 7/32	1 1/8	1.50
		20.00 KPSS2M20	96.00 KLPSS2M20	33.30	96.00	128.00	28.58	30.00	10.00	17.00	19.00	77.00	22.00	30.80	28.80	0.68
205	1	KPSS216	KLPSS216	1 7/16	4 11/64	5 31/64	1 3/16	1 23/64	3/8	43/64	13/16	3 11/32	7/8	1 9/32	1 13/64	1.80
		25.00 KPSS2M25	106.00 KLPSS2M25	36.50	106.00	140.00	30.17	34.50	10.00	17.00	20.60	85.00	22.00	32.70	30.70	0.80
206	1 3/16	KPSS219	KLPSS219	1 11/16	4 49/64	6 27/64	1 11/32	1 27/64	1/2	25/32	61/64	3 55/64	15/16	1 3/8	1 19/64	1.80
	1 1/4	KPSS2E20	KLPSS2E20													
	30.00 KPSS2M30	121.00 KLPSS2M30	163.00													
207	1 1/4	KPSS220	KLPSS220	1 7/8	4 31/32	6 37/64	1 9/16	1 33/64	1/2	25/32	1 7/64	4 1/4	15/16	1 9/16	1 15/32	2.00
	1 3/8	KPSS222	KLPSS222													
	1 7/16	KPSS223	KLPSS223													
		35.00 KPSS2M35	126.00 KLPSS2M35	47.60	126.00	167.00	39.67	38.60	12.00	20.00	28.20	108.00	24.00	39.50	37.50	0.90
208	1 1/2	KPSS224	KLPSS224	2	5 11/32	7 9/32	1 11/16	1 33/64	1/2	25/32	1 13/64	4 13/32	15/16	1 41/64	1 9/16	2.20
		40.00 KPSS2M40	136.00 KLPSS2M40	50.80	136.00	185.00	42.87	38.60	12.00	20.00	30.60	112.00	24.00	41.60	39.60	1.00

Additional Notes

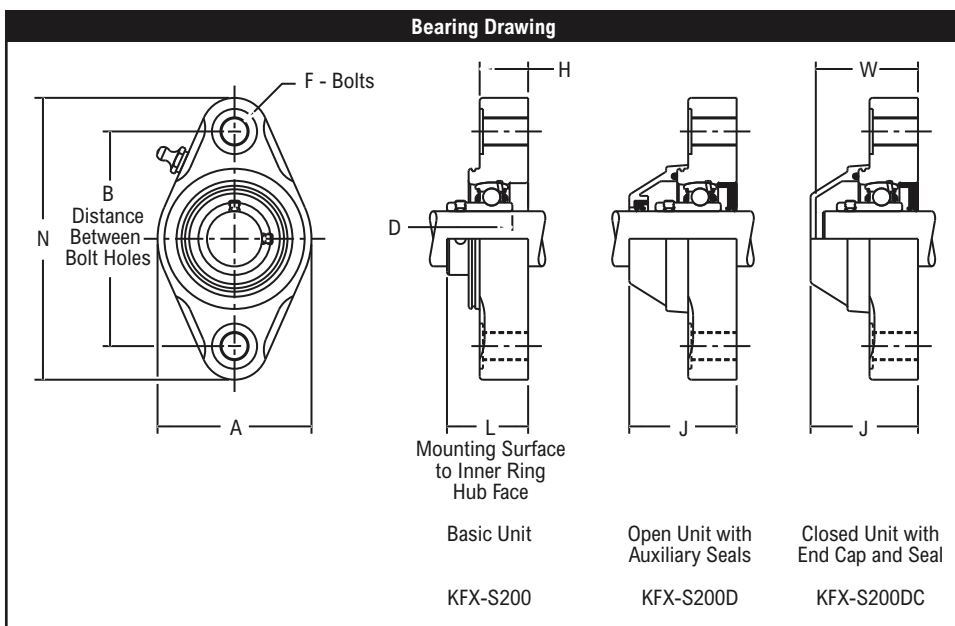
Please call 1-866-REXNORD for availability
 Lubrication fitting tap size, Rp 1/8" parallel thread per ISO 7/1 latest revision
 Note: 1/8" PT external thread will not fit
 Polypropylene housings furnished with viton seals, o-ring & AISI 316 stainless steel bushings and washers
 Selection Guide, see Klean-Gard/Dura-Klean Selection Guide section
 Load Ratings & Speed Limits, see Klean-Gard/Dura-Klean Load Ratings & Speed Limits section

Note: Dimensions subject to change. Certified dimensions of ordered material furnished on request.



Product Features

- Reinforced Polyamide or Polypropylene housing
- Stainless steel bushing & washers
- Inner & outer rings black oxide coated
- Spring locking setscrew mount
- Alignable & relubricatable
- Prelubricated with food grade grease
- See Features & Benefits for additional info.



Bearing Dimensions													
Size Code	Shaft Diameter	Polyamide	Polypropylene	B Distance Between Bolt Holes	L Mounting Surface to Inner Ring Hub Face	A	D	F	H	J	N	W	Approx. Weight
		Part Number	Part Number										
204	3/4	KFXS212	KLFXS212	3.54	1 23/64	2 7/16	1 1/8	3/8	51/64	1 13/16	4 9/16	1 11/16	0.90
	20.00	KFXS2M20	KLFXS2M20	90.00	34.30	62.00	28.58	10.00	20.00	46.00	116.00	43.00	0.41
205	1	KFXS216	KLFXS216	3.90	1 15/32	2 13/16	1 11/64	3/8	7/8	1 61/64	5 1/8	1 7/8	1.00
	25.00	KFXS2M25	KLFXS2M25	99.00	37.30	71.00	29.77	10.00	22.50	49.50	130.00	47.50	0.45
206	1 3/16	KFXS219	KLFXS219	4.61	1 3/4	3 11/32	1 11/32	3/8	1 1/64	2 11/64	5 53/64	2 3/32	1.25
	1 1/4	KFXS2E20	KLFXS2E20										
	30.00	KFXS2M30	KLFXS2M30										
207	1 1/4	KFXS220	KLFXS220	5.12	1 7/8	3 21/32	1 9/16	3/8	1 1/64	2 21/64	6 3/8	2 1/4	1.50
	1 3/8	KFXS222	KLFXS222										
	1 7/16	KFXS223	KLFXS223										
	35.00	KFXS2M35	KLFXS2M35	130.00	47.70	93.00	39.67	10.00	26.00	59.00	162.00	57.00	0.68
208	1 1/2	KFXS224	KLFXS224	5.67	2 1/16	4 1/64	1 21/32	3/8	1 3/16	2 37/64	6 59/64	2 15/32	2.00
	40.00	KFXS2M40	KLFXS2M40	144.00	52.40	102.00	42.06	10.00	30.00	65.50	176.00	62.50	0.90

Additional Notes

Please call 1-866-REXNORD for availability
 Lubrication fitting tap size, Rp 1/8" parallel thread per ISO 7/1 latest revision
 Note: 1/8" PT external thread will not fit
 Polypropylene housings furnished with viton seals, o-ring & AISI 316 stainless steel bushings and washers
 Selection Guide, see Klean-Gard/Dura-Klean Selection Guide section
 Load Ratings & Speed Limits, see Klean-Gard/Dura-Klean Load Ratings & Speed Limits section

Note: Dimensions subject to change. Certified dimensions of ordered material furnished on request.

KFXSS200, KLFXSS200

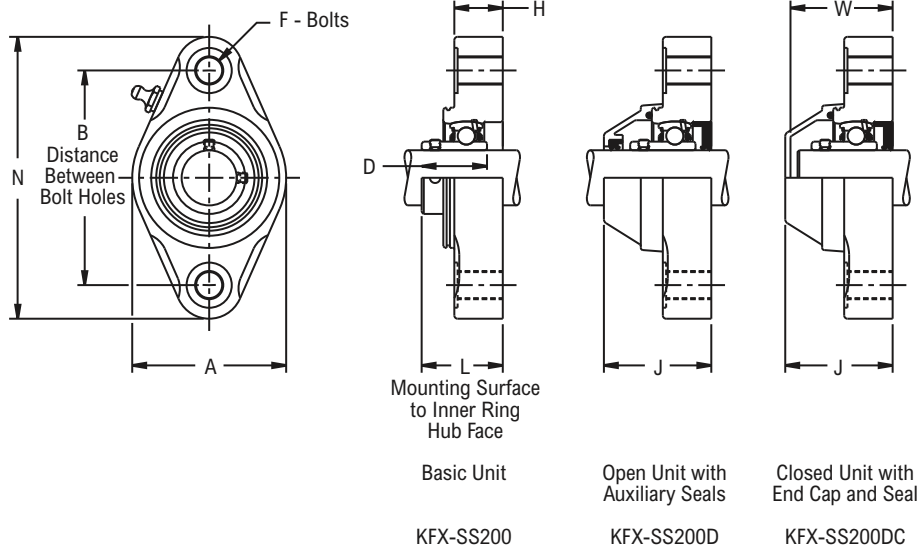


Photo Shows a 2-Bolt Ball Bearing Flanged Unit with Stainless Steel Insert and Polyamide Housing

Product Features

- Reinforced Polyamide or Polypropylene housing
- Stainless steel bearing insert
- Stainless steel bushing & washers
- Spring locking setscrew mount
- Alignable & relubricatable
- Prelubricated with food grade grease
- See Features & Benefits for additional info.

Bearing Drawing



Bearing Dimensions

Size Code	Shaft Diameter	Polyamide	Polypropylene	B Distance Between Bolt Holes	L Mounting Surface to Inner Ring Hub Face	A	D	F	H	J	N	W	Approx. Weight
		Part Number	Part Number										
204	3/4	KFXSS212	KLFXSS212	3.54	1 23/64	2 7/16	1 1/8	3/8	51/64	1 13/16	4 9/16	1 11/16	0.90
	20.00	KFXSS2M20	KLFXSS2M20	90.00	34.30	62.00	28.58	10.00	20.00	46.00	116.00	43.00	0.41
205	1	KFXSS216	KLFXSS216	3.90	1 15/32	2 13/16	1 3/16	3/8	7/8	1 61/64	5 1/8	1 7/8	1.00
	25.00	KFXSS2M25	KLFXSS2M25	99.00	37.30	71.00	30.17	10.00	22.50	49.50	130.00	47.50	0.45
206	1 3/16	KFXSS219	KLFXSS219	4.61	1 3/4	3 11/32	1 11/32	3/8	1 1/64	2 11/64	5 53/64	2 3/32	1.25
	1 1/4	KFXSS2E20	KLFXSS2E20										
	30.00	KFXSS2M30	KLFXSS2M30										
207	1 1/4	KFXSS220	KLFXSS220	5.12	1 7/8	3 21/32	1 9/16	3/8	1 1/64	2 21/64	6 3/8	2 1/4	1.50
	1 3/8	KFXSS222	KLFXSS222										
	1 7/16	KFXSS223	KLFXSS223										
	35.00	KFXSS2M35	KLFXSS2M35	130.00	47.70	93.00	39.67	10.00	26.00	59.00	162.00	57.00	0.68
208	1 1/2	KFXSS224	KLFXSS224	5.67	2 1/16	4 1/64	1 11/16	3/8	1 3/16	2 37/64	6 59/64	2 15/32	2.00
	40.00	KFXSS2M40	KLFXSS2M40	144.00	52.40	102.00	42.87	10.00	30.00	65.50	176.00	62.50	0.90

Additional Notes

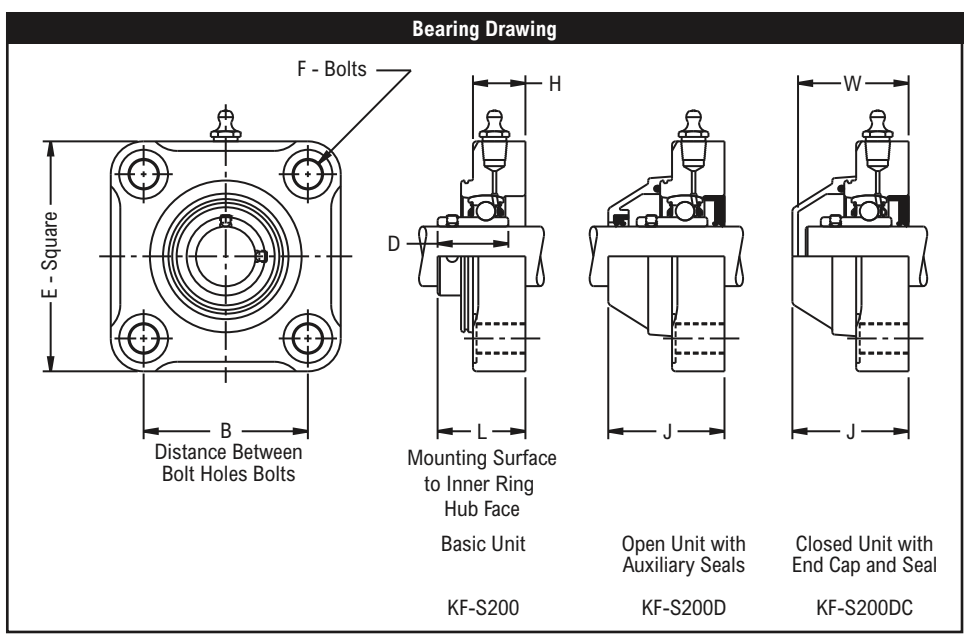
Please call 1-866-REXNORD for availability
 Lubrication fitting tap size, Rp 1/8" parallel thread per ISO 7/1 latest revision
 Note: 1/8" PT external thread will not fit
 Polypropylene housings furnished with viton seals, o-ring & AISI 316 stainless steel bushings and washers
 Selection Guide, see Klean-Gard/Dura-Klean Selection Guide section
 Load Ratings & Speed Limits, see Klean-Gard/Dura-Klean Load Ratings & Speed Limits section

Note: Dimensions subject to change. Certified dimensions of ordered material furnished on request.



Product Features

- Reinforced Polyamide or Polypropylene housing
- Stainless steel bushing & washers
- Inner & outer rings black oxide coated
- Spring locking setscrew mount
- Alignable & relubricatable
- Prelubricated with food grade grease
- See Features & Benefits for additional info.



Bearing Dimensions												
Size Code	Shaft Diameter	Polyamide	Polypropylene	B Distance Between Bolt Holes	L Mounting Surface to Inner Ring Hub Face	D	E	F	H	J	W	Approx. Weight
		Part Number	Part Number									
205	1	KFS216	KLFS216	2.76	1 15/32	1 11/64	3 55/64	3/8	7/8	1 61/64	1 7/8	0.90
		<i>25.00</i>	<i>KFS2M25</i>	<i>70.00</i>	<i>37.30</i>	<i>29.77</i>	<i>98.00</i>	<i>10.00</i>	<i>22.50</i>	<i>49.50</i>	<i>47.50</i>	<i>0.41</i>
206	1 3/16	KFS219	KLFS219	3.27	1 3/4	1 11/32	4 21/64	3/8	1 1/64	2 11/64	2 3/32	1.40
	1 1/4	KFS2E20	KLFS2E20									
		<i>30.00</i>	<i>KFS2M30</i>	<i>83.00</i>	<i>44.20</i>	<i>34.13</i>	<i>110.00</i>	<i>10.00</i>	<i>26.00</i>	<i>55.00</i>	<i>53.00</i>	<i>0.63</i>
207	1 1/4	KFS220	KLFS220	3.62	1 7/8	1 9/16	4 23/32	3/8	1 1/64	2 21/64	2 1/4	1.90
	1 3/8	KFS222	KLFS222									
	1 7/16	KFS223	KLFS223									
		<i>35.00</i>	<i>KFS2M35</i>	<i>92.00</i>	<i>47.70</i>	<i>39.67</i>	<i>120.00</i>	<i>10.00</i>	<i>26.00</i>	<i>59.00</i>	<i>57.00</i>	<i>0.86</i>
208	1 1/2	KFS224	KLFS224	4.02	2 1/16	1 21/32	5 5/32	3/8	1 3/16	2 37/64	2 15/32	2.50
		<i>40.00</i>	<i>KFS2M40</i>	<i>102.00</i>	<i>52.40</i>	<i>42.06</i>	<i>131.00</i>	<i>10.00</i>	<i>30.00</i>	<i>65.50</i>	<i>62.50</i>	<i>1.13</i>

Additional Notes

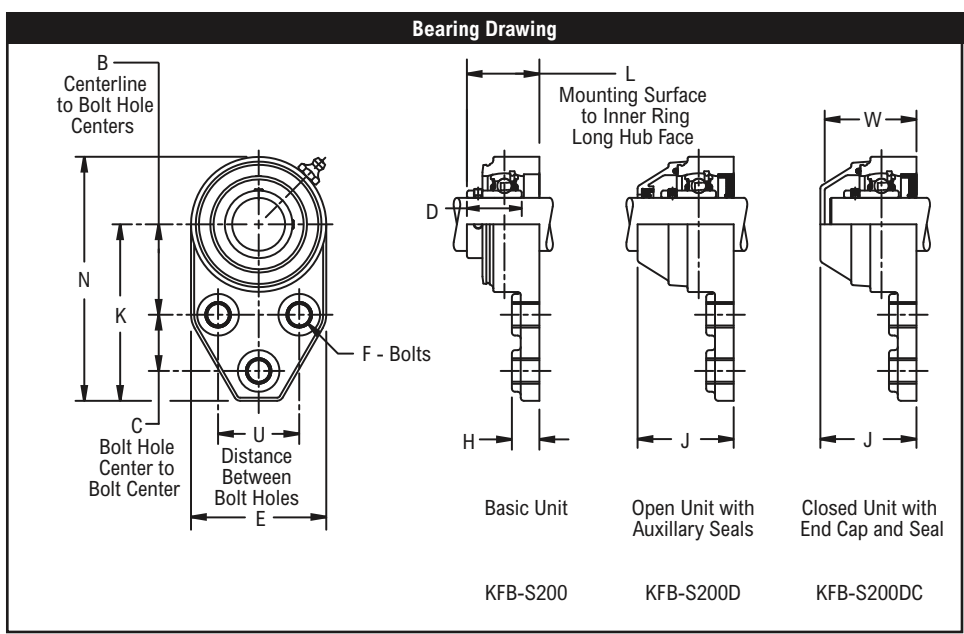
Please call 1-866-REXNORD for availability
 Lubrication fitting tap size, Rp 1/8" parallel thread per ISO 7/1 latest revision
 Note: 1/8" PT external thread will not fit
 Polypropylene housings furnished with viton seals, o-ring & AISI 316 stainless steel bushings and washers
 Selection Guide, see Klean-Gard/Dura-Klean Selection Guide section
 Load Ratings & Speed Limits, see Klean-Gard/Dura-Klean Load Ratings & Speed Limits section

Note: Dimensions subject to change. Certified dimensions of ordered material furnished on request.



Product Features

- Reinforced Polyamide or Polypropylene housing
- Stainless steel bushing & washers
- Inner & outer rings black oxide coated
- Spring locking setscrew mount
- Alignable & relubricatable
- Prelubricated with food grade grease
- See Features & Benefits for additional info.



Bearing Dimensions

Size Code	Shaft Diameter	Polyamide	Polypropylene	B Centerline to Bolt Hole Center	C Bolt Hole Center to Bolt Center	L Mounting Surface to Inner Ring	U Distance Between Bolt Holes	D	E	F	H	J	K	N	W	Approx. Weight
		Part Number	Part Number													
205	1	KFBS216	KLFBS216	1 13/16	1 1/8	1 17/32	1 5/8	1 11/64	2 23/32	3/8	9/16	2 1/64	3 17/32	4 57/64	1 15/16	0.60
	25.00	KFBS2M25	KLFBS2M25	46.00	28.58	38.90	41.28	29.77	69.00	10.00	14.00	51.20	89.80	124.00	49.20	0.27
206	1 3/16	KFBS219	KLFBS219	2 1/16	1 1/4	1 3/4	1 7/8	1 11/32	3 13/64	3/8	9/16	2 11/64	3 55/64	5 15/32	2 3/32	1.10
	1 1/4	KFBS2E20	KLFBS2E20													
207	1 1/4	KFBS220	KLFBS220	2 3/8	1 1/4	1 7/8	2	1 9/16	3 11/16	7/16	9/16	2 21/64	4 15/64	6 5/64	2 1/4	1.60
	1 3/8	KFBS222	KLFBS222													
	1 7/16	KFBS223	KLFBS223													
	35.00	KFBS2M35	KLFBS2M35	60.30	31.70	47.70	50.80	39.67	94.00	12.00	14.00	59.10	107.60	154.00	57.20	0.72

Additional Notes

Please call 1-866-REXNORD for availability
 Lubrication fitting tap size, Rp 1/8" parallel thread per ISO 7/1 latest revision
 Note: 1/8" PT external thread will not fit
 Polypropylene housings furnished with viton seals, o-ring & AISI 316 stainless steel bushings and washers
 Selection Guide, see Klean-Gard/Dura-Klean Selection Guide section
 Load Ratings & Speed Limits, see Klean-Gard/Dura-Klean Load Ratings & Speed Limits section

Note: Dimensions subject to change. Certified dimensions of ordered material furnished on request.

KFBSS200, KLFBSS200

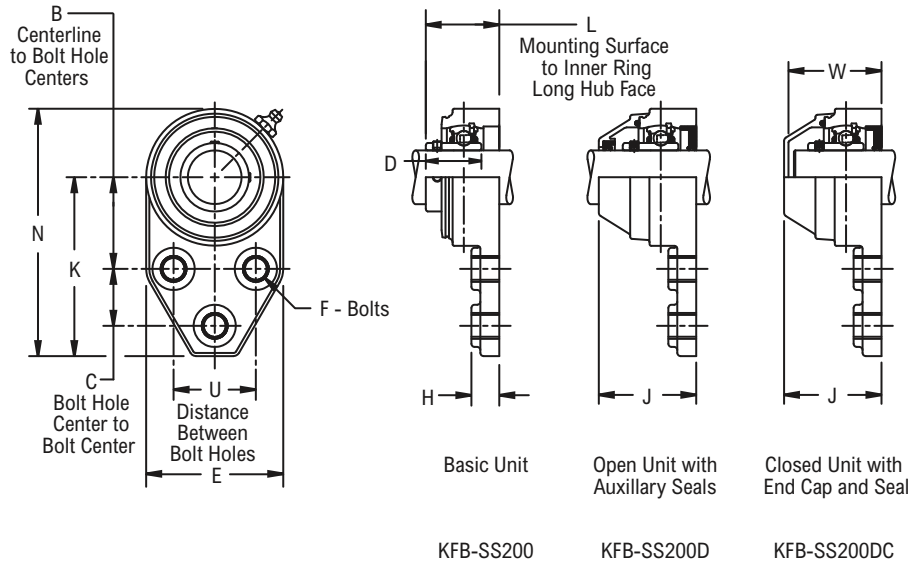


Photo Shows a 3-Bolt Ball Bearing Flanged Bracket Unit with Stainless Steel Insert and Polyamide Housing

Product Features

- Reinforced Polyamide or Polypropylene housing
- Stainless steel bearing insert
- Stainless steel bushing & washers
- Spring locking setscrew mount
- Alignable & relubricatable
- Prelubricated with food grade grease
- See Features & Benefits for additional info.

Bearing Drawing



Bearing Dimensions

Size Code	Shaft Diameter	Polyamide	Polypropylene	B Centerline to Bolt Hole Center	C Bolt Hole Center to Bolt Center	L Mounting Surface to Inner Ring	U Distance Between Bolt Holes	D	E	F	H	J	K	N	W	Approx. Weight
		Part Number	Part Number													
205	1	KFBSS216	KLFBSS216	1 13/16	1 1/8	1 17/32	1 5/8	1 3/16	2 23/32	3/8	9/16	2 1/64	3 17/32	4 57/64	1 15/16	0.60
	25.00	KFBSS2M25	KLFBSS2M25	46.00	28.58	38.90	41.28	30.17	69.00	10.00	14.00	51.20	89.80	124.00	49.20	0.27
206	1 3/16	KFBSS219	KLFBSS219	2 1/16	1 1/4	1 3/4	1 7/8	1 11/32	3 13/64	3/8	9/16	2 11/64	3 55/64	5 15/32	2 3/32	1.10
	1 1/4	KFBSS2E20	KLFBSS2E20													
	30.00	KFBSS2M30	KLFBSS2M30	52.40	31.70	44.20	47.60	34.13	81.00	10.00	14.00	55.20	97.90	139.00	53.20	0.50
207	1 1/4	KFBSS220	KLFBSS220	2 3/8	1 1/4	1 7/8	2	1 9/16	3 11/16	7/16	9/16	2 21/64	4 15/64	6 5/64	2 1/4	1.60
	1 3/8	KFBSS222	KLFBSS222													
	1 7/16	KFBSS223	KLFBSS223													
	35.00	KFBSS2M35	KLFBSS2M35	60.30	31.70	47.70	50.80	39.67	94.00	12.00	14.00	59.10	107.60	154.00	57.20	0.72

Additional Notes

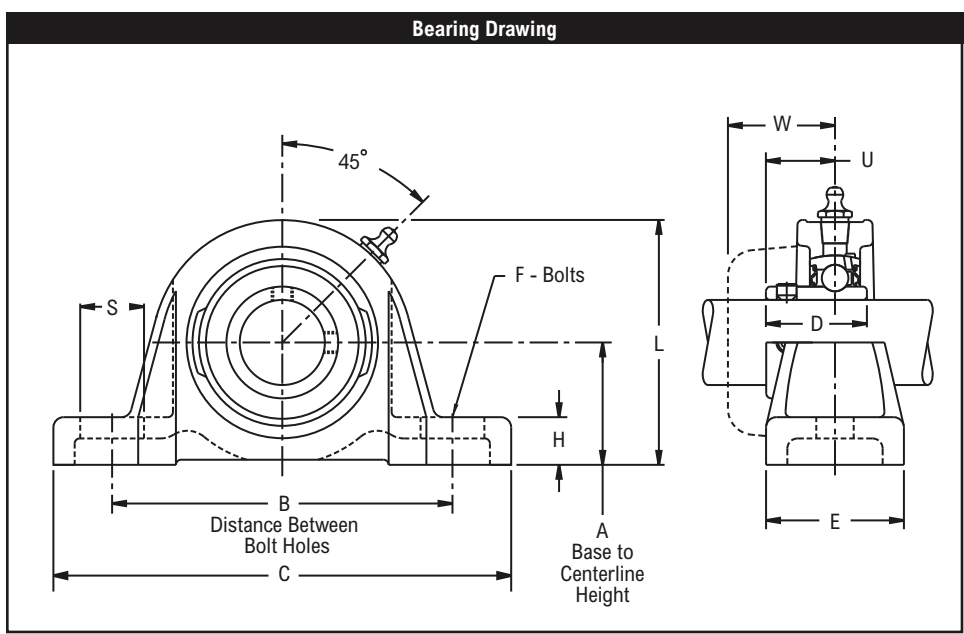
Please call 1-866-REXNORD for availability
 Lubrication fitting tap size, Rp 1/8" parallel thread per ISO 7/1 latest revision
 Note: 1/8" PT external thread will not fit
 Polypropylene housings furnished with viton seals, o-ring & AISI 316 stainless steel bushings and washers
 Selection Guide, see Klean-Gard/Dura-Klean Selection Guide section
 Load Ratings & Speed Limits, see Klean-Gard/Dura-Klean Load Ratings & Speed Limits section

Note: Dimensions subject to change. Certified dimensions of ordered material furnished on request.



Product Features

- Corrosion resistant nylon coating
- Cast iron housing
- Inner & outer rings black oxide coated
- Spring locking setscrew mount
- Alignable & relubricatable
- Prelubricated with food grade grease
- See Features & Benefits for additional info



Bearing Dimensions														
Size Code	Shaft Diameter	Part Number	A Base to Centerline Height	B Distance Between Bolt Holes	C	D	E	F	H	L	S	U	W	Approx. Weight
204	³ / ₄	WP3S212E	1 ⁵ / ₁₆	3 ⁷ / ₈	5 ¹ / ₈	1 ¹ / ₈	1 ¹ / ₂	³ / ₈	¹ / ₂	2 ¹⁹ / ₃₂	¹¹ / ₁₆	³ / ₄	1 ¹⁹ / ₆₄	1.60
	20.00	WP3S2M20E	33.34	98.40	130.20	28.58	38.10	10.00	12.70	65.90	17.50	19.00	32.90	0.72
205	⁷ / ₈	WP3S214E	1 ⁷ / ₁₆	4	5 ³ / ₈	1 ¹¹ / ₆₄	1 ⁵ / ₈	³ / ₈	⁹ / ₁₆	2 ⁷ / ₈	¹¹ / ₁₆	¹³ / ₁₆	1 ⁹ / ₃₂	1.90
	¹⁵ / ₁₆	WP3S215E												
	1	WP3S216E												
	25.00	WP3S2M25E	36.51	101.60	136.50	30.17	41.30	10.00	14.30	73.00	17.50	20.60	32.50	0.86
206	1 ¹ / ₈	WP3S218E	1 ¹¹ / ₁₆	4 ⁵ / ₈	6 ⁵ / ₁₆	1 ¹¹ / ₃₂	1 ³ / ₄	¹ / ₂	¹¹ / ₁₆	3 ⁵ / ₁₆	¹⁵ / ₁₆	⁶¹ / ₆₄	1 ²⁹ / ₆₄	2.80
	1 ³ / ₁₆	WP3S219E												
	1 ¹ / ₄	WP3S2E20E												
	30.00	WP3S2M30E												
207	1 ¹ / ₄	WP3S220E	1 ⁷ / ₈	4 ¹⁵ / ₁₆	6 ³ / ₈	1 ⁹ / ₁₆	1 ⁷ / ₈	¹ / ₂	¹³ / ₁₆	3 ¹¹ / ₁₆	¹³ / ₁₆	1 ⁷ / ₆₄	1 ³⁵ / ₆₄	3.50
	1 ³ / ₈	WP3S222E												
	1 ⁷ / ₁₆	WP3S223E												
	35.00	WP3S2M35E	47.62	125.40	161.90	39.67	47.60	12.00	20.60	93.70	20.60	28.20	39.30	1.58
208	1 ¹ / ₂	WP3S224E	2	5 ³ / ₈	7 ¹ / ₁₆	1 ¹¹ / ₁₆	1 ⁷ / ₈	¹ / ₂	¹³ / ₁₆	4	¹⁵ / ₁₆	1 ¹³ / ₆₄	1 ⁴¹ / ₆₄	4.40
	40.00	WP3S2M40E	50.80	136.50	179.40	42.87	47.60	12.00	20.60	101.60	23.80	30.60	41.70	1.98
209	1 ⁵ / ₈	WP3S226E	2 ¹ / ₈	5 ⁵ / ₈	7 ¹ / ₄	1 ⁴⁹ / ₆₄	2	¹ / ₂	¹³ / ₁₆	4 ⁵ / ₁₆	⁷ / ₈	1 ¹⁵ / ₆₄	1 ²¹ / ₃₂	5.50
	1 ¹¹ / ₁₆	WP3S227E												
	1 ³ / ₄	WP3S228E												
210	1 ¹⁵ / ₁₆	WP3S231E	2 ¹ / ₄	6 ³ / ₁₆	7 ⁷ / ₈	1 ⁵¹ / ₆₄	2 ¹ / ₈	⁵ / ₈	⁷ / ₈	4 ¹ / ₂	¹⁵ / ₁₆	1 ¹⁷ / ₆₄	1 ²⁵ / ₃₂	5.80

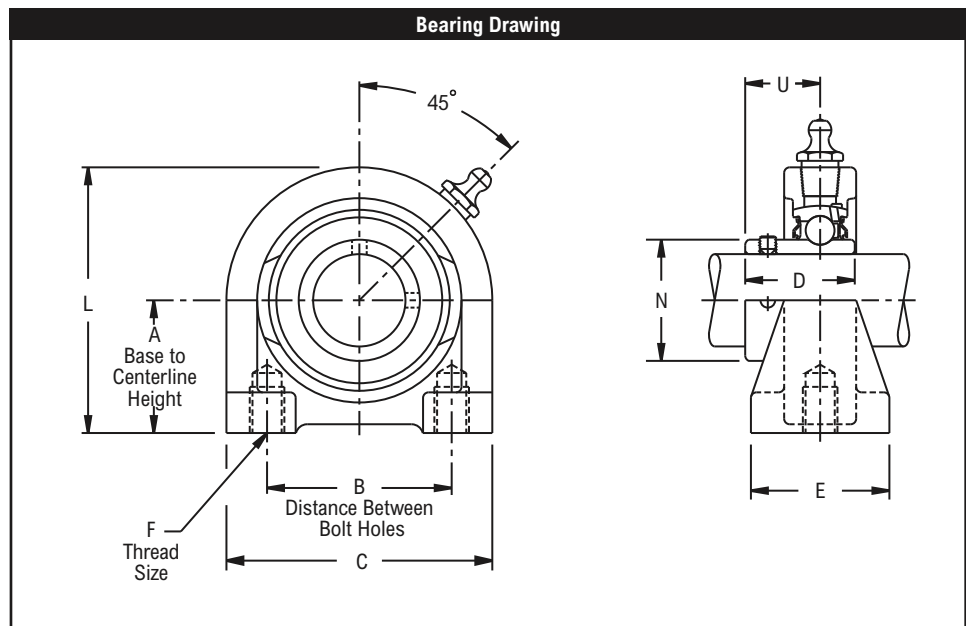
Additional Notes

Please call 1-866-REXNORD for availability
 Lubrication fitting tap size, 1/8" PT
 Base to centerline tolerance, +.000"/-.010" (+0.00mm/-0.25mm)
 Selection Guide, see Klean-Gard/Dura-Klean Selection Guide section
 Load Ratings & Speed Limits, see Klean-Gard/Dura-Klean Load Ratings & Speed Limits section
 Note: Dimensions subject to change. Certified dimensions of ordered material furnished on request.



Product Features

- Corrosion resistant nylon coating
- Cast iron tapped base housing
- Inner & outer rings black oxide coated
- Spring locking setscrew mount
- Alignable & relubricatable
- Prelubricated with food grade grease
- See Features & Benefits for additional info.



Bearing Dimensions														
Size Code	Shaft Diameter	Part Number	A Base to Centerline Height	B Distance Between Bolt Holes	C	D	E	F Depth	F Tap	L	N	U	Approx. Weight	
204	3/4	WPT3S212E	1 5/16	2	2 7/8	1 1/8	1 1/2	1/2	3/8-16	2 19/32	1 1/8	3/4	1.30	
	20.00	WPT3S2M20E	33.34	50.80	73.00	28.58	38.10	12.70	3/8-16	65.90	28.600	19.00	0.59	
205	7/8	WPT3S214E	1 7/16	2	2 7/8	1 11/64	1 1/2	1/2	3/8-16	2 7/8	1 5/16	5/164	1.50	
	15/16	WPT3S215E												
	1	WPT3S216E	25.00	WPT3S2M25E	36.51	50.80	73.00	29.77	38.10	12.70	3/8-16	73.00	33.300	20.20
206	1 1/8	WPT3S218E	1 11/16	3	4	1 11/32	1 1/2	5/8	7/16-14	3 5/16	1 19/32	61/64	2.50	
	1 3/16	WPT3S219E												
	1 1/4	WPT3S2E20E												30.00
207	1 1/4	WPT3S220E	1 7/8	3 1/4	4 13/32	1 9/16	1 7/8	3/4	1/2-13	3 11/16	1 27/32	1 7/64	3.60	
	1 3/8	WPT3S222E												
	1 7/16	WPT3S223E												35.00
210	1 15/16	WPT3S231E	2 1/4	4	5 7/16	1 13/16	2	7/8	5/8-11	4 1/2	2 15/32	1 17/64	5.70	

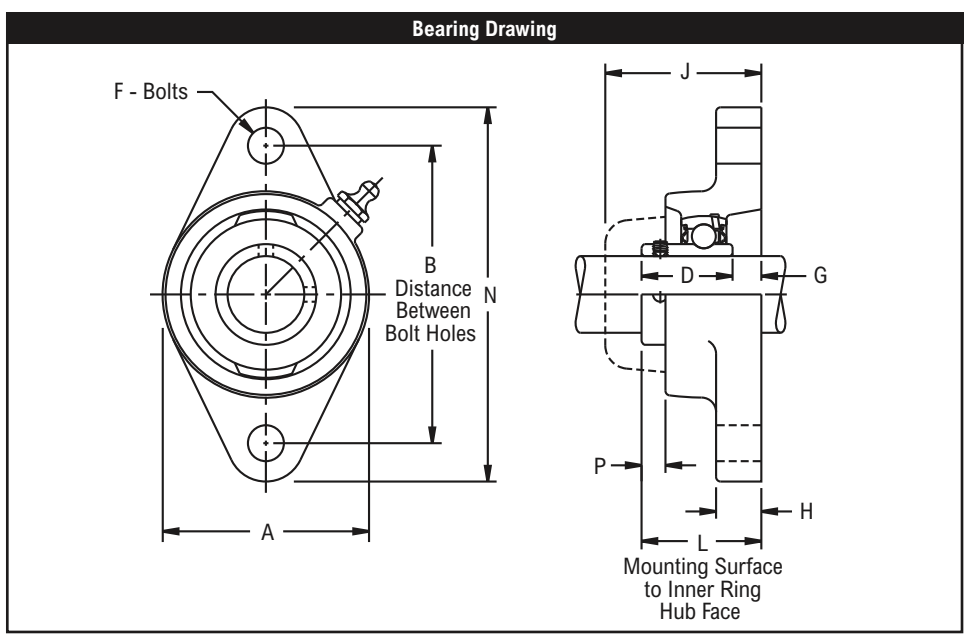
Additional Notes

Please call 1-866-REXNORD for availability
 Lubrication fitting tap size, 1/8" PT
 Base to centerline tolerance, +.000"/-.010" (+0.00mm/-0.25mm)
 Selection Guide, see Klean-Gard/Dura-Klean Selection Guide section
 Load Ratings & Speed Limits, see Klean-Gard/Dura-Klean Load Ratings & Speed Limits section
 Note: Dimensions subject to change. Certified dimensions of ordered material furnished on request.



Product Features

- Corrosion resistant nylon coating
- Cast iron housing
- Inner & outer rings black oxide coated
- Spring locking setscrew mount
- Alignable & relubricatable
- Prelubricated with food grade grease
- See Features & Benefits for additional info.



Bearing Dimensions													
Size Code	Shaft Diameter	Part Number	B Distance Between Bolt Holes	L Mounting Surface to Inner Ring Hub Face	A	D	F	G	H	J	N	P	Approx. Weight
204	³ / ₄	WFX3S212E	3 ¹⁷ / ₃₂	1 ³¹ / ₆₄	2 ⁷ / ₁₆	1 ¹ / ₈	³ / ₈	²³ / ₆₄	⁹ / ₁₆	2 ¹ / ₆₄	4 ¹³ / ₃₂	⁹ / ₃₂	1.10
	20.00	WFX3S2M20E	89.69	37.70	61.90	28.58	10.00	9.10	14.30	51.20	111.90	7.10	0.50
205	⁷ / ₈	WFX3S214E	3 ⁵⁷ / ₆₄	1 ³⁵ / ₆₄	2 ¹¹ / ₁₆	1 ¹¹ / ₆₄	⁷ / ₁₆	³ / ₈	¹⁹ / ₃₂	2	4 ²⁹ / ₃₂	¹⁹ / ₆₄	1.50
	¹⁵ / ₁₆	WFX3S215E											
	1	WFX3S216E											
	25.00	WFX3S2M25E	98.82	39.30	68.30	29.77	10.00	9.50	15.10	50.80	124.60	7.50	0.68
206	1 ¹ / ₈	WFX3S218E	4 ¹⁹ / ₃₂	1 ⁴⁷ / ₆₄	3 ³ / ₁₆	1 ¹¹ / ₃₂	⁷ / ₁₆	²⁵ / ₆₄	¹⁹ / ₃₂	2 ¹⁵ / ₆₄	5 ¹⁹ / ₃₂	²⁷ / ₆₄	2.20
	1 ³ / ₁₆	WFX3S219E											
	1 ¹ / ₄	WFX3S2E20E											
	30.00	WFX3S2M30E	116.68	44.00	81.00	34.13	10.00	9.90	15.10	56.70	142.10	10.70	1.00
207	1 ¹ / ₄	WFX3S220E	5 ¹ / ₈	1 ⁵⁹ / ₆₄	3 ⁵ / ₈	1 ⁹ / ₁₆	¹ / ₂	²³ / ₆₄	⁵ / ₈	2 ²³ / ₆₄	6 ¹ / ₈	³³ / ₆₄	2.70
	1 ³ / ₈	WFX3S222E											
	1 ⁷ / ₁₆	WFX3S223E											
	35.00	WFX3S2M35E	130.18	48.80	92.10	39.69	12.00	9.10	15.90	59.90	155.60	13.10	1.21
208	1 ¹ / ₂	WFX3S224E	5 ²¹ / ₃₂	2 ⁵ / ₆₄	4	1 ²¹ / ₃₂	¹ / ₂	²⁷ / ₆₄	⁵ / ₈	2 ³⁵ / ₆₄	6 ²⁵ / ₃₂	¹ / ₂	3.80
	40.00	WFX3S2M40E	143.67	52.80	101.60	42.06	12.00	10.70	15.90	65.10	172.20	12.70	1.70
209	1 ⁵ / ₈	WFX3S226E	5 ²⁷ / ₃₂	2 ⁹ / ₆₄	4 ¹ / ₄	1 ⁴⁹ / ₆₄	¹ / ₂	³ / ₈	⁵ / ₈	2 ⁹ / ₁₆	7 ³ / ₃₂	³⁵ / ₆₄	4.40
	1 ¹¹ / ₁₆	WFX3S227E											
	1 ³ / ₄	WFX3S228E											
210	1 ¹⁵ / ₁₆	WFX3S231E	6 ³ / ₁₆	2 ²⁵ / ₆₄	4 ⁹ / ₁₆	1 ¹³ / ₁₆	⁹ / ₁₆	³⁷ / ₆₄	³ / ₄	2 ⁵⁷ / ₆₄	7 ⁷ / ₁₆	³⁵ / ₆₄	5.60

Additional Notes

Please call 1-866-REXNORD for availability

Lubrication fitting tap size, 1/8" PT

Selection Guide, see Klean-Gard/Dura-Klean Selection Guide section

Load Ratings & Speed Limits, see Klean-Gard/Dura-Klean Load Ratings & Speed Limits section

Note: Dimensions subject to change. Certified dimensions of ordered material furnished on request.

WF3S200

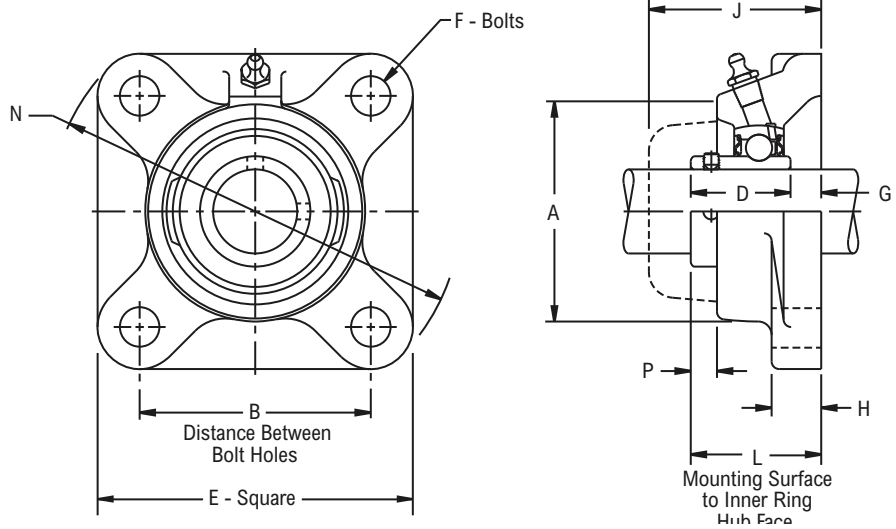


Photo Shows a 4-Bolt Ball Bearing Flanged Unit with Nylon Coated Housing

Product Features

- Corrosion resistant nylon coating
- Cast iron housing
- Inner & outer rings black oxide coated
- Spring locking setscrew mount
- Alignable & relubricatable
- Prelubricated with food grade grease
- See Features & Benefits for additional info

Bearing Drawing



Bearing Dimensions

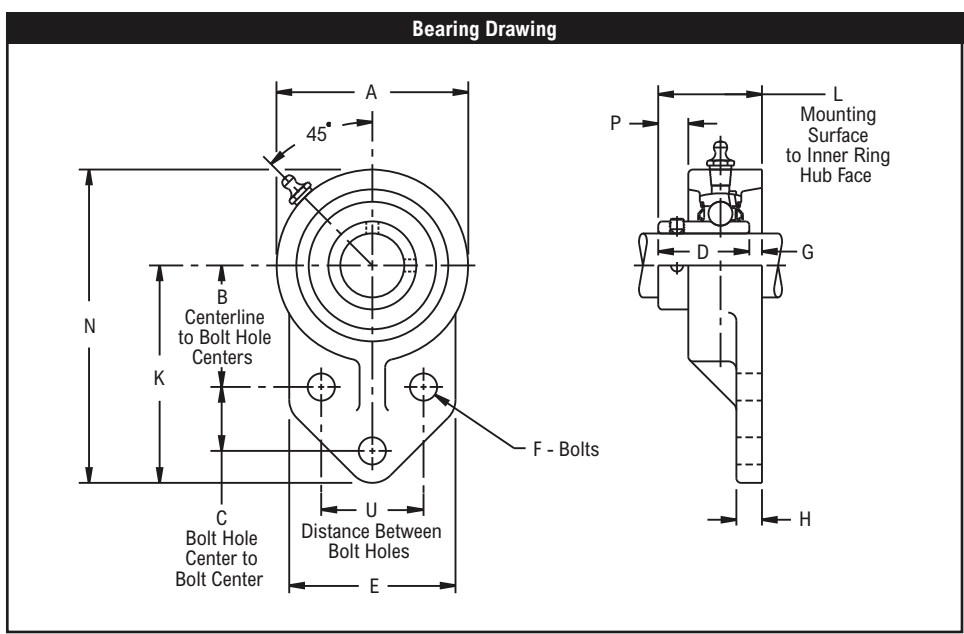
Size Code	Shaft Diameter	Part Number	B Distance Between Bolt Holes	L Mounting Surface to Inner Ring Hub Face	A	D	E	F	G	H	J	N	P	Approx. Weight
204	3/4	WF3S212E	2 1/2	1 31/64	2 7/16	1 1/8	3 3/8	3/8	23/64	9/16	2 1/64	4 13/32	9/32	1.60
	20.00	WF3S2M20E	63.50	37.70	61.90	28.58	85.70	10.00	9.10	14.30	51.20	111.90	7.10	0.72
205	7/8	WF3S214E	2 3/4	1 35/64	2 11/16	1 11/64	3 3/4	7/16	3/8	19/32	2	4 29/32	19/64	1.90
	15/16	WF3S215E												
	1	WF3S216E												
	25.00	WF3S2M25E	69.85	39.30	68.30	29.77	95.20	10.00	9.50	15.10	50.80	124.60	7.50	0.86
206	1 1/8	WF3S218E	3 1/4	1 47/64	3 3/16	1 11/32	4 1/4	7/16	25/64	19/32	2 15/64	5 19/32	27/64	2.60
	1 3/16	WF3S219E												
	1 1/4	WF3S2E20E												
	30.00	WF3S2M30E												
	82.55	82.55	44.00	81.00	34.13	108.00	10.00	9.90	15.10	56.70	142.10	10.70	1.17	
207	1 1/4	WF3S220E	3 5/8	1 59/64	3 5/8	1 9/16	4 5/8	1/2	23/64	5/8	2 23/64	6 1/8	37/64	3.40
	1 3/8	WF3S222E												
	1 7/16	WF3S223E												
	35.00	WF3S2M35E	92.08	48.80	92.10	39.67	117.50	12.00	9.10	15.90	59.90	155.60	14.70	1.53
208	1 1/2	WF3S224E	4	2 5/64	4	1 21/32	5 1/8	1/2	27/64	5/8	2 35/64	6 25/32	1/2	4.70
	40.00	WF3S2M40E	101.60	52.80	101.60	42.06	130.20	12.00	10.70	15.90	64.70	172.20	12.70	2.12
209	1 5/8	WF3S226E	4 1/8	2 9/64	4 1/4	1 49/64	5 3/8	1/2	3/8	5/8	2 9/16	7 3/32	35/64	5.40
	1 11/16	WF3S227E												
	1 3/4	WF3S228E												
	1 15/16	WF3S231E	4 3/8	2 19/64	4 1/2	1 13/16	5 5/8	1/2	1/2	3/4	2 13/16	7 7/16	9/16	6.20

Additional Notes

Please call 1-866-REXNORD for availability
 Lubrication fitting tap size, 1/8" PT
 Selection Guide, see Klean-Gard/Dura-Klean Selection Guide section
 Load Ratings & Speed Limits, see Klean-Gard/Dura-Klean Load Ratings & Speed Limits section
 Note: Dimensions subject to change. Certified dimensions of ordered material furnished on request.



- Product Features**
- Corrosion resistant nylon coating
 - Cast iron housing
 - Inner & outer rings black oxide coated
 - Spring locking setscrew mount
 - Alignable & relubricatable
 - Prelubricated with food grade grease
 - See Features & Benefits for additional info



Bearing Dimensions																
Size Code	Shaft Diameter	Part Number	B Centerline to Bolt Hole Centers	C Bolt Hole Center to Bolt Center	L Mounting Surface to Inner Ring	U Distance Between Bolt Holes	A	D	E	F	G	H	K	N	P	Approx. Weight
204	³ / ₄	WFB3S212E	1 ¹¹ / ₁₆	⁷ / ₈	1 ¹¹ / ₃₂	1 ¹ / ₂	2 ¹ / ₂	1 ¹ / ₈	2 ³ / ₈	³ / ₈	⁷ / ₃₂	⁵ / ₁₆	3	4 ¹ / ₄	¹¹ / ₃₂	1.20
	20.00	WFB3S2M20E	42.90	22.20	34.10	38.10	63.50	28.58	60.30	10.00	5.50	7.90	76.20	108.00	8.70	0.54
205	⁷ / ₈	WFB3S214E	1 ¹³ / ₁₆	1 ¹ / ₈	1 ²⁹ / ₆₄	1 ⁵ / ₈	2 ³ / ₄	1 ¹¹ / ₆₄	2 ¹ / ₂	³ / ₈	⁹ / ₃₂	³ / ₈	3 ³ / ₈	4 ³ / ₄	¹⁹ / ₆₄	1.70
	¹⁵ / ₁₆	WFB3S215E														
	1	WFB3S216E														
	25.00	WFB3S2M25E	46.00	28.60	38.90	41.30	69.80	29.77	63.50	10.00	7.10	9.50	85.70	120.60	7.50	0.77
206	1 ¹ / ₈	WFB3S218E	2 ¹ / ₁₆	1 ¹ / ₄	1 ⁵ / ₈	1 ⁷ / ₈	3 ¹ / ₄	1 ¹¹ / ₃₂	2 ³ / ₄	³ / ₈	⁹ / ₃₂	³ / ₈	3 ³ / ₄	5 ³ / ₈	³ / ₈	2.20
	1 ³ / ₁₆	WFB3S219E														
	1 ¹ / ₄	WFB3S2E20E														
	30.00	WFB3S2M30E														
207	1 ¹ / ₄	WFB3S220E	2 ³ / ₈	1 ¹ / ₄	1 ⁵⁹ / ₆₄	2	3 ³ / ₄	1 ⁹ / ₁₆	3 ¹ / ₄	¹ / ₂	²³ / ₆₄	¹ / ₂	4 ¹ / ₄	6 ¹ / ₈	³¹ / ₆₄	3.20
	1 ³ / ₈	WFB3S222E														
	1 ⁷ / ₁₆	WFB3S223E														
	35.00	WFB3S2M35E														

Additional Notes

Please call 1-866-REXNORD for availability
 Lubrication fitting tap size, 1/4"-28 UNF
 Selection Guide, see Klean-Gard/Dura-Klean Selection Guide section
 Load Ratings & Speed Limits, see Klean-Gard/Dura-Klean Load Ratings & Speed Limits section
 Note: Dimensions subject to change. Certified dimensions of ordered material furnished on request.

WTH3S200

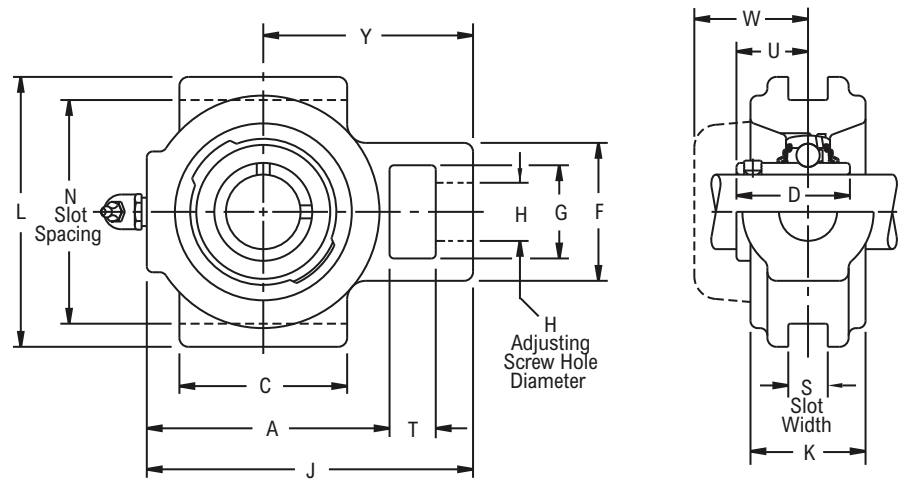


Photo Shows a Ball Bearing Take-Up Unit with Nylon Coated Housing

Product Features

- Corrosion resistant nylon coating
- Cast iron housing
- Inner & outer rings black oxide coated
- Spring locking setscrew mount
- Alignable & relubricatable
- Prelubricated with food grade grease
- See Features & Benefits for additional info

Bearing Drawing



Bearing Dimensions

Size Code	Shaft Diameter	Part Number	H Adjusting Screw Hole Diameter	N Slot Spacing	S Slot Width	A	C	D	F	G	J	K	L	T	U	W	Y	Approx. Weight
204	3/4	WTH3S212E	3/4	3.000	0.531	2 27/32	2 1/4	1 1/8	1 7/8	1 1/4	3 31/32	1 1/16	3 5/8	5/8	3/4	1 5/16	2 21/32	2.40
	20.00	WTH3S2M20E	19.00	76.200	13.490	72.20	57.20	28.58	47.60	31.80	100.80	27.00	92.10	15.90	19.00	33.30	67.50	1.10
205	7/8	WTH3S214E	3/4	3.000	0.531	2 29/32	2 1/4	1 11/64	1 27/32	1 1/4	4 1/32	1 3/32	3 5/8	5/8	51/64	1 5/16	2 21/32	2.70
	15/16	WTH3S215E																
	1	WTH3S216E																
	25.00	WTH3S2M25E	19.00	76.200	13.490	73.80	57.20	29.77	46.80	31.80	102.40	27.80	92.10	15.90	20.20	33.30	67.50	1.20
206	1 1/8	WTH3S218E	7/8	3.500	0.531	3 11/32	2 1/2	1 11/32	2 3/16	1 7/16	4 15/32	1 3/32	4 1/8	5/8	61/64	1 29/64	2 27/32	3.20
	1 3/16	WTH3S219E																
	1 1/4	WTH3S2E20E																
	30.00	WTH3S2M30E	22.20	88.900	13.490	84.90	63.50	34.13	55.60	36.50	113.50	27.80	104.80	15.90	24.20	36.90	72.20	1.44
207	1 1/4	WTH3S220E	7/8	3.500	0.531	3 11/16	2 3/4	1 9/16	2 5/16	1 7/16	4 13/16	1 3/16	4 1/8	5/8	1 7/64	1 35/64	2 31/32	4.00
	1 3/8	WTH3S222E																
	1 7/16	WTH3S223E																
	35.00	WTH3S2M35E	22.20	88.900	13.490	93.70	69.80	39.67	58.70	36.50	122.20	30.20	104.80	15.90	28.20	39.30	75.40	1.80
208	1 1/2	WTH3S224E	1 1/8	3.969	0.688	4 3/16	3 1/4	1 21/32	2 27/32	1 15/16	5 9/16	1 5/16	4 3/4	3/4	1 11/64	1 41/64	3 15/32	5.30
	40.00	WTH3S2M40E	28.60	100.810	17.480	106.40	82.60	42.06	72.20	49.20	141.30	33.30	120.60	19.00	29.80	41.70	88.60	2.38
209	1 5/8	WTH3S226E	1 1/8	3.969	0.688	4 3/16	3 1/4	1 49/64	2 7/8	1 15/16	5 9/16	1 3/8	4 3/4	3/4	1 15/64	1 21/32	3 15/32	5.30
	1 11/16	WTH3S227E																
	1 3/4	WTH3S228E																
210	1 15/16	WTH3S231E	1 1/8	3.969	0.688	4 9/16	3 3/8	1 13/16	2 7/8	1 15/16	5 15/16	1 43/64	4 3/4	3/4	1 17/64	1 25/32	3 19/32	6.60

Additional Notes

Please call 1-866-REXNORD for availability
 Lubrication fitting tap size, 1/8" PT
 Selection Guide, see Klean-Gard/Dura-Klean Selection Guide section
 Load Ratings & Speed Limits, see Klean-Gard/Dura-Klean Load Ratings & Speed Limits section
 Note: Dimensions subject to change. Certified dimensions of ordered material furnished on request.

Link-Belt® 200 Series Ball Bearings



Series 200 standard and intermediate duty ball bearing units provide a versatility of application arrangements for carrying shafts with radial or combination radial and thrust loads.

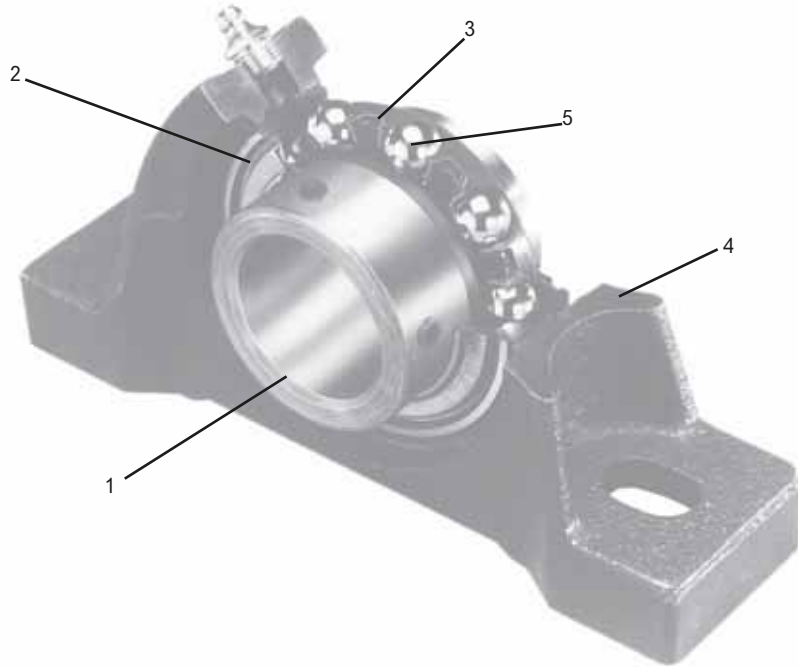
Link-Belt® 200 Series Standard & Intermediate Duty Ball Bearings

Series 200 standard and intermediate duty ball bearing units provide a versatility of application arrangements for carrying shafts with radial or combination radial and thrust loads. They are designed for general purpose industrial machinery, conveyors, chain and belt drives, fans and blowers, power transmission and many other applications.

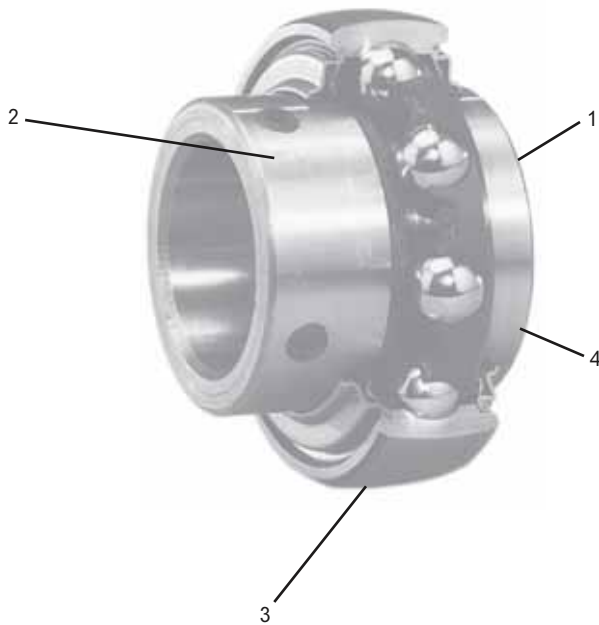
Collar Mounted Ball Bearings

Series C200, U200, S200, W200, Y200 collar mounted or spring locking ball bearings, and round, square and hex bore ball bearings provide economic and versatile arrangements for supporting shafts, especially with the 2-piece formed steel flanged housings.

These product lines are designed for light industrial applications, agricultural machinery, lawn and garden equipment, recreational vehicles and other applications.



1. Extended or wide inner ring for moderate or high stability and load support.
2. Choice of Centrik-lok locking device, eccentric cam locking collar or spring locking or spring locking collar with set screws to lock inner ring securely to shaft.
3. Choice of steel-clad type H labyrinth seal, type N single lip seal or type E3 triple lip seal. W200 & S200 series have the type E single lip seal only available.
4. Compact one-piece housing provides excellent mounting support.
5. Alignable precision deep groove ball bearing manufactured of quality alloy bearing steel provides high capacity and long life.



1. Precision deep groove ball bearings or quality alloy bearing steel provide high capacity and long life.
2. Choice of Centrik-lok locking device, eccentric cam locking collar or spring locking or spring locking collar with set screws to lock inner ring securely to shaft.
3. Optional features such as spherical or cylindrical O.D.'s, relubricatable or non-relubricatable.
4. Extended or wide inner rings to meet diverse application requirements.



Wide and Extended Inner Ring Ball Bearings

Centrik-Lok

Precision alignable ball bearings of deep groove construction for high capacity and high precision applications. Centrik-Lok device securely locks the bearing to the shaft. This method of locking provides excellent holding power and also centers the shaft in the bearing. It eliminates shaft damage because setscrews don't contact the shaft making bearing removal easier. The C200 wide inner ring furnishes increased shaft support and accommodates wider seals for extra lubricant capacity.



Spring Locking

Precision alignable ball bearings of deep groove construction for high capacity and high precision applications. Spring locking collar or set screw locking securely locks the bearing to the shaft. The U200 wide inner ring furnishes increased shaft support and accommodates wider seals for extra lubricant capacity.



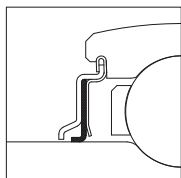
Eccentric Cam Locking Collars

Precision alignable ball bearings of deep groove construction. Eccentric cam locking collars hold the bearings securely to the shaft and further tightens with bearing rotation. The Y200 wide inner ring provides increased shaft support and accommodates wider seals for extra lubricant capacity.



Steel Clad Seals

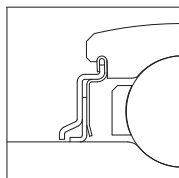
Seal Type "N"



All bearing type seals are crimped tightly in the bearing outer rings with steel members and cannot be blown out during relubrication.

Type N lip seals have the same contoured external trash guard for maximum lip protection and a full land riding lip for grease retention

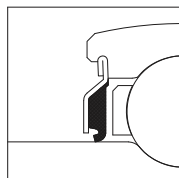
Seal Type "H"



and dirt exclusion. The Type N seal rides on a precision ground surface of the bearing inner ring for smooth operation and tightness.

Type H multi-labyrinth seal with contoured external trash guard is an excellent all purpose low friction seal for grease lubrication.

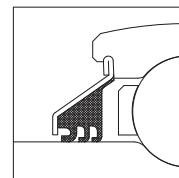
Seal Type "E"



Type E molded lip seal with external trash guard for maximum lip protection and a full land riding lip for grease retention and dirt exclusion.

Type E3 triple lip seal is a tight high torque seal for ultimate dirt exclusion. It has an external trash guard to protect the precision die molded lip members.

Seal Type "E3"



One-piece Housings

Rugged one-piece precision machined housings of many types provide a versatility of mounting arrangement and facilitate installation. All mounting surfaces are fully machined and all housings provide for easy bearing relubrication. Grease flows through the fitting into a machined grease groove and through the lubricant holes of the outer ring directly into the bearing chamber between the seals. Pillow blocks have slotted bolt holes with ample space provided for drilling dowel pin holes. Flanged units have drilled mounting holes. Takeup units have machined slots for accurate adjustment.



200 Series Nomenclature

Symbol	Description	PL	3	U	2	E	20	H	C	K75
F	Flanged unit, 3 and 4 bolt	}	}	}	}	}	}	}	}	}
FB	Flanged bracket unit, 3 bolt									
FF	Flanged screw conveyor unit, 4 bolt									
FC	Flanged cartridge unit, 4 bolt round									
FX	Flanged unit, 2 bolt									
FR	Flanged unit, 3 and 4 bolt inboard mounting									
FXR	Flanged unit, 2 bolt inboard mounting									
HM	Hanger screw conveyor unit									
P	Pillow block, standard backing									
PH	Pillow block, high backing									
PL	Pillow block, low backing									
PS	Pillow block, formed steel housing									
PT	Pillow block, tapped base									
T	Take-up, standard slot									
TH	Take-up, wide slot									
TAS	Conveyor take-up, formed steel frame									
TDS	Conveyor take-up, hinged top, welded steel frame									
NT	Conveyor take-up, welded channel frame									
3	Integral bearing seals									
C	Wide inner ring, Centrik-Lok collar	}	}	}	}	}	}	}	}	}
S	Extended inner ring, spring locking									
U	Wide inner ring, spring locking									
Y	Wide inner ring, eccentric cam locking collar									
W	Extended inner ring, eccentric cam locking collar									
None	Non-relubricatable bearing									
G	Relubricatable bearing									
2	Series 200 ball bearing designation									
B	Inner ring bore equal to a bore of preceding smaller bearing group									
E	Inner ring bore equal to a bore of following larger bearing group									
20	Shaft size in sixteenths of an inch									
M30	Shaft size, metric series in millimeters									
J	Steel retainers									
E3	Triple lip seals	}	}	}	}	}	}	}	}	}
E	Molded single lip seals									
H	Floating labyrinth seals									
N	Single lip seals									
C	Closed end unit									
K75	Nickel plated housing									
18	Take-up adjustment, inches									

200 Series Collar Unmounted Ball Bearings Nomenclature	
Symbol	Description
	U B G 2 E 20 H L
S	Extended inner ring, spring locking
U	Wide inner ring, spring locking
Y	Wide inner ring, eccentric cam locking collar
W	Extended inner ring, eccentric cam locking collar
None	O.D. of outer ring is spherical
B	O.D. of outer ring is cylindrical
None	Non-relubricatable bearing
G	Relubricatable bearing
2	Series 200 ball bearing designation
B	Inner ring bore equal to a bore of preceding smaller bearing group
E	Inner ring bore equal to a bore of following larger bearing group
20	Shaft size in sixteenths of an inch
M30	Shaft size, metric series in millimeters
E3	Triple lip seals
E	Molded single lip seals
H	Floating labyrinth seals
N	Single lip seals
L1	Bearing without collar
L	Bearing with collar & setscrews

Hex, Round and Square Bore Ball Bearings Nomenclature	
Symbol	Description
	31 R B G 3 - 2 10 E3
None	Bore is basic metric size
31	Shaft size in sixteenths of an inch
R	Bearing bore is round
S	Bearing bore is square
K	Bearing bore is hex
None	O.D. of outer ring is spherical
B	O.D. of outer ring is cylindrical
None	Non-relubricatable
G	Relubricatable (two holes in outer ring @ 180°)
None	Metric width outer ring; basic inch width inner ring
2	Basic inch width outer ring; intermediate inch width inner ring
3	Basic inch width outer ring; basic inch width inner ring
4	Basic inch width outer ring; unground spherical O.D. with flat ground cylindrical center; intermediate inch width inner ring
5	Metric width outer ring; intermediate inch width inner ring
6	Basic inch width outer ring; wide inch width inner ring
7	Wide metric width outer ring; intermediate inch width inner ring
8	Wide metric width outer ring; wide inch width inner ring
2	Series 200 ball bearing designation
E	Bore is .031 inch oversize
10	One fifth of basic mm bore size
None	Non-metallic retainer
J	Formed steel retainer, two-piece
N	Single lip seals
E3	Triple lip seals

Series 200 Ball Bearings

To select a bearing, determine the applied radial load, the applied thrust load, the desired Rating Life, and applicable operating conditions. The procedure shown here will aid in selecting a bearing to meet an L10 design life. The formulas for calculating life expectancy should be used to determine the Rating Life L10 for the bearing selected.

The selection procedures and rating formulas shown here are in agreement with The American Bearing Manufacturers Association Standards and ANSI/ABMA Standards STD

9-1990. Ratings are based on fatigue life. The Rating Life or fatigue life at 90% reliability is the usual basis for bearing selection.

Series C200, U200, Y200, and hex, square and round bore bearings have wide inner rings for load support; however, the S200 and W200 series are extended on one side only for compactness and low cost. In combination with its companion line of economically designed housings, this series is applicable to light or moderate duty requirements. Where non-relubricatable bearings

are used, bearing life is often limited by grease life, which is in turn affected by operating conditions. Also, economically designed housings must be applied within proportionate load limits. To assure a satisfactory bearing application, fitting practice, mounting, lubrication, sealing, static rating, housing strength, operating conditions and maintenance must be considered.

Selection

Step 1

Determine an appropriate L₁₀ design life.

Type of service	Operating time, hours per year	Design life, years	L ₁₀ design life, hours
Light seasonal usage	500 to 750	3-5	3,000
Heavy seasonal usage	1,400 to 1,600	4-6	8,000
Industrial—8 hour shift	2,000	10	20,000

Step 2

Determine a required $\left(\frac{C}{P}\right)$ from Table 1.

Step 3

Calculate the required C and select a ball bearing.

a For radial load only:

$$P = F_r$$

$$\text{required } C = \left(\frac{C}{P}\right)P \text{ using } \left(\frac{C}{P}\right) \text{ from Step 2}$$

Select a ball bearing from Table 3 with a basic load rating C equal to or greater than the required C.

b For combined radial and thrust loads when $\frac{F_a}{F_r}$ is 0.19 or less:

$$P = F_r$$

$$\text{required } C = \left(\frac{C}{P}\right)P \text{ using } \left(\frac{C}{P}\right) \text{ from Step 2}$$

Select a ball bearing from Table 3 with a basic load rating C equal to or greater than the required C.

Step 3 (continued)

c For combined radial and thrust loads when $\frac{F_a}{F_r}$ is greater than 0.19, use the following trial method:

$$\text{Maximum } P = .56F_r + 2.30F_a$$

$$\text{Maximum required } C = \left(\frac{C}{P}\right)P \text{ using } \left(\frac{C}{P}\right) \text{ from Step 2}$$

Select a trial ball bearing with a basic load rating C from Table 3 approximately equal to the maximum required C.

With this trial bearing calculate: $\frac{F_a}{Nd^2}$

Determine X and Y from Table 2.

Calculate P for the trial bearing.

$$P = XF_r + YF_a$$

$$\text{required } C = \left(\frac{C}{P}\right)P \text{ for the trial bearing using } \left(\frac{C}{P}\right) \text{ from Step 2}$$

Consult Table 3, basic load rating. If a smaller bearing meets or nearly meets the required C, its life expectancy can be calculated. Note: If the load P is greater than .25C for series C200, U200, Y200, hex, square, and round bore bearings or greater than .15C for series S200 and W200, consult Rexnord Bearing Products.

Selection

Symbols for formulas:

C = basic load rating, pounds (or newtons)
 Co = static load rating, pounds (or newtons)
 e = a reference value
 Fa = thrust load, pounds (or newtons)
 Fr = radial load, pounds (or newtons)

L10 = rating life, hours
 n = speed, revolutions per minute
 P = equivalent radial load, pounds (or newtons)
 X = radial factor
 Y = thrust factor

Basic formula

$$\left(\frac{C}{P}\right) = \left(\frac{L_{10} \times n \times 60}{1,000,000}\right)^{1/3}$$

$$L_{10} = \frac{\left(\frac{C}{P}\right)^3 \times 1,000,000}{n \times 60}$$

Life Expectancy

To calculate the Rating Life L10 of any selected or trial bearing:

Step 1 Determine the equivalent radial load P.

- a For radial load only:
P = Fr
- b For combined radial and thrust load:
P = XFr + YFa using X and Y from Table 2 below.

Step 2 Calculate the ratio of basic load rating C to the equivalent radial load.

$$\left(\frac{C}{P}\right)$$

Step 3 Approximate the bearing life from Table 1.

Table 1 • Relation of L10 life and speed to $\left(\frac{C}{P}\right)$

Bearing life, hours L10	$\left(\frac{C}{P}\right)$ ratio								
	Speed, n								
	50	100	200	300	400	500	600	700	800
3000	2.08	2.62	3.30	3.77	4.15	4.47	4.75	5.01	5.23
4000	2.29	2.88	3.63	4.15	4.57	4.92	5.23	5.51	5.76
5000	2.46	3.10	3.91	4.47	4.92	5.30	5.64	5.93	6.20
6000	2.62	3.30	4.15	4.75	5.23	5.64	5.99	6.30	6.59
8000	2.88	3.63	4.57	5.23	5.76	6.20	6.59	6.94	7.25
10000	3.10	3.91	4.92	5.64	6.20	6.68	7.10	7.47	7.81
12000	3.30	4.15	5.23	5.99	6.59	7.10	7.54	7.94	8.30
14000	3.47	4.37	5.51	6.30	6.94	7.47	7.94	8.36	8.74
16000	3.63	4.57	5.76	6.59	7.25	7.81	8.30	8.74	9.14
18000	3.77	4.75	5.99	6.86	7.54	8.13	8.63	9.09	9.50
20000	3.91	4.92	6.20	7.10	7.81	8.42	8.94	9.41	9.84
25000	4.21	5.30	6.68	7.65	8.42	9.07	9.63	10.1	10.6
30000	4.47	5.64	7.10	8.13	8.94	9.63	10.2	10.8	11.3
35000	4.71	5.93	7.47	8.55	9.41	10.1	10.8	11.3	11.9
40000	4.92	6.20	7.81	8.94	9.84	10.6	11.3	11.9	12.4
45000	5.12	6.45	8.13	9.30	10.2	11.0	11.7	12.3	12.9
50000	5.30	6.68	8.42	9.63	10.6	11.4	12.1	12.8	13.4
60000	5.64	7.10	8.94	10.2	11.3	12.1	12.9	13.6	14.2
70000	5.93	7.47	9.41	10.8	11.9	12.8	13.6	14.3	14.9
80000	6.20	7.81	9.84	11.3	12.4	13.4	14.2	14.9	15.6
90000	6.45	8.13	10.2	11.7	12.9	13.9	14.8	15.5	16.2
100000	6.68	8.42	10.6	12.1	13.4	14.4	15.3	16.1	16.8
150000	7.65	9.63	12.1	13.9	15.3	16.5	17.5	18.4	19.3
200000	8.42	10.6	13.4	15.3	16.8	18.1	19.3	20.3	21.2
	Speed, n								
	900	1000	1200	1500	1800	2400	3600	6000	10000
3000	5.44	5.64	5.99	6.45	6.86	7.54	8.63	10.2	12.1
4000	5.99	6.20	6.59	7.10	7.54	8.30	9.50	11.3	13.4
5000	6.45	6.68	7.10	7.65	8.13	8.94	10.2	12.1	14.4
6000	6.86	7.10	7.54	8.13	8.63	9.50	10.9	12.9	15.3
8000	7.54	7.81	8.30	8.94	9.50	10.5	12.0	14.2	16.8
10000	8.13	8.42	8.94	9.63	10.2	11.3	12.9	15.3	18.1
12000	8.63	8.94	9.50	10.2	10.9	12.0	13.7	16.2	19.3
14000	9.09	9.41	10.0	10.8	11.4	12.6	14.4	17.1	20.3
16000	9.50	9.84	10.5	11.3	12.0	13.2	15.1	17.9	21.2
18000	9.88	10.2	10.9	11.7	12.4	13.7	15.7	18.6	22.0
20000	10.2	10.6	11.3	12.1	12.9	14.2	16.2	19.3	22.8
25000	11.0	11.4	12.1	13.1	13.9	15.3	17.5	20.7	24.6
30000	11.7	12.1	12.9	13.9	14.8	16.2	18.6	22.0	26.1
35000	12.3	12.8	13.6	14.6	15.5	17.1	19.6	23.2	27.5
40000	12.9	13.4	14.2	15.3	16.2	17.9	20.5	24.3	28.7
45000	13.4	13.9	14.8	15.9	16.9	18.6	21.3	25.2	29.9
50000	13.9	14.4	15.3	16.5	17.5	19.3	22.0	26.1	31.0
60000	14.8	15.3	16.2	17.5	18.6	20.5	23.4	27.8	32.9
70000	15.5	16.1	17.1	18.4	19.6	21.5	24.6	29.2	34.6
80000	16.2	16.8	17.9	19.3	20.5	22.5	25.8	30.5	36.2
90000	16.9	17.5	18.6	20.0	21.3	23.4	26.8	31.8	37.7
100000	17.5	18.1	19.3	20.7	22.0	24.3	27.8	32.9	39.0
150000	20.0	20.7	22.0	23.7	25.2	27.8	31.8	37.7	44.6
200000	22.0	22.8	24.3	26.1	27.8	30.5	35.0	41.4	49.1

Table 2 • X and Y factors for ball bearings

Fa Nd ²	e	Fa Fr ≤ e		Fa Fr > e	
		X	Y	X	Y
25	.19	1.0	0	.56	2.30
37.5	.21	1.0	0	.56	2.15
50	.22	1.0	0	.56	1.99
75	.24	1.0	0	.56	1.85
100	.26	1.0	0	.56	1.71
125	.27	1.0	0	.56	1.63
150	.28	1.0	0	.56	1.56
200	.30	1.0	0	.56	1.45
300	.34	1.0	0	.56	1.31
500	.38	1.0	0	.56	1.15
750	.42	1.0	0	.56	1.04
1000	.44	1.0	0	.56	1.00

For values between those in the table linear interpolation can be used.

Life Adjustment

The Rating Life, L10, may be modified for some applications in accordance with the formula

$$L'n = a1a2a3L10$$

where L'n = Adjusted life for (100-n) % reliability,

- a1 = Life adjustment factor for reliability
- a2 = Life adjustment factor for material and processing
- a3 = Life adjustment factor for operating conditions.

For most normal applications, all factors will be taken as 1, and the Rating Life used as the selection basis or life estimate. In addition, as long as standard catalog bearings are used, a2 will be normally set equal to one. The factor a3 covers such things as lubrication, misalignment, and temperature. Some conditions that could yield as significantly different than unity include speeds less than 20000 DN or greater than 200000 DN, temperatures below -40°F (-40°C) or above 275°F (135°C). For other possible conditions, as well as additional information on life adjustment factors, consult Rexnord Bearing Products.

Table 3 • Load ratings, speed limits and ball data

Size Code	C ₀ Static load rating		C Basic load rating		Approximate speed limit RPM*			d Ball diameter	N Number of balls	Nd ²
	<i>newtons</i>	<i>pounds</i>	<i>newtons</i>	<i>pounds</i>	N & E Seals‡	H Seals	E3 Seals	<i>inches</i>		
203	4 490	1110	8 100	1820	9000	12000	...	19/64	7	.617
204	6 590	1480	9 830	2210	7500	10000	...	5/16	8	.781
205	7 830	1760	10 810	2430	6800	9600	1000	5/16	9	.879
206	11 300	2530	15 030	3380	5600	8000	...	3/8	9	1.27
207	15 300	3440	19 880	4470	4800	6850	700	7/16	9	1.72
208	19 900	4460	25 100	5640	4500	6000	650	1/2	9	2.25
209	20 400	4590	25 220	5670	4000	5330	600	1/2	9	2.25
210	23 200	5220	27 090	6090	3600	4800	550	1/2	10	2.5
211	29 200	6570	33 540	7540	3200	4360	500	9/16	10	3.16
212	36 000	8080	40 520	9110	3000	4000	450	5/8	10	3.91
213	40 100	9010	44 220	9940	3850	...	400	21/32	10	4.31
215	49 200	11100	51 600	11600	3300	...	350	11/16	11	5.2
217	63 600	14300	64 500	14500	2950	...	300	25/32	11	6.71
220	92 900	20900	94 300	21200	2500	1	10	10.0

If the load P is greater than .15C for S200 and W200 or .25C all others, consult Rexnord Bearing Division.

* Based on grease lubrication and moderate load.

‡ N & E seals operation at higher speeds up to H seal speed limit is allowable providing the lip seal friction does not result in operating temperatures over 225°F (107°C).

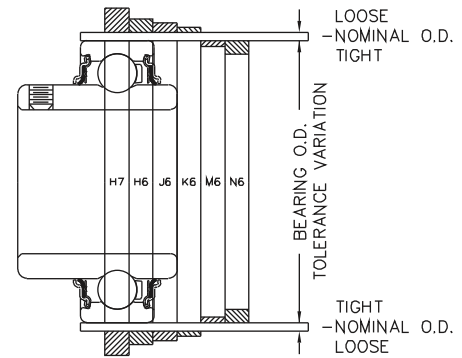
Table 4 • Radial load ratings in pounds at various RPM for appropriate L10 life hours

Bearing Size Number		Radial load ratings, pounds																		
C200 Y200 U200 W200 S200	Size Code	L10 Minimum life, hours	Speed, RPM																	
			50	100	200	300	400	500	600	700	800	900	1000	1200	1500	1800	2000	2500	3000	3500
2B08	203	8000	397	347	315	293	276	262	250	241	232	219	203	191	184	171	161	153
210		20000	...	369	293	256	232	216	203	193	184	177	171	161	150	141	136	126	119	113
211		40000	369	293	232	203	184	171	161	153	146	141	136	128	119	112	108	100	94	90
2M17		100000	272	216	171	150	136	126	119	113	108	104	100	94	87	82	79	74	69	66
212	204	8000	483	422	383	356	335	318	304	292	282	266	247	232	224	208	196	186
215		20000	...	448	356	311	282	262	247	234	224	215	208	196	182	171	165	153	144	137
216		40000	448	356	282	247	224	208	196	186	178	171	165	155	144	136	131	122	114	109
2M20		100000	330	262	208	182	165	153	144	137	131	126	122	114	106	100	97	90	84	80
214	205	8000	531	464	421	391	368	350	334	321	310	292	271	255	246	229	215	204
215		20000	...	493	391	342	310	288	271	258	246	237	229	215	200	188	181	168	159	151
216		40000	493	391	310	271	246	229	215	204	196	188	181	171	159	149	144	134	126	120
2M25		100000	363	288	229	200	181	168	159	151	144	139	134	126	117	110	106	99	93	88
218	206	8000	738	645	586	544	512	486	465	447	432	406	377	355	343	318	299	284
219		20000	...	685	544	475	432	401	377	358	343	329	318	299	278	261	252	234	221	209
2E20		40000	685	544	432	377	343	318	299	284	272	261	252	238	221	208	200	186	175	166
2M30		100000	505	401	318	278	252	234	221	209	200	193	186	175	162	153	148	137	129	123
220	207	8000	976	853	775	719	677	643	615	591	571	537	499	469	453	421	396	376
222		20000	...	906	719	628	571	530	499	474	453	436	421	396	367	346	334	310	292	277
223		40000	906	719	571	499	453	421	396	376	360	346	334	314	292	274	265	246	231	220
2M35		100000	668	530	421	367	334	310	292	277	265	255	246	231	215	202	195	181	171	162
224	208	8000	1232	1076	978	908	854	811	776	746	720	678	629	592	572	531	499	474
224		20000	...	1143	908	793	720	669	629	598	572	550	531	499	464	436	421	391	368	350
224		40000	1143	908	720	629	572	531	499	474	454	436	421	396	368	346	334	310	292	277
2M40		100000	843	669	531	464	421	391	368	350	334	321	310	292	271	255	246	229	215	204
226	209	8000	1238	1082	983	912	859	816	780	750	724	681	633	595	575	534	502	477
227		20000	...	1150	912	797	724	672	633	601	575	553	534	502	466	439	423	393	370	351
228		40000	1150	912	724	633	575	534	502	477	456	439	423	399	370	348	336	312	294	279
2M45		100000	847	672	534	466	423	393	370	351	336	323	312	294	273	257	248	230	216	206
231	210	8000	1330	1162	1056	980	922	876	838	806	778	732	679	639	617	573	539	512
2E32		20000	...	1235	980	856	778	722	679	645	617	594	573	539	501	471	455	422	397	377
2M50		40000	1235	980	778	679	617	573	539	512	490	471	455	428	397	374	361	335	315	300
2M50		100000	910	722	573	501	455	422	397	377	361	347	335	315	293	276	266	247	232	221
232	211	8000	1647	1439	1307	1213	1142	1085	1037	997	963	906	841	792	764	710	668	634
235		20000	...	1529	1213	1060	963	894	841	799	764	735	710	668	620	583	563	523	492	467
2M55		40000	1529	1213	963	841	764	710	668	634	607	583	563	530	492	463	447	415	390	371
2M55		100000	1126	894	710	620	563	523	492	467	447	430	415	390	362	341	329	306	288	273
			E3 SEALS																	
236	212	8000	1990	1738	1579	1466	1379	1310	1253	1205	1164	1095	1016	956	923	857	807	766
238		20000	...	1847	1466	1281	1164	1080	1016	966	923	888	857	807	749	705	680	632	594	565
239		40000	1847	1466	1164	1016	923	857	807	766	733	705	680	640	594	559	540	501	472	448
2M60		100000	1361	1080	857	749	680	632	594	565	540	519	501	472	438	412	398	369	348	330
			N & E SEALS																	
240	213	8000	2171	1896	1723	1599	1505	1430	1368	1315	1270	1195	1109	1044	1008	935	880	836
243		20000	...	2015	1599	1397	1270	1179	1109	1053	1008	969	935	880	817	769	742	689	649	616
2M65		40000	2015	1599	1270	1109	1008	935	880	836	800	769	742	699	649	610	589	547	515	489
2M65		100000	1485	1179	935	817	742	689	649	616	589	567	547	515	478	450	434	403	379	360
244	215	8000	2533	2213	2011	1867	1757	1669	1596	1534	1482	1394	1294	1218	1176	1092	1027	987
2E47		20000	...	2352	1867	1631	1482	1375	1294	1229	1176	1131	1092	1027	954	897	866	804	757	727
2E48		40000	2352	1867	1482	1294	1176	1092	1027	976	933	897	866	815	757	712	688	638	601	577
2M75		100000	1733	1375	1092	954	866	804	757	719	688	661	638	601	558	525	507	470	443	423
255	217	8000	3167	2766	2513	2333	2196	2086	1995	1918	1852	1743	1618	1522	1470	1365	1297	1257
2E56		20000	...	2940	2333	2038	1852	1719	1618	1537	1470	1413	1365	1284	1192	1122	1083	1005	957	917
2M85		40000	2940	2333	1852	1618	1470	1365	1284	1220	1167	1122	1083	1019	946	890	860	798	750	710
2M85		100000	2166	1719	1365	1192	1083	1005	946	899	860	826	798	751	697	656	633	588	548	508
263	220	8000	4630	4045	3675	3411	3210	3049	2917	2804	2708	2548	2365	2226	2149	2000	1851	1711
2E64		20000	...	4298	3411	2980	2708	2514	2365	2247	2149	2066	1995	1877	1743	1640	1583	1434	1311	1191
2M100		40000	4298	3411	2708	2365	2149	1995	1877	1783	1706	1640	1583	1490	1383	1302	1257	1108	1000	911
2M100		100000	3167	2514	1995	1743	1583	1470	1383	1314	1257	1208	1167	1098	1019	959	926	837	768	709

* Load exceeds 25% of the C rating, consult Rexnord Bearing Division.

Housing Bearing Seat Diameters For Cylindrical O.D. Ball Bearings

Class of fit selection				
Housing construction	Operating condition		Class of fit*	Remarks
Housing not split radially	Housing rotating in relation to direction of load	Normal and heavy loads	N6	Outer ring not axially displaceable
		Light loads	M6	
	Direction of load indeterminate	Heavy shock loads	K6	Outer ring, as a rule, not axially displaceable
	Normal and heavy loads where outer ring does not have to be axially displaceable			
Housing split or not split radially	Housing stationary in relation to direction of loads	Normal and light loads where displaceability of outer ring is desirable	J6	Outer ring, as a rule, axially displaceable
		Shock loads temporary complete unloading	H6	Outer ring is easily displaceable axially
		Housing not split radially		
	All loads	Housing split radially	H7	



*For cast iron or steel housings. For housings of light metal, select tolerances which give slightly tighter fits than those shown.

Class of fit and housing bores (inches/μm)																
Basic size		Nominal bearing O.D. and housing bore		Bearing O.D. tolerance △	Bearing/housing diameter fits ▲											
W200, Y200, U200, C200	R200, S200, K200	mm	Inches		H7		H6		J6		K6		M6		N6	
				Fit	Housing bore	Fit	Housing bore	Fit	Housing bore	Fit	Housing bore	Fit	Housing bore	Fit	Housing bore	
2M17	211	203	40 1.5748	+0.0000	.0000	-.0000	.00000	-.0000	.0002T	-.0002	.0005T	-.0005	.0008T	-.0008	.0011T	-.0011
				-.0005	.0015L	+.0010	.0011L	+.0006	.0009L	+.0004	.0006L	+.0001	.0003L	-.0002	.0000	-.0005
				+0	0	-0	0	-0	5T	-5	13T	-13	20T	-20	28T	-28
				-13	38L	+25	28L	+15	23L	+10	15L	+2	8L	-5	0	-13
2M25	216	205	52 2.0472	+0.0000	.0000	-.0000	.0000	-.0000	.0002T	-.0002	.0006T	-.0006	.0010T	-.0010	.0013T	-.0013
				-.0005	.0017L	+.0012	.0012L	+.0007	.0010L	+.0005	.0006L	+.0001	.0002L	-.0003	.0001T	-.0006
				+0	0	-0	0	-0	5T	-5	15T	-15	25T	-25	33T	-43
				-13	43L	+30	30L	+17	26L	+13	15L	+2	5L	-8	2T	-15
2M45	228	209	85 3.3465	+0.0000	.0000	-.0000	.0000	-.0000	.0002T	-.0002	.0007T	-.0007	.0012T	-.0012	.0016T	-.0016
				-.0006	.0020L	+.0014	.0015L	+.0009	.0013L	+.0007	.0008L	+.0002	.0003L	-.0003	.0001T	-.0007
				+0	0	-0	0	-0	5T	-5	18T	-18	30T	-30	40T	-40
				-15	50L	+35	38L	+23	33L	+18	20L	+5	8L	-8	3T	-18
2M50	231	210	90 3.5433	+0.0000	.0000	-.0000	.0000	-.0000	.0002T	-.0002	.0006T	-.0006	.0010T	-.0010	.0013T	-.0013
				-.0005	.0017L	+.0012	.0012L	+.0007	.0010L	+.0005	.0006L	+.0001	.0002L	-.0003	.0001T	-.0006
				+0	0	-0	0	-0	5T	-5	15T	-15	25T	-25	33T	-43
				-13	43L	+30	30L	+17	26L	+13	15L	+2	5L	-8	2T	-15
2M55	235	211	100 3.9370	+0.0000	.0000	-.0000	.0000	-.0000	.0002T	-.0002	.0006T	-.0006	.0010T	-.0010	.0013T	-.0013
				-.0005	.0017L	+.0012	.0012L	+.0007	.0010L	+.0005	.0006L	+.0001	.0002L	-.0003	.0001T	-.0006
				+0	0	-0	0	-0	5T	-5	18T	-18	30T	-30	40T	-40
				-15	50L	+35	38L	+23	33L	+18	20L	+5	8L	-8	3T	-18
2M60	239	212	110 4.3307	+0.0000	.0000	-.0000	.0000	-.0000	.0002T	-.0002	.0006T	-.0006	.0010T	-.0010	.0013T	-.0013
				-.0005	.0017L	+.0012	.0012L	+.0007	.0010L	+.0005	.0006L	+.0001	.0002L	-.0003	.0001T	-.0006
				+0	0	-0	0	-0	5T	-5	18T	-18	30T	-30	40T	-40
				-15	50L	+35	38L	+23	33L	+18	20L	+5	8L	-8	3T	-18

Please consult for availability.

1μm = .001 mm

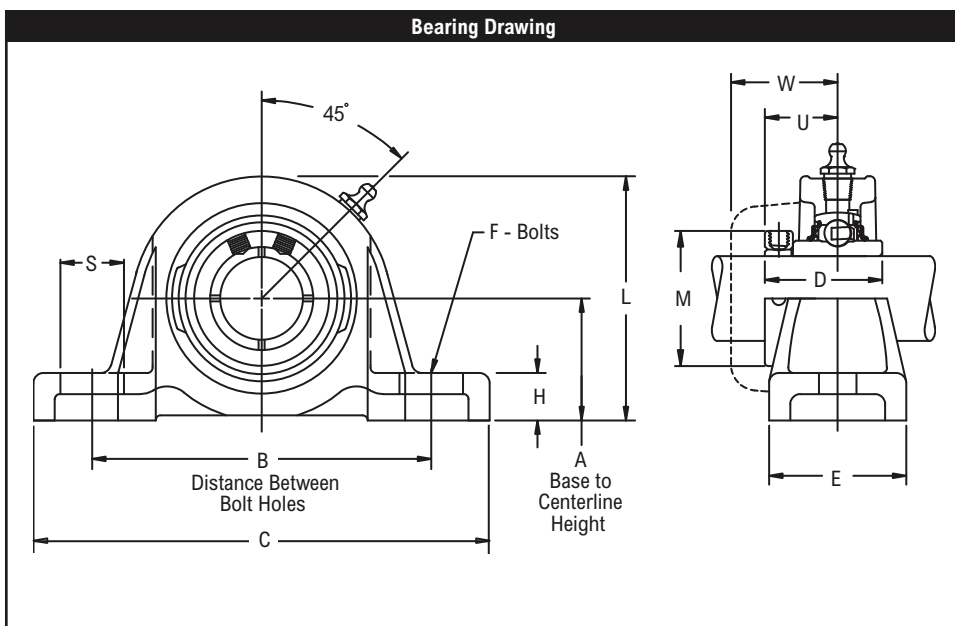
The appropriate housing bore for any class of fit can be easily determined by applying the housing tolerance to the nominal housing bore.

Example, (using basic size 211 and class of fit H7):

	inches		mm	
Nominal housing bore	= 1.5748	1.5748	40.000	40.000
Housing bore tolerance	= -.0000	+.0010	-0.000	+0.025
Resultant housing bore	= 1.5748	1.5758	40.000	40.025

▲ Symbol L indicates a loose or clearance fit. Symbol T indicates a tight or interference fit.

△ The arithmetical mean of the largest and smallest single diameter to be within tolerance shown. Allowable deviations from mean diameter per ANSI/ABMA Standard 20, latest printing.



Product Features

- Corrosion resistant powder coating
- Cast iron housing
- Broad range of sealing options
- Wide inner ring for increased shaft stability
- Centrik-Lok shaft locking device
- Alignable & relubricatable
- See Features & Benefits for additional info.

Bearing Dimensions

Size Code	Shaft Diameter	Part Number	A Base to Centerline Height	B Distance Between Bolt Holes	C	D	E	F	H	L	M	S	U	W	Approx. Weight
203	$\frac{5}{8}$	P3C210N *	$1 \frac{3}{16}$	$3 \frac{1}{2}$	$4 \frac{5}{8}$	$1 \frac{3}{32}$	$1 \frac{1}{2}$	$\frac{3}{8}$	$\frac{1}{2}$	$2 \frac{11}{32}$	$1 \frac{13}{64}$	$\frac{3}{4}$	$\frac{41}{64}$	$1 \frac{13}{64}$	1.00
	$\frac{1}{2}$	P3C2B08N *									$1 \frac{1}{8}$				
204	$\frac{3}{4}$	P3C212N *	$1 \frac{5}{16}$	$3 \frac{7}{8}$	$5 \frac{1}{8}$	$1 \frac{7}{32}$	$1 \frac{1}{2}$	$\frac{3}{8}$	$\frac{1}{2}$	$2 \frac{19}{32}$	$1 \frac{3}{8}$	$\frac{11}{16}$	$\frac{23}{32}$	$1 \frac{19}{64}$	1.70
	$\frac{1}{2}$	P3C214N *									$1 \frac{1}{8}$				
205	$\frac{7}{8}$	P3C214N *	$1 \frac{7}{16}$	4	$5 \frac{3}{8}$	$1 \frac{5}{16}$	$1 \frac{5}{8}$	$\frac{3}{8}$	$\frac{9}{16}$	$2 \frac{7}{8}$	$1 \frac{9}{16}$	$\frac{11}{16}$	$\frac{3}{4}$	$1 \frac{9}{32}$	1.90
	1	P3C216N *									$1 \frac{1}{2}$				
206	$1 \frac{1}{8}$	P3C218N *	$1 \frac{11}{16}$	$4 \frac{5}{8}$	$6 \frac{5}{16}$	$1 \frac{1}{2}$	$1 \frac{3}{4}$	$\frac{1}{2}$	$\frac{11}{16}$	$3 \frac{5}{16}$	$1 \frac{13}{16}$	$\frac{15}{16}$	$\frac{7}{8}$	$1 \frac{29}{64}$	2.80
	$1 \frac{3}{16}$	P3C219N *									2				
	$1 \frac{1}{4}$	P3C2E20N *									2				
207	$1 \frac{1}{4}$	P3C220N *	$1 \frac{7}{8}$	$4 \frac{15}{16}$	$6 \frac{3}{8}$	$1 \frac{11}{16}$	$1 \frac{7}{8}$	$\frac{1}{2}$	$\frac{13}{16}$	$3 \frac{11}{16}$	2	$\frac{13}{16}$	1	$1 \frac{35}{64}$	3.80
	$1 \frac{3}{8}$	P3C222N *									$2 \frac{1}{4}$				
	$1 \frac{7}{16}$	P3C223N *									$2 \frac{1}{4}$				
208	$1 \frac{1}{2}$	P3C224N *	2	$5 \frac{3}{8}$	$7 \frac{1}{16}$	$1 \frac{15}{16}$	$1 \frac{7}{8}$	$\frac{1}{2}$	$\frac{13}{16}$	4	$2 \frac{1}{2}$	$\frac{15}{16}$	$1 \frac{3}{16}$	$1 \frac{41}{64}$	4.70
	$1 \frac{5}{8}$	P3C226N *									$2 \frac{1}{2}$				
209	$1 \frac{11}{16}$	P3C227N *	$2 \frac{1}{8}$	$5 \frac{5}{8}$	$7 \frac{1}{4}$	$1 \frac{15}{16}$	2	$\frac{1}{2}$	$\frac{13}{16}$	$4 \frac{5}{16}$	$2 \frac{11}{16}$	$\frac{7}{8}$	$1 \frac{3}{16}$	$1 \frac{21}{32}$	5.40
	$1 \frac{3}{4}$	P3C228N *									$2 \frac{11}{16}$				
	$1 \frac{15}{16}$	P3C231N *									$2 \frac{11}{16}$				
210	2	P3C2E32N *	$2 \frac{1}{4}$	$6 \frac{3}{16}$	$7 \frac{7}{8}$	$2 \frac{1}{32}$	$2 \frac{1}{8}$	$\frac{5}{8}$	$\frac{7}{8}$	$4 \frac{1}{2}$	$2 \frac{7}{8}$	$\frac{15}{16}$	$1 \frac{9}{32}$	$1 \frac{25}{32}$	6.10
	2	P3C232N *									$2 \frac{7}{8}$				
211	$2 \frac{3}{16}$	P3C235N *	$2 \frac{1}{2}$	$6 \frac{3}{4}$	$9 \frac{1}{16}$	$2 \frac{3}{16}$	$2 \frac{3}{8}$	$\frac{5}{8}$	1	5	$3 \frac{1}{8}$	$1 \frac{5}{16}$	$1 \frac{5}{16}$	$2 \frac{1}{64}$	7.80
	$2 \frac{1}{4}$	P3C236N *									$3 \frac{1}{8}$				
212	$2 \frac{7}{16}$	P3C239N *	$2 \frac{11}{16}$	$7 \frac{1}{2}$	$9 \frac{1}{2}$	$2 \frac{9}{16}$	$2 \frac{1}{2}$	$\frac{5}{8}$	$1 \frac{1}{8}$	$5 \frac{3}{8}$	$3 \frac{3}{8}$	$1 \frac{1}{16}$	$1 \frac{9}{16}$	$2 \frac{7}{64}$	11.40
	$2 \frac{7}{16}$	P3C239N *									$3 \frac{3}{8}$				

Additional Notes

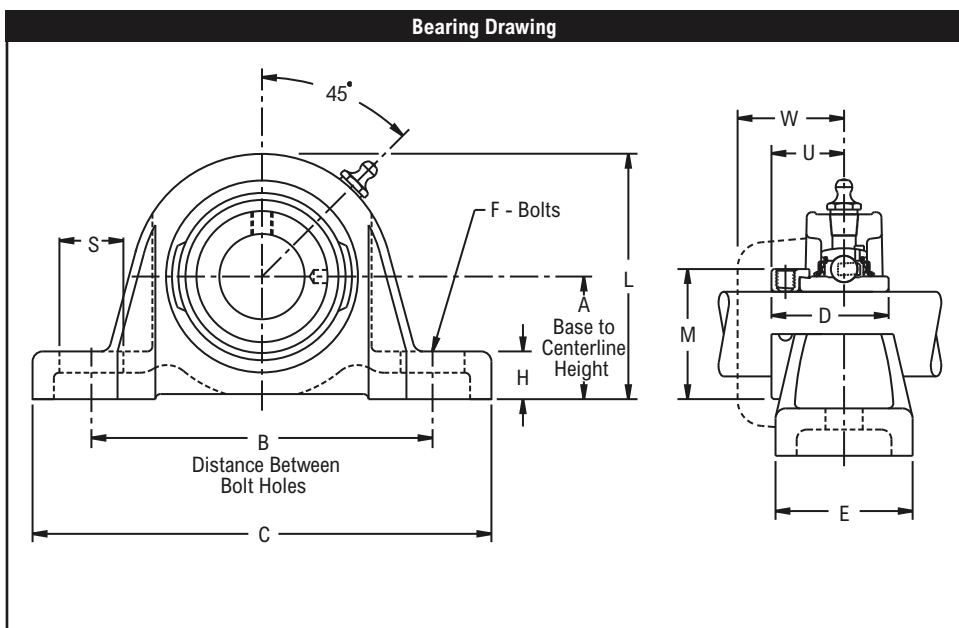
Please call 1-866-REXNORD for availability
 Lubrication fitting tap size: for size code 203, 1/4"-28 UNF; for all other size codes, 1/8" PT
 Base to centerline tolerance, +.000"/-.010" (+0.00mm/-0.25mm)
 * N lip seals standard
 Nickel plated housings available through size code 212, add suffix K75
 Selection Guide, see Link-Belt Ball Bearing Selection Guide section

Load Ratings & Speed Limits, see Link-Belt Ball Bearing Load Ratings & Speed Limits section
 Note: Dimensions subject to change. Certified dimensions of ordered material furnished on request.



Product Features

- Corrosion resistant powder coating
- Cast iron housing
- Broad range of sealing options
- Wide inner ring for increased shaft stability
- Eccentric cam locking device
- Alignable & relubricatable
- See Features & Benefits for additional info.



Bearing Dimensions															
Size Code	Shaft Diameter	Part Number	A Base to Centerline Height	B Distance Between Bolt Holes	C	D	E	F	H	L	M	S	U	W	Approx. Weight
203	5/8	P3Y210N *■	1 3/16	3 1/2	4 5/8	1 15/32	1 1/2	3/8	1/2	2 11/32	1 1/8	3/4	59/64	1 13/64	1.10
	11/16	P3Y211N *■													
	1/2	P3Y2B08N *■													
204	3/4	P3Y212N *■	1 5/16	3 7/8	5 1/8	1 23/32	1 1/2	3/8	1/2	2 19/32	1 5/16	11/16	1 3/64	1 19/64	1.80
	7/8	P3Y214N *Δ■													
205	15/16	P3Y215N *Δ■	1 7/16	4	5 3/8	1 3/4	1 5/8	3/8	9/16	2 7/8	1 1/2	11/16	1 1/16	1 9/32	2.00
	1	P3Y216N *Δ■													
	1 1/8	P3Y218N *■													
206	1 3/16	P3Y219N *■	1 11/16	4 5/8	6 5/16	1 29/32	1 3/4	1/2	11/16	3 5/16	1 3/4	15/16	1 3/16	1 29/64	2.80
	1 1/4	P3Y2E20N *■													
	1 1/4	P3Y220N *Δ■													
207	1 3/8	P3Y222N *Δ■	1 7/8	4 15/16	6 3/8	2 1/64	1 7/8	1/2	13/16	3 11/16	2 3/16	13/16	1 9/32	1 35/64	4.00
	1 7/16	P3Y223N *Δ■													
	1 1/2	P3Y224N *Δ■													
208	1 1/2	P3Y224N *Δ■	2	5 3/8	7 1/16	2 7/32	1 7/8	1/2	13/16	4	2 3/8	15/16	1 3/8	1 41/64	5.00
	1 5/8	P3Y226N *Δ■													
	1 11/16	P3Y227N *Δ■													
209	1 3/4	P3Y228N *Δ■	2 1/8	5 5/8	7 1/4	2 7/32	2	1/2	13/16	4 5/16	2 1/2	7/8	1 3/8	1 21/32	5.70
	1 15/16	P3Y231N *Δ■													
	2	P3Y2E32N *Δ■													
210	2	P3Y232N *Δ■	2 1/4	6 3/16	7 7/8	2 15/32	2 1/8	5/8	7/8	4 1/2	2 3/4	15/16	1 1/2	1 25/32	6.40
	2 3/16	P3Y235N *Δ■													
211	2 1/4	P3Y236N *Δ■	2 1/2	6 3/4	9 1/16	2 13/16	2 3/8	5/8	1	5	3	1 5/16	1 23/32	2 1/64	8.40
	2 3/8	P3Y238N *Δ■													
	2 7/16	P3Y239N *Δ■													
212	2 1/4	P3Y236N *Δ■	2 11/16	7 1/2	9 1/2	3 1/16	2 1/2	5/8	1 1/8	5 3/8	3 5/16	1 1/16	1 27/32	2 7/64	11.60
	2 3/8	P3Y238N *Δ■													
	2 7/16	P3Y239N *Δ■													

Additional Notes

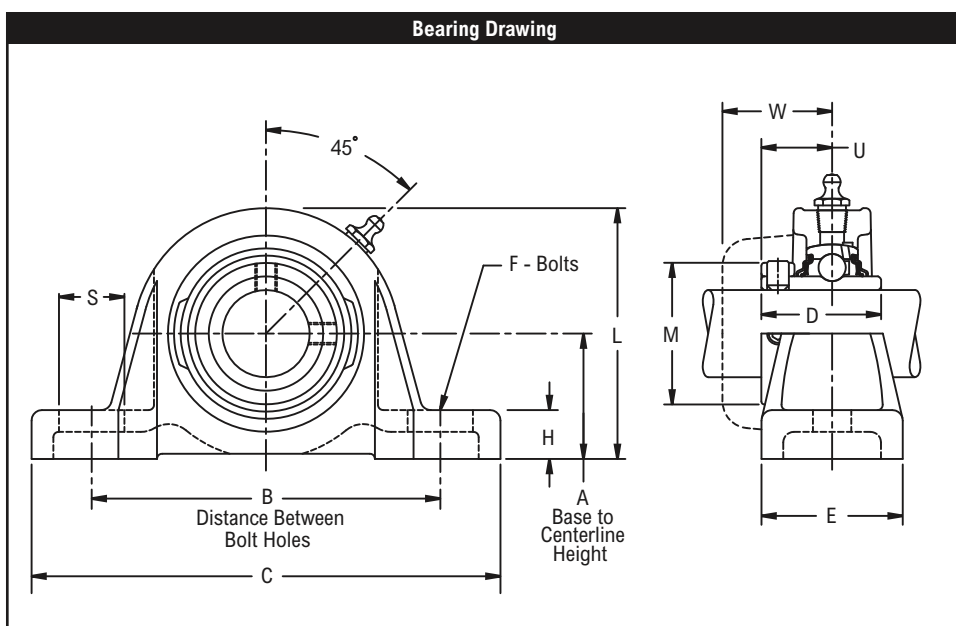
Please call 1-866-REXNORD for availability
 Lubrication fitting tap size: for size code 203, 1/4"-28 UNF; for all other size codes, 1/8" PT
 Base to centerline tolerance, +.000"/-.010" (+0.00mm/-0.25mm)
 * N lip seals standard
 ■ Available with H labyrinth seals
 Δ Available with E3 triple lip seals
 Nickel plated housings available, add suffix K75

Selection Guide, see Link-Belt Ball Bearing Selection Guide section
 Load Ratings & Speed Limits, see Link-Belt Ball Bearing Load Ratings & Speed Limits section
 Note: Dimensions subject to change. Certified dimensions of ordered material furnished on request.



Product Features

- Corrosion resistant powder coating
- Cast iron housing
- Broad range of sealing options
- Wide inner ring for increased shaft stability
- Spring locking setscrew mount
- Alignable & relubricatable
- See Features & Benefits for additional info.



Bearing Dimensions															
Size Code	Shaft Diameter	Part Number	A Base to Centerline Height	B Distance Between Bolt Holes	C	D	E	F	H	L	M	S	U	W	Approx. Weight
203	1/2	P3U2B08N *■	1 3/16	3 1/2	4 5/8	1 3/32	1 1/2	3/8	1/2	2 11/32	-	3/4	41/64	1 13/64	1.00
	5/8	P3U210N *■													
	11/16	P3U211N *■													
	17.00	P3U2M17N *■													
204	3/4	P3U212N *■	1 5/16	3 7/8	5 1/8	1 9/32	1 1/2	3/8	1/2	2 19/32	-	11/16	3/4	1 19/64	1.70
	20.00	P3U2M20N *■	33.34	98.40	130.20	32.54	38.10	10.00	12.70	65.90	-	17.50	19.00	32.90	0.76
205	7/8	P3U214N Δ*■	1 7/16	4	5 3/8	1 23/64	1 5/8	3/8	9/16	2 7/8	-	11/16	51/64	1 9/32	1.90
	15/16	P3U215N Δ*■													
	1	P3U216N Δ*■													
	25.00	P3U2M25N Δ*■													
206	1 1/8	P3U218N *■	1 11/16	4 5/8	6 5/16	1 9/16	1 3/4	1/2	11/16	3 5/16	-	15/16	61/64	1 29/64	2.70
	1 3/16	P3U219N *■													
	1 1/4	P3U2E20N *■													
	30.00	P3U2M30N *■													
207	1 1/4	P3U220N Δ*■	1 7/8	4 15/16	6 3/8	1 49/64	1 7/8	1/2	13/16	3 11/16	-	13/16	1 7/64	1 35/64	3.70
	1 3/8	P3U222N Δ*■													
	1 7/16	P3U223N Δ*■													
	35.00	P3U2M35N Δ*■													
208	1 1/2	P3U224N Δ*■	2	5 3/8	7 1/16	1 29/32	1 7/8	1/2	13/16	4	-	15/16	1 11/64	1 41/64	4.70
	40.00	P3U2M40N Δ*■	50.80	136.50	179.40	48.42	47.60	12.00	20.60	101.60	-	23.80	29.80	41.70	2.12
209	1 5/8	P3U226N Δ*■	2 1/8	5 5/8	7 1/4	2 1/32	2	1/2	13/16	4 5/16	-	7/8	1 15/64	1 21/32	5.40
	1 11/16	P3U227N Δ*■													
	1 3/4	P3U228N Δ*■													
	45.00	P3U2M45N Δ*■													
210	1 15/16	P3U231N Δ*■	2 1/4	6 3/16	7 7/8	2 3/32	2 1/8	5/8	7/8	4 1/2	-	15/16	1 17/64	1 25/32	6.10
	2	P3U2E32N Δ*■													
	50.00	P3U2M50N Δ*■													
211	2	P3U232N Δ*■	2 1/2	6 3/4	9 1/16	2 1/4	2 3/8	5/8	1	5	-	1 5/16	1 13/32	2 1/64	7.80
	2 3/16	P3U235N Δ*■													
	55.00	P3U2M55N Δ*■													
212	2 1/4	P3U236N Δ*■	2 11/16	7 1/2	9 1/2	2 1/2	2 1/2	5/8	1 1/8	5 3/8	-	1 1/16	1 9/16	2 7/64	11.40
	2 3/8	P3U238N Δ*■													
	2 7/16	P3U239N Δ*■													
	60.00	P3U2M60N Δ*■													

Continued...

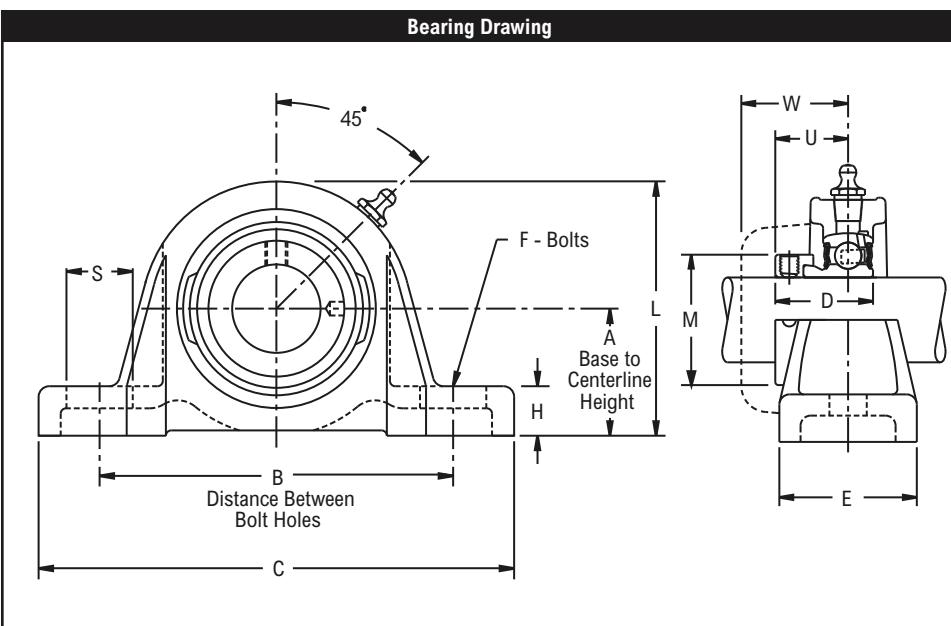
Continued...

Bearing Dimensions															
Size Code	Shaft Diameter	Part Number	A Base to Centerline Height	B Distance Between Bolt Holes	C	D	E	F	H	L	M	S	U	W	Approx. Weight
213	2 1/2	P3U240NA*	3	8 1/8	10 1/2	2 11/16	2 7/8	3/4	1 5/16	6	4 3/16	1 3/16	1 11/16	2 1/16	15.90
	2 11/16	P3U243NA*													
	65.00	P3U2M65NΔ*	76.20	206.40	266.70	68.26	73.00	20.00	33.30	152.40	106.40	30.20	42.90	52.40	7.16
215	2 3/4	P3U244NA*	3 1/4	8 7/8	11 3/4	2 7/8	3 1/4	3/4	1 3/8	6 1/2	4 5/8	1 5/16	1 13/16	2 7/32	19.50
	2 15/16	P3U247NA*													
	3	P3U2E48NA*													
	75.00	P3U2M75NΔ*	82.55	225.40	298.40	73.02	82.60	20.00	34.90	165.10	117.50	33.30	46.00	56.40	8.78
217	3 7/16	P3U255NA*	3 3/4	10	13	3 9/16	3 1/2	7/8	1 5/8	7 7/16	5 3/16	1 5/8	2 1/8	2 1/2	28.70
	3 1/2	P3U2E56NA*													
	85.00	P3U2M85NΔ*	95.25	254.00	330.20	90.49	88.90	24.00	41.30	188.90	131.80	41.30	54.00	63.50	12.92
220	3 15/16	P3U263N*	4 7/16	11 7/8	15 1/4	4 1/4	4 1/4	7/8	1 13/16	8 7/8	5 15/16	1 7/8	2 37/64	3 1/64	50.20
	4	P3U2E64N*													
	100.00	P3U2M100N*	112.71	301.60	387.40	107.95	108.00	24.00	46.00	225.40	150.80	47.60	65.50	76.60	22.60

Additional Notes

Please call 1-866-REXNORD for availability
 Lubrication fitting tap size: for size code 203, 1/4"-28 UNF; for all other size codes, 1/8" PT
 Base to centerline tolerance, +.000"/-.010" (+0.00mm/-0.25mm)
 Size codes 203 to 212 don't have mounting collars
 * N lip seals standard
 ■ Available with H labyrinth seals
 Δ Available with E3 triple lip seals

Nickel plated housings available through size code 212, add suffix K75
 Selection Guide, see Link-Belt Ball Bearing Selection Guide section
 Load Ratings & Speed Limits, see Link-Belt Ball Bearing Load Ratings & Speed Limits section
 Note: Dimensions subject to change. Certified dimensions of ordered material furnished on request.



Product Features

- Corrosion resistant powder coating
- Cast iron housing
- Eccentric cam locking device
- Alignable & relubricatable
- See Features & Benefits for additional info.

Bearing Dimensions

Size Code	Shaft Diameter	Part Number	A Base to Centerline Height	B Distance Between Bolt Holes	C	D	E	F	H	L	M	S	U	W	Approx. Weight
203	1/2	P3W2B08E ▲	1 3/16	3 1/2	4 5/8	1 1/8	1 1/2	3/8	1/2	2 11/32	1 1/8	3/4	7/8	1 13/64	0.90
	5/8	P3W210E ▲													
204	3/4	P3W212E ▲	1 5/16	3 7/8	5 1/8	1 7/32	1 1/2	3/8	1/2	2 19/32	1 5/16	11/16	59/64	1 19/64	1.60
205	7/8	P3W214E ▲	1 7/16	4	5 3/8	1 7/32	1 5/8	3/8	9/16	2 7/8	1 1/2	11/16	59/64	1 9/32	1.80
	15/16	P3W215E ▲													
	1	P3W216E ▲													
206	1 1/8	P3W218E ▲	1 11/16	4 5/8	6 5/16	1 13/32	1 3/4	1/2	11/16	3 5/16	1 3/4	15/16	1 3/64	1 29/64	2.50
	1 3/16	P3W219E ▲													
	1 1/4	P3W2E20E ▲													
207	1 1/4	P3W220E ▲	1 7/8	4 15/16	6 3/8	1 17/32	1 7/8	1/2	13/16	3 11/16	2 3/16	13/16	1 5/32	1 35/64	3.70
	1 3/8	P3W222E ▲													
	1 7/16	P3W223E ▲													
208	1 1/2	P3W224E ▲	2	5 3/8	7 1/16	1 23/32	1 7/8	1/2	13/16	4	2 3/8	15/16	1 9/32	1 41/64	4.60
	1 5/8	P3W226E ▲													
209	1 11/16	P3W227E ▲	2 1/8	5 5/8	7 1/4	1 23/32	2	1/2	13/16	4 5/16	2 1/2	7/8	1 9/32	1 21/32	5.00
	1 3/4	P3W228E ▲													
	1 15/16	P3W231E ▲													
210	2	P3W2E32E ▲	2 1/4	6 3/16	7 7/8	1 23/32	2 1/8	5/8	7/8	4 1/2	2 3/4	15/16	1 9/32	1 25/32	5.50

Additional Notes

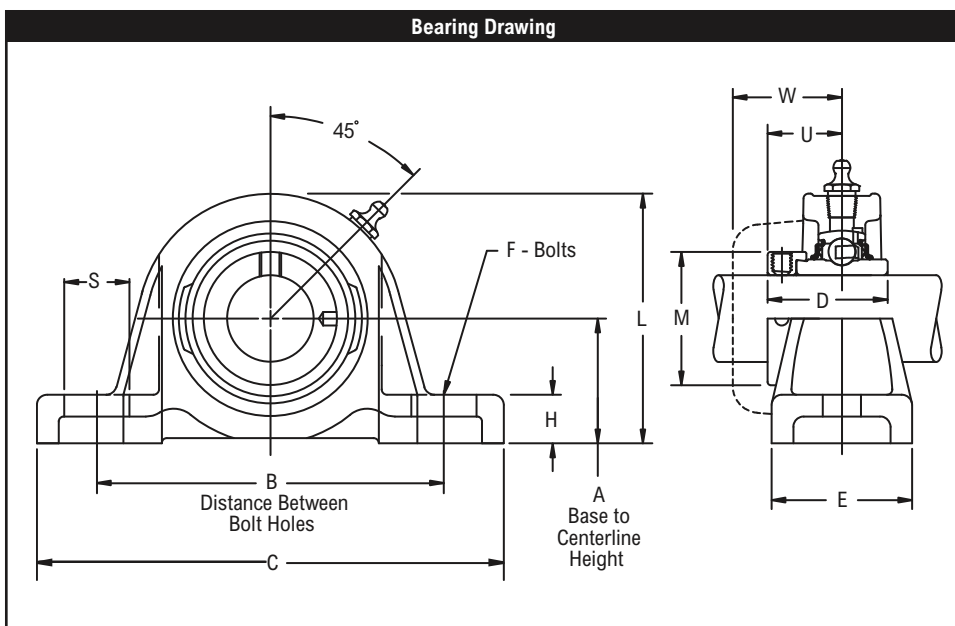
Please call 1-866-REXNORD for availability
 Lubrication fitting tap size: for size code 203, 1/4"-28 UNF; for all other size codes, 1/8" PT
 Base to centerline tolerance, +.000"/-.010" (+0.00mm/-0.25mm)
 ▲ E lip seals standard
 Nickel plated housings available, add suffix K75
 Selection Guide, see Link-Belt Ball Bearing Selection Guide section

Load Ratings & Speed Limits, see Link-Belt Ball Bearing Load Ratings & Speed Limits section
 Note: Dimensions subject to change. Certified dimensions of ordered material furnished on request.



Product Features

- Corrosion resistant powder coating
- Cast iron housing
- Broad range of sealing options
- Wide inner ring for increased shaft stability
- Eccentric cam locking device
- Alignable & relubricatable
- High base to center height
- See Features & Benefits for additional info.



Bearing Dimensions

Size Code	Shaft Diameter	Part Number	A Base to Centerline Height	B Distance Between Bolt Holes	C	D	E	F	H	L	M	S	U	W	Approx. Weight
206	1 1/8	PH3Y218N *■	2	5 1/2	7	1 29/32	1 15/16	1/2	1 1/16	3 5/8	1 3/4	7/8	1 3/16	1 29/64	3.70
	1 3/16	PH3Y219N *■													
	1 1/4	PH3Y220N *■													
207	1 1/4	PH3Y220N *Δ■	2 3/8	6 1/4	8 1/4	2 1/64	2 1/2	5/8	3/4	4 1/4	2 3/16	1 1/4	1 9/32	1 35/64	4.70
	1 3/8	PH3Y222N *Δ■													
	1 7/16	PH3Y223N *Δ■													
209	1 5/8	PH3Y226N *Δ■	2 3/8	6 5/8	8 1/4	2 7/32	2 3/8	5/8	3/4	4 9/16	2 1/2	15/16	1 3/8	1 21/32	7.90
	1 11/16	PH3Y227N *Δ■													
	1 3/4	PH3Y228N *Δ■													
210	1 15/16	PH3Y231N *Δ■	2 3/4	8 1/16	10 1/8	2 15/32	2 5/8	5/8	7/8	5	2 3/4	1 1/4	1 1/2	1 25/32	9.50
211	2	PH3Y232N *Δ■	3 1/8	8 7/8	11 3/8	2 13/16	3	5/8	7/8	5 5/8	3	1 1/8	1 23/32	2 1/64	13.20
	2 3/16	PH3Y235N *Δ■													
212	2 1/4	PH3Y236N *Δ■	3 1/8	8 7/8	11 3/8	3 1/16	3	3/4	7/8	5 7/8	3 5/16	1 1/4	1 27/32	2 7/64	14.40
	2 3/8	PH3Y238N *Δ■													
	2 7/16	PH3Y239N *Δ■													

Additional Notes

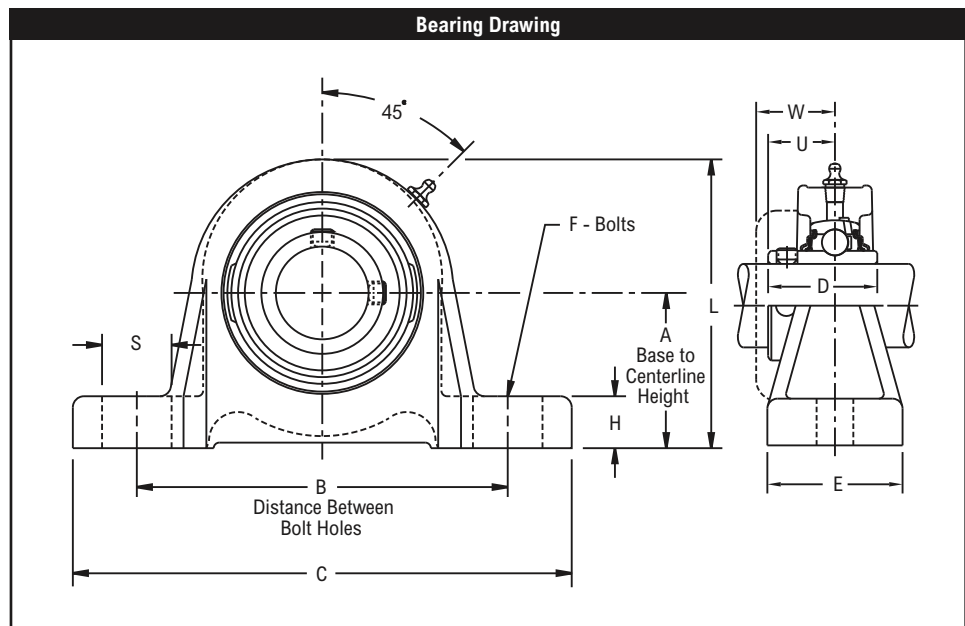
Please call 1-866-REXNORD for availability
 Lubrication fitting tap size, 1/8" PT
 Base to centerline tolerance, +.000"/-.010" (+0.00mm/-0.25mm)
 * N lip seals standard
 ■ Available with H labyrinth seals
 Δ Available with E3 triple lip seals
 Selection Guide, see Link-Belt Ball Bearing Selection Guide section

Load Ratings & Speed Limits, see Link-Belt Ball Bearing Load Ratings & Speed Limits section
 Note: Dimensions subject to change. Certified dimensions of ordered material furnished on request.



Product Features

- Corrosion resistant powder coating
- Cast iron housing
- Broad range of sealing options
- Wide inner ring for increased shaft stability
- Spring locking setscrew mount
- Alignable & relubricatable
- High base to center height
- See Features & Benefits for additional info.



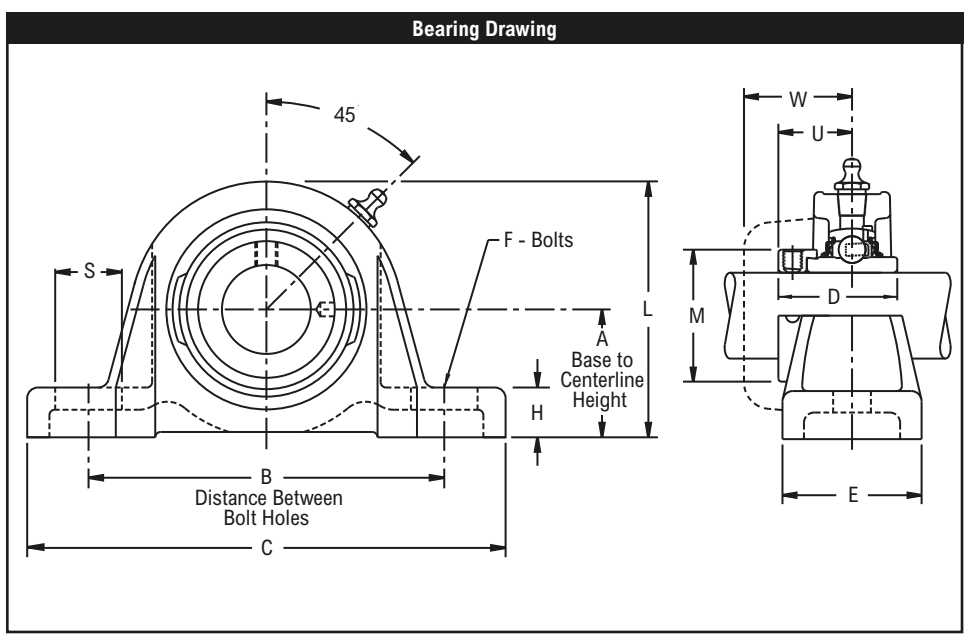
Bearing Dimensions

Size Code	Shaft Diameter	Part Number	A Base to Centerline Height	B Distance Between Bolt Holes	C	D	E	F	H	L	S	U	W	Approx. Weight
206	1 1/8	PH3U218N *■	2	5 1/2	7	1 9/16	1 15/16	1/2	1 1/16	3 5/8	7/8	6 1/64	1 29/64	3.80
	1 3/16	PH3U219N *■												
	1 1/4	PH3U220N *■												
	30.00	PH3U2M30N *■	50.80	139.70	177.80	39.69	49.20	12.00	17.50	92.10	22.20	24.20	36.90	1.71
207	1 1/4	PH3U220N *Δ	2 3/8	6 1/4	8 1/4	1 49/64	2 1/2	5/8	3/4	4 1/4	1 1/4	1 7/64	1 35/64	4.70
	1 3/8	PH3U222N *Δ												
	1 7/16	PH3U223N *Δ												
	35.00	PH3U2M35N	60.32	158.80	209.60	44.85	63.50	16.00	19.00	108.00	31.80	28.20	39.30	2.12
209	1 5/8	PH3U226N *Δ	2 3/8	6 5/8	8 1/4	2 1/32	2 3/8	5/8	3/4	4 9/16	1 5/16	1 15/64	1 21/32	7.90
	1 11/16	PH3U227N *Δ												
	1 3/4	PH3U228N *Δ												
	45.00	PH3U2M45N	60.32	168.30	209.60	51.59	60.30	16.00	19.00	115.90	23.80	31.40	42.10	3.56
210	1 15/16	PH3U231N *Δ	2 3/4	8 1/16	10 1/8	2 3/32	2 5/8	5/8	7/8	5	1 1/4	1 17/64	1 25/32	9.50
	50.00	PH3U2M50N												
211	2	PH3U232N *Δ	3 1/8	8 7/8	11 3/8	2 1/4	3	5/8	7/8	5 5/8	1 1/8	1 13/32	2 1/64	13.20
	2 3/16	PH3U235N *Δ												
	55.00	PH3U2M55N												
212	2 1/4	PH3U236N *Δ	3 1/8	8 7/8	11 3/8	2 1/2	3	3/4	7/8	5 7/8	1 1/4	1 9/16	2 7/64	14.40
	2 3/8	PH3U238N *Δ												
	2 7/16	PH3U239N *Δ												
	60.00	PH3U2M60N												

Additional Notes

Please call 1-866-REXNORD for availability
 Lubrication fitting tap size, 1/8" PT
 Base to centerline tolerance, +.000"/-.010" (+0.00mm/-0.25mm)
 * N lip seals standard
 ■ Available with H labyrinth seals
 Δ Available with E3 triple lip seals
 Selection Guide, see Link-Belt Ball Bearing Selection Guide section

Load Ratings & Speed Limits, see Link-Belt Ball Bearing Load Ratings & Speed Limits section
 Note: Dimensions subject to change. Certified dimensions of ordered material furnished on request.



Product Features

- Corrosion resistant powder coating
- Cast iron housing
- Broad range of sealing options
- Wide inner ring for increased shaft stability
- Eccentric cam locking device
- Alignable & relubricatable
- Low base to center height
- See Features & Benefits for additional info.

Bearing Dimensions

Size Code	Shaft Diameter	Part Number	A Base to Centerline Height	B Distance Between Bolt Holes	C	D	E	F	H	L	M	S	U	W	Approx. Weight
203	$\frac{5}{8}$	PL3Y210N *■	$1 \frac{1}{16}$	$3 \frac{1}{2}$	$4 \frac{3}{4}$	$1 \frac{15}{32}$	$1 \frac{3}{8}$	$\frac{3}{8}$	$\frac{1}{2}$	$2 \frac{1}{8}$	$1 \frac{1}{8}$	$\frac{9}{16}$	$\frac{59}{64}$	$1 \frac{13}{64}$	1.00
	$\frac{11}{16}$	PL3Y211N *■													
	$\frac{1}{2}$	PL3Y2B08N *■													
204	$\frac{3}{4}$	PL3Y212N *■	$1 \frac{1}{4}$	$3 \frac{7}{8}$	$5 \frac{1}{8}$	$1 \frac{23}{32}$	$1 \frac{1}{2}$	$\frac{3}{8}$	$\frac{7}{16}$	$2 \frac{17}{32}$	$1 \frac{5}{16}$	$\frac{11}{16}$	$1 \frac{3}{64}$	$1 \frac{19}{64}$	1.70
205	$\frac{7}{8}$	PL3Y214N *Δ■	$1 \frac{5}{16}$	$4 \frac{1}{8}$	$5 \frac{1}{2}$	$1 \frac{3}{4}$	$1 \frac{3}{4}$	$\frac{3}{8}$	$\frac{5}{8}$	$2 \frac{11}{16}$	$1 \frac{1}{2}$	$\frac{9}{16}$	$1 \frac{1}{16}$	$1 \frac{9}{32}$	1.90
	$\frac{15}{16}$	PL3Y215N *Δ■													
	1	PL3Y216N *Δ■													
206	$1 \frac{1}{8}$	PL3Y218N *■	$1 \frac{9}{16}$	$4 \frac{3}{4}$	$6 \frac{5}{16}$	$1 \frac{29}{32}$	$1 \frac{7}{8}$	$\frac{1}{2}$	$\frac{11}{16}$	$3 \frac{5}{32}$	$1 \frac{3}{4}$	$\frac{3}{4}$	$1 \frac{3}{16}$	$1 \frac{29}{64}$	2.60
	$1 \frac{3}{16}$	PL3Y219N *■													
	$1 \frac{1}{4}$	PL3Y2E20N *■													
207	$1 \frac{1}{4}$	PL3Y220N *Δ■	$1 \frac{13}{16}$	$4 \frac{15}{16}$	$6 \frac{3}{8}$	$2 \frac{1}{64}$	$1 \frac{7}{8}$	$\frac{1}{2}$	$\frac{3}{4}$	$3 \frac{5}{8}$	$2 \frac{3}{16}$	$\frac{13}{16}$	$1 \frac{9}{32}$	$1 \frac{35}{64}$	3.80
	$1 \frac{3}{8}$	PL3Y222N *Δ■													
	$1 \frac{7}{16}$	PL3Y223N *Δ■													
208	$1 \frac{1}{2}$	PL3Y224N *Δ■	$1 \frac{15}{16}$	$5 \frac{3}{8}$	$7 \frac{1}{16}$	$2 \frac{7}{32}$	$1 \frac{7}{8}$	$\frac{1}{2}$	$\frac{3}{4}$	$3 \frac{15}{16}$	$2 \frac{3}{8}$	$\frac{15}{16}$	$1 \frac{3}{8}$	$1 \frac{41}{64}$	4.80
	$1 \frac{5}{8}$	PL3Y226N *Δ■													
209	$1 \frac{11}{16}$	PL3Y227N *Δ■	$2 \frac{1}{16}$	$5 \frac{5}{8}$	$7 \frac{1}{4}$	$2 \frac{7}{32}$	2	$\frac{1}{2}$	$\frac{3}{4}$	$4 \frac{1}{4}$	$2 \frac{1}{2}$	$\frac{7}{8}$	$1 \frac{3}{8}$	$1 \frac{21}{32}$	5.50
	$1 \frac{3}{4}$	PL3Y228N *Δ■													
	$1 \frac{15}{16}$	PL3Y231N *Δ■													
210	2	PL3Y2E32N *Δ■	$2 \frac{3}{16}$	$6 \frac{3}{16}$	$7 \frac{7}{8}$	$2 \frac{15}{32}$	$2 \frac{1}{8}$	$\frac{5}{8}$	$\frac{13}{16}$	$4 \frac{7}{16}$	$2 \frac{3}{4}$	$\frac{15}{16}$	$1 \frac{1}{2}$	$1 \frac{25}{32}$	6.20
	$1 \frac{15}{16}$	PL3Y231N *Δ■													
211	$2 \frac{3}{16}$	PL3Y232N *Δ■	$2 \frac{7}{16}$	$6 \frac{3}{4}$	$9 \frac{1}{16}$	$2 \frac{13}{16}$	$2 \frac{3}{8}$	$\frac{5}{8}$	$\frac{15}{16}$	$4 \frac{15}{16}$	3	$1 \frac{5}{16}$	$1 \frac{23}{32}$	$2 \frac{1}{64}$	8.00
	$2 \frac{1}{4}$	PL3Y235N *Δ■													
212	$2 \frac{3}{8}$	PL3Y238N *Δ■	$2 \frac{11}{16}$	$7 \frac{1}{2}$	$9 \frac{1}{2}$	$3 \frac{1}{16}$	$2 \frac{1}{2}$	$\frac{5}{8}$	$1 \frac{1}{8}$	$5 \frac{3}{8}$	$3 \frac{5}{16}$	$1 \frac{1}{16}$	$1 \frac{27}{32}$	$2 \frac{7}{64}$	11.60
	$2 \frac{7}{16}$	PL3Y239N *Δ■													

Additional Notes

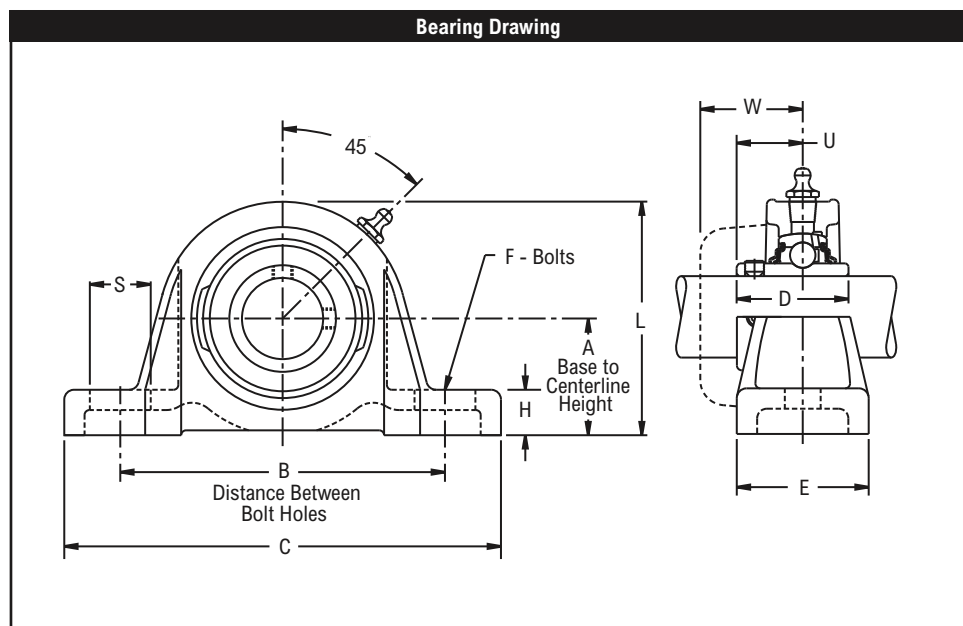
Please call 1-866-REXNORD for availability
 Lubrication fitting tap size: for size code 203, 1/4"-28 UNF; for all other size codes, 1/8" PT
 Base to centerline tolerance, +.000"/-.010" (+0.00mm/-0.25mm)
 * N lip seals standard
 ■ Available with H labyrinth seals
 Δ Available with E3 triple lip seals
 Selection Guide, see Link-Belt Ball Bearing Selection Guide section

Load Ratings & Speed Limits, see Link-Belt Ball Bearing Load Ratings & Speed Limits section
 Note: Dimensions subject to change. Certified dimensions of ordered material furnished on request.



Product Features

- Corrosion resistant powder coating
- Cast iron housing
- Broad range of sealing options
- Wide inner ring for increased shaft stability
- Spring locking setscrew mount
- Alignable & relubricatable
- Low base to center height
- See Features & Benefits for additional info.



Bearing Dimensions														
Size Code	Shaft Diameter	Part Number	A Base to Centerline Height	B Distance Between Bolt Holes	C	D	E	F	H	L	S	U	W	Approx. Weight
203	5/8	PL3U210N *■	1 1/16	3 1/2	4 3/4	1 3/32	1 3/8	3/8	1/2	2 1/8	9/16	41/64	1 13/64	0.90
	11/16	PL3U211N *■												
	1/2	PL3U2B08N *■												
	17.00	PL3U2M17N *■												26.99
204	3/4	PL3U212N *■	1 1/4	3 7/8	5 1/8	1 9/32	1 1/2	3/8	7/16	2 17/32	11/16	3/4	1 19/64	1.60
	20.00	PL3U2M20N *■	31.75	98.40	130.20	32.54	38.10	10.00	11.10	64.30	17.50	19.00	32.90	0.72
205	7/8	PL3U214N *Δ	1 5/16	4 1/8	5 1/2	1 23/64	1 3/4	3/8	5/8	2 11/16	9/16	51/64	1 9/32	1.80
	15/16	PL3U215N *Δ												
	1	PL3U216N *Δ												
	25.00	PL3U2M25N												33.34
206	1 1/8	PL3U218N *■	1 9/16	4 3/4	6 5/16	1 9/16	1 7/8	1/2	11/16	3 5/32	3/4	61/64	1 29/64	2.50
	1 3/16	PL3U219N *■												
	1 1/4	PL3U2E20N *■												
	30.00	PL3U2M30N *■												39.69
207	1 1/4	PL3U220N *Δ	1 13/16	4 15/16	6 3/8	1 49/64	1 7/8	1/2	3/4	3 5/8	13/16	1 7/64	1 35/64	3.50
	1 3/8	PL3U222N *Δ												
	1 7/16	PL3U223N *Δ												
	35.00	PL3U2M35N												46.04
208	1 1/2	PL3U224N *Δ	1 15/16	5 3/8	7 1/16	1 29/32	1 7/8	1/2	3/4	3 15/16	15/16	1 11/64	1 41/64	4.50
	40.00	PL3U2M40N	49.21	136.50	179.40	48.42	47.60	12.00	19.00	100.00	23.80	29.80	41.70	2.03
209	1 5/8	PL3U226N *Δ	2 1/16	5 5/8	7 1/4	2 1/32	2	1/2	3/4	4 1/4	7/8	1 15/64	1 21/32	5.20
	1 11/16	PL3U227N *Δ												
	1 3/4	PL3U228N *Δ												
	45.00	PL3U2M45N												52.39
210	1 15/16	PL3U231N *Δ	2 3/16	6 3/16	7 7/8	2 3/32	2 1/8	5/8	13/16	4 7/16	15/16	1 17/64	1 25/32	5.90
	2	PL3U2E32N *Δ												
	50.00	PL3U2M50N												55.56
211	2	PL3U232N *Δ	2 7/16	6 3/4	9 1/16	2 1/4	2 3/8	5/8	15/16	4 15/16	1 5/16	1 13/32	2 1/64	7.40
	2 3/16	PL3U235N *Δ												
	55.00	PL3U2M55N												61.91
212	2 1/4	PL3U236N *Δ	2 11/16	7 1/2	9 1/2	2 1/2	2 1/2	5/8	1 1/8	5 3/8	1 1/16	1 9/16	2 7/64	11.00
	2 3/8	PL3U238N *Δ												
	2 7/16	PL3U239N *Δ												
	60.00	PL3U2M60N												68.26

Additional Notes

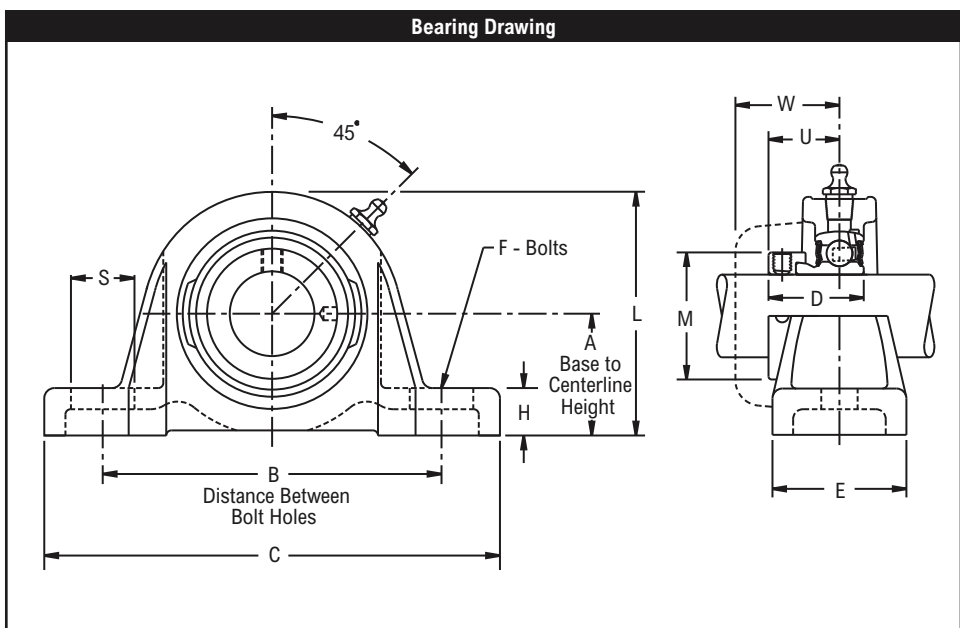
Please call 1-866-REXNORD for availability
 Lubrication fitting tap size: for size code 203, 1/4"-28 UNF; for all other size codes, 1/8" PT
 Base to centerline tolerance, +.000"/-.010" (+0.00mm/-0.25mm)
 * N lip seals standard
 ■ Available with H labyrinth seals
 Δ Available with E3 triple lip seals
 Selection Guide, see Link-Belt Ball Bearing Selection Guide section

Load Ratings & Speed Limits, see Link-Belt Ball Bearing Load Ratings & Speed Limits section
 Note: Dimensions subject to change. Certified dimensions of ordered material furnished on request.



Product Features

- Corrosion resistant powder coating
- Cast iron housing
- Eccentric cam locking device
- Alignable & relubricatable
- Low base to center height
- See Features & Benefits for additional info.



Bearing Dimensions

Size Code	Shaft Diameter	Part Number	A Base to Centerline Height	B Distance Between Bolt Holes	C	D	E	F	H	L	M	S	U	W	Approx. Weight
203	5/8	PL3W210E ▲	1 1/16	3 1/2	4 3/4	1 1/8	1 3/8	3/8	1/2	2 1/8	1 1/8	9/16	7/8	1 13/64	0.90
	1/2	PL3W2B08E ▲													
204	3/4	PL3W212E ▲	1 1/4	3 7/8	5 1/8	1 7/32	1 1/2	3/8	7/16	2 17/32	1 5/16	11/16	59/64	1 19/64	1.60
	7/8	PL3W214E ▲													
205	15/16	PL3W215E ▲	1 5/16	4 1/8	5 1/2	1 7/32	1 3/4	3/8	5/8	2 11/16	1 1/2	9/16	59/64	1 9/32	1.80
	1	PL3W216E ▲													
206	1 1/8	PL3W218E ▲	1 9/16	4 3/4	6 5/16	1 13/32	1 7/8	1/2	11/16	3 5/32	1 3/4	3/4	1 3/64	1 29/64	2.50
	1 3/16	PL3W219E ▲													
	1 1/4	PL3W2E20E ▲													
207	1 1/4	PL3W220E ▲	1 13/16	4 15/16	6 3/8	1 17/32	1 7/8	1/2	3/4	3 5/8	2 3/16	13/16	1 5/32	1 35/64	3.70
	1 3/8	PL3W222E ▲													
	1 7/16	PL3W223E ▲													
208	1 1/2	PL3W224E ▲	1 15/16	5 3/8	7 1/16	1 23/32	1 7/8	1/2	3/4	3 15/16	2 3/8	15/16	1 9/32	1 41/64	4.60
	1 5/8	PL3W226E ▲													
209	1 11/16	PL3W227E ▲	2 1/16	5 5/8	7 1/4	1 23/32	2	1/2	3/4	4 1/4	2 1/2	7/8	1 9/32	1 21/32	5.00
	1 3/4	PL3W228E ▲													
210	1 15/16	PL3W231E ▲	2 3/16	6 3/16	7 7/8	1 23/32	2 1/8	5/8	13/16	4 7/16	2 3/4	15/16	1 9/32	1 25/32	5.50
	2	PL3W2E32E ▲													

Additional Notes

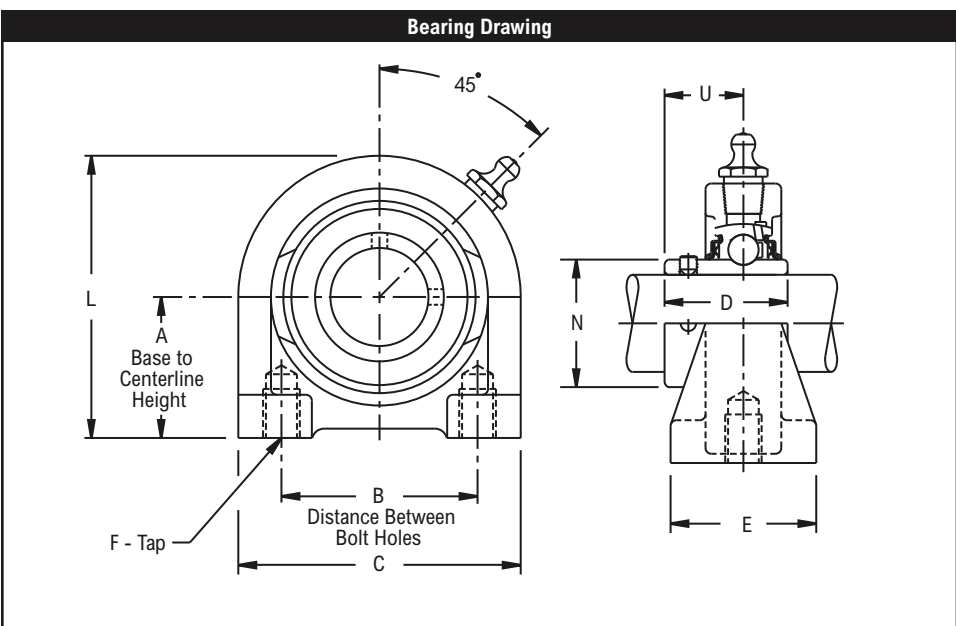
Please call 1-866-REXNORD for availability
 Lubrication fitting tap size: for size code 203, 1/4"-28 UNF; for all other size codes, 1/8" PT
 Base to centerline tolerance, +.000"/-.010" (+0.00mm/-0.25mm)
 ▲ E lip seals standard
 Selection Guide, see Link-Belt Ball Bearing Selection Guide section
 Load Ratings & Speed Limits, see Link-Belt Ball Bearing Load Ratings & Speed Limits section

Note: Dimensions subject to change. Certified dimensions of ordered material furnished on request.



Product Features

- Corrosion resistant powder coating
- Cast iron tapped base housing
- Broad range of sealing options
- Wide inner ring for increased shaft stability
- Spring locking setscrew mount
- Alignable & relubricatable
- See Features & Benefits for additional info.



Bearing Dimensions													
Size Code	Shaft Diameter	Part Number	A Base to Centerline Height	B Distance Between Bolt Holes	C	D	E	F Depth	F Tap	L	N	U	Approx. Weight
204	3/4	PT3U212N *■	1 5/16	2	2 7/8	1 9/32	1 1/2	1/2	3/8-16	2 19/32	1 1/8	3/4	1.20
205	7/8	PT3U214N *△	1 7/16	2	2 7/8	1 23/64	1 1/2	1/2	3/8-16	2 7/8	1 5/16	5 1/64	1.40
	15/16	PT3U215N *△											
	1	PT3U216N *△											
206	1 1/8	PT3U218N *■	1 11/16	3	4	1 9/16	1 1/2	5/8	7/16-14	3 5/16	1 19/32	6 1/64	2.50
	1 3/16	PT3U219N *■											
	1 1/4	PT3U220N *■											
207	1 1/4	PT3U220N *△	1 7/8	3 1/4	4 13/32	1 49/64	2	3/4	1/2-13	3 11/16	1 27/32	1 7/64	3.40
	1 3/8	PT3U222N *△											
	1 7/16	PT3U223N *△											
209	1 11/16	PT3U227N *△	2 1/8	3 3/4	5	2 1/32	2	7/8	1/2-13	4 1/4	2 9/32	1 15/64	4.90
	1 3/4	PT3U228N *△											
210	1 15/16	PT3U231N *△	2 1/4	4	5 7/16	2 3/32	2	7/8	5/8-11	4 1/2	2 15/32	1 17/64	5.60
	2	PT3U232N *△											

Additional Notes

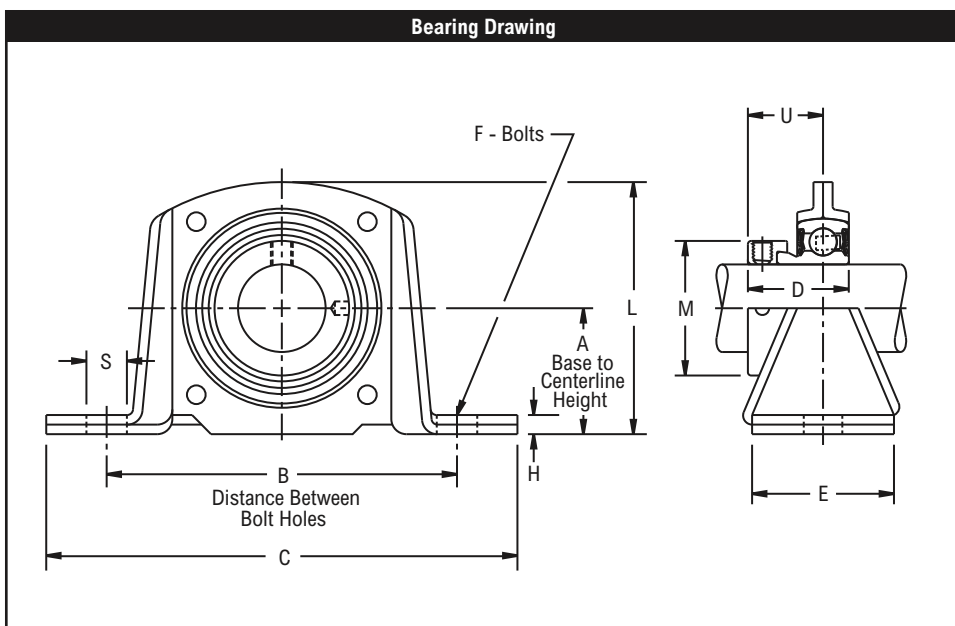
Please call 1-866-REXNORD for availability
 Lubrication fitting tap size, 1/8" PT
 Base to centerline tolerance, +.000"/-.010" (+0.00mm/-0.25mm)
 * N lip seals standard
 ■ Available with H labyrinth seals
 △ Available with E3 triple lip seals
 Selection Guide, see Link-Belt Ball Bearing Selection Guide section

Load Ratings & Speed Limits, see Link-Belt Ball Bearing Load Ratings & Speed Limits section
 Note: Dimensions subject to change. Certified dimensions of ordered material furnished on request.



Product Features

- Formed steel housing
- Broad range of sealing options
- Wide inner ring for increased shaft stability
- Eccentric cam locking device
- Alignable & non-relubricatable
- See Features & Benefits for additional info.



Bearing Dimensions															
Size Code	Shaft Diameter	Part Number	Radial Load Rating	A Base to Centerline Height	B Distance Between Bolt Holes	C	D	E	F	H	L	M	S	U	Approx. Weight
203	1/2	PSY2B08N *■	600	1 3/16	3 1/2	4 5/8	1 15/32	1 1/16	3/8	7/32	2 11/32	1 1/8	33/64	59/64	0.90
	5/8	PSY210N *■													
	11/16	PSY211N *■													
204	3/4	PSY212N *■	700	1 5/16	3 7/8	5 1/8	1 23/32	1 1/8	3/8	7/32	2 5/8	1 5/16	9/16	1 3/64	1.10
	7/8	PSY214N *Δ■													
205	15/16	PSY215N *Δ■	800	1 7/16	4 1/16	5 3/8	1 3/4	1 7/32	3/8	7/32	2 55/64	1 1/2	1/2	1 1/16	1.30
	1	PSY216N *Δ■													
	1 1/8	PSY218N *■													
206	1 3/16	PSY219N *■	985	1 11/16	4 49/64	6 5/16	1 29/32	1 7/16	1/2	5/16	3 5/16	1 3/4	49/64	1 3/16	2.00
	1 1/4	PSY2E20N *■													
	1 1/4	PSY220N *Δ■													
207	1 3/8	PSY222N *Δ■	1,300	1 7/8	5 5/64	6 15/16	2 1/64	1 5/8	1/2	5/16	3 3/4	2 3/16	49/64	1 9/32	2.70
	1 7/16	PSY223N *Δ■													

Additional Notes

Please call 1-866-REXNORD for availability

* N lip seals standard

■ Available with H labyrinth seals

Δ Available with E3 triple lip seals

Selection Guide, see Link-Belt Ball Bearing Selection Guide section

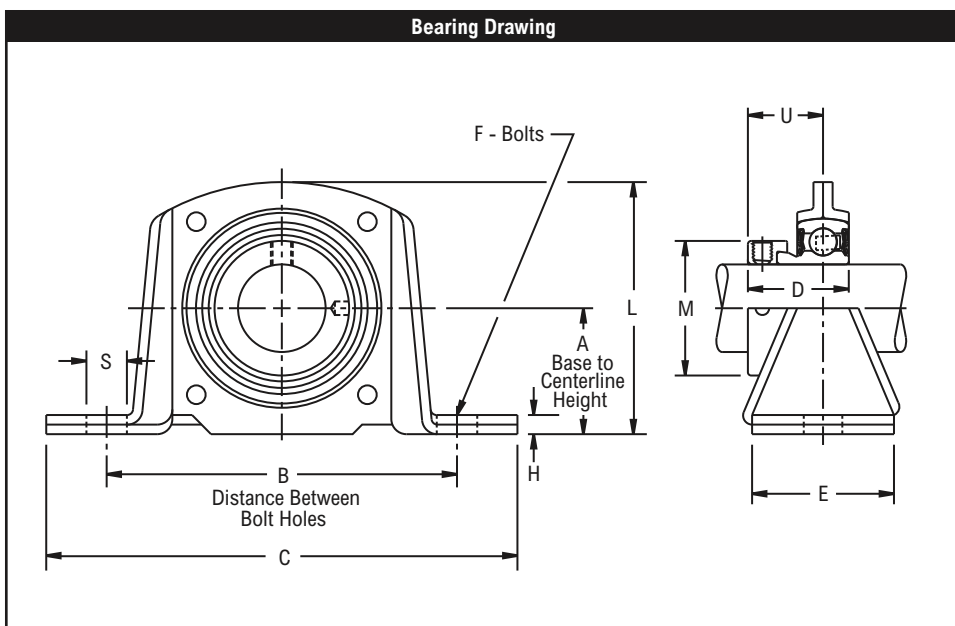
Load Ratings & Speed Limits, see Link-Belt Ball Bearing Load Ratings & Speed Limits section

Note: Dimensions subject to change. Certified dimensions of ordered material furnished on request.



Product Features

- Formed steel housing
- Eccentric cam locking device
- Alignable & non-relubricatable
- See Features & Benefits for additional info.

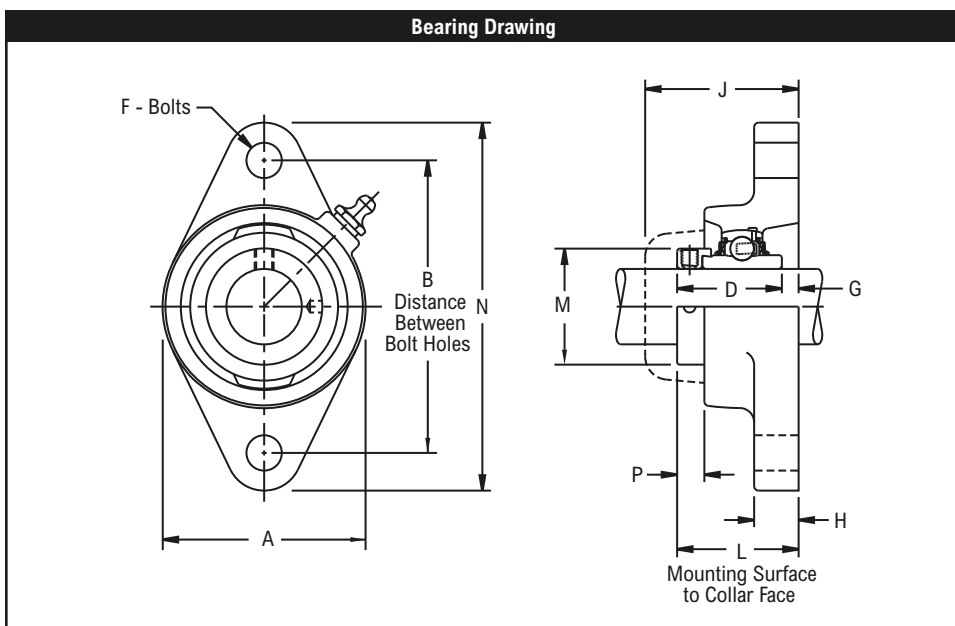


Bearing Dimensions															
Size Code	Shaft Diameter	Part Number	Radial Load Rating	A Base to Centerline Height	B Distance Between Bolt Holes	C	D	E	F	H	L	M	S	U	Approx. Weight
203	$\frac{5}{8}$	PSW210E ▲	600	$1 \frac{3}{16}$	$3 \frac{1}{2}$	$4 \frac{5}{8}$	$1 \frac{1}{8}$	$1 \frac{1}{16}$	$\frac{3}{8}$	$\frac{7}{32}$	$2 \frac{11}{32}$	$1 \frac{1}{8}$	$\frac{33}{64}$	$\frac{7}{8}$	0.70
	$\frac{1}{2}$	PSW2B08E ▲													
204	$\frac{3}{4}$	PSW212E ▲	700	$1 \frac{5}{16}$	$3 \frac{7}{8}$	$5 \frac{1}{8}$	$1 \frac{7}{32}$	$1 \frac{1}{8}$	$\frac{3}{8}$	$\frac{7}{32}$	$2 \frac{5}{8}$	$1 \frac{5}{16}$	$\frac{9}{16}$	$\frac{59}{64}$	0.90
	$\frac{7}{8}$	PSW214E ▲													
205	$\frac{15}{16}$	PSW215E ▲	800	$1 \frac{7}{16}$	$4 \frac{1}{16}$	$5 \frac{3}{8}$	$1 \frac{7}{32}$	$1 \frac{7}{32}$	$\frac{3}{8}$	$\frac{7}{32}$	$2 \frac{55}{64}$	$1 \frac{1}{2}$	$\frac{1}{2}$	$\frac{59}{64}$	1.10
	1	PSW216E ▲													
	$1 \frac{1}{8}$	PSW218E ▲													
206	$1 \frac{3}{16}$	PSW219E ▲	985	$1 \frac{11}{16}$	$4 \frac{49}{64}$	$6 \frac{5}{16}$	$1 \frac{13}{32}$	$1 \frac{7}{16}$	$\frac{1}{2}$	$\frac{5}{16}$	$3 \frac{5}{16}$	$1 \frac{3}{4}$	$\frac{49}{64}$	$1 \frac{3}{64}$	1.70
	$1 \frac{1}{4}$	PSW220E ▲													
	$1 \frac{1}{4}$	PSW220E ▲													
207	$1 \frac{3}{8}$	PSW222E ▲	1,300	$1 \frac{7}{8}$	$5 \frac{5}{64}$	$6 \frac{15}{16}$	$1 \frac{17}{32}$	$1 \frac{5}{8}$	$\frac{1}{2}$	$\frac{5}{16}$	$3 \frac{3}{4}$	$2 \frac{3}{16}$	$\frac{49}{64}$	$1 \frac{5}{32}$	2.40
	$1 \frac{7}{16}$	PSW223E ▲													

Additional Notes

Please call 1-866-REXNORD for availability

- ▲ E lip seals standard
- Selection Guide, see Link-Belt Ball Bearing Selection Guide section
- Load Ratings & Speed Limits, see Link-Belt Ball Bearing Load Ratings & Speed Limits section
- Note: Dimensions subject to change. Certified dimensions of ordered material furnished on request.



Product Features

- Corrosion resistant powder coating
- Cast iron housing
- Broad range of sealing options
- Wide inner ring for increased shaft stability
- Eccentric cam locking device
- Alignable & relubricatable
- See Features & Benefits for additional info.

Bearing Dimensions														
Size Code	Shaft Diameter	Part Number	B Distance Between Bolt Holes	L Mounting Surface to Collar Face	A	D	F	G	H	J	M	N	P	Approx. Weight
203	1/2	FX3Y2B08N*■	3	1 17/32	2 1/8	1 15/32	3/8	1/16	1/2	1 25/32	1 1/8	3 7/8	33/64	1.00
	5/8	FX3Y210N*■												
	11/16	FX3Y211N*■												
204	3/4	FX3Y212N*■	3 17/32	1 51/64	2 7/16	1 23/32	3/8	1/16	9/16	2 1/64	1 5/16	4 13/32	37/64	1.30
	7/8	FX3Y214N*Δ												
205	15/16	FX3Y215N*Δ	3 57/64	1 13/16	2 11/16	1 3/4	7/16	1/16	19/32	2	1 1/2	4 29/32	35/64	1.70
	1	FX3Y216N*Δ												
	1 1/8	FX3Y218N*■												
206	1 3/16	FX3Y219N*■	4 19/32	1 31/32	3 3/16	1 29/32	7/16	1/16	19/32	2 15/64	1 3/4	5 19/32	21/32	2.50
	1 1/4	FX3Y2E20N*■												
	1 1/4	FX3Y220N*Δ												
207	1 3/8	FX3Y222N*Δ	5 1/8	2 5/64	3 5/8	2 1/64	1/2	1/16	5/8	2 23/64	2 3/16	6 1/8	11/16	3.30
	1 7/16	FX3Y223N*Δ												
	1 1/2	FX3Y224N*Δ												
208	1 5/8	FX3Y226N*Δ	5 21/32	2 9/32	4	2 7/32	1/2	1/16	5/8	2 35/64	2 3/8	6 25/32	45/64	4.50
	1 11/16	FX3Y227N*Δ												
	1 3/4	FX3Y228N*Δ												
209	1 15/16	FX3Y231N*Δ	6 3/16	2 5/8	4 9/16	2 15/32	9/16	5/32	3/4	2 57/64	2 3/4	7 7/16	25/32	6.60
	2	FX3Y2E32N*Δ												
	2 3/16	FX3Y232N*Δ												
211	2	FX3Y232N*Δ	7 1/4	2 31/32	5	2 13/16	5/8	5/32	13/16	3 1/4	3	8 1/2	31/32	8.00
	2 3/16	FX3Y235N*Δ												

Additional Notes

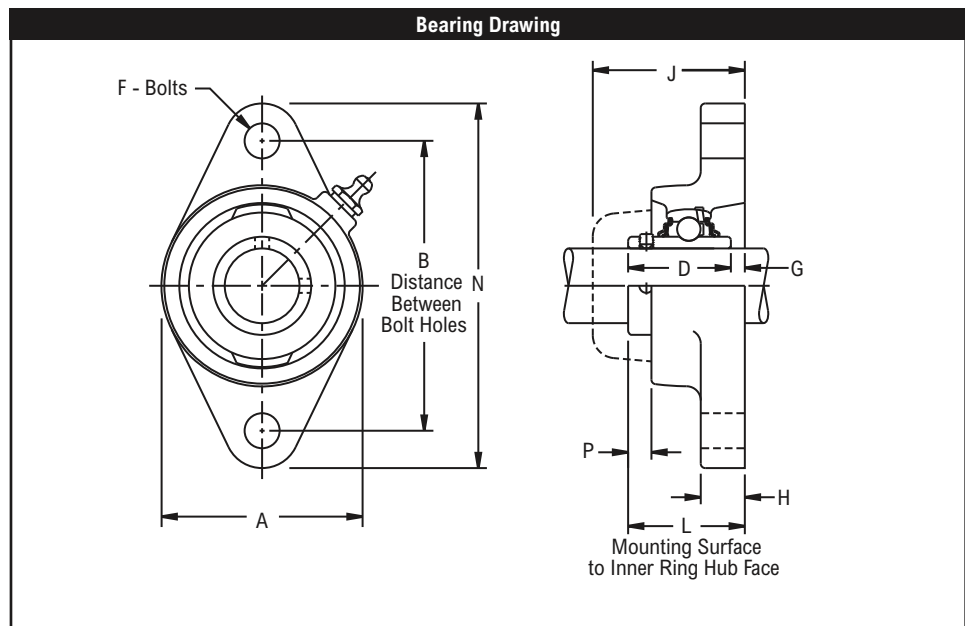
Please call 1-866-REXNORD for availability
 Lubrication fitting tap size: for size code 203, 1/4"-28 UNF: for all other size codes, 1/8" PT
 * N lip seals standard
 ■ Available with H labyrinth seals
 Δ Available with E3 triple lip seals
 Nickel plated housings available, add suffix K75
 Selection Guide, see Link-Belt Ball Bearing Selection Guide section

Load Ratings & Speed Limits, see Link-Belt Ball Bearing Load Ratings & Speed Limits section
 Note: Dimensions subject to change. Certified dimensions of ordered material furnished on request.



Product Features

- Corrosion resistant powder coating
- Cast iron housing
- Broad range of sealing options
- Wide inner ring for increased shaft stability
- Spring locking setscrew mount
- Alignable & relubricatable
- See Features & Benefits for additional info.



Bearing Dimensions													
Size Code	Shaft Diameter	Part Number	B Distance Between Bolt Holes	L Mounting Surface to Inner Ring Hub Face	A	D	F	G	H	J	N	P	Approx. Weight
203	1/2	FX3U2B08N*■	3	1 1/4	2 1/8	1 3/32	3/8	5/32	1/2	1 25/32	3 7/8	1/4	0.90
	5/8	FX3U210N*■											
	11/16	FX3U211N*■											
	17.00	FX3U2M17N*■											
204	3/4	FX3U212N*■	3 17/32	1 31/64	2 7/16	1 9/32	3/8	13/64	9/16	2 1/64	4 13/32	9/32	1.20
	20.00	FX3U2M20N*■	89.69	37.70	61.90	32.54	10.00	5.20	14.30	51.20	111.90	7.10	0.54
205	7/8	FX3U214N*△	3 57/64	1 35/64	2 11/16	1 23/64	7/16	3/16	19/32	2	4 29/32	19/64	1.60
	15/16	FX3U215N*△											
	1	FX3U216N*△											
	25.00	FX3U2M25N*△											
206	1 1/8	FX3U218N*■	4 19/32	1 47/64	3 3/16	1 9/16	7/16	11/64	19/32	2 15/64	5 19/32	27/64	2.40
	1 3/16	FX3U219N*■											
	1 1/4	FX3U2E20N*■											
	30.00	FX3U2M30N*■											
207	1 1/4	FX3U220N*△	5 1/8	1 59/64	3 5/8	1 49/64	1/2	5/32	5/8	2 23/64	6 1/8	33/64	3.00
	1 3/8	FX3U222N*△											
	1 7/16	FX3U223N*△											
	35.00	FX3U2M35N*△											
208	1 1/2	FX3U224N*△	5 21/32	2 5/64	4	1 29/32	1/2	11/64	5/8	2 35/64	6 25/32	1/2	4.20
	40.00	FX3U2M40N*△	143.67	52.80	101.60	48.42	12.00	4.40	15.90	64.70	172.20	12.70	1.90
209	1 5/8	FX3U226N*△	5 27/32	2 9/64	4 1/4	2 1/32	1/2	7/64	5/8	2 9/16	7 3/32	35/64	5.10
	1 11/16	FX3U227N*△											
	1 3/4	FX3U228N*△											
	45.00	FX3U2M45N*△											
210	1 15/16	FX3U231N*△	6 3/16	2 25/64	4 9/16	2 3/32	9/16	19/64	3/4	2 57/64	7 7/16	9/16	6.30
	2	FX3U2E32N*△											
	50.00	FX3U2M50N*△											
211	2	FX3U232N*△	7 1/4	2 21/32	5	2 1/4	5/8	13/32	13/16	3 1/4	8 1/2	21/32	7.40
	2 3/16	FX3U235N*△											
	55.00	FX3U2M55N*△											

Additional Notes

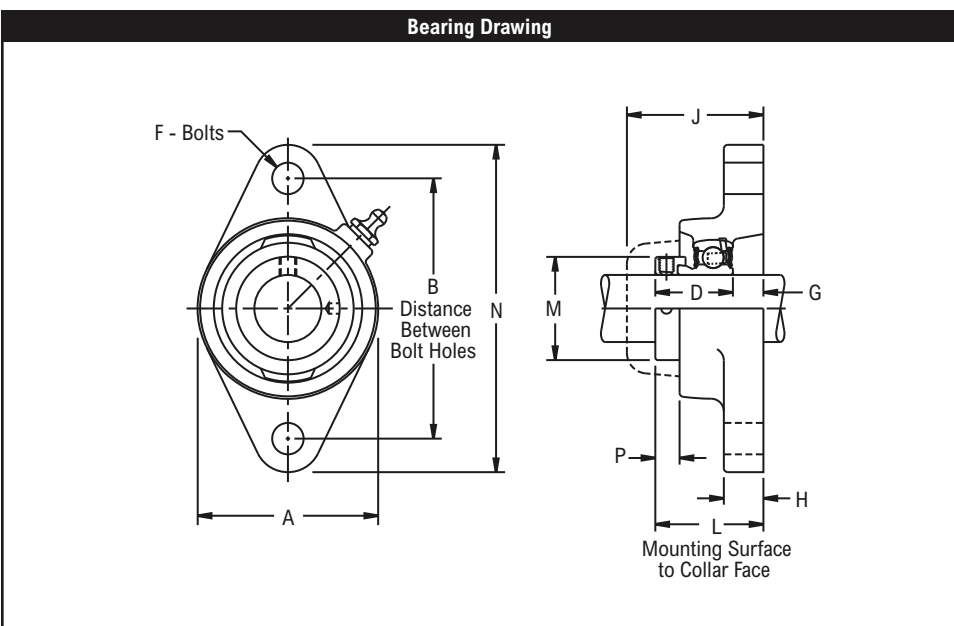
Please call 1-866-REXNORD for availability
 Lubrication fitting tap size: for size code 203, 1/4"-28 UNF; for all other size codes, 1/8" PT
 * N lip seals standard
 ■ Available with H labyrinth seals
 △ Available with E3 triple lip seals
 Nickel plated housings available, add suffix K75
 Selection Guide, see Link-Belt Ball Bearing Selection Guide section

Load Ratings & Speed Limits, see Link-Belt Ball Bearing Load Ratings & Speed Limits section
 Note: Dimensions subject to change. Certified dimensions of ordered material furnished on request.



Product Features

- Corrosion resistant powder coating
- Cast iron housing
- Eccentric cam locking device
- Alignable & relubricatable
- See Features & Benefits for additional info.



Bearing Dimensions														
Size Code	Shaft Diameter	Part Number	B Distance Between Bolt Holes	L Mounting Surface to Collar Face	A	D	F	G	H	J	M	N	P	Approx. Weight
203	1/2	FX3W2B08E▲	3	1 31/64	2 1/8	1 1/8	3/8	23/64	1/2	1 25/32	1 1/8	3 7/8	15/32	0.60
	5/8	FX3W210E▲												
204	3/4	FX3W212E▲	3 17/32	1 21/32	2 7/16	1 7/32	3/8	7/16	9/16	2 1/64	1 5/16	4 13/32	29/64	1.00
	7/8	FX3W214E▲												
205	15/16	FX3W215E▲	3 57/64	1 43/64	2 11/16	1 7/32	7/16	29/64	19/32	2	1 1/2	4 29/32	27/64	1.40
	1	FX3W216E▲												
	1 1/8	FX3W218E▲												
206	1 3/16	FX3W219E▲	4 19/32	1 53/64	3 3/16	1 13/32	7/16	27/64	19/32	2 15/64	1 3/4	5 19/32	33/64	2.10
	1 1/4	FX3W220E▲												
	1 3/4	FX3W222E▲												
207	1 7/16	FX3W223E▲	5 1/8	1 31/32	3 5/8	1 17/32	1/2	7/16	5/8	2 23/64	2 3/16	6 1/8	9/16	3.00
	1 3/8	FX3W222E▲												
	1 1/4	FX3W220E▲												
208	1 1/2	FX3W224E▲	5 21/32	2 3/16	4	1 23/32	1/2	15/32	5/8	2 35/64	2 3/8	6 25/32	39/64	4.00
	1 5/8	FX3W226E▲												
	1 11/16	FX3W227E▲												
209	1 3/4	FX3W228E▲	5 27/32	2 3/16	4 1/4	1 23/32	1/2	15/32	5/8	2 9/16	2 1/2	7 3/32	19/32	4.70
	1 15/16	FX3W231E▲												
	2	FX3W2E32E▲												

Additional Notes

Please call 1-866-REXNORD for availability
 Lubrication fitting tap size: for size code 203, 1/4"-28 UNF: for all other size codes, 1/8" PT
 ▲ E lip seals standard
 Nickel plated housings available, add suffix K75
 Selection Guide, see Link-Belt Ball Bearing Selection Guide section
 Load Ratings & Speed Limits, see Link-Belt Ball Bearing Load Ratings & Speed Limits section

Note: Dimensions subject to change. Certified dimensions of ordered material furnished on request.

FX3S200

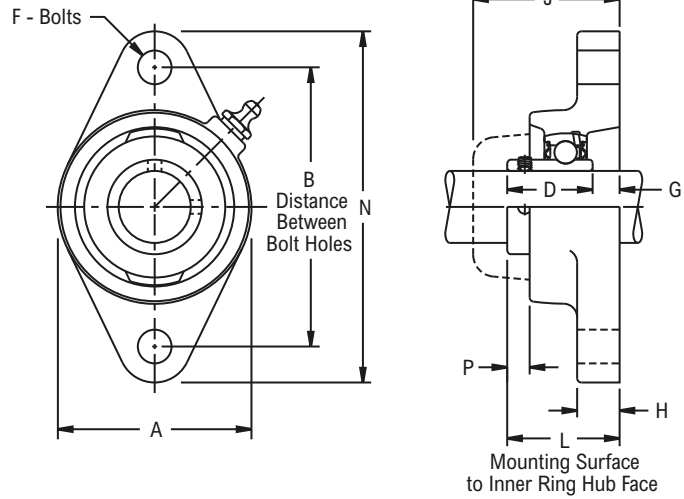


Photo Shows a 2-Bolt Ball Bearing Flanged Unit

Product Features

- Corrosion resistant powder coating
- Cast iron housing
- Spring locking setscrew mount
- Alignable & relubricatable
- See Features & Benefits for additional info.

Bearing Drawing



Bearing Dimensions

Size Code	Shaft Diameter	Part Number	B Distance Between Bolt Holes	L Mounting Surface to Inner Ring Hub Face	A	D	F	G	H	J	N	P	Approx. Weight
204	3/4	FX3S212E▲	3 17/32	1 31/64	2 7/16	1 1/8	3/8	23/64	9/16	2 1/64	4 13/32	9/32	1.10
205	7/8	FX3S214E▲	3 57/64	1 35/64	2 11/16	1 11/64	7/16	3/8	19/32	2	4 29/32	19/64	1.50
	15/16	FX3S215E▲											
	1	FX3S216E▲											
206	1 1/8	FX3S218E▲	4 19/32	1 47/64	3 3/16	1 11/32	7/16	25/64	19/32	2 15/64	5 19/32	27/64	2.10
	1 3/16	FX3S219E▲											
	1 1/4	FX3S220E▲											
207	1 1/4	FX3S220E▲	5 1/8	1 59/64	3 5/8	1 9/16	1/2	23/64	5/8	2 23/64	6 1/8	33/64	2.70
	1 3/8	FX3S222E▲											
	1 7/16	FX3S223E▲											
208	1 1/2	FX3S224E▲	5 21/32	2 5/64	4	1 21/32	1/2	27/64	5/8	2 35/64	6 25/32	1/2	3.80
	1 5/8	FX3S226E▲											
	1 11/16	FX3S227E▲											
209	1 3/4	FX3S228E▲	5 27/32	2 9/64	4 1/4	1 49/64	1/2	3/8	5/8	2 9/16	7 3/32	35/64	4.40
	1 15/16	FX3S231E▲											
	1 7/8	FX3S232E▲											
210	2	FX3S234E▲	6 1/8	2 25/64	4 9/16	1 13/16	9/16	37/64	3/4	2 57/64	7 7/16	35/64	5.60

Additional Notes

Please call 1-866-REXNORD for availability
 Lubrication fitting tap size, 1/8" PT
 ▲ E lip seals standard
 Nickel plated housings available, add suffix K75
 Selection Guide, see Link-Belt Ball Bearing Selection Guide section
 Load Ratings & Speed Limits, see Link-Belt Ball Bearing Load Ratings & Speed Limits section

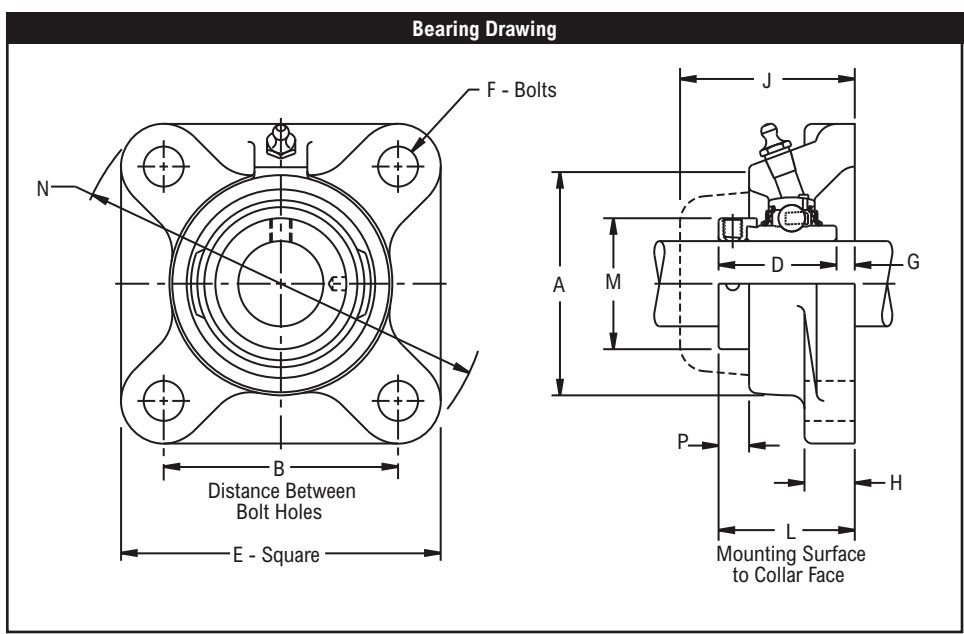
Note: Dimensions subject to change. Certified dimensions of ordered material furnished on request.



Photo Shows a 4-Bolt Ball Bearing Flanged Unit

Product Features

- Corrosion resistant powder coating
- Cast iron housing
- Broad range of sealing options
- Wide inner ring for increased shaft stability
- Eccentric cam locking device
- Alignable & relubricatable
- See Features & Benefits for additional info.



Bearing Dimensions

Size Code	Shaft Diameter	Part Number	B Distance Between Bolt Holes	L Mounting Surface to Collar Face	A	D	E	F	G	H	J	M	N	P	Approx. Weight
204	3/4	F3Y212N *■	2 1/2	1 51/64	2 7/16	1 23/32	3 3/8	3/8	1/16	9/16	2 1/64	1 5/16	4 13/32	37/64	1.60
205	7/8	F3Y214N *Δ	2 3/4	1 13/16	2 11/16	1 3/4	3 3/4	7/16	1/16	19/32	2	1 1/2	4 29/32	35/64	2.00
	15/16	F3Y215N *Δ													
	1	F3Y216N *Δ													
206	1 1/8	F3Y218N *■	3 1/4	1 31/32	3 3/16	1 29/32	4 1/4	7/16	1/16	19/32	2 15/64	1 3/4	5 19/32	21/32	3.20
	1 3/16	F3Y219N *■													
	1 1/4	F3Y220N *■													
207	1 1/4	F3Y220N *Δ	3 5/8	2 5/64	3 5/8	2 1/64	4 5/8	1/2	1/16	5/8	2 23/64	2 3/16	6 1/8	11/16	4.20
	1 3/8	F3Y222N *Δ													
	1 7/16	F3Y223N *Δ													
208	1 1/2	F3Y224N *Δ	4	2 9/32	4	2 7/32	5 1/8	1/2	1/16	5/8	2 35/64	2 3/8	6 25/32	45/64	5.30
	1 5/8	F3Y226N *Δ													
	1 11/16	F3Y227N *Δ													
209	1 3/4	F3Y228N *Δ	4 1/8	2 9/32	4 1/4	2 7/32	5 3/8	1/2	1/16	5/8	2 9/16	2 1/2	7 3/32	11/16	6.50
	1 15/16	F3Y231N *Δ													
210	2	F3Y232N *Δ	4 3/8	2 17/32	4 1/2	2 15/32	5 5/8	1/2	1/16	3/4	2 13/16	2 3/4	7 7/16	51/64	7.20
	1 15/16	F3Y231N *Δ													
211	2	F3Y232N *Δ	5 1/8	2 7/8	4 15/16	2 13/16	6 3/8	5/8	1/16	29/32	3 11/64	3	8 1/2	15/16	9.50
	2 3/16	F3Y235N *Δ													
	2 1/4	F3Y236N *Δ													
212	2 3/8	F3Y238N *Δ	5 5/8	3 1/8	5 3/8	3 1/16	6 7/8	5/8	1/16	15/16	3 25/64	3 5/16	9 7/32	15/16	12.50
	2 7/16	F3Y239N *Δ													

Additional Notes

Please call 1-866-REXNORD for availability
 Lubrication fitting tap size: for size code 203, 1/4"-28 UNF: for all other size codes, 1/8" PT
 * N lip seals standard
 ■ Available with H labyrinth seals
 Δ Available with E3 triple lip seals
 Nickel plated housings available, add suffix K75
 Selection Guide, see Link-Belt Ball Bearing Selection Guide section

Load Ratings & Speed Limits, see Link-Belt Ball Bearing Load Ratings & Speed Limits section
 Note: Dimensions subject to change. Certified dimensions of ordered material furnished on request.

F3U200

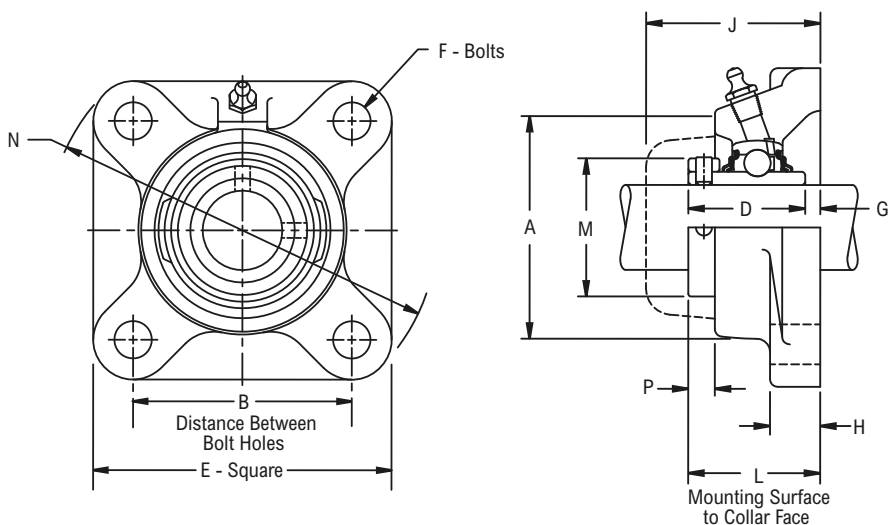


Photo Shows a 4-Bolt Ball Bearing Flanged Unit

Product Features

- Corrosion resistant powder coating
- Cast iron housing
- Broad range of sealing options
- Wide inner ring for increased shaft stability
- Spring locking setscrew mount
- Alignable & relubricatable
- See Features & Benefits for additional info.

Bearing Drawing



Bearing Dimensions

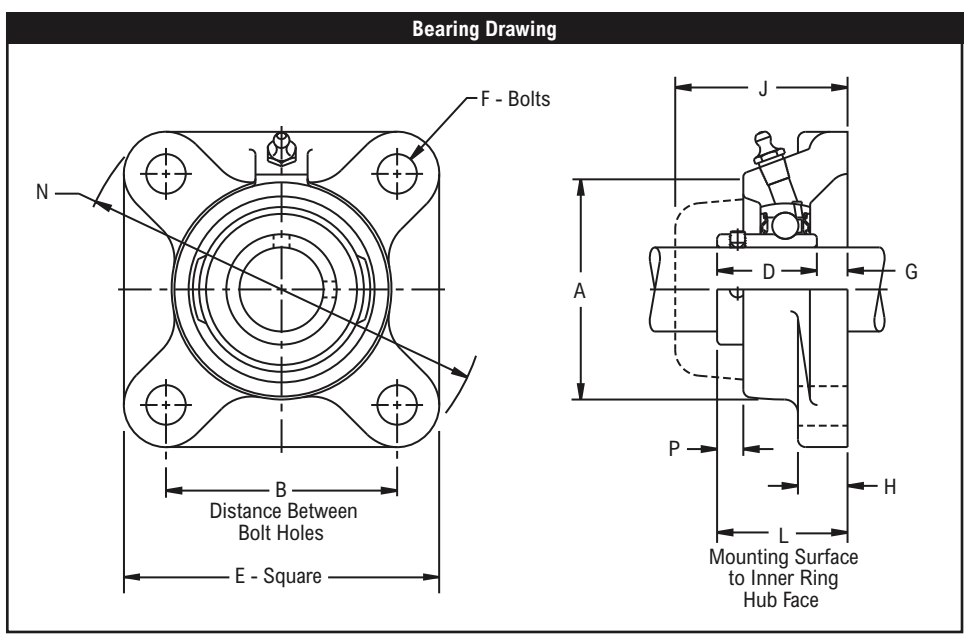
Size Code	Shaft Diameter	Part Number	B Distance Between Bolt Holes	L Mounting Surface to Collar Face	A	D	E	F	G	H	J	M	N	P	Approx. Weight
203	1/2	F3U2B08N *■	2 1/8	1 1/4	2 1/8	1 3/32	3	3/8	5/32	1/2	1 25/32	-	3 7/8	1/4	1.00
	5/8	F3U210N *■													
	11/16	F3U211N *■													
	17.00	F3U2M17N *■													
204	3/4	F3U212N *■	2 1/2	1 31/64	2 7/16	1 9/32	3 3/8	3/8	13/64	9/16	2 1/64	-	4 13/32	9/32	1.50
	20.00	F3U2M20N *■													
205	7/8	F3U214N *■	2 3/4	1 35/64	2 11/16	1 23/64	3 3/4	7/16	3/16	19/32	2	-	4 29/32	19/64	1.90
	15/16	F3U215N *■													
	1	F3U216N *■													
	25.00	F3U2M25N *■													
206	1 1/8	F3U218N *■	3 1/4	1 47/64	3 3/16	1 9/16	4 1/4	7/16	11/64	19/32	2 15/64	-	5 19/32	7/16	3.10
	1 3/16	F3U219N *■													
	1 1/4	F3U2E20N *■													
	30.00	F3U2M30N *■													
207	1 1/4	F3U220N *■	3 5/8	1 59/64	3 5/8	1 49/64	4 5/8	1/2	5/32	5/8	2 23/64	-	6 1/8	33/64	3.90
	1 3/8	F3U222N *■													
	1 7/16	F3U223N *■													
	35.00	F3U2M35N *■													
208	1 1/2	F3U224N *■	4	2 5/64	4	1 29/32	5 1/8	1/2	11/64	5/8	2 35/64	-	6 25/32	1/2	5.00
	40.00	F3U2M40N *■													
209	1 5/8	F3U226N *■	4 1/8	2 9/64	4 1/4	2 1/32	5 3/8	1/2	7/64	5/8	2 9/16	-	7 3/32	35/64	6.20
	1 11/16	F3U227N *■													
	1 3/4	F3U228N *■													
	45.00	F3U2M45N *■													
210	1 15/16	F3U231N *■	4 3/8	2 19/64	4 1/2	2 3/32	5 5/8	1/2	13/64	3/4	2 13/16	-	7 7/16	9/16	6.90
	2	F3U2E32N *■													
	50.00	F3U2M50N *■													
211	2	F3U232N *■	5 1/8	2 9/16	4 15/16	2 1/4	6 3/8	5/8	5/16	29/32	3 11/64	-	8 1/2	5/8	8.90
	2 3/16	F3U235N *■													
	55.00	F3U2M55N *■													
212	2 1/4	F3U236N *■	5 5/8	2 27/32	5 3/8	2 1/2	6 7/8	5/8	11/32	15/16	3 25/64	-	9 7/32	41/64	11.90
	2 3/8	F3U238N *■													
	2 7/16	F3U239N *■													
	60.00	F3U2M60N *■													

Continued...



Product Features

Corrosion resistant powder coating
 Cast iron housing
 Spring locking setscrew mount
 Alignable & relubricatable
 See Features & Benefits for additional info.



Bearing Dimensions

Size Code	Shaft Diameter	Part Number	B Distance Between Bolt Holes	L Mounting Surface to Inner Ring Hub Face	A	D	E	F	G	H	J	N	P	Approx. Weight
204	$\frac{3}{4}$	F3S212E▲	$2\frac{1}{2}$	$1\frac{31}{64}$	$2\frac{7}{16}$	$1\frac{1}{8}$	$3\frac{3}{8}$	$\frac{3}{8}$	$\frac{23}{64}$	$\frac{9}{16}$	$2\frac{1}{64}$	$4\frac{13}{32}$	$\frac{9}{32}$	1.60
205	$\frac{7}{8}$	F3S214E▲	$2\frac{3}{4}$	$1\frac{35}{64}$	$2\frac{11}{16}$	$1\frac{11}{64}$	$3\frac{3}{4}$	$\frac{7}{16}$	$\frac{3}{8}$	$\frac{19}{32}$	2	$4\frac{29}{32}$	$\frac{19}{64}$	1.90
	$\frac{15}{16}$	F3S215E▲												
	1	F3S216E▲												
206	$1\frac{1}{8}$	F3S218E▲	$3\frac{1}{4}$	$1\frac{47}{64}$	$3\frac{3}{16}$	$1\frac{11}{32}$	$4\frac{1}{4}$	$\frac{7}{16}$	$\frac{25}{64}$	$\frac{19}{32}$	$2\frac{15}{64}$	$5\frac{19}{32}$	$\frac{27}{64}$	2.60
	$1\frac{3}{16}$	F3S219E▲												
	$1\frac{1}{4}$	F3S220E▲												
207	$1\frac{1}{4}$	F3S220E▲	$3\frac{5}{8}$	$1\frac{59}{64}$	$3\frac{5}{8}$	$1\frac{9}{16}$	$4\frac{5}{8}$	$\frac{1}{2}$	$\frac{23}{64}$	$\frac{5}{8}$	$2\frac{23}{64}$	$6\frac{1}{8}$	$\frac{37}{64}$	3.40
	$1\frac{3}{8}$	F3S222E▲												
	$1\frac{7}{16}$	F3S223E▲												
208	$1\frac{1}{2}$	F3S224E▲	4	$2\frac{5}{64}$	4	$1\frac{21}{32}$	$5\frac{1}{8}$	$\frac{1}{2}$	$\frac{27}{64}$	$\frac{5}{8}$	$2\frac{35}{64}$	$6\frac{25}{32}$	$\frac{1}{2}$	4.70
	$1\frac{5}{8}$	F3S226E▲												
	209	$1\frac{11}{16}$												
$1\frac{3}{4}$		F3S228E▲												
210		$1\frac{15}{16}$	F3S231E▲	$4\frac{3}{8}$	$2\frac{19}{64}$	$4\frac{1}{2}$	$1\frac{13}{16}$	$5\frac{5}{8}$	$\frac{1}{2}$	$\frac{1}{2}$	$\frac{3}{4}$	$2\frac{13}{16}$	$7\frac{7}{16}$	$\frac{9}{16}$

Additional Notes

Please call 1-866-REXNORD for availability
 Lubrication fitting tap size, 1/8" PT
 ▲ E lip seals standard
 Nickel plated housings available, add suffix K75
 Selection Guide, see Link-Belt Ball Bearing Selection Guide section
 Load Ratings & Speed Limits, see Link-Belt Ball Bearing Load Ratings & Speed Limits section

Note: Dimensions subject to change. Certified dimensions of ordered material furnished on request.

FB3U200

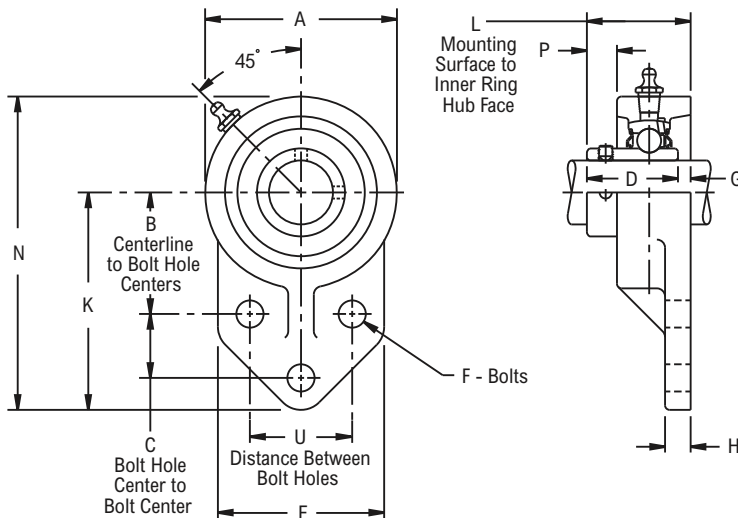


Photo Shows a 3-Bolt Ball Bearing Flanged Bracket Unit

Product Features

- Corrosion resistant powder coating
- Cast iron housing
- Broad range of sealing options
- Wide inner ring for increased shaft stability
- Spring locking setscrew mount
- Alignable & relubricatable
- See Features & Benefits for additional info.

Bearing Drawing



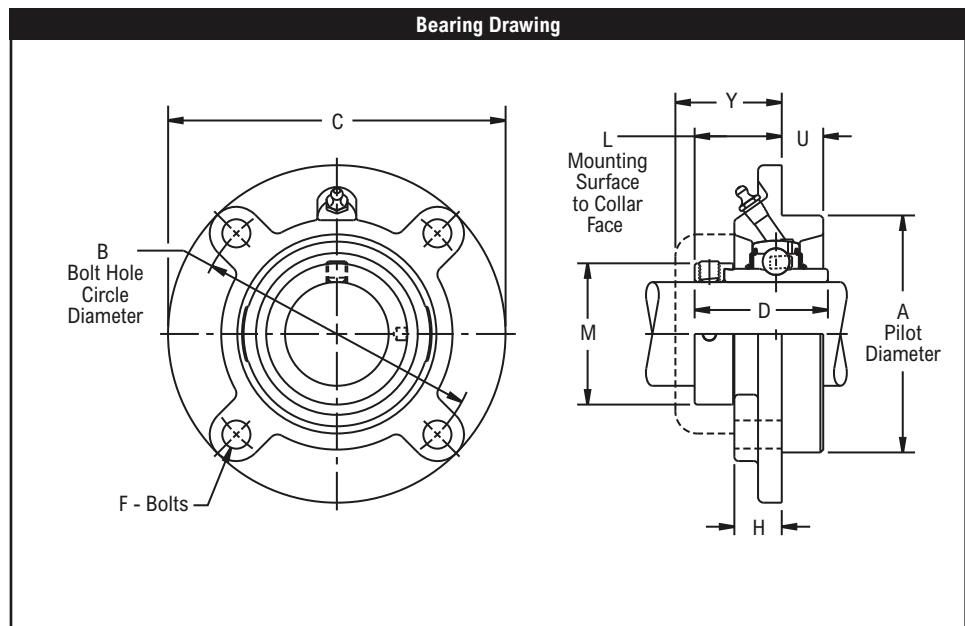
Bearing Dimensions

Size Code	Shaft Diameter	Part Number	B Centerline to Bolt Hole Centers	C Bolt Hole Center to Bolt Center	L Mounting Surface to Inner Ring Hub Face	U Distance Between Bolt Holes	A	D	E	F	G	H	K	N	P	Approx. Weight
204	3/4	FB3U212N *■	1 11/16	7/8	1 11/32	1 1/2	2 1/2	1 9/32	2 3/8	3/8	1/16	5/16	3	4 1/4	11/32	1.40
	20.00	FB3U2M20N *■	42.90	22.20	34.10	38.10	63.50	32.50	60.30	10.00	1.60	7.90	76.20	108.00	8.70	0.63
205	7/8	FB3U214N *△	1 13/16	1 1/8	1 29/64	1 5/8	2 3/4	1 23/64	2 1/2	3/8	3/32	3/8	3 3/8	4 3/4	19/64	1.90
	15/16	FB3U215N *△														
	1	FB3U216N *△														
206	1 1/8	FB3U218N *■	2 1/16	1 1/4	1 5/8	1 7/8	3 1/4	1 9/16	2 3/4	3/8	1/16	3/8	3 3/4	5 3/8	3/8	2.50
	1 3/16	FB3U219N *■														
	1 1/4	FB3U2E20N *■														
207	30.00	FB3U2M30N *■	52.30	31.80	43.70	47.60	82.60	39.69	69.80	10.00	1.60	9.50	95.20	136.50	9.50	1.13
	1 1/4	FB3U220N *△	2 3/8	1 1/4	1 59/64	2	3 3/4	1 49/64	3 1/4	1/2	5/32	1/2	4 1/4	6 1/8	31/64	3.40
	1 3/8	FB3U222N *△														
	1 7/16	FB3U223N *△														
35.00	FB3U2M35N *△	60.30	31.80	48.80	50.80	95.20	44.85	82.60	12.00	4.00	12.70	108.00	155.60	12.30	1.53	

Additional Notes

Please call 1-866-REXNORD for availability
 Lubrication fitting tap size, 1/4"-28 UNF
 * N lip seals standard
 ■ Available with H labyrinth seals
 △ Available with E3 triple lip seals
 Nickel plated housings available, add suffix K75
 Selection Guide, see Link-Belt Ball Bearing Selection Guide section

Load Ratings & Speed Limits, see Link-Belt Ball Bearing Load Ratings & Speed Limits section
 Note: Dimensions subject to change. Certified dimensions of ordered material furnished on request.



Bearing Dimensions													
Size Code	Shaft Diameter	Part Number	A Pilot Diameter	B Bolt Hole Circle Diameter	L Mounting Surface to Collar Face	C	D	F	H	M	U	Y	Approx. Weight
205	7/8	FC3Y214N *Δ	3.000	3 5/8	1 1/8	4 3/8	1 3/4	3/8	5/8	1 1/2	1/2	1 7/16	3.10
	15/16	FC3Y215N *Δ											
	1	FC3Y216N *Δ											
206	1 1/8	FC3Y218N *■	3.375	4 1/8	1 3/8	5	1 29/32	7/16	13/16	1 3/4	27/64	1 23/32	4.60
	1 3/16	FC3Y219N *■											
	1 1/4	FC3Y2E20N *■											
207	1 1/4	FC3Y220N *Δ	3.625	4 3/8	1 21/32	5 1/4	2 1/64	7/16	1 1/16	2 3/16	15/32	2	4.90
	1 3/8	FC3Y222N *Δ											
	1 7/16	FC3Y223N *Δ											
208	1 1/2	FC3Y224N *Δ	3.625	4 3/8	1 43/64	5 1/4	2 7/32	7/16	1 1/32	2 3/8	15/32	2 1/16	4.60
	1 5/8	FC3Y226N *Δ											
	1 11/16	FC3Y227N *Δ											
209	1 3/4	FC3Y228N *Δ	4.250	5 1/8	1 45/64	6 1/8	2 7/32	1/2	1 1/16	2 1/2	15/32	2 5/64	6.60
	1 15/16	FC3Y231N *Δ											
	2	FC4Y232N *Δ											
211A	2	FC4Y232N *Δ	4.500	5 3/8	1 31/32	6 3/8	2 13/16	1/2	1 1/32	3	5/8	2 17/64	7.20
	2	FC3Y232N *Δ											
	2 3/16	FC3Y235N *Δ											
211B	2 3/16	FC3Y235N *Δ	5.000	6	1 27/32	7 1/8	2 13/16	9/16	1	3	7/8	2 1/8	11.00
	2 1/4	FC3Y236N *Δ											
	2 3/8	FC3Y238N *Δ											
212	2 3/8	FC3Y238N *Δ	5.500	6 1/2	1 29/32	7 5/8	3 1/16	9/16	1	3 5/16	7/8	2 11/64	12.50
	2 7/16	FC3Y239N *Δ											

Additional Notes

Please call 1-866-REXNORD for availability

Lubrication fitting tap size: for size codes 206 and below, 1/4"-28 UNF: for all other size codes, 1/8" PT

Pilot Diameter tolerance, +.000"/-.002" (+0.00mm/-0.05mm)

Bore tolerance for mounting, +.002"/-.000" (+0.05mm/-0.00mm)

* N lip seals standard

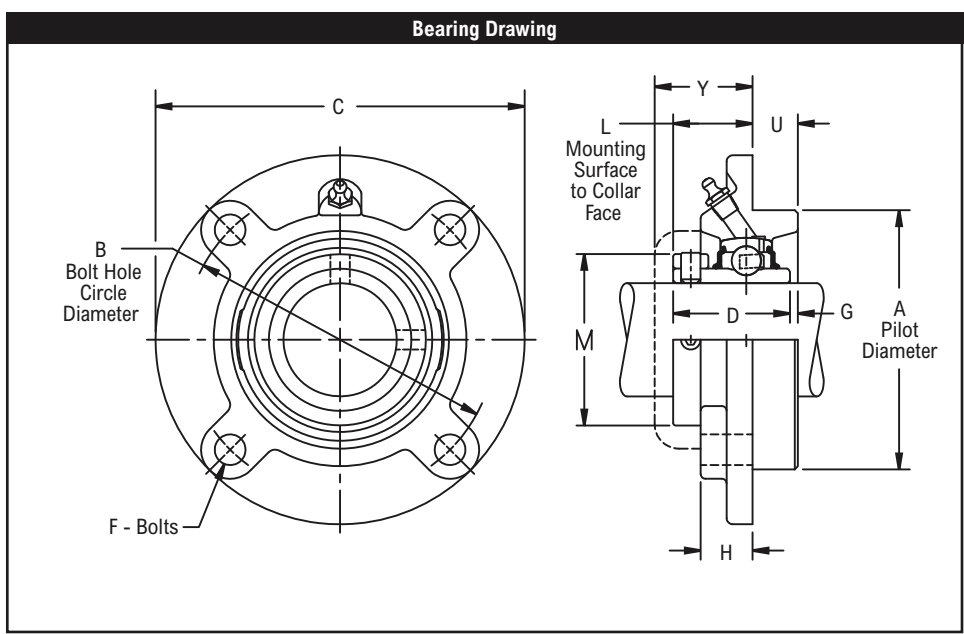
■ Available with H labyrinth seals

Δ Available with E3 triple lip seals

Selection Guide, see Link-Belt Ball Bearing Selection Guide section

Load Ratings & Speed Limits, see Link-Belt Ball Bearing Load Ratings & Speed Limits section

Note: Dimensions subject to change. Certified dimensions of ordered material furnished on request.



Bearing Dimensions														
Size Code	Shaft Diameter	Part Number	A Pilot Diameter	B Bolt Hole Circle Diameter	L Mounting Surface to Collar Face	C	D	F	G	H	M	U	Y	Approx. Weight
205	$\frac{7}{8}$	FC3U214N* Δ	3.000	$3\frac{5}{8}$	$\frac{55}{64}$	$4\frac{3}{8}$	$1\frac{23}{64}$	$\frac{3}{8}$	-	$\frac{5}{8}$	-	$\frac{1}{2}$	$1\frac{7}{16}$	3.00
	$\frac{15}{16}$	FC3U215N* Δ												
	1	FC3U216N* Δ												
	25.00	FC3U2M25N* Δ												
206	$1\frac{1}{8}$	FC3U218N* Δ	3.375	$4\frac{1}{8}$	$1\frac{9}{64}$	5	$1\frac{9}{16}$	$\frac{7}{16}$	-	$\frac{13}{16}$	-	$\frac{27}{64}$	$1\frac{23}{32}$	4.50
	$1\frac{3}{16}$	FC3U219N* Δ												
	$1\frac{1}{4}$	FC3U2E20N* Δ												
	30.00	FC3U2M30N* Δ												
207	$1\frac{1}{4}$	FC3U220N* Δ	3.625	$4\frac{3}{8}$	$1\frac{31}{64}$	$5\frac{1}{4}$	$1\frac{49}{64}$	$\frac{7}{16}$	$\frac{3}{16}$	$1\frac{1}{16}$	-	$\frac{15}{32}$	2	4.60
	$1\frac{3}{8}$	FC3U222N* Δ												
	$1\frac{7}{16}$	FC3U223N* Δ												
	35.00	FC3U2M35N* Δ												
208	$1\frac{1}{2}$	FC3U224N* Δ	3.625	$4\frac{3}{8}$	$1\frac{15}{32}$	$5\frac{1}{4}$	$1\frac{29}{32}$	$\frac{7}{16}$	$\frac{1}{32}$	$1\frac{1}{32}$	-	$\frac{15}{32}$	$2\frac{1}{16}$	4.30
	40.00	FC3U2M40N* Δ												
209	$1\frac{5}{8}$	FC3U226N* Δ	4.250	$5\frac{1}{8}$	$1\frac{9}{16}$	$6\frac{1}{8}$	$2\frac{1}{32}$	$\frac{1}{2}$	-	$1\frac{1}{16}$	-	$\frac{15}{32}$	$2\frac{5}{64}$	6.30
	$1\frac{11}{16}$	FC3U227N* Δ												
	$1\frac{3}{4}$	FC3U228N* Δ												
	45.00	FC3U2M45N* Δ												
210	$1\frac{15}{16}$	FC3U231N* Δ	4.500	$5\frac{3}{8}$	$1\frac{41}{64}$	$6\frac{3}{8}$	$2\frac{3}{32}$	$\frac{1}{2}$	$\frac{11}{64}$	$1\frac{13}{64}$	-	$\frac{5}{8}$	$2\frac{1}{4}$	7.40
	50.00	FC3U2M50N* Δ												
211A	2	FC4U232N* Δ	4.500	$5\frac{3}{8}$	$1\frac{21}{32}$	$6\frac{3}{8}$	$2\frac{1}{4}$	$\frac{1}{2}$	$\frac{1}{32}$	$1\frac{1}{32}$	-	$\frac{5}{8}$	$2\frac{17}{64}$	7.70
	55.00	FC4U2M55N* Δ	114.300	136.52	42.10	161.90	57.15	12.00	0.80	26.20	-	15.90	57.50	3.50
211B	2	FC3U232N* Δ	5.000	6	$1\frac{17}{32}$	$7\frac{1}{8}$	$2\frac{1}{4}$	$\frac{9}{16}$	$\frac{5}{32}$	1	-	$\frac{7}{8}$	$2\frac{1}{8}$	9.90
	$2\frac{3}{16}$	FC3U235N* Δ												
	55.00	FC3U2M55N* Δ												
212	$2\frac{1}{4}$	FC3U236N* Δ	5.500	$6\frac{1}{2}$	$1\frac{5}{8}$	$7\frac{5}{8}$	$2\frac{1}{2}$	$\frac{9}{16}$	-	1	-	$\frac{7}{8}$	$2\frac{11}{64}$	12.00
	$2\frac{3}{8}$	FC3U238N* Δ												
	$2\frac{7}{16}$	FC3U239N* Δ												
	60.00	FC3U2M60N* Δ												
213	$2\frac{1}{2}$	FC3U240N* Δ	6.375	$7\frac{1}{2}$	$1\frac{13}{16}$	$8\frac{3}{4}$	$2\frac{11}{16}$	$\frac{5}{8}$	$\frac{3}{16}$	$1\frac{3}{16}$	$4\frac{3}{16}$	$1\frac{1}{16}$	$2\frac{3}{16}$	17.00
	$2\frac{11}{16}$	FC3U243N* Δ												
	65.00	FC3U2M65N* Δ	161.920	190.50	46.00	222.20	68.26	16.00	4.80	30.20	106.40	27.00	55.60	7.65
215	$2\frac{3}{4}$	FC3U244N* Δ	6.375	$7\frac{1}{2}$	$1\frac{13}{16}$	$8\frac{3}{4}$	$2\frac{7}{8}$	$\frac{5}{8}$	$\frac{3}{16}$	$1\frac{1}{16}$	$4\frac{5}{8}$	$1\frac{1}{4}$	$2\frac{7}{32}$	17.70
	$2\frac{15}{16}$	FC3U247N* Δ												

Continued...

Continued...

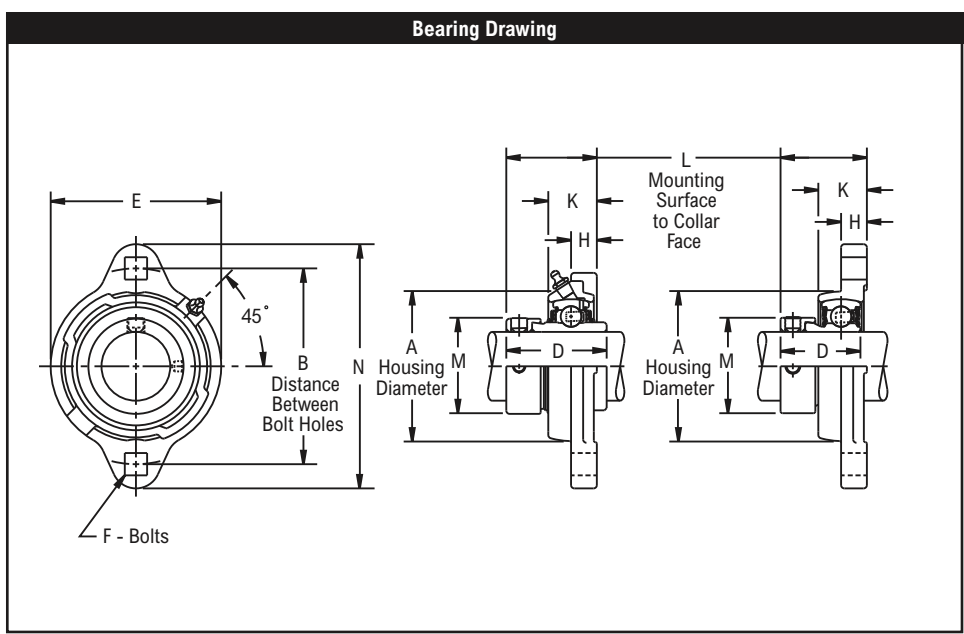
Bearing Dimensions														
Size Code	Shaft Diameter	Part Number	A Pilot Diameter	B Bolt Hole Circle Diameter	L Mounting Surface to Collar Face	C	D	F	G	H	M	U	Y	Approx. Weight
215	3	FC3U2E48N*Δ	6.375	7 1/2	1 13/16	8 3/4	2 7/8	5/8	3/16	1 1/16	4 5/8	1 1/4	2 7/32	17.70
	75.00	FC3U2M75N*Δ	161.920	190.50	46.00	222.20	73.02	16.00	4.80	27.00	117.50	31.80	56.40	8.00
217	3 7/16	FC3U255N*Δ	7.375	8 5/8	2 13/32	10 1/4	3 9/16	3/4	-	1 5/8	5 3/16	1 5/32	2 25/32	34.00
	3 1/2	FC3U2E56N*Δ												
220	85.00	FC3U2M85N*Δ	187.320	219.08	61.10	260.40	90.49	20.00	-	41.30	131.80	29.40	70.60	15.30
	3 15/16	FC3U263N*	8.120	9 3/8	3 1/8	10 7/8	4 1/4	3/4	-	2 1/8	5 15/16	1 1/8	3 9/16	41.80
	4	FC3U2E64N*												
	100.00	FC3U2M100N*	206.250	238.12	79.40	276.20	107.95	20.00	-	54.00	150.80	28.60	90.50	18.80

Additional Notes	
<p>Please call 1-866-REXNORD for availability</p> <p>Lubrication fitting tap size: for size codes 206 and below, 1/4"-28 UNF: for all other size codes, 1/8" PT</p> <p>Pilot Diameter tolerance, +.000"/-.002" (+0.00mm/-0.05mm)</p> <p>Bore tolerance for mounting, +.002"/-.000" (+0.05mm/-0.00mm)</p> <p>Size codes 203 to 212 don't have mounting collars</p> <p>* N lip seals standard</p> <p>■ Available with H labyrinth seals</p>	<p>Δ Available with E3 triple lip seals</p> <p>Selection Guide, see Link-Belt Ball Bearing Selection Guide section</p> <p>Load Ratings & Speed Limits, see Link-Belt Ball Bearing Load Ratings & Speed Limits section</p> <p>Note: Dimensions subject to change. Certified dimensions of ordered material furnished on request.</p>



Product Features

- Corrosion resistant powder coating
- High test iron housing
- Broad range of sealing options
- Wide inner ring for increased shaft stability
- Eccentric cam locking device
- Alignable & optional relubrication feature
- 2-bolt carriage outboard mounting
- See Features & Benefits for additional info.



Bearing Dimensions															
Size Code	Shaft Diameter	Non-Relubricatable		Relubricatable		A Housing Diameter	B Distance Between Bolt Holes	L Mounting Surface to Collar Face	D	F	H	K	M	N	Approx. Weight
		Part Number	E	Part Number	E										
203	1/2	FX Y2B08N *■	2 3/16	FX YG2B08N *■	2 3/32	1 25/32	2 1/2	1 19/64	1 15/32	1/4	3/8	45/64	1 1/8	3 3/16	0.60
	5/8	FX Y210N *■		FX YG210N *■											
	11/16	FX Y211N *■		FX YG211N *■											
204	3/4	FX Y212N *■	2 15/32	FX YG212N *■	2 3/8	2 1/16	2 13/16	1 15/32	1 23/32	5/16	27/64	25/32	1 5/16	3 9/16	0.80
	7/8	FX Y214N *Δ		FX YG214N *Δ											
205	15/16	FX Y215N *Δ	2 23/32	FX YG215N *Δ	2 5/8	2 9/32	3	1 31/64	1 3/4	5/16	27/64	25/32	1 1/2	3 3/4	1.00
	1	FX Y216N *Δ		FX YG216N *Δ											
	1 1/8	FX Y218N *■		FX YG218N *■											
206	1 3/16	FX Y219N *■	3 3/32	FX YG219N *■	3 3/32	2 23/32	3 9/16	1 21/32	1 29/32	3/8	15/32	57/64	1 3/4	4 7/16	1.40
	1 1/4	FX Y2E20N *■		FX YG2E20N *■											
	1 1/4	FX Y220N *Δ		FX YG220N *Δ											
207	1 3/8	FX Y222N *Δ	3 1/2	FX YG222N *Δ	3 1/2	3 1/8	3 15/16	1 25/32	2 1/64	3/8	1/2	15/16	2 3/16	4 13/16	2.00
	1 7/16	FX Y223N *Δ		FX YG223N *Δ											

Additional Notes

Please call 1-866-REXNORD for availability

Lubrication fitting tap size: for size codes 204 and below, 10-32 UNF: for all other size codes, 1/4"-28 UNF

Loading slots are on mounting face side for non-relubricatable units

* N lip seals standard

■ Available with H labyrinth seals

Δ Available with E3 triple lip seals

Selection Guide, see Link-Belt Ball Bearing Selection Guide section

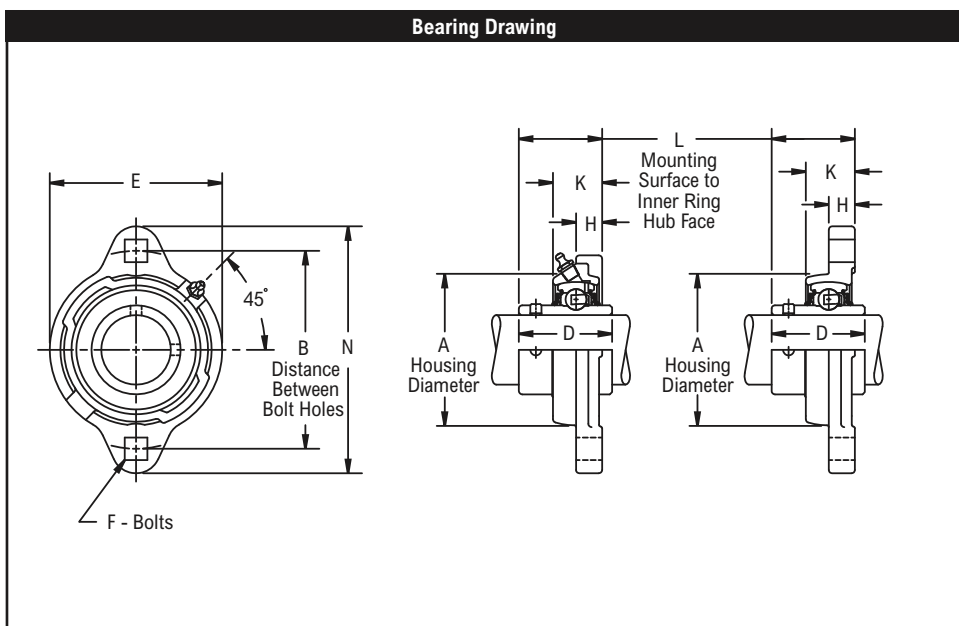
Load Ratings & Speed Limits, see Link-Belt Ball Bearing Load Ratings & Speed Limits section

Note: Dimensions subject to change. Certified dimensions of ordered material furnished on request.



Product Features

- Corrosion resistant powder coating
- High test iron housing
- Broad range of sealing options
- Wide inner ring for increased shaft stability
- Spring locking setscrew mount
- Alignable & optional relubrication feature
- 2-bolt carriage outboard mounting
- See Features & Benefits for additional info.



Bearing Dimensions														
Size Code	Shaft Diameter	Non-Relubricatable		Relubricatable		A Housing Diameter	B Distance Between Bolt Holes	L Mounting Surface to Inner Ring Hub Face	D	F	H	K	N	Approx. Weight
		Part Number	E	Part Number	E									
203	1/2	FXU2B08N*■	2 3/16	FXUG2B08N*■	2 3/32	1 25/32	2 1/2	1 1/64	1 3/32	1/4	3/8	45/64	3 3/16	0.60
	5/8	FXU210N*■		FXUG210N*■										
	11/16	FXU211N*■		FXUG211N*■										
204	3/4	FXU212N*■	2 15/32	FXUG212N*■	2 3/8	2 1/16	2 13/16	1 11/64	1 9/32	5/16	27/64	25/32	3 9/16	0.80
205	7/8	FXU214N*Δ	2 23/32	FXUG214N*Δ	2 5/8	2 9/32	3	1 7/32	1 23/64	5/16	27/64	25/32	3 3/4	1.00
	15/16	FXU215N*Δ		FXUG215N*Δ										
	1	FXU216N*Δ		FXUG216N*Δ										
206	1 1/8	FXU218N*■	3 3/32	FXUG218N*■	3 3/32	2 23/32	3 9/16	1 27/64	1 9/16	3/8	15/32	57/64	4 7/16	1.40
	1 3/16	FXU219N*■		FXUG219N*■										
	1 1/4	FXU2E20N*■		FXUG2E20N*■										
207	1 1/4	FXU220N*Δ	3 1/2	FXUG220N*Δ	3 1/2	3 1/8	3 15/16	1 39/64	1 49/64	3/8	1/2	15/16	4 13/16	2.00
	1 3/8	FXU222N*Δ		FXUG222N*Δ										
	1 7/16	FXU223N*Δ		FXUG223N*Δ										

Additional Notes

Please call 1-866-REXNORD for availability

Lubrication fitting tap size: for size codes 204 and below, 10-32 UNF: for all other size codes, 1/4"-28 UNF

Loading slots are on mounting face side for non-relubricatable units

* N lip seals standard

■ Available with H labyrinth seals

Δ Available with E3 triple lip seals

Selection Guide, see Link-Belt Ball Bearing Selection Guide section

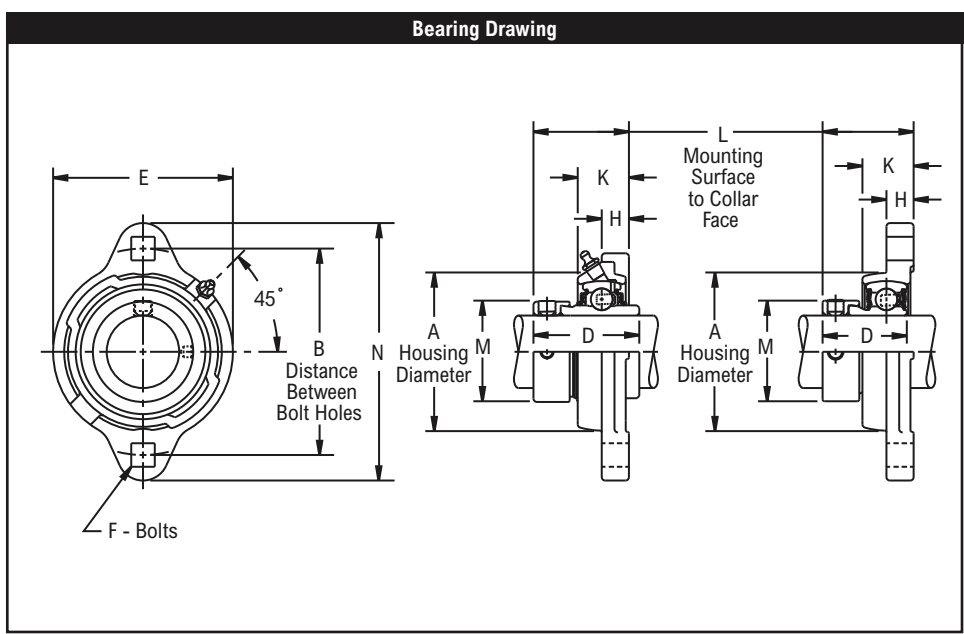
Load Ratings & Speed Limits, see Link-Belt Ball Bearing Load Ratings & Speed Limits section

Note: Dimensions subject to change. Certified dimensions of ordered material furnished on request.



Product Features

- Corrosion resistant powder coating
- High test iron housing
- Eccentric cam locking device
- Alignable & optional relubrication feature
- 2-bolt carriage outboard mounting
- See Features & Benefits for additional info.



Bearing Dimensions															
Size Code	Shaft Diameter	Non-Relubricatable		Relubricatable		A Housing Diameter	B Distance Between Bolt Holes	L Mounting Surface to Collar Face	D	F	H	K	M	N	Approx. Weight
		Part Number	E	Part Number	E										
203	1/2	FXW2B08E▲	2 3/16	FXWG2B08E▲	2 3/32	1 25/32	2 1/2	1 1/4	1 1/8	1/4	3/8	45/64	1 1/8	3 3/16	0.50
	5/8	FXW210E▲		FXWG210E▲											
204	3/4	FXW212E▲	2 15/32	FXWG212E▲	2 3/8	2 1/16	2 13/16	1 11/32	1 7/32	5/16	27/64	25/32	1 5/16	3 9/16	0.70
	7/8	FXW214E▲		FXWG214E▲											
205	15/16	FXW215E▲	2 23/32	FXWG215E▲	2 5/8	2 9/32	3	1 11/32	1 7/32	5/16	27/64	25/32	1 1/2	3 3/4	0.80
	1	FXW216E▲		FXWG216E▲											
	1 1/8	FXW218E▲		FXWG218E▲											
206	1 3/16	FXW219E▲	3 3/32	FXWG219E▲	3 3/32	2 23/32	3 9/16	1 17/32	1 13/32	3/8	15/32	57/64	1 3/4	4 7/16	1.20
	1 1/4	FXW220E▲		FXWG220E▲											
	1 1/4	FXW220E▲		FXWG220E▲											
207	1 1/4	FXW220E▲	3 1/2	FXWG220E▲	3 1/2	3 1/8	3 15/16	1 21/32	1 17/32	3/8	1/2	15/16	2 3/16	4 13/16	1.80
	1 3/8	FXW222E▲		FXWG222E▲											
	1 7/16	FXW223E▲		FXWG223E▲											

Additional Notes

Please call 1-866-REXNORD for availability

Lubrication fitting tap size: for size codes 204 and below, 10-32 UNF: for all other size codes, 1/4"-28 UNF

Loading slots are on mounting face side for non-relubricatable units

▲ E lip seals standard

Selection Guide, see Link-Belt Ball Bearing Selection Guide section

Load Ratings & Speed Limits, see Link-Belt Ball Bearing Load Ratings & Speed Limits section

Note: Dimensions subject to change. Certified dimensions of ordered material furnished on request.

FXRY200, FXRYG200

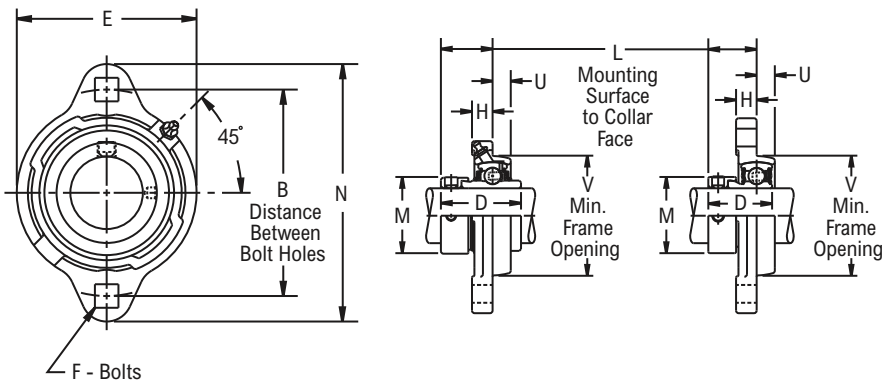


Photo Shows a 2-Bolt Ball Bearing Flanged Unit with High Test Iron Housing

Product Features

- Corrosion resistant powder coating
- High test iron housing
- Broad range of sealing options
- Wide inner ring for increased shaft stability
- Eccentric cam locking device
- Alignable & optional relubrication feature
- 2-bolt carriage inboard mounting
- See Features & Benefits for additional info.

Bearing Drawing



Bearing Dimensions

Size Code	Shaft Diameter	Non-Relubricatable	Relubricatable	B Distance Between Bolt Holes	L Mounting Surface to Collar Face	V Frame Opening	D	E	F	H	M	N	U	Approx. Weight
		Part Number	Part Number											
203	1/2	FXRY2B08N*■	FXRYG2B08N*■	2 1/2	59/64	1 7/8	1 15/32	2 3/16	1/4	3/8	1 1/8	3 3/16	21/64	0.60
	5/8	FXRY210N*■	FXRYG210N*■											
	11/16	FXRY211N*■	FXRYG211N*■											
204	3/4	FXRY212N*■	FXRYG212N*■	2 13/16	1 3/64	2 5/32	1 23/32	2 15/32	5/16	27/64	1 5/16	3 9/16	23/64	0.80
	7/8	FXRY214N*Δ	FXRYG214N*Δ											
205	15/16	FXRY215N*Δ	FXRYG215N*Δ	3	1 1/16	2 3/8	1 3/4	2 23/32	5/16	27/64	1 1/2	3 3/4	23/64	1.00
	1	FXRY216N*Δ	FXRYG216N*Δ											
	1 1/8	FXRY218N*■	FXRYG218N*■											
206	1 3/16	FXRY219N*■	FXRYG219N*■	3 9/16	1 3/16	2 13/16	1 29/32	3 3/32	3/8	15/32	1 3/4	4 7/16	27/64	1.40
	1 1/4	FXRY2E20N*■	FXRYG2E20N*■											
	1 1/4	FXRY220N*Δ	FXRYG220N*Δ											
207	1 3/8	FXRY222N*Δ	FXRYG222N*Δ	3 15/16	1 9/32	3 7/32	2 1/64	3 1/2	3/8	1/2	2 3/16	4 13/16	7/16	2.00
	1 7/16	FXRY223N*Δ	FXRYG223N*Δ											

Additional Notes

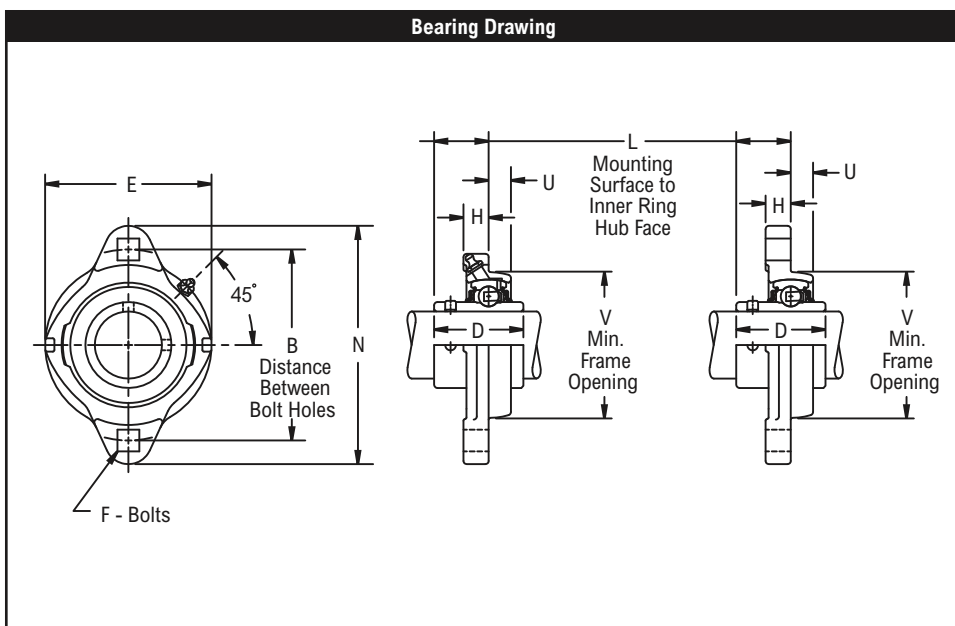
Please call 1-866-REXNORD for availability
 Lubrication fitting tap size: for size codes 204 and below, 10-32 UNF: for all other size codes, 1/4"-28 UNF
 Short shank square neck carriage bolt is not recommended
 * N lip seals standard
 ■ Available with H labyrinth seals
 Δ Available with E3 triple lip seals
 Selection Guide, see Link-Belt Ball Bearing Selection Guide section

Load Ratings & Speed Limits, see Link-Belt Ball Bearing Load Ratings & Speed Limits section
 Note: Dimensions subject to change. Certified dimensions of ordered material furnished on request.



Product Features

- Corrosion resistant powder coating
- High test iron housing
- Broad range of sealing options
- Wide inner ring for increased shaft stability
- Spring locking setscrew mount
- Alignable & optional relubrication feature
- 2-bolt carriage inboard mounting
- See Features & Benefits for additional info.



Bearing Dimensions													
Size Code	Shaft Diameter	Non-Relubricatable	Relubricatable	B Distance Between Bolt Holes	L Mounting Surface to Inner Ring Hub Face	V Frame Opening	D	E	F	H	N	U	Approx. Weight
		Part Number	Part Number										
203	1/2	FXRU2B08N*■	FXRUG2B08N*■	2 1/2	41/64	1 7/8	1 3/32	2 3/16	1/4	3/8	3 3/16	21/64	0.60
	5/8	FXRU210N*■	FXRUG210N*■										
	11/16	FXRU211N*■	FXRUG211N*■										
204	3/4	FXRU212N*■	FXRUG212N*■	2 13/16	3/4	2 5/32	1 9/32	2 15/32	5/16	27/64	3 9/16	23/64	0.80
205	7/8	FXRU214N*Δ	FXRUG214N*Δ	3	51/64	2 3/8	1 23/64	2 23/32	5/16	27/64	3 3/4	23/64	1.00
	15/16	FXRU215N*Δ	FXRUG215N*Δ										
	1	FXRU216N*Δ	FXRUG216N*Δ										
206	1 1/8	FXRU218N*■	FXRUG218N*■	3 9/16	61/64	2 13/16	1 9/16	3 3/32	3/8	15/32	4 7/16	27/64	1.40
	1 3/16	FXRU219N*■	FXRUG219N*■										
	1 1/4	FXRU2E20N*■	FXRUG2E20N*■										
207	1 1/4	FXRU220N*Δ	FXRUG220N*Δ	3 15/16	1 7/64	3 7/32	1 49/64	3 1/2	3/8	1/2	4 13/16	7/16	2.00
	1 3/8	FXRU222N*Δ	FXRUG222N*Δ										
	1 7/16	FXRU223N*Δ	FXRUG223N*Δ										

Additional Notes

Please call 1-866-REXNORD for availability

Lubrication fitting tap size: for size codes 204 and below, 10-32 UNF: for all other size codes, 1/4"-28 UNF

Short shank square neck carriage bolt is not recommended

* N lip seals standard

■ Available with H labyrinth seals

Δ Available with E3 triple lip seals

Selection Guide, see Link-Belt Ball Bearing Selection Guide section

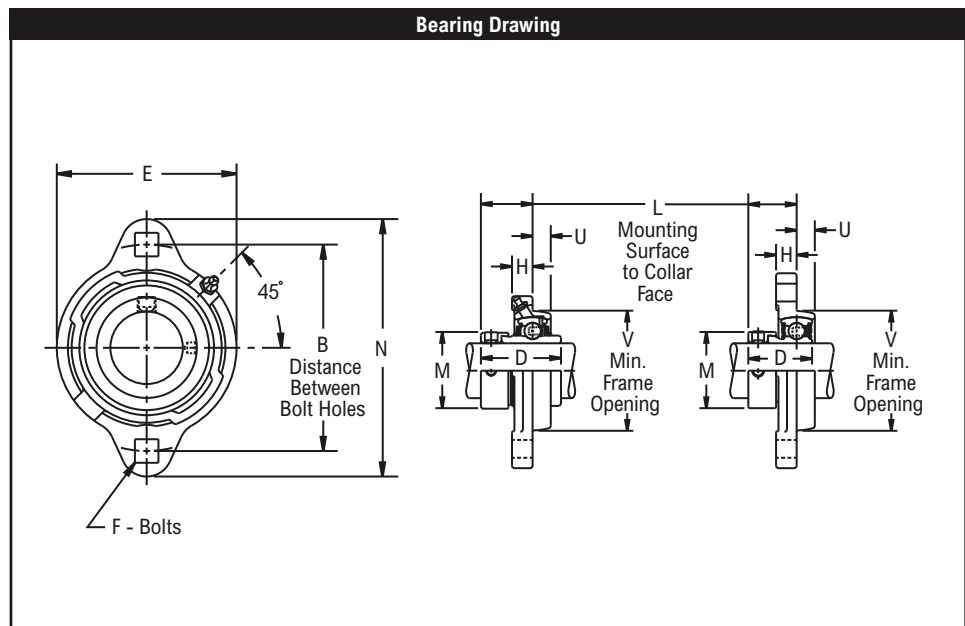
Load Ratings & Speed Limits, see Link-Belt Ball Bearing Load Ratings & Speed Limits section

Note: Dimensions subject to change. Certified dimensions of ordered material furnished on request.



Product Features

- Corrosion resistant powder coating
- High test iron housing
- Eccentric cam locking device
- Alignable & optional relubrication feature
- 2-bolt carriage inboard mounting
- See Features & Benefits for additional info.



Bearing Dimensions														
Size Code	Shaft Diameter	Non-Relubricatable	Relubricatable	B Distance Between Bolt Holes	L Mounting Surface to Collar Face	V Frame Opening	D	E	F	H	M	N	U	Approx. Weight
		Part Number	Part Number											
203	1/2	FXRW2B08E▲	FXRWG2B08E▲	2 1/2	7/8	1 7/8	1 1/8	2 3/16	1/4	3/8	1 1/8	3 3/16	21/64	0.50
	5/8	FXRW210E▲	FXRWG210E▲											
204	3/4	FXRW212E▲	FXRWG212E▲	2 13/16	59/64	2 5/32	1 7/32	2 15/32	5/16	27/64	1 5/16	3 9/16	23/64	0.70
205	7/8	FXRW214E▲	FXRWG214E▲	3	59/64	2 3/8	1 7/32	2 23/32	5/16	27/64	1 1/2	3 3/4	23/64	0.80
	15/16	FXRW215E▲	FXRWG215E▲											
	1	FXRW216E▲	FXRWG216E▲											
206	1 1/8	FXRW218E▲	FXRWG218E▲	3 9/16	1 3/64	2 13/16	1 13/32	3 3/32	3/8	15/32	1 3/4	4 7/16	27/64	1.20
	1 3/16	FXRW219E▲	FXRWG219E▲											
	1 1/4	FXRW2E20E▲	FXRWG2E20E▲											
207	1 1/4	FXRW220E▲	FXRWG220E▲	3 15/16	1 5/32	3 7/32	1 17/32	3 1/2	3/8	1/2	2 3/16	4 13/16	7/16	1.80
	1 3/8	FXRW222E▲	FXRWG222E▲											
	1 7/16	FXRW223E▲	FXRWG223E▲											

Additional Notes

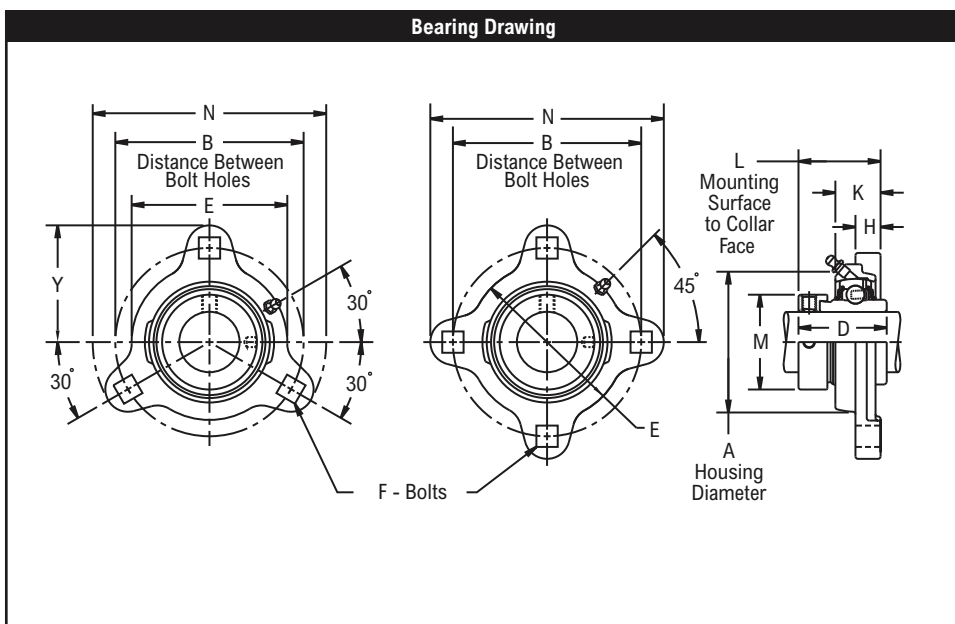
Please call 1-866-REXNORD for availability
 Lubrication fitting tap size: for size codes 204 and below, 10-32 UNF: for all other size codes, 1/4"-28 UNF
 Short shank square neck carriage bolt is not recommended
 ▲ E lip seals standard
 Selection Guide, see Link-Belt Ball Bearing Selection Guide section
 Load Ratings & Speed Limits, see Link-Belt Ball Bearing Load Ratings & Speed Limits section

Note: Dimensions subject to change. Certified dimensions of ordered material furnished on request.



Product Features

- Corrosion resistant powder coating
- High test iron housing
- Broad range of sealing options
- Wide inner ring for increased shaft stability
- Eccentric cam locking device
- Alignable & optional relubrication feature
- 3 or 4-bolt carriage outboard mounting
- See Features & Benefits for additional info.



Bearing Dimensions																
Size Code	Shaft Diameter	Non-Relubricatable		Relubricatable		B Distance Between Bolt Holes	L Mounting Surface to Collar Face	D	E	F	H	K	M	N	Y	Approx. Weight
		Part Number	A Housing Diameter	Part Number	A Housing Diameter											
3-Bolt																
203	1/2	FY2B08N*■	1 25/32	FYG2B08N*■	1 29/32	2 1/2	1 19/64	1 15/32	2 3/32	1/4	3/8	45/64	1 1/8	3 3/16	1 19/32	0.60
	5/8	FY210N*■		FYG210N*■												
	11/16	FY211N*■		FYG211N*■												
204	3/4	FY212N*■	2 1/16	FYG212N*■	2 3/16	2 13/16	1 15/32	1 23/32	2 3/8	5/16	27/64	25/32	1 5/16	3 9/16	1 25/32	0.80
205	7/8	FY214N*Δ	2 9/32	FYG214N*Δ	2 3/8	3	1 31/64	1 3/4	2 5/8	5/16	27/64	25/32	1 1/2	3 3/4	1 7/8	1.00
	15/16	FY215N*Δ		FYG215N*Δ												
	1	FY216N*Δ		FYG216N*Δ												
206	1 1/8	FY218N*■	2 23/32	FYG218N*■	2 13/16	3 9/16	1 21/32	1 29/32	3 3/32	3/8	15/32	57/64	1 3/4	4 7/16	2 7/32	1.40
	1 3/16	FY219N*■		FYG219N*■												
	1 1/4	FY220N*■		FYG220N*■												
207	1 1/4	FY220N*Δ	3 1/8	FYG220N*Δ	3 7/32	3 15/16	1 25/32	2 1/64	3 1/2	3/8	1/2	15/16	2 3/16	4 13/16	2 13/32	2.00
	1 3/8	FY222N*Δ		FYG222N*Δ												
	1 7/16	FY223N*Δ		FYG223N*Δ												
4-Bolt																
208	1 1/2	FY224N*Δ	3 15/32	FYG224N*Δ	3 21/32	4 11/16	2	2 7/32	3 7/8	1/2	5/8	1 1/8	2 3/8	5 13/16	-	3.00
209	1 5/8	FY226N*Δ	3 11/16	FYG226N*Δ	3 13/16	4 3/4	2	2 7/32	4 7/32	1/2	5/8	1 1/8	2 1/2	5 7/8	-	3.10
	1 11/16	FY227N*Δ		FYG227N*Δ												
	1 3/4	FY228N*Δ		FYG228N*Δ												
210	1 15/16	FY231N*Δ	3 7/8	FYG231N*Δ	4 1/16	5	2 1/8	2 15/32	4 15/32	1/2	5/8	1 1/8	2 3/4	6 1/8	-	3.60
	2	FY2E32N*Δ		FYG2E32N*Δ												

Additional Notes

Please call 1-866-REXNORD for availability

Lubrication fitting tap size: for size codes 204 and below, 10-32 UNF: for all other size codes, 1/4"-28 UNF

Loading slots are on mounting face side for non-relubricatable units

* N lip seals standard

■ Available with H labyrinth seals

Δ Available with E3 triple lip seals

Selection Guide, see Link-Belt Ball Bearing Selection Guide section

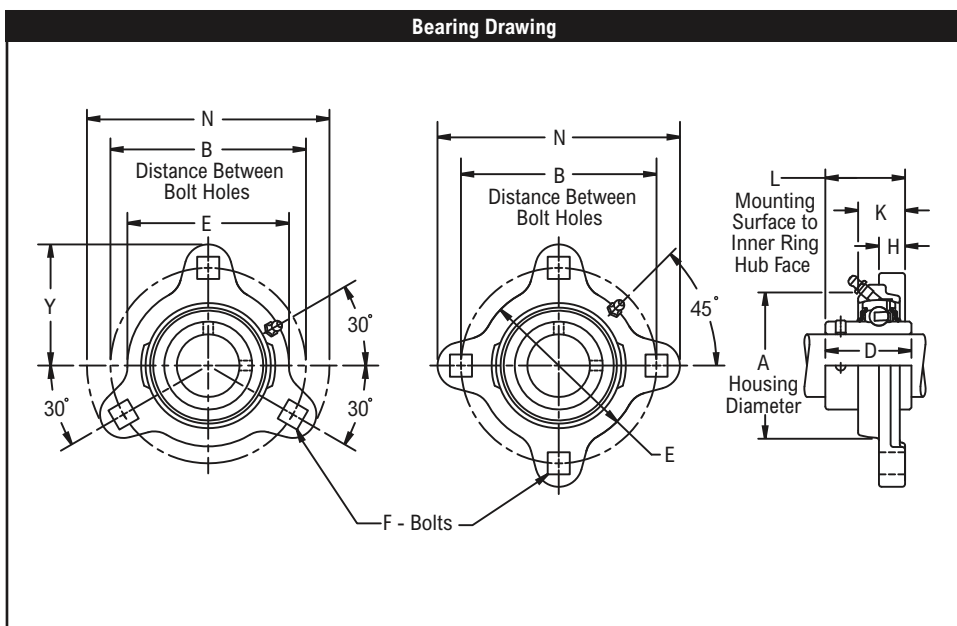
Load Ratings & Speed Limits, see Link-Belt Ball Bearing Load Ratings & Speed Limits section

Note: Dimensions subject to change. Certified dimensions of ordered material furnished on request.



Product Features

- Corrosion resistant powder coating
- High test iron housing
- Broad range of sealing options
- Wide inner ring for increased shaft stability
- Spring locking setscrew mount
- Alignable & optional relubrication feature
- 3 or 4-bolt carriage outboard mounting
- See Features & Benefits for additional info.



Bearing Dimensions															
Size Code	Shaft Diameter	Non-Relubricatable		Relubricatable		B Distance Between Bolt Holes	L Mounting Surface to Inner Ring Hub Face	D	E	F	H	K	N	Y	Approx. Weight
		Part Number	A Housing Diameter	Part Number	A Housing Diameter										
3-Bolt															
203	1/2	FU2B08N*■	1 25/32	FUG2B08N*■	1 29/32	2 1/2	1 1/64	1 3/32	2 3/32	1/4	3/8	45/64	3 3/16	1 19/32	0.60
	5/8	FU210N*■		FUG210N*■											
	11/16	FU211N*■		FUG211N*■											
204	3/4	FU212N*■	2 1/16	FUG212N*■	2 3/16	2 13/16	1 11/64	1 9/32	2 3/8	5/16	27/64	25/32	3 9/16	1 25/32	0.80
205	7/8	FU214N*Δ	2 9/32	FUG214N*Δ	2 3/8	3	1 7/32	1 23/64	2 5/8	5/16	27/64	25/32	3 3/4	1 7/8	1.00
	15/16	FU215N*Δ		FUG215N*Δ											
	1	FU216N*Δ		FUG216N*Δ											
206	1 1/8	FU218N*■	2 23/32	FUG218N*■	2 13/16	3 9/16	1 27/64	1 9/16	3 3/32	3/8	15/32	57/64	4 7/16	2 7/32	1.40
	1 3/16	FU219N*■		FUG219N*■											
	1 1/4	FU220N*■		FUG220N*■											
207	1 1/4	FU220N*Δ	3 1/8	FUG220N*Δ	3 7/32	3 15/16	1 39/64	1 49/64	3 1/2	3/8	1/2	15/16	4 13/16	2 13/32	2.00
	1 3/8	FU222N*Δ		FUG222N*Δ											
	1 7/16	FU223N*Δ		FUG223N*Δ											
4-Bolt															
208	1 1/2	FU224N*Δ	3 15/32	FUG224N*Δ	3 21/32	4 11/16	1 51/64	1 29/32	3 7/8	1/2	5/8	1 1/8	5 13/16	-	3.00
209	1 5/8	FU226N*Δ	3 11/16	FUG226N*Δ	3 13/16	4 3/4	1 55/64	2 1/32	4 7/32	1/2	5/8	1 1/8	5 7/8	-	3.10
	1 11/16	FU227N*Δ		FUG227N*Δ											
	1 3/4	FU228N*Δ		FUG228N*Δ											
210	1 15/16	FU231N*Δ	3 7/8	FUG231N*Δ	4 1/16	5	1 57/64	2 3/32	4 15/32	1/2	5/8	1 1/8	6 1/8	-	3.60
	2	FU2E32N*Δ		FUG2E32N*Δ											

Additional Notes

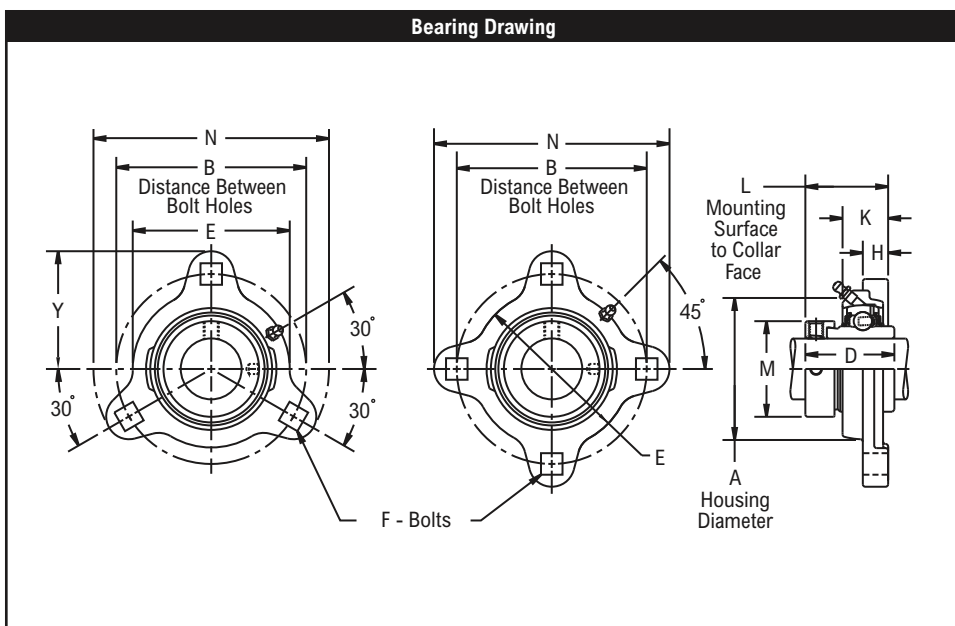
Please call 1-866-REXNORD for availability
 Lubrication fitting tap size: for size codes 204 and below, 10-32 UNF: for all other size codes, 1/4"-28 UNF
 Loading slots are on mounting face side for non-relubricatable units
 * N lip seals standard
 ■ Available with H labyrinth seals
 Δ Available with E3 triple lip seals
 Selection Guide, see Link-Belt Ball Bearing Selection Guide section

Load Ratings & Speed Limits, see Link-Belt Ball Bearing Load Ratings & Speed Limits section
 Note: Dimensions subject to change. Certified dimensions of ordered material furnished on request.



Product Features

- Corrosion resistant powder coating
- High test iron housing
- Eccentric cam locking device
- Alignable & optional relubrication feature
- 3 or 4-bolt carriage outboard mounting
- See Features & Benefits for additional info.



Bearing Dimensions																	
Size Code	Shaft Diameter	Non-Relubricatable		Relubricatable		B Distance Between Bolt Holes	L Mounting Surface to Collar Face	D	E	F	H	K	M	N	Y	Approx. Weight	
		Part Number	A Housing Diameter	Part Number	A Housing Diameter												
3-Bolt																	
203	1/2	FW2B08E▲	1 25/32	FWG2B08E▲	1 29/32	2 1/2	1 1/4	1 1/8	2 3/32	1/4	3/8	45/64	1 1/8	3 3/16	1 19/32	0.50	
		5/8		FW210E▲													FWG210E▲
204	3/4	FW212E▲	2 1/16	FWG212E▲	2 3/16	2 13/16	1 11/32	1 7/32	2 3/8	5/16	27/64	25/32	1 5/16	3 9/16	1 25/32	0.70	
205	7/8	FW214E▲	2 9/32	FWG214E▲	2 3/8	3	1 11/32	1 7/32	2 5/8	5/16	27/64	25/32	1 1/2	3 3/4	1 7/8	0.80	
		15/16		FW215E▲													FWG215E▲
		1		FW216E▲													FWG216E▲
206	1 1/8	FW218E▲	2 23/32	FWG218E▲	2 13/16	3 9/16	1 17/32	1 13/32	3 3/32	3/8	15/32	57/64	1 3/4	4 7/16	2 7/32	1.20	
		1 3/16		FW219E▲													FWG219E▲
		1 1/4		FW2E20E▲													FWG2E20E▲
207	1 1/4	FW220E▲	3 1/8	FWG220E▲	3 7/32	3 15/16	1 21/32	1 17/32	3 1/2	3/8	1/2	7/8	2 3/16	4 13/16	2 13/32	1.80	
		1 3/8		FW222E▲													FWG222E▲
		1 7/16		FW223E▲													FWG223E▲
4-Bolt																	
208	1 1/2	FW224E▲	3 15/32	FWG224E▲	3 21/32	4 11/16	1 29/32	1 23/32	3 7/8	1/2	5/8	1 1/8	2 3/8	5 13/16	-	2.80	
209	1 5/8	FW226E▲	3 11/16	FWG226E▲	3 13/16	4 3/4	1 29/32	1 23/32	4 7/32	1/2	5/8	1 1/8	2 1/2	5 7/8	-	2.90	
		1 11/16		FW227E▲													FWG227E▲
		1 3/4		FW228E▲													FWG228E▲
210	1 15/16	FW231E▲	3 7/8	FWG231E▲	4 1/16	5	1 29/32	1 23/32	4 15/32	1/2	5/8	1 1/8	2 3/4	6 1/8	-	3.10	
		2		FW2E32E▲													FWG2E32E▲

Additional Notes

Please call 1-866-REXNORD for availability

Lubrication fitting tap size: for size codes 204 and below, 10-32 UNF: for all other size codes, 1/4"-28 UNF

Loading slots are on mounting face side for non-relubricatable units

▲ E lip seals standard

Selection Guide, see Link-Belt Ball Bearing Selection Guide section

Load Ratings & Speed Limits, see Link-Belt Ball Bearing Load Ratings & Speed Limits section

Note: Dimensions subject to change. Certified dimensions of ordered material furnished on request.

FRY200, FRYG200

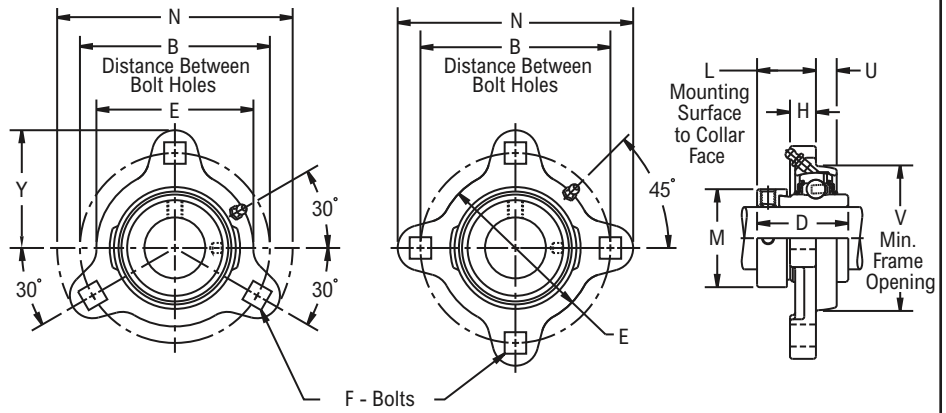


Photo Shows a 3-Bolt Ball Bearing Flanged Unit with High Test Iron Housing

Product Features

- Corrosion resistant powder coating
- High test iron housing
- Broad range of sealing options
- Wide inner ring for increased shaft stability
- Eccentric cam locking device
- Alignable & optional relubrication feature
- 3 or 4-bolt carriage inboard mounting
- See Features & Benefits for additional info.

Bearing Drawing



Bearing Dimensions

Size Code	Shaft Diameter	Non-Relubricatable	Relubricatable	B Distance Between Bolt Holes	L Mounting Surface to Collar Face	V Frame Opening	D	E	F	H	M	N	U	Y	Approx. Weight
		Part Number	Part Number												
3-Bolt															
203	1/2	FRY2B08N*■	FRYG2B08N*■	2 1/2	59/64	1 7/8	1 15/32	2 3/32	1/4	3/8	1 1/8	3 3/16	21/64	1 19/32	0.60
	5/8	FRY210N*■	FRYG210N*■												
	11/16	FRY211N*■	FRYG211N*■												
204	3/4	FRY212N*■	FRYG212N*■	2 13/16	1 3/64	2 5/32	1 23/32	2 3/8	5/16	27/64	1 5/16	3 9/16	23/64	1 25/32	0.80
205	7/8	FRY214N*Δ	FRYG214N*Δ	3	1 1/16	2 3/8	1 3/4	2 5/8	5/16	27/64	1 1/2	3 3/4	23/64	1 7/8	1.00
	15/16	FRY215N*Δ	FRYG215N*Δ												
	1	FRY216N*Δ	FRYG216N*Δ												
206	1 1/8	FRY218N*■	FRYG218N*■	3 9/16	1 3/16	2 13/16	1 25/32	3 3/32	3/8	15/32	1 3/4	4 7/16	27/64	2 7/32	1.40
	1 3/16	FRY219N*■	FRYG219N*■												
	1 1/4	FRY2E20N*■	FRYG2E20N*■												
207	1 1/4	FRY220N*Δ	FRYG220N*Δ	3 15/16	1 9/32	3 7/32	2 1/64	3 1/2	3/8	1/2	2 3/16	4 13/16	7/16	2 13/32	2.00
	1 3/8	FRY222N*Δ	FRYG222N*Δ												
	1 7/16	FRY223N*Δ	FRYG223N*Δ												
4-Bolt															
208	1 1/2	FRY224N*Δ	FRYG224N*Δ	4 11/16	1 3/8	3 9/16	2 7/32	3 7/8	1/2	5/8	2 3/8	5 13/16	1/2	-	3.00
209	1 5/8	FRY226N*Δ	FRYG226N*Δ	4 3/4	1 3/8	3 25/32	2 7/32	4 7/32	1/2	5/8	2 1/2	5 7/8	1/2	-	3.10
	1 11/16	FRY227N*Δ	FRYG227N*Δ												
	1 3/4	FRY228N*Δ	FRYG228N*Δ												
210	1 15/16	FRY231N*Δ	FRYG231N*Δ	5	1 1/2	3 31/32	2 15/32	4 15/32	1/2	5/8	2 3/4	6 1/8	1/2	-	3.60
	2	FRY2E32N*Δ	FRYG2E32N*Δ												

Additional Notes

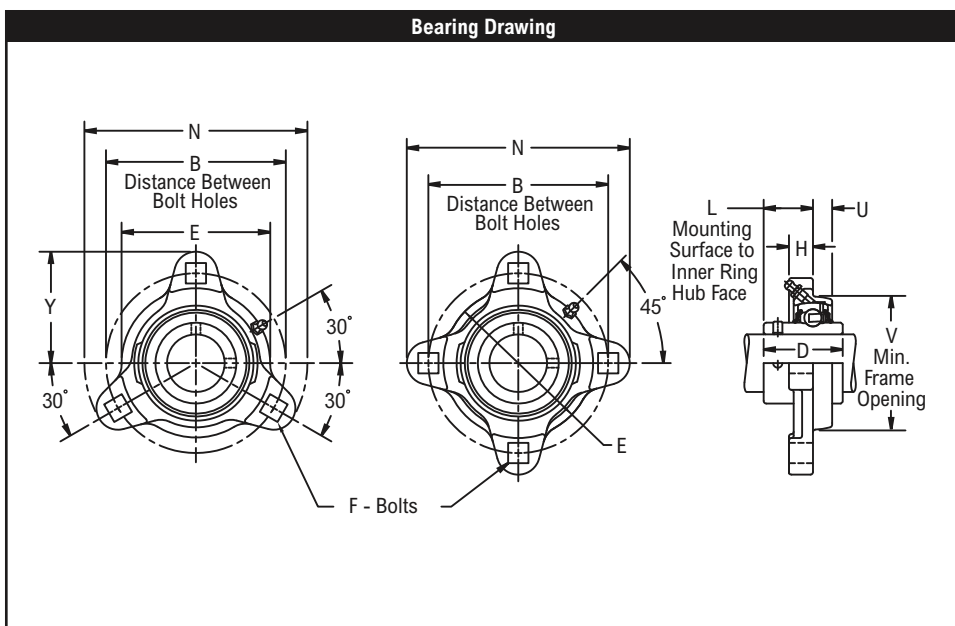
Please call 1-866-REXNORD for availability
 Lubrication fitting tap size: for size codes 204 and below, 10-32 UNF: for all other size codes, 1/4"-28 UNF
 Short shank square neck carriage bolt is not recommended
 * N lip seals standard
 ■ Available with H labyrinth seals
 Δ Available with E3 triple lip seals
 Selection Guide, see Link-Belt Ball Bearing Selection Guide section

Load Ratings & Speed Limits, see Link-Belt Ball Bearing Load Ratings & Speed Limits section
 Note: Dimensions subject to change. Certified dimensions of ordered material furnished on request.



Product Features

- Corrosion resistant powder coating
- High test iron housing
- Broad range of sealing options
- Wide inner ring for increased shaft stability
- Spring locking setscrew mount
- Alignable & optional relubrication feature
- 3 or 4-bolt carriage inboard mounting
- See Features & Benefits for additional info.



Bearing Dimensions														
Size Code	Shaft Diameter	Non-Relubricatable	Relubricatable	B Distance Between Bolt Holes	L Mounting Surface to Inner Ring Hub Face	V Frame Opening	D	E	F	H	N	U	Y	Approx. Weight
		Part Number	Part Number											
3-Bolt														
203	1/2	FRU2B08N*■	FRUG2B08N*■	2 1/2	41/64	1 7/8	1 3/32	2 3/32	1/4	3/8	3 3/16	21/64	1 19/32	0.60
	5/8	FRU210N*■	FRUG210N*■											
	11/16	FRU211N*■	FRUG211N*■											
204	3/4	FRU212N*■	FRUG212N*■	2 13/16	3/4	2 5/32	1 9/32	2 3/8	5/16	27/64	3 9/16	23/64	1 25/32	0.80
205	7/8	FRU214N*Δ■	FRUG214N*Δ■	3	51/64	2 3/8	1 23/64	2 5/8	5/16	27/64	3 3/4	23/64	1 7/8	1.00
	15/16	FRU215N*Δ■	FRUG215N*Δ■											
	1	FRU216N*Δ■	FRUG216N*Δ■											
206	1 1/8	FRU218N*■	FRUG218N*■	3 9/16	61/64	2 13/16	1 9/16	3 3/32	3/8	15/32	4 7/16	27/64	2 7/32	1.40
	1 3/16	FRU219N*■	FRUG219N*■											
	1 1/4	FRU2E20N*■	FRUG2E20N*■											
207	1 1/4	FRU220N*Δ■	FRUG220N*Δ■	3 15/16	1 7/64	3 7/32	1 49/64	3 1/2	3/8	1/2	4 13/16	7/16	2 13/32	2.00
	1 3/8	FRU222N*Δ■	FRUG222N*Δ■											
	1 7/16	FRU223N*Δ■	FRUG223N*Δ■											
4-Bolt														
208	1 1/2	FRU224N*Δ■	FRUG224N*Δ■	4 11/16	1 11/64	3 9/16	1 29/32	3 7/8	1/2	5/8	5 13/16	1/2	-	3.00
209	1 5/8	FRU226N*Δ■	FRUG226N*Δ■	4 3/4	1 15/64	3 25/32	2 1/32	4 7/32	1/2	5/8	5 7/8	1/2	-	3.10
	1 11/16	FRU227N*Δ■	FRUG227N*Δ■											
	1 3/4	FRU228N*Δ■	FRUG228N*Δ■											
210	1 15/16	FRU231N*Δ■	FRUG231N*Δ■	5	1 17/64	3 31/32	2 3/32	4 15/32	1/2	5/8	6 1/8	1/2	-	3.60
	2	FRU2E32N*Δ■	FRUG2E32N*Δ■											

Additional Notes

Please call 1-866-REXNORD for availability

Lubrication fitting tap size: for size codes 204 and below, 10-32 UNF: for all other size codes, 1/4"-28 UNF

Short shank square neck carriage bolt is not recommended

* N lip seals standard

■ Available with H labyrinth seals

Δ Available with E3 triple lip seals

Selection Guide, see Link-Belt Ball Bearing Selection Guide section

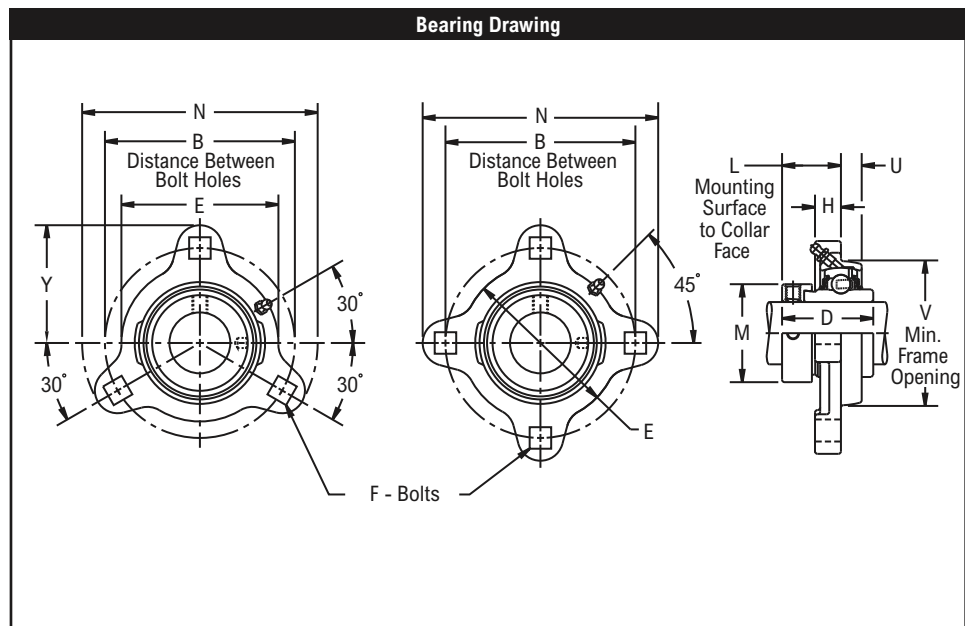
Load Ratings & Speed Limits, see Link-Belt Ball Bearing Load Ratings & Speed Limits section

Note: Dimensions subject to change. Certified dimensions of ordered material furnished on request.



Product Features

- Corrosion resistant powder coating
- High test iron housing
- Eccentric cam locking device
- Alignable & optional relubrication feature
- 3 or 4-bolt carriage inboard mounting
- See Features & Benefits for additional info.



Bearing Dimensions															Approx. Weight	
Size Code	Shaft Diameter	Non-Relubricatable Part Number	Relubricatable Part Number	B Distance Between Bolt Holes	L Mounting Surface to Collar Face	V Frame Opening	D	E	F	H	M	N	U	Y		
3-Bolt																
203	1/2	FRW2B08E▲	FRWG2B08E▲	2 1/2	7/8	1 7/8	1 1/8	2 3/32	1/4	3/8	1 1/8	3 3/16	21/64	1 19/32	0.50	
		5/8	FRW210E▲													FRWG210E▲
204	3/4	FRW212E▲	FRWG212E▲	2 13/16	59/64	2 5/32	1 7/32	2 3/8	5/16	27/64	1 5/16	3 9/16	23/64	1 25/32	0.70	
205	7/8	FRW214E▲	FRWG214E▲	3	59/64	2 3/8	1 7/32	2 5/8	5/16	27/64	1 1/2	3 3/4	23/64	1 7/8	0.80	
		15/16	FRW215E▲													FRWG215E▲
		1	FRW216E▲													FRWG216E▲
206	1 1/8	FRW218E▲	FRWG218E▲	3 9/16	1 3/64	2 13/16	1 13/32	3 3/32	3/8	15/32	1 3/4	4 7/16	27/64	2 7/32	1.20	
		1 3/16	FRW219E▲													FRWG219E▲
		1 1/4	FRW2E20E▲													FRWG2E20E▲
207	1 1/4	FRW220E▲	FRWG220E▲	3 15/16	1 5/32	3 7/32	1 17/32	3 1/2	3/8	1/2	2 3/16	4 13/16	7/16	2 13/32	1.80	
		1 3/8	FRW222E▲													FRWG222E▲
		1 7/16	FRW223E▲													FRWG223E▲
4-Bolt																
208	1 1/2	FRW224E▲	FRWG224E▲	4 11/16	1 9/32	3 9/16	1 23/32	3 7/8	1/2	5/8	2 3/8	5 13/16	1/2	-	2.80	
		1 5/8	FRW226E▲													FRWG226E▲
209	1 11/16	FRW227E▲	FRWG227E▲	4 3/4	1 9/32	3 25/32	1 23/32	4 7/32	1/2	5/8	2 1/2	5 7/8	1/2	-	2.90	
		1 3/4	FRW228E▲													FRWG228E▲
210	1 15/16	FRW231E▲	FRWG231E▲	5	1 9/32	3 31/32	1 23/32	4 15/32	1/2	5/8	2 3/4	6 1/8	1/2	-	3.10	
		2	FRW2E32E▲													FRWG2E32E▲

Additional Notes

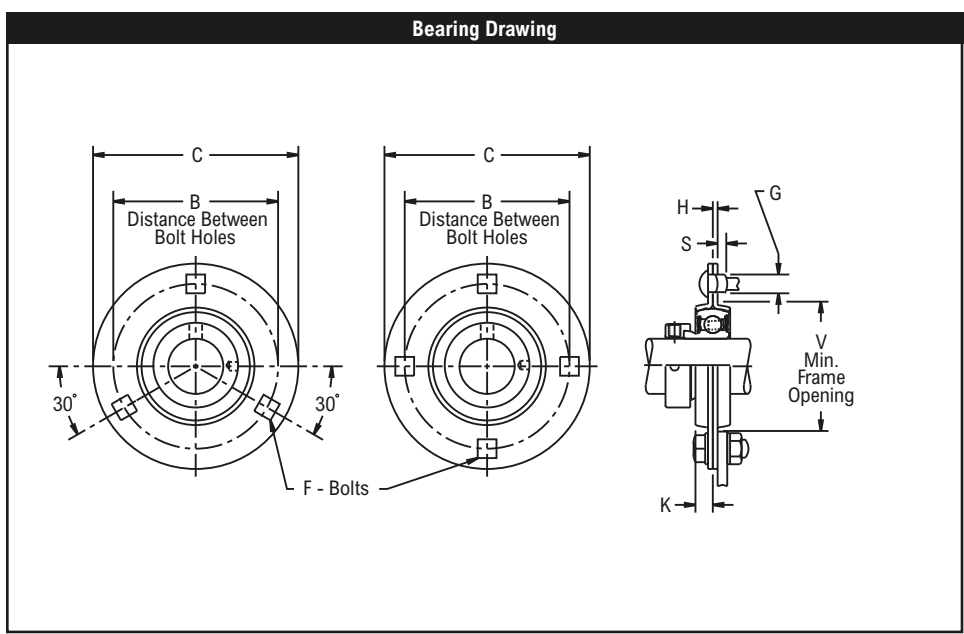
Please call 1-866-REXNORD for availability
 Lubrication fitting tap size: for size codes 204 and below, 10-32 UNF: for all other size codes, 1/4"-28 UNF
 Short shank square neck carriage bolt is not recommended
 ▲ E lip seals standard
 Selection Guide, see Link-Belt Ball Bearing Selection Guide section
 Load Ratings & Speed Limits, see Link-Belt Ball Bearing Load Ratings & Speed Limits section

Note: Dimensions subject to change. Certified dimensions of ordered material furnished on request.



Product Features

- 2-piece formed steel housing
- For collar mounted, round, square or hex bore bearings
- Alignable & non-relubricatable
- 3 or 4-bolt carriage mounting
- Bearing not included
- See Features & Benefits for additional info.



Bearing Dimensions

Size Code	Part Number	B Distance Between Bolt Holes	F		V Frame Opening	C	G	H	K	S Carriage Bolts		Radial Load Rating	Approx. Weight
			Hole Size	Bolt Size						Short Shank	Long S hank		
3-Bolt													
203	40MSC1	2 1/2	9/32	1/4	1 15/16	3 3/16	13/32	0.075	9/32	0.006	0.100	600	0.13
204	47MSC1	2 13/16	11/32	5/16	2 3/16	3 9/16	1/2	0.083	5/16	0.021	0.115	700	0.20
205	52MS2	3	11/32	5/16	2 3/8	3 3/4	1/2	0.104	11/32	0	0.073	1,100	0.30
	0.083							0.021		0.115	800		
206	62MSC1	3 9/16	13/32	3/8	2 13/16	4 7/16	19/32	0.104	11/32	0.011	0.104	1,100	0.35
207	72MS2	3 15/16	13/32	3/8	3 3/16	4 13/16	19/32	0.134	3/8	0	0.044	1,700	0.50
	0.149							0.014		1,900			
	0.104							0.011		0.104	1,400		
4-Bolt													
208	80MSC1	4 11/16	17/32	1/2	3 9/16	5 13/16	49/64	0.134	13/32	0.013	0.107	1,700	0.80
209	85MSC1	4 3/4	17/32	1/2	3 13/16	5 7/8	49/64	0.134	7/16	0.013	0.107	1,700	1.00
210	90MSC1	5	17/32	1/2	4	6 1/8	49/64	0.149	7/16	0	0.077	1,900	1.00
211	100MSC1	5 7/16	17/32	1/2	4 7/16	6 9/16	49/64	0.149	15/32	0	0.077	1,900	1.10

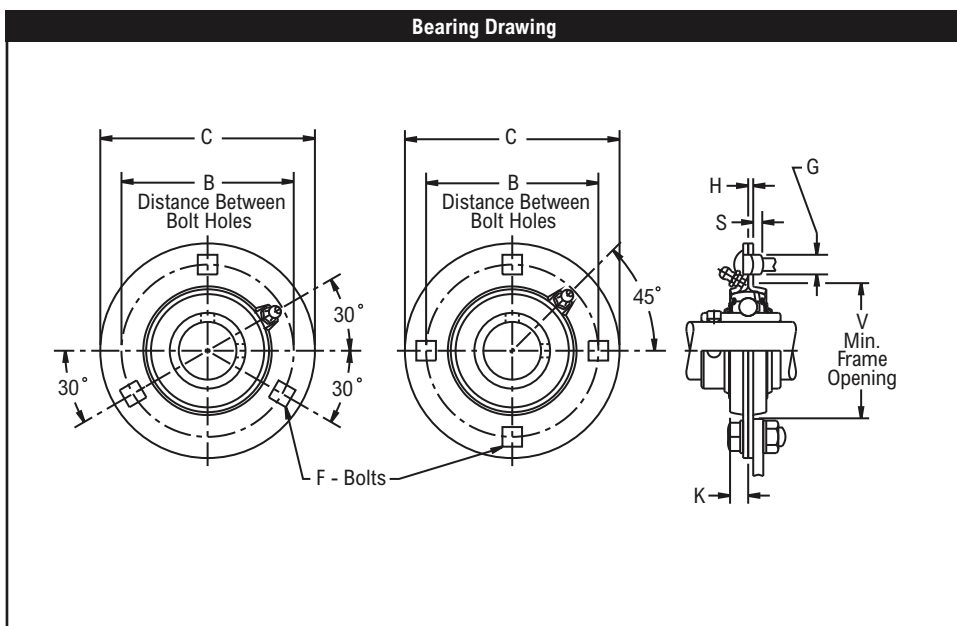
Additional Notes

Please call 1-866-REXNORD for availability
 Assembly requires two housing halves
 For bearing insert information, see Unmounted Ball Bearings section
 Note: Dimensions subject to change. Certified dimensions of ordered material furnished on request.



Product Features

- 2-piece formed steel housing
- For collar mounted, round, square or hex bore bearings
- Alignable & relubricatable
- 3 or 4-bolt carriage mounting
- Bearing not included
- See Features & Benefits for additional info.



Bearing Dimensions													
Size Code	Part Number	B Distance Between Bolt Holes	F		V Frame Opening	C	G	H	K	S Carriage Bolts		Radial Load Rating	Approx. Weight
			Hole Size	Bolt Size						Short Shank	Long Shank		
3-Bolt													
205	G52MSA	3	1 ¹¹ / ₃₂	5 ⁵ / ₁₆	2 ³ / ₈	3 ³ / ₄	1 ¹ / ₂	0.083	1 ¹¹ / ₃₂	0.021	0.115	800	0.30
206	G62MSA	3 ⁹ / ₁₆	1 ¹³ / ₃₂	3 ³ / ₈	2 ¹³ / ₁₆	4 ⁷ / ₁₆	1 ¹⁹ / ₃₂	0.104	3 ³ / ₈	0.011	0.104	1,100	0.50
	G62MSA3							0.134		0	0.044	1,400	
	G62MSB							0.104		0.011	0.104	1,100	
	G62MSB3							0.134		0	0.044	1,400	
207	G72MSA	3 ¹⁵ / ₁₆	1 ¹³ / ₃₂	3 ³ / ₈	3 ³ / ₁₆	4 ¹³ / ₁₆	1 ¹³ / ₃₂	0.134	7 ⁷ / ₁₆	0	0.044	1,400	0.50
	G72MSB												
4-Bolt													
208	G80MSA	4 ¹¹ / ₁₆	1 ¹⁷ / ₃₂	1 ¹ / ₂	3 ⁹ / ₁₆	5 ¹³ / ₁₆	4 ⁴⁹ / ₆₄	0.149	5 ⁵ / ₈	0.013	0.107	1,700	0.90
	G80MSB												
209	G85MSA	4 ³ / ₄	1 ¹⁷ / ₃₂	1 ¹ / ₂	3 ¹³ / ₁₆	5 ⁷ / ₈	4 ⁴⁹ / ₆₄	0.149	5 ⁵ / ₈	0.013	0.107	1,700	0.90
	G85MSB												
210	G90MSA	5	1 ¹⁷ / ₃₂	1 ¹ / ₂	4	6 ¹ / ₈	4 ⁴⁹ / ₆₄	0.164	1 ¹ / ₂	0	0.077	1,900	1.00
	G90MSB												
211	G100MSA	5 ⁷ / ₁₆	1 ¹⁷ / ₃₂	1 ¹ / ₂	4 ⁹ / ₁₆	6 ⁹ / ₁₆	4 ⁴⁹ / ₆₄	0.164	5 ⁵ / ₈	0	0.077	2,300	1.20
	G100MSB												

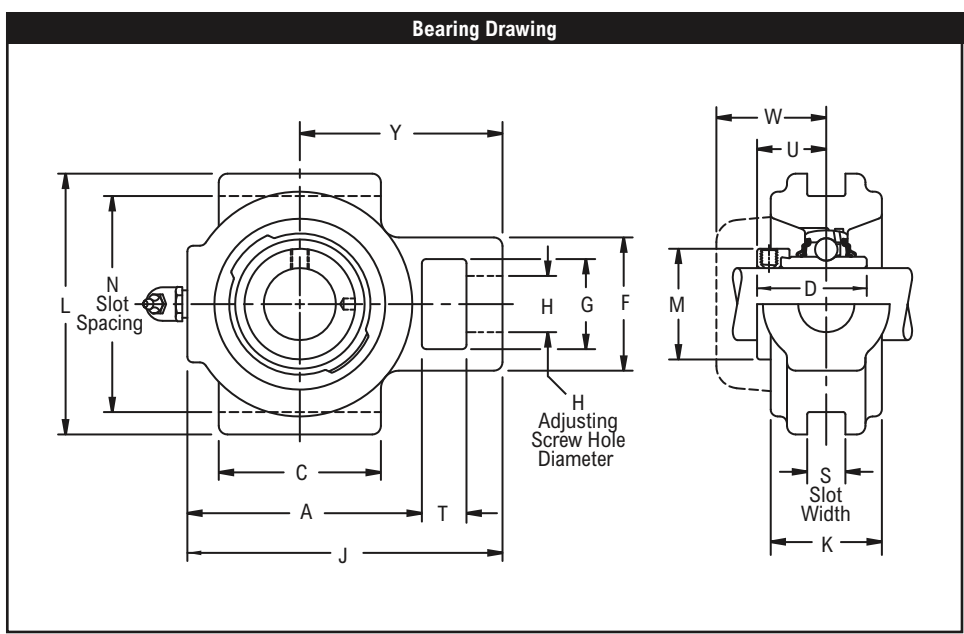
Additional Notes

Please call 1-866-REXNORD for availability
 Assembly requires one GMSA & one GMSB
 For bearing insert information, see Unmounted Ball Bearings section
 G100MSA & G100MSB hole tolerance +/- .015" (+/- .038mm)
 GMSA are housing halves with straight lube fittings
 GMSB are housing halves without fittings
 Note: Dimensions subject to change. Certified dimensions of ordered material furnished on request.



Photo Shows a Ball Bearing Take-Up Unit

- Product Features**
- Corrosion resistant powder coating
 - Cast iron housing
 - Standard slot design
 - Broad range of sealing options
 - Wide inner ring for increased shaft stability
 - Eccentric cam locking device
 - Alignable & relubricatable
 - See Features & Benefits for additional info.



Bearing Dimensions

Size Code	Shaft Diameter	Part Number	H Adjusting Screw Clearance	N Slot Spacing	S Slot Width	A	C	D	F	G	J	K	L	T	U	W	Y	Approx. Weight
203	5/8	T3Y210N*■	9/16	1.875	0.281	2 3/16	1 7/8	1 15/32	1 11/16	1 1/16	3	13/16	2 1/4	1/2	59/64	1 13/64	1 15/16	1.00
	11/16	T3Y211N*■																
	1/2	T3Y2B08N*■																
204	3/4	T3Y212N*■	9/16	2.125	0.281	2 1/2	1 7/8	1 23/32	1 11/16	1 1/16	3 5/16	15/16	2 5/8	1/2	1 3/64	1 5/16	2 3/32	1.50
205	7/8	T3Y214NA*■	9/16	2.375	0.281	2 3/4	2	1 3/4	1 11/16	1 1/16	3 9/16	1	2 7/8	1/2	1 1/16	1 5/16	2 7/32	2.00
	15/16	T3Y215NA*■																
	1	T3Y216NA*■																
206	1 1/8	T3Y218N*■	5/8	2.875	0.406	3 1/4	2 3/8	1 29/32	1 7/8	1 1/8	4 3/16	1 3/32	3 1/2	9/16	1 3/16	1 29/64	2 19/32	3.00
	1 3/16	T3Y219N*■																
	1 1/4	T3Y2E20N*■																
207	1 1/4	T3Y220NA*■	11/16	3.375	0.406	3 11/16	2 5/8	2 1/64	2	1 1/4	4 11/16	1 3/16	4	5/8	1 9/32	1 35/64	2 7/8	3.40
	1 3/8	T3Y222NA*■																
	1 7/16	T3Y223NA*■																
208	1 1/2	T3Y224NA*■	11/16	3.500	0.406	4 1/16	2 7/8	2 7/32	2	1 1/4	5 1/8	1 11/32	4 1/8	5/8	1 3/8	1 41/64	3 1/8	4.50
	1 5/8	T3Y226NA*■																
209	1 11/16	T3Y227NA*■	7/8	3.750	0.406	4 5/16	3 1/8	2 7/32	2 1/4	1 7/16	5 3/8	1 3/8	4 1/2	5/8	1 3/8	1 21/32	3 1/4	5.30
	1 3/4	T3Y228NA*■																
	1 15/16	T3Y231NA*■																
210	2	T3Y232NA*■	7/8	4.000	0.406	4 9/16	3 1/4	2 15/32	2 1/4	1 7/16	5 5/8	1 13/32	4 3/4	5/8	1 1/2	1 53/64	3 3/8	6.00
	2 3/16	T3Y235NA*■																
211	2 3/16	T3Y235NA*■	1 1/8	4.500	0.531	5	3 3/4	2 13/16	2 7/8	1 15/16	6 1/4	1 9/16	5 1/4	3/4	1 23/32	2 1/64	3 25/32	7.60

Additional Notes

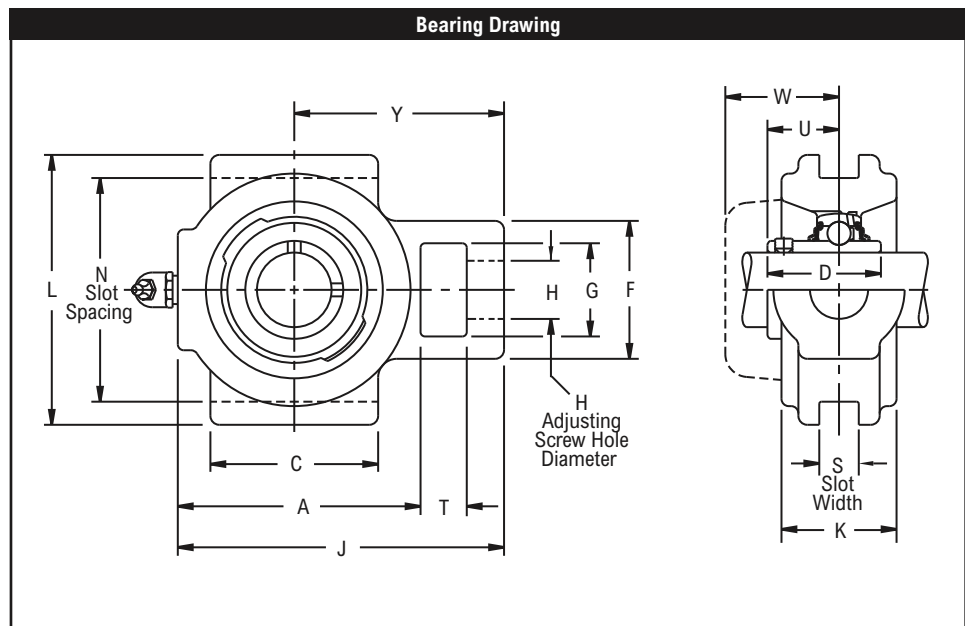
Please call 1-866-REXNORD for availability
 Lubrication fitting tap size: for size code 203, 1/4"-28 UNF; for all other size codes, 1/8" PT
 * N lip seals standard
 ■ Available with H labyrinth seals
 Δ Available with E3 triple lip seals
 Selection Guide, see Link-Belt Ball Bearing Selection Guide section

Load Ratings & Speed Limits, see Link-Belt Ball Bearing Load Ratings & Speed Limits section
 Note: Dimensions subject to change. Certified dimensions of ordered material furnished on request.



Product Features

- Corrosion resistant powder coating
- Cast iron housing
- Standard slot design
- Broad range of sealing options
- Wide inner ring for increased shaft stability
- Spring locking setscrew mount
- Alignable & relubricatable
- See Features & Benefits for additional info.



Bearing Dimensions																		
Size Code	Shaft Diameter	Part Number	H Adjusting Screw Clearance	N Slot Spacing	S Slot Width	A	C	D	F	G	J	K	L	T	U	W	Y	Approx. Weight
203	5/8	T3U210N*■	9/16	1 7/8	0.281	2 3/16	1 7/8	1 3/32	1 11/16	1 1/16	3	13/16	2 1/4	1/2	41/64	1 13/64	1 15/16	1.00
	11/16	T3U211N*■																0.45
	1/2	T3U2B08N*■																0.68
	17.00	T3U2M17N*■	14.30	47.620	7.140	55.60	47.60	27.78	42.90	27.00	76.20	20.60	57.20	12.70	16.30	30.60	49.20	0.45
204	3/4	T3U212N*■	9/16	2 1/8	0.281	2 1/2	1 7/8	1 9/32	1 11/16	1 1/16	3 5/16	15/16	2 5/8	1/2	3/4	1 5/16	2 3/32	1.50
	20.00	T3U2M20N*■																0.68
	20.00	T3U2M20N*■	14.30	53.980	7.140	63.50	47.60	32.54	42.90	27.00	84.10	23.80	66.70	12.70	19.00	33.30	53.20	0.68
205	7/8	T3U214N*Δ	9/16	2 3/8	0.281	2 3/4	2	1 23/64	1 11/16	1 1/16	3 9/16	1	2 7/8	1/2	51/64	1 5/16	2 7/32	2.00
	15/16	T3U215N*Δ																0.90
	1	T3U216N*Δ																0.90
	25.00	T3U2M25N*Δ	14.30	60.320	7.140	69.80	50.80	34.53	42.90	27.00	90.50	25.40	73.00	12.70	20.20	33.30	56.40	0.90
206	1 1/8	T3U218N*■	5/8	2 7/8	0.406	3 1/4	2 3/8	1 9/16	1 7/8	1 1/8	4 3/16	1 3/32	3 1/2	9/16	61/64	1 29/64	2 19/32	3.00
	1 3/16	T3U219N*■																1.35
	1 1/4	T3U2E20N*■																1.35
	30.00	T3U2M30N*■	15.90	73.020	10.310	82.60	60.30	39.69	47.60	28.60	106.40	27.80	88.90	14.30	24.20	36.90	65.90	1.35
207	1 1/4	T3U220N*Δ	11/16	3 3/8	0.406	3 11/16	2 5/8	1 49/64	2	1 1/4	4 11/16	1 3/16	4	5/8	1 7/64	1 35/64	2 7/8	3.40
	1 3/8	T3U222N*Δ																1.50
	1 7/16	T3U223N*Δ																1.50
	35.00	T3U2M35N*Δ	17.50	85.720	10.310	93.70	66.70	44.85	50.80	31.80	119.10	30.20	101.60	15.90	28.20	39.30	73.00	1.50
208	1 1/2	T3U224N*Δ	11/16	3 1/2	0.406	4 1/16	2 7/8	1 29/32	2	1 1/4	5 1/8	1 11/32	4 1/8	5/8	1 11/64	1 41/64	3 1/8	4.50
	40.00	T3U2M40N*Δ																2.00
	40.00	T3U2M40N*Δ	17.50	88.900	10.310	103.20	73.00	48.42	50.80	31.80	130.20	34.10	104.80	15.90	29.80	41.70	79.40	2.00
209	1 5/8	T3U226N*Δ	7/8	3 3/4	0.406	4 5/16	3 1/8	2 1/32	2 1/4	1 7/16	5 3/8	1 3/8	4 1/2	5/8	1 15/64	1 21/32	3 1/4	5.30
	1 11/16	T3U227N*Δ																2.40
	1 3/4	T3U228N*Δ																2.40
	45.00	T3U2M45N*Δ	22.20	95.250	10.310	109.50	79.40	51.59	57.20	36.50	136.50	34.90	114.30	15.90	31.40	42.10	82.60	2.40
210	1 15/16	T3U231N*Δ	7/8	4	0.406	4 9/16	3 1/4	2 3/32	2 1/4	1 7/16	5 5/8	1 13/32	4 3/4	5/8	1 17/64	1 53/64	3 3/8	6.00
	2	T3U2E32N*Δ																2.70
	50.00	T3U2M50N*Δ	22.20	101.600	10.310	115.90	82.60	53.18	57.20	36.50	142.90	35.70	120.60	15.90	32.10	46.40	85.70	2.70
211	2	T3U232N*Δ	1 1/8	4 1/2	0.531	5	3 3/4	2 1/4	2 7/8	1 15/16	6 1/4	1 9/16	5 1/4	3/4	1 13/32	2 1/64	3 25/32	7.60
	2 3/16	T3U235N*Δ																3.40
	55.00	T3U2M55N*Δ	28.60	114.300	13.490	127.00	95.20	57.15	73.00	49.20	158.80	39.70	133.40	19.00	35.70	51.20	96.00	3.40

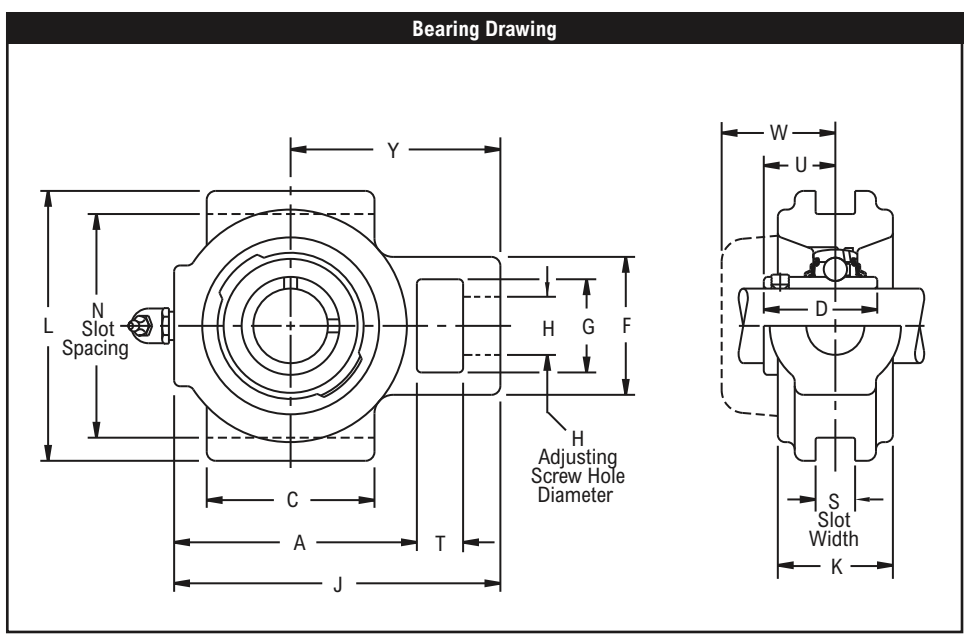
Additional Notes

Please call 1-866-REXNORD for availability
 Lubrication fitting tap size: for size code 203, 1/4"-28 UNF; for all other size codes, 1/8" PT
 * N lip seals standard
 ■ Available with H labyrinth seals
 Δ Available with E3 triple lip seals
 Selection Guide, see Link-Belt Ball Bearing Selection Guide section

Load Ratings & Speed Limits, see Link-Belt Ball Bearing Load Ratings & Speed Limits section
 Note: Dimensions subject to change. Certified dimensions of ordered material furnished on request.



- Product Features**
- Corrosion resistant powder coating
 - Cast iron housing
 - Standard slot design
 - Spring locking setscrew mount
 - Alignable & relubricatable
 - See Features & Benefits for additional info.



Bearing Dimensions

Size Code	Shaft Diameter	Part Number	H Adjusting Screw Clearance	S Take-up Slot Width	N Take-up Slot Spacing	A	C	D	F	G	J	K	L	T	U	W	Y	Approx. Weight
204	3/4	T3S212E▲	9/16	0.281	2 1/8	2 1/2	1 7/8	1 1/8	1 11/16	1 1/16	3 5/16	1 5/16	2 5/8	1/2	3/4	1 5/16	2 3/32	1.50
205	7/8	T3S214E▲	9/16	0.281	2 3/8	2 3/4	2	1 11/64	1 11/16	1 1/16	3 9/16	1	2 7/8	1/2	5 1/64	1 5/16	2 7/32	2.00
	15/16	T3S215E▲																
	1	T3S216E▲																
206	1 1/8	T3S218E▲	5/8	0.406	2 7/8	3 1/4	2 3/8	1 11/32	1 7/8	1 1/8	4 3/16	1 3/32	3 1/2	9/16	6 1/64	1 29/64	2 19/32	3.00
	1 3/16	T3S219E▲																
	1 1/4	T3S220E▲																
207	1 1/4	T3S220E▲	11/16	0.406	3 3/8	3 11/16	2 5/8	1 9/16	2	1 1/4	4 11/16	1 3/16	4	5/8	1 7/64	1 35/64	2 7/8	3.40
	1 3/8	T3S222E▲																
	1 7/16	T3S223E▲																
208	1 1/2	T3S224E▲	11/16	0.406	3 1/2	4 1/16	2 7/8	1 21/32	2	1 1/4	5 1/8	1 11/32	4 1/8	5/8	1 11/64	1 41/64	3 1/8	4.50
	1 5/8	T3S226E▲																
209	1 11/16	T3S227E▲	7/8	0.406	3 3/4	4 5/16	3 1/8	1 49/64	2 1/4	1 7/16	5 3/8	1 3/8	4 1/2	5/8	1 15/64	1 21/32	3 1/4	5.30
	1 3/4	T3S228E▲																
	1 15/16	T3S231E▲																
210	1 15/16	T3S231E▲	7/8	0.406	4	4 9/16	3 1/4	1 13/16	2 1/4	1 7/16	5 5/8	1 13/32	4 3/4	5/8	1 17/64	1 53/64	3 3/8	6.00

Additional Notes

Please call 1-866-REXNORD for availability
 Lubrication fitting tap size, 1/8" PT
 E lip seals standard
 Selection Guide, see Link-Belt Ball Bearing Selection Guide section
 Load Ratings & Speed Limits, see Link-Belt Ball Bearing Load Ratings & Speed Limits section
 Note: Dimensions subject to change. Certified dimensions of ordered material furnished on request.

TH3Y200

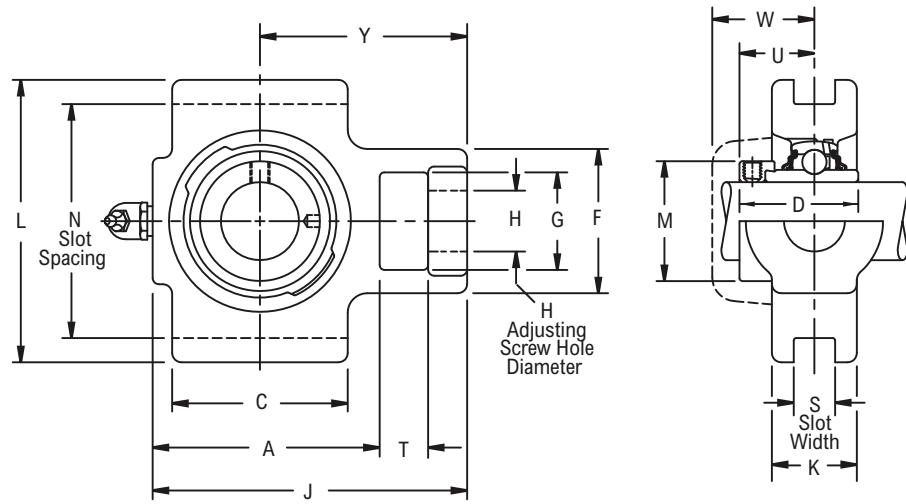


Photo Shows a Ball Bearing Take-Up Unit

Product Features

- Corrosion resistant powder coating
- Cast iron housing
- Wide slot design
- Broad range of sealing options
- Wide inner ring for increased shaft stability
- Eccentric cam locking device
- Alignable & relubricatable
- See Features & Benefits for additional info.

Bearing Drawing



Bearing Dimensions

Size Code	Shaft Diameter	Part Number	H Adjusting Screw Clearance	S Slot Width	N Slot Spacing	A	C	D	F	G	J	K	L	T	U	W	Y	Approx. Weight
204	3/4	TH3Y212N*■	3/4	0.531	3	2 27/32	2 1/4	1 23/32	1 7/8	1 1/4	3 31/32	1 1/16	3 5/8	5/8	1 3/64	1 5/16	2 21/32	2.40
205	7/8	TH3Y214N*Δ	3/4	0.531	3	2 29/32	2 1/4	1 3/4	1 27/32	1 1/4	4 1/32	1 3/32	3 5/8	5/8	1 1/16	1 5/16	2 21/32	2.70
	15/16	TH3Y215N*Δ																
206	1	TH3Y216N*Δ	7/8	0.531	3 1/2	3 11/32	2 1/2	1 29/32	2 3/16	1 7/16	4 15/32	1 3/32	4 1/8	5/8	1 3/16	1 29/64	2 27/32	3.20
	1 1/8	TH3Y218N*■																
	1 3/16	TH3Y219N*■																
207	1 1/4	TH3Y220N*Δ	7/8	0.531	3 1/2	3 11/16	2 3/4	2 1/64	2 5/16	1 7/16	4 13/16	1 3/16	4 1/8	5/8	1 9/32	1 5/8	2 31/32	4.00
	1 3/8	TH3Y222N*Δ																
	1 7/16	TH3Y223N*Δ																
208	1 1/2	TH3Y224N*Δ	1 1/8	0.688	3.969	4 3/16	3 1/4	2 7/32	2 27/32	1 15/16	5 9/16	1 5/16	4 3/4	3/4	1 3/8	1 41/64	3 15/32	5.30
	1 5/8	TH3Y226N*Δ																
209	1 11/16	TH3Y227N*Δ	1 1/8	0.688	3.969	4 3/16	3 1/4	2 7/32	2 7/8	1 15/16	5 9/16	1 3/8	4 3/4	3/4	1 3/8	1 3/4	3 15/32	5.30
	1 3/4	TH3Y228N*Δ																
210	1 15/16	TH3Y231N*Δ	1 1/8	0.688	3.969	4 9/16	3 3/8	2 15/32	2 7/8	1 15/16	5 15/16	1 43/64	4 3/4	3/4	1 1/2	1 25/32	3 19/32	6.60
	2	TH3Y2E32N*■																
211	2	TH3Y232N*Δ	1 3/8	1.062	5.094	5 7/16	4	2 13/16	3 19/32	2 1/2	7 7/16	1 3/4	5 7/8	1 1/4	1 23/32	2 1/64	4 23/32	13.50
	2 3/16	TH3Y235N*Δ																
212	2 1/4	TH3Y236N*Δ	1 3/8	1.062	5.094	5 7/16	4	3 1/16	3 19/32	2 1/2	7 7/16	2 1/16	5 7/8	1 1/4	1 27/32	2 7/64	4 23/32	12.90
	2 3/8	TH3Y238N*Δ																
	2 7/16	TH3Y239N*Δ																

Additional Notes

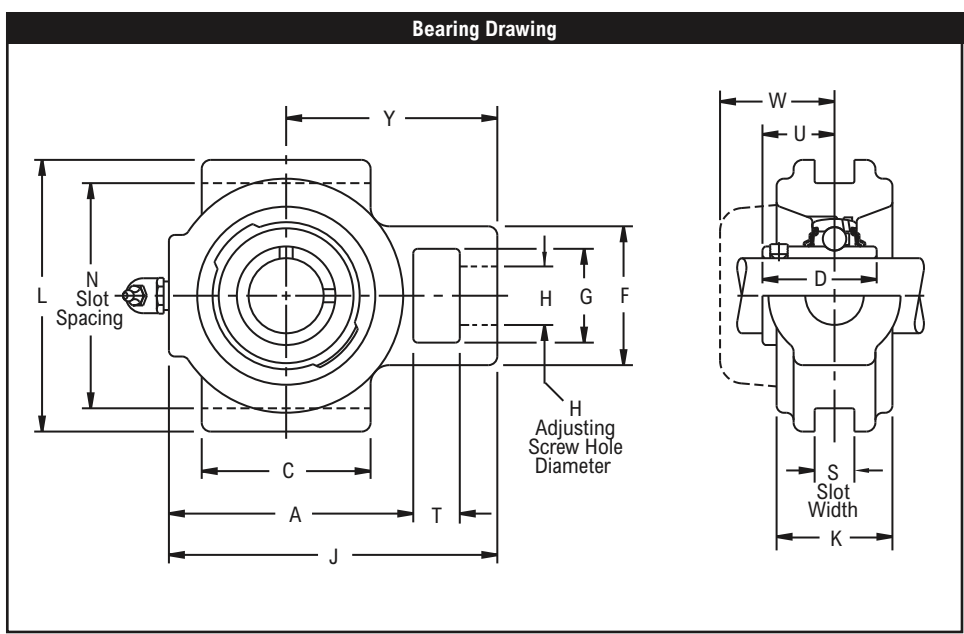
Please call 1-866-REXNORD for availability
 Lubrication fitting tap size, 1/8" PT
 * N lip seals standard
 ■ Available with H labyrinth seals
 Δ Available with E3 triple lip seals
 Selection Guide, see Link-Belt Ball Bearing Selection Guide section
 Load Ratings & Speed Limits, see Link-Belt Ball Bearing Load Ratings & Speed Limits section

Note: Dimensions subject to change. Certified dimensions of ordered material furnished on request.



Product Features

- Corrosion resistant powder coating
- Cast iron housing
- Wide slot design
- Broad range of sealing options
- Wide inner ring for increased shaft stability
- Spring locking setscrew mount
- Alignable & relubricatable
- See Features & Benefits for additional info.



Bearing Dimensions																		
Size Code	Shaft Diameter	Part Number	H Adjusting Screw Clearance	N Slot Spacing	S Slot Width	A	C	D	F	G	J	K	L	T	U	W	Y	Approx. Weight
204	3/4	TH3U212N*■	3/4	3	0.531	2 27/32	2 1/4	1 9/32	1 7/8	1 1/4	3 31/32	1 1/16	3 5/8	5/8	3/4	1 5/16	2 21/32	2.40
205	7/8	TH3U214N*Δ	3/4	3	0.531	2 29/32	2 1/4	1 23/64	1 27/32	1 1/4	4 1/32	1 3/32	3 5/8	5/8	5 1/64	1 5/16	2 21/32	2.70
	15/16	TH3U215N*Δ																
	1	TH3U216N*Δ																
206	1 1/8	TH3U218N*■	7/8	3 1/2	0.531	3 11/32	2 1/2	1 9/16	2 3/16	1 7/16	4 15/32	1 3/32	4 1/8	5/8	6 1/64	1 29/64	2 27/32	3.20
	1 3/16	TH3U219N*■																
	1 1/4	TH3U220N*■																
207	1 1/4	TH3U220N*Δ	7/8	3 1/2	0.531	3 11/16	2 3/4	1 49/64	2 5/16	1 7/16	4 13/16	1 3/16	4 1/8	5/8	1 7/64	1 35/64	2 31/32	4.00
	1 3/8	TH3U222N*Δ																
	1 7/16	TH3U223N*Δ																
208	1 1/2	TH3U224N*Δ	1 1/8	3.969	0.688	4 3/16	3 1/4	1 29/32	2 27/32	1 15/16	5 9/16	1 5/16	4 3/4	3/4	1 11/64	1 41/64	3 15/32	5.30
	1 5/8	TH3U226N*Δ																
	1 11/16	TH3U227N*Δ																
209	1 3/4	TH3U228N*Δ	1 1/8	3.969	0.688	4 3/16	3 1/4	2 1/32	2 7/8	1 15/16	5 9/16	1 3/8	4 3/4	3/4	1 15/64	1 21/32	3 15/32	5.30
	1 15/16	TH3U231N*Δ																
	2	TH3U232N*Δ																
210	1 15/16	TH3U231N*Δ	1 1/8	3.969	0.688	4 9/16	3 3/8	2 3/32	2 7/8	1 15/16	5 15/16	1 43/64	4 3/4	3/4	1 17/64	1 25/32	3 19/32	6.60
	2	TH3U232N*Δ																
	2	TH3U232N*Δ																
211	2	TH3U232N*Δ	1 3/8	5.094	1.062	5 7/16	4	2 1/4	3 19/32	2 1/2	7 7/16	1 3/4	5 7/8	1 1/4	1 13/32	2 1/64	4 23/32	13.50
	2 3/16	TH3U235N*Δ																
	2 1/4	TH3U236N*Δ																
212	2 3/8	TH3U238N*Δ	1 3/8	5.094	1.062	5 7/16	4	2 1/2	3 19/32	2 1/2	7 7/16	2 1/16	5 7/8	1 1/4	1 9/16	2 7/64	4 23/32	12.90
	2 7/16	TH3U239N*Δ																

Additional Notes

Please call 1-866-REXNORD for availability
 Lubrication fitting tap size, 1/8" PT
 * N lip seals standard
 ■ Available with H labyrinth seals
 Δ Available with E3 triple lip seals
 Selection Guide, see Link-Belt Ball Bearing Selection Guide section
 Load Ratings & Speed Limits, see Link-Belt Ball Bearing Load Ratings & Speed Limits section

Note: Dimensions subject to change. Certified dimensions of ordered material furnished on request.

TH3S200

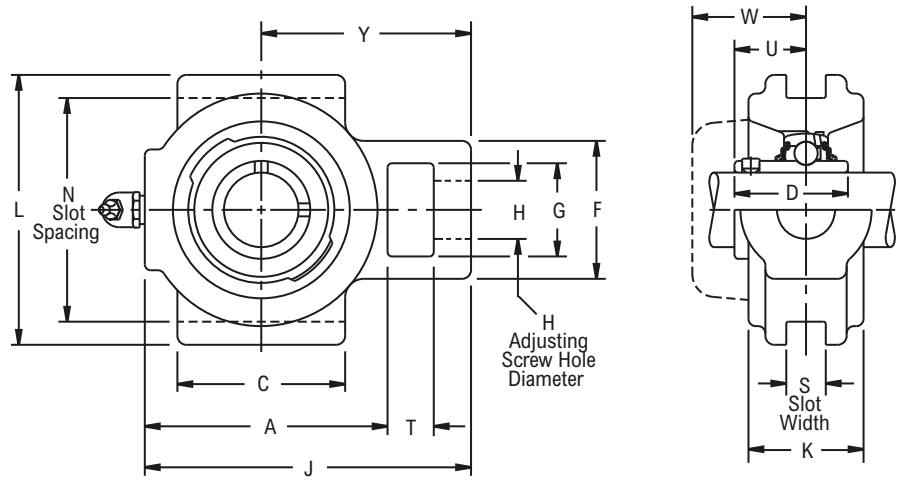


Photo Shows a Ball Bearing Take-Up Unit

Product Features

- Corrosion resistant powder coating
- Cast iron housing
- Wide slot design
- Spring locking setscrew mount
- Alignable & relubricatable
- See Features & Benefits for additional info.

Bearing Drawing

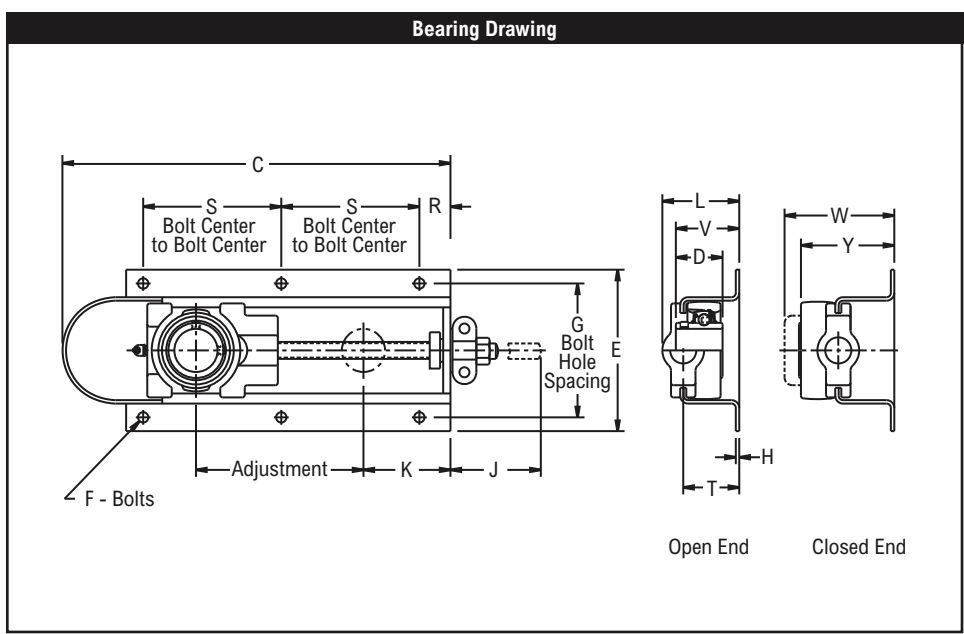
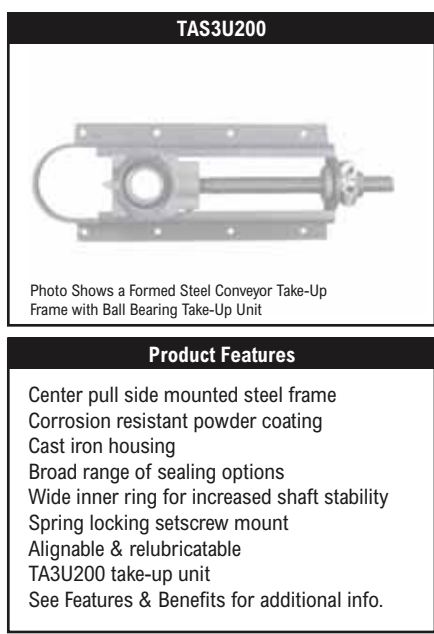


Bearing Dimensions

Size Code	Shaft Diameter	Part Number	H Adjusting Screw Clearance	N Take-up Slot Spacing	S Take-up Slot Width	A	C	D	F	G	J	K	L	T	U	W	Y	Approx. Weight
204	3/4	TH3S212E▲	3/4	3	0.531	2 27/32	2 1/4	1 1/8	1 7/8	1 1/4	3 31/32	1 1/16	3 5/8	5/8	3/4	1 5/16	2 21/32	2.40
205	7/8	TH3S214E▲	3/4	3	0.531	2 29/32	2 1/4	1 11/64	1 27/32	1 1/4	4 1/32	1 3/32	3 5/8	5/8	51/64	1 5/16	2 21/32	2.70
	15/16	TH3S215E▲																
	1	TH3S216E▲																
206	1 1/8	TH3S218E▲	7/8	3 1/2	0.531	3 11/32	2 1/2	1 11/32	2 3/16	1 7/16	4 15/32	1 3/32	4 1/8	5/8	61/64	1 29/64	2 27/32	3.20
	1 3/16	TH3S219E▲																
	1 1/4	TH3S2E20E▲																
207	1 1/4	TH3S220E▲	7/8	3 1/2	0.531	3 11/16	2 3/4	1 9/16	2 5/16	1 7/16	4 13/16	1 3/16	4 1/8	5/8	1 7/64	1 5/8	2 31/32	4.00
	1 3/8	TH3S222E▲																
	1 7/16	TH3S223E▲																
208	1 1/2	TH3S224E▲	1 1/8	3.969	0.688	4 3/16	3 1/4	1 21/32	2 27/32	1 15/16	5 9/16	1 5/16	4 3/4	3/4	1 11/64	1 41/64	3 15/32	5.30
	1 5/8	TH3S226E▲																
	209	1 11/16																
1 3/4		TH3S228E▲																
210	1 15/16	TH3S231E▲	1 1/8	3.969	0.688	4 9/16	3 3/8	1 13/16	2 7/8	1 15/16	5 15/16	1 43/64	4 3/4	3/4	1 17/64	1 25/32	3 19/32	6.60

Additional Notes

Please call 1-866-REXNORD for availability
 Lubrication fitting tap size, 1/8" PT
 ▲ E lip seals standard
 Selection Guide, see Link-Belt Ball Bearing Selection Guide section
 Load Ratings & Speed Limits, see Link-Belt Ball Bearing Load Ratings & Speed Limits section
 Note: Dimensions subject to change. Certified dimensions of ordered material furnished on request.



Product Features

- Center pull side mounted steel frame
- Corrosion resistant powder coating
- Cast iron housing
- Broad range of sealing options
- Wide inner ring for increased shaft stability
- Spring locking setscrew mount
- Alignable & relubricatable
- TAS3U200 take-up unit
- See Features & Benefits for additional info.

Bearing Dimensions

Size Code	Shaft Diameter	Adjust. Length	Part Number	G Bolt Hole Spacing	S Bolt Center to Bolt Center	C	D	E	F	H	J	K	L	R	T	V	W	Y	Approx. Weight
205	1 ^{5/16}	6	TAS3U215N6*Δ	4 1/8	4 1/2	13 1/4	1 23/64	4 7/8	5/16	1/8	7 3/16	3 3/8	2 5/16	1 1/2	1 5/8	1 51/64	3 37/64	2 27/32	7.50
			TAS3U216N6*Δ																
206	1 1/8	6	TAS3U218N6*■	5 1/4	4 7/8	15	1 9/16	6 1/4	3/8	3/16	8 3/16	3 11/16	2 7/8	1 5/8	2 1/8	2 11/32	4 19/64	3 1/2	11.00
			TAS3U218N12*■																
	1 3/16	6	TAS3U219N6*■	5 1/4	4 7/8	15	1 9/16	6 1/4	3/8	3/16	8 3/16	3 11/16	2 7/8	1 5/8	2 1/8	2 11/32	4 19/64	3 1/2	11.00
			TAS3U219N12*■																
	30.00	152	TAS3U2M30N6*■	133.40	123.80	381.00	39.69	158.80	10.00	4.80	208.00	93.70	73.00	41.30	54.00	59.50	109.10	88.90	4.95
207	1 1/4	6	TAS3U220N6*Δ	5 1/4	4 7/8	15	1 49/64	6 1/4	3/8	3/16	8 5/16	3 3/4	2 7/8	1 5/8	2 1/8	2 31/64	4 7/16	3 35/64	13.50
			TAS3U220N12*Δ																
	1 7/16	6	TAS3U223N6*Δ	5 1/4	4 7/8	15	1 49/64	6 1/4	3/8	3/16	8 5/16	3 3/4	2 7/8	1 5/8	2 1/8	2 31/64	4 7/16	3 35/64	13.00
			TAS3U223N12*Δ																
	35.00	152	TAS3U2M35N6*Δ	133.40	123.80	381.00	44.85	158.80	10.00	4.80	211.10	95.20	73.00	41.30	54.00	63.10	112.70	90.10	6.10
208	1 1/2	9	TAS3U224N9*Δ	6 5/8	5	19 3/4	1 29/32	7 7/8	3/8	1/4	11 1/4	4 1/2	3 5/8	1 5/8	2 3/4	3 1/16	5 9/32	4 3/8	24.00
			TAS3U224N18*Δ																
	40.00	229	TAS3U2M40N9*Δ	168.30	127.00	501.60	48.42	200.00	10.00	6.40	285.80	114.30	92.10	41.30	69.80	77.80	134.10	111.10	10.80
209	1 11/16	9	TAS3U227N9*Δ	6 5/8	5	19 3/4	2 1/32	7 7/8	3/8	1/4	11 3/16	4 5/8	3 5/8	1 5/8	2 3/4	3 1/16	5 7/16	4 1/2	25.50
			TAS3U227N18*Δ																
	1 3/4	9	TAS3U228N9*Δ	6 5/8	5	19 3/4	2 1/32	7 7/8	3/8	1/4	11 3/16	4 5/8	3 5/8	1 5/8	2 3/4	3 1/16	5 7/16	4 1/2	25.00
			TAS3U228N18*Δ																
	45.00	229	TAS3U2M45N9*Δ	168.30	127.00	501.60	41.59	200.00	10.00	6.40	284.20	117.50	92.10	41.30	69.80	77.80	138.10	114.30	11.25
210	1 15/16	9	TAS3U231N9*Δ	6 5/8	5	19 3/4	2 3/32	7 7/8	3/8	1/4	11 1/4	4 5/8	3 5/8	1 5/8	2 3/4	3 1/16	5 19/32	4 17/32	23.00
			TAS3U231N18*Δ																
	50.00	229	TAS3U2M50N9*Δ	168.30	127.00	501.60	53.18	200.00	10.00	6.40	285.80	117.50	92.10	41.30	69.80	77.80	142.10	115.10	10.35
211	2	9	TAS3U232N9*Δ	7 1/8	5	21 5/8	2 1/4	8 1/4	1/2	1/4	11 3/16	5 1/2	4 1/4	2 1/2	3 1/4	3 11/16	6 5/16	5 1/16	32.30
			TAS3U232N18*Δ																
	2 3/16	9	TAS3U235N9*Δ	7 1/8	5	21 5/8	2 1/4	8 1/4	1/2	1/4	11 3/16	5 1/2	4 1/4	2 1/2	3 1/4	3 11/16	6 5/16	5 1/16	29.90
			TAS3U235N18*Δ																
	55.00	229	TAS3U2M55N9*Δ	181.00	127.00	549.30	57.15	209.60	12.00	6.40	284.20	139.70	108.00	63.50	82.60	93.70	160.30	128.60	13.45

Additional Notes

Please call 1-866-REXNORD for availability
 Lubrication fitting tap size, 1/8" PT
 Closed end take-ups available, add suffix C
 On closed end take-up, bearing assembly is reversed
 Frames with 6" (152.40mm) adjustment have six holes
 Frames with 9" (228.60mm) or 12" (304.80mm) adjustment have eight holes
 Frames with 18" (457.20mm) adjustment have ten holes
 * N lip seals standard

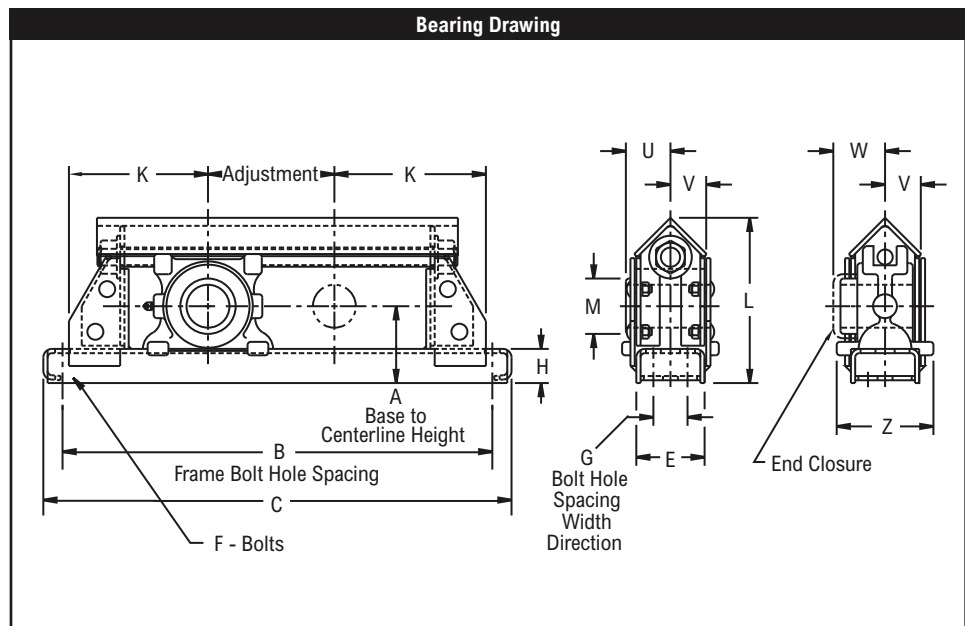
- Available with H labyrinth seals
- Δ Available with E3 triple lip seals

Selection Guide, see Link-Belt Ball Bearing Selection Guide section
 Load Ratings & Speed Limits, see Link-Belt Ball Bearing Load Ratings & Speed Limits section
 Note: Dimensions subject to change. Certified dimensions of ordered material furnished on request.



Product Features

- Protected screw type steel frame
- Corrosion resistant powder coating
- Cast iron housing
- Broad range of sealing options
- Wide inner ring for increased shaft stability
- Spring locking setscrew mount
- Alignable & relubricatable
- TD3U200 take-up unit
- See Features & Benefits for additional info.



Bearing Dimensions																		
Size Code	Shaft Diameter	Adjust. Length	Part Number	A Base to Centerline Height	B Frame Bolt Hole Spacing	G Bolt Hole Spacing Width Direction	C	E	F	H	K	L	M	U	V	W	Z	Approx. Weight
210	1 15/16	12	TDS3U231N12*Δ	3 15/16	26 1/2	-	28 1/2	3	5/8	1 3/4	7 1/4	8 1/4	-	1 17/64	55/64	1 15/16	4 1/8	41.00
		18	TDS3U231N18*Δ		32 1/2		34 1/2											47.00
		24	TDS3U231N24*Δ		38 1/2		40 1/2											52.00
		305	TDS3U2M50N12*Δ		673.10		723.90											18.45
		457	TDS3U2M50N18*Δ		825.50		876.30											21.15
211	2 3/16	12	TDS3U235N12*Δ	4 3/16	27 1/2	-	29 1/2	3	5/8	1 3/4	7 3/4	8 11/16	-	1 13/32	55/64	2 3/32	4 1/8	45.00
		18	TDS3U235N18*Δ		33 1/2		35 1/2											51.00
		24	TDS3U235N24*Δ		39 1/2		41 1/2											56.00
		305	TDS3U2M55N12*Δ		698.50		749.30											20.25
		457	TDS3U2M55N18*Δ		850.90		901.70											22.95
212	2 7/16	12	TDS3U239N12*Δ	4 3/8	28 1/2	-	30 1/2	3	3/4	1 3/4	8 1/4	9 1/8	-	1 9/16	31/32	2 5/32	4 1/8	52.00
		18	TDS3U239N18*Δ		34 1/2		36 1/2											58.00
		24	TDS3U239N24*Δ		40 1/2		42 1/2											63.00
		30	TDS3U239N30*Δ		46 1/2		48 1/2											68.00
		305	TDS3U2M60N12*Δ		725.90		774.70											23.40
215	2 15/16	12	TDSU247N12*Δ	5 1/8	30 1/2	2	32 1/2	4	5/8	2	9 1/4	10 5/8	4 5/8	1 13/16	1 5/32	2 13/64	5 1/8	76.00
		18	TDSU247N18*Δ		36 1/2		38 1/2											85.00
		24	TDSU247N24*Δ		42 1/2		44 1/2											93.00
		30	TDSU247N30*Δ		48 1/2		50 1/2											101.00
		305	TDSU2M75N12 *Δ		774.70		825.50											34.20
217	3 7/16	12	TDSU255N12*Δ	5 5/8	32	2	34 1/2	4	3/4	2	10	11 13/16	5 3/16	2 1/8	1 7/16	2 1/2	5 5/8	99.00
		18	TDSU255N18*Δ		38		40 1/4											108.00
		24	TDSU255N24*Δ		44		46 1/4											116.00
		30	TDSU255N30*Δ		50		52 1/4											124.00
		305	TDSU2M85N12 *Δ		812.80		870.00											44.55
		457	TDSU2M85N18 *Δ	965.20	1,022.40	48.60												

Continued...

NT3U200

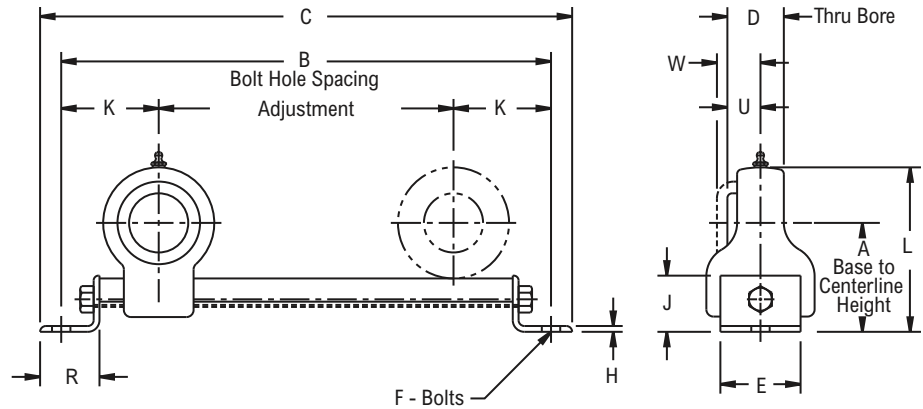


Photo Shows a Welded Channel Conveyor Take-Up Frame with Ball Bearing Take-Up Unit

Product Features

- Protected screw welded channel frame
- Corrosion resistant powder coating
- Cast iron housing
- Broad range of sealing options
- Wide inner ring for increased shaft stability
- Spring locking setscrew mount
- Alignable & relubricatable
- See Features & Benefits for additional info.

Bearing Drawing



Bearing Dimensions

Size Code	Shaft Diameter	Adjust. Length	Part Number	A Base to Centerline Height	B Frame Bolt Hole Spacing	C	D	E	F	H	J	K	L	R	U	W	Approx. Weight										
205	¹⁵ / ₁₆	6	NT3U215N6*	2 ³ / ₄	10 ⁷ / ₈	12 ¹ / ₄	1 ²³ / ₆₄	1 ³ / ₄	1/2	³ / ₁₆	1 1/2	2 ⁷ / ₁₆	4 ³ / ₁₆	2	⁵ / ₆₄	1 ⁹ / ₃₂	4.50										
	1		NT3U216N6*														69.80	276.20	311.20	34.53	44.40	12.00	4.80	38.10	61.90	106.40	50.80
206	¹ / ₁₆	6	NT3U219N6*	3	10 ⁷ / ₈	12 ¹ / ₄	1 ⁹ / ₁₆	1 ³ / ₄	1/2	³ / ₁₆	1 1/2	2 ⁷ / ₁₆	4 ¹¹ / ₁₆	2	⁶ / ₆₄	1 ¹⁵ / ₃₂	5.00										
	30.00		NT3U2M30N6*														76.20	276.20	311.20	39.69	44.40	12.00	4.80	38.10	61.90	119.10	50.80
207	⁷ / ₁₆	9	NT3U223N9*	3 ¹¹ / ₁₆	14 ¹ / ₂	16 ¹ / ₂	1 ⁴⁹ / ₆₄	2 1/4	1/2	1/4	2	2 ³ / ₄	5 ⁹ / ₁₆	2 1/2	1 ⁷ / ₆₄	1 ⁹ / ₁₆	9.50										
		12	NT3U223N12*		17 ¹ / ₂	19 ¹ / ₂											44.85	57.20	12.00	6.40	50.80	69.80	141.30	63.50	28.20	39.70	10.00
		35.00	NT3U2M35N9*		368.30	419.10											44.85	57.20	12.00	6.40	50.80	69.80	141.30	63.50	28.20	39.70	4.30
	NT3U2M35N12*	444.50	495.30	4.50																							
210	¹⁵ / ₁₆	9	NT3U231N9*	4 ²¹ / ₃₂	16	18 ¹ / ₂	2 ³ / ₃₂	3 1/4	5/8	⁵ / ₁₆	2 1/2	3 1/2	6 ²⁹ / ₃₂	3	1 ¹⁷ / ₆₄	1 ²⁵ / ₃₂	18.00										
		12	NT3U231N12*		19	21 ¹ / ₂											19.00										
		18	NT3U231N18*		25	27 ¹ / ₂											21.00										
		229	NT3U2M50N9*		406.40	469.90											8.10										
		50.00	NT3U2M50N12*		482.60	546.10											53.18	82.60	16.00	7.90	63.50	88.90	175.40	76.20	32.10	45.20	8.55
		457	NT3U2M50N18*	635.00	698.50												9.50										

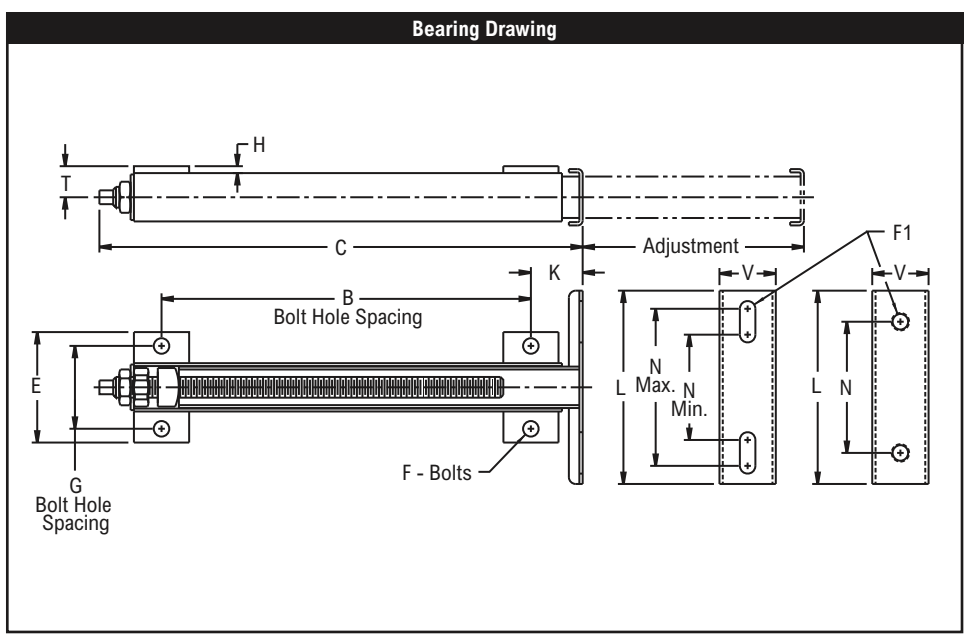
Additional Notes

Please call 1-866-REXNORD for availability
 Lubrication fitting tap size, 1/8" PT
 * N lip seals standard
 Selection Guide, see Link-Belt Ball Bearing Selection Guide section
 Load Ratings & Speed Limits, see Link-Belt Ball Bearing Load Ratings & Speed Limits section
 Note: Dimensions subject to change. Certified dimensions of ordered material furnished on request.



Product Features

- Protected screw T-frame takeup
- Mild steel or AISI 304 stainless steel frame
- Pillow block or tapped base pillow block mounting
- Pillow blocks not included
- See Features & Benefits for additional info.



Bearing Dimensions																						
Size Code	Adjust. Length	Mild Steel		Stainless Steel		Bolt Hole Spacing		Mounting Plate Bolt Hole Spacing			C	E	F	F1	H	K	L	T	V	Adjust. Screw		
		Part Number	Approx. Weight	Part Number	Approx. Weight	B	G Width Direction	N	N min.	N max										Sq. Drive	Thread Size	
Pillow Block Mounting																						
203-205	3	TP1003	3.00	TSP1003	2.60	3 9/16	2 5/8	-	2 15/16	4 5/16	6 7/8	3 11/16	3/8	3/8	1/4	1 1/2	5 1/4	7/8	1 1/2	3/8	5/8 - 11	
	6	TP1006	4.00	TSP1006	3.50	7 1/16					10 3/8											14 3/8
	9	TP1009	5.10	TSP1009	4.40	11 1/16					14 3/8											17 1/2
206-209	3	TP2503	5.80	TSP2503	4.80	4 3/8	3	-	3 13/16	5 11/16	8 1/2	4	1/2	1/2	1/4	1 7/8	7	1 1/8	2 1/32	1/2	3/4 - 10	
	6	TP2506	7.10	TSP2506	5.80	7 3/8					11 1/2											14 1/2
	9	TP2509	8.40	TSP2509	7.00	10 3/8					14 1/2											17 1/2
210-212	6	TP3006	11.00	TSP3006	11.40	6 1/8	4	-	5 9/16	8 11/16	11 1/8	5 1/4	5/8	5/8	1/4	2 1/4	10	1 1/2	2 27/32	1/2	7/8 - 9	
	9	TP3009	13.10	TSP3009	13.40	10 1/8					15 1/8											19 1/8
	12	TP3012	16.00	TSP3012	16.50	14 1/8					19 1/8											26 1/8
213-217	12	TP40012	42.90	-	-	20	5 1/2	-	8 1/2	11 3/4	27 3/4	7 1/2	3/4	3/4	1/4	3 1/2	14	2 1/8	3 1/2	Pinned Nut	1 1/4 - 7	
	18	TP40018	52.10	-	-	26					33 3/4											39 3/4
	24	TP40024	61.30	-	-	32					33 3/4											39 3/4
Tapped Base Pillow Block Mounting																						
204-205	3	TPT1003	3.00	TSPT1003	2.60	3 9/16	2 5/8	2	-	-	6 7/8	3 11/16	3/8	3/8	1/4	1 1/2	3	7/8	1 1/2	3/8	5/8 - 11	
	6	TPT1006	4.00	TSPT1006	3.50	7 1/16					10 3/8											14 3/8
	9	TPT1009	5.10	TSPT1009	4.40	11 1/16					14 3/8											17 1/2
206	3	TPT25013	5.80	TSPT25013	4.80	4 3/8	3	3	-	-	8 1/2	4	1/2	7/16	1/4	1 7/8	4	1 1/8	1 1/2	1/2	3/4 - 10	
	6	TPT25016	7.10	TSPT25016	5.80	7 3/8					11 1/2											14 1/2
	9	TPT25019	8.40	TSPT25019	7.00	10 3/8					14 1/2											17 1/2
207	3	TPT25023	5.80	TSPT25023	4.80	4 3/8	3	3 1/4	-	-	8 1/2	4	1/2	1/2	1/4	1 7/8	4 1/4	1 1/8	2	1/2	3/4 - 10	
	6	TPT25026	7.10	TSPT25026	5.80	7 3/8					11 1/2											14 1/2
	9	TPT25029	8.40	TSPT25029	7.00	10 3/8					14 1/2											17 1/2
210	3	TPT25053	5.80	TSPT25053	4.80	4 3/8	3	4	-	-	8 1/2	4	1/2	5/8	1/4	1 7/8	5 1/2	1 1/8	2	1/2	3/4 - 10	
	6	TPT25056	7.10	TSPT25056	5.80	7 3/8					11 1/2											14 1/2
	9	TPT25059	8.40	TSPT25059	7.00	10 3/8					14 1/2											17 1/2

Additional Notes

Please call 1-866-REXNORD for availability

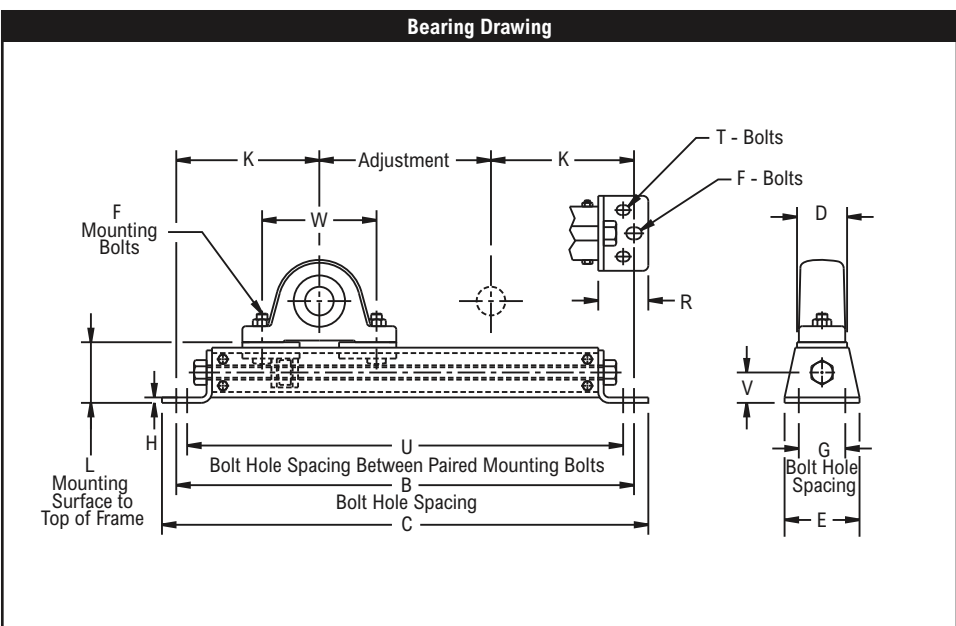
For pillow block dimensions, see Pillow Block Ball Bearing section

Note: Dimensions subject to change. Certified dimensions of ordered material furnished on request.



Product Features

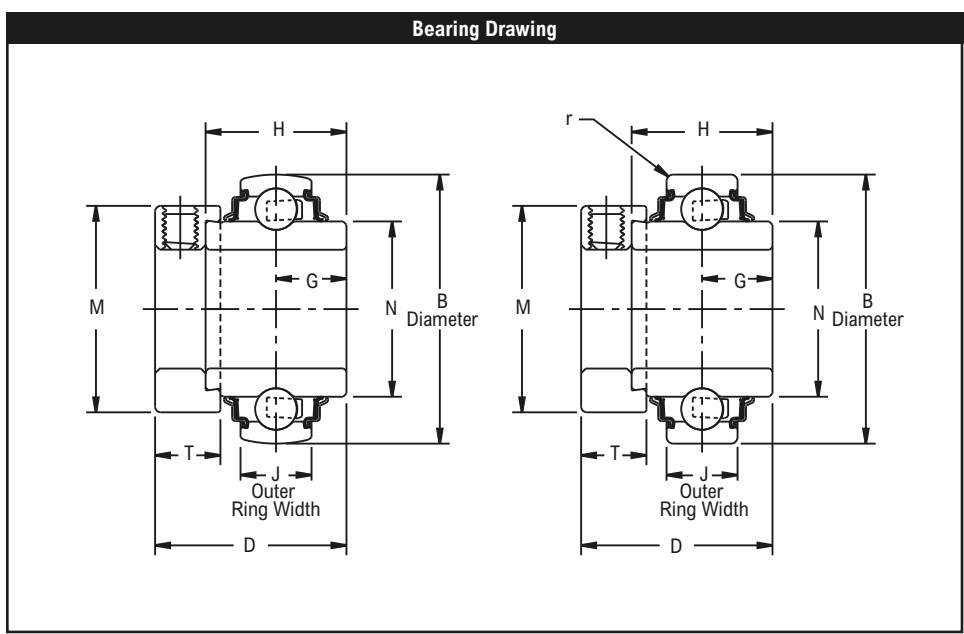
- Bolted steel frames
- 2 or 4-bolt frame mounting
- Bolt hole centers adjustable
- Pillow blocks not included
- See Features & Benefits for additional info.



Bearing Dimensions																		
Size Code	Adjust. Length	Part Number	Bolt Hole Spacing			L Mounting Surface to Top of Frame	C	D	E	F	H	K	R	T	V	W min	W max	Approx. Weight
			B Frame	G Width Direction	U Between Pairs													
205	6	LC16	16	1 5/8	15 1/4	2 1/8	17	1 3/4	2 5/8	3/8	3/16	5	1 3/4	5/16	1 1/16	3	5 15/16	5.25
	9	LC19	19		18 1/4		20											6.30
	12	LC112	22		21 1/4		23											6.60
210	6	LC26	19 1/8	2 1/8	18 1/8	2 11/16	20 1/4	2 3/8	3 1/8	1/2	1/4	6 9/16	2 3/16	3/8	1 11/32	3 3/4	7 1/4	10.00
	9	LC29	22 1/8		21 1/8		23 1/4											10.20
	12	LC212	25 1/8		24 1/8		26 1/4											11.50
	18	LC218	31 1/8		30 1/8		32 1/4											13.80
211/212	9	LC39	25 5/16	2 3/4	24 1/16	3 5/16	26 9/16	3	4	5/8	5/16	8 5/32	2 3/4	1/2	1 5/8	4 1/4	9	20.40
	12	LC312	28 5/16		27 1/16		29 9/16											22.25
	18	LC318	34 5/16		33 1/16		35 9/16											26.50
	24	LC324	40 5/16		39 1/16		41 9/16											33.00

Additional Notes

Please call 1-866-REXNORD for availability
 For pillow block dimensions, see Pillow Block Ball Bearing section
 Note: Dimensions subject to change. Certified dimensions of ordered material furnished on request.



Product Features

- Broad range of sealing options
- Wide inner ring for increased shaft stability
- Eccentric cam locking device
- Sealed & non-relubricatable
- Spherical or Cylindrical O.D.
- See Features & Benefits for additional info.

Bearing Dimensions

Size Code	Shaft Diameter	Cylindrical		Spherical		B O.D.	D	G	H	M	N	r	T	Approx. Weight
		Part Number	J Outer Ring Width	Part Number	J Outer Ring Width									
203	1/2	YB2B08NL*■	0.4724	Y2B08NL*■	0.5118	1.5748	1 15/32	0.5469	1.0938	1 1/8	0.941	0.024	17/32	0.30
	5/8	YB210NL*■		Y210NL*■										
	11/16	YB211NL*■		Y211NL*■										
204	3/4	YB212NL*■	0.5512	Y212NL*■	0.5906	1.8504	1 23/32	0.6719	1.3438	1 5/16	1.121	0.039	17/32	0.50
205	7/8	YB214NL*Δ■	0.5906	Y214NL*Δ■	0.5906	2.0472	1 3/4	0.6875	1.3750	1 1/2	1.313	0.039	17/32	0.70
	15/16	YB215NL*Δ■		Y215NL*Δ■										
	1	YB216NL*Δ■		Y216NL*Δ■										
206	1 1/8	YB218NL*■	0.6299	Y218NL*■	0.7087	2.4409	1 29/32	0.7188	1.4375	1 3/4	1.587	0.039	5/8	0.90
	1 3/16	YB219NL*■		Y219NL*■										
	1 1/4	YB2E20NL*■		Y2E20NL*■										
207	1 1/4	YB220NL*Δ■	0.6693	Y220NL*Δ■	0.7480	2.8346	2 1/64	0.7422	1.4844	2 3/16	1.847	0.039	11/16	1.55
	1 3/8	YB222NL*Δ■		Y222NL*Δ■										
	1 7/16	YB223NL*Δ■		Y223NL*Δ■										
208	1 1/2	YB224NL*Δ■	0.7087	Y224NL*Δ■	0.8661	3.1496	2 7/32	0.8438	1.6875	2 3/8	2.083	0.039	23/32	1.90
209	1 5/8	YB226NL*Δ■	0.7480	Y226NL*Δ■	0.8661	3.3465	2 7/32	0.8438	1.6875	2 1/2	2.281	0.039	23/32	2.10
	1 11/16	YB227NL*Δ■		Y227NL*Δ■										
	1 3/4	YB228NL*Δ■		Y228NL*Δ■										
210	1 15/16	YB231NL*Δ■	0.7874	Y231NL*Δ■	0.8661	3.5433	2 15/32	0.9688	1.9375	2 3/4	2.475	0.039	23/32	2.10
	2	YB2E32NL*Δ■		Y2E32NL*Δ■										
211	2	YB232NL*Δ■	0.8268	Y232NL*Δ■	0.9843	3.9370	2 13/16	1.0938	2.1875	3	2.749	0.059	13/16	3.40
	2 3/16	YB235NL*Δ■		Y235NL*Δ■										
212	2 1/4	YB236NL*Δ■	0.8661	Y236NL*Δ■	1.0630	4.3307	3 1/16	1.2188	2.4375	3 1/4	3.012	0.059	7/8	3.80
	2 3/8	YB238NL*Δ■		Y238NL*Δ■										
	2 7/16	YB239NL*Δ■		Y239NL*Δ■										

Additional Notes

Please call 1-866-REXNORD for availability

Dimension "r", max fillet radius of housing to clear bearing corner

Bearing O.D. tolerance for size code 208 and below, +0.0000"/-0.0005"
 (+0.0000mm/-0.013mm); for all other size codes, +0.0000"/-0.0006"
 (+0.0000mm/-0.015mm)

* N lip seals standard

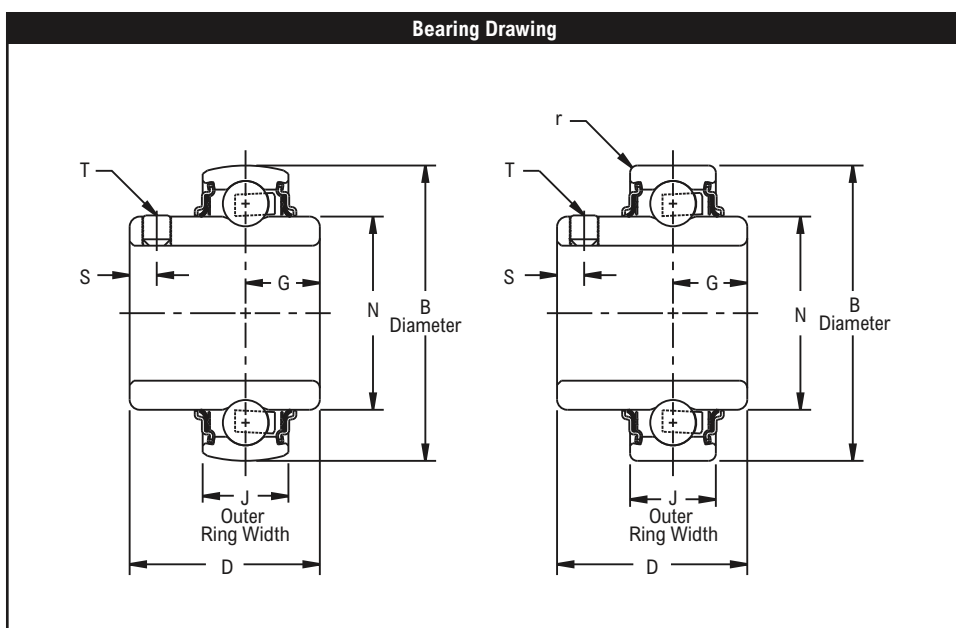
■ Available with H labyrinth seals

Δ Available with E3 triple lip seals

Selection Guide, see Link-Belt Ball Bearing Selection Guide section

Load Ratings & Speed Limits, see Link-Belt Ball Bearing Load Ratings & Speed Limits section

Note: Dimensions subject to change. Certified dimensions of ordered material furnished on request.



Bearing Dimensions													
Size Code	Shaft Diameter	Cylindrical		Spherical		B O.D.	D	G	N	r	S	T	Approx. Weight
		Part Number	J Outer Ring Width	Part Number	J Outer Ring Width								
203	1/2	UB2B08NL*■	0.4724	U2B08NL*■	0.5118	1.5748	1 3/32	0.4531	0.941	0.024	0.15	#10-32	0.25
	5/8	UB210NL*■		U210NL*■									
	11/16	UB211NL*■		U211NL*■									
	17.00	UB2M17NL*■	12.0000	U2M17NL*■	13.0000								
204	3/4	UB212NL*■	0.5512	U212NL*■	0.5906	1.8504	1 9/32	0.5313	1.121	0.039	0.19	#1/4-28	0.50
	20.00	UB2M20NL*■	14.0000	U2M20NL*■	15.0000	47.0000	32.54	13.4940	28.470	1.000	4.80	#1/4-28	0.20
205	7/8	UB214NL*Δ■	0.5906	U214NL*Δ■	0.5906	2.0472	1 23/64	0.5625	1.313	0.039	0.22	#1/4-28	0.50
	15/16	UB215NL*Δ■		U215NL*Δ■									
	1	UB216NL*Δ■		U216NL*Δ■									
	25.00	UB2M25NL*Δ■	15.0000	U2M25NL*Δ■	15.0000								
206	1 1/8	UB218NL*■	0.6299	U218NL*■	0.7087	2.4409	1 9/16	0.6094	1.587	0.039	0.22	#1/4-28	0.80
	1 3/16	UB219NL*■		U219NL*■									
	1 1/4	UB2E20NL*■		U2E20NL*■									
	30.00	UB2M30NL*■	16.0000	U2M30NL*■	18.0000								
207	1 1/4	UB220NL*Δ■	0.6693	U220NL*Δ■	0.7480	2.8346	1 49/64	0.6563	1.847	0.039	0.25	#5/16-24	1.20
	1 3/8	UB222NL*Δ■		U222NL*Δ■									
	1 7/16	UB223NL*Δ■		U223NL*Δ■									
	35.00	UB2M35NL*Δ■	17.0000	U2M35NL*Δ■	19.0000								
208	1 1/2	UB224NL*Δ■	0.7087	U224NL*Δ■	0.8661	3.1496	1 29/32	0.7344	2.083	0.039	0.32	#5/16-24	1.50
	40.00	UB2M40NL*Δ■	18.0000	U2M40NL*Δ■	22.0000	80.0000	48.42	18.6530	52.910	1.000	8.10	#5/16-24	0.70
209	1 5/8	UB226NL*Δ■	0.7480	U226NL*Δ■	0.8661	3.3465	2 1/32	0.7969	2.281	0.039	0.32	#5/16-24	2.00
	1 11/16	UB227NL*Δ■		U227NL*Δ■									
	1 3/4	UB228NL*Δ■		U228NL*Δ■									
	45.00	UB2M45NL*Δ■	19.0000	U2M45NL*Δ■	22.0000								
210	1 15/16	UB231NL*Δ■	0.7874	U231NL*Δ■	0.8661	3.5433	2 3/32	0.8261	2.475	0.039	0.38	#3/8-24	2.20
	2	UB2E32NL*Δ■		U2E32NL*Δ■									
	50.00	UB2M50NL*Δ■	20.0000	U2M50NL*Δ■	22.0000								
211	2	UB232NL*Δ■	0.8268	U232NL*Δ■	0.9843	3.9370	2 1/4	0.8438	2.749	0.059	0.38	#3/8-24	2.40
	2 3/16	UB235NL*Δ■		U235NL*Δ■									
	55.00	UB2M55NL*Δ■	21.0000	U2M55NL*Δ■	25.0000								
212	2 1/4	UB236NL*Δ■	0.8661	U236NL*Δ■	1.0630	4.3307	2 1/2	0.9375	3.012	0.059	0.38	#3/8-24	3.40
	2 3/8	UB238NL*Δ■		U238NL*Δ■									
	2 7/16	UB239NL*Δ■		U239NL*Δ■									
	60.00	UB2M60NL*Δ■	22.0000	U2M60NL*Δ■	27.0000								

Additional Notes

Please call 1-866-REXNORD for availability

Dimension "r", max fillet radius of housing to clear bearing corner

Bearing O.D. tolerance for size code 208 and below, +.0000"/-.0005"
 (+0.000mm/-0.013mm); for all other size codes, +.0000"/-.0006"
 (+0.000mm/-0.015mm)

* N lip seals standard

■ Available with H labyrinth seals

Δ Available with E3 triple lip seals

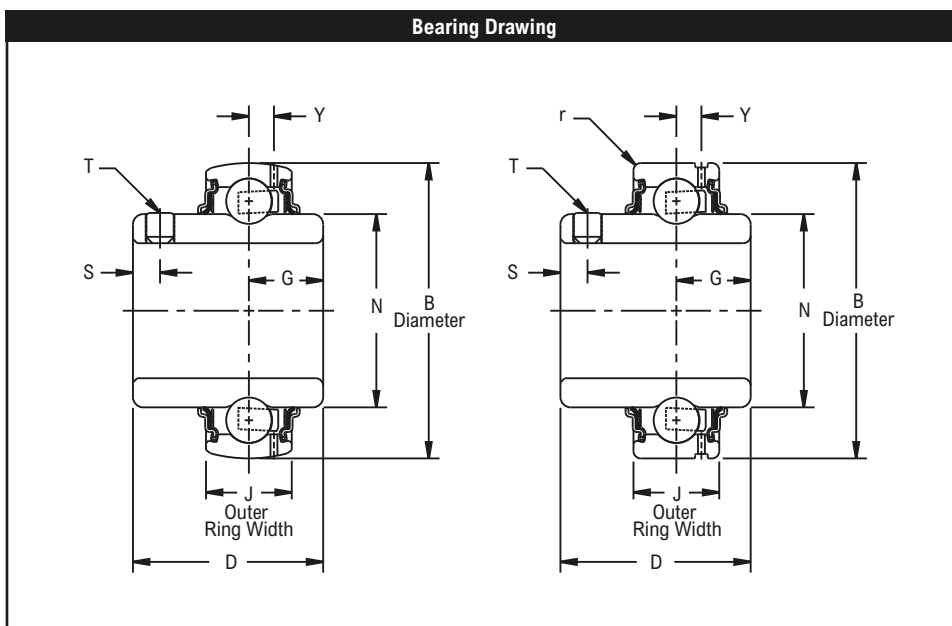
Selection Guide, see Link-Belt Ball Bearing Selection Guide section Load Ratings & Speed Limits, see Link-Belt Ball Bearing Load Ratings & Speed Limits section

Note: Dimensions subject to change. Certified dimensions of ordered material furnished on request.



Product Features

- Broad range of sealing options
- Wide inner ring for increased shaft stability
- Spring locking setscrew mount
- Sealed & relubricatable
- Spherical or Cylindrical O.D.
- See Features & Benefits for additional info.



Bearing Dimensions															
Size Code	Shaft Diameter	Cylindrical		Spherical		B O.D.	D	G	M	N	r	S	T	Y	Approx. Weight
		Part Number	J Outer Ring Width	Part Number	J Outer Ring Width										
203	1/2	UBG2B08NL* ■	0.4724	UG2B08NL* ■	0.5118	1.5748	1 3/32	0.4531	-	0.941	0.024	0.15	#10-32	0.158	0.25
	5/8	UBG210NL* ■		UG210NL* ■											
	11/16	UBG211NL* ■		UG211NL* ■											
	17.00	UBG2M17NL* ■	12.0000	UG2M17NL* ■	13.0000	40.0000	27.78	11.5090	-	23.900	0.610	3.80	#10-32	4.010	0.10
204	3/4	UBG212NL* ■	0.5512	UG212NL* ■	0.5906	1.8504	1 9/32	0.5313	-	1.121	0.039	0.19	#1/4-28	0.176	0.50
	20.00	UBG2M20NL* ■	14.0000	UG2M20NL* ■	15.0000	47.0000	32.54	13.4940	-	28.470	1.000	4.80	#1/4-28	4.470	0.20
205	7/8	UBG214NL* ■	0.5906	UG214NL* ▲	0.5906	2.0472	1 23/64	0.5625	-	1.313	0.039	0.22	#1/4-28	0.176	0.50
	15/16	UBG215NL* ▲		UG215NL* ▲											
	1	UBG216NL* ▲		UG216NL* ▲											
	25.00	UBG2M25NL* ▲	15.0000	UG2M25NL* ▲	15.0000	52.0000	34.53	14.2880	-	33.350	1.000	5.60	#1/4-28	4.470	0.20
206	1 1/8	UBG218NL* ■	0.7087	UG218NL* ■	0.7087	2.4409	1 9/16	0.6094	-	1.587	0.039	0.22	#1/4-28	0.202	0.80
	1 3/16	UBG219NL* ■		UG219NL* ■											
	1 1/4	UBG2E20NL* ■		UG2E20NL* ■											
	30.00	UBG2M30NL* ■	18.0000	UG2M30NL* ■	18.0000	62.0000	39.69	15.4780	-	40.310	1.000	5.60	#1/4-28	5.130	0.35
207	1 1/4	UBG220NL* ▲	0.7480	UG220NL* ▲	0.7480	2.8346	1 49/64	0.6563	-	1.847	0.039	0.25	#5/16-24	0.239	1.20
	1 3/8	UBG222NL* ▲		UG222NL* ▲											
	1 7/16	UBG223NL* ▲		UG223NL* ▲											
	35.00	UBG2M35NL* ▲	19.0000	UG2M35NL* ▲	19.0000	72.0000	44.85	16.6690	-	46.910	1.000	6.40	#5/16-24	6.070	0.55
208	1 1/2	UBG224NL* ▲	0.8268	UG224NL* ▲	0.8661	3.1496	1 29/32	0.7344	-	2.083	0.039	0.32	#5/16-24	0.253	1.50
	40.00	UBG2M40NL* ▲	21.0000	UG2M40NL* ▲	22.0000	80.0000	48.42	18.6530	-	52.910	1.000	8.10	#5/16-24	6.430	0.70
209	1 5/8	UBG226NL* ▲	0.8661	UG226NL* ▲	0.8661	3.3465	2 1/32	0.7969	-	2.281	0.039	0.32	#5/16-24	0.254	2.00
	1 11/16	UBG227NL* ▲		UG227NL* ▲											
	1 3/4	UBG228NL* ▲		UG228NL* ▲											
45.00	UBG2M45NL* ▲	22.0000	UG2M45NL* ▲	22.0000	85.0000	51.59	20.2410	-	57.940	1.000	8.10	#5/16-24	6.450	0.90	
210	1 15/16	UBG231NL* ▲	0.9055	UG231NL* ▲	0.8661	3.5433	2 3/32	0.8281	-	2.475	0.039	0.38	#3/8-24	0.268	2.20
	2	UBG2E32NL* ▲		UG2E32NL* ▲											
	50.00	UBG2M50NL* ▲		23.0000											
211	2	UBG232NL* ▲	0.9843	UG232NL* ▲	0.9843	3.9370	2 1/4	0.8438	-	2.749	0.059	0.38	#3/8-24	0.295	2.40
	2 3/16	UBG235NL* ▲		UG235NL* ▲											
	55.00	UBG2M55NL* ▲		25.0000											
212	2 1/4	UBG236NL* ▲	1.0630	UG236NL* ▲	1.0630	4.3307	2 1/2	0.9375	-	3.012	0.059	0.38	#3/8-24	0.330	3.40
	2 3/8	UBG238NL* ▲		UG238NL* ▲											
	2 7/16	UBG239NL* ▲		UG239NL* ▲											
	60.00	UBG2M60NL* ▲	27.0000	UG2M60NL* ▲	27.0000	110.0000	63.50	23.8130	-	76.500	1.500	9.60	#3/8-24	8.380	1.50

Continued...

Continued...

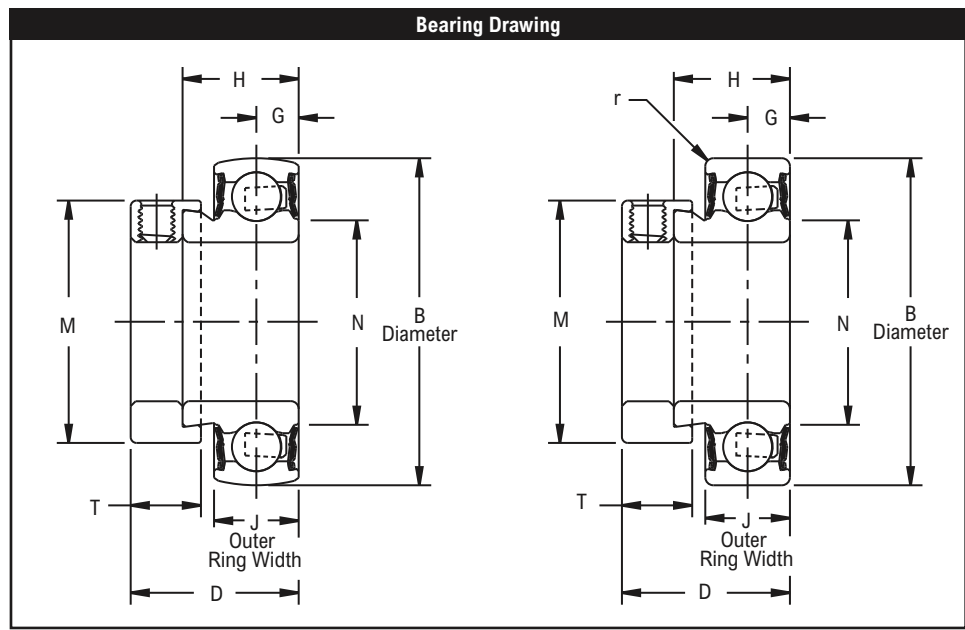
Bearing Dimensions															
Size Code	Shaft Diameter	Cylindrical		Spherical		B O.D.	D	G	M	N	r	S	T	Y	Approx. Weight
		Part Number	J Outer Ring Width	Part Number	J Outer Ring Width										
213	2 1/2	-	-	UG240NL*Δ	1.0630	4.7244	2 11/16	1.0000	4 3/16	3.331	-	-	-	0.343	5.80
	2 11/16	-	-	UG243NL*Δ	1.0630	4.7244	2 11/16	1.0000	4 3/16	3.331	-	-	-	0.343	5.80
	65.00	-	-	UG2M65NL*Δ	27.0000	120.0000	68.26	25.4000	106.40	84.610	-	-	-	8.710	2.60
215	2 3/4	-	-	UG244NL*Δ	1.1417	5.1181	2 7/8	1.0625	4 5/8	3.624	-	-	-	0.367	7.30
	2 15/16	-	-	UG247NL*Δ	1.1417	5.1181	2 7/8	1.0625	4 5/8	3.624	-	-	-	0.367	7.30
	3	-	-	UG2E48NL*Δ	1.1417	5.1181	2 7/8	1.0625	4 5/8	3.624	-	-	-	0.367	7.30
	75.00	-	-	UG2M75NL*Δ	29.0000	130.0000	73.02	26.9870	117.50	92.050	-	-	-	9.320	3.30
217	3 7/16	-	-	UG255NL*Δ	1.3386	5.9055	3 9/16	1.4375	5 3/16	4.158	-	-	-	0.415	9.50
	3 1/2	-	-	UG2E56NL*Δ	1.3386	5.9055	3 9/16	1.4375	5 3/16	4.158	-	-	-	0.415	9.50
	85.00	-	-	UG2M85NL*Δ	34.0000	150.0000	90.49	36.5130	131.80	105.610	-	-	-	10.540	4.30
220	3 15/16	-	-	UG263NL*	1.5748	7.0866	4 1/4	1.6719	5 15/16	4.913	-	-	-	0.504	16.00
	4	-	-	UG2E64NL*	1.5748	7.0866	4 1/4	1.6719	5 15/16	4.913	-	-	-	0.504	16.00
	100.00	-	-	UG2M100NL*	40.0000	180.0000	107.95	42.4660	150.80	124.790	-	-	-	12.800	7.20

Additional Notes	
<p>Please call 1-866-REXNORD for availability</p> <p>Bearing O.D. tolerance for size code 208 and below, +.0000"/-.0005" (+0.000mm/-0.013mm)</p> <p>Bearing O.D. tolerance for size codes 209 thru 214, +.0000"/-.0006" (+0.000mm/-0.015mm)</p> <p>Bearing O.D. tolerance for size codes 215 thru 217, +.0000"/-.0008" (+0.000mm/-0.020mm)</p> <p>Bearing O.D. tolerance for all other size codes, +.0000"/-.0010" (+0.000mm/-0.025mm)</p>	<p>Dimension "r", max fillet radius of housing to clear bearing corner</p> <p>* N lip seals standard</p> <p>■ Available with H labyrinth seals</p> <p>Δ Available with E3 triple lip seals</p> <p>Selection Guide, see Link-Belt Ball Bearing Selection Guide section</p> <p>Load Ratings & Speed Limits, see Link-Belt Ball Bearing Load Ratings & Speed Limits section</p> <p>Note: Dimensions subject to change. Certified dimensions of ordered material furnished on request.</p>



Product Features

- Eccentric cam locking device
- Sealed & non-relubricatable
- Spherical or Cylindrical O.D.
- See Features & Benefits for additional info.



Bearing Dimensions													
Size Code	Shaft Diameter	Cylindrical	Spherical	B O.D.	J Outer Ring Width	D	G	H	M	N	r	T	Approx. Weight
		Part Number	Part Number										
203	1/2	WB2B08EL▲	W2B08EL▲	1.5748	0.5118	1 1/8	0.2559	0.7500	1 1/8	0.879	0.024	17/32	0.30
	5/8	WB210EL▲	W210EL▲										
204	3/4	WB212EL▲	W212EL▲	1.8504	0.5906	1 7/32	0.2953	0.8437	1 5/16	1.013	0.039	17/32	0.50
	7/8	WB214EL▲	W214EL▲										
205	15/16	WB215EL▲	W215EL▲	2.0472	0.5906	1 7/32	0.2953	0.8437	1 1/2	1.210	0.039	17/32	0.50
	1	WB216EL▲	W216EL▲										
	1 1/8	WB218EL▲	W218EL▲										
206	1 3/16	WB219EL▲	W219EL▲	2.4409	0.7087	1 13/32	0.3543	0.9375	1 3/4	1.587	0.039	5/8	0.75
	1 1/4	WB2E20EL▲	W2E20EL▲										
	1 1/4	WB220EL▲	W220EL▲										
207	1 3/8	WB222EL▲	W222EL▲	2.8346	0.7480	1 17/32	0.3740	1.0000	2 3/16	1.847	0.039	11/16	1.30
	1 7/16	WB223EL▲	W223EL▲										
	1 7/16	WB224EL▲	W224EL▲										
208	1 1/2	WB224EL▲	W224EL▲	3.1496	0.8661	1 23/32	0.4330	1.1875	2 3/8	2.083	0.039	23/32	1.60
	1 5/8	WB226EL▲	W226EL▲										
	1 11/16	WB227EL▲	W227EL▲										
209	1 3/4	WB228EL▲	W228EL▲	3.3465	0.8661	1 23/32	0.4330	1.1875	2 1/2	2.109	0.039	23/32	1.70
	1 3/4	WB228EL▲	W228EL▲										
210	1 15/16	WB231EL▲	W231EL▲	3.5433	0.8661	1 23/32	0.4330	1.1875	2 3/4	2.306	0.039	23/32	1.75
	2	WB2E32EL▲	W2E32EL▲										

Additional Notes

Please call 1-866-REXNORD for availability

Dimension "r", max fillet radius of housing to clear bearing corner

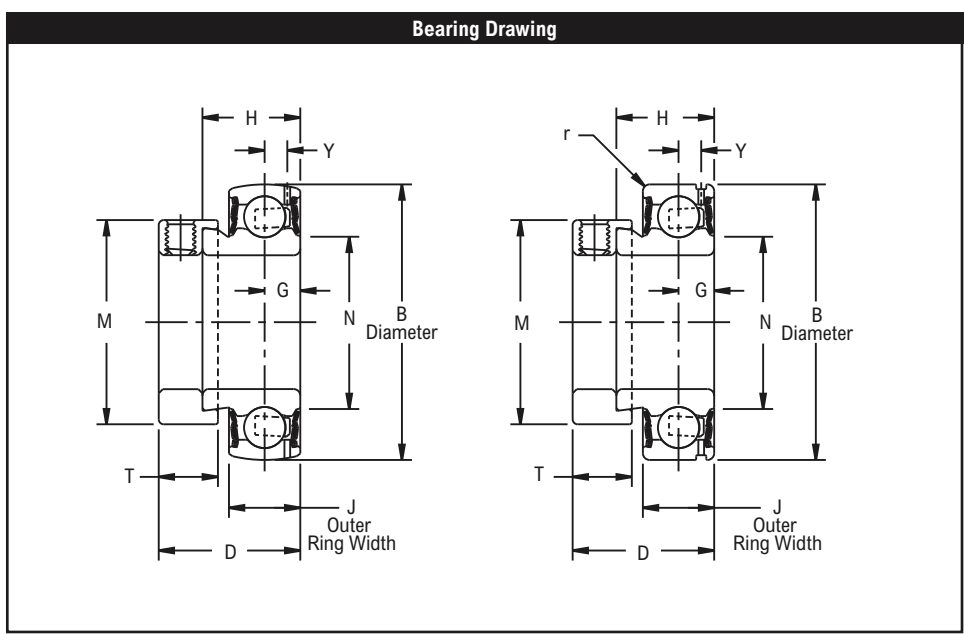
Bearing O.D. tolerance for size code 208 and below, +.0000"/- .0005" (+0.000mm/-0.013mm); for all other size codes, +.0000"/- .0006" (+0.000mm/-0.015mm)

▲ E lip seals standard

Selection Guide, see Link-Belt Ball Bearing Selection Guide section

Load Ratings & Speed Limits, see Link-Belt Ball Bearing Load Ratings & Speed Limits section

Note: Dimensions subject to change. Certified dimensions of ordered material furnished on request.



Bearing Dimensions

Size Code	Shaft Diameter	Cylindrical	Spherical	B O.D.	J Outer Ring Width	D	G	H	M	N	r	T	Y	Approx. Weight
		Part Number	Part Number											
203	1/2	WBG2B08EL▲	WG2B08EL▲	1.5748	0.5118	1 1/8	0.2559	0.7500	1 1/8	0.879	0.024	17/32	0.158	0.30
	5/8	WBG210EL▲	WG210EL▲											
204	3/4	WBG212EL▲	WG212EL▲	1.8504	0.5906	1 7/32	0.2953	0.8437	1 5/16	1.013	0.039	17/32	0.176	0.50
205	7/8	WBG214EL▲	WG214EL▲	2.0472	0.5906	1 7/32	0.2953	0.8437	1 1/2	1.210	0.039	17/32	0.176	0.50
	15/16	WBG215EL▲	WG215EL▲											
	1	WBG216EL▲	WG216EL▲											
206	1 1/8	WBG218EL▲	WG218EL▲	2.4409	0.7087	1 13/32	0.3543	0.9375	1 3/4	1.587	0.039	5/8	0.202	0.75
	1 3/16	WBG219EL▲	WG219EL▲											
	1 1/4	WBG220EL▲	WG220EL▲											
207	1 1/4	WBG220EL▲	WG220EL▲	2.8346	0.7480	1 17/32	0.3740	1.0000	2 3/16	1.847	0.039	11/16	0.239	1.30
	1 3/8	WBG222EL▲	WG222EL▲											
	1 7/16	WBG223EL▲	WG223EL▲											
208	1 1/2	WBG224EL▲	WG224EL▲	3.1496	0.8661	1 23/32	0.4330	1.1875	2 3/8	2.083	0.039	23/32	0.253	1.60
	1 5/8	WBG226EL▲	WG226EL▲											
209	1 11/16	WBG227EL▲	WG227EL▲	3.3465	0.8661	1 23/32	0.4330	1.1875	2 1/2	2.109	0.039	23/32	0.254	1.70
	1 3/4	WBG228EL▲	WG228EL▲											
	1 15/16	WBG231EL▲	WG231EL▲											
210	2	WBG2E32EL▲	WG2E32EL▲	3.5433	0.8661	1 23/32	0.4330	1.1875	2 3/4	2.306	0.039	23/32	0.268	1.75

Additional Notes

Please call 1-866-REXNORD for availability

Dimension "r", max fillet radius of housing to clear bearing corner

Bearing O.D. tolerance for size code 208 and below, +.0000"/-.0005"
 (+0.000mm/-0.013mm); for all other size codes, +.0000"/-.0006"
 (+0.000mm/-0.015mm)

▲ E lip seals standard

Selection Guide, see Link-Belt Ball Bearing Selection Guide section

Load Ratings & Speed Limits, see Link-Belt Ball Bearing Load Ratings & Speed Limits section

Note: Dimensions subject to change. Certified dimensions of ordered material furnished on request.

SG200

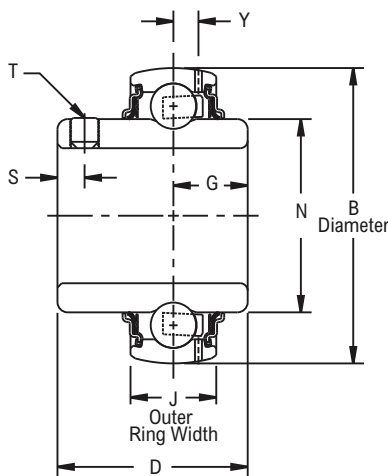


Photo Shows an Unmounted Ball Bearing Unit

Product Features

Spring locking setscrew mount
 Sealed & relubricatable
 Spherical O.D.
 See Features & Benefits for additional info.

Bearing Drawing



Bearing Dimensions

Size Code	Shaft Diameter	Part Number	B O.D.	J Outer Ring Width	D	G	N	S	T	Y	Approx. Weight
204	3/4	SG212EL▲	1.8504	0.5906	1 1/8	0.3760	1.116	0.23	1/4-28	0.176	0.40
205	7/8	SG214EL▲	2.0472	0.5906	1 11/64	0.3760	1.313	0.25	1/4-28	0.176	0.50
	15/16	SG215EL▲									
	1	SG216EL▲									
206	1 1/8	SG218EL▲	2.4409	0.7087	1 11/32	0.3920	1.587	0.31	5/16-24	0.202	0.70
	1 3/16	SG219EL▲									
	1 1/4	SG2E20EL▲									
207	1 1/4	SG220EL▲	2.8346	0.7480	1 9/16	0.4540	1.847	0.34	5/16-24	0.239	1.10
	1 3/8	SG222EL▲									
	1 7/16	SG223EL▲									
208	1 1/2	SG224EL▲	3.1496	0.8661	1 21/32	0.4850	2.084	0.34	5/16-24	0.253	1.40
	1 5/8	SG226EL▲									
	1 11/16	SG227EL▲									
209	1 3/4	SG228EL▲	3.3465	0.8661	1 49/64	0.5320	2.281	0.36	5/16-24	0.254	1.65
	1 15/16	SG231EL▲									
210	1 15/16	SG231EL▲	3.5433	0.8661	1 13/16	0.5320	2.478	0.38	3/8-24	0.268	1.70

Additional Notes

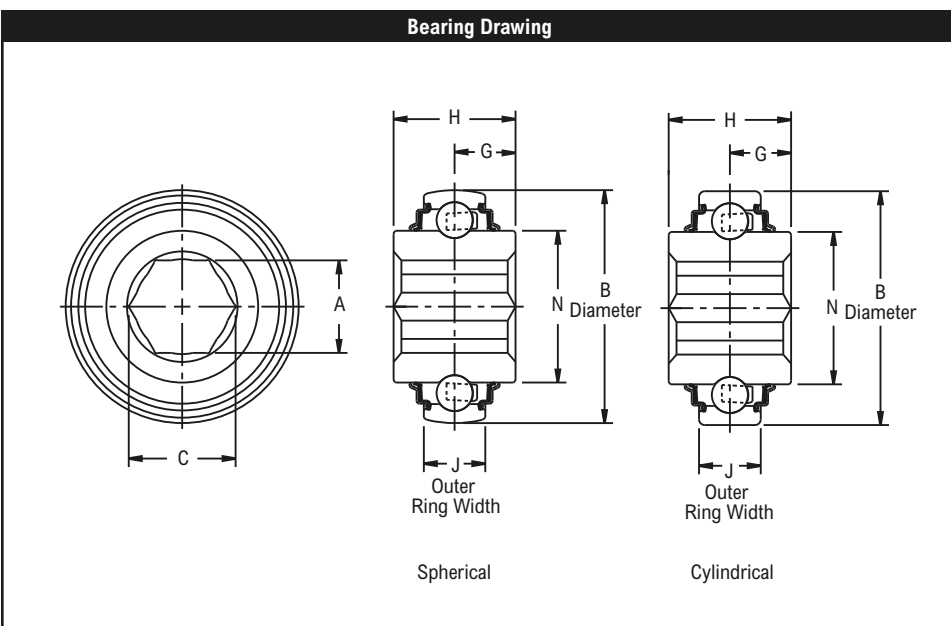
Please call 1-866-REXNORD for availability
 Dimension "r", max fillet radius of housing to clear bearing corner
 Bearing O.D. tolerance for size code 208 and below, +.0000"/-.0005"
 (+0.000mm/-0.013mm); for all other size codes, +.0000"/-.0006"
 (+0.000mm/-0.015mm)
 ▲ E lip seals standard
 Selection Guide, see Link-Belt Ball Bearing Selection Guide section

Load Ratings & Speed Limits, see Link-Belt Ball Bearing Load Ratings & Speed Limits section
 Note: Dimensions subject to change. Certified dimensions of ordered material furnished on request.



Product Features

Spherical or Cylindrical O.D.
Sealed & non-relubricatable
See Features & Benefits for additional info.



Bearing Dimensions

Size Code	Shaft Diameter	Part Number	Industry Number	B O.D.	J Outer Ring Width	A	C	G	H	N	Approx. Weight
Cylindrical											
204	⁵ / ₈	10KB204N*	204KRR4	1.8504	0.5512	0.626	0.728	0.412	0.8250	1.121	0.30
	¹¹ / ₁₆	11KB204N*	204KRR2			0.695	0.797				
205	⁷ / ₈	14KB205N*Δ	205KRR2	2.0472	0.5906	0.876	1.010	0.500	1.0000	1.313	0.40
206	1	16KB206N*	206KRR6	2.4409	0.6299	1.001	1.153	0.472	0.9449	1.587	0.60
207	1 ¹ / ₈	18KB207N*Δ	207KRR9	2.8346	0.6693	1.126	1.299	0.742	1.4844	1.847	1.10
209	1 ¹ / ₂	24KB209N*Δ	209KRR2	3.3465	0.7480	1.501	1.732	0.591	1.1811	2.281	1.40
210	1 ⁵ / ₈	26KB3210E3 Δ	W210PP7	3.5433	1.1875	1.626	1.876	0.594	1.1875	2.475	1.60
Spherical											
204	¹¹ / ₁₆	11K204N*	204KRRB2	1.8504	0.5906	0.695	0.797	0.412	0.8250	1.121	0.30
205	⁷ / ₈	14K205N*Δ	205KRRB2	2.0472	0.5906	0.876	1.010	0.500	1.0000	1.313	0.40
206	1	16K206N*	206KRRB6	2.4409	0.7087	1.001	1.153	0.472	0.9449	1.587	0.60
207	1 ¹ / ₈	18K207N*Δ	207KRRB9	2.8346	0.7480	1.126	1.299	0.742	1.4844	1.847	1.10
208	1 ¹ / ₄	20K5208E3 Δ	W208PPB16	3.1496	0.7087	1.251	1.450	0.718	1.4375	2.083	1.20
209	1 ¹ / ₂	24K209N*Δ	209KRRB2	3.3465	0.8661	1.501	1.732	0.591	1.1811	2.281	1.40
210	1 ⁵ / ₈	26K3210E3 Δ	W210PPB7	3.5433	1.1875	1.626	1.876	0.594	1.1875	2.475	1.60

Additional Notes

Please call 1-866-REXNORD for availability
 Δ E3 triple lip seals are standard for size codes 208 & 210
 On size codes 205, 207 & 209, Δ available with E3 triple lip seals
 Selection Guide, see Link-Belt Ball Bearing Selection Guide section
 Load Ratings & Speed Limits, see Link-Belt Ball Bearing Load Ratings & Speed Limits section
 Note: Dimensions subject to change. Certified dimensions of ordered material furnished on request.

Link-Belt® 300 Series Heavy Duty Ball Bearings



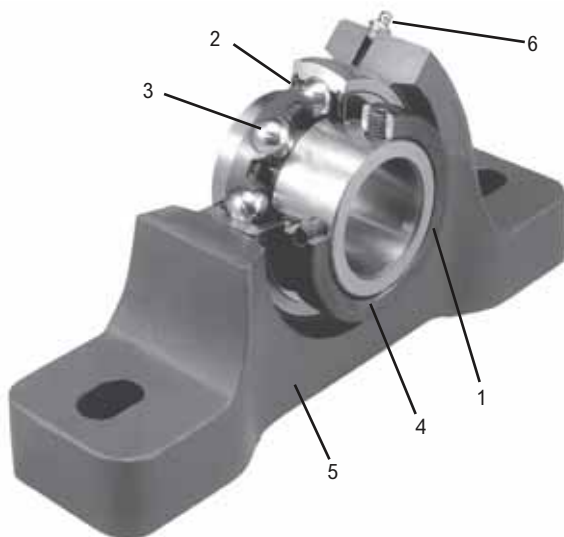
Designed for heavy duty applications
requiring high capacity and/or high
speed in a compact footprint

Series 300 Heavy Duty Ball Bearing Units

Series 300 wide inner ring ball bearing units are designed for heavy duty applications requiring high capacity and/or high speed in a compact footprint.

Manufactured from quality alloy bearing steel to precision tolerances, these bearings are used extensively on general industrial equipment, high

speed fans and blowers and heavier duty power transmission and material handling equipment.



1. Choice of adapter mount, spring locking collar with setscrews or eccentric cam locking collar to lock inner ring securely to shaft.
2. Choice of steel-clad molded type H clearance seal or type N double lip seal.
3. Alignable, precision, deep groove ball bearing of quality alloy bearing steel provides high capacity for radial/thrust loads.
4. Wide inner ring for greater contact surface between shaft and bearing.
5. One-piece, cast iron housings available in many types for a variety of application requirements.
6. Prelubricated and relubricatable.

Heavy Duty Ball Bearings

Heavy series precision alignable ball bearings of deep groove construction with larger balls and thicker rings for high capacity and longer life. The extra inner ring width furnishes ultimate shaft and load support and concentricity for high speed precision application.

The spring locking collar design provides a secure grip of the wide inner ring bearing to the shaft. The two set screws extend through the inner ring of the bearing and lock firmly into the shaft. Tightening the two set screws

produces elastic strain in the spring locking collar resulting in a continuous pressure on the shaft.

The eccentric cam locking collar design provides a secure grip of the wide inner ring bearing to the shaft and further tightens with bearing rotation.

The adapter mount design provides better concentricity and shaft control, increasing service life. The adapter mount allows for easy installation/removal and enables the use of commercial grade shafting.

Furnished with anti-rotation pin in the outer ring to prevent the outer ring from spinning in the bearing housing.



One-piece Cast Iron Housings

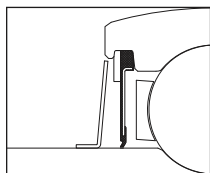
Compact, one-piece cast iron housings provide strength with minimum size and weight, and excellent rigidity. All housings are designed with standard mounting dimensions and have finished mounting surfaces for proper installation stability. Pillow blocks have slotted bolt holes with ample space provided for drilling dowel pin holes and are also available with high backing dimensions. Flanged and flanged cartridge units have drilled mounting holes. Take up units have machined slots for accurate adjustment.



Bearing Mounted Molded Rubber Seal

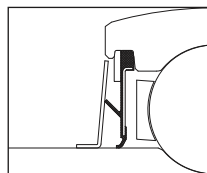
Type H Seal

These molded rubber seals effectively retain lubricant and protect against contamination. An external seal guard enhances protection against contamination and protects the molded rubber seal. A snap ring locates and retains the molded rubber seal in the outer ring to ensure proper operation. This is an excellent non-contact seal for grease lubrication.



Type N Seal

These molded rubber double lip seals have two full land riding lips that effectively retain lubricant and protect against contamination. These seals ride on a precision ground surface of the bearing inner ring for smooth operation and tightness.



300 Series Nomenclature

Symbol	Description	P	E	-U	3	K	27	J	N	C	17H	4
C	Cartridge unit	}	}	}	}	}	}	}	}	}	}	}
F	Flanged unit, 4 bolt square											
FC	Flanged cartridge unit, 4 bolt round											
P	Pillow block, standard backing											
PL	Pillow block, low backing											
P2	Pillow block, high backing											
T	Take-up, slotted guides											
E	Expansion unit											
U	Bearing sealed unit, spring locking, relubricatable											
Y	Bearing sealed unit, eccentric cam locking collar, relubricatable											
3	Series 300 ball bearing designation											
K	Adapter mounted											
27	Shaft size in sixteenths of an inch											
J	Steel retainers											
None	Steel clad clearance seal											
N	Molded double lip seals											
C	Closed end unit											
17H	Grease designation											
4	Clearance, other than standard											

Replacement Ball Bearing Nomenclature

Symbol	Description	UG	3	K	47	N	L
UG	Wide inner ring, bearing seals, spring locking collar	}	}	}	}	}	}
YG	Wide inner ring, bearing seals, eccentric cam locking collar						
3	Series 300 ball bearing designation						
K	Adapter mounted						
47	Shaft size in sixteenths of an inch						
None	Steel clad clearance seal						
N	Molded double lip seals						
L1	Bearing without collar						
L	Bearing with collar & setscrews						

Series 300 Ball Bearings

To select a bearing, determine the applied radial load, the applied thrust load, the desired Rating Life, and applicable operating conditions. The procedure shown here will aid in selecting a bearing to meet an L₁₀ design life. The formulas for calculating life expectancy should be used to determine the Rating Life L₁₀ for the bearing selected.

The selection procedures and rating formulas shown here are in agreement with The American Bearing Manufacturers Association Standards and ANSI/ABMA STD 9-1990. Ratings are based on fatigue life. The Rating Life L₁₀ or fatigue life at 90% reliability is the usual basis for bearing selection.

To assure a satisfactory bearing application, fitting practice, mounting, lubrication, sealing, static rating, housing strength, operating conditions and maintenance must be considered.

Selection

Step 1

Determine an appropriate L₁₀ design life.

Type of service	Operating time, hours per year	Design life, years	L ₁₀ design life, hours
Light seasonal usage	500 to 750	3-5	3,000
Heavy seasonal usage	1,400 to 1,600	4-6	8,000
Industrial—8 hour shift	2,000	10	20,000
Industrial—16 hour shift	4,000	10	40,000
Industrial—Continuous	8,700	10	80,000 to 100,000

Step 2

Determine a required $\left(\frac{C}{P}\right)$ from Table 1.

Step 3

Calculate the required C and select a ball bearing.

a For radial load only:

$$P = F_r$$

$$\text{required } C = \left(\frac{C}{P}\right)P \text{ using } \left(\frac{C}{P}\right) \text{ from Step 2}$$

Select a ball bearing from Table 3 with a basic load rating C equal to or greater than the required C.

b For combined radial and thrust loads when $\frac{F_a}{F_r}$ is 0.19 or less:

$$P = F_r$$

$$\text{required } C = \left(\frac{C}{P}\right)P \text{ using } \left(\frac{C}{P}\right) \text{ from Step 2}$$

Select a ball bearing from Table 3 with a basic load rating C equal to or greater than the required C.

Step 3 (continued)

c For combined radial and thrust loads when $\frac{F_a}{F_r}$ is greater than 0.19, use the following trial method:

$$\text{Maximum } P = .56F_r + 2.30F_a$$

$$\text{Maximum required } C = \left(\frac{C}{P}\right)P \text{ using } \left(\frac{C}{P}\right) \text{ from Step 2}$$

Select a trial ball bearing with a basic load rating C from Table 3 approximately equal to the maximum required C.

$$\text{With this trial bearing calculate: } \frac{F_a}{Nd^2}$$

Determine X and Y from Table 2.

Calculate P for the trial bearing.

$$P = XF_r + YF_a$$

$$\text{required } C = \left(\frac{C}{P}\right)P \text{ for the trial bearing using } \left(\frac{C}{P}\right) \text{ from Step 2}$$

Consult Table 3, basic load rating. If a smaller bearing meets or nearly meets the required C, its life expectancy can be calculated.

Note: If the load P is greater than .25C, consult Rexnord Bearing Products.

Selection

Symbols for formulas:

C = basic load rating, pounds (or newtons)
 Co = static load rating, pounds (or newtons)
 e = a reference value
 Fa = thrust load, pounds (or newtons)
 Fr = radial load, pounds (or newtons)

L10 = rating life, hours
 n = speed, revolutions per minute
 P = equivalent radial load, pounds (or newtons)
 X = radial factor
 Y = thrust factor

Basic formula

$$\left(\frac{C}{P}\right) = \left(\frac{L_{10} \times n \times 60}{1,000,000}\right)^{1/3}$$

$$L_{10} = \frac{\left(\frac{C}{P}\right)^3 \times 1,000,000}{n \times 60}$$

Life Expectancy

To calculate the Rating Life L10 of any selected or trial bearing:

Step 1 Determine the equivalent radial load P.

- a For radial load only:
P = Fr
- b For combined radial and thrust load:
P = XFr + YFa using X and Y from Table 2 below.

Step 2 Calculate the ratio of basic load rating C to the equivalent radial load.

$$\left(\frac{C}{P}\right)$$

Step 3 Approximate the bearing life from Table 1.

Table 1 • Relation of L10 life and speed to $\left(\frac{C}{P}\right)$

Bearing life, hours L10	$\left(\frac{C}{P}\right)$ ratio								
	Speed, n								
	50	100	200	300	400	500	600	700	800
3000	2.08	2.62	3.30	3.77	4.15	4.47	4.75	5.01	5.23
4000	2.29	2.88	3.63	4.15	4.57	4.92	5.23	5.51	5.76
5000	2.46	3.10	3.91	4.47	4.92	5.30	5.64	5.93	6.20
6000	2.62	3.30	4.15	4.75	5.23	5.64	5.99	6.30	6.59
8000	2.88	3.63	4.57	5.23	5.76	6.20	6.59	6.94	7.25
10000	3.10	3.91	4.92	5.64	6.20	6.68	7.10	7.47	7.81
12000	3.30	4.15	5.23	5.99	6.59	7.10	7.54	7.94	8.30
14000	3.47	4.37	5.51	6.30	6.94	7.47	7.94	8.36	8.74
16000	3.63	4.57	5.76	6.59	7.25	7.81	8.30	8.74	9.14
18000	3.77	4.75	5.99	6.86	7.54	8.13	8.63	9.09	9.50
20000	3.91	4.92	6.20	7.10	7.81	8.42	8.94	9.41	9.84
25000	4.21	5.30	6.68	7.65	8.42	9.07	9.63	10.1	10.6
30000	4.47	5.64	7.10	8.13	8.94	9.63	10.2	10.8	11.3
35000	4.71	5.93	7.47	8.55	9.41	10.1	10.8	11.3	11.9
40000	4.92	6.20	7.81	8.94	9.84	10.6	11.3	11.9	12.4
45000	5.12	6.45	8.13	9.30	10.2	11.0	11.7	12.3	12.9
50000	5.30	6.68	8.42	9.63	10.6	11.4	12.1	12.8	13.4
60000	5.64	7.10	8.94	10.2	11.3	12.1	12.9	13.6	14.2
70000	5.93	7.47	9.41	10.8	11.9	12.8	13.6	14.3	14.9
80000	6.20	7.81	9.84	11.3	12.4	13.4	14.2	14.9	15.6
90000	6.45	8.13	10.2	11.7	12.9	13.9	14.8	15.5	16.2
100000	6.68	8.42	10.6	12.1	13.4	14.4	15.3	16.1	16.8
150000	7.65	9.63	12.1	13.9	15.3	16.5	17.5	18.4	19.3
200000	8.42	10.6	13.4	15.3	16.8	18.1	19.3	20.3	21.2
	Speed, n								
	900	1000	1200	1500	1800	2400	3600	6000	10000
3000	5.44	5.64	5.99	6.45	6.86	7.54	8.63	10.2	12.1
4000	5.99	6.20	6.59	7.10	7.54	8.30	9.50	11.3	13.4
5000	6.45	6.68	7.10	7.65	8.13	8.94	10.2	12.1	14.4
6000	6.86	7.10	7.54	8.13	8.63	9.50	10.9	12.9	15.3
8000	7.54	7.81	8.30	8.94	9.50	10.5	12.0	14.2	16.8
10000	8.13	8.42	8.94	9.63	10.2	11.3	12.9	15.3	18.1
12000	8.63	8.94	9.50	10.2	10.9	12.0	13.7	16.2	19.3
14000	9.09	9.41	10.0	10.8	11.4	12.6	14.4	17.1	20.3
16000	9.50	9.84	10.5	11.3	12.0	13.2	15.1	17.9	21.2
18000	9.88	10.2	10.9	11.7	12.4	13.7	15.7	18.6	22.0
20000	10.2	10.6	11.3	12.1	12.9	14.2	16.2	19.3	22.8
25000	11.0	11.4	12.1	13.1	13.9	15.3	17.5	20.7	24.6
30000	11.7	12.1	12.9	13.9	14.8	16.2	18.6	22.0	26.1
35000	12.3	12.8	13.6	14.6	15.5	17.1	19.6	23.2	27.5
40000	12.9	13.4	14.2	15.3	16.2	17.9	20.5	24.3	28.7
45000	13.4	13.9	14.8	15.9	16.9	18.6	21.3	25.2	29.9
50000	13.9	14.4	15.3	16.5	17.5	19.3	22.0	26.1	31.0
60000	14.8	15.3	16.2	17.5	18.6	20.5	23.4	27.8	32.9
70000	15.5	16.1	17.1	18.4	19.6	21.5	24.6	29.2	34.6
80000	16.2	16.8	17.9	19.3	20.5	22.5	25.8	30.5	36.2
90000	16.9	17.5	18.6	20.0	21.3	23.4	26.8	31.8	37.7
100000	17.5	18.1	19.3	20.7	22.0	24.3	27.8	32.9	39.0
150000	20.0	20.7	22.0	23.7	25.2	27.8	31.8	37.7	44.6
200000	22.0	22.8	24.3	26.1	27.8	30.5	35.0	41.4	49.1

Table 2 • X and Y factors for ball bearings

Fa Nd ²	e	Fa Fr ≤ e		Fa Fr > e	
		X	Y	X	Y
25	.19	1.0	0	.56	2.30
37.5	.21	1.0	0	.56	2.15
50	.22	1.0	0	.56	1.99
75	.24	1.0	0	.56	1.85
100	.26	1.0	0	.56	1.71
125	.27	1.0	0	.56	1.63
150	.28	1.0	0	.56	1.56
200	.30	1.0	0	.56	1.45
300	.34	1.0	0	.56	1.31
500	.38	1.0	0	.56	1.15
750	.42	1.0	0	.56	1.04
1000	.44	1.0	0	.56	1.00

For values between those in the table linear interpolation can be used.

Life Adjustment

The Rating Life, L10, may be modified for some applications in accordance with the formula

$$L'n = a1a2a3L10$$

where L'n = Adjusted life for (100-n) % reliability,

- a1 = Life adjustment factor for reliability
- a2 = Life adjustment factor for material and processing
- a3 = Life adjustment factor for operating conditions.

For most normal applications, all factors will be taken as 1, and the Rating Life used as the selection basis or life estimate. In addition, as long as standard catalog bearings are used, a2 will be normally set equal to one. The factor a3 covers such things as lubrication, misalignment, and temperature. Some conditions that could yield as significantly different than unity include speeds less than 20000 DN or greater than 200000 DN, temperatures below -40°F (-40°C) or above 275°F (135°C). For other possible conditions, as well as additional information on life adjustment factors, consult Rexnord Bearing Products.

Table 3 • Load ratings, speed limits and ball data

Size Code	C ₀ Static load rating		C Basic load rating Y300, U300		C Basic load rating U3K00		Approximate speed limit RPM*		d Ball diameter	N Number of balls	Nd ²
	<i>newtons</i>	<i>pounds</i>	<i>newtons</i>	<i>pounds</i>	<i>newtons</i>	<i>pounds</i>	Std. Seals	N Seals	<i>inches</i>		
312	7 890	1770	12 370	2780	-	-	10950	...	3/8	7	.984
316	10 900	2450	16 460	3700	-	-	9350	...	7/16	7	1.34
319	15 700	3530	21 660	4870	-	-	8300	6100	31/64	8	1.88
323	19 100	4290	25 620	5760	-	-	7550	5400	17/32	8	2.26
324	24 000	5390	31 230	7020	-	-	7200	...	19/32	8	2.82
328	31 600	7110	40 750	9160	-	-	6200	4300	11/16	8	3.78
331	37 800	8500	47 600	10700	61830	13900	5600	3900	3/4	8	4.50
335	44 600	10000	55 200	12400	71480	16070	4950	3550	13/16	8	5.28
339	51 900	11700	62 700	14100	-	-	4450	3250	7/8	8	6.12
344	68 100	15300	80 100	18000	104180	23420	3950	2800	1	8	8.00
347	77 100	17300	88 100	19800	113470	25510	3700	2650	1-1/16	8	9.03
351	86 600	19500	93 900	21100	123000	27650	3400	...	1-1/8	8	10.1
356	107 200	24100	109 400	24600	142700	32080	3100	...	1-1/4	8	12.5
363	140 500	31600	133 400	30000	173100	38910	2750	...	1-7/16	8	16.5

If the load P is greater than .25C consult Rexnord Bearing Division.

*Based on grease lubrication and moderate load.

Table 4 • Radial load ratings in pounds at various RPM for appropriate L₁₀ life hours

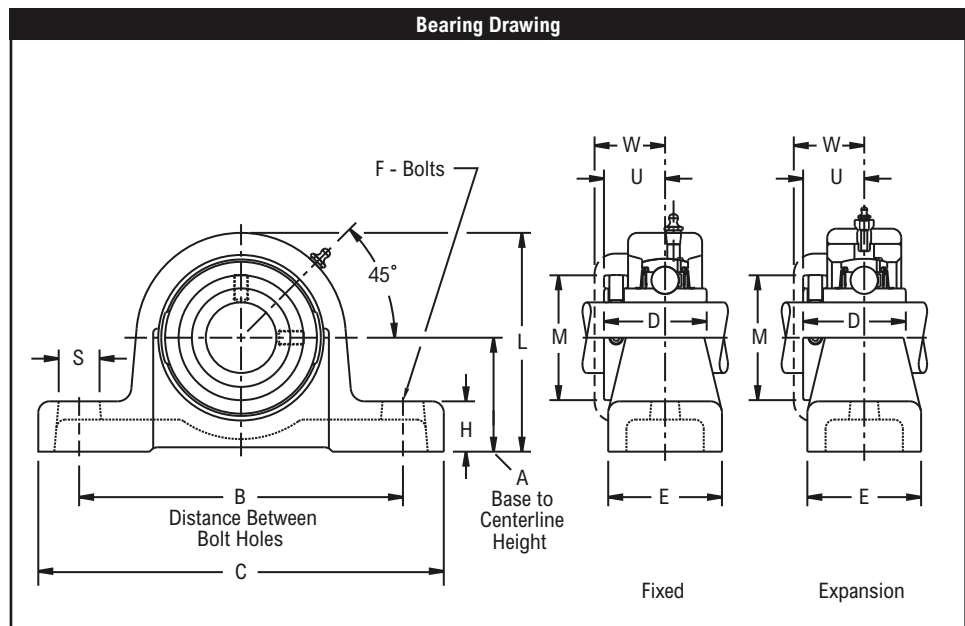
Bearing Size Number		Radial load ratings, pounds																	
Size Code	L ₁₀ Minimum life, hours	Speed, RPM																	
		50	100	200	300	400	500	600	700	800	900	1000	1200	1500	1800	2000	2500	3000	3500
312	8000	607	530	482	447	421	400	382	368	355	334	310	292	282	262	246	234
	20000	...	564	447	391	355	330	310	295	282	271	262	246	229	215	208	193	181	172
	40000	564	447	355	310	282	262	246	234	224	215	208	195	181	171	165	153	144	137
	100000	415	330	262	229	208	193	181	172	165	158	153	144	134	126	121	113	106	101
316	8000	808	706	641	595	560	532	509	489	473	445	413	388	375	348	328	311
	20000	...	750	595	520	473	439	413	392	375	361	348	328	304	286	276	257	241	229
	40000	750	595	473	413	375	348	328	311	298	286	276	260	241	227	219	204	192	182
	100000	553	439	348	304	276	257	241	229	219	211	204	192	178	167	162	150	141	134
319	8000	1064	929	844	784	737	701	670	644	622	585	543	511	494	458	431	410
	20000	...	987	784	685	622	577	543	516	494	475	458	431	400	377	364	338	318	302
	40000	987	784	622	543	494	458	431	410	392	377	364	342	318	299	289	268	252	240
	100000	727	577	458	400	364	338	318	302	289	278	268	252	234	220	213	197	186	177
323	8000	1258	1099	998	927	872	829	792	762	736	692	643	605	584	542	510	485
	20000	...	1168	927	810	736	683	643	610	584	561	542	510	474	446	430	399	376	357
	40000	1168	927	736	643	584	542	510	485	463	446	430	405	376	354	341	317	298	283
	100000	860	683	542	474	430	399	376	357	341	328	317	298	277	261	252	234	220	209
324	8000	1533	1339	1217	1130	1063	1010	966	929	897	844	783	737	712	661	622	591
	20000	...	1423	1130	987	897	832	783	744	712	684	661	622	577	543	524	487	458	435
	40000	1423	1130	897	783	712	661	622	591	565	543	524	493	458	431	416	386	364	345
	100000	1049	832	661	577	524	487	458	435	416	400	386	364	337	318	307	285	268	254
328	8000	2000	1748	1588	1474	1387	1318	1260	1212	1170	1101	1022	962	929	862	811	771
	20000	...	1857	1474	1288	1170	1086	1022	971	929	893	862	811	753	709	684	635	598	568
	40000	1857	1474	1170	1022	929	862	811	771	737	709	684	644	598	562	543	504	474	451
	100000	1368	1086	862	753	684	635	598	568	543	522	504	474	440	414	400	371	350	332
331	8000	2337	2041	1855	1722	1620	1539	1472	1415	1367	1286	1194	1123	1085	1007	948	900
	20000	...	2169	1722	1504	1367	1269	1194	1134	1085	1043	1007	948	880	828	799	742	698	663
	40000	2169	1722	1367	1194	1085	1007	948	900	861	828	799	752	698	657	634	589	554	526
	100000	1598	1269	1007	880	799	742	698	663	634	610	589	554	514	484	467	434	408	388
335	8000	2708	2366	2149	1995	1878	1784	1706	1640	1584	1490	1383	1302	1257	1167	1098	1043
	20000	...	2514	1995	1743	1584	1470	1383	1314	1257	1209	1167	1098	1019	959	926	860	809	769
	40000	2514	1995	1584	1383	1257	1167	1098	1043	998	959	926	872	809	761	735	682	642	610
	100000	1852	1470	1167	1019	926	860	809	769	735	707	682	642	596	561	542	503	473	449
339	8000	3079	2690	2444	2269	2135	2028	1940	1865	1801	1695	1573	1480	1429	1327	1249	1249
	20000	...	2859	2269	1982	1801	1672	1573	1494	1429	1374	1327	1249	1159	1091	1053	978	920	920
	40000	2859	2269	1801	1573	1429	1327	1249	1186	1134	1091	1053	991	920	866	836	776	730	730
	100000	2106	1672	1327	1159	1053	978	920	874	836	804	776	730	678	638	616	572	538	538
344	8000	3931	3434	3120	2896	2726	2589	2476	2381	2299	2163	2008	1890	1825	1694	1694	1694
	20000	...	3649	2896	2530	2299	2134	2008	1908	1825	1754	1694	1594	1480	1392	1344	1248	1248	1248
	40000	3649	2896	2299	2008	1825	1694	1594	1514	1448	1392	1344	1265	1174	1105	1067	991	991	991
	100000	2689	2134	1694	1480	1344	1248	1174	1116	1067	1026	991	932	865	814	786	730	730	730
347	8000	4324	3778	3432	3186	2998	2848	2724	2619	2529	2380	2209	2079	2007	1863	1863	1863
	20000	...	4014	3186	2783	2529	2348	2209	2098	2007	1930	1863	1753	1628	1532	1479	1373	1373	1373
	40000	4014	3186	2529	2209	2007	1863	1753	1666	1593	1532	1479	1392	1292	1216	1174	1090	1090	1090
	100000	2958	2348	1863	1628	1479	1373	1292	1227	1174	1129	1090	1025	952	896	865	803	803	803
351	8000	4608	4026	3657	3395	3195	3035	2903	2791	2695	2536	2354	2215	2139	1986	1986	1986
	20000	...	4278	3395	2966	2695	2502	2354	2236	2139	2057	1986	1869	1735	1632	1576	1463	1463	1463
	40000	4278	3395	2695	2354	2139	1986	1869	1775	1698	1632	1576	1483	1377	1296	1251	1161	1161	1161
	100000	3152	2502	1986	1735	1576	1463	1377	1308	1251	1203	1161	1093	1014	955	922	856	856	856
356	8000	5373	4693	4264	3959	3725	3539	3384	3254	3142	2957	2745	2583	2494	2494	2494	2494
	20000	...	4987	3959	3458	3142	2917	2745	2607	2494	2398	2315	2178	2022	1903	1837	1737	1737	1737
	40000	4987	3959	3142	2745	2494	2315	2178	2069	1979	1903	1837	1729	1605	1510	1458	1458	1458	1458
	100000	3675	2917	2315	2022	1837	1706	1605	1525	1458	1402	1354	1274	1183	1113	1075	1075	1075	1075
363	8000	6552	5724	5200	4827	4543	4315	4127	3969	3832	3606	3347	3150	3041	3041	3041	3041
	20000	...	6082	4827	4217	3832	3557	3347	3180	3041	2924	2823	2657	2466	2321	2241	2241	2241	2241
	40000	6082	4827	3832	3347	3041	2823	2657	2524	2414	2321	2241	2109	1957	1842	1778	1778	1778	1778
	100000	4481	3557	2823	2466	2241	2080	1957	1859	1778	1710	1651	1554	1442	1357	1310	1310	1310	1310

* Load exceeds 25% of the C rating, consult Rexnord Bearing Division.



Product Features

- Corrosion resistant powder coating
- Cast iron housing
- Spring locking setscrew mount
- Fixed or Expansion - Up to 11/32" expansion
- Alignable & relubricatable
- See Features & Benefits for additional info.



Bearing Dimensions																		
Size Code	Shaft Diameter	Expansion		Fixed		A Base to Centerline Height	B Distance Between Bolt Holes	C	D	E	F	H	M	S	U	W	Total Axial Expansion	Approx. Weight
		Part Number	L	Part Number	L													
312	3/4	PEU312	3 3/16	PU312	3 1/16	1 5/8	5	6 1/2	1 15/32	1 3/4	1/2	13/16	1 5/8	7/8	27/32	1 3/64	3/16	3.00
316	7/8	PEU314	3 23/32	PU314	3 9/16	1 7/8	5 1/2	7	1 43/64	2	1/2	7/8	2	7/8	63/64	1 15/64	3/16	4.00
	15/16	PEU315		PU315														
	1	PEU316		PU316														
319	1 1/8	PEU318	4 1/4	PU318	4 1/16	2 1/8	6 7/16	8 1/4	1 59/64	2 1/4	1/2	15/16	2 5/16	1 1/16	1 9/64	1 13/32	3/16	5.90
	1 3/16	PEU319		PU319														
323	1 1/4	PEU320	4 11/16	PU320	4 1/2	2 3/8	7 3/8	9 1/4	2 3/32	2 3/8	5/8	1	2 9/16	1 1/8	1 1/4	1 1/2	3/16	7.50
	1 3/8	PEU322		PU322														
	1 7/16	PEU323		PU323														
324	1 1/2	PEU324	5 7/32	PU324	5	2 5/8	8	10 1/8	2 5/16	2 5/8	5/8	1 1/4	3 1/16	1 1/4	1 25/64	1 39/64	3/16	11.50
	1 5/8	PEU326		PU326														
	1 11/16	PEU327		PU327														
328	1 3/4	PEU328	5 5/8	PU328	5 1/2	2 7/8	8 1/4	10 1/4	2 19/32	3	5/8	1 5/16	3 1/4	1 1/8	1 35/64	1 27/32	3/16	13.00
	1 3/4	PEU328		PU328														
331	1 15/16	PEU331	6 7/32	PU331	6	3 1/8	8 7/8	11 1/8	2 13/16	3 1/8	5/8	1 3/8	3 7/16	1 1/8	1 43/64	1 31/32	1/4	17.20
	2	PEU332		PU332														
335	2 1/8	PEU334	6 13/16	PU334	6 5/8	3 1/2	10 1/4	12 5/8	3 1/16	3 3/8	3/4	1 1/2	3 15/16	1 1/4	1 27/32	2 3/16	9/32	21.50
	2 3/16	PEU335		PU335														
	2 1/4	PEU336		PU336														
339	2 7/16	PEU339	7 3/16	PU339	7 1/8	3 5/8	11 1/4	13 3/4	3 5/16	3 1/2	3/4	1 5/8	4 3/16	1 3/8	1 15/16	2 7/16	9/32	27.50
	2 1/4	PEU336		PU336														
344	2 11/16	PEU343	7 5/16	PU343	7 3/4	4	11 13/16	14 5/8	3 13/16	3 3/4	7/8	1 5/8	4 3/4	1 5/8	2 1/4	2 5/8	7/32	39.00
	2 3/4	PEU344		PU344														
347	2 15/16	PEU347	8 3/8	PU347	8 3/8	4 1/4	12	15 1/8	4 3/32	4	7/8	1 3/4	4 15/16	1 5/8	2 3/8	2 3/4	7/32	44.50
351	3	PEU348	9	PU348	9	4 9/16	12 1/4	15 3/8	4 13/32	4 5/16	7/8	1 15/16	5 11/16	1 5/8	2 19/32	3	11/32	53.00
	3 3/16	PEU351		PU351														
356	3 7/16	PEU355	10 1/16	PU355	9 7/8	5 1/8	12 7/8	16 1/8	4 15/16	5	1	2 1/4	6	1 5/8	2 29/32	3 9/32	11/32	70.00
	3 1/2	PEU356		PU356														
363	3 15/16	PEU363	11 1/16	PU363	11 1/16	5 11/16	14 1/2	17 5/16	5 9/16	5	1	2 9/16	7	1 1/2	3 9/32	3 11/16	11/32	98.00

Additional Notes

Please call 1-866-REXNORD for availability

Lubrication fitting tap size: for expansion units with shaft sizes 2 7/16" and below, 1/4"-28 UNF; for other expansion units and all fixed units, 1/8" PT

Base to centerline tolerance, +.000"/-.010" (+0.00mm/-0.25mm)

1 1/8" thru 1 7/16" & 1 5/8" thru 2 15/16" shaft sizes also available with dual contact lip seals, add suffix N

Selection Guide, see Link-Belt Heavy Duty Ball Bearing Selection Guide section

Load Ratings & Speed Limits, see Link-Belt Heavy Duty Ball Bearing Load Ratings & Speed Limits section

Note: Dimensions subject to change. Certified dimensions of ordered material furnished on request.

FU300, FEU300

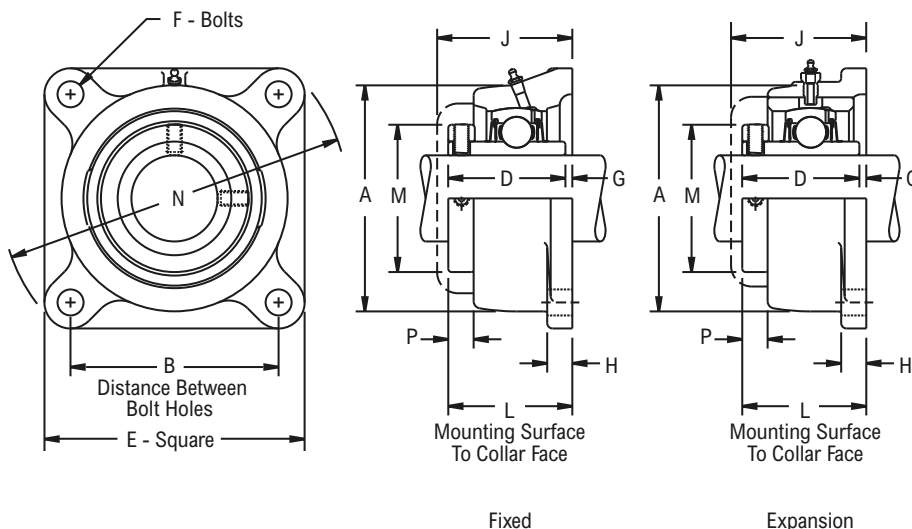


Photo Shows a 4-Bolt Ball Bearing Flanged Unit

Product Features

- Corrosion resistant powder coating
- Cast iron housing
- Spring locking setscrew mount
- Fixed or Expansion - Up to 11/32" expansion
- Alignable & relubricatable
- See Features & Benefits for additional info.

Bearing Drawing



Bearing Dimensions

Size Code	Shaft Diameter	Expansion		Fixed		B Distance Between Bolt Holes	L Mounting Surface to Collar Face	D	E	F	G	H	J	M	N	P	Total Axial Expansion	Approx. Weight
		Part Number	A	Part Number	A													
312	3/4	-	-	FU312	2 3/4	2 7/8	1 19/32	1 15/32	3 7/8	7/16	1/8	1/2	1 51/64	1 5/8	5 1/16	15/64	-	2.50
316	7/8	FEU314	3 11/16	FU314	3 1/4	3 1/2	1 51/64	1 43/64	4 5/8	1/2	1/8	9/16	2 3/64	2	6 1/16	19/64	3/16	4.00
	15/16	FEU315		FU315														
	1	FEU316		FU316														
319	1 1/8	FEU318	4 1/8	FU318	3 5/8	3 13/16	2 3/64	1 59/64	4 15/16	1/2	1/8	5/8	2 5/16	2 5/16	6 17/32	25/64	3/16	4.70
	1 3/16	FEU319		FU319														
323	1 1/4	FEU320	4 15/32	FU320	4 1/16	4	2 1/4	2 3/32	5 1/8	1/2	5/32	5/8	2 1/2	2 9/16	6 25/32	7/16	9/32	6.00
	1 3/8	FEU322		FU322														
	1 7/16	FEU323		FU323														
324	1 1/2	FEU324	5	FU324	4 9/16	4 5/8	2 15/32	2 5/16	6	5/8	5/32	5/8	2 11/16	3 1/16	7 29/32	1/2	9/32	8.50
	1 5/8	FEU326		FU326														
	1 11/16	FEU327		FU327														
328	1 3/4	FEU328	5 1/2	FU328	5	4 7/8	2 3/4	2 19/32	6 1/4	5/8	5/32	11/16	3 3/64	3 1/4	8 9/32	35/64	3/16	10.20
	1 15/16	FEU331		FU331														
335	2	FEU332	6 3/8	FU332	6	5 3/4	3 7/32	3 1/16	7 5/16	3/4	5/32	3/4	3 9/16	3 15/16	9 11/16	21/32	9/32	16.50
	2 1/8	FEU334		FU334														
	2 3/16	FEU335		FU335														
339	2 1/4	FEU336	6 13/16	FU336	6 3/8	6	3 15/32	3 5/16	7 5/8	3/4	5/32	3/4	3 31/32	4 3/16	10 1/8	21/32	9/32	19.20
	2 7/16	FEU339		FU339														
344	2 11/16	FEU343	7 3/4	FU343	7 5/16	7	3 31/32	3 13/16	8 7/8	7/8	5/32	7/8	4 11/32	4 3/4	11 25/32	3/4	7/32	30.00
	2 3/4	FEU344		FU344														
347	2 15/16	FEU347	8 1/4	FU347	7 7/8	7 1/4	4 5/16	4 3/32	9 1/16	7/8	7/32	7/8	4 11/16	4 15/16	12 1/16	7/8	7/32	33.50
356	3 7/16	FEU355	9 7/8	FU355	9 1/4	8 1/2	5 5/32	4 15/16	11	1	7/32	1 1/4	5 17/32	6	14 17/32	1	11/32	58.00
	3 1/2	FEU356		FU356														
363	3 15/16	FEU363	10 15/16	FU363	10 3/8	9 1/2	5 25/32	5 9/16	12 1/8	1 1/8	7/32	1 3/8	6 3/16	7	16 1/16	1 3/32	11/32	78.00

Additional Notes

Please call 1-866-REXNORD for availability
 Lubrication fitting tap size: for expansion units with shaft sizes 2 7/16" and below, 1/4"-28 UNF; for other expansion units and all fixed units, 1/8" PT
 1 1/8" thru 1 7/16" & 1 5/8" thru 2 15/16" shaft sizes also available with dual contact lip seals, add suffix N
 Selection Guide, see Link-Belt Heavy Duty Ball Bearing Selection Guide section
 Load Ratings & Speed Limits, see Link-Belt Heavy Duty Ball Bearing Load Ratings & Speed Limits section

Note: Dimensions subject to change. Certified dimensions of ordered material furnished on request.

FCU300, FCEU300

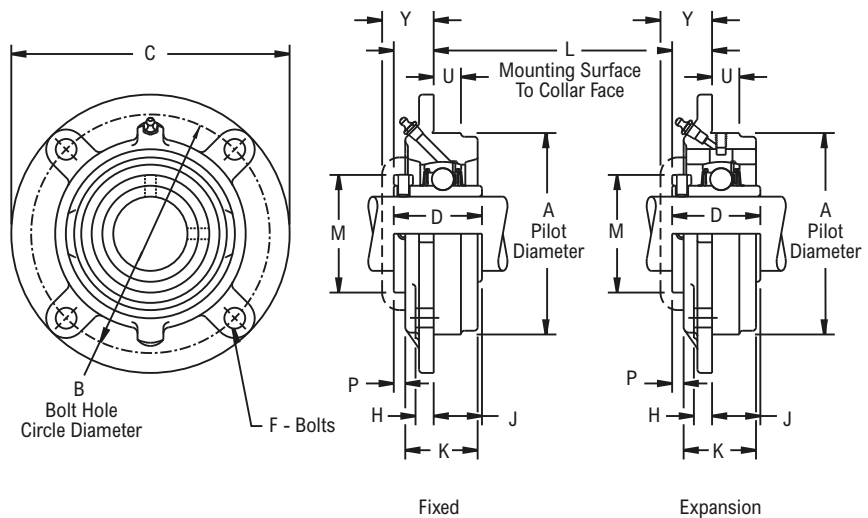


Photo Shows a 4-Bolt Ball Bearing Flanged Cartridge Unit

Product Features

- Corrosion resistant powder coating
- Cast iron housing
- Spring locking setscrew mount
- Fixed or Expansion - Up to 13/32" expansion
- Alignable & relubricatable
- See Features & Benefits for additional info.

Bearing Drawing



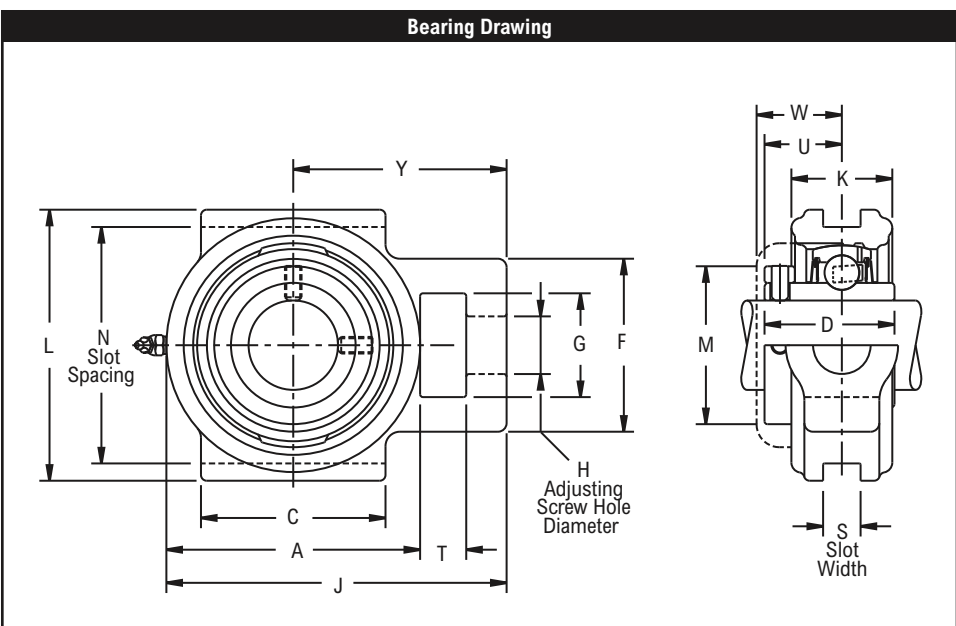
Bearing Dimensions

Size Code	Shaft Diameter	Expansion / Fixed		A Pilot Diameter	B Bolt Hole Circle Diameter	L Mounting Surface to Collar Face	C	D	F	H	J	K	M	P	U	Y	Total Axial Expansion	Approx. Weight
		Part Number	Part Number															
312	3/4	-	FCU312	3.125	3 3/4	21/32	4 1/2	1 15/32	5/16	7/16	13/16	1 7/32	1 5/8	13/64	1/2	55/64	-	3.00
316	7/8	-	FCU314	3.688	4 1/2	51/64	5 3/8	1 43/64	3/8	7/16	7/8	1 5/16	2	19/64	5/8	1 3/4	-	4.50
	15/16	-	FCU315															
	1	-	FCU316															
319	1 1/8	-	FCU318	4.125	5	61/64	6	1 59/64	7/16	7/16	31/32	1 7/16	2 5/16	25/64	5/8	1 7/32	-	6.00
	1 3/16	-	FCU319															
323	1 1/4	FCEU320	FCU320	4.500	5 3/8	1	6 3/8	2 3/32	7/16	7/16	1 3/32	1 9/16	2 9/16	7/16	5/8	1 1/4	1/4	7.50
	1 3/8	FCEU322	FCU322															
	1 7/16	FCEU323	FCU323															
324	1 1/2	FCEU324	FCU324	5.000	6	1 9/64	7 1/8	2 5/16	1/2	1/2	1 11/64	1 23/32	3 1/16	1/2	5/8	1 23/64	1/4	10.00
	1 5/8	FCEU326	FCU326															
328	1 11/16	FCEU327	FCU327	5.500	6 1/2	1 19/64	7 5/8	2 19/32	1/2	1/2	1 19/64	1 59/64	3 1/4	35/64	3/4	1 19/32	1/4	12.20
	1 3/4	FCEU328	FCU328															
	1 15/16	FCEU331	FCU331															
331	2	FCEU332	FCU332	6.000	7	1 27/64	8 1/8	2 13/16	1/2	9/16	1 25/64	2 1/8	3 7/16	9/16	7/8	1 23/32	1/4	15.00
	2 1/8	FCEU334	FCU334															
335	2 3/16	FCEU335	FCU335	6.375	7 5/8	1 17/32	9	3 1/16	5/8	5/8	1 17/32	2 9/32	3 15/16	21/32	15/16	1 7/8	1/4	19.50
	2 1/4	FCEU336	FCU336															
339	2 7/16	FCEU339	FCU339	6.875	8 1/8	1 5/8	9 1/2	3 5/16	5/8	5/8	1 11/16	2 15/32	4 3/16	21/32	15/16	2 1/8	1/4	23.50
	2 11/16	FCEU343	FCU343															
344	2 3/4	FCEU344	FCU344	7.750	9	1 7/8	10 3/8	3 13/16	5/8	3/4	1 15/16	2 27/32	4 3/4	25/32	1 1/8	2 1/4	13/32	32.50
	2 15/16	FCEU347	FCU347															
347	3 7/16	FCEU355	FCU355	8.250	9 1/2	2	10 7/8	4 3/32	5/8	3/4	2 3/32	3 1/8	4 15/16	3/4	1 1/8	2 3/8	13/32	37.00
	3 1/2	FCEU356	FCU356															
356	3 15/16	FCEU363	FCU363	9.875	11 3/8	2 13/32	12 7/8	4 15/16	3/4	7/8	2 17/32	3 11/16	6	1	1 1/4	2 25/32	13/32	64.00
363				11.000	12 1/2	2 25/32	14	5 9/16	3/4	7/8	2 25/32	4 7/32	7	1 3/32	1 3/8	3 3/16	13/32	85.00

Additional Notes

Please call 1-866-REXNORD for availability
 Lubrication fitting tap size: for shaft sizes 1 3/16" and below, 1/4"-28 UNF: for all other shaft sizes, 1/8" PT
 Pilot Diameter tolerance, +.000"/-.002" (+0.00mm/-0.05mm)
 Bore tolerance for mounting, +.002"/-.000" (+0.05mm/-0.00mm)
 1 1/8" thru 1 7/16" & 1 5/8" thru 2 15/16" shaft sizes also available with dual contact lip seals, add suffix N

Selection Guide, see Link-Belt Heavy Duty Ball Bearing Selection Guide section Load Ratings & Speed Limits, see Link-Belt Heavy Duty Ball Bearing Load Ratings & Speed Limits section
 Note: Dimensions subject to change. Certified dimensions of ordered material furnished on request.



Product Features

- Corrosion resistant powder coating
- Cast iron housing
- Spring locking setscrew mount
- Alignable & relubricatable
- Machined slots
- See Features & Benefits for additional info.

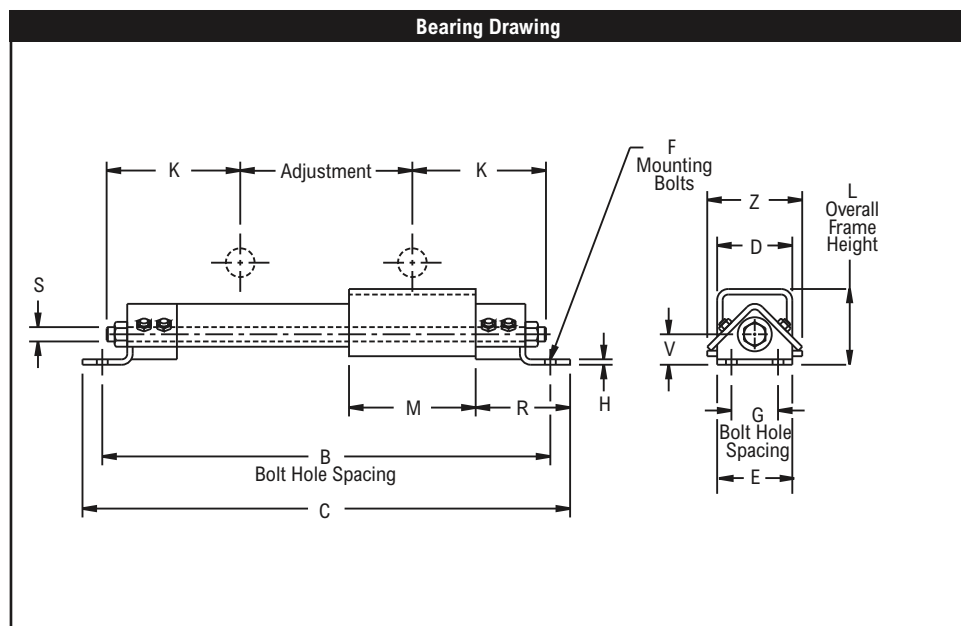
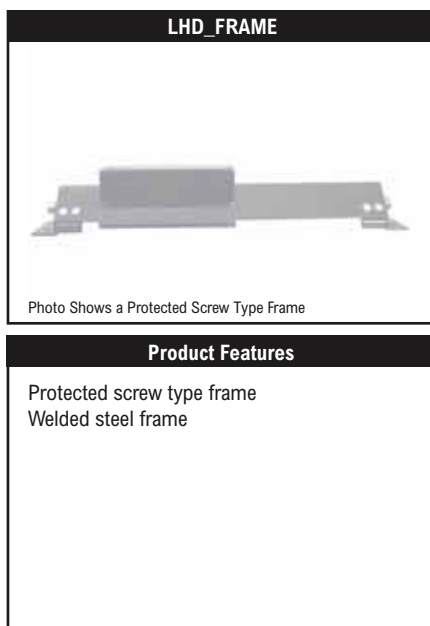
Bearing Dimensions

Size Code	Shaft Diameter	Part Number	H Adjusting Screw Hole Diameter	N Slot Spacing	S Slot Width	A	C	D	F	G	J	K	L	M	T	U	W	Y	Approx. Weight
316	7/8	TU314	3/4	3.000	0.531	3 5/16	2 1/4	1 43/64	2	1 1/4	4 3/8	1 3/8	3 5/8	2	5/8	63/64	1 15/64	2 3/4	3.20
	15/16	TU315																	
	1	TU316																	
323	1 1/4	TU320	7/8	3.500	0.531	4	2 3/4	2 3/32	2 3/8	1 7/16	5 1/4	1 5/8	4 1/8	2 9/16	5/8	1 1/4	1 1/2	3 1/4	5.50
	1 3/8	TU322																	
	1 7/16	TU323																	
324	1 1/2	TU324	1 1/8	4.125	0.687	4 5/8	3 1/4	2 5/16	3 3/16	1 15/16	6 1/8	1 25/32	4 7/8	3 1/16	3/4	1 25/64	1 39/64	3 13/16	8.50
331	1 15/16	TU331	1 1/4	5.125	0.812	5 1/2	4	2 13/16	3 3/4	2 1/4	7 3/8	2 3/16	5 7/8	3 7/16	1	1 43/64	1 31/32	4 5/8	13.70
	2	TU332	1 1/4	5.500	0.812	5 13/16	4 1/8	3 1/16	3 3/4	2 1/4	7 3/4	2 3/8	6 1/4	3 15/16	1	1 27/32	2 3/16	4 27/32	17.20
335	2 1/8	TU334																	
	2 3/16	TU335																	
339	2 1/4	TU336	1 3/8	6.000	1.062	6 1/4	4 1/2	3 5/16	4 1/8	2 1/2	8 5/8	2 9/16	6 3/4	4 3/16	1 3/8	1 15/16	2 7/16	5 7/16	20.00
	2 7/16	TU339																	
347	2 15/16	TU347	1 5/8	7.500	1.312	8	5 3/4	4 3/32	4 3/4	2 3/4	10 1/2	3 1/4	8 1/4	4 15/16	1 1/4	2 3/8	2 3/4	6 1/2	37.50

Additional Notes

Please call 1-866-REXNORD for availability
 Lubrication fitting tap size, 1/8" PT
 Take-up slot spacing & width tolerance, +0.000"/-0.015" (+0.00mm/-0.38mm)
 1 1/8" thru 1 7/16" & 1 5/8" thru 2 15/16" shaft sizes also available with dual contact lip seals, add suffix N
 Selection Guide, see Link-Belt Heavy Duty Ball Bearing Selection Guide section
 Load Ratings & Speed Limits, see Link-Belt Heavy Duty Ball Bearing Load Ratings & Speed Limits section

Note: Dimensions subject to change. Certified dimensions of ordered material furnished on request.



Bearing Dimensions

Size Code	Shaft Size	Part Number	Adjustment Length	B Bolt Hole Spacing	G Bolt Hole Spacing in Width Direction	L Overall Frame Height	C	D	E	F	H	K	M	R	S	V	Z	Approx. Weight
LHD20	7/8-1 15/16	LHD2012	12	29	2 1/2	5 1/4	31	4	5	5/8	1/4	8 1/2	11	4	3/4	2	6 1/4	48.00
		LHD2018	18	35			37											52.00
		LHD2024	24	41			43											56.00
		LHD2030	30	47			49											65.00
		LHD2036	36	53			55											70.00
		LHD2048	48	65			67											81.00
LHD25	2-2 3/16	LHD2512	12	32 3/4	3	6 1/4	35 1/4	5	5 1/2	5/8	3/8	10 3/8	13 1/4	5	1	2 9/16	7 1/8	81.00
		LHD2518	18	38 3/4			41 1/4											100.00
		LHD2524	24	44 3/4			47 1/4											110.00
		LHD2530	30	50 3/4			53 1/4											115.00
		LHD2536	36	56 3/4			59 1/4											120.00
		LHD2548	48	68 3/4			71 1/4											127.00
LHD30	2 1/4-2 7/16	LHD3012	12	35 1/2	3	7	38 1/4	6	6 1/2	3/4	1/2	11 3/4	14 1/4	6	1	2 1/2	9	158.00
		LHD3018	18	41 1/2			44 1/4											162.00
		LHD3024	24	47 1/2			50 1/4											166.00
		LHD3030	30	53 1/2			56 1/4											173.00
		LHD3036	36	59 1/2			62 1/4											183.00
		LHD3048	48	71 1/2			74 1/4											214.00
LHD35	2 11/16-3 3/16	LHD3512	12	37 1/4	3	7	40	6	6 1/2	3/4	1/2	12 5/8	16	6	1 1/4	2 1/2	9	173.00
		LHD3518	18	43 1/4			46											190.00
		LHD3524	24	49 1/4			52											195.00
		LHD3530	30	55 1/4			58											200.00
		LHD3536	36	61 1/4			64											210.00
		LHD3548	48	73 1/4			76											234.00
LHD40	3 7/16-3 15/16	LHD4012	12	41 1/4	3	7	44	7	6 1/2	3/4	1/2	14 5/8	20	6	1 1/2	2 1/2	9 13/16	175.00
		LHD4018	18	47 1/4			50											220.00
		LHD4024	24	53 1/4			56											265.00
		LHD4030	30	59 1/4			62											270.00
		LHD4036	36	65 1/4			68											290.00
		LHD4048	48	77 1/4			80											300.00
LHD50	-	LHD5012	12	47	4	7 3/4	49 1/2	8 1/2	7	7/8	1/2	17 1/2	23 1/2	6 3/4	1 1/2	3 3/8	11 1/4	290.00
		LHD5018	18	53			55 1/2											300.00
		LHD5024	24	59			61 1/2											325.00
		LHD5030	30	65			67 1/2											330.00
		LHD5036	36	71			73 1/2											350.00
		LHD5048	48	83			85 1/2											360.00

Additional Notes

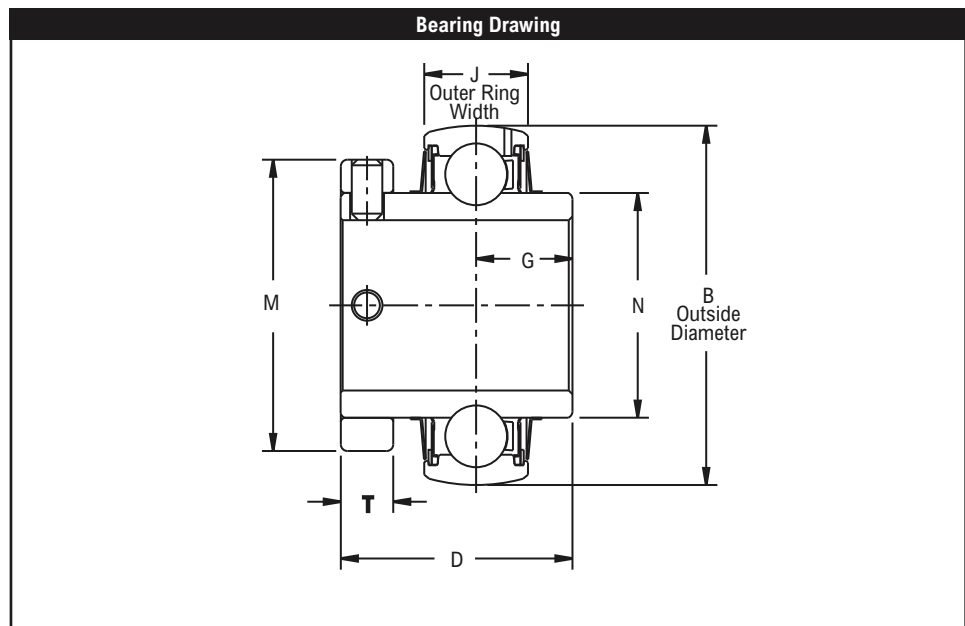
Please call 1-866-REXNORD for availability
 Take-up frames can be furnished drilled to accommodate pillow block i.e. LHD20-12 drilled for pillow block part number
 Note: Dimensions subject to change. Certified dimensions of ordered material furnished on request.



Product Features

- Spring locking setscrew mount
- Sealed & relubricatable
- Alignable spherical O.D.

See Features & Benefits for additional info.



Bearing Dimensions										
Size Code	Shaft Diameter	Part Number	B O.D.	J Outer Ring Width	D	G	M	N	T	Approx. Weight
312	3/4	UG312L	2.0472	0.7874	1 15/32	5/8	1 5/8	1.194	11/32	1.00
316	7/8	UG314L	2.4409	0.8661	1 43/64	11/16	2	1.451	13/32	1.50
		UG315L								
319	1	UG316L	2.8346	0.9449	1 59/64	25/32	2 5/16	1.708	1/2	1.70
		UG318L								
323	1 1/8	UG319L	3.1496	1.0236	2 3/32	27/32	2 9/16	1.946	1/2	2.10
		UG320L								
		UG322L								
324	1 3/8	UG323L	3.5433	1.1024	2 5/16	59/64	3 1/16	2.204	9/16	2.90
		UG324L								
		UG326L								
328	1 1/2	UG327L	3.9370	1.1811	2 19/32	1 3/64	3 1/2	2.443	5/8	3.95
		UG328L								
		UG329L								
331	1 5/8	UG331L	4.3307	1.2598	2 13/16	1 9/64	3 7/16	2.701	21/32	4.70
		UG332L								
		UG333L								
335	2	UG334L	4.7244	1.3386	3 1/16	1 7/32	3 15/16	2.959	3/4	6.60
		UG335L								
		UG336L								
339	2 1/8	UG339L	5.1181	1.4173	3 5/16	1 3/8	4 3/16	3.216	3/4	7.95
		UG340L								
		UG341L								
344	2 1/4	UG343L	5.9055	1.6142	3 13/16	1 9/16	4 3/4	3.732	7/8	11.50
		UG344L								
347	2 3/4	UG347L	6.2992	1.6929	4 3/32	1 23/32	4 15/16	3.990	7/8	13.00
351	3	UG348L	6.6929	1.7717	4 13/32	1 13/16	5 11/16	4.247	1	18.00
		UG351L								
356	3 3/8	UG355L	7.4806	1.9291	4 15/16	2 1/32	6	4.763	1 1/8	23.50
		UG356L								

Additional Notes

Please call 1-866-REXNORD for availability
 1 1/8" thru 1 7/16" & 1 5/8" thru 2 15/16" shaft sizes also available with dual contact lip seals, add suffix N
 Selection Guide, see Link-Belt Heavy Duty Ball Bearing Selection Guide section
 Load Ratings & Speed Limits, see Link-Belt Heavy Duty Ball Bearing Load Ratings & Speed Limits section

Note: Dimensions subject to change. Certified dimensions of ordered material furnished on request.

MB 25 & 35 Series *Ball Bearing*



Special features minimize the three most common causes of premature bearing failure... loosening of bearings on rotating shafts, entrance of contaminants or loss of lubricant due to seal failure and insufficient housing strength.

Mounted Ball Bearings Designed for Long Life and Precision Performance

MB bearings provide design and performance features developed by decades of experience in supplying precision ball bearing inserts for other major mounted bearing manufacturers and complete mounted units to machinery and equipment manufacturers. They are priced competitively to bearings of comparable

construction. In addition to sound basic design and construction, special features minimize the three most common causes of premature bearing failure... loosening of bearings on rotating shafts, entrance of contaminants or loss of lubricant due to seal failure and insufficient housing strength. Standard duty and medium duty foot-mounted

pillow blocks, flange units, take-up blocks and hanger bearings cataloged in the following pages are available from stock. For other sizes, mountings or special requirements to fit your applications, please consult the Rexnord Bearing Products.



Concentric setscrew shaft locking device

The MB method of fastening the bearing inner race to the shaft provides substantial improvement in holding power compared to eccentric locking collars and even greater improvement over 120° set screw positioning, over-collars and other types of locking arrangement.

Combination seal-flinger system

Optimum protection from loss of lubricant and entrance of dirt and contaminants is achieved with positive lip-type contact seals. The resulting

longer seal life extends bearing life significantly.

Rugged, one-piece cast iron housing

Housings are designed to withstand bearing load ratings, external vibration and shock. Foot mounted pillow block bolt holes are elongated for easy installation and adjustment.

Spherically-seated bearing insert with anti-rotation device

The spherical fit between the outer race O.D. and I.D. of the block is precisely controlled

for easy shaft alignment. The anti-rotation device is permanently installed in the bearing insert O.D. It engages one of the housing insertion slots, preventing outer race creep and wear of housing. There is no danger of losing a separable pin during field replacement of bearings and no danger of preloading the bearing as is possible in other designs where a lube fitting is tightened against a locking pin.

Precision Mounted Ball Bearings with shafting locking device

MB concentric setscrew precision mounted ball bearings feature a concentric setscrew shaft locking device, resulting in a great improvement in the holding power (locking efficiency). Field experience

shows substantial improvement in holding power when compared to eccentric locking collars and even greater improvement in locking efficiency when compared to 120° set screw positioning

and other types of locking arrangements. The locking set screws are located at a 90° angular relationship, rather than the traditional 120°.

Standard sealing arrangements

Standard steel clad Type N single lip seals have a useful temperature range of -40°F to +225°F and can withstand temperatures of 250°F for intermittent service. Special sealing arrangements are available for higher temperatures and “free-running” or special contamination resistance.

Special optional sealing arrangements

Suffix-MHFF indicates flingers both sides. This provides a sealed, “free-running” bearing with heat shield protection. It is satisfactory for temperatures from -40°F to +225°F. Rexnord Bearing Products must be consulted regarding availability of any of these optional sealing configurations.

Examples for ordering:

1. Bearing Insert MB251-716-MHFFPA
2. Mounted Unit C251-716-MHFF

High temperature ball bearing inserts and housed units

Mounted ball bearings and MB25, MB35 and ER series inserts are available for high temperature applications up to 400°F. The “E1” package provides the following features.

1. Extra Internal Diameters Clearance (DC) based on a 200°F temperature differential between inner and outer races, compensates for the inner race expanding at a faster rate than the outer race and will avoid preloading of the bearings.
2. Steel Retainer (Cage) – 2 piece riveted construction.
3. High Temperature Lubrication – prelubricated with a No.2 consistency bentone-base grease with petroleum oil. When operated near upper limit, (400°F to 450°F) daily relubrication is required.
4. Viton Seals withstand temperatures to 400°F.

Examples for ordering:

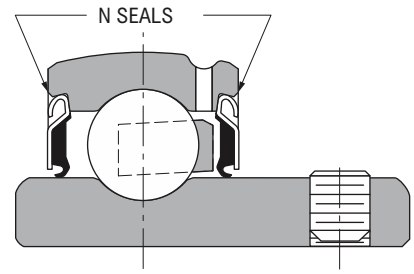
1. Bearing Insert MB251-716-E1PA
2. Mounted Unit C251-716-E1

Free running applications and applications above 400°F

Sealing options such as -FF (flingers only) for “free running” applications and/or temperatures over 400°F where contamination is not severe. The flinger acts as a labyrinth seal. High temperature bearings require a greater amount of diametral clearance (DC) and a higher temperature lubricant. Consult Rexnord Bearing Products for recommendations.

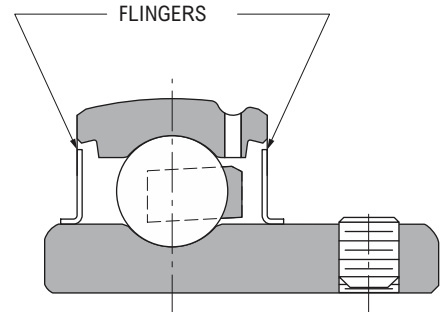
Examples for ordering:

1. Bearing Insert MB251-716-FFPA
2. Mounted Unit C251-716-FF



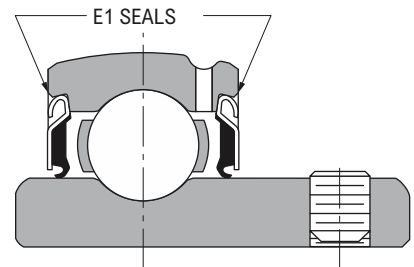
BASIC MB25/35 SEALS

214 thru 218 Basic Sizes have Nyla-K seals and Flingers



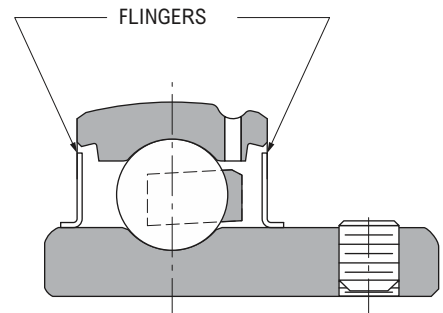
-MHFF

214 thru 218 Basic Sizes have Modified Nyla-K seals and Flingers use suffix MKFF



-E1

214 thru 218 Basic Sizes have Viton seals and Flingers use suffix TFF



-FF

Nomenclature

Symbol	Description	N	FC2	25	1	-	716	-	FF	JF	PB
N	Nickel plated housing, penetrated rings, food grade grease	}	}	}	}	}	}	}	}	}	}
C	Pillow block, standard backing										
CL	Pillow block, low backing										
FC2	Flanged unit, 2 bolt										
FC4	Flanged unit, 4 bolt										
FPS2	Flanged unit, formed steel housing, 2 bolt										
FPS3	Flanged unit, formed steel housing, 3 bolt round										
FPSR2	Flanged unit, formed steel housing, 2 bolt w/ rubber bearing insert										
MCHB	Hanger screw conveyor unit										
MEHB	Hanger unit										
MFB	Flanged bracket unit, 3 bolt										
PFC4	Flanged cartridge unit, 4 bolt round										
PS	Pillow block, formed steel housing										
TBC	Pillow block, tapped base										
TC	Take-up, wide slot										
TFPS3	Flanged unit, formed steel housing, 3 bolt triangular housing										
25K	Narrow inner ring, standard duty, Centrik-Lok collar	}	}	}	}	}	}	}	}	}	}
25	Narrow inner ring, standard duty, spring locking										
35K	Narrow inner ring, medium duty, Centrik-Lok collar										
35	Narrow inner ring, medium duty, spring locking										
None	Shaft diameter less than 1 inch or a metric bore	}	}	}	}	}	}	}	}	}	}
1	Shaft diameter equal to or greater than 1 inch										
-	Dash used as separator	}	}	}	}	}	}	}	}	}	}
716	Inch shaft fraction without the slash										
35	Metric shaft diameter in millimeters										
-	Dash used to separate suffix from bore designation	}	}	}	}	}	}	}	}	}	}
EDC	Bearing with steel retainer and increased clearance										
STL	Bearing with steel retainer and standard clearance										
None	Standard single lip seal										
E1	Viton seals, increased clearance, steel retainer, high temp. lube										
FF	Flingers only, 50% grease fill										
HFF	Flingers only, 10% oil fill										
MHFF	Flingers only 10% grease fill										
XX	Non-standard grease designation	}	}	}	}	}	}	}	}	}	}
PB	Bearing with 100% grease fill										
PD	Bearing with preservative only										

Symbol	Description	MB	25	1	-	716	-	FF	JF	PA
KMB	Ball bearing, spherical O.D. with lube groove and anti rotation pin	}	}	}	}	}	}	}	}	}
MB	Ball bearing, spherical O.D. with lube groove and anti rotation pin									
ER	Adapter series, cylindrical O.D. with lube groove and O.D. locating ring									
MSL	Ball bearing, cylindrical O.D., wide inner ring, spring locking	}	}	}	}	}	}	}	}	}
MSLN	Ball bearing, cylindrical O.D., narrow inner ring, spring locking									
RER	Rubber cartridge unit (used in FPSR2 units)	}	}	}	}	}	}	}	}	}
25	Narrow inner ring, standard duty, spring locking - KMB & MB series only									
35	Narrow inner ring, medium duty, spring locking - KMB & MB series only									
None	Shaft diameter less than 1 inch or a metric bore	}	}	}	}	}	}	}	}	}
1	Shaft diameter equal to or greater than 1 inch									
12	Shaft diameter in sixteenths of an inch - ER, RER, MSL, MSLN series only									
204	Shaft diameter in one fifth of a millimeter - ER, RER, MSL, MSLN series only									
None	Setscrew locking – ER series only	}	}	}	}	}	}	}	}	}
K	Centrik-Lok collar – ER series only									
-	Dash used as separator	}	}	}	}	}	}	}	}	}
716	Inch shaft fraction without the slash – KMB & MB series only									
35	Metric shaft diameter in millimeters – KMB & MB series only									
-	Dash used to separate suffix from bore designation	}	}	}	}	}	}	}	}	}
EDC	Bearing with steel retainer and increased clearance									
STL	Bearing with steel retainer and standard clearance	}	}	}	}	}	}	}	}	}
None	Standard single lip seal									
E1	Viton seals, increased clearance, steel retainer, high temp. lube									
FF	Fingers only, 50% grease fill									
HFF	Fingers only, 10% oil fill	}	}	}	}	}	}	}	}	}
MHFF	Fingers only 10% grease fill									
WO	External locating ring omitted – ER series only	}	}	}	}	}	}	}	}	}
XX	Non-standard grease designation									
PA	Suffix designation for unmounted replacement bearing insert	}	}	}	}	}	}	}	}	}

MB 25 and 35 Series Ball Bearings

To select a bearing, determine the applied radial load, the applied thrust load, the desired Rating Life, and applicable operating conditions. The procedure shown here will aid in selecting a bearing to meet an L10 design life. The formulas for calculating life expectancy should be used to determine the Rating Life L10 for the bearing selected. The selection procedures and rating formulas shown here are in agreement with The American Bearing Manufacturers Association

Standards and ANSI/ABMA Standards STD 9-1990. Ratings are based on fatigue life. The Rating Life or fatigue life at 90% reliability is the usual basis for bearing selection. Series 25 and 35 bearings have extended inner rings on one side only for compactness and low cost. These series are applicable to light or moderate duty requirements.

Where non-relubricatable bearings are used, bearing life is often limited by grease life, which is in turn affected by operating conditions. Also, economically designed housings must be applied within proportionate load limits. To assure a satisfactory bearing application, fitting practice, mounting, lubrication, sealing, static rating, housing strength, operating conditions and maintenance must be considered.

Selection

Step 1

Determine an appropriate L10 design life.

Type of service	Operating time, hours per year	Design life, years	L10 design life, hours
Light seasonal usage	500 to 750	3-5	3,000
Heavy seasonal usage	1,400 to 1,600	4-6	8,000
Industrial—8 hour shift	2,000	10	20,000

Step 2

Determine a required $\left(\frac{C}{P}\right)$ from Table 1.

Step 3

Calculate the required C and select a ball bearing.

a For radial load only:

$$P = F_r$$

$$\text{required } C = \left(\frac{C}{P}\right) P \text{ using } \left(\frac{C}{P}\right) \text{ from Step 2}$$

Select a ball bearing from Table 3 with a basic load rating C equal to or greater than the required C.

b For combined radial and thrust loads when $\frac{F_a}{F_r}$ is 0.19 or less:

$$P = F_r$$

$$\text{required } C = \left(\frac{C}{P}\right) P \text{ using } \left(\frac{C}{P}\right) \text{ from Step 2}$$

Select a ball bearing from Table 3 with a basic load rating C equal to or greater than the required C.

Step 3 (continued)

c For combined radial and thrust loads when $\frac{F_a}{F_r}$ is greater than 0.19, use the following trial method:
Maximum $P = .56F_r + 2.30F_a$

$$\text{Maximum required } C = \left(\frac{C}{P}\right) P \text{ using } \text{from Step 2}$$

Select a trial ball bearing with a basic load rating C from Table 3 approximately equal to the maximum required C.

$$\text{With this trial bearing calculate: } \frac{F_a}{Nd^2}$$

Determine X and Y from Table 2.

Calculate P for the trial bearing.

$$P = XF_r + YF_a$$

$$\text{required } C = \left(\frac{C}{P}\right) P \text{ for the trial bearing using } \left(\frac{C}{P}\right) \text{ from Step 2}$$

Consult Table 3, basic load rating. If a smaller bearing meets or nearly meets the required C, its life expectancy can be calculated.

Note: If the load P is greater than .15C for series 25 and 35 consult Rexnord Bearing Products.

Selection

Symbols for formulas:

C = basic load rating, pounds (or newtons)
 Co = static load rating, pounds (or newtons)
 e = a reference value
 Fa = thrust load, pounds (or newtons)
 Fr = radial load, pounds (or newtons)

L10 = rating life, hours
 n = speed, revolutions per minute
 P = equivalent radial load, pounds (or newtons)
 X = radial factor
 Y = thrust factor

Basic formula

$$\left(\frac{C}{P}\right) = \left(\frac{L_{10} \times n \times 60}{1,000,000}\right)^{1/3}$$

$$L_{10} = \frac{\left(\frac{C}{P}\right)^3 \times 1,000,000}{n \times 60}$$

Life Expectancy

To calculate the Rating Life L10 of any selected or trial bearing:

Step 1 Determine the equivalent radial load P.

- a For radial load only:
P = Fr
- b For combined radial and thrust load:
P = XFr + YFa using X and Y from Table 2 below.

Step 2 Calculate the ratio of basic load rating C to the equivalent radial load.

$$\left(\frac{C}{P}\right)$$

Step 3 Approximate the bearing life from Table 1.

Table 1 • Relation of L10 life and speed to $\left(\frac{C}{P}\right)$

Bearing life, hours L10	$\left(\frac{C}{P}\right)$ ratio									
	Speed, n									
	50	100	200	300	400	500	600	700	800	
3000	2.08	2.62	3.30	3.77	4.15	4.47	4.75	5.01	5.23	
4000	2.29	2.88	3.63	4.15	4.57	4.92	5.23	5.51	5.76	
5000	2.46	3.10	3.91	4.47	4.92	5.30	5.64	5.93	6.20	
6000	2.62	3.30	4.15	4.75	5.23	5.64	5.99	6.30	6.59	
8000	2.88	3.63	4.57	5.23	5.76	6.20	6.59	6.94	7.25	
10000	3.10	3.91	4.92	5.64	6.20	6.68	7.10	7.47	7.81	
12000	3.30	4.15	5.23	5.99	6.59	7.10	7.54	7.94	8.30	
14000	3.47	4.37	5.51	6.30	6.94	7.47	7.94	8.36	8.74	
16000	3.63	4.57	5.76	6.59	7.25	7.81	8.30	8.74	9.14	
18000	3.77	4.75	5.99	6.86	7.54	8.13	8.63	9.09	9.50	
20000	3.91	4.92	6.20	7.10	7.81	8.42	8.94	9.41	9.84	
25000	4.21	5.30	6.68	7.65	8.42	9.07	9.63	10.10	10.60	
30000	4.47	5.64	7.10	8.13	8.94	9.63	10.20	10.80	11.30	
35000	4.71	5.93	7.47	8.55	9.41	10.10	10.80	11.30	11.90	
40000	4.92	6.20	7.81	8.94	9.84	10.60	11.30	11.90	12.40	
45000	5.12	6.45	8.13	9.30	10.20	11.00	11.70	12.30	12.90	
50000	5.30	6.68	8.42	9.63	10.60	11.40	12.10	12.80	13.40	
60000	5.64	7.10	8.94	10.20	11.30	12.10	12.90	13.60	14.20	
70000	5.93	7.47	9.41	10.80	11.90	12.80	13.60	14.30	14.90	
80000	6.20	7.81	9.84	11.30	12.40	13.40	14.20	14.90	15.60	
90000	6.45	8.13	10.20	11.70	12.90	13.90	14.80	15.50	16.20	
100000	6.68	8.42	10.60	12.10	13.40	14.40	15.30	16.10	16.80	
150000	7.65	9.63	12.10	13.90	15.30	16.50	17.50	18.40	19.30	
200000	8.42	10.60	13.40	15.30	16.80	18.10	19.30	20.30	21.20	
	Speed, n									
	900	1000	1200	1500	1800	2400	3600	6000	10000	
3000	5.44	5.64	5.99	6.45	6.86	7.54	8.63	10.20	12.10	
4000	5.99	6.20	6.59	7.10	7.54	8.30	9.50	11.30	13.40	
5000	6.45	6.68	7.10	7.65	8.13	8.94	10.20	12.10	14.40	
6000	6.86	7.10	7.54	8.13	8.63	9.50	10.90	12.90	15.30	
8000	7.54	7.81	8.30	8.94	9.50	10.50	12.00	14.20	16.80	
10000	8.13	8.42	8.94	9.63	10.20	11.30	12.90	15.30	18.10	
12000	8.63	8.94	9.50	10.20	10.90	12.00	13.70	16.20	19.30	
14000	9.09	9.41	10.0	10.80	11.40	12.60	14.40	17.10	20.30	
16000	9.50	9.84	10.5	11.30	12.00	13.20	15.10	17.90	21.20	
18000	9.88	10.20	10.90	11.70	12.40	13.70	15.70	18.60	22.00	
20000	10.20	10.60	11.30	12.10	12.90	14.20	16.20	19.30	22.80	
25000	11.00	11.40	12.10	13.10	13.90	15.30	17.50	20.70	24.60	
30000	11.70	12.10	12.90	13.90	14.80	16.20	18.60	22.00	26.10	
35000	12.30	12.80	13.60	14.60	15.50	17.10	19.60	23.20	27.50	
40000	12.90	13.40	14.20	15.30	16.20	17.90	20.50	24.30	28.70	
45000	13.40	13.90	14.80	15.90	16.90	18.60	21.30	25.20	29.90	
50000	13.90	14.40	15.30	16.50	17.50	19.30	22.00	26.10	31.00	
60000	14.80	15.30	16.20	17.50	18.60	20.50	23.40	27.80	32.90	
70000	15.50	16.10	17.10	18.40	19.60	21.50	24.60	29.20	34.60	
80000	16.20	16.80	17.90	19.30	20.50	22.50	25.80	30.50	36.20	
90000	16.90	17.50	18.60	20.00	21.30	23.40	26.80	31.80	37.70	
100000	17.50	18.10	19.30	20.70	22.00	24.30	27.80	32.90	39.00	
150000	20.00	20.70	22.00	23.70	25.20	27.80	31.80	37.70	44.60	
200000	22.00	22.80	24.30	26.10	27.80	30.50	35.00	41.40	49.10	

Table 2 • X and Y factors for ball bearings

Fa Nd ²	e	Fa Fr ≤ e		Fa Fr > e	
		X	Y	X	Y
25	.19	1.0	0	.56	2.30
37.5	.21	1.0	0	.56	2.15
50	.22	1.0	0	.56	1.99
75	.24	1.0	0	.56	1.85
100	.26	1.0	0	.56	1.71
125	.27	1.0	0	.56	1.63
150	.28	1.0	0	.56	1.56
200	.30	1.0	0	.56	1.45
300	.34	1.0	0	.56	1.31
500	.38	1.0	0	.56	1.15
750	.42	1.0	0	.56	1.04
1000	.44	1.0	0	.56	1.00

For values between those in the table linear interpolation can be used.

Life Adjustment

The Rating Life, L10, may be modified for some applications in accordance with the formula

$$L'n = a1a2a3L10$$

where L'n = Adjusted life for (100-n) % reliability,

- a1 = Life adjustment factor for reliability
- a2 = Life adjustment factor for material and processing
- a3 = Life adjustment factor for operating conditions.

For most normal applications, all factors will be taken as 1, and the Rating Life used as the selection basis or life estimate. In addition, as long as standard catalog bearings are used, a2 will be normally set equal to one. The factor a3 covers such things as lubrication, misalignment, and temperature. Some conditions that could yield as significantly different than unity include speeds less than 20000 DN or greater than 200000 DN, temperatures below -40°F (-40°C) or above 275°F (135°C). For other possible conditions, as well as additional information on life adjustment factors, consult Rexnord Bearing Products.

Table 3 - Load Ratings

Basic size	Co		C		Approximate speed limit			d Ball	N	Nd ²
	Static load rating		Basic load rating		RPM*			diameter	Number of	
	<i>Newtons</i>	pounds	<i>Newtons</i>	pounds	N seals	E,E1 seals	Flingers only	inches	balls	
203	4940	1110	8100	1820	14000	9000	15800	19/64	7	0.617
204	6590	1480	9830	2210	10000	7500	13400	5/16	8	0.781
205	7830	1760	10810	2430	9600	6800	11400	5/16	9	0.879
206	11300	2530	15030	3380	8000	5600	9800	3/8	9	1.27
207	15300	3440	19880	4470	6850	4800	8400	7/16	9	1.72
208	19900	4460	25100	5640	6000	4500	7500	1/2	9	2.25
209	20400	4590	25220	5670	5330	4000	6800	1/2	9	2.25
210	23200	5220	27090	6090	4800	3600	6400	1/2	10	2.50
211	29200	6570	33540	7540	4360	3200	5800	9/16	10	3.16
212	36000	8080	40520	9110	4000	3000	5300	5/8	10	3.91
					K seals	TFF seals	Flingers only			
214	38300	8620	48000	10800	3050	2850	4600	11/16	10	4.73
215	37600	8460	47600	10700	2900	2700	4400	11/16	10	4.73
216	50700	11400	59600	13400	2700	2550	4050	3/4	11	6.19
218	64000	14400	73800	16600	2400	2250	3600	7/8	10	7.66

If the load is greater than .25C consult Rexnord Bearing Products.

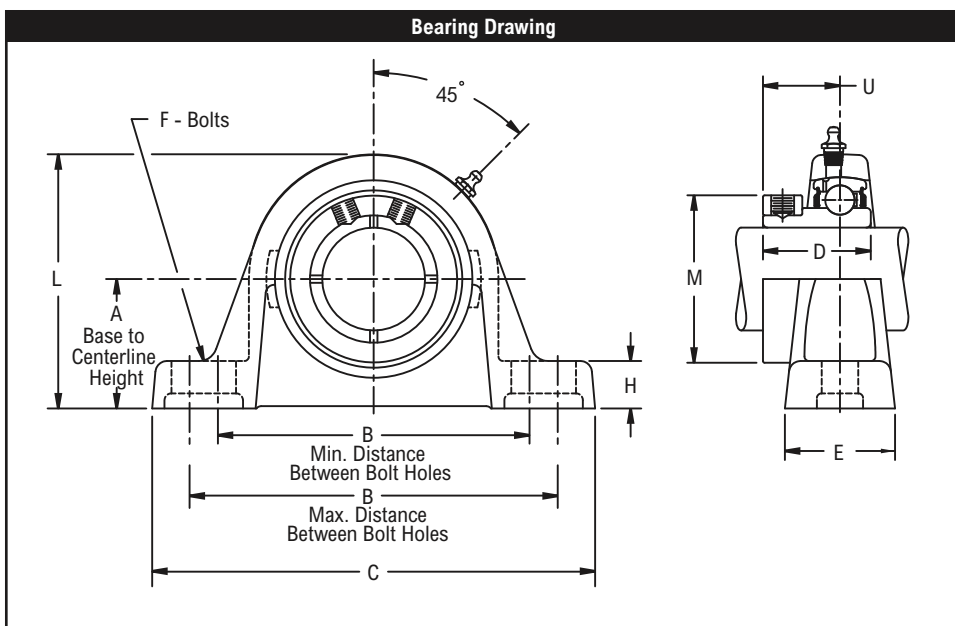
* Approximate speed limits are based on grease lubrication and moderate load.

Table 4 - Load Ratings

Basic Bearing Size	L10 Minimum Life, Hours	Radial Load Ratings in Pounds at Various Revolutions Per Minute																				
		50	100	200	300	400	500	600	700	800	900	1000	1200	1500	1600	1800	2000	2500	3000	3500	4000	5000
203	8000	-	-	398	347	315	293	276	262	251	241	233	219	203	198	191	184	171	161	152	146	135
	20000	-	369	293	256	233	216	203	193	184	178	171	161	150	146	141	135	126	118	113	107	100
	40000	369	293	233	203	184	171	161	152	146	141	135	128	118	115	112	107	100	94	89	85	79
	100000	272	216	171	150	135	126	118	113	108	104	100	94	87	85	82	79	73	69	65	63	58
204	8000	-	-	483	422	383	356	335	318	304	293	282	266	247	241	232	224	208	195	185	178	164
	20000	-	449	356	311	282	262	247	234	224	216	208	195	182	178	171	164	153	144	137	130	121
	40000	449	356	282	247	224	208	195	185	178	171	164	155	144	140	136	130	121	114	108	104	96
	100000	330	262	208	182	164	153	144	137	131	126	122	114	106	104	100	96	89	84	80	76	71
205	8000	-	-	531	464	421	391	368	350	335	322	311	292	271	265	255	246	229	215	204	195	181
	20000	-	493	391	342	311	288	271	258	246	238	229	215	200	195	188	181	168	158	150	143	133
	40000	493	391	311	271	246	229	215	204	195	188	181	171	158	154	150	143	133	125	119	114	106
	100000	363	288	229	200	181	168	158	150	144	138	134	125	117	114	110	106	98	92	88	84	78
206	8000	-	-	739	646	586	545	512	487	466	448	432	407	378	368	355	342	318	299	284	272	252
	20000	-	686	545	476	432	401	378	359	343	331	318	299	279	272	262	252	234	220	209	200	185
	40000	686	545	432	378	343	318	299	284	272	262	252	238	220	215	208	200	185	175	166	159	147
	100000	505	401	318	279	252	234	220	209	201	193	186	175	163	159	153	147	136	129	122	117	108
207	8000	-	-	978	854	776	720	678	644	616	592	572	538	500	487	470	453	421	395	375	360	333
	20000	-	908	720	629	572	530	500	475	454	438	421	395	369	360	346	333	310	292	277	264	245
	40000	908	720	572	500	454	421	395	375	360	346	333	314	292	284	275	264	245	231	220	210	195
	100000	669	530	421	369	333	310	292	277	266	255	246	231	215	210	203	195	180	170	161	155	143
208	8000	-	-	1230	1070	979	909	855	812	777	748	722	679	630	615	593	572	532	499	473	454	420
	20000	-	1140	909	794	722	669	630	599	573	552	532	499	466	454	437	420	391	368	350	333	309
	40000	1140	909	722	630	573	532	499	473	454	437	420	397	368	359	348	333	309	292	277	266	246
	100000	844	669	532	466	420	391	368	350	335	322	311	292	272	266	256	246	228	215	204	195	181
209	8000	-	-	1240	1080	984	914	860	817	782	751	725	683	634	618	596	575	534	501	476	457	423
	20000	-	1150	914	798	725	673	634	602	576	555	534	501	468	457	439	423	393	370	352	335	311
	40000	1150	914	725	634	576	534	501	476	457	439	423	399	370	361	350	335	311	293	279	267	247
	100000	848	673	534	468	423	393	370	352	337	324	313	293	273	267	257	247	229	216	205	196	182
210	8000	-	-	1330	1160	1050	982	924	877	840	807	779	733	681	664	641	617	574	538	511	491	457
	20000	-	1230	982	857	779	723	681	647	618	597	574	538	503	491	472	454	422	398	378	360	327
	40000	1230	982	779	681	618	574	538	511	491	472	454	428	398	387	375	360	334	315	300	287	254
	100000	911	723	574	503	454	422	398	378	362	348	336	315	294	287	276	265	246	232	220	211	178
211	8000	-	-	1640	1440	1300	1210	1140	1080	1040	1000	965	908	843	823	793	764	711	667	633	608	574
	20000	-	1530	1210	1060	965	895	843	801	766	739	711	667	623	608	584	562	523	492	468	446	412
	40000	1530	1210	965	843	766	711	667	633	608	584	562	530	492	480	465	446	414	390	371	355	321
	100000	1120	895	711	623	562	523	492	468	448	430	416	390	364	355	342	329	305	287	273	261	227
212	8000	-	-	1990	1740	1580	1460	1380	1310	1250	1200	1160	1090	1010	994	958	923	859	806	765	734	699
	20000	-	1850	1460	1280	1160	1080	1010	968	925	893	859	806	752	734	706	679	632	595	565	539	504
	40000	1850	1460	1160	1010	925	859	806	765	734	706	679	641	595	580	562	539	500	472	448	429	395
	100000	1360	1080	859	752	679	632	595	565	542	520	503	472	440	429	414	397	368	347	330	316	282
214	8000	-	-	2360	2060	1870	1740	1630	1550	1480	1430	1380	1300	1200	1170	1130	1090	1010	955	900	855	810
	20000	-	2190	1740	1520	1380	1280	1200	1140	1090	1050	1010	955	892	870	837	805	750	705	660	615	570
	40000	2190	1740	1380	1200	1090	1010	955	907	870	837	805	760	705	687	666	639	593	559	514	479	434
	100000	1610	1280	1010	892	805	750	705	670	642	617	596	559	521	509	490	471	437	412	387	362	337
215	8000	-	-	2340	2040	1850	1720	1620	1540	1470	1410	1370	1280	1190	1160	1120	1080	1000	945	890	845	800
	20000	-	2170	1720	1500	1370	1270	1190	1130	1080	1040	1000	946	884	862	829	798	743	698	653	608	563
	40000	2170	1720	1370	1190	1080	1000	946	899	862	829	798	753	699	681	660	633	587	542	497	452	407
	100000	1600	1270	1000	884	798	743	699	664	636	611	591	554	516	504	486	467	433	408	383	358	333
216	8000	-	-	2930	2560	2320	2160	2030	1930	1840	1770	1710	1610	1490	1460	1410	1350	1260	1205	1150	1105	1060
	20000	-	2720	2160	1880	1710	1590	1490	1420	1360	1310	1260	1180	1100	1080	1030	1000	930	875	830	785	740
	40000	2720	2160	1710	1490	1360	1260	1180	1120	1080	1030	1000	943	875	853	827	792	736	691	646	601	556
	100000	2000	1590	1260	1100	1000	930	875	832	797	765	740	694	647	632	609	585	542	500	457	414	371
218	8000	-	-	3630	3170	2880	2670	2510	2390	2280	2200	2120	2000	1850	1810	1740	1680	1580	1525	1470	1425	1380
	20000	-	3370	2670	2330	2120	1970	1850	1760	1680	1620	1560	1460	1370	1330	1280	1230	1130	1075	1030	985	940
	40000	3370	2670	2120	1850	1680	1560	1460	1390	1330	1280	1230	1160	1080	1050	1020	982	915	870	825	780	735
	100000	2480	1970	1560	1370	1230	1150	1080	1030	988	948	917	860	801	783	754	724	657	612	567	522	477

See previous page for Basic Load Rating
 Operation in the shaded areas require frequent relubrication.
 If the load P is greater than .25C consult Rexnord Bearing Products.

ER, ER-K Series Housing Fits										
Size Code	Outside Diameter of Bearing		Rotating Housing				Stationary Housing			
			Diameter		Resultant Fit		Diameter		Resultant Fit	
	Min	Max	Min	Max	Loose	Tight	Min	Max	Loose	Tight
204	1.8499	1.8540	1.8498	1.8504	0.0005	0.0006	1.8503	1.8509	0.0010	0.0001
205	2.0466	2.0472	2.0466	2.0471	0.0005	0.0006	2.0471	2.0476	0.0010	0.0001
206	2.4403	2.4409	2.4403	2.4408	0.0005	0.0006	2.4408	2.4413	0.0010	0.0001
207	2.8340	2.8346	2.8340	2.8345	0.0005	0.0006	2.8345	2.8350	0.0010	0.0001
208	3.1490	3.1496	3.1490	3.1495	0.0005	0.0006	3.1495	3.1500	0.0010	0.0001
209	3.3457	3.3465	3.3458	3.3464	0.0007	0.0007	3.3464	3.3470	0.0013	0.0001
210	3.5425	3.5433	3.5426	3.5432	0.0007	0.0007	3.5432	3.5438	0.0013	0.0001
211	3.9362	3.9370	3.9363	3.9369	0.0007	0.0007	3.9369	3.9375	0.0013	0.0001
212	4.3299	4.3307	4.3300	4.3306	0.0007	0.0007	4.3306	4.3312	0.0013	0.0001
214	4.9203	4.9213	4.9204	4.9212	0.0009	0.0009	4.9211	4.9219	0.0016	0.0002
215	5.1171	5.1181	5.1172	5.1180	0.0009	0.0009	5.1179	5.1187	0.0016	0.0002
216	5.5108	5.5118	5.5109	5.5117	0.0009	0.0009	5.5116	5.5124	0.0016	0.0002



Product Features

- Corrosion resistant powder coating
- Cast iron housing
- Broad range of sealing options
- Centrik-Lok shaft locking device
- Alignable & relubricatable
- See Features & Benefits for additional info.

Bearing Dimensions

Size Code	Shaft Diameter	Part Number	A Base to Centerline Height	B Min. Distance Between Bolt Holes	B Max. Distance Between Bolt Holes	C	D	E	F	H	L	M	U	Approx. Weight
203	1/2	C25K-12♦●□△	1 3/16	3 1/8	4 1/8	5	63/64	1 5/16	3/8	1/2	2 9/32	1 1/8	41/64	1.11
	5/8	C25K-58♦●□△										1 13/64		1.07
	11/16	C25K-1116♦●□△										1 13/64		1.05
204	3/4	C25K-34♦●□△	1 5/16	3 3/8	4 3/16	5 1/4	1 5/64	1 7/16	3/8	17/32	2 17/32	1 3/8	23/32	1.51
205	7/8	C25K-78♦●□△	1 7/16	3 7/16	4 9/16	5 1/2	1 1/8	1 7/16	3/8	19/32	2 13/16	1 9/16	3/4	1.81
	15/16	C25K-1516♦●□△										1 9/16		1.78
	1	C25K1♦●□△										1 9/16		1.75
	25.00	C25K-25♦●□△	36.52	87.30	115.90	139.70	28.58	36.52	10.00	15.10	71.40	39.70	19.00	0.80
206	1 1/8	C25K1-18♦●□△	1 11/16	4 1/8	5 1/8	6 1/4	1 19/64	1 5/8	1/2	2 1/32	3 1/4	1 13/16	29/32	2.45
	1 3/16	C25K1-316♦●□△										2		2.42
	1 1/4	C25K1-14S♦●□△										2		2.39
	30.00	C25K-30♦●□△										42.88		104.80
207	1 1/4	C25K1-14♦●□△	1 7/8	4 9/16	5 9/16	6 11/16	1 15/32	1 3/4	1/2	3/4	3 11/16	2	1 1/32	3.57
	1 3/8	C25K1-38♦●□△										2 1/4		3.47
	1 7/16	C25K1-716♦●□△										2 1/4		3.41
208	1 1/2	C25K1-12♦●□△	2 1/8	5 1/32	6 1/32	7 1/4	1 9/16	1 7/8	1/2	7/8	4 1/8	2 1/2	1 5/64	4.60
	1 5/8	C25K1-58♦●□△										2 1/2		4.46
209	1 5/8	C25K1-58L♦●□△	2 1/8	5 13/32	6 17/32	7 3/4	1 19/32	2	1/2	29/32	4 1/4	2 1/2	1 1/16	5.28
	1 11/16	C25K1-1116♦●□△										2 11/16		5.21
	1 3/4	C25K1-34♦●□△										2 11/16		5.14
210	1 7/8	C25K1-78♦●□△	2 1/4	5 27/32	6 27/32	8 1/4	1 41/64	2 1/8	5/8	1	4 1/2	2 7/8	1 3/32	6.28
	1 15/16	C25K1-1516♦●□△										2 7/8		6.19
	2	C25K2♦●□△										2 7/8		6.10
211	2	C25K2L♦●□△	2 1/2	6 5/16	7 1/2	8 7/8	1 3/4	2 5/16	5/8	1	4 31/32	2 7/8	1 7/32	7.78
	2 3/16	C25K2-316♦●□△										3 1/8		7.48
	2 1/4	C25K2-14♦●□△										3 1/8		7.38
212	2 1/4	C25K2-14L♦●□△	2 3/4	6 29/32	8 5/32	9 5/8	1 57/64	2 3/8	5/8	1 1/16	5 15/32	3 1/8	1 5/16	10.12
	2 3/8	C25K2-38♦●□△										3 3/8		9.88
	2 7/16	C25K2-716♦●□△										3 3/8		9.76
215	2 15/16	C25K2-1516♦●□△	3 1/2	8 1/8	10 1/8	12	2 1/8	2 7/8	7/8	1 7/32	6 21/32	3 15/16	1 21/64	16.73

Additional Notes

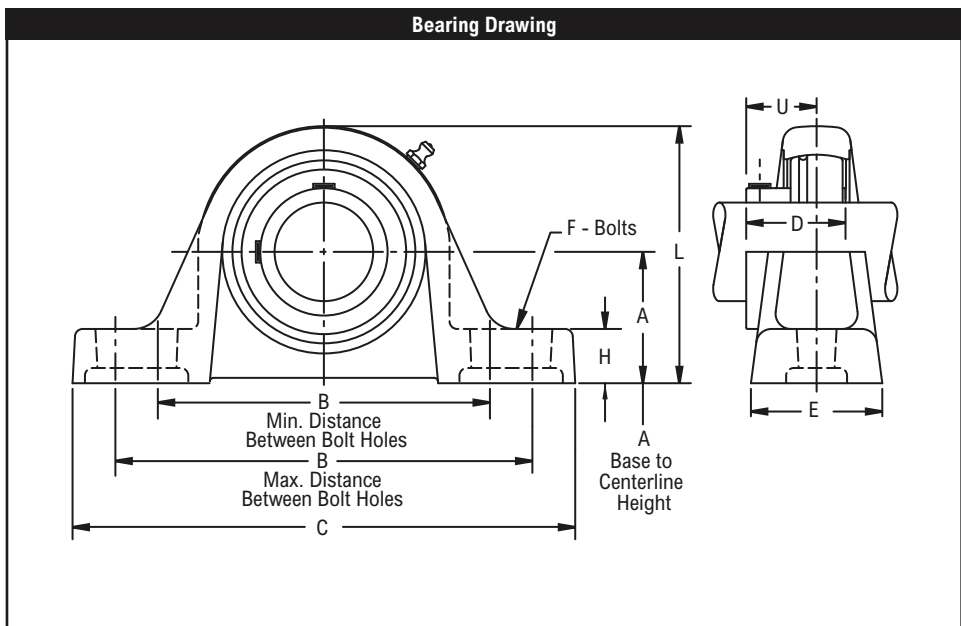
Please call 1-866-REXNORD for availability
 Lubrication fitting tap size: for size codes 203 thru 205, 1/4-28 UNF: for all other size codes, 1/8" PT
 Base to centerline tolerance, +/- .005" (+/- 0.13mm)
 Lip seals standard
 ♦ Available with E1 viton seals for size codes 212 and smaller
 ♦ Available with TFF viton seals for size codes above 212

Available with free running style seals, add suffix ● FF, □ HFF or △ MHFF for size codes 212 and smaller
 Add suffix ● FF, □ SFF or △ MKFF for size codes above 212
 Selection Guide, see MB Ball Bearing Selection Guide section
 Load Ratings & Speed Limits, see MB Ball Bearing Load Ratings & Speed Limits section
 Note: Dimensions subject to change. Certified dimensions of ordered material furnished on request.



Product Features

- Corrosion resistant powder coating
- Cast iron housing
- Broad range of sealing options
- Spring locking setscrew mount
- Alignable & relubricatable
- See Features & Benefits for additional info.



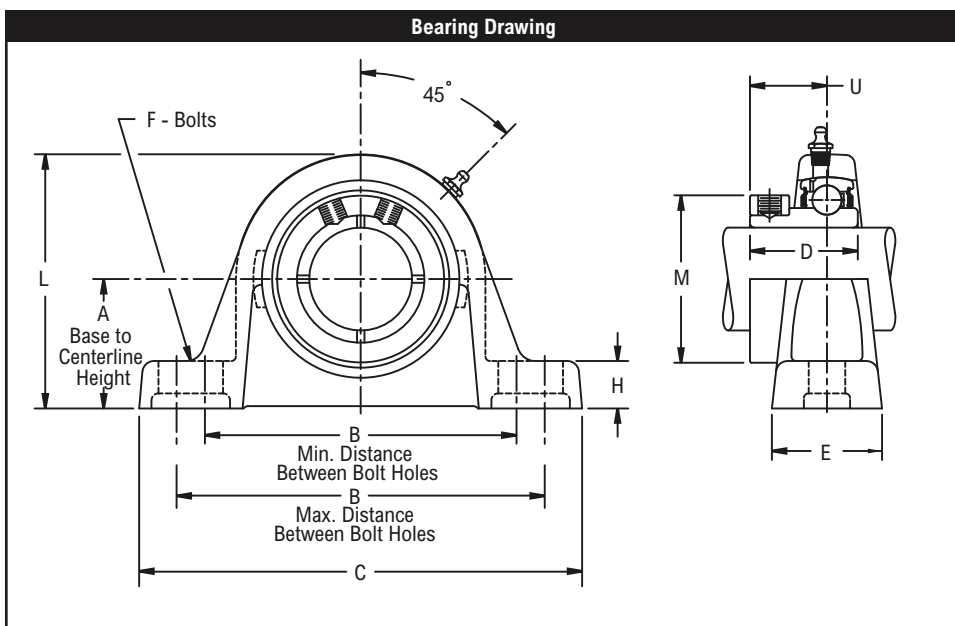
Bearing Dimensions													
Size Code	Shaft Diameter	Part Number	A Base to Centerline Height	Min. Distance Between Bolt Holes	Max. Distance Between Bolt Holes	C	D	E	F	H	L	U	Approx. Weight
203	1/2	C25-12♦□△	1 3/16	3 1/8	4 1/8	5	63/64	1 5/16	3/8	1/2	2 9/32	41/64	1.11
	5/8	C25-58♦□△											1.07
	11/16	C25-1116♦□△											1.05
204	3/4	C25-34♦□△	1 5/16	3 3/8	4 3/16	5 1/4	1 1/8	1 7/16	3/8	17/32	2 17/32	3/4	1.51
	20.00	C25-20♦□△	33.32	85.70	106.40	133.30	28.58	36.52	10.00	13.50	64.30	19.00	0.70
205	7/8	C25-78♦□△	1 7/16	3 7/16	4 9/16	5 1/2	1 11/64	1 7/16	3/8	19/32	2 13/16	51/64	1.81
	15/16	C25-1516♦□△											1.78
	1	C251♦□△											1.75
	25.00	C25-25♦□△	36.52	87.30	115.90	139.70	29.77	36.52	10.00	15.10	71.40	20.20	0.80
206	1 1/8	C251-18♦□△	1 11/16	4 1/8	5 1/8	6 1/4	1 11/32	1 5/8	1/2	21/32	3 1/4	61/64	2.45
	1 3/16	C251-316♦□△											2.42
	1 1/4	C251-14S♦□△											2.39
	30.00	C25-30♦□△	42.88	104.80	130.20	158.80	34.14	41.28	12.00	16.70	82.60	24.20	1.10
207	1 1/4	C251-14♦□△	1 7/8	4 9/16	5 9/16	6 11/16	1 9/16	1 3/4	1/2	3/4	3 11/16	1 7/64	3.57
	1 3/8	C251-38♦□△											3.47
	1 7/16	C251-716♦□△											3.41
	35.00	C25-35♦□△											47.62
208	1 1/2	C251-12♦□△	2 1/8	5 1/32	6 1/32	7 1/4	1 21/32	1 7/8	1/2	7/8	4 1/8	1 11/64	4.60
	1 5/8	C251-58♦□△											4.46
	40.00	C25-40♦□△											53.98
209	1 5/8	C251-58L♦□△	2 1/8	5 13/32	6 17/32	7 3/4	1 49/64	2	1/2	29/32	4 1/4	1 15/64	5.28
	1 11/16	C251-1116♦□△											5.21
	1 3/4	C251-34♦□△											5.14
210	1 7/8	C251-78♦□△	2 1/4	5 27/32	6 27/32	8 1/4	1 13/16	2 1/8	5/8	1	4 1/2	1 17/64	6.28
	1 15/16	C251-1516♦□△											6.19
	2	C252♦□△											6.10
211	2	C252L♦□△	2 1/2	6 5/16	7 1/2	8 7/8	1 13/16	2 5/16	5/8	1	4 31/32	1 9/32	7.78
	2 3/16	C252-316♦□△											7.48
	2 1/4	C252-14♦□△											7.38
212	2 1/4	C252-14L♦□△	2 3/4	6 29/32	8 5/32	9 5/8	1 57/64	2 3/8	5/8	1 1/16	5 15/32	1 5/16	10.12
	2 3/8	C252-38♦□△											9.88
	2 7/16	C252-716♦□△											9.76
215	2 15/16	C252-1516♦□△	3 1/2	8 1/8	10 1/8	12	2 17/64	2 7/8	7/8	1 7/32	6 21/32	1 15/32	16.73

Additional Notes

Please call 1-866-REXNORD for availability
 Lubrication fitting tap size: for size codes 203 thru 205, 1/4-28 UNF: for all other size codes, 1/8" PT
 Base to centerline tolerance, +/- .005" (+/- 0.13mm)
 Lip seals standard

- ♦ Available with E1 viton seals for size codes 212 and smaller
- ♦ Available with TFF viton seals for size codes above 212

Available with free running style seals, add suffix ♦ FF, □ HFF or △ MHFF for size codes 212 and smaller
 Add suffix ♦ FF, □ SFF or △ MKFF for size codes above 212
 Selection Guide, see MB Ball Bearing Selection Guide section
 Load Ratings & Speed Limits, see MB Ball Bearing Load Ratings & Speed Limits section
 Note: Dimensions subject to change. Certified dimensions of ordered material furnished on request.



Product Features

- Corrosion resistant powder coating
- Cast iron housing
- Broad range of sealing options
- Centrik-Lok shaft locking device
- Alignable & relubricatable
- See Features & Benefits for additional info.

Bearing Dimensions														
Size Code	Shaft Diameter	Part Number	A Base to Centerline Height	B Min. Distance Between Bolt Holes	B Max. Distance Between Bolt Holes	C	D	E	F	H	L	M	U	Approx. Weight
206	1	C35K1-1116-FF-□-Δ	1 11/16	4 1/8	5 1/8	6 1/4	1 19/64	1 5/8	1/2	21/32	3 1/4	1 13/16	29/32	2.54
207	1 3/16	C35K1-316-FF-□-Δ	1 7/8	4 9/16	5 9/16	6 11/16	1 15/32	1 3/4	1/2	3/4	3 11/16	2	1 1/32	3.58
208	1 7/16	C35K1-716-FF-□-Δ	2 1/8	5 1/32	6 1/32	7 1/4	1 9/16	1 7/8	1/2	7/8	4 1/8	2 1/4	1 3/32	4.65
209	1 1/2	C35K1-12-FF-□-Δ	2 1/8	5 13/32	6 17/32	7 3/4	1 19/32	2	1/2	29/32	4 1/4	2 1/2	1 1/8	5.40
210	1 11/16	C35K1-1116-FF-□-Δ	2 1/4	5 27/32	6 27/32	8 1/4	1 41/64	2 1/8	5/8	1	4 1/2	2 3/4	1 5/32	6.53
	1 3/4	C35K1-34-FF-□-Δ												
211	1 15/16	C35K1-1516-FF-□-Δ	2 1/2	6 5/16	7 1/2	8 7/8	1 3/4	2 5/16	5/8	1	4 31/32	2 7/8	1 7/32	7.87
	2	C35K2-FF-□-Δ												
212	2 3/16	C35K2-316-FF-□-Δ	2 3/4	6 29/32	8 5/32	9 5/8	1 57/64	2 3/8	5/8	1 1/16	5 15/32	3 1/8	1 3/8	10.24
214	2 7/16	C35K2-716-FF-□-Δ	3	7 1/2	9 1/4	10 3/4	2 5/64	2 11/16	3/4	1 5/32	6	3 3/4	1 7/16	13.31
	2 1/2	C35K2-12-FF-□-Δ												
215	2 11/16	C35K2-1116-FF-□-Δ	3 1/2	8 1/8	10 1/8	12	2 1/8	2 7/8	7/8	1 7/32	6 21/32	3 15/16	1 15/32	17.36
216	2 15/16	C35K2-1516-FF-□-Δ	3 1/2	8 3/8	10 1/8	12	2 3/16	3	7/8	1 9/32	6 7/8	4 3/16	1 1/2	19.32
	3	C35K3-FF-□-Δ												
218	3 3/16	C35K3-316-FF-□-Δ	4	9 13/16	11 15/16	14	2 23/64	3 3/8	7/8	1 11/32	7 7/8	4 13/16	1 9/16	27.52
	3 7/16	C35K3-716-FF-□-Δ												
	3 1/2	C35K3-12-FF-□-Δ												

Additional Notes

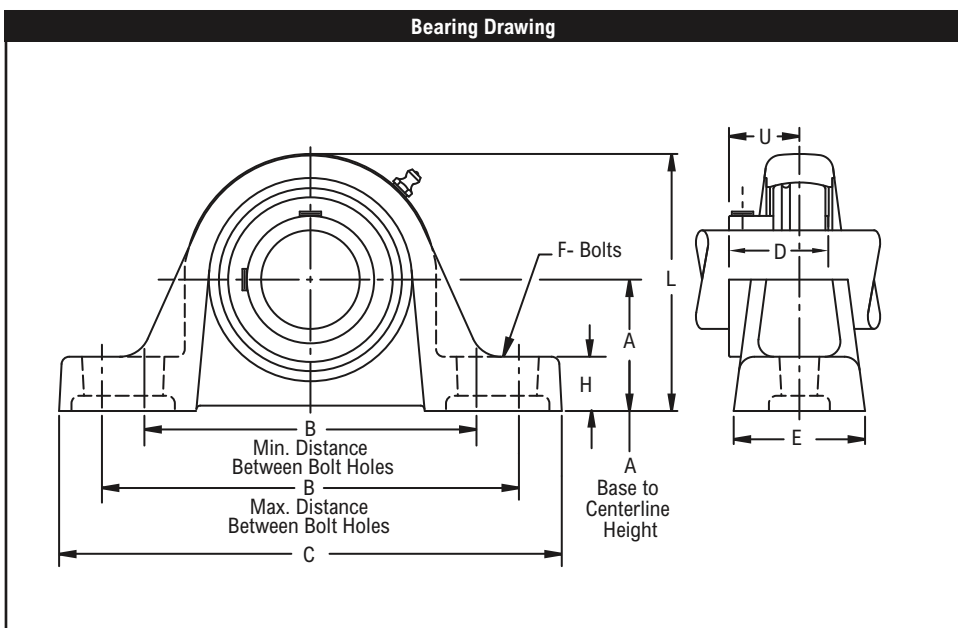
Please call 1-866-REXNORD for availability
 Lubrication fitting tap size, 1/8" PT
 Base to centerline tolerance, +/- .005" (+/- 0.13mm)
 Lip seals standard
 ♦ Available with E1 viton seals for size codes 212 and smaller
 ♦ Available with TFF viton seals for size codes above 212
 Available with free running style seals, add suffix ● FF, □ HFF or Δ MHFF for size codes 212 and smaller

Add suffix ● FF, □ SFF or Δ MKFF for size codes above 212
 Selection Guide, see MB Ball Bearing Selection Guide section
 Load Ratings & Speed Limits, see MB Ball Bearing Load Ratings & Speed Limits section
 Note: Dimensions subject to change. Certified dimensions of ordered material furnished on request.



Product Features

- Corrosion resistant powder coating
- Cast iron housing
- Broad range of sealing options
- Spring locking setscrew mount
- Alignable & relubricatable
- See Features & Benefits for additional info.



Bearing Dimensions													Approx. Weight
Size Code	Shaft Diameter	Part Number	A Base to Centerline Height	B Min. Distance Between Bolt Holes	B Max. Distance Between Bolt Holes	C	D	E	F	H	L	U	
206	1	C351◆●□Δ	1 11/16	4 1/8	5 1/8	6 1/4	1 11/32	1 5/8	1/2	21/32	3 1/4	61/64	2.54
207	1 3/16	C351-316◆●□Δ	1 7/8	4 9/16	5 9/16	6 11/16	1 9/16	1 3/4	1/2	3/4	3 11/16	1 7/64	3.58
208	1 7/16	C351-716◆●□Δ	2 1/8	5 1/32	6 1/32	7 1/4	1 21/32	1 7/8	1/2	7/8	4 1/8	1 11/64	4.65
209	1 1/2	C351-12◆●□Δ	2 1/8	5 13/32	6 17/32	7 3/4	1 49/64	2	1/2	29/32	4 1/4	1 15/64	5.40
210	1 11/16	C351-1116◆●□Δ	2 1/4	5 27/32	6 27/32	8 1/4	1 13/16	2 1/8	5/8	1	4 1/2	1 17/64	6.53
	1 3/4	C351-34◆●□Δ											
211	1 15/16	C351-1516◆●□Δ	2 1/2	6 5/16	7 1/2	8 7/8	1 13/16	2 5/16	5/8	1	4 31/32	1 9/32	7.87
	2	C352◆●□Δ											
212	2 3/16	C352-316◆●□Δ	2 3/4	6 29/32	8 5/32	9 5/8	1 57/64	2 3/8	5/8	1 1/16	5 15/32	1 5/16	10.24
214	2 7/16	C352-716◆●□Δ	3	7 1/2	9 1/4	10 3/4	2 15/64	2 11/16	3/4	1 5/32	6	1 7/16	13.31
	2 1/2	C352-12◆●□Δ											
215	2 11/16	C352-1116◆●□Δ	3 1/2	8 1/8	10 1/8	12	2 17/64	2 7/8	7/8	1 7/32	6 21/32	1 15/32	17.36
216	2 15/16	C352-1516◆●□Δ	3 1/2	8 3/8	10 1/8	12	2 23/64	3	7/8	1 9/32	6 7/8	1 1/2	19.32
	3	C353◆●□Δ											
218	3 3/16	C353-316◆●□Δ	4	9 13/16	11 15/16	14	2 33/64	3 3/8	7/8	1 11/32	7 7/8	1 9/16	27.52
	3 7/16	C353-716◆●□Δ											
	3 1/2	C353-12◆●□Δ											

Additional Notes

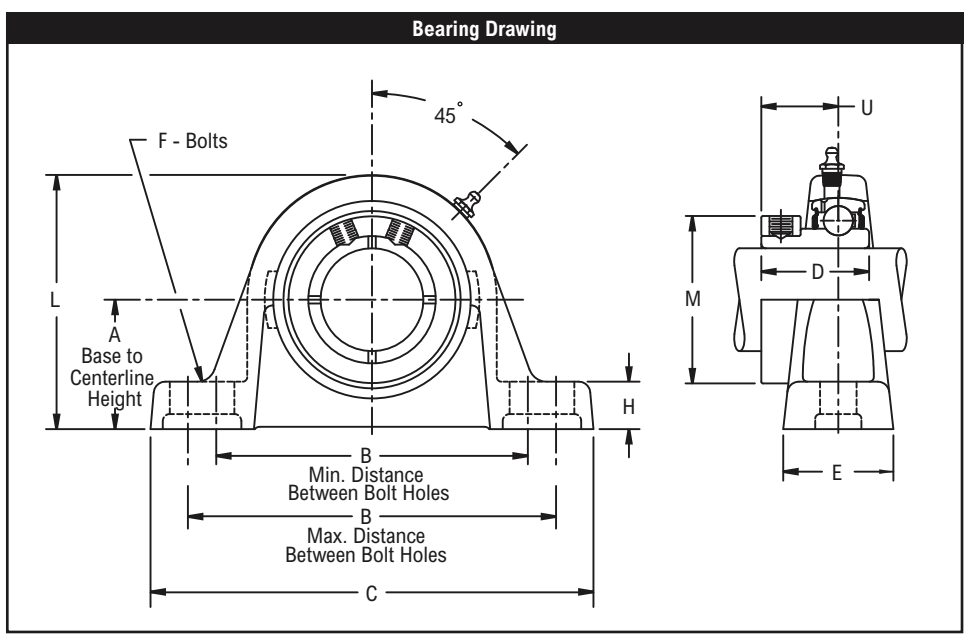
Please call 1-866-REXNORD for availability
 Lubrication fitting tap size, 1/8" PT
 Base to centerline tolerance, +/- .005" (+/- 0.13mm)
 Lip seals standard
 ◆ Available with E1 viton seals for size codes 212 and smaller
 ◆ Available with TFF viton seals for size codes above 212
 Available with free running style seals, add suffix ● FF, □ HFF or Δ MHFF for size codes 212 and smaller

Add suffix ● FF, □ SFF or Δ MKFF for size codes above 212
 Selection Guide, see MB Ball Bearing Selection Guide section
 Load Ratings & Speed Limits, see MB Ball Bearing Load Ratings & Speed Limits section
 Note: Dimensions subject to change. Certified dimensions of ordered material furnished on request.



Product Features

- Corrosion resistant powder coating
- Cast iron housing
- Broad range of sealing options
- Centrik-Lok shaft locking device
- Alignable & relubricatable
- Low base to center height
- See Features & Benefits for additional info.



Bearing Dimensions															
Size Code	Shaft Diameter	Part Number	A Base to Centerline Height	B Min. Distance Between Bolt Holes	B Max. Distance Between Bolt Holes	C	D	E	F	H	L	M	U	Approx. Weight	
203	1/2	CL25K-12♦□△	1 1/16	3 1/8	4 1/8	5	63/64	1 5/16	3/8	3/8	2 5/32	1 1/8	4 1/64	1.06	
	5/8	CL25K-58♦□△										1 13/64		1.02	
	11/16	CL25K-1116♦□△										1 1/8		1.00	
204	3/4	CL25K-34♦□△	1 1/4	3 3/8	4 3/16	5 1/4	1 5/64	1 7/16	3/8	15/32	2 15/32	1 3/8	23/32	1.44	
205	7/8	CL25K-78♦□△	1 5/16	3 7/16	4 9/16	5 1/2	1 1/8	1 7/16	3/8	15/32	2 11/16	1 9/16	3/4	1.71	
	15/16	CL25K-1516♦□△										1 9/16		1.68	
	1	CL25K1♦□△										1 9/16		1.67	
206	25.00	CL25K-25♦□△	33.32	87.30	115.90	132.10	28.58	36.52	10.00	11.90	68.30	39.70	19.00	0.80	
	1 1/8	CL25K1-18♦□△	1 9/16	4 1/8	5 1/8	6 1/4	1 19/64	1 5/8	1/2	17/32	3 1/8	1 13/16	29/32	2.27	
	1 3/16	CL25K1-316♦□△										2		2.24	
	1 1/4	CL25K1-14S♦□△										2		2.21	
30.00	CL25K-30♦□△	39.67										104.80		130.20	158.80
207	1 1/4	CL25K1-14♦□△	1 13/16	4 9/16	5 9/16	6 11/16	1 15/32	1 3/4	1/2	11/16	3 5/8	2	1 1/32	3.47	
	1 3/8	CL25K1-38♦□△										2 1/4		3.37	
	1 7/16	CL25K1-716♦□△										2 1/4		3.31	
208	1 1/2	CL25K1-12♦□△	1 15/16	5 1/32	6 1/32	7 1/4	1 9/16	1 7/8	1/2	11/16	3 15/16	2 1/2	1 5/64	4.54	
	1 5/8	CL25K1-58♦□△										2 1/2		4.40	
209	1 5/8	CL25K1-58L♦□△	2 1/16	5 13/32	6 17/32	7 3/4	1 19/32	2	1/2	27/32	4 3/16	2 1/2	1 1/16	5.22	
	1 11/16	CL25K1-1116♦□△										2 11/16		5.15	
	1 3/4	CL25K1-34♦□△										2 11/16		5.08	
210	1 7/8	CL25K1-78♦□△	2 3/16	5 27/32	6 27/32	8 1/4	1 41/64	2 1/8	5/8	15/16	4 7/16	2 7/8	1 3/32	6.15	
	1 15/16	CL25K1-1516♦□△												2 7/8	6.06
	2	CL25K2♦□△												2 7/8	5.97
211	2	CL25K2L♦□△	2 7/16	6 5/16	7 1/2	8 7/8	1 3/4	2 5/16	5/8	15/16	4 29/32	2 7/8	1 7/32	7.61	
	2 3/16	CL25K2-316♦□△										3 1/8		7.31	
	2 1/4	CL25K2-14♦□△										3 1/8		7.21	
212	2 1/4	CL25K2-14L♦□△	2 11/16	6 29/32	8 5/32	9 5/8	1 57/64	2 3/8	5/8	1	5 13/32	3 1/8	1 5/16	10.07	
	2 3/8	CL25K2-38♦□△										3 3/8		9.83	
	2 7/16	CL25K2-716♦□△										3 3/8		9.71	
215	2 15/16	CL25K2-1516♦□△	3 5/16	8 1/8	10 1/8	12	2 1/8	2 7/8	7/8	1 1/32	6 15/32	3 15/16	1 21/64	16.23	

Additional Notes

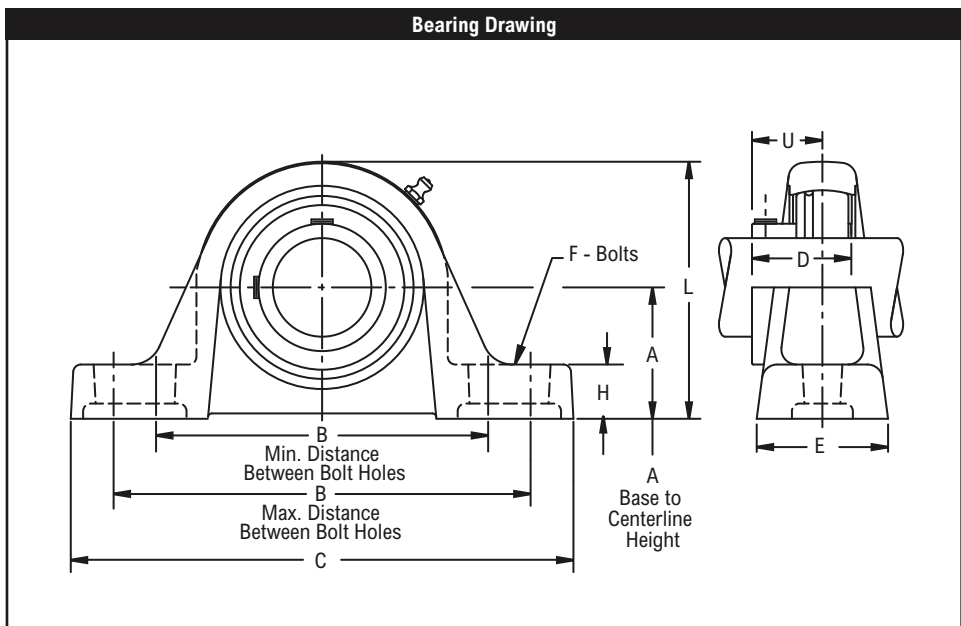
Please call 1-866-REXNORD for availability
 Lubrication fitting tap size: for size codes 203 thru 205, 1/4-28 UNF: for all other size codes, 1/8" PT
 Base to centerline tolerance, +/- .005" (+/- 0.13mm)
 Lip seals standard
 ♦ Available with E1 viton seals for size codes 212 and smaller
 ♦ Available with TFF viton seals for size codes above 212

Available with free running style seals, add suffix ♦ FF, □ HFF or △ MHFF for size codes 212 and smaller
 Add suffix ♦ FF, □ SFF or △ MKFF for size codes above 212
 Selection Guide, see MB Ball Bearing Selection Guide section
 Load Ratings & Speed Limits, see MB Ball Bearing Load Ratings & Speed Limits section
 Note: Dimensions subject to change. Certified dimensions of ordered material furnished on request.



Product Features

- Corrosion resistant powder coating
- Cast iron housing
- Broad range of sealing options
- Spring locking setscrew mount
- Alignable & relubricatable
- Low base to center height
- See Features & Benefits for additional info.

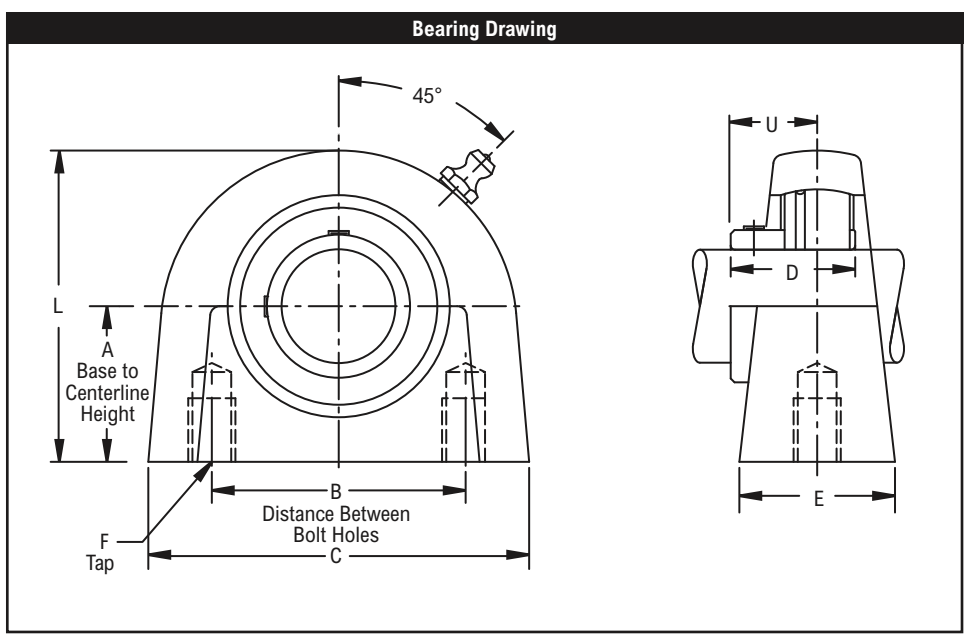


Bearing Dimensions													
Size Code	Shaft Diameter	Part Number	A Base to Centerline Height	Min. Distance Between Bolt Holes	Max. Distance Between Bolt Holes	C	D	E	F	H	L	U	Approx. Weight
203	1/2	CL25-12♦□△	1 1/16	3 1/8	4 1/8	5	63/64	1 5/16	3/8	3/8	2 5/32	41/64	1.06
	5/8	CL25-58♦□△											1.02
	11/16	CL25-1116♦□△											1.00
204	3/4	CL25-34♦□△	1 1/4	3 3/8	4 3/16	5 1/4	1 1/8	1 7/16	3/8	15/32	2 15/32	3/4	1.44
	20.00	CL25-20♦□△											31.75
205	7/8	CL25-78♦□△	1 5/16	3 7/16	4 9/16	5 1/2	1 11/64	1 7/16	3/8	15/32	2 11/16	51/64	1.71
	15/16	CL25-1516♦□△											1.68
	1	CL251♦□△											25.00
206	1 1/8	CL251-18♦□△	1 9/16	4 1/8	5 1/8	6 1/4	1 11/32	1 5/8	1/2	17/32	3 1/8	61/64	2.27
	1 3/16	CL251-316♦□△											2.24
	1 1/4	CL251-14S♦□△											2.21
	30.00	CL25-30♦□△											39.67
207	1 1/4	CL251-14♦□△	1 13/16	4 9/16	5 9/16	6 11/16	1 9/16	1 3/4	1/2	11/16	3 5/8	1 7/64	3.47
	1 3/8	CL251-38♦□△											3.37
	1 7/16	CL251-716♦□△											3.31
	35.00	CL25-35♦□△											46.02
208	1 1/2	CL251-12♦□△	1 15/16	5 1/32	6 1/32	7 1/4	1 21/32	1 7/8	1/2	11/16	3 15/16	1 11/64	4.54
	1 5/8	CL251-58♦□△											4.40
	40.00	CL25-40♦□△											49.22
209	1 5/8	CL251-58L♦□△	2 1/16	5 13/32	6 17/32	7 3/4	1 49/64	2	1/2	27/32	4 3/16	1 15/64	5.22
	1 11/16	CL251-1116♦□△											5.15
	1 3/4	CL251-34♦□△											5.08
210	1 7/8	CL251-78♦□△	2 3/16	5 27/32	6 27/32	8 1/4	1 13/16	2 1/8	5/8	15/16	4 7/16	1 17/64	6.15
	1 15/16	CL251-1516♦□△											6.06
	2	CL252♦□△											5.97
211	2	CL252L♦□△	2 7/16	6 5/16	7 1/2	8 7/8	1 13/16	2 5/16	5/8	15/16	4 29/32	1 9/32	7.61
	2 3/16	CL252-316♦□△											7.31
	2 1/4	CL252-14♦□△											7.21
212	2 1/4	CL252-14L♦□△	2 11/16	6 29/32	8 5/32	9 5/8	1 57/64	2 3/8	5/8	1	5 13/32	1 5/16	10.07
	2 3/8	CL252-38♦□△											9.83
	2 7/16	CL252-716♦□△											9.71
215	2 15/16	CL252-1516♦□△	3 5/16	8 1/8	10 1/8	12	2 17/64	2 7/8	7/8	1 1/32	6 15/32	1 15/32	16.23

Additional Notes

Please call 1-866-REXNORD for availability
 Lubrication fitting tap size: for size codes 203 thru 205, 1/4-28 UNF: for all other size codes, 1/8" PT
 Base to centerline tolerance, +/- .005" (+/- 0.13mm)
 Lip seals standard
 ♦ Available with E1 viton seals for size codes 212 and smaller
 ♦ Available with TFF viton seals for size codes above 212

Available with free running style seals, add suffix • FF, □ HFF or △ MHFF for size codes 212 and smaller
 Add suffix • FF, □ SFF or △ MKFF for size codes above 212
 Selection Guide, see MB Ball Bearing Selection Guide section
 Load Ratings & Speed Limits, see MB Ball Bearing Load Ratings & Speed Limits section
 Note: Dimensions subject to change. Certified dimensions of ordered material furnished on request.



Bearing Dimensions

Size Code	Shaft Diameter	Part Number	A Base to Centerline Height	B Distance Between Bolt Holes	F Tap	C	D	E	F Depth	L	U	Approx. Weight
203	1/2	TBC25-12♦♦ □Δ	1 5/16	2	3/8-16	2 7/8	63/64	1 5/16	1/2	2 13/32	41/64	1.06
	5/8	TBC25-58♦♦ □Δ										1.02
	11/16	TBC25-1116♦♦ □Δ										1.00
204	3/4	TBC25-34♦♦ □Δ	1 5/16	2	3/8-16	2 7/8	1 1/8	1 7/16	1/2	2 17/32	3/4	1.20
	20.00	TBC25-20♦♦ □Δ										33.32
205	7/8	TBC25-78♦♦ □Δ	1 7/16	2	3/8-16	3	1 11/64	1 7/16	1/2	2 13/16	51/64	1.40
	15/16	TBC25-1516♦♦ □Δ										1.37
	1	TBC251♦♦ □Δ										1.34
206	1 1/8	TBC25-25♦♦ □Δ	1 11/16	3	3/8-16	3	1 11/64	1 7/16	1/2	2 13/16	51/64	0.60
	1 3/16	TBC25-18♦♦ □Δ										2.35
	1 1/4	TBC251-316♦♦ □Δ										2.32
	30.00	TBC25-30♦♦ □Δ										42.88
207	1 1/4	TBC251-14♦♦ □Δ	1 7/8	3 1/4	1/2-13	4 1/4	1 9/16	1 3/4	3/4	3 11/16	1 7/64	3.13
	1 3/8	TBC251-38♦♦ □Δ										3.03
	1 7/16	TBC251-716♦♦ □Δ										2.97
	35.00	TBC25-35♦♦ □Δ										47.62
208	1 1/2	TBC251-12♦♦ □Δ	1 15/16	3 1/2	1/2-13	4 5/8	1 21/32	1 7/8	3/4	3 15/16	1 11/64	3.67
	1 5/8	TBC251-58♦♦ □Δ										3.53
	40.00	TBC25-40♦♦ □Δ										49.22
209	1 5/8	TBC251-58L♦♦ □Δ	2 1/8	3 3/4	1/2-13	5	1 49/64	2	3/4	4 1/4	1 15/64	4.75
	1 11/16	TBC251-1116♦♦ □Δ										4.68
	1 3/4	TBC251-34♦♦ □Δ										4.61
210	1 7/8	TBC251-78♦♦ □Δ	2 1/4	4	5/8-11	5 1/2	1 13/16	2 1/8	7/8	4 1/2	1 17/64	5.66
	1 15/16	TBC251-1516♦♦ □Δ										5.57
	2	TBC252♦♦ □Δ										5.48

Additional Notes

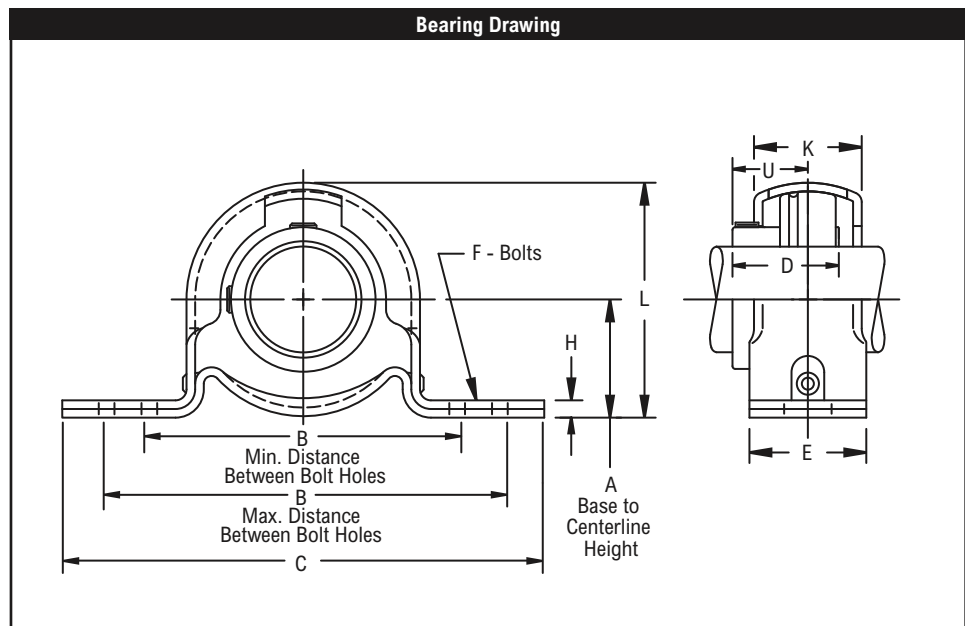
Please call 1-866-REXNORD for availability
 Lubrication fitting tap size: for size codes 203 thru 205, 1/4-28 UNF: for all other size codes, 1/8" PT
 Base to centerline tolerance, +/- .005" (+/- 0.13mm)
 Lip seals standard
 ♦ Available with E1 viton seals
 Available with free running style seals, add suffix ♦ FF, □ HFF or Δ MHFF
 Selection Guide, see MB Ball Bearing Selection Guide section

Load Ratings & Speed Limits, see MB Ball Bearing Load Ratings & Speed Limits section
 Note: Dimensions subject to change. Certified dimensions of ordered material furnished on request.



Product Features

- Formed steel housing
- Broad range of sealing options
- Spring locking setscrew mount
- Alignable & non-relubricatable
- See Features & Benefits for additional info.



Bearing Dimensions															
Size Code	Shaft Diameter	Part Number	A Base to Centerline Height	B Min. Distance Between Bolt Holes	B Max. Distance Between Bolt Holes	C	D	E	F	H	K	L	U	Radial Load Rating	Approx. Weight
203	1/2	PS25-12◆□△	7/8	2 1/2	2 7/8	3 5/8	63/64	1	5/16	3/4	13/16	1 3/4	41/64	300	0.50
	5/8	PS25-58◆□△													0.46
	11/16	PS25-1116◆□△													0.44
204	3/4	PS25-34◆□△	1	2 7/8	3 1/8	4 1/8	1 1/8	1	3/8	7/8	59/64	2 1/16	23/32	350	0.63
	20.00	PS25-20◆□△	25.40	73.00	79.40	104.80	28.58	25.40	10.00	22.20	23.42	52.40	18.30	1,560	0.30
205	7/8	PS25-78◆□△	1 1/8	3 3/16	3 9/16	4 1/2	1 11/64	1 1/8	3/8	3/4	1 1/16	2 7/32	3/4	400	0.81
	15/16	PS25-1516◆□△													0.78
	1	PS251◆□△													0.75
	25.00	PS25-25◆□△	28.58	81.00	90.50	114.30	29.77	28.60	10.00	19.00	27.00	56.40	19.00	1,780	0.30
206	1 1/8	PS251-18◆□△	1 5/16	3 9/16	3 15/16	4 7/8	1 11/32	1 1/8	3/8	7/8	1 3/16	2 5/8	7/8	600	1.19
	1 3/16	PS251-316◆□△													1.14
	1 1/4	PS251-14S◆□△													1.11
	30.00	PS25-30◆□△													33.32
207	1 1/4	PS251-14◆□△	1 9/16	3 15/16	4 7/16	5 3/4	1 9/16	1 1/4	1/2	1	1 3/16	3 1/8	1	800	1.65
	1 3/8	PS251-38◆□△													1.55
	1 7/16	PS251-716◆□△													1.50

Additional Notes

Please call 1-866-REXNORD for availability

Lubrication fitting tap size: for size codes 203 thru 205, 1/4-28 UNF: for all other size codes, 1/8" PT

Base to centerline tolerance, +/- .005" (+/- 0.13mm)

Lip seals standard

◆ Available with E1 viton seals

Available with free running style seals, add suffix ● FF, □ HFF or △ MHFF

Selection Guide, see MB Ball Bearing Selection Guide section

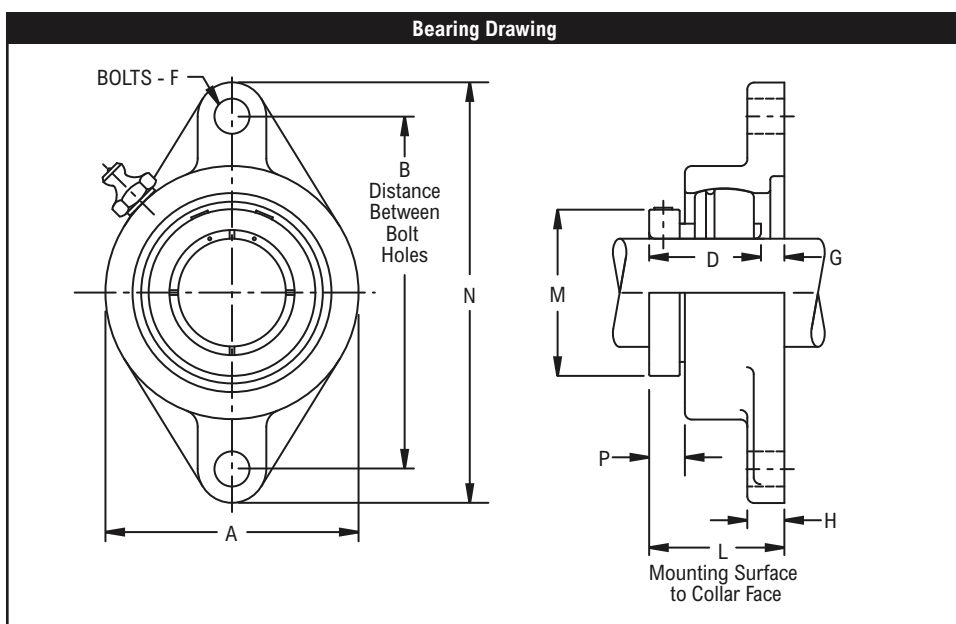
Load Ratings & Speed Limits, see MB Ball Bearing Load Ratings & Speed Limits section

Note: Dimensions subject to change. Certified dimensions of ordered material furnished on request.



Product Features

- Corrosion resistant powder coating
- Cast iron housing
- Broad range of sealing options
- Centrik-Lok shaft locking device
- Alignable & relubricatable
- See Features & Benefits for additional info.



Bearing Dimensions													
Size Code	Shaft Diameter	Part Number	B Distance Between Bolt Holes	L Mounting Surface to Collar Face	A	D	F	G	H	M	N	P	Approx. Weight
203	1/2	FC225K-12♦□△	3	1 1/8	2 5/16	63/64	3/8	9/64	3/8	1 1/8	3 7/8	5/16	0.81
	5/8	FC225K-58♦□△								1 13/64			0.77
	11/16	FC225K-1116♦□△								1 13/64			0.75
204	3/4	FC225K-34♦□△	3 17/32	1 9/32	2 3/8	1 5/64	3/8	5/32	7/16	1 3/8	4 13/32	13/32	0.91
	20.00	FC225K-20♦□△	89.69	32.20	60.30	27.38	10.00	4.00	11.10	34.90	111.90	10.30	0.40
205	7/8	FC225K-78♦□△	3 57/64	1 5/16	2 3/4	1 1/8	7/16	1/8	1/2	1 9/16	4 7/8	7/16	1.32
	15/16	FC225K-1516♦□△								1 9/16			1.29
	1	FC225K1♦□△								1 9/16			1.26
206	1 1/8	FC225K1-18♦□△	4 19/32	1 1/2	3 3/16	1 19/64	7/16	1/8	17/32	1 13/16	5 9/16	9/16	1.79
	1 3/16	FC225K1-316♦□△								2			1.75
	1 1/4	FC225K1-14S♦□△								2			1.71
207	1 1/4	FC225K1-14♦□△	5 1/8	1 23/32	3 11/16	1 15/32	1/2	5/32	9/16	2	6 1/8	21/32	2.69
	1 3/8	FC225K1-38♦□△								2 1/4			2.59
	1 7/16	FC225K1-716♦□△								2 1/4			2.54
208	1 1/2	FC225K1-12♦□△	5 21/32	1 13/16	4 1/8	1 9/16	1/2	11/64	9/16	2 1/2	6 3/4	21/32	3.47
	1 5/8	FC225K1-58♦□△								2 1/2			3.33
	40.00	FC225K-40♦□△								143.67			46.00
209	1 5/8	FC225K1-58L♦□△	5 27/32	1 29/32	4 3/8	1 19/32	9/16	11/64	9/16	2 1/2	7 1/16	23/32	3.46
	1 11/16	FC225K1-1116♦□△								2 11/16			3.39
	1 3/4	FC225K1-34♦□△								2 11/16			3.32
210	1 7/8	FC225K1-78♦□△	6 3/16	1 29/32	4 9/16	1 41/64	9/16	5/32	5/8	2 7/8	7 15/32	23/32	4.43
	1 15/16	FC225K1-1516♦□△								2 7/8			4.34
	2	FC225K2♦□△								2 7/8			4.25
211	2	FC225K2L♦□△	7 1/4	2	5	1 3/4	5/8	5/32	23/32	2 7/8	8 1/2	11/16	6.04
	2 3/16	FC225K2-316♦□△								3 1/8			5.74
	2 1/4	FC225K2-14♦□△								3 1/8			5.60

Additional Notes

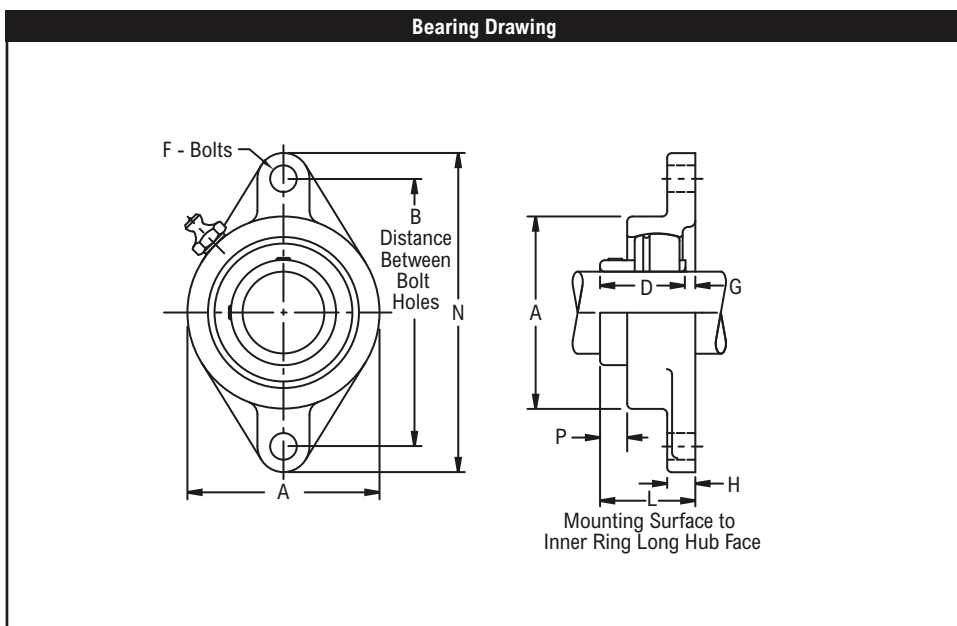
Please call 1-866-REXNORD for availability
 Lubrication fitting tap size: for size codes 203 thru 205, 1/4-28 UNF: for all other size codes, 1/8" PT
 Lip seals standard
 ♦ Available with E1 viton seals
 Available with free running style seals, add suffix ● FF, □ HFF or △ MHFF
 Selection Guide, see MB Ball Bearing Selection Guide section

Load Ratings & Speed Limits, see MB Ball Bearing Load Ratings & Speed Limits section
 Note: Dimensions subject to change. Certified dimensions of ordered material furnished on request.



Product Features

- Corrosion resistant powder coating
- Cast iron housing
- Broad range of sealing options
- Spring locking setscrew mount
- Alignable & relubricatable
- See Features & Benefits for additional info.



Bearing Dimensions												
Size Code	Shaft Diameter	Part Number	B Distance Between Bolt Holes	L Mounting Surface to Inner Ring Long Hub Face	A	D	F	G	H	N	P	Approx. Weight
203	1/2	FC225-12♦●□Δ	3	1 1/8	2 5/16	63/64	3/8	9/64	3/8	3 7/8	5/16	0.81
	5/8	FC225-58♦●□Δ										0.77
	11/16	FC225-1116♦●□Δ										0.75
204	3/4	FC225-34♦●□Δ	3 17/32	1 9/32	2 3/8	1 1/8	3/8	9/64	7/16	4 13/32	13/32	0.91
	20.00	FC225-20♦●□Δ	89.69	32.20	60.30	28.58	10.00	3.60	11.10	111.90	10.30	0.40
205	7/8	FC225-78♦●□Δ	3 57/64	1 5/16	2 3/4	1 11/64	7/16	1/8	1/2	4 7/8	7/16	1.32
	15/16	FC225-1516♦●□Δ										1.29
	1	FC2251♦●□Δ										1.26
206	25.00	FC225-25♦●□Δ	98.82	33.30	69.80	29.77	10.00	3.20	12.70	123.80	11.10	0.60
	1 1/8	FC2251-18♦●□Δ	4 19/32	1 1/2	3 3/16	1 11/32	7/16	9/64	17/32	5 9/16	9/16	1.79
	1 3/16	FC2251-316♦●□Δ										1.75
	1 1/4	FC2251-14S♦●□Δ										1.71
30.00	FC225-30♦●□Δ	116.68	38.10	81.00	34.14	10.00	3.60	13.50	141.30	14.30	0.80	
207	1 1/4	FC2251-14♦●□Δ	5 1/8	1 23/32	3 11/16	1 9/16	1/2	9/64	9/16	6 1/8	21/32	2.69
	1 3/8	FC2251-38♦●□Δ										2.59
	1 7/16	FC2251-716♦●□Δ										2.54
	35.00	FC225-35♦●□Δ										130.18
208	1 1/2	FC2251-12♦●□Δ	5 21/32	1 13/16	4 1/8	1 21/32	1/2	5/32	9/16	6 3/4	21/32	3.47
	1 5/8	FC2251-58♦●□Δ										3.33
	40.00	FC225-40♦●□Δ										143.67
209	1 5/8	FC2251-58L♦●□Δ	5 27/32	1 29/32	4 3/8	1 49/64	9/16	1/8	9/16	7 1/16	23/32	3.46
	1 11/16	FC2251-1116♦●□Δ										3.39
	1 3/4	FC2251-34♦●□Δ										3.32
210	1 7/8	FC2251-78♦●□Δ	6 3/16	1 29/32	4 9/16	1 13/16	9/16	7/64	5/8	7 15/32	23/32	4.43
	1 15/16	FC2251-1516♦●□Δ										4.34
	2	FC2252♦●□Δ										4.25
211	2	FC2252L♦●□Δ	7 1/4	2	5	1 13/16	5/8	11/64	23/32	8 1/2	11/16	6.04
	2 3/16	FC2252-316♦●□Δ										5.74
	2 1/4	FC2252-14♦●□Δ										5.64

Additional Notes

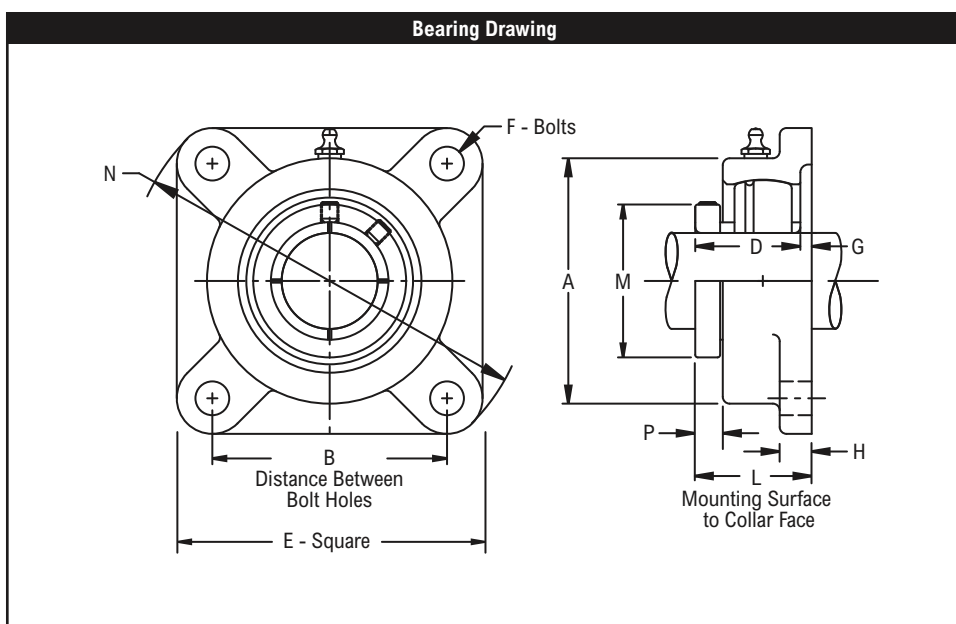
Please call 1-866-REXNORD for availability
 Lubrication fitting tap size: for size codes 203 thru 205, 1/4-28 UNF: for all other size codes, 1/8" PT
 Lip seals standard
 ♦ Available with E1 viton seals
 Available with free running style seals, add suffix ● FF, □ HFF or Δ MHFF
 Selection Guide, see MB Ball Bearing Selection Guide section

Load Ratings & Speed Limits, see MB Ball Bearing Load Ratings & Speed Limits section
 Note: Dimensions subject to change. Certified dimensions of ordered material furnished on request.



Product Features

- Corrosion resistant powder coating
- Cast iron housing
- Broad range of sealing options
- Centrik-Lok shaft locking device
- Alignable & relubricatable
- See Features & Benefits for additional info.



Bearing Dimensions														
Size Code	Shaft Diameter	Part Number	B Distance Between Bolt Holes	L Mounting Surface to Collar Face	A	D	E	F	G	H	M	N	P	Approx. Weight
203	1/2	FC425K-12♦♦ □Δ	2 1/8	1 1/8	2 1/16	63/64	3	3/8	9/64	3/8	1 1/8	3 7/8	5/16	0.99
	5/8	FC425K-58♦♦ □Δ									1 13/64			0.95
	11/16	FC425K-1116♦♦ □Δ												0.93
204	3/4	FC425K-34♦♦ □Δ	2 1/2	1 9/32	2 5/16	1 5/64	3 3/8	3/8	5/32	3/8	1 3/8	4 13/32	13/32	1.30
	20.00	FC425K-20♦♦ □Δ	63.50	32.20	58.70	27.38	85.70	10.00	4.00	9.50	34.90	111.90	10.30	0.60
205	7/8	FC425K-78♦♦ □Δ	2 3/4	1 5/16	2 11/16	1 1/8	3 3/4	7/16	1/8	7/16	1 9/16	4 29/32	7/16	1.71
	15/16	FC425K-1516♦♦ □Δ										1.68		
	1	FC425K1♦♦ □Δ										1.65		
206	25.00	FC425K-25♦♦ □Δ	69.85	33.30	68.30	28.58	95.20	10.00	3.20	11.10	39.70	124.60	11.10	0.70
	1 1/8	FC425K1-18♦♦ □Δ	3 1/4	1 1/2	3 3/16	1 19/64	4 1/4	7/16	1/8	1/2	1 13/16	5 19/32	9/16	2.50
	1 3/16	FC425K1-316♦♦ □Δ									2			2.46
1 1/4	FC425K1-14S♦♦ □Δ										2.42			
207	1 1/4	FC425K1-14♦♦ □Δ	3 5/8	1 23/32	3 11/16	1 15/32	4 5/8	1/2	5/32	1/2	2	6 1/8	21/32	3.41
	1 3/8	FC425K1-38♦♦ □Δ									2 1/4			3.31
	1 7/16	FC425K1-716♦♦ □Δ												3.26
208	1 1/2	FC425K1-12♦♦ □Δ	4	1 13/16	4 1/16	1 9/16	5 1/4	1/2	11/64	9/16	2 1/2	6 25/32	21/32	4.49
	1 5/8	FC425K1-58♦♦ □Δ												4.35
	40.00	FC425K-40♦♦ □Δ									101.60			46.00
209	1 5/8	FC425K1-58L♦♦ □Δ	4 1/8	1 29/32	4 5/16	1 19/32	5 3/8	9/16	11/64	9/16	2 1/2	7 3/32	23/32	4.85
	1 11/16	FC425K1-1116♦♦ □Δ									2 11/16			4.78
	1 3/4	FC425K1-34♦♦ □Δ												4.70
210	1 7/8	FC425K1-78♦♦ □Δ	4 3/8	1 29/32	4 1/2	1 41/64	5 5/8	9/16	5/32	9/16	2 7/8	7 7/16	23/32	5.31
	1 15/16	FC425K1-1516♦♦ □Δ												5.22
	2	FC425K2♦♦ □Δ												5.13
211	2	FC425K2L♦♦ □Δ	5 1/8	2	5 3/16	1 3/4	6 3/8	5/8	5/32	5/8	2 7/8	8 1/2	11/16	7.53
	2 3/16	FC425K2-316♦♦ □Δ									3 1/8			7.23
	2 1/4	FC425K2-14♦♦ □Δ												7.13
212	2 1/4	FC425K2-14L♦♦ □Δ	5 5/8	2 3/32	5 7/16	1 57/64	6 7/8	5/8	13/64	11/16	3 1/8	9 9/32	21/32	9.25
	2 3/8	FC425K2-38♦♦ □Δ									3 3/8			9.01
	2 7/16	FC425K2-716♦♦ □Δ												8.89
215	2 15/16	FC425K2-1516♦♦ □Δ	6	2 13/32	6 7/16	2 1/8	7 3/4	3/4	9/32	3/4	3 15/16	10 1/4	23/32	13.19

Additional Notes

Please call 1-866-REXNORD for availability

Lubrication fitting tap size: for size codes 203 thru 205, 1/4-28 UNF: for all other size codes, 1/8" PT

Lip seals standard

- ♦ Available with E1 viton seals for size codes 212 and smaller
- ♦ Available with TFF viton seals for size codes above 212

Available with free running style seals, add suffix ♦ FF, □ HFF or Δ MHFF for size codes 212 and smaller

Add suffix ♦ FF, □ SFF or Δ MKFF for size codes above 212

Selection Guide, see MB Ball Bearing Selection Guide section

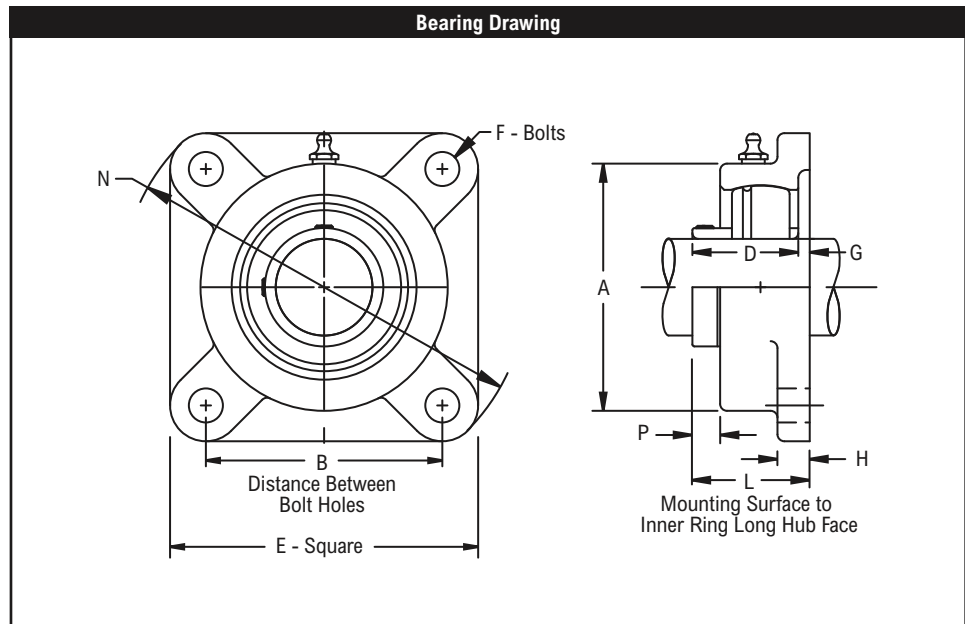
Load Ratings & Speed Limits, see MB Ball Bearing Load Ratings & Speed Limits section

Note: Dimensions subject to change. Certified dimensions of ordered material furnished on request.



Product Features

- Corrosion resistant powder coating
- Cast iron housing
- Broad range of sealing options
- Spring locking setscrew mount
- Alignable & relubricatable
- See Features & Benefits for additional info

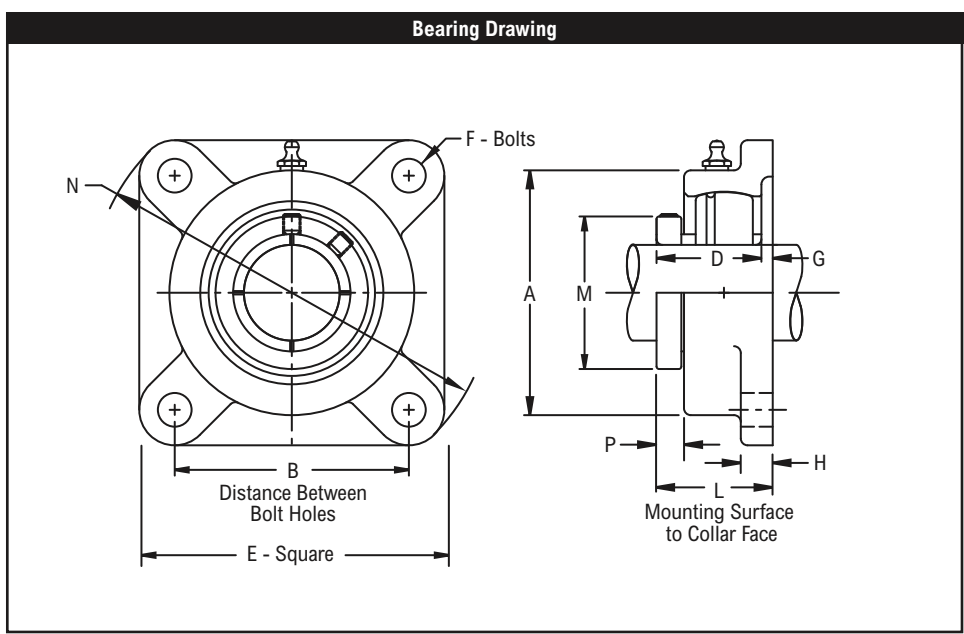


Bearing Dimensions																							
Size Code	Shaft Diameter	Part Number	B Distance Between Bolt Holes	L Mounting Surface to Inner Ring Long Hub Face	A	D	E	F	G	H	N	P	Approx. Weight										
203	1/2	FC425-12♦□△	2 1/8	1 1/8	2 1/16	63/64	3	3/8	9/64	3/8	3 7/8	5/16	0.99										
	5/8	FC425-58♦□△											0.95										
	1 1/16	FC425-1116♦□△											0.93										
204	3/4	FC425-34♦□△	2 1/2	1 9/32	2 5/16	1 1/8	3 3/8	3/8	9/64	3/8	4 13/32	13/32	1.30										
	20.00	FC425-20♦□△											63.50	32.20	58.70	28.58	85.70	10.00	3.60	9.50	111.90	10.30	0.60
205	7/8	FC425-78♦□△	2 3/4	1 5/16	2 11/16	1 11/64	3 3/4	7/16	1/8	7/16	4 29/32	7/16	1.71										
	15/16	FC425-1516♦□△											1.68										
	1	FC4251♦□△											1.65										
206	1 1/8	FC425-18♦□△	3 1/4	1 1/2	3 3/16	1 11/32	4 1/4	7/16	9/64	1/2	5 19/32	9/16	2.50										
	1 3/16	FC4251-316♦□△											2.46										
	1 1/4	FC4251-14S♦□△											2.42										
207	1 3/8	FC425-30♦□△	3 5/8	1 23/32	3 11/16	1 9/16	4 5/8	1/2	9/64	1/2	6 1/8	2 1/32	3.41										
	35.00	FC425-35♦□△											92.08	43.70	93.70	39.67	117.50	12.00	3.60	12.70	155.60	16.70	1.50
	1 1/4	FC4251-14♦□△											3.26										
208	1 1/2	FC4251-12♦□△	4	1 13/16	4 1/16	1 21/32	5 1/4	1/2	5/32	9/16	6 25/32	2 1/32	4.49										
	1 5/8	FC4251-58♦□△											4.35										
	40.00	FC425-40♦□△											101.60	46.00	103.20	42.06	130.20	12.00	4.00	14.30	172.20	16.70	2.00
209	1 5/8	FC4251-58L♦□△	4 1/8	1 29/32	4 5/16	1 49/64	5 3/8	9/16	1/8	9/16	7 3/32	2 3/32	4.85										
	1 11/16	FC4251-1116♦□△											4.78										
	1 3/4	FC4251-34♦□△											4.70										
210	1 7/8	FC4251-78♦□△	4 3/8	1 29/32	4 1/2	1 13/16	5 5/8	9/16	7/64	9/16	7 7/16	2 3/32	5.31										
	1 15/16	FC4251-1516♦□△											5.22										
	2	FC4252♦□△											5.13										
211	2	FC4252L♦□△	5 1/8	2	5 3/16	1 13/16	6 3/8	5/8	1 1/64	5/8	8 1/2	1 1/16	7.53										
	2 3/16	FC4252-316♦□△											7.23										
	2 1/4	FC4252-14♦□△											7.13										
212	2 1/4	FC4252-14L♦□△	5 5/8	2 3/32	5 7/16	1 57/64	6 7/8	5/8	13/64	1 1/16	9 9/32	2 1/32	9.25										
	2 3/8	FC4252-38♦□△											9.01										
	2 7/16	FC4252-716♦□△											8.89										
215	2 15/16	FC4252-1516♦□△	6	2 13/32	6 7/16	2 17/64	7 3/4	3/4	1/8	3/4	10 1/4	2 3/32	13.19										

Additional Notes

Please call 1-866-REXNORD for availability
 Lubrication fitting tap size: for size code 203, 1/4"-28 UNF; for all other size codes, 1/8" PT
 Lip seals standard
 ♦ Available with E1 viton seals for size codes 212 and smaller
 ♦ Available with TFF viton seals for size codes above 212
 Available with free running style seals, add suffix ♦ FF, □ HFF or △ MHFF for size codes 212 and smaller

Add suffix ♦ FF, □ SFF or △ MKFF for size codes above 212
 Selection Guide, see MB Ball Bearing Selection Guide section
 Load Ratings & Speed Limits, see MB Ball Bearing Load Ratings & Speed Limits section
 Note: Dimensions subject to change. Certified dimensions of ordered material furnished on request.



Product Features

- Corrosion resistant powder coating
- Cast iron housing
- Broad range of sealing options
- Centrik-Lok shaft locking device
- Alignable & relubricatable
- See Features & Benefits for additional info.

Bearing Dimensions														
Size Code	Shaft Diameter	Part Number	B Distance Between Bolt Holes	L Mounting Surface to Collar Face	A	D	E	F	G	H	M	N	P	Approx. Weight
206	1	FC435K1◆●□△	3 1/4	1 1/2	3 3/16	1 19/64	4 1/4	7/16	1/8	1/2	1 13/16	5 19/32	9/16	2.54
207	1 3/16	FC435K1-316◆●□△	3 5/8	1 23/32	3 11/16	1 15/32	4 5/8	1/2	5/32	1/2	2	6 1/8	21/32	3.32
208	1 7/16	FC435K1-716◆●□△	4	1 13/16	4 1/16	1 9/16	5 1/4	1/2	11/64	9/16	2 1/4	6 25/32	21/32	4.55
209	1 1/2	FC435K1-12◆●□△	4 1/8	1 29/32	4 9/16	1 19/32	5 3/8	9/16	11/64	9/16	2 1/2	7 3/32	23/32	5.03
210	1 11/16	FC435K1-1116◆●□△	4 3/8	1 29/32	4 1/2	1 41/64	5 5/8	9/16	5/32	9/16	2 3/4	7 7/16	23/32	5.59
	1 3/4	FC435K1-34◆●□△												
211	1 15/16	FC435K1-1516◆●□△	5 1/8	2	5 3/16	1 3/4	6 3/8	5/8	5/32	5/8	2 7/8	8 1/2	11/16	7.69
	2	FC435K2◆●□△												
212	2 3/16	FC435K2-316◆●□△	5 5/8	2 3/32	5 7/16	1 57/64	6 7/8	5/8	13/64	11/16	3 1/8	9 9/32	21/32	9.34
214	2 7/16	FC435K2-716◆●□△	5 7/8	2 3/8	6 1/8	2 5/64	7 3/8	5/8	19/64	11/16	3 3/4	9 13/16	23/32	12.27
	2 1/2	FC435K2-12◆●□△												
215	2 11/16	FC435K2-1116◆●□△	6	2 13/32	6 7/16	2 1/8	7 3/4	3/4	9/32	3/4	3 15/16	10 1/4	23/32	13.75
216	2 15/16	FC435K2-1516◆●□△	6	2 17/32	6 3/4	2 3/16	7 3/4	3/4	21/64	13/16	4 3/16	10 1/4	11/16	15.25
	3	FC435K3◆●□△												
218	3 3/16	FC435K3-316◆●□△	6 3/4	2 47/64	7 3/4	2 23/64	8 7/16	3/4	3/8	15/16	4 13/16	11 1/4	11/16	21.10
	3 7/16	FC435K3-716◆●□△												
	3 1/2	FC435K3-12◆●□△												

Additional Notes

Please call 1-866-REXNORD for availability
 Lubrication fitting tap size, 1/8" PT
 Lip seals standard
 ◆ Available with E1 viton seals for size codes 212 and smaller
 ◆ Available with TFF viton seals for size codes above 212
 Available with free running style seals, add suffix ● FF, □ HFF or △ MHFF for size codes 212 and smaller
 Add suffix ● FF, □ SFF or △ MKFF for size codes above 212

Selection Guide, see MB Ball Bearing Selection Guide section
 Load Ratings & Speed Limits, see MB Ball Bearing Load Ratings & Speed Limits section
 Note: Dimensions subject to change. Certified dimensions of ordered material furnished on request.

FC435

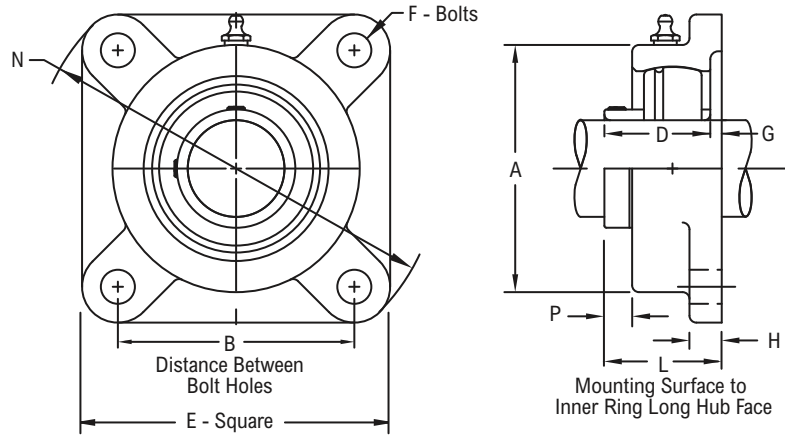


Photo Shows a 4-Bolt Ball Bearing Flanged Unit

Product Features

- Corrosion resistant powder coating
- Cast iron housing
- Broad range of sealing options
- Spring locking setscrew mount
- Alignable & relubricatable
- See Features & Benefits for additional info.

Bearing Drawing



Bearing Dimensions

Size Code	Shaft Diameter	Part Number	B Distance Between Bolt Holes	L Mounting Surface to Inner Ring Long Hub Face	A	D	E	F	G	H	N	P	Approx. Weight
206	1	FC4351-1116◆●□△	3 1/4	1 1/2	3 3/16	1 11/32	4 1/4	7/16	9/64	1/2	5 19/32	9/16	2.58
207	1 3/16	FC4351-316◆●□△	3 5/8	1 23/32	3 11/16	1 9/16	4 5/8	1/2	9/64	1/2	6 1/8	21/32	3.32
208	1 7/16	FC4351-716◆●□△	4	1 13/16	4 1/16	1 21/32	5 1/4	1/2	5/32	9/16	6 25/32	21/32	4.55
209	1 1/2	FC4351-12◆●□△	4 1/8	1 29/32	4 5/16	1 49/64	5 3/8	1/2	1/8	9/16	7 3/32	23/32	5.03
210	1 11/16	FC4351-1116◆●□△	4 3/8	1 29/32	4 1/2	1 13/16	5 5/8	9/16	7/64	9/16	7 7/16	23/32	5.59
	1 3/4	FC4351-34◆●□△											
211	1 15/16	FC4351-1516◆●□△	5 1/8	2	5 3/16	1 13/16	6 3/8	5/8	11/64	5/8	8 1/2	11/16	7.69
	2	FC4352◆●□△											
212	2 3/16	FC4352-316◆●□△	5 5/8	2 3/32	5 7/16	1 57/64	6 7/8	5/8	13/64	11/16	9 9/32	21/32	9.34
214	2 7/16	FC4352-716◆●□△◆	5 7/8	2 3/8	6 1/8	2 15/64	7 3/8	5/8	1/8	11/16	9 13/16	23/32	12.27
	2 1/2	FC4352-12◆●□△◆											
215	2 11/16	FC4352-1116◆●□△◆	6	2 13/32	6 7/16	2 17/64	7 3/4	3/4	1/8	3/4	10 1/4	23/32	13.75
216	2 15/16	FC4352-1516◆●□△◆	6	2 17/32	6 3/4	2 23/64	7 3/4	3/4	11/64	13/16	10 1/4	11/16	15.25
	3	FC4353◆●□△◆											
218	3 3/16	FC4353-316◆●□△◆	6 3/4	2 47/64	7 3/4	2 33/64	8 7/16	3/4	7/32	15/16	11 1/4	21/32	21.10
	3 7/16	FC4353-716◆●□△◆											
	3 1/2	FC4353-12◆●□△◆											

Additional Notes

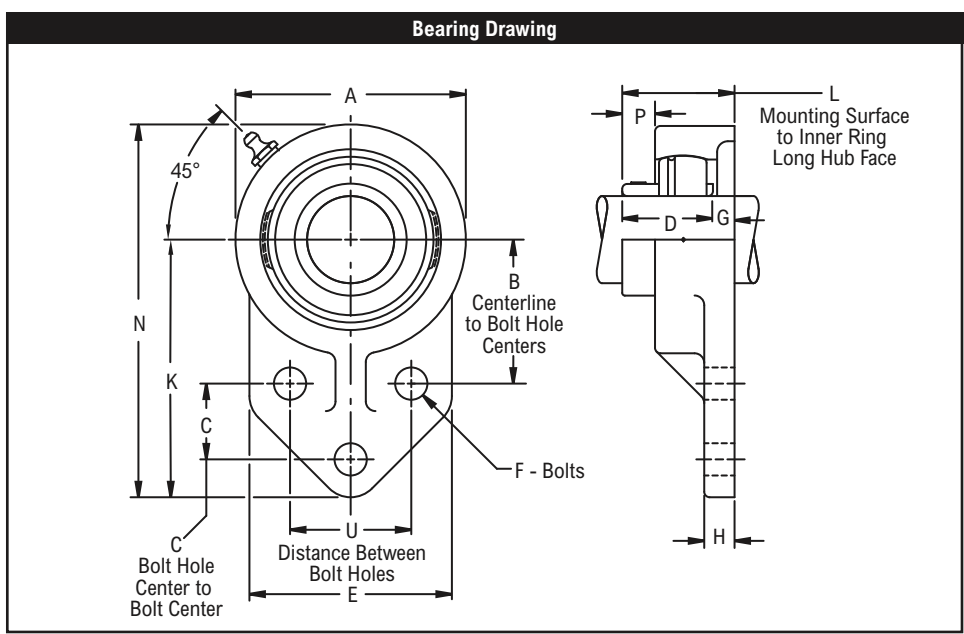
Please call 1-866-REXNORD for availability
 Lubrication fitting tap size, 1/8" PT
 Lip seals standard
 ◆ Available with E1 viton seals for size codes 212 and smaller
 ◆ Available with TFF viton seals for size codes above 212
 Available with free running style seals, add suffix ● FF, □ HFF or △ MHFF for size codes 212 and smaller
 Add suffix ● FF, □ SFF or △ MKFF for size codes above 212

Load Ratings & Speed Limits, see MB Ball Bearing Load Ratings & Speed Limits section
 Selection Guide, see MB Ball Bearing Selection Guide section
 Note: Dimensions subject to change. Certified dimensions of ordered material furnished on request.



Product Features

- Corrosion resistant powder coating
- Cast iron housing
- Broad range of sealing options
- Spring locking setscrew mount
- Alignable & relubricatable
- See Features & Benefits for additional info.



Bearing Dimensions																
Size Code	Shaft Diameter	Part Number	B Centerline to Bolt Hole Centers	C Bolt Hole Center to Bolt Center	L Mounting Surface to Inner Ring Long Hub Face	U Distance Between Bolt Holes	A	D	E	F	G	H	K	N	P	Approx. Weight
204	³ / ₄	MFB25-34◆□△	1 ¹¹ / ₁₆	⁷ / ₈	1 ³ / ₈	1 ¹ / ₂	2 ¹ / ₂	1 ¹ / ₈	2 ³ / ₈	³ / ₈	¹ / ₄	⁵ / ₁₆	3	4 ¹ / ₄	²⁵ / ₆₄	1.44
	20.00	MFB25-20◆●□△	42.90	22.20	34.90	38.10	63.50	28.58	60.30	10.00	6.40	7.90	76.20	108.00	9.90	0.60
205	⁷ / ₈	MFB25-78◆●□△	1 ¹³ / ₁₆	1 ¹ / ₈	1 ¹⁷ / ₃₂	1 ⁵ / ₈	2 ³ / ₄	1 ¹¹ / ₆₄	2 ¹ / ₂	³ / ₈	²³ / ₆₄	³ / ₈	3 ³ / ₈	4 ³ / ₄	²⁷ / ₆₄	1.80
	¹⁵ / ₁₆	MFB25-1516◆●□△														
	1	MFB251◆●□△														
	25.00	MFB25-25◆●□△	46.00	28.60	38.90	41.30	69.80	29.77	63.50	10.00	9.10	9.50	85.70	120.60	10.70	0.80
206	¹ / ₈	MFB251-18◆●□△	2 ¹ / ₁₆	1 ¹ / ₄	1 ⁴³ / ₆₄	1 ⁷ / ₈	3 ¹ / ₄	1 ¹¹ / ₃₂	2 ³ / ₄	³ / ₈	¹⁷ / ₆₄	³ / ₈	3 ³ / ₄	5 ³ / ₈	³⁵ / ₆₄	2.10
	¹ / ₁₆	MFB251-316◆●□△														
	¹ / ₄	MFB251-14S◆●□△														
	30.00	MFB25-30◆●□△	52.30	31.80	42.50	47.60	82.60	34.14	69.80	10.00	6.80	9.50	95.20	136.50	13.90	0.90
207	¹ / ₄	MFB251-14◆●□△	2 ³ / ₈	1 ¹ / ₄	1 ⁶¹ / ₆₄	2	3 ³ / ₄	1 ⁹ / ₁₆	3 ¹¹ / ₃₂	¹ / ₂	²⁵ / ₆₄	¹ / ₂	4 ¹ / ₄	6 ¹ / ₈	⁴¹ / ₆₄	3.45
	³ / ₈	MFB251-38◆●□△														
	⁷ / ₁₆	MFB251-716◆●□△														
	35.00	MFB25-35◆●□△	60.30	31.80	49.60	50.80	95.20	39.67	85.30	12.00	9.90	12.70	108.00	155.60	16.30	1.50

Additional Notes

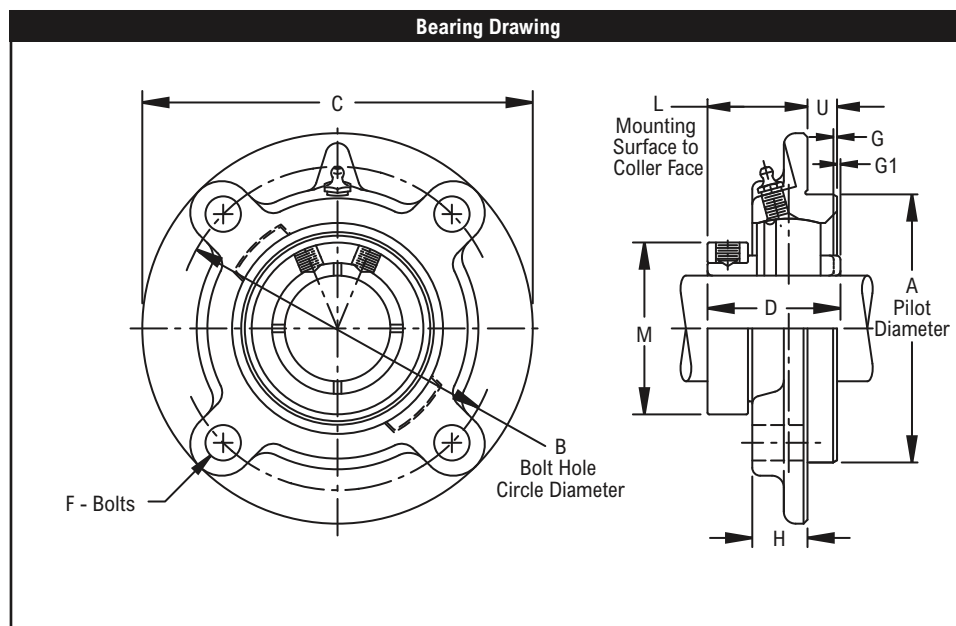
Please call 1-866-REXNORD for availability
 Lubrication fitting tap size: for size codes 204 thru 205, 1/4-28 UNF: for all other size codes, 1/8" PT
 Lip seals standard
 ◆ Available with E1 viton seals
 Available with free running style seals, add suffix ● FF, □ HFF or △ MHFF
 Selection Guide, see MB Ball Bearing Selection Guide section

Load Ratings & Speed Limits, see MB Ball Bearing Load Ratings & Speed Limits section
 Note: Dimensions subject to change. Certified dimensions of ordered material furnished on request.



Product Features

- Corrosion resistant powder coating
- Cast iron housing
- Broad range of sealing options
- Centrik-Lok shaft locking device
- Alignable & relubricatable
- See Features & Benefits for additional info.



Bearing Dimensions													
Size Code	Shaft Diameter	Part Number	A Pilot Diameter	B Bolt Hole Circle Diameter	L Mounting Surface to Collar Face	C	D	F	G & G1	H	M	U	Approx. Weight
207	1 1/4	PFC425K1-14◆□△	3.375	4 1/8	1 33/64	5	1 15/32	7/16	11/64	7/8	2	3/8	3.13
	1 3/8	PFC425K1-38◆□△									2 1/4		3.03
	1 7/16	PFC425K1-716◆□△											2.97
208	1 1/2	PFC425K1-12◆□△	3.625	4 3/8	1 17/32	5 1/4	1 9/16	7/16	5/32	7/8	2 1/2	7/16	3.63
	1 5/8	PFC425K1-58◆□△											3.49
209	1 5/8	PFC425K1-58L◆□△	3.625	4 3/8	1 37/64	5 1/4	1 19/32	7/16	11/64	7/8	2 1/2	7/16	3.76
	1 11/16	PFC425K1-1116◆□△									2 11/16		3.66
	1 3/4	PFC425K1-34◆□△											3.59
210	1 7/8	PFC425K1-78◆□△	4.250	5 1/8	1 19/32	6 1/8	1 41/64	1/2	11/64	7/8	2 7/8	15/32	4.97
	1 15/16	PFC425K1-1516◆□△											4.88
	2	PFC425K2◆□△											4.79
211	2	PFC425K2L◆□△	4.500	5 3/8	1 35/64	6 3/8	1 3/4	1/2	15/64	7/8	2 7/8	5/8	5.87
	2 3/16	PFC425K2-316◆□△									3 1/8		5.57
	2 1/4	PFC425K2-14◆□△											5.47
212	2 1/4	PFC425K2-14L◆□△	5.000	6	1 11/16	7 1/8	1 57/64	9/16	37/64	1	3 1/8	7/8	8.40
	2 3/8	PFC425K2-38◆□△									3 3/8		8.16
	2 7/16	PFC425K2-716◆□△											8.04
215	2 15/16	PFC425K2-1516◆□△	6.375	7 1/2	1 23/32	8 3/4	2 1/8	5/8	1/4	1	3 15/16	1	13.44

Additional Notes

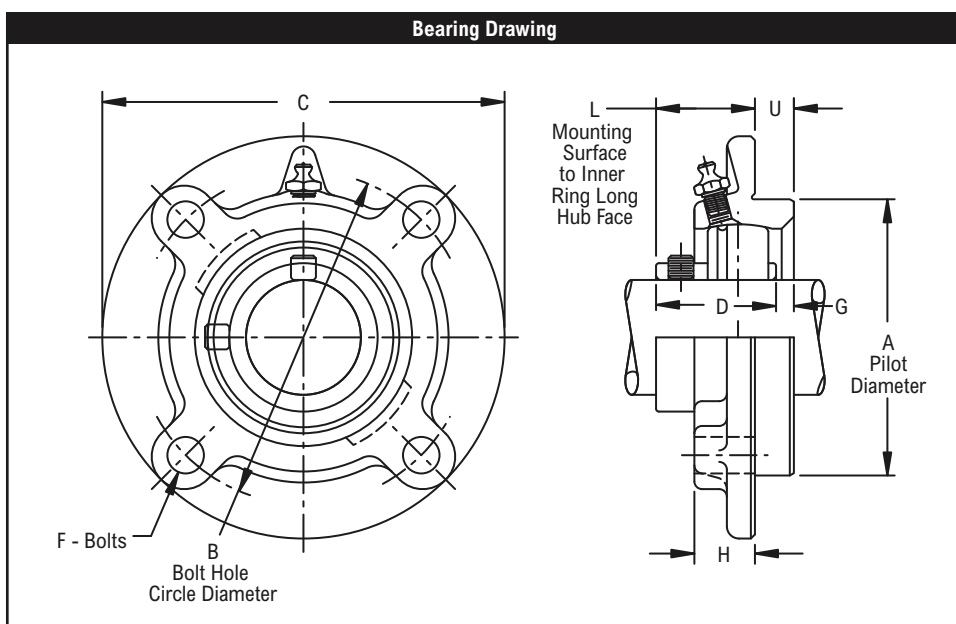
Please call 1-866-REXNORD for availability
 Lubrication fitting tap size, 1/8" PT
 Pilot Diameter tolerance, +.000"/-.002" (+0.00mm/-0.05mm)
 Bore tolerance for mounting, +.002"/-.000" (+0.05mm/-0.00mm)
 For size codes 207 & 212, use the G dimension; for all other size codes use G1
 Lip seals standard
 ◆ Available with E1 viton seals for size codes 212 and smaller
 ◆ Available with TFF viton seals for size codes above 212

Available with free running style seals, add suffix ◆ FF, □ HFF or △ MHFF for size codes 212 and smaller
 Add suffix ◆ FF, □ SFF or △ MKFF for size codes above 212
 Selection Guide, see MB Ball Bearing Selection Guide section
 Load Ratings & Speed Limits, see MB Ball Bearing Load Ratings & Speed Limits section
 Note: Dimensions subject to change. Certified dimensions of ordered material furnished on request.



Product Features

- Corrosion resistant powder coating
- Cast iron housing
- Broad range of sealing options
- Spring locking setscrew mount
- Alignable & relubricatable
- See Features & Benefits for additional info.



Bearing Dimensions												
Size Code	Shaft Diameter	Part Number	A Pilot Diameter	B Bolt Hole Circle Diameter	L Mounting Surface to Inner Ring Long Hub Face	C	D	F	G	H	U	Approx. Weight
207	1 1/4	PFC4251-14♦●□△	3.375	4 1/8	1 33/64	5	1 9/16	7/16	17/64	7/8	3/8	3.13
	1 3/8	PFC4251-38♦●□△										3.03
	1 7/16	PFC4251-716♦●□△										2.97
	35.00	PFC425-35♦●□△										85.720
208	1 1/2	PFC4251-12♦●□△	3.625	4 3/8	1 17/32	5 1/4	1 21/32	7/16	1/4	7/8	7/16	3.63
	1 5/8	PFC4251-58♦●□△										3.49
	40.00	PFC425-40♦●□△										92.080
209	1 5/8	PFC4251-58L♦●□△	3.625	4 3/8	1 37/64	5 1/4	1 49/64	7/16	3/16	7/8	7/16	3.76
	1 11/16	PFC4251-1116♦●□△										3.66
	1 3/4	PFC4251-34♦●□△										3.59
210	1 7/8	PFC4251-78♦●□△	4.250	5 1/8	1 19/32	6 1/8	1 13/16	1/2	13/64	7/8	15/32	4.97
	1 15/16	PFC4251-1516♦●□△										4.88
	2	PFC4252♦●□△										4.79
211	2	PFC4252L♦●□△	4.500	5 3/8	1 35/64	6 3/8	1 13/16	1/2	19/64	7/8	5/8	5.87
	2 3/16	PFC4252-316♦●□△										5.57
	2 1/4	PFC4252-14♦●□△										5.47
212	2 1/4	PFC4252-14L♦●□△	5.000	6	1 11/16	7 1/8	1 57/64	9/16	37/64	1	7/8	8.40
	2 3/8	PFC4252-38♦●□△										8.16
	2 7/16	PFC4252-716♦●□△										8.04
215	2 15/16	PFC4252-1516♦●□△	6.375	7 1/2	1 23/32	8 3/4	2 17/64	5/8	25/64	1	1	13.44

Additional Notes

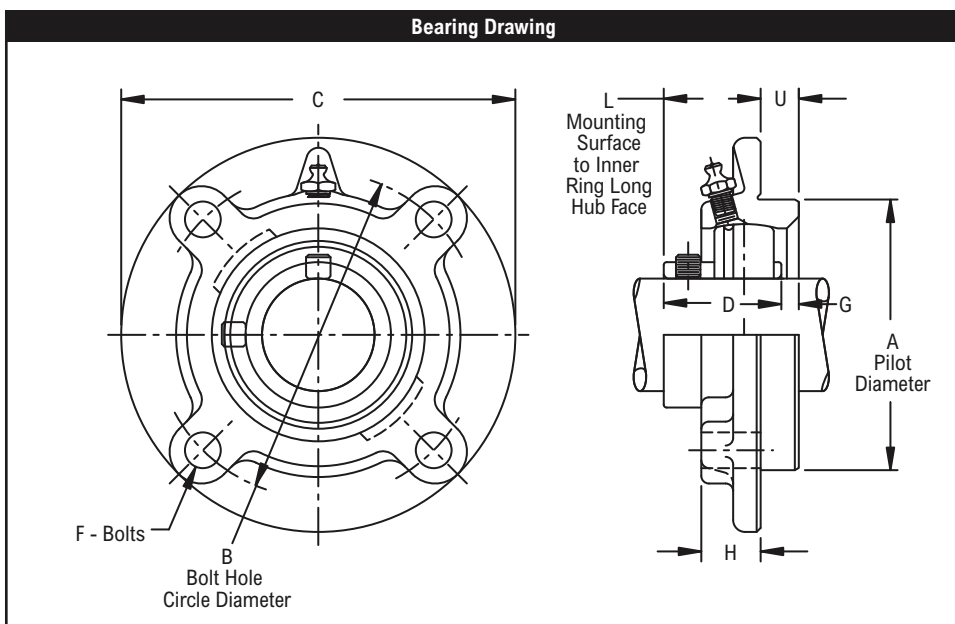
Please call 1-866-REXNORD for availability
 Lubrication fitting tap size, 1/8" PT
 Pilot Diameter tolerance, +.000"/-.002" (+0.00mm/-0.05mm)
 Bore tolerance for mounting, +.002"/-.000" (+0.05mm/-0.00mm)
 Lip seals standard
 ♦ Available with E1 viton seals for size codes 212 and smaller
 ♦ Available with TFF viton seals for size codes above 212
 Add suffix ● FF, □ SFF or △ MKFF for size codes above 212

Available with free running style seals, add suffix ● FF, □ HFF or △ MHFF for size codes 212 and smaller
 Selection Guide, see MB Ball Bearing Selection Guide section
 Load Ratings & Speed Limits, see MB Ball Bearing Load Ratings & Speed Limits section
 Note: Dimensions subject to change. Certified dimensions of ordered material furnished on request.



Product Features

- Corrosion resistant powder coating
- Cast iron housing
- Broad range of sealing options
- Spring locking setscrew mount
- Alignable & relubricatable
- See Features & Benefits for additional info.



Bearing Dimensions												
Size Code	Shaft Diameter	Part Number	A Pilot Diameter	B Bolt Hole Circle Diameter	L Mounting Surface to Inner Ring Long Hub Face	C	D	F	G	H	U	Approx. Weight
207	1 3/16	PFC4351-316♦●□Δ	3.375	4 1/8	1 33/64	5	1 9/16	7/16	17/64	7/8	3/8	3.14
208	1 7/16	PFC4351-716♦●□Δ	3.625	4 3/8	1 17/32	5 1/4	1 21/32	7/16	1/4	7/8	7/16	3.69
209	1 1/2	PFC4351-12♦●□Δ	3.625	4 3/8	1 37/64	5 1/4	1 49/64	7/16	3/16	7/8	7/16	3.85
210	1 11/16	PFC4351-1116♦●□Δ	4.250	5 1/8	1 19/32	6 1/8	1 13/16	1/2	13/64	7/8	15/32	5.72
	1 3/4	PFC4351-34♦●□Δ										
211	1 15/16	PFC4351-1516♦●□Δ	4.500	5 3/8	1 35/64	6 3/8	1 13/16	1/2	19/64	7/8	5/8	5.96
	2	PFC4352♦●□Δ										
212	2 3/16	PFC4352-316♦●□Δ	5.000	6	1 11/64	7 1/8	1 57/64	9/16	37/64	1	1	8.52
214	2 7/16	PFC4352-716♦●□Δ	5.500	6 1/2	1 23/32	7 5/8	2 15/64	9/16	27/64	1	1	10.27
	2 1/2	PFC4352-12♦●□Δ										
215	2 11/16	PFC4352-1116♦●□Δ	6.375	7 1/2	1 23/32	8 3/4	2 17/64	5/8	25/64	1	1	14.07
216	2 15/16	PFC4352-1516♦●□Δ	6.375	7 1/2	1 11/16	8 3/4	2 23/64	5/8	21/64	1 1/8	1	13.92
	3	PFC4353♦●□Δ										
218	3 3/16	PFC4353-316♦●□Δ	7.375	8 5/8	1 51/64	10 1/4	2 33/64	3/4	25/64	1 1/8	1 1/8	21.50
	3 7/16	PFC4353-716♦●□Δ										
	3 1/2	PFC4353-12♦●□Δ										

Additional Notes

Please call 1-866-REXNORD for availability
 Lubrication fitting tap size, 1/8" PT
 Pilot Diameter tolerance, +.000"/-.002" (+0.00mm/-0.05mm)
 Bore tolerance for mounting, +.002"/-.000" (+0.05mm/-0.00mm)
 Lip seals standard

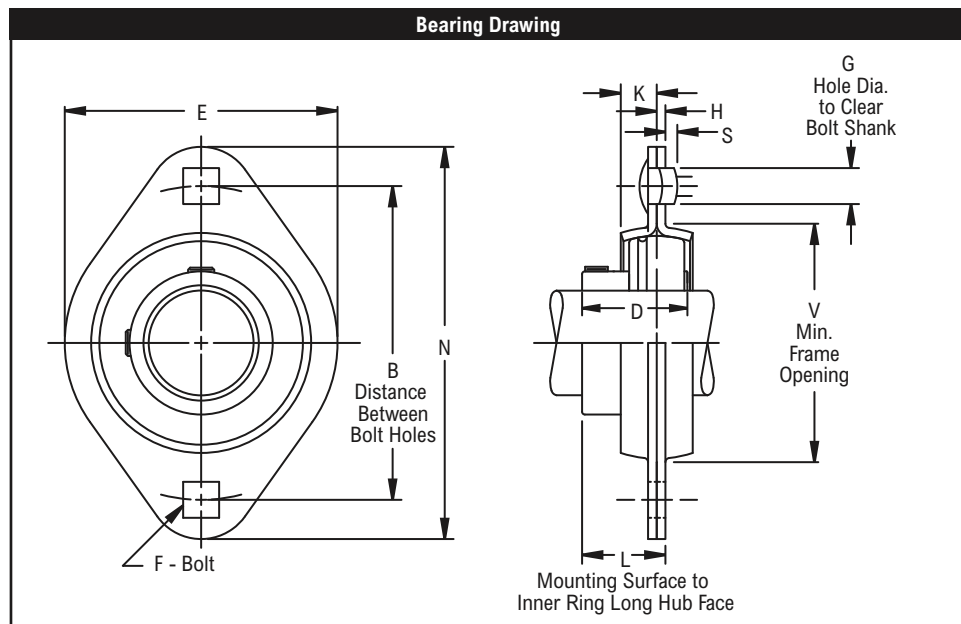
- ♦ Available with E1 viton seals for size codes 212 and smaller
- ♦ Available with TFF viton seals for size codes above 212

Available with free running style seals, add suffix ● FF, □ HFF or Δ MHFF for size codes 212 and smaller
 Add suffix ● FF, □ SFF or Δ MKFF for size codes above 212
 Selection Guide, see MB Ball Bearing Selection Guide section
 Load Ratings & Speed Limits, see MB Ball Bearing Load Ratings & Speed Limits section
 Note: Dimensions subject to change. Certified dimensions of ordered material furnished on request.



Product Features

- 2-piece formed steel housing
- Spring locking setscrew mount
- Alignable & non-relubricatable
- 2-bolt carriage mounting
- See Features & Benefits for additional info.



Bearing Dimensions																	
Size Code	Shaft Diameter	Part Number	B Distance Between Bolt Holes	F Bolt		G Hole Dia. to Clear Bolt Shank	L Mounting Surface to Inner Ring Long Hub Face	V Frame Opening	D	E	H	K	N	S Carriage Bolt		Radial Load Rating	Approx. Weight
				Hole Size	Bolt Size									Short Shank	Long Shank		
203	1/2	FPS225-12◆●□△	2 1/2	9/32	1/4	13/32	23/32	1 15/16	63/64	2 5/16	0.075	9/32	3 3/16	0.006	0.100	600	0.44
	5/8	FPS225-58◆●□△															0.40
	11/16	FPS225-1116◆●□△															0.38
204	3/4	FPS225-34◆●□△	2 13/16	11/32	5/16	1/2	53/64	2 3/16	1 1/8	2 5/8	0.083	5/16	3 9/16	0.021	0.115	700	0.57
	20.00	FPS225-20◆●□△															71.40
205	7/8	FPS225-78◆●□△	3	11/32	5/16	1/2	7/8	2 3/8	1 11/64	2 61/64	0.083	11/32	3 3/4	0.021	0.115	800	0.73
	15/16	FPS225-1516◆●□△															0.70
	1	FPS2251◆●□△															0.67
		FPS225-25◆●□△	76.20	8.730	5/16	12.70	22.20	60.30	29.77	71.00	2.110	8.70	95.20	0.021	0.115	3,560	0.30
206	1 1/8	FPS2251-18◆●□△	3 9/16	13/32	3/8	19/32	1 1/16	2 13/16	1 11/32	3 5/16	0.104	11/32	4 7/16	0.011	0.104	1,100	1.07
	1 3/16	FPS2251-316◆●□△															1.04
	1 1/4	FPS2251-14S◆●□△															1.01
		FPS225-30◆●□△	90.50	10.320	3/8	15.10	27.00	71.40	34.14	84.10	2.640	8.70	112.70	0.011	0.104	4,890	0.50

Additional Notes

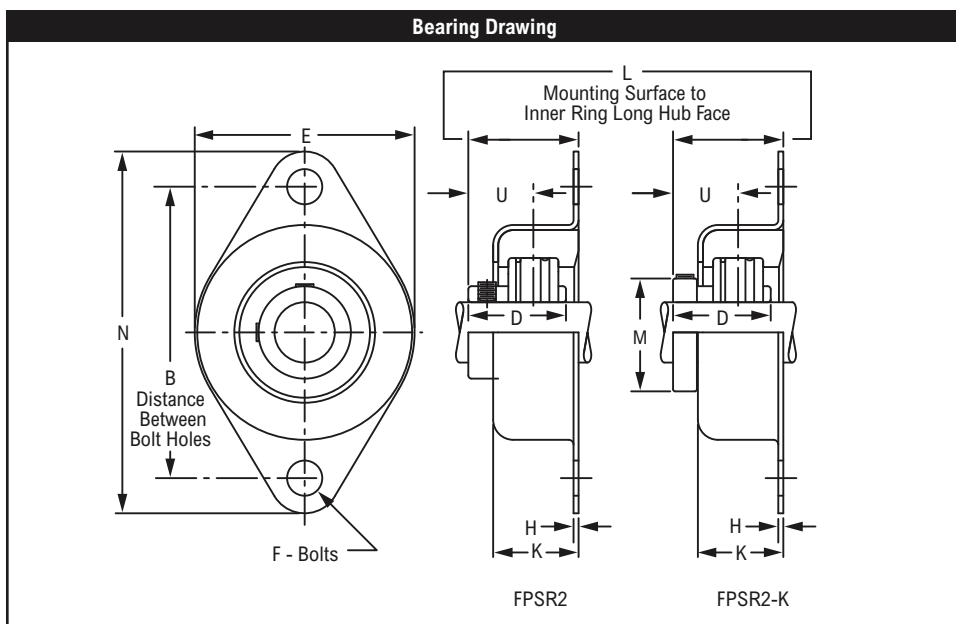
Please call 1-866-REXNORD for availability
 Lip seals standard
 ◆ Available with E1 viton seals
 Available with free running style seals, add suffix ● FF, □ HFF or △ MHFF
 Selection Guide, see MB Ball Bearing Selection Guide section
 Load Ratings & Speed Limits, see MB Ball Bearing Load Ratings & Speed Limits section

Note: Dimensions subject to change. Certified dimensions of ordered material furnished on request.



Product Features

- 2-piece formed steel housing
- Optional Mounting Feature
- Rubber mounted bearing insert
- Alignable & non-relubricatable
- 2-bolt carriage mounting
- See Features & Benefits for additional info.



Bearing Dimensions															
Size Code	Shaft Diameter	Centrik-Lok	Setscrew	B Distance Between Bolt Holes	L Mounting Surface to Inner Ring Long Hub Face	D	E	F	H	K	M	N	U	Radial Load Rating	Approx. Weight
		Part Number	Part Number												
204	1/2	FPSR2-12K♦□△	FPSR2-12♦□△	3 5/8	1 3/8	1 7/32	2 45/64	3/8	1/16	1 1/16	1 1/8	4 1/2	13/16	200	0.73
	5/8	FPSR2-58K♦□△	FPSR2-58♦□△								1 13/64				0.69
	3/4	FPSR2-34K♦□△	FPSR2-34♦□△								1 3/8				0.65
	20.00	-	FPSR2-204♦□△	92.10	34.90	30.96	68.70	10.00	1.57	27.00	-	114.30	20.60	890	0.30
205	7/8	FPSR2-78K♦□△	FPSR2-78♦□△	3 5/8	1 25/64	1 3/8	2 45/64	3/8	1/16	1 1/16	1 9/16	4 1/2	55/64	250	0.78
	15/16	FPSR2-1516K♦□△	FPSR2-1516♦□△								1 13/16				0.76
	1	FPSR21K♦□△	FPSR21♦□△								1 3/8				0.74
	25.00	FPSR2-205K♦□△	FPSR2-205♦□△	92.10	35.30	34.92	68.70	10.00	1.57	27.00	39.70	114.30	21.80	1,110	0.30
206	1 1/8	FPSR21-18K♦□△	FPSR21-18♦□△	4 3/8	1 5/8	1 1/2	3 1/2	7/16	1/16	1 1/4	1 13/16	5 3/8	29/32	300	1.47
	1 3/16	FPSR21-316K♦□△	FPSR21-316♦□△								2				1.42
	1 1/4	FPSR21-14SK♦□△	FPSR21-14S♦□△								2				1.36
	30.00	FPSR2-206K♦□△	FPSR2-206♦□△	111.10	41.30	38.10	88.90	10.00	1.57	31.80	50.80	136.50	23.00	1,330	0.60

Additional Notes

Please call 1-866-REXNORD for availability

Lip seals standard

♦ Available with E1 viton seals

Available with free running style seals, add suffix • FF, □ HFF or △ MHFF

Selection Guide, see MB Ball Bearing Selection Guide section

Load Ratings & Speed Limits, see MB Ball Bearing Load Ratings & Speed Limits section

Note: Dimensions subject to change. Certified dimensions of ordered material furnished on request.

TFPS325

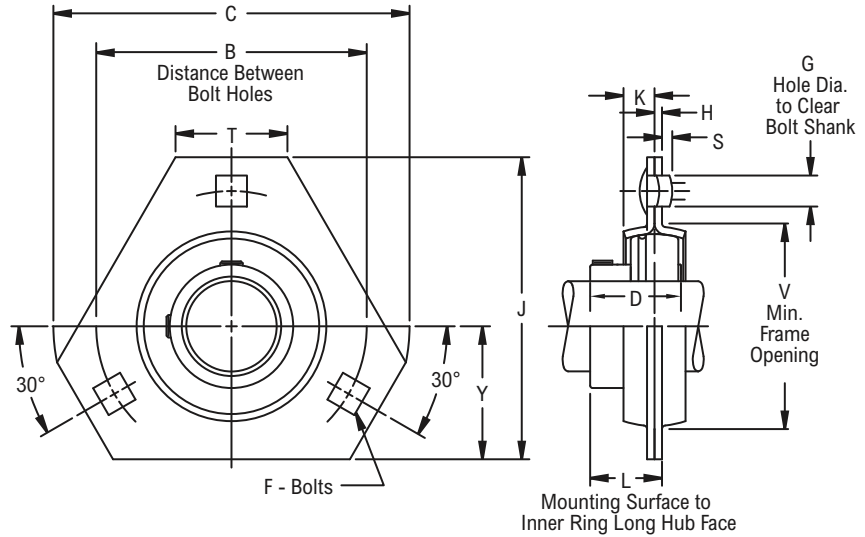


Photo Shows a 3-Bolt Ball Bearing Flanged Unit with Stamped Steel Housing

Product Features

- 2-piece formed steel housing
- Spring locking setscrew mount
- Alignable & non-relubricatable
- 3-bolt carriage mounting
- See Features & Benefits for additional info.

Bearing Drawing



Bearing Dimensions

Size Code	Shaft Diameter	Part Number	B Distance Between Bolt Holes	F		L Mounting Surface to Inner Ring	G Hole Dia. to Clear Bolt Shank	V Frame Opening	C	D	H	J	K	S Carriage Bolt		T	Y	Radial Load Rating	Approx. Weight
				Bolt Size	Hole Size									Short Shank	Long Shank				
204	3/4	TFPS325-34♦□Δ	2 13/16	5/16	11/32	53/64	1/2	2 3/16	3 9/16	1 1/8	0.083	3	5/16	0.021	0.115	1 1/16	1 5/16	700	0.63
	20.00	TFPS325-20♦●□Δ	71.40	5/16	8.730	21.00	12.70	55.60	90.50	28.58	2.110	76.20	7.90	0.021	0.115	27.00	33.30	3,110	0.30
205	7/8	TFPS325-78♦□Δ	3	5/16	11/32	7/8	1/2	2 3/8	3 3/4	1 11/64	0.083	3 5/32	11/32	0.021	0.115	1 7/64	1 3/8	800	0.79
	15/16	TFPS325-1516♦●□Δ																	0.76
	1	TFPS3251♦●□Δ																	0.73
206	25.00	TFPS325-25♦●□Δ	76.20	5/16	8.730	22.20	12.70	60.30	95.20	29.77	2.110	80.20	8.70	0.021	0.115	28.20	34.90	3,560	0.30
	1 1/8	TFPS3251-18♦●□Δ	3 9/16	3/8	13/32	1 1/16	19/32	2 13/16	4 7/16	1 11/32	0.104	3 11/16	11/32	0.011	0.104	31/32	1 1/2	1,100	1.08
	1 3/16	TFPS3251-316♦●□Δ																	1.05
	1 1/4	TFPS3251-14S♦●□Δ																	1.02
30.00	TFPS325-30♦●□Δ	90.50																	3/8

Additional Notes

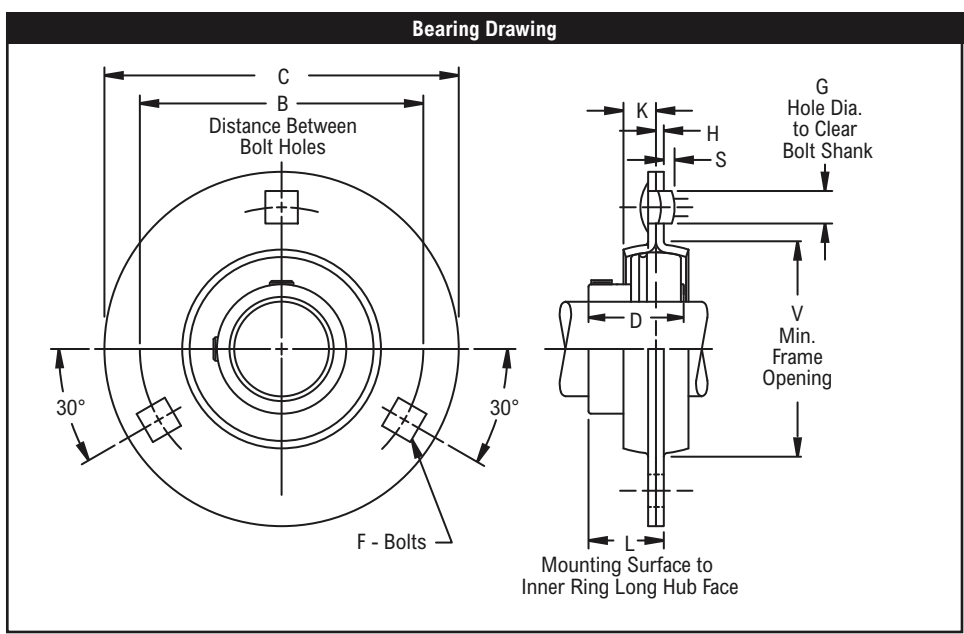
Please call 1-866-REXNORD for availability
 Lip seals standard
 ♦ Available with E1 viton seals
 Available with free running style seals, add suffix ● FF, □ HFF or Δ MHFF
 Selection Guide, see MB Ball Bearing Selection Guide section
 Load Ratings & Speed Limits, see MB Ball Bearing Load Ratings & Speed Limits section

Note: Dimensions subject to change. Certified dimensions of ordered material furnished on request.



Product Features

- 2-piece formed steel housing
- Spring locking setscrew mount
- Alignable & non-relubricatable
- 3-bolt carriage mounting
- See Features & Benefits for additional info.



Bearing Dimensions																
Size Code	Shaft Diameter	Part Number	B Distance Between Bolt Holes	F		G Hole Dia. to Clear Bolt Shank	L Mounting Surface to Inner Ring Long Hub Face	V Frame Opening	C	D	H	K	Carriage Bolt		Radial Load Rating	Approx. Weight
				Hole Size	Bolt Size								Short Shank	Long Shank		
203	1/2	FPS325-12◆●□△	2 1/2	9/32	1/4	13/32	23/32	1 15/16	3 3/16	63/64	0.075	9/32	0.006	0.100	600	0.50
	5/8	FPS325-58◆●□△														0.46
	11/16	FPS325-1116◆●□△														0.44
204	3/4	FPS325-34◆●□△	2 13/16	11/32	5/16	1/2	53/64	2 3/16	3 9/16	1 1/8	0.083	5/16	0.021	0.115	700	0.76
	20.00	FPS325-20◆●□△	71.40	8.730	5/16	12.70	21.00	55.60	90.50	28.58	2.110	7.90	0.021	0.115	3,110	0.30
205	7/8	FPS325-78◆●□△	3	11/32	5/16	1/2	7/8	2 3/8	3 3/4	1 11/64	0.083	11/32	0.021	0.115	800	0.93
	15/16	FPS325-1516◆●□△														0.90
	1	FPS3251◆●□△														0.87
	25.00	FPS325-25◆●□△	76.20	8.730	5/16	12.70	22.20	60.30	95.20	29.77	2.110	8.70	0.021	0.115	3,560	0.40
206	1 1/8	FPS3251-18◆●□△	3 9/16	13/32	3/8	19/32	1 1/16	2 13/16	4 7/16	1 11/32	0.104	11/32	0.011	0.104	1,100	1.39
	1 3/16	FPS3251-316◆●□△														1.36
	1 1/4	FPS3251-14S◆●□△														1.33
	30.00	FPS325-30◆●□△														90.50
207	1 1/4	FPS3251-14◆●□△	3 15/16	13/32	3/8	19/32	1 7/32	3 3/16	4 13/16	1 9/16	0.104	3/8	0.011	0.104	1,400	1.90
	1 3/8	FPS3251-38◆●□△														1.80
	1 7/16	FPS3251-716◆●□△														1.75

Additional Notes

Please call 1-866-REXNORD for availability

Lip seals standard

- ◆ Available with E1 viton seals
- Available with free running style seals, add suffix ● FF, □ HFF or △ MHFF

Selection Guide, see MB Ball Bearing Selection Guide section

Load Ratings & Speed Limits, see MB Ball Bearing Load Ratings & Speed Limits section

Note: Dimensions subject to change. Certified dimensions of ordered material furnished on request.

RER, RER-K

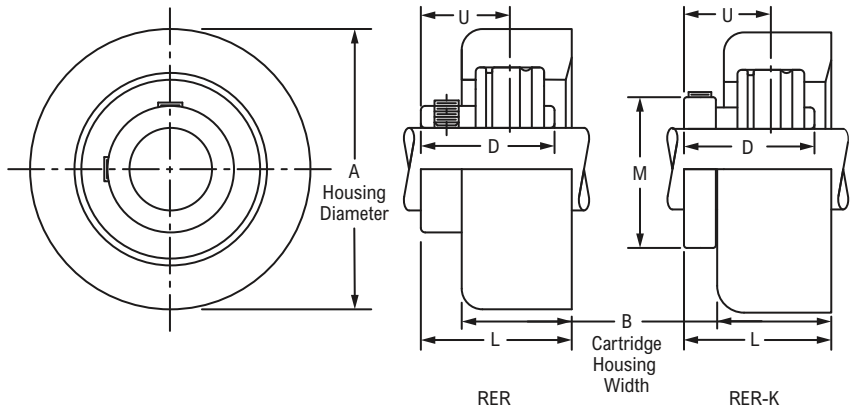


Photo Shows a Rubber Mounted ER Ball Bearing Cartridge Unit

Product Features

Rubber mounted housing
 Optional mounting feature
 Non-relubricatable
 See Features & Benefits for additional info.

Bearing Drawing



Bearing Dimensions

Size Code	Shaft Diameter	Centrik-Lok	K-Lok	A Housing Diameter	B Cartridge Housing Width	D	L	M	U	Radial Load Rating	Approx. Weight
		Part Number	Part Number								
204	1/2	RER8K♦●□Δ	RER8♦●□Δ	2 17/32	1	1 7/32	1 3/8	1 1/8	13/16	200	0.58
	5/8	RER10K♦●□Δ	RER10♦●□Δ					1 13/64			0.54
	3/4	RER12K♦●□Δ	RER12♦●□Δ					1 3/8			0.50
	20.00	RER204K♦●□Δ	RER204♦●□Δ					64.30			25.40
205	7/8	RER14K♦●□Δ	RER14♦●□Δ	2 17/32	1	1 3/8	1 25/64	1 9/16	55/64	250	0.58
	15/16	RER15K♦●□Δ	RER15♦●□Δ					1 9/16			0.56
	1	RER16K♦●□Δ	RER16♦●□Δ					2			0.54
	25.00	RER205K♦●□Δ	RER205♦●□Δ					64.30			25.40
206	1 1/8	RER18K♦●□Δ	RER18♦●□Δ	3 3/32	1 3/16	1 1/2	1 5/8	1 13/16	29/32	300	1.01
	1 3/16	RER19K♦●□Δ	RER19♦●□Δ					2			0.97
	1 1/4	RER20SK♦●□Δ	RER20S♦●□Δ					2			0.92
	30.00	RER206K♦●□Δ	RER206♦●□Δ					78.60			30.20

Additional Notes

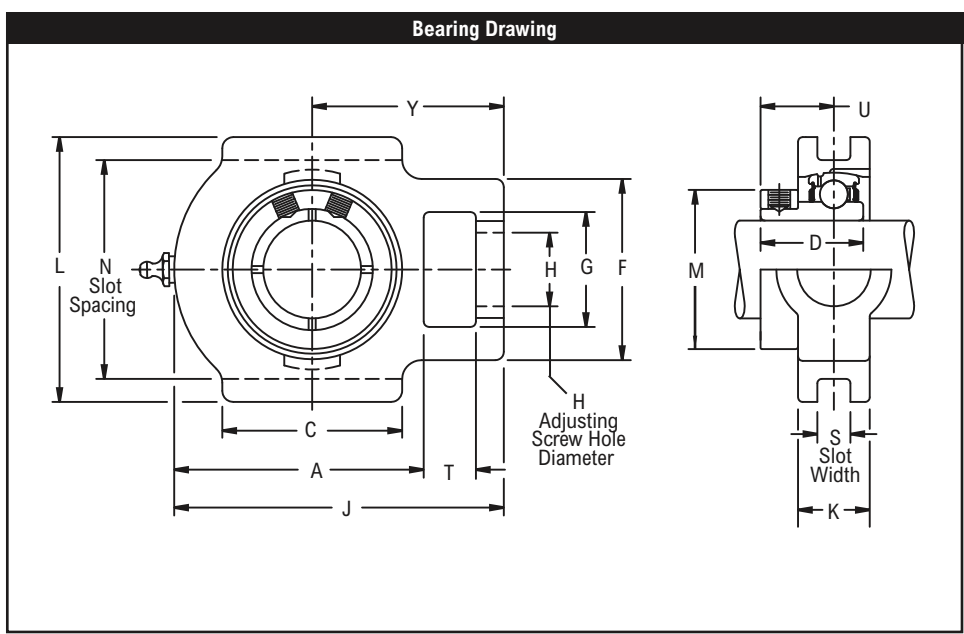
Please call 1-866-REXNORD for availability
 Lip seals standard
 ♦ Available with E1 viton seals
 Available with free running style seals, add suffix ● FF, □ HFF or Δ MHFF
 Selection Guide, see MB Ball Bearing Selection Guide section
 Load Ratings & Speed Limits, see MB Ball Bearing Load Ratings & Speed Limits section

Note: Dimensions subject to change. Certified dimensions of ordered material furnished on request.



Product Features

- Corrosion resistant powder coating
- Cast iron housing
- Wide slot design
- Broad range of sealing options
- Centrik-Lok shaft locking device
- Alignable & relubricatable
- See Features & Benefits for additional info.



Bearing Dimensions																		
Size Code	Shaft Diameter	Part Number	H Adjusting Screw Hole Diameter	N Slot Spacing	S Slot Width	A	C	D	F	G	J	K	L	M	T	U	Y	Approx. Weight
204	3/4	TC25K-34♦□Δ	3/4	3.000	0.531	2 7/8	2	1 5/64	2	1 1/4	3 7/8	1 3/8	3 1/2	1 3/8	5/8	45/64	2 7/16	1.86
205	7/8	TC25K-78♦□Δ	3/4	3.000	0.531	2 7/8	2	1 1/8	2	1 1/4	3 7/8	1 3/8	3 1/2	1 9/16	5/8	3/4	2 7/16	1.85
	15/16	TC25K-1516♦□Δ																1.82
	1	TC25K1♦□Δ																1.79
	25.00	TC25K-25♦□Δ																19.00
206	1 1/8	TC25K1-18♦□Δ	7/8	3.500	0.531	3 3/8	2 1/4	1 19/64	2 3/16	1 7/16	4 1/2	1 9/16	4 1/8	1 13/16	11/16	29/32	2 3/4	2.75
	1 3/16	TC25K1-316♦□Δ																2.72
	1 1/4	TC25K1-14S♦□Δ																2.69
	30.00	TC25K-30♦□Δ																22.20
207	1 1/4	TC25K1-14♦□Δ	7/8	3.500	0.531	4	2 1/2	1 15/32	2 3/8	1 7/16	5	1 9/16	4 1/8	2	11/16	1 1/64	3 1/16	3.19
	1 3/8	TC25K1-38♦□Δ																3.09
	1 7/16	TC25K1-716♦□Δ																3.03
208	1 1/2	TC25K1-12♦□Δ	1 1/8	3.969	0.688	4 3/16	3 1/4	1 9/16	3 1/4	1 15/16	5 5/8	2 1/16	4 3/4	2 1/2	7/8	1 5/64	3 1/2	5.24
	1 5/8	TC25K1-58♦□Δ																5.10
209	1 5/8	TC25K1-58L♦□Δ	1 1/8	3.969	0.688	4 3/16	3 1/4	1 19/32	3 1/4	1 15/16	5 5/8	2 1/16	4 3/4	2 1/2	7/8	1 1/16	3 7/16	4.84
	1 11/16	TC25K1-1116♦□Δ																4.77
	1 3/4	TC25K1-34♦□Δ																4.70
210	1 7/8	TC25K1-78♦□Δ	1 1/8	3.969	0.688	4 7/16	3 1/4	1 41/64	3 1/4	1 15/16	5 7/8	2 1/16	4 3/4	2 7/8	7/8	1 3/32	3 9/16	4.96
	1 15/16	TC25K1-1516♦□Δ																4.87
	2	TC25K2♦□Δ																4.78
211	2	TC25K2L♦□Δ	1 3/8	5.094	1.062	4 7/8	3 3/4	1 3/4	4	2 1/2	6 13/16	2 1/2	5 7/8	2 7/8	1 3/16	1 7/32	4 3/16	8.78
	2 3/16	TC25K2-316♦□Δ																8.58
	2 1/4	TC25K2-14♦□Δ																8.38
212	2 1/4	TC25K2-14L♦□Δ	1 3/8	5.094	1.062	5 5/8	4	1 57/64	4	2 1/2	7 9/16	2 1/2	5 7/8	3 1/8	1 3/16	1 5/16	4 11/16	9.67
	2 3/8	TC25K2-38♦□Δ																9.43
	2 7/16	TC25K2-716♦□Δ																9.31
215	2 15/16	TC25K2-1516♦□Δ	1 5/8	5.906	1.062	6 27/32	4 3/4	2 1/8	4 3/16	2 3/4	8 15/16	2 3/4	6 11/16	3 15/16	1 5/16	1 21/64	5 1/2	14.24

Additional Notes

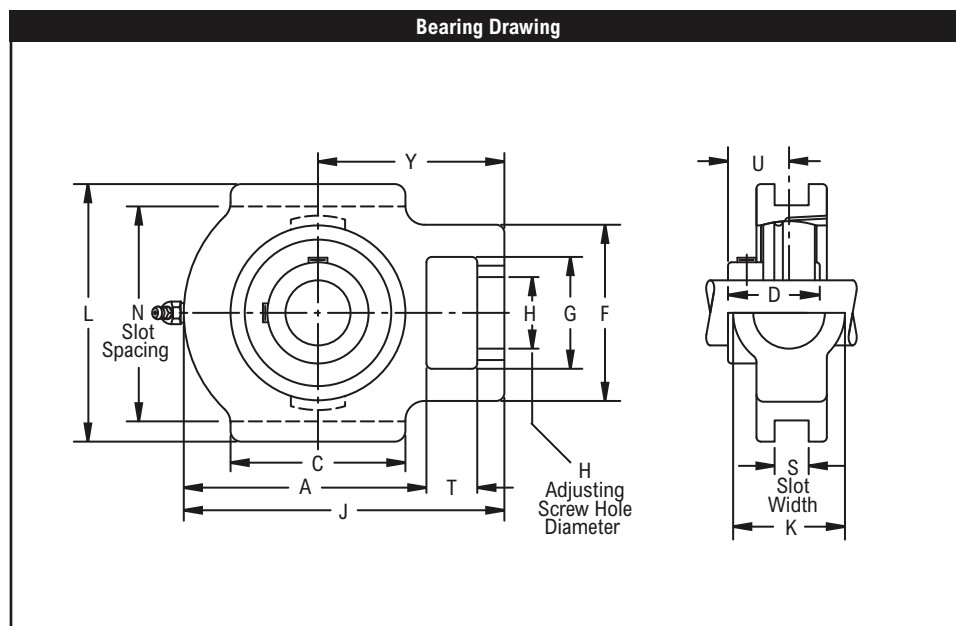
Please call 1-866-REXNORD for availability
 Lubrication fitting tap size, 1/8" PT
 Lip seals standard
 ♦ Available with E1 viton seals for size codes 212 and smaller
 ♦ Available with TFF viton seals for size codes above 212
 Available with free running style seals, add suffix • FF, □ HFF or Δ MHFF for size codes 212 and smaller
 Add suffix • FF, □ SFF or Δ MKFF for size codes above 212

Selection Guide, see MB Ball Bearing Selection Guide section
 Load Ratings & Speed Limits, see MB Ball Bearing Load Ratings & Speed Limits section
 Note: Dimensions subject to change. Certified dimensions of ordered material furnished on request.



Product Features

- Corrosion resistant powder coating
- Cast iron housing
- Wide slot design
- Broad range of sealing options
- Spring locking setscrew mount
- Alignable & relubricatable
- See Features & Benefits for additional info.



Bearing Dimensions

Size Code	Shaft Diameter	Part Number	H Adjusting Screw Hole Diameter	N Slot Spacing	S Slot Width	A	C	D	F	G	J	K	L	T	U	Y	Approx. Weight
204	3/4	TC25-34♦♦□Δ	3/4	3.000	0.531	2 7/8	2	1 1/8	2	1 1/4	3 7/8	1 3/8	3 1/2	5/8	3/4	2 7/16	1.86
	20.00	TC25-20♦♦□Δ	19.00	76.200	13.490	73.02	50.80	28.58	50.80	31.80	98.40	34.90	88.90	15.90	19.00	61.90	0.80
205	7/8	TC25-78♦♦□Δ	3/4	3.000	0.531	2 7/8	2	1 11/64	2	1 1/4	3 7/8	1 3/8	3 1/2	5/8	5 1/64	2 7/16	1.85
	15/16	TC25-1516♦♦□Δ															1.82
	1	TC251♦♦□Δ															1.79
	25.00	TC25-25♦♦□Δ															19.00
206	1 1/8	TC251-18♦♦□Δ	7/8	3.500	0.531	3 3/8	2 1/4	1 11/32	2 3/16	1 7/16	4 1/2	1 9/16	4 1/8	1 1/16	6 1/64	2 3/4	2.75
	1 3/16	TC251-316♦♦□Δ															2.72
	1 1/4	TC251-14S♦♦□Δ															2.69
	30.00	TC25-30♦♦□Δ															22.20
207	1 1/4	TC251-14♦♦□Δ	7/8	3.500	0.531	4	2 1/2	1 9/16	2 3/8	1 7/16	5	1 9/16	4 1/8	1 1/16	1 7/64	3 1/16	3.19
	1 3/8	TC251-38♦♦□Δ															3.09
	1 7/16	TC251-716♦♦□Δ															3.03
	35.00	TC25-35♦♦□Δ															22.20
208	1 1/2	TC251-12♦♦□Δ	1 1/8	3.969	0.688	4 3/16	3 1/4	1 21/32	3 1/4	1 15/16	5 5/8	2 1/16	4 3/4	7/8	1 11/64	3 1/2	5.24
	1 5/8	TC251-58♦♦□Δ															5.10
	40.00	TC25-40♦♦□Δ															28.60
209	1 5/8	TC251-58L♦♦□Δ	1 1/8	3.969	0.688	4 3/16	3 1/4	1 49/64	3 1/4	1 15/16	5 5/8	2 1/16	4 3/4	7/8	1 15/64	3 7/16	4.84
	1 11/16	TC251-1116♦♦□Δ															4.77
	1 3/4	TC251-34♦♦□Δ															4.70
210	1 7/8	TC251-78♦♦□Δ	1 1/8	3.969	0.688	4 7/16	3 1/4	1 13/16	3 1/4	1 15/16	5 7/8	2 1/16	4 3/4	7/8	1 17/64	3 9/16	4.96
	1 15/16	TC251-1516♦♦□Δ															4.87
	2	TC252♦♦□Δ															4.78
211	2	TC252L♦♦□Δ	1 3/8	5.094	1.062	4 7/8	3 3/4	1 13/16	4	2 1/2	6 13/16	2 1/2	5 7/8	1 3/16	1 9/32	4 3/16	8.78
	2 3/16	TC252-316♦♦□Δ															8.58
	2 1/4	TC252-14♦♦□Δ															8.38
212	2 1/4	TC252-14L♦♦□Δ	1 3/8	5.094	1.062	5 5/8	4	1 57/64	4	2 1/2	7 9/16	2 1/2	5 7/8	1 3/16	1 5/16	4 11/16	9.67
	2 3/8	TC252-38♦♦□Δ															9.43
	2 7/16	TC252-716♦♦□Δ															9.31
215	2 15/16	TC252-1516♦♦□Δ	1 5/8	5.906	1.062	6 27/32	4 3/4	2 17/64	4 3/16	2 3/4	8 15/16	2 3/4	6 11/16	1 5/16	1 15/32	5 1/2	14.24

Additional Notes

Please call 1-866-REXNORD for availability
 Lubrication fitting tap size, 1/8" PT
 Lip seals standard
 ♦ Available with E1 viton seals for size codes 212 and smaller
 ♦ Available with TFF viton seals for size codes above 212
 Available with free running style seals, add suffix ♦ FF, □ HFF or Δ MHFF for size codes 212 and smaller
 Add suffix ♦ FF, □ SFF or Δ MKFF for size codes above 212

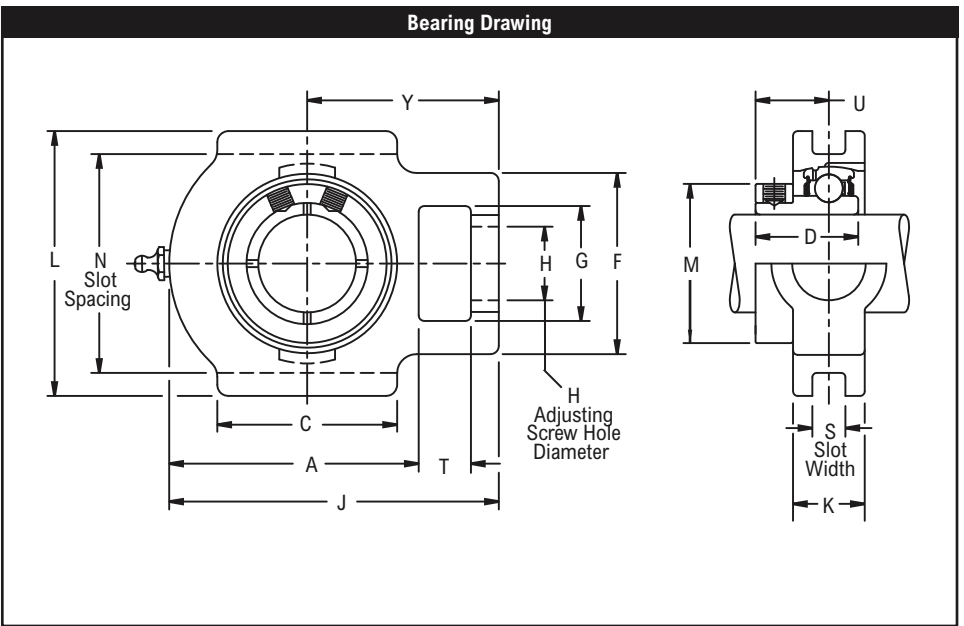
Selection Guide, see MB Ball Bearing Selection Guide section
 Load Ratings & Speed Limits, see MB Ball Bearing Load Ratings & Speed Limits section
 Note: Dimensions subject to change. Certified dimensions of ordered material furnished on request.



Photo Shows a Ball Bearing Take-Up Unit

Product Features

- Corrosion resistant powder coating
- Cast iron housing
- Wide slot design
- Broad range of sealing options
- Centrik-Lok shaft locking device
- Alignable & relubricatable
- See Features & Benefits for additional info.



Bearing Dimensions

Size Code	Shaft Diameter	Part Number	H Adjusting Screw Hole Diameter	N Slot Spacing	S Slot Width	A	C	D	F	G	J	K	L	M	T	U	Y	Approx. Weight
206	1	TC35K1◆●□Δ	7/8	3.500	0.531	3 3/8	2 1/4	1 19/64	2 3/16	1 7/16	4 1/2	1 9/16	4 1/8	1 13/16	1 11/16	2 29/32	2 3/4	2.88
207	1 3/16	TC35K1-316◆●□Δ	7/8	3.500	0.531	4	2 1/2	1 15/32	2 3/8	1 7/16	5	1 9/16	4 1/8	2	1 11/16	1 1/32	3 1/16	3.20
208	1 7/16	TC35K1-716◆●□Δ	1 1/8	3.969	0.688	4 3/16	3 1/4	1 9/16	3 1/4	1 15/16	5 5/8	2 1/16	4 3/4	2 1/4	7/8	1 3/32	3 1/2	5.29
209	1 1/2	TC35K1-12◆●□Δ	1 1/8	3.969	0.688	4 3/16	3 1/4	1 19/32	3 1/4	1 15/16	5 5/8	2 1/16	4 3/4	2 1/2	7/8	1 1/8	3 7/16	4.96
210	1 11/16	TC35K1-1116◆●□Δ	1 1/8	3.969	0.688	4 7/16	3 1/4	1 41/64	3 1/4	1 15/16	5 7/8	2 1/16	4 3/4	2 3/4	7/8	1 5/32	3 9/16	5.21
	1 3/4	TC35K1-34◆●□Δ																
211	1 15/16	TC35K1-1516◆●□Δ	1 3/8	5.094	1.062	4 7/8	3 3/4	1 3/4	4	2 1/2	6 13/16	2 1/2	5 7/8	2 7/8	1 3/16	1 7/32	4 3/16	8.87
212	2 3/16	TC35K2-316◆●□Δ	1 3/8	5.094	1.062	5 5/8	4	1 57/64	4	2 1/2	7 9/16	2 1/2	5 7/8	3 1/8	1 3/16	1 5/16	4 11/16	8.79
214	2 7/16	TC35K2-716◆●□Δ	1 5/8	5.906	1.062	6 19/32	4 3/4	2 5/64	4 3/8	2 3/4	8 11/16	2 3/4	6 11/16	3 3/4	1 5/16	1 7/16	5 3/8	15.09
	2 1/2	TC35K2-12◆●□Δ																
215	2 11/16	TC35K2-1116◆●□Δ	1 5/8	5.906	1.062	6 27/32	4 3/4	2 1/8	4 3/8	2 3/4	8 15/16	2 3/4	6 11/16	3 15/16	1 5/16	1 15/32	5 1/2	14.87

Additional Notes

Please call 1-866-REXNORD for availability
 Lubrication fitting tap size, 1/8" PT
 Lip seals standard
 ◆ Available with E1 viton seals for size codes 212 and smaller
 ◆ Available with TFF viton seals for size codes above 212
 Available with free running style seals, add suffix ● FF, □ HFF or Δ MHFF for size codes 212 and smaller
 Add suffix ● FF, □ SFF or Δ MKFF for size codes above 212

Selection Guide, see MB Ball Bearing Selection Guide section
 Load Ratings & Speed Limits, see MB Ball Bearing Load Ratings & Speed Limits section
 Note: Dimensions subject to change. Certified dimensions of ordered material furnished on request.

TC35

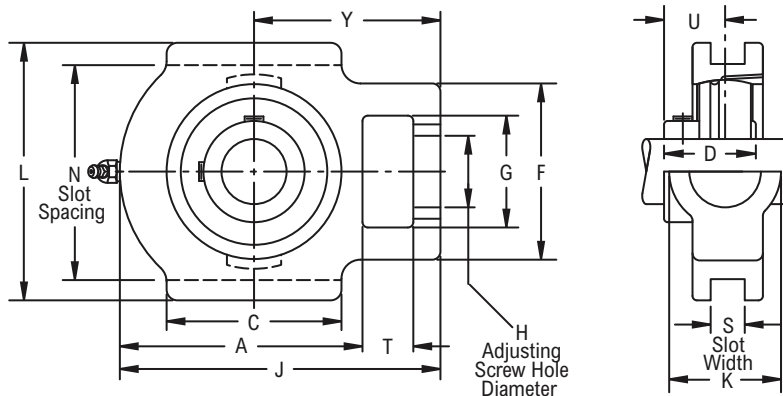


Photo Shows a Ball Bearing Take-Up Unit

Product Features

- Corrosion resistant powder coating
- Cast iron housing
- Wide slot design
- Broad range of sealing options
- Spring locking setscrew mount
- Alignable & relubricatable
- See Features & Benefits for additional info.

Bearing Drawing



Bearing Dimensions

Size Code	Shaft Diameter	Part Number	H Adjusting Screw Hole Diameter	N Slot Spacing	S Slot Width	A	C	D	F	G	J	K	L	T	U	Y	Approx. Weight
206	1	TC351-100□Δ	7/8	3.500	0.531	3 3/8	2 1/4	1 11/32	2 3/16	1 7/16	4 1/2	1 9/16	4 1/8	11/16	61/64	2 3/4	2.88
207	1 3/16	TC351-316◆□Δ	7/8	3.500	0.531	4	2 1/2	1 9/16	2 3/8	1 7/16	5	1 9/16	4 1/8	11/16	1 7/64	3 1/16	3.20
208	1 7/16	TC351-716◆□Δ	1 1/8	3.969	0.688	4 3/16	3 1/4	1 21/32	3 1/4	1 15/16	5 5/8	2 1/16	4 3/4	7/8	1 11/64	3 1/2	5.29
209	1 1/2	TC351-12◆□Δ	1 1/8	3.969	0.688	4 3/16	3 1/4	1 49/64	3 1/4	1 15/16	5 5/8	2 1/16	4 3/4	7/8	1 15/64	3 7/16	4.96
210	1 11/16	TC351-1116◆□Δ	1 1/8	3.969	0.688	4 7/16	3 1/4	1 13/16	3 1/4	1 15/16	5 7/8	2 1/16	4 3/4	7/8	1 17/64	3 9/16	5.21
	1 3/4	TC351-34◆□Δ															
211	1 15/16	TC351-1516◆□Δ	1 3/8	5.094	1.062	4 7/8	3 3/4	1 13/16	4	2 1/2	6 13/16	2 1/2	5 7/8	1 3/16	1 9/32	4 3/16	8.87
	2	TC352◆□Δ															
212	2 3/16	TC352-316◆□Δ	1 3/8	5.094	1.062	5 5/8	4	1 57/64	4	2 1/2	7 9/16	2 1/2	5 7/8	1 3/16	1 5/16	4 11/16	8.79
	2 1/4	TC352-14◆□Δ															
214	2 7/16	TC352-716◆□Δ	1 5/8	5.906	1.062	6 19/32	4 3/4	2 15/64	4 3/8	2 3/4	8 11/16	2 3/4	6 11/16	1 5/16	1 7/16	5 3/8	15.09
	2 1/2	TC352-12◆□Δ															
215	2 11/16	TC352-1116◆□Δ	1 5/8	5.906	1.062	6 27/32	4 3/4	2 17/64	4 3/8	2 3/4	8 15/16	2 3/4	6 11/16	1 5/16	1 15/32	5 1/2	14.87

Additional Notes

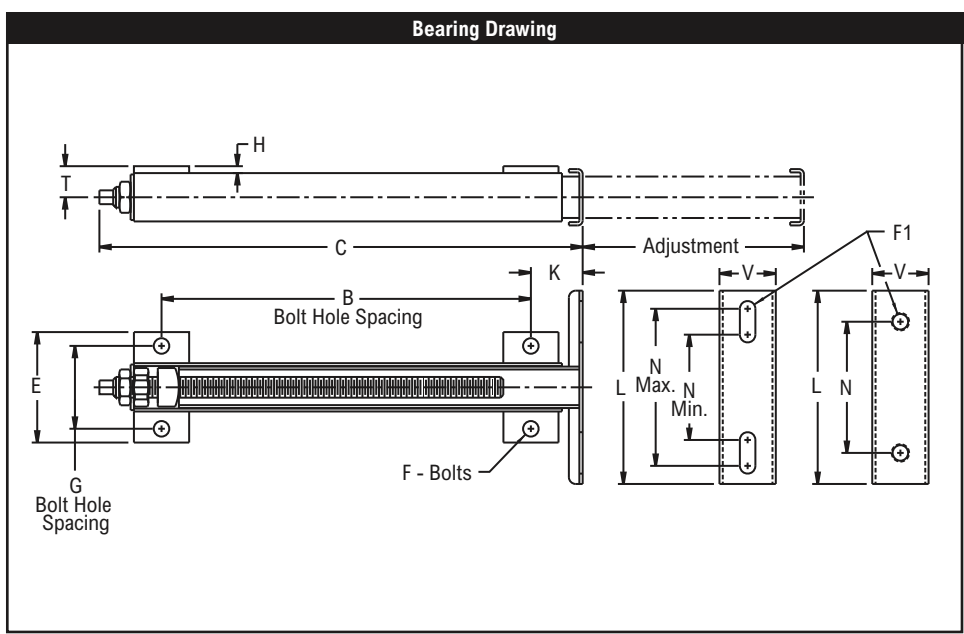
Please call 1-866-REXNORD for availability
 Lubrication fitting tap size, 1/8" PT
 Lip seals standard
 ◆ Available with E1 viton seals for size codes 212 and smaller
 ◆ Available with TFF viton seals for size codes above 212
 Available with free running style seals, add suffix ● FF, □ HFF or Δ MHFF for size codes 212 and smaller
 Add suffix ● FF, □ SFF or Δ MKFF for size codes above 212

Selection Guide, see MB Ball Bearing Selection Guide section
 Load Ratings & Speed Limits, see MB Ball Bearing Load Ratings & Speed Limits section
 Note: Dimensions subject to change. Certified dimensions of ordered material furnished on request.



Product Features

- Protected screw T-frame takeup
- Mild steel or AISI 304 stainless steel frame
- Pillow block or tapped base pillow block mounting
- Pillow blocks not included
- See Features & Benefits for additional info.



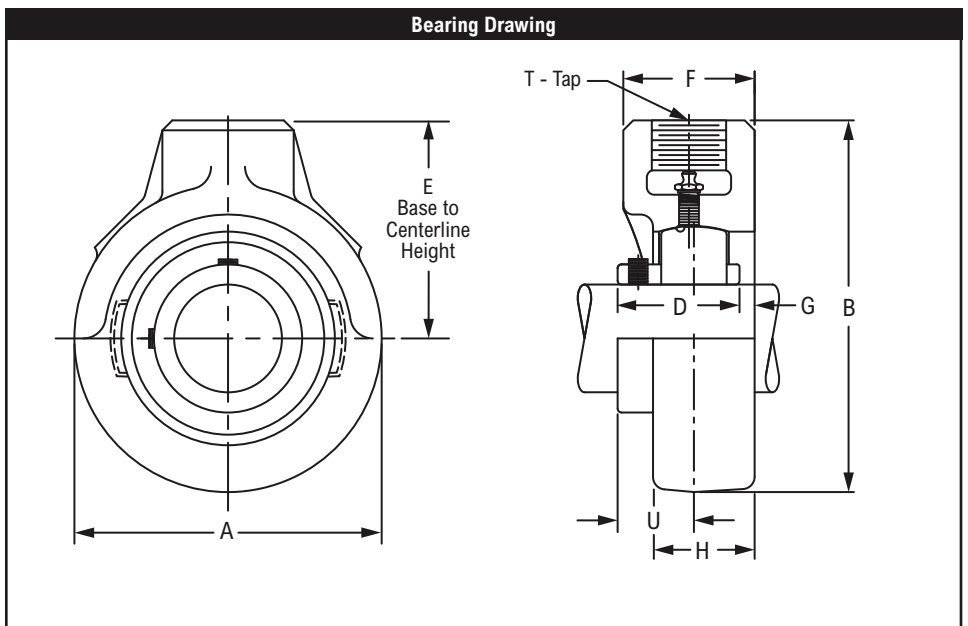
Bearing Dimensions																					
Size Code	Adjust. Length	Mild Steel		Stainless Steel		Bolt Hole Spacing		Mounting Plate Bolt Hole Spacing			C	E	F	F1	H	K	L	T	V	Adjust. Screw	
		Part Number	Approx. Weight	Part Number	Approx. Weight	B	G Width Direction	N	N min.	N max										Sq. Drive	Thread Size
Pillow Block Mounting																					
203-205	3	TP1003	3.00	TSP1003	2.60	3 9/16	2 5/8	-	2 15/16	4 5/16	6 7/8	1 1/2	3/8	3/8	1/4	1 1/2	5 1/4	3 11/16	7/8	3/8	5/8 - 11
	6	TP1006	4.00	TSP1006	3.50	7 1/16					10 3/8										
	9	TP1009	5.10	TSP1009	4.40	11 1/16					14 3/8										
206-209	12	TP25012	9.90	TSP25012	8.10	13 3/8	3	-	3 13/16	5 11/16	17 1/2	2 1/32	1/2	1/2	1/4	1 7/8	7	4	1 1/8	1/2	3/4 - 10
	3	TP2503	5.80	TSP2503	4.80	4 3/8					8 1/2										
	6	TP2506	7.10	TSP2506	5.80	7 3/8					11 1/2										
	9	TP2509	8.40	TSP2509	7.00	10 3/8					14 1/2										
210-212	12	TP30012	16.00	TSP30012	16.50	14 1/8	4	-	5 9/16	8 11/16	19 1/8	2 27/32	5/8	5/8	1/4	2 1/4	10	5 1/4	1 1/2	1/2	7/8 - 9
	18	TP30018	20.40	TSP30018	21.60	21 1/8					26 1/8										
	6	TP3006	11.00	TSP3006	11.40	6 1/8					11 1/8										
	9	TP3009	13.10	TSP3009	13.40	10 1/8					15 1/8										
213-217	12	TP40012	42.90	-	-	20	5 1/2	-	8 1/2	11 3/4	27 3/4	3 1/2	3/4	3/4	1/4	3 1/2	14	7 1/2	2 1/8	Pinned Nut	1 1/4 - 7
	18	TP40018	52.10	-	-	26					33 3/4										
	24	TP40024	61.30	-	-	32					39 3/4										
Tapped Base Pillow Block Mounting																					
204-205	3	TPT1003	3.00	TSPT1003	2.60	3 9/16	2 5/8	2	-	-	6 7/8	1 1/2	3/8	3/8	1/4	1 1/2	3	3 11/16	7/8	3/8	5/8 - 11
	6	TPT1006	4.00	TSPT1006	3.50	7 1/16					10 3/8										
	9	TPT1009	5.10	TSPT1009	4.40	11 1/16					14 3/8										
206	12	TPT250112	9.90	TSPT250112	8.10	13 3/8	3	3	-	-	17 1/2	1 1/2	1/2	7/16	1/4	1 7/8	4	4	1 1/8	1/2	3/4 - 10
	3	TPT25013	5.80	TSPT25013	4.80	4 3/8					8 1/2										
	6	TPT25016	7.10	TSPT25016	5.80	7 3/8					11 1/2										
	9	TPT25019	8.40	TSPT25019	7.00	10 3/8					14 1/2										
207	12	TPT250212	9.90	TSPT250212	8.10	13 3/8	3	3 1/4	-	-	17 1/2	2	1/2	1/2	1/4	1 7/8	4 1/4	4	1 1/8	1/2	3/4 - 10
	3	TPT25023	5.80	TSPT25023	4.80	4 3/8					8 1/2										
	6	TPT25026	7.10	TSPT25026	5.80	7 3/8					11 1/2										
	9	TPT25029	8.40	TSPT25029	7.00	10 3/8					14 1/2										
210	12	TPT250512	9.90	TSPT250512	8.10	13 3/8	3	4	-	-	17 1/2	2	1/2	5/8	1/4	1 7/8	5 1/2	4	1 1/8	1/2	3/4 - 10
	3	TPT25053	5.80	TSPT25053	4.80	4 3/8					8 1/2										
	6	TPT25056	7.10	TSPT25056	5.80	7 3/8					11 1/2										
	9	TPT25059	8.40	TSPT25059	7.00	10 3/8					14 1/2										

Additional Notes

Please call 1-866-REXNORD for availability

For pillow block dimensions, see Pillow Block Ball Bearing section

Note: Dimensions subject to change. Certified dimensions of ordered material furnished on request.



Product Features

- Corrosion resistant powder coating
- Cast iron housing
- Broad range of sealing options
- Spring locking setscrew mount
- Alignable & relubricatable
- See Features & Benefits for additional info.

Bearing Dimensions													
Size Code	Shaft Diameter	Part Number	E Base to Centerline Height	T		A	B	D	F	G	H	U	Approx. Weight
				Depth	Tap								
206	1	MCHB1◆●□△	2 1/2	5/8	3/4-14	3 3/8	4 3/16	1 11/32	1 21/32	7/16	1 7/32	61/64	2.34
	1 1/8	MCHB1-18◆●□△											2.25
	1 3/16	MCHB1-316S◆●□△											2.22
	1 1/4	MCHB1-14S◆●□△											2.19
	30.00	MCHB-30◆●□△	63.50	15.90	3/4-14	85.70	106.40	34.14	42.10	11.10	31.00	24.20	1.00
207	1 3/16	MCHB1-316◆●□△	2 3/4	5/8	3/4-14	3 7/8	4 11/16	1 9/16	1 21/32	3/8	1 9/32	1 7/64	3.35
	1 1/4	MCHB1-14◆●□△											3.34
	1 3/8	MCHB1-38◆●□△											3.24
	1 7/16	MCHB1-716S◆●□△											3.18
	35.00	MCHB-35◆●□△	69.80	15.90	3/4-14	98.40	119.10	39.67	42.10	9.50	32.50	28.20	1.50
208	1 7/16	MCHB1-716◆●□△	2 7/8	5/8	3/4-14	4	4 7/8	1 21/32	1 21/32	11/32	1 11/32	1 11/64	3.44
	1 1/2	MCHB1-12◆●□△											3.39
	1 5/8	MCHB1-58◆●□△											3.25
	40.00	MCHB-40◆●□△	73.00	15.90	3/4-14	101.60	123.80	42.06	42.10	8.70	34.10	29.80	1.50
210	1 11/16	MCHB1-1116◆●□△	3 1/4	13/16	1-11 1/2	4 5/8	5 9/16	1 13/16	1 7/8	13/32	1 13/32	1 17/64	5.06
	1 3/4	MCHB1-34◆●□△											4.98
	1 7/8	MCHB1-78◆●□△											4.81
	1 15/16	MCHB1-1516◆●□△											4.72
	2	MCHB2◆●□△											4.63
212	2 3/16	MCHB2-316◆●□△	4	1 1/8	1 1/4-11 1/2	5 5/8	6 13/16	1 57/64	2 5/16	37/64	1 5/8	1 5/16	8.44
	2 3/8	MCHB2-38◆●□△											8.08
	2 7/16	MCHB2-716◆●□△											7.96
215	2 11/16	MCHB2-1116◆●□△	4 5/8	1 1/4	1 1/2-11 1/2	6 1/2	7 7/8	2 17/64	2 3/4	37/64	1 31/32	1 15/32	12.27
	2 3/4	MCHB2-34◆●□△											12.14
	2 15/16	MCHB2-1516◆●□△											11.64
216	2 15/16	MCHB2-1516L◆●□△	4 7/8	1 1/4	1 1/2-11 1/2	7	8 3/8	2 23/64	2 13/16	35/64	2 1/16	1 1/2	16.00
	3	MCHB3◆●□△											15.82
218	3 3/16	MCHB3-316◆●□△	6	1 3/4	2-11 1/2	8 5/16	10 5/32	2 33/64	3 1/2	25/32	2 1/8	1 9/16	25.66
	3 7/16	MCHB3-716◆●□△											24.77
	3 1/2	MCHB3-12◆●□△											24.58

Additional Notes

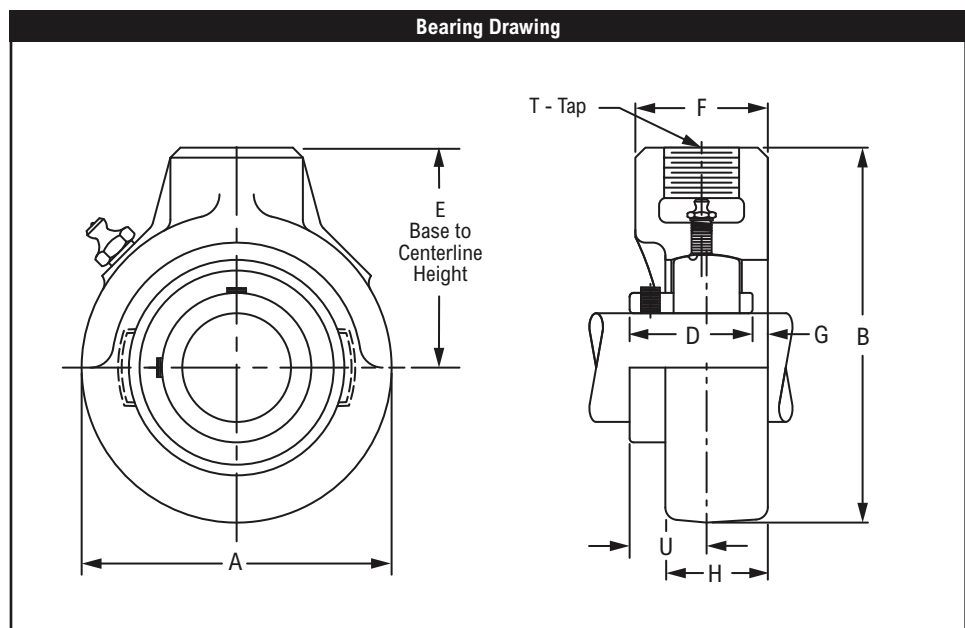
Please call 1-866-REXNORD for availability
 Lubrication fitting tap size, 1/8" PT
 Lip seals standard
 ◆ Available with E1 viton seals for size codes 212 and smaller
 ◆ Available with TFF viton seals for size codes above 212
 Available with free running style seals, add suffix ● FF, □ HFF or △ MHFF for size codes 212 and smaller
 Add suffix ● FF, □ SFF or △ MKFF for size codes above 212

Selection Guide, see MB Ball Bearing Selection Guide section
 Load Ratings & Speed Limits, see MB Ball Bearing Load Ratings & Speed Limits section
 Note: Dimensions subject to change. Certified dimensions of ordered material furnished on request.



Product Features

- Corrosion resistant powder coating
- Cast iron housing
- Broad range of sealing options
- Spring locking setscrew mount
- Alignable & relubricatable
- See Features & Benefits for additional info.



Bearing Dimensions													
Size Code	Shaft Diameter	Part Number	E Base to Centerline Height	T		A	B	D	F	G	H	U	Approx. Weight
				Depth	Tap								
206	1	MEHB1◆●□Δ	2 1/2	5/8	3/4-14	3 3/8	4 3/16	1 11/32	1 21/32	7/16	1 7/32	61/64	2.34
	1 1/8	MEHB1-18◆●□Δ											2.25
	1 3/16	MEHB1-316S◆●□Δ											2.22
	1 1/4	MEHB1-14S◆●□Δ											2.19
	30.00	MEHB-30◆●□Δ	63.50	15.90	3/4-14	85.70	106.40	34.14	42.10	11.10	31.00	24.20	1.00
207	1 3/16	MEHB1-316◆●□Δ	2 3/4	5/8	3/4-14	3 7/8	4 11/16	1 9/16	1 21/32	3/8	1 9/32	1 7/64	3.35
	1 1/4	MEHB1-14◆●□Δ											3.34
	1 3/8	MEHB1-38◆●□Δ											3.24
	1 7/16	MEHB1-716S◆●□Δ											3.18
	35.00	MEHB-35◆●□Δ	69.80	15.90	3/4-14	98.40	119.10	39.67	42.10	9.50	32.50	28.20	1.50
208	1 7/16	MEHB1-716◆●□Δ	2 7/8	5/8	3/4-14	4	4 7/8	1 21/32	1 21/32	11/32	1 11/32	1 11/64	3.44
	1 1/2	MEHB1-12◆●□Δ											3.39
	1 5/8	MEHB1-58◆●□Δ											3.25
		40.00											MEHB-40◆●□Δ
210	1 11/16	MEHB1-1116◆●□Δ	3 1/4	13/16	1-11 1/2	4 5/8	5 9/16	1 13/16	1 7/8	13/32	1 13/32	1 17/64	5.06
	1 3/4	MEHB1-34◆●□Δ											4.98
	1 7/8	MEHB1-78◆●□Δ											4.81
	1 15/16	MEHB1-1516◆●□Δ											4.72
	2	MEHB2◆●□Δ											4.63
212	2 3/16	MEHB2-316◆●□Δ	4	1 1/8	1 1/4-11 1/2	5 5/8	6 13/16	1 57/64	2 5/16	37/64	1 5/8	1 5/16	8.44
	2 3/8	MEHB2-38◆●□Δ											8.08
	2 7/16	MEHB2-716◆●□Δ											7.96
215	2 11/16	MEHB2-1116◆●□Δ	4 5/8	1 1/4	1 1/2-11 1/2	6 1/2	7 7/8	2 17/64	2 3/4	37/64	1 31/32	1 15/32	12.27
	2 3/4	MEHB2-34◆●□Δ											12.14
	2 15/16	MEHB2-1516◆●□Δ											11.64
216	2 15/16	MEHB2-1516L◆●□Δ	4 7/8	1 1/4	1 1/2-11 1/2	7	8 3/8	2 23/64	2 13/16	35/64	2 1/16	1 1/2	16.00
	3	MEHB3◆●□Δ											15.82
218	3 3/16	MEHB3-316◆●□Δ	6	1 3/4	2-11 1/2	8 5/16	10 5/32	2 33/64	3 1/2	25/32	2 1/8	1 9/16	25.66
	3 7/16	MEHB3-716◆●□Δ											24.77
	3 1/2	MEHB3-12◆●□Δ											24.58

Additional Notes

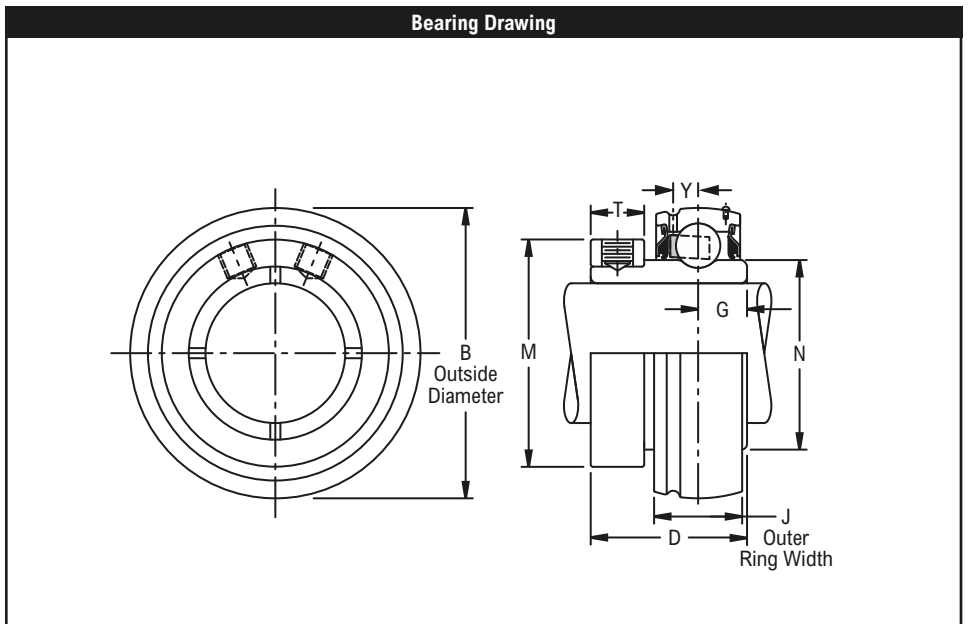
Please call 1-866-REXNORD for availability
 Lubrication fitting tap size, 1/8" PT
 Lip seals standard
 ◆ Available with E1 viton seals for size codes 212 and smaller
 ♦ Available with TFF viton seals for size codes above 212
 Available with free running style seals, add suffix ● FF, □ HFF or Δ MHFF for size codes 212 and smaller
 Add suffix ● FF, □ SFF or Δ MKFF for size codes above 212

Selection Guide, see MB Ball Bearing Selection Guide section
 Load Ratings & Speed Limits, see MB Ball Bearing Load Ratings & Speed Limits section
 Note: Dimensions subject to change. Certified dimensions of ordered material furnished on request.



Product Features

- Broad range of sealing options
- Centrik-Lok shaft locking device
- Sealed & relubricatable
- Spherical O.D.
- See Features & Benefits for additional info.



Bearing Dimensions												
Size Code	Shaft Diameter	Part Number	B O.D.	J Outer Ring Width	D	G	M	N	Y	T		Approx. Weight
										Width	Tap Size	
203	1/2	KMB25-12-PA♦♦ □Δ	1.5748	0.5118	63/64	0.3440	1 1/8	0.941	0.158	9/32	#10-32	0.27
	5/8	KMB25-58-PA♦♦ □Δ					1 13/64					0.24
	11/16	KMB25-1116-PA♦♦ □Δ					0.22					
204	3/4	KMB25-34-PA♦♦ □Δ	1.8504	0.5906	1 5/64	0.3610	1 3/8	1.121	0.176	11/32	1/4-28	0.36
205	7/8	KMB25-78-PA♦♦ □Δ	2.0472	0.5906	1 1/8	0.3670	1 9/16	1.313	0.176	11/32	1/4-28	0.48
	15/16	KMB25-1516-PA♦♦ □Δ					0.45					
	1	KMB251-PA♦♦ □Δ					0.42					
	25.00	KMB25-25-PA♦♦ □Δ	52.0000	15.0000	28.58	9.3200	39.70	33.350	4.470	8.70	M6X1	0.20
206	1 1/8	KMB251-18-PA♦♦ □Δ	2.4409	0.7087	1 19/64	0.3970	1 13/16	1.587	0.202	7/16	1/4-28	0.76
	1 3/16	KMB251-316-PA♦♦ □Δ					0.74					
	1 1/4	KMB251-14S-PA♦♦ □Δ					0.71					
	30.00	KMB25-30-PA♦♦ □Δ					62.0000					18.0000
207	1 1/4	KMB251-14-PA♦♦ □Δ	2.8346	0.7480	1 15/32	0.4420	2	1.847	0.227	7/16	5/16-24	1.13
	1 3/8	KMB251-38-PA♦♦ □Δ					1.08					
	1 7/16	KMB251-716-PA♦♦ □Δ					1.02					
208	1 1/2	KMB251-12-PA♦♦ □Δ	3.1496	0.8661	1 9/16	0.4740	2 1/2	2.083	0.263	7/16	5/16-24	1.45
	1 5/8	KMB251-58-PA♦♦ □Δ					1.31					
209	1 5/8	KMB251-58L-PA♦♦ □Δ	3.3465	0.8661	1 19/32	0.4770	2 1/2	2.281	0.256	7/16	5/16-24	1.62
	1 11/16	KMB251-1116-PA♦♦ □Δ					1.59					
	1 3/4	KMB251-34-PA♦♦ □Δ					1.55					
210	1 7/8	KMB251-78-PA♦♦ □Δ	3.5433	0.8661	1 41/64	0.4860	2 7/8	2.475	0.256	9/16	3/8-24	1.84
	1 15/16	KMB251-1516-PA♦♦ □Δ					1.75					
	2	KMB252-PA♦♦ □Δ					1.66					
211	2	KMB252L-PA♦♦ □Δ	3.9370	0.9843	1 3/4	0.5410	2 7/8	2.749	0.298	9/16	3/8-24	2.44
	2 3/16	KMB252-316-PA♦♦ □Δ					2.24					
	2 1/4	KMB252-14-PA♦♦ □Δ					2.14					
212	2 1/4	KMB252-14L-PA♦♦ □Δ	4.3307	1.0630	1 57/64	0.5820	3 1/8	3.012	0.330	9/16	3/8-24	2.93
	2 3/8	KMB252-38-PA♦♦ □Δ					2.90					
	2 7/16	KMB252-716-PA♦♦ □Δ					2.78					
215	2 15/16	KMB252-1516-PA♦♦ □Δ	5.1181	1.1835	2 1/8	0.6590	3 15/16	3.632	0.266	9/16	3/8-24	4.40

Additional Notes

Please call 1-866-REXNORD for availability

Bearing O.D. tolerance for size code 203 thru 208,
 +.0000"/-.0005" (+0.000mm/-0.013mm): for all other size codes,
 +.0000"/-.0006" (+0.000mm/-0.015mm)

Lip seals standard

- ♦ Available with E1 viton seals for size codes 212 and smaller
- ♦ Available with TFF viton seals for size codes above 212

Available with free running style seals, add suffix ♦ FF, □ HFF or Δ MHFF for size codes 212 and smaller

Add suffix ♦ FF, □ SFF or Δ MKFF for size codes above 212

Selection Guide, see MB Ball Bearing Selection Guide section

Load Ratings & Speed Limits, see MB Ball Bearing Load Ratings & Speed Limits section

Note: Dimensions subject to change. Certified dimensions of ordered material furnished on request.

MB25

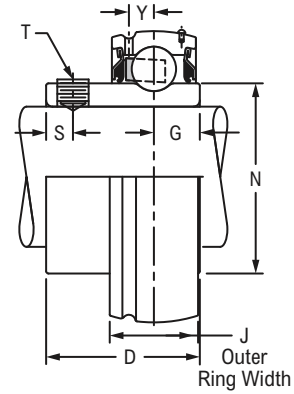
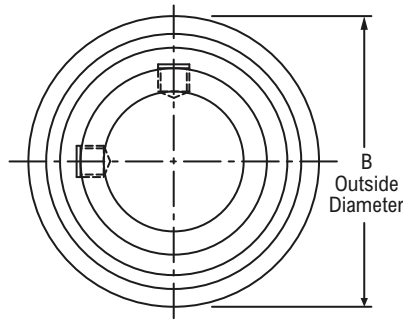


Photo Shows an Unmounted Ball Bearing Unit

Product Features

Broad range of sealing options
 Spring locking setscrew mount
 Sealed & relubricatable
 Spherical O.D.
 See Features & Benefits for additional info.

Bearing Drawing



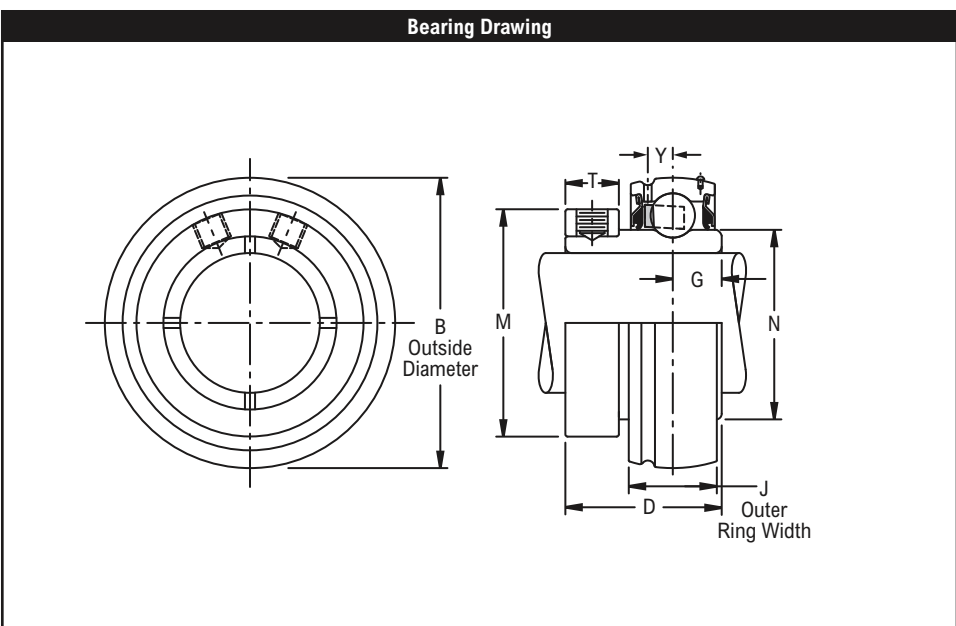
Bearing Dimensions

Size Code	Shaft Diameter	Part Number	B O.D.	J Outer Ring Width	D	G	N	S	T	Y	Approx. Weight
203	1/2	MB25-12-PA♦♦□Δ	1.5748	0.5118	63/64	0.3440	0.941	0.19	#10-32	0.158	0.25
	5/8	MB25-58-PA♦♦□Δ									0.21
	11/16	MB25-1116-PA♦♦□Δ									0.19
204	3/4	MB25-34-PA♦♦□Δ	1.8504	0.5906	1 1/8	0.3760	1.121	0.23	1/4-28	0.176	0.32
	20.00	MB25-20-PA♦♦□Δ	47.0000	15.0000	28.58	9.5500	28.470	5.80	M6X1	4.470	0.10
205	7/8	MB25-78-PA♦♦□Δ	2.0472	0.5906	1 11/64	0.3760	1.313	0.25	1/4-28	0.176	0.43
	15/16	MB25-1516-PA♦♦□Δ									0.40
	1	MB25-1-PA♦♦□Δ									0.37
	25.00	MB25-25-PA♦♦□Δ	52.0000	15.0000	29.77	9.5500	33.350	6.40	M6X1	4.470	0.20
206	1 1/8	MB251-18-PA♦♦□Δ	2.4409	0.7087	1 11/32	0.3920	1.587	0.31	5/16-24	0.202	0.63
	1 3/16	MB251-316-PA♦♦□Δ									0.60
	1 1/4	MB251-14S-PA♦♦□Δ									0.57
	30.00	MB25-30-PA♦♦□Δ									62.0000
207	1 1/4	MB251-14-PA♦♦□Δ	2.8346	0.7480	1 9/16	0.4540	1.847	0.34	5/16-24	0.227	1.02
	1 3/8	MB251-38-PA♦♦□Δ									0.92
	1 7/16	MB251-716-PA♦♦□Δ									0.86
	35.00	MB25-35-PA♦♦□Δ									72.0000
208	1 1/2	MB251-12-PA♦♦□Δ	3.1496	0.8661	1 21/32	0.4850	2.083	0.34	5/16-24	0.263	1.27
	1 5/8	MB251-58-PA♦♦□Δ									1.20
	40.00	MB25-40-PA♦♦□Δ									80.0000
209	1 5/8	MB251-58L-PA♦♦□Δ	3.3465	0.8661	1 49/64	0.5320	2.281	0.36	5/16-24	0.256	1.50
	1 11/16	MB251-1116-PA♦♦□Δ									1.43
	1 3/4	MB251-34-PA♦♦□Δ									1.36
210	1 7/8	MB251-78-PA♦♦□Δ	3.5433	0.8661	1 13/16	0.5320	2.475	0.38	3/8-24	0.256	1.57
	1 15/16	MB251-1516-PA♦♦□Δ									1.48
	2	MB252-PA♦♦□Δ									1.39
	2	MB252L-PA♦♦□Δ									2.27
211	2 3/16	MB252-316-PA♦♦□Δ	3.9370	0.9843	1 13/16	0.5370	2.749	0.38	3/8-24	0.298	1.97
	2 1/4	MB252-14-PA♦♦□Δ									1.87
	2 1/4	MB252-14L-PA♦♦□Δ									2.85
212	2 3/8	MB252-38-PA♦♦□Δ	4.3307	1.0630	1 57/64	0.5780	3.012	0.38	3/8-24	0.330	2.61
	2 7/16	MB252-716-PA♦♦□Δ									2.49
	2 15/16	MB252-1516-PA♦♦□Δ									3.96

Additional Notes

Please call 1-866-REXNORD for availability
 Bearing O.D. tolerance for size code 203 thru 208, +.0000"/-0.0005"
 (+0.000mm/-0.013mm); for all other size codes, +.0000"/-0.0006"
 (+0.000mm/-0.015mm)
 Lip seals standard
 ♦ Available with E1 viton seals for size codes 212 and smaller
 ♦ Available with TFF viton seals for size codes above 212

Available with free running style seals, add suffix ♦ FF, □ HFF or Δ MHFF for size codes 212 and smaller
 Add suffix ♦ FF, □ SFF or Δ MKFF for size codes above 212
 Selection Guide, see MB Ball Bearing Selection Guide section
 Load Ratings & Speed Limits, see MB Ball Bearing Load Ratings & Speed Limits section
 Note: Dimensions subject to change. Certified dimensions of ordered material furnished on request.



Product Features

- Broad range of sealing options
- Centrik-Lok shaft locking device
- Sealed & relubricatable
- Spherical O.D.
- See Features & Benefits for additional info.

Bearing Dimensions												
Size Code	Shaft Diameter	Part Number	B O.D.	J Outer Ring Width	D	G	M	N	T		Y	Approx. Weight
									Width	Tap Size		
206	1	KMB351-PA♦●□△	2.4409	0.7087	1 19/64	0.3970	1 13/16	1.587	7/16	1/4-28	0.202	0.92
207	1 3/16	KMB351-316-PA♦●□△	2.8346	0.7480	1 15/32	0.4420	2	1.847	7/16	5/16-24	0.227	1.30
208	1 7/16	KMB351-716-PA♦●□△	3.1496	0.8661	1 9/16	0.4740	2 1/4	2.083	7/16	5/16-24	0.263	1.61
209	1 1/2	KMB351-12-PA♦●□△	3.3465	0.8661	1 19/32	0.4770	2 1/2	2.281	7/16	5/16-24	0.256	1.93
210	1 11/16	KMB351-1116-PA♦●□△	3.5433	0.8661	1 41/64	0.4860	2 3/4	2.475	9/16	3/8-24	0.256	2.29
	1 3/4	KMB351-34-PA♦●□△										
211	1 15/16	KMB351-1516-PA♦●□△	3.9370	0.9843	1 3/4	0.5410	2 7/8	2.749	9/16	3/8-24	0.298	2.58
212	2 3/16	KMB352-316-PA♦●□△	4.3307	1.0630	1 57/64	0.5820	3 1/8	3.012	9/16	3/8-24	0.330	3.44
214	2 7/16	KMB352-716-PA♦●□△	4.9213	1.1545	2 5/64	0.6440	3 3/4	3.433	9/16	3/8-24	0.266	4.67
	2 1/2	KMB352-12-PA♦●□△										
215	2 11/16	KMB352-1116-PA♦●□△	5.1181	1.1835	2 1/8	0.6590	3 15/16	3.632	9/16	3/8-24	0.266	4.78
216	2 15/16	KMB352-1516-PA♦●□△	5.5118	1.2575	2 3/16	0.6960	4 3/16	3.920	9/16	3/8-24	0.282	5.80
	3	KMB353-PA♦●□△										
218	3 3/16	KMB353-316-PA♦●□△	6.2992	1.3945	2 23/64	0.8040	4 13/16	4.396	9/16	3/8-24	0.313	8.71
	3 7/16	KMB353-716-PA♦●□△										7.82
	3 1/2	KMB353-12-PA♦●□△										7.63

Additional Notes

Please call 1-866-REXNORD for availability

Bearing O.D. tolerance for size code 206 thru 208, +.0000"/-.0005"
 (+0.000mm/-0.013mm); for size code 209 thru 215, +.0000"/-.0008"
 (+0.000mm/-0.015mm); for all other size codes, +.0000"/-.0008"
 (+0.000mm/-0.020mm)

Lip seals standard

- ♦ Available with E1 viton seals for size codes 212 and smaller
- ◆ Available with TFF viton seals for size codes above 212

Available with free running style seals, add suffix ● FF, □ HFF or △ MHFF for size codes 212 and smaller

Add suffix ● FF, □ SFF or △ MKFF for size codes above 212

Selection Guide, see MB Ball Bearing Selection Guide section

Load Ratings & Speed Limits, see MB Ball Bearing Load Ratings & Speed Limits section

Note: Dimensions subject to change. Certified dimensions of ordered material furnished on request.

MB35

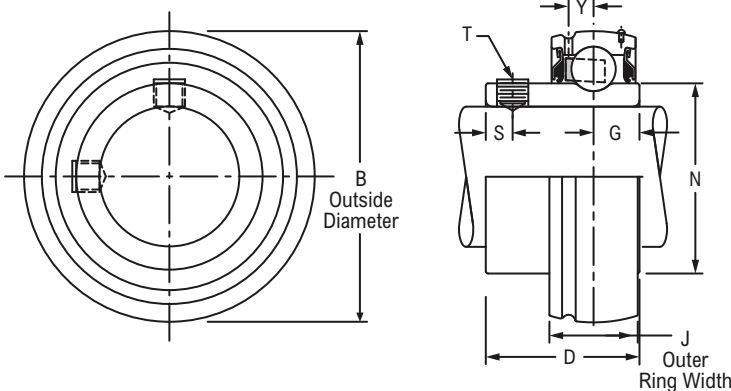


Photo Shows an Unmounted Ball Bearing Unit

Product Features

Broad range of sealing options
 Spring locking setscrew mount
 Sealed & relubricatable
 Spherical O.D.
 See Features & Benefits for additional info.

Bearing Drawing



Bearing Dimensions

Size Code	Shaft Diameter	Part Number	B O.D.	J Outer Ring Width	D	G	N	S	T	Y	Approx. Weight
206	1	MB351-PA♦●□△	2.4409	0.7087	1 11/32	0.3920	1.587	0.31	1/4-28	0.202	0.72
207	1 3/16	MB351-316-PA♦●□△	2.8346	0.7480	1 9/16	0.4540	1.847	0.34	5/16-24	0.227	1.03
208	1 7/16	MB351-716-PA♦●□△	3.1496	0.8661	1 21/32	0.4850	2.083	0.34	5/16-24	0.263	1.32
209	1 1/2	MB351-12-PA♦●□△	3.3465	0.8661	1 49/64	0.5320	2.281	0.36	5/16-24	0.256	1.62
210	1 11/16	MB351-1116-PA♦●□△	3.5433	0.8661	1 13/16	0.5320	2.475	0.38	3/8-24	0.256	1.82
	1 3/4	MB351-34-PA♦●□△									1.74
211	1 15/16	MB351-1516-PA♦●□△	3.9370	0.9843	1 13/16	0.5370	2.749	0.38	3/8-24	0.298	2.36
212	2 3/16	MB352-316-PA♦●□△	4.3307	1.0630	1 57/64	0.5780	3.012	0.38	3/8-24	0.330	2.97
214	2 7/16	MB352-716-PA♦●□△	4.9213	1.1545	2 15/64	0.8040	3.433	0.37	3/8-24	0.266	4.39
	2 1/2	MB352-12-PA♦●□△									4.25
215	2 11/16	MB352-1116-PA♦●□△	5.1181	1.1835	2 17/64	0.8040	3.632	0.37	3/8-24	0.266	4.49
216	2 15/16	MB352-1516-PA♦●□△	5.5118	1.2575	2 23/64	0.8630	3.920	0.37	3/8-24	0.282	5.53
	3	MB353-PA♦●□△									5.40
218	3 3/16	MB353-316-PA♦●□△	6.2992	1.3945	2 33/64	0.9620	4.396	0.37	3/8-24	0.313	8.23
	3 7/16	MB353-716-PA♦●□△									7.34
	3 1/2	MB353-12-PA♦●□△									7.15

Additional Notes

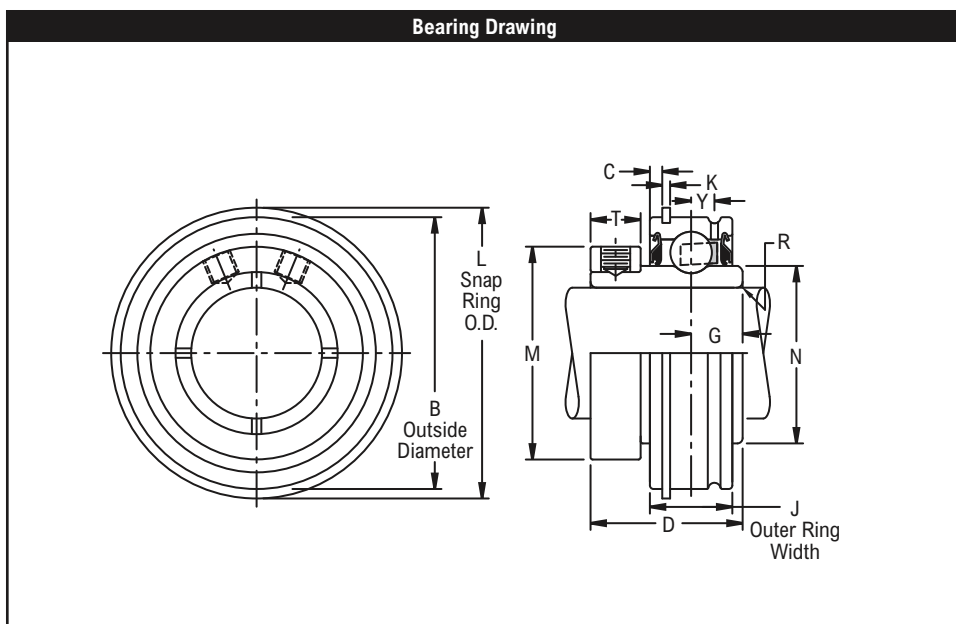
Please call 1-866-REXNORD for availability
 Bearing O.D. tolerance for size code 206 thru 208, +.0000"/-.0005"
 (+0.000mm/-0.013mm); for size code 209 thru 215, +.0000"/-.0006"
 (+0.000mm/-0.015mm); for all other size codes, +.0000"/-.0008"
 (+0.000mm/-0.020mm)
 Lip seals standard
 ♦ Available with E1 viton seals for size codes 212 and smaller
 ♦ Available with TFF viton seals for size codes above 212

Available with free running style seals, add suffix ● FF, □ HFF or △ MHFF for size codes 212 and smaller
 Add suffix ● FF, □ SFF or △ MKFF for size codes above 212
 Selection Guide, see MB Ball Bearing Selection Guide section
 Load Ratings & Speed Limits, see MB Ball Bearing Load Ratings & Speed Limits section
 Note: Dimensions subject to change. Certified dimensions of ordered material furnished on request.



Product Features

- Broad range of sealing options
- Centrik-Lok shaft locking device
- Sealed & relubricatable
- Cylindrical O.D.
- O.D. mounted snap ring
- See Features & Benefits for additional info.



Bearing Dimensions																
Size Code	Shaft Diameter	Part Number	B O.D.	J Outer Ring Width	L Snap Ring O.D.	C	D	G	K	M	N	R	T		Y	Approx. Weight
													Width	Tap Size		
204	1/2	ER8K♦□Δ	1.8504	0.6240	2 1/16	3/32	1 7/32	0.4050	3/64	1 1/8	1.154	0.04	9/32	#10-32	0.142	0.62
	5/8	ER10K♦□Δ														0.55
	3/4	ER12K♦□Δ														0.54
	20.00	ER204K♦□Δ														47.0000
205	7/8	ER14K♦□Δ	2.0472	0.7490	2 17/64	3/32	1 3/8	0.5080	3/64	1 9/16	1.313	0.04	11/32	1/4-28	0.185	0.65
	15/16	ER15K♦□Δ														0.63
	1	ER16K♦□Δ														0.61
	25.00	ER205K♦□Δ														52.0000
206	1 1/8	ER18K♦□Δ	2.4409	0.8740	2 21/32	3/32	1 1/2	0.6250	3/64	1 13/16	1.587	0.04	7/16	1/4-28	0.224	0.96
	1 3/16	ER19K♦□Δ														0.94
	1 1/4	ER20SK♦□Δ														0.90
207	1 1/4	ER20K♦□Δ	2.8346	0.9365	3 5/64	1/8	1 11/16	0.6880	1/16	2	1.847	0.04	7/16	5/16-24	0.256	1.75
	1 3/8	ER22K♦□Δ														1.70
	1 7/16	ER23K♦□Δ														1.62
208	1 1/2	ER24K♦□Δ	3.1496	1.0927	3 25/64	1/8	1 15/16	0.7500	1/16	2 1/2	2.083	0.06	7/16	5/16-24	0.297	2.18
	40.00	ER208K♦□Δ														80.0000
209	1 5/8	ER26K♦□Δ	3.3465	1.0927	3 19/32	1/8	1 15/16	0.7500	1/16	2 1/2	2.281	0.06	7/16	5/16-24	0.297	2.28
	1 11/16	ER27K♦□Δ														2.22
	1 3/4	ER28K♦□Δ														2.15
210	1 7/8	ER30K♦□Δ	3.5433	1.1240	3 25/32	1/8	2 1/32	0.7500	3/32	2 7/8	2.475	0.06	9/16	3/8-24	0.265	2.75
	1 15/16	ER31K♦□Δ														2.61
211	2	ER32K♦□Δ	3.9370	1.1860	4 11/64	1/8	2 3/16	0.8750	3/32	2 7/8	2.749	0.08	9/16	3/8-24	0.298	3.38
	2 3/16	ER35K♦□Δ														3.07
	2 1/4	ER36K♦□Δ														4.48
212	2 3/8	ER38K♦□Δ	4.3307	1.2490	4 9/16	1/8	2 9/16	1.0000	3/32	3 1/8	3.012	0.08	9/16	3/8-24	0.330	4.38
	2 7/16	ER39K♦□Δ														4.19
	2 1/2	ER40K♦□Δ														5.92
214	2 11/16	ER43K♦□Δ	4.9213	1.3740	5 9/32	5/32	2 3/4	1.0620	7/64	3 3/4	3.433	0.08	9/16	3/8-24	0.374	5.49
	2 15/16	ER44K♦□Δ														5.92
215	2 7/8	ER46K♦□Δ	5.1181	1.4990	5 1/2	5/32	3 1/16	1.3130	7/64	4 3/16	3.632	0.08	9/16	3/8-24	0.374	6.60
	2 15/16	ER47K♦□Δ														6.37
216	3	ER48K♦□Δ	5.5118	1.6865	5 7/8	5/32	3 1/4	1.3130	7/64	4 3/16	3.920	0.12	9/16	3/8-24	0.406	8.05
	3 3/16	ER51K♦□Δ														7.56

Additional Notes

Please call 1-866-REXNORD for availability
 Bearing O.D. tolerance for size code 204, +.0000"/-.0005"
 (+0.000mm/-0.013mm): for size code 205 thru 208, +.0000"/-.0006"
 (+0.000mm/-0.015mm): for size code 209 thru 212, +.0000"/-.0008"
 (+0.000mm/-0.020mm): for all other size codes, +.0000"/-.0010"
 (+0.000mm/-0.025mm)

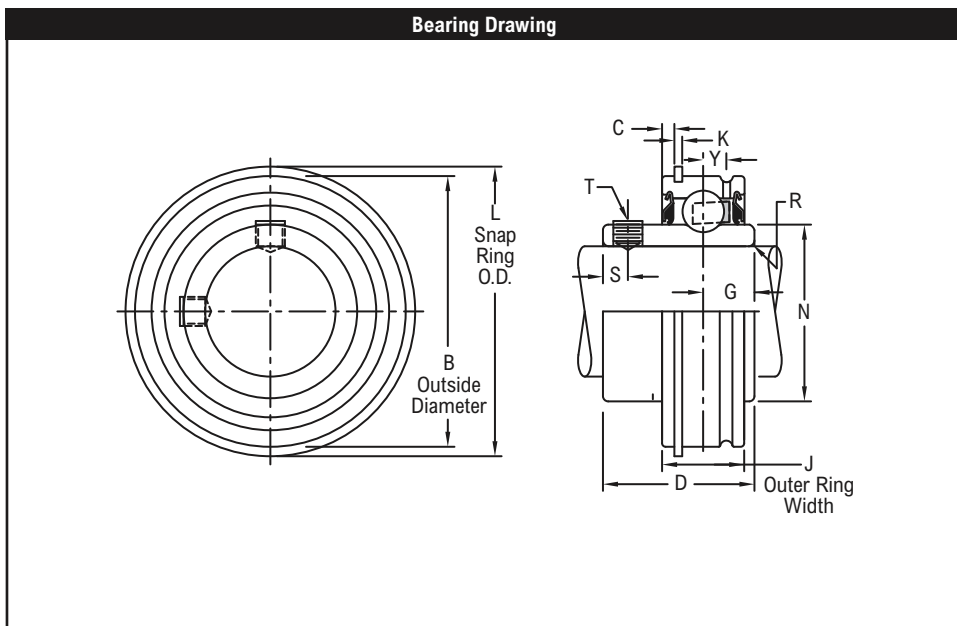
Lip seals standard
 ♦ Available with E1 viton seals for size codes 212 and smaller
 ♦ Available with TFF viton seals for size codes above 212

Available with free running style seals, add suffix ♦ FF, □ HFF or Δ MHFF for size codes 212 and smaller
 Add suffix ♦ FF, □ SFF or Δ MKFF for size codes above 212
 Selection Guide, see MB Ball Bearing Selection Guide section
 Load Ratings & Speed Limits, see MB Ball Bearing Load Ratings & Speed Limits section
 Note: Dimensions subject to change. Certified dimensions of ordered material furnished on request.



Product Features

- Broad range of sealing options
- Spring locking setscrew mount
- Sealed & relubricatable
- Cylindrical O.D.
- O.D. mounted snap ring
- See Features & Benefits for additional info.



Bearing Dimensions

Size Code	Shaft Diameter	Part Number	B O.D.	J Outer Ring Width	L Snap Ring O.D.	C	D	G	K	N	R	S	T Tap Size	Y	Approx. Weight
204	1/2	ER8♦♦ □Δ	1.8504	0.6240	2 1/16	3/32	1 7/32	0.4050	3/64	1.154	0.04	15/64	#10-32	0.142	0.62
	5/8	ER10♦♦ □Δ													0.55
	3/4	ER12♦♦ □Δ													0.54
205	7/8	ER14♦♦ □Δ	2.0472	0.7490	2 17/64	3/32	1 3/8	0.5080	3/64	1.313	0.04	15/64	1/4-28	0.185	0.65
	15/16	ER15♦♦ □Δ													0.63
	1	ER16♦♦ □Δ													0.61
	25.00	ER205♦♦ □Δ													52.0000
206	1 1/8	ER18♦♦ □Δ	2.4409	0.8740	2 21/32	3/32	1 1/2	0.6250	3/64	1.587	0.04	1/4	1/4-28	0.224	0.96
	1 3/16	ER19♦♦ □Δ													0.94
	1 1/4	ER20S♦♦ □Δ													0.90
	30.00	ER206♦♦ □Δ													62.0000
207	1 1/4	ER20♦♦ □Δ	2.8346	0.9365	3 5/64	1/8	1 11/16	0.6880	1/16	1.847	0.04	21/64	5/16-24	0.256	1.75
	1 3/8	ER22♦♦ □Δ													1.70
	1 7/16	ER23♦♦ □Δ													1.62
208	1 1/2	ER24♦♦ □Δ	3.1496	1.0927	3 25/64	1/8	1 15/16	0.7500	1/16	2.083	0.06	3/8	5/16-24	0.297	2.18
	40.00	ER208♦♦ □Δ													80.0000
209	1 5/8	ER26♦♦ □Δ	3.3465	1.0927	3 19/32	1/8	1 15/16	0.7500	1/16	2.281	0.06	3/8	5/16-24	0.297	2.28
	1 11/16	ER27♦♦ □Δ													2.22
	1 3/4	ER28♦♦ □Δ													2.15
210	1 7/8	ER30♦♦ □Δ	3.5433	1.1240	3 25/32	1/8	2 1/32	0.7500	3/32	2.475	0.06	3/8	3/8-24	0.265	2.75
	1 15/16	ER31♦♦ □Δ													2.61
211	2	ER32♦♦ □Δ	3.9370	1.1860	4 11/64	1/8	2 3/16	0.8750	3/32	2.749	0.08	3/8	3/8-24	0.298	3.38
	2 3/16	ER35♦♦ □Δ													3.07
212	2 1/4	ER36♦♦ □Δ	4.3307	1.2490	4 9/16	1/8	2 9/16	1.0000	3/32	3.012	0.08	3/8	3/8-24	0.330	4.48
	2 3/8	ER38♦♦ □Δ													4.38
	2 7/16	ER39♦♦ □Δ													4.19
214	2 1/2	ER40♦♦ □Δ	4.9213	1.3740	5 9/32	5/32	2 3/4	1.0620	7/64	3.433	0.08	3/8	3/8-24	0.374	5.92
	2 11/16	ER43♦♦ □Δ													5.49
215	2 7/8	ER46♦♦ □Δ	5.1181	1.4990	5 1/2	5/32	3 1/16	1.3130	7/64	3.632	0.08	3/8	3/8-24	0.374	6.60
	2 15/16	ER47♦♦ □Δ													6.37
216	3	ER48♦♦ □Δ	5.5118	1.6865	5 7/8	5/32	3 1/4	1.3130	7/64	3.920	0.12	3/8	3/8-24	0.406	8.05
	3 3/16	ER51♦♦ □Δ													7.56

Additional Notes

Please call 1-866-REXNORD for availability
 Bearing O.D. tolerance for size code 204, +.0000"/-.0005"
 (+.000mm/-0.013mm): for size code 205 thru 208, +.0000"/-.0006"
 (+.000mm/-0.015mm): for size code 209 thru 212, +.0000"/-.0008"
 (+.000mm/-0.020mm): for all other size codes, +.0000"/-.0010"
 (+.000mm/-0.025mm)

Lip seals standard
 ♦ Available with E1 viton seals for size codes 212 and smaller
 ♦ Available with TFF viton seals for size codes above 212

Available with free running style seals, add suffix ♦ FF, □ HFF or Δ MHFF for size codes 212 and smaller
 Add suffix ♦ FF, □ SFF or Δ MKFF for size codes above 212
 Selection Guide, see MB Ball Bearing Selection Guide section
 Load Ratings & Speed Limits, see MB Ball Bearing Load Ratings & Speed Limits section
 Note: Dimensions subject to change. Certified dimensions of ordered material furnished on request.

MB Krown Regal®



Krown Regal Centrik-Lok Mounted Ball Bearings with superior sealing, heavier housings, more positive shaft locking.

MB Krown Regal 45 & 55 Series Centrik-Lok Ball Bearings

The Krown Regal series provides premium bearing features...superior sealing, housing strength, better shaft locking...at non-premium prices. These bearings are the result of a design and manufacturing program aimed at supplying maximum bearing value at competitive prices.

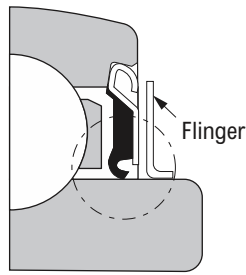
Our exclusive patented seals and bearing-to-shaft locking devices multiply bearing life and reduce maintenance and replacement to a minimum. Krown Regal bearings are available from stock in standard duty and medium duty pillow blocks

and flange units as cataloged in the following pages. Other sizes and mountings are available on special order, as are specially engineered to the application bearings. Consult Rexnord Bearing Products for prompt review of your special needs.

The Krown Regal bearing design reduces the three most common causes of bearing failure – seal failure that permits entrance of contaminants or loss of lubricant; insufficient housing strength; and loosening of bearings on rotating shafts. Other features include large diameter balls for high load capacities, nylon retainers for quiet operations, conveniently located lube fittings and superior anti-rotation pin arrangement.

Molded Lip Seal-Flinger System

The sealing system provides four-way sealing action to effectively keep dirt out and lubricant in. It is combined in Krown Regal bearings with steel flingers that throw excessive contaminants away from the bearings and protect the seals from damage by abrasives and impact. Together, the superior seals and added flingers add significantly to bearing life.



Rugged one-piece cast iron housings

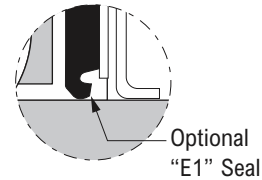
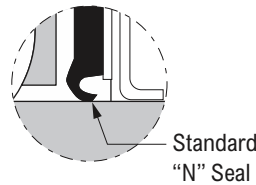
These bearings have heavier cast iron housing than previous designs. The Krown Regal foot-mounted pillow blocks and flange mounts are built to withstand heavy loading, shock and external vibration. Finishes are highly resistant to corrosion and abrasion.

CENTRIK-LOK shaft locking device

Bearing-to-shaft locking is accomplished with the patented CENTRIK-LOK shaft locking device. This method of locking provides excellent holding power versus competitive shaft locking devices. Its clamping action also centers the shaft in the bearing to avoid vibration and noise. It also eliminates shaft damage because set screws do not contact the shaft making bearing removal easier.

Spherically-seated bearing insert with antirotation pin

The spherical fit between the outer race O.D. and I.D. of the block is precisely controlled for easy shaft alignment. An antirotation pin is permanently installed in the bearing insert O.D. It engages one of the housing insertion slots, preventing outer race creep and wear of housing. There is no danger of losing a separable pin during field replacement of bearings and no danger of preloading the bearing as is possible in other designs where a lube fitting is tightened against a locking pin.

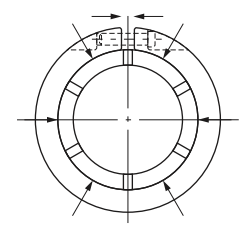
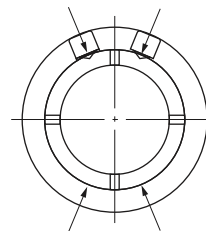
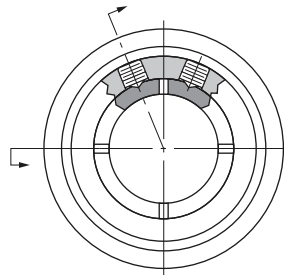
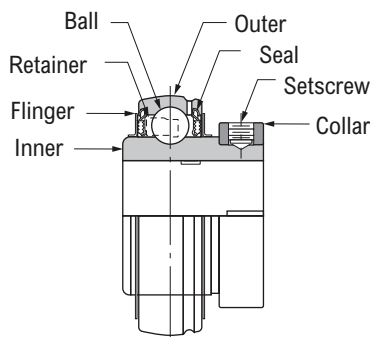


Centrik-Lok shaft locking device

The Centrik-Lok shaft locking device (Pat. No. 4,403,814) assures precise centering of MB Krown Regal ball bearing pillow blocks and flange mounted units on rotating shafts to avoid vibration and noise. What's more, the inherent holding power of this unique design can be far superior to other equivalent competitive bearings. An important feature of the Centrik-Lok shaft locking device is that the locking collar is pre-assembled onto the bearing inner race, avoiding the problem of loose, lost or misplaced locking collars. Another feature is that the set screws

do not come in contact with the shaft and therefore, do not mark the shaft or leave heavy burrs that make bearing removal difficult. Most mounted bearing locking devices move the inner race eccentrically on the shaft during locking. This eccentric positioning of the inner race can cause vibration, loosening of locking devices and loss of bearing performance. One of the drawbacks of current locking devices that do maintain concentricity has been their lack of shaft-holding power. The Centrik-Lok shaft

locking device overcomes these shaft-holding limitations and still provides the advantages of true concentricity. The inner race is slotted in four places and a continuous cylindrical locking collar is applied over the inner race slots. Two set screws, located 45° apart, contact the inner race on each side of one of the slots. The two set screws exert force on two of the four inner race segments and the resulting reaction through the collar pulls the remaining two segments against the shaft concentrically.



MB CENTRIK-LOK Shaft Locking Device

"Hose Clamp" Type Locking Device

Standard Krown Regal optional sealing arrangements

Standard steel clad type N single lip seals have a useful temperature range of -40°F to +225°F and can withstand temperatures up to 250°F for intermittent service. The flinger adds protection against contamination, and can shield against radiant heat. Special sealing arrangements are available for higher temperatures and “free-running” or special contamination resistance.

Special optional sealing arrangements

Suffix-MHFF indicates type H seals and flingers both sides. This provides a sealed, “free-running” bearing with heat shield protection. It is satisfactory for temperatures from -40°F to +275°F. Rexnord Bearing Products must be consulted regarding availability of any of these optional sealing configurations.

Examples for ordering:

1. Bearing Insert KMB451-716-MHFFPA
2. Mounted Unit KC451-716-MHFF

High temperature ball bearing inserts and housed units

Krown Regal mounted ball bearings and KMB45, KMB55 and ER series inserts are available for high temperature applications up to 400°F. The “E1” package provides the following features:

1. Extra Internal Diametral Clearance (DC) based on a 200°F temperature differential between inner and outer races, compensates for the inner race expanding at a faster rate than the outer race and will avoid preloading of the bearings.
2. Steel Retainer (Cage) – 2 piece riveted construction.
3. High Temperature Lubrication – prelubricated with a No. 2 consistency bentone-base grease with petroleum oil. When operated near upper limit, (400°F to 450°F) daily relubrication is required.
4. Viton Seals withstand temperatures to 400°F.
5. Steel Flingers are mounted outboard of the Viton seals with an interface fit with the O.D. of the inner ring.

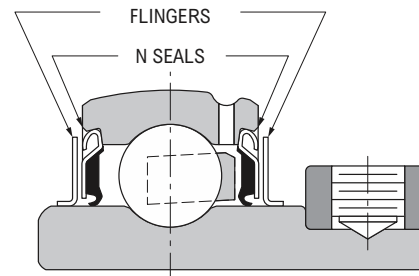
Examples for ordering:

1. Bearing Insert KMB451-716-E1PA
2. Mounted Unit KC451-716-E1

Free running applications and applications above 400°F Sealing options such as -FF (flingers only) for “free running” applications and/or temperatures over 400°F where contamination is not severe. The flinger acts as a labyrinth seal. High temperature bearings require a greater amount of diametral clearance (DC) and a higher temperature lubricant. Consult Rexnord Bearing Products for recommendations.

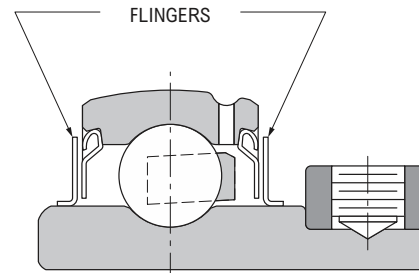
Examples for ordering:

1. Bearing Insert MB251-716-FFPA
2. Mounted Unit C251-716-FF



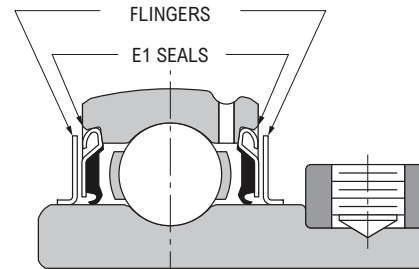
BASIC KMB45/55 SEALS

214 thru 218 Basic Sizes have Nyla-K seals and Flingers



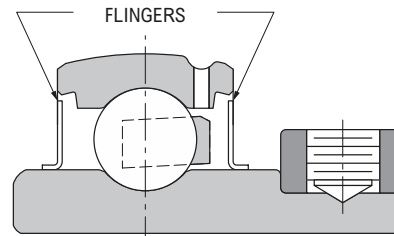
-MHFF

214 thru 218 Basic Sizes have Modified Nyla-K seals and Flingers use suffix MKFF



-E1

214 thru 218 Basic Sizes have Viton seals and Flingers use suffix TFF



-FF

Nomenclature - MB Krown Regal 45/55 Series Ball Bearings Mounted Units

Symbol	Description	KFC2	45	1	-	716	-	FF	JF	PD
KC	Pillow block, standard backing	}	}	}	}	}	}	}	}	}
KCL	Pillow block, low backing									
KFC2	Flanged unit, 2 bolt									
KFC4	Flanged unit, 4 bolt									
PFC4	Flanged cartridge unit, 4 bolt round									
45	Wide inner ring, standard duty, Centrik-Lok collar	}	}	}	}	}	}	}	}	}
55	Wide inner ring, medium duty, Centrik-Lok collar									
None	Shaft diameter less than 1 inch or a metric bore	}	}	}	}	}	}	}	}	}
1	Shaft diameter equal to or greater than 1 inch									
-	Dash used as separator									
716	Inch shaft fraction without the slash	}	}	}	}	}	}	}	}	}
35	Metric shaft diameter in millimeters									
-	Dash used to separate suffix from bore designation									
EDC	Bearing with steel retainer and increased clearance									
STL	Bearing with steel retainer and standard clearance									
None	Standard single lip seal	}	}	}	}	}	}	}	}	}
E1	Viton seals, increased clearance, steel retainer, high temp. lube									
FF	Flingers only, 50% grease fill									
HFF	Flingers only, 10% oil fill									
MHFF	Flingers only, 10% grease fill									
XX	Non-standard grease designation									
PB	Bearing with 100% grease fill	}	}	}	}	}	}	}	}	}
PD	Bearing with preservative only									

Nomenclature - MB Krown Regal 45/55 Series Unmounted Units

Symbol	Description	KMB	45	1	-	716	-	FF	JF	PA								
KMB	Ball bearing, spherical O.D. with lube groove and anti rotation pin	}	}	}	}	}	}	}	}	}								
45	Wide inner ring, standard duty, Centrik-Lok collar																	
55	Wide inner ring, medium duty, Centrik-Lok collar																	
None	Shaft diameter less than 1 inch or a metric bore										}	}	}	}	}	}	}	}
1	Shaft diameter equal to or greater than 1 inch																	
-	Dash used as separator																	
716	Inch shaft fraction without the slash	}	}	}	}	}	}	}	}	}								
35	Metric shaft diameter in millimeters																	
-	Dash used to separate suffix from bore designation																	
EDC	Bearing with steel retainer and increased clearance																	
STL	Bearing with steel retainer and standard clearance																	
None	Standard single lip seal	}	}	}	}	}	}	}	}	}								
E1	Viton seals, increased clearance, steel retainer, high temp. lube																	
FF	Flingers only, 50% grease fill																	
HFF	Flingers only, 10% oil fill																	
MHFF	Flingers only, 10% grease fill																	
XX	Non-standard grease designation																	
PA	Suffix designation for unmounted replacement bearing insert																	

Series 45 & 55 Krown Regal

To select a bearing, determine the applied radial load, the applied thrust load, the desired Rating Life, and applicable operating conditions. The procedure shown here will aid in selecting a bearing to meet an L10 design life. The formulas for calculating life expectancy should be used to determine the Rating Life L10 for the bearing selected.

The selection procedures and rating formulas shown here are in agreement with The American Bearing Manufacturers Association Standards and ANSI/ABMA Standards STD 9-1990. Ratings are based on fatigue life. The Rating Life or fatigue life at 90% reliability is the usual basis for bearing selection. Series 45 and 55 bearings have wide inner rings for load support where non-relubricatable

bearings are used, bearing life is often limited by grease life, which is in turn affected by operating conditions. Also, economically designed housings must be applied within proportionate load limits. To assure a satisfactory bearing application, fitting practice, mounting, lubrication, sealing, static rating, housing strength, operating conditions and maintenance must be considered.

Selection

Step 1

Determine an appropriate L10 design life.

Type of service	Operating time, hours per year	Design life, years	L10 design life, hours
Light seasonal usage	500 to 750	3-5	3,000
Heavy seasonal usage	1,400 to 1,600	4-6	8,000
Industrial—8 hour shift	2,000	10	20,000

Step 2

Determine a required $\left(\frac{C}{P}\right)$ from Table 1.

Step 3

Calculate the required C and select a ball bearing.

a For radial load only:

$$P = F_r$$

$$\text{required } C = \left(\frac{C}{P}\right) P \text{ using } \left(\frac{C}{P}\right) \text{ from Step 2}$$

Select a ball bearing from Table 3 with a basic load rating C equal to or greater than the required C.

b For combined radial and thrust loads when $\frac{F_a}{F_r}$ is 0.19 or less:

$$P = F_r$$

$$\text{required } C = \left(\frac{C}{P}\right) P \text{ using } \left(\frac{C}{P}\right) \text{ from Step 2}$$

Select a ball bearing from Table 3 with a basic load rating C equal to or greater than the required C.

Step 3 (continued)

c For combined radial and thrust loads when $\frac{F_a}{F_r}$ is greater than 0.19, use the following trial method:

$$\text{Maximum } P = .56F_r + 2.30F_a$$

$$\text{Maximum required } C = \left(\frac{C}{P}\right) P \text{ using from Step 2}$$

Select a trial ball bearing with a basic load rating C from Table 3 approximately equal to the maximum required C.

$$\text{With this trial bearing calculate: } \frac{F_a}{N_d^2}$$

Determine X and Y from Table 2.

Calculate P for the trial bearing.

$$P = XF_r + YF_a$$

$$\text{required } C = \left(\frac{C}{P}\right) P \text{ for the trial bearing using } \left(\frac{C}{P}\right) \text{ from Step 2}$$

Consult Table 3, basic load rating. If a smaller bearing meets or nearly meets the required C, its life expectancy can be calculated.

Note: If the load P is greater than .25C for series 45 and 55 consult Rexnord Bearing Products.

Selection

Symbols for formulas:

C = basic load rating, pounds (or newtons)
 Co = static load rating, pounds (or newtons)
 e = a reference value
 Fa = thrust load, pounds (or newtons)
 Fr = radial load, pounds (or newtons)

L10 = rating life, hours
 n = speed, revolutions per minute
 P = equivalent radial load, pounds (or newtons)
 X = radial factor
 Y = thrust factor

Basic formula

$$\left(\frac{C}{P}\right) = \left(\frac{L_{10} \times n \times 60}{1,000,000}\right)^{1/3}$$

$$L_{10} = \frac{\left(\frac{C}{P}\right)^3 \times 1,000,000}{n \times 60}$$

Life Expectancy

To calculate the Rating Life L10 of any selected or trial bearing:

Step 1 Determine the equivalent radial load P.

- a For radial load only:
P = Fr
- b For combined radial and thrust load:
P = XFr + YFa using X and Y from Table 2 below.

Step 2 Calculate the ratio of basic load rating C to the equivalent radial load.

$$\left(\frac{C}{P}\right)$$

Step 3 Approximate the bearing life from Table 1.

Table 1 • Relation of L10 life and speed to $\left(\frac{C}{P}\right)$

Bearing life, hours L10	$\left(\frac{C}{P}\right)$ ratio									
	Speed, n									
	50	100	200	300	400	500	600	700	800	
3000	2.08	2.62	3.30	3.77	4.15	4.47	4.75	5.01	5.23	
4000	2.29	2.88	3.63	4.15	4.57	4.92	5.23	5.51	5.76	
5000	2.46	3.10	3.91	4.47	4.92	5.30	5.64	5.93	6.20	
6000	2.62	3.30	4.15	4.75	5.23	5.64	5.99	6.30	6.59	
8000	2.88	3.63	4.57	5.23	5.76	6.20	6.59	6.94	7.25	
10000	3.10	3.91	4.92	5.64	6.20	6.68	7.10	7.47	7.81	
12000	3.30	4.15	5.23	5.99	6.59	7.10	7.54	7.94	8.30	
14000	3.47	4.37	5.51	6.30	6.94	7.47	7.94	8.36	8.74	
16000	3.63	4.57	5.76	6.59	7.25	7.81	8.30	8.74	9.14	
18000	3.77	4.75	5.99	6.86	7.54	8.13	8.63	9.09	9.50	
20000	3.91	4.92	6.20	7.10	7.81	8.42	8.94	9.41	9.84	
25000	4.21	5.30	6.68	7.65	8.42	9.07	9.63	10.1	10.6	
30000	4.47	5.64	7.10	8.13	8.94	9.63	10.2	10.8	11.3	
35000	4.71	5.93	7.47	8.55	9.41	10.1	10.8	11.3	11.9	
40000	4.92	6.20	7.81	8.94	9.84	10.6	11.3	11.9	12.4	
45000	5.12	6.45	8.13	9.30	10.2	11.0	11.7	12.3	12.9	
50000	5.30	6.68	8.42	9.63	10.6	11.4	12.1	12.8	13.4	
60000	5.64	7.10	8.94	10.2	11.3	12.1	12.9	13.6	14.2	
70000	5.93	7.47	9.41	10.8	11.9	12.8	13.6	14.3	14.9	
80000	6.20	7.81	9.84	11.3	12.4	13.4	14.2	14.9	15.6	
90000	6.45	8.13	10.2	11.7	12.9	13.9	14.8	15.5	16.2	
100000	6.68	8.42	10.6	12.1	13.4	14.4	15.3	16.1	16.8	
150000	7.65	9.63	12.1	13.9	15.3	16.5	17.5	18.4	19.3	
200000	8.42	10.6	13.4	15.3	16.8	18.1	19.3	20.3	21.2	
	Speed, n									
	900	1000	1200	1500	1800	2400	3600	6000	10000	
3000	5.44	5.64	5.99	6.45	6.86	7.54	8.63	10.2	12.1	
4000	5.99	6.20	6.59	7.10	7.54	8.30	9.50	11.3	13.4	
5000	6.45	6.68	7.10	7.65	8.13	8.94	10.2	12.1	14.4	
6000	6.86	7.10	7.54	8.13	8.63	9.50	10.9	12.9	15.3	
8000	7.54	7.81	8.30	8.94	9.50	10.5	12.0	14.2	16.8	
10000	8.13	8.42	8.94	9.63	10.2	11.3	12.9	15.3	18.1	
12000	8.63	8.94	9.50	10.2	10.9	12.0	13.7	16.2	19.3	
14000	9.09	9.41	10.0	10.8	11.4	12.6	14.4	17.1	20.3	
16000	9.50	9.84	10.5	11.3	12.0	13.2	15.1	17.9	21.2	
18000	9.88	10.2	10.9	11.7	12.4	13.7	15.7	18.6	22.0	
20000	10.2	10.6	11.3	12.1	12.9	14.2	16.2	19.3	22.8	
25000	11.0	11.4	12.1	13.1	13.9	15.3	17.5	20.7	24.6	
30000	11.7	12.1	12.9	13.9	14.8	16.2	18.6	22.0	26.1	
35000	12.3	12.8	13.6	14.6	15.5	17.1	19.6	23.2	27.5	
40000	12.9	13.4	14.2	15.3	16.2	17.9	20.5	24.3	28.7	
45000	13.4	13.9	14.8	15.9	16.9	18.6	21.3	25.2	29.9	
50000	13.9	14.4	15.3	16.5	17.5	19.3	22.0	26.1	31.0	
60000	14.8	15.3	16.2	17.5	18.6	20.5	23.4	27.8	32.9	
70000	15.5	16.1	17.1	18.4	19.6	21.5	24.6	29.2	34.6	
80000	16.2	16.8	17.9	19.3	20.5	22.5	25.8	30.5	36.2	
90000	16.9	17.5	18.6	20.0	21.3	23.4	26.8	31.8	37.7	
100000	17.5	18.1	19.3	20.7	22.0	24.3	27.8	32.9	39.0	
150000	20.0	20.7	22.0	23.7	25.2	27.8	31.8	37.7	44.6	
200000	22.0	22.8	24.3	26.1	27.8	30.5	35.0	41.4	49.1	

Table 2 • X and Y factors for ball bearings

Fa Nd ²	e	Fa Fr ≤ e		Fa Fr > e	
		X	Y	X	Y
25	.19	1.0	0	.56	2.30
37.5	.21	1.0	0	.56	2.15
50	.22	1.0	0	.56	1.99
75	.24	1.0	0	.56	1.85
100	.26	1.0	0	.56	1.71
125	.27	1.0	0	.56	1.63
150	.28	1.0	0	.56	1.56
200	.30	1.0	0	.56	1.45
300	.34	1.0	0	.56	1.31
500	.38	1.0	0	.56	1.15
750	.42	1.0	0	.56	1.04
1000	.44	1.0	0	.56	1.00

For values between those in the table linear interpolation can be used.

Life Adjustment

The Rating Life, L10, may be modified for some applications in accordance with the formula

$$L_n = a_1 a_2 a_3 L_{10}$$

where L_n = Adjusted life for (100-n) % reliability,

- a1 = Life adjustment factor for reliability
- a2 = Life adjustment factor for material and processing
- a3 = Life adjustment factor for operating conditions.

For most normal applications, all factors will be taken as 1, and the Rating Life used as the selection basis or life estimate. In addition, as long as standard catalog bearings are used, a2 will be normally set equal to one. The factor a3 covers such things as lubrication, misalignment, and temperature. Some conditions that could yield a3 significantly different than unity include speeds less than 20000 DN or greater than 200000 DN, temperatures below -40°F (-40°C) or above 275°F (135°C). For other possible conditions, as well as additional information on life adjustment factors, consult Rexnord Bearing Products.

Table 3 - Load Ratings

Basic size	Co		C		Approximate speed limit			d Ball diameter	N	Nd ²
	Static load rating		Basic load rating		RPM*			inches	Number of balls	
	<i>Newtons</i>	pounds	<i>Newtons</i>	pounds	N seals	E, E1 seals	Flingers only			
203	4940	1110	8100	1820	14000	9000	15800	19/64	7	0.617
204	6590	1480	9830	2210	10000	7500	13400	5/16	8	0.781
205	7830	1760	10810	2430	9600	6800	11400	5/16	9	0.879
206	11300	2530	15030	3380	8000	5600	9800	3/8	9	1.27
207	15300	3440	19880	4470	6850	4800	8400	7/16	9	1.72
208	19900	4460	25100	5640	6000	4500	7500	1/2	9	2.25
209	20400	4590	25220	5670	5330	4000	6800	1/2	9	2.25
210	23200	5220	27090	6090	4800	3600	6400	1/2	10	2.50
211	29200	6570	33540	7540	4360	3200	5800	9/16	10	3.16
212	36000	8080	40520	9110	4000	3000	5300	5/8	10	3.91
					K seals	TFF seals	Flingers only			
214	38300	8620	48000	10800	3050	2850	4600	11/16	10	4.73
215	37600	8460	47600	10700	2900	2700	4400	11/16	10	4.73
216	50700	11400	59600	13400	2700	2550	4050	3/4	11	6.19
218	64000	14400	73800	16600	2400	2250	3600	7/8	10	7.66

If the load is greater than .25C consult Rexnord Bearing Products.

* Approximate speed limits are based on grease lubrication and moderate load.

Table 4 - Load Ratings

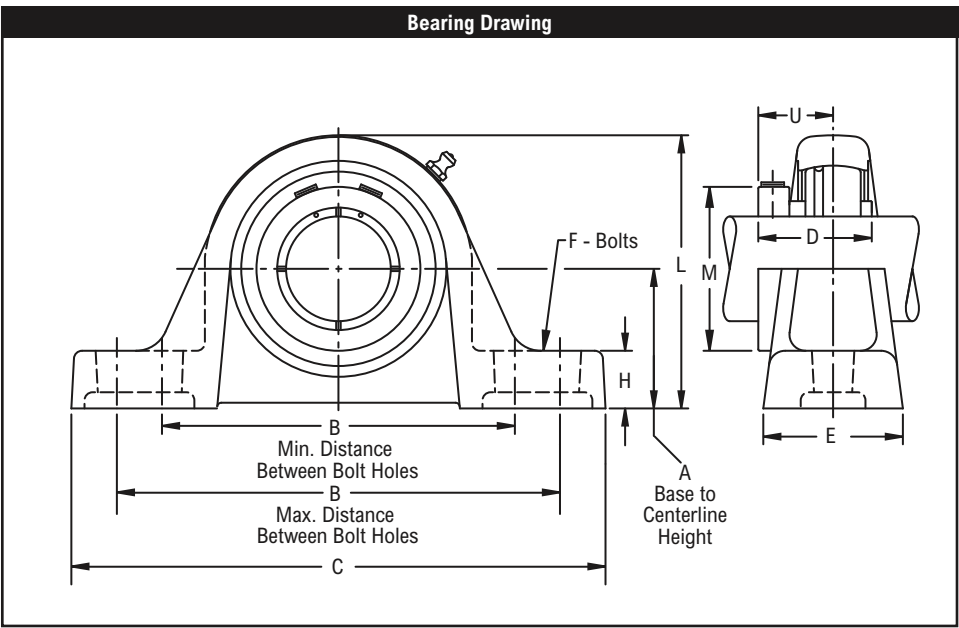
Basic Bearing Size	L ₁₀ Minimum Life, Hours	Radial Load Ratings in Pounds at Various Revolutions Per Minute																				
		50	100	200	300	400	500	600	700	800	900	1000	1200	1500	1600	1800	2000	2500	3000	3500	4000	5000
203	8000	-	-	398	347	315	293	276	262	251	241	233	219	203	198	191	184	171	161	152	146	135
	20000	-	369	293	256	233	216	203	193	184	178	171	161	150	146	141	135	126	118	113	107	100
	40000	369	293	233	203	184	171	161	152	146	141	135	128	118	115	112	107	100	94	89	85	79
	100000	272	216	171	150	135	126	118	113	108	104	100	94	87	85	82	79	73	69	65	63	58
204	8000	-	-	483	422	383	356	335	318	304	293	282	266	247	241	232	224	208	195	185	178	164
	20000	-	449	356	311	282	262	247	234	224	216	208	195	182	178	171	164	153	144	137	130	121
	40000	449	356	282	247	224	208	195	185	178	171	164	155	144	140	136	130	121	114	108	104	96
	100000	330	262	208	182	164	153	144	137	131	126	122	114	106	104	100	96	89	84	80	76	71
205	8000	-	-	531	464	421	391	368	350	335	322	311	292	271	265	255	246	229	215	204	195	181
	20000	-	493	391	342	311	288	271	258	246	238	229	215	200	195	188	181	168	158	150	143	133
	40000	493	391	311	271	246	229	215	204	195	188	181	171	158	154	150	143	133	125	119	114	106
	100000	363	288	229	200	181	168	158	150	144	138	134	125	117	114	110	106	98	92	88	84	78
206	8000	-	-	739	646	586	545	512	487	466	448	432	407	378	368	355	342	318	299	284	272	252
	20000	-	686	545	476	432	401	378	359	343	331	318	299	279	272	262	252	234	220	209	200	185
	40000	686	545	432	378	343	318	299	284	272	262	252	238	220	215	208	200	185	175	166	159	147
	100000	505	401	318	279	252	234	220	209	201	193	186	175	163	159	153	147	136	129	122	117	108
207	8000	-	-	978	854	776	720	678	644	616	592	572	538	500	487	470	453	421	395	375	360	333
	20000	-	908	720	629	572	530	500	475	454	438	421	395	369	360	346	333	310	292	277	264	245
	40000	908	720	572	500	454	421	395	375	360	346	333	314	292	284	275	264	245	231	220	210	195
	100000	669	530	421	369	333	310	292	277	266	255	246	231	215	210	203	195	180	170	161	155	143
208	8000	-	-	1230	1070	979	909	855	812	777	748	722	679	630	615	593	572	532	499	473	454	420
	20000	-	1140	909	794	722	669	630	599	573	552	532	499	466	454	437	420	391	368	350	333	309
	40000	1140	909	722	630	573	532	499	473	454	437	420	397	368	359	348	333	309	292	277	266	246
	100000	844	669	532	466	420	391	368	350	335	322	311	292	272	266	256	246	228	215	204	195	181
209	8000	-	-	1240	1080	984	914	860	817	782	751	725	683	634	618	596	575	534	501	476	457	423
	20000	-	1150	914	798	725	673	634	602	576	555	534	501	468	457	439	423	393	370	352	335	311
	40000	1150	914	725	634	576	534	501	476	457	439	423	399	370	361	350	335	311	293	279	267	247
	100000	848	673	534	468	423	393	370	352	337	324	313	293	273	267	257	247	229	216	205	196	182
210	8000	-	-	1330	1160	1050	982	924	877	840	807	779	733	681	664	641	617	574	538	511	491	457
	20000	-	1230	982	857	779	723	681	647	618	597	574	538	503	491	472	454	422	398	378	360	327
	40000	1230	982	779	681	618	574	538	511	491	472	454	428	398	387	375	360	334	315	300	287	254
	100000	911	723	574	503	454	422	398	378	362	348	336	315	294	287	276	265	246	232	220	211	178
211	8000	-	-	1640	1440	1300	1210	1140	1080	1040	1000	965	908	843	823	793	764	711	667	633	608	574
	20000	-	1530	1210	1060	965	895	843	801	766	739	711	667	623	608	584	562	523	492	468	446	412
	40000	1530	1210	965	843	766	711	667	633	608	584	562	530	492	480	465	446	414	390	371	355	321
	100000	1120	895	711	623	562	523	492	468	448	430	416	390	364	355	342	329	305	287	273	261	227
212	8000	-	-	1990	1740	1580	1460	1380	1310	1250	1200	1160	1090	1010	994	958	923	859	806	765	734	691
	20000	-	1850	1460	1280	1160	1080	1010	968	925	893	859	806	752	734	706	679	632	595	565	539	505
	40000	1850	1460	1160	1010	925	859	806	765	734	706	679	641	595	580	562	539	500	472	448	429	395
	100000	1360	1080	859	752	679	632	595	565	542	520	503	472	440	429	414	397	368	347	330	316	282
214	8000	-	-	2360	2060	1870	1740	1630	1550	1480	1430	1380	1300	1200	1170	1130	1090	1010	955	905	874	831
	20000	-	2190	1740	1520	1380	1280	1200	1140	1090	1050	1010	955	892	870	837	805	750	705	674	643	600
	40000	2190	1740	1380	1200	1090	1010	955	907	870	837	805	760	705	687	666	639	593	559	528	497	454
	100000	1610	1280	1010	892	805	750	705	670	642	617	596	559	521	509	490	471	437	412	387	362	329
215	8000	-	-	2340	2040	1850	1720	1620	1540	1470	1410	1370	1280	1190	1160	1120	1080	1000	945	895	864	821
	20000	-	2170	1720	1500	1370	1270	1190	1130	1080	1040	1000	946	884	862	829	798	743	703	672	641	600
	40000	2170	1720	1370	1190	1080	1000	946	899	862	829	798	753	699	681	660	633	587	556	525	494	453
	100000	1600	1270	1000	884	798	743	699	664	636	611	591	554	516	504	486	467	433	408	383	358	324
216	8000	-	-	2930	2560	2320	2160	2030	1930	1840	1770	1710	1610	1490	1460	1410	1350	1260	1205	1155	1105	1055
	20000	-	2720	2160	1880	1710	1590	1490	1420	1360	1310	1260	1180	1100	1080	1030	1000	930	875	825	775	725
	40000	2720	2160	1710	1490	1360	1260	1180	1120	1080	1030	1000	943	875	853	827	792	736	686	636	586	536
	100000	2000	1590	1260	1100	1000	930	875	832	797	765	740	694	647	632	609	585	542	517	492	467	442
218	8000	-	-	3630	3170	2880	2670	2510	2390	2280	2200	2120	2000	1850	1810	1740	1680	1580	1525	1475	1425	1375
	20000	-	3370	2670	2330	2120	1970	1850	1760	1680	1620	1560	1460	1370	1330	1280	1230	1160	1110	1060	1010	960
	40000	3370	2670	2120	1850	1680	1560	1460	1390	1330	1280	1230	1160	1080	1050	1020	982	926	876	826	776	726
	100000	2480	1970	1560	1370	1230	1150	1080	1030	988	948	917	860	801	783	754	724	668	618	568	518	468

See previous page for Basic Load Rating
 Operation in the shaded areas require frequent relubrication.
 If the load P is greater than .25C consult Rexnord Bearing Products.



Product Features

- Corrosion resistant powder coating
- Cast iron housing
- Broad range of sealing options
- Wide inner ring for increased shaft stability
- Centrik-Lok shaft locking device
- Alignable & relubricatable
- See Features & Benefits for additional info.



Bearing Dimensions														
Size Code	Shaft Diameter	Part Number	A Base to Centerline Height	B Min. Distance Between Bolt Holes	B Max. Distance Between Bolt Holes	C	D	E	F	H	L	M	U	Approx. Weight
203	1/2	KC45-12♦●□Δ	1 3/16	3 1/8	4 1/8	5	1 3/32	1 3/8	3/8	1/2	2 9/32	1 1/8	4 1/64	1.49
	5/8	KC45-58♦●□Δ										1 13/64		1.45
	11/16	KC45-1116♦●□Δ										1 13/64		1.43
204	3/4	KC45-34♦●□Δ	1 5/16	3 3/8	4 3/16	5 1/4	1 7/32	1 1/2	3/8	17/32	2 17/32	1 3/8	23/32	1.66
	20.00	KC45-20♦●□Δ	33.32	85.70	106.40	133.30	30.96	38.10	10.00	13.50	64.30	34.90	18.30	0.80
205	7/8	KC45-78♦●□Δ	1 7/16	3 7/16	4 9/16	5 1/2	1 5/16	1 1/2	3/8	19/32	2 13/16	1 9/16	3/4	1.90
	15/16	KC45-1516♦●□Δ												1.87
	1	KC451♦●□Δ												1.84
	25.00	KC45-25♦●□Δ	36.51	87.30	115.90	132.10	33.32	38.10	10.00	15.10	71.40	39.70	19.00	1.00
206	1 1/8	KC451-18♦●□Δ	1 11/16	4 1/8	5 1/8	6 1/4	1 1/2	1 7/8	1/2	2 1/32	3 3/8	1 13/16	7/8	3.11
	1 3/16	KC451-316♦●□Δ										3.08		
	1 1/4	KC451-14S♦●□Δ										2		3.05
207	1 1/4	KC451-14♦●□Δ	1 7/8	4 9/16	5 9/16	6 11/16	1 11/16	1 7/8	1/2	3/4	3 3/4	2	1	3.94
	1 3/8	KC451-38♦●□Δ										3.84		
	1 7/16	KC451-716♦●□Δ										2 1/4		3.78
208	1 1/2	KC451-12♦●□Δ	1 15/16	5 1/32	6 1/32	7 1/4	1 15/16	2 1/8	1/2	7/8	4	2 1/2	1 3/16	4.99
	1 5/8	KC451-58♦●□Δ												4.85
	40.00	KC45-40♦●□Δ												49.22
209	1 5/8	KC451-58L♦●□Δ	2 1/8	5 13/32	6 17/32	7 3/4	1 15/16	2 1/8	1/2	29/32	4 5/16	2 1/2	1 3/16	5.69
	1 11/16	KC451-1116♦●□Δ										5.62		
	1 3/4	KC451-34♦●□Δ										2 11/16		5.55
210	1 7/8	KC451-78♦●□Δ	2 1/4	5 27/32	6 27/32	8 1/4	2 1/32	2 3/8	5/8	1	4 9/16	2 7/8	1 9/32	6.83
	1 15/16	KC451-1516♦●□Δ												6.74
	2	KC452♦●□Δ												6.65
211	2	KC452L♦●□Δ	2 1/2	6 5/16	7 1/2	8 7/8	2 3/16	2 3/8	5/8	1	5	2 7/8	1 5/16	8.49
	2 3/16	KC452-316♦●□Δ										8.29		
	2 1/4	KC452-14♦●□Δ										3 1/8		8.19
212	2 1/4	KC452-14L♦●□Δ	2 3/4	6 29/32	8 5/32	9 5/8	2 9/16	2 3/4	5/8	1 1/16	5 9/16	3 1/8	1 9/16	11.99
	2 3/8	KC452-38♦●□Δ										11.75		
	2 7/16	KC452-716♦●□Δ										3 3/8		11.63
215	2 15/16	KC452-1516♦●□Δ	3 1/2	8 1/8	10 1/2	13	3 1/16	3 1/2	7/8	1 7/32	6 29/32	3 15/16	1 3/4	25.05

Additional Notes

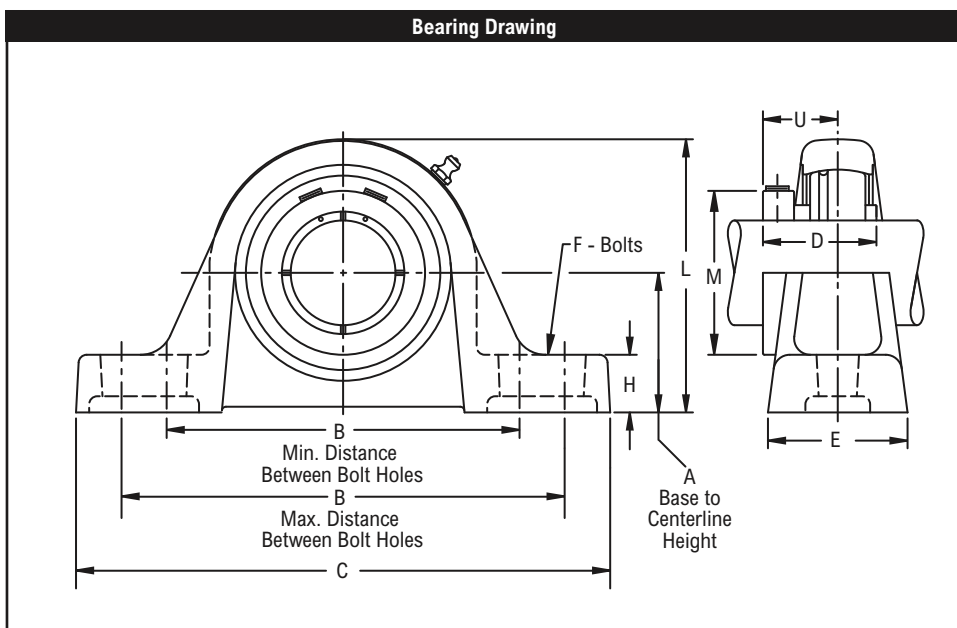
Please call 1-866-REXNORD for availability
 Lubrication fitting tap size, 1/8" PT
 Base to centerline tolerance, +/- .005" (+/- 0.13mm)
 Lip seals standard
 ♦ Available with E1 viton seals for size codes 212 and smaller
 ♦ Available with TFF viton seals for size codes above 212
 Available with free running style seals, add suffix ● FF, □ HFF or Δ MHFF for size codes 212 and smaller

Add suffix ● FF, □ SFF or Δ MKFF for size codes above 212
 Selection Guide, see Krown Regal Ball Bearing Selection Guide section
 Load Ratings & Speed Limits, see Krown Regal Ball Bearing Load
 Ratings & Speed Limits section
 Note: Dimensions subject to change. Certified dimensions of ordered
 material furnished on request.



Product Features

- Corrosion resistant powder coating
- Cast iron housing
- Broad range of sealing options
- Wide inner ring for increased shaft stability
- Centrik-Lok shaft locking device
- Alignable & relubricatable
- See Features & Benefits for additional info.



Bearing Dimensions														
Size Code	Shaft Diameter	Part Number	A Base to Centerline Height	B Min. Distance Between Bolt Holes	B Max. Distance Between Bolt Holes	C	D	E	F	H	L	M	U	Approx. Weight
206	1	KC551◆●□△	1 3/4	4 1/8	5 1/8	6 1/4	1 1/2	1 7/8	1/2	23/32	3 7/16	1 3/16	7/8	3.20
207	1 3/16	KC551-316◆●□△	1 7/8	4 9/16	5 9/16	6 11/16	1 11/16	1 7/8	1/2	3/4	3 3/4	2	1	3.95
208	1 7/16	KC551-716◆●□△	2 1/8	5 1/32	6 1/32	7 1/4	1 15/16	2 1/8	1/2	7/8	4 3/16	2 1/4	1 3/16	5.04
209	1 1/2	KC551-12◆●□△	2 5/16	5 13/32	6 17/32	7 3/4	1 15/16	2 1/8	1/2	29/32	4 5/16	2 1/2	1 3/16	5.81
210	1 11/16	KC551-1116◆●□△	2 5/16	5 27/32	6 27/32	8 1/4	2 1/32	2 3/8	5/8	1	4 5/8	2 3/4	1 9/32	7.00
	1 3/4	KC551-34◆●□△												
211	1 15/16	KC551-1516◆●□△	2 1/2	6 5/16	7 1/2	8 7/8	2 3/16	2 3/8	5/8	1	5	2 7/8	1 5/16	8.50
	2	KC552◆●□△												
212	2 3/16	KC552-316◆●□△	2 3/4	6 29/32	8 5/32	9 5/8	2 9/16	2 3/4	5/8	1 1/16	5 9/16	3 1/8	1 9/16	12.11
214	2 7/16	KC552-716◆●□△◆	3	7 1/2	9 1/2	11 1/4	2 3/4	3 1/4	3/4	1 5/32	6 1/4	3 3/4	1 11/16	19.00
	2 1/2	KC552-12◆●□△◆												
215	2 11/16	KC552-1116◆●□△◆	3 1/2	8 1/8	10 1/2	13	3 1/16	3 1/2	7/8	1 7/32	6 29/32	3 15/16	1 3/4	25.68
216	2 15/16	KC552-1516◆●□△◆	3 1/2	8 3/8	10 1/2	13	3 1/4	3 1/2	7/8	1 9/32	7 1/4	4 3/16	1 15/16	27.00
	3	KC553◆●□△◆												
218	3 3/16	KC553-316◆●□△◆	4	9 13/16	12 5/16	15	3 25/32	4 3/8	7/8	1 11/32	8 1/4	4 13/16	2 7/32	41.00
	3 7/16	KC553-716◆●□△◆												
	3 1/2	KC553-12◆●□△◆												

Additional Notes

Please call 1-866-REXNORD for availability
 Lubrication fitting tap size, 1/8" PT
 Base to centerline tolerance, +/- .005" (+/- 0.13mm)
 Lip seals standard
 ◆ Available with E1 viton seals for size codes 212 and smaller
 ◆ Available with TFF viton seals for size codes above 212
 Available with free running style seals, add suffix ● FF, □ HFF or △ MHFF for size codes 212 and smaller

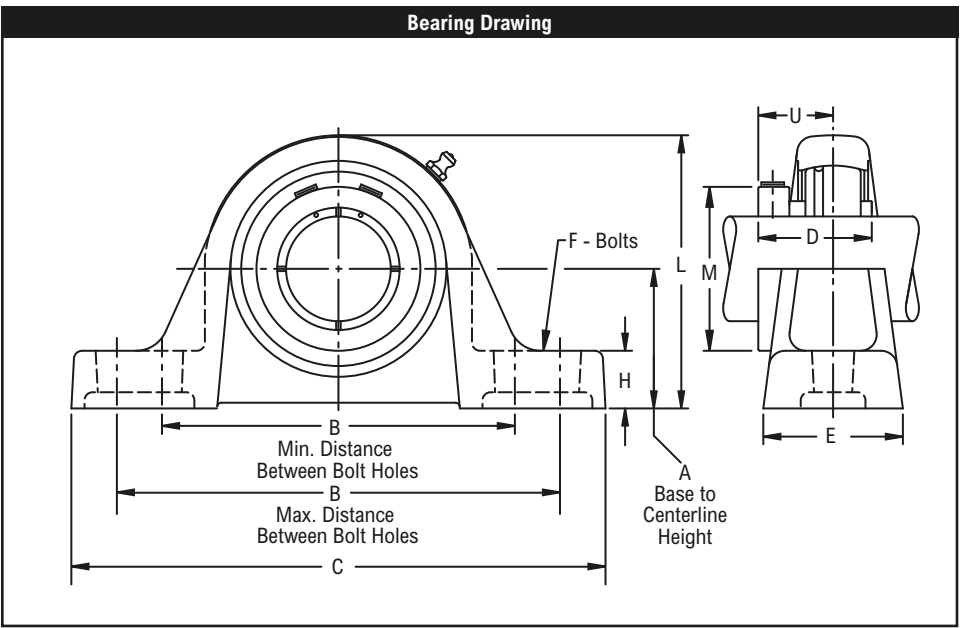
Add suffix ● FF, □ SFF or △ MKFF for size codes above 212
 Selection Guide, see Krown Regal Ball Bearing Selection Guide section
 Load Ratings & Speed Limits, see Krown Regal Ball Bearing Load Ratings & Speed Limits section
 Note: Dimensions subject to change. Certified dimensions of ordered material furnished on request.



Photo Shows a 2-Bolt Ball Bearing Pillow Block Unit

Product Features

- Corrosion resistant powder coating
- Cast iron housing
- Broad range of sealing options
- Wide inner ring for increased shaft stability
- Centrik-Lok shaft locking device
- Alignable & relubricatable
- Low base to center height
- See Features & Benefits for additional info.



Bearing Dimensions														
Size Code	Shaft Diameter	Part Number	A Base to Centerline Height	B Min. Distance Between Bolt Holes	B Max. Distance Between Bolt Holes	C	D	E	F	H	L	M	U	Approx. Weight
203	1/2	KCL45-12♦♦ □Δ	1 1/16	3 1/8	4 1/8	5	1 3/32	1 3/8	3/8	3/8	2 5/32	1 1/8	41/64	1.32
	5/8	KCL45-58♦♦ □Δ										1 13/64		1.28
	1 1/16	KCL45-1116♦♦ □Δ												1.26
204	3/4	KCL45-34♦♦ □Δ	1 1/4	3 3/8	4 3/16	5 1/4	1 7/32	1 1/2	3/8	15/32	2 15/32	1 3/8	23/32	1.49
	20.00	KCL45-20♦♦ □Δ	31.75	85.70	106.40	133.30	30.96	38.10	10.00	11.90	62.70	34.90	18.30	0.70
205	7/8	KCL45-78♦♦ □Δ	1 5/16	3 7/16	4 9/16	5 1/2	1 5/16	1 1/2	3/8	15/32	2 11/16	1 9/16	3/4	1.72
	15/16	KCL45-1516♦♦ □Δ												1.69
	1	KCL451♦♦ □Δ												1.68
	25.00	KCL45-25♦♦ □Δ	33.32	87.30	115.90	132.10	33.32	38.10	10.00	11.90	68.30	39.70	19.00	0.80
206	1 1/8	KCL451-18♦♦ □Δ	1 9/16	4 1/8	5 1/8	6 1/4	1 1/2	1 7/8	1/2	17/32	3 1/4	1 13/16	7/8	2.93
	1 3/16	KCL451-316♦♦ □Δ										2.90		
	1 1/4	KCL451-14S♦♦ □Δ										2		2.87
207	1 1/4	KCL451-14♦♦ □Δ	1 13/16	4 9/16	5 9/16	6 11/16	1 11/16	1 7/8	1/2	11/16	3 11/16	2 1/4	1	3.85
	1 3/8	KCL451-38♦♦ □Δ												3.75
	1 7/16	KCL451-716♦♦ □Δ												3.69
208	1 1/2	KCL451-12♦♦ □Δ	1 15/16	5 1/32	6 1/32	7 1/4	1 15/16	2 1/8	1/2	7/8	4	2 1/2	1 3/16	4.99
	1 5/8	KCL451-58♦♦ □Δ												4.85
	40.00	KCL45-40♦♦ □Δ												49.22
209	1 5/8	KCL451-58L♦♦ □Δ	2 1/16	5 13/32	6 17/32	7 3/4	1 15/16	2 1/8	1/2	27/32	4 1/4	2 1/2	1 3/16	5.43
	1 11/16	KCL451-1116♦♦ □Δ										5.36		
	1 3/4	KCL451-34♦♦ □Δ										2 11/16		5.29
210	1 7/8	KCL451-78♦♦ □Δ	2 3/16	5 27/32	6 27/32	8 1/4	2 1/32	2 3/8	5/8	15/16	4 1/4	2 7/8	1 9/32	6.75
	1 15/16	KCL451-1516♦♦ □Δ												6.66
	2	KCL452♦♦ □Δ												6.57
211	2	KCL452L♦♦ □Δ	2 7/16	6 5/16	7 1/2	8 7/8	2 3/16	2 3/8	5/8	15/16	4 15/16	2 7/8	1 5/16	8.40
	2 3/16	KCL452-316♦♦ □Δ										8.10		
	2 1/4	KCL452-14♦♦ □Δ										3 1/8		8.00
212	2 1/4	KCL452-14L♦♦ □Δ	2 11/16	6 29/32	8 5/32	9 5/8	2 9/16	2 3/4	5/8	1	5 1/2	3 1/8	1 9/16	11.81
	2 3/8	KCL452-38♦♦ □Δ										11.57		
	2 7/16	KCL452-716♦♦ □Δ										3 3/8		11.45
215	2 15/16	KCL452-1516♦♦ □Δ	3 5/16	8 1/8	10 1/2	13	3 1/16	3 1/2	7/8	1 1/32	6 23/32	3 15/16	1 3/4	24.55

Additional Notes

Please call 1-866-REXNORD for availability
 Lubrication fitting tap size: for size codes 203 thru 205, 1/4"-28 UNF:
 for all other size codes, 1/8" PT
 Base to centerline tolerance, +/- .005" (+/- 0.13mm)
 Lip seals standard
 ♦ Available with E1 viton seals for size codes 212 and smaller
 ♦ Available with TFF viton seals for size codes above 212

Available with free running style seals, add suffix ♦ FF, □ HFF or Δ MHFF
 for size codes 212 and smaller
 Add suffix ♦ FF, □ SFF or Δ MKFF for size codes above 212
 Selection Guide, see Krown Regal Ball Bearing Selection Guide section
 Load Ratings & Speed Limits, see Krown Regal Ball Bearing Load
 Ratings & Speed Limits section
 Note: Dimensions subject to change. Certified dimensions of ordered
 material furnished on request.

KFC245

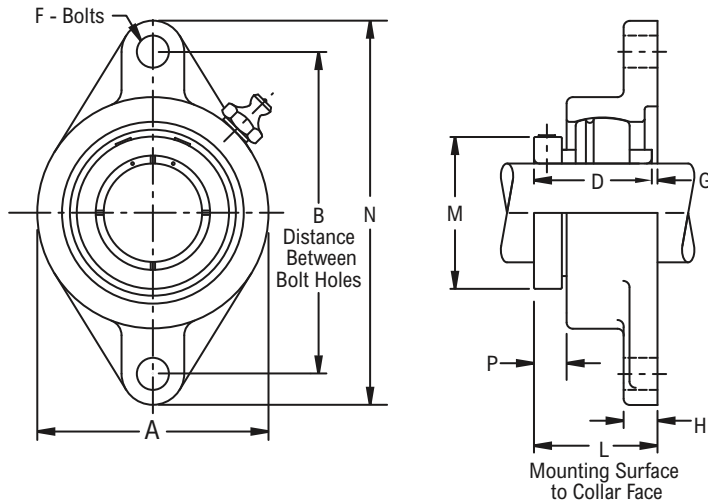


Photo Shows a 2-Bolt Ball Bearing Flanged Unit

Product Features

- Corrosion resistant powder coating
- Cast iron housing
- Broad range of sealing options
- Wide inner ring for increased shaft stability
- Centrik-Lok shaft locking device
- Alignable & relubricatable
- See Features & Benefits for additional info.

Bearing Drawing



Bearing Dimensions

Size Code	Shaft Diameter	Part Number	B Distance Between Bolt Holes	L Mounting Surface to Collar Face	A	D	F	G	H	M	N	P	Approx. Weight
203	1/2	KFC245-12◆●□△	3	1 13/64	2 5/16	1 3/32	3/8	7/64	7/16	1 1/8	3 7/8	19/64	0.95
	5/8	KFC245-58◆●□△								1 13/64			0.91
	11/16	KFC245-1116◆●□△								1 13/64			0.89
204	3/4	KFC245-34◆●□△	3 17/32	1 9/32	2 7/16	1 7/32	3/8	1/16	7/16	1 3/8	4 13/32	11/32	1.05
	20.00	KFC245-20◆●□△	89.69	32.20	58.40	30.96	10.00	1.60	11.10	34.90	111.90	8.70	0.50
205	7/8	KFC245-78◆●□△	3 57/64	1 3/8	2 3/4	1 5/16	7/16	1/16	17/32	1 9/16	4 7/8	13/32	1.37
	15/16	KFC245-1516◆●□△								1 9/16			1.34
	1	KFC2451◆●□△								1 9/16			1.31
	25.00	KFC245-25◆●□△	98.82	34.90	69.80	33.32	10.00	1.60	13.50	39.70	123.80	10.30	0.60
206	1 1/8	KFC2451-18◆●□△	4 19/32	1 9/16	3 3/16	1 1/2	7/16	1/16	17/32	1 13/16	5 9/16	7/16	1.88
	1 3/16	KFC2451-316◆●□△								2			1.84
	1 1/4	KFC2451-14S◆●□△								2			1.80
207	1 1/4	KFC2451-14◆●□△	5 1/8	1 3/4	3 11/16	1 11/16	1/2	1/16	9/16	2	6 1/8	15/32	2.80
	1 3/8	KFC2451-38◆●□△								2 1/4			2.70
	1 7/16	KFC2451-716◆●□△								2 1/4			2.65
208	1 1/2	KFC2451-12◆●□△	5 21/32	2 1/64	4 1/8	1 15/16	1/2	5/64	9/16	2 1/2	6 3/4	33/64	3.94
	1 5/8	KFC2451-58◆●□△								2 1/2			3.80
	40.00	KFC245-40◆●□△								143.67			51.20
209	1 5/8	KFC2451-58L◆●□△	5 27/32	2 3/64	4 3/8	1 15/16	9/16	7/64	9/16	2 1/2	7 1/16	31/64	4.37
	1 11/16	KFC2451-1116◆●□△								2 11/16			4.30
	1 3/4	KFC2451-34◆●□△								2 11/16			4.23
210	1 7/8	KFC2451-78◆●□△	6 3/16	2 5/32	4 9/16	2 1/32	9/16	1/8	9/16	2 7/8	7 15/32	19/32	4.64
	1 15/16	KFC2451-1516◆●□△								2 7/8			4.55
	2	KFC2452◆●□△								2 7/8			4.46
211	2	KFC2452L◆●□△	7 1/4	2 5/16	5	2 3/16	5/8	1/8	13/16	2 7/8	8 1/2	9/16	7.35
	2 3/16	KFC2452-316◆●□△								3 1/8			7.05
	2 1/4	KFC2452-14◆●□△								3 1/8			6.95

Additional Notes

Please call 1-866-REXNORD for availability
 Lubrication fitting tap size, 1/8" PT
 Lip seals standard
 ◆ Available with E1 viton seals
 Available with free running style seals, add suffix ● FF, □ HFF or △ MHFF
 Selection Guide, see Krown Regal Ball Bearing Selection Guide section
 Load Ratings & Speed Limits, see Krown Regal Ball Bearing Load Ratings & Speed Limits section

Note: Dimensions subject to change. Certified dimensions of ordered material furnished on request.

KFC445

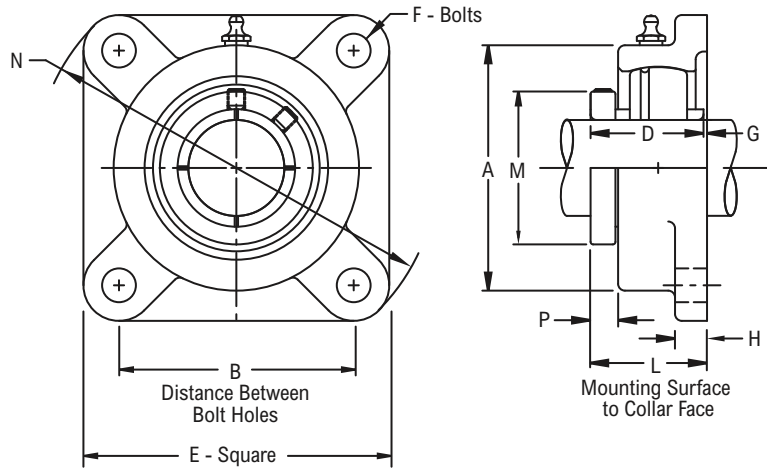


Photo Shows a 4-Bolt Ball Bearing Flanged Unit

Product Features

- Corrosion resistant powder coating
- Cast iron housing
- Broad range of sealing options
- Wide inner ring for increased shaft stability
- Centrik-Lok shaft locking device
- Alignable & relubricatable
- See Features & Benefits for additional info.

Bearing Drawing



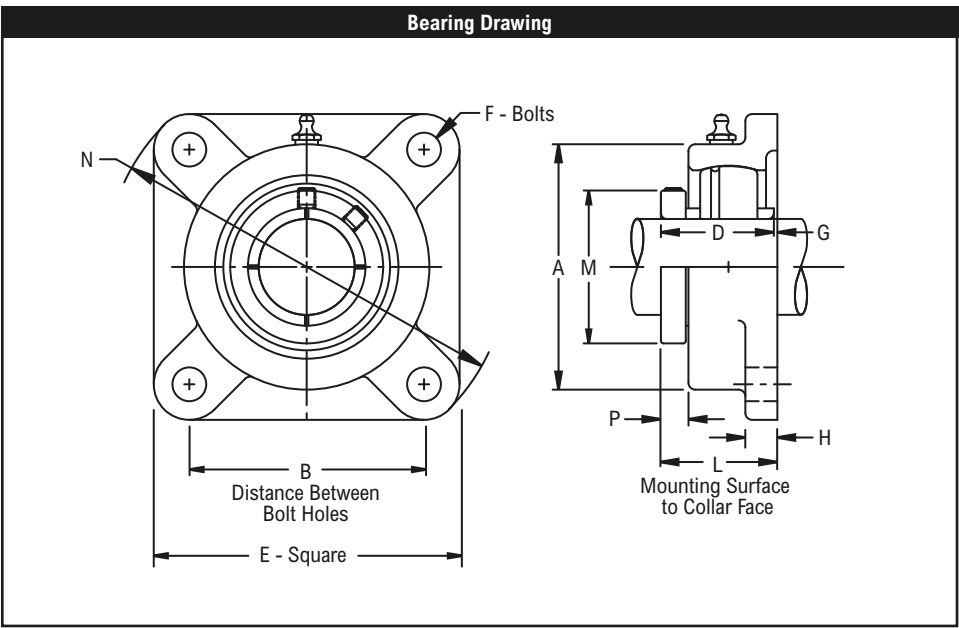
Bearing Dimensions

Size Code	Shaft Diameter	Part Number	B Distance Between Bolt Holes	L Mounting Surface to Collar Face	A	D	E	F	G	H	M	N	P	Approx. Weight
203	1/2	KFC445-12◆●□Δ	2 1/8	1 13/64	2 1/8	1 3/32	3	3/8	7/64	7/16	1 1/8	3 7/8	19/64	1.22
	5/8	KFC445-58◆●□Δ									1 13/64			1.18
	11/16	KFC445-1116◆●□Δ									1 13/64			1.16
204	3/4	KFC445-34◆●□Δ	2 1/2	1 9/32	2 3/8	1 7/32	3 3/8	3/8	1/16	7/16	1 3/8	4 13/32	11/32	1.31
	20.00	KFC445-20◆●□Δ												63.50
205	7/8	KFC445-78◆●□Δ	2 3/4	1 3/8	2 3/4	1 5/16	3 3/4	7/16	1/16	17/32	1 9/16	4 7/8	11/32	1.81
	15/16	KFC445-1516◆●□Δ												1.78
	1	KFC4451◆●□Δ												69.85
206	1 1/8	KFC4451-18◆●□Δ	3 1/4	1 9/16	3 1/4	1 1/2	4 1/4	7/16	1/16	17/32	1 13/16	5 9/16	7/16	3.11
	1 3/16	KFC4451-316◆●□Δ									2			3.07
	1 1/4	KFC4451-14S◆●□Δ									2			3.03
207	1 1/4	KFC4451-14◆●□Δ	3 5/8	1 3/4	3 3/4	1 11/16	4 5/8	1/2	1/16	9/16	2	6 1/8	15/32	3.59
	1 3/8	KFC4451-38◆●□Δ									2 1/4			3.49
	1 7/16	KFC4451-716◆●□Δ									2 1/4			3.44
208	1 1/2	KFC4451-12◆●□Δ	4	2 1/64	4 1/8	1 15/16	5 1/4	1/2	5/64	9/16	2 1/2	6 3/4	33/64	4.81
	1 5/8	KFC4451-58◆●□Δ												4.67
	40.00	KFC445-40◆●□Δ												101.60
209	1 5/8	KFC4451-58L◆●□Δ	4 1/8	2 3/64	4 3/8	1 15/16	5 3/8	9/16	7/64	9/16	2 1/2	7 1/16	31/64	4.99
	1 11/16	KFC4451-1116◆●□Δ									2 11/16			4.92
	1 3/4	KFC4451-34◆●□Δ									2 11/16			4.84
210	1 7/8	KFC4451-78◆●□Δ	4 3/8	2 5/32	4 9/16	2 1/32	5 5/8	9/16	1/8	9/16	2 7/8	7 15/32	19/32	5.52
	1 15/16	KFC4451-1516◆●□Δ												5.43
	2	KFC4452◆●□Δ												5.34
211	2	KFC4452L◆●□Δ	5 1/8	2 5/16	5 1/4	2 3/16	6 3/8	5/8	1/8	13/16	2 7/8	8 1/2	9/16	9.19
	2 3/16	KFC4452-316◆●□Δ									3 1/8			8.89
	2 1/4	KFC4452-14◆●□Δ									3 1/8			8.79
212	2 1/4	KFC4452-14L◆●□Δ	5 5/8	2 11/16	5 1/2	2 9/16	6 7/8	5/8	1/8	13/16	3 1/8	9 1/4	27/32	10.32
	2 3/8	KFC4452-38◆●□Δ									3 3/8			10.08
	2 7/16	KFC4452-716◆●□Δ									3 3/8			9.96
215	2 15/16	KFC4452-1516◆●□Δ	6	3 3/16	6 1/2	3 1/16	7 3/4	3/4	1/8	1	3 15/16	10 1/4	7/8	11.00

Additional Notes

Please call 1-866-REXNORD for availability
 Lubrication fitting tap size, 1/8" PT
 Lip seals standard
 ◆ Available with E1 viton seals for size codes 212 and smaller
 ♦ Available with TFF viton seals for size codes above 212
 Available with free running style seals, add suffix ● FF, □ HFF or Δ MHFF for size codes 212 and smaller
 Add suffix ● FF, □ SFF or Δ MKFF for size codes above 212

Selection Guide, see Krown Regal Ball Bearing Selection Guide section
 Load Ratings & Speed Limits, see Krown Regal Ball Bearing Load Ratings & Speed Limits section
 Note: Dimensions subject to change. Certified dimensions of ordered material furnished on request.



Product Features

- Corrosion resistant powder coating
- Cast iron housing
- Broad range of sealing options
- Wide inner ring for increased shaft stability
- Centrik-Lok shaft locking device
- Alignable & relubricatable
- See Features & Benefits for additional info.

Bearing Dimensions														
Size Code	Shaft Diameter	Part Number	B Distance Between Bolt Holes	L Mounting Surface to Collar Face	A	D	E	F	G	H	M	N	P	Approx. Weight
206	1	KFC4551-116	3 1/4	1 9/16	3 1/4	1 1/2	4 1/4	7/16	1/16	17/32	1 13/16	5 19/32	7/16	3.15
207	1 3/16	KFC4551-316	3 5/8	1 3/4	3 3/4	1 11/16	4 5/8	1/2	1/16	9/16	2	6 1/8	15/32	3.50
208	1 7/16	KFC4551-716	4	2 1/64	4 1/8	1 15/16	5 1/4	1/2	5/64	9/16	2 1/4	6 25/32	33/64	4.87
209	1 1/2	KFC4551-12	4 1/8	2 3/64	4 3/8	1 15/16	5 3/8	9/16	7/64	9/16	2 1/2	7 3/32	31/64	5.17
210	1 11/16	KFC4551-1116	4 3/8	2 5/32	4 9/16	2 1/32	5 5/8	9/16	1/8	9/16	2 3/4	7 7/16	19/32	5.80
	1 3/4	KFC4551-34												
211	1 15/16	KFC4551-1516	5 1/8	2 5/16	5 1/4	2 3/16	6 3/8	5/8	1/8	13/16	2 7/8	8 1/2	9/16	9.35
212	2 3/16	KFC4552-316	5 5/8	2 11/16	5 1/2	2 9/16	6 7/8	5/8	1/8	13/16	3 1/8	9 1/4	27/32	10.41
214	2 7/16	KFC4552-716	5 7/8	3	6 1/8	2 3/4	7 3/8	5/8	1/4	13/16	3 3/4	9 13/16	27/32	14.62
	2 1/2	KFC4552-12												
215	2 11/16	KFC4552-1116	6	3 3/16	6 1/2	3 1/16	7 3/4	3/4	1/8	1	3 15/16	10 1/4	7/8	17.04
216	2 15/16	KFC4552-1516	6	3 1/2	6 3/4	3 1/4	7 3/4	3/4	1/4	1	4 3/16	10 1/4	1 1/32	18.73
	3	KFC4553												
218	3 3/16	KFC4553-316	6 3/4	3 31/32	7 3/4	3 25/32	8 3/4	3/4	3/16	1	4 13/16	11 1/4	1 7/32	26.25
	3 7/16	KFC4553-716												25.36
	3 1/2	KFC4553-12												25.20

Additional Notes

Please call 1-866-REXNORD for availability
 Lubrication fitting tap size, 1/8" PT
 Lip seals standard
 ♦ Available with E1 viton seals for size codes 212 and smaller
 ♦ Available with TFF viton seals for size codes above 212
 Available with free running style seals, Add suffix • FF, □ HFF or Δ MHFF for size codes 212 and smaller
 Add suffix • FF, □ SFF or Δ MKFF for size codes above 212

Selection Guide, see Krown Regal Ball Bearing Selection Guide section Load Ratings & Speed Limits, see Krown Regal Ball Bearing Load Ratings & Speed Limits section
 Note: Dimensions subject to change. Certified dimensions of ordered material furnished on request.

PFC445

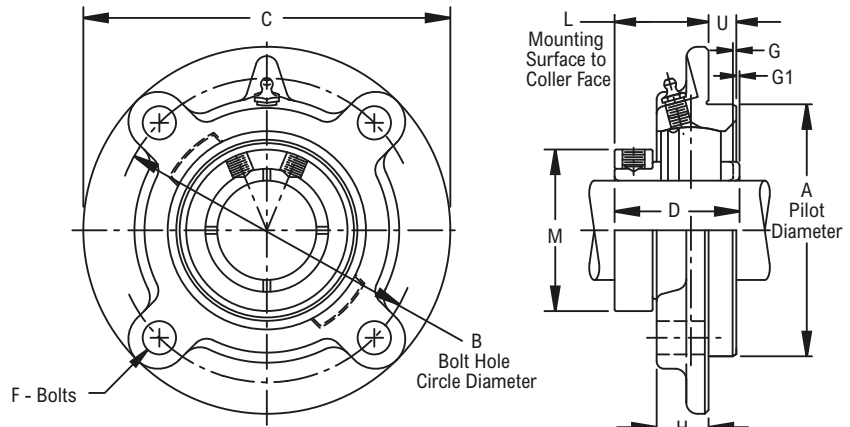


Photo Shows a 4-Bolt Ball Bearing Flanged Cartridge Unit

Product Features

- Corrosion resistant powder coating
- Cast iron housing
- Broad range of sealing options
- Wide inner ring for increased shaft stability
- Centrik-Lok shaft locking device
- Alignable & relubricatable
- See Features & Benefits for additional info.

Bearing Drawing



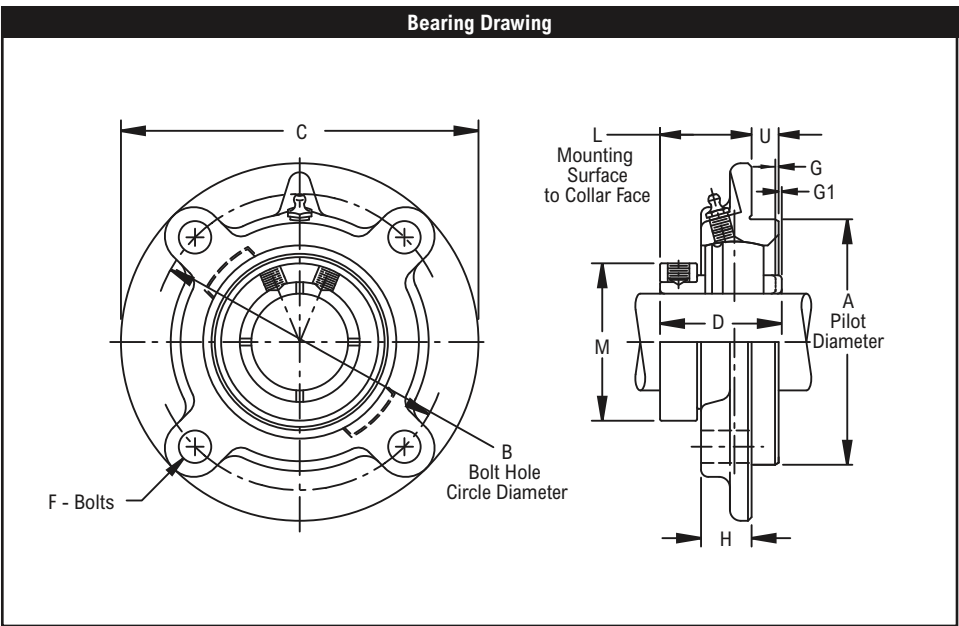
Bearing Dimensions

Size Code	Shaft Diameter	Part Number	A Pilot Diameter	B Bolt Hole Diameter	L Mounting Surface to Collar Face	C	D	F	G & G1	H	M	U	Approx. Weight
207	1 1/4	PFC4451-14◆●□△	3.375	4 1/8	1 23/32	5	1 11/16	7/16	1/32	7/8	2	3/8	3.51
	1 3/8	PFC4451-38◆●□△									2 1/4		3.41
	1 7/16	PFC4451-716◆●□△									2 1/4		3.35
208	1 1/2	PFC4451-12◆●□△	3.625	4 3/8	1 35/64	5 1/4	1 15/16	7/16	1/64	7/8	2 1/2	7/16	4.04
	1 5/8	PFC4451-58◆●□△									2 1/2		3.90
	40.00	PFC445-40◆●□△									92.080		111.12
209	1 5/8	PFC4451-58L◆●□△	3.625	4 3/8	1 17/32	5 1/4	1 15/16	7/16	1/32	7/8	2 1/2	7/16	4.26
	1 11/16	PFC4451-1116◆●□△									2 1/16		4.16
	1 3/4	PFC4451-34◆●□△									2 1/16		4.09
210	1 7/8	PFC4451-78◆●□△	4.250	5 1/8	1 39/64	6 1/8	2 1/32	1/2	1/64	7/8	2 7/8	15/32	5.53
	1 15/16	PFC4451-1516◆●□△											5.44
	2	PFC4452◆●□△											5.35
211	2	PFC4452L◆●□△	4.500	5 3/8	1 37/64	6 3/8	2 3/16	1/2	3/64	7/8	2 7/8	5/8	6.50
	2 3/16	PFC4452-316◆●□△									3 1/8		6.06
	2 1/4	PFC4452-14◆●□△									3 1/8		5.96
212	2 1/4	PFC4452-14L◆●□△	5.000	6	1 29/32	7 1/8	2 9/16	9/16	5/32	1	3 1/8	7/8	9.08
	2 3/8	PFC4452-38◆●□△									3 3/8		8.84
	2 7/16	PFC4452-716◆●□△									3 3/8		8.72
215	2 15/16	PFC4452-1516◆●□△	6.375	7 1/2	2	8 3/4	3 1/16	5/8	1/8	1	3 15/16	1	14.78

Additional Notes

Please call 1-866-REXNORD for availability
 Lubrication fitting tap size, 1/8" PT
 Pilot Diameter tolerance, +.000"/-.002" (+0.00mm/-0.05mm)
 Bore tolerance for mounting, +.002"/-.000" (+0.05mm/-0.00mm)
 For size codes 207 & 212 use the G Dimension; for all other size codes use G1
 Lip seals standard
 ◆ Available with E1 viton seals for size codes 212 and smaller
 ◆ Available with TFF viton seals for size codes above 212

Available with free running style seals, Add suffix ● FF, □ HFF or △ MHFF for size codes 212 and smaller
 Add suffix ● FF, □ SFF or △ MKFF for size codes above 212
 Selection Guide, see Krown Regal Ball Bearing Selection Guide section
 Load Ratings & Speed Limits, see Krown Regal Ball Bearing Load Ratings & Speed Limits section
 Note: Dimensions subject to change. Certified dimensions of ordered material furnished on request.



Bearing Dimensions

Size Code	Shaft Diameter	Part Number	A Pilot Diameter	B Bolt Hole Circle Diameter	L Mounting Surface to Collar Face	C	D	F	G & G1	H	M	U	Approx. Weight
207	1 3/16	PFC4551-316◆●□△	3.375	4 1/8	1 23/32	5	1 11/16	7/16	1/32	7/8	2	3/8	3.71
208	1 7/16	PFC4551-716◆●□△	3.625	4 3/8	1 35/64	5 1/4	1 15/16	7/16	1/64	7/8	2 1/4	7/16	3.97
209	1 1/2	PFC4551-12◆●□△	3.625	4 3/8	1 17/32	5 1/4	1 15/16	7/16	1/32	7/8	2 1/2	7/16	4.75
210	1 11/16	PFC4551-1116◆●□△	4.250	5 1/8	1 39/64	6 1/8	2 1/32	1/2	1/64	7/8	2 3/4	15/32	5.60
	1 3/4	PFC4551-34◆●□△											
211	1 15/16	PFC4551-1516◆●□△	4.500	5 3/8	1 37/64	6 3/8	2 3/16	1/2	3/64	7/8	2 7/8	5/8	6.27
	2	PFC4552◆●□△											
212	2 3/16	PFC4552-316◆●□△	5.000	5	1 29/32	7 1/8	2 9/16	9/16	5/32	1	3 1/8	1	8.99
214	2 7/16	PFC4552-716◆●□△◆	5.500	6 1/2	1 31/32	7 5/8	2 3/4	9/16	5/32	1	3 3/4	1	11.48
	2 1/2	PFC4552-12◆●□△◆											
215	2 11/16	PFC4552-1116◆●□△◆	6.375	7 1/2	2	8 3/4	3 1/16	5/8	1/8	1	3 15/16	1	15.44
216	2 15/16	PFC4552-1516◆●□△◆	6.375	7 1/2	2 1/8	8 3/4	3 1/4	5/8	1/16	1 1/8	4 3/16	1	15.80
	3	PFC4553◆●□△◆											
218	3 3/16	PFC4553-316◆●□△◆	7.375	8 5/8	2 29/64	10 1/4	3 25/32	3/4	17/64	1 1/8	4 13/16	1 1/8	23.50
	3 7/16	PFC4553-716◆●□△◆											
	3 1/2	PFC4553-12◆●□△◆											

Additional Notes

Please call 1-866-REXNORD for availability
 Lubrication fitting tap size, 1/8" PT
 Pilot Diameter tolerance, +.000"/-.002" (+0.00mm/-0.05mm)
 Bore tolerance for mounting, +.002"/-.000" (+0.05mm/-0.00mm)
 For size codes 207 & 212 use the G Dimension; for all other size codes use G1
 Lip seals standard
 ◆ Available with E1 viton seals for size codes 212 and smaller
 ◆ Available with TFF viton seals for size codes above 212

Available with free running style seals, Add suffix ● FF, □ HFF or △ MHFF for size codes 212 and smaller
 Add suffix ● FF, □ SFF or △ MKFF for size codes above 212
 Selection Guide, see Krown Regal Ball Bearing Selection Guide section
 Load Ratings & Speed Limits, see Krown Regal Ball Bearing Load Ratings & Speed Limits section
 Note: Dimensions subject to change. Certified dimensions of ordered material furnished on request.

KMB45

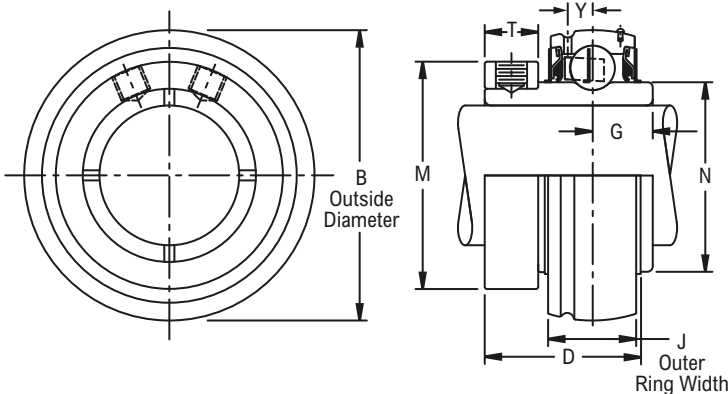


Photo Shows an Unmounted Ball Bearing Unit

Product Features

- Broad range of sealing options
- Wide inner ring for increased shaft stability
- Centrik-Lok shaft locking device
- Sealed & relubricatable
- Spherical O.D.
- See Features & Benefits for additional info.

Bearing Drawing



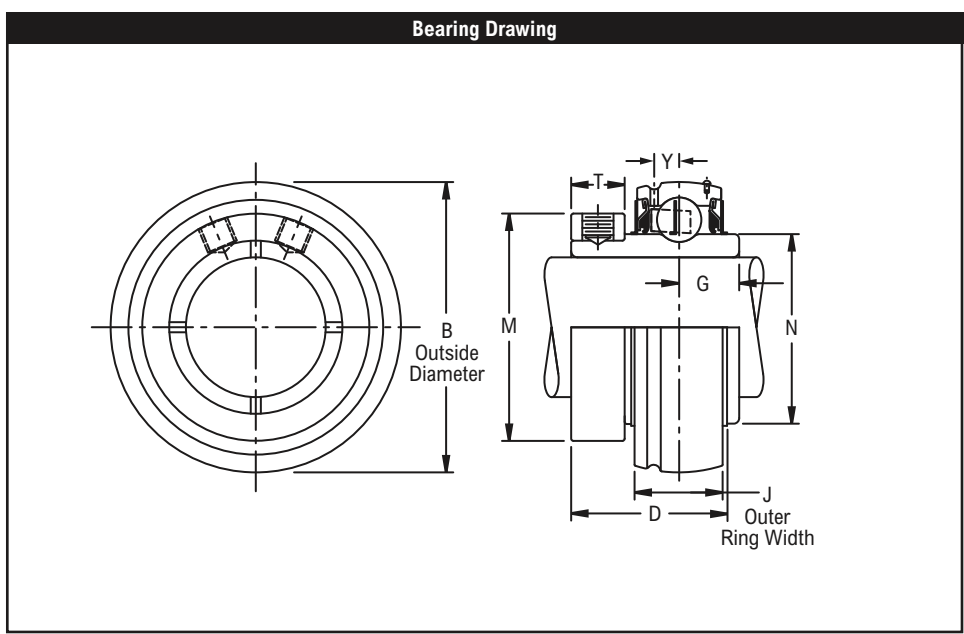
Bearing Dimensions

Size Code	Shaft Diameter	Part Number	B O.D.	J Outer Ring Width	D	G	M	N	T		Y	Approx. Weight
									Tap Size	Width		
203	1/2	KMB45-12-PA♦♦ □Δ	1.5748	0.5118	1 3/32	0.4530	1 1/8	0.941	10-32 in	9/32	0.158	0.39
	5/8	KMB45-58-PA♦♦ □Δ					1 13/64					0.35
	11/16	KMB45-1116-PA♦♦ □Δ					0.33					
204	3/4	KMB45-34-PA♦♦ □Δ	1.8504	0.5906	1 7/32	0.5000	1 3/8	1.121	1/4-28	11/32	0.176	0.43
	20.00	KMB45-20-PA♦♦ □Δ	47.0000	15.0000	30.96	12.7000	34.90	28.470	M6X1	8.70	4.470	0.20
205	7/8	KMB45-78-PA♦♦ □Δ	2.0472	0.5906	1 5/16	0.5620	1 9/16	1.313	1/4-28	11/32	0.176	0.55
	15/16	KMB45-1516-PA♦♦ □Δ					0.52					
	1	KMB451-PA♦♦ □Δ					0.49					
	25.00	KMB45-25-PA♦♦ □Δ	52.0000	15.0000	33.32	14.2700	39.70	33.350	M6X1	8.70	4.470	0.20
206	1 1/8	KMB451-18-PA♦♦ □Δ	2.4409	0.7087	1 1/2	0.6250	1 13/16	1.587	1/4-28	7/16	0.202	0.87
	1 3/16	KMB451-316-PA♦♦ □Δ					0.84					
	1 1/4	KMB451-14S-PA♦♦ □Δ					0.82					
207	1 1/4	KMB451-14-PA♦♦ □Δ	2.8346	0.7480	1 11/16	0.6880	2	1.847	5/16-24	7/16	0.227	1.35
	1 3/8	KMB451-38-PA♦♦ □Δ					1.30					
	1 7/16	KMB451-716-PA♦♦ □Δ					1.24					
208	1 1/2	KMB451-12-PA♦♦ □Δ	3.1496	0.8661	1 15/16	0.7500	2 1/2	2.083	5/16-24	7/16	0.263	1.68
	1 5/8	KMB451-58-PA♦♦ □Δ					1.61					
	40.00	KMB45-40-PA♦♦ □Δ					80.0000					22.0000
209	1 5/8	KMB451-58L-PA♦♦ □Δ	3.3465	0.8661	1 15/16	0.7500	2 1/2	2.281	5/16-24	7/16	0.256	1.93
	1 11/16	KMB451-1116-PA♦♦ □Δ					1.90					
	1 3/4	KMB451-34-PA♦♦ □Δ					1.86					
210	1 7/8	KMB451-78-PA♦♦ □Δ	3.5433	0.8661	2 1/32	0.7500	2 7/8	2.475	3/8-24	9/16	0.256	2.13
	1 15/16	KMB451-1516-PA♦♦ □Δ					2.04					
	2	KMB452-PA♦♦ □Δ					1.95					
211	2	KMB452L-PA♦♦ □Δ	3.9370	0.9843	2 3/16	0.8750	2 7/8	2.749	3/8-24	9/16	0.298	2.58
	2 3/16	KMB452-316-PA♦♦ □Δ					2.46					
	2 1/4	KMB452-14-PA♦♦ □Δ					2.36					
212	2 1/4	KMB452-14L-PA♦♦ □Δ	4.3307	1.0630	2 9/16	1.0000	3 1/8	3.012	3/8-24	9/16	0.330	3.41
	2 3/8	KMB452-38-PA♦♦ □Δ					3.32					
	2 7/16	KMB452-716-PA♦♦ □Δ					3.29					
215	2 15/16	KMB452-1516-PA♦♦ □Δ	5.1181	1.1835	3 1/16	1.3120	3 15/16	3.632	3/8-24	9/16	0.266	5.44

Additional Notes

Please call 1-866-REXNORD for availability
 Bearing O.D. tolerance for size code 203 thru 208, +.0000"/-.0005"
 (+0.000mm/-0.013mm); for all other size codes, +.0000"/-.0006"
 (+0.000mm/-0.015mm)
 Lip seals standard
 ♦ Available with E1 viton seals for size codes 212 and smaller
 ♦ Available with TFF viton seals for size codes above 212

Available with free running style seals, Add suffix ♦ FF, □ HFF or Δ MHFF for size codes 212 and smaller
 Add suffix ♦ FF, □ SFF or Δ MKFF for size codes above 212
 Selection Guide, see Krown Regal Ball Bearing Selection Guide section
 Load Ratings & Speed Limits, see Krown Regal Ball Bearing Load Ratings & Speed Limits section
 Note: Dimensions subject to change. Certified dimensions of ordered material furnished on request.



Product Features

- Broad range of sealing options
- Wide inner ring for increased shaft stability
- Centrik-Lok shaft locking device
- Sealed & relubricatable
- Spherical O.D.
- See Features & Benefits for additional info.

Bearing Dimensions

Size Code	Shaft Diameter	Part Number	B O.D.	J Outer Ring Width	D	G	M	N	T		Y	Approx. Weight
									Tap Size	Width		
206	1	KMB551-PA◆●□△	2.4409	0.7087	1 1/2	0.6250	1 13/16	1.587	1/4-28	7/16	0.202	0.92
207	1 3/16	KMB551-316-PA◆●□△	2.8346	0.7480	1 11/16	0.6880	2	1.847	5/16-24	7/16	0.227	1.30
208	1 7/16	KMB551-716-PA◆●□△	3.1496	0.8661	1 15/16	0.7500	2 1/4	2.083	5/16-24	7/16	0.263	1.61
209	1 1/2	KMB551-12-PA◆●□△	3.3465	0.8661	1 15/16	0.7500	2 1/2	2.281	5/16-24	7/16	0.256	1.93
210	1 11/16	KMB551-1116-PA◆●□△	3.5433	0.8661	2 1/32	0.7500	2 3/4	2.475	3/8-24	9/16	0.256	2.25
	1 3/4	KMB551-34-PA◆●□△										
211	1 15/16	KMB551-1516-PA◆●□△	3.9370	0.9843	2 3/16	0.8750	2 7/8	2.749	3/8-24	9/16	0.298	2.55
	2	KMB552-PA◆●□△										
212	2 3/16	KMB552-316-PA◆●□△	4.3307	1.0630	2 9/16	1.0000	3 1/8	3.012	3/8-24	9/16	0.330	3.44
214	2 7/16	KMB552-716-PA◆●□△	4.9213	1.1545	2 3/4	1.0620	3 3/4	3.433	3/8-24	9/16	0.266	5.34
	2 1/2	KMB552-12-PA◆●□△										
215	2 11/16	KMB552-1116-PA◆●□△	5.1181	1.1835	3 1/16	1.3120	3 15/16	3.632	3/8-24	9/16	0.266	5.86
216	2 15/16	KMB552-1516-PA◆●□△	5.5118	1.2575	3 1/4	1.3120	4 3/16	3.920	3/8-24	9/16	0.282	6.50
	3	KMB553-PA◆●□△										
218	3 3/16	KMB553-316-PA◆●□△	6.2992	1.3945	3 25/32	1.5620	4 13/16	4.396	3/8-24	9/16	0.313	10.21
	3 7/16	KMB553-716-PA◆●□△										
	3 1/2	KMB553-12-PA◆●□△										

Additional Notes


Please call 1-866-REXNORD for availability
 Bearing O.D. tolerance for size code 206 thru 208, +.0000"/-.0005"
 (+0.000mm/-0.013mm); for size code 209 thru 215, +.0000"/-.0006"
 (+0.000mm/-0.015mm); for all other size codes, +.0000"/-.0008"
 (+0.000mm/-0.020mm)

Lip seals standard

- ◆ Available with E1 viton seals for size codes 212 and smaller
- ◆ Available with TFF viton seals for size codes above 212

Available with free running style seals, add suffix ● FF, □ HFF or
 △ MHFF for size codes 212 and smaller
 Add suffix ● FF, □ SFF or △ MKFF for size codes above 212
 Selection Guide, see Krown Regal Ball Bearing Selection Guide section
 Load Ratings & Speed Limits, see Krown Regal Ball Bearing Load
 Ratings & Speed Limits section
 Note: Dimensions subject to change. Certified dimensions of ordered
 material furnished on request.

Link-Belt® *Rigid Sleeve Bearings*

The image displays three Link-Belt Rigid Sleeve Bearings. Each bearing consists of a black cast metal housing with a central cylindrical bore. The bores are lined with a different material: the top bearing has a silver-colored lining, the middle one has a gold-colored lining, and the bottom one has a darker, possibly bronze-colored lining. The bearings are arranged on a perforated metal surface, with the top one being the largest and the bottom one the smallest. The background is a red and orange gradient with a circular pattern of small holes.

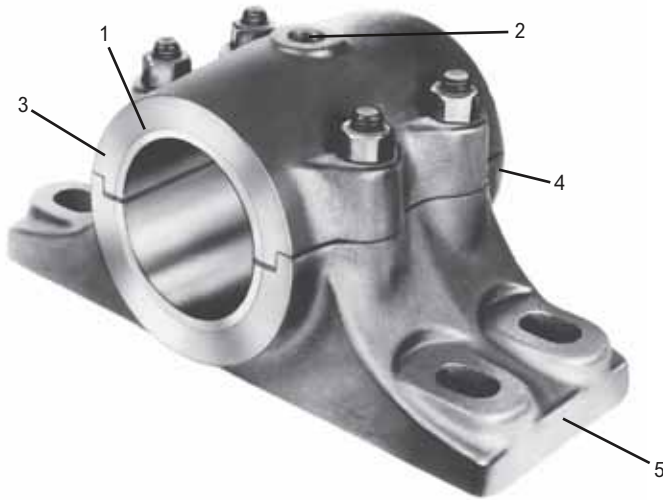
Rigid sleeve bearing units provide compact and reliable usage in applications where continuous operation and uninterrupted service are required.

Rigid Sleeve Bearing Units and Takeups

Rigid sleeve bearing units provide compact and reliable usage in applications where continuous operation and uninterrupted service are required. Because the bearing material wears gradually, sudden breakdowns and costly maintenance, are minimized. Sleeve bearings can also operate extremely quietly. The standard bearing materials of babbitt, bronze and cast iron will handle a wide variety of applications such as on log decks,

sewage treatment equipment, furnaces and ovens, quiet operating fans and blowers, power plant dampers and stokers, oscillating shaft applications and other general conveying and power transmission machinery. Babbitt bearings are used for moderate speeds and loads and ambient temperatures up to 130°F (54°C). Babbitt has the ability to give excellent service with a minimum of maintenance.

Bronze bearings are recommended for heavier loads, impact, and temperatures beyond the limits of babbitt bearings. They can be operated at ambient temperatures up to 300°F (149°C) providing satisfactory lubrication is available. Bronze has excellent all-around bearing characteristics; it has a relatively low coefficient of friction and a remarkable resistance to shock and wear.



1. Bearing of babbitt or bronze is securely anchored in housing.
2. Housing is drilled and tapped for grease cup or lubrication fitting; grooves distribute lubricant over loaded area.
3. Finished ends permit flush mounting of pulley, sprocket, or collar against bearing when required.
4. Two-piece pillow block has shims to provide for adjustment and compensate for wear.
5. Mounting surface is finished to provide firm seating on flat support.

One-piece Pillow Blocks

One-piece pillow blocks are recommended for general applications where it is unnecessary to remove a bearing cap. They are available with babbitt, bronze or plain bore cast iron bearings.



Two-piece Pillow Blocks

Two-piece pillow blocks are used whenever a bearing with a removable cap is required. They are available with babbitt or bronze bearings. For heavy side pressures or angular loading, housings with gibbed joints provide greater strength. Cast steel housings are used where sudden shocks or heavy impact loads are encountered.



Flanged Units

Flanged units with square flanges have slotted mounting holes to make them interchangeable with most common ball and roller bearing bolting patterns. These units have either babbitt or bronze bearings.



Nomenclature		
Symbol	Description	
None	One-piece housing, cast iron	} ————— 2K
2—	Two-piece housing, cast iron	
2K	Two-piece housing, cast steel	
10	Pillow block, one-piece, 2-bolt base	} ————— 15
11	Pillow block, plain iron (no sleeve)	
12	Pillow block, angle type split joint, 2-bolt base	
13	Pillow block, angle type split joint, 4-bolt base	
14	Pillow block, horizontal gibbed joint, 4-bolt base	
15	Pillow block, angle type split joint, 40° off horizontal	
F22	Flanged unit, square, 4-bolt	} ————— 95
DS28	Takeup, conveyor, heavy rigid frame	
DSB28	Takeup, conveyor, heavy hinged frame	
95	Shaft diameter in 16ths of an inch	} ————— F
F	4-bolt base (units 1000, 1100 only)	
None	Babbitt bearing (except units 1100)	} ————— Z—
Z	Bronze bearing	
XX	Takeup adjustment, inches	—————

Rigid Sleeve Bearing Units

To select a rigid sleeve bearing, determine the applied radial load and the applicable operating conditions. The procedure shown here will aid in selecting an appropriate bearing.

The selection procedures and rating formulas used here are in agreement with industry standards for sleeve bearings established by the Mechanical Power Transmission Association. The bearing ratings apply when certain installation and operating conditions are met and when any other adverse ambient conditions such as high or low temperatures, extreme dirt or moisture, chemical contamination, shock or vibration loading direct or induced, oscillating shafts, intermittent operation and related factors are carefully considered.

The ratings used apply when the following conditions are met:

1. Align bearings with the shaft to provide uniform load distribution.
2. Normal running loads should not exceed the ratings shown in the tables. Starting and occasional peak loads should not exceed these ratings by more than 100%.
3. The direction of the load should not be within 30° (.53 radians) of either side of the grease groove and must further meet any load direction limitations imposed by Table 1.
4. The shaft finish through the bearing bore should be at least as smooth as that of normal

commercial cold finished steel shafting (about 32 micro-inches or .82µm). There should also be no machined or ground spiral lead on the shaft journal. Shafting should be within the diameter tolerances listed on the next page.

5. Ambient temperatures should not exceed 130°F (54°C) for babbitt and 300°F (149°C) for bronze bearings. This temperature limit applies to shafts extending from ovens, high temperature fans, etc.
6. Sturdy, vibration-free supporting structures must be provided, along with adequate grease lubrication.

Selection

Step 1

From Table 1, select the bearing material and housing series and material suitable for the radial load direction.

Step 2


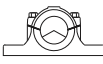

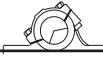





Refer to the radial load rating tables in the Load Ratings and Speed Limits section to determine the shaft diameter necessary to obtain the required radial rating at the given speed.

If the conditions described above cannot be met, the load should be increased by a service factor prior to selecting the bearing sizes from the tables shown in the Load Ratings and Speed Limits section. The service factor may be as high as 2.0 for conditions to the left of the “stair-step” line, or as high as 3.0 for conditions to the right of the line. Consult Rexnord Bearing Division.

Step 3

To position a shaft axially or where light thrust loads are present provide thick bronze washers backed by a shaft collar or a machined shaft shoulder against the end of the bearing. The bearing ends are already machined.

Table 1 – Bearing material and unit type selection

Material		Recommended loading range, degrees, radius for pillow block or flanged unit*	Available shaft sizes, inches	Rigid unit series		
				Pillow block		Flanged Unit
Bearing	Housing			2-bolt	4-bolt	Square
Babbitt	Cast iron one-piece	 300° 5.2 rad	1/2 - 2 15/16	1000		
			3/4 - 3 15/16			F2200
			3 7/16 - 3 15/16		1000F	
	Cast iron two-piece	 120° 2.1 rad	7/8 - 3 15/16	2-1200		
			3 7/16 - 4 15/16		2-1300	
			 300° 5.2 rad	1 15/16 - 8		2-1400
	 □ 120° 2.1 rad	1 15/16 - 9		2-1500		
Bronze	Cast iron one-piece	 300° 5.2 rad	1/2 - 2 15/16	1000Z		
			3/4 - 3 15/16			F2200Z
			3 7/16 - 3 15/16		1000FZ	
	Cast iron two-piece	 120° 2.1 rad	7/8 - 3 15/16	2-1200Z		
			 300° 5.2 rad	1 15/16 - 8		2-1400Z
			 □ 120° 2.1 rad	1 15/16 - 8		2-1500Z
Cast steel two-piece	 300° 5.2 rad	1 15/16 - 12		2K1400Z		

* Shaded portion of drawings represents recommended loading range with the grease groove horizontal and opposite the loaded area. For other positioning, consult Rexnord Bearing Division.

□ 300°(5.2 rad.) for housings with gibbed joint construction.

Additional Information

Sleeve Bearing Materials:

Plain bearings made of babbitt are universally accepted as providing reasonable capacity and dependable service, often under adverse conditions. Babbitt is a relatively soft bearing material and for this reason minimizes danger of scoring or damage to shafts or rotors. It can often be repaired quickly on the spot by rescraping, pouring of new metal, etc. Bearing operating temperature should not exceed 130°F (54°C) although occasional peaks to 200°F (93°C) may be tolerated. Babbitt bearings are usually restricted to applications involving light to moderate loads and mild shock.

Bronze bearings are suitable for heavier loads than babbitt (75% to 200% higher), depending upon specific conditions of load and speed. Bronze with stands higher shock loads and permits some what higher speed operation. It is usually restricted to 300°F (150°C) ambient temperature, although normal multi-purpose greases are limited to 200°-250°F (93°-121°C) operating temperature. Bronze is a harder material than babbitt and has a greater tendency to score or damage shafts in the event of malfunction such as lack of relubrication. Field repair of bronze bearings generally requires removing shims and scraping or replacement of bushings.

Cast iron bearings (series 1100) are low in cost and suitable for many slow moving shafts and oscillating or reciprocating arms supporting

relatively light loads. The lubricating characteristics of cast iron are attributed to the free graphite flakes present in the material. With the use of cast iron bearings, higher shaft clearance is usually utilized. Thus any large wear particles or debris will not join or seize the bearing. This material has been used to temperatures as high as 1000°F (538°C) under light loads and slow speed intermittent operations, where ordinary lubricants are ineffective.

Additional Features:

By the very nature of their design, all rigid sleeve bearing units are expansion type, in that the shaft journal is free to slide axially through the bore of the bearing. To fix a unit, a combination of shaft shoulders and/or thrust collars with bronze washers can be utilized.

Rigid sleeve bearing units have cored mounting bolt holes suitable for the inch or metric bolts listed.

Bearings can be replaced in units with bronze sleeves. Care should be taken when replacing bronze sleeves, split or solid, to firmly anchor the sleeve to the housing.

Operation:

Rigid sleeve bearing units are not prelubricated. The service instructions packed with shipments provide guide lines for initial lubrication and relubrication intervals. As lack of lubrication results in bearing and shaft wear, care must be taken to assure an adequate supply of correct

lubricant, especially during initial startup and until satisfactory relubrication intervals are determined. Very careful shaft alignment is necessary during installation. Shaft journals must turn freely without binding in the bearing or excessive heat and seizure can result. Any factor which may disrupt or remove the lubricant film should be eliminated as well. Sharp edges on the shaft or the bearing surface can act as scrapers to destroy lubricant films. Do not extend shaft keyways into bearing bores. When rigid sleeve bearings must carry light to medium thrust loads, thrust washers of bronze should be placed against the already machined face of the bearing and backed by substantial thrust collars, shaft shoulders, machined gear, sprocket or sheave faces, etc.

Takeups:

Rigid sleeve bearing pillow blocks can be mounted on the universal takeup frame LC, and LHD universal takeup frame. Alignment of rigid sleeve bearing takeups is difficult and must be carefully accomplished. Alignment must also be maintained during any further adjustment of the takeup after operation. Bolt takeup frames firmly to good supporting structure to prevent frame overload and distortion.

Shaft Tolerances:

Shaft diameters for rigid sleeve bearing units are usually held to the following regular commercial tolerances:

Shaft Diameters	Recommended Tolerance
through 2"	Nominal to -.003"
2 1/16" through 4"	Nominal to -.004"
4 1/16" through 6"	Nominal to -.005"
6 1/16" through 13"	Nominal to -.006"

Warning:

The reliability built in all Link-Belt bearings can be realized in service only when bearings are correctly selected, properly installed, protected and maintained.

The correct selection of rigid sleeve bearing mounted units requires that the magnitude and nature of all loads, speeds, alignment, mounting, operating requirements and maintenance be adequately considered. The selection of materials for and design of housings, shafting, fasteners, and accessories as well as provisions for installation and maintenance must follow good engineering principles.

Housings must be selected and installed with regard to the degree and direction of the forces that will occur. Housings should not be used under tension loads except with adequate safety factors. For this reason pillow blocks are best suited to withstand radial loads passing through the base. When heavy loads or shock loads are possible, it is most important to mount a unit so that the line of force passes directly into the base, or so that the unit is directly and substantially supported other than through its mounting bolts.

Where the line of force falls outside the base, serious housing and fastener deflection or failure may occur.

Takeups are best located where loads are moderate and no shock loads are present. As many mounting arrangements are possible with takeups, proper safety factors must always be considered on all items of the system, including shafts, housings, fasteners, and adjusting screws. Rexnord Bearing Division, should be consulted where unusual loading conditions exist.

Load Ratings – Babbitt Rigid Sleeve Bearing Units

Radial load ratings for 10 to 300 RPM (pounds/newtons) * ■

Shaft diameter, inches	Shaft speed, RPM													
	10		50		100		150		200		250		300	
1/2	100	445	100	445	100	445	95	423	95	423	95	423	95	423
5/8	150	667	150	667	145	645	145	645	140	623	140	673	135	600
3/4	180	801	175	778	175	778	170	756	170	756	165	734	160	712
7/8	260	1 157	255	1 134	250	1 112	245	1 090	240	1 068	235	1 045	230	1 023
15/16	280	1 246	275	1 223	265	1 179	260	1 157	255	1 134	250	1 112	245	1 090
1	295	1 312	290	1 290	285	1 268	280	1 246	270	1 201	265	1 179	260	1 157
1 1/8	415	1 846	410	1 824	400	1 779	390	1 735	380	1 690	370	1 646	355	1 579
1 3/16, 1 1/4	440	1 957	430	1 913	420	1 868	410	1 824	395	1 757	385	1 713	375	1 668
1 5/16, 1 3/8,	585	2 602	570	2 535	555	2 469	535	2 380	520	2 313	505	2 246	485	2 157
1 7/16, 1 1/2	640	2 847	625	2 780	605	2 691	585	2 602	565	2 513	545	2 424	525	2 335
1 11/16, 1 3/4	875	3 892	850	3 781	820	3 648	785	3 492	755	3 358	720	3 203	690	3 069
1 15/16, 2	1150	5 120	1110	4 940	1060	4 720	1010	4 490	965	4 292	915	4 070	865	3 848
2 3/16, 2 1/4	1460	6 490	1400	6 230	1330	5 920	1260	5 600	1190	5 290	1120	4 980	1050	4 670
2 7/16, 2 1/2	1800	8 010	1730	7 690	1630	7 250	1530	6 810	1430	6 360	1340	5 960	1240	5 520
2 11/16, 2 3/4	2190	9 740	2080	9 250	1950	8 670	1820	8 100	1690	7 520	1560	6 940	1150	5 120
2 15/16, 3	2600	11 570	2470	10 990	2300	10 230	2130	9 470	1960	8 720	1790	7 960	675	3 002
3 7/16, 3 1/2	3550	15 790	3330	14 810	3060	13 610	2790	12 410	2520	11 210	1200	5 340		
3 15/16, 4	4640	20 640	4310	19 170	3910	17 390	3500	15 570	2760	12 280				
4 7/8, 4 1/2	5870	26 110	5410	24 060	4830	21 480	4250	18 900	1410	6 270				
4 15/16, 5	7240	32 210	6600	29 360	5810	25 840	5010	22 290						
5 7/16, 5 1/2	8750	38 920	7900	35 140	6840	30 430	4360	19 390						
5 15/16, 6	10410	46 310	9300	41 370	7910	35 190	2390	10 630						
6 7/16, 6 1/2	12200	54 270	10790	48 000	9020	40 120								
6 15/16, 7	14120	62 810	12360	54 980	10150	45 150								
7 7/16, 7 1/2	17270	76 820	14950	66 500	12050	53 600								
7 15/16, 8	18390	81 800	15750	70 060	10710	47 640								
9	20750	92 300	17360	77 220	4140	18 420								
10	22950	102 090	18760	83 450										
12	30700	136 560	23910	106 360										

For speeds lower than 10 RPM consult Rexnord Bearing Division.

Radial load ratings for 350 to 1000 RPM (pounds/newtons) *

Shaft diameter, inches	Shaft speed, RPM																	
	350		400		450		500		600		700		800		900		1000	
1/2	95	423	90	400	90	400	90	400	85	378	85	378	85	378	80	356	80	356
5/8	135	600	135	600	130	587	130	587	125	556	120	534	115	512	110	489	110	489
3/4	160	712	155	689	155	689	150	667	145	645	140	623	130	578	125	556	120	534
7/8	225	1001	220	979	215	956	210	934	200	890	190	845	180	801	150	667		
15/16	240	1068	235	1045	225	1001	220	979	210	934	200	890	185	823	105	467		
1	250	1112	245	1090	240	1068	230	1023	220	979	205	912						
1 1/8	345	1535	335	1490	325	1446	315	1401	295	1312	245	1090						
1 3/16, 1 1/4	360	1601	350	1557	340	1512	325	1446	305	1357	190	845						
1 5/16, 1 3/8,	470	2091	455	2024	435	1935	420	1868	345	1535								
1 7/16, 1 1/2	500	2224	480	2135	460	2046	440	1957	205	912								
1 11/16, 1 3/4	655	2914	625	2780	590	2624	340	1512										
1 15/16, 2	815	3625	730	3247	335	1490												
2 3/16, 2 1/4	975	4337	410	1824														
2 7/16, 2 1/2	645	2869																

■ Load ratings are based on industry standards established by the Mechanical Power Transmission Association.

* For plain bore Cast Iron Sleeve Bearing Units use radial load ratings at speeds to the left of the shaded area.

Load Ratings – Bronze Rigid Sleeve Bearing Units

Radial load ratings for 10 to 300 RPM (pounds/newtons) ■

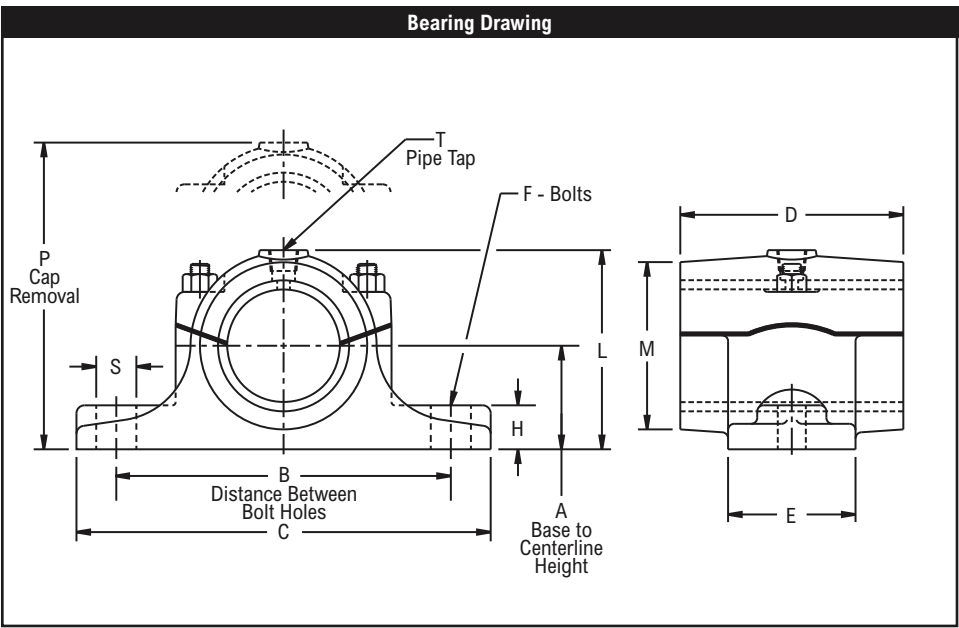
Shaft diameter, inches	Shaft speed, RPM													
	10		50		100		150		200		250		300	
1/2	200	890	200	890	200	890	195	867	195	867	195	867	195	867
5/8	250	1 112	250	1 112	245	1 090	245	1 090	240	1 090	240	1 068	240	1 068
3/4	300	1 334	300	1 334	295	1 312	295	1 312	290	1 290	285	1 268	285	1 268
7/8	435	1 935	430	1 913	425	1 890	420	1 868	415	1 846	410	1 824	405	1 802
15/16	465	2 068	460	2 046	455	2 024	450	2 002	445	1 979	435	1 935	430	1 913
1	495	2 202	490	2 180	485	2 157	480	2 135	470	2 091	465	2 068	460	2 046
1 1/8	700	3 114	690	3 069	680	3 025	670	2 980	660	2 936	650	2 891	640	2 847
1 3/16, 1 1/4	735	3 269	730	3 247	715	3 180	705	3 136	695	3 092	680	3 025	670	2 980
1 5/16, 1 3/8,	980	4 359	965	4 293	950	4 226	930	4 137	915	4 070	895	3 981	880	3 914
1 7/16, 1 1/2	1070	4 760	1050	4 670	1030	4 580	1010	4 490	995	4 426	975	4 337	955	4 248
1 11/16, 1 3/4	1470	6 540	1440	6 410	1410	6 270	1370	6 090	1340	5 960	1310	5 830	1280	5 690
1 15/16, 2	1920	8 540	1880	8 360	1830	8 140	1790	7 960	1740	7 740	1690	7 520	1640	7 300
2 3/16, 2 1/4	2440	10 850	2390	10 630	2320	10 320	2240	9 960	2170	9 650	2100	9 340	2030	9 030
2 7/16, 2 1/2	3020	13 430	2940	13 080	2850	12 680	2750	12 230	2650	11 790	2560	11 390	2460	10 940
2 11/16, 2 3/4	3660	16 280	3560	15 840	3430	15 260	3300	14 680	3170	14 100	3040	13 520	2620	11 650
2 15/16, 3	4370	19 440	4230	18 820	4060	18 060	3890	17 300	3720	16 550	3550	15 790	2440	10 850
3 7/16, 3 1/2	5960	26 510	5740	25 530	5470	24 330	5200	23 130	4930	21 930	3610	16 060	1440	6 410
3 15/16, 4	7790	34 650	7460	33 180	7060	31 400	6650	29 580	5910	26 290				
4 7/8, 4 1/2	9860	43 860	9400	41 810	8820	39 230	8240	36 650	5400	24 020				
4 15/16, 5	12180	54 180	11540	51 330	10740	47 770	9950	44 260	4090	18 190				
5 7/16, 5 1/2	14740	65 570	13880	61 740	12820	57 030	10340	45 990	1820	8 100				
5 15/16, 6	17530	77 980	16420	73 040	15040	66 900	9520	42 350						
6 7/16, 6 1/2	20560	91 460	19150	85 180	17390	77 350	7900	35 140						
6 15/16, 7	23840	106 050	22070	98 170	19870	88 390	5350	23 800						
7 7/16, 7 1/2	29170	129 750	26850	119 430	23950	106 530	1880	8 360						
7 15/16, 8	31090	138 300	28450	126 550	23410	104 130								
9	35150	156 360	31760	141 280	18540	82 470								
10	38950	172 260	34760	154 620	12220	54 360								
12	52300	232 640	45520	202 480										

For speeds lower than 10 RPM consult Rexnord Bearing Division.

Radial load ratings for 350 to 1000 RPM (pounds/newtons)

Shaft diameter, inches	Shaft speed, RPM																	
	350		400		450		500		600		700		800		900		1000	
1/2	195	867	190	845	190	845	190	845	185	823	185	823	185	823	180	800	180	800
5/8	235	1045	235	1045	235	1045	230	1023	225	1001	220	979	220	979	215	956	210	934
3/4	280	1246	280	1246	275	1223	270	1201	265	1179	260	1157	255	1134	250	1112	240	1068
7/8	400	1779	395	1757	390	1735	385	1713	375	1668	365	1624	355	1579	325	1446	245	1090
15/16	425	1890	420	1868	415	1846	410	1824	395	1757	385	1713	375	1668	295	1312	200	890
1	450	2002	445	1979	440	1957	430	1913	420	1868	405	1802	360	1601	255	1134	150	667
1 1/8	630	2802	620	2758	605	2691	595	2647	575	2558	525	2335	360	1601	195	867		
1 3/16, 1 1/4	660	2936	645	2869	635	2825	625	2780	600	2669	485	2157	300	1334	115	512		
1 5/16, 1 3/8,	865	3848	845	3759	830	3692	815	3625	735	3269	465	2068	195	867				
1 7/16, 1 1/2	935	4159	915	4070	895	3981	875	3892	635	2825	315	1401						
1 11/16, 1 3/4	1240	5520	1210	5380	1180	5250	930	4137	410	1824								
1 15/16, 2	1590	7070	1500	6670	1110	4940	715	3180										
2 3/16, 2 1/4	1960	8720	1390	6180	830	3692												
2 7/16, 2 1/2	1860	8270	1090	4850														
2 11/16, 2 3/4	1580	7030	545	2424														

■ Load ratings are based on industry standards established by the Mechanical Power Transmission Association.



Product Features

- Corrosion resistant powder coating
- Cast iron two piece housing
- Babbitt or Bronze sleeve
- 2-bolt base
- Relubricatable
- See Features & Benefits for additional info.

Bearing Dimensions

Shaft Diameter	Babbitt	Bronze	A Base to Centerline Height	B Distance Between Bolt Holes	C	D	E	F	H	L	M	P	S	T	Approx. Weight
	Part Number	Part Number													
7/8	21214	21214Z	1	3 5/8	4 3/4	2	1 3/8	3/8	9/16	2 1/16	1 13/16	3	9/16	1/8	1.90
15/16	21215	21215Z													1.80
1	21216	21216Z													1.70
1 1/16	21217	21217Z	1 1/4	4 1/8	5 1/4	2 1/2	1 5/8	3/8	5/8	2 7/16	2	3 1/2	5/8	1/8	2.60
1 1/8	21218	21218Z													2.50
1 3/16	21219	21219Z													2.40
1 1/4	21220	21220Z													2.30
1 5/16	21221	21221Z													4.10
1 3/8	21222	21222Z	1 3/8	4 7/8	6 1/4	3	2	1/2	3/4	2 11/16	2 5/16	3 7/8	11/16	1/4	4.00
1 7/16	21223	21223Z													3.80
1 1/2	21224	21224Z													6.80
1 9/16	21225	21225Z	1 1/2	5 1/4	6 3/4	3 1/2	2 1/4	1/2	13/16	3	2 11/16	4 3/8	3/4	1/4	6.40
1 5/8	21226	21226Z													6.00
1 11/16	21227	21227Z													5.60
1 3/4	21228	21228Z													8.50
1 15/16	21231	21231Z													8.00
2	21232	21232Z	1 3/4	6	7 1/2	4	2 1/2	5/8	15/16	3 7/16	3	4 7/8	13/16	1/4	11.00
2 3/16	21235	21235Z													14.00
2 1/4	21236	21236Z													13.00
2 7/16	21239	21239Z	2 1/8	7	8 7/8	5	3	5/8	1 1/8	4 3/16	3 3/4	5 3/4	1	3/8	19.00
2 1/2	21240	21240Z													23.00
2 11/16	21243	21243Z	2 1/4	7 3/4	10	5 1/2	3 1/4	3/4	1 3/16	4 1/2	4	6 3/8	1 1/8	3/8	22.00
2 15/16	21247	21247Z													22.00
3	21248	21248Z	2 1/2	8 1/2	10 3/4	6	3 1/2	3/4	1 5/16	4 7/8	4 1/4	6 3/4	1 1/8	3/8	35.00
3 7/16	21255	21255Z													48.00
3 15/16	21263	21263Z	3 1/8	10 1/2	13 1/2	8	4 1/2	1	1 5/8	6 3/16	5 5/8	8 1/2	1 1/2	1/2	

Additional Notes

Please call 1-866-REXNORD for availability
 One pipe tapped hole for lubrication
 Grease cup or fitting not included
 LHD sliding base take-up can be drilled for these pillow blocks
 Selection Guide, see Link-Belt Sleeve Bearing Selection Guide section
 Load Ratings & Speed Limits, see Link-Belt Sleeve Bearing Load Ratings & Speed Limits section

Note: Dimensions subject to change. Certified dimensions of ordered material furnished on request.

21400, 21400Z, 2K1400Z

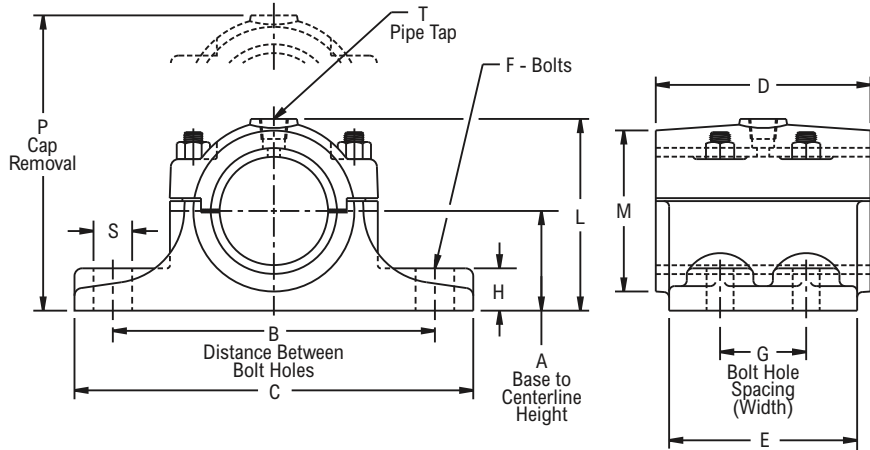


Photo Shows a 4-Bolt Rigid Sleeve Bearing Two-Piece Pillow Block Unit with Bronze Bushing

Product Features

- Corrosion resistant powder coating
- Cast iron or cast steel housing
- Two-piece gibbed joint design
- Babbitt or Bronze sleeve
- 4-bolt base
- Relubricatable
- See Features & Benefits for additional info.

Bearing Drawing



Bearing Dimensions

Shaft Diameter	Babbitt	Bronze	A Base to Centerline Height	B Distance Between Bolt Holes	G Bolt Hole Spacing (Width)	C	D	E	F	H	L	M	P	S	T	Approx. Weight
	Part Number	Part Number														
Cast Iron																
1 15/16	21431	21431Z	1 3/4	6 1/2	1 3/4	8 1/4	4	3 1/2	1/2	7/8	3 7/16	3	4 1/2	3/4	1/4	10.00
2 3/16	21435	21435Z	1 7/8	6 3/4	1 3/4	8 1/2	4 1/2	3 1/2	1/2	1	3 3/16	3 3/8	4 15/16	3/4	3/8	14.00
2 7/16	21439	21439Z	2 1/8	8	2	10 1/4	5	4	5/8	1 1/8	4 3/16	3 3/4	5 3/8	1	3/8	19.00
2 11/16	21443	21443Z	2 1/4	8 1/4	2 1/4	10 1/2	5 1/2	4 1/4	5/8	1 1/4	4 1/2	4	6	1	3/8	25.00
2 15/16	21447	21447Z	2 1/2	8 3/4	2 1/2	11	6	4 1/2	5/8	1 3/8	4 7/8	4 1/4	6 7/8	1	3/8	30.00
3 7/16	21455	21455Z	3 1/4	10 1/2	2 3/4	13	7	5	3/4	1 3/8	6 1/4	5 1/4	8 9/32	1 1/4	1/2	43.00
3 15/16	21463	21463Z	3 1/2	12	3	14 3/4	8	5 1/2	3/4	1 1/2	6 13/16	5 7/8	9 13/16	1 3/8	1/2	61.00
4 7/16	21471	21471Z	4 1/8	13 1/2	3 1/2	16 1/2	9	6 1/4	7/8	1 3/4	7 7/8	6 5/8	10 1/4	1 1/2	1/2	92.00
4 15/16	21479	21479Z	4 1/2	15	4	18	10	7	7/8	1 7/8	8 9/16	7 1/4	11 3/16	1 3/8	1/2	119.00
5 7/16	21487	21487Z	5	15 3/4	4 1/2	19 1/4	11	7 3/4	1	2	9 3/8	7 7/8	12 1/4	1 3/4	1/2	166.00
5 15/16	21495	21495Z	5 1/2	16 1/2	5	20 1/2	12	8 1/2	1 1/8	2 1/8	10 1/4	8 1/2	13 7/8	1 7/8	1/2	198.00
6 7/16	214103	214103Z	6	18	5 1/2	22	13	9 1/2	1 1/8	2 1/4	11	9 1/8	15 1/8	1 7/8	1/2	260.00
6 1/2	214104	214104Z														255.00
7	214112	214112Z	6 1/2	19	6	23	14	10	1 1/4	2 3/8	11 3/4	9 3/4	15 7/8	2	1/2	311.00
7 1/2	214120	214120Z	7	21 1/2	6 3/4	26	16	11	1 3/8	2 1/2	13 5/16	11 3/8	17 7/8	2 1/4	1/2	459.00
8	214128	214128Z														425.00
Cast Steel																
1 15/16	-	2K1431Z	1 3/4	6 1/2	1 3/4	8 1/4	4	3 1/2	1/2	7/8	3 7/16	3	4 1/2	3/4	1/4	11.00
2 3/16	-	2K1435Z	1 7/8	6 3/4	1 3/4	8 1/2	4 1/2	3 1/2	1/2	1	3 3/16	3 3/8	4 15/16	3/4	3/8	15.00
2 7/16	-	2K1439Z	2 1/8	8	2	10 1/4	5	4	5/8	1 1/8	4 3/16	3 3/4	5 3/8	1	3/8	21.00
2 11/16	-	2K1443Z	2 1/4	8 1/4	2 1/4	10 1/2	5 1/2	4 1/4	5/8	1 1/4	4 1/2	4	6	1	3/8	28.30
2 15/16	-	2K1447Z	2 1/2	8 3/4	2 1/2	11	6	4 1/2	5/8	1 3/8	4 7/8	4 1/4	6 7/8	1	3/8	34.00
3 7/16	-	2K1455Z	3 1/4	10 1/2	2 3/4	13	7	5	3/4	1 3/8	6 1/4	5 1/4	8 9/32	1 1/4	1/2	49.00
3 15/16	-	2K1463Z	3 1/2	12	3	14 3/4	8	5 1/2	3/4	1 1/2	6 13/16	5 7/8	9 13/16	1 3/8	1/2	69.00
4 7/16	-	2K1471Z	4 1/8	13 1/2	3 1/2	16 1/2	9	6 1/4	7/8	1 3/4	7 7/8	6 5/8	10 1/4	1 1/2	1/2	104.00
4 15/16	-	2K1479Z	4 1/2	15	4	18	10	7	7/8	1 7/8	8 9/16	7 1/4	11 3/16	1 3/8	1/2	134.00
5 7/16	-	2K1487Z	5	15 3/4	4 1/2	19 1/4	11	7 3/4	1	2	9 3/8	7 7/8	12 1/4	1 3/4	1/2	187.00
5 15/16	-	2K1495Z	5 1/2	16 1/2	5	20 1/2	12	8 1/2	1 1/8	2 1/8	10 1/4	8 1/2	13 7/8	1 7/8	1/2	213.00
6 7/16	-	2K14103Z	6	18	5 1/2	22	13	9 1/2	1 1/8	2 1/4	11	9 1/8	15 1/8	1 7/8	1/2	294.00
6 1/2	-	2K14104Z														287.00
7	-	2K14112Z	6 1/2	19	6	23	14	10	1 1/4	2 3/8	11 3/4	9 3/4	15 7/8	2	1/2	350.00
7 1/2	-	2K14120Z	7	21 1/2	6 3/4	26	16	11	1 3/8	2 1/2	13 5/16	11 3/8	17 7/8	2 1/4	1/2	525.00
8	-	2K14128Z														478.00
9	-	2K14144Z	8	23	6	29	16	10 1/2	1 1/2	2 3/4	14 7/8	12 1/2	20 3/8	2 3/4	1/2	530.00
10	-	2K14160Z	9	25	6	31	16	10 1/2	1 3/4	3	16 7/8	14	22 7/8	3	1/2	650.00
12	-	2K14192Z	11	29	7 1/2	36	18	12 1/2	2	3 1/2	20	16	27	3 1/2	1/2	910.00

Additional Notes

- Please call 1-866-REXNORD for availability
- One pipe tapped hole (two holes for shafts larger than 5") for lubrication
- Grease cup or fitting not included
- LHD sliding base take-up can be drilled for these pillow blocks
- Selection Guide, see Link-Belt Sleeve Bearing Selection Guide section
- Load Ratings & Speed Limits, see Link-Belt Sleeve Bearing Load Ratings & Speed Limits section

Note: Dimensions subject to change. Certified dimensions of ordered material furnished on request.

Link-Belt® Flex-Block® Sleeve Bearings

Flex-block sleeve bearing units are designed specifically for applications requiring align-able self-lubricating sleeve bearings.

228

Series 3200 Flex-block Sleeve Bearing Units

Flex-block sleeve bearing units are designed specifically for applications requiring alignable sleeve bearings — self-lubricating. Because the bearing material wears gradually under operation, sudden breakdowns and costly maintenance are minimized. The standard bearing insert materials of oil impregnated porous sintered bronze, or self-lubricating graphite are widely used for the extreme applications of modern industry.

Components, Bearings

Heart of the Flex-block bearing is the alignable insert into which is pressed a self-lubricating bearing. The component has a machined spherical surface that is alignable in the housing.

Two types of bearings are available:

1. Sintered bronze sleeve, oil impregnated, for operating temperatures to 200°F (93°C).
2. Self-lubricating carbon-graphite sleeve, for temperatures to 700°F (371°C).

One-piece Cast Iron Housings Compact one-piece cast iron housings provide strength and superior rigidity. All units are designed with standard mounting dimensions and have finished mounting surfaces for proper installation stability. Pillow blocks have slotted bolt holes with ample space provided for drilling dowel pin holes. Flanged units have drilled mounting holes.



1. Sturdy one-piece housings, with machined mounting surfaces, are available as pillow blocks or flanged units.
2. Component has machined spherical surface for proper seating in housing and for initial mounting alignment.
3. Bearing sleeve, pressed into component, is available in self-lubricating or oil impregnated material.
4. When the component retaining screw is loosened, the insert can be rotated 180° to utilize unused bearing surface and extend the life of the unit.

Pillow Blocks

3200P

Alignable pillow blocks have high-test iron housing, 2-bolt base, and self-lubricating or relubricatable bearing. For shaft sizes 5/8" through 3 15/16".



Flanged Units - two bolt

3200FX

Alignable flanged units have 2-bolt cast iron housing and self lubricating or relubricatable bearing. For shaft sizes 5/8" through 1 3/4".



Flanged Units - four bolt

3200F

Alignable flanged units have 4-bolt cast iron housing and self lubricating or relubricatable bearing. For shaft sizes 5/8" through 3 7/16".



Nomenclature

Symbol	Description	
32	Standard duty series	
16	Shaft diameter in 16ths of an inch	
F	Flanged unit, 4-bolt	
FX		Flanged unit, 2-bolt
P	Pillow block	
T1	Porous sintered bronze, oil impregnated, 200°F max.	
T3		Self-lubricating carbon graphite, 700°F max.
T4		Plain bore (cast iron), 1000°F max.
None	Standard length	
S		Short sleeve, (F, FX units)
C	Closed end unit	

The nomenclature shown is provided to identify the basic and optional features of bearing and mounted unit assemblies. The most commonly specified variations are listed; however, availability of all variations cannot be assumed. Link-Belt Bearing Division, Rexnord Industries LLC. should be consulted regarding optional features, availability, and the application requirements.

Flex-block Sleeve Bearing

To select a Flex-block sleeve bearing, determine the applied radial load and the applicable operating conditions. The procedure shown here will aid in selecting an appropriate bearing.

The bearing ratings apply when certain installation and operating conditions are met and when any other adverse ambient conditions such as high or low temperatures, extreme dirt or moisture, chemical contamination, shock or vibration loading direct or induced, oscillating shafts, intermittent operation and related factors are carefully considered.

The ratings used apply when the following conditions are met:

1. Normal running loads should not exceed the ratings shown in the tables. Starting and occasional peak loads should not exceed these ratings by more than 100%.
2. The shaft finish through the bearing bore should be at least as smooth as commercial steel shafting which varies from 8 to 50 micro-inches (0.2µm to 1.3µm). There also should be no machined or ground spiral lead on the shaft journal. For improved bearing performance the shaft finish should not exceed 12 micro-inches (0.3µm). Shafting should also be within the diameter tolerances.

3. Ambient temperatures should not be lower than 32°F (0°C) for T1 bearing material. The upper operating temperature limits are as follows:
T1—200°F (93°C)
T3—700°F (371°C)
4. Sturdy, vibration free supporting structures should be provided.
5. Flex-block units should not be exposed to severe dirt conditions.

Flex-block Selection

Step 1

Determine the maximum operating temperature of the application.

Step 2

From Table 1, select the bearing insert material.

Step 3

Refer to the radial load rating tables to determine the shaft diameter necessary to obtain the required radial load rating at the given speed. Where short bearings are required, multiply the radial load by the short bearing factor before selecting the bearing.

Step 4

To position a shaft axially or where light thrust loads are present provide flat washers of the desired material backed by a shaft collar or a machined shaft shoulder against the end of the bearing. The bearing ends are already machined.

Table 1 – Bearing insert material selection

Bearing insert suffix	Bearing material	Type of lubrication	Type of Unit	Available bore size
T1	Oil impregnated porous sintered bronze	Oil	P	5/8" – 3 15/16"
			FX	5/8" – 1 3/4"
			F	5/8" – 3 7/16"
T3	Machined carbon-graphite	Self-lubricating	P	5/8" – 3 15/16"
			FX	5/8" – 1 3/4"
			F	5/8" – 3 7/16"

Bearing insert suffix	Minimum temperature limit	Maximum temperature limit	Comments
T1	32°F (0°C)	200°F (93°C)	
T3	...	700°F (371°C)	material somewhat brittle—handle with care—no significant shock loads

Additional Information

Flex-block Bearing Materials:

Sleeve bearing inserts made of T1 oil impregnated porous sintered bronze are universally accepted as providing reasonable capacity and dependable service. When lubricant is present damage to shafts or rotors is minimized. Additional SAE 40 oil can be periodically added to extend the bearing life. The T1 bearing operating temperature should not exceed 200°F (93°C). Applications are restricted to those involving light to moderate loads and mild shock. Caution: Do not use stainless steel shaft.

T3 machined carbon graphite bearings are self-lubricating with material worn from the bearing. T3 bearing inserts are limited to a maximum operating temperature of 700°F (371°C). The radial load applied, the shaft surface finish and the speed of operation determine the wear life of the bearing. As machined carbon graphite is somewhat brittle, care should be taken during handling and mounting to avoid chipping the corners, etc.

Additional Features:

By the very nature of their design all Flex-block sleeve bearing units are expansion type, in that the shaft journal is free to move axially through the bore of the bearing. To fix a unit, a combination of shaft shoulders and/or thrust collars with flat washers of the desired material can be utilized.

Flex-block pillow blocks have cored mounting bolt holes suitable for the inch or metric bolts listed. Flanged units have drilled mounting holes 1/32" (0.8 mm) larger than the largest inch bolt shown.

Bearings are not replaceable in the components. Replacement components can be ordered but generally the entire unit is replaced when required.

Two and four bolt flanged units can be supplied with regular or short bearings.

The short bearing inserts do not project beyond the housing mounting face. When the short bearing is selected, the applied radial load must be multiplied by the short bearing factor before selecting the bearing size.

End closures can be furnished but they require specially machined housings. When end closures are used, shafts should extend no more than 1/8" (3.2 mm) beyond the end of the bearing.

Operation:

Flex-block sleeve bearing units are self-lubricating and ready for operation. Being alignable, they are also easy to mount and careful shaft alignment is not required. However shaft journals must turn freely without binding in the bearing or excessive heat and seizure can result. Any factors which may disrupt or remove the lubricant film should be eliminated. Sharp edges on the shaft or the bearing surface can act as scrapers to destroy lubricant film. Do not extend shaft keyways into bearing bores.

Takeups:

Flex-block pillow blocks can be mounted on universal takeup frames LC.

Shaft Tolerances:

Shaft diameters for Flex-block sleeve bearing units are usually held to the following regular commercial tolerances:

Shaft Diameters	Recommended Tolerance
5/8" through 2"	Nominal to -.003"
2 1/2" through 4"	Nominal to -.004"

Caution: Do not use stainless steel shaft, if bearing insert T1 is used.

Commercial shaft finish if free of nicks, burrs, scratches, etc. is generally satisfactory. Improved surface finish of 12 micro-inches (0.3µm) or less will extend wear life.

Warning

The reliability built in all Link-Belt bearings can be realized in service only when bearings are correctly selected, properly installed, protected and maintained.

The correct selection of Flex-block sleeve bearing mounted units requires that the magnitude and nature of all loads, speeds, alignment, mounting, operating requirements and maintenance be adequately considered. The selection of materials for and design of shafting, fasteners, seals and

accessories as well as provisions for installation and maintenance must follow good engineering principles.

Housings should not be used under tension loads except with adequate safety factors. For this reason pillow blocks are best suited to withstand radial loads passing through the base. When heavy loads or shock loads are possible it is most important to mount a unit so that the line of force passes directly into the mounting surface, or so that the unit is

directly and substantially supported other than through its mounting bolts. Where the line of force falls outside the mounting surface, serious housing and fastener deflection or failure may occur. Link-Belt Bearing Division, Rexnord Corp. should be consulted where unusual loading conditions exist.

Radial Load Ratings for 10 to 300 RPM (pounds/newtons)*

Shaft Diameter Inches	Basic Bearing Number	Type Bearing Material	Shaft Speed RPM												Short Bearing factor		
			10 to 25		50		75		100		150		200			300	
5/8	3210	T1 T3	586	2 607	586	2 607	586	2 607	586	2 607	476	2 117	357	1 588	238	1 059	
11/16	3211		296	1 317	296	1 317	296	1 317	296	1 317	240	1 068	180	801	120	534	...
3/4	3212	T1 T3	940	4 181	940	4 181	940	4 181	940	4 181	638	2 838	479	2 131	318	1 415	
			470	2 091	470	2 091	470	2 091	470	2 091	318	1 415	240	1 068	159	707	1.25
7/8	3214	T1 T3	985	4 381	985	4 381	985	4 381	860	3 825	572	2 544	430	1 913	286	1 272	
15/16	3215		493	2 193	493	2 193	493	2 193	430	1 913	287	1 277	215	956	144	641	...
1	3216																
1 1/8	3218	T1 T3	1545	6 870	1545	6 870	1400	6 230	1050	4 670	701	3 118	527	2 344	350	1 557	
1 3/16	3219		773	3 438	773	3 438	700	3 114	526	2 340	350	1 557	262	1 165	175	778	1.22
1 1/4	3220	T1 T3	2110	9 390	985	4 381	1720	7 650	1295	5 760	862	3 834	650	2 891	433	1 926	
1 15/16	3221		1055	4 690	493	2 193	860	3 825	646	2 874	430	1 913	323	1 437	215	956	1.42
1 3/8	3222																
1 7/16	3223																
1 1/2	3224	T1 T3	3190	14 900	3190	14 190	2160	9 610	1630	7 250	1090	4 850	815	3 625	545	2 424	
			1595	7 100	1595	7 100	1080	4 800	812	3 612	543	2 415	406	1 806	272	1 210	1.54
1 5/8	3226	T1 T3	3450	15 350	3240	14 410	2160	9 610	1620	7 210	1090	4 850	815	3 625	545	2 424	
1 11/16	3227		1725	7 670	1620	7 210	1080	4 800	812	3 612	543	2 415	406	1 806	272	1 210	1.41
1 3/4	3228																
1 15/16	3231	T1 T3	4360	19 390	3440	15 300	2340	10 410	1720	7 650	1150	5 120	860	3 825	575	2 558	
			2180	9 700	1720	7 650	1170	5 200	860	3 825	575	2 558	430	1 913	288	1 281	1.39
2	3232	T1 T3	4750	21 130	3620	16 100	2420	10 760	1810	8 050	1210	5 380	910	4 048	608	2 705	
2 1/8	3234		2375	10 560	1810	8 050	1210	5 380	908	4 039	606	2 696	454	2 019	303	1 348	1.47
2 3/16	3235																
2 1/4	3236	T1 T3	6050	26 910	4110	18 280	2750	12 200	2050	9 120	1370	6 090	1030	4 580	687	3 056	
2 7/16	3239		3025	13 460	2052	9 130	1375	6 120	1026	4 560	686	3 051	513	2 282	343	1 526	1.45
2 1/2	3240	T1 T3	7500	33 360	4590	20 420	3050	13 570	2290	10 190	1530	6 810	1145	5 090	765	3 403	
2 11/16	3243		3750	16 680	2290	10 190	1530	6 810	1145	5 090	764	3 398	573	2 549	382	1 699	1.51
2 3/4	3244	T1 T3	9120	40 570	5070	22 550	3380	15 030	2530	11 250	1685	7 500	1265	5 630	844	3 754	
2 15/16	3247		4560	20 280	2532	11 260	1690	7 510	1266	5 630	845	3 759	633	2 816	423	1 882	1.61
3 7/16	3255	T1 T3	11500	51 150	5720	25 440	3820	16 990	2880	12 810	1925	8 560	1440	6 410	965	4 293	
			5710	25 410	2860	12 720	1910	8 500	1440	6 410	963	4 284	720	3 203	483	2 148	1.31
3 15/16	3263	T1 T3	15000	66 720	7500	33 360	5000	22 240	3730	16 590	2500	11 120	1870	8 320	1248	5 550	
			7520	33 450	3750	16 680	2500	11 120	1865	8 300	1250	5 560	935	4 159	625	2 780	...

*For speeds slower than 10 RPM or for oscillating shafts, consult Link-Belt Bearing Division, Rexnord Corp.

Radial Load Ratings for 400 to 2500 RPM (pounds/newtons)*																	
Shaft Diameter Inches	Basic Bearing Number	Type Bearing Material	Shaft Speed RPM														Short Bearing factor
			400		500		750		1000		1500		2000		2500		
5/8	3210	{ T1 T3	180	801	144	641	96	427	71	316	48	214	36	160	29	129	
11/16	3211		90	400	72	320	48	214	36	160	24	107	24	80	15	67	...
3/4	3212	{ T1 T3	238	1 059	191	850	128	569	96	427	64	285	48	214	38	169	
			120	534	92	409	63	280	48	214	32	142	24	107	19	84	1.25
7/8	3214	{ T1 T3	215	956	175	778	114	507	86	383	57	254	43	191	34	151	
15/16	3215		108	480	86	383	57	254	43	191	29	129	22	98
1	3216	
1 1/8	3218	{ T1 T3	263	1 170	211	939	140	623	105	467	70	311	53	236	42	187	
1 3/16	3219		131	583	105	467	70	311	53	236	35	156	1.22
1 1/4	3220	{ T1 T3	322	1 432	258	1 148	172	765	130	578	86	383	65	289	52	231	
1 15/16	3221		162	721	130	578	86	383	65	289	43	191	1.42
1 3/8	3222	
1 7/16	3223	
1 1/2	3224	{ T1 T3	408	1 815	325	1 446	216	961	163	725	109	485	82	365	65	289	
			203	903	162	721	109	485	81	360	1.54
1 5/8	3226	{ T1 T3	408	1 815	325	1 446	216	961	162	725	109	485	82	365			
1 11/16	3227		203	903	162	721	109	485	81	360	1.42
1 3/4	3228	
1 15/16	3231	{ T1 T3	431	1 917	344	1 530	234	1 041	172	765	115	512					
			215	956	172	765	115	512	1.39
2	3232	{ T1 T3	455	2 024	363	1 615	242	1 076	181	805	125	556					
2 1/8	3234		227	1 010	182	810	121	538	1.47
2 3/16	3235	
2 1/4	3236	{ T1 T3	515	2 291	413	1 837	275	1 223	205	912	137	609					
2 7/16	3239		257	1 143	205	912	137	609	1.45
2 1/2	3240	{ T1 T3	574	2 553	460	2 046	305	1 357	229	1 019							
2 11/16	3243		287	1 277	229	1 019	153	681	1.51
2 3/4	3244	{ T1 T3	635	2 825	507	2 255	338	1 503	253	1 125							
2 15/16	3247		317	1 410	253	1 125	1.61
3 7/16	3255	{ T1 T3	725	3 225	580	2 580	382	1 699	290	1 390							
			363	1 615	290	1 290
3 15/16	3263	{ T1 T3	936	4 164	750	3 336	500	2 224									
			468	2 082

* Load ratings are based on industry standards established by the Mechanical Power Transmission Association.

3200FX

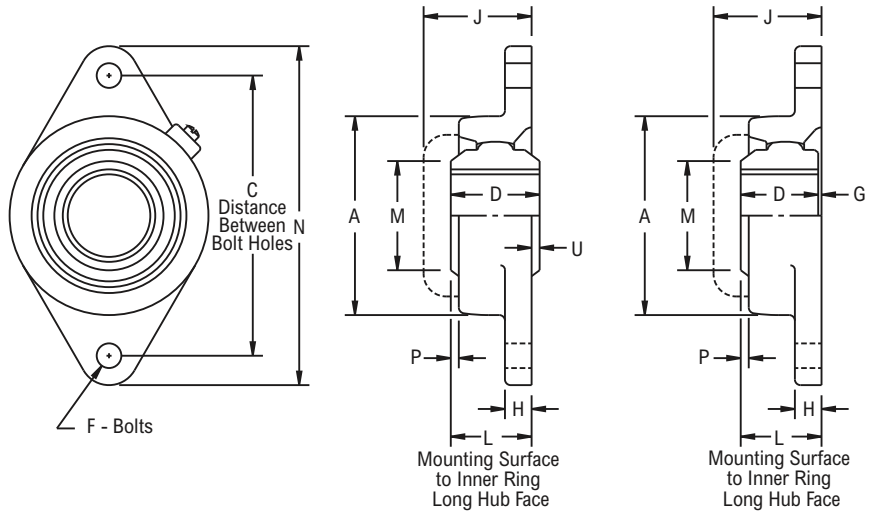


Photo Shows a 2-Bolt Flex Block Sleeve Bearing Flanged Unit with Graphite Bushing

Product Features

- Corrosion resistant powder coating
- Cast iron housing
- T1 sintered bronze sleeve
- T3 carbon graphite sleeve
- 2-bolt mounting
- Alignable
- See Features & Benefits for additional info.

Bearing Drawing



Bearing Dimensions

Shaft Diameter	Carbon Graphite Self-Lubricating	Porous Sintered Bronze Oil Impregnated	C Distance Between Bolt Holes	L Mounting Surface to Inner Ring Long Hub Face	A	D Reg	D Short	F	G	H	J	M	N	P	U	Approx. Weight
	Part Number	Part Number														
5/8	3210FXT3	3210FXT1	3	1 7/64	2 1/8	15/16	-	3/8	17/64	1/2	1 25/32	1 1/8	3 7/8	7/64	-	1.00
11/16	3211FXT3	3211FXT1			0.90											
3/4	3212FXT3	3212FXT1	3 17/32	1 23/64	2 7/16	1 1/4	1 1/8	3/8	1/4	9/16	2 1/64	1 3/16	4 13/32	5/32	-	1.20
7/8	3214FXT3	3214FXT1			1.70											
15/16	3215FXT3	3215FXT1	3 57/64	1 5/16	2 11/16	1 1/8	-	7/16	3/16	19/32	2	1 9/16	4 29/32	1/16	-	1.60
1	3216FXT3	3216FXT1			1.50											
1 1/8	3218FXT3	3218FXT1	4 19/32	1 15/32	3 3/16	1 3/8	1 1/4	7/16	7/32	19/32	2 15/64	1 7/8	5 19/32	5/32	-	2.50
1 3/16	3219FXT3	3219FXT1			2.30											
1 1/4	3220FXT3	3220FXT1	5 1/8	1 21/32	3 5/8	1 11/16	1 1/2	1/2	5/32	5/8	2 23/64	2 1/8	6 1/8	1/4	1/32	3.70
1 5/16	3221FXT3	3221FXT1														3.60
1 3/8	3222FXT3	3222FXT1	5 1/8	1 21/32	3 5/8	1 11/16	1 1/2	1/2	5/32	5/8	2 23/64	2 1/8	6 1/8	1/4	1/32	3.50
1 7/16	3223FXT3	3223FXT1														3.30
1 1/2	3224FXT3	3224FXT1	5 21/32	1 31/32	4	2 1/8	1 3/4	1/2	5/32	5/8	2 35/64	2 1/8	6 25/32	25/64	5/32	4.90
1 5/8	3226FXT3	3226FXT1														6.20
1 11/16	3227FXT3	3227FXT1	5 27/32	1 31/32	4 1/4	2 1/8	1 13/16	1/2	5/32	5/8	2 9/16	2 7/16	7 3/32	3/8	5/32	6.00
1 3/4	3228FXT3	3228FXT1														5.90

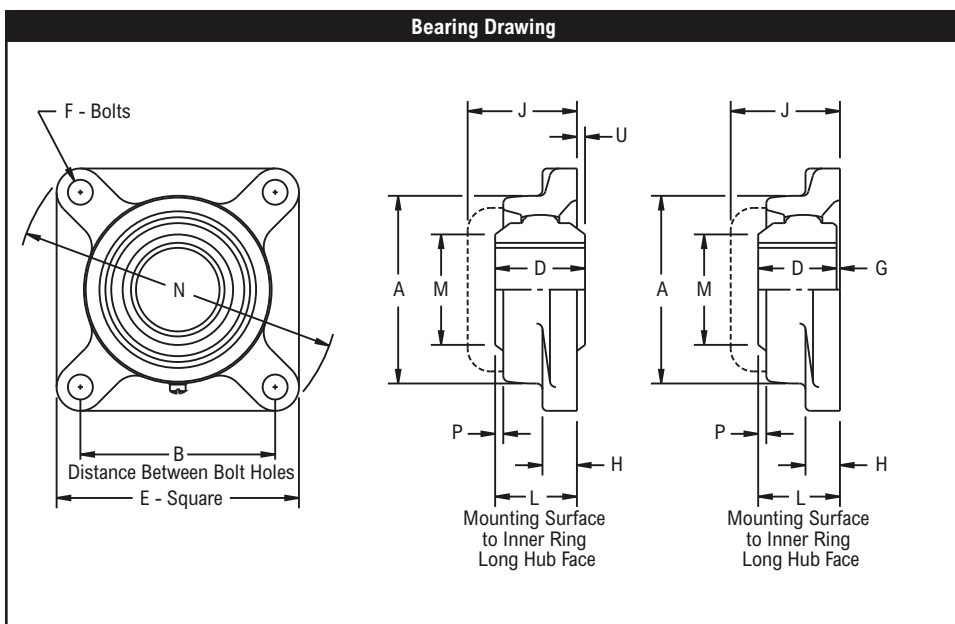
Additional Notes

Please call 1-866-REXNORD for availability
 For replacement insert number, omit housing suffix designation, i.e. 3210T1
 For short sleeves, add suffix "S", i.e. 3220FXT1S
 Selection Guide, see Link-Belt Flex-block Bearing Selection Guide section
 Load Ratings & Speed Limits, see Link-Belt Flex-block Bearing Load Ratings & Speed Limits section
 Note: Dimensions subject to change. Certified dimensions of ordered material furnished on request.



Product Features

- Corrosion resistant powder coating
- Cast iron housing
- T1 sintered bronze sleeve
- T3 carbon graphite sleeve
- 4-bolt mounting
- Alignable
- See Features & Benefits for additional info.



Bearing Dimensions

Shaft Diameter	Carbon Graphite Self-Lubricating	Porous Sintered Bronze Oil Impregnated	B Distance Between Bolt Holes	L Mounting Surface to Inner Ring Long Hub Face	A	D Reg	D Short	E	F	G	H	J	M	N	P	U	Approx. Weight
	Part Number	Part Number															
5/8	3210FT3	3210FT1	2 1/8	1 7/64	2 1/8	15/16	-	3	3/8	17/64	1/2	1 25/32	1 1/8	3 7/8	7/64	-	1.20
11/16	3211FT3	3211FT1															1.10
3/4	3212FT3	3212FT1	2 1/2	1 23/64	2 7/16	1 1/4	1 1/8	3 3/8	3/8	1/4	9/16	2 1/64	1 3/16	4 13/32	5/32	-	1.50
7/8	3214FT3	3214FT1															2.10
15/16	3215FT3	3215FT1	2 3/4	1 5/16	2 11/16	1 1/8	-	3 3/4	7/16	3/16	19/32	2	1 9/16	4 29/32	1/16	-	2.00
1	3216FT3	3216FT1															1.90
1 1/8	3218FT3	3218FT1	3 1/4	1 15/32	3 3/16	1 3/8	1 1/4	4 1/4	7/16	7/32	19/32	2 15/64	1 7/8	5 19/32	5/32	-	3.20
1 3/16	3219FT3	3219FT1															2.90
1 1/4	3220FT3	3220FT1															4.50
1 9/16	3221FT3	3221FT1	3 5/8	1 21/32	3 5/8	1 11/16	1 1/2	4 5/8	1/2	5/32	5/8	2 23/64	2 1/8	6 1/8	1/4	1/32	4.40
1 3/8	3222FT3	3222FT1															4.30
1 7/16	3223FT3	3223FT1															4.10
1 1/2	3224FT3	3224FT1	4	1 31/32	4	2 1/8	1 3/4	5 1/8	1/2	5/32	5/8	2 35/64	2 1/8	6 25/32	25/64	5/32	5.60
1 5/8	3226FT3	3226FT1															7.10
1 11/16	3227FT3	3227FT1	4 1/8	1 31/32	4 1/4	2 1/8	1 13/16	5 3/8	1/2	5/32	5/8	2 9/16	2 7/16	7 3/32	3/8	5/32	6.80
1 3/4	3228FT3	3228FT1															6.70
1 15/16	3231FT3	3231FT1	4 3/8	2 5/32	4 1/2	2 1/4	1 15/16	5 5/8	1/2	7/32	3/4	2 13/16	2 9/16	7 7/16	27/64	3/32	7.80
2	3232FT3	3232FT1															10.00
2 1/8	3234FT3	3234FT1	5 1/8	2 11/32	4 15/16	2 3/8	2	6 3/8	5/8	11/32	29/32	3 11/64	2 7/8	8 1/2	13/32	1/32	9.80
2 3/16	3235FT3	3235FT1															9.50
2 1/4	3236FT3	3236FT1	5 5/8	2 5/8	5 3/8	2 11/16	2 1/4	6 7/8	5/8	3/8	15/16	3 25/64	3 1/4	9 7/32	27/64	1/16	12.80
2 7/16	3239FT3	3239FT1															12.60
2 1/2	3240FT3	3240FT1	5 7/8	2 19/32	5 7/8	3	2 1/2	7 3/8	5/8	3/32	3/4	3 5/32	3 9/16	9 13/16	7/16	13/32	16.60
2 11/16	3243FT3	3243FT1															15.90
2 3/4	3244FT3	3244FT1	6	2 13/16	6 3/8	3 5/16	2 11/16	7 3/4	3/4	1/8	3/4	3 3/8	3 3/4	10 1/4	17/32	1/2	20.40
2 15/16	3247FT3	3247FT1															19.80
3 1/16	3255FT3	3255FT1	6 3/4	3 13/32	7 1/2	3 3/4	3 5/16	8 9/16	3/4	3/32	1	4 1/32	4 7/16	11 3/8	1/2	11/32	29.50

Additional Notes

Please call 1-866-REXNORD for availability

For replacement insert number, omit housing suffix designation, i.e. 3210T1

For short sleeves, add suffix "S", i.e. 3220FT1S

Selection Guide, see Link-Belt Flex-block Bearing Selection Guide section

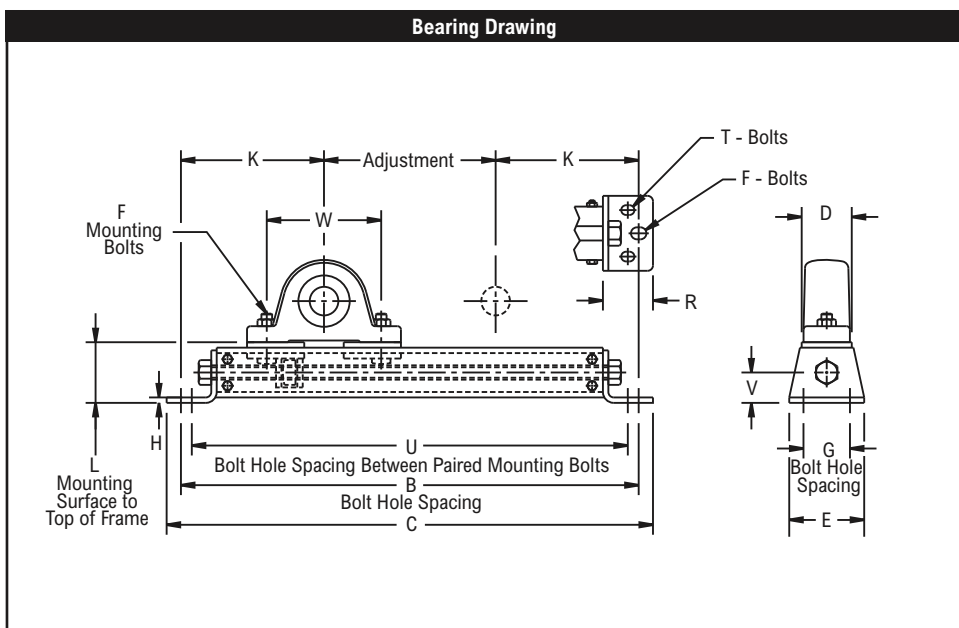
Load Ratings & Speed Limits, see Link-Belt Flex-block Bearing Load Ratings & Speed Limits section

Note: Dimensions subject to change. Certified dimensions of ordered material furnished on request.



Product Features

- Bolted steel frames
- 2 or 4-bolt frame mounting
- Bolt hole centers adjustable
- Pillow blocks not included
- See Features & Benefits for additional info.



Bearing Dimensions																		
Size Code	Adjust. Length	Part Number	Bolt Hole Spacing			L Mounting Surface to Top of Frame	C	D	E	F	H	K	R	T	V	W min	W max	Approx. Weight
			B Frame	G Width Direction	U Between Pairs													
205	6	LC16	16	1 5/8	15 1/4	2 1/8	17	1 3/4	2 5/8	3/8	3/16	5	1 3/4	5/16	1 1/16	3	5 15/16	5.25
	9	LC19	19		18 1/4		20											6.30
	12	LC112	22		21 1/4		23											6.60
210	6	LC26	19 1/8	2 1/8	18 1/8	2 11/16	20 1/4	2 3/8	3 1/8	1/2	1/4	6 9/16	2 3/16	3/8	1 11/32	3 3/4	7 1/4	10.00
	9	LC29	22 1/8		21 1/8		23 1/4											10.20
	12	LC212	25 1/8		24 1/8		26 1/4											11.50
	18	LC218	31 1/8		30 1/8		32 1/4											13.80
211/212	9	LC39	25 5/16	2 3/4	24 1/16	3 5/16	26 9/16	3	4	5/8	5/16	8 5/32	2 3/4	1/2	1 5/8	4 1/4	9	20.40
	12	LC312	28 5/16		27 1/16		29 9/16											22.25
	18	LC318	34 5/16		33 1/16		35 9/16											26.50
	24	LC324	40 5/16		39 1/16		41 9/16											33.00

Additional Notes

Please call 1-866-REXNORD for availability
 For pillow block dimensions, see Pillow Block Ball Bearing section
 Note: Dimensions subject to change. Certified dimensions of ordered material furnished on request.

Link-Belt® Cylindrical Roller Bearings



These bearings require minimum space and provide maximum rated capacity.

Series M1000, 1200, 1300, 1900, 5200, 5300, 7300 Cylindrical Roller Bearings

Metric series cylindrical roller bearings are manufactured to ABMA boundary dimensions. These bearings require minimum space and provide

maximum rated capacity. Various configurations including separable inner or outer ring combinations offer ample application flexibility.



1. Rings of high quality bearing steel for strength, toughness and durability.
2. Microfinished raceways assure smooth operations.
3. Exclusive honed crown on roller profile for optimized raceway contact area and high capacity.
4. Structural design segmented retainer provides high strength, positive roller spacing and guidance.
5. One-piece formed steel retainer provides positive roller spacing and controlled roller guidance.
6. Polymeric retainer of glass fiber reinforced nylon 6/6 provides full roller guidance, superior lubrication and reduced noise.

Segmented Retainers

Rigid structural design segmented steel retainer provides high strength, positive roller spacing and guidance.

All contact surfaces are contoured to minimize the wiping action between retainer segments and rollers, assuring full roller lubrication. Precision spacer segments contact the rollers above and below pitch diameter resulting in low friction loss and positive roller control.



Polymeric Retainers

Made of glass fiber reinforced nylon 6/6, molded polymeric retainers provide close control of roller "drop," low noise, full roller guidance and superior lubrication, at a competitive price.

Extensive testing has established compatibility with a broad range of standard lubricants and satisfactory operation at sustained temperatures to 275°F.



Formed Steel Retainers

One-piece deep coined formed steel retainer combines strength with positive roller spacing and roller guidance.

The retainer guides the rollers below the pitch line and provides control of roller drop. Line contact of rollers on guidance surfaces minimizes wiping action and promotes hydrodynamic lubrication.



Optional Series and Configurations

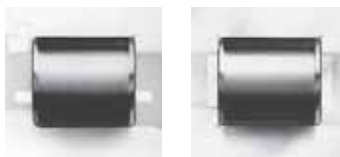
Series M cylindrical roller bearings are available in seven series with segmented retainers, five series with formed steel retainers, several series with polymeric retainers, and five series of the full roller complement type. Various configurations, including separable inner or outer ring combinations are offered.



Rollers

Exclusively crowned honed rollers provide optimized contact at the raceway. This assures efficient bearing performance under load, provides controlled stress distribution under all loads

within the design capacity and compensates for shaft deflection.



Rings

Rings are manufactured from high quality bearing steel to enhance fatigue resistance, strength, toughness and hardenability.

Bearings and ring and roller assemblies for omitted-ring applications are ABMA standard boundary plan for bore, outside

diameter, and width... standard tolerances are RBEC-1. Precision tolerances to RBEC-5 are available.



Nomenclature	
Symbol	Description
M	Metric series designation
A	Plain cylindrical inner ring
R	Single rib inner ring
SN	Short, single rib w/inner ring side plate
U	Double rib inner ring
S	Metric bore size of next smaller bearing
None	Standard capacity
6	High capacity series
1	Narrow width
5	Wide width
7	Intermediate width
0	Extra light series
2	Light series
3	Medium series
9	Extra extra light series
05	One-fifth of bore diameter (mm)
G	Snap ring groove in outer ring O.D.
GG	Two snap ring grooves in outer ring O.D.
R	Snap ring groove in outer ring O.D. snap ring included
RR	Two snap ring grooves in outer ring O.D.; snap rings included
C	Plain cylindrical outer ring
D	Single rib outer ring
E	Double rib outer ring
SN	Short single rib w/outer ring side plate
T	Outer ring w/two retaining rings in I.D.
U	Single rib outer ring, one retaining ring in I.D.
A	Oversize O.D. outer ring
H	Blind dowel hole in outer ring O.D.
X	Segmented retainer
M	Full complement (no retainer)
V	Formed steel retainer
B	Polymeric retainer
Wxxx	This suffix specifies special bearing features
None	Standard commercial clearance
C2	Less than basic clearance
C0	Basic clearance
C3	Greater than basic clearance
C4	Greater than C3 clearance
C5	Greater than standard clearance (STANDARD FOR ASSEMBLY WITH "A" OUTER RING AND OMITTED IN MODEL NUMBER)
Cxxx	Special specific clearance or range—i.e./C002 or/C35-49 or C3549

Cylindrical Roller Bearings

To select a bearing, determine the applied radial load, any applied thrust load, the desired Rating Life, and applicable operating conditions. The procedure shown here will aid in selecting a bearing to meet an L10 design life. The formulas for calculating life expectancy should be used to determine the Rating Life L10 for the bearing selected. Cylindrical roller bearings are available in various series with cylindrical bores for direct shaft mounting. Bearings in several series may fulfill the L10 life requirements. Speed limits, minimum shaft diameters, arrangement requirements and space

limitations may be determining factors in final bearing selection. The selection procedures and rating formulas shown here are in agreement with The American Bearing Manufacturers Association Standards and ANSI/ABMA STD 11. Ratings are based on fatigue life. The Rating Life L10 or fatigue life at 90% reliability is the usual basis for bearing selection. Cylindrical roller bearings are essentially radial bearings. Nevertheless those styles where integral ribs are in the proper location on inner and outer rings will also support thrust loading. In fact, most such styles do support incidental,

axial locating loads. Whenever applied thrust loading is known to exist, the guidelines given for Thrust Loads on the next page must be carefully followed. Selection and life expectancy formulas shown here are also valid for inner ring and roller assemblies and for outer ring and roller assemblies provided they are run directly on bearing quality steel shafts or housings properly hardened and ground. To assure a satisfactory bearing application, fitting practice, mounting, lubrication, sealing, static rating, housing strength, operating conditions and maintenance must be considered.

Selection

Step 1

Determine an appropriate L10 design life.

Type of service	Operating time, hours per year	Design life, years	L10 design life, hours
Light seasonal usage	500 to 750	3-5	3,000
Heavy seasonal usage	1,400 to 1,600	4-6	8,000
Industrial—8 hour shift	2,000	10	20,000
Industrial—16 hour shift	4,000	10	40,000
Industrial—continuous	8,700	10	80,000 to 100,000
Continuous—high reliability	—	—	120,000 to 300,000

Step 2

Determine a required $\left(\frac{C}{P}\right)$ from Table 1.

Step 3

Calculate the required C and select a cylindrical roller bearing.

$P = Fr$
 required $C = \left(\frac{C}{P}\right)P$ using $\left(\frac{C}{P}\right)$ from Step 2.

Select a cylindrical roller bearing of the desired type having a basic load rating C equal to or greater than the required C from the appropriate series. The life expectancy of other sizes and series of cylindrical roller bearings can be calculated. When thrust load is present, check the individual bearing thrust capacity and follow the requirements for lubrication under thrust conditions.

Step 4

Determine the permissible speed limit of the bearing through the following procedure:

Permissible speed limits are of practical value only when considered with other factors of bearing operation. Not every application functions satisfactorily at the listed speeds. Load, lubrication, and temperature factors influence the performance. Bearing operation at the listed speed limit demands excellent lubrication, moderate load, and reasonable temperature environment.

Permissible speed can be approximated from the limiting DN value, which is the product of the bearing bore in millimeters and the speed in RPM. The DN values shown below are nominal. For higher permissible speeds, consult Rexnord Bearing Division.

$$DN \text{ value} = \text{Bearing bore (mm)} \times \text{speed (RPM)}$$

Bearing series	Limit of DN Value*
Series 1900, 1000, 1200, 1300 & 7300	
with segmented or polymeric retainer	450,000
with formed steel retainer	250,000
Series 5200, 6200, and 5300	
with segmented or polymeric retainer (5200, 5300 only)	330,000
with formed steel retainer	180,000
Full complement	150,000

*These values assume oil lubrication

Selection

Symbols for formulas:

- C = basic load rating, pounds (or newtons)
- Co = static load rating, pounds (or newtons)
- Fr = radial load, pounds (or newtons)
- L10 = rating life, hours
- n = speed, revolutions per minute
- P = equivalent radial load, pounds (or newtons)

Basic Formulas

$$\left(\frac{C}{P}\right) = \left(\frac{L_{10} \times n \times 60}{1,000,000}\right)^{3/10}$$

$$L_{10} = \frac{\left(\frac{C}{P}\right)^{10/3} \times 1,000,000}{n \times 60}$$

Life Expectancy

To calculate the Rating Life L10 of any pair of selected or trial bearings:

Step 1

Determine the equivalent radial load P.

$$P = F_r$$

Step 2 Calculate the ratio of the bearing basic load rating C to the equivalent radial load.

$$\frac{C}{P}$$

Step 3

Approximate the bearing life from Table 1.

Thrust Loads

The integral guiding ribs on standard cylindrical roller bearing inner and outer rings will support limited thrust loads. In addition, special tolerances and processing can be used to substantially increase axial load capacity. In either case, excellent lubrication (preferably with an EP lubricant) and a stabilizing radial load are required. For standard bearings, the allowable thrust load is estimated as

$$TM = \frac{C_A}{3n^{0.3}}$$

- where TM Maximum allowable thrust load, pounds (or newtons)
- CA Load rating C (pounds or newtons) of the narrowest series for the given annulus (O.D. and bore) at 33 1/3 RPM and 500L10 hours.
- n Operating speed, RPM

In addition, the thrust load should be no greater than 25% of the radial load. Where application conditions exceed either of these limits, Rexnord Bearing Division should be consulted.

Life Adjustment

The Rating Life, L10, may be modified for some applications in accordance with the formula

$$L_n = a_1 a_2 a_3 L_{10}$$

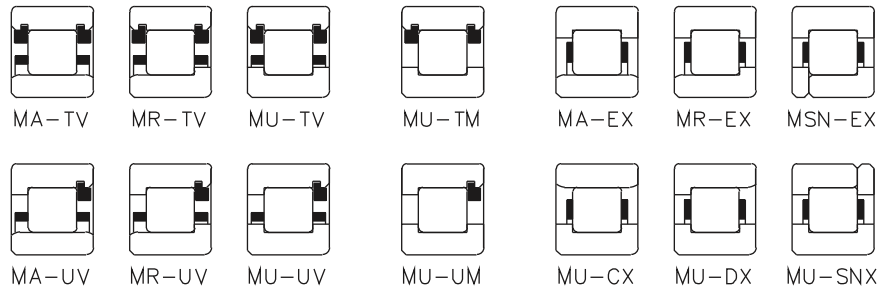
- where Ln = Adjusted life for (100-n) % reliability,
- a1 = Life adjustment factor for reliability
- a2 = Life adjustment factor for material and processing
- a3 = Life adjustment factor for operating conditions.

For most normal applications, all factors will be taken as 1, and the Rating Life used as the selection basis or life estimate. In addition, as long as standard catalog bearings are used, a2 will be normally set equal to one. The factor a3 covers such things as lubrication, misalignment, and temperature. Some conditions that could yield a3 significantly different than unity include speeds less than 20000 DN or greater than 200000 DN, temperatures below -40°F (-40°C) or above 275°F (135°C), or misalignment greater than 0.0005 radians. For other possible conditions, as well as additional information on life adjustment factors, consult Rexnord Bearing Division.

Table 1 • Relation of L10 life and speed to $\left(\frac{C}{P}\right)$

Bearing life hours L10	Ratio $\left(\frac{C}{P}\right)$									
	Speed, n									
	50	100	200	300	400	500	600	700	800	
3000	1.93	2.38	2.93	3.31	3.61	3.86	4.07	4.27	4.44	
4000	2.11	2.59	3.19	3.61	3.93	4.20	4.44	4.65	4.84	
5000	2.25	2.77	3.42	3.86	4.20	4.50	4.75	4.97	5.18	
6000	2.38	2.93	3.61	4.07	4.44	4.75	5.02	5.25	5.47	
8000	2.59	3.19	3.93	4.44	4.84	5.18	5.47	5.73	5.96	
10000	2.77	3.42	4.20	4.75	5.18	5.54	5.85	6.12	6.37	
12000	2.93	3.61	4.44	5.02	5.47	5.85	6.18	6.47	6.73	
14000	3.07	3.78	4.65	5.25	5.73	6.12	6.47	6.77	7.05	
16000	3.19	3.93	4.84	5.47	5.96	6.37	6.73	7.05	7.34	
18000	3.31	4.07	5.02	5.66	6.18	6.60	6.97	7.30	7.60	
20000	3.42	4.20	5.18	5.85	6.37	6.81	7.20	7.54	7.85	
25000	3.65	4.50	5.54	6.25	6.81	7.29	7.70	8.06	8.39	
30000	3.86	4.75	5.85	6.60	7.20	7.70	8.13	8.51	8.86	
35000	4.04	4.97	6.12	6.92	7.54	8.06	8.51	8.92	9.28	
40000	4.20	5.18	6.37	7.20	7.85	8.39	8.86	9.28	9.66	
45000	4.36	5.36	6.60	7.46	8.13	8.69	9.18	9.61	10.00	
50000	4.50	5.54	6.81	7.70	8.39	8.97	9.48	9.92	10.30	
60000	4.75	5.85	7.20	8.13	8.86	9.48	10.00	10.5	10.90	
70000	4.97	6.12	7.54	8.51	9.28	9.92	10.50	11.00	11.40	
80000	5.18	6.37	7.85	8.86	9.66	10.30	10.90	11.40	11.90	
90000	5.36	6.60	8.13	9.18	10.00	10.70	11.30	11.80	12.30	
100000	5.54	6.81	8.39	9.48	10.30	11.00	11.70	12.20	12.70	
150000	6.25	7.70	9.48	10.70	11.70	12.50	13.20	13.80	14.40	
200000	6.81	8.39	10.30	11.70	12.70	13.60	14.40	15.00	15.70	
	Speed, n									
	900	1000	1200	1500	1800	2400	3000	3600	6000	
3000	4.60	4.75	5.02	5.36	5.66	6.18	6.60	6.97	8.13	
4000	5.02	5.18	5.47	5.85	6.18	6.73	7.20	7.60	8.86	
5000	5.36	5.54	5.85	6.25	6.60	7.20	7.70	8.13	9.48	
6000	5.66	5.85	6.18	6.60	6.97	7.60	8.13	8.59	10.00	
8000	6.18	6.37	6.73	7.20	7.60	8.29	8.86	9.36	10.90	
10000	6.60	6.81	7.20	7.70	8.13	8.86	9.48	10.00	11.70	
12000	6.97	7.20	7.60	8.13	8.59	9.36	10.00	10.60	12.30	
14000	7.30	7.54	7.96	8.51	8.99	9.80	10.50	11.10	12.90	
16000	7.60	7.85	8.29	8.86	9.36	10.20	10.90	11.50	13.40	
18000	7.88	8.13	8.59	9.18	9.70	10.60	11.30	11.90	13.90	
20000	8.13	8.39	8.86	9.48	10.00	10.90	11.70	12.30	14.40	
25000	8.69	8.97	9.48	10.10	10.70	11.70	12.50	13.20	15.40	
30000	9.18	9.48	10.00	10.70	11.30	12.30	13.20	13.90	16.20	
35000	9.61	9.92	10.50	11.20	11.80	12.90	13.80	14.60	17.00	
40000	10.00	10.30	10.90	11.70	12.30	13.40	14.40	15.20	17.70	
45000	10.40	10.70	11.30	12.10	12.80	13.90	14.90	15.70	18.30	
50000	10.70	11.00	11.70	12.50	13.20	14.40	15.40	16.20	18.90	
60000	11.30	11.70	12.30	13.20	13.90	15.20	16.20	17.10	20.00	
70000	11.80	12.20	12.90	13.80	14.60	15.90	17.00	17.90	20.90	
80000	12.30	12.70	13.40	14.40	15.20	16.50	17.70	18.70	21.80	
90000	12.80	13.20	13.90	14.90	15.70	17.10	18.30	19.40	22.60	
100000	13.20	13.60	14.40	15.40	16.20	17.70	18.90	20.00	23.30	
150000	14.90	15.40	16.20	17.30	18.30	20.00	21.40	22.60	26.30	
200000	16.20	16.70	17.70	18.90	20.00	21.80	23.30	24.60	28.70	

Ratings 25mm, 30mm, 35mm, 40mm Bores

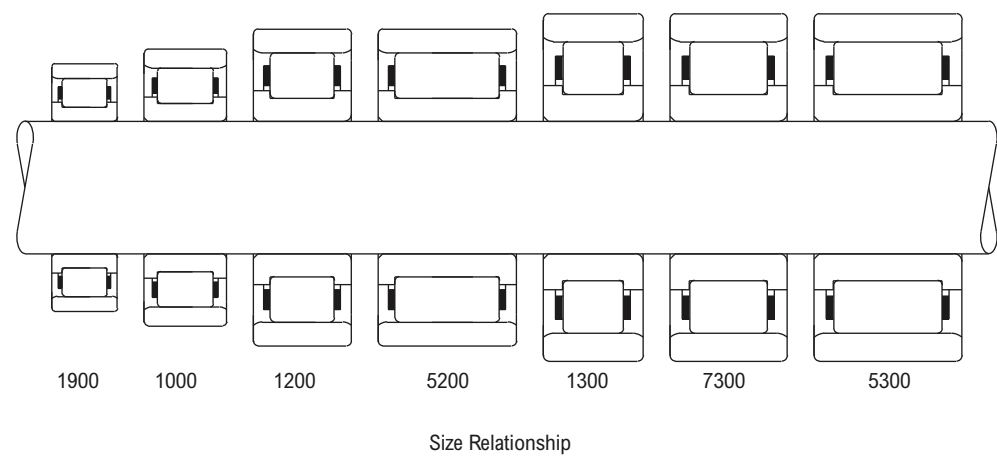


Separable
Non-Separable

Formed Steel Retainer
Full Roller Complement
Segmented Steel Retainer

Basic bearing number	pounds/newtons												
	Formed steel retainer						Segmented steel retainer			Full roller complement			
	Separable			Non-separable			C Basic load rating	Bearing Capacity 500 RPM, 3000 Hrs. L10	Co Basic static load rating	C Basic load rating	Bearing Capacity 500 RPM, 3000 Hrs. L10	Co Basic static load rating	
C basic load rating	Bearing Capacity 500 RPM, 3000 Hrs. L10	Co Basic Static load rating	C Basic load rating	Bearing Capacity 500 RPM, 3000 Hrs. L10	Co Basic static load rating								
1205	4330	1120	5220	5280	1370	5220	6170	1600	6430	7020	1820	7630	
	19200	4980	23200	23500	6080	23200	27500	7110	28600	31200	8090	33900	
	5205	5930	1540	7830	7240	1880	7830	8460	2190	9640	9620	2490	11400
1305	26400	6830	34800	32200	8340	34800	37600	9750	42900	42800	11100	50900	
	6310	1630	6690	7710	2000	6690	8840	2290	8030	9920	2570	9370	
	28100	7270	29800	34300	8880	29800	39300	10200	35700	44100	11400	41700	
7305	8070	2090	9180	9850	2550	9180	11300	2930	11000	12700	3280	12800	
	35900	9300	40800	43800	11400	40800	50200	13000	49000	56400	14600	57100	
	5305	9720	2520	11700	11900	3070	11700	13600	3530	14000	15300	3960	16300
5305	43200	11200	51900	52800	13700	51900	60500	15700	62300	68100	17600	72500	
	1206	5990	1550	7170	7320	1900	7170	8150	2110	8270	9340	2420	9930
		26700	6910	31900	32600	8430	31900	36200	9390	36800	41600	10800	44200
5206		9040	2340	12200	11000	2860	12200	12300	3180	14000	14100	3650	16800
1306	40200	10400	54100	49100	12700	54100	54700	14200	62500	62700	16200	74900	
	7970	2060	9270	9730	2520	9270	10300	2680	10000	12100	3130	12400	
	35400	9180	41200	43300	11200	41200	45900	11900	44700	53700	13900	55000	
7306	10500	2720	13200	12800	3320	13200	13600	3530	14400	15900	4130	17700	
	46800	12100	58900	57100	14800	58900	60600	15700	63800	70700	18400	78700	
	5306	12800	3320	17100	15700	4060	17100	16600	4310	18500	19400	5030	22800
5306	57000	14800	76100	69600	18000	76100	74000	19200	82400	86400	22400	101000	
	1207	6840	1770	8030	8350	2160	8030	9290	2410	9270	10700	2760	11100
		30400	7870	35700	37100	9610	35700	41300	10700	41200	47400	12300	49500
5207		11300	2920	15300	13800	3570	15300	15300	3970	17700	17600	4560	21200
1307	50200	13000	68100	61300	15900	68100	68300	17700	78600	78300	20300	94300	
	9840	2550	12000	12000	3110	12000	13500	3490	14000	15600	4040	17000	
	43800	11300	53400	53400	13800	53400	60000	15500	62400	69400	18000	75700	
7307	13800	3580	18700	16900	4380	18700	17900	4630	20100	20700	5350	24400	
	61500	15900	83100	75100	19500	83100	79400	20600	89500	91900	23800	109000	
	5307	15900	4120	22400	19400	5030	22400	20500	5320	24100	23800	6150	29200
5307	70800	18300	99400	86400	22400	99400	91400	23700	107000	106000	27400	130000	
	1208	8270	2140	10200	10100	2620	10200	11200	2890	11600	12700	3290	13800
		36800	9530	45300	44900	11600	45300	49700	12900	51800	56500	14600	61500
5208		14300	3710	20700	17500	4530	20700	19400	5010	23600	22000	5700	28000
1308	63800	16500	91900	77900	20200	91900	86100	22300	105000	97900	25400	125000	
	12600	3260	15200	15400	3980	15200	16300	4230	16400	19100	4940	20200	
	56000	14500	67500	68400	17700	67500	72600	18800	73100	84800	22000	90000	
7308	17900	4630	23800	21800	5660	23800	23200	6010	25800	27100	7020	31800	
	79600	20600	106000	97200	25200	106000	103000	26700	115000	121000	31200	141000	
	5308	20000	5190	27600	24500	6330	27600	26000	6720	29900	30300	7860	36800
5308	89100	23100	123000	109000	28200	123000	115000	29900	133000	135000	35000	163000	

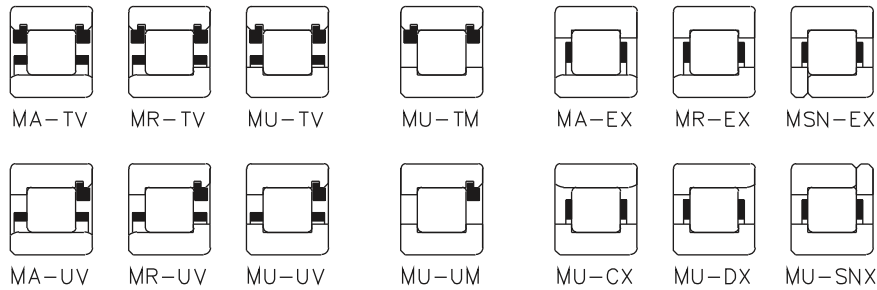
Ratings 45mm, 50mm, 55mm Bores



Size Relationship

Basic bearing number	pounds/newtons											
	Formed steel retainer						Segmented steel retainer			Full roller complement		
	Separable			Non-separable			C Basic load rating	Bearing Capacity 500 RPM, 3000 Hrs. L10	Co Basic static load rating	C Basic load rating	Bearing Capacity 500 RPM, 3000 Hrs. L10	Co Basic static load rating
C basic load rating	Bearing Capacity 500 RPM, 3000 Hrs. L10	Co Basic Static load rating	C Basic load rating	Bearing Capacity 500 RPM, 3000 Hrs. L10	Co Basic static load rating							
1209	9670	2500	12900	11800	3060	12900	12900	3340	14500	14500	3750	16900
	43000	11100	57300	52500	13600	57300	57400	14900	64500	64400	16700	75200
5209	15600	4030	23800	19000	4920	23800	20800	5380	26700	23300	6040	31200
	69200	17900	106000	84500	21900	106000	92300	23900	119000	104000	26800	139000
1309	15900	4120	20400	19400	5040	20400	20600	5320	22000	23800	6160	26700
	70800	18300	90900	86500	22400	90900	91400	23700	97900	106000	27400	119000
7309	20300	5260	28000	24800	6430	28000	26200	6790	30100	30300	7860	36600
	90400	23400	124000	110000	28600	124000	117000	30200	134000	135000	35000	163000
5309	24800	6440	36200	30300	7860	36200	32100	8310	39000	37100	9610	47400
	111000	28600	161000	135000	35000	161000	143000	37000	174000	165000	42700	211000
1010	8840	2290	11100
	39300	10200	49400
1210	9830	2550	13600	12000	3110	13600	13000	3380	15200	15100	3900	18400
	43700	11300	60600	53400	13800	60600	58000	15000	67700	67000	17300	82000
5210	15800	4100	25100	19300	5000	25100	21000	5440	28100	24200	6280	34000
	70400	18200	112000	85900	22300	112000	93400	24200	125000	108000	27900	151000
1310	18600	4810	24000	22700	5870	24000	23900	6200	25900	27700	7170	31400
	82500	21400	107000	101000	26100	107000	107000	27600	115000	123000	31900	140000
7310	24000	6220	33500	29300	7590	33500	31000	8030	36000	35900	9290	43800
	107000	27700	149000	130000	33800	149000	138000	35700	160000	159000	41300	195000
5310	29300	7600	43300	35800	9280	43300	37900	9810	46600	43800	11300	56600
	131000	33800	193000	159000	41300	193000	169000	43600	207000	195000	50500	252000
1911	6960	1800	9570
	31000	8020	42600
1011	11200	2890	14300
	49800	12900	63400
1211	11700	3040	16400	1430	3710	16400	15600	4030	18400	18000	4650	22300
	52200	13500	73200	63700	16500	73200	69200	17900	81800	79900	20700	99000
5211	19200	4960	30900	23400	6060	30900	25400	6590	34600	29400	7600	41900
	85300	22100	138000	104000	27000	138000	113000	29300	154000	131000	33800	186000
1311	21900	5680	28800	26800	6930	28800	26800	6930	28800	31000	8020	35000
	97500	25300	128000	119000	30800	128000	119000	30800	128000	138000	35700	156000
7311	29300	7590	41800	35800	9270	41800	35800	9270	41800	41400	10700	50800
	130000	33800	186000	159000	41200	186000	159000	41200	186000	184000	47700	226000
5311	38100	9860	58600	46500	12000	58600	46500	12000	58600	53800	13900	71100
	169000	43900	260000	207000	53500	260000	207000	53500	260000	239000	61900	316000

Ratings 60mm, 65mm, 70mm Bores

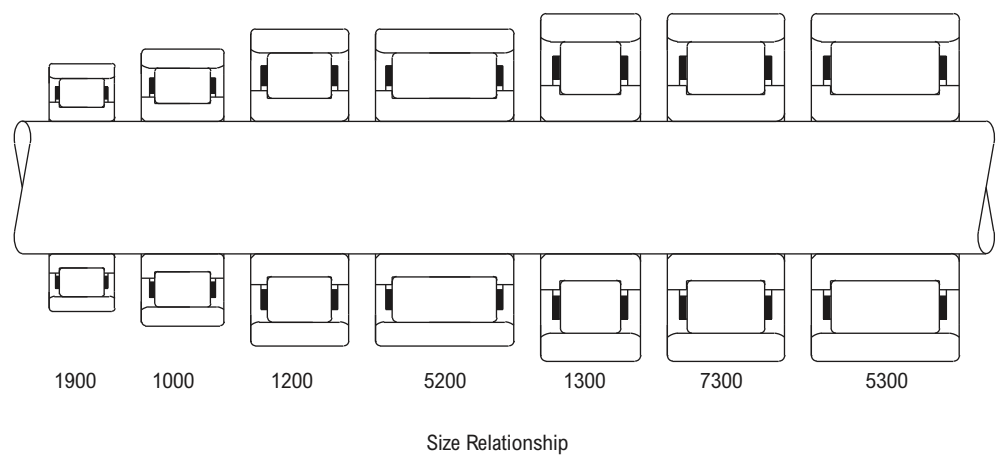


Separable
Non-Separable

Formed Steel Retainer
Full Roller Complement
Segmented Steel Retainer

Basic bearing number	pounds/newtons											
	Formed steel retainer						Segmented steel retainer			Full roller complement		
	Separable			Non-separable			C Basic load rating	Bearing Capacity 500 RPM, 3000 Hrs. L10	Co Basic static load rating	C Basic load rating	Bearing Capacity 500 RPM, 3000 Hrs. L10	Co Basic static load rating
C basic load rating	Bearing Capacity 500 RPM, 3000 Hrs. L10	Co Basic Static load rating	C Basic load rating	Bearing Capacity 500 RPM, 3000 Hrs. L10	Co Basic static load rating							
1912	7200	1870	10300
	32000	8300	45600
1012	11700	3040	15600
	52200	13500	69200
1212	14500	3760	19600	17700	4590	19600	19400	5020	22100	21700	5630	25800
	64600	16700	87400	78900	20400	87400	86100	22300	98300	96700	25000	115000
5212	24700	6390	38900	30100	7800	38900	32900	8520	43700	36900	9570	51000
	110000	28400	173000	134000	34700	173000	146000	37900	194000	164000	42600	227000
1312	24900	6450	32800	30400	7880	32800	32100	8330	35300	37200	9630	42900
	111000	28700	146000	135000	35500	146000	143000	37000	157000	165000	42800	191000
7312	32600	8450	46400	39800	10300	46400	42100	10900	50000	48700	12600	60700
	145000	37600	206000	177000	45900	206000	187000	48500	222000	217000	56100	270000
5312	43900	11400	68000	53600	13900	68000	56600	14700	73200	65500	17000	88900
	195000	50500	302000	238000	61700	302000	252000	65200	326000	291000	75500	395000
1913	7600	1970	11200
	33800	8750	50000
1013	12000	3100	16300
	53200	13800	72400
1213	16800	4360	24400	20500	5320	24400	21400	5540	25800	24700	6390	31200
	74800	19400	109000	91400	23700	109000	95100	24600	115000	110000	28400	139000
5213	26800	6930	44400	32700	8460	44400	34000	8810	46800	39300	10200	56700
	119000	30800	197000	145000	37600	197000	151000	39200	208000	175000	45200	252000
1313	30800	7970	41900	37600	9730	41900	37600	9730	41900	43400	11300	50900
	137000	35400	186000	167000	43300	186000	167000	43300	186000	193000	50100	226000
7313	39200	10100	57200	47800	12400	57200	47800	12400	57200	55300	14300	69400
	174000	45100	254000	213000	55100	254000	213000	55100	254000	246000	63700	309000
5313	54900	14200	88200	67000	17300	88200	67000	17300	88200	77500	20100	107000
	244000	63200	392000	298000	77200	392000	298000	77200	392000	345000	89300	476000
1914	10900	2810	15800
	48300	12500	70400
1014	14600	3770	18600
	64800	16800	82800
1214	18100	4700	26300	22100	5730	26300	24100	6230	29400	27900	7190	35600
	80600	20900	117000	98500	25500	117000	107000	27700	131000	124000	32000	158000
5214	29900	7750	50100	36600	9470	50100	39700	10300	56000	45900	11900	67800
	133000	34500	223000	163000	42100	223000	177000	45800	249000	204000	52800	302000
1314	35300	9130	48800	43000	11100	48800	43000	11100	48800	49800	12900	59200
	157000	40600	217000	191000	49600	217000	191000	49600	217000	221000	57400	263000
7314	43800	11300	64400	53500	13800	64400	53500	13800	64400	61800	16000	78200
	195000	50400	287000	238000	61600	287000	238000	61600	287000	275000	71300	348000
5314	57600	14900	91700	70400	18200	91700	70400	18200	91700	81400	21100	111000
	256000	66400	408000	313000	81100	408000	313000	81100	408000	362000	93800	495000

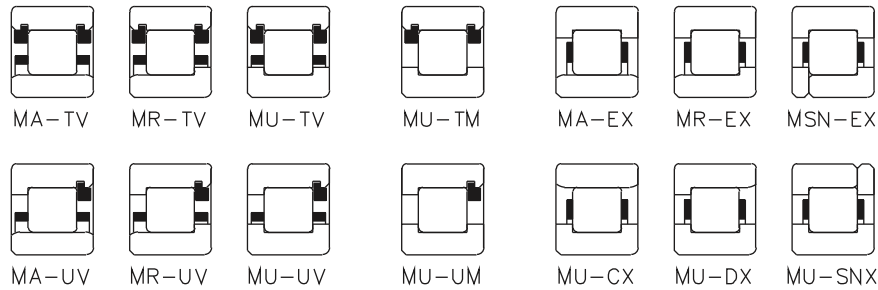
Ratings 75mm, 80mm, 85mm Bores



Size Relationship

Basic bearing number	pounds/newtons											
	Formed steel retainer						Segmented steel retainer			Full roller complement		
	Separable			Non-separable			C Basic load rating	Bearing Capacity 500 RPM, 3000 Hrs. L10	Co Basic static load rating	C Basic load rating	Bearing Capacity 500 RPM, 3000 Hrs. L10	Co Basic static load rating
C basic load rating	Bearing Capacity 500 RPM, 3000 Hrs. L10	Co Basic Static load rating	C Basic load rating	Bearing Capacity 500 RPM, 3000 Hrs. L10	Co Basic static load rating							
1915	11200	2910	16900
1015	50000	13000	75200
1215	18800	4880	28000	23000	5960	28000	24900	6450	31100	28600	7390	37400
5215	32500	8430	56600	39700	10300	56600	43000	11100	62900	49300	12800	75500
1315	36600	9470	49700	44600	11600	49700	191000	49500	280000	219000	56800	336000
7315	163000	42100	221000	199000	51400	221000	199000	51400	221000	230000	59500	268000
5315	48500	12600	71500	59300	15400	71500	59300	15400	71500	68600	17800	86900
	216000	55900	318000	264000	68300	318000	264000	68300	318000	305000	79000	386000
	70900	18400	116000	86600	22400	116000	86600	22400	116000	100000	25900	141000
	315000	81700	518000	385000	99800	518000	385000	99800	518000	446000	115000	629000
1916	11600	3010	18000
1016	51700	13400	80000
1216	20600	5330	30100	25100	6500	30100	19200	4970	25800
5216	36800	9540	63700	45000	11600	63700	85300	22100	115000
1316	164000	42400	283000	200000	51800	283000	27200	7040	33400	30200	7820	38400
7316	41500	10800	57300	50700	13100	57300	121000	31300	149000	134000	34800	171000
5316	185000	47900	255000	226000	58400	255000	48700	12600	70700	54000	14000	81300
	55100	14300	82400	67300	17400	82400	216000	56100	315000	240000	62300	362000
	245000	63500	367000	299000	77500	367000	50700	13100	57300	58700	15200	69600
	73300	19000	119000	89400	23200	119000	226000	58400	255000	261000	67600	309000
	326000	84400	528000	398000	103000	528000	67300	17400	82400	77900	20200	100000
							299000	77500	367000	346000	89700	445000
							89400	23200	119000	103000	26800	144000
							398000	103000	528000	460000	119000	642000
1917	13700	3550	20900
1017	60900	15800	93100
1217	24800	6410	36700	30200	7830	36700	19700	5100	27000
5217	110000	28500	163000	134000	34800	163000	87500	22700	120000
1317	45300	11700	79700	55300	14300	79700	31500	8160	38700	36300	9410	46900
7317	201000	52200	354000	246000	63700	354000	140000	36300	172000	162000	41900	208000
5317	44600	11500	61200	54400	14100	61200	57600	14900	84100	66400	17200	102000
	198000	51300	272000	242000	62700	272000	356000	66300	374000	296000	76500	453000
	61700	16000	92900	75400	19500	92900	54400	14100	61200	63000	16300	74300
	275000	71100	413000	335000	86800	413000	242000	62700	272000	280000	72500	330000
	86300	22400	143000	105000	27300	143000	75400	19500	92900	87200	22600	113000
	384000	99500	636000	469000	121000	636000	335000	86900	413000	388000	100000	502000
							105000	27300	143000	122000	31600	174000
							469000	121000	636000	542000	140000	773000

Ratings 90mm, 95mm, 100mm Bores

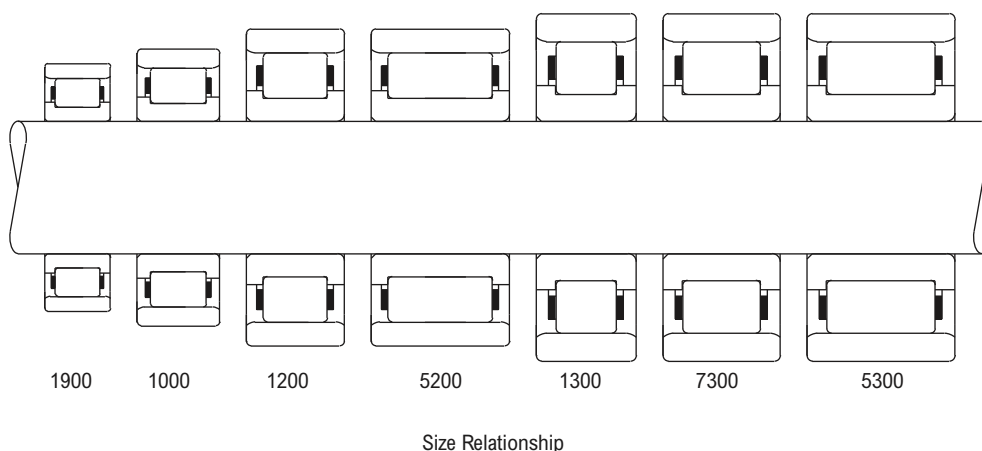


Separable
Non-Separable

Formed Steel Retainer
Full Roller Complement
Segmented Steel Retainer

pounds/newtons												
Basic bearing number	Formed steel retainer						Segmented steel retainer			Full roller complement		
	Separable			Non-separable			C Basic load rating	Bearing Capacity 500 RPM, 3000 Hrs. L10	Co Basic static load rating	C Basic load rating	Bearing Capacity 500 RPM, 3000 Hrs. L10	Co Basic static load rating
	C basic load rating	Bearing Capacity 500 RPM, 3000 Hrs. L10	Co Basic Static load rating	C Basic load rating	Bearing Capacity 500 RPM, 3000 Hrs. L10	Co Basic static load rating						
1918	14200	3670	22200
	6300	16300	98900
1018	24900	6440	33500
	111000	28600	149000
1218	28700	7440	42600	35100	9090	42600	38100	9880	47600	42600	11000	55100
	128000	33100	190000	156000	40400	190000	170000	43900	212000	189000	49000	245000
5218	51000	13200	89100	62300	16100	89100	67700	17500	99600	75500	19600	115000
	227000	58700	396000	277000	71700	396000	301000	78000	443000	336000	87000	513000
1318	52600	13600	74200	64200	16600	74200	64200	16600	74200	74200	19200	90100
	234000	60600	330000	285000	73900	330000	285000	73900	330000	380000	85500	401000
7318	69000	17900	105000	84300	21800	105000	84300	21800	105000	97500	25300	128000
	307000	79500	469000	375000	97100	469000	375000	97100	469000	434000	112000	569000
5318	88400	22900	145000	108000	27900	145000	108000	27900	145000	125000	32300	176000
	393000	102000	644000	480000	124000	644000	480000	124000	644000	556000	144000	783000
1919	14600	3790	23600
	65100	16900	105000
1019	25500	6600	35100
	113000	29400	156000
1219	33400	8650	50000	40800	10600	50000	42600	11000	53000	49500	12800	64700
	149000	38500	222000	181000	47000	222000	189000	49000	236000	220000	57000	288000
5219	58500	15200	103000	71400	18500	103000	74600	19300	109000	86700	22400	133000
	260000	67400	457000	318000	82300	457000	332000	85900	484000	386000	99800	592000
1319	55300	14300	80500	67600	17500	80500	67600	17500	80500	77400	20100	96600
	246000	63700	358000	300000	77800	358000	300000	77800	358000	344000	89200	430000
7319	75800	19600	121000	92600	24000	121000	92600	24000	121000	106000	27500	145000
	337000	87400	537000	412000	107000	537000	412000	107000	537000	472000	122000	644000
5319	93000	24100	157000	114000	29400	157000	114000	29400	157000	130000	33700	188000
	414000	107000	698000	505000	131000	698000	505000	131000	698000	579000	150000	838000
1920	17300	4470	25600
	76800	19900	114000
1020	26100	6760	36700
	116000	30100	163000
1220	36500	9470	54800	44600	11600	54800	46600	12100	58000	54100	14000	70900
	163000	42100	244000	198000	51400	244000	207000	53700	258000	241000	62400	315000
5220	65900	17100	117000	80500	20800	117000	84000	21800	124000	97700	25300	151000
	293000	76000	520000	358000	92700	520000	374000	96800	551000	434000	113000	674000
1320	60600	15700	88300	74000	19200	88300	74000	19200	88300	84800	22000	106000
	270000	69800	393000	329000	85300	393000	329000	85300	393000	377000	97700	472000
7320	82500	21400	131000	101000	26100	131000	101000	26100	131000	115000	29900	157000
	367000	95000	584000	448000	116000	584000	448000	116000	584000	513000	133000	700000
5320	111000	28700	192000	135000	35100	192000	135000	35100	192000	155000	40200	231000
	493000	128000	855000	602000	156000	855000	602000	156000	855000	691000	179000	1030000

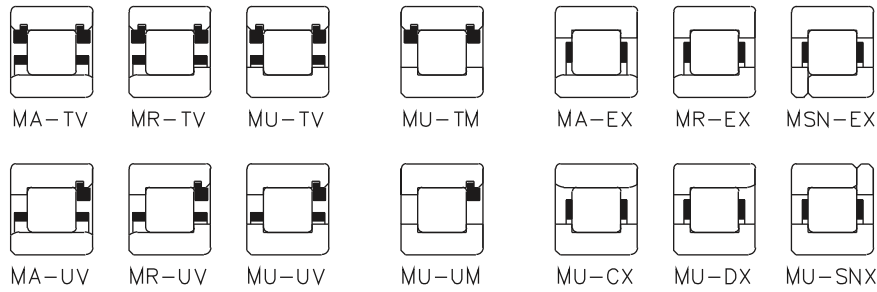
Ratings 105mm, 110mm, 120mm Bores



Size Relationship

Basic bearing number	pounds/newtons											
	Formed steel retainer						Segmented steel retainer			Full roller complement		
	Separable			Non-separable			C Basic load rating	Bearing Capacity 500 RPM, 3000 Hrs. L10	Co Basic static load rating	C Basic load rating	Bearing Capacity 500 RPM, 3000 Hrs. L10	Co Basic static load rating
C basic load rating	Bearing Capacity 500 RPM, 3000 Hrs. L10	Co Basic Static load rating	C Basic load rating	Bearing Capacity 500 RPM, 3000 Hrs. L10	Co Basic static load rating							
1921	17900	4650	27300
1021	79800	20700	121000
1221	38600	9990	57800	47100	12200	57800	49200	12700	61200	57200	14800	74800
5221	73400	19000	132000	89600	23200	132000	93600	24200	140000	109000	28200	171000
1321	71700	18600	108000	87500	22700	108000	87500	22700	108000	100000	26000	129000
7321	319000	82500	479000	389000	101000	479000	389000	101000	479000	446000	116000	575000
5321	90500	23400	145000	110000	28600	145000	110000	28600	145000	127000	32800	174000
	403000	104000	647000	491000	127000	647000	491000	127000	647000	563000	146000	776000
	118000	30500	204000	144000	37200	204000	144000	37200	204000	165000	42700	244000
	523000	136000	906000	639000	165000	906000	639000	165000	906000	734000	190000	1090000
1922	18200	4720	28200
1022	81200	21000	125000
1222	43600	11300	67300	53200	13800	67300	55400	14400	71100	61900	16000	82300
5222	79900	20700	147000	97600	25300	147000	102000	26300	155000	113000	29400	179000
1322	356000	92100	653000	434000	112000	653000	452000	117000	689000	505000	131000	798000
7322	72800	18900	107000	88900	23000	107000	88900	23000	107000	102000	26400	129000
	324000	83800	477000	395000	102000	477000	395000	102000	477000	453000	117000	572000
	99800	25800	161000	122000	31500	161000	122000	31500	161000	140000	36200	193000
	444000	115000	715000	542000	140000	715000	542000	140000	715000	621000	161000	858000
	138000	35700	244000	169000	43600	244000	169000	43600	244000	193000	50000	293000
	614000	159000	1090000	750000	194000	1090000	750000	194000	1090000	859000	223000	1300000
1924	23800	6160	37300
1024	106000	27400	166000
1224	49400	12800	77900	60300	15600	77900	62800	16300	82300	72500	18800	99600
5224	220000	56900	347000	268000	69500	347000	279000	72400	366000	323000	83500	443000
	97200	25200	186000	119000	30700	186000	124000	32000	196000	143000	36900	238000
	432000	112000	827000	528000	137000	827000	550000	142000	873000	634000	164000	1060000
	84600	21900	126000	103000	26700	126000	103000	26700	126000	118000	30700	151000
	376000	97400	562000	459000	119000	562000	459000	119000	562000	527000	136000	674000
	118000	30500	193000	144000	37300	193000	144000	37300	193000	165000	42700	232000
	524000	136000	861000	640000	166000	861000	640000	166000	861000	734000	190000	1030000
	170000	44100	310000	208000	53900	310000	208000	53900	310000	238000	61700	373000
	757000	196000	1380000	925000	240000	1380000	925000	240000	1380000	1060000	275000	1660000

Ratings 130mm, 140mm, 150mm Bores

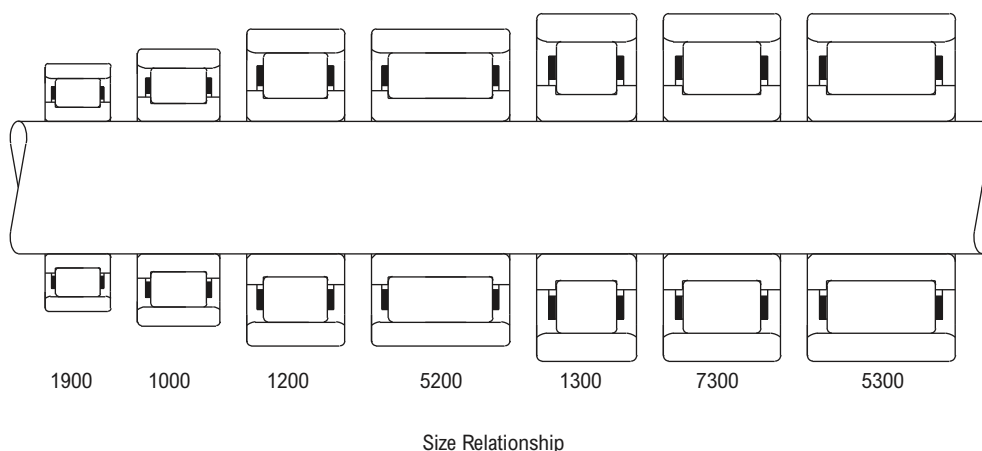


Separable
Non-Separable

Formed Steel Retainer
Full Roller Complement
Segmented Steel Retainer

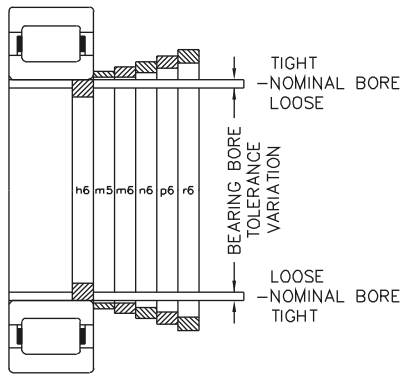
Basic bearing number	pounds/newtons											
	Formed steel retainer						Segmented steel retainer			Full roller complement		
	Separable			Non-separable			C Basic load rating	Bearing Capacity 500 RPM, 3000 Hrs. L ₁₀	Co Basic static load rating	C Basic load rating	Bearing Capacity 500 RPM, 3000 Hrs. L ₁₀	Co Basic static load rating
C Basic load rating	Bearing Capacity 500 RPM, 3000 Hrs. L ₁₀	Co Basic Static load rating	C Basic load rating	Bearing Capacity 500 RPM, 3000 Hrs. L ₁₀	Co Basic static load rating							
1926	30100	7800	47600
	134000	34700	212000
1026	47500	12300	69100
	211000	54700	307000
1226	55300	14300	85200	67500	17500	85200	67500	17500	85200	78500	20300	104000
	246000	63700	379000	300000	77800	379000	300000	77800	379000	349000	90400	463000
5226	104000	26900	192000	127000	32800	192000	127000	32800	192000	147000	38200	234000
	462000	120000	852000	564000	146000	852000	564000	146000	852000	655000	170000	1040000
1326	100000	25900	151000	122000	31700	151000	122000	31700	151000	140000	36300	182000
	446000	115000	674000	544000	141000	674000	544000	141000	674000	624000	162000	808000
7326	138000	35700	228000	168000	43600	228000	168000	43600	228000	193000	50000	274000
	613000	159000	1020000	749000	194000	1020000	749000	194000	1020000	858000	222000	1220000
5326	190000	49300	346000	232000	60200	346000	232000	60200	346000	267000	69000	415000
	847000	219000	1540000	1030000	268000	1540000	1030000	268000	1540000	1190000	307000	1850000
1928	31100	8060	50800
	138000	35900	226000
1028	49900	12900	75100
	222000	57400	334000
1228	61700	16000	95000	75300	19500	95000	75300	19500	95000	87600	22700	116000
	274000	71100	422000	335000	86800	422000	335000	86800	422000	390000	101000	516000
5228	129000	33400	244000	157000	40700	244000	157000	40700	244000	183000	47300	299000
	573000	148000	1090000	699000	181000	1090000	699000	181000	1090000	813000	211000	1330000
1328	111000	28800	170000	136000	35200	170000	136000	35200	170000	156000	40400	204000
	495000	128000	756000	605000	157000	756000	605000	157000	756000	693000	180000	907000
7328	158000	40800	266000	192000	49800	266000	192000	49800	266000	221000	57100	319000
	701000	182000	1180000	856000	222000	1180000	856000	222000	1180000	981000	254000	1420000
5328	209000	54200	383000	256000	66200	383000	256000	66200	383000	293000	75900	460000
	931000	241000	1700000	1140000	295000	1700000	1140000	295000	1700000	1300000	338000	2050000
1930	41800	10800	68600
	186000	48100	305000
1030	56700	14700	85800
	252000	65300	382000
1230	71000	18400	111000	86700	22500	111000	86700	22500	111000	101000	26100	135000
	316000	81800	492000	386000	99900	492000	386000	99900	492000	448000	116000	601000
5230	150000	38900	289000	183000	47500	289000	183000	47500	289000	213000	55200	354000
	668000	173000	1290000	815000	211000	1290000	815000	211000	1290000	948000	245000	1570000

Ratings 160mm, 170mm, 180mm, 190mm, 200mm Bores



Basic bearing number	pounds/newtons											
	Formed steel retainer						Segmented steel retainer			Full roller complement		
	Separable			Non-separable			C Basic load rating	Bearing Capacity 500 RPM, 3000 Hrs. L10	Co Basic static load rating	C Basic load rating	Bearing Capacity 500 RPM, 3000 Hrs. L10	Co Basic static load rating
C basic load rating	Bearing Capacity 500 RPM, 3000 Hrs. L10	Co Basic Static load rating	C Basic load rating	Bearing Capacity 500 RPM, 3000 Hrs. L10	Co Basic static load rating							
1932	43200	11200	73100
1032	192000	49800	325000
1232	78300	20300	120000	95600	24800	120000	289000	74800	444000	112000	29000	148000
5232	348000	90200	534000	425000	110000	534000	99800	25800	127000	498000	129000	660000
	174000	45100	336000	213000	55100	336000	444000	115000	565000	249000	64600	415000
	775000	201000	1490000	946000	245000	1490000	222000	57500	356000	1110000	287000	1850000
1934	43700	11300	75500
1034	195000	50400	336000
1234	95700	24800	149000	117000	30300	149000	81400	21100	130000	137000	35500	184000
5234	426000	110000	664000	520000	135000	664000	362000	93800	577000	609000	158000	820000
	202000	52400	391000	247000	64000	391000	122000	31600	158000	290000	75000	483000
	900000	233000	1740000	1100000	285000	1740000	543000	141000	703000	1290000	334000	2150000
1936	56000	14500	93700
1036	249000	64500	417000
1236	99600	25800	159000	122000	31500	159000	97900	25400	154000	136000	35300	186000
5236	443000	115000	708000	541000	140000	708000	436000	113000	685000	607000	157000	826000
	195000	50600	379000	239000	61800	379000	122000	31500	159000	268000	69400	442000
	870000	225000	1690000	1060000	275000	1690000	541000	140000	708000	1190000	309000	1970000
1938	56800	14700	97000
1038	253000	65500	431000
1238	143200	37000	239400	100000	26000	161000	446000	115000	716000	205000	53000	299000
5238	637000	164900	1065000	446000	115000	716000	190600	49300	267700	912000	236000	1330000
	242000	62800	489000	780000	203000	1065000	848000	219500	1191000	332000	86000	570000
	1080000	279000	2170000	296000	76600	489000	1320000	341000	2170000	1480000	383000	254000
1940	73700	19100	125000
1040	328000	84900	556000
1240	123000	31900	201000	121000	31300	193000	121000	31300	193000	175000	45200	246000
5240	547000	142000	893000	538000	139000	859000	668000	173000	893000	777000	201000	1090000
	270000	69900	551000	329000	85300	551000	329000	85300	551000	383000	99200	673000
	1200000	311000	2450000	1460000	379000	2450000	1460000	379000	2450000	1700000	441000	2990000

Shaft Bearing Seat Diameters



Bearing bore tolerances are in accord with the system of tolerancing established by the International Standards Organization (ISO) and adopted by the American Bearing Manufacturers Association (ABMA) and the American National Standards Institute (ANSI).

A system of limits and fits has been established by ISO for shafts. A portion of this system has been adopted by ABMA to provide flexibility in selecting shaft fits. Shaft fits are designated by a lower case letter and a number, such as h6. The letter indicates the location of the shaft tolerance limits with respect to the nominal bearing bore. The number indicates the size of the tolerance zone. Shaft fits recommended for various types of applications are listed in the table at right.

A graphic relationship of various shaft fits is illustrated in the figure at the left.

Many factors influence the proper fit of the bearing inner ring on a shaft. The magnitude of the load and its direction with respect to bearing inner or outer rings are generally the first factors considered in shaft fit selection. The effects of other factors such as vibration, shock, temperature, speed, etc., are of secondary importance but sometimes need to be considered. Where assembly or disassembly requirements are of prime importance special shaft fits may be required. Appropriate diameter shafting is determined (as shown) from the tables below.

Class of fit and shaft diameters (inches/um)

Bearing Series, 1000, 1200, 1300, 1900, 5200, 5300, 7300	Nominal bearing bore and shaft diameter		Bearing bore tolerance ▲	Bearing/shaft diameter fits ▲				
				h6		m5		
				Tolerance		Tolerance		
Basic Size	mm	inches	um	inches	Fit	Shaft Dia.	Fit	Shaft Dia.
04	20.000	0.7874	0	0.0000	.0004T	-.0000	.0011T	0.0007
05	25.000	0.9843	-10	-.0004	.0005L	-.0005	.0003T	0.0003
06	30.000	1.1811			10T	0	27T	17
07	35.000	1.3780			13L	-13	8T	8
08	40.000	1.5748	0	0.0000	.0005T	0.0000	.0013T	0.0008
09	45.000	1.7717	-12	-.0005	.0006L	-.0006	.0004T	0.0004
10	50.000	1.9685			12T	0	33T	20
11	55.000	2.1654			16L	-16	9T	9
12	60.000	2.3622						
13	65.000	2.5591	0	0.0000	.0006T	0.0000	.0016T	0.001
14	70.000	2.7559	-15	-.0006	.0007L	0.0007	.0005T	0.0005
15	75.000	2.9528			15T	0	39T	24
16	80.000	3.1496			19L	-19	11T	11
17	85.000	3.3465						
18	90.000	3.5433			.0008T	-.0000	.0019T	0.0011
19	95.000	3.7402	0	0.0000	.0009L	-.0009	.0005T	0.0005
20	100.000	3.9370	-20	-.0008	20T	0	48T	28
21	105.000	4.1339			22L	-22	13T	13
22	110.000	4.3307						
24	120.000	4.7244						
26	130.000	5.1181						
28	140.000	5.5118			.0010T	-.0000	.0023T	0.0013
30	150.000	5.9055	0	0.0000	.0010L	-.0010	.0006T	0.0006
32	160.000	6.2992	-25	-.0010	25T	0	58T	33
34	170.000	6.6929			25L	-25	15T	13
36	180.000	7.0866						
38	190.000	7.4803	0	0.0000	.0012T	0.000	.0026T	0.0014
40	200.000	7.8740	-30	-.0012	.0012L	-.0012	.0006T	0.0006
					30T	0	67T	37
					29L	-29	17T	17

Class of Fit Selection				
Operating conditions ■	Nominal shaft dia.		Class of fit	Remarks
	mm	inches		
Inner ring stationary in relation to direction of load	All diameters		h6	Tap fit inner ring
Inner ring rotating in relation to direction of load (Normal load m=0.18C)●	17-40	0.67-1.57	m5	Press fit inner ring
	40-65	1.57-2.56	m6	
	65-140	2.56-5.52	n6	
	140-200	5.52-7.88	p6	
Inner ring rotating in relation to direction of load (Heavy load >.018C)●	35-65	1.37-2.56	n6	Heavy press fit inner ring
	65-140	2.56-5.52	p6	
	140-200	5.52-7.88	r6	

Bearing/Shaft diameter fit ▲								
Bearing series 1000, 1200, 1300, 1900, 5200, 5300, 7300	m6		n6		p6		r6	
	Tolerance		Tolerance		Tolerance		Tolerance	
Basic size	Fit	Shaft dia.	Fit	Shaft dia.	Fit	Shaft dia.	Fit	Shaft dia.
04
05
06
07	.0015T	0.0010	.0018T	0.0013
thru	.0004T	0.0004	.0007T	0.0007
10	38T	25	46T	33
	9T	9	17T	17
11	.0018T	0.0012	.0021T	0.0015	.0027T	0.0021
thru	.0005T	0.0005	.0008T	0.0008	.0014T	0.0014
16	45T	30	54T	39	66T	51
	11T	11	20T	20	32T	32
17	.0022T	0.0014	.0027T	0.0019	.0033T	0.0025	.0037T	0.0029
thru	.0005T	0.0005	.0010T	0.0010	.0016T	0.0016	.0020T	0.0020
24	55T	35	65T	45	79T	59	96T	76
	13T	13	23T	23	37T	37	54T	54
26	.0026T	0.0016	.0032T	0.0022	.0038T	0.0028	.0045T	0.0035
thru	.0006T	0.0006	.0012T	0.0012	.0018T	0.0018	.0025T	0.0025
36	65T	40	77T	52	93T	68	118T	93
	15T	15	27T	27	43T	43	68T	68
38	.0030T	0.0018	.0038T	0.0026	.0044T	0.0032	.0054T	0.0042
	.0006T	0.0006	.0014T	0.0014	.0020T	0.0020	.0030T	0.0030
40	76T	46	90T	60	109T	79	136T	106
	17T	17	31T	31	50T	50	77T	77

▲ Symbol L indicates a loose or clearance fit. Symbol T indicates a tight or interference fit. The appropriate shaft diameter for any class of fit can be easily determined by applying the shaft tolerance to the nominal shaft diameter. Example: (Using basic bearing size 03 and fit class h6)

	inches		mm	
Nominal shaft diameter	= .6693	.6693	= 17.000	17.000
Shaft diameter tolerance	= +.0000	-.0004	= + 0.000	-0.010

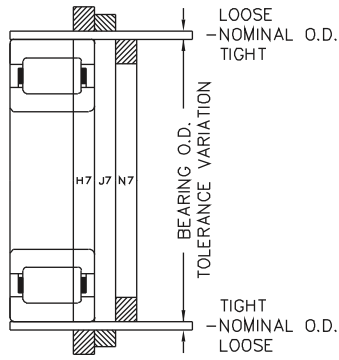
▲ The arithmetical mean of the largest and smallest single diameter to be within tolerance shown. Allowable deviations from mean diameter per ANSI/ABMA STD 20, latest printing.

Resultant shaft diameter = .6693 .6689 = 17.000 16.989

1µm = .001 mm

- For solid steel shafts.
- C = Basic load rating of bearing.

Housing Bearing Seat Diameters



Bearing outside diameter tolerances are in accord with the system of tolerancing established by the International Standards Organization (ISO) and adopted by the American Bearing Manufacturers Association (ABMA) and the American National Standards Institute (ANSI).

A system of limits and fits has been established by ISO for holes. A portion of this system has been adopted by ABMA to provide flexibility in selecting housing fits. Housing fits are designated by a capital letter and a number such as H7. The letter indicates the location of the housing bore tolerance limits with respect to the nominal bearing O.D. The number indicates the size of the tolerance zone.

Housing fits recommended for various types of applications are listed in the table at the right. A graphic relationship of various housing

fits is illustrated in the figure at the left. The class of fit is determined by nature of loading (oscillating, vibrating, reversing, etc.), axial movement requirements, temperature conditions, housing material and cross section of housing.

Shaft expansion increases bearing center distances and requires all but one bearing on a shaft to be movable axially in the housing. In most bearings the outer rings are subjected to stationary loads which permit a loose housing fit.

Operating temperature may affect the housing fit, as the housing may dissipate heat rapidly and not expand with the outer ring. However, the loose fit must never be greater than necessary. Excessive looseness results in less accurate shaft centering and additional ring deformation under load.

The appropriate housing bores are determined (as shown) from the tables below.

Class of fit and housing bores (inches/μm)

Bearing series				Bearing/Housing diameter fits▲								
1900	1000	1200 5200	1300 5300 7300	Nominal bearing O.D. and housing bore	Bearing O.D. toleranceΔ	H7			J7		N7	
						Tolerance			Tolerance		Tolerance	
						Fit	Housing Bore		Fit	Housing Bore	Fit	Housing Bore
...	...	205	304	52	2.0472	0	0	0	.0004T	-0.0004	.0002L	-0.0003
...	...	206	305	62	2.4409	-.0005	.0017L	0.0012	.0013L	±.0008	.0015T	-0.0015
...	...	207	306	72	2.8346	0	0	0	12T	-12	4L	-9
911	010	208	307	80	3.1496	-13	43L	30	31L	-18	39T	-39
912	...	209	...	85	3.3465							
913	011	210	308	90	3.5433							
...	012	95	3.7402	0	0	0	.0005T	-0.0005	.0002L	-0.0004
914	013	211	309	100	3.9370	-.0006	.0020L	0.0014	.0015L	0.0009	.0018T	-0.0018
915	105	4.1339	0	0	0	13T	-13	5L	-10
916	014	212	310	110	4.3307	-15	50L	35	37L	22	45T	-45
...	015	115	4.5276							
917	...	213	311	120	4.7244							
918	016	214	...	125	4.9213	0	0	0	.0006T	-0.0006	.0002L	-0.0006
919	017	215	312	130	5.1181	-.0008	.0024L	0.0016	.0018L	0.0010	.0022T	-0.0002
920	018	216	313	140	5.5118	0	0	0	14T	-14	6L	-12
921	019	145	5.7087	-20	61L	41	44L	26	52T	-52
922	020	217	314	150	5.9055							
...	021	218	315	160	6.2992	0	0	0	.0006T	-0.0006	.0004L	-0.0006
924	165	6.4961	-.0010	.0026L	0.0016	.0020L	0.001	.0022T	-0.0022
...	022	219	316	170	6.6929	0	0	0	14T	-14	13L	-12
926	024	220	317	180	7.0866	-25	65L	40	51L	26	57T	-52
928	...	221	318	190	7.4803							
...	026	222	319	200	7.8740							
930	028	210	8.2677	0	0	0	.0007T	-0.0007	.0004L	-0.0008
...	...	224	320	215	8.4646	-0.0012	.0030L	0.0018	.0023L	0.0011	.0026T	-0.0026
932	321	220	8.6614	0	0	0	16T	-16	16L	-14
...	030	225	8.8583	0	0	0	16T	-16	16L	-14
934	...	226	322	230	9.0551	-30	76L	46	60L	30	60T	-60
...	032	240	9.4488							
936	...	228	...	250	9.8425							
938	034	...	324	260	10.2362	0	0	0	.0007T	-0.0007	.0006L	-0.0008
...	...	230	...	270	10.6299	-.0014	.0034L	0.002	.0027L	0.0013	.0028T	-0.0028
940	036	...	326	280	11.0236	0	0	0	16T	-16	21L	-14
...	038	232	...	290	11.4173	-35	87L	52	71L	36	66T	-66
...	328	300	11.8110							
...	040	234	...	310	12.2047							
...	...	236	330	320	12.5984	-.0016	.0038L	0.0022	.0030L	0.0014	.0030T	-0.003
...	...	238	...	340	13.3858	0	0	0	8T	-18	24L	-16
...	...	240	...	360	14.1732	-40	97L	57	79L	39	73T	-73

1 μm = .001 mm

□ Minimum housing bore is same as ABMA fit class; tolerance is within ABMA range.

■ Style A outer ring has oversize O.D. designed to give a heavy press fit with a tap fit housing bore. Inner ring to be press fit for values.

Δ The arithmetical mean of the largest and smallest single diameter to be within tolerance shown.

Allowable deviations from mean diameter per ANSI/ABMA STD 20, latest printing.

Class of fit Selection		
Operating conditions	Class of fit	Remarks
Housing stationary in relation to direction of load	H7	Push fit outer ring for non-separable bearing styles MU...UV and MU...UM
Housing stationary in relation to direction of load	J7□	Tap fit outer ring
Housing rotating in relation to direction of load	N7□	Press fit outer ring
	■	Heavy press fit with Style A outer ring

Heavy press fit with style A outer ring (inches/μm)										
Bearing series				Nominal bearing O.D. and housing bore Style A outer ring	Bearing O.D. toleranceΔ	Bearing/housing diameter fits ▲				
1900	1000	1200	1300			Tolerance				
Basic Size						mm	inches	Fit		Housing bore
...	...	205	304	52.024	2.0482	0.0000	.00000	0	-.0005	-13
...	...	206	305	62.029	2.4421	-.0005	.0014T	35T	-.0014	-35
...	...	207	306	72.032	2.8359	0	.0001T	2T	-.0006	-15
911	010	208	307	80.035	3.151	-13	.0016T	40T	-.0016	-40
912	...	209	...	85.039	3.348	0	.0002T	5T	-.0007	-18
913	011	210	308	90.04	3.5449	0	.0017T	43T	-.0017	-43
...	012	95.044	3.7419	0.0000	.0003T	7T	-.0008	-20
914	013	211	309	100.046	3.9388	-.0006	.0018T	45T	-.0018	-45
915	105.049	4.1358	0	.0004T	10T	-.0010	-25
916	014	212	310	110.056	4.3329	0	.0020T	50T	-.0020	-50
917	015	115.057	4.5298	0	.0005T	13T	-.0011	-28
918	016	214	...	125.059	4.9236	0.0000	.0021T	53T	-.0021	-53
919	017	215	312	130.058	5.1204	-.0006	.0006T	15T	-.0012	-30
920	018	216	313	140.058	5.5141	0	.0022T	56T	-.0022	-56
921	019	145.067	5.7113	0	.0007T	18T	-.0013	-33
922	020	217	314	150.066	5.9081	-15	.0023T	58T	-.0023	-58
...	021	218	315	160.071	6.302	0.0000	.0008T	20T	-.0014	-35
924	165.072	6.4989	-.0010	.0024T	61T	-.0024	-61
...	022	219	316	170.071	6.6957	0	.0009T	23T	-.0017	-38
926	024	220	317	180.071	7.0894	-25	.0027T	69T	-.0027	-69
928	...	221	318	190.076	7.4833	0	.0010T	25T	-.0018	-45
...	026	222	319	200.078	7.8771	-.0012	.0032T	81T	-.0032	-81
930	028	210.081	8.2709	0	.0010T	25T	-.0020	-50
...	...	224	320	215.087	8.468	-.0010	.0034T	86T	-.0034	-86
932	220.088	8.6649	0	.0011T	28T	-.0023	-58
...	030	...	321	225.09	8.8618	-.0012	.0037T	94T	-.0037	-94
934	...	226	...	230.091	9.0587	0	.0012T	30T	-.0024	-60
...	032	...	322	240.096	9.4526	0	.0038T	97T	-.0038	-97
936	...	228	...	250.096	9.8463	-.0012	.0013T	33T	-.0025	-63
...	...	236	330	320.121	12.6032	0	.0039T	99T	-.0039	-99
938	034	...	324	260.101	10.2402	0	.0013T	33T	-.0025	-63
...	...	230	...	270.101	10.6339	0	.0041T	104T	-.0041	-104
940	036	...	326	280.101	11.0276	-30	.0014T	36T	-.0026	-66
...	038	232	...	290.109	11.4216	0	.0042T	107T	-.0042	-107
...	328	300.111	11.8154	-.0012	.0015T	38T	-.0027	-68
...	040	234	...	310.111	12.2091	0	.0043T	109T	-.0043	-109
...	...	238	...	340.121	13.3906	0	.0015T	38T	-.0027	-68
...	...	240	...	360.124	14.1781	-40	.0045T	114T	-.0045	-114
...	...	240	...	360.124	14.1781	0	.0015T	38T	-.0029	-73
...	...	240	...	360.124	14.1781	-0.0014	.0047T	119T	-.0047	-119
...	...	240	...	360.124	14.1781	0	.0016T	41T	-.0030	-76
...	...	240	...	360.124	14.1781	-35	.0050T	127T	-.0050	-127
...	...	240	...	360.124	14.1781	0	.0017T	43T	-.0031	-78
...	...	240	...	360.124	14.1781	0	.0051T	130T	-.0051	-130
...	...	240	...	360.124	14.1781	0.0000	.0017T	43T	-.0033	-83
...	...	240	...	360.124	14.1781	-0.0016	.0055T	140T	-.0055	-140
...	...	240	...	360.124	14.1781	0	.0018T	46T	-.0043	-86
...	...	240	...	360.124	14.1781	-40	.0056T	142T	-.0056	-142

▲ Symbol L indicates a loose or clearance fit. Symbol T indicates a tight or interference fit. The appropriate housing bore for any class of fit can be easily determined by applying the housing tolerance to the nominal housing bore. Example: (Using basic bearing size 926 and fit class N7)

Nominal housing bore	= 7.0866	7.0866 =	180.000	180.000
Housing bore tolerance	= -.0006	-.0022 =	-.012	-.052
Resultant housing bore	= 7.0860	7.0844 =	179.988	179.948

Operation Without Inner Ring/ Outer Ring

Outer ring and roller assembly

for Series M-EX, M-EAX, M-EB, M-EAB, M-TV, M-TAV, M-UV and M-UAV

Cylindrical roller bearings with the inner ring omitted may be installed so that the rollers operate directly on the surface of the shaft.

This type of design is useful for applications where space is limited or a larger shaft is required. Surface hardness of shaft must be Rockwell C59 to C64 to achieve full bearing capacity. Where the required hardness cannot be attained, the bearing rating must be reduced accordingly. Where the shaft is case hardened, the combination of case depth and core hardness must be adequate. Consult Rexnord Bearing Division for a specific recommendation. Shaft surface should be finished to a roughness value of 13 micro-inches, RMS, maximum (.33 μm).

Maximum and minimum shaft diameter values for tap fit and press fit outer rings are listed below.

Hardness factor

If operation at rated capacity is desired when cylindrical roller bearings are used with either ring omitted, the surface on which the rollers operate must have a hardness of Rockwell C59 to C64 or equivalent Brinell hardness (see chart below). If this hardness cannot be attained, the bearing C capacity must be reduced by a rating reduction factor determined from chart on facing page.

Inner ring and roller assembly

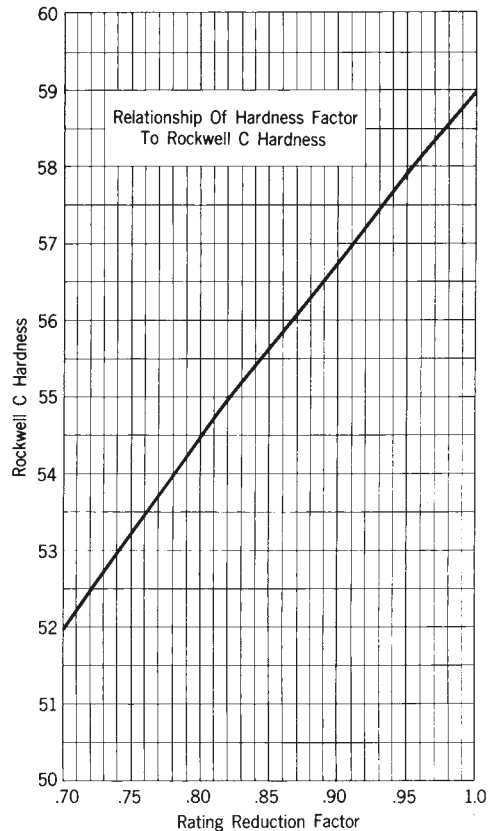
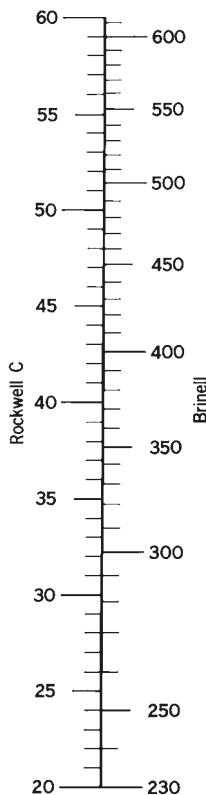
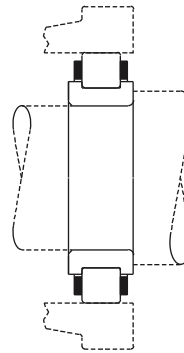
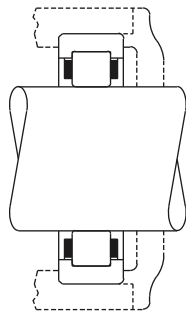
for Series MU-X, MU-B

Cylindrical roller bearings with the outer ring omitted may be installed so that the rollers operate directly on the hardened and ground surface of a bore in an alloy steel housing.

This type of design is useful for applications where space is limited and a smaller housing bore or a larger bearing and shaft are required. Housing surface hardness must be Rockwell C59 to

C64 or Brinell equivalent to achieve full bearing capacity. Where the required hardness cannot be attained, the bearing rating must be reduced accordingly. See graph for rating reduction factor. Where the housing bore is case hardened, the combination of case depth and core hardness must be adequate. Consult Rexnord Bearing Division for a specific recommendation. Housing surface should be finished to a roughness value of 13 micro-inches, A.A., maximum (.33 μm).

Maximum and minimum housing bore values for tap fit and press fit inner rings are listed on the next page.



Shaft Diameters for Outer Ring																								
Shaft diameter for tap fit outer ring ▲									Shaft diameter for press fit outer ring															
Bearing series	1900		1000		1200-5200		1300-5300-7300		1900	1000		1200-5200		1300-5300-7300										
Basic size	(max-min)								inches								(max-min)							
03	0.8757	0.8753	0.8725	0.8721	0.9803	0.9799	0.8750	0.8746	0.8718	0.8714	0.9796	0.9792								
04	0.9769	0.9765	1.0329	1.0325	1.1092	1.1087	1.1013	1.1008	0.9762	0.9758	1.0322	1.0318	1.1085	1.1080	1.1005	1.1000								
05	1.1759	1.1754	1.2259	1.2254	1.2672	1.2667	1.3383	1.3378	1.1753	1.1748	1.2253	1.2248	1.2665	1.2660	1.3376	1.3371								
06	1.3710	1.3705	1.4523	1.4518	1.4994	1.4989	1.6024	1.6019	1.3704	1.3699	1.4515	1.4510	1.4986	1.4981	1.6016	1.6011								
07	1.6112	1.6107	1.6611	1.6606	1.7322	1.7317	1.8452	1.8447	1.6104	1.6099	1.6603	1.6598	1.7314	1.7309	1.8444	1.8439								
08	1.8061	1.8056	1.8777	1.8772	1.9667	1.9662	2.0600	2.0595	1.8054	1.8049	1.8770	1.8765	1.9660	1.9655	2.0590	2.0585								
09	2.0263	2.0258	2.0831	2.0825	2.1870	2.1864	2.3382	2.3376	2.0255	2.0250	2.0823	2.0817	2.1861	2.1855	2.3373	2.3367								
10	2.2014	2.2008	2.2802	2.2796	2.3816	2.3810	2.5660	2.5654	2.2006	2.2000	2.2794	2.2788	2.3807	2.3801	2.5651	2.5645								
11	2.4316	2.4310	2.5408	2.5402	2.6354	2.6348	2.8136	2.8130	2.4308	2.4302	2.5398	2.5392	2.6344	2.6338	2.8127	2.8121								
12	2.6316	2.6310	2.7377	2.7371	2.8511	2.8505	3.0545	3.0538	2.6307	2.6301	2.7368	2.7362	2.8502	2.8496	3.0534	3.0527								
13	2.8267	2.8261	2.9348	2.9341	3.1677	3.1670	3.2957	3.2950	2.8258	2.8252	2.9339	2.9332	3.1668	3.1661	3.2946	3.2939								
14	3.0719	3.0712	3.1588	3.1581	3.3392	3.3385	3.5132	3.5125	3.0710	3.0703	3.1579	3.1572	3.3381	3.3374	3.5120	3.5113								
15	3.2669	3.2662	3.3569	3.3562	3.5063	3.5056	3.7780	3.7772	3.2660	3.2653	3.3560	3.3553	3.5052	3.5045	3.7769	3.7761								
16	3.4619	3.4612	3.5969	3.5962	3.7532	3.7525	4.0031	4.0023	3.4610	3.4603	3.5958	3.5951	3.7520	3.7513	4.0020	4.0012								
17	3.7274	3.7267	3.7944	3.7936	4.0182	4.0174	4.2746	4.2738	3.7265	3.7258	3.7933	3.7925	4.0171	4.0163	4.2735	4.2727								
18	3.9225	3.9217	4.0324	4.0316	4.2235	4.2227	4.4915	4.4907	3.9214	3.9206	4.0313	4.0305	4.2224	4.2216	4.4902	4.4894								
19	4.1174	4.1166	4.2284	4.2276	4.4714	4.4706	4.8113	4.8105	4.1163	4.1155	4.2273	4.2265	4.4703	4.4695	4.8099	4.8091								
20	4.3330	4.3322	4.4254	4.4246	4.7663	4.7655	5.1267	5.1258	4.3319	4.3311	4.4243	4.4235	4.7652	4.7644	5.1254	5.1245								

Housing Bore for Outer Ring																								
Housing bore for tap fit inner ring									Housing bore for press fit inner ring															
Bearing series	1900		1000		1200-5200		1300-5300-7300		1900	1000		1200-5200		1300-5300-7300										
Basic size	(max-min)								inches								(max-min)							
03	1.1992	1.1988	1.3708	1.3704	1.5402	1.5398	1.1996	1.1992	1.3712	1.3708	1.5406	1.5402								
04	1.2689	1.2685	1.4383	1.4379	1.6075	1.6070	1.7305	1.7300	1.2694	1.2690	1.4388	1.4384	1.6080	1.6075	1.7309	1.7304								
05	1.4680	1.4675	1.6314	1.6309	1.7656	1.7651	2.1031	2.1026	1.4686	1.4681	1.6320	1.6315	1.7661	1.7656	2.1036	2.1031								
06	1.6631	1.6626	2.9090	1.9085	2.1285	2.1280	2.3780	2.3775	1.6637	1.6632	1.9096	1.9091	2.1291	2.1286	2.3785	2.3780								
07	1.9346	1.9341	2.1594	2.1589	2.4591	2.4586	2.6745	2.6740	1.9353	1.9348	2.1600	2.1595	2.4597	2.4592	2.6751	2.6746								
08	2.2116	2.2111	2.3760	2.3755	2.7405	2.7400	3.0572	3.0567	2.2123	2.2118	2.3767	2.3762	2.7411	2.7406	3.0578	3.0573								
09	2.4317	2.4312	2.6430	2.6424	2.9517	2.9511	3.3894	3.3888	2.4325	2.4320	2.6438	2.6432	2.9526	2.9520	3.3902	3.3896								
10	2.6068	2.6062	2.8400	2.8394	3.1311	3.1305	3.7195	3.7189	2.6077	2.6071	2.8409	2.8403	3.1319	3.1313	3.7203	3.7197								
11	2.8881	2.8875	3.1697	3.1691	3.4646	3.4640	4.0784	4.0778	2.8892	2.8886	3.1707	3.1701	3.4656	3.4650	4.0793	4.0787								
12	3.0882	3.0876	3.3668	3.3662	3.8481	3.8475	4.4280	4.4273	3.0893	3.0887	3.3678	3.3672	3.8491	3.8485	4.4289	4.4282								
13	3.2832	3.2826	3.5639	3.5632	4.1649	4.1642	4.7775	4.7768	3.2843	3.2837	3.5649	3.5642	4.1658	4.1651	4.7758	4.7751								
14	3.6316	3.6309	3.9323	3.9316	4.3902	4.3895	5.0926	5.0919	3.6329	3.6322	3.9337	3.9330	4.3915	4.3908	5.0938	5.0931								
15	3.8266	3.8259	4.1304	4.1297	4.5573	4.5566	5.4770	5.4762	3.8280	3.8273	4.1317	4.1310	4.5585	4.5578	5.4782	5.4774								
16	4.0217	4.0210	Δ	Δ	4.9068	4.9061	5.8033	5.8025	4.0230	4.0223	Δ	Δ	4.9081	4.9074	5.8045	5.8037								
17	4.3561	4.3554	4.6515	4.6507	5.2829	5.2821	6.1966	6.1958	4.3578	4.3571	4.6772	4.6764	5.2845	5.2837	6.1981	6.1973								
18	4.5512	4.5504	5.0292	5.0284	5.5968	5.5960	6.5109	6.5101	4.5529	4.5521	5.0309	5.0301	5.5984	5.5976	6.5124	6.5116								
19	4.7463	4.7455	5.2253	5.2245	5.9532	5.9524	6.8308	6.8300	4.7480	4.7472	5.2269	5.2261	5.9548	5.9540	6.8322	6.8314								
20	5.1064	5.1056	Δ	Δ	6.3459	6.3451	7.2787	7.2778	5.1082	5.1074	Δ	Δ	6.3474	6.3466	7.2802	7.2793								

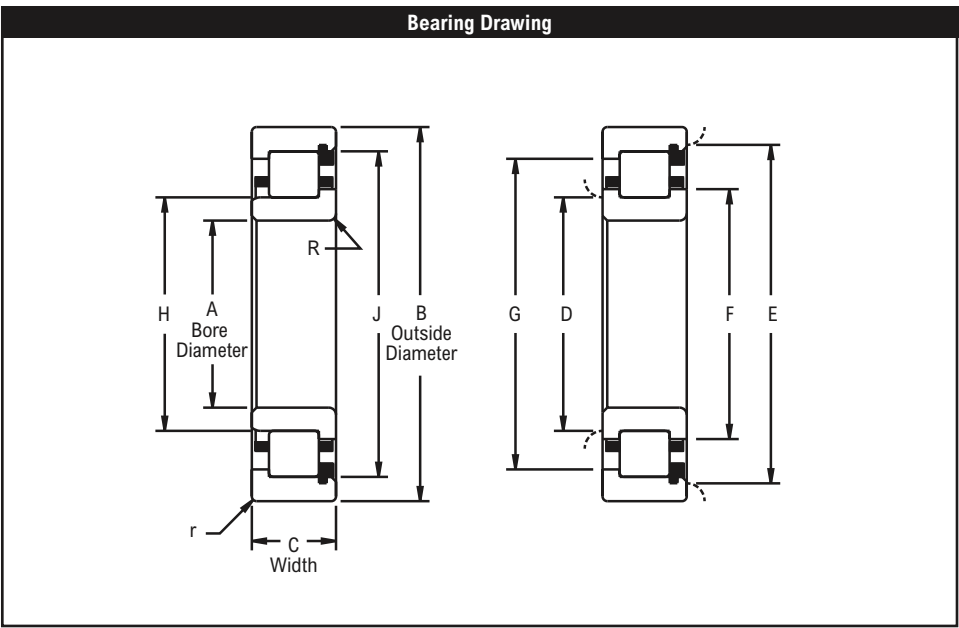
For shaft diameters larger than above, consult Rexnord Bearing Division.

Δ For size, consult Rexnord Bearing Division.

▲ Shaft diameter limits also apply to Style A outer ring bearings.

■ Hultgren 10 mm ball penetrator; 3000 kg load.

□ Brale penetrator; 150 kg load.



Product Features

- Fully crowned rollers
- Precision ground ribs
- Contoured roller pockets
- Rollers individually separated
- Optional full complement
- See Features & Benefits for additional info.

Bearing Dimensions

Basic Bearing Number	A Bore Diameter		B Outside Diameter		C Bearing Width		D		E		F	G	H	J	R	r
	mm	in	mm	in	mm	in	Plain	Ribbed	Plain	Ribbed						
1205	25.0000	0.9843	52.0000	2.0472	15.0000	0.5906	30.50	32.00	47.00	44.70	34.32	42.95	32.166	44.854	1.02	1.02
5205					20.6380	0.8125										
1305					17.0000	0.6693										
7305					21.0000	0.8268										
5305					25.4000	1.0000										
1206	30.0000	1.1811	62.0000	2.4409	16.0000	0.6299	36.10	37.80	56.40	53.80	40.87	51.48	38.062	54.074	1.02	1.02
5206					23.8120	0.9375										
1306					19.0000	0.7480										
7306					23.0000	0.9055										
5306					30.1620	1.1875										
1207	35.0000	1.3780	72.0000	2.8346	17.0000	0.6693	41.60	43.90	65.30	62.20	47.29	59.51	43.970	62.471	1.02	1.02
5207					26.9980	1.0629										
1307					21.0000	0.8268										
7307					26.0000	1.0236										
5307					34.9250	1.3750										
1208	40.0000	1.5748	80.0000	3.1496	18.0000	0.7087	47.20	49.80	72.90	69.60	53.44	66.42	49.929	69.619	1.52	1.02
5208					30.1620	1.1875										
1308					23.0000	0.9055										
7308					30.0000	1.1811										
5308					36.5120	1.4375										

Additional Notes

Please call 1-866-REXNORD for availability

Dimensions "R" & "r", largest fillet radius that will clear bearing corners

Selection Guide, see Link-Belt Cylindrical Roller Bearing Selection Guide section

Load Ratings & Speed Limits, see Link-Belt Cylindrical Roller Bearing Load Ratings & Speed Limits section

For shaft and housing bearing seat diameters, see Link-Belt Cylindrical Bearing Shaft & Housing Seat Diameters section

Note: Dimensions subject to change. Certified dimensions of ordered material furnished on request.

45mm, 50mm, 55mm Bores

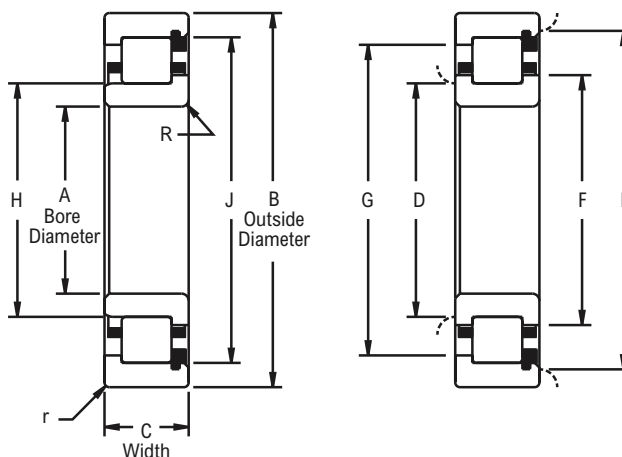


Photo Shows an Unmounted Cylindrical Roller Bearing Assembly

Product Features

- Fully crowned rollers
- Precision ground ribs
- Contoured roller pockets
- Rollers individually separated
- Optional full complement
- See Features & Benefits for additional info.

Bearing Drawing



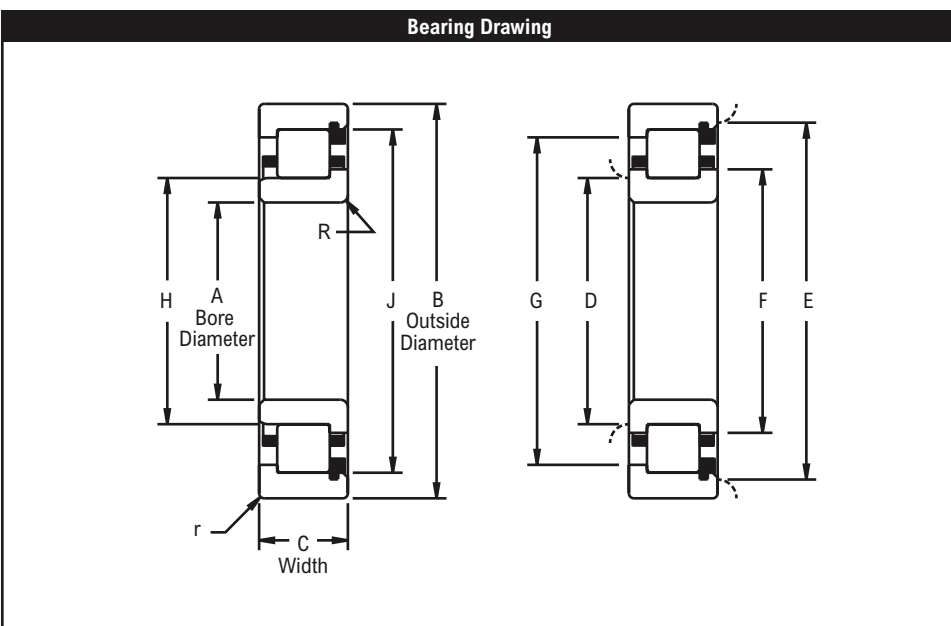
Bearing Dimensions

Basic Bearing Number	A Bore Diameter		B Outside Diameter		C Bearing Width		D		E		F	G	H	J	R	r			
	mm	in	mm	in	mm	in	Plain	Ribbed	Plain	Ribbed									
	1209	45.0000	1.7717	85.0000	3.3465	19.0000	0.7480	52.80	55.40	78.20							74.90	59.03	71.80
5209	30.1620					1.1875													
1309	25.0000					0.9843													
7309	31.0000					1.2205													
5309	50.0000	1.9685	100.0000	3.9370	39.6880	1.5625	55.90	59.20	90.40	85.80	64.31	81.48	59.362	86.103	2.03	1.52			
1010					16.0000	0.6299	56.10	57.60	74.40	72.10	60.43	69.62	57.882	72.151	1.52	1.02			
1210					20.0000	0.7874	57.60	60.40	82.80	79.50	63.96	76.66	60.460	79.545					
5210					30.1620	1.1875													
1310					27.0000	1.0630													
7310					33.0000	1.2992	61.00	65.00	99.10	94.50	70.64	89.36	65.146	94.490	2.03	2.03			
5310	55.0000	2.1654	110.0000	4.3307	44.4500	1.7500													
1911					13.0000	0.5118	59.90	61.70	75.20	73.20	64.26	70.84	61.722	73.378	1.02	1.02			
1011					18.0000	0.7087	62.00	64.30	83.60	80.50	67.69	77.34	64.496	80.531	1.52				
1211					21.0000	0.8268													
5211					33.3380	1.3125	64.00	66.80	91.40	87.90	70.74	84.53	66.901	88.019	2.03	1.52			
1311					29.0000	1.1417													
7311					36.0000	1.4173	66.50	71.40	108.70	103.40	77.34	98.04	71.432	103.607					
5311					49.2120	1.9375													

Additional Notes

Please call 1-866-REXNORD for availability
 Dimensions "R" & "r", largest fillet radius that will clear bearing corners
 Selection Guide, see Link-Belt Cylindrical Roller Bearing Selection Guide section
 Load Ratings & Speed Limits, see Link-Belt Cylindrical Roller Bearing Load Ratings & Speed Limits section
 For shaft and housing bearing seat diameters, see Link-Belt Cylindrical Bearing Shaft & Housing Seat Diameters section

Note: Dimensions subject to change. Certified dimensions of ordered material furnished on request.



Product Features

- Fully crowned rollers
- Precision ground ribs
- Contoured roller pockets
- Rollers individually separated
- Optional full complement
- See Features & Benefits for additional info.

Bearing Dimensions																	
Basic Bearing Number	A Bore Diameter		B Outside Diameter		C Bearing Width		D		E		F	G	H	J	R	r	
	mm	in	mm	in	mm	in	Plain	Ribbed	Plain	Ribbed							
1912	60.0000	2.3622	85.0000	3.3465	13.0000	0.5118	65.00	66.80	80.30	78.20	69.34	75.92	66.802	78.461	1.02	1.02	
1012			95.0000	3.7402	18.0000	0.7087	67.00	69.30	88.60	85.30	72.69	82.35	69.499	85.534	1.52		
1212			110.0000	4.3307	22.0000	0.8661	69.30	72.10	101.30	97.50	76.94	93.50	72.380	97.762	2.03		
5212			36.5120	1.4375													
1312			130.0000	5.1181	31.0000	1.2205	72.90	77.50	117.80	112.30	84.02	106.35	77.551	112.486	2.54		2.03
7312					38.0000	1.4961											
5312					53.9750	2.1250											
1913	65.0000	2.5591	90.0000	3.5433	13.0000	0.5118	70.10	71.60	85.30	83.30	74.30	80.87	71.755	83.416	1.02	1.02	
1013			100.0000	3.9370	18.0000	0.7087	72.10	74.40	93.70	90.40	77.72	87.35	74.503	90.541	1.52		
1213			120.0000	4.7244	23.0000	0.9055	77.00	80.30	110.00	105.70	85.34	101.24	80.421	105.804	2.54		
5213			38.1000	1.5000													
1313			140.0000	5.5118	33.0000	1.2992	78.70	83.60	127.00	121.20	90.70	114.68	83.675	121.366	2.03		
7313					40.0000	1.5748											
5313					58.7380	2.3125											
1914	70.0000	2.7559	100.0000	3.9370	16.0000	0.6299	75.90	78.00	94.50	92.20	80.82	89.41	77.978	92.268	1.02	1.02	
1014			110.0000	4.3307	20.0000	0.7874	77.50	80.00	103.40	99.80	84.12	95.99	80.188	99.906	2.03		
1214			125.0000	4.9213	24.0000	0.9449	81.80	84.60	115.60	111.50	89.61	107.01	84.772	111.536	2.54		
5214			39.6880	1.5625													
1314			150.0000	5.9055	35.0000	1.3780	84.30	89.20	135.60	129.30	96.72	122.20	89.192	129.375	3.18		2.03
7314					43.0000	1.6929											
5314					63.6000	2.5039											

Additional Notes

Please call 1-866-REXNORD for availability

Dimensions "R" & "r", largest fillet radius that will clear bearing corners

Selection Guide, see Link-Belt Cylindrical Roller Bearing Selection Guide section

Load Ratings & Speed Limits, see Link-Belt Cylindrical Roller Bearing Load Ratings & Speed Limits section

For shaft and housing bearing seat diameters, see Link-Belt Cylindrical Bearing Shaft & Housing Seat Diameters section

Note: Dimensions subject to change. Certified dimensions of ordered material furnished on request.

75mm, 80mm, 85mm Bores

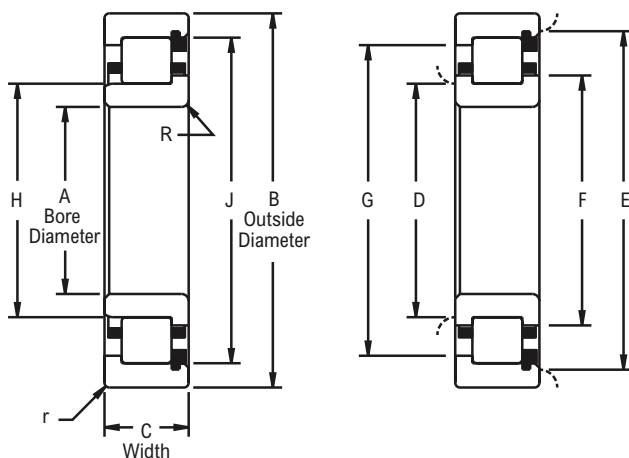


Photo Shows an Unmounted Cylindrical Roller Bearing Assembly

Product Features

- Fully crowned rollers
- Precision ground ribs
- Contoured roller pockets
- Rollers individually separated
- Optional full complement
- See Features & Benefits for additional info.

Bearing Drawing



Bearing Dimensions

Basic Bearing Number	A Bore Diameter		B Outside Diameter		C Bearing Width		D		E		F	G	H	J	R	r	
	mm	in	mm	in	mm	in	Plain	Ribbed	Plain	Ribbed							
1915	75.0000	2.9528	105.0000	4.1339	16.0000	0.6299	80.80	82.80	99.60	97.00	85.78	94.39	82.931	97.221	1.02	1.02	
1015			115.0000	4.5276	20.0000	0.7874	82.60	85.10	108.40	104.90	89.15	101.02	85.217	104.938	2.03		
1215			130.0000	5.1181	25.0000	0.9843	85.60	88.90	120.10	115.60	93.85	111.25	89.014	115.781	2.54		1.52
5215			41.2750	1.6250													
1315			160.0000	6.2992	37.0000	1.4567	90.40	95.80	145.80	138.90	104.04	131.37	95.920	139.136	3.18		2.03
7315					46.0000	1.8110											
5315					68.2620	2.6875											
1916					110.0000	4.3307											
1016	125.0000	4.9213	22.0000	0.8661	88.40	91.20	117.60	113.50	95.71	109.45	91.313	113.088	2.03				
1216	80.0000	3.1496	26.0000	1.0236	91.20	95.20	129.30	124.50	100.79	119.38	95.286	124.658	2.54	2.03			
5216			44.4500	1.7500													
1316			39.0000	1.5354	96.00	101.60	154.40	147.30	110.29	139.19	101.636	147.424	3.18				
7316			170.0000	6.6929											49.0000	1.9291	
5316			68.2620	2.6875													
1917			120.0000	4.7244											18.0000	0.7087	92.20
1017	130.0000	5.1181	22.0000	0.8661	93.50	96.30	122.70	118.60	100.63	114.48	96.317	118.173	2.03				
1217	85.0000	3.3465	28.0000	1.1024	98.00	101.80	139.20	134.10	108.05	128.42	102.006	134.216	3.18	2.03			
5217			49.2120	1.9375													
1317			41.0000	1.6142	102.90	108.40	164.30	157.20	118.24	148.64	108.522	157.422	3.96	2.54			
7317			180.0000	7.0866											51.0000	2.0079	
5317			73.0250	2.8750													

Additional Notes

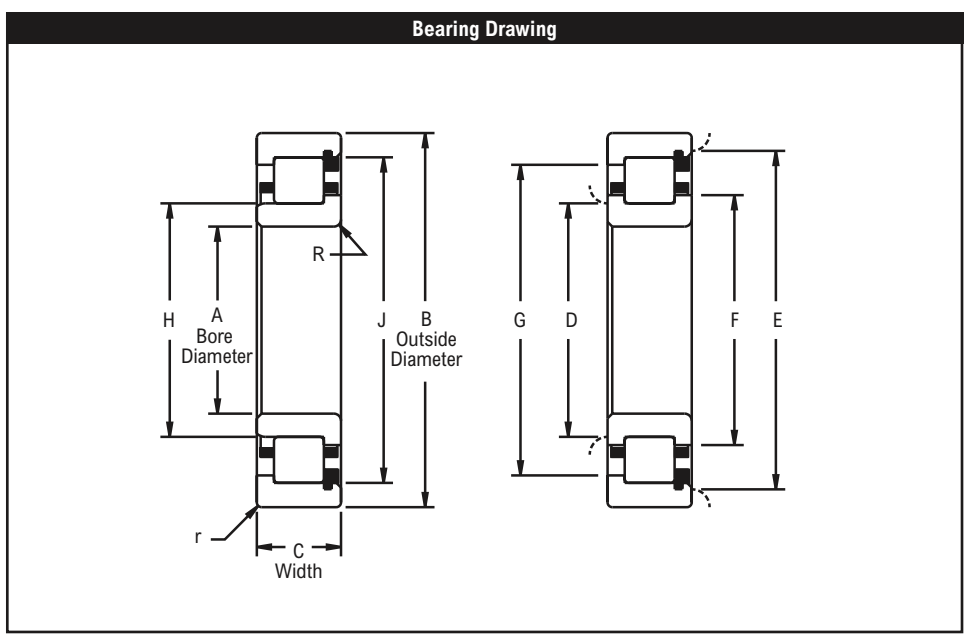
Please call 1-866-REXNORD for availability
 Dimensions "R" & "r", largest fillet radius that will clear bearing corners
 Selection Guide, see Link-Belt Cylindrical Roller Bearing Selection Guide section
 Load Ratings & Speed Limits, see Link-Belt Cylindrical Roller Bearing Load Ratings & Speed Limits section
 For shaft and housing bearing seat diameters, see Link-Belt Cylindrical Bearing Shaft & Housing Seat Diameters section

Note: Dimensions subject to change. Certified dimensions of ordered material furnished on request.



Product Features

- Fully crowned rollers
- Precision ground ribs
- Contoured roller pockets
- Rollers individually separated
- Optional full complement
- See Features & Benefits for additional info.



Bearing Dimensions																
Basic Bearing Number	A Bore Diameter		B Outside Diameter		C Bearing Width		D		E		F	G	H	J	R	r
	mm	in	mm	in	mm	in	Plain	Ribbed	Plain	Ribbed						
1918	90.0000	3.5433	125.0000	4.9213	18.0000	0.7087	97.00	99.60	118.60	115.60	102.77	112.92	99.568	115.636	1.52	1.02
1018			140.0000	5.5118	24.0000	0.9449	99.60	102.40	131.60	127.80	107.42	122.71	102.362	127.775	2.54	1.52
1218			160.0000	6.2992	30.0000	1.1811	103.10	107.20	147.60	142.00	114.17	135.89	107.218	142.189	3.18	2.03
5218			52.3880	2.0625	43.0000	1.6929	108.20	113.80	172.70	165.40	124.33	156.16	114.031	165.047	3.96	2.54
1318			73.0250	2.8750	54.0000	2.1260	109.00	113.30	157.00	151.10	121.03	144.48	113.518	151.242	3.18	2.03
7318			77.7780	3.0621	56.0000	2.2047	115.10	121.90	181.90	173.50	132.46	164.29	122.154	173.530	3.96	2.54
5318			77.7780	3.0621	56.0000	2.2047	115.10	121.90	181.90	173.50	132.46	164.29	122.154	173.530	3.96	2.54
1919			95.0000	3.7402	130.0000	5.1181	18.0000	0.7087	102.10	104.40	123.70	120.40	107.72	117.40	104.521	120.589
1019	145.0000	5.7087			24.0000	0.9449	104.40	107.20	136.60	132.60	112.40	127.68	107.340	132.756	2.54	1.52
1219	170.0000	6.6929			32.0000	1.2598	109.00	113.30	157.00	151.10	121.03	144.48	113.518	151.242	3.18	2.03
5219	55.5620	2.1875			45.0000	1.7717	115.10	121.90	181.90	173.50	132.46	164.29	122.154	173.530	3.96	2.54
1319	77.7780	3.0621			56.0000	2.2047	115.10	121.90	181.90	173.50	132.46	164.29	122.154	173.530	3.96	2.54
7319	77.7780	3.0621			56.0000	2.2047	115.10	121.90	181.90	173.50	132.46	164.29	122.154	173.530	3.96	2.54
5319	77.7780	3.0621			56.0000	2.2047	115.10	121.90	181.90	173.50	132.46	164.29	122.154	173.530	3.96	2.54
1920	100.0000	3.9370			140.0000	5.5118	20.0000	0.7874	107.20	110.00	133.40	129.50	113.92	125.81	109.995	129.738
1020			150.0000	5.9055	24.0000	0.9449	109.50	112.30	141.70	137.70	117.52	132.59	112.344	137.759	2.54	1.52
1220			180.0000	7.0866	34.0000	1.3386	116.10	120.90	167.10	161.00	128.45	154.18	121.006	161.216	3.96	2.03
5220			60.3250	2.3750	47.0000	1.8504	122.40	130.00	194.60	184.60	140.46	175.06	130.165	184.907	4.75	2.54
1320			60.3250	2.3750	47.0000	1.8504	122.40	130.00	194.60	184.60	140.46	175.06	130.165	184.907	4.75	2.54
7320			60.3250	2.3750	47.0000	1.8504	122.40	130.00	194.60	184.60	140.46	175.06	130.165	184.907	4.75	2.54
5320			82.5500	3.2500	60.0000	2.3622	122.40	130.00	194.60	184.60	140.46	175.06	130.165	184.907	4.75	2.54
5320			82.5500	3.2500	60.0000	2.3622	122.40	130.00	194.60	184.60	140.46	175.06	130.165	184.907	4.75	2.54

Additional Notes

Please call 1-866-REXNORD for availability

Dimensions "R" & "r", largest fillet radius that will clear bearing corners

Selection Guide, see Link-Belt Cylindrical Roller Bearing Selection Guide section

Load Ratings & Speed Limits, see Link-Belt Cylindrical Roller Bearing Load Ratings & Speed Limits section

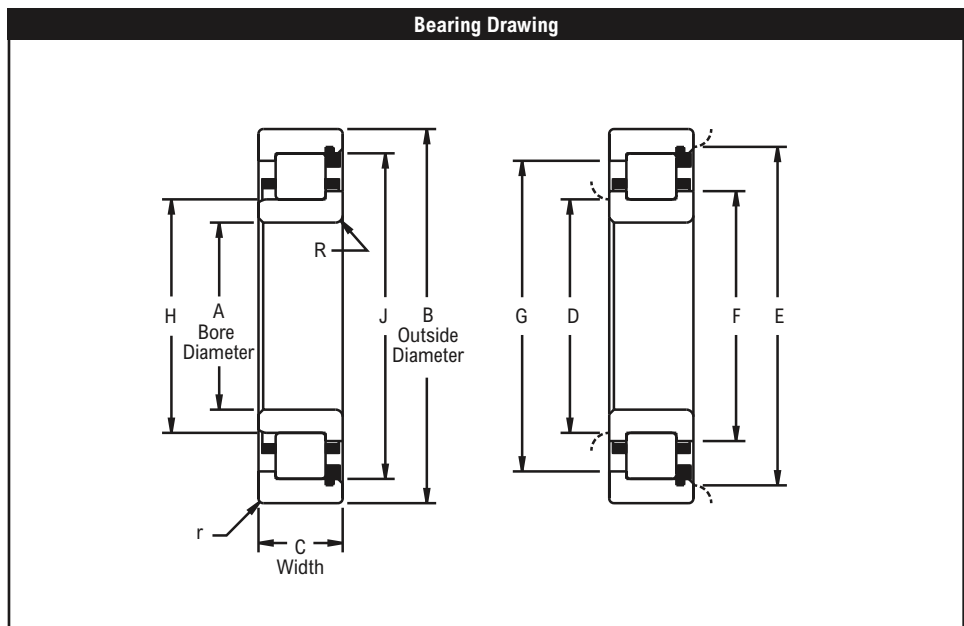
For shaft and housing bearing seat diameters, see Link-Belt Cylindrical Bearing Shaft & Housing Seat Diameters section

Note: Dimensions subject to change. Certified dimensions of ordered material furnished on request.



Product Features

- Fully crowned rollers
- Precision ground ribs
- Contoured roller pockets
- Rollers individually separated
- Optional full complement
- See Features & Benefits for additional info.



Bearing Dimensions																
Basic Bearing Number	A Bore Diameter		B Outside Diameter		C Bearing Width		D		E		F	G	H	J	R	r
	mm	in	mm	in	mm	in	Plain	Ribbed	Plain	Ribbed						
1921	105.0000	4.1339	145.0000	5.7087	20.0000	0.7874	112.00	114.80	138.20	134.60	118.92	130.81	114.996	134.739	1.52	1.02
1021			160.0000	6.2992	26.0000	1.0236	115.80	119.10	150.10	145.80	124.48	140.61	119.151	145.941	2.54	2.03
1221			190.0000	7.4803	36.0000	1.4173	121.40	126.50	175.30	168.40	134.87	161.01	126.520	168.562	3.96	
5221			65.0880	2.5625	49.0000	1.9291										
1321			225.0000	8.8583	63.0000	2.4803	128.00	136.10	203.40	193.30	147.17	183.16	136.185	193.456	4.75	2.54
7321					87.3120	3.4375										
5321																
1922			110.0000	4.3307	150.0000	5.9055	20.0000	0.7874	117.10	119.90	143.20	139.70	123.93	135.81	119.995	139.741
1022	170.0000	6.6929			28.0000	1.1024	121.90	125.20	159.20	154.70	131.09	149.00	125.349	154.744	2.54	2.03
1222	200.0000	7.8740			38.0000	1.4961	127.20	132.80	183.90	176.00	141.60	168.43	132.951	176.192	3.96	
5222	69.8500	2.7500			50.0000	1.9685										
1322	240.0000	9.4488			65.0000	2.5591	135.90	145.00	217.20	206.20	157.48	195.38	145.255	206.337	4.75	2.54
7322					92.0750	3.6250										
5322																
1924	120.0000	4.7244			165.0000	6.4961	22.0000	0.8661	129.80	131.30	157.70	153.90	135.97	149.50	131.498	153.985
1024			180.0000	7.0866	28.0000	1.1024	132.10	135.10	169.20	164.60	141.22	158.90	135.357	164.754	3.18	2.03
1224			215.0000	8.4646	40.0000	1.5748	139.20	145.00	198.90	190.80	154.30	182.73	145.138	190.952	4.75	
5224			76.2000	3.0000	55.0000	2.1654										
1324			260.0000	10.2362	71.0000	2.7953	147.80	157.00	135.20	223.00	170.18	211.20	157.023	223.053	6.35	2.54
7324					104.7750	4.1250										
5324																

Additional Notes

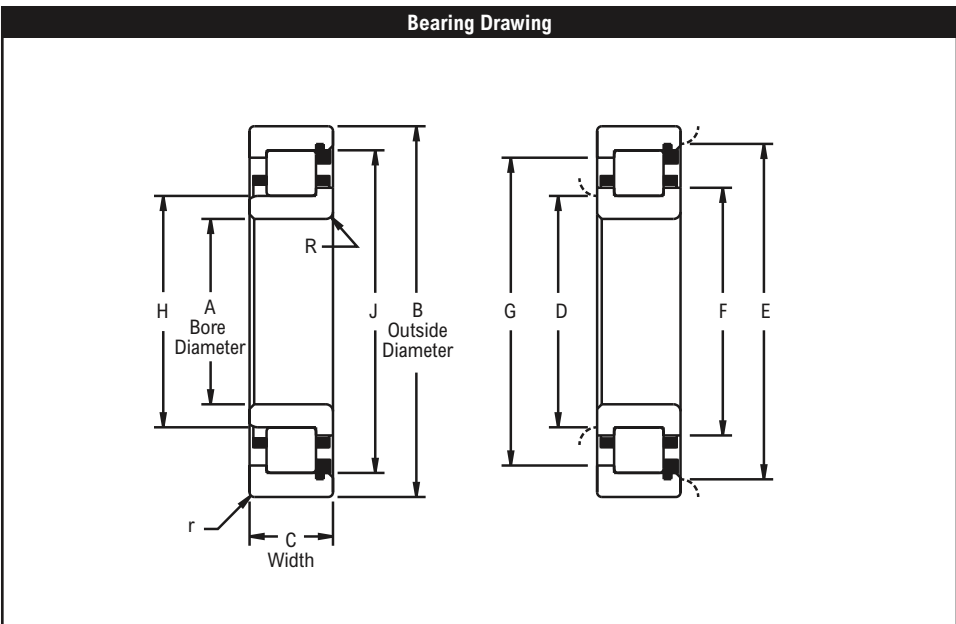
Please call 1-866-REXNORD for availability
 Dimensions "R" & "r", largest fillet radius that will clear bearing corners
 Selection Guide, see Link-Belt Cylindrical Roller Bearing Selection Guide section
 Load Ratings & Speed Limits, see Link-Belt Cylindrical Roller Bearing Load Ratings & Speed Limits section
 For shaft and housing bearing seat diameters, see Link-Belt Cylindrical Bearing Shaft & Housing Seat Diameters section

Note: Dimensions subject to change. Certified dimensions of ordered material furnished on request.



Product Features

- Fully crowned rollers
- Precision ground ribs
- Contoured roller pockets
- Rollers individually separated
- Optional full complement
- See Features & Benefits for additional info.



Bearing Dimensions

Basic Bearing Number	A Bore Diameter		B Outside Diameter		C Bearing Width		D		E		F	G	H	J	R	r		
	mm	in	mm	in	mm	in	Plain	Ribbed	Plain	Ribbed								
1926	130.0000	5.1181	180.0000	7.0866	24.0000	0.9449	139.20	142.20	171.70	167.60	147.42	162.99	142.367	167.085	2.03	1.52		
1026			200.0000	7.8740	33.0000	1.2992	143.00	147.60	188.20	182.40	154.56	175.59	147.574	182.570	3.18	2.03		
1226			40.0000	1.5748	230.0000	9.0551	79.3750	3.1250	149.10	154.90	213.90	206.20	164.72	197.13	154.973	206.375	4.75	2.54
5226			58.0000	2.2835														
1326			75.0000	2.9528	280.0000	11.0236	160.30	170.40	254.50	242.60	184.91	229.77	170.536	242.755	6.35	3.18		
7326			111.1250	4.3750														
5326	149.10	152.40	181.60	177.80	157.48	172.80	152.425	177.868	2.03	1.52								
1928	140.0000	5.5118	190.0000	7.4803	24.0000	0.9449	149.10	152.40	181.60	177.80	157.48	172.80	152.425	177.868	2.03	1.52		
1028			210.0000	8.2677	33.0000	1.2992	153.70	157.50	198.10	192.50	164.54	185.60	157.556	192.557	3.96	2.03		
1228			42.0000	1.6535	250.0000	9.8425	161.50	168.40	232.40	224.30	179.07	214.38	168.460	224.417	4.75	2.54		
5228			82.5500	3.2500														
1328			62.0000	2.4409	300.0000	11.8110	172.00	181.60	271.30	258.10	196.98	244.35	181.684	258.082	7.92	3.18		
7328			83.0000	3.2677														
5328	114.3000	4.5000																
1930	150.0000	5.9055	210.0000	8.2677	28.0000	1.1024	161.50	165.40	199.10	194.60	171.22	188.92	165.354	194.790	3.18	2.03		
1030			225.0000	8.8583	35.0000	1.3780	164.30	168.60	212.30	206.20	176.20	198.93	168.681	206.454	3.96			
1230			45.0000	1.7717	270.0000	10.6299	174.20	181.40	251.00	241.80	193.04	231.01	181.544	241.854	6.35	2.54		
5230			88.9000	3.5000														

Additional Notes

Please call 1-866-REXNORD for availability
 Dimensions "R" & "r", largest fillet radius that will clear bearing corners
 Selection Guide, see Link-Belt Cylindrical Roller Bearing Selection Guide section
 Load Ratings & Speed Limits, see Link-Belt Cylindrical Roller Bearing Load Ratings & Speed Limits section
 For shaft and housing bearing seat diameters, see Link-Belt Cylindrical Bearing Shaft & Housing Seat Diameters section

Note: Dimensions subject to change. Certified dimensions of ordered material furnished on request.

160mm, 170mm, 180mm, 190mm, 200mm Bores

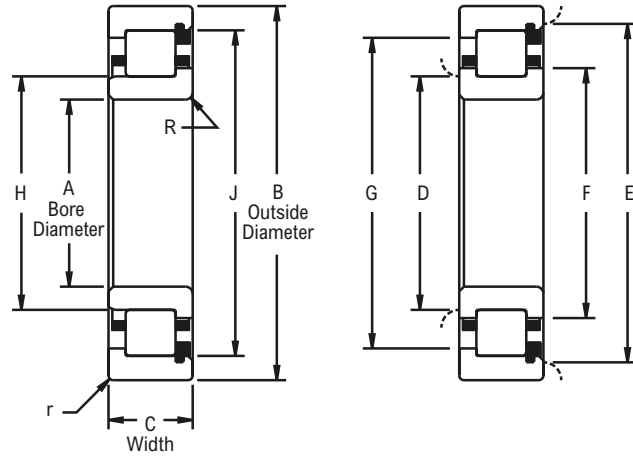


Photo Shows an Unmounted Cylindrical Roller Bearing Assembly

Product Features

- Fully crowned rollers
- Precision ground ribs
- Contoured roller pockets
- Rollers individually separated
- Optional full complement
- See Features & Benefits for additional info.

Bearing Drawing



Bearing Dimensions

Basic Bearing Number	A Bore Diameter		B Outside Diameter		C Bearing Width		D		E		F	G	H	J	R	r
	mm	in	mm	in	mm	in	Plain	Ribbed	Plain	Ribbed						
	1932	160.0000	6.2992	220.0000	8.6614	28.0000	1.1024	171.70	175.30	209.30						
1032	240.0000			9.4488	38.0000	1.4961	175.50	179.80	226.60	220.00	187.96	212.17	179.934	220.193	3.96	
1232	290.0000			11.4173	48.0000	1.8898	185.70	193.50	269.50	259.60	205.87	247.83	193.634	259.705	6.35	
5232	98.4250			3.8750												
1934	170.0000	6.6929	230.0000	9.0551	28.0000	1.1024	181.60	185.40	219.20	214.60	191.29	208.99	185.420	214.866	3.18	2.03
1034			260.0000	10.2362	42.0000	1.6535	188.20	193.30	244.10	236.50	202.31	227.81	193.421	236.710	4.75	
1234			310.0000	12.2047	52.0000	2.0472	197.10	205.20	287.50	277.60	219.08	264.74	205.483	277.734	6.35	
5234			104.7750	4.1250												
1936	180.0000	7.0866	250.0000	9.8425	33.0000	1.2992	193.00	197.60	238.20	232.40	204.60	225.68	197.612	232.644	3.96	2.03
1036			280.0000	11.0236	46.0000	1.8110	199.60	205.50	262.90	254.50	215.34	244.80	205.588	254.551	4.75	
1236			320.0000	12.5984	52.0000	2.0472	207.50	216.20	298.20	288.50	229.87	275.56	216.289	288.544	6.35	
5236			107.9500	4.2500												
1938	190.0000	7.4803	260.0000	10.2362	33.0000	1.2992	202.90	182.10	248.40	242.60	214.71	235.79	207.719	242.768	3.96	2.03
1038			290.0000	11.4173	46.0000	1.8110	209.60	215.40	272.80	264.40	225.93	254.23	215.595	264.576	4.75	
1238			340.0000	13.3858	55.0000	2.1654	220.10	229.10	320.37	309.63	244.11	290.48	229.276	309.723	7.42	
5238			114.3000	4.5000												
1940	200.0000	7.8740	280.0000	11.0236	38.0000	1.4961	215.40	220.00	266.40	260.10	227.99	252.22	219.964	260.256	4.75	2.03
1040			310.0000	12.2047	51.0000	2.0079	221.00	227.60	291.30	282.40	238.61	271.58	227.686	282.506		
1240			360.0000	14.1732	58.0000	2.2835	232.40	242.10	334.50	322.60	257.43	308.20	242.197	322.651	7.92	
5240			120.6500	4.7500												

Additional Notes

Please call 1-866-REXNORD for availability
 Dimensions "R" & "r", largest fillet radius that will clear bearing corners
 Selection Guide, see Link-Belt Cylindrical Roller Bearing Selection Guide section
 Load Ratings & Speed Limits, see Link-Belt Cylindrical Roller Bearing Load Ratings & Speed Limits section
 For shaft and housing bearing seat diameters, see Link-Belt Cylindrical Bearing Shaft & Housing Seat Diameters section

Note: Dimensions subject to change. Certified dimensions of ordered material furnished on request.

Engineering Section

- **Vibration Analysis & Defect Frequency Information**
- **Shaft Size Tolerance**
- **Recommended Setscrew Torque Values**
- **Introduction to Load Ratings**
- **Bearing Selection**
- **Application Examples**

Vibration Analysis and Defect Frequency Information:

Vibration analysis equipment is used to chart the amplitude and frequency of vibration on key areas of a machine. The theory behind predictive maintenance programs is to predict failures in order to reduce downtime costs. This way parts can be ordered and replaced on scheduled downtime without interrupting production.

Note: Vibration analysis is only effective as a trend analysis tool. It must be part of a thoroughly planned program that establishes “norms” for each individual piece of equipment. Significant variations from these norms may then point to a problem. The problems must then be sized accordingly; does something need to be replaced, does it just need to be greased or

adjusted? The “norms” must be well established in order to recognize an abnormal condition.

The following tables show the Vibration Frequency Coefficients.

Rexnord Roller Bearing Vibration Frequency Coefficients

Size Code	Roller Diameter (in)	Number of Rollers/Row	Pitch Diameter (in)	Contact Angle (deg)	RDF - Roller Defect	FTF Fundamental Train	RPFI - Inner Ring Defect	RPFO - Outer Ring Defect
2	0.250	12	1.75	18.00	0.1150	0.0072	0.1135	0.0865
3	0.275	13	1.99	17.50	0.1185	0.0072	0.1226	0.0940
4	0.290	13	2.18	16.25	0.1233	0.0073	0.1222	0.0945
5	0.327	14	2.57	16.63	0.1290	0.0073	0.1309	0.1024
6	0.331	16	2.82	15.17	0.1402	0.0074	0.1484	0.1182
7	0.347	16	3.15	15.00	0.1499	0.0074	0.1475	0.1192
8	0.400	20	3.50	15.00	0.1442	0.0074	0.1480	0.1186
9	0.480	16	4.11	15.00	0.1412	0.0074	0.1483	0.1183
10	0.510	22	4.76	14.50	0.1543	0.0075	0.1655	0.1345
11	0.723	16	5.62	14.25	0.1278	0.0073	0.1499	0.1167
12	0.796	17	6.15	12.50	0.1269	0.0073	0.1595	0.1238
13	0.964	16	7.13	13.50	0.1212	0.0072	0.1509	0.1158
14	1.156	15	8.27	13.50	0.1171	0.0072	0.1420	0.1080
15	1.200	16	8.88	12.50	0.1213	0.0072	0.1509	0.1158
16	1.291	16	9.82	12.25	0.1248	0.0073	0.1505	0.1162

* There are two rows per bearing

* Table coefficient values multiplied by speed = hertz (cps) or HZ value X 60 = cycles per minute (cpm) frequency value

Link-Belt Roller Bearing Vibration Frequency Coefficients

Size Code	Roller Diameter (in)	Number of Rollers/Row	Pitch Diameter (in)	Contact Angle (deg)	RSF - Roller Spin	FTF Fundamental Train	RPFI - Inner Ring Defect	RPFO - Outer Ring Defect	RDF - Roller Defect
B416	0.347	13	1.753	18.83	0.0407	0.0068	0.1287	0.0880	0.0812
B420	0.378	13	1.986	17.77	0.0368	0.0068	0.1280	0.0887	0.0847
B424	0.354	15	2.172	16.32	0.0498	0.0070	0.1445	0.1055	0.0998
B524									
B624									
B428	0.445	14	2.558	16.63	0.0467	0.0070	0.1362	0.0972	0.0932
B528									
B432	0.408	17	2.794	14.98	0.0558	0.0072	0.1617	0.1217	0.1118
B531									
B631									
B436	0.424	19	3.134	15.00	0.0605	0.0072	0.1790	0.1377	0.1212
B536									
B635									
B440	0.467	19	3.457	14.05	0.0607	0.0072	0.1790	0.1377	0.1213
B540									
B639									
B448	0.559	18	4.034	14.12	0.0592	0.0072	0.1702	0.1298	0.1182
B548									
B647									
B456	0.615	19	4.709	14.30	0.0628	0.0073	0.1783	0.1383	0.1255
B556									
B655									
B464	0.822	18	5.517	13.47	0.0548	0.0073	0.1717	0.1283	0.1095
B564									
B663									
B572	0.817	21	5.998	14.05	0.0600	0.0073	0.1982	0.1518	0.1202
B671									
B580	0.968	18	6.372	13.78	0.0537	0.0073	0.1722	0.1278	0.1073
B679									

* There are two rows per bearing

* Table coefficient values multiplied by speed = hertz (cps) or HZ value X 60 = cycles per minute (cpm) frequency value

Link-Belt Heavy Duty Ball Bearing Vibration Frequency Coefficients

Size Code	Ball Diameter (in)	Number of Balls	Pitch Diameter (in)	BSF - Ball Spin	FTF Fundamental Train	BPFI - Inner Ring Defect	BPFO - Outer Ring Defect	BDF - Ball Defect
312	0.3750	7	1.4173	0.0293	0.0062	0.0738	0.0428	0.0585
316	0.4375	7	1.7126	0.0305	0.0062	0.0732	0.0435	0.0610
319	0.4874	8	2.0079	0.0325	0.0063	0.0827	0.0507	0.0650
323	0.5313	8	2.2638	0.0335	0.0063	0.0823	0.0510	0.0672
324	0.5938	8	2.5591	0.0340	0.0063	0.0822	0.0512	0.0680
328	0.6875	8	2.8543	0.0327	0.0063	0.0827	0.0507	0.0652
331	0.7500	8	3.1496	0.0330	0.0063	0.0825	0.0508	0.0660
335	0.8125	8	3.4440	0.0333	0.0063	0.0823	0.0510	0.0667
339	0.8750	8	3.7402	0.0337	0.0063	0.0823	0.0510	0.0673
344	1.0000	8	4.3307	0.0342	0.0063	0.0820	0.0513	0.0683
347	1.0625	8	4.6260	0.0343	0.0065	0.0820	0.0513	0.0687
351	1.1250	8	4.9213	0.0345	0.0065	0.0818	0.0515	0.0692
356	1.2500	8	5.5118	0.0348	0.0065	0.0818	0.0515	0.0697
363	1.4375	8	6.2008	0.0340	0.0065	0.0817	0.0516	0.0680

* Table coefficient values multiplied by speed = hertz (cps) or HZ value X 60 = cycles per minute (cpm) frequency value

Link-Belt 6800 & 6600 Series Roller Bearing Vibration Frequency Coefficients

Size Code	RSF - Roller Spin	FTF Fundamental Train	RPFI - Inner Ring Defect	RPFO - Outer Ring Defect
22209	0.0497	0.0070	0.1640	0.1188
22210	0.0530	0.0071	0.1730	0.1272
22211	0.0553	0.0071	0.1810	0.1352
22213	0.0523	0.0071	0.1730	0.1269
22215	0.0591	0.0072	0.1890	0.1438
22216	0.0553	0.0071	0.1810	0.1352
22217	0.0523	0.0071	0.1730	0.1269
22218	0.0524	0.0071	0.1730	0.1269
22220	0.0522	0.0071	0.1730	0.1269
22222	0.0493	0.0069	0.1650	0.1186
22224	0.0522	0.0071	0.1730	0.1269
22226	0.0524	0.0071	0.1730	0.1270
22228	0.0523	0.0071	0.1730	0.1269
22230	0.0522	0.0071	0.1730	0.1269
22232	0.0523	0.0071	0.1730	0.1269
22234	0.0492	0.0070	0.1650	0.1186
22236	0.0523	0.0071	0.1730	0.1269
22238	0.0573	0.0072	0.1900	0.1433
22240	0.0557	0.0071	0.1811	0.1356
22244	0.0540	0.0071	0.1818	0.1349
23048	0.0857	0.0075	0.2645	0.2187
23056	0.0826	0.0075	0.2563	0.2103

* There are two rows per bearing

* Table coefficient values multiplied by speed = hertz (cps) or HZ value X 60 = cycles per minute (cpm) frequency value

Link-Belt & MB Ball Bearing Vibration Frequency Coefficients

Size Code	Ball Diameter (in)	Number of Balls	Pitch Diameter (in)	BSF - Ball Spin	FTF Fundamental Train	BPFI - Inner Ring Defect	BPFO - Outer Ring Defect	BDF - Ball Defect
203	0.2969	7	1.1220	0.0293	0.0062	0.0738	0.0428	0.0585
204	0.3125	8	1.3189	0.0332	0.0063	0.0825	0.0508	0.0633
205	0.3125	9	1.5157	0.0387	0.0067	0.0905	0.0595	0.0775
206	0.3750	9	1.8110	0.0385	0.0067	0.0905	0.0595	0.0770
207	0.4375	9	2.1063	0.0383	0.0067	0.0905	0.0595	0.0768
208	0.4688	9	2.3622	0.0367	0.0065	0.0912	0.0588	0.0733
209	0.5000	9	2.5590	0.0377	0.0065	0.0908	0.0592	0.0752
210	0.5000	10	2.7559	0.0445	0.0068	0.0985	0.0682	0.0888
211	0.5625	10	3.0512	0.0437	0.0068	0.0987	0.0680	0.0873
212	0.6250	10	3.3464	0.0430	0.0068	0.0988	0.0678	0.0862
214	0.6563	10	3.6417	0.0447	0.0068	0.0983	0.0683	0.0895
215	0.6875	11	4.0354	0.0475	0.0068	0.1073	0.0760	0.0950
216	0.7813	11	4.6260	0.0470	0.0069	0.1074	0.0759	0.0941
217	0.7813	11	4.6260	0.0480	0.0070	0.1072	0.0762	0.0958
218	1.0000	10	5.5118	0.0454	0.0069	0.0981	0.0685	0.0908
220	1.0000	10	5.5118	0.0445	0.0068	0.0985	0.0682	0.0888

* Table coefficient values multiplied by speed = hertz (cps) or HZ value X 60 = cycles per minute (cpm) frequency value

Shaft Size Tolerance

A snug fit-up between shaft and bearing inner race is required for proper bearing performance. In fact, a press fit is necessary to obtain full basic dynamic capacity. As application conditions and requirements vary, fit-up and mounting requirements change as well.

looser fits (such as commercial grade shafting) may be expected to have greatly reduced reliability and increasing problems of shaft fret wear, bearing inner ring fracture and shaft slippage. In general, looser fits than recommended are feasible only for very light loading and lower speeds.

If a special tolerance shaft is to be used, consideration should be given to the use of a precision tolerance bearing, particularly in the case of severe loading or high speed applications to obtain optimum bearing performance.

A slip fit mounting in accordance with the shaft tolerances shown in the tables below will provide generally acceptable service life on normal applications under light to moderate load and speed conditions. A shaft tolerance resulting in

Shafting should be designed for adequate strength and stiffness for the intended application. It should be round, straight, free of nicks and burrs and of correct size.

The tables below lists shaft size tolerance information for various types of mounting and application conditions.

Recommended Roller Bearing Shaft Tolerance Table

Shaft Diameter	Recommended Shaft Tolerances	
	Setscrew Mounted	Adapter Mounted
thru 2"	+ .0000" to -.0005"	+ .000" to -.003"
2 1/16" to 4"	+ .0000" to -.0010"	+ .000" to -.004"
4 1/16" to 6"	+ .0000" to -.0015"	+ .000" to -.005"
6 1/16" to 13"	+ .0000" to -.0015"	+ .000" to -.006"
17mm to 50mm	+ .000mm to -.013mm	+ .00mm to -.07mm
55mm to 100mm	+ .000mm to -.025mm	+ .00mm to -.10mm
105mm to 150mm	+ .000mm to -.038mm	+ .00mm to -.13mm
155mm to 330mm	-	+ .00mm to -.15mm

Recommended Sleeve Bearing Shaft Tolerance Table

Shaft Diameter	Recommended Shaft Tolerances
thru 2"	+ .000" to -.003"
2 1/16" to 4"	+ .000" to -.004"
4 1/16" to 6"	+ .000" to -.005"
6 1/16" to 13"	+ .000" to -.006"

Recommended Ball Bearing Shaft Tolerance Table

Shaft Diameter	Recommended Shaft Tolerances	
	Setscrew Mounted	Adapter Mounted
thru 2"	+ .0000" to -.0005"	+ .000" to -.003"
2 1/16" to 4"	+ .0000" to -.0010"	+ .000" to -.004"
17mm to 50mm	+ .000mm to -.013mm	-
55mm to 100mm	+ .000mm to -.025mm	-

Recommended Setscrew Torque Values

Proper tightening torque can be found in the below tables. Achieving these values will distort the set collars and spring load the setscrews to prevent their loosening during operation. If an Allen wrench is used as the torque wrench, place length of pipe over long end and pull until wrench begins to twist.

The axial load capacities listed in the below tables are for knurled cup setscrews having

90° spacing, tightened to recommended torque range on a shaft seat not harder than 35 Rockwell C. The axial load values may be used in design, as a safety factor has been applied.

The setscrew torque values and allowable axial loads are applicable to Rexnord Bearing

products only. These values can not be applied to bearings manufactured by other vendors having different setscrew spacing, different type of setscrews and/or different size setscrews.

Rexnord Roller Bearing Seating Torque

Setscrew Size (in)	2000	3000	5000	Setscrew Torque Range (in-lb)	Axial Load Capacity 2000 & 3000 (lb)	Axial Load Capacity 5000 (lb)
5/16	2012-2104			125	500	
3/8	2107-2200	3107-3115	5107-5115	225	650	1300
7/16	2203-2204	3203	5200-5203	325	825	1650
1/2	2206-2308	3207-3308	5207-5307	475	990	1980
5/8	2311-2400	3315	5311-5507	1150	1320	2640
3/4			5515-5700	1600	1650	3300

Link-Belt Roller Bearing Seating Torque

Setscrew Size (in)	B22400	B22500	Setscrew Torque Range (in-lb)	Axial Load Capacity B22400 (lb)	Axial Load Capacity B22500 (lb)
5/16	B22412-420		125	500	
3/8	B22423-432	B22523-531	225	650	1300
7/16	B22435-436	B22532-535	325	825	1650
1/2	B22439-456	B22536-556	475	990	1980
5/8	B22459-464	B22559-580	1150	1320	2640

Link-Belt Ball Bearing Seating Torque

Setscrew Size (in)	C200	Y200/W200	U200	S200	U300	Setscrew Torque Range (in-lb)	Axial Load Capacity (lb)
#8			2B08-211			20-23	125
#10	2B08-210		212-216	212-216	312	33-40	175
1/4	212-2E20	2B08-216	218-2E20	217-223	314-316	87-92	330
5/16	220-228	217-2E20	220-2E32	224-231	318-324	165-185	500
3/8	231-239	220-2E32	232-239		326-331	290-325	650
7/16		232-239	240-243		332-339	430-460	825
1/2			244-2E56		343-347	620-680	990
5/8			263-264		348-356	1225-1350	1320
3/4					363	2125-2350	1650

MB Ball Bearing Seating Torque

Setscrew Size (in)	Shaft Size (in) KMB45/KMB25	KMB55/KMB35	MB25	MB35	Setscrew Torque Range (in-lb)	Axial Load Capacity (lb)
#10	1/2" to 1 1/16"		1/2" to 1 1/16"		33-40	175
1/4	3/4" to 1 1/4"	1"	3/4" to 1"		87-92	330
5/16	1 1/4" to 1 3/4"	1 3/16" to 1 1/2"	1 1/8" to 1 3/4"	1" to 1 1/2"	165-185	500
3/8	1 7/8" to 2 15/16"	1 11/16" to 3 1/2"	1 7/8" to 2 15/16"	1 11/16" to 3 1/2"	290-325	650

Introduction to Load Ratings

The values shown in the Radial Load Rating Tables are used to select the most economical bearing capable of sustaining the required speed and load for the desired life. Do not depend entirely on the rated capacity to judge how well the complete mounted unit will perform. Environmental and maintenance conditions can detract from this performance. The realistic approach to mounted bearing application is to consider "theoretical" rated capacity of the base bearing plus the housing design, seals, method of securing to shaft, lubrication, etc., as they effect the desired life expectancy and the economics of overall equipment design.

Basis Of Load Ratings

The Anti-Friction Bearing Manufacturer's Association (AFBMA), recommends the use of a standard formula for determining the basic rating of anti-friction bearings. The use of the formula determines the rating for any given bearing and is based upon failure from surface contact fatigue of the roller or race material. The AFBMA Basic Load Rating definition may be thought of as having two basic principles involved; one being of a physical nature relating to a load carrying ability (Basic Load Rating) and the other taking into consideration failure level or probability of bearing survival (Rating Life).

The definitions of these principles are:

1. The "Basic Load Rating" of a bearing is that consistent stationary equivalent radial load which a group of apparently identical roller bearings with stationary outer ring can endure for one million revolutions of the inner ring.
2. The "Rating Life" of a group of apparently identical bearings is defined as "the number of revolutions that 90% of a group of bearings will complete or exceed before first evidence of fatigue develops." This is often referred to as L-10 or B-10 Life.

C Rating

The common industry term "C" Rating inter-relates these two rating conditions. The "C" Rating is defined as "the equivalent radial load which may be imposed on the bearings to give an L-10 (B-10) life of one million revolutions" (500 hours at 33 1/3 rpm). The "C" Rating is calculated from an empirical formula based on size and geometry. The empirical relationship is based on assumptions in several important areas; i.e., press fit mounting to shaft, adequate mineral oil lubrication, no misalignment, uniform loading, moderate speed and temperature, absolute cleanliness, etc. While it would appear logical that all bearings of identical geometry, dimensions and material should produce identical results under identical conditions, in reality, due to variations within specified tolerances of material and manufacturing, failures will occur at random periods of life. Ideally these failures should still result from metal fatigue rather than physical wear of the components. The "C" Rating can be expanded into combinations of load and speed to life hours by utilizing specified load-life relationships. These may then be referred to as the capacity ratings for any speed and life hours with the implied "L-10" survival probability consideration. This load rating for a given life condition is often termed Capacity Rating Or Rated Capacity and are shown in the Load Rating Tables in the front of each section.

Co RATING

The Basic Static Capacity (Co) is that amount of radial or equivalent radial load that can be imposed on a non-rotating bearing without producing excessive brinelling. This rating applies to the performance of the internal parts of the roller bearing. For the vast majority of applications, a bearing can be run normally after sustaining a static load of Co. First fracture of primary race components does not occur until well above the Co Rating. Co does not necessarily

represent static strength of the housing or structure in which the bearing is mounted.

Conditions Affecting Rated Life

When the bearings are mounted in commercial housings and offered as a "package" to the user it should then be understood that the values shown in the catalog Load Rating Tables apply only to the base bearing under laboratory conditions. Common application factors which have an adverse effect on rated life are:

- 1 - Improper mounting (alignments, fit up to shaft)
- 2 - Contamination by abrasive or corrosive material
- 3 - Non-uniform load or vibration
- 4 - Inadequate or improper lubrication
- 5 - Excessive temperature or temperature change
- 6 - Excessive speed

The base bearing when mounted in a commercial housing frequently fails from other causes before it reaches the theoretical basis for the rated life. Thus, selection of housing style, seal type, mounting method, specific lubricant, etc., must also be considered to optimize life on the actual application.

Adjusted Rating Life

While actual results or "usable" bearing life is the primary interest of both those who design and those who utilize bearings, a great many factors impact the translation of "theoretical" rated capacity into actual performance. Once the theoretical bearing L10 life has been calculated, it can be adjusted for higher reliability, special bearing material properties, and/or operating condition effects on lubrication. Detailed information can be obtained from the Rexnord Engineering Department.

Theoretical Bearing L10 Life Calculation

While bearings are usually selected on the basis of capacity, there are occasions when they are selected based on calculated L10 life. The L10 life is defined as the number of revolutions (or hours) that 90% of a group of bearings will meet or exceed before evidence of raceway spalling fatigue occurs. The L10 life can be calculated using the following empirical formula:

Roller Bearing:

$$L_{10} = \frac{1 \times 10^6}{60 \times \text{RPM}} \left(\frac{C}{P_e} \right)^{10/3} = \text{Life in Hours}$$

Ball Bearing:

$$L_{10} = \frac{1 \times 10^6}{60 \times \text{RPM}} \left(\frac{C}{P} \right)^3 = \text{Life in Hours}$$

where C = C Rating
P_e = Equivalent Radial Load or
Req'd Radial Capacity

The basic dynamic load ratings, C, in this catalog have been increased significantly compared to previous values. Improved surface characteristics have been produced primarily by improving manufacturing and measuring techniques for the race surfaces. Along with the capability to rotate under higher loads, the static load ratings, Co, have also been increased.

With the larger load ratings it may be possible to use smaller bearings (size code) for a given application. Caution is advised in such cases to consider the strength of the shaft and housing—especially when the applied load is not aimed directly into the machined mounting surface.

Bearing Selection

Optimum bearing performance is the result of selecting the bearing and the shaft to suit the particular application. Bearing size is often controlled by a shaft size selection, based on shaft bending and torsional stresses. In other applications, bearing load capacity is the determining design factor.

In either case, the selection procedure outlined below is used to determine the bearing capacity required to meet the application requirements.

Bearing Selection Procedure

This procedure involves conversion of all forces and conditions into one resultant equivalent radial load on each bearing and utilization of the bearing load rating table.

STEP 1.

Determine all forces acting on the bearings. The following types of loading must be considered.

- A. Static loads - weight of shaft assembly and other equipment supported by the bearings. (When these are small in relation to applied loads they are often disregarded).
- B. Applied loads - forces applied on shaft during normal function of equipment and are determined prior to bearing selection.
- C. Drive loads - forces transmitted from power source to the shaft through belts, chains, gears, etc. (see Drive Load).
- D. Eccentric loads - centripetal force due to a designed unbalanced load rotating with shaft (see Eccentric Loads).

STEP 2.

Resolve the radial forces acting on the shaft into radial loads on each bearing. (See Translation of Shaft Forces into Bearing Loads)

STEP 3.

Combine the radial forces vertically to obtain a resultant radial load (P_r) at each bearing (see combining radial loads).

STEP 4.

Add or subtract all thrust forces (if any) to determine the total thrust load (P_t) acting on the shaft. Assume this thrust load is acting at the bearing with the greatest radial load (P_r).

STEP 5.

Calculate the equivalent radial load (P_e) using the applicable thrust formula. If no thrust is present, then $P_e = P_r$. (See selection guides)

STEP 6.

Apply the modification factors (M) and obtain a required radial capacity (P) to reflect actual application conditions. (See Load Modification Factors)

$$P = P_e \times M$$

STEP 7.

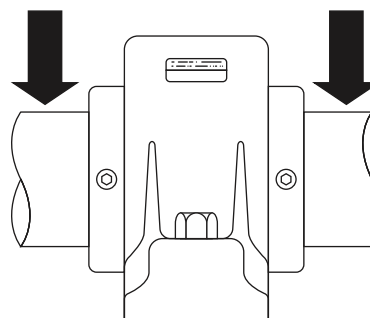
Select a bearing size from the load rating table at the front of each section. Use the largest calculated Required Radial Capacity value (P) and the application speed and life requirements in making the optimum selection. Usually, a single set collar bearing provides an adequate, economic selection. However, in applications involving shock and vibration, increased rigidity, or when shaft locking or housing strength is desired, a double set or adapter mount unit should be specified.

NOTE: If bearing selection has been made without consideration of shaft strength, shaft size (as indicated by bearing bore) should be checked.

Applied Loads

Each shaft performs a basic work function in a system, regardless of the type or style of equipment. The forces relating to this work function normally represent the primary load on the shaft and are most accurately determined by those responsible for total equipment design. When this load information is supplied, these loads are combined with other loadings to determine a bearing selection.

Radial Loads



Drive Loads

To determine the radial force on a shaft from a belt or chain drive where the horsepower being transmitted is known, the following formula should be used:

$$F = \frac{HP \times 126,000 \times K}{PD \times RPM} \quad \text{Formula (1)}$$

Where:

- F - Radial Force on Shaft
- HP - Horsepower transmitted
- PD - Pulley diameter or pitch diameter of sprocket or sheave in inches.
- RPM - Revolutions per minute
- K - See Drive Tension Factors (below)
- 126,000 - A constant for conversion of horsepower, speed and pulley diameter to radial pounds of force.

Drive Tension Factors - K:

While subject to considerable variations due to different installation and maintenance practice, the following Drive Tension Factors "K" are recommended for normal applications:

"K" Factors		
Type of Drive	Normal Tension	4 or more V-belts, Tight Belts, Short Centers, High Ratios
Chain	1	1
V-belts (1 to 3 belts)	1.5	2
Flat Belts	2	3

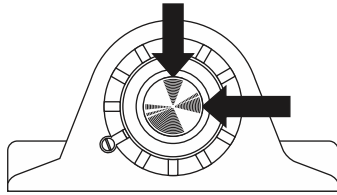
Eccentric Loads

An unbalanced shaft generates a centripetal force which acts radially on the shaft per the following formula:

$$C.F. = .000028 \times r \times W \times (RPM)^2 \quad \text{Formula (2)}$$

- C.F. = Centripetal Force (Lbs.)
- r = Radius of rotation of unbalanced load in inches
- W = Weight of unbalanced load in lbs.
- RPM = Revolutions per minute

Since the centripetal force varies in direction it should be added to the maximum combined load from other sources. A modification factor (see Load Modification Factors) must also be included on this type loading.

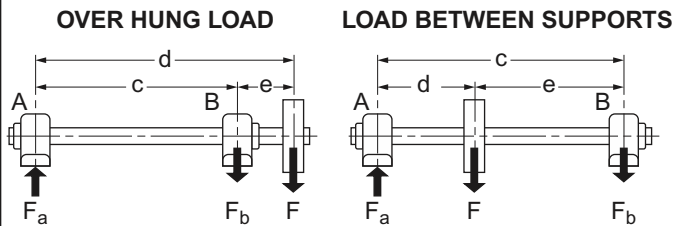


Translation of Shaft Forces into Bearing Loads

Any radial force (F) can be resolved into individual loads on each bearing. The amount of load supported by each bearing is determined from the summation of moments using the following formulas.

When the load (F) is between supports, it produces bearing loads (Fa, Fb) in same direction on both bearings (A & B), and equal to the applied load. (F = Fa + Fb).

An overhung load produces a bearing load (Fa) in the opposite direction of the far bearing (A); and since a lever arm is involved, the magnitude of load (Fb) on nearest bearing (B) will be greater than the overhung load (F), by the amount of load (Fa) on far bearing (A). (F = Fb - Fa)



$$F_a = \frac{F \times e}{c}$$

Formula (3)

$$F_b = \frac{F \times d}{c}$$

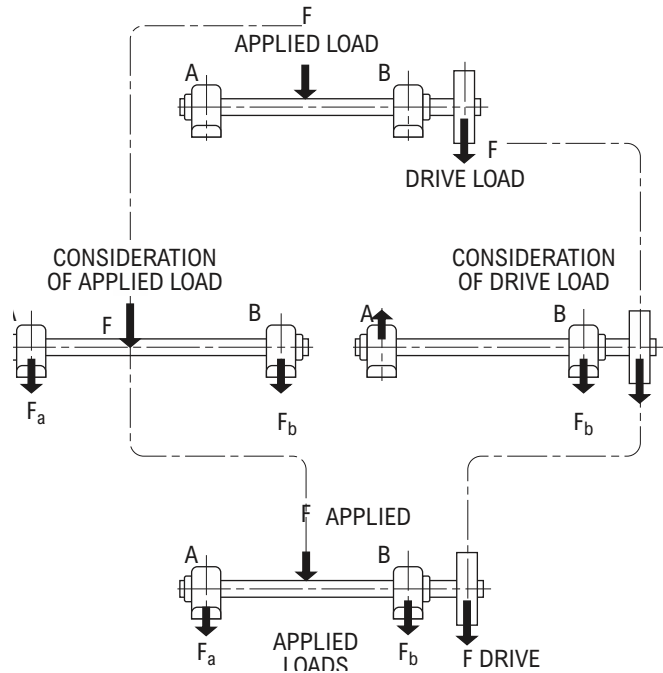
Formula (4)

Note Direction of Forces Fa, Fb

- F - Force on shaft required to transmit power and or other radial forces acting on shaft from one point
- Fa - Radial force on bearing "A"
- Fb - Radial force on bearing "B"
- c - Distance between bearing centerlines in inches
- d - Distance between centerline of bearing "A" and force "F" in inches
- e - Distance between centerline of bearing "B" and force "F" in inches

Combining Radial Loads

Typical applications involve both an applied load and a drive load. Normal Engineering Procedure would be to treat each load source separately, but to ultimately combine these loads as shown below:



In applications where all loads are in the same plane, the forces can be added or subtracted. However, in most applications, all radial forces are not in the same direction. Where two or more radial forces are not in the same plane, these forces should be changed to vertical and horizontal components as shown by the following formulae:

$$F_v = \text{Force } F \text{ Sine } \angle \quad \text{Formula (5)}$$

$$F_h = \text{Force } F \text{ Cos } \angle \quad \text{Formula (6)}$$

Where:

Fv = Vertical component in lbs.

Fh = Horizontal component in lbs.

Sine \angle = Sine of angle between force "F" and horizontal

Cos \angle = Cos of angle between force "F" and horizontal

These horizontal and vertical components are combined to obtain a net horizontal force (Prh) and a net vertical force (Prv). The resultant radial force on a bearing is determined as follows:

$$P_r = \sqrt{P_{rv}^2 + P_{rh}^2} \quad \text{Formula (7)}$$

Where:

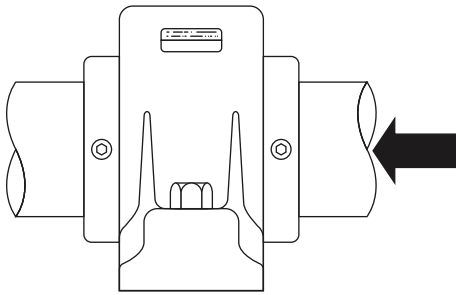
Pr = Resultant radial load

Prv = Total vertical radial load

Prh = Total horizontal radial load

Resultant radial loads (Pr) can also be determined graphically, using vectors representing both size and direction of imposed loads.

Pure Thrust Loads



Equivalent Radial Load

When selecting a bearing for an application involving thrust loading, a shaft size range must be determined or estimated and bearing series decided to obtain a formula from the Thrust Table below. When a specific bearing has been selected from the Radial Load Rating Table as a result of the use of this formula from the Thrust Table, and its shaft size or style is outside the range of the original formula, the selection is not valid and the equivalent radial load (P_e) must be recalculated using the new formula related to that shaft size and bearing series.

Centrifugal pumps, propellers, drilling equipment, vertical shafts and screw conveyors represent types of equipment where one of the bearings supporting the shaft may be required to take primarily thrust loads. Rex units are capable of taking thrust loads in either direction.

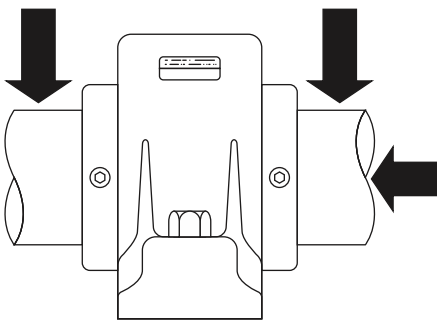
Thrust load ratings for units may be obtained as follows:

$$\text{Thrust Rating} = \frac{\text{Catalog Radial Load Rating}}{\text{Maximum Thrust Factor}}$$

The "Thrust Rating" is the maximum thrust load a bearing can withstand at the selected RPM and L_{10} Life.

NOTE: Assume thrust load is supported by one bearing only. High thrust loads require special shaft and mounting considerations. Installation must also be considered to assure maximum performance.

Combined Radial and Thrust Loads



In many applications such as, helical, bevel or spiral-bevel gears the bearings are required to carry combined radial and thrust loads. Rex Bearings are in effect two single-row angular contact bearings having a common inner race with a spherical surface. They are, therefore, capable of carrying both radial and thrust loads in either direction.

For purposes of selection, it is always advisable to assume that, if any thrust loading is present, it is carried by the bearing with the heaviest radial load. (In most applications it is almost impossible to split a thrust load between two or more bearings. Also, unless floating units are used, it is difficult to mount bearings so that only one specific bearing carries all the thrust load imposed on a shaft.)

When both thrust and radial loads are involved, the formulas in the Thrust Table are used. The formulae combine both loads into an equivalent radial load for which a bearing may be selected from the Load Rating Table. The correct formula is selected based upon size of the unit and percentage of thrust to radial load involved.

Load Modification Factors

Normal calculations of bearing loads do not take into consideration special load conditions such as oscillatory, shock, or variable loads. To take such conditions into account, load modification factors are applied to the calculated load. These factors, whether termed load modification factors, application factors, or service factors, are all intended to allow extra bearing capacity to offset inordinate loading conditions.

Since factor selection is always a matter of judgement, even personnel experienced in bearing selection and application vary in their assessment of factors for individual application conditions.

The factors listed below are intended only as a general guide and may be adjusted for particular situations.

Oscillatory Loads

Some bearing applications involve shaft oscillation instead of complete rotation. The table below lists the M factors corresponding to the maximum included angle of oscillation. The applied load is multiplied by this M factor to determine the equivalent radial load. When using the load rating tables, the vertical column headings represent cycles per minute instead of RPM.

Basic failure mode changes at oscillation angles below 30° - consult Rexnord.

Oscillation Factors						
φ	30	60	90	120	150	180
M	.58	.72	.81	.89	.95	1.00

φ = Included oscillation angle - degrees

M = Modifying factor.

Shock Loads

Shock is an actual dynamic load on the bearing. Consequently capacity must be allocated to handle shock loading in addition to the basic dynamic loading normally calculated or analyzed in an application.

Shock Factors			
Operating Condition	Frequency Overload		
	Occasional 33%	Frequent 67%	Continuous 100%
No Shock	1.00	1.00	1.00
Light Shock	1.14	1.24	1.33
Moderate Shock	1.32	1.52	1.67
Heavy Shock or Extreme Vibration	1.52	1.80	2.00

Resultant Load

The Resultant Radial Load Pr or Equivalent Radial Load Pe multiplied by selected Modifying Factors will give the Required Radial Capacity P in terms of catalog load rating tables.

For Radial Load Only:

$$P = P_r \times M \quad \text{Formula (9)}$$

For combined Radial and Thrust Loads as well as Thrust Loads:

$$P = P_e \times M \quad \text{Formula (10)}$$

If safety factors or other allowances have been included in the initial bearing loads to reflect application conditions, then do not duplicate those factors from the following table to avoid exaggerating bearing loads. In case two or more factors are involved, the values should be multiplied together to obtain the combined "M" Factor.

Variable Loads

In many cases, a bearing is subjected to varying loads and speeds.

The following formula calculates the equivalent load on the bearing when this occurs.

$$P_e = \sqrt[3.33]{\frac{P_1^{3.33}n_1t_1 + P_2^{3.33}n_2t_2 + \dots + P_n^{3.33}n_nt_n}{N}} \quad \text{Formula (11)}$$

where P₁, P₂, P_n are the loads (in lbf) acting at speeds n₁, n₂, n_n (in rpm)

t₁, t₂, t_n are the durations (in decimal percentage) of each load and speed

$$N = t_1n_1 + t_2n_2 + \dots + t_n n_n$$

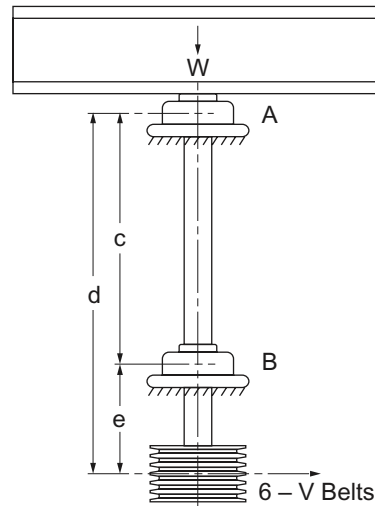
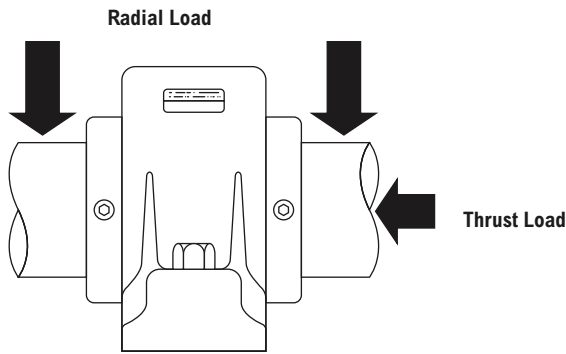
For cases where the load is variable but the speed is constant, the following simplified formula is used.

$$P_e = \sqrt[3.33]{P_1^{3.33}t_1 + P_2^{3.33}t_2 + \dots + P_n^{3.33}t_n} \quad \text{Formula (12)}$$

When the load varies from a minimum to a maximum load and is a continuous and gradual change, the equivalent load is calculated using the following formula.

$$P_e = \frac{P_{min} + 2P_{max}}{3} \quad \text{Formula (13)}$$

For calculations of more complex loading conditions, consult the Rexnord Bearing Engineering Department.



Determine the Flange Block Requirements for the Mixing Tub as shown:

Operating Data	Symbol	Value
Wt. of mixing tub and load	W	2400 lbs.
Horsepower	HP	10
Speed	RPM	200
"K" Factor	K	2
Sheave Pitch Dia.	PD	14"
Bearing "A" to "B"	c	24"
Bearing "A" to Sheave	d	32"
Bearing "B" to Sheave	e	8"
L-10 Life required	-	15,000 Hrs.

A bearing selection is made based upon bearing "B" because it carries the greater radial load. The total thrust load, 2400 lbs. from the weight of the mixing tub and load should also be considered as acting on that bearing. The thrust and radial loads are combined to an equivalent radial load by selecting the proper X, Y Factors in the Bearing Selection Guide.

In this case use:

$$P_e = .67 P_r + 2.60 P_t = .67 (1200) + 2.60 (2400) = 804 + 6240 = 7044$$

Radial force on shaft from V-Belt drive (F) is calculated by using formula (1).

$$F = \frac{HP \times 126,000 \times K}{PD \times RPM} = \frac{10 \times 126,000 \times 2}{14 \times 200} = 900 \text{ lbs.}$$

F1 load from drive, will produce radial loads on bearings "A" and "B." These radial loads are determined by using formulae (3) and (4)

Bearing "A"

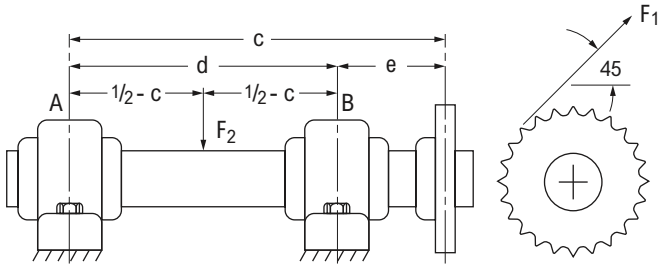
$$F_a = \frac{F \times e}{c} = \frac{900 \times 8}{24} = 300 \text{ lbs.}$$

$$F_b = \frac{F \times d}{c} = \frac{900 \times 32}{24} = 1200 \text{ lbs.}$$

Referring to the Rexnord Roller Bearing Radial Load Rating Table, a size code 9 bearing has a rating of 9855 lbs. at 200 rpm and 15,000 hours life. Using the derating factor at the bottom of the table, a Normal Duty 2211 bearing has a rating of $(1-.15) \times 9855 = 8377$ lbs. This exceeds the 7044 lbs. of equivalent radial load that was calculated so the 2211 is satisfactory. Therefore, a ZB2211 Normal Duty Flange Block would be selected. Using the formula and C, the bearings L₁₀ life would be:

$$L_{10} = \frac{1 \times 10^6}{60 \times 200} \left[\frac{46,800 \times .85}{7044} \right]^{10/3} = 26,728 \text{ hours}$$

Application Example - Chain and Belt Drives



Radial load on bearings consist of two parts: from the dead load and from the drive. Because these loads act in different directions, they will have to be combined by using formulae 5, 6 and 7.

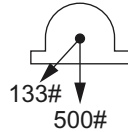
Bearing "A"

Load from weight in center of shaft:

$$F_{2a} = \frac{1000}{2} = 500 \text{ lbs. because weight is centered between both bearings. Load is downward.}$$

Load from drive:

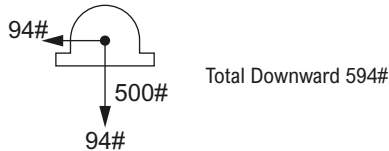
$$F_{1a} = \frac{F_1 \times e}{c} = \frac{1200 \times 10}{90} = 133 \text{ lbs at } 45^\circ \text{ downward}$$



To combine the loads, the 133 lb. load must be broken up into vertical and horizontal loads.

$$F_v = F_{1a} \times \sin 45^\circ = 133 \times .707 = 94 \text{ lb. vertical downward}$$

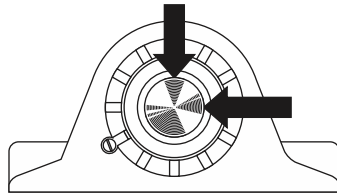
$$F_h = F_{1a} \times \cos 45^\circ = 133 \times .707 = 94 \text{ lb. horizontal}$$



Now combine the total downward load and horizontal load.

$$P_r = \sqrt{(94)^2 + (594)^2} = 602 \text{ lbs. radial load on "A"}$$

Combined Radial Loads



Determine the pillow block requirements for the application shown below:

Operating Data	Symbol	Value
Load from drive	F1	1200 lbs.
Dead load on shaft	F2	1000 lbs.
Speed	RPM	1000
L-10 Life required	-	15,000 Hrs.
Bearing "A" to "B"	c	90"
Bearing "A" to sprocket	d	100"
Bearing "B" to sprocket	e	10"
Sin 45°707
Cos 45°707

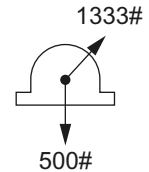
Bearing "B"

Load from weight in center of shaft:

$$F_{2b} = \frac{1000}{2} = 500 \text{ lbs. downward}$$

Load from drive:

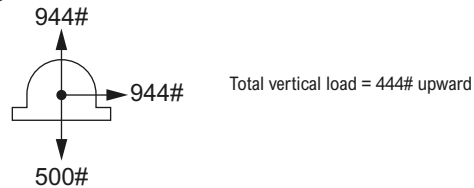
$$F_{1b} = \frac{F_1 \times d}{c} = \frac{1200 \times 100}{90} = 1333 \text{ lbs. at } 45^\circ \text{ upward}$$



Now break up the 1333 lb. load into horizontal and vertical loads:

$$F_v = F_{1b} \times \sin 45^\circ = 1333 \times .707 = 944 \text{ lbs. vertical upward}$$

$$F_h = F_{1b} \times \cos 45^\circ = 1333 \times .707 = 944 \text{ lbs. horizontal}$$



Now combining the total upward load and horizontal load

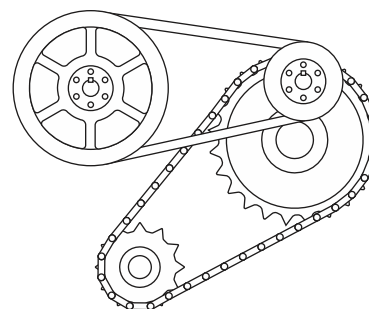
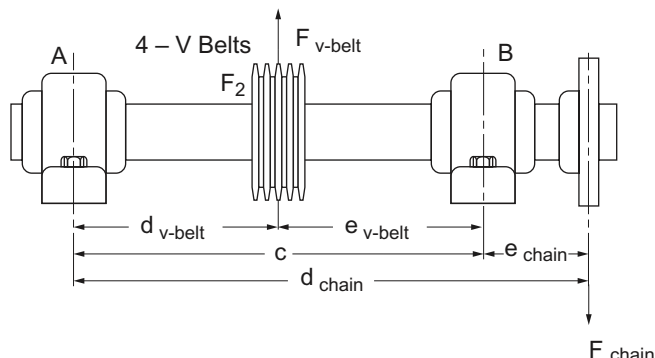
$$P_r = \sqrt{(444)^2 + (944)^2} = 1042 \text{ lbs. radial load on "B"}$$

Bearing selection will be based on Bearing "B" because it has the highest load of the two bearings. Referring to the Rexnord Roller Bearing Radial Load Rating Table, a size code 3 bearing has a rating of 1858 lbs. at 1000 rpm and 15,000 hours life. Using the derating factor at the bottom of the table, a Normal Duty 2102 bearing has a rating of (1-.15) X 1858 = 1579 lbs. This exceeds the 1042 lbs. of equivalent radial load that was calculated for Bearing "B" so the 2102 is satisfactory. Therefore, a ZA2102 Normal Duty Pillow Block would be selected.

Using the formula and the C Rating, the bearings L_{10} life would be:

$$L_{10} = \frac{1 \times 10^6}{60 \times 1000} \left[\frac{14,300 \times .85}{1042} \right]^{10/3} = 59,949 \text{ hours}$$

Determine the pillow block requirements for the jack shaft driven by a chain sprocket and power take-off through a 4-V Belt Sheave as shown:



Bearing "A"

Load from chain pull

$$F_a = \frac{F_{chain} \times e_{chain}}{c} = \frac{1890 \times 10}{20} = 945 \text{ lbs.}$$

(NOTE: F_a from chain pull is upward)

Load from V-Belt pull

$$F_a = \frac{F_{v-belt} \times e_{v-belt}}{c} = \frac{2520 \times 10}{20} = 1260 \text{ lbs.}$$

(NOTE: F_a from V-Belt is upward)

Combining both F_{as} and because both loads are upward add both loads to get total:

$$\text{Total load on "A"} = 945 \text{ lbs.} + 1260 \text{ lbs.} = 2205 \text{ lbs.}$$

Bearing "B"

Load from chain pull

$$F_b = \frac{F_{chain} \times d_{chain}}{c} = \frac{1890 \times 30}{20} = 2835 \text{ lbs.}$$

(NOTE: F_b from chain pull is downward)

Load from V-Belt pull

$$F_b = \frac{F_{v-belt} \times d_{v-belt}}{c} = \frac{2520 \times 10}{20} = 1260 \text{ lbs.}$$

(NOTE: F_b from V-Belt is upward)

Combining both F_{bs} and because one load is upward and one is downward, subtract to get total:

$$\text{Total load on "B"} = 2835 \text{ lbs.} - 1260 \text{ lbs.} = 1575 \text{ lbs.}$$

Bearing selection will be based on Bearing "A" because it has the highest load of the two bearings. Referring to the Rexnord Roller Bearing Radial Load Rating Table, a size code 7 bearing has a rating of 3466 lbs. at 200 rpm and 80,000 hours life. Using the derating factor at the bottom of the table, a Normal Duty 2203 bearing has a rating of $(1-.15) \times 3466 = 2946$ lbs. This exceeds the 2205 lbs. of equivalent radial load that was calculated for Bearing "A" so the 2203 is satisfactory. Therefore, a ZA2203 Normal Duty Pillow Block would be selected.

Using the formula and the C Rating, the bearings L₁₀ life would be:

$$L_{10} = \frac{1 \times 10^6}{60 \times 200} \left[\frac{27,200 \times .85}{2205} \right]^{10/3} = 210,092 \text{ hours}$$

Operating Data	Symbol	Value
Horsepower.....	HP	30
Speed.....	RPM	200
L-10 Life required.....	-	80,000 Hrs.
"K" Factor.....	K_{v-belt}	2
"K" Factor.....	K_{chain}	1
Sprocket Pitch Dia.....	PD_{chain}	10"
Sheave Pitch Dia.....	PD_{v-belt}	15"
Bearing "A" to "B".....	c	20"
Bearing "A" to sheave.....	d_{v-belt}	10"
Bearing "A" to sprocket.....	d_{chain}	30"
Bearing "B" to sheave.....	e_{v-belt}	10"
Bearing "B" to sprocket.....	e_{chain}	10"

Radial force on shaft from chain drive (f_{chain}) is calculated by using Formula (1).

$$F_{chain} = \frac{HP \times 126,000 \times K}{PD \times RPM} = \frac{30 \times 126,000 \times 1}{10 \times 200} = 1890 \text{ lbs.}$$

(NOTE: Chain pull in this case is downward)

Radial force on shaft from V-Belt power take-off (F_{v-belt}) is calculated by using Formula (1).

$$F_{v-belt} = \frac{HP \times 126,000 \times K}{PD \times RPM} = \frac{30 \times 126,000 \times 2}{15 \times 200} = 2520 \text{ lbs.}$$

(NOTE: V-belt pull in this case is upward)

Radial load on bearings is now determined by combining resulting loads from both chain pull and V-Belt pull using Formula (3) and (4).

World Class Customer Service

For more than 100 years, the dedicated people of Rexnord have delivered excellence in quality and service to our customers around the globe. Rexnord is a trusted name when it comes to providing skillfully engineered products that improve productivity and efficiency for industrial applications worldwide. We are committed to exceeding customer expectations in every area of our business: product design, application engineering, operations, and customer service.

Because of our customer focus, we are able to thoroughly understand the needs of your business and have the resources available to work closely with you to reduce maintenance costs, eliminate redundant inventories and prevent equipment down time.

Rexnord represents the most comprehensive portfolio of power transmission and conveying components in the world with the brands you know and trust.

Rexnord, Centrik-Lok, Krown Regal, Flex-Block, SHÜRLÖK and Link-Belt are registered trademarks of Rexnord Industries, LLC. Dura-Klean and Klean-Gard is a tradename of Rexnord.

WORLDWIDE CUSTOMER SERVICE

AUSTRALIA

Rexnord Australia Pty. Ltd.
Picton, New South Wales
Phone: 61-2-4677-3811
Fax: 61-2-4677-3812

Falk-Rexnord Australia Pty Ltd
Broadmeadow New South Wales
Phone: 61-2-4962-8000
Fax: 61-2-4962-8001

BRAZIL

Rexnord Correntes Ltda.
Sao Leopoldo - RS
Phone: 55-51-579-8022
Fax: 55-51-579-8029

CANADA

Rexnord Canada Ltd.
Scarborough, Ontario
Phone: 1-416-297-6868
Fax: 1-416-297-6873

CHINA

Rexnord China
Shanghai, China
Phone: 86-21-62701942
Fax: 86-21-62701943

EUROPE

Rexnord NV/SA
Mechelen, Belgium
Phone: 32-15-443881
Fax: 32-15-443860

LATIN AMERICA

Rexnord International
Milwaukee, Wisconsin
Phone: 1-414-643-2366
Fax: 1-414-643-3222
E-mail: international1@rexnord.com

MEXICO

Rexnord S. A. de C. V.
Mexico DF, Mexico
Phone: 52-55-9140-3500
Fax: 52-55-9140-3550

SINGAPORE

Rexnord International, Inc.
Singapore City, Singapore
Phone: 65-6338-5622
Fax: 65-6338-5422

UNITED STATES

Customer Service
Phone: 866-Rexnord
(866-739-6673)
E-mail: rexncdcs(state)@rexnord.com
Example: rexncdcs(ohio)@rexnord.com

ALL COUNTRIES NOT LISTED ABOVE

Rexnord International
Milwaukee, Wisconsin
Phone: 1-414-643-2366
Fax: 1-414-643-3222
E-mail: international2@rexnord.com

