

# TABLE OF CONTENTS

## HEAVY DUTY MOUNTED UNITS

<b>Single Pillow Blocks</b>	<b>Replaces</b>	<b>Page</b>
Low Base-to-Center Height .....	RAO .....	1
Low Base-to-Center Height – High Temperature .....	LAO .....	2
High Base-to-Center Height .....	RSOA,P2300 .....	3
High Base -to-Center Height – High Temperature .....	LSAO .....	4
High Base-to-Center Height .....	SAO* .....	5
High Base-to-Center Height – 1 Dust Seal Collar .....	SAOD* .....	6
High Base-to-Center Height – 2 Dust Seal Collars .....	SAODD* .....	7
Special Clarage Fan Unit .....	RSOAC .....	8
Special Clarage Fan Unit – High Temperature .....	LSAOC* .....	9
Fixed Style .....	SAOFN* .....	10
Float Style .....	SAOLN* .....	11
Universal Style (Fixed or Float) .....	SAOL .....	12
<b>Double Pillow Blocks</b>	<b>Replaces</b>	<b>Page</b>
Double Pillow Block .....	DSAO* .....	13
Double Pillow Block – 2 Dust Seal Collars .....	DSAODD* .....	14
<b>Flange Units</b>	<b>Replaces</b>	<b>Page</b>
Four Bolt Flange .....	RCJO, F300 .....	15
Four Bolt Flange – High Temperature .....	LCJO .....	16
<b>Cylindrical Cartridges</b>	<b>Replaces</b>	<b>Page</b>
Cylindrical Cartridges – Open Type .....	CO* .....	17
Cylindrical Cartridges – Closed Type .....	CO* .....	18
<b>Motor Cartridges</b>	<b>Replaces</b>	<b>Page</b>
Motor Cartridges – Open Type .....	MC* .....	19
Motor Cartridges – Closed Type .....	MC* .....	20

## STANDARD DUTY MOUNTED UNITS

<b>Single Pillow Blocks</b>	<b>Replaces</b>	<b>Page</b>
Low Base-to-Center Height .....	RAK, RPL-E .....	21
Low Base-to-Center Height – High Temperature .....	LAK .....	22
Low Base-to-Center Height – Triple Lip Seals .....	TAK, PL3-Y200E3 .....	23
Low Base-to-Center Height – Extended Inner Ring .....	VAK, VPL-E .....	24
Low Base-to-Center Height – Wide Inner Ring – Set Screw Lock .....	YAK .....	25
High Base-to-Center Height .....	RAS, RP-E .....	26
High Base-to-Center Height – High Temperature .....	LAS .....	27
High Base-to-Center Height – Triple Lip Seals .....	TAS, P3-Y200E3 .....	28
High Base-to-Center Height – Extended Inner Ring .....	VAS, VP-E .....	29, 30
High Base-to-Center Height – Wide Inner Ring – Set Screw Lock .....	YAS .....	29
High Base-to-Center Height – Set Screw Lock .....	SAS, C-25 .....	31
Special Base-to-Center Height .....	RSA, SP .....	32
Special Base-to-Center Height – High Temperature .....	LSA .....	33
High Base to Center Height .....	SA* .....	34
High Base-to-Center Height – 1 Dust Seal Collar .....	SAD* .....	35
High Base-to-Center Height – 2 Dust Seal Collars .....	SADD* .....	36
Fixed Style .....	RAKH, TXP .....	37
Fixed Style – High Temperature .....	LAKH* .....	37
Float Style .....	RAKHL, ETP .....	39
Float Style – High Temperature .....	LAKHL* .....	39
Universal Style (Fixed or Float) .....	SAL .....	41
<b>Double Pillow Blocks</b>	<b>Replaces</b>	<b>Page</b>
Double Pillow Block .....	DRNR, CC .....	42
Double Pillow Block .....	DSA* .....	43
Double Pillow Block – 2 Dust Seal Collars .....	DSADD* .....	44

\*These series only available from Ketchie-Houston (discontinued by Fafnir).

<b>Flange Units</b>	<b>Replaces</b>	<b>Page</b>
Two Bolt Flange .....	RCJT, RFT-E .....	45
Two Bolt Flange – High Temperature .....	LCJT .....	46
Two Bolt Flange – Triple Lip Seals .....	TCJT, FX3-Y200E3 .....	47
Two Bolt Flange – Extended Inner Ring .....	VCJT, VFT-E .....	48
Two Bolt Flange – Wide Inner Ring – Set Screw Lock .....	YCJT .....	
Two Bolt Flange – Set Screw Lock .....	SCJT, FC2-25 .....	50
Two Bolt Flange – Compact Design .....	FLCT .....	51
Four Bolt Flange .....	RCJ, RF-E .....	52
Four Bolt Flange – High Temperature .....	LCJ .....	53
Four Bolt Flange – Triple Lip Seals .....	TCJ, F3-Y200E3 .....	54
Four Bolt Flange – Extended Inner Ring .....	VCJ, VF-E .....	55
Four Bolt Flange – Wide Inner Ring – Set Screw Lock .....	YCJ .....	
Four Bolt Flange – Set Screw Lock .....	SCJ, SC, VF .....	57
Four Bolt Flange – Piloted .....	RFC, SC .....	58
Four Bolt Flange – Ductile – Wide Inner Ring .....	GRFD, F-YG200N .....	
Four Bolt Flange – Ductile – Wide Inner Ring – Reverse .....	GRFDR, FR-YG200N .....	
Four Bolt Flange – Ductile – Extended Inner Ring .....	GVFD, F-WG200U .....	
Four Bolt Flange – Ductile – Extended Inner Ring – Reverse .....	GVFDR, FR-WG200U .....	

<b>Cylindrical Cartridges</b>	<b>Replaces</b>	<b>Page</b>
Cylindrical Cartridge .....	RC, SC .....	63
Cylindrical Cartridge – High Temperature .....	LC* .....	64
Cylindrical Cartridge – Open Type .....	C* .....	65
Cylindrical Cartridge – Closed Type .....	C* .....	66

<b>Take-Up Units</b>	<b>Replaces</b>	<b>Page</b>
Take-Up Unit .....	RTU, RT-E .....	67
Take-Up Unit – High Temperature .....	LTU .....	
Take-Up Unit – Triple Lip Seals .....	TTU* .....	69
Take-Up Unit – Extended Inner Ring .....	VTU .....	

<b>Other Units</b>	<b>Replaces</b>	<b>Page</b>
Eccentric Units .....	Eccentric* .....	71

<b>Lineshaft &amp; Hanger Boxes</b>	<b>Replaces</b>	<b>Page</b>
Lineshaft Box .....	F* .....	72
Countershaft Box .....	SCS* .....	

## SPECIAL APPLICATION UNITS

Special Application Units .....	Not Applicable .....
---------------------------------	----------------------

## EXTERNAL SELF ALIGNING RING BEARINGS

<b>Radial Ball Bearings with Self Aligning Rings</b>	<b>Replaces</b>	<b>Page</b>
Light 200S Series .....	200S .....	87
Medium 300S Series .....	300S .....	88

<b>Standard Duty – Wide Inner Ring Bearings with Self Aligning Rings</b>	<b>Replaces</b>	<b>Page</b>
GSWE-CCSR – Relubricateable with 2 Seals .....	G-KRRS .....	
SWE-CCSR – Non-Relubricateable with 2 Seals .....	KRRS .....	
SWE-CSR – Non-Relubricateable with 1 Seal .....	KRS .....	
SWE-SR – Non Relubricateable Open Type .....	SM-KS .....	92

<b>Heavy Duty – Wide Inner Ring Bearings with Self Aligning Rings</b>	<b>Replaces</b>	<b>Page</b>
HWE-SR – Non-Relubricateable Open Type .....	SMN-KS .....	93

## HEAVY DUTY INSERT BEARINGS

GHWE-CCS – Wide Inner Ring – Normal Temperature Seals .....	GN-KRRB .....	95
GHWE-HHS – Wide Inner Ring – High Temperature Seals .....	GN-KLLB .....	96

## MACHINE UNITS

SWE-MUS – Standard Duty – Spherical Outer Ring .....	MUB .....
SWE-MU – Standard Duty – Cylindrical Outer Ring .....	MUA .....
HWE-MUS – Heavy Duty – Spherical Outer Ring .....	MUOB .....
HWE-MU – Heavy Duty – Cylindrical Outer Ring .....	MUOA .....

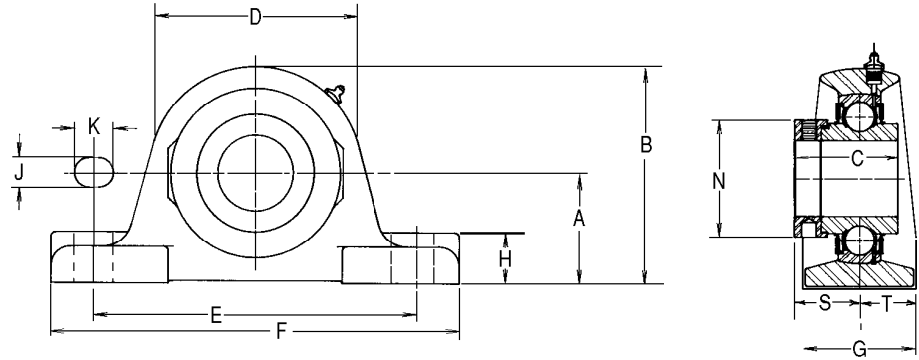
\*These series only available from Ketchie-Houston (discontinued by Fafnir).

# Single Pillow Block - Heavy Series

Replaces Fafnir RAO and INA RAO

This Ketchie-Houston heavy type pillow block is designed to meet the need for a compact, economical, heavy-duty ball bearing housed unit.

The housing is equipped with a heavy series wide inner ring bearing with integral seals and eccentric locking collar.



TO ORDER, SPECIFY KETCHIE-HOUSTON OR COMPETITOR'S PART NUMBER

Ketchie Houston	Replaces		Shaft Diam.	A	B	C	D	E	F	G	H	J	K	N	S	T	Bolt Size	Bearing Number	Approx. Unit Wt.
	Fafnir	INA		in. mm	in. mm	in. mm	in. mm	in. mm	in. mm	in. mm	in. mm	in. mm	in. mm	in. mm	in. mm	in. mm			
KH-2300-12A	RAO	RAO	1 <sup>3</sup> / <sub>16</sub>	1 <sup>7</sup> / <sub>8</sub> 47.6	3 <sup>11</sup> / <sub>16</sub> 93.7	1 <sup>31</sup> / <sub>32</sub> 50.0	3 <sup>9</sup> / <sub>16</sub> 90.5	5 <sup>3</sup> / <sub>8</sub> 136.5	6 <sup>13</sup> / <sub>16</sub> 173.0	1 <sup>15</sup> / <sub>16</sub> 49.2	7/8 22.2	5/8 15.9	3/4 19.0	1 <sup>15</sup> / <sub>16</sub> 49.2	1 <sup>9</sup> / <sub>32</sub> 32.5	3 <sup>1</sup> / <sub>32</sub> 24.6	1/2 12.7	GHWE103CCS	4.25
KH-2301-12A	RAO	RAO	1 <sup>3</sup> / <sub>8</sub>	2 <sup>1</sup> / <sub>8</sub> 54.0	4 <sup>3</sup> / <sub>32</sub> 104.0	2 <sup>1</sup> / <sub>32</sub> 51.6	4 101.6	6 152.4	7 <sup>9</sup> / <sub>16</sub> 192.1	2 <sup>1</sup> / <sub>8</sub> 54.0	1 <sup>5</sup> / <sub>16</sub> 23.8	5/8 15.9	3/4 19.0	2 <sup>3</sup> / <sub>16</sub> 55.6	1 <sup>5</sup> / <sub>16</sub> 33.3	1 <sup>1</sup> / <sub>16</sub> 27.0	1/2 12.7	GHWE106CCS GHWE107CCS	5.50
KH-2302-10A	RAO	RAO	1 <sup>1</sup> / <sub>2</sub>	2 <sup>3</sup> / <sub>8</sub> 60.3	4 <sup>5</sup> / <sub>8</sub> 117.5	2 <sup>1</sup> / <sub>4</sub> 57.2	4 <sup>1</sup> / <sub>2</sub> 114.3	6 <sup>3</sup> / <sub>4</sub> 171.4	8 <sup>1</sup> / <sub>2</sub> 215.9	2 <sup>3</sup> / <sub>8</sub> 60.3	1 <sup>1</sup> / <sub>16</sub> 27.0	3/4 19.0	1 25.4	2 <sup>1</sup> / <sub>2</sub> 63.5	1 <sup>15</sup> / <sub>32</sub> 37.3	1 <sup>3</sup> / <sub>16</sub> 30.2	5/8 15.9	GHWE108CCS	8.50
KH-2303-10A	RAO	RAO	1 <sup>5</sup> / <sub>8</sub>	2 <sup>5</sup> / <sub>8</sub> 66.7	5 <sup>1</sup> / <sub>8</sub> 130.2	2 <sup>5</sup> / <sub>16</sub> 58.7	5 127.0	7 <sup>1</sup> / <sub>2</sub> 190.5	9 <sup>7</sup> / <sub>16</sub> 239.7	2 <sup>5</sup> / <sub>8</sub> 66.7	1 <sup>3</sup> / <sub>16</sub> 30.2	3/4 19.0	1 25.4	2 <sup>3</sup> / <sub>4</sub> 69.8	1 <sup>17</sup> / <sub>32</sub> 38.9	1 <sup>5</sup> / <sub>16</sub> 33.3	5/8 15.9	GHWE111CCS	11.25
KH-2304-11A	RAO	RAO	1 <sup>15</sup> / <sub>16</sub>	2 <sup>13</sup> / <sub>16</sub> 71.44	5 <sup>9</sup> / <sub>16</sub> 141.3	2 <sup>5</sup> / <sub>8</sub> 66.7	5 <sup>7</sup> / <sub>16</sub> 138.1	8 <sup>1</sup> / <sub>4</sub> 209.6	10 <sup>7</sup> / <sub>16</sub> 265.1	2 <sup>7</sup> / <sub>8</sub> 73.0	1 <sup>5</sup> / <sub>16</sub> 33.3	3/4 19.0	1 25.4	3 76.2	1 <sup>21</sup> / <sub>32</sub> 42.1	1 <sup>7</sup> / <sub>16</sub> 36.5	5/8 15.9	GHWE115CCS	14.00
KH-2305-10A	RAO	RAO	2	3 <sup>1</sup> / <sub>16</sub> 77.8	6 <sup>1</sup> / <sub>32</sub> 153.2	2 <sup>7</sup> / <sub>8</sub> 73.0	5 <sup>15</sup> / <sub>16</sub> 150.8	9 228.6	11 <sup>5</sup> / <sub>16</sub> 287.3	3 <sup>1</sup> / <sub>8</sub> 79.4	1 <sup>7</sup> / <sub>16</sub> 36.5	7/8 22.2	1 <sup>1</sup> / <sub>8</sub> 28.6	3 <sup>1</sup> / <sub>4</sub> 82.6	1 <sup>25</sup> / <sub>32</sub> 45.2	1 <sup>9</sup> / <sub>16</sub> 39.7	3/4 19.0	GHWE200CCS GHWE203CCS	17.75
KH-2306-10A	RAO	RAO	2 <sup>7</sup> / <sub>16</sub>	3 <sup>5</sup> / <sub>16</sub> 84.1	6 <sup>17</sup> / <sub>32</sub> 165.9	3 <sup>3</sup> / <sub>8</sub> 79.4	6 <sup>7</sup> / <sub>16</sub> 163.5	9 <sup>3</sup> / <sub>4</sub> 247.6	12 <sup>5</sup> / <sub>16</sub> 312.7	3 <sup>5</sup> / <sub>16</sub> 84.1	1 <sup>1</sup> / <sub>2</sub> 38.1	7/8 22.2	1 <sup>1</sup> / <sub>8</sub> 28.6	3 <sup>1</sup> / <sub>2</sub> 88.9	1 <sup>29</sup> / <sub>32</sub> 48.4	1 <sup>21</sup> / <sub>32</sub> 42.1	3/4 19.0	GHWE207CCS	21.75
KH-2307-10A	RAO	RAO	2 <sup>11</sup> / <sub>16</sub>	3 <sup>13</sup> / <sub>16</sub> 96.8	7 <sup>9</sup> / <sub>16</sub> 192.1	3 <sup>1</sup> / <sub>2</sub> 88.9	7 <sup>7</sup> / <sub>16</sub> 188.9	11 <sup>1</sup> / <sub>4</sub> 285.8	14 <sup>3</sup> / <sub>16</sub> 360.4	3 <sup>13</sup> / <sub>16</sub> 96.0	1 <sup>3</sup> / <sub>4</sub> 44.4	1 25.4	1 <sup>5</sup> / <sub>16</sub> 33.3	4 101.6	2 <sup>5</sup> / <sub>32</sub> 54.8	1 <sup>29</sup> / <sub>32</sub> 48.4	7/8 22.2	GHWE211CCS	34.00
KH-2308-10A	RAO	RAO	2 <sup>15</sup> / <sub>16</sub>	4 <sup>1</sup> / <sub>8</sub> 101.6	8 <sup>1</sup> / <sub>16</sub> 192.1	3 <sup>15</sup> / <sub>16</sub> 114.3	7 <sup>15</sup> / <sub>16</sub> 192.1	12 304.8	15 <sup>1</sup> / <sub>8</sub> 381.0	4 <sup>1</sup> / <sub>16</sub> 101.6	1 <sup>7</sup> / <sub>8</sub> 44.4	1 25.4	1 <sup>5</sup> / <sub>16</sub> 33.3	4 <sup>1</sup> / <sub>16</sub> 101.6	2 <sup>15</sup> / <sub>32</sub> 96.8	2 <sup>1</sup> / <sub>32</sub> 24.6	7/8 22.2	GHWE215CCS	40.25

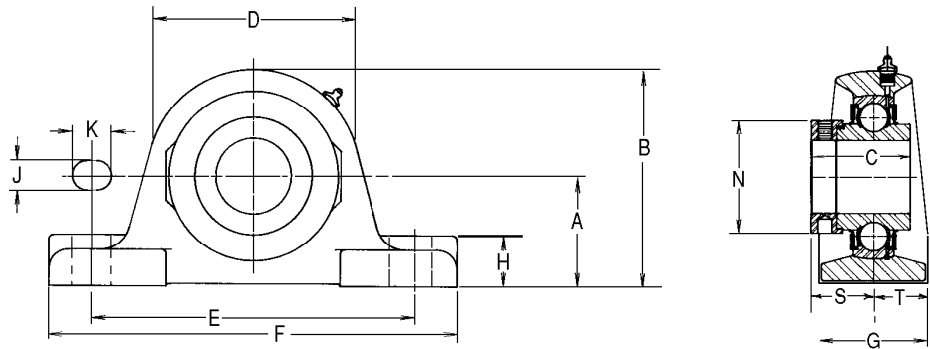
Recommended shaft tolerances: 1<sup>15</sup>/<sub>16</sub> - 1<sup>15</sup>/<sub>16</sub>", nominal to -.0005", -.013 mm  
 2" - 2<sup>15</sup>/<sub>16</sub>", nominal to -.0010", -.025 mm

# Single Pillow Block - Heavy Series - High Temperature

## Replaces Fafnir LAO

This Ketchie-Houston heavy type pillow block is designed to meet the need for a compact, economical, heavy-duty ball bearing housed unit where the operating temperature exceeds 250°F.

These pillow blocks are equipped with a heavy series, wide inner ring bearing with an eccentric locking collar, high temperature grease and high temperature seals. These units can be operated up to 425°F.



### TO ORDER, SPECIFY KETCHIE-HOUSTON OR COMPETITOR'S PART NUMBER

Ketchie Houston	Replaces Fafnir	Shaft Diam.	A	B	C	D	E	F	G	H	J	K	N	S	T	Bolt Size	Bearing Number	Approx. Unit Wt.
			in. mm	in. mm	in. mm	in. mm	in. mm	in. mm	in. mm	in. mm	in. mm	in. mm	in. mm	in. mm	in. mm			
KH-2300-0-12A	LAO	1 <sup>3</sup> / <sub>16</sub>	1 <sup>7</sup> / <sub>8</sub> 47.6	3 <sup>11</sup> / <sub>16</sub> 93.7	1 <sup>31</sup> / <sub>32</sub> 50.0	3 <sup>9</sup> / <sub>16</sub> 90.5	5 <sup>3</sup> / <sub>8</sub> 136.5	6 <sup>13</sup> / <sub>16</sub> 173.0	1 <sup>15</sup> / <sub>16</sub> 49.2	7 <sup>7</sup> / <sub>8</sub> 22.2	5 <sup>5</sup> / <sub>8</sub> 15.9	3 <sup>3</sup> / <sub>4</sub> 19.0	1 <sup>15</sup> / <sub>16</sub> 49.2	1 <sup>9</sup> / <sub>32</sub> 32.5	3 <sup>1</sup> / <sub>32</sub> 24.6	1/2 12.7	GHWE103HHS	4.25
KH-2301-0-12A	LAO	1 <sup>3</sup> / <sub>8</sub>	2 <sup>1</sup> / <sub>8</sub> 54.0	4 <sup>3</sup> / <sub>32</sub> 104.0	2 <sup>1</sup> / <sub>32</sub> 51.6	4 101.6	6 152.4	7 <sup>9</sup> / <sub>16</sub> 192.1	2 <sup>1</sup> / <sub>8</sub> 54.0	1 <sup>5</sup> / <sub>16</sub> 23.8	5 <sup>5</sup> / <sub>8</sub> 15.9	3 <sup>3</sup> / <sub>4</sub> 19.0	2 <sup>3</sup> / <sub>16</sub> 55.6	1 <sup>5</sup> / <sub>16</sub> 33.3	1 <sup>1</sup> / <sub>16</sub> 27.0	1/2 12.7	GHWE106HHS GHWE107HHS	5.50
KH-2302-0-10A	LAO	1 <sup>1</sup> / <sub>2</sub>	2 <sup>3</sup> / <sub>8</sub> 60.3	4 <sup>5</sup> / <sub>8</sub> 117.5	2 <sup>1</sup> / <sub>4</sub> 57.2	4 <sup>1</sup> / <sub>2</sub> 114.3	6 <sup>3</sup> / <sub>4</sub> 171.4	8 <sup>1</sup> / <sub>2</sub> 215.9	2 <sup>3</sup> / <sub>8</sub> 60.3	1 <sup>1</sup> / <sub>16</sub> 27.0	3 <sup>3</sup> / <sub>4</sub> 19.0	1 25.4	2 <sup>1</sup> / <sub>2</sub> 63.5	1 <sup>5</sup> / <sub>32</sub> 37.3	1 <sup>3</sup> / <sub>16</sub> 30.2	5 <sup>5</sup> / <sub>8</sub> 15.9	GHWE108HHS	8.50
KH-2303-0-11A	LAO	1 <sup>11</sup> / <sub>16</sub>	2 <sup>5</sup> / <sub>8</sub> 66.7	5 <sup>1</sup> / <sub>8</sub> 130.2	2 <sup>5</sup> / <sub>16</sub> 58.7	5 127.0	7 <sup>1</sup> / <sub>2</sub> 190.5	9 <sup>7</sup> / <sub>16</sub> 239.7	2 <sup>5</sup> / <sub>8</sub> 66.7	1 <sup>3</sup> / <sub>16</sub> 30.2	3 <sup>3</sup> / <sub>4</sub> 19.0	1 25.4	2 <sup>3</sup> / <sub>4</sub> 69.8	1 <sup>7</sup> / <sub>32</sub> 38.9	1 <sup>5</sup> / <sub>16</sub> 33.3	5 <sup>5</sup> / <sub>8</sub> 15.9	GHWE111HHS	11.25
KH-2304-0-11A	LAO	1 <sup>15</sup> / <sub>16</sub>	2 <sup>13</sup> / <sub>16</sub> 71.44	5 <sup>9</sup> / <sub>16</sub> 141.3	2 <sup>5</sup> / <sub>8</sub> 66.7	5 <sup>7</sup> / <sub>16</sub> 138.1	8 <sup>1</sup> / <sub>4</sub> 209.6	10 <sup>7</sup> / <sub>16</sub> 265.1	2 <sup>7</sup> / <sub>8</sub> 73.0	1 <sup>5</sup> / <sub>16</sub> 33.3	3 <sup>3</sup> / <sub>4</sub> 19.0	1 25.4	3 76.2	1 <sup>21</sup> / <sub>32</sub> 42.1	1 <sup>7</sup> / <sub>16</sub> 36.5	5 <sup>5</sup> / <sub>8</sub> 15.9	GHWE115HHS	14.00
KH-2305-0-10A	LAO	2	3 <sup>1</sup> / <sub>16</sub> 77.8	6 <sup>1</sup> / <sub>32</sub> 153.2	2 <sup>7</sup> / <sub>8</sub> 73.0	5 <sup>15</sup> / <sub>16</sub> 150.8	9 228.6	11 <sup>5</sup> / <sub>16</sub> 287.3	3 <sup>1</sup> / <sub>8</sub> 79.4	1 <sup>7</sup> / <sub>16</sub> 36.5	7 <sup>7</sup> / <sub>8</sub> 22.2	1 <sup>1</sup> / <sub>8</sub> 28.6	3 <sup>1</sup> / <sub>4</sub> 82.6	1 <sup>25</sup> / <sub>32</sub> 45.2	1 <sup>9</sup> / <sub>16</sub> 39.7	3 <sup>3</sup> / <sub>4</sub> 19.0	GHWE200HHS GHWE203HHS	17.75
KH-2306-0-10A	LAO	2 <sup>7</sup> / <sub>16</sub>	3 <sup>5</sup> / <sub>16</sub> 84.1	6 <sup>17</sup> / <sub>32</sub> 165.9	3 <sup>1</sup> / <sub>8</sub> 79.4	6 <sup>7</sup> / <sub>16</sub> 163.5	9 <sup>3</sup> / <sub>4</sub> 247.6	12 <sup>5</sup> / <sub>16</sub> 312.7	3 <sup>5</sup> / <sub>16</sub> 84.1	1 <sup>1</sup> / <sub>2</sub> 38.1	7 <sup>7</sup> / <sub>8</sub> 22.2	1 <sup>1</sup> / <sub>8</sub> 28.6	3 <sup>1</sup> / <sub>2</sub> 88.9	1 <sup>29</sup> / <sub>32</sub> 48.4	1 <sup>21</sup> / <sub>32</sub> 42.1	3 <sup>3</sup> / <sub>4</sub> 19.0	GHWE207HHS	21.75
KH-2307-0-10A	LAO	2 <sup>11</sup> / <sub>16</sub>	3 <sup>13</sup> / <sub>16</sub> 96.8	7 <sup>9</sup> / <sub>16</sub> 192.1	3 <sup>1</sup> / <sub>2</sub> 88.9	7 <sup>7</sup> / <sub>16</sub> 188.9	11 <sup>1</sup> / <sub>4</sub> 285.8	14 <sup>3</sup> / <sub>16</sub> 360.4	3 <sup>13</sup> / <sub>16</sub> 96.0	1 <sup>3</sup> / <sub>4</sub> 44.4	1 25.4	1 <sup>5</sup> / <sub>16</sub> 33.3	4 101.6	2 <sup>5</sup> / <sub>32</sub> 54.8	1 <sup>29</sup> / <sub>32</sub> 48.4	7 <sup>7</sup> / <sub>8</sub> 22.2	GHWE211HHS	34.00
KH-2308-0-10A	LAO	2 <sup>15</sup> / <sub>16</sub>	4 <sup>1</sup> / <sub>8</sub> 104.8	8 <sup>1</sup> / <sub>16</sub> 204.8	3 <sup>15</sup> / <sub>16</sub> 100.0	7 <sup>15</sup> / <sub>16</sub> 201.6	12 304.8	15 <sup>1</sup> / <sub>8</sub> 384.2	4 <sup>1</sup> / <sub>16</sub> 103.2	1 <sup>7</sup> / <sub>8</sub> 47.6	1 25.4	1 <sup>5</sup> / <sub>16</sub> 33.3	4 <sup>7</sup> / <sub>16</sub> 112.7	2 <sup>15</sup> / <sub>32</sub> 62.7	2 <sup>1</sup> / <sub>32</sub> 51.6	7 <sup>7</sup> / <sub>8</sub> 22.2	GHWE215HHS	40.25

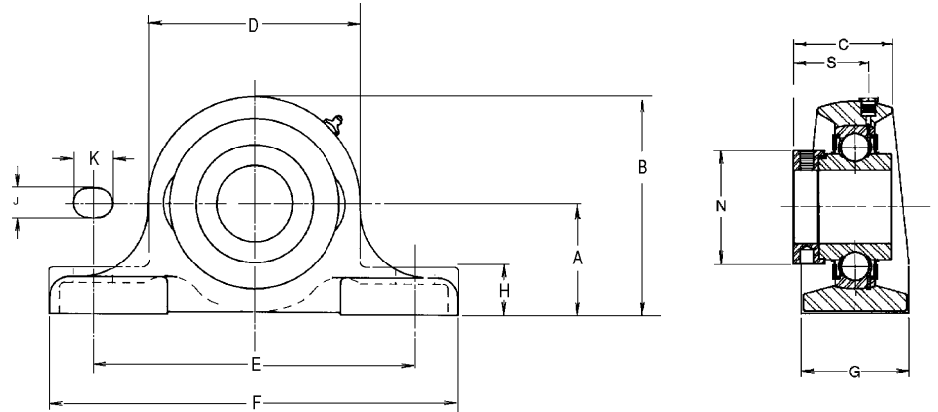
Recommended shaft tolerances: 1<sup>15</sup>/<sub>16</sub> - 1<sup>15</sup>/<sub>16</sub>" nominal to -.0005", -.013 mm  
 2" - 2<sup>15</sup>/<sub>16</sub>" nominal to -.0010", -.025 mm

# Single Pillow Block - Heavy Series

Replaces Fafnir RSAO and PTC P2-300

This Ketchie-Houston heavy duty unit is ideally suited for installations where the load is heavy in proportion to shaft diameter or where there is considerable shock loading.

These pillow blocks are equipped with a heavy series wide inner ring bearing with integral seals and eccentric locking collar.



**TO ORDER, SPECIFY KETCHIE-HOUSTON OR COMPETITOR'S PART NUMBER**

Ketchie Houston	Replaces Fafnir PTC	Shaft Diam.	A	B	C	D	E	F	G	H	J	K	N	S	Bolt Size	Bearing Number	Approx. Unit Wt.
			in. mm	in. mm	in. mm	in. mm	in. mm	in. mm	in. mm	in. mm	in. mm	in. mm	in. mm	in. mm			
KH-2320-12A	RSAO P2-319	1 3/8	2 3/8 60.33	4 1/4 108.0	1 3/8 50.0	3 3/4 95.2	6 5/8 168.3	8 1/4 209.6	2 3/8 60.3	7/8 22.2	5/8 15.9	1 25.4	1 15/16 49.2	1 9/32 32.5	1/2 12.7	GHWE103CCS	6.75
KH-2321-10A	RSAO P2-320	1 1/4	2 3/4	4 13/16	2 1/2	4 1/8	8 1/4	10 5/8	2 3/4	1 5/16	3/4	1 1/8	2 3/16	1 5/16	5/8	GHWE104CCS	9.25
KH-2321-12A	RSAO P2-322	1 3/8	69.85	122.2	51.6	104.8	209.6	269.9	69.8	23.8	19.0	28.6	55.6	33.3	15.9	GHWE106CCS	
KH-2321-13A	RSAO P2-323	1 7/16														GHWE107CCS	
KH-2322-10A	RSAO P-324	1 1/2	3 1/8 79.38	5 3/8 136.6	2 1/4 57.2	4 1/2 114.3	9 228.6	11 3/8 288.9	3 1/8 79.4	1 1/8 30.2	3/4 19.0	1 1/8 28.6	2 1/2 69.8	1 15/32 38.9	5/8 15.9	GHWE108CCS	13.00
KH-2323-10A	RSAO P2-326	1 5/8	3 1/8	5 5/8	2 5/16	5	9	11 3/8	3 1/8	1 3/16	3/4	1 1/8	2 3/4	1 17/32	5/8	GHWE110CCS	14.75
KH-2323-11A	RSAO P2-327	1 11/16	79.38	142.9	58.7	127.0	228.6	288.9	79.4	30.2	19.0	28.6	69.8	38.9	15.9	GHWE111CCS	
KH-2323-12A	RSAO P2-328	1 3/4														GHWE112CCS	
KH-2324-11A	RSAO	1 7/8	3 1/8	5 27/32	2 5/8	5 7/16	9	11 3/8	3 1/8	1 5/16	3/4	1 1/8	3	1 21/32	5/8	GHWE114CCS	16.25
KH-2324-12A	RSAO P-331	1 15/16	79.38	148.4	66.7	138.1	228.6	288.9	79.4	33.3	19.0	28.6	76.2	42.1	15.9	GHWE115CCS	
KH-2325-10A	RSAO P2-332	2	3 3/4	6 23/32	2 7/8	5 15/16	10 1/4	12 5/8	3 1/2	1 7/16	7/8	1 3/8	3 1/4	1 25/32	3/4	GHWE200CCS	22.75
KH-2325-13A	RSAO P2-335	2 3/16	95.25	170.7	73.0	150.8	260.4	320.7	88.9	36.5	22.2	34.9	82.6	45.2	19.0	GHWE203CCS	
KH-2326-13A	RSAO P2-339	2 7/16	4 1/8 104.8	7 11/32 186.5	3 1/8 79.4	6 7/16 163.5	11 1/4 285.8	13 3/4 349.2	4 101.6	1 1/2 38.1	7/8 22.2	1 3/8 34.9	3 1/2 88.9	1 29/32 48.4	3/4 19.0	GHWE207CCS	35.75
KH-2327-10A	RSAO P2-343	2 11/16	4 9/16 115.9	8 9/32 210.3	3 1/2 88.9	7 7/16 188.9	12 304.8	15 3/8 390.5	4 3/8 111.1	1 3/4 4	1 25.4	1 3/8 34.9	4 101.6	2 5/32 54.8	7/8 22.2	GHWE211CCS	42.75
KH-2328-12A	RSAO P2-347	2 15/16	4 9/16 115.9	8 9/16 217.5	3 15/16 100.0	8 203.2	12 3/8 314.3	15 3/8 390.5	4 3/8 111.1	1 7/8 47.6	1 25.4	1 3/8 34.9	4 7/16 112.7	2 15/32 62.7	7/8 22.2	GHWE215CCS	44.50
KH-2329-10A	RSAO P-351	3 3/16	4 9/16 115.9	8 25/32 223.0	4 3/16 106.4	8 7/16 214.3	12 3/8 314.3	15 3/8 390.5	4 3/8 111.1	1 15/16 49.2	1 25.4	1 3/4 44.4	4 11/16 119.1	2 19/32 65.9	7/8 22.2	GHWE303CCS	50.50
KH-2330-10A	RSAO P-355	3 7/16	5 1/8 130.2	9 7/8 250.8	4 9/16 115.9	9 1/2 241.3	13 3/8 339.7	16 1/8 409.6	4 3/4 120.6	2 1/4 57.2	1 1/8 28.6	2 1/8 54.0	5 1/4 133.4	2 27/32 72.2	1 25.4	GHWE307CCS	68.50
KH-2331-10A	RSAO P-363	3 15/16	5 11/16 144.5	11 1/16 281.0	5 1/16 128.6	10 3/4 273.0	14 3/4 374.6	17 5/16 439.7	5 1/8 130.2	2 9/16 65.1	1 1/8 28.6	1 3/4 44.4	5 3/4 146.0	3 3/32 78.6	1 25.4	GHWE315CCS	89.75

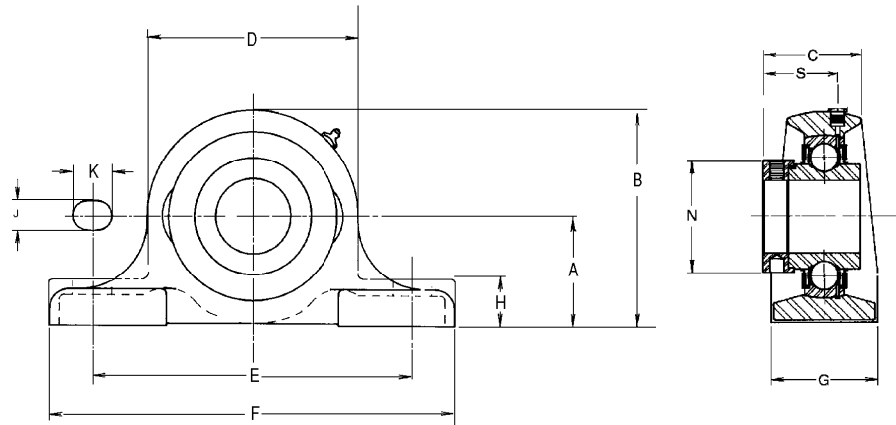
Recommended shaft tolerances: 15/16 " - 1 15/16", nominal to - .0005", - .013 mm; 2 3/16", nominal to - .0010", - .025 mm

# Single Pillow Block - Heavy Series - High Temperature

## Replaces Fafnir LSAO

This Ketchie-Houston heavy duty unit is ideally suited for installations where the load is heavy in proportion to shaft diameter or where there is considerable shock loading, and operating temperature exceeds 250°F.

These pillow blocks are equipped with a heavy series wide inner ring bearing with an eccentric locking collar, high temperature grease and high temperature seals.



### TO ORDER, SPECIFY KETCHIE-HOUSTON OR COMPETITOR'S PART NUMBER

Ketchie Houston	Replaces Fafnir	Shaft Diam.	A	B	C	D	E	F	G	H	J	K	N	S	Bolt Size	Bearing Number	Approx. Unit Wt.
			in. mm	in. mm	in. mm	in. mm	in. mm	in. mm	in. mm	in. mm	in. mm	in. mm	in. mm	in. mm	in. mm		lbs.
KH-2320-0-12A	LSAO	1 <sup>3</sup> / <sub>16</sub>	2 <sup>3</sup> / <sub>8</sub> 60.33	4 <sup>1</sup> / <sub>4</sub> 108.0	1 <sup>3</sup> / <sub>16</sub> 50.0	3 <sup>3</sup> / <sub>4</sub> 95.2	6 <sup>5</sup> / <sub>8</sub> 168.3	8 <sup>1</sup> / <sub>4</sub> 209.6	2 <sup>3</sup> / <sub>8</sub> 60.3	7/ <sub>8</sub> 22.2	5/ <sub>8</sub> 15.9	1 25.4	1 <sup>15</sup> / <sub>16</sub> 49.2	1 <sup>9</sup> / <sub>32</sub> 32.5	1/2 12.7	GHWE103HHS	6.75
KH-2321-0-10A	LSAO	1 <sup>1</sup> / <sub>4</sub>	2 <sup>3</sup> / <sub>4</sub> 69.85	4 <sup>13</sup> / <sub>16</sub> 122.2	2 <sup>1</sup> / <sub>2</sub> 51.6	4 <sup>1</sup> / <sub>8</sub> 104.8	8 <sup>1</sup> / <sub>4</sub> 209.6	10 <sup>5</sup> / <sub>8</sub> 269.9	2 <sup>3</sup> / <sub>4</sub> 69.8	1 <sup>5</sup> / <sub>16</sub> 23.8	3/ <sub>4</sub> 19.0	1 <sup>1</sup> / <sub>8</sub> 28.6	2 <sup>3</sup> / <sub>16</sub> 55.6	1 <sup>5</sup> / <sub>16</sub> 33.3	5/ <sub>8</sub> 15.9	GHWE104HHS GHWE106HHS GHWE107HHS	9.25
KH-2322-0-10A	LSAO	1 <sup>1</sup> / <sub>2</sub>	3 <sup>1</sup> / <sub>8</sub> 79.38	5 <sup>3</sup> / <sub>8</sub> 136.6	2 <sup>1</sup> / <sub>4</sub> 57.2	4 <sup>1</sup> / <sub>2</sub> 114.3	9 228.6	11 <sup>3</sup> / <sub>8</sub> 288.9	3 <sup>1</sup> / <sub>8</sub> 79.4	1 <sup>1</sup> / <sub>16</sub> 30.2	3/ <sub>4</sub> 19.0	1 <sup>1</sup> / <sub>8</sub> 28.6	2 <sup>1</sup> / <sub>2</sub> 69.8	1 <sup>15</sup> / <sub>32</sub> 38.9	5/ <sub>8</sub> 15.9	GHWE108HHS	13.00
KH-2323-0-11A	LSAO	1 <sup>11</sup> / <sub>16</sub>	3 <sup>1</sup> / <sub>8</sub> 79.38	5 <sup>5</sup> / <sub>8</sub> 142.9	2 <sup>5</sup> / <sub>16</sub> 58.7	5 127.0	9 228.6	11 <sup>3</sup> / <sub>8</sub> 288.9	3 <sup>1</sup> / <sub>8</sub> 79.4	1 <sup>3</sup> / <sub>16</sub> 30.2	3/ <sub>4</sub> 19.0	1 <sup>1</sup> / <sub>8</sub> 28.6	2 <sup>3</sup> / <sub>4</sub> 69.8	1 <sup>17</sup> / <sub>32</sub> 38.9	5/ <sub>8</sub> 15.9	GHWE111HHS	14.75
KH-2324-0-12A	LSAO	1 <sup>15</sup> / <sub>16</sub>	3 <sup>1</sup> / <sub>8</sub> 79.38	5 <sup>27</sup> / <sub>32</sub> 148.4	2 <sup>5</sup> / <sub>8</sub> 66.7	5 <sup>7</sup> / <sub>16</sub> 138.1	9 228.6	11 <sup>3</sup> / <sub>8</sub> 288.9	3 <sup>1</sup> / <sub>8</sub> 79.4	1 <sup>5</sup> / <sub>16</sub> 33.3	3/ <sub>4</sub> 19.0	1 <sup>1</sup> / <sub>8</sub> 28.6	3 76.2	1 <sup>21</sup> / <sub>32</sub> 42.1	5/ <sub>8</sub> 15.9	GHWE115HHS	16.25
KH-2325-0-10A	LSAO	2	3 <sup>3</sup> / <sub>4</sub> 95.25	6 <sup>23</sup> / <sub>32</sub> 170.7	2 <sup>7</sup> / <sub>8</sub> 73.0	5 <sup>15</sup> / <sub>16</sub> 150.8	10 <sup>1</sup> / <sub>4</sub> 260.4	12 <sup>5</sup> / <sub>8</sub> 320.7	3 <sup>1</sup> / <sub>2</sub> 88.9	1 <sup>7</sup> / <sub>16</sub> 36.5	7/ <sub>8</sub> 22.2	1 <sup>3</sup> / <sub>8</sub> 34.9	3 <sup>1</sup> / <sub>4</sub> 82.6	1 <sup>25</sup> / <sub>32</sub> 45.2	3/ <sub>4</sub> 19.0	GHWE200HHS GHWE203HHS	22.75
KH-2326-0-13A	LSAO	2 <sup>7</sup> / <sub>16</sub>	4 <sup>1</sup> / <sub>8</sub> 104.8	7 <sup>11</sup> / <sub>32</sub> 186.5	3 <sup>1</sup> / <sub>8</sub> 79.4	6 <sup>7</sup> / <sub>16</sub> 163.5	11 <sup>1</sup> / <sub>4</sub> 285.8	13 <sup>3</sup> / <sub>4</sub> 349.2	4 101.6	1 <sup>1</sup> / <sub>2</sub> 38.1	7/ <sub>8</sub> 22.2	1 <sup>3</sup> / <sub>8</sub> 34.9	3 <sup>1</sup> / <sub>2</sub> 88.9	1 <sup>29</sup> / <sub>32</sub> 48.4	3/ <sub>4</sub> 19.0	GHWE207HHS	35.75
KH-2327-0-10A	LSAO	2 <sup>11</sup> / <sub>16</sub>	4 <sup>9</sup> / <sub>16</sub> 115.9	8 <sup>9</sup> / <sub>32</sub> 210.3	3 <sup>1</sup> / <sub>2</sub> 88.9	7 <sup>7</sup> / <sub>16</sub> 188.9	12 304.8	15 <sup>3</sup> / <sub>8</sub> 390.5	4 <sup>3</sup> / <sub>8</sub> 111.1	1 <sup>3</sup> / <sub>4</sub> 4	1 25.4	1 <sup>3</sup> / <sub>8</sub> 34.9	4 101.6	2 <sup>5</sup> / <sub>32</sub> 54.8	7/ <sub>8</sub> 22.2	GHWE211HHS	42.75
KH-2328-0-12A	LSAO	2 <sup>15</sup> / <sub>16</sub>	4 <sup>9</sup> / <sub>16</sub> 115.9	8 <sup>9</sup> / <sub>16</sub> 217.5	3 <sup>15</sup> / <sub>16</sub> 100.0	8 203.2	12 <sup>3</sup> / <sub>8</sub> 314.3	15 <sup>3</sup> / <sub>8</sub> 390.5	4 <sup>3</sup> / <sub>8</sub> 111.1	1 <sup>7</sup> / <sub>8</sub> 47.6	1 25.4	1 <sup>3</sup> / <sub>8</sub> 34.9	4 <sup>7</sup> / <sub>16</sub> 112.7	2 <sup>15</sup> / <sub>32</sub> 62.7	7/ <sub>8</sub> 22.2	GHWE215HHS	44.50
KH-2329-0-10A	LSAO	3 <sup>3</sup> / <sub>16</sub>	4 <sup>9</sup> / <sub>16</sub> 115.9	8 <sup>25</sup> / <sub>32</sub> 223.0	4 <sup>3</sup> / <sub>16</sub> 106.4	8 <sup>7</sup> / <sub>16</sub> 214.3	12 <sup>3</sup> / <sub>8</sub> 314.3	15 <sup>3</sup> / <sub>8</sub> 390.5	4 <sup>3</sup> / <sub>8</sub> 111.1	1 <sup>15</sup> / <sub>16</sub> 49.2	1 25.4	1 <sup>3</sup> / <sub>4</sub> 44.4	4 <sup>11</sup> / <sub>16</sub> 119.1	2 <sup>19</sup> / <sub>32</sub> 65.9	7/ <sub>8</sub> 22.2	GHWE303HHS	50.50
KH-2330-0-10A	LSAO	3 <sup>7</sup> / <sub>16</sub>	5 <sup>1</sup> / <sub>8</sub> 130.2	9 <sup>7</sup> / <sub>8</sub> 250.8	4 <sup>9</sup> / <sub>16</sub> 115.9	9 <sup>1</sup> / <sub>2</sub> 241.3	13 <sup>3</sup> / <sub>8</sub> 339.7	16 <sup>1</sup> / <sub>8</sub> 409.6	4 <sup>3</sup> / <sub>4</sub> 120.6	2 <sup>1</sup> / <sub>4</sub> 57.2	1 <sup>1</sup> / <sub>8</sub> 28.6	2 <sup>1</sup> / <sub>8</sub> 54.0	5 <sup>1</sup> / <sub>4</sub> 133.4	2 <sup>27</sup> / <sub>32</sub> 72.2	1 25.4	GHWE307HHS	68.50
KH-2331-0-10A	LSAO	3 <sup>15</sup> / <sub>16</sub>	5 <sup>11</sup> / <sub>16</sub> 144.5	11 <sup>1</sup> / <sub>16</sub> 281.0	5 <sup>1</sup> / <sub>16</sub> 128.6	10 <sup>3</sup> / <sub>4</sub> 273.0	14 <sup>3</sup> / <sub>4</sub> 374.6	17 <sup>5</sup> / <sub>16</sub> 439.7	5 <sup>1</sup> / <sub>8</sub> 130.2	2 <sup>9</sup> / <sub>16</sub> 65.1	1 <sup>1</sup> / <sub>8</sub> 28.6	1 <sup>3</sup> / <sub>4</sub> 44.4	5 <sup>3</sup> / <sub>4</sub> 146.0	3 <sup>3</sup> / <sub>32</sub> 78.6	1 25.4	GHWE315HHS	89.75

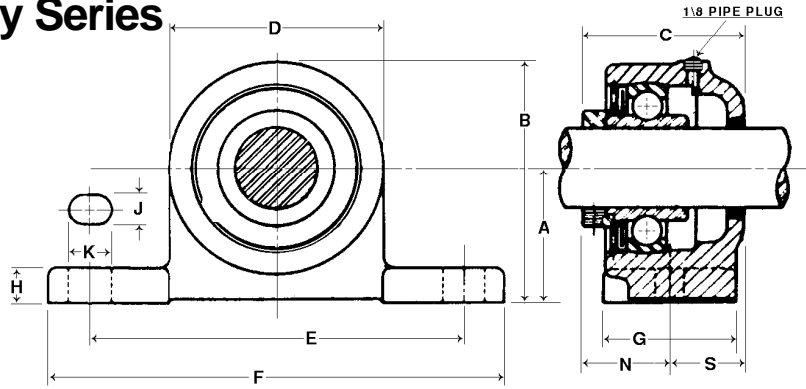
Recommended shaft tolerances: 1<sup>5</sup>/<sub>16</sub>" - 1<sup>15</sup>/<sub>16</sub>", nominal to - .0005", - .013 mm; 2<sup>3</sup>/<sub>16</sub>", nominal to - .0010", - .025 mm

# Single Pillow Block - Heavy Series

Replaces Fafnir and Fafnir SAO

This Ketchie-Houston heavy series pillow block replaces the discontinued Fafnir SAO series.

These units use a heavy series wide inner ring bearing with one seal arrangement and eccentric locking collar.



**TO ORDER, SPECIFY KETCHIE-HOUSTON OR COMPETITOR'S PART NUMBER**

Ketchie Houston	Repl. Fafnir	Shaft Diam.	A	B	C	D	E	F	G	H	J	K	N	S	T	Bolts Req'd	Size	Bearing Number	Approx. Unit Wt.
		in.	in.	in.	in.	in.	in.	in.	in.	in.	in.	in.	in.	in.	in.	in.	in.		lbs.
KH-3050-0A	SAO	5/8	1 1/2	2 3/4	2 29/64	2 1/2	4 1/2	6	2	1/2	5/8	7/8	1 9/64	1 5/16	2	1/2	HWE010MUS	4.25	
KH-3050-1A	SAO	1 1/16															HWE011MUS		
KH-3051-0A	SAO	3/4	1 5/8	3	2 45/64	2 3/4	5	6 1/2	2	5/8	5/8	7/8	1 7/32	1 31/64	2	1/2	HWE012MUS	4.25	
KH-3052-0A	SAO	1 3/16															HWE013MUS		
KH-3052-1A	SAO	7/8	2	3 5/8	2 27/32	3 1/4	5 1/2	7	2 1/8	5/8	5/8	7/8	1 3/16	1 21/32	2	1/2	HWE014MUS	5.50	
KH-3052-2A	SAO	1 5/16															HWE015MUS		
KH-3052-3A	SAO	1															HWE100MUS		
KH-3053-0A	SAO	1 1/16															HWE101MUS		
KH-3053-1A	SAO	1 1/8	2 3/8	4 1/4	3 1/8	3 3/4	6 5/8	8 1/4	2 3/8	1 1/16	5/8	7/8	1 9/16	1 9/16	2	1/2	HWE102MUS	8.75	
KH-3053-2A	SAO	1 3/16															GHWE103CS		
KH-3054-0A	SAO	1 1/4															GHWE104CS		
KH-3054-1A	SAO	1 9/16	2 3/4	4 7/8	3 15/64	4 1/4	8 1/4	10 5/8	2 3/4	1 3/16	3/4	1	1 5/16	1 59/64	2	5/8	HWE105MUS	11.75	
KH-3054-2A	SAO	1 3/8															GHWE106CS		
KH-3054-3A	SAO	1 7/16															GHWE107CS		
KH-3055-0A	SAO	1 1/2	3 1/8	5 15/32	3 21/32	4 11/16	9	11 3/8	3 1/8	1 3/16	3/4	1	1 15/32	2 3/16	2	5/8	GHWE108CS	16.75	
KH-3055-1A	SAO	1 9/16															HWE109MUS		
KH-3056-0A	SAO	1 5/8															GHWE110CS		
KH-3056-1A	SAO	1 11/16	3 1/8	5 11/16	4	5 1/8	9	11 3/8	3 1/8	1 3/16	3/4	1	1 15/16	2 1/16	2	5/8	GHWE111CS	18.00	
KH-3056-2A	SAO	1 3/4															GHWE112CS		
KH-3057-0A	SAO	1 13/16															HWE113MUS		
KH-3057-1A	SAO	1 7/8	3 1/8	5 7/8	4 11/32	5 1/2	9	11 3/8	3 1/8	1 3/16	3/4	1	1 21/32	2 11/16	2	5/8	GHWE114CS	19.50	
KH-3057-2A	SAO	1 15/16															GHWE115CS		
KH-3058-0A	SAO	2															HWE200MUS		
KH-3058-1A	SAO	2 1/16	3 3/4	6 27/32	4 49/64	6 3/16	10 1/4	12 5/8	3 1/2	1 1/16	7/8	1 1/4	2 41/64	2 1/8	2	3/4	HWE201MUS	30.75	
KH-3058-2A	SAO	2 1/8															HWE202MUS		
KH-3058-3A	SAO	2 3/16															GHWE207CS		
KH-3059-0A	SAO	2 1/4															HWE204MUS		
KH-3059-1A	SAO	2 5/16	4 1/8	7 3/8	4 13/16	6 1/2	11 1/4	13 3/4	4	1 1/16	7/8	1 1/4	2 5/8	2 3/16	2	3/4	HWE205MUS	37.00	
KH-3059-2A	SAO	2 3/8															HWE206MUS		
KH-3059-3A	SAO	2 7/16															GHWE207CS		
KH-3060-0A	SAO	2 1/2	4 9/16	8 1/16	5 17/32	7	12	15 3/8	4 3/8	1 1/4	1	1 1/4	2 15/32	3 1/16	2	7/8	HWE208MUS	47.75	
KH-3061-1A	SAO	2 11/16	4 9/16	8 3/8	6 3/16	7 5/8	12	15 3/8	4 3/8	1 1/4	1	1 1/4	2 23/32	3 15/32	2	7/8	GHWE211CS	59.25	
KH-3062-2A	SAO	2 15/16	4 9/16	8 13/16	6 25/64	8 1/2	12 3/8	15 3/8	4 3/8	1 1/4	1	1 1/4	2 15/32	3 59/64	2	7/8	GHWE215CS	52.75	
KH-3063-3A	SAO	3 3/16	4 9/16	8 7/8	6 7/16	8 5/8	12 3/8	15 3/8	4 3/8	1 1/4	1	1 1/4	2 19/32	3 27/32	2 1/4	4	7/8	GHWE303CS	72.25
KH-3064-0A	SAO	3 1/4	5	9 1/2	6 49/64	9	13	15 3/4	4 1/2	1 1/4	1	1 1/4	2 21/32	4 7/64	2 1/2	4	7/8	HWE304MUS	79.75
KH-3065-1A	SAO	3 7/16	5 1/8	9 13/16	7	9 3/8	13 3/8	16 1/8	4 3/4	1 1/4	1	1 1/4	2 27/32	4 5/32	3	4	7/8	GHWE307CS	91.25
KH-3066-2A	SAO	3 11/16	5 11/16	10 9/16	7 11/16	9 3/4	14 3/4	17 5/16	4 15/16	1 1/4	1 1/8	1 1/2	4 3/32	3 19/32	2	1	HWE311MUS	106.25	
KH-3067-2A	SAO	3 15/16	5 11/16	10 15/16	7 3/4	10 1/2	14 3/4	17 5/16	5 1/8	1 3/8	1 1/8	1 1/2	3 3/32	4 21/32	2	1	GHWE315CS	118.25	
KH-3068-3A	SAO	4 3/16	6 1/4	11 3/4	8 17/32	11	17 11/16	21 1/4	6 1/4	1 3/4	1 1/4	1 3/4	3 19/32	4 15/16	2	1 1/8	HWE403MUS	162.25	
KH-3069-3A	SAO	4 7/16	6 1/4	12 1/4	8 25/32	12	17 11/16	21 1/4	6 1/4	1 7/8	1 1/4	1 3/4	4 3/32	4 11/16	2	1 1/8	HWE407MUS	185.25	
KH-3070-3A	SAO	4 15/16	7 1/2	14 1/2	9 11/16	14	20 1/4	24 13/16	6 11/16	2	1 3/8	2	3 13/16	5 7/8	2	1 1/4	HWE415MUS	287.25	

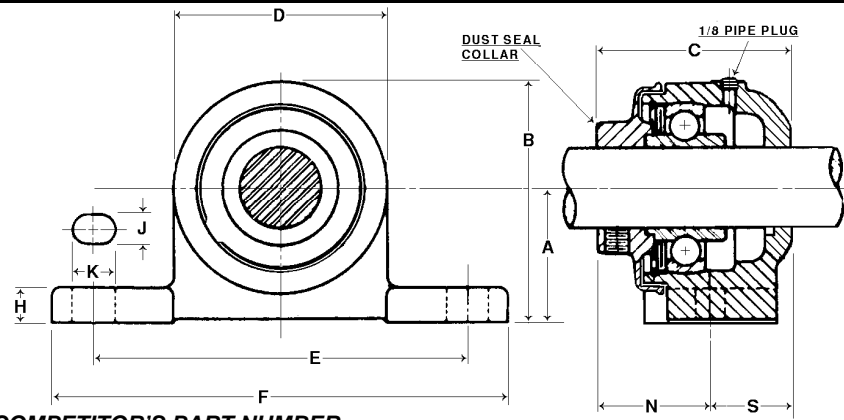
When T dimension is shown, 4 bolts are used; T is the distance between centers and Dimensions N and S are measured from center of base. Dimensions N and S are measured from center of bolt, except when 4 bolts are used. Recommended shaft tolerances: 5/8" - 2" = Nominal to -.0005"; 2 1/16" - 3 15/16" = Nominal to -.0010"; 2 11/16" and larger, use 1/4" pipe plug.

# Single Pillow Block Heavy Series One Dust Seal Collar

Replaces Fafnir and SAOD

This Ketchie-Houston heavy series pillow block replaces the discontinued Fafnir SAOD series.

These units use a heavy series wide inner ring bearing with one seal arrangement and dust-seal locking collar for extra sealing capability.



**TO ORDER, SPECIFY KETCHIE-HOUSTON OR COMPETITOR'S PART NUMBER**

Ketchie Houston	Repl. Fafnir	Shaft Diam.	A	B	C	D	E	F	G	H	J	K	N	S	T	Bolts Req'd	Size	Bearing Number	Approx. Unit Wt.
		in.	in.	in.	in.	in.	in.	in.	in.	in.	in.	in.	in.	in.	in.	in.	in.		lbs.
KH-3050-10A	SAOD	5/8	1 1/2	2 3/4	2 29/64	2 1/2	4 1/2	6	2	1/2	5/8	7/8	1 9/64	1 5/16		2	1/2	HWE010MUS	4.50
KH-3050-11A	SAOD	11/16																HWE011MUS	
KH-3051-10A	SAOD	3/4	1 5/8	3	2 45/64	2 3/4	5	6 1/2	2	5/8	5/8	7/8	1 15/32	1 31/64		2	1/2	HWE012MUS	4.50
KH-3052-10A	SAOD	13/16																HWE013MUS	
KH-3052-11A	SAOD	7/8	2	3 5/8	3 7/32	3 1/4	5 1/2	7	2 1/8	5/8	5/8	7/8	1 9/16	1 21/32		2	1/2	HWE014MUS	5.75
KH-3052-12A	SAOD	15/16																HWE015MUS	
KH-3052-13A	SAOD	1																HWE100MUS	
KH-3053-10A	SAOD	1 1/16																HWE101MUS	
KH-3053-11A	SAOD	1 1/8	2 3/8	4 1/4	3 1/2	3 3/4	6 5/8	8 1/4	2 3/8	1 1/16	5/8	7/8	1 15/16	1 9/16		2	1/2	HWE102MUS	9.75
KH-3053-12A	SAOD	1 3/16																GHWE103CS	
KH-3054-10A	SAOD	1 1/4																GHWE104CS	
KH-3054-11A	SAOD	1 5/16	2 3/4	4 7/8	3 55/64	4 1/4	8 1/4	10 5/8	2 3/4	1 3/16	3/4	1	1 15/16	1 59/64		2	5/8	HWE105MUS	13.25
KH-3054-12A	SAOD	1 3/8																GHWE106CS	
KH-3054-13A	SAOD	1 7/16																GHWE107CS	
KH-3055-10A	SAOD	1 1/2	3 1/8	5 15/32	4 5/32	4 11/16	9	11 3/8	3 1/8	1 3/16	3/4	1	1 31/32	2 3/16		2	5/8	GHWE108CS	
KH-3055-11A	SAOD	1 9/16																HWE109MUS	18.25
KH-3056-10A	SAOD	1 5/8																GHWE110CS	
KH-3056-11A	SAOD	1 11/16	3 1/8	5 11/16	4 1/2	5 1/8	9	11 3/8	3 1/8	1 3/16	3/4	1	2 7/16	2 1/16		2	5/8	GHWE111CS	20.00
KH-3056-12A	SAOD	1 3/4																GHWE112CS	
KH-3057-10A	SAOD	1 13/16																HWE113MUS	
KH-3057-11A	SAOD	1 7/8	3 1/8	5 7/8	4 27/32	5 1/2	9	11 3/8	3 1/8	1 3/16	3/4	1	2 5/32	2 11/16		2	5/8	GHWE114CS	21.50
KH-3057-12A	SAOD	1 15/16																GHWE115CS	
KH-3058-10A	SAOD	2																HWE200MUS	
KH-3058-11A	SAOD	2 1/16	3 3/4	6 27/32	5 17/64	6 3/16	10 1/4	12 5/8	3 1/2	1 1/16	7/8	1 1/4	3 9/64	2 1/8		2	3/4	HWE201MUS	32.75
KH-3058-12A	SAOD	2 1/8																HWE202MUS	
KH-3058-13A	SAOD	2 3/16																GHWE207CS	
KH-3059-10A	SAOD	2 1/4																HWE204MUS	
KH-3059-11A	SAOD	2 5/16	4 1/8	7 3/8	5 9/16	6 1/2	11 1/4	13 3/4	4	1 1/16	7/8	1 1/4	3 3/8	2 3/16		2	3/4	HWE205MUS	40.00
KH-3059-12A	SAOD	2 3/8																HWE206MUS	
KH-3059-13A	SAOD	2 7/16																GHWE207CS	
KH-3060-10A	SAOD	2 1/2	4 9/16	8 1/16	5 17/32	7	12	15 3/8	4 3/8	1 1/4	1	1 1/4	2 29/32	3 1/16		2	7/8	HWE208MUS	50.75
KH-3061-11A	SAOD	2 11/16	4 9/16	8 3/8	6 5/16	7 5/8	12	15 3/8	4 3/8	1 1/4	1	1 1/4	3 5/32	3 15/32		2	7/8	GHWE211CS	62.75
KH-3062-12A	SAOD	2 15/16	4 9/16	8 13/16	6 23/64	8 1/2	12 3/8	15 3/8	4 3/8	1 1/4	1	1 1/4	2 29/32	3 59/64		2	7/8	GHWE215CS	56.75
KH-3063-13A	SAOD	3 3/16	4 9/16	8 7/8	6 7/8	8 5/8	12 3/8	15 3/8	4 3/8	1 1/4	1	1 1/4	3 1/32	3 27/32	2 1/4	4	7/8	GHWE303CS	79.25
KH-3064-10A	SAOD	3 1/4	5	9 1/2	6 13/64	9	13	15 3/4	4 1/2	1 1/4	1	1 1/4	3 3/32	4 7/64	2 1/2	4	7/8	HWE304MUS	85.75
KH-3065-11A	SAOD	3 7/16	5 1/8	9 13/16	7 1/4	9 3/8	13 3/8	16 1/8	4 3/4	1 1/4	1	1 1/4	3 3/32	4 5/32	3	4	7/8	GHWE307CS	99.75
KH-3066-12A	SAOD	3 11/16	5 11/16	10 9/16	8 1/16	9 3/4	14 3/4	17 5/16	4 15/16	1 1/4	1 1/8	1 1/2	4 15/32	3 19/32		2	1	HWE311MUS	116.75
KH-3067-12A	SAOD	3 15/16	5 11/16	10 15/16	8 1/4	10 1/2	14 3/4	17 5/16	5 1/8	1 3/8	1 1/8	1 1/2	3 19/32	4 21/32		2	1	GHWE315CS	130.25
KH-3068-13A	SAOD	4 3/16	6 1/4	11 3/4	8 9/16	11	17 11/16	21 1/4	6 1/4	1 3/4	1 1/4	1 3/4	3 5/8	4 15/16		2	1 1/8	HWE403MUS	177.25
KH-3069-13A	SAOD	4 7/16	6 1/4	12 1/4	8 25/32	12	17 11/16	21 1/4	6 1/4	1 7/8	1 1/4	1 3/4	4 3/32	4 11/16		2	1 1/8	HWE407MUS	205.25
KH-3070-13A	SAOD	4 15/16	7 1/2	14 1/2	9 13/16	14	20 1/4	24 13/16	6 11/16	2	1 3/8	2	3 15/16	5 7/8		2	1 1/4	HWE415MUS	310.25

When T dimension is shown, 4 bolts are used; T is the distance between centers and Dimensions N and S are measured from center of base. Dimensions N and S are measured from center of bolt, except when 4 bolts are used. Recommended shaft tolerances: 3/8" - 2" = Nominal to -.0005"; 2 1/16" - 3 15/16" = Nominal to -.0010"; 2 1/16" and larger, use 1/4" pipe plug.

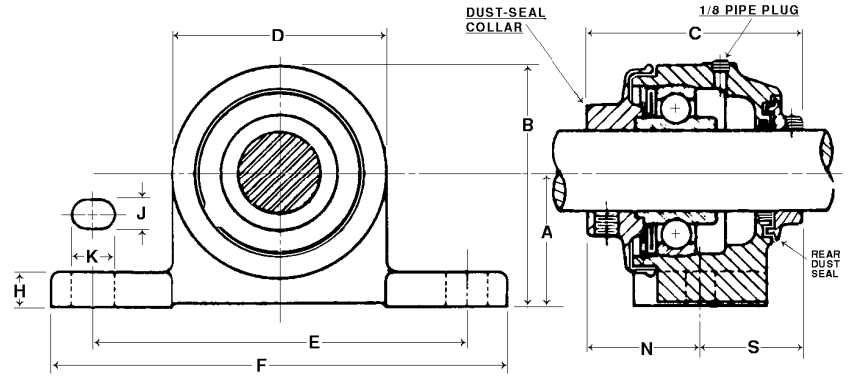


# Single Pillow Block Heavy Series Two Dust Seal Collars

## Replaces Fafnir and SAODD

This Ketchie-Houston heavy series pillow block replaces the discontinued Fafnir SAODD series.

These units use a heavy series wide inner ring bearing with one seal arrangement and dust-seal locking collar. In addition the unit includes a rear dust seal collar for extra sealing capacity.



**TO ORDER, SPECIFY KETCHIE-HOUSTON OR COMPETITOR'S PART NUMBER**

Ketchie Houston	Repl. Fafnir	Shaft Diam.	A	B	C	D	E	F	G	H	J	K	N	S	T	Bolts Req'd	Size	Bearing Number	Approx. Unit Wt.
		in.	in.	in.	in.	in.	in.	in.	in.	in.	in.	in.	in.	in.	in.	in.	in.		lbs.
KH-3050-20A	SAODD	5/8	1 1/2	2 3/4	3 15/16	2 1/2	4 1/2	6	2	1/2	5/8	7/8	1 27/64	1 51/64		2	1/2	HWE010MUS	4.75
KH-3050-21A	SAODD	11/16																HWE011MUS	
KH-3051-20A	SAODD	3/4	1 5/8	3	3 33/64	2 3/4	5	6 1/2	2	5/8	5/8	7/8	1 15/32	2 3/64		2	1/2	HWE012MUS	4.75
KH-3052-20A	SAODD	13/16																HWE013MUS	
KH-3052-21A	SAODD	7/8	2	3 5/8	3 23/32	3 1/4	5 1/2	7	2 1/8	5/8	5/8	7/8	1 9/16	2 5/32		2	1/2	HWE014MUS	6.50
KH-3052-22A	SAODD	15/16																HWE015MUS	
KH-3052-23A	SAODD	1																HWE100MUS	
KH-3053-20A	SAODD	1 1/16																HWE101MUS	
KH-3053-21A	SAODD	1 1/8	2 3/8	4 1/4	4 3/16	3 3/4	6 5/8	8 1/4	2 3/8	1 1/16	5/8	7/8	1 15/16	2 1/4		2	1/2	HWE102MUS	10.25
KH-3053-22A	SAODD	1 3/16																GHWE103CS	
KH-3054-20A	SAODD	1 1/4																GHWE104CS	
KH-3054-21A	SAODD	1 5/16	2 3/4	4 7/8	4 7/16	4 1/4	8 1/4	10 5/8	2 3/4	1 3/16	3/4	1	1 15/16	2 1/2		2	5/8	HWE105MUS	13.75
KH-3054-22A	SAODD	1 3/8																GHWE106CS	
KH-3054-23A	SAODD	1 7/16																GHWE107CS	
KH-3055-20A	SAODD	1 1/2	3 1/8	5 15/32	4 25/32	4 11/16	9	11 3/8	3 1/8	1 3/16	3/4	1	1 31/32	2 13/16		2	5/8	GHWE108CS	
KH-3055-21A	SAODD	1 9/16																HWE109MUS	19.75
KH-3056-20A	SAODD	1 5/8																GHWE110CS	
KH-3056-21A	SAODD	1 11/16	3 1/8	5 11/16	5 3/16	5 1/8	9	11 3/8	3 1/8	1 3/16	3/4	1	2 7/16	2 3/4		2	5/8	GHWE111CS	20.00
KH-3056-22A	SAODD	1 3/4																GHWE112CS	
KH-3057-20A	SAODD	1 13/16																HWE113MUS	
KH-3057-21A	SAODD	1 7/8	3 1/8	5 7/8	5 5/8	5 1/2	9	11 3/8	3 1/8	1 3/16	3/4	1	2 5/32	3 15/32		2	5/8	GHWE114CS	22.50
KH-3057-22A	SAODD	1 15/16																GHWE115CS	
KH-3058-20A	SAODD	2																HWE200MUS	
KH-3058-21A	SAODD	2 1/16	3 3/4	6 27/32	6 9/64	6 3/16	10 1/4	12 5/8	3 1/2	1 1/16	7/8	1 1/4	3 9/64	3		2	3/4	HWE201MUS	33.75
KH-3058-22A	SAODD	2 1/8																HWE202MUS	
KH-3058-23A	SAODD	2 3/16																GHWE207CS	
KH-3059-20A	SAODD	2 1/4																HWE204MUS	
KH-3059-21A	SAODD	2 5/16	4 1/8	7 3/8	6 3/8	6 1/2	11 1/4	13 3/4	4	1 1/16	7/8	1 1/4	3 3/8	3		2	3/4	HWE205MUS	41.25
KH-3059-22A	SAODD	2 3/8																HWE206MUS	
KH-3059-23A	SAODD	2 7/16																GHWE207CS	
KH-3060-20A	SAODD	2 1/2	4 9/16	8 1/16	6 27/32	7	12	15 3/8	4 3/8	1 1/4	1	1 1/4	2 29/32	3 15/16		2	7/8	HWE208MUS	52.75
KH-3061-21A	SAODD	2 11/16	4 9/16	8 3/8	7 1/2	7 5/8	12	15 3/8	4 3/8	1 1/4	1	1 1/4	3 5/32	4 11/32		2	7/8	GHWE211CS	65.25
KH-3062-22A	SAODD	2 15/16	4 9/16	8 13/16	7 49/64	8 1/2	12 3/8	15 3/8	4 3/8	1 1/4	1	1 1/4	2 29/32	4 55/64		2	7/8	GHWE215CS	58.75
KH-3063-23A	SAODD	3 3/16	4 9/16	8 7/8	7 61/64	8 5/8	12 3/8	15 3/8	4 3/8	1 1/4	1	1 1/4	3 1/32	4 59/64	2 1/4	4	7/8	GHWE303CS	77.25
KH-3064-20A	SAODD	3 1/4	5	9 1/2	8 13/16	9	13	15 3/4	4 1/2	1 1/4	1	1 1/4	3 3/32	5 7/64	2 1/2	4	7/8	HWE304MUS	83.75
KH-3065-21A	SAODD	3 7/16	5 1/8	9 13/16	8 5/32	9 3/8	13 3/8	16 1/8	4 3/4	1 1/4	1	1 1/4	3 3/32	5 1/16	3	4	7/8	GHWE307CS	95.25
KH-3066-22A	SAODD	3 11/16	5 11/16	10 9/16	9	9 3/4	14 3/4	17 5/16	4 15/16	1 1/4	1 1/8	1 1/4	4 15/32	4 17/32		2	1	HWE311MUS	113.25
KH-3067-22A	SAODD	3 15/16	5 11/16	10 15/16	9 3/16	10 1/2	14 3/4	17 5/16	5 1/8	1 3/8	1 1/8	1 3/8	3 19/32	5 19/32		2	1	GHWE315CS	123.25
KH-3068-23A	SAODD	4 3/16	6 1/4	11 3/4	9 13/16	11	17 11/16	21 1/4	6 1/4	1 3/4	1 1/4	1 3/4	3 5/8	6 3/16		2	1 1/8	HWE403MUS	171.25
KH-3069-23A	SAODD	4 7/16	6 1/4	12 1/4	9 31/32	12	17 11/16	21 1/4	6 1/4	1 7/8	1 1/4	1 7/8	4 3/32	5 7/8		2	1 1/8	HWE407MUS	195.25
KH-3070-23A	SAODD	4 15/16	7 1/2	14 1/2	11 1/16	14	20 1/4	24 13/16	6 11/16	2	1 3/8	2	3 15/16	7 7/8		2	1 1/4	HWE415MUS	300.25

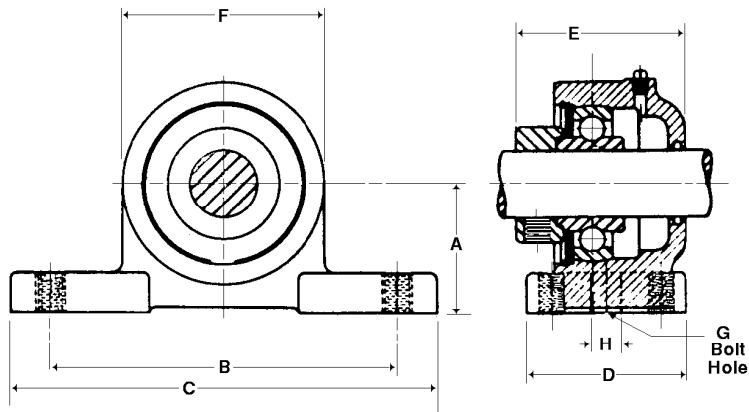
When T dimension is shown, 4 bolts are used; T is the distance between centers and Dimensions N and S are measured from center of base. Dimensions N and S are measured from center of bolt, except when 4 bolts are used. Recommended shaft tolerances: 1/8" - 2" = Nominal to -.0005"; 2 1/16" - 3 15/16" = Nominal to -.0010"; 2 1/16" and larger, use 1/4" pipe plug.

# Single Pillow Block - Heavy Series

## Replaces Fafnir (R) SAOC Special Clarage Fan Unit

This Ketchie-Houston heavy series pillow block is specially made for use on a clarage fan.

These units use a heavy series wide inner ring bearing with one seal arrangement and eccentric locking collar.



**TO ORDER, SPECIFY KETCHIE-HOUSTON OR COMPETITOR'S PART NUMBER**

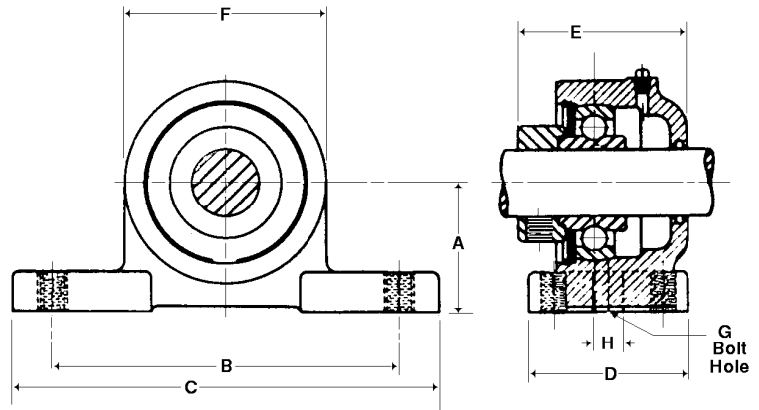
Ketchie Houston	Replaces Fafnir	Shaft Diam.	A	B	C	D	E	F	G	H	Bearing Number	Approx. Unit Wt.
		in.	in.	in.	in.	in.	in.	in.	in.	in.		lbs.
KH-4052-10A	SAOC	1 <sup>1/16</sup>	2 1/4	5 1/4	6 1/4	2 1/2	3 3/32	3 3/4	1/2	1/2	HWE101MUS	11.00
KH-4053-12A	(R)SAOC	1 <sup>3/16</sup>	2 3/4	6	7 1/2	3	3 1/16	3 3/4	5/8	5/8	GHWE103CS	11.25
KH-4054-11A	(R)SAOC	1 <sup>5/16</sup>	2 7/8	6 1/2	8	3 1/2	3 23/64	4 1/4	3/4	1/8	GHWE105CS	11.75
KH-4054-13A	(R)SAOC	1 <sup>7/16</sup>									GHWE107CS	
KH-4056-11A	(R)SAOC	1 <sup>11/16</sup>	3 1/4	8 3/4	10 3/4	4	4	5 1/8	3/4	11/32	GHWE111CS	22.75
KH-4057-12A	(R)SAOC	1 <sup>5/16</sup>	3 1/2	9 3/4	11 3/4	4	4 11/32	5 1/2	7/8	9/16	GHWE115CS	25.75
KH-4058-13A	(R)SAOC	2 3/16	3 3/4	10 1/4	12 1/4	4 1/2	4 49/64	6 3/16	7/8	1/2	GHWE203CS	34.50
KH-4059-13A	(R)SAOC	2 7/16	4	10 1/2	12 1/2	5	4 13/16	6 1/2	1	13/32	GHWE207CS	43.00
KH-4061-11A	(R)SAOC	2 11/16	4 1/4	11	13	5	5 47/64	7 5/8	1	7/64	GHWE211CS	47.00
KH-4062-12A	(R)SAOC	2 15/16	4 1/2	12 1/4	14 1/4	5 1/2	6 9/64	8 1/4	1	31/64	GHWE215CS	70.00
KH-4063-13A	(R)SAOC	3 3/16	4 3/4	13	15 1/4	5 1/2	6 7/16	8 5/8	1		GHWE303CS	73.00
KH-4065-11A	(R)SAOC	3 7/16	5 1/8	13 1/2	16 1/2	6	7	9 3/8	1 1/8		GHWE307CS	84.00
KH-4066-12A	SAOC	3 11/16	5 1/4	15	18	6	7 11/16	3/4	1 1/8		HWE311MUS	93.00
KH-4067-12A	(R)SAOC	3 15/16	5 1/2	16 1/2	19	7	7 3/4	10 1/2	1 1/8		GHWE315CS	108.00
KH-4069-13A	SAOC	4 7/16	6	16 1/2	21	8	8 21/32	11 3/4	1 3/8		HWE407MUS	167.00
KH-4070-13A	SAOC	4 15/16	6 3/4	19	22 3/4	8 1/2	9 11/16	14	1 3/8		HWE415MUS	325.00

# Single Pillow Block - Heavy Series - High Temperature

Replaces Fafnir LSAOC  
Special Clarage Fan Unit

This Ketchie-Houston heavy series high temperature pillow block is specially made for use on a clarage fan. It's designed for applications in which the temperature exceeds 250° F.

These units use a heavy series wide inner ring bearing with an eccentric locking collar, high temperature grease and one high temperature seal arrangement.



TO ORDER, SPECIFY KETCHIE-HOUSTON OR COMPETITOR'S PART NUMBER

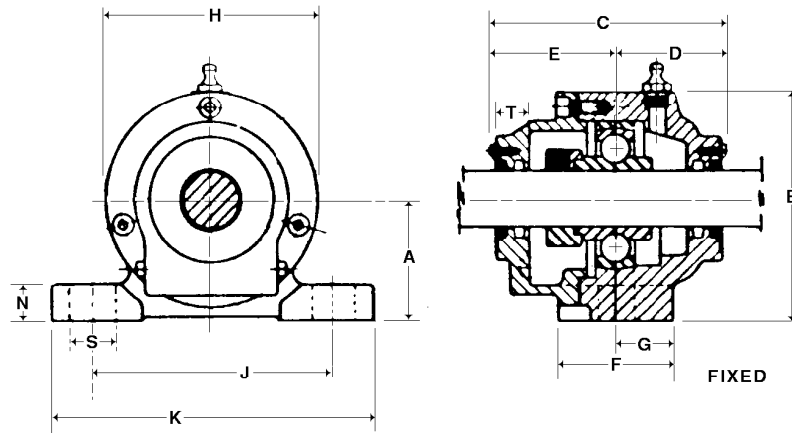
Ketchie Houston	Replaces Fafnir	Shaft Diam.	A	B	C	D	E	F	G	H	Bearing Number	Approx. Unit Wt.
		in.	in.	in.	in.	in.	in.	in.	in.	in.		bs.
KH-4053-0-12A	LSAOC	1 <sup>3</sup> / <sub>16</sub>	2 <sup>3</sup> / <sub>4</sub>	6	7 <sup>1</sup> / <sub>2</sub>	3	3 <sup>1</sup> / <sub>16</sub>	3 <sup>3</sup> / <sub>4</sub>	<sup>5</sup> / <sub>8</sub>	<sup>9</sup> / <sub>32</sub>	GHWE103HS	11.25
KH-4054-0-11A	LSAOC	1 <sup>5</sup> / <sub>16</sub>	2 <sup>7</sup> / <sub>8</sub>	6 <sup>1</sup> / <sub>2</sub>	8	3 <sup>1</sup> / <sub>2</sub>	3 <sup>23</sup> / <sub>64</sub>	4 <sup>1</sup> / <sub>4</sub>	<sup>3</sup> / <sub>4</sub>	<sup>1</sup> / <sub>8</sub>	GHWE105HS	11.75
KH-4054-0-13A	LSAOC	1 <sup>7</sup> / <sub>16</sub>									GHWE107HS	
KH-4056-0-11A	LSAOC	1 <sup>11</sup> / <sub>16</sub>	3 <sup>1</sup> / <sub>4</sub>	8 <sup>3</sup> / <sub>4</sub>	10 <sup>3</sup> / <sub>4</sub>	4	4	5 <sup>1</sup> / <sub>8</sub>	<sup>3</sup> / <sub>4</sub>	<sup>11</sup> / <sub>32</sub>	GHWE111HS	22.75
KH-4057-0-12A	LSAOC	1 <sup>15</sup> / <sub>16</sub>	3 <sup>1</sup> / <sub>2</sub>	9 <sup>3</sup> / <sub>4</sub>	11 <sup>3</sup> / <sub>4</sub>	4	4 <sup>11</sup> / <sub>32</sub>	5 <sup>1</sup> / <sub>2</sub>	<sup>7</sup> / <sub>8</sub>	<sup>9</sup> / <sub>16</sub>	GHWE115HS	25.75
KH-4058-0-13A	LSAOC	2 <sup>3</sup> / <sub>16</sub>	3 <sup>3</sup> / <sub>4</sub>	10 <sup>1</sup> / <sub>4</sub>	12 <sup>1</sup> / <sub>4</sub>	4 <sup>1</sup> / <sub>2</sub>	4 <sup>49</sup> / <sub>64</sub>	6 <sup>3</sup> / <sub>16</sub>	<sup>7</sup> / <sub>8</sub>	<sup>1</sup> / <sub>2</sub>	GHWE203HS	34.50
KH-4059-0-13A	LSAOC	2 <sup>7</sup> / <sub>16</sub>	4	10 <sup>1</sup> / <sub>2</sub>	12 <sup>1</sup> / <sub>2</sub>	5	4 <sup>13</sup> / <sub>16</sub>	6 <sup>1</sup> / <sub>2</sub>	1	<sup>13</sup> / <sub>32</sub>	GHWE207HS	43.00
KH-4061-0-11A	LSAOC	2 <sup>11</sup> / <sub>16</sub>	4 <sup>1</sup> / <sub>4</sub>	11	13	5	5 <sup>47</sup> / <sub>64</sub>	7 <sup>5</sup> / <sub>8</sub>	1	<sup>7</sup> / <sub>64</sub>	GHWE211HS	47.00
KH-4062-0-12A	LSAOC	2 <sup>15</sup> / <sub>16</sub>	4 <sup>1</sup> / <sub>2</sub>	12 <sup>1</sup> / <sub>4</sub>	14 <sup>1</sup> / <sub>4</sub>	5 <sup>1</sup> / <sub>2</sub>	6 <sup>9</sup> / <sub>64</sub>	8 <sup>1</sup> / <sub>4</sub>	1	<sup>31</sup> / <sub>64</sub>	GHWE215HS	70.00
KH-4063-0-13A	LSAOC	3 <sup>3</sup> / <sub>16</sub>	4 <sup>3</sup> / <sub>4</sub>	13	15 <sup>1</sup> / <sub>4</sub>	5 <sup>1</sup> / <sub>2</sub>	6 <sup>7</sup> / <sub>16</sub>	8 <sup>5</sup> / <sub>8</sub>	1	-	GHWE303HS	73.00
KH-4065-0-11A	LSAOC	3 <sup>7</sup> / <sub>16</sub>	5 <sup>1</sup> / <sub>8</sub>	13 <sup>1</sup> / <sub>2</sub>	16 <sup>1</sup> / <sub>2</sub>	6	7	9 <sup>3</sup> / <sub>8</sub>	1 <sup>1</sup> / <sub>8</sub>	-	GHWE307HS	84.00

# Fixed Pillow Block - Heavy Series

Replaces Fafnir SAOFN

This Ketchie-Houston fixed heavy series, pillow block is used on a Buffalo Forge Co. fan. These units may be used independently, but are more often used with the SAOLN expansion (float) unit.

These units use a heavy series, wide inner ring bearing with an eccentric locking collar.



**TO ORDER, SPECIFY KETCHIE-HOUSTON OR COMPETITOR'S PART NUMBER**

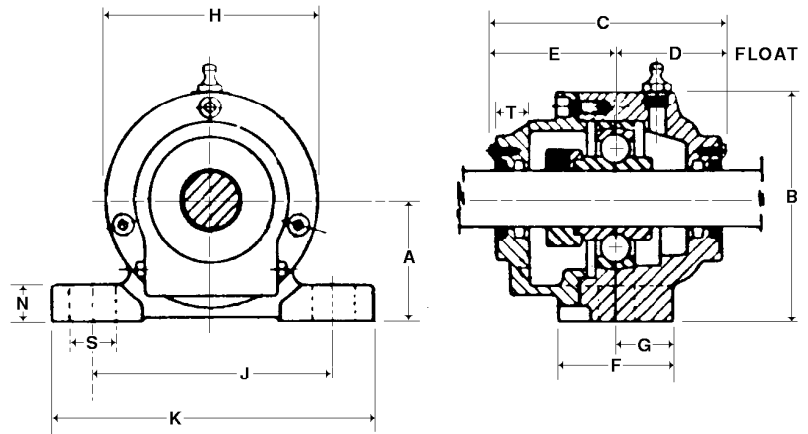
Ketchie Houston	Replaces Fafnir	Shaft Diam.	A	B	C	D	E	F	G	H	J	K	N	S	T	Bearing Number	Approx. Unit Wt.
		in.	in.	in.	in.	in.	in.	in.	in.	in.	in.	in.	in.	in.	in.		lbs.
KH-2225-12A	SAOFN	1 <sup>3</sup> / <sub>16</sub>	2 <sup>3</sup> / <sub>4</sub>	4 <sup>15</sup> / <sub>16</sub>	4 <sup>17</sup> / <sub>32</sub>	2 <sup>3</sup> / <sub>32</sub>	2 <sup>7</sup> / <sub>16</sub>	2 <sup>1</sup> / <sub>2</sub>	1 <sup>1</sup> / <sub>4</sub>	4 <sup>3</sup> / <sub>8</sub>	6	7 <sup>1</sup> / <sub>2</sub>	9 <sup>1</sup> / <sub>16</sub>	5 <sup>5</sup> / <sub>8</sub>	2 <sup>1</sup> / <sub>32</sub>	HWE103S	
KH-2226-13A	SAOFN	1 <sup>7</sup> / <sub>16</sub>	2 <sup>3</sup> / <sub>4</sub>	5 <sup>1</sup> / <sub>8</sub>	5 <sup>1</sup> / <sub>32</sub>	2 <sup>1</sup> / <sub>4</sub>	2 <sup>25</sup> / <sub>32</sub>	2 <sup>1</sup> / <sub>2</sub>	1 <sup>1</sup> / <sub>4</sub>	4 <sup>3</sup> / <sub>4</sub>	6	7 <sup>1</sup> / <sub>2</sub>	9 <sup>1</sup> / <sub>16</sub>	5 <sup>5</sup> / <sub>8</sub>	2 <sup>1</sup> / <sub>32</sub>	HWE107S	
KH-2227-11A	SAOFN	1 <sup>11</sup> / <sub>16</sub>	3 <sup>1</sup> / <sub>4</sub>	6 <sup>1</sup> / <sub>8</sub>	5 <sup>13</sup> / <sub>16</sub>	2 <sup>13</sup> / <sub>16</sub>	3	2 <sup>3</sup> / <sub>4</sub>	1 <sup>3</sup> / <sub>8</sub>	5 <sup>3</sup> / <sub>4</sub>	6 <sup>1</sup> / <sub>2</sub>	8 <sup>1</sup> / <sub>2</sub>	7 <sup>7</sup> / <sub>8</sub>	3 <sup>3</sup> / <sub>4</sub>	3 <sup>3</sup> / <sub>4</sub>	HWE111S	
KH-2228-12A	SAOFN	1 <sup>15</sup> / <sub>16</sub>	3 <sup>3</sup> / <sub>4</sub>	6 <sup>7</sup> / <sub>8</sub>	6 <sup>1</sup> / <sub>16</sub>	3 <sup>3</sup> / <sub>32</sub>	2 <sup>31</sup> / <sub>32</sub>	2 <sup>3</sup> / <sub>4</sub>	1 <sup>3</sup> / <sub>8</sub>	6 <sup>1</sup> / <sub>4</sub>	7 <sup>1</sup> / <sub>8</sub>	9 <sup>5</sup> / <sub>8</sub>	1 <sup>1</sup> / <sub>16</sub>	3 <sup>3</sup> / <sub>4</sub>	2 <sup>1</sup> / <sub>32</sub>	HWE115S	
KH-2229-13A	SAOFN	2 <sup>3</sup> / <sub>16</sub>	4 <sup>1</sup> / <sub>4</sub>	7 <sup>5</sup> / <sub>8</sub>	6 <sup>9</sup> / <sub>16</sub>	3 <sup>1</sup> / <sub>4</sub>	3 <sup>5</sup> / <sub>16</sub>	3	1 <sup>1</sup> / <sub>2</sub>	6 <sup>3</sup> / <sub>4</sub>	8	10	1	7 <sup>7</sup> / <sub>8</sub>	7 <sup>7</sup> / <sub>8</sub>	HWE203S	
KH-2230-13A	SAOFN	2 <sup>7</sup> / <sub>16</sub>	4 <sup>1</sup> / <sub>4</sub>	8	7 <sup>1</sup> / <sub>16</sub>	3 <sup>13</sup> / <sub>32</sub>	3 <sup>21</sup> / <sub>32</sub>	3	1 <sup>1</sup> / <sub>2</sub>	7 <sup>1</sup> / <sub>2</sub>	8	10	1	7 <sup>7</sup> / <sub>8</sub>	7 <sup>7</sup> / <sub>8</sub>	HWE207S	
KH-2231-10A	SAOFN	2 <sup>11</sup> / <sub>16</sub>	5	9 <sup>1</sup> / <sub>4</sub>	8 <sup>3</sup> / <sub>32</sub>	3 <sup>23</sup> / <sub>32</sub>	4 <sup>3</sup> / <sub>8</sub>	3 <sup>1</sup> / <sub>2</sub>	1 <sup>3</sup> / <sub>4</sub>	8 <sup>1</sup> / <sub>2</sub>	9	11	1	7 <sup>7</sup> / <sub>8</sub>	7 <sup>7</sup> / <sub>8</sub>	HWE211S	
KH-2232-12A	SAOFN	2 <sup>15</sup> / <sub>16</sub>	5	9 <sup>7</sup> / <sub>16</sub>	8 <sup>3</sup> / <sub>4</sub>	4 <sup>9</sup> / <sub>16</sub>	4 <sup>3</sup> / <sub>16</sub>	3 <sup>1</sup> / <sub>2</sub>	1 <sup>3</sup> / <sub>4</sub>	8 <sup>7</sup> / <sub>8</sub>	9	11	1	7 <sup>7</sup> / <sub>8</sub>	1 <sup>3</sup> / <sub>32</sub>	HWE215S	
KH-2233-13A	SAOFN	3 <sup>3</sup> / <sub>16</sub>	5 <sup>3</sup> / <sub>4</sub>	10 <sup>1</sup> / <sub>2</sub>	8 <sup>3</sup> / <sub>4</sub>	4 <sup>7</sup> / <sub>16</sub>	4 <sup>5</sup> / <sub>16</sub>	4	2	9 <sup>1</sup> / <sub>2</sub>	10 <sup>1</sup> / <sub>2</sub>	13	1 <sup>1</sup> / <sub>4</sub>	7 <sup>7</sup> / <sub>8</sub>	1 <sup>3</sup> / <sub>32</sub>	HWE303S	

# Float Pillow Block - Heavy Series

Replaces Fafnir SAOLN

This Ketchie-Houston float heavy series, pillow block is used on a Buffalo Forge Co. fan. These units may be used independently, but are most often used with the SAOFN non-expansion (fixed) unit.

These units use a heavy series, wide inner ring bearing with an eccentric locking collar. An external self-aligning ring is fitted to the spherical surface of the outer ring. This allows the bearing to move axially as the shaft expands.



**TO ORDER, SPECIFY KETCHIE-HOUSTON OR COMPETITOR'S PART NUMBER**

Ketchie Houston	Replaces Fafnir	Shaft Diam.	A	B	C	D	E	F	G	H	J	K	N	S	T	Bearing Number	Approx. Unit Wt.
		in.	in.	in.	in.	in.	in.	in.	in.	in.	in.	in.	in.	in.	in.		lbs.
KH-2225-2A	SAOLN	1 <sup>3</sup> / <sub>16</sub>	2 <sup>3</sup> / <sub>4</sub>	4 <sup>15</sup> / <sub>16</sub>	4 <sup>17</sup> / <sub>32</sub>	2 <sup>3</sup> / <sub>32</sub>	2 <sup>7</sup> / <sub>16</sub>	2 <sup>1</sup> / <sub>2</sub>	1 <sup>1</sup> / <sub>4</sub>	4 <sup>3</sup> / <sub>8</sub>	6	7 <sup>1</sup> / <sub>2</sub>	9 <sup>9</sup> / <sub>16</sub>	5 <sup>5</sup> / <sub>8</sub>	2 <sup>1</sup> / <sub>32</sub>	HWE103SR	
KH-2226-3A	SAOLN	1 <sup>7</sup> / <sub>16</sub>	2 <sup>3</sup> / <sub>4</sub>	5 <sup>1</sup> / <sub>8</sub>	5 <sup>1</sup> / <sub>32</sub>	2 <sup>1</sup> / <sub>4</sub>	2 <sup>25</sup> / <sub>32</sub>	2 <sup>1</sup> / <sub>2</sub>	1 <sup>1</sup> / <sub>4</sub>	4 <sup>3</sup> / <sub>4</sub>	6	7 <sup>1</sup> / <sub>2</sub>	9 <sup>9</sup> / <sub>16</sub>	5 <sup>5</sup> / <sub>8</sub>	2 <sup>1</sup> / <sub>32</sub>	HWE107SR	
KH-2227-1A	SAOLN	1 <sup>11</sup> / <sub>16</sub>	3 <sup>1</sup> / <sub>4</sub>	6 <sup>1</sup> / <sub>8</sub>	5 <sup>13</sup> / <sub>16</sub>	2 <sup>13</sup> / <sub>16</sub>	3	2 <sup>3</sup> / <sub>4</sub>	1 <sup>3</sup> / <sub>8</sub>	5 <sup>3</sup> / <sub>4</sub>	6 <sup>1</sup> / <sub>2</sub>	8 <sup>1</sup> / <sub>2</sub>	7 <sup>7</sup> / <sub>8</sub>	3 <sup>3</sup> / <sub>4</sub>	3 <sup>3</sup> / <sub>4</sub>	HWE111SR	
KH-2228-2A	SAOLN	1 <sup>15</sup> / <sub>16</sub>	3 <sup>3</sup> / <sub>4</sub>	6 <sup>7</sup> / <sub>8</sub>	6 <sup>1</sup> / <sub>16</sub>	3 <sup>3</sup> / <sub>32</sub>	2 <sup>31</sup> / <sub>32</sub>	2 <sup>3</sup> / <sub>4</sub>	1 <sup>3</sup> / <sub>8</sub>	6 <sup>1</sup> / <sub>4</sub>	7 <sup>1</sup> / <sub>8</sub>	9 <sup>5</sup> / <sub>8</sub>	1 <sup>1</sup> / <sub>16</sub>	3 <sup>3</sup> / <sub>4</sub>	2 <sup>1</sup> / <sub>32</sub>	HWE115SR	
KH-2229-3A	SAOLN	2 <sup>3</sup> / <sub>16</sub>	4 <sup>1</sup> / <sub>4</sub>	7 <sup>5</sup> / <sub>8</sub>	6 <sup>9</sup> / <sub>16</sub>	3 <sup>1</sup> / <sub>4</sub>	3 <sup>5</sup> / <sub>16</sub>	3	1 <sup>1</sup> / <sub>2</sub>	6 <sup>3</sup> / <sub>4</sub>	8	10	1	7 <sup>7</sup> / <sub>8</sub>	7 <sup>7</sup> / <sub>8</sub>	HWE203SR	
KH-2230-3A	SAOLN	2 <sup>7</sup> / <sub>16</sub>	4 <sup>1</sup> / <sub>4</sub>	8	7 <sup>1</sup> / <sub>16</sub>	3 <sup>13</sup> / <sub>32</sub>	3 <sup>21</sup> / <sub>32</sub>	3	1 <sup>1</sup> / <sub>2</sub>	7 <sup>1</sup> / <sub>2</sub>	8	10	1	7 <sup>7</sup> / <sub>8</sub>	7 <sup>7</sup> / <sub>8</sub>	HWE207SR	
KH-2231-1A	SAOLN	2 <sup>11</sup> / <sub>16</sub>	5	9 <sup>1</sup> / <sub>4</sub>	8 <sup>3</sup> / <sub>32</sub>	3 <sup>23</sup> / <sub>32</sub>	4 <sup>3</sup> / <sub>8</sub>	3 <sup>1</sup> / <sub>2</sub>	1 <sup>3</sup> / <sub>4</sub>	8 <sup>1</sup> / <sub>2</sub>	9	11	1	7 <sup>7</sup> / <sub>8</sub>	7 <sup>7</sup> / <sub>8</sub>	HWE211SR	
KH-2232-2A	SAOLN	2 <sup>15</sup> / <sub>16</sub>	5	9 <sup>7</sup> / <sub>16</sub>	8 <sup>3</sup> / <sub>4</sub>	4 <sup>9</sup> / <sub>16</sub>	4 <sup>3</sup> / <sub>16</sub>	3 <sup>1</sup> / <sub>2</sub>	1 <sup>3</sup> / <sub>4</sub>	8 <sup>7</sup> / <sub>8</sub>	9	11	1	7 <sup>7</sup> / <sub>8</sub>	1 <sup>13</sup> / <sub>32</sub>	HWE215SR	
KH-2233-3A	SAOLN	3 <sup>3</sup> / <sub>16</sub>	5 <sup>3</sup> / <sub>4</sub>	10 <sup>1</sup> / <sub>2</sub>	8 <sup>3</sup> / <sub>4</sub>	4 <sup>7</sup> / <sub>16</sub>	4 <sup>5</sup> / <sub>16</sub>	4	2	9 <sup>1</sup> / <sub>2</sub>	10 <sup>1</sup> / <sub>2</sub>	13	1 <sup>1</sup> / <sub>4</sub>	7 <sup>7</sup> / <sub>8</sub>	1 <sup>13</sup> / <sub>32</sub>	HWE303SR	

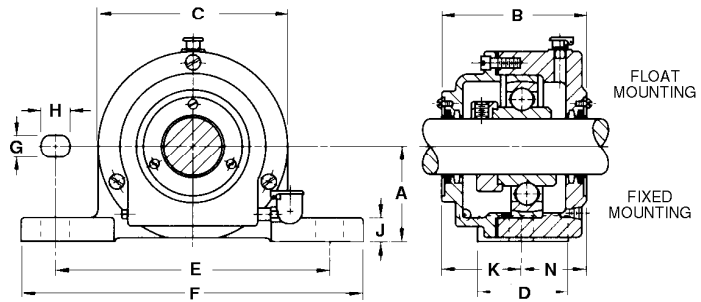
# Fixed & Floating Pillow Block - Heavy Series

## Replaces Fafnir and SAOL

This Ketchie-Houston heavy series pillow block is designed for applications in which higher than usual temperatures are encountered, or laterally floating mountings are required. The floating unit allows its bearing to move axially as the shaft expands, while the fixed unit maintains shaft location.

These units are equipped with a heavy series wide inner ring bearing with an eccentric locking collar. An external self-aligning ring is fitted to the spherical surface of the outer ring. These units are fitted with oil tight seals. They are normally fitted for oil lubrication but can be converted to grease lubrication when specified.

All units are universally designed. The spacer ring is assembled with the unit (fixed). To make a floating unit simply remove the spacer ring.



### TO ORDER, SPECIFY KETCHIE-HOUSTON OR COMPETITOR'S PART NUMBER

Ketchie Houston	Repl.	Shaft Diam.	Total Float	A	B	C	D	E	F	G	H	J	K	N	S	Bolts Req'd	Bolt Size	Bearing Number	Approx. Unit Wt.
	Fafnir	in.	in. mm	in. mm	in. mm	in. mm	in. mm	in. mm	in. mm	in. mm	in. mm	in. mm	in. mm	in. mm	in. mm	in.	in.		lbs.
KH-2265-2A	SAOL	1 <sup>3</sup> / <sub>16</sub>	<sup>5</sup> / <sub>16</sub> 7.9	2 <sup>3</sup> / <sub>8</sub> 60.33	4 <sup>1</sup> / <sub>16</sub> 103.2	4 <sup>3</sup> / <sub>8</sub> 111.1	2 <sup>3</sup> / <sub>8</sub> 60.3	6 <sup>5</sup> / <sub>8</sub> 168.3	8 <sup>1</sup> / <sub>4</sub> 210.0	<sup>5</sup> / <sub>8</sub> 15.9	<sup>7</sup> / <sub>8</sub> 22.2	<sup>11</sup> / <sub>16</sub> 17.5	2 <sup>3</sup> / <sub>8</sub> 60.3	1 <sup>11</sup> / <sub>16</sub> 42.9	-	2	<sup>1</sup> / <sub>2</sub>	HWE103SR	12.25
KH-2266-0A		1 <sup>1</sup> / <sub>4</sub>	<sup>23</sup> / <sub>64</sub> 9.1	2 <sup>3</sup> / <sub>4</sub> 69.85	4 <sup>3</sup> / <sub>8</sub> 111.1	4 <sup>3</sup> / <sub>4</sub> 120.6	2 <sup>3</sup> / <sub>4</sub> 69.8	8 <sup>1</sup> / <sub>4</sub> 209.6	10 <sup>5</sup> / <sub>8</sub> 269.9	<sup>3</sup> / <sub>4</sub> 19.0	1 25.4	<sup>13</sup> / <sub>16</sub> 20.6	2 <sup>23</sup> / <sub>32</sub> 69.1	1 <sup>21</sup> / <sub>32</sub> 42.1	-	2	<sup>5</sup> / <sub>8</sub>	HWE104SR	13.75
KH-2266-3A	SAOL	1 <sup>7</sup> / <sub>16</sub>	<sup>23</sup> / <sub>64</sub> 9.1	2 <sup>3</sup> / <sub>4</sub> 69.85	4 <sup>3</sup> / <sub>8</sub> 111.1	4 <sup>3</sup> / <sub>4</sub> 120.6	2 <sup>3</sup> / <sub>4</sub> 69.8	8 <sup>1</sup> / <sub>4</sub> 209.6	10 <sup>5</sup> / <sub>8</sub> 269.9	<sup>3</sup> / <sub>4</sub> 19.0	1 25.4	<sup>13</sup> / <sub>16</sub> 20.6	2 <sup>23</sup> / <sub>32</sub> 69.1	1 <sup>21</sup> / <sub>32</sub> 42.1	-	2	<sup>5</sup> / <sub>8</sub>	HWE107SR	15.75
KH-2267-0A	SAOL	1 <sup>1</sup> / <sub>2</sub>	<sup>3</sup> / <sub>8</sub> 9.5	3 <sup>1</sup> / <sub>8</sub> 79.38	4 <sup>7</sup> / <sub>8</sub> 123.8	5 <sup>3</sup> / <sub>4</sub> 146.0	3 <sup>1</sup> / <sub>8</sub> 79.4	9 228.6	11 <sup>3</sup> / <sub>8</sub> 288.9	<sup>3</sup> / <sub>4</sub> 19.0	1 25.4	<sup>13</sup> / <sub>16</sub> 20.6	2 <sup>15</sup> / <sub>16</sub> 74.6	1 <sup>15</sup> / <sub>16</sub> 49.2	-	2	<sup>5</sup> / <sub>8</sub>	HWE108SR	25.25
KH-2268-1A	SAOL	1 <sup>11</sup> / <sub>16</sub>	<sup>3</sup> / <sub>8</sub> 9.5	3 <sup>1</sup> / <sub>8</sub> 79.38	4 <sup>7</sup> / <sub>8</sub> 123.8	5 <sup>3</sup> / <sub>4</sub> 146.0	3 <sup>1</sup> / <sub>8</sub> 79.4	9 228.6	11 <sup>3</sup> / <sub>8</sub> 288.9	<sup>3</sup> / <sub>4</sub> 19.0	1 25.4	<sup>13</sup> / <sub>16</sub> 20.6	2 <sup>15</sup> / <sub>16</sub> 74.6	1 <sup>15</sup> / <sub>16</sub> 49.2	-	2	<sup>5</sup> / <sub>8</sub>	HWE111SR	24.75
KH-2269-2A	SAOL	1 <sup>15</sup> / <sub>16</sub>	<sup>3</sup> / <sub>8</sub> 9.5	3 <sup>1</sup> / <sub>8</sub> 79.38	4 <sup>13</sup> / <sub>16</sub> 123.8	6 <sup>1</sup> / <sub>4</sub> 158.8	3 <sup>1</sup> / <sub>8</sub> 79.4	9 228.6	11 <sup>3</sup> / <sub>8</sub> 288.9	<sup>3</sup> / <sub>4</sub> 19.0	1 25.4	<sup>13</sup> / <sub>16</sub> 20.6	2 <sup>29</sup> / <sub>32</sub> 74.6	1 <sup>29</sup> / <sub>32</sub> 49.2	-	2	<sup>5</sup> / <sub>8</sub>	HWE115SR	25.25
KH-2270-3A	SAOL	2 <sup>3</sup> / <sub>16</sub>	<sup>23</sup> / <sub>64</sub> 9.1	3 <sup>3</sup> / <sub>4</sub> 95.25	5 <sup>1</sup> / <sub>2</sub> 139.7	6 <sup>3</sup> / <sub>4</sub> 171.4	3 <sup>1</sup> / <sub>2</sub> 88.9	10 <sup>1</sup> / <sub>4</sub> 259.7	12 <sup>5</sup> / <sub>8</sub> 320.7	<sup>7</sup> / <sub>8</sub> 22.2	1 <sup>1</sup> / <sub>4</sub> 31.8	1 <sup>1</sup> / <sub>16</sub> 27.0	3 <sup>1</sup> / <sub>4</sub> 82.6	2 <sup>1</sup> / <sub>4</sub> 57.2	-	2	<sup>3</sup> / <sub>4</sub>	HWE203SR	34.25
KH-2271-3A	SAOL	2 <sup>7</sup> / <sub>16</sub>	<sup>11</sup> / <sub>32</sub> 8.7	4 <sup>1</sup> / <sub>8</sub> 104.78	5 <sup>29</sup> / <sub>32</sub> 150.0	7 <sup>1</sup> / <sub>2</sub> 190.5	4 101.6	11 <sup>1</sup> / <sub>4</sub> 285.8	13 <sup>3</sup> / <sub>4</sub> 349.2	<sup>7</sup> / <sub>8</sub> 22.2	1 <sup>1</sup> / <sub>4</sub> 31.8	1 <sup>1</sup> / <sub>16</sub> 27.0	3 <sup>19</sup> / <sub>32</sub> 91.3	2 <sup>5</sup> / <sub>16</sub> 58.7	-	2	<sup>3</sup> / <sub>4</sub>	HWE207SR	41.75
KH-2273-0A	SAOL	2 <sup>11</sup> / <sub>16</sub>	<sup>3</sup> / <sub>8</sub> 9.5	4 <sup>9</sup> / <sub>16</sub> 115.89	6 <sup>7</sup> / <sub>8</sub> 174.6	8 <sup>1</sup> / <sub>2</sub> 215.9	4 <sup>3</sup> / <sub>8</sub> 111.1	12 304.8	15 <sup>3</sup> / <sub>8</sub> 390.6	1 25.4	1 <sup>1</sup> / <sub>4</sub> 31.8	1 <sup>1</sup> / <sub>4</sub> 31.8	4 <sup>5</sup> / <sub>16</sub> 109.5	2 <sup>9</sup> / <sub>16</sub> 65.1	-	2	<sup>7</sup> / <sub>8</sub>	HWE211SR	58.25
KH-2274-0A	SAOL	2 <sup>15</sup> / <sub>16</sub>	<sup>1</sup> / <sub>2</sub> 12.7	4 <sup>9</sup> / <sub>16</sub> 115.89	7 177.8	8 <sup>7</sup> / <sub>8</sub> 225.4	4 <sup>3</sup> / <sub>8</sub> 111.1	12 <sup>3</sup> / <sub>8</sub> 314.3	15 <sup>3</sup> / <sub>8</sub> 390.6	1 25.4	1 <sup>1</sup> / <sub>4</sub> 31.8	1 <sup>1</sup> / <sub>4</sub> 31.8	4 <sup>1</sup> / <sub>8</sub> 104.8	2 <sup>7</sup> / <sub>8</sub> 73.0	-	2	<sup>7</sup> / <sub>8</sub>	HWE215SR	74.75
KH-2275-0A	SAOL	3 <sup>3</sup> / <sub>16</sub>	<sup>33</sup> / <sub>64</sub> 13.1	4 <sup>9</sup> / <sub>16</sub> 115.89	7 <sup>1</sup> / <sub>4</sub> 184.2	9 <sup>1</sup> / <sub>2</sub> 241.3	4 <sup>3</sup> / <sub>8</sub> 111.1	12 <sup>3</sup> / <sub>8</sub> 314.3	15 <sup>3</sup> / <sub>8</sub> 390.6	1 25.4	1 <sup>1</sup> / <sub>4</sub> 31.8	1 <sup>1</sup> / <sub>4</sub> 31.8	4 <sup>1</sup> / <sub>4</sub> 108.0	3 76.2	2 <sup>1</sup> / <sub>4</sub> 57.2	4*	<sup>7</sup> / <sub>8</sub>	HWE303SR	78.00
KH-2277-0A	SAOL	3 <sup>7</sup> / <sub>16</sub>	<sup>17</sup> / <sub>32</sub> 13.5	5 <sup>1</sup> / <sub>8</sub> 130.18	7 <sup>1</sup> / <sub>2</sub> 190.5	10 <sup>1</sup> / <sub>4</sub> 260.4	4 <sup>3</sup> / <sub>4</sub> 120.6	13 <sup>3</sup> / <sub>8</sub> 339.7	16 <sup>1</sup> / <sub>8</sub> 409.6	1 25.4	1 <sup>1</sup> / <sub>4</sub> 31.8	1 <sup>1</sup> / <sub>4</sub> 31.8	4 <sup>3</sup> / <sub>8</sub> 111.1	3 <sup>1</sup> / <sub>8</sub> 79.4	3 76.2	4*	<sup>7</sup> / <sub>8</sub>	HWE307SR	107.75
KH-2278-0A	SAOL	3 <sup>11</sup> / <sub>16</sub>	<sup>1</sup> / <sub>2</sub> 12.7	5 <sup>11</sup> / <sub>16</sub> 144.47	8 <sup>13</sup> / <sub>32</sub> 213.5	11 279.4	4 <sup>15</sup> / <sub>16</sub> 125.4	14 <sup>3</sup> / <sub>4</sub> 374.6	17 <sup>3</sup> / <sub>16</sub> 439.7	1 <sup>1</sup> / <sub>8</sub> 28.6	1 <sup>1</sup> / <sub>2</sub> 38.1	1 <sup>1</sup> / <sub>4</sub> 31.8	5 <sup>1</sup> / <sub>4</sub> 133.4	3 <sup>5</sup> / <sub>32</sub> 80.2	-	2	1	HWE311SR	120.25
KH-2279-0A	SAOL	3 <sup>15</sup> / <sub>16</sub>	<sup>11</sup> / <sub>16</sub> 17.5	6 152.40	8 <sup>21</sup> / <sub>32</sub> 219.9	11 <sup>3</sup> / <sub>4</sub> 298.4	5 <sup>1</sup> / <sub>4</sub> 133.4	15 <sup>1</sup> / <sub>2</sub> 393.1	18 <sup>1</sup> / <sub>2</sub> 469.9	1 <sup>1</sup> / <sub>8</sub> 28.6	1 <sup>1</sup> / <sub>2</sub> 38.1	1 <sup>1</sup> / <sub>2</sub> 34.9	5 127.0	3 <sup>21</sup> / <sub>32</sub> 92.9	3 <sup>1</sup> / <sub>4</sub> 82.6	4*	1	HWE315SR	156.25
KH-2280-0A	SAOL	4 <sup>3</sup> / <sub>16</sub>	<sup>5</sup> / <sub>8</sub> 15.9	6 <sup>1</sup> / <sub>2</sub> 165.10	8 <sup>7</sup> / <sub>8</sub> 225.4	12 <sup>1</sup> / <sub>2</sub> 317.5	6 <sup>1</sup> / <sub>4</sub> 158.8	17 <sup>11</sup> / <sub>16</sub> 449.3	21 <sup>1</sup> / <sub>4</sub> 539.8	1 <sup>1</sup> / <sub>8</sub> 28.6	1 <sup>1</sup> / <sub>2</sub> 38.1	1 <sup>1</sup> / <sub>2</sub> 38.1	5 <sup>9</sup> / <sub>32</sub> 134.1	3 <sup>19</sup> / <sub>32</sub> 91.3	4 101.6	4*	1	HWE43SR	194.25
KH-2281-0A	SAOL	4 <sup>7</sup> / <sub>16</sub>	<sup>9</sup> / <sub>16</sub> 14.3	7 177.80	9 228.6	12 <sup>7</sup> / <sub>8</sub> 327.0	6 <sup>3</sup> / <sub>4</sub> 171.4	17 <sup>11</sup> / <sub>16</sub> 449.3	21 <sup>1</sup> / <sub>4</sub> 539.8	1 <sup>1</sup> / <sub>4</sub> 31.8	1 <sup>3</sup> / <sub>4</sub> 44.4	1 <sup>3</sup> / <sub>4</sub> 44.4	5 <sup>5</sup> / <sub>16</sub> 134.9	3 <sup>11</sup> / <sub>16</sub> 93.6	4 <sup>1</sup> / <sub>4</sub> 108.0	4*	1 <sup>1</sup> / <sub>8</sub>	HWE407SR	210.25
KH-2282-0A	SAOL	4 <sup>15</sup> / <sub>16</sub>	<sup>15</sup> / <sub>64</sub> 31.4	8 <sup>1</sup> / <sub>4</sub> 209.55	10 <sup>5</sup> / <sub>16</sub> 261.9	15 381.0	7 <sup>1</sup> / <sub>4</sub> 184.2	20 <sup>1</sup> / <sub>4</sub> 514.4	24 <sup>13</sup> / <sub>16</sub> 630.2	1 <sup>1</sup> / <sub>4</sub> 31.8	1 <sup>3</sup> / <sub>4</sub> 44.4	2 50.8	6 152.4	4 <sup>5</sup> / <sub>16</sub> 109.5	4 <sup>3</sup> / <sub>4</sub> 120.6	4*	1 <sup>1</sup> / <sub>8</sub>	HWE415SR	353.25

Recommended shaft tolerances: 1<sup>3</sup>/<sub>16</sub>" - 1<sup>15</sup>/<sub>16</sub>", nominal to -.0005", -.013 mm; 2" - 3<sup>15</sup>/<sub>16</sub>", nominal to -.0010", -.025 mm

\*When four bolts are used, dimension S is the distance between centers, and dimensions K and N are measured from center of base.

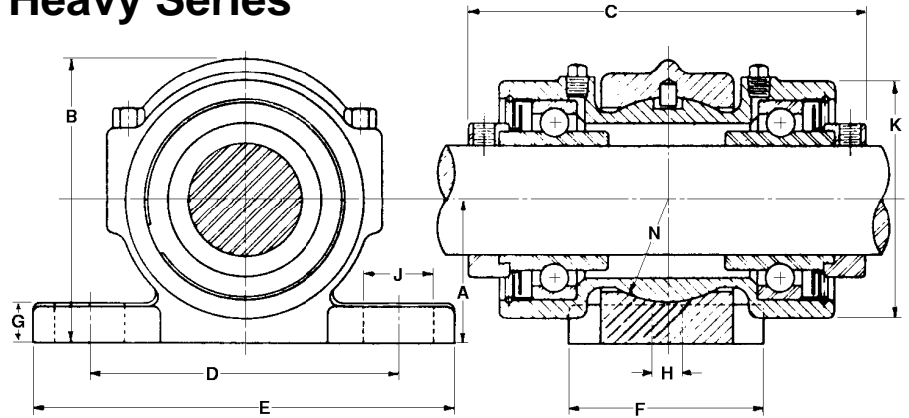
# Double Pillow Block - Heavy Series

## Replaces Fafnir DSAO

This Ketchie-Houston standard series Pillow Block is designed to provide a sturdy, two bearing mount.

Initial self-alignment is provided by means of the spherically surfaced center section of the bearing housing which is free to swivel in the spherical seat of the pillow blocks before the top cap bolts are tightened.

These units use two heavy series wide inner ring bearings with seal arrangement and eccentric locking collar



**TO ORDER, SPECIFY KETCHIE-HOUSTON OR COMPETITOR'S PART NUMBER**

Ketchie Houston	Replaces Fafnir	Shaft Diam.	A	B	C	D	E	F	G	H	J	K	N	Bolt Size Req'd	Bearing Number	Approx. Unit Wt.	
		in.	in.	in.	in.	in.	in.	in.	in.	in.	in.	in.	in.	in.		lbs.	
KH-3100-0A	DSAO	13/16															
KH-3100-1A	DSAO	7/8	1 5/8	3 5/8	5 45/64	5 5/8	7 3/4	2 1/4	3/4	3/4	1 1/4	2 31/32	1 5/16	5/8	2	HWE013C HWE014C HWE015C HWE100C	10.75
KH-3100-2A	DSAO	15/16															
KH-3100-3A	DSAO	1															
KH-3101-0A	DSAO	1 1/16															
KH-3101-1A	DSAO	1 1/8	1 13/16	4 1/16	6 7/16	5 7/8	8	2 5/8	13/16	3/4	1 1/4	3 3/8	1 15/32	5/8	2	HWE101C HWE102C HWE103C	13.75
KH-3101-2A	DSAO	1 3/16															
KH-3102-0A	DSAO	1 1/4															
KH-3102-1A	DSAO	1 5/16	2 1/8	4 3/4	6 55/64	6 3/8	8 1/2	3	7/8	3/4	1 1/4	4	1 13/16	5/8	2	HWE104C HWE105C HWE106C HWE107C	20.25
KH-3102-2A	DSAO	1 3/8															
KH-3102-3A	DSAO	1 7/16															
KH-3103-0A	DSAO	1 1/2	2 5/16	5 3/16	8	7 11/16	10 1/4	3 3/8	7/8	7/8	1 1/2	4 5/16	2	3/4	2	HWE108C HWE109C	29.25
KH-3103-1A	DSAO	1 9/16															
KH-3104-0A	DSAO	1 5/8															
KH-3104-1A	DSAO	1 11/16	2 1/2	5 1/2	7 63/64	7 7/8	10 3/8	3 3/4	1	7/8	1 1/2	4 11/16	2 1/8	3/4	2	HWE110C HWE111C HWE112C	35.25
KH-3104-2A	DSAO	1 3/4															
KH-3105-0A	DSAO	1 13/16															
KH-3105-1A	DSAO	1 7/8	2 3/4	6	8 7/32	8 1/4	10 3/4	4	1 1/16	7/8	1 1/2	5 1/4	2 5/16	3/4	2	HWE113C HWE114C HWE115C	43.25
KH-3105-2A	DSAO	1 15/16															
KH-3106-0A	DSAO	2	2 15/16	6 1/8	8 53/64	8 5/8	11 1/2	4 3/8	1 1/8	7/8	1 3/4	5 5/8	2 15/32	3/4	2	HWE200C HWE201C HWE202C HWE203C	51.25
KH-3106-1A	DSAO	2 1/16															
KH-3106-2A	DSAO	2 1/8															
KH-3106-3A	DSAO	2 3/16															
KH-3107-0A	DSAO	2 1/4															
KH-3107-1A	DSAO	2 5/16	3 3/16	6 7/8	9 11/16	9 1/8	12 1/8	4 3/4	1 3/16	7/8	2	6 1/8	2 11/16	3/4	2	HWE204C HWE205C HWE206C HWE207C	59.25
KH-3107-2A	DSAO	2 3/8															
KH-3108-3A	DSAO	2 7/16															
KH-3108-0A	DSAO	2 1/2	3 7/8	8	11 31/64	9 5/8	12 7/8	5 1/8	1 1/2	1	2 1/8	6 9/16	3	7/8	2	HWE208C	78.25
KH-3109-1A	DSAO	2 11/16	4 1/2	8 7/8	12 19/32	10	13 1/2	6	1 5/16	1	2 1/4	7 1/8	3 1/8	7/8	2	HWE211C	105.25
KH-3110-2A	DSAO	2 15/16	4 1/2	8 5/8	11 27/32	10	13 1/2	6	1 5/16	1	2 1/4	7 3/8	3	7/8	2	HWE215C	124.25
KH-3111-3A	DSAO	3 3/16	4 3/4	9 1/2	12 31/32	10 3/4	14 1/4	6 1/2	1 3/8	1	2 3/8	8	3 1/2	7/8	2	HWE303C	138.25
KH-3112-0A	DSAO	3 1/4	5 1/8	10 1/8	13 5/8	11	15	7	1 7/16	1	2 1/2	8 3/8	3 5/8	7/8	2	HWE304C	165.25
KH-3112-3A	DSAO	3 7/16	5 3/16	10 7/8	14 1/2	11 1/4	16	7	1 1/2	1 1/4	3 1/4	9	3 15/16	1 1/8	2	HWE307C	186.25
KH-3113-3A	DSAO	3 11/16	5 3/16	10 7/8	15 29/32	12	16	7 1/4	1 1/2	1 1/4	2 3/4	9 3/8	4 1/4	1 1/8	2	HWE311C	215.25
KH-3114-2A	DSAO	3 15/16	5 5/8	11 7/8	15 3/4	15	19 1/2	7 1/2	1 5/8	1 1/4	2 3/4	10 1/4	4 1/2	1 1/8	2	HWE315C	243.25
KH-3115-2A	DSAO	4 3/16	6	12 3/8	17 1/2	16	20 1/2	7 1/2	1 5/8	1 3/8	2 3/4	10 7/8	4 3/4	1 1/4	2	HWE403C	292.25
KH-3116-2A	DSAO	4 7/16	6 1/4	13 1/4	17 31/32	16 1/2	21	8	1 3/4	1 3/8	2 3/4	11 1/2	5	1 1/4	2	HWE407C	328.25
KH-3117-3A	DSAO	4 15/16	7 1/4	15 1/4	19 33/64	19	23 1/2	9	1 3/4	1 3/8	2 3/4	13 1/2	5 1/2	1 1/4	2	HWE415C	355.25

Recommended shaft tolerances: 1/16" - 2", nominal to - .0005"  
2 1/16" - 3 15/16", nominal to - .0010"

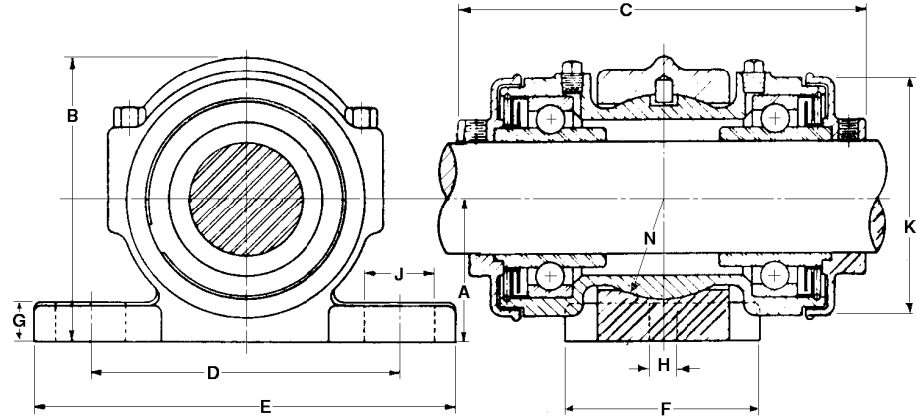
# Double Pillow Block - Heavy Series with Dust Seal Collar

## Replaces Fafnir DSAODD

This Ketchie-Houston standard series double pillow block is designed to provide a sturdy two bearing mount. The dust seal collars provide protection against unusually dirty applications.

Initial self-alignment is provided by means of the spherically surfaced center section of the bearing housing which is free to swivel in the spherical seat of the pillow blocks before the top cap bolts are tightened.

These units use two heavy series wide inner ring bearings with seal arrangement and dust seal locking collar.



**TO ORDER, SPECIFY KETCHIE-HOUSTON OR COMPETITOR'S PART NUMBER**

Ketchie Houston	Replaces Fafnir	Shaft Diam.	A	B	C	D	E	F	G	H	J	K	N	Bolt Size Req'd	Bearing Number	Approx. Unit Wt.	
		in.	in.	in.	in.	in.	in.	in.	in.	in.	in.	in.	in.	in.		lbs.	
KH-3100-10A	DSAODD	13/16	5/8	3 5/8	5 45/64	5 5/8	7 3/4	2 1/4	3/4	3/4	1 1/4	2 31/32	1 5/16	5/8	2	HWE013C HWE014C HWE015C HWE100C	11.75
KH-3100-11A	DSAODD	7/8	1 13/16	4 1/16	6 7/16	5 7/8	8	2 5/8	13/16	3/4	1 1/4	3 3/8	1 15/32	5/8	2	HWE101C HWE102C HWE103C	15.75
KH-3100-12A	DSAODD	15/16	2 1/8	4 3/4	6 55/64	6 3/8	8 1/2	3	7/8	3/4	1 1/4	4	1 13/16	5/8	2	HWE104C HWE105C HWE106C HWE107C	23.25
KH-3100-13A	DSAODD	1	2 5/16	5 3/16	8	7 11/16	10 1/4	3 3/8	7/8	7/8	1 1/2	4 5/16	2	3/4	2	HWE108C HWE109C	32.25
KH-3101-10A	DSAODD	1 1/16	2 1/2	5 1/2	7 63/64	7 7/8	10 3/8	3 3/4	1	7/8	1 1/2	4 11/16	2 1/8	3/4	2	HWE110C HWE111C HWE112C	39.25
KH-3101-11A	DSAODD	1 1/8	2 3/4	6	8 7/32	8 1/4	10 3/4	4	1 1/16	7/8	1 1/2	5 1/4	2 5/16	3/4	2	HWE113C HWE114C HWE115C	47.25
KH-3101-12A	DSAODD	1 3/16	2 15/16	6 1/8	8 53/64	8 5/8	11 1/2	4 3/8	1 1/8	7/8	1 3/4	5 5/8	2 15/32	3/4	2	HWE200C HWE201C HWE202C HWE203C	55.25
KH-3102-10A	DSAODD	1 1/4	3 3/16	6 7/8	9 11/16	9 1/8	12 1/8	4 3/4	1 3/16	7/8	2	6 1/8	2 11/16	3/4	2	HWE204C HWE205C HWE206C HWE207C	65.25
KH-3102-11A	DSAODD	1 5/8	4 1/2	8 7/8	11 19/32	10	13 1/2	6	1 5/16	1	2 1/4	7 1/8	3 1/8	7/8	2	HWE208C	84.25
KH-3102-12A	DSAODD	1 3/8	4 1/2	8 5/8	11 27/32	10	13 1/2	6	1 5/16	1	2 1/4	7 3/8	3	7/8	2	HWE211C	112.25
KH-3102-13A	DSAODD	1 7/16	4 3/4	9 1/2	12 31/32	10 3/4	14 1/4	6 1/2	1 3/8	1	2 3/8	8	3 1/2	7/8	2	HWE215C	132.25
KH-3103-10A	DSAODD	1 1/2	5 1/8	10 1/8	13 5/8	11	15	7	1 7/16	1	2 1/2	8 3/8	3 5/8	7/8	2	HWE303C	150.25
KH-3103-11A	DSAODD	1 9/16	5 3/16	10 7/8	14 1/2	11 1/4	16	7	1 1/2	1 1/4	3 1/4	9	3 15/16	1 1/8	2	HWE304C	179.25
KH-3104-10A	DSAODD	1 5/8	5 3/16	10 7/8	14 1/2	11 1/4	16	7	1 1/2	1 1/4	2 3/4	9 3/8	4 1/4	1 1/8	2	HWE307C	203.25
KH-3104-11A	DSAODD	1 11/16	5 5/8	11 7/8	15 29/32	12	16	7 1/4	1 1/2	1 1/4	2 3/4	9 3/8	4 1/4	1 1/8	2	HWE311C	236.25
KH-3104-12A	DSAODD	1 3/4	5 5/8	11 7/8	15 3/4	15	19 1/2	7 1/2	1 5/8	1 1/4	2 3/4	10 1/4	4 1/2	1 1/8	2	HWE315C	267.25
KH-3104-13A	DSAODD	1 3/4	6	12 3/8	17 1/2	16	20 1/2	7 1/2	1 5/8	1 3/8	2 3/4	10 7/8	4 3/4	1 1/4	2	HWE403C	322.25
KH-3105-10A	DSAODD	1 13/16	6 1/4	13 1/4	17 31/32	16 1/2	21	8	1 3/4	1 3/8	2 3/4	11 1/2	5	1 1/4	2	HWE407C	366.25
KH-3105-11A	DSAODD	1 7/8	7 1/4	15 1/4	19 33/64	19	23 1/2	9	1 3/4	1 3/8	2 3/4	13 1/2	5 1/2	1 1/4	2	HWE415C	401.25
KH-3105-12A	DSAODD	1 15/16	7 1/4	15 1/4	19 33/64	19	23 1/2	9	1 3/4	1 3/8	2 3/4	13 1/2	5 1/2	1 1/4	2	HWE415C	401.25

Recommended shaft tolerances: 9/16" - 2", nominal to -.0005"  
2 1/16" - 3 15/16", nominal to -.0010"

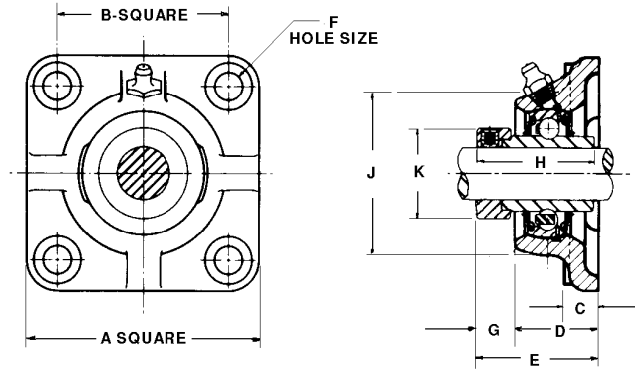


# Four Bolt Flange - Heavy Series

## Replaces Fafnir RCJO and INA RCJO

The Ketchie-Houston heavy series four bolt flange unit is similar in design to the standard series. They are for applications where minimum amount of machining is to be done and are supplied completely assembled, being mounted in place by means of bolts through the flange.

These units are equipped with a heavy series wide inner ring bearing with integral seals and eccentric locking collar.



**TO ORDER, SPECIFY KETCHIE-HOUSTON OR COMPETITOR'S PART NUMBER**

Ketchie Houston	Replaces		Shaft Diam.	A	B	C	D	E	F	G	H	J	K	Bolt Size (4 req'd)	Bearing Number	Approx. Unit Wt.
	Fafnir	INA		in.	in.	in.	in.	in.	in.	in.	in.	in.	in.			
			in.	in.	in.	in.	in.	in.	in.	in.	in.	in.	in.	in.		lbs
				mm	mm	mm	mm	mm	mm	mm	mm	mm	mm	mm		
KH-2100-12A	RCJO	RCJO	1 <sup>3</sup> / <sub>16</sub>	4 3/4 120.6	3 5/8 92.08	9/16 14.3	1 1/2 38.1	2 3/32 53.2	9/16 14.3	19/32 15.1	1 31/32 50.0	3 13/16 96.8	1 15/16 49.2	1/2	GHWE103CCS	4.25
KH-2101-10A KH-2101-12A KH-2101-13A	RCJO	RCJO	1 1/4 1 3/8 1 7/16	5 1/8 130.2	4 101.6	5/8 15.9	1 19/32 40.5	2 5/32 54.8	9/16 14.3	9/16 14.3	2 1/32 51.6	4 1/8 104.8	2 3/16 58.7	1/2	GHWE104CCS GHWE106CCS GHWE107CCS	5.75
KH-2101-10A	RCJO	RCJO	1 1/2	5 3/8 136.5	4 1/8 104.78	5/8 15.9	1 3/4 44.4	2 3/8 60.3	5/8 15.9	5/8 15.9	2 1/4 57.2	4 1/2 114.3	2 1/2 63.5	9/16	GHWE108CCS	7.00
KH-2103-10A KH-2103-11A KH-2303-12A	RCJO	RCJO	1 5/8 1 11/16 1 3/4	5 5/8 142.9	4 3/8 111.12	11/16 17.5	1 27/32 46.8	2 7/16 61.9	5/8 15.9	19/32 15.1	2 5/16 58.7	4 7/8 123.8	2 3/4 69.8	9/16	GHWE110CCS GHWE111CCS GHWE112CCS	8.00
KH-2104-12A	RCJO	RCJO	1 15/16	6 1/2 165.1	5 1/8 130.18	11/16 17.5	2 3/32 53.2	2 3/4 69.8	11/16 17.5	21/32 16.7	2 5/8 66.7	5 9/16 141.3	3 76.2	5/8	GHWE115CCS	11.75
KH-2105-10A KH-2105-13A	RCJO	RCJO	2 2 3/16	7 177.8	5 5/8 142.88	11/16 17.5	2 5/16 58.7	3 76.2	11/16 17.5	11/16 17.5	2 7/8 73.0	6 1/16 154.0	3 1/4 82.6	5/8	GHWE200CCS GHWE203CCS	14.25
KH-2106-13A	RCJO	RCJO	2 7/16	7 1/2 190.5	5 7/8 149.22	3/4 19.0	2 9/16 65.1	3 5/16 84.1	13/16 20.6	3/4 19.0	3 1/8 79.4	6 5/16 160.3	3 1/2 88.9	3/4	GHWE207CCS	16.50
KH-2107-10A	RCJO	RCJO	2 11/16	8 7/8 225.4	7 177.8	7/8 22.2	2 27/32 72.2	3 11/16 93.7	15/16 23.8	27/32 21.4	3 1/2 88.9	7 5/16 185.7	4 101.6	7/8	GHWE211CCS	21.25
KH-2108-10A	RCJO	RCJO	2 15/16	9 1/8 231.8	7 1/4 184.15	7/8 22.2	3 1/16 77.8	4 1/8 104.8	15/16 23.8	1 1/16 27.0	3 15/16 100.0	7 13/16 198.4	4 7/16 112.7	7/8	GHWE215CCS	31.25
KH-2109-10A	RCJO	RCJO	3 7/16	11 279.4	8 1/2 215.9	1 1/8 28.6	3 5/16 84.1	4 3/4 120.6	1 1/16 27.0	1 7/16 36.5	4 9/16 115.9	9 228.6	5 13/64 132.2	1	GHWE307CCS	47.50
KH-2110-10A	RCJO	RCJO	3 15/16	12 1/2 317.5	9 1/2 241.3	1 1/4 31.8	3 13/16 96.8	5 1/4 133.4	1 3/16 30.2	1 7/16 36.5	5 1/16 128.6	10 1/2 266.7	5 47/64 145.7	1 1/8	GHWE315CCS	67.75

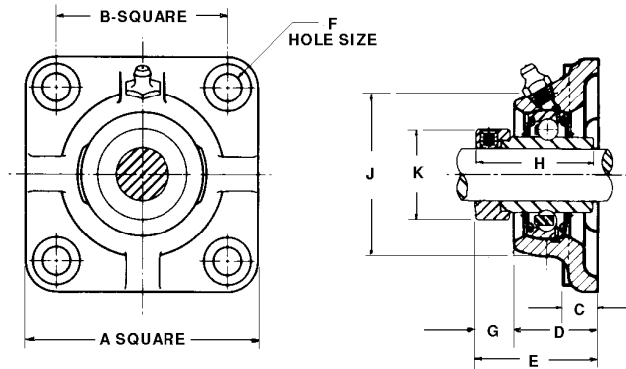
Recommended shaft tolerances: 1 3/16" - 1 15/16", nominal to - .0005", - .013 mm; 2" - 3 15/16", nominal to - .0010", - .025 mm

# Four Bolt Flange - Heavy Series - High Temperature

## Replaces Fafnir LCJO

The Ketchie-Houston heavy series, high temperature four bolt flange unit is similar in design to the standard series. They are supplied completely assembled, being mounted by means of bolts through the flange. They are for applications where a minimum amount of machining is to be done and operating temperature exceeds 250°F.

These units are equipped with a heavy series wide inner ring bearing with an eccentric locking collar and high temperature seals. These units can be operated up to 425°F.



### TO ORDER, SPECIFY KETCHIE-HOUSTON OR COMPETITOR'S PART NUMBER

Ketchie Houston	Replaces Fafnir	Shaft Diam.	A	B	C	D	E	F	G	H	J	K	Bolt Size (4 req'd)	Bearing Number	Approx. Unit Wt.
		in.	in. mm	in. mm	in. mm	in. mm	in. mm	in. mm	in. mm	in. mm	in. mm	in. mm	in. mm		lbs
KH-2100-0-12A	LCJO	1 <sup>3</sup> / <sub>16</sub>	4 3/4 120.6	3 5/8 92.08	9/16 14.3	1 1/2 38.1	2 3/32 53.2	9/16 14.3	19/32 15.1	1 31/32 50.0	3 13/16 96.8	1 15/16 49.2	1/2	GHWE103HHS	4.25
KH-2101-0-10A KH-2101-0-13A	LCJO	1 1/4 1 7/16	5 1/8 130.2	4 101.6	5/8 15.9	1 19/32 40.5	2 5/32 54.8	9/16 14.3	9/16 14.3	2 1/32 51.6	4 1/8 104.8	2 3/16 58.7	1/2	GHWE104HHS GHWE107HHS	5.75
KH-2101-0-10A	LCJO	1 1/2	5 3/8 136.5	4 1/8 104.78	5/8 15.9	1 3/4 44.4	2 3/8 60.3	5/8 15.9	5/8 15.9	2 1/4 57.2	4 1/2 114.3	2 1/2 63.5	9/16	GHWE108HHS	7.00
KH-2103-0-11A	LCJO	1 11/16	5 5/8 142.9	4 3/8 111.12	11/16 17.5	1 27/32 71.5	2 7/16 46.8	5/8 61.9	19/32 15.9	2 5/16 51.1	4 7/8 123.8	2 3/4 69.8	9/16	GHWE111HHS	8.00
KH-2104-0-12A	LCJO	1 15/16	6 1/2 165.1	5 1/8 130.18	11/16 17.5	2 3/32 53.2	2 3/4 69.8	11/16 17.5	21/32 16.7	2 5/8 66.7	5 9/16 141.3	3 76.2	5/8	GHWE115HHS	11.75
KH-2105-0-10A KH-2105-0-13A	LCJO	2 2 3/16	7 177.8	5 5/8 142.88	11/16 17.5	2 5/16 58.7	3 76.2	11/16 17.5	11/16 17.5	2 7/8 73.0	6 1/16 154.0	3 1/4 82.6	5/8	GHWE200HHS GHWE203HHS	14.25
KH-2106-0-13A	LCJO	2 7/16	7 1/2 190.5	5 7/8 149.22	3/4 19.0	2 9/16 65.1	3 5/16 84.1	13/16 20.6	3/4 19.0	3 1/8 79.4	6 5/16 160.3	3 1/2 88.9	3/4	GHWE207HHS	16.50
KH-2107-0-10A	LCJO	2 11/16	8 7/8 225.4	7 177.8	7/8 22.2	2 27/32 72.2	3 11/16 93.7	15/16 23.8	27/32 21.4	3 1/2 88.9	7 5/16 185.7	4 101.6	7/8	GHWE211HHS	21.25
KH-2108-0-10A	LCJO	2 15/16	9 1/8 231.8	7 1/4 184.15	7/8 22.2	3 1/16 77.8	4 1/8 104.8	15/16 23.8	1 1/16 27.0	3 15/16 100.0	7 13/16 198.4	4 7/16 112.7	7/8	GHWE215HHS	31.25
KH-2109-0-10A	LCJO	3 7/16	11 279.4	8 1/2 215.9	1 1/8 28.6	3 5/16 84.1	4 3/4 120.6	1 1/16 27.0	1 7/16 36.5	4 9/16 115.9	9 228.6	5 13/64 132.2	1	GHWE307HHS	47.50
KH-2110-0-10A	LCJO	3 15/16	12 1/8 317.5	9 1/2 241.3	1 1/4 31.8	3 13/16 96.8	5 1/4 133.4	1 3/16 30.2	1 7/16 36.5	5 1/16 128.6	10 1/2 266.7	5 47/64 145.7	1 1/8	GHWE315HHS	67.75

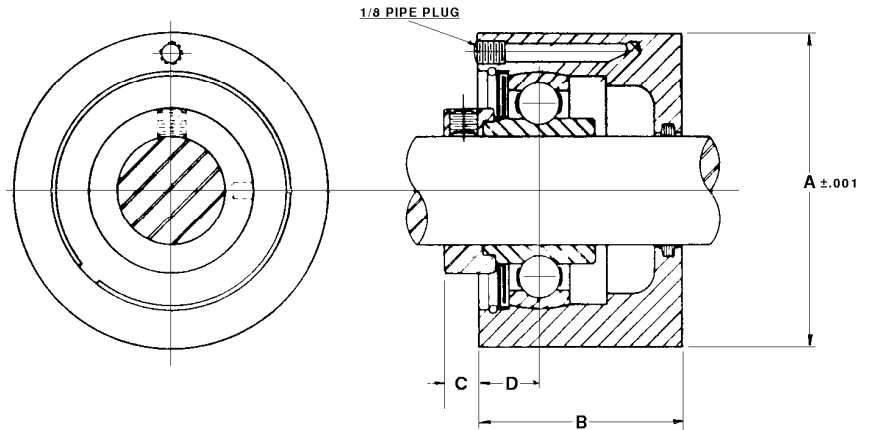
Recommended shaft tolerances: 1 3/16" - 1 15/16", nominal to - .0005", - .013 mm; 2" - 3 15/16", nominal to - .0010", - .025 mm

## Cylindrical Cartridge - Heavy Series - Open

### Replaces Fafnir CO Type

This Ketchie-Houston heavy series cylindrical cartridge unit is designed to mount in straight bored housings. They are open on both ends to allow the shaft to go all the way through the unit.

These units are equipped with a heavy series wide inner ring bearing with one seal arrangement and eccentric locking collar.



**TO ORDER, SPECIFY KETCHIE-HOUSTON OR COMPETITOR'S PART NUMBER**

Ketchie Houston	Replaces Fafnir	Shaft Diam.	A	B	C	D	Bearing Number	Approx. Unit Wt.
		in.	in.	in.	in	in		lbs.
KH-3176-0A	CO	3/4	3 1/8	2 1/8	15/32	45/64	GHWE008CS	3.75
KH-3177-10A	CO	13/16	3 5/8	2 3/8	15/32	23/32	GHWE013CS	5.25
KH-3177-11A	CO	7/8					GHWE014CS	
KH-3177-12A	CO	15/16					GHWE015CS	
KH-3177-13A	CO	1					GHWE100CS	
KH-3178-10A	CO	1 1/16	3 7/8	2 9/16	1/2	25/32	GHWE101CS	6.00
KH-3178-11A	CO	1 1/8					GHWE102CS	
KH-3178-12A	CO	1 3/16					GHWE103CS	
KH-3179-10A	CO	1 1/4	4 3/16	2 3/4	31/64	53/64	GHWE104CS	7.00
KH-3179-11A	CO	1 5/16					GHWE105CS	
KH-3179-12A	CO	1 3/8					GHWE106CS	
KH-3179-13A	CO	1 7/16					GHWE107CS	
KH-3180-10A	CO	1 1/2	4 9/16	3 1/8	19/32	7/8	GHWE108CS	9.75
KH-3180-11A	CO	1 9/16					GHWE109CS	
KH-3181-10A	CO	1 5/8	4 15/16	3 7/16	5/8	29/32	GHWE110CS	11.75
KH-3181-11A	CO	1 11/16					GHWE111CS	
KH-3181-12A	CO	1 3/4					GHWE112CS	
KH-3182-10A	CO	1 13/16	5 7/8	3 11/16	21/32	1	GHWE113CS	18.75
KH-3182-11A	CO	1 7/8					GHWE114CS	
KH-3182-12A	CO	1 15/16					GHWE115CS	
KH-3183-10A	CO	2	6 1/4	3 7/8	45/64	1 5/64	GHWE200CS	21.50
KH-3183-11A	CO	2 1/16					GHWE201CS	
KH-3183-12A	CO	2 1/8					GHWE202CS	
KH-3183-13A	CO	2 3/16					GHWE203CS	
KH-3184-10A	CO	2 1/4	6 5/8	4 1/8	11/16	1 7/32	GHWE204CS	24.75
KH-3184-11A	CO	2 3/16					GHWE205CS	
KH-3184-12A	CO	2 3/8					GHWE206CS	
KH-3184-13A	CO	2 7/16					GHWE207CS	
KH-3185-10A	CO	2 1/2	7	4 1/2	3/4	1 9/32	GHWE208CS	27.00
KH-3187-12A	CO	2 15/16	7 13/16	5 3/8	1 1/64	1 29/64	GHWE215CS	43.50
KH-3188-13A	CO	3 3/16	8 3/16	5 7/16	1	1 19/32	GHWE303CS	46.75
KH-3190-11A	CO	3 7/16	9	6	1 1/8	1 19/32	GHWE307CS	64.25

Recommended shaft tolerances: 3/4" - 2" = nominal to -.0005"

2 1/16" - 3 7/16", nominal to -.0010"

Recommended Housing Bore: Shaft Rotating - Nominal +.001 to +.003

Shaft Stationary - Nominal +.000 to -.002

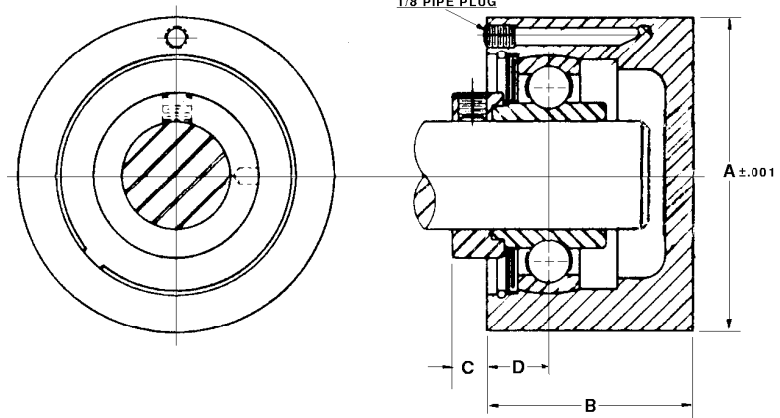
Avoid excessive tightening of anchor bolts.

# Cylindrical Cartridge - Heavy Series - Closed

## Replaces Fafnir CO Type

This Ketchie-Houston heavy series cylindrical cartridge unit is designed to mount in straight bored housings. They are closed on one end and are to be used for applications where the shaft must not pass all the way through the unit.

These units are equipped with a heavy series wide inner ring bearing with one seal arrangement and eccentric locking collar.



**TO ORDER, SPECIFY KETCHIE-HOUSTON OR COMPETITOR'S PART NUMBER**

Ketchie Houston	Replaces Fafnir	Shaft Diam.	A	B	C	D	Bearing Number	Approx. Unit Wt.
		in.	in.	in.	in	in		lbs.
KH-317-10A	CO	3/4	3 1/8	2 1/8	15/32	45/64	GHWE012CS	3.75
KH-317-10A	CO	13/16					GHWE013CS	
KH-317-11A	CO	7/8	3 5/8	2 3/8	15/32	23/32	GHWE014CS	5.25
KH-317-12A	CO	15/16					GHWE015CS	
KH-317-13A	CO	1					GHWE100CS	
KH-317-10A	CO	1 1/16					GHWE101CS	
KH-317-11A	CO	1 1/8	3 7/8	2 9/16	1/2	25/32	GHWE102CS	6.00
KH-317-12A	CO	1 3/16					GHWE103CS	
KH-317-10A	CO	1 1/4					GHWE104CS	
KH-317-11A	CO	1 5/16	4 3/16	2 3/4	31/64	53/64	GHWE105CS	7.00
KH-317-12A	CO	1 3/8					GHWE106CS	
KH-317-13A	CO	1 7/16					GHWE107CS	
KH-318-10A	CO	1 1/2	4 9/16	3 1/8	19/32	7/8	GHWE108CS	9.75
KH-318-11A	CO	1 9/16					GHWE109CS	
KH-318-10A	CO	1 5/8					GHWE110CS	
KH-318-11A	CO	1 11/16	4 15/16	3 7/16	5/8	29/32	GHWE111CS	11.75
KH-318-12A	CO	1 3/4					GHWE112CS	
KH-318-10A	CO	1 13/16					GHWE113CS	
KH-318-11A	CO	1 7/8	5 7/8	3 11/16	21/32	1	GHWE114CS	18.75
KH-318-12A	CO	1 15/16					GHWE115CS	
KH-318-10A	CO	2					GHWE200CS	
KH-318-11A	CO	2 1/16	6 1/4	3 7/8	45/64	1 5/64	GHWE201CS	21.50
KH-318-12A	CO	2 1/8					GHWE202CS	
KH-318-13A	CO	2 3/16					GHWE203CS	
KH-318-10A	CO	2 1/4					GHWE204CS	
KH-318-11A	CO	2 5/16	6 5/8	4 1/8	11/16	1 7/32	GHWE205CS	24.75
KH-318-12A	CO	2 3/8					GHWE206CS	
KH-318-13A	CO	2 7/16					GHWE207CS	
KH-318-10A	CO	2 1/2	7	4 1/2	3/4	1 9/32	GHWE208CS	27.00
KH-318-12A	CO	2 15/16	7 13/16	5 3/8	1 1/64	1 29/64	GHWE215CS	43.50
KH-318-13A	CO	3 3/16	8 3/16	5 7/16	1	1 19/32	GHWE303CS	46.75
KH-319-11A	CO	3 7/16	9	6	1 1/8	1 19/32	GHWE307CS	64.25

Recommended shaft tolerances: 3/4" - 2" = nominal to -.0005"

2 1/16" - 3 7/16", nominal to -.0010"

Recommended Housing Bore: Shaft Rotating - Nominal +.001 to +.003

Shaft Stationary - Nominal +.000 to -.002

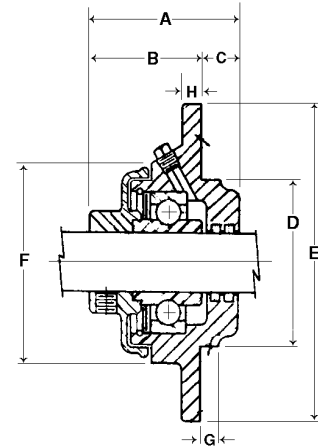
Avoid excessive tightening of anchor bolts.

# Motor Cartridge - Open

## Replaces Fafnir MC Open

This Ketchie-Houston motor cartridge unit replaces the discontinued Fafnir MC series. This unit is a flange cartridge developed particularly for electric motor applications. Designed to be bolted into a motor end bell, it provides an economical mounting and is advantageous in the replacement of plain bearings.

The motor cartridge unit is furnished complete with a heavy series bearing with one seal arrangement and eccentric locking collar.



**TO ORDER, SPECIFY KETCHIE-HOUSTON OR COMPETITOR'S PART NUMBER**

Ketchie Houston	Replaces Fafnir	Shaft Diam.	A	B	C	D	E	F	G	H	Bearing Number	Approx. Unit Wt.
		in.	in.	in.	in.	in.	in.	in.	in.	in.		lbs.
						+0.000 -0.005						
KH-4000-0A	MC	1 <sup>3</sup> / <sub>4</sub>									HWE012MU	
KH-4001-0A	MC	3 <sup>1</sup> / <sub>16</sub>	2 <sup>15</sup> / <sub>16</sub>	2 <sup>7</sup> / <sub>32</sub>	2 <sup>3</sup> / <sub>32</sub>	3	5 <sup>11</sup> / <sub>16</sub>	3 <sup>9</sup> / <sub>16</sub>	3 <sup>3</sup> / <sub>8</sub>	3 <sup>3</sup> / <sub>8</sub>	HWE013MU	5.75
KH-4001-1A	MC	7 <sup>7</sup> / <sub>8</sub>									HWE014MU	
KH-4001-2A	MC	1 <sup>15</sup> / <sub>16</sub>									HWE015MU	
KH-4001-3A	MC	1									HWE100MU	
KH-4002-0A	MC	1 <sup>1</sup> / <sub>16</sub>									HWE101MU	
KH-4002-1A	MC	1 <sup>1</sup> / <sub>8</sub>	3 <sup>3</sup> / <sub>32</sub>	2 <sup>5</sup> / <sub>16</sub>	2 <sup>5</sup> / <sub>32</sub>	3 <sup>5</sup> / <sub>16</sub>	6 <sup>3</sup> / <sub>8</sub>	4	3 <sup>3</sup> / <sub>8</sub>	3 <sup>3</sup> / <sub>8</sub>	HWE102MU	8.50
KH-4002-2A	MC	1 <sup>3</sup> / <sub>16</sub>									HWE103MU	
KH-4003-0A	MC	1 <sup>1</sup> / <sub>4</sub>									HWE104MU	
KH-4003-1A	MC	1 <sup>5</sup> / <sub>16</sub>	3 <sup>13</sup> / <sub>32</sub>	2 <sup>11</sup> / <sub>16</sub>	2 <sup>3</sup> / <sub>32</sub>	3 <sup>11</sup> / <sub>16</sub>	6 <sup>9</sup> / <sub>16</sub>	4 <sup>1</sup> / <sub>4</sub>	7 <sup>1</sup> / <sub>16</sub>	7 <sup>1</sup> / <sub>16</sub>	HWE105MU	9.25
KH-4003-2A	MC	1 <sup>3</sup> / <sub>8</sub>									HWE106MU	
KH-4003-3A	MC	1 <sup>7</sup> / <sub>16</sub>									HWE107MU	
KH-4004-1A	MC	1 <sup>1</sup> / <sub>2</sub>	3 <sup>1</sup> / <sub>2</sub>	2 <sup>23</sup> / <sub>32</sub>	2 <sup>5</sup> / <sub>32</sub>	4 <sup>1</sup> / <sub>8</sub>	7	4 <sup>3</sup> / <sub>4</sub>	7 <sup>1</sup> / <sub>16</sub>	7 <sup>1</sup> / <sub>16</sub>	HWE108MU	9.75
KH-4004-1A	MC	1 <sup>9</sup> / <sub>16</sub>									HWE109MU	
KH-4005-0A	MC	1 <sup>5</sup> / <sub>8</sub>									HWE110MU	
KH-4005-1A	MC	1 <sup>11</sup> / <sub>16</sub>	3 <sup>19</sup> / <sub>32</sub>	2 <sup>3</sup> / <sub>4</sub>	2 <sup>7</sup> / <sub>32</sub>	4 <sup>5</sup> / <sub>8</sub>	7 <sup>5</sup> / <sub>8</sub>	5 <sup>5</sup> / <sub>16</sub>	7 <sup>1</sup> / <sub>16</sub>	7 <sup>1</sup> / <sub>16</sub>	HWE111MU	13.50
KH-4006-0A	MC	1 <sup>3</sup> / <sub>4</sub>									HWE112MU	
KH-4006-0A	MC	1 <sup>13</sup> / <sub>16</sub>									HWE113MU	
KH-4006-1A	MC	1 <sup>7</sup> / <sub>8</sub>	3 <sup>57</sup> / <sub>64</sub>	2 <sup>39</sup> / <sub>64</sub>	1 <sup>9</sup> / <sub>32</sub>	5 <sup>5</sup> / <sub>16</sub>	8 <sup>11</sup> / <sub>16</sub>	5 <sup>3</sup> / <sub>4</sub>	1 <sup>1</sup> / <sub>2</sub>	1 <sup>1</sup> / <sub>2</sub>	HWE114MU	18.25
KH-4006-2A	MC	1 <sup>15</sup> / <sub>16</sub>									HWE115MU	
KH-4007-0A	MC	2									HWE200MU	
KH-4007-1A	MC	2 <sup>1</sup> / <sub>16</sub>	4 <sup>25</sup> / <sub>64</sub>	2 <sup>45</sup> / <sub>64</sub>	1 <sup>11</sup> / <sub>16</sub>	5 <sup>23</sup> / <sub>32</sub>	9 <sup>3</sup> / <sub>16</sub>	6 <sup>1</sup> / <sub>8</sub>	1 <sup>1</sup> / <sub>2</sub>	1 <sup>1</sup> / <sub>2</sub>	HWE201MU	22.50
KH-4007-2A	MC	2 <sup>1</sup> / <sub>8</sub>									HWE202MU	
KH-4007-3A	MC	2 <sup>3</sup> / <sub>16</sub>									HWE203MU	
KH-4008-0A	MC	2 <sup>1</sup> / <sub>4</sub>									HWE204MU	
KH-4008-1A	MC	2 <sup>5</sup> / <sub>16</sub>	5 <sup>1</sup> / <sub>16</sub>	3 <sup>3</sup> / <sub>16</sub>	1 <sup>7</sup> / <sub>8</sub>	6 <sup>3</sup> / <sub>8</sub>	9 <sup>1</sup> / <sub>2</sub>	6 <sup>1</sup> / <sub>2</sub>	1 <sup>1</sup> / <sub>2</sub>	1 <sup>1</sup> / <sub>2</sub>	HWE205MU	27.75
KH-4008-2A	MC	2 <sup>3</sup> / <sub>8</sub>									HWE206MU	
KH-4008-3A	MC	2 <sup>7</sup> / <sub>16</sub>									HWE207MU	
KH-4009-0A	MC	2 <sup>1</sup> / <sub>2</sub>	5 <sup>3</sup> / <sub>32</sub>	3 <sup>13</sup> / <sub>32</sub>	1 <sup>11</sup> / <sub>16</sub>	6 <sup>5</sup> / <sub>8</sub>	10 <sup>3</sup> / <sub>8</sub>	6 <sup>7</sup> / <sub>8</sub>	9 <sup>1</sup> / <sub>16</sub>	9 <sup>1</sup> / <sub>16</sub>	HWE208MU	30.25
KH-4010-1A	MC	2 <sup>11</sup> / <sub>16</sub>	5 <sup>11</sup> / <sub>16</sub>	3 <sup>5</sup> / <sub>8</sub>	2 <sup>1</sup> / <sub>16</sub>	7 <sup>3</sup> / <sub>8</sub>	11 <sup>1</sup> / <sub>8</sub>	7 <sup>5</sup> / <sub>16</sub>	9 <sup>1</sup> / <sub>16</sub>	9 <sup>1</sup> / <sub>16</sub>	HWE211MU	41.25
KH-4011-2A	MC	2 <sup>15</sup> / <sub>16</sub>	5 <sup>39</sup> / <sub>64</sub>	3 <sup>29</sup> / <sub>64</sub>	2 <sup>5</sup> / <sub>32</sub>	7 <sup>3</sup> / <sub>4</sub>	12 <sup>3</sup> / <sub>8</sub>	8 <sup>1</sup> / <sub>4</sub>	11 <sup>1</sup> / <sub>16</sub>	11 <sup>1</sup> / <sub>16</sub>	HWE215MU	52.25
KH-4012-3A	MC	3 <sup>3</sup> / <sub>16</sub>	5 <sup>27</sup> / <sub>32</sub>	3 <sup>1</sup> / <sub>2</sub>	2 <sup>11</sup> / <sub>32</sub>	8 <sup>1</sup> / <sub>16</sub>	13	9 <sup>1</sup> / <sub>4</sub>	11 <sup>1</sup> / <sub>16</sub>	11 <sup>1</sup> / <sub>16</sub>	HWE303MU	62.75
KH-4013-0A	MC	3 <sup>1</sup> / <sub>4</sub>	5 <sup>63</sup> / <sub>64</sub>	3 <sup>49</sup> / <sub>64</sub>	2 <sup>7</sup> / <sub>32</sub>	8 <sup>1</sup> / <sub>4</sub>	13 <sup>3</sup> / <sub>4</sub>	9	3 <sup>3</sup> / <sub>4</sub>	3 <sup>3</sup> / <sub>4</sub>	HWE304MU	62.75
KH-4013-3A	MC	3 <sup>7</sup> / <sub>16</sub>	6 <sup>1</sup> / <sub>32</sub>	3 <sup>11</sup> / <sub>16</sub>	2 <sup>11</sup> / <sub>32</sub>	9	14 <sup>3</sup> / <sub>8</sub>	10 <sup>1</sup> / <sub>16</sub>	3 <sup>3</sup> / <sub>4</sub>	3 <sup>3</sup> / <sub>4</sub>	HWE307MU	79.25

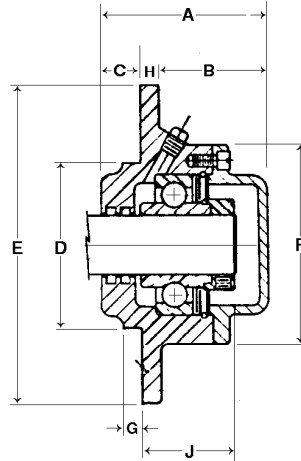
Recommended shaft tolerances: 3/4" - 2", nominal to - .0005"  
 2 1/16" - 3 7/16", nominal to - .0010"

# Motor Cartridge - Closed

## Replaces Fafnir MC Closed

This Ketchie-Houston motor cartridge unit replaces the discontinued Fafnir MC series. This unit is a flange cartridge developed particularly for electric motor applications. Designed to be bolted into a motor end bell, it provides an economical mounting and is advantageous in the replacement of plain bearings. This unit is supplied with a cover bolted to the outer end.

The motor cartridge unit is furnished complete with a heavy series bearing with one seal arrangement and eccentric locking collar.



**TO ORDER, SPECIFY KETCHIE-HOUSTON OR COMPETITOR'S PART NUMBER**

Ketchie Houston	Replaces Fafnir	Shaft Diam.	A	B	C	D	E	F	G	H	Bearing Number	Approx. Unit Wt.
		in.	in.	in.	in.	in.	in.	in.	in.	in.		lbs.
KH-4000-10A	MC	1 <sup>3</sup> / <sub>4</sub>	3 <sup>7</sup> / <sub>32</sub>	2 1/2	2 <sup>3</sup> / <sub>32</sub>	3	5 11/16	3 <sup>9</sup> / <sub>16</sub>	3/8	3/8	HWE012MU	7.00
KH-4001-10A	MC	3 <sup>3</sup> / <sub>16</sub>									HWE013MU	
KH-4001-11A	MC	7/8									HWE014MU	
KH-4001-12A	MC	1 <sup>5</sup> / <sub>16</sub>									HWE015MU	
KH-4001-13A	MC	1									HWE100MU	
KH-4002-10A	MC	1 <sup>1</sup> / <sub>16</sub>	3 <sup>3</sup> / <sub>8</sub>	2 <sup>19</sup> / <sub>32</sub>	2 <sup>5</sup> / <sub>32</sub>	3 <sup>5</sup> / <sub>16</sub>	6 <sup>3</sup> / <sub>8</sub>	4	3/8	3/8	HWE101MU	10.75
KH-4002-11A	MC	1 <sup>1</sup> / <sub>8</sub>									HWE102MU	
KH-4002-12A	MC	1 <sup>3</sup> / <sub>16</sub>									HWE103MU	
KH-4003-10A	MC	1 <sup>1</sup> / <sub>4</sub>	3 <sup>19</sup> / <sub>32</sub>	2 <sup>7</sup> / <sub>8</sub>	2 <sup>3</sup> / <sub>32</sub>	3 <sup>11</sup> / <sub>16</sub>	6 <sup>9</sup> / <sub>16</sub>	4 1/4	7/16	7/16	HWE104MU	10.25
KH-4003-11A	MC	1 <sup>5</sup> / <sub>16</sub>									HWE105MU	
KH-4003-12A	MC	1 <sup>3</sup> / <sub>8</sub>									HWE106MU	
KH-4003-13A	MC	1 <sup>7</sup> / <sub>16</sub>									HWE107MU	
KH-4004-11A	MC	1 <sup>1</sup> / <sub>2</sub>	3 <sup>27</sup> / <sub>32</sub>	3 <sup>1</sup> / <sub>16</sub>	2 <sup>5</sup> / <sub>32</sub>	4 1/8	7	4 <sup>3</sup> / <sub>4</sub>	7/16	7/16	HWE108MU	11.25
KH-4004-11A	MC	1 <sup>9</sup> / <sub>16</sub>									HWE109MU	
KH-4005-10A	MC	1 <sup>5</sup> / <sub>8</sub>	3 <sup>29</sup> / <sub>32</sub>	3 <sup>1</sup> / <sub>16</sub>	2 <sup>7</sup> / <sub>32</sub>	4 <sup>5</sup> / <sub>8</sub>	7 <sup>5</sup> / <sub>8</sub>	5 <sup>5</sup> / <sub>16</sub>	7/16	7/16	HWE110MU	15.00
KH-4005-11A	MC	1 <sup>11</sup> / <sub>16</sub>									HWE111MU	
KH-4006-10A	MC	1 <sup>3</sup> / <sub>4</sub>									HWE112MU	
KH-4006-10A	MC	1 <sup>13</sup> / <sub>16</sub>	4 <sup>5</sup> / <sub>32</sub>	2 <sup>7</sup> / <sub>8</sub>	1 <sup>9</sup> / <sub>32</sub>	5 <sup>5</sup> / <sub>16</sub>	8 11/16	5 <sup>3</sup> / <sub>4</sub>	1/2	1/2	HWE113MU	20.25
KH-4006-11A	MC	1 <sup>7</sup> / <sub>8</sub>									HWE114MU	
KH-4006-12A	MC	1 <sup>15</sup> / <sub>16</sub>									HWE115MU	
KH-4007-10A	MC	2	4 <sup>5</sup> / <sub>8</sub>	2 <sup>15</sup> / <sub>16</sub>	1 <sup>11</sup> / <sub>16</sub>	5 <sup>23</sup> / <sub>32</sub>	9 <sup>3</sup> / <sub>16</sub>	6 1/8	1/2	1/2	HWE200MUJ	24.25
KH-4007-11A	MC	2 1/16									HWE201MU	
KH-4007-12A	MC	2 1/8									HWE202MU	
KH-4007-13A	MC	2 3/16									HWE203MU	
KH-4008-10A	MC	2 1/4	5 <sup>3</sup> / <sub>4</sub>	3 <sup>7</sup> / <sub>8</sub>	1 <sup>7</sup> / <sub>8</sub>	6 <sup>3</sup> / <sub>8</sub>	9 1/2	6 1/2	1/2	1/2	HWE204MU	31.00
KH-4008-11A	MC	2 <sup>5</sup> / <sub>16</sub>									HWE205MU	
KH-4008-12A	MC	2 <sup>3</sup> / <sub>8</sub>									HWE206MU	
KH-4008-13A	MC	2 <sup>7</sup> / <sub>16</sub>									HWE207MU	
KH-4009-10A	MC	2 1/2	5 <sup>5</sup> / <sub>8</sub>	3 <sup>15</sup> / <sub>16</sub>	1 <sup>11</sup> / <sub>16</sub>	6 <sup>5</sup> / <sub>8</sub>	10 <sup>3</sup> / <sub>8</sub>	6 <sup>7</sup> / <sub>8</sub>	9/16	9/16	HWE208MU	38.50
KH-4010-11A	MC	2 11/16	5 <sup>7</sup> / <sub>8</sub>	3 <sup>13</sup> / <sub>16</sub>	2 1/16	7 <sup>3</sup> / <sub>8</sub>	11 1/8	7 <sup>5</sup> / <sub>16</sub>	9/16	9/16	HWE211MU	43.25
KH-4011-12A	MC	2 15/16	6 <sup>3</sup> / <sub>32</sub>	3 <sup>15</sup> / <sub>16</sub>	2 <sup>5</sup> / <sub>32</sub>	7 <sup>3</sup> / <sub>4</sub>	12 <sup>3</sup> / <sub>8</sub>	8 1/4	11/16	11/16	HWE215MU	61.75
KH-4012-13A	MC	3 3/16	6 <sup>13</sup> / <sub>32</sub>	4 1/16	2 11/32	8 1/16	13	9 1/4	11/16	11/16	HWE303MU	74.50
KH-4013-10A	MC	3 1/4	6 <sup>17</sup> / <sub>32</sub>	4 <sup>5</sup> / <sub>16</sub>	2 <sup>7</sup> / <sub>32</sub>	8 1/4	13 <sup>3</sup> / <sub>4</sub>	9	3/4	3/4	HWE304MU	81.25
KH-4013-13A	MC	3 7/16	6 <sup>21</sup> / <sub>32</sub>	4 <sup>5</sup> / <sub>16</sub>	2 11/32	9	14 <sup>3</sup> / <sub>8</sub>	10 1/16	3/4	3/4	HWE307MU	90.75

Recommended shaft tolerances: 3/4" - 2", nominal to - .0005"  
 2 1/16" - 3 7/16", nominal to - .0010"

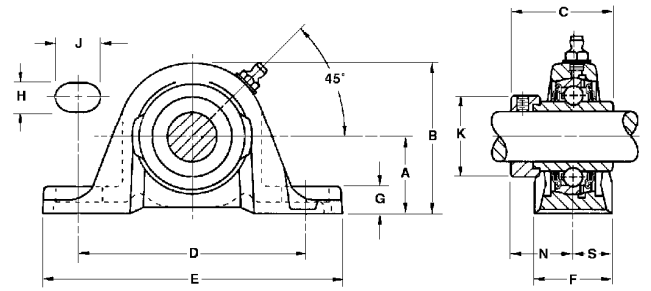
# Pillow Block - Standard Series

## Low Base to Center Height

### Replaces Fafnir RAK and INA RAK

This Ketchie-Houston standard series pillow block has a low base to center height dimension to make it interchangeable with certain other competitive designs.

These units are equipped with a standard series wide inner ring bearing with integral seals and eccentric locking collar.



**TO ORDER, SPECIFY KETCHIE-HOUSTON OR COMPETITOR'S PART NUMBER**

Ketchie Houston	Replaces		Shaft Diam.	A	B	C	D	E	F	G	H	J	K	N	S	Bolt Size	Bearing Number	Approx. Unit Wt.
	Fafnir	INA																
			in. mm	in. mm	in. mm	in. mm	in. mm	in. mm	in. mm	in. mm	in. mm	in. mm	in. mm	in. mm	in. mm	in.		lbs.
KH-1301-10A	RAK		1/2														GSWE008CCS	
KH-1301-11A			9/16														GSWE009CCS	
KH-1301-12A	RAK	RAK	5/8	1 1/16	2 1/8	1 15/32	3 5/8	4 7/8	1 7/32	1 1/32	7/16	7/8	1 7/64	59/64	39/64	3/8	GSWE010CCS	1.25
KH-1301-13A	RAK		11/16														GSWE011CCS	
KH-1301-14A	RAK	RAK	17														GSWE17CCS	
KH-1302-10A	RAK	RAK	3/4														GSWE012CCS	
KH-1302-11A	RAK	RAK	20	31.75	63.5	43.7	96.0	127.0	31.0	11.9	11.1	19.8	33.3	26.6	15.9	10	GSWE20CCS	1.75
KH-1303-10A			13/16														GSWE013CCS	
KH-1303-11A	RAK	RAK	7/8														GSWE014CCS	
KH-1303-12A	RAK	RAK	15/16	33.34	68.3	44.4	104.8	139.7	35.7	11.9	11.1	20.6	38.1	27.0	17.9	10	GSWE015CCS	2.00
KH-1303-13A	RAK	RAK															GSWE100CCS	
KH-1303-14A	RAK	RAK	25														GSWE25CCS	
KH-1304-10A	RAK		1 1/16														GSWE101CCS	
KH-1304-11A	RAK	RAK	1 1/8	39.69	81.0	48.4	117.5	157.2	39.7	13.5	14.3	23.8	44.4	30.2	19.9	12	GSWE102CCS	3.00
KH-1304-12A	RAK	RAK	1 3/16														GSWE103CCS	
KH-1304-13A	RAK	RAK	30														GSWE103CCS3	
KH-1305-10A	RAK	RAK	1 1/4														GSWE104CCS	
KH-1305-11A	RAK		1 5/16	46.04	92.1	51.2	127.0	171.4	45.2	16.7	14.3	22.2	54.0	32.5	22.7	12	GSWE105CCS	4.00
KH-1305-12A	RAK	RAK	1 1/8														GSWE106CCS	
KH-1305-13A	RAK	RAK	1 7/16														GSWE107CCS	
KH-1305-14A	RAK	RAK	35														GSWE35CCS	
KH-1306-10A	RAK	RAK	1 1/2	49.21	100.0	56.4	136.5	181.0	47.6	19.0	14.3	25.4	60.3	34.9	23.8	12	GSWE108CCS	5.00
KH-1306-11A	RAK	RAK	1 7/16														GSWE109CCS	
KH-1306-12A	RAK	RAK	40														GSWE40CCS	
KH-1307-10A	RAK	RAK	1 5/8														GSWE110CCS	
KH-1307-11A	RAK	RAK	1 11/16	52.39	104.8	56.4	143.7	187.3	50.8	17.5	14.3	23.0	63.5	34.9	25.4	12	GSWE111CCS	5.50
KH-1307-12A	RAK	RAK	1 3/4														GSWE112CCS	
KH-1307-13A	RAK	RAK	45														GSWE45CCS	
KH-1308-10A			1 13/16														GSWE113CCS	
KH-1308-11A	RAK		1 7/8	55.56	112.7	62.7	127.2	203.2	55.6	17.5	17.5	23.8	69.8	38.1	27.8	16	GSWE114CCS	6.75
KH-1308-12A	RAK	RAK	1 15/16														GSWE115CCS	
KH-1308-13A	RAK	RAK	50														GSWE50CCS	
KH-1309-10A	RAK		2														GSWE200CCS	
KH-1309-11A			2 1/16	61.91	125.4	71.4	176.2	223.8	58.7	19.0	17.5	28.6	76.2	43.7	29.4	16	GSWE201CCS	8.75
KH-1309-12A	RAK		2 3/8														GSWE202CCS	
KH-1309-13A	RAK	RAK	2 3/16														GSWE203CCS	
KH-1309-14A	RAK	RAK	55														GSWE55CCS	
KH-1310-10A	RAK		2 1/4														GSWE204CCS	
KH-1310-11A			2 5/16	68.26	138.1	77.8	188.1	241.3	63.5	22.2	17.5	29.4	84.1	46.8	30.2	16	GSWE205CCS	12.50
KH-1310-12A	RAK		2 3/8														GSWE206CCS	
KH-1310-13A	RAK	RAK	2 7/16														GSWE207CCS	
KH-1310-14A	RAK	RAK	60														GSWE60CCS	
KH-1311-10A	RAK		2 5/8	76.20	154.0	85.7	203.2	266.7	73.0	33.3	20.6	34.9	96.8	45.2	36.5	20	GSWE211CCS	17.75
KH-1311-11A	RAK	RAK	2 11/16														GSWE270CCS	
KH-1312-10A	RAK	RAK	2 15/16	84.14	163.5	92.1	241.3	304.8	82.6	38.1	22.2	31.8	101.6	54.8	41.3	20	GSWE215CCS	20.25
KH-1312-11A	RAK	RAK	75														GSWE75CCS	

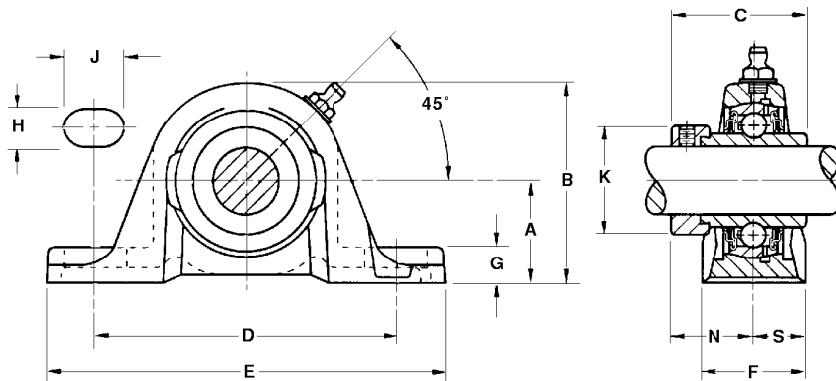
Recommended shaft tolerances: 1/2" - 1 15/16", nominal to -.0005", -.013 mm;  
2" - 2 15/16", nominal to -.0010", -.025 mm

# Pillow Block - Standard Series - High Temperature

Low Base to Center Height  
Replaces Fafnir LAK

This Ketchie-Houston standard series, high temperature pillow block features a lower base to center height dimension. This unit is for applications where operating temperatures exceeds 250° F.

These units use a standard series, wide inner ring bearing with an eccentric locking collar, high temperature seals and high temperature grease. These units can be operated up to 425° F.



**TO ORDER, SPECIFY KETCHIE-HOUSTON OR COMPETITOR'S PART NUMBER**

Ketchie Houston	Replaces Fafnir	Shaft Diam.	A	B	C	D	E	F	G	H	J	K	N	S	Bolt Size	Bearing Number	Approx. Unit Wt.
		in.	in.	in.	in.	in.	in.	in.	in.	in.	in.	in.	in.	in.	in.		lbs.
			mm	mm	mm	mm	mm	mm	mm	mm	mm	mm	mm	mm	mm		
KH-1302-0-10A		3/4	1 1/4 31.75	2 15/32 62.7	2 23/32 43.7	3 25/32 96.0	5 127.0	1 11/32 31.8	15/32 11.9	7/16 11.1	25/32 19.8	1 19/64 33.3	1 3/64 26.6	43/64 15.9	3/8 10	GSWE012HHS	1.75
KH-1303-0-13A	LAK	1	1 5/16 33.34	2 23/32 68.3	1 3/4 44.4	4 1/8 104.8	5 1/2 139.7	1 13/32 35.7	15/32 11.9	7/16 11.1	13/16 20.6	1 31/64 38.1	1 1/16 27.0	45/64 17.9	3/8 10	GSWE100HHS	2.00
KH-1304-0-12A	LAK		1 9/16 39.69	3 3/16 80.2	1 29/32 48.4	4 5/8 117.5	6 3/16 157.2	1 3/4 39.7	9/16 13.5	9/16 14.3	15/16 23.8	1 47/64 44.1	1 3/16 30.2	7/8 19.9	1/2 12	GSWE103HHS	3.00
KH-1305-0-10A	LAK	1 1/4	1 13/16 46.04	3 21/32 92.1	2 1/64 51.2	130.2	166.7	45.2	16.7	14.3	24.6	54.0	32.5	22.7	1/2	GSWE104HHS	4.00
KH-1305-0-13A	LAK	1 7/16														GSWE107HHS	
KH-1306-0-10A	LAK	1 1/2	1 15/16 49.21	3 15/16 100.0	2 7/32 56.4	5 3/8 136.5	7 1/8 179.4	1 15/16 47.6	3/4 19.0	9/16 14.3	1 26.2	2 23/64 60.3	1 3/8 34.9	31/32 23.8	1/2	GSWE108HHS	5.00
KH-1307-0-11A	LAK	1 11/16 1 3/4	2 1/16 52.39	4 5/32 104.8	2 7/32 56.4	5 21/32 149.2	7 3/8 191.3	2 50.8	23/32 17.5	9/16 14.3	23/32 28.6	2 31/64 63.5	1 3/8 34.9	1 25.4	1/2	GSWE111HHS GSWE112HHS	5.50
KH-1308-0-12A	LAK	1 15/16	2 3/16 55.56	4 15/32 112.7	2 15/32 62.7	6 3/16 158.0	8 200.0	2 3/16 55.6	23/32 17.5	11/16 17.5	15/16 23.8	2 47/64 69.8	1 1/2 38.1	1 3/32 27.8	5/8	GSWE115HHS	6.75
KH-1309-0-13A	LAK	2 3/16	2 7/16 61.91	4 29/32 124.6	2 13/16 71.4	6 15/16 176.2	8 11/16 222.3	2 5/16 58.7	3/4 19.0	11/16 18.3	1 1/8 29.4	2 63/64 76.2	1 23/32 43.7	1 5/32 29.4	5/8	GSWE203HHS	8.75
KH-1310-0-13A	LAK	2 7/16	2 11/16 68.26	5 7/16 137.3	3 1/16 77.8	7 13/32 188.1	9 1/2 139.7	2 1/2 60.3	29/32 22.2	11/16 17.5	1 5/32 29.4	3 19/64 84.1	1 27/32 46.8	1 1/4 30.2	5/8	GSWE207HHS	12.25

Recommended shaft tolerances: 1/2" - 1 15/16", nominal to -.0005", -.013 mm;  
2" - 2 15/16", nominal to -.0010", -.025 mm



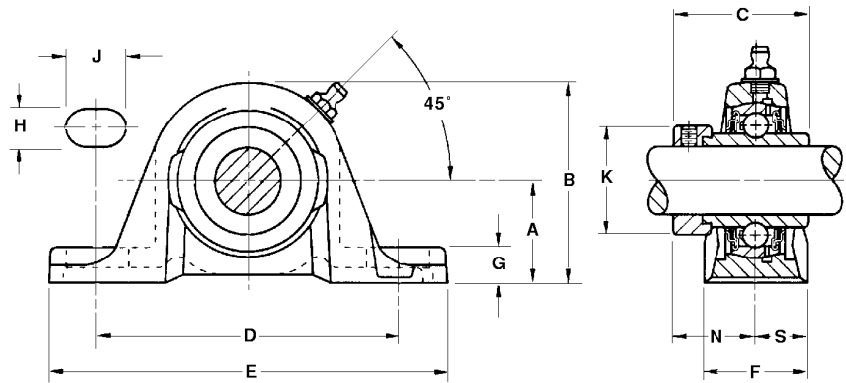
# Pillow Block - Standard Series

## Low Base to Center Height

### Replaces Fafnir TAK

This Ketchie-Houston standard series pillow block features a lower base to center height dimension.

These units use a standard series, wide inner ring bearing with an eccentric locking collar and a one piece Triple-Lip Seal for better seal performance.



TO ORDER, SPECIFY KETCHIE-HOUSTON OR COMPETITOR'S PART NUMBER

Ketchie Houston	Replaces Fafnir	Shaft Diam.	A	B	C	D	E	F	G	H	J	K	N	S	Bolt Size	Bearing Number	Approx. Unit Wt.
		in.	in.	in.	in.	in.	in.	in.	in.	in.	in.	in.	in.	in.	in.		lbs.
			mm	mm	mm	mm	mm	mm	mm	mm	mm	mm	mm	mm	mm		
KH-4402-13A	TAK	1	1 <sup>5</sup> / <sub>16</sub> 33.34	2 <sup>23</sup> / <sub>32</sub> 68.3	1 <sup>3</sup> / <sub>4</sub> 44.4	4 1/8 104.8	5 1/2 139.7	1 <sup>13</sup> / <sub>32</sub> 35.7	1/2 11.9	7/16 11.1	1 <sup>3</sup> / <sub>16</sub> 20.6	1 <sup>1</sup> / <sub>16</sub> 38.1	1 <sup>1</sup> / <sub>16</sub> 27.0	45/64 17.9	3/8 10	GSWE100TTS	2.00
KH-4403-11A	TAK	1 1/8	1 <sup>9</sup> / <sub>16</sub> 39.69	3 3/16 80.2	1 <sup>29</sup> / <sub>32</sub> 48.4	4 5/8 117.5	6 3/16 157.2	1 3/4 39.7	9/16 13.5	9/16 14.3	1 <sup>5</sup> / <sub>16</sub> 23.8	1 <sup>4</sup> / <sub>16</sub> 44.1	1 3/16 30.2	7/8 19.9	1/2 12	GSWE102TTS GSWE103TTS GSWE103TTS3	3.00
KH-4403-12A	TAK	1 3/16															
KH-4403-13A	TAK	1 1/4S															
KH-4404-10A	TAK	1 1/4														GSWE104TTS	
KH-4404-12A	TAK	1 3/8	1 <sup>3</sup> / <sub>16</sub> 46.04	3 21/32 92.1	2 1/64 51.2	5 130.2	6 3/4 166.7	1 7/8 45.2	11/16 16.7	9/16 14.3	7/8 24.6	2 7/64 54.0	1 9/32 32.5	15/16 22.7	1/2 12	GSWE106TTS GSWE107TTS	4.00
KH-4404-13A	TAK	1 7/16															
KH-4405-10A	TAK	1 1/2	1 <sup>15</sup> / <sub>16</sub> 49.21	3 15/16 100.0	2 7/32 56.4	5 3/8 136.5	7 1/8 179.4	1 <sup>15</sup> / <sub>16</sub> 47.6	3/4 19.0	9/16 14.3	1 26.2	2 23/64 60.3	1 3/8 34.9	31/32 23.8	1/2 12	GSWE108TTS	5.00
KH-4406-11A	TAK	1 11/16															
KH-4406-12A	TAK	1 3/4	2 1/16 52.39	4 5/32 104.8	2 7/32 56.4	5 21/38 149.2	7 3/8 191.3	2 50.8	23/32 17.5	9/16 14.3	29/32 28.6	2 31/64 63.5	1 3/8 34.9	1 25.4	1/2 12	GSWE111TTS GSWE112TTS	5.50
KH-4407-12A	TAK	1 15/16	2 3/16 55.56	4 15/32 112.7	2 15/32 62.7	6 3/16 158.0	8 200.0	2 3/16 55.6	23/32 17.5	11/16 17.5	15/16 23.8	2 47/64 69.8	1 1/2 38.1	1 3/32 27.8	5/8 16	GSWE115TTS	6.75
KH-4408-10A	TAK	2														GSWE200TTS	
KH-4408-13A	TAK	2 3/16	2 7/16 61.91	4 29/32 124.6	2 13/16 71.4	6 15/16 176.2	8 12/16 222.3	2 5/16 58.7	3/4 19.0	11/16 18.3	1 1/8 29.4	2 63/64 76.2	1 23/32 43.7	1 5/32 29.4	5/8 16	GSWE203TTS	8.75

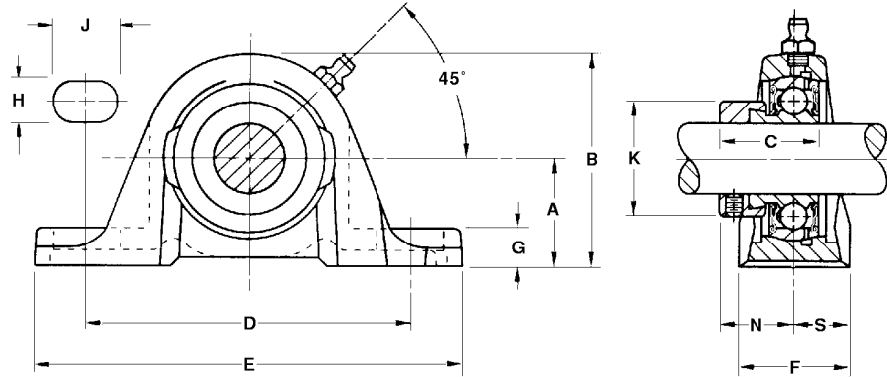
Recommended shaft tolerances: 1/2" - 1<sup>15</sup>/<sub>16</sub>", nominal to - .0005", - .013 mm;  
2" - 2<sup>15</sup>/<sub>16</sub>", nominal to - .0010", - .025 mm

# Pillow Block - Standard Series

Low Base to Center Height  
Replaces Fafnir VAK and INA PAK

This Ketchie-Houston standard series pillow block has a low-base-to center height dimension to make it interchangeable with certain other competitive designs.

These units are equipped with a standard series extended inner ring bearing with integral seals and eccentric locking collar.



TO ORDER, SPECIFY KETCHIE-HOUSTON OR COMPETITOR'S PART NUMBER

Ketchie Houston	Replaces INA	Shaft Diam.	A	B	C	D	E	F	G	H	J	K	N	S	Bolt Size	Bearing Number	Approx. Unit Wt.
			in. mm	in. mm	in. mm	in. mm	in. mm	in. mm	in. mm	in. mm	in. mm	in. mm	in. mm	in. mm			
KH-4100-10A	VAK	1/2													GSEE008CCS	1.25	
KH-4100-11A	VAK	9/16	1 1/16	2 1/8	1 15/32	3 5/8	4 7/8	1 4/32	3/8	7/16	7/8	1 7/64	59/64	39/364	3/8		GSEE009CCS
KH-4100-12A	VAK	5/8	26.99	53.2	28.6	92.1	123.8	30.2	8.7	11.1	22.2	28.6	22.2	15.1	10		GSEE010CCS
KH-4100-13A	VAK	17															GSEE17CCS
KH-4101-10A	VAK	3/4													GSEE012CCS	1.50	
KH-4101-11A	VAK	20	31.75	62.7	31.0	96.0	127.0	31.8	11.9	11.1	19.8	33.3	23.4	15.9	10		GSEE20CCS
KH-4102-10A	VAK	13/16													GSEE013CCS	2.00	
KH-4102-11A	VAK	7/8	1 5/16	2 23/32	1 3/4	4 1/8	5 1/2	1 13/32	1/2	7/16	1 13/16	1 31/64	1 1/16	45/64	3/8		GSEE014CCS
KH-4102-12A	VAK	15/16	33.34	68.3	31.0	104.8	139.7	35.7	11.9	11.1	20.6	38.1	23.4	17.9	10		GSEE015CCS
KH-4102-13A	VAK	1															GSEE100CCS
KH-4102-14A	VAK	25															GSEE25CCS
KH-4103-10A	VAK	1 1/16													GSEE101CCS	3.00	
KH-4103-11A	VAK	1 1/8	1 9/16	3 3/16	1 29/32	4 5/8	6 3/16	1 3/4	9/16	9/16	1 5/16	1 47/64	1 3/16	7/8	1/2		GSEE102CCS
KH-4103-12A	VAK	1 3/16	39.69	80.2	35.7	117.5	157.2	39.7	13.5	14.3	23.8	44.1	27.0	19.9	12		GSEE103CCS
KH-4103-13A	VAK	1 1/4 S															GSEE104CCS
KH-4103-14A	VAK	30															GSEE30CCS
KH-4104-10A	VAK	1 1/4													GSEE104CCS	3.75	
KH-4104-11A	VAK	1 5/16	1 13/16	3 21/32	2 1/64	5	6 3/4	1 7/8	1 11/16	9/16	7/8	2 7/64	1 9/32	1 5/16	1/2		GSEE105CCS
KH-4104-12A	VAK	1 5/8	46.04	92.1	38.9	130.2	166.7	45.2	16.7	14.3	24.6	54.0	29.4	22.7	12		GSEE106CCS
KH-4104-13A	VAK	1 7/16															GSEE107CCS
KH-4104-14A	VAK	35															GSEE35CCS
KH-4105-10A	VAK	1 1/2													GSEE108CCS	4.75	
KH-4105-11A	VAK	1 9/16	49.21	100.0	43.7	136.5	179.4	47.6	19.0	14.3	26.2	60.3	32.5	23.8	12		GSEE109CCS
KH-4105-12A	VAK	40															GSEE40CCS
KH-4106-10A	VAK	1 5/8													GSEE110CCS	5.25	
KH-4106-11A	VAK	1 11/16	2 1/16	4 5/32	2 7/32	5 23/32	7 3/8	2	23/32	9/16	29/32	2 31/64	1 3/8	1	1/2		GSEE111CCS
KH-4107-12A	VAK	1 3/4	52.39	104.8	43.7	149.2	191.3	50.8	17.5	14.3	28.6	63.5	32.5	25.4	12		GSEE112CCS
KH-4106-13A	VAK	45															GSEE45CCS
KH-4107-10A	VAK	1 13/16													GSEE113CCS	6.25	
KH-4107-11A	VAK	1 7/8	2 3/16	4 15/32	2 15/32	6 3/16	8	2 3/16	23/26	1 11/16	1 5/16	2 47/64	1 1/2	1 3/32	5/8		GSEE114CCS
KH-4107-12A	VAK	1 15/16	55.56	112.7	43.7	158.0	200.0	55.6	17.5	17.5	23.8	69.8	32.5	27.8	16		GSEE115CCS
KH-4107-13A	VAK	2 S															GSEE115CCS3
KH-4107-14A	VAK	50															GSEE50CCS
KH-4108-10A	VAK	2													GSEE200CCS	7.50	
KH-4108-11A	VAK	2 1/16	2 7/16	4 29/32	2 13/16	6 15/16	8 13/16	2 5/16	3/4	1 1/8	2 63/64	3	1 23/32	1 5/32	5/8		GSEE201CCS
KH-4108-12A	VAK	2 1/8	61.91	124.6	48.4	176.2	222.3	58.7	19.0	18.3	29.4	76.2	36.5	29.4	16		GSEE202CCS
KH-4108-13A	VAK	2 3/16															GSEE203CCS
KH-4108-14A	VAK	55															GSEE55CCS

Recommended shaft tolerances: 1/2" - 1 15/16", nominal to - .0005", - .013 mm;  
2" - 2 15/16", nominal to - .0010", - .025 mm

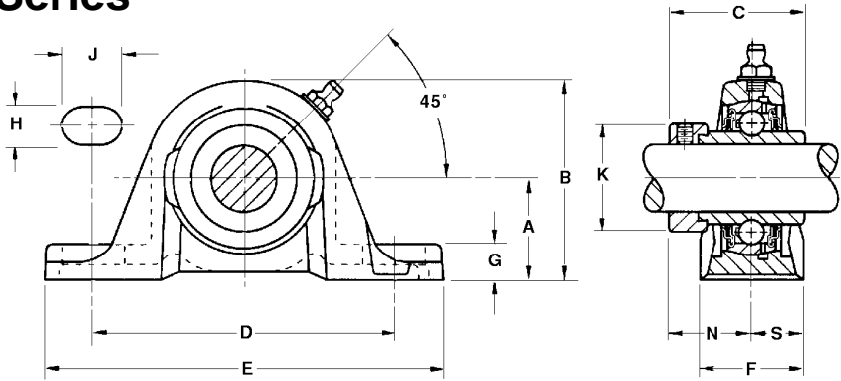


# Pillow Block - Standard Series

High Base to Center Height  
Replaces Fafnir RAS and INA RASE

This Ketchie-Houston standard series pillow block has a high base to center height dimension to make it interchangeable with certain other competitive designs.

These units are equipped with a standard series wide inner bearing with integral seals and eccentric locking collar.



TO ORDER, SPECIFY KETCHIE-HOUSTON OR COMPETITOR'S PART NUMBER

Ketchie Houston	Replaces Fafnir	Replaces INA	Shaft Diam.	A	B	C	D	E	F	G	H	J	K	N	S	Bolt Size	Bearing Number	Approx. Unit Wt.
			in. mm	in. mm	in. mm	in. mm	in. mm	in. mm	in. mm	in. mm	in. mm	in. mm	in. mm	in. mm	in. mm	in. mm		lbs.
KH-1321-10A	RAS	RASE	1/2														GSWE008CCS	
KH-1321-12A	RAS	RASE	5/8	1 3/16	2 7/32	1 15/32	3 5/8	4 7/8	1 7/32	15/32	7/16	7/8	1 17/64	59/64	39/64	3/8	GSWE010CCS	1.50
KH-1321-14A	RAS	RASE	17														GSWE017CCS	
KH-1322-10A	RAS	RASE	3/4	1 5/16	2 11/32	1 23/32	3 25/32	5	1 11/32	19/32	7/16	13/16	1 31/64	1 1/16	45/64	3/8	GSWE012CCS	
KH-1322-11A	RAS	RASE	20	33.34	55.1	43.7	96.0	127.0	31.8	13.5	11.1	19.8	33.3	26.6	15.9	10	GSWE20CCS	1.75
KH-1323-11A	RAS	RASE	7/8														GSWE014CCS	
KH-1323-12A	RAS	RASE	15/16	1 7/16	2 13/16	1 3/4	4 1/8	5 1/2	1 13/32	19/32	7/16	13/16	1 31/64	1 1/16	45/64	3/8	GSWE015CCS	2.00
KH-1323-13A	RAS	RASE	1	36.51	71.4	44.4	104.8	139.7	35.7	15.1	11.1	20.6	38.1	27.0	17.9	10	GSWE100CCS	
KH-1323-14A	RAS	RASE	25														GSWE25CCS	
KH-1324-10A	RAS	RASE	1 1/16														GSWE101CCS	
KH-1324-11A	RAS	RASE	1 1/8	1 11/16	3 9/16	1 29/32	4 5/8	6 3/16	1 3/4	2 1/32	9/16	15/16	1 43/64	1 3/16	7/8	1/2	GSWE102CCS	3.00
KH-1324-12A	RAS	RASE	1 3/16	42.86	84.1	48.4	117.5	157.2	39.7	16.7	14.3	23.8	44.4	30.2	19.9	12	GSWE103CCS	
KH-1324-13A	RAS	RASE	30														GSWE30CCS	
KH-1325-10A	RAS	RASE	1 1/4														GSWE104CCS	
KH-1325-11A	RAS	RASE	1 5/16	1 7/8	3 11/16	2 1/64	5	6 3/4	1 2/8	23/32	9/16	7/8	2 7/64	1 9/32	15/16	1/2	GSWE105CCS	4.00
KH-1325-12A	RAS	RASE	1 3/8	47.62	93.7	51.2	122.0	171.4	45.2	18.3	14.3	24.6	54.0	32.5	22.7	12	GSWE106CCS	
KH-1325-13A	RAS	RASE	1 7/16														GSWE107CCS	
KH-1325-14A	RAS	RASE	35														GSWE35CCS	
KH-1326-10A	RAS	RASE	1 1/2	1 15/16	3 15/16	2 7/32	5 3/8	7 1/8	1 15/16	3/4	9/16	1	2 23/64	1 3/8	3 1/32	1/2	GSWE108CCS	
KH-1326-11A	RAS	RASE	1 9/16	49.21	100.0	56.4	136.5	181.0	47.6	19.0	14.3	26.2	60.3	34.9	23.8	12	GSWE109CCS	5.00
KH-1326-12A	RAS	RASE	40														GSWE40CCS	
KH-1327-10A	RAS	RASE	1 5/8														GSWE110CCS	
KH-1327-11A	RAS	RASE	1 11/16	2 1/8	4 3/16	2 7/32	5 2 1/32	7 3/8	2	3/4	9/16	29/32	2 3 1/64	1 3/8	1	1/2	GSWE111CCS	5.50
KH-1327-12A	RAS	RASE	1 3/4	53.98	106.4	56.4	143.7	187.3	50.8	19.0	14.3	28.6	63.5	34.9	25.4	12	GSWE112CCS	
KH-1327-13A	RAS	RASE	45														GSWE45CCS	
KH-1328-11A	RAS	RASE	1 7/8	2 1/4	4 1/2	2 15/16	6 3/16	8	2 3/16	3/4	1 1/16	15/16	2 47/64	1 1/2	1 3/32	5/8	GSWE114CCS	
KH-1328-12A	RAS	RASE	1 15/16	57.15	114.3	62.7	157.2	203.2	55.6	19.0	18.3	29.4	69.8	38.1	27.8	16	GSWE115CCS	6.75
KH-1328-13A	RAS	RASE	50														GSWE50CCS	
KH-1329-10A	RAS		2														GSWE200CCS	
KH-1329-12A	RAS	RASE	2 1/8	2 1/2	4 3 1/32	2 13/16	6 15/16	8 13/16	2 5/16	13/16	1 1/16	1 1/8	2 63/64	1 23/32	1 5/32	5/8	GSWE202CCS	8.75
KH-1329-13A	RAS	RASE	2 3/16	63.50	127.0	71.4	476.2	223.8	58.7	20.6	18.3	29.4	76.2	43.7	29.4	16	GSWE203CCS	
KH-1329-14A	RAS	RASE	55														GSWE55CCS	
KH-1330-10A	RAS		2 1/4														GSWE204CCS	
KH-1330-12A	RAS	RASE	2 3/8	2 3/4	5 15/32	3 1/16	7 13/32	9 1/2	2 1/2	15/16	1 1/16	1 5/32	3 19/64	1 27/32	1 1/4	5/8	GSWE206CCS	12.25
KH-1330-13A	RAS	RASE	2 7/16	69.85	139.7	77.8	188.1	241.3	60.3	23.8	18.3	29.4	84.1	46.8	30.2	16	GSWE207CCS	
KH-1330-14A	RAS	RASE	60														GSWE60CCS	
KH-1331-10A	RAS	RASE	2 15/16	3 1/4	6 15/32	3 5/8	8 1/2	10 5/8	2 3/4	1	7/8	1 1/4	4	2 5/32	1 3/8	3/4	GSWE215CCS	
KH-1331-11A	RAS	RASE	75	82.55	165.1	92.1	212.2	269.9	69.9	25.4	22.2	31.8	101.6	54.8	34.9	20	GSWE75CCS	20.00

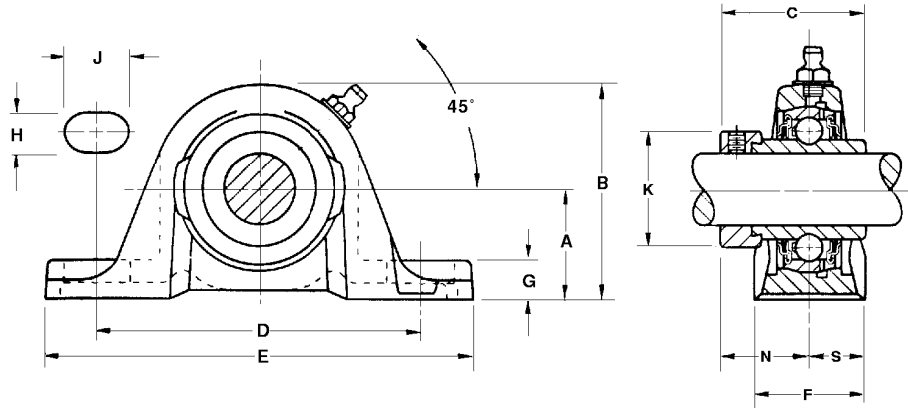
Recommended shaft tolerances: 1/2" - 1 15/16", nominal to - .0005", - .013 mm;  
2" - 2 15/16", nominal to - .0010", - .025 mm

# Pillow Block - Standard Series - High Temperature

High Base to Center Height  
Replaces Fafnir LAS

This Ketchie-Houston standard series, high temperature pillow block features a higher base to center height dimension. This unit is for applications where operating temperature exceeds 250°.

These units use a standard series, wide inner ring bearing with an eccentric locking collar, high temperature seals and high temperature grease. These units can be operated up to 425° F.



TO ORDER, SPECIFY KETCHIE-HOUSTON OR COMPETITOR'S PART NUMBER

Ketchie Houston	Replaces Fafnir	Shaft Diam.	A	B	C	D	E	F	G	H	J	K	N	S	Bolt Size	Bearing Number	Approx. Unit Wt.
		in.	in.	in.	in.	in.	in.	in.	in.	in.	in.	in.	in.	in.	in.		lbs.
			mm	mm	mm	mm	mm	mm	mm	mm	mm	mm	mm	mm	mm		
KH-1322-0-10A		3/4	1 15/16 33.34	2 17/32 64.3	1 29/32 43.7	3 25/32 96.0	5 127.0	1 11/32 31.8	1 9/32 13.5	7/16 11.1	1 13/16 19.8	1 31/64 33.3	1 1/16 26.6	45/64 15.9	3/8 10	GSWE012HHS	1.75
KH-1323-0-13A	LAS	1	1 7/16 36.51	2 13/16 71.4	1 3/4 44.4	4 1/8 104.8	5 1/2 139.7	1 13/32 35.7	1 9/32 15.1	7/16 11.1	1 13/16 20.6	1 31/64 38.1	1 1/16 27.0	45/64 17.9	3/8 10	GSWE100HHS	2.00
KH-1324-0-12A		1 3/16	1 11/16 42.86	3 9/32 83.3	1 29/32 48.4	4 5/8 117.5	6 3/16 157.2	1 3/4 39.7	2 1/32 16.7	9/16 14.3	1 15/16 23.8	1 47/64 44.1	1 3/16 30.2	7/8 19.9	1/2 12	GSWE103HHS	3.00
KH-1325-0-10A		1 1/4	1 7/8 47.62	3 11/16 93.7	2 1/64 51.2	5 130.2	6 3/4 166.7	1 7/8 45.2	2 3/32 18.3	9/16 14.3	7/8 24.6	2 7/64 54.0	1 9/32 32.5	15/16 22.7	1/2 12	GSWE104HHS	4.00
KH-1325-0-13A	LAS	1 7/16	1 7/8 47.62	3 11/16 93.7	2 1/64 51.2	5 130.2	6 3/4 166.7	1 7/8 45.2	2 3/32 18.3	9/16 14.3	7/8 24.6	2 7/64 54.0	1 9/32 32.5	15/16 22.7	1/2 12	GSWE107HHS	
KH-1326-0-10A		1 1/2	1 15/16 49.21	3 15/16 100.0	2 7/32 56.4	5 3/8 136.5	7 1/8 179.4	1 15/16 47.6	3/4 19.0	9/16 14.3	1 26.2	2 23/64 60.3	1 3/8 34.9	31/32 23.8	1/2 12	GSWE108HHS	5.00
KH-1327-0-11A		1 11/16	2 1/8 53.98	4 3/16 106.4	2 7/32 56.4	5 21/32 149.2	7 3/8 191.3	2 50.8	3/4 19.0	9/16 14.3	2 29/32 28.6	2 31/64 63.5	1 3/8 34.9	1 25.4	1/2 12	GSWE111HHS GSWE112HHS	5.50
KH-1327-0-12A		1 3/4	2 1/8 53.98	4 3/16 106.4	2 7/32 56.4	5 21/32 149.2	7 3/8 191.3	2 50.8	3/4 19.0	9/16 14.3	2 29/32 28.6	2 31/64 63.5	1 3/8 34.9	1 25.4	1/2 12	GSWE111HHS GSWE112HHS	5.50
KH-1328-0-12A		1 15/16	2 1/4 57.15	4 1/2 114.3	2 15/16 62.7	6 3/16 158.0	8 200.0	2 3/16 55.6	3/4 19.0	1 11/16 18.3	1 15/16 29.4	2 47/64 69.8	1 1/2 38.1	1 13/32 27.8	5/8 16	GSWE115HHS	7.00
KH-1329-0-13A		2 3/16	2 1/2 63.50	4 31/32 126.2	2 13/16 71.4	6 15/16 476.2	8 13/16 222.3	2 5/16 58.7	1 13/16 20.6	1 11/16 18.3	1 1/8 29.4	2 63/64 76.2	1 23/32 43.7	1 5/32 29.4	5/8 16	GSWE203HHS	9.00
KH-1330-0-13A		2 7/16	2 3/4 69.85	5 15/32 138.9	3 1/16 77.8	7 13/32 188.1	9 1/2 139.7	2 1/2 60.3	1 15/16 23.8	1 11/16 18.3	1 15/32 29.4	3 19/64 84.1	1 27/32 46.8	1 1/4 30.2	5/8 16	GSWE207HHS	12.50

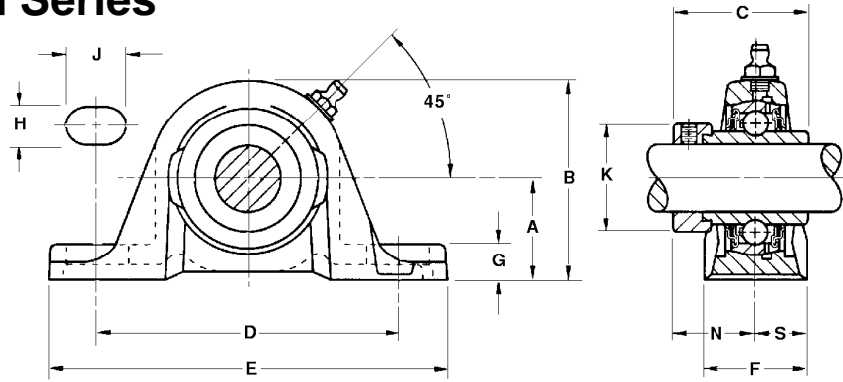
Recommended shaft tolerances: 1/2" - 1 15/16", nominal to -.0005", -.013 mm;  
2" - 2 15/16", nominal to -.0010", -.025 mm

# Pillow Block - Standard Series

High Base to Center Height  
Replaces Fafnir TAS

This Ketchie-Houston standard series pillow block features a high base to center height dimension.

These units use a standard series, wide inner bearing with integral seals and eccentric locking collar and a one piece Triple-Lip Seal for better performance.



TO ORDER, SPECIFY KETCHIE-HOUSTON OR COMPETITOR'S PART NUMBER

Ketchie Houston	Replaces Fafnir	Shaft Diam.	A	B	C	D	E	F	G	H	J	K	N	S	Bolt Size	Bearing Number	Approx. Unit Wt.
		in.	in.	in.	in.	in.	in.	in.	in.	in.	in.	in.	in.	in.	in.		lbs.
			mm	mm	mm	mm	mm	mm	mm	mm	mm	mm	mm	mm	mm		
KH-4207-13A	TAS	1	1 7/16 36.51	2 13/16 71.4	1 3/4 44.4	4 1/8 104.8	5 1/2 139.7	1 13/32 35.7	1 9/32 15.1	7/16 11.1	1 3/16 20.6	1 31/64 38.1	1 1/16 27.0	45/64 17.9	3/8 10	GSWE100TTS	2.00
KH-4208-11A	TAS	1 1/8	1 11/16 42.86	3 9/32 83.3	1 29/32 48.4	4 5/8 117.5	6 3/16 157.2	1 3/4 39.7	2 1/32 16.7	9/16 14.3	1 5/16 23.8	1 47/64 44.1	1 3/16 30.2	25/32 19.9	1/2 12	GSWE102TTS GSWE103TTS GSWE103TTS3	3.00
KH-4208-12A	TAS	1 3/16															
KH-4208-13A	TAS	1 1/4															
KH-4209-10A	TAS	1 1/4	1 7/8 47.62	3 11/16 93.7	2 1/64 51.2	5 130.2	6 3/4 166.7	1 7/8 45.2	2 3/32 18.3	9/16 14.3	7/8 24.6	2 7/64 54.0	1 9/32 32.5	15/16 22.7	1/2 12	GSWE104TTS GSWE106TTS GSWE107TTS	4.00
KH-4209-12A	TAS	1 3/8															
KH-4209-13A	TAS	1 7/16															
KH-4210-10A	TAS	1 1/2	1 15/16 49.21	3 15/16 100.0	2 7/32 56.4	5 3/8 136.5	7 1/8 179.4	1 15/16 47.6	3/4 19.0	9/16 14.3	1 26.2	2 23/64 60.3	1 3/8 34.9	3 1/32 23.8	1/2 12	GSWE108TTS	5.00
KH-4211-11A	TAS	1 11/16	2 1/8 53.98	4 3/16 106.4	2 7/32 56.4	5 2 1/32 149.2	7 3/8 191.3	2 50.8	3/4 19.0	9/16 14.3	2 9/32 28.6	2 31/64 63.5	1 3/8 34.9	1 25.4	1/2 12	GSWE111TTS GSWE112TTS	5.50
KH-4211-12A	TAS	1 3/4															
KH-4212-12A	TAS	1 15/16	2 1/4 57.15	4 1/2 114.3	2 15/16 62.7	6 3/16 158.0	8 200.0	2 3/16 55.6	3/4 19.0	1 1/16 18.3	1 5/16 29.4	2 47/64 69.8	1 1/2 38.1	1 3/32 27.8	5/8 16	GSWE115TTS	7.00
KH-4213-10A	TAS	2	2 1/2 63.50	4 31/32 126.2	2 13/16 71.4	6 15/16 476.2	8 13/16 222.3	2 5/16 58.7	1 3/16 20.6	1 1/16 18.3	1 1/8 29.4	2 63/64 76.2	1 23/32 43.7	1 5/32 29.4	5/8 16	GSWE200TTS GSWE203TTS	9.00
KH-4213-13A	TAS	2 3/16															

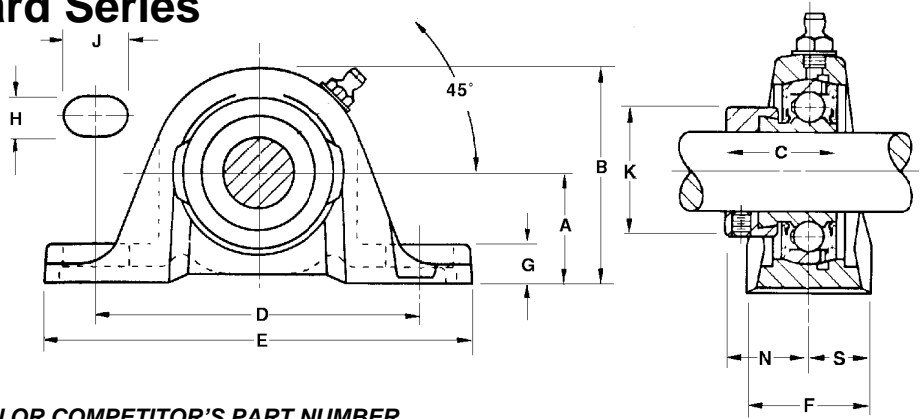
Recommended shaft tolerances: 1/2" - 1 15/16", nominal to -.0005", -.013 mm;  
2" - 2 15/16", nominal to -.0010", -.025 mm

# Pillow Block - Standard Series

High Base to Center Height  
Replaces Fafnir VAS, INA PAS  
and Seal Master VP-E

This Ketchie-Houston standard series pillow block features a higher base to center height dimension.

These units use a standard series, extended inner ring bearing and eccentric locking collar.



TO ORDER, SPECIFY KETCHIE-HOUSTON OR COMPETITOR'S PART NUMBER

Ketchie Houston	Replaces Fafnir S.Master INA	Shaft Diam.	A	B	C	D	E	F	G	H	J	K	N	S	Bolt Size	Bearing Number	Approx. Unit Wt.
		in. mm	in. mm	in. mm	in. mm	in. mm	in. mm	in. mm	in. mm	in. mm	in. mm	in. mm	in. mm	in. mm	in. mm		lbs.
KH-4109-10A	VAS	1/2														GSEE008CCS	
KH-4109-11A	VAS	9/16	13/16	2 7/32	1 15/32	3 5/8	4 7/8	1 7/32	1 5/32	7/16	7/8	1 7/64	59/64	39/64	3/8	GSEE009CCS	1.25
KH-4109-12A	VAS	5/8	30.16	56.4	37.3	92.1	123.8	30.2	11.9	11.1	22.2	28.6	22.2	15.1	10	GSEE010CCS	
KH-4109-13A		17														GSEE017CCS	
KH-4110-10A	VAS	3/4	1 5/16	2 17/32	1 23/32	3 25/32	5	1 11/32	1 9/32	7/16	1 1/16	1 21/64	1 1/16	45/64	3/8	GSEE012CCS	
KH-4110-11A	VAS PAS	20	33.34	64.3	43.7	96.0	127.0	31.8	13.5	11.1	19.8	33.3	39.3	15.9	10	GSEE20CCS	1.50
KH-4111-10A	VAS	9/16														GSEE013CCS	
KH-4111-11A	VAS PAS VP-E	7/8														GSEE014CCS	
KH-4111-12A	VAS	15/16	1 7/16	2 13/16	1 3/4	4 1/8	5 1/2	1 13/32	1 9/32	7/16	1 3/16	1 31/64	1 1/16	45/64	3/8	GSEE015CCS	1.75
KH-4111-13A	VAS	1	36.51	71.4	44.4	104.8	139.7	35.7	15.1	11.1	20.6	38.1	39.3	17.9	10	GSEE100CCS	
KH-4111-14A	VAS PAS	25														GSEE25CCS	
KH-4112-10A	VAS	1 1/16														GSEE101CCS	
KH-4112-11A	VAS PAS VP-E	1 1/8	1 11/16	3 9/32	1 29/32	4 5/8	6 3/16	1 3/4	2 1/32	9/16	1 5/16	1 47/64	1 3/16	7/8	1/2	GSEE102CCS	3.00
KH-4112-12A	VAS	1 3/16	42.86	83.3	35.7	117.5	157.2	39.7	16.7	14.3	23.8	44.1	46.4	19.9	12	GSEE103CCS	
KH-4112-13A	VAS PAS	1 1/4 S														GSEE103CCS3	
KH-4112-14A	VAS	30														GSEE30CCS	
KH-4113-10A	VAS	1 1/4														GSEE104CCS	
KH-4113-11A	VAS	1 5/16	1 7/8	3 11/16	2 1/64	5	6 3/4	1 7/8	2 3/32	9/16	7/8	2 7/64	1 9/32	1 5/16	1/2	GSEE105CCS	3.75
KH-4113-12A	VAS PAS VP-E	1 3/8	47.62	93.7	38.9	130.2	166.7	45.2	18.3	14.3	24.6	54.0	52.0	22.7	12	GSEE106CCS	
KH-4113-13A	VAS	1 7/16														GSEE107CCS	
KH-4113-14A	VAS PAS	35														GSEE35CCS	
KH-4114-10A	VAS PAS VP-E	1 1/2	1 15/16	3 15/16	2 7/32	5 3/8	7 1/8	1 15/16	3/4	9/16	1	2 23/64	1 3/8	3 1/32	1/2	GSEE108CCS	
KH-4114-11A		1 9/16	49.21	100.0	43.7	136.5	179.4	47.6	19.0	14.3	26.2	60.3	32.5	23.8	12	GSEE109CCS	4.75
KH-4114-12A	VAS PAS	40														GSEE40CCS	
KH-4115-10A	VAS PAS	1 5/8														GSEE110CCS	
KH-4115-11A	VAS	1 11/16	2 1/8	4 3/16	2 7/32	5 21/32	7 3/8	2	3/4	9/16	29/32	2 31/64	1 3/8	1	1/2	GSEE111CCS	5.25
KH-4115-12A	VAS	1 3/4	53.98	106.4	43.7	149.2	191.3	50.8	19.0	14.3	28.6	63.5	32.5	25.4	12	GSEE112CCS	
KH-4115-13A	VAS PAS	45														GSEE45CCS	
KH-4116-10A	VAS	1 13/16														GSEE113CCS	
KH-4116-11A	VAS PAS	1 7/8	2 1/4	4 1/2	2 15/32	6 3/16	8	2 3/16	3/4	1 1/16	1 5/16	2 47/64	1 1/2	1 3/32	5/8	GSEE114CCS	
KH-4116-12A	VAS	1 15/16	57.15	114.3	43.7	158.0	200.0	55.6	19.0	17.5	23.8	69.8	32.5	27.8	16	GSEE115CCS	6.25
KH-4116-13A		2S														GSEE115CCS3	
KH-4116-14A	VAS PAS	50														GSEE50CCS	
KH-4117-10A	VAS	2														GSEE200CCS	
KH-4117-11A	VAS	2 1/16	2 1/2	4 31/32	2 13/16	6 15/16	8 13/16	2 5/16	1 3/16	1 1/16	1 1/8	2 63/64	1 23/32	1 5/32	5/8	GSEE201CCS	7.50
KH-4117-12A	VAS	2 1/8	63.50	126.2	48.4	476.2	222.3	58.7	20.6	18.3	29.4	76.2	65.9	29.4	16	GSEE202CCS	
KH-4117-13A	VAS	2 3/16														GSEE203CCS	
KH-4117-14A		55														GSEE55CCS	

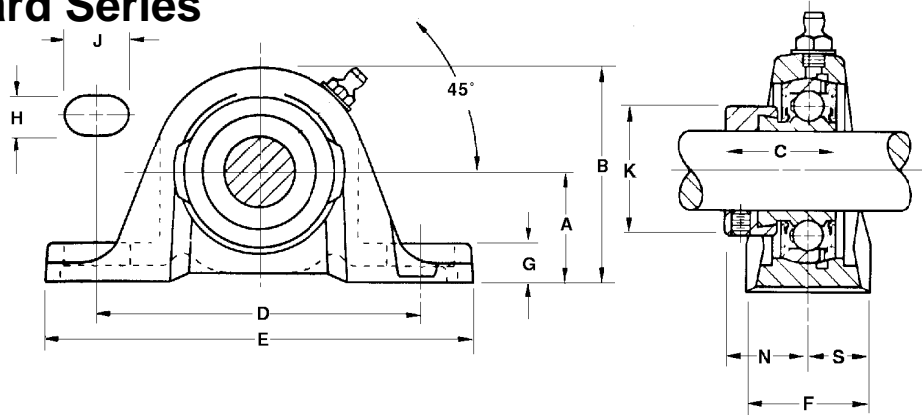
Recommended shaft tolerances: 1/2" - 1 15/16", nominal to - .0005", - .013 mm;  
2" - 2 15/16", nominal to - .0010", - .025 mm

# Pillow Block - Standard Series

High Base to Center Height  
Replaces Fafnir VAS, INA PAS  
and Seal Master VP-E

This Ketchie-Houston standard series pillow block features a higher base to center height dimension.

These units use a standard series, extended inner ring bearing and eccentric locking collar.



TO ORDER, SPECIFY KETCHIE-HOUSTON OR COMPETITOR'S PART NUMBER

Ketchie Houston	Replaces Fafnir S.Master INA	Shaft Diam.	A	B	C	D	E	F	G	H	J	K	N	S	Bolt Size	Bearing Number	Approx. Unit Wt.
			in. mm	in. mm	in. mm	in. mm	in. mm	in. mm	in. mm	in. mm	in. mm	in. mm	in. mm	in. mm			
KH-4109-10A	VAS	1/2														GSEE008CCS	1.25
KH-4109-11A	VAS	9/16	1 3/16	2 7/32	1 15/32	3 5/8	4 7/8	1 7/32	15/32	7/16	7/8	1 7/64	59/64	59/64	3/8	GSEE009CCS	
KH-4109-12A	VAS	5/8	30.16	56.4	37.3	92.1	123.8	30.2	11.9	11.1	22.2	28.6	37.3	15.1	10	GSEE010CCS	
KH-4109-13A		17														GSEE017CCS	
KH-4110-10A	VAS	3/4	1 5/16	2 23/32	1 7/32	3 25/32	5	1 11/32	19/32	7/16	1 1/16	1 31/64	1 1/16	45/64	3/8	GSEE012CCS	1.50
KH-4110-11A	VAS PAS	20	33.34	64.3	43.7	96.0	127.0	31.8	13.5	11.1	19.8	33.3	39.3	15.9	10	GSEE20CCS	
KH-4111-10A	VAS	9/16														GSEE013CCS	1.75
KH-4111-11A	VAS PAS VP-E	7/8														GSEE014CCS	
KH-4111-12A	VAS	15/16	1 7/16	2 13/16	1 3/4	4 1/8	5 1/2	1 13/32	19/32	7/16	1 3/16	1 31/64	1 1/16	45/64	3/8	GSEE015CCS	
KH-4111-13A	VAS	1	36.51	71.4	44.4	104.8	139.7	35.7	15.1	11.1	20.6	38.1	39.3	17.9	10	GSEE100CCS	
KH-4111-14A	VAS PAS	25														GSEE25CCS	
KH-4112-10A	VAS	1 1/16														GSEE101CCS	3.00
KH-4112-11A	VAS PAS VP-E	1 1/8	1 11/16	3 9/32	1 29/32	4 5/8	6 3/16	1 3/4	2 1/32	9/16	15/16	1 47/64	1 3/16	7/8	1/2	GSEE102CCS	
KH-4112-12A	VAS	1 3/16	42.86	83.3	35.7	117.5	157.2	39.7	16.7	14.3	23.8	44.1	46.4	19.9	12	GSEE103CCS	
KH-4112-13A	VAS PAS	1 1/4 S														GSEE103CCS3	
KH-4112-14A	VAS	30														GSEE30CCS	
KH-4113-10A	VAS	1 1/4														GSEE104CCS	3.75
KH-4113-11A	VAS	1 5/16	1 7/8	3 11/16	2 1/64	5	6 3/4	1 7/8	23/32	9/16	7/8	2 7/64	1 9/32	15/16	1/2	GSEE105CCS	
KH-4113-12A	VAS PAS VP-E	1 3/8	47.62	93.7	38.9	130.2	166.7	45.2	18.3	14.3	24.6	54.0	52.0	22.7	12	GSEE106CCS	
KH-4113-13A	VAS	1 7/16														GSEE107CCS	
KH-4113-14A	VAS PAS	35														GSEE35CCS	
KH-4114-10A	VAS PAS VP-E	1 1/2	1 15/16	3 15/16	2 7/64	5 3/8	7 1/8	1 15/16	3/4	9/16	1	2 23/64	1 3/8	3 1/32	1/2	GSEE108CCS	4.75
KH-4114-11A		1 9/16	49.21	100.0	43.7	136.5	179.4	47.6	19.0	14.3	26.2	60.3	32.5	23.8	12	GSEE109CCS	
KH-4114-12A	VAS PAS	40														GSEE40CCS	
KH-4115-10A	VAS PAS	1 5/8														GSEE110CCS	5.25
KH-4115-11A	VAS	1 11/16	2 1/8	4 3/16	2 7/32	5 2 1/32	7 3/8	2	3/4	9/16	29/32	2 31/64	1 3/8	1	1/2	GSEE111CCS	
KH-4115-12A	VAS	1 3/4	53.98	106.4	43.7	149.2	191.3	50.8	19.0	14.3	28.6	63.5	32.5	25.4	12	GSEE112CCS	
KH-4115-13A	VAS PAS	45														GSEE45CCS	
KH-4116-10A	VAS	1 13/16														GSEE113CCS	6.25
KH-4116-11A	VAS PAS	1 7/8	2 1/4	4 1/2	2 15/32	6 3/16	8	2 3/16	3/4	1 1/16	15/16	2 47/64	1 1/2	1 3/32	5/8	GSEE114CCS	
KH-4116-12A	VAS	1 15/16	57.15	114.3	43.7	158.0	200.0	55.6	19.0	17.5	23.8	69.8	32.5	27.8	16	GSEE115CCS	
KH-4116-13A		2S														GSEE115CCS3	
KH-4116-14A	VAS PAS	50														GSEE50CCS	
KH-4117-10A	VAS	2														GSEE200CCS	7.50
KH-4117-11A	VAS	2 1/16	2 1/2	4 3 1/32	1 13/16	6 15/16	8 13/16	2 5/16	13/16	1 1/8	2 63/64	3	1 23/32	1 5/32	5/8	GSEE201CCS	
KH-4117-12A	VAS	2 1/8	63.50	126.2	48.4	476.2	222.3	58.7	20.6	18.3	29.4	76.2	65.9	29.4	16	GSEE202CCS	
KH-4117-13A	VAS	2 3/16														GSEE203CCS	
KH-4117-14A		55														GSEE55CCS	

Recommended shaft tolerances: 1/2" - 1 15/16", nominal to - .0005", - .013 mm;  
2" - 2 15/16", nominal to - .0010", - .025 mm

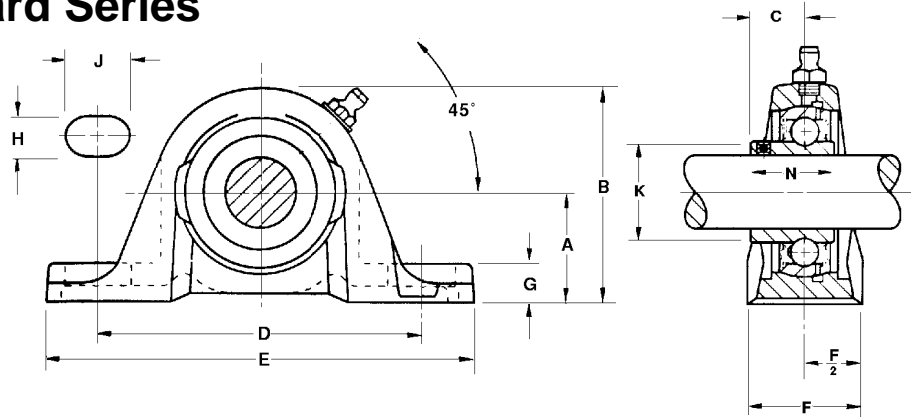


# Pillow Block - Standard Series

High Base to Center Height  
Replaces Fafnir SAS and  
SealMaster VP

This Ketchie-Houston standard series pillow block features a higher base to center height dimension.

These units use a standard series extended inner ring bearing with a set screw lock.



TO ORDER, SPECIFY KETCHIE-HOUSTON OR COMPETITOR'S PART NUMBER

Ketchie Houston	Replaces Fafnir Seal Master	Shaft Diam.	A	B	C	D	E	F	G	H	J	K	N	Bolt Size	Bearing Number	Approx. Unit Wt.
		in. mm	in. mm	in. mm	in. mm	in. mm	in. mm	in. mm	in. mm	in. mm	in. mm	in. mm	in. mm	in. mm		lbs.
KH-4139-10A	SAS	1/2													GSES008CCS	
KH-4139-12A	SAS	5/8	1 3/16	2 7/32	5/8	3 5/8	4 7/8	1 3/16	1 5/32	7/16	7/8	3 1/32	1 5/16	3/8	GSES010CCS	
KH-4139-13A		17	30.16	56.4	15.9	92.1	123.8	30.2	11.9	11.1	22.2	24.6	23.8	10	GSES17CCS	1.25
KH-4140-10A	SAS	3/4	1 5/16	2 17/32	2 3/32	3 25/32	5	1 1/4	1 7/32	7/16	2 5/32	1 9/64	1 1/16	3/8	GSES012CCS	
KH-4140-11A		20	33.34	64.3	18.3	96.0	127.0	31.8	13.5	11.1	19.8	29.0	27.0	10	GSES20CCS	1.50
KH-4141-11A		VP	7/8												GSES014CCS	
KH-4141-12A		15/16	1 7/16	2 13/16	4 9/64	4 1/8	5 1/2	1 13/32	1 9/32	7/16	1 3/16	1 21/64	1 7/64	3/8	GSES015CCS	
KH-4141-13A	SAS	1	36.51	71.4	19.4	104.8	139.7	35.7	15.1	11.1	20.6	33.7	28.2	10	GSES100CCS	1.75
KH-4141-14A		25													GSES25CCS	
KH-4142-11A	SAS	VP	1 1/8												GSES102CCS	
KH-4142-12A	SAS	1 3/16	1 11/16	3 9/32	2 9/32	4 5/8	6 3/16	1 3/4	2 1/32	9/16	1 5/16	1 37/64	1 9/32	1/2	GSES103CCS	
KH-4142-13A	SAS	1 1/4	42.86	83.3	23.0	117.5	157.2	39.7	16.7	14.3	23.8	40.1	32.5	12	GSES103CCS3	2.75
KH-4142-14A	SAS	30													GSES30CCS	
KH-4143-10A	SAS	VP	1 1/4												GSES104CCS	
KH-4143-12A	SAS	1 3/8	1 7/8	3 11/16	1 1/64	5 1/8	6 9/16	1 3/4	2 3/32	9/16	3 1/32	1 27/32	1 7/16	1/2	GSES106CCS	
KH-4143-13A	SAS	1 7/16	47.62	93.7	25.8	130.2	166.7	39.7	18.3	14.3	24.6	46.8	36.5	12	GSES107CCS	3.50
KH-4143-14A	SAS	35													GSES35CCS	
KH-4144-10A	SAS	VP	1 1/2												GSES108CCS	
KH-4144-12A		40	49.21	100.0	27.8	136.5	179.4	47.6	19.0	14.3	26.2	52.4	39.3	12	GSES40CCS	4.25
KH-4145-10A		1 5/8													GSES110CCS	
KH-4145-11A		1 11/16	2 1/8	4 3/16	1 1/8	5 7/8	7 17/32	2	3/4	9/16	1 1/8	2 9/32	1 21/32	1/2	GSES111CCS	
KH-4145-12A	SAS	1 3/4	53.98	106.4	28.6	149.2	191.3	50.8	19.0	14.3	28.6	57.9	42.1	12	GSES112CCS	4.75
KH-4145-13A		45													GSES45CCS	
KH-4146-12A	SAS	1 15/16	2 1/4	4 1/2	1 7/32	6 7/32	7 7/8	2 3/16	3/4	1 1/16	1 5/16	2 15/32	1 3/4	5/8	GSES115CCS	
KH-4146-13A		2S	57.15	114.3	62.7	158.0	200.0	55.6	19.0	18.3	23.8	62.7	44.4	16	GSES115CCS3	5.75
KH-4146-14A		50													GSES50CCS	
KH-4147-10A	SAS	2													GSES200CCS	
KH-4147-13A	SAS	2 3/16	2 1/2	4 31/32	1 1/4	6 15/16	8 3/4	2 5/16	1 3/16	2 3/32	1 5/32	2 3/4	1 53/64	5/8	GSES203CCS	
KH-4147-14A		55	63.50	126.2	71.4	476.2	222.3	58.7	20.6	18.3	29.4	69.8	46.4	16	GSES55CCS	6.75

Recommended shaft tolerances: 1/2" - 1 15/16", nominal to -.0005", -.013 mm;  
2" - 2 15/16", nominal to -.0010", -.025 mm

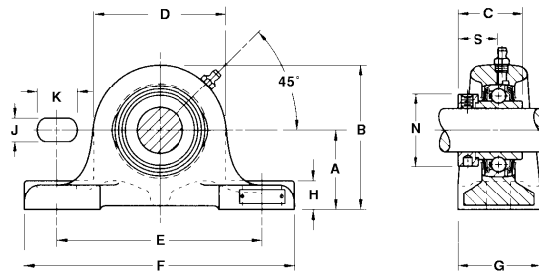
# Pillow Block - Standard Series

## Special Base to Center Height

### Replaces Fafnir RSA

This Ketchie-Houston standard series pillow block has a special base-to-center height. These units are equipped with a standard series wide inner ring bearing, integral seals and eccentric locking collar.

TO ORDER, SPECIFY KETCHIE-HOUSTON OR COMPETITOR'S PART NUMBER



Ketchie Houston	Replaces	Shaft Diam.	A	B	C	D	E	F	G	H	J	K	N	S	Bolt Size	Bearing Number	Approx. Unit Wt.
	Fafnir	in. mm	in. mm	in. mm	in. mm	in. mm	in. mm	in. mm	in. mm	in. mm	in. mm	in. mm	in. mm	in. mm	in. mm		lbs.
KH-1361-10A	RSA	1/2														GSWE008CCS	
KH-1361-12A	RSA	5/8	1 1/4	2 5/16	1 15/32	2 1/8	3 13/16	4 13/16	1 1/4	1/2	7/16	9/16	1 3/16	1 59/64	3/8	GSWE010CCS	1.75
KH-1361-14A	RSA	11/16	31.75	58.7	37.3	54.0	96.8	122.2	31.8	12.7	11.1	14.3	30.2	23.4	9.5	GSWE17CCS	
KH-1362-10A	RSA	3/4	1 3/4	3	1 23/32	2 1/2	5	6 1/2	2	9/16	9/16	3/4	1 5/16	1 3/64	1/2	GSWE012CCS	
KH-1362-11A	RSA	20	44.45	76.2	43.7	63.5	127.0	165.1	50.8	14.3	14.3	19.0	33.3	26.6	12.7	GSWE20CCS	3.00
KH-1363-11A	RSA	13/16														GSWE014CCS	
KH-1363-12A	RSA	7/8	2	3 3/8	1 3/4	2 3/4	5 1/2	7	2 1/8	5/8	9/16	3/4	1 1/2	1 1/16	1/2	GSWE015CCS	3.50
KH-1363-13A	RSA	15/16	50.80	85.7	44.4	69.8	139.7	177.8	54.0	15.9	14.3	19.0	38.1	27.0	12.7	GSWE100CCS	
KH-1363-14A	RSA	25														GSWE25CCS	
KH-1364-10A	RSA	1 1/16														GSWE101CCS	
KH-1364-11A	RSA	1 1/8	2	3 19/32	1 29/32	3 3/16	5 1/2	7	2 1/8	11/16	5/8	13/16	1 3/4	1 3/16	1/2	GSWE102CCS	4.25
KH-1364-12A	RSA	1 3/16	50.80	91.3	48.4	81.0	139.7	177.8	54.0	17.5	15.9	20.6	44.4	30.2	12.7	GSWE103CCS	
KH-1364-13A	RSA															GSWE103CCS3	
KH-1364-14A	RSA	30														GSWE30CCS	
KH-1365-10A	RSA	1 1/4														GSWE104CCS	
KH-1365-11A	RSA	1 5/16	2 3/8	4 3/8	2 1/64	4	6 1/4	8 1/4	2 5/8	7/8	3/4	1 1/4	2 3/16	1 9/32	5/8	GSWE105CCS	7.25
KH-1365-12A	RSA	1 1/8	60.33	111.1	51.2	101.6	158.8	209.6	66.7	22.2	19.0	31.8	55.6	32.5	15.9	GSWE106CCS	
KH-1365-13A	RSA	1 7/16														GSWE107CCS	
KH-1365-14A	RSA	35														GSWE35CCS	
KH-1366-10A	RSA	1 1/2	2 3/8	4 3/8	2 7/32	4	6 5/8	8 1/4	2 3/8	3/4	3/4	7/8	2 3/8	1 3/8	5/8	GSWE108CCS	
KH-1366-11A	RSA	1 9/16	60.33	111.1	56.4	101.6	168.3	209.6	60.3	19.0	19.0	22.2	60.3	34.9	15.9	GSWE109CCS	6.75
KH-1366-12A	RSA	40														GSWE40CCS	
KH-1367-10A	RSA	1 1/8														GSWE110CCS	
KH-1367-11A	RSA	1 11/16	2 3/8	4 1/2	2 7/32	4 1/4	6 5/8	8 1/4	2 3/8	13/16	3/4	15/16	2 1/2	1 3/8	5/8	GSWE111CCS	7.00
KH-1367-12A	RSA	1 3/4	60.33	114.3	56.4	108.0	168.3	209.6	60.3	20.6	19.0	23.8	63.5	34.9	15.9	GSWE112CCS	
KH-1367-13A	RSA	45														GSWE45CCS	
KH-1368-10A	RSA	1 13/16														GSWE113CCS	
KH-1368-11A	RSA	1 7/8	2 3/4	5 1/8	2 15/32	4 3/4	8 1/4	10 5/8	2 3/4	1 1/32	3/4	1 3/8	2 3/4	1 1/2	5/8	GSWE114CCS	11.00
KH-1368-12A	RSA	1 15/16	69.85	130.2	62.7	120.6	209.6	269.9	69.8	26.2	19.0	34.9	69.8	38.1	15.9	GSWE115CCS	
KH-1368-13A	RSA	50														GSWE50CCS	
KH-1369-10A	RSA	2														GSWE200CCS	
KH-1369-11A	RSA	2 1/16	3 1/8	5 19/32	2 13/16	4 15/16	9	11 3/8	3 1/8	1	3/4	1 5/16	3	1 23/32	5/8	GSWE201CCS	13.50
KH-1369-12A	RSA	2 1/8	79.38	142.1	71.4	125.4	228.6	288.9	79.4	25.4	19.0	33.3	76.2	43.7	15.9	GSWE202CCS	
KH-1369-13A	RSA	2 3/16														GSWE203CCS	
KH-1369-14A	RSA	55														GSWE55CCS	
KH-1370-10A	RSA	2 1/4														GSWE204CCS	
KH-1370-12A	RSA	2 5/16	3 1/8	5 7/8	3 1/16	5 1/2	9	11 3/8	3 1/8	1 1/8	7/8	1 1/8	3 5/16	1 27/32	3/4	GSWE206CCS	15.50
KH-1370-13A	RSA	2 3/8	79.38	149.2	77.8	139.7	228.6	288.9	79.4	28.6	22.2	28.6	84.1	46.8	19.0	GSWE207CCS	
KH-1370-14A	RSA	60														GSWE60CCS	
KH-1371-10A	RSA	2 5/8														GSWE210CCS	
KH-1371-11A	RSA	2 11/16	3 3/4	6 13/16	3 1/4	6 1/8	10 1/4	12 5/8	3 1/2	1 5/16	7/8	1 3/8	3 13/16	2 1/32	3/4	GSWE211CCS	22.25
KH-1371-12A	RSA	70	95.25	173.0	82.6	155.6	260.4	320.7	88.9	33.3	22.2	34.9	96.8	45.2	19.0	GSWE70CCS	
KH-1372-10A	RSA	2 3/4														GSWE212CCS	
KH-1372-13A	RSA	2 13/16	3 3/4	7	3 5/8	7 23/32	10 1/4	12 5/8	3 1/2	1 1/2	7/8	1 1/4	4	2 5/32	3/4		23.75
KH-1372-14A	RSA	75	95.25	177.8	92.1	196.1	260.4	320.7	88.9	38.1	22.2	31.8	101.6	54.8	19.0	GSWE215CCS	
																GSWE75CCS	

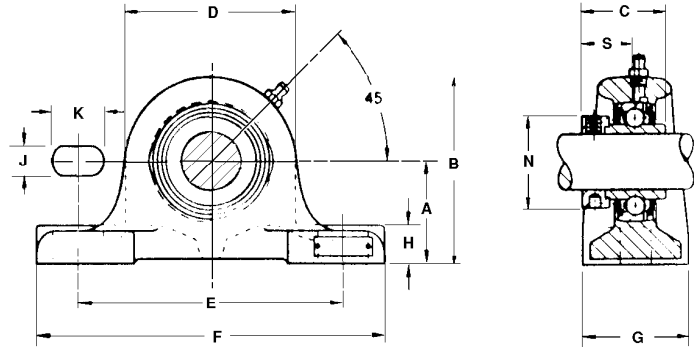
Recommended shaft tolerances: 1/2" - 1 19/16", nominal to -.0005", -.013 mm; 2" - 2 15/16", nominal to -.0010", -.025 mm

# Pillow Block - Standard Series - High Temperature

Special Base to Center Height  
Replaces Fafnir LSA

This Ketchie-Houston standard series high temperature pillow block has a special base to center height. These units are designed for applications in which the operating temperature exceeds 250°F.

The units are equipped with a standard series wide inner ring bearing, high temperature seals and high temperature grease.



TO ORDER, SPECIFY KETCHIE-HOUSTON OR COMPETITOR'S PART NUMBER

Ketchie Houston	Replaces	Shaft Diam.	A	B	C	D	E	F	G	H	J	K	N	S	Bolt Size	Bearing Number	Approx. Unit Wt.
			in.	in.	in.	in.	in.	in.	in.	in.	in.	in.	in.	in.			
KH-1362-0-10A	LSA	3/4 20	1 3/4 44.45	3 76.2	1 23/32 43.7	2 1/2 63.5	5 127.0	6 1/2 165.1	2 50.8	9/16 14.3	9/16 14.3	3/4 19.0	1 5/16 33.3	1 3/64 27.8	1/2 12.7	GSWE012HHS	3.00
KH-1363-0-13A	LSA	9/16 7/8 15/16 1	2 50.80	3 3/8 85.7	1 3/4 44.4	2 3/4 69.8	5 1/2 139.7	7 177.8	2 1/8 54.0	5/8 15.9	9/16 14.3	3/4 19.0	1 1/2 38.1	1 1/16 27.0	1/2 12.7	GSWE100HHS	3.50
KH-1364-0-10A	LSA	1 1/16 1 1/8 1 3/16 30	2 50.80	3 19/32 91.3	1 29/32 48.4	3 3/16 81.0	5 1/2 139.7	7 177.8	2 1/8 54.0	11/16 17.5	5/8 15.9	13/16 20.6	1 3/4 44.4	1 3/16 30.2	1/2 12.7	GSWE103HHS	4.25
KH-1365-0-10A	LSA	1 1/4 1 5/16														GSWE104HHS	
KH-1365-0-13A	LSA	1 3/8 1 7/16 35	2 3/8 60.33	4 3/8 111.1	2 1/64 51.2	4 101.6	6 1/4 158.8	8 1/4 209.6	2 5/8 66.7	7/8 22.2	3/4 19.0	1 1/4 31.8	2 3/16 54.0	1 9/32 32.5	5/8 15.9	GSWE107HHS	7.25
KH-1366-0-10A	LSA	1 1/2 1 9/16 40	2 3/8 60.33	4 3/8 111.1	2 7/32 56.4	4 101.6	6 5/8 168.3	8 1/4 209.6	2 3/8 60.3	3/4 19.0	3/4 19.0	7/8 22.2	2 3/8 60.3	1 3/8 34.9	5/8 15.9	GSWE108HHS	6.75
KH-1367-0-11A	LSA	1 5/8	2 3/8	4 1/2	2 7/32	4 1/4	6 5/8	8 1/4	2 3/8	13/16	3/4	15/16	2 1/2	1 3/8	5/8	GSWE111HHS	
KH-1367-0-12A	LSA	1 11/16 1 3/4 45	60.33	114.3	56.4	108.0	168.3	209.6	60.3	20.6	19.0	23.8	63.5	34.9	15.9	GSWE112HHS	7.00
KH-1368-0-12A	LSA	1 13/16 1 7/8 1 15/16 50	69.85	130.2	62.7	120.6	209.6	269.9	69.8	26.2	19.0	34.9	69.8	38.1	15.9	GSWE115HHS	11.00
KH-1369-0-13A	LSA	2 2 1/16 2 1/8 2 3/16 55	79.38	142.1	71.4	125.4	228.6	288.9	79.4	25.4	19.0	33.3	76.2	43.7	15.9	GSWE203HHS	13.50
KH-1370-0-13A	LSA	2 1/16 2 2 2 60	79.38	149.2	77.8	139.7	228.6	288.9	79.4	28.6	22.2	28.6	84.1	46.8	19.0	GSWE207HHS	15.50

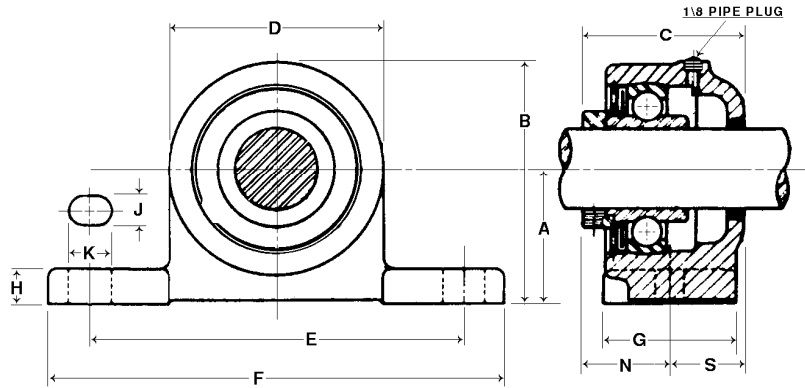
Recommended shaft tolerances: 1/2" - 1 15/16", nominal to - .0005", - .013 mm; 2" - 2 15/16", nominal to - .0010", - .025 mm

# Single Pillow Block - Standard Series

Replaces Fafnir SA

This Ketchie-Houston standard series pillow block replaces the discontinued Fafnir SA Series.

These units use a standard series wide inner ring bearing with one seal arrangement and eccentric locking collar



TO ORDER, SPECIFY KETCHIE-HOUSTON OR COMPETITOR'S PART NUMBER

Ketchie Houston	Replaces Fafnir	Shaft Diam.	A	B	C	D	E	F	G	H	J	K	N	S	Bolt Size (2 req'd)	Bearing Number	Approx. Unit Wt.
		in.	in.	in.	in.	in.	in.	in.	in.	in.	in.	in.	in.	in.	in.		lbs.
KH-3025-1A	SA	9/16														SWE009MUS	
KH-3025-2A	SA	5/8	1 1/4	2 3/8	2 1/32	2 1/4	3 13/16	4 13/16	1 1/4	3/8	7/16	7/16	1	1	3/8	GSWE010CS	2.00
KH-3025-3A	SA	11/16														SWE011MUS	
KH-3026-0A	SA	3/4	1 3/4	3 1/16	2 3/8	2 5/8	5	6 1/2	2	5/8	9/16	3/4	1 3/8	1	7/16	GSWE012CS	3.75
KH-3027-0A	SA	13/16														SWE013MUS	
KH-3027-1A	SA	7/8	2	3 3/8	2 29/64	2 3/4	5 1/2	7	2 1/8	5/8	9/16	3/4	1 25/64	1 1/16	1/2	GSWE014CS	4.25
KH-3027-2A	SA	15/16														GSWE015CS	
KH-3027-3A	SA	1														GSWE100CS	
KH-3028-0A	SA	1 1/16														GSWE101CS	
KH-3028-1A	SA	1 1/8	2	3 5/8	2 3/4	3 1/4	5 1/2	7	2 1/8	11/16	5/8	3/4	1 1/2	1 1/4	1/2	GSWE102CS	5.00
KH-3028-2A	SA	1 3/16														GSWE103CS	
KH-3029-0A	SA	1 1/4														GSWE104CS	
KH-3029-1A	SA	1 5/16	2 3/8	4 3/16	3 3/64	3 5/8	6 1/4	8 1/4	2 5/8	3/4	3/4	1 1/4	1 47/64	1 5/16	5/8	GSWE105CS	7.75
KH-3029-2A	SA	1 3/8														GSWE106CS	
KH-3029-3A	SA	1 7/16														GSWE107CS	
KH-3030-0A	SA	1 1/2	2 3/8	4 3/8	3 15/64	4	6 5/8	8 1/4	2 3/8	3/4	5/8	3/4	1 43/64	1 9/16	1/2	GSWE108CS	9.00
KH-3030-1A	SA	1 9/16														GSWE109CS	
KH-3031-0A	SA	1 5/8														GSWE110CS	
KH-3031-1A	SA	1 11/16	2 3/8	4 7/16	3 3/8	4 1/8	6 5/8	8 1/4	2 3/8	3/4	5/8	3/4	1 11/16	1 11/16	1/2	GSWE111CS	8.50
KH-3031-2A	SA	1 3/4														GSWE112CS	
KH-3032-0A	SA	1 13/16														GSWE113CS	
KH-3032-1A	SA	1 7/8	2 3/4	4 15/16	3 19/32	4 3/8	8 1/4	10 5/8	2 3/4	7/8	3/4	1 5/16	1 29/32	1 11/16	5/8	GSWE114CS	12.00
KH-3032-2A	SA	1 15/16														GSWE115CS	
KH-3033-0A	SA	2														GSWE200CS	
KH-3033-1A	SA	2 1/16	3 1/8	5 11/16	4	5 1/8	9	11 3/8	3 1/8	1 3/16	3/4	1	1 23/32	2 9/32	5/8	SWE201MUS	18.75
KH-3033-2A	SA	2 1/8														GSWE202CS	
KH-3033-3A	SA	2 3/16														GSWE203CS	
KH-3034-0A	SA	2 1/4														GSWE204CS	
KH-3034-1A	SA	2 5/16	3 1/8	5 13/16	4 21/64	5 3/8	9	11 3/8	3 1/8	1 3/16	3/4	1	1 27/32	2 31/64	5/8	GSWE205CS	17.25
KH-3034-2A	SA	2 3/8														GSWE206CS	
KH-3034-3A	SA	2 7/16														GSWE207CS	
KH-3035-0A	SA	2 1/2	3 3/4	6 11/16	4 37/64	5 7/8	10 1/4	12 5/8	3 1/2	1 1/16	7/8	1 1/4	2 1/32	2 35/64	3/4	SWE208MUS	27.25
KH-3036-1A	SA	2 11/16	3 3/4	6 3/4	4 49/64	6	10 1/4	12 5/8	3 1/2	1 1/16	7/8	1 1/4	2 1/32	2 47/64	3/4	GSWE211CS	27.25
KH-3037-3A	SA	2 15/16	3 3/4	7	4 7/8	6 1/2	10 1/4	12 5/8	3 1/2	1	7/8	1 1/4	2 5/32	2 23/32	3/4	GSWE215CS	31.75
KH-3038-3A	SA	3 3/16	4 1/8	7 5/8	5 29/64	7	11 1/4	13 3/4	4	1 1/16	7/8	1 1/4	2 11/32	3 7/64	3/4	SWE303MUS	43.25
KH-3039-3A	SA	3 7/16	4 9/16	8 5/16	5 23/32	7 1/2	12 3/8	15 3/8	4 3/8	1 1/4	1	1 5/16	2 15/32	3 1/4	7/8	SWE307MUS	49.75
KH-3040-3A	SA	3 11/16	4 9/16	8 3/4	6 13/32	8 3/8	12 3/8	15 3/8	4 3/8	1 1/4	1	1 5/16	2 21/32	3 3/4	7/8	SWE311MUS	65.25
KH-3041-2A	SA	3 15/16	5 1/8	9 11/16	6 55/64	9 1/8	13 3/8	16 1/8	4 3/4	1 1/4	1	1 5/16	2 31/32	3 57/64	7/8	SWE315MUS	82.75

Dimensions M and S are measured from center of bolt. 3 3/16" and larger use 1/4 pipe plug.

Recommended shaft tolerances: 9/16" - 2 = nominal to -.0005"

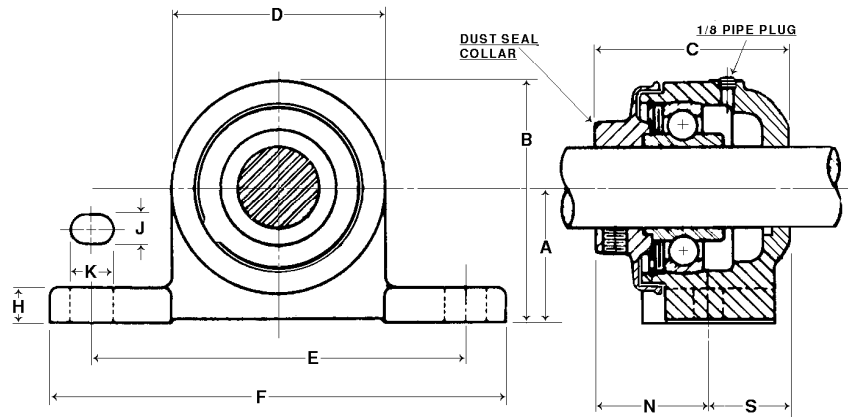
2 1/16" - 3 15/16", nominal to -.0010"

# Single Pillow Block - Standard Series - One Dust Seal Collar

## Replaces Fafnir SAD

This Ketchie-Houston standard series pillow block replaces the discontinued Fafnir SAD Series.

These units use a standard series wide inner ring bearing with one seal arrangement and dust seal locking collar for extra sealing capability.



**TO ORDER, SPECIFY KETCHIE-HOUSTON OR COMPETITOR'S PART NUMBER**

Ketchie Houston	Replaces Fafnir	Shaft Diam.	A	B	C	D	E	F	G	H	J	K	N	S	Bolt Size	Bearing Number	Approx. Unit Wt.
		in.	in.	in.	in.	in.	in.	in.	in.	in.	in.	in.	in.	in.	in.		lbs.
KH-3025-11A	SAD	9/16														SWE009MUS	
KH-3025-12A	SAD	5/8	1 1/4	2 3/8	2 1/32	2 1/4	3 13/16	4 13/16	1 1/4	3/8	7/16	7/16	1 3/8	1	3/8	GSWE010CS	3.00
KH-3025-13A	SAD	11/16														SWE011MUS	
KH-3026-10A	SAD	3/4	1 3/4	3 1/16	2 3/8	2 5/8	5	6 1/2	2	5/8	9/16	3/4	1 3/8	1	7/16	GSWE012CS	4.75
KH-3027-10A	SAD	13/16														SWE013MUS	
KH-3027-11A	SAD	7/8	2	3 3/8	2 29/64	2 3/4	5 1/2	7	2 1/8	5/8	9/16	3/4	1 25/64	1 1/16	1/2	GSWE014CS	5.25
KH-3027-12A	SAD	15/16														GSWE015CS	
KH-3027-13A	SAD	1														GSWE100CS	
KH-3028-10A	SAD	1 1/16														GSWE101CS	
KH-3028-11A	SAD	1 1/8	2	3 5/8	2 3/4	3 1/4	5 1/2	7	2 1/8	11/16	5/8	3/4	1 1/2	1 1/4	1/2	GSWE102CS	6.50
KH-3028-12A	SAD	1 3/16														GSWE103CS	
KH-3029-10A	SAD	1 1/4														GSWE104CS	
KH-3029-11A	SAD	1 5/16	2 3/8	4 3/16	3 3/64	3 5/8	6 1/4	8 1/4	2 5/8	3/4	3/4	1 1/4	1 47/64	1 5/16	5/8	GSWE105CS	9.75
KH-3029-12A	SAD	1 3/8														GSWE106CS	
KH-3029-13A	SAD	1 7/16														GSWE107CS	
KH-3030-10A	SAD	1 1/2	2 3/8	4 3/8	3 15/64	4	6 5/8	8 1/4	2 3/8	3/4	5/8	3/4	1 43/64	1 9/16	1/2	GSWE108CS	11.00
KH-3030-11A	SAD	1 9/16														GSWE109CS	
KH-3031-10A	SAD	1 5/8														GSWE110CS	
KH-3031-11A	SAD	1 11/16	2 3/8	4 7/16	3 3/8	4 1/8	6 5/8	8 1/4	2 3/8	3/4	5/8	3/4	1 11/64	1 11/16	1/2	GSWE111CS	11.50
KH-3031-12A	SAD	1 3/4														GSWE112CS	
KH-3032-10A	SAD	1 13/16														GSWE113CS	
KH-3032-11A	SAD	1 7/8	2 3/4	4 15/16	3 19/32	4 3/8	8 1/4	10 5/8	2 3/4	7/8	3/4	15/16	1 29/32	1 11/16	5/8	GSWE114CS	15.00
KH-3032-12A	SAD	1 15/16														GSWE115CS	
KH-3033-10A	SAD	2														GSWE200CS	
KH-3033-11A	SAD	2 1/16	3 1/8	5 11/16	4	5 1/8	9	11 3/8	3 1/8	13/16	3/4	1	1 23/32	2 9/32	5/8	SWE201MUS	22.75
KH-3033-12A	SAD	2 1/8														GSWE202CS	
KH-3033-13A	SAD	2 3/16														GSWE203CS	
KH-3034-10A	SAD	2 1/4														GSWE204CS	
KH-3034-11A	SAD	2 5/16	3 1/8	5 13/16	4 29/64	5 3/8	9	11 3/8	3 1/8	13/16	3/4	1	1 27/32	2 31/64	5/8	GSWE205CS	23.25
KH-3034-12A	SAD	2 3/8														GSWE206CS	
KH-3034-13A	SAD	2 7/16														GSWE207CS	
KH-3035-10A	SAD	2 1/2	3 3/4	6 11/16	5 37/64	5 7/8	10 1/4	12 5/8	3 1/2	1 1/16	7/8	1 1/4	2 1/32	2 35/64	3/4	SWE208MUS	33.25
KH-3036-11A	SAD	2 11/16	3 3/4	6 3/4	5 49/64	6	10 1/4	12 5/8	3 1/2	1 1/16	7/8	1 1/4	2 1/32	2 47/64	3/4	GSWE211CS	33.25
KH-3037-13A	SAD	2 15/16	3 3/4	7	4 7/8	6 1/2	10 1/4	12 5/8	3 1/2	1	7/8	1 1/4	2 5/8	2 23/32	3/4	GSWE215CS	39.75
KH-3038-13A	SAD	3 3/16	4 1/8	7 5/8	5 32/64	7	11 1/4	13 3/4	4	1 1/16	7/8	1 1/4	2 13/32	3 7/64	3/4	SWE303MUS	53.25
KH-3039-13A	SAD	3 7/16	4 9/16	8 5/16	5 2/32	7 1/2	12 3/8	15 3/8	4 3/8	1 1/4	1	1 5/16	2 13/32	3 1/4	7/8	SWE307MUS	59.75
KH-3040-13A	SAD	3 11/16	4 9/16	8 3/4	6 29/32	8 3/8	12 3/8	15 3/8	4 3/8	1 1/4	1	1 5/16	3 5/32	3 3/4	7/8	SWE311MUS	
KH-3041-12A	SAD	3 15/16	5 1/8	9 11/16	7 7/64	9 1/8	13 3/8	16 1/8	4 3/4	1 1/4	1	1 5/16	3 7/32	3 57/64	7/8	SWE315MUS	95.75

Dimensions N measured from center of bolt. 3 3/16" and larger use 1/4 pipe plug.

Recommended shaft tolerances: 9/16" - 2" = nominal to -.0005"

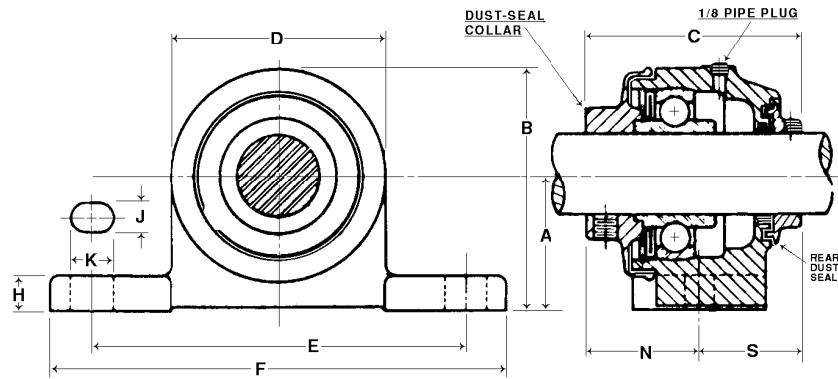
2 7/16" - 3 15/16", nominal to -.0010"

# Single Pillow Block - Standard Series - Two Dust-Seal Collars

## Replaces Fafnir SADD

This Ketchie-Houston standard series pillow block replaces the discontinued Fafnir SADD Series.

These units use a standard series wide inner ring bearing with one seal arrangement and dust seal locking collar. In addition the unit includes a rear dust seal collar for extra sealing capability.



### TO ORDER, SPECIFY KETCHIE-HOUSTON OR COMPETITOR'S PART NUMBER

Ketchie Houston	Replaces Fafnir	Shaft Diam.	A	B	C	D	E	F	G	H	J	K	N	S	Bolt Size (2 req'd)	Bearing Number	Approx. Unit Wt.
		in.	in.	in.	in.	in.	in.	in.	in.	in.	in.	in.	in.	in.	in.		lbs.
KH-3025-21A	SADD	9/16														SWE009MUS	2.50
KH-3025-22A	SADD	5/8	1 1/4	2 3/8	2 7/8	2 1/4	3 13/16	4 13/16	1 1/4	3/8	7/16	7/16	1 3/8	1 1/2	3/8	GSWE010CS	
KH-3025-23A	SADD	11/16														SWE011MUS	
KH-3026-20A	SADD	3/4	1 3/4	3 1/16	3 9/32	2 5/8	5	6 1/2	2	5/8	9/16	3/4	1 23/32	1 9/16	7/16	GSWE012CS	4.75
KH-3027-20A	SADD	13/16														SWE013MUS	5.25
KH-3027-21A	SADD	7/8	2	3 3/8	3 5/16	2 3/4	5 1/2	7	2 1/8	5/8	9/16	3/4	1 11/16	1 5/8	1/2	GSWE014CS	
KH-3027-22A	SADD	15/16														GSWE015CS	
KH-3027-23A	SADD	1														GSWE100CS	
KH-3028-20A	SADD	1 1/16														GSWE101CS	6.50
KH-3028-21A	SADD	1 1/8	2	3 5/8	3 33/64	3 1/4	5 1/2	7	2 1/8	11/16	5/8	3/4	1 45/64	1 13/16	1/2	GSWE102CS	
KH-3028-22A	SADD	1 3/16														GSWE103CS	
KH-3029-20A	SADD	1 1/4														GSWE104CS	9.75
KH-3029-21A	SADD	1 5/16	2 3/8	4 3/16	4	3 5/8	6 1/4	8 1/4	2 5/8	3/4	3/4	1 1/4	2 1/8	1 7/8	5/8	GSWE105CS	
KH-3029-22A	SADD	1 3/8														GSWE106CS	
KH-3029-23A	SADD	1 7/16														GSWE107CS	
KH-3030-20A	SADD	1 1/2	2 3/8	4 3/8	4 21/64	4	6 5/8	8 1/4	2 3/8	3/4	5/8	3/4	2 9/64	2 3/16	1/2	GSWE108CS	12.00
KH-3030-21A	SADD	1 9/16														GSWE109CS	
KH-3031-20A	SADD	1 5/8														GSWE110CS	10.50
KH-3031-21A	SADD	1 11/16	2 3/8	4 7/16	4 19/32	4 1/8	6 5/8	8 1/4	2 3/8	3/4	5/8	3/4	2 3/32	2 1/2	1/2	GSWE111CS	
KH-3031-22A	SADD	1 3/4														GSWE112CS	
KH-3032-20A	SADD	1 13/16														SWE113MUS	15.00
KH-3032-21A	SADD	1 7/8	2 3/4	4 15/16	4 13/16	4 3/8	8 1/4	10 5/8	2 3/4	7/8	3/4	15/16	2 5/16	2 1/2	5/8	GSWE114CS	
KH-3032-22A	SADD	1 15/16														GSWE115CS	
KH-3033-20A	SADD	2														GSWE200CS	21.75
KH-3033-21A	SADD	2 1/16	3 1/8	5 11/16	5 3/16	5 1/8	9	11 3/8	3 1/8	13/16	3/4	1	2 1/32	3 5/32	5/8	SWE201MUS	
KH-3033-22A	SADD	2 1/8														GSWE202CS	
KH-3033-23A	SADD	2 3/16														GSWE203CS	
KH-3034-20A	SADD	2 1/4														GSWE204CS	21.75
KH-3034-21A	SADD	2 5/16	3 1/8	5 13/16	5 21/32	5 3/8	9	11 3/8	3 1/8	13/16	3/4	1	2 11/32	3 5/16	5/8	SWE205MUS	
KH-3034-22A	SADD	2 3/8														GSWE206CS	
KH-3034-23A	SADD	2 7/16														GSWE207CS	
KH-3035-20A	SADD	2 1/2	3 3/4	6 11/16	6 7/64	5 7/8	10 1/4	12 5/8	3 1/2	1 1/16	7/8	1 1/4	2 19/32	3 33/64	3/4	SWE208MUS	31.75
KH-3036-21A	SADD	2 11/16	3 3/4	6 3/4	6 21/64	6	10 1/4	12 5/8	3 1/2	1 1/16	7/8	1 1/4	2 19/32	3 47/64	3/4	GSWE211CS	33.25
KH-3037-23A	SADD	2 15/16	3 3/4	7	6 3/16	6 1/2	10 1/4	12 5/8	3 1/2	1	7/8	1 1/4	2 19/32	3 19/32	3/4	GSWE215CS	37.75
KH-3038-23A	SADD	3 3/16	4 1/8	7 5/8	6 63/64	7	11 1/4	13 3/4	4	1 1/16	7/8	1 1/4	2 13/16	4 11/64	3/4	SWE303MUS	48.25
KH-3039-23A	SADD	3 7/16	4 9/16	8 5/16	6 27/32	7 1/2	12 3/8	15 3/8	4 3/8	1 1/4	1	1 5/16	2 13/16	4 1/32	7/8	SWE307MUS	53.75
KH-3040-23A	SADD	3 11/16	4 9/16	8 3/4	7 27/32	8 3/8	12 3/8	15 3/8	4 3/8	1 1/4	1	1 5/16	3 5/32	4 11/16	7/8	SWE311MUS	72.25
KH-3041-22A	SADD	3 15/16	5 1/8	9 11/16	8 3/64	9 1/8	13 3/8	16 1/8	4 3/4	1 1/4	1	1 5/16	3 7/32	4 53/64	7/8	SWE315MUS	87.75

Dimensions M and S are measured from center of bolt. 3 3/16" and larger use 1/4 pipe plug.

Recommended shaft tolerances: 9/16" - 2 = nominal to -.0005"

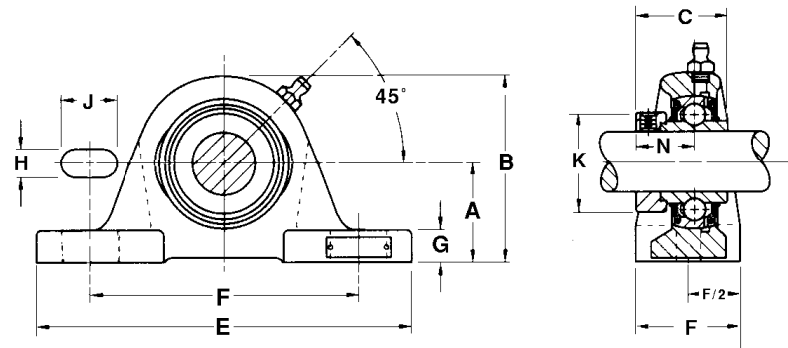
2 1/16" - 3 15/16", nominal to -.0010"

# Pillow Block Unit - Standard Series

## Replaces Fafnir RAKH

This Ketchie-Houston standard series pillow block is similar in design to other standard duty units but has slightly different dimensions to allow interchangeability with certain competitors' designs

These units may be used independently, but are often used with expansion units. The units are equipped with a standard series wide inner ring bearing with an eccentric locking collar.



**TO ORDER, SPECIFY KETCHIE-HOUSTON OR COMPETITOR'S PART NUMBER**

Ketchie Houston	Replaces		Shaft Diam.	A	B	C	D	E	F	G	H	J	K	N	Bolt Size	Bearing Number	Approx. Unit Wt.
	Fafnir	Seal Master		in.	in.	in.	in.	in.	in.	in.	in.	in.	in.	in.			
			mm	mm	mm	mm	mm	mm	mm	mm	mm	mm	mm	mm	mm		lbs.
KH-1343-11A KH-1343-12A KH-1343-13A KH-1343-14A	RAKH		1 3/8 1 5/16 1 25	1 3/4 44.45	3 1/4 82.6	1 3/4 44.4	4 11/16 119.1	6 1/4 158.8	2 50.8	5/8 15.9	9/16 14.3	1 25.4	1 1/2 38.1	1 1/16 27.0	1/2 9.5	GSWE014CCS GSWE015CCS GSWE100CCS GSWE25CCS	4.00
KH-1344-10A KH-1344-11A KH-1344-12A KH-1344-13A KH-1344-14A	RAKH		1 1/16 1 1/8 1 3/16 1 1/4 30	1 7/8 47.63	3 9/16 90.5	1 29/32 48.4	5 127.0	6 7/8 174.6	2 1/4 57.2	11/16 17.5	9/16 14.3	1 25.4	1 3/4 44.4	1 3/16 30.2	1/2 12.7	GSWE101CCS GSWE102CCS GSWE103CCS GSWE103CCS3 GSWE30CCS	5.00
KH-1345-10A KH-1345-11A KH-1345-12A KH-1345-13A KH-1345-14A	RAKH TXP-23		1 1/4 1 5/16 1 3/8 1 7/16	2 1/8 53.98	4 101.6	2 1/64 51.2	5 11/16 144.5	8 203.2	2 1/4 57.2	3/4 19.0	9/16 14.3	1 3/16 30.2	2 3/16 55.6	1 9/32 32.5	1/2 12.7	GSWE104CCS GSWE105CCS GSWE106CCS GSWE107CCS GSWE35CCS	6.75
KH-1346-10A KH-1346-11A KH-1346-12A	RAKH		1 1/2 1 9/16 40	2 5/16 58.74	4 3/8 111.1	2 7/32 56.4	6 1/8 155.6	8 3/4 222.2	2 5/8 66.7	13/16 20.6	11/16 17.5	1 1/4 31.8	2 3/8 60.3	1 3/8 34.9	5/8 12.7	GSWE108CCS GSWE109CCS GSWE40CCS	9.00
KH-1347-10A KH-1347-11A KH-1347-12A KH-1347-13A	RAKH RAKH		1 5/8 1 11/16 1 3/4 45	2 5/16 58.74	4 1/2 114.3	2 7/32 56.4	6 1/8 155.6	8 3/4 222.2	2 5/8 66.7	13/16 20.6	11/16 17.5	1 5/16 33.3	2 1/2 63.5	1 3/8 34.9	5/8 12.7	GSWE110CCS GSWE111CCS GSWE112CCS GSWE45CCS	9.00
KH-1348-10A KH-1348-11A KH-1348-12A	RAKH		1 7/8 1 15/16 50	2 1/2 63.50	4 13/16 122.2	2 15/32 62.7	6 3/4 171.4	9 1/2 241.3	2 7/8 73.0	7/8 22.2	11/16 17.5	1 1/16 36.5	2 3/4 69.8	1 1/2 38.1	5/8 12.7	GSWE114CCS GSWE115CCS GSWE50CCS	11.50
KH-1349-10A KH-1349-12A KH-1349-13A KH-1349-14A	RAKH TXP-35		2 2 1/16 2 1/8 2 3/16 55	2 3/4 69.85	5 3/8 136.5	2 13/16 71.4	7 1/4 184.2	10 1/4 260.4	3 1/8 79.4	1 1/16 27.0	13/16 20.6	1 7/16 36.5	3 76.2	1 23/32 43.7	3/4 15.9	GSWE200CCS GSWE202CCS GSWE202CCS	15.00
KH-1350-10A KH-1350-12A KH-1350-13A KH-1350-14A	RAKH TXP-39		2 1/4 2 5/16 2 3/8 2 7/16 60	3 76.20	5 15/16 150.8	3 1/16 77.8	8 203.2	11 1/4 285.8	3 1/4 82.6	1 1/16 27.0	13/16 20.6	1 5/8 41.3	3 5/16 84.1	1 27/32 46.8	3/4 15.9	GSWE204CCS GSWE206CCS GSWE207CCS GSWE60CCS	18.25
KH-1351-11A KH-1351-12A	RAKH		2 11/16 70	3 1/2 88.90	6 3/4 171.4	3 3/8 85.7	9 2228.6	13 330.2	3 1/2 88.9	1 1/8 28.6	15/16 23.8	2 50.8	3 13/16 96.8	1 25/32 45.2	7/8 19.0	GSWE211CCS GSWE70CCS	25.50
KH-1352-13A KH-1352-14A	RAKH		2 15/16 75	3 1/2 88.9	7 177.8	3 5/8 92.1	9 228.6	13 330.2	3 1/2 88.9	1 1/4 31.8	15/16 23.8	2 50.8	4 101.6	2 5/32 54.8	7/8 19.0	GSWE215CCS GSWE75CCS	26.25

Recommended shaft tolerances: 1/2" - 1 15/16", nominal to -.0005", -.013 mm; 2" - 2 15/16", nominal to -.0010", -.025 mm



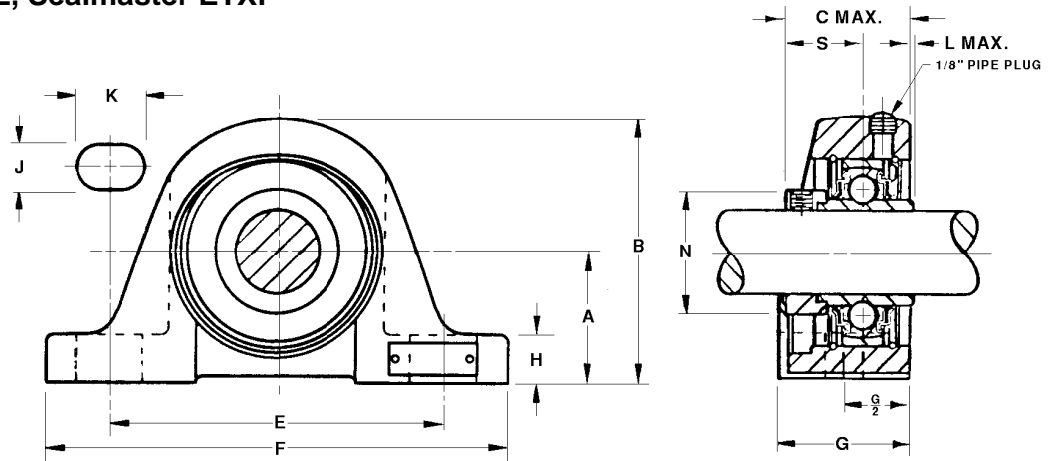


# Single Pillow Block - Standard Series - Expansion Type

Replaces Fafnir RAKHL, Sealmaster ETPX

This Ketchie-Houston standard series expansion pillow block is designed to allow axial shaft expansion due to elevated temperatures or other conditions causing shaft movement. These units may be used independently, but are often used with a similar non-expansion unit.

These units use a standard series wide inner ring bearing with integral seals and eccentric locking collar. An external aligning ring is fitted to the spherical surface of the bearing outer ring. The aligning ring allows the bearing to move axially as the shaft expands.



**TO ORDER, SPECIFY KETCHIE-HOUSTON OR COMPETITOR'S PART NUMBER**

Ketchie Houston	Replaces Fafnir Seal Master	Shaft Diam.	Total Float	A	B	C	D	E	F	G	H	J	K	N	S	Bolt Size	Bearing Number	Approx. Unit Wt.
		in. mm	in. mm	in. mm	in. mm	in. mm	in. mm	in. mm	in. mm	in. mm	in. mm	in. mm	in. mm	in. mm	in. mm	in.		lbs.
KH-1343-0A KH-1343-1A KH-1343-2A KH-1343-3A KH-1342-4A		13/16 7/8 15/16 1	1/8 3.2	1 3/4 44.45	3 7/16 87.3	1 25/32 45.2	4 11/16 119.1	6 1/4 158.8	2 50.8	5/8 15.9	9/16 14.3	1 25.4	3/32 2.4	1 1/2 36.1	1 1/16 27.0	3/8 9.5	GSWE013CCSR GSWE014CCR GSWE015CCR GSWE100CCR GSWE25CCSR	4.00
KH-1344-0A KH-1344-1A KH-1344-2A KH-1344-3A KH-1344-4A	RAKHL	1 1/16 1 1/8 1 3/16 1 1/4 S	1/8 3.2	1 7/8 47.63	3 13/16 96.8	1 15/16 49.2	5 127.0	6 7/8 174.6	2 50.8	1 1/16 17.5	9/16 14.3	1 25.4	3/32 2.4	1 3/4 44.1	1 3/16 30.2	1/2 12.7	GSWE101CCSR GSWE102CCSR GSWE103CCSR GSWE103CCSR3 GSWE30CCSR	5.00
KH-1345-0A KH-1345-1A KH-1345-2A KH-1345-3A KH-1345-4A	RAKHL ETPX-23	1 1/4 1 5/16 1 3/8 1 7/16	3/16 4.8	2 1/8 53.98	4 3/16 106.4	2 11/64 55.2	5 11/16 144.5	7 15/16 201.6	2 1/32 51.6	3/4 19.0	9/16 14.3	1 3/16 30.2	1/8 3.2	2 3/16 54.0	1 17/64 32.5	1/2 12.7	GSWE104CCSR GSWE105CCSR GSWE105CCSR GSWE107CCSR GSWE35CCSR	6.75
KH-1346-0A KH-1346-1A KH-1346-2A		1 1/2 1 9/16	3/16 4.8	2 5/16 58.74	4 9/16 115.9	2 11/32 59.5	6 1/8 155.6	8 3/4 222.2	2 1/2 63.5	1 3/16 20.6	1 1/16 17.5	1 1/4 31.8	1/8 3.2	2 3/8 60.3	1 3/8 34.9	1/2 12.7	GSWE108CCSR GSWE109CCSR GSWE40CCSR	9.00
KH-1347-0A KH-1347-1A KH-1347-2A KH-1347-3A		1 5/8 1 11/16 1 3/4	3/16 4.8	2 5/16 58.74	4 5/8 117.5	2 11/32 59.5	6 1/8 155.6	8 3/4 222.2	2 1/2 63.5	1 3/16 20.6	1 1/16 17.5	1 5/16 33.3	1/8 3.2	2 1/2 63.5	1 3/8 34.9	1/2 12.7	GSWE110CCSR GSWE111CCSR GSWE112CCSR GSWE45CCSR	9.00
KH-1348-1A KH-1348-2A KH-1348-3A	RAKHL	1 7/8 1 15/16	1/4 6.4	2 1/2 63.5	5 3/32 129.4	2 9/16 65.1	6 3/4 171.4	9 1/2 241.3	2 1/2 63.5	7/8 22.2	1 1/16 17.5	1 7/16 36.5	5/32 4.0	2 3/4 69.8	1 1/2 38.1	1/2 12.7	GSWE114CCSR GSWE115CCSR GSWE50CCSR	11.50
KH-1349-0A KH-1349-2A KH-1349-3A KH-1349-4A	RAKHL ETPX-35	2 2 1/8 2 3/16	1/4 6.4	2 3/4 69.85	5 5/8 142.9	2 57/64 73.4	7 1/4 184.2	10 1/4 260.4	3 76.2	1 1/16 27.0	1 3/16 20.6	1 7/16 36.5	1 1/4 4.4	3 76.2	1 23/32 43.7	5/8 15.9	GSWE200CCSR GSWE202CCSR GSWE203CCSR GSWE55CCSR GSWE55CCSR	15.00
KH-1350-0A KH-1350-3A KH-1350-4A		2 1/4 2 7/16	1/4 6.4	3 76.20	6 1/4 158.8	3 3/32 78.6	8 203.2	11 1/4 285.8	3 1/4 82.6	1 1/16 27.0	1 3/16 20.6	1 5/8 41.3	3/16 4.8	3 5/16 84.1	1 27/32 46.8	5/8 15.9	GSWE204CCSR GSWE207CCSR GSWE60CCSR	18.25
KH-1352-3A KH-1352-4A		2 15/16	1/4 6.4	3 1/2 88.90	7 1/4 181.0	3 15/32 113.5	9 228.6	13 330.2	3 1/2 88.9	1 1/4 31.8	1 5/16 23.8	2 50.8	1 1/32 8.7	4 101.6	2 5/32 54.8	3/4 19.0	GSWE215CCSR GSWE75CCSR	26.25

Dimensions M and S are measured from center of bolt. 3 3/16" and larger use 1/4 pipe plug.  
 Recommended shaft tolerances: 1/16" - 2 = nominal to -.0005"  
 2 1/16" - 3 15/16", nominal to -.0010"

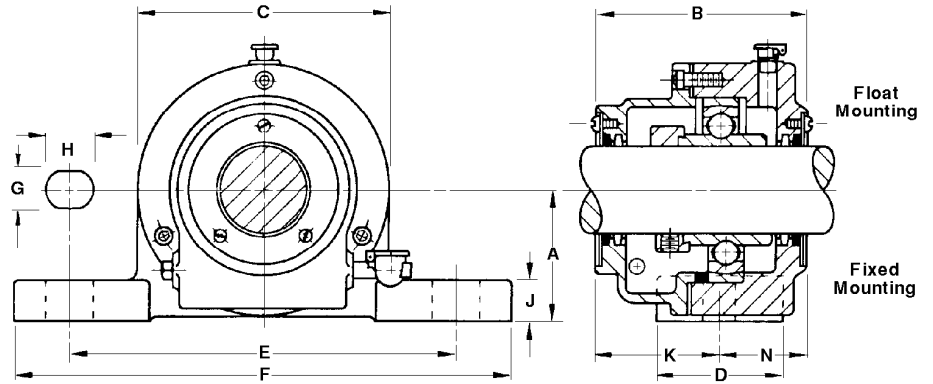


# Fixed & Floating Pillow Block - Standard Series

## Replaces Fafnir SAL

This Ketchie-Houston standard series pillow block is designed for applications in which higher than usual temperatures are encountered, or laterally floating mountings are required. The floating unit allows its bearing to move axially as the shaft expands, while the fixed unit maintains shaft locations.

These units use a standard series wide inner ring bearing with an eccentric locking collar. An external self-aligning ring is fitted to the spherical surface of the outer ring. These units are fitted with oil tight seals. They are normally fitted for oil lubrication but can be converted to grease lubrication when specified.



All units are universally designed. The spacer ring is assembled with the unit (fixed). To make a floating unit simply remove the spacer ring.

**TO ORDER, SPECIFY KETCHIE-HOUSTON OR COMPETITOR'S PART NUMBER**

Ketchie Houston	Replaces Fafnir	Shaft Diam.	Total Float	A	B	C	D	E	F	G	H	J	K	N	Bolt Size	Bearing Number	Approx. Unit Wt.
		in.	in.	in.	in.	in.	in.	in.	in.	in.	in.	in.	in.	in.	in.		lbs.
			mm	mm	mm	mm	mm	mm	mm	mm	mm	mm	mm	mm	mm		
KH-4240-12A		1 3/16	1/4 6.4	2 50.80	3 27/32 97.6	3 13/16 96.8	2 1/8 54.0	5 1/2 139.7	7 177.8	5/8 15.9	3/4 19.0	11/16 17.5	2 7/32 56.4	1 5/8 41.3	1/2	SWE103SR	8.50
KH-4241-10A		1 1/4	1/4 6.4	2 3/8 60.33	4 1/8 104.8	4 1/4 108.0	2 3/8 60.3	6 1/4 158.8	8 1/4 210.0	3/4 19.0	1 25.4	3/4 19.0	2 15/32 62.7	2 1/32 42.1	5/8	SWE104SR	11.75
KH-4242-13A	SAL	1 7/16	1/4 6.4	2 3/8 60.33	4 1/8 104.8	4 1/4 108.0	2 3/8 60.3	6 1/4 158.8	8 1/4 210.0	3/4 19.0	1 25.4	3/4 19.0	2 15/32 62.7	1 3/4 42.1	5/8	SWE107SR	11.75
KH-4243-10A		1 1/2	5/16 7.9	2 3/8 60.33	4 1/4 108.0	4 3/4 120.6	2 3/8 50.3	6 5/8 168.3	8 1/4 210.0	3/4 19.0	1 25.4	3/4 19.0	2 1/2 63.5	1 3/4 44.4	5/8	SWE108SR	13.75
KH-4244-11A	SAL	1 11/16	5/16 7.9	2 3/8 60.33	4 11/32 110.3	4 3/4 120.6	2 3/8 60.3	6 5/8 168.3	8 1/4 210.0	3/4 19.0	1 25.4	3/4 19.0	2 19/32 65.9	1 3/4 44.4	5/8	SWE111SR	13.25
KH-4245-12A	SAL	1 15/16	5/16 7.9	2 3/4 69.85	4 19/32 116.7	5 1/4 133.4	2 3/4 69.8	8 1/4 210.0	10 5/8 269.9	3/4 19.0	1 25.4	7/8 22.2	2 23/32 69.1	1 7/8 47.6	5/8	SWE115SR	18.00
KH-4246-13A	SAL	2 3/16	5/16 7.9	3 1/8 79.38	5 13/32 137.3	5 3/4 146.0	3 1/8 79.4	9 228.6	11 3/8 288.9	3/4 19.0	1 25.4	7/8 22.2	3 1/8 79.4	2 9/32 57.9	5/8	SWE203SR	24.50
KH-4247-13A	SAL	2 7/16	3/8 9.5	3 1/8 79.38	5 29/32 150.0	6 1/4 158.8	3 1/8 79.4	9 228.6	11 3/8 288.9	3/4 19.0	1 25.4	7/8 22.2	3 1/2 88.9	2 13/32 61.1	5/8	SWE207SR	28.75
KH-4248-11A	SAL	2 11/16	9/32 7.1	3 3/4 96.25	6 5/32 156.4	6 3/4 171.4	3 1/2 88.9	10 1/4 259.7	12 5/8 320.7	7/8 22.2	1 1/8 28.6	1 1/16 27.0	3 5/8 92.1	2 17/32 64.3	3/4	SWE211SR	35.25
KH-4249-12A	SAL	2 15/16	25/64 9.9	3 3/4 92.95	6 27/32 173.8	7 1/2 190.5	3 1/2 88.9	10 1/4 259.7	12 5/8 320.7	7/8 22.2	1 1/8 28.6	1 1/16 27.0	3 31/32 100.8	2 7/8 73.0	3/4	SWE215SR	44.75
KH-4250-13A		3 3/16	3/8 9.5	4 1/8 104.78	6 29/32 175.4	7 7/8 200.0	4 101.6	11 1/4 285.8	13 3/4 349.2	7/8 22.2	1 1/8 28.6	1 1/16 27.0	3 29/32 99.2	3 76.2	3/4	SWE303SR	52.25
KH-4251-13A	SAL	3 7/16	3/8 9.5	4 9/16 115.89	7 11/32 186.5	8 3/8 212.7	4 3/8 111.1	12 3/8 314.3	15 3/8 390.6	1 25.4	1 1/4 31.8	1 1/4 31.8	4 7/32 107.2	3 1/8 79.4	3/4	SWE307SR	74.00
KH-4252-13A		3 11/16	1/2 12.7	4 9/16 115.89	8 9/32 210.3	9 1/2 241.3	4 3/8 111.1	12 3/8 314.3	15 3/8 390.6	1 25.5	1 1/4 31.8	1 1/4 31.8	4 3/4 120.6	3 17/32 89.7	7/8	SWE311SR	85.25
KH-4253-12A		3 15/16	1/2 12.7	5 1/8 130.18	8 17/32 216.7	10 254.0	4 3/4 120.6	13 3/8 339.7	16 1/8 409.6	1 25.4	1 1/4 31.8	1 1/4 31.8	4 7/8 123.8	3 21/32 92.9	7/8	SWE315SR	108.75

Recommended shaft tolerances: 1/2" - 1 15/16", nominal to -.0005", -.013 mm;  
2" - 2 15/16", nominal to -.0010", -.025 mm

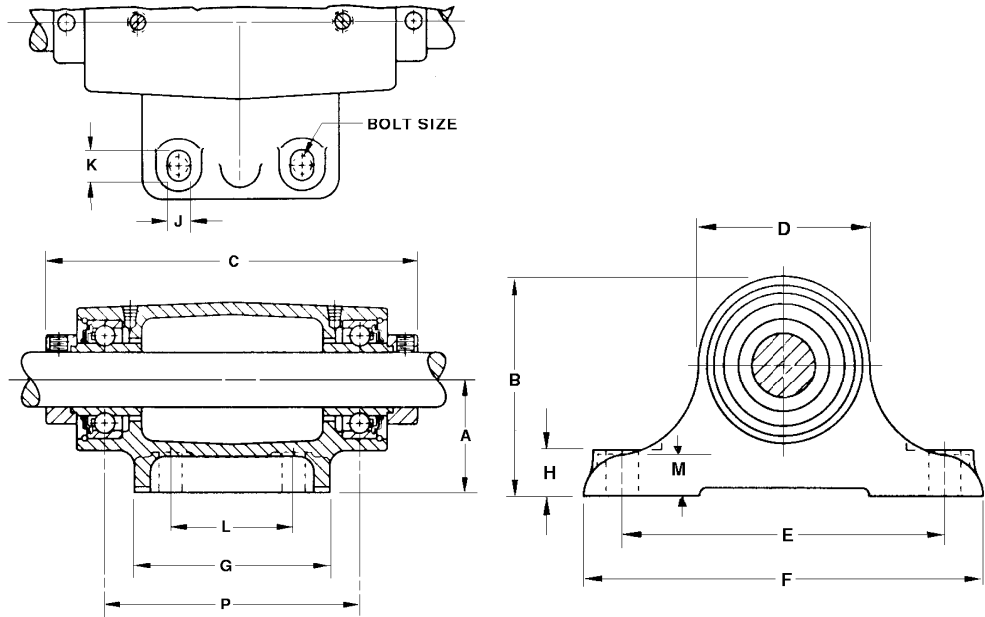
# Double Pillow Block - Standard Series

Replaces Dodge-CC and Fafnir DRNR

The Ketchie-Houston double rigid pillow block is designed to provide a sturdy, two-bearing mounting for fans and blowers, bench grinders, buffers, vertical shafts and similar heavy-duty applications.

The one-piece housing is equipped with two wide inner ring bearings with integral seals and eccentric locking collar.

Individual grease chambers are provided for each bearing. Grease fittings installed in place of the standard pipe plugs will provide means of re-lubrication.



TO ORDER, SPECIFY KETCHIE-HOUSTON OR COMPETITOR'S PART NUMBER

Ketchie Houston	Replaces		Shaft Diam.	A	B	C	D	E	F	G	H	J	K	L	M	P	Bearing Number (two req'd)	Approx. Unit Wt.
	Dodge	Fafnir		in.	in.	in.	in.	in.	in.	in.	in.	in.	in.	in.	in.	in.		
			mm	mm	mm	mm	mm	mm	mm	mm	mm	mm	mm	mm	mm	mm		
KH-4180-12A KH-4180-13A KH-4180-14A	134131 134132	DRNR DRNR DRNR	<sup>15</sup> / <sub>16</sub> 25	2 1/2 63.50	3 29/32 99.2	7 7/8 200.0	2 13/16 71.4	6 1/4 158.8	7 3/4 196.8	4 1/4 108.0	3/4 19.0	1/2 12.7	5/8 15.9	2 3/4 69.8	1 1/16 17.5	5 3/4 146.0	SWE015C SWE100C SWE25C	10.75
KH-4181-12A KH-4181-14A	134135	DRNR DRNR	1 3/16 30	2 1/2 63.50	4 5/32 105.6	8 203.2	3 5/16 84.1	6 1/4 158.8	7 3/4 196.8	4 1/4 108.0	7/8 22.2	1/2 12.7	5/8 15.9	2 3/4 69.8	1 3/16 20.6	5 5/8 142.9	SWE103C SWE30C	11.50
KH-4182-13A KH-4182-14A	134139	DRNR DRNR	1 7/16 35	3 76.20	4 7/8 123.8	10 7/8 276.2	3 3/4 95.2	8 203.2	10 254.0	5 1/2 139.7	1 25.4	5/8 15.9	7/8 22.2	3 1/2 88.9	7/8 22.2	8 21/64 211.5	SWE107C SWE35C	21.25
KH-4183-11A KH-4183-13A	134140	DRNR DRNR	1 11/16 45	3 76.2	5 1/4 133.4	11 279.4	4 1/2 114.3	8 203.2	10 254.0	5 1/2 139.7	1 25.4	5/8 15.9	7/8 22.2	3 1/2 88.9	7/8 63.5	8 1/4 209.6	SWE111C SWE45C	26.00
KH-4184-12A KH-4184-13A	134142	DRNR DRNR	1 15/16 50	3 1/2 88.9	5 5/16 150.8	13 7/8 352.4	4 7/8 123.8	9 1/2 241.3	12 304.8	7 177.8	1 1/8 28.5	1 1/16 17.5	1 1/8 28.5	4 1/2 114.3	1 69.8	10 7/8 276.2	SWE115C SWE50C	41.75
KH-4185-13A KH-4185-14A	134144	DRNR DRNR	2 3/16 55	3 1/2 88.9	6 1/4 158.8	14 355.6	5 1/4 133.4	9 1/2 241.3	12 304.8	7 177.8	1 1/4 31.8	1 1/16 17.5	1 1/8 28.5	4 1/2 114.3	1 1/16 76.2	10 7/16 268.3	SWE203C SWE55C	52.25

Recommended shaft tolerances: <sup>15</sup>/<sub>16</sub>" - 1 <sup>15</sup>/<sub>16</sub>", nominal to - .0005", - .013 mm; 2 <sup>7</sup>/<sub>16</sub>", nominal to - .0010", - .025 mm

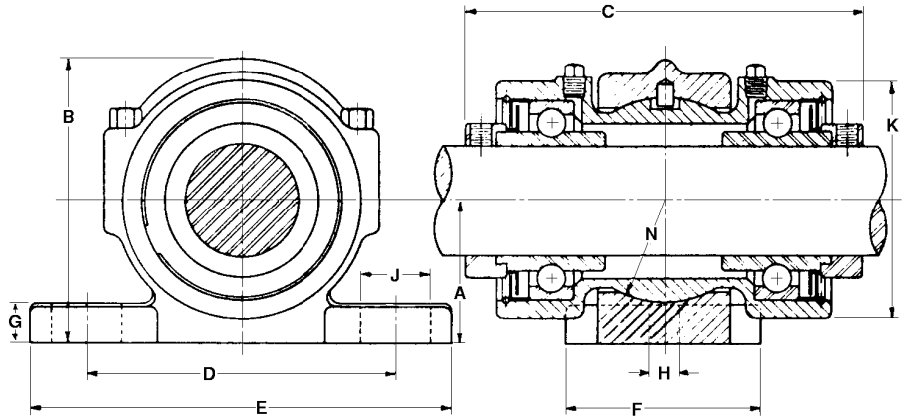
# Double Pillow Block - Standard Series

## Replaces Fafnir DSA

This Ketchie-Houston standard series Pillow Block is designed to provide a sturdy, two bearing mount.

Initial self-alignment is provided by means of the spherically surfaced center section of the bearing housing which is free to swivel in the spherical seat of the pillow blocks before the top cap bolts are tightened.

These units use two standard series wide inner ring bearings with integral seals and eccentric locking collars.



**TO ORDER, SPECIFY KETCHIE-HOUSTON OR COMPETITOR'S PART NUMBER**

Ketchie Houston	Replaces Fafnir	Shaft Diam.	A	B	C	D	E	F	G	H	J	K	N	Bolt Size Req'd	Bearing Number	Approx. Unit Wt.	
		in.	in.	in.	in.	in.	in.	in.	in.	in.	in.	in.	in.	in.		lbs.	
KH-3075-1A	DSA	9/16													SWE009C		
KH-3075-2A	DSA	5/8	1 3/16	2 1/2	4 5/16	4 1/4	6	1 3/4	5/8	9/16	1	2 1/16	7/8	1/2	2	SWE010C	4.25
KH-3075-3A	DSA	1 1/16													SWE011C		
KH-3076-0A	DSA	3/4	1 3/16	2 3/4	4 11/16	4 1/2	6 1/4	2	3/4	9/16	1	2 3/8	1 1/32	1/2	2	SWE012C	5.75
KH-3077-0A	DSA	1 3/16													SWE013C		
KH-3077-1A	DSA	7/8	1 7/16	3	4 29/32	4 3/4	6 1/2	2	3/4	9/16	1	2 9/16	1 5/32	1/2	2	SWE014C	6.50
KH-3077-2A	DSA	1 5/16													SWE015C		
KH-3077-3A	DSA	1													SWE100C		
KH-3078-0A	DSA	1 1/16													SWE101C		
KH-3078-1A	DSA	1 1/8	1 5/8	3 3/8	5 3/8	5 5/8	7 3/4	2 1/4	3/4	3/4	1 1/4	2 31/32	1 5/16	5/8	2	SWE102C	10.25
KH-3078-2A	DSA	1 3/16													SWE103C		
KH-3079-0A	DSA	1 1/4													SWE104C		
KH-3079-1A	DSA	1 5/16	1 13/16	4 1/16	6 11/32	5 7/8	8	2 5/8	1 3/16	3/4	1 1/4	3 3/8	1 15/32	5/8	2	SWE105C	13.00
KH-3079-2A	DSA	1 3/8													SWE106C		
KH-3079-3A	DSA	1 7/16													SWE107C		
KH-3080-0A	DSA	1 1/2	2 1/8	4 3/4	6 23/32	6 3/8	8 1/2	3	7/8	3/4	1 1/4	4	1 13/16	5/8	2	SWE108C	18.25
KH-3080-1A	DSA	1 9/16													SWE109C		
KH-3081-0A	DSA	1 5/8													SWE110C		
KH-3081-1A	DSA	1 11/16	2 1/8	4 3/4	6 3/4	6 3/8	8 1/2	3	7/8	3/4	1 1/4	4	1 13/16	5/8	2	SWE111C	19.00
KH-3081-2A	DSA	1 3/4													SWE112C		
KH-3082-0A	DSA	1 13/16													SWE113C		
KH-3082-1A	DSA	1 7/8	2 5/16	5 3/16	7 59/64	7 11/16	10 1/4	3 3/8	7/8	7/8	1 1/2	4 5/16	2	3/4	2	SWE114C	27.75
KH-3082-3A	DSA	1 15/16													SWE115C		
KH-3083-0A	DSA	2													SWE200C		
KH-3083-1A	DSA	2 1/16	2 1/2	5 1/2	7 61/64	7 7/8	10 3/8	3 3/4	1	7/8	1 1/2	4 11/16	2 1/8	3/4	2	SWE201C	33.25
KH-3083-2A	DSA	2 1/8													SWE202C		
KH-3083-3A	DSA	2 3/16													SWE203C		
KH-3084-0A	DSA	2 1/4													SWE204C		
KH-3084-1A	DSA	2 5/16	2 3/4	6	8 7/16	8 1/4	10 3/4	4	1 1/16	7/8	1 1/2	5 1/4	2 5/16	3/4	2	SWE205C	40.25
KH-3084-2A	DSA	2 3/8													SWE206C		
KH-3084-3A	DSA	2 7/16													SWE207C		
KH-3085-0A	DSA	2 1/2	2 15/16	6 1/8	9 3/32	8 5/8	11 1/2	4 3/8	1 1/8	7/8	1 3/4	5 5/8	2 15/32	3/4	2	SWE208C	46.50
KH-3086-1A	DSA	2 11/16	2 15/16	6 1/8	9 1/8	8 5/8	11 1/2	4 3/8	1 1/8	7/8	1 3/4	5 5/8	2 15/32	3/4	2	SWE211C	44.25
KH-3087-2A	DSA	2 15/16	3 3/16	6 1/8	9 63/64	9 1/8	12 1/8	4 3/4	1 3/16	7/8	2	6 1/8	2 11/16	3/4	2	SWE215C	55.25
KH-3088-3A	DSA	3 3/16	3 7/8	8	10 31/32	9 5/8	12 7/8	5 1/8	1 1/4	1	2 1/8	6 9/16	3	7/8	2	SWE303C	79.25
KH-3089-3A	DSA	3 7/16	4 1/2	8 7/8	11 53/64	10	13 1/2	6	1 5/16	1	2 3/8	7 1/8	3 1/8	7/8	2	SWE307C	102.25
KH-3090-3A	DSA	3 11/16	4 3/4	9 1/2	12 53/64	10 3/4	14 1/4	6 1/2	1 3/8	1	2 3/8	8	3 1/2	7/8	2	SWE311C	138.25
KH-3091-2A	DSA	3 15/16	5 1/8	10 1/8	13 31/32	11	15	7	1 7/16	1	2 1/2	8 3/8	3 5/8	7/8	2	SWE315C	154.25

Recommended shaft tolerances: 1/2" - 1 15/16", nominal to -.0005", -.013 mm;  
2" - 2 15/16", nominal to -.0010", -.025 mm

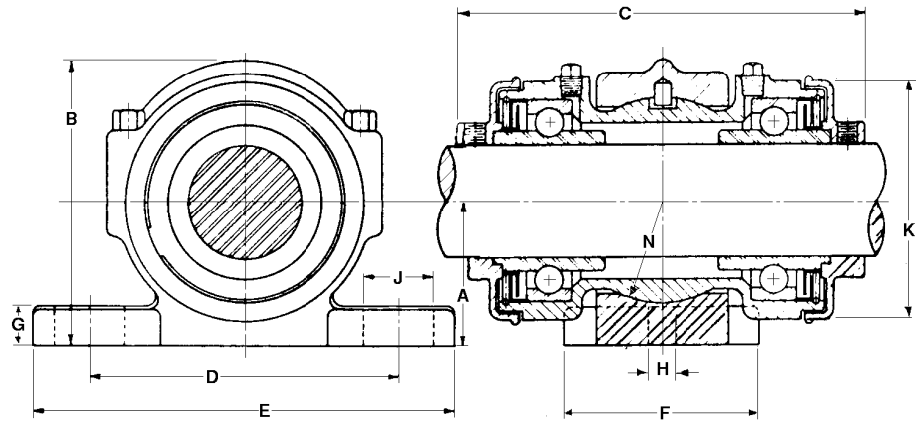
# Double Pillow Block - Standard Series with Dust Seal Collar

## Replaces Fafnir DSADD

This Ketchie-Houston standard series double pillow block is designed to provide a sturdy two bearing mount. The dust seal collars provide protection against unusually dirty applications.

Initial self-alignment is provided by means of the spherically surfaced center section of the bearing housing which is free to swivel in the spherical seat of the pillow blocks before the top cap bolts are tightened.

These units use two standard series wide inner ring bearings, with integral seals and dust seal collars.



### TO ORDER, SPECIFY KETCHIE-HOUSTON OR COMPETITOR'S PART NUMBER

Ketchie Houston	Replaces Fafnir	Shaft Diam.	A	B	C	D	E	F	G	H	J	K	N	Bolt Size Req'd	Bearing Number	Approx. Unit Wt.	
		in.	in.	in.	in.	in.	in.	in.	in.	in.	in.	in.	in.	in.		lbs.	
KH-3075-10A	DSADD	9/16													SWE009C		
KH-3075-12A	DSADD	5/8	1 3/16	2 1/2	5 1/16	4 1/4	6	1 3/4	5/8	9/16	1	2 1/16	7/8	1/2	2	SWE-010C	5.25
KH-3075-13A	DSADD	1 1/16													SWE011C		
KH-3076-10A	DSADD	3/4	1 3/16	2 3/4	5 3/8	4 1/2	6 1/4	2	3/4	9/16	1	2 3/8	1 1/32	1/2	2	SWE012C	6.75
KH-3077-10A	DSADD	1 3/16													SWE013C		
KH-3077-11A	DSADD	7/8	1 7/16	3	5 31/64	4 3/4	6 1/2	2	3/4	9/16	1	2 9/16	1 5/32	1/2	2	SWE014C	7.50
KH-3077-12A	DSADD	1 5/16													SWE015C		
KH-3077-13A	DSADD	1													SWE100C		
KH-3078-10A	DSADD	1 1/16													SWE101C		
KH-3078-11A	DSADD	1 1/8	1 5/8	3 3/8	6 1/32	5 5/8	7 3/4	2 1/4	3/4	3/4	1 1/4	2 31/32	1 5/16	5/8	2	SWE102C	11.75
KH-3078-12A	DSADD	1 3/16													SWE103C		
KH-3079-10A	DSADD	1 1/4													SWE104C		
KH-3079-11A	DSADD	1 5/16	1 13/16	4 1/16	7 7/64	5 7/8	8	2 5/8	13/16	3/4	1 1/4	3 3/8	1 5/32	5/8	2	SWE105C	15.00
KH-3079-12A	DSADD	1 3/8													SWE106C		
KH-3079-13A	DSADD	1 7/16													SWE107C		
KH-3080-10A	DSADD	1 1/2	2 1/8	4 3/4	7 3/4	6 3/8	8 1/2	3	7/8	3/4	1 1/4	4	1 13/16	5/8	2	SWE108C	20.25
KH-3080-11A	DSADD	1 9/16													SWE109C		
KH-3081-10A	DSADD	1 5/8													SWE110C		
KH-3081-11A	DSADD	1 11/16	2 1/8	4 3/4	7 9/16	6 3/8	8 1/2	3	7/8	3/4	1 1/4	4	1 13/16	5/8	2	SWE111C	22.00
KH-3081-12A	DSADD	1 3/4													SWE112C		
KH-3082-10A	DSADD	1 13/16													SWE113C		
KH-3082-11A	DSADD	1 7/8	2 5/16	5 3/16	8 23/32	7 11/16	10 1/4	3 3/8	7/8	7/8	1 1/2	4 5/16	2	3/4	2	SWE114C	30.75
KH-3082-12A	DSADD	1 15/16													SWE115C		
KH-3083-10A	DSADD	2													SWE200C		
KH-3083-11A	DSADD	2 1/16	2 1/2	5 1/2	8 37/64	7 7/8	10 3/8	3 3/4	1	7/8	1 1/2	4 11/16	2 1/8	3/4	2	SWE201C	36.75
KH-3083-12A	DSADD	2 1/8													SWE202C		
KH-3083-13A	DSADD	2 3/16													SWE203C		
KH-3084-10A	DSADD	2 1/4													SWE204C		
KH-3084-11A	DSADD	2 5/16	2 3/4	6	9 11/16	8 1/4	10 3/4	4	1 1/16	7/8	1 1/2	5 1/4	2 5/16	3/4	2	SWE205C	46.25
KH-3084-12A	DSADD	2 3/8													SWE206C		
KH-3084-13A	DSADD	2 7/16													SWE207C		
KH-3085-10A	DSADD	2 1/2	2 15/16	6 1/8	10 7/32	8 5/8	11 1/2	4 3/8	1 1/8	7/8	1 3/4	5 5/8	2 15/32	3/4	2	SWE208C	52.50
KH-3086-11A	DSADD	2 11/16	2 15/16	6 1/8	10 1/4	8 5/8	11 1/2	4 3/8	1 1/8	7/8	1 3/4	5 5/8	2 15/32	3/4	2	SWE211C	50.25
KH-3087-12A	DSADD	2 15/16	3 3/16	6 7/8	10 55/64	9 1/8	12 1/8	4 3/4	1 3/16	7/8	2	6 1/8	2 11/16	3/4	2	SWE215C	63.25
KH-3088-13A	DSADD	3 3/16	3 7/8	8	11 29/32	9 5/8	12 7/8	5 1/8	1 1/4	1	2 1/8	6 9/16	3	7/8	2	SWE303C	89.25
KH-3089-13A	DSADD	3 7/16	4 1/2	8 7/8	12 33/64	10	13 1/2	6	1 5/16	1	2 3/8	7 1/8	3 1/8	7/8	2	SWE307C	116.25
KH-3090-13A	DSADD	3 11/16	4 3/4	9 1/2	13 53/64	10 3/4	14 1/4	6 1/2	1 3/8	1	2 3/8	8	3 1/2	7/8	2	SWE311C	150.25
KH-3091-12A	DSADD	3 15/16	5 1/8	10 1/8	14 19/32	11	15	7	1 7/16	1	2 1/2	8 3/8	3 5/8	7/8	2	SWE315C	167.25

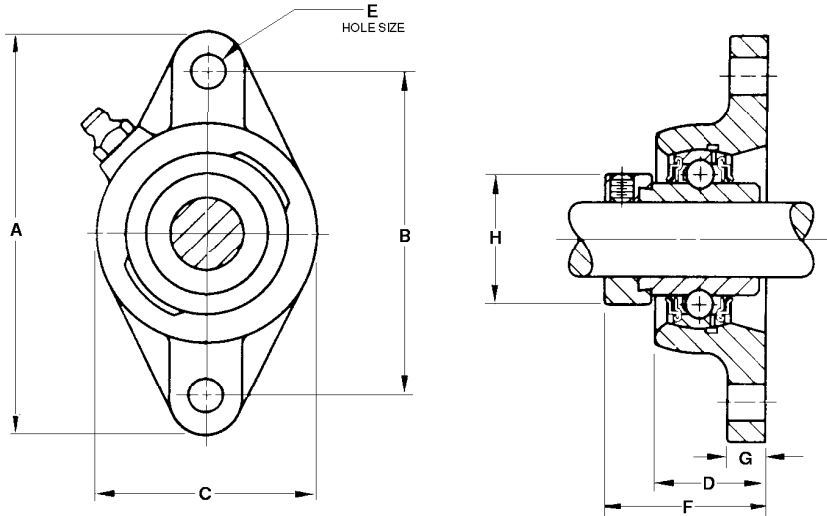
Recommended shaft tolerances: 1/2" - 1 15/16", nominal to -.0005", -.013 mm;  
2" - 2 15/16", nominal to -.0010", -.025 mm

# Two Bolt Flange - Standard Series

Replaces Fafnir RCJT and INA RCJT

This Ketchie-Houston standard series two bolt flange unit is similar in design as the four bolt unit except it has two bolt holes. They are primarily designed for applications where mounting areas are restricted.

These units are equipped with a standard series wide inner ring bearing with integral seals and eccentric locking collar.



TO ORDER, SPECIFY KETCHIE-HOUSTON OR COMPETITOR'S PART NUMBER

Ketchie Houston	Replaces		Shaft Diam.	A	B	C	D	E	F	G	H	Bearing Number	Approx. Unit Wt.
	Fafnir	INA		in.	in.	in.	in.	in.	in.	in.	in.		
			mm	mm	mm	mm	mm	mm	mm	mm	mm		lbs.
KH-1201-10A	RCJT		1/2									GSWE008CCS	1.50
KH-1201-11A			9/16	3 7/8	3	2 3/8	1 3/32	25/64	1 37/64	7/16	1 1/8	GSWE009CCS	
KH-1201-12A	RCJT		5/8	98.4	75.2	60.3	27.8	9.9	40.1	11.1	28.6	GSWE010CCS	
KH-1201-13A			11/16									GSWE011CCS	
KH-1201-14A			17									GSWE17CCS	
KH-1202-10A	RCJT		3/4	4 13/32	3 17/32	2 9/16	1 3/32	27/64	1 51/64	13/32	1 5/16	GSWE012CCS	1.50
KH-1202-11A		RCJT	20	111.9	89.7	65.1	27.8	10.7	45.6	10.3	33.3	GSWE20CCS	
KH-1203-10A			13/16									GSWE013CCS	2.00
KH-1203-11A	RCJT	RCJT	7/8	4 7/8	3 29/32	2 3/4	1 9/64	15/32	1 25/32	7/16	1 1/2	GSWE014CCS	
KH-1203-12A	RCJT		15/16	123.8	99.2	69.8	29.0	11.9	45.2	11.1	38.1	GSWE015CCS	
KH-1203-13A	RCJT		1									GSWE100CCS	
KH-1203-14A		RCJT	25									GSWE25CCS	
KH-1204-10A			1 1/16									GSWE101CCS	2.75
KH-1204-11A	RCJT	RCJT	1	5 9/16	4 19/32	3 1/8	1 1/4	29/64	1 31/32	17/32	1 3/4	GSWE102CCS	
KH-1204-12A	RCJT		1 3/16	141.3	116.7	79.4	31.8	11.5	50.0	13.5	44.4	GSWE103CCS	
KH-1204-13A	RCJT		1 1/4S									GSWE103CCS3	
KH-1204-14A		RCJT	30									GSWE30CCS	
KH-1205-10A	RCJT		1 1/4									GSWE104CCS	3.50
KH-1205-11A	RCJT		1 5/16	6 1/8	5 1/8	3 5/8	1 11/32	33/64	2 3/32	15/32	2 3/16	GSWE105CCS	
KH-1205-12A	RCJT		1	155.6	130.2	92.1	34.1	13.1	53.2	11.9	55.6	GSWE106CCS	
KH-1205-13A	RCJT		1 7/16									GSWE107CCS	
KH-1205-14A		RCJT	35									GSWE35CCS	
KH-1206-10A	RCJT	RCJT	1 1/2	6 3/4	5 21/32	4 1/8	1 1/2	33/64	2 5/16	1/2	2 3/8	GSWE108CCS	5.00
KH-1206-11A			1 9/16	171.4	148.0	104.7	38.1	13.1	58.7	12.7	50.3	GSWE109CCS	
KH-1206-12A		RCJT	40									GSWE40CCS	
KH-1207-10A	RCJT	RCJT	1 5/8									GSWE110CCS	5.50
KH-1207-11A	RCJT		1 11/16	7 1/16	5 53/64	4 3/8	1 17/32	33/64	2 5/16	1/2	2 1/2	GSWE111CCS	
KH-1207-12A	RCJT		1 3/4	179.4	148.0	111.1	38.9	13.1	58.7	12.7	63.3	GSWE112CCS	
KH-1207-13A		RCJT	45									GSWE45CCS	
KH-1208-10A			1 13/16									GSWE113CCS	6.25
KH-1208-11A		RCJT	1 7/8	7 7/16	6 3/16	4 9/16	1 11/16	43/64	2 19/32	1/2	2 3/4	GSWE114CCS	
KH-1208-12A	RCJT		1 15/16	188.9	157.2	115.9	42.8	17.1	65.7	12.7	69.9	GSWE115CCS	
KH-1208-13A		RCJT	50									GSWE50CCS	
KH-1209-10A	RCJT		2									GSWE200CCS	8.25
KH-1209-11A			2 1/16	8 1/2	7 1/4	5	1 27/32	43/64	2 15/16	21/32	3	GSWE201CCS	
KH-1209-12A			2 1/8	215.9	184.1	127.0	46.8	17.1	74.6	16.7	76.2	GSWE202CCS	
KH-1209-13A	RCJT		2 3/16									GSWE203CCS	
KH-1209-14A			55									GSWE55CCS	

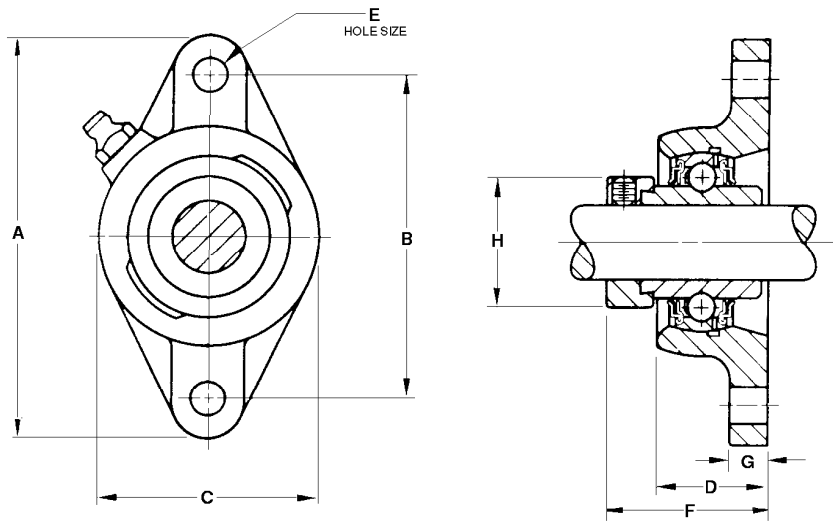
Recommended shaft tolerances: 1/2" - 1 15/16", nominal to - .0005", - .013 mm;  
 2" - 2 15/16", nominal to - .0010", - .025 mm

# Two Bolt Flange - Standard Series - High Temperature

## Replaces Fafnir LCJT

This Ketchie-Houston standard series, high temperature two bolt flange unit is supplied completely assembled and is mounted in place by means of bolts through flange. These units are designed for applications in which operating temperature exceeds 250° F.

These units use a standard series wide inner ring bearing with an eccentric locking collar, high temperature seal and high temperature grease. These units can be operated up to 425°.



**TO ORDER, SPECIFY KETCHIE-HOUSTON OR COMPETITOR'S PART NUMBER**

Ketchie Houston	Replaces Fafnir	Shaft Diam.	A	B	C	D	E	F	G	H	Bearing Number	Approx. Unit Wt.
		in.	in. mm	in. mm	in. mm	in. mm	in. mm	in. mm	in. mm	in. mm		lbs.
KH-1202-0-10A		3/4	4 13/32 111.9	3 17/32 89.7	2 9/16 65.1	1 3/32 27.8	27/64 10.7	1 51/64 45.6	13/32 10.3	1 5/16 33.3	GSWE012HHS	1.50
KH-1203-0-13A	LCJT	1	4 7/8 123.8	3 29/32 99.2	2 3/4 69.8	1 9/64 29.0	15/32 11.9	1 25/32 45.2	7/16 11.1	1 1/2 38.1	GSWE100HHS	2.00
KH-1204-0-12A	LCJT	1 3/16	5 9/16 141.3	4 19/32 116.7	3 1/8 79.4	1 1/4 31.8	29/64 11.5	1 31/32 50.0	17/32 13.5	1 3/4 44.4	GSWE103HHS	2.75
KH-1205-0-10A		1 1/4	6 1/8 155.6	5 1/8 130.2	3 5/8 92.1	1 11/32 34.1	33/64 13.1	2 3/32 53.2	15/32 11.9	2 3/16 55.6	GSWE104HHS	3.50
KH-1205-0-13A		1 7/16									GSWE107HHS	
KH-1206-0-10A		1 1/2	6 3/4 171.4	5 21/32 148.0	4 1/8 104.7	1 1/2 38.1	33/64 13.1	2 5/16 58.7	1/2 12.7	2 3/8 50.3	GSWE108CCS	5.00
KH-1207-0-11A		1 11/16									GSWE111HHS	5.50
KH-1207-0-12A		1 3/4	7 1/16 179.4	5 53/64 148.0	4 3/8 111.1	1 17/32 38.9	33/64 13.1	2 5/16 58.7	1/2 12.7	2 1/2 63.3	GSWE112HHS	
KH-1208-0-12A		1 15/16	7 7/16 188.9	6 3/16 157.2	4 9/16 115.9	1 11/16 42.8	43/64 17.1	2 19/32 65.7	1/2 12.7	2 3/4 69.9	GSWE115HHS	6.25
KH-1209-0-13A		2 3/16	8 1/2 215.9	7 1/4 184.1	5 127.0	1 27/32 46.8	43/64 17.1	2 15/16 74.6	21/32 16.7	3 76.2	GSWE203HHS	8.25

Recommended shaft tolerances: 1/2" - 1 15/16", nominal to -.0005", -.013 mm;  
2" - 2 15/16", nominal to -.0010", -.025 mm

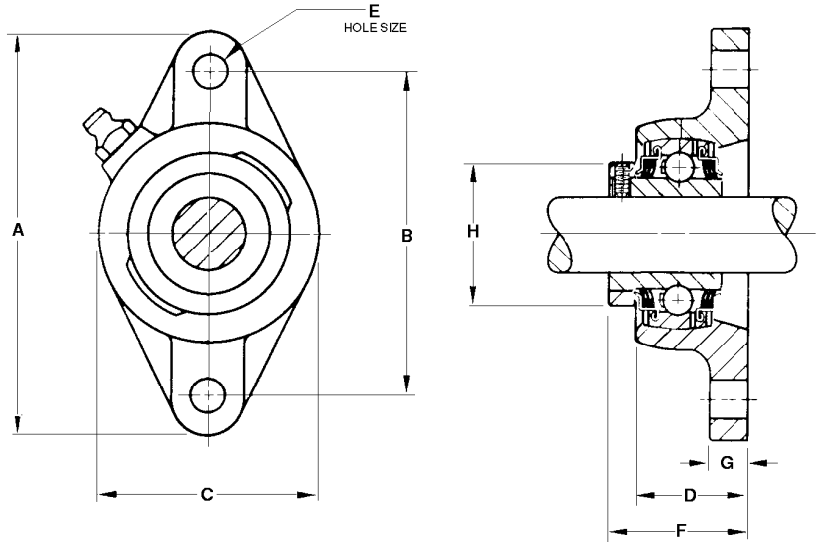


## Two Bolt Flange - Standard Series

### Replaces Fafnir TCJT

This Ketchie-Houston standard series two bolt flange unit is supplied completely assembled and is mounted by means of bolts through flange.

These units use a standard series, wide inner ring bearing with an eccentric locking collar and one piece Triple-Lip Seal for better seal performance.



TO ORDER, SPECIFY KETCHIE-HOUSTON OR COMPETITOR'S PART NUMBER

Ketchie Houston	Replaces Fafnir	Shaft Diam.	A	B	C	D	E	F	G	H	Bearing Number	Approx. Unit Wt.
		in.	in. mm	in. mm	in. mm	in. mm	in. mm	in. mm	in. mm	in. mm		lbs.
KH-4232-13A	TCJT	1	4 7/8 123.8	3 29/32 99.2	2 3/4 69.8	1 9/64 29.0	15/32 11.9	1 25/32 45.2	7/16 11.1	1 1/2 38.1	GSWE100TTS	2.00
KH-4233-11A KH-4233-12A KH-4233-13A	TCJT	1 1/8 1 3/16 1 1/4S	5 9/16 141.3	4 19/32 116.7	3 1/8 79.4	1 1/4 31.8	29/64 11.5	1 31/32 50.0	17/32 13.5	1 3/4 44.4	GSWE10TTS GSWE103TTS GSWE103TTS3	2.75
KH-4234-10A	TCJT	1 1/4	6 1/8 155.6	5 1/8 130.2	3 5/8 92.1	1 11/32 34.1	33/64 13.1	2 3/32 53.2	15/32 11.9	2 3/16 55.6	GSWE104TTS	3.50
KH-4234-12A KH-4234-13A	TCJT	1 3/8 1 7/16	6 3/8 171.4	5 1/8 148.0	4 1/8 104.7	1 1/2 38.1	33/64 13.1	2 5/16 58.7	1/2 12.7	2 3/8 50.3	GSWE106TTS GSWE107TTS	5.00
KH-4235-10A		1 1/2	6 3/4 171.4	5 21/32 148.0	4 1/8 104.7	1 1/2 38.1	33/64 13.1	2 5/16 58.7	1/2 12.7	2 3/8 50.3	GSWE108TTS	5.00
KH-4236-11A KH-4236-12A	TCJT	1 11/16 1 3/4	7 1/16 179.4	5 53/64 148.0	4 3/8 111.1	1 17/32 38.9	33/64 13.1	2 5/16 58.7	1/2 12.7	2 1/2 63.3	GSWE111TTS GSWE112TTS	5.50
KH-4237-12A	TCJT	1 15/16	7 7/16 188.9	6 3/16 157.2	4 9/16 115.9	1 11/16 42.8	43/64 17.1	2 19/32 65.7	1/2 12.7	2 3/4 69.9	GSWE115TTS	6.25
KH-4238-10A		2	8 1/2 215.9	7 1/4 184.1	5 127.0	1 27/32 46.8	43/64 17.1	2 15/16 74.6	21/32 16.7	3 76.2	GSWE200TTS	8.25
KH-4238-13A	TCJT	2 3/16									GSWE203TTS	

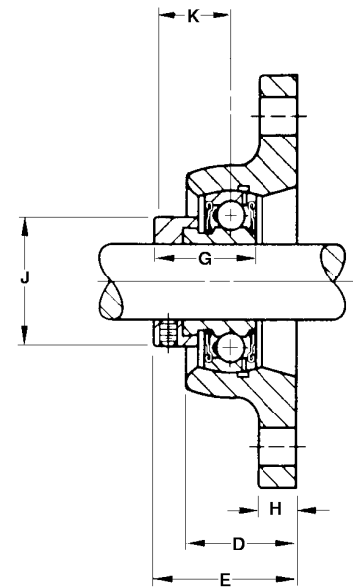
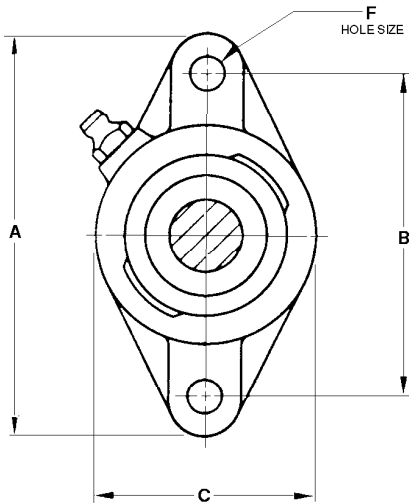
Recommended shaft tolerances: 1/2" - 1 15/16", nominal to - .0005", - .013 mm;  
2" - 2 15/16", nominal to - .0010", - .025 mm

# Two Bolt Flange - Standard Series

Replaces Fafnir VCJT and INA PCJT

This Ketchie-Houston standard series two bolt flange unit is supplied completely assembled and is mounted by means of bolts through the flange.

These units use a standard series, extended inner ring bearing and eccentric locking collar.



**TO ORDER, SPECIFY KETCHIE-HOUSTON OR COMPETITOR'S PART NUMBER**

Ketchie Houston	Replaces Fafnir INA	Shaft Diam.	A	B	C	D	E	F	G	H	J	K	Bearing Number	Approx. Unit Wt.
			in.	in.	in.	in.	in.	in.	in.	in.	in.	in.		
		mm	mm	mm	mm	mm	mm	mm	mm	mm	mm	mm		lbs.
KH-4129-10A	VCJT	1/2	3 7/8	3	2 3/8	1 3/32	1 17/32	25/64	7/16	1 1/8	1 17/64	7/8	GSEE008CCS GSEE009CCS	1.50
KH-4129-11A	VCJT	9/16	98.4	75.2	60.3	27.8	39.9	9.9	11.1	28.6	28.2	22.2	GSEE010CCS GSEE17CCS	
KH-4129-12A	VCJT	5/8												
KH-4129-14A	VCJT	17												
KH-4130-10A	VCJT	3/4	4 13/32	3 17/32	2 9/16	1 3/32	1 43/64	25/64	13/32	1 5/16	1 19/64	59/64	GSEE012CCS GSEE20CCS	1.75
KH-4130-11A	PCJT	20	111.9	89.7	65.1	27.8	43.4	9.9	10.3	33.3	32.9	23.4		
KH-4131-10A	VCJT	13/16	4 7/8	3 29/32	2 3/4	1 9/64	1 43/64	15/32	7/16	1 1/2	1 31/64	59/64	GSEE013CCS GSEE014CCS	1.75
KH-4131-11A	VCJT	7/8	123.8	99.2	69.8	29.0	43.4	11.9	11.1	38.1	37.7	23.4	GSEE015CCS GSEE100CCS	
KH-4131-12A	VCJT	15/16											GSEE100CCS GSEE25CCS	
KH-4131-13A	VCJT	1												
KH-4131-14A	PCJT	25												
KH-4132-10A	VCJT	1 1/16	5 9/16	4 19/32	3 1/8	1 1/4	1 53/64	29/64	17/32	1 3/4	1 47/64	1 1/16	GSEE101CCS GSEE102CCS	2.50
KH-4132-11A	VCJT	1	141.3	116.7	79.4	31.8	46.4	11.5	13.5	44.4	44.1	27.0	GSEE103CCS GSEE103CCS3	
KH-4132-12A	VCJT	13/16											GSEE103CCS3 GSEE30CCS	
KH-4132-13A	VCJT	1 1/4 S												
KH-4132-14A	PCJT	30												
KH-4133-10A	VCJT	1 1/4	6 1/8	5 1/8	3 5/8	1 11/32	1 31/32	33/64	15/32	2 3/16	2 7/64	1 5/32	GSEE104CCS GSEE105CCS	3.25
KH-4133-11A	VCJT	13/16	155.6	130.2	92.1	34.1	50.0	13.1	11.9	55.6	53.6	29.4	GSEE106CCS GSEE107CCS	
KH-4133-12A	VCJT	1											GSEE107CCS GSEE35CCS	
KH-4133-13A	VCJT	1 1/16												
KH-4133-14A	PCJT	35												
KH-4134-10A	VCJT	1 1/2	6 3/4	5 21/32	4 1/8	1 1/2	2 7/32	33/64	1/2	2 3/8	2 23/64	1 9/32	GSEE108CCS GSEE109CCS	4.75
KH-4134-11A	VCJT	1 9/16	171.4	148.0	104.7	38.1	56.4	13.1	12.7	50.3	59.9	32.5	GSEE109CCS GSEE40CCS	
KH-4134-12A	PCJT	40												
KH-4135-10A	VCJT	1 5/8	7 1/16	5 53/64	4 3/8	1 17/32	2 7/32	33/64	1/2	2 1/2	2 31/64	1 9/32	GSEE110CCS GSEE111CCS	5.25
KH-4135-11A	VCJT	1 11/16	179.4	148.0	111.1	38.9	56.4	13.1	12.7	63.3	63.1	32.5	GSEE111CCS GSEE112CCS	
KH-4135-12A	VCJT	1 3/4											GSEE112CCS GSEE45CCS	
KH-4135-13A	PCJT	45												
KH-4136-10A	VCJT	1 13/16	7 7/16	6 3/16	4 9/16	1 11/16	2 3/8	43/64	1/2	2 3/4	2 47/64	1 9/32	GSEE113CCS GSEE114CCS	5.75
KH-4136-11A	VCJT	1 7/8	188.9	157.2	115.9	42.8	60.3	17.1	12.7	69.9	69.5	32.5	GSEE115CCS GSEE115CCS3	
KH-4136-12A	VCJT	1 15/16											GSEE115CCS3 GSEE50CCS	
KH-4136-13A	VCJT	1 15/16												
KH-4136-14A	PCJT	50												
KH-4137-10A	VCJT	2	8 1/2	7 1/4	5	1 27/32	2 21/32	43/64	2 1/32	3	2 63/64	1 7/16	GSEE200CCS GSEE201CCS	7.00
KH-4137-11A	VCJT	2 1/16	215.9	184.1	127.0	46.8	17.1	17.1	16.7	76.2	75.8	36.5	GSEE201CCS GSEE202CCS	
KH-4137-12A	VCJT	2 1/8											GSEE202CCS GSEE203CCS	
KH-4137-13A	VCJT	2 3/16											GSEE203CCS GSEE55CCS	
KH-4137-14A	VCJT	55												

Recommended shaft tolerances: 1/2" - 1 15/16", nominal to -.0005", -.013 mm;  
2" - 2 15/16", nominal to -.0010", -.025 mm

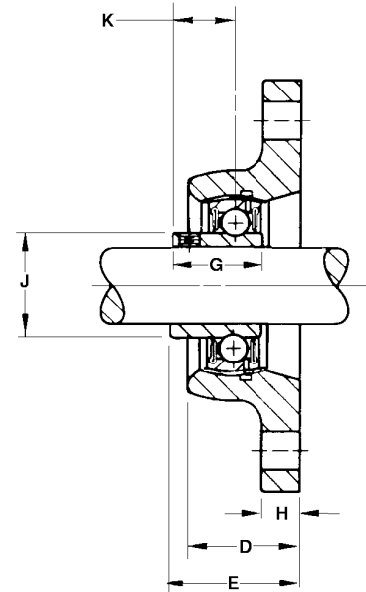
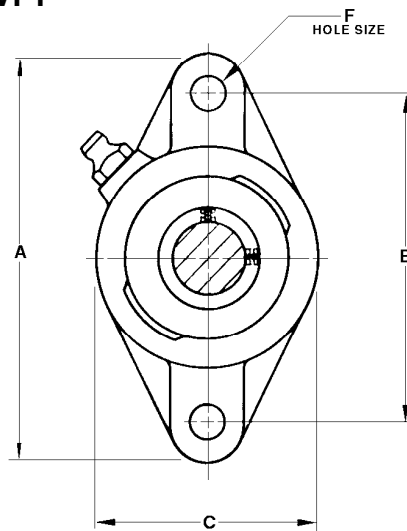


# Two Bolt Flange - Standard Series

Replaces Fafnir SCJT, Seal Master VFT

This Ketchie-Houston standard series two bolt flange unit is supplied completely assembled and is mounted by means of bolts through the flange.

These units use a standard series, extended inner ring bearing with a set screw lock.



**TO ORDER, SPECIFY KETCHIE-HOUSTON OR COMPETITOR'S PART NUMBER**

Ketchie Houston	Replaces Fafnir S. Master	Shaft Diam.	A	B	C	D	E	F	G	H	J	K	Bearing Number	Approx. Unit Wt.
			in.	in.	in.	in.	in.	in.	in.	in.	in.	in.		
		mm	mm	mm	mm	mm	mm	mm	mm	mm	mm	mm		
KH-4159-10A	SCJT	1/2	3 7/8	3	2 3/8	1 3/32	1 9/32	25/64	15/16	7/16	31/32	5/8	GSES008CCS	1.00
KH-4159-12A	SCJT	5/8	98.4	75.2	60.3	27.8	32.5	9.9	23.8	11.1	24.6	15.9	GSES010CCS	
KH-4159-14A		17											GSES17CCS	
KH-4160-10A	SCJT	3/4	4 13/32	3 17/32	2 9/16	1 3/32	1 15/32	25/64	1 1/16	7/16	1 9/64	23/32	GSES012CCS	1.25
KH-4160-11A		20	111.9	89.7	65.1	27.8	37.3	9.9	27.0	11.1	29.0	18.3	GSES20CCS	
KH-4161-11A	VFT	7/8											GSES014CCS	1.25
KH-4161-12A		15/16	4 7/8	3 29/32	2 3/4	1 9/64	1 33/64	15/32	1 7/64	7/16	1 21/64	49/64	GSES015CCS	
KH-4161-13A	SCJT	1	123.8	98.82	69.8	30.2	38.5	11.9	28.2	11.1	33.7	19.4	GSES100CCS	
KH-4161-14A		25											GSES25CCS	
KH-4162-11A	SCJT VFT	1											GSES102CCS	1.75
KH-4162-12A	SCJT	1 3/16	5 9/16	4 19/32	3 1/8	1 1/4	1 11/16	29/64	1 9/32	1 7/32	1 37/64	29/32	GSES103CCS	
KH-4162-13A	SCJT	1 1/4	141.3	116.7	79.4	31.8	42.9	11.5	32.5	13.5	40.1	23.0	GSES103CCS3	
KH-4162-14A	SCJT	30											GSES30CCS	
KH-4163-10A	SCJT	1 1/4											GSES104CCS	2.50
KH-4163-12A	SCJT VFT	1 3/8	6 1/8	5 1/8	3 5/8	1 11/32	1 53/64	33/64	1 7/16	9/16	1 27/32	1 1/64	GSES106CCS	
KH-4163-13A	SCJT	1 7/16	155.6	130.2	92.1	34.1	46.4	13.1	36.5	14.3	46.8	25.8	GSES107CCS	
KH-4163-14A		35											GSES30CCS	
KH-4164-10A	SCJT VFT	1 1/2	6 3/4	5 21/32	4 1/8	1 1/2	2 1/32	33/64	1 35/64	9/16	2 1/16	1 3/32	GSES108CCS	4.75
KH-4164-12A		40	171.4	148.0	104.7	38.1	51.6	13.1	39.3	14.3	52.4	27.8	GSES40CCS	
KH-4165-10A		1 5/8											GSES110CCS	4.75
KH-4165-11A	SCJT	1 11/16	7 1/16	5 53/64	4 3/8	1 17/32	2 1/16	33/64	1 21/32	5/8	2 5/32	1 7/8	GSES111CCS	
KH-4165-12A	SCJT	1 3/4	179.4	148.0	111.1	38.9	52.4	13.1	42.1	15.8	57.9	28.6	GSES112CCS	
KH-4165-13A		45											GSES45CCS	
KH-4166-12A	SCJT	1 15/16	7 7/16	6 3/16	4 9/16	1 11/16	2 5/16	43/64	1 3/4	2 1/32	2 15/32	1 1/32	GSES115CCS	5.25
KH-4166-13A		2S	188.9	157.2	115.9	42.8	58.7	17.1	12.7	69.9	69.5	32.5	GSES115CCS3	
KH-4166-14A	SCJT	50											GSES50CCS	
KH-4167-10A	SCJT	2	8 1/2	7 1/4	5	1 27/32	2 15/32	43/64	1 53/64	23/32	2 3/4	1 1/4	GSES200CCS	6.50
KH-4167-13A		2 3/16	215.9	184.1	127.0	46.8	62.7	17.1	46.4	18.2	69.8	31.7	GSES203CCS	
KH-4167-14A	SCJT	55											GSES55CCS	

Recommended shaft tolerances: 1/2" - 1 15/16", nominal to -.0005", -.013 mm;  
 2" - 2 15/16", nominal to -.0010", -.025 mm

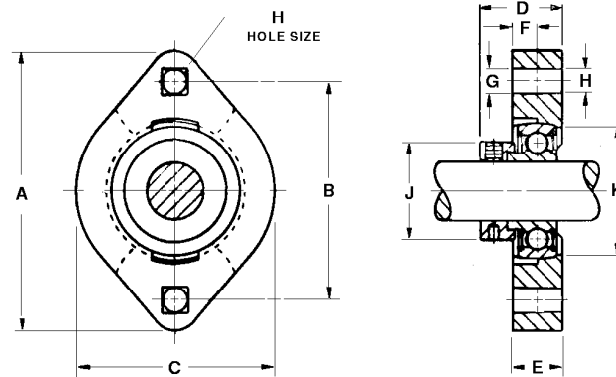
# Two Bolt Flange - Standard Series

## Compact Design

### Replaces Fafnir FLCT

This Ketchie-Houston two bolt flange unit is designed to provide sturdy shaft support in minimum space.

These units are equipped with a standard series extended inner ring bearing and eccentric locking collar.



TO ORDER, SPECIFY KETCHIE-HOUSTON OR COMPETITOR'S PART NUMBER

Ketchie Houston	Replaces Fafnir	Shaft Diam.	A	B	C	D	E	F	G sq.	H dia.	J	K	Bearing Number	Approx. Unit Wt.
			in. mm	in. mm	in. mm	in. mm	in. mm	in. mm	in. mm	in. mm	in. mm	in. mm		
KH-4261-10A	FLCT	1/2											SEE008CCS	
KH-4261-12A	FLCT	5/8	3 3/16	2 1/2	2 5/16	1 3/16	37/64	9/32	3/16	9/32	1 1/8	1 1/2	SEE010CCS	1.00
KH-4261-13A			81.0	63.5	58.7	30.2	14.7	7.1	7.9	7.1	28.6	38.1	SEE17CCS	
KH-4262-12A	FLCT	3/4											SEE012CCS	1.25
KH-4262-11A			90.5	71.4	66.7	32.9	17.1	8.7	9.5	8.7	33.3	45.2	SEE20CCS	
KH-4263-11A	FLCT	7/8	3 3/4	3	2 5/16	1 23/64	11/16	11/32	3/8	11/32	1 1/2	1 63/64	SEE014CCS	1.25
KH-4263-12A	FLCT	15/16	95.2	76.2	71.0	34.5	17.5	8.7	9.5	8.7	38.1	50.4	SEE015CCS	
KH-4263-13A	FLCT	1											SEE100CCS	
KH-4263-14A													SEE25CCS	
KH-4264-10A	FLCT	1 1/16											SEE101CCS	2.00
KH-4264-11A	FLCT	1 1/8	4 7/16	3 9/16	3 5/16	1 33/64	13/16	13/32	7/16	13/32	1 3/4	2 11/32	SEE102CCS	
KH-4264-12A	FLCT	1 3/16	112.7	90.5	84.1	38.5	20.6	10.3	11.1	10.3	44.4	59.5	SEE103CCS	
KH-4264-13A	FLCT	1 1/4 S											SEE103CCS3	
KH-4264-14A													SEE30CCS	
KH-4265-10A	FLCT	1 1/4											SEE104CCS	
KH-4265-12A	FLCT	1 3/8	4 15/16	3 15/16	3 11/16	1 21/32	7/8	7/16	7/16	13/32	2 3/16	2 47/64	SEE106CCS	2.50
KH-4265-13A	FLCT	1 7/16	125.4	100.0	93.7	41.1	22.2	11.1	11.1	10.3	55.6	69.5	SEE107CCS	
KH-4265-14A													SEE35CCS	

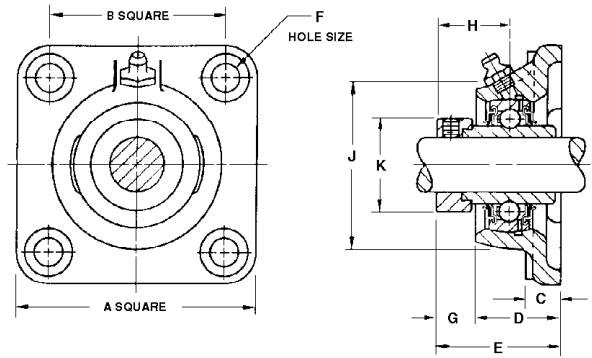
Recommended shaft tolerances: nominal to - .0005", - .013 mm

# Four Bolt Flange - Standard Series

## Replaces Fafnir RCJ and INA RCJ

This Ketchie-Houston standard series four bolt flange unit is designed for applications where a minimum amount of machining is to be done. Each unit is assembled and ready for mounting by means of bolts through the flange.

These units are equipped with a standard series wide inner ring bearing with integral seals and eccentric locking collar.



**TO ORDER, SPECIFY KETCHIE-HOUSTON OR COMPETITOR'S PART NUMBER**

Ketchie Houston	Replaces Fafnir INA	Shaft Diam.	A	B	C	D	E	F	G	H	J	K	Bearing Number	Approx. Unit Wt.
			in. mm	in. mm	in. mm	in. mm	in. mm	in. mm	in. mm	in. mm	in. mm	in. mm		
KH-1101-10A	RCJ	1/2											GSWE008CCS	1.25
KH-1101-11A	RCJ	9/16	3	2 1/8	3/8	1 1/32	1 37/64	27/64	35/64	59/64	2 1/16	1 1/8	GSWE009CCS	
KH-1101-12A	RCJ	5/8	76.2	54.0	9.5	26.2	40.1	10.7	13.9	23.4	52.4	28.6	GSWE010CCS	
KH-1101-13A		11/16											GSWE011CCS	
KH-1101-14A		17											GSWE17CCS	
KH-1102-10A	RCJ	3/4	3 3/8	2 1/2	7/16	1 5/32	1 51/64	27/64	41/64	1 3/64	2 3/8	1 5/16	GSWE012CCS	1.75
KH-1102-11A		20	85.7	63.5	11.1	29.4	45.6	10.7	16.3	26.6	60.3	33.3	GSWE20CCS	
KH-1103-11A	RCJ	13/16											GSWE013CCS	2.25
KH-1103-12A	RCJ	7/8	3 3/4	2 3/4	1/2	1 3/16	1 13/16	29/64	5/8	1 1/16	2 9/16	1 1/2	GSWE014CCS	
KH-1103-12A	RCJ	15/16	95.2	69.8	12.7	30.2	40.0	11.5	15.9	27.0	65.1	38.1	GSWE015CCS	
KH-1103-12A	RCJ	1											GSWE100CCS	
KH-1103-13A		25											GSWE25CCS	
KH-1104-10A	RCJ	1 1/16											GSWE101CCS	3.00
KH-1104-11A	RCJ	1 1/8	4 1/4	3 1/4	17/32	1 9/32	1 31/32	29/64	1 1/16	1 3/16	3	1 3/4	GSWE102CCS	
KH-1104-12A	RCJ	1 3/16	107.9	82.6	13.5	32.5	50.0	11.5	17.5	30.2	76.2	44.4	GSWE103CCS	
KH-1104-13A		30											GSWE30CCS	
KH-1105-10A	RCJ	1 1/4											GSWE104CCS	4.25
KH-1105-11A	RCJ	1 5/16	4 5/8	3 5/8	17/32	1 11/32	2 3/32	33/64	3/4	1 9/32	3 1/2	2 3/16	GSWE105CCS	
KH-1105-12A	RCJ	1 3/8	117.5	92.1	13.5	34.1	53.2	13.1	19.0	32.5	88.9	55.6	GSWE106CCS	
KH-1105-13A	RCJ	1 7/16											GSWE107CCS	
KH-1105-14A		35											GSWE35CCS	
KH-1106-10A	RCJ	1 1/2	5 1/8	4	9/16	1 1/2	2 5/16	33/64	1 3/16	1 3/8	3 7/8	2 3/8	GSWE108CCS	5.25
KH-1106-11A		1 9/16	130.2	101.6	14.3	38.1	58.7	13.1	20.6	34.9	98.4	60.3	GSWE109CCS	
KH-1106-12A	RCJ	40											GSWE40CCS	
KH-1107-10A	RCJ	1 5/8											GSWE110CCS	6.00
KH-1107-11A	RCJ	1 11/16	5 3/8	4 1/8	9/16	1 17/32	2 5/16	33/64	25/32	1 3/8	4 1/8	2 1/2	GSWE111CCS	
KH-1107-12A	RCJ	1 3/4	136.5	104.8	14.3	38.9	58.7	13.1	19.8	34.9	104.8	63.5	GSWE112CCS	
KH-1107-12A		45											GSWE45CCS	
KH-1108-11A	RCJ	1 13/16											GSWE113CCS	
KH-1108-12A	RCJ	1 5/8	5 5/8	4 3/8	9/16	1 11/16	2 19/32	43/64	29/32	1 1/2	4 7/16	2 3/4	GSWE114CCS	6.75
KH-1108-12A	RCJ	1 15/16	142.9	111.1	14.3	42.9	65.9	17.1	23.0	38.1	112.7	69.8	GSWE115CCS	
KH-1108-13A	RCJ	50											GSWE50CCS	
KH-1109-10A	RCJ	2											GSWE200CCS	8.75
KH-1109-11A		2 1/16	6 3/8	5 1/8	21/32	1 27/32	2 15/16	43/64	1 3/32	1 23/32	4 3/4	3	GSWE201CCS	
KH-1109-12A		2 1/8	161.9	130.2	16.7	46.8	74.6	17.1	27.8	43.7	120.6	76.2	GSWE202CCS	
KH-1109-13A	RCJ	2 3/16											GSWE203CCS	
KH-1109-14A		55											GSWE55CCS	
KH-1110-10A	RCJ	2 1/4											GSWE204CCS	11.25
KH-1110-12A	RCJ	2 5/16	6 7/8	5 5/8	1 1/16	1 115/16	3 3/16	43/64	1 1/4	1 27/32	5 3/8	3 5/16	GSWE206CCS	
KH-1110-13A	RCJ	2 3/8	174.6	142.9	17.5	49.2	3.2	17.1	31.8	46.8	136.5	84.1	GSWE207CCS	
KH-1110-14A	RCJ	2 7/16											GSWE60CCS	
KH-1111-13A	RCJ	2 11/16	7 3/8	5 7/8	3/4	2 1/2	3 1/2	41/64	1	1 25/32	6	3 13/16	GSWE211CCS	15.50
KH-1111-14A		70	187.3	149.2	19.1	63.5	88.9	16.3	25.4	45.2	152.4	96.8	GSWE70CCS	
KH-1112-13A	RCJ	2 15/16	7 3/4	6	7/8	2 5/8	3 25/32	25/32	1 1/32	2 5/32	6 3/8	4	GSWE215CCS	18.25
KH-1112-14A		75	196.8	152.4	22.2	66.7	96.0	19.8	26.2	54.8	161.9	101.6	GSWE75CCS	

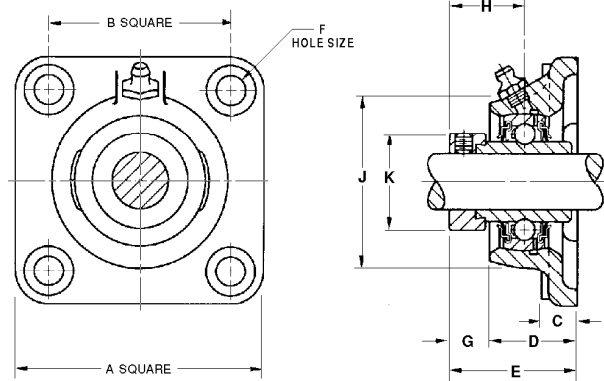
Recommended shaft tolerances: 1/2" - 1 15/16", nominal to - .0005", - .013 mm;  
2" - 2 15/16", nominal to - .0010", - .025 mm

# Four Bolt Flange - Standard Series - High Temperature

## Replaces Fafnir LCJ

This Ketchie-Houston standard series, high temperature four bolt flange unit is supplied completely assembled and is mounted in place by means of bolts through the flange. These units are designed for applications in which the operating temperature exceeds 250°F.

These units use a standard series wide inner ring bearing with an eccentric locking collar, high temperature seals and high temperature grease. These units can be operated up to 425°F.



**TO ORDER, SPECIFY KETCHIE-HOUSTON OR COMPETITOR'S PART NUMBER**

Ketchie Houston	Replaces Fafnir	Shaft Diam.	A	B	C	D	E	F	G	H	J	K	Bearing Number	Approx. Unit Wt.
		in.	in. mm	in. mm	in. mm	in. mm	in. mm	in. mm	in. mm	in. mm	in. mm	in. mm		lbs.
KH-1202-0-10A		3/4	3 3/8 85.7	2 1/2 63.5	7/16 11.1	1 5/32 29.4	1 51/64 45.6	27/64 10.7	41/64 16.3	1 3/64 26.6	2 3/8 60.3	1 5/16 33.3	GSWE012HHS	1.75
KH-1203-0-13A	LCJ	1	3 3/4 95.2	2 3/4 69.8	1/2 12.7	1 3/16 30.2	1 13/16 40.0	29/64 11.5	5/8 15.9	1 1/16 27.0	2 9/16 65.1	1 1/2 38.1	GSWE100HHS	2.25
KH-1204-0-12A	LCJ	1 3/16	4 1/4 107.9	3 1/4 82.6	17/32 13.5	1 9/32 32.5	1 31/32 50.0	29/64 11.5	11/16 17.5	1 3/16 30.2	3 76.2	1 3/4 44.4	GSWE103HHS	3.00
KH-1205-0-13A	LCJ	1 1/4											GSWE104HHS	
KH-1205-0-13A	LCJ	1 7/16	4 5/8 117.5	3 5/8 92.1	17/32 13.5	1 11/32 34.1	2 3/32 53.2	33/64 13.1	3/4 19.0	1 9/32 32.5	3 1/2 88.9	2 3/16 55.6	GSWE107HHS	4.25
KH-1206-0-10A	LCJ	1 1/2	5 1/8 130.2	4 101.6	9/16 14.3	1 1/2 38.1	2 5/16 58.7	33/64 13.1	13/16 20.6	1 3/8 34.9	3 7/8 98.4	2 3/8 60.3	GSWE108HHS	5.25
KH-1207-0-11A	LCJ	1 11/16	5 3/8 136.5	4 1/8 104.8	9/16 14.3	1 17/32 38.9	2 5/16 58.7	33/64 13.1	25/32 19.8	1 3/8 34.9	4 1/8 104.8	2 1/2 63.5	GSWE111HHS	6.00
KH-1207-0-12A														
KH-1208-0-12A	LCJ	1 15/16	5 5/8 142.9	4 3/8 111.1	9/16 14.3	1 11/16 42.9	2 19/32 65.9	43/64 17.1	29/32 23.0	1 1/2 38.1	4 7/16 112.7	2 3/4 69.8	GSWE115HHS	7.00
KH-1209-0-13A	LCJ	2 3/16	6 3/8 161.9	5 1/8 130.2	21/32 16.7	1 27/32 46.8	2 15/16 74.6	43/64 17.1	1 3/32 27.8	1 23/32 43.7	4 3/4 120.6	3 76.2	GSWE203HHS	8.75
KH-1210-0-13A	LCJ	2 7/16	6 7/8 174.6	5 5/8 142.9	11/16 17.5	1 15/16 49.2	3 3/16 3.2	43/64 17.1	1 1/4 31.8	1 27/32 46.8	5 3/8 136.5	3 5/16 84.1	GSWE207HHS	11.50

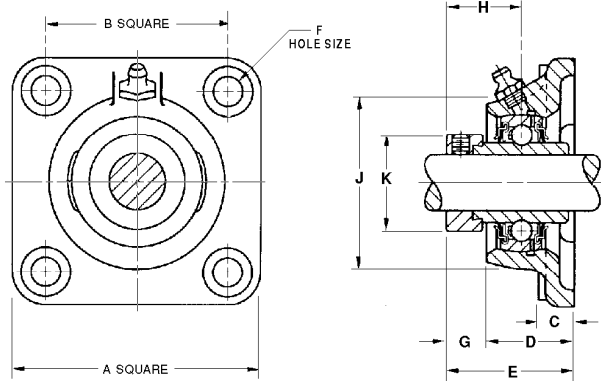
Recommended shaft tolerances: 1/2" - 1 15/16", nominal to - .0005", - .013 mm;  
2" - 2 15/16", nominal to - .0010", - .025 mm

# Four Bolt Flange - Standard Series

## Replaces Fafnir TCJ

This Ketchie-Houston standard series four bolt flange unit is supplied completely assembled and is mounted by means of bolts through the flange.

These units use a standard series wide inner ring bearing with an eccentric locking collar and a one piece Triple-Lip Seal for better seal performance.



**TO ORDER, SPECIFY KETCHIE-HOUSTON OR COMPETITOR'S PART NUMBER**

Ketchie Houston	Replaces Fafnir	Shaft Diam.	A	B	C	D	E	F	G	H	J	K	Bearing Number	Approx. Unit Wt.
		in.	in. mm	in. mm	in. mm	in. mm	in. mm	in. mm	in. mm	in. mm	in. mm	in. mm		lbs.
KH-4219-13A	TCJ	1	3 3/4 95.2	2 3/4 69.8	1/2 12.7	1 3/16 30.2	1 13/16 42.9	29/64 11.5	5/8 15.9	1 1/16 27.0	2 9/16 65.1	1 1/2 38.1	GSWE100TTS	2.25
KH-4220-11A	TCJ	1 1/8	4 1/4	3 1/4	17/32	1 9/32	1 31/32	29/64	11/16	1 3/16	3	1 3/4	GSWE102TTS	3.00
KH-4220-12A		1 3/16	107.9	82.6	13.5	32.5	46.8	11.5	17.5	30.2	76.2	44.4	GSWE103TTS	
KH-4220-13A		1 1/4 S												
KH-4221-10A	TCJ	1 1/4	4 5/8	3 5/8	17/32	1 11/32	1 3/32	33/64	3/4	1 9/32	3 1/2	2 3/16	GSWE104TTS	4.25
KH-4221-12A	TCJ	1 3/8	117.5	92.1	13.5	34.1	50.0	13.1	19.0	32.5	88.9	55.6	GSWE106TTS	
KH-4221-13A	TCJ	1 7/16											GSWE107TTS	
KH-4222-10A	TCJ	1 1/2	5 1/8	4	9/16	1 1/2	2 5/16	33/64	13/16	1 3/8	3 7/8	2 3/8	GSWE108TTS	5.25
			130.2	101.6	14.3	38.1	56.4	13.1	20.6	34.9	98.4	60.3		
KH-4223-11A	TCJ	1 11/16	5 3/8	4 1/8	9/16	1 17/32	2 5/16	33/64	25/32	1 3/8	4 1/8	2 1/2	GSWE111TTS	6.00
KH-4223-12A	TCJ	1 3/4	136.5	104.8	14.3	38.9	58.7	13.1	19.8	34.9	104.8	63.5	GSWE112TTS	
KH-4224-12A	TCJ	1 5/16	5 5/8	4 3/8	9/16	1 11/16	2 19/32	43/64	29/32	1 1/2	4 7/16	2 3/4	GSWE115TTS	6.75
			142.9	111.1	14.3	42.9	60.3	17.1	23.0	38.1	112.7	69.8		
KH-4225-10A	TCJ	2	6 3/8	5 1/8	21/32	1 27/32	2 15/16	43/64	1 3/32	1 23/32	4 3/4	3	GSWE200TTS	8.75
KH-4225-13A	TCJ	2 3/16	161.9	130.2	16.7	46.8	64.7	17.1	27.8	43.7	120.6	76.2	GSWE203TTS	

Recommended shaft tolerances: 1/2" - 1 15/16", nominal to -.0005", -.013 mm;  
 2" - 2 15/16", nominal to -.0010", -.025 mm

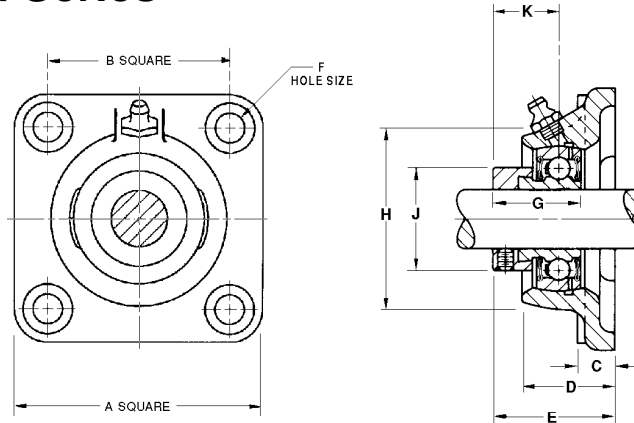


# Four Bolt Flange - Standard Series

## Replaces Fafnir VCJ

This Ketchie-Houston standard series four bolt flange unit is supplied completely assembled and is mounted by means of bolts through the flange.

These units use a standard series, extended inner ring bearing and eccentric locking collar.



**TO ORDER, SPECIFY KETCHIE-HOUSTON OR COMPETITOR'S PART NUMBER**

Ketchie Houston	Replaces Fafnir	Shaft Diam.	A	B	C	D	E	F	G	H	J	K	Bearing Number	Approx. Unit Wt.
			in. mm	in. mm	in. mm	in. mm	in. mm	in. mm	in. mm	in. mm	in. mm	in. mm		
KH-4119-10A	VCJ	1/2											GSEE008CCS	1.25
KH-4119-11A		9/16	3	2 1/8	3/8	1 1/32	1 9/16	2 7/64	3 5/64	5 9/64	2 1/16	1 1/8	GSEE009CCS	
KH-4119-12A	VCJ	5/8	76.2	54.0	9.5	26.2	38.9	10.7	13.9	23.4	52.4	28.6	GSEE010CCS	
KH-4119-1A		17											GSEE17CCS	
KH-4120-10A	VCJ	3/4											GSEE012CCS	1.75
KH-4120-11A		20	85.7	63.5	11.1	29.4	42.9	10.7	16.3	26.6	60.3	33.3	GSEE20CCS	
KH-4121-10A		13/16											GSEE013CCS	2.25
KH-4121-11A	VCJ	7/8	3 3/4	2 3/4	1/2	1 3/16	1 11/16	2 9/64	5/8	1 1/16	2 9/16	1 1/2	GSEE014CCS	
KH-4121-12A	VCJ	15/16	95.2	69.8	12.7	30.2	42.9	11.5	15.9	27.0	65.1	38.1	GSEE015CCS	
KH-4121-12A	VCJ	1											GSEE100CCS	
KH-4121-13A		25											GSEE25CCS	
KH-4122-10A		1 1/16											GSEE101CCS	3.00
KH-4122-11A	VCJ	1 1/8	4 1/4	3 1/4	1 7/32	1 9/32	1 27/32	2 9/64	1 1/16	1 3/16	3	1 3/4	GSEE102CCS	
KH-4122-12A	VCJ	1 3/16	107.9	82.6	13.5	32.5	46.8	11.5	17.5	30.2	76.2	44.4	GSEE103CCS	
KH-4122-13A	VCJ	1 1/4 S											GSEE103CCS3	
KH-4122-14A		30											GSEE30CCS	
KH-4123-10A	VCJ	1 1/4											GSEE104CCS	4.00
KH-4123-11A		1 5/16	4 5/8	3 5/8	1 7/32	1 11/32	1 31/32	3 3/64	3/4	1 9/32	3 1/2	2 3/16	GSEE105CCS	
KH-4123-12A	VCJ	1 3/8	117.5	92.1	13.5	34.1	50.0	13.1	19.0	32.5	88.9	55.6	GSEE106CCS	
KH-4123-13A	VCJ	1 7/16											GSEE107CCS	
KH-4123-14A		35											GSEE35CCS	
KH-4124-10A	VCJ	1 1/2											GSEE108CCS	5.00
KH-4124-11A		1 9/16	130.2	101.6	14.3	38.1	56.4	13.1	20.6	34.9	98.4	60.3	GSEE109CCS	
KH-4124-12A		40											GSEE40CCS	
KH-4125-10A		1 5/8											GSEE110CCS	5.50
KH-4125-11A	VCJ	1 11/16	5 3/8	4 1/8	9/16	1 17/32	2 7/32	3 3/64	2 5/32	1 3/8	4 1/8	2 1/2	GSEE111CCS	
KH-4125-12A	VCJ	1 3/4	136.5	104.8	14.3	38.9	58.7	13.1	19.8	34.9	104.8	63.5	GSEE112CCS	
KH-4125-13A	VCJ	45											GSEE45CCS	
KH-4126-10A		1 13/16											GSEE113CCS	
KH-4126-11A		1 5/8	5 5/8	4 3/8	9/16	1 11/16	2 3/8	4 3/64	2 9/32	1 1/2	4 7/16	2 3/4	GSEE114CCS	6.50
KH-4126-12A	VCJ	1 15/16	142.9	111.1	14.3	42.9	60.3	17.1	23.0	38.1	112.7	69.8	GSEE115CCS	
KH-4126-13A	VCJ												GSEE115CCS3	
KH-4126-14A		50											GSEE50CCS	
KH-4127-10A	VCJ	2											GSEE200CCS	
KH-4127-11A		2 1/16	6 3/8	5 1/8	2 1/32	1 27/32	2 35/64	4 3/64	1 3/32	1 23/32	4 3/4	3	GSEE201CCS	
KH-4127-12A		2 1/8	161.9	130.2	16.7	46.8	64.7	17.1	27.8	43.7	120.6	76.2	GSEE202CCS	
KH-4127-13A	VCJ	2 3/16											GSEE203CCS	
KH-4127-14A		55											GSEE55CCS	

Recommended shaft tolerances: 1/2" - 1 15/16", nominal to -.0005", -.013 mm;  
 2" - 2 15/16", nominal to -.0010", -.025 mm

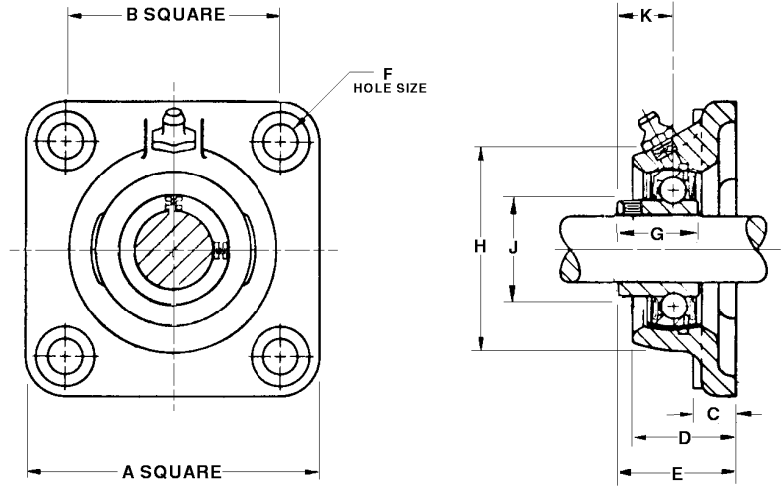


# Four Bolt Flange - Standard Series

Replaces Fafnir SCJ and Seal Master V

This Ketchie-Houston standard series four bolt flange unit is supplied completely assembled and is mounted by means of bolts through the flange.

These units use a standard series, extended inner ring bearing with a set screw lock.



**TO ORDER, SPECIFY KETCHIE-HOUSTON OR COMPETITOR'S PART NUMBER**

Ketchie Houston	Replaces Dodge S. Master Fafnir	Shaft Diam.	A	B	C	D	E	F	G	H	J	K	Bearing Number	Approx. Unit Wt.
			in. mm	in. mm	in. mm	in. mm	in. mm	in. mm	in. mm	in. mm	in. mm	in. mm		
KH-4149-10A	SCJ	1/2	3	2 1/8	3/8	1 1/32	1 9/32	2 7/64	3 5/64	5 9/64	2 1/16	1 1/8	GSES008CCS	1.25
KH-4149-12A	SCJ	5/8	76.2	54.0	9.5	26.2	32.5	10.7	13.9	23.4	52.4	28.6	GSES010CCS	
KH-4149-14A		17											GSES17CCS	
KH-4150-10A	SCJ	3/4	3 3/8	2 1/2	7/16	1 5/32	1 15/32	2 7/64	4 1/64	1 3/64	2 3/8	1 5/16	GSES012CCS	1.50
KH-4150-11A		20	85.7	63.5	11.1	29.4	37.3	10.7	16.3	26.6	60.3	33.3	GSES20CCS	
KH-4151-11A	SC	VF	7/8										GSES014CCS	1.75
KH-4151-12A		15/16	3 3/4	2 3/4	1/2	1 3/16	1 33/64	2 29/64	5/8	1 1/16	2 9/16	1 1/2	GSES015CCS	
KH-4151-13A	SCJ	1	95.2	69.8	12.7	30.2	38.5	11.5	15.9	27.0	65.1	38.1	GSES100CCS	
KH-4151-14A		25											GSES25CCS	
KH-4152-11A	SC	VF	1 1/8										GSES102CCS	2.75
KH-4152-12A	SCJ	1 3/16	4 1/4	3 1/4	1 7/32	1 9/32	1 11/16	2 29/64	1 1/16	1 3/16	3	1 3/4	GSES103CCS	
KH-4152-13A	SCJ	1 1/4 S	107.9	82.6	13.5	32.5	42.9	11.5	17.5	30.2	76.2	44.4	GSES103CCS3	
KH-4152-14A		30											GSES30CCS	
KH-4153-10A	SC	VF	1 1/4										GSES104CCS	3.25
KH-4153-12A	SCJ	1 3/8	4 5/8	3 5/8	1 7/32	1 11/32	1 53/64	2 33/64	3/4	1 9/32	3 1/2	2 3/16	GSES106CCS	
KH-4153-13A	SCJ	1 7/16	117.5	92.1	13.5	34.1	46.4	13.1	19.0	32.5	88.9	55.6	GSES107CCS	
KH-4153-14A		35											GSES35CCS	
KH-4154-10A	SC	VF	1 1/2										GSES108CCS	5.00
KH-4154-12A		40	130.2	101.6	14.3	38.1	51.6	13.1	20.6	34.9	98.4	60.3	GSES40CCS	
KH-4155-10A		1 5/8											GSES110CCS	5.25
KH-4155-11A	SCJ	1 11/16	5 3/8	4 1/8	9/16	1 17/32	2 1/16	3 33/64	2 25/32	1 3/8	4 1/8	2 1/2	GSES111CCS	
KH-4155-12A	SCJ	1 3/4	136.5	104.8	14.3	38.9	52.4	13.1	19.8	34.9	104.8	63.5	GSES112CCS	
KH-4155-13A		45											GSES45CCS	
KH-4156-12A	SCJ	1 15/16	5 5/8	4 3/8	9/16	1 11/16	2 5/16	4 43/64	2 29/32	1 1/2	4 7/16	2 3/4	GSES115CCS	6.00
KH-4156-13A		2S	142.9	111.1	14.3	42.9	58.7	17.1	23.0	38.1	112.7	69.8	GSES115CCS3	
KH-4156-14A		50											GSEE115CCS	
KH-4157-10A	SCJ	2	6 3/8	5 1/8	2 1/32	2 27/32	2 15/32	4 43/64	1 3/32	2 23/32	4 3/4	3	GSES200CCS	6.75
KH-4157-13A	SCJ	2 1/16	161.9	130.2	16.7	46.8	62.7	17.1	27.8	43.7	120.6	76.2	GSES203CCS	
KH-4157-14A		55											GSES55CCS	

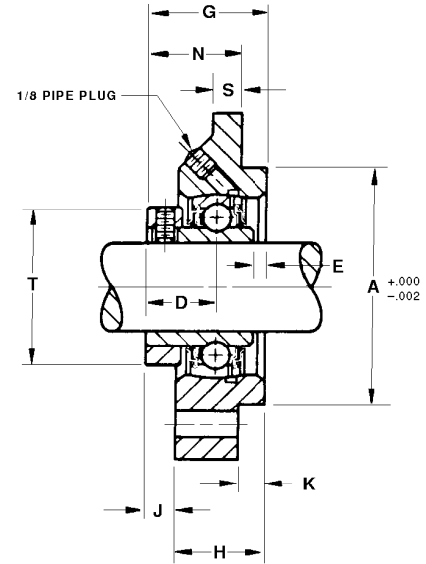
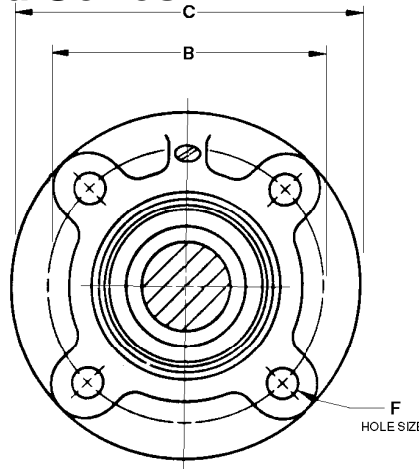
Recommended shaft tolerances: 1/2" - 1 15/16", nominal to -.0005", -.013 mm;  
 2" - 2 15/16", nominal to -.0010", -.025 mm

# Piloted Flange - Standard Series

Replaces Dodge-SC and Fafnir RFC

The Ketchie-Houston piloted flange series assures accurate mounting and better support for heavy loads. These units are ideally suited for applications in materials handling, conveyor equipment, and farm and construction equipment.

These units are equipped with a standard series wide inner ring bearing with integral seals and eccentric locking collar.



TO ORDER, SPECIFY KETCHIE-HOUSTON OR COMPETITOR'S PART NUMBER

Ketchie Houston	Replaces		Shaft Diam.	A	B	C	D	E	F	G	H	J	K	N	S	T	Bearing Number	Approx. Unit Wt.
	Dodge	Fafnir		in.	in.	in.	in.	in.	in.	in.	in.	in.	in.	in.	in.	in.		
			mm	mm	mm	mm	mm	mm	mm	mm	mm	mm	mm	mm	mm	mm		
KH-4170-11A		RFC	7/8														GSWE014CCS	
KH-4170-12A		RFC	15/16	3.000	3 5/8	4 3/8	51/64	9/64	13/32	131/64	17/64	3/8	1/4	1 15/64	3/8	3/4	GSWE015CCS	2.75
KH-4170-13A		RFC	1	76.20	92.1	111.1	20.2	3.6	10.3	37.7	28.2	9.5	6.4	31.4	9.5	44.4	GSWE100CCS	
KH-4170-14A		RFC	25														GSWE25CCS	
KH-4171-11A		RFC	1 1/8														GSWE102CCS	
KH-4171-12A		RFC	1 3/16	3.375	4 1/8	5	57/64	9/64	15/32	1 39/64	1 13/64	13/32	27/64	13/16	3/8	1/16	GSWE103CCS	4.00
KH-4171-13A		RFC	1 1/4 S	85.72	104.8	127.0	22.6	3.6	11.9	40.9	30.6	10.3	10.7	30.2	9.5	52.4	GSWE103CCS3	
KH-4171-14A		RFC	30														GSWE30CCS	
KH-4172-10A	SC	RFC	1 1/4														GSWE104CCS	
KH-4172-12A	SC	RFC	1 3/8	3.625	4 3/8	5 1/4	1	1/8	15/32	1 3/4	1 11/32	13/32	15/32	1 9/32	1/2	2 11/32	GSWE106CCS	4.25
KH-4172-13A	SC	RFC	1 3/16	92.08	111.1	133.4	25.4	3.2	11.9	44.4	34.1	10.3	11.9	32.5	12.7	59.5	GSWE107CCS	
KH-4172-14A		RFC	35														GSWE35CCS	
KH-4173-10A	SC	RFC	1 1/2	3.625	4 3/8	5 1/4	1 5/64	3/16	15/32	1 5/64	1 1/2	27/64	15/32	1 29/64	1/2	2 11/16	GSWE108CCS	
KH-4173-11A		RFC	1 9/16	3.625	111.1	133.4	27.4	4.8	11.9	48.8	38.1	10.7	11.9	36.9	12.7	68.3	GSWE109CCS	5.00
KH-4173-12A		RFC	40														GSWE40CCS	
KH-4174-10A		RFC	1 5/8														GSWE110CCS	
KH-4174-11A	SC	RFC	1 11/16	4.250	5 1/8	6 1/8	15/32	-	17/32	1 27/32	1 11/32	1/2	15/32	1 3/8	2 9/64	2 7/8	GSWE111CCS	6.50
KH-4174-12A	SC	RFC	1 3/4	107.95	130.2	155.6	29.4	-	13.5	46.8	34.1	12.7	11.9	34.9	11.5	73.0	GSWE112CCS	
KH-4174-13A		RFC	45														GSWE45CCS	
KH-4175-11A		RFC	1 7/8	4.500	5 3/8	6 3/8	13/16	1/4	17/32	2 5/32	1 11/16	15/32	3/8	1 17/32	1/2	3 1/4	GSWE114CCS	
KH-4175-12A	SC	RFC	1 15/16	114.30	136.5	161.9	30.2	6.4	13.5	54.8	42.9	11.9	15.9	38.9	12.7	79.4	GSWE115CCS	7.25
KH-4175-13A		RFC	50														GSWE50CCS	
KH-4176-10A	SC	RFC	2														GSWE200CCS	
KH-4176-12A		RFC	2 1/8	5.000	6	7 1/8	5 5/16	9/32	19/32	2 19/32	1 1/4	2 1/32	7/8	1 17/32	1/2	3 1/2	GSWE202CCS	9.25
KH-4176-13A	SC	RFC	2 3/16	127.00	152.4	181.0	33.3	7.1	15.1	61.1	44.4	16.7	22.2	38.9	12.7	88.9	GSWE203CCS	
KH-4176-14A		RFC	55														GSWE55CCS	
KH-4178-13A		RFC	2														GSWE215CCS	

Recommended shaft tolerances: 1/2" - 1 15/16", nominal to -.0005", -.013 mm;  
 2" - 2 15/16", nominal to -.0010", -.025 mm









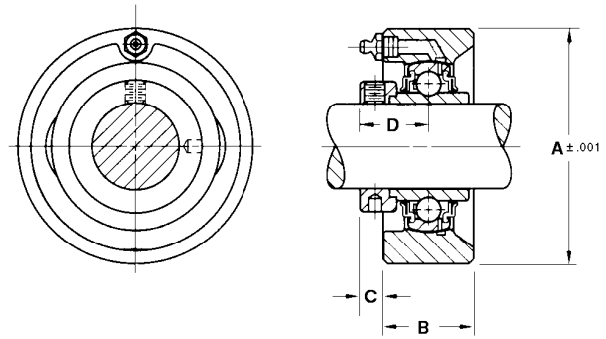


# Cylindrical Cartridge – Standard Series

## Replaces Fafnir RC and Seal Master SC

This Ketchie-Houston standard series cylindrical cartridge unit is designed to mount in straight bored housings.

These units are equipped with a standard series wide inner ring bearing with integral seals and eccentric locking collar.



### TO ORDER, SPECIFY KETCHIE-HOUSTON OR COMPETITOR'S PART NUMBER

Ketchie Houston	Replaces		Shaft Diam.		A	B	C	D	Bearing Number	Approx. Unit Wt.
	Fafnir	Seal Master	in.	mm	in. mm	in. mm	in mm	in mm		
KH-4024-0A	RC	SC-8	1/2						GSWE008CCS	
KH-4024-1A	RC		9/16		2 11/16	1 3/16	21/64	59/64	GSWE009CCS	
KH-4025-0A	RC		5/8		68.27	30.2	8.3	23.4	GSWE010CCS	1.50
KH-4025-1A	RC		11/16	17					GSWE011CCS	
	RC								GSWE17CCS	
KH-4026-0A	RC	SC-12	3/4		2 15/16	1 7/16	21/64	13/64	GSWE012CCS	2.00
KH-4026-1A	RC			20	74.61	36.5	8.3	26.8	GSWE20CCS	
KH-4027-0A	RC		13/16							
KH-4027-1A	RC	SC-14	7/8		3 1/8	1 1/2	5/16	1 1/16	GSWE014CCS	2.25
KH-4027-2A	RC		15/16		79.38	38.1	7.9	27.0	GSWE015CCS	
KH-4027-3A	RC		1						GSWE100CCS	
KH-4027-4A	RC			25					GSWE25CCS	
KH-4028-0A	RC		1 1/16						GSWE101CCS	
KH-4028-1A	RC		1 1/8		3 1/2	1 1/2	7/16	13/16	GSWE102CCS	2.75
KH-4028-2A	RC	SC-19	1 3/16		88.90	38.1	11.1	30.2	GSWE103CCS	
KH-4028-3A	RC			30					GSWE30CCS	
KH-4029-0A	RC	SC-20	1 1/4						GSWE104CCS	
KH-4029-1A	RC		1 5/16		3 7/8	1 9/16	1/2	1 9/32	GSWE105CCS	3.25
KH-4029-2A	RC	SC-22	1 3/8		98.43	39.7	12.7	32.5	GSWE106CCS	
KH-4029-3A	RC	SC-23	1 7/16						GSWE107CCS	
KH-4029-4A	RC			35					GSWE35CCS	
KH-4030-0A	RC	SC-24	1						GSWE108CCS	
KH-4030-1A	RC		1 9/16		4 3/16	1 3/4	1/2	1 3/8	GSWE109CCS	4.25
KH-4030-2A	RC			40	106.36	44.4	12.7	34.9	GSWE40CCS	
KH-4031-0A	RC		1 5/8						GSWE110CCS	
KH-4031-1A	RC	SC-27	1 11/16		4 3/8	1 3/4	1/2	1 3/8	GSWE111CCS	4.50
KH-4031-2A	RC		1 3/4		111.13	44.4	12.7	34.9	GSWE112CCS	
KH-4031-3A	RC			45					GSWE45CCS	
KH-4032-0A	RC		1 13/16						GSWE113CCS	
KH-4032-1A	RC		1 7/8		4 9/16	2 1/16	15/32	1 1/2	GSWE114CCS	5.75
KH-4032-2A	RC	SC-31	1 15/16		115.89	52.4	11.9	38.1	GSWE115CCS	
KH-4032-3A	RC			50					GSWE50CCS	
KH-4033-0A	RC		2						GSWE200CCS	
KH-4033-1A	RC		2 1/16						GSWE201CCS	
KH-4033-2A	RC		2 1/8		4 15/16	2 5/16	9/16	1 23/32	GSWE202CCS	7.25
KH-4033-3A	RC	SC-35	2 3/16		125.41	58.7	14.3	43.7	GSWE203CCS	
KH-4033-4A	RC			55					GSWE55CCS	
KH-4034-3A	RC	SC-39	2 7/16		5 7/8	2 9/16	9/16	1 27/32	GSWE207CCS	11.50
KH-4034-4A	RC			60	149.23	65.1	14.3	46.8	GSWE60CCS	

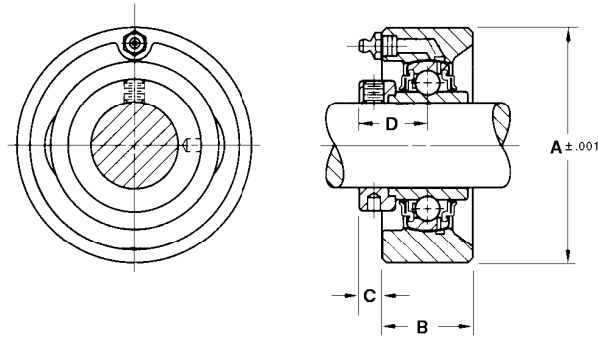
Recommended shaft tolerances: 1/2" - 1 15/16", nominal to - .0005", - .013 mm; 2" - 3 15/16", nominal to - .0010", - .025 mm

# Cylindrical Cartridge - Standard Series - High Temperature

## Replaces Fafnir LC

This Ketchie-Houston standard series high temperature cylindrical cartridge unit is designed to mount in a straight bore housing.

These units are equipped with a standard series wide inner ring bearing with high temperature grease and high temperature seals and eccentric locking collar.



**TO ORDER, SPECIFY KETCHIE-HOUSTON OR COMPETITOR'S PART NUMBER**

Ketchie Houston	Replaces	Shaft Diam.	A		B		C		D	Bearing Number	Approx. Unit Wt.
			in.	mm	in.	mm	in.	mm			
	Fafnir	in. mm	in. mm	in. mm	in. mm	in. mm	in. mm				lbs.
KH-4026-0A	LC	3/4 20	2 15/16 74.61	1 7/16 36.5	2 1/64 8.3	3/64 26.6	GSWE012HHS	2.00			
KH-4027-0-3A	LC	13/16 7/8 15/16 1 25	3 1/8 79.38	1 1/2 38.1	5/16 7.9	1 1/16 27.0	GSWE100HHS	2.25			
KH-4028-0-2A	LC	1 1/16 1 1/8 1 3/16 30	3 1/2 88.90	1 1/2 38.1	7/16 11.1	1 3/16 30.2	GSWE103HHS	2.75			
KH-4029-0-0A	LC	1 1/4 1 5/16 1 3/8 35	3 7/8 98.43	1 9/16 39.7	1/2 12.7	1 9/32 32.5	GSWE104HHS	3.25			
KH-4029-0-3A	LC	1 7/16 35					GSWE107HHS				
KH-4030-0-0A	LC	1 1/2 1 9/16 40	4 3/16 106.36	1 3/4 44.4	1/2 12.7	1 3/8 34.9	GSWE108HHS	4.25			
KH-4031-0-1A	LC	1 5/8 1 11/16 45	4 3/8 111.3	1 3/4 44.4	1/2 12.7	1 3/8 34.9	GSWE111HHS	4.50			
KH-4031-0-2A	LC	1 3/4 45					GSWE112HHS				
KH-4032-0-2A	LC	1 13/16 1 7/8 1 15/16 50	4 9/16 115.89	2 1/16 52.4	15/32 11.9	1 1/2 38.1	GSWE115HHS	5.75			
KH-4033-0-3A	LC	2 2 1/16 2 1/8 2 3/16 55	4 15/16 125.41	2 5/16 58.7	9/16 14.3	1 23/32 43.7	GSWE203HHS	7.25			
KH-4034-0-3A	LC	2 7/16 60	5 7/8 149.23	2 9/16 65.1	9/16 14.3	1 27/32 46.8	GSWE207HHS	11.50			

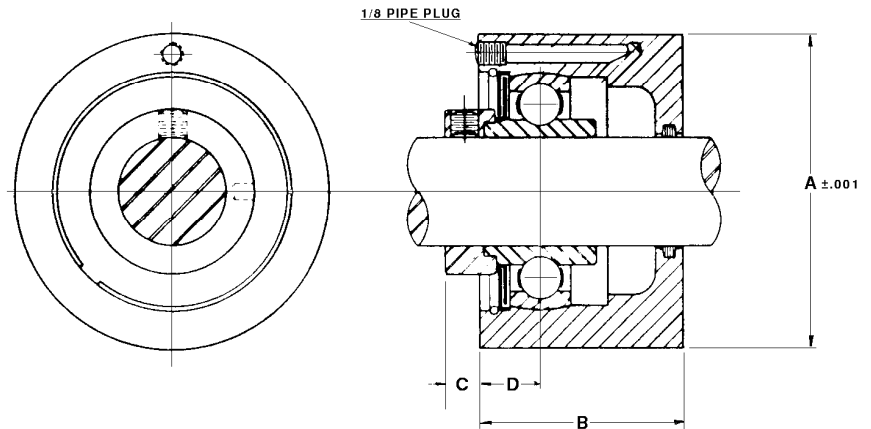
Recommended shaft tolerances: 1/2" - 1 15/16", nominal to -.0005", -.013 mm; 2" - 3 15/16", nominal to -.0010", -.025 mm

## Cylindrical Cartridge - Standard Series - Open

### Replaces Fafnir C Type

This Ketchie-Houston standard series cylindrical cartridge unit is designed to mount in straight bored housings. They are open on both ends to allow the shaft to go all the way through the unit.

These units are equipped with a standard series wide inner ring bearing with one seal arrangement and eccentric locking collar.



**TO ORDER, SPECIFY KETCHIE-HOUSTON OR COMPETITOR'S PART NUMBER**

Ketchie Houston	Replaces Fafnir	Shaft Diam.	A	B	C	D	Bearing Number	Approx. Unit Wt.
		in.	in.	in.	in.	in.		lbs.
KH-4034-0A	C	2	5	3		1	GSWE207CS	20.00
KH-4035-0A	C	2 1/2	6 1/4	3 3/4	53/64	1 13/64	GSWE208CS	21.50
KH-4036-1A	C	2 11/16	6 3/4	3 15/16	53/64	1 13/64	GSWE211CS	20.75
KH-4037-2A	C	2 15/16	6 5/8	4 1/4	3/4	1 15/32	GSWE215CS	24.50
KH-4038-3A	C	3 3/16	7	4 1/2	53/64	1 33/64	GSWE303CS	29.50
KH-4040-1A	C	3 7/16	7 7/16	4 5/8	29/32	1 9/16	GSWE307CS	32.75
KH-4042-1A	C	3 11/16	8 3/16	5 1/4	31/32	1 11/16	GSWE311CS	44.25
KH-4043-3A	C	3 15/16	8 5/8	5 3/8	1 19/64	1 43/64	GSWE315CS	52.00

Recommended Shaft Tolerances: Nominal to  $-.0010''$

Recommended Housing Bore: Shaft Rotating - Nominal  $+.001''$  to  $+.003''$

Shaft Stationary - Nominal  $+.000''$  to  $-.002''$

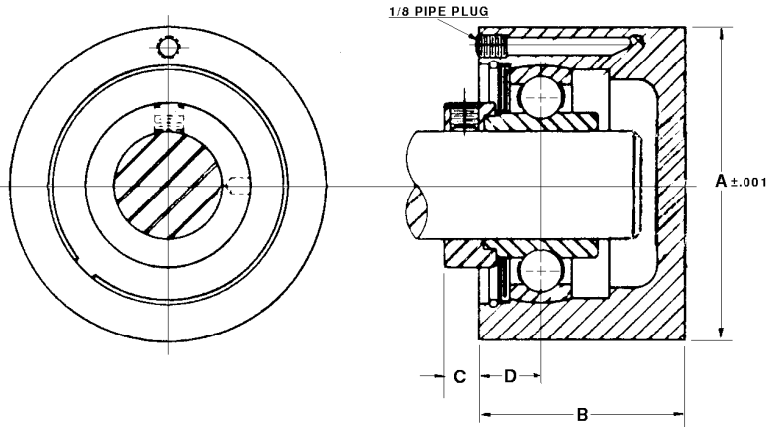
Avoid excessive tightening of anchor bolts.

# Cylindrical Cartridge - Standard Series - Closed

## Replaces Fafnir C Type

This Ketchie Houston standard series cylindrical cartridge unit is designed to mount in straight bored housings. They are closed on one end and are to be used for applications where the shaft must not pass all the way through the unit.

These units are equipped with a standard series wide inner ring bearing with one seal arrangement and eccentric locking collar.



**TO ORDER, SPECIFY KETCHIE-HOUSTON OR COMPETITOR'S PART NUMBER**

Ketchie Houston	Replaces Fafnir	Shaft Diam.	A	B	C	D	Bearing Number	Approx. Unit Wt.
		in.	in.	in.	in.	in.		lbs.
KH-4034-10A	C	2	5	3		1	GSWE207CS	20.50
KH-4035-10A	C	2 1/2	6 1/4	3 3/4	53/64	1 13/64	GSWE208CS	21.00
KH-4036-11A	C	2 11/16	6 3/4	3 15/16	53/64	1 13/64	GSWE211CS	21.25
KH-4037-12A	C	2 15/16	6 5/8	4 1/4	3/4	1 15/32	GSWE215CS	25.50
KH-4038-13A	C	3 3/16	7	4 1/2	53/64	1 33/64	GSWE303CS	30.25
KH-4040-11A	C	3 7/16	7 7/16	4 5/8	29/32	1 9/16	GSWE307CS	34.75
KH-4042-11A	C	3 11/16	8 3/16	5 1/4	31/32	1 11/16	GSWE311CS	46.25
KH-4043-13A	C	3 15/16	8 5/8	5 3/8	1 19/64	1 43/64	GSWE315CS	53.00

Recommended Shaft Tolerances: Nominal to -.0010"

Recommended Housing Bore: Shaft Rotating - Nominal +.001" to +.003"

Shaft Stationary - Nominal +.000" to -.002"

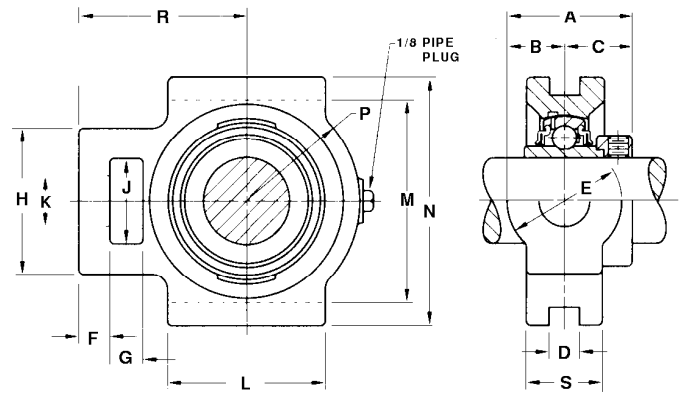
Avoid excessive tightening of anchor bolts.

# Take-up Units - Standard Series

Replaces Dodge SXR, Fafnir RTU, TU, and Sealmaster SXR

The Ketchie-Houston standard series take-up units are used where shaft adjustment and belt tightening devices are required, as on conveyor applications.

These units are equipped with standard series wide inner ring bearings with integral seals and eccentric locking collars.



TO ORDER, SPECIFY KETCHIE-HOUSTON OR COMPETITOR'S PART NUMBER

Ketchie Houston	Replaces		Shaft Diam.	A	B	C	S	D	E	R	H	K	J	F	G	P	L	M	N	Bearing Number	Approx. Unit Wt.	
	Dodge	S.Master		in.	in.	in.	in.	in.	in.	in.	in.	in.	in.	in.	in.	in.	in.	in.	in.			in.
			3/4	17/8	13/16	11/16	11/32	17/32	15/8	221/32	2 1/4	3/4	1 1/4	1/2	5/8	15/16	2 1/4	3	3 5/8	GSWE012CCS	3.25	
			20	47.6	20.6	27.0	34.1	13.5	41.3	67.5	57.2	19.0	31.8	12.7	15.9	33.3	57.2	76.2	92.1	GSWE20CCS		
KH-4190-10A		RTU	13/16																			
KH-4190-11A		RTU	7/8	115/16	7/8	11/16	115/32	17/32	13/4	221/32	2 1/4	3/4	1 1/4	1/2	5/8	13/8	2 1/4	3	3 5/8	GSWE014CCS		
KH-4190-12A		RTU	15/16	49.2	22.2	27.0	37.3	13.5	44.4	67.5	57.2	19.0	31.8	12.7	15.9	34.9	57.2	76.2	92.1	GSWE015CCS	3.50	
KH-4190-13A		RTU	1																	GSWE100CCS		
KH-4190-14A		RTU	25																	GSWE25CCS		
KH-4191-10A		RTU	11/16																	GSWE101CCS		
KH-4191-11A		RTU	11/8	23/16	1	13/16	11/2	17/32	2	221/32	2 7/16	7/8	1 1/16	1/2	5/8	15/8	2 1/2	3 1/2	4 1/8	GSWE102CCS	4.50	
KH-4191-12A	SXR	RTU	RT-E	13/16	55.6	25.4	30.2	38.1	13.5	50.8	72.2	61.9	22.2	36.5	12.7	15.9	41.3	63.5	88.9	104.8	GSWE103CCS	
KH-4191-13A		RTU		30																GSWE30CCS		
KH-4192-10A		RTU	13/4																	GSWE104CCS		
KH-4192-11A		RTU	15/16	29/32	1	15/32	17/16	17/32	2	2 15/16	2 1/2	5/8	1 1/16	1/2	5/8	1 15/16	2 3/4	3 1/2	4 1/8	GSWE105CCS	4.75	
KH-4192-12A		RTU	1	57.9	25.4	32.5	36.5	13.5	50.8	74.6	63.5	22.2	36.5	12.7	15.9	49.2	69.8	88.9	104.8	GSWE106CCS		
KH-4192-13A	SXR	RTU	RT-E	17/16																GSWE107CCS		
KH-4192-14A		RTU	35																	GSWE35CCS		
KH-4193-10A	SXR	RTU	RT-E	11/2																GSWE108CCS		
KH-4193-11A		RTU	15/16	221/32	19/32	13/8	13/4	11/16	2 9/16	3 15/32	3 1/4	1 1/8	1 15/16	5/8	3/4	2 3/32	3 1/4	3 31/32	4 3/4	GSWE109CCS	7.50	
KH-4193-12A		RTU	40	67.5	32.5	34.9	44.4	17.5	65.1	88.1	82.6	28.6	49.2	15.9	19.0	53.3	82.6	100.8	120.6	GSWE40CCS		
KH-4194-10A		RTU	15/8																	GSWE110CCS		
KH-4194-11A	SXR	RTU	RT-E	111/16	221/32	19/32	13/8	13/4	11/16	29/16	3 15/32	3 1/4	1 1/8	1 15/16	5/8	3/4	2 3/32	3 1/4	3 31/32	4 3/4	GSWE111CCS	7.25
KH-4194-12A		RTU	13/4	67.5	32.5	34.9	44.4	17.5	65.1	88.1	82.6	28.6	49.2	15.9	19.0	53.3	82.6	100.8	120.6	GSWE112CCS		
KH-4194-13A		RTU	45																	GSWE45CCS		
KH-4195-11A		RTU	113/16																	GSWE114CCS		
KH-4195-12A	SXR	RTU	RT-E	115/16	225/32	19/32	11/2	1 15/16	1 11/16	2 9/16	3	3 3/4	1 1/8	1 15/16	5/8	3/4	2 11/32	3 3/8	3 31/32	4 3/4	GSWE115CCS	8.00
KH-4195-13A		RTU	50	70.6	32.5	38.1	49.2	17.5	65.1	91.3	82.6	28.6	49.2	15.9	19.0	59.5	85.7	100.8	120.6	GSWE50CCS		
KH-4196-10A	SXR	RTU	RT-E	2																GSWE200CCS		
KH-4196-12A		RTU	2 1/16	31/32	1 3/8	1 23/32	2 3/16	1 1/16	2 3/4	4 23/32	4	1 3/8	2 1/2	3/4	1 1/4	2 23/32	4	5 3/32	5 7/8	GSWE202CCS	14.25	
KH-4196-13A	SXR	RTU	RT-E	2 3/8	77.0	34.9	43.7	55.6	27.0	69.8	119.9	101.6	34.9	63.5	19.0	31.8	69.1	101.6	129.4	149.2	GSWE203CCS	
KH-4196-14A		RTU	2 3/16	55																GSWE55CCS		
KH-4197-10A		RTU	2 1/4																	GSWE204CCS		
KH-4197-12A		RTU	2 5/16																	GSWE206CCS		
KH-4197-13A	SXR	RTU	RT-E	2 1/8	37/32	1 3/8	1 27/32	2 1/16	1 1/16	2 3/4	4 23/32	4	1 3/8	2 1/2	3/4	1 1/4	2 23/32	4	5 3/32	5 7/8	GSWE207CCS	13.50
KH-4197-14A		RTU	2 7/16	81.8	34.9	46.8	52.4	27.0	69.8	119.9	101.6	34.9	63.5	19.0	31.8	69.1	101.6	129.4	149.2	GSWE208CCS		
KH-4198-11A		RTU	2 11/16	425/32	2 3/4	2 1/32	2 1/8	1 13/16	3 3/8	5 1/4	4 3/8	1 5/8	2 3/4	1 3/16	1 1/4	3	4 3/4	5 23/32	6 11/16	GSWE211CCS	24.75	
		RTU	24.75	121.4	69.8	51.6	73.0	46.0	85.7	133.4	111.1	41.3	69.8	20.6	31.8	76.2	120.6	150.0	169.9			
KH-4199-13A		RTU <sup>(1)</sup>	2 15/16	47/8	2 23/32	2 3/32	2 15/16	1 13/16	3 3/8	5 1/4	4 3/8	1 5/8	2 3/4	1 3/16	1 1/4	3 3/16	4 3/4	5 23/32	6 11/16	GSWE211CCS	24.00	
			24.00	123.8	69.1	58.4	74.6	46.0	85.7	133.4	111.1	41.3	69.8	20.6	31.8	81.0	120.6	150.0	169.9			

<sup>(1)</sup> TU Style housing available upon request

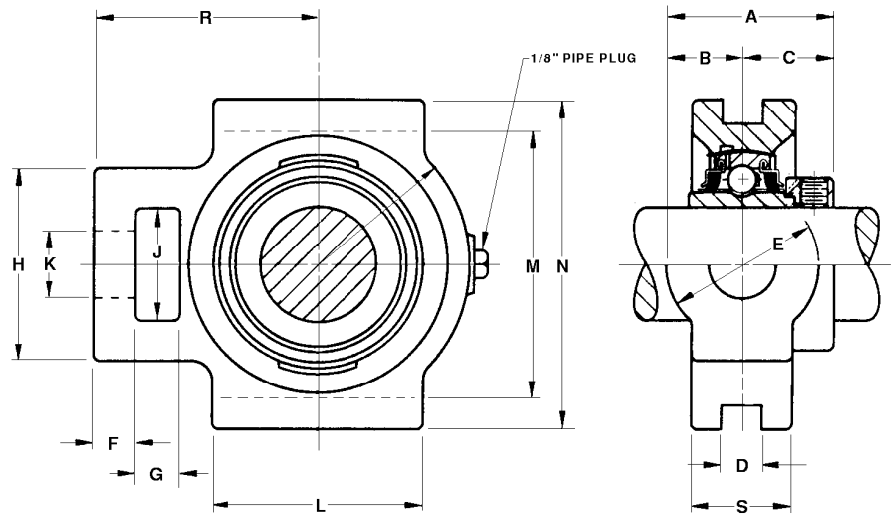
Recommended shaft tolerances: 3/4 - 1 15/16", nominal to - .0005", - .013 mm  
2" - 2 15/16", nominal to - .0010", - .025 mm



# Take-up Units - Standard Series with Triple Lip Sealed Inserts

The Ketchie-Houston standard series take-up units are used where shaft adjustment and belt tightening devices are required, as on conveyor applications.

These units use a standard series, wide inner ring bearing with an eccentric locking collar and a one piece Triple-Lip seal for better seal performance



**TO ORDER, SPECIFY KETCHIE-HOUSTON OR COMPETITOR'S PART NUMBER**

Ketchie Houston	Shaft Diam.	A	B	C	S	D	E	R	H	K	J	F	G	P	L	M	N	Bearing Number	Approx. Unit Wt.
	in.	in. mm	in. mm	in. mm	in. mm	in. mm	in. mm	in. mm	in. mm	in. mm	in. mm	in. mm	in. mm	in. mm	in. mm	in. mm	in. mm		lbs.
KH-4422-13A	1	1 <sup>15</sup> / <sub>16</sub> 49.2	7/8 22.2	1 <sup>1</sup> / <sub>16</sub> 27.0	1 <sup>15</sup> / <sub>32</sub> 37.3	1 <sup>7</sup> / <sub>32</sub> 13.5	1 <sup>3</sup> / <sub>4</sub> 44.4	2 <sup>21</sup> / <sub>32</sub> 67.5	2 1/4 57.2	3/4 19.0	1 1/4 31.8	1/2 12.7	5/8 15.9	1 <sup>3</sup> / <sub>8</sub> 34.9	2 1/4 57.2	3 76.2	3 5/8 92.1	GSWE100TTS	3.50
KH-4423-11A	1 <sup>1</sup> / <sub>8</sub>	2 3/16 55.6	1 25.4	1 <sup>3</sup> / <sub>16</sub> 30.2	1 1/2 38.1	1 <sup>7</sup> / <sub>32</sub> 13.5	2 50.8	2 <sup>27</sup> / <sub>32</sub> 72.2	2 7/16 61.9	7/8 22.2	1 <sup>7</sup> / <sub>16</sub> 36.5	1/2 12.7	5/8 15.9	1 <sup>5</sup> / <sub>8</sub> 41.3	2 1/2 63.5	3 1/2 88.9	4 1/8 104.8	GSWE102TTS	4.50
KH-4423-12A	1 <sup>3</sup> / <sub>16</sub>																	GSWE103TTS	
KH-4423-13A	1 <sup>1</sup> / <sub>4</sub> S																	GSWE103TTS3	
KH-4424-10A	1 <sup>1</sup> / <sub>4</sub>	2 <sup>9</sup> / <sub>32</sub> 57.9	1 25.4	1 <sup>9</sup> / <sub>32</sub> 32.5	1 <sup>7</sup> / <sub>16</sub> 36.5	1 <sup>7</sup> / <sub>32</sub> 13.5	2 50.8	2 1 <sup>5</sup> / <sub>16</sub> 74.6	2 1/2 63.5	5/8 22.2	1 <sup>7</sup> / <sub>16</sub> 36.5	1/2 12.7	5/8 15.9	1 <sup>15</sup> / <sub>16</sub> 49.2	2 3/4 69.8	3 1/2 88.9	4 1/8 104.8	GSWE104TTS	4.75
KH-4424-12A	1 <sup>3</sup> / <sub>8</sub>																	GSWE106TTS	
KH-4424-13A	1 <sup>7</sup> / <sub>16</sub>																	GSWE107TTS	
KH-4425-10A	1 1/2	2 <sup>21</sup> / <sub>32</sub> 67.5	1 <sup>9</sup> / <sub>32</sub> 32.5	1 <sup>3</sup> / <sub>8</sub> 34.9	1 <sup>3</sup> / <sub>4</sub> 44.4	1 <sup>11</sup> / <sub>16</sub> 17.5	2 9/16 65.1	3 <sup>15</sup> / <sub>32</sub> 88.1	3 1/4 82.6	1 1/8 28.6	1 <sup>15</sup> / <sub>16</sub> 49.2	5/8 15.9	3/4 19.0	2 <sup>3</sup> / <sub>32</sub> 53.3	3 1/4 82.6	3 3 <sup>1</sup> / <sub>32</sub> 100.8	4 3/4 120.6	GSWE108TTS	7.50
KH-4426-12A	1 <sup>3</sup> / <sub>4</sub>	2 <sup>21</sup> / <sub>32</sub> 67.5	1 <sup>9</sup> / <sub>32</sub> 32.5	1 <sup>3</sup> / <sub>8</sub> 34.9	1 <sup>3</sup> / <sub>4</sub> 44.4	1 <sup>11</sup> / <sub>16</sub> 17.5	2 9/16 65.1	3 <sup>15</sup> / <sub>32</sub> 88.1	3 1/4 82.6	1 1/8 28.6	1 <sup>15</sup> / <sub>16</sub> 49.2	5/8 15.9	3/4 19.0	2 <sup>3</sup> / <sub>32</sub> 53.3	3 1/4 82.6	3 3 <sup>1</sup> / <sub>32</sub> 100.8	4 3/4 120.6	GSWE112TTS	7.25
KH-4427-12A	1 <sup>15</sup> / <sub>16</sub>	2 <sup>25</sup> / <sub>32</sub> 70.6	1 <sup>9</sup> / <sub>32</sub> 32.5	1 1/2 38.1	1 <sup>15</sup> / <sub>16</sub> 49.2	1 <sup>11</sup> / <sub>16</sub> 17.5	2 9/16 65.1	3 91.3	3 3/4 82.6	1 1/8 28.6	1 <sup>15</sup> / <sub>16</sub> 49.2	5/8 15.9	3/4 19.0	2 <sup>11</sup> / <sub>32</sub> 59.5	3 3/8 85.7	3 3 <sup>1</sup> / <sub>32</sub> 100.8	4 3/4 120.6	GSWE115TTS	8.25
KH-4428-10A	2	3 1/32 77.0	1 <sup>3</sup> / <sub>8</sub> 34.9	1 <sup>23</sup> / <sub>32</sub> 43.7	2 3/16 55.6	1 1/16 27.0	2 3/4 69.8	4 <sup>23</sup> / <sub>32</sub> 119.9	4 101.6	1 <sup>3</sup> / <sub>8</sub> 34.9	2 1/2 63.5	3/4 19.0	1 1/4 31.8	2 <sup>23</sup> / <sub>32</sub> 69.1	4 101.6	5 <sup>3</sup> / <sub>32</sub> 129.4	5 7/8 149.2	GSWE200TTS	14.25
KH-4428-13A	2 3/16																	GSWE203TTS	

Recommended shaft tolerances: 1 - 1<sup>15</sup>/<sub>16</sub>" nominal to - .0005", - .013 mm  
 2" - 2<sup>15</sup>/<sub>16</sub>" nominal to - .0010", - .025 mm



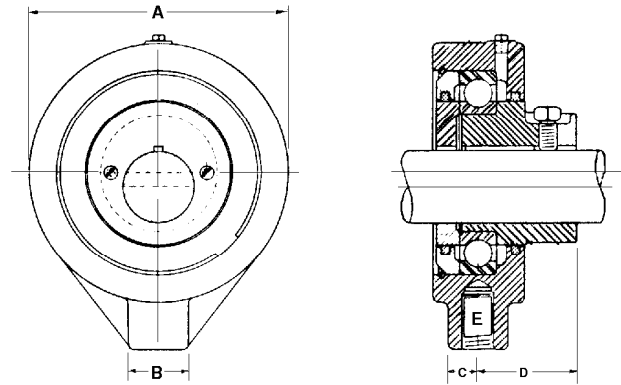


# Eccentric Unit - Standard Series

## Replaces Fafnir Eccentric Units

The Ketchie-Houston eccentric units are used to great extent in cottonseed oil machinery, and in various mechanical shakers, such as coal handling and grain milling.

Maximum capacity single row radial bearings are built into the housing and the complete unit is furnished ready for installation.



**TO ORDER, SPECIFY KETCHIE-HOUSTON OR COMPETITOR'S PART NUMBER**

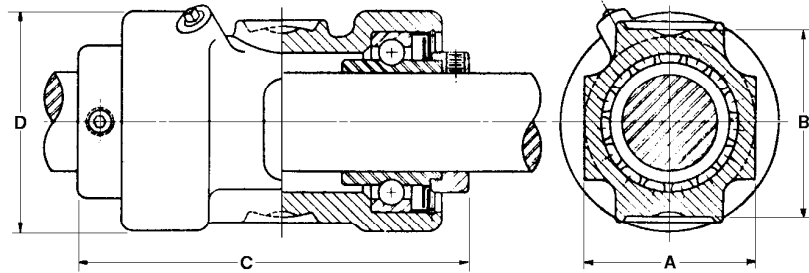
Ketchie Houston	Replaces Fafnir	Shaft Diam.	Throw Inches	Travel Inches	A	B	C	D	Thread Size	E Depth Inches	Keyway Inches	Bearing Number	Approx. Unit Wt.
		in.			in.	in.	in	in					lbs.
KH-3001-0A	3390	1 <sup>3</sup> / <sub>16</sub>	1/2	1	5 3/8	1	1 <sup>5</sup> / <sub>16</sub>	2 5/16	1/2-13	7/8	3/16 X 3/32	212W	11.50
KH-3002-0A	9685	1 <sup>3</sup> / <sub>16</sub>	1/2	1	5 3/8	1	1 <sup>5</sup> / <sub>16</sub>	2 5/16	5/8-11	1 <sup>3</sup> / <sub>8</sub>	3/16 X 3/32	212W	11.70
KH-3003-0A	5261	1 <sup>7</sup> / <sub>16</sub>	1/8	1/4	4 5/8	1 1/4	59/64	2 5/16	3/4-10	1 1/8	3/8 X 3/16	210W	7.75
KH-3004-0A	7884	1 <sup>7</sup> / <sub>16</sub>	3/16	3/8	5	1 1/4	1 1/16	2 3/8	3/4-10	1 1/8	3/8 X 3/16	211W	10.75
KH-3005-0A	7771	1 <sup>7</sup> / <sub>16</sub>	1/4	1/2	6	1 3/4	1 1/16	2 9/16	1/2-13	7/8	7/32 X 7/64	214W	16.00
KH-3006-0A	7832	1 <sup>7</sup> / <sub>16</sub>	1/4	1/2	6	1 3/4	1 1/32	2 19/32	3/4-10	1 1/4	7/32 X 7/64	214W	16.25
KH-3007-0A	3391	1 <sup>7</sup> / <sub>16</sub>	1/2	1	6	1 3/4	1 1/32	2 9/16	1/2-13	7/8	7/32 X 7/64	214W	11.50
KH-3008-0A	6877	1 <sup>7</sup> / <sub>16</sub>	3/4	1 1/2	7 1/16	1 5/8	1 3/16	2 11/16	3/4-10	1 1/2	3/8 X 3/16	217W	---
KH-3009-0A	3348	1 <sup>5</sup> / <sub>16</sub>	3/8	3/4	7	1 5/8	1 1/8	2 11/16	7/8-9	1 1/2	1/4 X 1/8	216W	22.50
KH-3010-0A	3984	1 <sup>5</sup> / <sub>16</sub>	1/2	1	7 1/16	1 5/8	1 1/8	2 11/16	7/8-9	1 3/4	1/4 X 1/8	217W	23.00
KH-3011-0A	5262	1 <sup>5</sup> / <sub>16</sub>	3/16	3/8	7	1 1/4	1 1/4	2 3/4	1-8	1 1/8	1/2 X 1/4	314W	24.00
KH-3012-0A	9578	1 <sup>5</sup> / <sub>16</sub>	1/4	1/2	6 5/16	1 1/2	1 5/16	1 7/8	3/4-10	1 1/4	3/8 X 3/16	116W	15.75
KH-3013-0A	9572	1 <sup>5</sup> / <sub>16</sub>	3/8	3/4	6 5/16	1 1/2	1 5/16	1 7/8	3/4-10	1 1/4	3/8 X 3/16	116W	16.00
KH-3014-0A	3271	2	3/8	3/4	7	1 5/8	1 1/8	2 11/16	7/8-9	1 1/2	1/4 X 1/8	216W	22.00
KH-3015-0A	3287	2	3/4	1 1/2	8 1/4	1 5/8	1 7/16	2 31/32	3/4-10	1 5/8	1/4 X 1/8	219W	37.75
KH-3016-0A	3338	2 3/16	3/8	3/4	7	1 5/8	1 1/8	2 11/16	7/8-9	1 1/2	1/4 X 1/8	216W	22.00
KH-3017-0A	9573	2 3/16	3/8	3/4	6 5/16	1 1/2	1 5/16	1 7/8	3/4-10	1 1/4	1/2 X 1/4	116W	14.75
KH-3018-0A	3339	2 1/4	3/4	1 1/2	8 5/8	1 5/8	1 1/2	3 1/32	3/4-10	1 1/2	1/4 X 1/8	220W	42.50

# Lineshaft Boxes - Standard Series

## Replaces Fafnir F Type

The Ketchie-Houston standard series lineshaft box or hanger box unit. They are made for replacing plain or roller bearing boxes. Installed as a single unit, they require no internal adjustments.

These units are equipped with two standard series inner ring bearings with one seal arrangement and eccentric locking collar on each insert.



**TO ORDER, SPECIFY KETCHIE-HOUSTON OR COMPETITOR'S PART NUMBER**

Ketchie Houston	Replaces Fafnir	Shaft Diam.	A	B	C	D	Bearing Number (2 Required)	Approx. Unit Wt.
		in.	in.	in.	in.	in.		lbs.
KH-3150-0A	F	13/16					SWE013CC	3.75
KH-3150-1A	F	7/8	2 1/16	2 1/16	4 15/16	2 9/16	SWE014CC	3.75
KH-3150-2A	F	15/16					SWE015CC	3.50
KH-3150-3A	F	1					SWE100CC	3.50
KH-3151-0A	F	1 1/16					SWE101CC	5.00
KH-3151-1A	F	1 1/8	2 5/16	2 5/16	5 5/8	2 31/32	SWE102CC	5.00
KH-3151-2A	F	1 3/16					SWE103CC	4.75
KH-3152-0A	F	1 1/4					SWE104CC	7.75
KH-3152-1A	F	1 5/16	2 9/16	3 1/16	6 3/8	3 5/8	SWE105CC	7.50
KH-3152-2A	F	1 3/8					SWE106CC	7.25
KH-3152-3A	F	1 7/16					SWE107CC	7.25
KH-3153-0A	F	1 1/2	3 1/16	3 3/16	6 3/4	3 7/8	SWE108CC	8.75
KH-3153-1A	F	1 9/16					SWE109CC	8.50
KH-3154-0A	F	1 5/8					SWE110CC	10.25
KH-3154-1A	F	1 11/16	3 1/16	3 3/16	6 3/4	4	SWE111CC	10.25
KH-3154-2A	F	1 3/4					SWE112CC	9.75
KH-3155-0A	F	1 13/16					SWE113CC	12.75
KH-3155-1A	F	1 7/8	3 3/8	3 3/4	7 3/8	4 5/16	SWE114CC	12.50
KH-3155-2A	F	1 15/16					SWE115CC	12.25
KH-3156-0A	F	2					SWE200CC	16.25
KH-3156-1A	F	2 1/16	3 5/8	3 7/8	8	4 11/16	SWE201CC	15.50
KH-3156-2A	F	2 1/8					SWE202CC	15.25
KH-3156-3A	F	2 3/16					SWE203CC	15.00
KH-3157-0A	F	2 1/4					SWE204CC	21.25
KH-3157-1A	F	2 5/16	4 1/8	4 15/32	8 7/16	5 1/4	SWE205CC	21.25
KH-3157-2A	F	2 3/8					SWE206CC	20.50
KH-3157-3A	F	2 7/16					SWE207CC	20.25
KH-3158-0A	F	2 1/2	4 3/8	4 9/16	9 1/8	5 5/8	SWE208CC	25.25
KH-3159-1A	F	2 11/16					SWE211CC	24.25
KH-3160-2A	F	2 15/16	4 7/8	5	10	6 1/2	SWE215CC	32.25
KH-3161-3A	F	3 3/16	5 1/4	5 1/4	11	6 9/16	SWE303CC	45.25
KH-3162-3A	F	3 7/16	5 3/4	6 1/2	11 7/8	7 1/8	SWE307CC	53.25
KH-3163-3A	F	3 11/16	6 3/16	6 1/2	12 7/8	8	SWE311CC	
KH-3164-2A	F	3 15/16	6 1/2	7 1/8	14	8 11/32	SWE315CC	

Recommended shaft tolerances: 13/16" - 2" = nominal to -.0005"  
 2 1/16" - 4", nominal to -.0010"



**This Page  
Left Blank Intentionally**

























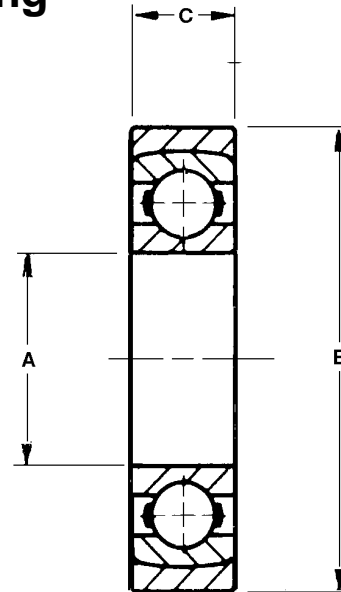




# Radial Ball Bearings with Self-Aligning Ring

## Replaces Fafnir 200S Series

The Ketchie-Houston 200S consists of a single row radial type ball bearing on which a separate, self-aligning ring is fitted to the spherical outside diameter of the outer ring. This construction allows the inner assembly to swivel in the aligning ring to accurately align itself with the shaft assembly. These inserts can be applied either as fixed or floating assemblies. Because each self-aligning ring is closely matched to its respective bearing, the S ring of one bearing may not fit the outer ring of another.



**TO ORDER, SPECIFY KETCHIE-HOUSTON OR COMPETITOR'S PART NUMBER**

## Light 200S Series

Ketchie Houston	Replaces Fafnir	Bore A		Outside Diameter B		Width C		Approx. Unit Wt.  lbs.
		mm	in.	mm	in.	mm	in.	
203KS		17	0.6693	44	1.7323	12	0.4724	.25
204KS		20	0.7874	52	2.0472	14	0.5512	.50
206KS		30	1.1811	68	2.6772	16	0.6299	.50
207KS		35	1.3780	79	3.1102	17	0.6693	.75
209KS		45	1.7717	93	3.6614	19	0.7480	1.25 1.50
211KS		55	2.1654	110	4.3307	21	0.8268	2.25
212KS		60	2.3622	120	4.7244	22	0.8661	2.75
215KS		75	2.9528	145	5.7087	25	0.9843	4.25

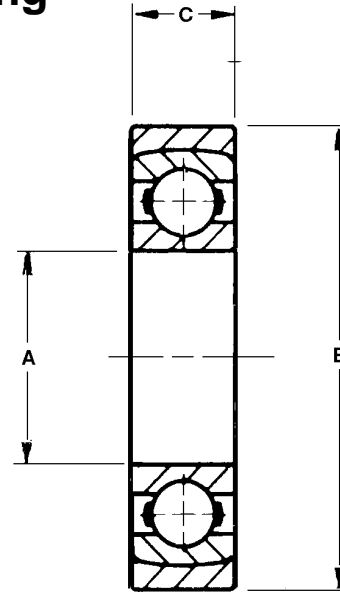
# Radial Ball Bearings with Self-Aligning Ring

## Replaces Fafnir 300S Series

The Ketchie-Houston 300S consists of a single row radial type ball bearing on which a separate, self-aligning ring is fitted to the spherical outside diameter of the outer ring. This construction allows the inner assembly to swivel in the aligning ring to accurately align itself with the shaft assembly. These inserts can be applied either as fixed or floating assemblies. Because each self-aligning ring is closely matched to its respective bearing, the S ring of one bearing may not fit the outer ring of another.

The 300S series is similar to the 200S series except the external self-aligning ring is fitted to the 300S ball bearing, which permits greater load capacity.

**TO ORDER, SPECIFY KETCHIE-HOUSTON OR COMPETITOR'S PART NUMBER**



## Medium 300S Series

Ketchie Houston	Replaces Fafnir	Bore A		Outside Diameter B		Width C		Approx. Unit Wt.  lbs.
		mm	in.	mm	in.	mm	in.	
308KS		40	1.5748	100	3.9370	23	0.9055	2.25
309KS		45	1.7717	110	4.3307	25	0.9843	2.75
310KS(WS)		50	1.9685	120	4.7244	27	1.0630	4.00
311KS		55	2.1654	130	5.1181	29	1.1417	4.25
312KS(WS)		60	2.5591	145	5.7087	31	1.2205	6.25
313KS		65	2.5591	155	6.1024	33	1.2992	7.25
314KS		70	2.7559	165	6.4961	35	1.3780	9.00
315KS		75	2.9528	175	6.8898	37	1.4567	9.75
316KS		80	3.1496	190	7.4803	39	1.5354	13.00







# Insert Bearings - Standard Series - Self Aligning Ring

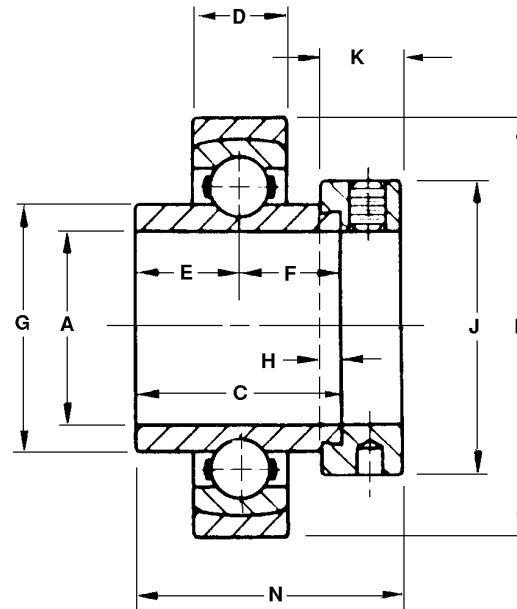
Used in the Following Unit:

- KH-4240 thru KH-4253 (SAL Type)

Features:

- Wide Inner Ring
- Self Aligning Ring Fitted to Outside Diameter
- Eccentric Locking Collar

## Replaces Fafnir SM-KS



TO ORDER, SPECIFY KETCHIE-HOUSTON OR COMPETITOR'S PART NUMBER

Ketchie Houston	Replaces Fafnir	Bore <sup>(1)</sup>		Ring Widths		E&F	G	H	J	K	N	Approx. Unit Wt.
		A	B	C Inner	D Outer							
		in.	in. mm	in. mm	in. mm	in. mm	in. mm	in. mm	in. mm	in. mm	in. mm	
SWE100SR	SM1100KS	1	2.2441 57	1 <sup>3</sup> / <sub>8</sub> 34.93	.591 15	1 <sup>11</sup> / <sub>16</sub> 17.5	1.293 32.84	5 <sup>5</sup> / <sub>32</sub> 4.0	1 <sup>1</sup> / <sub>2</sub> 38.1	1 <sup>17</sup> / <sub>32</sub> 43.5	1 <sup>3</sup> / <sub>4</sub> 44.4	.75
SWE103SR	SM1103KS	1 <sup>3</sup> / <sub>16</sub>	2.6772 68	1 <sup>7</sup> / <sub>16</sub> 36.51	.630 16	2 <sup>23</sup> / <sub>32</sub> 18.3	1.540 39.12	5 <sup>5</sup> / <sub>32</sub> 4.0	1 <sup>3</sup> / <sub>4</sub> 44.4	5 <sup>5</sup> / <sub>8</sub> 15.9	1 <sup>29</sup> / <sub>32</sub> 48.4	1.25
SWE104SR	SM1104KS	1 <sup>1</sup> / <sub>4</sub>	3.1102 79	1 <sup>31</sup> / <sub>64</sub> 37.70	.669 17	.742 18.85	1.816 46.13	5 <sup>5</sup> / <sub>32</sub> 4.0	2 <sup>1</sup> / <sub>8</sub> 54.40	1 <sup>11</sup> / <sub>16</sub> 17.5	2 <sup>1</sup> / <sub>64</sub> 51.2	1.75
SWE107SR	SM1107KS	1 <sup>7</sup> / <sub>16</sub>	3.4646 88	1 <sup>11</sup> / <sub>16</sub> 42.86	.709 18	2 <sup>27</sup> / <sub>32</sub> 21.4	2.058 52.27	3 <sup>3</sup> / <sub>16</sub> 4.8	2 <sup>7</sup> / <sub>8</sub> 60.3	2 <sup>23</sup> / <sub>32</sub> 18.3	2 <sup>7</sup> / <sub>32</sub> 56.4	2.25
SWE108SR	SM1108KS	1 <sup>1</sup> / <sub>2</sub>	3.9370 100	1 <sup>15</sup> / <sub>16</sub> 49.21	.787 20	3 <sup>31</sup> / <sub>32</sub> 24.6	2.474 62.84	3 <sup>3</sup> / <sub>16</sub> 4.8	2 <sup>3</sup> / <sub>4</sub> 69.9	2 <sup>23</sup> / <sub>32</sub> 18.3	2 <sup>15</sup> / <sub>32</sub> 62.7	2.75
SWE111SR	SM1115KS	1 <sup>15</sup> / <sub>16</sub>	4.3307 110	2 <sup>3</sup> / <sub>16</sub> 55.56	.827 21	1 <sup>13</sup> / <sub>32</sub> 27.8	2.747 69.77	3 <sup>3</sup> / <sub>16</sub> 4.8	3 76.2	1 <sup>13</sup> / <sub>16</sub> 20.6	2 <sup>13</sup> / <sub>16</sub> 71.4	4.00
SWE203SR	SM1203KS	2 <sup>3</sup> / <sub>16</sub>	4.7244 120	2 <sup>7</sup> / <sub>16</sub> 61.91	.866 22	1 <sup>7</sup> / <sub>32</sub> 31.0	3.011 76.48	1 <sup>1</sup> / <sub>4</sub> 6.4	3 <sup>5</sup> / <sub>16</sub> 84.1	7 <sup>7</sup> / <sub>8</sub> 22.2	3 <sup>1</sup> / <sub>16</sub> 77.8	4.50
SWE207SR	SM1207KS	2 <sup>7</sup> / <sub>16</sub>	5.5118 140	2 <sup>11</sup> / <sub>16</sub> 68.26	.945 24	1 <sup>11</sup> / <sub>32</sub> 34.1	3.422 86.92	1 <sup>1</sup> / <sub>4</sub> 6.4	3 <sup>13</sup> / <sub>16</sub> 96.8	1 <sup>15</sup> / <sub>16</sub> 23.8	3 <sup>3</sup> / <sub>8</sub> 79.4	6.75
SWE211SR	SM1211KS	2 <sup>11</sup> / <sub>16</sub>	5.7087 145	2 <sup>15</sup> / <sub>16</sub> 74.61	.984 25	2 <sup>15</sup> / <sub>32</sub> 37.3	3.619 91.92	1 <sup>1</sup> / <sub>4</sub> 6.4	4 101.6	1 <sup>15</sup> / <sub>16</sub> 23.8	3 <sup>5</sup> / <sub>8</sub> 92.1	8.00
SWE215SR	SM1215KS	2 <sup>15</sup> / <sub>16</sub>	6.1024 155	3 <sup>3</sup> / <sub>16</sub> 80.96	1.024 26	1 <sup>19</sup> / <sub>32</sub> 40.5	3.874 98.40	1 <sup>1</sup> / <sub>4</sub> 6.4	4 <sup>3</sup> / <sub>8</sub> 111.1	1 25.4	3 <sup>15</sup> / <sub>16</sub> 100.0	9.25
SWE303SR	SM1303KS	3 <sup>3</sup> / <sub>16</sub>	6.4961 165	3 <sup>7</sup> / <sub>16</sub> 87.31	1.102 28	1 <sup>23</sup> / <sub>32</sub> 43.7	4.127 104.83	1 <sup>1</sup> / <sub>4</sub> 6.4	4 <sup>7</sup> / <sub>16</sub> 112.7	1 25.4	4 <sup>3</sup> / <sub>16</sub> 106.4	10.50
SWE307SR	SM1307KS	3 <sup>7</sup> / <sub>16</sub>	7.8740 200	3 <sup>15</sup> / <sub>16</sub> 100.01	1.339 34	1 <sup>31</sup> / <sub>32</sub> 50.0	4.876 123.85	1 <sup>1</sup> / <sub>4</sub> 6.4	5 <sup>1</sup> / <sub>2</sub> 139.7	1 <sup>1</sup> / <sub>4</sub> 31.8	4 <sup>15</sup> / <sub>16</sub> 125.4	20.00

<sup>(1)</sup> Bore Tolerance: 1" - 2<sup>3</sup>/<sub>16</sub>", nominal to +.0005", +.013 mm; 2<sup>1</sup>/<sub>4</sub>" - 3<sup>3</sup>/<sub>16</sub>", nominal to +.0006", +.015mm  
3<sup>1</sup>/<sub>4</sub>" - 3<sup>15</sup>/<sub>16</sub>", nominal to +.0007", +.018 mm

Recommended shaft tolerances: 1" - 1<sup>15</sup>/<sub>16</sub>", nominal to -.0005", -.013 mm;  
2" - 3<sup>15</sup>/<sub>16</sub>", nominal to -.0010", -.025 mm

# Insert Bearings - Heavy Series - Self Aligning Ring

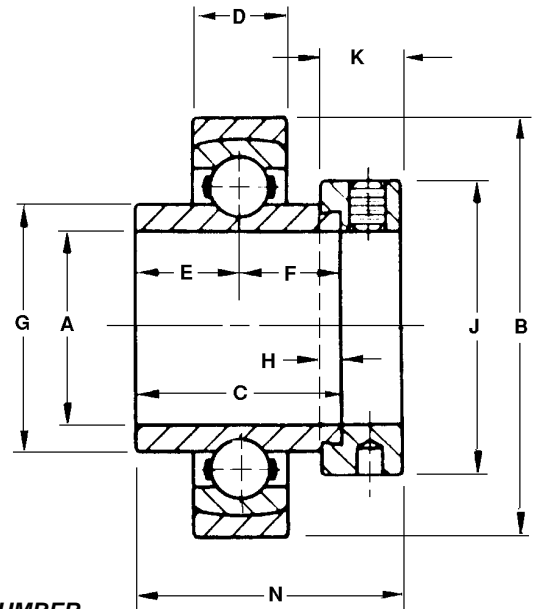
Used in the Following Units:

- KH-2225 thru KH-2233 (SAOLN Type)
- KH-2265 thru KH-2282 (SAOL Type)

Features:

- Wide Inner Ring
- Self Aligning Ring Fitted to Outside Diameter
- Eccentric Locking Collar

## Replaces Fafnir SMN-KS



TO ORDER, SPECIFY KETCHIE-HOUSTON OR COMPETITOR'S PART NUMBER

Ketchie Houston	Replaces Fafnir	Bore <sup>(1)</sup>		O.D.		Ring Widths		E	F	G	H	J	K	N	Approx. Unit Wt.
		A	B	C	D	Inner	Outer								
		in.	in. mm	in. mm	in. mm	in. mm	in. mm	in. mm	in. mm	in. mm	in. mm	in. mm	in. mm	in. mm	
HWE103SR	SMN103KS	1 <sup>1</sup> / <sub>8</sub>	3.1496 80	1 <sup>7</sup> / <sub>16</sub> 36.51	.748 19	1 <sup>11</sup> / <sub>16</sub> 17.5	3/4 19.1	1.702 43.23	5/32 4.0	1 <sup>15</sup> / <sub>16</sub> 49.2	1 <sup>11</sup> / <sub>16</sub> 17.5	1 <sup>31</sup> / <sub>32</sub> 50.0			1.75
HWE107SR	SMN107KS	1 <sup>3</sup> / <sub>16</sub>	2.6772 88	1 38.10	.630 21	2 <sup>3</sup> / <sub>32</sub> 18.3	2 <sup>25</sup> / <sub>32</sub> 19.8	1.927 48.95	5/32 4.0	2 <sup>3</sup> / <sub>16</sub> 55.6	1 <sup>1</sup> / <sub>16</sub> 17.5	2 <sup>1</sup> / <sub>32</sub> 51.6			2.00
HWE108SR	SMN108KS	1 <sup>1</sup> / <sub>2</sub>	3.9370 100	1 <sup>5</sup> / <sub>8</sub> 41.28	1.906 23	2 <sup>25</sup> / <sub>32</sub> 19.8	2 <sup>27</sup> / <sub>32</sub> 21.4	2.185 55.50	3/16 4.8	2 <sup>1</sup> / <sub>2</sub> 63.5	1 <sup>11</sup> / <sub>16</sub> 20.6	2 <sup>1</sup> / <sub>4</sub> 57.2			3.25
HWE111SR	SMN111KS	1 <sup>11</sup> / <sub>16</sub>	4.3307 110	1 <sup>11</sup> / <sub>16</sub> 42.86	.984 25	2 <sup>25</sup> / <sub>32</sub> 19.8	2 <sup>29</sup> / <sub>32</sub> 23.0	2.443 62.05	3/16 4.8	2 <sup>3</sup> / <sub>4</sub> 69.9	1 <sup>13</sup> / <sub>16</sub> 20.6	2 <sup>5</sup> / <sub>16</sub> 58.7			4.00
HWE115SR	SMN115KS	1 <sup>15</sup> / <sub>16</sub>	4.7244 120	1 <sup>15</sup> / <sub>16</sub> 49.21	1.063 27	3 <sup>1</sup> / <sub>32</sub> 24.6	3 <sup>1</sup> / <sub>32</sub> 24.6	2.708 68.78	3/16 4.8	3 76.2	7/8 22.2	2 <sup>5</sup> / <sub>8</sub> 66.7			5.00
HWE203SR	SMN203KS	2 <sup>3</sup> / <sub>16</sub>	5.1181 130	2 <sup>3</sup> / <sub>16</sub> 55.56	1.142 29	1 <sup>3</sup> / <sub>32</sub> 27.8	1 <sup>3</sup> / <sub>32</sub> 27.8	2.953 75.01	3/16 4.8	3 <sup>1</sup> / <sub>4</sub> 82.6	7/8 22.2	2 <sup>5</sup> / <sub>8</sub> 73.0			6.25
HWE207SR	SMN207KS	2 <sup>7</sup> / <sub>16</sub>	5.7087 145	2 <sup>7</sup> / <sub>16</sub> 61.91	1.220 31	1 <sup>7</sup> / <sub>32</sub> 31.0	1 <sup>7</sup> / <sub>32</sub> 31.0	3.210 81.53	1/4 6.4	3 <sup>1</sup> / <sub>2</sub> 88.9	1 <sup>15</sup> / <sub>16</sub> 23.8	3 <sup>1</sup> / <sub>8</sub> 79.4			7.75
HWE211SR	SMN211KS	2 <sup>11</sup> / <sub>16</sub>	6.4961 165	2 <sup>11</sup> / <sub>16</sub> 68.26	1.378 35	1 <sup>11</sup> / <sub>32</sub> 34.1	1 <sup>11</sup> / <sub>32</sub> 34.1	3.731 94.77	1/4 6.4	4 101.6	1 <sup>1</sup> / <sub>16</sub> 27.0	3 <sup>5</sup> / <sub>8</sub> 92.1			11.75
HWE215SR	SMN215KS	2 <sup>15</sup> / <sub>16</sub>	6.8898 175	2 <sup>15</sup> / <sub>16</sub> 74.61	1.457 37	1 <sup>15</sup> / <sub>32</sub> 37.3	1 <sup>15</sup> / <sub>32</sub> 37.3	3.952 100.38	1/4 6.4	4 <sup>7</sup> / <sub>16</sub> 112.7	1 <sup>1</sup> / <sub>4</sub> 31.8	3 <sup>15</sup> / <sub>16</sub> 100.0			14.50
HWE303SR	SMN303KS	3 <sup>3</sup> / <sub>16</sub>	7.4803 190	3 <sup>3</sup> / <sub>16</sub> 80.96	1.535 39	1 <sup>19</sup> / <sub>32</sub> 40.5	1 <sup>19</sup> / <sub>32</sub> 40.5	4.209 106.91	1/4 6.4	4 <sup>11</sup> / <sub>16</sub> 119.1	1 <sup>1</sup> / <sub>4</sub> 31.8	4 <sup>3</sup> / <sub>16</sub> 106.4			18.00
HWE307SR	SMN307KS	3 <sup>7</sup> / <sub>16</sub>	8.2677 210	3 <sup>7</sup> / <sub>16</sub> 87.31	1.693 43	1 <sup>23</sup> / <sub>32</sub> 43.7	1 <sup>23</sup> / <sub>32</sub> 43.7	4.729 120.12	5/16 7.9	5 <sup>1</sup> / <sub>4</sub> 133.4	1 <sup>7</sup> / <sub>16</sub> 36.5	4 <sup>9</sup> / <sub>16</sub> 115.9			25.25
HWE315SR	SMN315KS	3 <sup>15</sup> / <sub>16</sub>	9.2520 235	3 <sup>15</sup> / <sub>16</sub> 100.01	1.850 47	1 <sup>31</sup> / <sub>32</sub> 50.0	1 <sup>31</sup> / <sub>32</sub> 50.0	5.306 134.77	5/16 7.9	5 <sup>3</sup> / <sub>4</sub> 146.0	1 <sup>7</sup> / <sub>16</sub> 36.5	5 <sup>1</sup> / <sub>16</sub> 128.6			35.00
HWE407SR	SMN407WS-BR	4 <sup>7</sup> / <sub>16</sub>	10.4331 265	4 <sup>15</sup> / <sub>16</sub> 106.36	1.968 50	1 <sup>15</sup> / <sub>16</sub> 49.2	2 <sup>1</sup> / <sub>4</sub> 57.2	5.920 150.37	5/16 7.9	6 <sup>5</sup> / <sub>8</sub> 168.3	1 <sup>11</sup> / <sub>16</sub> 42.9	5 <sup>9</sup> / <sub>16</sub> 141.3			47.50
HWE415SR	SMN415WS-BR	4 <sup>15</sup> / <sub>16</sub>	11.8110 300	4 <sup>9</sup> / <sub>16</sub> 115.89	2.323 59	2 <sup>1</sup> / <sub>8</sub> 54.0	2 <sup>7</sup> / <sub>16</sub> 61.9	6.951 176.56	5/16 7.9	8 <sup>1</sup> / <sub>8</sub> 206.4	1 <sup>11</sup> / <sub>16</sub> 42.9	5 <sup>15</sup> / <sub>16</sub> 150.8			74.50

(1) Bore Tolerance: 1<sup>5</sup>/<sub>16</sub>" - 2<sup>3</sup>/<sub>16</sub>", nominal to +.0005", +.013 mm; 2<sup>1</sup>/<sub>4</sub>" - 3<sup>3</sup>/<sub>16</sub>", nominal to +.0006", +.015 mm; 3<sup>1</sup>/<sub>4</sub>" - 4<sup>3</sup>/<sub>16</sub>", nominal to +.0007", +.018 mm; and 4<sup>7</sup>/<sub>16</sub>" - 4<sup>15</sup>/<sub>16</sub>", nominal to +.0008", +.020 mm

Recommended shaft tolerances: 1<sup>3</sup>/<sub>16</sub>" - 1<sup>15</sup>/<sub>16</sub>", nominal to -.0005", -.013 mm; 2" - 2<sup>15</sup>/<sub>16</sub>", nominal to -.0010", -.025 mm

**This Page  
Left Blank Intentionally**



# Insert Bearings - Heavy Series - GHWE-CCS

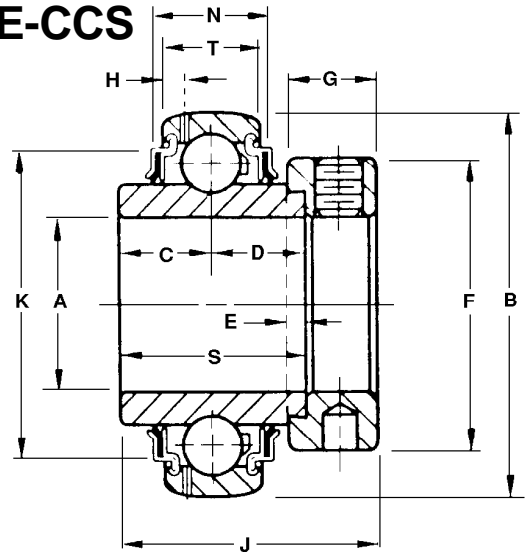
Used in the Following Units:

- KH-2100 thru KH-2110 (RCJO Type)
- KH-2300 thru KH-2308 (RAO Type)
- KH-2320 thru KH-2331 (RSAO Type)

Features:

- Wide Inner Ring
- Normal Temperature Integral Seal Arrangements
- Normal Temperature Grease to 225° F.
- Alignable Spherical Outside Diameter
- Eccentric Locking Collar
- Relubrication Holes in Outer Ring

Replaces Fafnir GN-KRRB and INA GN-KRRB



TO ORDER, SPECIFY KETCHIE-HOUSTON OR COMPETITOR'S PART NUMBER

Ketchie Houston	Replaces Fafnir	Bore <sup>(1)</sup>		C	D	E	F	G	H	J	K	N	Ring Widths		Approx. Unit Wt.
		A	B										S Inner	T Outer	
		in.	in. mm	in. mm	in. mm	in. mm	in. mm	in. mm	in. mm	in. mm	in. mm	in. mm	in. mm	in. mm	lbs.
GHWE103CCS	GN103KRRB	1 <sup>3</sup> / <sub>16</sub>	2.8346 72	<sup>11</sup> / <sub>16</sub> 17.46	<sup>3</sup> / <sub>4</sub> 19.05	<sup>5</sup> / <sub>32</sub> 3.9	1 <sup>15</sup> / <sub>16</sub> 49.21	<sup>11</sup> / <sub>16</sub> 17.46	.142 3.61	<sup>131</sup> / <sub>32</sub> 50.0	2.369 60.17	.925 23.50	1 <sup>7</sup> / <sub>16</sub> 36.51	.787 20	1.50
GHWE104CCS	GN104KRRB	1 <sup>1</sup> / <sub>4</sub>	3.1496	<sup>23</sup> / <sub>32</sub>	<sup>25</sup> / <sub>32</sub>	<sup>5</sup> / <sub>32</sub>	2 <sup>3</sup> / <sub>16</sub>	<sup>11</sup> / <sub>16</sub>	.156	2 <sup>1</sup> / <sub>32</sub>	2.638	1.063	1 <sup>1</sup> / <sub>2</sub>	.866	1.75
GHWE105CCS	GN105KRRB	1 <sup>5</sup> / <sub>16</sub>	80	18.26	19.84	3.9	55.56	17.46	3.96	51.59	67.01	27.00	38.10	22	
GHWE106CCS	GN106KRRB	1 <sup>3</sup> / <sub>8</sub>													
GHWE107CCS	GN107KRRB	1 <sup>7</sup> / <sub>16</sub>													
GHWE108CCS	GN108KRRB	1 <sup>1</sup> / <sub>2</sub>	3.5433 90	<sup>25</sup> / <sub>32</sub> 19.84	<sup>27</sup> / <sub>32</sub> 21.43	<sup>3</sup> / <sub>16</sub> 4.76	2 <sup>1</sup> / <sub>2</sub> 63.5	<sup>13</sup> / <sub>16</sub> 20.64	.182 4.62	2 <sup>1</sup> / <sub>4</sub> 57.15	2.955 75.06	1.050 26.67	1 <sup>5</sup> / <sub>8</sub> 41.28	.984 25	2.75
GHWE110CCS	GN110KRRB	1 <sup>5</sup> / <sub>8</sub>	3.9370	<sup>25</sup> / <sub>32</sub>	<sup>29</sup> / <sub>32</sub>	<sup>3</sup> / <sub>16</sub>	2 <sup>3</sup> / <sub>4</sub>	<sup>13</sup> / <sub>16</sub>	.197	2 <sup>5</sup> / <sub>16</sub>	3.251	1.123	1 <sup>11</sup> / <sub>16</sub>	1.063	3.75
GHWE111CCS	GN111KRRB	1 <sup>11</sup> / <sub>16</sub>	100	19.84	23.02	4.76	69.85	20.64	5.00	58.74	82.58	28.52	42.86	27	
GHWE112CCS	GN112KRRB														
GHWE114CCS	GN114KRRB	1 <sup>7</sup> / <sub>8</sub>	4.3307	<sup>31</sup> / <sub>32</sub>	<sup>31</sup> / <sub>32</sub>	<sup>3</sup> / <sub>16</sub>	3	<sup>7</sup> / <sub>8</sub>	.211	2 <sup>5</sup> / <sub>8</sub>	3.654	1.215	1 <sup>15</sup> / <sub>16</sub>	1.142	5.50
GHWE115CCS	GN115KRRB	1 <sup>15</sup> / <sub>16</sub>	110	24.61	24.61	4.76	76.2	22.23	5.16	66.68	82.87	30.86	49.21	294.50	
GHWE200CCS	GN200KRRB	2	4.7244	1 <sup>3</sup> / <sub>32</sub>	1 <sup>5</sup> / <sub>32</sub>	<sup>3</sup> / <sub>16</sub>	3 <sup>1</sup> / <sub>4</sub>	<sup>7</sup> / <sub>8</sub>	.216	2 <sup>7</sup> / <sub>8</sub>	4.007	1.475	2 <sup>3</sup> / <sub>16</sub>	1.220	5.50
GHWE203CCS	GN203KRRB	2 <sup>3</sup> / <sub>16</sub>	120	1.09	29.37	4.76	82.55	22.23	5.49	73.02	101.78	37.47	55.56	31	
GHWE207CCS	GN207KRRB	2 <sup>7</sup> / <sub>16</sub>	5.1181 130	1 <sup>7</sup> / <sub>32</sub> 30.96	1 <sup>7</sup> / <sub>32</sub> 30.96	<sup>1</sup> / <sub>4</sub> 6.35	3 <sup>1</sup> / <sub>2</sub> 88.90	<sup>15</sup> / <sub>16</sub> 23.81	.230 5.84	3 <sup>1</sup> / <sub>8</sub> 79.38	4.312 109.52	1.535 38.99	2 <sup>7</sup> / <sub>16</sub> 61.91	1.299 33	6.50
GHWE211CCS	GN211KRRB	2 <sup>11</sup> / <sub>16</sub>	5.9055 150	1 <sup>11</sup> / <sub>32</sub> 34.13	1 <sup>11</sup> / <sub>32</sub> 34.13	<sup>1</sup> / <sub>4</sub> 6.35	4 101.6	1 <sup>1</sup> / <sub>16</sub>	.265 6.73	3 <sup>1</sup> / <sub>2</sub> 88.90	4.973 126.31	1.770 44.96	2 <sup>11</sup> / <sub>16</sub> 68.26	1.457 37	10.25
GHWE215CCS	GN215KRRB	2 <sup>15</sup> / <sub>16</sub>	6.2992 160	1 <sup>15</sup> / <sub>32</sub> 37.31	1 <sup>15</sup> / <sub>32</sub> 37.31	<sup>1</sup> / <sub>4</sub> 6.35	4 <sup>7</sup> / <sub>16</sub> 112.71	1 <sup>1</sup> / <sub>4</sub>	.255 6.48	3 <sup>15</sup> / <sub>16</sub> 100.01	5.273 133.02	2.013 51.13	2 <sup>15</sup> / <sub>16</sub> 74.61	1.535 39	12.75
GHWE303CCS	GN303KRRB	3 <sup>15</sup> / <sub>16</sub>	6.6929 170	1 40.5	1 40.5	6.4	4 119.1	1	.286 7.26	4 <sup>3</sup> / <sub>16</sub> 106.4	5.623 142.82	2.010 51.05	3 <sup>3</sup> / <sub>16</sub> 80.96	1.614 41	16.00
GHWE307CCS	GN307KRRB	3 <sup>7</sup> / <sub>16</sub>	7.4803 190	1 42.1	1 42.1	7.9	5 133.4	1	.322 8.18	4 <sup>9</sup> / <sub>16</sub> 115.9	6.353 161.37	2.072 52.63	3 <sup>7</sup> / <sub>16</sub> 87.31	1.772 45	20.50
GHWE315CCS	GN315KRRB	3 <sup>15</sup> / <sub>16</sub>	8.4646 215	1 50.0	1 50.0	7.9	5 146.1	1	.308 7.82	5 <sup>1</sup> / <sub>16</sub> 129.6	7.199 182.85	2.337 59.36	3 <sup>15</sup> / <sub>16</sub> 100.01	1.929 49	27.25

<sup>(1)</sup> Bore Tolerance: 1<sup>3</sup>/<sub>16</sub>" - 2<sup>3</sup>/<sub>16</sub>", nominal to +.0005", .013 mm  
 2<sup>7</sup>/<sub>16</sub>" - 3<sup>3</sup>/<sub>16</sub>", nominal to +.0006", .015 mm  
 3<sup>7</sup>/<sub>16</sub>" - 3<sup>15</sup>/<sub>16</sub>", nominal to +.0007", .018 mm

Recommended shaft tolerances: 1<sup>1</sup>/<sub>2</sub>" - 2 <sup>3</sup>/<sub>16</sub>", nominal to - .0005", - .013 mm;  
 2<sup>7</sup>/<sub>16</sub>" - 3<sup>15</sup>/<sub>16</sub>", nominal to - .001", - .025 mm

# Insert Bearings - Heavy Series - High Temperature - GHWE-HHS

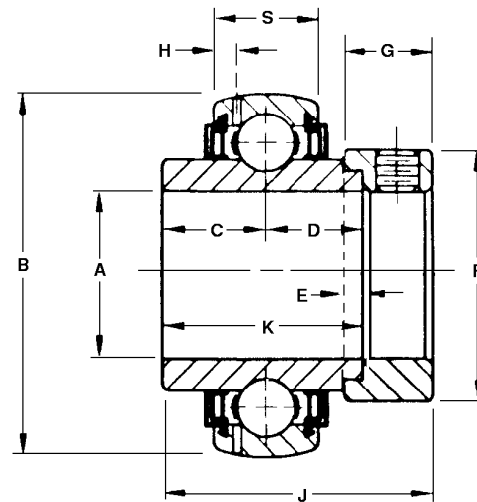
Used in the Following Units:

- KH-2100-0 thru KH-2110-0 (LCJO Type)
- KH-2300-0 thru KH2308-0 (LAO Type)
- KH-2320-0 thru KH-2331-0 (LSAO Type)

Features:

- Wide Inner Ring
- High Temperature - High Speed Integral Seal Arrangements
- High Temperature Grease to 425°F.
- Alignable Spherical Outside Diameter
- Eccentric Locking Collar
- Relubrication Holes in Outer Ring

## Replaces Fafnir GN-KLLB



TO ORDER, SPECIFY KETCHIE-HOUSTON OR COMPETITOR'S PART NUMBER

Ketchie Houston	Replaces Fafnir	Bore <sup>(1)</sup>		C	D	E	F	G	H	J	Ring Width		Approx. Unit Wt.
		A	B								K Inner	S Outer	
		in.	in. mm	in. mm	in. mm	in. mm	in. mm	in. mm	in. mm	in. mm	in. mm	in. mm	
GHWE102HHS	GN102KLLB	1 <sup>1</sup> / <sub>8</sub>	2.8346	1 <sup>11</sup> / <sub>16</sub>	3 <sup>3</sup> / <sub>4</sub>	5 <sup>5</sup> / <sub>32</sub>	1 <sup>15</sup> / <sub>16</sub>	1 <sup>11</sup> / <sub>16</sub>	.142	1 <sup>31</sup> / <sub>32</sub>	1 <sup>7</sup> / <sub>16</sub>	.7874	1.50
GHWE103HHS	GN103KLLB	1 <sup>3</sup> / <sub>16</sub>	72	17.46	19.05	3.9	49.21	17.46	3.61	1.97	36.51	20	
GHWE104HHS	GN104KLLB	1 <sup>1</sup> / <sub>4</sub>	3.1496	2 <sup>23</sup> / <sub>32</sub>	2 <sup>25</sup> / <sub>32</sub>	5 <sup>5</sup> / <sub>32</sub>	2 <sup>2</sup> / <sub>16</sub>	1 <sup>11</sup> / <sub>16</sub>	.156	2 <sup>1</sup> / <sub>32</sub>	1 <sup>1</sup> / <sub>2</sub>	.8661	1.75
GHWE106HHS	GN106KLLB	1 <sup>3</sup> / <sub>8</sub>	80	18.26	19.84	3.9	55.56	17.46	3.96	51.59	38.1	22	
GHWE107HHS	GN107KLLB	1 <sup>3</sup> / <sub>16</sub>											
GHWE108HHS	GN108KLLB	1 <sup>1</sup> / <sub>2</sub>	3.5433	2 <sup>25</sup> / <sub>32</sub>	2 <sup>27</sup> / <sub>32</sub>	3 <sup>3</sup> / <sub>16</sub>	2 <sup>1</sup> / <sub>2</sub>	1 <sup>13</sup> / <sub>16</sub>	.182	2 <sup>1</sup> / <sub>4</sub>	1 <sup>5</sup> / <sub>8</sub>	.9843	2.75
			90	19.84	21.43	4.76	63.5	20.64	4.62	57.15	41.28	25	
GHWE111HHS	GN111KLLB	1 <sup>11</sup> / <sub>16</sub>	3.9370	2 <sup>25</sup> / <sub>32</sub>	2 <sup>29</sup> / <sub>32</sub>	3 <sup>3</sup> / <sub>16</sub>	2 <sup>3</sup> / <sub>4</sub>	1 <sup>13</sup> / <sub>16</sub>	.189	2 <sup>5</sup> / <sub>16</sub>	1 <sup>11</sup> / <sub>16</sub>	1.0630	3.75
GHWE112HHS	GN112KLLB	1 <sup>3</sup> / <sub>4</sub>	100	19.84	23.02	4.76	69.85	20.64	4.80	58.74	42.86	27	
GHWE115HHS	GN115KLLB	1 <sup>15</sup> / <sub>16</sub>	4.3307	3 <sup>31</sup> / <sub>32</sub>	3 <sup>31</sup> / <sub>32</sub>	3 <sup>3</sup> / <sub>16</sub>	3	7 <sup>7</sup> / <sub>8</sub>	.203	2 <sup>5</sup> / <sub>8</sub>	1 <sup>31</sup> / <sub>32</sub>	1.1417	4.50
			110	24.61	24.61	4.76	76.2	22.23	5.16	66.68	1.94	29	
GHWE203HHS	GN203KLLB	2 <sup>3</sup> / <sub>16</sub>	4.7244	1 <sup>3</sup> / <sub>32</sub>	1 <sup>5</sup> / <sub>32</sub>	3 <sup>3</sup> / <sub>16</sub>	3 <sup>1</sup> / <sub>4</sub>	7 <sup>7</sup> / <sub>8</sub>	.216	2 <sup>7</sup> / <sub>8</sub>	2 <sup>3</sup> / <sub>16</sub>	1.2205	5.50
			120	1.09	29.37	4.76	82.55	22.23	5.49	73.02	55.56	31	
GHWE207HHS	GN207KLLB	2 <sup>7</sup> / <sub>16</sub>	5.1181	1 <sup>7</sup> / <sub>32</sub>	1 <sup>7</sup> / <sub>32</sub>	1 <sup>1</sup> / <sub>4</sub>	3 <sup>1</sup> / <sub>2</sub>	1 <sup>15</sup> / <sub>16</sub>	.230	3 <sup>1</sup> / <sub>8</sub>	2 <sup>7</sup> / <sub>16</sub>	1.2992	6.50
			130	30.96	30.96	6.35	88.90	23.81	5.84	79.38	61.91	33	
GHWE211HHS	GN211KLLB	2 <sup>11</sup> / <sub>16</sub>	5.9055	1 <sup>11</sup> / <sub>32</sub>	1 <sup>11</sup> / <sub>32</sub>	1 <sup>1</sup> / <sub>4</sub>	4	1 <sup>1</sup> / <sub>16</sub>	.265	3 <sup>1</sup> / <sub>2</sub>	2 <sup>11</sup> / <sub>16</sub>	1.4567	10.25
			150	34.13	34.13	6.35	101.6	26.99	6.73	88.90	68.26	37	
GHWE215HHS	GN215KLLB	2 <sup>15</sup> / <sub>16</sub>	6.2992	1 <sup>15</sup> / <sub>32</sub>	1 <sup>15</sup> / <sub>32</sub>	1 <sup>1</sup> / <sub>4</sub>	4 <sup>7</sup> / <sub>16</sub>	1 <sup>1</sup> / <sub>4</sub>	.255	3 <sup>15</sup> / <sub>16</sub>	2 <sup>15</sup> / <sub>16</sub>	1.5354	12.75
			160	37.31	37.31	6.35	112.71	31.75	6.48	100.01	74.61	39	

<sup>(1)</sup> Bore Tolerance: 1<sup>1</sup>/<sub>8</sub>" - 1<sup>15</sup>/<sub>16</sub>", nominal to +.0005", .013 mm  
 2<sup>7</sup>/<sub>16</sub>" - 2<sup>15</sup>/<sub>16</sub>", nominal to +.0006", .015 mm

Recommended shaft tolerances: 1<sup>1</sup>/<sub>8</sub>" - 1<sup>15</sup>/<sub>16</sub>", nominal to - .0005", - .013 mm;  
 2" - 2<sup>15</sup>/<sub>16</sub>", nominal to - .0010", - .025 mm







