

# TABLE OF CONTENTS

## HEAVY DUTY MOUNTED UNITS

<b>Single Pillow Blocks</b>	<b>Equivalent</b>	<b>Page</b>
Low Base-to-Center Height .....	RAO .....	3
Low Base-to-Center Height – High Temperature .....	LAO .....	4
High Base-to-Center Height .....	RSAO,P2300 .....	5
High Base -to-Center Height – High Temperature .....	LSAO .....	6
High Base-to-Center Height .....	SAO* .....	7
High Base-to-Center Height – 1 Dust Seal Collar .....	SAOD* .....	8
High Base-to-Center Height – 2 Dust Seal Collars .....	SAODD* .....	9
Special Clarage Fan Unit .....	RSAOC .....	10
Special Clarage Fan Unit – High Temperature .....	LSAOC* .....	11
Fixed Style .....	SAOFN* .....	12
Float Style .....	SAOLN* .....	13
Universal Style (Fixed or Float) .....	SAOL .....	14
<b>Double Pillow Blocks</b>	<b>Equivalent</b>	<b>Page</b>
Double Pillow Block .....	DSAO* .....	15
Double Pillow Block – 2 Dust Seal Collars .....	DSAODD* .....	16
<b>Flange Units</b>	<b>Equivalent</b>	<b>Page</b>
Four Bolt Flange .....	RCJO, F300 .....	17
Four Bolt Flange – High Temperature .....	LCJO .....	18
<b>Cylindrical Cartridges</b>	<b>Equivalent</b>	<b>Page</b>
Cylindrical Cartridges – Open Type .....	CO* .....	19
Cylindrical Cartridges – Closed Type .....	CO* .....	20
<b>Motor Cartridges</b>	<b>Equivalent</b>	<b>Page</b>
Motor Cartridges – Open Type .....	MC* .....	21
Motor Cartridges – Closed Type .....	MC* .....	22

## STANDARD DUTY MOUNTED UNITS

<b>Single Pillow Blocks</b>	<b>Equivalent</b>	<b>Page</b>
Low Base-to-Center Height .....	RAK, RPL-E .....	23
Low Base-to-Center Height – High Temperature .....	LAK .....	24
Low Base-to-Center Height – Triple Lip Seals .....	TAK, PL3-Y200E3 .....	25
Low Base-to-Center Height – Extended Inner Ring .....	VAK, VPL-E .....	26
Low Base-to-Center Height – Wide Inner Ring – Set Screw Lock .....	YAK .....	27
High Base-to-Center Height .....	RAS, RP-E .....	28
High Base-to-Center Height – High Temperature .....	LAS .....	29
High Base-to-Center Height – Triple Lip Seals .....	TAS, P3-Y200E3 .....	30
High Base-to-Center Height – Extended Inner Ring .....	VAS, VP-E .....	31
High Base-to-Center Height – Wide Inner Ring – Set Screw Lock .....	YAS .....	32
High Base-to-Center Height – Set Screw Lock .....	SAS, C-25 .....	33
Special Base-to-Center Height .....	RSA, SP .....	34
Special Base-to-Center Height – High Temperature .....	LSA .....	35
High Base to Center Height .....	SA* .....	36
High Base-to-Center Height – 1 Dust Seal Collar .....	SAD* .....	37
High Base-to-Center Height – 2 Dust Seal Collars .....	SADD* .....	38
Fixed Style .....	RAKH, TXP .....	39
Float Style .....	RAKHL, ETPX .....	40
Universal Style (Fixed or Float) .....	SAL .....	41
<b>Double Pillow Blocks</b>	<b>Equivalent</b>	<b>Page</b>
Double Pillow Block .....	DRNR, CC .....	42
Double Pillow Block .....	DSA* .....	43
Double Pillow Block – 2 Dust Seal Collars .....	DSADD* .....	44

\*These series only available from Ketchie (discontinued by Timken).

<b>Flange Units</b>	<b>Equivalent</b>	<b>Page</b>
Two Bolt Flange .....	RCJT, RFT-E .....	45
Two Bolt Flange – High Temperature .....	LCJT .....	46
Two Bolt Flange – Triple Lip Seals .....	TCJT, FX3-Y200E3 .....	47
Two Bolt Flange – Extended Inner Ring .....	VCJT, VFT-E .....	48
Two Bolt Flange – Wide Inner Ring – Set Screw Lock .....	(Upon Request)..... YCJT .....	
Two Bolt Flange – Set Screw Lock .....	SCJT, FC2-25 .....	49
Two Bolt Flange – Compact Design .....	FLCT .....	50
Four Bolt Flange .....	RCJ, RF-E .....	51
Four Bolt Flange – High Temperature .....	LCJ .....	52
Four Bolt Flange – Triple Lip Seals .....	TCJ, F3-Y200E3 .....	53
Four Bolt Flange – Extended Inner Ring .....	VCJ, VF-E .....	54
Four Bolt Flange – Wide Inner Ring – Set Screw Lock .....	(Upon request)..... YCJ .....	
Four Bolt Flange – Set Screw Lock .....	SCJ, SC, VF .....	55
Four Bolt Flange – Piloted .....	RFC, SC .....	56
Four Bolt Flange – Wide Inner Ring .....	(Upon Request)..... GRFD, F-YG200N .....	
Four Bolt Flange – Wide Inner Ring – Reverse .....	(Upon Request)..... GRFDR, FR-YG200N .....	
Four Bolt Flange – Extended Inner Ring .....	(Upon Request)..... GVFD, F-WG200U .....	
Four Bolt Flange – Extended Inner Ring – Reverse .....	(Upon Request)..... GVFDR, FR-WG200U .....	
<b>Cylindrical Cartridges</b>	<b>Equivalent</b>	<b>Page</b>
Cylindrical Cartridge .....	RC, SC .....	57
Cylindrical Cartridge – High Temperature .....	LC* .....	58
Cylindrical Cartridge – High Temperature .....	RC* .....	59
Cylindrical Cartridge – Open Type .....	C* .....	60
Cylindrical Cartridge – Closed Type .....	C* .....	61
<b>Take-Up Units</b>	<b>Equivalent</b>	<b>Page</b>
Take-Up Unit .....	RTU, RT-E .....	62
Take-Up Unit – Triple Lip Seals .....	TTU* .....	63
<b>Other Units</b>	<b>Equivalent</b>	<b>Page</b>
Eccentric Units .....	Eccentric* .....	64
<b>Lineshaft &amp; Hanger Boxes</b>	<b>Equivalent</b>	<b>Page</b>
Lineshaft Box .....	F* .....	65
Countershaft Box .....	(Upon Request)..... SCS* .....	

## EXTERNAL SELF ALIGNING RING BEARINGS

<b>Radial Ball Bearings with Self Aligning Rings</b>	<b>Equivalent</b>	<b>Page</b>
Light 200S Series .....	200S .....	66
Medium 300S Series .....	300S .....	67
<b>Standard Duty – Wide Inner Ring Bearings with Self Aligning Rings</b>	<b>Equivalent</b>	<b>Page</b>
GSWE-CCSR – Relubricateable with 2 Seals .....	(Upon Request)..... G-KRRS .....	
SWE-CCSR – Non-Relubricateable with 2 Seals .....	(Upon request)..... KRRS .....	
SWE-CSR – Non-Relubricateable with 1 Seal .....	(Upon request)..... KRS .....	
SWE-SR – Non Relubricateable Open Type .....	SM-KS .....	68
<b>Heavy Duty – Wide Inner Ring Bearings with Self Aligning Rings</b>	<b>Equivalent</b>	<b>Page</b>
HWE-SR – Non-Relubricateable Open Type .....	SMN-KS .....	69

## HEAVY DUTY INSERT BEARINGS

GHWE-CCS – Wide Inner Ring – Normal Temperature Seals .....	GN-KRRB .....	70
GHWE-HHS – Wide Inner Ring – High Temperature Seals .....	GN-KLLB .....	71

## MACHINE UNITS

SWE-MUS – Standard Duty – Spherical Outer Ring .....	(Upon Request)..... MUB .....	
SWE-MU – Standard Duty – Cylindrical Outer Ring .....	(Upon Request)..... MUA .....	
HWE-MUS – Heavy Duty – Spherical Outer Ring .....	(Upon Request)..... MUOB .....	
HWE-MU – Heavy Duty – Cylindrical Outer Ring .....	(Upon Request)..... MUOA .....	

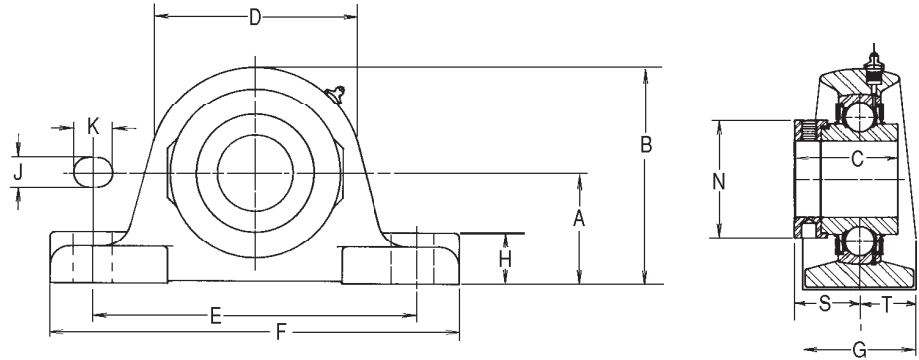
\*These series only available from Ketchie (discontinued by Timken).

# Single Pillow Block - Heavy Series

**Equal to Timken RAO**

This Ketchie heavy type pillow block is designed to meet the need for a compact, economical, heavy-duty ball bearing housed unit.

The housing is equipped with a heavy series wide inner ring bearing with integral seals and eccentric locking collar.



**TO ORDER, SPECIFY KETCHIE OR COMPETITOR'S PART NUMBER**

Ketchie	Equals Timken	Shaft Diam.	A	B	C	D	E	F	G	H	J	K	N	S	T	Bolt Size	Bearing Number	Approx. Unit Wt.
			in. mm	in. mm	in. mm	in. mm	in. mm	in. mm	in. mm	in. mm	in. mm	in. mm	in. mm	in. mm	in. mm			
KH-2300-12A	RAO	1 <sup>3</sup> / <sub>16</sub>	1 <sup>7</sup> / <sub>8</sub> 47.6	3 <sup>11</sup> / <sub>16</sub> 93.7	1 <sup>31</sup> / <sub>32</sub> 50.0	3 <sup>9</sup> / <sub>16</sub> 90.5	5 <sup>3</sup> / <sub>8</sub> 136.5	6 <sup>13</sup> / <sub>16</sub> 173.0	1 <sup>15</sup> / <sub>16</sub> 49.2	7/ <sub>8</sub> 22.2	5/ <sub>8</sub> 15.9	3/ <sub>4</sub> 19.0	1 <sup>15</sup> / <sub>16</sub> 49.2	1 <sup>9</sup> / <sub>32</sub> 32.5	3 <sup>1</sup> / <sub>32</sub> 24.6	1/2 12.7	GHWE103CCS	4.25
KH-2301-12A KH-2301-13A	RAO	1 <sup>3</sup> / <sub>8</sub> 1 <sup>7</sup> / <sub>16</sub>	2 <sup>1</sup> / <sub>8</sub> 54.0	4 <sup>3</sup> / <sub>32</sub> 104.0	2 <sup>1</sup> / <sub>32</sub> 51.6	4 101.6	6 152.4	7 <sup>9</sup> / <sub>16</sub> 192.1	2 <sup>1</sup> / <sub>8</sub> 54.0	1 <sup>5</sup> / <sub>16</sub> 23.8	5/ <sub>8</sub> 15.9	3/ <sub>4</sub> 19.0	2 <sup>3</sup> / <sub>16</sub> 55.6	1 <sup>5</sup> / <sub>16</sub> 33.3	1 <sup>1</sup> / <sub>16</sub> 27.0	1/2 12.7	GHWE106CCS GHWE107CCS	5.50
KH-2302-10A	RAO	1 <sup>1</sup> / <sub>2</sub>	2 <sup>3</sup> / <sub>8</sub> 60.3	4 <sup>5</sup> / <sub>8</sub> 117.5	2 <sup>1</sup> / <sub>4</sub> 57.2	4 <sup>1</sup> / <sub>2</sub> 114.3	6 <sup>3</sup> / <sub>4</sub> 171.4	8 <sup>1</sup> / <sub>2</sub> 215.9	2 <sup>3</sup> / <sub>8</sub> 60.3	1 <sup>1</sup> / <sub>16</sub> 27.0	3/ <sub>4</sub> 19.0	1 25.4	2 <sup>1</sup> / <sub>2</sub> 63.5	1 <sup>15</sup> / <sub>32</sub> 37.3	1 <sup>3</sup> / <sub>16</sub> 30.2	5/ <sub>8</sub> 15.9	GHWE108CCS	8.50
KH-2303-10A KH-2303-11A KH-2303-12A	RAO	1 <sup>5</sup> / <sub>8</sub> 1 <sup>11</sup> / <sub>16</sub> 1 <sup>3</sup> / <sub>4</sub>	2 <sup>5</sup> / <sub>8</sub> 66.7	5 <sup>1</sup> / <sub>8</sub> 130.2	2 <sup>5</sup> / <sub>16</sub> 58.7	5 127.0	7 <sup>1</sup> / <sub>2</sub> 190.5	9 <sup>7</sup> / <sub>16</sub> 239.7	2 <sup>5</sup> / <sub>8</sub> 66.7	1 <sup>3</sup> / <sub>16</sub> 30.2	3/ <sub>4</sub> 19.0	1 25.4	2 <sup>3</sup> / <sub>4</sub> 69.8	1 <sup>17</sup> / <sub>32</sub> 38.9	1 <sup>5</sup> / <sub>16</sub> 33.3	5/ <sub>8</sub> 15.9	GHWE111CCS	11.25
KH-2304-11A	RAO	1 <sup>15</sup> / <sub>16</sub>	2 <sup>13</sup> / <sub>16</sub> 71.44	5 <sup>9</sup> / <sub>16</sub> 141.3	2 <sup>5</sup> / <sub>8</sub> 66.7	5 <sup>7</sup> / <sub>16</sub> 138.1	8 <sup>1</sup> / <sub>4</sub> 209.6	10 <sup>7</sup> / <sub>16</sub> 265.1	2 <sup>7</sup> / <sub>8</sub> 73.0	1 <sup>5</sup> / <sub>16</sub> 33.3	3/ <sub>4</sub> 19.0	1 25.4	3 76.2	1 <sup>21</sup> / <sub>32</sub> 42.1	1 <sup>7</sup> / <sub>16</sub> 36.5	5/ <sub>8</sub> 15.9	GHWE115CCS	14.00
KH-2305-10A KH-2305-11A	RAO	2 2 <sup>3</sup> / <sub>16</sub>	3 <sup>1</sup> / <sub>16</sub> 77.8	6 <sup>1</sup> / <sub>32</sub> 153.2	2 <sup>7</sup> / <sub>8</sub> 73.0	5 <sup>15</sup> / <sub>16</sub> 150.8	9 228.6	11 <sup>5</sup> / <sub>16</sub> 287.3	3 <sup>1</sup> / <sub>8</sub> 79.4	1 <sup>7</sup> / <sub>16</sub> 36.5	7/ <sub>8</sub> 22.2	1 <sup>1</sup> / <sub>8</sub> 28.6	3 <sup>1</sup> / <sub>4</sub> 82.6	1 <sup>25</sup> / <sub>32</sub> 45.2	1 <sup>9</sup> / <sub>16</sub> 39.7	3/ <sub>4</sub> 19.0	GHWE200CCS GHWE203CCS	17.75
KH-2306-10A	RAO	2 <sup>7</sup> / <sub>16</sub>	3 <sup>5</sup> / <sub>16</sub> 84.1	6 <sup>17</sup> / <sub>32</sub> 165.9	3 <sup>3</sup> / <sub>8</sub> 79.4	6 <sup>7</sup> / <sub>16</sub> 163.5	9 <sup>3</sup> / <sub>4</sub> 247.6	12 <sup>5</sup> / <sub>16</sub> 312.7	3 <sup>5</sup> / <sub>16</sub> 84.1	1 <sup>1</sup> / <sub>2</sub> 38.1	7/ <sub>8</sub> 22.2	1 <sup>1</sup> / <sub>8</sub> 28.6	3 <sup>1</sup> / <sub>2</sub> 88.9	1 <sup>29</sup> / <sub>32</sub> 48.4	1 <sup>21</sup> / <sub>32</sub> 42.1	3/ <sub>4</sub> 19.0	GHWE207CCS	21.75
KH-2307-10A	RAO	2 <sup>11</sup> / <sub>16</sub>	3 <sup>13</sup> / <sub>16</sub> 96.8	7 <sup>9</sup> / <sub>16</sub> 192.1	3 <sup>1</sup> / <sub>2</sub> 88.9	7 <sup>7</sup> / <sub>16</sub> 188.9	11 <sup>1</sup> / <sub>4</sub> 285.8	14 <sup>3</sup> / <sub>16</sub> 360.4	3 <sup>13</sup> / <sub>16</sub> 96.0	1 <sup>3</sup> / <sub>4</sub> 44.4	1 25.4	1 <sup>5</sup> / <sub>16</sub> 33.3	4 101.6	2 <sup>5</sup> / <sub>32</sub> 54.8	1 <sup>29</sup> / <sub>32</sub> 48.4	7/ <sub>8</sub> 22.2	GHWE211CCS	34.00
KH-2308-10A	RAO	2 <sup>15</sup> / <sub>16</sub>	4 <sup>1</sup> / <sub>8</sub> 101.6	8 <sup>1</sup> / <sub>16</sub> 203.2	3 <sup>15</sup> / <sub>16</sub> 152.4	7 <sup>15</sup> / <sub>16</sub> 241.3	12 304.8	15 <sup>1</sup> / <sub>8</sub> 381.0	4 <sup>1</sup> / <sub>16</sub> 101.6	1 <sup>7</sup> / <sub>8</sub> 44.4	1 25.4	1 <sup>5</sup> / <sub>16</sub> 33.3	4 <sup>1</sup> / <sub>16</sub> 101.6	2 <sup>15</sup> / <sub>32</sub> 98.4	2 <sup>1</sup> / <sub>32</sub> 12.7	7/ <sub>8</sub> 22.2	GHWE215CCS	40.25

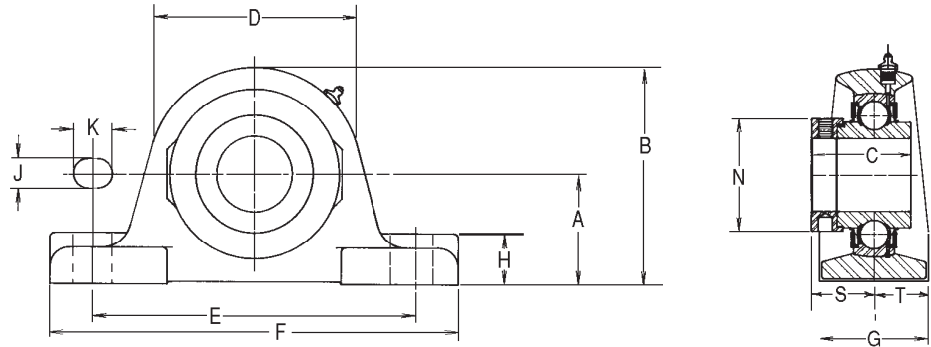
Recommended shaft tolerances: 1<sup>15</sup>/<sub>16</sub> - 1<sup>15</sup>/<sub>16</sub>" nominal to -.0005", -.013 mm  
 2" - 2<sup>15</sup>/<sub>16</sub>", nominal to -.0010", -.025 mm

# Single Pillow Block - Heavy Series - High Temperature

Equal to Timken LAO

This Ketchie heavy type pillow block is designed to meet the need for a compact, economical, heavy-duty ball bearing housed unit where the operating temperature exceeds 250°F.

These pillow blocks are equipped with a heavy series, wide inner ring bearing with an eccentric locking collar, high temperature grease and high temperature seals. These units can be operated up to 425°F.



**TO ORDER, SPECIFY KETCHIE OR COMPETITOR'S PART NUMBER**

Ketchie	Equals Timken	Shaft Diam.	A	B	C	D	E	F	G	H	J	K	N	S	T	Bolt Size	Bearing Number	Approx. Unit Wt.
			in. mm	in. mm	in. mm	in. mm	in. mm	in. mm	in. mm	in. mm	in. mm	in. mm	in. mm	in. mm	in. mm			
KH-2300-0-12A	LAO	1 <sup>3</sup> / <sub>16</sub>	1 <sup>7</sup> / <sub>8</sub> 47.6	3 <sup>11</sup> / <sub>16</sub> 93.7	1 <sup>31</sup> / <sub>32</sub> 50.0	3 <sup>9</sup> / <sub>16</sub> 90.5	5 <sup>3</sup> / <sub>8</sub> 136.5	6 <sup>13</sup> / <sub>16</sub> 173.0	1 <sup>15</sup> / <sub>16</sub> 49.2	7 <sup>1</sup> / <sub>8</sub> 22.2	5 <sup>9</sup> / <sub>8</sub> 15.9	3 <sup>1</sup> / <sub>4</sub> 19.0	1 <sup>15</sup> / <sub>16</sub> 49.2	1 <sup>9</sup> / <sub>32</sub> 32.5	3 <sup>1</sup> / <sub>32</sub> 24.6	1/2 12.7	GHWE103HHS	4.25
KH-2301-0-12A KH-2301-0-13A	LAO	1 <sup>3</sup> / <sub>8</sub> 1 <sup>7</sup> / <sub>16</sub>	2 <sup>1</sup> / <sub>8</sub> 54.0	4 <sup>3</sup> / <sub>32</sub> 104.0	2 <sup>1</sup> / <sub>32</sub> 51.6	4 101.6	6 152.4	7 <sup>9</sup> / <sub>16</sub> 192.1	2 <sup>1</sup> / <sub>8</sub> 54.0	1 <sup>5</sup> / <sub>16</sub> 23.8	5 <sup>9</sup> / <sub>8</sub> 15.9	3 <sup>1</sup> / <sub>4</sub> 19.0	2 <sup>3</sup> / <sub>16</sub> 55.6	1 <sup>5</sup> / <sub>16</sub> 33.3	1 <sup>1</sup> / <sub>16</sub> 27.0	1/2 12.7	GHWE106HHS GHWE107HHS	5.50
KH-2302-0-10A	LAO	1 <sup>1</sup> / <sub>2</sub>	2 <sup>3</sup> / <sub>8</sub> 60.3	4 <sup>5</sup> / <sub>8</sub> 117.5	2 <sup>1</sup> / <sub>4</sub> 57.2	4 <sup>1</sup> / <sub>2</sub> 114.3	6 <sup>3</sup> / <sub>4</sub> 171.4	8 <sup>1</sup> / <sub>2</sub> 215.9	2 <sup>3</sup> / <sub>8</sub> 60.3	1 <sup>1</sup> / <sub>16</sub> 27.0	3 <sup>1</sup> / <sub>4</sub> 19.0	1 25.4	2 <sup>1</sup> / <sub>2</sub> 63.5	1 <sup>5</sup> / <sub>32</sub> 37.3	1 <sup>3</sup> / <sub>16</sub> 30.2	5 <sup>9</sup> / <sub>8</sub> 15.9	GHWE108HHS	8.50
KH-2303-0-11A	LAO	1 <sup>11</sup> / <sub>16</sub>	2 <sup>5</sup> / <sub>8</sub> 66.7	5 <sup>1</sup> / <sub>8</sub> 130.2	2 <sup>5</sup> / <sub>16</sub> 58.7	5 127.0	7 <sup>1</sup> / <sub>2</sub> 190.5	9 <sup>7</sup> / <sub>16</sub> 239.7	2 <sup>5</sup> / <sub>8</sub> 66.7	1 <sup>3</sup> / <sub>16</sub> 30.2	3 <sup>1</sup> / <sub>4</sub> 19.0	1 25.4	2 <sup>3</sup> / <sub>4</sub> 69.8	1 <sup>7</sup> / <sub>32</sub> 38.9	1 <sup>5</sup> / <sub>16</sub> 33.3	5 <sup>9</sup> / <sub>8</sub> 15.9	GHWE111HHS	11.25
KH-2304-0-11A	LAO	1 <sup>15</sup> / <sub>16</sub>	2 <sup>13</sup> / <sub>16</sub> 71.44	5 <sup>9</sup> / <sub>16</sub> 141.3	2 <sup>5</sup> / <sub>8</sub> 66.7	5 <sup>7</sup> / <sub>16</sub> 138.1	8 <sup>1</sup> / <sub>4</sub> 209.6	10 <sup>7</sup> / <sub>16</sub> 265.1	2 <sup>7</sup> / <sub>8</sub> 73.0	1 <sup>5</sup> / <sub>16</sub> 33.3	3 <sup>1</sup> / <sub>4</sub> 19.0	1 25.4	3 76.2	1 <sup>21</sup> / <sub>32</sub> 42.1	1 <sup>7</sup> / <sub>16</sub> 36.5	5 <sup>9</sup> / <sub>8</sub> 15.9	GHWE115HHS	14.00
KH-2305-0-10A KH-2305-0-11A	LAO	2 2 <sup>3</sup> / <sub>16</sub>	3 <sup>1</sup> / <sub>16</sub> 77.8	6 <sup>1</sup> / <sub>32</sub> 153.2	2 <sup>7</sup> / <sub>8</sub> 73.0	5 <sup>15</sup> / <sub>16</sub> 150.8	9 228.6	11 <sup>5</sup> / <sub>16</sub> 287.3	3 <sup>1</sup> / <sub>8</sub> 79.4	1 <sup>7</sup> / <sub>16</sub> 36.5	7 <sup>1</sup> / <sub>8</sub> 22.2	1 <sup>1</sup> / <sub>8</sub> 28.6	3 <sup>1</sup> / <sub>4</sub> 82.6	1 <sup>25</sup> / <sub>32</sub> 45.2	1 <sup>9</sup> / <sub>16</sub> 39.7	3 <sup>1</sup> / <sub>4</sub> 19.0	GHWE200HHS GHWE203HHS	17.75
KH-2306-0-10A	LAO	2 <sup>7</sup> / <sub>16</sub>	3 <sup>5</sup> / <sub>16</sub> 84.1	6 <sup>17</sup> / <sub>32</sub> 165.9	3 <sup>1</sup> / <sub>8</sub> 79.4	6 <sup>7</sup> / <sub>16</sub> 163.5	9 <sup>3</sup> / <sub>4</sub> 247.6	12 <sup>5</sup> / <sub>16</sub> 312.7	3 <sup>5</sup> / <sub>16</sub> 84.1	1 <sup>1</sup> / <sub>2</sub> 38.1	7 <sup>1</sup> / <sub>8</sub> 22.2	1 <sup>1</sup> / <sub>8</sub> 28.6	3 <sup>1</sup> / <sub>2</sub> 88.9	1 <sup>29</sup> / <sub>32</sub> 48.4	1 <sup>21</sup> / <sub>32</sub> 42.1	3 <sup>1</sup> / <sub>4</sub> 19.0	GHWE207HHS	21.75
KH-2307-0-10A	LAO	2 <sup>11</sup> / <sub>16</sub>	3 <sup>13</sup> / <sub>16</sub> 96.8	7 <sup>9</sup> / <sub>16</sub> 192.1	3 <sup>1</sup> / <sub>2</sub> 88.9	7 <sup>7</sup> / <sub>16</sub> 188.9	11 <sup>1</sup> / <sub>4</sub> 285.8	14 <sup>3</sup> / <sub>16</sub> 360.4	3 <sup>13</sup> / <sub>16</sub> 96.0	1 <sup>3</sup> / <sub>4</sub> 44.4	1 25.4	1 <sup>1</sup> / <sub>16</sub> 33.3	4 101.6	2 <sup>5</sup> / <sub>32</sub> 54.8	1 <sup>29</sup> / <sub>32</sub> 48.4	7 <sup>1</sup> / <sub>8</sub> 22.2	GHWE211HHS	34.00
KH-2308-0-10A	LAO	2 <sup>15</sup> / <sub>16</sub>	4 <sup>1</sup> / <sub>8</sub> 104.8	8 <sup>1</sup> / <sub>16</sub> 204.8	3 <sup>15</sup> / <sub>16</sub> 100.0	7 <sup>15</sup> / <sub>16</sub> 201.6	12 304.8	15 <sup>1</sup> / <sub>8</sub> 384.2	4 <sup>1</sup> / <sub>16</sub> 103.2	1 <sup>7</sup> / <sub>8</sub> 47.6	1 25.4	1 <sup>1</sup> / <sub>16</sub> 33.3	4 <sup>7</sup> / <sub>16</sub> 112.7	2 <sup>15</sup> / <sub>32</sub> 62.7	2 <sup>1</sup> / <sub>32</sub> 51.6	7 <sup>1</sup> / <sub>8</sub> 22.2	GHWE215HHS	40.25

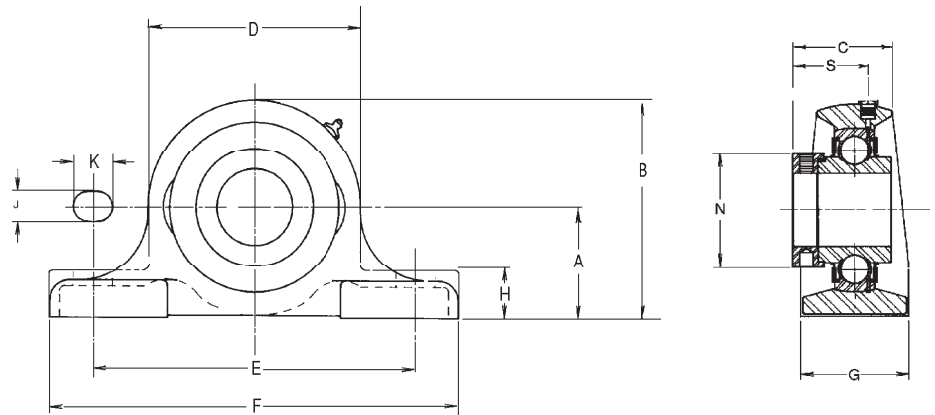
Recommended shaft tolerances: 1<sup>15</sup>/<sub>16</sub> - 1<sup>15</sup>/<sub>16</sub>" nominal to -.0005", -.013 mm  
 2" - 2<sup>15</sup>/<sub>16</sub>" nominal to -.0010", -.025 mm

# Single Pillow Block - Heavy Series

Equal to Timken RSAO

This Ketchie heavy duty unit is ideally suited for installations where the load is heavy in proportion to shaft diameter or where there is considerable shock loading.

These pillow blocks are equipped with a heavy series wide inner ring bearing with integral seals and eccentric locking collar.



TO ORDER, SPECIFY KETCHIE OR COMPETITOR'S PART NUMBER

Ketchie	Equals Timken	Shaft Diam.	A	B	C	D	E	F	G	H	J	K	N	S	Bolt Size	Bearing Number	Approx. Unit Wt.
			in. mm	in. mm	in. mm	in. mm	in. mm	in. mm	in. mm	in. mm	in. mm	in. mm	in. mm	in. mm			
KH-2320-12A	RSAO	1 3/16	2 3/8 60.33	4 1/4 108.0	1 3/32 50.0	3 3/4 95.2	6 5/8 168.3	8 1/4 209.6	2 3/8 60.3	7/8 22.2	5/8 15.9	1 25.4	1 15/16 49.2	1 9/32 32.5	1/2 12.7	GHWE103CCS	6.75
KH-2321-10A KH-2321-12A KH-2321-13A	RSAO	1 1/4 1 3/8 1 7/16	2 3/4 69.85	4 13/16 122.2	2 1/2 51.6	4 1/8 104.8	8 1/4 209.6	10 5/8 269.9	2 3/4 69.8	1 5/16 23.8	3/4 19.0	1 1/8 28.6	2 3/16 55.6	1 5/16 33.3	5/8 15.9	GHWE104CCS GHWE106CCS GHWE107CCS	9.25
KH-2322-10A	RSAO	1 1/2	3 1/8 79.38	5 3/8 136.6	2 1/4 57.2	4 1/2 114.3	9 228.6	11 3/8 288.9	3 1/8 79.4	1 1/16 30.2	3/4 19.0	1 1/8 28.6	2 1/2 69.8	1 15/32 38.9	5/8 15.9	GHWE108CCS	13.00
KH-2323-10A KH-2323-11A KH-2323-12A	RSAO	1 5/8 1 11/16 1 3/4	3 1/8 79.38	5 5/8 142.9	2 5/16 58.7	5 127.0	9 228.6	11 3/8 288.9	3 1/8 79.4	1 3/16 30.2	3/4 19.0	1 1/8 28.6	2 3/4 69.8	1 17/32 38.9	5/8 15.9	GHWE110CCS GHWE111CCS GHWE112CCS	14.75
KH-2324-11A KH-2324-12A	RSAO	1 7/8 1 15/16	3 1/8 79.38	5 27/32 148.4	2 5/8 66.7	5 7/16 138.1	9 228.6	11 3/8 288.9	3 1/8 79.4	1 5/16 33.3	3/4 19.0	1 1/8 28.6	3 76.2	1 21/32 42.1	5/8 15.9	GHWE114CCS GHWE115CCS	16.25
KH-2325-10A KH-2325-13A	RSAO	2 2 3/16	3 3/4 95.25	6 23/32 170.7	2 7/8 73.0	5 15/16 150.8	10 1/4 260.4	12 5/8 320.7	3 1/2 88.9	1 7/16 36.5	7/8 22.2	1 3/8 34.9	3 1/4 82.6	1 25/32 45.2	3/4 19.0	GHWE200CCS GHWE203CCS	22.75
KH-2326-13A	RSAO	2 7/16	4 1/8 104.8	7 11/32 186.5	3 1/8 79.4	6 7/16 163.5	11 1/4 285.8	13 3/4 349.2	4 101.6	1 1/2 38.1	7/8 22.2	1 3/8 34.9	3 1/2 88.9	1 29/32 48.4	3/4 19.0	GHWE207CCS	35.75
KH-2327-10A	RSAO	2 11/16	4 9/16 115.9	8 9/32 210.3	3 1/2 88.9	7 7/16 188.9	12 304.8	15 3/8 390.5	4 3/8 111.1	1 3/4 4	1 25.4	1 3/8 34.9	4 101.6	2 5/32 54.8	7/8 22.2	GHWE211CCS	42.75
KH-2328-12A	RSAO	2 15/16	4 9/16 115.9	8 9/16 217.5	3 15/16 100.0	8 203.2	12 3/8 314.3	15 3/8 390.5	4 3/8 111.1	1 7/8 47.6	1 25.4	1 3/8 34.9	4 7/16 112.7	2 15/32 62.7	7/8 22.2	GHWE215CCS	44.50
KH-2329-10A	RSAO	3 3/16	4 9/16 115.9	8 25/32 223.0	4 3/16 106.4	8 7/16 214.3	12 3/8 314.3	15 3/8 390.5	4 3/8 111.1	1 15/16 49.2	1 25.4	1 3/4 44.4	4 11/16 119.1	2 19/32 65.9	7/8 22.2	GHWE303CCS	50.50
KH-2330-10A	RSAO	3 7/16	5 1/8 130.2	9 7/8 250.8	4 9/16 115.9	9 1/2 241.3	13 3/8 339.7	16 1/8 409.6	4 3/4 120.6	2 1/4 57.2	1 1/8 28.6	2 1/8 54.0	5 1/4 133.4	2 27/32 72.2	1 25.4	GHWE307CCS	68.50
KH-2331-10A	RSAO	3 15/16	5 11/16 144.5	11 1/16 281.0	5 1/16 128.6	10 3/4 273.0	14 3/4 374.6	17 9/16 439.7	5 1/8 130.2	2 9/16 65.1	1 1/8 28.6	1 3/4 44.4	5 3/4 146.0	3 3/32 78.6	1 25.4	GHWE315CCS	89.75

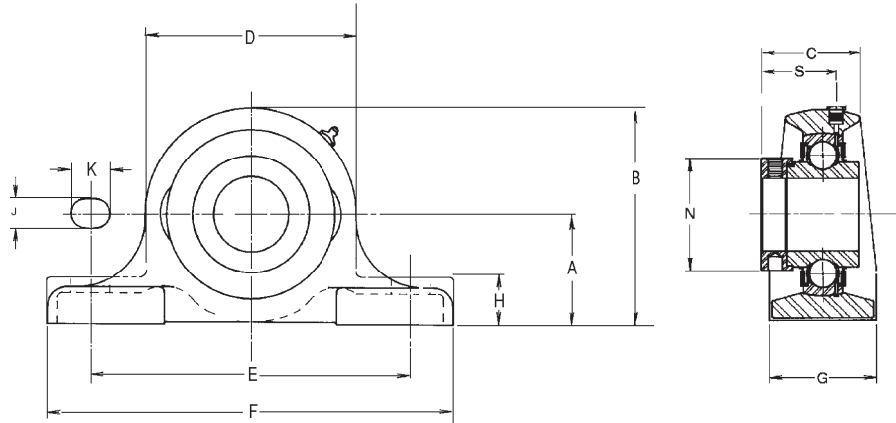
Recommended shaft tolerances: 15/16" - 1 15/16", nominal to -.0005", -.013 mm; 2 3/16", nominal to -.0010", -.025 mm

# Single Pillow Block - Heavy Series - High Temperature

Equal to Timken LSAO

This Ketchie heavy duty unit is ideally suited for installations where the load is heavy in proportion to shaft diameter or where there is considerable shock loading, and operating temperature exceeds 250°F.

These pillow blocks are equipped with a heavy series wide inner ring bearing with an eccentric locking collar, high temperature grease and high temperature seals.



**TO ORDER, SPECIFY KETCHIE OR COMPETITOR'S PART NUMBER**

Ketchie	Equals Timken	Shaft Diam.	A	B	C	D	E	F	G	H	J	K	N	S	Bolt Size	Bearing Number	Approx. Unit Wt.
			in. mm	in. mm	in. mm	in. mm	in. mm	in. mm	in. mm	in. mm	in. mm	in. mm	in. mm	in. mm	in. mm		lbs.
<b>KH-2320-0-12A</b>	LSAO	1 <sup>3</sup> / <sub>16</sub>	2 <sup>3</sup> / <sub>8</sub> 60.33	4 <sup>1</sup> / <sub>4</sub> 108.0	1 <sup>3</sup> / <sub>16</sub> 50.0	3 <sup>3</sup> / <sub>4</sub> 95.2	6 <sup>5</sup> / <sub>8</sub> 168.3	8 <sup>1</sup> / <sub>4</sub> 209.6	2 <sup>3</sup> / <sub>8</sub> 60.3	7/ <sub>8</sub> 22.2	5/ <sub>8</sub> 15.9	1 25.4	1 <sup>15</sup> / <sub>16</sub> 49.2	1 <sup>9</sup> / <sub>32</sub> 32.5	1/2 12.7	<b>GHWE103HHS</b>	6.75
<b>KH-2321-0-10A</b> <b>KH-2321-0-12A</b> <b>KH-2321-0-13A</b>	LSAO	1 <sup>1</sup> / <sub>4</sub> 1 <sup>3</sup> / <sub>8</sub> 1 <sup>7</sup> / <sub>16</sub>	2 <sup>3</sup> / <sub>4</sub> 69.85	4 <sup>13</sup> / <sub>16</sub> 122.2	2 <sup>1</sup> / <sub>2</sub> 51.6	4 <sup>1</sup> / <sub>8</sub> 104.8	8 <sup>1</sup> / <sub>4</sub> 209.6	10 <sup>5</sup> / <sub>8</sub> 269.9	2 <sup>3</sup> / <sub>4</sub> 69.8	1 <sup>5</sup> / <sub>16</sub> 23.8	3/ <sub>4</sub> 19.0	1 <sup>1</sup> / <sub>8</sub> 28.6	2 <sup>3</sup> / <sub>16</sub> 55.6	1 <sup>5</sup> / <sub>16</sub> 33.3	5/ <sub>8</sub> 15.9	<b>GHWE104HHS</b> <b>GHWE106HHS</b> <b>GHWE107HHS</b>	9.25
<b>KH-2322-0-10A</b>	LSAO	1 <sup>1</sup> / <sub>2</sub>	3 <sup>1</sup> / <sub>8</sub> 79.38	5 <sup>3</sup> / <sub>8</sub> 136.6	2 <sup>1</sup> / <sub>4</sub> 57.2	4 <sup>1</sup> / <sub>2</sub> 114.3	9 228.6	11 <sup>3</sup> / <sub>8</sub> 288.9	3 <sup>1</sup> / <sub>8</sub> 79.4	1 <sup>1</sup> / <sub>16</sub> 30.2	3/ <sub>4</sub> 19.0	1 <sup>1</sup> / <sub>8</sub> 28.6	2 <sup>1</sup> / <sub>2</sub> 69.8	1 <sup>15</sup> / <sub>32</sub> 38.9	5/ <sub>8</sub> 15.9	<b>GHWE108HHS</b>	13.00
<b>KH-2323-0-11A</b>	LSAO	1 <sup>11</sup> / <sub>16</sub>	3 <sup>1</sup> / <sub>8</sub> 79.38	5 <sup>5</sup> / <sub>8</sub> 142.9	2 <sup>5</sup> / <sub>16</sub> 58.7	5 127.0	9 228.6	11 <sup>3</sup> / <sub>8</sub> 288.9	3 <sup>1</sup> / <sub>8</sub> 79.4	1 <sup>3</sup> / <sub>16</sub> 30.2	3/ <sub>4</sub> 19.0	1 <sup>1</sup> / <sub>8</sub> 28.6	2 <sup>3</sup> / <sub>4</sub> 69.8	1 <sup>17</sup> / <sub>32</sub> 38.9	5/ <sub>8</sub> 15.9	<b>GHWE111HHS</b>	14.75
<b>KH-2324-0-12A</b>	LSAO	1 <sup>15</sup> / <sub>16</sub>	3 <sup>1</sup> / <sub>8</sub> 79.38	5 <sup>27</sup> / <sub>32</sub> 148.4	2 <sup>5</sup> / <sub>8</sub> 66.7	5 <sup>7</sup> / <sub>16</sub> 138.1	9 228.6	11 <sup>3</sup> / <sub>8</sub> 288.9	3 <sup>1</sup> / <sub>8</sub> 79.4	1 <sup>5</sup> / <sub>16</sub> 33.3	3/ <sub>4</sub> 19.0	1 <sup>1</sup> / <sub>8</sub> 28.6	3 76.2	1 <sup>21</sup> / <sub>32</sub> 42.1	5/ <sub>8</sub> 15.9	<b>GHWE115HHS</b>	16.25
<b>KH-2325-0-10A</b> <b>KH-2325-0-13A</b>	LSAO	2 2 <sup>3</sup> / <sub>16</sub>	3 <sup>3</sup> / <sub>4</sub> 95.25	6 <sup>23</sup> / <sub>32</sub> 170.7	2 <sup>7</sup> / <sub>8</sub> 73.0	5 <sup>15</sup> / <sub>16</sub> 150.8	10 <sup>1</sup> / <sub>4</sub> 260.4	12 <sup>5</sup> / <sub>8</sub> 320.7	3 <sup>1</sup> / <sub>2</sub> 88.9	1 <sup>7</sup> / <sub>16</sub> 36.5	7/ <sub>8</sub> 22.2	1 <sup>3</sup> / <sub>8</sub> 34.9	3 <sup>1</sup> / <sub>4</sub> 82.6	1 <sup>25</sup> / <sub>32</sub> 45.2	3/ <sub>4</sub> 19.0	<b>GHWE200HHS</b> <b>GHWE203HHS</b>	22.75
<b>KH-2326-0-13A</b>	LSAO	2 <sup>7</sup> / <sub>16</sub>	4 <sup>1</sup> / <sub>8</sub> 104.8	7 <sup>11</sup> / <sub>32</sub> 186.5	3 <sup>1</sup> / <sub>8</sub> 79.4	6 <sup>7</sup> / <sub>16</sub> 163.5	11 <sup>1</sup> / <sub>4</sub> 285.8	13 <sup>3</sup> / <sub>4</sub> 349.2	4 101.6	1 <sup>1</sup> / <sub>2</sub> 38.1	7/ <sub>8</sub> 22.2	1 <sup>3</sup> / <sub>8</sub> 34.9	3 <sup>1</sup> / <sub>2</sub> 88.9	1 <sup>29</sup> / <sub>32</sub> 48.4	3/ <sub>4</sub> 19.0	<b>GHWE207HHS</b>	35.75
<b>KH-2327-0-10A</b>	LSAO	2 <sup>11</sup> / <sub>16</sub>	4 <sup>9</sup> / <sub>16</sub> 115.9	8 <sup>9</sup> / <sub>32</sub> 210.3	3 <sup>1</sup> / <sub>2</sub> 88.9	7 <sup>7</sup> / <sub>16</sub> 188.9	12 304.8	15 <sup>3</sup> / <sub>8</sub> 390.5	4 <sup>3</sup> / <sub>8</sub> 111.1	1 <sup>3</sup> / <sub>4</sub> 4	1 25.4	1 <sup>3</sup> / <sub>8</sub> 34.9	4 101.6	2 <sup>5</sup> / <sub>32</sub> 54.8	7/ <sub>8</sub> 22.2	<b>GHWE211HHS</b>	42.75
<b>KH-2328-0-12A</b>	LSAO	2 <sup>15</sup> / <sub>16</sub>	4 <sup>9</sup> / <sub>16</sub> 115.9	8 <sup>9</sup> / <sub>16</sub> 217.5	3 <sup>15</sup> / <sub>16</sub> 100.0	8 203.2	12 <sup>3</sup> / <sub>8</sub> 314.3	15 <sup>3</sup> / <sub>8</sub> 390.5	4 <sup>3</sup> / <sub>8</sub> 111.1	1 <sup>7</sup> / <sub>8</sub> 47.6	1 25.4	1 <sup>3</sup> / <sub>8</sub> 34.9	4 <sup>7</sup> / <sub>16</sub> 112.7	2 <sup>15</sup> / <sub>32</sub> 62.7	7/ <sub>8</sub> 22.2	<b>GHWE215HHS</b>	44.50
<b>KH-2329-0-10A</b>	LSAO	3 <sup>3</sup> / <sub>16</sub>	4 <sup>9</sup> / <sub>16</sub> 115.9	8 <sup>25</sup> / <sub>32</sub> 223.0	4 <sup>3</sup> / <sub>16</sub> 106.4	8 <sup>7</sup> / <sub>16</sub> 214.3	12 <sup>3</sup> / <sub>8</sub> 314.3	15 <sup>3</sup> / <sub>8</sub> 390.5	4 <sup>3</sup> / <sub>8</sub> 111.1	1 <sup>15</sup> / <sub>16</sub> 49.2	1 25.4	1 <sup>3</sup> / <sub>4</sub> 44.4	4 <sup>11</sup> / <sub>16</sub> 119.1	2 <sup>19</sup> / <sub>32</sub> 65.9	7/ <sub>8</sub> 22.2	<b>GHWE303HHS</b>	50.50
<b>KH-2330-0-10A</b>	LSAO	3 <sup>7</sup> / <sub>16</sub>	5 <sup>1</sup> / <sub>8</sub> 130.2	9 <sup>7</sup> / <sub>8</sub> 250.8	4 <sup>9</sup> / <sub>16</sub> 115.9	9 <sup>1</sup> / <sub>2</sub> 241.3	13 <sup>3</sup> / <sub>8</sub> 339.7	16 <sup>1</sup> / <sub>8</sub> 409.6	4 <sup>3</sup> / <sub>4</sub> 120.6	2 <sup>1</sup> / <sub>4</sub> 57.2	1 <sup>1</sup> / <sub>8</sub> 28.6	2 <sup>1</sup> / <sub>8</sub> 54.0	5 <sup>1</sup> / <sub>4</sub> 133.4	2 <sup>27</sup> / <sub>32</sub> 72.2	1 25.4	<b>GHWE307HHS</b>	68.50
<b>KH-2331-0-10A</b>	LSAO	3 <sup>15</sup> / <sub>16</sub>	5 <sup>11</sup> / <sub>16</sub> 144.5	11 <sup>1</sup> / <sub>16</sub> 281.0	5 <sup>1</sup> / <sub>16</sub> 128.6	10 <sup>3</sup> / <sub>4</sub> 273.0	14 <sup>3</sup> / <sub>4</sub> 374.6	17 <sup>5</sup> / <sub>16</sub> 439.7	5 <sup>1</sup> / <sub>8</sub> 130.2	2 <sup>9</sup> / <sub>16</sub> 65.1	1 <sup>1</sup> / <sub>8</sub> 28.6	1 <sup>3</sup> / <sub>4</sub> 44.4	5 <sup>3</sup> / <sub>4</sub> 146.0	3 <sup>3</sup> / <sub>32</sub> 78.6	1 25.4	<b>GHWE315HHS</b>	89.75

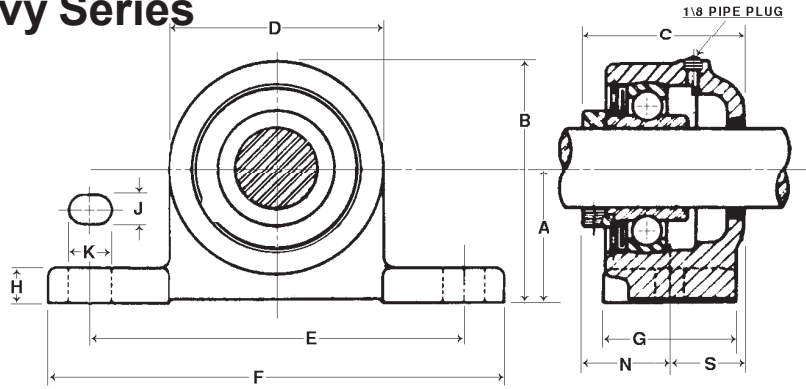
Recommended shaft tolerances: <sup>15</sup>/<sub>16</sub>" - 1<sup>15</sup>/<sub>16</sub>", nominal to -.0005", -.013 mm; 2<sup>3</sup>/<sub>16</sub>", nominal to -.0010", -.025 mm

# Single Pillow Block - Heavy Series

Equal to Timken SAO

This Ketchie heavy series pillow block is equal to the discontinued Timken SAO series.

These units use a heavy series wide inner ring bearing with one seal arrangement and eccentric locking collar.



**TO ORDER, SPECIFY KETCHIE OR COMPETITOR'S PART NUMBER**

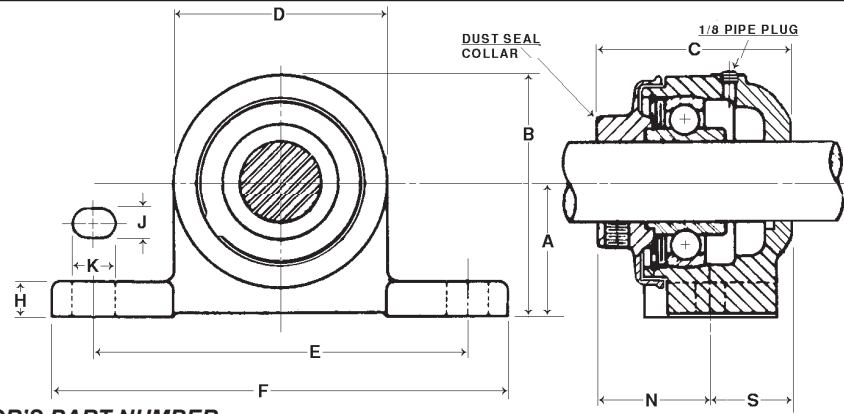
Ketchie	Equal Timken	Shaft Diam.	A	B	C	D	E	F	G	H	J	K	N	S	T	Bolts Req'd	Size	Bearing Number	Approx. Unit Wt.
		in.	in.	in.	in.	in.	in.	in.	in.	in.	in.	in.	in.	in.	in.	in.	in.		lbs.
KH-3050-0A KH-3050-1A	SAO	5/8 1 1/16	1 1/2	2 3/4	2 29/64	2 1/2	4 1/2	6	2	1/2	5/8	7/8	1 9/64	1 5/16	2	1/2	HWE010MUS HWE011MUS	4.25	
KH-3051-0A	SAO	3/4	1 5/8	3	2 45/64	2 3/4	5	6 1/2	2	5/8	5/8	7/8	1 7/32	1 31/64	2	1/2	HWE012MUS	4.25	
KH-3052-0A KH-3052-1A KH-3052-2A KH-3052-3A	SAO	13/16 7/8 15/16 1	2	3 5/8	2 27/32	3 1/4	5 1/2	7	2 1/8	5/8	5/8	7/8	1 3/16	1 21/32	2	1/2	HWE013MUS HWE014MUS HWE015MUS HWE100MUS	5.50	
KH-3053-0A KH-3053-1A KH-3053-2A	SAO	1 1/16 1 1/8 1 3/16	2 3/8	4 1/4	3 1/8	3 3/4	6 5/8	8 1/4	2 3/8	1 1/16	5/8	7/8	1 9/16	1 9/16	2	1/2	HWE101MUS HWE102MUS GHWE103CS	8.75	
KH-3054-0A KH-3054-1A KH-3054-2A KH-3054-3A	SAO	1 1/4 1 9/16 1 3/8 1 7/16	2 3/4	4 7/8	3 15/64	4 1/4	8 1/4	10 5/8	2 3/4	1 3/16	3/4	1	1 5/16	1 59/64	2	5/8	GHWE104CS HWE105MUS GHWE106CS GHWE107CS	11.75	
KH-3055-0A KH-3055-1A	SAO	1 1/2 1 9/16	3 1/8	5 15/32	3 21/32	4 11/16	9	11 3/8	3 1/8	1 3/16	3/4	1	1 15/32	2 3/16	2	5/8	GHWE108CS HWE109MUS	16.75	
KH-3056-0A KH-3056-1A KH-3056-2A	SAO	1 5/8 1 11/16 1 3/4	3 1/8	5 11/16	4	5 1/8	9	11 3/8	3 1/8	1 3/16	3/4	1	1 15/16	2 1/16	2	5/8	GHWE110CS GHWE111CS GHWE112CS	18.00	
KH-3057-0A KH-3057-1A KH-3057-2A	SAO	1 13/16 1 7/8 1 15/16	3 1/8	5 7/8	4 11/32	5 1/2	9	11 3/8	3 1/8	1 3/16	3/4	1	1 21/32	2 11/16	2	5/8	HWE113MUS GHWE114CS GHWE115CS	19.50	
KH-3058-0A KH-3058-1A KH-3058-2A KH-3058-3A	SAO	2 2 1/16 2 1/8 2 3/16	3 3/4	6 27/32	4 49/64	6 3/16	10 1/4	12 5/8	3 1/2	1 1/16	7/8	1 1/4	2 41/64	2 1/8	2	3/4	HWE200MUS HWE201MUS HWE202MUS GHWE207CS	30.75	
KH-3059-0A KH-3059-1A KH=3059-2A KH-3059-3A	SAO	2 1/4 2 5/16 2 3/8 2 7/16	4 1/8	7 3/8	4 13/16	6 1/2	11 1/4	13 3/4	4	1 1/16	7/8	1 1/4	2 5/8	2 3/16	2	3/4	HWE204MUS HWE205MUS HWE206MUS GHWE207CS	37.00	
KH-3060-0A	SAO	2 1/2	4 9/16	8 1/16	5 17/32	7	12	15 3/8	4 3/8	1 1/4	1	1 1/4	2 15/32	3 1/16	2	7/8	HWE208MUS	47.75	
KH-3061-1A	SAO	2 11/16	4 9/16	8 3/8	6 3/16	7 5/8	12	15 3/8	4 3/8	1 1/4	1	1 1/4	2 23/32	3 15/32	2	7/8	GHWE211CS	59.25	
KH-3062-2A	SAO	2 15/16	4 9/16	8 13/16	6 25/64	8 1/2	12 3/8	15 3/8	4 3/8	1 1/4	1	1 1/4	2 15/32	3 59/64	2	7/8	GHWE215CS	52.75	
KH-3063-3A	SAO	3 3/16	4 9/16	8 7/8	6 7/16	8 5/8	12 3/8	15 3/8	4 3/8	1 1/4	1	1 1/4	2 19/32	3 27/32	2 1/4	4	7/8	GHWE303CS	72.25
KH-3064-0A	SAO	3 1/4	5	9 1/2	6 49/64	9	13	15 3/4	4 1/2	1 1/4	1	1 1/4	2 21/32	4 7/64	2 1/2	4	7/8	HWE304MUS	79.75
KH-3065-1A	SAO	3 7/16	5 1/8	9 13/16	7	9 3/8	13 3/8	16 1/8	4 3/4	1 1/4	1	1 1/4	2 27/32	4 5/32	3	4	7/8	GHWE307CS	91.25
KH-3066-2A	SAO	3 11/16	5 11/16	10 9/16	7 11/16	9 3/4	14 3/4	17 5/16	4 15/16	1 1/4	1 1/8	1 1/2	4 3/32	3 19/32	2	1	HWE311MUS	106.25	
KH-3067-2A	SAO	3 15/16	5 11/16	10 15/16	7 3/4	10 1/2	14 3/4	17 5/16	5 1/8	1 3/8	1 1/8	1 1/2	3 3/32	4 21/32	2	1	GHWE315CS	118.25	
KH-3068-3A	SAO	4 3/16	6 1/4	11 3/4	8 17/32	11	17 11/16	21 1/4	6 1/4	1 3/4	1 1/4	1 3/4	3 19/32	4 15/16	2	1 1/8	HWE403MUS	162.25	
KH-3069-3A	SAO	4 7/16	6 1/4	12 1/4	8 25/32	12	17 11/16	21 1/4	6 1/4	1 7/8	1 1/4	1 3/4	4 3/32	4 11/16	2	1 1/8	HWE407MUS	185.25	
KH-3070-3A	SAO	4 15/16	7 1/2	14 1/2	9 11/16	14	20 1/4	24 13/16	6 11/16	2	1 3/8	2	3 13/16	5 7/8	2	1 1/4	HWE415MUS	287.25	

When T dimension is shown, 4 bolts are used; T is the distance between centers and Dimensions N and S are measured from center of base. Dimensions N and S are measured from center of bolt, except when 4 bolts are used. Recommended shaft tolerances: 5/8" - 2" = Nominal to -.0005"; 2 1/16" - 3 15/16" = Nominal to -.0010"; 2 11/16" and larger, use 1/4" pipe plug.

# Single Pillow Block Heavy Series One Dust Seal Collar Equal to Timken SAOD

This Ketchie heavy series pillow block is equal to the discontinued Timken SAOD series.

These units use a heavy series wide inner ring bearing with one seal arrangement and dust-seal locking collar for extra sealing capability.



TO ORDER, SPECIFY KETCHIE OR COMPETITOR'S PART NUMBER

Ketchie	Equal Timken	Shaft Diam.	A	B	C	D	E	F	G	H	J	K	N	S	T	Bolts Req'd	Size	Bearing Number	Approx. Unit Wt.
		in.	in.	in.	in.	in.	in.	in.	in.	in.	in.	in.	in.	in.	in.	in.	in.		lbs.
KH-3050-10A KH-3050-11A	SAOD	5/8 11/16	1 1/2	2 3/4	2 29/64	2 1/2	4 1/2	6	2	1/2	5/8	7/8	1 9/64	1 5/16		2	1/2	HWE010MUS HWE011MUS	4.50
KH-3051-10A	SAOD	3/4	1 5/8	3	2 45/64	2 3/4	5	6 1/2	2	5/8	5/8	7/8	1 15/32	1 31/64		2	1/2	HWE012MUS	4.50
KH-3052-10A KH-3052-11A KH-3052-12A KH-3052-13A	SAOD	13/16 7/8 15/16 1	2	3 5/8	3 7/32	3 1/4	5 1/2	7	2 1/8	5/8	5/8	7/8	1 9/16	1 21/32		2	1/2	HWE013MUS HWE014MUS HWE015MUS HWE100MUS	5.75
KH-3053-10A KH-3053-11A KH-3053-12A	SAOD	1 1/16 1 1/8 1 3/16	2 3/8	4 1/4	3 1/2	3 3/4	6 5/8	8 1/4	2 3/8	1 1/16	5/8	7/8	1 15/16	1 9/16		2	1/2	HWE101MUS HWE102MUS GHWE103CS	9.75
KH-3054-10A KH-3054-11A KH-3054-12A KH-3054-13A	SAOD	1 1/4 1 5/16 1 3/8 1 7/16	2 3/4	4 7/8	3 55/64	4 1/4	8 1/4	10 5/8	2 3/4	13/16	3/4	1	1 15/16	1 59/64		2	5/8	GHWE104CS HWE105MUS GHWE106CS GHWE107CS	13.25
KH-3055-10A KH-3055-11A	SAOD	1 1/2 1 9/16	3 1/8	5 15/32	4 5/32	4 11/16	9	11 3/8	3 1/8	13/16	3/4	1	1 31/32	2 3/16		2	5/8	GHWE108CS HWE109MUS	18.25
KH-3056-10A KH-3056-11A KH-3056-12A	SAOD	1 5/8 1 11/16 1 3/4	3 1/8	5 11/16	4 1/2	5 1/8	9	11 3/8	3 1/8	13/16	3/4	1	2 7/16	2 1/16		2	5/8	GHWE110CS GHWE111CS GHWE112CS	20.00
KH-3057-10A KH-3057-11A KH-3057-12A	SAOD	1 13/16 1 7/8 1 15/16	3 1/8	5 7/8	4 27/32	5 1/2	9	11 3/8	3 1/8	13/16	3/4	1	2 5/32	2 11/16		2	5/8	HWE113MUS GHWE114CS GHWE115CS	21.50
KH-3058-10A KH-3058-11A KH-3058-12A KH-3058-13A	SAOD	2 2 1/16 2 1/8 2 3/16	3 3/4	6 27/32	5 17/64	6 3/16	10 1/4	12 5/8	3 1/2	1 1/16	7/8	1 1/4	3 9/64	2 1/8		2	3/4	HWE200MUS HWE201MUS HWE202MUS GHWE207CS	32.75
KH-3059-10A KH-3059-11A KH-3059-12A KH-3059-13A	SAOD	2 1/4 2 5/16 2 3/8 2 7/16	4 1/8	7 3/8	5 9/16	6 1/2	11 1/4	13 3/4	4	1 1/16	7/8	1 1/4	3 3/8	2 3/16		2	3/4	HWE204MUS HWE205MUS HWE206MUS GHWE207CS	40.00
KH-3060-10A	SAOD	2 1/2	4 9/16	8 1/16	5 17/32	7	12	15 3/8	4 3/8	1 1/4	1	1 1/4	2 29/32	3 1/16		2	7/8	HWE208MUS	50.75
KH-3061-11A	SAOD	2 11/16	4 9/16	8 3/8	6 5/16	7 5/8	12	15 3/8	4 3/8	1 1/4	1	1 1/4	3 5/32	3 15/32		2	7/8	GHWE211CS	62.75
KH-3062-12A	SAOD	2 15/16	4 9/16	8 13/16	6 23/64	8 1/2	12 3/8	15 3/8	4 3/8	1 1/4	1	1 1/4	2 29/32	3 59/64		2	7/8	GHWE215CS	56.75
KH-3063-13A	SAOD	3 3/16	4 9/16	8 7/8	6 7/8	8 5/8	12 3/8	15 3/8	4 3/8	1 1/4	1	1 1/4	3 1/32	3 27/32	2 1/4	4	7/8	GHWE303CS	79.25
KH-3064-10A	SAOD	3 1/4	5	9 1/2	6 13/64	9	13	15 3/4	4 1/2	1 1/4	1	1 1/4	3 3/32	4 7/64	2 1/2	4	7/8	HWE304MUS	85.75
KH-3065-11A	SAOD	3 7/16	5 1/8	9 13/16	7 1/4	9 3/8	13 3/8	16 1/8	4 3/4	1 1/4	1	1 1/4	3 3/32	4 5/32	3	4	7/8	GHWE307CS	99.75
KH-3066-12A	SAOD	3 11/16	5 11/16	10 9/16	8 7/16	9 3/4	14 3/4	17 5/16	4 15/16	1 1/4	1 1/8	1 1/2	4 15/32	3 19/32		2	1	HWE311MUS	116.75
KH-3067-12A	SAOD	3 15/16	5 11/16	10 15/16	8 1/4	10 1/2	14 3/4	17 5/16	5 1/8	1 3/8	1 1/8	1 1/2	3 19/32	4 21/32		2	1	GHWE315CS	130.25
KH-3068-13A	SAOD	4 3/16	6 1/4	11 3/4	8 9/16	11	17 11/16	21 1/4	6 1/4	1 3/4	1 1/4	1 3/4	3 5/8	4 15/16		2	1 1/8	HWE403MUS	177.25
KH-3069-13A	SAOD	4 7/16	6 1/4	12 1/4	8 25/32	12	17 11/16	21 1/4	6 1/4	1 7/8	1 1/4	1 3/4	4 3/32	4 11/16		2	1 1/8	HWE407MUS	205.25
KH-3070-13A	SAOD	4 15/16	7 1/2	14 1/2	9 13/16	14	20 1/4	24 13/16	6 11/16	2	1 3/8	2	3 15/16	5 7/8		2	1 1/4	HWE415MUS	310.25

When T dimension is shown, 4 bolts are used; T is the distance between centers and Dimensions N and S are measured from center of base. Dimensions N and S are measured from center of bolt, except when 4 bolts are used. Recommended shaft tolerances: 5/8" - 2" = Nominal to -.0005"; 2 1/16" - 3 15/16" = Nominal to -.0010"; 2 1/16" and larger, use 1/4" pipe plug.

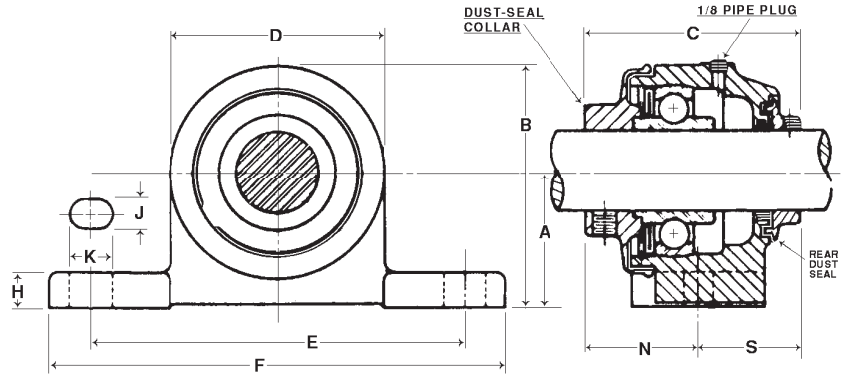


# Single Pillow Block Heavy Series Two Dust Seal Collars

## Equal to Timken SAODD

This Ketchie heavy series pillow block is equal to the discontinued Timken SAODD series.

These units use a heavy series wide inner ring bearing with one seal arrangement and dust-seal locking collar. In addition the unit includes a rear dust seal collar for extra sealing capacity.



**TO ORDER, SPECIFY KETCHIE OR COMPETITOR'S PART NUMBER**

Ketchie	Equal Timker	Shaft Diam.	A	B	C	D	E	F	G	H	J	K	N	S	T	Bolts Req'd	Size	Bearing Number	Approx. Unit Wt.
		in.	in.	in.	in.	in.	in.	in.	in.	in.	in.	in.	in.	in.	in.	in.	in.		lbs.
KH-3050-20A KH-3050-21A	SAODD	5/8 11/16	1 1/2	2 3/4	3 15/16	2 1/2	4 1/2	6	2	1/2	5/8	7/8	1 27/64	1 51/64	2	1/2	HWE010MUS HWE011MUS	4.75	
KH-3051-20A	SAODD	3/4	1 5/8	3	3 33/64	2 3/4	5	6 1/2	2	5/8	5/8	7/8	1 15/32	2 3/64	2	1/2	HWE012MUS	4.75	
KH-3052-20A KH-3052-21A KH-3052-22A KH-3052-23A	SAODD	13/16 7/8 15/16 1	2	3 5/8	3 23/32	3 1/4	5 1/2	7	2 1/8	5/8	5/8	7/8	1 9/16	2 5/32	2	1/2	HWE013MUS HWE014MUS HWE015MUS HWE100MUS	6.50	
KH-3053-20A KH-3053-21A KH-3053-22A	SAODD	1 1/16 1 1/8 1 3/16	2 3/8	4 1/4	4 3/16	3 3/4	6 5/8	8 1/4	2 3/8	1 1/16	5/8	7/8	1 15/16	2 1/4	2	1/2	HWE101MUS HWE102MUS GHWE103CS	10.25	
KH-3054-20A KH-3054-21A KH-3054-22A KH-3054-23A	SAODD	1 1/4 1 5/16 1 3/8 1 7/16	2 3/4	4 7/8	4 7/16	4 1/4	8 1/4	10 5/8	2 3/4	1 3/16	3/4	1	1 15/16	2 1/2	2	5/8	GHWE104CS HWE105MUS GHWE106CS GHWE107CS	13.75	
KH-3055-20A KH-3055-21A	SAODD	1 1/2 1 9/16	3 1/8	5 15/32	4 25/32	4 11/16	9	11 3/8	3 1/8	1 3/16	3/4	1	1 31/32	2 13/16	2	5/8	GHWE108CS HWE109MUS	19.75	
KH-3056-20A KH-3056-21A KH-3056-22A	SAODD	1 5/8 1 11/16 1 3/4	3 1/8	5 11/16	5 3/16	5 1/8	9	11 3/8	3 1/8	1 3/16	3/4	1	2 7/16	2 3/4	2	5/8	GHWE110CS GHWE111CS GHWE112CS	20.00	
KH-3057-20A KH-3057-21A KH-3057-22A	SAODD	1 13/16 1 7/8 1 5/16	3 1/8	5 7/8	5 5/8	5 1/2	9	11 3/8	3 1/8	1 3/16	3/4	1	2 5/32	3 15/32	2	5/8	HWE113MUS GHWE114CS GHWE115CS	22.50	
KH-3058-20A KH-3058-21A KH-3058-22A KH-3058-23A	SAODD	2 2 1/16 2 1/8 2 3/16	3 3/4	6 27/32	6 9/64	6 3/16	10 1/4	12 5/8	3 1/2	1 1/16	7/8	1 1/4	3 9/64	3	2	3/4	HWE200MUS HWE201MUS HWE202MUS GHWE207CS	33.75	
KH-3059-20A KH-3059-21A KH-3059-22A KH-3059-23A	SAODD	2 1/4 2 5/16 2 3/8 2 7/16	4 1/8	7 3/8	6 3/8	6 1/2	11 1/4	13 3/4	4	1 1/16	7/8	1 1/4	3 3/8	3	2	3/4	HWE204MUS HWE205MUS HWE206MUS GHWE207CS	41.25	
KH-3060-20A	SAODD	2 1/2	4 9/16	8 1/16	6 27/32	7	12	15 3/8	4 3/8	1 1/4	1	1 1/4	2 29/32	3 15/16	2	7/8	HWE208MUS	52.75	
KH-3061-21A	SAODD	2 11/16	4 9/16	8 3/8	7 1/2	7 5/8	12	15 3/8	4 3/8	1 1/4	1	1 1/4	3 5/32	4 11/32	2	7/8	GHWE211CS	65.25	
KH-3062-22A	SAODD	2 15/16	4 9/16	8 13/16	7 49/64	8 1/2	12 3/8	15 3/8	4 3/8	1 1/4	1	1 1/4	2 29/32	4 55/64	2	7/8	GHWE215CS	58.75	
KH-3063-23A	SAODD	3 3/16	4 9/16	8 7/8	7 61/64	8 5/8	12 3/8	15 3/8	4 3/8	1 1/4	1	1 1/4	3 1/32	4 59/64	2 1/4	4	7/8	GHWE303CS	77.25
KH-3064-20A	SAODD	3 1/4	5	9 1/2	8 13/16	9	13	15 3/4	4 1/2	1 1/4	1	1 1/4	3 3/32	5 7/64	2 1/2	4	7/8	HWE304MUS	83.75
KH-3065-21A	SAODD	3 7/16	5 1/8	9 13/16	8 5/32	9 3/8	13 3/8	16 1/8	4 3/4	1 1/4	1	1 1/4	3 3/32	5 1/16	3	4	7/8	GHWE307CS	95.25
KH-3066-22A	SAODD	3 11/16	5 11/16	10 9/16	9	9 3/4	14 3/4	17 5/16	4 15/16	1 1/4	1 1/8	1 1/4	4 15/32	4 17/32	2	1	HWE311MUS	113.25	
KH-3067-22A	SAODD	3 15/16	5 11/16	10 15/16	9 3/16	10 1/2	14 3/4	17 5/16	5 1/8	1 3/8	1 1/8	1 3/8	3 19/32	5 19/32	2	1	GHWE315CS	123.25	
KH-3068-23A	SAODD	4 3/16	6 1/4	11 3/4	9 13/16	11	17 11/16	21 1/4	6 1/4	1 3/4	1 1/4	1 3/4	3 5/8	6 3/16	2	1 1/8	HWE403MUS	171.25	
KH-3069-23A	SAODD	4 7/16	6 1/4	12 1/4	9 31/32	12	17 11/16	21 1/4	6 1/4	1 7/8	1 1/4	1 7/8	4 3/32	5 7/8	2	1 1/8	HWE407MUS	195.25	
KH-3070-23A	SAODD	4 15/16	7 1/2	14 1/2	11 1/16	14	20 1/4	24 13/16	6 11/16	2	1 3/8	2	3 15/16	7 7/8	2	1 1/4	HWE415MUS	300.25	

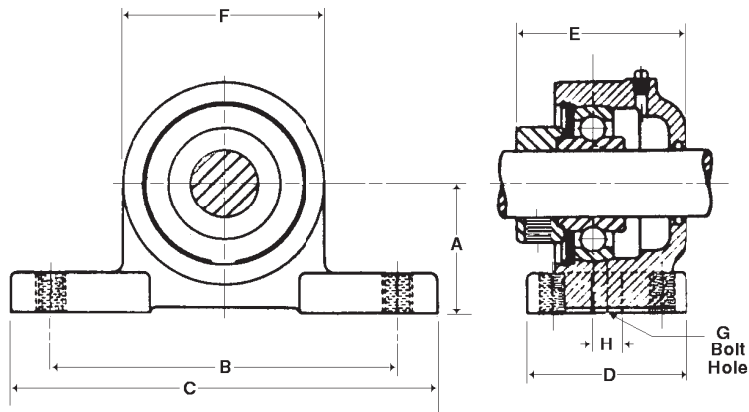
When T dimension is shown, 4 bolts are used; T is the distance between centers and Dimensions N and S are measured from center of base. Dimensions N and S are measured from center of bolt, except when 4 bolts are used. Recommended shaft tolerances: 5/8" - 2" = Nominal to -.0005"; 2 1/16" - 3 15/16" = Nominal to -.0010"; 2 1/16" and larger, use 1/4" pipe plug.

# Single Pillow Block - Heavy Series

Equal to Timken (R) SAOC  
Special Clarage Fan Unit

This Ketchie heavy series pillow block is specially made for use on a clarage fan.

These units use a heavy series wide inner ring bearing with one seal arrangement and eccentric locking collar.



TO ORDER, SPECIFY KETCHIE OR COMPETITOR'S PART NUMBER

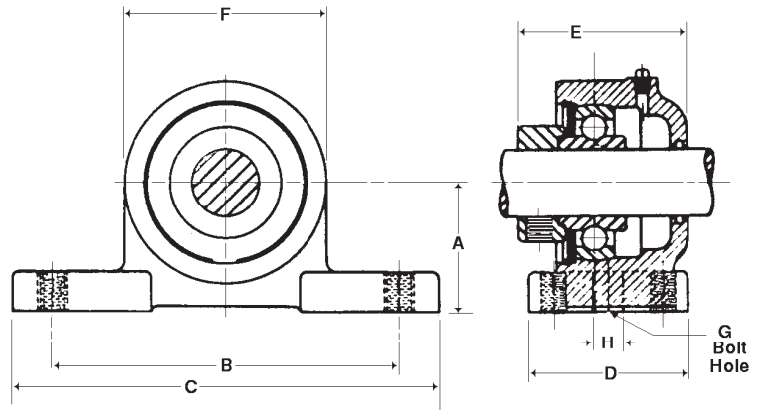
Ketchie	Equals Timken	Shaft Diam.	A	B	C	D	E	F	G	Bearing Number	Approx. Unit Wt.
		in.	in.	in.	in.	in.	in.	in.	in.		lbs.
KH-4052-10A	(R)SAOC	1 <sup>1</sup> / <sub>16</sub>	2 1/4	5 1/4	6 1/4	2 1/2	3 3/32	3 3/4	1/2	HWE101MUS	11.00
KH-4053-12A	(R)SAOC	1 <sup>3</sup> / <sub>16</sub>	2 3/4	6	7 1/2	3	3 1/16	3 3/4	5/8	GHWE103CS	11.25
KH-4054-11A	(R)SAOC	1 <sup>5</sup> / <sub>16</sub>	2 7/8	6 1/2	8	3 1/2	3 23/64	4 1/4	3/4	GHWE105CS	11.75
KH-4054-13A	(R)SAOC	1 <sup>7</sup> / <sub>16</sub>	2 7/8	6 1/2	8	3 1/2	3 23/64	4 1/4	3/4	GHWE107CS	11.75
KH-4056-11A	(R)SAOC	1 <sup>11</sup> / <sub>16</sub>	3 1/4	8 3/4	10 3/4	4	4	5 1/8	3/4	GHWE111CS	22.75
KH-4057-12A	(R)SAOC	1 <sup>15</sup> / <sub>16</sub>	3 1/2	9 3/4	11 3/4	4	4 11/32	5 1/2	7/8	GHWE115CS	25.75
KH-4058-12A	(R)SAOC	2 1/8	3 3/4	10 1/4	12 1/4	4 1/2	4 49/64	6 3/16	7/8	GHWE203CS	34.50
KH-4058-13A	(R)SAOC	2 3/16	3 3/4	10 1/4	12 1/4	4 1/2	4 49/64	6 3/16	7/8	GHWE203CS	34.50
KH-4059-13A	(R)SAOC	2 7/16	4	10 1/2	12 1/2	5	4 13/16	6 1/2	1	GHWE207CS	43.00
KH-4061-11A	(R)SAOC	2 11/16	4 1/4	11	13	5	5 47/64	7 5/8	1	GHWE211CS	47.00
KH-4062-12A	(R)SAOC	2 15/16	4 1/2	12 1/4	14 1/4	5 1/2	6 9/64	8 1/4	1	GHWE215CS	70.00
KH-4063-13A	(R)SAOC	3 3/16	4 3/4	13	15 1/4	5 1/2	6 7/16	8 5/8	1	GHWE303CS	73.00
KH-4065-11A	(R)SAOC	3 7/16	5 1/8	13 1/2	16 1/2	6	7	9 3/8	1 1/8	GHWE307CS	84.00
KH-4066-12A	(R)SAOC	3 11/16	5 1/4	15	18	6	7 11/16	9 3/4	1 1/8	HWE311MUS	93.00
KH-4067-12A	(R)SAOC	3 15/16	5 1/2	16 1/2	19	7	7 3/4	10 1/2	1 1/8	GHWE315CS	108.00
KH-4069-13A	(R)SAOC	4 7/16	6	16 1/2	21	8	8 21/32	11 3/4	1 3/8	HWE407MUS	167.00
KH-4070-13A	(R)SAOC	4 15/16	6 3/4	19	22 3/4	8 1/2	9 11/16	14	1 3/8	HWE415MUS	325.00

# Single Pillow Block - Heavy Series - High Temperature

Equal to Timken LSAOC  
Special Clarage Fan Unit

This Ketchie heavy series high temperature pillow block is specially made for use on a clarage fan. It's designed for applications in which the temperature exceeds 250°F.

These units use a heavy series wide inner ring bearing with an eccentric locking collar, high temperature grease and one high temperature seal arrangement.



TO ORDER, SPECIFY KETCHIE OR COMPETITOR'S PART NUMBER

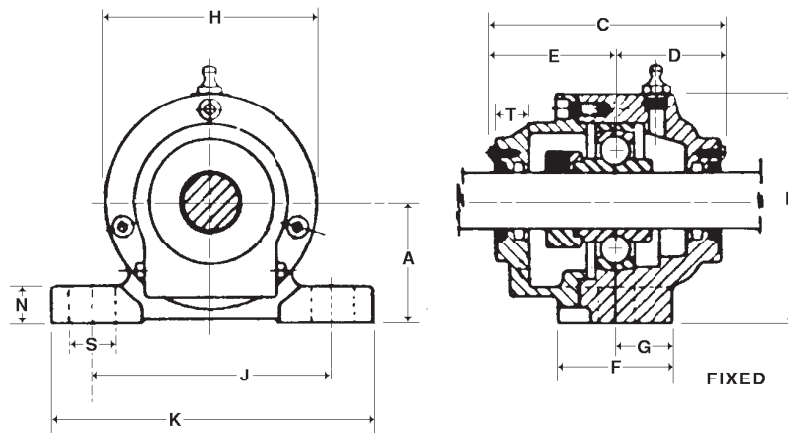
Ketchie	Equals Timken	Shaft Diam.	A	B	C	D	E	F	G	H	Bearing Number	Approx. Unit Wt.
		in.	in.	in.	in.	in.	in.	in.	in.	in.		bs.
KH-4053-0-12A	LSAOC	1 <sup>3</sup> / <sub>16</sub>	2 3/4	6	7 1/2	3	3 1/16	3 3/4	5/8	9/32	GHWE103HS	11.25
KH-4054-0-11A	LSAOC	1 <sup>5</sup> / <sub>16</sub>	2 7/8	6 1/2	8	3 1/2	3 23/64	4 1/4	3/4	1/8	GHWE105HS	11.75
KH-4054-0-13A	LSAOC	1 <sup>7</sup> / <sub>16</sub>									GHWE107HS	
KH-4056-0-11A	LSAOC	1 <sup>11</sup> / <sub>16</sub>	3 1/4	8 3/4	10 3/4	4	4	5 1/8	3/4	11/32	GHWE111HS	22.75
KH-4057-0-12A	LSAOC	1 <sup>15</sup> / <sub>16</sub>	3 1/2	9 3/4	11 3/4	4	4 11/32	5 1/2	7/8	9/16	GHWE115HS	25.75
KH-4058-0-13A	LSAOC	2 3/16	3 3/4	10 1/4	12 1/4	4 1/2	4 49/64	6 3/16	7/8	1/2	GHWE203HS	34.50
KH-4059-0-13A	LSAOC	2 7/16	4	10 1/2	12 1/2	5	4 13/16	6 1/2	1	13/32	GHWE207HS	43.00
KH-4061-0-11A	LSAOC	2 11/16	4 1/4	11	13	5	5 47/64	7 5/8	1	7/64	GHWE211HS	47.00
KH-4062-0-12A	LSAOC	2 15/16	4 1/2	12 1/4	14 1/4	5 1/2	6 9/64	8 1/4	1	31/64	GHWE215HS	70.00
KH-4063-0-13A	LSAOC	3 3/16	4 3/4	13	15 1/4	5 1/2	6 7/16	8 5/8	1	-	GHWE303HS	73.00
KH-4065-0-11A	LSAOC	3 7/16	5 1/8	13 1/2	16 1/2	6	7	9 3/8	1 1/8	-	GHWE307HS	84.00

# Fixed Pillow Block - Heavy Series

## Equal to Timken SAOFN

This Ketchie fixed heavy series, pillow block is used on a Buffalo Forge Co. fan. These units may be used independently, but are more often used with the SAOLN expansion (float unit).

These units use a heavy series, wide inner ring bearing with an eccentric locking collar.



**TO ORDER, SPECIFY KETCHIE OR COMPETITOR'S PART NUMBER**

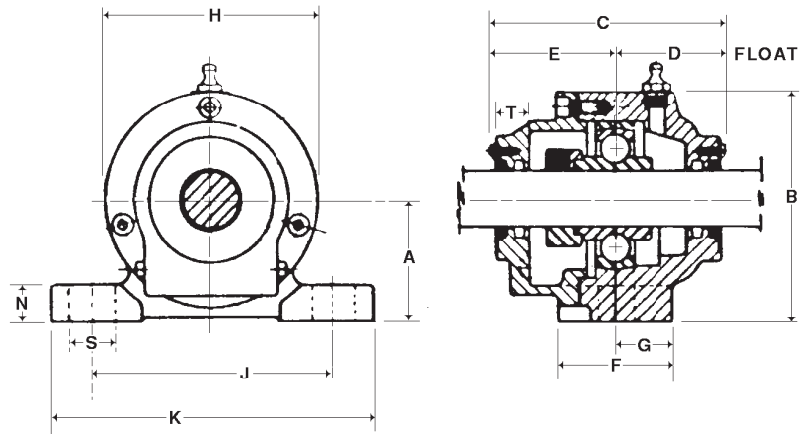
Ketchie	Equals Timken	Shaft Diam.	A	B	C	D	E	F	G	H	J	K	N	S	T	Bearing Number	Approx. Unit Wt.
		in.	in.	in.	in.	in.	in.	in.	in.	in.	in.	in.	in.	in.	in.		lbs.
<b>KH-2225-12A</b>	SAOFN	1 <sup>3</sup> / <sub>16</sub>	2 <sup>3</sup> / <sub>4</sub>	4 <sup>15</sup> / <sub>16</sub>	4 <sup>17</sup> / <sub>32</sub>	2 <sup>3</sup> / <sub>32</sub>	2 <sup>7</sup> / <sub>16</sub>	2 <sup>1</sup> / <sub>2</sub>	1 <sup>1</sup> / <sub>4</sub>	4 <sup>3</sup> / <sub>8</sub>	6	7 <sup>1</sup> / <sub>2</sub>	9 <sup>1</sup> / <sub>16</sub>	5 <sup>5</sup> / <sub>8</sub>	2 <sup>1</sup> / <sub>32</sub>	<b>HWE103S</b>	12.25
<b>KH-2226-13A</b>	SAOFN	1 <sup>7</sup> / <sub>16</sub>	2 <sup>3</sup> / <sub>4</sub>	5 <sup>1</sup> / <sub>8</sub>	5 <sup>1</sup> / <sub>32</sub>	2 <sup>1</sup> / <sub>4</sub>	2 <sup>25</sup> / <sub>32</sub>	2 <sup>1</sup> / <sub>2</sub>	1 <sup>1</sup> / <sub>4</sub>	4 <sup>3</sup> / <sub>4</sub>	6	7 <sup>1</sup> / <sub>2</sub>	9 <sup>1</sup> / <sub>16</sub>	5 <sup>5</sup> / <sub>8</sub>	2 <sup>1</sup> / <sub>32</sub>	<b>HWE107S</b>	15.75
<b>KH-2227-11A</b>	SAOFN	1 <sup>11</sup> / <sub>16</sub>	3 <sup>1</sup> / <sub>4</sub>	6 <sup>1</sup> / <sub>8</sub>	5 <sup>13</sup> / <sub>16</sub>	2 <sup>13</sup> / <sub>16</sub>	3	2 <sup>3</sup> / <sub>4</sub>	1 <sup>3</sup> / <sub>8</sub>	5 <sup>3</sup> / <sub>4</sub>	6 <sup>1</sup> / <sub>2</sub>	8 <sup>1</sup> / <sub>2</sub>	7 <sup>7</sup> / <sub>8</sub>	3 <sup>3</sup> / <sub>4</sub>	3 <sup>3</sup> / <sub>4</sub>	<b>HWE111S</b>	24.75
<b>KH-2228-12A</b>	SAOFN	1 <sup>15</sup> / <sub>16</sub>	3 <sup>3</sup> / <sub>4</sub>	6 <sup>7</sup> / <sub>8</sub>	6 <sup>1</sup> / <sub>16</sub>	3 <sup>3</sup> / <sub>32</sub>	2 <sup>31</sup> / <sub>32</sub>	2 <sup>3</sup> / <sub>4</sub>	1 <sup>3</sup> / <sub>8</sub>	6 <sup>1</sup> / <sub>4</sub>	7 <sup>1</sup> / <sub>8</sub>	9 <sup>5</sup> / <sub>8</sub>	1 <sup>1</sup> / <sub>16</sub>	3 <sup>3</sup> / <sub>4</sub>	2 <sup>1</sup> / <sub>32</sub>	<b>HWE115S</b>	25.25
<b>KH-2229-13A</b>	SAOFN	2 <sup>3</sup> / <sub>16</sub>	4 <sup>1</sup> / <sub>4</sub>	7 <sup>5</sup> / <sub>8</sub>	6 <sup>9</sup> / <sub>16</sub>	3 <sup>1</sup> / <sub>4</sub>	3 <sup>3</sup> / <sub>16</sub>	3	1 <sup>1</sup> / <sub>2</sub>	6 <sup>3</sup> / <sub>4</sub>	8	10	1	7 <sup>7</sup> / <sub>8</sub>	7 <sup>7</sup> / <sub>8</sub>	<b>HWE203S</b>	34.25
<b>KH-2230-13A</b>	SAOFN	2 <sup>7</sup> / <sub>16</sub>	4 <sup>1</sup> / <sub>4</sub>	8	7 <sup>1</sup> / <sub>16</sub>	3 <sup>13</sup> / <sub>32</sub>	3 <sup>21</sup> / <sub>32</sub>	3	1 <sup>1</sup> / <sub>2</sub>	7 <sup>1</sup> / <sub>2</sub>	8	10	1	7 <sup>7</sup> / <sub>8</sub>	7 <sup>7</sup> / <sub>8</sub>	<b>HWE207S</b>	41.75
<b>KH-2231-10A</b>	SAOFN	2 <sup>11</sup> / <sub>16</sub>	5	9 <sup>1</sup> / <sub>4</sub>	8 <sup>3</sup> / <sub>32</sub>	3 <sup>23</sup> / <sub>32</sub>	4 <sup>3</sup> / <sub>8</sub>	3 <sup>1</sup> / <sub>2</sub>	1 <sup>3</sup> / <sub>4</sub>	8 <sup>1</sup> / <sub>2</sub>	9	11	1	7 <sup>7</sup> / <sub>8</sub>	7 <sup>7</sup> / <sub>8</sub>	<b>HWE211S</b>	58.25
<b>KH-2232-12A</b>	SAOFN	2 <sup>15</sup> / <sub>16</sub>	5	9 <sup>7</sup> / <sub>16</sub>	8 <sup>3</sup> / <sub>4</sub>	4 <sup>9</sup> / <sub>16</sub>	4 <sup>3</sup> / <sub>16</sub>	3 <sup>1</sup> / <sub>2</sub>	1 <sup>3</sup> / <sub>4</sub>	8 <sup>7</sup> / <sub>8</sub>	9	11	1	7 <sup>7</sup> / <sub>8</sub>	1 <sup>3</sup> / <sub>32</sub>	<b>HWE215S</b>	74.75
<b>KH-2233-13A</b>	SAOFN	3 <sup>3</sup> / <sub>16</sub>	5 <sup>3</sup> / <sub>4</sub>	10 <sup>1</sup> / <sub>2</sub>	8 <sup>3</sup> / <sub>4</sub>	4 <sup>7</sup> / <sub>16</sub>	4 <sup>5</sup> / <sub>16</sub>	4	2	9 <sup>1</sup> / <sub>2</sub>	10 <sup>1</sup> / <sub>2</sub>	13	1 <sup>1</sup> / <sub>4</sub>	7 <sup>7</sup> / <sub>8</sub>	1 <sup>3</sup> / <sub>32</sub>	<b>HWE303S</b>	78.00

# Float Pillow Block - Heavy Series

## Equal to Timken SAOLN

This Ketchie float heavy series, pillow block is used on a Buffalo Forge Co. fan. These units may be used independently, but are most often used with the SAOFN non-expansion (fixed) unit.

These units use a heavy series, wide inner ring bearing with an eccentric locking collar. An external self-aligning ring is fitted to the spherical surface of the outer ring. This allows the bearing to move axially as the shaft expands.



**TO ORDER, SPECIFY KETCHIE OR COMPETITOR'S PART NUMBER**

Ketchie	Equals Timken	Shaft Diam.	A	B	C	D	E	F	G	H	J	K	N	S	T	Bearing Number	Approx. Unit Wt.
		in.	in.	in.	in.	in.	in.	in.	in.	in.	in.	in.	in.	in.	in.		lbs.
<b>KH-2225-2A</b>	SAOLN	1 <sup>3</sup> / <sub>16</sub>	2 <sup>3</sup> / <sub>4</sub>	4 <sup>15</sup> / <sub>16</sub>	4 <sup>17</sup> / <sub>32</sub>	2 <sup>3</sup> / <sub>32</sub>	2 <sup>7</sup> / <sub>16</sub>	2 <sup>1</sup> / <sub>2</sub>	1 <sup>1</sup> / <sub>4</sub>	4 <sup>3</sup> / <sub>8</sub>	6	7 <sup>1</sup> / <sub>2</sub>	9 <sup>9</sup> / <sub>16</sub>	5 <sup>5</sup> / <sub>8</sub>	2 <sup>1</sup> / <sub>32</sub>	<b>HWE103SR</b>	12.25
<b>KH-2226-3A</b>	SAOLN	1 <sup>7</sup> / <sub>16</sub>	2 <sup>3</sup> / <sub>4</sub>	5 <sup>1</sup> / <sub>8</sub>	5 <sup>1</sup> / <sub>32</sub>	2 <sup>1</sup> / <sub>4</sub>	2 <sup>25</sup> / <sub>32</sub>	2 <sup>1</sup> / <sub>2</sub>	1 <sup>1</sup> / <sub>4</sub>	4 <sup>3</sup> / <sub>4</sub>	6	7 <sup>1</sup> / <sub>2</sub>	9 <sup>9</sup> / <sub>16</sub>	5 <sup>5</sup> / <sub>8</sub>	2 <sup>1</sup> / <sub>32</sub>	<b>HWE107SR</b>	15.75
<b>KH-2227-1A</b>	SAOLN	1 <sup>11</sup> / <sub>16</sub>	3 <sup>1</sup> / <sub>4</sub>	6 <sup>1</sup> / <sub>8</sub>	5 <sup>13</sup> / <sub>16</sub>	2 <sup>13</sup> / <sub>16</sub>	3	2 <sup>3</sup> / <sub>4</sub>	1 <sup>3</sup> / <sub>8</sub>	5 <sup>3</sup> / <sub>4</sub>	6 <sup>1</sup> / <sub>2</sub>	8 <sup>1</sup> / <sub>2</sub>	7 <sup>7</sup> / <sub>8</sub>	3 <sup>3</sup> / <sub>4</sub>	3 <sup>3</sup> / <sub>4</sub>	<b>HWE111SR</b>	24.75
<b>KH-2228-2A</b>	SAOLN	1 <sup>15</sup> / <sub>16</sub>	3 <sup>3</sup> / <sub>4</sub>	6 <sup>7</sup> / <sub>8</sub>	6 <sup>1</sup> / <sub>16</sub>	3 <sup>3</sup> / <sub>32</sub>	2 <sup>31</sup> / <sub>32</sub>	2 <sup>3</sup> / <sub>4</sub>	1 <sup>3</sup> / <sub>8</sub>	6 <sup>1</sup> / <sub>4</sub>	7 <sup>1</sup> / <sub>8</sub>	9 <sup>5</sup> / <sub>8</sub>	1 <sup>1</sup> / <sub>16</sub>	3 <sup>3</sup> / <sub>4</sub>	2 <sup>1</sup> / <sub>32</sub>	<b>HWE115SR</b>	25.25
<b>KH-2229-3A</b>	SAOLN	2 <sup>3</sup> / <sub>16</sub>	4 <sup>1</sup> / <sub>4</sub>	7 <sup>5</sup> / <sub>8</sub>	6 <sup>9</sup> / <sub>16</sub>	3 <sup>1</sup> / <sub>4</sub>	3 <sup>5</sup> / <sub>16</sub>	3	1 <sup>1</sup> / <sub>2</sub>	6 <sup>3</sup> / <sub>4</sub>	8	10	1	7 <sup>7</sup> / <sub>8</sub>	7 <sup>7</sup> / <sub>8</sub>	<b>HWE203SR</b>	34.25
<b>KH-2230-3A</b>	SAOLN	2 <sup>7</sup> / <sub>16</sub>	4 <sup>1</sup> / <sub>4</sub>	8	7 <sup>1</sup> / <sub>16</sub>	3 <sup>13</sup> / <sub>32</sub>	3 <sup>21</sup> / <sub>32</sub>	3	1 <sup>1</sup> / <sub>2</sub>	7 <sup>1</sup> / <sub>2</sub>	8	10	1	7 <sup>7</sup> / <sub>8</sub>	7 <sup>7</sup> / <sub>8</sub>	<b>HWE207SR</b>	41.75
<b>KH-2231-1A</b>	SAOLN	2 <sup>11</sup> / <sub>16</sub>	5	9 <sup>1</sup> / <sub>4</sub>	8 <sup>3</sup> / <sub>32</sub>	3 <sup>23</sup> / <sub>32</sub>	4 <sup>3</sup> / <sub>8</sub>	3 <sup>1</sup> / <sub>2</sub>	1 <sup>3</sup> / <sub>4</sub>	8 <sup>1</sup> / <sub>2</sub>	9	11	1	7 <sup>7</sup> / <sub>8</sub>	7 <sup>7</sup> / <sub>8</sub>	<b>HWE211SR</b>	58.25
<b>KH-2232-2A</b>	SAOLN	2 <sup>15</sup> / <sub>16</sub>	5	9 <sup>7</sup> / <sub>16</sub>	8 <sup>3</sup> / <sub>4</sub>	4 <sup>9</sup> / <sub>16</sub>	4 <sup>3</sup> / <sub>16</sub>	3 <sup>1</sup> / <sub>2</sub>	1 <sup>3</sup> / <sub>4</sub>	8 <sup>7</sup> / <sub>8</sub>	9	11	1	7 <sup>7</sup> / <sub>8</sub>	1 <sup>13</sup> / <sub>32</sub>	<b>HWE215SR</b>	74.75
<b>KH-2233-3A</b>	SAOLN	3 <sup>3</sup> / <sub>16</sub>	5 <sup>3</sup> / <sub>4</sub>	10 <sup>1</sup> / <sub>2</sub>	8 <sup>3</sup> / <sub>4</sub>	4 <sup>7</sup> / <sub>16</sub>	4 <sup>5</sup> / <sub>16</sub>	4	2	9 <sup>1</sup> / <sub>2</sub>	10 <sup>1</sup> / <sub>2</sub>	13	1 <sup>1</sup> / <sub>4</sub>	7 <sup>7</sup> / <sub>8</sub>	1 <sup>13</sup> / <sub>32</sub>	<b>HWE303SR</b>	78.00

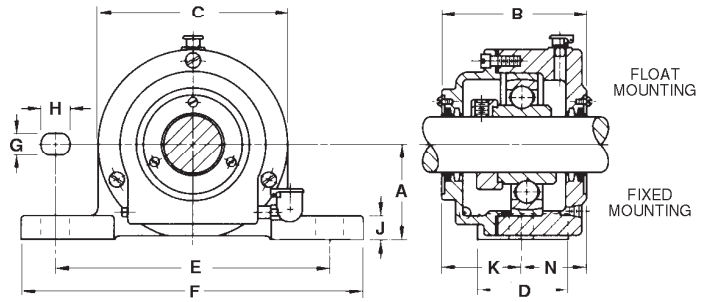
# Fixed & Floating Pillow Block - Heavy Series

## Equal to Timken and SAOL

This Ketchie heavy series pillow block is designed for applications in which higher than usual temperatures are encountered, or laterally floating mountings are required. The floating unit allows its bearing to move axially as the shaft expands, while the fixed unit maintains shaft location.

These units are equipped with a heavy series wide inner ring bearing with an eccentric locking collar. An external self-aligning ring is fitted to the spherical surface of the outer ring. These units are fitted with oil tight seals. They are normally fitted for oil lubrication but can be converted to grease lubrication when specified.

All units are universally designed. The spacer ring is assembled with the unit (fixed. To make a floating unit simply remove the spacer ring.



### TO ORDER, SPECIFY KETCHIE OR COMPETITOR'S PART NUMBER

Ketchie	Repl. Timken	Shaft Diam.	Total Float	A	B	C	D	E	F	G	H	J	K	N	S	Bolts Req'd	Bolt Size	Bearing Number	Approx. Unit Wt.
				in.	in.	in.	in.	in.	in.	in.	in.	in.	in.	in.	in.	in.	in.	in.	in.
KH-2265-2A	SAOL	1 <sup>3</sup> / <sub>16</sub>	<sup>5</sup> / <sub>16</sub>	2 3/8	4 1/16	4 3/8	2 3/8	6 5/8	8 1/4	5/8	7/8	11/16	2 3/8	1 11/16	-	2	1/2	HWE103SR	12.25
KH-2266-0A	SAOL	1 1/4	<sup>23</sup> / <sub>64</sub>	2 3/4	4 3/8	4 3/4	2 3/4	8 1/4	10 5/8	3/4	1	13/16	2 23/32	1 21/32	-	2	5/8	HWE104SR	13.75
KH-2266-3A	SAOL	1 7/16	<sup>23</sup> / <sub>64</sub>	2 3/4	4 3/8	4 3/4	2 3/4	8 1/4	10 5/8	3/4	1	13/16	2 23/32	1 21/32	-	2	5/8	HWE107SR	15.75
KH-2267-0A	SAOL	1 1/2	<sup>3</sup> / <sub>8</sub>	3 1/8	4 7/8	5 3/4	3 1/8	9	11 3/8	3/4	1	13/16	2 15/16	1 15/16	-	2	5/8	HWE108SR	25.25
KH-2268-1A	SAOL	1 11/16	<sup>3</sup> / <sub>8</sub>	3 1/8	4 7/8	5 3/4	3 1/8	9	11 3/8	3/4	1	13/16	2 15/16	1 15/16	-	2	5/8	HWE111SR	24.75
KH-2269-2A	SAOL	1 15/16	<sup>3</sup> / <sub>8</sub>	3 1/8	4 13/16	6 1/4	3 1/8	9	11 3/8	3/4	1	13/16	2 29/32	1 29/32	-	2	5/8	HWE115SR	25.25
KH-2270-3A	SAOL	2 3/16	<sup>23</sup> / <sub>64</sub>	3 3/4	5 1/2	6 3/4	3 1/2	10 1/4	12 5/8	7/8	1 1/4	1 1/16	3 1/4	2 1/4	-	2	3/4	HWE203SR	34.25
KH-2271-3A	SAOL	2 7/16	<sup>11</sup> / <sub>32</sub>	4 1/8	5 29/32	7 1/2	4	11 1/4	13 3/4	7/8	1 1/4	1 1/16	3 19/32	2 5/16	-	2	3/4	HWE207SR	41.75
KH-2273-0A	SAOL	2 11/16	<sup>3</sup> / <sub>8</sub>	4 9/16	6 7/8	8 1/2	4 3/8	12	15 3/8	1	1 1/4	1 1/4	4 5/16	2 9/16	-	2	7/8	HWE211SR	58.25
KH-2274-0A	SAOL	2 15/16	<sup>1</sup> / <sub>2</sub>	4 9/16	7	8 7/8	4 3/8	12 3/8	15 3/8	1	1 1/4	1 1/4	4 1/8	2 7/8	-	2	7/8	HWE215SR	74.75
KH-2275-0A	SAOL	3 3/16	<sup>33</sup> / <sub>64</sub>	4 9/16	7 1/4	9 1/2	4 3/8	12 3/8	15 3/8	1	1 1/4	1 1/4	4 1/4	3	2 1/4	4*	7/8	HWE303SR	78.00
KH-2277-0A	SAOL	3 7/16	<sup>17</sup> / <sub>32</sub>	5 1/8	7 1/2	10 1/4	4 3/4	13 3/8	16 1/8	1	1 1/4	1 1/4	4 3/8	3 1/8	3	4*	7/8	HWE307SR	107.75
KH-2278-0A	SAOL	3 11/16	<sup>1</sup> / <sub>2</sub>	5 11/16	8 13/32	11	4 15/16	14 3/4	17 5/16	1 1/8	1 1/2	1 1/4	5 1/4	3 5/32	-	2	1	HWE311SR	120.25
KH-2279-0A	SAOL	3 15/16	<sup>11</sup> / <sub>16</sub>	6	8 21/32	11 3/4	5 1/4	15 1/2	18 1/2	1 1/8	1 1/2	1 3/8	5	3 21/32	3 1/4	4*	1	HWE315SR	156.25
KH-2280-0A	SAOL	4 3/16	<sup>5</sup> / <sub>8</sub>	6 1/2	8 7/8	12 1/2	6 1/4	17 11/16	21 1/4	1 1/8	1 1/2	1 1/2	5 9/32	3 19/32	4	4*	1	HWE43SR	194.25
KH-2281-0A	SAOL	4 7/16	<sup>9</sup> / <sub>16</sub>	7	9	12 7/8	6 3/4	17 11/16	21 1/4	1 1/4	1 3/4	1 3/4	5 5/16	3 11/16	4 1/4	4*	1 1/8	HWE407SR	210.25
KH-2282-0A	SAOL	4 15/16	<sup>15</sup> / <sub>64</sub>	8 1/4	10 5/16	15	7 1/4	20 1/4	24 13/16	1 1/4	1 3/4	2	6	4 5/16	4 3/4	4*	1 1/8	HWE415SR	353.25

Recommended shaft tolerances: 1 3/16" - 1 15/16", nominal to -.0005", -.013 mm; 2" - 3 15/16", nominal to -.0010", -.025 mm

\*When four bolts are used, dimension S is the distance between centers, and dimensions K and N are measured from center of base.

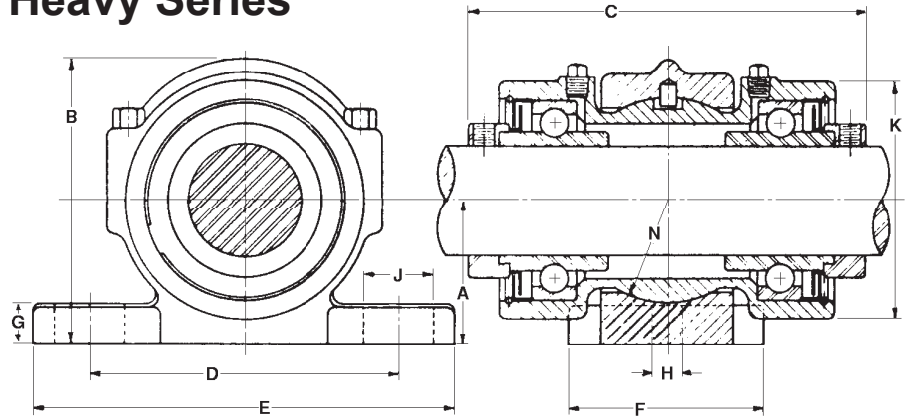
# Double Pillow Block - Heavy Series

## Equal to Timken DSAO

This Ketchie standard series Pillow Block is designed to provide a sturdy, two bearing mount.

Initial self-alignment is provided by means of the spherically surfaced center section of the bearing housing which is free to swivel in the spherical seat of the pillow blocks before the top cap bolts are tightened.

These units use two heavy series wide inner ring bearings with seal arrangement and eccentric locking collar



TO ORDER, SPECIFY KETCHIE OR COMPETITOR'S PART NUMBER

Ketchie	Equals Timken	Shaft Diam.	A	B	C	D	E	F	G	H	J	K	N	Bolt Size Req'd	Bearing Number	Approx. Unit Wt.	
		in.	in.	in.	in.	in.	in.	in.	in.	in.	in.	in.	in.	in.		lbs.	
KH-3100-0A KH-3100-1A KH-3100-2A KH-3100-3A	DSAO	13/16 7/8 15/16 1	1 5/8	3 5/8	5 45/64	5 5/8	7 3/4	2 1/4	3/4	3/4	1 1/4	2 31/32	1 5/16	5/8	2	HWE013C HWE014C HWE015C HWE100C	10.75
KH-3101-0A KH-3101-1A KH-3101-2A	DSAO	1 1/16 1 1/8 1 3/16	1 13/16	4 1/16	6 7/16	5 7/8	8	2 5/8	13/16	3/4	1 1/4	3 3/8	1 15/32	5/8	2	HWE101C HWE102C HWE103C	13.75
KH-3102-0A KH-3102-1A KH-3102-2A KH-3102-3A	DSAO	1 1/4 1 5/16 1 3/8 1 7/16	2 1/8	4 3/4	6 55/64	6 3/8	8 1/2	3	7/8	3/4	1 1/4	4	1 13/16	5/8	2	HWE104C HWE105C HWE106C HWE107C	20.25
KH-3103-0A KH-3103-1A	DSAO	1 1/2 1 9/16	2 5/16	5 3/16	8	7 11/16	10 1/4	3 3/8	7/8	7/8	1 1/2	4 5/16	2	3/4	2	HWE108C HWE109C	29.25
KH-3104-0A KH-3104-1A KH-3104-2A	DSAO	1 5/8 1 11/16 1 3/4	2 1/2	5 1/2	7 63/64	7 7/8	10 3/8	3 3/4	1	7/8	1 1/2	4 11/16	2 1/8	3/4	2	HWE110C HWE111C HWE112C	35.25
KH-3105-0A KH-3105-1A KH-3105-2A	DSAO	1 13/16 1 7/8 1 15/16	2 3/4	6	8 7/32	8 1/4	10 3/4	4	1 1/16	7/8	1 1/2	5 1/4	2 5/16	3/4	2	HWE113C HWE114C HWE115C	43.25
KH-3106-0A KH-3106-1A KH-3106-2A KH-3106-3A	DSAO	2 2 1/16 2 1/8 2 3/16	2 15/16	6 1/8	8 53/64	8 5/8	11 1/2	4 3/8	1 1/8	7/8	1 3/4	5 5/8	2 15/32	3/4	2	HWE200C HWE201C HWE202C HWE203C	51.25
KH-3107-0A KH-3107-1A KH-3107-2A KH-3107-3A	DSAO	2 1/4 2 5/16 2 3/8 2 7/16	3 3/16	6 7/8	9 11/16	9 1/8	12 1/8	4 3/4	1 3/16	7/8	2	6 1/8	2 11/16	3/4	2	HWE204C HWE205C HWE206C HWE207C	59.25
KH-3108-0A	DSAO	2 1/2	3 7/8	8	11 31/64	9 5/8	12 7/8	5 1/8	1 1/2	1	2 1/8	6 9/16	3	7/8	2	HWE208C	78.25
KH-3109-1A	DSAO	2 11/16	4 1/2	8 7/8	12 19/32	10	13 1/2	6	1 5/16	1	2 1/4	7 1/8	3 1/8	7/8	2	HWE211C	105.25
KH-3110-2A	DSAO	2 15/16	4 1/2	8 5/8	11 27/32	10	13 1/2	6	1 5/16	1	2 1/4	7 3/8	3	7/8	2	HWE215C	124.25
KH-3111-3A	DSAO	3 3/16	4 3/4	9 1/2	12 31/32	10 3/4	14 1/4	6 1/2	1 3/8	1	2 3/8	8	3 1/2	7/8	2	HWE303C	138.25
KH-3112-0A	DSAO	3 1/4	5 1/8	10 1/8	13 5/8	11	15	7	1 7/16	1	2 1/2	8 3/8	3 5/8	7/8	2	HWE304C	165.25
KH-3112-3A	DSAO	3 7/16	5 3/16	10 7/8	14 1/2	11 1/4	16	7	1 1/2	1 1/4	3 1/4	9	3 15/16	1 1/8	2	HWE307C	186.25
KH-3113-3A	DSAO	3 11/16	5 3/16	10 7/8	15 29/32	12	16	7 1/4	1 1/2	1 1/4	2 3/4	9 3/8	4 1/4	1 1/8	2	HWE311C	215.25
KH-3114-2A	DSAO	3 15/16	5 5/8	11 7/8	15 3/4	15	19 1/2	7 1/2	1 5/8	1 1/4	2 3/4	10 1/4	4 1/2	1 1/8	2	HWE315C	243.25
KH-3115-2A	DSAO	4 3/16	6	12 3/8	17 1/2	16	20 1/2	7 1/2	1 5/8	1 3/8	2 3/4	10 7/8	4 3/4	1 1/4	2	HWE403C	292.25
KH-3116-2A	DSAO	4 7/16	6 1/4	13 1/4	17 31/32	16 1/2	21	8	1 3/4	1 3/8	2 3/4	11 1/2	5	1 1/4	2	HWE407C	328.25
KH-3117-3A	DSAO	4 15/16	7 1/4	15 1/4	19 33/64	19	23 1/2	9	1 3/4	1 3/8	2 3/4	13 1/2	5 1/2	1 1/4	2	HWE415C	355.25

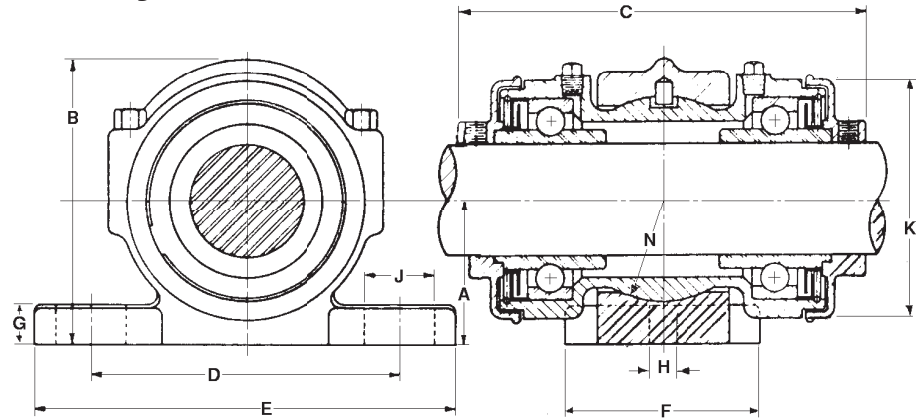
Recommended shaft tolerances: 9/16" - 2", nominal to -.0005" 2 1/16" - 3 1/16", nominal to -.0010"

# Double Pillow Block - Heavy Series with Dust Seal Collar Equal to Timken DSAODD

This Ketchie standard series double pillow block is designed to provide a sturdy two bearing mount. The dust seal collars provide protection against unusually dirty applications.

Initial self-alignment is provided by means of the spherically surfaced center section of the bearing housing which is free to swivel in the spherical seat of the pillow blocks before the top cap bolts are tightened.

These units use two heavy series wide inner ring bearings with seal arrangement and dust seal locking collar.



**TO ORDER, SPECIFY KETCHIE OR COMPETITOR'S PART NUMBER**

Ketchie	Equals Timken	Shaft Diam.	A	B	C	D	E	F	G	H	J	K	N	Bolt Size Req'd	Bearing Number	Approx. Unit Wt.	
		in.	in.	in.	in.	in.	in.	in.	in.	in.	in.	in.	in.	in.		lbs.	
KH-3100-10A KH-3100-11A KH-3100-12A KH-3100-13A	DSAODD	13/16 7/8 15/16 1	1 5/8	3 5/8	5 45/64	5 5/8	7 3/4	2 1/4	3/4	3/4	1 1/4	2 31/32	1 5/16	5/8	2	HWE013C HWE014C HWE015C HWE100C	11.75
KH-3101-10A KH-3101-11A KH-3101-12A	DSAODD	1 1/16 1 1/8 1 3/16	1 13/16	4 1/16	6 7/16	5 7/8	8	2 5/8	13/16	3/4	1 1/4	3 3/8	1 15/32	5/8	2	HWE101C HWE102C HWE103C	15.75
KH-3102-10A KH-3102-11A KH-3102-12A KH-3102-13A	DSAODD	1 1/4 1 5/16 1 3/8 1 7/16	2 1/8	4 3/4	6 55/64	6 3/8	8 1/2	3	7/8	3/4	1 1/4	4	1 13/16	5/8	2	HWE104C HWE105C HWE106C HWE107C	23.25
KH-3103-10A KH-3103-11A	DSAODD	1 1/2 1 9/16	2 5/16	5 3/16	8	7 11/16	10 1/4	3 3/8	7/8	7/8	1 1/2	4 5/16	2	3/4	2	HWE108C HWE109C	32.25
KH-3104-10A KH-3104-11A KH-3104-12A	DSAODD	1 5/8 1 11/16 1 3/4	2 1/2	5 1/2	7 63/64	7 7/8	10 3/8	3 3/4	1	7/8	1 1/2	4 11/16	2 1/8	3/4	2	HWE110C HWE111C HWE112C	39.25
KH-3105-10A KH-3105-11A KH-3105-12A	DSAODD	1 13/16 1 7/8 1 15/16	2 3/4	6	8 7/32	8 1/4	10 3/4	4	1 1/16	7/8	1 1/2	5 1/4	2 5/16	3/4	2	HWE113C HWE114C HWE115C	47.25
KH-3106-10A KH-3106-11A KH-3106-12A KH-3106-13A	DSAODD	2 2 1/16 2 1/8 2 3/16	2 15/16	6 1/8	8 53/64	8 5/8	11 1/2	4 3/8	1 1/8	7/8	1 3/4	5 5/8	2 15/32	3/4	2	HWE200C HWE201C HWE202C HWE203C	55.25
KH-3107-10A KH-3107-11A KH-3107-12A KH-3107-13A	DSAODD	2 1/4 2 5/16 2 3/8 2 7/16	3 3/16	6 7/8	9 11/16	9 1/8	12 1/8	4 3/4	1 3/16	7/8	2	6 1/8	2 11/16	3/4	2	HWE204C HWE205C HWE206C HWE207C	65.25
KH-3108-10A	DSAODD	2 1/2	3 7/8	8	11 31/64	9 5/8	12 7/8	5 1/8	1 1/2	1	2 1/8	6 9/16	3	7/8	2	HWE208C	84.25
KH-3109-11A	DSAODD	2 11/16	4 1/2	8 7/8	12 19/32	10	13 1/2	6	1 5/16	1	2 1/4	7 1/8	3 1/8	7/8	2	HWE211C	112.25
KH-3110-12A	DSAODD	2 15/16	4 1/2	8 5/8	11 27/32	10	13 1/2	6	1 5/16	1	2 1/4	7 3/8	3	7/8	2	HWE215C	132.25
KH-3111-13A	DSAODD	3 3/16	4 3/4	9 1/2	12 31/32	10 3/4	14 1/4	6 1/2	1 3/8	1	2 3/8	8	3 1/2	7/8	2	HWE303C	150.25
KH-3112-10A	DSAODD	3 1/4	5 1/8	10 1/8	13 5/8	11	15	7	1 7/16	1	2 1/2	8 3/8	3 5/8	7/8	2	HWE304C	179.25
KH-3112-13A	DSAODD	3 7/16	5 3/16	10 7/8	14 1/2	11 1/4	16	7	1 1/2	1 1/4	3 1/4	9	3 15/16	1 1/8	2	HWE307C	203.25
KH-3113-13A	DSAODD	3 11/16	5 3/16	10 7/8	15 29/32	12	16	7 1/4	1 1/2	1 1/4	2 3/4	9 3/8	4 1/4	1 1/8	2	HWE311C	236.25
KH-3114-12A	DSAODD	3 15/16	5 5/8	11 7/8	15 3/4	15	19 1/2	7 1/2	1 5/8	1 1/4	2 3/4	10 1/4	4 1/2	1 1/8	2	HWE315C	267.25
KH-3115-12A	DSAODD	4 3/16	6	12 3/8	17 1/2	16	20 1/2	7 1/2	1 5/8	1 3/8	2 3/4	10 7/8	4 3/4	1 1/4	2	HWE403C	322.25
KH-3116-12A	DSAODD	4 7/16	6 1/4	13 1/4	17 31/32	16 1/2	21	8	1 3/4	1 3/8	2 3/4	11 1/2	5	1 1/4	2	HWE407C	366.25
KH-3117-13A	DSAODD	4 15/16	7 1/4	15 1/4	19 33/64	19	23 1/2	9	1 3/4	1 3/8	2 3/4	13 1/2	5 1/2	1 1/4	2	HWE415C	401.25

Recommended shaft tolerances: 9/16" - 2", nominal to -.0005"  
2 1/16" - 3 15/16", nominal to -.0010"

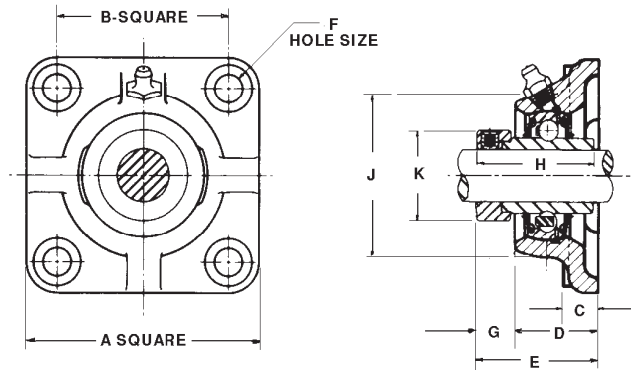


# Four Bolt Flange - Heavy Series

## Equal to Timken RCJO

The Ketchie heavy series four bolt flange unit is similar in design to the standard series. They are for applications where minimum amount of machining is to be done and are supplied completely assembled, being mounted in place by means of bolts through the flange.

These units are equipped with a heavy series wide inner ring bearing with integral seals and eccentric locking collar.



**TO ORDER, SPECIFY KETCHIE OR COMPETITOR'S PART NUMBER**

Ketchie	Equals Timken	Shaft Diam.	A	B	C	D	E	F	G	H	J	K	Bolt Size (4 req'd)	Bearing Number	Approx. Unit Wt.
		in.	in. mm	in. mm	in. mm	in. mm	in. mm	in. mm	in. mm	in. mm	in. mm	in. mm	in. mm		lbs
KH-2100-12A	RCJO	1 <sup>3</sup> / <sub>16</sub>	4 3/4 120.6	3 5/8 92.08	9/16 14.3	1 1/2 38.1	2 3/32 53.2	9/16 14.3	19/32 15.1	1 31/32 50.0	3 13/16 96.8	1 15/16 49.2	1/2	GHWE103CCS	4.25
KH-2101-10A KH-2101-12A KH-2101-13A	RCJO	1 1/4 1 3/8 1 7/16	5 1/8 130.2	4 101.6	5/8 15.9	1 19/32 40.5	2 5/32 54.8	9/16 14.3	9/16 14.3	2 1/32 51.6	4 1/8 104.8	2 3/16 58.7	1/2	GHWE104CCS GHWE106CCS GHWE107CCS	5.75
KH-2102-10A	RCJO	1 1/2	5 3/8 136.5	4 1/8 104.78	5/8 15.9	1 3/4 44.4	2 3/8 60.3	5/8 15.9	5/8 15.9	2 1/4 57.2	4 1/2 114.3	2 1/2 63.5	9/16	GHWE108CCS	7.00
KH-2103-10A KH-2103-11A KH-2303-12A	RCJO	1 5/8 1 11/16 1 3/4	5 5/8 142.9	4 3/8 111.12	11/16 17.5	1 27/32 46.8	2 7/16 61.9	5/8 15.9	19/32 15.1	2 5/16 58.7	4 7/8 123.8	2 3/4 69.8	9/16	GHWE110CCS GHWE111CCS GHWE112CCS	8.00
KH-2104-12A	RCJO	1 15/16	6 1/2 165.1	5 1/8 130.18	11/16 17.5	2 3/32 53.2	2 3/4 69.8	11/16 17.5	2 1/32 16.7	2 5/8 66.7	5 9/16 141.3	3 76.2	5/8	GHWE115CCS	11.75
KH-2105-10A KH-2105-13A	RCJO	2 2 3/16	7 177.8	5 5/8 142.88	11/16 17.5	2 5/16 58.7	3 76.2	11/16 17.5	11/16 17.5	2 7/8 73.0	6 1/16 154.0	3 1/4 82.6	5/8	GHWE200CCS GHWE203CCS	14.25
KH-2106-13A	RCJO	2 7/16	7 1/2 190.5	5 7/8 149.22	3/4 19.0	2 9/16 65.1	3 5/16 84.1	13/16 20.6	3/4 19.0	3 1/8 79.4	6 5/16 160.3	3 1/2 88.9	3/4	GHWE207CCS	16.50
KH-2107-10A	RCJO	2 11/16	8 7/8 225.4	7 177.8	7/8 22.2	2 27/32 72.2	3 11/16 93.7	15/16 23.8	27/32 21.4	3 1/2 88.9	7 5/16 185.7	4 101.6	7/8	GHWE211CCS	21.25
KH-2108-10A	RCJO	2 15/16	9 1/8 231.8	7 1/4 184.15	7/8 22.2	3 1/16 77.8	4 1/8 104.8	15/16 23.8	1 1/16 27.0	3 15/16 100.0	7 13/16 198.4	4 7/16 112.7	7/8	GHWE215CCS	31.25
KH-2109-10A	RCJO	3 7/16	11 279.4	8 1/2 215.9	1 1/8 28.6	3 5/16 84.1	4 3/4 120.6	1 1/16 27.0	1 7/16 36.5	4 9/16 115.9	9 228.6	5 13/64 132.2	1	GHWE307CCS	47.50
KH-2110-10A	RCJO	3 15/16	12 1/2 317.5	9 1/2 241.3	1 1/4 31.8	3 13/16 96.8	5 1/4 133.4	1 3/16 30.2	1 7/16 36.5	5 1/16 128.6	10 1/2 266.7	5 47/64 145.7	1 1/8	GHWE315CCS	67.75

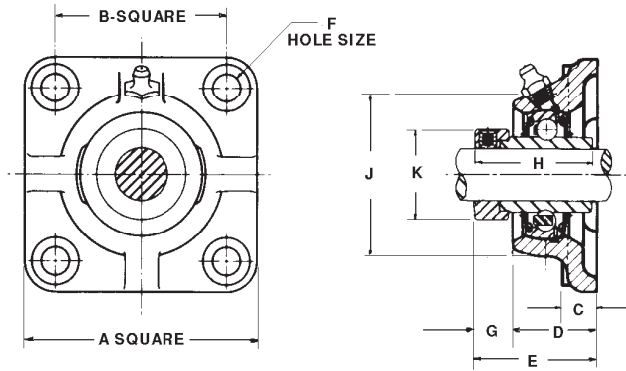
Recommended shaft tolerances: 1 3/16" - 1 15/16", nominal to - .0005", - .013 mm; 2" - 3 15/16", nominal to - .0010", - .025 mm

# Four Bolt Flange - Heavy Series - High Temperature

## Equal to Timken LCJO

The Ketchie heavy series, high temperature four bolt flange unit is similar in design to the standard series. They are supplied completely assembled, being mounted by means of bolts through the flange. They are for applications where a minimum amount of machining is to be done and operating temperature exceeds 250°F.

These units are equipped with a heavy series wide inner ring bearing with an eccentric locking collar and high temperature seals. These units can be operated up to 425°F.



**TO ORDER, SPECIFY KETCHIE OR COMPETITOR'S PART NUMBER**

Ketchie	Equals Timken	Shaft Diam.	A	B	C	D	E	F	G	H	J	K	Bolt Size (4 req'd)	Bearing Number	Approx. Unit Wt.
		in.	in. mm	in. mm	in. mm	in. mm	in. mm	in. mm	in. mm	in. mm	in. mm	in. mm	in. mm		lbs
KH-2100-0-12A	LCJO	1 <sup>3</sup> / <sub>16</sub>	4 3/4 120.6	3 5/8 92.08	9/16 14.3	1 1/2 38.1	2 3/32 53.2	9/16 14.3	19/32 15.1	1 31/32 50.0	3 13/16 96.8	1 15/16 49.2	1/2	GHWE103HHS	4.25
KH-2101-0-10A KH-2101-0-13A	LCJO	1 1/4 1 7/16	5 1/8 130.2	4 101.6	5/8 15.9	1 19/32 40.5	2 5/32 54.8	9/16 14.3	9/16 14.3	2 1/32 51.6	4 1/8 104.8	2 3/16 58.7	1/2	GHWE104HHS GHWE107HHS	5.75
KH-2102-0-10A	LCJO	1 1/2	5 3/8 136.5	4 1/8 104.78	5/8 15.9	1 3/4 44.4	2 3/8 60.3	5/8 15.9	5/8 15.9	2 1/4 57.2	4 1/2 114.3	2 1/2 63.5	9/16	GHWE108HHS	7.00
KH-2103-0-11A	LCJO	1 11/16	5 5/8 142.9	4 3/8 111.12	11/16 17.5	1 27/32 71.5	2 7/16 46.8	5/8 61.9	19/32 15.9	2 5/16 51.1	4 7/8 123.8	2 3/4 69.8	9/16	GHWE111HHS	8.00
KH-2104-0-12A	LCJO	1 15/16	6 1/2 165.1	5 1/8 130.18	11/16 17.5	2 3/32 53.2	2 3/4 69.8	11/16 17.5	21/32 16.7	2 5/8 66.7	5 9/16 141.3	3 76.2	5/8	GHWE115HHS	11.75
KH-2105-0-10A KH-2105-0-13A	LCJO	2 2 3/16	7 177.8	5 5/8 142.88	11/16 17.5	2 5/16 58.7	3 76.2	11/16 17.5	11/16 17.5	2 7/8 73.0	6 1/16 154.0	3 1/4 82.6	5/8	GHWE200HHS GHWE203HHS	14.25
KH-2106-0-13A	LCJO	2 7/16	7 1/2 190.5	5 7/8 149.22	3/4 19.0	2 9/16 65.1	3 5/16 84.1	13/16 20.6	3/4 19.0	3 1/8 79.4	6 5/16 160.3	3 1/2 88.9	3/4	GHWE207HHS	16.50
KH-2107-0-10A	LCJO	2 11/16	8 7/8 225.4	7 177.8	7/8 22.2	2 27/32 72.2	3 11/16 93.7	15/16 23.8	27/32 21.4	3 1/2 88.9	7 5/16 185.7	4 101.6	7/8	GHWE211HHS	21.25
KH-2108-0-10A	LCJO	2 15/16	9 1/8 231.8	7 1/4 184.15	7/8 22.2	3 1/16 77.8	4 1/8 104.8	15/16 23.8	1 1/16 27.0	3 15/16 100.0	7 13/16 198.4	4 7/16 112.7	7/8	GHWE215HHS	31.25
KH-2109-0-10A	LCJO	3 7/16	11 279.4	8 1/2 215.9	1 1/8 28.6	3 5/16 84.1	4 3/4 120.6	1 1/16 27.0	17/16 36.5	4 9/16 115.9	9 228.6	5 13/64 132.2	1	GHWE307HHS	47.50
KH-2110-0-10A	LCJO	3 15/16	12 1/8 317.5	9 1/2 241.3	1 1/4 31.8	3 13/16 96.8	5 1/4 133.4	1 3/16 30.2	17/16 36.5	5 1/16 128.6	10 1/2 266.7	5 47/64 145.7	1 1/8	GHWE315HHS	67.75

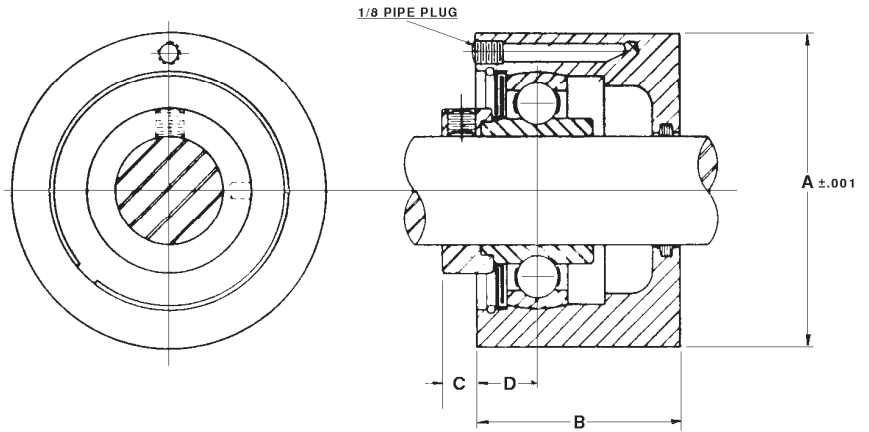
Recommended shaft tolerances: 1 3/16" - 1 15/16", nominal to - .0005", - .013 mm; 2" - 3 15/16", nominal to - .0010", - .025 mm

# Cylindrical Cartridge - Heavy Series - Open

Equal to Timken CO Type

This Ketchie heavy series cylindrical cartridge unit is designed to mount in straight bored housings. They are open on both ends to allow the shaft to go all the way through the unit.

These units are equipped with a heavy series wide inner ring bearing with one seal arrangement and eccentric locking collar.



TO ORDER, SPECIFY KETCHIE OR COMPETITOR'S PART NUMBER

Ketchie	Equals Timken	Shaft Diam.	A	B	C	D	Bearing Number	Approx. Unit Wt.
		in.	in.	in.	in	in		lbs.
KH-3176-0A	CO	3/4	3 1/8	2 1/8	15/32	45/64	GHWE008CS	3.75
KH-3177-0A	CO	13/16	3 5/8	2 3/8	15/32	23/32	GHWE013CS	5.25
KH-3177-1A		7/8					GHWE014CS	
KH-3177-2A		15/16					GHWE015CS	
KH-3177-3A		1					GHWE100CS	
KH-3178-0A	CO	1 1/16	3 7/8	2 9/16	1/2	25/32	GHWE101CS	6.00
KH-3178-1A		1 1/8					GHWE102CS	
KH-3178-2A		1 3/16					GHWE103CS	
KH-3179-0A	CO	1 1/4	4 3/16	2 3/4	31/64	53/64	GHWE104CS	7.00
KH-3179-1A		1 5/16					GHWE105CS	
KH-3179-2A		1 3/8					GHWE106CS	
KH-3179-3A		1 7/16					GHWE107CS	
KH-3180-0A	CO	1 1/2	4 9/16	3 1/8	19/32	7/8	GHWE108CS	9.75
KH-3180-1A		1 9/16					GHWE109CS	
KH-3181-0A	CO	1 5/8	4 15/16	3 7/16	5/8	29/32	GHWE110CS	11.75
KH-3181-1A		1 11/16					GHWE111CS	
KH-3181-2A		1 3/4					GHWE112CS	
KH-3182-0A	CO	1 13/16	5 7/8	3 11/16	21/32	1	GHWE113CS	18.75
KH-3182-1A		1 7/8					GHWE114CS	
KH-3182-2A		1 15/16					GHWE115CS	
KH-3183-0A	CO	2	6 1/4	3 7/8	45/64	1 5/64	GHWE200CS	21.50
KH-3183-1A		2 1/16					GHWE201CS	
KH-3183-2A		2 1/8					GHWE202CS	
KH-3183-3A		2 3/16					GHWE203CS	
KH-3184-0A	CO	2 1/4	6 5/8	4 1/8	11/16	1 7/32	GHWE204CS	24.75
KH-3184-1A		2 3/16					GHWE205CS	
KH-3184-2A		2 3/8					GHWE206CS	
KH-3184-3A		2 7/16					GHWE207CS	
KH-3185-0A	CO	2 1/2	7	4 1/2	3/4	1 9/32	GHWE208CS	27.00
KH-3187-2A	CO	2 15/16	7 13/16	5 3/8	1 1/64	1 29/64	GHWE215CS	43.50
KH-3188-3A	CO	3 3/16	8 3/16	5 7/16	1	1 19/32	GHWE303CS	46.75
KH-3190-1A	CO	3 7/16	9	6	1 1/8	1 19/32	GHWE307CS	64.25

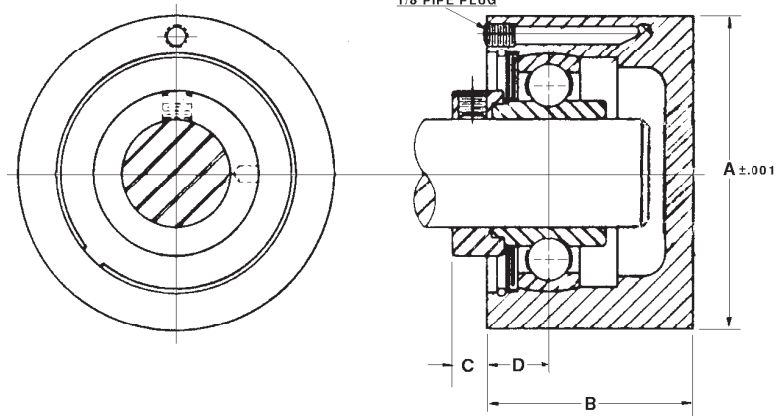
Recommended shaft tolerances: 3/4" - 2" = nominal to -.0005"  
 2 1/16" - 3 7/16", nominal to -.0010"  
 Recommended Housing Bore: Shaft Rotating - Nominal +.001 to +.003  
 Shaft Stationary - Nominal +.000 to -.002  
 Avoid excessive tightening of anchor bolts.

# Cylindrical Cartridge - Heavy Series - Closed

Equal to Timken CO Type

This Ketchie heavy series cylindrical cartridge unit is designed to mount in straight bored housings. They are closed on one end and are to be used for applications where the shaft must not pass all the way through the unit.

These units are equipped with a heavy series wide inner ring bearing with one seal arrangement and eccentric locking collar.



TO ORDER, SPECIFY KETCHIE OR COMPETITOR'S PART NUMBER

Ketchie	Equals Timken	Shaft Diam.	A	B	C	D	Bearing Number	Approx. Unit Wt.
		in.	in.	in.	in	in		lbs.
KH-3176-10A	CO	3/4	3 1/8	2 1/8	15/32	45/64	GHWE012CS	3.75
KH-3177-10A	CO	13/16	3 5/8	2 3/8	15/32	23/32	GHWE013CS	5.25
KH-3177-11A		7/8					GHWE014CS	
KH-3177-12A		15/16					GHWE015CS	
KH-3177-13A		1					GHWE100CS	
KH-3178-10A	CO	1 1/16	3 7/8	2 9/16	1/2	25/32	GHWE101CS	6.00
KH-3178-11A		1 1/8					GHWE102CS	
KH-3178-12A		1 3/16					GHWE103CS	
KH-3179-10A	CO	1 1/4	4 3/16	2 3/4	31/64	53/64	GHWE104CS	7.00
KH-3179-11A		1 5/16					GHWE105CS	
KH-3179-12A		1 3/8					GHWE106CS	
KH-3179-13A		1 7/16					GHWE107CS	
KH-3180-10A	CO	1 1/2	4 9/16	3 1/8	19/32	7/8	GHWE108CS	9.75
KH-3180-11A		1 9/16					GHWE109CS	
KH-3181-10A	CO	1 5/8	4 15/16	3 7/16	5/8	29/32	GHWE110CS	11.75
KH-3181-11A		1 11/16					GHWE111CS	
KH-3181-12A		1 3/4					GHWE112CS	
KH-3182-10A	CO	1 13/16	5 7/8	3 11/16	21/32	1	GHWE113CS	18.75
KH-3182-11A		1 7/8					GHWE114CS	
KH-3182-12A		1 15/16					GHWE115CS	
KH-3183-10A	CO	2	6 1/4	3 7/8	45/64	1 5/64	GHWE200CS	21.50
KH-3183-11A		2 1/16					GHWE201CS	
KH-3183-12A		2 1/8					GHWE202CS	
KH-3183-13A		2 3/16					GHWE203CS	
KH-3184-10A	CO	2 1/4	6 5/8	4 1/8	11/16	1 7/32	GHWE204CS	24.75
KH-3184-11A		2 5/16					GHWE205CS	
KH-3184-12A		2 3/8					GHWE206CS	
KH-3184-13A		2 7/16					GHWE207CS	
KH-3185-10A	CO	2 1/2	7	4 1/2	3/4	1 9/32	GHWE208CS	27.00
KH-3187-12A	CO	2 15/16	7 13/16	5 3/8	1 1/64	1 29/64	GHWE215CS	43.50
KH-3188-13A	CO	3 3/16	8 3/16	5 7/16	1	1 19/32	GHWE303CS	46.75
KH-3190-11A	CO	3 7/16	9	6	1 1/8	1 19/32	GHWE307CS	64.25

Recommended shaft tolerances: 3/4" - 2" = nominal to -.0005"

2 1/16" - 3 7/16", nominal to -.0010"

Recommended Housing Bore: Shaft Rotating - Nominal +.001 to +.003

Shaft Stationary - Nominal +.000 to -.002

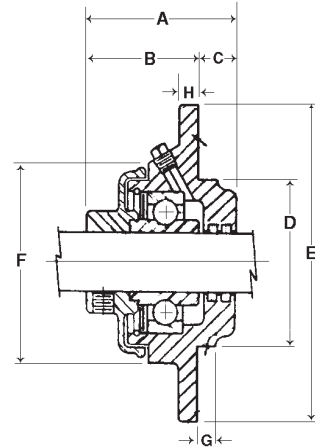
Avoid excessive tightening of anchor bolts.

# Motor Cartridge - Open

## Equal to Timken MC Open

This Ketchie motor cartridge unit is equal to the discontinued Timken MC series. This unit is a flange cartridge developed particularly for electric motor applications. Designed to be bolted into a motor end bell, it provides an economical mounting and is advantageous in the replacement of plain bearings.

The motor cartridge unit is furnished complete with a heavy series bearing with one seal arrangement and eccentric locking collar.



**TO ORDER, SPECIFY KETCHIE OR COMPETITOR'S PART NUMBER**

Ketchie	Equals Timken	Shaft Diam.	A	B	C	D	E	F	G	H	Bearing Number	Approx. Unit Wt.
		in.	in.	in.	in.	in.	in.	in.	in.	in.		lbs.
						+0.000 -0.005						
KH-4000-0A KH-4001-0A KH-4001-1A KH-4001-2A KH-4001-3A	MC	1 <sup>3</sup> / <sub>4</sub> 3 <sup>1</sup> / <sub>16</sub> 7 <sup>7</sup> / <sub>8</sub> 1 <sup>15</sup> / <sub>16</sub> 1	2 <sup>15</sup> / <sub>16</sub>	2 <sup>7</sup> / <sub>32</sub>	2 <sup>3</sup> / <sub>32</sub>	3	5 <sup>11</sup> / <sub>16</sub>	3 <sup>9</sup> / <sub>16</sub>	3 <sup>3</sup> / <sub>8</sub>	3 <sup>3</sup> / <sub>8</sub>	HWE012MU HWE013MU HWE014MU HWE015MU HWE100MU	5.75
KH-4002-0A KH-4002-1A KH-4002-2A	MC	1 <sup>1</sup> / <sub>16</sub> 1 <sup>1</sup> / <sub>8</sub> 1 <sup>3</sup> / <sub>16</sub>	3 <sup>3</sup> / <sub>32</sub>	2 <sup>5</sup> / <sub>16</sub>	2 <sup>5</sup> / <sub>32</sub>	3 <sup>5</sup> / <sub>16</sub>	6 <sup>3</sup> / <sub>8</sub>	4	3 <sup>3</sup> / <sub>8</sub>	3 <sup>3</sup> / <sub>8</sub>	HWE101MU HWE102MU HWE103MU	8.50
KH-4003-0A KH-4003-1A KH-4003-2A KH-4003-3A	MC	1 <sup>1</sup> / <sub>4</sub> 1 <sup>5</sup> / <sub>16</sub> 1 <sup>3</sup> / <sub>8</sub> 1 <sup>7</sup> / <sub>16</sub>	3 <sup>13</sup> / <sub>32</sub>	2 <sup>11</sup> / <sub>16</sub>	2 <sup>3</sup> / <sub>32</sub>	3 <sup>11</sup> / <sub>16</sub>	6 <sup>9</sup> / <sub>16</sub>	4 <sup>1</sup> / <sub>4</sub>	7 <sup>1</sup> / <sub>16</sub>	7 <sup>1</sup> / <sub>16</sub>	HWE104MU HWE105MU HWE106MU HWE107MU	9.25
KH-4004-1A KH-4004-1A	MC	1 <sup>1</sup> / <sub>2</sub> 1 <sup>9</sup> / <sub>16</sub>	3 <sup>1</sup> / <sub>2</sub>	2 <sup>23</sup> / <sub>32</sub>	2 <sup>5</sup> / <sub>32</sub>	4 <sup>1</sup> / <sub>8</sub>	7	4 <sup>3</sup> / <sub>4</sub>	7 <sup>1</sup> / <sub>16</sub>	7 <sup>1</sup> / <sub>16</sub>	HWE108MU HWE109MU	9.75
KH-4005-0A KH-4005-1A KH-4006-0A	MC	1 <sup>5</sup> / <sub>8</sub> 1 <sup>11</sup> / <sub>16</sub> 1 <sup>3</sup> / <sub>4</sub>	3 <sup>19</sup> / <sub>32</sub>	2 <sup>3</sup> / <sub>4</sub>	2 <sup>7</sup> / <sub>32</sub>	4 <sup>5</sup> / <sub>8</sub>	7 <sup>5</sup> / <sub>8</sub>	5 <sup>5</sup> / <sub>16</sub>	7 <sup>1</sup> / <sub>16</sub>	7 <sup>1</sup> / <sub>16</sub>	HWE110MU HWE111MU HWE112MU	13.50
KH-4006-0A KH-4006-1A KH-4006-2A	MC	1 <sup>13</sup> / <sub>16</sub> 1 <sup>7</sup> / <sub>8</sub> 1 <sup>15</sup> / <sub>16</sub>	3 <sup>57</sup> / <sub>64</sub>	2 <sup>39</sup> / <sub>64</sub>	1 <sup>9</sup> / <sub>32</sub>	5 <sup>5</sup> / <sub>16</sub>	8 <sup>11</sup> / <sub>16</sub>	5 <sup>3</sup> / <sub>4</sub>	1 <sup>1</sup> / <sub>2</sub>	1 <sup>1</sup> / <sub>2</sub>	HWE113MU HWE114MU HWE115MU	18.25
KH-4007-0A KH-4007-1A KH-4007-2A KH-4007-3A	MC	2 2 <sup>1</sup> / <sub>16</sub> 2 <sup>1</sup> / <sub>8</sub> 2 <sup>3</sup> / <sub>16</sub>	4 <sup>25</sup> / <sub>64</sub>	2 <sup>45</sup> / <sub>64</sub>	1 <sup>11</sup> / <sub>16</sub>	5 <sup>23</sup> / <sub>32</sub>	9 <sup>3</sup> / <sub>16</sub>	6 <sup>1</sup> / <sub>8</sub>	1 <sup>1</sup> / <sub>2</sub>	1 <sup>1</sup> / <sub>2</sub>	HWE200MU HWE201MU HWE202MU HWE203MU	22.50
KH-4008-0A KH-4008-1A KH-4008-2A KH-4008-3A	MC	2 <sup>1</sup> / <sub>4</sub> 2 <sup>5</sup> / <sub>16</sub> 2 <sup>3</sup> / <sub>8</sub> 2 <sup>7</sup> / <sub>16</sub>	5 <sup>1</sup> / <sub>16</sub>	3 <sup>3</sup> / <sub>16</sub>	1 <sup>7</sup> / <sub>8</sub>	6 <sup>3</sup> / <sub>8</sub>	9 <sup>1</sup> / <sub>2</sub>	6 <sup>1</sup> / <sub>2</sub>	1 <sup>1</sup> / <sub>2</sub>	1 <sup>1</sup> / <sub>2</sub>	HWE204MU HWE205MU HWE206MU HWE207MU	27.75
KH-4009-0A	MC	2 <sup>1</sup> / <sub>2</sub>	5 <sup>3</sup> / <sub>32</sub>	3 <sup>13</sup> / <sub>32</sub>	1 <sup>11</sup> / <sub>16</sub>	6 <sup>5</sup> / <sub>8</sub>	10 <sup>3</sup> / <sub>8</sub>	6 <sup>7</sup> / <sub>8</sub>	9 <sup>1</sup> / <sub>16</sub>	9 <sup>1</sup> / <sub>16</sub>	HWE208MU	30.25
KH-4010-1A	MC	2 <sup>11</sup> / <sub>16</sub>	5 <sup>11</sup> / <sub>16</sub>	3 <sup>5</sup> / <sub>8</sub>	2 <sup>1</sup> / <sub>16</sub>	7 <sup>3</sup> / <sub>8</sub>	11 <sup>1</sup> / <sub>8</sub>	7 <sup>5</sup> / <sub>16</sub>	9 <sup>1</sup> / <sub>16</sub>	9 <sup>1</sup> / <sub>16</sub>	HWE211MU	41.25
KH-4011-2A	MC	2 <sup>15</sup> / <sub>16</sub>	5 <sup>39</sup> / <sub>64</sub>	3 <sup>29</sup> / <sub>64</sub>	2 <sup>5</sup> / <sub>32</sub>	7 <sup>3</sup> / <sub>4</sub>	12 <sup>3</sup> / <sub>8</sub>	8 <sup>1</sup> / <sub>4</sub>	11 <sup>1</sup> / <sub>16</sub>	11 <sup>1</sup> / <sub>16</sub>	HWE215MU	52.25
KH-4012-3A	MC	3 <sup>3</sup> / <sub>16</sub>	5 <sup>27</sup> / <sub>32</sub>	3 <sup>1</sup> / <sub>2</sub>	2 <sup>11</sup> / <sub>32</sub>	8 <sup>1</sup> / <sub>16</sub>	13	9 <sup>1</sup> / <sub>4</sub>	11 <sup>1</sup> / <sub>16</sub>	11 <sup>1</sup> / <sub>16</sub>	HWE303MU	62.75
KH-4013-0A	MC	3 <sup>1</sup> / <sub>4</sub>	5 <sup>63</sup> / <sub>64</sub>	3 <sup>49</sup> / <sub>64</sub>	2 <sup>7</sup> / <sub>32</sub>	8 <sup>1</sup> / <sub>4</sub>	13 <sup>3</sup> / <sub>4</sub>	9	3 <sup>3</sup> / <sub>4</sub>	3 <sup>3</sup> / <sub>4</sub>	HWE304MU	62.75
KH-4013-3A	MC	3 <sup>7</sup> / <sub>16</sub>	6 <sup>1</sup> / <sub>32</sub>	3 <sup>11</sup> / <sub>16</sub>	2 <sup>11</sup> / <sub>32</sub>	9	14 <sup>3</sup> / <sub>8</sub>	10 <sup>1</sup> / <sub>16</sub>	3 <sup>3</sup> / <sub>4</sub>	3 <sup>3</sup> / <sub>4</sub>	HWE307MU	79.25

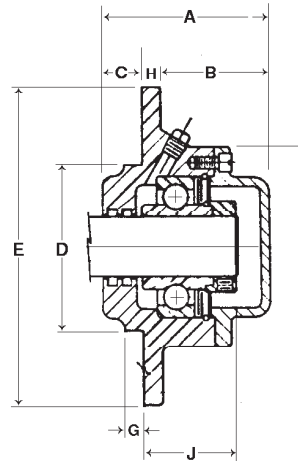
Recommended shaft tolerances: 3/4" - 2", nominal to - .0005"  
2 1/16" - 3 7/16", nominal to - .0010"

# Motor Cartridge - Closed

## Equal to Timken MC Closed

This Ketchie motor cartridge unit is equal to the discontinued Timken MC series. This unit is a flange cartridge developed particularly for electric motor applications. Designed to be bolted into a motor end bell, it provides an economical mounting and is advantageous in the replacement of plain bearings. This unit is supplied with a cover bolted to the outer end.

The motor cartridge unit is furnished complete with a heavy series bearing with one seal arrangement and eccentric locking collar.



**TO ORDER, SPECIFY KETCHIE OR COMPETITOR'S PART NUMBER**

Ketchie	Equals Timken	Shaft Diam.	A	B	C	D	E	F	G	H	Bearing Number	Approx. Unit Wt.
		in.	in.	in.	in.	in.	in.	in.	in.	in.		lbs.
KH-4000-10A KH-4001-10A KH-4001-11A KH-4001-12A KH-4001-13A	MC	1 <sup>3</sup> / <sub>4</sub> 3 <sup>3</sup> / <sub>16</sub> 7 <sup>7</sup> / <sub>8</sub> 1 <sup>5</sup> / <sub>16</sub> 1	3 7 <sup>7</sup> / <sub>32</sub>	2 1 <sup>1</sup> / <sub>2</sub>	2 <sup>23</sup> / <sub>32</sub>	3	5 1 <sup>11</sup> / <sub>16</sub>	3 9 <sup>9</sup> / <sub>16</sub>	3 <sup>3</sup> / <sub>8</sub>	3 <sup>3</sup> / <sub>8</sub>	HWE012MU HWE013MU HWE014MU HWE015MU HWE100MU	7.00
KH-4002-10A KH-4002-11A KH-4002-12A	MC	1 <sup>1</sup> / <sub>16</sub> 1 <sup>1</sup> / <sub>8</sub> 1 <sup>3</sup> / <sub>16</sub>	3 3 <sup>3</sup> / <sub>8</sub>	2 1 <sup>19</sup> / <sub>32</sub>	2 <sup>25</sup> / <sub>32</sub>	3 5 <sup>5</sup> / <sub>16</sub>	6 3 <sup>3</sup> / <sub>8</sub>	4	3 <sup>3</sup> / <sub>8</sub>	3 <sup>3</sup> / <sub>8</sub>	HWE101MU HWE102MU HWE103MU	10.75
KH-4003-10A KH-4003-11A KH-4003-12A KH-4003-13A	MC	1 <sup>1</sup> / <sub>4</sub> 1 <sup>5</sup> / <sub>16</sub> 1 <sup>3</sup> / <sub>8</sub> 1 <sup>7</sup> / <sub>16</sub>	3 1 <sup>19</sup> / <sub>32</sub>	2 7 <sup>7</sup> / <sub>8</sub>	2 <sup>23</sup> / <sub>32</sub>	3 1 <sup>11</sup> / <sub>16</sub>	6 9 <sup>9</sup> / <sub>16</sub>	4 1 <sup>1</sup> / <sub>4</sub>	7 <sup>7</sup> / <sub>16</sub>	7 <sup>7</sup> / <sub>16</sub>	HWE104MU HWE105MU HWE106MU HWE107MU	10.25
KH-4004-11A KH-4004-11A	MC	1 <sup>1</sup> / <sub>2</sub> 1 <sup>9</sup> / <sub>16</sub>	3 2 <sup>27</sup> / <sub>32</sub>	3 1 <sup>1</sup> / <sub>16</sub>	2 <sup>25</sup> / <sub>32</sub>	4 1 <sup>1</sup> / <sub>8</sub>	7	4 3 <sup>3</sup> / <sub>4</sub>	7 <sup>7</sup> / <sub>16</sub>	7 <sup>7</sup> / <sub>16</sub>	HWE108MU HWE109MU	11.25
KH-4005-10A KH-4005-11A KH-4006-10A	MC	1 <sup>5</sup> / <sub>8</sub> 1 <sup>11</sup> / <sub>16</sub> 1 <sup>3</sup> / <sub>4</sub>	3 2 <sup>29</sup> / <sub>32</sub>	3 1 <sup>1</sup> / <sub>16</sub>	2 <sup>27</sup> / <sub>32</sub>	4 5 <sup>5</sup> / <sub>8</sub>	7 5 <sup>5</sup> / <sub>8</sub>	5 5 <sup>5</sup> / <sub>16</sub>	7 <sup>7</sup> / <sub>16</sub>	7 <sup>7</sup> / <sub>16</sub>	HWE110MU HWE111MU HWE112MU	15.00
KH-4006-10A KH-4006-11A KH-4006-12A	MC	1 <sup>13</sup> / <sub>16</sub> 1 <sup>7</sup> / <sub>8</sub> 1 <sup>15</sup> / <sub>16</sub>	4 5 <sup>5</sup> / <sub>32</sub>	2 7 <sup>7</sup> / <sub>8</sub>	1 <sup>9</sup> / <sub>32</sub>	5 5 <sup>5</sup> / <sub>16</sub>	8 1 <sup>11</sup> / <sub>16</sub>	5 3 <sup>3</sup> / <sub>4</sub>	1 <sup>1</sup> / <sub>2</sub>	1 <sup>1</sup> / <sub>2</sub>	HWE113MU HWE114MU HWE115MU	20.25
KH-4007-10A KH-4007-11A KH-4007-12A KH-4007-13A	MC	2 2 1 <sup>1</sup> / <sub>16</sub> 2 1 <sup>1</sup> / <sub>8</sub> 2 3 <sup>3</sup> / <sub>16</sub>	4 5 <sup>5</sup> / <sub>8</sub>	2 1 <sup>15</sup> / <sub>16</sub>	1 <sup>11</sup> / <sub>16</sub>	5 2 <sup>23</sup> / <sub>32</sub>	9 3 <sup>3</sup> / <sub>16</sub>	6 1 <sup>1</sup> / <sub>8</sub>	1 <sup>1</sup> / <sub>2</sub>	1 <sup>1</sup> / <sub>2</sub>	HWE200MUJ HWE201MU HWE202MU HWE203MU	24.25
KH-4008-10A KH-4008-11A KH-4008-12A KH-4008-13A	MC	2 1 <sup>1</sup> / <sub>4</sub> 2 5 <sup>5</sup> / <sub>16</sub> 2 3 <sup>3</sup> / <sub>8</sub> 2 7 <sup>7</sup> / <sub>16</sub>	5 3 <sup>3</sup> / <sub>4</sub>	3 7 <sup>7</sup> / <sub>8</sub>	1 <sup>7</sup> / <sub>8</sub>	6 3 <sup>3</sup> / <sub>8</sub>	9 1 <sup>1</sup> / <sub>2</sub>	6 1 <sup>1</sup> / <sub>2</sub>	1 <sup>1</sup> / <sub>2</sub>	1 <sup>1</sup> / <sub>2</sub>	HWE204MU HWE205MU HWE206MU HWE207MU	31.00
KH-4009-10A	MC	2 1 <sup>1</sup> / <sub>2</sub>	5 5 <sup>5</sup> / <sub>8</sub>	3 1 <sup>15</sup> / <sub>16</sub>	1 <sup>11</sup> / <sub>16</sub>	6 5 <sup>5</sup> / <sub>8</sub>	10 3 <sup>3</sup> / <sub>8</sub>	6 7 <sup>7</sup> / <sub>8</sub>	9 <sup>9</sup> / <sub>16</sub>	9 <sup>9</sup> / <sub>16</sub>	HWE208MU	38.50
KH-4010-11A	MC	2 1 <sup>11</sup> / <sub>16</sub>	5 7 <sup>7</sup> / <sub>8</sub>	3 1 <sup>13</sup> / <sub>16</sub>	2 1 <sup>1</sup> / <sub>16</sub>	7 3 <sup>3</sup> / <sub>8</sub>	11 1 <sup>1</sup> / <sub>8</sub>	7 5 <sup>5</sup> / <sub>16</sub>	9 <sup>9</sup> / <sub>16</sub>	9 <sup>9</sup> / <sub>16</sub>	HWE211MU	43.25
KH-4011-12A	MC	2 1 <sup>15</sup> / <sub>16</sub>	6 3 <sup>3</sup> / <sub>32</sub>	3 1 <sup>15</sup> / <sub>16</sub>	2 5 <sup>5</sup> / <sub>32</sub>	7 3 <sup>3</sup> / <sub>4</sub>	12 3 <sup>3</sup> / <sub>8</sub>	8 1 <sup>1</sup> / <sub>4</sub>	1 <sup>11</sup> / <sub>16</sub>	1 <sup>11</sup> / <sub>16</sub>	HWE215MU	61.75
KH-4012-13A	MC	3 3 <sup>3</sup> / <sub>16</sub>	6 1 <sup>13</sup> / <sub>32</sub>	4 1 <sup>1</sup> / <sub>16</sub>	2 1 <sup>11</sup> / <sub>32</sub>	8 1 <sup>1</sup> / <sub>16</sub>	13	9 1 <sup>1</sup> / <sub>4</sub>	1 <sup>11</sup> / <sub>16</sub>	1 <sup>11</sup> / <sub>16</sub>	HWE303MU	74.50
KH-4013-10A	MC	3 1 <sup>1</sup> / <sub>4</sub>	6 1 <sup>17</sup> / <sub>32</sub>	4 5 <sup>5</sup> / <sub>16</sub>	2 7 <sup>7</sup> / <sub>32</sub>	8 1 <sup>1</sup> / <sub>4</sub>	13 3 <sup>3</sup> / <sub>4</sub>	9	3 <sup>3</sup> / <sub>4</sub>	3 <sup>3</sup> / <sub>4</sub>	HWE304MU	81.25
KH-4013-13A	MC	3 7 <sup>7</sup> / <sub>16</sub>	6 2 <sup>21</sup> / <sub>32</sub>	4 5 <sup>5</sup> / <sub>16</sub>	2 1 <sup>11</sup> / <sub>32</sub>	9	14 3 <sup>3</sup> / <sub>8</sub>	10 1 <sup>1</sup> / <sub>16</sub>	3 <sup>3</sup> / <sub>4</sub>	3 <sup>3</sup> / <sub>4</sub>	HWE307MU	90.75

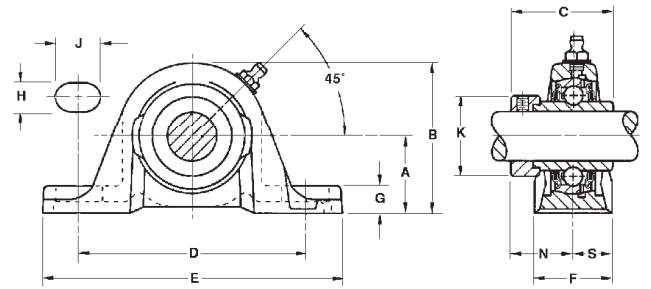
Recommended shaft tolerances: 3/4" - 2", nominal to - .0005"  
2 1/16" - 3 7/16", nominal to - .0010"

# Pillow Block - Standard Series

## Low Base to Center Height Equal to Timken RAK

This Ketchie standard series pillow block has a low base to center height dimension to make it interchangeable with certain other competitive designs.

These units are equipped with a standard series wide inner ring bearing with integral seals and eccentric locking collar.



TO ORDER, SPECIFY KETCHIE OR COMPETITOR'S PART NUMBER

Ketchie	Equals Timken	Shaft Diam.	A	B	C	D	E	F	G	H	J	K	N	S	Bolt Size	Bearing Number	Approx. Unit Wt.
			in. mm	in. mm	in. mm	in. mm	in. mm	in. mm	in. mm	in. mm	in. mm	in. mm	in. mm	in. mm			
KH-1301-10A KH-1301-11A KH-1301-12A KH-1301-13A KH-1301-14A	RAK	1/2 9/16 5/8 11/16 17	1 1/16 26.99	2 1/8 54.0	1 15/32 37.3	3 5/8 92.1	4 7/8 123.8	1 7/32 31.0	1 1/32 8.7	7/16 11.1	7/8 22.2	1 7/64 28.6	59/64 23.4	39/64 15.1	3/8 10	GSWE008CCS GSWE009CCS GSWE010CCS GSWE011CCS GSWE17CCS	1.25
KH-1302-10A KH-1302-11A	RAK	3/4 20	1 1/4 31.75	2 15/32 63.5	1 23/32 43.7	3 25/32 96.0	5 127.0	1 11/32 31.0	1 5/32 11.9	7/16 11.1	2 5/32 19.8	1 19/64 33.3	1 3/64 26.6	4 3/64 15.9	3/8 10	GSWE012CCS GSWE20CCS	1.75
KH-1303-10A KH-1303-11A KH-1303-12A KH-1303-13A KH-1303-14A	RAK	13/16 7/8 15/16 25	1 5/16 33.34	2 23/32 68.3	1 3/4 44.4	4 1/8 104.8	5 1/2 139.7	1 13/32 35.7	1/2 11.9	7/16 11.1	13/16 20.6	1 31/64 38.1	1 1/16 27.0	4 5/64 17.9	3/8 10	GSWE013CCS GSWE014CCS GSWE015CCS GSWE100CCS GSWE25CCS	2.00
KH-1304-10A KH-1304-11A KH-1304-12A KH-1304-13A	RAK	1 1/16 1 1/8 1 3/16 30	1 9/16 39.69	3 3/16 81.0	1 29/32 48.4	4 5/8 117.5	6 3/16 157.2	1 3/4 39.7	9/16 13.5	9/16 14.3	1 5/16 23.8	1 47/64 44.4	1 3/16 30.2	7/8 19.9	1/2 12	GSWE101CCS GSWE102CCS GSWE103CCS GSWE103CCS3	3.00
KH-1305-10A KH-1305-11A KH-1305-12A KH-1305-13A KH-1305-14A	RAK	1 1/4 1 7/16 1 3/16 1 7/16 35	1 13/16 46.04	3 5/8 92.1	2 1/64 51.2	5 127.0	6 3/4 171.4	1 7/8 45.2	1 1/16 16.7	9/16 14.3	7/8 22.2	2 7/64 54.0	1 9/32 32.5	1 5/16 22.7	1/2 12	GSWE104CCS GSWE105CCS GSWE106CCS GSWE107CCS GSWE35CCS	4.00
KH-1306-10A KH-1306-11A KH-1306-12A	RAK	1 1/2 1 7/16 40	1 15/16 49.21	3 15/16 100.0	2 7/32 56.4	5 3/8 136.5	7 1/8 181.0	1 15/16 47.6	3/4 19.0	9/16 14.3	2 25.4	2 23/64 60.3	1 3/8 34.9	3 1/32 23.8	1/2 12	GSWE108CCS GSWE109CCS GSWE40CCS	5.00
KH-1307-10A KH-1307-11A KH-1307-12A KH-1307-13A	RAK	1 5/8 1 11/16 1 3/4 45	2 1/16 52.39	4 5/32 104.8	2 7/32 56.4	5 2 1/32 143.7	7 3/8 187.3	2 50.8	2 3/32 17.5	9/16 14.3	2 29/32 23.0	2 3 1/64 63.5	1 3/8 34.9	1 25.4	1/2 12	GSWE110CCS GSWE111CCS GSWE112CCS GSWE45CCS	5.50
KH-1308-10A KH-1308-11A KH-1308-12A KH-1308-13A	RAK	1 13/16 1 7/8 1 15/16 50	2 3/16 55.56	4 15/32 112.7	2 15/32 62.7	6 3/16 127.2	8 203.2	2 3/16 55.6	2 3/32 17.5	1 1/16 17.5	1 5/16 23.8	2 47/64 69.8	1 1/2 38.1	1 3/32 27.8	5/8 16	GSWE113CCS GSWE114CCS GSWE115CCS GSWE50CCS	6.75
KH-1309-10A KH-1309-11A KH-1309-12A KH-1309-13A KH-1309-14A	RAK	2 2 1/16 2 3/8 2 3/16 55	2 7/16 61.91	4 29/32 125.4	2 13/16 71.4	6 15/16 176.2	8 13/16 223.8	2 5/16 58.7	3/4 19.0	1 1/16 17.5	1 1/8 28.6	2 63/64 76.2	1 23/32 43.7	1 5/32 29.4	5/8 16	GSWE200CCS GSWE201CCS GSWE202CCS GSWE203CCS GSWE55CCS	8.75
KH-1310-10A KH-1310-11A KH-1310-12A KH-1310-13A KH-1310-14A	RAK	2 1/4 2 5/16 2 3/8 2 7/16 60	2 11/16 68.26	5 7/16 138.1	3 1/16 77.8	7 13/32 188.1	9 1/2 241.3	2 1/2 63.5	2 29/32 22.2	1 1/16 17.5	1 5/32 29.4	3 19/64 84.1	1 27/32 46.8	1 1/4 30.2	5/8 16	GSWE204CCS GSWE205CCS GSWE206CCS GSWE207CCS GSWE60CCS	12.50
KH-1311-10A KH-1311-11A	RAK	2 5/8 2 11/16 70	3 76.20	6 1/16 154.0	3 3/8 85.7	8 203.2	10 1/2 266.7	2 7/8 73.0	1 5/16 33.3	1 3/16 20.6	1 3/8 34.9	3 13/16 96.8	2 1/32 45.2	1 7/16 36.5	3/4 20	GSWE211CCS GSWE270CCS	17.75
KH-1312-13A KH-1312-11A	RAK	2 15/16 75	3 5/16 84.14	6 17/32 163.5	3 5/8 92.1	9 1/2 241.3	12 304.8	3 1/4 82.6	1 1/2 38.1	7/8 22.2	1 1/4 31.8	4 101.6	2 5/32 54.8	1 5/8 41.3	3/4 20	GSWE215CCS GSWE75CCS	20.25

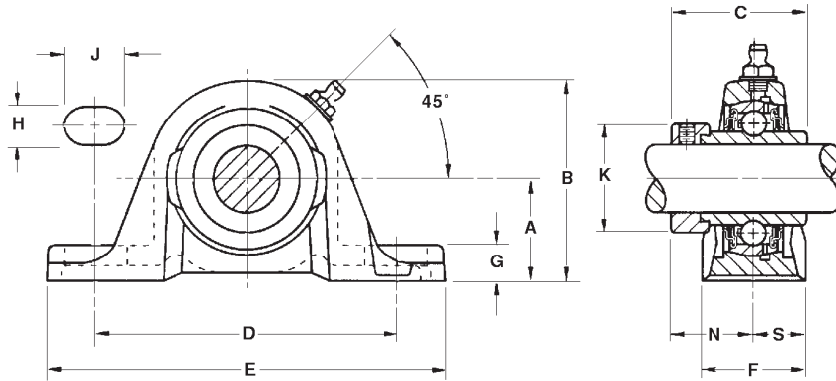
Recommended shaft tolerances: 1/2" - 1 15/16", nominal to -.0005", -.013 mm; 2" - 2 15/16", nominal to -.0010", -.025 mm

# Pillow Block - Standard Series - High Temperature

## Low Base to Center Height Equal to Timken LAK

This Ketchie standard series, high temperature pillow block features a lower base to center height dimension. This unit is for applications where operating temperatures exceeds 250° F.

These units use a standard series, wide inner ring bearing with an eccentric locking collar, high temperature seals and high temperature grease. These units can be operated up to 425° F.



**TO ORDER, SPECIFY KETCHIE OR COMPETITOR'S PART NUMBER**

Ketchie	Equals Timken	Shaft Diam.	A	B	C	D	E	F	G	H	J	K	N	S	Bolt Size	Bearing Number	Approx. Unit Wt.
		in.	in.	in.	in.	in.	in.	in.	in.	in.	in.	in.	in.	in.	in.		lbs.
			mm	mm	mm	mm	mm	mm	mm	mm	mm	mm	mm	mm	mm		
<b>KH-1302-0-10A</b>	LAK	3/4	1 1/4 31.75	2 15/32 62.7	1 23/32 43.7	3 25/32 96.0	5 127.0	1 11/32 31.8	15/32 11.9	7/16 11.1	25/32 19.8	1 19/64 33.3	1 3/64 26.6	43/64 15.9	3/8 10	<b>GSWE012HHS</b>	1.75
<b>KH-1303-0-13A</b>	LAK	1	1 5/16 33.34	2 23/32 68.3	1 3/4 44.4	4 1/8 104.8	5 1/2 139.7	1 13/32 35.7	15/32 11.9	7/16 11.1	13/16 20.6	1 31/64 38.1	1 1/16 27.0	45/64 17.9	3/8 10	<b>GSWE100HHS</b>	2.00
<b>KH-1304-0-12A</b>	LAK		1 9/16 39.69	3 3/16 80.2	1 29/32 48.4	4 5/8 117.5	6 3/16 157.2	1 3/4 39.7	9/16 13.5	9/16 14.3	15/16 23.8	1 47/64 44.1	1 3/16 30.2	7/8 19.9	1/2 12	<b>GSWE103HHS</b>	3.00
<b>KH-1305-0-10A</b>	LAK	1 1/4	1 13/16 46.04	3 21/32 92.1	2 1/64 51.2	5 130.2	6 3/4 166.7	1 7/8 45.2	1 1/16 16.7	9/16 14.3	7/8 24.6	2 7/64 54.0	1 9/32 32.5	15/16 22.7	1/2 12	<b>GSWE104HHS</b> <b>GSWE107HHS</b>	4.00
<b>KH-1306-0-10A</b>	LAK	1 1/2	1 15/16 49.21	3 15/16 100.0	2 7/32 56.4	5 3/8 136.5	7 1/8 179.4	1 15/16 47.6	3/4 19.0	9/16 14.3	1 26.2	2 23/64 60.3	1 3/8 34.9	3 1/32 23.8	1/2 12	<b>GSWE108HHS</b>	5.00
<b>KH-1307-0-11A</b>	LAK	1 11/16 1 3/4	2 1/16 52.39	4 5/32 104.8	2 7/32 56.4	5 21/32 149.2	7 3/8 191.3	2 50.8	23/32 17.5	9/16 14.3	23/32 28.6	2 31/64 63.5	1 3/8 34.9	1 25.4	1/2 12	<b>GSWE111HHS</b> <b>GSWE112HHS</b>	5.50
<b>KH-1308-0-12A</b>	LAK	1 15/16	2 3/16 55.56	4 15/32 112.7	2 15/32 62.7	6 3/16 158.0	8 200.0	2 3/16 55.6	23/32 17.5	1 1/16 17.5	15/16 23.8	2 47/64 69.8	1 1/2 38.1	1 3/32 27.8	5/8 16	<b>GSWE115HHS</b>	6.75
<b>KH-1309-0-13A</b>	LAK	2 3/16	2 7/16 61.91	4 29/32 124.6	2 13/16 71.4	6 15/16 176.2	8 11/16 222.3	2 5/16 58.7	3/4 19.0	1 1/16 18.3	1 1/8 29.4	2 63/64 76.2	1 23/32 43.7	1 5/32 29.4	5/8 16	<b>GSWE203HHS</b>	8.75
<b>KH-1310-0-13A</b>	LAK	2 7/16	2 11/16 68.26	5 7/16 137.3	3 1/16 77.8	7 13/32 188.1	9 1/2 139.7	2 1/2 60.3	29/32 22.2	1 1/16 17.5	1 5/32 29.4	3 19/64 84.1	1 27/32 46.8	1 1/4 30.2	5/8 16	<b>GSWE207HHS</b>	12.25

Recommended shaft tolerances: 1/2" - 1 15/16", nominal to - .0005", - .013 mm;  
2" - 2 15/16", nominal to - .0010", - .025 mm

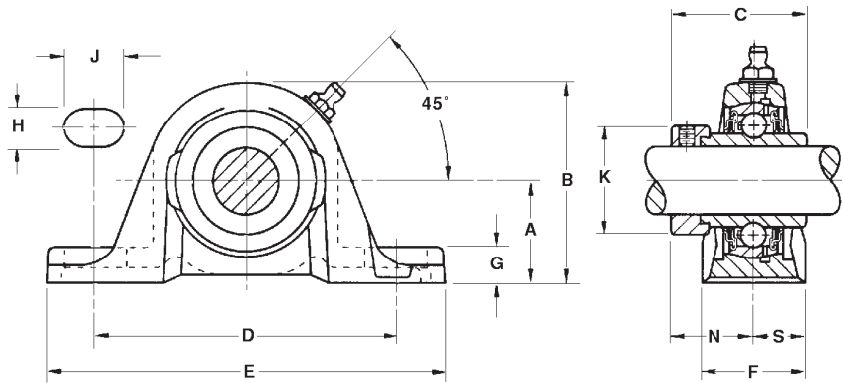


# Pillow Block - Standard Series

## Low Base to Center Height Equal to Timken TAK

This Ketchie standard series pillow block features a lower base to center height dimension.

These units use a standard series, wide inner ring bearing with an eccentric locking collar and a one piece Triple-Lip Seal for better seal performance.



**TO ORDER, SPECIFY KETCHIE OR COMPETITOR'S PART NUMBER**

Ketchie	Equals Timken	Shaft Diam.	A	B	C	D	E	F	G	H	J	K	N	S	Bolt Size	Bearing Number	Approx. Unit Wt.
		in.	in.	in.	in.	in.	in.	in.	in.	in.	in.	in.	in.	in.	in.		lbs.
			mm	mm	mm	mm	mm	mm	mm	mm	mm	mm	mm	mm	mm		
<b>KH-4402-13A</b>	TAK	1	1 <sup>5</sup> / <sub>16</sub> 33.34	2 <sup>23</sup> / <sub>32</sub> 68.3	1 <sup>3</sup> / <sub>4</sub> 44.4	4 1/8 104.8	5 1/2 139.7	1 <sup>13</sup> / <sub>32</sub> 35.7	1/2 11.9	7/16 11.1	1 <sup>3</sup> / <sub>16</sub> 20.6	1 <sup>1</sup> / <sub>16</sub> 38.1	1 <sup>1</sup> / <sub>16</sub> 27.0	4 <sup>5</sup> / <sub>64</sub> 17.9	3/8 10	<b>GSWE100TTS</b>	2.00
<b>KH-4403-11A</b>	TAK	1 1/8	1 <sup>9</sup> / <sub>16</sub> 39.69	3 3/16 80.2	1 <sup>29</sup> / <sub>32</sub> 48.4	4 5/8 117.5	6 3/16 157.2	1 3/4 39.7	9/16 13.5	9/16 14.3	1 <sup>5</sup> / <sub>16</sub> 23.8	1 <sup>4</sup> / <sub>64</sub> 44.1	1 3/16 30.2	7/8 19.9	1/2 12	<b>GSWE102TTS</b>	3.00
<b>KH-4403-12A</b>		1 3/16														<b>GSWE103TTS</b>	
<b>KH-4403-13A</b>		1 1/4														<b>GSWE103TTS3</b>	
<b>KH-4404-10A</b>	TAK	1 1/4	1 <sup>3</sup> / <sub>16</sub> 46.04	3 21/32 92.1	2 1/64 51.2	5 130.2	6 3/4 166.7	1 7/8 45.2	11/16 16.7	9/16 14.3	7/8 24.6	2 7/64 54.0	1 9/32 32.5	15/16 22.7	1/2 12	<b>GSWE104TTS</b>	4.00
<b>KH-4404-12A</b>		1 3/8														<b>GSWE106TTS</b>	
<b>KH-4404-13A</b>		1 7/16														<b>GSWE107TTS</b>	
<b>KH-4405-10A</b>	TAK	1 1/2	1 <sup>15</sup> / <sub>16</sub> 49.21	3 15/16 100.0	2 7/32 56.4	5 3/8 136.5	7 1/8 179.4	1 <sup>15</sup> / <sub>16</sub> 47.6	3/4 19.0	9/16 14.3	1 26.2	2 23/64 60.3	1 3/8 34.9	31/32 23.8	1/2 12	<b>GSWE108TTS</b>	5.00
<b>KH-4406-11A</b>	TAK	1 11/16	2 1/16 52.39	4 5/32 104.8	2 7/32 56.4	5 21/38 149.2	7 3/8 191.3	2 50.8	23/32 17.5	9/16 14.3	29/32 28.6	2 31/64 63.5	1 3/8 34.9	1 25.4	1/2 12	<b>GSWE111TTS</b>	5.50
<b>KH-4406-12A</b>		1 3/4														<b>GSWE112TTS</b>	
<b>KH-4407-12A</b>	TAK	1 15/16	2 3/16 55.56	4 15/32 112.7	2 15/32 62.7	6 3/16 158.0	8 200.0	2 3/16 55.6	23/32 17.5	11/16 17.5	15/16 23.8	2 47/64 69.8	1 1/2 38.1	1 3/32 27.8	5/8 16	<b>GSWE115TTS</b>	6.75
<b>KH-4408-10A</b>	TAK	2	2 7/16 61.91	4 29/32 124.6	2 13/16 71.4	6 15/16 176.2	8 12/16 222.3	2 5/16 58.7	3/4 19.0	11/16 18.3	1 1/8 29.4	2 63/64 76.2	1 <sup>23</sup> / <sub>32</sub> 43.7	1 <sup>5</sup> / <sub>32</sub> 29.4	5/8 16	<b>GSWE200TTS</b>	8.75
<b>KH-4408-13A</b>		2 3/16														<b>GSWE203TTS</b>	

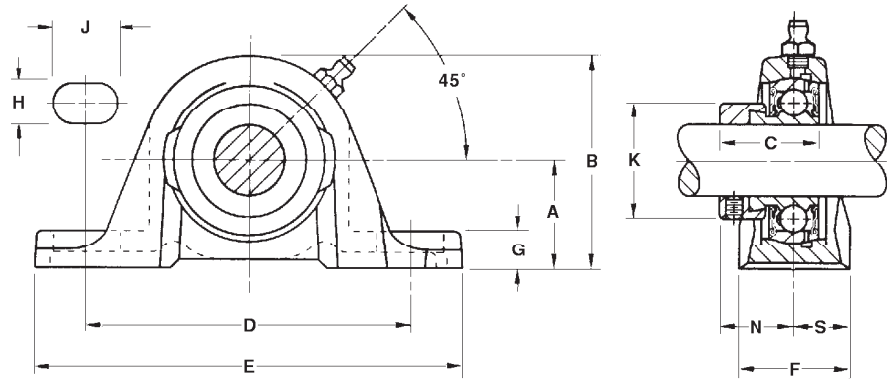
Recommended shaft tolerances: 1/2" - 1<sup>15</sup>/<sub>16</sub>", nominal to - .0005", - .013 mm;  
2" - 2<sup>15</sup>/<sub>16</sub>", nominal to - .0010", - .025 mm

# Pillow Block - Standard Series

## Low Base to Center Height Equal to Timken VAK

This Ketchie standard series pillow block has a low-base-to center height dimension to make it interchangeable with certain other competitive designs.

These units are equipped with a standard series extended inner ring bearing with integral seals and eccentric locking collar.



**TO ORDER, SPECIFY KETCHIE OR COMPETITOR'S PART NUMBER**

Ketchie	Equals Timken	Shaft Diam.													Bolt Size	Bearing Number	Approx. Unit Wt.
			A	B	C	D	E	F	G	H	J	K	N	S			
		in. mm	in. mm	in. mm	in. mm	in. mm	in. mm	in. mm	in. mm	in. mm	in. mm	in. mm	in. mm	in. mm	in. mm	in. mm	lbs.
KH-4100-10A KH-4100-11A KH-4100-12A KH-4100-13A	VAK	1/2 9/16 5/8 17	1 1/16 26.99	2 1/8 53.2	1 15/32 28.6	3 5/8 92.1	4 7/8 123.8	1 4/32 30.2	3/8 8.7	7/16 11.1	7/8 22.2	1 1/64 28.6	59/64 22.2	39/364 15.1	3/8 10	GSEE008CCS GSEE009CCS GSEE010CCS GSEE17CCS	1.25
KH-4101-10A KH-4101-11A	VAK	3/4 20	1 1/4 31.75	2 15/32 62.7	1 23/32 31.0	3 25/32 96.0	5 127.0	1 11/32 31.8	15/32 11.9	7/16 11.1	25/32 19.8	1 19/64 33.3	1 3/64 23.4	43/64 15.9	3/8 10	GSEE012CCS GSEE20CCS	1.50
KH-4102-10A KH-4102-11A KH-4102-12A KH-4102-13A KH-4102-14A	VAK	13/16 7/8 15/16 1 25	1 5/16 33.34	2 23/32 68.3	1 3/4 31.0	4 1/8 104.8	5 1/2 139.7	1 13/32 35.7	1/2 11.9	7/16 11.1	13/16 20.6	1 31/64 38.1	1 1/16 23.4	45/64 17.9	3/8 10	GSEE013CCS GSEE014CCS GSEE015CCS GSEE100CCS GSEE25CCS	2.00
KH-4103-10A KH-4103-11A KH-4103-12A KH-4103-13A KH-4103-14A	VAK	1 1/16 1 1/8 1 3/16 1 1/4 S 30	1 9/16 39.69	3 3/16 80.2	1 29/32 35.7	4 5/8 117.5	6 3/16 157.2	1 3/4 39.7	9/16 13.5	9/16 14.3	15/16 23.8	1 47/64 44.1	1 3/16 27.0	7/8 19.9	1/2 12	GSEE101CCS GSEE102CCS GSEE103CCS GSEE104CCS GSEE30CCS	3.00
KH-4104-10A KH-4104-11A KH-4104-12A KH-4104-13A KH-4104-14A	VAK	1 1/4 1 5/16 1 5/8 1 7/16 35	1 13/16 46.04	3 21/32 92.1	2 1/64 38.9	5 130.2	6 3/4 166.7	1 7/8 45.2	1 1/16 16.7	9/16 14.3	7/8 24.6	2 7/64 54.0	1 9/32 29.4	15/16 22.7	1/2 12	GSEE104CCS GSEE105CCS GSEE106CCS GSEE107CCS GSEE35CCS	3.75
KH-4105-10A KH-4105-11A KH-4105-12A	VAK	1 1/2 1 9/16 40	1 15/16 49.21	3 15/16 100.0	2 7/32 43.7	5 3/8 136.5	7 1/8 179.4	1 15/16 47.6	3/4 19.0	9/16 14.3	1 26.2	2 23/64 60.3	1 3/8 32.5	31/32 23.8	1/2 12	GSEE108CCS GSEE109CCS GSEE40CCS	4.75
KH-4106-10A KH-4106-11A KH-4107-12A KH-4106-13A	VAK	1 5/8 1 11/16 1 3/4 45	2 1/16 52.39	4 5/32 104.8	2 7/32 43.7	5 23/32 149.2	7 3/8 191.3	2 50.8	23/32 17.5	9/16 14.3	29/32 28.6	2 31/64 63.5	1 3/8 32.5	1 25.4	1/2 12	GSEE110CCS GSEE111CCS GSEE112CCS GSEE45CCS	5.25
KH-4107-10A KH-4107-11A KH-4107-12A KH-4107-13A KH-4107-14A	VAK	1 13/16 1 7/8 1 15/16 2 S 50	2 3/16 55.56	4 15/32 112.7	2 15/32 43.7	6 3/16 158.0	8 200.0	2 3/16 55.6	23/26 17.5	1 1/16 17.5	15/16 23.8	2 47/64 69.8	1 1/2 32.5	1 3/32 27.8	5/8 16	GSEE113CCS GSEE114CCS GSEE115CCS GSEE115CCS3 GSEE50CCS	6.25
KH-4108-10A KH-4108-11A KH-4108-12A KH-4108-13A KH-4108-14A	VAK	2 2 1/16 2 1/8 2 3/16 55	2 7/16 61.91	4 29/32 124.6	2 13/16 48.4	6 15/16 176.2	8 13/16 222.3	2 5/16 58.7	3/4 19.0	1 1/8 18.3	2 63/64 29.4	3 76.2	1 23/32 36.5	1 5/32 29.4	5/8 16	GSEE200CCS GSEE201CCS GSEE202CCS GSEE203CCS GSEE55CCS	7.50

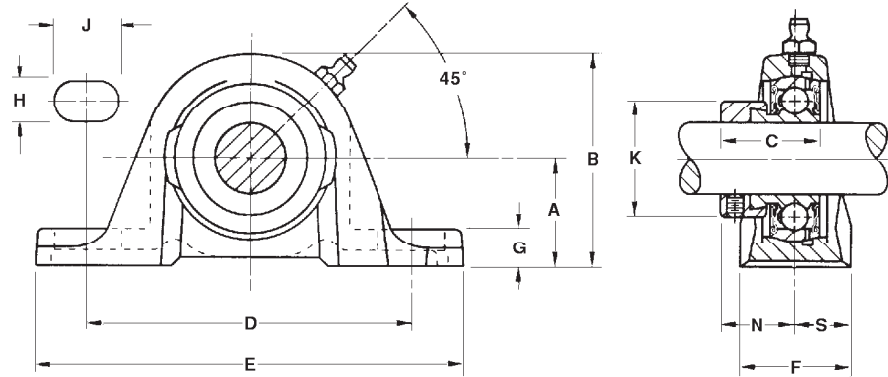
Recommended shaft tolerances: 1/2" - 1 15/16", nominal to - .0005", - .013 mm;  
2" - 2 15/16", nominal to - .0010", - .025 mm

# Pillow Block - Standard Series

## Low Base to Center Height Equal to Timken YAK

This Ketchie standard series pillow block has a low-base-to center height dimension to make it interchangeable with certain other competitive designs.

These units are equipped with a standard series extended inner ring bearing with integral seals and set screw locking collar.



**TO ORDER, SPECIFY KETCHIE OR COMPETITOR'S PART NUMBER**

Ketchie	Equals Timken	Shaft Diam.	A		B		C		D		E		F		G		H		J		K		N		S		Bolt Size	Bearing Number	Approx. Unit Wt.
			in.	mm	in.	mm	in.	mm	in.	mm	in.	mm	in.	mm	in.	mm	in.	mm	in.	mm	in.	mm	in.	mm	in.	mm			
KH-4621-10A KH-4621-11A KH-4621-12A KH-4621-13A	YAK	1/2 9/16 5/8 17	1 1/16	26.99	2 1/8	53.2	1 15/32	28.6	3 5/8	92.1	4 7/8	123.8	1 4/32	30.2	3/8	8.7	7/16	11.1	7/8	22.2	17/64	28.6	59/64	22.2	39/364	15.1	10	GSWS008CCS GSWS009CCS GSWS010CCS GSWS17CCS	1.25
KH-4622-10A KH-4622-11A	YAK	3/4 20	1 1/4	31.75	2 15/32	62.7	1 23/32	31.0	3 25/32	96.0	5	127.0	1 11/32	31.8	15/32	11.9	7/16	11.1	25/32	19.8	1 19/64	33.3	1 3/64	23.4	43/64	15.9	10	GSWS012CCS GSWS20CCS	1.50
KH-4623-10A KH-4623-11A KH-4623-12A KH-4623-13A KH-4623-14A	YAK	13/16 7/8 15/16 1 25	1 5/16	33.34	2 23/32	68.3	1 3/4	31.0	4 1/8	104.8	5 1/2	139.7	1 13/32	35.7	1/2	11.9	7/16	11.1	13/16	20.6	1 31/64	38.1	1 1/16	23.4	45/64	17.9	10	GSWS013CCS GSWS014CCS GSWS015CCS GSWS100CCS GSWS25CCS	2.00
KH-4624-10A KH-4624-11A KH-4624-12A KH-4624-13A KH-4624-14A	YAK	1 1/16 1 1/8 1 3/16 1 1/4 S 30	1 9/16	39.69	3 3/16	80.2	1 29/32	35.7	4 5/8	117.5	6 3/16	157.2	1 3/4	39.7	9/16	13.5	9/16	14.3	15/16	23.8	1 47/64	44.1	1 3/16	27.0	7/8	12	GSWS101CCS GSWS102CCS GSWS103CCS GSWS104CCS GSWS30CCS	3.00	
KH-4625-10A KH-4625-11A KH-4625-12A KH-4625-13A KH-4625-14A	YAK	1 1/4 1 5/16 1 5/8 1 7/16 35	1 13/16	46.04	3 21/32	92.1	2 1/64	38.9	5	130.2	6 3/4	166.7	1 7/8	45.2	1 1/16	16.7	9/16	14.3	7/8	24.6	2 7/64	54.0	1 9/32	29.4	15/16	12	GSWS104CCS GSWS105CCS GSWS106CCS GSWS107CCS GSWS35CCS	3.75	
KH-4626-10A KH-4626-11A KH-4626-12A	YAK	1 1/2 1 9/16 40	1 15/16	49.21	3 15/16	100.0	2 7/32	43.7	5 3/8	136.5	7 1/8	179.4	1 15/16	47.6	3/4	19.0	9/16	14.3	1	2 23/64	60.3	1 3/8	32.5	31/32	23.8	12	GSWS108CCS GSWS109CCS GSWS40CCS	4.75	
KH-4627-10A KH-4627-11A KH-4627-12A KH-4627-13A	YAK	1 5/8 1 11/16 1 3/4 45	2 1/16	52.39	4 5/32	104.8	2 7/32	43.7	5 23/32	149.2	7 3/8	191.3	2	50.8	23/32	17.5	9/16	14.3	29/32	28.6	2 31/64	63.5	1 3/8	32.5	1	25.4	12	GSWS110CCS GSWS111CCS GSWS112CCS GSWS45CCS	5.25
KH-4628-10A KH-4628-11A KH-4628-12A KH-4628-13A KH-4628-14A	YAK	1 13/16 1 7/8 1 15/16 2 S 50	2 3/16	55.56	4 15/32	112.7	2 15/32	43.7	6 3/16	158.0	8	200.0	2 3/16	55.6	23/26	17.5	1 1/16	17.5	15/16	23.8	2 47/64	69.8	1 1/2	32.5	1 3/32	27.8	16	GSWS113CCS GSWS114CCS GSWS115CCS GSWS115CCS3 GSWS50CCS	6.25
KH-4629-10A KH-4629-11A KH-4629-12A KH-4629-13A KH-4629-14A	YAK	2 2 1/16 2 1/8 2 3/16 55	2 7/16	61.91	4 29/32	124.6	2 13/16	48.4	6 15/16	176.2	8 13/16	222.3	2 5/16	58.7	3/4	19.0	1 1/8	18.3	2 63/64	29.4	3	76.2	1 23/32	36.5	1 5/32	29.4	16	GSWS200CCS GSWS201CCS GSWS202CCS GSWS203CCS GSWS55CCS	7.50

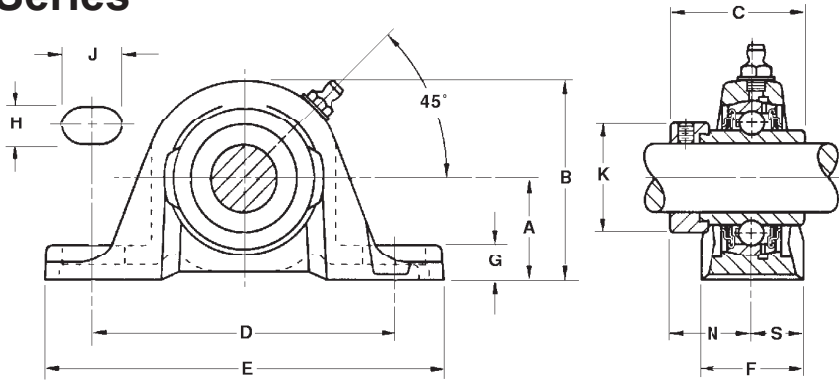
Recommended shaft tolerances: 1/2" - 1 15/16", nominal to - .0005", - .013 mm;  
2" - 2 15/16", nominal to - .0010", - .025 mm

# Pillow Block - Standard Series

**High Base to Center Height  
Equal to Timken RAS**

This Ketchie standard series pillow block has a high base to center height dimension to make it interchangeable with certain other competitive designs.

These units are equipped with a standard series wide inner bearing with integral seals and eccentric locking collar.



**TO ORDER, SPECIFY KETCHIE OR COMPETITOR'S PART NUMBER**

Ketchie	Equal to Timken	Shaft Diam.	A	B	C	D	E	F	G	H	J	K	N	S	Bolt Size	Bearing Number	Approx. Unit Wt.
		in. mm	in. mm	in. mm	in. mm	in. mm	in. mm	in. mm	in. mm	in. mm	in. mm	in. mm	in. mm	in. mm	in. mm		lbs.
KH-1321-10A KH-1321-12A	RAS	1/2 5/8	1 3/16 30.16	2 7/32 52.1	1 15/32 37.3	3 5/8 92.1	4 7/8 123.8	1 7/32 30.2	1 5/32 11.9	7/16 11.1	7/8 22.2	1 7/64 28.6	59/64 23.4	39/64 15.1	3/8 10	GSWE008CCS GSWE010CCS	1.50
KH-1321-14A		17														GSWE017CCS	
KH-1322-10A KH-1322-11A	RAS	3/4 20	1 5/16 33.34	2 11/32 55.1	1 23/32 43.7	3 25/32 96.0	5 127.0	1 11/32 31.8	1 9/32 13.5	7/16 11.1	1 3/16 19.8	1 31/64 33.3	1 1/16 26.6	45/64 15.9	3/8 10	GSWE012CCS GSWE20CCS	1.75
KH-1323-11A KH-1323-12A KH-1323-13A KH-1323-14A	RAS	7/8 15/16 1 25	1 7/16 36.51	2 13/16 71.4	1 3/4 44.4	4 1/8 104.8	5 1/2 139.7	1 13/32 35.7	1 9/32 15.1	7/16 11.1	1 3/16 20.6	1 31/64 38.1	1 1/16 27.0	45/64 17.9	3/8 10	GSWE014CCS GSWE015CCS GSWE100CCS GSWE25CCS	2.00
KH-1324-10A KH-1324-11A KH-1324-12A KH-1324-13A	RAS	1 1/16 1 1/8 1 3/16 30	1 11/16 42.86	3 9/16 84.1	1 29/32 48.4	4 5/8 117.5	6 3/16 157.2	1 3/4 39.7	2 1/32 16.7	9/16 14.3	1 5/16 23.8	1 43/64 44.4	1 3/16 30.2	7/8 19.9	1/2 12	GSWE101CCS GSWE102CCS GSWE103CCS GSWE30CCS	3.00
KH-1325-10A KH-1325-11A KH-1325-12A KH-1325-13A KH-1325-14A	RAS	1 1/4 1 5/16 1 3/8 1 7/16 35	1 7/8 47.62	3 11/16 93.7	2 1/64 51.2	5 122.0	6 3/4 171.4	1 2/8 45.2	2 3/32 18.3	9/16 14.3	7/8 24.6	2 7/64 54.0	1 9/32 32.5	1 5/16 22.7	1/2 12	GSWE104CCS GSWE105CCS GSWE106CCS GSWE107CCS GSWE35CCS	4.00
KH-1326-10A KH-1326-11A KH-1326-12A	RAS	1 1/2 1 9/16 40	1 15/16 49.21	3 15/16 100.0	2 7/32 56.4	5 3/8 136.5	7 1/8 181.0	1 15/16 47.6	3/4 19.0	9/16 14.3	1 26.2	2 23/64 60.3	1 3/8 34.9	3 1/32 23.8	1/2 12	GSWE108CCS GSWE109CCS GSWE40CCS	5.00
KH-1327-10A KH-1327-11A KH-1327-12A KH-1327-13A	RAS	1 5/8 1 11/16 1 3/4 45	2 1/8 53.98	4 3/16 106.4	2 7/32 56.4	5 2 1/32 143.7	7 3/8 187.3	2 50.8	3/4 19.0	9/16 14.3	29/32 28.6	2 31/64 63.5	1 3/8 34.9	1 25.4	1/2 12	GSWE110CCS GSWE111CCS GSWE112CCS GSWE45CCS	5.50
KH-1328-11A KH-1328-12A KH-1328-13A	RAS	1 7/8 1 15/16 50	2 1/4 57.15	4 1/2 114.3	2 15/16 62.7	6 3/16 157.2	8 203.2	2 3/16 55.6	3/4 19.0	1 1/16 17.5	1 5/16 29.4	2 47/64 69.8	1 1/2 38.1	1 3/32 27.8	5/8 16	GSWE114CCS GSWE115CCS GSWE50CCS	6.75
KH-1329-10A		2														GSWE200CCS	
KH-1329-12A KH-1329-13A KH-1329-14A	RAS	2 1/8 2 3/16 55	2 1/2 63.50	4 3 1/32 127.0	2 13/16 71.4	6 15/16 476.2	8 13/16 223.8	2 5/16 58.7	1 3/16 20.6	1 1/16 17.5	1 1/8 29.4	2 63/64 76.2	1 23/32 43.7	1 5/32 29.4	5/8 16	GSWE202CCS GSWE203CCS GSWE55CCS	8.75
KH-1330-10A		2 1/4														GSWE204CCS	
KH-1330-12A KH-1330-13A KH-1330-14A	RAS	2 3/8 2 7/16 60	2 3/4 69.85	5 15/32 139.7	3 1/16 77.8	7 13/32 188.1	9 1/2 241.3	2 1/2 60.3	1 5/16 23.8	1 1/16 17.5	1 5/32 29.4	3 19/64 84.1	1 27/32 46.8	1 1/4 30.2	5/8 16	GSWE206CCS GSWE207CCS GSWE60CCS	12.25
KH-1331-10A KH-1331-11A	RAS	2 15/16 75	3 1/4 82.55	6 15/32 165.1	3 5/8 92.1	8 1/2 212.2	10 5/8 269.9	2 3/4 69.9	1 25.4	7/8 22.2	1 1/4 31.8	4 101.6	2 5/32 54.8	1 3/8 34.9	3/4 20	GSWE215CCS GSWE75CCS	20.00

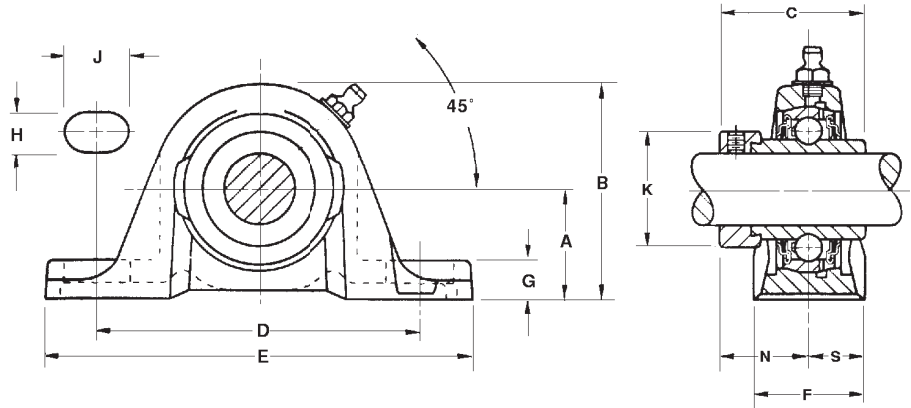
Recommended shaft tolerances: 1/2" - 1 15/16", nominal to - .0005", - .013 mm;  
2" - 2 15/16", nominal to - .0010", - .025 mm

# Pillow Block - Standard Series - High Temperature

High Base to Center Height  
Equal to Timken LAS

This Ketchie standard series, high temperature pillow block features a higher base to center height dimension. This unit is for applications where operating temperature exceeds 250°.

These units use a standard series, wide inner ring bearing with an eccentric locking collar, high temperature seals and high temperature grease. These units can be operated up to 425° F.



**TO ORDER, SPECIFY KETCHIE OR COMPETITOR'S PART NUMBER**

Ketchie	Equal to Timken	Shaft Diam.	A	B	C	D	E	F	G	H	J	K	N	S	Bolt Size	Bearing Number	Approx. Unit Wt.
		in.	in.	in.	in.	in.	in.	in.	in.	in.	in.	in.	in.	in.	in.		lbs.
			mm	mm	mm	mm	mm	mm	mm	mm	mm	mm	mm	mm	mm		
<b>KH-1322-0-10A</b>	LAS	3/4	1 <sup>15</sup> / <sub>16</sub> 33.34	2 <sup>17</sup> / <sub>32</sub> 64.3	1 <sup>23</sup> / <sub>32</sub> 43.7	3 <sup>25</sup> / <sub>32</sub> 96.0	5 127.0	1 <sup>11</sup> / <sub>32</sub> 31.8	1 <sup>9</sup> / <sub>32</sub> 13.5	7/16 11.1	1 <sup>3</sup> / <sub>16</sub> 19.8	1 <sup>31</sup> / <sub>64</sub> 33.3	1 <sup>3</sup> / <sub>64</sub> 26.6	5/8 15.9	3/8 10	<b>GSWE012HHS</b>	1.75
<b>KH-1323-0-13A</b>	LAS	1	1 <sup>7</sup> / <sub>16</sub> 36.51	2 <sup>13</sup> / <sub>16</sub> 71.4	1 <sup>3</sup> / <sub>4</sub> 44.4	4 <sup>1</sup> / <sub>8</sub> 104.8	5 <sup>1</sup> / <sub>2</sub> 139.7	1 <sup>13</sup> / <sub>32</sub> 35.7	1 <sup>9</sup> / <sub>32</sub> 15.1	7/16 11.1	1 <sup>3</sup> / <sub>16</sub> 20.6	1 <sup>31</sup> / <sub>64</sub> 38.1	1 <sup>1</sup> / <sub>16</sub> 27.0	4 <sup>5</sup> / <sub>64</sub> 17.9	3/8 10	<b>GSWE100HHS</b>	2.00
<b>KH-1324-0-12A</b>	LAS	1 <sup>3</sup> / <sub>16</sub>	1 <sup>11</sup> / <sub>16</sub> 42.86	3 <sup>9</sup> / <sub>32</sub> 83.3	1 <sup>29</sup> / <sub>32</sub> 48.4	4 <sup>5</sup> / <sub>8</sub> 117.5	6 <sup>3</sup> / <sub>16</sub> 157.2	1 <sup>3</sup> / <sub>4</sub> 39.7	2 <sup>1</sup> / <sub>32</sub> 16.7	9/16 14.3	1 <sup>5</sup> / <sub>16</sub> 23.8	1 <sup>47</sup> / <sub>64</sub> 44.1	1 <sup>3</sup> / <sub>16</sub> 30.2	2 <sup>5</sup> / <sub>32</sub> 19.9	1/2 12	<b>GSWE103HHS</b>	3.00
<b>KH-1325-0-10A</b>	LAS	1 <sup>1</sup> / <sub>4</sub>	1 <sup>7</sup> / <sub>8</sub> 47.62	3 <sup>11</sup> / <sub>16</sub> 93.7	2 <sup>1</sup> / <sub>64</sub> 51.2	5 130.2	6 <sup>3</sup> / <sub>4</sub> 166.7	1 <sup>7</sup> / <sub>8</sub> 45.2	2 <sup>3</sup> / <sub>32</sub> 18.3	9/16 14.3	7/8 24.6	2 <sup>7</sup> / <sub>64</sub> 54.0	1 <sup>9</sup> / <sub>32</sub> 32.5	5 <sup>7</sup> / <sub>64</sub> 22.7	1/2 12	<b>GSWE104HHS</b>	4.00
<b>KH-1325-0-13A</b>	LAS	1 <sup>7</sup> / <sub>16</sub>	1 <sup>7</sup> / <sub>8</sub> 47.62	3 <sup>11</sup> / <sub>16</sub> 93.7	2 <sup>1</sup> / <sub>64</sub> 51.2	5 130.2	6 <sup>3</sup> / <sub>4</sub> 166.7	1 <sup>7</sup> / <sub>8</sub> 45.2	2 <sup>3</sup> / <sub>32</sub> 18.3	9/16 14.3	7/8 24.6	2 <sup>7</sup> / <sub>64</sub> 54.0	1 <sup>9</sup> / <sub>32</sub> 32.5	5 <sup>7</sup> / <sub>64</sub> 22.7	1/2 12	<b>GSWE107HHS</b>	4.00
<b>KH-1326-0-10A</b>	LAS	1 <sup>1</sup> / <sub>2</sub>	1 <sup>15</sup> / <sub>16</sub> 49.21	3 <sup>15</sup> / <sub>16</sub> 100.0	2 <sup>7</sup> / <sub>32</sub> 56.4	5 <sup>3</sup> / <sub>8</sub> 136.5	7 <sup>1</sup> / <sub>8</sub> 179.4	1 <sup>15</sup> / <sub>16</sub> 47.6	3/4 19.0	9/16 14.3	1 26.2	2 <sup>23</sup> / <sub>64</sub> 60.3	1 <sup>3</sup> / <sub>8</sub> 34.9	1 <sup>5</sup> / <sub>16</sub> 23.8	1/2 12	<b>GSWE108HHS</b>	5.00
<b>KH-1327-0-11A</b>	LAS	1 <sup>11</sup> / <sub>16</sub>	2 <sup>1</sup> / <sub>8</sub> 53.98	4 <sup>3</sup> / <sub>16</sub> 106.4	2 <sup>7</sup> / <sub>32</sub> 56.4	5 <sup>21</sup> / <sub>32</sub> 149.2	7 <sup>3</sup> / <sub>8</sub> 191.3	2 50.8	3/4 19.0	9/16 14.3	2 <sup>9</sup> / <sub>32</sub> 28.6	2 <sup>31</sup> / <sub>64</sub> 63.5	1 <sup>3</sup> / <sub>8</sub> 34.9	1 25.4	1/2 12	<b>GSWE111HHS</b> <b>GSWE112HHS</b>	5.50
<b>KH-1327-0-12A</b>	LAS	1 <sup>3</sup> / <sub>4</sub>	2 <sup>1</sup> / <sub>8</sub> 53.98	4 <sup>3</sup> / <sub>16</sub> 106.4	2 <sup>7</sup> / <sub>32</sub> 56.4	5 <sup>21</sup> / <sub>32</sub> 149.2	7 <sup>3</sup> / <sub>8</sub> 191.3	2 50.8	3/4 19.0	9/16 14.3	2 <sup>9</sup> / <sub>32</sub> 28.6	2 <sup>31</sup> / <sub>64</sub> 63.5	1 <sup>3</sup> / <sub>8</sub> 34.9	1 25.4	1/2 12	<b>GSWE111HHS</b> <b>GSWE112HHS</b>	5.50
<b>KH-1328-0-12A</b>	LAS	1 <sup>5</sup> / <sub>16</sub>	2 <sup>1</sup> / <sub>4</sub> 57.15	4 <sup>1</sup> / <sub>2</sub> 114.3	2 <sup>15</sup> / <sub>16</sub> 62.7	6 <sup>3</sup> / <sub>16</sub> 158.0	8 200.0	2 <sup>3</sup> / <sub>16</sub> 55.6	3/4 19.0	1 <sup>1</sup> / <sub>16</sub> 17.5	1 <sup>5</sup> / <sub>16</sub> 29.4	2 <sup>47</sup> / <sub>64</sub> 69.8	1 <sup>1</sup> / <sub>2</sub> 38.1	1 <sup>13</sup> / <sub>32</sub> 27.8	5/8 16	<b>GSWE115HHS</b>	7.00
<b>KH-1329-0-13A</b>	LAS	2 <sup>3</sup> / <sub>16</sub>	2 <sup>1</sup> / <sub>2</sub> 63.50	4 <sup>31</sup> / <sub>32</sub> 126.2	2 <sup>13</sup> / <sub>16</sub> 71.4	6 <sup>15</sup> / <sub>16</sub> 476.2	8 <sup>13</sup> / <sub>16</sub> 222.3	2 <sup>5</sup> / <sub>16</sub> 58.7	1 <sup>3</sup> / <sub>16</sub> 20.6	1 <sup>1</sup> / <sub>16</sub> 17.5	1 <sup>1</sup> / <sub>8</sub> 29.4	2 <sup>63</sup> / <sub>64</sub> 76.2	1 <sup>23</sup> / <sub>32</sub> 43.7	1 <sup>5</sup> / <sub>32</sub> 29.4	5/8 16	<b>GSWE203HHS</b>	9.00
<b>KH-1330-0-13A</b>	LAS	2 <sup>7</sup> / <sub>16</sub>	2 <sup>3</sup> / <sub>4</sub> 69.85	5 <sup>15</sup> / <sub>32</sub> 138.9	3 <sup>1</sup> / <sub>16</sub> 77.8	7 <sup>13</sup> / <sub>32</sub> 188.1	9 <sup>1</sup> / <sub>2</sub> 139.7	2 <sup>1</sup> / <sub>2</sub> 60.3	1 <sup>5</sup> / <sub>16</sub> 23.8	1 <sup>1</sup> / <sub>16</sub> 17.5	1 <sup>5</sup> / <sub>32</sub> 29.4	3 <sup>19</sup> / <sub>64</sub> 84.1	1 <sup>27</sup> / <sub>32</sub> 46.8	1 <sup>13</sup> / <sub>16</sub> 30.2	5/8 16	<b>GSWE207HHS</b>	12.50

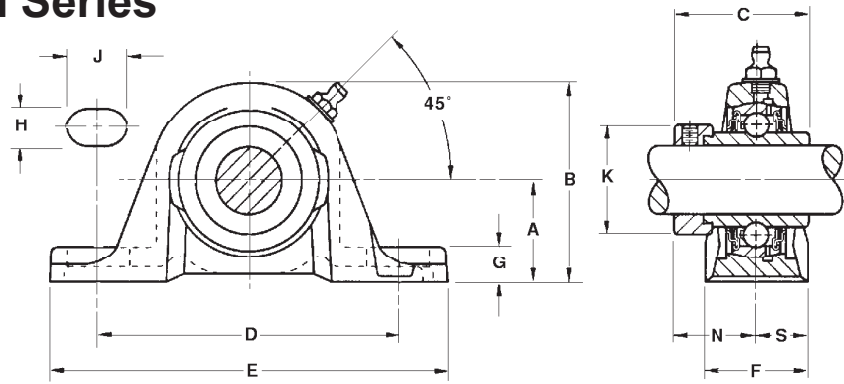
Recommended shaft tolerances: 1/2" - 1<sup>15</sup>/<sub>16</sub>", nominal to -.0005", -.013 mm;  
2" - 2<sup>15</sup>/<sub>16</sub>", nominal to -.0010", -.025 mm

# Pillow Block - Standard Series

High Base to Center Height  
Equal to Timken TAS

This Ketchie standard series pillow block features a high base to center height dimension.

These units use a standard series, wide inner bearing with integral seals and eccentric locking collar and a one piece Triple-Lip Seal for better performance.



TO ORDER, SPECIFY KETCHIE OR COMPETITOR'S PART NUMBER

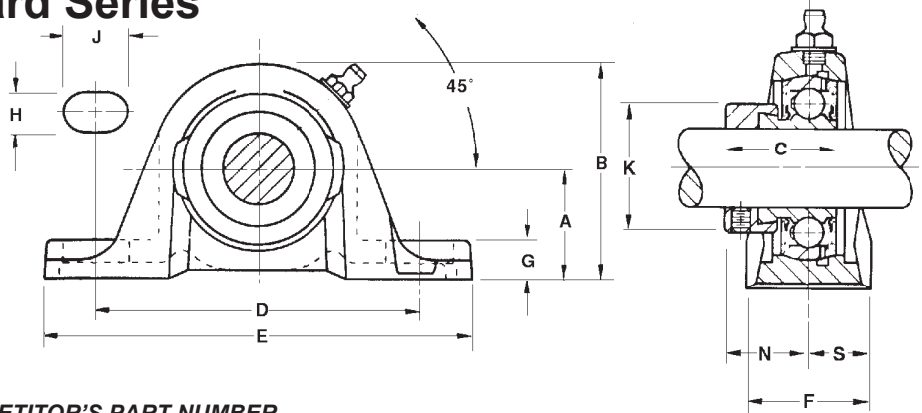
Ketchie	Equal to Timken	Shaft Diam.	A	B	C	D	E	F	G	H	J	K	N	S	Bolt Size	Bearing Number	Approx. Unit Wt.
		in.	in.	in.	in.	in.	in.	in.	in.	in.	in.	in.	in.	in.	in.		lbs.
			mm	mm	mm	mm	mm	mm	mm	mm	mm	mm	mm	mm	mm		
KH-4207-13A	TAS	1	1 7/16 36.51	2 13/16 71.4	1 3/4 44.4	4 1/8 104.8	5 1/2 139.7	1 13/32 35.7	19/32 15.1	7/16 11.1	13/16 20.6	1 31/64 38.1	1 1/16 27.0	45/64 17.9	3/8 10	GSWE100TTS	2.00
KH-4208-11A KH-4208-12A KH-4208-13A	TAS	1 1/8 1 3/16 1 1/4 S	1 11/16 42.86	3 9/32 83.3	1 29/32 48.4	4 5/8 117.5	6 3/16 157.2	1 3/4 39.7	2 1/32 16.7	9/16 14.3	15/16 23.8	1 47/64 44.1	1 3/16 30.2	25/32 19.9	1/2 12	GSWE102TTS GSWE103TTS GSWE103TTS3	3.00
KH-4209-10A KH-4209-12A KH-4209-13A	TAS	1 1/4 1 3/8 1 7/16	1 7/8 47.62	3 11/16 93.7	2 1/64 51.2	5 130.2	6 3/4 166.7	1 7/8 45.2	23/32 18.3	9/16 14.3	7/8 24.6	2 7/64 54.0	1 9/32 32.5	57/64 22.7	1/2 12	GSWE104TTS GSWE106TTS GSWE107TTS	4.00
KH-4210-10A	TAS	1 1/2	1 15/16 49.21	3 15/16 100.0	2 7/32 56.4	5 3/8 136.5	7 1/8 179.4	1 15/16 47.6	3/4 19.0	9/16 14.3	1 26.2	2 23/64 60.3	1 3/8 34.9	15/16 23.8	1/2 12	GSWE108TTS	5.00
KH-4211-11A KH-4211-12A	TAS	1 11/16 1 3/4	2 1/8 53.98	4 3/16 106.4	2 7/32 56.4	5 21/32 149.2	7 3/8 191.3	2 50.8	3/4 19.0	9/16 14.3	29/32 28.6	2 31/64 63.5	1 3/8 34.9	1 25.4	1/2 12	GSWE111TTS GSWE112TTS	5.50
KH-4212-12A	TAS	1 15/16	2 1/4 57.15	4 1/2 114.3	2 15/16 62.7	6 3/16 158.0	8 200.0	2 3/16 55.6	3/4 19.0	1 1/16 17.5	15/16 29.4	2 47/64 69.8	1 1/2 38.1	1 3/32 27.8	5/8 16	GSWE115TTS	7.00
KH-4213-10A KH-4213-13A	TAS	2 2 3/16	2 1/2 63.50	4 31/32 126.2	2 13/16 71.4	6 15/16 476.2	8 13/16 222.3	2 5/16 58.7	13/16 20.6	23/32 18.3	1 1/8 29.4	2 63/64 76.2	1 23/32 43.7	1 5/32 29.4	5/8 16	GSWE200TTS GSWE203TTS	9.00

Recommended shaft tolerances: 1/2" - 1 15/16", nominal to -.0005", -.013 mm;  
2" - 2 15/16", nominal to -.0010", -.025 mm

# Pillow Block - Standard Series

High Base to Center Height Equal to Timken VAS and Seal Master VP-E

This Ketchie standard series pillow block features a higher base to center height dimension. These units use a standard series, extended inner ring bearing and eccentric locking collar.



TO ORDER, SPECIFY KETCHIE OR COMPETITOR'S PART NUMBER

Ketchie	Equal to		Shaft	A	B	C	D	E	F	G	H	J	K	N	S	Bolt Size	Bearing Number	Approx. Unit Wt.
	Timken	S.Master																
			in. mm	in. mm	in. mm	in. mm	in. mm	in. mm	in. mm	in. mm	in. mm	in. mm	in. mm	in. mm	in. mm	in. mm		lbs.
KH-4109-10A KH-4109-11A KH-4109-12A KH-4109-13A	VAS	VP-E	1/2 9/16 5/8 17	13/16 30.16	2 7/32 56.4	1 15/32 37.3	3 5/8 92.1	4 7/8 123.8	1 7/32 30.2	1 5/32 11.9	7/16 11.1	7/8 22.2	1 7/64 28.6	7/8 22.2	19/32 15.1	3/8 10	GSEE008CCS GSEE009CCS GSEE010CCS GSEE017CCS	1.25
KH-4110-10A KH-4110-11A	VAS	VP-E	3/4 20	1 5/16 33.34	2 17/32 64.3	1 23/32 43.7	3 25/32 96.0	5 127.0	1 11/32 31.8	19/32 13.5	7/16 11.1	1 1/16 19.8	1 21/64 33.3	59/64 23.4	5/8 15.9	3/8 10	GSEE012CCS GSEE20CCS	1.50
KH-4111-10A KH-4111-11A KH-4111-12A KH-4111-13A KH-4111-14A	VAS	VP-E	9/16 7/8 15/16 1 25	1 7/16 36.51	2 13/16 71.4	1 3/4 44.4	4 1/8 104.8	5 1/2 139.7	1 13/32 35.7	19/32 15.1	7/16 11.1	1 3/16 20.6	1 31/64 38.1	59/64 23.4	45/64 17.9	3/8 10	GSEE013CCS GSEE014CCS GSEE015CCS GSEE100CCS GSEE25CCS	1.75
KH-4112-10A KH-4112-11A KH-4112-12A KH-4112-13A KH-4112-14A	VAS	VP-E	1 1/16 1 1/8 1 3/16 1 1/4 S 30	1 11/16 42.86	3 9/32 83.3	1 29/32 35.7	4 5/8 117.5	6 3/16 157.2	1 3/4 39.7	2 1/32 16.7	9/16 14.3	1 5/16 23.8	1 47/64 44.1	1 1/16 27	2 5/32 19.9	1/2 12	GSEE101CCS GSEE102CCS GSEE103CCS GSEE103CCS3 GSEE30CCS	3.00
KH-4113-10A KH-4113-11A KH-4113-12A KH-4113-13A KH-4113-14A	VAS	VP-E	1 1/4 1 5/16 1 3/8 1 7/16 35	1 7/8 47.62	3 11/16 93.7	2 1/64 38.9	5 130.2	6 3/4 166.7	1 7/8 45.2	2 3/32 18.3	9/16 14.3	7/8 24.6	2 7/64 54.0	1 5/32 29.4	5 7/64 22.7	1/2 12	GSEE104CCS GSEE105CCS GSEE106CCS GSEE107CCS GSEE35CCS	3.75
KH-4114-10A KH-4114-11A KH-4114-12A	VAS	VP-E	1 1/2 1 9/16 40	1 15/16 49.21	3 15/16 100.0	2 7/32 43.7	5 3/8 136.5	7 1/8 179.4	1 15/16 47.6	3/4 19.0	9/16 14.3	1 26.2	2 23/64 60.3	1 9/32 32.5	1 5/16 23.8	1/2 12	GSEE108CCS GSEE109CCS GSEE40CCS	4.75
KH-4115-10A KH-4115-11A KH-4115-12A KH-4115-13A	VAS	VP-E	1 5/8 1 11/16 1 3/4 45	2 1/8 53.98	4 3/16 106.4	2 7/32 43.7	5 21/32 149.2	7 3/8 191.3	2 50.8	3/4 19.0	9/16 14.3	29/32 28.6	2 31/64 63.5	1 9/32 32.5	1 25.4	1/2 12	GSEE110CCS GSEE111CCS GSEE112CCS GSEE45CCS	5.25
KH-4116-10A KH-4116-11A KH-4116-12A KH-4116-13A KH-4116-14A	VAS	VP-E	1 13/16 1 7/8 1 15/16 2S 50	2 1/4 57.15	4 1/2 114.3	2 15/32 43.7	6 3/16 158.0	8 200.0	2 3/16 55.6	3/4 19.0	23/32 18.3	1 5/16 23.8	2 47/64 69.8	1 9/32 32.5	1 3/32 27.8	5/8 16	GSEE113CCS GSEE114CCS GSEE115CCS GSEE115CCS3 GSEE50CCS	6.25
KH-4117-10A KH-4117-11A KH-4117-12A KH-4117-13A KH-4117-14A	VAS	VP-E	2 2 1/16 2 1/8 2 3/16 55	2 1/2 63.50	4 31/32 126.2	2 13/16 48.4	6 15/16 476.2	8 13/16 222.3	2 5/16 58.7	1 3/16 20.6	23/32 18.3	1 1/8 29.4	2 63/64 76.2	1 7/16 36.5	1 5/32 29.4	5/8 16	GSEE200CCS GSEE201CCS GSEE202CCS GSEE203CCS GSEE55CCS	7.50

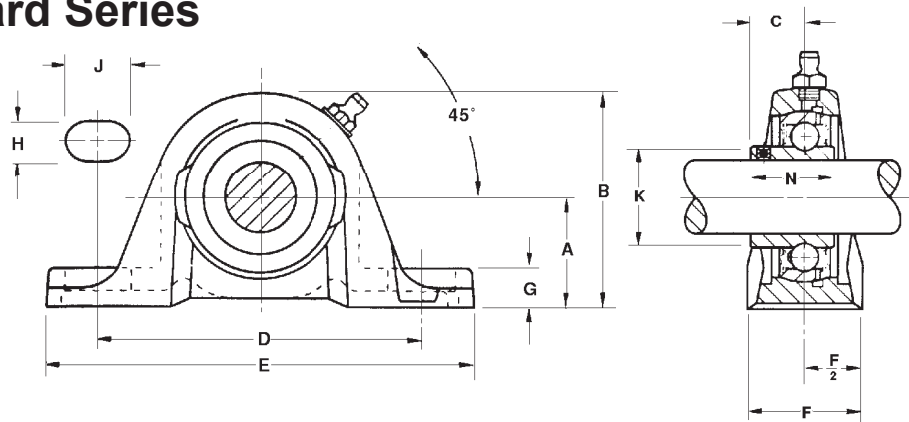
Recommended shaft tolerances: 1/2" - 1 15/16", nominal to -.0005", -.013 mm;  
2" - 2 15/16", nominal to -.0010", -.025 mm

# Pillow Block - Standard Series

**High Base to Center Height Equal to Timken YAS and SealMaster VP**

This Ketchie standard series pillow block features a higher base to center height dimension.

These units use a standard series wide inner ring bearing with a set screw lock.



**TO ORDER, SPECIFY KETCHIE OR COMPETITOR'S PART NUMBER**

Ketchie	Equals		Shaft Diam.	A	B	C	D	E	F	G	H	J	K	N	Bolt Size	Bearing Number	Approx. Unit Wt.
	Timken	Seal Master															
			in. mm	in. mm	in. mm	in. mm	in. mm	in. mm	in. mm	in. mm	in. mm	in. mm	in. mm	in. mm	in. mm		lbs.
KH-4642-10A KH-4642-11A	YAS	VP	3/4 20	1 5/16 33.34	2 17/32 64.3	2 3/32 18.3	3 25/32 96.0	5 127.0	1 1/4 31.8	1 7/32 13.5	7/16 11.1	2 5/32 19.8	1 9/64 29.0	1 1/16 27.0	3/8 10	GSWS012CCS GSWS20CCS	1.25
KH-4643-11A KH-4643-12A KH-4643-13A KH-4643-14A	YAS	VP	7/8 1 15/16 25	1 7/16 36.51	2 13/16 71.4	4 9/64 19.4	4 1/8 104.8	5 1/2 139.7	1 13/32 35.7	1 9/32 15.1	7/16 11.1	1 3/16 20.6	1 21/64 33.7	1 7/64 28.2	3/8 10	GSWS014CCS GSWS015CCS GSWS100CCS GSWS25CCS	1.75
KH-4644-11A KH-4644-12A KH-4644-13A KH-4644-14A	YAS	VP	1 1/8 1 3/16 1 1/4 S 30	1 11/16 42.86	3 9/32 83.3	2 9/32 23.0	4 5/8 117.5	6 3/16 157.2	1 3/4 39.7	2 1/32 16.7	9/16 14.3	1 5/16 23.8	1 37/64 40.1	1 9/32 32.5	1/2 12	GSWS102CCS GSWS103CCS GSWS103CCS3 GSWS30CCS	2.75
KH-4645-10A KH-4645-12A KH-4645-13A KH-4645-14A	YAS	VP	1 1/4 1 3/8 1 7/16 35	1 7/8 47.62	3 11/16 93.7	1 1/64 25.8	5 1/8 130.2	6 9/16 166.7	1 3/4 39.7	2 3/32 18.3	9/16 14.3	3 1/32 24.6	1 27/32 46.8	1 7/16 36.5	1/2 12	GSWS104CCS GSWS106CCS GSWS107CCS GSWS35CCS	3.50
KH-4646-10A KH-4646-12A	YAS	VP	1 1/2 40	1 15/16 49.21	3 15/16 100.0	1 3/32 27.8	5 3/8 136.5	7 1/16 179.4	1 15/16 47.6	3/4 19.0	9/16 14.3	1 1/32 26.2	2 1/16 52.4	1 35/64 39.3	1/2 12	GSWS108CCS GSWS40CCS	4.25
KH-4647-10A KH-4647-11A KH-4647-12A KH-4647-13A	YAS	VP	1 5/8 1 11/16 1 3/4 45	2 1/8 53.98	4 3/16 106.4	1 1/8 28.6	5 7/8 149.2	7 17/32 191.3	2 50.8	3/4 19.0	9/16 14.3	1 1/8 28.6	2 9/32 57.9	1 21/32 42.1	1/2 12	GSWS110CCS GSWS111CCS GSWS112CCS GSWS45CCS	4.75
KH-4648-12A KH-4648-13A KH-4648-14A	YAS	VP	1 15/16 2S 50	2 1/4 57.15	4 1/2 114.3	1 7/32 62.7	6 7/32 158.0	7 7/8 200.0	2 3/16 55.6	3/4 19.0	1 1/16 17.5	1 5/16 23.8	2 15/32 62.7	1 3/4 44.4	5/8 16	GSWS115CCS GSWS115CCS3 GSWS50CCS	5.75
KH-4649-10A KH-4649-13A KH-4649-14A	YAS	VP	2 2 3/16 55	2 1/2 63.50	4 31/32 126.2	1 1/4 71.4	6 15/16 476.2	8 3/4 222.3	2 5/16 58.7	1 3/16 20.6	2 3/32 18.3	1 5/32 29.4	2 3/4 69.8	1 53/64 46.4	5/8 16	GSWS200CCS GSWS203CCS GSWS55CCS	6.75
KH-4650-10A KH-4650-13A KH-4650-14A	YAS	VP	2 1/4 2 7/16 60	2 3/4 69.85	5 15/32 138.9	1 9/16 39.1	7 13/32 188.1	9 7/16 239.7	2 3/4 69.85	1 5/16 23.8	2 3/8 23.8	1 5/32 17.5	3 76.48	2 9/16 65.1	5/8 16	GSWS201CCS GSWS207CCS GSWS60CCS	12.5
KH-4651-13A	YAS	VP	2 15/16	3 1/4 82.55	6 15/32 164.3	1 3/4 44.4	8 1/2 215.9	10 9/8 269.9	3 1/8 79.38	1 25.4			3 5/8 91.92	3 1/16 77.8	3/4 20	GSWS215CCS	20

Recommended shaft tolerances: 1/2" - 1 15/16", nominal to - .0005", - .013 mm;

2" - 2 15/16", nominal to - .0010", - .025 mm

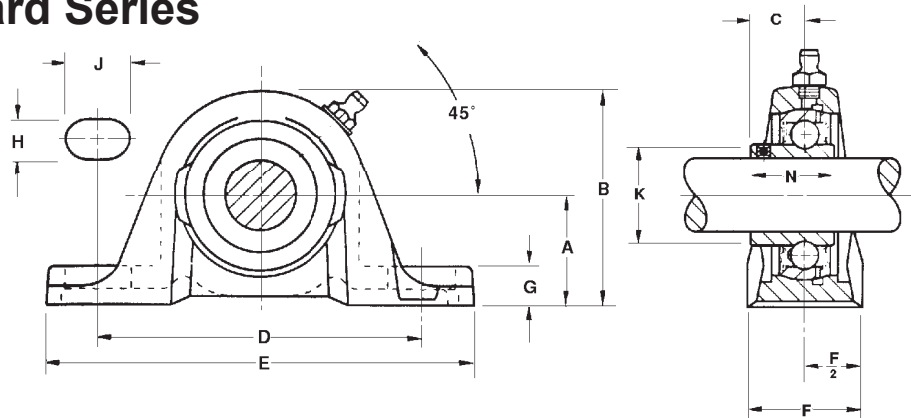


# Pillow Block - Standard Series

High Base to Center Height Equal to Timken SAS and SealMaster VP

This Ketchie standard series pillow block features a higher base to center height dimension.

These units use a standard series extended inner ring bearing with a set screw lock.



TO ORDER, SPECIFY KETCHIE OR COMPETITOR'S PART NUMBER

Ketchie	Equals Timken Seal Master	Shaft Diam.	A	B	C	D	E	F	G	H	J	K	N	Bolt Size	Bearing Number	Approx. Unit Wt.
			in. mm	in. mm	in. mm	in. mm	in. mm	in. mm	in. mm	in. mm	in. mm	in. mm	in. mm			
KH-4139-10A KH-4139-12A KH-4139-13A	SAS VP	1/2 5/8 17	1 3/16 30.16	2 7/32 56.4	5/8 15.9	3 5/8 92.1	4 7/8 123.8	1 3/16 30.2	1 5/32 11.9	7/16 11.1	7/8 22.2	3 1/32 24.6	1 5/16 23.8	3/8 10	GSES008CCS GSES010CCS GSES17CCS	1.25
KH-4140-10A KH-4140-11A	SAS VP	3/4 20	1 5/16 33.34	2 17/32 64.3	2 3/32 18.3	3 25/32 96.0	5 127.0	1 1/4 31.8	1 7/32 13.5	7/16 11.1	2 5/32 19.8	1 9/64 29.0	1 1/16 27.0	3/8 10	GSES012CCS GSES20CCS	1.50
KH-4141-11A KH-4141-12A KH-4141-13A KH-4141-14A	SAS VP	7/8 1 15/16 1 25	1 7/16 36.51	2 13/16 71.4	4 9/64 19.4	4 1/8 104.8	5 1/2 139.7	1 13/32 35.7	1 9/32 15.1	7/16 11.1	1 3/16 20.6	1 21/64 33.7	1 7/64 28.2	3/8 10	GSES014CCS GSES015CCS GSES100CCS GSES25CCS	1.75
KH-4142-11A KH-4142-12A KH-4142-13A KH-4142-14A	SAS VP	1 1/8 1 3/16 1 1/4 S 30	1 11/16 42.86	3 9/32 83.3	2 9/32 23.0	4 5/8 117.5	6 3/16 157.2	1 3/4 39.7	2 1/32 16.7	9/16 14.3	1 5/16 23.8	1 37/64 40.1	1 9/32 32.5	1/2 12	GSES102CCS GSES103CCS GSES103CCS3 GSES30CCS	2.75
KH-4143-10A KH-4143-12A KH-4143-13A KH-4143-14A	SAS VP	1 1/4 1 3/8 1 7/16 35	1 7/8 47.62	3 11/16 93.7	1 1/64 25.8	5 1/8 130.2	6 9/16 166.7	1 3/4 39.7	2 3/32 18.3	9/16 14.3	3 1/32 24.6	1 27/32 46.8	1 7/16 36.5	1/2 12	GSES104CCS GSES106CCS GSES107CCS GSES35CCS	3.50
KH-4144-10A KH-4144-12A	SAS VP	1 1/2 40	1 15/16 49.21	3 15/16 100.0	1 3/32 27.8	5 3/8 136.5	7 1/16 179.4	1 15/16 47.6	3/4 19.0	9/16 14.3	1 1/32 26.2	2 1/16 52.4	1 35/64 39.3	1/2 12	GSES108CCS GSES40CCS	4.25
KH-4145-10A KH-4145-11A KH-4145-12A KH-4145-13A	SAS VP	1 5/8 1 11/16 1 3/4 45	2 1/8 53.98	4 3/16 106.4	1 1/8 28.6	5 7/8 149.2	7 17/32 191.3	2 50.8	3/4 19.0	9/16 14.3	1 1/8 28.6	2 9/32 57.9	1 21/32 42.1	1/2 12	GSES110CCS GSES111CCS GSES112CCS GSES45CCS	4.75
KH-4146-12A KH-4146-13A KH-4146-14A	SAS VP	1 15/16 2S 50	2 1/4 57.15	4 1/2 114.3	1 7/32 62.7	6 7/32 158.0	7 7/8 200.0	2 3/16 55.6	3/4 19.0	1 1/16 18.3	1 5/16 23.8	2 15/32 62.7	1 3/4 44.4	5/8 16	GSES115CCS GSES115CCS3 GSES50CCS	5.75
KH-4147-10A KH-4147-13A KH-4147-14A	SAS VP	2 2 3/16 55	2 1/2 63.50	4 31/32 126.2	1 1/4 71.4	6 15/16 476.2	8 3/4 222.3	2 5/16 58.7	1 3/16 20.6	2 3/32 18.3	1 5/32 29.4	2 3/4 69.8	1 53/64 46.4	5/8 16	GSES200CCS GSES203CCS GSES55CCS	6.75

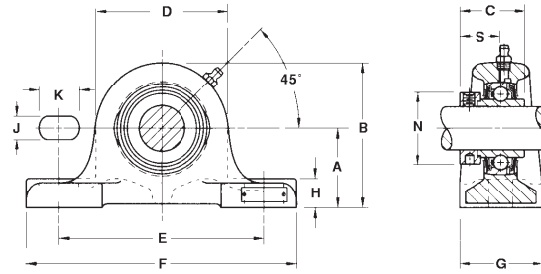
Recommended shaft tolerances: 1/2" - 1 15/16", nominal to - .0005", - .013 mm;  
2" - 2 15/16", nominal to - .0010", - .025 mm

# Pillow Block - Standard Series

## Special Base to Center Height Equal to Timken RSA

This Ketchie standard series pillow block has a special base-to-center height. These units are equipped with a standard series wide inner ring bearing, integral seals and eccentric locking collar.

TO ORDER, SPECIFY KETCHIE OR COMPETITOR'S PART NUMBER



Ketchie	Equals Timken	Shaft Diam.	A	B	C	D	E	F	G	H	J	K	N	S	Bolt Size	Bearing Number	Approx. Unit Wt.	
			in.	in.	in.	in.	in.	in.	in.	in.	in.	in.	in.	in.				in.
KH-1361-10A	RSA	1/2													GSWE008CCS	1.75		
KH-1361-11A		9/16	1 1/4	2 5/16	1 15/32	2 1/8	3 13/16	4 13/16	1 1/4	1/2	7/16	9/16	1 3/16	59/64				3/8
KH-1361-12A		5/8	31.75	58.7	37.3	54.0	96.8	122.2	31.8	12.7	11.1	14.3	30.2	23.4				9.5
KH-1361-13A		11/16																
KH-1361-14A		17																
KH-1362-10A	RSA	3/4	1 3/4	3	1 23/32	2 1/2	5	6 1/2	2	9/16	9/16	3/4	1 5/16	1 3/64	1/2	GSWE012CCS	3.00	
KH-1362-11A		20	44.45	76.2	43.7	63.5	127.0	165.1	50.8	14.3	14.3	19.0	33.3	26.6	12.7	GSWE20CCS		
KH-1363-10A	RSA	13/16													GSWE014CCS	3.50		
KH-1363-11A		7/8	2	3 3/8	1 3/4	2 3/4	5 1/2	7	2 1/8	5/8	9/16	3/4	1 1/2	1 1/16				1/2
KH-1363-12A		15/16	50.80	85.7	44.4	69.8	139.7	177.8	54.0	15.9	14.3	19.0	38.1	27.0				12.7
KH-1363-13A																		
KH-1363-14A		25																
KH-1364-10A	RSA	1 1/16													GSWE101CCS	4.25		
KH-1364-11A		1 1/8	2	3 19/32	1 29/32	3 3/16	5 1/2	7	2 1/8	11/16	5/8	13/16	1 47/64	1 3/16				1/2
KH-1364-12A		1 3/16	50.80	91.3	48.4	81.0	139.7	177.8	54.0	17.5	15.9	20.6	44.1	30.2				12.7
KH-1364-13A																		
KH-1364-14A		1																
KH-1365-10A	RSA	1 1/4													GSWE104CCS	7.25		
KH-1365-11A		1 5/16	2 3/8	4 3/8	2 1/64	4	6 1/4	8 1/4	2 5/8	7/8	3/4	1 1/4	2 1/8	1 9/32				5/8
KH-1365-12A		1 1/8	60.33	111.1	51.2	101.6	158.8	209.6	66.7	22.2	19.0	31.8	54.0	32.5				15.9
KH-1365-13A		1 7/16																
KH-1365-14A		35																
KH-1366-10A	RSA	1 1/2	2 3/8	4 3/8	2 7/32	4	6 5/8	8 1/4	2 3/8	3/4	3/4	7/8	2 3/8	1 3/8	5/8	GSWE108CCS	6.75	
KH-1366-11A		1 9/16	60.33	111.1	56.4	101.6	168.3	209.6	60.3	19.0	19.0	22.2	60.3	34.9	15.9			
KH-1366-12A		40																
KH-1367-10A	RSA	1 1/8													GSWE110CCS	7.00		
KH-1367-11A		1 11/16	2 3/8	4 1/2	2 7/32	4 1/4	6 5/8	8 1/4	2 3/8	13/16	3/4	15/16	2 1/2	1 3/8				5/8
KH-1367-12A		1 3/4	60.33	114.3	56.4	108.0	168.3	209.6	60.3	20.6	19.0	23.8	63.5	34.9				15.9
KH-1367-13A																		
KH-1368-10A	RSA	1 13/16													GSWE113CCS	11.00		
KH-1368-11A		1 7/8	2 3/4	5 1/8	2 15/32	4 3/4	8 1/4	10 5/8	2 3/4	1 1/32	3/4	1 3/8	2 3/4	1 1/2				5/8
KH-1368-12A		1 15/16	69.85	130.2	62.7	120.6	209.6	269.9	69.8	26.2	19.0	34.9	69.8	38.1				15.9
KH-1368-13A		50																
KH-1369-10A	RSA	2													GSWE200CCS	13.50		
KH-1369-11A		2 1/16	3 1/8	5 19/32	2 13/16	4 15/16	9	11 3/8	3 1/8	1	3/4	1 5/16	3	1 23/32				5/8
KH-1369-12A		2 1/8	79.38	142.1	71.4	125.4	228.6	288.9	79.4	25.4	19.0	33.3	76.2	43.7				15.9
KH-1369-13A		2 3/16																
KH-1369-14A		55																
KH-1370-10A	RSA	2 1/4													GSWE204CCS	15.50		
KH-1370-11A		2 5/16	3 1/8	5 7/8	3 1/16	5 1/2	9	11 3/8	3 1/8	1 1/8	7/8	1 1/8	3 5/16	1 27/32				3/4
KH-1370-12A		2 3/8	79.38	149.2	77.8	139.7	228.6	288.9	79.4	28.6	22.2	28.6	84.1	46.8				19.0
KH-1370-13A		2 7/16																
KH-1370-14A		60																
KH-1371-10A	RSA	2 5/8													GSWE210CCS	22.25		
KH-1371-11A		2 11/16	3 3/4	6 13/16	3 1/4	6 1/8	10 1/4	12 5/8	3 1/2	1 5/16	7/8	1 3/8	3 13/16	1 25/32				3/4
KH-1371-12A		70	95.25	173.0	82.6	155.6	260.4	320.7	88.9	33.3	22.2	34.9	96.8	45.2				19.0
KH-1372-10A	RSA	2 3/4													GSWE212CCS	23.75		
KH-1372-11A		2 13/16	3 3/4	7	3 5/8	7 23/32	10 1/4	12 5/8	3 1/2	1 1/2	7/8	1 1/4	4	2 5/32				3/4
KH-1372-12A		2 7/8	95.25	177.8	92.1	196.1	260.4	320.7	88.9	38.1	22.2	31.8	101.6	54.8				19.0
KH-1372-13A		2 15/16																
KH-1372-14A		75																

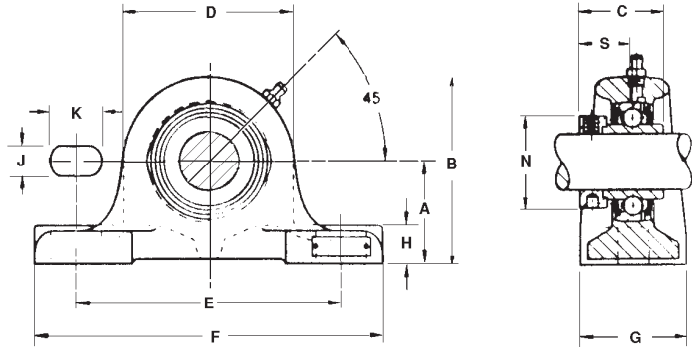
Recommended shaft tolerances: 1/2" - 1 19/16", nominal to -.0005", -.013 mm; 2" - 2 15/16", nominal to -.0010", -.025 mm

# Pillow Block - Standard Series - High Temperature

## Special Base to Center Height Equal to Timken LSA

This Ketchie standard series high temperature pillow block has a special base to center height. These units are designed for applications in which the operating temperature exceeds 250°F.

The units are equipped with a standard series wide inner ring bearing, high temperature seals and high temperature grease.



### TO ORDER, SPECIFY KETCHIE OR COMPETITOR'S PART NUMBER

Ketchie	Equals Timken	Shaft Diam.															Bolt Size	Bearing Number	Approx. Unit Wt.
			A	B	C	D	E	F	G	H	J	K	N	S	in.	mm			
		in. mm	in. mm	in. mm	in. mm	in. mm	in. mm	in. mm	in. mm	in. mm	in. mm	in. mm	in. mm	in. mm	in. mm	in. mm	in. mm	in. mm	
KH-1362-0-10A	LSA	3/4 20	1 3/4 44.45	3 76.2	1 23/32 43.7	2 1/2 63.5	5 127.0	6 1/2 165.1	2 50.8	9/16 14.3	9/16 14.3	3/4 19.0	1 5/16 33.3	1 3/64 27.8	1/2 12.7	GSWE012HHS	3.00		
KH-1363-0-10A KH-1363-0-11A KH-1363-0-12A KH-1363-0-13A	LSA	9/16 7/8 15/16 1 25	2 50.80	3 3/8 85.7	1 3/4 44.4	2 3/4 69.8	5 1/2 139.7	7 177.8	2 1/8 54.0	5/8 15.9	9/16 14.3	3/4 19.0	1 1/2 38.1	1 1/16 27.0	1/2 12.7	GSWE100HHS	3.50		
KH-1364-0-10A KH-1364-0-11A KH-1364-0-12A KH-1364-0-13A KH-1364-0-14A	LSA	1 1/16 1 1/8 1 3/16 30	2 50.80	3 19/32 91.3	1 29/32 48.4	3 3/16 81.0	5 1/2 139.7	7 177.8	2 1/8 54.0	11/16 17.5	5/8 15.9	13/16 20.6	1 3/4 44.4	1 3/16 30.2	1/2 12.7	GSWE103HHS	4.25		
KH-1365-0-10A KH-1365-0-11A KH-1365-0-12A KH-1365-0-13A KH-1365-0-14A	LSA	1 1/4 1 5/16 1 3/8 1 7/16 35	2 3/8 60.33	4 3/8 111.1	2 1/64 51.2	4 101.6	6 1/4 158.8	8 1/4 209.6	2 5/8 66.7	7/8 22.2	3/4 19.0	1 1/4 31.8	2 3/16 54.0	1 9/32 32.5	5/8 15.9	GSWE104HHS GSWE107HHS	7.25		
KH-1366-0-10A KH-1366-0-11A	LSA	1 1/2 1 9/16 40	2 3/8 60.33	4 3/8 111.1	2 7/32 56.4	4 101.6	6 5/8 168.3	8 1/4 209.6	2 3/8 60.3	3/4 19.0	3/4 19.0	7/8 22.2	2 3/8 60.3	1 3/8 34.9	5/8 15.9	GSWE108HHS	6.75		
KH-1367-0-11A KH-1367-0-12A KH-1367-0-13A	LSA	1 5/8 1 11/16 1 3/4 45	2 3/8 60.33	4 1/2 114.3	2 7/32 56.4	4 1/4 108.0	6 5/8 168.3	8 1/4 209.6	2 3/8 60.3	13/16 20.6	3/4 19.0	15/16 23.8	2 1/2 63.5	1 3/8 34.9	5/8 15.9	GSWE111HHS GSWE112HHS	7.00		
KH-1368-0-10A KH-1368-0-11A KH-1368-0-12A KH-1368-0-13A	LSA	1 13/16 1 7/8 1 15/16 50	2 3/4 69.85	5 1/8 130.2	2 15/32 62.7	4 3/4 120.6	8 1/4 209.6	10 5/8 269.9	2 3/4 69.8	1 1/32 26.2	3/4 19.0	1 3/8 34.9	2 3/4 69.8	1 1/2 38.1	5/8 15.9	GSWE115HHS	11.00		
KH-1369-0-10A KH-1369-0-11A KH-1369-0-12A KH-1369-0-13A KH-1369-0-14A	LSA	2 2 1/16 2 1/8 2 3/16 55	3 1/8 79.38	5 19/32 142.1	2 13/16 71.4	4 15/16 125.4	9 228.6	11 3/8 288.9	3 1/8 79.4	1 25.4	3/4 19.0	1 5/16 33.3	3 76.2	1 23/32 43.7	5/8 15.9	GSWE203HHS	13.50		
KH-1370-0-10A KH-1370-0-11A KH-1370-0-12A KH-1370-0-13A KH-1370-0-14A	LSA	2 1/4 2 5/16 2 3/8 2 7/16 60	3 1/8 79.38	5 7/8 149.2	3 1/16 77.8	5 1/2 139.7	9 228.6	11 3/8 288.9	3 1/8 79.4	1 1/8 28.6	7/8 22.2	1 1/8 28.6	3 5/16 84.1	1 27/32 46.8	3/4 19.0	GSWE207HHS	15.50		

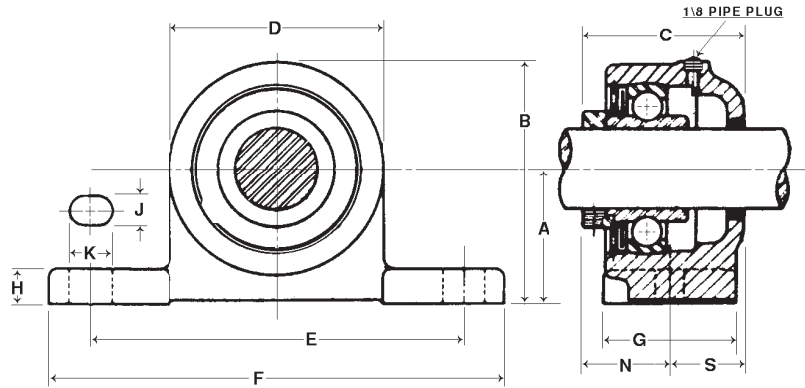
Recommended shaft tolerances: 1/2" - 1 15/16", nominal to -.0005", -.013 mm; 2" - 2 15/16", nominal to -.0010", -.025 mm

# Single Pillow Block - Standard Series

## Equal to Timken SA

This Ketchie standard series pillow block equal to the discontinued Timken SA Series.

These units use a standard series wide inner ring bearing with one seal arrangement and eccentric locking collar



**TO ORDER, SPECIFY KETCHIE OR COMPETITOR'S PART NUMBER**

Ketchie	Equals Timken	Shaft Diam.	A	B	C	D	E	F	G	H	J	K	N	S	Bolt Size (2 req'd)	Bearing Number	Approx. Unit Wt.
		in.	in.	in.	in.	in.	in.	in.	in.	in.	in.	in.	in.	in.	in.		lbs.
KH-3025-1A KH-3025-2A KH-3025-3A	SA	9/16 5/8 11/16	1 1/4	2 3/8	2 1/32	2 1/4	3 13/16	4 13/16	1 1/4	3/8	7/16	7/16	1	1	3/8	SWE009MUS GSWE010CS SWE011MUS	2.00
KH-3026-0A	SA	3/4	1 3/4	3 1/16	2 3/8	2 5/8	5	6 1/2	2	5/8	9/16	3/4	1 3/8	1	7/16	GSWE012CS	3.75
KH-3027-0A KH-3027-1A KH-3027-2A KH-3027-3A	SA	13/16 7/8 15/16 1	2	3 3/8	2 29/64	2 3/4	5 1/2	7	2 1/8	5/8	9/16	3/4	1 25/64	1 1/16	1/2	SWE013MUS GSWE014CS GSWE015CS GSWE100CS	4.25
KH-3028-0A KH-3028-1A KH-3028-2A	SA	1 1/16 1 1/8 1 3/16	2	3 5/8	2 3/4	3 1/4	5 1/2	7	2 1/8	11/16	5/8	3/4	1 1/2	1 1/4	1/2	GSWE101CS GSWE102CS GSWE103CS	5.00
KH-3029-0A KH-3029-1A KH-3029-2A KH-3029-3A	SA	1 1/4 1 5/16 1 3/8 1 7/16	2 3/8	4 3/16	3 3/64	3 5/8	6 1/4	8 1/4	2 5/8	3/4	3/4	1 1/4	1 47/64	1 5/16	5/8	GSWE104CS GSWE105CS GSWE106CS GSWE107CS	7.75
KH-3030-0A KH-3030-1A	SA	1 1/2 1 9/16	2 3/8	4 3/8	3 15/64	4	6 5/8	8 1/4	2 3/8	3/4	5/8	3/4	1 43/64	1 9/16	1/2	GSWE108CS GSWE109CS	9.00
KH-3031-0A KH-3031-1A KH-3031-2A	SA	1 5/8 1 11/16 1 3/4	2 3/8	4 7/16	3 3/8	4 1/8	6 5/8	8 1/4	2 3/8	3/4	5/8	3/4	1 11/16	1 11/16	1/2	GSWE110CS GSWE111CS GSWE112CS	8.50
KH-3032-0A KH-3032-1A KH-3032-2A	SA	1 13/16 1 7/8 1 15/16	2 3/4	4 15/16	3 19/32	4 3/8	8 1/4	10 5/8	2 3/4	7/8	3/4	15/16	1 29/32	1 11/16	5/8	GSWE113CS GSWE114CS GSWE115CS	12.00
KH-3033-0A KH-3033-1A KH-3033-2A KH-3033-3A	SA	2 2 1/16 2 1/8 2 3/16	3 1/8	5 11/16	4	5 1/8	9	11 3/8	3 1/8	13/16	3/4	1	1 23/32	2 9/32	5/8	GSWE200CS SWE201MUS GSWE202CS GSWE203CS	18.75
KH-3034-0A KH-3034-1A KH-3034-2A KH-3034-3A	SA	2 1/4 2 5/16 2 3/8 2 7/16	3 1/8	5 13/16	4 21/64	5 3/8	9	11 3/8	3 1/8	13/16	3/4	1	1 27/32	2 31/64	5/8	GSWE204CS GSWE205CS GSWE206CS GSWE207CS	17.25
KH-3035-0A	SA	2 1/2	3 3/4	6 11/16	4 37/64	5 7/8	10 1/4	12 5/8	3 1/2	1 1/16	7/8	1 1/4	2 1/32	2 35/64	3/4	SWE208MUS	27.25
KH-3036-1A	SA	2 11/16	3 3/4	6 3/4	4 49/64	6	10 1/4	12 5/8	3 1/2	1 1/16	7/8	1 1/4	2 1/32	2 47/64	3/4	GSWE211CS	27.25
KH-3037-3A	SA	2 15/16	3 3/4	7	4 7/8	6 1/2	10 1/4	12 5/8	3 1/2	1	7/8	1 1/4	2 5/32	2 23/32	3/4	GSWE215CS	31.75
KH-3038-3A	SA	3 3/16	4 1/8	7 5/8	5 29/64	7	11 1/4	13 3/4	4	1 1/16	7/8	1 1/4	2 11/32	3 7/64	3/4	SWE303MUS	43.25
KH-3039-3A	SA	3 7/16	4 9/16	8 5/16	5 23/32	7 1/2	12 3/8	15 3/8	4 3/8	1 1/4	1	1 5/16	2 15/32	3 1/4	7/8	SWE307MUS	49.75
KH-3040-3A	SA	3 11/16	4 9/16	8 3/4	6 13/32	8 3/8	12 3/8	15 3/8	4 3/8	1 1/4	1	1 5/16	2 21/32	3 3/4	7/8	SWE311MUS	65.25
KH-3041-2A	SA	3 15/16	5 1/8	9 11/16	6 55/64	9 1/8	13 3/8	16 1/8	4 3/4	1 1/4	1	1 5/16	2 31/32	3 57/64	7/8	SWE315MUS	82.75

Dimensions M and S are measured from center of bolt. 3 3/16" and larger use 1/4 pipe plug.

Recommended shaft tolerances: 9/16" - 2 = nominal to -.0005"

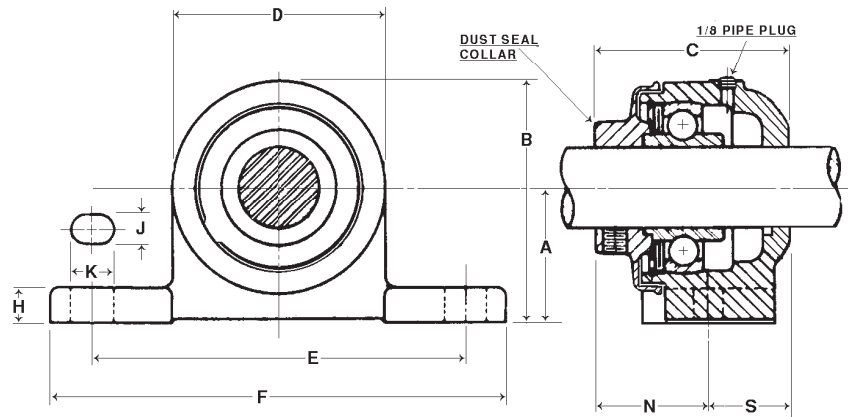
2 1/16" - 3 15/16", nominal to -.0010"

# Single Pillow Block - Standard Series - One Dust Seal Collar

## Equal to Timken SAD

This Ketchie standard series pillow block is equal to the discontinued Timken SAD Series.

These units use a standard series wide inner ring bearing with one seal arrangement and dust seal locking collar for extra sealing capability.



TO ORDER, SPECIFY KETCHIE OR COMPETITOR'S PART NUMBER

Ketchie	Equals Timken	Shaft Diam.	A	B	C	D	E	F	G	H	J	K	N	S	Bolt Size	Bearing Number	Approx. Unit Wt.
		in.	in.	in.	in.	in.	in.	in.	in.	in.	in.	in.	in.	in.	in.		lbs.
KH-3025-11A KH-3025-12A KH-3025-13A	SAD	$\frac{9}{16}$ $\frac{5}{8}$ $\frac{11}{16}$	$1\frac{1}{4}$	$2\frac{3}{8}$	$2\frac{1}{32}$	$2\frac{1}{4}$	$3\frac{13}{16}$	$4\frac{13}{16}$	$1\frac{1}{4}$	$\frac{3}{8}$	$\frac{7}{16}$	$\frac{7}{16}$	$1\frac{3}{8}$	1	$\frac{3}{8}$	SWE009MUS GSWE010CS SWE011MUS	3.00
KH-3026-10A	SAD	$\frac{3}{4}$	$1\frac{3}{4}$	$3\frac{1}{16}$	$2\frac{3}{8}$	$2\frac{5}{8}$	5	$6\frac{1}{2}$	2	$\frac{5}{8}$	$\frac{9}{16}$	$\frac{3}{4}$	$1\frac{3}{8}$	1	$\frac{7}{16}$	GSWE012CS	4.75
KH-3027-10A KH-3027-11A KH-3027-12A KH-3027-13A	SAD	$\frac{13}{16}$ $\frac{7}{8}$ $\frac{15}{16}$ 1	2	$3\frac{3}{8}$	$2\frac{29}{64}$	$2\frac{3}{4}$	$5\frac{1}{2}$	7	$2\frac{1}{8}$	$\frac{5}{8}$	$\frac{9}{16}$	$\frac{3}{4}$	$1\frac{25}{64}$	$1\frac{1}{16}$	$\frac{1}{2}$	SWE013MUS GSWE014CS GSWE015CS GSWE100CS	5.25
KH-3028-10A KH-3028-11A KH-3028-12A	SAD	$\frac{11}{16}$ $\frac{11}{8}$ $\frac{13}{16}$	2	$3\frac{5}{8}$	$2\frac{3}{4}$	$3\frac{1}{4}$	$5\frac{1}{2}$	7	$2\frac{1}{8}$	$\frac{11}{16}$	$\frac{5}{8}$	$\frac{3}{4}$	$1\frac{1}{2}$	$1\frac{1}{4}$	$\frac{1}{2}$	GSWE101CS GSWE102CS GSWE103CS	6.50
KH-3029-10A KH-3029-11A KH-3029-12A KH-3029-13A	SAD	$\frac{11}{4}$ $\frac{15}{16}$ $\frac{13}{8}$ $\frac{17}{16}$	$2\frac{3}{8}$	$4\frac{3}{16}$	$3\frac{3}{64}$	$3\frac{5}{8}$	$6\frac{1}{4}$	$8\frac{1}{4}$	$2\frac{5}{8}$	$\frac{3}{4}$	$\frac{3}{4}$	$1\frac{1}{4}$	$1\frac{47}{64}$	$1\frac{5}{16}$	$\frac{5}{8}$	GSWE104CS GSWE105CS GSWE106CS GSWE107CS	9.75
KH-3030-10A KH-3030-11A	SAD	$\frac{11}{2}$ $\frac{19}{16}$	$2\frac{3}{8}$	$4\frac{3}{8}$	$3\frac{15}{64}$	4	$6\frac{5}{8}$	$8\frac{1}{4}$	$2\frac{3}{8}$	$\frac{3}{4}$	$\frac{5}{8}$	$\frac{3}{4}$	$1\frac{43}{64}$	$1\frac{9}{16}$	$\frac{1}{2}$	GSWE108CS GSWE109CS	11.00
KH-3031-10A KH-3031-11A KH-3031-12A	SAD	$\frac{15}{8}$ $\frac{111}{16}$ $\frac{13}{4}$	$2\frac{3}{8}$	$4\frac{7}{16}$	$3\frac{3}{8}$	$4\frac{1}{8}$	$6\frac{5}{8}$	$8\frac{1}{4}$	$2\frac{3}{8}$	$\frac{3}{4}$	$\frac{5}{8}$	$\frac{3}{4}$	$1\frac{11}{64}$	$1\frac{11}{16}$	$\frac{1}{2}$	GSWE110CS GSWE111CS GSWE112CS	11.50
KH-3032-10A KH-3032-11A KH-3032-12A	SAD	$\frac{13}{16}$ $\frac{17}{8}$ $\frac{15}{16}$	$2\frac{3}{4}$	$4\frac{15}{16}$	$3\frac{19}{32}$	$4\frac{3}{8}$	$8\frac{1}{4}$	$10\frac{5}{8}$	$2\frac{3}{4}$	$\frac{7}{8}$	$\frac{3}{4}$	$\frac{15}{16}$	$1\frac{29}{32}$	$1\frac{11}{16}$	$\frac{5}{8}$	GSWE113CS GSWE114CS GSWE115CS	15.00
KH-3033-10A KH-3033-11A KH-3033-12A KH-3033-13A	SAD	2 $2\frac{1}{16}$ $2\frac{1}{8}$ $2\frac{3}{16}$	$3\frac{1}{8}$	$5\frac{11}{16}$	4	$5\frac{1}{8}$	9	$11\frac{3}{8}$	$3\frac{1}{8}$	$\frac{13}{16}$	$\frac{3}{4}$	1	$1\frac{23}{32}$	$2\frac{9}{32}$	$\frac{5}{8}$	GSWE200CS SWE201MUS GSWE202CS GSWE203CS	22.75
KH-3034-10A KH-3034-11A KH-3034-12A KH-3034-13A	SAD	$2\frac{1}{4}$ $2\frac{5}{16}$ $2\frac{3}{8}$ $2\frac{7}{16}$	$3\frac{1}{8}$	$5\frac{13}{16}$	$4\frac{29}{64}$	$5\frac{3}{8}$	9	$11\frac{3}{8}$	$3\frac{1}{8}$	$\frac{13}{16}$	$\frac{3}{4}$	1	$1\frac{27}{32}$	$2\frac{31}{64}$	$\frac{5}{8}$	GSWE204CS GSWE205CS GSWE206CS GSWE207CS	23.25
KH-3035-10A	SAD	$2\frac{1}{2}$	$3\frac{3}{4}$	$6\frac{11}{16}$	$5\frac{37}{64}$	$5\frac{7}{8}$	$10\frac{1}{4}$	$12\frac{5}{8}$	$3\frac{1}{2}$	$\frac{11}{16}$	$\frac{7}{8}$	$1\frac{1}{4}$	$2\frac{1}{32}$	$2\frac{35}{64}$	$\frac{3}{4}$	SWE208MUS	33.25
KH-3036-11A	SAD	$2\frac{11}{16}$	$3\frac{3}{4}$	$6\frac{3}{4}$	$5\frac{49}{64}$	6	$10\frac{1}{4}$	$12\frac{5}{8}$	$3\frac{1}{2}$	$\frac{11}{16}$	$\frac{7}{8}$	$1\frac{1}{4}$	$2\frac{1}{32}$	$2\frac{47}{64}$	$\frac{3}{4}$	GSWE211CS	33.25
KH-3037-13A	SAD	$2\frac{15}{16}$	$3\frac{3}{4}$	7	$4\frac{7}{8}$	$6\frac{1}{2}$	$10\frac{1}{4}$	$12\frac{5}{8}$	$3\frac{1}{2}$	1	$\frac{7}{8}$	$1\frac{1}{4}$	$2\frac{5}{8}$	$2\frac{23}{32}$	$\frac{3}{4}$	GSWE215CS	39.75
KH-3038-13A	SAD	$3\frac{3}{16}$	$4\frac{1}{8}$	$7\frac{5}{8}$	$5\frac{32}{64}$	7	$11\frac{1}{4}$	$13\frac{3}{4}$	4	$\frac{11}{16}$	$\frac{7}{8}$	$1\frac{1}{4}$	$2\frac{13}{32}$	$3\frac{7}{64}$	$\frac{3}{4}$	SWE303MUS	53.25
KH-3039-13A	SAD	$3\frac{7}{16}$	$4\frac{9}{16}$	$8\frac{5}{16}$	$5\frac{2}{32}$	$7\frac{1}{2}$	$12\frac{3}{8}$	$15\frac{3}{8}$	$4\frac{3}{8}$	$\frac{11}{4}$	1	$\frac{15}{16}$	$2\frac{13}{32}$	$3\frac{1}{4}$	$\frac{7}{8}$	SWE307MUS	59.75
KH-3040-13A	SAD	$3\frac{11}{16}$	$4\frac{9}{16}$	$8\frac{3}{4}$	$6\frac{29}{32}$	$8\frac{3}{8}$	$12\frac{3}{8}$	$15\frac{3}{8}$	$4\frac{3}{8}$	$\frac{11}{4}$	1	$\frac{15}{16}$	$3\frac{5}{32}$	$3\frac{3}{4}$	$\frac{7}{8}$	SWE311MUS	
KH-3041-12A	SAD	$3\frac{15}{16}$	$5\frac{1}{8}$	$9\frac{11}{16}$	$7\frac{7}{64}$	$9\frac{1}{8}$	$13\frac{3}{8}$	$16\frac{1}{8}$	$4\frac{3}{4}$	$\frac{11}{4}$	1	$\frac{15}{16}$	$3\frac{7}{32}$	$3\frac{57}{64}$	$\frac{7}{8}$	SWE315MUS	95.75

Dimensions N measured from center of bolt.  $3\frac{3}{16}$ " and larger use  $\frac{1}{4}$ " pipe plug.

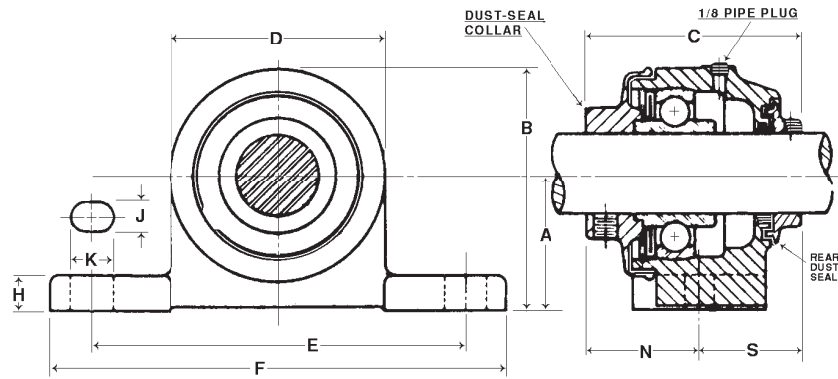
Recommended shaft tolerances:  $\frac{9}{16}$ " - 2 = nominal to - .0005"

$2\frac{1}{16}$ " -  $3\frac{15}{16}$ ", nominal to - .0010"

# Single Pillow Block - Standard Series - Two Dust-Seal Collars Equal to Timken SADD

This Ketchie standard series pillow block is equal to the discontinued Timken SADD Series.

These units use a standard series wide inner ring bearing with one seal arrangement and dust seal locking collar. In addition the unit includes a rear dust seal collar for extra sealing capability.



**TO ORDER, SPECIFY KETCHIE OR COMPETITOR'S PART NUMBER**

Ketchie	Equals Timken	Shaft Diam.	A	B	C	D	E	F	G	H	J	K	N	S	Bolt Size (2 req'd)	Bearing Number	Approx. Unit Wt.
		in.	in.	in.	in.	in.	in.	in.	in.	in.	in.	in.	in.	in.	in.		lbs.
KH-3025-21A KH-3025-22A KH-3025-23A	SADD	9/16 5/8 11/16	1 1/4	2 3/8	2 7/8	2 1/4	3 13/16	4 13/16	1 1/4	3/8	7/16	7/16	1 3/8	1 1/2	3/8	SWE009MUS GSWE010CS SWE011MUS	2.50
KH-3026-20A	SADD	3/4	1 3/4	3 1/16	3 9/32	2 5/8	5	6 1/2	2	5/8	9/16	3/4	1 23/32	1 9/16	7/16	GSWE012CS	4.75
KH-3027-20A KH-3027-21A KH-3027-22A KH-3027-23A	SADD	13/16 7/8 15/16 1	2	3 3/8	3 5/16	2 3/4	5 1/2	7	2 1/8	5/8	9/16	3/4	1 11/16	1 5/8	1/2	SWE013MUS GSWE014CS GSWE015CS GSWE100CS	5.25
KH-3028-20A KH-3028-21A KH-3028-22A	SADD	1 1/16 1 1/8 1 3/16	2	3 5/8	3 33/64	3 1/4	5 1/2	7	2 1/8	11/16	5/8	3/4	1 45/64	1 13/16	1/2	GSWE101CS GSWE102CS GSWE103CS	6.50
KH-3029-20A KH-3029-21A KH-3029-22A KH-3029-23A	SADD	1 1/4 1 5/16 1 3/8 1 7/16	2 3/8	4 3/16	4	3 5/8	6 1/4	8 1/4	2 5/8	3/4	3/4	1 1/4	2 1/8	1 7/8	5/8	GSWE104CS GSWE105CS GSWE106CS GSWE107CS	9.75
KH-3030-20A KH-3030-21A	SADD	1 1/2 1 9/16	2 3/8	4 3/8	4 21/64	4	6 5/8	8 1/4	2 3/8	3/4	5/8	3/4	2 9/64	2 3/16	1/2	GSWE108CS GSWE109CS	12.00
KH-3031-20A KH-3031-21A KH-3031-22A	SADD	1 5/8 1 11/16 1 3/4	2 3/8	4 7/16	4 19/32	4 1/8	6 5/8	8 1/4	2 3/8	3/4	5/8	3/4	2 3/32	2 1/2	1/2	GSWE110CS GSWE111CS GSWE112CS	10.50
KH-3032-20A KH-3032-21A KH-3032-22A	SADD	1 13/16 1 7/8 1 15/16	2 3/4	4 15/16	4 13/16	4 3/8	8 1/4	10 5/8	2 3/4	7/8	3/4	15/16	2 5/16	2 1/2	5/8	SWE113MUS GSWE114CS GSWE115CS	15.00
KH-3033-20A KH-3033-21A KH-3033-22A KH-3033-23A	SADD	2 2 1/16 2 1/8 2 3/16	3 1/8	5 11/16	5 3/16	5 1/8	9	11 3/8	3 1/8	13/16	3/4	1	2 1/32	3 5/32	5/8	GSWE200CS SWE201MUS GSWE202CS GSWE203CS	21.75
KH-3034-20A KH-3034-21A KH-3034-22A KH-3034-23A	SADD	2 1/4 2 5/16 2 3/8 2 7/16	3 1/8	5 13/16	5 21/32	5 3/8	9	11 3/8	3 1/8	13/16	3/4	1	2 11/32	3 5/16	5/8	GSWE204CS SWE205MUS GSWE206CS GSWE207CS	21.75
KH-3035-20A	SADD	2 1/2	3 3/4	6 11/16	6 7/64	5 7/8	10 1/4	12 5/8	3 1/2	1 1/16	7/8	1 1/4	2 19/32	3 33/64	3/4	SWE208MUS	31.75
KH-3036-21A	SADD	2 11/16	3 3/4	6 3/4	6 21/64	6	10 1/4	12 5/8	3 1/2	1 1/16	7/8	1 1/4	2 19/32	3 47/64	3/4	GSWE211CS	33.25
KH-3037-23A	SADD	2 15/16	3 3/4	7	6 3/16	6 1/2	10 1/4	12 5/8	3 1/2	1	7/8	1 1/4	2 19/32	3 19/32	3/4	GSWE215CS	37.75
KH-3038-23A	SADD	3 3/16	4 1/8	7 5/8	6 63/64	7	11 1/4	13 3/4	4	1 1/16	7/8	1 1/4	2 13/16	4 11/64	3/4	SWE303MUS	48.25
KH-3039-23A	SADD	3 7/16	4 9/16	8 5/16	6 27/32	7 1/2	12 3/8	15 3/8	4 3/8	1 1/4	1	1 5/16	2 13/16	4 1/32	7/8	SWE307MUS	53.75
KH-3040-23A	SADD	3 11/16	4 9/16	8 3/4	7 27/32	8 3/8	12 3/8	15 3/8	4 3/8	1 1/4	1	1 5/16	3 5/32	4 11/16	7/8	SWE311MUS	72.25
KH-3041-22A	SADD	3 15/16	5 1/8	9 11/16	8 3/64	9 1/8	13 3/8	16 1/8	4 3/4	1 1/4	1	1 5/16	3 7/32	4 53/64	7/8	SWE315MUS	87.75

Dimensions M and S are measured from center of bolt. 3 3/16" and larger use 1/4 pipe plug.  
 Recommended shaft tolerances: 9/16" - 2 = nominal to -.0005"  
 2 1/16" - 3 15/16", nominal to -.0010"

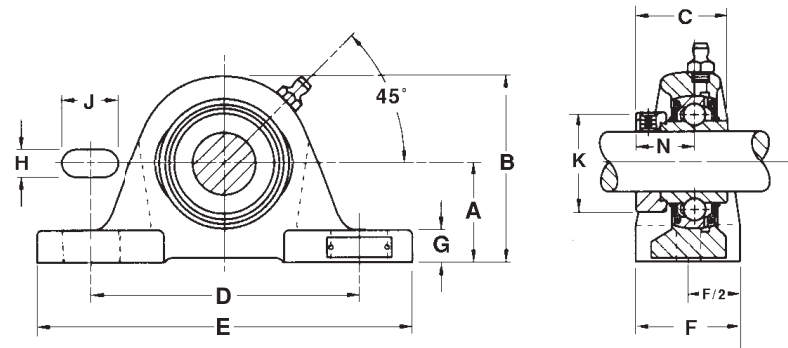
# Pillow Block Unit - Standard Series

## Equal to Timken RAKH

(High Temperature Available Upon Request)

This Ketchie standard series pillow block is similar in design to other standard duty units but has slightly different dimensions to allow interchangeability with certain competitors' designs

These units may be used independently, but are often used with expansion units. The units are equipped with a standard series wide inner ring bearing with an eccentric locking collar.



TO ORDER, SPECIFY KETCHIE OR COMPETITOR'S PART NUMBER

Ketchie	Equals		Shaft Diam.	A	B	C	D	E	F	G	H	J	K	N	Bolt Size	Bearing Number	Approx. Unit Wt.
	Timken	Seal Master															
			in. mm	in. mm	in. mm	in. mm	in. mm	in. mm	in. mm	in. mm	in. mm	in. mm	in. mm	in. mm	in. mm		lbs.
KH-1343-10A KH-1343-11A KH-1343-12A KH-1343-13A KH-1343-14A	RAKH		1 3/4 7/8 15/16 1 25	1 3/4 44.45	3 1/4 82.6	1 3/4 44.4	4 11/16 119.1	6 1/4 158.8	2 50.8	5/8 15.9	9/16 14.3	1 25.4	1 1/2 38.1	1 1/16 27.0	1/2 9.5	GSWE014CCS GSWE015CCS GSWE100CCS GSWE25CCS	4.00
KH-1344-10A KH-1344-11A KH-1344-12A KH-1344-13A KH-1344-14A	RAKH		1 1/16 1 1/8 1 3/16 1 1/4 30	1 7/8 47.63	3 9/16 90.5	1 29/32 48.4	5 127.0	6 7/8 174.6	2 1/4 57.2	11/16 17.5	9/16 14.3	1 25.4	1 3/4 44.4	1 3/16 30.2	1/2 12.7	GSWE101CCS GSWE102CCS GSWE103CCS GSWE103CCS3 GSWE30CCS	5.00
KH-1345-10A KH-1345-11A KH-1345-12A KH-1345-13A KH-1345-14A	RAKH	TXP-23	1 1/4 1 5/16 1 3/8 1 7/16	2 1/8 53.98	4 101.6	2 1/64 51.2	5 11/16 144.5	8 203.2	2 1/4 57.2	3/4 19.0	9/16 14.3	1 3/16 30.2	2 3/16 55.6	1 9/32 32.5	1/2 12.7	GSWE104CCS GSWE105CCS GSWE106CCS GSWE107CCS GSWE35CCS	6.75
KH-1346-10A KH-1346-11A KH-1346-12A	RAKH		1 1/2 1 9/16 40	2 5/16 58.74	4 3/8 111.1	2 7/32 56.4	6 1/8 155.6	8 3/4 222.2	2 5/8 66.7	13/16 20.6	11/16 17.5	1 1/4 31.8	2 3/8 60.3	1 3/8 34.9	5/8 12.7	GSWE108CCS GSWE109CCS GSWE40CCS	9.00
KH-1347-10A KH-1347-11A KH-1347-12A KH-1347-13A	RAKH		1 5/8 1 11/16 1 3/4 45	2 5/16 58.74	4 1/2 114.3	2 7/32 56.4	6 1/8 155.6	8 3/4 222.2	2 5/8 66.7	13/16 20.6	11/16 17.5	1 5/16 33.3	2 1/2 63.5	1 3/8 34.9	5/8 12.7	GSWE110CCS GSWE111CCS GSWE112CCS GSWE45CCS	9.00
KH-1348-11A KH-1348-12A KH-1348-13A	RAKH		1 7/8 1 15/16 50	2 1/2 63.50	4 13/16 122.2	2 15/32 62.7	6 3/4 171.4	9 1/2 241.3	2 7/8 73.0	7/8 22.2	11/16 17.5	1 1/16 36.5	2 3/4 69.8	1 1/2 38.1	5/8 12.7	GSWE114CCS GSWE115CCS GSWE50CCS	11.50
KH-1349-10A KH-1349-11A KH-1349-12A KH-1349-13A KH-1349-14A	RAKH	TXP-35	2 2 1/16 2 1/8 2 3/16 55	2 3/4 69.85	5 3/8 136.5	2 13/16 71.4	7 1/4 184.2	10 1/4 260.4	3 1/8 79.4	1 1/16 27.0	13/16 20.6	1 7/16 36.5	3 76.2	1 23/32 43.7	3/4 15.9	GSWE200CCS GSWE201CCS GSWE202CCS GSWE202CCS	15.00
KH-1350-10A KH-1350-11A KH-1350-12A KH-1350-13A KH-1350-14A	RAKH	TXP-39	2 1/4 2 5/16 2 3/8 2 7/16 60	3 76.20	5 15/16 150.8	3 1/16 77.8	8 203.2	11 1/4 285.8	3 1/4 82.6	1 1/16 27.0	13/16 20.6	1 5/8 41.3	3 5/16 84.1	1 27/32 46.8	3/4 15.9	GSWE204CCS GSWE205CCS GSWE206CCS GSWE207CCS GSWE60CCS	18.25
KH-1351-11A KH-1351-12A	RAKH		2 11/16 70	3 1/2 88.90	6 3/4 171.4	3 3/8 85.7	9 2228.6	13 330.2	3 1/2 88.9	1 1/8 28.6	15/16 23.8	2 50.8	3 13/16 96.8	1 25/32 45.2	7/8 19.0	GSWE211CCS GSWE70CCS	25.50
KH-1352-13A KH-1352-14A	RAKH		2 15/16 75	3 1/2 88.9	7 177.8	3 5/8 92.1	9 228.6	13 330.2	3 1/2 88.9	1 1/4 31.8	15/16 23.8	2 50.8	4 101.6	2 5/32 54.8	7/8 19.0	GSWE215CCS GSWE75CCS	26.25

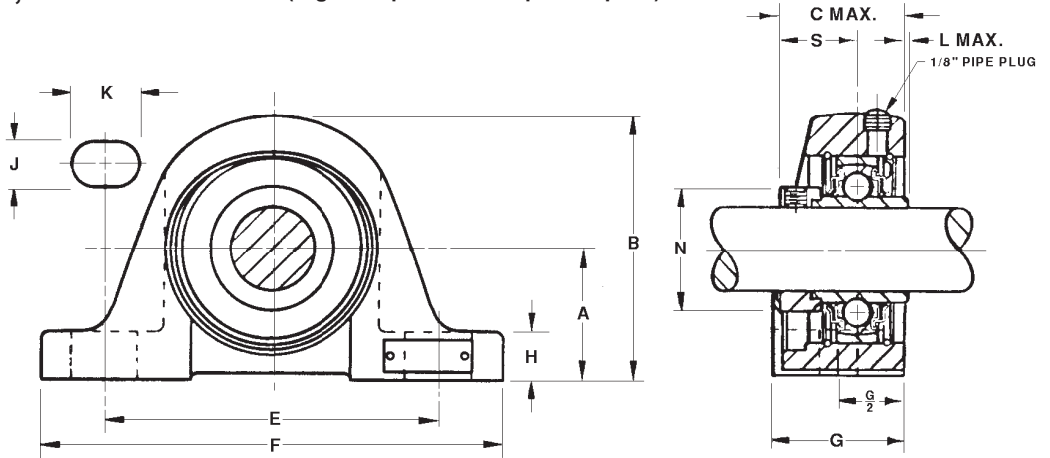
Recommended shaft tolerances: 1/2" - 1 15/16", nominal to -.0005", -.013 mm; 2" - 2 15/16", nominal to -.0010", -.025 mm

# Single Pillow Block - Standard Series - Expansion Type

Equal to Timken RAKHL, Sealmaster ETPX (High Temp Available Upon Request)

This Ketchie standard series expansion pillow block is designed to allow axial shaft expansion due to elevated temperatures or other conditions causing shaft movement. These units may be used independently, but are often used with a similar non-expansion unit.

These units use a standard series wide inner ring bearing with integral seals and eccentric locking collar. An external aligning ring is fitted to the spherical surface of the bearing outer ring. The aligning ring allows the bearing to move axially as the shaft expands.



**TO ORDER, SPECIFY KETCHIE OR COMPETITOR'S PART NUMBER**

Ketchie	Equals Timken Seal Master	Shaft Diam.	Total Float	A	B	C	E	F	G	H	J	K	L	N	S	Bolt Size	Bearing Number	Approx. Unit Wt.
				in. mm	in. mm	in. mm	in. mm	in. mm	in. mm	in. mm	in. mm	in. mm	in. mm	in. mm	in. mm			
KH-1343-0A KH-1343-1A KH-1343-2A KH-1343-3A KH-1342-4A	RAKHL	1 <sup>13/16</sup> 7/8 1 <sup>15/16</sup> 1	1/8 3.2	1 3/4 44.45	3 7/16 87.3	1 <sup>25/32</sup> 45.2	4 11/16 119.1	6 1/4 158.8	2 50.8	5/8 15.9	9/16 14.3	1 25.4	3/32 2.4	1 1/2 36.1	1 1/16 27.0	3/8 9.5	GSWE013CCSR GSWE014CCR GSWE015CCR GSWE100CCR GSWE25CCSR	4.00
KH-1344-0A KH-1344-1A KH-1344-2A KH-1344-3A KH-1344-4A	RAKHL	1 1/16 1 1/8 1 3/16 1 1/4 S	1/8 3.2	1 7/8 47.63	3 13/16 96.8	1 15/16 49.2	5 127.0	6 7/8 174.6	2 50.8	1 1/16 17.5	9/16 14.3	1 25.4	3/32 2.4	1 3/4 44.1	1 3/16 30.2	1/2 12.7	GSWE101CCSR GSWE102CCSR GSWE103CCSR GSWE103CCSR3 GSWE30CCSR	5.00
KH-1345-0A KH-1345-1A KH-1345-2A KH-1345-3A KH-1345-4A	RAKHL ETPX-23	1 1/4 1 5/16 1 3/8 1 7/16	3/16 4.8	2 1/8 53.98	4 3/16 106.4	2 11/64 55.2	5 11/16 144.5	7 15/16 201.6	2 1/32 51.6	3/4 19.0	9/16 14.3	1 3/16 30.2	1/8 3.2	2 1/8 54.0	1 9/32 32.5	1/2 12.7	GSWE104CCSR GSWE105CCSR GSWE105CCSR GSWE107CCSR GSWE35CCSR	6.75
KH-1346-0A KH-1346-1A KH-1346-2A	RAKHL	1 1/2 1 9/16	3/16 4.8	2 5/16 58.74	4 9/16 115.9	2 11/32 59.5	6 1/8 155.6	8 3/4 222.2	2 1/2 63.5	1 3/16 20.6	1 1/16 17.5	1 1/4 31.8	1/8 3.2	2 3/8 60.3	1 3/8 34.9	1/2 12.7	GSWE108CCSR GSWE109CCSR GSWE40CCSR	9.00
KH-1347-0A KH-1347-1A KH-1347-2A KH-1347-3A	RAKHL	1 5/8 1 11/16 1 3/4	3/16 4.8	2 5/16 58.74	4 5/8 117.5	2 11/32 59.5	6 1/8 155.6	8 3/4 222.2	2 1/2 63.5	1 3/16 20.6	1 1/16 17.5	1 5/16 33.3	1/8 3.2	2 1/2 63.5	1 3/8 34.9	1/2 12.7	GSWE110CCSR GSWE111CCSR GSWE112CCSR GSWE45CCSR	9.00
KH-1348-1A KH-1348-2A KH-1348-3A	RAKHL	1 7/8 1 15/16	1/4 6.4	2 1/2 63.5	5 3/32 129.4	2 9/16 65.1	6 3/4 171.4	9 1/2 241.3	2 1/2 63.5	7/8 22.2	1 1/16 17.5	1 7/16 36.5	5/32 4.0	2 3/4 69.8	1 1/2 38.1	1/2 12.7	GSWE114CCSR GSWE115CCSR GSWE50CCSR	11.50
KH-1349-0A KH-1349-2A KH-1349-3A KH-1349-4A	RAKHL ETPX-35	2 2 1/8 2 3/16	1/4 6.4	2 3/4 69.85	5 5/8 142.9	2 57/64 73.4	7 1/4 184.2	10 1/4 260.4	3 76.2	1 1/16 27.0	1 3/16 20.6	1 7/16 36.5	11/64 4.4	3 76.2	1 <sup>23/32</sup> 43.7	5/8 15.9	GSWE200CCSR GSWE202CCSR GSWE203CCSR GSWE55CCSR GSWE55CCSR	15.00
KH-1350-0A KH-1350-3A KH-1350-4A	RAKHL	2 1/4 2 7/16	1/4 6.4	3 76.20	6 1/4 158.8	3 3/32 78.6	8 203.2	11 1/4 285.8	3 1/4 82.6	1 1/16 27.0	1 3/16 20.6	1 5/8 41.3	3/16 4.8	3 5/16 84.1	1 <sup>27/32</sup> 46.8	5/8 15.9	GSWE204CCSR GSWE207CCSR GSWE60CCSR	18.25
KH-1352-3A KH-1352-4A	RAKHL	2 15/16	1/4 6.4	3 1/2 88.90	7 1/4 181.0	3 15/32 113.5	9 228.6	13 330.2	3 1/2 88.9	1 1/4 31.8	1 5/16 23.8	2 50.8	11/32 8.7	4 101.6	2 5/32 54.8	3/4 19.0	GSWE215CCSR GSWE75CCSR	26.25

Dimensions M and S are measured from center of bolt. 3 3/16" and larger use 1/4 pipe plug.  
 Recommended shaft tolerances: 9/16" - 2 = nominal to -.0005"  
 2 1/16" - 3 15/16", nominal to -.0010"

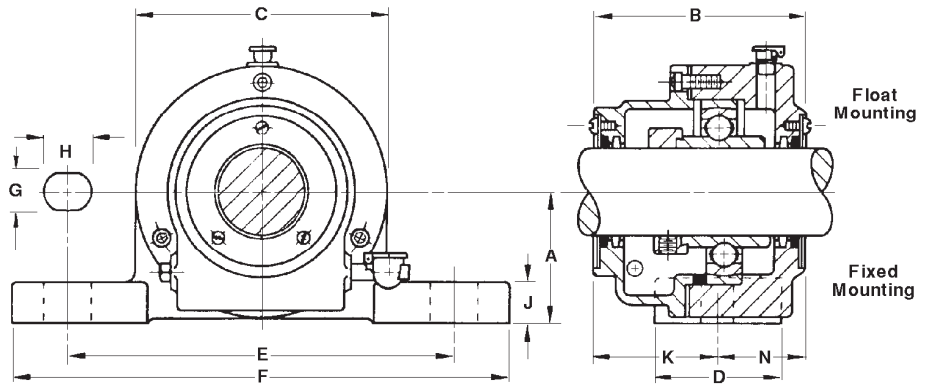


# Fixed & Floating Pillow Block - Standard Series

## Equal to Timken SAL

This Ketchie standard series pillow block is designed for applications in which higher than usual temperatures are encountered, or laterally floating mountings are required. The floating unit allows its bearing to move axially as the shaft expands, while the fixed unit maintains shaft locations.

Units use a standard series wide inner ring bearing with an eccentric locking collar. An external self-aligning ring is fitted to the spherical surface of the outer ring. They are fitted with oil tight seals and normally use oil lubrication but can be converted to grease lubrication. All units are universally designed. The spacer ring is assembled with the unit (fixed). To make a floating unit simply remove the spacer ring.



**TO ORDER, SPECIFY KETCHIE OR COMPETITOR'S PART NUMBER**

Ketchie	Equals Timken	Shaft Diam.	Total Float	A	B	C	D	E	F	G	H	J	K	N	Bolt Size	Bearing Number	Approx. Unit Wt.
		in.	in.	in.	in.	in.	in.	in.	in.	in.	in.	in.	in.	in.	in.		lbs.
			mm	mm	mm	mm	mm	mm	mm	mm	mm	mm	mm	mm			
KH-4240-12A	SAL	1 <sup>3</sup> / <sub>16</sub>	1/4 6.4	2 50.80	3 <sup>27</sup> / <sub>32</sub> 97.6	3 <sup>13</sup> / <sub>16</sub> 96.8	2 1/8 54.0	5 1/2 139.7	7 177.8	5/8 15.9	3/4 19.0	11/16 17.5	2 7/32 56.4	1 5/8 41.3	1/2	SWE103SR	8.50
KH-4241-10A	SAL	1 1/4	1/4 6.4	2 3/8 60.33	4 1/8 104.8	4 1/4 108.0	2 3/8 60.3	6 1/4 158.8	8 1/4 210.0	3/4 19.0	1 25.4	3/4 19.0	2 15/32 62.7	2 1/32 42.1	5/8	SWE104SR	11.75
KH-4242-13A	SAL	1 7/16	1/4 6.4	2 3/8 60.33	4 1/8 104.8	4 1/4 108.0	2 3/8 60.3	6 1/4 158.8	8 1/4 210.0	3/4 19.0	1 25.4	3/4 19.0	2 15/32 62.7	1 3/4 42.1	5/8	SWE107SR	11.75
KH-4243-10A	SAL	1 1/2	5/16 7.9	2 3/8 60.33	4 1/4 108.0	4 3/4 120.6	2 3/8 50.3	6 5/8 168.3	8 1/4 210.0	3/4 19.0	1 25.4	3/4 19.0	2 1/2 63.5	1 3/4 44.4	5/8	SWE108SR	13.75
KH-4244-11A	SAL	1 11/16	5/16 7.9	2 3/8 60.33	4 11/32 110.3	4 3/4 120.6	2 3/8 60.3	6 5/8 168.3	8 1/4 210.0	3/4 19.0	1 25.4	3/4 19.0	2 19/32 65.9	1 3/4 44.4	5/8	SWE111SR	13.25
KH-4245-12A	SAL	1 15/16	5/16 7.9	2 3/4 69.85	4 19/32 116.7	5 1/4 133.4	2 3/4 69.8	8 1/4 210.0	10 5/8 269.9	3/4 19.0	1 25.4	7/8 22.2	2 23/32 69.1	1 7/8 47.6	5/8	SWE115SR	18.00
KH-4246-13A	SAL	2 3/16	5/16 7.9	3 1/8 79.38	5 13/32 137.3	5 3/4 146.0	3 1/8 79.4	9 228.6	11 3/8 288.9	3/4 19.0	1 25.4	7/8 22.2	3 1/8 79.4	2 9/32 57.9	5/8	SWE203SR	24.50
KH-4247-13A	SAL	2 7/16	3/8 9.5	3 1/8 79.38	5 29/32 150.0	6 1/4 158.8	3 1/8 79.4	9 228.6	11 3/8 288.9	3/4 19.0	1 25.4	7/8 22.2	3 1/2 88.9	2 13/32 61.1	5/8	SWE207SR	28.75
KH-4248-11A	SAL	2 11/16	9/32 7.1	3 3/4 96.25	6 5/32 156.4	6 3/4 171.4	3 1/2 88.9	10 1/4 259.7	12 5/8 320.7	7/8 22.2	1 1/8 28.6	1 1/16 27.0	3 5/8 92.1	2 17/32 64.3	3/4	SWE211SR	35.25
KH-4249-12A	SAL	2 15/16	25/64 9.9	3 3/4 92.95	6 27/32 173.8	7 1/2 190.5	3 1/2 88.9	10 1/4 259.7	12 5/8 320.7	7/8 22.2	1 1/8 28.6	1 1/16 27.0	3 31/32 100.8	2 7/8 73.0	3/4	SWE215SR	44.75
KH-4250-13A	SAL	3 3/16	3/8 9.5	4 1/8 104.78	6 29/32 175.4	7 7/8 200.0	4 101.6	11 1/4 285.8	13 3/4 349.2	7/8 22.2	1 1/8 28.6	1 1/16 27.0	3 29/32 99.2	3 76.2	3/4	SWE303SR	52.25
KH-4251-13A	SAL	3 7/16	3/8 9.5	4 9/16 115.89	7 11/32 186.5	8 3/8 212.7	4 3/8 111.1	12 3/8 314.3	15 3/8 390.6	1 25.4	1 1/4 31.8	1 1/4 31.8	4 7/32 107.2	3 1/8 79.4	3/4	SWE307SR	74.00
KH-4252-13A	SAL	3 11/16	1/2 12.7	4 9/16 115.89	8 9/32 210.3	9 1/2 241.3	4 3/8 111.1	12 3/8 314.3	15 3/8 390.6	1 25.5	1 1/4 31.8	1 1/4 31.8	4 3/4 120.6	3 17/32 89.7	7/8	SWE311SR	85.25
KH-4253-12A	SAL	3 15/16	1/2 12.7	5 1/8 130.18	8 17/32 216.7	10 254.0	4 3/4 120.6	13 3/8 339.7	16 1/8 409.6	1 25.4	1 1/4 31.8	1 1/4 31.8	4 7/8 123.8	3 21/32 92.9	7/8	SWE315SR	108.75

Recommended shaft tolerances: 1/2" - 1<sup>15</sup>/<sub>16</sub>", nominal to -.0005", -.013 mm;  
2" - 2<sup>15</sup>/<sub>16</sub>", nominal to -.0010", -.025 mm

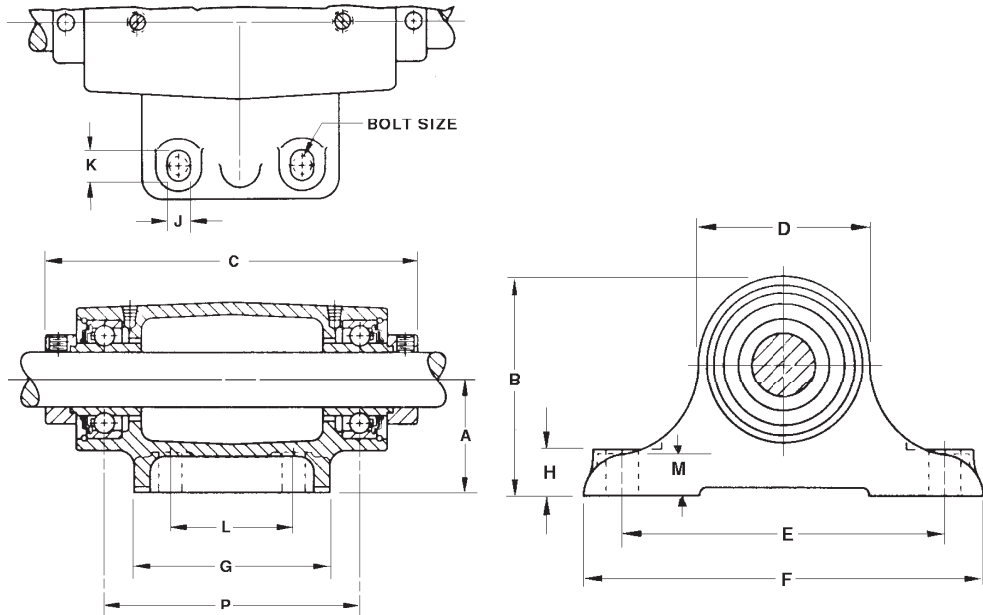
# Double Pillow Block - Standard Series

Equal to Dodge-CC and Timken DRNR

The Ketchie double rigid pillow block is designed to provide a sturdy, two-bearing mounting for fans and blowers, bench grinders, buffers, vertical shafts and similar heavy-duty applications.

The one-piece housing is equipped with two wide inner ring bearings with integral seals and eccentric locking collar.

Individual grease chambers are provided for each bearing. Grease fittings installed in place of the standard pipe plugs will provide means of re-lubrication.



TO ORDER, SPECIFY KETCHIE OR COMPETITOR'S PART NUMBER

Ketchie	Equals Dodge Timken	Shaft Diam.	A	B	C	D	E	F	G	H	J	K	L	M	P	Bearing Number (two req'd)	Approx. Unit Wt.
			in. mm	in. mm	in. mm	in. mm	in. mm	in. mm	in. mm	in. mm	in. mm	in. mm	in. mm	in. mm	in. mm		
<b>KH-4180-12A</b> <b>KH-4180-13A</b> <b>KH-4180-14A</b>	134131 134132 DRNR	<sup>15</sup> / <sub>16</sub> 1 25	2 1/2 63.50	3 29/32 99.2	7 7/8 200.0	2 13/16 71.4	6 1/4 158.8	7 3/4 196.8	4 1/4 108.0	3/4 19.0	1/2 12.7	5/8 15.9	2 3/4 69.8	1 1/16 17.5	5 3/4 146.0	<b>SWE015C</b> <b>SWE100C</b> <b>SWE25C</b>	10.75
<b>KH-4181-12A</b> <b>KH-4181-14A</b>	134135 DRNR	<sup>1</sup> / <sub>16</sub> 30	2 1/2 63.50	4 5/32 105.6	8 203.2	3 5/16 84.1	6 1/4 158.8	7 3/4 196.8	4 1/4 108.0	7/8 22.2	1/2 12.7	5/8 15.9	2 3/4 69.8	1 3/16 20.6	5 5/8 142.9	<b>SWE103C</b> <b>SWE30C</b>	11.50
<b>KH-4182-13A</b> <b>KH-4182-14A</b>	134139 DRNR	<sup>17</sup> / <sub>16</sub> 35	3 76.20	4 7/8 123.8	10 7/8 276.2	3 3/4 95.2	8 203.2	10 254.0	5 1/2 139.7	1 25.4	5/8 15.9	7/8 22.2	3 1/2 88.9	7/8 22.2	8 21/64 211.5	<b>SWE107C</b> <b>SWE35C</b>	21.25
<b>KH-4183-11A</b> <b>KH-4183-13A</b>	134140 DRNR	<sup>11</sup> / <sub>16</sub> 45	3 76.2	5 1/4 133.4	11 279.4	4 1/2 114.3	8 203.2	10 254.0	5 1/2 139.7	1 25.4	5/8 15.9	7/8 22.2	3 1/2 88.9	7/8 63.5	8 1/4 209.6	<b>SWE111C</b> <b>SWE45C</b>	26.00
<b>KH-4184-12A</b> <b>KH-4184-13A</b>	134142 DRNR	<sup>15</sup> / <sub>16</sub> 50	3 1/2 88.9	5 5/16 150.8	13 7/8 352.4	4 7/8 123.8	9 1/2 241.3	12 304.8	7 177.8	1 1/8 28.5	1 1/16 17.5	1 1/8 28.5	4 1/2 114.3	1 69.8	10 7/8 276.2	<b>SWE115C</b> <b>SWE50C</b>	41.75
<b>KH-4185-13A</b> <b>KH-4185-14A</b>	134144 DRNR	2 3/16 55	3 1/2 88.9	6 1/4 158.8	14 355.6	5 1/4 133.4	9 1/2 241.3	12 304.8	7 177.8	1 1/4 31.8	1 1/16 17.5	1 1/8 28.5	4 1/2 114.3	1 1/16 76.2	10 9/16 268.3	<b>SWE203C</b> <b>SWE55C</b>	52.25

Recommended shaft tolerances: <sup>15</sup>/<sub>16</sub>" - <sup>1</sup>/<sub>16</sub>", nominal to - .0005", - .013 mm; <sup>2</sup>/<sub>16</sub>", nominal to - .0010", - .025 mm

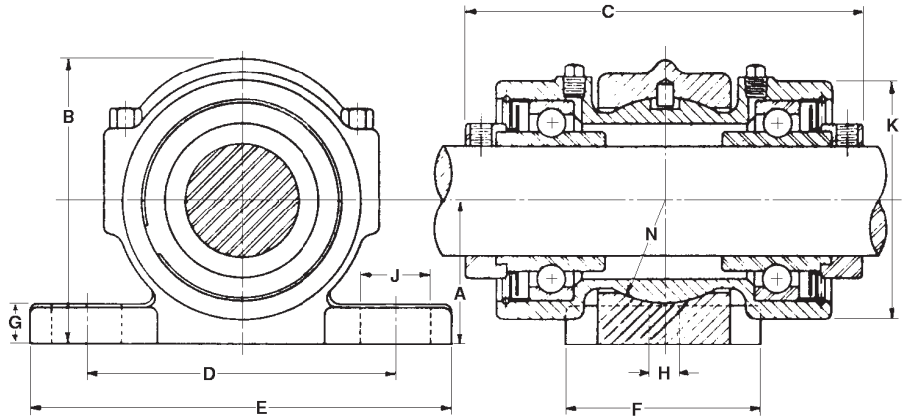
# Double Pillow Block - Standard Series

## Equal to Timken DSA

This Ketchie standard series Pillow Block is designed to provide a sturdy, two bearing mount.

Initial self-alignment is provided by means of the spherically surfaced center section of the bearing housing which is free to swivel in the spherical seat of the pillow blocks before the top cap bolts are tightened.

These units use two standard series wide inner ring bearings with integral seals and eccentric locking collars.



**TO ORDER, SPECIFY KETCHIE OR COMPETITOR'S PART NUMBER**

Ketchie	Equals Timken	Shaft Diam.	A	B	C	D	E	F	G	H	J	K	N	Bolt Size Req'd	Bearing Number	Approx. Unit Wt.	
		in.	in.	in.	in.	in.	in.	in.	in.	in.	in.	in.	in.	in.		lbs.	
KH-3075-1A KH-3075-2A KH-3075-3A	DSA	9/16 5/8 11/16	1 3/16	2 1/2	4 5/16	4 1/4	6	1 3/4	5/8	9/16	1	2 1/16	7/8	1/2	2	SWE009C SWE010C SWE011C	4.25
KH-3076-0A	DSA	3/4	1 3/16	2 3/4	4 11/16	4 1/2	6 1/4	2	3/4	9/16	1	2 3/8	1 1/32	1/2	2	SWE012C	5.75
KH-3077-0A KH-3077-1A KH-3077-2A KH-3077-3A	DSA	13/16 7/8 15/16 1	1 7/16	3	4 29/32	4 3/4	6 1/2	2	3/4	9/16	1	2 9/16	1 5/32	1/2	2	SWE013C SWE014C SWE015C SWE100C	6.50
KH-3078-0A KH-3078-1A KH-3078-2A	DSA	1 1/16 1 1/8 1 3/16	1 5/8	3 3/8	5 3/8	5 5/8	7 3/4	2 1/4	3/4	3/4	1 1/4	2 31/32	1 5/16	5/8	2	SWE101C SWE102C SWE103C	10.25
KH-3079-0A KH-3079-1A KH-3079-2A KH-3079-3A	DSA	1 1/4 1 5/16 1 3/8 1 7/16	1 13/16	4 1/16	6 11/32	5 7/8	8	2 5/8	13/16	3/4	1 1/4	3 3/8	1 15/32	5/8	2	SWE104C SWE105C SWE106C SWE107C	13.00
KH-3080-0A KH-3080-1A	DSA	1 1/2 1 9/16	2 1/8	4 3/4	6 23/32	6 3/8	8 1/2	3	7/8	3/4	1 1/4	4	1 13/16	5/8	2	SWE108C SWE109C	18.25
KH-3081-0A KH-3081-1A KH-3081-2A	DSA	1 5/8 1 11/16 1 3/4	2 1/8	4 3/4	6 3/4	6 3/8	8 1/2	3	7/8	3/4	1 1/4	4	1 13/16	5/8	2	SWE110C SWE111C SWE112C	19.00
KH-3082-0A KH-3082-1A KH-3082-2A	DSA	1 13/16 1 7/8 1 15/16	2 5/16	5 3/16	7 59/64	7 11/16	10 1/4	3 3/8	7/8	7/8	1 1/2	4 5/16	2	3/4	2	SWE113C SWE114C SWE115C	27.75
KH-3083-0A KH-3083-1A KH-3083-2A KH-3083-3A	DSA	2 2 1/16 2 1/8 2 3/16	2 1/2	5 1/2	7 61/64	7 7/8	10 3/8	3 3/4	1	7/8	1 1/2	4 11/16	2 1/8	3/4	2	SWE200C SWE201C SWE202C SWE203C	33.25
KH-3084-0A KH-3084-1A KH-3084-2A KH-3084-3A	DSA	2 1/4 2 5/16 2 3/8 2 7/16	2 3/4	6	8 7/16	8 1/4	10 3/4	4	1 1/16	7/8	1 1/2	5 1/4	2 5/16	3/4	2	SWE204C SWE205C SWE206C SWE207C	40.25
KH-3085-0A	DSA	2 1/2	2 15/16	6 1/8	9 3/32	8 5/8	11 1/2	4 3/8	1 1/8	7/8	1 3/4	5 5/8	2 15/32	3/4	2	SWE208C	46.50
KH-3086-1A	DSA	2 11/16	2 15/16	6 1/8	9 1/8	8 5/8	11 1/2	4 3/8	1 1/8	7/8	1 3/4	5 5/8	2 15/32	3/4	2	SWE211C	44.25
KH-3087-2A	DSA	2 15/16	3 3/16	6 1/8	9 63/64	9 1/8	12 1/8	4 3/4	1 3/16	7/8	2	6 1/8	2 11/16	3/4	2	SWE215C	55.25
KH-3088-3A	DSA	3 3/16	3 7/8	8	10 31/32	9 5/8	12 7/8	5 1/8	1 1/4	1	2 1/8	6 9/16	3	7/8	2	SWE303C	79.25
KH-3089-3A	DSA	3 7/16	4 1/2	8 7/8	11 53/64	10	13 1/2	6	1 5/16	1	2 3/8	7 1/8	3 1/8	7/8	2	SWE307C	102.25
KH-3090-3A	DSA	3 11/16	4 3/4	9 1/2	12 53/64	10 3/4	14 1/4	6 1/2	1 3/8	1	2 3/8	8	3 1/2	7/8	2	SWE311C	138.25
KH-3091-2A	DSA	3 15/16	5 1/8	10 1/8	13 31/32	11	15	7	1 7/16	1	2 1/2	8 3/8	3 5/8	7/8	2	SWE315C	154.25

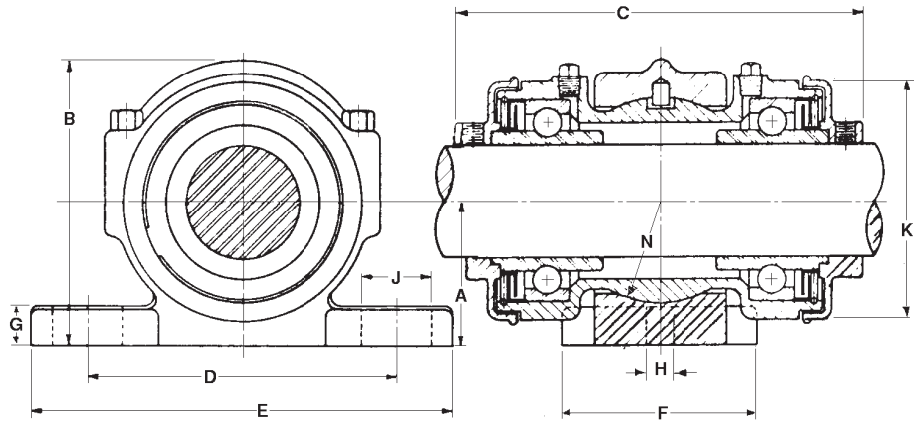
Recommended shaft tolerances: 1/2" - 1 15/16", nominal to - .0005", - .013 mm;  
2" - 2 15/16", nominal to - .0010", - .025 mm

# Double Pillow Block - Standard Series with Dust Seal Collar

**Equal to Timken DSADD** This Ketchie standard series double pillow block is designed to provide a sturdy two bearing mount. The dust seal collars provide protection against unusually dirty applications.

Initial self-alignment is provided by means of the spherically surfaced center section of the bearing housing which is free to swivel in the spherical seat of the pillow blocks before the top cap bolts are tightened.

These units use two standard series wide inner ring bearings, with integral seals and dust seal collars.



**TO ORDER, SPECIFY KETCHIE OR COMPETITOR'S PART NUMBER**

Ketchie	Equals Timken	Shaft Diam.	A	B	C	D	E	F	G	H	J	K	N	Bolt Size Req'd	Bearing Number	Approx. Unit Wt.	
		in.	in.	in.	in.	in.	in.	in.	in.	in.	in.	in.	in.	in.		lbs.	
KH-3075-10A KH-3075-12A KH-3075-13A	DSADD	9/16 5/8 11/16	1 3/16	2 1/2	5 1/16	4 1/4	6	1 3/4	5/8	9/16	1	2 1/16	7/8	1/2	2	SWE009C SWE-010C SWE011C	5.25
KH-3076-10A	DSADD	3/4	1 3/16	2 3/4	5 3/8	4 1/2	6 1/4	2	3/4	9/16	1	2 3/8	1 1/32	1/2	2	SWE012C	6.75
KH-3077-10A KH-3077-11A KH-3077-12A KH-3077-13A	DSADD	13/16 7/8 15/16 1	1 7/16	3	5 31/64	4 3/4	6 1/2	2	3/4	9/16	1	2 9/16	1 5/32	1/2	2	SWE013C SWE014C SWE015C SWE100C	7.50
KH-3078-10A KH-3078-11A KH-3078-12A	DSADD	1 1/16 1 1/8 1 3/16	1 5/8	3 3/8	6 1/32	5 5/8	7 3/4	2 1/4	3/4	3/4	1 1/4	2 31/32	1 5/16	5/8	2	SWE101C SWE102C SWE103C	11.75
KH-3079-10A KH-3079-11A KH-3079-12A KH-3079-13A	DSADD	1 1/4 1 5/16 1 3/8 1 7/16	1 13/16	4 1/16	7 7/64	5 7/8	8	2 5/8	13/16	3/4	1 1/4	3 3/8	1 5/32	5/8	2	SWE104C SWE105C SWE106C SWE107C	15.00
KH-3080-10A KH-3080-11A	DSADD	1 1/2 1 9/16	2 1/8	4 3/4	7 3/4	6 3/8	8 1/2	3	7/8	3/4	1 1/4	4	1 13/16	5/8	2	SWE108C SWE109C	20.25
KH-3081-10A KH-3081-11A KH-3081-12A	DSADD	1 5/8 1 11/16 1 3/4	2 1/8	4 3/4	7 9/16	6 3/8	8 1/2	3	7/8	3/4	1 1/4	4	1 13/16	5/8	2	SWE110C SWE111C SWE112C	22.00
KH-3082-10A KH-3082-11A KH-3082-12A	DSADD	1 13/16 1 7/8 1 15/16	2 5/16	5 3/16	8 23/32	7 11/16	10 1/4	3 3/8	7/8	7/8	1 1/2	4 5/16	2	3/4	2	SWE113C SWE114C SWE115C	30.75
KH-3083-10A KH-3083-11A KH-3083-12A KH-3083-13A	DSADD	2 2 1/16 2 1/8 2 3/16	2 1/2	5 1/2	8 37/64	7 7/8	10 3/8	3 3/4	1	7/8	1 1/2	4 11/16	2 1/8	3/4	2	SWE200C SWE201C SWE202C SWE203C	36.75
KH-3084-10A KH-3084-11A KH-3084-12A KH-3084-13A	DSADD	2 1/4 2 5/16 2 3/8 2 7/16	2 3/4	6	9 11/16	8 1/4	10 3/4	4	1 1/16	7/8	1 1/2	5 1/4	2 5/16	3/4	2	SWE204C SWE205C SWE206C SWE207C	46.25
KH-3085-10A	DSADD	2 1/2	2 15/16	6 1/8	10 7/32	8 5/8	11 1/2	4 3/8	1 1/8	7/8	1 3/4	5 5/8	2 15/32	3/4	2	SWE208C	52.50
KH-3086-11A	DSADD	2 11/16	2 15/16	6 1/8	10 1/4	8 5/8	11 1/2	4 3/8	1 1/8	7/8	1 3/4	5 5/8	2 15/32	3/4	2	SWE211C	50.25
KH-3087-12A	DSADD	2 15/16	3 3/16	6 7/8	10 55/64	9 1/8	12 1/8	4 3/4	1 3/16	7/8	2	6 1/8	2 11/16	3/4	2	SWE215C	63.25
KH-3088-13A	DSADD	3 3/16	3 7/8	8	11 29/32	9 5/8	12 7/8	5 1/8	1 1/4	1	2 1/8	6 9/16	3	7/8	2	SWE303C	89.25
KH-3089-13A	DSADD	3 7/16	4 1/2	8 7/8	12 33/64	10	13 1/2	6	1 5/16	1	2 3/8	7 1/8	3 1/8	7/8	2	SWE307C	116.25
KH-3090-13A	DSADD	3 11/16	4 3/4	9 1/2	13 53/64	10 3/4	14 1/4	6 1/2	1 3/8	1	2 3/8	8	3 1/2	7/8	2	SWE311C	150.25
KH-3091-12A	DSADD	3 15/16	5 1/8	10 1/8	14 19/32	11	15	7	1 7/16	1	2 1/2	8 3/8	3 5/8	7/8	2	SWE315C	167.25

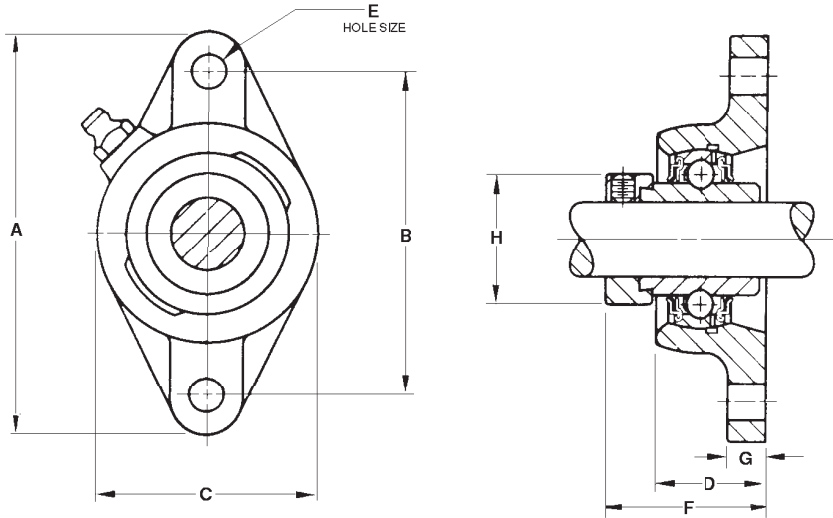
Recommended shaft tolerances: 1/2" - 1 15/16", nominal to - .0005", - .013 mm;  
2" - 2 15/16", nominal to - .0010", - .025 mm

# Two Bolt Flange - Standard Series

## Equal to Timken RCJT

This Ketchie standard series two bolt flange unit is similar in design as the four bolt unit except it has two bolt holes. They are primarily designed for applications where mounting areas are restricted.

These units are equipped with a standard series wide inner ring bearing with integral seals and eccentric locking collar.



TO ORDER, SPECIFY KETCHIE OR COMPETITOR'S PART NUMBER

Ketchie	Equals Timken	Shaft Diam.	A		B		C		D		E		F		G		H		Bearing Number	Approx. Unit Wt.
			in.	mm	in.	mm	in.	mm	in.	mm	in.	mm	in.	mm	in.	mm	in.	mm		
KH-1201-10A KH-1201-11A KH-1201-12A KH-1201-13A KH-1201-14A	RCJT	1/2 9/16 5/8 11/16 17			3 7/8 98.4	3 75.2	2 3/8 60.3	1 3/32 27.8	25/64 9.9	1 37/64 40.1	7/16 11.1	1 1/8 28.6							GSWE008CCS GSWE009CCS GSWE010CCS GSWE011CCS GSWE17CCS	1.50
KH-1202-10A KH-1202-11A	RCJT	3/4 20			4 13/32 111.9	3 17/32 89.7	2 9/16 65.1	1 3/32 27.8	27/64 10.7	1 51/64 45.6	13/32 10.3	1 5/16 33.3							GSWE012CCS GSWE20CCS	1.50
KH-1203-10A KH-1203-11A KH-1203-12A KH-1203-13A KH-1203-14A	RCJT	13/16 7/8 15/16 1 25			4 7/8 123.8	3 29/32 99.2	2 3/4 69.8	1 9/64 29.0	15/32 11.9	1 25/32 45.2	7/16 11.1	1 1/2 38.1							GSWE013CCS GSWE014CCS GSWE015CCS GSWE100CCS GSWE25CCS	2.00
KH-1204-10A KH-1204-11A KH-1204-12A KH-1204-13A KH-1204-14A	RCJT	1 1/16 1 1 3/16 1 1/4S 30			5 9/16 141.3	4 19/32 116.7	3 1/8 79.4	1 1/4 31.8	29/64 11.5	1 31/32 50.0	17/32 13.5	1 3/4 44.4							GSWE101CCS GSWE102CCS GSWE103CCS GSWE103CCS3 GSWE30CCS	2.75
KH-1205-10A KH-1205-11A KH-1205-12A KH-1205-13A KH-1205-14A	RCJT	1 1/4 1 5/16 1 1 7/16 35			6 1/8 155.6	5 1/8 130.2	3 5/8 92.1	1 11/32 34.1	33/64 13.1	2 3/32 53.2	15/32 11.9	2 3/16 55.6							GSWE104CCS GSWE105CCS GSWE106CCS GSWE107CCS GSWE35CCS	3.50
KH-1206-10A KH-1206-11A KH-1206-12A	RCJT	1 1/2 1 9/16 40			6 3/4 171.4	5 21/32 148.0	4 1/8 104.7	1 1/2 38.1	33/64 13.1	2 5/16 58.7	1/2 12.7	2 3/8 50.3							GSWE108CCS GSWE109CCS GSWE40CCS	5.00
KH-1207-10A KH-1207-11A KH-1207-12A KH-1207-13A	RCJT	1 5/8 1 11/16 1 3/4 45			7 1/16 179.4	5 53/64 148.0	4 3/8 111.1	1 17/32 38.9	33/64 13.1	2 5/16 58.7	1/2 12.7	2 1/2 63.3							GSWE110CCS GSWE111CCS GSWE112CCS GSWE45CCS	5.50
KH-1208-10A KH-1208-11A KH-1208-12A KH-1208-13A	RCJT	1 13/16 1 7/8 1 15/16 50			7 7/16 188.9	6 3/16 157.2	4 9/16 115.9	1 11/16 42.8	43/64 17.1	2 19/32 65.7	1/2 12.7	2 3/4 69.9							GSWE113CCS GSWE114CCS GSWE115CCS GSWE50CCS	6.25
KH-1209-10A KH-1209-11A KH-1209-12A KH-1209-13A KH-1209-14A	RCJT	2 2 1/16 2 1/8 2 3/16 55			8 1/2 215.9	7 1/4 184.1	5 127.0	1 27/32 46.8	43/64 17.1	2 15/16 74.6	21/32 16.7	3 76.2							GSWE200CCS GSWE201CCS GSWE202CCS GSWE203CCS GSWE55CCS	8.25

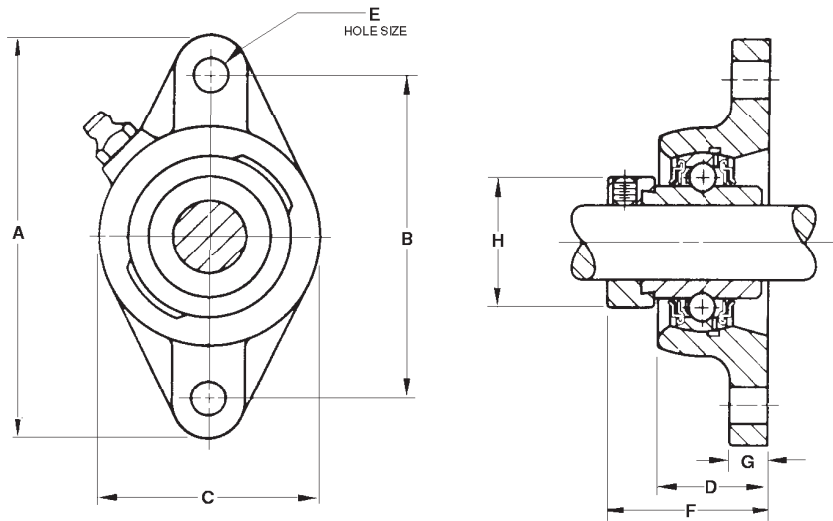
Recommended shaft tolerances: 1/2" - 1 15/16", nominal to - .0005", - .013 mm;  
2" - 2 15/16", nominal to - .0010", - .025 mm

# Two Bolt Flange - Standard Series - High Temperature

Equal to Timken LCJT

This Ketchie standard series, high temperature two bolt flange unit is supplied completely assembled and is mounted in place by means of bolts through flange. These units are designed for applications in which operating temperature exceeds 250° F.

These units use a standard series wide inner ring bearing with an eccentric locking collar, high temperature seal and high temperature grease. These units can be operated up to 425°.



TO ORDER, SPECIFY KETCHIE OR COMPETITOR'S PART NUMBER

Ketchie	Equals Timken	Shaft Diam.	A	B	C	D	E	F	G	H	Bearing Number	Approx. Unit Wt.
		in.	in. mm	in. mm	in. mm	in. mm	in. mm	in. mm	in. mm	in. mm		lbs.
KH-1202-0-10A	LCJT	3/4	4 13/32 111.9	3 17/32 89.7	2 9/16 65.1	1 3/32 27.8	27/64 10.7	1 51/64 45.6	13/32 10.3	1 5/16 33.3	GSWE012HHS	1.50
KH-1203-0-13A	LCJT	1	4 7/8 123.8	3 29/32 99.2	2 3/4 69.8	1 9/64 29.0	1 5/32 11.9	1 25/32 45.2	7/16 11.1	1 1/2 38.1	GSWE100HHS	2.00
KH-1204-0-12A	LCJT	1 3/16	5 9/16 141.3	4 19/32 116.7	3 1/8 79.4	1 1/4 31.8	29/64 11.5	1 31/32 50.0	1 7/32 13.5	1 3/4 44.4	GSWE103HHS	2.75
KH-1205-0-10A	LCJT	1 1/4	6 1/8 155.6	5 1/8 130.2	3 5/8 92.1	1 11/32 34.1	33/64 13.1	2 3/32 53.2	1 5/32 11.9	2 3/16 55.6	GSWE104HHS	3.50
KH-1205-0-13A		1 7/16									GSWE107HHS	
KH-1206-0-10A	LCJT	1 1/2	6 3/4 171.4	5 21/32 148.0	4 1/8 104.7	1 1/2 38.1	33/64 13.1	2 5/16 58.7	1/2 12.7	2 3/8 50.3	GSWE108CCS	5.00
KH-1207-0-11A KH-1207-0-12A	LCJT	1 11/16 1 3/4	7 1/16 179.4	5 53/64 148.0	4 3/8 111.1	1 17/32 38.9	33/64 13.1	2 5/16 58.7	1/2 12.7	2 1/2 63.3	GSWE111HHS GSWE112HHS	5.50
KH-1208-0-12A	LCJT	1 15/16	7 7/16 188.9	6 3/16 157.2	4 9/16 115.9	1 11/16 42.8	43/64 17.1	2 19/32 65.7	1/2 12.7	2 3/4 69.9	GSWE115HHS	6.25
KH-1209-0-13A	LCJT	2 3/16	8 1/2 215.9	7 1/4 184.1	5 127.0	1 27/32 46.8	43/64 17.1	2 15/16 74.6	2 1/32 16.7	3 76.2	GSWE203HHS	8.25

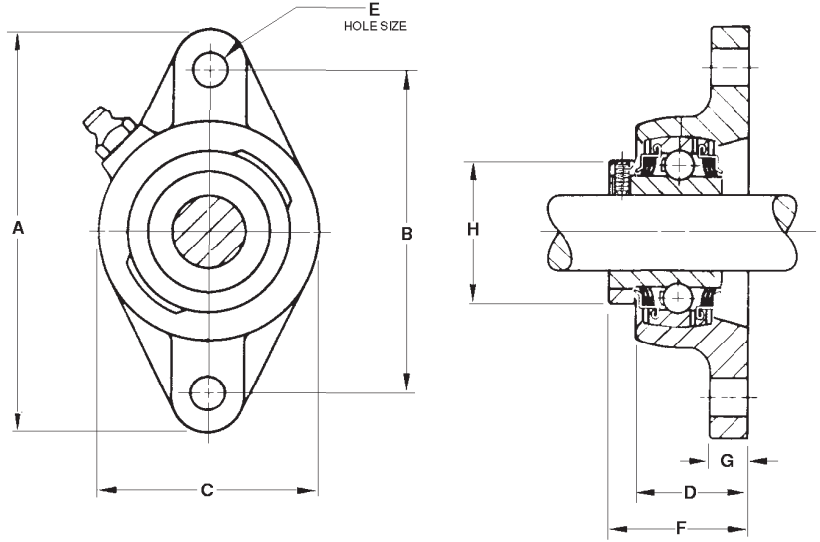
Recommended shaft tolerances: 1/2" - 1 15/16", nominal to - .0005", - .013 mm;  
2" - 2 15/16", nominal to - .0010", - .025 mm

# Two Bolt Flange - Standard Series

## Equal to Timken TCJT

This Ketchie standard series two bolt flange unit is supplied completely assembled and is mounted by means of bolts through flange.

These units use a standard series, wide inner ring bearing with an eccentric locking collar and one piece Triple-Lip Seal for better seal performance.



TO ORDER, SPECIFY KETCHIE OR COMPETITOR'S PART NUMBER

Ketchie	Equals Timken	Shaft Diam.	A		B		C		D		E		F		G		H		Bearing Number	Approx. Unit Wt.
			in.	mm	in.	mm	in.	mm	in.	mm	in.	mm	in.	mm	in.	mm	in.	mm		
KH-4232-13A	TCJT	1	4 7/8	123.8	3 29/32	99.2	2 3/4	69.8	1 9/64	29.0	15/32	11.9	1 25/32	45.2	7/16	11.1	1 1/2	38.1	GSWE100TTS	2.00
KH-4233-11A KH-4233-12A KH-4233-13A	TCJT	1 1/8 1 3/16 1 1/4 S	5 9/16	141.3	4 19/32	116.7	3 1/8	79.4	1 1/4	31.8	29/64	11.5	1 31/32	50.0	17/32	13.5	1 3/4	44.4	GSWE10TTS GSWE103TTS GSWE103TTS3	2.75
KH-4234-10A KH-4234-12A KH-4234-13A	TCJT	1 1/4 1 3/8 1 7/16	6 1/8	155.6	5 1/8	130.2	3 5/8	92.1	1 11/32	34.1	33/64	13.1	2 3/32	53.2	15/32	11.9	2 3/16	55.6	GSWE104TTS GSWE106TTS GSWE107TTS	3.50
KH-4235-10A		1 1/2	6 3/4	171.4	5 21/32	148.0	4 1/8	104.7	1 1/2	38.1	33/64	13.1	2 5/16	58.7	1/2	12.7	2 3/8	50.3	GSWE108TTS	5.00
KH-4236-11A KH-4236-12A	TCJT	1 11/16 1 3/4	7 1/16	179.4	5 53/64	148.0	4 3/8	111.1	1 17/32	38.9	33/64	13.1	2 5/16	58.7	1/2	12.7	2 1/2	63.3	GSWE111TTS GSWE112TTS	5.50
KH-4237-12A	TCJT	1 15/16	7 7/16	188.9	6 3/16	157.2	4 9/16	115.9	1 11/16	42.8	43/64	17.1	2 19/32	65.7	1/2	12.7	2 3/4	69.9	GSWE115TTS	6.25
KH-4238-10A KH-4238-13A	TCJT	2 2 3/16	8 1/2	215.9	7 1/4	184.1	5	127.0	1 27/32	46.8	43/64	17.1	2 15/16	74.6	21/32	16.7	3	76.2	GSWE200TTS GSWE203TTS	8.25

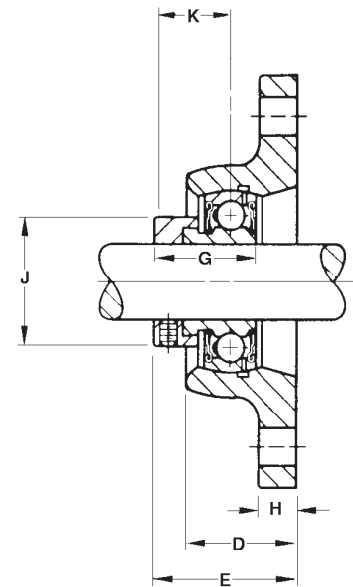
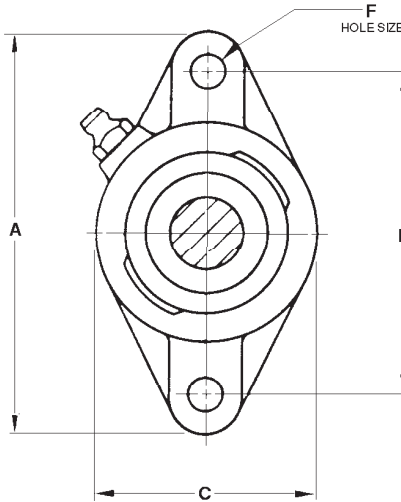
Recommended shaft tolerances: 1/2" - 1 15/16", nominal to - .0005", - .013 mm;  
2" - 2 15/16", nominal to - .0010", - .025 mm

# Two Bolt Flange - Standard Series

Equal to Timken VCJT and INA PCJT

This Ketchie standard series two bolt flange unit is supplied completely assembled and is mounted by means of bolts through the flange.

These units use a standard series, extended inner ring bearing and eccentric locking collar.



TO ORDER, SPECIFY KETCHIE OR COMPETITOR'S PART NUMBER

Ketchie	Equals		Shaft Diam.	A	B	C	D	E	F	G	H	J	K	Bearing Number	Approx. Unit Wt.
	Timken	INA													
			in. mm	in. mm	in. mm	in. mm	in. mm	in. mm	in. mm	in. mm	in. mm	in. mm	in. mm		lbs.
KH-4129-10A KH-4129-11A KH-4129-12A KH-4129-14A	VCJT	PCJT	1/2 9/16 5/8 17	3 7/8 98.4	3 75.2	2 3/8 60.3	1 3/32 27.8	1 17/32 39.9	25/64 9.9	7/16 11.1	1 1/8 28.6	1 7/64 28.2	7/8 22.2	GSEE008CCS GSEE009CCS GSEE010CCS GSEE17CCS	1.50
KH-4130-10A KH-4130-11A	VCJT	PCJT	3/4 20	4 13/32 111.9	3 17/32 89.7	2 9/16 65.1	1 3/32 27.8	1 43/64 43.4	25/64 9.9	13/32 10.3	1 5/16 33.3	1 19/64 32.9	59/64 23.4	GSEE012CCS GSEE20CCS	1.75
KH-4131-10A KH-4131-11A KH-4131-12A KH-4131-13A KH-4131-14A	VCJT	PCJT	13/16 7/8 15/16 1 25	4 7/8 123.8	3 29/32 99.2	2 3/4 69.8	1 9/64 29.0	1 43/64 43.4	15/32 11.9	7/16 11.1	1 1/2 38.1	1 31/64 37.7	59/64 23.4	GSEE013CCS GSEE014CCS GSEE015CCS GSEE100CCS GSEE25CCS	1.75
KH-4132-10A KH-4132-11A KH-4132-12A KH-4132-13A KH-4132-14A	VCJT	PCJT	1 1/16 1 13/16 1 1/4 S 30	5 9/16 141.3	4 19/32 116.7	3 1/8 79.4	1 1/4 31.8	1 53/64 46.4	29/64 11.5	17/32 13.5	1 3/4 44.4	1 47/64 44.1	1 1/16 27.0	GSEE101CCS GSEE102CCS GSEE103CCS GSEE103CCS3 GSEE30CCS	2.50
KH-4133-10A KH-4133-11A KH-4133-12A KH-4133-13A KH-4133-14A	VCJT	PCJT	1 1/4 1 5/16 1 1 7/16 35	6 1/8 155.6	5 1/8 130.2	3 5/8 92.1	1 11/32 34.1	1 31/32 50.0	33/64 13.1	15/32 11.9	2 3/16 55.6	2 7/64 53.6	1 5/32 29.4	GSEE104CCS GSEE105CCS GSEE106CCS GSEE107CCS GSEE35CCS	3.25
KH-4134-10A KH-4134-11A KH-4134-12A	VCJT	PCJT	1 1/2 1 9/16 40	6 3/4 171.4	5 21/32 148.0	4 1/8 104.7	1 1/2 38.1	2 7/32 56.4	33/64 13.1	1/2 12.7	2 3/8 50.3	2 23/64 59.9	1 9/32 32.5	GSEE108CCS GSEE109CCS GSEE40CCS	4.75
KH-4135-10A KH-4135-11A KH-4135-12A KH-4135-13A	VCJT	PCJT	1 5/8 1 11/16 1 3/4 45	7 1/16 179.4	5 53/64 148.0	4 3/8 111.1	1 17/32 38.9	2 7/32 56.4	33/64 13.1	1/2 12.7	2 1/2 63.3	2 31/64 63.1	1 9/32 32.5	GSEE110CCS GSEE111CCS GSEE112CCS GSEE45CCS	5.25
KH-4136-10A KH-4136-11A KH-4136-12A KH-4136-13A KH-4136-14A	VCJT	PCJT	1 13/16 1 7/8 1 15/16 50	7 7/16 188.9	6 3/16 157.2	4 9/16 115.9	1 11/16 42.8	2 3/8 60.3	43/64 17.1	1/2 12.7	2 3/4 69.9	2 47/64 69.5	1 9/32 32.5	GSEE113CCS GSEE114CCS GSEE115CCS GSEE115CCS3 GSEE50CCS	5.75
KH-4137-10A KH-4137-11A KH-4137-12A KH-4137-13A KH-4137-14A	VCJT	PCJT	2 2 1/16 2 1/8 2 3/16 55	8 1/2 215.9	7 1/4 184.1	5 127.0	1 27/32 46.8	2 21/32 17.1	43/64 17.1	2 1/32 16.7	3 76.2	2 63/64 75.8	1 7/16 36.5	GSEE200CCS GSEE201CCS GSEE202CCS GSEE203CCS GSEE55CCS	7.00

Recommended shaft tolerances: 1/2" - 1 15/16", nominal to -.0005", -.013 mm;  
2" - 2 15/16", nominal to -.0010", -.025 mm

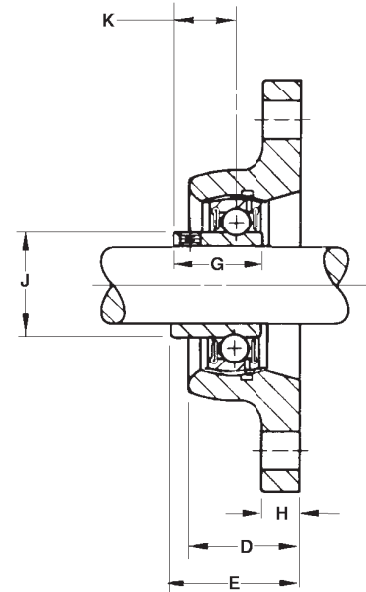
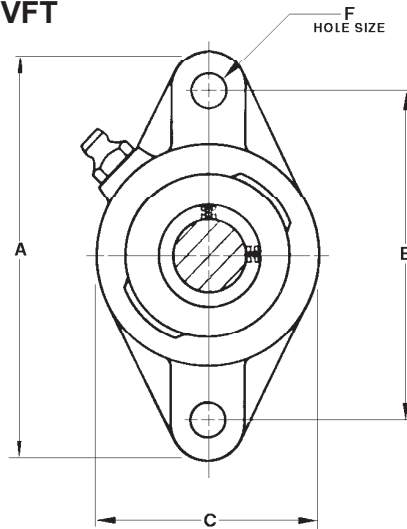


# Two Bolt Flange - Standard Series

Equal to Timken SCJT, Seal Master VFT

This Ketchie standard series two bolt flange unit is supplied completely assembled and is mounted by means of bolts through the flange.

These units use a standard series, extended inner ring bearing with a set screw lock.



**TO ORDER, SPECIFY KETCHIE OR COMPETITOR'S PART NUMBER**

Ketchie	Equals Timken S.Master	Shaft Diam.	A	B	C	D	E	F	G	H	J	K	Bearing Number	Approx. Unit Wt.  lbs.
			in. mm	in. mm	in. mm	in. mm	in. mm	in. mm	in. mm	in. mm	in. mm	in. mm		
KH-4159-10A KH-4159-12A KH-4159-14A	SCJT VFT	1/2 5/8 17	3 7/8 98.4	3 75.2	2 3/8 60.3	1 3/32 27.8	1 9/32 32.5	25/64 9.9	15/16 23.8	7/16 11.1	31/32 24.6	5/8 15.9	GSES008CCS GSES010CCS GSES17CCS	1.00
KH-4160-10A KH-4160-11A	SCJT VFT	3/4 20	4 13/32 111.9	3 17/32 89.7	2 9/16 65.1	1 3/32 27.8	1 15/32 37.3	25/64 9.9	1 1/16 27.0	7/16 11.1	1 9/64 29.0	23/32 18.3	GSES012CCS GSES20CCS	1.25
KH-4161-11A KH-4161-12A KH-4161-13A KH-4161-14A	SCJT VFT	7/8 15/16 1 25	4 7/8 123.8	3 29/32 98.82	2 3/4 69.8	1 9/64 30.2	1 33/64 38.5	15/32 11.9	1 7/64 28.2	7/16 11.1	1 21/64 33.7	49/64 19.4	GSES014CCS GSES015CCS GSES100CCS GSES25CCS	1.25
KH-4162-11A KH-4162-12A KH-4162-13A KH-4162-14A	SCJT VFT	1 1 3/16 1 1/4 30	5 9/16 141.3	4 19/32 116.7	3 1/8 79.4	1 1/4 31.8	1 11/16 42.9	29/64 11.5	1 9/32 32.5	1 7/32 13.5	1 37/64 40.1	29/32 23.0	GSES102CCS GSES103CCS GSES103CCS3 GSES30CCS	1.75
KH-4163-10A KH-4163-12A KH-4163-13A KH-4163-14A	SCJT VFT	1 1/4 1 3/8 1 7/16 35	6 1/8 155.6	5 1/8 130.2	3 5/8 92.1	1 11/32 34.1	1 53/64 46.4	33/64 13.1	1 7/16 36.5	9/16 14.3	1 27/32 46.8	1 1/64 25.8	GSES104CCS GSES106CCS GSES107CCS GSES30CCS	2.50
KH-4164-10A KH-4164-12A	SCJT VFT	1 1/2 40	6 3/4 171.4	5 21/32 148.0	4 1/8 104.7	1 1/2 38.1	2 1/32 51.6	33/64 13.1	1 35/64 39.3	9/16 14.3	2 1/16 52.4	1 3/32 27.8	GSES108CCS GSES40CCS	4.75
KH-4165-10A KH-4165-11A KH-4165-12A KH-4165-13A	SCJT VFT	1 5/8 1 11/16 1 3/4 45	7 1/16 179.4	5 53/64 148.0	4 3/8 111.1	1 17/32 38.9	2 1/16 52.4	33/64 13.1	1 21/32 42.1	5/8 15.8	2 5/32 57.9	1 7/8 28.6	GSES110CCS GSES111CCS GSES112CCS GSES45CCS	4.75
KH-4166-12A KH-4166-13A KH-4166-14A	SCJT VFT	1 15/16 2S 50	7 7/16 188.9	6 3/16 157.2	4 9/16 115.9	1 11/16 42.8	2 5/16 58.7	43/64 17.1	1 3/4 12.7	2 1/32 69.9	2 15/32 69.5	1 7/32 32.5	GSES115CCS GSES115CCS3 GSES50CCS	5.25
KH-4167-10A KH-4167-13A KH-4167-14A	SCJT VFT	2 2 3/16 55	8 1/2 215.9	7 1/4 184.1	5 127.0	1 27/32 46.8	2 15/32 62.7	43/64 17.1	1 53/64 46.4	23/32 18.2	2 3/4 69.8	1 1/4 31.7	GSES200CCS GSES203CCS GSES55CCS	6.50

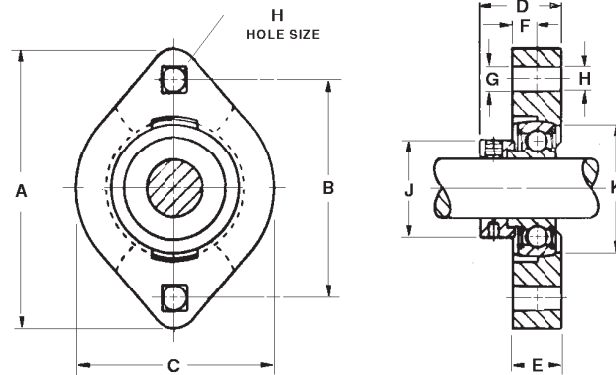
Recommended shaft tolerances: 1/2" - 1 19/16", nominal to -.0005", -.013 mm;  
2" - 2 15/16", nominal to -.0010", -.025 mm

# Two Bolt Flange - Standard Series

## Compact Design Equal to Timken FLCT

This Ketchie two bolt flange unit is designed to provide sturdy shaft support in minimum space.

These units are equipped with a standard series extended inner ring bearing and eccentric locking collar.



TO ORDER, SPECIFY KETCHIE OR COMPETITOR'S PART NUMBER

Ketchie	Equals Timken	Shaft Diam.	A	B	C	D	E	F	G	sq.	H <sub>dia.</sub>	J	K	Bearing Number	Approx. Unit Wt.
			in. mm	in. mm	in. mm	in. mm	in. mm	in. mm	in. mm	in. mm	in. mm	in. mm	in. mm		
<b>KH-4261-10A</b>	FLCT	1/2	3 3/16	2 1/2	2 5/16	1 3/16	37/64	9/32	3/16	9/32	1 1/8	1 1/2	SEE008CCS	1.00	
<b>KH-4261-12A</b>		5/8	81.0	63.5	58.7	30.2	14.7	7.1	7.9	7.1	28.6	38.1	SEE10CCS SEE17CCS		
<b>KH-4261-13A</b>		17													
<b>KH-4262-12A</b>	FLCT	3/4	3 9/16	2 13/16	2	1 19/64	43/64	11/32	3/8	11/32	1 5/16	1 25/32	SEE012CCS SEE20CCS	1.25	
<b>KH-4262-11A</b>		20	90.5	71.4	66.7	32.9	17.1	8.7	9.5	8.7	33.3	45.2			
<b>KH-4263-11A</b>	FLCT	7/8	3 3/4	3	2 51/64	1 23/64	11/16	11/32	3/8	11/32	1 1/2	1 63/64	SEE014CCS SEE015CCS SEE100CCS SEE25CCS	1.25	
<b>KH-4263-12A</b>		15/16	95.2	76.2	71.0	34.5	17.5	8.7	9.5	8.7	38.1	50.4			
<b>KH-4263-13A</b>		1													
<b>KH-4263-14A</b>		25													
<b>KH-4264-10A</b>	FLCT	1 1/16	4 7/16	3 9/16	3 5/16	1 33/64	13/16	13/32	7/16	13/32	1 3/4	2 11/32	SEE101CCS SEE102CCS SEE103CCS SEE103CCS3 SEE30CCS	2.00	
<b>KH-4264-11A</b>		1 1/8	112.7	90.5	84.1	38.5	20.6	10.3	11.1	10.3	44.4	59.5			
<b>KH-4264-12A</b>		1 3/16													
<b>KH-4264-13A</b>		1 1/4 S													
<b>KH-4264-14A</b>		30													
<b>KH-4265-10A</b>	FLCT	1 1/4	4 15/16	3 15/16	3 11/16	1 21/32	7/8	7/16	7/16	13/32	2 3/16	2 47/64	SEE104CCS	2.50	
<b>KH-4265-12A</b>		1 3/8	125.4	100.0	93.7	41.1	22.2	11.1	11.1	10.3	55.6	69.5	SEE106CCS SEE107CCS SEE35CCS		
<b>KH-4265-13A</b>		1 7/16													
<b>KH-4265-14A</b>		35													

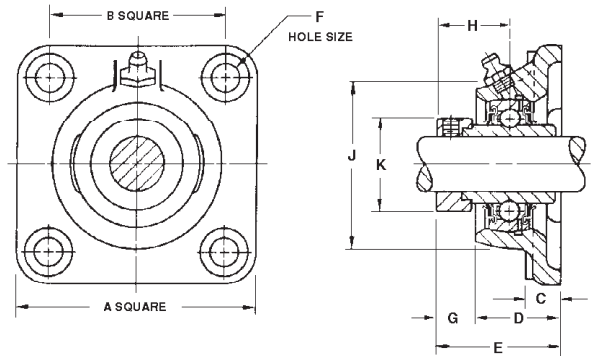
Recommended shaft tolerances: nominal to - .0005", - .013 mm

# Four Bolt Flange - Standard Series

## Equal to Timken RCJ

This Ketchie standard series four bolt flange unit is designed for applications where a minimum amount of machining is to be done. Each unit is assembled and ready for mounting by means of bolts through the flange.

These units are equipped with a standard series wide inner ring bearing with integral seals and eccentric locking collar.



**TO ORDER, SPECIFY KETCHIE OR COMPETITOR'S PART NUMBER**

Ketchie	Equals Timken	Shaft Diam.		A	B	C	D	E	F	G	H	J	K	Bearing Number	Approx. Unit Wt.											
		in.	mm													in.	mm	in.	mm	in.	mm	in.	mm			
KH-1101-10A	RCJ	1/2		3	2 1/8	3/8	1 1/32	1 37/64	27/64	35/64	59/64	2 1/16	1 1/8	GSWE008CCS GSWE009CCS GSWE010CCS GSWE011CCS GSWE17CCS	1.25											
KH-1101-11A		9/16														76.2	54.0	9.5	26.2	40.1	10.7	13.9	23.4	52.4	28.6	
KH-1101-12A		5/8																								
KH-1101-13A		11/16																								
KH-1101-14A		17																								
KH-1102-10A	RCJ	3/4		3 3/8	2 1/2	7/16	1 5/32	1 51/64	27/64	41/64	1 3/64	2 3/8	1 5/16	GSWE012CCS GSWE20CCS	1.75											
KH-1102-11A		20	85.7	63.5	11.1	29.4	45.6	10.7	16.3	26.6	60.3	33.3														
KH-1103-10A	RCJ	13/16		3 3/4	2 3/4	1/2	1 3/16	1 13/16	29/64	5/8	1 1/16	2 9/16	1 1/2	GSWE013CCS GSWE014CCS GSWE015CCS GSWE100CCS GSWE25CCS	2.25											
KH-1103-11A		7/8														95.2	69.8	12.7	30.2	40.0	11.5	15.9	27.0	65.1	38.1	
KH-1103-12A		15/16																								
KH-1103-13A		1																								
KH-1103-14A		25																								
KH-1104-10A	RCJ	1 1/16		4 1/4	3 1/4	17/32	1 9/32	1 31/32	29/64	1 1/16	1 3/16	3	1 3/4	GSWE101CCS GSWE102CCS GSWE103CCS GSWE30CCS	3.00											
KH-1104-11A		1 1/8														107.9	82.6	13.5	32.5	50.0	11.5	17.5	30.2	76.2	44.4	
KH-1104-12A		1 3/16																								
KH-1104-13A		30																								
KH-1105-10A	RCJ	1 1/4		4 5/8	3 5/8	17/32	1 11/32	2 3/32	33/64	3/4	1 9/32	3 1/2	2 3/16	GSWE104CCS GSWE105CCS GSWE106CCS GSWE107CCS GSWE35CCS	4.25											
KH-1105-11A		1 3/16														117.5	92.1	13.5	34.1	53.2	13.1	19.0	32.5	88.9	55.6	
KH-1105-12A		1 3/8																								
KH-1105-13A		1 7/16																								
KH-1105-14A		35																								
KH-1106-10A	RCJ	1 1/2		5 1/8	4	9/16	1 1/2	2 5/16	33/64	1 3/16	1 3/8	3 7/8	2 3/8	GSWE108CCS GSWE109CCS GSWE40CCS	5.25											
KH-1106-11A		1 9/16														130.2	101.6	14.3	38.1	58.7	13.1	20.6	34.9	98.4	60.3	
KH-1106-12A		40																								
KH-1107-10A	RCJ	1 5/8		5 3/8	4 1/8	9/16	1 17/32	2 5/16	33/64	2 5/32	1 3/8	4 1/8	2 1/2	GSWE110CCS GSWE111CCS GSWE112CCS GSWE45CCS	6.00											
KH-1107-11A		1 11/16														136.5	104.8	14.3	38.9	58.7	13.1	19.8	34.9	104.8	63.5	
KH-1107-12A		1 3/4																								
KH-1107-13A		45																								
KH-1108-10A	RCJ	1 13/16		5 5/8	4 3/8	9/16	1 11/16	2 19/32	43/64	2 9/32	1 1/2	4 7/16	2 3/4	GSWE113CCS GSWE114CCS GSWE115CCS GSWE50CCS	6.75											
KH-1108-11A		1 7/8														142.9	111.1	14.3	42.9	65.9	17.1	23.0	38.1	112.7	69.8	
KH-1108-12A		1 1/16																								
KH-1108-13A		50																								
KH-1109-10A		RCJ	2														6 3/8	5 1/8	2 1/32	1 27/32	2 15/16	43/64	1 3/32	1 23/32	4 3/4	3
KH-1109-11A	2 1/16			161.9	130.2	16.7	46.8	74.6	17.1	27.8	43.7	120.6	76.2													
KH-1109-12A	2 1/8																									
KH-1109-13A	2 3/16																									
KH-1109-14A	55																									
KH-1110-10A	RCJ	2 1/4		6 7/8	5 5/8	1 1/16	1 15/16	3 3/16	43/64	1 1/4	1 27/32	5 3/8	3 5/16	GSWE204CCS GSWE206CCS GSWE207CCS GSWE60CCS	11.25											
KH-1110-11A		2 5/16														174.6	142.9	17.5	49.2	3.2	17.1	31.8	46.8	136.5	84.1	
KH-1110-12A		2 3/8																								
KH-1110-13A		2 7/16																								
KH-1110-14A		60																								
KH-1111-13A	RCJ	2 11/16		7 3/8	5 7/8	3/4	2 1/2	3 1/2	4 1/64	1	1 25/32	6	3 13/16	GSWE211CCS GSWE70CCS	15.50											
KH-1111-14A		70	187.3													149.2	19.1	63.5	88.9	16.3	25.4	45.2	152.4	96.8		
KH-1112-13A	RCJ	2 15/16		7 3/4	6	7/8	2 5/8	3 25/32	2 5/32	1 1/32	2 5/32	6 3/8	4	GSWE215CCS GSWE75CCS	18.25											
KH-1112-14A		75	196.8													152.4	22.2	66.7	96.0	19.8	26.2	54.8	161.9	101.6		

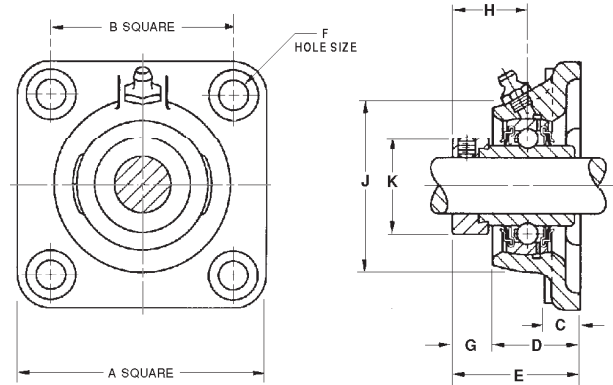
Recommended shaft tolerances: 1/2" - 1 15/16", nominal to - .0005", - .013 mm;  
2" - 2 5/16", nominal to - .0010", - .025 mm

# Four Bolt Flange - Standard Series - High Temperature

## Equal to Timken LCJ

This Ketchie standard series, high temperature four bolt flange unit is supplied completely assembled and is mounted in place by means of bolts through the flange. These units are designed for applications in which the operating temperature exceeds 250°F.

These units use a standard series wide inner ring bearing with an eccentric locking collar, high temperature seals and high temperature grease. These units can be operated up to 425°F.



**TO ORDER, SPECIFY KETCHIE OR COMPETITOR'S PART NUMBER**

Ketchie	Equals Timken	Shaft Diam.	A	B	C	D	E	F	G	H	J	K	Bearing Number	Approx. Unit Wt.
			in. mm	in. mm	in. mm	in. mm	in. mm	in. mm	in. mm	in. mm	in. mm	in. mm		
KH-1202-0-10A	LCJ	3/4	3 3/8 85.7	2 1/2 63.5	7/16 11.1	1 5/32 29.4	1 51/64 45.6	27/64 10.7	41/64 16.3	1 3/64 26.6	2 3/8 60.3	1 5/16 33.3	GSWE012HHSS	1.75
KH-1203-0-13A	LCJ	1	3 3/4 95.2	2 3/4 69.8	1/2 12.7	1 3/16 30.2	1 13/16 40.0	29/64 11.5	5/8 15.9	1 1/16 27.0	2 9/16 65.1	1 1/2 38.1	GSWE100HHS	2.25
KH-1204-0-12A	LCJ	1 1/16	4 1/4 107.9	3 1/4 82.6	17/32 13.5	1 9/32 32.5	1 31/32 50.0	29/64 11.5	11/16 17.5	1 3/16 30.2	3 76.2	1 3/4 44.4	GSWE103HHS GSWE104HHS	3.00
KH-1205-0-13A	LCJ	1 1/4	4 5/8 117.5	3 5/8 92.1	17/32 13.5	1 11/32 34.1	2 3/32 53.2	33/64 13.1	3/4 19.0	1 9/32 32.5	3 1/2 88.9	2 3/16 55.6	GSWE107HHS	4.25
KH-1206-0-10A	LCJ	1 1/2	5 1/8 130.2	4 101.6	9/16 14.3	1 1/2 38.1	2 5/16 58.7	33/64 13.1	13/16 20.6	1 3/8 34.9	3 7/8 98.4	2 3/8 60.3	GSWE108HHS	5.25
KH-1207-0-11A KH-1207-0-12A	LCJ	1 11/16	5 3/8 136.5	4 1/8 104.8	9/16 14.3	1 17/32 38.9	2 5/16 58.7	33/64 13.1	25/32 19.8	1 3/8 34.9	4 1/8 104.8	2 1/2 63.5	GSWE111HHS GSWE112HHS	6.00
KH-1208-0-12A	LCJ	1 15/16	5 5/8 142.9	4 3/8 111.1	9/16 14.3	1 11/16 42.9	2 19/32 65.9	43/64 17.1	29/32 23.0	1 1/2 38.1	4 7/16 112.7	2 3/4 69.8	GSWE115HHS	7.00
KH-1209-0-13A	LCJ	2 3/16	6 3/8 161.9	5 1/8 130.2	21/32 16.7	1 27/32 46.8	2 15/16 74.6	43/64 17.1	1 3/32 27.8	1 23/32 43.7	4 3/4 120.6	3 76.2	GSWE203HHS	8.75
KH-1210-0-13A	LCJ	2 7/16	6 7/8 174.6	5 5/8 142.9	11/16 17.5	1 15/16 49.2	3 3/16 3.2	43/64 17.1	1 1/4 31.8	1 27/32 46.8	5 3/8 136.5	3 5/16 84.1	GSWE207HHS	11.50

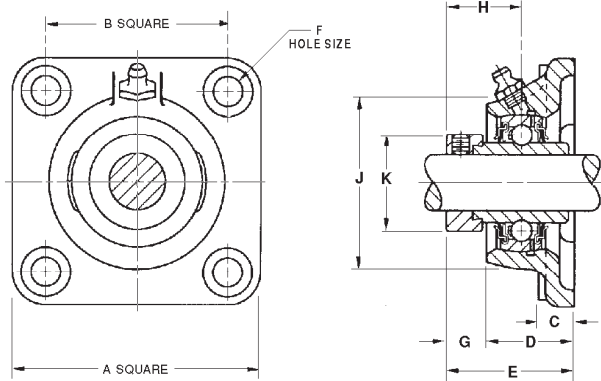
Recommended shaft tolerances: 1/2" - 1 15/16", nominal to - .0005", - .013 mm;  
2" - 2 15/16", nominal to - .0010", - .025 mm

# Four Bolt Flange - Standard Series

## Equal to Timken TCJ

This Ketchie standard series four bolt flange unit is supplied completely assembled and is mounted by means of bolts through the flange.

These units use a standard series wide inner ring bearing with an eccentric locking collar and a one piece Triple-Lip Seal for better seal performance.



**TO ORDER, SPECIFY KETCHIE OR COMPETITOR'S PART NUMBER**

Ketchie	Equals Timken	Shaft Diam.	A	B	C	D	E	F	G	H	J	K	Bearing Number	Approx. Unit Wt.
		in.	in. mm	in. mm	in. mm	in. mm	in. mm	in. mm	in. mm	in. mm	in. mm	in. mm		lbs.
KH-4219-13A	TCJ	1	3 3/4 95.2	2 3/4 69.8	1/2 12.7	1 3/16 30.2	1 13/16 42.9	29/64 11.5	5/8 15.9	1 1/16 27.0	2 9/16 65.1	1 1/2 38.1	GSWE100TTS	2.25
KH-4220-11A	TCJ	1 1/8	4 1/4 107.9	3 1/4 82.6	17/32 13.5	1 9/32 32.5	1 31/32 46.8	29/64 11.5	11/16 17.5	1 3/16 30.2	3 76.2	1 3/4 44.4	GSWE102TTS	3.00
KH-4220-12A		1 3/16											GSWE103TTS	
KH-4220-13A		1 1/4 S											GSWE103TTS3	
KH-4221-10A	TCJ	1 1/4	4 5/8 117.5	3 5/8 92.1	17/32 13.5	1 11/32 34.1	1 3/32 50.0	33/64 13.1	3/4 19.0	1 9/32 32.5	3 1/2 88.9	2 3/16 55.6	GSWE104TTS	4.25
KH-4221-12A	TCJ	1 3/8	GSWE106TTS											
KH-4221-13A	TCJ	1 7/16	GSWE107TTS											
KH-4222-10A	TCJ	1 1/2	5 1/8 130.2	4 101.6	9/16 14.3	1 1/2 38.1	2 5/16 56.4	33/64 13.1	13/16 20.6	1 3/8 34.9	3 7/8 98.4	2 3/8 60.3	GSWE108TTS	5.25
KH-4223-11A	TCJ	1 11/16	5 3/8 136.5	4 1/8 104.8	9/16 14.3	1 17/32 38.9	2 5/16 58.7	33/64 13.1	25/32 19.8	1 3/8 34.9	4 1/8 104.8	2 1/2 63.5	GSWE111TTS	6.00
KH-4223-12A	TCJ	1 3/4											GSWE112TTS	
KH-4224-12A	TCJ	1 15/16	5 5/8 142.9	4 3/8 111.1	9/16 14.3	1 11/16 42.9	2 19/32 60.3	43/64 17.1	29/32 17.1	1 1/2 38.1	4 7/16 112.7	2 3/4 69.8	GSWE115TTS	6.75
KH-4225-10A	TCJ	2	6 3/8 161.9	5 1/8 130.2	21/32 16.7	1 27/32 46.8	2 15/16 64.7	43/64 17.1	1 3/32 27.8	1 23/32 43.7	4 3/4 120.6	3 76.2	GSWE200TTS	8.75
KH-4225-13A	TCJ	2 3/16											GSWE203TTS	

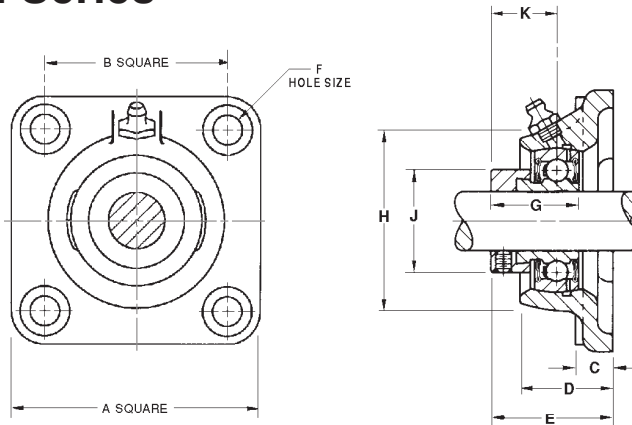
Recommended shaft tolerances: 1/2" - 1 15/16", nominal to -.0005", -.013 mm;  
 2" - 2 15/16", nominal to -.0010", -.025 mm

# Four Bolt Flange - Standard Series

## Equal to Timken VCJ

This Ketchie standard series four bolt flange unit is supplied completely assembled and is mounted by means of bolts through the flange.

These units use a standard series, extended inner ring bearing and eccentric locking collar.



**TO ORDER, SPECIFY KETCHIE OR COMPETITOR'S PART NUMBER**

Ketchie	Equals Timken	Shaft Diam.	A	B	C	D	E	F	G	H	J	K	Bearing Number	Approx. Unit Wt.
			in. mm	in. mm	in. mm	in. mm	in. mm	in. mm	in. mm	in. mm	in. mm	in. mm		
KH-4119-10A KH-4119-11A KH-4119-12A KH-4119-1A	VCJ	1/2 9/16 5/8 17	3 76.2	2 1/8 54.0	3/8 9.5	1 1/32 26.2	1 9/16 38.9	27/64 10.7	35/64 13.9	59/64 23.4	2 1/16 52.4	1 1/8 28.6	GSEE008CCS GSEE009CCS GSEE010CCS GSEE17CCS	1.25
KH-4120-10A KH-4120-11A	VCJ	3/4 20	3 3/8 85.7	2 1/2 63.5	7/16 11.1	1 5/32 29.4	1 11/16 42.9	27/64 10.7	41/64 16.3	1 3/64 26.6	2 3/8 60.3	1 5/16 33.3	GSEE012CCS GSEE20CCS	1.75
KH-4121-10A KH-4121-11A KH-4121-12A KH-4121-12A KH-4121-13A	VCJ	13/16 7/8 15/16 1 25	3 3/4 95.2	2 3/4 69.8	1/2 12.7	1 3/16 30.2	1 11/16 42.9	29/64 11.5	5/8 15.9	1 1/16 27.0	2 9/16 65.1	1 1/2 38.1	GSEE013CCS GSEE014CCS GSEE015CCS GSEE100CCS GSEE25CCS	2.25
KH-4122-10A KH-4122-11A KH-4122-12A KH-4122-13A KH-4122-14A	VCJ	1 1/16 1 1/8 1 3/16 1 1/4 S 30	4 1/4 107.9	3 1/4 82.6	17/32 13.5	1 9/32 32.5	1 27/32 46.8	29/64 11.5	1 1/16 17.5	1 3/16 30.2	3 76.2	1 3/4 44.4	GSEE101CCS GSEE102CCS GSEE103CCS GSEE103CCS3 GSEE30CCS	3.00
KH-4123-10A KH-4123-11A KH-4123-12A KH-4123-13A KH-4123-14A	VCJ	1 1/4 1 5/16 1 3/8 1 7/16 35	4 5/8 117.5	3 5/8 92.1	17/32 13.5	1 11/32 34.1	1 31/32 50.0	33/64 13.1	3/4 19.0	1 9/32 32.5	3 1/2 88.9	2 3/16 55.6	GSEE104CCS GSEE105CCS GSEE106CCS GSEE107CCS GSEE35CCS	4.00
KH-4124-10A KH-4124-11A KH-4124-12A	VCJ	1 1/2 1 9/16 40	5 1/8 130.2	4 101.6	9/16 14.3	1 1/2 38.1	2 7/32 56.4	33/64 13.1	1 3/16 20.6	1 3/8 34.9	3 7/8 98.4	2 3/8 60.3	GSEE108CCS GSEE109CCS GSEE40CCS	5.00
KH-4125-10A KH-4125-11A KH-4125-12A KH-4125-13A	VCJ	1 5/8 1 11/16 1 3/4 45	5 3/8 136.5	4 1/8 104.8	9/16 14.3	1 17/32 38.9	2 7/32 58.7	33/64 13.1	25/32 19.8	1 3/8 34.9	4 1/8 104.8	2 1/2 63.5	GSEE110CCS GSEE111CCS GSEE112CCS GSEE45CCS	5.50
KH-4126-10A KH-4126-11A KH-4126-12A KH-4126-13A KH-4126-14A	VCJ	1 13/16 1 5/8 1 15/16 50	5 5/8 142.9	4 3/8 111.1	9/16 14.3	1 11/16 42.9	2 3/8 60.3	43/64 17.1	29/32 23.0	1 1/2 38.1	4 7/16 112.7	2 3/4 69.8	GSEE113CCS GSEE114CCS GSEE115CCS GSEE115CCS3 GSEE50CCS	6.50
KH-4127-10A KH-4127-11A KH-4127-12A KH-4127-13A KH-4127-14A	VCJ	2 2 1/16 2 1/8 2 3/16 55	6 3/8 161.9	5 1/8 130.2	21/32 16.7	1 27/32 46.8	2 35/64 64.7	43/64 17.1	1 3/32 27.8	1 23/32 43.7	4 3/4 120.6	3 76.2	GSEE200CCS GSEE201CCS GSEE202CCS GSEE203CCS GSEE55CCS	7.50

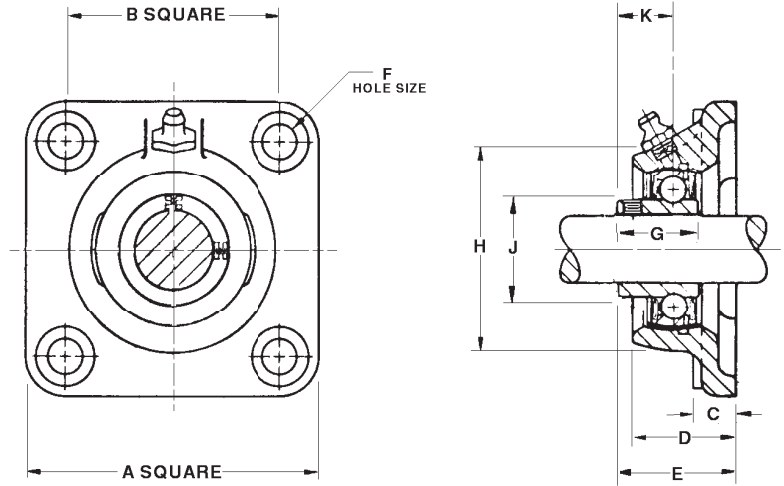
Recommended shaft tolerances: 1/2" - 1 15/16", nominal to -.0005", -.013 mm;  
2" - 2 15/16", nominal to -.0010", -.025 mm

# Four Bolt Flange - Standard Series

Equal to Timken SCJ, Dodge SC, and Seal Master VF

This Ketchie standard series four bolt flange unit is supplied completely assembled and is mounted by means of bolts through the flange.

These units use a standard series, extended inner ring bearing with a set screw lock.



TO ORDER, SPECIFY KETCHIE OR COMPETITOR'S PART NUMBER

Ketchie	Equals			Shaft Diam.	A	B	C	D	E	F	G	H	J	K	Bearing Number	Approx. Unit Wt.
	Dodge	S. Master	Timken													
				in. mm	in. mm	in. mm	in. mm	in. mm	in. mm	in. mm	in. mm	in. mm	in. mm	in. mm		lbs.
KH-4149-10A KH-4149-12A KH-4149-14A	SC	SCJ	VF	1/2 9/8	3 76.2	2 1/8 54.0	3/8 9.5	1 1/32 26.2	1 9/32 32.5	2 7/64 10.7	3 5/64 13.9	5 9/64 23.4	2 1/16 52.4	1 1/8 28.6	GSES008CCS GSES010CCS GSES17CCS	1.25
KH-4150-10A KH-4150-11A	SC	SCJ	VF	3/4 20	3 3/8 85.7	2 1/2 63.5	7/16 11.1	1 5/32 29.4	1 15/32 37.3	2 7/64 10.7	4 1/64 16.3	1 3/64 26.6	2 3/8 60.3	1 5/16 33.3	GSES012CCS GSES20CCS	1.50
KH-4151-11A KH-4151-12A KH-4151-13A KH-4151-14A	SC	SCJ	VF	7/8 15/16 1 25	3 3/4 95.2	2 3/4 69.8	1/2 12.7	1 3/16 30.2	1 33/64 38.5	2 9/64 11.5	5/8 15.9	1 1/16 27.0	2 9/16 65.1	1 1/2 38.1	GSES014CCS GSES015CCS GSES100CCS GSES25CCS	1.75
KH-4152-11A KH-4152-12A KH-4152-13A KH-4152-14A	SC	SCJ	VF	1 1/8 1 3/16 1 1/4 S 30	4 1/4 107.9	3 1/4 82.6	1 7/32 13.5	1 9/32 32.5	1 11/16 42.9	2 9/64 11.5	1 1/16 17.5	1 3/16 30.2	3 76.2	1 3/4 44.4	GSES102CCS GSES103CCS GSES103CCS3 GSES30CCS	2.75
KH-4153-10A KH-4153-12A KH-4153-13A KH-4153-14A	SC	SCJ	VF	1 1/4 1 3/8 1 7/16 35	4 5/8 117.5	3 5/8 92.1	1 7/32 13.5	1 11/32 34.1	1 53/64 46.4	3 3/64 13.1	3/4 19.0	1 9/32 32.5	3 1/2 88.9	2 3/16 55.6	GSES104CCS GSES106CCS GSES107CCS GSES35CCS	3.25
KH-4154-10A KH-4154-12A	SC	SCJ	VF	1 1/2 40	5 1/8 130.2	4 101.6	9/16 14.3	1 1/2 38.1	2 1/32 51.6	3 3/64 13.1	1 3/16 20.6	1 3/8 34.9	3 7/8 98.4	2 3/8 60.3	GSES108CCS GSES40CCS	5.00
KH-4155-10A KH-4155-11A KH-4155-12A KH-4155-13A	SC	SCJ	VF	1 5/8 1 11/16 1 3/4 45	5 3/8 136.5	4 1/8 104.8	9/16 14.3	1 17/32 38.9	2 1/16 52.4	3 3/64 13.1	2 5/32 19.8	1 3/8 34.9	4 1/8 104.8	2 1/2 63.5	GSES110CCS GSES111CCS GSES112CCS GSES45CCS	5.25
KH-4156-12A KH-4156-13A KH-4156-14A	SC	SCJ	VF	1 15/16 2S 50	5 5/8 142.9	4 3/8 111.1	9/16 14.3	1 11/16 42.9	2 5/16 58.7	4 3/64 17.1	2 9/32 23.0	1 1/2 38.1	4 7/16 112.7	2 3/4 69.8	GSES115CCS GSES115CCS3 GSEE115CCS	6.00
KH-4157-10A KH-4157-13A KH-4157-14A	SC	SCJ	VF	2 2 1/16 55	6 3/8 161.9	5 1/8 130.2	2 1/32 16.7	1 27/32 46.8	2 15/32 62.7	4 3/64 17.1	1 3/32 27.8	1 23/32 43.7	4 3/4 120.6	3 76.2	GSES200CCS GSES203CCS GSES55CCS	6.75

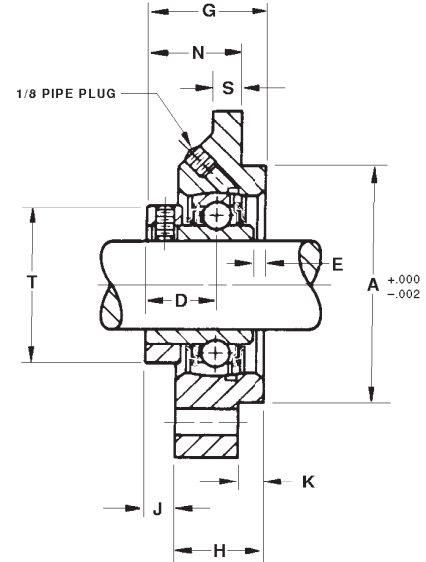
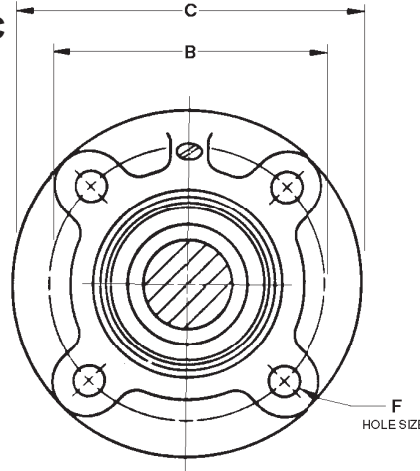
Recommended shaft tolerances: 1/2" - 1 15/16", nominal to -.0005", -.013 mm;  
2" - 2 15/16", nominal to -.0010", -.025 mm

# Piloted Flange - Standard Series

Equal to Dodge-SC and Timken RFC

The Ketchie piloted flange series assures accurate mounting and better support for heavy loads. These units are ideally suited for applications in materials handling, conveyor equipment, and farm and construction equipment.

These units are equipped with a standard series wide inner ring bearing with integral seals and eccentric locking collar.



TO ORDER, SPECIFY KETCHIE OR COMPETITOR'S PART NUMBER

Ketchie	Equals		Shaft Diam.	A	B	C	D	E	F	G	H	J	K	N	S	T	Bearing Number	Approx. Unit Wt.
	Dodge	Timken																
			in. mm	in. mm	in. mm	in. mm	in. mm	in. mm	in. mm	in. mm	in. mm	in. mm	in. mm	in. mm	in. mm	in. mm		lbs.
KH-4170-11A	SC	RFC	7/8	3.000 76.20	3 5/8 92.1	4 3/8 111.1	5 1/4 20.2	5 1/4 3.6	5 1/4 10.3	5 1/4 13.7	5 1/4 28.2	5 1/4 9.5	5 1/4 6.4	5 1/4 31.4	5 1/4 9.5	5 1/4 44.4	GSWE014CCS	2.75
KH-4170-12A			1 5/16														GSWE015CCS	
KH-4170-13A			1														GSWE100CCS	
KH-4170-14A			25														GSWE25CCS	
KH-4171-11A	SC	RFC	1 1/8	3.375 85.72	4 1/8 104.8	5 127.0	5 1/4 22.6	5 1/4 3.6	5 1/4 11.9	5 1/4 40.9	5 1/4 30.6	5 1/4 10.3	5 1/4 10.7	5 1/4 30.2	5 1/4 9.5	5 1/4 52.4	GSWE102CCS	4.00
KH-4171-12A			1 3/16														GSWE103CCS	
KH-4171-13A			1 1/4 S														GSWE103CCS3	
KH-4171-14A			30														GSWE30CCS	
KH-4172-10A	SC	RFC	1 1/4	3.625 92.08	4 3/8 111.1	5 1/4 133.4	5 1/4 25.4	5 1/4 3.2	5 1/4 11.9	5 1/4 44.4	5 1/4 34.1	5 1/4 10.3	5 1/4 11.9	5 1/4 32.5	5 1/4 12.7	5 1/4 59.5	GSWE104CCS	4.25
KH-4172-12A			1 3/8														GSWE106CCS	
KH-4172-13A			1 7/16														GSWE107CCS	
KH-4172-14A			35														GSWE35CCS	
KH-4173-10A	SC	RFC	1 1/2	3.625 92.08	4 3/8 111.1	5 1/4 133.4	5 1/4 27.4	5 1/4 4.8	5 1/4 11.9	5 1/4 48.8	5 1/4 38.1	5 1/4 10.7	5 1/4 11.9	5 1/4 36.9	5 1/4 12.7	5 1/4 68.3	GSWE108CCS	5.00
KH-4173-11A			1 9/16														GSWE109CCS	
KH-4173-12A			40														GSWE40CCS	
KH-4174-10A	SC	RFC	1 5/8	4.250 107.95	5 1/8 130.2	6 1/8 155.6	6 1/8 29.4	6 1/8 -	6 1/8 13.5	6 1/8 46.8	6 1/8 34.1	6 1/8 12.7	6 1/8 11.9	6 1/8 34.9	6 1/8 11.5	6 1/8 73.0	GSWE110CCS	6.50
KH-4174-11A			1 11/16														GSWE111CCS	
KH-4174-12A			1 3/4														GSWE112CCS	
KH-4174-13A			45														GSWE45CCS	
KH-4175-11A	SC	RFC	1 7/8	4.500 114.30	5 3/8 136.5	6 3/8 161.9	6 3/8 30.2	6 3/8 6.4	6 3/8 13.5	6 3/8 54.8	6 3/8 42.9	6 3/8 11.9	6 3/8 15.9	6 3/8 38.9	6 3/8 12.7	6 3/8 79.4	GSWE114CCS	7.25
KH-4175-12A			1 15/16														GSWE115CCS	
KH-4175-13A			50														GSWE50CCS	
KH-4176-10A	SC	RFC	2	5.000 127.00	6 152.4	7 1/8 181.0	7 1/8 33.3	7 1/8 7.1	7 1/8 15.1	7 1/8 61.1	7 1/8 44.4	7 1/8 16.7	7 1/8 22.2	7 1/8 38.9	7 1/8 12.7	7 1/8 88.9	GSWE200CCS	9.25
KH-4176-12A			2 1/8														GSWE202CCS	
KH-4176-13A			2 3/16														GSWE203CCS	
KH-4176-14A			55														GSWE55CCS	
KH-4178-13A	SC	RFC	2 15/16														GSWE215CCS	

Recommended shaft tolerances: 1/2" - 1 15/16", nominal to - .0005", - .013 mm;  
2" - 2 15/16", nominal to - .0010", - .025 mm

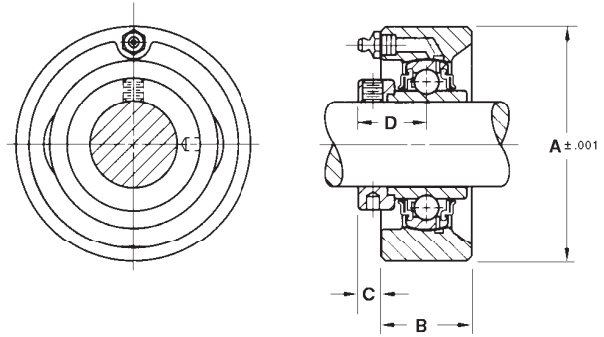


# Cylindrical Cartridge – Standard Series

Equal to Timken RC and Seal Master SC

This Ketchie standard series cylindrical cartridge unit is designed to mount in straight bored housings.

These units are equipped with a standard series wide inner ring bearing with integral seals and eccentric locking collar.



**TO ORDER, SPECIFY KETCHIE OR COMPETITOR'S PART NUMBER**

Ketchie	Equals		Shaft Diam.	A	B	C	D	Bearing Number	Approx. Unit Wt.
	Timken	Seal Master							
			in. mm	in. mm	in. mm	in mm	in mm		lbs.
KH-4024-0A KH-4024-1A KH-4025-0A KH-4025-1A KH-4025-2A	RC	SC-8	1/2 9/16 5/8 11/16 17	2 11/16 68.27	1 3/16 30.2	21/64 8.3	59/64 23.4	GSWE008CCS GSWE009CCS GSWE010CCS GSWE011CCS GSWE17CCS	1.50
KH-4026-0A KH-4026-1A	RC	SC-12	3/4 20	2 15/16 74.61	1 7/16 36.5	21/64 8.3	13/64 26.8	GSWE012CCS GSWE20CCS	2.00
KH-4027-0A KH-4027-1A KH-4027-2A KH-4027-3A KH-4027-4A	RC	SC-14	13/16 7/8 15/16 1 25	3 1/8 79.38	1 1/2 38.1	5/16 7.9	11/16 27.0	GSWE014CCS GSWE015CCS GSWE100CCS GSWE25CCS	2.25
KH-4028-0A KH-4028-1A KH-4028-2A KH-4028-3A	RC	SC-19	1 1/16 1 1/8 1 3/16 30	3 1/2 88.90	1 1/2 38.1	7/16 11.1	13/16 30.2	GSWE101CCS GSWE102CCS GSWE103CCS GSWE30CCS	2.75
KH-4029-0A KH-4029-1A KH-4029-2A KH-4029-3A KH-4029-4A	RC	SC-20 SC-22 SC-23	1 1/4 1 5/16 1 3/8 1 7/16 35	3 7/8 98.43	1 9/16 39.7	1/2 12.7	1 9/32 32.5	GSWE104CCS GSWE105CCS GSWE106CCS GSWE107CCS GSWE35CCS	3.25
KH-4030-0A KH-4030-1A KH-4030-2A	RC	SC-24	1 1 9/16 40	4 3/16 106.36	1 3/4 44.4	1/2 12.7	1 3/8 34.9	GSWE108CCS GSWE109CCS GSWE40CCS	4.25
KH-4031-0A KH-4031-1A KH-4031-2A KH-4031-3A	RC	SC-27	1 5/8 1 11/16 1 3/4 45	4 3/8 111.13	1 3/4 44.4	1/2 12.7	1 3/8 34.9	GSWE110CCS GSWE111CCS GSWE112CCS GSWE45CCS	4.50
KH-4032-0A KH-4032-1A KH-4032-2A KH-4032-3A	RC	SC-31	1 13/16 1 7/8 1 15/16 50	4 9/16 115.89	2 1/16 52.4	15/32 11.9	1 1/2 38.1	GSWE113CCS GSWE114CCS GSWE115CCS GSWE50CCS	5.75
KH-4033-0A KH-4033-1A KH-4033-2A KH-4033-3A KH-4033-4A	RC	SC-35	2 2 1/16 2 1/8 2 3/16 55	4 15/16 125.41	2 5/16 58.7	9/16 14.3	1 23/32 43.7	GSWE200CCS GSWE201CCS GSWE202CCS GSWE203CCS GSWE55CCS	7.25
KH-4034-3A KH-4034-4A	RC	SC-39	2 7/16 60	5 7/8 149.23	2 9/16 65.1	9/16 14.3	1 27/32 46.8	GSWE207CCS GSWE60CCS	11.50

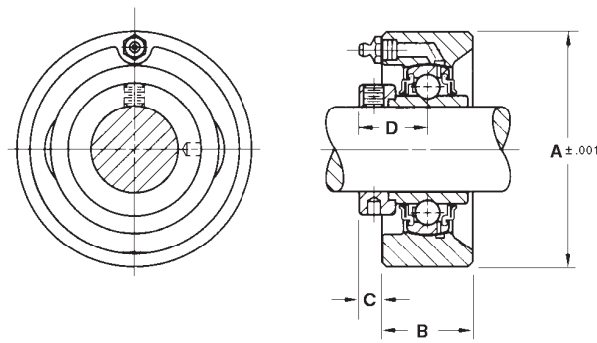
Recommended shaft tolerances: 1/2" - 1 15/16", nominal to - .0005", - .013 mm; 2" - 3 15/16", nominal to - .0010", - .025 mm

# Cylindrical Cartridge - Standard Series - High Temperature

Equal to Timken LC

This Ketchie standard series high temperature cylindrical cartridge unit is designed to mount in a straight bore housing.

These units are equipped with a standard series wide inner ring bearing with high temperature grease and high temperature seals and eccentric locking collar.



**TO ORDER, SPECIFY KETCHIE OR COMPETITOR'S PART NUMBER**

Ketchie	Equals Timken	Shaft Diam.		A	B	C	D	Bearing Number	Approx. Unit Wt.
		in.	mm	in. mm	in. mm	in mm	in mm		
<b>KH-4026-0-0A</b>	LC	3/4	20	2 15/16 74.61	1 7/16 36.5	21/64 8.3	3/64 26.6	<b>GSWE012HHS</b>	2.00
<b>KH-4027-0-3A</b>	LC	13/16 7/8 15/16 1	25	3 1/8 79.38	1 1/2 38.1	5/16 7.9	1 1/16 27.0	<b>GSWE100HHS</b>	2.25
<b>KH-4028-0-2A</b>	LC	1 1/16 1 1/8 1 3/16	30	3 1/2 88.90	1 1/2 38.1	7/16 11.1	1 3/16 30.2	<b>GSWE103HHS</b>	2.75
<b>KH-4029-0-0A</b>	LC	1 1/4	35	3 7/8 98.43	1 9/16 39.7	1/2 12.7	1 9/32 32.5	<b>GSWE104HHS</b>	3.25
<b>KH-4029-0-3A</b>		1 5/16 1 3/8 1 7/16		3 1/8 98.43	1 9/16 39.7	1/2 12.7	1 9/32 32.5	<b>GSWE107HHS</b>	
<b>KH-4030-0-0A</b>	LC	1 1/2 1 9/16	40	4 3/16 106.36	1 3/4 44.4	1/2 12.7	1 3/8 34.9	<b>GSWE108HHS</b>	4.25
<b>KH-4031-0-1A</b> <b>KH-4031-0-2A</b>	LC	1 5/8 1 11/16 1 3/4	45	4 3/8 111.3	1 3/4 44.4	1/2 12.7	1 3/8 34.9	<b>GSWE111HHS</b> <b>GSWE112HHS</b>	4.50
<b>KH-4032-0-2A</b>	LC	1 13/16 1 7/8 1 15/16	50	4 9/16 115.89	2 1/16 52.4	15/32 11.9	1 1/2 38.1	<b>GSWE115HHS</b>	5.75
<b>KH-4033-0-3A</b>	LC	2 2 1/16 2 1/8 2 3/16	55	4 15/16 125.41	2 5/16 58.7	9/16 14.3	1 23/32 43.7	<b>GSWE203HHS</b>	7.25
<b>KH-4034-0-3A</b>	LC	2 7/16	60	5 7/8 149.23	2 9/16 65.1	9/16 14.3	1 27/32 46.8	<b>GSWE207HHS</b>	11.50

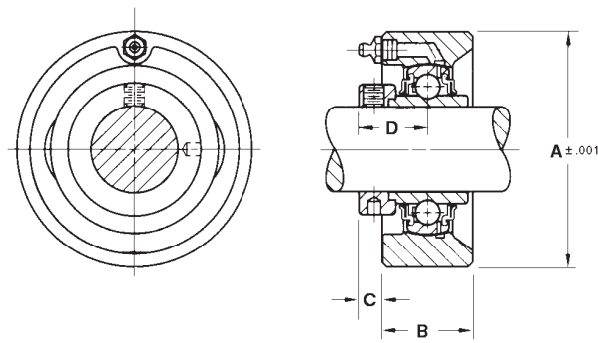
Recommended shaft tolerances: 1/2" - 1 15/16", nominal to -.0005", -.013 mm; 2" - 3 15/16", nominal to -.0010", -.025 mm

# Cylindrical Cartridge - Standard Series - High Temperature

Equal to Timken RC

This Ketchie standard series high temperature cylindrical cartridge unit is designed to mount in a straight bore housing.

These units are equipped with a standard series wide inner ring bearing with high temperature grease and high temperature seals and eccentric locking collar.



**TO ORDER, SPECIFY KETCHIE OR COMPETITOR'S PART NUMBER**

Ketchie	Equals Timken	Shaft Diam.		A	B	C	D	Bearing Number	Approx. Unit Wt.
		in.	mm	in.	in.	in	in		
KH-4026-0A	RC	3/4	20	2 15/16 74.61	1 7/16 36.5	21/64 8.3	3/64 26.6	GSWE012CCS	2.00
KH-4027-3A	RC	13/16 7/8 15/16 1	25	3 1/8 79.38	1 1/2 38.1	5/16 7.9	1 1/16 27.0	GSWE100CCS	2.25
KH-4028-2A	RC	1 1/16 1 1/8 1 3/16	30	3 1/2 88.90	1 1/2 38.1	7/16 11.1	1 3/16 30.2	GSWE103CCS	2.75
KH-4029-0A	RC	1 1/4 1 5/16 1 3/8 1 7/16	35	3 7/8 98.43	1 9/16 39.7	1/2 12.7	1 9/32 32.5	GSWE104CCS	3.25
KH-4029-3A		GSWE107CCS							
KH-4030-0A	RC	1 1/2 1 9/16	40	4 3/16 106.36	1 3/4 44.4	1/2 12.7	1 3/8 34.9	GSWE108CCS	4.25
KH-4031-1A KH-4031-2A	RC	1 5/8 1 11/16 1 3/4	45	4 3/8 111.3	1 3/4 44.4	1/2 12.7	1 3/8 34.9	GSWE111CCS GSWE112CCS	4.50
KH-4032-2A	RC	1 13/16 1 7/8 1 15/16	50	4 9/16 115.89	2 1/16 52.4	15/32 11.9	1 1/2 38.1	GSWE115CCS	5.75
KH-4033-3A	RC	2 2 1/16 2 1/8 2 3/16	55	4 15/16 125.41	2 5/16 58.7	9/16 14.3	1 23/32 43.7	GSWE203CCS	7.25
KH-4034-3A	RC	2 7/16	60	5 7/8 149.23	2 9/16 65.1	9/16 14.3	1 27/32 46.8	GSWE207CCS	11.50

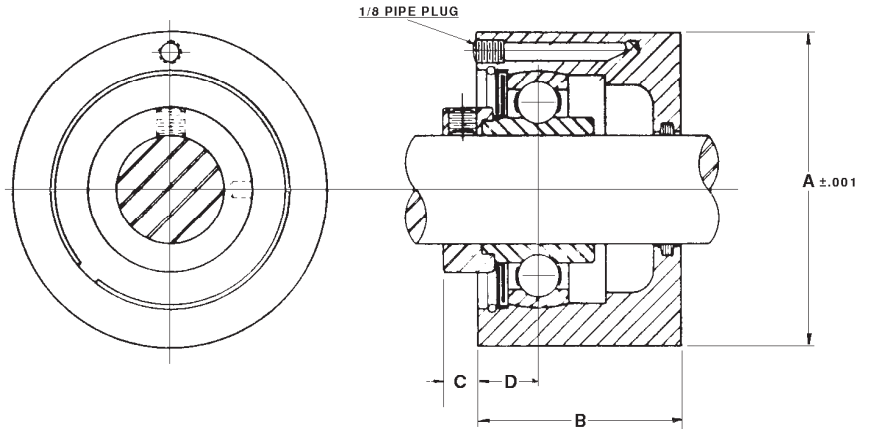
Recommended shaft tolerances: 1/2" - 1 15/16", nominal to -.0005", -.013 mm; 2" - 3 15/16", nominal to -.0010", -.025 mm

# Cylindrical Cartridge - Standard Series - Open

## Equal to Timken C Type

This Ketchie standard series cylindrical cartridge unit is designed to mount in straight bored housings. They are open on both ends to allow the shaft to go all the way through the unit.

These units are equipped with a standard series wide inner ring bearing with one seal arrangement and eccentric locking collar.



**TO ORDER, SPECIFY KETCHIE OR COMPETITOR'S PART NUMBER**

Ketchie	Equals Timken	Shaft Diam.	A	B	C	D	Bearing Number	Approx. Unit Wt.
		in.	in.	in.	in	in		lbs.
<b>KH-4034-0A</b>	C	2	5	3		1	<b>GSWE207CS</b>	20.00
<b>KH-4035-0A</b>	C	2 1/2	6 1/4	3 3/4	53/64	1 13/64	<b>GSWE208CS</b>	21.50
<b>KH-4036-1A</b>	C	2 11/16	6 3/4	3 15/16	53/64	1 13/64	<b>GSWE211CS</b>	20.75
<b>KH-4037-2A</b>	C	2 15/16	6 5/8	4 1/4	3/4	1 15/32	<b>GSWE215CS</b>	24.50
<b>KH-4038-3A</b>	C	3 3/16	7	4 1/2	53/64	1 33/64	<b>GSWE303CS</b>	29.50
<b>KH-4040-1A</b>	C	3 7/16	7 7/16	4 5/8	29/32	1 9/16	<b>GSWE307CS</b>	32.75
<b>KH-4042-1A</b>	C	3 11/16	8 3/16	5 1/4	31/32	1 11/16	<b>GSWE311CS</b>	44.25
<b>KH-4043-3A</b>	C	3 15/16	8 5/8	5 3/8	1 19/64	1 43/64	<b>GSWE315CS</b>	52.00

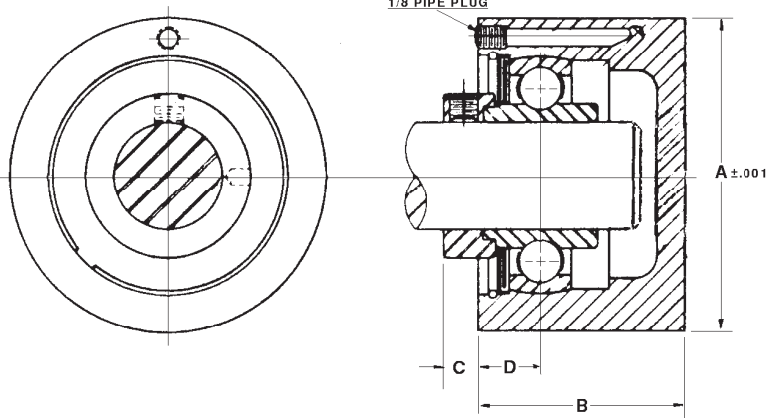
Recommended Shaft Tolerances: Nominal to -.0010"  
 Recommended Housing Bore: Shaft Rotating - Nominal +.001" to +.003"  
 Shaft Stationary - Nominal +.000" to -.002"  
 Avoid excessive tightening of anchor bolts.

# Cylindrical Cartridge - Standard Series - Closed

## Equal to Timken C Type

This Ketchie standard series cylindrical cartridge unit is designed to mount in straight bored housings. They are closed on one end and are to be used for applications where the shaft must not pass all the way through the unit.

These units are equipped with a standard series wide inner ring bearing with one seal arrangement and eccentric locking collar.



**TO ORDER, SPECIFY KETCHIE OR COMPETITOR'S PART NUMBER**

Ketchie	Equals Timken	Shaft Diam.	A	B	C	D	Bearing Number	Approx. Unit Wt.
		in.	in.	in.	in.	in.		lbs.
<b>KH-4034-10A</b>	C	2	5	3		1	<b>GSWE207CS</b>	20.50
<b>KH-4035-10A</b>	C	2 1/2	6 1/4	3 3/4	53/64	1 13/64	<b>GSWE208CS</b>	21.00
<b>KH-4036-11A</b>	C	2 11/16	6 3/4	3 15/16	53/64	1 13/64	<b>GSWE211CS</b>	21.25
<b>KH-4037-12A</b>	C	2 15/16	6 5/8	4 1/4	3/4	1 15/32	<b>GSWE215CS</b>	25.50
<b>KH-4038-13A</b>	C	3 3/16	7	4 1/2	53/64	1 33/64	<b>GSWE303CS</b>	30.25
<b>KH-4040-11A</b>	C	3 7/16	7 7/16	4 5/8	29/32	1 9/16	<b>GSWE307CS</b>	34.75
<b>KH-4042-11A</b>	C	3 11/16	8 3/16	5 1/4	31/32	1 11/16	<b>GSWE311CS</b>	46.25
<b>KH-4043-13A</b>	C	3 15/16	8 5/8	5 3/8	1 19/64	1 43/64	<b>GSWE315CS</b>	53.00

Recommended Shaft Tolerances: Nominal to -.0010"

Recommended Housing Bore: Shaft Rotating - Nominal +.001" to +.003"

Shaft Stationary - Nominal +.000" to -.002"

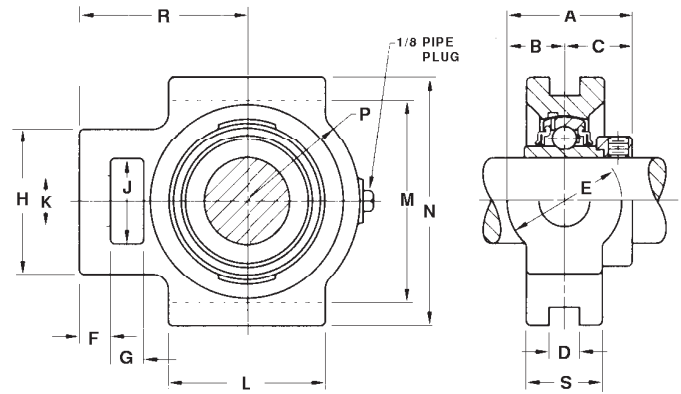
Avoid excessive tightening of anchor bolts.

# Take-up Units - Standard Series

Equal to Dodge SXR, Timken RTU, TU, and Sealmaster SXR

The Ketchie standard series take-up units are used where shaft adjustment and belt tightening devices are required, as on conveyor applications.

These units are equipped with standard series wide inner ring bearings with integral seals and eccentric locking collars.



TO ORDER, SPECIFY KETCHIE OR COMPETITOR'S PART NUMBER

Ketchie	Equals		Shaft Diam.	A	B	C	S	D	E	R	H	K	J	F	G	P	L	M	N	Bearing Number	Approx. Unit Wt.
	Dodge	Timken S.Master																			
			in. mm	in. mm	in. mm	in. mm	in. mm	in. mm	in. mm	in. mm	in. mm	in. mm	in. mm	in. mm	in. mm	in. mm	in. mm	in. mm	in. mm		lbs.
KH-4189-10A KH-4189-11A	SXR	RTU RT-E	3/4 20	1 7/8 47.6	1 3/16 20.6	1 1/16 27.0	1 11/32 34.1	1 7/32 13.5	1 5/8 41.3	2 1/4 67.5	2 1/4 57.2	3/4 19.0	1 1/4 31.8	1/2 12.7	5/8 15.9	1 5/16 33.3	2 1/4 57.2	3 76.2	3 5/8 92.1	GSWE012CCS GSWE20CCS	3.25
KH-4190-10A KH-4190-11A KH-4190-12A KH-4190-13A KH-4190-14A	SXR	RTU RT-E	7/8 1 25	1 15/16 49.2	7/8 22.2	1 1/16 27.0	1 15/32 37.3	1 7/32 13.5	1 3/4 44.4	2 1/4 67.5	2 1/4 57.2	3/4 19.0	1 1/4 31.8	1/2 12.7	5/8 15.9	1 3/8 34.9	2 1/4 57.2	3 76.2	3 5/8 92.1	GSWE014CCS GSWE015CCS GSWE100CCS GSWE25CCS	3.50
KH-4191-10A KH-4191-11A KH-4191-12A KH-4191-13A	SXR	RTU RT-E	1 1/16 1 1/8 1 3/16 30	2 3/16 55.6	1 25.4	1 3/16 30.2	1 1/2 38.1	1 7/32 13.5	2 50.8	2 21/32 72.2	2 7/16 61.9	7/8 22.2	1 1/16 36.5	1/2 12.7	5/8 15.9	1 5/8 41.3	2 1/2 63.5	3 1/2 88.9	4 1/8 104.8	GSWE101CCS GSWE102CCS GSWE103CCS GSWE30CCS	4.50
KH-4192-10A KH-4192-11A KH-4192-12A KH-4192-13A KH-4192-14A	SXR	RTU RT-E	1 1/4 1 7/16 1 1 7/16 35	2 9/32 57.9	1 25.4	1 9/32 32.5	1 7/16 36.5	1 7/32 13.5	2 50.8	2 15/16 74.6	2 1/2 63.5	5/8 22.2	1 1/16 36.5	1/2 12.7	5/8 15.9	1 15/16 49.2	2 3/4 69.8	3 1/2 88.9	4 1/8 104.8	GSWE104CCS GSWE105CCS GSWE106CCS GSWE107CCS GSWE35CCS	4.75
KH-4193-10A KH-4193-11A KH-4193-12A	SXR	RTU RT-E	1 1/2 1 9/16 40	2 21/32 67.5	1 9/32 32.5	1 3/8 34.9	1 3/4 44.4	1 1/16 17.5	2 9/16 65.1	3 15/32 88.1	3 1/4 82.6	1 1/8 28.6	1 15/16 49.2	5/8 15.9	3/4 19.0	2 3/32 53.3	3 1/4 82.6	3 31/32 100.8	4 3/4 120.6	GSWE108CCS GSWE109CCS GSWE40CCS	7.50
KH-4194-10A KH-4194-11A KH-4194-12A KH-4194-13A	SXR	RTU RT-E	1 5/8 1 11/16 1 3/4 45	2 21/32 67.5	1 9/32 32.5	1 3/8 34.9	1 3/4 44.4	1 1/16 17.5	2 9/16 65.1	3 15/32 88.1	3 1/4 82.6	1 1/8 28.6	1 15/16 49.2	5/8 15.9	3/4 19.0	2 3/32 53.3	3 1/4 82.6	3 31/32 100.8	4 3/4 120.6	GSWE110CCS GSWE111CCS GSWE112CCS GSWE45CCS	7.25
KH-4195-11A KH-4195-12A KH-4195-13A	SXR	RTU RT-E	1 13/16 1 7/8 1 15/16 50	2 25/32 70.6	1 9/32 32.5	1 1/2 38.1	1 15/16 49.2	1 1/16 17.5	2 9/16 65.1	3 91.3	3 3/4 82.6	1 1/8 28.6	1 15/16 49.2	5/8 15.9	3/4 19.0	2 11/32 59.5	3 3/8 85.7	3 31/32 100.8	4 3/4 120.6	GSWE114CCS GSWE115CCS GSWE50CCS	8.00
KH-4196-10A KH-4196-12A KH-4196-13A KH-4196-14A	SXR	RTU RT-E	2 2 1/16 2 3/8 2 3/16 55	3 1/32 77.0	1 3/8 34.9	1 23/32 43.7	2 3/16 55.6	1 1/16 27.0	2 3/4 69.8	4 42/32 119.9	4 101.6	1 3/8 34.9	2 1/2 63.5	3/4 19.0	1 1/4 31.8	2 23/32 69.1	4 101.6	5 3/32 129.4	5 7/8 149.2	GSWE200CCS GSWE202CCS GSWE203CCS GSWE55CCS	14.25
KH-4197-10A KH-4197-12A KH-4197-13A KH-4197-14A	SXR	RTU RT-E	2 1/4 2 5/16 2 1/8 2 7/16 60	3 7/32 81.8	1 3/8 34.9	1 27/32 46.8	2 1/16 52.4	1 1/16 27.0	2 3/4 69.8	4 42/32 119.9	4 101.6	1 3/8 34.9	2 1/2 63.5	3/4 19.0	1 1/4 31.8	2 23/32 69.1	4 101.6	5 3/32 129.4	5 7/8 149.2	GSWE206CCS GSWE207CCS GSWE208CCS	13.50
KH-4198-11A	SXR	RTU RT-E	2 11/16	4 25/32 121.4	2 3/4 69.8	2 1/32 51.6	2 1/8 73.0	1 13/16 46.0	3 3/8 85.7	5 1/4 133.4	4 3/8 111.1	1 1/8 41.3	2 3/4 69.8	1 3/16 20.6	1 1/4 31.8	3 76.2	4 3/4 120.6	5 23/32 150.0	6 11/16 169.9	GSWE211CCS	24.75
KH-4199-13A		RTU <sup>(1)</sup>	2 15/16	4 7/8 123.8	2 23/32 69.1	2 3/32 58.4	2 15/16 74.6	1 13/16 46.0	3 3/8 85.7	5 1/4 133.4	4 3/8 111.1	1 1/8 41.3	2 3/4 69.8	1 3/16 20.6	1 1/4 31.8	3 3/16 81.0	4 3/4 120.6	5 23/32 150.0	6 11/16 169.9	GSWE211CCS	24.00

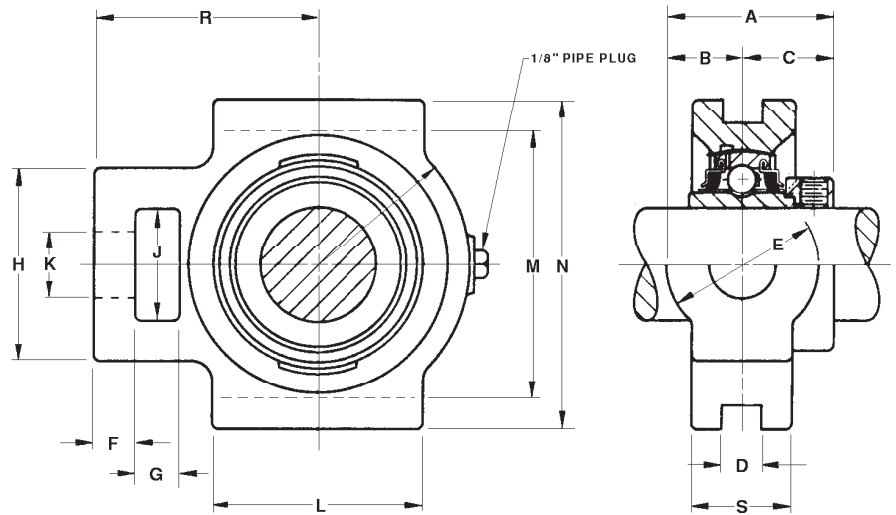
<sup>(1)</sup> TU Style housing available upon request

Recommended shaft tolerances: 3/4 - 1 15/16", nominal to - .0005", - .013 mm  
2" - 2 15/16", nominal to - .0010", - .025 mm

# Take-up Units - Standard Series with Triple Lip Sealed Inserts

The Ketchie standard series take-up units are used where shaft adjustment and belt tightening devices are required, as on conveyor applications.

These units use a standard series, wide inner ring bearing with an eccentric locking collar and a one piece Triple-Lip seal for better seal performance



**TO ORDER, SPECIFY KETCHIE OR COMPETITOR'S PART NUMBER**

Ketchie	Shaft Diam.	A	B	C	S	D	E	R	H	K	J	F	G	P	L	M	N	Bearing Number	Approx. Unit Wt.
	in.	in. mm	in. mm	in. mm	in. mm	in. mm	in. mm	in. mm	in. mm	in. mm	in. mm	in. mm	in. mm	in. mm	in. mm	in. mm	in. mm		lbs.
<b>KH-4422-13A</b>	1	1 <sup>15</sup> / <sub>16</sub> 49.2	7/8 22.2	1 <sup>1</sup> / <sub>16</sub> 27.0	1 <sup>15</sup> / <sub>32</sub> 37.3	1 <sup>7</sup> / <sub>32</sub> 13.5	1 <sup>3</sup> / <sub>4</sub> 44.4	2 <sup>21</sup> / <sub>32</sub> 67.5	2 1/4 57.2	3/4 19.0	1 1/4 31.8	1/2 12.7	5/8 15.9	1 <sup>3</sup> / <sub>8</sub> 34.9	2 1/4 57.2	3 76.2	3 5/8 92.1	<b>GSWE100TTS</b>	3.50
<b>KH-4423-11A</b> <b>KH-4423-12A</b> <b>KH-4423-13A</b>	1 <sup>1</sup> / <sub>8</sub> 1 <sup>3</sup> / <sub>16</sub> 1 <sup>1</sup> / <sub>4</sub> S	2 3/16 55.6	1 25.4	1 <sup>3</sup> / <sub>16</sub> 30.2	1 1/2 38.1	1 <sup>7</sup> / <sub>32</sub> 13.5	2 50.8	2 <sup>27</sup> / <sub>32</sub> 72.2	2 7/16 61.9	7/8 22.2	1 <sup>7</sup> / <sub>16</sub> 36.5	1/2 12.7	5/8 15.9	1 <sup>5</sup> / <sub>8</sub> 41.3	2 1/2 63.5	3 1/2 88.9	4 1/8 104.8	<b>GSWE102TTS</b> <b>GSWE103TTS</b> <b>GSWE103TTS3</b>	4.50
<b>KH-4424-10A</b> <b>KH-4424-12A</b> <b>KH-4424-13A</b>	1 <sup>1</sup> / <sub>4</sub> 1 <sup>3</sup> / <sub>8</sub> 1 <sup>7</sup> / <sub>16</sub>	2 <sup>9</sup> / <sub>32</sub> 57.9	1 25.4	1 <sup>9</sup> / <sub>32</sub> 32.5	1 <sup>7</sup> / <sub>16</sub> 36.5	1 <sup>7</sup> / <sub>32</sub> 13.5	2 50.8	2 1 <sup>5</sup> / <sub>16</sub> 74.6	2 1/2 63.5	5/8 22.2	1 <sup>7</sup> / <sub>16</sub> 36.5	1/2 12.7	5/8 15.9	1 <sup>15</sup> / <sub>16</sub> 49.2	2 3/4 69.8	3 1/2 88.9	4 1/8 104.8	<b>GSWE104TTS</b> <b>GSWE106TTS</b> <b>GSWE107TTS</b>	4.75
<b>KH-4425-10A</b>	1 1/2	2 <sup>21</sup> / <sub>32</sub> 67.5	1 <sup>9</sup> / <sub>32</sub> 32.5	1 <sup>3</sup> / <sub>8</sub> 34.9	1 <sup>3</sup> / <sub>4</sub> 44.4	1 <sup>11</sup> / <sub>16</sub> 17.5	2 <sup>9</sup> / <sub>16</sub> 65.1	3 <sup>15</sup> / <sub>32</sub> 88.1	3 1/4 82.6	1 1/8 28.6	1 <sup>15</sup> / <sub>16</sub> 49.2	5/8 15.9	3/4 19.0	2 <sup>3</sup> / <sub>32</sub> 53.3	3 1/4 82.6	3 <sup>31</sup> / <sub>32</sub> 100.8	4 3/4 120.6	<b>GSWE108TTS</b>	7.50
<b>KH-4426-12A</b>	1 <sup>3</sup> / <sub>4</sub>	2 <sup>21</sup> / <sub>32</sub> 67.5	1 <sup>9</sup> / <sub>32</sub> 32.5	1 <sup>3</sup> / <sub>8</sub> 34.9	1 <sup>3</sup> / <sub>4</sub> 44.4	1 <sup>11</sup> / <sub>16</sub> 17.5	2 <sup>9</sup> / <sub>16</sub> 65.1	3 <sup>15</sup> / <sub>32</sub> 88.1	3 1/4 82.6	1 1/8 28.6	1 <sup>15</sup> / <sub>16</sub> 49.2	5/8 15.9	3/4 19.0	2 <sup>3</sup> / <sub>32</sub> 53.3	3 1/4 82.6	3 <sup>31</sup> / <sub>32</sub> 100.8	4 3/4 120.6	<b>GSWE112TTS</b>	7.25
<b>KH-4427-12A</b>	1 <sup>15</sup> / <sub>16</sub>	2 <sup>25</sup> / <sub>32</sub> 70.6	1 <sup>9</sup> / <sub>32</sub> 32.5	1 1/2 38.1	1 <sup>15</sup> / <sub>16</sub> 49.2	1 <sup>11</sup> / <sub>16</sub> 17.5	2 <sup>9</sup> / <sub>16</sub> 65.1	3 91.3	3 3/4 82.6	1 1/8 28.6	1 <sup>15</sup> / <sub>16</sub> 49.2	5/8 15.9	3/4 19.0	2 <sup>11</sup> / <sub>32</sub> 59.5	3 3/8 85.7	3 <sup>31</sup> / <sub>32</sub> 100.8	4 3/4 120.6	<b>GSWE115TTS</b>	8.25
<b>KH-4428-10A</b> <b>KH-4428-13A</b>	2 2 3/16	3 1/32 77.0	1 <sup>3</sup> / <sub>8</sub> 34.9	1 <sup>23</sup> / <sub>32</sub> 43.7	2 3/16 55.6	1 <sup>11</sup> / <sub>16</sub> 27.0	2 3/4 69.8	4 <sup>23</sup> / <sub>32</sub> 119.9	4 101.6	1 <sup>3</sup> / <sub>8</sub> 34.9	2 1/2 63.5	3/4 19.0	1 1/4 31.8	2 <sup>23</sup> / <sub>32</sub> 69.1	4 101.6	5 <sup>3</sup> / <sub>32</sub> 129.4	5 7/8 149.2	<b>GSWE200TTS</b> <b>GSWE203TTS</b>	14.25

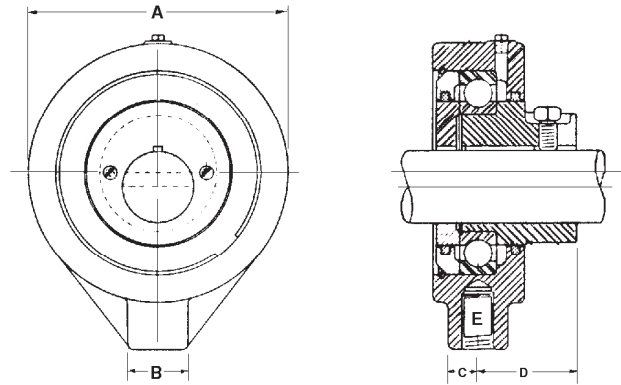
Recommended shaft tolerances: 1 - 1<sup>15</sup>/<sub>16</sub>" nominal to - .0005", - .013 mm  
 2" - 2<sup>15</sup>/<sub>16</sub>" nominal to - .0010", - .025 mm

# Eccentric Unit - Standard Series

## Equal to Timken Eccentric Units

The Ketchie eccentric units are used to great extent in cottonseed oil machinery, and in various mechanical shakers, such as coal handling and grain milling.

Maximum capacity single row radial bearings are built into the housing and the complete unit is furnished ready for installation.



**TO ORDER, SPECIFY KETCHIE OR COMPETITOR'S PART NUMBER**

Ketchie	Equals Timken	Shaft Diam.	Throw Inches	Travel Inches	A	B	C	D	Thread Size	E Depth Inches	Keyway Inches	Bearing Number	Approx. Unit Wt.
		in.			in.	in.	in	in					lbs.
<b>KH-3001-0A</b>	3390	1 <sup>3</sup> / <sub>16</sub>	1/2	1	5 3/8	1	1 <sup>5</sup> / <sub>16</sub>	2 5/16	1/2-13	7/8	3/16 X 3/32	<b>212W</b>	11.50
<b>KH-3002-0A</b>	9685	1 <sup>3</sup> / <sub>16</sub>	1/2	1	5 3/8	1	1 <sup>5</sup> / <sub>16</sub>	2 5/16	5/8-11	1 3/8	3/16 X 3/32	<b>212W</b>	11.70
<b>KH-3003-0A</b>	5261	1 <sup>7</sup> / <sub>16</sub>	1/8	1/4	4 5/8	1 1/4	59/64	2 5/16	3/4-10	1 1/8	3/8 X 3/16	<b>210W</b>	7.75
<b>KH-3004-0A</b>	7884	1 <sup>7</sup> / <sub>16</sub>	3/16	3/8	5	1 1/4	1 1/16	2 3/8	3/4-10	1 1/8	3/8 X 3/16	<b>211W</b>	10.75
<b>KH-3005-0A</b>	7771	1 <sup>7</sup> / <sub>16</sub>	1/4	1/2	6	1 3/4	1 1/16	2 9/16	1/2-13	7/8	7/32 X 7/64	<b>214W</b>	16.00
<b>KH-3006-0A</b>	7832	1 <sup>7</sup> / <sub>16</sub>	1/4	1/2	6	1 3/4	1 1/32	2 19/32	3/4-10	1 1/4	7/32 X 7/64	<b>214W</b>	16.25
<b>KH-3007-0A</b>	3391	1 <sup>7</sup> / <sub>16</sub>	1/2	1	6	1 3/4	1 1/32	2 9/16	1/2-13	7/8	7/32 X 7/64	<b>214W</b>	11.50
<b>KH-3008-0A</b>	6877	1 <sup>7</sup> / <sub>16</sub>	3/4	1 1/2	7 1/16	1 5/8	1 3/16	2 11/16	3/4-10	1 1/2	3/8 X 3/16	<b>217W</b>	---
<b>KH-3009-0A</b>	3348	1 <sup>15</sup> / <sub>16</sub>	3/8	3/4	7	1 5/8	1 1/8	2 11/16	7/8-9	1 1/2	1/4 X 1/8	<b>216W</b>	22.50
<b>KH-3010-0A</b>	3984	1 <sup>15</sup> / <sub>16</sub>	1/2	1	7 1/16	1 7/8	1 7/8	2 11/16	7/8-9	1 3/4	1/4 X 1/8	<b>217W</b>	23.00
<b>KH-3011-0A</b>	5262	1 <sup>15</sup> / <sub>16</sub>	3/16	3/8	7	1 5/8	1 9/16	2 3/4	3/4-10	1 1/8	1/2 X 1/4	<b>314W</b>	24.00
<b>KH-3012-0A</b>	9578	1 <sup>15</sup> / <sub>16</sub>	1/4	1/2	6 5/16	1 1/2	5/16	1 7/8	3/4-10	1 1/4	3/8 X 3/16	<b>116W</b>	15.75
<b>KH-3013-0A</b>	9572	1 <sup>15</sup> / <sub>16</sub>	3/8	3/4	6 5/16	1 1/2	15/16	1 7/8	3/4-10	1 1/4	3/8 X 3/16	<b>116W</b>	16.00
<b>KH-3014-0A</b>	3271	2	3/8	3/4	7	1 5/8	1 1/8	2 11/16	7/8-9	1 1/2	1/4 X 1/8	<b>216W</b>	22.00
<b>KH-3015-0A</b>	3287	2	3/4	1 1/2	8 1/4	1 5/8	1 7/16	2 31/32	3/4-10	1 5/8	1/4 X 1/8	<b>219W</b>	37.75
<b>KH-3016-0A</b>	3338	2 3/16	3/8	3/4	7	1 5/8	1 1/8	2 11/16	7/8-9	1 1/2	1/4 X 1/8	<b>216W</b>	22.00
<b>KH-3017-0A</b>	9573	2 3/16	3/8	3/4	6 5/16	1 1/2	15/16	1 7/8	3/4-10	1 1/4	1/2 X 1/4	<b>116W</b>	14.75
<b>KH-3018-0A</b>	3339	2 1/4	3/4	1 1/2	8 5/8	1 5/8	1 1/2	3 1/32	3/4-10	1 1/2	1/4 X 1/8	<b>220W</b>	42.50

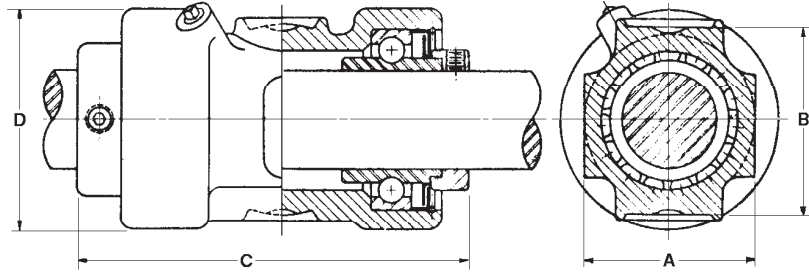


# Lineshaft Boxes - Standard Series

## Equal to Timken F Type

The Ketchie standard series lineshaft box or hanger box unit. They are made for replacing plain or roller bearing boxes. Installed as a single unit, they require no internal adjustments.

These units are equipped with two standard series inner ring bearings with one seal arrangement and eccentric locking collar on each insert.



**TO ORDER, SPECIFY KETCHIE OR COMPETITOR'S PART NUMBER**

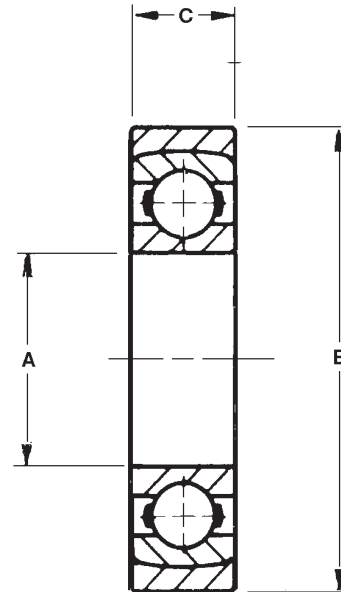
Ketchie	Equals Timken	Shaft Diam.	A	B	C	D	Bearing Number (2 Required)	Approx. Unit Wt.				
		in.	in.	in.	in.	in.		lbs.				
KH-3150-0A	F	$\frac{13}{16}$	$2 \frac{1}{16}$	$2 \frac{1}{16}$	$4 \frac{15}{16}$	$2 \frac{9}{16}$	SWE013CC	3.75				
KH-3150-1A		$\frac{7}{8}$					SWE014CC	3.75				
KH-3150-2A		$\frac{15}{16}$					SWE015CC	3.50				
KH-3150-3A		1					SWE100CC	3.50				
KH-3151-0A	F	$\frac{11}{16}$	$2 \frac{5}{16}$	$2 \frac{5}{16}$	$5 \frac{5}{8}$	$2 \frac{31}{32}$	SWE101CC	5.00				
KH-3151-1A		$\frac{11}{8}$					SWE102CC	5.00				
KH-3151-2A		$\frac{13}{16}$					SWE103CC	4.75				
KH-3152-0A	F	$\frac{11}{4}$	$2 \frac{9}{16}$	$3 \frac{1}{16}$	$6 \frac{3}{8}$	$3 \frac{3}{8}$	SWE104CC	7.75				
KH-3152-1A		$\frac{15}{16}$					SWE105CC	7.50				
KH-3152-2A		$\frac{13}{8}$					SWE106CC	7.25				
KH-3152-3A		$\frac{17}{16}$					SWE107CC	7.25				
KH-3153-0A	F	$\frac{11}{2}$	$3 \frac{1}{16}$	$3 \frac{3}{16}$	$6 \frac{3}{4}$	$3 \frac{7}{8}$	SWE108CC	8.75				
KH-3153-1A		$\frac{19}{16}$					SWE109CC	8.50				
KH-3154-0A	F	$\frac{15}{8}$	$3 \frac{1}{16}$	$3 \frac{3}{16}$	$6 \frac{3}{4}$	4	SWE110CC	10.25				
KH-3154-1A		$\frac{111}{16}$					SWE111CC	10.25				
KH-3154-2A		$\frac{13}{4}$					SWE112CC	9.75				
KH-3155-0A	F	$\frac{113}{16}$	$3 \frac{3}{8}$	$3 \frac{3}{4}$	$7 \frac{3}{8}$	$4 \frac{5}{16}$	SWE113CC	12.75				
KH-3155-1A		$\frac{17}{8}$					SWE114CC	12.50				
KH-3155-2A		$\frac{15}{16}$					SWE115CC	12.25				
KH-3156-0A	F	2	$3 \frac{5}{8}$	$3 \frac{7}{8}$	8	$4 \frac{11}{16}$	SWE200CC	16.25				
KH-3156-1A		$2 \frac{1}{16}$					SWE201CC	15.50				
KH-3156-2A		$2 \frac{1}{8}$					SWE202CC	15.25				
KH-3156-3A		$2 \frac{3}{16}$					SWE203CC	15.00				
KH-3157-0A	F	$2 \frac{1}{4}$	$4 \frac{1}{8}$	$4 \frac{15}{32}$	$8 \frac{7}{16}$	$5 \frac{1}{4}$	SWE204CC	21.25				
KH-3157-1A		$2 \frac{5}{16}$					SWE205CC	21.25				
KH-3157-2A		$2 \frac{3}{8}$					SWE206CC	20.50				
KH-3157-3A		$2 \frac{7}{16}$					SWE207CC	20.25				
KH-3158-0A	F	$2 \frac{1}{2}$	$4 \frac{3}{8}$	$4 \frac{9}{16}$	$9 \frac{1}{8}$	$5 \frac{5}{8}$	SWE208CC	25.25				
KH-3159-1A		$2 \frac{11}{16}$					SWE211CC	24.25				
KH-3160-2A	F	$2 \frac{15}{16}$	$4 \frac{7}{8}$	5	10	$6 \frac{1}{2}$	SWE215CC	32.25				
KH-3161-3A		$3 \frac{3}{16}$					$5 \frac{1}{4}$	11	$6 \frac{9}{16}$	SWE303CC	45.25	
KH-3162-3A		$3 \frac{7}{16}$					$5 \frac{3}{4}$	$6 \frac{1}{2}$	$11 \frac{7}{8}$	$7 \frac{1}{8}$	SWE307CC	53.25
KH-3163-3A		$3 \frac{11}{16}$					$6 \frac{3}{16}$	$6 \frac{1}{2}$	$12 \frac{7}{8}$	8	SWE311CC	
KH-3164-2A		$3 \frac{15}{16}$					$6 \frac{1}{2}$	$7 \frac{1}{8}$	14	$8 \frac{11}{32}$	SWE315CC	

Recommended shaft tolerances:  $\frac{13}{16}$ " - 2" = nominal to - .0005"  
 $2 \frac{1}{16}$ " - 4", nominal to - .0010"

# Radial Ball Bearings with Self-Aligning Ring

## Equal to Timken 200S Series

The Ketchie 200S consists of a single row radial type ball bearing on which a separate, self-aligning ring is fitted to the spherical outside diameter of the outer ring. This construction allows the inner assembly to swivel in the aligning ring to accurately align itself with the shaft assembly. These inserts can be applied either as fixed or floating assemblies. Because each self-aligning ring is closely matched to its respective bearing, the S ring of one bearing may not fit the outer ring of another.



**TO ORDER, SPECIFY KETCHIE OR COMPETITOR'S PART NUMBER**

## Light 200S Series

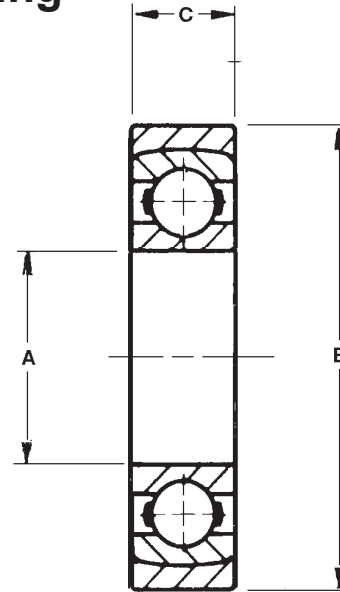
Ketchie	Equals Timken	Bore A		Outside Diameter B		Width C		Approx. Unit Wt.
		mm	in.	mm	in.	mm	in.	
203KS		17	0.6693	44	1.7323	12	0.4724	.25
204KS		20	0.7874	52	2.0472	14	0.5512	.50
206KS		30	1.1811	68	2.6772	16	0.6299	.50
207KS		35	1.3780	79	3.1102	17	0.6693	.75
209KS		45	1.7717	93	3.6614	19	0.7480	1.25
								1.50
211KS		55	2.1654	110	4.3307	21	0.8268	2.25
212KS		60	2.3622	120	4.7244	22	0.8661	2.75
215KS		75	2.9528	145	5.7087	25	0.9843	4.25

# Radial Ball Bearings with Self-Aligning Ring

## Equal to Timken 300S Series

The Ketchie 300S consists of a single row radial type ball bearing on which a separate, self-aligning ring is fitted to the spherical outside diameter of the outer ring. This construction allows the inner assembly to swivel in the aligning ring to accurately align itself with the shaft assembly. These inserts can be applied either as fixed or floating assemblies. Because each self-aligning ring is closely matched to its respective bearing, the S ring of one bearing may not fit the outer ring of another.

The 300S series is similar to the 200S series except the external self-aligning ring is fitted to the 300S ball bearing, which permits greater load capacity.



TO ORDER, SPECIFY KETCHIE OR COMPETITOR'S PART NUMBER

### Medium 300S Series

Ketchie	Equals Timken	Bore A		Outside Diameter B		Width C		Approx. Unit Wt.  lbs.
		mm	in.	mm	in.	mm	in.	
308KS		40	1.5748	100	3.9370	23	0.9055	2.25
309KS		45	1.7717	110	4.3307	25	0.9843	2.75
310KS(WS)		50	1.9685	120	4.7244	27	1.0630	4.00
311KS		55	2.1654	130	5.1181	29	1.1417	4.25
312KS(WS)		60	2.5591	145	5.7087	31	1.2205	6.25
313KS		65	2.5591	155	6.1024	33	1.2992	7.25
314KS		70	2.7559	165	6.4961	35	1.3780	9.00
315KS		75	2.9528	175	6.8898	37	1.4567	9.75
316KS		80	3.1496	190	7.4803	39	1.5354	13.00

# Insert Bearings - Standard Series - Self Aligning Ring

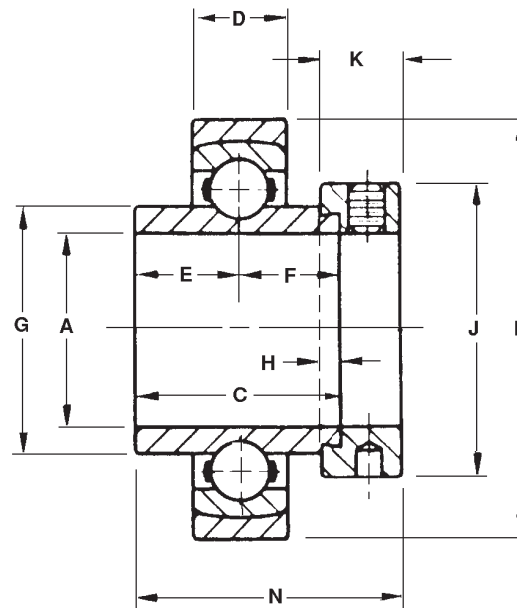
Used in the Following Unit:

- KH-4240 thru KH-4253 (SAL Type)

Features:

- Wide Inner Ring
- Self Aligning Ring Fitted to Outside Diameter
- Eccentric Locking Collar

Equal to Timken SM-KS



TO ORDER, SPECIFY KETCHIE OR COMPETITOR'S PART NUMBER

Ketchie	Equal Timken	Bore <sup>(1)</sup>	O.D	Ring Widths		E&F	G	H	J	K	N	Approx. Unit Wt.
		A	B	C Inner	D Outer							
		in.	in. mm	in. mm	in. mm	in. mm	in. mm	in. mm	in. mm	in. mm	in. mm	
SWE100SR	SM1100KS	1	2.2441 57	1 <sup>3</sup> / <sub>8</sub> 34.93	.591 15	1 <sup>11</sup> / <sub>16</sub> 17.5	1.293 32.84	5 <sup>1</sup> / <sub>32</sub> 4.0	1 <sup>1</sup> / <sub>2</sub> 38.1	1 <sup>7</sup> / <sub>32</sub> 43.5	1 <sup>3</sup> / <sub>4</sub> 44.4	.75
SWE103SR	SM1103KS	1 <sup>3</sup> / <sub>16</sub>	2.6772 68	1 <sup>7</sup> / <sub>16</sub> 36.51	.630 16	2 <sup>3</sup> / <sub>32</sub> 18.3	1.540 39.12	5 <sup>1</sup> / <sub>32</sub> 4.0	1 <sup>3</sup> / <sub>4</sub> 44.4	5 <sup>1</sup> / <sub>8</sub> 15.9	1 <sup>29</sup> / <sub>32</sub> 48.4	1.25
SWE104SR	SM1104KS	1 <sup>1</sup> / <sub>4</sub>	3.1102 79	1 <sup>31</sup> / <sub>64</sub> 37.70	.669 17	.742 18.85	1.816 46.13	5 <sup>1</sup> / <sub>32</sub> 4.0	2 <sup>1</sup> / <sub>8</sub> 54.40	1 <sup>11</sup> / <sub>16</sub> 17.5	2 <sup>1</sup> / <sub>64</sub> 51.2	1.75
SWE107SR	SM1107KS	1 <sup>7</sup> / <sub>16</sub>	3.4646 88	1 <sup>11</sup> / <sub>16</sub> 42.86	.709 18	2 <sup>7</sup> / <sub>32</sub> 21.4	2.058 52.27	3 <sup>1</sup> / <sub>16</sub> 4.8	2 <sup>3</sup> / <sub>8</sub> 60.3	2 <sup>3</sup> / <sub>32</sub> 18.3	2 <sup>7</sup> / <sub>32</sub> 56.4	2.25
SWE108SR	SM1108KS	1 <sup>1</sup> / <sub>2</sub>	3.9370 100	1 <sup>15</sup> / <sub>16</sub> 49.21	.787 20	3 <sup>1</sup> / <sub>32</sub> 24.6	2.474 62.84	3 <sup>1</sup> / <sub>16</sub> 4.8	2 <sup>3</sup> / <sub>4</sub> 69.9	2 <sup>3</sup> / <sub>32</sub> 18.3	2 <sup>15</sup> / <sub>32</sub> 62.7	2.75
SWE111SR	SM1115KS	1 <sup>15</sup> / <sub>16</sub>	4.3307 110	2 <sup>3</sup> / <sub>16</sub> 55.56	.827 21	1 <sup>3</sup> / <sub>32</sub> 27.8	2.747 69.77	3 <sup>1</sup> / <sub>16</sub> 4.8	3 76.2	1 <sup>3</sup> / <sub>16</sub> 20.6	2 <sup>13</sup> / <sub>16</sub> 71.4	4.00
SWE203SR	SM1203KS	2 <sup>3</sup> / <sub>16</sub>	4.7244 120	2 <sup>7</sup> / <sub>16</sub> 61.91	.866 22	1 <sup>7</sup> / <sub>32</sub> 31.0	3.011 76.48	1 <sup>1</sup> / <sub>4</sub> 6.4	3 <sup>5</sup> / <sub>16</sub> 84.1	7 <sup>1</sup> / <sub>8</sub> 22.2	3 <sup>1</sup> / <sub>16</sub> 77.8	4.50
SWE207SR	SM1207KS	2 <sup>7</sup> / <sub>16</sub>	5.5118 140	2 <sup>11</sup> / <sub>16</sub> 68.26	.945 24	1 <sup>11</sup> / <sub>32</sub> 34.1	3.422 86.92	1 <sup>1</sup> / <sub>4</sub> 6.4	3 <sup>13</sup> / <sub>16</sub> 96.8	1 <sup>5</sup> / <sub>16</sub> 23.8	3 <sup>3</sup> / <sub>8</sub> 79.4	6.75
SWE211SR	SM1211KS	2 <sup>11</sup> / <sub>16</sub>	5.7087 145	2 <sup>15</sup> / <sub>16</sub> 74.61	.984 25	2 <sup>15</sup> / <sub>32</sub> 37.3	3.619 91.92	1 <sup>1</sup> / <sub>4</sub> 6.4	4 101.6	1 <sup>5</sup> / <sub>16</sub> 23.8	3 <sup>5</sup> / <sub>8</sub> 92.1	8.00
SWE215SR	SM1215KS	2 <sup>15</sup> / <sub>16</sub>	6.1024 155	3 <sup>3</sup> / <sub>16</sub> 80.96	1.024 26	1 <sup>19</sup> / <sub>32</sub> 40.5	3.874 98.40	1 <sup>1</sup> / <sub>4</sub> 6.4	4 <sup>3</sup> / <sub>8</sub> 111.1	1 25.4	3 <sup>15</sup> / <sub>16</sub> 100.0	9.25
SWE303SR	SM1303KS	3 <sup>3</sup> / <sub>16</sub>	6.4961 165	3 <sup>7</sup> / <sub>16</sub> 87.31	1.102 28	1 <sup>23</sup> / <sub>32</sub> 43.7	4.127 104.83	1 <sup>1</sup> / <sub>4</sub> 6.4	4 <sup>7</sup> / <sub>16</sub> 112.7	1 25.4	4 <sup>3</sup> / <sub>16</sub> 106.4	10.50
SWE307SR	SM1307KS	3 <sup>7</sup> / <sub>16</sub>	7.8740 200	3 <sup>15</sup> / <sub>16</sub> 100.01	1.339 34	1 <sup>31</sup> / <sub>32</sub> 50.0	4.876 123.85	1 <sup>1</sup> / <sub>4</sub> 6.4	5 <sup>1</sup> / <sub>2</sub> 139.7	1 <sup>1</sup> / <sub>4</sub> 31.8	4 <sup>15</sup> / <sub>16</sub> 125.4	20.00

<sup>(1)</sup> Bore Tolerance: 1" - 2<sup>3</sup>/<sub>16</sub>", nominal to +.0005", +.013 mm; 2<sup>1</sup>/<sub>4</sub>" - 3<sup>3</sup>/<sub>16</sub>", nominal to +.0006", +.015mm  
3<sup>1</sup>/<sub>4</sub>" - 3<sup>15</sup>/<sub>16</sub>", nominal to +.0007", +.018 mm

Recommended shaft tolerances: 1" - 1<sup>15</sup>/<sub>16</sub>", nominal to -.0005", -.013 mm;  
2" - 3<sup>15</sup>/<sub>16</sub>", nominal to -.0010", -.025 mm

# Insert Bearings - Heavy Series - Self Aligning Ring

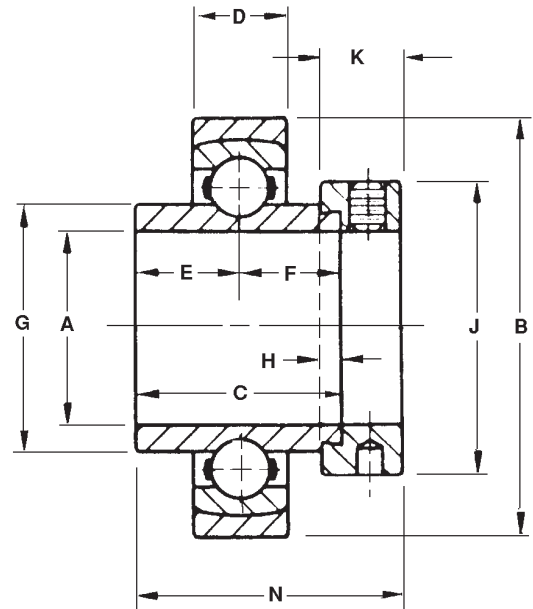
Used in the Following Units:

- KH-2225 thru KH-2233 (SAOLN Type)
- KH-2265 thru KH-2282 (SAOL Type)

Features:

- Wide Inner Ring
- Self Aligning Ring Fitted to Outside Diameter
- Eccentric Locking Collar

Equal to Timken SMN-KS



TO ORDER, SPECIFY KETCHIE OR COMPETITOR'S PART NUMBER

Ketchie	Equals Timken	Bore <sup>(1)</sup>	O.D.	Ring Widths		E	F	G	H	J	K	N	Approx. Unit Wt.
		A	B	C Inner	D Outer								
		in.	in. mm	in. mm	in. mm	in. mm	in. mm	in. mm	in. mm	in. mm	in. mm	in. mm	
HWE103SR	SMN103KS	1 <sup>1</sup> / <sub>8</sub>	3.1496 80	1 <sup>7</sup> / <sub>16</sub> 36.51	.748 19	1 <sup>11</sup> / <sub>16</sub> 17.5	3 <sup>3</sup> / <sub>4</sub> 19.1	1.702 43.23	5 <sup>1</sup> / <sub>32</sub> 4.0	1 <sup>15</sup> / <sub>16</sub> 49.2	1 <sup>11</sup> / <sub>16</sub> 17.5	1 <sup>31</sup> / <sub>32</sub> 50.0	1.75
HWE107SR	SMN107KS	1 <sup>7</sup> / <sub>16</sub>	3.4646 88	1 <sup>1</sup> / <sub>2</sub> 38.10	.827 21	2 <sup>3</sup> / <sub>32</sub> 18.3	2 <sup>5</sup> / <sub>32</sub> 19.8	1.927 48.95	5 <sup>1</sup> / <sub>32</sub> 4.0	2 <sup>3</sup> / <sub>16</sub> 55.6	1 <sup>1</sup> / <sub>16</sub> 17.5	2 <sup>1</sup> / <sub>32</sub> 51.6	2.00
HWE108SR	SMN108KS	1 <sup>1</sup> / <sub>2</sub>	3.9370 100	1 <sup>5</sup> / <sub>8</sub> 41.28	.906 23	2 <sup>5</sup> / <sub>32</sub> 19.8	2 <sup>7</sup> / <sub>32</sub> 21.4	2.185 55.50	3 <sup>1</sup> / <sub>16</sub> 4.8	2 <sup>1</sup> / <sub>2</sub> 63.5	1 <sup>13</sup> / <sub>16</sub> 20.6	2 <sup>1</sup> / <sub>4</sub> 57.2	3.25
HWE111SR	SMN111KS	1 <sup>11</sup> / <sub>16</sub>	4.3307 110	1 <sup>11</sup> / <sub>16</sub> 42.86	.984 25	2 <sup>5</sup> / <sub>32</sub> 19.8	2 <sup>9</sup> / <sub>32</sub> 23.0	2.443 62.05	3 <sup>1</sup> / <sub>16</sub> 4.8	2 <sup>3</sup> / <sub>4</sub> 69.9	1 <sup>13</sup> / <sub>16</sub> 20.6	2 <sup>5</sup> / <sub>16</sub> 58.7	4.00
HWE115SR	SMN115KS	1 <sup>15</sup> / <sub>16</sub>	4.7244 120	1 <sup>15</sup> / <sub>16</sub> 49.21	1.063 27	3 <sup>1</sup> / <sub>32</sub> 24.6	3 <sup>1</sup> / <sub>32</sub> 24.6	2.708 68.78	3 <sup>1</sup> / <sub>16</sub> 4.8	3 76.2	7 <sup>1</sup> / <sub>8</sub> 22.2	2 <sup>5</sup> / <sub>8</sub> 66.7	5.00
HWE203SR	SMN203KS	2 <sup>3</sup> / <sub>16</sub>	5.1181 130	2 <sup>3</sup> / <sub>16</sub> 55.56	1.142 29	1 <sup>3</sup> / <sub>32</sub> 27.8	1 <sup>3</sup> / <sub>32</sub> 27.8	2.953 75.01	3 <sup>1</sup> / <sub>16</sub> 4.8	3 <sup>1</sup> / <sub>4</sub> 82.6	7 <sup>1</sup> / <sub>8</sub> 22.2	2 <sup>7</sup> / <sub>8</sub> 73.0	6.25
HWE207SR	SMN207KS	2 <sup>7</sup> / <sub>16</sub>	5.7087 145	2 <sup>7</sup> / <sub>16</sub> 61.91	1.220 31	1 <sup>7</sup> / <sub>32</sub> 31.0	1 <sup>7</sup> / <sub>32</sub> 31.0	3.210 81.53	1 <sup>1</sup> / <sub>4</sub> 6.4	3 <sup>1</sup> / <sub>2</sub> 88.9	1 <sup>5</sup> / <sub>16</sub> 23.8	3 <sup>1</sup> / <sub>8</sub> 79.4	7.75
HWE211SR	SMN211KS	2 <sup>11</sup> / <sub>16</sub>	6.4961 165	2 <sup>11</sup> / <sub>16</sub> 68.26	1.378 35	1 <sup>11</sup> / <sub>32</sub> 34.1	1 <sup>11</sup> / <sub>32</sub> 34.1	3.731 94.77	1 <sup>1</sup> / <sub>4</sub> 6.4	4 101.6	1 <sup>1</sup> / <sub>16</sub> 27.0	3 <sup>5</sup> / <sub>8</sub> 92.1	11.75
HWE215SR	SMN215KS	2 <sup>15</sup> / <sub>16</sub>	6.8898 175	2 <sup>15</sup> / <sub>16</sub> 74.61	1.457 37	1 <sup>15</sup> / <sub>32</sub> 37.3	1 <sup>15</sup> / <sub>32</sub> 37.3	3.952 100.38	1 <sup>1</sup> / <sub>4</sub> 6.4	4 <sup>7</sup> / <sub>16</sub> 112.7	1 <sup>1</sup> / <sub>4</sub> 31.8	3 <sup>15</sup> / <sub>16</sub> 100.0	14.50
HWE303SR	SMN303KS	3 <sup>3</sup> / <sub>16</sub>	7.4803 190	3 <sup>3</sup> / <sub>16</sub> 80.96	1.535 39	1 <sup>19</sup> / <sub>32</sub> 40.5	1 <sup>19</sup> / <sub>32</sub> 40.5	4.209 106.91	1 <sup>1</sup> / <sub>4</sub> 6.4	4 <sup>11</sup> / <sub>16</sub> 119.1	1 <sup>1</sup> / <sub>4</sub> 31.8	4 <sup>3</sup> / <sub>16</sub> 106.4	18.00
HWE307SR	SMN307KS	3 <sup>7</sup> / <sub>16</sub>	8.2677 210	3 <sup>7</sup> / <sub>16</sub> 87.31	1.693 43	1 <sup>23</sup> / <sub>32</sub> 43.7	1 <sup>23</sup> / <sub>32</sub> 43.7	4.729 120.12	5 <sup>1</sup> / <sub>16</sub> 7.9	5 <sup>1</sup> / <sub>4</sub> 133.4	1 <sup>7</sup> / <sub>16</sub> 36.5	4 <sup>9</sup> / <sub>16</sub> 115.9	25.25
HWE315SR	SMN315KS	3 <sup>15</sup> / <sub>16</sub>	9.2520 235	3 <sup>15</sup> / <sub>16</sub> 100.01	1.850 47	1 <sup>31</sup> / <sub>32</sub> 50.0	1 <sup>31</sup> / <sub>32</sub> 50.0	5.306 134.77	5 <sup>1</sup> / <sub>16</sub> 7.9	5 <sup>3</sup> / <sub>4</sub> 146.0	1 <sup>7</sup> / <sub>16</sub> 36.5	5 <sup>1</sup> / <sub>16</sub> 128.6	35.00
HWE407SR	SMN407WS-BR	4 <sup>7</sup> / <sub>16</sub>	10.4331 265	4 <sup>15</sup> / <sub>16</sub> 106.36	1.968 50	1 <sup>15</sup> / <sub>16</sub> 49.2	2 <sup>1</sup> / <sub>4</sub> 57.2	5.920 150.37	5 <sup>1</sup> / <sub>16</sub> 7.9	6 <sup>1</sup> / <sub>2</sub> 168.3	1 <sup>11</sup> / <sub>16</sub> 42.9	5 <sup>9</sup> / <sub>16</sub> 141.3	47.50
HWE415SR	SMN415WS-BR	4 <sup>15</sup> / <sub>16</sub>	11.8110 300	4 <sup>9</sup> / <sub>16</sub> 115.89	2.323 59	2 <sup>1</sup> / <sub>8</sub> 54.0	2 <sup>7</sup> / <sub>16</sub> 61.9	6.951 176.56	5 <sup>1</sup> / <sub>16</sub> 7.9	8 <sup>1</sup> / <sub>8</sub> 206.4	1 <sup>11</sup> / <sub>16</sub> 42.9	5 <sup>15</sup> / <sub>16</sub> 150.8	74.50

(1) Bore Tolerance: 1<sup>5</sup>/<sub>16</sub>" - 2<sup>3</sup>/<sub>16</sub>", nominal to +.0005", +.013 mm; 2<sup>1</sup>/<sub>4</sub>" - 3<sup>3</sup>/<sub>16</sub>", nominal to +.0006", +.015 mm; 3<sup>1</sup>/<sub>4</sub>" - 4<sup>1</sup>/<sub>16</sub>", nominal to +.0007", +.018 mm; and 4<sup>1</sup>/<sub>16</sub>" - 4<sup>1</sup>/<sub>16</sub>", nominal to +.0008", +.020 mm.  
 Recommended shaft tolerances: 1<sup>3</sup>/<sub>16</sub>" - 1<sup>15</sup>/<sub>16</sub>", nominal to -.0005", -.013 mm; 2" - 2<sup>15</sup>/<sub>16</sub>", nominal to -.0007", -.020 mm.

# Insert Bearings - Heavy Series - GHWE-CCS

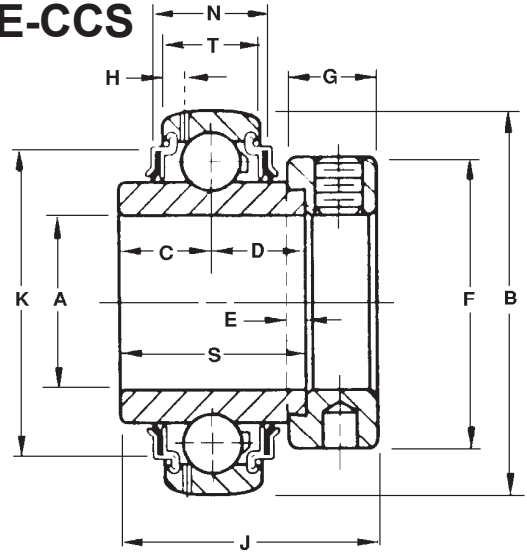
Used in the Following Units:

- KH-2100 thru KH-2110 (RCJO Type)
- KH-2300 thru KH-2308 (RAO Type)
- KH-2320 thru KH-2331 (RSAO Type)

Features:

- Wide Inner Ring
- Normal Temperature Integral Seal Arrangements
- Normal Temperature Grease to 225° F.
- Alignable Spherical Outside Diameter
- Eccentric Locking Collar
- Relubrication Holes in Outer Ring

Equal to Timken GN-KRRB



TO ORDER, SPECIFY KETCHIE OR COMPETITOR'S PART NUMBER

Ketchie	Equals Timken	Bore <sup>(1)</sup> A	O.D B	C	D	E	F	G	H	J	K	N	Ring Widths		Approx. Unit Wt.	
													S Inner	T Outer		
		in.	in. mm	in. mm	in. mm	in. mm	in. mm	in. mm	in. mm	in. mm	in. mm	in. mm	in. mm	in. mm	in. mm	lbs.
GHWE103CCS	GN103KRRB	1 <sup>3</sup> / <sub>16</sub>	2.8346 72	<sup>11</sup> / <sub>16</sub> 17.46	<sup>3</sup> / <sub>4</sub> 19.05	<sup>5</sup> / <sub>32</sub> 3.9	1 <sup>15</sup> / <sub>16</sub> 49.21	<sup>11</sup> / <sub>16</sub> 17.46	.142 3.61	<sup>131</sup> / <sub>32</sub> 50.0	2.369 60.17	.925 23.50	1 <sup>7</sup> / <sub>16</sub> 36.51	.787 20	1.50	
GHWE104CCS	GN104KRRB	1 <sup>1</sup> / <sub>4</sub>	3.1496	<sup>23</sup> / <sub>32</sub>	<sup>25</sup> / <sub>32</sub>	<sup>5</sup> / <sub>32</sub>	2 <sup>3</sup> / <sub>16</sub>	<sup>11</sup> / <sub>16</sub>	.156	2 <sup>1</sup> / <sub>32</sub>	2.638	1.063	1 <sup>1</sup> / <sub>2</sub>	.866	1.75	
GHWE105CCS	GN105KRRB	1 <sup>5</sup> / <sub>16</sub>	80	18.26	19.84	3.9	55.56	17.46	3.96	51.59	67.01	27.00	38.10	22	1.75	
GHWE106CCS	GN106KRRB	1 <sup>3</sup> / <sub>8</sub>														
GHWE107CCS	GN107KRRB	1 <sup>7</sup> / <sub>16</sub>														
GHWE108CCS	GN108KRRB	1 <sup>1</sup> / <sub>2</sub>	3.5433 90	<sup>25</sup> / <sub>32</sub> 19.84	<sup>27</sup> / <sub>32</sub> 21.43	<sup>3</sup> / <sub>16</sub> 4.76	2 <sup>1</sup> / <sub>2</sub> 63.5	<sup>13</sup> / <sub>16</sub> 20.64	.182 4.62	2 <sup>1</sup> / <sub>4</sub> 57.15	2.955 75.06	1.050 26.67	1 <sup>5</sup> / <sub>8</sub> 41.28	.984 25	2.75	
GHWE110CCS	GN110KRRB	1 <sup>5</sup> / <sub>8</sub>	3.9370	<sup>25</sup> / <sub>32</sub>	<sup>29</sup> / <sub>32</sub>	<sup>3</sup> / <sub>16</sub>	2 <sup>3</sup> / <sub>4</sub>	<sup>13</sup> / <sub>16</sub>	.197	2 <sup>5</sup> / <sub>16</sub>	3.251	1.123	1 <sup>11</sup> / <sub>16</sub>	1.063	3.75	
GHWE111CCS	GN111KRRB	1 <sup>11</sup> / <sub>16</sub>	100	19.84	23.02	4.76	69.85	20.64	5.00	58.74	82.58	28.52	42.86	27	3.75	
GHWE112CCS	GN112KRRB															
GHWE114CCS	GN114KRRB	1 <sup>7</sup> / <sub>8</sub>	4.3307	<sup>31</sup> / <sub>32</sub>	<sup>31</sup> / <sub>32</sub>	<sup>3</sup> / <sub>16</sub>	3	<sup>7</sup> / <sub>8</sub>	.211	2 <sup>5</sup> / <sub>8</sub>	3.654	1.215	1 <sup>15</sup> / <sub>16</sub>	1.142	4.50	
GHWE115CCS	GN115KRRB	1 <sup>15</sup> / <sub>16</sub>	110	24.61	24.61	4.76	76.2	22.23	5.16	66.68	82.87	30.86	49.21	294.50	4.50	
GHWE200CCS	GN200KRRB	2	4.7244	1 <sup>3</sup> / <sub>32</sub>	1 <sup>5</sup> / <sub>32</sub>	<sup>3</sup> / <sub>16</sub>	3 <sup>1</sup> / <sub>4</sub>	<sup>7</sup> / <sub>8</sub>	.216	2 <sup>7</sup> / <sub>8</sub>	4.007	1.475	2 <sup>3</sup> / <sub>16</sub>	1.220	5.50	
GHWE203CCS	GN203KRRB	2 <sup>3</sup> / <sub>16</sub>	120	1.09	29.37	4.76	82.55	22.23	5.49	73.02	101.78	37.47	55.56	31	5.50	
GHWE207CCS	GN207KRRB	2 <sup>7</sup> / <sub>16</sub>	5.1181 130	1 <sup>7</sup> / <sub>32</sub> 30.96	1 <sup>7</sup> / <sub>32</sub> 30.96	<sup>1</sup> / <sub>4</sub> 6.35	3 <sup>1</sup> / <sub>2</sub> 88.90	<sup>15</sup> / <sub>16</sub> 23.81	.230 5.84	3 <sup>1</sup> / <sub>8</sub> 79.38	4.312 109.52	1.535 38.99	2 <sup>7</sup> / <sub>16</sub> 61.91	1.299 33	6.50	
GHWE211CCS	GN211KRRB	2 <sup>11</sup> / <sub>16</sub>	5.9055 150	1 <sup>11</sup> / <sub>32</sub> 34.13	1 <sup>11</sup> / <sub>32</sub> 34.13	<sup>1</sup> / <sub>4</sub> 6.35	4 101.6	1 <sup>1</sup> / <sub>16</sub>	.265 6.73	3 <sup>1</sup> / <sub>2</sub> 88.90	4.973 126.31	1.770 44.96	2 <sup>11</sup> / <sub>16</sub> 68.26	1.457 37	10.25	
GHWE215CCS	GN215KRRB	2 <sup>15</sup> / <sub>16</sub>	6.2992 160	1 <sup>15</sup> / <sub>32</sub> 37.31	1 <sup>15</sup> / <sub>32</sub> 37.31	<sup>1</sup> / <sub>4</sub> 6.35	4 <sup>7</sup> / <sub>16</sub> 112.71	1 <sup>1</sup> / <sub>4</sub>	.255 6.48	3 <sup>15</sup> / <sub>16</sub> 100.01	5.273 133.02	2.013 51.13	2 <sup>15</sup> / <sub>16</sub> 74.61	1.535 39	12.75	
GHWE303CCS	GN303KRRB	3 <sup>15</sup> / <sub>16</sub>	6.6929 170	1 40.5	1 40.5	6.4	119.1	31.8	7.26	106.4	142.82	51.05	80.96	41	16.00	
GHWE307CCS	GN307KRRB	3 <sup>7</sup> / <sub>16</sub>	7.4803 190	1 42.1	1 42.1	7.9	133.4	36.5	8.18	115.9	161.37	52.63	87.31	45	20.50	
GHWE315CCS	GN315KRRB	3 <sup>15</sup> / <sub>16</sub>	8.4646 215	1 50.0	1 50.0	7.9	146.1	36.5	7.82	129.6	182.85	59.36	100.01	49	27.25	

<sup>(1)</sup> Bore Tolerance: 1<sup>3</sup>/<sub>16</sub>" - 2<sup>3</sup>/<sub>16</sub>", nominal to +.0005", .013 mm  
 2<sup>7</sup>/<sub>16</sub>" - 3<sup>1</sup>/<sub>16</sub>", nominal to +.0006", .015 mm  
 3<sup>7</sup>/<sub>16</sub>" - 3<sup>15</sup>/<sub>16</sub>", nominal to +.0007", .018 mm

Recommended shaft tolerances: 1<sup>1</sup>/<sub>2</sub>" - 2 <sup>3</sup>/<sub>16</sub>", nominal to - .0005", - .013 mm;  
 2<sup>7</sup>/<sub>16</sub>" - 3<sup>15</sup>/<sub>16</sub>", nominal to - .001", - .025 mm

# Insert Bearings - Heavy Series - High Temperature - GHWE-HHS

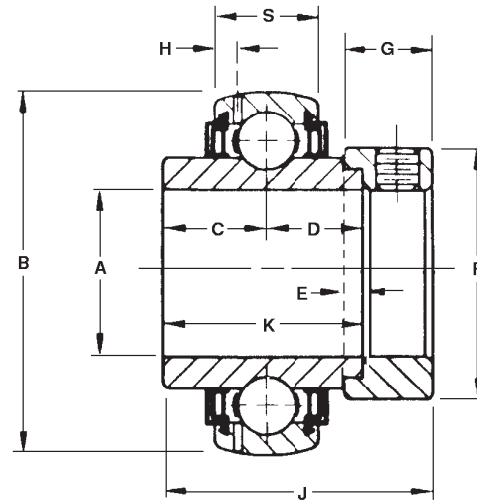
Used in the Following Units:

- KH-2100-0 thru KH-2110-0 (LCJO Type)
- KH-2300-0 thru KH2308-0 (LAO Type)
- KH-2320-0 thru KH-2331-0 (LSAO Type)

Features:

- Wide Inner Ring
- High Temperature - High Speed Integral Seal Arrangements
- High Temperature Grease to 425°F.
- Alignable Spherical Outside Diameter
- Eccentric Locking Collar
- Relubrication Holes in Outer Ring

Equal to Timken GN-KLLB



TO ORDER, SPECIFY KETCHIE OR COMPETITOR'S PART NUMBER

Ketchie	Equals Timken	Bore <sup>(1)</sup>		C	D	E	F	G	H	J	Ring Width		Approx. Unit Wt.
		A	B								K Inner	S Outer	
		in.	in. mm	in. mm	in. mm	in. mm	in. mm	in. mm	in. mm	in. mm	in. mm	in. mm	
GHWE102HHS	GN102KLLB	1 <sup>1</sup> / <sub>8</sub>	2.8346	1 <sup>11</sup> / <sub>16</sub>	3 <sup>3</sup> / <sub>4</sub>	5 <sup>5</sup> / <sub>32</sub>	1 <sup>15</sup> / <sub>16</sub>	1 <sup>11</sup> / <sub>16</sub>	.142	1 <sup>31</sup> / <sub>32</sub>	1 <sup>7</sup> / <sub>16</sub>	.7874	1.50
GHWE103HHS	GN103KLLB	1 <sup>3</sup> / <sub>16</sub>	72	17.46	19.05	3.9	49.21	17.46	3.61	1.97	36.51	20	
GHWE104HHS	GN104KLLB	1 <sup>1</sup> / <sub>4</sub>	3.1496	2 <sup>3</sup> / <sub>32</sub>	2 <sup>5</sup> / <sub>32</sub>	5 <sup>5</sup> / <sub>32</sub>	2 <sup>3</sup> / <sub>16</sub>	1 <sup>11</sup> / <sub>16</sub>	.156	2 <sup>1</sup> / <sub>32</sub>	1 <sup>1</sup> / <sub>2</sub>	.8661	1.75
GHWE106HHS	GN106KLLB	1 <sup>3</sup> / <sub>8</sub>	80	18.26	19.84	3.9	55.56	17.46	3.96	51.59	38.1	22	
GHWE107HHS	GN107KLLB	1 <sup>3</sup> / <sub>16</sub>											
GHWE108HHS	GN108KLLB	1 <sup>1</sup> / <sub>2</sub>	3.5433	2 <sup>5</sup> / <sub>32</sub>	2 <sup>7</sup> / <sub>32</sub>	3 <sup>3</sup> / <sub>16</sub>	2 <sup>1</sup> / <sub>2</sub>	1 <sup>3</sup> / <sub>16</sub>	.182	2 <sup>1</sup> / <sub>4</sub>	1 <sup>5</sup> / <sub>8</sub>	.9843	2.75
			90	19.84	21.43	4.76	63.5	20.64	4.62	57.15	41.28	25	
GHWE111HHS	GN111KLLB	1 <sup>11</sup> / <sub>16</sub>	3.9370	2 <sup>5</sup> / <sub>32</sub>	2 <sup>9</sup> / <sub>32</sub>	3 <sup>3</sup> / <sub>16</sub>	2 <sup>3</sup> / <sub>4</sub>	1 <sup>3</sup> / <sub>16</sub>	.189	2 <sup>5</sup> / <sub>16</sub>	1 <sup>11</sup> / <sub>16</sub>	1.0630	3.75
GHWE112HHS	GN112KLLB	1 <sup>3</sup> / <sub>4</sub>	100	19.84	23.02	4.76	69.85	20.64	4.80	58.74	42.86	27	
GHWE115HHS	GN115KLLB	1 <sup>15</sup> / <sub>16</sub>	4.3307	3 <sup>1</sup> / <sub>32</sub>	3 <sup>1</sup> / <sub>32</sub>	3 <sup>3</sup> / <sub>16</sub>	3	7 <sup>7</sup> / <sub>8</sub>	.203	2 <sup>5</sup> / <sub>8</sub>	1 <sup>31</sup> / <sub>32</sub>	1.1417	4.50
			110	24.61	24.61	4.76	76.2	22.23	5.16	66.68	1.94	29	
GHWE203HHS	GN203KLLB	2 <sup>3</sup> / <sub>16</sub>	4.7244	1 <sup>3</sup> / <sub>32</sub>	1 <sup>5</sup> / <sub>32</sub>	3 <sup>3</sup> / <sub>16</sub>	3 <sup>1</sup> / <sub>4</sub>	7 <sup>7</sup> / <sub>8</sub>	.216	2 <sup>7</sup> / <sub>8</sub>	2 <sup>3</sup> / <sub>16</sub>	1.2205	5.50
			120	1.09	29.37	4.76	82.55	22.23	5.49	73.02	55.56	31	
GHWE207HHS	GN207KLLB	2 <sup>7</sup> / <sub>16</sub>	5.1181	1 <sup>7</sup> / <sub>32</sub>	1 <sup>7</sup> / <sub>32</sub>	1 <sup>1</sup> / <sub>4</sub>	3 <sup>1</sup> / <sub>2</sub>	1 <sup>5</sup> / <sub>16</sub>	.230	3 <sup>1</sup> / <sub>8</sub>	2 <sup>7</sup> / <sub>16</sub>	1.2992	6.50
			130	30.96	30.96	6.35	88.90	23.81	5.84	79.38	61.91	33	
GHWE211HHS	GN211KLLB	2 <sup>11</sup> / <sub>16</sub>	5.9055	1 <sup>11</sup> / <sub>32</sub>	1 <sup>11</sup> / <sub>32</sub>	1 <sup>1</sup> / <sub>4</sub>	4	1 <sup>1</sup> / <sub>16</sub>	.265	3 <sup>1</sup> / <sub>2</sub>	2 <sup>11</sup> / <sub>16</sub>	1.4567	10.25
			150	34.13	34.13	6.35	101.6	26.99	6.73	88.90	68.26	37	
GHWE215HHS	GN215KLLB	2 <sup>15</sup> / <sub>16</sub>	6.2992	1 <sup>15</sup> / <sub>32</sub>	1 <sup>15</sup> / <sub>32</sub>	1 <sup>1</sup> / <sub>4</sub>	4 <sup>7</sup> / <sub>16</sub>	1 <sup>1</sup> / <sub>4</sub>	.255	3 <sup>15</sup> / <sub>16</sub>	2 <sup>15</sup> / <sub>16</sub>	1.5354	12.75
			160	37.31	37.31	6.35	112.71	31.75	6.48	100.01	74.61	39	

<sup>(1)</sup> Bore Tolerance: 1<sup>1</sup>/<sub>8</sub>" - 1<sup>15</sup>/<sub>16</sub>", nominal to +.0005", .013 mm  
 2<sup>7</sup>/<sub>16</sub>" - 2<sup>15</sup>/<sub>16</sub>", nominal to +.0006", .015 mm

Recommended shaft tolerances: 1<sup>1</sup>/<sub>8</sub>" - 1<sup>15</sup>/<sub>16</sub>", nominal to - .0005", - .013 mm;  
 2" - 2<sup>15</sup>/<sub>16</sub>", nominal to - .0010", - .025 mm