

Visit www.kopflex.com

More than 80 years of development and manufacturing experience in the coupling industry is behind our name. KOP-FLEX, Inc., formerly the Power Transmission Division of KOPPERS* Company, is one of the world's largest makers of gear, flexible disc and resilient shaft couplings. Our coupling technology, from computer assisted design to space age materials, supplies reliable products of the highest quality. Worldwide, industry depends on KOP-FLEX® brand couplings to meet a wide variety of demanding applications from pumps to compressors in petrochemical, process industries and metal rolling mills.



HIGH PERFORMANCE COUPLINGS



KD® DISC COUPLINGS



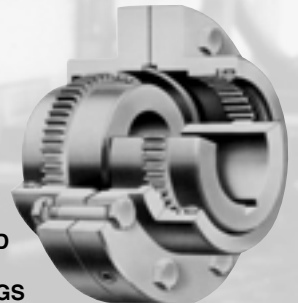
DIAPHRAGM COUPLINGS



FAST'S® FORGED STEEL COUPLINGS



FAST'S® CAST STEEL COUPLINGS



SERIES H CROWNED TOOTH COUPLINGS



MAX-C® COUPLINGS



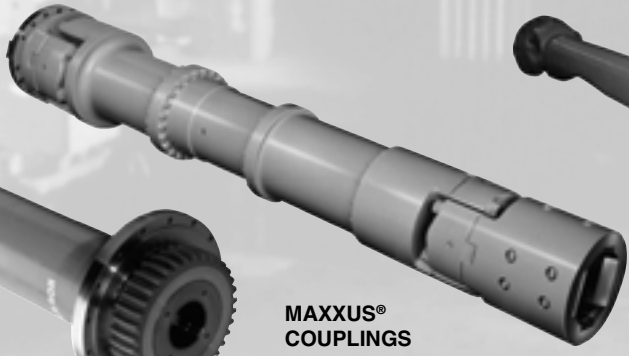
KOP-GRID® TAPERED GRID COUPLINGS



ELASTOMERIC COUPLINGS



GEAR SPINDLE COUPLINGS



MAXXUS® COUPLINGS



FLANGED U-JOINT

*KOPPERS is a trademark of KOPPERS Co. Inc. This trade name, trademark and/or registered trademark is used herein for product comparison purposes only, is the property of it's respective owner and is not owned or controlled by Emerson Power Transmission Corporation (EPT). EPT does not represent or warrant the accuracy of this document.