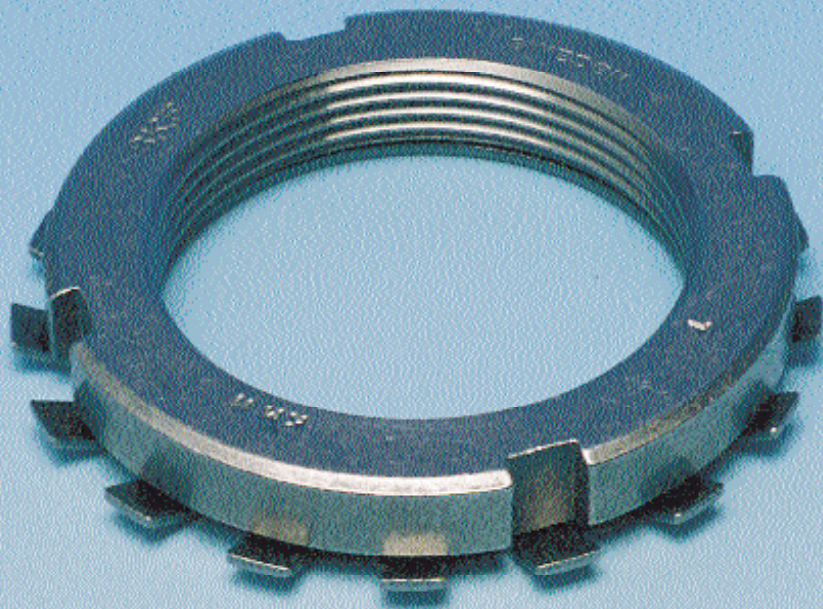


KM(L) lock nuts with locking washers



Material: High-strength steel or spheroidal graphite cast iron
Finish: Saturated with oil
Locking washer: Sheet of steel
Thread tolerance: 5H (ISO 965/3-1980)
Recommended tolerance for shaft threads: 6g (ISO 965/3-1980)

Locks with a locking washer

The KM(L) nut is used in combination with an MB(L) locking washer and keyway for effective locking.

Easy to mount and dismount

KM(L) lock nuts can be mounted and dismounted easily with both hook and impact spanners. These spanners can be supplied by SKF.

Wide range of sizes

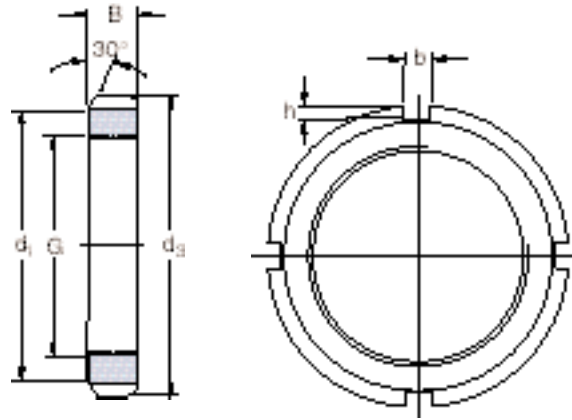
SKF can supply KM(L) lock nuts with both metric and inch threads as standard.

Details of lock nuts larger than metric size 40 (designated HM), inch size lock nuts and lock nuts for use with a locking clip can be found in the SKF General Catalogue or the SKF catalogue 3766 "Bearing accessories". Details of the locking washers to suit these sizes can also be found in these catalogues.

Close tolerances

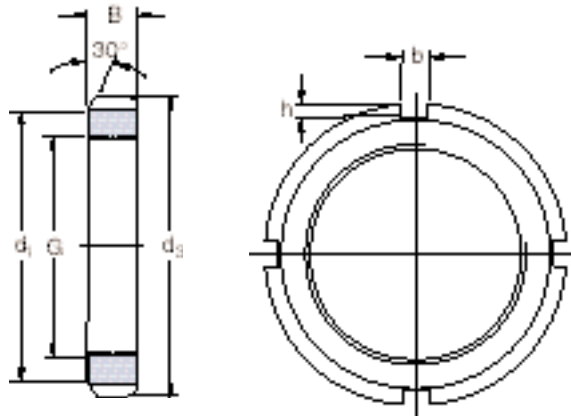
The thread and locating face are machined in the same operation. The maximum runout between the thread and locating face is between 0,04 and 0,06 mm depending on the size of the lock nut.

KM lock nuts
M 10×0,75 – M 115×2



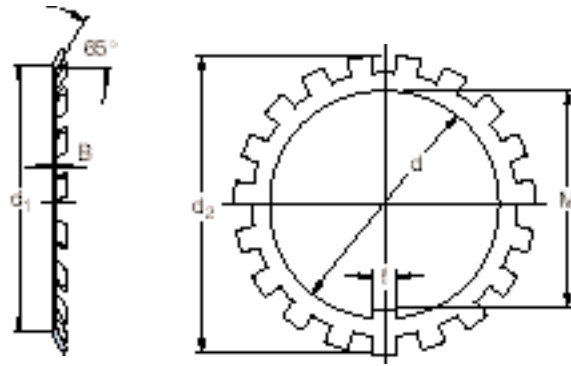
Dimensions						Axial load carrying capacity static	Mass	Designations		
G	d ₁	d ₃	B	b	h			Lock nut	Appropriate locking washer	hook/impact spanner
mm						kN	kg	–		
M 10×0,75	13,5	18	4	3	2	9,8	0,006	KM 0	MB 0	–
M 12×1	17	22	4	3	2	11,8	0,008	KM 1	MB 1	HN 1
M 15×1	21	25	5	4	2	14,6	0,012	KM 2	MB 2	HN 2
M 17×1	24	28	5	4	2	19,6	0,012	KM 3	MB 3	HN 3
M 20×1	26	32	6	4	2	24	0,020	KM 4	MB 4	HN 4
M 25×1,5	32	38	7	5	2	31,5	0,028	KM 5	MB 5	HN 5
M 30×1,5	38	45	7	5	2	36,5	0,038	KM 6	MB 6	HN 6
M 35×1,5	44	52	8	5	2	50	0,058	KM 7	MB 7	HN 7
M 40×1,5	50	58	9	6	2,5	62	0,078	KM 8	MB 8	HN 8
M 45×1,5	56	65	10	6	2,5	78	0,11	KM 9	MB 9	HN 9
M 50×1,5	61	70	11	6	2,5	91,5	0,14	KM 10	MB 10	HN 10
M 55×2	67	75	11	7	3	91,5	0,15	KM 11	MB 11	HN 11
M 60×2	73	80	11	7	3	95	0,16	KM 12	MB 12	HN 12
M 65×2	79	85	12	7	3	108	0,19	KM 13	MB 13	HN 13
M 70×2	85	92	12	8	3,5	118	0,22	KM 14	MB 14	HN 14
M 75×2	90	98	13	8	3,5	134	0,27	KM 15	MB 15	HN 15
M 80×2	95	105	15	8	3,5	173	0,36	KM 16	MB 16	HN 16
M 85×2	102	110	16	8	3,5	190	0,42	KM 17	MB 17	HN 17
M 90×2	108	120	16	10	4	216	0,51	KM 18	MB 18	HN 18
M 95×2	113	125	17	10	4	236	0,58	KM 19	MB 19	HN 19
M 100×2	120	130	18	10	4	255	0,68	KM 20	MB 20	HN 20
M 105×2	126	140	18	12	5	290	0,81	KM 21	MB 21	HN 21
M 110×2	133	145	19	12	5	310	0,89	KM 22	MB 22	HN 22
M 115×2	137	150	19	12	5	315	0,91	KM 23	MB 23	718909

KM(L) lock nuts
M 120×2 – M 200×3



Dimensions						Axial load carrying capacity static	Mass	Designations		
G	d ₁	d ₃	B	b	h			Lock nut	Appropriate locking washer	impact spanner
mm						kN	kg	-		
M 120×2	135	145	20	12	5	265	0,69	KML 24	MBL 24	718909
	138	155	20	12	5	340	0,98	KM 24	MB 24	718909
M 125×2	148	160	21	12	5	360	1,10	KM 25	MB 25	718909
M 130×2	145	155	21	12	5	285	0,84	KML 26	MBL 26	718909
	149	165	21	12	5	365	1,20	KM 26	MB 26	718909
M 135×2	160	175	22	14	6	430	1,40	KM 27	MB 27	718909
M 140×2	155	165	22	12	5	305	0,92	KML 28	MBL 28	718909
	160	180	22	14	6	430	1,40	KM 28	MB 28	718909
M 145×2	171	190	24	14	6	520	1,85	KM 29	MB 29	718909
M 150×2	170	180	24	14	5	390	1,30	KML 30	MBL 30	718909
	171	195	24	14	6	530	1,85	KM 30	MB 30	718909, 718910
M 155×3	182	200	25	16	7	540	2,05	KM 31	MB 31	718910
M 160×3	180	190	25	14	5	405	1,40	KML 32	MBL 32	718909
	182	210	25	16	7	585	2,25	KM 32	MB 32	718910
M 165×3	193	210	26	16	7	570	2,30	KM 33	MB 33	718910
M 170×3	190	200	26	16	5	430	1,60	KML 34	MBL 34	718910
	193	220	26	16	7	620	2,55	KM 34	MB 34	718910
M 180×3	200	210	27	16	5	450	1,80	KML 36	MBL 36	718910
	203	230	27	18	8	670	2,70	KM 36	MB 36	718910
M 190×3	210	220	28	16	5	475	1,90	KML 38	MBL 38	718910
	214	240	28	18	8	695	3,00	KM 38	MB 38	718910
M 200×3	222	240	29	18	8	625	2,60	KML 40	MBL 40	718910
	226	250	29	18	8	735	3,30	KM 40	MB 40	718910, 718911

MB(L) locking washers
d 10 – 200 mm



Dimensions						Mass	Designation	Dimensions						Mass	Designation
d	d ₁	d ₂	B	f	M			d	d ₁	d ₂	B	f	M		
mm						g	-	mm						g	-
10	13,5	21	1	3	8,5	1,0	MB 0	115	137	159	2	12	110,5	107	MB 23
12	17	25	1	3	10,5	2,0	MB 1	120	135	152	2	14	115	70	MBL 24
15	21	28	1	4	13,5	3,0	MB 2		138	164	2	14	115	108	MB 24
17	24	32	1	4	15,5	3,0	MB 3	125	148	170	2	14	120	115	MB 25
20	26	36	1	4	18,5	4,0	MB 4	130	145	161	2	14	125	80	MBL 26
25	32	42	1,25	5	23	6,0	MB 5		149	175	2	14	125	115	MB 26
30	38	49	1,25	5	27,5	8,0	MB 6	135	160	185	2	14	130	140	MB 27
35	44	57	1,25	6	32,5	11	MB 7	140	155	172	2	16	135	90	MBL 28
40	50	62	1,25	6	37,5	13	MB 8		160	192	2	16	135	135	MB 28
45	56	69	1,25	6	42,5	15	MB 9	145	172	202	2	16	140	165	MB 29
50	61	74	1,25	6	47,5	16	MB 10	150	170	189	2	16	145	100	MBL 30
55	67	81	1,5	8	52,5	22	MB 11		171	205	2	16	145	180	MB 30
60	73	86	1,5	8	57,5	24	MB 12	155	182	212	2,5	16	147,5	200	MB 31
65	79	92	1,5	8	62,5	30	MB 13	160	180	199	2,5	18	154	140	MBL 32
70	85	98	1,5	8	66,5	32	MB 14		182	217	2,5	18	154	215	MB 32
75	90	104	1,5	8	71,5	35	MB 15	165	193	222	2,5	18	157,5	240	MB 33
80	95	112	1,75	10	76,5	46	MB 16	170	190	211	2,5	18	164	150	MBL 34
85	102	119	1,75	10	81,5	53	MB 17		193	232	2,5	18	164	240	MB 34
90	108	126	1,75	10	86,5	61	MB 18	180	200	222	2,5	20	174	160	MBL 36
95	113	133	1,75	10	91,5	66	MB 19		203	242	2,5	20	174	260	MB 36
100	120	142	1,75	12	96,5	77	MB 20	190	210	232	2,5	20	184	170	MBL 38
105	126	145	1,75	12	100,5	83	MB 21		214	252	2,5	20	184	260	MB 38
110	133	154	1,75	12	105,5	91	MB 22	200	222	245	2,5	20	194	220	MBL 40
									226	262	2,5	20	194	280	MB 40