

# HYVATT

---

## Traction Motor Armature Bearings

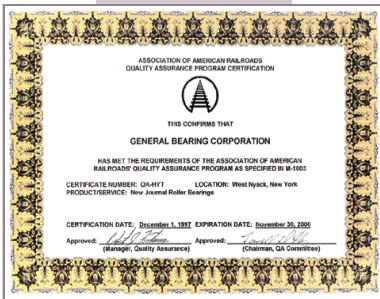


A QS-9000/ISO-9001 Certified Company

# HYATT

## Traction Motor Armature Bearings

Hyatt was incorporated in 1892 for the manufacture and sale of roller bearings for use in railroad applications. In 1918, Hyatt became part of the General Motors Corporation. Working closely in the 1930's with engineers at Electro-Motive, their sister General Motors Division, they jointly developed high performance bearings with increased load carrying capacity. These bearings had to be cool running, vibration-free, and able to operate under the most severe conditions of shaft bending under load. Ultimately, the Hyatt designs became the industry standard.



Today, as a division of General Bearing Corporation, Hyatt bearings continue to be made to the highest design and quality levels, and include such features as:

- Super clean alloy steel for rollers and races, heat treated for optimum hardness insuring greater life and wear resistance.
- Superior dimensional and surface finish controls.
- Optimum geometry, including roundness and profile.
- Crowned rollers to reduce stress concentration.
- Offset pinion end raceway crowns to minimize the effects of misalignment.
- Roller riding cages for smoother, and cooler operation.
- Cage fastening with steel rivets.
- Lowest possible vibration levels.

Hyatt has a complete product engineering and quality assurance staff to provide customers with all necessary assistance. The Hyatt factory in West Nyack, New York, is QS-9000/ISO-9001 Certified and has been audited and found to be in 100% conformance with the AAR Quality Assurance Program M-1003. Hyatt is the first of the traction

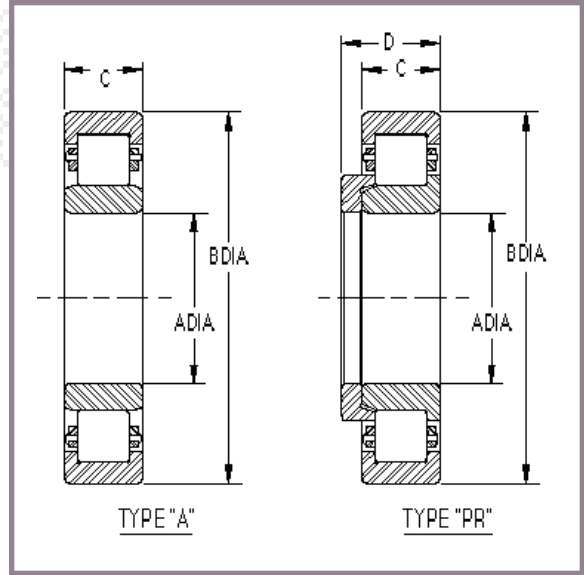
motor armature bearing suppliers to be so verified and listed.

Hyatt Traction Motor Armature Bearings are fully tested, using a system measuring vibration level in five distinct frequency bands, under 500 lbs. load and speeds up to 1750 rpm. This assures you the finest quality level prior to installation in your motor.

Traction Motor Armature Bearings range in weight from 10 to 60 lbs. Bronze cages are heavy, some weighing more than 5 lbs. Should the bearings be dropped even a few feet, the bronze cage can, because of its mass, be distorted into an out of round condition, rendering the bearing assembly unsuitable. Therefore, all Hyatt bearings are specially packaged and palletized for shipment and should be carefully handled when received.

Hyatt Traction Motor Armature Bearings are sold in the U.S. by General Bearing Corporation, through local bearing distributors. For price and delivery information, Distributors call: (800) 431-1766, Fax (845) 358-7415. OEMs call: (845) 358-6000, Fax (845) 358-7414, or e-mail inquiries to [gbcsales@worldnet.att.net](mailto:gbcsales@worldnet.att.net).

# TRACTION MOTOR ARMATURE BEARINGS



STANDARD BEARING ASSEMBLY NUMBER	CAPACITY 3000 Hrs. B10 @500 RPM	BORE A mm inch	OUTSIDE DIAMETER B mm inch	WIDTH C mm inch	WIDTH D mm inch	WEIGHT (lbs.)
PR-0315-WB-16	11,300	75 2.9528	160 6.2992	37 1.4567	48 1.8897	9.5
PR-0320-WB-22	17,300	100 3.9370	215 8.4646	47 1.8504	60 2.3624	22.0
A-0322-WABD	22,000	110 4.3307	240 9.4491	50 1.9685	N/A	27.0
A-0326-WAB-30	34,700	130 5.1181	280 11.0240	58 2.2835	N/A	41.0
A-0330-WB-18	42,000	150 5.9043	320 12.5984	65 2.5591	N/A	59.0

BASIC BEARING SIZE	BEARING BORE	SHAFT DIAMETER	SHAFT FIT	BEARING O.D.	HOUSING BORE	HOUSING FIT
0315	2.9528	2.9539	.0006T	6.2992	6.2981	.0004T
	2.9522	2.9534	.0017T	6.2985	6.2976	.0016T
0320	3.9370	3.9383	.0008T	8.4646	8.4635	.0004T
	3.9362	3.9378	.0021T	8.4639	8.4629	.0017T
0322	4.3307	4.3324	.0010T	9.4491	9.4481	.0000T
	4.3299	4.3317	.0025T	9.4481	9.4471	.0017T
0326	5.1181	5.1200	.0014T	11.0240	11.0230	.0000T
	5.1171	5.1195	.0029T	11.0230	11.0219	.0021T
0330	5.9043	5.9077	.0029T	12.5984	12.5976	.0001T
	5.9033	5.9072	.0044T	12.5975	12.5965	.0019T

---

**HYATT**<sup>®</sup>

**Div. General Bearing Corporation**

44 High Street  
West Nyack, NY 10994

**Distributors**

Phone (800) 431-1766

Fax (845) 358-7415

**OEMs**

Phone (845) 358-6000

Fax (845) 358-7414

*[gbcsales@worldnet.att.net](mailto:gbcsales@worldnet.att.net)*

*[www.generalbearing.com](http://www.generalbearing.com)*

\*HYATT\* is a registered trademark of  
General Motors Corporation used under license.