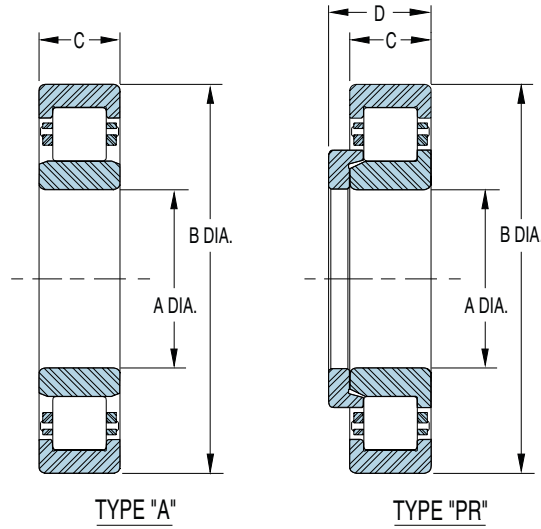
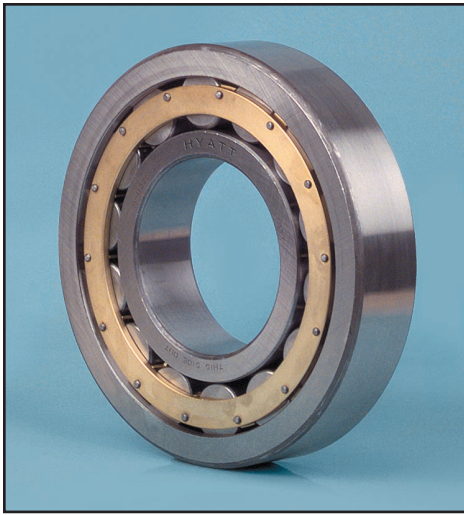


Traction Motor Armature Bearings



HYATT®

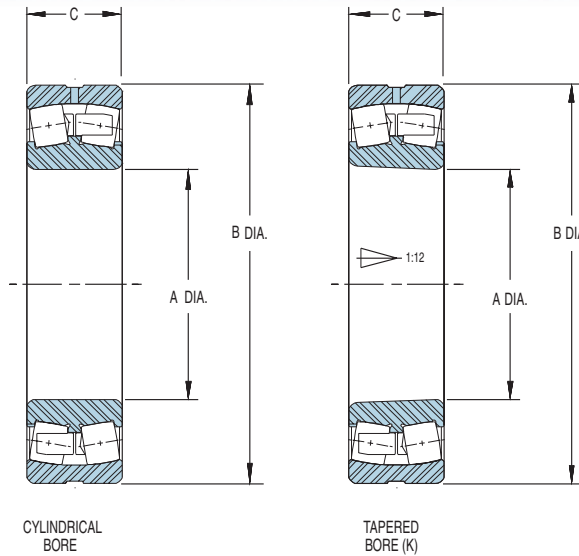
| STANDARD BEARING ASSEMBLY NUMBER | CAPACITY 3000 Hrs. B10 @500 RPM | BORE A | | OUTSIDE DIAMETER B | | WIDTH C | | WIDTH D | | WEIGHT (lbs) |
|----------------------------------|---------------------------------|--------|--------|--------------------|---------|---------|--------|---------|--------|--------------|
| | | mm | inch | mm | inch | mm | inch | mm | inch | |
| PR-0315-WB-16 | 11,300 | 75 | 2.9528 | 160 | 6.2992 | 37 | 1.4567 | 48 | 1.8897 | 9.5 |
| PR-0320-WB-22 | 17,300 | 100 | 3.9370 | 215 | 8.4646 | 47 | 1.8504 | 60 | 2.3624 | 22.0 |
| A-0322-WABD | 22,000 | 110 | 4.3307 | 240 | 9.4491 | 50 | 1.9685 | N/A | | 27.0 |
| A-0326-WAB-30 | 34,700 | 130 | 5.1181 | 280 | 11.0240 | 58 | 2.2835 | N/A | | 41.0 |
| A-0330-WB-18 | 42,000 | 150 | 5.9043 | 320 | 12.5984 | 65 | 2.5591 | N/A | | 59.0 |

RECOMMENDED FITTING PRACTICE

| BASIC BEARING SIZE | BEARING BORE | SHAFT DIAMETER | SHAFT FIT | BEARING O.D. | HOUSING BORE | HOUSING FIT |
|--------------------|--------------|----------------|-----------|--------------|--------------|-------------|
| 0315 | 2.9528 | 2.9539 | .0006T | 6.2992 | 6.2981 | .0004T |
| | 2.9522 | 2.9534 | .0017T | 6.2985 | 6.2976 | .0016T |
| 0320 | 3.9370 | 3.9383 | .0008T | 8.4646 | 8.4635 | .0004T |
| | 3.9362 | 3.9378 | .0021T | 8.4639 | 8.4629 | .0017T |
| 0322 | 4.3307 | 4.3324 | .0010T | 9.4491 | 9.4481 | .0000T |
| | 4.3299 | 4.3317 | .0025T | 9.4481 | 9.4471 | .0017T |
| 0326 | 5.1181 | 5.1200 | .0014T | 11.0240 | 11.0230 | .0000T |
| | 5.1171 | 5.1195 | .0029T | 11.0230 | 11.0219 | .0021T |
| 0330 | 5.9043 | 5.9077 | .0029T | 12.5984 | 12.5976 | .0001T |
| | 5.9033 | 5.9072 | .0044T | 12.5975 | 12.5965 | .0019T |

Spherical Roller Bearings

SERIES 222



HYATT[®]

| BASIC BEARING NUMBER | | BORE A | | OUTSIDE DIAMETER B | | WIDTH C | | MAX FILLET RADIUS | BASIC STATIC LOAD | BASIC DYNAMIC LOAD ¹ | WEIGHT ² | LIMITING SPEED ² |
|----------------------|------------------|---------------|---------------|--------------------|---------------|---------------|--------------|-------------------|-------------------|---------------------------------|---------------------|-----------------------------|
| CYLINDRICAL BORE | TAPERED BORE (K) | mm | tol. | mm | tol. | mm | tol. | mm | (lbs) | (lbs) | (lbs) | (rpm) |
| | | inch | +.0000 | inch | +.0000 | inch | +.0000 | inch | | | | |
| 22208 | 22208K | 40 | -0.013 | 80 | -0.015 | 23 | -0.127 | 1.0 | 18000 | 16300 | 1.28 | 6100 |
| | | 1.5748 | -.0005 | 3.1496 | -.0006 | .9055 | -.005 | .039 | | | | |
| 22209 | 22209K | 45 | -0.013 | 85 | -0.015 | 23 | -0.127 | 1.0 | 19600 | 16900 | 1.37 | 5600 |
| | | 1.7717 | -.0005 | 3.3465 | -.0006 | .9055 | -.005 | .039 | | | | |
| 22210 | 22210K | 50 | -0.015 | 90 | -0.015 | 23 | -0.152 | 1.0 | 21800 | 18200 | 1.52 | 5200 |
| | | 1.9685 | -.0006 | 3.5433 | -.0006 | .9055 | -.006 | .039 | | | | |
| 22211 | 22211K | 55 | -0.015 | 100 | -0.015 | 25 | -0.152 | 1.5 | 26200 | 22000 | 2.10 | 4700 |
| | | 2.1654 | -.0006 | 3.9370 | -.0006 | .9843 | -.006 | .059 | | | | |
| 22212 | 22212K | 60 | -0.015 | 110 | -0.015 | 28 | -0.152 | 1.5 | 32400 | 27500 | 2.77 | 4300 |
| | | 2.3622 | -.0006 | 4.3307 | -.0006 | 1.1024 | -.006 | .059 | | | | |
| 22213 | 22213K | 65 | -0.015 | 120 | -0.015 | 31 | -0.152 | 1.5 | 39500 | 32300 | 3.79 | 4000 |
| | | 2.5591 | -.0006 | 4.7244 | -.0006 | 1.2205 | -.006 | .059 | | | | |
| 22214 | 22214K | 70 | -0.015 | 125 | -0.020 | 31 | -0.152 | 1.5 | 42500 | 33600 | 3.99 | 3700 |
| | | 2.7559 | -.0006 | 4.9213 | -.0008 | 1.2205 | -.006 | .059 | | | | |
| 22215 | 22215K | 75 | -0.015 | 130 | -0.020 | 31 | -0.203 | 1.5 | 46200 | 35400 | 4.23 | 3500 |
| | | 2.9528 | -.0006 | 5.1181 | -.0008 | 1.2205 | -.008 | .059 | | | | |
| 22216 | 22216K | 80 | -0.020 | 140 | -0.020 | 33 | -0.203 | 2.0 | 50400 | 38100 | 4.70 | 3300 |
| | | 3.1496 | -.0008 | 5.5118 | -.0008 | 1.2992 | -.008 | .079 | | | | |
| 22217 | 22217K | 85 | -0.020 | 150 | -0.025 | 36 | -0.203 | 2.0 | 57100 | 44300 | 6.49 | 3100 |
| | | 3.3465 | -.0008 | 5.9055 | -.0010 | 1.4173 | -.008 | .079 | | | | |
| 22218 | 22218K | 90 | -0.020 | 160 | -0.025 | 40 | -0.203 | 2.0 | 77200 | 57000 | 7.69 | 2800 |
| | | 3.5433 | -.0008 | 6.2992 | -.0010 | 1.5748 | -.008 | .079 | | | | |
| 22219 | 22219K | 95 | -0.020 | 170 | -0.025 | 43 | -0.203 | 2.0 | 86400 | 65000 | 9.37 | 2700 |
| | | 3.7402 | -.0008 | 6.6929 | -.0010 | 1.6929 | -.008 | .079 | | | | |
| 22220 | 22220K | 100 | -0.020 | 180 | -0.031 | 46 | -0.203 | 2.0 | 100600 | 74200 | 11.33 | 2500 |
| | | 3.9370 | -.0008 | 7.0866 | -.0012 | 1.8110 | -.008 | .079 | | | | |
| 22222 | 22222K | 110 | -0.020 | 200 | -0.031 | 53 | -0.203 | 2.0 | 122600 | 91100 | 16.07 | 2300 |
| | | 4.3307 | -.0008 | 7.8740 | -.0012 | 2.0866 | -.008 | .079 | | | | |
| 22224 | 22224K | 120 | -0.025 | 215 | -0.031 | 58 | -0.254 | 2.0 | 148600 | 108500 | 19.78 | 2100 |
| | | 4.7244 | -.0010 | 8.4646 | -.0012 | 2.2835 | -.010 | .079 | | | | |
| 22226 | 22226K | 130 | -0.025 | 230 | -0.031 | 64 | -0.254 | 2.5 | 185000 | 129000 | 25.35 | 2000 |
| | | 5.1181 | -.0010 | 9.0551 | -.0012 | 2.5197 | -.010 | .098 | | | | |
| 22228 | 22228K | 140 | -0.025 | 250 | -0.036 | 68 | -0.254 | 2.5 | 207900 | 146900 | 31.97 | 1800 |
| | | 5.5118 | -.0010 | 9.8425 | -.0014 | 2.6772 | -.010 | .098 | | | | |
| 22230 | 22230K | 150 | -0.025 | 270 | -0.036 | 73 | -0.254 | 2.5 | 234200 | 161800 | 39.90 | 1700 |
| | | 5.9055 | -.0010 | 10.6299 | -.0014 | 2.8740 | -.010 | .098 | | | | |
| 22232 | 22232K | 160 | -0.025 | 290 | -0.036 | 80 | -0.254 | 2.5 | 268600 | 186200 | 50.93 | 1600 |
| | | 6.2992 | -.0010 | 11.4173 | -.0014 | 3.1496 | -.010 | .098 | | | | |
| 22234 | 22234K | 170 | -0.025 | 310 | -0.036 | 86 | -0.254 | 3.0 | 313900 | 216600 | 60.19 | 1500 |
| | | 6.6929 | -.0010 | 12.2047 | -.0014 | 3.3858 | -.010 | .118 | | | | |
| 22236 | 22236K | 180 | -0.031 | 320 | -0.041 | 86 | -0.305 | 3.0 | 329600 | 221200 | 66.14 | 1400 |
| | | 7.0866 | -.0012 | 12.5984 | -.0016 | 3.3858 | -.012 | .118 | | | | |

¹ Dynamic Loads are based on 1 million revolutions.

² Weight and Limiting Speed are based on an open, oiled bearing.

C3 Internal Clearance standard. Available in C2, C0, & C4 Internal Clearance upon request.

Spherical Roller Bearings

SERIES 223

Spherical roller bearings are made in a full size range, in two load bearing types (222 Series and 223 Series). All sizes are available with either a straight cylindrical bore or with the industry standard 1:12 tapered bore. They are used in applications where high radial loads exist and there is initial misalignment or substantial shaft deflection during operation. A machined bronze cage and W-33 re-lubrication features are standard.

Load carrying abilities are enhanced by the following features:

- Critical feature dimensions such as roller diameter, inner and outer race pathway diameters, relative runouts, as well as bore, outside diameter and others are carefully controlled, checked, and matched to ensure best possible performance.

- Two rows of large diameter, super-finished rollers.
- Heavy bronze cages counter vibration.
- Standard W-33 relubrication, together with special ground spherical roller-ends for the best lubricant distribution.

The positive roller guidance feature makes these spherical bearings the best choice for tough moment load applications that require self-aligning capability.

Suggested applications include vibratory systems, speed reducers, conveyors, and other heavy machinery used in process industries.

For high axial loading applications, consult the General Bearing Engineering Department.

| BASIC BEARING NUMBER | | BORE A | | OUTSIDE DIAMETER B | | WIDTH C | | MAX FILLET RADIUS | BASIC STATIC LOAD (lbs) | BASIC DYNAMIC LOAD ¹ (lbs) | WEIGHT ² (lbs) | LIMITING SPEED ² (rpm) |
|----------------------|------------------|----------------------|-------------------------|-----------------------|-------------------------|----------------------|------------------------|--------------------|-------------------------|---------------------------------------|---------------------------|-----------------------------------|
| CYLINDRICAL BORE | TAPERED BORE (K) | mm inch | tol. +.0000 | mm inch | tol. +.0000 | mm inch | tol. +.0000 | mm inch | | | | |
| 22308 | 22308K | 40 1.5748 | -0.013 -.0005 | 90 3.5433 | -0.015 -.0006 | 33 1.2992 | -0.127 -.005 | 1.5 .059 | 27800 | 25800 | 2.34 | 5500 |
| 22309 | 22309K | 45 1.7717 | -0.013 -.0005 | 100 3.9370 | -0.015 -.0006 | 36 1.4173 | -0.127 -.005 | 1.5 .059 | 35300 | 32600 | 3.09 | 4900 |
| 22310 | 22310K | 50 1.9685 | -0.015 -.0006 | 110 4.3307 | -0.015 -.0006 | 40 1.5748 | -0.152 -.006 | 2.0 .079 | 45700 | 40300 | 4.12 | 4400 |
| 22311 | 22311K | 55 2.1654 | -0.015 -.0006 | 120 4.7244 | -0.020 -.0008 | 43 1.6929 | -0.152 -.006 | 2.0 .079 | 51000 | 45800 | 5.11 | 4100 |
| 22312 | 22312K | 60 2.3622 | -0.015 -.0006 | 130 5.1181 | -0.020 -.0008 | 46 1.8110 | -0.152 -.006 | 2.0 .079 | 57700 | 51600 | 6.53 | 3800 |
| 22313 | 22313K | 65 2.5591 | -0.015 -.0006 | 140 5.5118 | -0.020 -.0008 | 48 1.8898 | -0.152 -.006 | 2.0 .079 | 64800 | 56500 | 8.91 | 3500 |
| 22314 | 22314K | 70 2.7559 | -0.015 -.0006 | 150 5.9055 | -0.025 -.0010 | 51 2.0079 | -0.152 -.006 | 2.0 .079 | 75100 | 65400 | 9.55 | 3200 |
| 22315 | 22315K | 75 2.9528 | -0.015 -.0006 | 160 6.2992 | -0.025 -.0010 | 55 2.1654 | -0.152 -.006 | 2.0 .079 | 91700 | 75300 | 11.84 | 3000 |
| 22316 | 22316K | 80 3.1496 | -0.020 -.0008 | 170 6.6929 | -0.025 -.0010 | 58 2.2835 | -0.203 -.008 | 2.0 .079 | 105100 | 86200 | 14.15 | 2800 |
| 22317 | 22317K | 85 3.3465 | -0.020 -.0008 | 180 7.0866 | -0.031 -.0012 | 60 2.3622 | -0.203 -.008 | 2.5 .098 | 115400 | 93900 | 16.50 | 2700 |
| 22318 | 22318K | 90 3.5433 | -0.020 -.0008 | 190 7.4803 | -0.031 -.0012 | 64 2.5197 | -0.203 -.008 | 2.5 .098 | 122700 | 97200 | 19.07 | 2500 |
| 22319 | 22319K | 95 3.7402 | -0.020 -.0008 | 200 7.8740 | -0.031 -.0012 | 67 2.6378 | -0.203 -.008 | 2.5 .098 | 141500 | 113700 | 22.62 | 2400 |
| 22320 | 22320K | 100 3.9370 | -0.020 -.0008 | 215 8.4646 | -0.031 -.0012 | 73 2.8740 | -0.203 -.008 | 2.5 .098 | 164300 | 132100 | 28.66 | 2200 |
| 22322 | 22322K | 110 4.3307 | -0.020 -.0008 | 240 9.4488 | -0.031 -.0012 | 80 3.1496 | -0.203 -.008 | 2.5 .098 | 211100 | 167100 | 44.91 | 2000 |
| 22324 | 22324K | 120 4.7244 | -0.025 -.0010 | 260 10.2362 | -0.036 -.0014 | 86 3.3858 | -0.254 -.010 | 2.5 .098 | 239600 | 189400 | 52.91 | 1900 |
| 22326 | 22326K | 130 5.1181 | -0.025 -.0010 | 280 11.0236 | -0.036 -.0014 | 93 3.6614 | -0.254 -.010 | 3.0 .118 | 278600 | 212500 | 63.71 | 1700 |
| 22328 | 22328K | 140 5.5118 | -0.025 -.0010 | 300 11.8110 | -0.036 -.0014 | 102 4.0157 | -0.254 -.010 | 3.0 .118 | 332200 | 254700 | 79.37 | 1600 |
| 22330 | 22330K | 150 5.9055 | -0.025 -.0010 | 320 12.5984 | -0.041 -.0016 | 108 4.2520 | -0.254 -.010 | 3.0 .118 | 373300 | 284600 | 96.12 | 1500 |

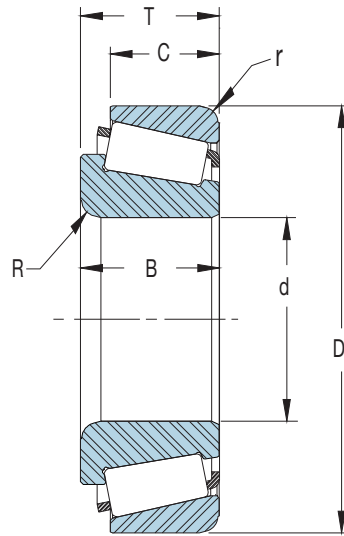
¹ Dynamic Loads are based on 1 million revolutions.

² Weight and Limiting Speed are based on an open, oiled bearing.

C3 Internal Clearance standard. Available in C2, C0, & C4 Internal Clearance upon request.

Tapered Roller Bearings

INCH DIMENSIONS



HYATT®

| PART NUMBER | | INCH DIMENSIONS | | | | | | | WEIGHTS (lbs) | |
|-------------|----------|-----------------|--------------------------|-----------------------|--------------------|-------------------|------------------------------------|--------------------------------------|----------------|---------------|
| CONE | CUP | BORE d | OUTSIDE DIAMETER D | BEARING WIDTH T | CONE WIDTH B | CUP WIDTH C | SHAFT MAX FILLET RADIUS R | HOUSING MAX FILLET RADIUS r | CONE WEIGHT | CUP WEIGHT |
| LM11749 | LM11710 | 0.6875 | 1.5700 | 0.5450 | 0.5750 | 0.4200 | 0.05 | 0.05 | 0.12 | 0.06 |
| LM11949 | LM11910 | 0.7500 | 1.7810 | 0.6100 | 0.6550 | 0.4750 | 0.05 | 0.05 | 0.17 | 0.10 |
| M12649 | M12610 | 0.8437 | 1.9687 | 0.6900 | 0.7200 | 0.5500 | 0.05 | 0.05 | 0.24 | 0.13 |
| L44649 | L44610 | 1.0625 | 1.9800 | 0.5600 | 0.5800 | 0.4200 | 0.14 | 0.05 | 0.17 | 0.08 |
| 15123 | 15245 | 1.2500 | 2.4409 | 0.7150 | 0.7500 | 0.5625 | * | 0.05 | 0.33 | 0.20 |
| LM67048 | LM67010 | 1.2500 | 2.3280 | 0.6250 | 0.6600 | 0.4650 | * | 0.05 | 0.25 | 0.14 |
| 14125A | 14276 | 1.2500 | 2.7170 | 0.7813 | 0.7710 | 0.6250 | 0.14 | 0.05 | 0.48 | 0.29 |
| LM48548 | LM48510 | 1.3750 | 2.5625 | 0.7100 | 0.7200 | 0.5500 | * | 0.05 | 0.35 | 0.19 |
| 25877 | 25820 | 1.3750 | 2.8750 | 0.9375 | 0.9688 | 0.7500 | 0.06 | 0.09 | 0.69 | 0.36 |
| L68149 | L68111 | 1.3775 | 2.3612 | 0.6250 | 0.6600 | 0.4700 | * | 0.05 | 0.24 | 0.14 |
| LM501349 | LM501314 | 1.6250 | 2.8910 | 0.8437 | 0.7800 | 0.6537 | 0.14 | 0.03 | 0.50 | 0.28 |
| 25580 | 25520 | 1.7500 | 3.2650 | 0.9375 | 1.0000 | 0.7500 | 0.14 | 0.03 | 0.77 | 0.44 |
| 3782 | 3720 | 1.7500 | 3.6718 | 1.1875 | 1.1930 | 0.9375 | 0.14 | 0.13 | 1.48 | 0.62 |
| 45280 | 45220 | 1.7500 | 4.1250 | 1.1875 | 1.2188 | 0.9375 | 0.03 | 0.13 | 2.20 | 0.76 |
| JM205149A | JM205110 | 1.9685 | 3.5433 | 1.1024 | 1.1024 | 0.9055 | 0.20 | 0.10 | 1.11 | 0.53 |
| LM104949 | LM104911 | 2.0000 | 3.2500 | 0.8500 | 0.8750 | 0.6500 | 0.14 | 0.05 | 0.64 | 0.29 |
| JM207049A | JM207010 | 2.1654 | 3.7402 | 1.1417 | 1.1417 | 0.9252 | 0.24 | 0.10 | 1.24 | 0.56 |
| 387A | 382A | 2.2500 | 3.8125 | 0.8268 | 0.8640 | 0.6250 | 0.14 | 0.03 | 0.89 | 0.39 |
| 28682 | 28622 | 2.2500 | 3.8437 | 0.9688 | 0.9688 | 0.7656 | 0.14 | 0.03 | 1.02 | 0.59 |
| 39581 | 39520 | 2.2500 | 4.4375 | 1.1875 | 1.1875 | 0.9375 | 0.31 | 0.13 | 2.18 | 0.79 |
| 555S | 552A | 2.2500 | 4.8750 | 1.5000 | 1.4440 | 1.1875 | 0.14 | 0.13 | 3.09 | 1.65 |
| 557A | 552A | 2.3750 | 4.8750 | 1.5000 | 1.4440 | 1.1875 | 0.31 | 0.13 | 2.81 | 1.65 |
| 39585 | 39520 | 2.5000 | 4.4375 | 1.1875 | 1.1875 | 0.9375 | 0.14 | 0.13 | 1.95 | 0.79 |
| HM212047 | HM212011 | 2.5000 | 4.8125 | 1.5000 | 1.5100 | 1.1700 | 0.28 | 0.13 | 2.99 | 1.32 |
| 3984 | 3920 | 2.6250 | 4.4375 | 1.1875 | 1.1830 | 0.9375 | 0.14 | 0.13 | 1.55 | 0.98 |
| 39590 | 39520 | 2.6250 | 4.4375 | 1.1875 | 1.1875 | 0.9375 | 0.14 | 0.13 | 1.80 | 0.79 |
| HM212049 | HM212011 | 2.6250 | 4.8125 | 1.5000 | 1.5100 | 1.1700 | 0.14 | 0.13 | 2.80 | 1.32 |
| HM212049X | HM212011 | 2.6250 | 4.8125 | 1.5000 | 1.5100 | 1.1700 | 0.28 | 0.13 | 2.77 | 1.32 |

* Special Radius

METRIC DIMENSIONS

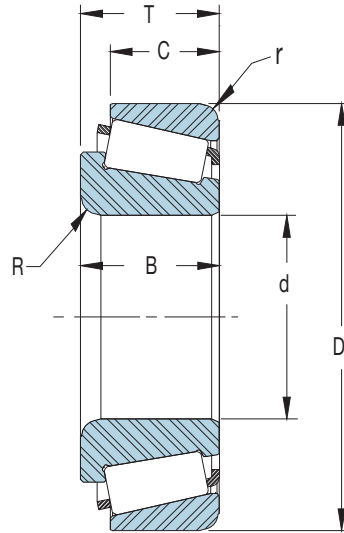
Tapered Roller Bearings consist of four basic components: the cone (inner ring), the cup (outer ring), the tapered rollers (rolling elements), and the cage (roller retainer). The cone has a shoulder called the cone rib, which makes contact with the end of the roller to ensure alignment and resist axial loads.

Due to the tapered races, the bearing will handle any combination of radial and thrust loads, and increasing the bearing cup angle will increase the ratio of thrust to radial capacity. Proper use of tapered roller bearings requires two opposed bearings, where each applies a thrust load toward the other. The internal clearance in the bearing is controlled by adjustment during installation.

| METRIC DIMENSIONS | | | | | | | PART NUMBER | |
|-------------------|--------------------------|-----------------------|--------------------|-------------------|------------------------------------|--------------------------------------|-------------|----------|
| BORE d | OUTSIDE DIAMETER D | BEARING WIDTH T | CONE WIDTH B | CUP WIDTH C | SHAFT MAX FILLET RADIUS R | HOUSING MAX FILLET RADIUS r | CONE | CUP |
| 17.462 | 39.878 | 13.843 | 14.605 | 10.668 | 1.3 | 1.3 | LM11749 | LM11710 |
| 19.050 | 45.237 | 15.494 | 16.637 | 12.065 | 1.3 | 1.3 | LM11949 | LM11910 |
| 21.430 | 50.005 | 17.526 | 18.288 | 13.970 | 1.3 | 1.3 | M12649 | M12610 |
| 26.988 | 50.292 | 14.224 | 14.732 | 10.668 | * | 1.3 | L44649 | L44610 |
| 31.750 | 62.000 | 18.161 | 19.050 | 14.288 | * | 1.3 | 15123 | 15245 |
| 31.750 | 59.131 | 15.875 | 16.764 | 11.811 | 3.5 | 1.3 | LM67048 | LM67010 |
| 31.750 | 69.012 | 19.845 | 19.583 | 15.875 | 3.5 | 1.3 | 14125A | 14276 |
| 34.925 | 65.088 | 18.034 | 18.288 | 13.970 | * | 1.3 | LM48548 | LM48510 |
| 34.925 | 73.025 | 23.813 | 24.608 | 19.050 | 1.5 | 2.3 | 25877 | 25820 |
| 34.987 | 59.975 | 15.875 | 16.764 | 11.938 | * | 1.3 | L68149 | L68111 |
| 41.275 | 73.431 | 21.430 | 19.812 | 16.604 | 3.5 | 0.8 | LM501349 | LM501314 |
| 44.450 | 82.931 | 23.813 | 25.400 | 19.050 | 3.5 | 0.8 | 25580 | 25520 |
| 44.450 | 93.264 | 30.163 | 30.302 | 23.812 | 3.5 | 3.3 | 3782 | 3720 |
| 44.450 | 104.775 | 30.163 | 30.958 | 23.812 | 0.8 | 3.3 | 45280 | 45220 |
| 50.000 | 90.000 | 28.001 | 28.000 | 23.000 | 5.0 | 2.5 | JM205149A | JM205110 |
| 50.800 | 82.550 | 21.590 | 22.225 | 16.510 | 3.5 | 1.3 | LM104949 | LM104911 |
| 55.000 | 95.000 | 28.999 | 29.000 | 23.500 | 6.0 | 2.5 | JM207049A | JM207010 |
| 57.150 | 96.838 | 21.001 | 21.946 | 15.875 | 3.5 | 0.8 | 387A | 382A |
| 57.150 | 97.630 | 24.608 | 24.608 | 19.446 | 3.5 | 0.8 | 28682 | 28622 |
| 57.150 | 112.712 | 30.163 | 30.162 | 23.812 | 8.0 | 3.3 | 39581 | 39520 |
| 57.150 | 123.825 | 38.100 | 36.678 | 30.162 | 3.5 | 3.3 | 555S | 552A |
| 60.325 | 123.825 | 38.100 | 36.678 | 30.162 | 8.0 | 3.3 | 557A | 552A |
| 63.500 | 112.712 | 30.163 | 30.162 | 23.812 | 3.5 | 3.3 | 39585 | 39520 |
| 63.500 | 122.238 | 38.100 | 38.354 | 29.718 | 7.0 | 3.3 | HM212047 | HM212011 |
| 66.675 | 112.712 | 30.163 | 30.048 | 23.812 | 3.5 | 3.3 | 3984 | 3920 |
| 66.675 | 112.712 | 30.163 | 30.162 | 23.812 | 3.5 | 3.3 | 39590 | 39520 |
| 66.675 | 122.238 | 38.100 | 38.354 | 29.718 | 3.5 | 3.3 | HM212049 | HM212011 |
| 66.675 | 122.238 | 38.100 | 38.354 | 29.718 | 7.0 | 3.3 | HM212049X | HM212011 |

Tapered Roller Bearings

INCH DIMENSIONS (continued)



HYATT®

| PART NUMBER | | INCH DIMENSIONS | | | | | | | WEIGHTS (lbs) | |
|-------------|----------|-----------------|--------------------------|-----------------------|--------------------|-------------------|------------------------------------|--------------------------------------|----------------|---------------|
| CONE | CUP | BORE d | OUTSIDE DIAMETER D | BEARING WIDTH T | CONE WIDTH B | CUP WIDTH C | SHAFT MAX FILLET RADIUS R | HOUSING MAX FILLET RADIUS r | CONE WEIGHT | CUP WEIGHT |
| 29675 | 29630 | 2.7500 | 4.7500 | 1.0000 | 1.0000 | 0.7500 | 0.06 | 0.13 | 1.52 | 1.05 |
| 576 | 572 | 2.8750 | 5.5115 | 1.4375 | 1.4212 | 1.1250 | 0.14 | 0.13 | 3.75 | 1.70 |
| 33287 | 33462 | 2.8750 | 4.6250 | 1.1875 | 1.1875 | 0.9375 | 0.14 | 0.13 | 1.62 | 0.95 |
| 567 | 563 | 2.8750 | 5.0000 | 1.4735 | 1.4240 | 1.1250 | 0.14 | 0.13 | 2.54 | 1.42 |
| 575 | 572 | 3.0000 | 5.5115 | 1.4375 | 1.4212 | 1.1250 | 0.14 | 0.13 | 3.52 | 1.70 |
| 6461A | 6420 | 3.0000 | 5.8750 | 2.1250 | 2.1350 | 1.7500 | 0.38 | 0.13 | 6.14 | 3.56 |
| 47679 | 47620 | 3.0000 | 5.2500 | 1.3125 | 1.3125 | 1.0313 | 0.14 | 0.13 | 2.95 | 1.24 |
| 496 | 493 | 3.1875 | 5.3750 | 1.1875 | 1.1720 | 0.8750 | 0.14 | 0.13 | 2.47 | 1.18 |
| 580 | 572 | 3.2500 | 5.5115 | 1.4375 | 1.4212 | 1.1250 | 0.14 | 0.13 | 3.02 | 1.70 |
| 663 | 653 | 3.2500 | 5.7500 | 1.6250 | 1.6250 | 1.2500 | 0.14 | 0.13 | 4.14 | 1.92 |
| 582 | 572 | 3.2500 | 5.5115 | 1.4375 | 1.4212 | 1.1250 | 0.27 | 0.13 | 2.94 | 1.70 |
| HM516449C | HM516410 | 3.2500 | 5.2500 | 1.5625 | 1.5625 | 1.2813 | 0.14 | 0.13 | 3.09 | 1.68 |
| 47687 | 47620 | 3.2500 | 5.2500 | 1.3125 | 1.3125 | 1.0313 | 0.27 | 0.13 | 2.42 | 1.24 |
| 47686 | 47620 | 3.2500 | 5.2500 | 1.3125 | 1.3125 | 1.0313 | 0.14 | 0.13 | 2.50 | 1.24 |
| 749 | 742 | 3.3475 | 5.9090 | 1.7500 | 1.8375 | 1.4375 | 0.14 | 0.13 | 4.78 | 2.35 |
| 497 | 493 | 3.3750 | 5.3750 | 1.1875 | 1.1720 | 0.8750 | 0.14 | 0.13 | 2.15 | 1.18 |
| HM518445 | HM518410 | 3.5000 | 6.0000 | 1.5625 | 1.5625 | 1.1875 | 0.25 | 0.13 | 4.52 | 1.68 |
| 6580 | 6535 | 3.5000 | 6.3750 | 2.1250 | 2.1693 | 1.6875 | 0.14 | 0.13 | 6.65 | 3.64 |
| HM218248 | HM218210 | 3.5423 | 5.7864 | 1.5748 | 1.5748 | 1.2795 | 0.28 | 0.14 | 3.91 | 1.75 |
| 598A | 592A | 3.6250 | 6.0000 | 1.5625 | 1.4300 | 1.1875 | 0.25 | 0.13 | 3.40 | 2.42 |
| 594A | 592A | 3.7500 | 6.0000 | 1.5625 | 1.4300 | 1.1875 | 0.20 | 0.13 | 3.14 | 2.29 |
| 864 | 854 | 3.7500 | 7.5000 | 2.2500 | 2.2650 | 1.7500 | 0.31 | 0.13 | 10.14 | 5.85 |
| 52400 | 52618 | 4.0000 | 6.1875 | 1.4375 | 1.4219 | 1.0313 | 0.14 | 0.13 | 3.80 | 1.52 |
| 687 | 672 | 4.0000 | 6.6250 | 1.6250 | 1.6250 | 1.1875 | 0.14 | 0.13 | 4.72 | 2.69 |
| 780 | 772 | 4.0000 | 7.1250 | 1.8750 | 1.8900 | 1.5000 | 0.14 | 0.13 | 6.85 | 4.24 |
| 782 | 772 | 4.1250 | 7.1250 | 1.8750 | 1.8900 | 1.5000 | 0.14 | 0.13 | 6.42 | 4.24 |

*Special Radius

METRIC DIMENSIONS (continued)

Hyatt Tapered Roller Bearings are made to the highest design and quality levels, and include such features as:

- Super clean steel for rollers and races
- Superior dimensional and surface finish controls
- Optimum geometry, including roundness, profile and angle
- Crowned rollers and race pathways
- Extremely close roller diameter variation within any assembly
- High strength steel cages
- Low vibration levels tested 100%

Applications include truck front wheels, truck driven wheels, trailer axles and truck axle differentials.

| METRIC DIMENSIONS | | | | | | | PART NUMBER | |
|-------------------|--------------------------|-----------------------|--------------------|-------------------|------------------------------------|--------------------------------------|-------------|----------|
| BORE d | OUTSIDE DIAMETER D | BEARING WIDTH T | CONE WIDTH B | CUP WIDTH C | SHAFT MAX FILLET RADIUS R | HOUSING MAX FILLET RADIUS r | CONE | CUP |
| 69.850 | 120.650 | 25.400 | 25.400 | 19.050 | 1.5 | 3.3 | 29675 | 29630 |
| 73.025 | 139.992 | 36.513 | 36.098 | 28.575 | 3.5 | 3.3 | 576 | 572 |
| 73.025 | 117.475 | 36.163 | 36.162 | 23.812 | 3.5 | 3.3 | 33287 | 33462 |
| 73.025 | 127.000 | 36.513 | 30.170 | 28.575 | 3.5 | 3.3 | 567 | 563 |
| 76.200 | 139.992 | 36.513 | 36.098 | 28.575 | 3.5 | 3.3 | 575 | 572 |
| 76.200 | 149.225 | 53.975 | 54.229 | 44.450 | 9.7 | 3.3 | 6461A | 6420 |
| 76.200 | 133.350 | 33.338 | 33.338 | 26.195 | 3.5 | 3.3 | 47679 | 47620 |
| 80.962 | 136.525 | 30.163 | 29.769 | 22.225 | 3.5 | 3.3 | 496 | 493 |
| 82.550 | 139.992 | 36.513 | 36.098 | 28.575 | 3.5 | 3.3 | 580 | 572 |
| 82.550 | 146.050 | 41.275 | 41.275 | 31.750 | 3.5 | 3.3 | 663 | 653 |
| 82.550 | 139.992 | 36.513 | 36.098 | 28.575 | 6.8 | 3.3 | 582 | 572 |
| 82.550 | 133.350 | 39.688 | 39.688 | 32.545 | 3.5 | 3.3 | HM516449C | HM516410 |
| 82.550 | 133.350 | 33.338 | 33.338 | 26.195 | 6.8 | 3.3 | 47687 | 47620 |
| 82.550 | 133.350 | 33.338 | 33.338 | 26.195 | 3.5 | 3.3 | 47686 | 47620 |
| 85.026 | 150.089 | 44.450 | 46.672 | 36.512 | 3.5 | 3.3 | 749 | 742 |
| 85.725 | 136.525 | 30.163 | 29.769 | 22.225 | 3.5 | 3.3 | 497 | 493 |
| 88.900 | 152.400 | 39.688 | 39.688 | 30.162 | 6.4 | 3.3 | HM518445 | HM518410 |
| 89.900 | 161.925 | 53.975 | 55.100 | 42.862 | 3.5 | 3.3 | 6580 | 6535 |
| 89.975 | 146.975 | 40.000 | 40.000 | 32.500 | 7.0 | 3.5 | HM218248 | HM218210 |
| 92.075 | 152.400 | 39.688 | 36.322 | 30.162 | 6.4 | 3.3 | 598A | 592A |
| 95.250 | 152.400 | 39.688 | 36.322 | 30.162 | 5.0 | 3.3 | 594A | 592A |
| 95.250 | 190.500 | 57.150 | 57.531 | 44.450 | 8.0 | 3.3 | 864 | 854 |
| 101.600 | 157.162 | 36.513 | 36.116 | 26.195 | 3.5 | 3.3 | 52400 | 52618 |
| 101.600 | 168.275 | 41.275 | 41.275 | 30.162 | 3.5 | 3.3 | 687 | 672 |
| 101.600 | 180.975 | 47.625 | 48.006 | 38.100 | 3.5 | 3.3 | 780 | 772 |
| 104.775 | 180.975 | 47.625 | 48.006 | 38.100 | 3.5 | 3.3 | 782 | 772 |