

# Black Book Catalogue 2002

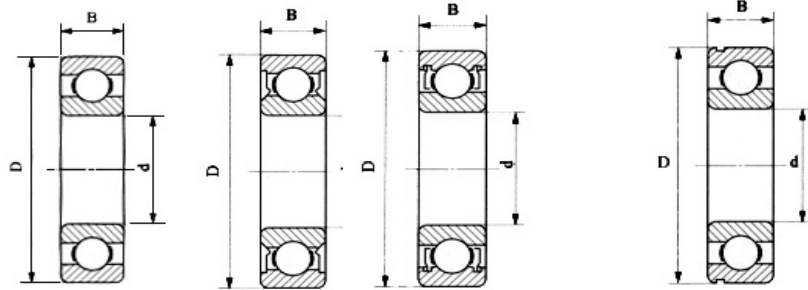
PRODUCT	PAGE
6000 Series Deep Groove Bearings	3
600 Series Miniature Deep Groove Bearings	4
Imperial Deep Groove Bearings EE, RLS, RMS	4
Stainless Steel Deep Groove Bearings	4
Special Bore Size Deep Groove Bearings	4
5200 Series Double Row Deep Groove Bearings	5
51000 Series Thrust Bearings	5
Tapered Roller Bearings Metric	6
Tapered Roller Bearings Imperial	7
Mast Guide Bearings	7
Spherical Roller Bearings	8
Water Pump Bearings	8
Spherical Plain Bearings	9
Rod Ends	10
L-Balls	10
UC200 Series Bearings	11
UC300 Series Bearings	11
UCX Series Bearings	12
HC200 Series Bearings	12
UK200 Series Bearings	13
UK300 Series Bearings	13
UKX Series Bearings	13
SC200 Series Bearings	13
SER200 Series Bearings	14
SA200 Series Bearings	14
CSA200 Series Bearings	15
SB200 Series Bearings	15
UC200 Series Stainless Steel Bearings	15
P200 Series Housings	16
P300 Series Housings	16
PX Series Housings	16
PA Series Housings	16
F200 Series Housings	17
F300 Series Housings	17
FX Series Housings	17
FL200 Series Housings	17
LF200 Series Housings	17
FB200 Series Housings	18
FC200 Series Housings	18
T200 Series Housings	18
C200 Series Housings	18
FA200 Series Housings	19
HA200 Series Housings	19
PF Pressed Metal Housings	19
PFL Pressed Metal Housings	19
PP Pressed Metal Housings	19
Rubbers Transmission Bearing Boots	19

**Legend:** Part numbers in this publication which appear in "Italics" are indent items only at this stage, though this may change from time to time depending on supply and demand. This is also valid with items listed in "Bold" as stocked items. All items listed as stock (Bold) are subject to prior sale and availability from our factories.

**Disclaimer:** While every effort has been made to ensure the information contained herein is accurate and correct, GBC takes no responsibility for errors or omissions contained in this publication. If you find any errors please advise our nearest office so as we can make the appropriate adjustments as part of our service to you.

<b>PRODUCT</b>	<b>PAGE</b>
Metric Adapter Sleeves	20
Imperial Adapter Sleeves	20
Lock Nuts	21
Lock Washers	21
Agricultural Bearings	22
Agricultural Flanged Bearings	23
DU Bushes Metric	23 & 24
DU Bushes Imperial	24
DU Thrust Washers Metric	24
Timing Belt Tensioner Bearings	25
Engine Pulleys	25
Automotive Hub Units	26
Retaining Rings (locking collars)	26
Seals & O' Rings	27
Polymer Bearings & Bushes	27 & 28
<b>Bosch &amp; A C Delco Automotive Products</b>	
Starter Motors	29
Alternators	29
Ignition Parts	29
Spark & Glow Plugs	30
Brake Pads	30
Belts	30
Electrical Components	30
Electronic Fuel Injection Components	30
Shock Absorbers	30
Oil Filters	30
<b>Conversion Charts &amp; Formulas</b>	
Transmission Bearings	31
Transmission Housings	31
Pressed Metal Housings	31
Spherical Plain Bearings	32
Rod Ends	32
Agricultural Square Bore	33 & 34
Agricultural Round Bore	35 & 36

**Disclaimer:** While every effort has been made to ensure the information contained herein is accurate and correct, GBC takes no responsibility for errors or omissions contained in this publication. If you find any errors please advise our nearest office so as we can make the appropriate adjustments as part of our service to you.



6000

6000 DD

6000 ZZ

6001 NR

Part Number	d x D x B mm	Basic Dyn Load Kn	Basic Stat Load Kn	Closure Types
6000	10x26x8	4.6	2.0	DD / ZZ
6001	12x28x8	5.1	2.4	DD / ZZ
6002	15x32x9	5.6	2.9	DD / ZZ
6003	17x35x10	6.0	3.3	DD / ZZ
6004	20x42x12	9.4	5.0	DD / ZZ
6005	25x47x12	10.0	5.9	DD / ZZ
6006	30x55x13	13.2	8.3	DD / ZZ
6007	35x62x14	16.2	10.5	DD / ZZ
6008	40x68x15	17.2	11.8	DD / ZZ
6009	45x75x16	21.0	14.8	DD / ZZ
6010	50x80x16	22.0	16.2	DD / ZZ
6011	55x90x18	30.2	21.8	DD / ZZ
6012	60x95x18	31.5	24.2	DD / ZZ
6013	65x100x18	32.0	24.8	DD / ZZ
6014	70x110x20	38.5	30.5	DD / ZZ
6015	75x115x20	40.2	33.2	DD / ZZ
6016	80x125x22	47.5	39.8	DD / ZZ
6017	85x130x22	49.5	43.0	DD / ZZ
6018	90x140x24	58.0	50.0	DD / ZZ

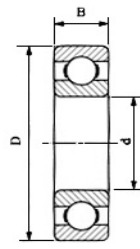
Part Number	d x D x B mm	Basic Dyn Load Kn	Basic Stat Load Kn	Closure Types
6200	10x30x9	5.1	2.4	DD / ZZ
6201	12x32x10	6.8	3.1	DD / ZZ
6202	15x35x11	7.7	3.7	DD / ZZ
6203	17x40x12	9.6	4.8	DD / ZZ
6204	20x47x14	12.8	6.7	DD / ZZ
6205	25x52x15	14.0	7.9	DD / ZZ
6206	30x62x16	19.5	11.5	DD / ZZ
6207	35x72x17	25.5	15.2	DD / ZZ
6208	40x80x18	29.5	18.0	DD / ZZ
6209	45x85x19	31.5	20.5	DD / ZZ
6210	50x90x20	35.0	23.2	DD / ZZ
6211	55x100x21	43.2	29.2	DD / ZZ
6212	60x110x22	52.5	36.0	DD / ZZ
6213	65x120x23	57.2	40.0	DD / ZZ
6214	70x125x24	62.0	44.0	DD / ZZ
6215	75x130x25	66.0	49.5	DD / ZZ
6216	80x140x26	77.5	58.5	DD / ZZ
6217	85x150x28	84.0	62.0	DD / ZZ

Part Number	d x D x B mm	Basic Dyn Load Kn	Basic Stat Load Kn	Closure Types
6300	10x35x11	7.7	3.5	DD / ZZ
6301	12x37x12	9.7	5.1	DD / ZZ
6302	15x42x13	11.5	5.4	DD / ZZ
6303	17x47x14	13.5	6.6	DD / ZZ
6304	20x52x15	15.8	7.9	DD / ZZ
6305	25x62x17	22.2	11.5	DD / ZZ
6306	30x72x19	27.0	15.2	DD / ZZ
6307	35x80x21	33.2	19.2	DD / ZZ
6308	40x90x23	40.8	24.0	DD / ZZ
6309	45x100x25	52.8	31.8	DD / ZZ
6310	50x130x27	61.8	38.0	DD / ZZ
6311	55x120x29	71.5	44.8	DD / ZZ
6312	60x130x31	81.8	51.8	DD / ZZ
6313	65x140x33	93.8	60.5	DD / ZZ
6314	70x150x35	105.0	68.0	DD / ZZ
6315	75x160x37	112.0	76.8	DD / ZZ
6316	80x170x39	122.0	86.5	DD / ZZ

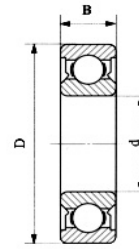
Part Number	d x D x B mm	Basic Dyn Load Kn	Basic Stat Load Kn	Closure Types
6800	10x19x5	1.8	0.9	DD
6801	12x21x5	1.9	1.0	DD
6802	15x24x5	2.1	1.3	DD
6803	17x26x5	2.8	1.7	DD
6804	20x32x7	4.0	2.5	DD
6805	25x32x7	4.3	3.0	DD
6806	30x42x7	4.7	3.7	DD
6807	35x47x7	4.9	4.1	DD
6809	45x58x7	5.4	5.2	DD
6812	60x78x10	11.5	10.9	DD

Part Number	d x D x B mm	Basic Dyn Load Kn	Basic Stat Load Kn	Closure Types
6900	10x22x6	2.7	1.3	DD / ZZ
6901	12x24x6	2.9	1.5	DD / ZZ
6902	15x28x7	4.1	2.1	DD / ZZ
6903	17x30x7	4.7	2.6	DD / ZZ
6904	20x37x9	6.4	3.7	DD / ZZ
6905	25x42x9	7.1	4.6	DD / ZZ
6906	30x47x9	7.3	5.0	DD / ZZ
6907	35x55x10	11.2	7.5	DD / ZZ

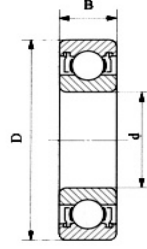
**NOTE:** Various other configurations may be available (eg.DDNR, ZNR, ZZNR).  
Please contact your nearest GBC office for further information.



Open



DD



ZZ

Part Number	d x D x B mm	Basic Dyn Load Kn	Basic Stat Load Kn	Closure Types
607	7 x 19 x 6	2.9	1.1	DD/ZZ
608	8 x 22 x 7	3.3	1.4	DD/ZZ
609	9 x 24 x 7	3.4	1.4	DD/ZZ
625	5 x 16 x 5	1.9	0.7	DD/ZZ
626	6 x 19 x 6	2.8	1.1	DD/ZZ
627	7 x 22 x 7	3.3	1.4	DD/ZZ
628	8 x 24 x 8	3.4	1.4	DD/ZZ
629	9 x 26 x 8	4.5	2.0	DD/ZZ
688	8 x 16 x 5	1.5	0.6	DD/ZZ

Part Number	d x D x B inch	Basic Dyn Load Kn	Basic Stat Load Kn	Closure Types
EE1/R3	1/8x3/8x5/32	0.6	0.2	DD/ZZ
EE2.5/R4A	1/4x3/4x9/32	2.3	0.9	DD/ZZ
EE3/R6	3/8x7/8x9/32	3.3	1.4	DD/ZZ
EE4/R8	1/2x1 1/8x5/16	3.9	2.1	DD/ZZ
EE5/R10	5/8x1 3/8x11/32	4.3	2.5	DD/ZZ
EE6/R12	3/4x1 5/8x7/16	6.1	3.8	DD/ZZ
EE8/R14	7/8x1 7/8x1/2	7.2	4.5	DD
EE9/R16	1.0x2.0x1/2	7.7	5.2	DD
R166	3/16x3/8x1/8	0.4	0.2	ZZ

Part Number	d x D x B in.	Basic Dyn Load Kn	Basic Stat Load Kn	Closure Types
RLS4	1/2x1 5/16x3/8	7.0	3.0	DD
RLS5	5/8x1 9/16x7/16	10.9	5.0	DD
RLS6	3/4x1 7/8x9/16	14.2	6.6	DD
RLS7	7/8x2.0x9/16	14.4	6.6	DD
RLS8	1.0x2 1/4x5/8	18.6	8.9	DD
RLS9	1 1/8x2 1/2x5/8	20.2	10.0	DD
RLS10	1 1/4x2 3/4x11/16	27.7	13.9	ZZ
RLS11	1 3/8x3.0x1/16	30.2	15.7	DD
RLS12	1 1/2x3 1/4x3/4	34.8	17.8	DD

Part Number	d x D x B in.	Basic Dyn Load Kn	Basic Stat Load Kn	Closure Types
RMS4	1/2x1 5/8x5/8	12.1	5.6	DD
RMS5	5/8x1 13/16x5/8	12.6	5.6	DD
RMS6	3/4x2.0x11/16	16.5	7.8	DD
RMS7	7/8x2 1/4x11/16	19.2	9.2	DD
RMS8	1.0x2 1/2x3/4	22.1	10.6	DD
RMS9	1 1/8x2 13/16x13/16	30.8	15.8	DD
RMS10	1 1/4x3 1/8x7/8	37.7	19.5	DD
RMS11	1 3/8x3 1/2x7/8	45.3	23.9	DD
RMS12	1 1/2x3 3/4x15/16	49.5	26.2	DD

Part Number	d x D x B mm	Basic Dyn Load Kn	Basic Stat Load Kn	Closure Types
SS6000	10x26x8	3.7	1.6	DD
SS6001	12x28x8	4.1	1.9	DD
SS6002	15x32x9	4.5	2.3	DD
SS6003	17x35x10	4.8	2.6	DD
SS6004	20x42x12	7.5	4.0	DD
SS6005	25x47x12	8.0	4.7	DD
SS6006	30x55x13	10.6	6.6	DD
SS6007	35x62x14	13.0	8.4	DD
SS6008	40x68x15	13.8	9.4	DD

Part Number	d x D x B mm	Basic Dyn Load Kn	Basic Stat Load Kn	Closure Types
SS6200	10x30x9	4.1	1.9	DD
SS6201	12x32x10	5.4	2.5	DD
SS6202	15x35x11	6.2	3.0	DD
SS6203	17x40x12	7.7	3.8	DD
SS6204	20x47x14	10.2	5.4	DD
SS6205	25x52x15	11.2	6.3	DD
SS6206	30x62x16	15.6	9.2	DD
SS6207	35x72x17	20.4	12.2	DD
SS6208	40x80x18	23.6	14.4	DD

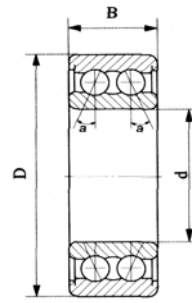
### Special Bore Sizes

Part Number	d x D x B mm	Basic Dyn Load Kn	Basic Stat Load Kn	Closure Types
SS6300	10x35x11	6.2	2.8	DD
SS6301	12x37x12	7.8	4.1	DD
SS6302	15x42x13	9.2	4.3	DD
SS6303	17x47x14	10.8	5.3	DD
SS6304	20x52x15	12.6	6.3	DD
SS6305	25x62x17	17.8	9.2	DD
SS6306	30x72x19	21.6	12.2	DD
SS6307	35x80x21	26.6	15.4	DD
SS6308	40x90x23	32.6	19.2	DD

Part Number	d x D x B Inch x mm	Basic Dyn Load Kn	Basic Stat Load Kn	Closure Types
6004 5/8	5/8" X 42 X 12	9.4	5	DD
6004 3/4	3/4" X 42 X 12	9.4	5	DD
6201 1/2	1/2" X 32 X 10	6.8	3.1	DD
6202 1/2	1/2" X 35 X 11	7.7	3.7	DD
6202 5/8	5/8" X 35 X 11	7.7	3.7	DD
6203 5/8	5/8" X 40 X 12	9.6	4.8	DD
6203 3/4	3/4" X 40 X 12	9.6	4.8	DD
6204 3/4	3/4" X 47 X 14	12.8	6.7	DD
6205 1"	1" X 52 X 15	14	7.9	DD
6202-16	16 X 35 X 11	7.7	3.7	DD

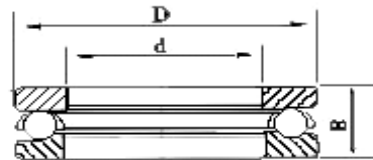
**NOTE:** Various other configurations may be available (eg.DDNR, ZNR, ZZNR).

Please contact your nearest GBC office for further information.



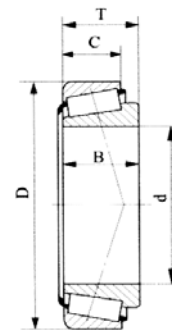
Part Number	d x D x B mm	Basic Dyn Load Kn	Basic Stat Load Kn	Closure Types
5200	10 x 30 x 14.3	7.8	4.6	DD/ZZ
5201	12 x 32 x 15.9	10.6	5.9	DD/ZZ
5202	15 x 35 x 15.9	11.8	7.1	DD/ZZ
5203	17 x 40 x 17.5	12.7	8.4	DD/ZZ
5204	20 x 47 x 17.5	16.0	10.8	DD/ZZ
5205	25 x 52 x 20.6	18.9	13.8	DD/ZZ
5206	30 x 62 x 23.8	25.3	18.3	DD/ZZ
5207	35 x 72 x 27	31.7	24.6	DD/ZZ
5208	40 x 80 x 30.2	36.5	29.1	DD/ZZ

Part Number	d x D x B mm	Basic Dyn Load Kn	Basic Stat Load Kn	Closure Types
5302	15 x 42 x 19	16.3	10.0	DD/ZZ
5303	17 x 47 x 22.2	20.8	12.5	DD/ZZ
5304	20 x 52 x 22.2	19.8	12.8	DD/ZZ
5305	25 x 62 x 25.4	27.5	18.5	DD/ZZ
5306	30 x 72 x 30.2	34.3	25.2	DD/ZZ
5307	35 x 80 x 34.9	46.1	32.8	DD/ZZ
5308	40 x 90 x 36.5	51.4	37.8	DD/ZZ
5309	45 x 100 x 39.7	68.9	51.4	DD/ZZ



Part Number	d x D x B mm	Basic Dyn Load Kn	Basic Stat Load Kn
51100	10 x 24 x 9	10.0	14.0
51101	12 x 26 x 9	10.2	15.2
51102	15 x 28 x 9	10.5	16.8
51103	17 x 30 x 9	10.8	18.2
51104	20 x 35 x 10	14.2	24.5
51105	25 x 42 x 11	15.2	30.2
51106	30 x 47 x 11	16.0	34.2
51107	35 x 52 x 12	18.2	41.5
51108	40 x 60 x 13	26.8	62.8
51109	45 x 65 x 14	27.0	66.0
51110	50 x 70 x 14	27.2	69.2
51111	55 x 78 x 16	33.8	89.2
51112	60 x 85 x 17	40.2	108.0
51113	65 x 90 x 18	40.5	112.0
51114	70 x 95 x 18	43.0	127.0
51115	75 x 100 x 19	42.3	127.0
51116	80 x 105 x 19	44.6	141.0
51117	85 x 110 x 19	45.9	150.0
51118	90 x 120 x 22	59.7	190.0
51120	100 x 135 x 25	85.0	268.0
51122	110 x 145 x 25	87.1	288.0
51124	120 x 155 x 30	89.0	308.0

Part Number	d x D x B mm	Basic Dyn Load Kn	Basic Stat Load Kn
51200	10 x 26 x 11	12.5	17.0
51201	12 x 28 x 11	13.2	19.0
51202	15 x 32 x 12	16.5	24.8
51203	17 x 35 x 12	17.0	27.2
51204	20 x 40 x 14	22.2	37.5
51205	25 x 47 x 15	27.8	50.5
51206	30 x 52 x 16	28.0	54.2
51207	35 x 62 x 18	39.2	78.2
51208	40 x 68 x 19	47.0	98.2
51209	45 x 73 x 20	47.8	105.0
51210	50 x 78 x 22	48.5	112.0
51211	55 x 90 x 25	67.5	158.0
51212	60 x 95 x 26	73.5	178.0
51213	65 x 100 x 27	74.8	188.0



Part Number	d x D x T mm	B x C mm	Basic Dyn Load Kn	Basic Stat Load Kn
30202J	15 x 35 x 11.75	10 x 11	14.8	13.2
30203J	17 x 40 x 13.25	12 x 11	20.8	21.8
30204J	20 x 47 x 15.25	14 x 12	28.2	30.5
30205J	25 x 52 x 16.25	15 x 13	32.2	37.0
30206J	30 x 62 x 17.25	16 x 14	43.2	50.5
30207J	35 x 72 x 18.25	17 x 15	54.2	63.5
30208J	40 x 80 x 19.75	18 x 16	63.0	74.0
30209J	45 x 85 x 20.75	19 x 16	67.0	83.5
30210J	50 x 90 x 21.75	20 x 17	73.2	92.0
30211J	55 x 100 x 22.75	21 x 18	90.8	115.0
30212J	60 x 110 x 23.75	22 x 19	102.0	130.0
30213J	65 x 120 x 24.75	23 x 20	120.0	152.0
30214J	70 x 125 x 26.25	24 x 21	132.0	175.0
30215J	75 x 130 x 27.25	25 x 22	138.0	185.0
30216J	80 x 140 x 28.25	26 x 22	147.0	190.0
30217J	85 x 150 x 30.5	28 x 24	184.0	233.0

Part Number	d x D x T mm	B x C mm	Basic Dyn Load Kn	Basic Stat Load Kn
30302J	15 x 42 x 14.25	13 x 11	23.6	21.1
30303J	17 x 47 x 15.25	14 x 12	29.2	26.7
30304J	20 x 52 x 16.25	15 x 13	33.0	33.2
30305J	25 x 62 x 18.25	17 x 15	46.8	48.0
30306J	30 x 72 x 20.75	19 x 16	59.0	63.0
30307J	35 x 80 x 22.75	21 x 18	75.2	82.5
30308J	40 x 90 x 25.25	23 x 20	90.8	108.0
30309DJ	45 x 100 x 27.25	25 x 18	95.5	109.0
30309J	45 x 100 x 27.25	25 x 22	108.0	130.0
30310J	50 x 110 x 29.25	27 x 23	130.0	158.0
30311J	55 x 120 x 31.5	29 x 25	150.0	171.0
30312J	60 x 130 x 33.5	31 x 26	170.0	210.0
30313J	65 x 140 x 36	33 x 28	195.0	242.0
30314J	70 x 150 x 38	35 x 30	218.0	272.0
30315J	75 x 160 x 40	37 x 31	252.0	318.0
30316J	80 x 170 x 42.5	39 x 33	276.0	330.0

Part Number	d x D x T mm	B x C mm	Basic Dyn Load Kn	Basic Stat Load Kn
32004XJ	20 x 42 x 15	15 x 12	22.8	29
32005XJ	25 x 47 x 15	15 x 11.5	25	34.5
32005XJA	25 x 47 x 15	15 x 11.5	25	34.5
32006XJ	30 x 55 x 17	17 x 13	36	46.5
32007XJ	35 x 62 x 18	18 x 14	36	50
32008XJ	40 x 68 x 19	19 x 14.5	50	69.5
32009XJ	45 x 75 x 20	20 x 15.5	57	85
32010XJA	50 x 80 x 20	20 x 15.5	58.5	93
32011XJ	55 x 90 x 23	23 x 17.5	75	118
32012XJ	60 x 95 x 23	23 x 17.5	76.5	122
32020J	100 x 150 x 32	32 x 24	166	290

Part Number	d x D x T mm	B x C mm	Basic Dyn Load Kn	Basic Stat Load Kn
32203J	17 x 40 x 17.25	16 x 14	2.7	23.3
32204J	20 x 47 x 19.25	18 x 15	29.5	30.5
32205J	25 x 52 x 19.25	18 x 15	35.0	42.0
32206J	30 x 62 x 21.25	20 x 17	54.5	64.0
32207C	35 x 72 x 24.25	23 x 18	60.5	71.5
32207J	35 x 72 x 24.25	23 x 19	72.5	87.0
32208J	40 x 80 x 24.75	23 x 19	79.5	93.5
32209J	45 x 85 x 24.75	23 x 19	82.0	100.0
32210J	50 x 90 x 24.75	23 x 19	87.5	109.0
32211J	55 x 100 x 26.75	25 x 21	108.0	134.0
32212J	60 x 110 x 29.75	28 x 24	130.0	164.0
32213J	65 x 120 x 32.75	31 x 27	159.0	206.0
32214J	70 x 125 x 33.25	31 x 27	166.0	220.0
32215J	75 x 130 x 33.25	31 x 27	168.0	224.0
32216J	80 x 140 x 35.25	33 x 28	192.0	254.0
32217J	85 x 150 x 38.5	36 x 30	210.0	277.0
32218J	90 x 160 x 42.5	40 x 34	256.0	350.0

Part Number	d x D x T mm	B x C mm	Basic Dyn Load Kn	Basic Stat Load Kn
32304J	20 x 52 x 22.25	21 x 18	46.5	48.5
32305J	25 x 62 x 25.25	24 x 20	61.5	64.5
32306J	30 x 72 x 28.75	27 x 23	81.0	90.0
32307C	35 x 80 x 32.75	31 x 24	89.0	110.0
32307J	35 x 80 x 32.75	31 x 25	99.0	111.0
32308J	40 x 90 x 35.25	33 x 27	122.0	150.0
32309J	45 x 100 x 38.25	36 x 30	154.0	191.0
32310J	50 x 110 x 42.25	40 x 33	184.0	232.0
32311J	55 x 120 x 45.50	43 x 35	215.0	275.0
32312J	60 x 130 x 48.50	46 x 37	244.0	315.0
32313J	65 x 140 x 51	48 x 39	273.0	350.0
32314J	70 x 150 x 54	51 x 42	310.0	405.0
32315J	75 x 160 x 58	55 x 45	355.0	470.0

Part Number	d x D x T mm	B x C mm	Basic Dyn Load Kn	Basic Stat Load Kn
33013	65 x 100 x 27	27 x 21	97.5	156.0
33205J	25 x 52 x 22	22 x 18	47.5	56.5
33212J	60 x 110 x 38	38 x 29	166.0	231.0
33213J	65 x 120 x 41	41 x 32	202.0	282.0

**Suffix meanings:**

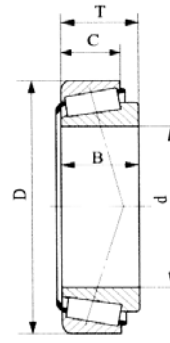
A - Non-standard internal design

C - Contact angle 17 - 24 deg.

D - Contact angle 24 - 32 deg.

J - Conforming to ISO (sub unit, metric series)

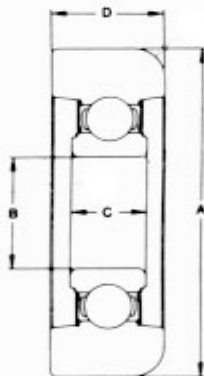




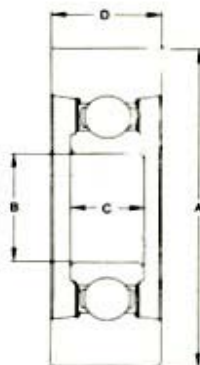
Part Number	d x D x T inch	B x C inch	NOTES
15123/245	1.25X2.4409X0.715	0.75X0.5625	----
14138A/276	1.375X2.717X0.7813	0.771X0.625	----
17887/31	1.7807X3.149X0.7812	0.8125X0.5937	----
18590/20	1.625X2.875X0.6562	0.6875X0.500	----
25580/20	1.75X3.265X0.9375	1.00X0.750	----
25877/21	1.375X2.875X0.9375	0.9688X0.750	----
580/572	3.25X5.5115X1.4375	1.4212X1.125	----
598AS/592A	3.625X6.00X1.5625	1.43X1.1875	----
HM88649/10	1.375X2.8438X1.00	1.00X0.7812	----
HM89446/10	1.375X3.00X1.1563	1.125X0.9063	----
HM89449/10	1.4375X3.00X1.1563	1.125X0.9063	----
JL69349/10	1.4961X2.4803X.6693	0.6693X0.5315	----
JLM104949/11	1.9685X3.25X0.85	0.492X0.65	----
L44649/10	1.0625X1.98X0.56	0.58X0.42	SET C
L45449/10	1.1417X1.98X0.56	0.58X0.42	SET H
L68149/10	1.3775X2.362X0.625	0.6596X0.47	SET F
L68149/11	1.3775X2.3612X.625	0.66X0.47	----
LM102949/10	1.7812X2.891X0.77	0.78X0.62	----
LM102949/11	1.7812X2.891X0.8437	0.78X.6937	----
LM11749/10	0.6875X1.57X0.545	0.575X0.42	SET D
LM11949/10	0.75X1.781X0.61	0.655X0.475	SET A
LM12749/10	0.8656X1.781X0.61	0.655X0.475	SET E
LM29748/10	1.5X2.5625X0.71	0.72X0.55	----
LM300849/11	1.6137X2.6762X.689	.7087X.5315	----
LM48548/10	1.375X2.5625X0.71	0.72X0.55	----
LM501349/10	1.625X2.891X0.77	0.78X0.58	----
LM501349/14	1.625X2.891X0.8437	0.78X0.6537	----
LM67048/11	1.25X2.328X0.625	0.66X0.465	SET B
M12649/10	0.8437X1.9687X0.69	0.72X0.55	----
M86649/10	1.1875X2.5312X.8438	.8438X.6563	----

**SPECIALS :- HYUNDAI / KIA / DAEWOO**

Part Number	NOTES
302/32A	----
303/28C	----
62/22HLDDC3M	----
62/28AHL1DDC3MC3	----
63/28HLDDAF11	27mm Bore
63/28HLDDC3MG15	----
63/32C3	----
38KW01CG5	57410/LM29710
B25-157HLACX14	25 X 68 X 18
B25-63HLACX10	25 X 63 X 18
L68149GA/10G	----
LM501349/10GF2	Sonata Diff
LT320/28XJHL	HR320/28XJ
LT322/28HL	----
M12649/10HG	Hyundai Gear Box
TR285216G	TF28KW02
TR286322HL	----
TR306217	----
TR458020	----
S28985A/20	----



**Style 1**



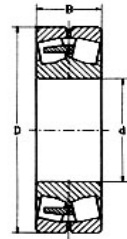
**Style 6**

Part Number	B x A inch/ mm	ng Width in.		Style
		Inner (C)	Outer (D)	
MG207FFA	1.3780 X 3.223	0.6743	1.0670	6
MG209DD	1.7717 X 3.975	0.7480	1.1210	6
MG305DD	0.9843 X 3.00	0.6693	1.0000	1
MG307FF	1.3780 X 3.990	0.8268	1.1250	1
MG307FFA	1.3780 X 4.00	0.8268	1.1250	1
MG307FFH	1.3780 X 3.993	0.8268	1.1250	1
MG307FFK	1.3780 X 3.725	0.827	1.000	1
MG309DDA	1.7717 X 5.003	0.984	1.250	1
FL207DD	1.3780 x 3.720	0.6693	1	1
FL308-7DD	40 x 109.6	23	31	1
FL308-8DD	40 x 110.7	23	31	1

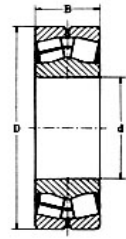


Cylindrical Bore

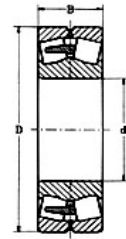
Tapered Bore



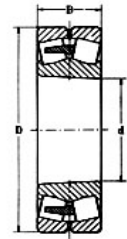
20000 (/W33)



20000 C(/W33)



20000 CA(/W33)



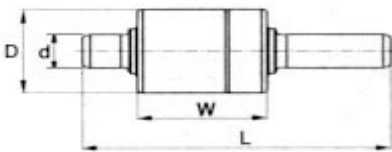
20000 K (CK, CAK) (/W33)

Part Number	d x D x B mm	Basic Dyn Load Kn	Basic Stat Load Kn
22208	40 x 80 x 23	49.8	68.5
22208CA	40 x 80 x 23	78.5	90.8
22209	45 x 85 x 23	52.2	73.2
22210	50 x 90 x 23	57.4	73.2
22211	55 x 100 x 25	66.0	87.2
22212	60 x 110 x 28	90.0	122.0
22213	65 x 120 x 31	97.4	128.0
22214	65 x 140 x 48	206.8	252.0
22215	75 x 130 x 31	104.5	142.0
22216	80 x 140 x 33	126.5	180.0
22217	85 x 150 x 36	159.5	228.0
22218	90 x 160 x 40	184.8	272.0
22219	95 x 170 x 43	233.2	322.0
22220	100 x 180 x 46	244.2	358.0
22222	110 x 200 x 53	316.8	465.0
22222C	110 x 200 x 53	445.5	575.0
22224	120 x 215 x 58	376.2	565.0
22224CA	120 x 215 x 58	517.0	678.0
22226	130 x 230 x 64	448.8	708.0
22226C	130 x 230 x 64	605.0	810.0
22228	140 x 250 x 68	525.8	805.0
22228CA	140 x 250 x 68	690.8	930.0
22230	150 x 270 x 73	558.8	875.0
22232	160 x 290 x 80	706.2	1140.0

Part Number	d x D x B mm	Basic Dyn Load Kn	Basic Stat Load Kn
22308	40 x 90 x 33	73.5	90.5
22309	45 x 100 x 36	108.0	140.0
22310	50 x 110 x 40	140.8	170.0
22310C	50 x 110 x 40	192.5	210.0
22311	55 x 120 x 43	170.5	198.0
22312	60 x 130 x 45	184.8	225.0
22313	65 x 140 x 48	206.8	252.0
22315	75 x 160 x 55	288.2	388.0
22316	80 x 170 x 58	316.8	405.0
22317	85 x 180 x 60	338.8	440.0
22318	90 x 190 x 64	401.5	542.0
22320	100 x 215 x 73	495.0	668.0
22322	110 x 240 x 80	599.5	832.0

Part Number	d x D x B mm	Basic Dyn Load Kn	Basic Stat Load Kn
23028	140 x 210 x 53	313.5	635.0
23030	150 x 225 x 56	360.8	768.0
23032	160 x 240 x 60	404.8	825.0
23034	170 x 310 x 86	792.0	1300.0
23036	180 x 320 x 86	808.5	1370.0
23038	190 x 340 x 92	899.8	1510.0

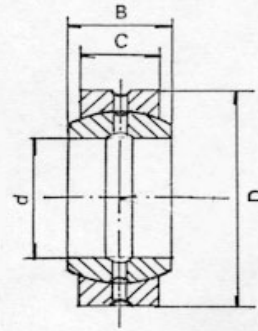
**Note:** GBC Spherical roller bearings are normally stocked with brass cage and lubrication groove/hole.



Part Number	D x W x L x d mm	Basic Dyn Load Kn	Basic Stat Load Kn
FPS061	30 x 38.8 x 166 x 16	7.84	5.53
FPS630	30 x 57 x 141 x 16	7.84	5.53

**Note:** Both bearings are have hardened raceways, with "soft shaft extensions" allowing for a wide range of applications.



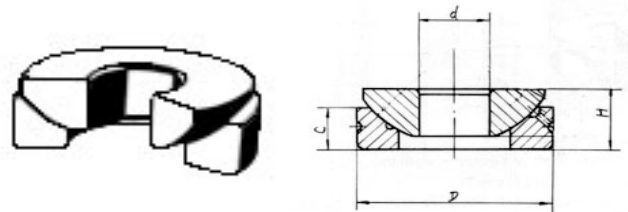


Part Number	d x D x B x C mm	Basic Dyn Load Kn	Basic Stat Load Kn	Closure Types
GE8E	8 X 16 X 8 X 5	5.5	27.0	----
GE10E	10 X 19 X 9 X 6	8.1	40.0	----
GE12E	12 X 22 X 10 X 7	10.0	53.0	----
GE15ES	15 X 26 X 12 X 9	16.0	84.0	2RS
GE17ES	17 X 30 X 14 X 10	21.0	106.0	2RS
GE20ES	20 X 35 X 16 X 12	30.0	146.0	2RS
GE25ES	25 X 42 X 20 X 16	48.0	240.0	2RS
GE30ES	30 X 47 X 22 X 18	62.0	310.0	2RS
GE35ES	35 X 55 X 25 X 20	79.0	399.0	2RS
GE40ES	40 X 62 X 28 X 22	99.0	495.0	2RS
GE45ES	45 X 68 X 32 X 25	127.0	637.0	2RS
GE50ES	50 X 75 X 35 X 28	156.0	780.0	2RS
GE60ES	60 X 90 X 44 X 36	245.0	1220.0	2RS
GE70ES	70 X 105 X 49 X 40	313.0	1560.0	2RS
GE80ES	80 X 120 X 55 X 45	400.0	2000.0	2RS
GE90ES	90 X 130 X 60 X 50	488.0	2440.0	2RS
GE100ES	100 X 150 X 70 X 55	607.0	3030.0	2RS
GE110ES	110 X 160 X 70 X 55	654.0	3270.0	2RS
GE120ES	120 X 180 X 85 X 70	950.0	4750.0	2RS
GE140ES	140 X 210 X 90 X 70	1070.0	5355.0	2RS
GE160ES	160 X 230 X 105 X 80	1360.0	6800.0	2RS
GE180ES	180 X 260 X 105 X 80	1530.0	7650.0	2RS

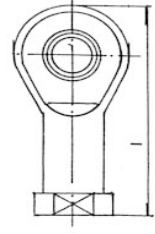
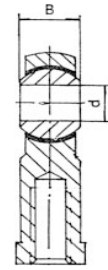
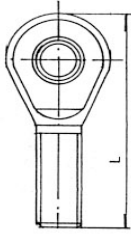
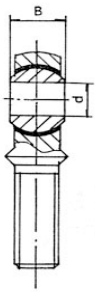
Part Number	d x D x B x C mm	Basic Dyn Load Kn	Basic Stat Load Kn	Closure Types
GEG12E	12 X 26 X 15 X 9	16.0	84.0	----
GEG15ES	15 X 30 X 16 X 10	21.0	106.0	2RS
GEG17ES	17 X 35 X 20 X 12	30.0	146.0	2RS
GEG20ES	20 X 42 X 25 X 16	48.0	240.0	2RS
GEG25ES	25 X 47 X 28 X 18	62.0	310.0	2RS
GEG30ES	30 X 55 X 32 X 20	79.0	399.0	2RS
GEG35ES	35 X 62 X 35 X 22	99.0	495.0	2RS
GEG40ES	40 X 68 X 40 X 25	127.0	637.0	2RS
GEG45ES	45 X 75 X 43 X 28	156.0	780.0	2RS
GEG50ES	50 X 90 X 56 X 36	245.0	1220.0	2RS
GEG60ES	60 X 105 X 63 X 40	313.0	1560.0	2RS
GEG70ES	70 X 120 X 70 X 45	400.0	2000.0	2RS
GEG80ES	80 X 130 X 75 X 50	488.0	2440.0	2RS
GEG90ES	90 X 150 X 85 X 55	607.0	3030.0	2RS
GEG100ES	100 X 160 X 85 X 55	654.0	3270.0	2RS
GEG110ES	110 X 180 X 100 X 80	950.0	4750.0	2RS
GEG120ES	120 X 210 X 115 X 70	1070.0	5355.0	2RS

Part Number	d x D x B x C inch	Basic Dyn Load Kn	Basic Stat Load Kn
GEZ12ES	0.50 x 0.875 x 0.437 x 0.375	13.0	41.0
GEZ18ES	0.625 x 1.0625 x 0.547 x 0.469	22.0	65.0
GEZ19ES	0.75 x 1.25 x 0.656 x 0.562	31.0	95.0
GEZ22ES	0.875 x 1.4375 x 0.765 x 0.656	42.0	127.0
GEZ25ES	1.0 x 1.625 x 0.875 x 0.75	56.0	166.0
GEZ31ES	1.25 x 2.0 x 1.093 x 0.9375	86.0	260.0
GEZ34ES	1.375 x 2.1875 x 1.187 x 1.031	102.0	310.0
GEZ38ES	1.5 x 2.4375 x 1.312 x 1.125	125.0	375.0
GEZ44ES	1.75 x 2.8125 x 1.531 x 1.312	170.0	510.0
GEZ50ES	2.0 x 1.1875 x 1.75 x 1.50	224.0	670.0
GEZ57ES	2.25 x 3.5625 x 1.969 x 1.687	280.0	850.0
GEZ63ES	2.50 x 3.9375 x 2.187 x 1.875	355.0	1060.0
GEZ69ES	2.75 x 4.375 x 2.40625 x 2.062	415.0	1250.0
GEZ76ES	3.00 x 4.75 x 2.625 x 2.25	500.0	1500.0
GEZ82ES	3.25 x 5.125 x 2.844 x 2.437	585.0	1760.0
GEZ88ES	3.50 x 5.50 x 3.062 x 2.625	680.0	2040.0
GEZ95ES	3.75 x 5.875 x 3.281 x 2.812	780.0	2360.0

**NOTE:** GEZ25ES ONWARDS ARE AVAILABLE IN 2RS



Part Number	d x D x H x C mm	Basic Dyn Load Kn	Basic Stat Load Kn
XG10S	10 X 30 X 9.5 X 7	27.0	136.0
GX12S	12 X 35 X 13 X 9.3	37.0	188.0
GX15S	15 X 42 X 15 X 10.8	53.0	267.0
GX17S	17 X 47 X 16 X 11.2	61.0	311.0
GX20S	20 X 55 X 20 X 13.	84.0	425.0
GX25S	25 X 62 X 22.5 X 16.7	134.0	672.0
GX30S	30 X 75 X 26 X 19	182.0	909.0
GX35S	35 X 90 X 28 X 20.7	266.0	1330.0
GX40S	40 X 105 X 32 X 21.5	357.0	1810.0
GX45S	45 X 120 X 36.5 X 25.5	486.0	2470.0
GX50S	50 X 130 X 42.5 X 30.5	554.0	2810.0
GX60S	60 X 150 X 45 X 34	748.0	3820.0

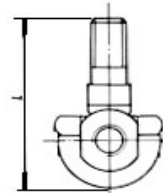
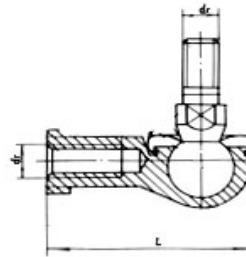


Part Number	d x B x L mm	Thread Size	Basic Dyn Load Kn	Basic Stat Load Kn
SABP5S	5 X 8 X 41	M5	3.3	3.9
SABP6S	6 X 9 X 45	M6	4.3	5.3
SABP8S	8 X 12 X 53	M8	6.8	8.5
SABP10S	10 X 14 X 61	M10	10.0	11.0
SABP12S	12 X 16 X 69	M12	13.0	14.0
SABP14S	14 X 19 X 77	M14	17.0	20.0
SABP16S	16 X 21 X 85	M16	21.0	25.0
SABP18S	18 X 23 X 93	M18 x 1.5	26.0	30.0
SABP20S	20 X 25 X 101	M20 x 1.5	31.0	35.0
SABP25S	25 X 31 X 124	M25 x 2	47.0	65.0

Part Number	d x B x L mm	Thread Size	Basic Dyn Load Kn	Basic Stat Load Kn
SIBP5S	5 X 8 X 35	M5	3.3	4.1
SIBP6S	6 X 9 X 39	M6	4.3	5.3
SIBP8S	8 X 12 X 47	M8	6.8	8.5
SIBP10S	10 X 14 X 56	M10	10.0	11.0
SIBP12S	12 X 16 X 65	M12	13.0	14.0
SIBP14S	14 X 19 X 74	M14	17.0	20.0
SIBP16S	16 X 21 X 83	M16	21.0	25.0
SIBP18S	18 X 23 X 92	M18 x 1.5	26.0	30.0
SIBP20S	20 X 25 X 100	M20 x 1.5	31.0	35.0
SIBP25S	25 X 31 X 124	M24 x 2	47.0	65.0

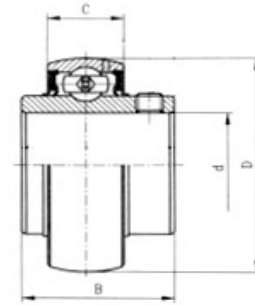
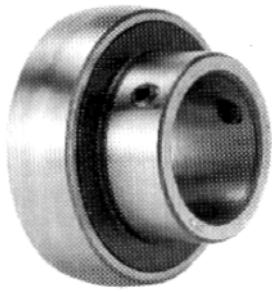
Part Number	d x B x L inch	Thread Size unf	Basic Dyn Load Kn	Basic Stat Load Kn
SAZP6S	0.25 x 0.375 x 1.937	1/4-28	4.5	6.6
SAZP7S	0.3126 x 0.437 x 2.312	5/16-24	6.9	8.4
SAZP9S	0.3752 x 0.50 x 2.438	3/8-24	9.4	10.0
SAZP11S	0.4374 x 0.562 x 2.688	7/16-20	11.0	13.0
SAZP12S	0.50 x 0.625 x 3.094	1/2-20	15.0	19.0
SAZP15S	0.625 x 0.75 x 3.375	5/8-18	20.0	21.0
SAZP19S	0.75 x 0.875 x 3.75	3/4-16	23.0	29.0
SAZP25S	1.0 x 1.375 x 5.50	5/4-12	60.0	101.0

Part Number	d x B x L inch	Thread Size unf	Basic Dyn Load Kn	Basic Stat Load Kn
SIZP6S	0.25 x 0.375 x 1.687	1/4-28	4.5	6.6
SIZP7S	0.3126x0.437x1.812	5/16-24	6.9	8.4
SIZP9S	0.3752x0.50x2.125	3/8-24	9.4	10.0
SIZP11S	0.4374x0.562x2.375	7/16-20	11.0	13.0
SIZP12S	0.50x0.625x2.781	1/2-20	15.0	19.0
SIZP15S	0.625x0.75x3.25	5/8-18	20.0	21.0
SIZP19S	0.75x0.875x3.75	3/4-16	23.0	29.0
SIZP25S	1.0x1.375x5.50	5/4-12	60.0	101.0



Part Number	d x l x L mm	Thread Size unf	Basic Stat Load Kn
SQ5-RS	5 X 29 X 27	M5	2.2
SQ6-RS	6 X 35.5 X 30	M6	3.5
SQ8-RS	8 X 42.5 X 36	M8	6.6
SQ10-RS	10 X 50.5 X 43	M10x1.25	10.0
SQ12-RS	12 X 57.5 X 50	M12x1.25	16.0
SQ14-RS	14 X 73.5 X 57	M14x1.5	19.0
SQ16-RS	16 X 79.5 X 64	M16x1.5	26.0
SQ18-RS	18 X 90 X 71	M18x1.5	33.0
SQ20-RS	20 X 90 X 77	M20x1.5	45.0
SQ22-RS	22 X 95 X 84	M22x1.5	48.0

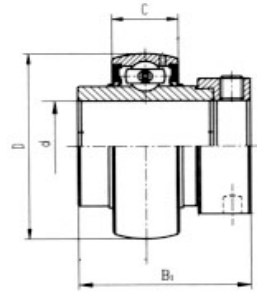
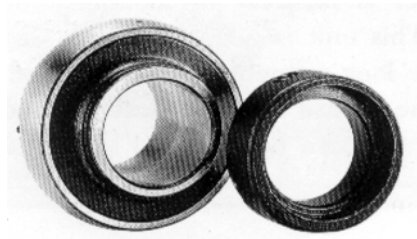
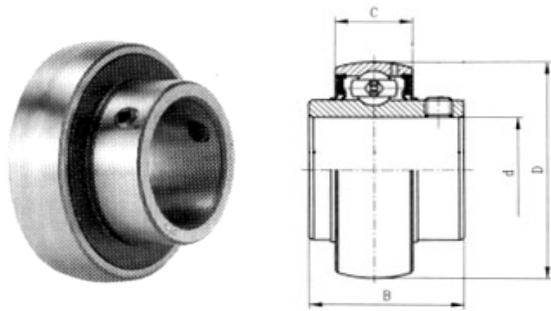
**NOTE:** Use L for left hand threads as follows  
SALBP, SILBP, SALZP, SILZP, SQL



**UC (YAR)**

Part Number	D x B x C mm	d mm/in	Basic Dyn Load Kn	Basic Stat Load Kn
UC201	47 X 31 X 16	12mm	12.5	6.6
UC201-08	47 X 31 X 16	1/2 in	12.5	6.6
UC202	47 x 31 x 16	15mm	12.5	6.6
UC202-10	47 X 31 X 16	5/8 in	12.5	6.6
UC203	47 X 31 X 16	17mm	12.5	6.6
UC204	47 X 31 X 16	20mm	12.5	6.6
UC204-12	47 X 31 X 16	3/4 in	12.5	6.6
UC205	52 x 34 x 17	25mm	13.7	7.7
UC205-14	52 x 34 x 17	7/8 in	13.7	7.7
UC205-15	52 x 34 x 17	15/16 in	13.7	7.7
UC205-16	52 x 34 x 17	1 in	13.7	7.7
UC206	62 x 38.1 x 19	30mm	19.1	11.0
UC206-18	62 x 38.1 x 19	1 1/8 in	19.1	11.0
UC206-19	62 x 38.1 x 19	1 3/16 in	19.1	11.0
UC206-20	62 x 38.1 x 19	1 1/4 in	19.1	11.0
UC207	72 x 42.9 x 20	35mm	25.2	15.1
UC207-20	72 x 42.9 x 20	1 1/4 in	25.2	15.1
UC207-22	72 x 42.9 x 20	1 3/8 in	25.2	15.1
UC207-23	72 x 42.9 x 20	1 7/16 in	25.2	15.1
UC208	80 x 49.2 x 21	40mm	28.5	17.5
UC208-24	80 x 49.2 x 21	1 1/2 in	28.5	17.5
UC208-25	80 x 49.2 x 21	1 9/16 in	28.5	17.5
UC209	85 x 49.2 x 22	45mm	31.4	20.0
UC209-26	85 x 49.2 x 22	1 5/8 in	31.4	20.0
UC209-27	85 x 49.2 x 22	1 11/16 in	31.4	20.0
UC209-28	85 x 49.2 x 22	1 3/4 in	31.4	20.0
UC210	90 x 51.6 x 23	50mm	34.4	22.7
UC210-30	90 x 51.6 x 23	1 7/8 in	34.4	22.7
UC210-31	90 x 51.6 x 23	1 15/16 in	34.4	22.7
UC210-32	90 x 51.6 x 23	2 in	34.4	22.7
UC211	100 x 55.6 x 25	55mm	42.4	28.8
UC211-32	100 x 55.6 x 25	2 in	42.4	28.8
UC211-34	100 x 55.6 x 25	2 1/8 in	42.4	28.8
UC211-35	100 x 55.6 x 25	2 3/16 in	42.4	28.8
UC212	110 x 65.1 x 27	60mm	51.4	35.4
UC212-36	110 x 65.1 x 27	2 1/4 in	51.4	35.4
UC212-38	110 x 65.1 x 27	2 3/8 in	51.4	35.4
UC212-39	110 x 65.1 x 27	2 7/16 in	51.4	35.4
UC213	120 x 65.1 x 29	65mm	56.0	39.2
UC213-40	120 x 65.1 x 29	2 1/2 in	56.0	39.2
UC214	125 x 74.6 x 29	70mm	61.0	43.1
UC214-44	125 x 74.6 x 29	2 3/4 in	61.0	43.1
UC215	130 x 77.8 x 30	75mm	66.0	47.2
UC215-48	130 x 77.8 x 30	3 in	66.0	47.2
UC216	140 x 82.6 x 32	80mm	71.0	52.0
UC217	140 x 82.6 x 32	85mm	82.2	60.5
UC217-52	140 x 82.6 x 32	3 1/4 in	82.2	60.5
UC218	160 x 96 x 36	90mm	94.1	70.0
UC218-56	160 x 96 x 36	3 1/2 in	94.1	70.0

Part Number	D x B x C mm	d mm/in	Basic Dyn Load Kn	Basic Stat Load Kn
UC305	62 X 38 X 22	25mm	20.6	10.7
UC306	72 X 43 X 24	30mm	26.0	14.7
UC307	80 X 48 X 26	35mm	32.6	18.8
UC308	90 X 52 X 28	40mm	40.0	23.4
UC309	100 X 57 X 30	45mm	47.9	28.9
UC310	110 X 61 X 32	50mm	60.7	37.4
UC311	120 X 66 X 34	55mm	70.1	43.9
UC312	130 X 71 X 36	60mm	80.1	50.9
UC313	140 X 75 X 38	65mm	90.8	58.6
UC314	150 X 78 X 40	70mm	101.9	66.6
UC315	160X 82 X 42	75mm	110.7	75.4
UC316	170X 86 X 44	80mm	120.5	84.7
UC317	180 X 96 X 46	85mm	130.3	94.6
UC318	190 X 96 X 48	90mm	140.1	104.8
UC319	200 X 103 X 50	95mm	149.9	115.6
UC320	215 X 108 X 54	100mm	169.5	138.2
UC321	225 X 112 X 56	105mm	180.3	150.0
UC322	240 X 117 X 60	110mm	200.1	175.4
UC324	260 X 126 X 64	120mm	202.8	181.3
UC326	280 X 135 X 68	130mm	224.4	209.7
UC328	300 X 145 X 72	140mm	247.9	241.1



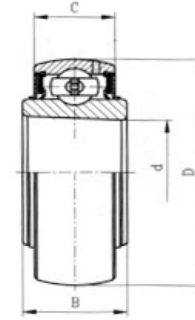
**UCX (CX)**

Part Number	D x B x C mm	d mm/in	Basic Dyn Load Kn	Basic Stat Load Kn
UCX05	62 X 38.1 X 19	25mm	19.1	11.1
UCX05-16	62 X 38.1 X 19	1 in	19.1	11.1
UCX06	72 X 42.9 X 20	30mm	25.2	15.1
UCX06-19	72 X 42.9 X 20	1 3/16 in	19.1	11.1
UCX06-20	72 X 42.9 X 20	1 1/4 in	19.1	11.1
UCX07	80 X 49.2 X 21	35mm	28.5	17.5
UCX07-22	80 X 49.2 X 21	1 3/8 in	28.5	17.5
UCX07-23	80 X 49.2 X 21	1 7/16 in	28.5	17.5
UCX08	85 X 49.2 X 22	40mm	31.4	20.0
UCX08-24	85 X 49.2 X 22	1 1/2 in	31.4	20.0
UCX09	90 X 51.6 X 23	45mm	34.4	22.7
UCX09-27	90 X 51.6 X 23	1 11/16 in	34.4	22.7
UCX09-28	90 X 51.6 X 23	1 3/4 in	34.4	22.7
UCX10	100 X 55.6 X 25	50mm	42.4	28.8
UCX10-31	100 X 55.6 X 25	1 15/16 in	42.4	28.8
UCX10-32	100 X 55.6 X 25	2 in	42.4	28.8
UCX11	110 X 65.1 X 27	55mm	51.3	35.4
UCX11-35	110 X 65.1 X 27	2 3/16 in	51.3	35.4
UCX11-36	110 X 65.1 X 27	2 1/4 in	51.3	35.4
UCX12	120 X 65.1 X 29	60mm	56.0	39.2
UCX12-38	120 X 65.1 X 29	2 3/8 in	56.0	39.2
UCX12-39	120 X 65.1 X 29	2 7/16 in	56.0	39.2
UCX13	125 X 74.6 X 29	65mm	61.0	43.1
UCX13-40	125 X 74.6 X 29	2 1/2 in	61.0	43.1
UCX14	130 X 77.8 X 30	70mm	66.0	47.2
UCX14-44	130 X 77.8 X 30	2 3/4 in	66.0	47.2
UCX15	140 X 82.6 X 32	75mm	71.1	51.9
UCX15-48	140 X 82.6 X 32	3 in	71.1	51.9
UCX16	150 X 85.7 X 34	80mm	82.2	60.5
UCX17	160 X 96 X 36	85mm	94.0	70.0
UCX18	170 X 104 X 40	90mm	106.8	85.3
UCX18-56	170 X 104 X 40	3 1/2 in	106.8	85.3
UCX20	190 X 117.5 X 43	100mm	130.3	103.0
UCX20-64	190 X 117.5 X 43	4 in	130.3	103.0

**HC (UEL,EW,NA,UG,FG)**

Part Number	D x B x C mm	d mm/in	Basic Dyn Load Kn	Basic Stat Load Kn
HC201	47 x 43.7 x 16	12mm	12.5	6.6
HC201-08	47 x 43.7 x 16	1/2 in	12.5	6.6
HC202	47 x 43.7 x 16	15mm	12.5	6.6
HC202-10	47 x 43.7 x 16	5/8 in	12.5	6.6
HC203	47 x 43.7 x 16	17mm	12.5	6.6
HC204	47 x 43.7 x 16	20mm	12.5	6.6
HC204-12	47 x 43.7 x 16	3/4 in	12.5	6.6
HC205	52 x 44.4 x 17	25mm	13.7	7.7
HC205-14	52 x 44.4 x 17	7/8 in	13.7	7.7
HC205-15	52 x 44.4 x 17	15/16 in	13.7	7.7
HC205-16	52 x 44.4 x 17	1 in	13.7	7.7
HC206	62 x 48.4 x 19	30mm	19.1	11.0
HC206-18	62 x 48.4 x 19	1 1/8 in	19.1	11.0
HC206-19	62 x 48.4 x 19	1 3/16 in	19.1	11.0
HC206-20	62 x 48.4 x 19	1 1/4 in	19.1	11.0
HC207	72 x 51.2 x 20	35mm	25.2	15.1
HC207-20	72 x 51.2 x 20	1 1/4 in	25.2	15.1
HC207-22	72 x 51.2 x 20	1 3/8 in	25.2	15.1
HC207-23	72 x 51.2 x 20	1 7/16 in	25.2	15.1
HC208	80 x 56.4 x 21	40mm	28.5	17.5
HC208-24	80 x 56.4 x 21	1 1/2 in	28.5	17.5
HC209	85 x 56.4 x 22	45mm	31.4	20.0
HC209-26	85 x 56.4 x 22	1 5/8 in	31.4	20.0
HC209-27	85 x 56.4 x 22	1 11/16 in	31.4	20.0
HC209-28	85 x 56.4 x 22	1 3/4 in	31.4	20.0
HC210	90 x 62.7 x 23	50mm	34.4	22.7
HC210-31	90 x 62.7 x 23	1 15/16 in	34.4	22.7
HC210-32	90 x 62.7 x 23	2 in	34.4	22.7
HC211	100 x 71.4 x 25	55mm	42.4	28.8
HC211-32	100 x 71.4 x 25	2 in	42.4	28.8
HC211-35	100 x 71.4 x 25	2 3/16 in	42.4	28.8
HC212	110 x 77.8 x 27	60mm	51.4	35.4
HC212-36	110 x 77.8 x 27	2 1/4 in	51.4	35.4
HC212-39	110 x 77.8 x 27	2 7/16 in	51.4	35.4
HC213	120 x 85.7 x 29	65mm	56.0	39.2
HC213-40	120 x 85.7 x 29	2 1/2 in	56.0	39.2
HC214	125 x 85.7 x 29	70mm	61.0	43.1
HC214-44	125 x 85.7 x 29	2 3/4 in	61.0	43.1
HC215	130 x 92.1 x 30	75mm	66.0	47.2
HC215-47	130 x 92.1 x 30	2 15/16 in	66.0	47.2





**UK**

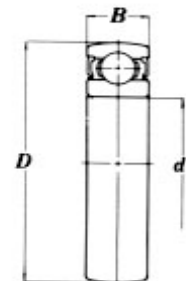
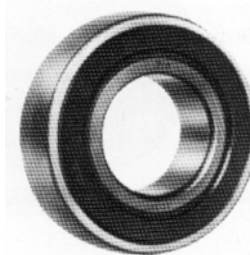
Part Number	D x B x C mm	d mm	Basic Dyn Load Kn	Basic Stat Load Kn
UK205	52 X 17 X 22	25	13.7	7.7
UK206	62 X 19 X 24	30	19.1	11.1
UK207	72 X 20 X 26	35	25.2	15.1
UK208	80 X 21 X 27	40	28.5	17.5
UK209	85 X 22 X 28	45	31.3	20.0
UK210	90 X 23 X 30	50	34.4	22.7
UK211	100 X 25 X 32	55	42.4	28.8
UK212	110 X 27 X 34	60	51.3	35.4
UK213	120 X 29 X 37	65	56.1	39.2
UK215	130 X 30 X 38	75	66.0	47.2
UK216	140 X 32 X 40	80	71.1	52.0
UK217	150 X 34 X 43	85	82.2	60.5
UK218	160 X 36 X 46	90	94.1	70.0

**UKX**

Part Number	D x B x C mm	d mm	Basic Dyn Load Kn	Basic Stat Load Kn
UKX05	62 X 24 X 19	25	19.1	11.0
UKX06	72 X 26 X 20	30	25.2	15.1
UKX07	80 X 27 X 21	35	28.5	17.5
UKX08	85 X 28 X 22	40	31.3	20.0
UKX09	90 X 30 X 23	45	34.4	22.7
UKX10	100 X 32 X 25	50	42.4	28.8
UKX11	110 X 34 X 27	55	51.3	35.4
UKX12	120 X 37 X 29	60	56.1	39.2
UKX13	125 X 40 X 29	65	60.1	43.1
UKX15	140 X 40 X 32	75	71.1	52.0
UKX16	150 X 43 X 34	80	82.2	60.5
UKX17	160 X 46 X 36	85	94.1	70.0
UKX18	170 X 50 X 40	90	106.8	80.0
UKX20	190 X 54 X 43	100	130.3	102.9

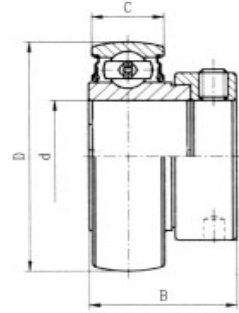
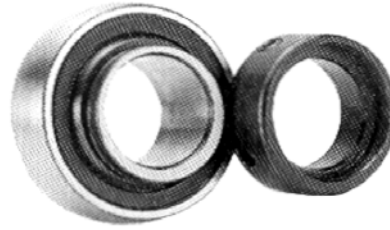
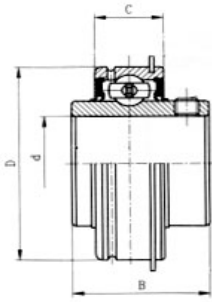
**UK**

Part Number	D x B x C mm	d mm	Basic Dyn Load Kn	Basic Stat Load Kn
UK305	62 X 27 X 22	25	20.6	10.7
UK306	72 X 30 X 24	30	26.1	14.7
UK307	80 X 33 X 26	35	32.6	18.8
UK308	90 X 35 X 28	40	39.9	23.4
UK309	100 X 38 X 30	45	47.9	28.9
UK310	110 X 40 X 32	50	60.7	37.4
UK311	120 X 43 X 34	55	70.2	43.9
UK312	130 X 46 X 36	60	80.1	50.9
UK313	140 X 48 X 38	65	90.8	58.6
UK315	160 X 54 X 42	75	101.7	75.3
UK316	170 X 57 X 44	80	120.5	84.6
UK317	180 X 60 X 46	85	130.3	94.5
UK318	190 X 63 X 48	90	140.1	104.8
UK319	200 X 66 X 50	95	150.0	115.6
UK320	215 X 70 X 54	100	169.5	138.2
UK322	240 X 80 X 60	110	200.9	175.4
UK324	260 X 86 X 64	120	202.8	181.3
UK326	280 X 92 X 68	130	224.4	209.7
UK328	300 X 98 X 72	140	248.0	241.1



**SC (CS)**

Part Number	D x B mm	d mm	Basic Dyn Load Kn	Basic Stat Load Kn
SC200	30 X9	10	5.0	2.3
SC201	32 X10	12	6.7	2.9
SC202	35 X11	15	7.4	3.6
SC203	40 X12	17	9.4	4.7
SC204	47 X14	20	12.5	6.5
SC205	52 X15	25	13.7	7.7
SC206	62 X16	30	19.1	11.1
SC207	72 X17	35	25.2	15.1
SC208	80 X18	40	28.5	17.5
SC209	85 X19	45	31.3	20.0
SC210	90 X20	50	34.4	22.7
SC211	100 X21	55	42.4	28.8
SC212	110 X22	60	51.3	35.4



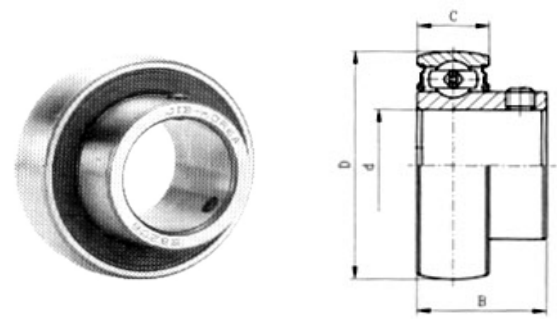
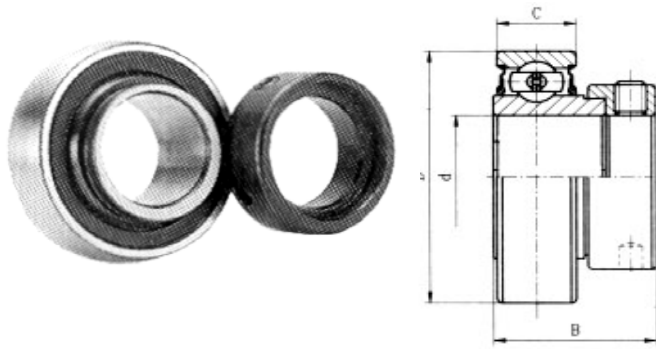
**SER (UCS, ER, UR..NDG)**

Part Number	D x B x C mm	d mm/in	Basic Dyn Load Kn	Basic Stat Load Kn
SER201	47 X 31 X 15.8	12mm	12.5	6.5
SER201-08	47 X 31 X 15.8	1/2 in	12.5	6.5
SER202	47 X 31 X 15.8	15mm	12.5	6.5
SER202-10	47 X 31 X 15.8	5/8 in	12.5	6.5
SER203	47 X 31 X 15.8	17mm	12.5	6.5
SER204	47 X 31 X 15.8	20mm	12.5	6.5
SER204-12	47 X 31 X 15.8	3/4 in	12.5	6.5
SER205	52 X 34.1 X 19	25mm	13.7	7.7
SER205-14	52 X 34.1 X 19	7/8 in	13.7	7.7
SER205-15	52 X 34.1 X 19	15/16 in	13.7	7.7
SER205-16	52 X 34.1 X 19	1 in	13.7	7.7
SER206	62 X 38.1 X 22.2	30mm	19.1	11.1
SER206-18	62 X 38.1 X 22.2	1 1/8 in	19.1	11.1
SER206-19	62 X 38.1 X 22.2	1 3/16 in	19.1	11.1
SER207	72 X 42.9 X 23.8	35mm	25.2	15.1
SER207-20	72 X 42.9 X 23.8	1 1/4 in	25.2	15.1
SER207-22	72 X 42.9 X 23.8	1 3/8 in	25.2	15.1
SER207-23	72 X 42.9 X 23.8	1 7/16 in	25.2	15.1
SER208	80 X 49.2 X 27.8	40mm	28.5	17.5
SER208-24	80 X 49.2 X 27.8	1 1/2 in	28.5	17.5
SER209	85 X 49.2 X 27.8	45mm	31.3	20.0
SER209-26	85 X 49.2 X 27.8	1 5/8 in	31.3	20.0
SER209-27	85 X 49.2 X 27.8	1 11/16 in	31.3	20.0
SER209-28	85 X 49.2 X 27.8	1 3/4 in	31.3	20.0
SER210	90 X 51.9 X 28.5	50mm	34.4	22.7
SER210-30	90 X 51.9 X 28.5	1 7/8 in	34.4	22.7
SER210-31	90 X 51.9 X 28.5	1 15/16 in	34.4	22.7
SER210-32	90 X 51.9 X 28.5	2 in	34.4	22.7
SER211	100 X 55.6 X 30.1	55mm	42.4	28.8
SER211-32	100 X 55.6 X 30.1	2 in	42.4	28.8
SER211-35	100 X 55.6 X 30.1	2 3/16 in	42.4	28.8
SER212	110 X 65.1 X 31.7	60mm	51.3	35.4
SER212-36	110 X 65.1 X 31.7	2 1/4 in	51.3	35.4
SER212-39	110 X 65.1 X 31.7	2 7/17 in	51.3	35.4

**SA (AEL, EN, KH, YET)**

Part Number	D x B x C mm	d mm/in	Basic Dyn Load Kn	Basic Stat Load Kn
SA201	40 X 28.6 X 12	12mm	9.4	4.7
SA201-08	40 X 28.6 X 12	1/2 in	9.4	4.7
SA202	40 X 28.6 X 12	15mm	9.4	4.7
SA202-10	40 X 28.6 X 12	5/8 in	9.4	4.7
SA203	40 X 28.6 X 12	17mm	9.4	4.7
SA204	47 X 31 X 14	20mm	12.5	6.5
SA204-12	47 X 31 X 14	3/4 in	12.5	6.5
SA205	52 X 31 X 15	25mm	13.7	7.7
SA205-14	52 X 31 X 15	7/8 in	13.7	7.7
SA205-16	52 X 31 X 15	1 in	13.7	7.7
SA206	62 X 35.7 X 16	30mm	19.1	11.1
SA206-18	62 X 35.7 X 16	1 1/8 in	19.1	11.1
SA206-19	62 X 35.7 X 16	1 3/16 in	19.1	11.1
SA206-20	62 X 35.7 X 16	1 1/4 in	19.1	11.1
SA207	72 X 38.9 X 17	35mm	25.2	15.1
SA207-20	72 X 38.9 X 17	1 1/4 in	25.2	15.1
SA207-22	72 X 38.9 X 17	1 3/8 in	25.2	15.1
SA207-23	72 X 38.9 X 17	1 7/16 in	25.2	15.1
SA208	80 X 43.7 X 18	40mm	28.5	17.5
SA208-24	80 X 43.7 X 18	1 1/2 in	28.5	17.5
SA209	85 X 43.7 X 19	45mm	31.3	20.0
SA209-26	85 X 43.7 X 19	1 5/8 in	31.3	20.0
SA209-27	85 X 43.7 X 19	1 11/16 in	31.3	20.0
SA209-28	85 X 43.7 X 19	1 3/4 in	31.3	20.0
SA210	90 X 43.7 X 20	50mm	34.4	22.7
SA210-30	90 X 43.7 X 20	1 7/8 in	34.4	22.7
SA210-31	90 X 43.7 X 20	1 15/16 in	34.4	22.7
SA210-32	90 X 43.7 X 20	2 in	34.4	22.7
SA211	100 X 48.4 X 21	55mm	42.4	28.8
SA211-32	100 X 48.4 X 21	2 in	42.4	28.8
SA211-34	100 X 48.4 X 21	2 1/8 in	42.4	28.8
SA212	110 X 53.1 X 22	60mm	51.3	35.4
SA212-36	110 X 53.1 X 22	2 1/4 in	51.3	35.4
SA212-39	110 X 53.1 X 22	2 7/17 in	51.3	35.4





**CSA (ENR, AELS, KHR, SAA)**

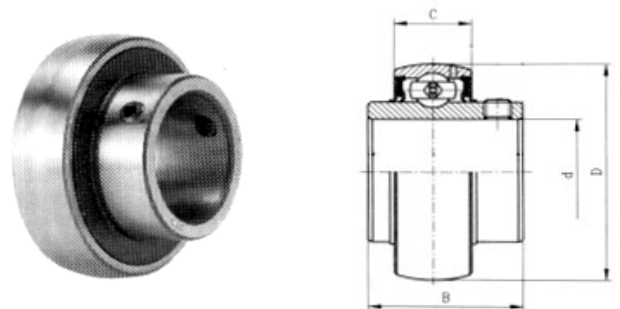
Part Number	D x B x C mm	d mm/in	Basic Dyn Load Kn	Basic Stat Load Kn
CSA201	40 X 28.6 X 13	12mm	9.4	4.7
CSA201-08	40 X 28.6 X 13	1/2 in	9.4	4.7
CSA202	40 X 28.6 X 13	15mm	9.4	4.7
CSA202-10	40 X 28.6 X 13	5/8 in	9.4	4.7
CSA203	40 X 28.6 X 13	17mm	9.4	4.7
CSA204	47 X 31 X 14	20mm	12.5	6.5
CSA204-12	47 X 31 X 14	3/4 in	12.5	6.5
CSA205	52 X 31 X 15	25mm	13.7	7.7
CSA205-14	52 X 31 X 15	7/8 in	13.7	7.7
CSA205-16	52 X 31 X 15	1 in	13.7	7.7
CSA206	62 X 35.7 X 16	30mm	19.1	11.1
CSA206-18	62 X 35.7 X 16	1 1/8 in	19.1	11.1
CSA206-19	62 X 35.7 X 16	1 3/16 in	19.1	11.1
CSA206-20	62 X 35.7 X 16	1 1/4 in	19.1	11.1
CSA207	72 X 38.9 X 17	35mm	25.2	15.1
CSA207-20	72 X 38.9 X 17	1 1/4 in	25.2	15.1
CSA207-22	72 X 38.9 X 17	1 3/8 in	25.2	15.1
CSA207-23	72 X 38.9 X 17	1 7/16 in	25.2	15.1
CSA208	80 X 43.7 X 18	40mm	28.5	17.5
CSA208-24	80 X 43.7 X 18	1 1/2 in	28.5	17.5
CSA209	85 X 43.7 X 19	45mm	31.3	20.0
CSA209-26	85 X 43.7 X 19	1 5/8 in	31.3	20.0
CSA209-27	85 X 43.7 X 19	1 11/16 in	31.3	20.0
CSA209-28	85 X 43.7 X 19	1 3/4 in	31.3	20.0
CSA210	90 X 43.7 X 20	50mm	34.4	22.7
CSA210-30	90 X 43.7 X 20	1 7/8 in	34.4	22.7
CSA210-31	90 X 43.7 X 20	1 15/16 in	34.4	22.7
CSA210-32	90 X 43.7 X 20	2 in	34.4	22.7
CSA211	100 X 48.4 X 21	55mm	42.4	28.8
CSA211-32	100 X 48.4 X 21	2 in	42.4	28.8
CSA211-34	100 X 48.4 X 21	2 1/8 in	42.4	28.8
CSA212	110 X 53.1 X 22	60mm	51.3	35.4
CSA212-36	110 X 53.1 X 22	2 1/4 in	51.3	35.4
CSA212-39	110 X 53.1 X 22	2 7/17 in	51.3	35.4

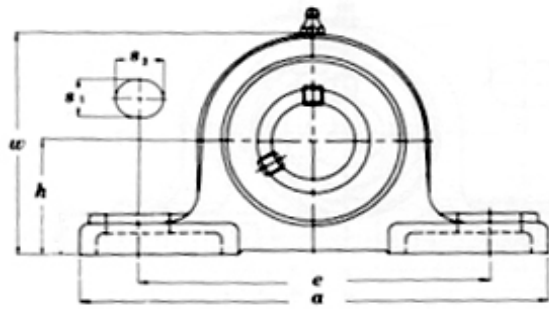
**SB (AS, UB, B)**

Part Number	D x B x C mm	d mm/in	Basic Dyn Load Kn	Basic Stat Load Kn
SB201	40 X 22 X 12	12mm	9.4	4.7
SB201-08	40 X 22 X 12	1/2 in	9.4	4.7
SB202	40 X 22 X 12	15mm	9.4	4.7
SB202-10	40 X 22 X 12	5/8 in	9.4	4.7
SB203	40 X 22 X 12	17mm	9.4	4.7
SB204	47 X 25 X 14	20mm	12.5	6.5
SB204-12	47 X 25 X 14	3/4 in	12.5	6.5
SB205	52 X 27 X 15	25mm	13.7	7.7
SB205-14	52 X 27 X 15	7/8 in	13.7	7.7
SB205-16	52 X 27 X 15	1 in	13.7	7.7
SB206	62 X 30 X 16	30mm	19.1	11.1
SB206-18	62 X 30 X 16	1 1/8 in	19.1	11.1
SB206-19	62 X 30 X 16	1 3/16 in	19.1	11.1
SB206-20	62 X 30 X 16	1 1/4 in	19.1	11.1
SB207	72 X 32 X 17	35mm	25.2	15.1
SB207-20	72 X 32 X 17	1 1/4 in	25.2	15.1
SB207-22	72 X 32 X 17	1 3/8 in	25.2	15.1
SB207-23	72 X 32 X 17	1 7/16 in	25.2	15.1
SB208	80 X 34 X 18	40mm	28.5	17.5
SB208-24	80 X 34 X 18	1 1/2 in	28.5	17.5
SB209	85 X 41.2 X 19	45mm	31.3	20.0
SB209-26	85 X 41.2 X 19	1 5/8 in	31.3	20.0
SB209-27	85 X 41.2 X 19	1 11/16 in	31.3	20.0
SB209-28	85 X 41.2 X 19	1 3/4 in	31.3	20.0
SB210	90 X 43.5 X 20	50mm	34.4	22.7
SB210-30	90 X 43.5 X 20	1 7/8 in	34.4	22.7
SB210-31	90 X 43.5 X 20	1 15/16 in	34.4	22.7
SB210-32	90 X 43.5 X 20	2 in	34.4	22.7
SB211	100 X 45.3 X 21	55mm	42.4	28.8
SB211-32	100 X 45.3 X 21	2 in	42.4	28.8
SB211-34	100 X 45.3 X 21	2 1/8 in	42.4	28.8
SB211-35	100 X 45.3 X 21	2 3/16 in	42.4	28.8
SB212	110 X 53.7 X 22	60mm	51.3	35.4
SB212-36	110 X 53.7 X 22	2 1/4 in	51.3	35.4
SB212-38	110 X 53.7 X 22	2 3/8 in	51.3	35.4
SB212-39	110 X 53.7 X 22	2 7/17 in	51.3	35.4

**UC STAINLESS STEEL**

Part Number	D x B x C mm	d mm/in	Basic Dyn Load Kn	Basic Stat Load Kn
S-UC204	47 X 31 X 16	20mm	10.0	5.3
S-UC205	52 X 34 X 17	25mm	10.9	6.2
S-UC205/16	52 X 34 X 17	1 in	10.9	6.2
S-UC206	62 X 38.1 X 19	30mm	15.3	8.8
S-UC207	72 X 42.9 X 20	35mm	20.1	12.1
S-UC207/20	72 X 42.9 X 20	1 1/4 in	20.1	12.1
S-UC208	80 X 49.2 X 21	40mm	22.8	14.0
S-UC208/24	80 X 49.2 X 21	1 1/2 in	22.8	14.0
S-UC209	85 X 49.2 X 22	45mm	25.1	16.0
S-UC210	90 X 51.6 X 23	50mm	27.5	18.1





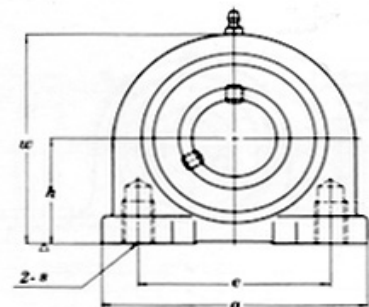
P (SY)

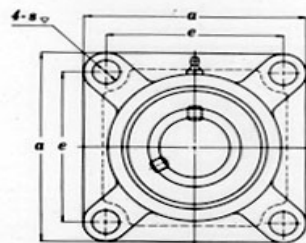
Part Number	a x e x w mm	h mm	Bolt Hole	
			S1 mm	S2 mm
P203	127 X 95 X 60	30.2	13	19
P204	127 X 95 X 64	33.3	13	19
P205	140 X 105 X 71	36.5	13	19
P206	165 X 121 X 84	42.9	17	21
P207	167 X 127 X 93	47.6	17	21
P208	184 X 137 X 98	49.2	17	21
P209	190 X 146 X 106	54.0	17	21
P210	206 X 159 X 113	57.2	20	22
P211	219 X 171 X 125	63.5	20	22
P212	241 X 184 X 138	69.8	20	25
P213	265 X 203 X 150	76.2	25	30
P214	266 X 210 X 156	79.4	25	30
P215	275 X 217 X 162	82.6	25	30
P216	292 X 232 X 174	88.9	25	35
P217	310 X 247 X 185	95.2	25	40
P218	327 X 262 X 198	101.6	27	45

Part Number	a x e x w mm	h mm	Bolt Hole	
			S1 mm	S2 mm
P305	175 X 132 X 85	45	17	20
P306	180 X 140 X 95	50	17	20
P307	210 X 160 X 107	56	17	25
P308	220 X 170 X 118	60	17	27
P309	245 X 190 X 132	67	20	30
P310	275 X 212 X 148	75	20	35
P311	310 X 236 X 158	80	20	38
P312	330 X 250 X 167	85	25	38
P313	340 X 260 X 176	90	25	38
P314	360 X 280 X 186	95	27	40
P315	380 X 290 X 198	100	27	40
P316	400 X 300 X 209	106	27	40
P317	420 X 320 X 220	112	33	45
P318	430 X 330 X 234	118	33	45
P319	470 X 360 X 248	125	36	50
P320	490 X 380 X 273	140	36	50
P321	490 X 380 X 278	140	36	50
P322	520 X 400 X 296	150	40	55
P324	570 X 450 X 316	160	40	55
P326	600 X 480 X 355	180	40	55
P328	620 X 500 X 393	200	40	55

Part Number	a x e x w mm	h mm	Bolt Hole	
			S1 mm	S2 mm
PX05	159 X 119 X 86	44.4	17	25
PX06	175 X 127 X 93	47.6	17	25
PX07	203 X 144 X 105	54.0	17	30
PX08	222 X 156 X 114	58.7	20	32
PX09	222 X 156 X 116	58.7	20	33
PX10	241 X 171 X 126	63.5	20	36
PX11	260 X 184 X 139	69.8	25	36
PX12	286 X 203 X 152	76.2	25	40
PX13	286 X 203 X 155	76.2	25	40
PX14	330 X 229 X 171	88.9	27	50
PX15	330 X 229 X 175	8.9	27	50
PX16	381 X 283 X 195	101.6	27	58
PX17	381 X 283 X 200	101.6	27	60
PX18	381 X 283 X 204	101.6	27	60
PX20	432 X 337 X 245	127.0	33	65

Part Number	a x e x w mm	h mm	Bolt Hole
			S x 2 mm
PA204	76 x 52 x 62	30.2	10
PA205	84 x 56 x 72	36.5	10
PA206	94 x 66 x 84	42.9	14
PA207	110 x 80 x 95	47.6	14
PA208	116 x 84 x 100	49.2	14
PA209	120 x 90 x 108	54.2	14
PA210	130 x 94 x 116	57.2	16



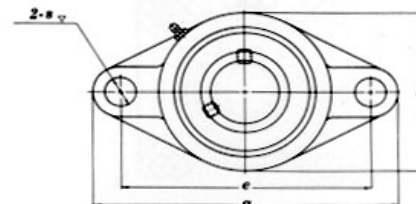


**F (FY)**

Part Number	a x e mm	Bolt Hole X4 mm
F204	86 X 64	12
F205	95 X 70	12
F206	108 X 83	12
F207	117 X 92	14
F208	130 X 102	16
F209	137 X 105	16
F210	143 X 111	16
F211	162 X 130	19
F212	175 X 143	19
F213	187 X 149	19
F214	93 X 152	19
F215	200 X 159	19
F216	208 X 165	23
F217	220 X 175	23
F218	235 X 187	23

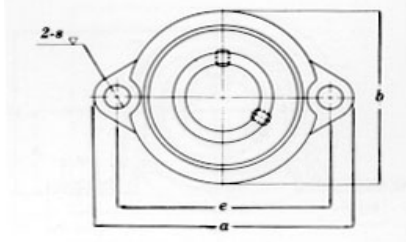
Part Number	a x e mm	Bolt Hole X4 mm
F305	110 X 80	16
F306	125 X 95	16
F307	135 X 100	19
F308	150 X 112	19
F309	160 X 125	19
F310	175 X 132	23
F311	185 X 140	23
F312	195 X 150	23
F313	208 X 166	23
F314	226 X 178	25
F315	236 X 184	25
F316	250 X 196	31
F317	260 X 204	31
F318	280 X 216	35
F319	290 X 228	35
F320	310 X 242	38
F321	310 X 242	38
F322	340 X 266	41
F324	370 X 290	41
F326	410 X 320	41
F328	450 X 350	41

Part Number	a x e mm	Bolt Hole X4 mm
FX05	108 X 83	12
FX06	117 X 92	16
FX07	130 X 102	16
FX08	137 X 105	19
FX09	143 X 111	19
FX10	162 X 130	19
FX11	175 X 143	19
FX12	187 X 149	19
FX13	187 X 149	19
FX14	197 X 152	23
FX15	197 X 152	23
FX16	214 X 171	23
FX17	214 X 171	23
FX18	214 X 171	23
FX20	268 X 211	31



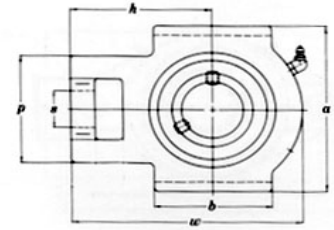
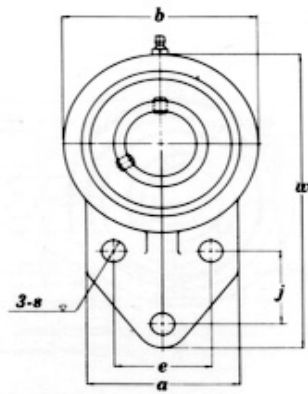
**FL**

Part Number	a x e x b mm	Bolt Hole X2 mm
FL204	113 X 90 X 60	12
FL205	130 X 99 X 68	16
FL206	148 X 117 X 80	16
FL207	161 X 130 X 90	16
FL208	175 X 144 X 100	16
FL209	188 X 148 X 108	19
FL210	197 X 157 X 115	19
FL211	224 X 184 X 130	19
FL212	250 X 202 X 140	23
FL213	258 X 210 X 155	23
FL214	265 X 216 X 160	23
FL215	275 X 225 X 165	23
FL216	290 X 233 X 180	25
FL217	305 X 248 X 190	25
FL218	320 X 265 X 205	25



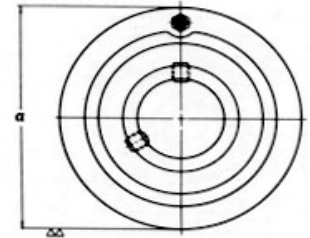
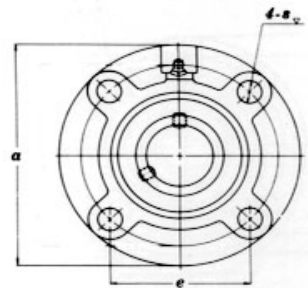
**LF (FB, LFL)**

Part Number	a x e x b mm	Bolt Hole X2 mm
LF203	81 X 63.5 X 52	8
LF204	90 X 71.5 X 61	10
LF205	95 X 76 X 64	10
LF206	113 X 90.5 X 76	12
LF207	122 X 100 X 89	12



Part Number	a x b x w mm	e x j mm	s x 3 mm
FB204	52 X 62 X 110	32 X 27	9.5
FB205	56 X 68 X 116	34 X 27	9.5
FB206	65 X 78 X 130	40 X 29	9.5
FB207	70 X 90 X 144	46 X 32	9.5
FB208	78 X 100 X 164	50 X 41	11.1
FB209	80 X 106 X 174	54 X 43	11.1
FB210	86 X 112 X 184	58 X 46	11.1

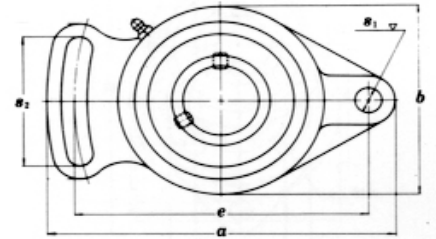
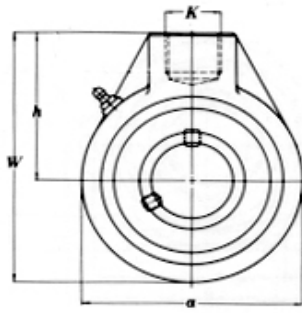
Part Number	p x b x h mm	a x w mm	s mm
T204	51 x 51 x 61	89 x 94	19
T205	51 x 51 x 62	89 x 97	19
T206	56 x 57 x 70	102 x 113	22
T207	64 x 64 x 78	102 x 129	22
T208	83 x 83 x 88	114 x 144	29
T209	83 x 83 x 87	117 x 144	29
T210	83 x 86 x 90	117 x 149	29
T211	102 x 95 x 106	146 x 171	35
T212	102 x 102 x 119	146 x 194	35
T213	111 x 121 x 137	167 x 224	41
T214	111 x 121 x 137	167 x 224	41
T215	111 x 121 x 140	167 x 232	41
T216	111 x 121 x 140	184 x 235	41
T217	124 x 157 x 162	198 x 260	48



Part Number	a x e mm	Bolt Hole S X4 mm
FC204	100 X 55.1	12
FC205	115 X 63.6	12
FC206	125 X 70.7	12
FC207	135 X 77.8	14
FC208	145 X 84.8	14
FC209	160 X 93.3	16
FC210	165 X 97.6	16
FC211	185 X 106.1	19
FC212	195 X 113.1	19
FC213	205 X 120.2	19
FC214	215 X 125.1	19
FC215	220 X 130.1	19
FC216	240 X 141.4	23
FC217	250 X 147.1	23
FC218	265 X 15.5	23

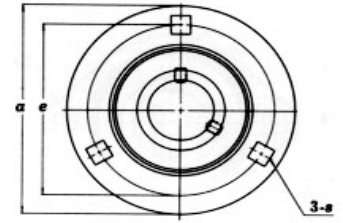
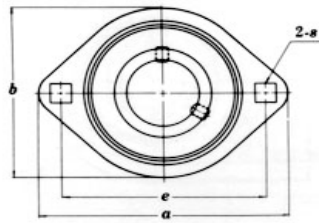
Part Number	a mm
C204	72
C205	80
C206	85
C207	90
C208	100
C209	110
C210	120
C211	125
C212	130
C213	140





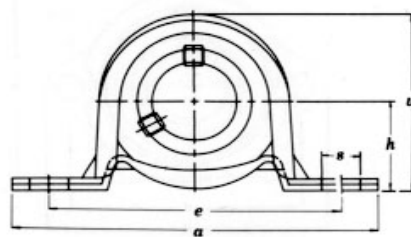
Part Number	a x W x h mm	K in
HA204	64 X 96 X 64	3/4
HA205	78 X 103 X 64	3/4
HA206	78 X 103 X 64	3/4
HA207	92 X 116 X 70	3/4
HA208	96 X 121 X 73	3/4
HA209	108 X 136 X 82	1
HA210	118 X 142 X 83	1
HA211	126 X 150 X 87	1 1/4
HA212	142 X 173 X 102	1 1/4
HA213	166 X 200 X 117	1 1/2
HA214	166 X 200 X 117	1 1/2
HA215	166 X 200 X 117	1 1/2

Part Number	a x e x b mm	Bolt Hole	
		S1 mm	S2 mm
FA204	98 X 78 X 59	10	40
FA205	124 X 98 X 70	11	49
FA206	141 X 117 X 83	11	56
FA207	155 X 130 X 96	13	63
FA208	171 X 114 X 105	13	70
FA209	179 X 148 X 111	15	72
FA210	189 X 157 X 116	15	75
FA211	216 X 184 X 133	16	86



Part Number	a x e x b mm	s x2 mm
PFL203	81 x 63.5 x 59	7.1
PFL204	91 x 71.5 x 67	8.7
PFL205	96 x 76 x 71	8.7
PFL206	113 x 90.5 x 84	11.0
PFL207	123 x 100 x 94	10.5

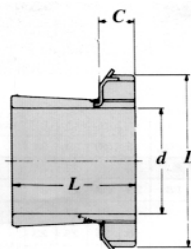
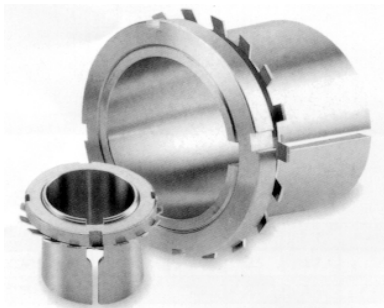
Part Number	a x e mm	s x3 mm
PF203	81 x 63.5	7.1
PF204	91 x 71.5	8.7
PF205	96 x 76	8.7
PF206	113 x 90.5	10.5
PF207	123 x 100	10.5



PP (..PB)

Part Number	a x e x w mm	h mm	Bolt Hole s
PP203	86 X 68 X 43.8	22.2	9.5
PP204	98 X 76 X 50.5	25.4	9.5
PP205	108 X 86 X 56.6	28.6	11.5
PP206	118 X 95 X 66.3	33.3	11.5
PP207	129 X 106 X 78	39.7	11.5

Part Number	O.D. mm	Width mm	Fits Bearing
R5	52.5	17.4	UC205
R6	62.3	19.5	UC206
R7	72.5	21.3	UC207



Part Number	L x D x C mm	H d mm	HE d in.
H204	24 X 32 X 7	17	----
H205	26 X 38 X 8	20	3/4
H206	27 X 45 X 8	25	1
H207	29 X 52 X 9	30	1 1/4
H208	31 X 58 X 10	35	1 1/4
H209	33 X 65 X 11	40	1 1/2
H210	35 X 70 X 12	45	1 3/4
H211	37 X 75 X 12	50	2
H212	38 X 80 X 13	55	2 1/4
H213	40 X 85 X 14	60	2 1/4
H214	41 X 92 X 14	60	----
H215	43 X 98 X 15	65	2 1/2
H216	46 X 105 X 17	70	2 3/4
H217	50 X 110 X 18	75	3
H218	52 X 120 X 18	80	3 1/4
H219	55 X 125 X 19	85	3 1/4
H220	58 X 130 X 20	90	3 1/2
H221	60 X 140 X 20	95	----
H222	63 X 145 X 21	100	4

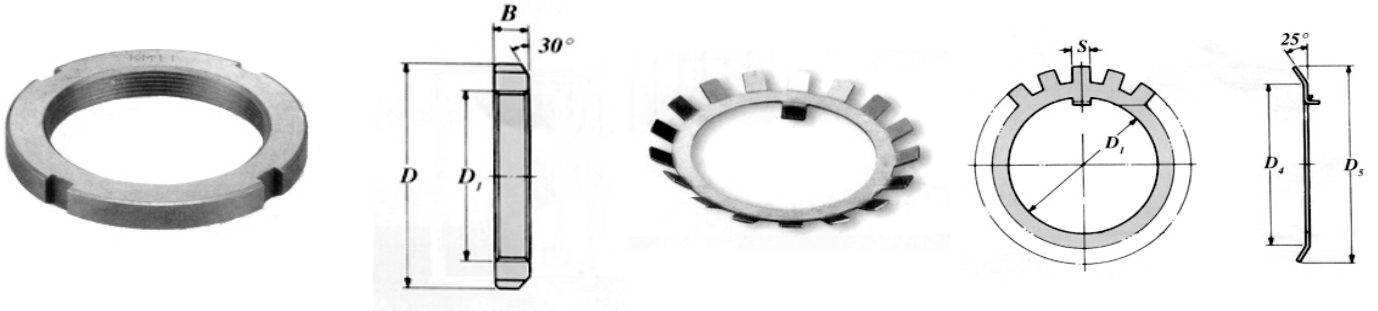
Part Number	L x D x C mm	H d mm	HE d in.
H304	28 X 32 X 7	17	----
H305	29 X 38 X 8	20	3/4
H306	31 X 45 X 8	25	1
H307	35 X 52 X 9	30	1 1/4
H308	36 X 58 X 10	35	1 1/4
H309	39 X 65 X 11	40	1 1/2
H310	42 X 70 X 12	45	1 3/4
H311	45 X 75 X 12	50	2
H312	47 X 80 X 13	55	2 1/4
H313	50 X 85 X 14	60	2 1/4
H314	52 X 92 X 14	60	----
H315	55 X 98 X 15	65	2 1/2
H316	59 X 105 X 17	70	2 3/4
H317	63 X 110 X 18	75	3
H318	65 X 120 X 18	80	3 1/4
H319	68 X 125 X 19	85	3 1/4
H320	71 X 130 X 20	90	3 1/2
H321	74 X 140 X 20	95	----
H322	77 X 145 X 21	100	4

Part Number	L x D x C mm	H d mm	HE d in.
H2304	31 X 32 X 7	17	----
H2305	35 X 38 X 8	20	3/4
H2306	38 X 45 X 8	25	1
H2307	43 X 52 X 9	30	1 1/4
H2308	46 X 58 X 10	35	1 1/4
H2309	50 X 65 X 11	40	1 1/2
H2310	55 X 70 X 12	45	1 3/4
H2311	59 X 75 X 12	50	2
H2312	62 X 80 X 13	55	2 1/4
H2313	65 X 85 X 14	60	2 1/4
H2314	68 X 92 X 14	60	----
H2315	73 X 98 X 15	65	2 1/2
H2316	78 X 105 X 17	70	2 3/4
H2317	82 X 110 X 18	75	3
H2318	86 X 120 X 18	80	3 1/4
H2319	90 X 125 X 19	85	3 1/4
H2320	97 X 130 X 20	90	3 1/2
H2321	101 X 140 X 20	95	----
H2322	105 X 145 X 21	100	4
H2324	112 X 155 X 22	110	4 1/4
H2326	121 X 165 X 23	115	4 1/2
H2328	131 X 180 X 24	125	5
H2330	139 X 195 X 26	135	5 1/4
H2332	147 X 210 X 28	140	5 1/2
H2334	154 X 220 X 29	150	6
H2336	161 X 230 X 30	160	6 1/2
H2338	169 X 240 X 31	170	6 3/4
H2340	176 X 250 X 32	180	7

Part Number	L x D x C mm	H d mm	HE d in.
H3024	72 X 145 X 22	110	4 1/4
H3026	80 X 155 X 23	115	4 1/2
H3028	82 X 165 X 24	125	5
H3030	87 X 180 X 26	135	5 1/4
H3032	93 X 190 X 28	140	5 1/2
H3034	101 X 200 X 29	150	6
H3036	109 X 210 X 30	160	6 1/2
H3038	112 X 220 X 31	170	6 3/4
H3040	120 X 240 X 32	180	7

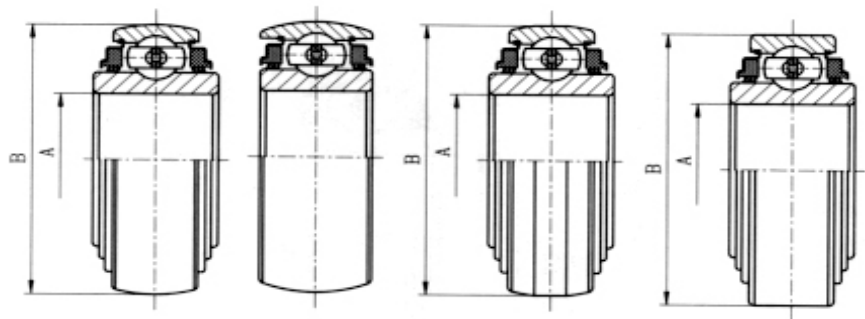
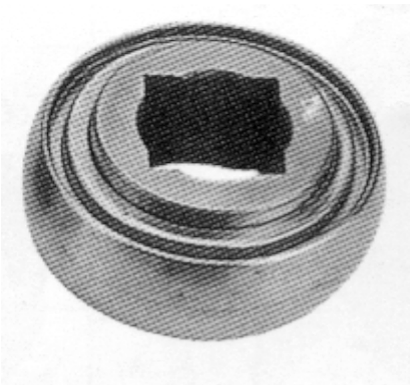
Part Number	L x D x C mm	H d mm	HE d in.
H3120	76 X 130 X 20	90	3 1/2
H3122	81 X 145 X 21	100	4
H3124	88 X 155 X 22	110	4 1/4
H3126	92 X 165 X 23	115	4 1/2
H3128	97 X 180 X 24	125	5
H3130	111 X 195 X 26	135	5 1/4
H3132	119 X 210 X 28	140	5 1/2
H3134	122 X 220 X 29	150	6
H3136	131 X 230 X 30	160	6 1/2
H3138	141 X 240 X 31	170	6 3/4
H3140	150 X 250 X 32	180	7





Part Number	D x B mm	D1 Thread
KM00	18 X 4	M10x0.75
KM01	22 X 4	M12 x 1
KM02	25 X 5	M15 x 1
KM03	28 X 5	M17 x 1
KM04	32 X 6	M20 x 1
KM05	38 X 7	M25 x 1.5
KM06	45 X 7	M30 x 1.5
KM07	52 X 8	M35 x 1.5
KM08	58 X 9	M40 x 1.5
KM09	65 X 10	M45 x 1.5
KM10	70 X 11	M50 x 1.5
KM11	75 X 11	M55 x 2
KM12	80 X 11	M60 x 2
KM13	85 X 12	M65 x 2
KM14	92 X 12	M70 x 2
KM15	98 X 13	M75 x 2
KM16	105 X 15	M80 x 2
KM17	110 X 16	M85 x 2
KM18	120 X 16	M90 x 2
KM19	125 X 17	M95 x 2
KM20	130 X 18	M100 x 2
KM21	140 X 18	M102 x 5
KM22	145 X 19	M110 x 2
KM23	150 X 19	M115 x 2
KM24	155 X 20	M120 x 2
KM25	160 X 21	M125 x 2
KM26	165 X 21	M130 x 2
KM27	175 X 22	M135 x 2
KM28	180 X 22	M140 x 2
KM29	190 X 24	M145 x 2
KM30	195 X 24	M150 x 2
KM31	200 X 25	M155 x 3
KM32	210 X 25	M160 x 3
KM33	210 X 26	M165 x 3
KM34	220 X 26	M170 x 3
KM36	230 X 27	M180 x 3
KM38	240 X 28	M190 x 3
KM40	250 X 29	M200 x 3

Part Number	D4 x D5 mm	D1 mm
MB00	13 X 21	10
MB01	17 X 25	12
MB02	21 X 28	15
MB03	24 X 32	17
MB04	26 X 36	20
MB05	32 X 42	25
MB06	38 X 49	30
MB07	44 X 57	35
MB08	50 X 62	40
MB09	56 X 69	45
MB10	61 X 74	50
MB11	67 X 81	55
MB12	73 X 86	60
MB13	79 X 92	65
MB14	85 X 98	70
MB15	90 X 104	75
MB16	95 X 112	80
MB17	102 X 119	85
MB18	108 X 126	90
MB19	113 X 133	95
MB20	120 X 142	100
MB21	126 X 145	105
MB22	133 X 154	110
MB23	137 X 159	115
MB24	138 X 164	120
MB25	148 X 170	125
MB26	149 X 175	130
MB27	160 X 185	135
MB28	160 X 192	140
MB29	172 X 202	145
MB30	171 X 205	150
MB31	182 X 212	155
MB32	182 X 217	160
MB33	193 X 222	165
MB34	193 X 232	170
MB36	203 X 242	180
MB38	214 X 252	190
MB40	226 X 262	200



Type 1

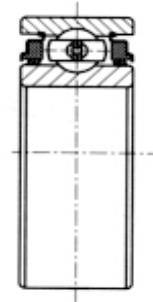
Type 2

Type 3

Type 4

**SQUARE BORE**

GBC Part No.	A Bore Size	B O.D	Ring Width		TYP	FAG Part No.
			Inner	Outer		
W208PPB6	1"	80mm (S)	1.437"	18mm	1	DS208TT6
W208PP6	1"	80mm (C)	1.437"	18mm	4	DC208TT6
W208PPB5	1 1/8"	80mm (S)	1.437"	18mm	1	DS208TT5
W208PP5	1 1/8"	80mm (C)	1.437"	18mm	4	DC208TT5
W208PPB8	1 1/8"	80mm (S)	1.437"	1.187"	1	DS208TT8
GW208PPB8	1 1/8"	80mm (C)	1.437"	1.187"	1	DS208TTR8
W208PPB12	1 1/8"	87mm (S)	1.437"	1.187"	3	DS208TT12
GW208PP17	1 1/8"	3.375" (C)	1.437"	1.187"	1	DC208TTR17
W211PPB3	1 1/2"	100mm (S)	1.312"	1.312"	2	DS211TT3
GW211PPB3	1 1/2"	100mm (S)	1.312"	1.312"	2	DS211TTR3
W211PP3	1 1/2"	100mm (C)	1.312"	1.312"	5	DC211TT3
GW211PP3	1 1/2"	100mm (C)	1.312"	1.312"	5	DC211TTR3
GW211PP5	1 1/2"	4.000" (C)	1.750"	1.437"	4	DC211TT5
W211PPB6	1 1/2"	4.125" (S)	1.750"	1.437"	3	DS211TT6
GW211PPB11	1 1/2"	100mm (S)	1.750"	25mm		DC211TTR4
W211PP30	40mm	100mm (C)	1.312"	25mm		DC211TT40A
W211PP34	40mm	4.000" (C)	1.750"	1.437"		****
	40mm	101.6mm (C)	1.75"	1.438"		DC211TT40



Type 5

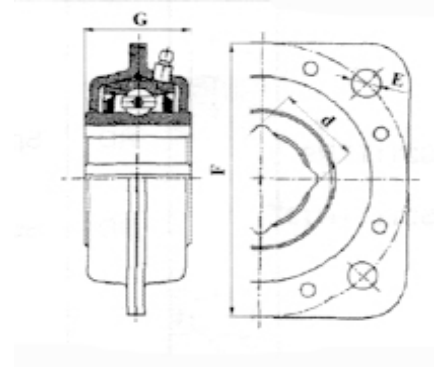
**ROUND BORE**

GBC Part No.	A Bore Size	B O.D	Ring Width		TYP	FAG Part No.
			Inner	Outer		
****	1/2"	40mm (C)	18.29mm	12mm		203RRAR8
****	12.56mm	47mm (C)	18.29mm	12mm		203RRH10
****	5/8"	1.375" (C)	11mm	11mm		202FFLB
****	16mm	40mm (C)	18.29mm	12mm		203RRAR10
****	16mm	45.225 (C)	18.66mm	15.49mm		204FREN
205PPB7	15/16"	52mm (S)	1.3748"	15mm	1	205TTH
****	3/4"	45.225 (C)	15.49mm	15.49mm		204BBAR
****	3/4"	62mm	24mm	16mm		206GGH
W208PP10	1 1/2"	80mm (C)	1.687"	21mm		DC208TT10
GW211PPB13	1.775"	100mm (S)	1.312"	25mm	1	DS211TTR13
GW209PPB2	45mm	85mm (S)	1.187"	1.187"	2	DS209TTR2
W211PPB2	2.1875"	100mm (S)	1.312"	1.312"	2	DS211TT2
GW211PPB2	2 3/16"	100mm (S)	1.312"	1.312"	2	DS211TTR2
GW211PP2	2 3/16"	100mm (C)	1.312"	1.312"	5	DC211TTR2
****	2 3/16"	100mm (S)	1.562"	25mm		DS211TTR9
GW214PP2	2 3/4"	125mm (C)	1.562"	1.562"	5	DC214TTR2
GW214PPB2	2 3/4"	125mm (S)	1.562"	1.562"		****
GW214PPB5	70mm	125mm (S)	2.437"	1.562"		DS214TTR5

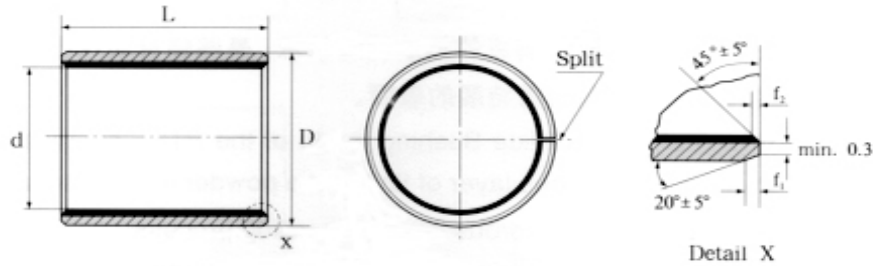
**Note:** (S) denotes Spherical O.D.  
 (C) denotes Cylindrical O.D.  
 (SQ) denotes Square Bore  
 (RD) denotes Round Bore

## FLANGED DISC UNITS

GBC Part No.	d Bore Size	F O.D	Width G	Mnt.Hole E	TYP	FAG Part No.
---	1 1/8" (SQ)	127	44.45	13.5		FD210R
---	2 3/16" (RD)	139.7	55.56	13.5		FD211RB
---	1 1/2" (SQ)	139.7	50.85	17.5 x 13.5		FD211RM
DHU40S-211	40mm (SQ)	139.7	50.85	13.5		FD211RP



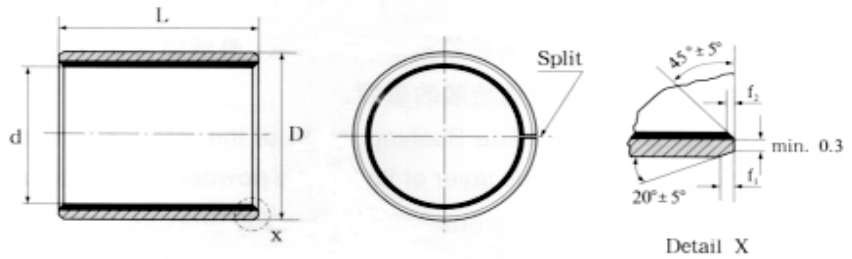
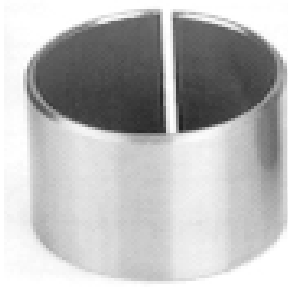
**Note:** (S) denotes Spherical O.D.  
 (C) denotes Cylindrical O.D.  
 (SQ) denotes Square Bore  
 (RD) denotes Round Bore



## (MB) Metric Bushes

Part Number	d x D x L mm
0610DU	6 X 8 x 10
0812DU	8 X 10 x 12
1010DU	10 X 12 x 10
1015DU	10 X 12 x 15
1020DU	10 X 12 x 20
1215DU	12 X 15 x 15
1225DU	12 X 12 x 25
1415DU	14 X 16 x 15
1425DU	14 X 16 x 25
1510DU	15 X 17 x 10
1515DU	15 X 17 x 15
1525DU	15 X 17 x 25
1615DU	16 X 18 x 15
1625DU	16 X 18 x 25
1720DU	17 X 19 x 20
1815DU	18 X 20 x 15
1825DU	18 X 20 x 25
2015DU	20 X 23 x 15
2025DU	20 X 23 x 25
2225DU	22 X 25 x 25
2415DU	24 X 27 x 15
2425DU	24 X 27 x 25
2515DU	25 X 28 x 15
2520DU	25 X 28 x 20
2525DU	25 X 28 x 25
2550DU	25 X 28 x 50
2825DU	28 X 32 x 25
3025DU	30 X 34 x 25
3040DU	30 X 34 x 40

Part Number	d x D x L mm
3230DU	32 X 36 x 30
3240DU	32 X 36 x 40
3520DU	35 X 39 x 20
3540DU	35 X 39 x 40
4030DU	40 X 44 x 30
4050DU	40 X 44 x 50
4520DU	45 X 50 x 20
4550DU	45 X 50 x 50
5030DU	50 X 55 x 30
5060DU	50 X 55 x 60
5525DU	55 X 60 x 25
5560DU	55 X 60 x 60
6030DU	60 X 65 x 30
6060DU	60 X 65 x 60
6560DU	65 X 70 x 60
7060DU	70 X 75 x 60
7560DU	75 X 80 x 60
8060DU	80 X 85 x 60
8560DU	85 X 90 x 60
9060DU	90 X 95 x 60
9560DU	95 X 100 x 60
95100DU	95 X 100 x 100
10060DU	100 X 105 x 60
100115DU	100 X 105 x 115
110115DU	110 X 115 x 115
11570DU	115 X 120 x 70
120100DU	120 X 125 x 100
125100DU	125 X 130 x 100
130100DU	130 X 135 x 100

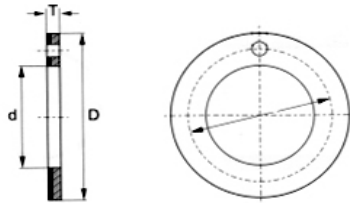


**(MB) Metric Bushes Cont.**

Part Number	d x D x L mm
135100DU	135 X 140 x 100
140100DU	140 X 145 x 100
145100DU	145 X 150 x 100
150100DU	150 X 15 x 100
155100DU	155 X 160 x 100
160100DU	160 X 165 x 100
165100DU	165 X 170 x 100
170100DU	170 X 175 x 100
175100DU	175 X 180 x 100
180100DU	180 X 185 x 100
200100DU	200 X 205 x 100
220100DU	220 X 225 x 100
250100DU	250 X 255 x 100
280100DU	280 X 285 x 100
300100DU	300 X 305 x 100

**(IB) Imperial Bushes**

Part Number	d x D x L in.
02DU03	.1243x.1878x.1875
03DU06	.1554x.2191x.375
04DU06	.249x.3128x.375
05DU08	.3116x.3753x.5
06DU06	.374x.4691x.375
06DU12	.374x.4691x.75
07DU12	.4365x.5316x.75
08DU08	.499x.5941x.5
08DU10	.499x.5941x.625
08DU14	.499x.5941x.875
09DU12	.5615x.6566x.75
10DU14	.624x.7192x.875
12DU08	.7491x.8755x.5
12DU12	.7491x.8755x.75
12DU16	.7491x.8755x1.0
14DU12	.8741x1.0x.75
14DU16	.8741x1.0x1.0
16DU12	.9991x1.1255x.75
16DU16	.9991x1.1255x1.0
16DU24	.9991x1.1255x1.5
18DU08	1.1238x1.2818x.5
18DU16	1.1238x1.2818x1.0
20DU16	1.2488x1.4068x1.0
20DU28	1.2488x1.4068x1.75
22DU16	1.3738x1.5318x1.0
22DU28	1.3738x1.5318x1.75
24DU16	1.4988x1.6568x1.0
24DU24	1.4988x1.6568x1.5
24DU32	1.4988x1.6568x2.0
26DU24	1.6238x1.7818x1.5
28DU16	1.7487x1.9381x1.0
28DU32	1.7487x1.9381x2.0
30DU16	1.8737x2.0633x1.0
30DU36	1.8737x2.0633x2.0
32DU32	1.9987x2.1883x2.0
32DU40	1.9987x2.1883x2.5
36DU32	2.2507x2.4377x2.0
40DU48	2.5011x2.6881x3.0
44DU32	2.75x2.9370x2.0
44DU56	2.75x2.9370x3.5
48DU32	3.0x3.1872x2.0
48DU48	3.0x3.1872x3.0
56DU40	3.5x3.6872x2.5
56DU60	3.5x3.6872x3.75
64DU32	4.0x4.1872x2.0
64DU48	4.0x4.1872x3.0
80DU48	4.9986x5.186x3.0
96DU48	6.0x6.1874x3.0



**Metric Washers**

Part Number	d x D x T mm
WC10	10 X 20 X 1.5
WC12	12 X 24 X 1.5
WC14	14 X 26 X 1.5
WC16	16 X 30 X 1.5
WC18	18 X 32 X 1.5
WC20	20 X 36 X 1.5
WC22	22 X 38 X 1.5
WC24	24 X 42 X 1.5
WC26	26 X 44 X 1.5
WC28	28 X 48 X 1.5
WC32	32 X 54 X 1.5
WC38	38 X 62 X 1.5
WC42	42 X 66 X 1.5
WC48	48 X 74 X 2
WC52	52 X 78 X 2
WC62	62 X 90 X 2



### Tensioner Bearings

Part Number	Notes
GT10010	60TB048B01
GT10022	JPU60-283+JF485
GT10031	60TB041B12
GT10032	JPU60-216+JF391
GT10040	JPU60-218/243
GT10050	PU276033RR14D
GT10060	JPU60-215/217
GT10070	JPU55-54/61/64
GT10080	PU245835RR9HY
GT10090	PU1590-29RR1HV+OTHERS
GT10130	60TB039B01
GT10140	JPU58-63+JF181
GT10150	70TB0615
GT10160	60ST624DDWAX
GT10170	PU255525RR1HW
GT20010	PU259229RR1HV
GT20020	DG306312RD2HC2
GT20030	DDG30602RD1HC25
GT20040	DG2452C2RR1C2SV
GT20050	PU285226RR1HV
GT20060	PU245226BRR1H
GT20090	VKM84006
GT20100	VKM84005
GT40010	JPU50-6+JF265
GT80010	52TB0529B01
GT80020	57TB3705B01
GT80030	57TB3701
GT80040	JPU52-138
GT80070	
GT80080	JPU52-128+JF434
GT80090	JPU60-238+JF441
GT80100	
GT80110	60TB041B02
GT80120	JPU52-111+JF434
GT80130	JPU50-32
GT80140	60TB026B02
GT80150	60TB062B01
GT80160	JPU50-69
GT80170	DG30552RD1DC3
GT80180	JPU50-66
GT80250	5JPU60-124+JF183
GT80320	JP42-18
GT80330	62TB0103

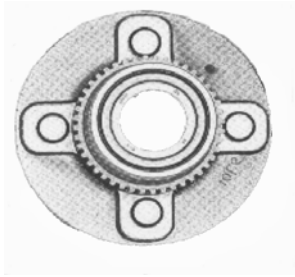
Part Number	Notes
GT80340	VKM72004
GT80360	13505-43010
GT80370	57TB0609B01
GT80400	PU305733ARR10
GT80410	JPU50-57+JF398
GT80430	57TB0505B01
GT80450	JPU58-32+JF249
GT80470	
GT80480	VKM75113+JPU60242
GT80510	VKM84002+60TB0663
GT80520	VKM84001+60TB0662



### Engine Pulleys

Part Number	Notes
EP001	Holden Belt Tension Pulley,VN~VR
EP002	Holden Belt Tension Pulley-VS
EP003	Holden Grooved Upper Pulley-VS
EP004	Holden Lower Idler Pulley-VS
EP005	Holden A/C Pulley, VL~VS
EP006	Holden A/C Pulley V8,HQ~VL
EP007	Falcon A/C Idler Pulley
EP008	Falcon P/S Idler Pulley
EP009	Falcon W/P Pulley
EP010	Falcon Grooved Upper Drive Pulley
EP011	Falcon Lower Idler Pulley
EP012	Magna A/C Pulley
EP013	Magna Grooved A/C Pulley
EP014	Magna/Sonata Idler Pulley
EP015	Hyundai DOHC Belt Tensioner Pulley
EP016	Hyundai SOHC Belt Tensioner Pulley
EP017	Ford A/C Drive Belt Pulley-V8
EP018	Ford Idler Pulley V8
EP019	Mitsubishi-Idler Pulley-2.0/2.4/2.6

**Note:** Separate catalogue or information sheets with further details on tensioner bearings and engine pulleys are available upon request.



## Hub Units

Part Number	Notes
HUB22500	Early Excel with ABS
HUB29400	Excel/Lantra & Wagon NON ABS
HUB29470	Late Excel & Lantra with ABS
HUB34501	Sonata to 1999 NON ABS
HUB34701	Sonata to 1999 with ABS
HUB38000	EF Sonata NON ABS
HUB38100	EF Sonata with ABS
DAC3870TS	Lantra (38 x 70 x 37)
DAC428036	FE Sonata (42 x 80 x 36)
HUB2B663A	AU Falcon ABS
HUB2C300A	AU Falcon NON ABS

## Retainer Ring (Locking Collar)

Part Number	Notes
015BR	RS40
C014B	014-R
C06	06-R/R30J
M013	014-MR
R32J	08R-1



## SEALS

### Bonded Seals

### Wiper Seals

### Mechanical Seals

### O-Rings

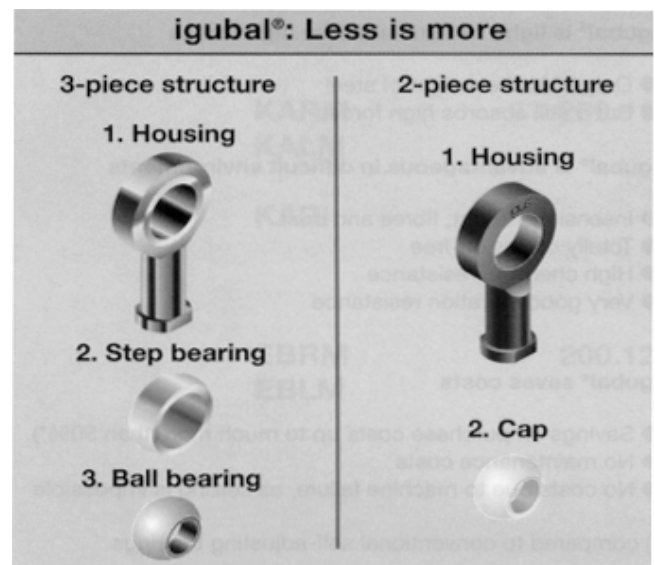
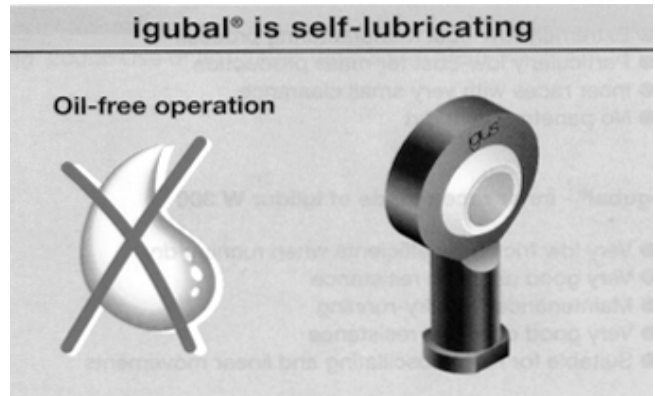
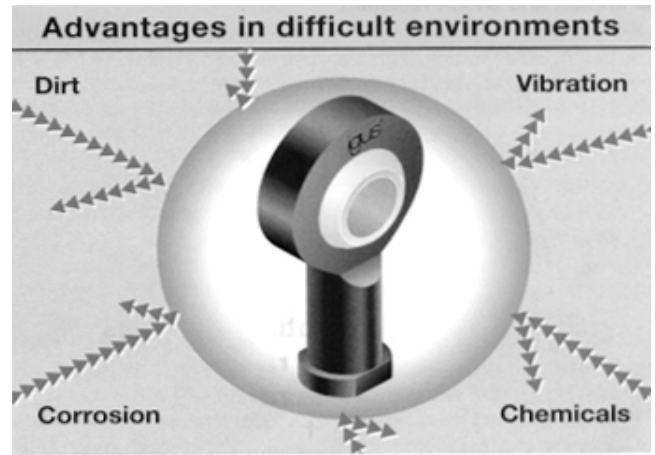
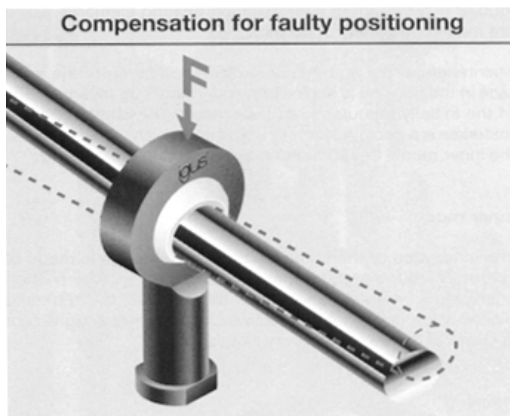
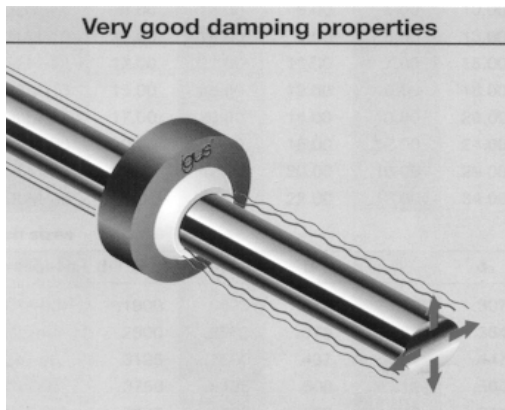
We stock a large range of seals too numerous to list in this catalogue so please ring your nearest GBC office for further information.



# POLYMER BEARINGS

## Advantages of Polymer Bearings

- Maintenance free
- Lubrication free
- Corrosion free
- Resistant to Dust and Dirt
- Chemically resistant
- Can be used in liquid media
- Light weight
- Suitable for rotating, oscillating and linear movements
- UV resistant
- Radiation resistant up to  $3 \times 10^2$  Gy
- Temperature range  $-30$  to  $+80$  deg. C
- High damping capacity
- Seize resistant

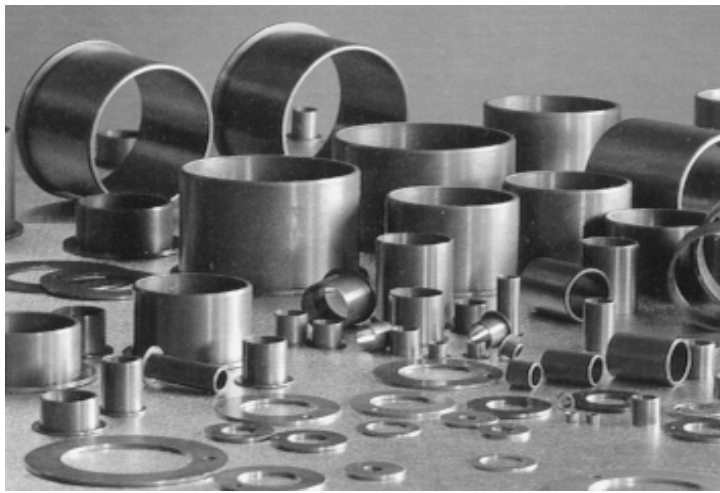


Igubal is a system of self-adjusting bearing elements which are made completely of plastic.

Maintenance-free and very low clearance fitting of the inner race in the housing is achieved by overmolding (overinjection of the initially manufactured inner race). The combination of materials is a deciding factor in this context, as this determines the inner race's freedom of movement within the housing.

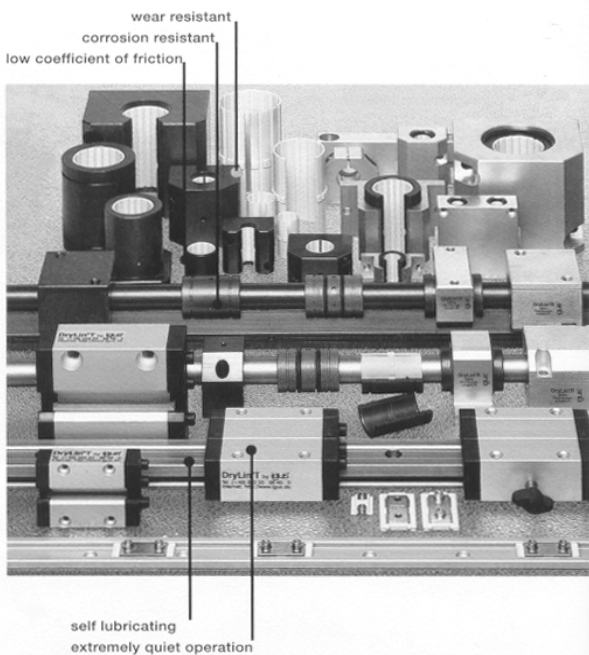
The inner race of the standard pivoting bearings is made of iglidur W 300, which is characterised by very low friction coefficients when running dry. In this context, the stick-slip tendency is extremely low, a fact which is particularly significant in cases of low loads and very slow speeds.

The housings for standard igubal pivoting bearings are made of igumid G, a particularly impact-resistant, long fibre-reinforced polymer.



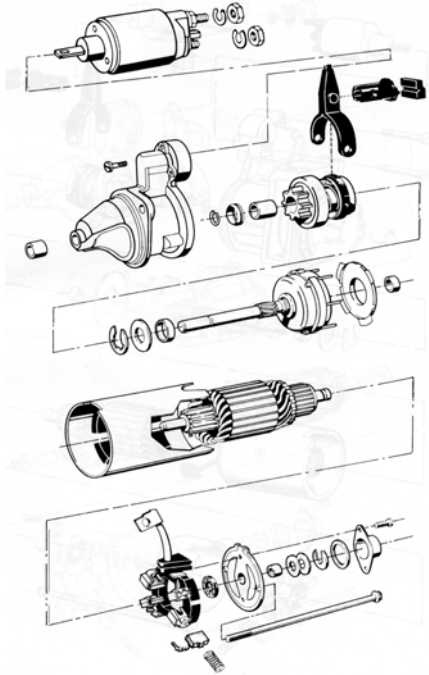
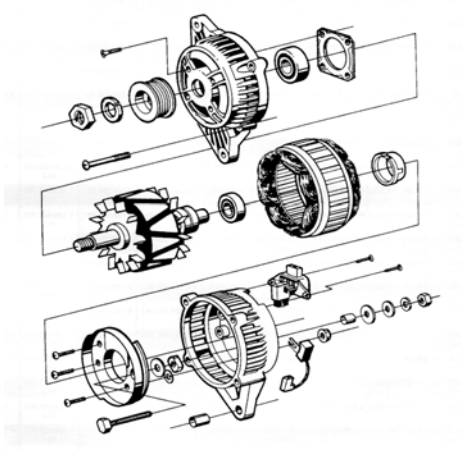
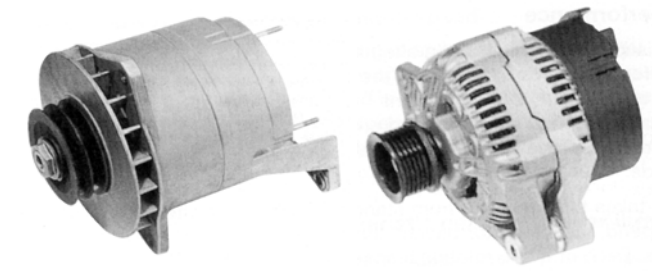
Polymer Bushes come in too many sizes and materials to list in this catalogue so have listed an overview of materials and applications below.

Material Iglidur	Temp. Range Deg C	Speed max. Rotat. m/s	Linear max. m/s	Notes
D	-50/+90	1	3	Low friction, low loads, high speed, cost effective.
G	-40/+130	1	4	Dry operation, dust & dirt resistant. Uses swivel chairs, Conveyors, Pneumatics etc
GLW	-40/+100	1	3	For high primarily static loads, low to medium speeds, cost effective.
W300	-40/+130	1.5	10	Low friction, abrasion resistant. Uses printers, Limit switches, concrete saw etc.
X	-100/+250	2	5	Universal chemical & high pressure resistance. Uses kitchen, battery filling equip.
M250	-40/+115	1	3	Thick wall impact & dirt resistant. Uses agricultural equip., waste pumps etc.
J	-50/+90	1	10	Low friction, high speed, low load, best with soft shaft material, good chem. Resis.
Q	-40/+135	0.8	2	High loads, dirt resistant, edge load resistant.
A200	-40/+115	0.8	2	Suitable for direct food & pharmaceutical contact.
A290	-40/+140	1.5	4	Suitable for direct food & pharmaceutical contact, higher loads than A200.
H	-40/+230	1	3	Resistant to hydrolysis, high temp., chemicals, or underwater, high loads.
H2	-40/+200	1.3	3.5	High temp., ideal for underwater, chemical resistant, cost effective.
H370	-40/+200	1.5	4	High temp., ideal for underwater, chemical resistant.
Z	-100/+250	3.5	6	High temp., high loads, high surface speeds, edge load resistant.
P	-40/+130	2	4	Rotating movements under high loads, low wear, low water absorption.
F	-40/+150	0.8	3	Electrically conductive. Ideal for areas using explosives or medical equipment etc.



There is a large range of Polymer products available. Drylin for linear movement applications, as well as the Iglubal range for rod ends, spherical plain and spherical thrust bearings, and transmission bearing assemblies. For further details please contact your nearest GBC office and they will be able to supply the details required on the selected products.

# BOSCH & A C DELCO AUTOMOTIVE PRODUCTS

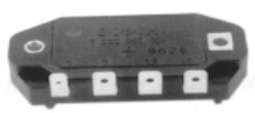


## ALTERNATORS, STARTER MOTORS & SPARES

PASSENGER CARS
LIGHT COMMERCIALS
HEAVY COMMERCIALS
INDUSTRIAL
MARINE

## IGNITION PARTS

BUSHES
CONDENSORS
CONTROL MODULES
DISTRIBUTOR CAPS
ELECTRONIC DISTRIBUTOR MODULES
HALL SENSORS
HIGH TENSION LEADS
IGNITION COILS
POINTS
ROTORS
SPARK PLUG LEADS
VACUUM UNITS





**SPARK PLUGS & GLOW PLUGS**

PASSENGER CARS
COMMERCIAL VEHICLES
MOTOR CYCLES
MARINE
INDUSTRIAL ENGINES
CHAIN SAWS
TRACTORS
LAWN MOWERS



**BOSCH & AC DELCO DISK BRAKE PADS**

PASSENGER CARS
LIGHT COMMERCIALS

**BOSCH & AC DELCO BELTS**

RAW EDGE COGGED BELTS
MULTI RIBBED BELTS
ENGINE TIMING BELTS



**ELECTRICAL COMPONENTS**

HORNS
FLASHERS
SWITCHES
MULTIFUNCTION SWITCHES
RELAYS
KEY SWITCHES
HALOGEN GLOBES

**EFI COMPONENTS**

AIR FLOW METERS/SENSORS
COLD START VALVES
ELECTRONIC AIR VALVES
FUEL DISTRIBUTORS
FUEL FILTERS
FUEL INJECTORS
FUEL PUMPS
IDLE SPEED ACTUATORS
MIXTURE CONTROL UNITS
OXYGEN SENSORS
PRESSURE DAMPERS
PRESSURE REGULATORS
THROTTLE VALVE SENSORS



**AC DELCO SHOCK ABSORBERS**



**AC DELCO OIL FILTERS**

**Note:** Further catalogues and information on the above product are available upon request.

Please contact your nearest GBC office as they will be pleased to assist you.