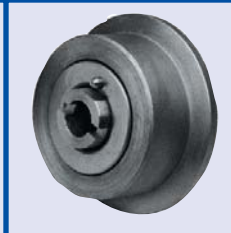
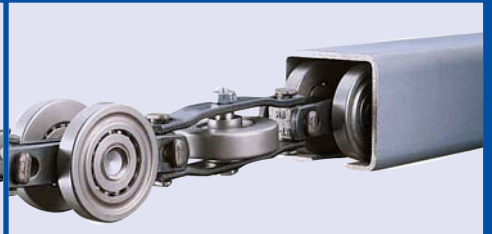


**FROST®**

**Your  
Full Line  
Supplier for  
Material  
Handling  
Components**



ISO 9001/QS-9000 TE Registered



# COMPONENTS FOR MATERIAL HANDLING

Frost is your quality supplier for trolleys, attachments, conveyor chain, rollers, and special components for high heat, heavy loads, contaminated and corrosive atmospheres.

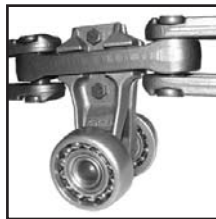
Additionally, Frost specializes in the design, manufacture and supply of flat-top conveyor wheels, caster wheels, flanged bearings, push-back wheels, conveyor guide rollers, hand pushed trolleys for overhead jib/bridge cranes and hoists, power and gravity conveyor roller bearings, idler pulleys, small gravity automation bearings and miscellaneous bearings for all types of conveyor systems.



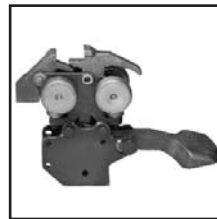
3, 4 and 6 inch trolleys in many wheel designs and bracket styles.



Overhead trolleys for sanitary food handling systems.



4x4 and 4x6 inverted trolleys. Many style wheel designs.



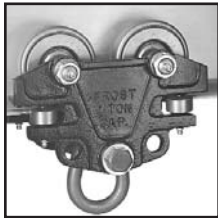
Free trolley for power and free systems.



Trolleys, chain, attachments, and hardware all available in stainless steel.



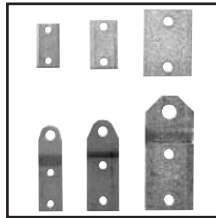
I-beam and channels.



Hand pushed trolleys 1/2, 3/4 and 1 ton.



1/4 ton hand pushed trolley for variety of uses.



Many style attachments for all trolley sizes.



Chain attachments & dogs.



Rollers for normal, heavy-load and high heat applications.



Guide roller bearings in all sizes for many applications.



Flat-Top wheels for in-floor material handling systems.



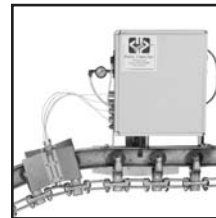
Conveyor roll bearings in flanged or flat face design.



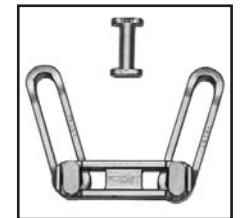
Wheels for push-back rack systems.



Fabricated system components.



Chain and trolley lubricators.



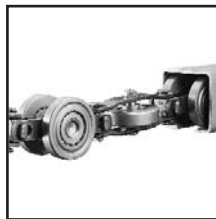
X-type rivetless forged steel chain for all systems.



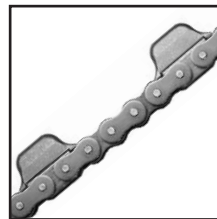
Sani-Link® (S.L.) chain rotating pins minimize wear and chain stretch.



Custom designed chains - engineered to your specifications.



Enclosed track chain assembly.



Caterpillar drive chain.

Frost can recommend and specify which correct chain, trolley construction and seal design to use that will best suit your particular applications and ensure a smooth running operation.

**Let us supply you with further information on our wide range of products and services.**



## **Warranty**

## **Technical Data**

- Wheel Construction
- Seal Design
- Trolley Inspection Procedure
- Lubrication & Relubrication Procedure
- Trolley Wheel Load Ratings

## **3" I-Beam Trolleys**

- for X-348 Chain
- for X-458 Chain

## **4" I-Beam Trolleys**

- for X-458 Chain
- for X-678 Chain

## **6" I-Beam Trolleys**

- for X-678 Chain
- for X-458 Chain

## **4" Channel Inverted Trolleys**

- for X-458 Chain
- for X-678 Chain

## **Trolley Attachment Bolts & Nuts**

## **Trolley Attachments**

## **3" I-Beam Contour Wheels**

## **4" I-Beam Contour Wheels**

## **6" I-Beam Contour Wheels**

## **Wheels for Push-Back Rack Systems**

## **Guide Rollers**

## **Roller Turn Rollers & Bolts**

## **Trolley Wheels & Brackets for Food Processing**

## **Conveyor Roll Bearings**

## **Flat Top Wheels**

## **Hand Pushed Trolleys**

## **X-Type Chain**


## **Sani-Link® Chain**

## **Chain Attachments**

- Extended Pins
- Pusher Dogs

## **Specialty Chains**

- Enclosed Track Chain
- Caterpillar Drive Chain

To navigate this catalog, select any highlighted item. Within the catalog clicking on the Frost logo  will return you to this page.



## **Frost Incorporated**

Designer and manufacturer of trolleys, wheels and bearing products for the material handling industry.

## **Our Commitment**

Our team is dedicated to providing products and services that meet your needs and the needs of your customers. We take pride in our technical advancements and commitment to continuous improvement as we strive to exceed your expectations.

Thank you for your business and your on-going support. It is truly appreciated by the entire Frost Incorporated team.

Chad Frost  
President



## **Our Warranty**

Frost Incorporated warrants to the original purchaser only, each new product manufactured or supplied by FROST to be free from defect of material and workmanship under normal use and service. Frost's obligation hereunder shall be limited to furnishing a replacement product for any product which shall within 12 months after the day of purchase by the original purchaser be returned by that purchaser to Frost for examination, having first received Frost's written authorization therefore, and which examination shall disclose the product to have been defective.

Frost is not liable for incidental or consequential damages to such purchaser arising out of any such defect and makes no other warranty of fitness or merchantability expressed or implied.

This warranty shall not apply to any Frost product which has been subjected to negligent or careless handling or use after leaving Frost's custody and control, or which has been repaired, modified or altered in any way so as, in Frost's judgment, to have adversely affected the product's performance and reliability, nor to any product which had been used for any purpose for which it has not been designed or intended.

No one shall have authority to expand or modify the terms of this warranty without the express written approval of an officer of Frost Incorporated.

"The names Frost, Splashproof, Sani-Trolley, Sani-Link are registered trademarks of Frost, Inc."  
"The name Smooth Link is a registered trademark of Frost and Associates, Inc."

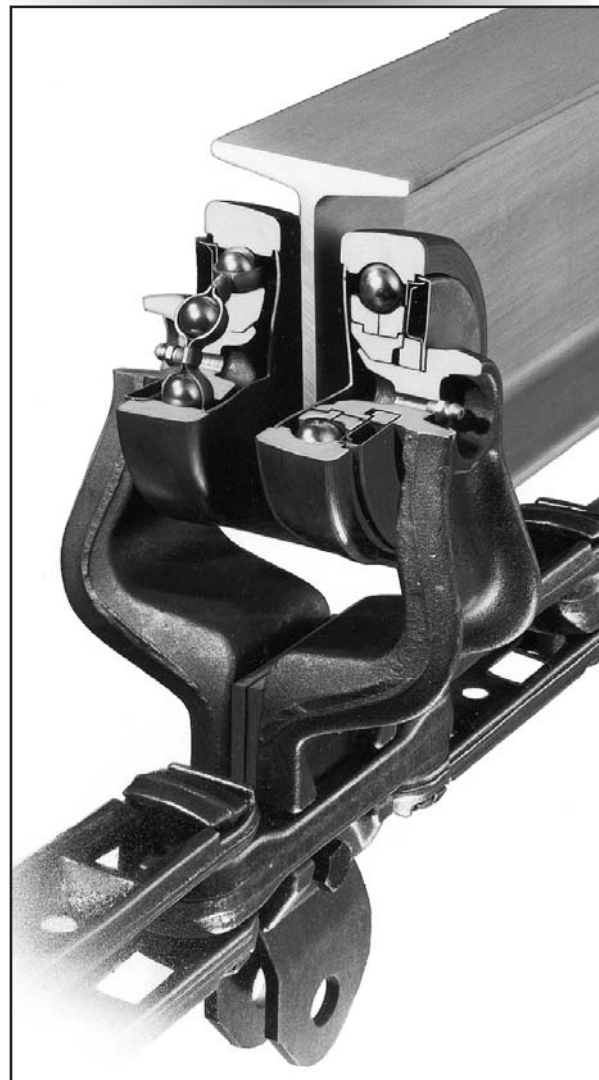
**Frost**<sup>®</sup> Incorporated

1.800.783.6633  
ph. 616.453.7781  
fax 616.453.2161  
[www.frostinc.com](http://www.frostinc.com)



How to make the  
*right choice*  
for your overhead conveyor system.

Retainer Type

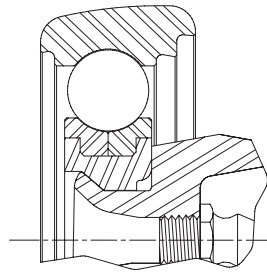


Full Ball Complement



## Full Ball

- Designed for high load, high thrust applications.
- Raceways designed for high contaminations and maximum high temperature applications.
- Designed without ball retainer.
- Heavy duty processing trolley, not for standard transportation applications.



## Retainer Type

- Highest load rating possible for its design.
- Raceways designed for low contamination (except in some applications when used with Splashproof® Seals).
- Balls separated by a retainer for low friction.
- Highly recommended for transportation, (parts delivery) applications.



### Energy Consideration

- **Moderate Horsepower Required**

Frost standard FBC type trolley wheels are designed without a ball separator. Because of the ball-to-ball sliding contact and the demand for more chain pull, horsepower requirements are increased.

- **Low Horsepower Required**

Frost retainer type trolley wheel construction is of the Conrad type (single row bearing with balls spaced apart by a coined, two-piece steel ball separator). This wheel design (with balls separated) causes low friction and requires the least amount of conveyor drive horsepower.

### Raceway Design

- **Split Inner Raceway, Hardened and Fully Contoured**

Frost standard FBC wheels have an extremely deep-groove, fully contoured inner raceway and can operate continuously under heavy (two-directional) radial and thrust loads. The construction advantages are:

- 1) High raceway shoulders for maximum thrust load capacity;
- 2) Split inner raceway allows for deeper ball path and more balls for maximum load-carrying capability;
- 3) The raceway rings have a double lock feature. This provides a positive, dual direction lock assuring that the split inner rings will not spread apart. The raceways are case hardened to Rc 58 min. for maximum shock and wear capability.

- **Balls**

Precision carbon steel balls hardened and ground to AFBMA standards (chrome steel balls available as an option). No ball retainer or separator required.

- Three Inch Wheel – (11) 13/32 Dia. Balls  
 Four Inch Wheel – (13) 1/2 Dia. Balls  
 Six Inch Wheel – (13) 3/4 Dia. Balls

- **Non-Split Raceway, Hardened and Fully Contoured**

Frost retainer type wheels have a one-piece inner raceway, fully contoured on both sides of the ball for light, continuous thrust and radial load carrying capability. The raceways are case hardened to Rc 58 min. for maximum wear capability.

- **Balls**

Precision carbon steel balls hardened and ground to AFBMA standards. (Chrome steel balls are available on special request.)

- Three Inch Wheel – (7) 13/32 Dia. Balls  
 Four Inch Wheel – (8) 1/2 Dia. Balls  
 Six Inch Wheel – (8) 21/32 Dia. Balls

- **Ball Retainer**

Two-piece steel construction.

### Internal Fit-Up

- **Greater Clearance**

Frost standard FBC wheels have greater internal raceway clearance for misalignment tolerance and to prevent bearing freeze-up due to dirt contamination and/or heat expansion. For higher temperatures and contamination, Frost can provide one less ball, special materials or extra clearance upon request.

- **Normal Clearance**

Frost retainer type wheels have normal internal radial fit-up and a ball separator to ensure smooth rolling operation, yet ample clearance for misalignment tolerance.

### Heat Capability

- **500°F (260°C)**

Frost standard FBC wheels were designed for temperatures up to 500°F (260°C). For temperature applications above 500°F, Frost should be informed so that extra internal clearances can be provided.

- **325°F (162°C)**

Frost retainer type wheels can be safely used up to 325°F (162°C). This limitation is due to less internal clearance for heat expansion of bearing components.

### Contamination Tolerance

- **Heavy Contamination**

Frost standard FBC wheels can withstand heavy contamination levels (dry or liquid) and operate best with triple labyrinth seals. Added contamination tolerance can be obtained by using contact lip seals.

- **Moderate Contamination**

Frost retainer type wheels can withstand moderate contamination levels. Added contamination tolerance can be obtained by using contact lip seals.

### Load Capacity

- **High Load Capacity**

Frost standard FBC wheels have greater load capacity than retainer type wheels due to the increased number of balls. Specifically designed for maximum load situations, standard FBC wheels can handle peak and continuous radial and thrust loads acting from any direction. They are the best choice for shock and impact loading. Note: In system design, I-Beam is the limiting load factor.

- **Moderate Load Capacity**

Frost retainer type wheels have the highest load capacity of any available retainer type wheels. Although this capacity is exceeded by full ball complement wheels, Frost retainer type wheels have ample load capacity for most conveyor systems. Note: In system design, I-Beam is the limiting load factor.

### Seals

Frost standard FBC can operate with standard triple labyrinth seals, contact lip seals, Splashproof® seals and Splashproof with wiper lip seals. Contact lip seals and wiper lip seals can operate as sealed for life or can be relubricated for all conditions. Other seals available upon request.

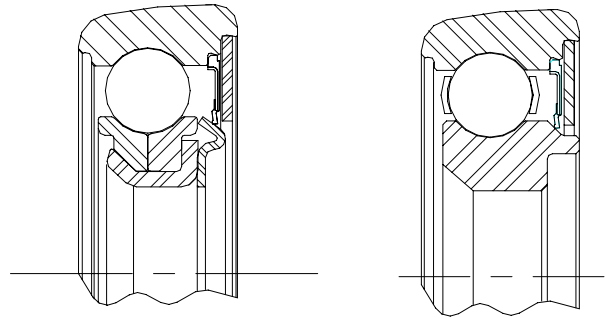
Frost standard retainer type can operate with standard triple labyrinth seals, contact lip seals, Splashproof seals and Splashproof with wiper lip seals. Contact lip seals and wiper lip seals can operate as sealed for life or can be relubricated for all conditions. Other seals available upon request.



## Contact Lip Seal

**Benefits of Frost Trolley Wheel with Full Contact Lip Seal.**  
Additional protection from outside contaminants can be provided by fitting Frost Trolleys with a Full Contact Lip Seal. Two seal materials are available, one for ambient temperatures and one for high temperatures.

This Contact Lip Seal is mounted behind and protected by a steel shield, which throws off heavy contaminants and seals the lubricants in. This Lip Seal is always under positive pressure against the mating surface, even as wear occurs.



**Contact Lip Seal**

**Heat Capability Range for Standard Contact Lip Seal**

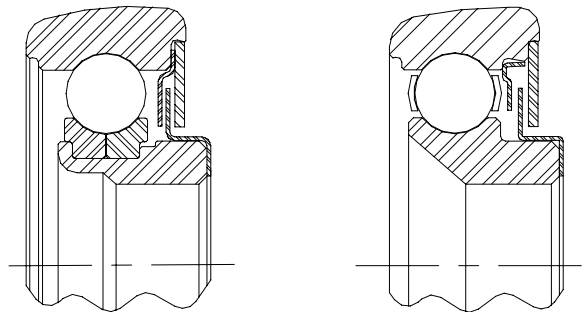
- 300°F (149°C) Intermittent
- 275°F (135°C) Continuous

**High Temperature**

- 500°F (260°C) Intermittent
- 400°F (205°C) Continuous

## Frost Standard Triple Labyrinth Seal

Standard of the conveyor industry “specification,” the Triple Labyrinth Seal Trolley provides protection from contaminants and effectively retains lubrication and prohibits contaminants from entering the bearing unit, insuring long life and low maintenance.



**Triple Labyrinth Seal**

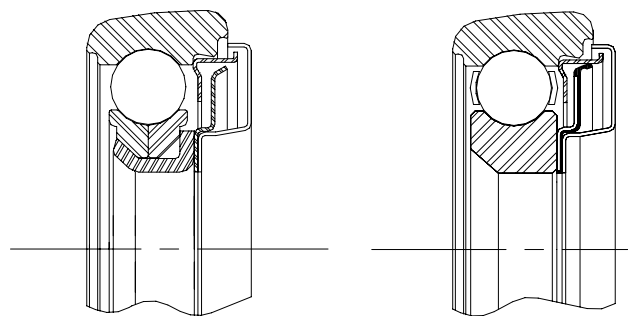
## Splashproof®

This Frost innovation has, for most applications, obsoleted other wheels and bearings incorporating seal designs. Acts as a double “Triple Labyrinth Seal” with a series of shields protecting against severe dirt and liquid contaminated conditions.

The Splashproof Seal design creates a series of troughs thru which the contaminants must pass in ten directions to reach the bearing cavity.

### Wiper Seal

Wiper Seal (optional) provides even more effective bearing cavity protection. With it, bearing can be relubricated or purged with no danger of seal damage.



**Splashproof**

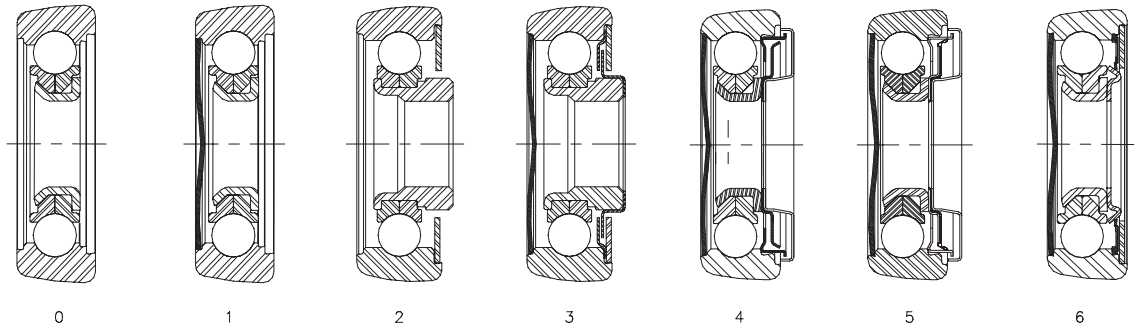
**Splashproof with Wiper**



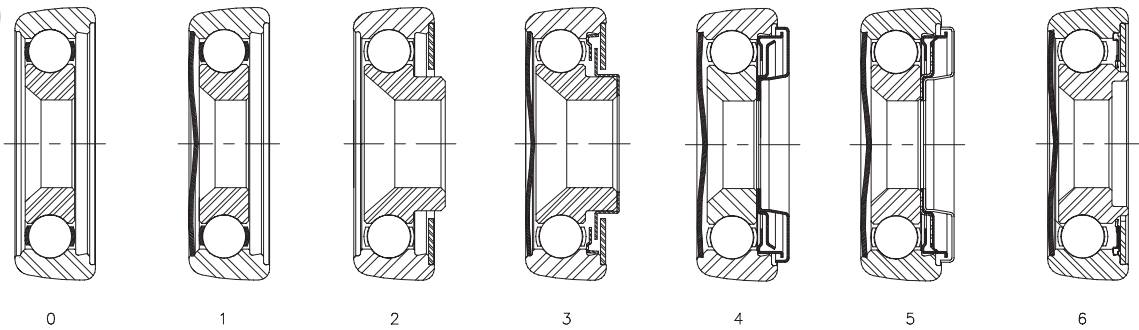


# SEAL & WHEEL STYLE SELECTIONS

## Full Ball Type (F)



## Retainer Type (R)



- 0. Open Design
- 1. Welsh Plug Only
- 2. Single Labyrinth Shield Only
- 3. Triple Labyrinth Sealed/Welsh Plug
- 4. Splashproof Sealed/Welsh Plug
- 5. Splashproof Sealed/Welsh Plug/Wiper Seal
- 6. Contact Lip Seal

Each has its own application...

### Full Ball Complement (FBC)

The FBC was specifically designed for high load, high thrust, high temperature, heavy dry contaminated and heavy liquid contaminated applications. Typical applications include: oven, washer, pre-paint, phosphate and Bonderite, paint and foundry systems. Special designs utilizing chrome steel balls, high alloy raceway materials, etc., are available on request for particularly demanding applications. This wheel style is recommended for use in temperature applications exceeding 325°F (162°C).

#### The key advantages of FBC construction:

- The Full Ball Complement Trolley wheel is preferred for dirty, gritty, moisture laden environments. Its raceway is purposely designed to allow for these conditions and contains no retainer.

### Retainer Type

The Retainer Type trolley was designed for low-friction operation in low contaminant conditions typically found in transportation (parts delivery) applications. Its capability can be extended to liquid and medium contaminant (i.e., parts washers) conditions thru the use of Splashproof® Seals with the Wiper Lip Seal or Contact Lip Seals. The retainer type wheel is the standard of the industry for general conveyor applications. It has the lowest friction possible for its size, and yields the highest load rating possible for its construction style. This wheel is not recommended for temperatures exceeding 325°F (162°C) or processing systems such as oven, Bonderite, phosphate, etc.

#### The key advantages of Retainer Type construction:

- Design provides the lowest friction possible for its size, reducing the conveyor drive energy and size requirements.
- Yields the highest load rating possible for its construction.



# TROLLEY INSPECTION PROCEDURE

The following procedure may be used to inspect trolleys for adequacy of grease lubricant.

To prepare the trolley for inspection:

1. Unbolt the trolley and remove it from the chain
2. Remove the grease fitting from the bracket
3. Place a 3/16" diameter punch through the grease fitting hole
4. Strike the punch with a hammer to remove the welsh plug  
(See Figure 1)
5. Examine the balls and raceways for presence of grease

Save the fasteners and grease fitting for reuse. Discard the welsh plug - it must be replaced.

If the following conditions are observed, the trolley can be put back into service:

- All of the balls are coated with grease
- Grease is present in the openings between the balls
- The raceways are coated with grease
- There is grease on the lands adjacent to the raceways

If the following conditions are observed, replace the trolley:

- Metallic chips, slivers or other such debris
- Damaged or broken shields, seals or other components
- Radial play greater than 1/8"; end play or rock greater than 1/4"

If the following conditions are observed, add grease and return the trolley to service:

- Dry balls and raceways, devoid of grease
- Dirt and other foreign material, caked or mixed with grease
- Corrosion, pitting or other damage to the balls and raceways
- Water or other fluids

To return the trolley to service:

1. Replace the grease fitting and set the trolley in the welsh plug fixture
2. Press a new welsh plug into the outer ring (See Figure 2)
3. Install the trolley to the track and chain; tighten the fasteners
4. Add grease if needed, run the chain and wipe off any purged grease

The welsh plug fixture must provide good containment for the outer ring and ample clearance for the shields and bracket. Position the fixture on the press to align the wheel with the centerline of the ram. The top plate (punch) should have a 0.030" step for 6" wheels and a 0.010" step for 4" wheels. This ensures the welsh plug will be fully flattened when the plate contacts the outer ring.

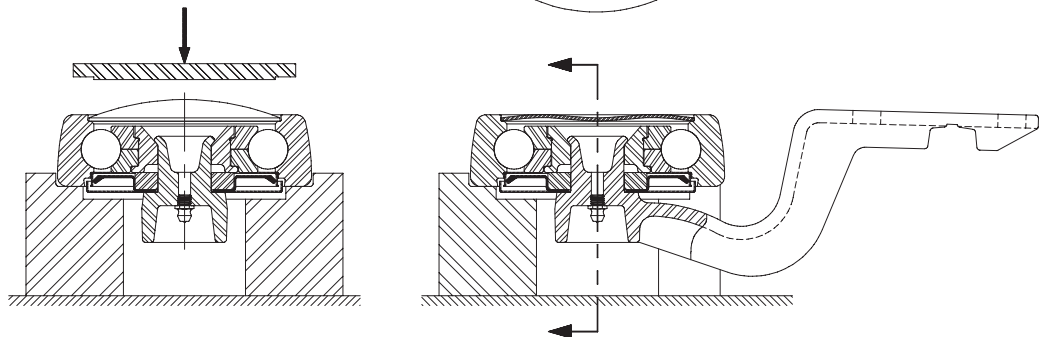


Figure 1. Remove Welsh Plug

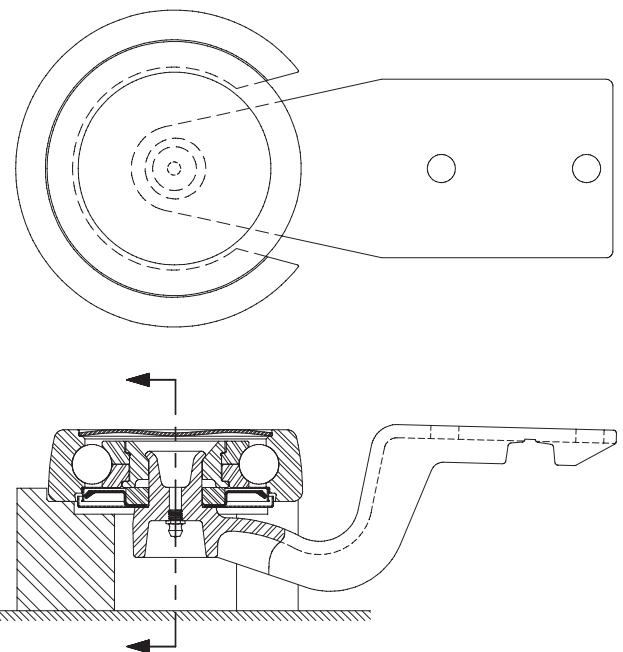


Figure 2. Install Welsh Plug



## Lubrication & Relubrication Procedure

Fully closed trolleys are shipped from our plant with an extreme pressure (EP) grade grease pack unless otherwise specified.

Closed trolleys can be shipped with a protective oil coating only, but must be grease-packed at the time of installation.

Open style trolleys are protected with a protective oil coating prior to shipping. These trolleys must be lubricated during operation by automatic oilers. For specific recommendations of lubrication, consult our Engineering Department.

Generally, the open full ball complement bearings, which are primarily used in high temperature applications, utilize an automatic oil spray or mist of high temperature oil.

In the conveyor industry we know that every conveyor system has a degree of uniqueness – its own personality – making it difficult to apply a “cookbook” approach to lubrication maintenance. But we also know what works – frequent inspection after installation, gradually increasing the time between inspections until the effect of the environment on the wheel-lubricant system is known. With each inspection we make adjustments where necessary to increase

or decrease the amount of lubricant as required. Better to work up to the correct amount of lubricant to be added than to have grease oozing from the seals.

And keep a log of what you do and when you do it so you can measure against plan to learn how effective this really can be. Successes will become guidelines for future similar applications.

*Suggested inspection intervals* for measuring the effectiveness of your lubrication maintenance plan are as follows:

- Closed Wheel Transportation Lines with no temperature or contamination – one month, then three months, and six months thereafter.
- Closed Wheel Process Lines with no temperature – one week initially, gradually extending to a four to six week cycle.
- Open Wheels In Ovens – do daily initially since lube is generally applied every cycle. Gradually extend to weekly inspections of wheels and lubrication equipment function.

## Trolley & Wheel Load Ratings

Maximum trolley load rating is not determined by the load rating of the wheel (bearing), but is equivalent to the load before peening (indenting) the I-Beam or C-Channel. Based on standard medium carbon I-Beam or C-Channel, the figures most often used are 200 lbs. maximum capacity per pair of 3 inch trolleys, 400 lbs. per pair of 4 inch

trolleys and 1200 lbs. per pair of 6 inch trolleys. Please consult with Frost engineers for special applications or multiple wheel load ratings.

The chart below provides load ratings for your reference.

Load Ratings		
Frost Trolley Size and Wheel Design	Static Load Rating Per Wheel	Dynamic Load Rating* Per Wheel
3" Retainer	1775 lbs.	842 lbs.
3" Full Ball	2790 lbs.	990 lbs.
4" Retainer	3310 lbs.	1423 lbs.
4" Full Ball	5375 lbs.	1653 lbs.
6" Retainer	5790 lbs.	2333 lbs.
6" Full Ball	11980 lbs.	3420 lbs.

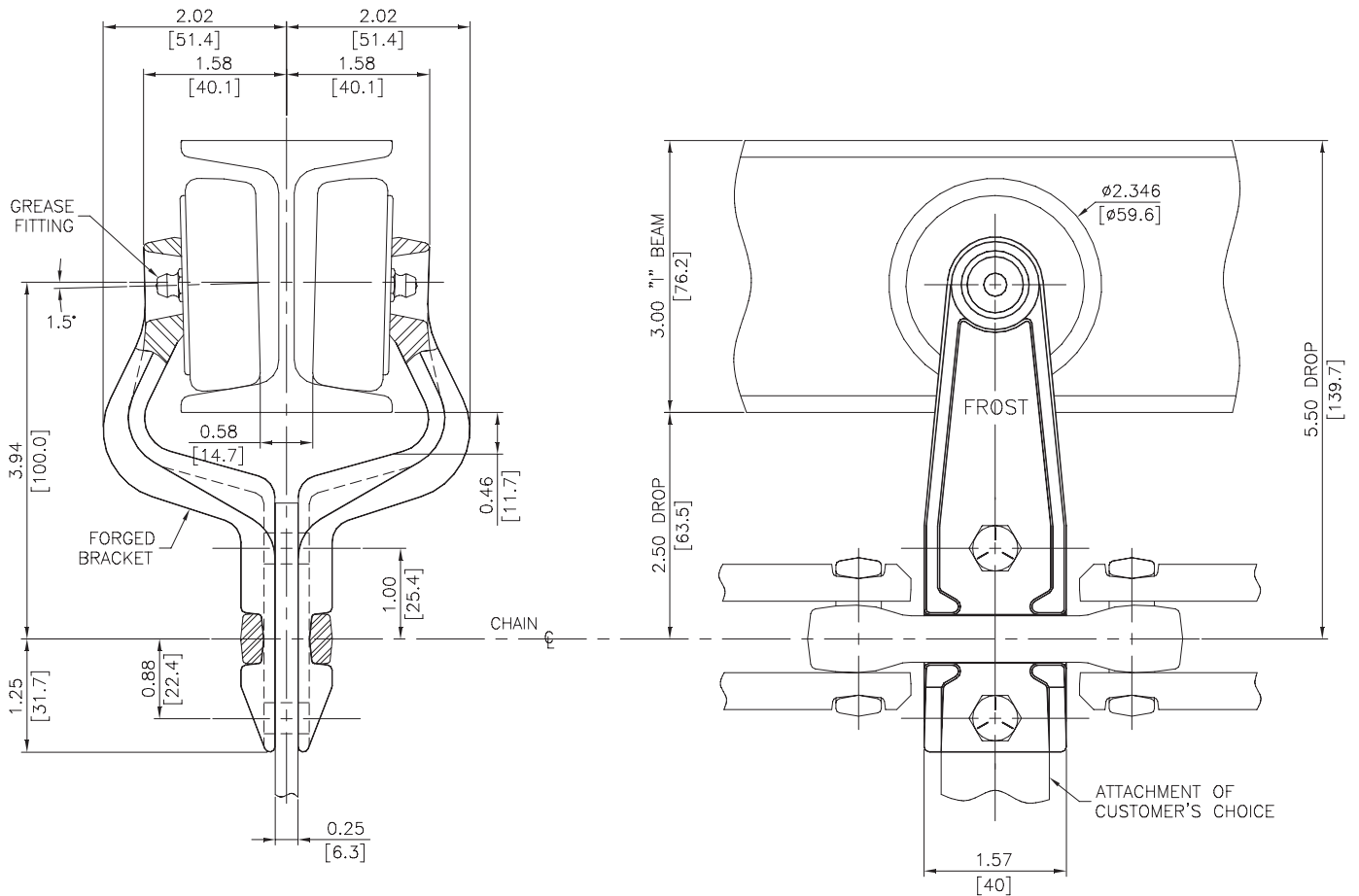
\*Dynamic load rating based on pure radial running conditions at 50 RPM. B-10 Life 5,000 hours according to AFBMA standards. This load rating is based on conditions of moderate shock, proper lubrication and maintenance, and normal temperature, (250°F (121°C) and under).

1.800.783.6633  
ph. 616.453.7781  
fax 616.453.2161  
[www.frostinc.com](http://www.frostinc.com)



# 3" I-BEAM — TROLLEY

## X348 Chain — Vertical Hole — 5 1/2" (139.7) Drop



Part Number	Wheel Design	Shielding	Bracket Type	Attach. Holes	Wheel to Brkt. Connect.
5200234	Retainer	Open	Forged 5 1/2" Drop	Vertical	Swaged
5240034	Retainer	Splashproof®	Forged 5 1/2" Drop	Vertical	Swaged
5280034	Retainer	Triple Labyrinth	Forged 5 1/2" Drop	Vertical	Swaged
5270034	Retainer	Contact Lip Seal - Nitrile	Forged 5 1/2" Drop	Vertical	Swaged
5210234	Retainer	Welsh Plug Only, No Shield	Forged 5 1/2" Drop	Vertical	Swaged
5220234	Retainer	Shield Only, No Welsh Plug	Forged 5 1/2" Drop	Vertical	Swaged
5400234	Full Ball Comp.	Open	Forged 5 1/2" Drop	Vertical	Swaged
5410234	Full Ball Comp.	Welsh Plug Only, No Shield	Forged 5 1/2" Drop	Vertical	Swaged
5420234	Full Ball Comp.	Shield Only, No Welsh Plug	Forged 5 1/2" Drop	Vertical	Swaged
5440034	Full Ball Comp.	Splashproof	Forged 5 1/2" Drop	Vertical	Swaged
5470034	Full Ball Comp.	Contact Lip Seal - Nitrile	Forged 5 1/2" Drop	Vertical	Swaged
5479034	Full Ball Comp.	Contact Lip Seal - Viton	Forged 5 1/2" Drop	Vertical	Swaged

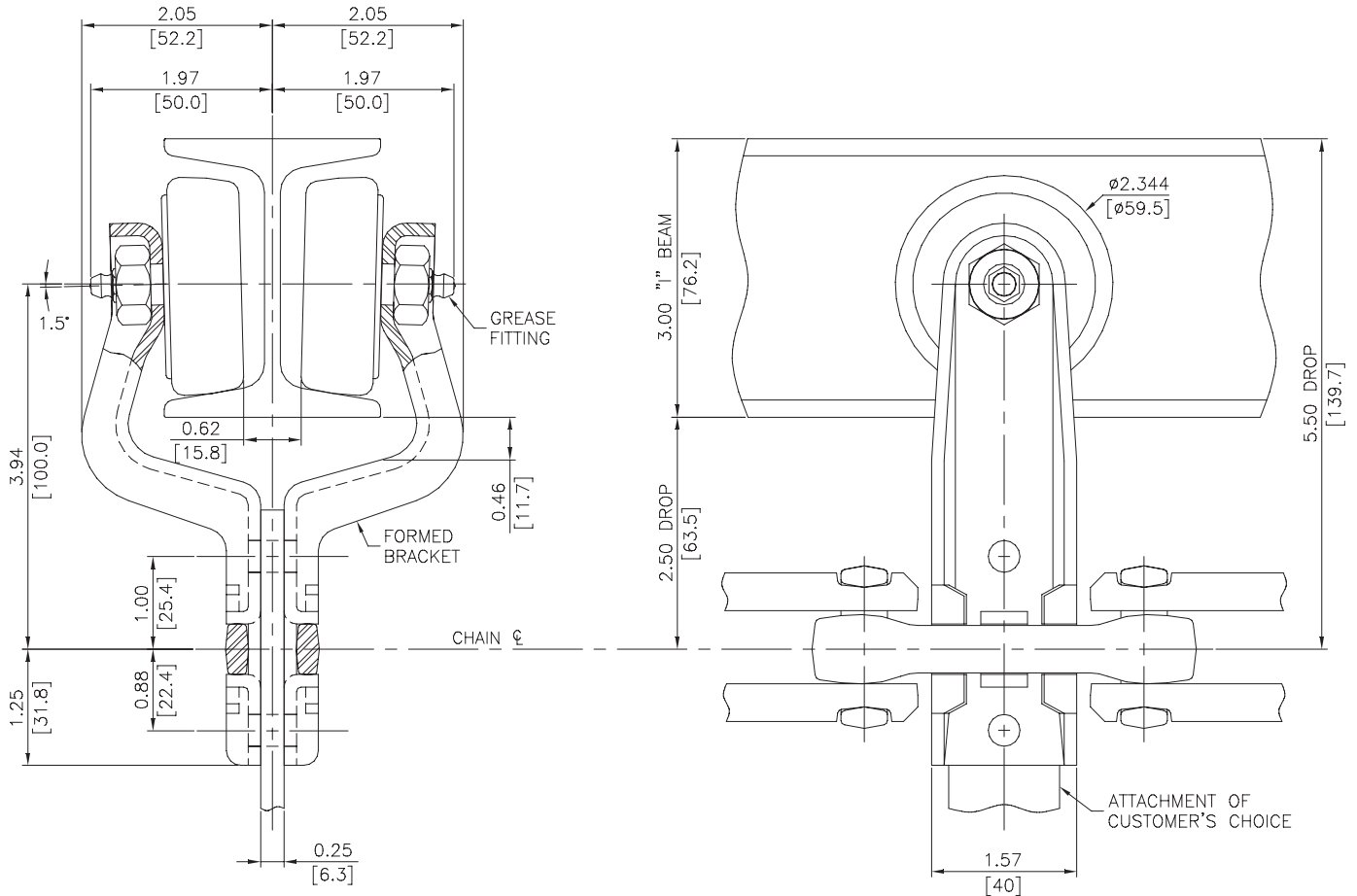
See Tech Data Section for seals and wheel styles.

NOTE: Please consult with Frost for requirements for trolley-halves not listed above. Frost manufactures many variations on an order by order basis. For example: Zinc plating, chrome balls, alloy steel races, special greases, extra clearance (i.e., special features).



# 3" I-BEAM — TROLLEY

## X348 Chain — Vertical Hole — 5 1/2" (139.7) Drop (Frost Formed Bracket)



Part Number	Wheel Design	Shielding	Bracket Type	Attach. Holes	Wheel to Brkt. Connect.
5205554	Retainer	Open	Formed Steel - 5 1/2" drop	Vertical	Bolted
5245554	Retainer	Splashproof®	Formed Steel - 5 1/2" drop	Vertical	Bolted
5405554	Full Ball Comp.	Open	Formed Steel - 5 1/2" drop	Vertical	Bolted
5415554	Full Ball Comp.	Welsh Plug Only, No Shield	Formed Steel - 5 1/2" drop	Vertical	Bolted
5425554	Full Ball Comp.	Shield Only, No Welsh Plug	Formed Steel - 5 1/2" drop	Vertical	Bolted
5445554	Full Ball Comp.	Splashproof	Formed Steel - 5 1/2" drop	Vertical	Bolted

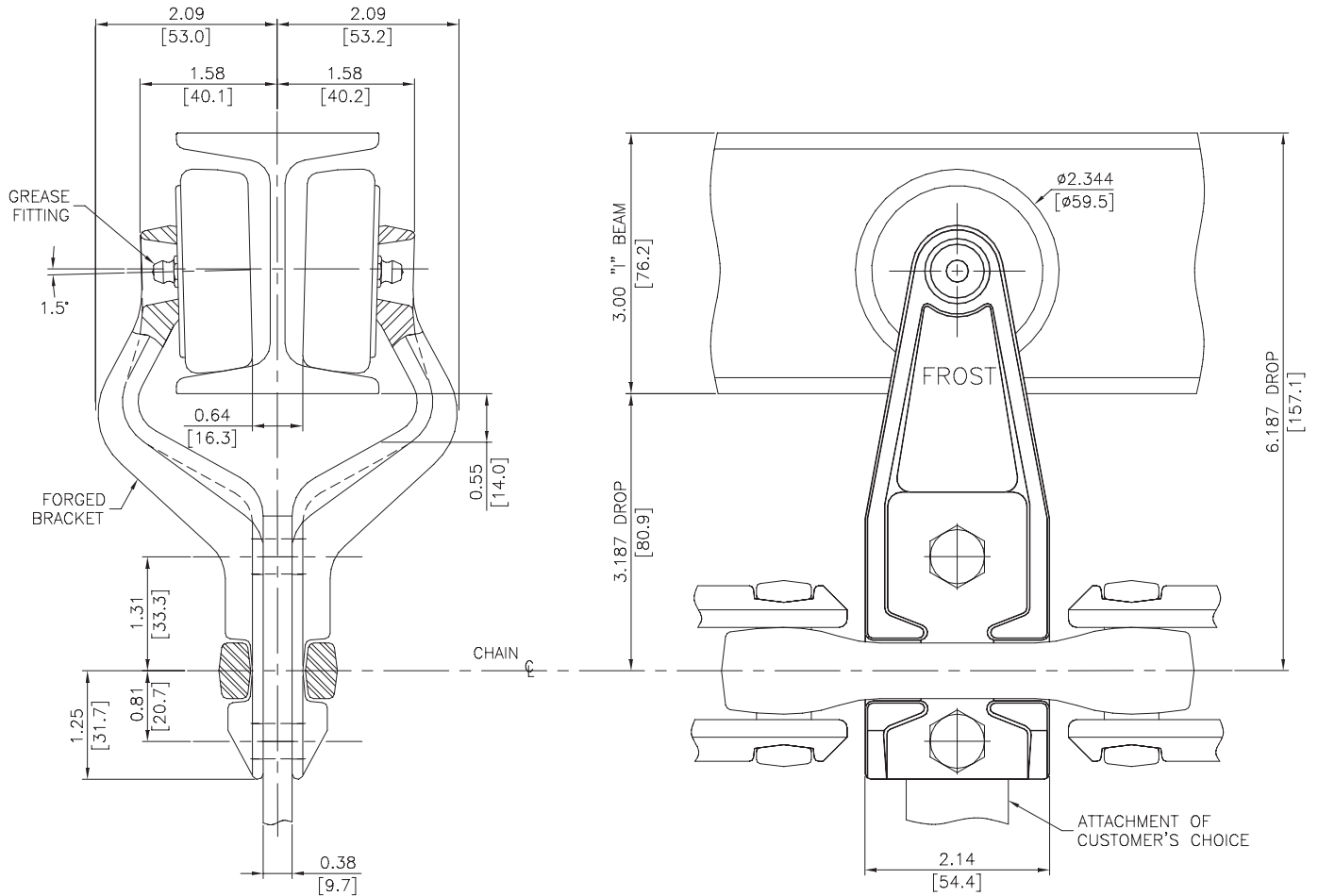
See Tech Data Section for seals and wheel styles.

NOTE: Please consult with Frost for requirements for trolley-halves not listed above. Frost manufactures many variations on an order by order basis. For example: Zinc plating, chrome balls, alloy steel races, special greases, extra clearance (i.e., special features).



# 3" I-BEAM — TROLLEY

## X458 Chain — Vertical Hole — 6 3/16" (157.1) Drop



Part Number	Wheel Design	Shielding	Bracket Type	Attach. Holes	Wheel to Brkt. Connect.
5240038	Retainer	Splashproof®	6 3/16" Drop	Vertical	Swaged
5280038	Retainer	Triple Labyrinth	6 3/16" Drop	Vertical	Swaged
5270038	Retainer	Contact Lip Seal - Nitrile	6 3/16" Drop	Vertical	Swaged
5210238	Retainer	Welsh Plug Only, No Shield	6 3/16" Drop	Vertical	Swaged
5220238	Retainer	Shield Only, No Welsh Plug	6 3/16" Drop	Vertical	Swaged
5400238	Full Ball Comp.	Open	6 3/16" Drop	Vertical	Swaged
5410238	Full Ball Comp.	Welsh Plug Only, No Shield	6 3/16" Drop	Vertical	Swaged
5420238	Full Ball Comp.	Shield Only, No Welsh Plug	6 3/16" Drop	Vertical	Swaged
5440038	Full Ball Comp.	Splashproof	6 3/16" Drop	Vertical	Swaged
5470038	Full Ball Comp.	Contact Lip Seal - Nitrile	6 3/16" Drop	Vertical	Swaged
5479038	Full Ball Comp.	Contact Lip Seal - Viton	6 3/16" Drop	Vertical	Swaged

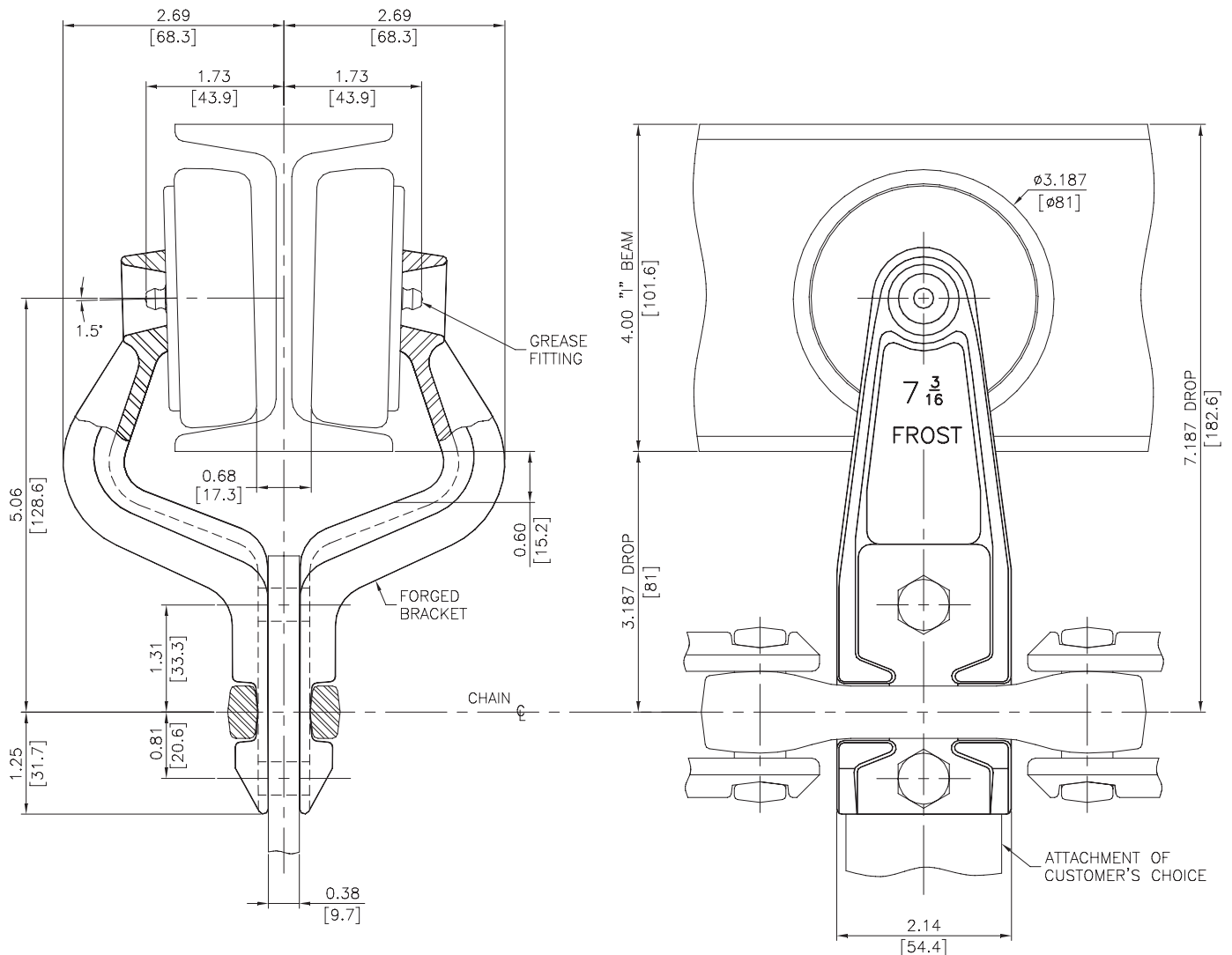
See Tech Data Section for seals and wheel styles.

NOTE: Please consult with Frost for requirements for trolley-halves not listed above. Frost manufactures many variations on an order by order basis. For example: Zinc plating, chrome balls, alloy steel races, special greases, extra clearance (i.e., special features).



# 4" I-BEAM — TROLLEY

## X458 Chain — Vertical Hole — 7 3/16" (182.5) Drop



Part Number	Wheel Design	Shielding	Bracket Type	Attach. Holes	Wheel to Brkt. Connect.
7200273	Retainer	Open	Forged 7 3/16" Drop	Vertical	Swaged
7240073	Retainer	Splashproof®	Forged 7 3/16" Drop	Vertical	Swaged
7250073	Retainer	Splashproof & Wiper - Nitrile	Forged 7 3/16" Drop	Vertical	Swaged
7270073	Retainer	Contact Lip Seal - Nitrile	Forged 7 3/16" Drop	Vertical	Swaged
7500273	Full Ball Comp.	Open	Forged 7 3/16" Drop	Vertical	Swaged
7510273	Full Ball Comp.	Welsh Plug Only, No Shield	Forged 7 3/16" Drop	Vertical	Swaged
7520273	Full Ball Comp.	Shield Only, No Welsh Plug	Forged 7 3/16" Drop	Vertical	Swaged
7540073	Full Ball Comp.	Splashproof	Forged 7 3/16" Drop	Vertical	Swaged
7550073	Full Ball Comp.	Splashproof/Wiper - Nitrile	Forged 7 3/16" Drop	Vertical	Swaged
7559573	Full Ball Comp.	Splashproof/Wiper Seal Viton High Temp	Forged 7 3/16" Drop	Vertical	Swaged
7570073	Full Ball Comp.	Contact Lip Seal - Nitrile	Forged 7 3/16" Drop	Vertical	Swaged
7579073	Full Ball Comp.	Contact Lip Seal - Viton	Forged 7 3/16" Drop	Vertical	Swaged

See Tech Data Section for seals and wheel styles.

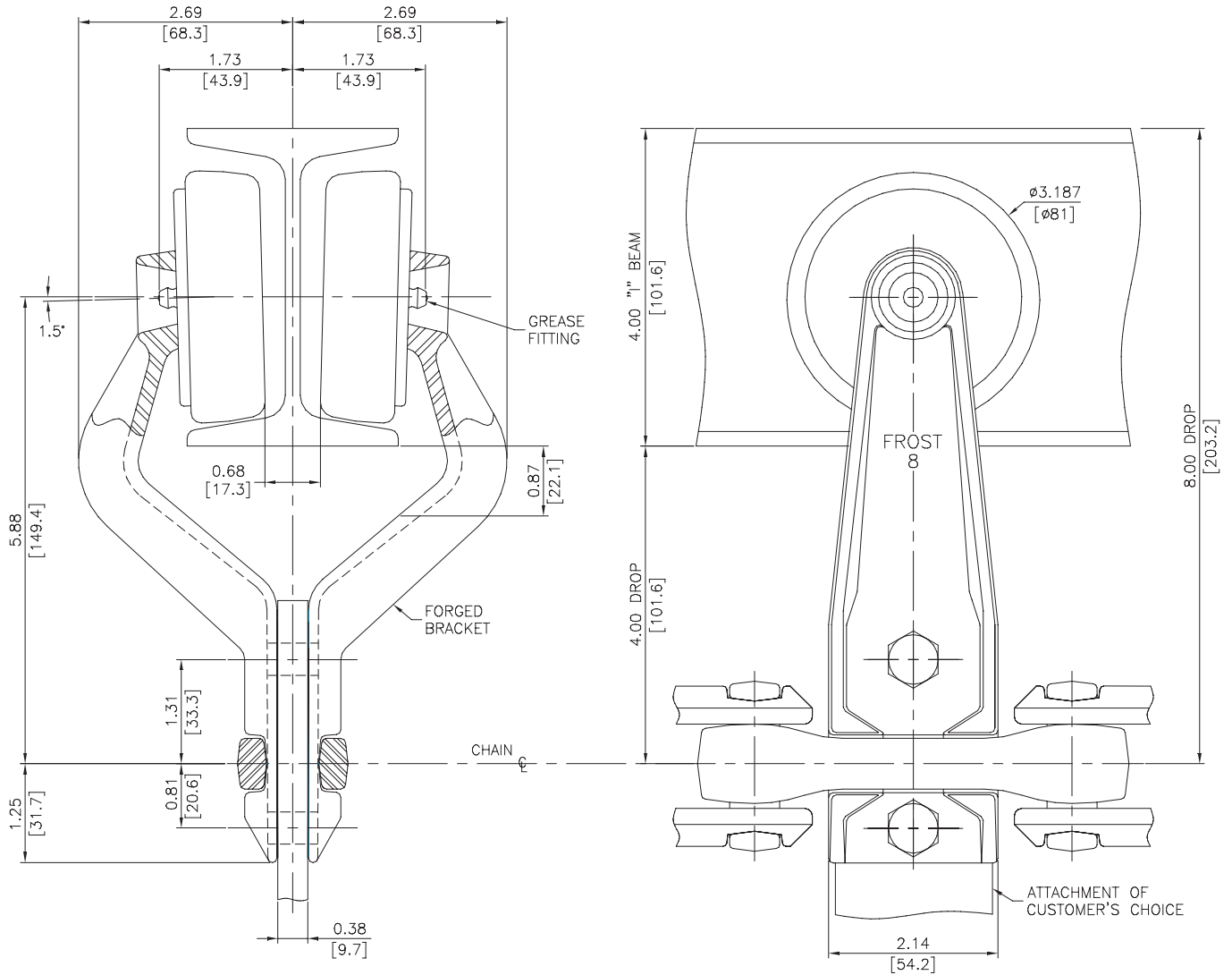
NOTE: Please consult with Frost for requirements for trolley-halves not listed above. Frost manufactures many variations on an order by order basis. For example: Zinc plating, chrome balls, alloy steel races, special greases, extra clearance (i.e., special features).

1.800.783.6633  
 ph. 616.453.7781  
 fax 616.453.2161  
 www.frostinc.com



# 4" I-BEAM — TROLLEY

## X458 Chain — Vertical Hole — 8" (203.2) Drop



Part Number	Wheel Design	Shielding	Bracket Type	Attach. Holes	Wheel to Brkt. Connect.
7200270	Retainer	Open	Forged 8" Drop	Vertical	Swaged
7240070	Retainer	Splashproof®	Forged 8" Drop	Vertical	Swaged
7250070	Retainer	Splashproof & Wiper - Nitrile	Forged 8" Drop	Vertical	Swaged
7270070	Retainer	Contact Lip Seal - Nitrile	Forged 8" Drop	Vertical	Swaged
7500270	Full Ball Comp.	Open	Forged 8" Drop	Vertical	Swaged
7510270	Full Ball Comp.	Welsh Plug Only, No Shield	Forged 8" Drop	Vertical	Swaged
7520270	Full Ball Comp.	Shield Only, No Welsh Plug	Forged 8" Drop	Vertical	Swaged
7540070	Full Ball Comp.	Splashproof	Forged 8" Drop	Vertical	Swaged
7550070	Full Ball Comp.	Splashproof/Wiper - Nitrile	Forged 8" Drop	Vertical	Swaged
7559570	Full Ball Comp.	Splashproof/Wiper Seal Viton High Temp	Forged 8" Drop	Vertical	Swaged
7570070	Full Ball Comp.	Contact Lip Seal - Nitrile	Forged 8" Drop	Vertical	Swaged
7579070	Full Ball Comp.	Contact Lip Seal - Viton	Forged 8" Drop	Vertical	Swaged

See Tech Data Section for seals and wheel styles.

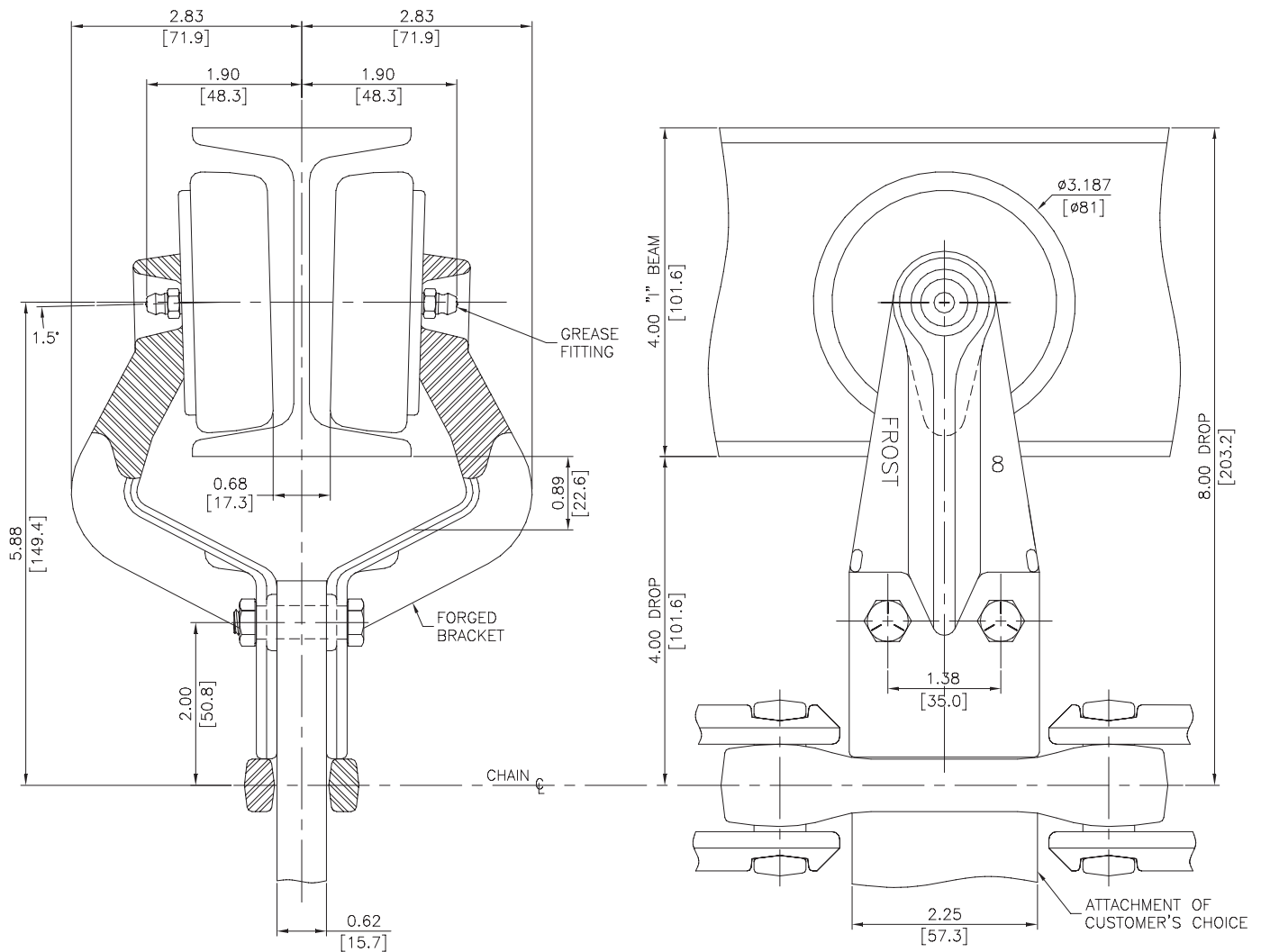
NOTE: Please consult with Frost for requirements for trolley-halves not listed above. Frost manufactures many variations on an order by order basis. For example: Zinc plating, chrome balls, alloy steel races, special greases, extra clearance (i.e., special features).





# 4" I-BEAM — TROLLEY

## X458 Chain — Horizontal Hole — 8" (203.2) Drop



Part Number	Wheel Design	Shielding	Bracket Type	Attach. Holes	Wheel to Brkt. Connect.
7200279	Retainer	Open	Forged 8" Drop	Horizontal	Swaged
7240079	Retainer	Splashproof®	Forged 8" Drop	Horizontal	Swaged
7250079	Retainer	Splashproof & Wiper - Nitrile	Forged 8" Drop	Horizontal	Swaged
7270079	Retainer	Contact Lip Seal - Nitrile	Forged 8" Drop	Horizontal	Swaged
7500279	Full Ball Comp.	Open	Forged 8" Drop	Horizontal	Swaged
7510279	Full Ball Comp.	Welsh Plug Only, No Shield	Forged 8" Drop	Horizontal	Swaged
7520279	Full Ball Comp.	Shield Only, No Welsh Plug	Forged 8" Drop	Horizontal	Swaged
7540079	Full Ball Comp.	Splashproof	Forged 8" Drop	Horizontal	Swaged
7550079	Full Ball Comp.	Splashproof/Wiper - Nitrile	Forged 8" Drop	Horizontal	Swaged
7559579	Full Ball Comp.	Splashproof/Wiper Seal Viton High Temp	Forged 8" Drop	Horizontal	Swaged
7570079	Full Ball Comp.	Contact Lip Seal - Nitrile	Forged 8" Drop	Horizontal	Swaged
7579079	Full Ball Comp.	Contact Lip Seal - Viton	Forged 8" Drop	Horizontal	Swaged

See Tech Data Section for seals and wheel styles.

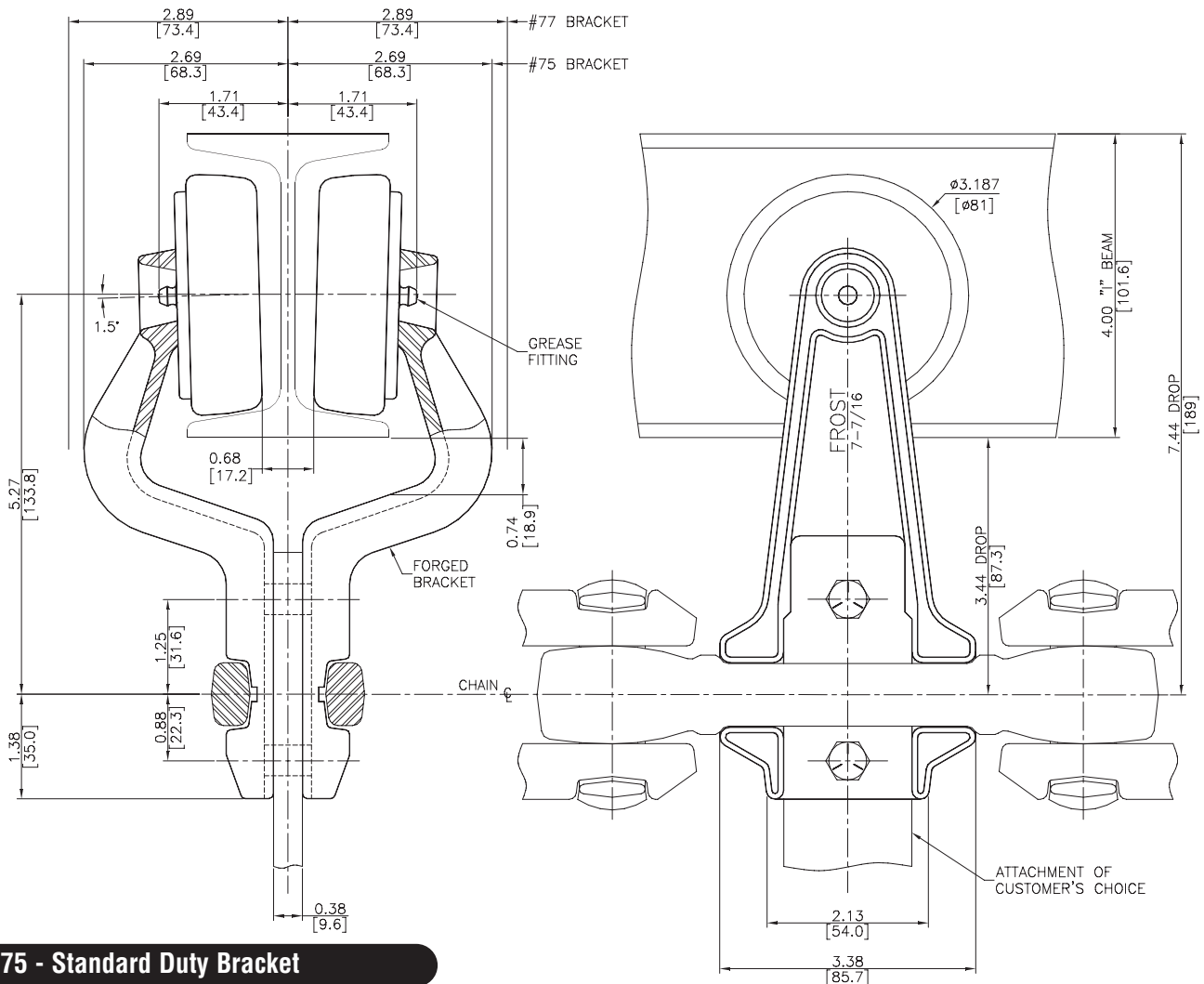
NOTE: Please consult with Frost for requirements for trolley-halves not listed above. Frost manufactures many variations on an order by order basis. For example: Zinc plating, chrome balls, alloy steel races, special greases, extra clearance (i.e., special features).

1.800.783.6633  
 ph. 616.453.7781  
 fax 616.453.2161  
 www.frostinc.com



# 4" I-BEAM — TROLLEY

## X678 Chain — Vertical Hole — 7 7/16" (188.9) Drop



**#75 - Standard Duty Bracket**

**#77 - Heavy Duty Bracket**

Part Number	Wheel Design	Shielding	Bracket Type	Attach. Holes	Wheel to Brkt. Connect.
7240075 / 77	Retainer	Splashproof®	Forged 7 7/16" Drop	Vertical	Swaged
7200275 / 77	Retainer	Open	Forged 7 7/16" Drop	Vertical	Swaged
7250075 / 77	Retainer	Splashproof & Wiper - Nitrile	Forged 7 7/16" Drop	Vertical	Swaged
7270075 / 77	Retainer	Contact Lip Seal - Nitrile	Forged 7 7/16" Drop	Vertical	Swaged
7500275 / 77	Full Ball Comp.	Open	Forged 7 7/16" Drop	Vertical	Swaged
7510275 / 77	Full Ball Comp.	Welsh Plug Only, No Shield	Forged 7 7/16" Drop	Vertical	Swaged
7520275 / 77	Full Ball Comp.	Shield Only, No Welsh Plug	Forged 7 7/16" Drop	Vertical	Swaged
7540075 / 77	Full Ball Comp.	Splashproof	Forged 7 7/16" Drop	Vertical	Swaged
7550075 / 77	Full Ball Comp.	Splashproof/Wiper - Nitrile	Forged 7 7/16" Drop	Vertical	Swaged
7559575 / 77	Full Ball Comp.	Splashproof/Wiper Seal Viton High Temp	Forged 7 7/16" Drop	Vertical	Swaged
7570075 / 77	Full Ball Comp.	Contact Lip Seal - Nitrile	Forged 7 7/16" Drop	Vertical	Swaged
7579075 / 77	Full Ball Comp.	Contact Lip Seal - Viton	Forged 7 7/16" Drop	Vertical	Swaged

See Tech Data Section for seals and wheel styles.

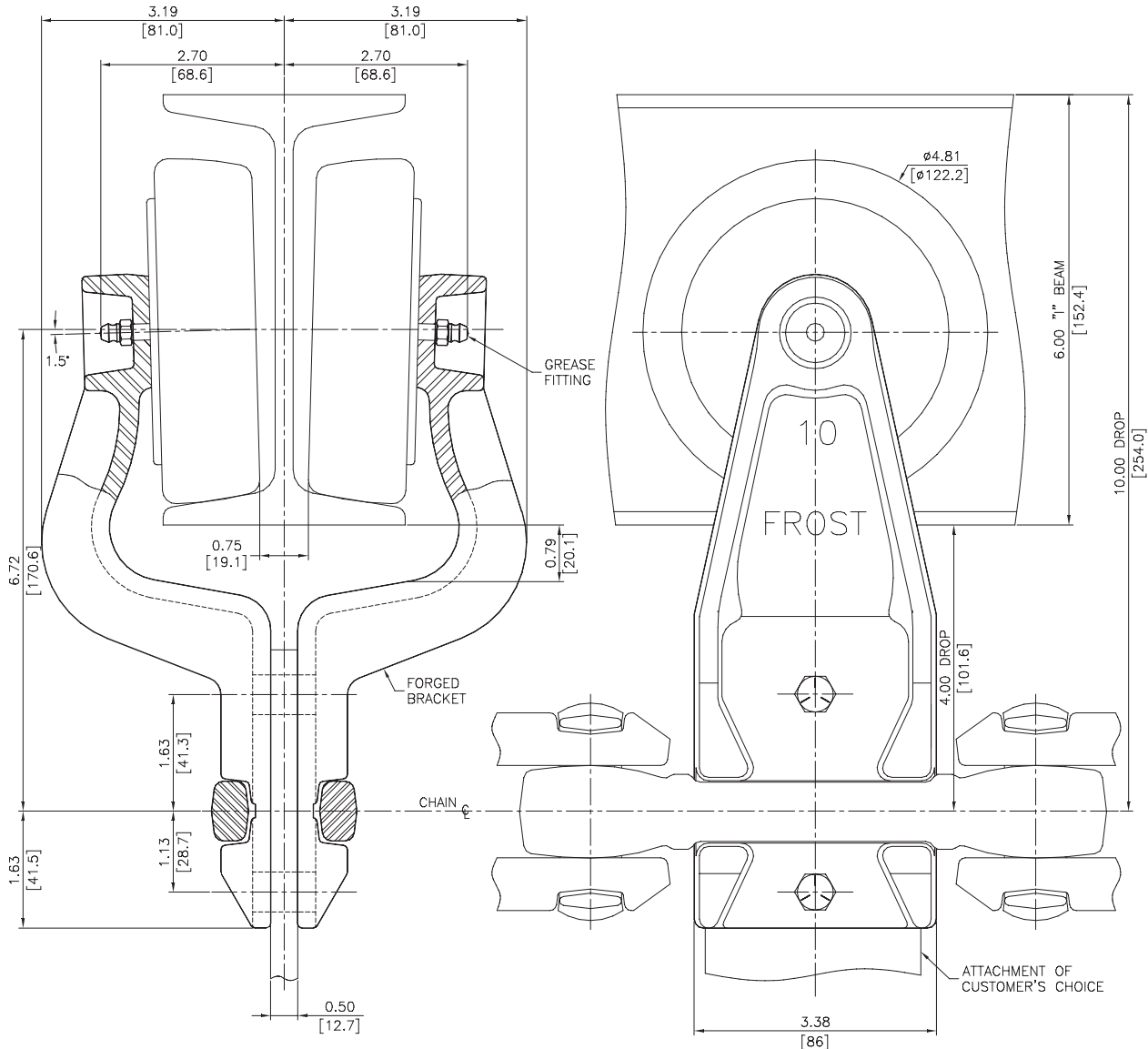
NOTE: Please consult with Frost for requirements for trolley-halves not listed above. Frost manufactures many variations on an order by order basis. For example: Zinc plating, chrome balls, alloy steel races, special greases, extra clearance (i.e., special features).

1.800.783.6633  
 ph. 616.453.7781  
 fax 616.453.2161  
 www.frostinc.com



# 6" I-BEAM — TROLLEY

## X678 Chain — Vertical Hole — 10" (254.0) Drop



Part Number	Wheel Design	Shielding	Bracket Type	Attach. Holes	Wheel to Brkt. Connect.
9010060	Retainer	Splashproof®	Forged 10" Drop	Vertical	Swaged
9260060	Retainer	Splashproof & Wiper - Nitrile	Forged 10" Drop	Vertical	Swaged
9261060	Retainer	Splashproof/Wiper Seal Viton High Temp	Forged 10" Drop	Vertical	Swaged
6460260	Full Ball Comp.	Open	Forged 10" Drop	Vertical	Swaged
9480060	Full Ball Comp.	Splashproof	Forged 10" Drop	Vertical	Swaged
6470260	Full Ball Comp.	Welsh Plug Only, No Shield	Forged 10" Drop	Vertical	Swaged
6474260	Full Ball Comp.	Shield Only, No Welsh Plug	Forged 10" Drop	Vertical	Swaged
9270060	Full Ball Comp.	Splashproof/Wiper - Nitrile	Forged 10" Drop	Vertical	Swaged
9271060	Full Ball Comp.	Splashproof/Wiper Seal Viton High Temp	Forged 10" Drop	Vertical	Swaged

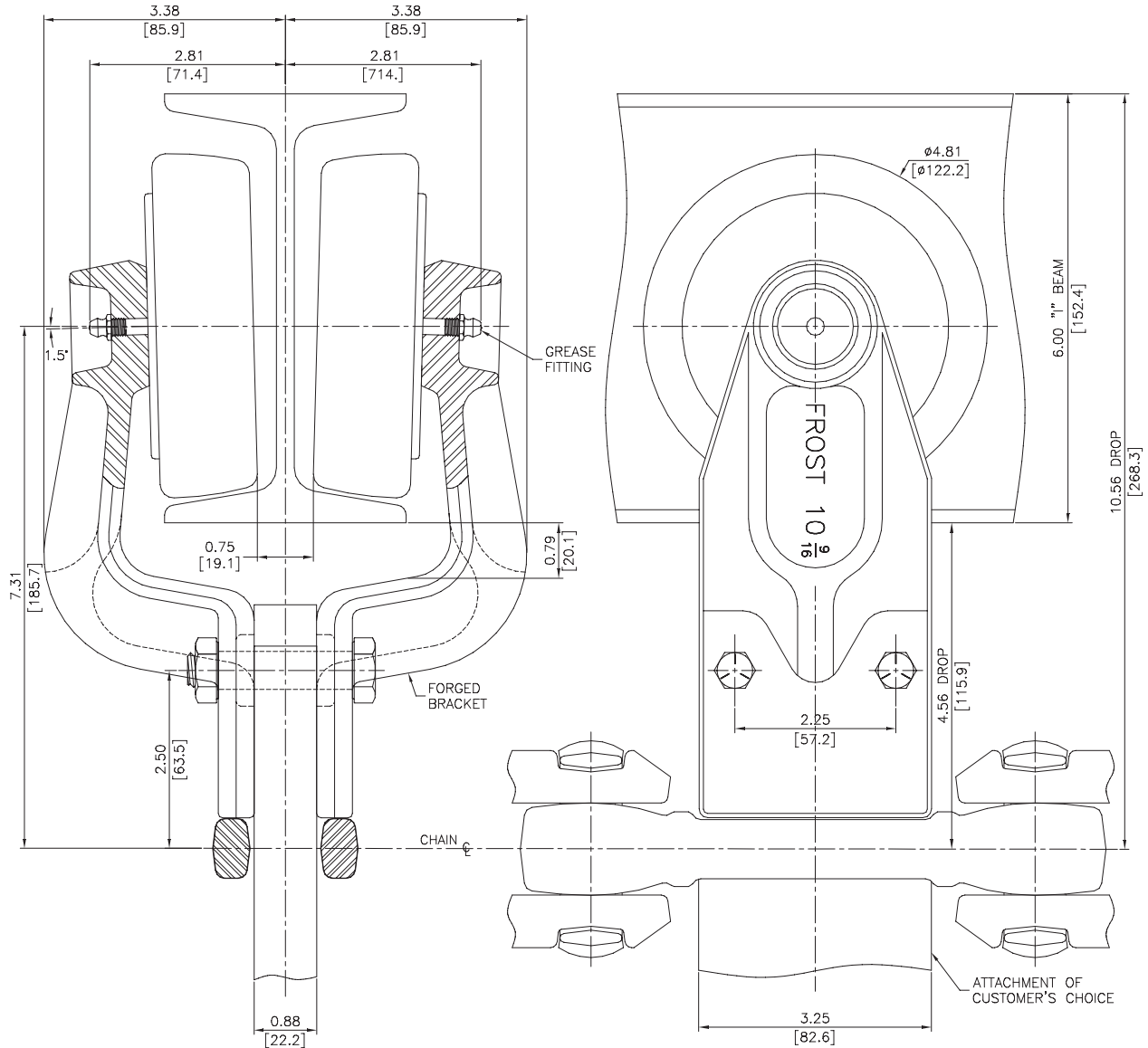
See Tech Data Section for seals and wheel styles.

NOTE: Please consult with Frost for requirements for trolley-halves not listed above. Frost manufactures many variations on an order by order basis. For example: Zinc plating, chrome balls, alloy steel races, special greases, extra clearance (i.e., special features).



# 6" I-BEAM — TROLLEY

## X678 Chain — Horizontal Hole — 10 9/16" (268.3) Drop



Part Number	Wheel Design	Shielding	Bracket Type	Attach. Holes	Wheel to Brkt. Connect.
9010062	Retainer	Splashproof®	Forged 10 9/16" Drop	Horizontal	Swaged
9260062	Retainer	Splashproof & Wiper - Nitrile	Forged 10 9/16" Drop	Horizontal	Swaged
9261062	Retainer	Splashproof/Wiper Seal Viton High Temp	Forged 10 9/16" Drop	Horizontal	Swaged
6460262	Full Ball Comp.	Open	Forged 10 9/16" Drop	Horizontal	Swaged
9480062	Full Ball Comp.	Splashproof	Forged 10 9/16" Drop	Horizontal	Swaged
6470262	Full Ball Comp.	Welsh Plug Only, No Shield	Forged 10 9/16" Drop	Horizontal	Swaged
6474262	Full Ball Comp.	Shield Only, No Welsh Plug	Forged 10 9/16" Drop	Horizontal	Swaged
9270062	Full Ball Comp.	Splashproof/Wiper - Nitrile	Forged 10 9/16" Drop	Horizontal	Swaged
9271062	Full Ball Comp.	Splashproof/Wiper Seal Viton High Temp	Forged 10 9/16" Drop	Horizontal	Swaged

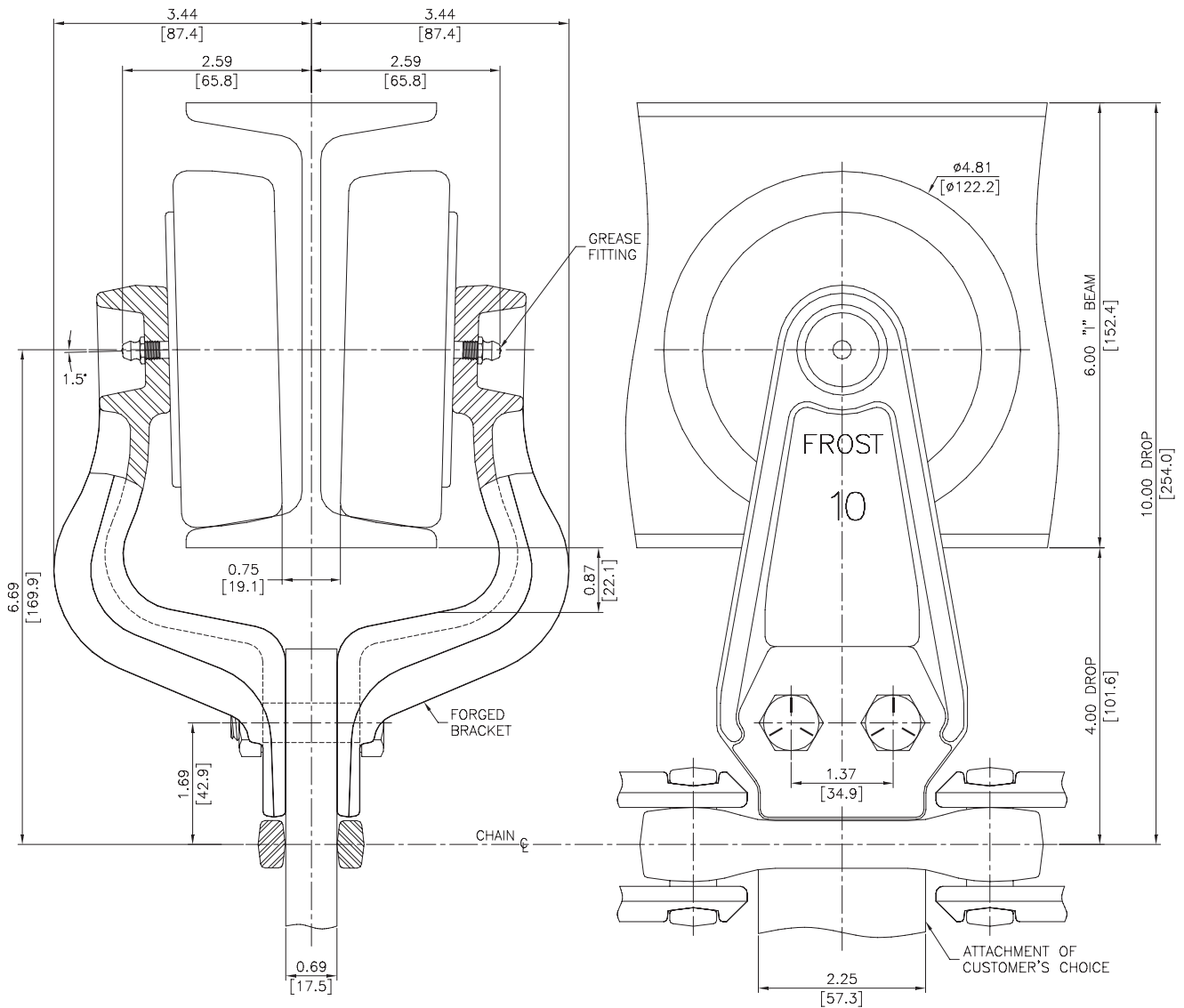
See Tech Data Section for seals and wheel styles.

NOTE: Please consult with Frost for requirements for trolley-halves not listed above. Frost manufactures many variations on an order by order basis. For example: Zinc plating, chrome balls, alloy steel races, special greases, extra clearance (i.e., special features).



# 6" I-BEAM — TROLLEY (6" OVER 4")

## X458 (6" Over 4") Chain — Horizontal Hole — 10" (254.0) Drop



Part Number	Wheel Design	Shielding	Bracket Type	Attach. Holes	Wheel to Brkt. Connect.
9010064	Retainer	Splashproof®	Forged 10" Drop	Horizontal	Swaged
9260064	Retainer	Splashproof & Wiper - Nitrile	Forged 10" Drop	Horizontal	Swaged
9261064	Retainer	Splashproof/Wiper Seal Viton High Temp	Forged 10" Drop	Horizontal	Swaged
6460264	Full Ball Comp.	Open	Forged 10" Drop	Horizontal	Swaged
9480064	Full Ball Comp.	Splashproof	Forged 10" Drop	Horizontal	Swaged
6470264	Full Ball Comp.	Welsh Plug Only, No Shield	Forged 10" Drop	Horizontal	Swaged
6474264	Full Ball Comp.	Shield Only, No Welsh Plug	Forged 10" Drop	Horizontal	Swaged
9270064	Full Ball Comp.	Splashproof/Wiper - Nitrile	Forged 10" Drop	Horizontal	Swaged
9271064	Full Ball Comp.	Splashproof/Wiper Seal Viton High Temp	Forged 10" Drop	Horizontal	Swaged

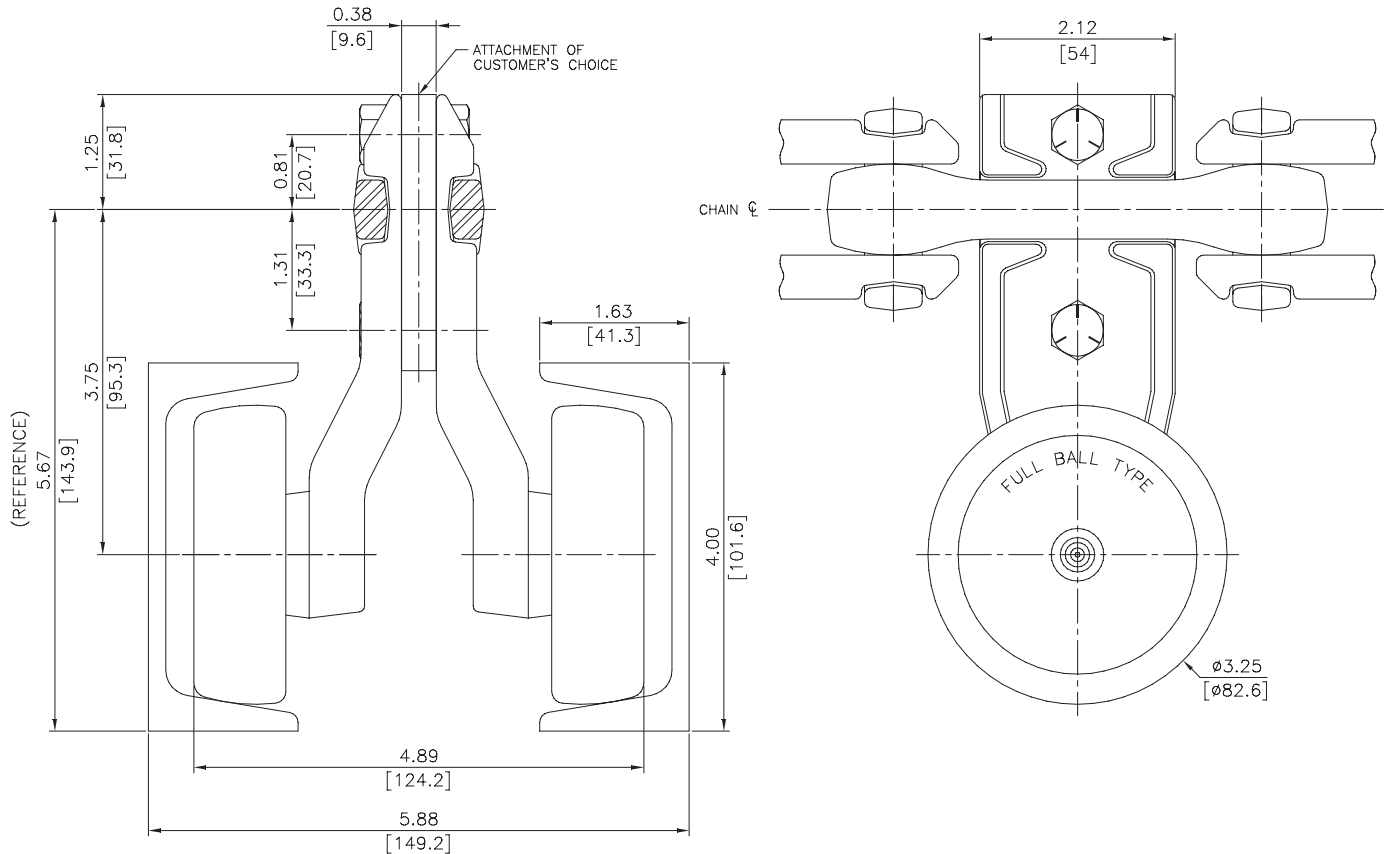
See Tech Data Section for seals and wheel styles.

NOTE: Please consult with Frost for requirements for trolley-halves not listed above. Frost manufactures many variations on an order by order basis. For example: Zinc plating, chrome balls, alloy steel races, special greases, extra clearance (i.e., special features).



# 4" CHANNEL INVERTED TROLLEY

## X458 Chain — Vertical Hole



Part Number	Wheel Design	Shielding	Bracket Type	Attach. Holes	Wheel to Brkt. Connect.
4025344	Full Ball Comp.	Open	Forged	Vertical	Swaged
4025144	Full Ball Comp.	Contact Lip Seal - Nitrile	Forged	Vertical	Swaged
4025244	Full Ball Comp.	Seal & Shield - No Welsh Plug	Forged	Vertical	Swaged

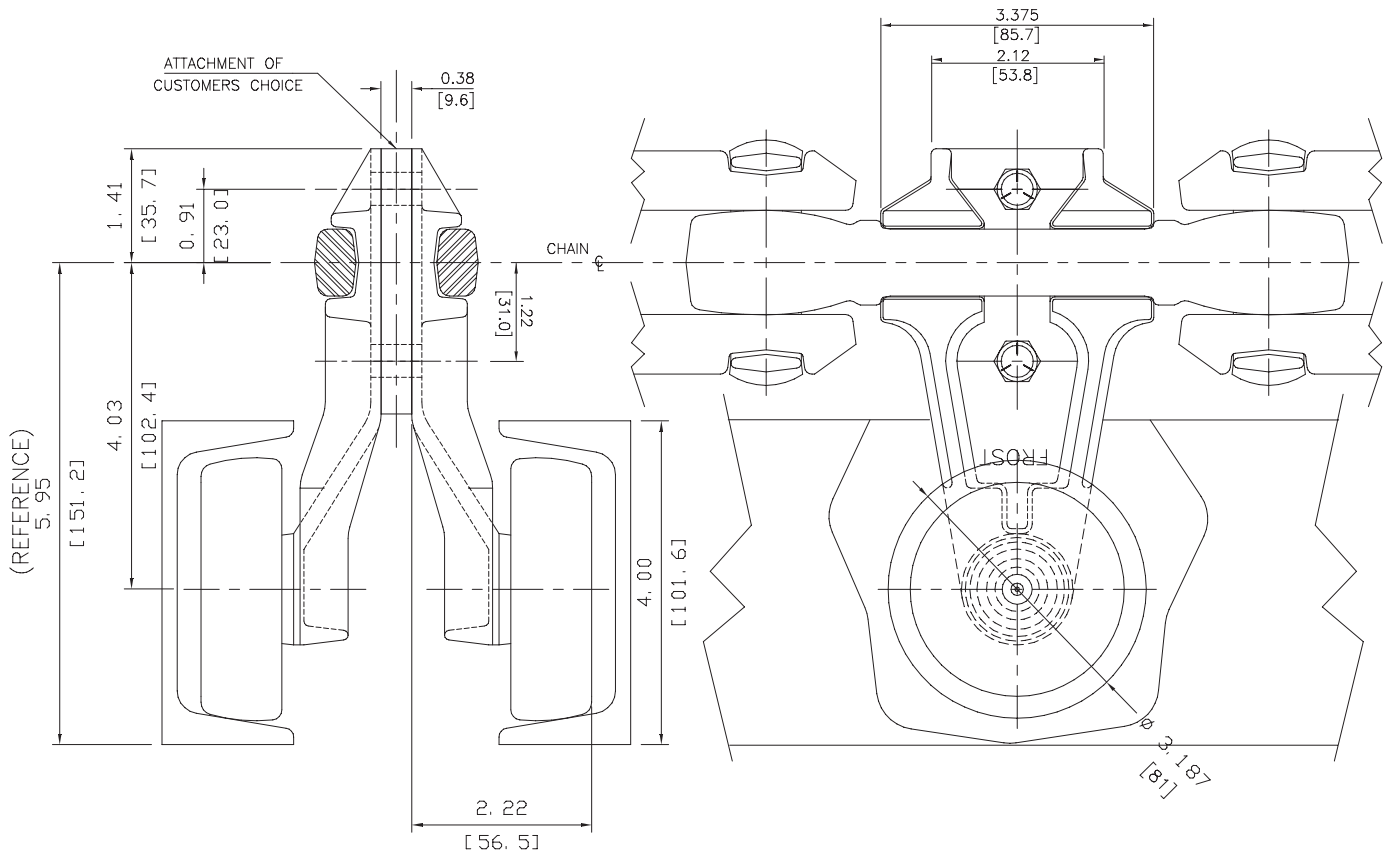
See Tech Data Section for seals and wheel styles.

NOTE: Please consult with Frost for requirements for trolley-halves not listed above. Frost manufactures many variations on an order by order basis. For example: Zinc plating, chrome balls, alloy steel races, special greases, extra clearance (i.e., special features).



# 4" CHANNEL INVERTED TROLLEY

## X678 Chain — Vertical Hole



Part Number	Wheel Design	Shielding	Bracket Type	Attach. Holes	Wheel to Brkt. Connect.
4020242	Full Ball Comp.	Open	Forged	Vertical	Swaged
4025142	Full Ball Comp.	Contact Lip Seal - Nitrile	Forged	Vertical	Swaged
4021042	Full Ball Comp.	Shield Only - No Welsh Plug	Forged	Vertical	Swaged

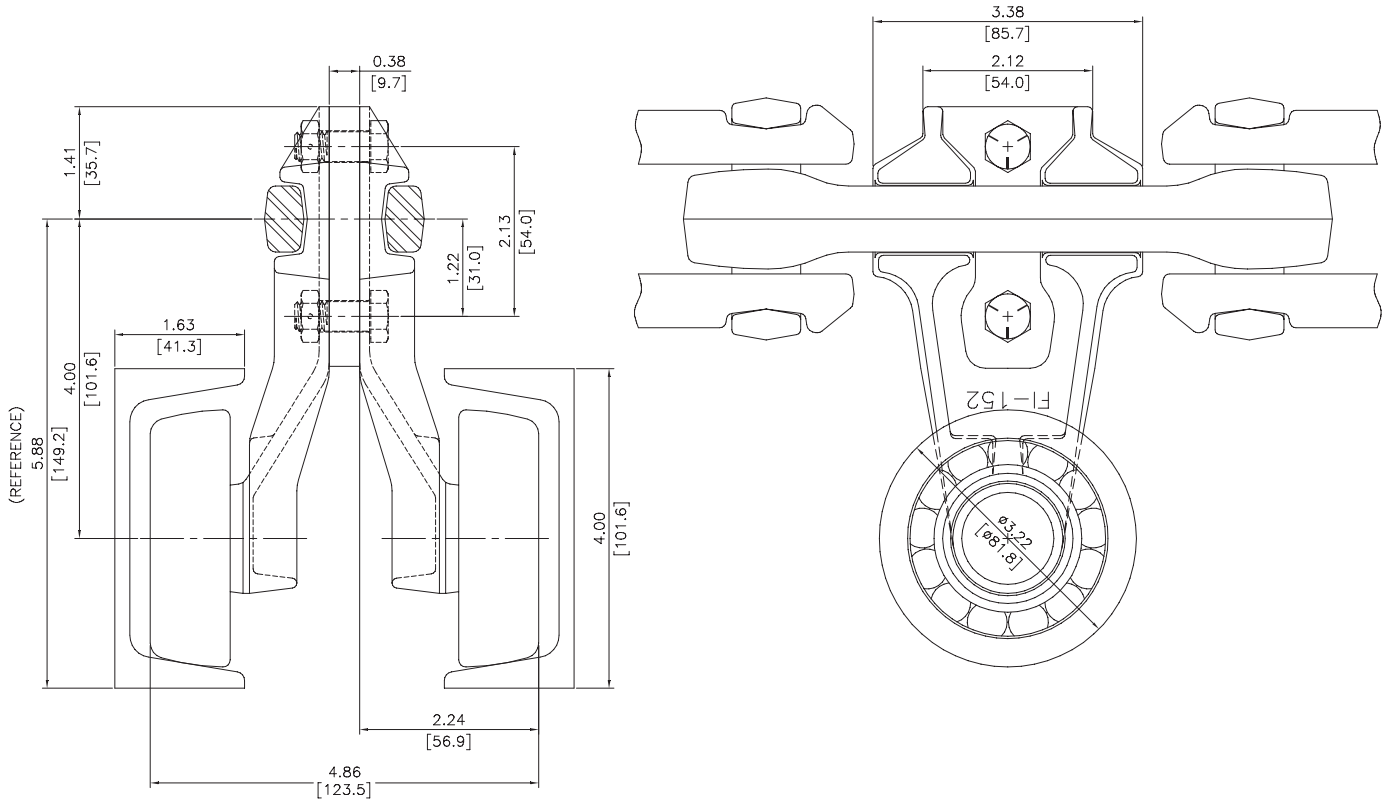
See Tech Data Section for seals and wheel styles.

NOTE: Please consult with Frost for requirements for trolley-halves not listed above. Frost manufactures many variations on an order by order basis. For example: Zinc plating, chrome balls, alloy steel races, special greases, extra clearance (i.e., special features).



# 4" CHANNEL INVERTED TROLLEY

## X678 Chain — Vertical Hole



Part Number	Wheel Design	Shielding	Bracket Type	Attach. Holes	Wheel to Brkt. Connect.
4050252	Full Ball Comp.	Open	Forged	Vertical	Swaged

See Tech Data Section for seals and wheel styles.

NOTE: Please consult with Frost for requirements for trolley-halves not listed above. Frost manufactures many variations on an order by order basis. For example: Zinc plating, chrome balls, alloy steel races, special greases, extra clearance (i.e., special features).

**Frost**® Incorporated

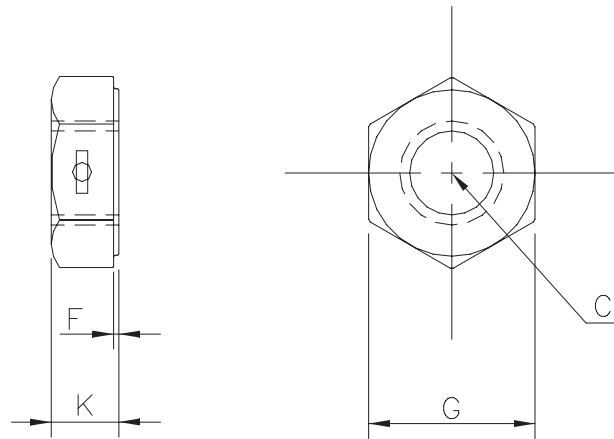
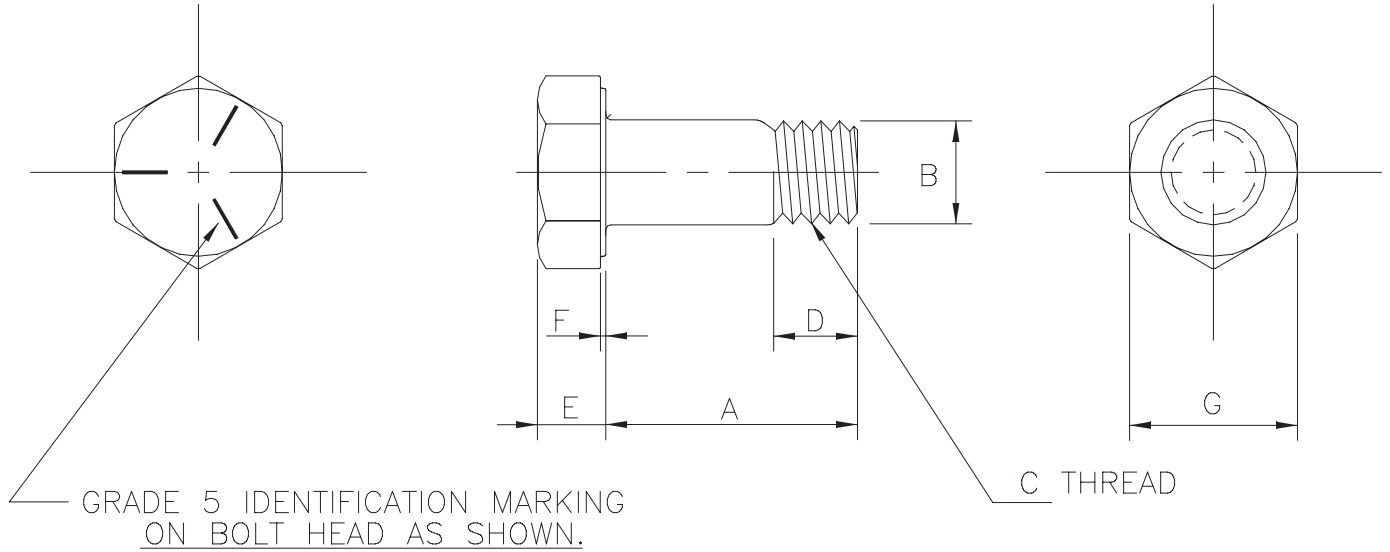
1.800.783.6633  
 ph. 616.453.7781  
 fax 616.453.2161  
[www.frostinc.com](http://www.frostinc.com)





# TROLLEY FASTENERS

## Grade 5 Bolt & Locknut Specifications

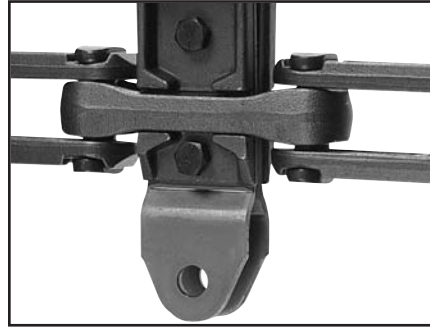
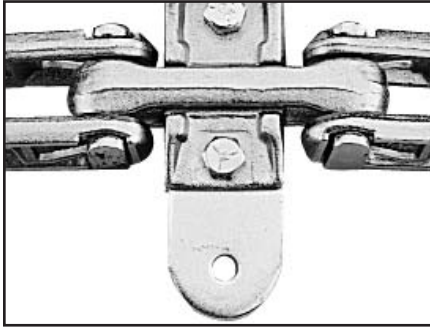


Dimensions Below Tabulated In Inches

Part Number	A	B	C	D	E	F	G	K	Type of Trolley Bracket
0031175	3/4"	5/16"	18 NC	1/4"	13/64"	1/64"	1/2"	3/16"	3" Forged and Stamped (Zinc)
0041115	1 1/2"	3/8"	16 NC	3/8"	15/64"	1/64"	9/16"	7/32"	4" Forged Horizontal
0041193	15/16"	3/8"	16 NC	5/16"	15/64"	1/64"	9/16"	7/32"	4" Forged Vertical
0061115	1 1/2"	1/2"	13 NC	1/2"	5/16"	1/64"	3/4"	5/16"	6" Forged Vertical 10" Drop
0061117	1 3/4"	1/2"	13 NC	1/2"	5/16"	1/64"	3/4"	5/16"	6" Forged 6" x 4" 10" Drop



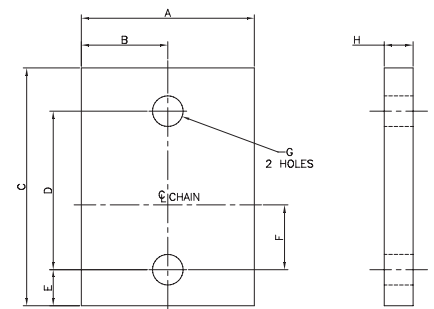
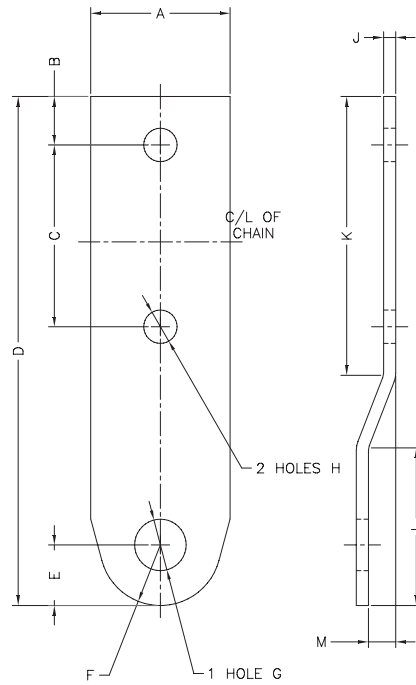
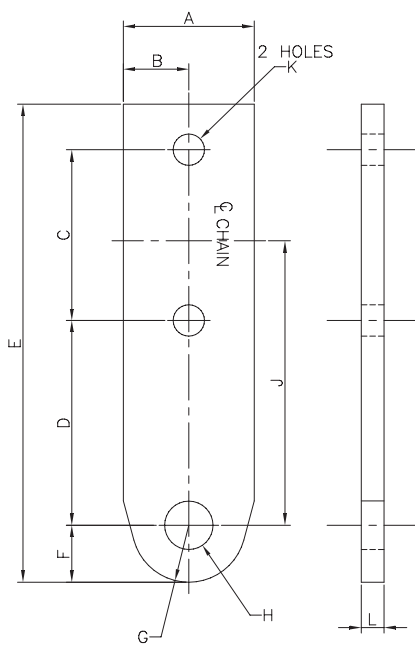
# TROLLEY ATTACHMENTS



**"C" Attachment**

**"H" Attachment**

**"I" Attachment**



Part Number	3"	3"	4"
A	1.44	1.44	1.75
B	.72	.72	.88
C	1.88	1.88	2.13
D	2.25	1.38	2.06
E	5.25	4.38	5.63
F	.63	.63	.75
G	R .63	R .63	R 1.63
H	.53	.53	.56
J	3.13	2.25	2.88
K	.34	.34	.41
L	.25	.25	.38

Part Number	3"	4"	6"
A	1.47	2.00	3.00
B	.50	.69	.75
C	1.88	2.13	2.75
D	5.25	5.63	7.00
E	.63	.75	1.00
F	R .63	R .75	C 1.00
G	.53	.53	.81
H	.34	.41	.53
J	.13	.18	.25
K	2.88	3.34	4.00
L	1.62	1.75	2.00
M	.28	.38	.41

Part Number	3"	4"	6"
A	1.38	1.88	3.00
B	.69	.94	1.50
C	2.75	3.00	4.13
D	1.88	2.12	2.75
E	.44	.44	.63
F	.88	.81	1.13
G	.34	.41	.53
H	.24	.38	.50

NOTE: Other attachment sizes and styles available. Please consult with Frost for your specific requirements.

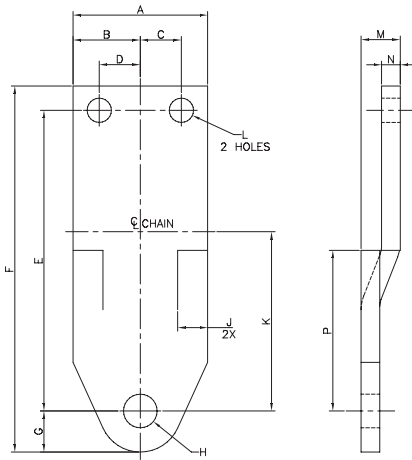
1.800.783.6633  
 ph. 616.453.7781  
 fax 616.453.2161  
[www.frostinc.com](http://www.frostinc.com)



# TROLLEY ATTACHMENTS

## Horizontal Hole

### "H" Attachment



4"

Part Number	A	B	C	D	E	F	G	H	J	K	L	M	N	P
0600038	2.25	1.13	.68	.68	5.03	6.13	.69	.56	.50	3.00	.41	.66	.31	2.69

6" (for "64" Bracket)

Part Number	A	B	C	D	E	F	G	H	J	K	L	M	N	P
0600065	2.25	1.13	.68	.68	4.57	6.13	.81	.81	.50	2.88	.53	.66	.31	2.56

## Vertical Hole

### "B" Attachment

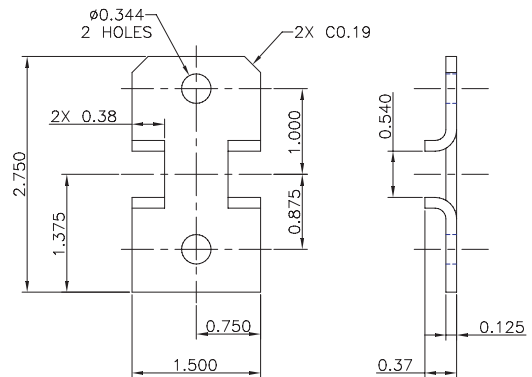
with Nut & Cotter Pin



Part Number	3"	4"	6"
0600236	0600246	0600263	

### "F" Attachment

Chain Clip



Part Number	3"
0600137	

NOTE: Other attachment sizes and styles available. Please consult with Frost for your specific requirements.

1.800.783.6633  
 ph. 616.453.7781  
 fax 616.453.2161  
[www.frostinc.com](http://www.frostinc.com)

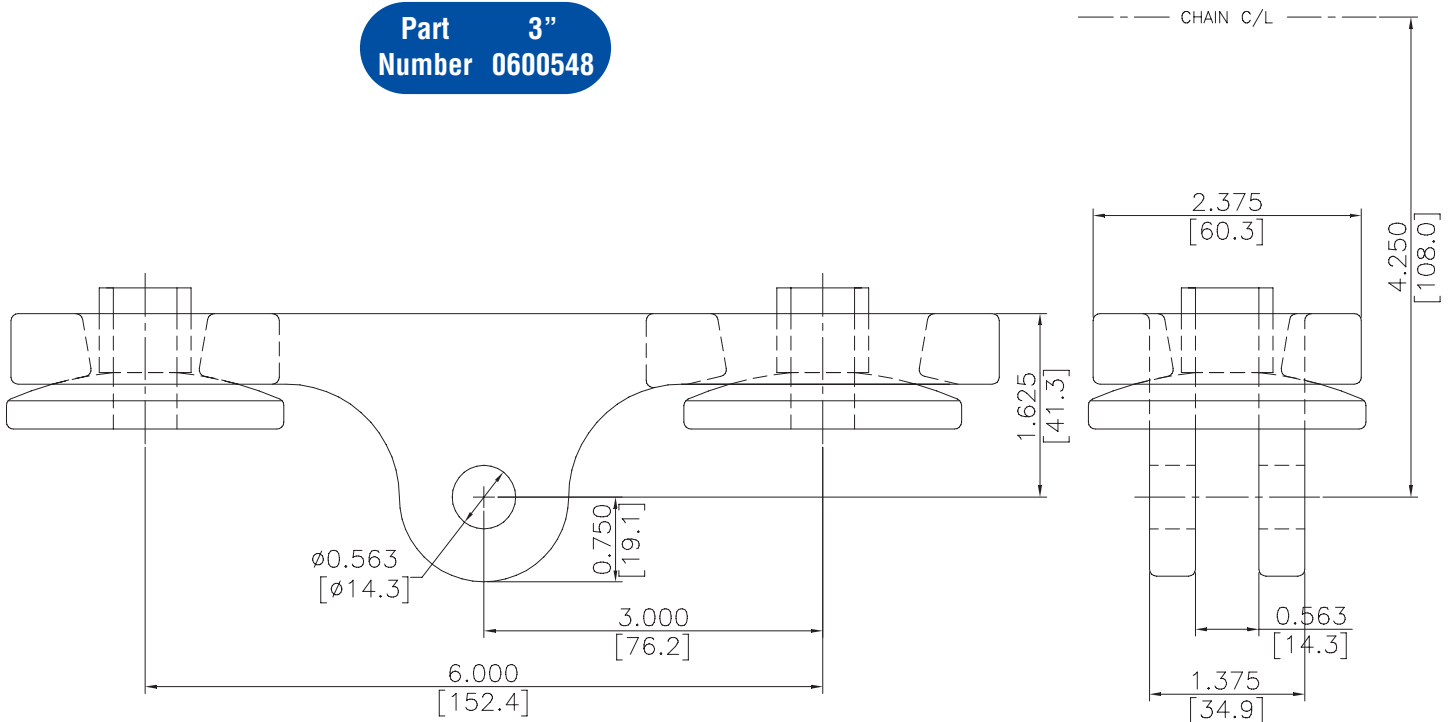


# TROLLEY ATTACHMENTS

## Load Bar Attachments with Tube Spacer and Spherical Washer



Part 3"  
Number 0600548

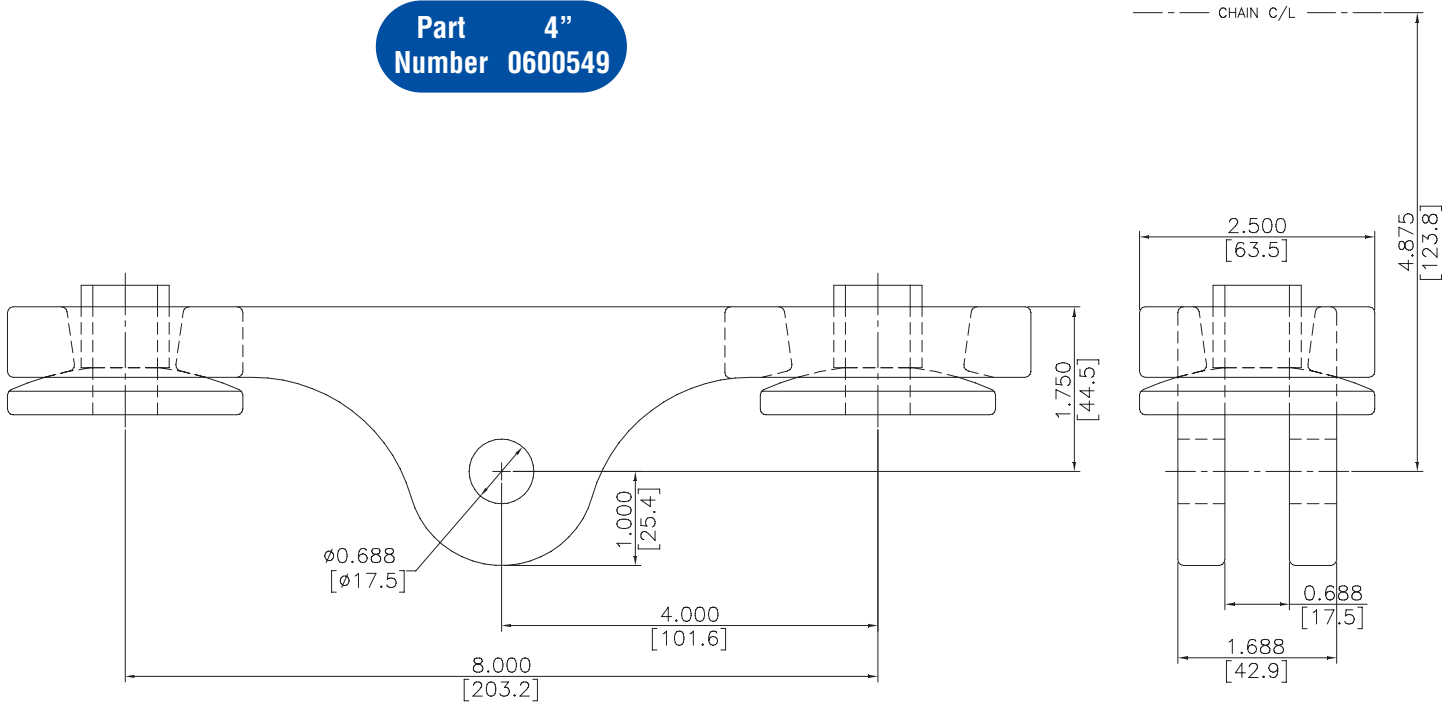




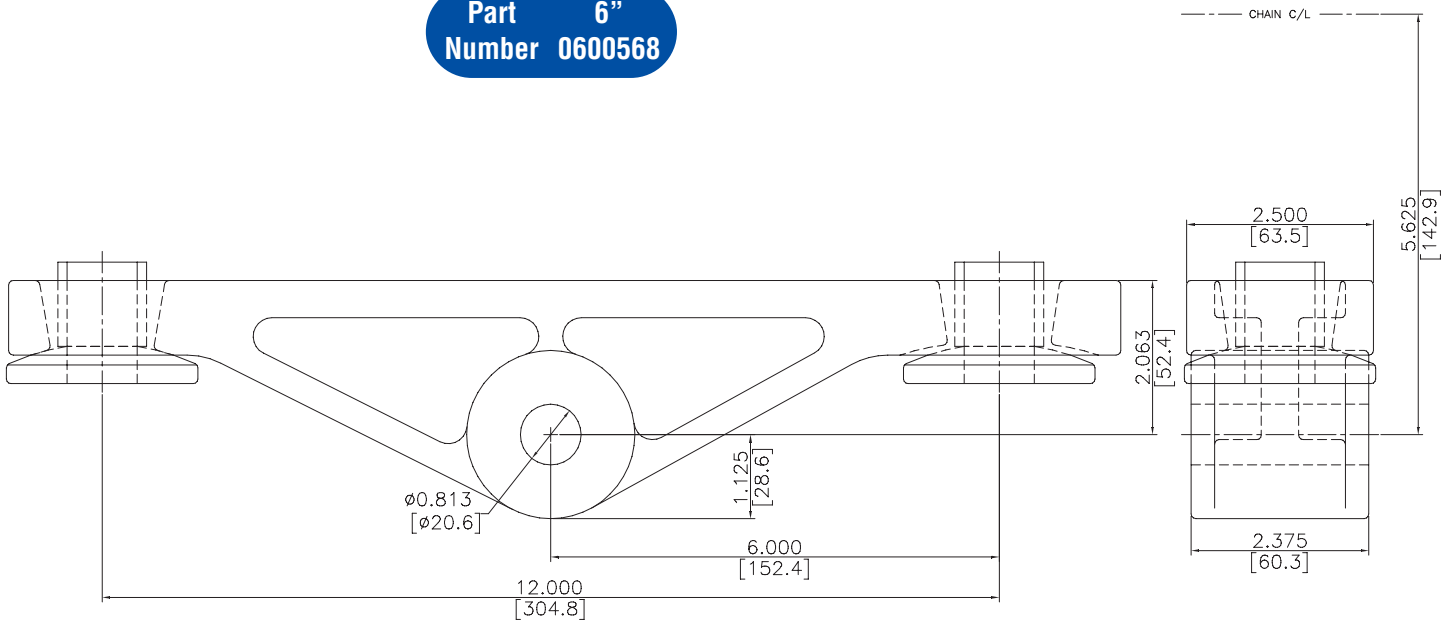
# TROLLEY ATTACHMENTS

## Load Bar Attachments with Tube Spacer and Spherical Washer

Part 4"  
Number 0600549



Part 6"  
Number 0600568





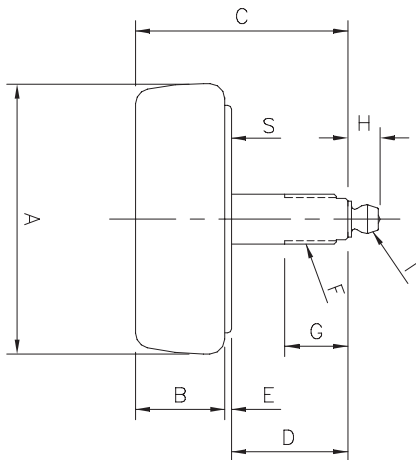
# 3" STEEL TROLLEY WHEELS

## Stud Type Wheels

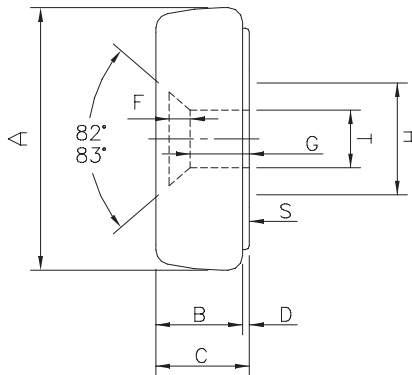
Part Number	Wheel Design	A	B	C	D	E	F	G	H	I	S
5700000	Retainer	2.34	.78	1.85	1.01	.06	7/16-20NF	.45	.375	3038B	Splashproof®
5710000	Retainer	2.34	.78	1.36	.52	.06	7/16-20NF	.45	.375	3038B	Splashproof
* 3280000	Retainer	2.31	.78	1.85	1.01	.13	7/16-20NF	.75	.375	1728B	Splashproof
* 3281000	Retainer	2.31	.78	1.85	1.01	.13	7/16-20NF	.75	.375	1728B	Contact Lip Seal
3500000	Retainer	2.34	.78	1.91	1.01	.13	7/16-20NF	.75	.375	1728B	Triple Labyrinth
3501000	Retainer	2.34	.78	1.91	1.01	.13	7/16-20NF	.75	0	NONE	Contact Lip Seal
* 3286000	Retainer	2.31	.78	2.315	1.50	.05	5/8-18NF	.75	.375	3038B	Triple Labyrinth
5702000	Retainer	2.34	.78	1.90	1.05	.06	1/2-20NF	.95	.375	3038B	Splashproof
5730000	Full Ball Comp.	2.34	.78	1.36	.52	.06	7/16-20NF	.45	.375	3038B	Splashproof
5740000	Full Ball Comp.	2.34	.78	1.85	1.01	.06	7/16-20NF	.45	.375	3038B	Splashproof

\* = Flat Tread

### Stud Type

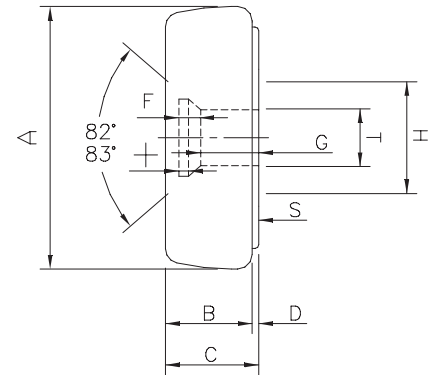


### Thru-Bore Retainer Type



### Thru-Bore FBC Type

C' Bore for 3/32" @ 0.66 before 82° inclusive angle starts



## Thru-Bore Type Wheels

Part Number	Wheel Design	A	B	C	D	F	G	H	S	T
* 3120000	Retainer	2.34	.78	.81	.04	.28	.40	1.00	Triple Labyrinth	.625
* 3210000	Retainer	2.34	.78	.81	.13	.26	.50	1.00	Triple Labyrinth	.500
* 3430000	Retainer	2.34	.78	.83	.05	.41	.30	1.00	Triple Labyrinth	.375
3431000	Retainer	2.34	.78	.83	.05	.41	.30	1.00	Triple Labyrinth	.375
5275000	Retainer	2.34	.78	.83	.05	.19	.51	1.00	Contact Lip Seal	.500
5245000	Retainer	2.34	.78	.83	.06	.19	.53	1.00	Splashproof	.500
5405000	Full Ball Comp.	2.34	.78	.78	.05	.19	.50	1.00	Open	.500
5450000	Full Ball Comp.	2.34	.78	.84	.06	.24	.54	1.00	Double Labyrinth	.500
* 5483000	Full Ball Comp.	2.34	.78	.88	.09	.17	.57	1.00	Triple Labyrinth	.625
5445000	Full Ball Comp.	2.34	.78	.83	.06	.19	.52	1.00	Splashproof	.500
5475000	Full Ball Comp.	2.34	.78	.81	.04	.19	.50	1.00	Contact Lip Seal	.500

\* = Relube Thru Welsh Plug

1.800.783.6633  
 ph. 616.453.7781  
 fax 616.453.2161  
[www.frostinc.com](http://www.frostinc.com)



# 4" STEEL TROLLEY WHEELS

## Stud Type Wheels

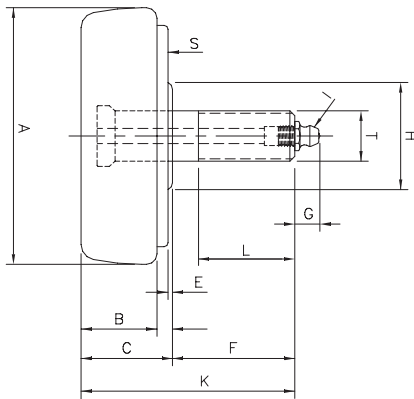
Part Number	Wheel Design	A	B	C	D	E	F	G	H	I	K	L	S	T
8400500	Retainer	3.19	.938	1.13	.19	.06	1.24	.375	1.34	3038B	2.45	.75	Splashproof®	5/8-18NF
8410500	Retainer	3.19	.938	1.13	.19	.06	1.24	.375	1.34	3038B	2.60	.62	Splashproof	1/2-20NF
1 8406000	Retainer	3.19	.938	1.13	.19	.06	1.63	.375	1.34	3038B	2.76	1.19	Splashproof	5/8-11NC
2 4280000	Retainer	3.25	1.06	1.22	.16	.09	1.50	.375	1.25	3038B	2.72	1.18	Triple Labyrinth	5/8-11NC
3 8410560	Retainer	3.19	.938	1.13	.19	.06	1.18	NONE	1.34	NONE	2.31	1.18	Splashproof	1/2-13NC
8405500	Retainer	3.19	.938	1.13	.19	.06	1.24	.375	1.34	3038B	2.45	.75	Splashproof w/Wiper	5/8-18NF
7190500	Full Ball Comp.	3.19	.938	1.13	.19	.06	1.24	.375	1.34	3038B	2.60	1.19	Splashproof	5/8-11NC
7191500	Full Ball Comp.	3.19	.938	1.13	.19	.06	1.24	.375	1.34	3038B	2.45	.62	Splashproof	1/2-20NF

1 = Replacement Wheel for 1/2, 3/4 and 1 Ton Hand Pushed Trolley

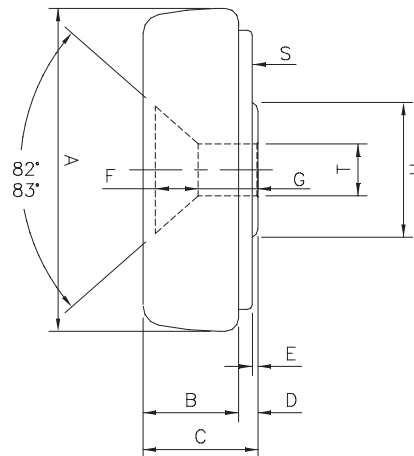
2 = Flat Tread

3 = Grease Fitting in Welsh Plug

### Stud Type



### Thru-Bore Type



## Thru-Bore Type Wheels

Part Number	Wheel Design	A	B	C	D	E	F	G	H	S	T
8220000	Retainer	3.19	.938	1.13	.19	.06	.18	.78	1.34	Splashproof	1.00
8400000	Retainer	3.19	.938	1.13	.19	.06	.42	.60	1.34	Splashproof	.625
8410000	Retainer	3.19	.938	1.13	.19	.06	.42	.60	1.34	Splashproof	.500
7245000	Retainer	3.19	.938	1.07	.13	0	.28	.67	1.34	Splashproof	.625
8401000	Retainer	3.19	.938	1.13	.19	0	.42	.60	1.34	Contact Lip Seal	.625
8230000	Full Ball Comp.	3.19	.938	1.13	.19	.06	.18	.84	1.34	Splashproof	1.00
8300000	Full Ball Comp.	3.19	.938	1.13	.19	.06	.275	.71	1.34	Splashproof	.625
7191000	Full Ball Comp.	3.19	.938	1.13	.19	.06	.275	.71	1.34	Splashproof	.500
* 4010000	Full Ball Comp.	3.25	1.00	1.16	.16	0	(see note)	1.60	1.60	Triple Labyrinth	1.00
* 4015000	Full Ball Comp.	3.25	1.00	1.16	.16	0	(see note)	1.60	1.60	Contact Lip Seal	1.00
7190000	Full Ball Comp.	3.19	.938	1.19	.25	.12	.30	.77	1.34	Splashproof	.625

\* = Special 1" bore, designed for swaging

1.800.783.6633  
 ph. 616.453.7781  
 fax 616.453.2161  
[www.frostinc.com](http://www.frostinc.com)

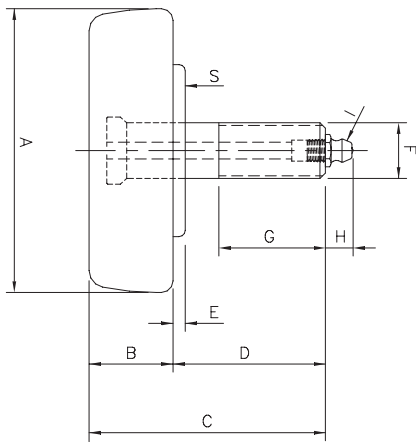


# 6" STEEL TROLLEY WHEELS

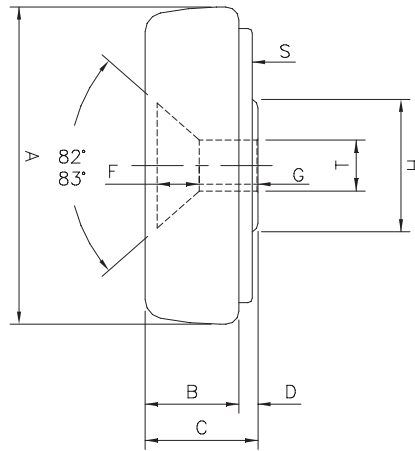
## Stud Type Wheels

Part Number	Wheel Design	A	B	C	D	E	F	G	H	I	S	U
6100500	Retainer	4.81	1.31	3.52	2.21	.110	3/4-16NF	1.375 min.	.375	3038-B	Triple Labyrinth	U2
9360500	Full Ball Comp.	4.81	1.36	3.38	2.02	.06	3/4-16NF	1.375 min.	.375	3038-B	Triple Labyrinth	U2
9367000	Full Ball Comp.	4.50	1.36	3.38	1.93	.09	3/4-16NF	1.375 min.		Relube Thru WP	Triple Labyrinth	U1
9367200	Full Ball Comp.	4.50	1.36	3.20	1.75	.09	3/4-16NF	1.375 min.		Relube Thru WP	Triple Labyrinth	U1

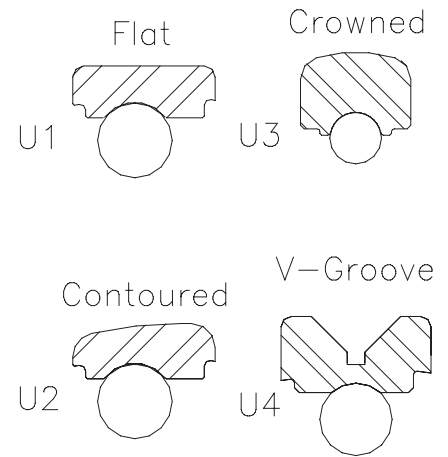
### Stud Type



### Thru-Bore Type



### Wheel Tread



## Thru-Bore Type Wheels

Part Number	Wheel Design	A	B	C	D	F	G	H	S	T	U
9010000	Retainer	4.81	1.31	1.44	.13	.34	.86	-	Splashproof®	1.00	U2
6100000	Retainer	4.81	1.31	1.43	.11	.49	1.20	1.88	Triple Labyrinth	.75	U2
0990300	Retainer	4.81	1.36	1.47	.11	.49	1.20	1.88	Triple Labyrinth	.75	U1
0990200	Retainer	4.81	1.36	1.47	.11	.49	1.20	1.88	Triple Labyrinth	.75	U4
1 0990330	Retainer	4.81	1.36	1.47	.11	.49	1.20	1.88	Triple Labyrinth	.75	U1
1 0990230	Retainer	4.81	1.36	1.47	.11	.49	1.20	1.88	Triple Labyrinth	.75	U4
9360000	Full Ball Comp.	4.81	1.36	1.42	.06	.35	.84	1.88	Triple Labyrinth	.75	U2
9480000	Full Ball Comp.	4.81	1.36	1.47	.11	.35	.90	-	Splashproof	1.00	U2
2 9605100	Full Ball Comp.	4.81	1.31	1.46	.15	.35	.90	-	Splashproof w/Wiper	1.00	U2
2 9604100	Full Ball Comp.	4.81	1.31	1.46	.15	.35	.90	-	Splashproof	1.00	U2
2 9604200	Full Ball Comp.	4.81	1.31	1.41	.10	.35	.85	1.88	Open	1.00	U2
2 9615300	Full Ball Comp.	4.94	1.36	1.48	.12	.35	.90	-	Splashproof	1.00	U2

1 = Relube Thru Welsh Plug

2 = Ship Channel

1.800.783.6633  
 ph. 616.453.7781  
 fax 616.453.2161  
[www.frostinc.com](http://www.frostinc.com)

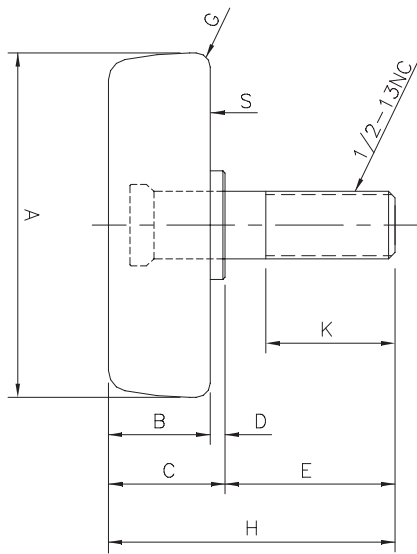
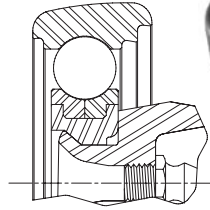




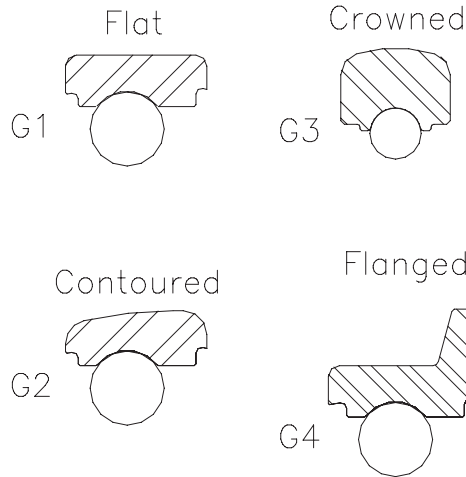
# HEAVY-DUTY WHEELS

## For Pushback Rack Systems

- ✓ Frost Wheels offer longer life under heavier loads.
- ✓ All close tolerance raceway parts are CNC machined and case hardened for maximum load-carrying capacity.
- ✓ Frost Split inner raceway, full ball complement design, with maximum size ball and close tolerance fit-up, allows easy rolling. Results = less slope required.



### Wheel Tread



Note: All flanged wheels listed have a flange O.D. of 2.93" and a flange thickness of .125". Other sizes available on request.

Part Number	A	B	C	D	E	F	G	H	K	S
3230000	2.31	.60	.83	.23	1.12	P	G3	1.96	1.07	Single Labyrinth
3240000	2.36	.78	1.45	.67	.88	P	G2	2.33	.81	Double Labyrinth
* 3240900	2.36	.78	1.45	.67	.88	Z	G2	2.33	.81	Double Labyrinth
3290700	2.31	.78	.89	.11	.93	Z	G1	1.82	.75	Double Labyrinth
3293000	2.31	.78	.89	.11	1.50	P	G1	2.39	.75	Double Labyrinth
5330000	2.31	.60	.92	.11	.92	P	G4	1.85	.75	Double Labyrinth
5335000	2.31	.72	1.04	.11	.92	P	G4	1.97	.75	Double Labyrinth
5490200	2.31	.78	.89	.11	1.25	P	G2	2.14	1.07	Double Labyrinth
* 5334900	2.31	.72	1.04	.11	1.24	Z	G4	2.29	1.07	Double Labyrinth

\* = Cooler/Freezer Wheel  
 P = Plain Steel      Z = Zinc Plated

All wheels shown incorporate a Grade #5 stud for shock loading. The Full Ball Complement wheel is radial loaded at 1200 lbs.

### Heavy-Duty Pushback System Wheels

We can custom design the O.D., hub extension, stud, length and shielding arrangements to fit your application.

Call for quotations, delivery and technical information.

**Frost**® Incorporated

1.800.783.6633  
 ph. 616.453.7781  
 fax 616.453.2161  
[www.frostinc.com](http://www.frostinc.com)

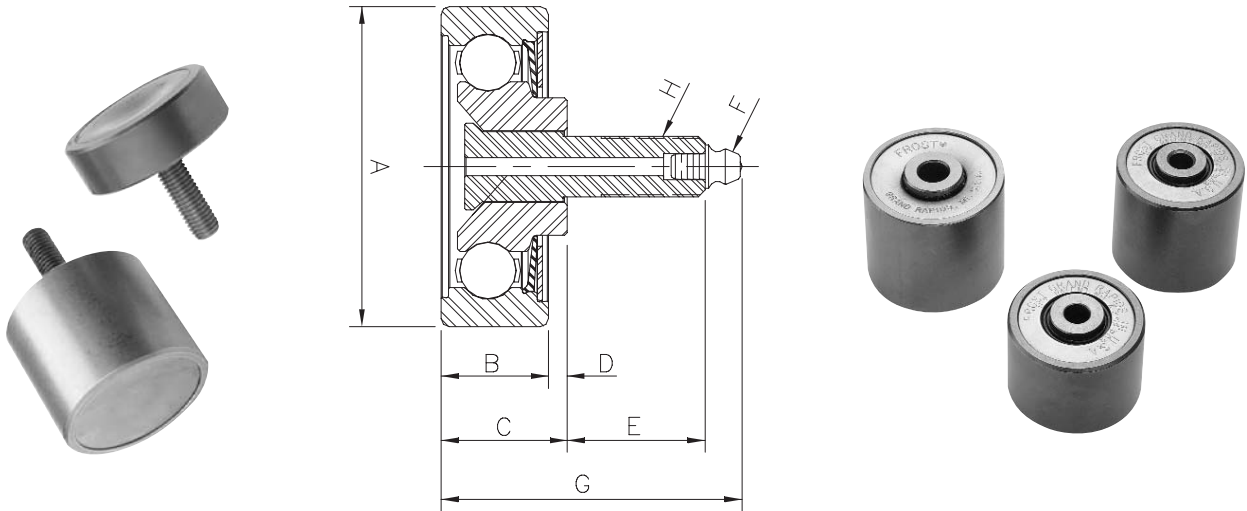


# STANDARD GUIDE ROLLERS

## Single Row and Double Row Stud Type

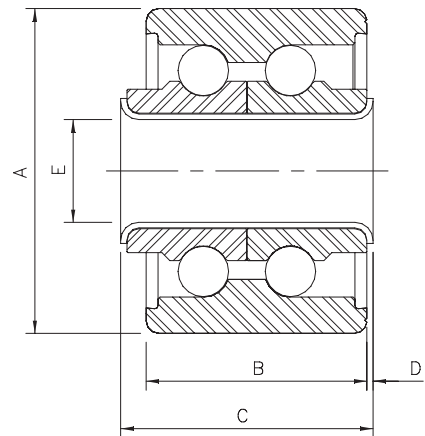
Part Number	A	B	C	D	E	F	G	H	Seal Configuration
3280000	2.31	.75	.91	.16	1.00	1728B	1.91	7/16-20NF	Splashproof®
3281000	2.31	.75	.91	.16	1.00	1728B	1.91	7/16-20NF	Sealed for Life
4290000	3.25	1.06	1.22	.16	1.87		3.09	5/8-11NC	Sealed for Life
4390000	3.25	2.75	2.90	.15	1.88		4.78	5/8-11NC	Sealed for Life w/Felt Only
4391000	3.25	2.75	2.90	.15	1.88		4.78	5/8-11NC	Sealed for Life w/Felt & Teflon
3292000	2.31	.78	.89	.11	1.00		1.82	1/2-13NC	Double Labyrinth
0219060	1.47	.75	1.00	.25	1.125		2.125	1/2-20NF	Single Shield - Both Sides
4680000	2.94	1.12	1.22	.10	1.78	1/8-NPTF	3.00	3/4-10NC	Nitrile Seal w/Welsh Plug
* 4390400	3.25	2.75	2.90	.15	1.85		4.72	5/8-11NC	SAE 841 Sintered Bronze Bearings
4230000	3.25	1.06	1.22	.16	1.87	3038B	2.72	1/2-13NC	Contact Lip Seal - Nitrile

\* = For high temperature



## Double Row Thru-Bore Style

Part Number	A	B	C	D	E	Seal Configuration
1 0425300	2.56	4.07	4.25	.09	.625	Sealed for Life
0215100	1.60	1.09	1.25	.13	.50	Shielded
2 0214800	2.50	1.00	1.06	.03	.50	Sealed Both Sides
3, 4, 5 0215140	1.60	1.09	1.19	.10	.50	Sealed One Side
3 0215150	1.60	1.09	1.25	.13	.50	Open
1, 3 0215160	1.60	1.09	1.25	.13	.50	Sealed Both Sides
3 0215220	1.50	.687	.87	.18	.50	Open
1 0215900	1.865	.750	.81	.03	.38	Sealed Both Sides
1 0218000	1.625	.875	1.00	.062	.50	Sealed Both Sides
0218010	1.625	.875	1.00	.062	.58	Open
5 0417330	1.90	1.01	1.125	.057	.50	Shielded
1 9800000	3.00	1.25	1.31	.03	.50	Sealed for Life
5 0215300	3.125	1.50	1.69	.09	.75	Shielded

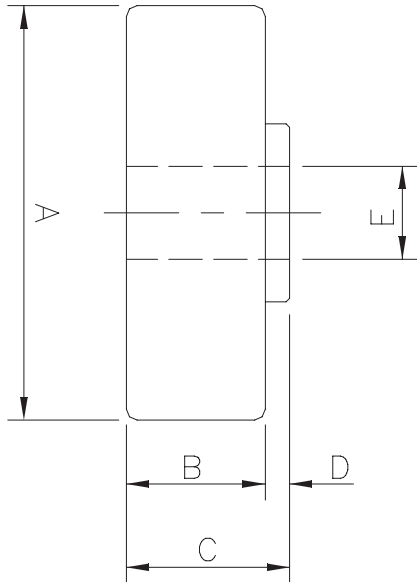


- 1 = Contact Seal
- 2 = Nylon Seal
- 3 = Hub extensions not symmetrical (some flush or offset)
- 4 = Shielded Opposite end
- 5 = Relube Thru-Bore

NOTE: Also see Wheels for Push-Back Rack Systems



# STANDARD GUIDE ROLLERS



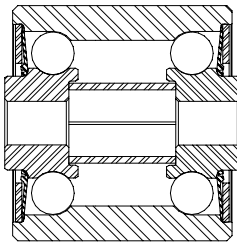
## Single Row Thru-Bore Style

Part Number	A	B	C	D	E	Seal Configuration
2124100	3.25	1.06	1.31	.13	.50	Shielded Both Sides
2124110	3.25	1.06	1.31	.13	.50	Sealed Both Sides Contact Lip Seal
4285000	3.25	1.06	1.22	.16	.625	Sealed Both Sides Triple Labyrinth/Welsh Plug Loose
4660000	2.94	1.12	1.20	.08	1.00	Sealed Both Sides Contact Lip/Welsh Plug Loose
4670000	2.94	1.12	1.20	.08	1.00	Sealed Both Sides Triple Labyrinth/Welsh Plug Loose
4675000	3.93	1.12	1.42	.30	1.00	Sealed Both Sides Wiper Lip/Welsh Plug Loose
4675100	3.93	1.12	1.36	.30	1.00	Open Both Sides
4772200	2.94	1.12	1.37	.25	3/4-16NF	Sealed Both Sides Felt w/Welsh Plug Loose



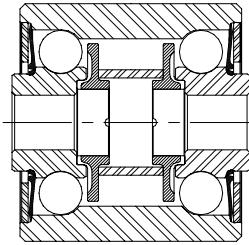
# ROLLER TURN ROLLERS

## Chain Rollers for All Types of Applications



**Style 1**

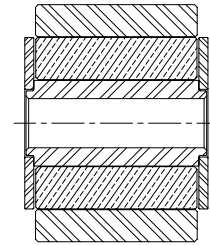
Low cost, standard roller with fully contoured inner raceways. Nitrile contact seal (300°F capable) is also purgeable, so unit can be used as sealed-for-life or for relube applications.



**Style 2**

Same basic construction of Style 1, with added features of patented\* grease retaining rings and grease injection system (assures uniform lube distribution to both upper and lower raceways).

\* Patent No. 4,408,808



**Style 3**

Our journal type bearing is specially designed for high heat applications and oven operations. Heat capacity up to 800°F/427°C continuous operation.

### Standard 3, 4 and 6 Inch Roller Dimensions

Style 1 Part Number	Style 2 Part Number	Outer Diameter	Bore Diameter	Outer Race Length	Overall Length	Extension	Extension Diameter	Load (lbs) Rating	Bearing Style
0300100	0430000	2.75 (69.9)	.50 (12.7)	1.69 (42.9)	1.87 (47.5)	.09 (2.3)	1.14 (29.0)	2,400	Standard Full Ball
0304800		2.75 (69.9)	.63 (16.0)	1.94 (49.3)	2.13 (54.1)	.09 (2.3)	1.14 (29.0)	2,400	Standard Full Ball
0305100	0431000	2.75 (69.9)	.50 (12.7)	1.94 (49.3)	2.13 (54.1)	.09 (2.3)	1.14 (29.0)	2,400	Standard Full Ball
0305700	0432000	2.75 (69.9)	.56 (14.2)	1.94 (49.3)	2.13 (54.1)	.09 (2.3)	1.14 (29.0)	2,400	Standard Full Ball
0405100	0441000	2.75 (69.9)	.50 (12.7)	2.56 (65.0)	2.75 (69.9)	.09 (2.3)	1.14 (29.0)	2,400	Standard Full Ball
0405700	0442000	2.75 (69.9)	.56 (14.2)	2.56 (65.0)	2.75 (69.9)	.09 (2.3)	1.14 (29.0)	2,400	Standard Full Ball
0407200	0443000	2.75 (69.9)	.63 (16.0)	2.56 (65.0)	2.75 (69.9)	.09 (2.3)	1.14 (29.0)	2,400	Standard Full Ball
0414600	0463100	3.00 (76.2)	.63 (16.0)	2.56 (65.0)	2.75 (69.9)	.09 (2.3)	1.14 (29.0)	2,400	Standard Full Ball
0407000		2.75 (69.9)	.75 (19.1)	2.56 (65.0)	2.75 (69.9)	.09 (2.3)	1.14 (29.0)	2,400	Standard Full Ball

Note: Heat capacity to 250°F (121°C) intermittent with Frost standard grease for Styles 1 and 2.

### Special Heavy-Duty Rollers

Part Number	Outer Diameter	Bore Diameter	Outer Race Length	Overall Length	Extension	Extension Diameter	Load (lbs) Rating	Bearing Style
0404620	3.00 (76.2)	.50 (12.7)	2.63 (66.8)	2.75 (69.9)	.06 (1.5)	1.25 (31.8)	3,200	5/8" Diameter Ball
** 0404600	3.00 (76.2)	.63 (16.0)	2.63 (66.8)	2.75 (69.9)	.06 (1.5)	1.25 (31.8)	3,200	5/8" Diameter Ball
0404650	3.00 (76.2)	.75 (19.1)	2.63 (66.8)	2.75 (69.9)	.06 (1.5)	1.25 (31.8)	3,200	5/8" Diameter Ball
0404660	3.00 (76.2)	.69 (17.5)	2.63 (66.8)	2.75 (69.9)	.06 (1.5)	1.25 (31.8)	3,200	5/8" Diameter Ball
0404900	3.00 (76.2)	.63 (16.0)	2.63 (66.8)	2.75 (69.9)	.06 (1.5)	1.25 (31.8)	3,200	5/8" Diameter Ball "FTT" Seal

\*\* 0463100 is alternate.

### Style 3 High Temperature Rollers

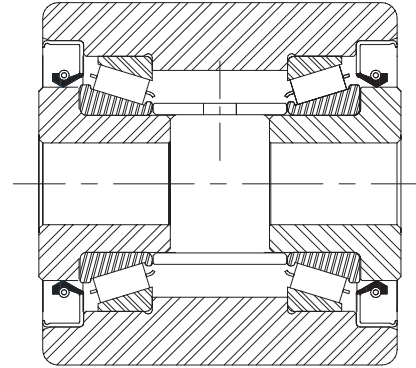
Part Number	Outer Diameter	Bore Diameter	Outer Race Length	Overall Length	Extension	Extension Diameter	Load (lbs) Rating	Bearing Style
0412000	2.75 (69.9)	.57 (14.5)	1.88 (47.8)	2.13 (54.1)	.25 (6.4)	1.00 (25.4)	2,200	High-Temp. Journal
0412500	2.75 (69.9)	.51 (13.0)	1.88 (47.8)	2.13 (54.1)	.13 (3.3)	1.00 (25.4)	2,200	High-Temp. Journal
0413000	2.75 (69.9)	.57 (14.5)	2.50 (63.5)	2.75 (69.9)	.13 (3.3)	1.00 (25.4)	2,200	High-Temp. Journal
0413500	2.75 (69.9)	.51 (13.0)	2.50 (63.5)	2.75 (69.9)	.13 (3.3)	1.00 (25.4)	2,200	High-Temp. Journal
0413520	2.75 (69.9)	.63 (16.0)	2.50 (63.5)	2.75 (69.9)	.13 (3.3)	1.00 (25.4)	2,200	High-Temp. Journal

Consult Frost for additional bore size, seal/shield and relube information. Load ratings are based on 5,000 hours B-10 life at 33 1/3 RPM. This load is based on conditions of moderate shock, proper lubrication, maintenance, and normal temperature conditions (250°F (121°C) and less).

1.800.783.6633  
 ph. 616.453.7781  
 fax 616.453.2161  
[www.frostinc.com](http://www.frostinc.com)



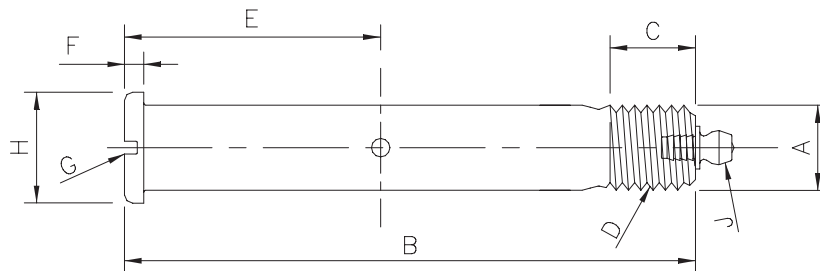
# HEAVY-DUTY ROLLER TURN ROLLERS & BOLTS



## Heavy-Duty Roller Turn Rollers

Precision type, tapered roller bearings are designed to withstand heavy loads, shock and thrust. Maximum load carrying capacity of all roller designs is 5,000 lbs. @ 33 1/3RPM for 5,000 B-10 hours. Heat capacity to 250°F (121°C).

Part Number	Outer Diameter	Bore Diameter	Outer Race Length	Overall Length	Hub Extension	Extension Diameter	Load (lbs) Rating	Bearing Style
0404000	2.81 (71.4)	.63 (16.0)	2.75 (69.9)	2.81 (71.4)	.03 (0.8)	1.50 (38.1)	Consult Factory	Heavy-Duty
0404010	2.81 (71.4)	.51 (12.9)	2.72 (69.1)	2.82 (71.6)	.05 (1.3)	1.50 (38.1)	Consult Factory	Heavy-Duty
0404020	2.81 (71.4)	.58 (14.7)	2.72 (69.1)	2.82 (71.6)	.05 (1.3)	1.50 (38.1)	Consult Factory	Heavy-Duty
0404050	2.81 (71.4)	.75 (19.1)	2.75 (69.9)	2.81 (71.4)	.03 (0.8)	1.50 (38.1)	Consult Factory	Heavy-Duty
0404100	3.00 (76.2)	.63 (16.0)	2.72 (69.1)	2.82 (71.6)	.05 (1.3)	1.50 (38.1)	Consult Factory	Heavy-Duty
0404200	2.81 (71.4)	.63 (16.0)	2.69 (68.3)	2.75 (69.9)	.03 (0.8)	1.50 (38.1)	Consult Factory	Heavy-Duty



## Roller Turn Bolts

### 3-Inch Roller Bolt

Standard Bolt Number	A	B	C	D	E	F	G	H	J
0300708	.500	3.500	.625	1/2-13NC	1.540	.140	3/32 x 3/32	.687	3038-B

### 4 & 6 Inch Roller Bolt

Standard Bolt Number	A	B	C	D	E	F	G	H	J
0400308	.500	4.156	.625	1/2-13NC	1.875	.140	3/32 x 3/32	.690	3038-B
0401261	.562	4.125	.625	9/16-12NC	1.815	.125	NA	.812 Hex	3038-B
0425505	.625	4.250	.625	5/8-11NC	1.875	.160	3/32 x 3/32	.860	3038-B
* 0425310	.625	6.422	1.000	5/8-11NC	NA	.422	NA	.938 Hex	NA

\* Non-reusable type bolt.  
Consult Frost for different grease fitting configurations.

1.800.783.6633  
ph. 616.453.7781  
fax 616.453.2161  
www.frostinc.com



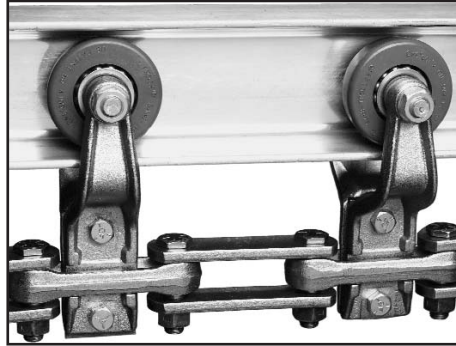
# TROLLEYS FOR FOOD PROCESSING

Frost can help you make the right choice of trolley for your food processing application.

## Specifications

### Frost Sani-Trolley®

### Frost Standard Steel Wheel Food Processing Trolley



#### Wheel Design

Available for standard 3" I-Beam.

Available for standard 3", 4" and 6" I-Beam.

Design - Double row, free rolling full-ball complement bearing design with stainless steel inner raceways and balls and stainless steel outer raceway inserts for increased load capacity and bearing life.

Both retainer type and full ball complement style wheels (see tech data section).

Plastic wheels eliminate rail flaking, wear problems and noise.

#### Contamination

Plastic wheel and ball bearing wheel construction is designed to resist corrosion in normal environments of food processing, resist attack from cleaning solutions, and have easy access for lubrication and cleaning.

Frost meat processing trolley wheels are available in plated steel. High levels of dry or liquid contamination can be tolerated by using Frost Splashproof® seals.

#### Lubrication

Wheels are designed to operate with minimum of required lubrication.

Wheels are factory sealed with U.S.D.A. approved lubricant to your specification.

Daily spray cleaning with high pressure water and application of U.S.D.A. approved light oil will greatly increase bearing life.

#### Load Factor

Allowable trolley loads and chain pulls for multi-plane conveyors utilizing Frost plastic-tired Sani-Trolley is 150 lbs. per trolley pair.

(see tech data section)

#### Heat Capacity

May be used from 40°F to 200°F in continuous operation.

Recommended for heat applications up to 325°F. (Full-ball trolley is recommended for applications up to 500°F.)

#### Common Applications

Heavy-duty poultry processing, kill, picking and eviscerating lines.

Heavy-duty poultry processing, kill lines and picking lines.

General transportation.

Typically for use on the power portion of a power and free conveyor or special meat hanging supports for direct conveyance.

Smoke house operations.

**Note:** Not recommended for "limber-dip" or "ride-a-track" systems.



# 3" SANI-TROLLEY & THERMOPLASTIC WHEELS

## Heavy-Duty Sani-Trolley®

### Technical Features

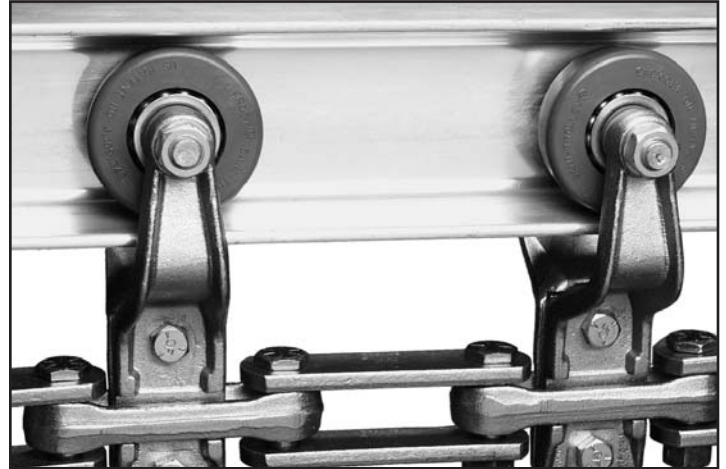
**Ball Bearing:** Double row, free rolling, full ball complement bearing design with stainless steel bearing raceways increases load capacity and bearing life.

**Corrosion Resistant:** Plastic and stainless steel construction minimizes corrosion problems. The Heavy-Duty Sani-Trolley also resists attack from cleaning solutions.

**Low-Friction:** The bearing design offers reduced wheel drag due to friction. This lowers conveyor chain or cable tension, increases bearing life, reduces conveyor drive horsepower requirements, and lowers start up torque.

**Replacement Wheel:** The wheels are easily removed from the bracket for replacement purposes.

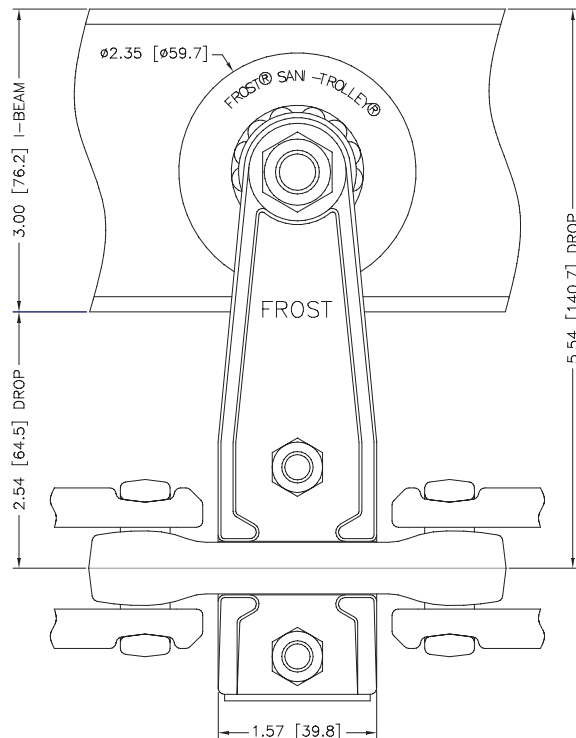
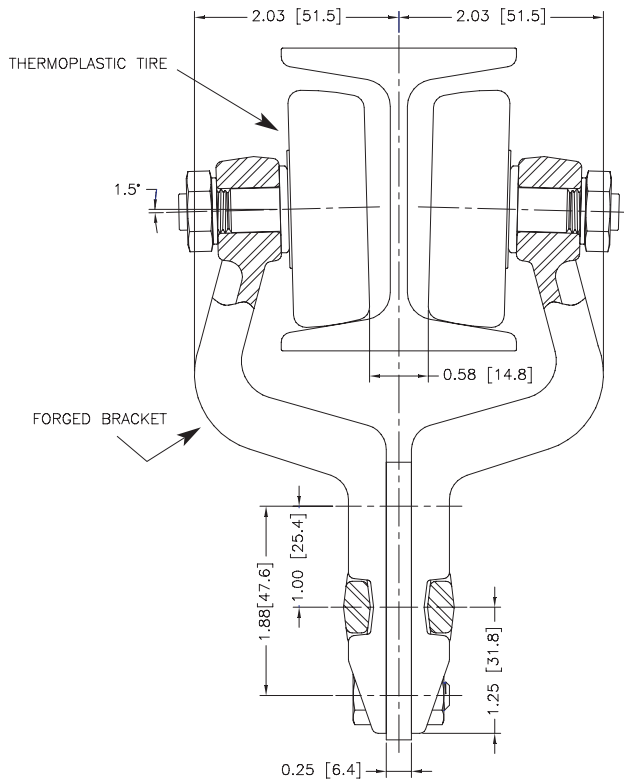
**Plastic Tire:** The plastic tire eliminates rail flaking, wear problems and noise.



**Easy Cleaning:** The Heavy-Duty Sani-Trolley has easy access for cleaning.

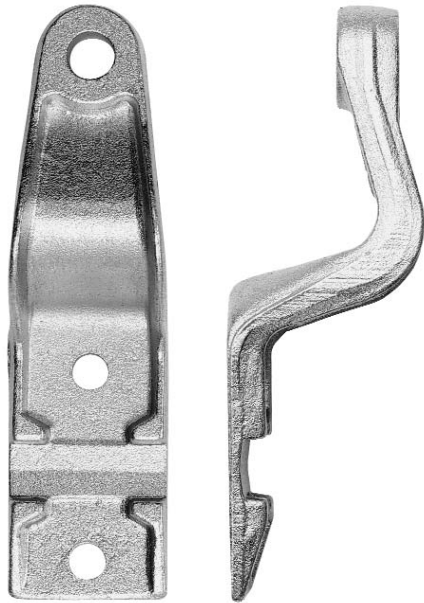
**No Grease Required:** The Heavy-Duty Sani-Trolley is designed to operate with a minimum of required lubrication. Daily spray cleaning with high pressure water and application of U.S.D.A. approved light oil will greatly increase the bearing life.

## Forged Zinc Plated Bracket Assembly



## Frost Sani-Trolley® Brackets

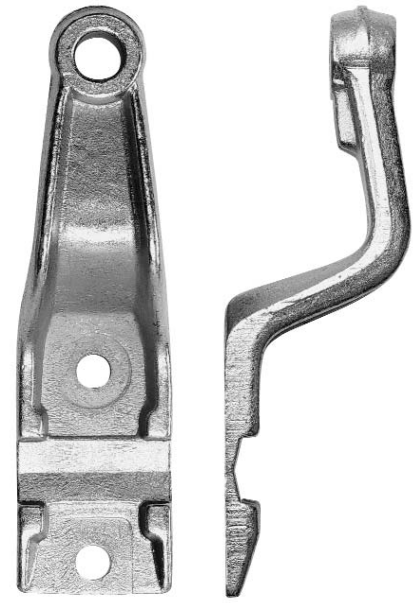
### Heavy-Duty Forged Bracket



#### The Heavy-Duty Bracket Features:

- ✓ Wider goose neck of bracket for more strength
- ✓ Tightened chain slot with longer finger guides
- ✓ Thicker axle hole for more strength and support
- ✓ Longer side flange provides additional strength

### Standard Forged Bracket



Formed (stamped) Bracket also available

## Frost Standard 3" Sani-Trolleys

### I-Beam Track Contour

5877731 (Gray)	Heavy-Duty Sani-Trolley Wheel with <b>STAMPED</b> Raceways Bolted to a Zinc (silver) Plated <b>FORGED</b> Heavy-Duty Bracket, <u>Zinc Plated Steel Stud</u>	5879331 (Gray)	Heavy-Duty Sani-Trolley Wheel with <b>STAMPED</b> Raceways Bolted to a Yellow Dichromate (gold) Plated Heavy-Duty <b>FORGED</b> Bracket, <u>Zinc Plated Steel Stud</u>
5878731 (Gray)	Heavy-Duty Sani-Trolley Wheel with <b>STAMPED</b> Raceways Bolted to a Zinc (silver) Plated Standard <b>FORGED</b> Bracket, <u>Zinc Plated Steel Stud</u>	5878931 (Gray)	Heavy-Duty Sani-Trolley Wheel with <b>STAMPED</b> Raceways Bolted to a Yellow Dichromate (gold) Plated Standard <b>FORGED</b> Bracket, <u>Zinc Plated Steel Stud</u>
5898754 (Gray)	Heavy-Duty Sani-Trolley Wheel with <b>STAMPED</b> Raceways Bolted to a Zinc (silver) Plated <b>STAMPED</b> Bracket, <u>Zinc Plated Steel Stud</u>	5898954 (Gray)	Heavy-Duty Sani-Trolley Wheel with <b>STAMPED</b> Raceways Bolted to a Yellow Dichromate (gold) Plated <b>STAMPED</b> Bracket, <u>Zinc Plated Steel Stud</u>

## 3" Thermo Plastic Trolley Wheels with Studs

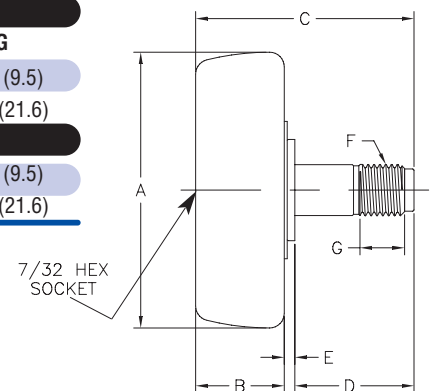
### 3" Thermo Plastic Trolley Wheels with Studs (millimeters)

Part Number	A	B	C	D	E	F	G
5898000	2.34 (59.4)	.75 (19.0)	1.31 (33.3)	.50 (12.7)	.06 (1.6)	7/16-20NF	.375 (9.5)
5878000	2.34 (59.4)	.75 (19.0)	1.81 (46.0)	1.00 (25.4)	.06 (1.6)	7/16-20NF	.850 (21.6)

### 3" Thermo Plastic Trolley Wheels Available with Stainless Steel Studs (millimeters)

5890000	2.34 (59.4)	.75 (19.0)	1.31 (33.3)	.50 (12.7)	.06 (1.6)	7/16-20NF	.375 (9.5)
5870000	2.34 (59.4)	.75 (19.0)	1.81 (46.0)	1.00 (25.4)	.06 (1.6)	7/16-20NF	.850 (21.6)

Note: Supplied with nut & lockwasher



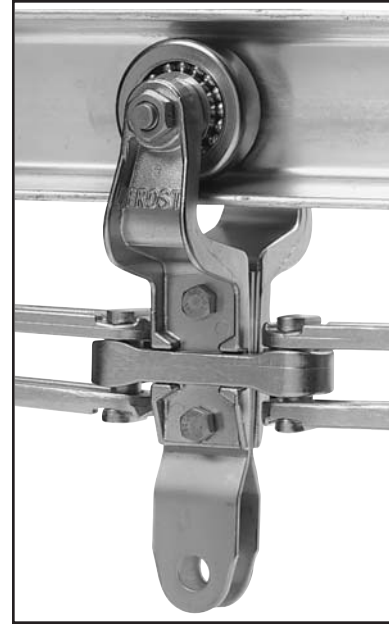
1.800.783.6633  
ph. 616.453.7781  
fax 616.453.2161  
[www.frostinc.com](http://www.frostinc.com)





## FEATURING: The *Strongest* Bracket in the Industry

- ✓ Excellent Corrosion and Chemical Resistance
- ✓ Long Trolley Life in Difficult Conditions
- ✓ Proven Frost Quality
- ✓ Reliable Performance
- ✓ USDA Approved Materials
- ✓ Stainless Steel Balls and Bearing Surfaces



### WHICH PRODUCT SUITS YOUR NEEDS?

**GENERATION II** --Premium Performance - corrosion resistant hardened alloy raceways with hardened balls on a strong stainless steel bracket. This configuration has the highest load rating and wear life we have seen in an all-stainless corrosion resistant trolley.

**INDUSTRY STANDARD** -- 300 series stainless steel racewayswith *longer lasting* hardened balls on a strong stainless steel bracket.

#### Stainless Steel Half-Trolleys - With All Stainless Steel Components

Part Number	I-Beam	Style
5862631	3 Inch	Corrosion resistant <b>hardened</b> alloy raceways with high strenght alloy bracket
5864631	3 Inch	Corrosion resistant 300 series raceways with high strength alloy bracket

#### Accessories

Part Number	I-Beam	Item	Style
0607031	3 Inch	"H" Attachment	Stainless Steel 300 Series
0606132	3 Inch	"I" Attachment	Stainless Steel 300 Series
0606335	3 Inch	"C" Attachment	Stainless Steel 300 Series
0131175	3 Inch	Assembly of Trolleys to Chain	Assembly with attachments
0031675	3 Inch	Bolt & Locknut Sets	Stainless Steel -- 18-8





- ✓ Excellent Corrosion and Chemical Resistance
- ✓ Longer Trolley Life in Difficult Conditions
  - ✓ Field Proven
- ✓ Never Needs Lubrication
- ✓ USDA Approved Materials
- ✓ More Bearing Surface for Longer Life/Higher Load Rating



- ✓ Stainless Steel Bearing Surfaces
- ✓ Low Co-efficient of friction compared to other journal bearings
  - ✓ Eliminates Product Contamination
- ✓ Very Quiet Operation
- ✓ Proven Frost Quality

## Blue Poly Half-Trolleys\* - With All Stainless Steel Bearing Surfaces

Part Number	I-Beam	Bracket Style and Finish
5810731	3 Inch	Forged, zinc (silver) plated
5810931	3 Inch	Forged, zinc (gold) plated
5817331	3 Inch	Forged, heavy duty, zinc (silver) plated
5819331	3 Inch	Forged, heavy duty, zinc (gold) plated
7984783	4 Inch	Stamped, zinc (silver) plated, 7-3/16" drop
7984780	4 Inch	Stamped, zinc (silver) plated, 8" drop
7984793	4 Inch	Forged, zinc (silver) plated, 7-3/16" drop
7984993	4 Inch	Forged, zinc (gold) plated, 7-3/16" drop
7984995	4 Inch	Forged 4x6, zinc (gold) plated, 7-7/16" drop
6981760	6 Inch	Forged, zinc (silver) plated, 10" drop
6981960	6 Inch	Forged, zinc (gold) plated, 10" drop
6983964	6 Inch	Forged 6x4, zinc (gold) plated, 10" drop

\*Stainless steel brackets and hardware, as well as other configurations, also available

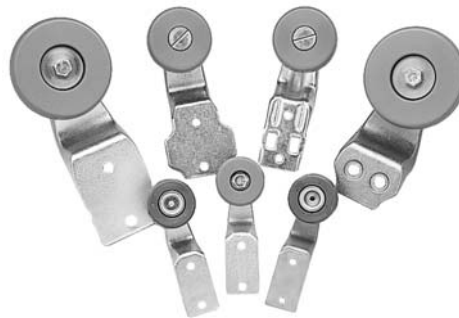
### AVAILABLE WITH:

**High Performance Polymer Materials** for high temperature, high load, or high wear conditions

**All Stainless Steel** hardware and brackets/frames/side arms

**Assembled** to chain with attachments

**Specialized Coatings** for increased corrosion protection





# CONVEYOR ROLL BEARINGS

For Medium and Heavy-Duty Applications



## Frost Standard Bearings Available for Roll Sizes Ranging From 1.9" to 4" O.D.

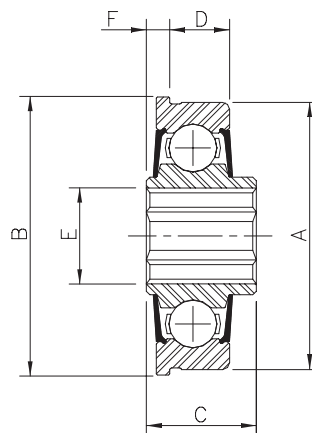
- ✓ Longer bearing life.
- ✓ Lower noise levels.
- ✓ Fully sealed.
- ✓ Greater load carrying ability.
- ✓ Engineered for today's higher speeds.

### Specifications

Part Number	A Tread	B Flange Dia.	C Thru- Bore	D Tread Dia. Length	E Hex Bore Size	F Hub Extension	Basic B-10 Load Rating**	Retainer	Standard Shield/Seal Configuration
0959900	1.502 1.498	1.62	.68	.46	7/16"	.22	667 lbs.	Nylon Retainer	Single Nylon Seal Both Sides
0988700	1.623 1.627	1.75	.68	.46	7/16"	.15	667 Lbs.	Nylon	Single Nylon Seal Both Sides
0973600	2.269 2.267	2.37	.94	.51	11/16"	.20	1,605 lbs.	Steel Retainer	Single Nylon Seal Both SideS
0973200	2.298 2.302	2.37	.79	.51	11/16"	.20	1,605 lbs.	Steel Retainer	Single Nylon Seal Both Sides
0983100	2.269 2.267	2.37	.94	.67	11/16"	.20	1,675 lbs.	Steel Retainer	Nylon Contact Seals Both Sides
* 0983110	2.269 2.267	2.37	.94	.67	11/16"	.20	1,675 lbs.	Steel Retainer	Nylon Contact Seals Both Sides
0983200	2.269 2.267	2.37	.94	.67	11/16"	.20	1,675 lbs.	Steel Retainer	Shield Only Both Sides
* 2126360	3.074 3.073	No Flange	1.47	1.09	1-1/16"	.38	2,978 lbs.	Steel Retainer	Sealed Both Sides
2126390	3.796 3.792	3.93	1.47	.91	1-1/16"	.56	2,978 lbs.	Steel Retainer	Sealed Both Sides
2126530	2.4415 2.4395	2.656	.766	.566	1-1/16"	.20	2,168 lbs.	Nylon	Buna-N (Nitrile Rubber) Both Sides

\* Relubrication provisions provided thru inner race.

\*\* Based on 500 hours and 33 1/3 RPM.





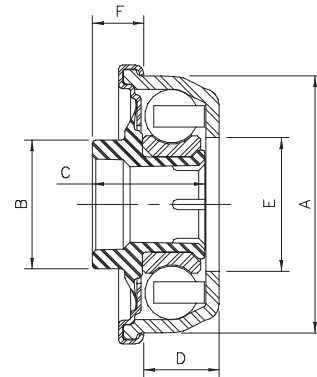
# CONVEYOR ROLL BEARINGS

## For Light and Medium Duty Applications



### Frost Conveyor Roll Bearings

- ✓ Low cost.
- ✓ Low noise level.
- ✓ High speed capability.
- ✓ Static conductivity



### Specifications

Part Number	A Tread	B Flange Dia.	C Thru- Bore	D Tread Dia. Length	E Hex Bore Size	F Hub Extension	Basic B-10 Load Rating	Bearing Style	C.E.M.A. Load Rating	Seal Configuration
0999100	1.502 1.498	1.63	.656	.44	7/16"	.30	995 lbs.	Nylon Retainer	122 lbs.	Sealed
* 0999160	1.785	1.90	.656	.40	7/16"	.35	995 lbs.	Nylon Retainer	122 lbs.	Sealed

\* For straight press fit into 1.9" dia. x 16 ga. tube.

### *We Are the Bearing Specialists!*

We are a major supplier of bearings to the materials handling industry.

From our original, broad base of experience we have moved forward to the future with the newest concepts in design innovation and fully automated manufacturing facilities which have increased our capacity to supply an even wider variety of bearings for automation machinery, roller conveyors, positioning devices and special applications.

Let us become your key resource for:

- ✓ Design Innovation
- ✓ Design Flexibility
- ✓ Production Capability
- ✓ Statistically Controlled Quality
- ✓ Competitive Pricing

To ensure longer life of your conveyor system, your Frost Component Specialist can assist you in:

- ✓ Proper Bearing Selection
- ✓ Proper Bearing Lubrication
- ✓ Maintenance Procedures

1.800.783.6633  
 ph. 616.453.7781  
 fax 616.453.2161  
[www.frostinc.com](http://www.frostinc.com)



## 3" & 4" FLAT TOP WHEELS

### Basic Features of the Frost Flat-Top Wheels



The Frost Flat-Top Wheel is available in two basic designs as featured on the following page. One incorporates a double row full ball complement with Splashproof seals and internal wipers. The other utilizes a double row nylon retainer with seven 13/32" diameter chrome steel balls (each row) and spring loaded contact seals each side.

#### Advantages of the Frost Flat Top Wheel are:

##### Sealed for Life Retainer Type

- ✓ Each of the two rows of bearings contain seven 13/32" diameter chrome balls, separated by a nylon retainer.
- ✓ Designed for transportation lines with a minimum amount of maintenance required, yet still heavy-duty to withstand the rigors of flat-top chain.
- ✓ Features a spring loaded contact-lip seal, designed to keep lubricant in place and contaminants from entering the ball race.
- ✓ Sealed for life, no relubrication required. Factory lubricated.

##### Relubable Full Ball Complement

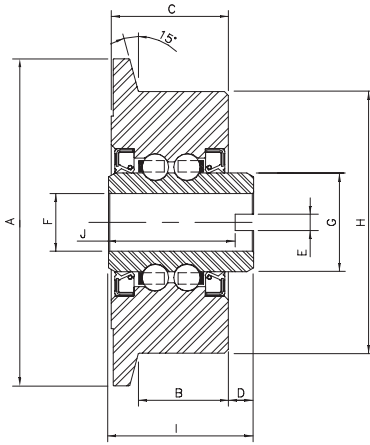
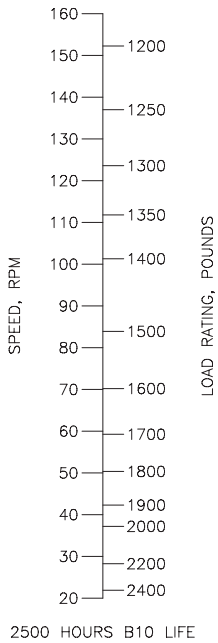
- ✓ Each of the two rows of bearings contain 13-7/16" diameter chrome balls for increased load capacity, bearing operating life and better capability to operate in contaminated environments.
- ✓ Double row ball bearing design is capable of withstanding heavy thrust loads in either direction as well as heavy moment loading.
- ✓ The ball bearing design has a much greater grease capacity for longer bearing life.
- ✓ Frost Splashproof® Seals with an internal wiper lip seal prevent liquid and dry contaminant from penetrating the bearing cavity. Purgeable and relubable.

Note: Flat Top Wheels are also available with UHMW tires for wet applications.

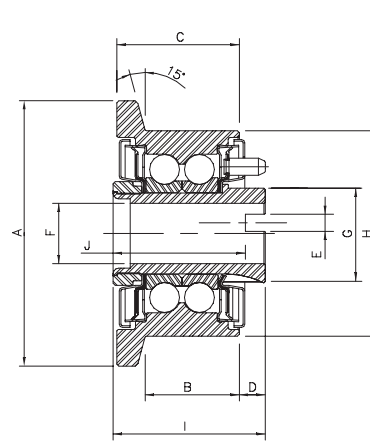


# 3" & 4" FLAT TOP WHEELS

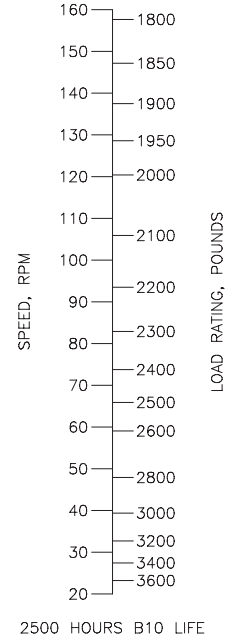
Retainer Type ← Load Rating Scales → Full Ball Complement



**Sealed For Life**  
Retainer Type  
(shown with centered keyway)



**Relubable**  
Full Ball Complement  
(shown with offset keyway)



## 3 Inch

Part Number	A	B	C	D	E	F	G	H	I	J	Seal	Wheel Design
9510000	3.875 (98.4)	1.375 (34.93)	1.79 (45.5)	0.36 (9.14)	0.25 (6.35)	.880 (22.35)	1.499 (38.075)	3.00 (76.20)	2.22 (56.39)	1.937 (49.20)	Life	Retainer
9520000	3.875 (98.4)	1.375 (34.93)	1.79 (45.5)	0.36 (9.14)	0.25 (6.35)	1.01 (25.65)	1.499 (38.075)	3.00 (76.20)	2.22 (56.39)	1.937 (49.20)	Life	Retainer
* 9710000	3.875 (98.4)	1.375 (34.93)	1.79 (45.5)	0.36 (9.14)	0.25 (6.35)	.880 (22.35)	1.38 (35.05)	3.00 (76.20)	2.22 (56.39)	1.937 (49.20)	Relube	Full Ball
9760000	3.875 (98.4)	1.375 (34.93)	1.79 (45.5)	0.36 (9.14)	0.25 (6.35)	1.01 (25.65)	1.38 (35.05)	3.00 (76.20)	2.22 (56.39)	1.937 (49.20)	Relube	Full Ball
9535000	3.875 (98.4)	1.375 (34.931)	1.79 (45.5)	.50 (12.70)	0.25 (6.35)	1.01 (25.65)	1.499 (38.075)	3.00 (76.20)	2.37 (60.20)	1.86 (47.24)	Life	Retainer
* 9525000	3.875 (98.4)	1.375 (34.93)	1.79 (45.5)	0.36 (9.14)	0.25 (6.35)	1.01 (25.65)	1.499 (38.075)	3.00 (76.20)	2.22 (56.39)	1.937 (49.20)	Life	Retainer
9715000	3.875 (98.4)	1.375 (34.93)	1.79 (45.5)	0.36 (9.14)	0.25 (6.35)	.880 (22.35)	1.38 (35.05)	3.00 (76.20)	2.22 (56.39)	1.937 (49.20)	Relube	Full Ball
* 9765000	3.875 (98.4)	1.375 (34.93)	1.79 (45.5)	0.36 (9.14)	0.25 (6.35)	1.01 (25.65)	1.38 (35.05)	3.00 (76.20)	2.22 (56.39)	1.937 (49.20)	Relube	Full Ball

## 4 Inch

9560000	5.00 (127)	1.375 (34.93)	1.79 (45.5)	0.36 (9.14)	0.25 (6.35)	.880 (22.35)	1.499 (38.075)	4.00 (101.60)	2.22 (56.39)	1.937 (49.20)	Life	Retainer
9570000	5.00 (127)	1.375 (34.93)	1.79 (45.5)	0.36 (9.14)	0.25 (6.35)	1.01 (25.65)	1.499 (38.075)	4.00 (101.60)	2.22 (56.39)	1.937 (49.20)	Life	Retainer
* 9810000	5.00 (127)	1.375 (34.93)	1.79 (45.5)	0.36 (9.14)	0.25 (6.35)	.880 (22.35)	1.38 (35.05)	4.00 (101.60)	2.22 (56.39)	1.937 (49.20)	Relube	Full Ball
9880000	5.00 (127)	1.375 (34.93)	1.79 (45.5)	0.36 (9.14)	0.25 (6.35)	1.01 (25.65)	1.38 (35.05)	4.00 (101.60)	2.22 (56.39)	1.937 (49.20)	Relube	Full Ball
* 9565000	5.00 (127)	1.375 (34.931)	1.79 (45.5)	.49 (12.45)	0.25 (6.35)	1.01 (25.65)	1.499 (38.075)	4.00 (101.60)	2.37 (60.20)	1.937 (49.20)	Life	Retainer
* 9575000	5.00 (127)	1.375 (34.93)	1.79 (45.5)	0.36 (9.14)	0.25 (6.35)	1.01 (25.65)	1.499 (38.075)	4.00 (101.60)	2.22 (56.39)	1.937 (49.20)	Life	Retainer
9815000	5.00 (127)	1.375 (34.93)	1.79 (45.5)	0.36 (9.14)	0.25 (6.35)	.880 (22.35)	1.38 (35.05)	4.00 (101.60)	2.22 (56.39)	1.937 (49.20)	Relube	Full Ball
* 9885000	5.00 (127)	1.375 (34.93)	1.79 (45.5)	0.36 (9.14)	0.25 (6.35)	1.01 (25.65)	1.38 (35.05)	4.00 (101.60)	2.22 (56.39)	1.937 (49.20)	Relube	Full Ball

\* = 5/32" offset keyway (not on C/L)

( ) = Dimensions in mm

For running on 30# A.S.C.E Rails

### Mechanical Specifications

The flanged wheels are 3 or 4 inch tread diameter with 1 3/8 inch minimum rolling face and 4 or 5 inch diameter flange. Wheel tread is to be turned steel with a tread and raceway hardness of Rockwell C-58 minimum. The flange thickness is 7/16 inch at the base and 5/16 inch at the outside diameter. The wheels are double row retainer or full ball complement bearings with an integral outer race/tire, chrome steel balls and alloy steel inner races. The sealed for life bearings utilize two double lip spring loaded seals. Wheels are grease packed at the factory. The bearing inner race is bored to accept a 7/8 or 1 inch diameter axle and has a slot for cotter pinning the inner race to the axle.

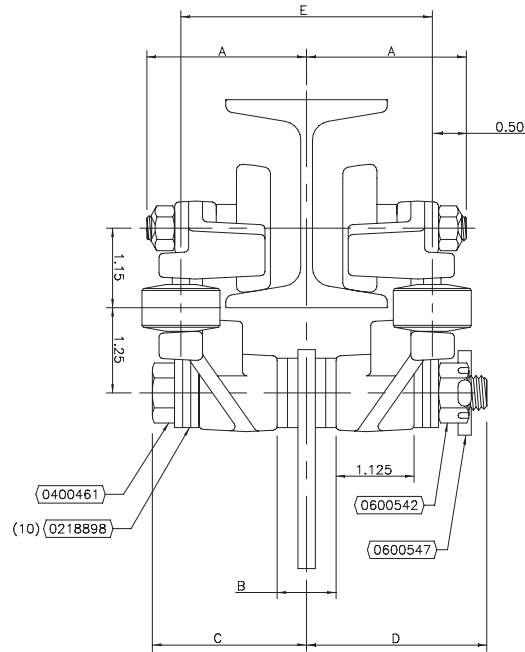
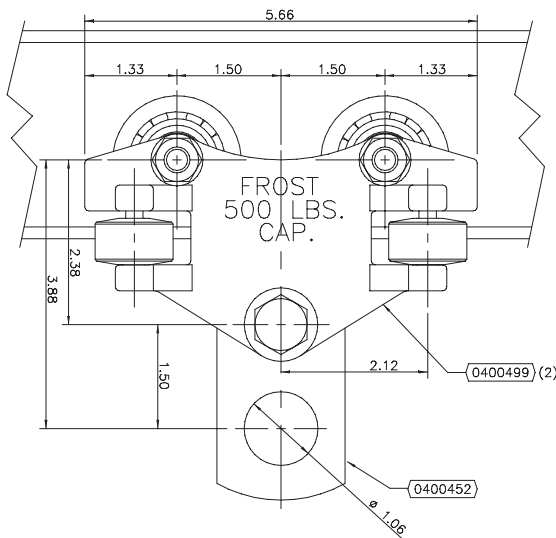
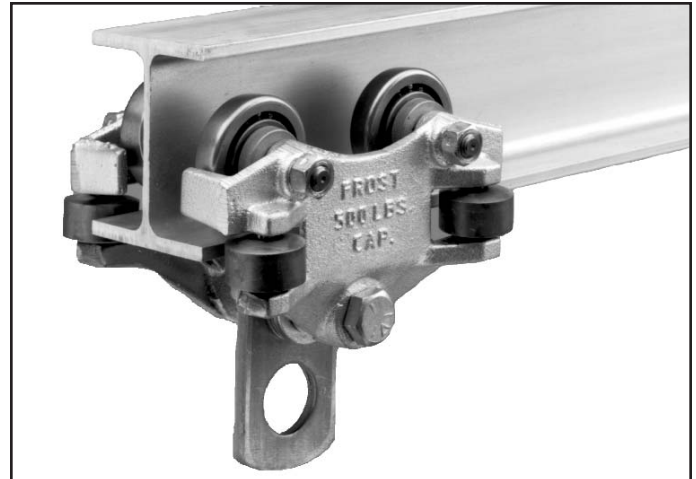
1.800.783.6633  
ph. 616.453.7781  
fax 616.453.2161  
www.frostinc.com



Part No. 0400400

### Frost hand pushed trolleys for overhead monorail cranes and hoists

- ✓ Adaptable to different sized I-Beam.
- ✓ Extended end flange for added safety.
- ✓ Rugged body construction.
- ✓ Bolted style wheel for fast, easy replacement.
- ✓ Precision wheels designed for low friction with deep ball races for thrust capability.
- ✓ For use in straight or curved monorail systems.
- ✓ Superior quality, competitively priced.



Part Number	Quantity	Description
0218898	10	1/2" Flat Washer
0400452	1	Load Link
0400461	1	1/2-13 x 4-1/2" Bolt
0400499	2	Half-Trolley Subassembly
0600542	1	1-2-13 Slotted Hex Nut
0600547	1	5/32" Cotter Pin

**Assembly Guidelines**  
 Assemble 1/2" washers (0218898) on bolt (0400461) to proper I-Beam Track Setting  
 2 inside and 8 outside for S2-5/8 x 3.6 lb./ft.  
 4 inside and 6 outside for S3 x 5.7 lb./ft.  
 6 inside and 4 outside for S4 x 7.7 lb./ft.

Track Size	A	B	C	D	E
2 5/8	2.13	0.50	2.23	2.60	3.28
3	2.30	0.85	2.23	2.60	3.63
4	2.43	1.10	2.23	2.60	2.88



# HAND PUSHED TROLLEYS

1/2 Ton, 3/4 Ton, 1 Ton

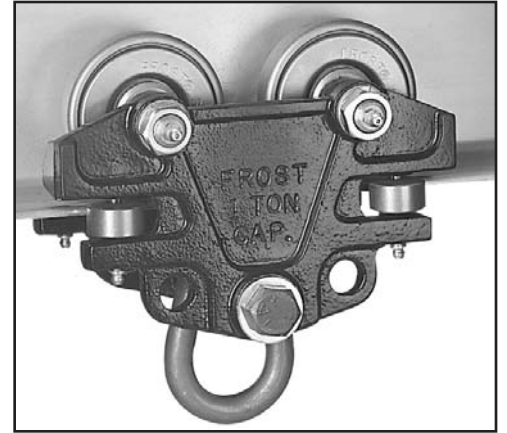
## Frost hand pushed trolleys for overhead monorail cranes and hoists

- ✓ Adaptable to different sized I-Beam.
- ✓ Extended end flange for added safety.
- ✓ Rugged body construction.
- ✓ Bolted style wheel for fast, easy replacement.
- ✓ Precision wheels designed for low friction with deep ball races for thrust capability.
- ✓ Utilizes Splashproof® Seals for contaminated environments.
- ✓ Relube provision for wheels and side guide rollers.
- ✓ For use in straight or curved monorail systems (2'0" min. radius).
- ✓ Superior quality, competitively priced.

### Assembly Guidelines

Assemble 5/8" washers (060016) on bolt (0600461) to proper I-Beam Track Setting

- 0 inside and 16 outside for S4 x 7.7 lb./ft.
- 4 inside and 12 outside for S5 x 10.0 lb./ft.
- 8 inside and 8 outside for S6 x 12.5 lb./ft.
- 16 inside and 0 outside for S8 x 18.4 lb./ft.

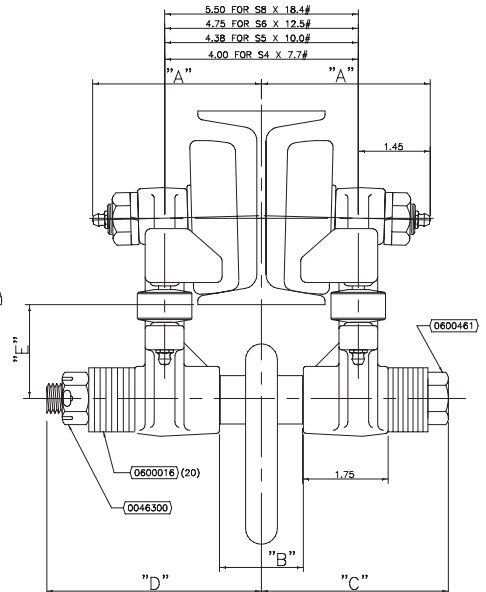
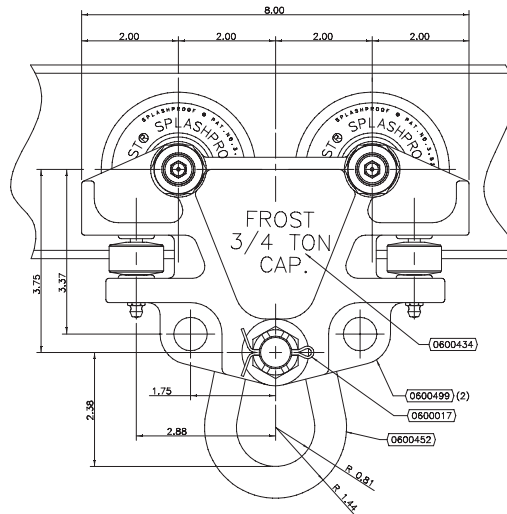


### Part Number Description & Capacity

0605400	1/2 Ton
0600400	3/4 Ton
0601400	1 Ton

## Specify Frost Hand Pushed Trolleys for a variety of suspension uses:

- ✓ Welding apparatus
- ✓ Powered tools
- ✓ General hoist applications
- ✓ Metalworking
- ✓ Automotive
- ✓ Foundry
- ✓ Manufacturing



## Frost hand pushed trolleys - adaptable to different sized I-Beams, in load ratings up to 1 ton

### Dimension Table

Rail Size	A	B	C	D	E
4"	3-29/64	1-45/64	3-3/4	4-41/64	1-29/32
5"	3-41/64	2-5/64	3-3/4	4-41/64	1-57/64
6"	3-53/64	2-15/32	3-3/4	4-41/64	1-7/8
8"	4-7/32	3-7/32	3-3/4	4-41/64	1-27/32

### Hand Pushed Trolley Assembly for 1/2, 3/4, and 1 Ton Capacities

Part Number	Quantity	Description
0600016	16	5/8" Diameter S.A.E Flat Washers
0600017	1	5/32" Diameter x 1-1/2" Long Cotter Pin
0046300	1	5/8" Diameter Slotted Hex Nut
0600452	1	Load Link
0600461	1	Trolley Bracket Bolt

1.800.783.6633  
 ph. 616.453.7781  
 fax 616.453.2161  
 www.frostinc.com



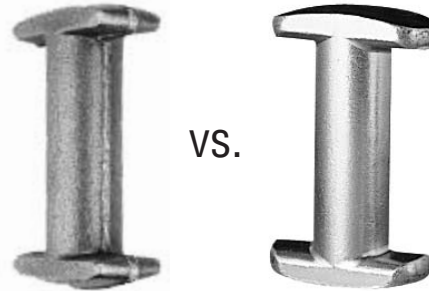


## X-TYPE RIVETLESS CHAIN

3", 4", and 6" Smooth Link® Conveyor Chain

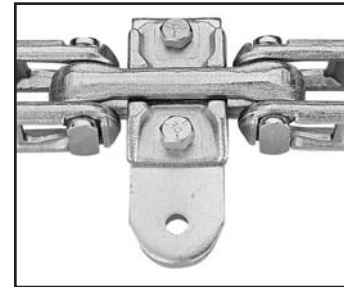
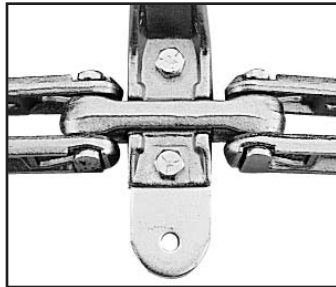
### *THE PIN MAKES THE DIFFERENCE™*

Traditional forged pins have a ridge (flash), which wears down over time causing chain to stretch. The result is down time while chain is adjusted. It can also cause wear to the bearing surface.



The Smooth Link pin has a smooth, uniform surface, with no flash. Benefits include a substantial reduction in break in, extended wear life, ability to maintain pitch and lower cost per hour of service.

## All Frost Smooth Link Chains Are **Proof Loaded** *Free of Charge*



### **Frost Smooth Link Conveyor Chain:**

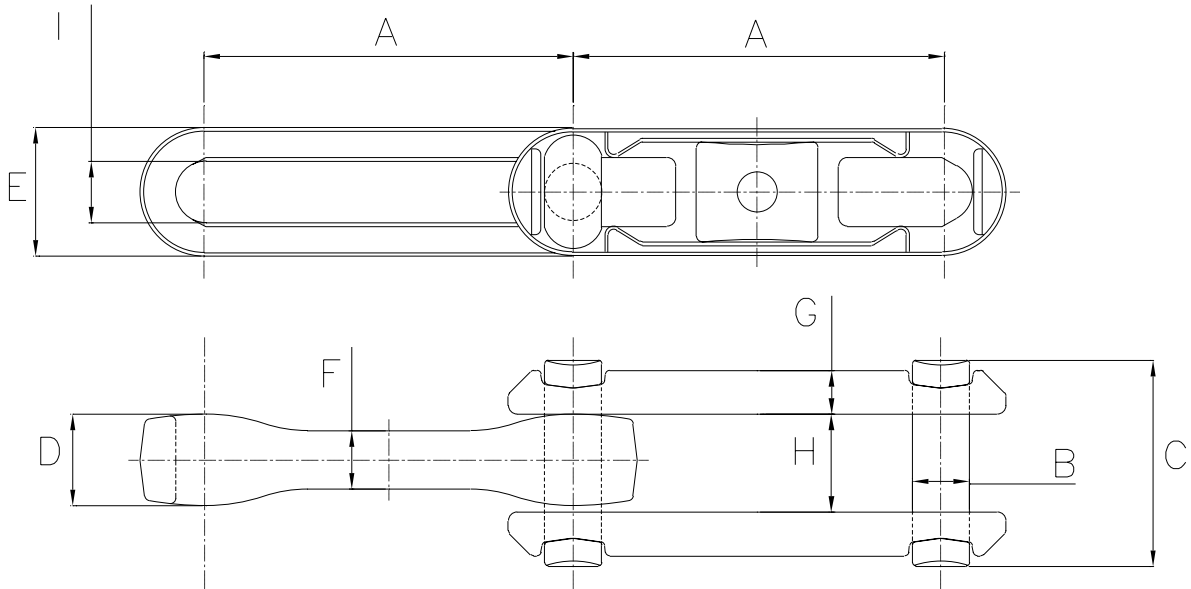
- ✓ Available in standard 3", 4", and 6" sizes.
- ✓ Thru-hardened for maximum strength and wear resistance.
- ✓ Meets CEMA and ANSI Standards.
- ✓ Available in plain steel or plated to meet U.S.D.A requirements.
- ✓ Available in 8642 high alloy.
- ✓ Complete line of chain and trolley attachments.

1.800.783.6633  
ph. 616.453.7781  
fax 616.453.2161  
[www.frostinc.com](http://www.frostinc.com)



# X-TYPE RIVETLESS CHAIN

## 3", 4", and 6" Smooth Link® Conveyor Chain



### Dimensional Characteristics

Chain Number	System Size	Links in 10-Ft. (3.05 m)	A Nomnal Pitch	B Pin Diameter	C Outside Pin Length	D Max Ctr Length Width	E Pin Head Width	F Min Ctr Link Width	G Min Side Link Thickness	H Max Side Link Distance	I Min Radius Bearing Surface
X-348	3" (76.2 mm)	40	3.015" (76.6 mm)	0.49" (12.4 mm)	1.74" (44.2 mm)	0.74" (18.8 mm)	1.00" (25.4 mm)	0.51" (13.0 mm)	0.40" (10.2 mm)	0.79" (20.1 mm)	0.53" (13.5 mm)
X-458	4" (101.6 mm)	30	4.031" (102.4 mm)	0.625" (15.9 mm)	2.25" (57.2 mm)	1.00" (25.4 mm)	1.24" (31.5 mm)	0.64" (16.3 mm)	0.48" (12.2 mm)	1.08" (27.4 mm)	0.66" (16.8 mm)
X-678	6" (152.4 mm)	20	6.031" (153.2 mm)	0.862" (21.9 mm)	3.03" (76.9 mm)	1.28" (32.5 mm)	1.875" (47.6 mm)	0.83" (21.1 mm)	0.70" (17.8 mm)	1.35" (34.3 mm)	0.95" (24.1 mm)

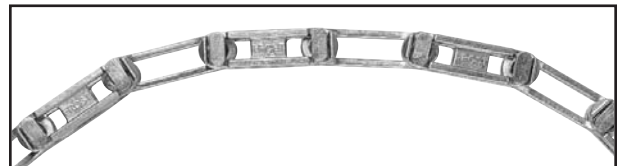
### Manufacturing Tolerances

Chain Number	Minimum Strength	Length Tolerance for 10-Ft. (3.05 m) Strand	Measuring Load	Weight per 10-Ft. (3.05 m) Strand
X-348	22,000 lbs. (10,000 kg)	120.10" - 121.85" (3.0505 m - 3.0950 m)	100 lbs. (45.45 kg)	21 lbs. (9.5 kg)
X-458	54,000 lbs. (24,545 kg)	120.43" - 121.68" (3.0589 m - 3.0907 m)	200 lbs. (90.90 kg)	32 lbs. (14.5 kg)
X-458 (8642)	68,000 lbs. (30,909 kg)			
X-678	85,000 lbs. (38,640 kg)	120.37" - 121.37" (3.0574 m - 3.0828 m)	300 lbs. (136.40 kg)	65 lbs. (29.5 kg)
X-678 (8642)	125,000 lbs. (56,818 kg)			

### Part Number

### Description

0513480	X-348 Smooth Link Chain
0514580	X-458 Smooth Link Chain
0584580	X-458 Smooth Link Chain - 8642
0516780	X-678 Smooth Link Chain
0586780	X-678 Smooth Link Chain - 8642

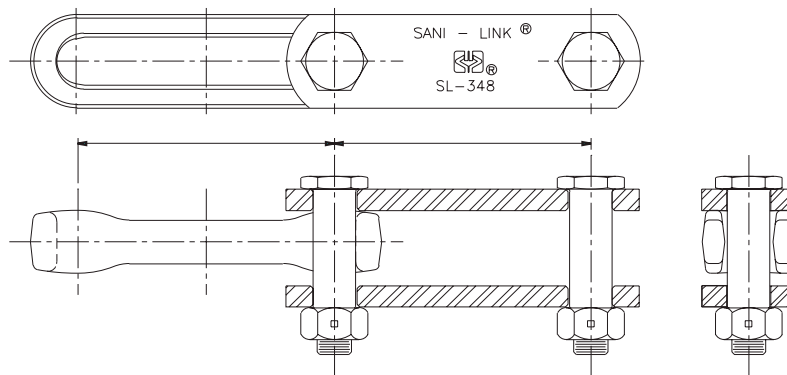
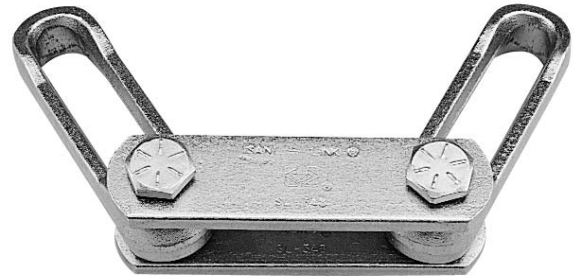




## Sani-Link® Chain

### Frost Long Wearing, Bolted-Style Chain:

- ✓ Rotating pins increase chain life.
- ✓ Smooth solid side links permit easier cleaning of accumulated contaminants.
- ✓ Sani-Link chain is manufactured with standard 348 dimensions.
- ✓ Meets CEMA and ANSI standards.
- ✓ Can be coated with either Zinc (silver) Plating or Zinc + Yellow Di-Chromate (Frost Gold) Plating.



### Dimensions/Specifications

Part Number	Minimum Strength	Length Tolerance for 10-Ft. (3.05 m) Strand	Nominal Pitch	Pin Diameter	Outside Pin Length	Max Ctr Length	Pin Head Width	Min Ctr Link Width	Min Side Link Thickness	Measuring Load	Weight per 10-Ft. (3.05 m) Strand
0538900	22,000 lbs. (10,000 kg)	120.1" - 121.8" (3.051m - 3.094m)	3.00" (76.2 mm)	0.50" (12.7 mm)	2.09" (53.2 mm)	0.75" (19.1 mm)	0.69" (17.5 mm)	0.50" (12.7 mm)	0.25" (6.4 mm)	100 lbs. (45.45 kg)	21 lbs. (9.5 kg)



### Also Available:

- ✓ Stainless Steel Trolleys.
- ✓ X-Type Stainless Steel Chain.
- ✓ Attachments and Hardware in Stainless Steel.
- ✓ Frost Sani-Trolleys® with Stainless Steel Hardware.

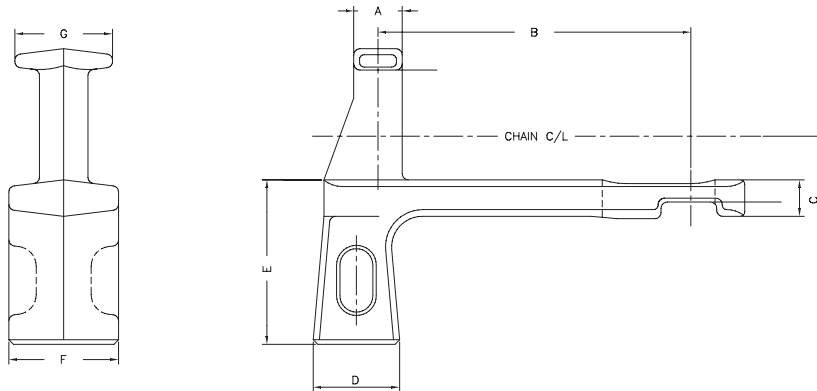


## Single Extended Shoulder Pin

- ✓ Used to bolt special attachments to X-type conveyor chain
- ✓ See Frost for specific sizes and styles

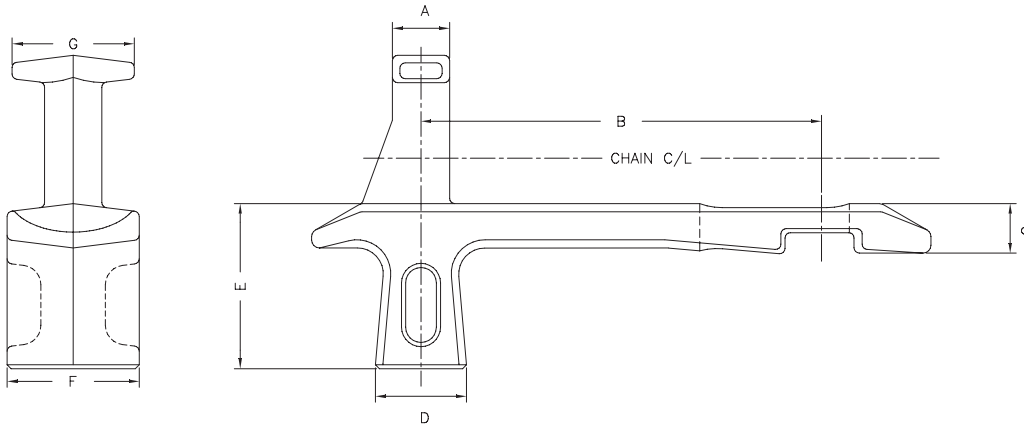
## Pusher Dogs

- ✓ Chain attachments used to transfer power from power chain to the free line
- ✓ See Frost for specific sizes and styles



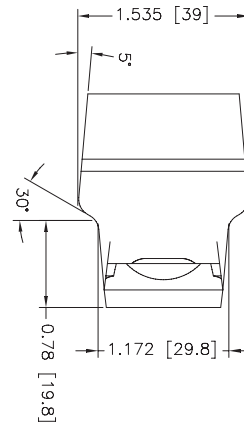
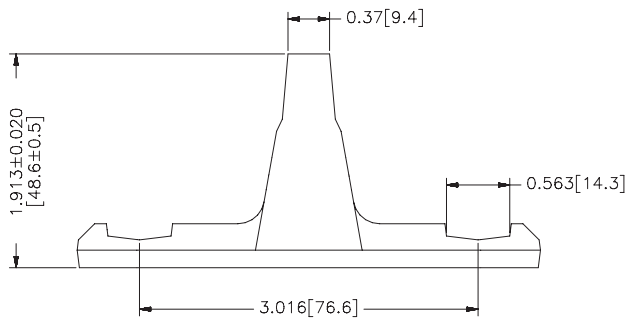
### Dimensional Characteristics

Part Number	Chain Size	Material	A	B	C	D	E	F	G
0348430	X-348	4140	0.484" (12.3 mm)	3.026" (76.9 mm)	0.394" (10.0 mm)	0.905" (23.0 mm)	2.48" (63.0 mm)	1.063" (27.0 mm)	1.00" (25.4 mm)
0545832	X-458	4140	0.626" (15.9 mm)	4.039" (102.6 mm)	0.472" (12.0 mm)	1.16" (29.5 mm)	2.125" (54.0 mm)	1.417" (36.0 mm)	1.26" (32.0 mm)
0645832	X-458	8642	0.626" (15.9 mm)	4.039" (102.6 mm)	0.472" (12.0 mm)	1.16" (29.5 mm)	2.125" (54.0 mm)	1.417" (36.0 mm)	1.26" (32.0 mm)

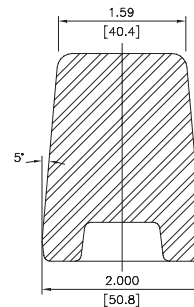
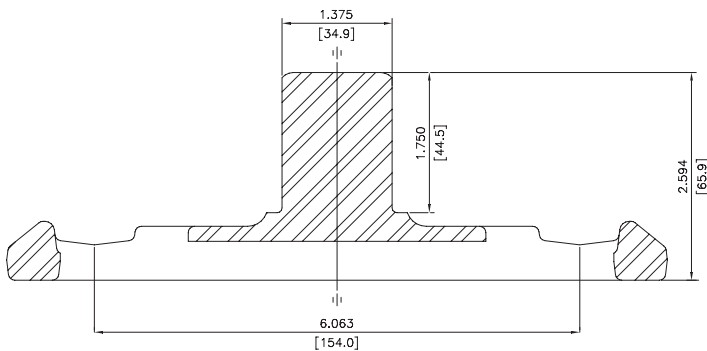


### Dimensional Characteristics

Part Number	Chain Size	Material	A	B	C	D	E	F	G
0567830	X-678	4140	0.866" (22.0 mm)	6.063" (154.0 mm)	0.748" (19.0 mm)	1.378" (35.0 mm)	2.50" (63.5 mm)	2.00" (50.8 mm)	1.85" (47.0 mm)



0534830 X-348 Chain  
Side Link Pusher with  
Center Dog, Wide Wing



0678230 X-678 Chain  
Side Link Pusher with  
Center Dog



## Frost Specialty Chains



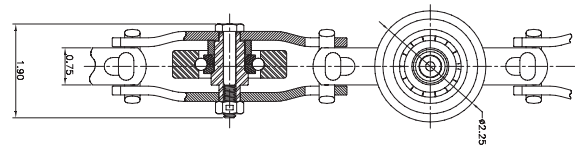
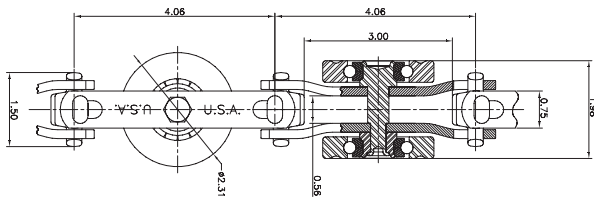
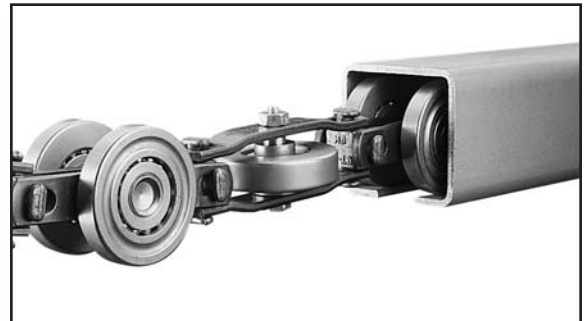
Frost offers custom designed chains - engineered to your specifications

## Enclosed Track Chain

- ✓ Designed as the ultimate in flexibility in every direction.
- ✓ Manufactured to remain assembled when in use.
- ✓ Easily dismantled using common hand tools.
- ✓ Flex 90°, remove bolt, lift off links when desired.
- ✓ Available with heavy-duty wheels only.

### Chain Specifications

- ✓ Furnished in 20ft. 3-3/4 in. long strands.
- ✓ Maximum operating temperature.
  - Continuous duty 400°F.
  - Intermittent duty 450°F.
- ✓ Maximum rated chain pull is 750 pounds.
- ✓ Chain ultimate tensile strength exceeds 10,000 pounds.



### Specifications

Part Number	Rated Capacity For Wheel		Weight of Chain	
	Load Wheel	Guide Wheel	Lb./Ft.	Lb./Strand
0582000 Heavy-Duty	125 Lb.	200 Lb.	3.65	73

1.800.783.6633  
 ph. 616.453.7781  
 fax 616.453.2161  
[www.frostinc.com](http://www.frostinc.com)



Frost offers a variety of Enclosed Track Chain, including a ZIG-ZAG<sup>®</sup> compatible chain.

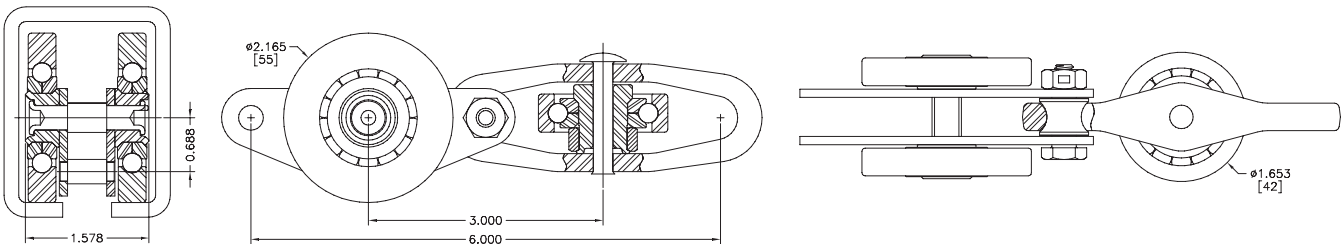


**Chain Specifications**

- ✓ Furnished in 20ft. long strands.
- ✓ Maximum operating temperature.
  - Continuous duty 400°F.
  - Intermittent duty 450°F.
- ✓ Maximum rated chain pull is 600 pounds.

**Superior Design**

- ✓ Corrosion Resistant Coatings Available.
- ✓ Machined Full Ball Complement Wheels:
  - Hardened Raceways.
  - Larger Ball Bearings.
  - Full contact at outer wheel surface
- ✓ Available Alternate Materials:
  - Stainless Steel for high temperature/sanitary applications.
  - Bonded plastic tire for “quiet” wheels.



**Specifications**

Part Number	Rated Capacity For Wheel		Weight of Chain	
	Load Wheel	Guide Wheel	Lb./Ft.	Lb./Strand
0578000	650 Lb.	290 Lb.	3.13	62.6

Note: Wheel ratings based on 5,000 hours life at a chain speed of 100 feet per minute. These are for the wheels only and do not account for the load capacity of the track.

ZIG-ZAG is a registered trademark of Richards-Wilcox, Inc.



Caterpillar Drive Chains are vital in driving overhead, drop-forged chain/trolley conveyors. They must deliver fatigue-free operation.



### Superior Design

- ✓ High-quality RC-160 roller chain
- ✓ One-piece forged, induction hardened steel drive dogs
- ✓ Operates flawlessly in combinations with Frost Smooth Link X-chain
- ✓ Proper engagement ensured by:
  - Back-up bar
  - Guide rollers

NOTE: Special lengths and configurations available. Please consult with Frost for your specific requirements.

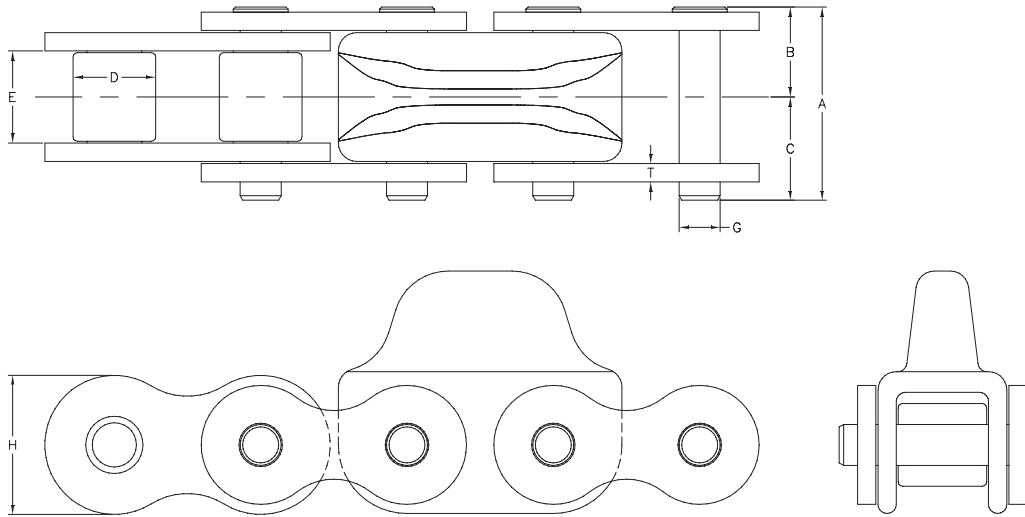
1.800.783.6633  
ph. 616.453.7781  
fax 616.453.2161  
[www.frostinc.com](http://www.frostinc.com)





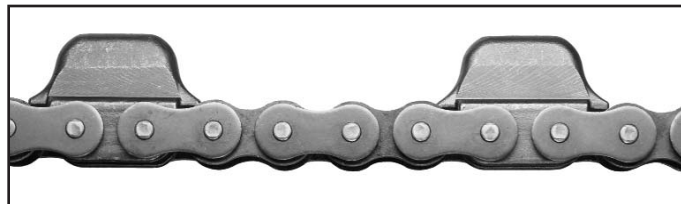
# SPECIALTY CHAINS

## Caterpillar Drive Chain



### Dimensional Characteristics

Part Number	Chain Size	Pitch	Chain Width				Diameter			Sidebars	
			Overall A	Pin Head to CL B	Pin End to CL C	Inside Width E	Roller D	Pin G	Thickness T	Height H	
0553485	X-348	2.00"	2.64"	1.23"	1.41"	1.25"	1.13"	0.56"	0.25"	1.90"	
		(50.8 mm)	(67.1 mm)	(31.2 mm)	(35.8 mm)	(31.8 mm)	(28.7 mm)	(14.2 mm)	(6.4 mm)	(48.3 mm)	
0554585	X-458	2.00"	2.64"	1.23"	1.41"	1.25"	1.13"	0.56"	0.25"	1.90"	
		(50.8 mm)	(67.1 mm)	(31.2 mm)	(35.8 mm)	(31.8 mm)	(28.7 mm)	(14.2 mm)	(6.4 mm)	(48.3 mm)	
0556785	X-678	2.00"	2.64"	1.23"	1.41"	1.25"	1.13"	0.56"	0.25"	1.90"	
		(50.8 mm)	(67.1 mm)	(31.2 mm)	(35.8 mm)	(31.8 mm)	(28.7 mm)	(14.2 mm)	(6.4 mm)	(48.3 mm)	



Part Number	Chain Size	Number of Dogs	Centers	Length	Avg. Ult. Strength
0553485	X-348	10	12" (304.8 mm)	10' - 0" (3.05 m)	58,000 lbs (127,868 kg)
0554585	X-458	15	8" (203.2 mm)	10' - 0" (3.05 m)	58,000 lbs (127,868 kg)
0556785	X-678	10	12" (304.8 mm)	10' - 0" (3.05 m)	58,000 lbs (127,868 kg)