

Providing High Quality, Specialty product Solutions for Over 100 Years
... Roll Easy with Frantz



BEARINGS

GenStar® Precision Bearings

Model Number	Product Style	Max OD of Body	Tube Size	Tube Thickness	Bore Size	Bore Type	Load Rating	Mounting Type
4012	Adapter Style	1.692	1.9	12g	7/16	H	300	Swage -OR- Press
4003	Adapter Style	1.780	1.9	16g	7/16	H	300	Swage -OR- Press
5000	Adapter Style	2.260	2 1/2	11g	11/16	H	1000	Press & Swage Fit
5100	Adapter Style	2.260	2 1/2	11g	11/16	H	1000	Press & Swage Fit
6000	Adapter Style	3.196	3 1/2	9g	11/16	H	1000	Slip & Swage Fit

GenStar® ELIMINATOR Bearings

Model Number	Product Style	Max OD of Body	Tube Size	Tube Thickness	Bore Size	Bore Type	Load Rating	Mounting Type
4007	Adapter Style	1.780	1.9	16g	7/16	H	135	Press & Swage Fit

Precision ABEC-1 - Machined Bearings

Model Number	Product Style	Max OD of Body	Tube Size	Tube Thickness	Bore Size	Bore Type	Load Rating	Mounting Type
CB14-1 ABEC	Machined Housing	1.469	1 5/8	14g	7/16	H	450	Press Fit
CB14-2 ABEC	Machined Housing	1.503	1 5/8	16g	7/16	H	450	Press Fit
CB14-3 ABEC	Machined Housing	1.529	1 5/8	18g	7/16	H	450	Press Fit
CB14-5 ABEC	Machined Housing	1.603	1 3/4	14g	7/16	H	450	Press Fit
CB14A-10 ABEC	Machined Housing	1.628	1.9	9g	7/16	H	450	Press Fit
CB14A-6 ABEC	Machined Housing	1.712	1.9	12g	7/16	H	450	Press Fit
CB14A-7 ABEC	Machined Housing	1.712	1.9	12g	7/16	H	450	Counterbore & Press Fit
CB14-4 ABEC	Machined Housing	1.880	2	16g	7/16	H	450	Press Fit
3134-CB14-2 ABE	Adapter Style	2.340	2 1/4	16g	7/16	H	450	Swage -OR- Press
3135-CB14-2 ABE	Adapter Style	2.340	2 1/2	14g	7/16	H	450	Swage -OR- Press
CB14-11 ABEC	Machined Housing	2.873	3.0	16g	7/16	H	450	Press Fit
6208	Machined Race	3.150			1-1/16	H	6,630	Counterbore & Press Fit

GenII® Semi-Precision Bearings - 300 Series

Model Number	Product Style	Max OD of Body	Tube Size	Tube Thickness	Bore Size	Bore Type	Load Rating	Mounting Type
1905	Adapter Style	1.692	1.9	12g	7/16	H	300	Swage -OR- Press
1912	Adapter Style	1.692	1.9	12g	5/16	R	300	Swage -OR- Press
1914	Adapter Style	1.692	1.9	12g	7/16	R	300	Swage -OR- Press
3910	Adapter Style	1.747	1 7/8	16g	7/16	H	300	Swage -OR- Press
3925	Adapter Style	1.747	1 7/8	16g	7/16	H	300	Swage -OR- Press
1802	Adapter Style	1.780	1.9	16g	1/4	R	300	Swage -OR- Press
1805	Adapter Style	1.780	1.9	16g	7/16	H	300	Swage -OR- Press
1812	Adapter Style	1.780	1.9	16g	5/16	R	300	Swage -OR- Press
1814	Adapter Style	1.780	1.9	16g	7/16	R	300	Swage -OR- Press
1815	Adapter Style	1.780	1.9	16g	7/16	H	300	Swage -OR- Press

GenII® Semi-Precision Bearings - 620 Series

Model Number	Product Style	Max OD of Body	Tube Size	Tube Thickness	Bore Size	Bore Type	Load Rating	Mounting Type
2400	Adapter Style	2.205	2 9/16	7g	11/16	H	620	Press & Swage Fit
1970	Adapter Style	2.267	2 1/2	11g	5/8	H	620	Press & Swage Fit
1971	Adapter Style	2.267	2 1/2	11g	5/8	H	620	Press & Swage Fit
1972	Adapter Style	2.267	2 1/2	11g	11/16	H	620	Press & Swage Fit
1973	Adapter Style	2.267	2 1/2	11g	11/16	H	620	Press & Swage Fit
1974	Adapter Style	2.267	2 1/2	11g	11/16	H	620	Press & Swage Fit
1978	Adapter Style	2.267	2 1/2	11g	11/16	H	620	Press & Swage Fit
1980	Adapter Style	2.267	2 1/2	11g	7/16	H	620	Press & Swage Fit

Metric GenII® Semi-Precision Bearings - 136kg Series

Model Number	Product Style	Max OD of Body	Tube Size	Tube Thickness	Bore Size	Bore Type	Load Rating	Mounting Type
1813	Adapter Style	45,2	50mm	2,0mm	11mm	H	136 kg	Slip & Swage Fit
1816	Adapter Style	45,2	50mm	2,0mm	10mm	R	136 kg	Slip & Swage Fit
1817	Adapter Style	45,2	50mm	2,0mm	12mm	R	136 kg	Slip & Swage Fit
1818	Adapter Style	45,2	50mm	2,0mm	11mm	H	136 kg	Slip & Swage Fit
1820	Adapter Style	45,2	50mm	2,0mm	6mm	R	136 kg	Slip & Swage Fit
1821	Adapter Style	45,2	50mm	2,0mm	8mm	R	136 kg	Slip & Swage Fit
1822	Adapter Style	45,2	50mm	2,0mm	10mm	R	136 kg	Slip & Swage Fit
1823	Adapter Style	45,2	50mm	2,0mm	12mm	R	136 kg	Slip & Swage Fit
1756	Adapter Style	45,4	48mm	1,5mm	8mm	R	136 kg	Press & Swage Fit
1748	Adapter Style	47,4	50mm	1,5mm	8mm	R	136 kg	Swage -OR- Press
1749	Adapter Style	47,4	50mm	1,5mm	10mm	R	136 kg	Swage -OR- Press
1750	Adapter Style	47,4	50mm	1,5mm	12mm	R	136 kg	Swage -OR- Press
1751	Adapter Style	47,4	50mm	1,5mm	11mm	H	136 kg	Swage -OR- Press
1752	Adapter Style	47,4	50mm	2,0mm	8mm	R	136 kg	Swage -OR- Press
1753	Adapter Style	47,4	50mm	2,0mm	10mm	R	136 kg	Swage -OR- Press
1754	Adapter Style	47,4	50mm	2,0mm	12mm	R	136 kg	Swage -OR- Press
1755	Adapter Style	47,4	50mm	2,0mm	11mm	H	136 kg	Swage -OR- Press
1824	Adapter Style	47,4	50mm	1,5mm	11mm	H	136 kg	Swage -OR- Press
1825	Adapter Style	47,4	50mm	1,5mm	6mm	R	136 kg	Swage -OR- Press
1826	Adapter Style	47,4	50mm	1,5mm	8mm	R	136 kg	Swage -OR- Press
1827	Adapter Style	47,4	50mm	1,5mm	10mm	R	136 kg	Swage -OR- Press
1828	Adapter Style	47,4	50mm	1,5mm	12mm	R	136 kg	Swage -OR- Press
1841	Adapter Style	47,4	50mm	2,0mm	11mm	H	136 kg	Swage -OR- Press
1842	Adapter Style	47,4	50mm	2,0mm	6mm	R	136 kg	Swage -OR- Press
1843	Adapter Style	47,4	50mm	2,0mm	8mm	R	136 kg	Swage -OR- Press

Metric GenII® Semi-Precision Bearings - 136kg Series

Model Number	Product Style	Max OD of Body	Tube Size	Tube Thickness	Bore Size	Bore Type	Load Rating	Mounting Type
1844	Adapter Style	47,4	50mm	2,0mm	10mm	R	136 kg	Swage -OR- Press
1845	Adapter Style	47,4	50mm	2,0mm	12mm	R	136 kg	Swage -OR- Press
1731	Adapter Style	56,4	60mm	2,0mm	11mm	H	136 kg	Swage -OR- Press
1733	Adapter Style	56,4	60mm	2,0mm	8mm	R	136 kg	Swage -OR- Press
1734	Adapter Style	56,4	60mm	2,0mm	10mm	R	136 kg	Swage -OR- Press
1735	Adapter Style	56,4	60mm	2,0mm	12mm	R	136 kg	Swage -OR- Press
1831	Adapter Style	56,4	60mm	2,0mm	11mm	H	136 kg	Swage -OR- Press
1832	Adapter Style	56,4	60mm	2,0mm	6mm	R	136 kg	Swage -OR- Press
1833	Adapter Style	56,4	60mm	2,0mm	8mm	R	136 kg	Swage -OR- Press
1834	Adapter Style	56,4	60mm	2,0mm	10mm	R	136 kg	Swage -OR- Press
1835	Adapter Style	56,4	60mm	2,0mm	12mm	R	136 kg	Swage -OR- Press
1762	Adapter Style	57,4	60mm	1,5mm	11mm	H	136 kg	Swage -OR- Press
1763	Adapter Style	57,4	60mm	1,5mm	8mm	R	136 kg	Swage -OR- Press
1764	Adapter Style	57,4	60mm	1,5mm	10mm	R	136 kg	Swage -OR- Press
1765	Adapter Style	57,4	60mm	1,5mm	12mm	R	136 kg	Swage -OR- Press
1861	Adapter Style	57,4	60mm	1,5mm	11mm	H	136 kg	Swage -OR- Press
1862	Adapter Style	57,4	60mm	1,5mm	6mm	R	136 kg	Swage -OR- Press
1863	Adapter Style	57,4	60mm	1,5mm	8mm	R	136 kg	Swage -OR- Press
1864	Adapter Style	57,4	60mm	1,5mm	10mm	R	136 kg	Swage -OR- Press
1865	Adapter Style	57,4	60mm	1,5mm	12mm	R	136 kg	Swage -OR- Press

Metric GenII® Semi-Precision Bearings - 281kg Series

Model Number	Product Style	Max OD of Body	Tube Size	Tube Thickness	Bore Size	Bore Type	Load Rating	Mounting Type
2431	Adapter Style	56,0	60mm	2,0mm	11mm	H	281 kg	Slip & Swage Fit
2437	Adapter Style	56,0	60mm	2,0mm	14mm	R	281 kg	Slip & Swage Fit
2438	Adapter Style	56,0	60mm	2,0mm	15mm	R	281 kg	Slip & Swage Fit
2439	Adapter Style	56,0	60mm	2,0mm	17mm	R	281 kg	Slip & Swage Fit

GenII® Core Semi-Precision Bearings

Model Number	Product Style	Max OD of Body	Tube Size	Tube Thickness	Bore Size	Bore Type	Load Rating	Mounting Type
1672	Core Semi Precision Bearing	1.080			0.483	R	176	
1819	Core Semi Precision Bearing	1.080			5/16	R	176	
1851	Core Semi Precision Bearing	1.080			0.483	R	176	
1664	Core Semi Precision Bearing	1.263			7/16	H	300	
1793	Core Semi Precision Bearing	1.263			0.596	R	300	
1970-CR	Core Semi Precision Bearing	1.716			5/8	H	620	
1972-CR	Core Semi Precision Bearing	1.716			11/16	H	620	

Straight Faced Semi-Precision Bearings

Model Number	Product Style	Max OD of Body	Tube Size	Tube Thickness	Bore Size	Bore Type	Load Rating	Mounting Type
3165	Closed Style - Double Race	3.066	3 1/2	.30	1-1/16	H	1250	Counterbore & Press Fit
3182	Closed Style - Double Race	3.066	3 1/2	.30	1-1/16	H	1250	Counterbore & Press Fit
3184	Closed Style - Double Race	3.066	3 1/2	.30	1-1/16	H	1250	Counterbore & Press Fit
3185	Closed Style - Double Race	3.066	3 1/2	.30	1-1/16	H	1250	Counterbore & Press Fit
3190	Closed Style - Double Race	3.066	3 1/2	.30	1-1/16	H	1250	Counterbore & Press Fit
3192	Closed Style - Double Race	3.066	3 1/2	.30	1-1/16	H	1250	Counterbore & Press Fit
3193	Closed Style - Double Race	3.066	3 1/2	.30	1-1/16	H	1250	Counterbore & Press Fit
3194	Closed Style - Double Race	3.066	3 1/2	.30	1-1/16	H	1250	Counterbore & Press Fit
3195	Closed Style - Double Race	3.066	3 1/2	.30	1-1/16	H	1250	Counterbore & Press Fit

Straight Faced Unground Non-Precision Bearings

Model Number	Product Style	Max OD of Body	Tube Size	Tube Thickness	Bore Size	Bore Type	Load Rating	Mounting Type
0410	Closed Style - Radial Thrust	1.712	1.9	12g	7/16	H	300	Press Fit
0411	Closed Style - Radial Thrust	1.712	1.9	12g	7/16	H	300	Press Fit
0412	Closed Style - Radial Thrust	1.712	1.9	12g	7/16	H	300	Press Fit
2000	Closed Style - Double Race	2.000	2 1/4	9g	5/8	H	225	Counterbore & Press Fit
2600	Closed Style - Double Race	2.270	2 1/2	11g	11/16	H	425	Press Fit
2605	Closed Style - Double Race	2.270	2 1/2	11g	1/2	R	425	Press Fit
2610	Closed Style - Double Race	2.270	2 1/2	11g	11/16	H	425	Press Fit
2612	Closed Style - Double Race	2.270	2 1/2	11g	11/16	H	425	Press Fit
2630	Closed Style - Double Race	2.270	2 1/2	11g	11/16	H	425	Press Fit
2632	Closed Style - Double Race	2.270	2 1/2	11g	11/16	H	425	Press Fit
2638	Closed Style - Double Race	2.270	2 1/2	11g	5/8	H	425	Press Fit
2640	Closed Style - Double Race	2.270	2 1/2	11g	11/16	H	425	Press Fit
2642	Closed Style - Double Race	2.270	2 1/2	11g	11/16	H	425	Press Fit
4113	Closed Style - Radial Thrust	2.321	2 1/2	11g	11/16	H	600	Counterbore & Press Fit
4114	Closed Style - Radial Thrust	2.321	2 1/2	11g	11/16	H	600	Counterbore & Press Fit
4115	Closed Style - Radial Thrust	2.321	2 1/2	11g	11/16	H	600	Counterbore & Press Fit
4124	Closed Style - Radial Thrust	2.321	2 1/2	11g	11/16	H	600	Counterbore & Press Fit
3065	Closed Style - Double Race	3.066	3 1/2	.30	1-1/16	H	603	Counterbore & Press Fit
3070	Closed Style - Double Race	3.066	3 1/2	.30	1-1/16	H	603	Counterbore & Press Fit
3080	Closed Style - Double Race	3.066	3 1/2	.30	1-1/16	H	603	Counterbore & Press Fit
3082	Closed Style - Double Race	3.066	3 1/2	.30	1-1/16	H	603	Counterbore & Press Fit
3084	Closed Style - Double Race	3.066	3 1/2	.30	1-1/16	H	603	Counterbore & Press Fit
3085	Closed Style - Double Race	3.066	3 1/2	.30	1-1/16	H	603	Counterbore & Press Fit
3087	Closed Style - Double Race	3.066	3 1/2	.30	1	H	603	Counterbore & Press Fit

Straight Faced Unground Non-Precision Bearings

Model Number	Product Style	Max OD of Body	Tube Size	Tube Thickness	Bore Size	Bore Type	Load Rating	Mounting Type
3090	Closed Style - Double Race	3.066	3 1/2	.30	1-1/16	H	603	Counterbore & Press Fit
3092	Closed Style - Double Race	3.066	3 1/2	.30	1-1/16	H	603	Counterbore & Press Fit
3093	Closed Style - Double Race	3.066	3 1/2	.30	1-1/16	H	603	Counterbore & Press Fit
3094	Closed Style - Double Race	3.066	3 1/2	.30	1-1/16	H	603	Counterbore & Press Fit
3095	Closed Style - Double Race	3.066	3 1/2	.30	1-1/16	H	603	Counterbore & Press Fit
3096	Closed Style - Double Race	3.066	3 1/2	.30	1-1/16	H	603	Counterbore & Press Fit
3097	Closed Style - Double Race	3.066	3 1/2	.30	1-1/16	H	603	Counterbore & Press Fit

Flanged Unground Non-Precision Bearings

Model Number	Product Style	Max OD of Body	Tube Size	Tube Thickness	Bore Size	Bore Type	Load Rating	Mounting Type
3878	Closed Style - Radial Thrust	0.878	1	16g	1/4	R	40	Press Fit
3879	Closed Style - Radial Thrust	0.878	1	16g	5/16	R	40	Press Fit
1945	Closed Style - Double Race	0.908	1	18g	3/8	H	35	Press Fit
1902	Open Style - Traditional	0.911	1	18g	1/4	R	35	Press Fit
1903	Open Style - Traditional	0.911	1	18g	5/16	H	35	Press Fit
0100	Closed Style - Double Race	1.020	1 1/8	16g	5/16	H	30	Counterbore & Press Fit
1124	Open Style - Double Race	1.130	1 1/4	18g	1/4	R	45	Slip & Swage Fit
1126	Open Style - Double Race	1.130	1 1/4	18g	5/16	H	45	Slip & Swage Fit
1150	Closed Style - Double Race	1.152	1 1/4	18g	7/16	H	75	Press Fit
1151	Closed Style - Double Race	1.152	1 1/4	18g	3/8	H	75	Press Fit
1152	Closed Style - Double Race	1.152	1 1/4	18g	5/16	H	75	Press Fit
1153	Closed Style - Double Race	1.152	1 1/4	18g	7/16	H	75	Press Fit
1154	Closed Style - Double Race	1.152	1 1/4	18g	7/16	H	75	Press Fit
1155	Closed Style - Double Race	1.152	1 1/4	18g	5/16	H	75	Press Fit
1156	Closed Style - Double Race	1.152	1 1/4	18g	5/16	H	75	Press Fit
1157	Closed Style - Double Race	1.152	1 1/4	18g	1/4	R	75	Press Fit
1250	Closed Style - Double Race	1.252	1 3/8	16g	7/16	H	105	Press Fit
1252	Closed Style - Double Race	1.252	1 3/8	16g	5/16	H	105	Press Fit
1260	Closed Style - Double Race	1.252	1 3/8	16g	7/16	H	105	Press Fit
1490	Closed Style - Double Race	1.252	1 3/8	16g	7/16	H	105	Press Fit
1492	Closed Style - Double Race	1.252	1 3/8	16g	7/16	H	105	Press Fit
1274	Open Style - Double Race	1.277	1 3/8	18g	1/4	R	47	Press & Swage Fit
1275	Open Style - Double Race	1.277	1 3/8	18g	1/4	H	47	Press & Swage Fit
1276	Open Style - Double Race	1.277	1 3/8	18g	5/16	H	47	Press & Swage Fit
1277	Open Style - Traditional	1.277	1 3/8	18g	1/4	R	47	Press & Swage Fit
1278	Open Style - Double Race	1.277	1 3/8	18g	5/16	H	47	Press & Swage Fit

Flanged Unground Non-Precision Bearings

Model Number	Product Style	Max OD of Body	Tube Size	Tube Thickness	Bore Size	Bore Type	Load Rating	Mounting Type
1284	Open Style - Double Race	1.277	1 3/8	18g	1/4	R	47	Press & Swage Fit
1405	Open Style - Traditional	1.411	1 1/2	18g	1/4	R	75	Press & Swage Fit
1406	Open Style - Traditional	1.411	1 1/2	18g	7/16	H	75	Press & Swage Fit
1407	Open Style - Traditional	1.411	1 1/2	18g	3/8	H	75	Press & Swage Fit
1408	Open Style - Traditional	1.411	1 1/2	18g	7/16	H	75	Press & Swage Fit
1409	Open Style - Traditional	1.411	1 1/2	18g	7/16	H	75	Press & Swage Fit
1410	Open Style - Traditional	1.411	1 1/2	18g	5/16	H	75	Press & Swage Fit
0648	Closed Style - Radial Thrust	1.467	1 5/8	14g	7/16	H	140	Press Fit
0648-2	Closed Style - Radial Thrust	1.467	1 5/8	14g	3/8	H	140	Press Fit
1500	Closed Style - Radial Thrust	1.502	1 5/8	16g	7/16	H	145	Press Fit
1501	Closed Style - Radial Thrust	1.502	1 5/8	16g	5/16	H	145	Press Fit
1502	Closed Style - Radial Thrust	1.502	1 5/8	16g	3/8	H	145	Press Fit
1503	Closed Style - Radial Thrust	1.502	1 5/8	16g	1/2	R	145	Press Fit
1504	Closed Style - Radial Thrust	1.502	1 5/8	16g	7/16	H	145	Press Fit
1509	Closed Style - Radial Thrust	1.502	1 5/8	16g	3/8	R	145	Press Fit
1510	Closed Style - Radial Thrust	1.502	1 5/8	16g	7/16	H	145	Press Fit
1511	Closed Style - Radial Thrust	1.502	1 5/8	16g	5/16	H	145	Press Fit
1514	Closed Style - Radial Thrust	1.502	1 5/8	16g	7/16	H	145	Press Fit
1515	Closed Style - Radial Thrust	1.502	1 5/8	16g	7/16	H	145	Press Fit
1521	Closed Style - Radial Thrust	1.502	1 5/8	16g	7/16	H	118	Press Fit
1525	Closed Style - Radial Thrust	1.502	1 5/8	16g	7/16	H	145	Press Fit
1526	Closed Style - Radial Thrust	1.502	1 5/8	16g	7/16	H	145	Press Fit
1550	Closed Style - Radial Thrust	1.502	1 5/8	16g	1/4	R	145	Press Fit
1600	Closed Style - Radial Thrust	1.502	1 5/8	16g	7/16	H	145	Press Fit
1601	Closed Style - Radial Thrust	1.502	1 5/8	16g	7/16	H	145	Press Fit
1602	Closed Style - Radial Thrust	1.502	1 5/8	16g	7/16	H	145	Press Fit
1605	Closed Style - Radial Thrust	1.502	1 5/8	16g	1/2	R	145	Press Fit
3001	Closed Style - Double Race	1.502	1 5/8	16g	7/16	H	175	Press Fit
3272	Closed Style - Double Race	1.502	1 5/8	16g	1/2	R	175	Press Fit
3275	Closed Style - Double Race	1.502	1 5/8	16g	1/2	R	175	Press Fit
2900	Closed Style - Radial Thrust	1.530	1 5/8	18g	7/16	H	145	Press Fit
2903	Closed Style - Radial Thrust	1.530	1 5/8	18g	7/16	H	145	Press Fit
2910	Closed Style - Radial Thrust	1.530	1 5/8	18g	7/16	H	145	Press Fit
3200-2900	Closed Style - Radial Thrust	1.530	1.9	14g	7/16	H	145	Press Fit
1624	Closed Style - Double Race	1.628	1.9	9g	7/16	H	125	Press Fit
1628	Closed Style - Double Race	1.628	1.9	9g	7/16	H	125	Press Fit

Flanged Unground Non-Precision Bearings

Model Number	Product Style	Max OD of Body	Tube Size	Tube Thickness	Bore Size	Bore Type	Load Rating	Mounting Type
1633	Closed Style - Double Race	1.628	1.9	9g	3/8	H	125	Press Fit
1634	Closed Style - Double Race	1.628	1.9	9g	7/16	H	125	Press Fit
1638	Closed Style - Double Race	1.628	1.9	9g	7/16	H	125	Press Fit
1687	Open Style - Traditional	1.668	1.9	12g	1/4	R	140	Slip & Swage Fit
1690	Open Style - Traditional	1.668	1.9	12g	7/16	H	140	Slip & Swage Fit
1694	Open Style - Traditional	1.668	1.9	12g	7/16	H	140	Slip & Swage Fit
1697	Open Style - Traditional	1.668	1.9	12g	5/16	R	140	Slip & Swage Fit
1698	Open Style - Traditional	1.668	1.9	12g	7/16	R	140	Slip & Swage Fit
1701	Open Style - Traditional	1.703	1 7/8	13g	7/16	H	140	Press & Swage Fit
1702	Open Style - Traditional	1.703	1 7/8	13g	1/4	R	140	Press & Swage Fit
1703	Open Style - Traditional	1.703	1 7/8	13g	7/16	R	140	Press & Swage Fit
1705	Open Style - Traditional	1.703	1 7/8	13g	7/16	H	140	Press & Swage Fit
1707	Open Style - Traditional	1.703	1 7/8	13g	5/16	R	140	Press & Swage Fit
1708	Open Style - Traditional	1.704	1 7/8	13g	7/16	H	140	Press & Swage Fit
0418	Closed Style - Radial Thrust	1.712	1.9	12g	7/16	H	300	Press Fit
0419	Closed Style - Radial Thrust	1.712	1.9	12g	7/16	H	300	Press Fit
0420	Closed Style - Radial Thrust	1.712	1.9	12g	7/16	H	300	Press Fit
0421	Closed Style - Radial Thrust	1.712	1.9	12g	7/16	H	300	Press Fit
1718	Open Style - Traditional	1.728	1 7/8	16g	1/4	R	140	Slip & Swage Fit
1721	Open Style - Traditional	1.728	1 7/8	16g	7/16	H	140	Slip & Swage Fit
1723	Open Style - Traditional	1.728	1 7/8	16g	7/16	R	140	Slip & Swage Fit
1726	Open Style - Traditional	1.728	1 7/8	16g	5/16	R	140	Slip & Swage Fit
1727	Open Style - Traditional	1.728	1 7/8	16g	7/16	H	140	Slip & Swage Fit
1730	Open Style - Traditional	1.728	1 7/8	16g	7/16	H	140	Slip & Swage Fit
1732	Open Style - Traditional	1.728	1 7/8	16g	5/16	R	140	Press & Swage Fit
0112	Open Style - Traditional	1.753	1 7/8	16g	1/4	R	140	Press & Swage Fit
0119	Open Style - Traditional	1.753	1 7/8	16g	7/16	H	140	Press & Swage Fit
0124	Open Style - Traditional	1.753	1 7/8	16g	7/16	H	140	Press & Swage Fit
0126	Open Style - Traditional	1.753	1 7/8	16g	5/16	R	140	Press & Swage Fit
1005	Open Style - Traditional	1.776	1.9	16g	7/16	H	140	Press & Swage Fit
0191	Open Style - Traditional	1.780	1.9	16g	7/16	H	140	Press & Swage Fit
1002	Open Style - Traditional	1.780	1.9	16g	1/4	R	140	Press & Swage Fit
1009	Open Style - Traditional	1.780	1.9	16g	7/16	H	140	Press & Swage Fit
1012	Open Style - Traditional	1.780	1.9	16g	5/16	R	140	Press & Swage Fit
1014	Open Style - Traditional	1.780	1.9	16g	7/16	R	140	Press & Swage Fit
1033	Open Style - Traditional	1.780	1.9	16g	5/16	R	140	Press & Swage Fit

Flanged Unground Non-Precision Bearings

Model Number	Product Style	Max OD of Body	Tube Size	Tube Thickness	Bore Size	Bore Type	Load Rating	Mounting Type
0107	Open Style - Traditional	1.788	1.9	16g	7/16	H	140	Press & Swage Fit
107SS	Open Style - Traditional	1.788	1.9	16g	7/16	H	140	Press & Swage Fit
0110	Open Style - Traditional	1.853	2	16g	7/16	H	140	Slip & Swage Fit
0114	Open Style - Traditional	1.853	2	16g	7/16	H	140	Slip & Swage Fit
0116	Open Style - Traditional	1.853	2	16g	5/16	R	140	Slip & Swage Fit
1107	Open Style - Traditional	1.878	2	16g	7/16	H	140	Press & Swage Fit
1111	Open Style - Traditional	1.878	2	16g	7/16	H	140	Press & Swage Fit
1127	Open Style - Traditional	1.878	2	16g	5/16	R	140	Press & Swage Fit
1875	Closed Style - Double Race	1.879	2	16g	7/16	H	190	Press Fit
1876	Closed Style - Double Race	1.879	2	16g	7/16	H	190	Press Fit
2100	Closed Style - Double Race	2.000	2 1/4	9g	5/8	H	225	Counterbore & Press Fit
3134-1500	Adapter Style	2.130	2 1/4	16g	7/16	H	145	Swage -OR- Press
3134-1503	Adapter Style	2.130	2 1/4	16g	1/2	R	145	Swage -OR- Press
3134-1504	Adapter Style	2.130	2 1/4	16g	7/16	H	145	Swage -OR- Press
3134-1510	Adapter Style	2.130	2 1/4	16g	7/16	H	145	Swage -OR- Press
3134-1600	Adapter Style	2.130	2 1/4	16g	7/16	H	145	Swage -OR- Press
2500	Closed Style - Double Race	2.270	2 1/2	11g	11/16	H	425	Press Fit
2501	Closed Style - Double Race	2.270	2 1/2	11g	1/2	R	425	Press Fit
2502	Closed Style - Double Race	2.270	2 1/2	11g	5/8	R	425	Press Fit
2504	Closed Style - Double Race	2.270	2 1/2	11g	3/4	R	425	Press Fit
2505	Closed Style - Double Race	2.270	2 1/2	11g	3/4	H	425	Press Fit
2507	Closed Style - Double Race	2.270	2 1/2	11g	7/16	H	425	Press Fit
2509	Closed Style - Double Race	2.270	2 1/2	11g	5/8	H	425	Press Fit
2510	Closed Style - Double Race	2.270	2 1/2	11g	11/16	H	425	Press Fit
2512	Closed Style - Double Race	2.270	2 1/2	11g	11/16	H	425	Press Fit
2515	Closed Style - Double Race	2.270	2 1/2	11g	9/16	H	425	Press Fit
2530	Closed Style - Double Race	2.270	2 1/2	11g	11/16	H	425	Press Fit
2532	Closed Style - Double Race	2.270	2 1/2	11g	11/16	H	425	Press Fit
2537	Closed Style - Double Race	2.270	2 1/2	11g	7/16	H	425	Press Fit
2539	Closed Style - Double Race	2.270	2 1/2	11g	5/8	H	425	Press Fit
2540	Closed Style - Double Race	2.270	2 1/2	11g	11/16	H	425	Press Fit
2542	Closed Style - Double Race	2.270	2 1/2	11g	11/16	H	425	Press Fit
2545	Closed Style - Double Race	2.270	2 1/2	11g	9/16	H	425	Press Fit
2547	Closed Style - Double Race	2.270	2 1/2	11g	7/16	H	425	Press Fit
2549	Closed Style - Double Race	2.270	2 1/2	11g	5/8	H	425	Press Fit
2700	Closed Style - Double Race	2.270	2 1/2	11g	11/16	H	425	Press Fit

Flanged Unground Non-Precision Bearings

Model Number	Product Style	Max OD of Body	Tube Size	Tube Thickness	Bore Size	Bore Type	Load Rating	Mounting Type
2730	Closed Style - Double Race	2.270	2 1/2	11g	11/16	H	425	Press Fit
3174	Closed Style - Double Race	2.270	2 1/2	11g	3/4	R	425	Press Fit
3176	Closed Style - Double Race	2.270	2 1/2	11g	11/16	H	425	Press Fit
3425-1500	Adapter Style	2.270	2 1/2	11g	7/16	H	145	Swage -OR- Press
3425-1510	Adapter Style	2.270	2 1/2	11g	7/16	H	145	Swage -OR- Press
3425-1521	Adapter Style	2.270	2 1/2	11g	7/16	H	145	Swage -OR- Press
3133-1500	Adapter Style	2.320	2 1/2	14g	7/16	H	145	Slip & Swage Fit
3133-1503	Adapter Style	2.320	2 1/2	14g	1/2	R	145	Slip & Swage Fit
3133-1504	Adapter Style	2.320	2 1/2	14g	7/16	H	145	Slip & Swage Fit
3133-1510	Adapter Style	2.320	2 1/2	14g	7/16	H	145	Slip & Swage Fit
3135-1500	Adapter Style	2.340	2 1/2	14g	7/16	H	145	Press & Swage Fit
3135-1501	Adapter Style	2.340	2 1/2	14g	5/16	H	145	Press & Swage Fit
3135-1502	Adapter Style	2.340	2 1/2	14g	3/8	H	145	Press & Swage Fit
3135-1503	Adapter Style	2.340	2 1/2	14g	1/2	R	145	Press & Swage Fit
3135-1504	Adapter Style	2.340	2 1/2	14g	7/16	H	145	Press & Swage Fit
3135-1509	Adapter Style	2.340	2 1/2	14g	3/8	R	145	Press & Swage Fit
3135-1510	Adapter Style	2.340	2 1/2	14g	7/16	H	145	Press & Swage Fit
3135-1514	Adapter Style	2.340	2 1/2	14g	7/16	H	145	Press & Swage Fit
3135-1521	Adapter Style	2.340	2 1/2	14g	7/16	H	145	Press & Swage Fit
3135-1600	Adapter Style	2.340	2 1/2	14g	7/16	H	145	Press & Swage Fit
3136-1500	Adapter Style	2.340	2 1/2	14g	7/16	H	145	Press & Swage Fit
3139-1500	Adapter Style	2.365	2 1/2	14g	7/16	H	145	Swage -OR- Press
3500-2500	Adapter Style	3.190	3 1/2	9g	11/16	H	425	Slip & Swage Fit
3500-2532	Adapter Style	3.190	3 1/2	9g	11/16	H	425	Slip & Swage Fit
3500-2540	Adapter Style	3.190	3 1/2	9g	11/16	H	425	Slip & Swage Fit

Metric Flanged Non-Precision Bearings

Model Number	Product Style	Max OD of Body	Tube Size	Tube Thickness	Bore Size	Bore Type	Load Rating	Mounting Type
1512	Closed Style - Radial Thrust	1.502	1 5/8	16g	12mm	R	145	Press Fit
1520	Closed Style - Radial Thrust	1.502	1 5/8	16g	10mm	R	145	Press Fit
1767	Open Style - Traditional	1.853	2	16g	8mm	R	140	Slip & Swage Fit
3133-1520	Adapter Style	2.320	2 1/2	14g	10mm	R	145	Slip & Swage Fit
3135-1512	Adapter Style	2.340	2 1/2	14g	12mm	R	145	Press & Swage Fit
1030	Open Style - Traditional	45,2	50mm	2,0mm	12mm	R	64 kg	Slip & Swage Fit
1031	Open Style - Traditional	45,2	50mm	2,0mm	11mm	H	64 kg	Slip & Swage Fit
1038	Open Style - Traditional	45,2	50mm	2,0mm	8mm	R	64 kg	Slip & Swage Fit

Metric Flanged Non-Precision Bearings

Model Number	Product Style	Max OD of Body	Tube Size	Tube Thickness	Bore Size	Bore Type	Load Rating	Mounting Type
1039	Open Style - Traditional	45,2	50mm	2,0mm	10mm	R	64 kg	Slip & Swage Fit
1760	Open Style - Traditional	47,1	50mm	1,5mm	12mm	R	64 kg	Press & Swage Fit
1761	Open Style - Traditional	47,1	50mm	1,5mm	11mm	H	64 kg	Press & Swage Fit
1768	Open Style - Traditional	47,1	50mm	1,5mm	8mm	R	64 kg	Press & Swage Fit
1769	Open Style - Traditional	47,1	50mm	1,5mm	10mm	R	64 kg	Press & Swage Fit
3425-1570	Adapter Style	57.7	60mm	1,5mm	12mm	R	64 kg	Heavy Press -OR- Swage
3425-1571	Adapter Style	57.7	60mm	1,5mm	11mm	H	64 kg	Heavy Press -OR- Swage
3425-1578	Adapter Style	57.7	60mm	1,5mm	8mm	R	64 kg	Heavy Press -OR- Swage
3425-1579	Adapter Style	57.7	60mm	1,5mm	10mm	R	64 kg	Heavy Press -OR- Swage

Power Swage 2.5" Flanged Bearings

Model Number	Product Style	Max OD of Body	Tube Size	Tube Thickness	Bore Size	Bore Type	Load Rating	Mounting Type
2550	Closed Style - Tapered Race	2.270	2 1/2	11g	11/16	H	425	Press & Swage Fit
2552	Closed Style - Tapered Race	2.270	2 1/2	11g	11/16	H	425	Press & Swage Fit
2553	Closed Style - Tapered Race	2.270	2 1/2	11g	7/16	H	425	Press & Swage Fit
2555	Closed Style - Tapered Race	2.270	2 1/2	11g	11/16	H	425	Press & Swage Fit
2557	Closed Style - Tapered Race	2.270	2 1/2	11g	7/16	H	425	Press & Swage Fit
2558	Closed Style - Tapered Race	2.270	2 1/2	11g	5/8	H	425	Press & Swage Fit
2560	Closed Style - Tapered Race	2.270	2 1/2	11g	11/16	H	425	Press & Swage Fit
2561	Closed Style - Tapered Race	2.270	2 1/2	11g	1/2	R	425	Press & Swage Fit
2562	Closed Style - Tapered Race	2.270	2 1/2	11g	5/8	R	425	Press & Swage Fit
2564	Closed Style - Tapered Race	2.270	2 1/2	11g	3/4	R	425	Press & Swage Fit
2565	Closed Style - Tapered Race	2.270	2 1/2	11g	3/4	H	425	Press & Swage Fit
2567	Closed Style - Tapered Race	2.270	2 1/2	11g	7/16	H	425	Press & Swage Fit
2569	Closed Style - Tapered Race	2.270	2 1/2	11g	5/8	H	425	Press & Swage Fit
2570	Closed Style - Tapered Race	2.270	2 1/2	11g	11/16	H	425	Press & Swage Fit
2577	Closed Style - Tapered Race	2.270	2 1/2	11g	7/16	H	425	Press & Swage Fit
2579	Closed Style - Tapered Race	2.270	2 1/2	11g	5/8	H	425	Press & Swage Fit
2580	Closed Style - Tapered Race	2.270	2 1/2	11g	11/16	H	425	Press & Swage Fit
2587	Closed Style - Tapered Race	2.270	2 1/2	11g	7/16	H	425	Press & Swage Fit
2589	Closed Style - Tapered Race	2.270	2 1/2	11g	5/8	H	425	Press & Swage Fit

Wide Flanged Unground Non-Precision Bearings

Model Number	Product Style	Max OD of Body	Tube Size	Tube Thickness	Bore Size	Bore Type	Load Rating	Mounting Type
1001	Wide Flange	1.782	1.9	16g	5/16	R	140	Press Fit
1013	Wide Flange	1.782	1.9	16g	7/16	R	140	Press Fit
1015	Wide Flange	1.782	1.9	16g	7/16	H	140	Press Fit

Wide Flanged Unground Non-Precision Bearings

Model Number	Product Style	Max OD of Body	Tube Size	Tube Thickness	Bore Size	Bore Type	Load Rating	Mounting Type
1102	Wide Flange	1.878	2	16g	1/4	R	140	Press Fit

ABEC-1 Core Precision Bearings

Model Number	Product Style	Max OD of Body	Tube Size	Tube Thickness	Bore Size	Bore Type	Load Rating	Mounting Type
6002	Core Precision Bearing	1.2598			0.5906	R	1260	
6005	Core Precision Bearing	1.8504			0.9843	R	2260	
6205	Core Precision Bearing	2.0472			0.9843	R	3150	
0109	Machined Race	3.200			1/2	R		

Core Non-Precision Bearings

Model Number	Product Style	Max OD of Body	Tube Size	Tube Thickness	Bore Size	Bore Type	Load Rating	Mounting Type
0280	Machined Race	1.375	1 1/2	16g	7/16	H	200	Press Fit

Precision ABEC-1 - Polymer Housed Bearings

Model Number	Product Style	Max OD of Body	Tube Size	Tube Thickness	Bore Size	Bore Type	Load Rating	Mounting Type
1296	Polymer Housing	1.277	1 3/8	18g	5/16	H	300	Slip & Swage Fit
1590	Polymer Housing	1.499	1 5/8	16g	7/16	H	300	Slip & Swage Fit
3133-1590	Polymer Housing	2.320	2 1/2	14g	7/16	H	300	Swage -OR- Press
3135-1590	Polymer Housing	2.340	2 1/2	14g	7/16	H	300	Swage -OR- Press
3139-1590	Polymer Housing	2.365	2 1/2	14g	7/16	H	300	Swage -OR- Press

Imperial Flanged Non-Precision Bearings

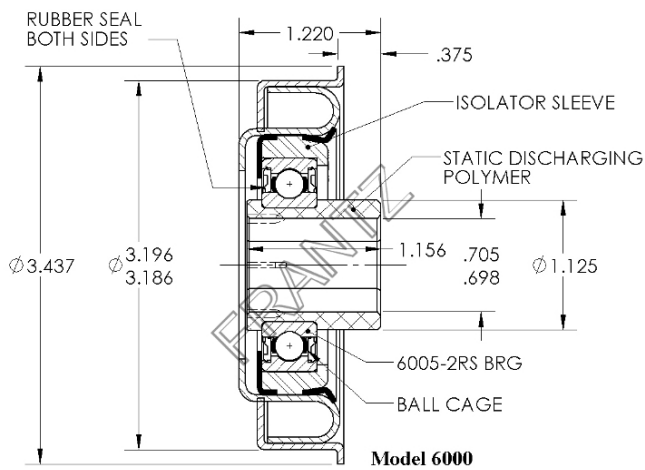
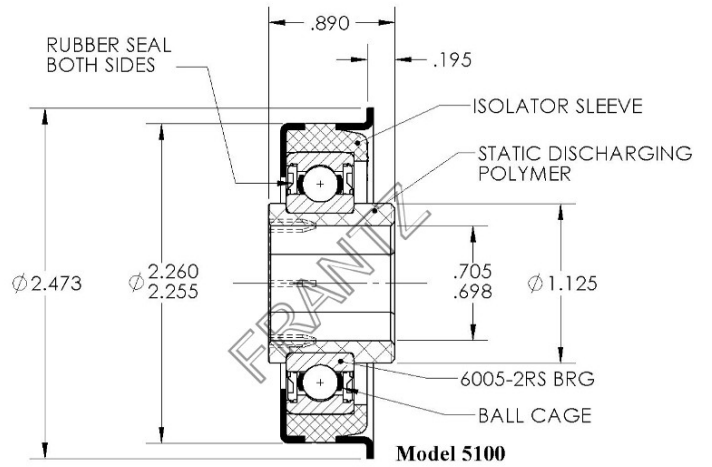
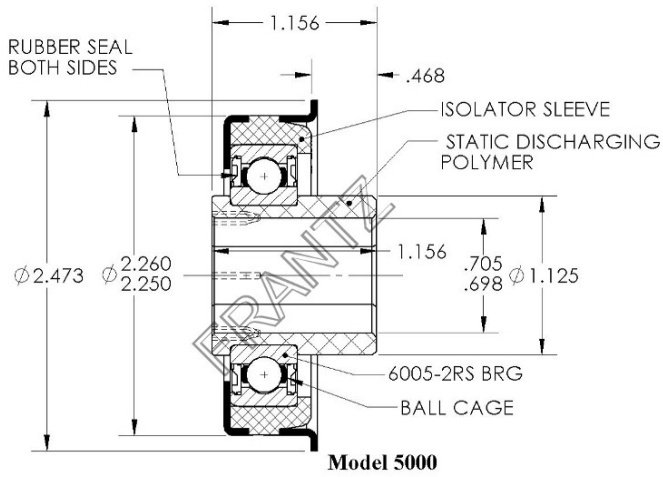
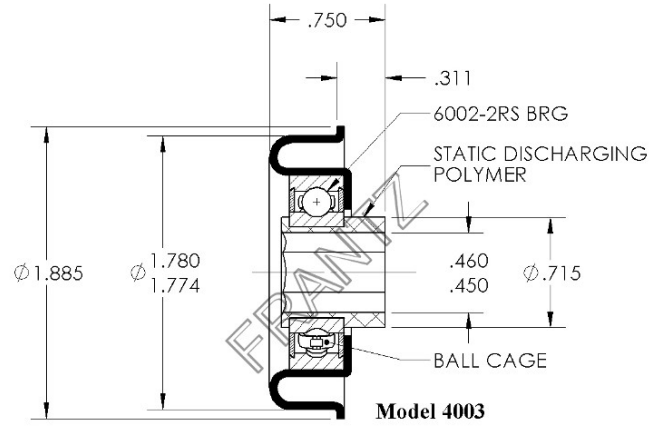
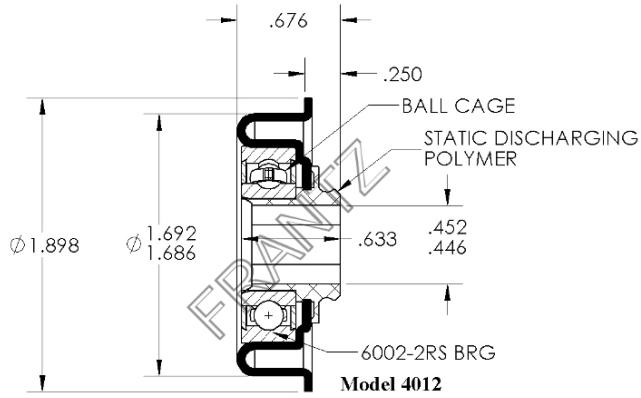
Model Number	Product Style	Max OD of Body	Tube Size	Tube Thickness	Bore Size	Bore Type	Load Rating	Mounting Type
0120	Open Style - Traditional	1.753	2	10swg	12mm	R	64 kg	Press & Swage Fit
0121	Open Style - Traditional	1.753	2	10swg	11mm	H	64 kg	Press & Swage Fit
0128	Open Style - Traditional	1.753	1 7/8	16g	7/16	R	140	Press & Swage Fit
0129	Open Style - Traditional	1.753	2	10swg	10mm	R	64 kg	Press & Swage Fit
1770	Open Style - Traditional	1.878	2	16swg	12mm	R	64 kg	Press & Swage Fit
1771	Open Style - Traditional	1.878	2	16swg	11mm	H	64 kg	Press & Swage Fit
1778	Open Style - Traditional	1.878	2	16swg	8mm	R	64 kg	Press & Swage Fit
1779	Open Style - Traditional	1.878	2	16swg	10mm	R	64 kg	Press & Swage Fit
1870	Closed Style - Double Race	1.879	2	16swg	12mm	R	83 kg	Press Fit
1871	Closed Style - Double Race	1.879	2	16swg	11mm	H	83 kg	Press Fit
1878	Closed Style - Double Race	1.879	2	16swg	8mm	R	83 kg	Press Fit
1879	Closed Style - Double Race	1.879	2	16swg	10mm	R	83 kg	Press Fit
3134-1507	Adapter Style	2.130	2 1/4	16swg	5/16	R	145	Swage -OR- Press
3134-1509	Adapter Style	2.130	2 1/4	16swg	3/8	R	145	Swage -OR- Press

Imperial Flanged Non-Precision Bearings

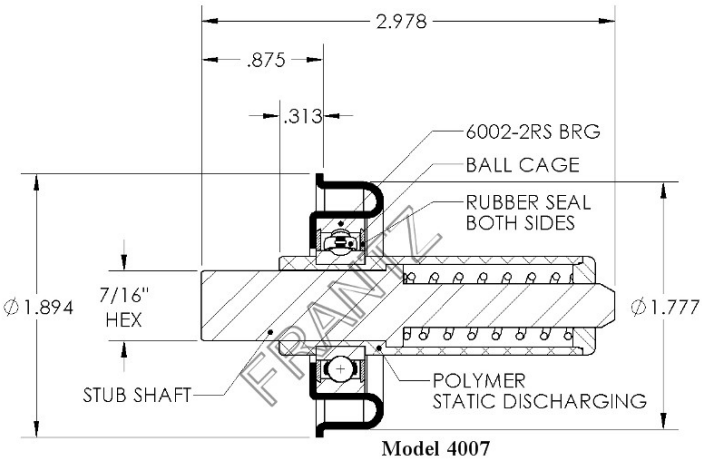
Model Number	Product Style	Max OD of Body	Tube Size	Tube Thickness	Bore Size	Bore Type	Load Rating	Mounting Type
3134-1570	Adapter Style	2.130	2 1/4	16swg	12mm	R	145	Swage -OR- Press
3134-1571	Adapter Style	2.130	2 1/4	16swg	11mm	H	145	Swage -OR- Press
3134-1578	Adapter Style	2.130	2 1/4	16swg	8mm	R	145	Swage -OR- Press
3134-1579	Adapter Style	2.130	2 1/4	16swg	10mm	R	145	Swage -OR- Press
3425-1507	Adapter Style	2.270	2 1/2	10swg	5/16	R	145	Heavy Press -OR- Swage
3425-1509	Adapter Style	2.270	2 1/2	10swg	3/8	R	145	Heavy Press -OR- Swage

Imperial GenII® Semi-Precision Bearings

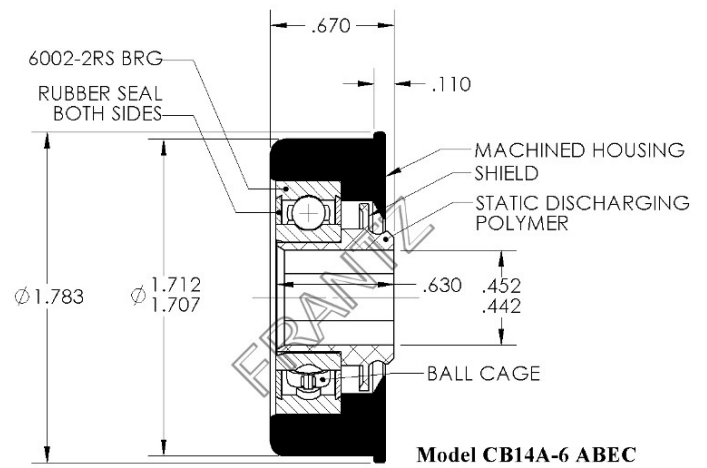
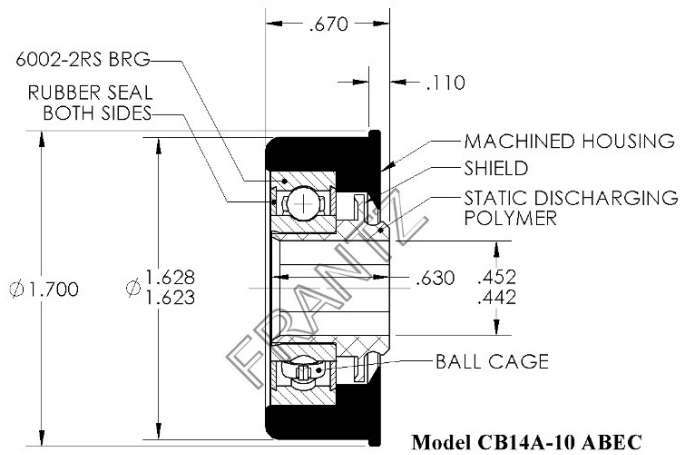
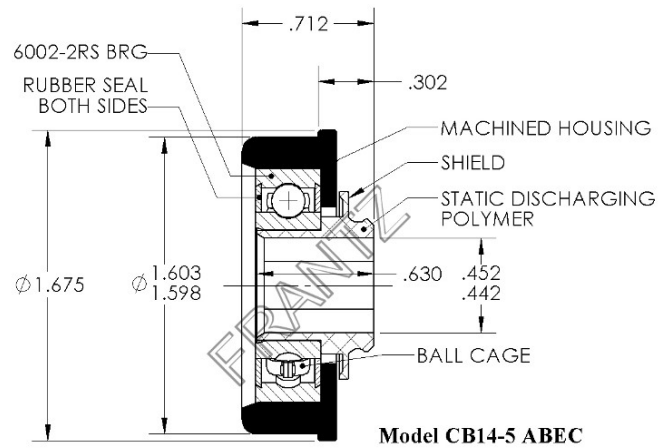
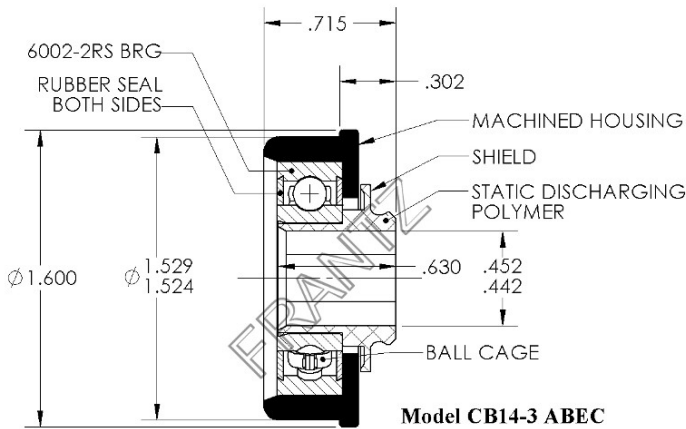
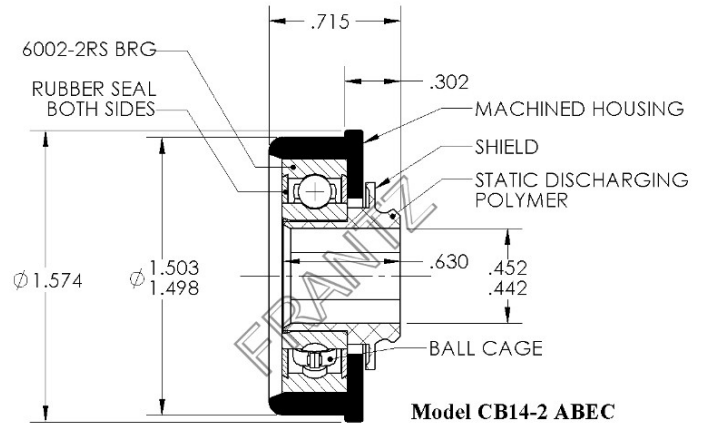
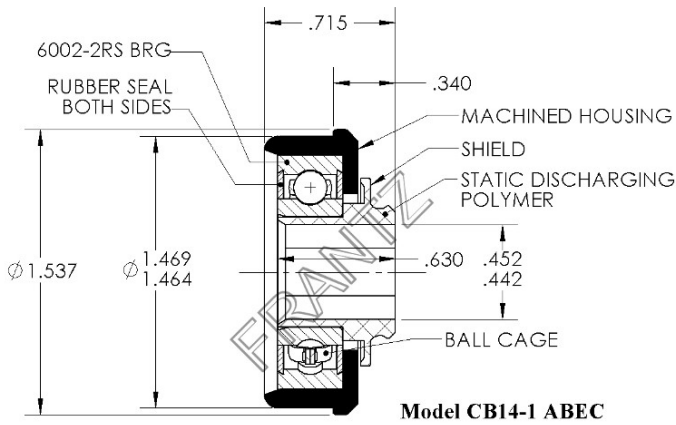
Model Number	Product Style	Max OD of Body	Tube Size	Tube Thickness	Bore Size	Bore Type	Load Rating	Mounting Type
2432	Adapter Style	2.205	2 3/8	14swg	5/16	R	281 kg	Slip & Swage Fit
2433	Adapter Style	2.205	2 3/8	14swg	9/16	R	281 kg	Slip & Swage Fit
1738	Adapter Style	2.220	2 3/8	14swg	7/16	R	136 kg	Swage -OR- Press
1739	Adapter Style	2.220	2 3/8	14swg	5/16	R	136 kg	Swage -OR- Press
1836	Adapter Style	2.220	2 3/8	14swg	7/16	H	136 kg	Swage -OR- Press
1766	Adapter Style	2.258	2 1/2	10swg	7/16	R	136 kg	Swage -OR- Press
1774	Adapter Style	2.258	2 1/2	10swg	5/16	R	136 kg	Swage -OR- Press
1981	Adapter Style	2.267	2 1/2	10swg	11mm	R	281 kg	Heavy Press -OR- Swage
1982	Adapter Style	2.267	2 1/2	10swg	5/16	R	281 kg	Heavy Press -OR- Swage
1983	Adapter Style	2.267	2 1/2	10swg	9/16	R	281 kg	Heavy Press -OR- Swage
1987	Adapter Style	2.267	2 1/2	10swg	14mm	R	281 kg	Heavy Press -OR- Swage
1988	Adapter Style	2.267	2 1/2	10swg	15mm	R	281 kg	Heavy Press -OR- Swage
1989	Adapter Style	2.267	2 1/2	10swg	17mm	R	281 kg	Heavy Press -OR- Swage
1746	Adapter Style	47,4	2	14swg	5/16	R	136 kg	Heavy Press -OR- Swage
1747	Adapter Style	47,4	2	14swg	7/16	R	136 kg	Heavy Press -OR- Swage
1829	Adapter Style	47,4	2	14swg	7/16	H	136 kg	Heavy Press -OR- Swage



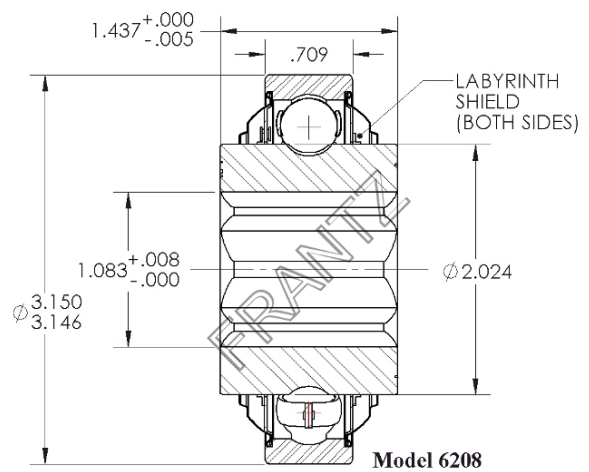
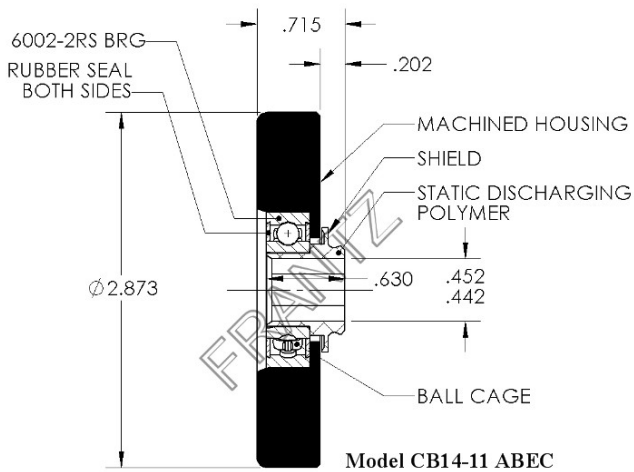
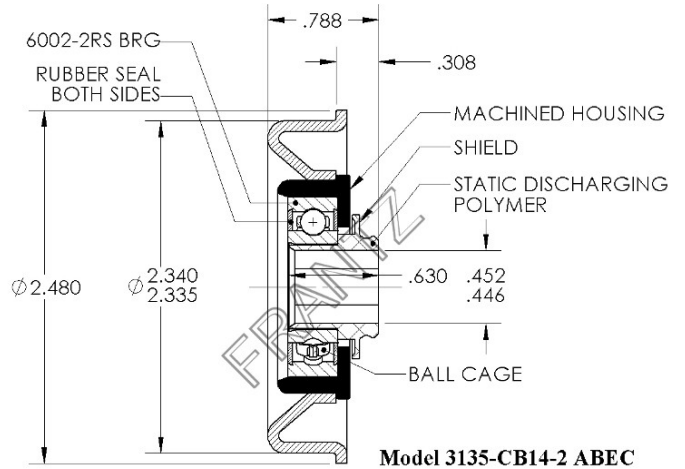
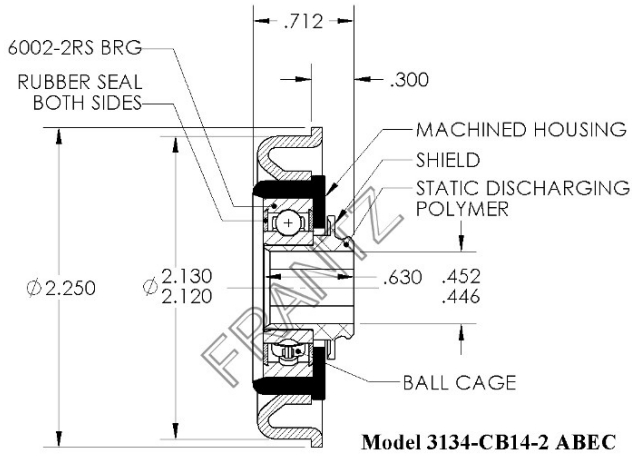
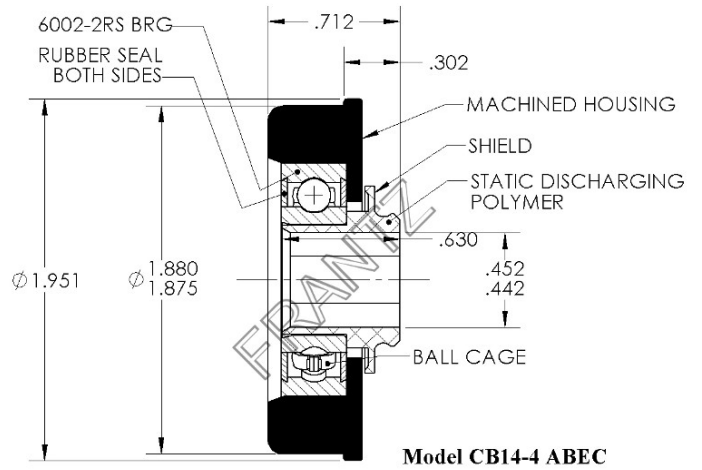
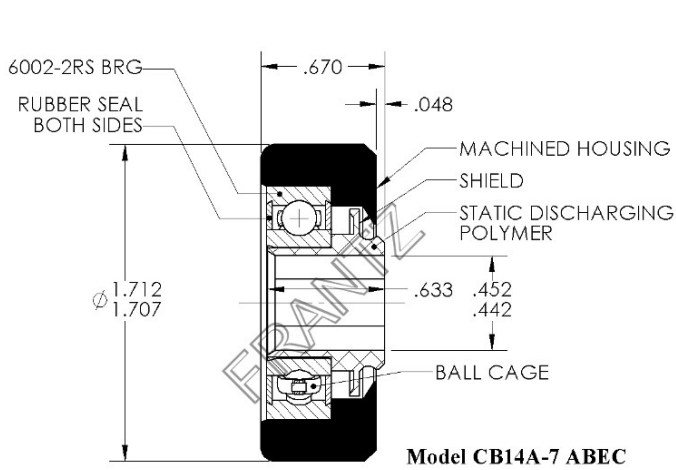
GenStar® ELIMINATOR Bearings



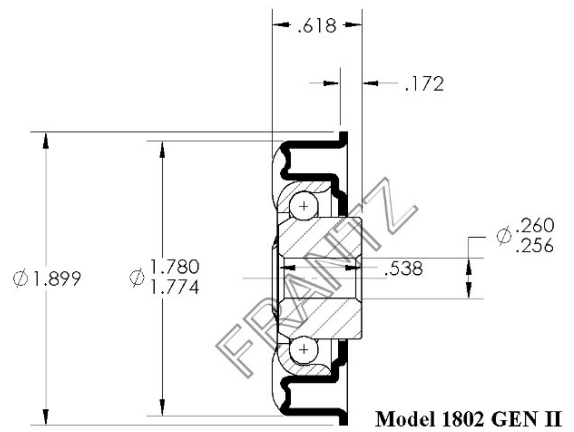
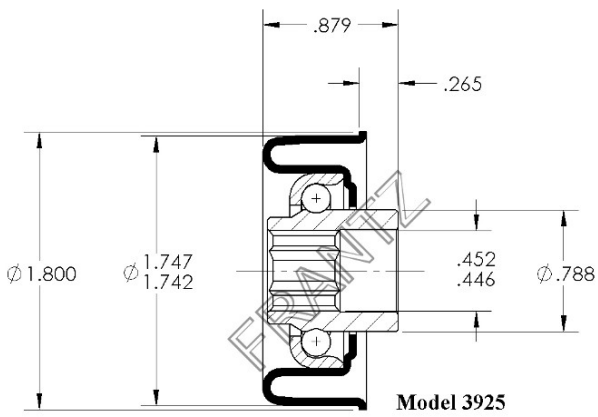
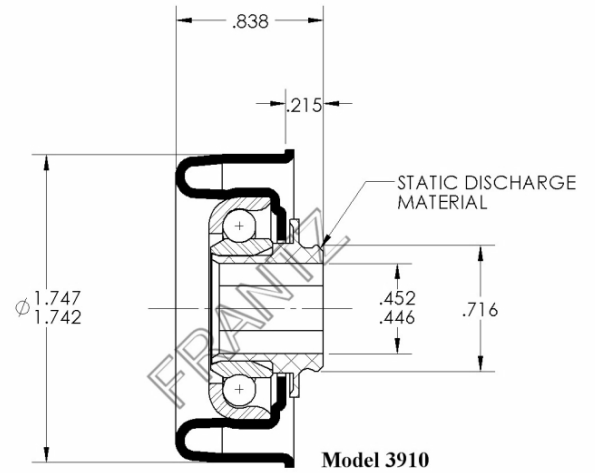
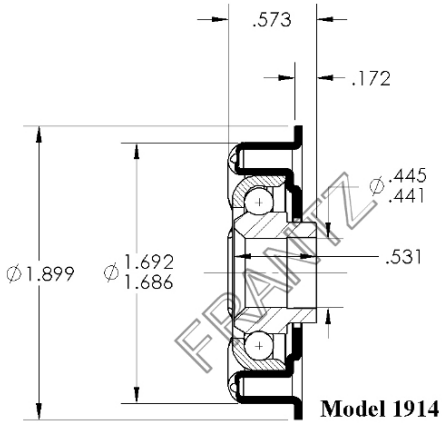
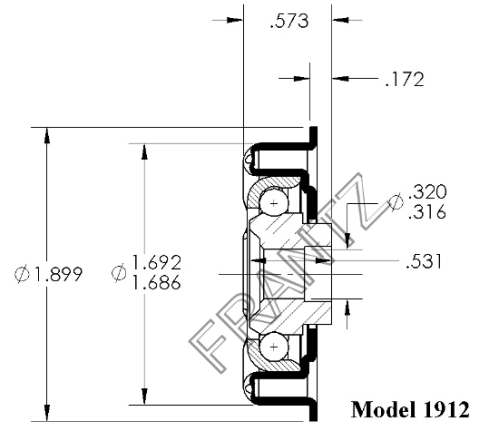
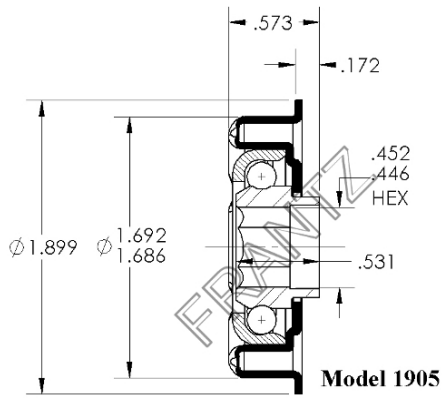
Precision ABEC-1 - Machined Bearings



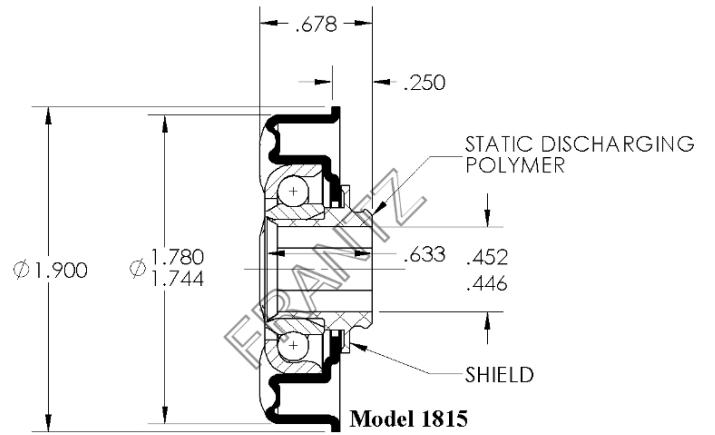
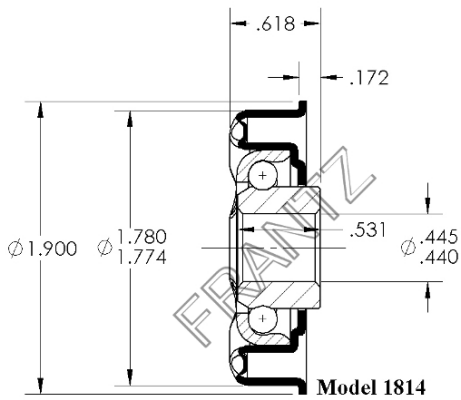
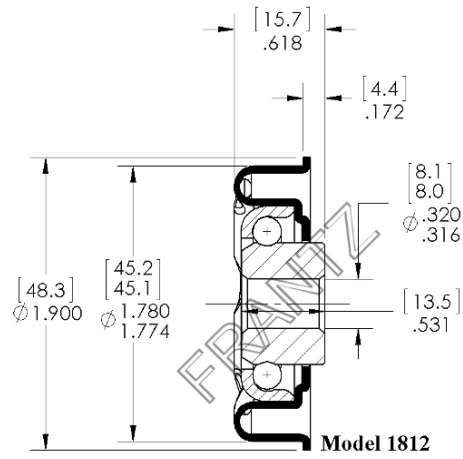
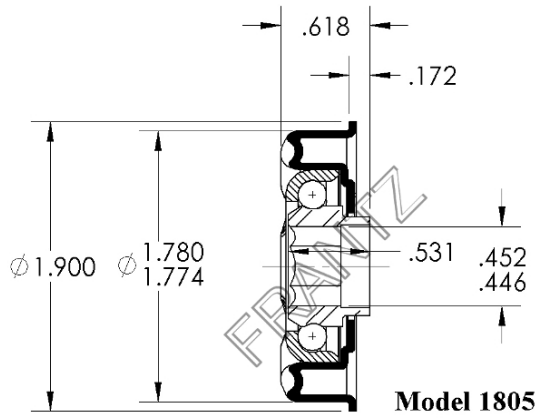
Precision ABEC-1 - Machined Bearings



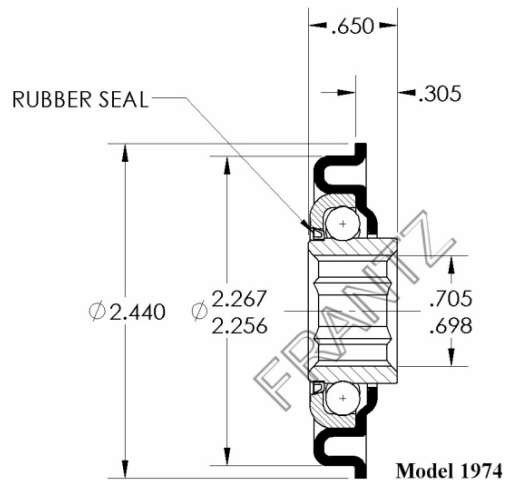
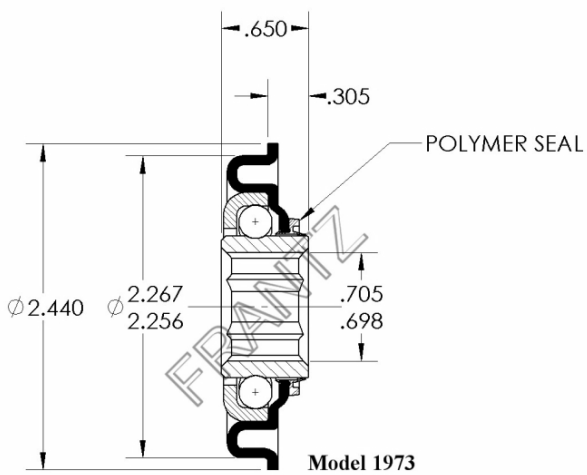
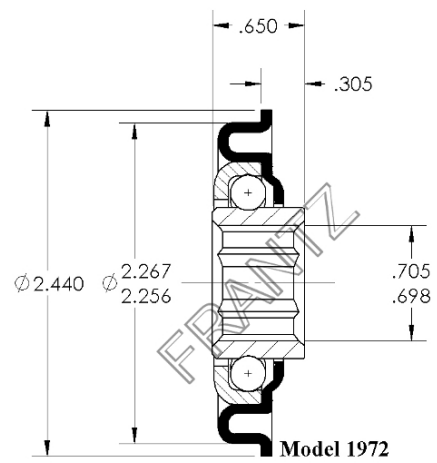
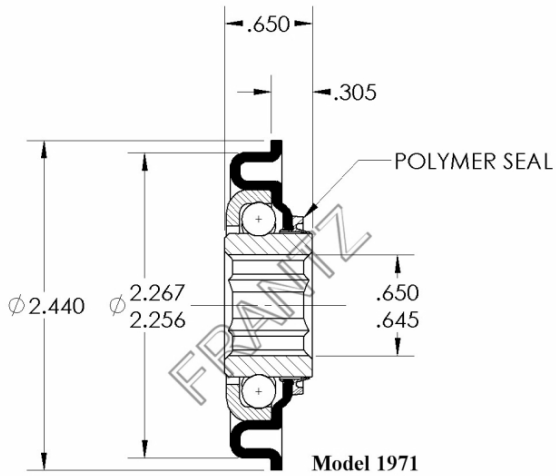
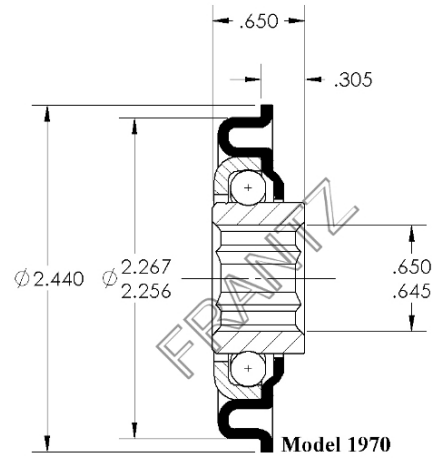
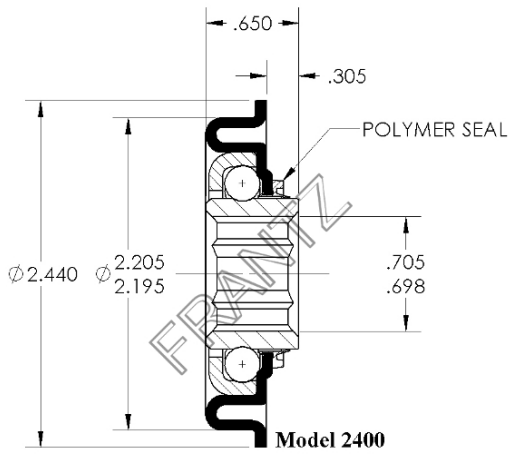
GenII® Semi-Precision Bearings 300 Series



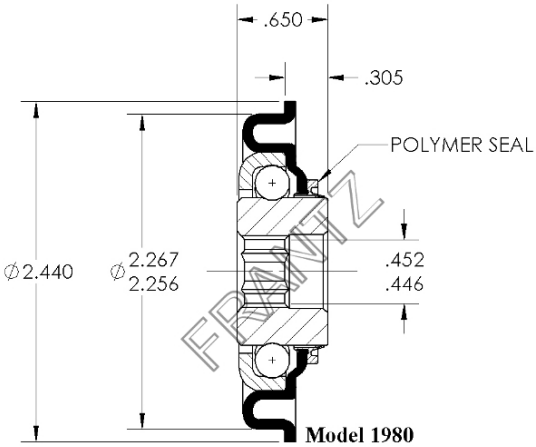
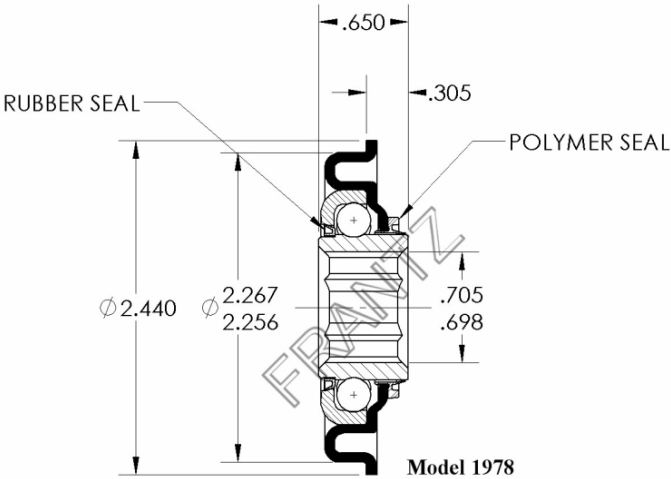
GenII® Semi-Precision Bearings 300 Series



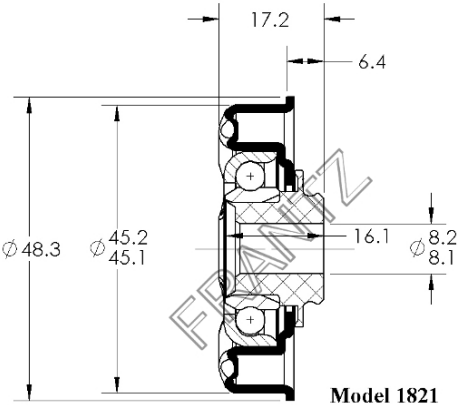
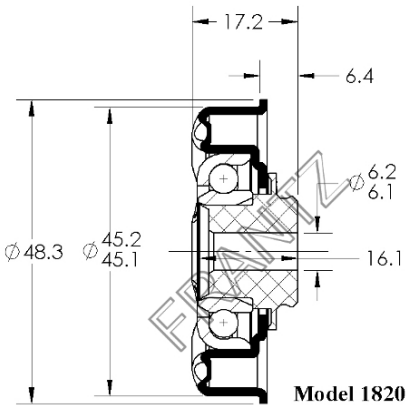
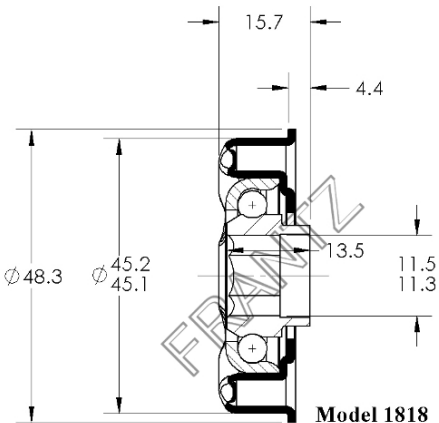
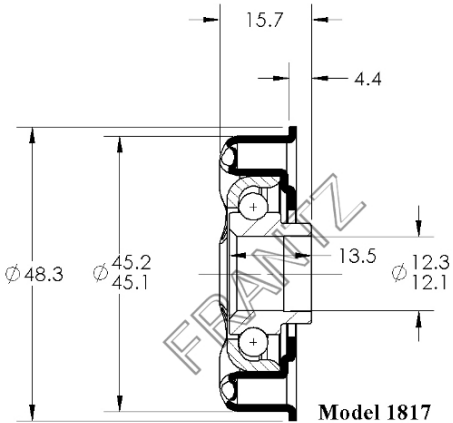
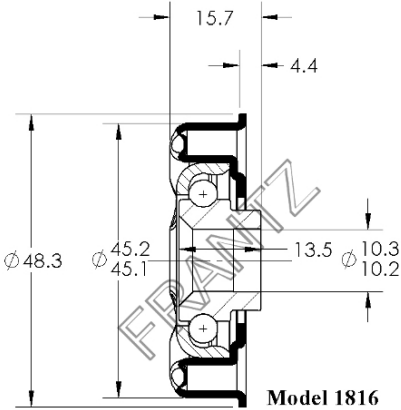
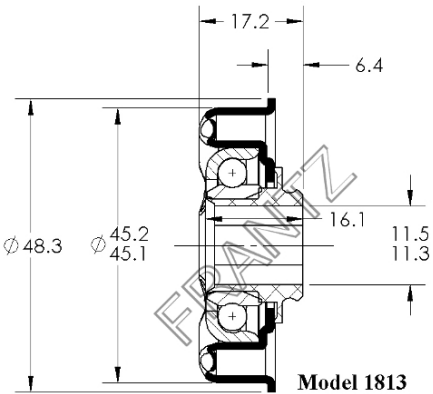
GenII® Semi-Precision Bearings 620 Series



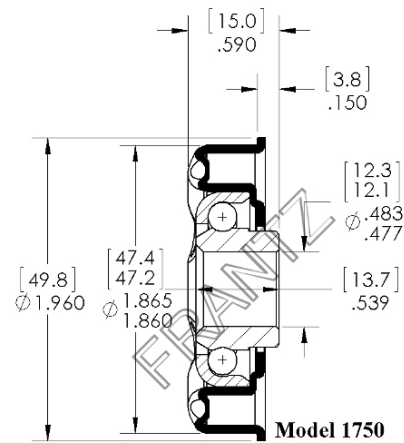
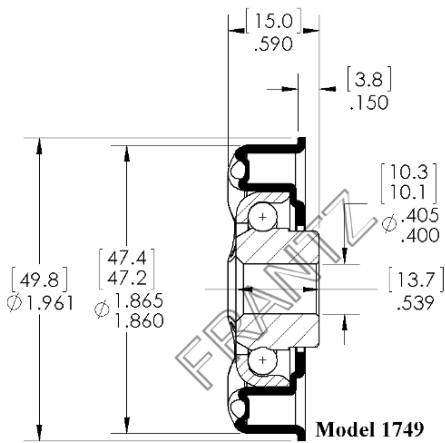
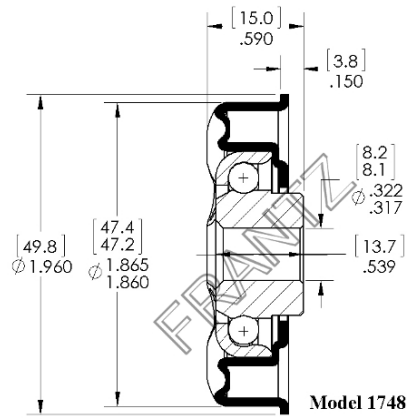
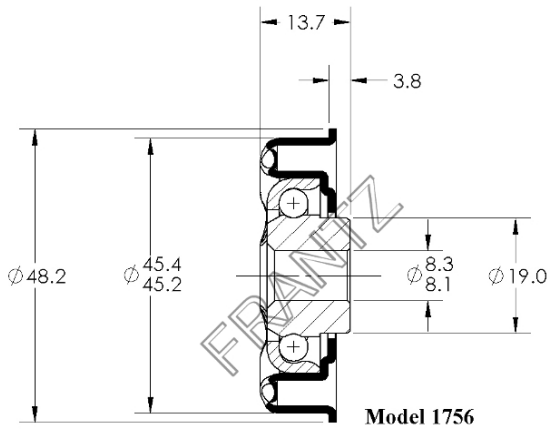
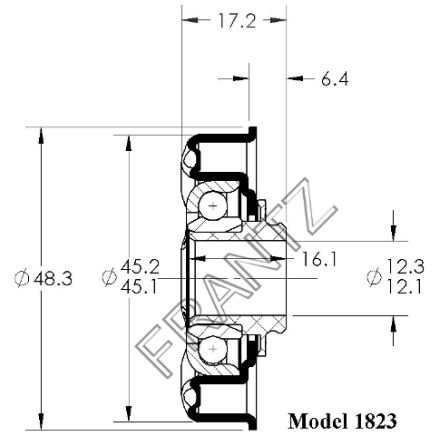
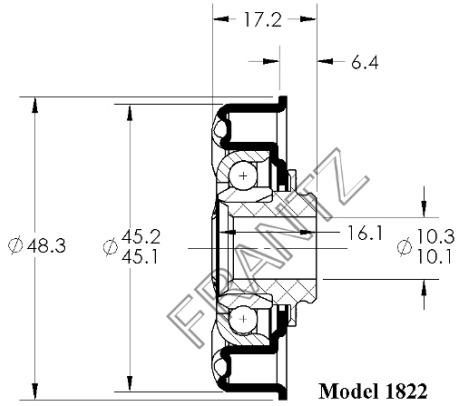
GenII® Semi-Precision Bearings 620 Series



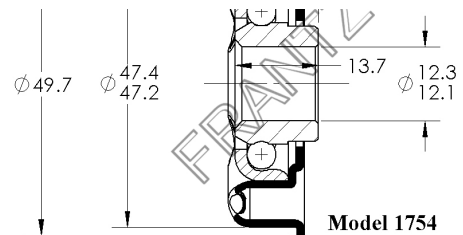
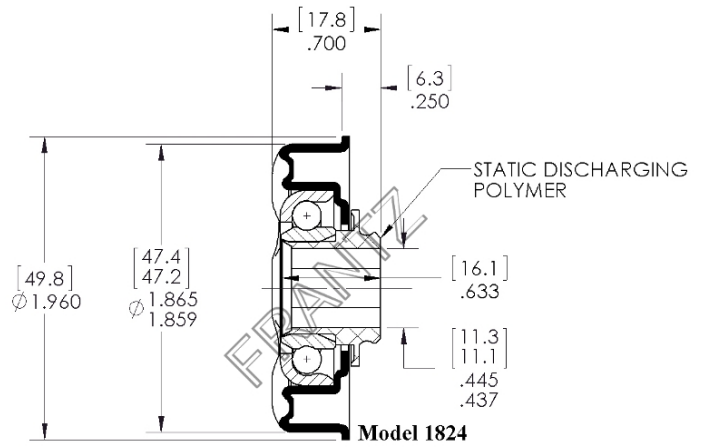
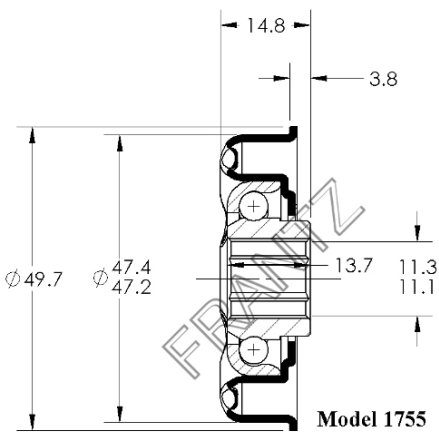
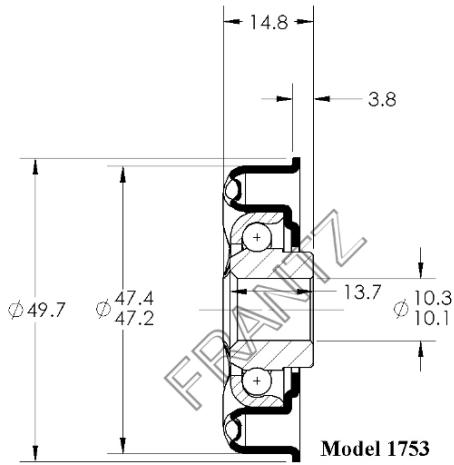
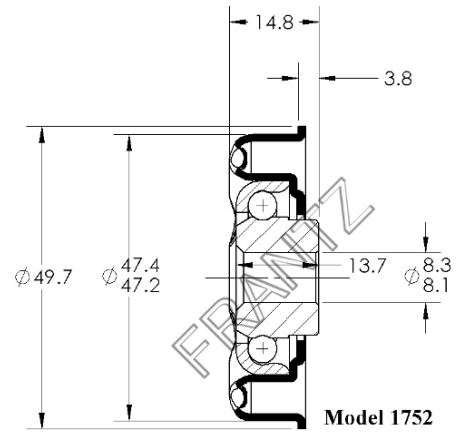
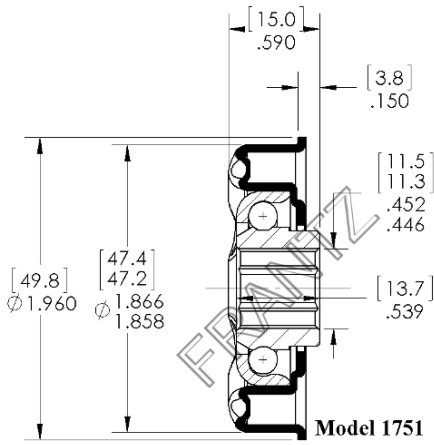
Metric GenII® Semi-Precision Bearings 136kg Series



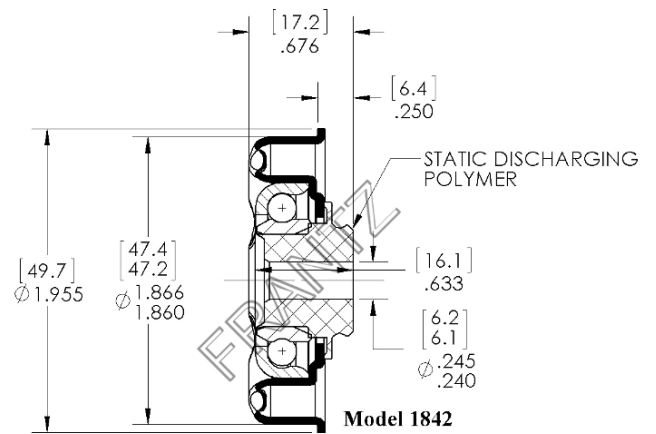
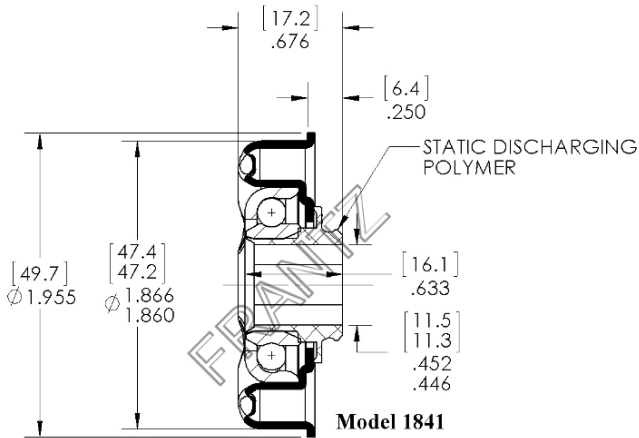
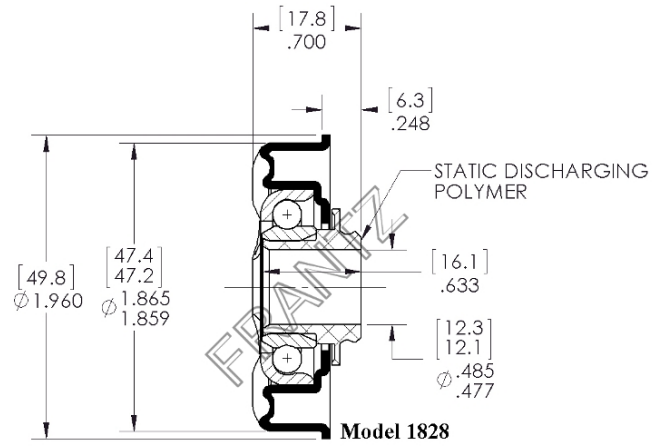
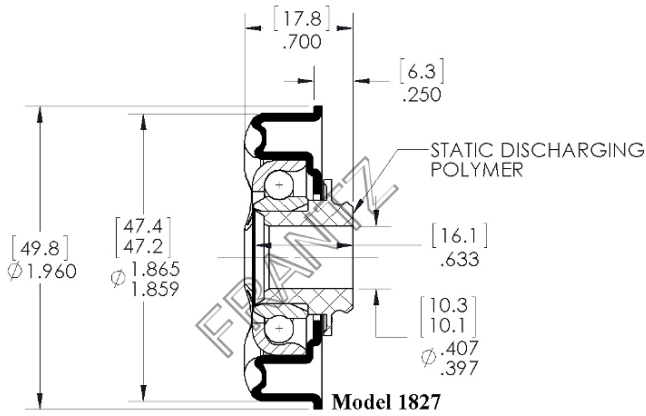
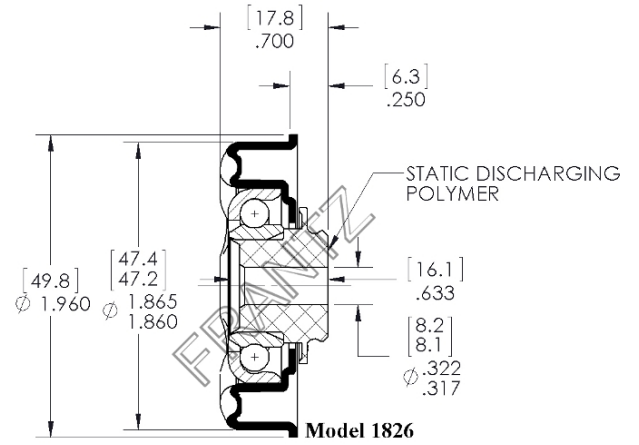
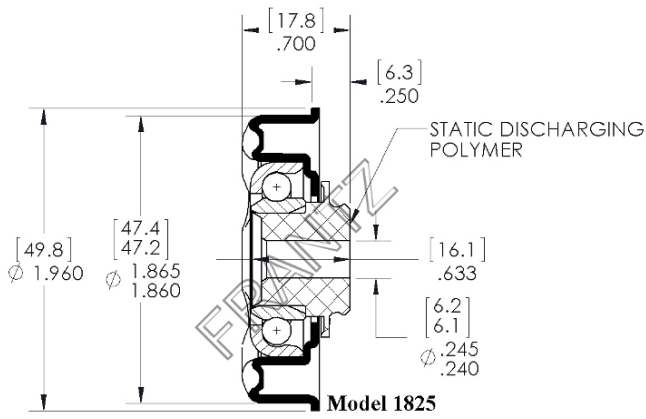
Metric GenII® Semi-Precision Bearings 136kg Series



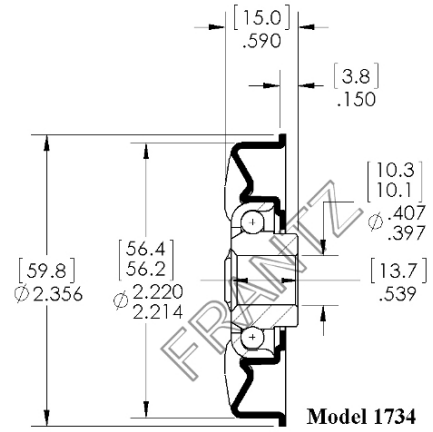
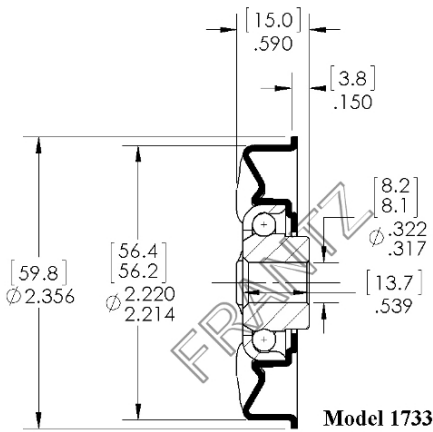
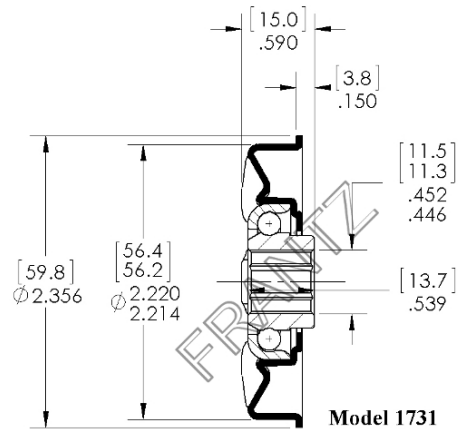
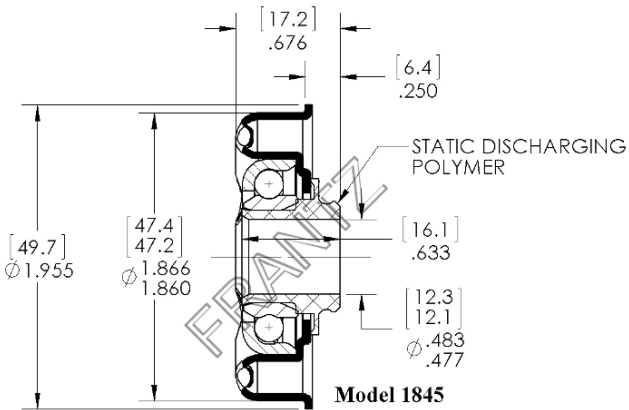
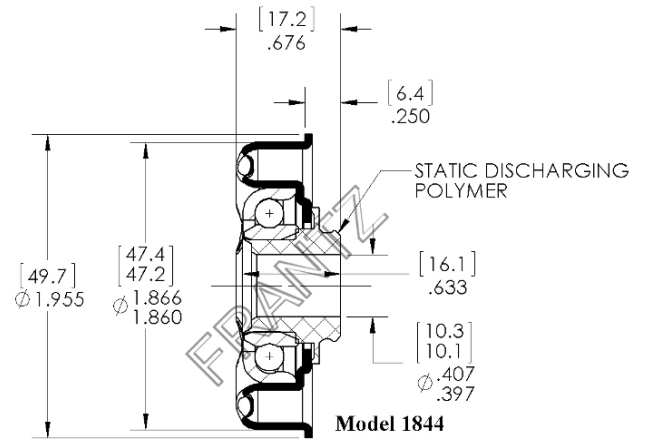
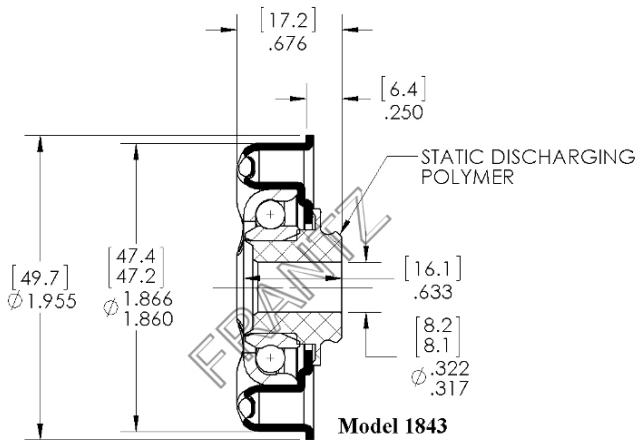
Metric GenII® Semi-Precision Bearings 136kg Series



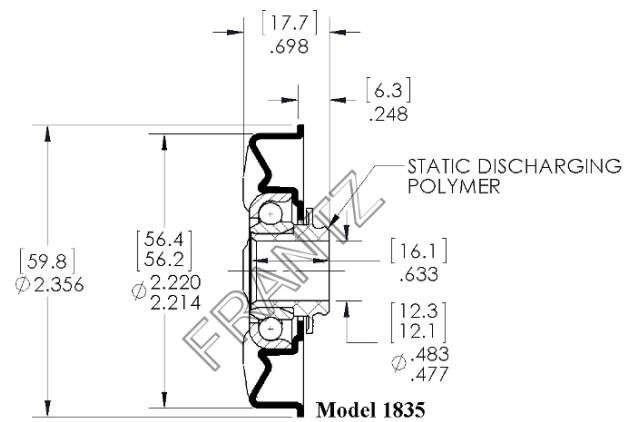
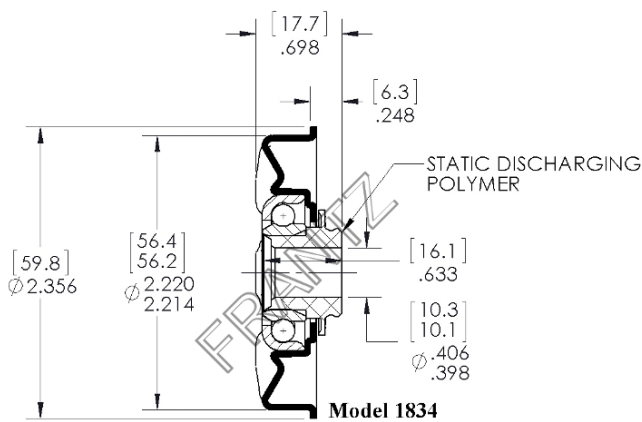
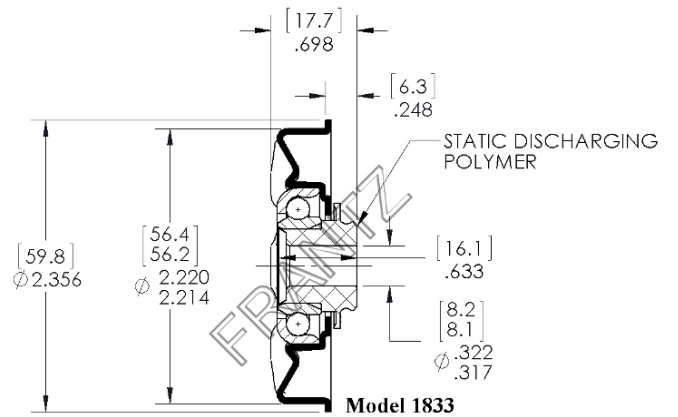
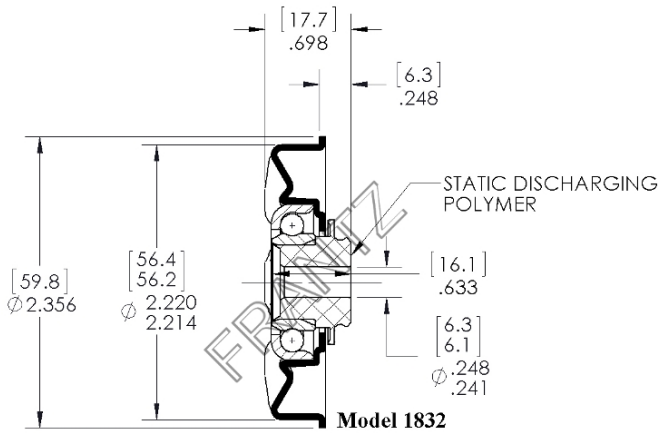
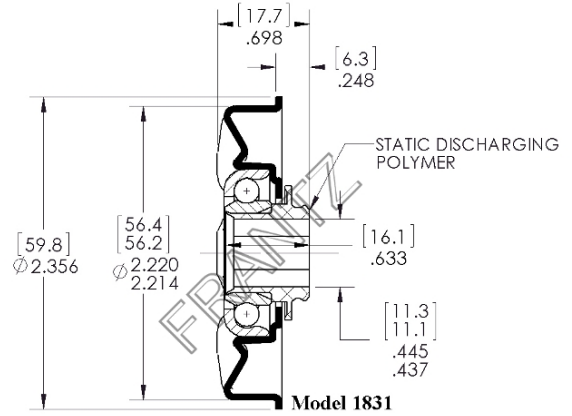
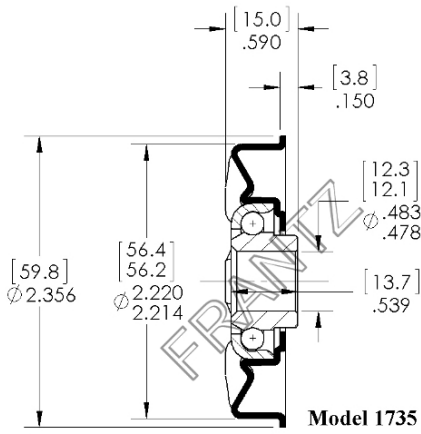
Metric GenII® Semi-Precision Bearings 136kg Series



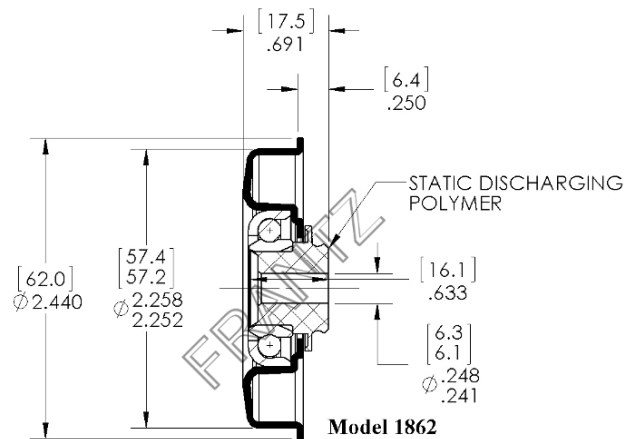
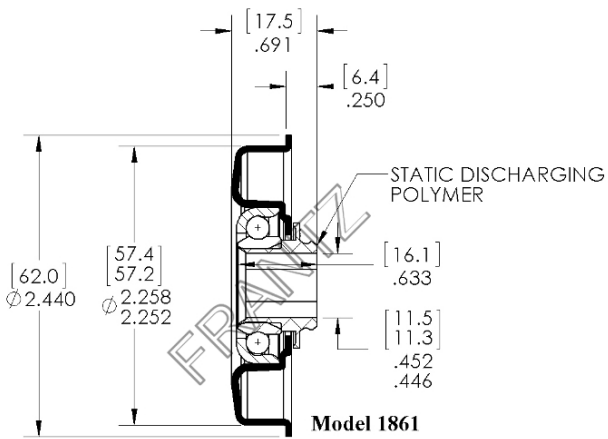
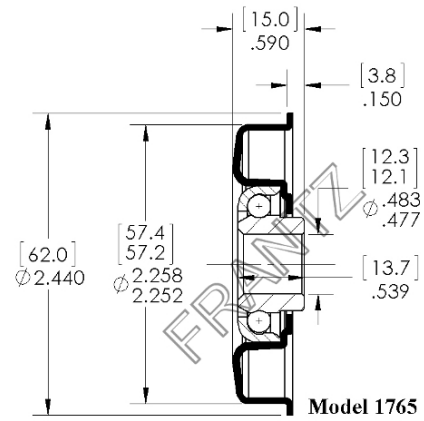
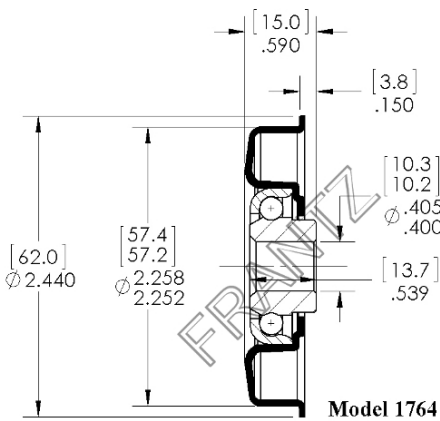
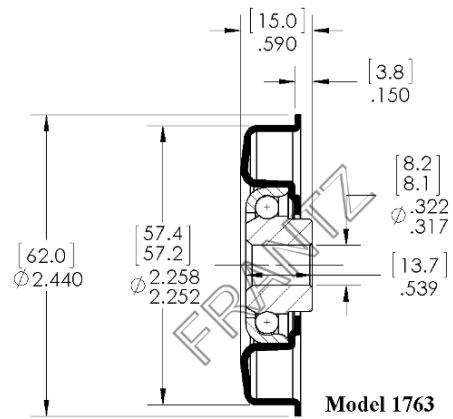
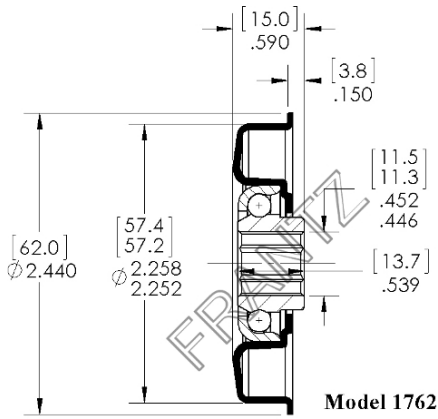
Metric GenII® Semi-Precision Bearings 136kg Series



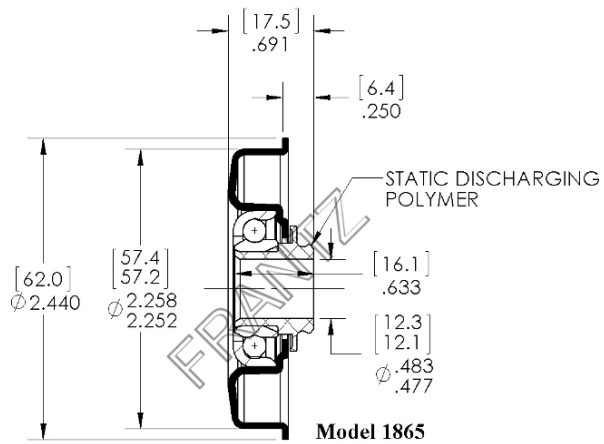
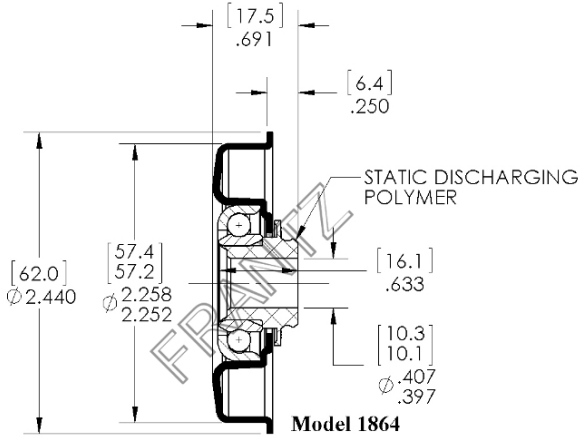
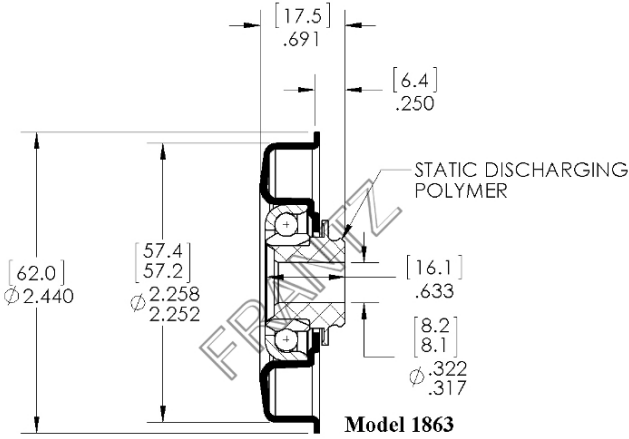
Metric GenII® Semi-Precision Bearings 136kg Series



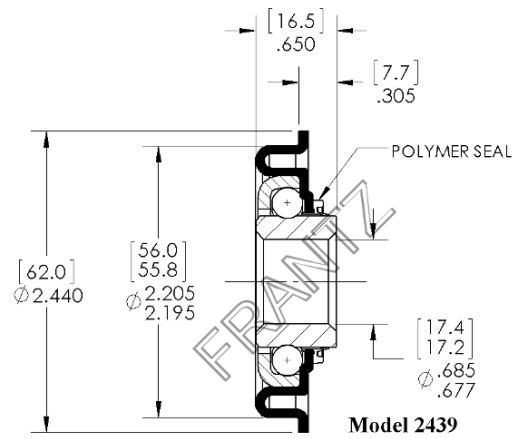
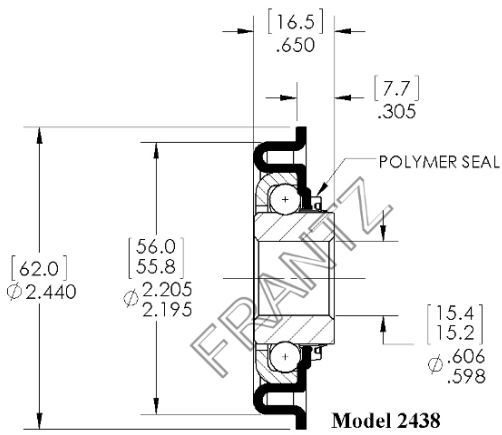
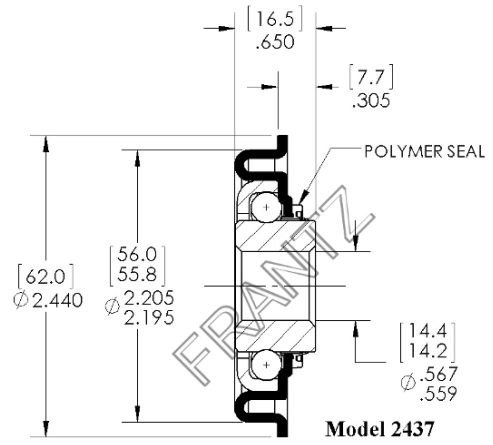
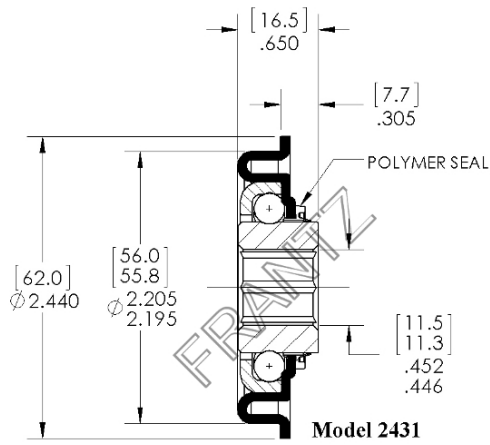
Metric GenII® Semi-Precision Bearings 136kg Series



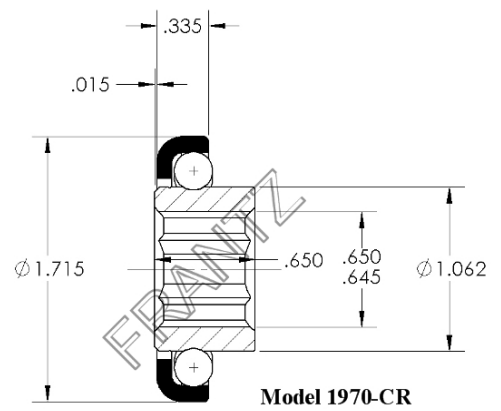
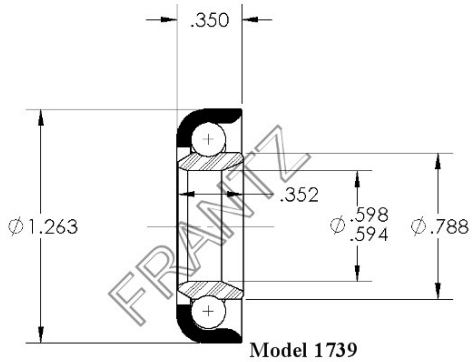
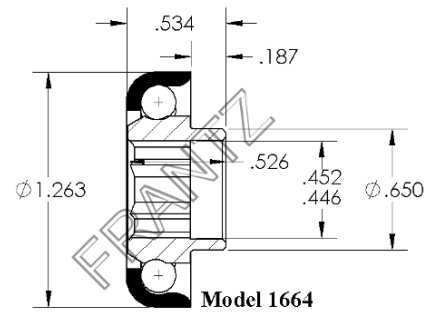
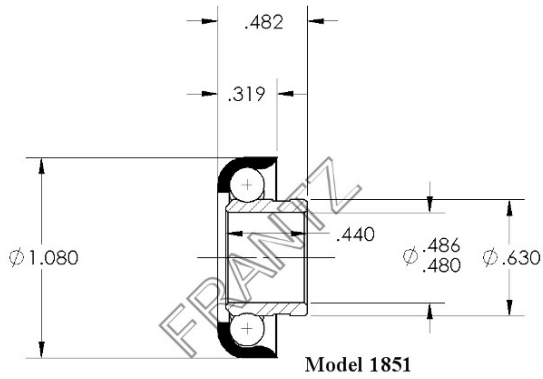
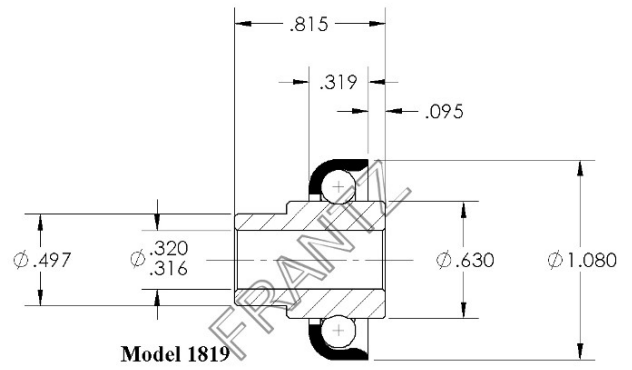
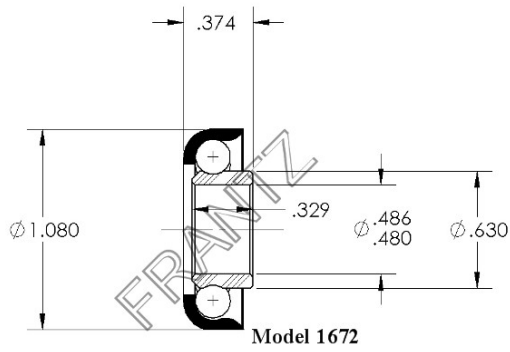
Metric GenII® Semi-Precision Bearings 136kg Series



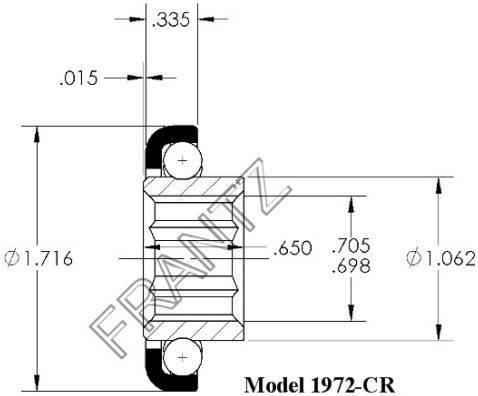
Metric GenII® Semi-Precision Bearings 281kg Series



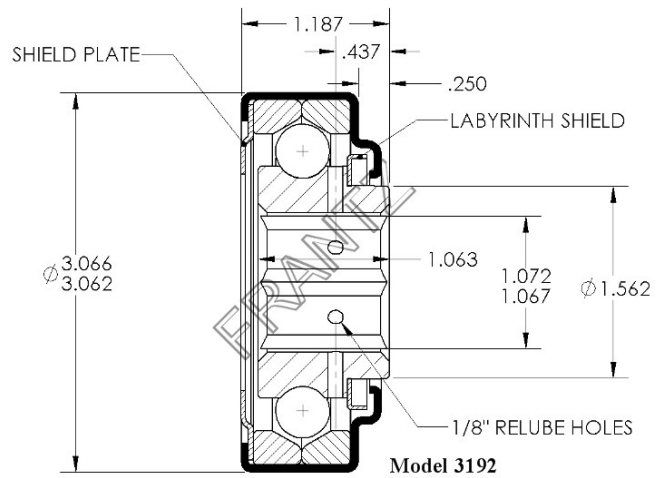
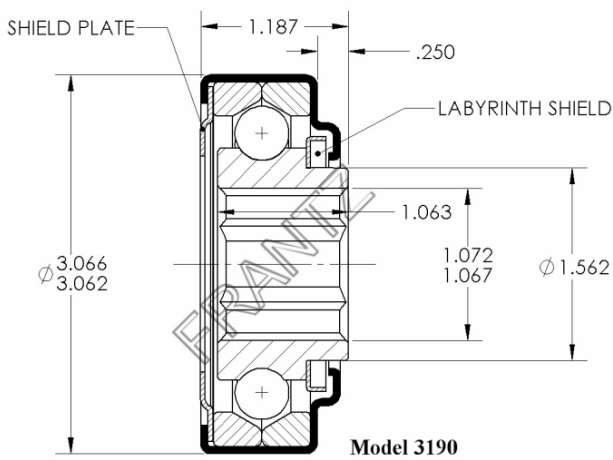
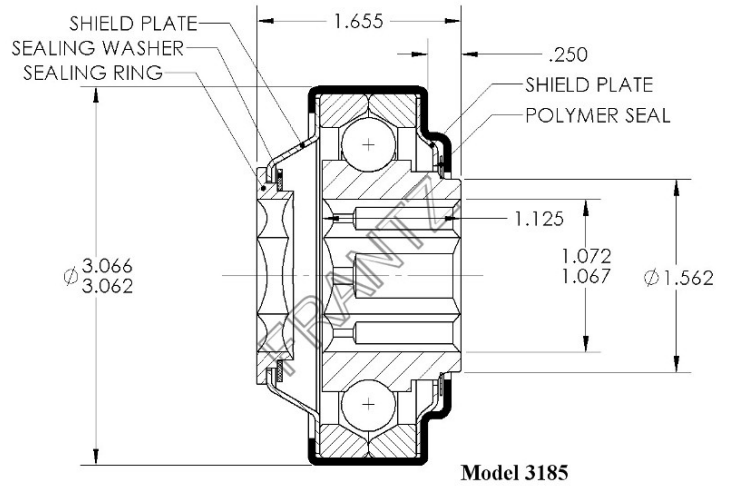
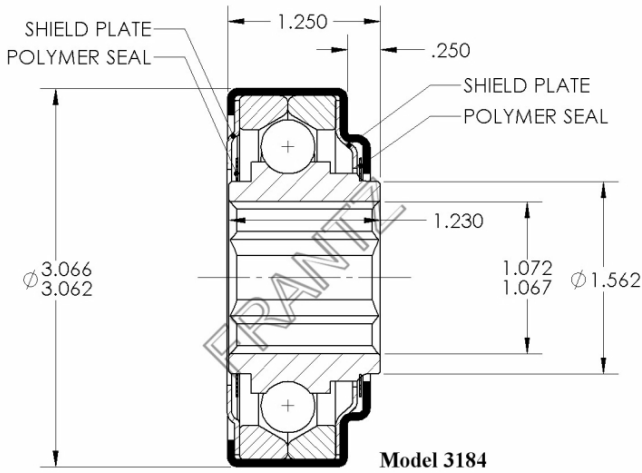
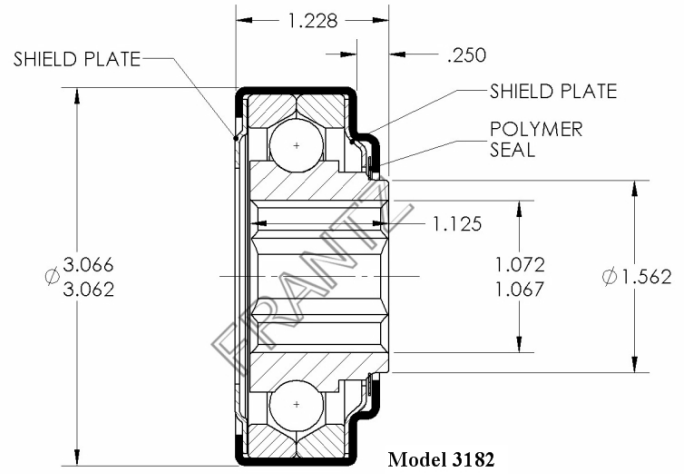
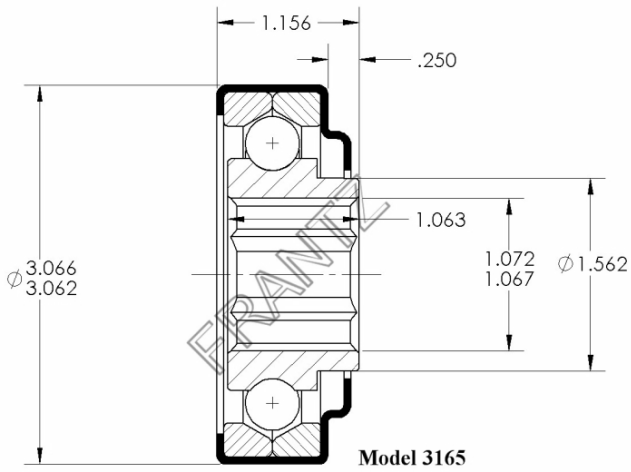
GenII® Core Semi-Precision Bearings



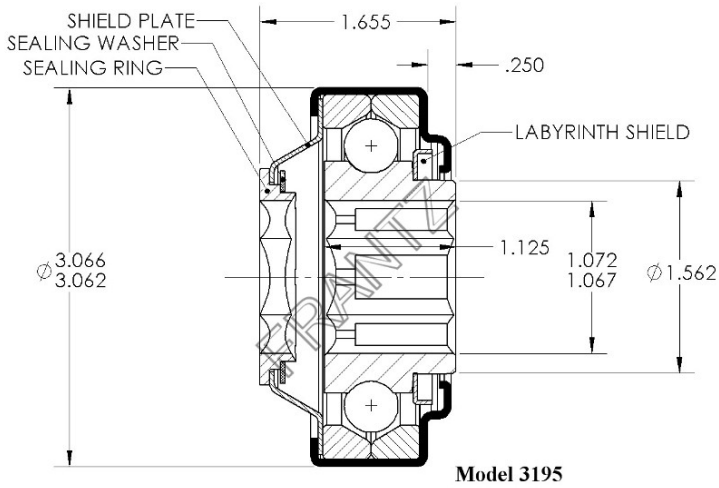
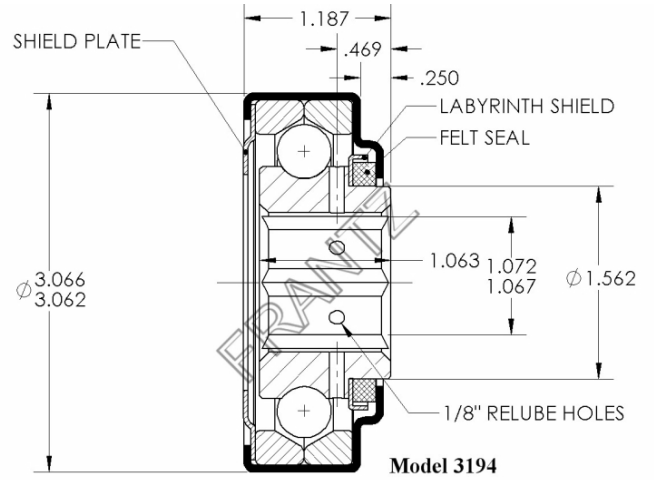
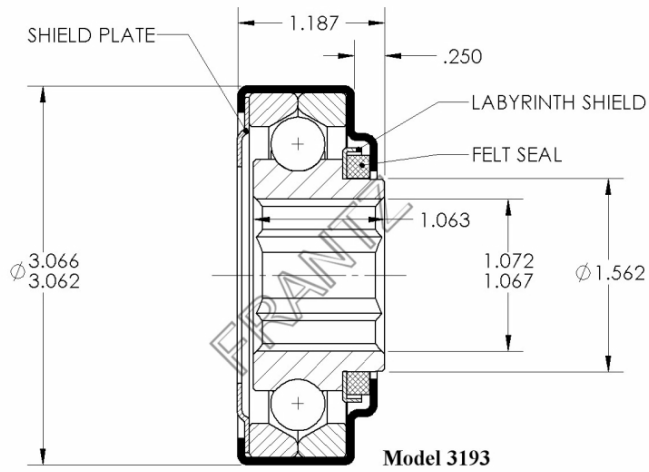
GenII® Core Semi-Precision Bearings



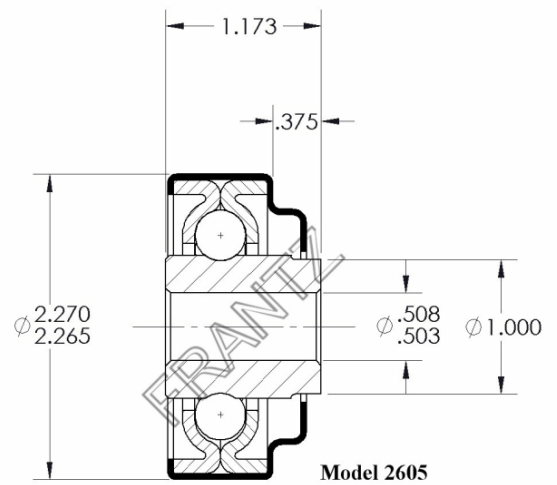
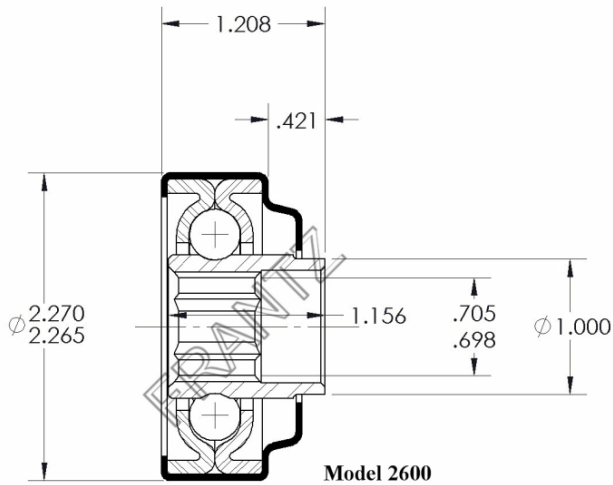
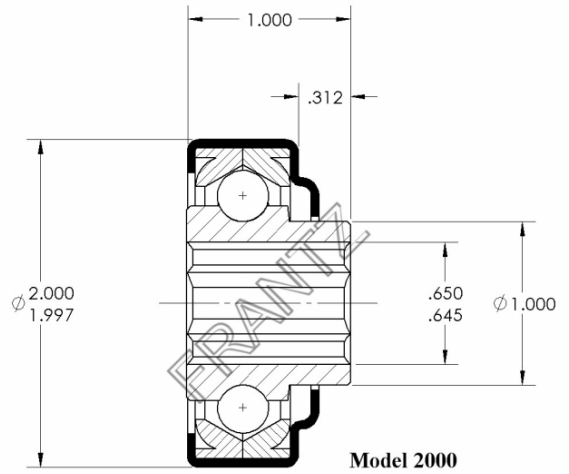
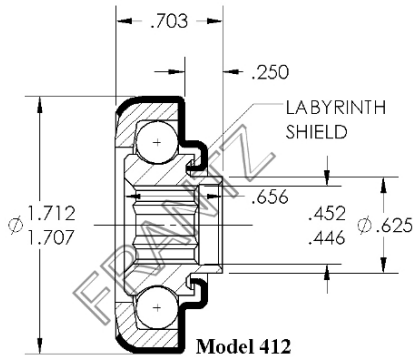
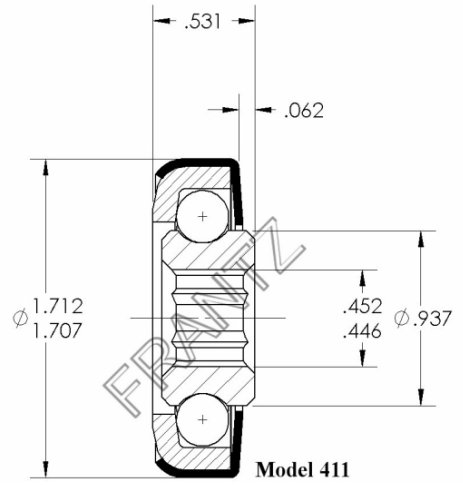
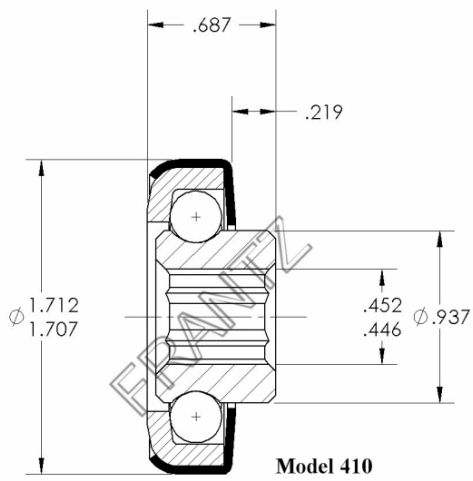
Straight Faced Semi-Precision Bearings



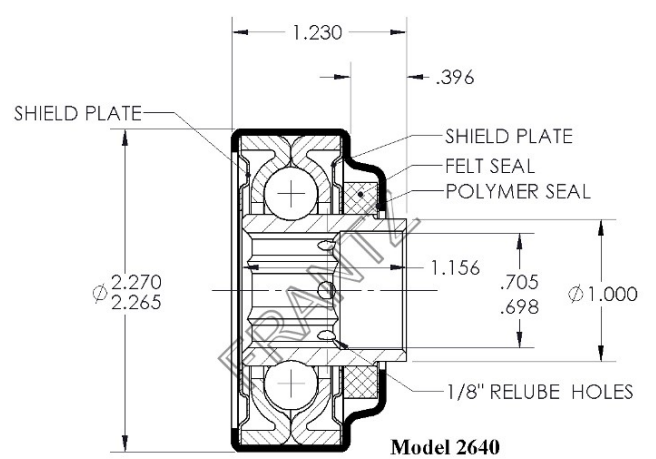
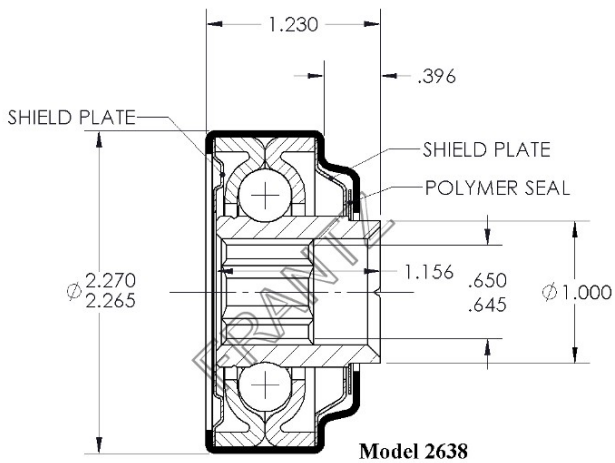
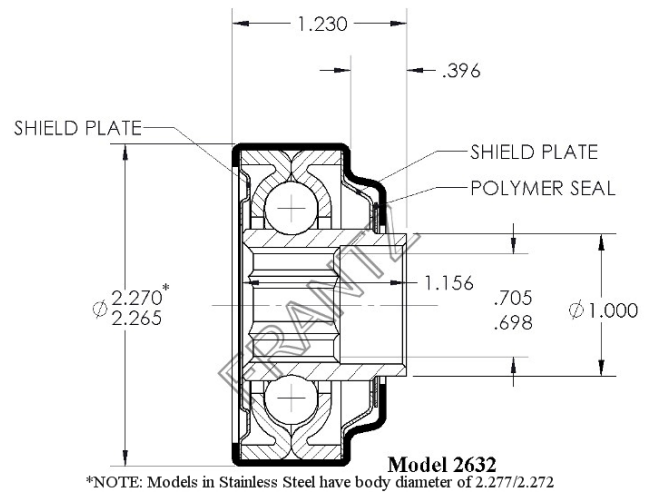
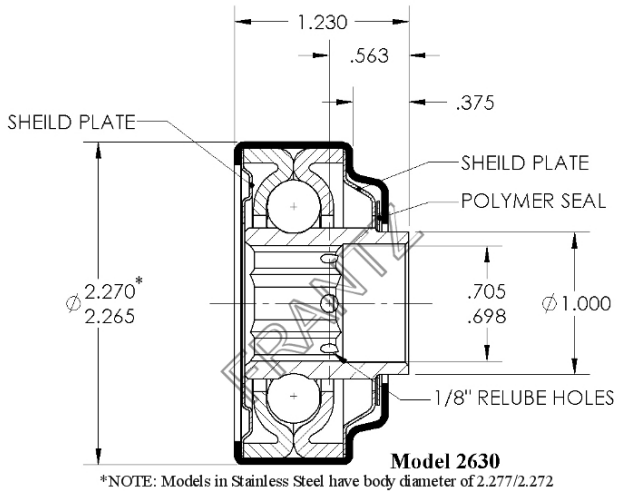
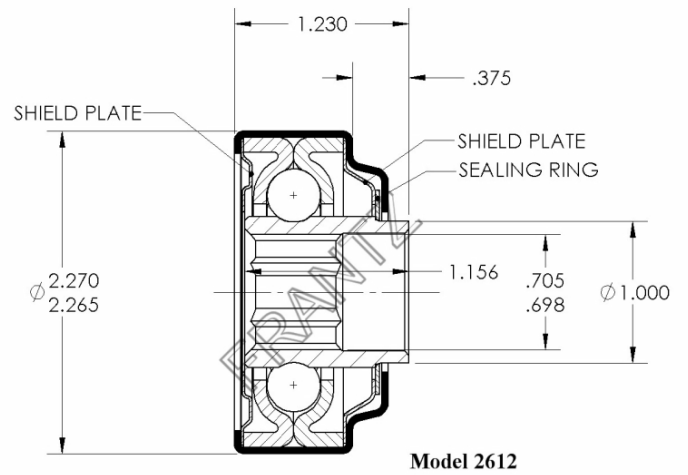
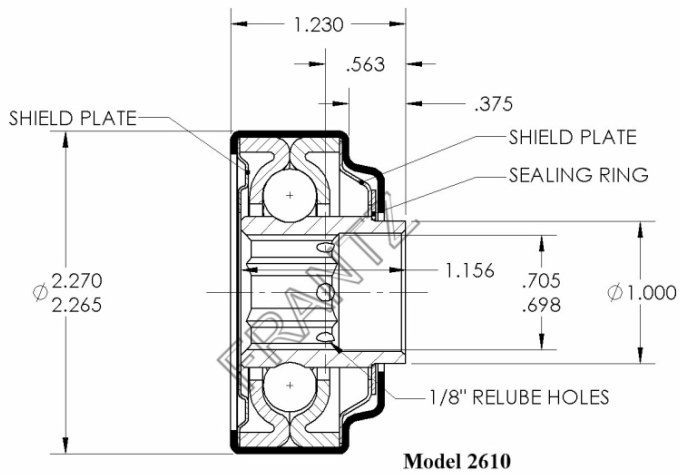
Straight Faced Semi-Precision Bearings



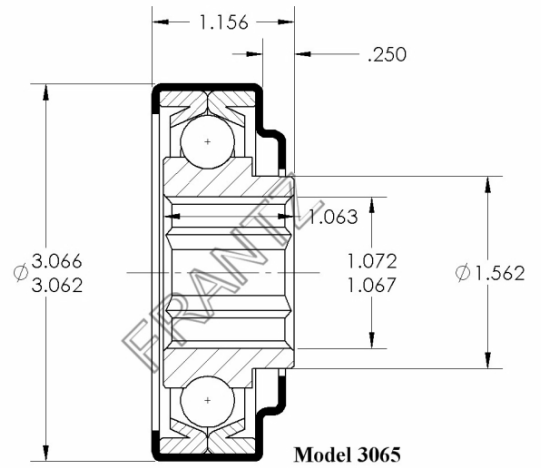
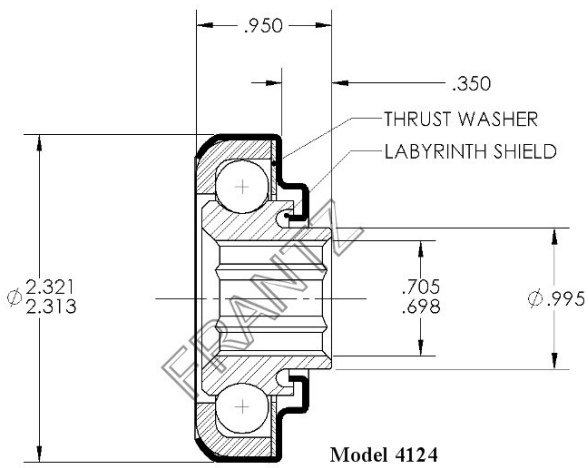
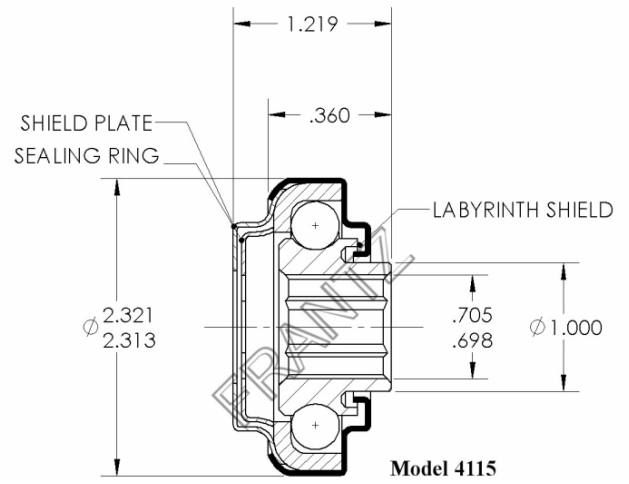
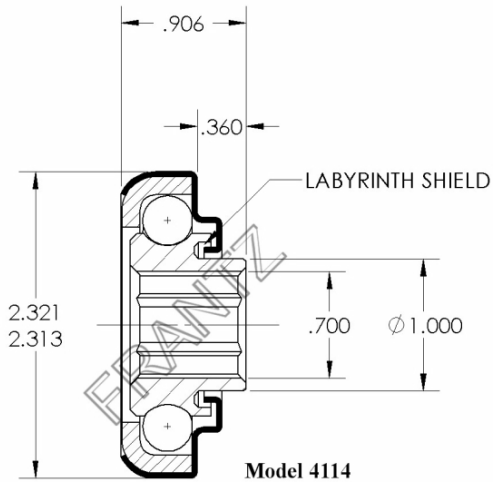
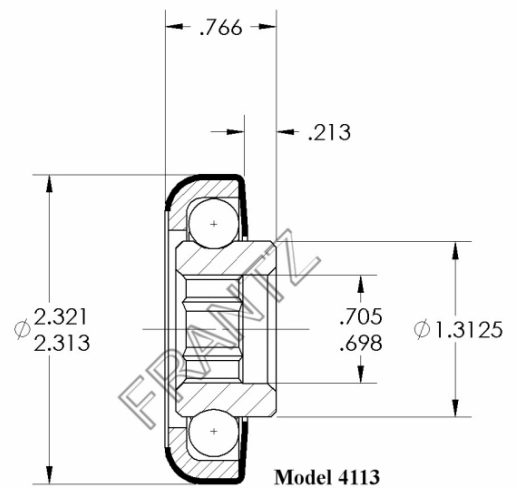
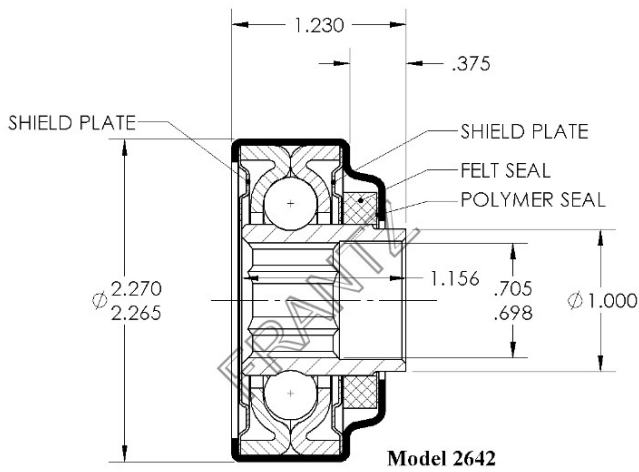
Straight Faced Unground Non-Precision Bearings



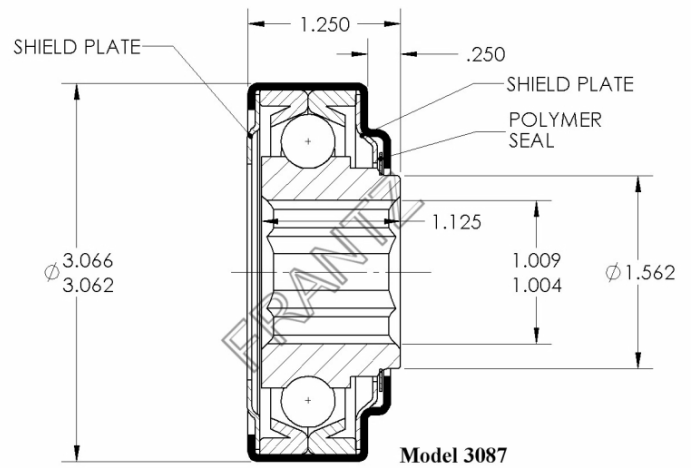
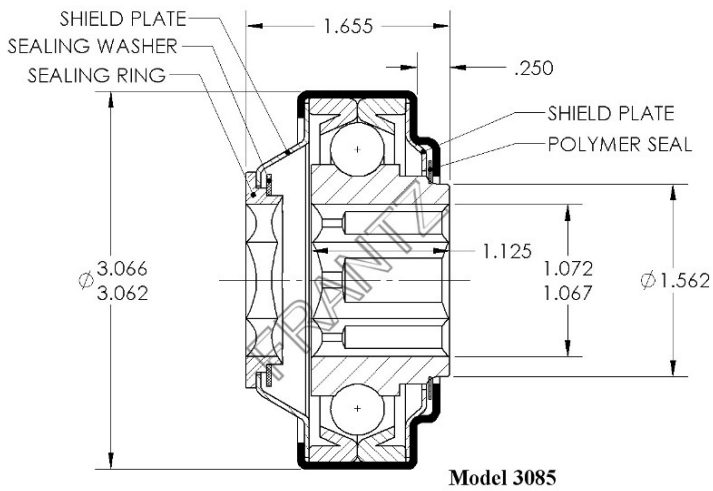
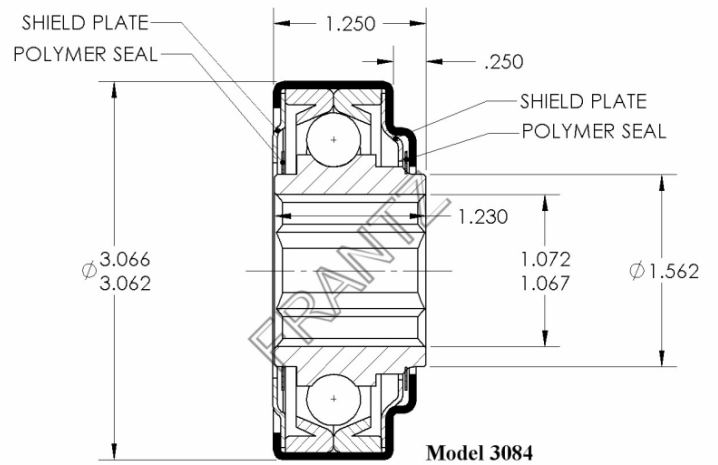
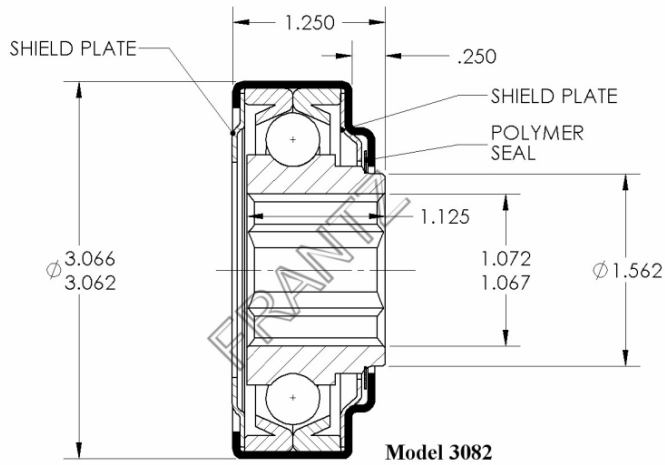
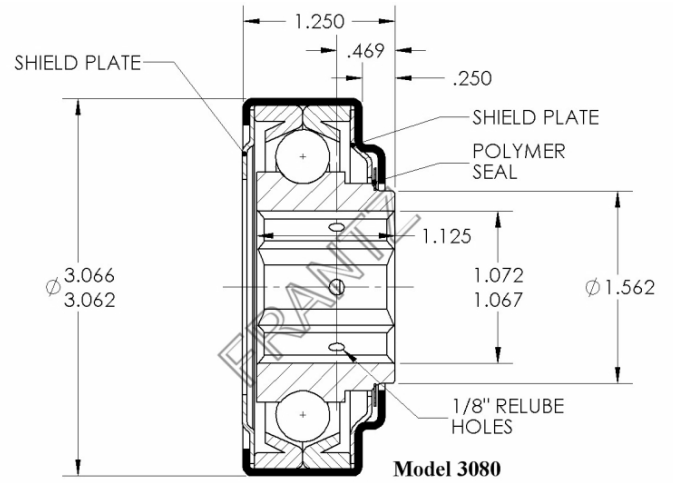
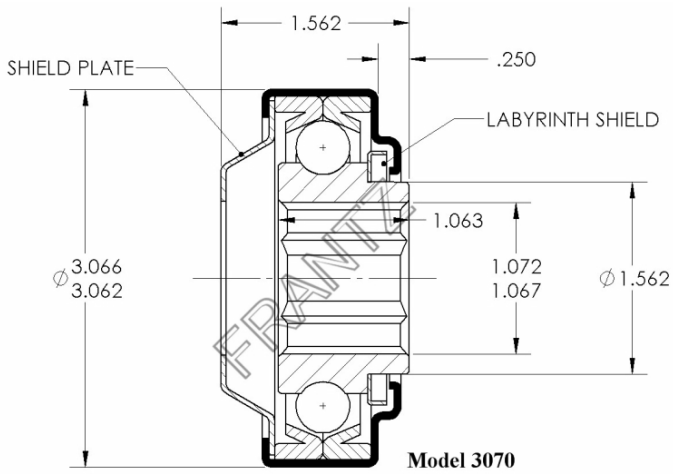
Straight Faced Unground Non-Precision Bearings



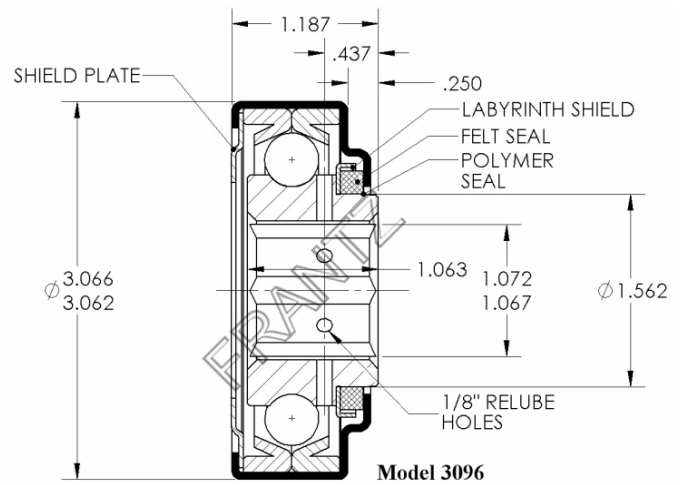
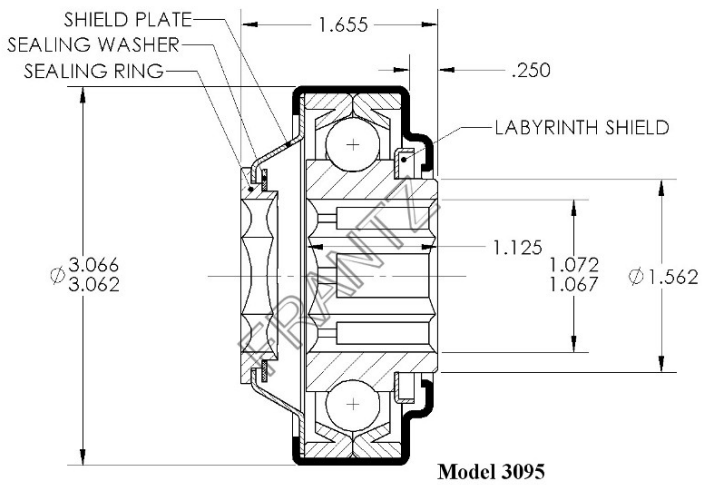
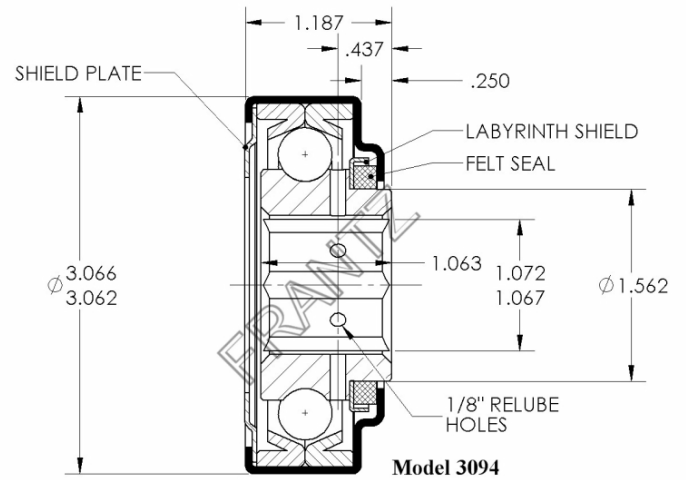
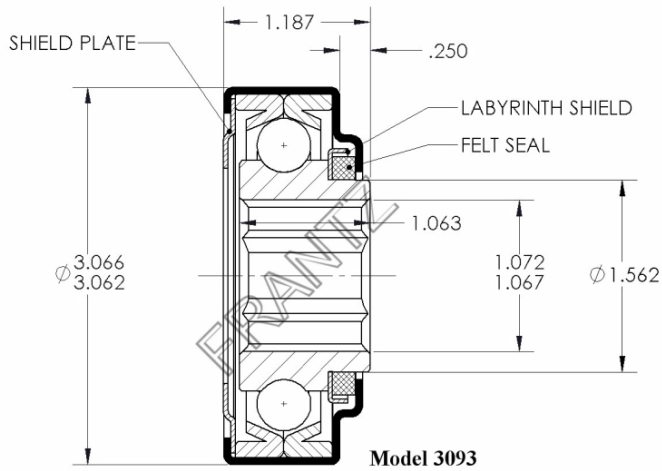
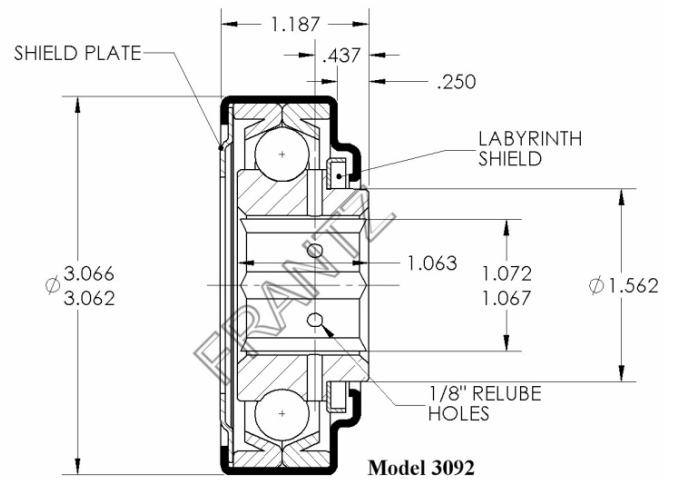
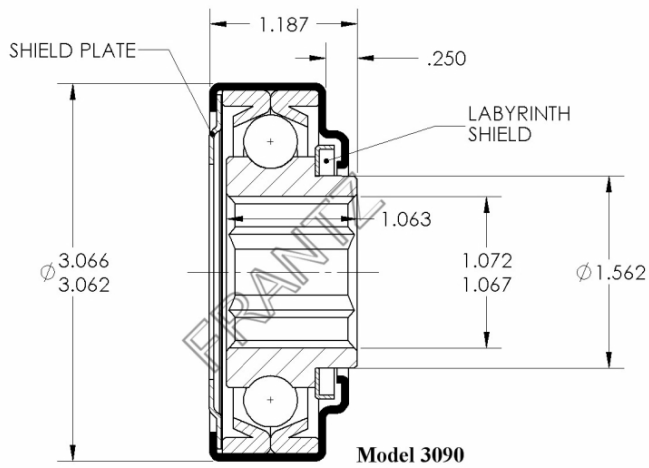
Straight Faced Unground Non-Precision Bearings



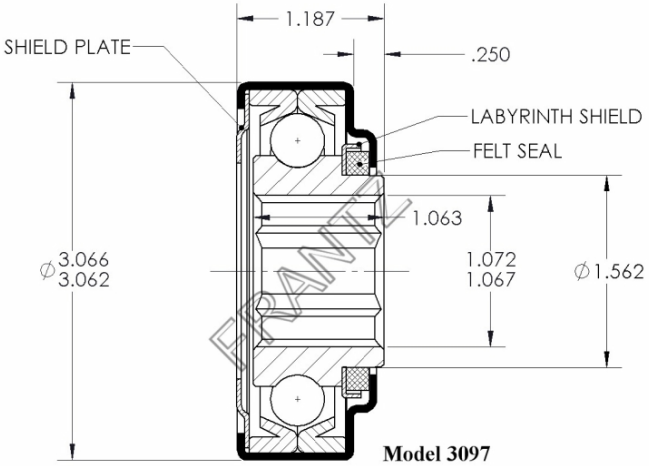
Straight Faced Unground Non-Precision Bearings



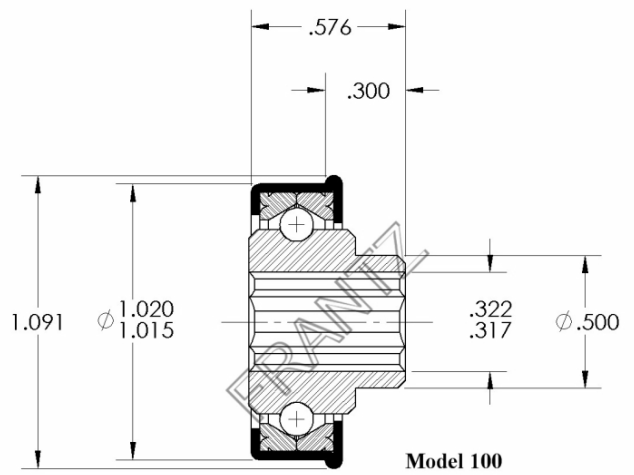
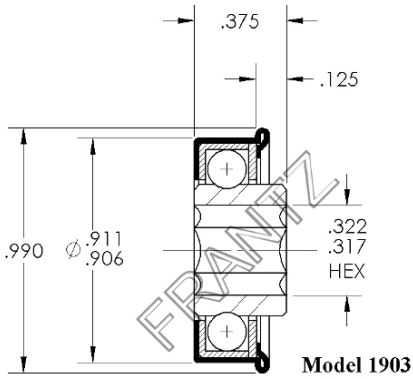
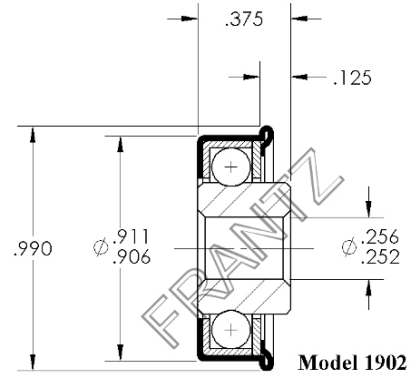
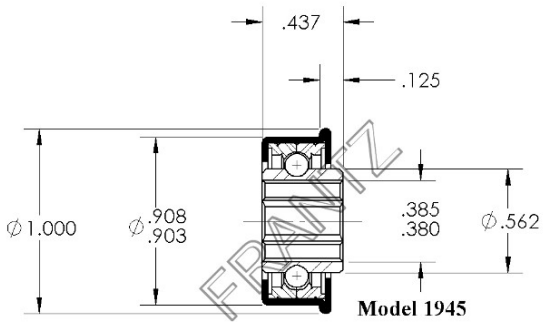
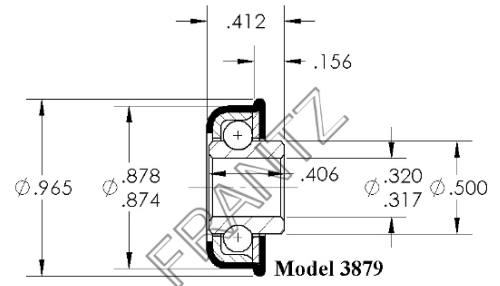
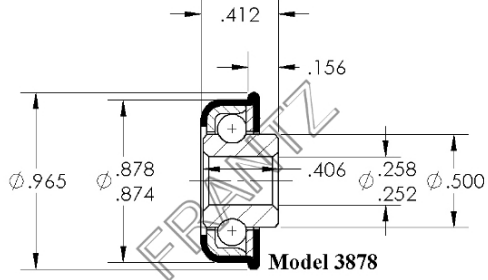
Straight Faced Unground Non-Precision Bearings



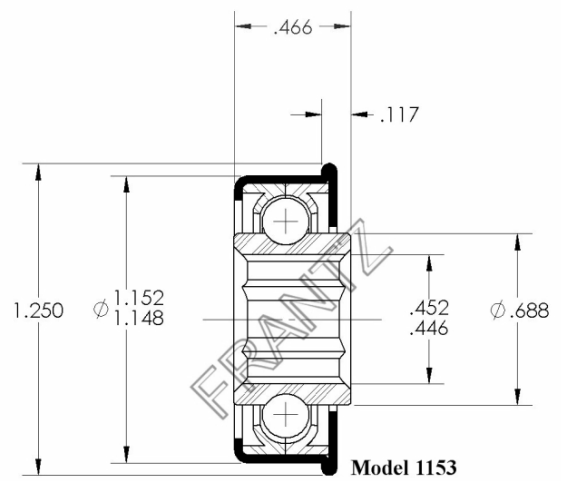
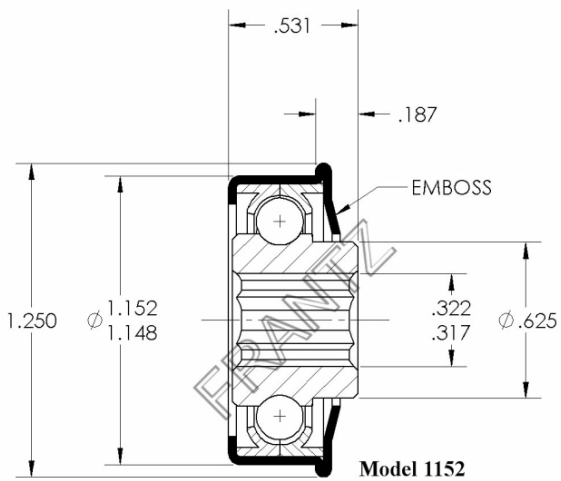
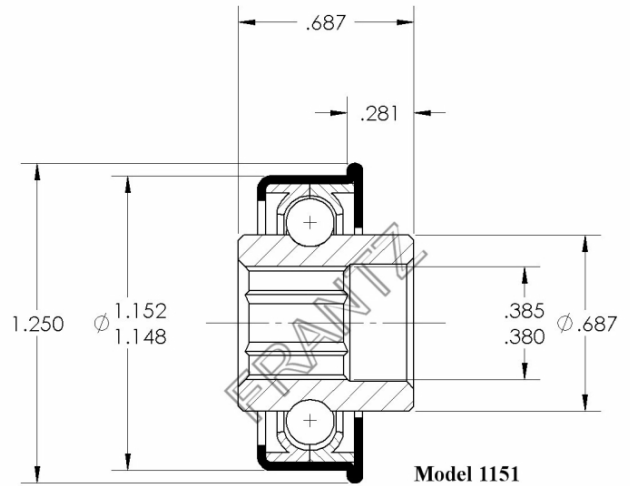
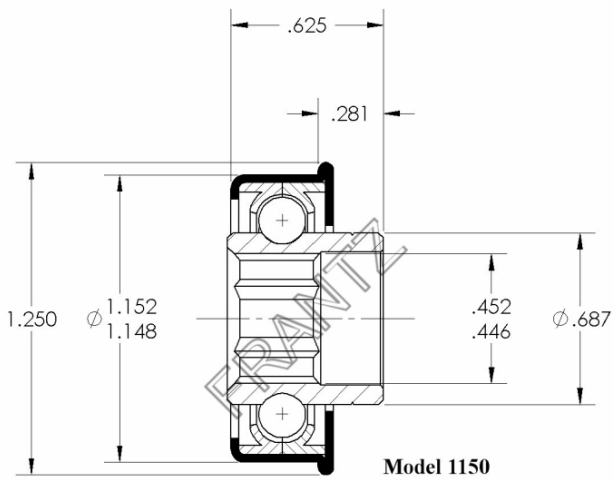
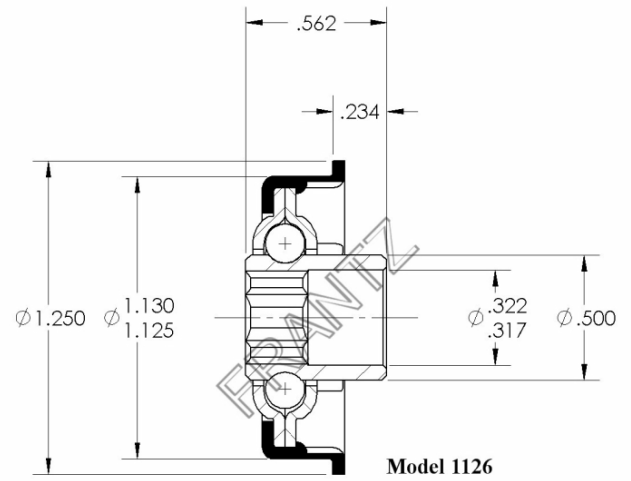
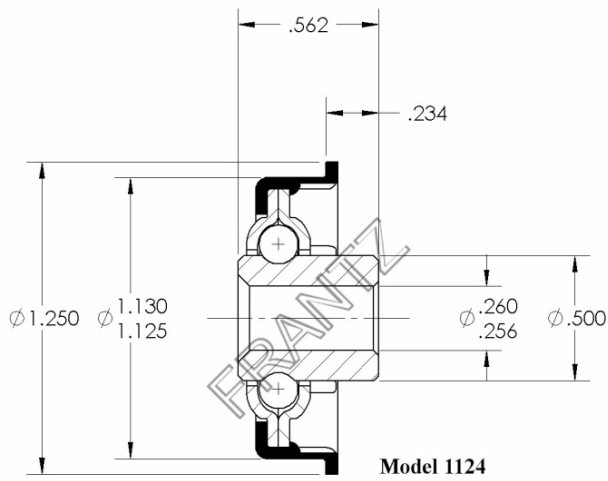
Straight Faced Unground Non-Precision Bearings



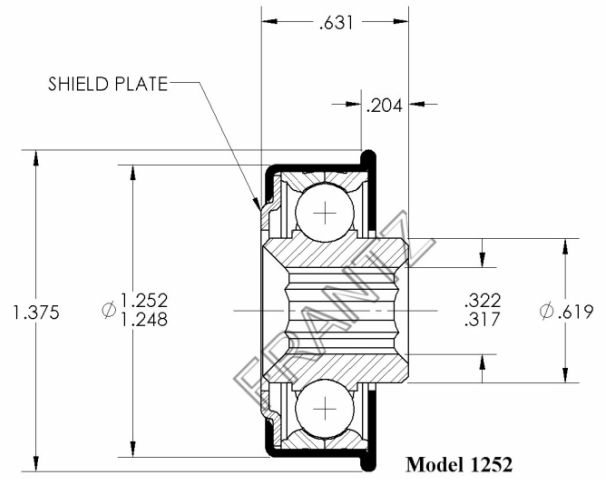
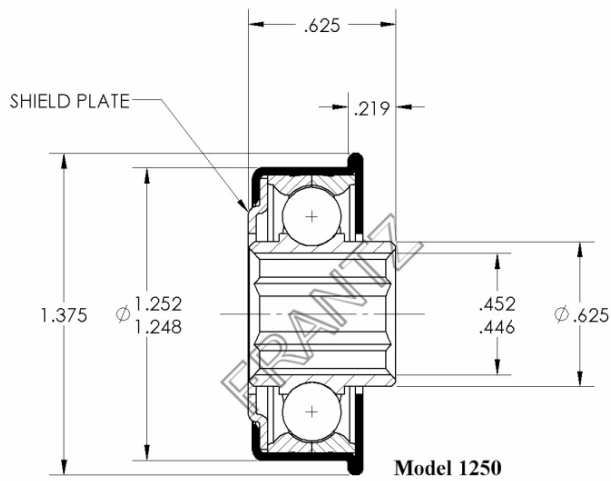
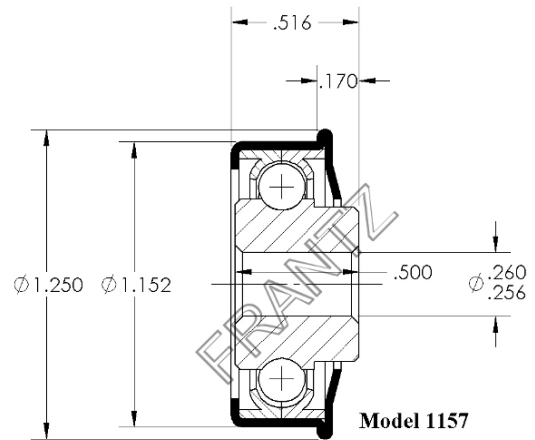
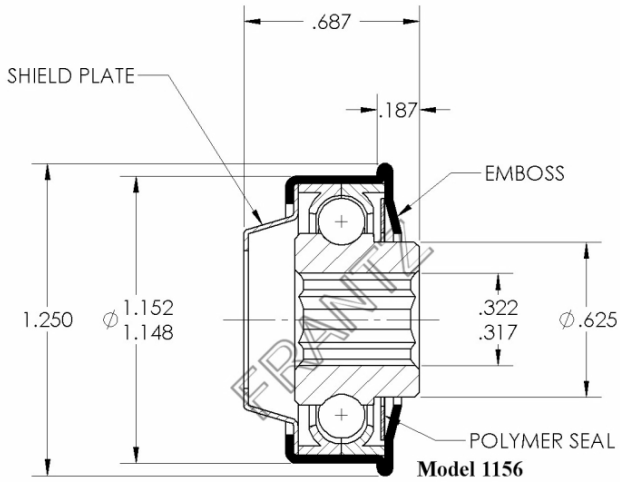
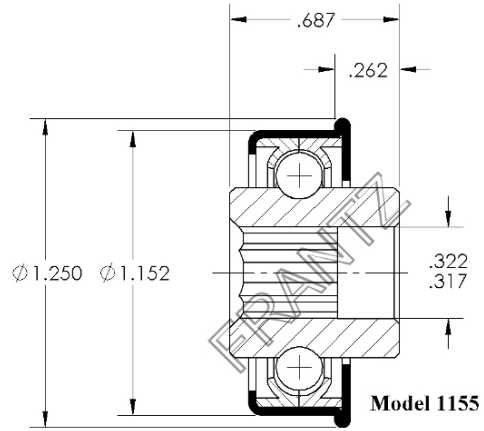
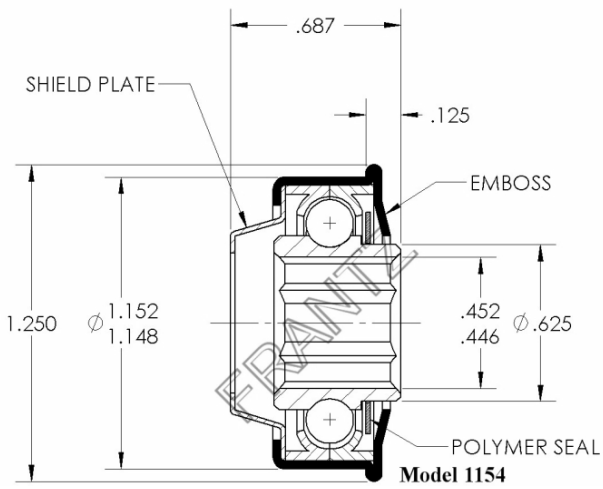
Flanged Unground Non-Precision Bearings



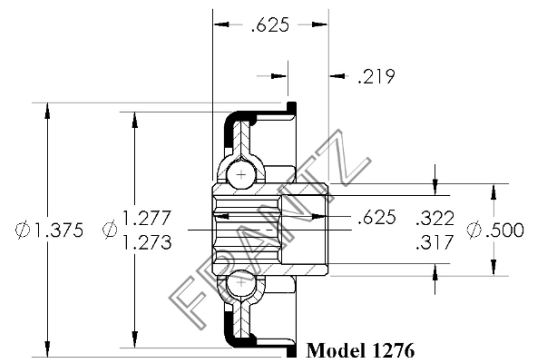
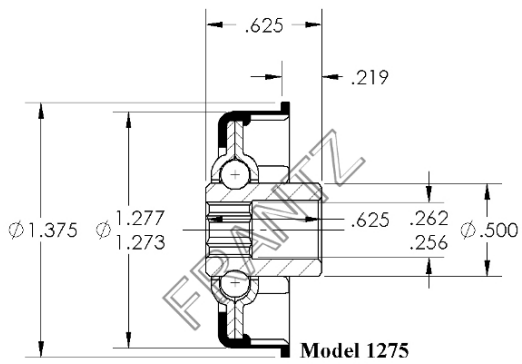
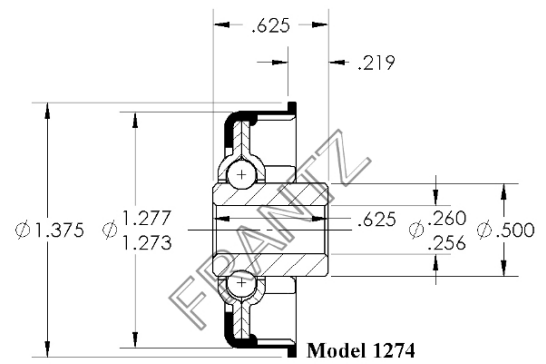
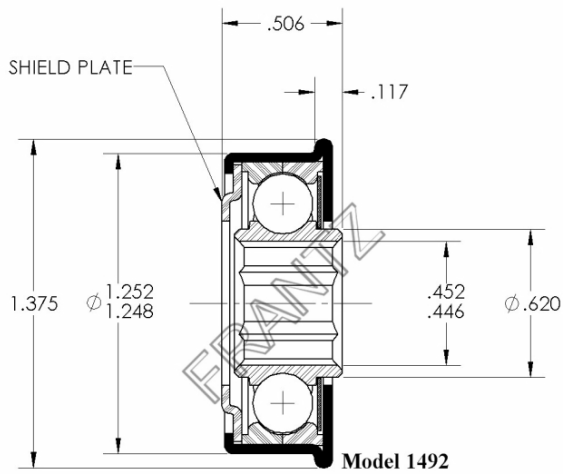
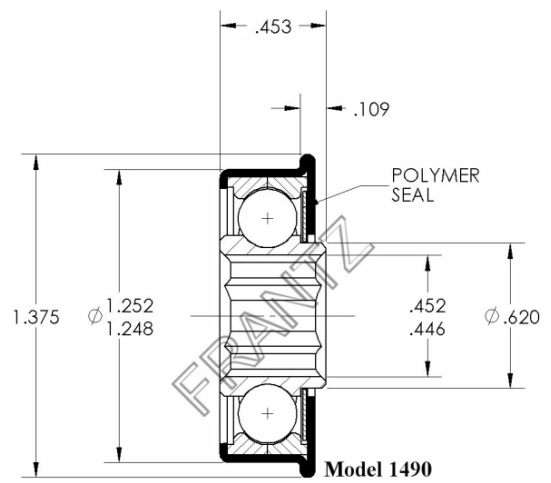
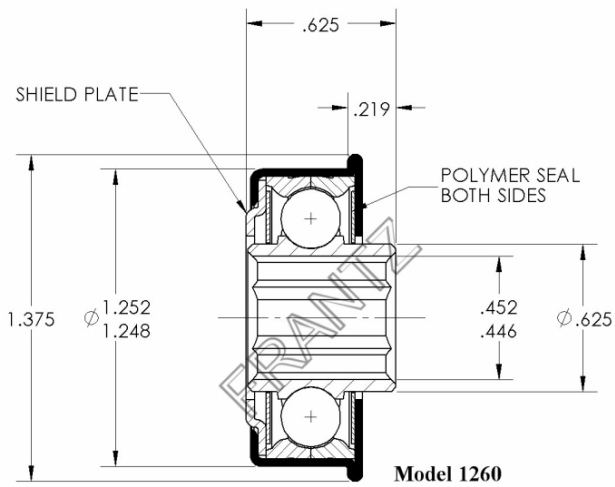
Flanged Unground Non-Precision Bearings



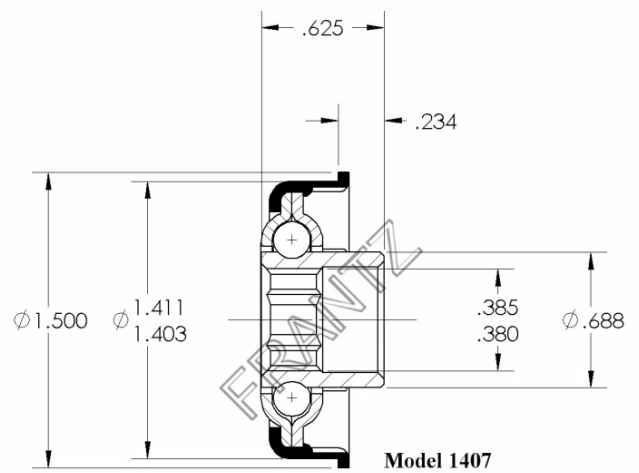
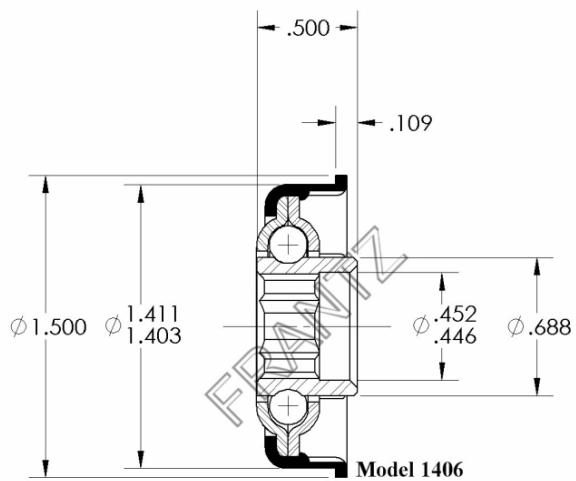
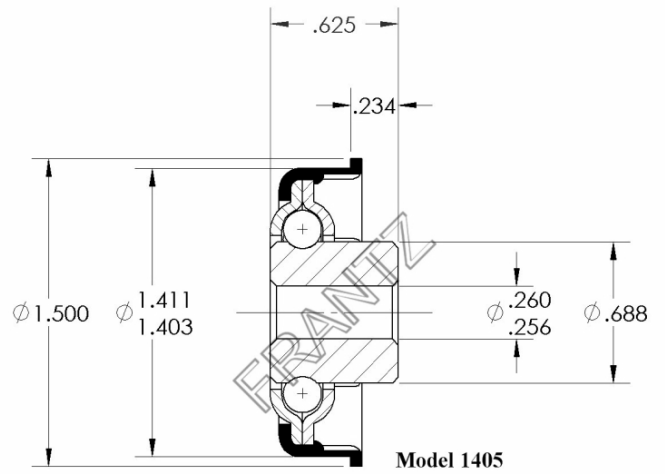
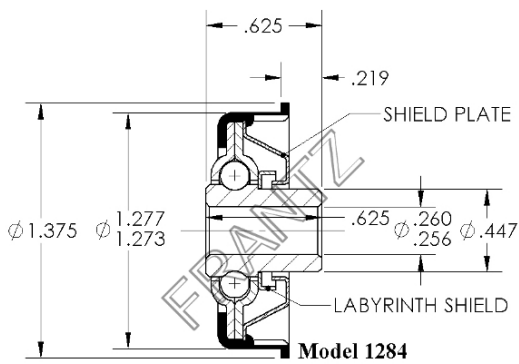
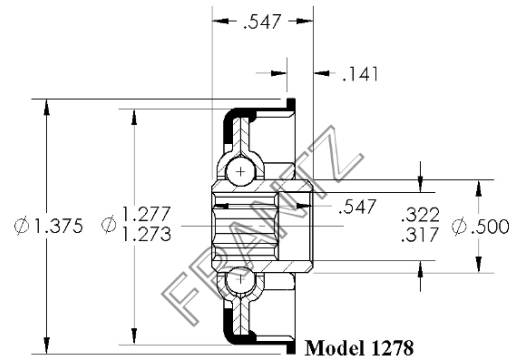
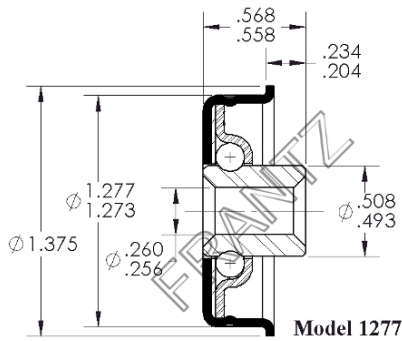
Flanged Unground Non-Precision Bearings



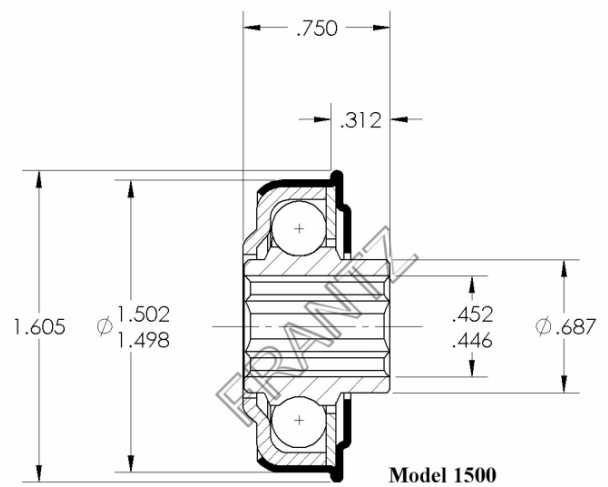
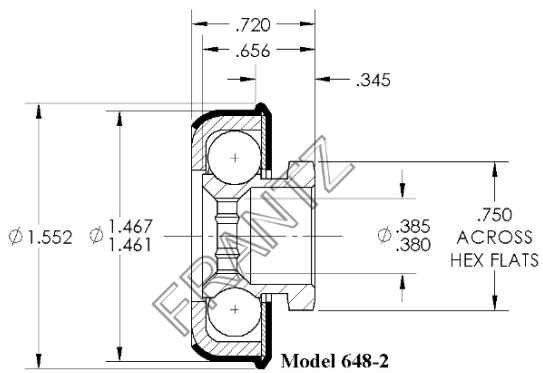
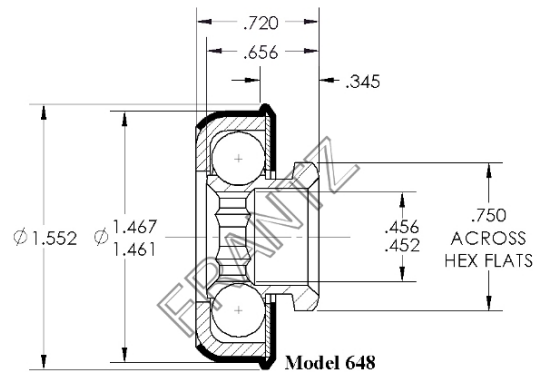
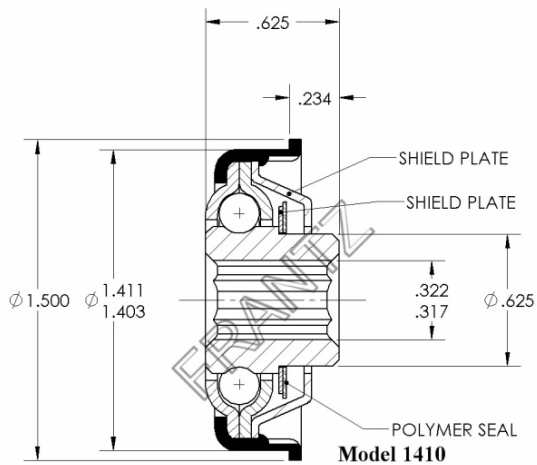
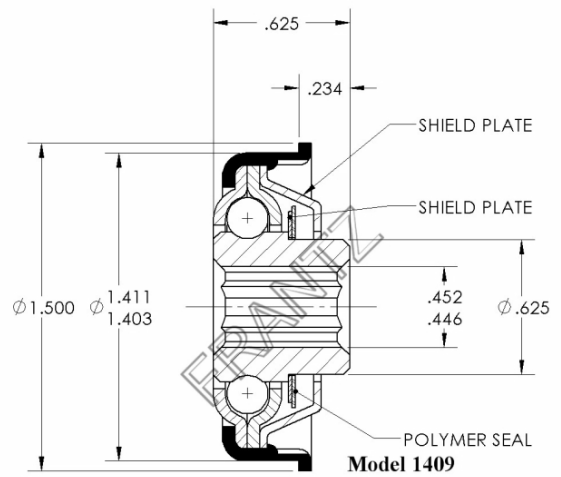
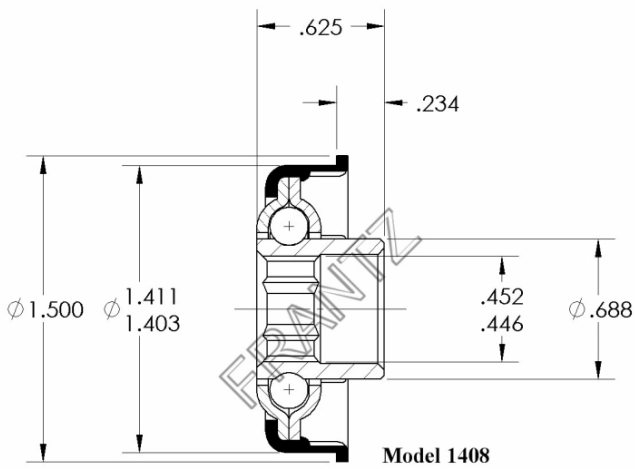
Flanged Unground Non-Precision Bearings



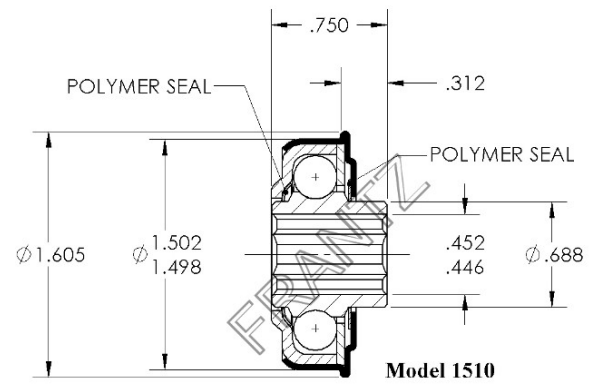
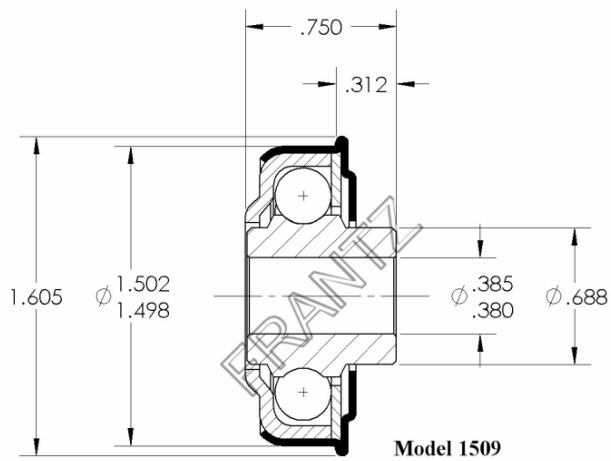
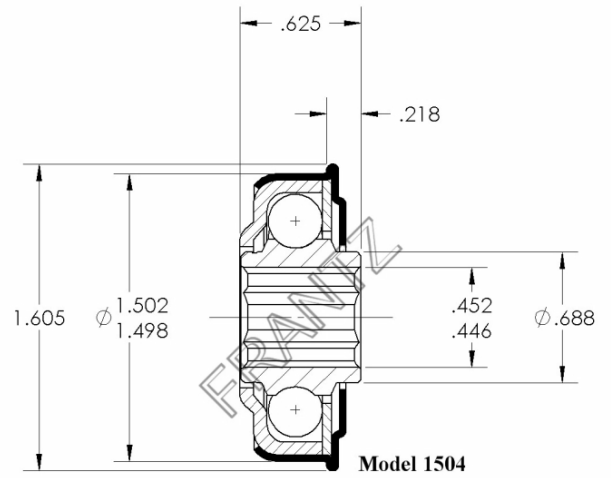
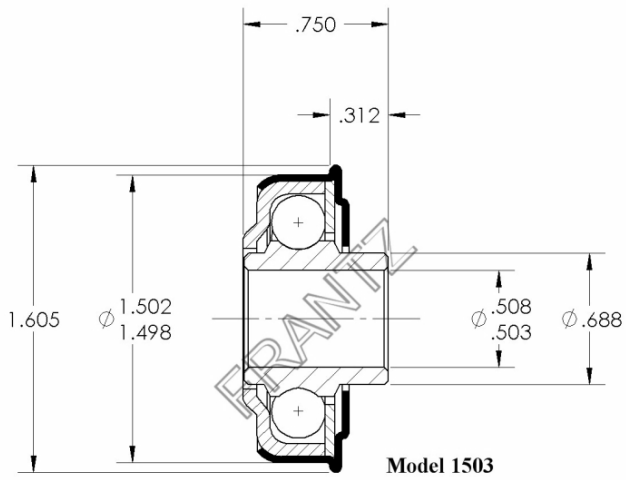
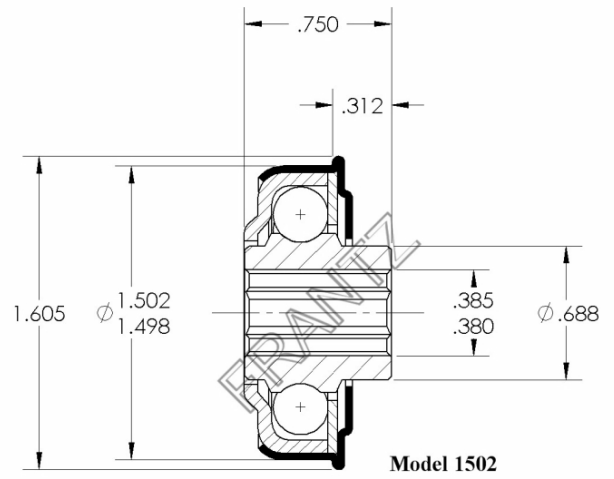
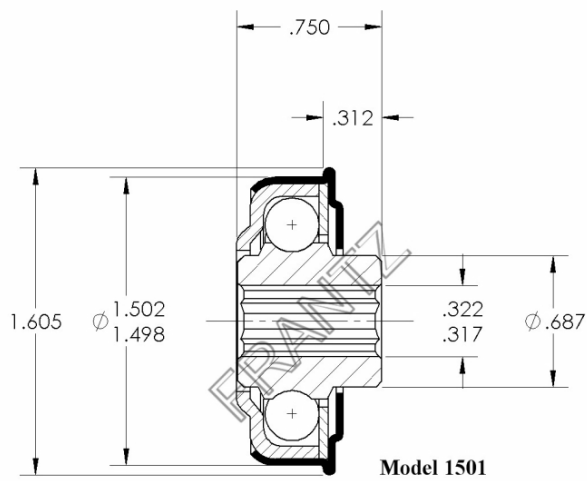
Flanged Unground Non-Precision Bearings



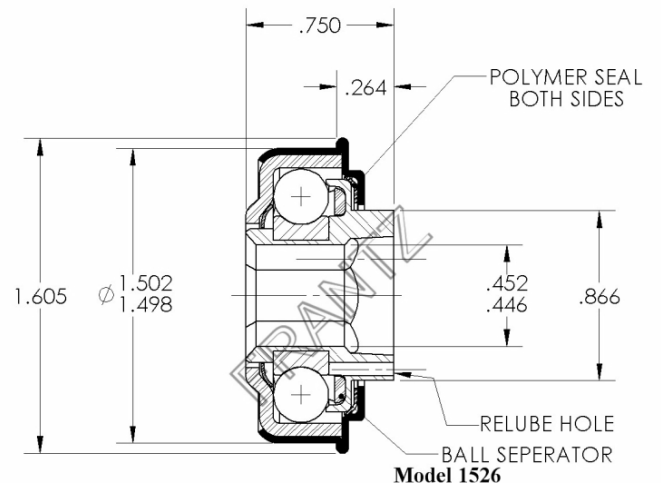
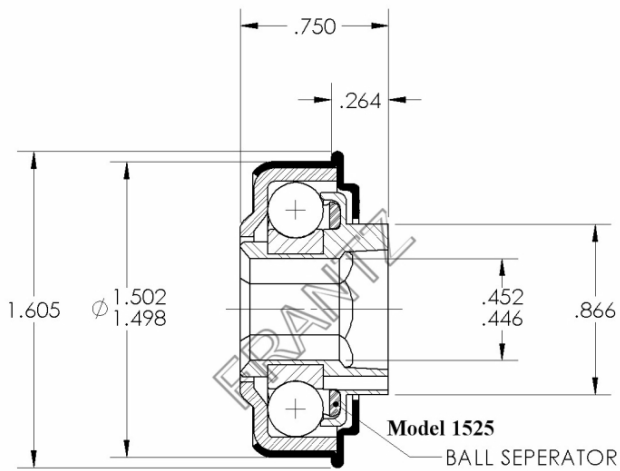
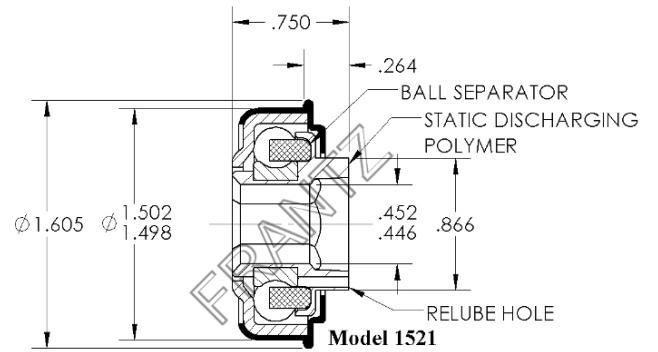
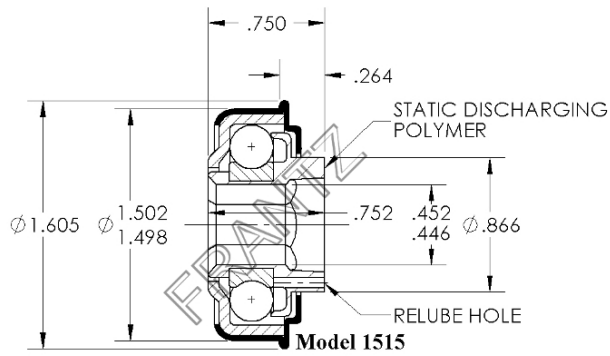
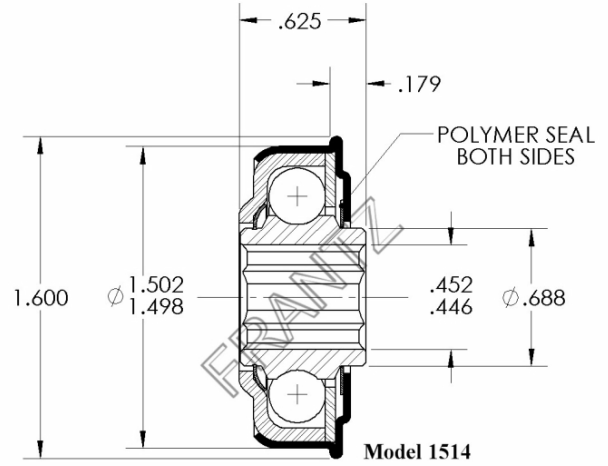
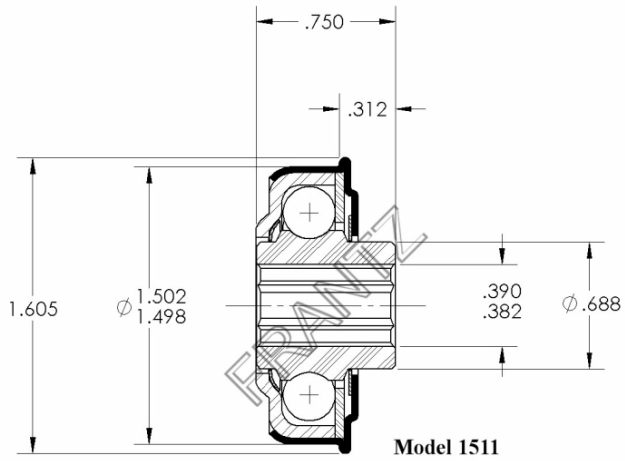
Flanged Unground Non-Precision Bearings



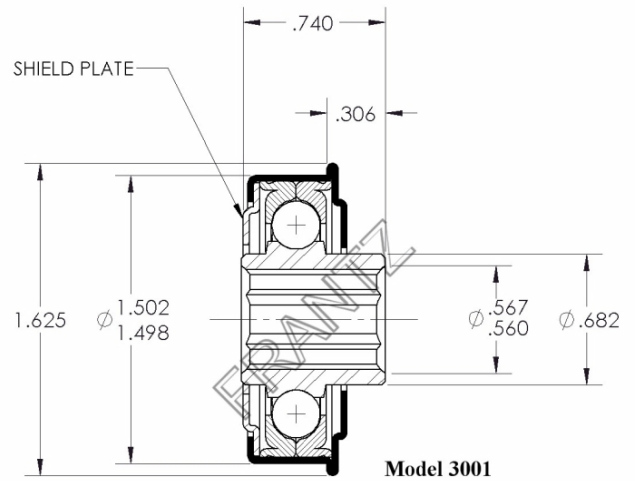
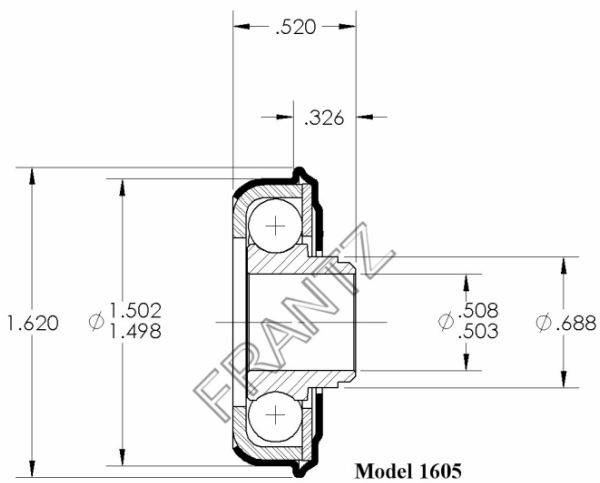
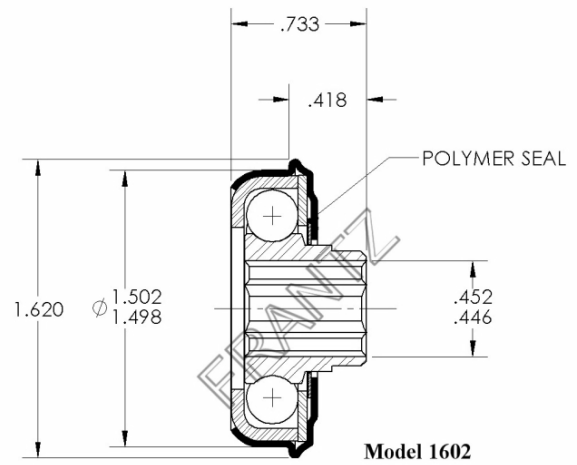
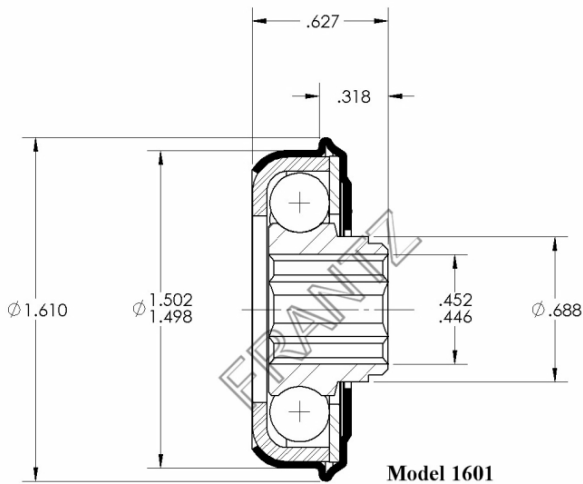
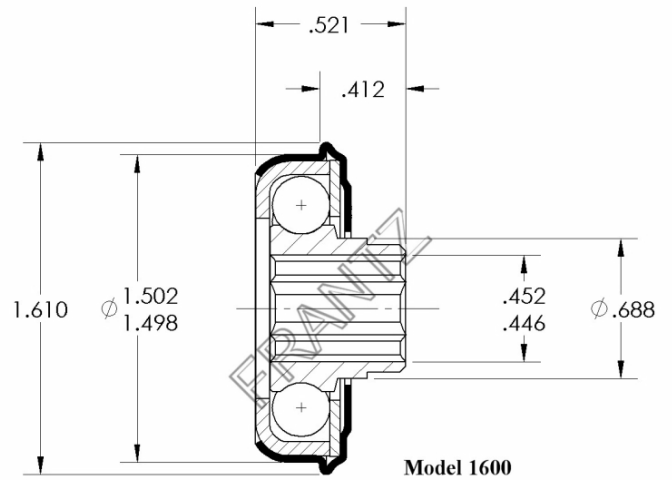
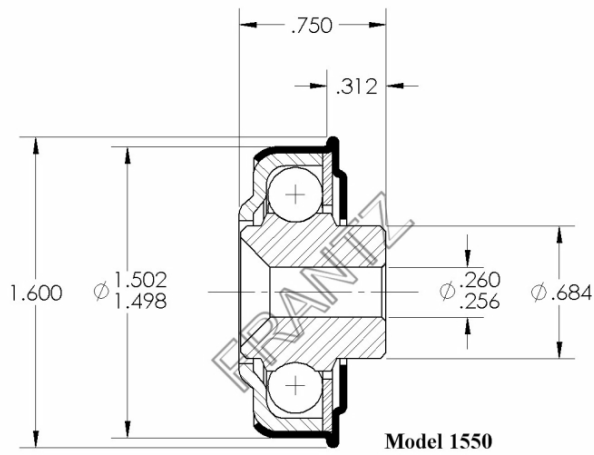
Flanged Unground Non-Precision Bearings



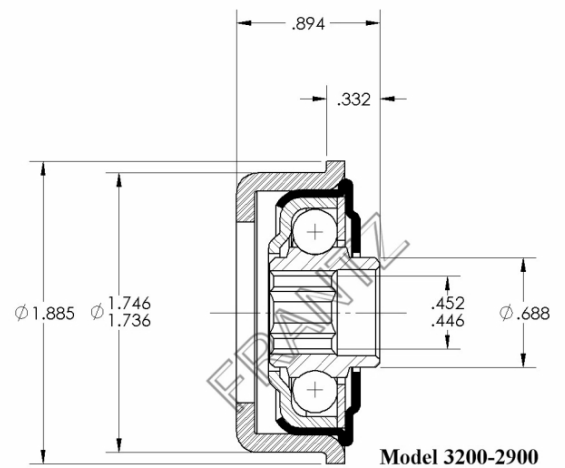
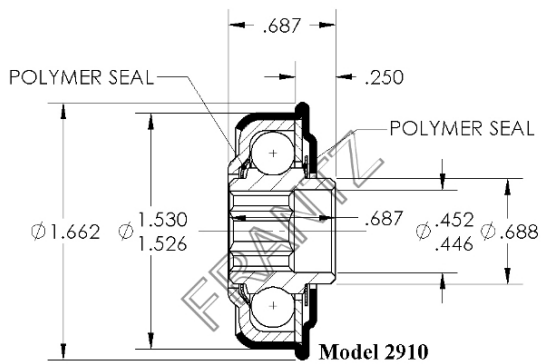
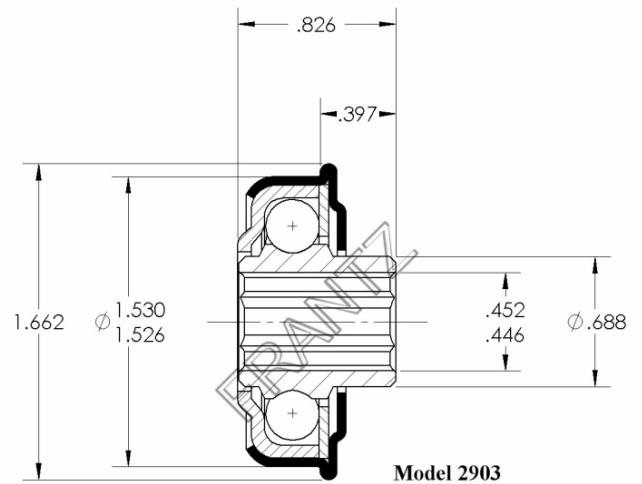
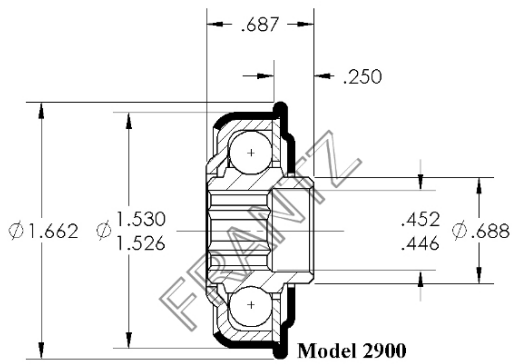
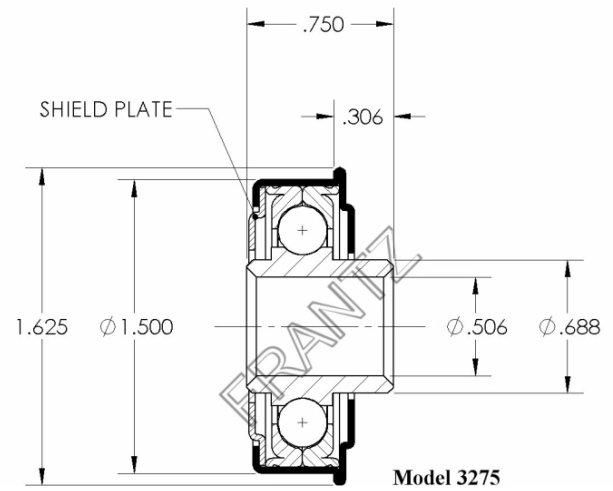
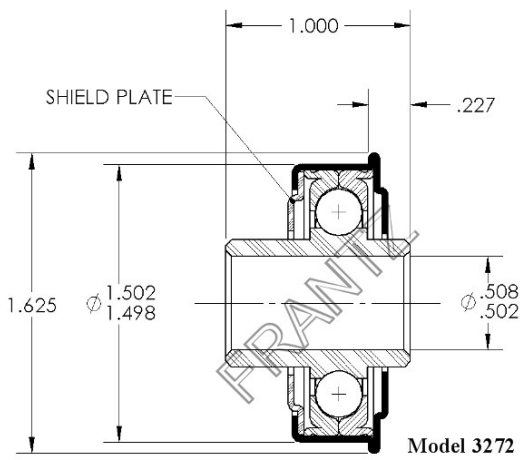
Flanged Unground Non-Precision Bearings



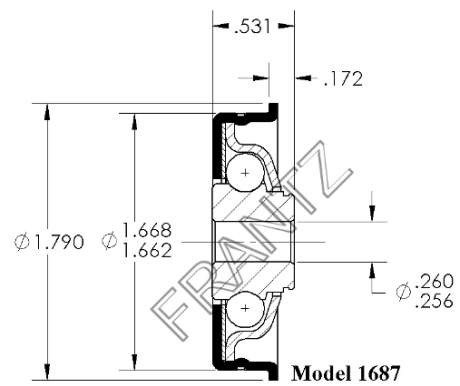
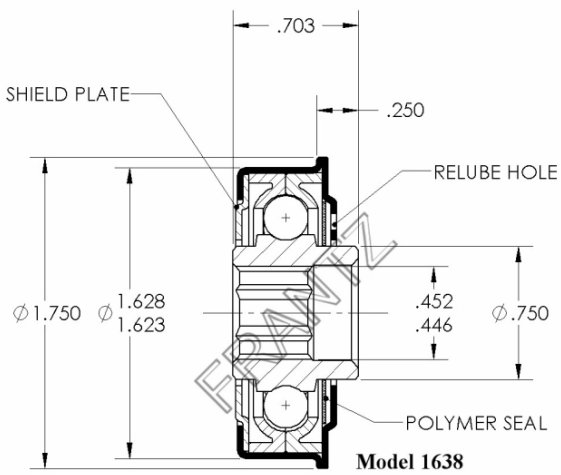
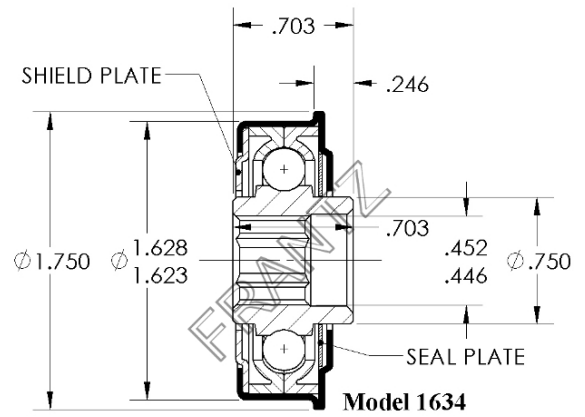
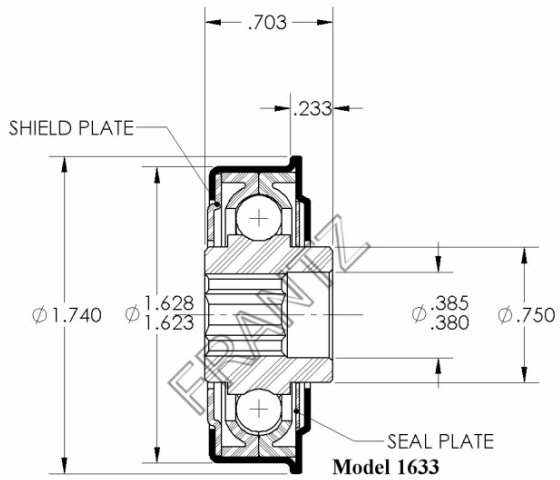
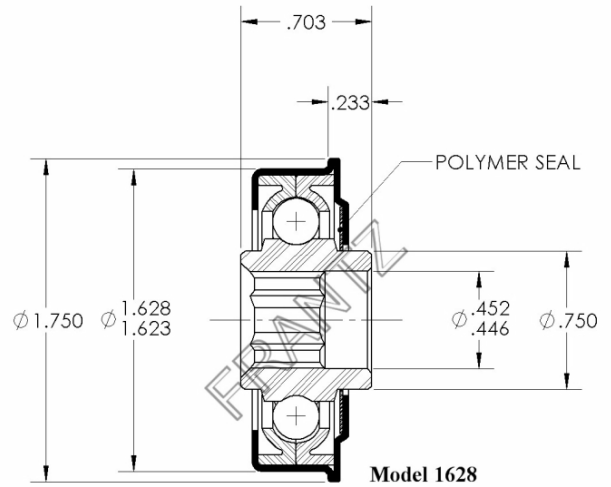
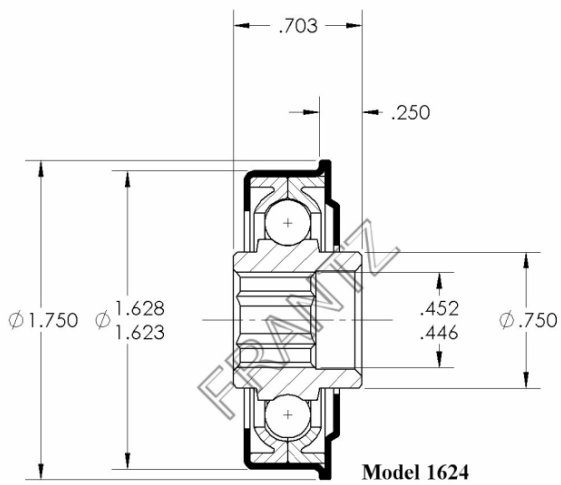
Flanged Unground Non-Precision Bearings



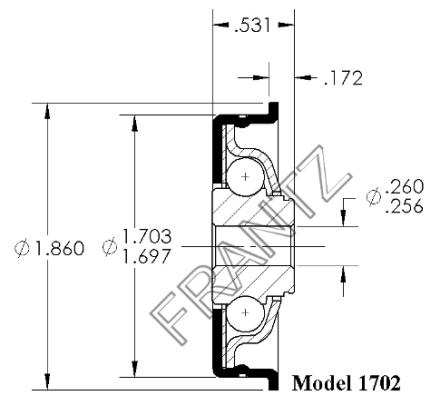
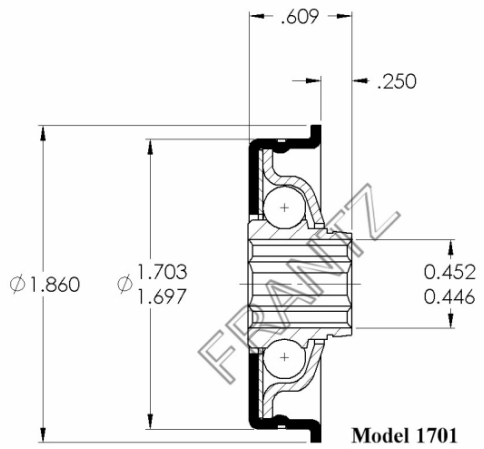
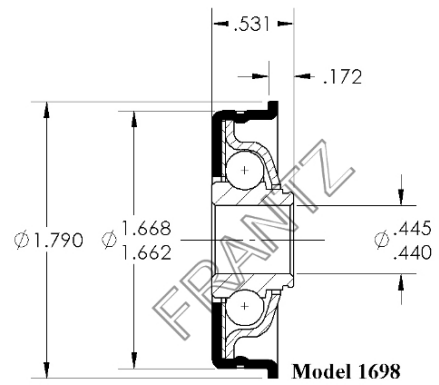
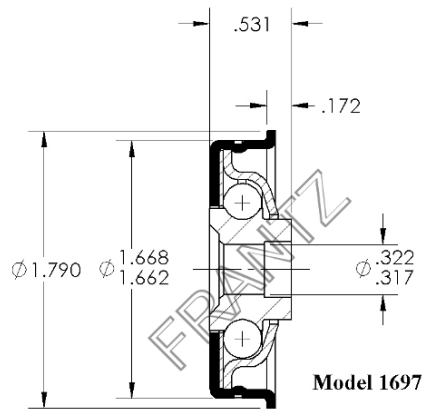
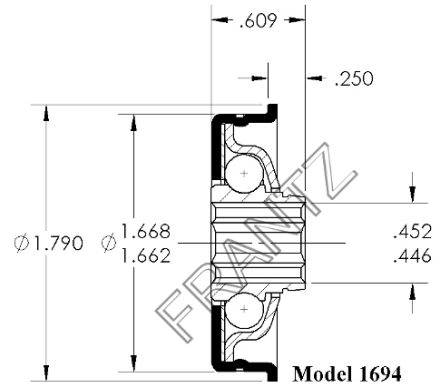
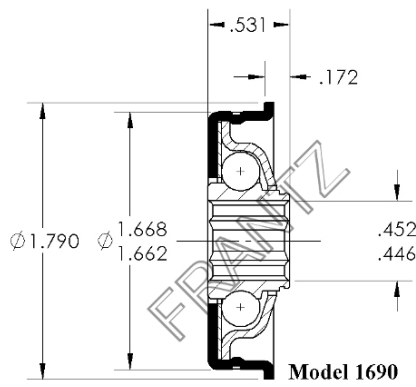
Flanged Unground Non-Precision Bearings



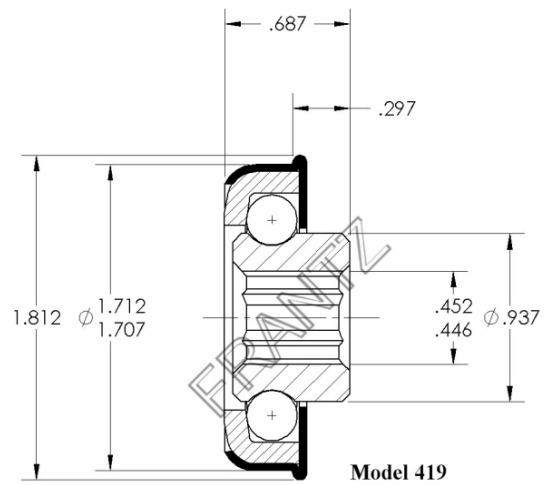
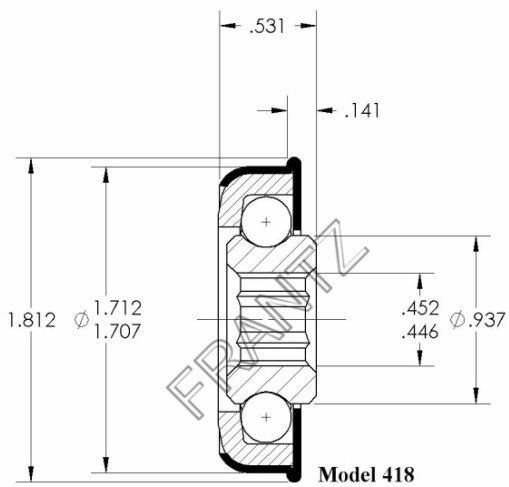
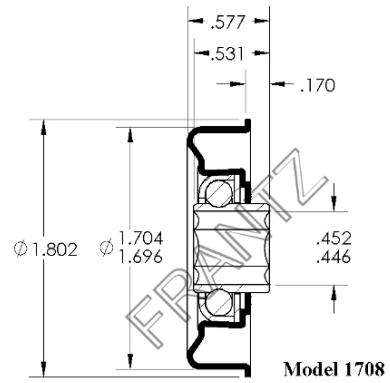
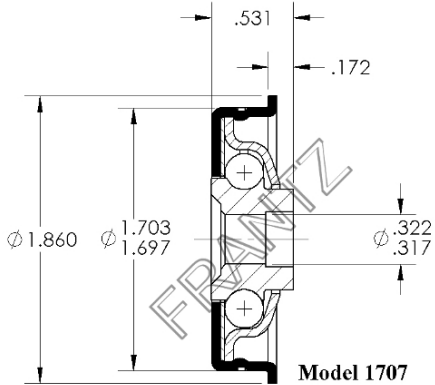
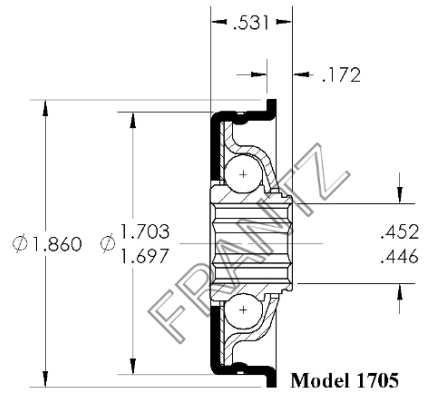
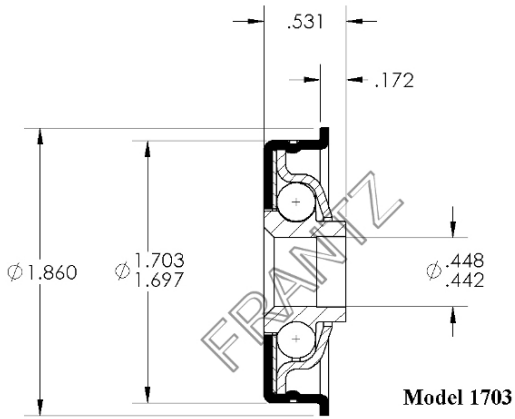
Flanged Unground Non-Precision Bearings



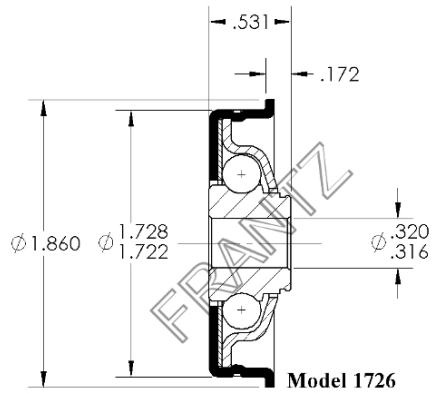
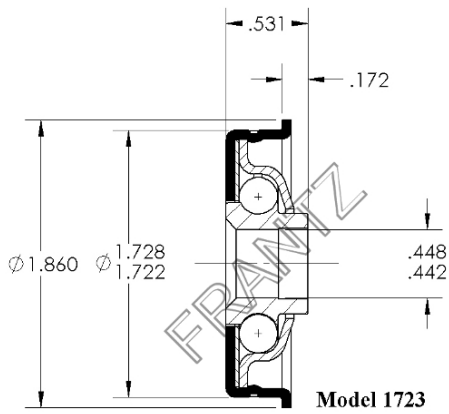
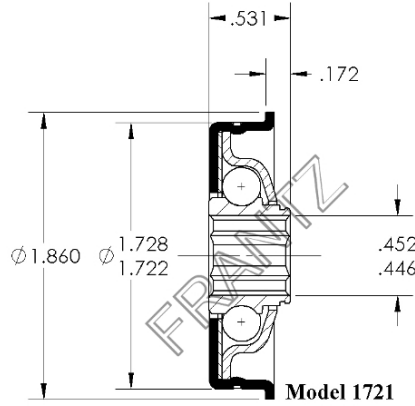
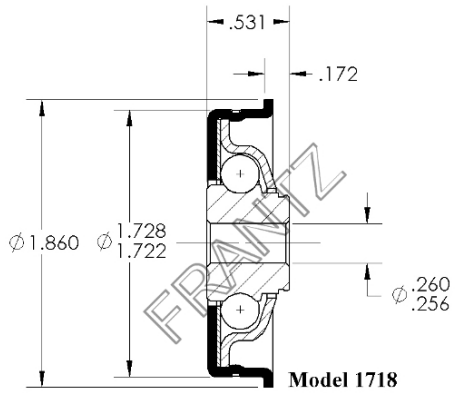
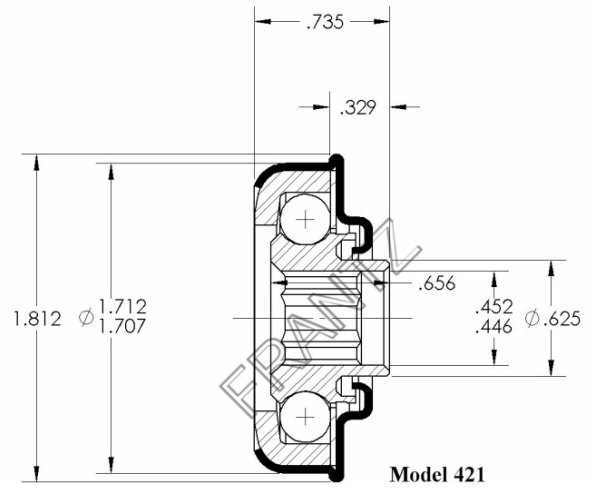
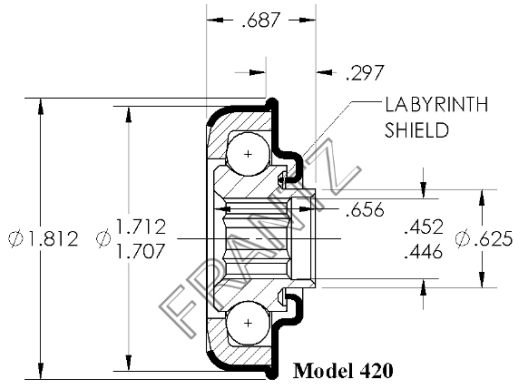
Flanged Unground Non-Precision Bearings



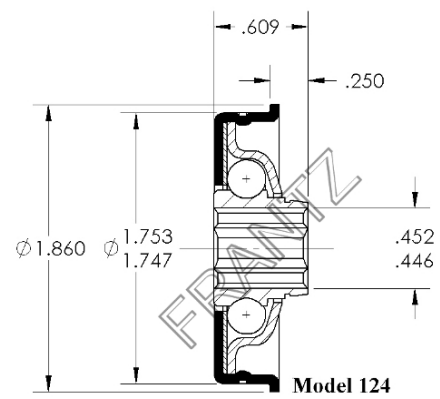
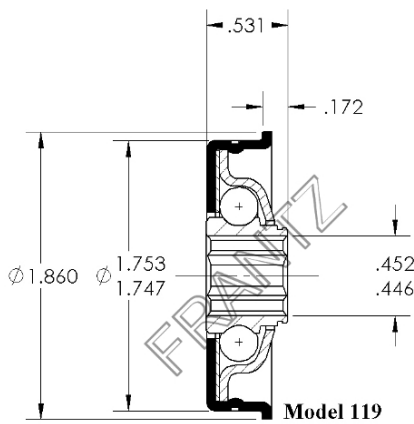
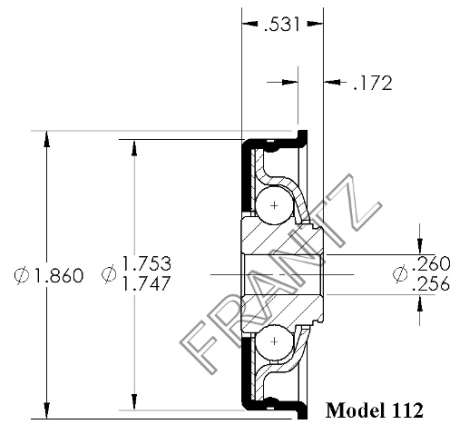
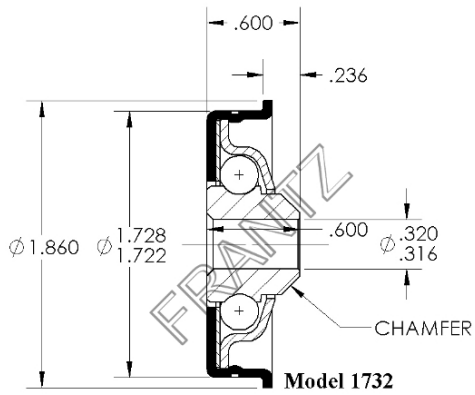
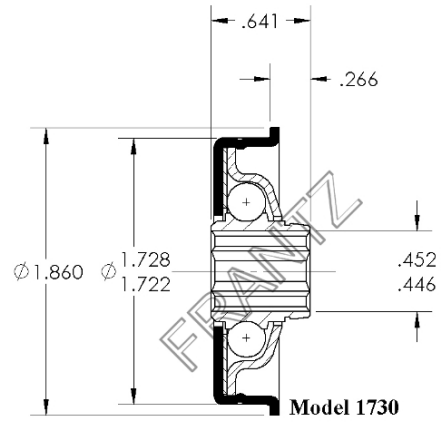
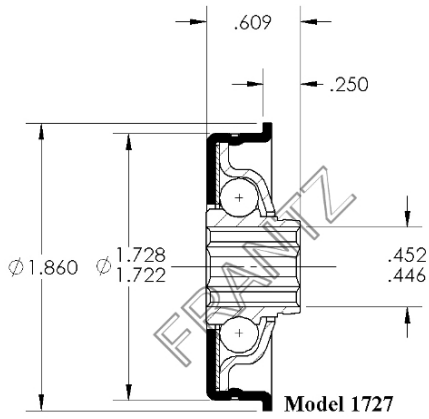
Flanged Unground Non-Precision Bearings



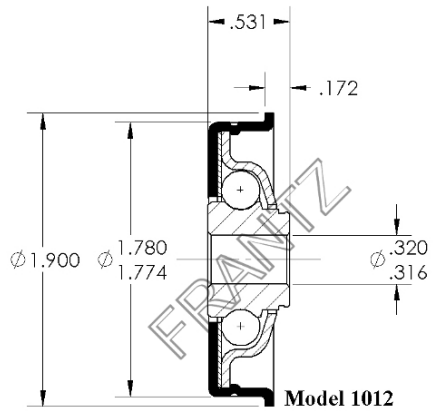
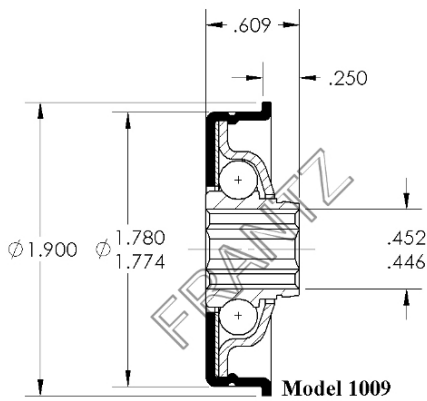
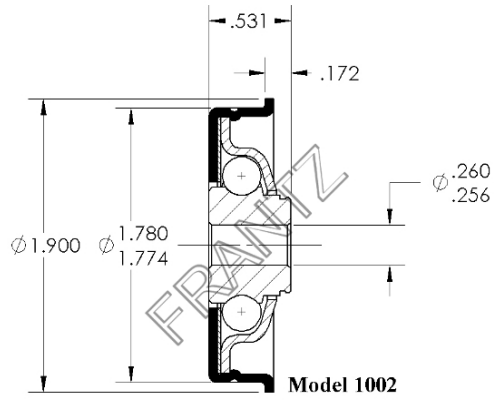
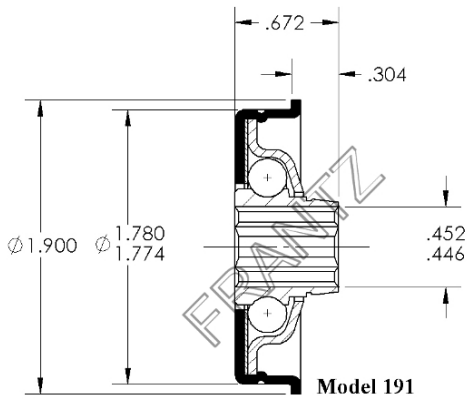
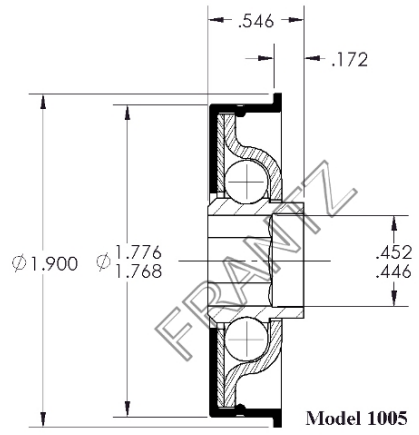
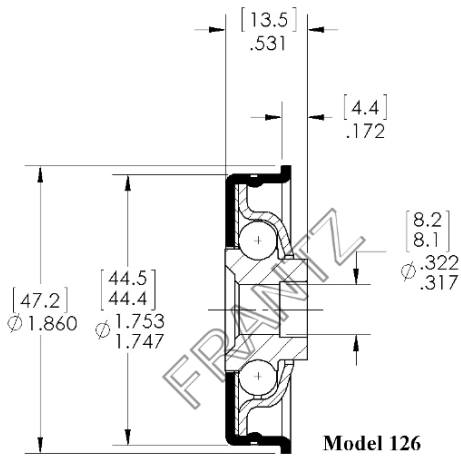
Flanged Unground Non-Precision Bearings



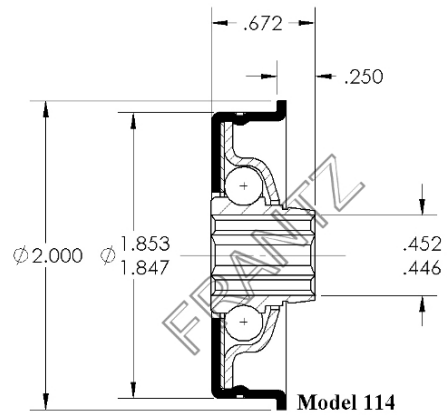
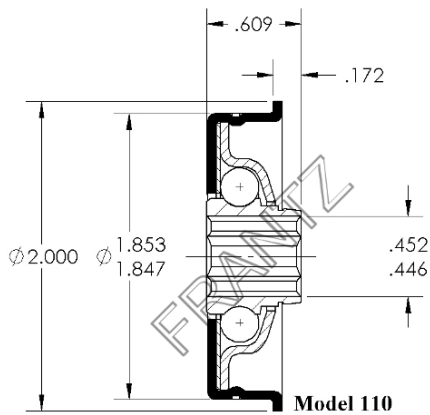
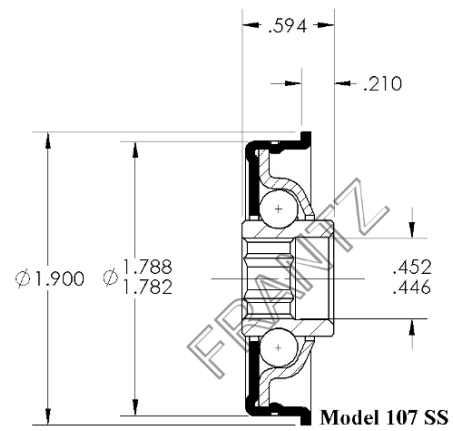
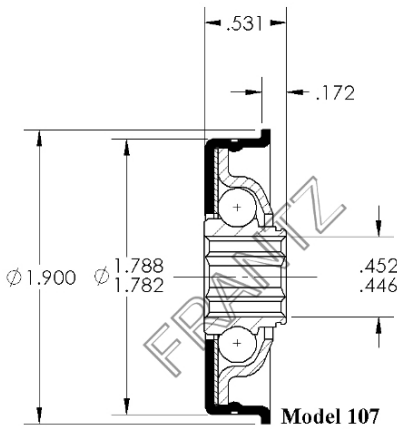
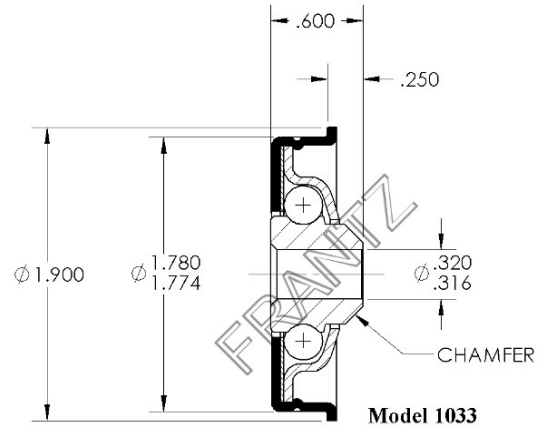
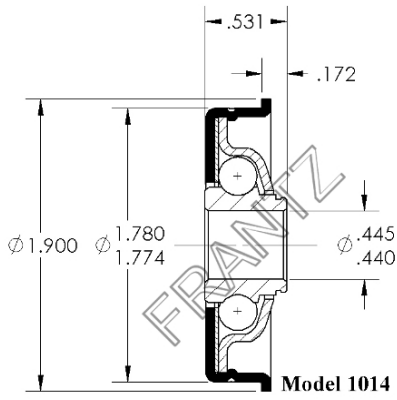
Flanged Unground Non-Precision Bearings



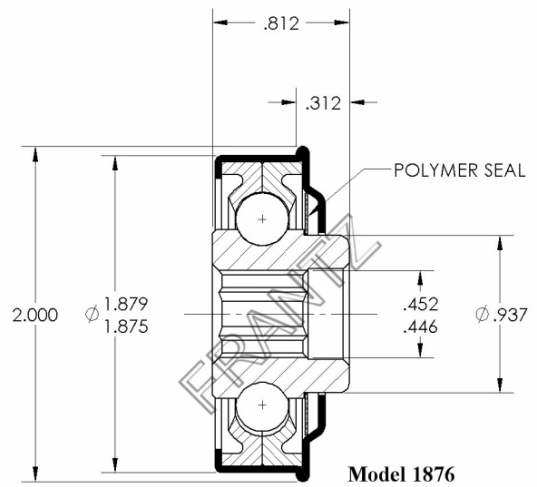
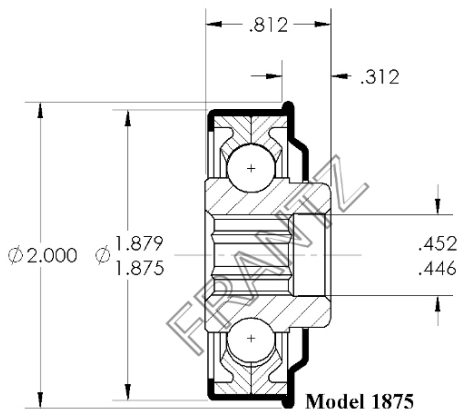
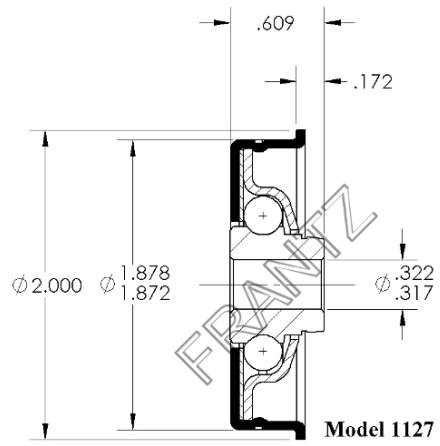
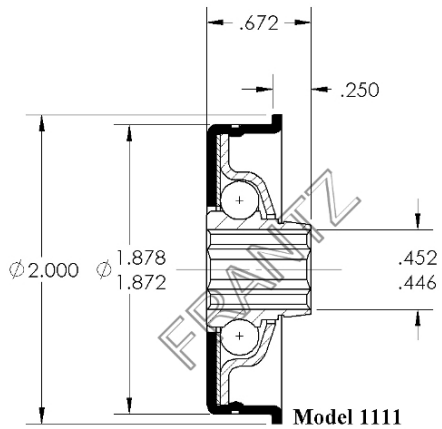
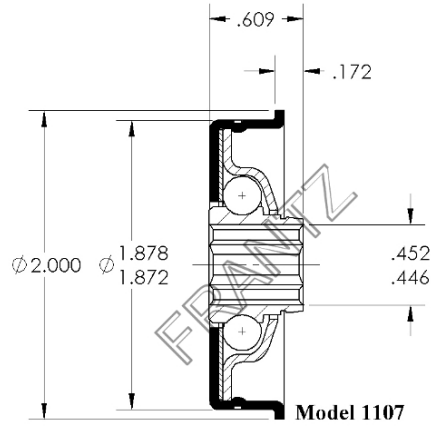
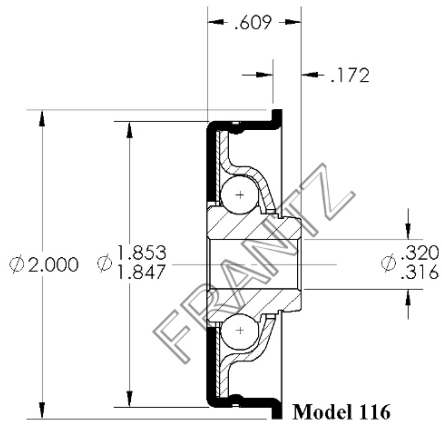
Flanged Unground Non-Precision Bearings



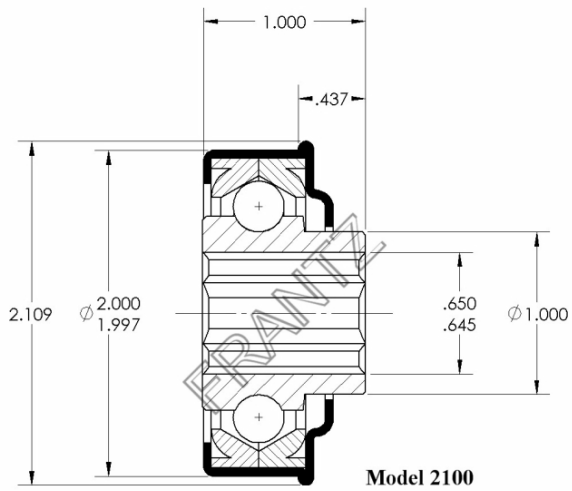
Flanged Unground Non-Precision Bearings



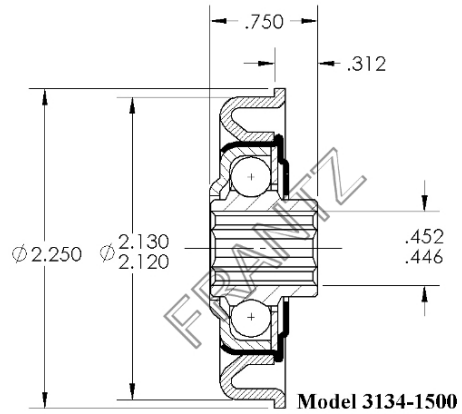
Flanged Unground Non-Precision Bearings



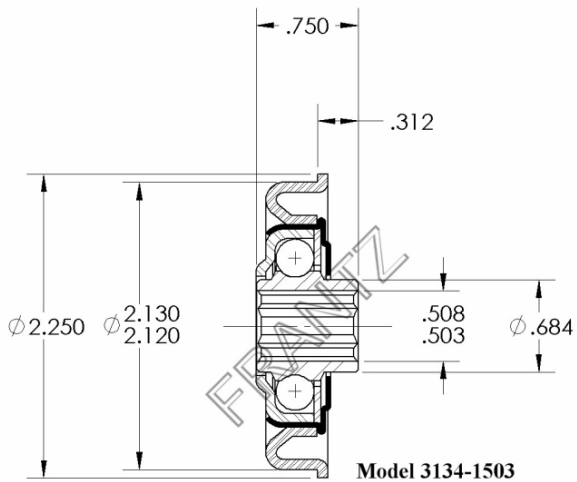
Flanged Unground Non-Precision Bearings



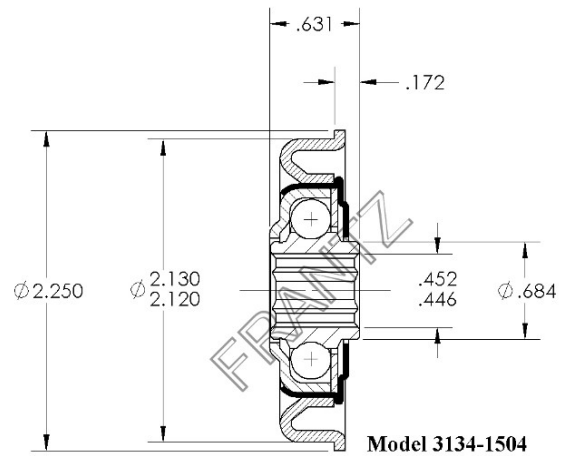
Model 2100



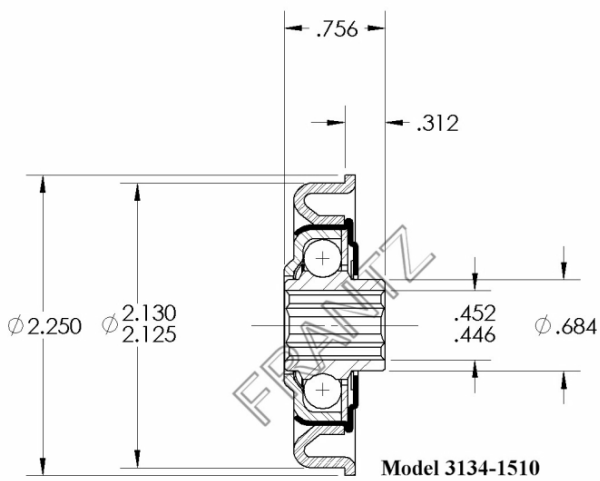
Model 3134-1500



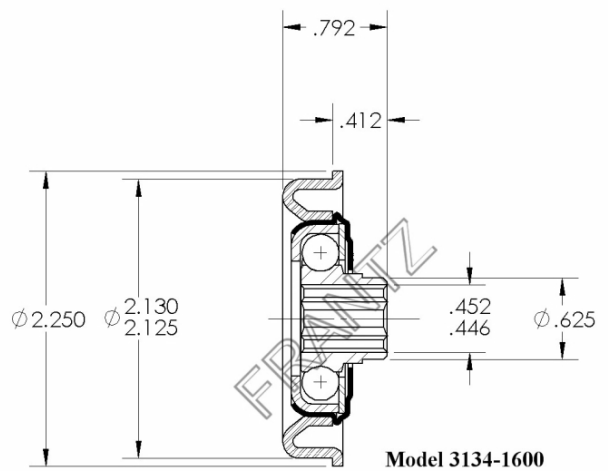
Model 3134-1503



Model 3134-1504

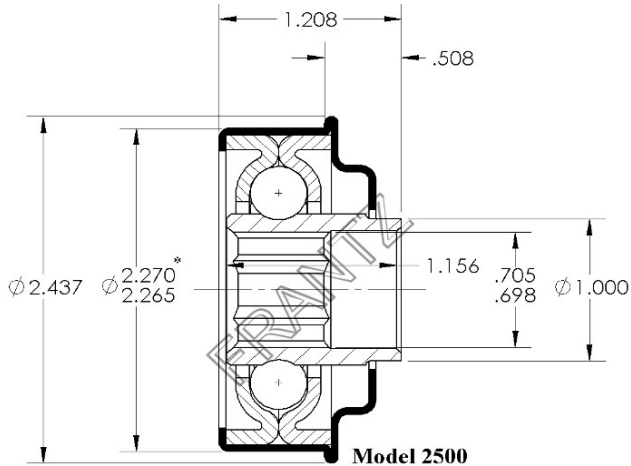


Model 3134-1510

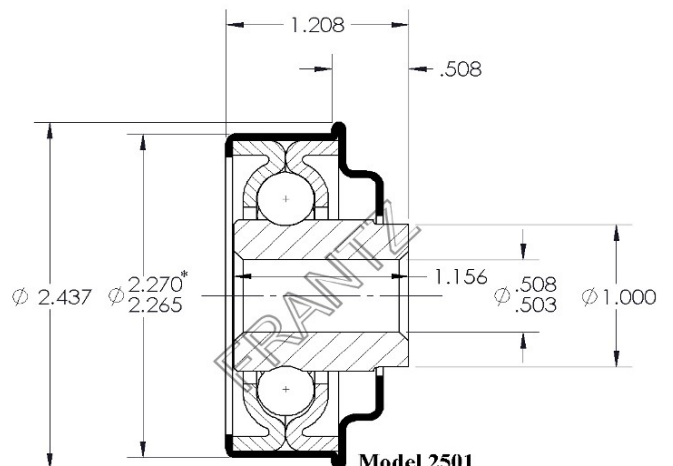


Model 3134-1600

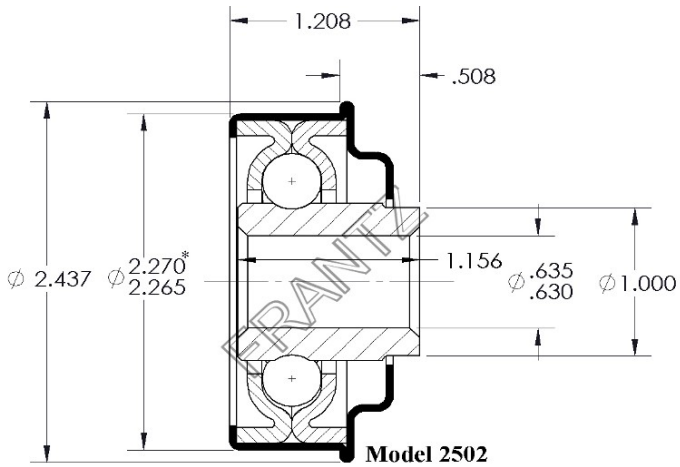
Flanged Unground Non-Precision Bearings



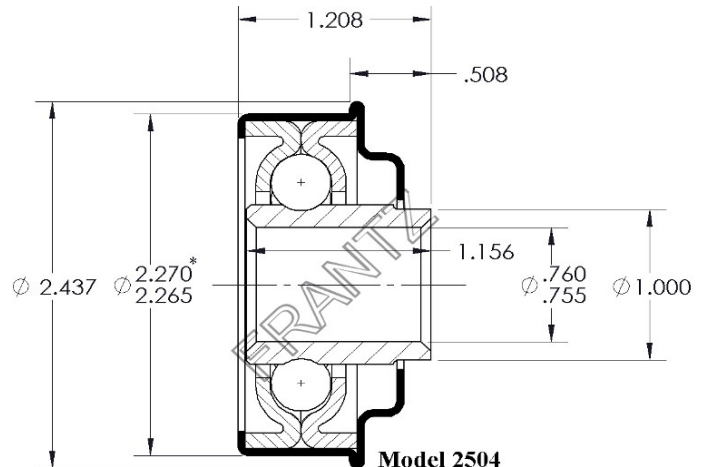
*NOTE: Models in Stainless Steel have body diameter of 2.277/2.272



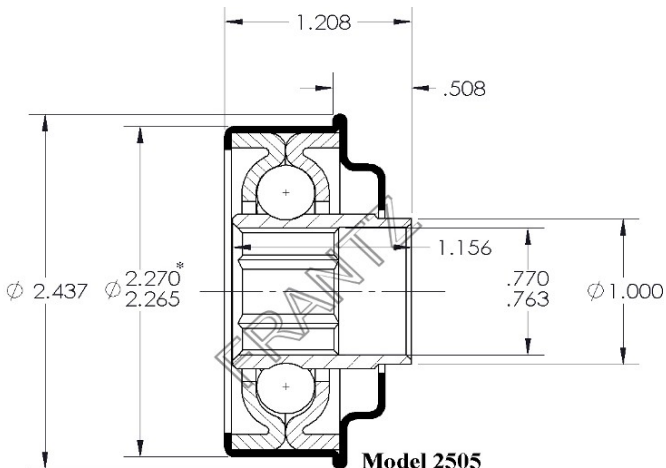
*NOTE: Models in Stainless Steel have body diameter 2.277/2.272



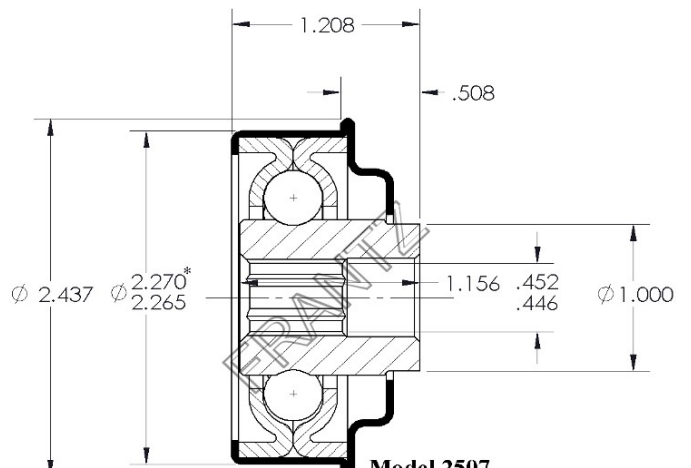
*NOTE: Models in Stainless Steel have body diameter of 2.277/2.272



*NOTE: Models in Stainless Steel have body diameter of 2.277/2.272

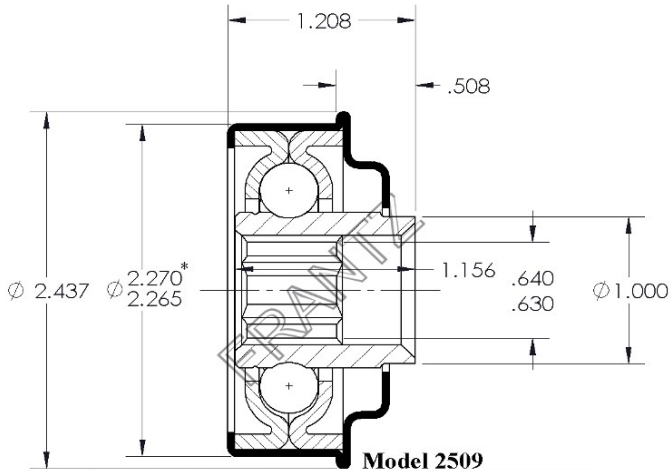


*NOTE: Models in Stainless Steel have body diameter of 2.277/2.272

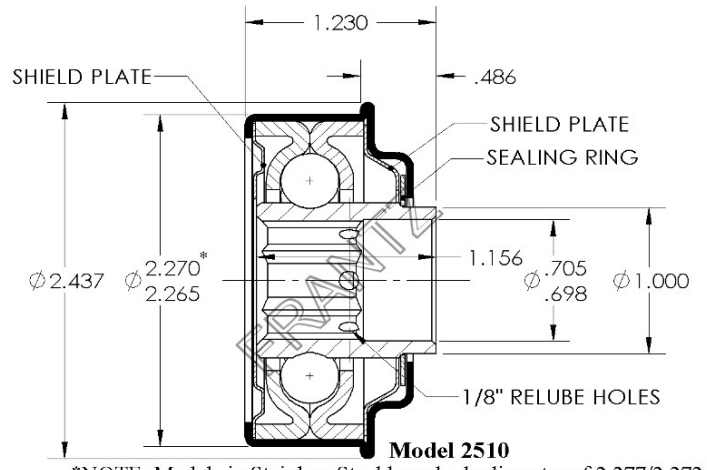


*NOTE: Models in Stainless Steel have body diameter of 2.277/2.272

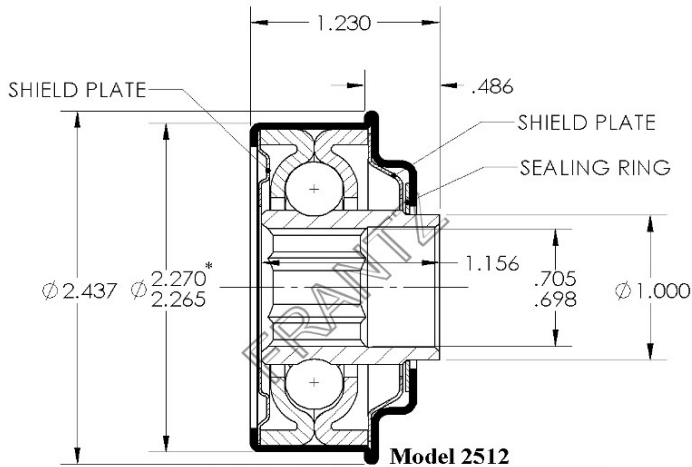
Flanged Unground Non-Precision Bearings



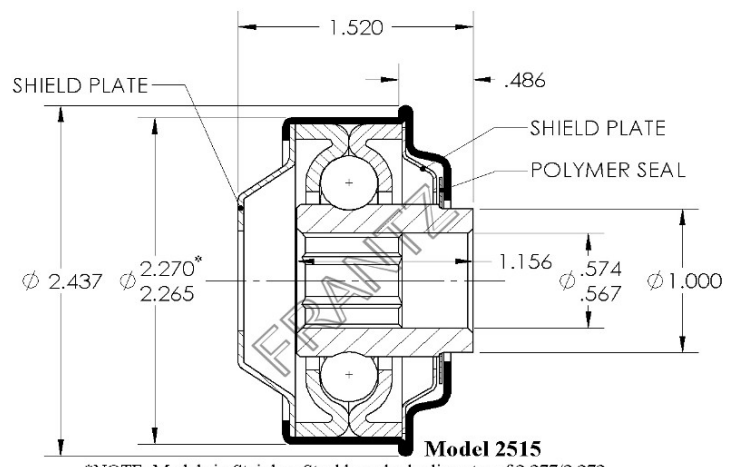
*NOTE: Models in Stainless Steel have body diameter of 2.277/2.272



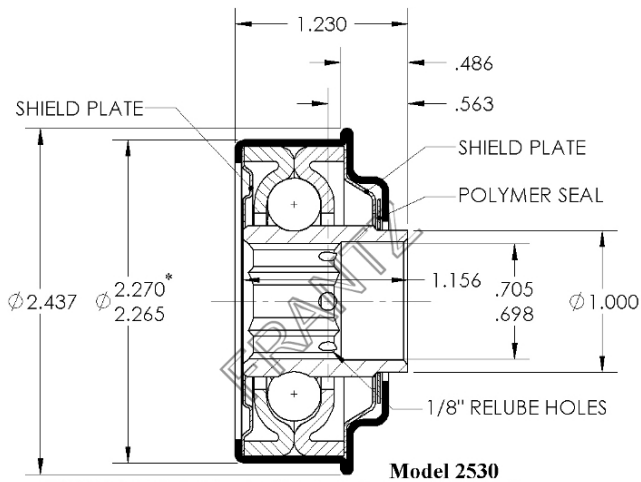
*NOTE: Models in Stainless Steel have body diameter of 2.277/2.272



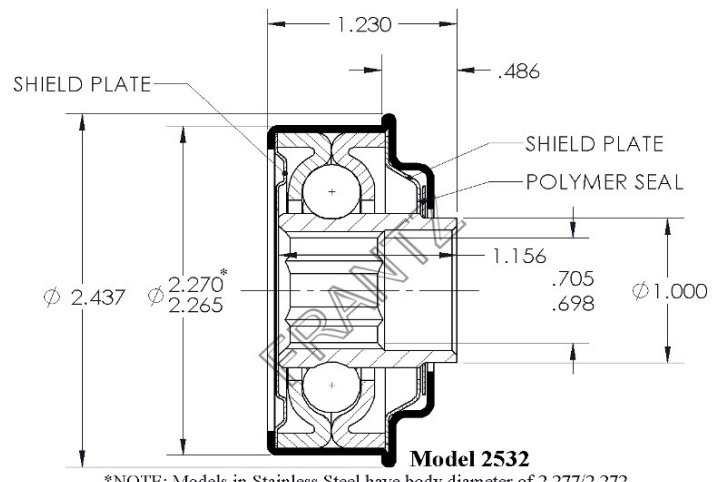
*NOTE: Models in Stainless Steel have body diameter of 2.277/2.272



*NOTE: Models in Stainless Steel have body diameter of 2.277/2.272

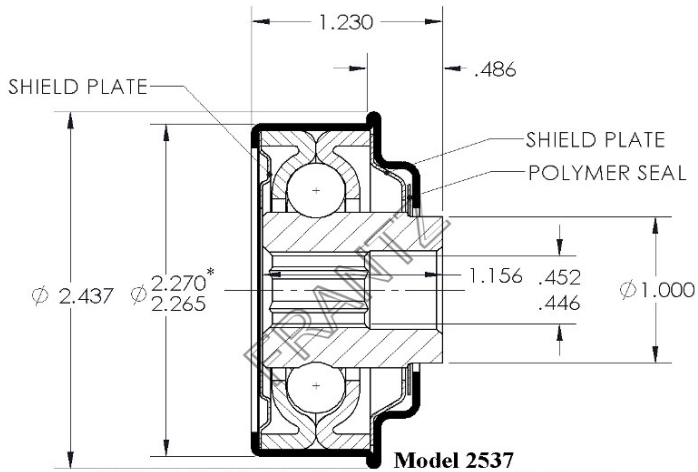


*NOTE: Models in Stainless Steel have body diameter of 2.277/2.272

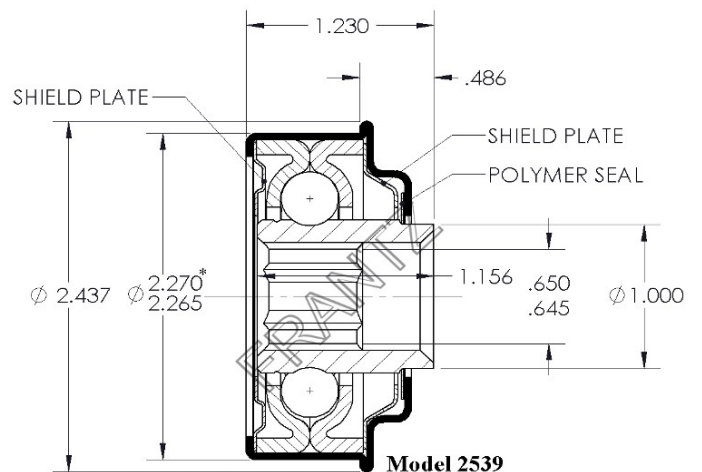


*NOTE: Models in Stainless Steel have body diameter of 2.277/2.272

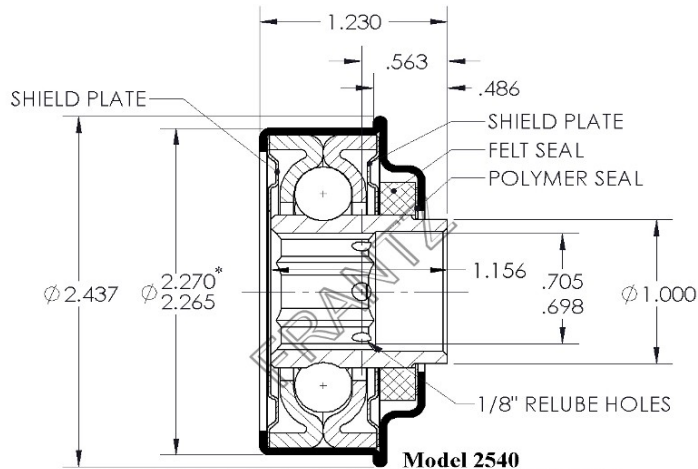
Flanged Unground Non-Precision Bearings



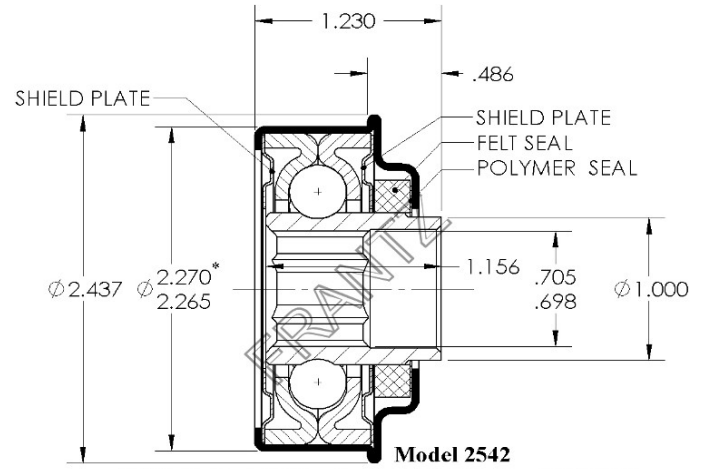
*NOTE: Models in Stainless Steel have body diameter of 2.277/2.272



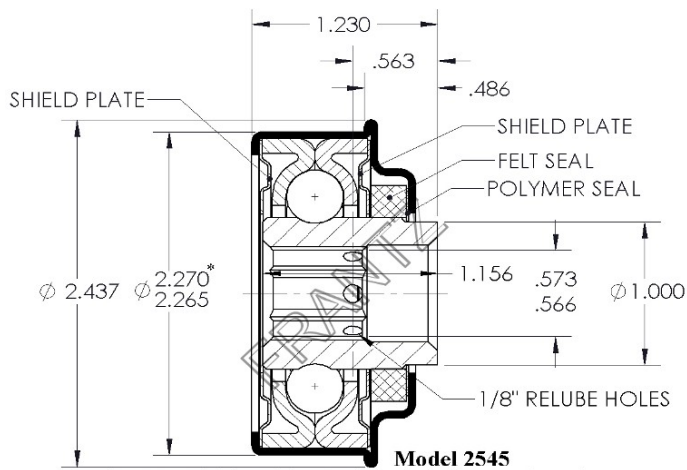
*NOTE: Models in Stainless Steel have body diameter of 2.277/2.272



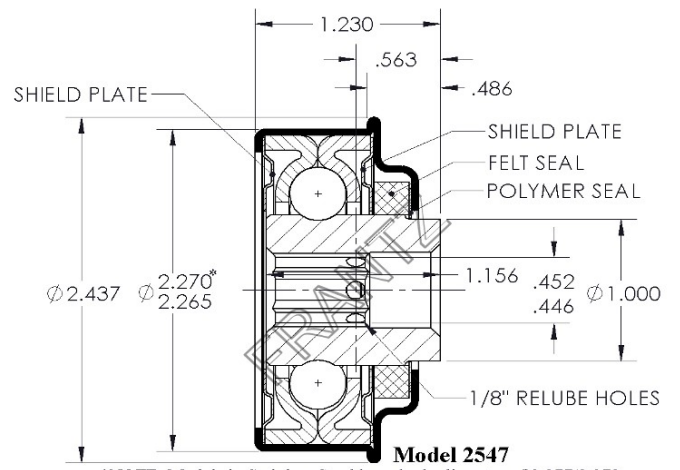
*NOTE: Models in Stainless Steel have body diameter of 2.277/2.272



*NOTE: Models in Stainless Steel have body diameter of 2.277/2.272

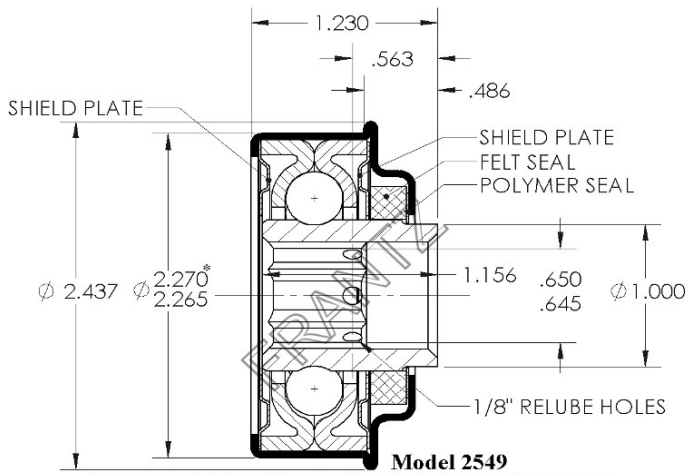


*NOTE: Models in Stainless Steel have body diameter of 2.277/2.272

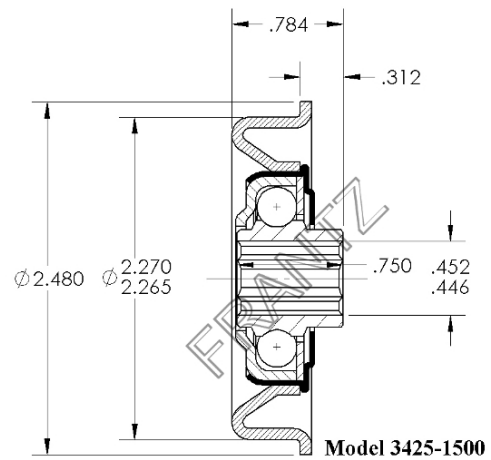
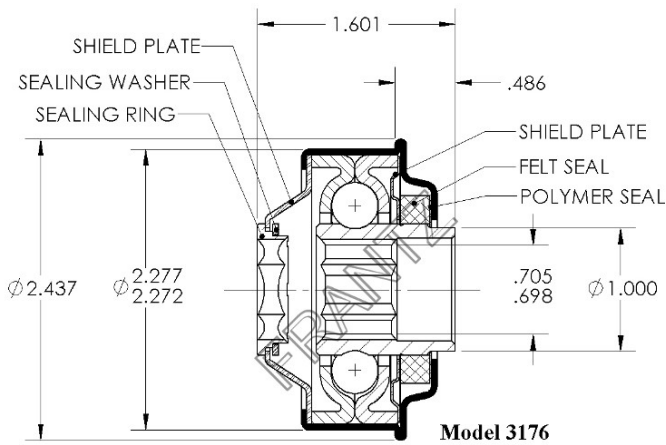
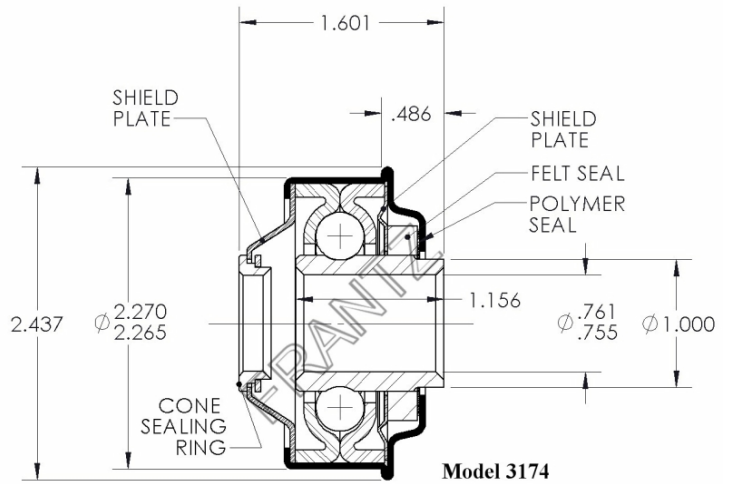
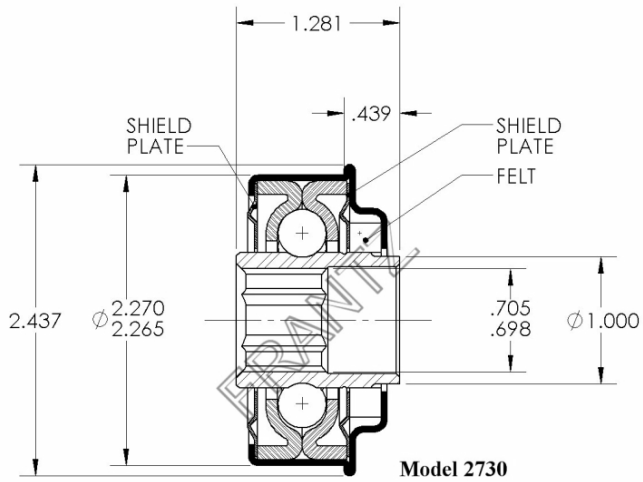
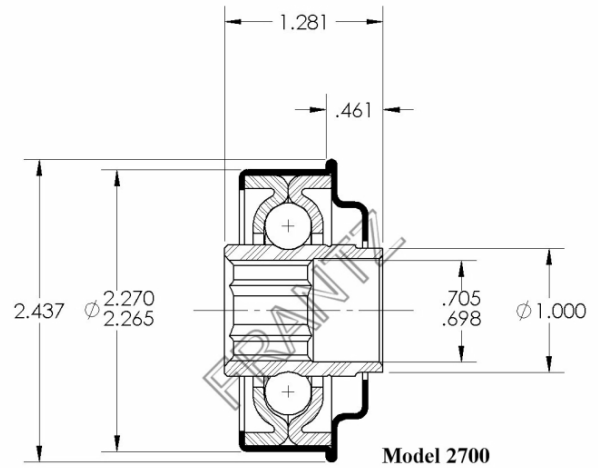


*NOTE: Models in Stainless Steel have body diameter of 2.277/2.272

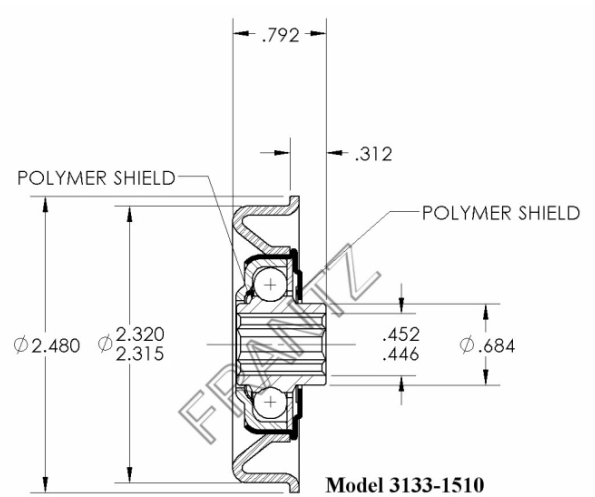
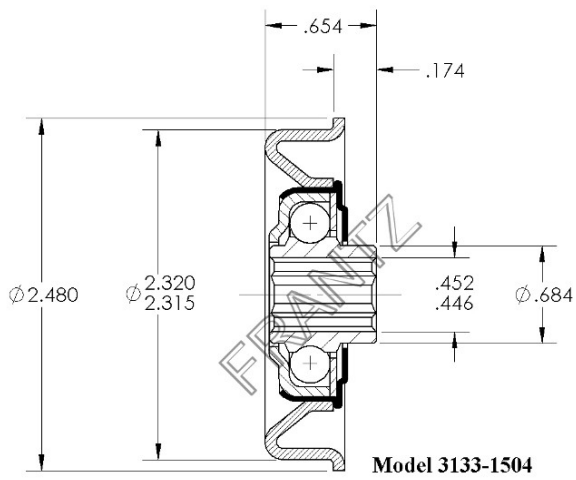
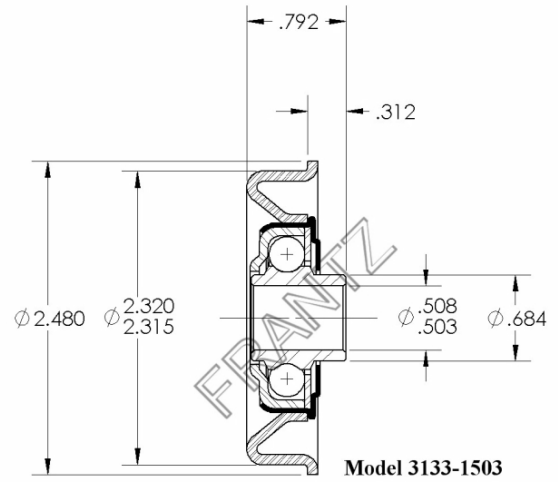
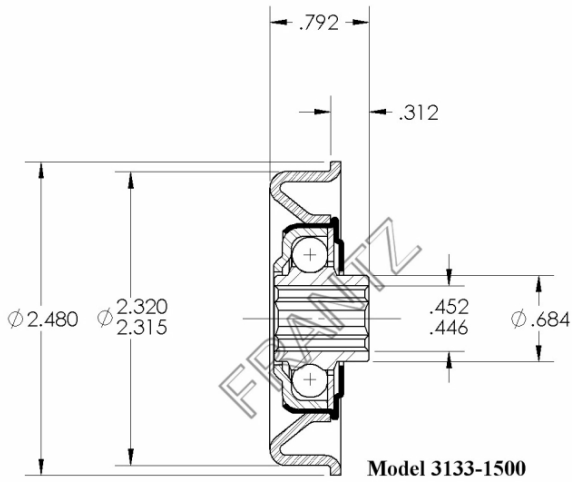
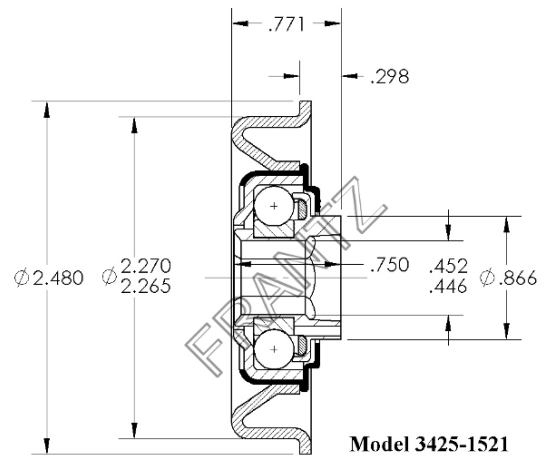
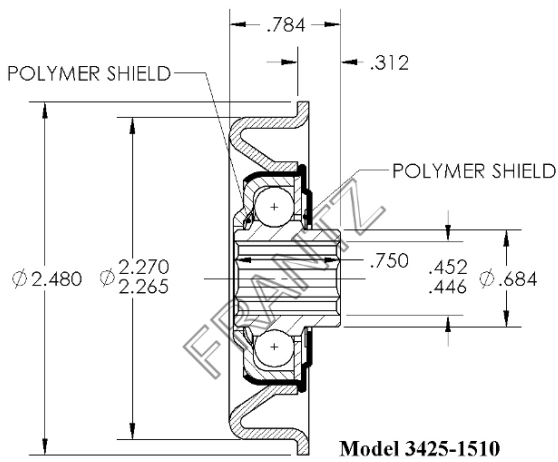
Flanged Unground Non-Precision Bearings



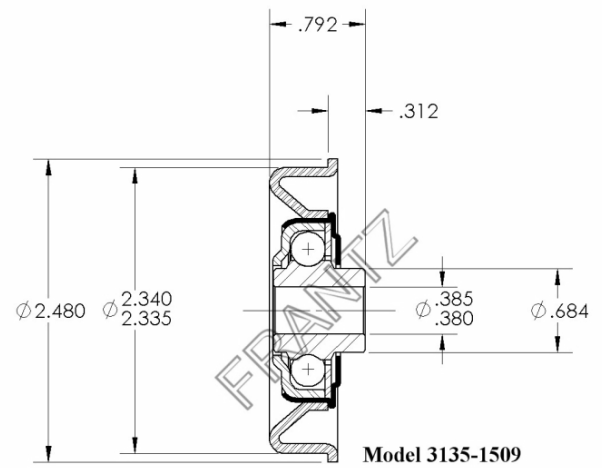
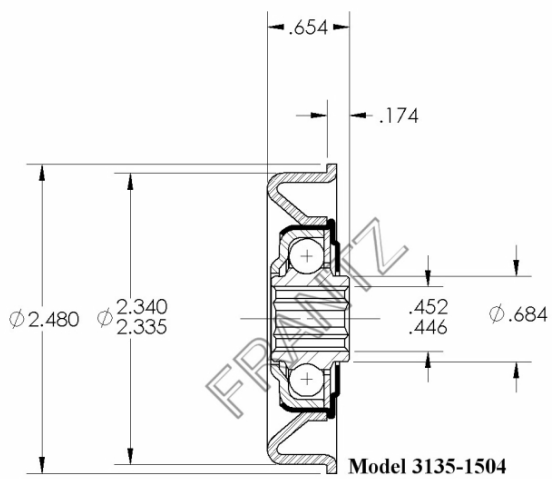
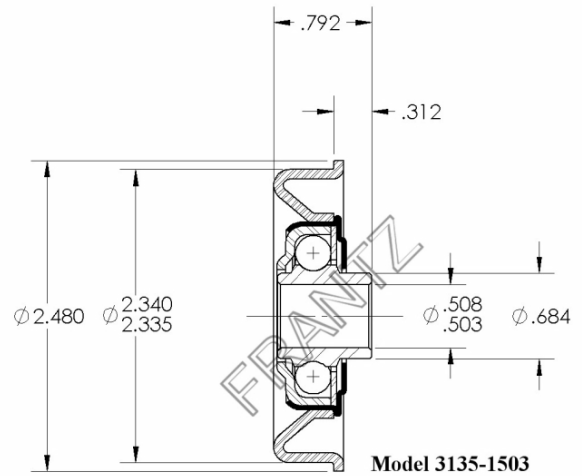
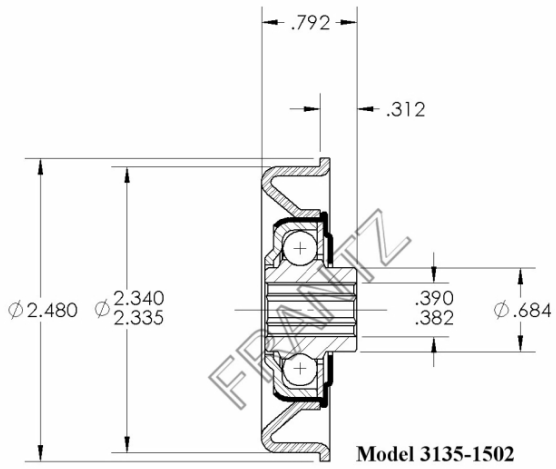
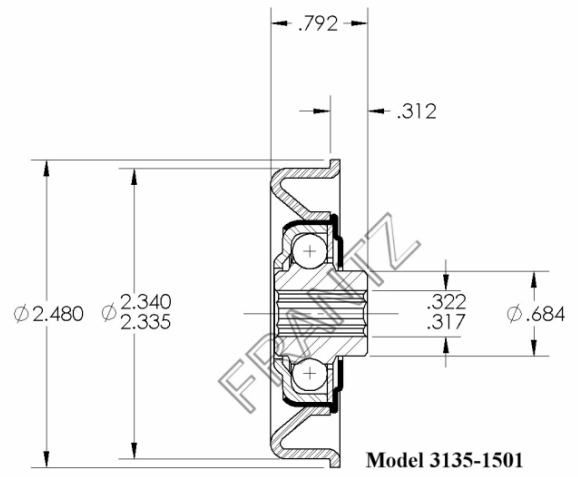
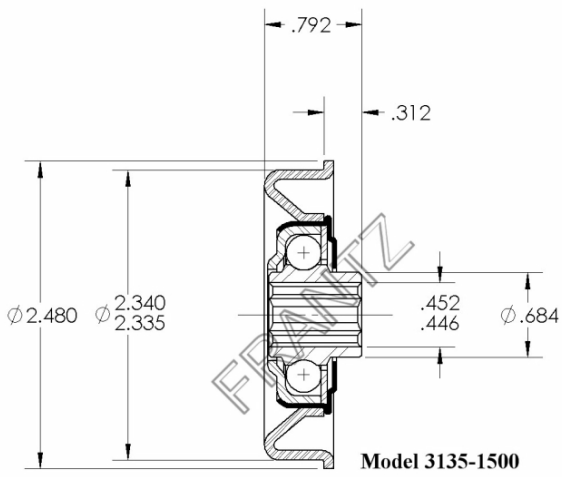
*NOTE: Models in Stainless Steel have body diameter of 2.277/2.272



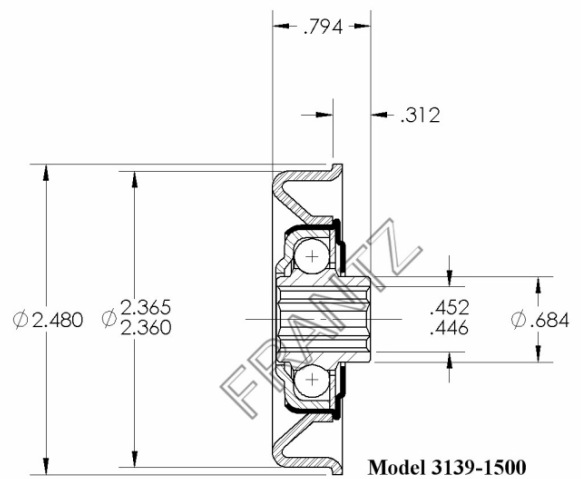
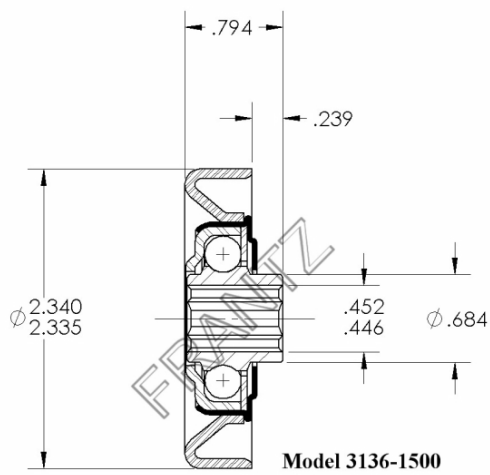
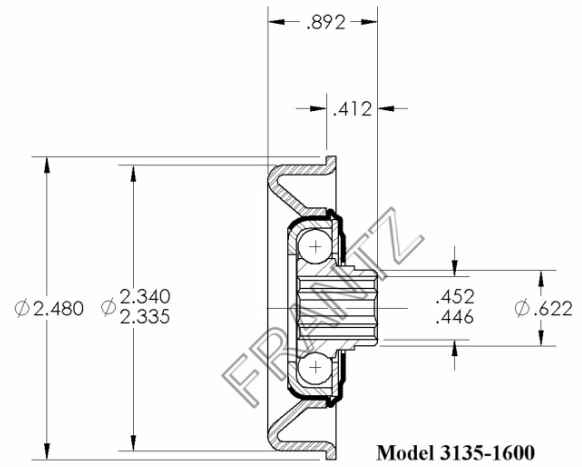
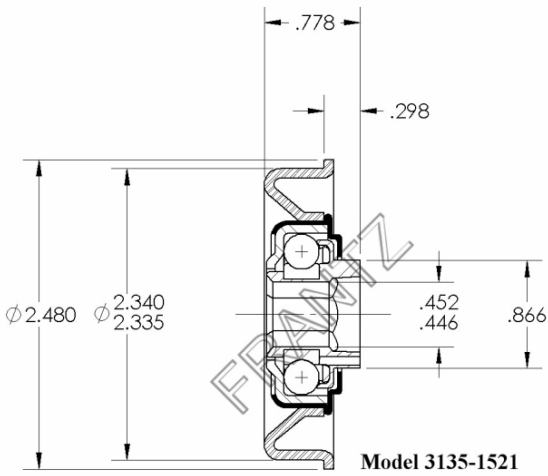
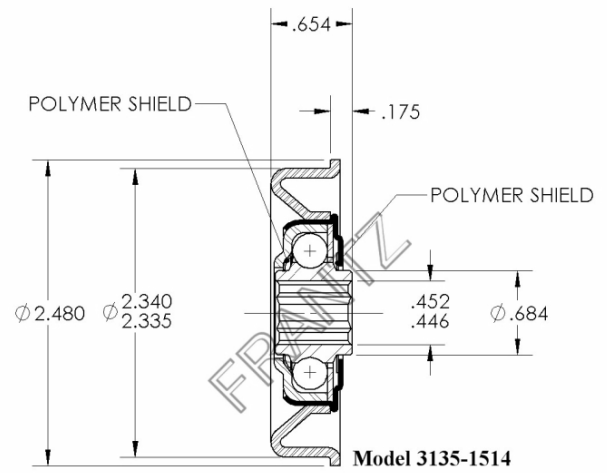
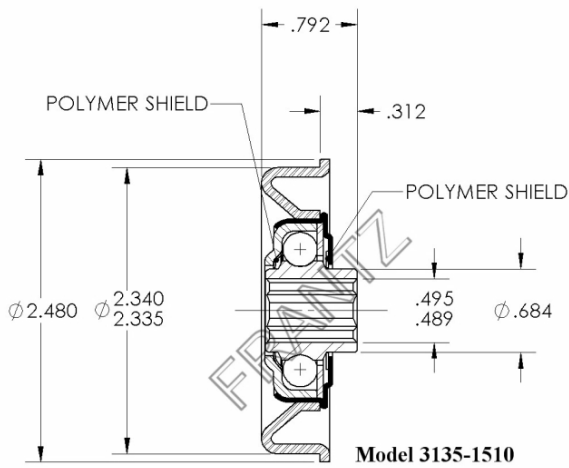
Flanged Unground Non-Precision Bearings



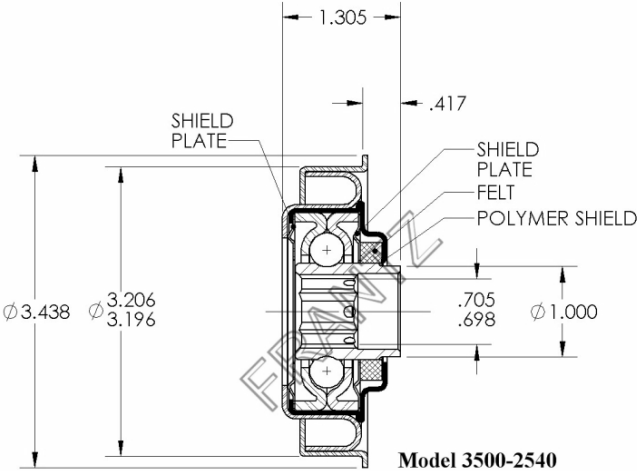
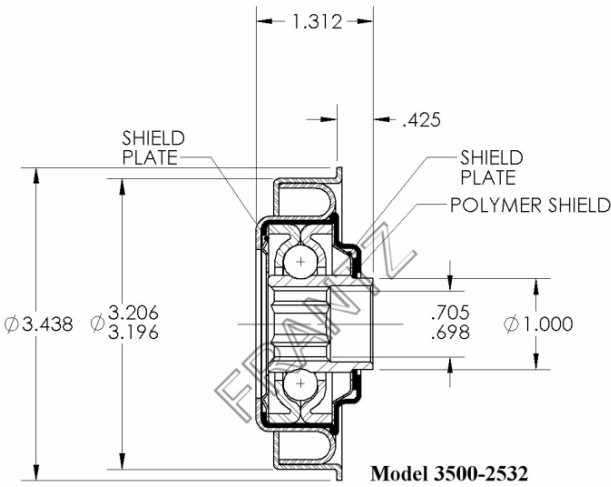
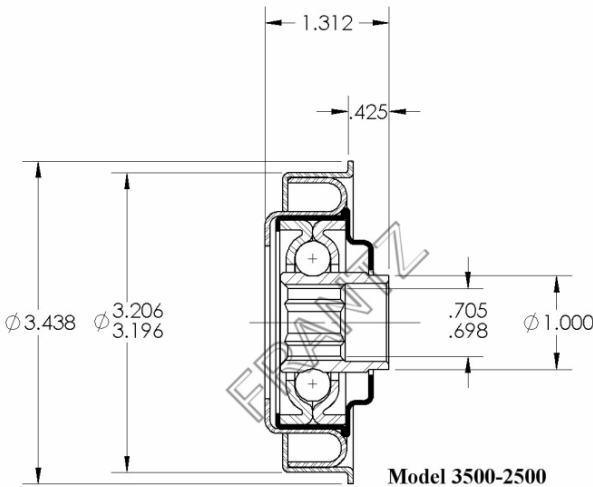
Flanged Unground Non-Precision Bearings



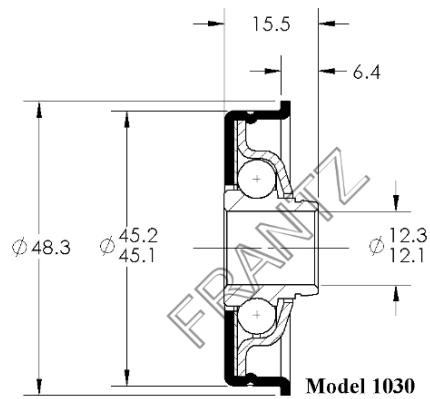
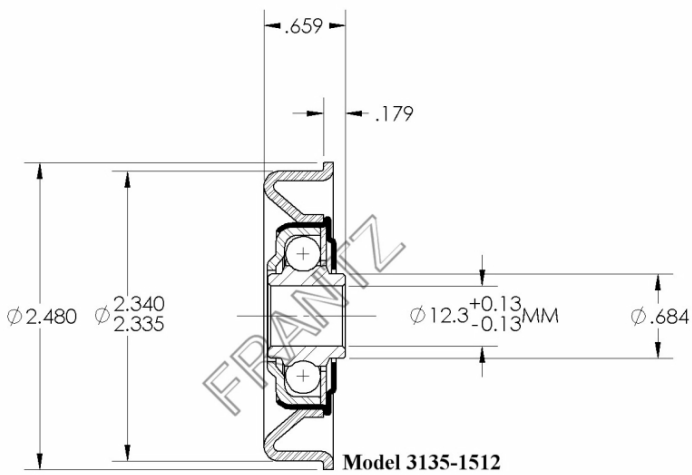
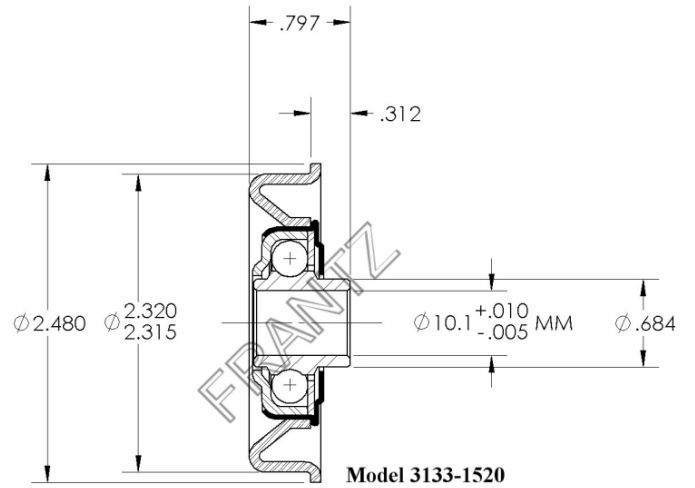
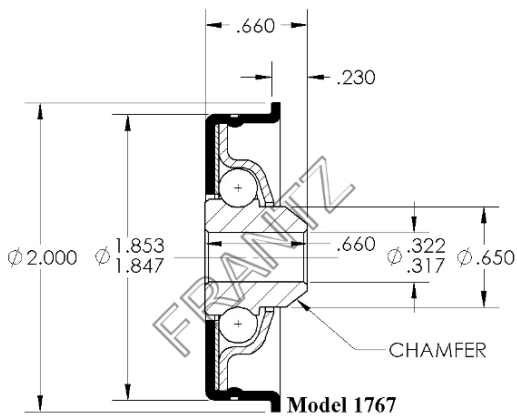
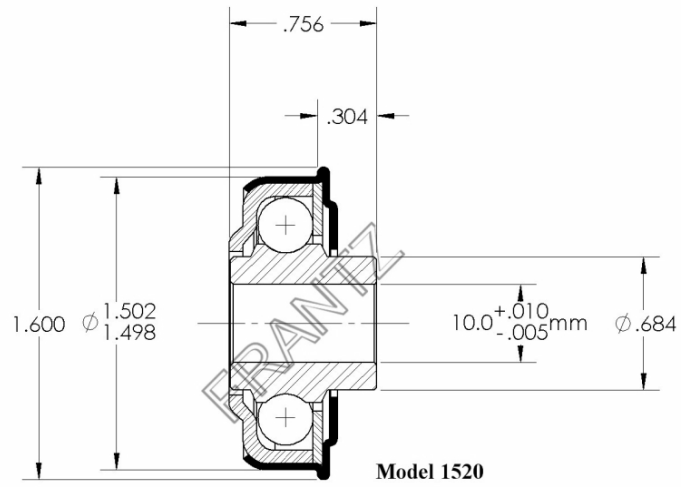
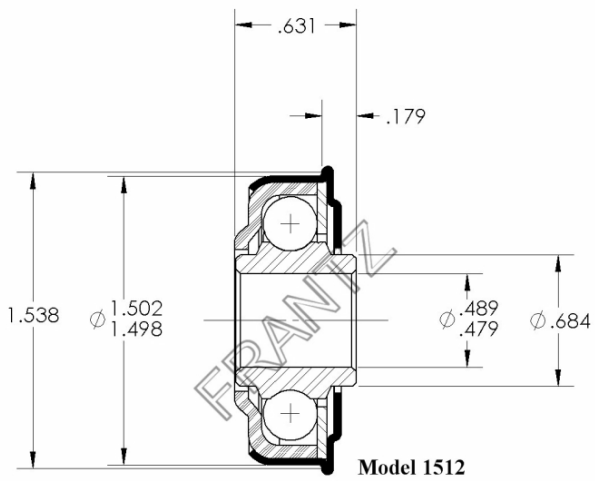
Flanged Unground Non-Precision Bearings



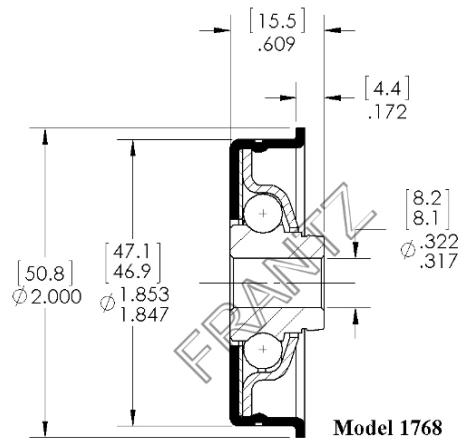
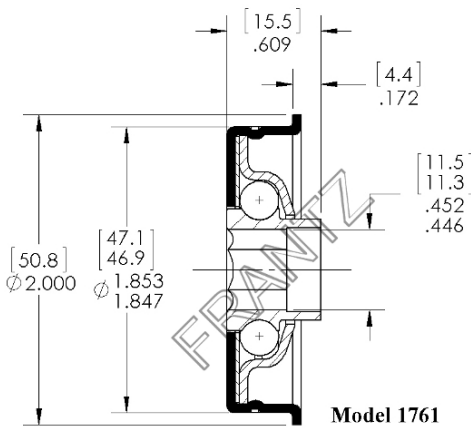
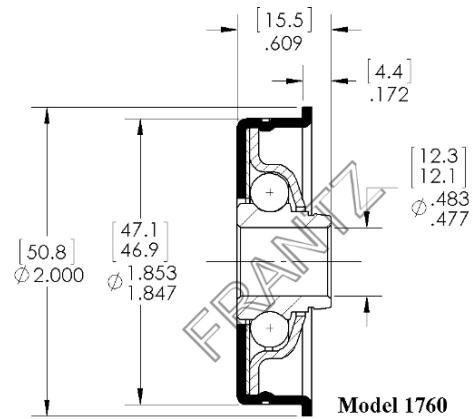
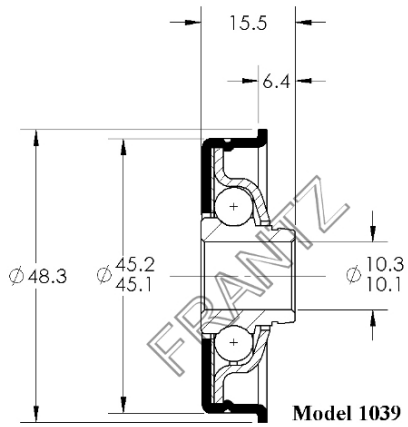
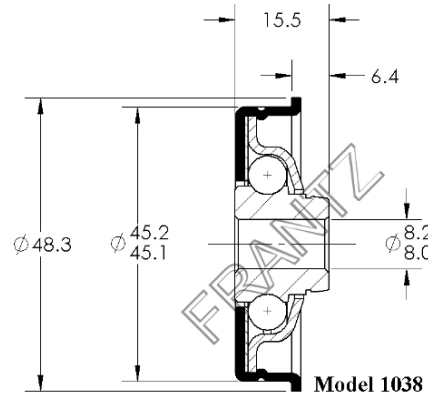
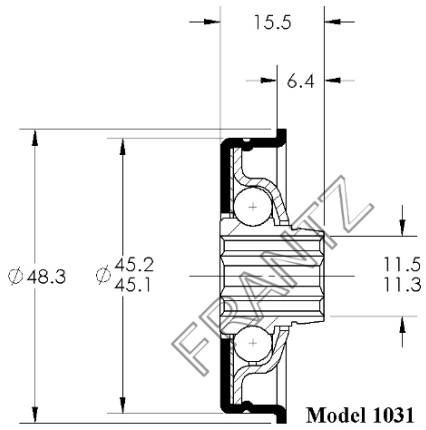
Flanged Unground Non-Precision Bearings



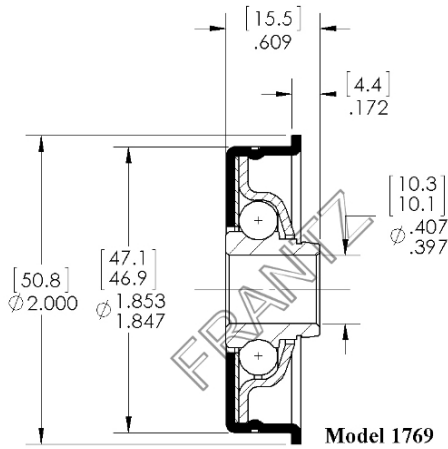
Metric Flanged Non-Precision Bearings



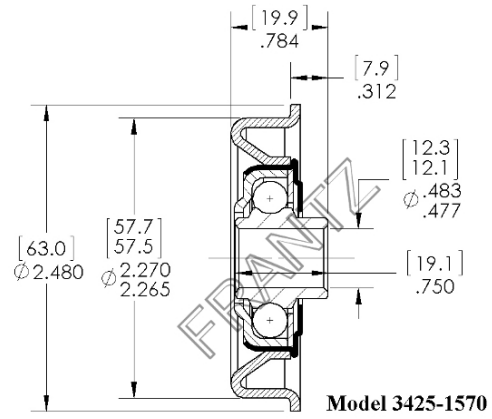
Metric Flanged Non-Precision Bearings



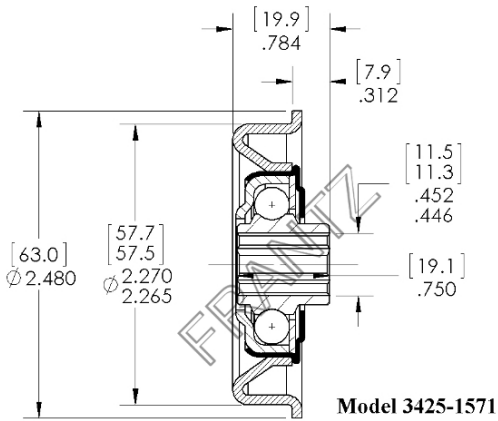
Metric Flanged Non-Precision Bearings



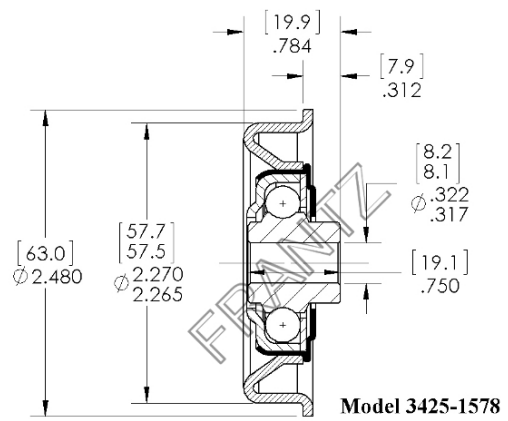
Model 1769



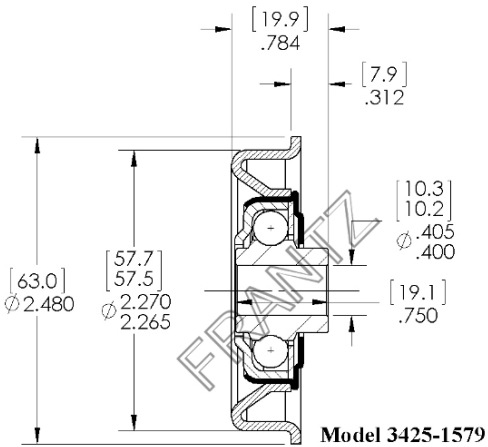
Model 3425-1570



Model 3425-1571

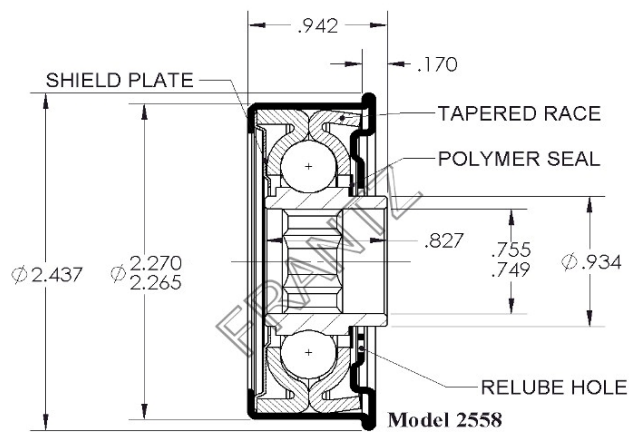
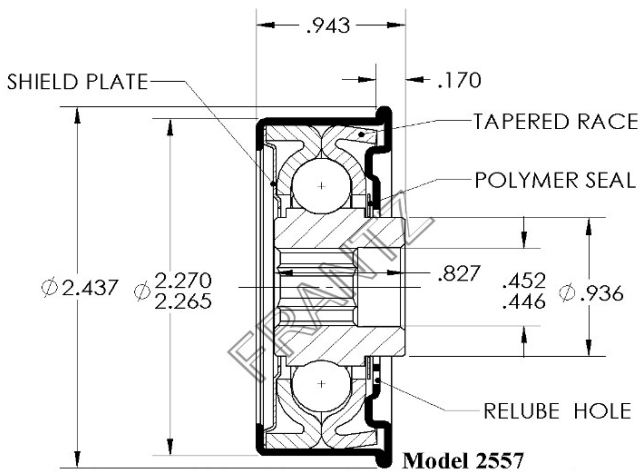
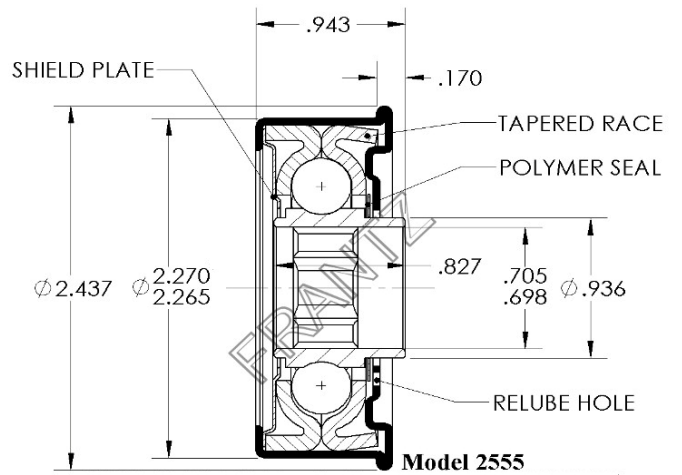
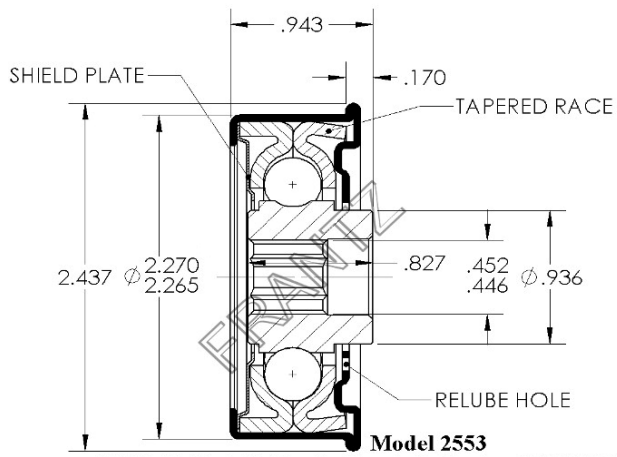
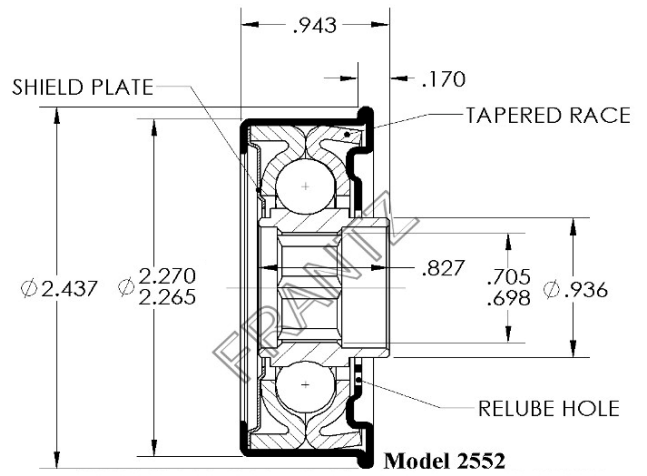
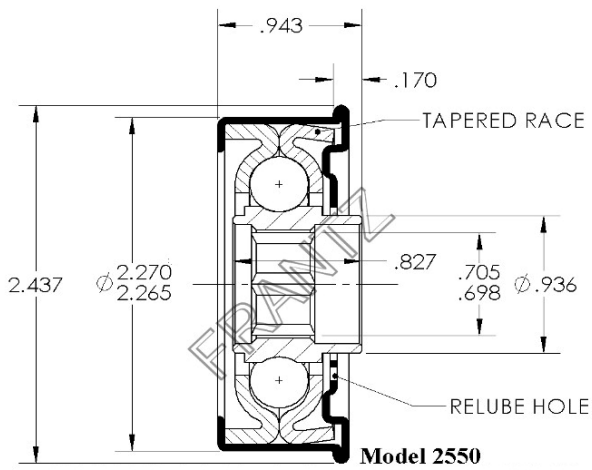


Model 3425-1578

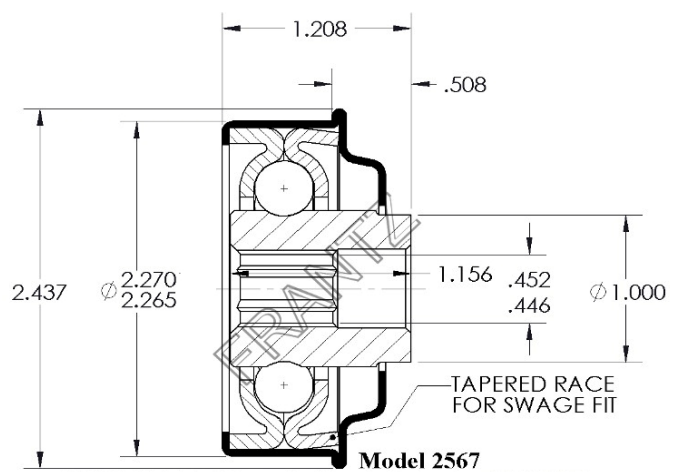
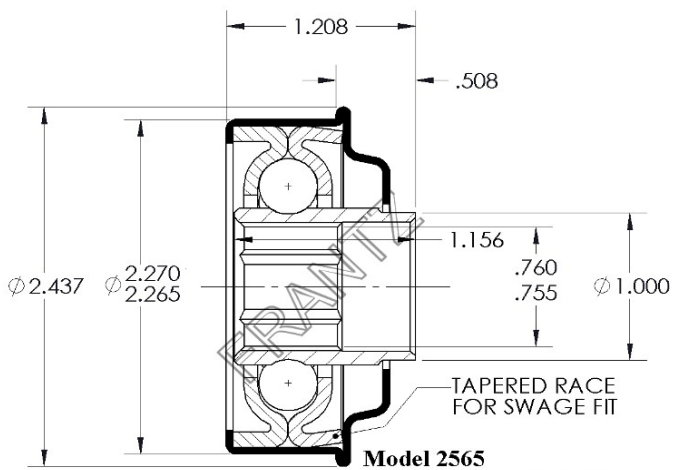
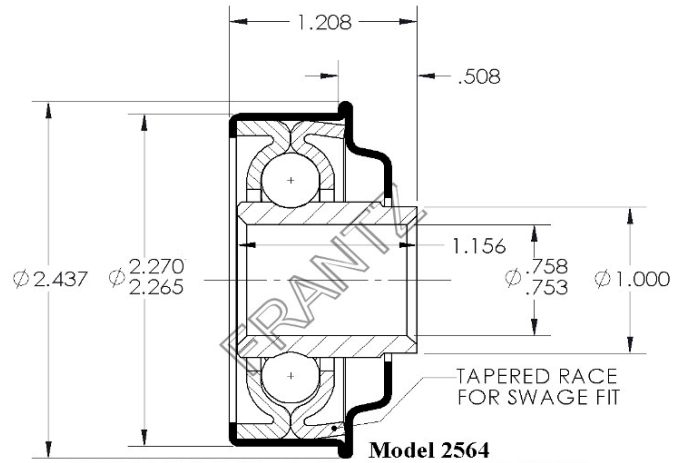
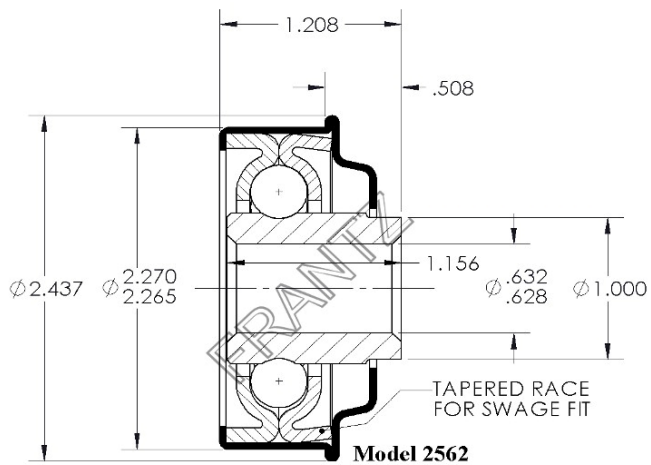
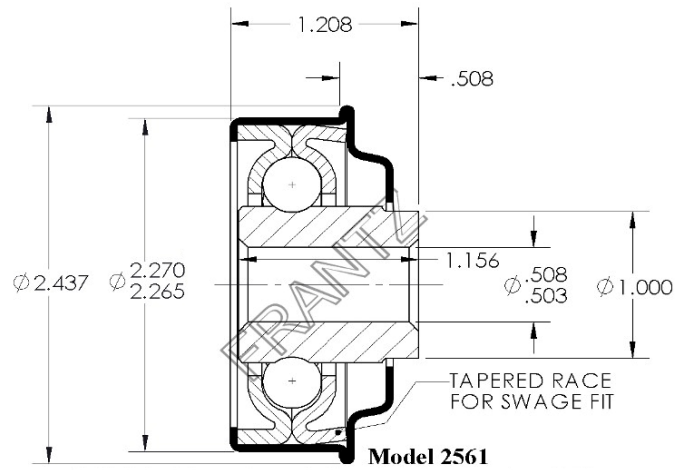
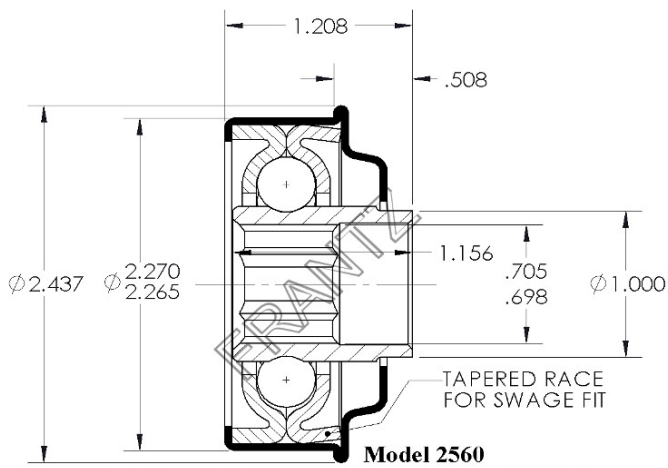


Model 3425-1579

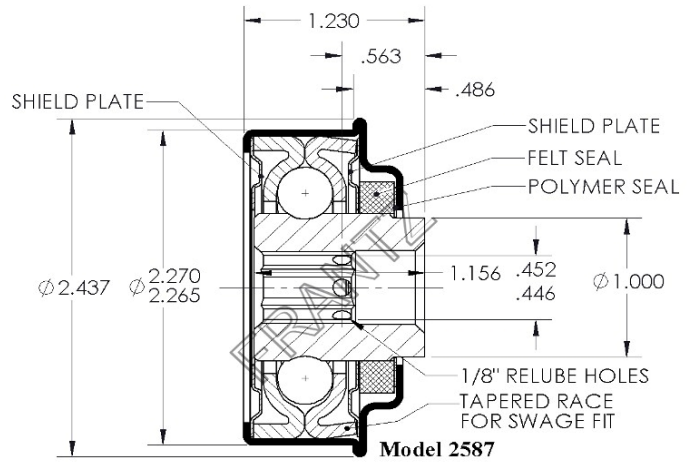
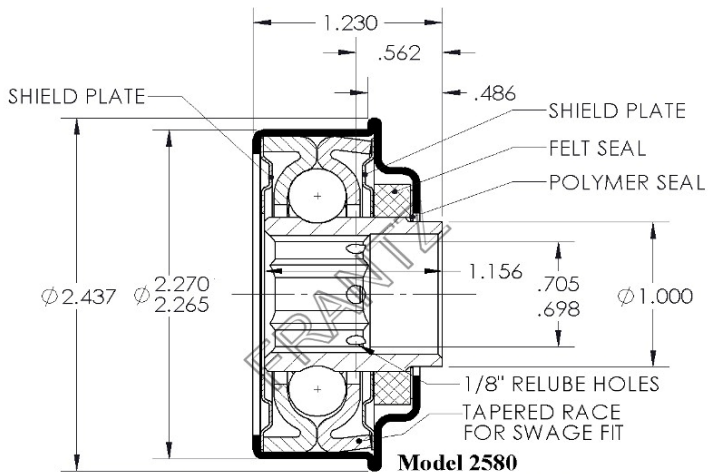
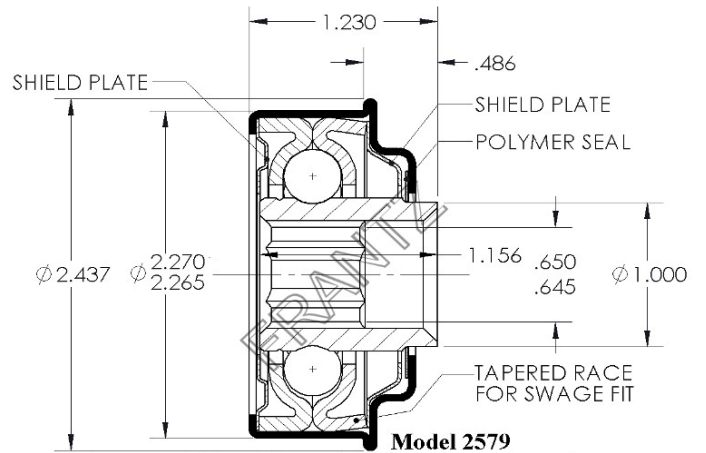
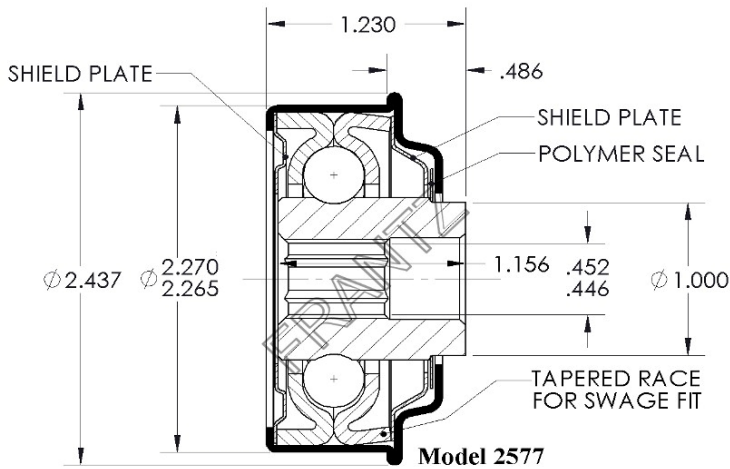
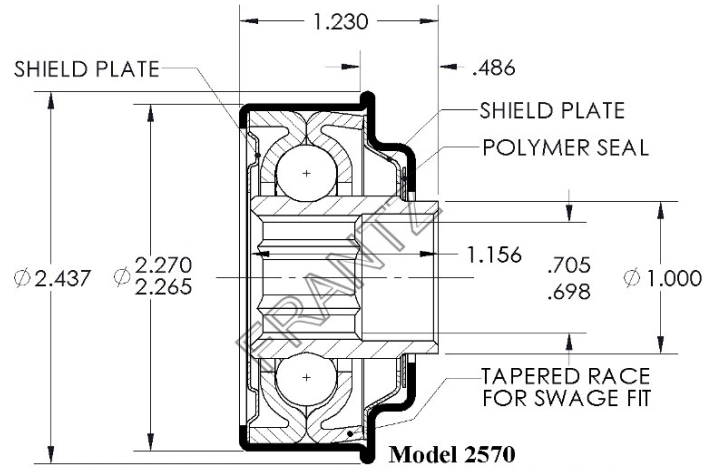
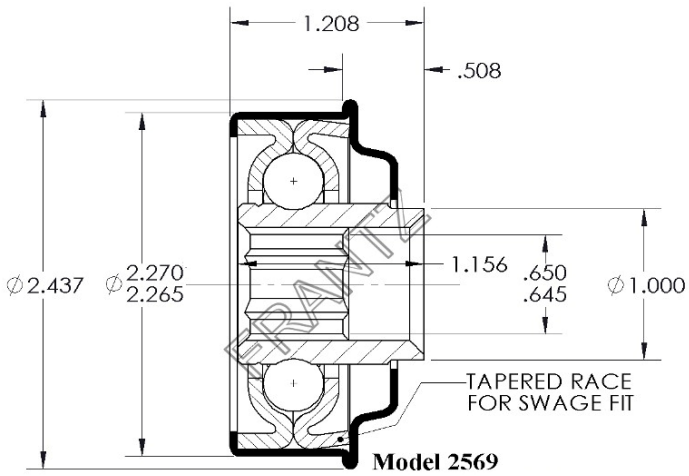
Power Swage 2.5" Flanged Bearings



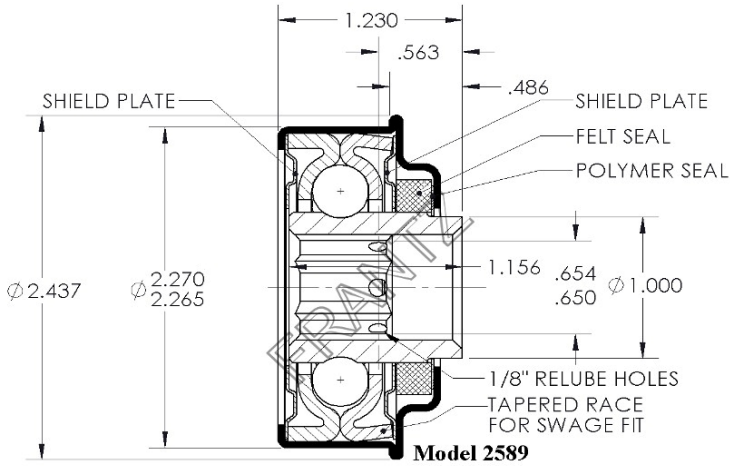
Power Swage 2.5" Flanged Bearings



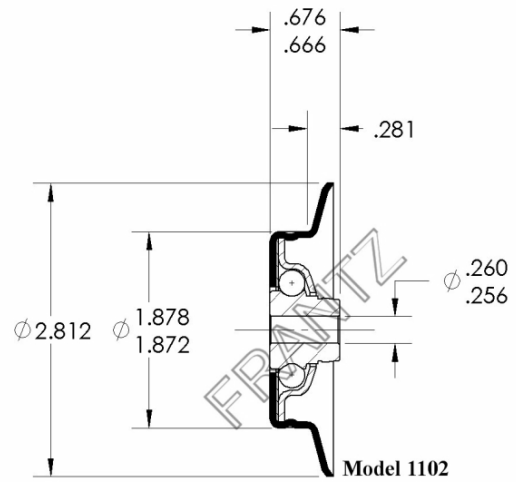
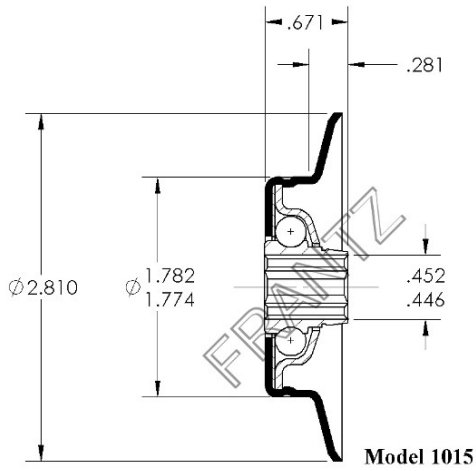
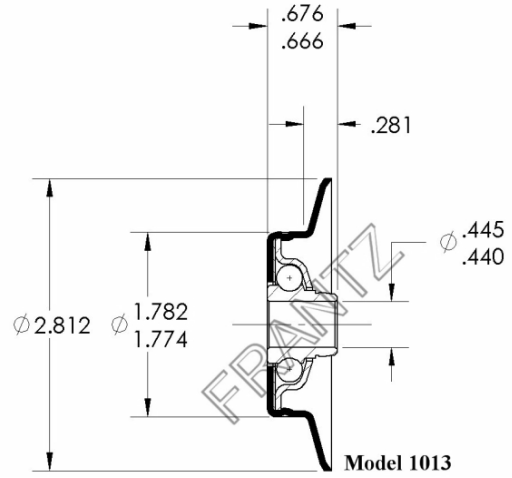
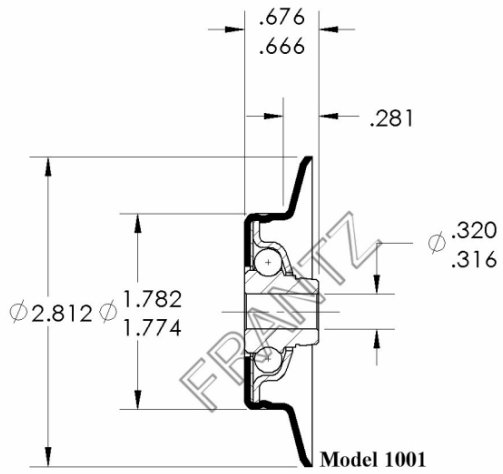
Power Swage 2.5" Flanged Bearings



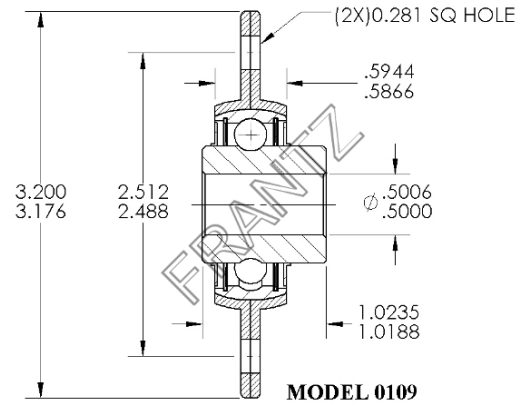
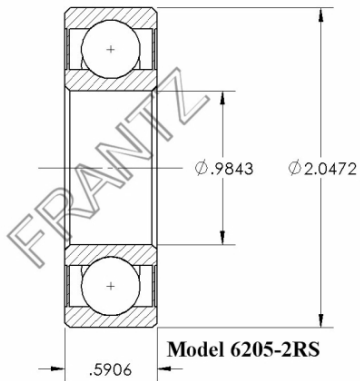
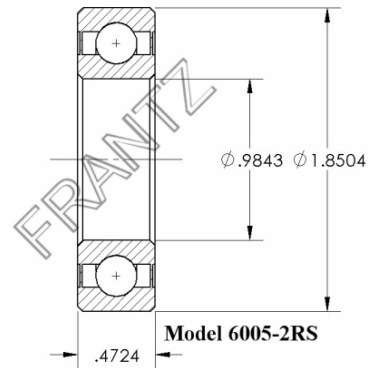
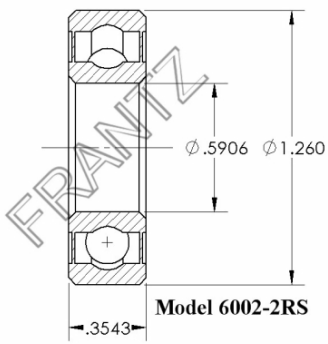
Power Swage 2.5" Flanged Bearings



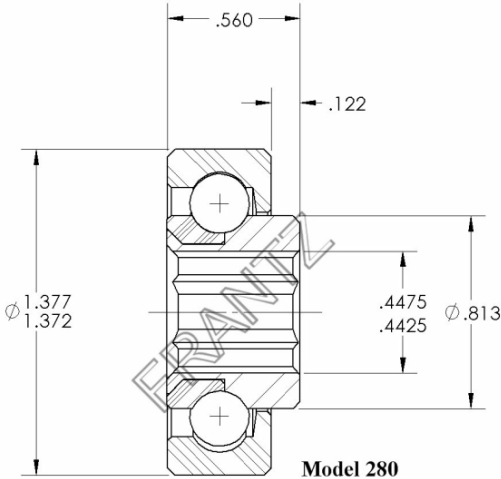
Wide Flanged Unground Non-Precision Bearings



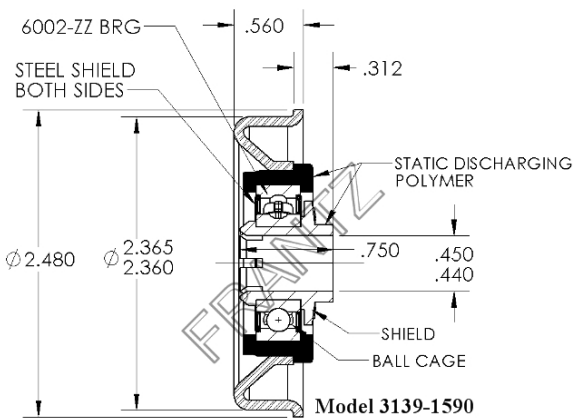
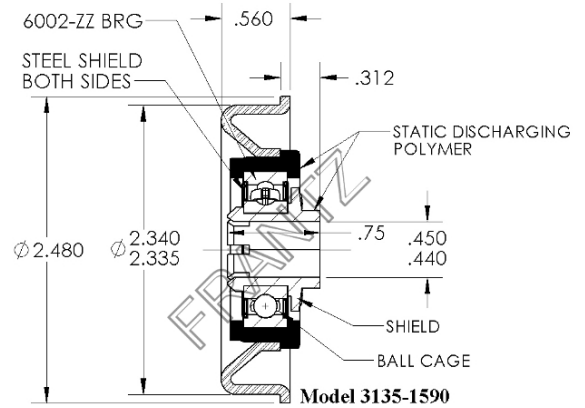
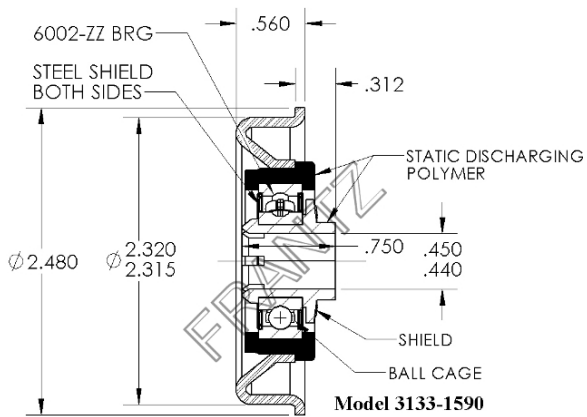
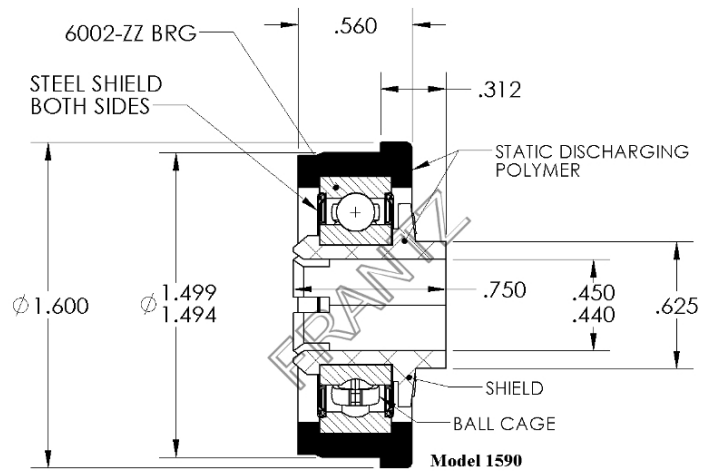
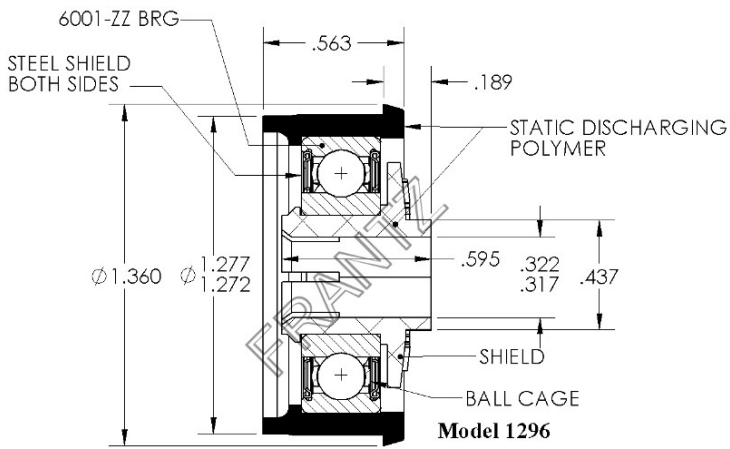
ABEC-1 Core Precision Bearings



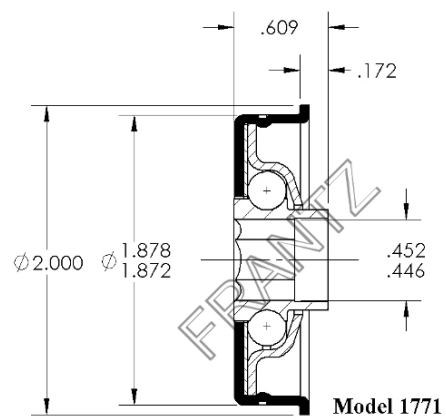
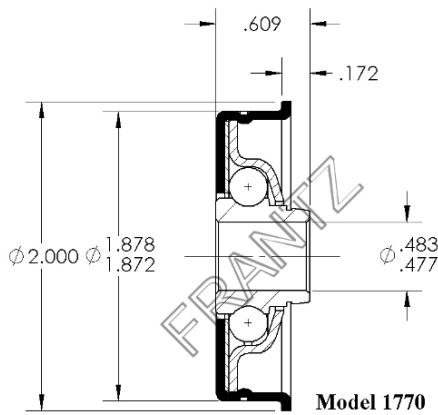
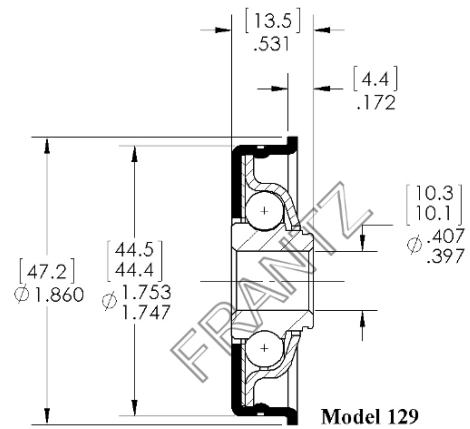
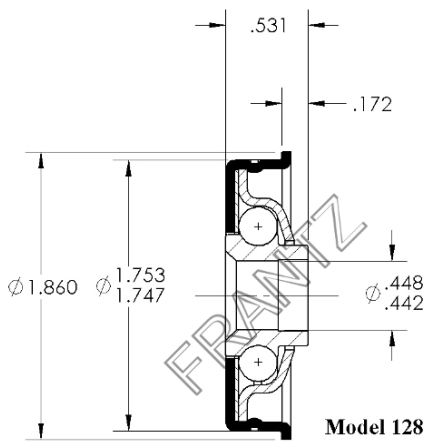
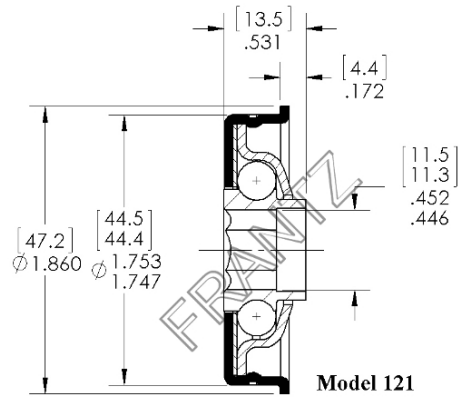
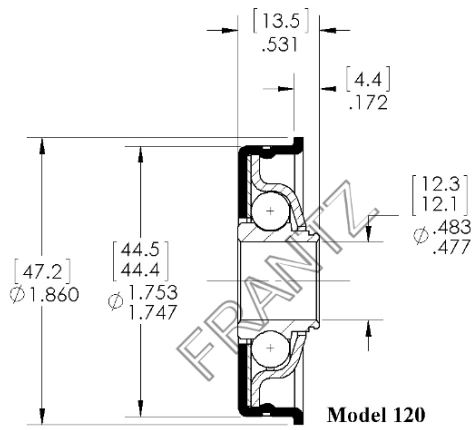
Core Non-Precision Bearings



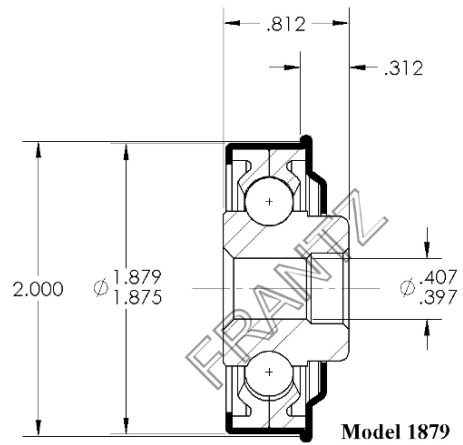
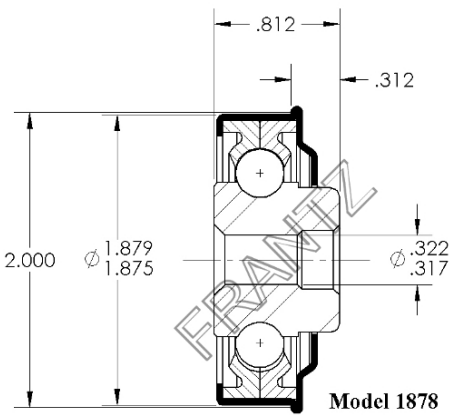
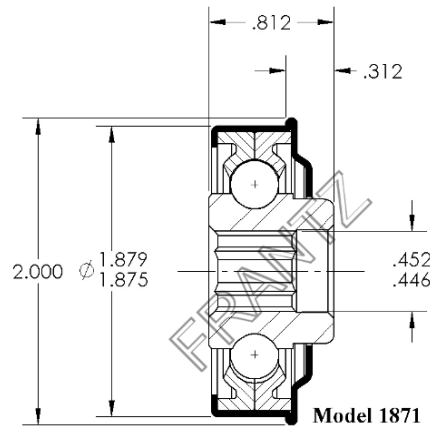
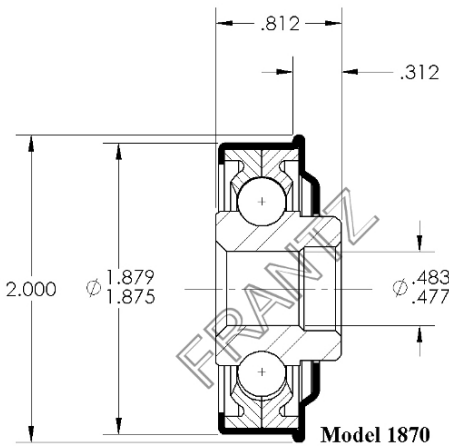
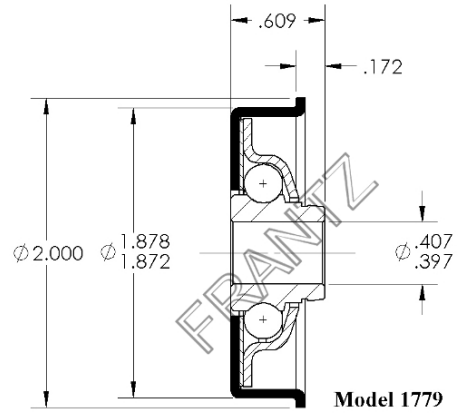
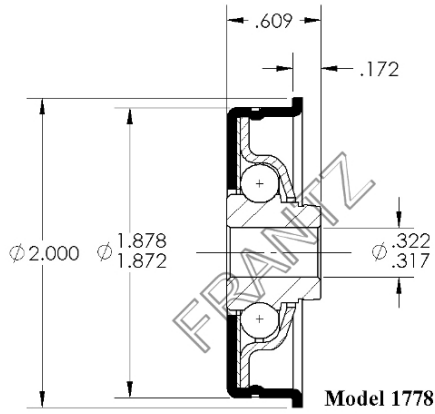
Precision ABEC-1 - Polymer Housed Bearings



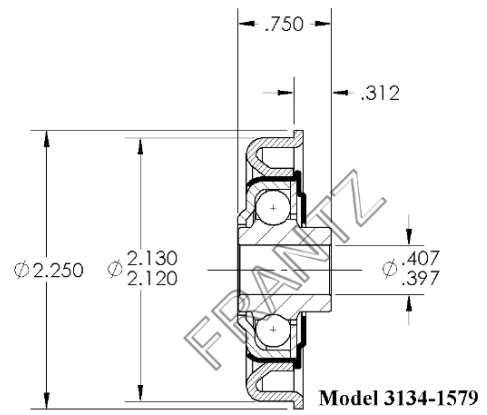
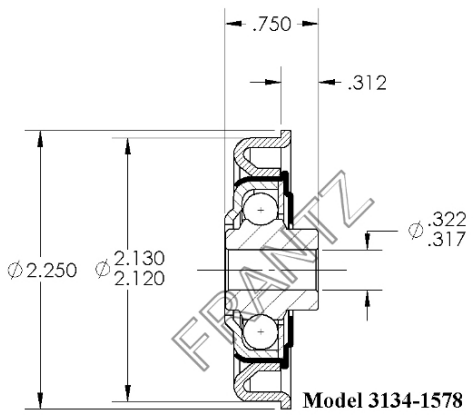
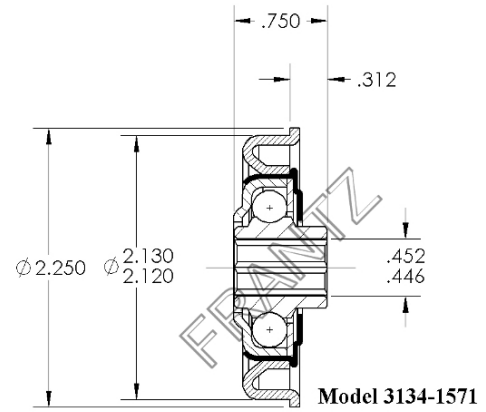
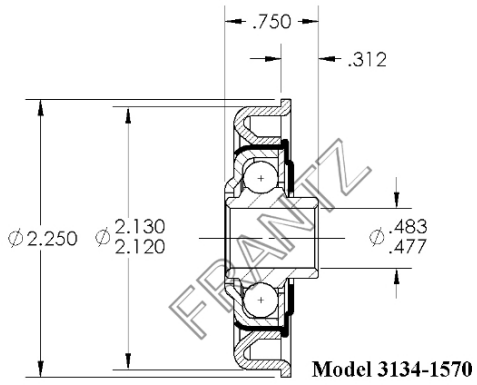
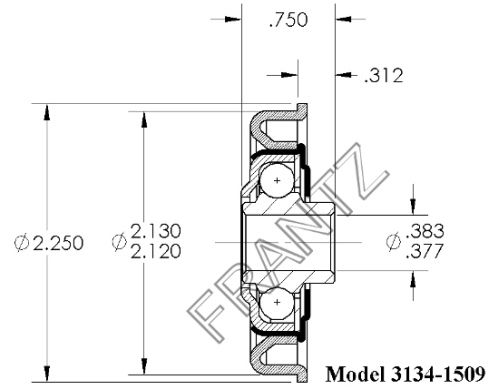
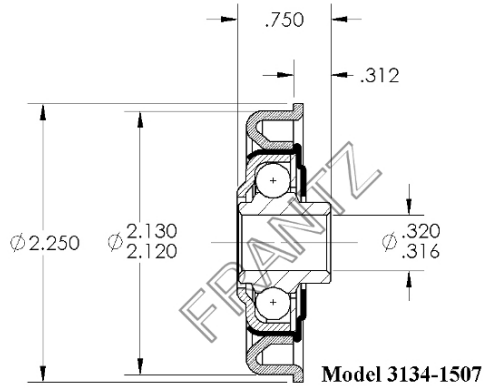
Imperial Flanged Non-Precision Bearings



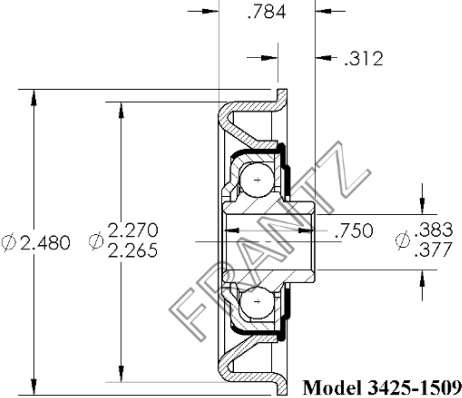
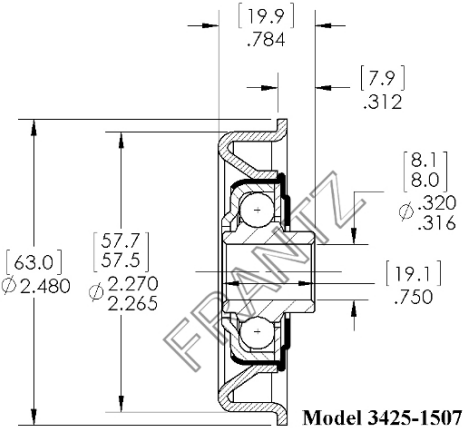
Imperial Flanged Non-Precision Bearings



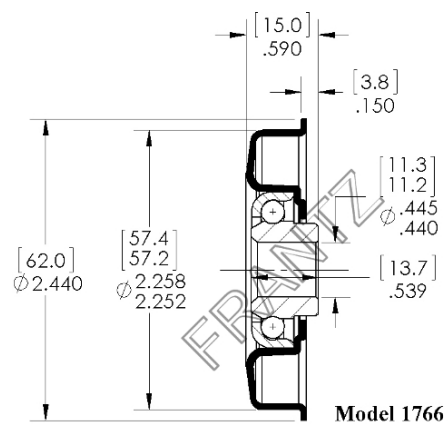
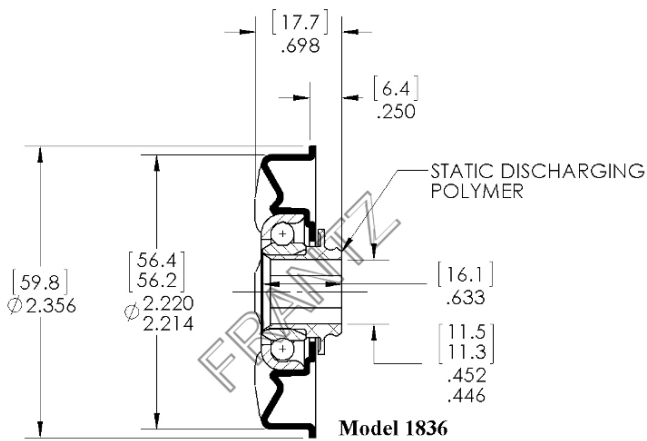
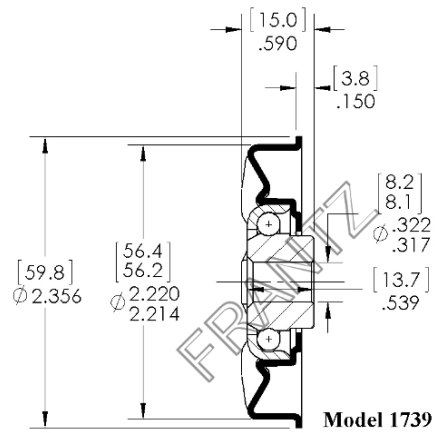
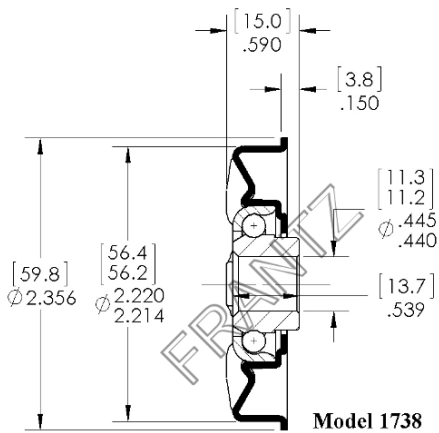
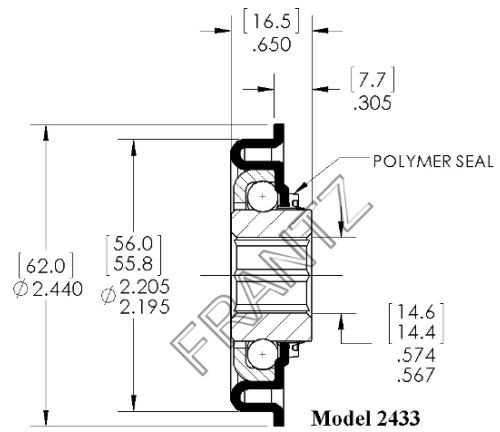
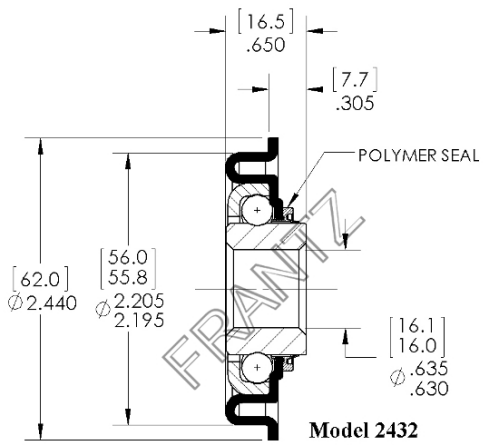
Imperial Flanged Non-Precision Bearings



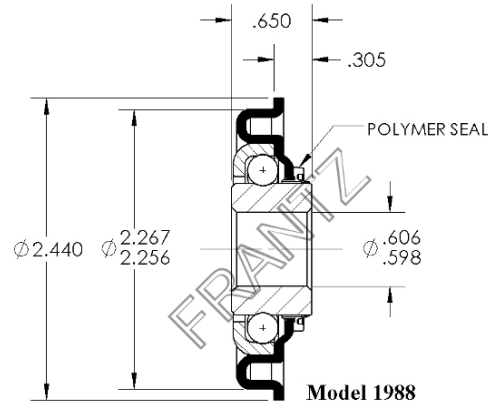
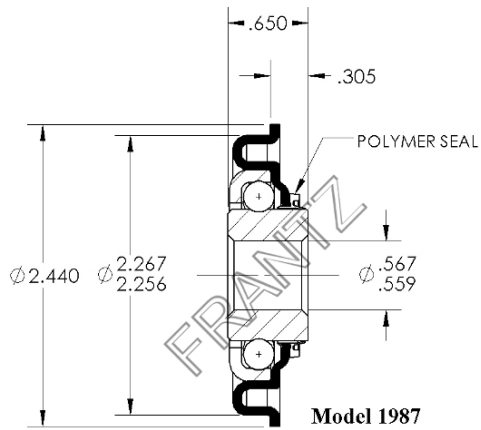
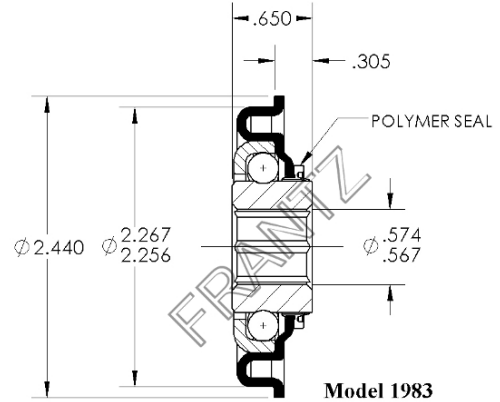
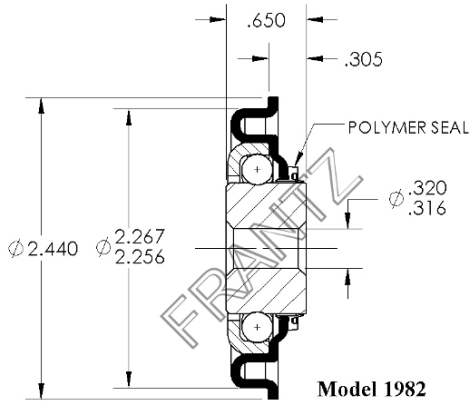
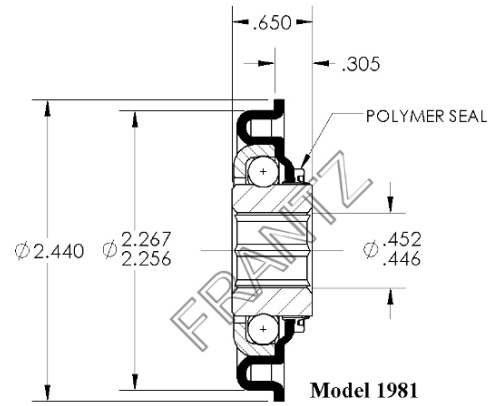
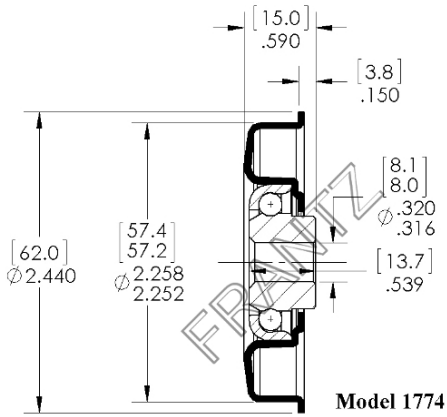
Imperial Flanged Non-Precision Bearings



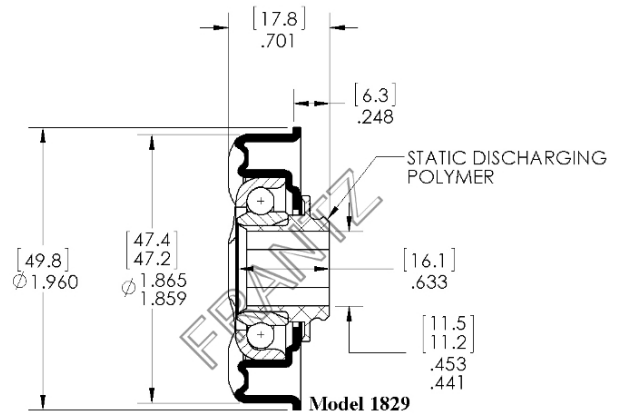
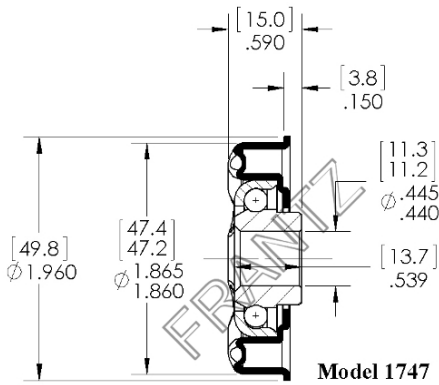
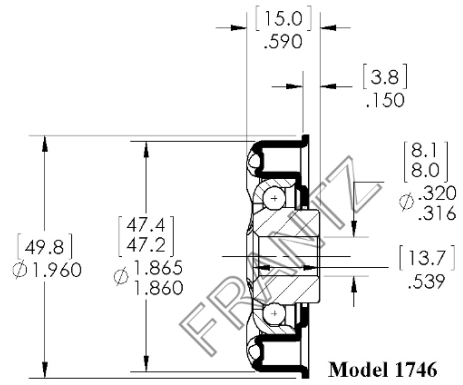
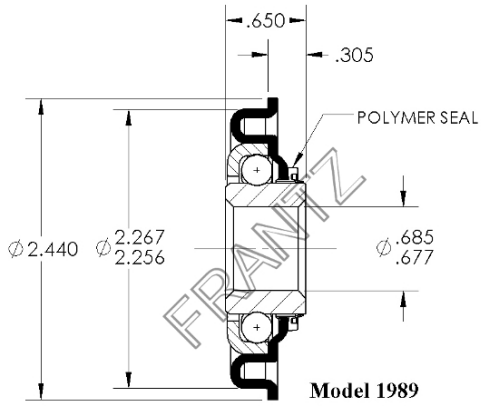
Imperial GenII® Semi-Precision Bearings



Imperial GenII® Semi-Precision Bearings



Imperial GenII® Semi-Precision Bearings



Providing High Quality, Specialty product Solutions for Over 100 Years
... Roll Easy with Frantz



BEARINGS