

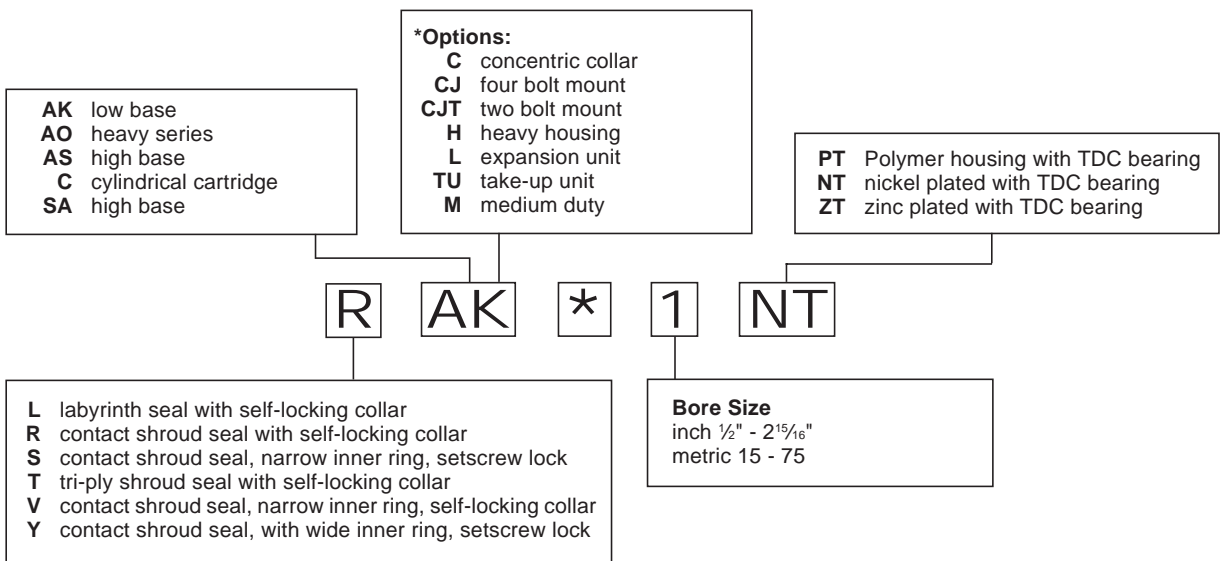
# ***Fafnir Housed Units***

## ***Ball Bearing Pillow Blocks***

---

<b>FAFNIR HOUSED UNITS</b>	
<b>PILLOW BLOCKS/CAST IRON</b>	<b>PAGE</b>
<b>Nomenclature</b>	
<b>RAK, TAK, LAK</b> .....	<b>180</b>
<b>YAK</b> .....	<b>181</b>
<b>VAK</b> .....	<b>182</b>
<b>RAS, TAS, LAS</b> .....	<b>183</b>
<b>RASC</b> .....	<b>184</b>
<b>YAS</b> .....	<b>185</b>
<b>VAS</b> .....	<b>186</b>
<b>SAS</b> .....	<b>187</b>
<b>RAKH</b> .....	<b>188</b>
<b>RAKHL</b> .....	<b>188</b>
<b>YASM</b> .....	<b>189</b>
<b>STB, VTB</b> .....	<b>190</b>
<b>RAO, LAO Heavy Series</b> .....	<b>191</b>
<b>RSA, LSA</b> .....	<b>192</b>
<b>RSAO, LSAO Heavy Series</b> .....	<b>193</b>
<b>SAL (Fixed &amp; Floating Types)</b> .....	<b>194</b>
<b>SAOL (Fixed &amp; Floating Types)</b> .....	<b>195</b>
<b>PILLOW BLOCKS/PRESSED STEEL</b>	
<b>PBS</b> .....	<b>217</b>
<b>PB, RPB</b> .....	<b>218</b>
<b>RUBBER CARTRIDGES</b>	
<b>RABR, RBG Types</b> .....	<b>227</b>

## Wide Inner Ring Ball Bearing Housed Units



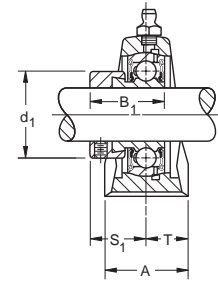
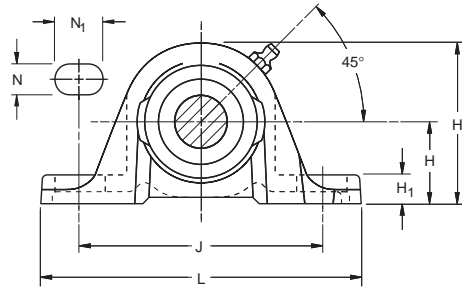






# VAK Standard Series

This streamlined, rugged one-piece VAK pillow block unit combines Fafnir's proven RAK housing and unique RA-RR extended inner ring bearing. The RA-RR bearing employs a positive contact land-riding seal and a Fafnir originated self-locking collar to assure positive shaft retention. The VAK pillow block can be mounted and will operate in any position. Bearing housed units are factory prelubricated but a grease fitting is provided to allow for relubrication if required.



Recommended shaft tolerances: 1/2"-1 1/16", nominal to **-0.0005"**, **-0.013mm**;  
2"-2 3/16", nominal to **-0.0010"**, **-0.025mm**.

**Bearing Data**

Unit	Bearing Number	Dimensions and Load Ratings
VAK	GRA-KRRB	Page 157

TO ORDER, SPECIFY UNIT AND SHAFT DIAMETER. EXAMPLE: VAK 1", POPULAR SIZES ARE IN BOLD.

Unit	Shaft Diam.	H	H <sub>2</sub>	B <sub>1</sub>	J	L	A	H <sub>1</sub>	N	N <sub>1</sub>	d <sub>1</sub>	S <sub>1</sub>	T	Bolt Size	Bearing Number	Collar Number	Housing Number	Unit Wt.	
																		new	lbs
	in.	in.	in.	in.	in.	in.	in.	in.	in.	in.	in.	in.	in.	mm			new (old)	kg	
VAK	1/2	1 1/8	2 3/32	1 1/8	3 3/8	4 7/8	1 3/8	1 1/2	7/8	7/8	1 1/8	7/8	1 1/2	7/8	GRA008RRB	S1008K	T-40238	1	
VAK	5/8	<b>26.99</b>	<b>53.2</b>	<b>28.6</b>	<b>92.1</b>	<b>123.8</b>	<b>30.2</b>	<b>8.7</b>	<b>11.1</b>	<b>22.2</b>	<b>28.6</b>	<b>22.2</b>	<b>15.1</b>	<b>10</b>	GRA010RRB	S1010K	(T-30595)	<b>0.454</b>	
VAK	<b>17</b>														GRAE17RRB	SE17K			
VAK	3/4	1 1/4	2 15/32	1 1/2	3 25/32	5	1 1/4	1 3/2	7/8	25/32	1 3/8	5/8	5/8	7/8	GRA012RRB	S1012K	T-40239	1.24	
VAK	<b>20</b>	<b>31.75</b>	<b>62.7</b>	<b>31</b>	<b>96</b>	<b>127</b>	<b>31.8</b>	<b>11.9</b>	<b>11.1</b>	<b>19.8</b>	<b>33.3</b>	<b>23.4</b>	<b>15.9</b>	<b>10</b>	GRAE20RRB	SE20K	(T-30555)	<b>0.563</b>	
VAK	7/8	1 5/8	2 11/16	1 7/8	4 1/8	5 1/2	1 13/16	1 3/2	7/8	13/16	1 1/2	5/8	4/8	7/8	GRA014RRB	S1014K			
VAK	1 1/8	<b>33.34</b>	<b>68.3</b>	<b>31</b>	<b>104.8</b>	<b>139.7</b>	<b>35.7</b>	<b>11.9</b>	<b>11.1</b>	<b>20.6</b>	<b>38.1</b>	<b>23.4</b>	<b>17.9</b>	<b>10</b>	GRA015RRB	S1015K	T-30365	1.67	
VAK	<b>25</b>														GRA100RRB	S1100K		<b>0.758</b>	
VAK															GRAE25RRB	SE25K			
VAK	1 1/2	1 3/8	3 5/8	1 13/16	4 5/8	6 3/8	1 3/8	1 13/16	3/4	15/16	1 7/8	1 1/8	25/32	1/2	GRA102RRB	S1102K			
VAK	1 3/4	<b>39.69</b>	<b>80.2</b>	<b>35.7</b>	<b>117.5</b>	<b>157.2</b>	<b>39.7</b>	<b>13.5</b>	<b>14.3</b>	<b>23.8</b>	<b>44.1</b>	<b>27</b>	<b>19.9</b>	<b>12</b>	GRA103RRB	S1103K	T-40241	2.72	
VAK	1 1/2 S														GRA103RRB2	S1103K3	(T-30300)	<b>1.235</b>	
VAK	<b>30</b>														GRAE30RRB	SE30K			
VAK	1 3/4	1 13/16	3 5/8	1 17/32	5 1/8	6 5/8	1 25/32	2 1/2	7/8	3 1/2	2 1/8	1 3/2	5/8	1/2	GRA104RRB	S1104K			
VAK	1 5/8	<b>46.04</b>	<b>92.1</b>	<b>38.9</b>	<b>130.2</b>	<b>166.7</b>	<b>45.2</b>	<b>16.7</b>	<b>14.3</b>	<b>24.6</b>	<b>54</b>	<b>29.4</b>	<b>22.7</b>	<b>12</b>	GRA106RRB	S1106K	T-40242	3.51	
VAK	1 7/8														GRA107RRB	S1107K	(T-30410)	<b>1.594</b>	
VAK	<b>35</b>														GRAE35RRB	SE35K			
VAK	1 1/2	1 15/16	3 15/16	1 23/32	5 3/8	7 1/8	1 7/8	3/4	3/4	1 1/2	2 3/8	1 3/2	15/16	1/2	GRA108RRB	S1108KT	T-40243	4.48	
VAK	1 5/8	<b>49.21</b>	<b>100</b>	<b>43.7</b>	<b>136.5</b>	<b>179.4</b>	<b>47.6</b>	<b>19</b>	<b>14.3</b>	<b>26.2</b>	<b>60.3</b>	<b>32.5</b>	<b>23.8</b>	<b>12</b>	GRA109RRB	S1109KT	(T-30484)	<b>2.034</b>	
VAK	<b>40</b>														GRAE40RRB	SE40K			
VAK	1 5/8	2 1/8	4 1/8	1 23/32	5 7/8	7 11/32	2	1 11/16	3/4	1 1/8	2 1/2	1 3/2	1	1/2	GRA110RRB	S1110K			
VAK	1 11/16	<b>52.39</b>	<b>104.8</b>	<b>43.7</b>	<b>149.2</b>	<b>191.3</b>	<b>50.8</b>	<b>17.5</b>	<b>14.3</b>	<b>28.6</b>	<b>63.5</b>	<b>32.5</b>	<b>25.4</b>	<b>12</b>	GRA111RRB	S1111K	T-40244	4.98	
VAK	1 3/4														GRA112RRB	S1112K	(T-30682)	<b>2.261</b>	
VAK	<b>45</b>														GRAE45RRB	SE45K			
VAK	1 5/8	2 3/8	4 1/8	1 23/32	6 7/8	7 7/8	2 3/8	1 11/16	1 1/8	1 5/8	2 3/4	1 3/2	1 3/2	3/8	GRA114RRB	S1114K			
VAK	1 15/16	<b>55.56</b>	<b>112.7</b>	<b>43.7</b>	<b>158</b>	<b>200</b>	<b>55.6</b>	<b>17.5</b>	<b>17.5</b>	<b>23.8</b>	<b>69.8</b>	<b>32.5</b>	<b>27.8</b>	<b>16</b>	GRA115RRB	S1115K	T-40245	6.11	
VAK	2S														GRA115RRB2	S1115K2	(T-30706)	<b>2.774</b>	
VAK	<b>50</b>														GRAE50RRB	SE50K			
VAK	2	2 7/8	4 23/32	1 27/32	6 15/16	8 3/4	2 5/8	3/4	23/32	1 3/2	3	1 7/8	1 3/2	3/8	GRA200RRB	S1200K	T-40246	7.33	
VAK	2 3/16	<b>61.91</b>	<b>124.6</b>	<b>48.4</b>	<b>176.2</b>	<b>222.3</b>	<b>58.7</b>	<b>19</b>	<b>18.3</b>	<b>29.4</b>	<b>76.2</b>	<b>36.5</b>	<b>29.4</b>	<b>16</b>	GRA203RRB	S1203K	(T-30738)	<b>3.328</b>	
VAK	<b>55</b>														GRAE55RRB	SE55K			

Note: All units have 1/2 pipe thread grease fitting except 1/2-1 1/16 and 3/4 units which have 1/4-28 fitting.



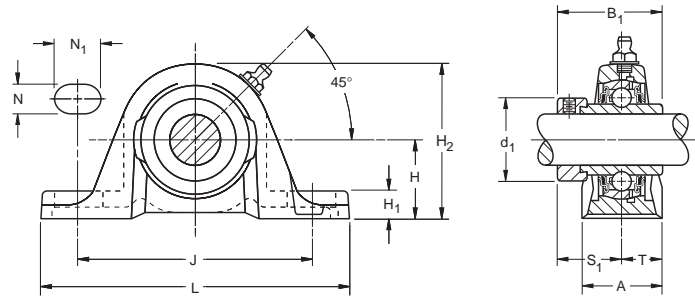
# RAS, TAS, LAS Industrial Series

Fafnir RAS, TAS and LAS pillow blocks are similar in design and equal in load carrying capacity to the RAK, TAK and LAK types but have a slightly higher base to center height dimension to make them interchangeable with certain other competitive designs.

The RAS pillow block is equipped with G-KRRB (R-Seal) wide inner ring bearings, the TAS with G-KPPB (Tri-Ply Seal) wide inner ring bearings, and the LAS with the G-KLLB (Mechani-Seal) wide inner ring bearings.

**Contact The Torrington Company to discuss highly corrosive applications (i.e. food processing, chemical exposure) where Fafnir TDC® bearings can be utilized.**

Recommended shaft tolerances: 1/2"-1 15/16", nominal to **-.0005"**, **-.013mm**;  
2"-2 3/16", nominal to **-.0010"**, **-.025mm**.



**Bearing Data**

Unit	Bearing Number	Dimensions and Load Ratings
RAS	G-KRRB	Page 154
TAS	G-KPPB	Page 165
LAS	G-KLLB	Page 162

TO ORDER, SPECIFY UNIT AND SHAFT DIAMETER. Example: RAS 1 3/16", POPULAR SIZES ARE IN BOLD

Unit	Shaft Diam.	H	H <sub>2</sub>	B <sub>1</sub>	J	L	A	H <sub>1</sub>	N	N <sub>1</sub>	d <sub>1</sub>	S <sub>1</sub>	T	Bolt Size	Bearing Number <sup>(1)</sup>	Collar Number	Housing Number	Unit Wt.
	in.	in.	in.	in.	in.	in.	in.	in.	in.	in.	in.	in.	in.	in.	RAS	(TAS)	new (old)	lbs (kg)
	mm	mm	mm	mm	mm	mm	mm	mm	mm	mm	mm	mm	mm	mm				
RAS	1/2														G1008KRRB	S1008K		
RAS	5/8	1 1/16	2 1/32	1 15/32	3 3/8	4 1/8	1 3/16	15/32	7/16	7/8	1 1/8	59/64	19/32	3/8	G1010KRRB	S1010K	T-40238	1.00
RAS	11/16	30.16	56.4	37.3	92.1	123.8	30.2	11.9	11.1	22.2	28.6	23.4	15.1	10	G1011KRRB	S1011K	(T-30595)	0.454
RAS	17														GE17KRRB	SE17K		
RAS	3/4	1 1/16	2 1/32	1 29/32	3 29/32	5	1 1/4	17/32	7/16	29/32	1 5/16	1 3/64	5/8	3/8	G1012KRRB	S1012K	T-40239	1.40
RAS	20	33.34	64.3	43.7	96	127	31.8	13.5	11.1	19.8	33.3	26.6	15.9	10	GE20KRRB	SE20K	(T-30555)	0.635
RAS, TAS	5/8														G1014KRRB	(KPPB)	S1014K	
RAS, TAS	15/16	1 1/16	2 19/32	1 3/4	4 1/8	5 1/2	1 19/32	19/32	7/16	15/16	1 1/2	1 1/16	45/64	3/8	G1015KRRB	(KPPB)	S1015K	1.77
RAS, TAS, LAS	1	36.51	71.4	44.4	104.8	139.7	35.7	15.1	11.1	20.6	38.1	27	17.9	10	G1100KRRB	(KPPB)	S1100K	T-30365
RAS, TAS	25														GE25KRRB	(KPPB)	SE25K	0.803
RAS, TAS	1 1/16														G1101KRRB	(KPPB)	S1101K	
RAS, TAS	1 1/8	1 11/16	3 3/32	1 29/32	4 5/8	6 3/16	1 9/16	21/32	9/16	15/16	1 3/4	1 3/16	25/32	1/2	G1102KRRB	(KPPB)	S1102K	T-40241
RAS, TAS, LAS	1 3/16	42.86	83.3	48.4	117.5	157.2	39.7	16.7	14.3	23.8	49.5	30.2	19.9	12	G1103KRRB	(KPPB)	S1103K	(T-30300)
RAS, TAS	30														GE30KRRB	(KPPB)	SE30K	1.297
RAS, TAS	1 1/4														G1104KRRB	(KPPB)	S1104K	
RAS, TAS	1 3/8	1 7/8	3 11/16	2 1/64	5 1/8	6 9/16	1 25/32	23/32	9/16	21/32	2 1/8	1 9/32	57/64	1/2	G1105KRRB	(KPPB)	S1105K	T-40242
RAS, TAS	1 3/4	47.62	93.7	51.2	130.2	166.7	45.2	18.3	14.3	24.6	54	32.5	22.7	12	G1106KRRB	(KPPB)	S1106K	(T-30410)
RAS, TAS, LAS	1 7/16														G1107KRRB	(KPPB)	S1107K	3.69
RAS, TAS	35														GE35KRRB	(KPPB)	SE35K	1.674
RAS, TAS	1 1/2	1 15/16	3 15/16	2 7/32	5 3/8	7 1/16	1 7/8	3/4	9/16	1 1/32	2 3/8	1 3/8	15/16	1/2	G1108KRRB	(KPPB)	S1108KT	T-40243
RAS, TAS	1 9/16	49.21	100	56.4	136.5	179.4	47.6	19	14.3	26.2	60.3	34.9	23.8	12	G1109KRRB	(KPPB)	S1109KT	(T-30484)
RAS, TAS	40														GE40KRRB	(KPPB)	SE40K	2.150
RAS, TAS	1 5/8														G1110KRRB	(KPPB)	S1110K	
RAS, TAS	1 11/16	2 1/8	4 3/16	2 7/32	5 7/8	7 17/32	2	3/4	9/16	1 1/8	2 1/2	1 3/8	1	1/2	G1111KRRB	(KPPB)	S1111K	T-40244
RAS, TAS	1 3/4	53.98	106.4	56.4	149.2	191.3	50.8	19	14.3	28.6	63.5	34.9	25.4	12	G1112KRRB	(KPPB)	S1112K	(T-30682)
RAS, TAS	45														GE45KRRB	(KPPB)	SE45K	2.409
RAS, TAS	1 7/8														G1114KRRB	(KPPB)	S1114K	T-40245
RAS, TAS, LAS	1 15/16	57.15	114.3	62.7	158	200	55.6	19	17.5	23.8	69.8	38.1	27.8	16	G1115KRRB	(KPPB)	S1115K	(T-30706)
RAS, TAS	50														GE50KRRB	(KPPB)	SE50K	3.003
RAS, TAS	2														G1200KRRB	(KPPB)	S1200K	
RAS, TAS	2 1/8	2 1/2	4 31/32	2 13/16	6 15/16	8 3/4	2 3/16	13/16	23/32	1 5/32	3	1 23/32	1 5/32	5/8	G1202KRRB	(KPPB)	S1202K	T-40246
RAS, TAS	2 3/16	63.5	126.2	71.4	176.2	222.3	58.7	20.6	18.3	29.4	76.2	43.7	29.4	16	G1203KRRB	(KPPB)	S1203K	(T-30738)
RAS, TAS	55														GE55KRRB	(KPPB)	SE55K	3.901
RAS	2 1/4	2 3/4	5 15/32	3 1/16	7 13/32	9 7/16	2 3/8	15/16	23/32	1 5/32	3 3/16	1 27/32	1 1/16	5/8	G1204KRRB		S1204K	T-40247
RAS	2 3/8	69.85	138.9	77.8	188.1	239.7	60.3	23.8	18.3	29.4	84.1	46.8	30.2	16	G1206KRRB		S1206K	(T-31244)
RAS, LAS	2 7/16														G1207KRRB		S1207K	
RAS	60														GE60KRRB		SE60K	
RAS	2 15/16	3 3/4	6 15/32	3 3/8	8 1/2	10 3/8	2 3/4	1	7/8	1 1/4	4	2 3/32	1 3/8	3/4	G1215KRRB		S1215K	T-23423
RAS	75	82.55	164.3	92.1	215.9	269.9	69.9	25.4	22.2	31.8	101.6	54.8	34.9	20	GE75KRRB		SE75K	19.90

<sup>(1)</sup> Bearing number for RAS is G-KRRB. TAS uses G-KPPB, type LAS uses G-KLLB.

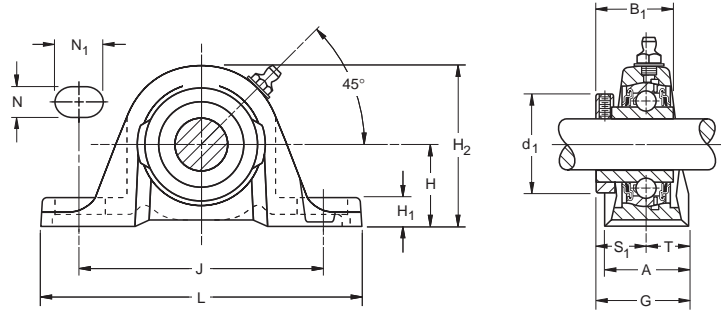
Note: All units have 1/8 pipe thread grease fitting except 1/2-1 15/16 and 3/4 units which have 1/4-28 fitting.



# RASC Industrial Series Concentric Collar

All RASC pillow blocks are equipped with GC-KRRB (R-Seal) wide inner ring bearings with concentric collars. The pillow blocks are self-aligning at mounting with the spherical outside diameter of the bearing fitting into a corresponding spherical housing seat. These units are pre-lubricated and ready for immediate installation. A grease fitting provides for relubrication if required. Concentric collars are supplied with all units.

Recommended shaft tolerances: 1/2"-1 15/16", nominal to **-0.0005"**, **-0.013mm**;  
2"-2 15/16", nominal to **-0.0010"**, **-0.025mm**.



Bearing Data

Unit	Bearing Number	Dimensions and Load Ratings
RASC	GC-KRRB	Page 166

TO ORDER, SPECIFY UNIT AND SHAFT DIAMETER. Example: RASC 1"

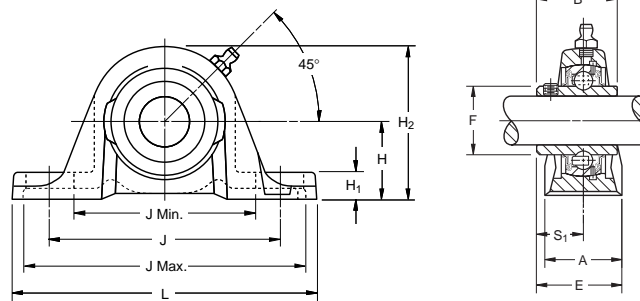
Unit	Shaft Diam.	H	H <sub>2</sub>	B <sub>1</sub>	J	L	A	H <sub>1</sub>	N	N <sub>1</sub>	d <sub>1</sub>	S <sub>1</sub>	T	G	Bolt Size	Bearing Number	Collar Number	Housing Number	Unit Wt.
	in. mm	in. mm	in. mm	in. mm	in. mm	in. mm	in. mm	in. mm	in. mm	in. mm	in. mm	in. mm	in. mm	in. mm	in. mm			new (old)	lbs kg
RASC	3/8	1 3/16 30.16	2 1/2 56.4	1 3/64 26.6	3 5/8 92.1	4 7/8 123.8	1 3/16 30.2	15/32 11.9	7/16 11.1	7/8 22.2	1 11/32 34.1	39/64 15.5	39/64 15.5	1 1/32 31	3/8 10	GC1010KRRB	C203	T-40238 (T-30595)	1 0.454
RASC	1/4	1 5/16 33.34	2 17/32 64.3	1 1/32 31	3 25/32 96	5 127	1 1/4 31.8	17/32 13.5	7/16 11.1	25/32 19.8	1 1/2 38.1	47/64 18.7	43/64 17.1	1 13/32 35.7	3/8 10	GC1012KRRB	C204	T-40239 (T-30555)	1.40 0.635
RASC	1	1 7/8 36.51	2 13/16 71.4	1 11/32 34.1	4 1/8 104.8	5 1/2 139.7	1 13/32 35.7	19/32 15.1	7/8 11.1	13/16 20.2	1 3/4 44.4	51/64 20.2	49/64 17.9	1 1/2 38.1	3/8 10	GC1100KRRB	C205	T-30365	1.77 0.803
RASC	1 1/8	1 11/16 42.86	3 3/8 83.3	1 15/32 37.3	4 5/8 117.5	6 3/16 157.2	1 9/16 39.7	21/32 16.7	9/16 14.3	15/16 23.8	2 1/8 52.4	57/64 22.6	7/8 22.2	1 49/64 44.8	1/2 12	GC1102KRRB GC1103KRRB	C206	T-40241 (T-30300)	2.86 1.297
RASC	1 1/4	1 7/8 47.62	3 11/16 93.7	1 5/8 41.3	5 1/8 130.2	6 9/16 166.7	1 25/32 45.2	23/32 18.3	9/16 14.3	31/32 24.6	2 11/32 59.5	1 25.4	7/8 22.2	1 15/16 49.2	1/2 12	GC1104KRRB GC1106KRRB GC1107KRRB	C207	T-40242 (T-30410)	3.69 1.674
RASC	1 1/2	1 15/16 49.21	3 3/8 100	1 49/64 44.1	5 3/8 136.5	7 1/8 179.4	1 7/8 47.6	3/4 19	9/16 14.3	1 1/32 26.2	2 11/16 68.3	1 3/64 27.4	31/32 24.6	2 3/64 52	1/2 12	GC1108KRRB	C208	T-40243 (T-30484)	4.74 2.150
RASC	1 5/8	2 1/8 53.98	4 3/8 106.3	1 27/32 46.8	5 7/8 149.2	7 11/32 191.3	2 50.8	3/4 19	9/16 14.3	29/32 23	2 7/8 73	1 9/32 29.4	1 25.4	2 3/32 54.8	1/2 12	GC1111KRRB GC1112KRRB	C209	T-40244 (T-30682)	5.31 2.409
RASC	1 3/4	2 1/4 57.15	4 1/2 114.3	1 29/32 48.4	6 1/2 158	7 7/8 200	2 3/16 55.6	3/4 19	11/16 17.5	15/16 23.8	3 1/8 79.4	1 3/16 30.2	1 3/32 27.8	2 9/32 57.9	5/8 16	GC1115KRRB	C210	T-40245 (T-30706)	6.62 3.003
RASC	2	2 1/2 63.5	4 31/32 126.2	2 1/8 54	6 15/16 176.2	8 3/4 222.3	2 5/16 58.7	13/16 20.6	23/32 18.3	1 1/2 29.4	3 1/2 88.9	1 9/16 33.3	1 5/32 29.4	2 15/32 62.7	5/8 16	GC1200KRRB GC1203KRRG	C211	T-40246 (T-30738)	8.60 3.901
RASC	2 1/8	2 3/4 69.85	5 15/32 138.9	2 3/8 60.3	7 13/32 188.1	9 1/8 239.7	2 3/8 60.3	15/16 23.8	23/32 18.3	1 1/2 29.4	3 3/4 95.2	1 15/32 37.3	1 1/4 31.8	2 23/32 69.1	5/8 16	GC1207KRRB	C212	T 40247 (T 31244)	12.15 5.511
RASC	2 1/4	3 1/4 82.55	6 15/32 164.3	2 29/32 70.6	8 1/2 215.9	10 3/8 269.9	2 3/4 69.9	1 25.4	7/8 22.2	1 1/4 31.8	4 1/2 114.3	1 23/32 43.7	1 3/8 34.9	3 7/32 78.6	3/4 20	GC1215KRRB	C215	T 23423	19.91 9.06

Note: All units have 1/8 pipe thread grease fitting except RASC 1/2"-1 15/16" and 3/4" units which have 1/4"-28 fitting.



# YAS Industrial Series Setscrew Units

Fafnir YAS series high base, setscrew, pillow blocks feature the new GY- KRRB bearing. This full width inner ring setscrew unit is well suited for industrial applications involving wet and dirty environments. The housing is designed for two bolt mounting in any position.



Recommended shaft tolerances: 1/2"-1 15/16", nominal to **-0.0005"**, **-0.013mm**;  
2"-2 15/16", nominal to **-0.0010"**, **-0.025mm**.

### Bearing Data

Unit	Bearing Number	Dimensions and Load Ratings
YAS	GY-KRRB	Page 167

TO ORDER, SPECIFY UNIT AND SHAFT DIAMETER. Example: YAS 1 7/16", POPULAR SIZES IN BOLD.

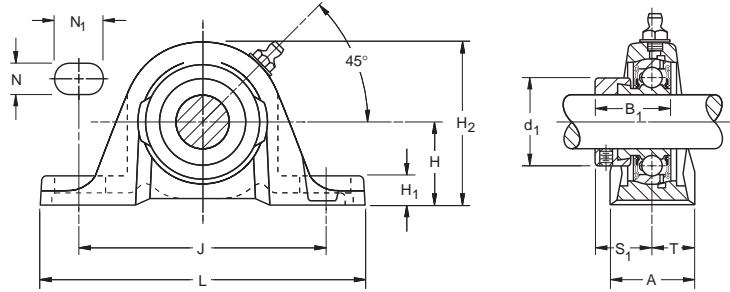
Unit	Shaft Diam.	H	H <sub>2</sub>	B	L	J	J Min	J Max	A	H <sub>1</sub>	F	S <sub>1</sub>	E	Bolt Size	Bearing Number
	in. mm	in. mm	in. mm	in. mm	in. mm	in. mm	in. mm	in. mm	in. mm	in. mm	in. mm	in. mm	in. mm	in. mm	
YAS	1/2	1 3/16	2 1/32	1 5/64	4 7/8	3 3/8	2 3/4	4 1/2	1 3/16	1 5/32	0.9	5/8	1 1/32	3/8	GY1008KRRB
YAS	5/8	30.16	56.4	27.4	123.8	92.1	69.8	114.3	30.2	11.9	22.86	15.9	30.95	10	GY1010KRRB
YAS	<b>17</b>														GYE17KRRB
YAS	3/4	1 3/16	2 11/32	1 7/32	5	3 25/32	3	4 9/16	1 1/4	1 11/32	1.085	23/32	1 11/32	3/8	GY1012KRRB
YAS	<b>20</b>	33.34	64.3	30.9	127	96	76.2	155.8	31.8	13.5	27.56	18.3	34.13	10	GYE20KRRB
YAS	7/8	1 7/16	2 13/16	1 11/32	5 1/2	4 7/8	3 3/8	4 15/16	1 13/32	1 9/32	1.332	25/32	1 31/64	3/8	GY1014KRRB
YAS	15/16	36.51	71.4	34.1	139.7	104.8	84.1	125.4	35.7	15.1	33.83	19.8	37.7	10	GY1015KRRB
YAS	<b>25</b>														GY1100KRRB
YAS															GYE25KRRB
YAS	1 1/8	1 11/16	3 3/32	1 1/2	6 3/16	4 5/8	3 11/16	5 5/16	1 9/16	2 1/32	1.587	7/8	1 21/32	1/2	GY1102KRRB
YAS	1 3/16	42.86	83.3	38.1	157.2	117.5	93.7	141.3	39.7	16.7	40.31	22.2	42.07	12	GY1103KRRB
YAS	1 1/4S														GY1103KRRB3
YAS	<b>30</b>														GYE30KRRB
YAS	1 1/4	1 7/8	3 11/16	1 11/16	6 9/16	5 3/8	4 3/32	6 3/32	1 25/32	2 3/32	1.816	1	1 57/64	1/2	GY1104KRRB
YAS	1 3/8	47.62	93.6	42.9	166.7	130.2	105.6	154.8	45.2	18.3	46.13	25.4	48.02	12	GY1106KRRB
YAS	1 7/16														GY1107KRRB
YAS	<b>35</b>														GYE35KRRB
YAS	1 1/2	1 15/16	3 15/16	1 15/16	7 1/16	5 3/8	4 11/32	6 13/32	1 7/8	3/4	2.058	1 3/16	2 1/8	1/2	GY1108KRRB
YAS	<b>40</b>	49.21	100	49.2	179.4	136.5	110.3	162.7	47.6	19.1	52.27	30.2	53.98	12	GYE40KRRB
YAS	1 1/2H	2 1/8	4 1/8	1 15/16	7 1/16	5 3/8	4 11/32	6 13/32	1 7/8	25/32	2.058	1 3/16	2 1/8	1/2	GY1108KRRB
YAS		53.98	104.8	49.2	179.4	136.5	110.3	162.7	47.6	23	52.27	30.2	53.98	12	
YAS	1 5/8	2 1/8	4 3/8	1 15/16	7 11/32	5 3/8	4 3/4	7	2	3/4	2.28	1 3/16	2 3/16	1/2	GY1110KRRB
YAS	1 11/16	53.98	106.3	49.2	191.3	149.2	120.7	177.8	50.8	19.1	57.92	30.2	55.56	12	GY1111KRRB
YAS	1 3/4														GY1112KRRB
YAS	<b>45</b>														GYE45KRRB
YAS	1 15/16	2 1/4	4 1/2	2 1/32	7 7/8	6 3/32	5 7/32	7 7/32	2 3/16	3/4	2.474	1 5/32	2 3/8	3/8	GY1115KRRB
YAS	2S	57.15	114.3	51.6	200	158	132.6	183.4	55.6	19.1	62.84	32.5	60.33	16	GY1115KRRB2
YAS															GYE50KRRB
YAS	2	2 1/2	4 31/32	2 3/16	8 3/4	6 15/16	5 25/32	8 3/32	2 9/16	13/16	2.747	1 1/16	2 7/16	3/8	GY1200KRRB
YAS	2 3/16	63.5	126.2	55.6	222.3	176.2	146.9	205.6	58.7	20.6	69.77	33.3	61.91	16	GY1203KRRB
YAS	<b>55</b>														GYE55KRRB
YAS	2 1/4	2 3/4	5 15/32	2 9/16	9 7/16	7 13/32	6 1/4	8 9/16	2 3/8	15/16	3.011	1 1/16	2 3/4	3/8	GY1204KRRB
YAS	2 7/16	69.85	138.9	65.1	239.7	188.1	158.8	217.5	60.3	23.8	76.48	39.1	69.85	16	GY1207KRRB
YAS	<b>60</b>														GYE60KRRB
YAS	2 15/16	3 1/4	6 15/32	3 1/16	10 5/8	8 1/2	7 1/4	9 3/4	2 3/4	1	3.619	1 3/4	3 3/8	3/4	GY1215KRRB
YAS	<b>75</b>	82.55	164.3	77.8	269.9	215.9	184.2	247.7	69.9	25.4	91.92	44.4	79.38	20	GYE75KRRB
YAS	2 15/16H	3 1/2	7	3 1/16	13	9	7	11	3 1/2	1 1/4	3.619	1 3/4	3 1/2	3/4	GY1215KRRB
YAS		88.9	177.8	77.8	330.2	228.6	177.8	279.4	88.9	31.75	91.92	44.4	88.9	20	





# VAS Standard Series

Fafnir VAS pillow blocks are similar in design and features, and equal in load carrying capacity to the VAK series but have a slightly different base to center height dimension to make them interchangeable with certain other competitive designs. As with the VAK series they are prelubricated, with a grease fitting provided for relubrication if required.



Recommended shaft tolerances: 1/2"-1 15/16", nominal to **-.0005"**, **-.013mm**;  
2"-2 3/16", nominal to **-.0010"**, **-.025mm**.

**Bearing Data**

Unit	Bearing Number	Dimensions and Load Ratings
VAS	GRA-RRB	Page 157

TO ORDER, SPECIFY UNIT AND SHAFT DIAMETER. Example: VAS 1 3/8", POPULAR SIZES IN BOLD.

Unit	Shaft Diam.	H	H <sub>2</sub>	B <sub>1</sub>	J	L	A	H <sub>1</sub>	N	N <sub>1</sub>	d <sub>1</sub>	S <sub>1</sub>	T	Bolt Size	Bearing Number	Collar Number	Housing Number	Unit Wt.
	in.	in.	in.	in.	in.	in.	in.	in.	in.	in.	in.	in.	in.	in.			new (old)	lbs (kg)
	mm	mm	mm	mm	mm	mm	mm	mm	mm	mm	mm	mm	mm	mm				
VAS	1/2	1 3/8	2 1/2	1 1/8	3 3/8	4 1/8	1 3/8	1 1/2	1 1/8	1 1/8	1 1/8	1 1/8	1 1/2	3/8	GRA008RRB	S1008K	T-40238	1
VAS	5/8	<b>30.16</b>	<b>56.4</b>	<b>28.6</b>	<b>92.1</b>	<b>123.8</b>	<b>30.2</b>	<b>11.9</b>	<b>11.1</b>	<b>22.2</b>	<b>28.6</b>	<b>22.2</b>	<b>15.1</b>	<b>10</b>	GRA010RRB	S1010K	(T-30595)	<b>0.454</b>
VAS	<b>17</b>														GRAE17RRB	SE17K		
VAS	3/4	1 5/8	2 11/2	1 1/2	3 25/2	5	1 1/4	1 1/2	1 1/8	2 5/2	1 5/8	5 9/64	5/8	3/8	GRA012RRB	S1012K	T-40239	1.24
VAS	<b>20</b>	<b>33.34</b>	<b>64.3</b>	<b>31</b>	<b>96</b>	<b>127</b>	<b>31.8</b>	<b>13.5</b>	<b>11.1</b>	<b>19.8</b>	<b>33.3</b>	<b>23.4</b>	<b>15.9</b>	<b>10</b>	GRAE20RRB	SE20K	(T-30555)	<b>0.563</b>
VAS	7/8	1 7/8	2 13/8	1 1/2	4 1/8	5 1/2	1 13/2	1 1/2	1 1/8	1 3/8	1 1/2	5 9/64	4 5/64	3/8	GRA013RRB	S1013K		
VAS	1 1/16	<b>36.51</b>	<b>71.4</b>	<b>31</b>	<b>104.8</b>	<b>139.7</b>	<b>35.7</b>	<b>15.1</b>	<b>11.1</b>	<b>20.6</b>	<b>38.1</b>	<b>23.4</b>	<b>17.9</b>	<b>10</b>	GRA015RRB	S1015K		1.67
VAS	<b>25</b>														GRA100RRB	S1100K	T-30365	<b>0.758</b>
VAS															GRAE25RRB	SE25K		
VAS	1 1/8	1 11/8	3 3/2	1 13/2	4 5/8	6 3/8	1 1/8	2 1/2	1 1/8	1 5/8	1 7/8	1 1/8	2 5/2	1/2	GRA102RRB	S1102K		
VAS	1 3/16	<b>42.86</b>	<b>83.3</b>	<b>35.7</b>	<b>117.5</b>	<b>157.2</b>	<b>39.7</b>	<b>16.7</b>	<b>14.3</b>	<b>23.8</b>	<b>44.1</b>	<b>27</b>	<b>19.9</b>	<b>12</b>	GRA103RRB	S1103K	T-40241	2.72
VAS	1 1/4														GRA103RRB2	S1103K3	(T-30300)	<b>1.235</b>
VAS	<b>30</b>														GRAE30RRB	SE30K		
VAS	1 1/4	1 7/8	3 11/8	1 13/2	5 1/8	6 5/8	1 25/2	2 3/2	1 1/8	1 3/2	2 1/8	1 1/2	5 7/64	1/2	GRA104RRB	S1104K		
VAS	1 3/8	<b>47.62</b>	<b>93.7</b>	<b>38.9</b>	<b>130.2</b>	<b>166.7</b>	<b>45.2</b>	<b>18.3</b>	<b>14.3</b>	<b>24.6</b>	<b>54</b>	<b>29.4</b>	<b>22.7</b>	<b>12</b>	GRA106RRB	S1106K	T-40242	3.51
VAS	1 7/16														GRA107RRB	S1107K	(T-30410)	<b>1.594</b>
VAS	<b>35</b>														GRAE35RRB	SE35K		
VAS	1 1/2	1 15/8	3 15/8	1 23/2	5 3/8	7 1/8	1 3/8	3/4	1 1/8	1 1/2	2 3/8	1 1/2	1 5/8	1/2	GRA108RRB	S1108KT	T-40243	4.48
VAS	<b>40</b>	<b>49.21</b>	<b>100.0</b>	<b>43.7</b>	<b>136.5</b>	<b>179.4</b>	<b>47.6</b>	<b>19.0</b>	<b>14.3</b>	<b>26.2</b>	<b>60.3</b>	<b>32.5</b>	<b>23.8</b>	<b>12</b>	GRAE40RRB	SE40K	(T-30484)	<b>2.034</b>
VAS	1 5/8														GRA110RRB	S1110K		
VAS	1 11/16	<b>53.98</b>	<b>106.4</b>	<b>43.7</b>	<b>149.2</b>	<b>191.3</b>	<b>50.8</b>	<b>19.0</b>	<b>14.3</b>	<b>28.6</b>	<b>63.5</b>	<b>32.5</b>	<b>25.4</b>	<b>12</b>	GRA111RRB	S1111K	T-40244	4.98
VAS	1 3/4														GRA112RRB	S1112K	(T-30682)	<b>2.261</b>
VAS	<b>45</b>														GRAE45RRB	SE45K		
VAS	1 5/8														GRA114RRB	S1114K		
VAS	1 15/16	<b>57.15</b>	<b>114.3</b>	<b>43.7</b>	<b>158</b>	<b>200</b>	<b>55.6</b>	<b>19.0</b>	<b>18.3</b>	<b>29.4</b>	<b>69.8</b>	<b>32.5</b>	<b>27.8</b>	<b>16</b>	GRA115RRB	S1115K	T-40245	6.11
VAS	2S														GRA115RRB2	S1115K2	(T-30706)	<b>2.774</b>
VAS	<b>50</b>														GRAE50RRB	SE50K		
VAS	2	2 1/2	4 3/2	1 23/2	6 15/8	8 3/4	2 3/8	1 3/8	2 3/2	1 1/2	3	1 1/8	1 1/2	5/8	GRA200RRB	S1200K	T-40246	7.33
VAS	2 3/16	<b>63.5</b>	<b>126.2</b>	<b>48.4</b>	<b>176.2</b>	<b>222.3</b>	<b>58.7</b>	<b>20.6</b>	<b>18.3</b>	<b>29.4</b>	<b>76.2</b>	<b>36.5</b>	<b>29.4</b>	<b>16</b>	GRA203RRB	S1203K	(T-30738)	<b>3.328</b>
VAS	<b>55</b>														GRAE55RRB	SE55K		

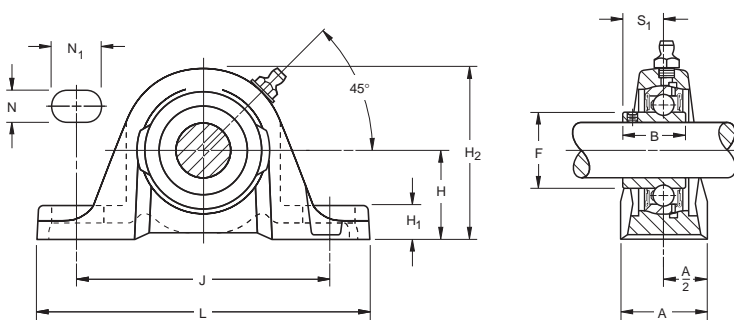
Note: All units have 1/8 pipe thread grease fitting except 1/2-1 15/16 and 3/4 units which have 1/4-28 fitting.



# SAS Standard Series

This streamlined, rugged one-piece SAS pillow block unit combines Fafnir's proven RAS housing and GYA-RRB setscrew bearing. The GYA-RRB bearing employs a positive contact land-riding seal and specially designed setscrews. The SAS pillow block can be mounted and will operate in any position. Bearing housed units are factory prelubricated but a grease fitting is provided to allow for relubrication if required.

Recommended shaft tolerances: 1/2"-1 15/16", nominal to **-.0005"**, **-.013mm**;  
2"-2 3/16", nominal to **-.0010"**, **-.025mm**.



### Bearing Data

Unit	Bearing Number	Dimensions and Load Ratings
SAS	GYA-RRB	Page 159

TO ORDER, SPECIFY UNIT AND SHAFT DIAMETER. Example: SAS 1", POPULAR SIZES IN BOLD.

Unit	Shaft Diam.	H	H <sub>2</sub>	S <sub>1</sub>	J	L	A	H <sub>1</sub>	N	N <sub>1</sub>	F	B	Bolt Size	Bearing Number	Housing Number	Unit Wt.
		in.	in.	in.	in.	in.	in.	in.	in.	in.	in.	in.				
SAS	1/2	1 3/8	2 1/32	5/8	3 3/8	4 7/8	1 3/16	1 1/2	7/16	7/8	2 1/32	1 1/8	3/8	GYA008RRB	T-40238	0.92
SAS	5/8	<b>30.16</b>	<b>56.4</b>	<b>15.9</b>	<b>92.1</b>	<b>123.8</b>	<b>30.2</b>	<b>11.9</b>	<b>11.1</b>	<b>22.2</b>	<b>24.6</b>	<b>23.8</b>	<b>10</b>	GYA010RRB	(T-30595)	<b>0.42</b>
SAS	<b>17</b>													GYAE17RRB		
SAS	3/4	1 5/8	2 11/32	2 1/32	3 25/32	5	1 1/4	1 1/32	7/16	25/32	1 1/64	1 1/16	5/8	GYA012RRB	T-40239	1.25
SAS	<b>20</b>	<b>33.34</b>	<b>64.3</b>	<b>18.3</b>	<b>96</b>	<b>127</b>	<b>31.8</b>	<b>13.5</b>	<b>11.1</b>	<b>19.8</b>	<b>29</b>	<b>27</b>	<b>10</b>	GYAE20RRB	(T-30555)	<b>0.57</b>
SAS	7/8													GYA014RRB		
SAS	1 1/8	1 7/8	2 13/16	49/64	4 1/8	5 1/2	1 13/32	1 1/32	7/16	13/16	1 21/64	1 1/64	3/8	GYA015RRB	T-30365	1.67
SAS	<b>25</b>	<b>36.51</b>	<b>71.4</b>	<b>19.4</b>	<b>104.8</b>	<b>139.7</b>	<b>35.7</b>	<b>15.1</b>	<b>11.1</b>	<b>20.6</b>	<b>33.7</b>	<b>28.2</b>	<b>10</b>	GYA100RRB		<b>0.75</b>
SAS														GYAE25RRB		
SAS	1 1/2													GYA102RRB		
SAS	1 3/16	1 11/16	3 3/32	29/32	4 5/8	6 3/16	1 1/16	2 1/32	9/16	15/16	1 37/64	1 1/32	1/2	GYA103RRB	T-40241	2.52
SAS	<b>30</b>	<b>42.86</b>	<b>83.3</b>	<b>23</b>	<b>117.5</b>	<b>157.2</b>	<b>39.7</b>	<b>16.7</b>	<b>14.3</b>	<b>23.8</b>	<b>40.1</b>	<b>32.5</b>	<b>12</b>	GYA103RRB2	(T-30300)	<b>1.14</b>
SAS														GYAE30RRB		
SAS	1 3/8													GYA104RRB		
SAS	1 7/8	1 7/8	3 11/16	1 1/64	5 1/8	6 5/8	1 25/32	2 1/32	9/16	1 1/32	1 27/32	1 1/16	1/2	GYA106RRB	T-40242	3.35
SAS	<b>35</b>	<b>47.62</b>	<b>93.6</b>	<b>25.8</b>	<b>130.2</b>	<b>166.7</b>	<b>45.2</b>	<b>18.3</b>	<b>14.3</b>	<b>24.6</b>	<b>46.8</b>	<b>36.5</b>	<b>12</b>	GYA107RRB	(T-30410)	<b>1.52</b>
SAS														GYAE35RRB		
SAS	1 1/2	1 15/16	3 15/16	1 3/32	5 3/8	7 1/8	1 7/8	3/4	9/16	1 1/32	2 1/16	1 35/64	1/2	GYA108RRB	T-40243	4.08
SAS	<b>40</b>	<b>49.21</b>	<b>100</b>	<b>27.8</b>	<b>136.5</b>	<b>179.4</b>	<b>47.6</b>	<b>19</b>	<b>14.3</b>	<b>26.2</b>	<b>52.4</b>	<b>39.3</b>	<b>12</b>	GYAE40RRB	(T-30484)	<b>1.85</b>
SAS	1 1/2 H	2 1/8	3 15/16	1 3/32	5 3/8	7 1/8	1 7/8	3/4	9/16	1 1/32	2 1/16	1 35/64	1/2	GYA108RRB	T-39528	4.08
SAS		<b>53.90</b>	<b>100</b>	<b>27.8</b>	<b>136.5</b>	<b>179.4</b>	<b>47.6</b>	<b>19</b>	<b>14.3</b>	<b>26.2</b>	<b>52.4</b>	<b>39.3</b>	<b>12</b>			<b>1.85</b>
SAS	1 5/8													GYA110RRB		
SAS	1 11/16	2 1/8	4 3/16	1 1/8	5 7/8	7 17/32	2	3/4	9/16	1 1/8	2 5/32	1 21/32	1/2	GYA111RRB	T-40244	4.55
SAS	<b>45</b>	<b>53.9</b>	<b>106.3</b>	<b>28.6</b>	<b>149.2</b>	<b>191.3</b>	<b>51.0</b>	<b>19</b>	<b>14.3</b>	<b>28.6</b>	<b>57.9</b>	<b>42.1</b>	<b>12</b>	GYA112RRB	(T-30682)	<b>2.06</b>
SAS														GYAE45RRB		
SAS	1 15/16	2 1/4	4 1/2	1 1/32	6 1/32	7 7/8	2 3/16	3/4	11/16	15/16	2 15/32	1 3/4	5/8	GYA115RRB	T-40245	5.6
SAS	<b>50</b>	<b>57.2</b>	<b>114.3</b>	<b>30.9</b>	<b>158</b>	<b>200</b>	<b>55.6</b>	<b>19</b>	<b>17.5</b>	<b>23.8</b>	<b>62.7</b>	<b>44.4</b>	<b>16</b>	GYA115RRB2	(T-30706)	<b>2.54</b>
SAS														GYAE50RRB		
SAS	2	2 1/2	4 31/32	1 1/4	6 15/16	8 3/4	2 5/8	13/16	23/32	1 5/32	2 3/4	1 53/64	5/8	GYA200RRB	T-40246	6.66
SAS	<b>55</b>	<b>63.5</b>	<b>126.2</b>	<b>31.7</b>	<b>176.2</b>	<b>222.3</b>	<b>58.7</b>	<b>20.6</b>	<b>18.3</b>	<b>29.4</b>	<b>69.8</b>	<b>46.4</b>	<b>16</b>	GYA203RRB	(T-30738)	<b>3.02</b>
SAS														GYAE55RRB		

Note: All units have 1/8 pipe thread grease fitting except 1/2-1 1/16 and 3/4 units which have 1/4-28 fitting.

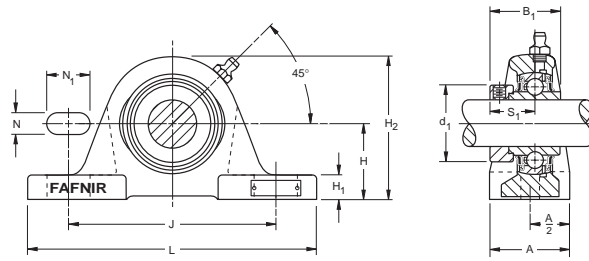


# RAKH Industrial Series

Fafnir RAKH pillow blocks are similar in design to other series pillow blocks but have slightly different dimensions to allow interchangeability with certain competitive designs. They may be used independently or in conjunction with RAKHL expansion units shown below. Used in this capacity, the RAKH pillow blocks provide fixed shaft location while the RAKHL and expansion units allows for axial movement.

The maximum operating temperature for the RAKH units is 250° F (121°C). Units are supplied with self-locking collars.

Recommended shaft tolerances: 1 1/16"-1 15/16", nominal to **-.0005"**, **-.013mm**;  
2"-2 15/16", nominal to **-.0010"**, **-.025mm**.



Bearing Data

Unit	Bearing Number	Dimensions and Load Ratings
RAKH	G-KRRB	Page 154

TO ORDER, SPECIFY UNIT AND SHAFT DIAMETER. Example: RAKH 1 7/16"<sup>(1)</sup>

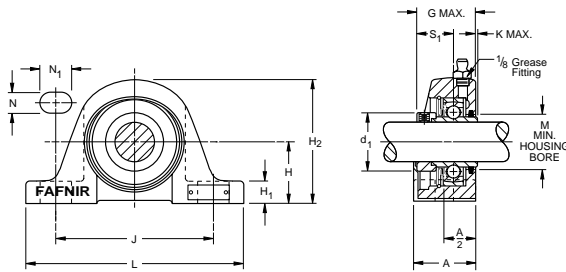
Unit <sup>(2)</sup>	Shaft Diam.	H	H <sub>2</sub>	B <sub>1</sub>	J	L	A	H <sub>1</sub>	N	N <sub>1</sub>	d <sub>1</sub>	S <sub>1</sub>	Bolt Size	Bearing Number	Collar Number	Housing Number	Unit Wt.
	in. mm	in. mm	in. mm	in. mm	in. mm	in. mm	in. mm	in. mm	in. mm	in. mm	in. mm	in. mm	in. mm			new (old)	lbs kg
RAKH 1		1 3/4 44.45	3 1/4 82.6	1 3/4 44.4	4 11/16 119.1	6 1/4 158.8	2 50.8	3/8 15.9	3/8 14.3	1 25.4	1 1/2 38.1	1 1/16 27	3/8 9.5	G1100KRRB	S1100K	T-22295	3.72 1.689
RAKH 1 1/16		1 7/8 47.63	3 3/16 90.5	1 7/32 48.4	5 127	6 7/8 174.6	2 1/4 57.2	11/16 17.5	1/2 14.3	1 25.4	1 1/4 44.1	1 3/16 30.2	1/2 12.7	G1103KRRB	S1103K	T-22216	4.81 2.184
RAKH 1 1/4		2 1/8 53.98	4 101.6	2 1/16 51.2	5 11/16 144.5	8 203.2	2 1/4 57.2	3/4 19	1/2 14.3	1 1/8 30.2	2 1/8 54	1 1/4 32.5	1/2 12.7	G1104KRRB G1107KRRB	S1104K S1107K	T-22212	6.42 2.915
RAKH 1 1/2		2 3/8 58.74	4 3/8 111.1	2 1/8 56.4	6 1/8 155.6	8 3/4 222.2	2 3/8 66.7	13/16 20.6	1/2 17.5	1 1/4 31.8	2 3/8 60.3	1 3/8 34.9	1/2 12.7	G1108KRRB	S1108KT	T-22291	8.82 4.004
RAKH 1 11/16		2 3/4 58.74	4 1/2 114.3	2 1/8 56.4	6 1/8 155.6	8 3/4 222.2	2 3/8 66.7	13/16 20.6	1/2 17.5	1 3/8 33.3	2 1/8 63.5	1 3/8 34.9	1/2 12.7	G1111KRRB G1112KRRB	S1111K S1112K	T-22293	8.88 4.032
RAKH 1 5/8		2 1/2 63.5	4 3/8 122.2	2 1/8 62.7	6 3/4 171.4	9 1/2 241.3	2 3/8 73	7/8 22.2	1/2 17.5	1 3/8 36.5	2 3/4 69.8	1 1/2 38.1	1/2 12.7	G1115KRRB	S1115K	T-22214	11.23 5.098
RAKH, RAKH 2 1/16	55	2 3/4 69.85	5 3/8 136.5	2 1/8 71.4	7 1/4 184.2	10 1/4 260.4	3 1/8 79.4	1 1/16 27	1/2 20.6	1 1/8 36.5	3 76.2	2 1/8 43.7	3/8 15.9	G1203KRRB GE55KRRB	S1203K SE55K	T-2229714.82	6.728
RAKH 2 1/8		3 76.2	5 1/8 150.8	3 1/8 77.8	8 203.2	11 1/4 285.8	3 3/4 82.6	1 1/8 27	1/2 20.6	1 1/8 41.3	3 3/8 84.1	1 3/8 46.8	3/8 15.9	G1207KRRB	S1207K	T-22299	8.217
RAKH 2 11/16		3 1/2 88.9	6 3/4 171.4	3 3/8 85.7	9 228.6	13 330.2	3 1/2 88.9	1 1/8 28.6	1/2 23.8	2 50.8	3 1/8 96.8	1 3/8 45.2	3/4 19	G1211KRRB	S1211K	T-22303	25.32 11.495
RAKH, 2 15/16		3 1/2 88.9	7 177.8	3 3/8 92.1	9 228.6	13 330.2	3 1/2 88.9	1 1/4 31.8	1/2 23.8	2 50.8	4 101.6	2 3/8 54.8	3/4 19	G1215KRRB	S1215K	T-22305	25.98 11.795

<sup>(1)</sup> When used with the expansion unit, specify both units, shaft diameters and suffix.

# RAKHL Expansion Series

Fafnir RAKHL pillow blocks are designed to allow axial shaft expansion due to elevated temperatures or other conditions causing shaft movement. These units are designed for use with the Fafnir RAKH FS-160 pillow blocks, the RAKH units providing axial shaft location and the RAKHL allowing shaft floatation. Due to limitations of the lubricant and seal material, the maximum operating temperature for the RAKHL units is 250°F (121°C). Units are supplied with self-locking collars. Steel "S" ring assures axial expansion.

Recommended shaft tolerances: 1 3/16"-1 15/16", nominal to **-.0005"**, **-.013mm**;  
2"-2 15/16", nominal to **-.0010"**, **-.025mm**.



Bearing Data

Unit	Bearing Number	Dimensions and Load Ratings
RAKHL	KRS	Page 153

TO ORDER, SPECIFY UNIT AND SHAFT DIAMETER. Example: RAKHL 2 7/16"

Unit	Shaft Diam.	Total Float	H	H <sub>2</sub>	G	J	L	A	H <sub>1</sub>	N	N <sub>1</sub>	K	d <sub>1</sub>	S <sub>1</sub>	M	Bolt Size	Bearing Number	Collar Number	Housing Number	Unit Wt.
	in. mm	in. mm	in. mm	in. mm	in. mm	in. mm	in. mm	in. mm	in. mm	in. mm	in. mm	in. mm	in. mm	in. mm	in. mm	in. mm			new (old)	lbs kg
RAKHL 1 1/16		1/8 3.2	1 1/8 47.63	3 1/16 96.8	1 15/16 49.2	5 127	6 7/8 174.6	2 50.8	11/16 17.5	1/2 14.3	1 25.4	2.4 2.4	1 1/4 44.5	1 3/8 30.2	1 1/4 41.7	1/2 12.7	1103KRS	S1103K	A11414	4.81 2.182
RAKHL 1 1/8		3/16 4.8	2 1/8 53.98	4 3/16 106.4	2 1/16 53.2	5 11/16 144.5	7 1/8 201.6	2 1/4 51.6	1/2 19	1/2 14.3	1 1/8 30.2	3.2 3.2	2 1/8 54	1 1/2 32.5	1 3/8 48.02	1/2 12.7	1106KRS 1107KRS	S1106K S1107K	A11199	6.42 2.912
RAKHL 1 1/4		1/4 6.4	2 1/2 63.5	5 5/16 129.4	2 3/8 65.1	6 3/4 171.4	9 1/2 241.3	2 1/2 63.5	7/8 22.2	1/2 17.5	1 1/8 36.5	4 4	69.8 38.1	1 1/2 63.9	2 3/16 63.9	1/2 12.7	1115KRS	S1115K	A11357	11.23 5.094
RAKHL 2 1/16		1/4 6.4	2 3/4 69.85	5 3/8 142.9	2 3/8 73.4	7 1/4 184.2	10 1/4 260.4	3 76.2	1 1/8 27	1/2 20.6	1 1/8 36.5	4.4 4.4	76.2 43.7	2 3/8 71	2 3/16 54.8	3/8 15.9	1203KRS	S1203K	A11358	14.82 6.722
RAKHL <sup>(1)</sup> 2 1/8		1/4 6.4	3 76.2	6 1/4 158.8	3 3/8 78.6	8 203.2	11 1/4 285.8	3 3/4 82.6	1 1/8 27	1/2 20.6	1 1/8 41.3	4.8 4.8	84.1 46.8	3 3/8 78.2	3 3/8 78.2	3/8 15.9	1207KRS	S1207K	—	18.1 8.210
RAKHL 2 15/16		1/4 6.4	3 1/2 88.9	7 1/4 181	3 3/8 113.5	9 228.6	13 330.2	3 1/2 88.9	1 1/4 31.8	1/2 23.8	2 50.8	8.7 8.7	101.6 54.8	3 3/8 118.7	3/4 19		1215KRS	S1215K	T-28261	25.98 11.785

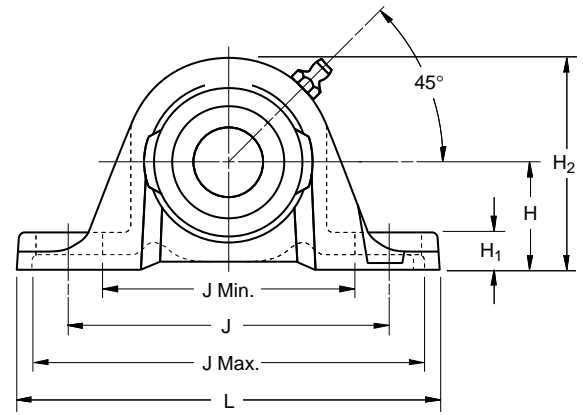
<sup>(1)</sup> Special Order.



# YASM Medium Duty Series Setscrew Lock

The Fafnir YASM medium-duty pillow blocks feature Fafnir's GYM-KRRB bearing inserts. These pillow blocks are ideal for conveyor, fan and blower, sawmill, and feed and grain handling applications.

The durable, cast iron housings are powder paint coated, and maintain an excellent finish while resisting corrosion, chemical and weather exposure. Fafnir's industrial-duty pillow blocks incorporate premium features designed to extend bearing life and will replace competitive designs.



### Bearing Data

Unit	Bearing Number	Dimensions
YASM	GYM-KRRB	Page 173

Recommended shaft tolerances: 1" - 1 15/16", nominal to **-0.0005" (-0.013mm)**  
 2" - 3", nominal to **-0.0010" (-0.025mm)**

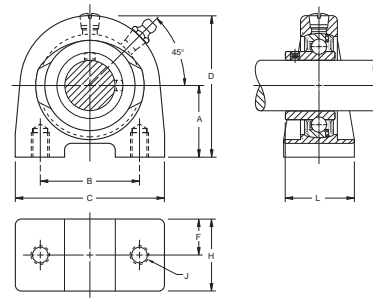
TO ORDER, SPECIFY UNIT AND SHAFT DIAMETER. Example: YASM 1 7/16"

Unit	Shaft Dia.	H	H <sub>2</sub>	B	L	J	J Min.	J Max.	A	H <sub>1</sub>	F	S <sub>1</sub>	E	Bolt Size	Bearing Number
	in.	in.	in.	in.	in.	in.	in.	in.	in.	in.	in.	in.	in.	in.	
		mm	mm	mm	mm	mm	mm	mm	mm	mm	mm	mm	mm	mm	
YASM	1	1 11/16	3 3/32	1 1/2	6 3/16	4 3/8	3 11/16	5 9/16	1 9/16	2 1/32	1.587	7/8	1 21/32	1/2	GYM1100KRRB
		42.86	83.3	38.1	157.2	117.5	93.7	141.3	39.7	16.7	40.31	22.2	42.07	12	
YASM	1 3/16	1 7/8	3 11/16	1 11/16	6 9/16	5 1/8	4 3/32	6 3/32	1 25/32	23/32	1.844	1	1 57/64	1/2	GYM1103KRRB
		47.62	93.6	42.9	166.7	130.2	105.6	154.8	45.2	18.3	48.84	25.4	48.02	12	
YASM	1 7/16	2 1/8	4 1/8	1 15/16	7 1/16	5 3/8	4 11/32	6 13/16	1 7/8	29/32	2.058	1 3/16	2 1/8	1/2	GYM1107KRRB
		53.98	104.8	49.2	179.4	136.5	110.3	162.7	47.6	23	52.27	30.2	53.98	12	
YASM	1 1/2	2 3/8	4 3/16	1 15/16	7 11/32	5 7/8	4 3/4	7	2	3/4	2.28	1 3/16	2 3/16	1/2	GYM1108KRRB
		53.98	106.3	49.2	191.3	149.2	120.7	177.8	50.8	19.1	57.92	30.2	55.56	12	
YASM	1 11/16	2 1/4	4 1/2	2 1/32	7 1/8	6 1/32	5 9/32	7 5/32	2 3/16	3/4	2.474	1 9/32	2 3/8	5/8	GYM1111KRRB
YASM	1 3/4	57.15	114.3	51.6	200	157.9	134.1	183.4	55.6	19.1	62.84	32.5	60.33	16	GYM1112KRRB
YASM	1 15/16	2 1/2	4 23/32	2 3/16	8 3/4	6 15/16	5 29/32	8 3/32	2 5/32	13/16	2.747	1 9/16	2 7/16	5/8	GYM1115KRRB
YASM	2	63.5	126.2	55.6	222.3	176.2	146.9	205.6	54.8	20.6	69.77	33.3	61.91	16	GYM1200KRRB
YASM	2 3/16	2 3/4	5 15/32	2 9/16	9 1/16	7 13/32	6 1/4	8 9/16	2 3/8	15/16	3.011	1 9/16	2 3/4	5/8	GYM1203KRRB
YASM	2 1/4	69.85	138.9	65.1	239.7	188.1	158.8	217.5	60.3	23.8	76.48	39.1	69.85	16	GYM1204KRRB
YASM	2 7/16	3	6 1/16	3 1/16	10 1/2	8	6 5/8	9 3/8	2 7/8	1 5/16	3.422	1 11/16	3 1/8	3/4	GYM1207KRRB
YASM	2 1/2	76.2	153.99	77.78	266.7	203.2	168.28	238.13	73.02	33.34	86.92	42.86	79.375	20	GYM1208KRRB
YASM	2 11/16	3 1/2	7	3 11/16	13	9	7	11	3 1/2	1 1/4	3.618	1 3/4	3 11/16	3/4	GYM1211KRRB
		88.9	177.8	93.66	330.2	228.6	177.8	279.4	88.90	31.75	91.90	44.45	93.66	20	
YASM	2 15/16	3 1/2	7	3 11/16	13	9	7	11	3 1/2	1 1/4	3.618	1 3/4	3 11/16	3/4	GYM1215KRRB
YASM	3	88.9	177.8	93.66	330.2	228.6	177.8	279.4	88.90	31.75	91.90	44.45	93.66	20	GYM1300KRRB



## STB Series

The new Fafnir STB series two bolt housed units are furnished assembled and ready for mounting by means of two bolts from under the housing. These units are ideal for applications where space is limited, access to bolt screws is from bottom of unit, loads are not severe and reversing moments are not encountered. The units are assembled with GYA-RRB bearings with positive contact land-riding seals, and setscrew locking. These units are factory prelubricated, but a grease fitting is provided for relubrication if required.



### Bearing Data

Unit	Bearing Number	Dimensions and Load Ratings
STB	GYA-RRB	Page 159

TO ORDER, SPECIFY UNIT AND SHAFT DIAMETER. Example: STB 1"

Unit	Shaft Diam.	A	B	C	D	F	H	J	L	Bearing Number	Housing Number
	in. mm	in. mm	in. mm	in. mm	in. mm	in. mm	in. mm	in. mm	in. mm		
STB	3/4	1 7/16	2	2 7/8	2 13/32	23/32	1 7/16	3/8-16	1 7/16	GYA012RRB	T-90001
STB	20	32.3	50.8	73.03	71.12	18.3	36.5		36.5	GYAE20RRB	
STB	7/8	1 7/16	2	3	2 13/16	23/32	1 7/16	3/8-16	1 31/64	GYA014RRB	T-39343
STB	19/16	36.5	50.8	76.2	71.44	18.3	36.5		37.7	GYA015RRB	
STB	1	36.5	50.8	76.2	71.44	18.3	36.5		37.7	GYA100RRB	
STB	25	36.5	50.8	76.2	71.44	18.3	36.5		37.7	GYAE25RRB	
STB	1 1/8	1 11/16	3	4	3 1/4	3/4	1 1/2	7/16-14	1 21/32	GYA102RRB	T-90003
STB	1 3/16	42.9	76.2	101.6	82.6	19.05	38.1		42.07	GYA103RRB	
STB	1 1/2S	42.9	76.2	101.6	82.6	19.05	38.1		42.07	GYA103RRB2	
STB	30	42.9	76.2	101.6	82.6	19.05	38.1		42.07	GYAE30RRB	
STB	1 1/4	1 7/8	3 1/4	4 1/4	3 11/16	7/8	1 3/4	1/2-13	1 57/64	GYA104RRB	T-40256
STB	1 3/8	47.6	82.6	107.95	93.66	22.23	44.45		48.02	GYA106RRB	
STB	1 7/16	47.6	82.6	107.95	93.66	22.23	44.45		48.02	GYA107RRB3	
STB	35	47.6	82.6	107.95	93.66	22.23	44.45		48.02	GYAE35RRB	
STB	1 1/2	1 15/16	3 1/2	4 5/8	3 15/16	15/16	1 7/8	1/2-13	2 1/4	GYA108RRB	T-90005
STB	40	49.2	88.9	117.48	100.01	23.81	47.63		51.2	GYAE40RRB	
STB	1 5/8	2 1/8	3 3/4	5	4 1/4	1	2	1/2-13	2 1/8	GYA110RRB	T-90008
STB	1 11/16	54	95.25	127	107.95	25.4	50.8		53.98	GYA111RRB	
STB	1 3/4	54	95.25	127	107.95	25.4	50.8		53.98	GYA112RRB	
STB	45	54	95.25	127	107.95	25.4	50.8		53.98	GYAE45RRB	
STB	1 15/16	2 1/4	4	5 1/2	4 1/2	1	2	5/8-11	2 7/32	GYA115RRB	T-90010
STB	2	57.2	101.6	139.7	114.3	25.4	50.8		56.36	GYA200RRB	
STB	50	57.2	101.6	139.7	114.3	25.4	50.8		56.36	GYAE50RRB	

## VTB Series

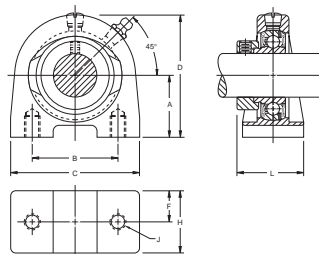
The new Fafnir VTB series two bolt housed units are identical to the STB unit except the units are assembled with GRA-RRB bearings with positive contact "R" seals, and locking collar. These units are factory prelubricated, but a grease fitting is provided for relubrication if required.

### Bearing Data

Unit	Bearing Number	Dimensions and Load Ratings
VTB	GRA-RRB	Page 157

TO ORDER, SPECIFY UNIT AND SHAFT DIAMETER. Example: VTB 1"

Unit	Shaft Diam.	A	B	C	D	F	H	J	L	Bearing Number	Collar Number	Housing Number
	in. mm	in. mm	in. mm	in. mm	in. mm	in. mm	in. mm	in. mm	in. mm			
VTB	3/4	1 5/16	2	2 7/8	2 13/32	23/32	1 7/16	3/8-16	1 41/64	GRA012RRB	S1012K	T-90001
VTB	20	32.3	50.8	73.03	71.12	18.3	36.5		41.67	GRAE20RRB	SE20K	
VTB	7/8	1 7/16	2	3	2 13/16	23/32	1 7/16	3/8-16	1 41/64	GRA014RRB	S1014K	T-39343
VTB	19/16	36.5	50.8	76.2	71.44	18.3	36.5		41.67	GRA015RRB	S1015K	
VTB	1	36.5	50.8	76.2	71.44	18.3	36.5		41.67	GRA100RRB	S1100K C2	
VTB	25	36.5	50.8	76.2	71.44	18.3	36.5		41.67	GRAE25RRB	SE25K	
VTB	1 1/8	1 11/16	3	4	3 1/4	3/4	1 1/2	7/16-14	1 57/64	GRA102RRB	S1102K	T-90003
VTB	1 3/16	42.9	76.2	101.6	82.6	19.05	38.1		45.64	GRA103RRB	S1103K	
VTB	1 1/2S	42.9	76.2	101.6	82.6	19.05	38.1		45.64	GRA103RRB2	S1103K3	
VTB	30	42.9	76.2	101.6	82.6	19.05	38.1		45.64	GRAE30RRB	SE30K	
VTB	1 1/4	1 7/8	3 1/4	4 1/4	3 11/16	7/8	1 3/4	1/2-13	2 1/32	GRA104RRB	S1104K C1	T-40256
VTB	1 3/8	47.6	82.6	107.95	93.66	22.23	44.45		51.6	GRA106RRB	S1106K C1	
VTB	1 7/16	47.6	82.6	107.95	93.66	22.23	44.45		51.6	GRA107RRB3	S1107K C1	
VTB	35	47.6	82.6	107.95	93.66	22.23	44.45		51.6	GRAE35RRB	SE35K	
VTB	1 1/2	1 15/16	3 1/2	4 5/8	3 15/16	15/16	1 7/8	1/2-13	2 7/32	GRA108RRB	S1108KT	T-90005
VTB	40	49.2	88.9	117.48	100.01	23.81	47.63		56.36	GRAE40RRB	SE40K	
VTB	1 5/8	2 1/8	3 3/4	5	4 1/4	1	2	1/2-13	2 5/32	GRA110RRB	S1110K	T-90008
VTB	1 11/16	54	95.25	127	107.95	25.4	50.8		57.94	GRA111RRB	S1111K	
VTB	1 3/4	54	95.25	127	107.95	25.4	50.8		57.94	GRA112RRB	S1112K	
VTB	45	54	95.25	127	107.95	25.4	50.8		57.94	GRAE45RRB	SE45K	
VTB	1 15/16	2 1/4	4	5 1/2	4 1/2	1	2	5/8-11	2 5/32	GRA115RRB	S1115K	T-90010
VTB	2 S	57.2	101.6	139.7	114.3	25.4	50.8		57.94	GRA200RRB	S1115K2	
VTB	50	57.2	101.6	139.7	114.3	25.4	50.8		57.94	GRAE50RRB	SE50K	

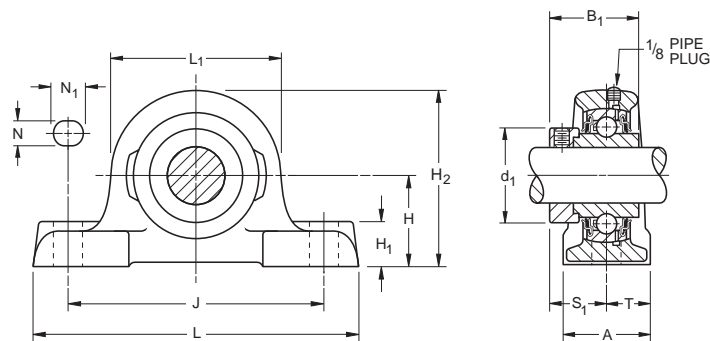




# RAO, LAO Heavy Series

Fafnir RAO and LAO heavy type pillow blocks meet the need for a compact, economical, heavy duty ball bearing housed unit. Designed to incorporate the tested and proven features of the Fafnir standard RAK series pillow blocks, the RAO series is equipped with heavy series GN-KRRB wide inner ring ball bearings for greater load capacity, and the LAO series is equipped with heavy series GN-KLLB wide inner ring bearings

All units are supplied with a self-locking collar which eliminates shaft shoulders, machining adapters, sleeves, and locknuts and provides easy mounting.



Recommended shaft tolerances: 1 3/16"-1 15/16", nominal to **-.0005"**, **-.013mm**;  
2"-2 15/16", nominal to **-.0010"**, **-.025mm**.

**Bearing Data**

Unit	Bearing Number	Dimensions and Load Ratings
RAO	GN-KRRB	Page 155
LAO	GN-KLLB	Page 164

TO ORDER, SPECIFY UNIT AND SHAFT DIAMETER. Example: RAO 1 7/16"

Unit <sup>(1)</sup>	Shaft Diam.	H	H <sub>2</sub>	B <sub>1</sub>	L <sub>1</sub>	J	L	A	H <sub>1</sub>	N	N <sub>1</sub>	d <sub>1</sub>	S <sub>1</sub>	T	Bolt Size	Bearing Number	Collar Number	Housing Number	Unit Wt.
	in.	in.	in.	in.	in.	in.	in.	in.	in.	in.	in.	in.	in.	in.	in.				lbs
		mm	mm	mm	mm	mm	mm	mm	mm	mm	mm	mm	mm	mm	mm				kg
RAO	1 3/16	47.63	93.7	50	90.5	136.5	173	49.2	22.2	15.9	19	49.2	32.5	24.6	12.7	GN103KRRB	SN103K	T-18798	4.18 1.898
RAO	1 7/16	53.98	104	51.6	101.6	152.4	192.1	54	23.8	15.9	19	55.6	33.3	27	12.7	GN107KRRB	SN107K	T-18626	5.30 2.406
RAO	1 1/2	60.33	117.5	57.2	114.3	171.4	215.9	60.3	27	19	25.4	63.5	37.3	30.2	15.9	GN108KRRB	SN108K	T-18800	8.27 3.755
RAO	1 11/16	66.68	130.2	58.7	127	190.5	239.7	66.7	30.2	19	25.4	69.8	38.9	33.3	15.9	GN111KRRB	SN111K	T-18802	11.08 5.03
RAO	1 15/16	71.44	141.3	66.7	138.1	209.6	265.1	73	33.3	19	25.4	76.2	42.1	36.5	15.9	GN115KRRB	SN115K	T-18804	13.80 6.265
RAO	2 3/16	77.79	153.2	73	150.8	228.6	287.3	79.4	36.5	22.2	28.6	82.6	45.2	39.7	19	GN203KRRB	SN203K	T-18806	17.49 7.94
RAO	2 7/16	84.14	165.9	79.4	163.5	247.6	312.7	84.1	38.1	22.2	28.6	88.9	48.4	42.1	19	GN207KRRB	SN207K	T-18808	21.50 9.761
RAO	2 11/16	96.84	192.1	88.9	188.9	285.8	360.4	96	44.4	25.4	33.3	101.6	54.8	48.4	22.2	GN211KRRB	SO211K	T-18810	33.75 15.322
RAO	2 15/16	104.78	204.8	100	201.6	304.8	384.2	103.2	47.6	25.4	33.3	112.7	62.7	51.6	22.2	GN215KRRB	SN215K	T-18601	40.10 18.205

<sup>(1)</sup> LAO assembled with GN-KLLB bearing.



# RSA, LSA Industrial Series

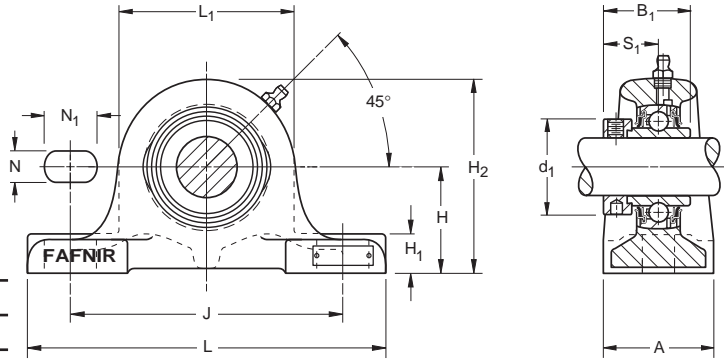
Fafnir RSA and LSA type pillow blocks are equipped with G-KRRB wide inner ring ball bearings, and the LSA series is equipped with G-KLLB wide inner ring bearings.

These pillow blocks are prelubricated and ready for immediate use. A grease fitting is provided for relubrication if required. All units are supplied with a self locking collar.

**Recommended shaft tolerances:** ½"-1 ¹⁄₁₆", nominal to **-.0005"**, **-.013mm**;  
2"-2 ¹⁄₁₆", nominal to **-.0010"**, **-.025mm**.

**Bearing Data**

Unit	Bearing Number	Dimensions and Load Ratings
RSA	G-KRRB	Page 154
LSA	G-KLLB	Page 164



TO ORDER, SPECIFY UNIT AND SHAFT DIAMETER. Example: RSA 1 ¼", POPULAR SIZES IN BOLD

Unit	Shaft Diam.	H	H <sub>2</sub>	B <sub>1</sub>	L <sub>1</sub>	J	L	A	H <sub>1</sub>	N	N <sub>1</sub>	d <sub>1</sub>	S <sub>1</sub>	Bolt Size	Bearing Number	Collar Number	Housing Number	Unit Wt.
	in. mm	in. mm	in. mm	in. mm	in. mm	in. mm	in. mm	in. mm	in. mm	in. mm	in. mm	in. mm	in. mm	in. mm				lbs kg
RSA	½														G1008KRRB	S1008K		1.50
RSA	⅝														G1010KRRB	S1010K	T-22784	0.681
RSA	⅞	<b>31.75</b>	<b>58.7</b>	<b>37.3</b>	<b>54</b>	<b>96.8</b>	<b>122.2</b>	<b>31.8</b>	<b>12.7</b>	<b>11.1</b>	<b>14.3</b>	<b>30.2</b>	<b>23.4</b>	<b>9.5</b>	G1011KRRB	S1011K		
RSA	<b>17</b>														GE17KRRB	SE17K		
RSA	¾														G1012KRRB	S1012K	T-22741	2.70
RSA	<b>20</b>	<b>44.45</b>	<b>76.2</b>	<b>43.7</b>	<b>63.5</b>	<b>127.0</b>	<b>165.1</b>	<b>50.8</b>	<b>14.3</b>	<b>14.3</b>	<b>19</b>	<b>33.3</b>	<b>26.6</b>	<b>12.7</b>	GE20KRRB	SE20K		1.226
RSA	⅞														G1014KRRB	S1014K		
RSA	1 ¹⁄₁₆														G1015KRRB	S1015K	T-22716	3.35
RSA	<b>25</b>	<b>50.80</b>	<b>85.7</b>	<b>44.4</b>	<b>69.8</b>	<b>139.7</b>	<b>177.8</b>	<b>54</b>	<b>15.9</b>	<b>14.3</b>	<b>19</b>	<b>38.1</b>	<b>27</b>	<b>12.7</b>	G1100KRRB	S1100K		1.521
															GE25KRRB	SE25K		
RSA	1 ¼														G1101KRRB	S1101K		
RSA	1 ½														G1102KRRB	S1102K	T-22725	3.94
RSA,LSA	<b>30</b>	<b>50.80</b>	<b>91.3</b>	<b>48.4</b>	<b>81</b>	<b>139.7</b>	<b>177.8</b>	<b>54</b>	<b>17.5</b>	<b>15.9</b>	<b>20.6</b>	<b>44.1</b>	<b>30.2</b>	<b>12.7</b>	G1103KRRB	S1103K		1.789
															GE30KRRB	SE30K		
RSA,LSA	1 ¾														G1104KRRB	S1104K		
RSA	1 ⅞														G1105KRRB	S1105K	T-22382	7.18
RSA	1 ⅞	<b>60.33</b>	<b>111.1</b>	<b>51.2</b>	<b>101.6</b>	<b>158.8</b>	<b>209.6</b>	<b>66.7</b>	<b>22.2</b>	<b>19</b>	<b>31.8</b>	<b>54</b>	<b>32.5</b>	<b>15.9</b>	G1106KRRB	S1106K		3.260
RSA,LSA	<b>35</b>														G1107KRRB	S1107K		
															GE35KRRB	SE35K		
RSA	1 ½														G1108KRRB	S1108KT	T-22752	6.45
RSA	1 ⅞	<b>60.33</b>	<b>111.1</b>	<b>56.4</b>	<b>101.6</b>	<b>168.3</b>	<b>209.6</b>	<b>60.3</b>	<b>19</b>	<b>19</b>	<b>22.2</b>	<b>60.3</b>	<b>34.9</b>	<b>15.9</b>	G1109KRRB	S1109KT		2.928
	<b>40</b>														GE40KRRB	SE40K		
RSA	1 ⅞														G1110KRRB	S1110K		
RSA,LSA	1 11/16														G1111KRRB	S1111K	T-22701	6.75
RSA	1 ¾	<b>60.33</b>	<b>114.3</b>	<b>56.4</b>	<b>108</b>	<b>168.3</b>	<b>209.6</b>	<b>60.3</b>	<b>20.6</b>	<b>19</b>	<b>23.8</b>	<b>63.5</b>	<b>34.9</b>	<b>15.9</b>	G1112KRRB	S1112K		3.064
	<b>45</b>														GE45KRRB	SE45K		
RSA	1 ⅞														G1114KRRB	S1114K	T-22384	10.76
RSA,LSA	1 15/16	<b>69.85</b>	<b>130.2</b>	<b>62.7</b>	<b>120.6</b>	<b>209.6</b>	<b>269.9</b>	<b>69.8</b>	<b>26.2</b>	<b>19</b>	<b>34.9</b>	<b>69.8</b>	<b>38.1</b>	<b>15.9</b>	G1115KRRB	S1115K		4.885
	<b>50</b>														GE50KRRB	SE50K		
RSA	2														G1200KRRB	S1200K		
RSA	2 ⅛														G1202KRRB	S1202K	T-22696	13.22
RSA,LSA	2 3/16	<b>79.38</b>	<b>142.1</b>	<b>71.4</b>	<b>125.4</b>	<b>228.6</b>	<b>288.9</b>	<b>79.4</b>	<b>25.4</b>	<b>19</b>	<b>33.3</b>	<b>76.2</b>	<b>43.7</b>	<b>15.9</b>	G1203KRRB	S1203K		6.022
	<b>55</b>														GE55KRRB	SE55K		
RSA	2 ¼														G1204KRRB	S1204K		
RSA	2 ⅝														G1206KRRB	S1206K	T-22743	15.20
RSA,LSA	2 7/16	<b>79.38</b>	<b>149.2</b>	<b>77.8</b>	<b>139.7</b>	<b>228.6</b>	<b>288.9</b>	<b>79.4</b>	<b>28.6</b>	<b>22.2</b>	<b>28.6</b>	<b>84.1</b>	<b>46.8</b>	<b>19</b>	G1207KRRB	S1207K		6.901
	<b>60</b>														GE60KRRB	SE60K		
RSA	2 11/16														G1211KRRB	S1211KT	T-22748	22.02
	<b>70</b>	<b>95.25</b>	<b>173</b>	<b>82.6</b>	<b>155.6</b>	<b>260.4</b>	<b>320.7</b>	<b>88.9</b>	<b>33.3</b>	<b>22.2</b>	<b>34.9</b>	<b>96.8</b>	<b>45.2</b>	<b>19</b>	GE70KRRB	SE70K		9.997
RSA	2 ⅞														G1215KRRB	S1215K	T-22386	23.53
	<b>75</b>	<b>95.25</b>	<b>177.8</b>	<b>92.1</b>	<b>196.1</b>	<b>206.4</b>	<b>320.7</b>	<b>88.9</b>	<b>38.1</b>	<b>22.2</b>	<b>31.8</b>	<b>101.6</b>	<b>54.8</b>	<b>19</b>	GE75KRRB	SE75K		10.683



# RSAO, LSAO Heavy Series

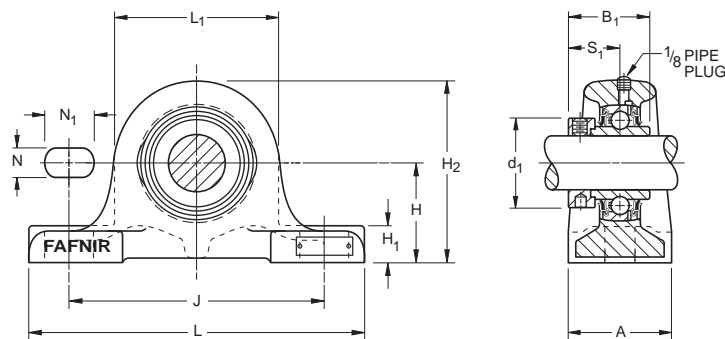
Fafnir RSAO and LSAO type pillow blocks are equipped with GN-KRRB wide inner ring ball bearings, and the LSA series is equipped with GN-KLLB wide inner ring bearings. They are ideally suited for installations where the load is heavy in proportion to the shaft diameter or where considerable shock loads exist.

These pillow blocks are prelubricated and ready for immediate use. For wet or extremely dirty conditions, a grease fitting is provided for relubrication if required. All units are supplied with a self locking collar.

**Recommended shaft tolerances: 1 1/16"-1 15/16", nominal to -.0005", -.013mm;  
2"-3 15/16", nominal to -.0010", -.025mm.**

**Bearing Data**

Unit	Bearing Number	Dimensions and Load Ratings
<b>RSAO</b>	<b>GN-KRRB</b>	<b>Page 155</b>
<b>LSAO</b>	<b>GN-KLLB</b>	<b>Page 164</b>



**TO ORDER, SPECIFY UNIT AND SHAFT DIAMETER. Example: RSAO 1 1/16"**

Unit	Shaft Diam.	H	H <sub>2</sub>	B <sub>1</sub>	L <sub>1</sub>	J	L	A	H <sub>1</sub>	N	N <sub>1</sub>	d <sub>1</sub>	S <sub>1</sub>	Bolt Size	Bearing Number	Collar Number	Housing Number	Unit Wt.
	in.	in.	in.	in.	in.	in.	in.	in.	in.	in.	in.	in.	in.	in.				lbs
		mm	mm	mm	mm	mm	mm	mm	mm	mm	mm	mm	mm	mm				kg
RSAO,LSAO	1 1/16	2 3/8 60.33	4 1/4 108	1 3/16 50	3 3/4 95.2	6 3/8 168.3	8 1/4 209.6	2 3/8 60.3	7/8 22.2	5/8 15.9	1 25.4	1 15/16 49.2	1 1/2 32.5	1/2 12.7	GN103KRRB	SN103K	T-22678	6.47 2.937
RSAO,LSAO	1 1/8	2 3/4 69.85	4 13/16 122.2	2 1/2 51.6	4 1/8 104.8	8 1/4 209.6	10 5/8 269.9	2 3/4 69.8	1 5/16 23.8	3/4 19	1 1/8 28.6	2 3/16 55.6	1 1/16 33.3	5/8 15.9	GN107KRRB	SN107K	T-22496	9.15 4.154
RSAO,LSAO	1 1/2	3 1/8 79.38	5 3/8 136.6	2 1/4 57.2	4 1/2 114.3	9 228.6	11 3/8 288.9	3 1/8 79.4	1 1/4 27	3/4 19	1 1/8 28.6	2 1/2 63.5	1 15/16 37.3	3/4 15.9	GN108KRRB	SN108K	T-22672	12.90 5.857
RSAO,LSAO	1 11/16	3 1/8 79.38	5 3/8 142.9	2 5/16 58.7	5 127	9 228.6	11 3/8 288.9	3 1/8 79.4	1 3/8 30.2	3/4 19	1 1/8 28.6	2 3/4 69.8	1 11/16 38.9	5/8 15.9	GN111KRRB GN112KRRB	SN111K SN112K	T-22498	14.45 6.56
RSAO,LSAO	1 15/16	3 1/8 79.38	5 21/32 148.4	2 5/8 66.7	5 7/16 138.1	9 228.6	11 3/8 288.9	3 1/8 79.4	1 5/16 33.3	3/4 19	1 1/8 28.6	3 76.2	1 21/32 42.1	5/8 15.9	GN115KRRB	SN115K	T-22502	15.96 7.246
RSAO,LSAO	2 1/16	3 3/4 95.25	6 23/32 170.7	2 7/8 73	5 15/16 150.8	10 1/4 260.4	12 3/8 320.7	3 1/2 88.9	1 1/4 36.5	7/8 22.2	1 3/8 34.9	3 1/4 82.6	1 25/32 45.2	3/4 19	GN203KRRB	SN203K	T-22500	22.45 10.192
RSAO,LSAO	2 1/8	4 1/8 104.78	7 11/32 186.5	3 1/8 79.4	6 1/16 163.5	11 1/4 285.8	13 3/4 349.2	4 101.6	1 1/2 38.1	7/8 22.2	1 3/8 34.9	3 1/2 88.9	1 25/32 48.4	3/4 19	GN207KRRB	SN207K	T-22494	35.56 16.144
RSAO,LSAO	2 11/16	4 9/16 115.89	8 7/32 210.3	3 1/2 88.9	7 7/16 188.9	12 304.8	15 3/8 390.5	4 3/8 111.1	1 3/4 44.4	1 25.4	1 3/8 34.9	4 101.6	2 3/32 54.8	7/8 22.2	GN211KRRB	SO211K	T-22492	42.50 19.295
RSAO,LSAO	2 15/16	4 9/16 115.89	8 9/16 217.5	3 15/16 100	8 203.2	12 3/8 314.3	15 3/8 390.5	4 3/8 111.1	1 7/8 47.6	1 25.4	1 3/8 34.9	4 7/16 112.7	2 15/32 62.7	7/8 22.2	GN215KRRB	SN215K	T-22490	44.25 20.09
RSAO	3 1/16	4 9/16 115.89	8 25/32 223	4 3/16 106.4	8 7/16 214.3	12 3/8 314.3	15 3/8 390.5	4 3/8 111.1	1 15/16 49.2	1 25.4	1 3/4 44.4	4 11/16 119.1	2 15/32 65.9	7/8 22.2	GN303KRRB	SN303K	T-22444	50.25 22.814
RSAO	3 1/8	5 1/8 130.18	9 7/8 250.8	4 9/16 115.9	9 1/2 241.3	13 3/8 339.7	16 1/8 409.6	4 3/4 120.6	2 1/4 57.2	1 1/8 28.6	2 1/8 54	5 1/4 133.4	2 25/32 73.8	1 25.4	GN307KRRB	SN307K	T-22446	68.25 30.986
RSAO	3 15/16	5 11/16 144.46	11 1/16 281	5 1/16 128.6	10 3/4 273	14 3/4 374.6	17 3/16 439.7	5 1/8 130.2	2 9/16 65.1	1 1/8 28.6	1 3/4 44.4	5 3/4 146	3 3/32 78.6	1 25.4	GN315KRRB	SN315K	T-22448	89.50 40.633





# SAL Industrial Series Fixed & Floating Types

Fafnir SAL type pillow blocks are designed for applications where higher-than-usual temperatures are encountered and for normal temperature applications where for any reason one or more floating bearing units are required. The floating unit allows its bearing to move axially as the shaft expands because of the temperature rise, while the fixed unit maintains shaft location. Bearings also have loose internal fit.

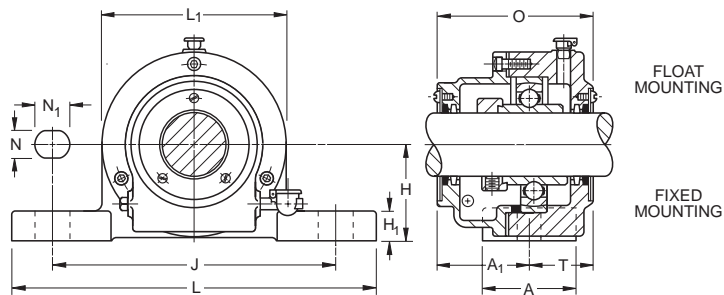
The SAL unit is equipped with a self-aligning SM wide inner ring bearing and a self-locking collar. An external aligning ring is fitted to the spherical surface of the outer ring.

They are equipped with oil-tight seals and are normally fitted for oil lubrication, but can be equipped for grease lubrication when specified.

**Note: Lubricate with high grade automotive or turbine oil, or ball bearing grease before installation.**

All units are assembled with a spacer ring (Fixed type). By removing the spacer ring, the assembly becomes a floating unit.

Recommended shaft tolerances: 1 3/16" - 1 15/16", nominal to -.0005", **-.013mm**;  
2" - 3 15/16", nominal to -.0010", **-.025mm**.



Bearing Data

Unit	Bearing Number	Dimensions and Load Ratings
SAL	SM-KS	Page 171

TO ORDER, SPECIFY UNIT, SHAFT DIAMETER, AND WHETHER FIXED OR FLOATING. Example: SAL 1 7/16"(one fixed, one floating).

Unit	Shaft Diam.	Total Float	H	O	L <sub>1</sub>	A	J	L	N	N <sub>1</sub>	H <sub>1</sub>	A <sub>1</sub>	T	Bolt Size	Bearing Number	Collar Number	Housing Number	Unit Wt.
	in.	in.	in.	in.	in.	in.	in.	in.	in.	in.	in.	in.	in.	in.				lb
		mm	mm	mm	mm	mm	mm	mm	mm	mm	mm	mm	mm	mm				kg
SAL	1 3/16	1/4	2	3 23/32	3 13/16	2 1/8	5 1/2	7	5/8	3/4	1 1/16	2 1/32	1 3/8	1/2	SM1103KS	S1103K	T-12127	8.30 3.768
SAL	1 1/4	1/4	2 3/8	4 1/8	4 1/4	2 3/8	6 1/4	8 1/4	3/4	1	3/4	2 19/32	1 23/32	3/8	SM1104KS	S1104K	T-13108	11.54 5.239
SAL	1 7/16	1/4	2 3/8	4 1/8	4 1/4	2 3/8	6 1/4	8 1/4	3/4	1	3/4	2 19/32	1 23/32	3/8	SM1107KS	S1107K	T-13108	11.54 5.239
SAL	1 1/2	3/8	2 3/8	4 1/4	4 3/4	2 3/8	6 5/8	8 1/4	3/4	1	3/4	2 1/2	1 3/4	3/8	SM1108KTS	S1108KT	T-12121	13.53 6.143
SAL	1 11/16	3/8	2 3/8	4 11/32	4 3/4	2 3/8	6 5/8	8 1/4	3/4	1	3/4	2 19/32	1 3/4	3/8	SM1111KS	S1111K	T-12121	12.92 5.866
SAL	1 15/16	3/8	2 3/4	4 29/32	5 1/4	2 3/4	8 1/4	10 3/8	3/4	1	7/8	2 29/32	1 7/8	3/8	SM1115KS	S1115K	T-12313	17.87 8.113
SAL	2 3/16	3/8	3 3/8	5 13/32	5 3/4	3 3/8	9	11 3/8	3/4	1	7/8	3 3/8	2 9/32	3/8	SM1203KS	S1203K	A-5845	24.18 10.978
SAL	2 7/16	3/8	3 3/8	5 29/32	6 1/4	3 3/8	9	11 3/8	3/4	1	7/8	3 3/8	2 13/32	3/8	SM1207KS	S1207K	A-5083	28.40 12.894
SAL	2 11/16	7/32	3 3/4	6 9/32	6 3/4	3 1/2	10 1/4	12 3/8	7/8	1 1/8	1 1/16	3 3/8	2 17/32	3/4	SM1211KTS	S1211K	T-18940	35.02 15.889
SAL	2 15/16	29/64	3 3/4	6 27/32	7 1/2	3 1/2	10 1/4	12 3/8	7/8	1 1/8	1 1/16	3 31/32	2 1/8	3/4	SM1215KS	S1215K	A-5088	44.50 20.203
SAL	3 7/16	3/8	4 9/16	7 11/32	8 3/8	4 3/8	12 3/8	15 3/8	1	1 1/4	1 1/4	4 7/32	3 1/8	3/4	SM1307KS	S1307K	A-5206	73.75 33.482



# SAOL Heavy Series Fixed & Floating Types

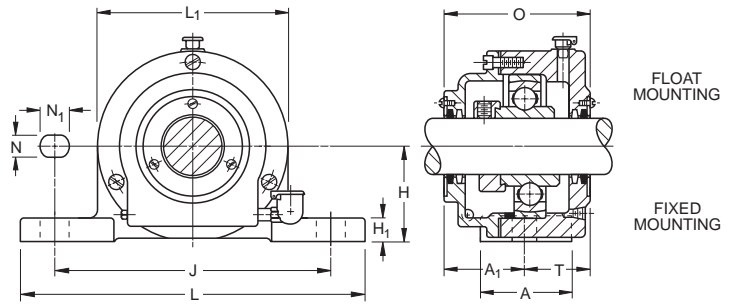
Fafnir SAOL type heavy series pillow blocks are designed for applications where higher-than-usual temperature applications where for any reason one or more floating bearing units required. The floating unit allows its bearing to move axially as the shaft expands because of the temperature rise, while the fixed unit maintains shaft location. Bearings also have loose internal fit.

The SAOL unit is equipped with a heavy series, self-aligning SMN wide inner ring bearing and a self-locking collar. An external aligning ring is fitted to the spherical surface of the outer ring.

They are equipped with oil-tight seals and are normally fitted for oil lubrication, but can be equipped for grease lubrication when specified.

**Note: Lubricate with high grade automotive or turbine oil, or ball bearing grease before installation.**

All units are assembled with a spacer ring (Fixed type). By removing the spacer ring, the assembly becomes a floating unit.



Recommended shaft tolerances: 1 1/16" - 1 15/16", nominal to -.0005", -.013mm;  
2" - 3 1/16", nominal to -.0010", -.025mm.

Larger sizes, consult the Engineering Department.

**Bearing Data**

Unit	Bearing Number	Dimensions and Load Ratings
SAOL	SMN-KS	Page 172

TO ORDER, SPECIFY UNIT, SHAFT DIAMETER, AND WHETHER FIXED OR FLOATING. Example: SAOL 1 1/16" (one fixed, one floating).

Unit	Shaft Diam.	Total Float	H	O	L <sub>1</sub>	A	J	L	N	N <sub>1</sub>	H <sub>1</sub>	A <sub>1</sub>	T	J <sub>1</sub> <sup>(1)</sup>	Bolt No.	Bolt Size	Bearing Number	Collar Number	Housing Number	Unit Wt.
	in.	in.	in.	in.	in.	in.	in.	in.	in.	in.	in.	in.	in.	in.		in.				lbs
		mm	mm	mm	mm	mm	mm	mm	mm	mm	mm	mm	mm	mm		mm				kg
SAOL	1 3/16	5/16	2 3/8	4 1/8	4 3/8	2 3/8	6 5/8	8 1/4	5/8	7/8	1 1/16	2 3/8	1 11/16	—	2	1/2	SMN103KS	SN103K	T-12389	12.16 5.521
SAOL	1 7/16	23/64	2 3/4	4 3/8	4 3/4	2 3/4	8 1/4	10 5/8	3/4	1	13/16	2 23/32	1 21/32	—	2	5/8	SMN107KS	SN107K	A-4779	15.5 7.037
SAOL	1 1/2	3/8	3 1/8	4 7/8	5 3/4	3 1/8	9	11 3/8	3/4	1	13/16	2 15/16	1 15/16	—	2	5/8	SMN108KS	SN108K	A-4778A	25 11.35
SAOL	1 11/16	3/8	3 1/8	4 7/8	5 3/4	3 1/8	9	11 3/8	3/4	1	13/16	2 15/16	1 15/16	—	2	5/8	SMN111KS	SN111K	A-4778	24.56 11.15
SAOL	1 15/16	3/8	3 1/8	4 13/16	6 1/4	3 1/8	9	11 3/8	3/4	1	13/16	2 29/32	1 29/32	—	2	5/8	SMN115KS	SN115K	A-3818	27.45 12.462
SAOL	2 3/16	23/64	3 3/4	5 1/2	6 3/4	3 1/2	10 1/4	12 5/8	7/8	1 1/4	1 1/16	3 1/4	2 1/4	—	2	3/4	SMN203KS	SN203K	A-4755	33.94 15.409
SAOL	2 7/16	11/32	4 1/8	5 29/32	7 1/2	4	11 1/4	13 3/4	7/8	1 1/4	1 1/16	3 13/32	2 5/8	—	2	3/4	SMN207KS	SN207K	A-3819	41.5 18.841
SAOL	2 11/16	3/8	4 9/16	6 7/8	8 1/2	4 3/8	12	15 5/8	1	1 1/4	1 1/4	4 5/8	2 9/8	—	2	7/8	SMN211KS	SO211K	A-4709	58 26.332
SAOL	2 15/16	1/2	4 9/16	7	8 7/8	4 3/8	12 3/8	15 3/8	1	1 1/4	1 1/4	4 7/8	2 7/8	—	2	7/8	SMN215KS	SN215K	A-4798	74.5 33.823
SAOL	3 3/16	33/64	4 9/16	7 1/4	9 1/2	4 3/8	12 3/8	15 5/8	1	1 1/4	1 1/4	4 1/4	3	2 1/4	4	7/8	SMN303KS	SN303K	A-4780	77.75 35.298
SAOL	3 7/16	11/32	5 1/8	7 1/2	10 1/4	4 3/4	13 3/8	16 1/8	1	1 1/4	1 1/4	4 3/8	3 3/8	3	4	7/8	SMN307KS	SN307K	A-4155	107.5 48.805
SAOL	3 11/16	1/2	5 11/16	8 13/32	11	4 15/16	14 3/4	17 5/8	1 1/8	1 1/2	1 1/4	5 1/4	3 5/32	—	2	1	SMO311WS	SO311K	A-4156	120 54.48
SAOL	3 15/16	11/16	6	8 21/32	11 3/4	5 1/4	15 1/2	18 1/2	1 1/8	1 1/2	1 3/8	5	3 21/32	3 1/4	4	1	SMN315KS	SN315K	A-4795	156 70.824
SAOL	4 3/16	5/8	6 1/2	8 3/8	12 1/2	6 1/4	17 11/16	21 1/4	1 1/8	1 1/2	1 1/2	5 5/32	3 19/32	4	4	1	SMN403WS	SN403K	T-14342	194 88.076
SAOL	4 7/16	9/16	7	9	12 7/8	6 3/4	17 11/16	21 1/4	1 1/4	1 3/4	1 3/4	5 9/16	3 11/16	4 1/4	4	1 1/8	SMN407WS	SN407K	T-11469	210 95.34
SAOL	4 15/16	1 13/64	8 3/4	10 9/16	15	7 1/4	20 1/4	24 13/16	1 1/4	1 3/4	2	6	4 5/8	4 3/4	4	1 1/8	SMN415WS	SN415K	T-11783	353 160.262

<sup>(1)</sup> When four bolts are used, dimension J<sub>1</sub> is distance between centers, and A<sub>1</sub> and T are measured from center of base.



# PBS Series

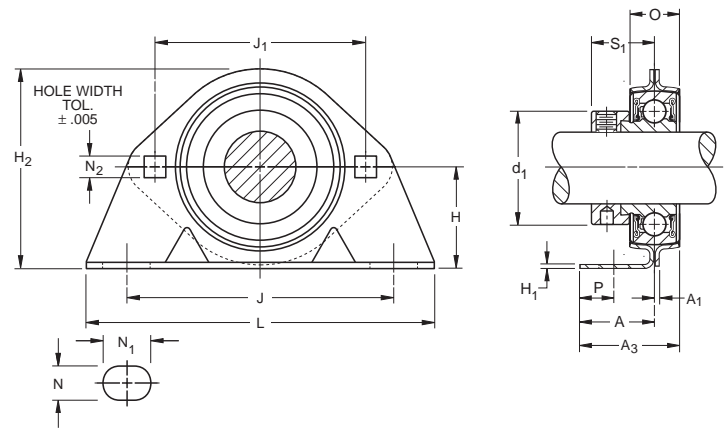
The Fafnir PBS pillow block is an economical, versatile power transmission unit designed for light duty, moderate speed requirements.

The housing consists of two heavy gauge, zinc plated steel stampings, one of which is a standard stamping used in the MST two-bolt Flangette unit. RA-RRB (extended inner ring) bearings are regularly furnished with this housing, although RR (wide inner ring) bearings can also be used. The Fafnir originated self-locking collar completes the assembly.

PBS units are made with a precision bearing seat in which dimensions are held to close tolerances to provide an accurate bearing-to-housing fit and to assure proper alignment of the parts.

The RA-RRB bearing used in the PBS pillow block has positive contact land-riding seals with the improved shroud cap design and is permanently prelubricated.

The base-to-center height and bolt spacing of PBS units make them readily interchangeable with many standard pillow blocks on the market.



Recommended shaft tolerances: nominal to **-.0005"**, **-.013mm**.  
**POPULAR SIZES IN BOLD.**

**Bearing Data**

Unit	Bearing Number	Dimensions and Load Ratings
PBS	RA...RRB	Page 156

TO ORDER - When ordering complete unit parts, specify unit and shaft diameter. i.e., PBS 1". This will automatically include: (1) 52PBS Stamping, (1) 52MST-(ZP) Stamping, (1) RA 100-RRB bearing and collar.

Unit	Shaft Diam.	H	J	N <sub>1</sub>	L	H <sub>2</sub>	J <sub>1</sub>	d <sub>1</sub>	S <sub>1</sub>	O	A	H <sub>1</sub>	A <sub>1</sub>	A <sub>3</sub>	N <sub>2</sub>	P	N	Bearing Number	Flangette Number	Stamping Radial Load Rating <sup>(1)</sup>	Unit Wt.
	in.	in.	in.	in.	in.	in.	in.	in.	in.	in.	in.	in.	in.	in.	in.	in.	in.				lbs
	<b>mm</b>	<b>mm</b>	<b>mm</b>	<b>mm</b>	<b>mm</b>	<b>mm</b>	<b>mm</b>	<b>mm</b>	<b>mm</b>	<b>mm</b>	<b>mm</b>	<b>mm</b>	<b>mm</b>	<b>mm</b>	<b>mm</b>	<b>mm</b>	<b>mm</b>				<b>kg</b>
PBS	<b>1/2</b>	1 3/16	3 3/8	5/8	4 1/8	2 11/32	2 1/2	1 1/8	7/8	9/16	1	0.104	0.075	1 1/32	1/32	13/32	13/32	RA008RRB	40	600	0.75
PBS	<b>5/8</b>	<b>30.2</b>	<b>92.1</b>	<b>15.9</b>	<b>123.8</b>	<b>59.5</b>	<b>63.5</b>	<b>28.6</b>	<b>22.2</b>	<b>14.3</b>	<b>25.4</b>	<b>2.64</b>	<b>1.9</b>	<b>32.5</b>	<b>7.1</b>	<b>10.3</b>	<b>10.3</b>	RA010RRB	MST-(ZP)	2650	<b>0.34</b>
PBS	<b>17</b>																	RAE17RRB			
PBS	<b>3/4</b>	1 5/16	3 13/16	5/8	5	2 11/16	2 13/16	1 5/16	59/64	5/8	1	0.119	0.083	1 5/16	11/32	13/32	13/32	RA012RRB	47	700	0.97
PBS	<b>20</b>	<b>33.3</b>	<b>96.8</b>	<b>15.9</b>	<b>127</b>	<b>68.3</b>	<b>71.4</b>	<b>33.3</b>	<b>23.4</b>	<b>15.9</b>	<b>25.4</b>	<b>3.02</b>	<b>2.11</b>	<b>33.3</b>	<b>8.7</b>	<b>10.3</b>	<b>10.3</b>	RAE20RRB	MST-(ZP)	3100	<b>0.44</b>
PBS	<b>7/8</b>																	RA014RRB			
PBS	<b>15/16</b>	1 7/16	3 3/4	13/16	5 1/4	2 27/32	3	1 1/2	59/64	11/16	1	0.134	0.083	1 11/32	11/32	7/16	7/16	RA015RRB	52	800	1.2
PBS	<b>1</b>	<b>36.5</b>	<b>95.2</b>	<b>20.6</b>	<b>133.4</b>	<b>72.2</b>	<b>76.2</b>	<b>38.1</b>	<b>23.4</b>	<b>17.5</b>	<b>25.4</b>	<b>3.4</b>	<b>2.11</b>	<b>34.1</b>	<b>8.7</b>	<b>11.1</b>	<b>11.1</b>	RA100RRB	MST-(ZP)	3550	<b>0.544</b>
PBS	<b>25</b>																	RAE25RRB			
PBS	<b>1 1/8</b>																	RA102RRB			
PBS	<b>1 3/8</b>	1 11/16	4 11/16	7/8	6 1/4	3 11/32	3 3/8	1 3/4	1 3/4	11/16	1 3/8	0.134	0.104	1 15/32	13/32	9/16	9/16	RA103RRB	62	800	1.64
PBS	<b>1 1/2</b>	<b>42.9</b>	<b>119.1</b>	<b>22.2</b>	<b>158.8</b>	<b>84.9</b>	<b>90.5</b>	<b>44.4</b>	<b>26.6</b>	<b>17.5</b>	<b>30.2</b>	<b>3.4</b>	<b>2.64</b>	<b>37.3</b>	<b>10.3</b>	<b>14.3</b>	<b>14.3</b>	RA103RRB2	MST-(ZP)	3550	<b>0.744</b>
PBS	<b>30</b>																	RAE30RRB			
PBS	<b>1 1/4</b>	1 7/8	5	7/8	6 1/2	3 23/32	3 15/16	2 1/8	1 5/32	7/8	1 3/8	0.149	0.104	1 13/16	13/32	9/16	9/16	RA104RRB	72	900	2.4
PBS	<b>1 3/8</b>	<b>47.6</b>	<b>127</b>	<b>22.2</b>	<b>165.1</b>	<b>94.5</b>	<b>100</b>	<b>54</b>	<b>29.4</b>	<b>22.2</b>	<b>34.9</b>	<b>3.78</b>	<b>2.64</b>	<b>46</b>	<b>10.3</b>	<b>14.3</b>	<b>14.3</b>	RA106RRB	MST-(ZP)	4000	<b>1.089</b>
PBS	<b>1 7/8</b>																	RA107RRB			
PBS	<b>35</b>																	RAE35RRB			

<sup>(1)</sup> Stamping thrust rating is 1/3 of stamping radial load rating.



# PB Series RPB Series

The Fafnir PB pillow block is designed for extra light duty applications to provide the advantages of ball bearings at low cost. The unit consists of a two piece separable zinc plated steel housing with spherical bearing seat. This allows the spherically ground bearing initial self-alignment in all directions.

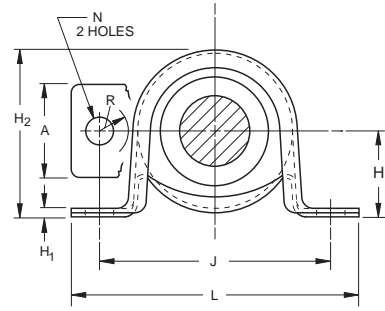
The ball bearing is a RA-RRB extended inner ring type bearing and has positive contact land-riding seals and self-locking collar. It incorporates the improved shroud cap design and is permanently prelubricated.

The RPB type pillow block has the same construction as the PB type, but has a thick, electrically conductive rubber interliner. Bearings in the RPB unit are designated as RA-RRB FS-450 and have a special ball and race finish for exceptionally quiet operation. The bearing together with the rubber interliner comprise a RABR unit. Bearing is permanently prelubricated.

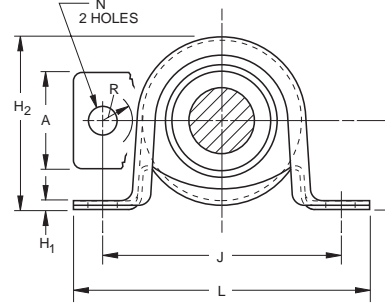
Recommended shaft tolerances: nominal to **-.0005"**, **-.013mm**.

**Bearing Data**

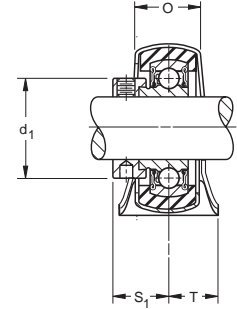
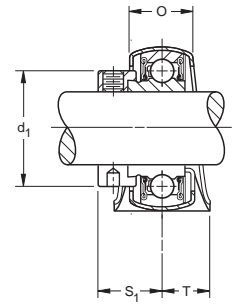
Unit	Bearing Number	Dimensions and Load Ratings
PB	RA...RRB	Page 156
RPB	RA...RRB	Page 156



PB Series



RPB Series



TO ORDER – specify unit and shaft diameter. i.e.; **PBS 1 3/16"**. Popular sizes are in bold.

Unit	Shaft Diam.	H	H <sub>2</sub>	J	L	A	H <sub>1</sub>	N	R	d <sub>1</sub>	O	S <sub>1</sub>	T	Bearing Number	Collar Number	Stamping Radial Load Rating <sup>(1)</sup>	Unit Wt.
	in. <b>mm</b>	in. <b>mm</b>	in. <b>mm</b>	in. <b>mm</b>	in. <b>mm</b>	in. <b>mm</b>	in. <b>mm</b>	in. <b>mm</b>	in. <b>mm</b>	in. <b>mm</b>	in. <b>mm</b>	in. <b>mm</b>	in. <b>mm</b>			lbs <b>N</b>	lbs <b>kg</b>
PB	<b>1/2</b>	<b>7/8</b>	<b>1 1/4</b>	<b>2 1/16</b>	<b>3 3/8</b>	<b>1</b>	<b>0.1</b>	<b>3/8</b>	<b>1 1/32</b>	<b>1 1/8</b>	<b>0.718</b>	<b>0.869</b>	<b>1/2</b>	RA008RRB	S1008K	300	0.44
PB	<b>5/8</b>	<b>22.2</b>	<b>44.4</b>	<b>68.3</b>	<b>92.1</b>	<b>25.4</b>	<b>2.54</b>	<b>9.5</b>	<b>8.7</b>	<b>28.6</b>	<b>18.24</b>	<b>22.07</b>	<b>12.7</b>	RA010RRB	S1010K	<b>1340</b>	<b>0.2</b>
PB	<b>17</b>													RAE17RRB	SE17K		
PB	<b>3/4</b>	<b>1</b>	<b>2 1/16</b>	<b>3</b>	<b>4 1/8</b>	<b>1</b>	<b>0.1</b>	<b>3/8</b>	<b>1 1/32</b>	<b>1 3/16</b>	<b>0.859</b>	<b>0.923</b>	<b>5/8</b>	RA012RRB	S1012K	350	0.57
PB	<b>20</b>	<b>25.4</b>	<b>52.4</b>	<b>76.2</b>	<b>104.8</b>	<b>25.4</b>	<b>2.54</b>	<b>9.5</b>	<b>10.3</b>	<b>33.3</b>	<b>21.82</b>	<b>23.44</b>	<b>15.9</b>	RAE20RRB	SE20K	<b>1560</b>	<b>0.259</b>
PB	<b>7/8</b>													RA014RRB	S1014K		
PB	<b>1 1/16</b>	<b>1 1/8</b>	<b>2 1/32</b>	<b>3 3/8</b>	<b>4 1/2</b>	<b>1 1/8</b>	<b>0.208</b>	<b>1 1/32</b>	<b>1 1/32</b>	<b>1 1/2</b>	<b>1</b>	<b>0.923</b>	<b>3/8</b>	RA015RRB	S1015K	400	0.65
PB	<b>1</b>	<b>28.6</b>	<b>56.4</b>	<b>85.7</b>	<b>114</b>	<b>28.6</b>	<b>5.28</b>	<b>10.3</b>	<b>10.3</b>	<b>38.1</b>	<b>25.4</b>	<b>23.44</b>	<b>14.3</b>	RA100RRB	S1100K	<b>1760</b>	<b>0.295</b>
PB	<b>25</b>													RAE25RRB	SE25K		
PB	<b>1 1/8</b>													RA102RRB	S1102K		
PB	<b>1 3/16</b>	<b>1 3/16</b>	<b>2 5/8</b>	<b>3 3/4</b>	<b>4 7/8</b>	<b>1 1/4</b>	<b>0.145</b>	<b>7/16</b>	<b>1 1/32</b>	<b>1 3/4</b>	<b>1</b>	<b>1.052</b>	<b>3/4</b>	RA103RRB	S1103K	600	1.05
PB	<b>1 1/2</b>	<b>33.3</b>	<b>66.7</b>	<b>95.2</b>	<b>123.8</b>	<b>31.8</b>	<b>3.68</b>	<b>11.1</b>	<b>10.3</b>	<b>44.5</b>	<b>25.4</b>	<b>26.72</b>	<b>19</b>	RA103RRB2	S1103K3	<b>2650</b>	<b>0.476</b>
PB	<b>30</b>													RAE30RRB	SE30K		

<sup>(1)</sup> Housing thrust rating is 1/2 of housing radial load rating.

Load ratings are upright mounted capacities with load direction toward base. These units should not be mounted vertically or upside down.

Recommended shaft tolerances: nominal to **-.0005"**, **-.013mm**.

TO ORDER - specify unit and shaft diameter. i.e.; **RPB 1 3/16"**. Popular sizes are in bold.

Unit	Shaft Diam.	H	H <sub>2</sub>	J	L	A	H <sub>1</sub>	N	R	d <sub>1</sub>	O	S <sub>1</sub>	T	Bearing Number	Collar Number	Stamping Radial Load Rating <sup>(1)</sup>	Unit Wt.
	in. <b>mm</b>	in. <b>mm</b>	in. <b>mm</b>	in. <b>mm</b>	in. <b>mm</b>	in. <b>mm</b>	in. <b>mm</b>	in. <b>mm</b>	in. <b>mm</b>	in. <b>mm</b>	in. <b>mm</b>	in. <b>mm</b>	in. <b>mm</b>			lbs <b>N</b>	lbs <b>kg</b>
RPB	<b>1/2</b>	<b>1</b>	<b>2 1/16</b>	<b>3</b>	<b>4 1/8</b>	<b>1</b>	<b>0.1</b>	<b>3/8</b>	<b>1 1/32</b>	<b>1 1/8</b>	<b>0.85</b>	<b>0.869</b>	<b>5/8</b>	RA008RRB	S1008K	200	0.44
RPB	<b>5/8</b>	<b>25.4</b>	<b>52.4</b>	<b>76.2</b>	<b>104.8</b>	<b>25.4</b>	<b>2.54</b>	<b>9.5</b>	<b>10.3</b>	<b>28.6</b>	<b>21.59</b>	<b>22.07</b>	<b>15.9</b>	RA010RRB	S1010K	<b>880</b>	<b>0.2</b>
RPB	<b>17</b>													RAE17RRB	SE17K		
RPB	<b>3/4</b>	<b>1 1/8</b>	<b>2 1/32</b>	<b>3 3/8</b>	<b>4 1/2</b>	<b>1 1/8</b>	<b>0.208</b>	<b>1 1/32</b>	<b>1 1/32</b>	<b>1 3/16</b>	<b>1</b>	<b>0.923</b>	<b>3/8</b>	RA012RRB	S1012K	250	0.57
RPB	<b>20</b>	<b>28.58</b>	<b>56.4</b>	<b>85.7</b>	<b>114</b>	<b>28.6</b>	<b>5.28</b>	<b>10.3</b>	<b>10.3</b>	<b>33.3</b>	<b>25.4</b>	<b>23.44</b>	<b>14.3</b>	RAE20RRB	SE20K	<b>1120</b>	<b>0.259</b>
RPB	<b>7/8</b>													RA014RRB	S1014K		
RPB	<b>1 1/16</b>	<b>1 3/16</b>	<b>2 5/8</b>	<b>3 3/4</b>	<b>4 7/8</b>	<b>1 1/4</b>	<b>0.145</b>	<b>7/16</b>	<b>1 1/32</b>	<b>1 1/2</b>	<b>1</b>	<b>0.923</b>	<b>3/4</b>	RA015RRB	S1015K	300	0.65
RPB	<b>1</b>	<b>33.34</b>	<b>66.7</b>	<b>95.2</b>	<b>123.8</b>	<b>31.8</b>	<b>3.68</b>	<b>11.1</b>	<b>10.3</b>	<b>38.1</b>	<b>25.4</b>	<b>23.44</b>	<b>19</b>	RA100RRB	S1100K	<b>1340</b>	<b>0.295</b>
RPB	<b>25</b>													RAE25RRB	SE25K		
LRPB	<b>1 3/16</b>	<b>1 3/16</b>	<b>2 5/8</b>	<b>3 3/4</b>	<b>4 7/8</b>	<b>1 1/4</b>	<b>0.145</b>	<b>7/16</b>	<b>1 1/32</b>	<b>1 3/4</b>	<b>1</b>	<b>1.114</b>	<b>3/4</b>	RAL103NPPB	LS103K	300	1.05
		<b>33.34</b>	<b>66.7</b>	<b>95.2</b>	<b>123.8</b>	<b>31.8</b>	<b>3.68</b>	<b>11.1</b>	<b>10.3</b>	<b>44.4</b>	<b>25.4</b>	<b>28.3</b>	<b>19</b>			<b>1340</b>	<b>0.476</b>

<sup>(1)</sup> Bearing suffix number FS450.

<sup>(2)</sup> Housing thrust rating is 1/2 of housing radial load rating. Maximum recommended speed is 2400 RPM.



# RABR HVAC Special Series

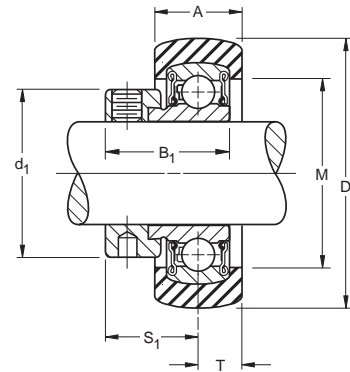
The RABR unit features a conductive rubber interliner to dissipate static charges. Vibration and noise telegraphed by grounding springs are eliminated. Super quiet RA-RRB extended inner ring bearings are prelubricated and have positive contact, land-riding seals with self-locking collars. RABR units can be mounted in tri-arm brackets or pressed steel stampings.

Maximum recommended speed 2400 RPM.

Recommended housing diameter = Nominal (A) -.005", -.015", -.130mm -.380mm.

**Bearing Data**

Unit	Bearing Number	Dimensions and Load Ratings
RABR	RA...RRB	Page 156



TO ORDER, SPECIFY UNIT AND SHAFT DIAMETER. Example: RABR 1". POPULAR SIZES ARE IN BOLD.

Unit	Shaft Diam.	D	B <sub>1</sub>	A	M	d <sub>1</sub>	S <sub>1</sub>	T	Bearing Number <sup>(1)</sup>	Collar Number	Housing Radial Load Rating <sup>(2)</sup>
	in.	in.	in.	in.	in.	in.	in.	in.			lbs
	mm	mm	mm	mm	mm	mm	mm	mm			N
RABR	<b>1/2</b>	1.865	1 1/8	1 1/16	1 3/8	1 1/8	7/8	1 1/32	RA008RRB	S1008K	200
RABR	<b>5/8</b>	<b>47.37</b>	<b>28.6</b>	<b>17.5</b>	<b>34.9</b>	<b>28.6</b>	<b>22.2</b>	<b>8.7</b>	RA010RRB	S1010K	<b>880</b>
RABR	<b>17</b>								RAE17RRB	SE17K	
RABR	<b>3/4</b>	2.062	1 7/32	1 1/16	1 5/8	1 5/16	9/16	1 1/32	RA012RRB	S1012K	250
RABR	<b>20</b>	<b>53.37</b>	<b>31</b>	<b>17.5</b>	<b>41.3</b>	<b>33.3</b>	<b>23.4</b>	<b>8.7</b>	RAE20RRB	SE20K	<b>1120</b>
RABR	<b>15/16</b>	2.456	1 7/32	1 3/16	1 7/8	1 1/2	9/16	1 1/32	RA015RRB	S1015K	300
RABR	<b>1</b>	<b>62.38</b>	<b>31</b>	<b>20.6</b>	<b>46.8</b>	<b>38.1</b>	<b>23.4</b>	<b>10.3</b>	RA100RRB	S1100K	<b>1340</b>
RABR	<b>25</b>								RAE25RRB	SE25K	
RABR	<b>1 1/16</b>	2.456	1 13/32	1 3/16	1 7/8	1 3/4	1 1/8	1 1/32	RAL103PP	LS103K	300
RABR	<b>30</b>	<b>62.38</b>	<b>35.7</b>	<b>20.6</b>	<b>46.8</b>	<b>44.4</b>	<b>28.6</b>	<b>10.3</b>	RAE30PP3	SE30K	<b>1340</b>

<sup>(1)</sup> For replacement of bearings, specify suffix FS-450.

<sup>(2)</sup> Thrust load is 1/3 radial load rating.

Maximum recommended speed is 2400 RPM.

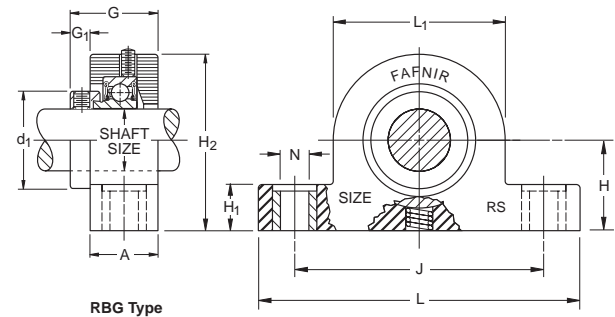
# RBG, RBGU HVAC Special Series

Fafnir synthetic rubber pillow blocks are designed for domestic heating, air-conditioning, ventilating equipment and many other applications where low-cost, light-duty, and noiseless operation is essential. All units are available with the RA-RR extended inner ring bearings with positive contact land-riding seals and self-locking collar. An initial supply of long-life grease is provided in the one-piece, non-relubricatable housings made of high-grade, durable molded synthetic rubber.

Rubber pillow blocks with provision for relubrication are designated as the RBG series. At slight additional cost, both can be supplied with a .050" to .062" thick corrosion-resistant steel strap for applications requiring greater rigidity. When the strap is required, add the suffix U to the pillow block designated as RBGU.

**Bearing Data**

Unit	Bearing Number	Dimensions and Load Ratings
RS	RA...RR	Page 156



TO ORDER, SPECIFY UNIT AND SHAFT DIAMETER. Example: RS 1 3/16". POPULAR SIZES ARE IN BOLD.

Unit	H	H <sub>2</sub>	G	L <sub>1</sub>	J	L	A	H <sub>1</sub>	N	G <sub>1</sub>	d <sub>1</sub>	Bearing Number‡§	Collar Number‡	Housing Radial Load* Rating	Approx. Wt.
	in.	in.	in.	in.	in.	in.	in.	in.	in.	in.	in.			lbs.	lbs.
RBG, RBGU 3/4	1 1/4	2 1/2	1 15/32	2 1/2	3 1/2	4 5/8	1 1/8	3/8	3 3/16	1 1/32	1 15/16	RA012RR§	S1012K	50	1.5
RBG, RBGU 15/16	1 5/8	2 11/16	1 19/32	2 3/4	3 7/8	5	1 1/4	5/8	3 1/8	1 1/32	1 1/2	RA015RR§	S1015K	60	1.75
RBG, RBGU 1	1 5/8	2 11/16	1 19/32	2 3/4	3 7/8	5	1 1/4	5/8	3 1/8	1 1/32	1 1/2	RA100RR§	S1100K	60	1.8
RBG, RBGU 1 1/16	1 5/8	3 3/32	1 3/4	3 3/8	4 1/2	6	1 3/8	3/4	3 3/8	3/8	1 1/4	RA103RR§	S1103K	90	3.1

\* Load ratings for RBGU pillow blocks are approximately twice the above figures.

§ Suffix for RA -RR bearing is FS450.

‡RBG units incorporate RB series bearings with RS locking collar. Example: Bearing and collar for RBG 3/4" unit, specify RB012 bearing and RS012 collar.

Special one ounce tubes of grease are available for relubrication.

To order, specify: RBG 1 grease tubes.