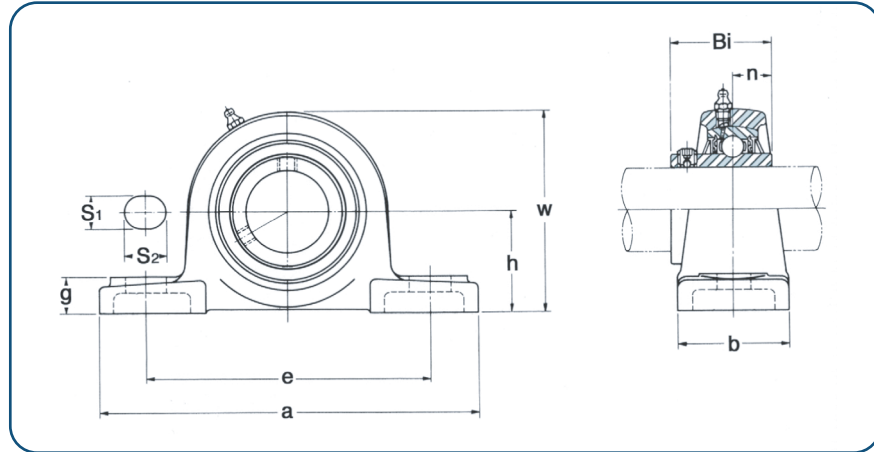


Mounted Units - Pillow Blocks



• UCAK200 Series

Pillow Block, Low Shaft Height
Wide Inner Race, Set Screw Locking



Designation	Shaft Dia.		Dimensions mm										Bolt Size	Bearing No.	Housing No.	Weight kg	
	In.	mm	h	a	e	b	S1	S2	g	w	Bi	n					
UCAK 201-08	1/2														UC 201-08		
202-10	5/8														202-10		
204		20	31.8	133	98	41	12	16	14.3	64	31	12.7	3/8 M10	204	AK204	0.7	
204-12	3/4													204-12			
UCAK 205		25												UC 205			
205-14	7/8													205-14			
205-15	15/16		33.3	140	105	45	12	16	16	68	34	14.3	3/8 M10	205-15	AK205	0.9	
205-16	1													205-16			
UCAK 206		30												UC 206			
206-17	1-1/16													206-17			
206-18	1-1/8		39.7	160	121	48	15	19	17	80	38.1	15.9	1/2 M14	206-18	AK206	1.4	
206-19	1-3/16													206-19			
206-20	1-1/4S													206-20			
UCAK 207		35												UC 207			
207-20	1-1/4													207-20			
207-21	1-5/16		46	167	127	48	15	19	19	92	42.9	17.5	1/2 M14	207-21	AK207	1.7	
207-22	1-3/8													207-22			
207-23	1-7/16													207-23			
UCAK 208		40												UC 208			
208-24	1-1/2		49.2	181	140	54	15	19	19	100	49.2	19.0	1/2 M14	208-24	AK208	2.0	
208-25	1-9/16													208-25			
UCAK 209		45												UC 209			
209-26	1-5/8													209-26			
209-27	1-11/16		52.4	190	146	54	15	19	21	106	49.2	19.0	1/2 M14	209-27	AK209	2.8	
209-28	1-3/4													209-28			
UCAK 210		50												UC 210			
210-30	1-7/8													210-30			
210-31	1-15/16		55.6	203	159	57	15	19	22	113	51.6	19.0	5/8 M16	210-31	AK210	3.2	
210-32	2S													210-32			
UCAK 211		55												UC 211			
211-32	2													211-32			
211-34	2-1/8		61.9	232	181	60	20	24	25	125	55.6	22.2	5/8 M16	211-34	AK211	4.9	
211-35	2-3/16													211-35			
UCAK 212		60												UC 212			
212-36	2-1/4													212-36			
212-38	2-3/8		68.3	241	190	64	20	24	29	138	65.1	25.4	5/8 M16	212-38	AK212	5.3	
212-39	2-7/16													212-39			