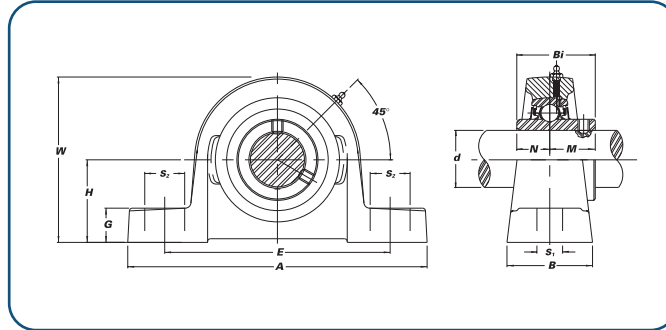


Mounted Units - Pillow Blocks



• HCP200 Series

Pillow Block, Wide Inner Race, Eccentric Locking Collar



Designation	Shaft Dia.		Dimensions mm										Bolt Size	Bearing No.	Housing No.	Weight kg	
	In.	mm	h	a	e	b	S1	S2	g	w	Bi	n					
HCP 201-08	1/2														HC 201-08		
202-10	5/8														202-10		
204		20	33.3	127	95	38	13	16	15	65	43.5	17		204	P204	0.85	
204-12	3/4													204-12			
HCP 205		25												HC 205			
205-14	7/8													205-14			
205-15	15/16		36.6	140	105	38	13	16	16	70	44.3	17.4		205-15	P205	1.06	
205-16	1													205-16			
HCP 206		30												HC 206			
206-17	1-1/16													206-17			
206-18	1-1/8		42.9	165	121	48	17	21	18	83	48.3	18.2		206-18	P206	1.7	
206-19	1-3/16													206-19			
206-20	1-1/4													206-20			
HCP 207		35												HC 207			
207-20	1-1/4													207-20			
207-21	1-5/16		47.6	167	127	48	17	21	19	94	51.1	18.8		207-21	P207	2.25	
207-22	1-3/8													207-22			
207-23	1-7/16													207-23			
HCP 208		40												HC 208			
208-24	1-1/2		49.2	184	137	54	17	25	19	100	56.3	21.4		208-24	P208	2.8	
208-25	1-9/16													208-25			
HCP 209		45												HC 209			
209-26	1-5/8		54	190	146	54	17	25	20	108	56.3	21.4		209-26	P209	3.15	
209-27	1-11/16													209-27			
209-28	1-3/4													209-28			
HCP 210		50												HC 210			
210-30	1-7/8		57.2	206	159	60	20	25	22	114	62.7	24.6		210-30	P210	3.8	
210-31	1-15/16													210-31			
210-32	2S													210-32			
HCP 211		55												HC 211			
211-32	2		63.5	219	171	60	20	25	22	126	71.4	27.7		211-32	P211	4.7	
211-34	2-1/8													211-34			
211-35	2-3/16													211-35			
HCP 212		60												HC 212			
212-36	2-1/4		69.8	241	184	70	20	25	25	138	77.7	30.9		212-36	P212	6.6	
212-38	2-3/8													212-38			
212-39	2-7/16													212-39			
HCP 213		65												HC 213			
213-40	2-1/2		76.2	265	203	70	25	29	27	150	85.7	34.1		213-40	P213	7.5	
HCP 214		70												HC 214			
214-43	2-11/16		79.4	266	210	72	25	31	27	156	85.7	34.1		214-43	P214	8.0	
214-44	2-3/4													214-44			
HCP 215		75												HC 215			
215-47	2-15/16		82.6	275	217	74	25	31	28	163	92.1	37.3		215-47	P215	9.0	
215-48	3													215-48			