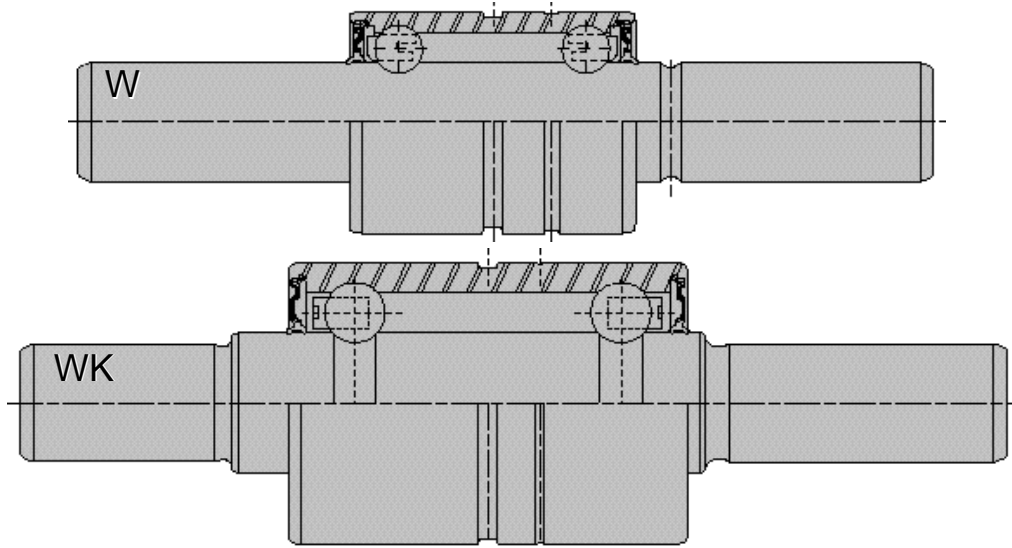


	PAGE		PAGE
Engineering Details	2 - 8	WN-S Bearing Family	23
FAG Code System	2	WS Bearing Family	25
Materials	3	WNS Bearing Family	29
Sealing	3	WK Bearing Family	33
Steel Chemistry	4	WKN Bearing Family	39
Bearing Clearance	4	Special Features	43
Standard Housing to Bearing Outer Ring Fits	5	Interchange Data	49 - 56
Recommended Fit and Mechanical Properties of Housing Material	5	NSK to FAG	50
Water Pump Bearing Mounting Recommendations	6	NSK/RHP to FAG	52
Lubrication	6	Koyo to FAG	53
Bearing Life and Load Ratings	7	SKF to FAG	55
Reduction of Bearing Life	8	New Departure to FAG	56
Dimensional Information	9 - 49	Application Data	57 - 79
W Bearing Family	9	Sorted by OEM PUMP BODY Casting Number	58
W-S Bearing Family	15	Sorted by Manufacturer	71
WN Bearing Family	19		

Dimensional interchange and application data has been carefully reviewed and is accurate to the best of our knowledge. FAG Automotive does not accept liability for errors or omissions. Additions or corrections would be appreciated.

FAG Code System

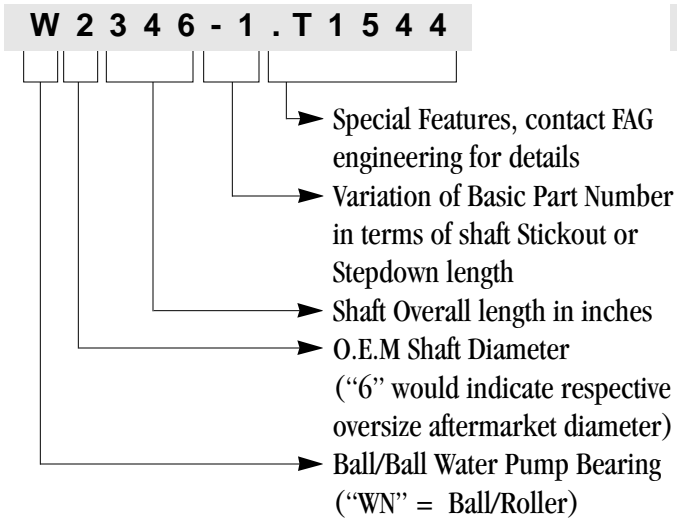


Bearing part numbers are arranged in this catalogue in numerical order. The part number coding is described below.

Example:

Standard Size Bearings

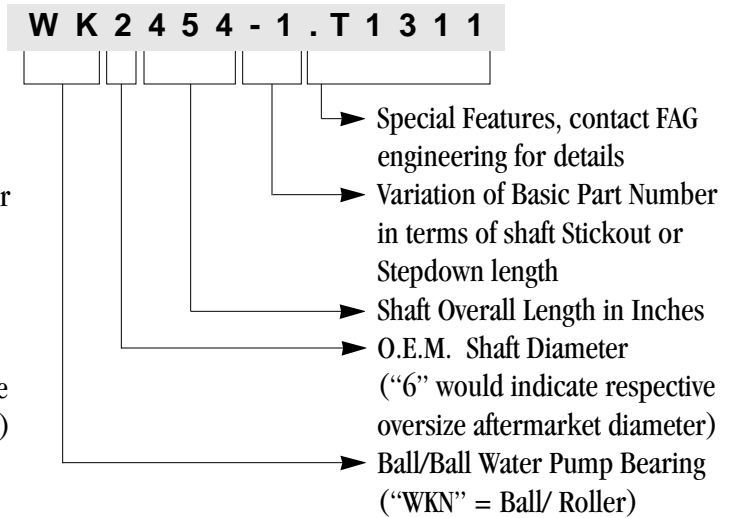
5/8" Shaft x 1.1811" Outer Ring Diameter



Example:

King Size Bearings

3/4" Shaft x 1.5000" Outer Ring Diameter



Non-standard bearings with different shaft diameters and/or different outer ring diameters or outer ring lengths are prefixed "WS" for ball/ball units or "WNS" for ball/rollers units.

Materials

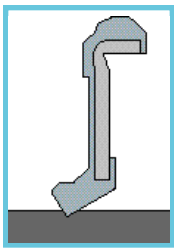
In a water pump bearing, very high local stresses can occur in the rolling element raceways. They are generally in the range of 1050 MPa to 4200 MPa. Interference fits further increase the stresses. Under standard operating conditions, wear of the sliding and rolling surfaces must be taken into account. Cantilever loads on the shaft necessitate excellent

bending strength. As such our outer ring, balls, and rollers are made of through hardened SAE 52100 or its European equivalent DIN 100Cr6. The Shaft is made of SAE 1070 which is induction hardened in order to maintain a soft, flexible core. All rolling surfaces are hardened to a range of HRC 58 to 64.

Sealing

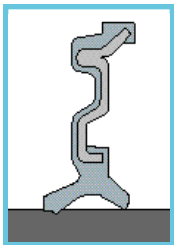
The function of the waterpump bearing seals is to exclude contaminants, such as dust or coolant vapour, while retaining the lubricant. It is normal for a small quantity of grease to come out of the seal lip, as part of the lubrication of the seal lip interface. This quantity should not exceed 0.2g. The seal performance is determined by the material properties and the lip design, as detailed below.

Conventional Single Lip Snap Type Design



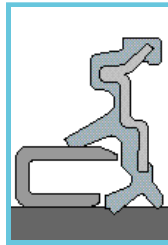
- For normal automotive applications
- Vulcanized elastomer sealing element
- Ease of assembly
- Economical

Standard Double Lip Interlocking Design



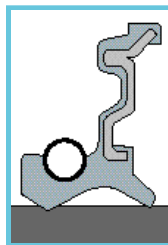
- For demanding applications
- Inward facing seal lip for improved grease retention
- Upgraded rubber material for better sealing against coolant
- Positive lock in outer ring, reduces possibility of seal spinning
- Optimized lip cross-section for torque and sealing performance

Triple Lip Interlocking Design



- For severe applications
- Inward facing seal lip for improved grease retention
- Upgraded rubber material for better sealing against coolant
- Positive lock in outer ring, reduces possibility of seal spinning
- Optimized lip cross-section for torque and sealing performance
- Additional stainless steel slinger and third lip for increased sealing protection

Spring Loaded Double Lip Interlocking Design



- For applications exposed to engine oil
- Inward facing seal lip for improved grease retention
- Fluoroelastomer material for better sealing against hot oil
- Positive lock in outer ring, reduces possibility of seal spinning
- Optimized lip cross-section for torque and sealing performance
- Additional stainless steel garter spring to guarantee protection from oil ingress into the bearing

Steel Chemistry

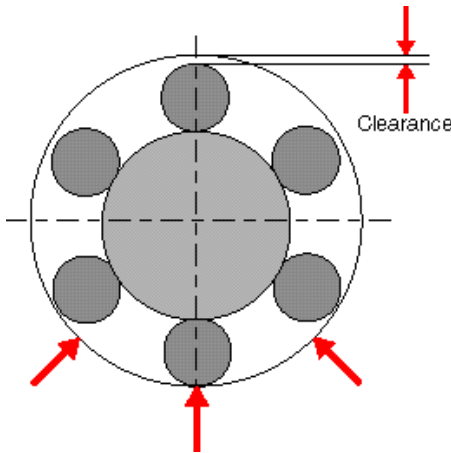
Both steels are melted in basic open-hearth or electric furnaces. The introduction of vacuum degassing for SAE 52100 improves the inclusion cleanliness of

TYPE	COMPOSITION %					
	C	Si	Mn	P	S	Cr
DIN 100Cr6 or SAE 52100	0.90 - 1.10	0.15 - 0.35	0.25 - 0.45	0.025 Max	0.015 Max	1.30 - 1.60
SAE 1070	0.65 - 0.75	0.15 - 0.30	0.60 - 0.90	0.025 Max	0.020 Max	.20 Max

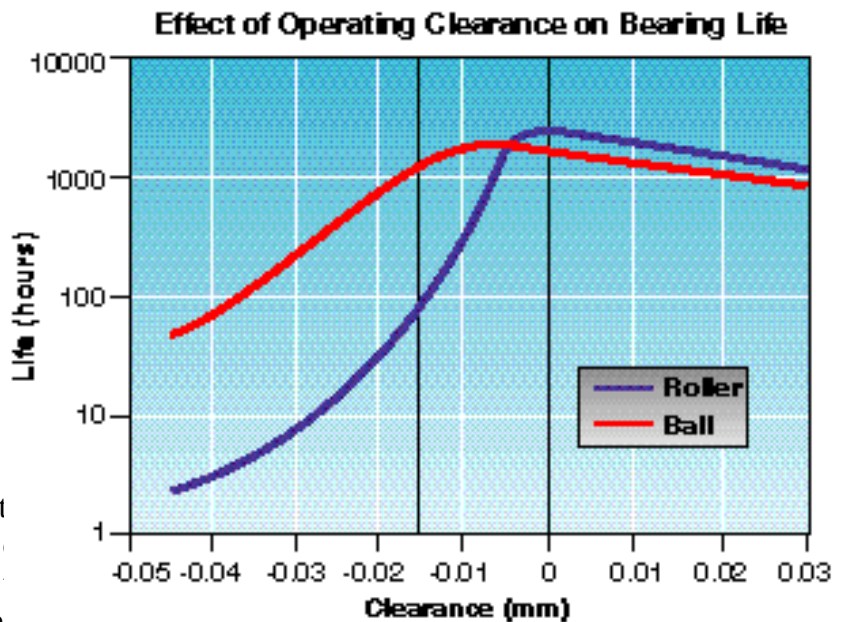
the product. SAE 1070 is processed by means of bloom continuous casting or ingot casting. Both methods are

accurately controlled maintaining inclusion levels more stringent than ASTM A295 for bearing steel.

Bearing Clearance



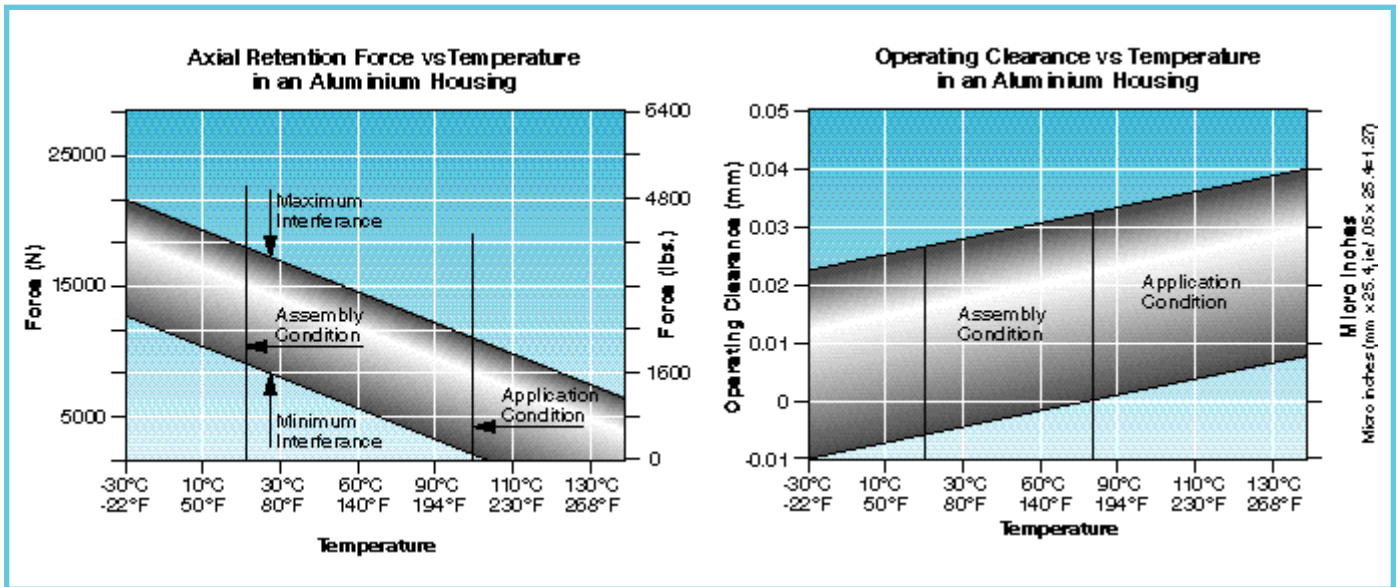
Operating clearance affects the bearing life. High clearance results in a loose assembly, and low operating clearance results in bearing pre-load. The predicted life is shown in the chart at right. As can be seen, roller raceway is much more sensitive to bearing pre when a moderate pre-load such as 15 microns is present. Operating clearance depends on the bearing manufactured clearance, temperature of operation, housing material and



press fit. See standard housing to bearing outer ring fit chart on the next page.

Engineering Details

Standard Housing to Bearing Outer Ring Fits



Recommended Fit and Mechanical Properties of Housing Material

MATERIAL	ELASTIC MODULUS (MPa)	YIELD STRESS (MPa)	THERMAL EXPANSION COEFFICIENT [$\mu\text{/mm}^\circ\text{C}$]	RECOMMENDED FIT (mm)			
				BORE DIAMETER			
				30.000mm	38.100mm	47.625mm	55.000 mm
Steel	207,000	300	11	29.972	38.072	47.600	
				29.946	38.046	47.574	
Aluminum	70,000	180	22	29.949	38.029	47.554	54.923
				29.924	38.003	47.528	54.898
Cast Iron G30	114,000	275	11	29.967	38.067	47.587	54.946
				29.947	38.047	47.562	54.919
Cast Iron G55	140,000	275	11	29.967	38.067	47.587	54.946
				29.947	38.047	47.562	54.919

Material properties may vary significantly for some alloys. To determine the correct fit, the actual properties of the housing material in question should be considered.

Water Pump Bearing Mounting Recommendations

When mounting the bearing into the housing, care must be taken to prevent the transmitting of forces through the ball complement. In order to avert this, a sleeve should be used that contacts the outer ring face only. A mechanical press should be used.

The hub, impeller and mechanical seal bores must be aligned with the shaft axis during their mounting. Again a press should be used and the opposite shaft end must be

supported to prevent transmission of forces through the ball complement.

Bearing Housing Fit

The function of the outer ring interference fit is to retain the bearing in the housing over the intended service temperature range. It also must provide adequate bearing support without inducing ovality into the raceways. If the

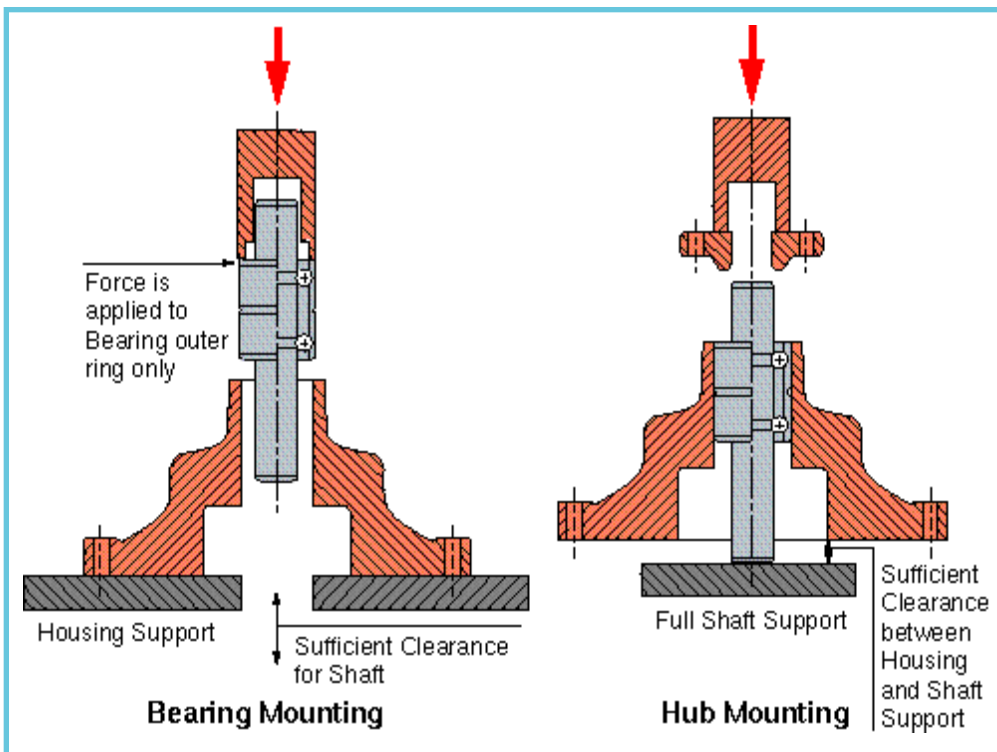
interference fit is too light, the bearing could walk out of the housing. If the fit is too heavy, pre-load of the bearing may occur.

Housing Requirements

Bore circularity $< 0.010\text{mm}$.
Bore taper $< .007\text{ mm per } 25\text{ mm bore length}$.

Smoothing

During press in, material from the housing bore is removed resulting in less holding force. In cold conditions, material removal increases. This depends on the housing material and the housing bore surface finish.



Lubrication

The highest life values are obtained with hydrodynamic state of lubrication, that is where no metal to metal contact exists between the rolling elements and their respective raceways. For this, high cleanliness is also a necessity. With the increase of operating temperature thinner lubricating films result causing metal to metal contact. This causes a

decrease in bearing life. FAG has developed lubricants which can be selected to suit specific application needs. Our standard NLG1 3 lubricant has a temperature capability better than 120°C (255°F). Special customer requirements will require the input of FAG Engineering.

Engineering Details

Bearing Life

Static Load Rating (Co)

This load causes a total permanent deformation of 0.0001% of the rolling element diameter at the most heavily loaded element/raceway contact. For the usual curvature ratios, this value corresponds to a contact pressure of approximately 4200 MPa.

Rating Lifetime

The rating life is determined by the formula:

$$L_{10} = \left(\frac{C}{P}\right)^P (10^6 \text{ revolutions})$$

P is the equivalent dynamic load. It is a combination of radial and axial loads which can act on the bearing simultaneously.

$$P = X \cdot F_r + Y \cdot F_a$$

where: F_r = Radial Load
 F_a = Axial load
X = Radial Factor
Y = Thrust Factor

C is the dynamic load rating. It is indicated in the included chart per the latest ABMA regulations.

Basic Dynamic Load Rating C kN (lbf)

BEARING TYPE	COMPONENTS	
	BALL	ROLLER
5/8" Standard Ball/Ball	6.5 (1470)	—
5/8" Standard Ball/Roller	6.5 (1470)	15.8 (3550)
3/4" Standard Ball/Ball	9.7 (2180)	—
3/4" Standard Ball/Roller	9.7 (2180)	26.3 (5900)

L_{10} is the lifetime expressed in millions of revolutions. It is reached or exceeded by at least 90% of a large group of identical bearings.

P is the life exponent. For a ball bearing it is 3, and for a roller bearing, 10/3. For a constant speed, the life in hours is calculated:

$$L_{10} = L_h = \frac{L_{10} \cdot 10^6}{n \cdot 60} (\text{hours})$$

where n = speed in rpm

Improvements in bearing materials and bearing greases can add further adjustment factors to the bearing life. FAG Engineering should be contacted in order to define the factors applicable for each application.

Reduction of Water Pump Bearing Lifetime Due to Improper Assembly

Lack of attention to proper installation of pulleys, fans, fan spacers or viscous clutches will cause increased bearing loading during operation.

Typically, the water pump belt forces and weights of rotating components on the bearing shafts will load the outer ring raceways over only one-half of its circumference. This is called a point loaded condition.

Because of rotation with respect to the loads, the shaft raceways are loaded over their full circumference or, circumferentially loaded.

If the assembly procedure or mounted components contain or induce eccentricities at the mating surfaces, imbalance loads will be generated. If angularity occurs, gyroscopic moments are created due to the tilted, wobbling motion of the misaligned components during rotation. Angularity may also contribute to the eccentric imbalance loads. All eccentric and gyroscopic load components are non-stationary in direction and rotate with the shaft. This situation, if severe, will reverse the raceway loading patterns to that of point loaded shaft raceways and 360 degree

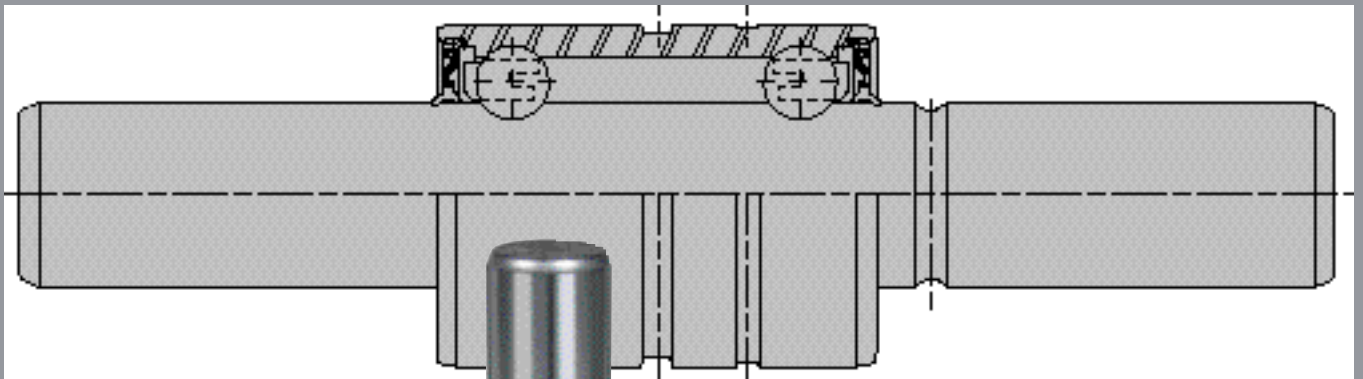
circumferentially loaded outer ring raceways. The magnitudes of these loads increases with the square of the rotational speed.

Other conditions generated under these circumstances are roller edge stressing and misaligned ball row tracking. This acts to elevate cage and lubricant stressing and increase bearing operating temperatures. As well, the L₁₀ bearing fatigue life becomes shorter due to the increased equivalent load on each row.

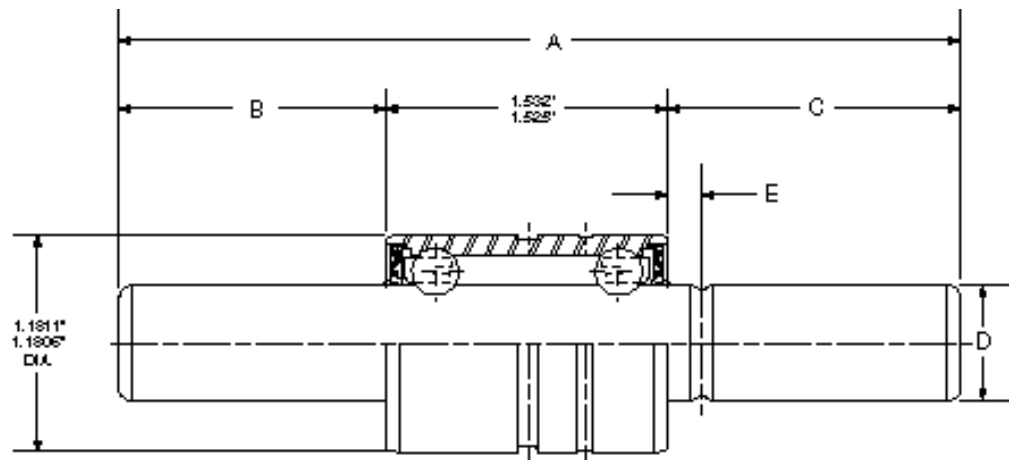
Taken to extremes, imbalance and gyroscopic loads may become so high reaching the strength limitations of the shaft material. The dynamic stress reversals may initiate tiny micro-cracks in the hardened case layer. If operation such as this continues, the cracks will propagate across the entire shaft cross section and cause the shaft to fracture, often with catastrophic results.

As an assist to determining the severity of these effects, FAG Applications Engineering can provide computer calculation services to assess the extent of imbalance and gyroscopic loads and their influence on bearing L₁₀ life.

W Bearing Family

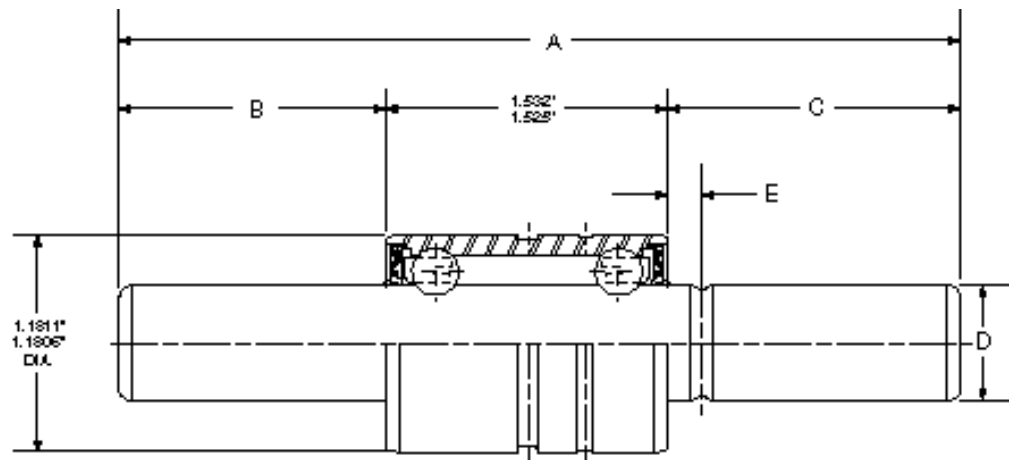


The W family consists of a ball / ball internal design. Standard design offers a 5/8" main shaft diameter, 1.1811" outer ring diameter, and a 1.530" outer ring length. This bearing is typically used in automotive water pump applications. Some W bearings are available with special features.

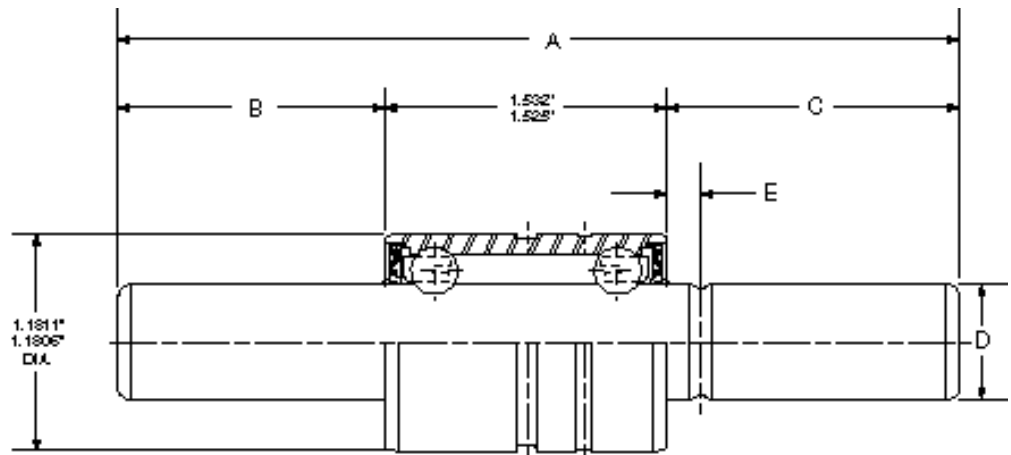


Bearing Number	A	B	C	D	E
W2289	2.890	0.158	1.203	0.6267	
W2325	3.250	0.160	1.561	0.6267	
W2355-3	3.552	0.670	1.353	0.6267	
W2366	3.661	0.728	1.404	0.6267	
W2371	3.715	0.689	1.496	0.6267	
W2375-3	3.758	0.563	1.666	0.6267	0.189
W2385	3.858	0.670	1.659	0.6267	
W2401-3	4.016	0.671	1.816	0.6267	
W2406-1	4.062	0.924	1.609	0.6267	0.189
W2415-1	4.150	0.801	1.819	0.6267	0.189
W2417-2	4.172	0.815	1.828	0.6267	0.189
W2431	4.312	0.578	2.205	0.6267	
W2434	4.346	0.843	1.974	0.6267	0.189
W2434-1	4.346	0.843	1.974	0.6267	0.189
W2435	4.359	0.766	2.062	0.6267	
W2439	4.390	0.939	1.922	0.6267	
W2440-4	4.400	1.151	1.718	0.6267	0.189
W2441-1	4.409	1.062	1.815	0.6267	
W2446	4.469	1.081	1.859	0.6267	0.189
W2454	4.547	0.806	2.212	0.6267	
W2456	4.561	1.100	1.933	0.6267	0.189
W2456-1	4.567	1.070	1.969	0.6267	
W2468	4.687	1.471	1.687	0.6267	0.189
W2468-1	4.688	1.469	1.690	0.6267	0.189
W2472	4.720	1.440	1.751	0.6267	0.189

W Series Dimensions

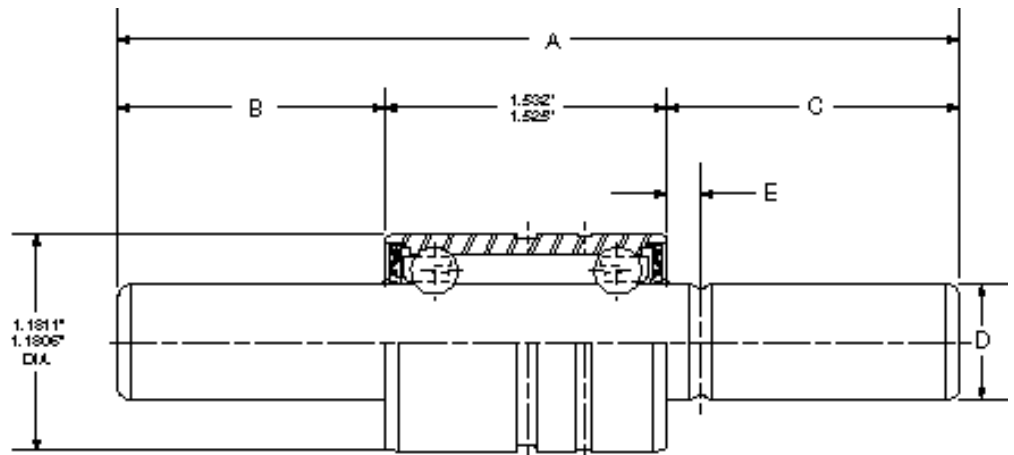


Bearing Number	A	B	C	D	E
W2475	4.750	1.501	1.718	0.6267	0.189
W2475-1	4.750	1.341	1.880	0.6267	0.189
W2476	4.760	1.162	2.069	0.6267	0.189
W2476-2	4.760	1.162	2.069	0.6267	
W2481	4.810	1.336	1.945	0.6267	0.189
W2481-1	4.812	1.125	2.156	0.6267	0.250
W2485	4.850	0.766	2.555	0.6267	
W2486-2	4.869	1.252	2.088	0.6267	0.189
W2503	5.031	1.016	2.484	0.6267	0.189
W2503-6	5.031	1.750	1.750	0.6267	0.189
W2507	5.078	1.252	2.297	0.6267	0.189
W2532	5.326	2.002	1.795	0.6267	0.189
W2537	5.370	1.540	2.301	0.6267	0.189
W2547	5.472	0.910	3.034	0.6267	0.189
W2548-1	5.485	1.380	2.576	0.6267	0.189
W2562	5.625	1.578	2.516	0.6267	0.250
W2562-1	5.625	1.579	2.515	0.6267	0.189
W2575	5.755	2.515	1.711	0.6267	0.189
W2575-2	5.750	2.430	1.789	0.6267	0.189
W2637	6.375	2.300	2.546	0.6267	0.189
W3399	3.996	0.689	1.778	0.6275	
W3481-5	4.812	1.585	1.699	0.6275	
W3481-6	4.812	1.585	1.699	0.6275	0.189
W3520-2	5.202	1.582	2.089	0.6275	0.189
W3520-3	5.202	1.582	2.092	0.6275	



Bearing Number	A	B	C	D	E
W3522-1	5.222	1.174	2.519	0.6275	
W3607	6.072	1.172	3.371	0.6275	
W3607-1	6.072	1.174	3.369	0.6275	0.189
W6364	3.640	0.990	1.120	0.6290	
W6366	3.661	0.728	1.404	0.6290	
W6375-3	3.758	0.562	1.666	0.6290	0.189
W6385	3.858	0.670	1.657	0.6290	
W6401-3	4.016	0.669	1.817	0.6290	
W6406-1	4.062	0.924	1.609	0.6290	0.189
W6415-1	4.150	0.802	1.819	0.6290	0.189
W6428-1	4.281	1.078	1.672	0.6290	0.189
W6433-2	4.330	1.140	1.659	0.6290	0.189
W6434	4.346	0.843	1.970	0.6290	0.189
W6439	4.391	0.940	1.922	0.6290	0.189
W6440-4	4.400	1.153	1.718	0.6290	0.189
W6445	4.453	1.252	1.672	0.6290	0.189
W6446	4.469	1.080	1.859	0.6290	
W6450-2	4.500	1.260	1.709	0.6290	0.360
W6454	4.547	0.809	2.209	0.6290	
W6456	4.561	1.100	1.932	0.6290	0.189
W6468	4.687	1.472	1.687	0.6290	0.189
W6468-1	4.688	1.469	1.690	0.6290	
W6470	4.703	1.283	1.891	0.6290	
W6476	4.760	1.162	2.069	0.6290	0.189
W6478-1	4.788	1.237	2.022	0.6290	0.189

W Series Dimensions



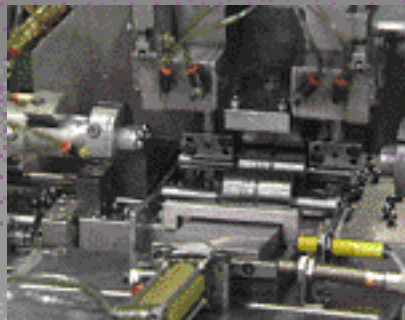
Bearing Number	A	B	C	D	E
W6481	4.810	1.334	1.945	0.6290	0.189
W6481-1	4.812	1.125	2.156	0.6290	0.189
W6484	4.844	1.454	1.862	0.6290	0.189
W6486-2	4.869	1.250	2.090	0.6290	0.189
W6503	5.031	1.018	2.484	0.6290	0.189
W6507	5.078	1.250	2.297	0.6290	0.189
W6527	5.270	1.679	2.060	0.6290	0.189
W6534-1	5.344	2.065	1.751	0.6290	0.189
W6537	5.370	1.540	2.301	0.6290	0.189
W6543	5.437	1.611	2.297	0.6290	
W6548-1	5.485	1.380	2.576	0.6290	0.189
W6555	5.551	1.926	2.094	0.6290	0.189
W6556	5.560	1.532	2.499	0.6290	0.189
W6562	5.625	1.578	2.518	0.6290	0.189
W6562-1	5.625	1.580	2.516	0.6290	
W6575-1	5.750	2.430	1.789	0.6290	
W6590-2	5.900	1.380	2.991	0.6290	1.192
W6637	6.375	2.300	2.546	0.6290	0.189
W7399-1	3.996	0.691	1.776	0.6295	0.189
W7481-1	4.813	1.127	2.156	0.6295	0.189
W7481-6	4.812	1.584	1.699	0.6295	0.189
W7520-2	5.202	1.584	2.089	0.6295	0.189
W7522-1	5.222	1.174	2.519	0.6295	
W7607-1	6.072	1.174	3.369	0.6295	0.189



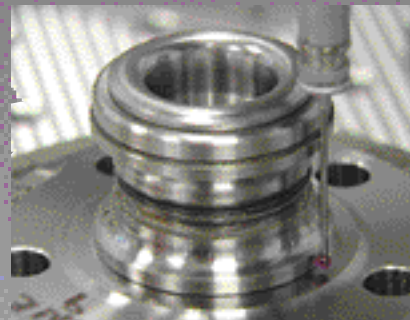
Materials Control Laboratory ensures all manufactured product meets industry microstructure, cleanliness and hardness standards.



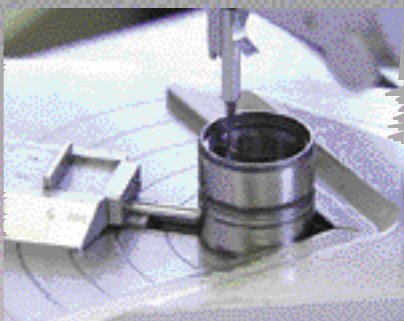
Engineering



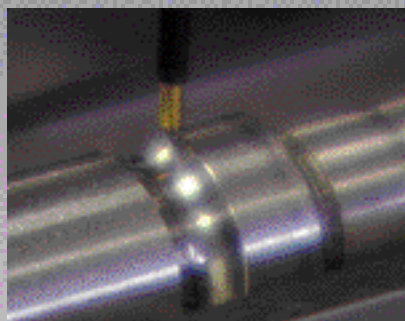
Product Assembly



CMM



Roundness Tracing

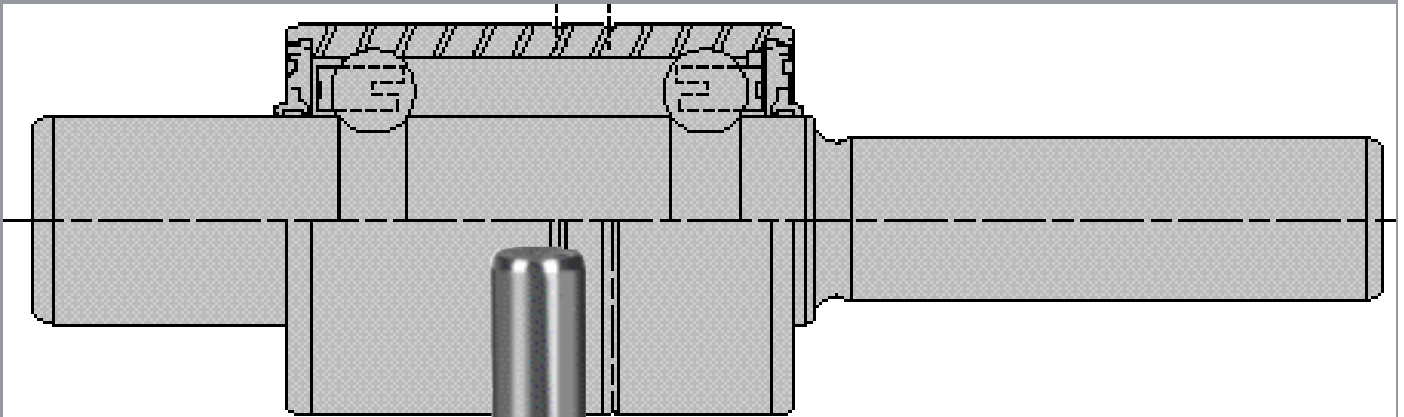


Profile Tracing

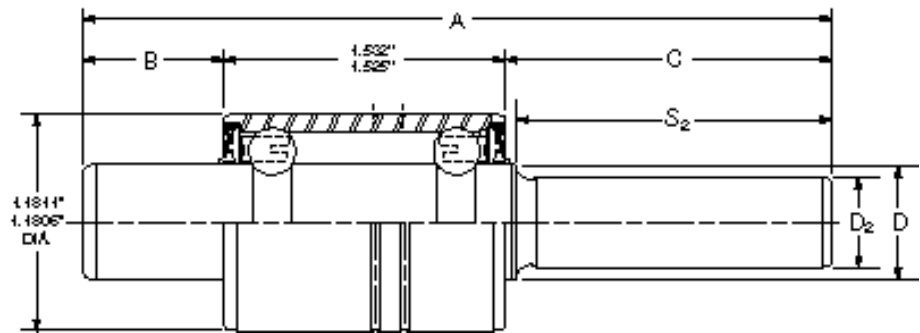


Research and Development

W-S Bearing Family

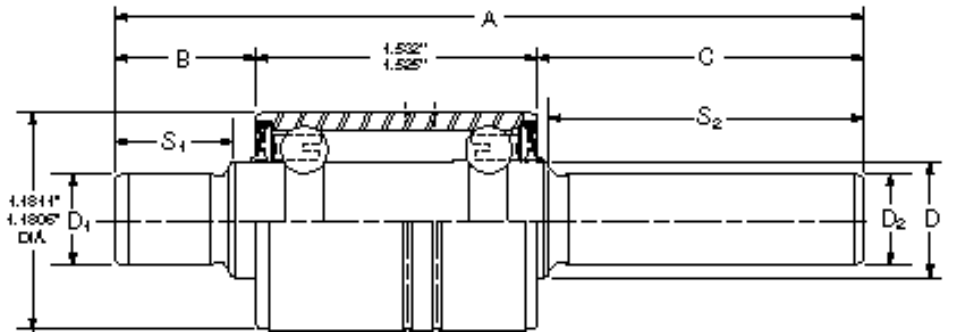


The W-S bearing design features standard “W” family characteristics with a shaft reduction on the impeller end. Some designs offer shaft reductions on both ends.



Bearing Number	A	B	C	D	D ₁	S ₁	D ₂	S ₂
W2334S	3.346	0.512	1.305	0.6267			0.4724	1.181
W2346-1S	3.467	0.486	1.452	0.6267			0.4739	1.329
W2346-2S	3.469	0.562	1.378	0.6267			0.4724	1.278
W2355S	3.551	0.613	1.409	0.6267			0.4724	1.331
W2364-5S	3.642	0.653	1.460	0.6267			0.4727	1.358
W2364S	3.642	0.991	1.121	0.6267			0.4739	1.043
W2366-1S	3.661	0.646	1.487	0.6267			0.4739	1.329
W2387S	3.878	0.886	1.463	0.6267			0.4724	1.329
W2391S	3.918	0.652	1.737	0.6267	0.4739	0.575	0.4739	1.625
W2394S	3.948	0.842	1.577	0.6267			0.4724	1.445
W2397S	3.976	0.984	1.464	0.6267			0.4724	1.358
W2404S	4.040	0.886	1.625	0.6267			0.4990	1.500
W2405-1S	4.055	0.652	1.874	0.6267			0.4724	1.693
W2415-1S	4.154	0.927	1.697	0.6267			0.4724	1.565
W2417S	4.173	1.183	1.460	0.6267			0.4727	1.319
W2418-3S	4.181	0.727	1.925	0.6267			0.4724	1.614
W2420-1S	4.205	0.810	1.866	0.6267			0.4724	1.689
W2431-2S	4.311	0.989	1.793	0.6267			0.4739	1.661
W2453-1S	4.535	0.654	2.353	0.6267			0.4739	1.441
W2482S.J3177	4.822	1.038	2.255	0.6267			0.4739	1.742
W2488S	4.882	1.654	1.699	0.6267			0.4724	1.555
W3399-2S	3.996	0.689	1.778	0.6267			0.4739	1.705
W6334S	3.346	0.514	1.303	0.6290			0.4744	1.181
W6364-1S	3.642	0.989	1.124	0.6290			0.4759	1.065
W6387S	3.878	0.886	1.461	0.6290			0.4744	1.329

W-S Series Dimensions



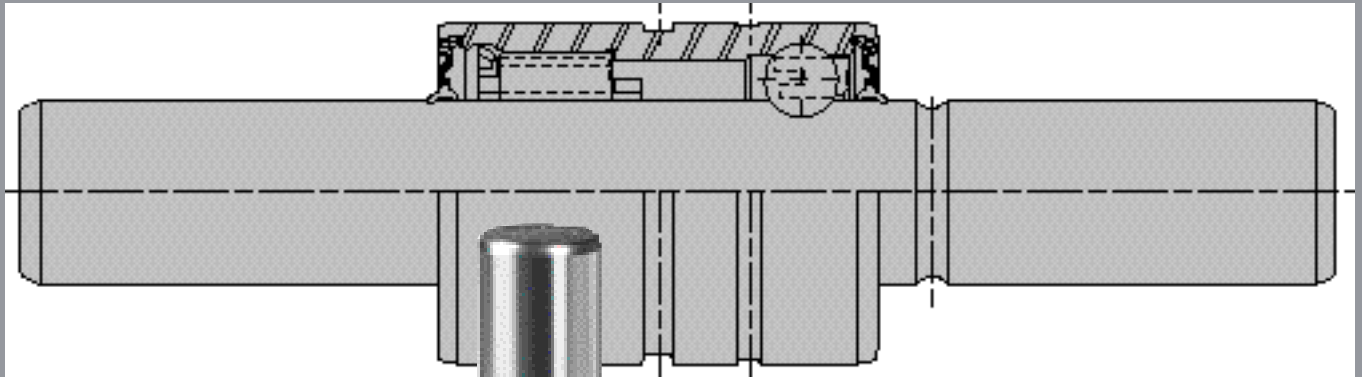
Bearing Number	A	B	C	D	D ₁	S ₁	D ₂	S ₂
W6397-2S	3.976	0.947	1.500	0.6267	0.5532	0.858	0.4744	1.382
W6397-3S	3.976	0.983	1.464	0.6290			0.4744	1.358
W6407-1S	4.075	0.849	1.697	0.6290	0.4744	0.709	0.4744	1.555
W6407-2S	4.075	0.772	1.774	0.6290			0.4744	1.654
W6415-1S	4.154	0.925	1.697	0.6290			0.4744	1.565
W6418S	4.180	0.991	1.660	0.6290			0.5038	1.532
W6440-5S	4.409	1.183	1.697	0.6290			0.4744	1.565
W6452-1S	4.528	0.652	2.350	0.6290			0.4744	2.165
W6488S	4.882	1.654	1.699	0.6290			0.4739	1.555
W7399-2S	3.996	0.691	1.776	0.6295			0.4759	1.705

Notes

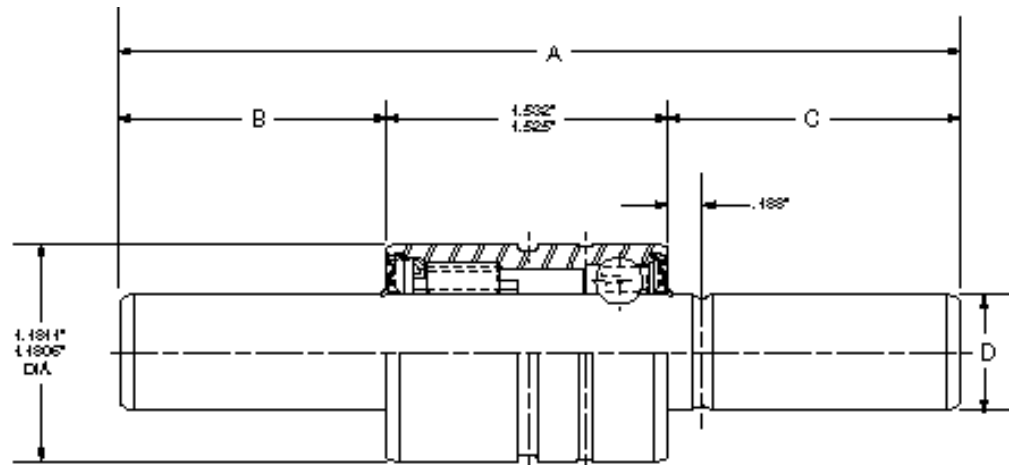


CNC turning centres allow for precision turning of spindles with intricate features.

WN Bearing Family

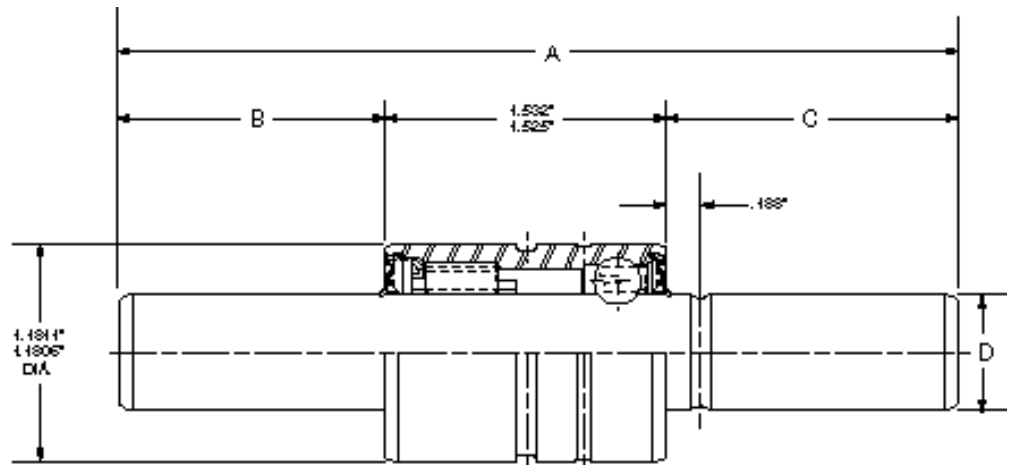


The WN family consists of a ball / roller internal design. Standard design offers a 5/8" main shaft diameter, 1.1811" outer ring diameter, and a 1.529" outer ring length. This bearing utilizes a ball / roller design for increased radial load carrying ability. Some WN bearings are available with special features.



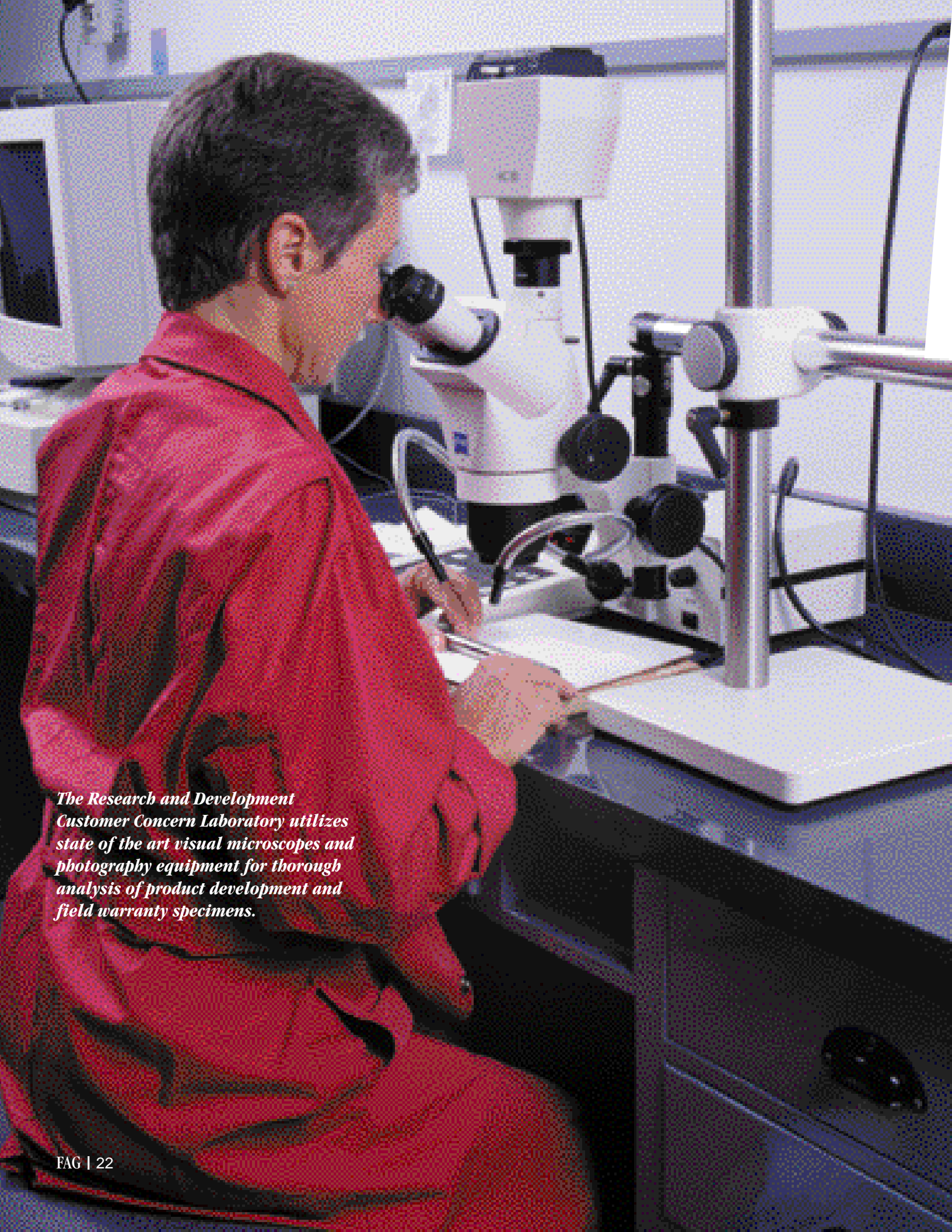
Bearing Number	A	B	C	D
WN2269	2.693	0.986	0.177	0.6267
WN2366-4	3.661	0.727	1.405	0.6267
WN2375-3	3.758	0.563	1.666	0.6267
WN2401-5	4.016	0.669	1.818	0.6267
WN2410	4.100	1.030	1.539	0.6267
WN2415-1	4.150	0.801	1.819	0.6267
WN2434	4.346	0.844	1.974	0.6267
WN2447	4.475	1.422	1.524	0.6267
WN2448-1	4.488	0.750	2.209	0.6267
WN2450-2	4.500	1.260	1.712	0.6267
WN2454	4.547	0.807	2.212	0.6267
WN2456-1	4.561	1.100	1.933	0.6267
WN2462-1	4.620	1.339	1.752	0.6267
WN2468-2	4.685	0.713	2.444	0.6267
WN2475	4.751	1.102	2.120	0.6267
WN2476	4.760	1.162	2.069	0.6267
WN2497	4.970	1.450	1.991	0.6267
WN2547	5.472	0.910	3.033	0.6267
WN2548	5.485	1.380	2.576	0.6267
WN2548-1	5.485	1.630	2.326	0.6267
WN3399	3.996	0.689	1.779	0.6275
WN3520-2	5.202	1.584	2.089	0.6275
WN3607	6.072	1.172	3.372	0.6275
WN3607-1	6.072	1.174	3.370	0.6275
WN6415-1	4.150	0.801	1.819	0.6290

WN Series Dimensions



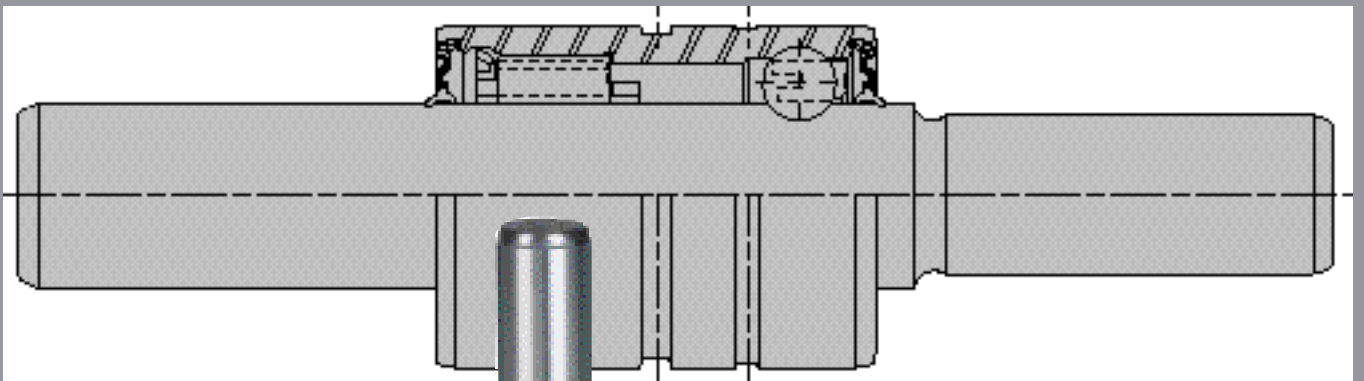
Bearing Number	A	B	C	D
WN6454	4.547	0.807	2.212	0.6290
WN6456	4.561	1.100	1.932	0.6290
WN6548	5.485	1.380	2.576	0.6290
WN7607-1	6.072	1.174	3.369	0.6295

Notes



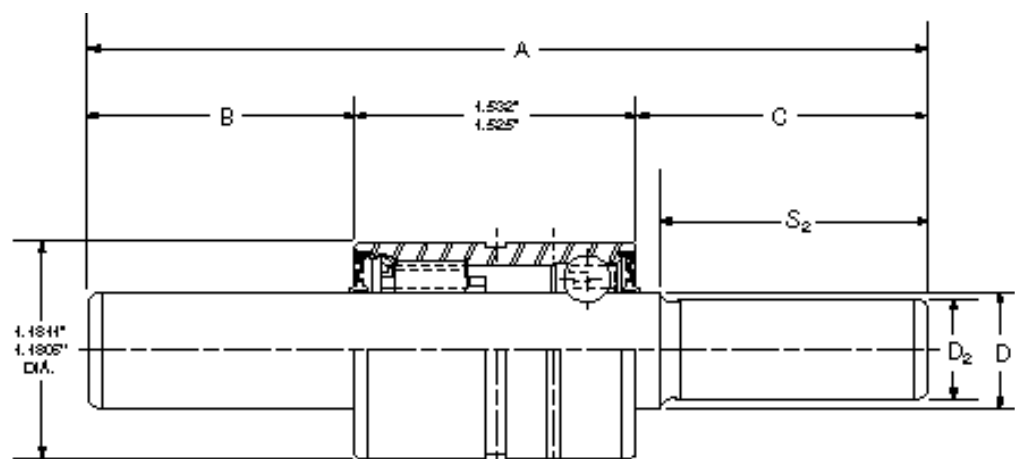
The Research and Development Customer Concern Laboratory utilizes state of the art visual microscopes and photography equipment for thorough analysis of product development and field warranty specimens.

WN-S Bearing Family



The WN-S bearing design features standard “WN” family characteristics with a shaft reduction on the impeller end. Some designs offer shaft reductions on both ends.

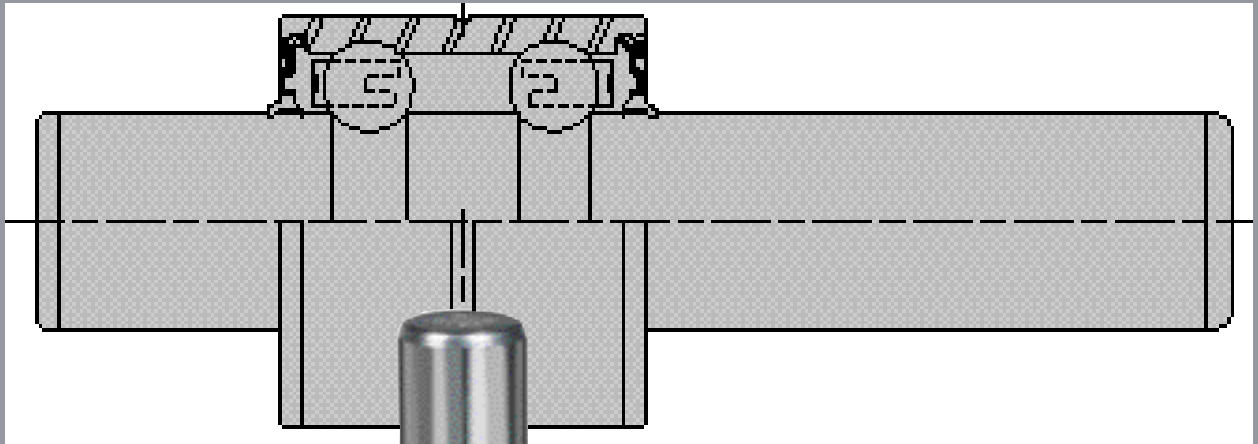
FAG Automotive WN-S Series Dimensions



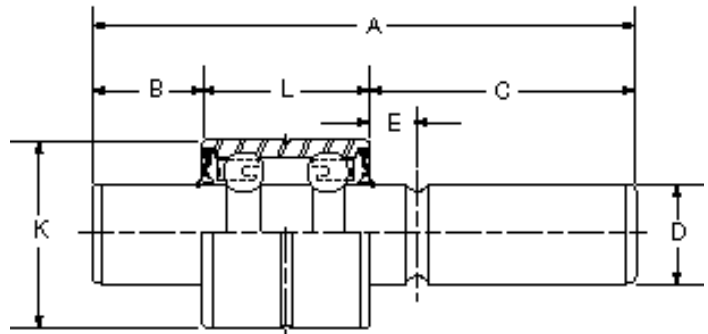
Bearing Number	A	B	C	D	D ₂	S ₂
WN2358-1S	3.585	0.529	1.527	0.6267	0.4739	1.437
WN2364-7S	3.642	0.591	1.522	0.6267	0.4724	1.432
WN2375-4S	3.758	0.563	1.666	0.6267	0.4739	1.587
WN2388-2S	3.889	0.728	1.632	0.6267	0.4739	1.554
WN2397S	3.976	0.984	1.463	0.6267	0.4724	1.358
WN2405S	4.055	0.650	1.877	0.6267	0.4724	1.787
WN2413-2S	4.134	1.212	1.394	0.6267	0.4724	1.260
WN2419S	4.193	0.868	1.797	0.6267	0.4739	1.718
WN2434-4S	4.346	0.844	1.974	0.6267	0.4739	1.895
WN2461-1S	4.618	0.716	2.374	0.6267	0.4739	2.295
WN2479S	4.795	1.239	2.027	0.6267	0.4739	1.948
WN3399-2S	3.996	0.689	1.779	0.6275	0.4739	1.705
WN6397S	3.976	0.984	1.463	0.6290	0.4744	1.358

Notes

WS Bearing Family

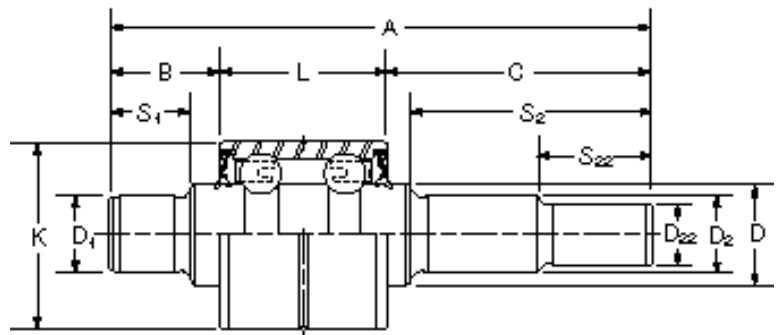


A WS bearing consists of a ball / ball internal design. The “S” represents a special design and is associated with any ball / ball bearing that does not offer standard outer ring or shaft dimensions.



Bearing	A	B	C	D	E	K	L	D ₁	S ₁	D ₂	S ₂	D ₂₂	S ₂₂
WS2263	2.593	0.985	0.079	0.6267		1.1811	1.529						
WS2279	2.795	0.490	1.358	0.6267		1.1811	0.945			0.4724	1.280		
WS2307	3.071	0.531	1.476	0.4724		0.9448	1.063						
WS2311	3.114	0.535	1.516	0.6267	0.189	1.1811	1.063						
WS2315-1	3.150	0.559	1.276	0.5015		0.9448	1.314						
WS2315-2	3.151	0.620	1.468	0.6267		1.1811	1.063						
WS2325	3.257	0.628	1.315	0.4739		0.9448	1.314						
WS2332-1	3.327	0.679	1.585	0.6267	0.118	1.1811	1.063						
WS2333	3.332	0.680	1.589	0.6267		1.1811	1.063			0.4739	1.510		
WS2334-6	3.346	0.669	1.614	0.6267		1.1811	1.063	0.5909	0.559	0.4739	1.378		
WS2340-2	3.406	0.531	1.345	0.6267		1.1811	1.529			0.4739	1.252		
WS2344-1	3.445	0.531	1.496	0.5909	0.189	1.1811	1.417						
WS2344-4	3.445	0.531	1.496	0.5909		1.1811	1.417			0.4724	1.348		
WS2344-6	3.445	0.531	1.496	0.6267		1.1811	1.417			0.4724	1.348		
WS2345	3.458	0.702	1.693	0.6267		1.1811	1.063						
WS2349	3.494	0.758	1.319	0.6299		1.1811	1.417						
WS2351	3.514	0.825	1.630	0.6267		1.1811	1.059			0.4724	1.496		
WS2357-2	3.571	0.551	1.488	0.6693		1.4173	1.531			0.5909	1.339		
WS2358-1	3.583	0.669	1.500	0.6267		1.1811	1.413	0.5909	0.567	0.4724	1.350		
WS2362	3.622	0.669	1.424	0.4724		1.0236	1.575						
WS2372	3.720	0.846	1.345	0.4724		1.0236	1.529						
WS2377-2	3.780	0.669	1.654	0.7874		1.4173	1.457	0.6267	0.669	0.6267	1.543		
WS2383	3.839	0.898	1.413	0.5909		1.1811	1.528						
WS2385-7	3.858	0.672	1.657	0.6267		1.1811	1.529						
WS2385-8	3.858	0.711	1.619	0.6299	0.189	1.1811	1.529						

WS Series Dimensions

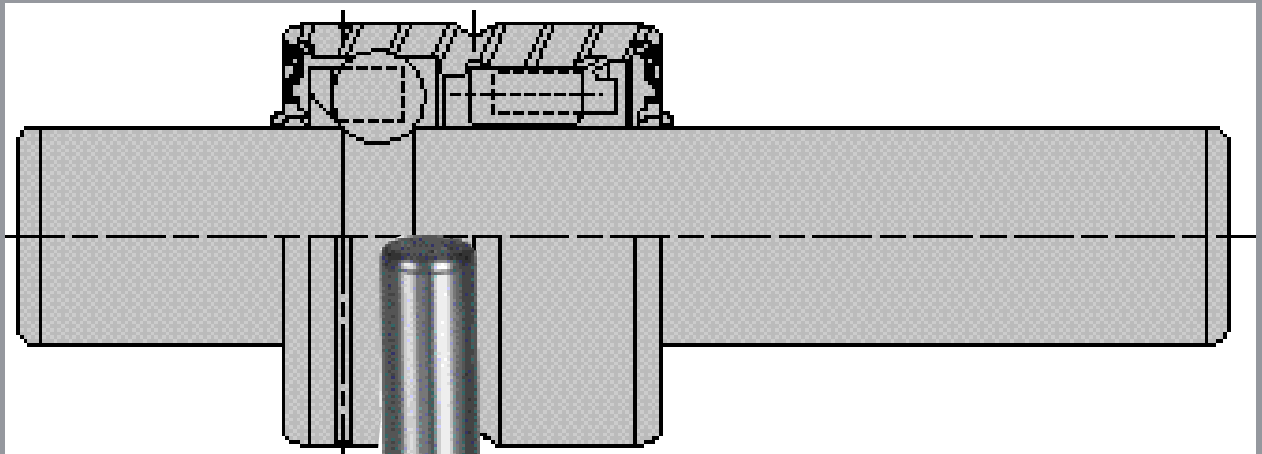


Bearing	A	B	C	D	E	K	L	D ₁	S ₁	D ₂	S ₂	D ₂₂	S ₂₂
WS2401	4.016	1.063	1.378	0.4728		1.0236	1.575						
WS2401-3	4.016	0.551	1.839	0.7465		1.5000	1.625			0.6267	1.760	0.5138	0.787
WS2436	4.364	0.600	1.898	0.7878		1.8504	1.866			0.6304	1.882		
WS2443	4.436	1.126	1.685	0.7465		1.5000	1.625	0.6267	1.000	0.6267	1.560		
WS2468-2	4.687	1.047	2.015	0.7465		1.5000	1.625			0.6267	1.890		
WS2485	4.850	1.002	1.600	0.6267		1.1811	2.248						
WS2503	5.039	0.907	1.884	0.6267		1.1811	2.248						
WS2509	5.098	1.297	1.675	0.7465		1.5000	2.125	0.6693	1.197	0.6693	1.575		
WS2511	5.118	1.260	1.994	1.1803		2.1654	1.864			0.5909	1.882		
WS3385-7	3.858	0.672	1.657	0.6276	0.157	1.1811	1.529						
WS6315-1	3.150	0.559	1.276	0.5035		0.9448	1.314						
WS6315-2	3.151	0.620	1.468	0.6290	0.118	1.1811	1.063						
WS6332	3.327	0.807	1.457	0.4759		0.9448	1.063						
WS6332-1	3.327	0.679	1.585	0.6290	0.118	1.1811	1.063						
WS6354	3.543	0.551	1.460	0.4744		1.0236	1.531						
WS6364-4	3.642	1.638	1.473	0.4739		1.0236	1.531						
WS6372	3.720	0.846	1.345	0.4744		1.0236	1.529						
WS6401-3	4.016	0.551	1.839	0.7485		1.5000	1.625			0.6267	1.760	0.5138	0.787
WS6443	4.436	1.126	1.685	0.7485		1.5000	1.625	0.6290	1.000	0.6290	1.560		
WS6468-2	4.687	1.047	2.015	0.7485		1.5000	1.625			0.6290	1.890		
WS6475B	4.750	1.315	1.810	0.7485		1.5000	1.625	0.6267	0.625	0.6290	1.705		

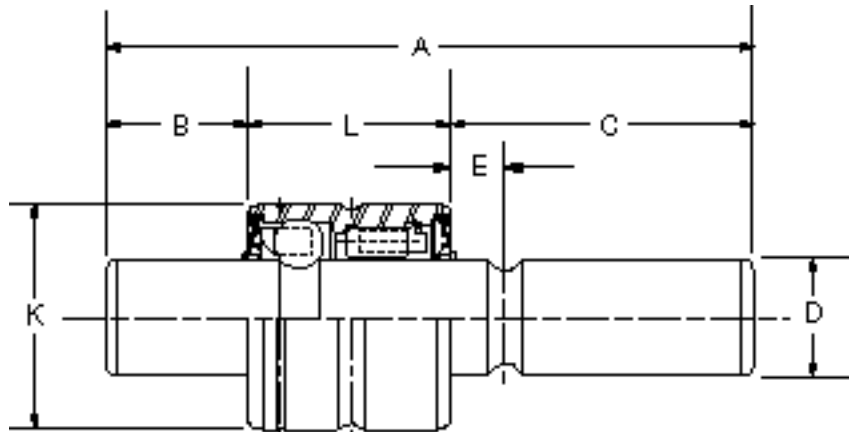


*ACME Multi-spindle
turning equipment
help make high
volume production
and on time delivery
possible.*

WNS Bearing Family

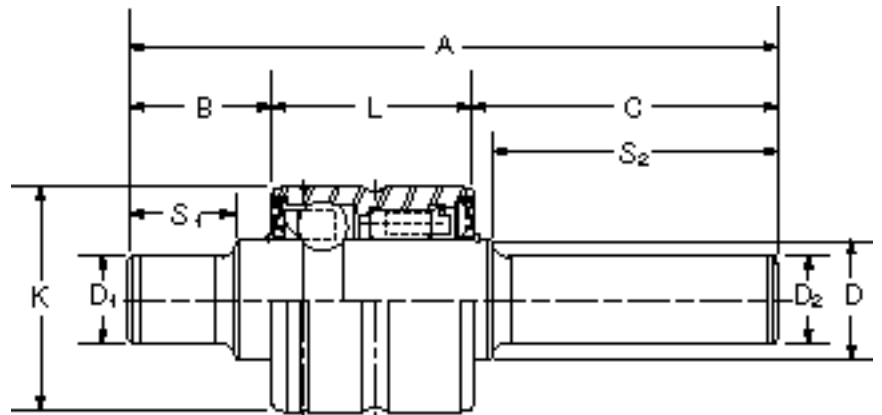


A WNS bearing consists of a ball / roller internal design. This bearing utilizes a roller complement for increased radial load carrying ability. The “S” represents a special design and is associated with any ball / roller bearing that does not offer standard outer ring or shaft dimensions. Orientation of ball raceway and roller raceway may vary.



Bearing Number	A	B	C	D	E	K	L	D ₁	S ₁	D ₂	S ₂
WNS2299-2	2.992	0.642	1.287	0.6267		1.1811	1.063			0.4739	1.209
WNS2325-1	3.250	0.719	1.468	0.6267		1.1811	1.063				
WNS2332	3.327	0.807	1.457	0.4739		0.9448	1.063				
WNS2335	3.350	0.557	1.730	0.6267		1.1811	1.063			0.4739	1.633
WNS2337-1	3.379	0.571	1.627	0.6267		1.1811	1.181			0.4739	1.548
WNS2340	3.406	0.531	1.345	0.6267		1.1811	1.529			0.4739	1.252
WNS2344-2	3.445	0.650	1.378	0.5909		1.1811	1.417				
WNS2344-6	3.445	0.531	1.496	0.6267		1.1811	1.417			0.4724	1.348
WNS2348-5	3.484	0.757	1.664	0.6267		1.1811	1.063			0.4724	1.565
WNS2353	3.530	0.648	1.643	0.6267		1.1811	1.239			0.4739	1.565
WNS2354-2	3.543	0.709	1.303	0.5909		1.1811	1.529			0.4739	1.220
WNS2360-1	3.602	0.524	1.346	0.6267		1.1811	1.732			0.4739	1.252
WNS2411	4.114	1.030	1.555	0.5909		1.1811	1.529			0.4751	1.441
WNS2417	4.173	1.089	1.555	0.5909		1.1811	1.529			0.4751	1.441
WNS2426	4.264	0.727	2.008	0.6267		1.1811	1.529			0.4739	1.929
WNS2430-2	4.301	0.699	1.555	0.5909	0.138	1.1811	2.047				
WNS2466	4.665	1.063	1.555	0.5909		1.1811	2.047			0.4751	1.441
WNS2482	4.823	1.142	1.638	0.7877		1.4173	2.047	0.5909	1.127	0.4746	1.608
WNS2490	4.909	1.063	1.800	0.7877		1.4173	2.046	0.5909	1.048	0.4746	1.608
WNS2493	4.931	0.699	2.185	0.5909	0.531	1.1811	2.047				
WNS2500.F3253	5.000	0.984	1.654	0.9867		2.1653	2.362			0.6321	1.614
WNS2500-1.F2773	5.000	0.984	1.654	0.9867		2.1653	2.362			0.5928	1.614
WNS2514	5.146	1.299	1.799	0.7877		1.4173	2.047	0.5909	1.283	0.4746	1.676
WNS2535-1	5.358	0.925	2.308	1.0000		1.8750	2.125	0.7465	0.820	0.6267	2.106
WNS2572	5.730	1.255	2.113	0.9867		2.1651	2.362	0.7465	1.130	0.6267	1.988

WNS Series Dimensions



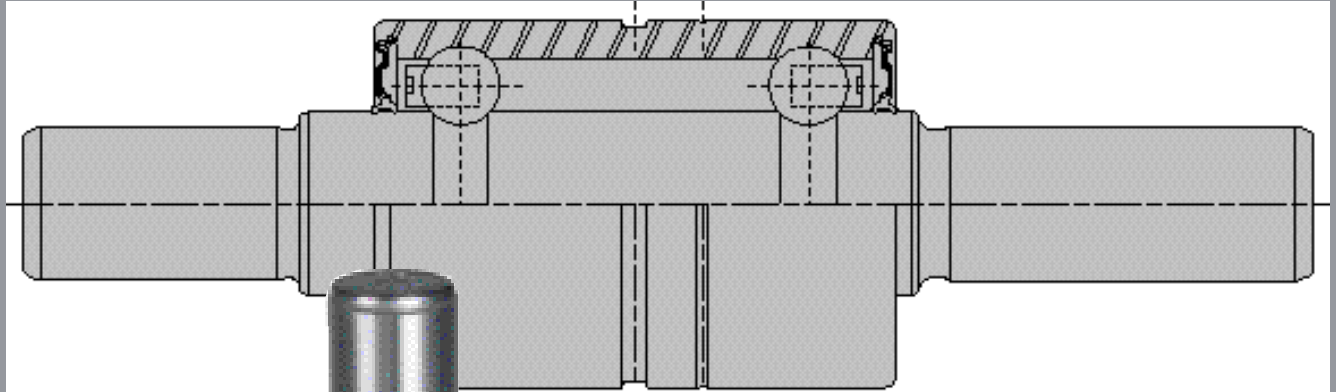
Bearing Number	A	B	C	D	E	K	L	D ₁	S ₁	D ₂	S ₂
WNS2603	6.035	1.260	2.413	0.9867		2.1651	2.362	0.7465	0.535	0.6267	2.283
WNS2616-6.L145	6.165	1.395	2.408	0.9867		2.1651	2.362	0.7465	0.535	0.6267	2.283
WNS6299-2	2.992	0.642	1.287	0.6287		1.1811	1.063			0.4759	1.209
WNS6315-2	3.151	0.620	1.468	0.6290		1.1811	1.063				
WNS6332	3.327	0.807	1.457	0.4759		0.9448	1.063				

Notes

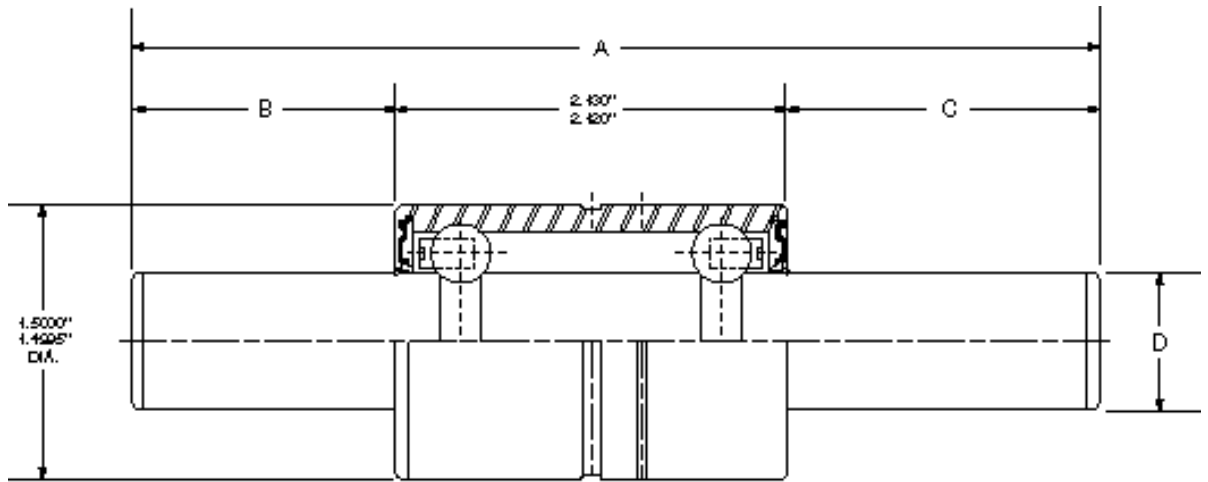


*FAG Metrology
department provides
the service and
support to ensure
that product stays
“on size”*

WK Bearing Family

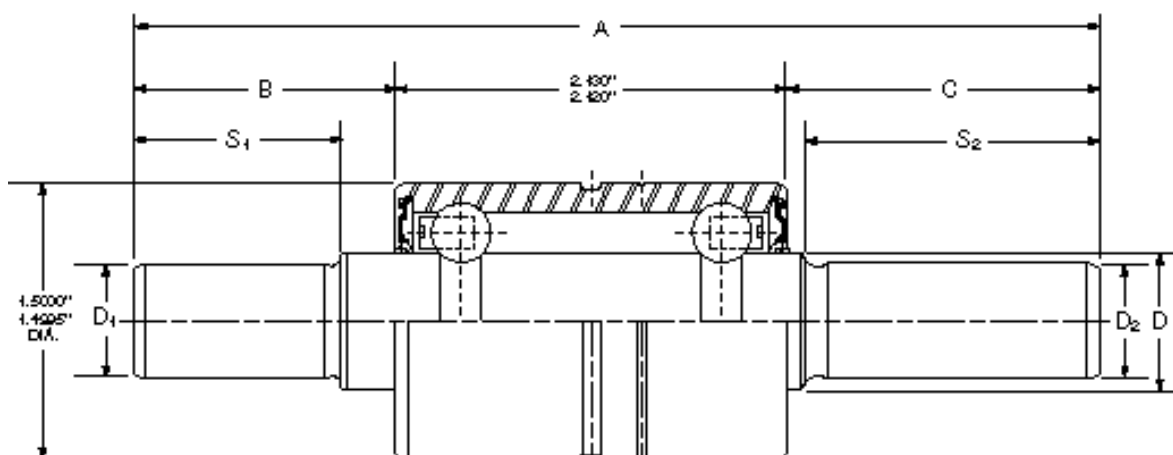


The WK bearing is essentially a “king size” W bearing that features a ball / ball internal design. Standard dimensions consist of a 1.5000" outer ring diameter and a 2.125" outer ring length. The standard shaft diameter size is 3/4". Larger rolling elements and envelope dimensions allow for higher load carrying ability. This bearing is typically used in automotive water pump applications. Some special designs are available that allow this bearing family to be used in many other applications.

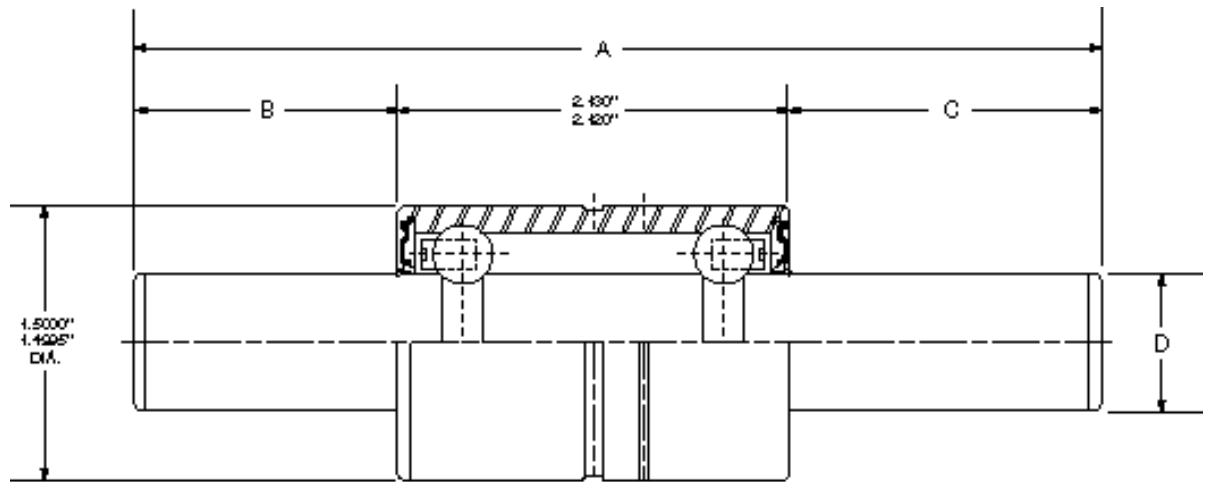


Bearing Number	A	B	C	D	D ₁	S ₁	D ₂	S ₂
WK2461	4.616	0.531	1.959	0.7465			0.6267	1.860
WK2474-2	4.744	1.016	1.603	0.7465			0.6267	1.496
WK2484-1	4.847	1.222	1.500	0.7465	0.6267	0.550	0.6267	1.303
WK2493	4.930	1.000	1.805	0.7465			0.6267	1.650
WK2494-1	4.940	1.035	1.780	0.7465	0.6267	0.900	0.6267	1.600
WK2495	4.950	1.215	1.610	0.7465	0.6267	1.080	0.6267	1.470
WK2496-2	4.960	1.205	1.630	0.7465			0.6267	1.451
WK2500-2	5.000	1.235	1.640	0.7465			0.6267	1.500
WK2500A	5.000	1.049	1.826	0.7465	0.6275	0.350	0.6275	1.720
WK2501	5.010	1.147	1.738	0.7465			0.6267	1.583
WK2501-3	5.019	1.222	1.672	0.7465	0.6267	0.540	0.6267	1.547
WK2520	5.200	1.174	1.901	0.7465	0.6267	0.475	0.6267	1.700
WK2528-2	5.280	1.195	1.959	0.7465			0.6267	1.860
WK2531	5.310	1.470	1.715	0.7465			0.6267	1.615
WK2531-2	5.310	1.470	1.715	0.7465	0.6267	0.670	0.6267	1.615
WK2534	5.339	1.253	1.961	0.7465			0.6267	1.858
WK2537-1	5.370	1.425	1.820	0.7465	0.6267	0.485	0.6267	1.710
WK2538-2	5.382	1.585	1.672	0.7465	0.6267	0.565	0.6267	1.547
WK2550	5.500	1.400	1.975	0.7465	0.6267	0.606	0.6267	1.880
WK2553	5.531	1.292	2.114	0.7465	0.6267	0.542	0.6267	1.990
WK2559-2	5.590	1.250	2.215	0.7465			0.6267	2.045
WK2560	5.605	1.555	1.925	0.7465	0.6267	1.410	0.6267	1.785
WK2564-3	5.649	1.214	2.310	0.7465	0.6267	0.482	0.6267	1.680
WK2564-6	5.649	1.214	2.310	0.7465	0.6267	0.482	0.6267	1.990
WK2564-10	5.649	1.214	2.310	0.7465	0.6267	0.482	0.6267	1.775

WK Series Dimensions

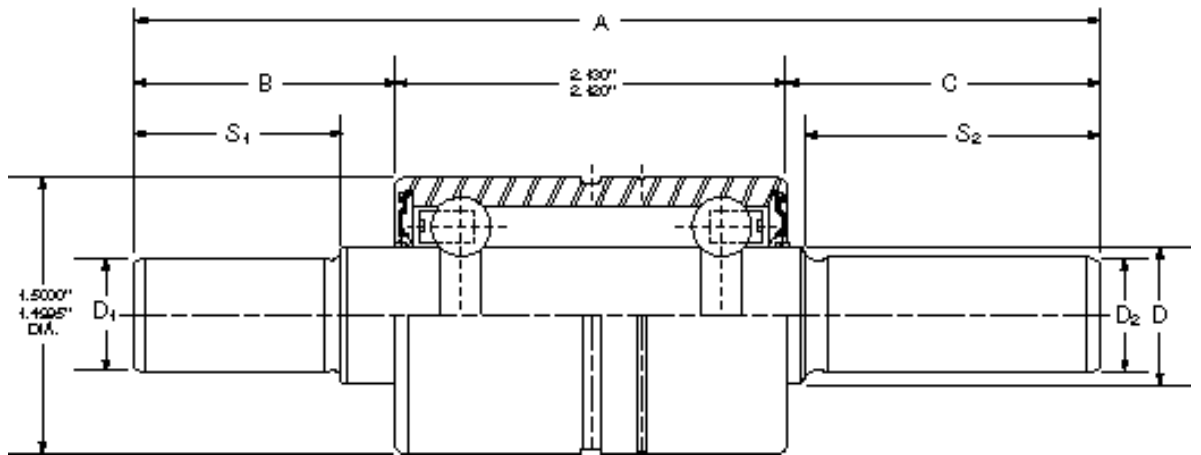


Bearing Number	A	B	C	D	D ₁	S ₁	D ₂	S ₂
WK2575	5.750	1.750	1.875	0.7465			0.6267	1.730
WK2575-1	5.750	1.430	2.195	0.7465	0.6267	0.540	0.6267	1.995
WK2575-4	5.748	1.430	2.193	0.7465	0.6267	1.201	0.6267	2.025
WK2586	5.860	1.616	2.119	0.7465	0.6267	1.386	0.6267	1.955
WK2587	5.870	2.105	1.640	0.7465			0.6267	1.500
WK2587-1	5.870	2.105	1.640	0.7465			0.6267	1.500
WK2592	5.925	1.380	2.420	0.7465			0.6267	2.295
WK2596	5.962	1.214	2.623	0.7465	0.6267	0.482	0.6267	2.106
WK2596-1	5.960	1.220	2.615	0.7465	0.6267	0.480	0.6267	2.178
WK2600	6.000	1.400	2.475	0.7465	0.6267	0.601	0.6267	2.383
WK2602-2	6.020	1.825	2.070	0.7465	0.6267	1.122	0.6267	1.700
WK2604	6.040	1.800	2.115	0.7465			0.6267	1.972
WK2607A	6.072	1.171	2.776	0.7465	0.6275	0.350	0.6275	2.250
WK2616-2	6.165	1.560	2.480	0.7465			0.6267	2.354
WK2622B	6.220	1.840	2.255	0.7465	0.6287	0.582	0.6267	2.080
WK2623	6.230	1.700	2.405	0.7465	0.6267	0.555	0.6267	2.230
WK2634-1	6.340	1.840	2.375	0.7465	0.6267	1.320	0.6267	2.200
WK2637	6.375	1.400	2.850	0.7465	0.6267	0.596	0.6267	2.758
WK6474-2	4.744	1.016	1.603	0.7485			0.6290	1.535
WK6474-2D	4.744	1.016	1.603	0.7485			0.4759	1.535
WK6484-1	4.847	1.222	1.500	0.7485	0.6290	0.550	0.6290	1.303
WK6493	4.930	1.000	1.805	0.7485			0.6290	1.650
WK6495	4.950	1.215	1.609	0.7485	0.6290	1.080	0.6290	1.470
WK6500-2	5.000	1.235	1.640	0.7485			0.6290	1.500
WK6500B	5.000	1.049	1.826	0.7485	0.6267	0.350	0.6290	1.720



Bearing Number	A	B	C	D	D ₁	S ₁	D ₂	S ₂
WK6501-3B	5.019	1.222	1.672	0.7485	0.6267	0.540	0.6290	1.547
WK6507-1	5.070	0.945	2.000	0.7485			0.6290	1.900
WK6520B	5.200	1.174	1.901	0.7485	0.6267	0.475	0.6290	1.700
WK6530B	5.300	1.250	1.925	0.7485	0.6267	0.280	0.6290	1.740
WK6531	5.310	1.470	1.715	0.7485			0.6290	1.615
WK6531-3	5.310	1.185	2.000	0.7485			0.6290	1.900
WK6534	5.340	1.255	1.960	0.7485			0.6290	1.860
WK6537-1B	5.370	1.425	1.820	0.7485	0.6267	0.485	0.6290	1.710
WK6538	5.380	1.446	1.809	0.7485	0.6290	1.300	0.6290	1.670
WK6538-2B	5.382	1.585	1.672	0.7485	0.6267	0.565	0.6290	1.547
WK6543-1	5.430	1.305	2.000	0.7485			0.6290	1.900
WK6550B	5.500	1.400	1.975	0.7485	0.6267	0.606	0.6290	1.880
WK6553-2	5.535	1.560	1.850	0.7485			0.6290	1.725
WK6558	5.580	1.730	1.725	0.7485			0.6290	1.615
WK6559-2	5.590	1.250	2.214	0.7485			0.6290	2.115
WK6560	5.605	1.555	1.925	0.7485	0.6290	1.410	0.6290	1.785
WK6560-2B	5.605	1.320	2.160	0.7485	0.6267	0.600	0.6290	1.988
WK6564	5.640	1.400	2.115	0.7485			0.6290	1.945
WK6564-6B	5.649	1.214	2.310	0.7485	0.6267	0.482	0.6290	1.990
WK6574-2	5.740	1.760	1.855	0.7485			0.6290	1.685
WK6575-1B	5.750	1.430	2.195	0.7485	0.6267	0.540	0.6290	2.025
WK6575-4	5.748	1.430	2.193	0.7485	0.6290	1.252	0.6290	2.025
WK6586	5.860	1.615	2.120	0.7465	0.6290	1.444	0.6290	1.955
WK6587	5.870	2.105	1.640	0.7485			0.6290	1.500
WK6592	5.925	1.380	2.420	0.7485			0.6290	2.295

WK Series Dimensions



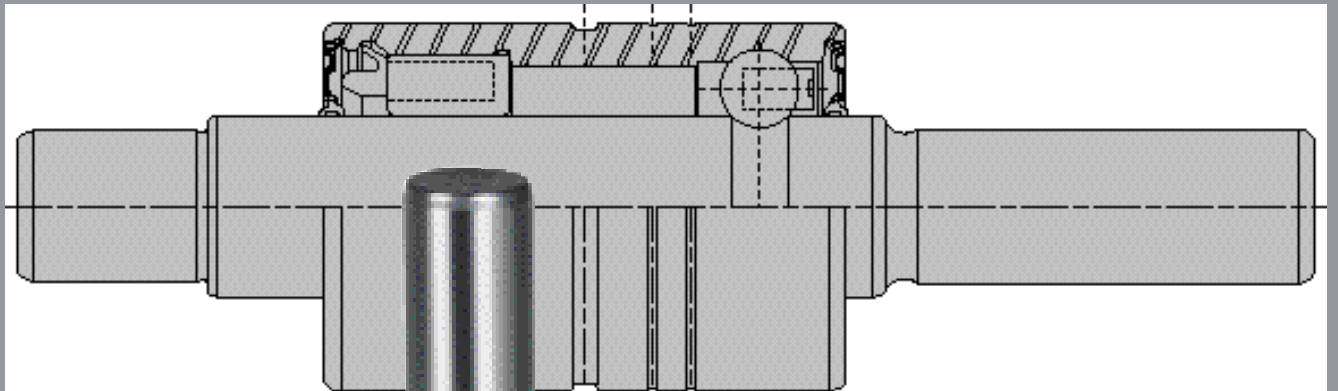
Bearing Number	A	B	C	D	D ₁	S ₁	D ₂	S ₂
WK6596-1B	5.962	1.214	2.623	0.7485	0.6267	0.482	0.6290	2.543
WK6600B	6.000	1.400	2.475	0.7485	0.6267	0.601	0.6290	2.383
WK6602-2B	6.020	1.826	2.069	0.7485	0.6267	1.123	0.6290	1.694
WK6602B	6.020	2.110	1.785	0.7485	0.6267	1.122	0.6290	1.645
WK6604	6.040	1.800	2.115	0.7485			0.6290	1.972
WK6607B	6.072	1.172	2.775	0.7485	0.6267	0.460	0.6290	2.250
WK6616-2	6.165	1.561	2.479	0.7485			0.6290	2.355
WK6622B	6.220	1.840	2.255	0.7485	0.6267	0.582	0.6290	2.080
WK6622-1D	6.220	1.840	2.255	0.7485	0.6290	0.582	0.4759	2.080
WK6623B	6.230	1.700	2.405	0.7485	0.6267	0.555	0.6290	2.230
WK6634-1	6.340	1.840	2.375	0.7485	0.6290	1.305	0.6290	2.200
WK6637B	6.375	1.400	2.850	0.7485	0.6267	0.596	0.6290	2.758
WK6688	6.880	2.068	2.687	0.7485	0.6290	0.555	0.6290	2.511

Notes

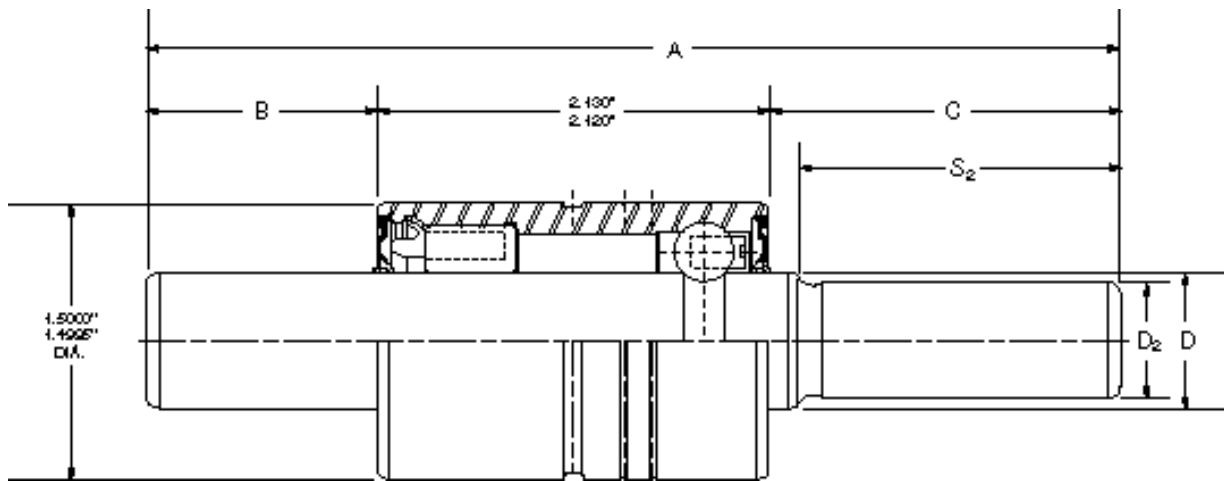


Advanced grinding equipment allow spindles featuring diametral variations to move through the grinding process in one operation.

WKN Bearing Family

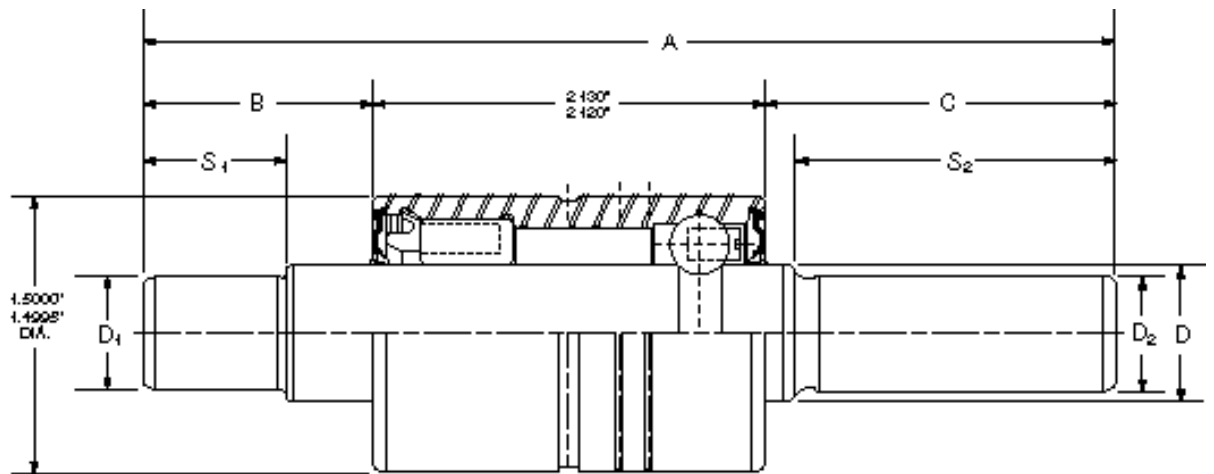


The WKN bearing is essentially a “king size” WN bearing that features a ball / roller internal design. Standard dimensions consist of a 1.5000" outer ring diameter and a 2.125" outer ring length. Standard shaft diameter size is 3/4". The addition of a roller increases the radial load capacity of the bearing and makes this design extremely versatile for many different applications.

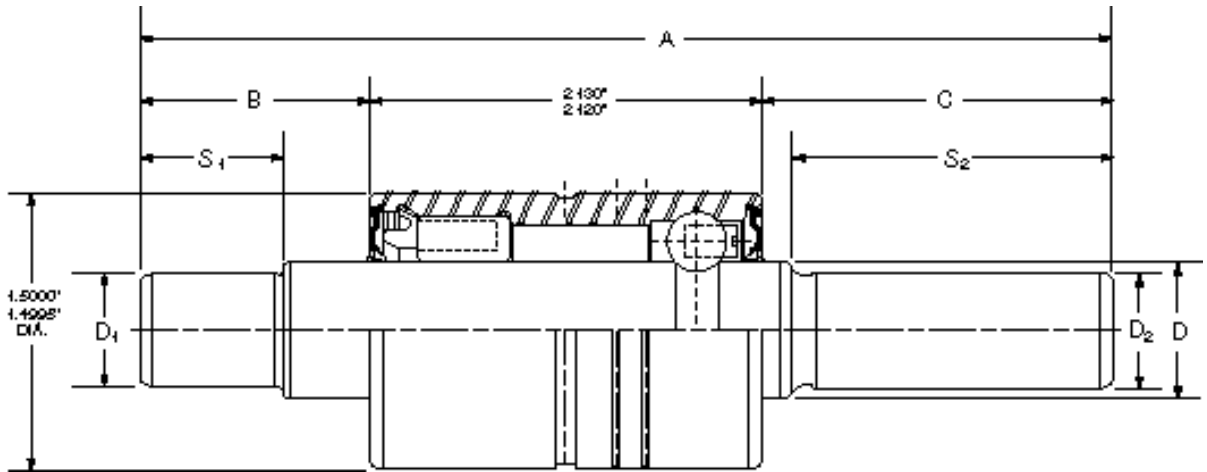


Bearing Number	A	B	C	D	D ₁	S ₁	D ₂	S ₂
WKN2357	3.578	1.312	0.141	0.7465				
WKN2452-1	4.520	1.411	0.984	0.7465				
WKN2454D	4.541	0.924	1.491	0.7465			0.4739	1.406
WKN2460D	4.600	1.060	1.415	0.7465	0.6275	0.350	0.4739	1.330
WKN2474-2	4.744	1.016	1.603	0.7465			0.6267	1.535
WKN2480	4.803	0.941	1.737	0.7465			0.6267	1.583
WKN2493	4.937	1.140	1.672	0.7465			0.6267	1.537
WKN2501	5.010	1.147	1.738	0.7465			0.6267	1.583
WKN2502	5.020	1.100	1.794	0.7465			0.6267	1.690
WKN2507-2D	5.074	0.949	2.000	0.7465			0.4739	1.900
WKN2524	5.248	1.281	1.842	0.7465			0.6267	1.734
WKN2524D	5.248	1.281	1.842	0.7465			0.4739	1.734
WKN2530	5.300	1.250	1.925	0.7465	0.6267	0.280	0.6267	1.760
WKN2531	5.310	1.470	1.715	0.7465			0.6267	1.615
WKN2531-3	5.310	1.185	2.000	0.7465			0.6267	1.900
WKN2531-8D	5.310	1.185	2.000	0.7465			0.4739	1.900
WKN2531-9D	5.310	1.470	1.715	0.7465			0.4739	1.615
WKN2534	5.340	1.255	1.960	0.7465			0.6267	1.860
WKN2541-1	5.409	1.213	2.072	0.7465	0.6267	0.482	0.6267	1.555
WKN2543-1	5.430	1.305	2.000	0.7465			0.6267	1.900
WKN2543-3D	5.430	1.305	2.000	0.7465			0.4739	1.870
WKN2544-2	5.445	1.411	1.909	0.7465			0.6267	1.453
WKN2558-2	5.580	1.450	2.005	0.7465			0.6267	1.835
WKN2564-6	5.649	1.214	2.310	0.7465	0.6267	0.482	0.6267	1.990
WKN2569	5.697	1.262	2.310	0.7465			0.6267	1.775

WKN Series Dimensions



Bearing Number	A	B	C	D	D ₁	S ₁	D ₂	S ₂
WKN2575-1	5.750	1.430	2.193	0.7465	0.6267	0.540	0.6267	2.025
WKN2575-4	5.748	1.430	2.193	0.7465	0.6267	1.201	0.6267	2.025
WKN2588	5.880	1.450	2.305	0.7465			0.6267	2.135
WKN2592	5.925	1.380	2.420	0.7465			0.6267	2.419
WKN2592-2	5.925	1.380	2.420	0.7465	0.6267	0.507	0.6267	2.295
WKN2596	5.962	1.214	2.623	0.7465	0.6267	0.482	0.6267	2.106
WKN2596-1	5.960	1.220	2.615	0.7465	0.6267	0.480	0.6267	2.178
WKN2602-2	6.020	1.825	2.070	0.7465	0.6267	1.122	0.6267	1.700
WKN2604	6.040	1.801	2.114	0.7465			0.6267	1.980
WKN2616	6.165	1.560	2.480	0.7465			0.6267	2.355
WKN2622	6.220	1.840	2.255	0.7465	0.6267	0.582	0.6267	2.080
WKN2622-1D	6.220	1.840	2.255	0.7465	0.6267	0.582	0.4739	2.080
WKN2623	6.230	1.700	2.405	0.7465	0.6267	0.555	0.6267	2.230
WKN2624	6.247	1.380	2.742	0.7465	0.6267	0.507	0.6267	2.437
WKN2624-1	6.247	1.380	2.742	0.7465	0.6267	0.507	0.6267	2.437
WKN2631	6.319	1.749	2.445	0.7465			0.6267	2.323
WKN2634-1	6.340	1.840	2.375	0.7465	0.6267	1.311	0.6267	2.200
WKN2688	6.880	2.068	2.687	0.7465	0.6267	0.555	0.6267	2.510
WKN2688-1	6.880	1.378	3.377	0.7465	0.6267	0.555	0.6267	3.200
WKN2688-3D	6.880	1.378	3.377	0.7465	0.6267	0.555	0.4739	2.356
WKN2688-7D	6.880	2.068	2.687	0.7465			0.4739	2.588
WKN6454D	4.541	0.924	1.491	0.7485			0.4759	1.406
WKN6474-2	4.744	1.016	1.603	0.7485			0.6290	1.535
WKN6534	5.340	1.255	1.960	0.7485			0.6290	1.860
WKN6560-2B	5.605	1.320	2.160	0.7485	0.6267	0.600	0.6290	1.988



Bearing Number	A	B	C	D	D ₁	S ₁	D ₂	S ₂
WKN6575-1B	5.748	1.430	2.193	0.7485	0.6267	0.540	0.6290	2.025
WKN6592-2B	5.925	1.380	2.420	0.7485	0.6267	0.507	0.6290	2.295
WKN6596B	5.962	1.214	2.623	0.7485	0.6267	0.482	0.6290	2.106
WKN6623B	6.230	1.700	2.405	0.7485	0.6267	0.555	0.6290	2.230
WKN6634-1	6.340	1.841	2.374	0.7485	0.6290	1.305	0.6290	2.200

Notes

Special Features

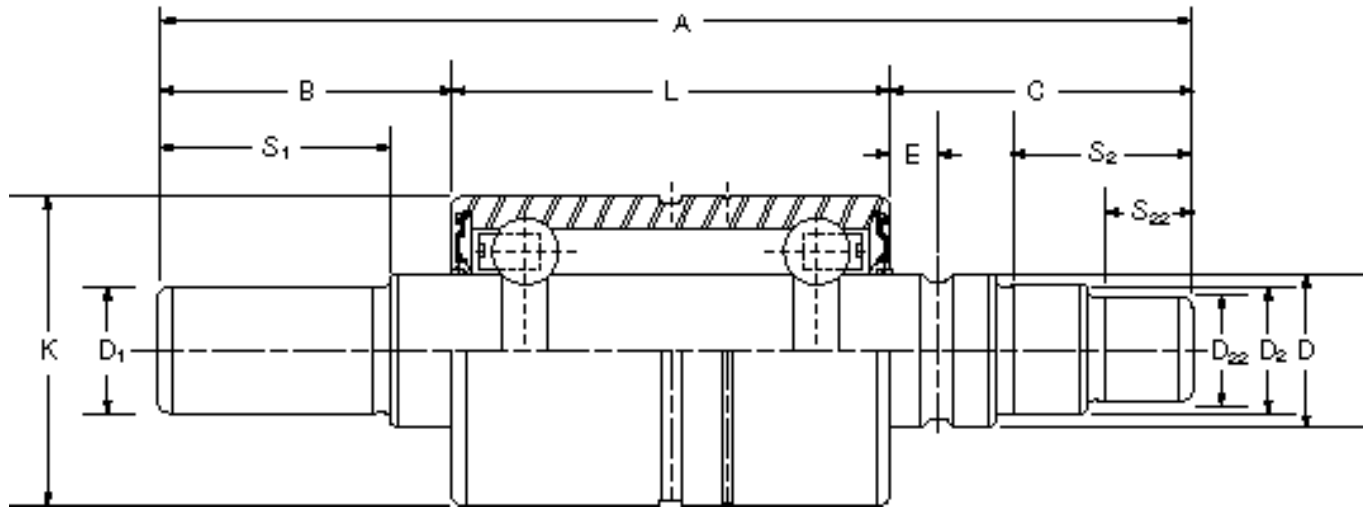


Special features are denoted by the letters “F”, “J”, “M”, “R”, and “T” followed by a four digit number. Special features such as milled flats, threaded holes, and special seals allow these unique bearing designs to be used outside of automotive applications.



Bearing Number	A	B	C	D	E	K	L
W2275.T1528	2.750	0.252	0.969	0.6267		1.1811	1.529
W2289-1.T1805	2.890	0.156	1.203	0.6267		1.1811	1.529
W2289-3.T1545	2.890	0.163	1.198	0.6267		1.1811	1.529
W2293.T1638	2.938	0.159	1.250	0.6267		1.1811	1.529
W2299.T2546	2.999	0.157	1.312	0.6267		1.1811	1.529
W2385-2.TJ1427	3.850	0.165	2.156	0.6267		1.1811	1.529
W2407-4S.T2658	4.075	0.768	1.779	0.6267		1.1811	1.528
W2415-3.T2903	4.156	0.877	1.750	0.6267		1.1811	1.528
W2416.T1447	4.160	1.254	1.375	0.6267		1.1811	1.529
W2440-1.T1822	4.406	1.063	1.812	0.6267	0.1890	1.1811	1.529
W2445-3S.T1702	4.453	1.189	1.735	0.6267		1.1811	1.529
W2445-5.T2425	4.456	1.315	1.614	0.6267		1.1811	1.529
W2452-2.T2907	4.525	1.250	1.747	0.6267		1.1811	1.528
W2478-3.T3406	4.781	1.503	1.750	0.6267		1.1811	1.528
W2585.T2368	5.859	1.580	2.750	0.6267	0.1890	1.1811	1.529
W2596.T2556	5.968	0.937	3.502	0.6267		1.1811	1.529
W2639.T2358	6.390	1.611	3.250	0.6267		1.1811	1.529
W2662.T1652	6.625	2.297	2.797	0.6267		1.1811	1.529
W6440-1.T1823	4.406	1.065	1.812	0.6290	0.1890	1.1811	1.529
WK2250.T1428	2.500	0.187	0.188	0.7465		1.5000	2.125
WK2387-2.T2079	3.875	0.875	0.874	0.7465		1.5000	2.125
WK2452.T1481	4.525	1.150	1.250	0.7465		1.5000	2.125
WK2496-2.TJ2766	4.960	1.206	1.609	0.7465		1.5000	2.125
WK2662.T1618	6.625	2.000	2.500	0.7465		1.5000	2.125
WK8600.T1617	6.000	1.375	2.500	0.7495		1.5000	2.125

Special Features



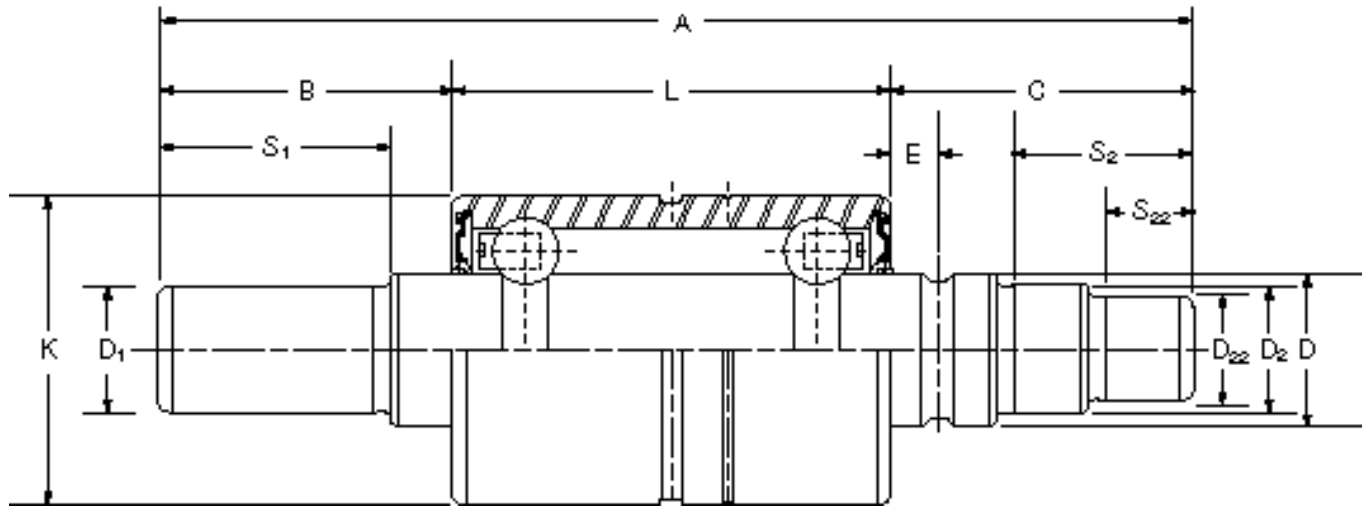
D1	S1	D2	S2	D22	S22	Special Features
						Shaft Flat
						Shaft Groove
						Shaft Groove
						Through Hole on Impeller End
						Soft End, Shaft Groove
						Shaft Undercut
		0.4726	1.705			Tapered Shaft
						Soft Ends, Hub End Thru Hole
						Shaft Keyways
		0.5025	1.385			Snap Ring Groove on Hub End
						Hole in Outer Ring
						Soft Ends
						Soft Ends
0.6245	1.260					Soft Ends
						Shaft Flat
						Soft Ends
						Soft Ends
						Soft Ends
						Snap Ring Groove, Soft End On Hub End
						Hollow Shaft
						Soft Ends, Keyways
						Threaded Holes, Flats
		0.6267	1.451			External Double Lip Seal
						Soft Ends
						Soft Ends, Key Way



Bearing Number	A	B	C	D	E	K	L
WKN2382.T1357	3.822	1.547	0.150	0.7465		1.5000	2.125
WKN2564-5.TJ1962	5.649	1.214	2.254	0.7465		1.5000	2.181
WKN2597.T3637	5.979	0.886	2.968	0.7465		1.5000	2.125
WKN2622.TR2227	6.220	1.840	2.254	0.7465		1.5100	2.125
WN2393-2S.T2874	3.931	0.429	1.974	0.6267		1.1811	1.529
WN2406-9.J2422	4.060	1.100	1.431	0.6267	0.189	1.1811	1.529
WN2407-5S.T3377	4.075	0.768	1.778	0.6267		1.1811	1.529
WN2415.TJ3225	4.150	0.799	1.822	0.6267		1.1811	1.529
WN2438.T3263	4.390	0.940	1.921	0.6267		1.1811	1.529
WNS2312.J3413	3.120	0.531	1.408	0.6267		1.1811	1.181
WNS2400.T1451	3.994	0.772	1.693	0.6299		1.1811	1.529
WS2275.T2737	2.753	0.804	1.398	0.7047		1.1811	0.551
WS2385-8.T3427	3.858	0.711	1.619	0.6299	0.189	1.1811	1.529
WS2417-1.T3429	4.173	1.026	1.619	0.6299	0.189	1.1811	1.529
WS2460-1.TJ2751	4.606	0.965	2.017	0.7465		1.5000	1.625
WS2460.T1556	4.606	0.965	2.016	0.7465		1.5000	1.625
WS2562-1.T2310	5.625	1.580	2.516	0.6257		1.1811	1.529
WS6460.T2117	4.606	0.965	2.016	0.7485		1.5000	1.625

Notes

Special Features



D1	S1	D2	S2	D22	S22	Special Features
						Shaft Snap Ring Groove
0.6267	0.482	0.6267	1.775			Garter Seal
0.7090	0.768	0.3305	1.453			Thread On Impeller Side
0.6267	0.582	0.6267	2.080			Over Size Outer Ring
		0.4739	1.705			
						Double Lip Seal
		0.4739	1.699			Taper On Impeller End of Shaft
						Double Lip Seal
						Wide Groove on Impeller End
		0.4739	1.329			FKM Seal Material
						Hole in Outer ring
0.4858	0.755	0.5000	1.299	0.3937	0.630	Spline
						Hole In Outer Ring
						Hole In Outer Ring
		0.6267	1.657			Threaded Hole In Hub End
		0.6267	1.700			Counter Sink In Hub End
						Soft Ends
		0.6290	1.700			Counter Sink In Hub End



Flexibility has been improved by the implementation of computer controlled induction heat treating equipment.

Interchange Data

FAG



NSK

Koyo

SKF

**New
Departure**

NSK	FAG
664101	WS2315-1
664101	WNS2332
665118	WN2468-2
665325OS	WN6456
665329	WN2415-1
665329ATL	WN2415-1
665329ATLOS	WN6415-1
665331	WN2397S
665331OS	WN6397S
665332	WN2434
665337A	WN2448-1
665337A	WN2454
665337AOS2	WN6454
665337ATL	WN2448-1
665337ATL	WN2454
665343	WN2375-3
665413	WN2548-1
665430S	WN2462-1
665491	WN2475
665491	WN2476
665603	WN2548
665613	WN3607-1
665613OS2	WN7607-1
665693OS2	WN6548
665697	WN2450-2
665705	WKN2558-2
665707	WK2623
665707	WKN2623
665707OS	WKN6623B
665714	WKN2592-2
665729	WKN2493
665735B	WKN2534
665746	WKN2616
665757	WKN2474-2
665760	WKN2575-4

NSK	FAG
665761	WKN2631
665764	WKN2592
665781	WKN2531
665796	WKN2634-1
665796	WK2634-1
665796OS	WKN6634-1
665803	WKN2357
665807	WKN2604
665812	WKN2622
665813	WKN2688
665816	WKN2541-1
665824	WKN2688-1
665853	WKN2460D
665853	WKN2454D
665877A	WK2596
665877A	WKN2596-1
665879	WKN2531-3
885093SOS2	W6534-1
885097	W2417-2
885100B	W2486-2
885100BOS2	W6486-2
885105	W2476-2
885105OS2	W6476
885107B	W2431
885111DOS2	W6428-1
885113BOS2	W6527
885116COS2	W6590-2
885117	W2637
885117OS2	W6637
885118	W2468-1
885118	W2468
885118OS2	W6468
885122	W2334S
885122OS2	W6334S
885135SOS2	W6470

NSK	FAG
885140	W2406-1
885140OS2	W6406-1
885141	W2503
885141OS2	W6503
885144	W2562
885144OS2	W6562
885144OS2	W6562-1
885147	W2404S
885151B	W2503-6
885154BX2R1	W2289-3.T1545
885155OS2	W6445
885156	W2446
885156OS	W6446
885158OS2	W6543
885158P	W2537
885158POS2	W6537
885162	W2456
885162OS	W6456
885165	W2325
885167	W2439
885167D	W2440-4
885167DOS2	W6440-4
885167OS2	W6439
885168AAOS	W7481-6
885168AD	W3481-6
885168AD	W3481-5
885168C	W2481-1
885168COS2	W6481-1
885168HOS2	W7481-1
885169	W2507
885169OS2	W6507
885211	W2548-1
885222	W2475
885248OS2	W6555
885307	W2385

Interchange Data

COMPETITORS

NSK	FAG
885330	W2366
885321	W2401-3
885321	W3399
885321OS2	W7399-1
885326	W2488S
885326OS2	W6488S
885327OS2	W6440-5S
885332	W2434
885332OS	W6434
885342	WS2332-1
885437S	W2532
885439OS2	W6418S
885461	W2385-2.TJ1427
885474	W2387S
885474OS2	W6387S
885476	W2481
885476OS2	W6481
885477	W2364S
885477OS	W6364-1S
885521	W3520-2
885521OS2	W7520-2
885524SOS2	W6433-2
885528	W2435
885584S	W2472
885592	W2507
885595	W2406-1
885603	W2548-1
885603OS2	W6548-1
885611	W3522-1
885611OS2	W7522-1
885613	W3607-1
885613OS2	W7607-1
885694S	W2575-2
885694SOS2	W6575-1
885697OS2	W6450-2

NSK	FAG
885719OS2	WK6558
885720OS2	WK6553-2
885735	WK2528-2
885735	WK2534
885735OS2	WK6534
885737	WK2537-1
885737OS	WK6537-1B
885740	WK2586
885746	WK2616-2
885746OS2	WK6616-2
885747	WK2575-1
885747OS	WK6575-1B
885760	WK2575-4
885760OS	WK6575-4
885764	WK2592
885764OS2	WK6592
885771	WK2553
885775SCOS	WK6500B
885781	WK2531
885781OS2	WK6531
885786	WS2468-2
885795SC	WK2607A
885796OS	WK6634-1
885801	WK2587
885801OS2	WK6587
885801SE	WK2587-1
885802B	WK2575
885807C	WK2604
885807COS2	WK6604
885810OS2	WK6538
885811	WK2500-2
885811OS2	WK6500-2
885815	WK2559-2
885815AOS	WK6564
885815OS2	WK6559-2

NSK	FAG
885817	WK2494-1
885818OS2	WK6574-2
885820	WK2662.T1618
885821	WK2550
885821OS	WK6550B
885830	WS2460
885831	WK2501
885832	WK2495
885832OS2	WK6495
885841	WS2443
885841OS2	WS6443
885844	WK2600
885844OS	WK6600B
885851	WK2560
885851OS2	WK6560
885852	WK2520
885852OS2	WK6520B
885857OS	WK6602B
885858	WK2637
885858OS	WK6637B
885862B	WK2564-6
885865A	WK2602-2
885865AOS	WK6602-2B
885869	WK2501-3
885869OS	WK6501-3B
885870	WK2538-2
885870OS	WK6538-2B
885875SC	WK2500A
885878A/881	WS2401-3
885881OS	WS6401-3
885882	WK2484-1
BWF26-14RUJ	WS2372
BWF26-36A	WS2362
BWF30-15-A-RR6	W2415-1S
BWF30-56	W2366

NSK	FAG
RWF30-8-A-R	WN2397S
NSK/RHP	FAG
1/FPS-18	W2503
FPS-1	W2404S
FPS-8	WN7607-1
FPS-13	W2503
FPS-14	WS2485
FPS-17	W2406-1
FPS-18	W2503
FPS-21	W2503-6
FPS-24	W2446
FPS-28	W2439
FPS-34	W2481
FPS-36	W2325
FPS-37	W2476-2
FPS-42	W2507
FPS-49	W2446
FPS-53	W2364S
FPS-54	W2440-4
FPS-65	W2562
FPS-66	WK2604
FPS-71	W2446
FPS-73	W2406-1
FPS-89	W2562
FPS-98	W2637
FPS-102	W2637
FPS-103	W2503
FPS-105	W2439
FPS-106	W2415-1S
FPS-107	W2325
FPS-109	W2439
FPS-109	W2488S

NSK/RHP	FAG
FPS-120	W2401-3
FPS-120	W3399
FPS-121	W2503
FPS-122	W2468
FPS-122	W2468-1
FPS-128	WN2462-1
FPS-131	W2406-1
FPS-132	W2476-2
FPS-136	WK2604
FPS-145	W2446
FPS-150	W6562
FPS-150	W6562-1
FPS-151	W6439
FPS-155	W2486-2
FPS-159	W6406-1
FPS-160	W6503
FPS-161	W6428-1
FPS-163	W2481-1
FPS-165	W6481-1
FPS-166	W2406-1
FPS-167	W2446
FPS-173	W6476
FPS-174	W6637
FPS-175	W6468
FPS-176	W2503-6
FPS-177	W6446
FPS-178	W6543
FPS-180	W6507
FPS-187	W3607-1
FPS-192	W2537
FPS-195	W6481-1
FPS-196	W2488S
FPS-204	W2503-6
FPS-208	W2440-4
FPS-212	W6439

NSK/RHP	FAG
FPS-213	W6406-1
FPS-222	W2503
FPS-223	W7481-1
FPS-235	WK2559-2
FPS-243	W2404S
FPS-244	W3481-5
FPS-244	W3481-6
FPS-254	W3607-1
FPS-277	W6445
FPS-278	WK2528-2
FPS-278	WK2534
FPS-296	W6470
FPS-299	W2472
FPS-301	W2406-1
FPS-323	W2417-2
FPS-324	W2435
FPS-325	W2439
FPS-325	W2446
FPS-326	W2439
FPS-326	W2446
FPS-336	W2404S
FPS-348	W2537
FPS-372	W2439
FPS-377	W2537
FPS-379	W2440-4
FPS-380	W2503
FPS-393	W6555
FPS-394	W6590-2
FPS-397	W2548-1
FPS-410	W2503-6
FPS-414	W2562
FPS-420	W6537
FPS-422	W2537
FPS-428	WK6604
FPS-429	W6486-2

Interchange Data

COMPETITORS

NSK/RHP	FAG
FPS-430	W7607-1
FPS-432	W6440-4
FPS-433	W6450-2
FPS-437	W2439
FPS-437	W2446
FPS-440	W6433-2
FPS-448	W2440-4
FPS-453	W2637
FPS-457	W2476-2
FPS-461	W2562
FPS-466	W2439
FPS-466	W2446
FPS-473	WK2575
FPS-476	WK2559-2
FPS-477	WK2604
FPS-478	WK2575
FPS-479	W2406-1
FPS-483	W6468
FPS-499	W2440-4
FPS-509	W6548-1
FPS-513	W6534-1
FPS-520	W2431
FPS-529	W2325
FPS-532	W2404S
FPS-540	WK6559-2
FPS-557	W2562
FPS-567	W2440-4
FPS-574	W6537
FPS-575	W2406-1
FPS-575	W2406-1
FPS-579	W2406-1
FPS-585	W2446
FPS-595	W2385
FPS-598	W3522-1
FPS-601	W2406-1

NSK/RHP	FAG
FPS-604	WK2564-6
FPS-607	W6527
FPS-608	WS2443
FPS-608	WS6443
FPS-610	WK2600
FPS-612	W2575-2
FPS-620	W2406-1
FPS-621	WK2520
FPS-626	WK2528-2
FPS-626	WK2534
FPS-637	W2435
FPS-637	W2439
FPS-653	W2404S
FPS-658	W6575-1
FPS-660	W3520-2
FPS-661	W3522-1
FPS-662	WK2537-1
FPS-663	WK2528-2
FPS-663	WK2534
FPS-670	WK6574-2
FPS-685	WK2550
FPS-686	W6507
FPS-693	WK2616-2
FPS-704	WK2587
FPS-720	W2325
FPS-722	W3607-1
FPS-738	W2439
FPS-738	W2446
FPS-749	W2472
FPS-763	W2446
FPS-769	WK2637
FPS-772	W2503-6
FPS-773	W2406-1
FPS-776	W7607-1
FPS-777	WK6553-2

NSK/RHP	FAG
FPS-782	W2472
FPS-786	W2532
FPS-791	W2325
FPS-798	WK6520B
FPS-799	WK6534
FPS-800	WK6616-2
FPS-802	WK6602B
FPS-803	WK6637B
FPS-815	W2387S
FPS-836	W2325
FPS-850	WK2528-2
FPS-850	WK2534
FPS-860	W2406-1
FPS-868	W6548-1
FPS-892	W6418S
FPS-893	W6555
FPS-902	W2472
FPS-907	WK2592
FPS-926	W2366
FPS-930	W2481
FPS-931	WK2538-2
FPS-935	WK2531
KOYO	FAG
1B06930S	W2289-3.T1545
664101	WNS2332
664101	WS2315-1
665105	WN2475
665105	WN2476
665125C D4	WN7607-1
665190	WN2462-1
665413	WN2548-1
665603	WN2548

KOYO	FAG
665603 D4	WN6548
6656125C	WN3607-1
665688 D4	WN6456
665697	WN2450-2
665746	WKN2616
885093S D4	W6534-1
885100B	W2486-2
885100B D4	W6486-2
885104C	W3520-2
885104C D4	W7520-2
885105	W2476-2
885105 D4	W6476
885111D D4	W6428-1
885113B D4	W6527
885113C	W3522-1
885113C D4	W7522-1
885116C D4	W6590-2
885117	W2637
885117 D4	W6637
885118	W2468
885118	W2468-1
885118 D4	W6468
885125C	W3607-1
885125C D4	W7607-1
885135C D4	W6470
885140B	W2406-1
885140B D4	W6406-1
885141	W2503
885141 D4	W6503
885144	W2562
885144-1 D4	W6562
885144-1 D4	W6562-1
885151B	W2503-6
885151E	W2385-2.TJ1427
885155 D4	W6445

KOYO	FAG
885156S	W2446
885156S D4	W6446
885158-1 D4	W6543
885158P	W2537
885158P D4	W6537
885165RS	W2325
885167	W2439
885167 D4	W6439
885167D	W2440-4
885167D D4	W6440-4
885168-1 D4	W6481-1
885168AA	W3481-5
885168AA	W3481-6
885168AA D4	W7481-6
885168AE D4	W7481-1
885168C-1	W2481-1
885168CA-1 D4	W7481-1
885169-1	W2507
885169-1 D4	W6507
885222	W2468
885222	W2468-1
885222	W2475
885222 D4	W6468
885248 D4	W6555
885437	W2532
885476	W2481
885476 D4	W6481
885477A	W2364S
885477A D4	W6364-1S
885524S D4	W6433-2
885584	W2472
885603	W2548-1
885603 D4	W6548-1
885685	W2401-3
885685	W3399

KOYO	FAG
885685 D4	W7399-1
885686	W2454
885686	WN2448-1
885686	WN2454
885686 D4	WN6454
885687	W2434
885687 D4	W6434
885688 D4	WN6456
885694	W2575-2
885694 D4	W6575-1
885699	W2417-2
885699	WN2415-1
885699 D4	WN6415-1
885707	WK2623
885707	WKN2623
885707 D4	WKN6623B
885720 D4	WK6553-2
885735	WK2528-2
885735	WK2534
885735 D4	WK6534
885737	WK2537-1
885737 D4	WK6537-1B
885746	WK2616-2
885746 D4	WK6616-2
885747	WK2575-1
885747 D4	WK6575-1B
885760	WK2575-4
885760 D4	WK6575-4
885764	WK2592
885764 D4	WK6592
885771	WK2553
885775	WK2500A
885775 D4	WK6500B
885781	WK2531
885781 D4	WK6531

Interchange Data

COMPETITORS

KOYO	FAG
885790	WK2586
885801	WK2587
885801 D4	WK6587
885802	WK2575
885802RS	WK2575
885807	WK2604
885807 D4	WK6604
885807A	WK2604
885807A D4	WK6604
885807C	WK2604
885807C D4	WK6604
885810 D4	WK6538
885811	WK2500-2
885811 D4	WK6500-2
885815	WK2559-2
885815 D4	WK6559-2
885815A D4	WK6564
885817	WK2494-1
885817-BR	WKN2493
885818 D4	WK6574-2
885821	WK2550
885821 D4	WK6550B
885821B	WK2520
885821B D4	WK6520B
885825C	WK2607A
885831	WK2501
885832	WK2495
885832 D4	WK6495
885835	WK2560
885835 D4	WK6560
885841	WS2443
885841	WS6443
885842 D4	WK6558
885844	WK2600
885844 D4	WK6600B

KOYO	FAG
885857 D4	WK6602B
885858	WK2637
885858 D4	WK6637B
885862	WK2564-6
885865A	WK2602-2
885865A D4	WK6602-2B
885869	WK2501-3
885869 D4	WK6501-3B
885870	WK2538-2
885870 D4	WK6538-2B
885879	WK2520
885879 D4	WK6520B
885884	WK2634-1
885884	WKN2634-1
885884 D4	WKN6634-1
885885	WS2460
885886	WK2596
885886	WKN2596-1
885898	WS2468-2
S16140R-5RS	WS2372
W6093A	W2366
W6B084	W2334S
W6B084 D4	W6334S
W6B102A	W2404S
W6R101A	WN2397S
W6R101A D4	WN6397S
W6R106AL	W2417S
WPB12090A D4	WS6354
WPB12093RS D4	WS6364-4
WPB16084RS	W2334S
WPB16084RS D4	W6334S
WPB16098-CRS	W2385
WPB16099-1RS	W2387S
WPB16099-1RS D4	W6387S
WPB16101BBR	WN2397S

KOYO	FAG
WPB16101BBR D4	WN6397S
WPB16102BRS	W2404S
WPB16105	W2415-1S
WPB16106DRS D4	W6418S
WPB16115-3 D4	W6452-1S
WPB16124-RS	W2488S
WPB16124-RS D4	W6488S
WPB193127	WK6500B
SKF	FAG
374060	WK2575-4
374063	W3607-1
374063-VU/005	W7607-1
393648C	WK2592
395979C-VU/005	WK6564-6B
395987	W2415-1S
404164	WS2485
416396A	WN2447
885844	WK2600
BBWD229551A	W2439
BBWD393548	WKN2474-2
BBWD393959K	W2385
BBWD393996A	W3520-2
BBWD395784A	W2364S
BBWD395898C	WK2575-1
BBWD395900C	WK2637
BBWD395968C	W2468
BBWD395968C-VU/005	W6468
BBWD395969C	WK2520
BBWD395979	WK2564-6
BBWD395981C	WK2537-1
BBWD395983	WK2616-2

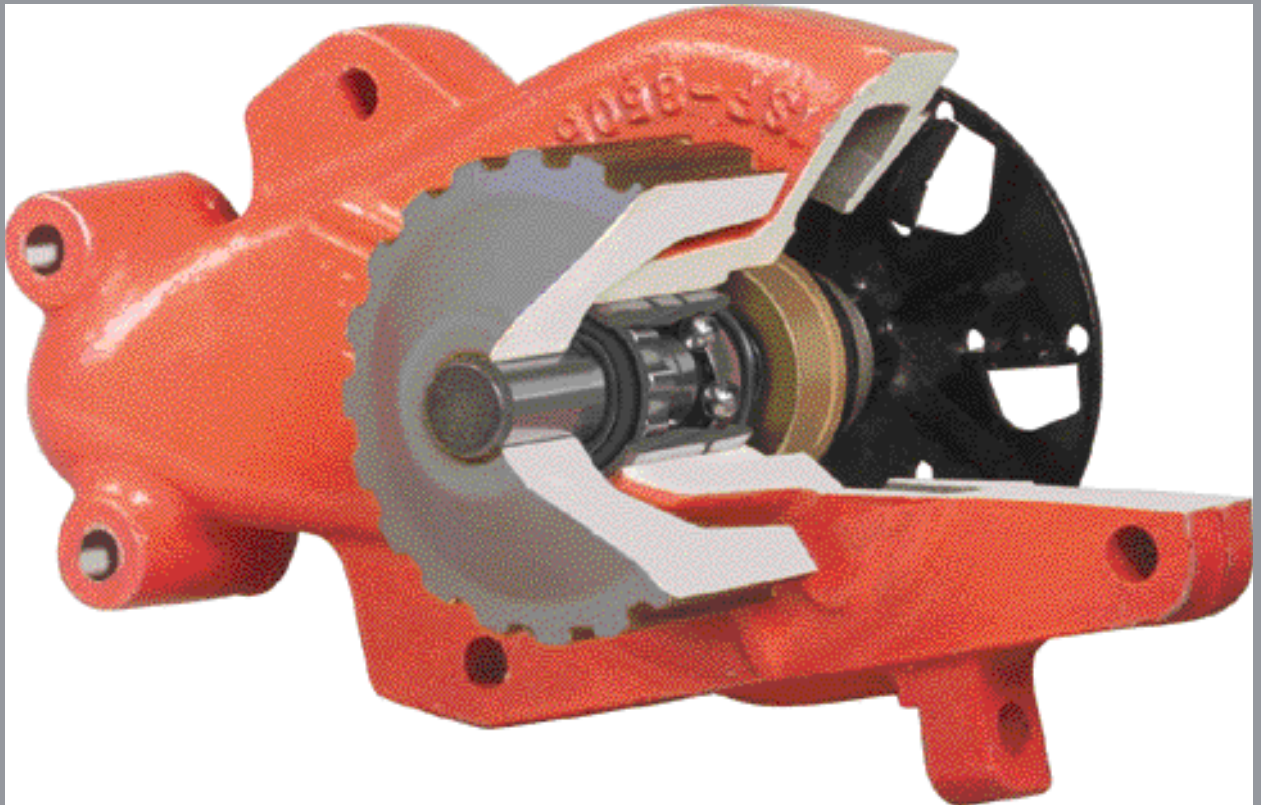
SKF	FAG
BBWD395984C	WK2602-2
BBWD395986	WS2443
BBWD3G885168AA	W3481-6
BBWD3G885168AA	W3481-5
BBWD408340	W2406-1
BBWD41031A	W2537
BBWD415028AB	W2404S
BBWD416137C	W2406-1
BBWD6G-885140	W2406-1
BBWD7G-885156	W2446

NEW DEPARTURE	FAG
885105	W2476-2
885109	W2417-2
885117	W2637
885118	W2468
885118	W2468-1
885140	W2406-1
885141	W2503
885144	W2562
885151	W2503-6
885156	W2446
885165	W2325
885167	W2439
885221	W2472
885807	WK2604
885811	WK2500-2
885832	WK2495
885841	WS2443
885844	WK2600
885852	WK2520
885858	WK2637
885862	WK2564-6

NEW DEPARTURE	FAG
2L8P882	WK2484-1
3L8P864	WK2564-6
3L8P865	WK2602-2
3L8P879	WK2520
3L8RP101	WN2415-1
3L8RP102	WN2454
3L8RP102	WN2448-1
885105A	W2476-2
885140B	W2406-1
885147	W2404S
885158P	W2537
885167D	W2440-4
885167S	W2439
885168AD	W3481-6
885168AD	W3481-5
885168C	W2481-1
885169	W2507
885801	WK2587
885815	WK2559-2
885821	WK2550
885851	WK2560
88P100D	W2486-2
88P105	W2476-2
88P105A	W2476-2
88P115	W2446
88P117	W2637
88P140	W2406-1
88P141	W2503
88P144FS	W2562
88P144PS	W2562
88P151B	W2503-6
88P151K	W2503-6
88P165	W2325
88P167	W2439
88P167D	W2440-4

NEW DEPARTURE	FAG
88P167S	W2439
88P207	W2325
88P208A	W2472
88P221	W2472
88P802B	WK2575
88P807	WK2604
88P820	WK2662.T1618
88P832	WK2495
88P841	WS2443
88P852	WK2520
88P862	WK2564-6
99P222	W2468
99P222	W2468-1
99P811	WK2500-2
A88P864	WK2564-6
A88RP101	WN2415-1
A89P844	WK2600
A89P858	WK2637
A89P864	WK2564-6
A99P261	W2417-2
A99P865	WK2602-2
B9P859A	WK2500-2
B9P875	WK2501-3
B9P879	WK2520

Application Data



OEM PUMP BODY CASTING NO.	FAG BEARING NUMBER	VEHICLE		ENGINE		YEARS	
		MANUFACTURER	MODEL	TYPE	DISPLACEMENT	FROM	TILL
048121013	WN2476	AMC		IL 4		1977	1979
056-121-019-A	W2385	Volkswagen	Scirocca Dasher Rabbit	IL 4	1.5L	1983	1984
056-121-019-A	W2385	Volkswagen	Scirocca Dasher Rabbit	IL 4	1.6L	1983	1984
056-121-019-A	W2385	Volkswagen, Audi		IL 4		1975	1984
100004037-38	WS2468-2	GM		IL 4		1980	1989
10004037	WS2460	GM		IL 4	2.5L	1980	1986
10004037	WS2460	GM	Cutlass, Calais, Skylark	IL 4	2.5L	1991	1991
10032022	WK2484-1	GM		6 CYL		1985	1986
10044305	WK2484-1	GM	Astro, Chevy Truck	IL 4	2.5L	1987	1989
10044972	W2415-1	GM	Pontiac	6 CYL	2.8L	1988	1988
10048919	WK2500-2	GM	Corvette	V8	5.7L	1990	1990
10048949	W2415-1	GM Chevrolet	Beretta, Cavalier, Corsica	V6	3.1L	1990	1990
100E8505	W2406-1	Ford	English Ford	IL 4		1953	1959
10105139	WK2564-6	GM		8 CYL	5.0L, 5.7L	1991	1992
10105828	WK2564-6	GM	Chevy Truck, GMC	6 CYL	4.3L	1990	1992
10114105	WKN2564-6	GM	Chevy Truck	8 CYL	7.4L	1988	1991
10124623	WK2484-1	GM	Chevy Truck	IL 4	2.5L	1990	1992
104353A	WK2604	Oliver		6 CYL		1961	1963
106526A	W2562	Oliver		IL 4 or 6 CYL		1949	1960
1092952	WN2415-1	GM		6 CYL	2.8L, 3.1L	1987	1992
1105181	W2503	Allis Chalmers		IL 4		1938	1969
1179563	W2441-1	GM	Buick	8 CYL		1958	1958
1180407	W2441-1	GM	Buick	8 CYL		1958	1958
1192825	W2503-6	GM	Buick, Oldsmobile	8 CYL		1961	1963
123266	W2507	AMC	Jeep, Kaiser	6 CYL		1951	1962
1241336	WK2602-2	GM		6 CYL		1973	1987
1241338	WK2602-2	GM	Buick	8 CYL		1971	1973
1242235	WK2602-2	GM	Buick	8 CYL		1971	1976
125577	W2503	Allis Chalmers		IL 4		1942	1967
126035	W2503	Allis Chalmers		IL 4		1938	1969
132495HX	W2562	International, Hyster		6 CYL		1937	1949
1326343	WK2528-2	Volvo	740, 760	IL 4		1984	1989
1339915	W2441-1	GM	Buick	8 CYL		1950	1953

Application Data

BY OEM PUMP BODY CASTING NUMBER

OEM PUMP BODY CASTING NO.	FAG BEARING NUMBER	VEHICLE		ENGINE		YEARS	
		MANUFACTURER	MODEL	TYPE	DISPLACEMENT	FROM	TILL
1363989	W2440-4	GM	Buick, Jeep, Oldsmobile	8 CYL		1964	1965
1374877	W2439	GM	Buick, Jeep, Oldsmobile	8 CYL		1964	1971
1380400	W2439	GM	Buick, Jeep, Oldsmobile	8 CYL		1964	1971
138631	WN2397S	Chrysler	Charger, Diplomat, Dodge, Plymouth, Monaco	IL 4	1.6L	1983	1988
14018746	W2454	GM	Cadillac	IL 4	1.8L, 2.0L	1982	1985
14018746	WN2448-1	GM		IL 4		1982	1986
14030059	WN2415-1	GM		6 CYL	2.8L	1981	1987
14033069	WKN2596-1	GM	Camaro	V6	2.8L	1982	1986
14047008	WK2500-2	GM	Corvette	V8	5.7L	1986	1991
14077896	WN2415-1	GM		V6	2.8L	1985	1987
14092225	WN2415-1	GM		6 CYL	2.8L, 3.1L, 3.4L, 3.8L	1987	1992
14092941	WKN2541-1	GM	Chevy Truck	V6		1989	1989
14102026	WK2564-6	GM	Chevy Truck	6 CYL	4.3L	1987	1992
1455524	W2481-1	GM	Cadillac	8 CYL		1949	1954
1460222	W2481-1	GM	Cadillac	8 CYL		1949	1943
1471373	W3481-5	Chrysler, Massey Ferguson	Plymouth	6 CYL		1960	1977
1471373	W3481-6	Chrysler, Massey Ferguson	Plymouth	6 CYL		1960	1977
1473914	W3481-5	Chrysler, Massey Ferguson	Plymouth	6 CYL		1960	1977
1473914	W3481-6	Chrysler, Massey Ferguson	Plymouth	6 CYL		1960	1977
1486579	WS2443	GM	Cadillac	8 CYL		1968	1978
151203R1	WN2462-1	International		IL 4 or 8 CYL		1959	1977
155911A	WK2604	Oliver		6 CYL		1961	1961
1602789	WS2443	GM	Cadillac	8 CYL		1968	1978
1616503	WS2443	GM	Cadillac	V8	6.0L	1980	1984
1618920	WK2520	GM	Cadillac	V8	4.1L	1982	1985
169204R1	W2562	International, Reo		6 CYL		1950	1970
1750080M91	WK2587	Massey Ferguson		IL 4		1955	1970
1750303M91	W2481-1	Massey Ferguson		IL 4		1948	1954
180160	W2562	Oliver		IL 4 or 6 CYL		1949	1960
180160C	W2562	Oliver		IL 4 or 6 CYL		1949	1960
189204R1	W2562	International, Reo		6 CYL		1950	1970
190160A	W2562	Oliver		6 CYL		1949	1965

OEM PUMP BODY CASTING NO.	FAG BEARING NUMBER	VEHICLE		ENGINE		YEARS	
		MANUFACTURER	MODEL	TYPE	DISPLACEMENT	FROM	TILL
190360	W2562	Oliver		6 CYL		1949	1965
207434	W2507	AMC	Jeep	6 CYL		1951	1962
208919	W2503	AMC	Jeep	IL 4		1939	1971
2128284	W3481-5	Chrysler, White, Massey Ferguson	Dodge, Plymouth	6 CYL		1960	1968
22511538	WK2637	GM		6 CYL Diesel	4.3L	1982	1984
2469740	WK2500-2	GM	Chevrolet, GMC	6 CYL or 8 CYL		1964	1978
25513135	WS2401-3	GM	Buick, OldsMobile, Pontiac	V6		1982	1985
2863063	W3520-2	Chrysler	Dodge, Plymouth	6 CYL	2.7L, 3.6L, 4.2L	1960	1977
2863067	W3522-1	Chrysler	Dodge, Plymouth	V8	4.5L	1957	1978
2951331	W3522-1	Chrysler	Dodge	8 CYL		1968	1978
2951571	W3607	Chrysler	Dodge, Plymouth	8 CYL		1970	1982
2951571	WN3607-1	Chrysler	Dodge, Plymouth	8 CYL		1970	1982
303394R1	W2435	International		IL 4 or 6 CYL		1958	1970
3144578	W2503-6	AMC		8 CYL		1963	1964
3166881	W2468	AMC	Jeep	8 CYL		1963	1968
3166881	W2468-1	AMC	Jeep	8 CYL		1963	1968
3171837	W2468	AMC	Rambler	6 CYL		1965	1974
3171837	W2468-1	AMC	Rambler	6 CYL		1965	1974
3171837	W2562	AMC	Rambler	6 CYL		1964	1966
318118R21	W2435	International		IL 4 or 6 CYL		1958	1970
318118R91	W2435	International		6 CYL		1958	1970
3184196	W2537	AMC	Rambler	6 CYL		1967	1968
318450241	W2503	Allis Chalmers, Buda, Cockshutt, Co-Op		6 CYL		1948	1959
3190999	W2468	AMC	Rambler	6 CYL		1965	1974
3190999	W2532	AMC	Rambler	8 CYL		1971	1974
3190999	W2532	AMC, Renault	Fan Hub Height Is 4.56"	V6	3.8L, 4.2L	1971	1974
3190999	W2468-1	AMC	Rambler	6 CYL		1965	1974
3190999	W2562	AMC	Rambler	6 CYL		1965	1966
3224101	W2481-1	AMC, Renault	Gremlin, Concord, Hornet, Eagle	V6	3.8L, 4.2L	1975	1979
3224101CA	W2481	AMC	Jeep	6 CYL		1975	1978
329673	W2468	GM, Massey Ferguson		6 CYL		1962	1975

Application Data

BY OEM PUMP BODY CASTING NUMBER

OEM PUMP BODY CASTING NO.	FAG BEARING NUMBER	VEHICLE		ENGINE		YEARS	
		MANUFACTURER	MODEL	TYPE	DISPLACEMENT	FROM	TILL
330813P	WK2500-2	GM	Chevrolet, GMC	8 CYL		1971	1990
3331	W2404S	Renault		IL 4		1957	1962
336100	WK2500-2	GM	Chevrolet	8 CYL		1971	1974
354495	WK2500-2	GM	Chevrolet, GMC	8 CYL		1971	1978
357232	W2637	GM	Chevrolet, Pontiac	6 CYL		1955	1963
357685	WK2484-1	GM		6 CYL		1985	1986
357685	WK2501-3	GM	Chevrolet, GMC, Pontiac	V6	2.5L, 4.1L	1975	1985
364790	WK2564-6	GM	Chevrolet, GMC	8 CYL		1976	1976
371077	W3607	Chrysler	Dodge	8 CYL		1975	1975
3732750	W2468	GM	Chevrolet	8 CYL		1958	1964
3736567	W2637	GM	Chevrolet	6 CYL		1955	1963
3738493	W2468	GM	Chevrolet	8 CYL		1956	1957
3755787	W2468	GM	Chevrolet	8 CYL		1958	1964
3755797	W2468	GM	Chevrolet	8 CYL		1958	1964
3757241	WK2587	GM	Chevrolet	8 CYL		1959	1959
3757244	WK2587	GM	Chevrolet	8 CYL		1958	1959
3760196	WK2587	GM	Chevrolet	8 CYL		1958	1959
376444	WK2564-6	GM	Buick, Chevrolet, Oldsmobile, GMC	8 CYL		1977	1992
3769192	WK2500A	Chrysler		V8	6.6L, 7.2L	1974	1979
3783957	WK2587	GM	Chevrolet	8 CYL		1960	1960
3788476	W2468	AMC, GM, Massey Ferguson	Buick, Chevrolet, GMC, Jeep, Oldsmobile, Pontiac	6 CYL		1962	1974
3788478	WK2587	GM	Chevrolet	8 CYL		1960	1963
382188	WK2550	GM	Oldsmobile	8 CYL		1964	1964
3830822	WK2607A	Chrysler	Dakota, Ram	V6	3.9L	1989	1991
3830822	WK2607A	Chrysler	Dodge, Plymouth	8 CYL	5.2L, 5.9L	1978	1992
3836160	W2637	GM	Chevrolet	6 CYL		1955	1956
3836224	W2439	GM	Chevrolet	6 CYL		1954	1955
3839441	WK2587	GM	Chevrolet	8 CYL		1960	1965
384786	WK2550	GM	Oldsmobile	8 CYL		1965	1967
3856284	WK2495	GM	Chevrolet, GMC	8 CYL		1965	1970
3861922	WK2560	GM	Chevrolet	8 CYL		1965	1974
3870420	WN3607-1	Chrysler	Dodge	8 CYL		1974	1977

OEM PUMP BODY CASTING NO.	FAG BEARING NUMBER	VEHICLE		ENGINE		YEARS	
		MANUFACTURER	MODEL	TYPE	DISPLACEMENT	FROM	TILL
3913432	WN2468-2	Chrysler	Dodge Truck	6 CYL Turbo Diesel	3.9L	1989	1989
3936208	W2439	GM	Chevrolet	6 CYL		1953	1955
3940906	WK2495	GM	Chevrolet, GMC	5 CYL		1965	1972
3973117	W2486-2	GM	Chevrolet	IL 4		1971	1977
3981399	WK2500-2	GM	Chevrolet	8 CYL		1971	1978
3992077	WK2495	GM	Chevrolet, GMC	8 CYL		1965	1972
3992077	WK2500-2	GM	Chevrolet	8 CYL		1971	1974
400269	WK2600	GM	Oldsmobile	8 CYL		1968	1970
4025063	WK2604	Allis Chalmers		6 CYL		1963	1969
4026091	WK2604	Allis Chalmers		6 CYL		1963	1969
404847	WK2600	GM	Oldsmobile	8 CYL		1968	1970
407536	WK2637	GM	Oldsmobile	8 CYL		1971	1972
408329	WK2600	GM	Oldsmobile	8 CYL		1971	1972
4095700	W3520-2	Chrysler	Dodge, Plymouth	6 CYL		1978	1982
4104553	W3520-2	Chrysler	Dodge, Plymouth	6 CYL		1978	1987
412265	WK2637	GM	Cadillac Fleetwood Brougham	V8	5.0L	1986	1989
412265	WK2637	GM	Caprice	V8	5.0L	1986	1989
412265	WK2637	GM	Delta, Custom Cruiser	V8	5.0L	1980	1989
412265	WK2637	GM	Estate, Lesabre, Wagon, Safari	V8	5.0L	1980	1989
412265	WK2637	GM	Oldsmobile	8 CYL		1973	1990
413307	WK2600	GM	Buick, Oldsmobile, Pontiac	V8	6.6L	1968	1985
4315455	WN3399-2S	Chrysler	Caravan, Daytona, Dynasty, Daytona, Dakota, Le Baron, Omni, Shadow, Spirit	IL 4	2.5L	1991	1991
4315455	WN3399-2S	Chrysler	Shadow, Sundance	IL 4	2.2L	1991	1991
4315455	WN3399-2S	Chrysler	Acclaim, Grand Voyager	IL 4	2.5L	1991	1991
4315455	WN3399-2S	Chrysler	Daytona, Dynasty, Caravan, Dakota	IL 4	2.2L	1991	1991
4315736-7	W3399	Chrysler	Aries, Caravan, Dodge Truck, Lancer, Horizon, Reliant, Voyager	IL 4	2.5L	1989	1989
4315736-7	W3399	Chrysler	Lebaron Gts Coupe, Convertible	IL 4	2.2L	1989	1989
4331	W2404S	Renault		IL 4		1963	1971
4448880	WN3399-2S	Chrysler	Caravan, Dynasty	V6	3.3L	1991	1991
4448880	WN3399-2S	Chrysler	Imperial	V6	3.8L	1991	1991

Application Data

BY OEM PUMP BODY CASTING NUMBER

OEM PUMP BODY CASTING NO.	FAG BEARING NUMBER	VEHICLE		ENGINE		YEARS	
		MANUFACTURER	MODEL	TYPE	DISPLACEMENT	FROM	TILL
4448880	WN3399-2S	Chrysler	Imperial, Fifth Avenue, New Yorker Salon, Town & Country	V6	3.3L	1990	1991
4448880	WN3399-2S	Chrysler	Grand Voyager Van	V6	3.3L	1991	1991
446430C3	WKN2534	Ford	Ford Truck, Navistar	8 CYL Diesel	6.9L, 7.3L	1983	1989
446430C4	WKN2534	Ford	Ford Truck, Navistar	8 CYL Diesel	6.9L, 7.3L	1989	1992
446430C4	WKN2534	Ford	Truck	8 CYL	7.3L	1991	1991
44643C02	WK2534	Volvo		8 CYL	6.9L	1983	1985
465802	WK2538-2	GM	Chevrolet	6 CYL		1978	1987
476510	WN2415-1	GM		6 CYL		1980	1982
482138	WK2520	GM	Buick, Oldsmobile, Pontiac	8 CYL		1969	1978
488296	WK2564-6	GM	Buick, Pontiac	8 CYL		1970	1982
501181	W2406-1	GM	Pontiac	6 CYL or 8 CYL		1937	1948
518040	W2406-1	GM	GMC, Pontiac	IL 4 or 8 CYL		1955	1963
5203441	W3399	Chrysler	Dodge Truck, Daytona, Caravan, Lancer, Lebaron, New Yorker, Maserti	IL 4	2.2L, 2.5L	1981	1988
53020135	WKN2454D	Chrysler	Dodge Truck	6 CYL, 8 CYL		1992	1992
550165	WK2637	GM	Buick, Cadillac, Oldsmobile, Pontiac	8 CYL		1976	1978
5631A	W2503	Case		IL 4		1941	1954
563213	WK2500-2	GM	GMC	8 CYL		1958	1960
6263701	WK2564-6	GM	Chevrolet, GMC, Pontiac	8 CYL		1969	1975
6263707	WK2564-6	GM	Chevrolet, GMC	8 CYL		1969	1986
6263707	WK2564-6	GM	Chevy Truck	8 CYL	7.4L	1987	1992
637052	W2503	AMC	Jeep	IL 4		1939	1970
643534	W2503	Henry J-Jeep		6 CYL		1984	1955
649718	W2503	AMC	Jeep	IL 4		1939	1971
6858326	W2468	GM		8 CYL		1969	1972
69495-R11	W2562	International, Reo		6 CYL		1950	1970
73TF-8505AA	W2364S	Ford	Mercury	V6	2.8L	1973	1979
7685	WK2501-3	AMC, Renault	America, Concord, Hornet, Eagle, Jeep	IL 4	2.5L	1980	1984
78495	WN2475	AMC	Jeep	6 CYL		1980	1982
78495	WN2476	AMC	Jeep	6 CYL		1980	1982
79124	WK2520	GM	Pontiac	8 CYL		1969	1974
798506	W2404S	Ford		8 CYL		1937	1947
800884	W2503	AMC	Jeep	IL 4		1939	1971

OEM PUMP BODY CASTING NO.	FAG BEARING NUMBER	VEHICLE		ENGINE		YEARS	
		MANUFACTURER	MODEL	TYPE	DISPLACEMENT	FROM	TILL
800885	W2503	AMC	Jeep	IL 4		1963	1971
800885B	W2503	AMC	Jeep	IL 4		1951	1956
81SF-8505AD	WNS2332	Ford	Mercury	IL 4		1981	1986
8754599	WK2604	AMC	Jeep M-151 "Mutt"	IL 4		1960	1973
8BA-8503B	W2503	Ford		8 CYL		1949	1953
8BA-8503C	W2503	Ford		8 CYL		1949	1953
8BA-8503D	W2503	Ford	Mercury	8 CYL		1949	1953
8BA-8504B	W2503	Ford		8 CYL		1949	1953
8BA-8504C	W2503	Ford		8 CYL		1949	1953
8BA-8504D	W2503	Ford		8 CYL		1948	1953
8BA-8505B	W2503	Ford	Mercury	8 CYL		1948	1949
8BA-8505C	W2503	Ford	Mercury	8 CYL		1948	1949
8BA-8506C	W2503	Ford	Mercury	8 CYL		1948	1949
8CM-8505B	W2503	Ford	Mercury	8 CYL		1949	1949
8EL-8505B	W2417-2	Ford	Mercury	8 CYL		1948	1951
8EL-8505C	W2417-2	Ford	Mercury	8 CYL		1948	1951
8EL-8506B	W2417-2	Ford	Mercury	8 CYL		1948	1951
8EL-8506C	W2417-2	Ford	Mercury	8 CYL		1948	1951
8RT-8503B	W2503	Ford		8 CYL		1948	1952
8RT-8503D	W2503	Ford		8 CYL		1948	1952
8RT-8504B	W2503	Ford		8 CYL		1948	1952
8RT-8504D	W2503	Ford		8 CYL		1948	1952
93412618	WK2501-3	GM		IL 4	4.8L	1986	1989
934333	W2507	AMC	Jeep	6 CYL		1951	1962
9772716	W2406-1	GM	Pontiac	8 CYL		1963	1966
9782041	W2406-1	GM	Pontiac	8 CYL		1966	1968
9782482	W2441-1	GM	Pontiac	8 CYL		1963	1968
9799124	WK2520	GM	Pontiac	8 CYL		1969	1974
A28860	W2446	Case		4IL		1951	1961
A4280R	W2439	John Deere		2 CYL		1946	1956
A5381R	W2439	John Deere		2 CYL		1946	1960
A8506	W2503	Ford		IL 4		1948	1959
A8506	W2503-6	GM	Oldsmobile	8 CYL		1949	1962

Application Data

BY OEM PUMP BODY CASTING NUMBER

OEM PUMP BODY CASTING NO.	FAG BEARING NUMBER	VEHICLE		ENGINE		YEARS	
		MANUFACTURER	MODEL	TYPE	DISPLACEMENT	FROM	TILL
B241	W2503	Allis Chalmers, Buda, Cockshutt, Co-Op		6 CYL		1948	1959
B4TE-8505A	W2476-2	Ford		8 CYL		1952	1956
B829	W2503	Allis Chalmers, Buda, Cockshutt, Co-Op		6 CYL		1948	1959
B8A-8504D	W2503	Ford	Mercury	8 CYL		1949	1953
B9TE-8505B	W2476-2	Ford		8 CYL		1952	1954
C0DE-8505A	WN2450-2	Ford	Mercury	6 CYL		1960	1974
C0TE-8505A	WK2559-2	Ford		8 CYL		1954	1963
C0TE-8505B	WK2559-2	Ford		8 CYL		1957	1963
C1TE-8505	WK2559-2	Ford		8 CYL		1961	1963
C3TE-8505A	W2475	Ford		6 CYL		1952	1956
C3TE-8505B	W2486-2	Ford		6 CYL		1954	1964
C4DE-8505A	WN2450-2	Ford	Mercury	6 CYL		1960	1974
C4SE-8505	W2537	Ford	Mercury	8 CYL		1961	1968
C4SE-8505A	W2537	Ford	Mercury	8 CYL		1961	1974
C4TE-8505A	WK2559-2	Ford		8 CYL		1964	1969
C4TE-8505B	WK2559-2	Ford		8 CYL		1964	1969
C4TE-8505F	WK2559-2	Ford		8 CYL		1964	1970
C5NE-8508A	W2537	Ford		3 CYL or IL 4		1965	1974
C6OE-8505A	WN2548	Ford		8 CYL		1966	1967
C7AE-8505A	WN2450-2	Ford		6 CYL		1965	1974
C7TE-8505B	WK2559-2	Ford		8 CYL		1964	1970
C8AE-8505J	WN2548	Ford		8 CYL		1969	1972
C8AE-8505J	WN2548	Ford	Mercury	8 CYL		1968	1968
C8AE-8505K	WN2450-2	Ford	Indust.	6 CYL		1965	1977
C8DE-8505B	WN2450-2	Ford	Mercury	6 CYL		1960	1974
C8E-8505A	WN2548	Ford	Mercury	8 CYL		1966	1968
C8OE-8505D	WN2548-1	Ford	Mercury	8 CYL		1965	1969
C8TE-8505F	WK2559-2	Ford		8 CYL		1964	1974
C9AE-8505A	WK2537-1	Ford	Mercury	8 CYL		1964	1974
C9DE-8505A	WK2528-2	Ford	Mercury	6 CYL		1969	1980
C9TE-8505C	WK2575-1	Ford	Mercury	V8	5.0L	1970	1979
D0OE-8505A	WK2616-2	Ford	Mercury	8 CYL		1970	1971

OEM PUMP BODY CASTING NO.	FAG BEARING NUMBER	VEHICLE		ENGINE		YEARS	
		MANUFACTURER	MODEL	TYPE	DISPLACEMENT	FROM	TILL
D00E-8505A	WKN2616	Ford	Mercury	8 CYL		1970	1978
D00E-8505D	WK2575-1	Ford	Mercury	8 CYL		1969	1978
D00E-8505D	WK2575-4	Ford	Mercury	8 CYL		1969	1978
D2AE-8505AA	WN2450-2	Ford	Mercury	6 CYL		1962	1978
D2AE-8505BA	WK2537-1	Ford	Mercury	8 CYL		1972	1974
D2AE-8505CD	WKN2623	Ford	Mercury	6 CYL		1983	1986
D2TE-8505AA	WK2531	Ford		6 CYL		1974	1984
D2TE-8505AA	WKN2531	Ford		6 CYL		1974	1984
D2VE-8505A	WKN2616	Ford	Mercury	8 CYL		1972	1978
D2VE-8505B	WKN2616	Ford	Mercury	8 CYL		1972	1978
D3TE-8505CB	WKN2558-2	Ford		8 CYL		1973	1975
D3UE-8505AA	WK2575-1	Ford		8 CYL		1965	1976
D4DE-8505BA	WN2497	Ford	Mercury	6 CYL	3.3L	1960	1975
D4ZE-8505AB	WK2592	Ford		IL 4		1974	1974
D4ZE-8505AB	WKN2592	Ford		IL 4		1974	1974
D4ZE-8505B	WK2592	Ford		IL 4		1974	1974
D52E-8505AA	WKN2592	Ford	Mercury	IL 4		1976	1979
D5DE-8505AB	WK2586	Ford	Mercury	6 CYL		1975	1978
D5TE-8505BA	WK2531	Ford	Mercury	6 CYL		1977	1981
D5TE-8505BA	WKN2531	Ford	Mercury	6 CYL		1977	1981
D5TE-8505DA	WKN2616	Ford		8 CYL		1975	1977
D5TE-8505EA	WKN2616	Ford		8 CYL		1975	1978
D5TE-8505FA	WKN2616	Ford		8 CYL		1977	1977
D5VE-8505AA	WK2616-2	Ford	Mercury, Lincoln	8 CYL		1973	1977
D5VE-8505AA	WKN2616	Ford	Mercury, Lincoln	8 CYL		1973	1977
D69E-8505AA1	WKN2531-3	Ford	Truck	6 CYL		1986	1989
D7AE-8505AA	WK2575-4	Ford	Mercury	8 CYL		1977	1983
D7TE-8505AA	WK2575-4	Ford	Mercury, Lincoln	8 CYL		1973	1987
D7TE-8505AA	WK2575-4	Ford	Mustang	V8	5.0L, 6.6L	1983	1985
D8BE-8505CA	WK2586	Ford	Capri, Cougar, Marquis	V6	3.3L	1976	1989
D8BE-8505CA	WK2586	Ford	Mustang, T-Bird	V6	3.3L	1989	1989
D8EE-8505BA	WK2592	Ford		IL 4	2.3L	1980	1982
D8EE-8505BA	WKN2592-2	Ford	Mercury	IL 4		1982	1982

Application Data

BY OEM PUMP BODY CASTING NUMBER

OEM PUMP BODY CASTING NO.	FAG BEARING NUMBER	VEHICLE		ENGINE		YEARS	
		MANUFACTURER	MODEL	TYPE	DISPLACEMENT	FROM	TILL
D8TE-8505AA	WKN2616	Ford		8 CYL		1978	1978
D8UE-8505AA	WK2616-2	Ford	Marine	8 CYL		1978	1991
D8UE-8505AA	WK2616-2	Ford	Motor Home Chasis, Super Duty	V8	7.5L	1980	1991
D8UE-8505AA	WKN2616	Ford		8 CYL		1978	1978
D8UE-8505AA	WKN2616	Ford	Truck	8 CYL	7.5L	1989	1991
D9AE-8505CE	WKN2634-1	Ford	Mercury	8 CYL		1979	1979
D9BE-8505AA	WK2586	Ford	Mercury	6 CYL		1977	1982
D9ZE-8505AE	WKN2634-1	Ford		8 CYL		1979	1979
E0AE-8505AA	WKN2634-1	Ford	Mercury	8 CYL		1979	1986
E0ZE-8505AE	WKN2634-1	Ford	Mercury	8 CYL		1980	1982
E0ZE-8505BB	WKN2634-1	Ford	Mercury	8 CYL		1979	1982
E1AE-8505AA	WK2575-4	Ford	Mercury	8 CYL		1982	1991
E1AE-8505AA	WKN2575-4	Ford	Ltd, T-Bird, Cougar, Lincoln Town Car, Marquis	V8	5.0L, 5.8L	1985	1988
E1EE-8505AA	WKN2531	Ford	Mercury	6 CYL		1982	1983
E1EE-8505AB	W2364S	Ford	Bobcat, Lynx, Ln-7	IL 4	1.6 L	1983	1985
E1EE-8505AB	WNS2332	Ford	Escort	IL 4	1.6L	1983	1986
E1EE-8505CA	WNS2332	Ford	Mercury	IL 4		1982	1985
E1ZE-8505AA	WK2634-1	Ford	English Truck	V8	5.0L	1982	1985
E1ZE-8505AA	WKN2634-1	Ford	English Truck	V8		1982	1985
E1ZE-8505AA	WKN2634-1	Ford	Mercury	8 CYL		1982	1986
E2AE-8505CD	WK2623	Ford		V6	3.8L	1982	1985
E2AE-8505CD	WKN2623	Ford	Ford Truck	V6	3.8L	1982	1989
E2AE-8505CD	WKN2623	Ford	Mercury	6 CYL		1982	1989
E37E-8505AA	WKN2592-2	Ford	Cougar	IL 4	2.3L	1987	1989
E37E-8505AA	WKN2592-2	Ford	Mercury	IL 4		1983	1992
E37E-8505AA	WKN2592-2	Ford	Mustang	IL 4	2.3L	1991	1991
E37E-8505AA	WKN2592-2	Ford	Mustang, T-Bird, Ranger	IL 4	2.0L, 2.3L	1984	1991
E37E-8505AA	WN2434	Ford	Tempo, Topaz	IL 4	2.3L	1987	1988
E37E-8505EE	WKN2592-2	Ford	Ford Truck	IL 4	2.3L	1992	1992
E3EE-8505AA	WNS2332	Ford	Exp.	IL 4	1.9L	1985	1986
E3TE-8505DA	WK2531	Ford	Ford Truck	IL 6	4.9L	1985	1986
E3TE-8505DA	WKN2531	Ford	Ford Truck	IL 6	4.9L	1987	1991

OEM PUMP BODY CASTING NO.	FAG BEARING NUMBER	VEHICLE		ENGINE		YEARS	
		MANUFACTURER	MODEL	TYPE	DISPLACEMENT	FROM	TILL
E43E-8505A	WN2434	Ford	Tempo, Topaz	IL 4	2.3L	1991	1991
E43E-8505AD	W2434	Ford	Tempo	IL 4	2.3L	1984	1989
E43E-8505AD	WN2434	Ford	Tempo, Taurus, Topaz	IL 4	2.3L, 2.5L	1984	1991
E4ZE-8505AA	WKN2634-1	Ford		8 CYL	5.0L	1985	1985
E5TE-8505AA	WKN2622	Ford	Mustang, T-Bird	V8	5.0L	1986	1991
E5ZE-8505AA	WKN2622	Ford	Cougar	V8	5.0L	1986	1989
E5ZE-8505AA	WKN2622	Ford	Lincoln Continental Mark Vi	V8	5.0L	1988	1989
E69E-8505AA1	WKN2531-3	Ford	Aerostar	V6	3.0L	1990	1986
E6AE-8505AC	WN2434	Ford	Probe	V6	3.0L	1991	1991
E6AE-8505AC	WN2434	Ford	Taurus	IL 4	2.5L	1988	1988
E6AE-8505AC	WN2434	Ford	Taurus, Sable	V6	3.0L	1986	1992
E7AE-8505AA	WKN2634-1	Ford	Lincoln Town Car	8 CYL	5.0L	1988	1989
E7DE-8505BA	WN2375-3	Ford		6 CYL		1987	1987
E7DE-8505CA	WN2375-3	Ford	Continental, Taurus, Sable	V6	3.8L	1988	1992
E7EE-8505BA	WS2332-1	Ford	Escort	IL 4	1.9L	1986	1993
E7SE-8505DA	WKN2688	Ford		6 CYL		1987	1987
E8SE-8505BA	WKN2688	Ford	Cougar, T-Bird	V6	3.8L	1988	1989
E9AE-8505BA	WKN2634-1	Ford	Crown Victoria, Grand Marquis, Lincoln Town Car	V8	5.0L	1991	1991
E9AE-8505BA	WKN2634-1	Ford		8 CYL	5.0L	1990	1992
E9DE-8505C3A	WKN2531-3	Ford	Taurus	IL 4	2.5L	1989	1992
E9DE-8505CA	WKN2524	Ford	MN12, T-Bird, Cougar	V8	5.0L	1991	1991
E9SE-8505CA	WKN2688	Ford		6 CYL	3.0L	1989	1991
E9SE-8505CA	WKN2688	Ford	T-Bird	V6	3.8L	1989	1991
E9SE-8505CC	WKN2688-1	Ford	T-Bird	V6 Super- charged	3.8L	1989	1992
E9SE-8505CC	WKN2688-1	Ford	T-Bird	V6	3.8L	1990	1990
E9SE-8505CC	WKN2688	Ford		V6	3.8L	1991	1991
E9SE-8505CC	WKN2688-1	Ford	T-Bird, Cougar	V6	3.8L	1991	1991
E9TE-8505AA	WKN2622	Ford	Mark VII, Mustang	8 CYL	5.0L	1990	1992
E9TE-8505AA	WKN2622	Ford	Lincoln Mark Vii	V8	5.0L	1991	1991
E9TE-8505BA	WKN2531	Ford		6 CYL	4.9L	1989	1989
E9TE-8505CA	WKN2531	Ford	Ford Truck	6 CYL	4.9L	1990	1990
EAA-8505B	W2486-2	Ford		6 CYL		1954	1964

Application Data

BY OEM PUMP BODY CASTING NUMBER

OEM PUMP BODY CASTING NO.	FAG BEARING NUMBER	VEHICLE		ENGINE		YEARS	
		MANUFACTURER	MODEL	TYPE	DISPLACEMENT	FROM	TILL
EAD-8505B	W2417-2	Ford		IL 4		1955	1967
EAF-8505B	W2417-2	Ford		IL 4		1955	1969
EBP-8505A	W2486-2	Ford		6 CYL		1954	1964
EBU-8505D	W2562	Ford	Edsel, Mercury	8 CYL		1955	1964
EBV-8505D	W2562	Ford		8 CYL		1955	1956
ECE-8505A	W2562	Ford	Edsel, Mercury	8 CYL		1955	1964
ECE-8505B	W2562	Ford	Edsel, Mercury	8 CYL		1955	1962
ECW-8505A	WK2604	Ford		8 CYL		1954	1964
F02E-8505AD	WN2434	Ford	Probe	6 CYL	3.0L	1990	1991
F0EE-8505AB	WS2332-1	Ford	Escort, Tracer	IL 4	1.9L	1991	1991
F0EE-8505AE	WS2332-1	Ford	Escort, Tracer	IL 4	1.9L	1991	1992
F1AE-8505AD	WKN2543- 1.T2517	Ford	Lincoln Town Car	V8	4.6L	1991	1991
F1SE-8505BE	WKN2524	Ford	Cougar, T-Bird	V8	5.0L	1991	1991
F1TE-8505CA	WNS2616-6.L145	Ford	Ford Truck	8 CYL	7.5L	1992	1992
F23E-8505AB	WN2434	Ford	Tempo, Topaz	6 CYL		1992	1992
F400K-419	W2507	Massey Ferguson		IL 4		1960	1970
F400K-422	W2507	Massey Ferguson, Clark, Continental Motors		IL 4		1960	1970
G11854	W2441-1	Case		IL 4		1961	1966
J403K402	WK2604	Massey Ferguson		IL 4		1960	1964
JR775-047	W2456	Jeep	Cherokee, Comanche, Wagoneer	IL 4	2.5L	1990	1990
JR775-047	W2456	Jeep	Grand Wagoneer, Wrangler, YJ	V6	4.2L	1990	1990
K350A	W2562	Oliver		6 CYL		1949	1963
M.D025190	WS6354	Chrysler	Dodge Truck, Caravan, Voyager	IL 4	2.6L	1981	1985
OCM-8503	W2503	Ford	Mercury	8 CYL		1950	1951
OCM-8504	W2503	Ford	Mercury	8 CYL		1950	1951
RF-E43E-8505AD	WN2434	Ford		IL 4	2.5L	1986	1989
VT-341	W2441-1	Case		IL 4		1948	1966
VTA-905	W2441-1	Case		IL 4		1948	1966
Z120K30502	W2481-1	Massey Ferguson		IL 4		1948	1954
Z129K402	WK2587	Massey Ferguson		IL 4		1955	1970



At FAG, our Research and Development laboratory is dedicated to continuous testing of new waterpump bearing designs.

Application Data

BY MANUFACTURER

FAG BEARING NUMBER	VEHICLE		ENGINE		YEARS	
	MANUFACTURER	MODEL	TYPE	DISPLACEMENT	FROM	TILL
WK2604	Allis Chalmers		6 CYL		1963	1969
W2503	Allis Chalmers		IL 4		1938	1969
W2503	Allis Chalmers, Buda, Cockshutt, Co-Op		6 CYL		1948	1959
W2481	AMC	Jeep	6 CYL		1975	1978
WN2475	AMC	Jeep	6 CYL		1980	1982
WN2476	AMC	Jeep	6 CYL		1980	1982
W2507	AMC	Jeep, Kaiser	6 CYL		1951	1962
W2562	AMC	Rambler	6 CYL		1964	1966
W2468	AMC	Rambler	6 CYL		1965	1974
W2468-1	AMC	Rambler	6 CYL		1965	1974
W2562	AMC	Rambler	6 CYL		1965	1966
W2537	AMC	Rambler	6 CYL		1967	1968
W2468	AMC	Jeep	6 CYL		1962	1974
W2503-6	AMC		8 CYL		1963	1964
W2468-1	AMC	Jeep	8 CYL		1963	1968
W2532	AMC	Rambler	8 CYL		1971	1974
WN2476	AMC		IL 4		1977	1979
W2503	AMC	Jeep	IL 4		1939	1971
WK2604	AMC	Jeep M-151 "Mutt"	IL 4		1960	1973
WK2501-3	AMC, Renault	America, Concord, Hornet, Eagle, Jeep	IL 4	2.5L	1980	1984
W2532	AMC, Renault	Fan Hub Height Is 4.56"	V6	3.8L, 4.2L	1971	1974
W2481-1	AMC, Renault	Gremlin, Concord, Hornet, Eagle	V6	3.8L, 4.2L	1975	1979
W2446	Case		IL 4		1951	1961
W2503	Case		IL 4		1941	1954
W2441-1	Case		IL 4		1948	1966
W3520-2	Chrysler	Dodge, Plymouth	6 CYL	2.7L, 3.6L, 4.2L	1960	1987
W3481-6	Chrysler	Plymouth	6 CYL		1960	1977
W3481-5	Chrysler	Dodge, Plymouth	6 CYL		1960	1968
WN2468-2	Chrysler	Dodge Truck	6 CYL Turbo Diesel	3.9L	1989	1989
WKN2454D	Chrysler	Dodge Truck	6 CYL, 8 CYL		1992	1992
WK2607A	Chrysler	Dodge, Plymouth	8 CYL	5.2L, 5.9L	1978	1992
W3522-1	Chrysler	Dodge	8 CYL		1968	1978
W3607	Chrysler	Dodge, Plymouth	8 CYL		1970	1982

FAG BEARING NUMBER	VEHICLE		ENGINE		YEARS	
	MANUFACTURER	MODEL	TYPE	DISPLACEMENT	FROM	TILL
WN3607-1	Chrysler	Dodge, Plymouth	8 CYL		1970	1982
WN2397S	Chrysler	Charger, Diplomat, Dodge, Plymouth, Monaco	IL 4	1.6L	1983	1988
WN3399-2S	Chrysler	Daytona, Dynasty, Caravan, Dakota, Shadow, Sundance	IL 4	2.2L	1991	1991
W3399	Chrysler	Dodge Truck, Daytona, Caravan, Lancer, Lebaron, New Yorker, Maserti	IL 4	2.2L, 2.5L	1981	1988
WN3399-2S	Chrysler	Acclaim, Grand Voyager	IL 4	2.5L	1991	1991
W3399	Chrysler	Aries, Caravan, Dodge Truck, Lancer, Horizon, Reliant, Voyager	IL 4	2.5L	1989	1989
WN3399-2S	Chrysler	Caravan, Daytona, Dynasty, Daytona, Dakota, Le Baron, Omni, Shadow, Spirit	IL 4	2.5L	1991	1991
W2456	Chrysler	Cherokee, Comanche, Wagoneer	IL 4	2.5L	1990	1990
WS6354	Chrysler	Dodge Truck, Caravan, Voyager	IL 4	2.6L	1981	1985
WN3399-2S	Chrysler	Caravan, Dynasty, Voyager	V6	3.3L	1991	1991
WN3399-2S	Chrysler	Imperial, Fifth Avenue, New Yorker Salon, Town & Country	V6	3.3L	1990	1991
WN2407-5S.T3377	Chrysler	Concorde, Intrepid, LHS, New Yorker, Minivan	V6	3.3L, 3.5L, 3.8L	1993	2000
WK2607A	Chrysler	Dakota, Ram	V6	3.9L	1989	1991
W2456	Chrysler	Grand Wagoneer, Wrangler, YJ	V6	4.2L	1990	1990
WNS2312.J3413	Chrysler	300, Concorde, Intrepid	V6 4V	2.7L	1998	2000
W3522-1	Chrysler	Dodge, Plymouth	V8	4.5L	1957	1978
WK2500A	Chrysler		V8	6.6L, 7.2L	1974	1979
WNS2348-5	Chrysler	Neon	4CYL	2.0L, 2.4L	1994	2000
WS2372	Datsun	Bluebird, Sunny	IL 4	1.4L, 1.6L, 1.8L	1968	1979
W2537	Ford		3 CYL or IL 4		1965	1974
W2537	Ford	Tractor	3 CYL or IL 4		1985	1988
WKN2688	Ford		6 CYL	3.0L	1989	1991
WN2434	Ford	Probe	6 CYL	3.0L	1990	1991
WN2497	Ford	Mercury	6 CYL	3.3L	1960	1975
WKN2531	Ford		6 CYL	4.9L	1989	1990
W2475	Ford		6 CYL		1952	1956
W2486-2	Ford		6 CYL		1954	1964
WN2450-2	Ford		6 CYL		1965	1974
WK2531	Ford		6 CYL		1974	1984
WKN2531	Ford		6 CYL		1974	1984

Application Data

BY MANUFACTURER

FAG BEARING NUMBER	VEHICLE		ENGINE		YEARS	
	MANUFACTURER	MODEL	TYPE	DISPLACEMENT	FROM	TILL
WKN2688	Ford		6 CYL		1987	1987
WN2375-3	Ford		6 CYL		1987	1987
WKN2688	Ford		6 CYL		1991	1991
WN2450-2	Ford	Indust.	6 CYL		1965	1977
WN2450-2	Ford	Mercury	6 CYL		1960	1978
WK2528-2	Ford	Mercury	6 CYL		1969	1980
WK2531	Ford	Mercury	6 CYL		1977	1983
WK2586	Ford	Mercury	6 CYL		1975	1982
WKN2531	Ford	Mercury	6 CYL		1977	1983
WKN2623	Ford	Mercury	6 CYL		1982	1989
WN2434	Ford	Probe, Tempo, Topaz	6 CYL		1992	1992
WKN2531-3	Ford	Truck	6 CYL		1986	1989
WKN2634-1	Ford	English Truck	8 CYL	4.2L	1982	1985
WKN2634-1	Ford		8 CYL	5.0L	1985	1985
WKN2634-1	Ford		8 CYL	5.0L	1990	1992
WKN2634-1	Ford	Lincoln Town Car	8 CYL	5.0L	1988	1989
WKN2622	Ford	Mark VII, Mustang	8 CYL	5.0L	1990	1992
WKN2534	Ford	Truck	8 CYL	7.3L	1991	1991
WKN2616	Ford	Truck	8 CYL	7.5L	1989	1991
W2404S	Ford		8 CYL		1937	1947
W2503	Ford		8 CYL		1948	1953
W2476-2	Ford		8 CYL		1952	1956
WK2559-2	Ford		8 CYL		1954	1963
WK2604	Ford		8 CYL		1954	1964
W2562	Ford		8 CYL		1955	1956
WK2559-2	Ford		8 CYL		1957	1974
WK2575-1	Ford		8 CYL		1965	1976
WN2548	Ford		8 CYL		1966	1972
WKN2558-2	Ford		8 CYL		1973	1975
WKN2616	Ford		8 CYL		1975	1978
WKN2634-1	Ford		8 CYL		1979	1979
W2562	Ford	Edsel, Mercury	8 CYL		1955	1964
WK2616-2	Ford	Marine	8 CYL		1978	1991

FAG BEARING NUMBER	VEHICLE		ENGINE		YEARS	
	MANUFACTURER	MODEL	TYPE	DISPLACEMENT	FROM	TILL
W2417-2	Ford	Mercury	8 CYL		1948	1951
W2503	Ford	Mercury	8 CYL		1948	1951
W2537	Ford	Mercury	8 CYL		1961	1974
WK2537-1	Ford	Mercury	8 CYL		1964	1974
WN2548-1	Ford	Mercury	8 CYL		1965	1969
WN2548	Ford	Mercury	8 CYL		1966	1968
WK2575-1	Ford	Mercury	8 CYL		1969	1978
WK2575-4	Ford	Mercury	8 CYL		1969	1978
WK2616-2	Ford	Mercury	8 CYL		1970	1971
WKN2616	Ford	Mercury	8 CYL		1970	1978
WK2537-1	Ford	Mercury	8 CYL		1972	1974
WKN2616	Ford	Mercury	8 CYL		1972	1978
WK2575-4	Ford	Mercury	8 CYL		1977	1983
WKN2634-1	Ford	Mercury	8 CYL		1979	1986
WK2575-4	Ford	Mercury	8 CYL		1982	1991
WK2575-4	Ford	Mercury, Lincoln	8 CYL		1973	1987
WK2616-2	Ford	Mercury, Lincoln	8 CYL		1973	1977
WKN2616	Ford	Mercury, Lincoln	8 CYL		1973	1977
WKN2534	Ford	Ford Truck, Navistar	8 CYL Diesel	6.9L, 7.3L	1983	1992
WN2388-2S	Ford	Zetec - SE	IL 4	1.3L	1996	2000
W2364S	Ford	Bobcat, Lynx, Ln-7	IL 4	1.6 L	1983	1985
WNS2332	Ford	Escort	IL 4	1.6L	1983	1986
WNS2337-1	Ford	Contour, Escort, Mystique	IL 4	1.8L, 2.0L	1997	2000
WS2332-1	Ford	Escort, Tracer	IL 4	1.9L	1986	1993
WNS2332	Ford	Exp.	IL 4	1.9L	1985	1986
WKN2592-2	Ford	Mustang, T-Bird, Ranger	IL 4	2.0L, 2.3L	1984	1991
WK2592	Ford		IL 4	2.3L	1980	1982
WKN2592-2	Ford	Cougar	IL 4	2.3L	1987	1989
WKN2592-2	Ford	Ford Truck	IL 4	2.3L	1992	1992
WKN2592-2	Ford	Mustang	IL 4	2.3L	1991	1991
W2434	Ford	Tempo	IL 4	2.3L	1984	1989
WN2434	Ford	Tempo, Taurus, Topaz	IL 4	2.3L, 2.5L	1984	1991
WKN2531-3	Ford	Taurus	IL 4	2.5L	1989	1992

Application Data

BY MANUFACTURER

FAG BEARING NUMBER	VEHICLE		ENGINE		YEARS	
	MANUFACTURER	MODEL	TYPE	DISPLACEMENT	FROM	TILL
W2503	Ford		IL 4		1948	1959
W2417-2	Ford		IL 4		1955	1969
WK2592	Ford		IL 4		1974	1974
WKN2592	Ford		IL 4		1974	1974
W2406-1	Ford	English Ford	IL 4		1953	1959
WKN2592	Ford	Mercury	IL 4		1976	1979
WNS2332	Ford	Mercury	IL 4		1981	1986
WKN2592-2	Ford	Mercury	IL 4		1982	1992
WN2434	Ford	Probe, Tempo, Topaz	IL 4		1992	1992
WN2393-2S.T2874	Ford	Euro CDW27	IL 4 4V	1.8L, 2.0L	1993	1997
WKN2624-1.TJ3312	Ford	Ranger, PN150	IL 4 OHC	2.3L	1995	1997
WK2531	Ford	Ford Truck	IL 6	4.9L	1985	1986
WKN2531	Ford	Ford Truck	IL 6	4.9L	1987	1991
WKN2624-1.TJ3312	Ford	PN150		2.6L	1998	2000
W2364S	Ford	Mercury	V6	2.8L	1973	1979
WKN2474-2	Ford	Bronco, Ranger, Aerostar	V6	2.9L, 4.0L	1985	1985
WKN2531-3	Ford	Aerostar	V6	3.0L	1986	1991
WN2434	Ford	Probe	V6	3.0L	1991	1991
WKN2531-3	Ford	Ranger, Aerostar	V6	3.0L	1991	1991
WN2434	Ford	Taurus, Sable	V6	3.0L	1986	1992
WK2586	Ford	Capri, Cougar, Marquis	V6	3.3L	1976	1989
WK2586	Ford	Mustang, T-Bird	V6	3.3L	1989	1989
WK2623	Ford		V6	3.8L	1982	1985
WN2375-3	Ford	Continental, Taurus, Sable	V6	3.8L	1988	1992
WKN2688	Ford	Cougar, T-Bird	V6	3.8L	1988	1991
WKN2623	Ford	Ford Truck	V6	3.8L	1982	1989
WKN2688-1	Ford	Cougar, T-Bird	V6	3.8L	1990	1991
WKN2688-7D	Ford	Rear wheel drive	V6	3.8L, 4.2L		
WN2434-4S	Ford	Taurus	V6 12V	3.0L	1992	2000
WN2375-4S	Ford	DN5, DN101, WIN88, FN9	V6 2V	3.8L	1996	2000
WS2333	Ford	Euro CDW27	V6 4V	2.5L	1995	2000
WNS2353	Ford	DN101	V6 4V	3.0L	1996	2000
WKN2688-1	Ford	T-Bird	V6 Supercharged	3.8L	1989	1992

FAG BEARING NUMBER	VEHICLE		ENGINE		YEARS	
	MANUFACTURER	MODEL	TYPE	DISPLACEMENT	FROM	TILL
WKN2543-1.T2517	Ford	Lincoln Town Car	V8	4.6L	1991	1991
WKN2622	Ford	Cougar	V8	5.0L	1986	1989
WKN2524	Ford	Cougar, T-Bird	V8	5.0L	1991	1991
WKN2634-1	Ford	Crown Victoria, Grand Marquis, Lincoln Town Car	V8	5.0L	1991	1991
WKN2622	Ford	Econoline Wagon, Mark VII,VIII	V8	5.0L	1991	1991
WK2634-1	Ford	English Truck	V8	5.0L	1982	1985
WKN2622	Ford	Lincoln Continental Mark VI	V8	5.0L	1988	1989
WK2575-1	Ford	Mercury	V8	5.0L	1970	1979
WKN2524	Ford	MN12, T-Bird, Cougar	V8	5.0L	1991	1991
WKN2622	Ford	Mustang, T-Bird	V8	5.0L	1986	1991
WKN2634-1	Ford	English Truck	V8	5.0L, 5.8L	1982	1985
WKN2575-4	Ford	Ltd, T-Bird, Cougar, Lincoln Town Car, Marquis	V8	5.0L, 5.8L	1985	1988
WK2575-4	Ford	Mustang	V8	5.0L, 6.6L	1983	1985
WKN2622	Ford	Bronco	V8	5.8L	1991	1991
WNS2616-6L145	Ford	F250, F350	V8	7.5L	1992	1997
WK2616-2	Ford	Motor Home Chasis, Super Duty	V8	7.5L	1980	1991
WKN2543-3D.TJ3315	Ford	Rear wheel drive	V8 2V	4.6L, 5.4L	1996	2000
WN2419S	Ford	Front wheel drive	V8 4V	4.6L	1995	2000
WKN2507-2D.TJ3311	Ford	FN10, SN95 Electric Fan RWD	V8 4V	4.6L	1998	2000
WS2351	GM	OPEL L850	4 CYL	1.8L, 2.0L, 2.2L	1999	2000
WK2495	GM	Chevrolet, GMC	5 CYL		1965	1972
WN2415-1	GM		6 CYL	2.8L	1981	1987
W2415-1	GM	Pontiac	6 CYL	2.8L	1988	1988
WN2415-1	GM		6 CYL	2.8L, 3.1L, 3.4L, 3.8L	1987	1992
WK2564-6	GM	Chevy Truck, GMC	6 CYL	4.3L	1987	1992
W2468	GM	Buick, Chevrolet, GMC, Oldsmobile, Pontiac	6 CYL		1962	1974
WK2602-2	GM		6 CYL		1973	1987
WN2415-1	GM		6 CYL		1980	1982
WK2484-1	GM		6 CYL		1985	1986
W2439	GM	Chevrolet	6 CYL		1953	1955
WK2538-2	GM	Chevrolet	6 CYL		1978	1987
W2637	GM	Chevrolet, Pontiac	6 CYL		1955	1963

Application Data

BY MANUFACTURER

FAG BEARING NUMBER	VEHICLE		ENGINE		YEARS	
	MANUFACTURER	MODEL	TYPE	DISPLACEMENT	FROM	TILL
W2468	GM		6 CYL		1962	1975
WK2500-2	GM	Chevrolet, GMC	6 CYL or 8 CYL		1964	1978
WK2637	GM		6 CYL Diesel	4.3L	1982	1984
W2406-1	GM	Pontiac	6 CYL or 8 CYL		1937	1948
WK2564-6	GM		8 CYL	5.0L, 5.7L	1991	1992
WK2564-6	GM	Chevy Truck	8 CYL	7.4L	1987	1992
WKN2564-6	GM	Chevy Truck	8 CYL	7.4L	1988	1991
W2468	GM		8 CYL		1969	1972
W2441-1	GM	Buick	8 CYL		1950	1953
W2441-1	GM	Buick	8 CYL		1958	1958
WK2602-2	GM	Buick	8 CYL		1971	1976
WK2637	GM	Buick, Cadillac, Oldsmobile, Pontiac	8 CYL		1976	1978
WK2564-6	GM	Buick, Chevrolet, Oldsmobile, GMC	8 CYL		1977	1992
W2439	GM	Buick, Jeep, Oldsmobile	8 CYL		1964	1971
W2440-4	GM	Buick, Jeep, Oldsmobile	8 CYL		1964	1965
W2503-6	GM	Buick, Oldsmobile	8 CYL		1961	1963
WK2520	GM	Buick, Oldsmobile, Pontiac	8 CYL		1969	1978
WK2564-6	GM	Buick, Pontiac	8 CYL		1970	1982
W2481-1	GM	Cadillac	8 CYL		1949	1954
WS2443	GM	Cadillac	8 CYL		1968	1978
W2468	GM	Chevrolet	8 CYL		1956	1964
WK2587	GM	Chevrolet	8 CYL		1958	1965
WK2560	GM	Chevrolet	8 CYL		1965	1974
WK2495	GM	Chevrolet, GMC	8 CYL		1965	1972
WK2500-2	GM	Chevrolet, GMC	8 CYL		1971	1990
WK2564-6	GM	Chevrolet, GMC, Pontiac	8 CYL		1969	1986
WK2500-2	GM	GMC	8 CYL		1958	1960
W2503-6	GM	Oldsmobile	8 CYL		1949	1962
WK2550	GM	Oldsmobile	8 CYL		1964	1967
WK2600	GM	Oldsmobile	8 CYL		1968	1972
WK2637	GM	Oldsmobile	8 CYL		1971	1990
W2441-1	GM	Pontiac	8 CYL		1963	1968
W2406-1	GM	Pontiac	8 CYL		1963	1968

FAG BEARING NUMBER	VEHICLE		ENGINE		YEARS	
	MANUFACTURER	MODEL	TYPE	DISPLACEMENT	FROM	TILL
WK2520	GM	Pontiac	8 CYL		1969	1974
W2454	GM	Cadillac	IL 4	1.8L, 2.0L	1982	1985
WS2460	GM		IL 4	2.5L	1980	1986
WK2484-1	GM	Astro, Chevy Truck	IL 4	2.5L	1987	1992
WS2460	GM	Cutlass, Calais, Skylark	IL 4	2.5L	1991	1991
WK2501-3	GM		IL 4	4.8L	1986	1989
WS2468-2	GM		IL 4		1980	1989
WN2448-1	GM		IL 4		1982	1986
W2486-2	GM	Chevrolet	IL 4		1971	1977
W2406-1	GM	GMC, Pontiac	IL 4 or 8 CYL		1955	1963
WK2501-3	GM	Chevrolet, GMC, Pontiac	V6	2.5L, 4.1L	1975	1985
WN2415-1	GM		V6	2.8L	1985	1987
WKN2596-1	GM	Camaro	V6	2.8L	1982	1986
W2415-1	GM	Beretta, Cavalier, Corsica	V6	3.1L	1990	1990
WNS2299-2	GM		V6	3.5L	1998	2000
WNS2299-2	GM		V6	3.8L	1995	2000
WS2401-3	GM	Buick, Oldsmobile, Pontiac	V6		1982	1985
WKN2544-2	GM	Diesel	V8	6.5L	1995	2000
WKN2541-1	GM	Chevy Truck	V6		1989	1989
WKN2569.TJ3222	GM	SUV, Truck	V6 4V	4.3L,	1997	2000
WS2311	GM	Cadillac	V8	4.0L, 4.6L	1996	2000
WK2520	GM	Cadillac	V8	4.1L	1982	1985
WKN2569.TJ3222	GM		V8	4.6L, 5.0L, 5.7L	1997	2000
WKN2610-1D	GM	Corvette	V8	5.7L	1997	2000
WKN2610-1D	GM		V8	4.8L, 5.3L, 6.0L	1999	2000
WK2637	GM	Cadillac Fleetwood Brougham, Caprice	V8	5.0L	1986	1989
WK2637	GM	Delta, Custom Cruiser. Lasabre, Safari	V8	5.0L	1980	1989
WS2275.T2737	GM	Corvette	V8	5.7L	1992	1996
WK2500-2	GM	Corvette	V8	5.7L	1986	1991
WS2443	GM	Cadillac	V8	6.0L	1980	1984
WK2600	GM	Buick, Oldsmobile, Pontiac	V8	6.6L	1968	1985
WKN2544-2	GM	Truck	V8 Diesel	6.5L	1996	1999
WKN2564-5.TJ1962	GM		V8 Diesel	7.4L	1994	2000

FAG BEARING NUMBER	VEHICLE		ENGINE		YEARS	
	MANUFACTURER	MODEL	TYPE	DISPLACEMENT	FROM	TILL
W2503	Henry J-Jeep		6 CYL		1984	1955
WS2311	GM	Saturn	IL4	1.9L	1996	2000
W2482S.J3177	GM	Quad 4	IL4	2.5L	1997	2000
W2435	International		IL 4 or 6 CYL		1958	1970
WN2462-1	International		IL 4 or 8 CYL		1959	1977
W2562	International, Hyster		6 CYL		1937	1949
W2562	International, Reo		6 CYL		1950	1970
W2439	John Deere		2 CYL		1946	1960
W2481-1	Massey Ferguson		IL 4		1948	1954
WK2587	Massey Ferguson		IL 4		1955	1970
WK2604	Massey Ferguson		IL 4		1960	1964
W2507	Massey Ferguson, Clark, Continental Motors		IL 4		1960	1970
WNS2325-1	Navistar	Truck	IL 6 Diesel		1997	2000
W2562	Oliver		6 CYL		1949	1965
WK2604	Oliver		6 CYL		1961	1963
W2562	Oliver		IL 4 or 6 CYL		1949	1960
W2404S	Renault		IL 4		1957	1971
W2488S	Toyota	Corolla	IL 4	1.2L, 1.6L	1969	1979
W2387S	Toyota	Celica, Corolla, Hilux	IL 4	1.8L	1975	1979
W2417S	Toyota	Celica	IL 4	2.4L	1985	1990
WN2397S	Toyota	Corolla, Hilux	IL 4		1975	1978
W2385	Volkswagen	Scirocca Dasher Rabbit	IL 4	1.5L, 1.6L	1983	1984
WK2534	Volvo		8 CYL	6.9L	1983	1985
WK2528-2	Volvo	740, 760	IL 4		1984	1989
WS2385-7	Volkswagen / Audi				1996	2000

