



**DEMY (D&M) BEARINGS CO., LTD**  
**YUYAO XIN'GUANG BEARINGS FACTORY**

- Tapered Roller Bearing ■ Auto Wheel Hub Bearing ■ Wheel Bearing Kit ■ Hub Units
- Air-condition Bearing ■ Bearing for Auto Gearbox ■ Auto Generator Bearing
- Tensioner ■ Clutch Release Bearing ■ Water Pump Bearing ■ Spark Plug



**Auto Bearing**



**DEMY (D&M) BEARINGS CO., LTD**  
**YUYAO XIN'GUANG BEARINGS FACTORY**

Add: No.39,Lane158, Huancheng West Road,Ningbo,China  
Tel: 86-574-87103636 87103638 27879868 Fax: 86-574-87103637 27879869  
MOBILE: 86-13905846672 PC: 315010  
FAdd:Sanqi Town Industrial Zone,Yuyao,Ningbo,China  
E-mail: sales@demy-bearing.com mbearing@mail.nbptt.zj.cn tmbearing@hotmail.com(msn)  
http://www.demy-bearing.com //www.china-bmt.com

<http://www.demy-bearing.com>  
[www.china-bmt.com](http://www.china-bmt.com)

**Tapered Roller Bearings**



**METRIC SERIES**

Bearing Number	dxDXT (mm)	Bearing Number	dxDXT (mm)	Bearing Number	dxDXT (mm)	Bearing Number	dxDXT (mm)
30202	15X35X11.75	32208	40X80X24.75	30304D	20X52X16.25	22.5H-41H	22.5X41X12.2
30203	17X40X13.25	32209	45X85X24.75	30305D	25X62X18.25	639175	23X52X15
30204	20X47X15.25	32210	50X90X24.75	30306D	30X72X20.75	CBK258-171	23X52X15
30205	25X52X16.25	32211	55X100X26.75	30307D	35X80X22.75	24H-41H	24X41X12.5
30206	30X62X17.25	32212	60X110X29.75	30308D	40X90X25.25	25M1-46M	25X46.05X11.5
30207	35X72X18.25	32213	65X120X32.75	30309D	45X100X27.25	25KW01	25X47X15
30207-80	35X80X18.25	32214	70X125X33.75	30310D	50X110X29.25	R25-9D	25X52X21
30208	40X80X19.75	32215	75X130X33.75	30311D	55X120X31.50	567205	25X52X23.75
30208RJ2	40X85X19.75	32216	80X140X35.75	30312D	60X130X33.50	JKOS025	25X47X17.5
30209	45X85X20.75	32217	85X150X38.50	33010	50X80X24	639174	26X52X15
30210	50X90X21.75	32218	90X160X42.50	33012	60X95X27	CBK171	26X52X15
30210RJ2	50X95X21.75	32219	95X170X45.50	33014	70X110X31	28M-46Y	28X46.05X11.5
30211	55X100X22.75	32220	100X180X49.00	33016	80X125X36	TR285216g	28X52X15.8
30211-1	55X100X22.75	32304	20X52X22.25	33018	90X140X39	28KW02	28X52X15.8
30211JR	55X100X22.75	32305	25X62X25.25	33020	100X150X39	28KW03	28X52X16
30212	60X110X23.75	32306	30X72X28.75	33021	105X160X43	320/28	28X52X16
30213	65X120X24.75	32307	35X80X32.75	33022	110X170X47	639297	28X57.15X17.462
30214	70X125X26.75	32308	40X90X35.25	33110	50X85X26	302/28	28X58X17.25
30215	75X130X27.75	32309	45X100X38.25	33112	60X100X30	TRA0607	30X72X20.75
30216	80X140X28.75	32310	50X110X42.25	33114	70X120X37	305115	30X51X15
30217	85X150X30.50	32311	55X120X45.50	33116	80X130X37	305216	30X52X16
30218	90X160X32.50	32312	60X130X48.50	33118	90X150X45	320/32C	32X58X17
30302	15X42X14.25	32004X	20X42X15	33120	100X165X52	320/32X	32X58X17
30303	17X47X15.25	32005X	25X47X15	33205	25X52X22	320/32XW3-1	32X58X17
30304	20X52X16.25	32005X/26	26X47X15	33206	30X62X25	34W/51W	34X51X12
30305	25X62X18.25	32006X	30X55X17	33207	35X72X28	U298/U261L	35X65X18
30306	30X72X20.75	32006JRRS	30X55X17	33208	40X80X32	JL69345/10	38X63X17
30306C	30X72X20.75	32007X	35X62X18	33209	45X85X32	JL69349/10	38X63X17
30307	35X80X22.75	32007X/VB003	35X62X18	33210	50X90X32	U497U/460L	45X80X23.75
30307C	35X80X22.75	32008X	40X68X19	33211	55X100X35	7909	47X100X42.75
30308	40X90X25.25	32009X	45X75X20	33212	60X110X38	TR 100802	5X83X20.75
30309	45X100X27.25	32010X	50X80X20	YW123511	12X34.988X11.5	JLM104948/10	50X82X21.5
30310	50X110X29.25	XAB32010X	50X80X20	639213	15X42X13	TR 111003	55X100X31.25
30311	55X120X31.50	32011X	55X90X23	CBK257	15X42X13	JM207049/10	55X95X29
30312	60X130X33.50	32012X	60X95X23	639209	15X35X11	F15047	51X100X31.25
30313	65X140X36.00	32013X	65X100X23	TR0305K	17X47X15.25	JLM506849/10	55X90X23
30314	70X150X38.00	32014X	70X110X25	TR0305C-9	17X47X15.25	TPD005	63.5X95X17
30315	75X160X40.00	32015X	75X115X25	502619	19.6X44.475X14.24	JKOS070A	70X110X26.5
32204	20X47X19.25	32016X	80X125X29	639177	20X43X13.25	JLM813049/10	70X110X26
32205	25X52X19.25	32017X	85X130X29	326332B	22X41X14.5	JKOS080	80X125X29.97
32206	30X62X21.25	32018X	90X140X32	567178	22X41X14.5		
32207	35X72X24.25	30303D	17X47X15.25	XC06536	22X51.6X15.75		



**COMPANY INTRODUCTION**

Demy (D&M) Bearings Co., Ltd. is a comprehensive manufacturer & exporter of Auto bearings (taper roller bearings, wheel hub, hub unit, clutch release, tensioner bearings, air-condition bearing, auto generator bearings, auto gear box bearings), water pump bearings, universal joint & other auto parts in China. We specialize in research and development of various kinds of high precision, non-noise, long-life auto bearings, high quality Auto parts & Moto-parts and other machinery & transmission products.

The company has 20 sets of production lines with the annual production capacity of 50 millions sets. Perfect measuring and testing measures & instruments have been adopted by company to ensure excellent quality. The company has been assessed & registered ISO 9001:2000 quality certificate. It is developing toward series of products with high quality and advanced technologies to create a global OEM and after-sale service system.

The company has strong stable relations with many worldwide users. The products have been found a steady market in North & South America, South-east Asia, Europe, Middle-east & some other countries & districts.

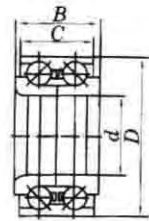
DEMY(D&M) BEARING CO., LTD will adhere to a long-term principle: "Quality first, Credit first & Service first" to welcome customers from home and abroad.



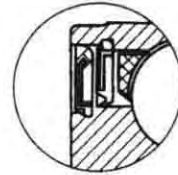


**Auto Wheel Hub Bearings**

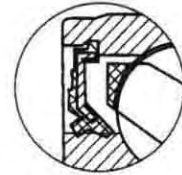
**Hub Units**



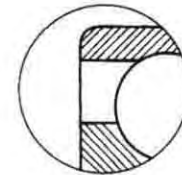
Seal type A



Seal type B



Seal type C



Seal type D

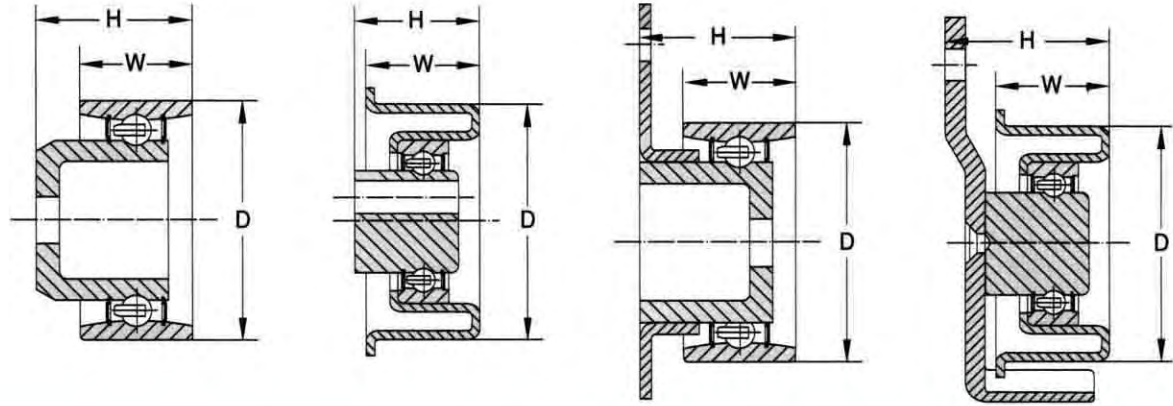


**Technology Parameters(2)**

Bearing No.					Boundary dimensions(mm)				Weight (kg)
DEMY	KOYO	FAG	SKF	IRB	d	D	B	C	
DAC39720637		542186AC			39	72.08	37	37	0.56
DAC40720037		566719	BAHB 311443B	IR8095	40	72	37	37	0.55
DAC40740036/34	DAC4074BW				40	74	36	34	0.58
DAC40750037			BAHB633966B	8593	40	75	37	37	0.62
DAC39 (41) 750037		567447B	BAHB 633815A	8530	39/41	75	37	37	0.62
DAC40760033/28		539166AB	474743	IR8110	40	76	33	28	0.54
DAC40800036/34	DAC4080M1				40	80	36	34	0.74
DAC408000302		565636 523854	440320H	IR8006	40	80	30.2	30.2	
DAC40820040					40	82	40	40	
DAC42750037		533953 545495D 521771	BA2B 633457 BAHB 311424A 309245 603694A	IR8061 8509	42	75	37	37	0.59
DAC42760039			513058		42	76	39	39	
DAC42760040/37	DAC4276402RSF	547059A	909042	IR8112	42	76	40	40	0.64
DAC42800342	DAC4282B2RS	52724	BA2B 309609AD 305988	8515	42	80.03	42	42	0.87
DAC42820036		561481	BA2B 446047	IR8086 8642	42	82	36	36	0.77
DAC42820036					42	82	36	36	0.77
DAC42820037		565636	BAHB 311413	IR8090	42	82	37	37	0.79
DAC42840036		564727	BA2B4444090AB	IR8093	42	84	36	36	
DAC42840039		543359B	440090	IR80101	42	84	39	39	0.93
DAC43 (45) 820037		567519A	BAHB 633814A	8506	43/45	82	37	37	0.76

27BWK03cg	BAFB444450EE	HUBB058	513089
27BWK06	DACF1018L	HUBB059-B	513100
28BWK08g	DACF1005C	BAFB633807D	513107
28BWK12	DACF1015	801191AD	513121
28BWK15	DACF1050B	HUB188-6	513122
27BWK04J	DACF1083CR	HUB144	513123
30BWK10g	DACF1092	801106	513124
576681	DACF1097E	BA2B633292C	513194
515040	513098	BA2D633293A	513196
513202	DACF1102	3ND	513137
580494	DACF39971AC	3DACF026F-1A	515001
512016	HUB005-63	512000	515002
513030	HUB083-15	512001	515003
512025	HUB094-19	512018	515004
513035	TGB12095S43	512019	515006
513092	HUB008	513011K	515007
513104	HUB042-32	513012	515017
513115	HUB065	513013	515019
518500	800179B	513016K	515023
518501	800179D	513017K	515024
51KWDH01	BAF0095B	513044	513029
52710-02500	HUB181-22	513059	513038
52710-25000	HUB184	513061	513039
52710-29400	HUB188-6	513074	513049
52710-22400	HUBB042-B	513075	801344D
52710-29450	HUBB043-B	513084	574566B
52710-52100	HUBB057	513087	

**Tensioner**



DEMY	Bearing No.					
	SKF	KOYO	NTN	NSK	GMB	INA
DM5001	VKM75006		JPU60-256+JF457		GT 10022	
DM5002	VKM75003			60TB041B12	GT 10032	
DM5003	VKM75008		JPU60-243		GT 10040	
DM5004	VKM85000	PU276003RR14D			GT 10050	
DM5005	VKM75114		JPU60-215		GT 10060	
DM5006					GT 10061	
DM5007	VKM75044		JPU55-54		GT 10070	
DM5008					GT 10072	
DM5009	VKM75612		JPU58-010A-1	60TB039B01	GT 10130	F-124052
DM5010	VKM75601	PU006038RD1Y	JPU58-63+JF181	60TB039B09	GT 10140	F-124070
DM5011		PU255525RR1HW			GT 10170	
DM5012	VKM74600	PU259229RR1HV		52TB2802B02	GT 20010	F-124068
DM5013	VKM84601	DDG30602RD1HC25+SV1			GT 20030	
DM5014	VKM74200	PU245228CR1H-1	JPU52-159		GT 20040	
DM5015	VKM74201	PU285226RR1HV		60TB0637	GT 20050	F-124090
DM5016	VKM11115					
DM5017	VKM81000	PU126231RR9D			GT 80540	
DM5018				60ST626DDWA16	GT 20140	
DM5019	VKM76102	PU204227RTA	JPU42-15+JF417		GT 30010	
DM5020	VKM77300		JPU60-6+JF256		GT 40010	
DM5021	VKM76103	PU05226RDAY	JPU52-128+JF434		GT 80080	
DM5022	VKM81100	TRUC16F1FG		62TB0103	GT 80330	
DM5023	VKM77500		JPU50-57+JF398		GT 80410	
DM5024	VKM71201	DG2550272RR1HC2+SV		50TB0528B01	GT 80700	F-124087

**Tensioner**



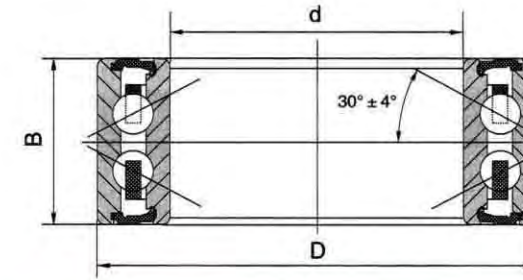
DEMY	Bearing No.					
	SKF	KOYO	NTN	NSK	GMB	INA
DM5025	VKM71002			60TB0804B03B	GT 80470	
DM5026	VKM84201	PU245226DRR1H	JPU52-131		GT 20060	F-124050
DM5027	VKM25212					F-224964
DM5028	VKM11000				GT 80070	F-220093
DM5029	VKM81201	TPU006E		50TB0101	GT 80730	F-124073
DM5030	VKM13100				GT 80260	F-120959.1
DM5031	VKM76202		JPU58-55		GT 80320	F-124051
DM5032	VKM71001			60TB026B02	GT 80140	
DM5033	VKM79002			67TB0305B01		
DM5034	VKM89003			67TB0806		
DM5035	VKM81001			60TB062B01	GT 80150	F-124071
DM5036	VKM71007	PU255728CRR1HV1FG		57TB0505B01	GT 80430	
DM5037	VKM71202	PU265527RR1H		STD WAX5	GT 80010	F-124063
DM5038	VKM71100	TPU076D+SV3		62TB0502B01	GT 80710	F-123996
DM5039	VKM16101					F-123776
DM5040					GT 80290	F-36261
DM5041	VKM75100		JPU60-71+JF129	62TB04801	GT 10010	
DM5042	VKM75113		JPU60-242		GT 80480	
DM5043	VKM80000				GT 80750	F-2277728
DM5044	VKM84600	DG3060312RD2HC2			GT 20020	
DM5045	VKM73000				GT 80100	
DM5046	VKM73011	PU0277027B		70TB0603	GT 80390	
DM5047	VKM73600			62TB0708B03	GT 80440	F-123816
DM5048	VKM76203		JPU24-18		GT 80310	

**Tensioner**



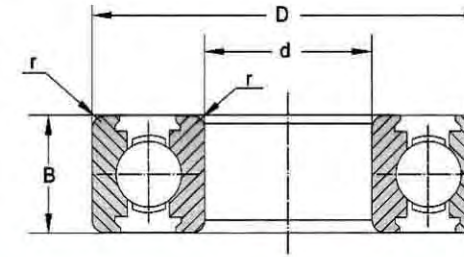
		Bearing No.					
DEMY	SKF	KOYO	NTN	NSK	GMB	INA	
DM5049	VKM72004			60TB0732	GT 80340		
DM5050	VKM71003	Pu385827		57TB3705B01	GT 80020		
DM5051	VKM71101				GT 80370		
DM5052	VKM75001		JPU60-238+JF441		GT 80090		
DM5053	VKM81004	PU355816RR9H			GT 80030		
DM5054	VKM75130		JPU58-216-JF391		GT 10031		
DM5055	VKM72000		X3-JPU60-27	60TB041B02	GT 80110	F-124065	
DM5056	VKM33017						
DM5057					GT 10240	F-219476	
DM5058	VKM28000					F-220085	
DM5059	VKM28001					140064.1	
DM5060	VKM17310					F-224967	
DM5061	VKM25150						
DM5062	VKM77002			JPU50-69	GT 80160		
DM5063	VKM77401			JPU50-66	GT 80180	F-1340514	
DM5064	VKM75000	PU106218F			GT 10100		
DM5065	VKM75002	PU305733ARRIDY4			GT 80400		
DM5066	VKM75012						
DM5067	VKM75014						
DM5068						F-224971	
DM5069				62TB0326B01			
DM5070	VKM75004				GT 80450		
DM5071	VKM85141	PU307034ARRIDW					

**Air-condition Bearings**



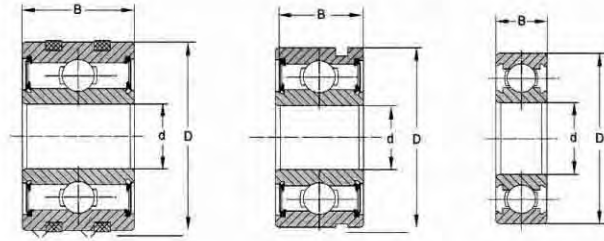
Bearing No.		Main Dimensions			Cr	Cor	Limit Rotational Speed		Application
		d	D	B			Grease lubrication	Oil lubrication	
DEMY	NACHI	mm	mm	mm	kN	kN	r/min	r/min	
30BD4718		47	18	12.5	9.8	7000	12000		
304721/18	30BG04S8G-2DS	47	21/18	12.5	9.9	7000	12000		
30BX4712		47	12	0.76	0.55	7000	12000		
30BD4720		47	20	12.4	9.6	7000	12000		
30BD4722	30BG4S13-2DST2	47	22	13	10.2	7000	12000		
30BD5200	101.007	52	20	16.3	13.5	7000	12000		
30BD5222	30BGS10G-2DST2	52	22	17.38	14.47	7000	12000	TOYOTA/HONDA	
30BD5523	30BG05S5G-2DS	55	23	18	15.4	7000	10000	FORD	
3306-2Z		72	30.2	37.23	26	3800	8000		
30BD6227	30BGS1-2NSL	62	27	24.43	21.2	4500	9000		
32BD4718	30BG04S3G	47	18	10.69	9.2	7000	12000	ALTO	
32BD5220		52	18/20	15.1	12.5	7000	12000	BENZ	
32BD6023		60	23	25.6	13.2	6500	11000		
32BD5523	32BG05S1-2DST	55	23	17.1	14.2	6500	11000	CHINA XIALI	
35BD4820		48	20	10.5	8.9	7000	12000	TOYOTA	
35BD5020	35BG5S07G-2DST	50	20	10.66	9.46	8000	13000	706/MITSUBISHI	
35BD5220	101.11	52	20	10.82	9.86	7000	12000		
35BD5222	35BD5222DFX7	52	22	10.82	9.87	7000	12000	PASSAT	
35BD5223	35BG05S6G	52	23	10.82	9.88	7000	12000		
35BX5212		52	12	0.72	0.49	7000	12000		
35BD5520	35BG05S10G-2DST2	55	20	15.54	13.28	6500	11000	507通用/TOYOTA	
35BD6221	35BG06G-2DS	62	21	18.3	15.7	6000	10000		
35BD6224	Df0789	62	24	18.3	15.8	6000	10000		
35BD6228		62	28	18.3	15.9	6000	10000		
38BD5417	38BG0532G-2DS	54	17	10.3	8.7	6500	11000	SUZUKI	
38BD6224	101.008	62	24	14.2	11.9	6000	10000		
40BD5524	40BGS40G	55	24	13.9	11.28	7000	12000		
40BD5724	40BG05S1DS	57	24	14.22	13.29	6500	11000		
40BD5724/20	40BG05S2G-2DS	57	24/20	14.22	13.30	6500	11000		
40BD6220.625	6557684/6559496	62	20.625	17.58	15.93	6000	10000	BUICK/V5	
40BD6224/20.625	40BGS12G-2DS	62	24/20.625	17.58	15.93	6000	16000		
40BD6224	40BGS35G-2DS	62	24	17.58	15.93	6000	16000	508通用	
40BD6624	40BGS39G-3DS	66	24	18.3	16.1	4500	9000		
40BD6830		68	30	19.2	16.9	4800	8500		
45BD6420		64	20	15.3	13.3	6500	11000		
45BD6820		68	20	17.22	15.64	4500	8500		
3309B		100	39.7	71.44	53.26	3600	6000		
45BD7532	45BG07S5G-2DST	75	32	24.2	22.14	4000	7000	30C	
3210B-2RS		90	30.2	43.89	37.73	3600	6000	32C	
3210BX2-2RS		90	40	43.89	37.74	3600	6000		
75BD13050		75	130	54.6	42.4	3600	6000		

**Bearings for Auto Gearbox**



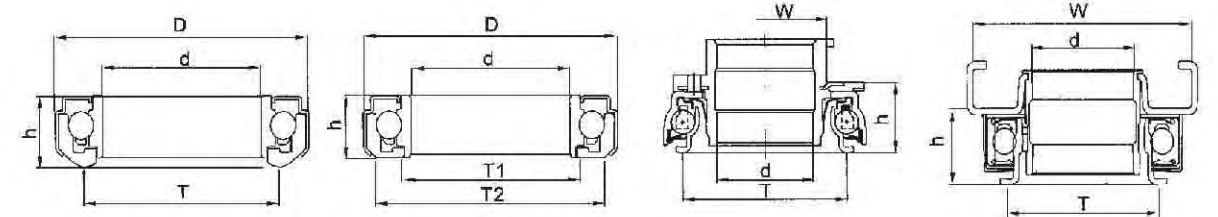
Bearing No.	Main Dimensions dXDXB mm	Cr kN	Cor kN	Limit Rotational Speed r/min		Mass Kg
				Grease lubrication	Oil lubrication	
66/23	23X56X15	18.4	9.3	14000	16000	0.151
60/28N	28X52X12	12.50	7.40	14000	16000	0.096
6204N	20X47X14	12.79	6.58	15000	18000	0.104
6205N	25X52X15	14	7.85	13000	15000	0.129
6907X2/25	25X55X10	9.51	6.87	14000	16000	0.116
609/28X3	28X47X8	7.28	4.96	14000	16000	0.051
66/20	20X62X16	19.46	11.31	11000	13000	0.252
6206N-2RS	30X62X16	19.5	11.3	11000	13000	0.199
62/22-RS	22X50X14	12.9	6.8	14000	16000	0.119
62/26	26X52X15	14.02	7.88	13000	15000	0.125
6207N	35X72X17	25.7	15.3	9500	11000	0.284
62/28-RS	28X58X16	26.7	14	10000	13000	0.287
62/28N-2RS	28X58X16	26.7	14	10000	13000	0.287
62/28/20A1	20X58X16	20.4	11.07	11000	13000	0.208
6304N	20X52X15	15.9	7.9	14000	17000	0.145
SC6304-2RS	20X52X15	15.9	7.9	14000	17000	0.145
63/22	22X56X16	18.4	9.25	13000	16000	0.179
6305NX7	25X62X17	22.41	11.51	11000	13000	0.227
6305X3-2RS	25X58X16	17.83	9.59	11000	13000	0.183
6305X3	25X58X16	26.62	13.88	11000	13000	0.301
6305N-2RS	25X62X17	20.6	11.2	11000	13000	0.235
66/28N	28X68X18	26.7	14	10000	13000	0.287
66/28N-2RS	28X68X18	26.7	14	10000	13000	0.287
6306N	30X72X19	26.7	15	9500	12000	0.345
6306N-2RS	30X72X19	26.7	15	9500	12000	0.345
6306X3N-2RS	30X75X21	32.85	17.51	9000	11000	0.436
63/32	32X75X20	29.9	17	9000	11000	0.389
63/32N-2RS	32X75X20	29.9	17	9000	11000	0.389
63/32X3NR-2RS	32X80X23	39.54	21.5	8500	10000	0.536
6307N	35X80X21	33.5	19.2	8500	10000	0.464
6307NY	35X80X21	33.5	19.2	8500	10000	0.464
6307X1N	35X90X21	37.04	21.72	7500	9000	0.662
6307X2N-2RS	35X80X24	39.54	21.5	8500	10000	0.513
6308NR-2RS	40X90X23	40.5	24	7500	9000	0.636
6309N	45X100X25	53	32	6700	8000	0.829
SC-1802117	45X85X30.2	51.89	39.97	7500	9000	0.629

**Auto Generator Bearings**



Bearing No.	I.D d mm	O.D D mm	Width B/C mm	Bearing No.	I.D d mm	O.D D mm	Width B/C mm
B8-23D	8	23	14	6304LL	20	52	15
B8-74D	8	22	11	6-306-4	30	72	19
B8-79D	8	23	11	6000XX	10	26	18
B8-85D	8	23	14	6004D	20	42	12
B10-46D	10	23	11	6202XLL	16	35	11
B10-50D	10	27	11	6403-2RS	17	62	17
B10-27D	10	27	14	B17-107D	17	47	19
W6000-2RS	10	26	10	B17-116D	17	52	18
B9000DRR	10	27	14	B17-47D	17	47	24
W6200RR	10	30	14.3	B17-99D	17	52	17
949100-2410	12	35	18	62303-2RS	17	47	19
B12-32D	12	32	10	W6203-2RS	17	40	17.5
B12-23DW	12	32	13	87503RR	17	40	14.3
W6001-2RS	12	28	12	WC87503ZZ	17	40	14.3
62201-2RS	12	32	16	REF382	17	47	24
W6201-2RS	12	32	16	B3042DRR	17	52	16
6201RRU	12	35	18	62304-2RS/17	17	52	21
6201RR	12	32	10	6904DW	18.8	37	9
B15-86D	15	47	14	5904WB	20	37	8.5
949100-3910	15	43	13	62322	22	56	21
949100-3360	15	46	14	87605RR	25	62	21
949100-3480	15	38	19	W6205-2RS	25	52	20.6
949100-3820	15	52	16	W6305-2RS	25	62	25.4
B15-83D	15	47	18	3051	25	62	19
B17-52D	15	52	24	6906DW	30	47	9
949100-2790	15	35	13	W6306-2RS	30	72	30.2
949100-3660	15	32	11	3306-2RS	30	72	30.2
W6200RR	15	32	11	8885D	8	23	14
B15-69	15	35	13	R8ZZ	13	29	8
6202SRR	15	35	13	62-B10-51D	10	27	11
7109Z	15	35	9	1583D	15	47	18
87502RR	15	35	12.7	2000LL	10	26	10
949100-3330	17	52	24/26	333-2RS	17	52	16
6203XX	17	40	12	336D	15	46	14
6204LL	20	47	14	348D	15	38	19
6-206-4	30	62	16	366D	15	32	11
6303XLL	15	47	14	382D	15	32	16

**Clutch Release Bearings**



**DM-0001**  
d42 T60 h19 w81.4  
Part No. RCT422SA1  
Application ISUZU



**DM-0002**  
d23.5 T34 h23.2 w47  
Part No. RAGUNA  
Application RENAULT



**DM-0003**  
d27 T36.5 h16 w83.6  
Part No. CRB4-1  
Application HYUNDAI



**DM-0004**  
d33 T48 h23 w69  
Part No. GSB424  
Application NISSAN



**DM-0005**  
d24 T34 h24 w50  
Part No. 614012  
Application /



**DM-0006**  
d35 T46-66 h16.8 w41  
Part No. RCT422SA1  
Application ISUZU



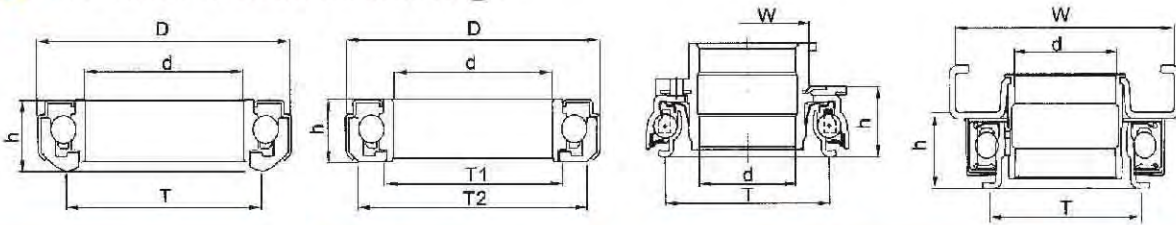
**DM-0007**  
d32 T48 h21 w60  
Part No. VKC3515=614126  
Application HYUNDAI



**DM-0008**  
d33 T50 h25 w77  
Part No. VKC3568  
Application MAZDA



**Clutch Release Bearings**



**DM-0009**  
d 36.5 T44/66 h- w-  
Part No. 614169  
Application FORD



**DM-0010**  
d 44.5 T58-87 h36.6 w49  
Part No. 614070  
Application DODGE



**DM-0011**  
d 35 T60 h26.5 D44  
Part No. /  
Application /



**DM-0012**  
d 33 T62 h24 w69  
Part No. FCR62-29-5/2E  
Application NISSAN/HYUNDAI



**DM-0013**  
d 28 T44 h23 w44.5  
Part No. RCT282SA  
Application DAIHATSU



**DM-0014**  
d 24.5 T34 h20.5 w61.5  
Part No. VCK2216  
Application CITROEN/PEUGEOT



**DM-0015**  
d 33 T50 h22 w79  
Part No. 614052  
Application TOYOTA



**DM-0016**  
d 32 T48 h21 w60  
Part No. 41421-36000PRB01  
Application HYUNDAI



**DM-0017**  
d 29 T47 h21 w38  
Part No. 614127 OK2A1-16-510  
Application ISUZU



**DM-0018**  
d 32 T54 h27 w64  
Part No. RCTS325SA  
Application MITSUBISHI/HYUNDAI



**DM-0019**  
d 35 T50 h27 w44  
Part No. 50SCRN409-4  
Application TOYOTA



**DM-0020**  
d 33 T48 h13 w68  
Part No. 614047  
Application NISSAN



**DM-0021**  
d 33 T62 h13 w68  
Part No. VKC3560 614022  
Application NISSAN



**DM-0022**  
d 36 T55 h24 w77  
Part No. PRB09  
Application KIA



**DM-0023**  
d 26.4 T34 h19.5 w30  
Part No. R9  
Application RENAULT



**DM-0024**  
d 24.4 T34 h20.5 w61.5  
Part No. PEUGEOT206  
Application PEUGEOT



**DM-0025**  
d 31.8 T48 h17 w56  
Part No. 614108  
Application ISUZU



**DM-0026**  
d 47 T62 h23.6 w-  
Part No. VKC3621  
Application ISUZU

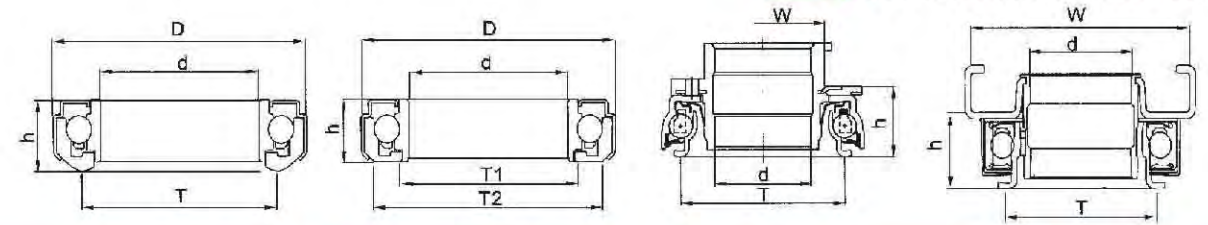


**DM-0027**  
d 33 T48 h13 w68  
Part No. 614047  
Application NISSAN



**DM-0028**  
d 35 T60 h25 w79  
Part No. 614091 60TKB3506R  
Application TOYOTA

**Clutch Release Bearings**



**DM-0029**  
d 28 T44 h20.5 w40  
Part No. PRB25  
Application HYUNDI



**DM-0030**  
d 33 T62 h18 w68  
Part No. 614048 48TKA3301  
Application NISSAN



**DM-0031**  
d 35 T50 h30 w44  
Part No. 50TKB3505 31230-35070  
Application TOYOTA



**DM-0032**  
d 28 T50 h22 w56  
Part No. 614082  
Application SUZUKI



**DM-0033**  
d 32 T48 h23 w46  
Part No. 41421-28000  
Application HYUNDAI



**DM-0034**  
d 33 T50 h22 w71  
Part No. 614056RCT338SA1  
Application SUZUKI



**DM-0035**  
d 31 T52 h23 w53  
Part No. 614031 RCT531SA  
Application HONDA



**DM-0036**  
d 35 T50 h34 w44  
Part No. 614088 50TKB3504BR  
Application TOYOTA



**DM-0037**  
d 37 T58 h31 w100  
Part No. 58TKZ3701 41421-49800  
Application HYUNDAI



**DM-0038**  
d 31.5 T41.5-54 h22 w42  
Part No. DIA-141-165G  
Application VW



**DM-0039**  
d 35 T55 h24 w58  
Part No. 614104  
Application TOYOTA



**DM-0040**  
d 28 T44 h22 w45  
Part No. VKC3578 31230-87720  
Application PAIHATSU



**DM-0041**  
d 36 T54 h27 w77  
Part No. 614067 VKC3507  
Application MAZDA/FORD



**DM-0042**  
d 36.6 T46-66 h19.5 w-  
Part No. PRB09  
Application KIA



**DM-0043**  
d 30 T44 h21 w44.8  
Part No. 614121  
Application MITSUBISHI



**DM-0044**  
d 47 T68 h49 w69  
Part No. RCT4700SA VKC3587  
Application MITSUBISHI



**DM-0045**  
d 33 T62 h20.5 w69  
Part No. 614049 RCTS33SA4  
Application NISSAN



**DM-0046**  
d 42 T56-85 h32 w56  
Part No. RDL1305 3151044031  
Application BENZ

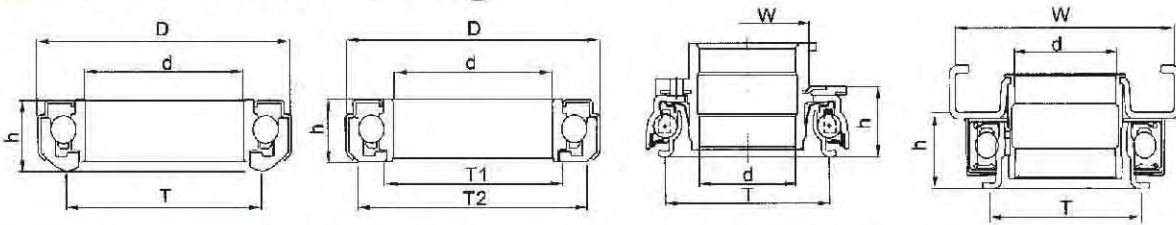


**DM-0047**  
d 44 T68.5 h27.2 w51.6  
Part No. 614175  
Application /



**DM-0048**  
d 38 T45-85 h25 w46  
Part No. 3151231031  
Application BENZ

Clutch Release Bearings



**DM-0049**  
d 31.8 T55 h32 w46  
Part No. FCR5S-1/2E  
Application MITSUBISHI



**DM-0050**  
d 37 T58 h31 w56  
Part No. 58TKA3703B RCT371SA  
Application MITSUBISHI



**DM-0051**  
d 35 T55 h24 w72  
Part No. 614068  
Application HONDA



**DM-0052**  
d 33 T43 h26 w95  
Part No. Mr145619 FCR54-60-10/2E  
Application MITSUBISHI



**DM-0053**  
d 28 T50.5 h22 w55.5  
Part No. 23265-65G00  
Application SUZUKI



**DM-0054**  
d 37 T46-66 h18.6 w-  
Part No. 614061  
Application FORD/MAZDA



**DM-0055**  
d 36.5 T46-66 h41 w49  
Part No. 614093  
Application JEEP



**DM-0056**  
d 43 T62 h23.6 w-  
Part No. VKC3574  
Application ISUZU



**DM-0057**  
d 33 T61.5 h26 w68.5  
Part No. 614159  
Application SUBARU



**DM-0058**  
d 28 T44 h22 w56  
Part No. CBU442822H  
Application /



**DM-0059**  
d 36 T54 h24.5 w78  
Part No. 614079 VKC3600  
Application MAZDA/FORD



**DM-0060**  
d 35 T60 h25 w76  
Part No. 31230-32020  
Application TOYOTA



**DM-0061**  
d 28 T44 h23 w56  
Part No. RCT283SA 614050  
Application SUZUKI



**DM-0062**  
d 35 T50 h24 D44  
Part No. 50TKB3505BR  
Application TOYOTA



**DM-0063**  
d 34 T41-59 w21.5 D42  
Part No. CRB1189  
Application /



**DM-0064**  
d 31 T47 h23 D68  
Part No. 614122  
Application HONDA



**DM-0065**  
d 30.2 T37.8 h20.6 w79  
Part No. ST7528T  
Application HYUNDAI



**DM-0066**  
d 44 T68 h25 D71  
Part No. RCT338SA4  
Application SUZUKI

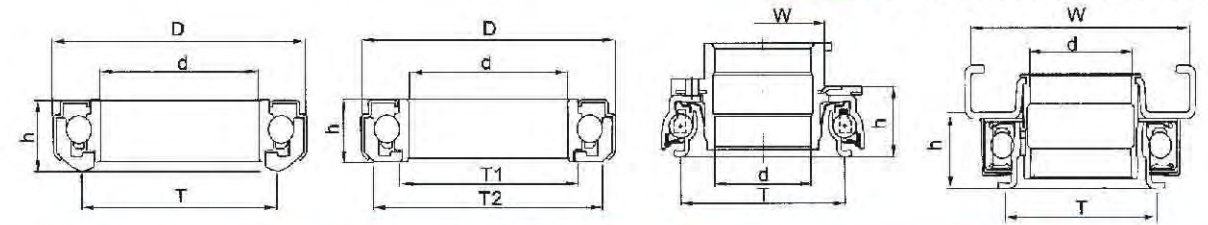


**DM-0067**  
d 44 T68 h23 w56.5  
Part No. 614062  
Application FORD



**DM-0068**  
d 33 T61.5 h23 w68.5  
Part No. 614059  
Application /

Clutch Release Bearings



**DM-0069**  
d 34 T43/63.8 h25 w38  
Part No. C0092  
Application BENZ



**DM-0070**  
d 34.6 T37/59.8 h23.8 w46.4  
Part No. VKC2601  
Application AUDI/V.M



**DM-0071**  
d 26.2 T35/36 h18 w79.5  
Part No. VKC2247  
Application LADA



**DM-0072**  
d 26 T35 h19.5 w30  
Part No. VKC2191  
Application RENAULT



**DM-0073**  
d 33 T50 h25 w77  
Part No. RCT336SA  
Application MAZDA



**DM-0074**  
d 38 T68 h37.5 D48  
Part No. 31230-60151  
Application TOYOTA



**DM-0075**  
d 38 T68 h47.5 w48  
Part No. 31230-60130  
Application TOYOTA



**DM-0076**  
d 40 T60/77 h32 w52.6  
Part No. 78TKL4001  
Application ISUZU



**DM-0077**  
d 70 T77 h46 w115  
Part No. 100.010.08  
Application BENZ



**DM-0078**  
d 63.5 T64.5/95 h20.8 w103  
Part No. C11310  
Application TOYOTA



**DM-0079**  
d 40 T62 h23.5 w/  
Part No. RCT40SA 613015  
Application NISSAN



**DM-0080**  
d 37 T48 h19.5 w66.6  
Part No. 48TKA3214  
Application ISUZU



**DM-0081**  
d 38 T42/56 h17 w44  
Part No. 50TKA3805  
Application OPEL



**DM-0082**  
d / T33 h19 w/  
Part No. VKC2195  
Application V.W



**DM-0083**  
d 35 T40-60 h15 w71  
Part No. VKC2095  
Application V.W



**DM-0084**  
d 33 T40 h24 w66.2  
Part No. VKC2051  
Application PEUGEOT504



**DM-0085**  
d 45 T54 h18 w73.6  
Part No. TK45-4BU3  
Application ISUZU/MAZDA



**DM-0086**  
d 32 T48 h38 w40  
Part No. 48TKB3204  
Application ISUZU

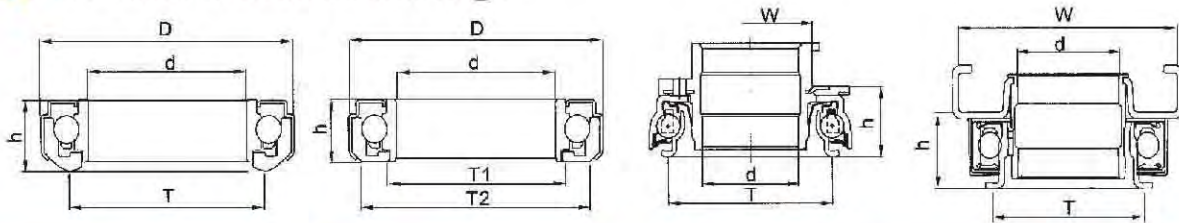


**DM-0087**  
d 30.2 T44 h21 w44.8  
Part No. 614121  
Application /



**DM-0088**  
d 26 T43.8/66 h27 w37.5  
Part No. 2101-1601180  
Application LADA

**Clutch Release Bearings**



**DM-0089**  
d 28 T44 h22 w35  
Part No. 31230-87280  
Application PERODUA



**DM-0090**  
d 64 T69 h32 w96.3  
Part No. RCT47SA6  
Application MITSUBISHI



**DM-0091**  
d 37.5 T51/68.4 h20.8 w79  
Part No. 604311  
Application PAYKAN



**DM-0092**  
d 29 T47 h21 w37.5  
Part No. 614128  
Application MAZDA



**DM-0093**  
d 28 T41 h27.5 w90  
Part No. C0010  
Application FIAT



**DM-0094**  
d 32 T39-59 h31 D79.3  
Part No. /  
Application PAYKAN



**DM-0095**  
d 32 T55 h27 w46  
Part No. 41421-43020  
Application HYUNDAI



**DM-0096**  
d 24.2 T34 h19 w28  
Part No. VKC2523  
Application PEUGEOT/FIAT



**DM-0097**  
d 33 T50 h22 w70  
Part No. 505CRN31P  
Application TOYOTA



**DM-0098**  
d 57 T71/99 h66.7 w75  
Part No. 3151067032  
Application BENZ



**DM-0099**  
d 33 T40 h24 w101.5  
Part No. VKC2169  
Application PEUGOT505



**DM-0100**  
d 25.5 T34.5 h20.5 w79.5  
Part No. 2110-1601180  
Application LADA



**DM-0101**  
d 30 T41.5 h26.5 w90.4  
Part No. Hk9412  
Application FORD



**DM-0102**  
d 30 T39.5 h27 w90.5  
Part No. 3000330001  
Application FORD



**DM-0103**  
d 54 T71-99 h63 w92  
Part No. 3151 126 031  
Application BENZ



**DM-0104**  
d 39.6 T/ h14.7 D73  
Part No. CHB007  
Application JEEP



**DM-0105**  
d 71 T71/100 h40 D110  
Part No. 100.010.02  
Application BENZ



**DM-0106**  
d 23.5 T34 h23.2 w47.3  
Part No. R12  
Application RENAULT

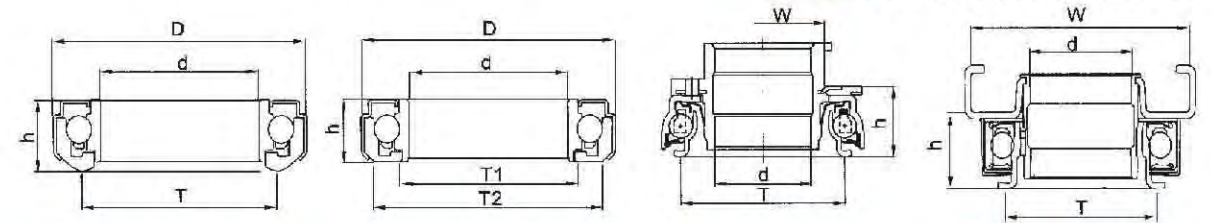


**DM-0107**  
d 28 T42.6 h20 w86  
Part No. C0234  
Application /



**DM-0108**  
d 30 T35/80 h21.5 w44.8  
Part No. 3151 600 511  
Application /

**Clutch Release Bearings**



**DM-0109**  
d 35 T48 h20 w41.5  
Part No. C0048  
Application OPEL



**DM-0110**  
d 34.4 T33.5/59 h21.5 w90.6  
Part No. 3151 000 123  
Application /



**DM-0111**  
d 38.5 T60 w17 D46  
Part No. K498  
Application OPEL



**DM-0112**  
d 35 T60 h18 D41.5  
Part No. F-206071.6  
Application OPEL



**DM-0113**  
d 23.8 T33 h24 w50.2  
Part No. VKC2080  
Application RENAULT



**DM-0114**  
d 35.1 T68 h30 w44.2  
Part No. VKC3643  
Application TOYOTA



**DM-0115**  
d 28.2 T28.6/45 w15.7 D52  
Part No. 28TAG12  
Application NISSAN/MITSUBISHI



**DM-0116**  
d 65 T66/94 h23 D102  
Part No. VKC3574  
Application ISUZU



**DM-0117**  
d 45 T58 h23 D76.4  
Part No. RCT45-15  
Application TOYOTA



**DM-0118**  
d 60 T62/89 h25.6 D96.2  
Part No. F45815.1  
Application /



**DM-0119**  
d 52 T60-88.5 h20 D95  
Part No. TK52Z-1B  
Application ISUZU



**DM-0120**  
d 40 T50 h20 D67  
Part No. RCT4067A  
Application TOYOTA



**DM-0121**  
d 70 T71.2/110 h27 D117  
Part No. CTT0B  
Application ISUZU/MITSUBISHI



**DM-0122**  
d 55 T55-74 h16 D122  
Part No. 55TNK29  
Application ISUZU/MAZDA



**DM-0123**  
d 33 T46 h17 D60  
Part No. 613005  
Application TOYOTA



**DM-0124**  
d - T41/62 h22 D85.3  
Part No. CHB009  
Application /



**DM-0125**  
d 78 T85.5 h52.6 D125.7  
Part No. 100.010.02  
Application /



**DM-0126**  
d 80 T85.2 h55.4 D125  
Part No. 6016YA-2RS  
Application BEZN

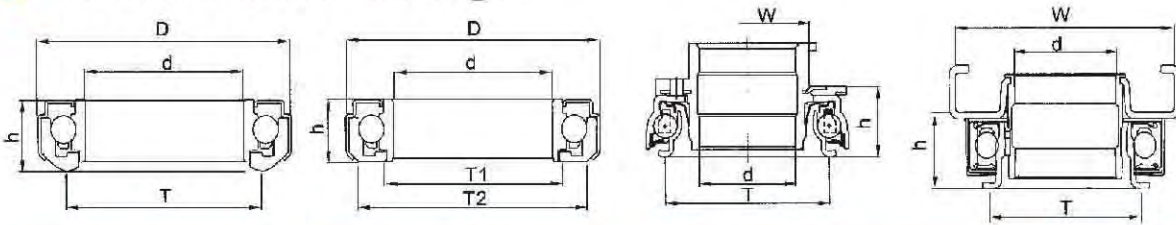


**DM-0127**  
d 49.8 T48/66 h12.8 D75  
Part No. CHB003  
Application /



**DM-0128**  
d 28 T42 h14.5 D50  
Part No. SF0623  
Application /

**Clutch Release Bearings**



**DM-0129**  
d45 T50-68 w16 D73.6  
Part No. RCTS45ABU65  
Application /



**DM-0130**  
d40 T40.5-63 h18 D69.6  
Part No. 40TNK20  
Application NISSAN



**DM-0131**  
d40 T62 h19 D75  
Part No. TK40-4AU3  
Application NISSAN



**DM-0132**  
d38 T48 h16.5 D67  
Part No. VKC3505=24TK308BIU3  
Application DAIHATSU/TOYOTA



**DM-0133**  
d118 T85.6 h43.5 w118  
Part No. /  
Application VOLVO



**DM-0134**  
d45 T52-71 h19 D76.5  
Part No. 45TNK20  
Application NISSAN



**DM-0135**  
d55 T63-82 h20 D88  
Part No. TK55-1A1U3  
Application ISUZU



**DM-0136**  
d80 T85.3 h50 D125  
Part No. AB40473505-00  
Application BENZ



**DM-0137**  
d35 T44 w14 D56.6  
Part No. 35TMK29  
Application TOYOTA



**DM-0138**  
d41 T47/76 h17.5 D81.5  
Part No. Ma1181  
Application NISSAN



**DM-0139**  
d42 T84.5 h43.5 D50  
Part No. 3151 003 001  
Application BENZ



**DM-0140**  
d54 T67/94 h45.5 w92  
Part No. 3151 087 041  
Application BENZ



**DM-0141**  
d58.8 T85.5 h78.3 w134  
Part No. RDL1319  
Application VOLVO



**DM-0142**  
d60 T85.5 h61.2 w127.5  
Part No. /  
Application BENZ



**DM-0143**  
d60.3 T85.5 h136 D127.5  
Part No. 3151 246 031  
Application BENZ



**DM-0144**  
d60 T71/99 h59.3 w92  
Part No. 3151 108 031  
Application BENZ



**DM-0145**  
d60 T85.5 h61.2 w78  
Part No. 3151 169 332  
Application BENZ



**DM-0146**  
d54 T71/99 h71 W92  
Part No. 3151 027 131  
Application BENZ

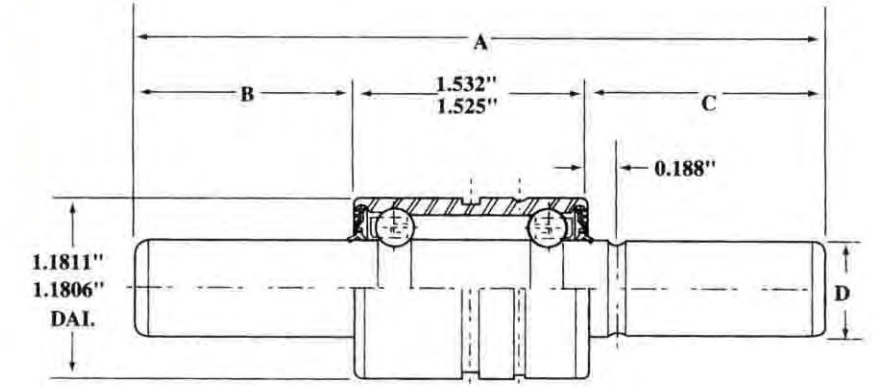


**DM-0147**  
d57 T71/99 h66.7 w75  
Part No. 3151 067 032  
Application BENZ



**DM-0148**  
d60.3 T85.5 h80 w93.5  
Part No. 3151 000 335  
Application BENZ

**Water Pump Bearings**

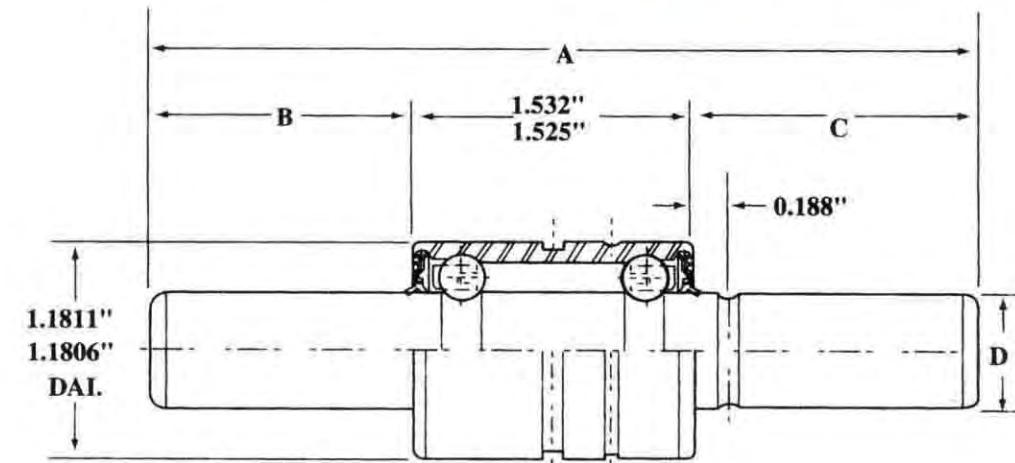
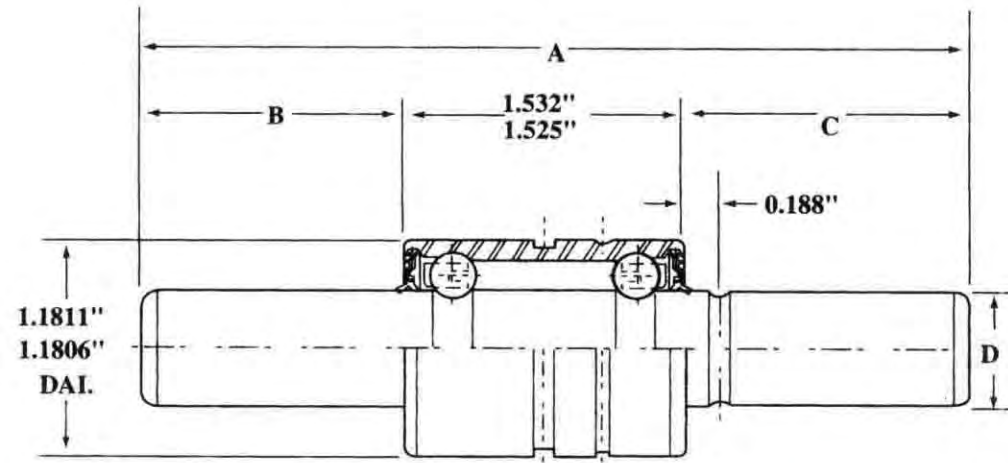


**W Series Dimensions**

BearingNo.	NSK	FAG	A	B	C	D
WIB163073	885154	W2289	2.89	0.16	1.20	0.6267
WIB163083	885165	W2325	3.25	0.16	1.56	0.6267
WIB163090		W2355-3	3.55	0.67	1.35	0.6267
WIB163093	885330	W2366	3.66	0.73	1.40	0.6267
WIB163094		W2371	3.71	0.69	1.50	0.6267
WIB163096		W2375-3	3.76	0.56	1.67	0.6267
WIB163098	885307	W2385	3.86	0.67	1.66	0.6267
WIB1630102	885321	W2401-3	4.02	0.67	1.82	0.6267
WIB1630103	885140	W2406-1	4.06	0.92	1.61	0.6267
WIB1630105	885329	W2415-1	4.15	0.80	1.82	0.6267
WIB1630106	885097	W2417-2	4.17	0.81	1.83	0.6267
WIB1630109	885107B	W2431	4.31	0.58	2.20	0.6267
WIB1630110	885332	W2434	4.35	0.84	1.97	0.6267
WIB1630110A	885332	W2434-1	4.35	0.84	1.97	0.6267
WIB1630111	8855528	W2435	4.36	0.77	2.06	0.6267
WIB1630112	885167	W2439	4.39	0.94	1.92	0.6267
WIB1630112A	885167D	W2440-4	4.40	1.15	1.72	0.6267
WIB1630112B		W2441-1	4.41	1.06	1.82	0.6267
WIB1630114A	885156	W2446	4.47	1.08	1.86	0.6267
WIB1630116	885337A	W2454	4.55	0.81	2.21	0.6267
WIB1630116A	885162	W2456	4.56	1.10	1.93	0.6267
WIB1630116B		W2456-1	4.57	1.07	1.97	0.6267
WIB1630119	885118	W2468	4.69	1.47	1.69	0.6267
WIB1630119A		W2468-1	4.69	1.47	1.69	0.6267
WIB1630120	885221	W2472	4.72	1.44	1.75	0.6267

**Water Pump Bearings**

**Water Pump Bearings**



W Series Dimensions

BearingNo.	NSK	FAG	A	B	C	D
WIB1630121	885222	W2475	4.75	1.50	1.72	0.6267
WIB1630121A	885105	W2476-2	4.76	1.16	2.07	0.6267
WIB1630122D	885476	W2481	4.81	1.34	1.94	0.6267
WIB1630122B	885168C-1	W2481-1	4.81	1.13	2.16	0.6267
WIB1630123		W2485	4.85	0.77	2.56	0.6267
WIB1630124	885100B	W2486-2	4.87	1.25	2.09	0.6267
WIB1630128	885141	W2503	5.03	1.02	2.48	0.6267
WIB1630128A	885151B	W2503-6	5.03	1.75	1.75	0.6267
WIB1630129	885169-1	W2507	5.08	1.25	2.30	0.6267
WIB1630135A	885437	W2532	5.33	2.00	1.79	0.6267
WIB1630136A	885158P	W2537	5.37	1.54	2.30	0.6267
WIB1630139		W2547	5.47	0.91	3.03	0.6267
WIB1630139A	885603	W2548-1	5.49	1.38	2.58	0.6267
WIB1630143	885144	W2562	5.63	1.58	2.52	0.6267
WIB1630146		W2575	5.76	2.51	1.71	0.6267
WIB1630146A	885694	W2575-2	5.75	2.43	1.79	0.6267
WIB1630162	885117	W2637	6.37	2.30	2.55	0.6267
WIB1630102	885321	W3399	4.00	0.69	1.78	0.6267
WIB1630122	885168AA	W3481-5	4.81	1.58	1.70	0.6267
WIB1630122A	885168AA	W3481-6	4.81	1.58	1.70	0.6267
WIB1630132	885521	W3520-2	5.20	1.58	2.09	0.6267
WIB1630132A	885521	W3520-3	5.20	1.58	2.09	0.6267
WIB1630133	885611	W3522-1	5.22	1.17	2.52	0.6267
WIB1630154	885613	W3607	6.07	1.17	3.37	0.6267
WIB1630154A	885613	W3607-1	6.07	1.17	3.37	0.6267

W Series Dimensions

BearingNo.	NSK	FAG	A	B	C	D
WIB1630930S	8853300S	W6366	3.66	0.73	1.40	0.6290
WIB1630980S	8853070S	W6385	3.86	0.67	1.60	0.6290
WIB16301020S	8853210S	W6401-3	4.02	0.67	1.82	0.6290
WIB16301030S	8851400S2	W6406-1	4.06	0.92	1.61	0.6290
WIB16301050S	8853290S	W6415-1	4.15	0.80	1.82	0.6290
WIB16301090S	885111D0S2	W6428-1	4.28	1.08	1.67	0.6290
WIB1630110C0S	885524S0S2	W6433-2	4.33	1.14	1.60	0.6290
WIB16301100S	8853320S	W6434	4.36	0.77	2.06	0.6290
WIB16301120S	8851670S2	W6439	4.39	0.94	1.92	0.6290
WIB16301120S	885167D0S2	W6440-4	4.40	1.15	1.72	0.6290
WIB1630112A0S	8851550S	W6445	4.45	1.25	1.67	0.6290
WIB16301130S	8851560S	W6446	4.47	1.08	1.86	0.6290
WIB1630113A0S	8856970S2	W6450-2	4.50	1.26	1.71	0.6290
WIB16301140S	885337A0S	W6454	4.55	0.81	2.21	0.6290
WIB16301160S	8851620S	W6456	4.56	1.10	1.93	0.6290
WIB1630116A0S	8851180S2	W6468	4.69	1.47	1.69	0.6290
WIB16301190S	8851180S	W6468-1	4.69	1.47	1.69	0.6290
WIB1630119B0S	885135S0S2	W6470	4.70	1.28	1.89	0.6290
WIB1630119A0S	8851050S2	W6476	4.76	1.16	2.07	0.6290
WIB16301210S		W6478-1	4.79	1.24	2.02	0.6290
WIB1630122D0S	885460S2	W6481	4.81	1.33	1.95	0.6290
WIB1630122B0S	885168C0S2	W6481-1	4.81	1.13	2.16	0.6290
WIB16301230S		W6484	4.84	1.45	1.86	0.6290
WIB16301240S	885110B0S2	W6486-2	4.87	1.25	2.09	0.6290
WIB16301280S	8851410S2	W6503	5.03	1.02	2.48	0.6290

**Spark Plug**



CHAMPION		TO		BMT	
CHAMPION	BMT	CHAMPION	BMT	CHAMPION	BMT
Z10	A7T	N14YC	F5TC	C9BYC	K7TJC
Z10YC	A7TC	N11YC	F6TC	CJB	L6
RZ10YC	A7RTC	RN11YC	F6RTC	CJBY	L6T
A8	D7	N9BYC	F6TJC	CJ6	L7
A8Y	D8T	N9YC	F7TC	CJ7Y	L7T
A8YC	D8TC	RN9YC	F7RTC	J19LM	G3F
RA8YC	D8RTC	N7BYC	F7TJC	J12YC	G3TC
L86C	E6C	N7A	F8C	RJ11C	G5RC
L92Y	E6T	N7YC	F8TC	J17LM	G5F
L92YC	E6TC	C10YC	K6TC	JBC	G6
L87YC	E7TC	C10BYC	K6TJC	S9YC	Q7TC
RL87YC	E7RTC	RC10YC	K6RTC	DJ8J	N6
L82YC	E8TC	C9YC	K7TC	DJ6J	N9
N14Y	F5T	RC9YC	K7RTC	RF9YC	T5RTC

DENSO		TO		BMT	
DENSO	BMT	DENSO	BMT	DENSO	BMT
U20FS	A7T	W16FR	E7TC	W20EX	F8TC
U20FP	A7TC	W16FPR	E7RTC	W20S	F8C
U20FPR	A7RTC	W14ER	F5T	Q16	K6TC
X16ES	D7	W14ER	F5TC	Q16R	K6RTC
X16EP	D8T	W16EP	F6TC	Q20P	K7TC
X16EP	D8TC	W16EXP	F6RTC	Q20PR	F7RTC
X16EPR	D8RTC	W20FR	F7TC	Q16PB	F6TJC
W14S	E6C	W20EPR	F7RTC	Q20PB	F7TJC
W14FP	E6TC	W20EB	F7TJC	MA20PR	T5RTC

NGK		TO		BMT	
NGK	BMT	NGK	BMT	NGK	BMT
C7HSA	A7T	BPR6HS	E7RTC	BCPR5ES	K6RTC
C7HSA	A7TC	B7HS	E8C	BCP6ES	K7TC
CR7HS	A7RTC	BP7HS	E8TC	BCPR6ES	K7RTC
D7EA	D7	BP4E	F5T	BCP6EST	K6TJC
D8EA	D8T	BP4ES	F5TC	BCP6EST	K7TJC
D8EA	D8TC	BP5ES	F6TC	BM6A	L6
DR8EA	D8RTC	BPR5ES	F6RTC	BM7A	L7
BP4H	E5T	BP6ES	F7TC	BM7A	L7T
B4HS	E6C	BPR6ES	F7RTC	BM4A	L9T
BP4H	E6T	BP5ET	F7TJC	B6S	G6
BP4HS	E6TC	BP7ES	F8TC	APR6FS	T5RTC
B6HS	E7C	BP7E	F8C		
BP6HS	E7TC	BCP5ES	K6TC		

BOSCH		TO		BMT	
BOSCH	BMT	BOSCH	BMT	BOSCH	BMT
DR8BC	T5RTC	W5DC	F8TC	WSR6F	L8RT
F6DC	K7TC	W6BC	E7TC	WR7BC	E7RTC
F6DTC	K6TJC	W6DC	F7DC	WR7DC	FR7TC
F7DC	F7TC	W7BC	E6TC	WR9EC	G5RC
F8TC	F6TC	W7DC	F7TC	WR9DC	F5RTC
FR6DC	F7RTC	W7DCR	F7RTC	WS5E	L9
FR6DTC	K6RTJC	W7DTC	F7TJC	WS5F	L9T
FR7DC	K7RTC	W8BC	E5TC	WS7E	L7
FR8DC	K6RTC	W8DC	F6TC	WS7F	L7T
H7DC	Q7TC	W8DTC	F6TJC	WS8E	L6
W5BC	E8TC	W9DC	F5TC	WS8F	L6T

Series	Product type	Size	Reach	Hex	Gap (mm)	Standard	Projective	Resistor	Conical	Small Hex	Bantam	Multi Electrode
A	A7TC	M10x1	12.7	16	0.6		●					
	A7RTC	M10x1	12.7	16	0.6		●	●				
B	B8RTC	M10x1	19	16	0.6		●	●				
C	C6TC	M12x1.25	12.7	17.5	0.6		●					
D	D7	M12x1.25	19	17.5	0.6	●						
	D8TC	M12x1.25	19	17.5	0.6		●	●				
E	E5C	M14x1.25	12.7	20.8	0.6	●						
	E5T	M14x1.25	12.7	20.8	0.6		●					
	E6C	M14x1.25	12.7	20.8	0.6	●						
E	E6TC	M14x1.25	12.7	20.8	0.6		●					
	E7C	M14x1.25	12.7	20.8	0.6	●						
	E7TC	M14x1.25	12.7	20.8	0.6		●					
	E7RTC	M14x1.25	12.7	20.8	0.6		●	●				
	E7TJC	M14x1.25	12.7	20.8	0.6		●					●
	E8C	M14x1.25	12.7	20.8	0.6	●						
	E8TC	M14x1.25	12.7	20.8	0.6		●					
	F	F5C	M14x1.25	19	20.8	0.8	●					
F	F5TC	M14x1.25	19	20.8	0.8		●					
	F6TC	M14x1.25	19	20.8	0.8		●					
	F6RTC	M14x1.25	19	20.8	0.8		●	●				
	F7TC	M14x1.25	19	20.8	0.8		●					
F	F7RTC	M14x1.25	19	20.8	0.8		●					
	F7TJC	M14x1.25	19	20.8	0.8		●					●
	F8C	M14x1.25	19	20.8	0.8	●						
	G	G3F	M14x1.25	9.5	20.8	0.6	●					
G	G3TC	M14x1.25	9.5	20.8	0.6		●					
	G5RC	M14x1.25	9.5	20.8	0.6	●						
G	G6	M14x1.25	9.5	20.8	0.6	●		●				
H	H5	M14x1.25	11	20.8	0.75	●						
K	K5RTCF	M14x1.25	19	16	0.8		●	●		●		
	K6TC	M14x1.25	19	16	0.8		●			●		
	K6TJC	M14x1.25	19	16	0.8		●			●		
	K6RTC	M14x1.25	19	16	0.8		●	●		●		
	K6RTJF	M14x1.25	19	16	0.8		●	●		●		
	K6RTJC	M14x1.25	19	16	0.8		●	●		●		●
	K7TC	M14x1.25	19	16	0.8		●			●		
K7RTC	M14x1.25	19	16	0.8		●	●		●			
L	L5C	M14x1.25	9.5	19	0.6	●					●	
	L5T	M14x1.25	9.5	19	0.6		●				●	
	L6	M14x1.25	9.5	19	0.6	●					●	
	L6T	M14x1.25	9.5	19	0.6		●				●	
	L7	M14x1.25	9.5	19	0.6	●					●	
	L7T	M14x1.25	9.5	19	0.6		●				●	
	L8RT	M14x1.25	9.5	19	0.6		●	●			●	
L	L9	M14x1.25	9.5	19	0.6	●					●	
	L9T	M14x1.25	9.5	19	0.6		●				●	
	M	M5	M14x1.25	11	19	0.75	●				●	
M	M7	M14x1.25	11	19	0.75	●				●		
N	N6	M14x1.25	7.8	19	0.6	●			●		●	
	N9	M14x1.25	7.8	19	0.6	●			●		●	
Q	Q7TC	M14x1.25	17.5	16	0.7		●		●		●	
R	R4C	M14x1.5	12	22	0.7	●						
T	T5RTC	M14x1.5	10.9	20.8	0.7		●	●	●			
Z	Z4C	M14x1.25	11	19	0.6	●						
	Z8C	M14x1.25	11	19	0.6	●						