

DODGE TIGEAR 2 RENEWAL PARTS DATA BOOK

QUILL, ADAPTABLE & SEPERATE INPUT, SOLID & HOLLOW SHAFT OUPTUT



Manual H-106 is a comprehensive parts service reference tool for Tigear 2 Reducers.

Featured in this publication:

- **Accessories in exploded view**
- **Balloon parts list drawings with related part number data**
- **Comprehensive listing of service kits summarized in a new quick-pick format.**
- **Gear charts**
- **Gear lube information**

See Table of Contents for complete listing.

For additional part number and repair kit information visit our [Dodge Online Catalog - Renewal Parts](#) link located in [ptplace.com](#).

Log on to [ptplace.com](#) to locate your nearest authorized Dodge Parts Distributor.

PARTSERVICESM

PUBLICATION H-106 May 2008



PARTSERVICESM

Dodge Renewal Parts Phone Numbers	
Business Hours	864-297-4160
After Hours	864-297-4800

To inquire on a Dodge part number go to our website www.ptplace.com or contact us direct for assistance.

We may also be contacted by email at www.parts-customer-service@baldor.com or fax 864-284-5041.

Please have product model or identification number available when contacting us to expedite service.

For additional information about Dodge product offerings visit us on the web at www.dodge-pt.com or phone 864-297-4800.

To order additional copies of this publication contact us at www.rwlee@baldor.com.

TABLE OF CONTENTS

ACCESSORIES

BASE KIT - BOLT ON	3
BRACKET KIT - OUTPUT	3
BUSHING KITS - STRAIGHT BORE	1
BUSHING KITS - TAPER BORE	4
FLANGE KIT - CAST ALUMINUM	4
J-MOUNT BASE KIT	5
RISER BLOCK KIT	5
SAFTEY COVERS - OUTPUT	5
SHAFT, OUTPUT - PLUG-IN	6
TIE ROD KIT	7

BEARING KITS	8
---------------------------	----------

C-FACE ADAPTER KITS	9-10
----------------------------------	-------------

GEAR CHARTS

QUILL INPUT QH-QS	11-12
ADAPTABLE & SEPARATE INPUT	13

HELLICAL ATTACHMENT	14
----------------------------------	-----------

LUBRICANT	15
------------------------	-----------

NOMENCLATURE	2
---------------------------	----------

PAINT - AEROSOL TOUCH-UP	16
---------------------------------------	-----------

PARTS LIST DRAWINGS WITH PART NUMBERS

ADAPTABLE-HOLLOW	17-19
ADAPTABLE-SOLID	20-22
QUILL-HOLLOW	23--25
QUILL-SOLID	26-28
SEPARATE-HOLLOW	29-31
SEPARATE-SOLID	32-34

SEAL KITS	35
------------------------	-----------

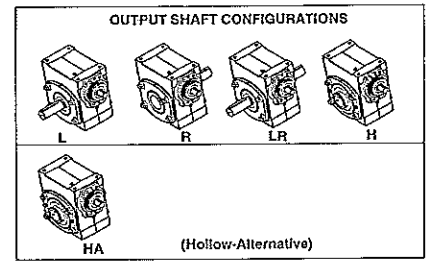
SERVICE KITS SUMMARY - QUICK PICK	36-37
--	--------------

SHAFT REVERSAL KIT	38
---------------------------------	-----------

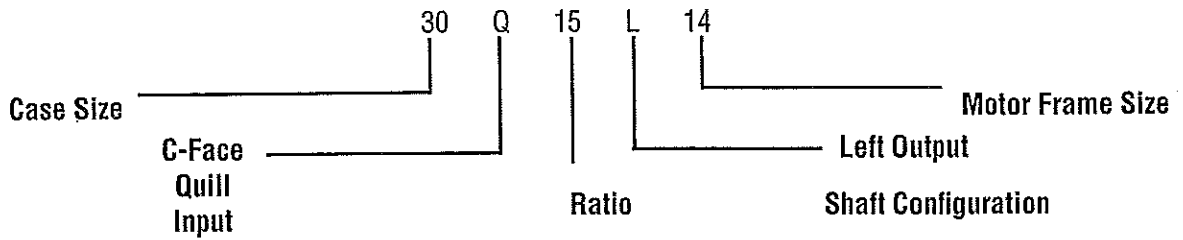
SHIM KITS	38
------------------------	-----------

REDUCER NOMENCLATURE AND PART NUMBER

Size	Input Style	Washdown Option	Ratio	Output	Motor Frame
13 = 1.33 c.d. 15 = 1.50 c.d. 17 = 1.75 c.d. 20 = 2.00 c.d. 23 = 2.31 c.d. 26 = 2.62 c.d. 30 = 3.00 c.d. 35 = 3.50 c.d. 40 = 4.00 c.d. 47 = 4.75 c.d.	Q Quill S Separate A Adapter Assy 3 piece coupled style	Z E-Z KLEEN S ULTRA KLEEN	05 07 10 12 15 18 20 25 30 40 50 60	L R LR H HA	56 = 56C 14 = 140TC 18 = 180TC 21 = 210TC 25 = 250TC



EXAMPLE

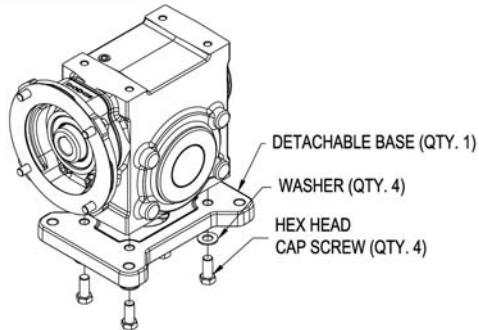


ACCESSORIES - TIGEAR 2

See Dodge Engineering Catalog when further detail is required.

BOLT-ON BASE KIT

BOLT-ON BASE KIT



All Tigear 2 reducers are drilled & tapped top and bottom but do not include base. Base kits below also includes mounting hardware.

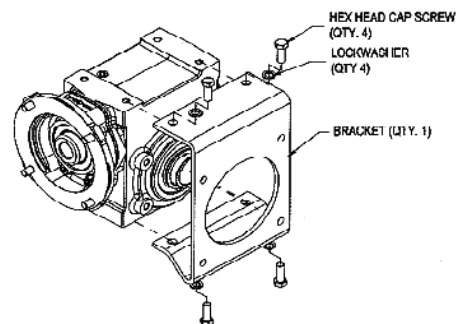
Reducer Size	Standard Kit No.	Top Mount Spacer	E-Z Kleen Kit No.	Ultra Kleen Stainless
13	13BASE	-----	13ZBASE	-----
15	15BASE	-----	15ZBASE	-----
17	17BASE	-----	17ZBASE	17SBASE
20	20BASE	-----	20ZBASE	-----
23	23BASE	2326SPACER	23ZBASE	23SBASE
26	26BASE	2326SPACER	26ZBASE	-----
30	30BASE	3035 SPACER	30ZBASE	30SBASE
35	35BASE	3035SPACER	35ZBASE	35SBASE
40	40BASE	40SPACER	-----	-----
47	47BASE	-----	-----	-----

OUTPUT BRACKET KIT - FABRICATED

Use to mount reducers to a flat surface perpendicular to the output shaft.

Reducer Size	Standard Kit No.
13	13BRACKET
15	15BRACKET
17	17BRACKET
20	20BRACKET
23	23BRACKET
26	26BRACKET
30	30BRACKET
35	35BRACKET
40	40BRACKET
47	47BRACKET

OUTPUT BRACKET KIT



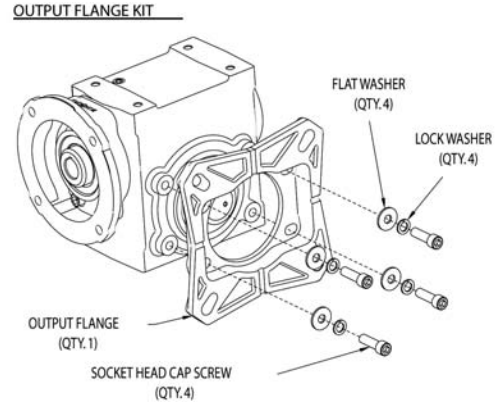
ACCESSORIES - TIGEAR 2

See Dodge Engineering Catalog when further detail is required.

OUTPUT FLANGE KIT - CAST ALUMINUM

Use to mount hollow shaft reducers to a flat surface perpendicular to the output hub.

Reducer Size	Standard Kit No.	E-Z Kleen Kit No.	Ultra Kleen Stainless
13-15	N/A	N/A	N/A
17	17FLANGE	17ZFLANGE	17SFLANGE
20	20FLANGE	20ZFLANGE	N/A
23-26	2326FLANGE	2326ZFLANGE	23SFLANGE
30-35	3035 FLANGE	3035ZFLANGE	3035SFLANGE
40-47	N/A	N/A	N/A



HOLLOW OUTPUT BUSHING KITS

Standard
Straight Bore



Standard
GRIP TIGHT



Reducer Size	Max Bore	Bushing Bore	Standard		Stainless Steel	
			Grip Tight	Straight Bore	Grip Tight	Straight Bore
13	3/4"	N/A	N/A	N/A	N/A	N/A
15	3/4"	N/A	N/A	N/A	N/A	N/A
17	1"	N/A	N/A	N/A	N/A	N/A
20	1-1/4"	1"	N/A	20BUSH100	N/A	20SBUSH100
23-26	1-7/16"	1"	N/A	2326BUSH100	N/A	2326SBUSH100
		1-3/16"	N/A	2326BUSH103	N/A	2326SBUSH103
		1-1/4"	N/A	2326BUSH104	N/A	2326SBUSH104
30-35	1-15/16"	1-3/8"	3035BUSH106	N/A	3035SBUSH106	N/A
		1-7/16"	3035BUSH107	N/A	3035SBUSH107	N/A
		1-1/2"	3035BUSH108	N/A	3035SBUSH108	N/A
		1-11/16"	N/A	3035BUSH111	N/A	3035SBUSH111
40	2-3/16"	1-1/2"	40TBUSH108	N/A	N/A	N/A
		1-11/16"	40TBUSH111	N/A	N/A	N/A
47	2-15/16"	1-15/16"	47TBUSH115	N/A	N/A	N/A
		2-3/16"	47TBUSH203	N/A	N/A	N/A

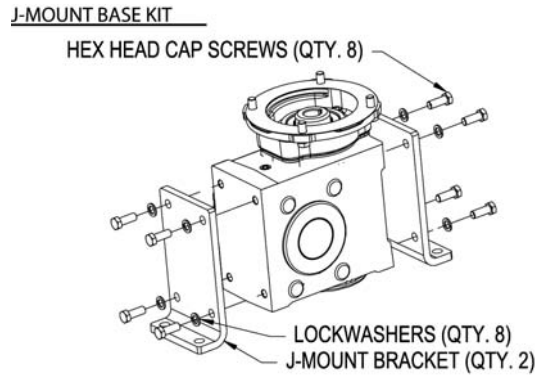
See Dodge Gear Catalog for alternative maximum bore availability.

ACCESSORIES - TIGEAR 2

See Dodge Engineering Catalog when further detail is required.

J-MOUNT BASE KITS

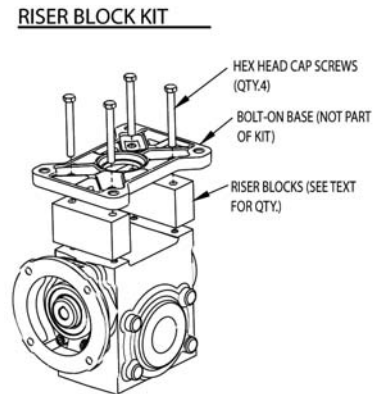
Reducer Size	Standard Kit No.	E-Z Kleen Kit No.
13	13JMOUNT	13ZJMOUNT
15	15JMOUNT	15ZJMOUNT
17	17JMOUNT	17ZJMOUNT
20	20JMOUNT	20ZJMOUNT
23	23JMOUNT	23ZJMOUNT
26	26JMOUNT	26ZJMOUNT
30	30JMOUNT	30ZJMOUNT
35	35JMOUNT	35ZJMOUNT
40	40JMOUNT	-----
47	47JMOUNT	-----



RISER BLOCK KITS

Riser blocks will create clearance over the motor.

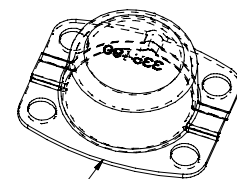
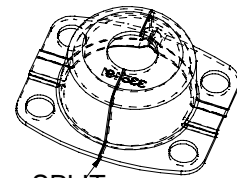
Reducer Size	Standard Kit No.	E-Z Kleen Kit No.
13	13RISER	13ZRISER
15	15RISER	15ZRISER
17	17RISER	17ZRISER
20	20RISER	20ZRISER
23	23RISER	23ZRISER
26	26RISER	26ZRISER
30	30RISER	30ZRISER
35	35RISER	35ZRISER
40	40RISER	-----
47	47RISER	-----



SAFETY COVERS FOR HOLLOW OUTPUT

Safety Cover Kits enclose the rotating shaft on hollow output reducers. Kits will fit reducers equipped with GRIP TIGHT, standard straight-bore bushings or hollow output without bushing.

Case Size	Cover Style	Kit Part Number
17	Closed	17CLSDCOVER
	Open	17OPENCOVER
20	Closed	20CLSDCOVER
	Open	20OPENCOVER
23	Closed	23CLSDCOVER
	Open	23OPENCOVER
26	Closed	26CLSDCOVER
	Open	26OPENCOVER
30	Closed	30CLSDCOVER
	Open	30OPENCOVER
35	Closed	35CLSDCOVER
	Open	35OPENCOVER
40	Closed	40CLSDCOVER
	Open	40OPENCOVER



ACCESSORIES - TIGEAR 2

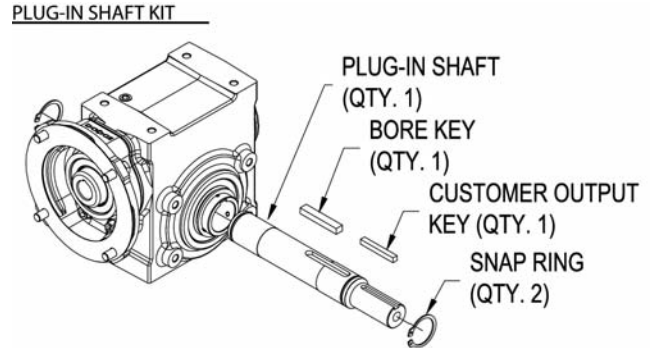
See Dodge Engineering Catalog when further detail is required.

PLUG-IN OUTPUT SHAFT KIT

Converts hollow output to solid output shaft. Use only with max bore reducers.

Kit includes shaft, retaining rings and keys.

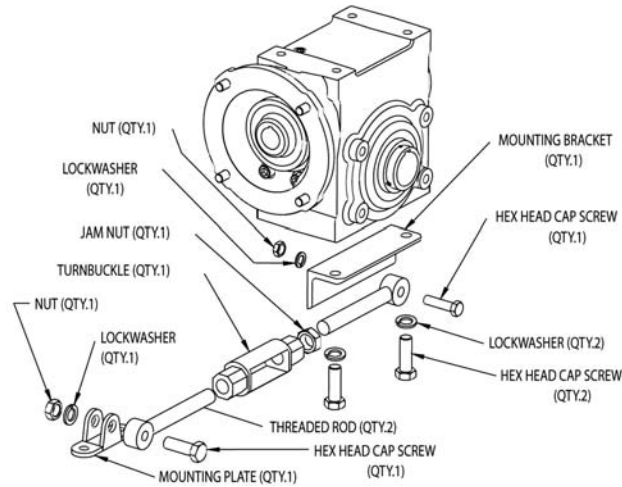
Case Size	Kit Part Number
13	13PLUGIN
15	15PLUGIN
17	17PLUGIN
20	20PLUGIN
23	23PLUGIN
26	26PLUGIN
30	30PLUGIN
35	35PLUGIN
40	40PLUGIN
47	47PLUGIN



TIE ROD KIT

Kit includes reducer mounting bracket, tie rods, turnbuckle, fulcrum and mounting hardware.

TIE ROD KIT



	Qty	13	15	17	20-23
Tie Rod Kit	1	13TIEROD	15TIEROD	17TIEROD	2023TIEROD

Kit consists Of:

T-A Bracket	1	278424	278425	335494	334647
Rod End RH	1	278680	278680	278680	278682
Rod End LH	1	278681	278681	278681	278683
Turnbuckle	1	278685	278685	278685	278686
Fulcrum	1	278687	278687	278687	241249
Hardware Kit	1	237084HW	237084HW	237085HW	237086HW

	Qty	26	30	35	40	47
Tie Rod Kit	1	26TIEROD	30TIEROD	35TIEROD	40TIEROD	47TIEROD

Kit consists Of:

T-A Bracket	1	278428	335495	335496	335497	335498
Rod End RH	1	278682	278682	278682	334827	334827
Rod End LH	1	278683	278683	278683	334828	334828
Turnbuckle	1	278686	278686	278686	243246	243246
Fulcrum	1	241249	241249	241249	243249	243249
Tie Rod Bushing	2	-----	-----	-----	335499	335499
Hardware Kit	1	237086HW	237087HW	237087HW	237088HW	237088HW

DODGE TIGEAR 2 BEARING KITS

SIZES 13 - 47

ADAPTABLE & SEPARATE INPUT - HOLLOW OUTPUT - AH/SH

Size	Bearing Kit P/N	Brg Input Side	Brg Opp Input	Brg Output (qty 2)
13-AH/SH	13AHBRGKIT	224211	334218	41162601A
15-AH/SH	15AHBRGKIT	334211	334218	41162601A
17/176-AH/SH	17AHBRGKIT	334212	334219	335338
20/202-AH/SH	20AHBRGKIT	334212	334219	335339
23-AH/SH	23AHBRGKIT	334213	334220	335340
26-AH/SH	26AHBRGKIT	334213	334221	41162601BJ
30-AH/SH	30AHBRGKIT	334214	334222	335341
35-AH/SH	35AHBRGKIT	334215	334223	335341
40-AH/SH	40AHBRGKIT	334216	334224	335342
47-AH/SH	47AHBRGKIT	334216	334225	335343

ADAPTABLE & SEPARATE INPUT - SOLID OUTPUT - AS/SS

Size	Bearing Kit P/N	Brg Input Side	Brg Opp Input	Brg Output (qty 2)
13-AS/SS	13ASBRGKIT	334211	334218	335337
15-AS/SS	15ASBRGKIT	334211	334218	335337
17/176-AS/SS	17ASBRGKIT	334212	334219	41162601C
20/202-AS/SS	20ASBRGKIT	334212	334219	41162601A
23-AS/SS	23ASBRGKIT	334213	334220	41162601A
26-AS/33	26ASBRGKIT	334213	334221	41162601A
30-AS/SS	30ASBRGKIT	334214	334222	335338
35-AS/SS	35ASBRGKIT	334215	334223	41162601R
40-AS/SS	40ASBRGKIT	334216	334224	335340
47-AS/SS	47ASBRGKIT	334216	334225	335344

QUILL INPUT - SOLID OUTPUT - QS

Size	Bearing Kit P/N	Brg Input Side	Brg Opp Input	Brg Output (qty 2)
13-QS	13QSBRGKIT	----	334218	335337
15-QS	15QSBRGKIT	----	334218	335337
17/176-QS	17QSBRGKIT	----	334219	41162601C
20/202-QS	20QSBRGKIT	----	334219	41162601A
23-QS	23QSBRGKIT	----	334220	41162601A
26-QS	26QSBRGKIT	----	334221	41162601A
30-QS	30QSBRGKIT	----	334222	335338
35-QS	35QSBRGKIT	----	334223	41162601R
40-QS	40QSBRGKIT	----	334224	335340
47-QS	47QSBRGKIT	----	334225	335344

QUILL INPUT - HOLLOW OUTPUT - QH

Size	Bearing Kit P/N	Brg Input Side	Brg Opp Input	Brg Output (qty 2)
13-QH	13QHBRGKIT	----	334218	41162601A
15-QH	15QHBRGKIT	----	334218	41162601A
17/176-QH	17QHBRGKIT	----	334219	335338
20/202-QH	20QHBRGKIT	----	334219	335339
23-QH	23QHBRGKIT	----	334220	335340
26-QH	26QHBRGKIT	----	334221	41162601BJ
30-QH	30QHBRGKIT	----	334222	335341
35-QH	35QHBRGKIT	----	334223	335341
40-QH	40QHBRGKIT	----	334224	335342
47-QH	47QHBRGKIT	----	334225	335343

TIGEAR 2 ADAPTABLE 3-PC COUPLED INPUT

C-FACE ADAPTER ASSEMBLY

C-face kit includes all component items listed following kit part number.



56C FRAME							
POS # HOLLOW O/P	POS # SOLID O/P	DESCRIPTION	QTY	REDUCER SIZE			
				13-15	17-20	23-26-30	35
KIT PART NUMBER				1315MTR56	1720MTR56	2330MTR56	35MTR56
1	1	INPUT KEY	1	333831	333831	333831	333831
15	17	O-RING, NITRILE	1	334304	334304	276355	276355
17	19	CAD PLTD SCREW	4	417371	417371	417111	334895
18	20	MED LOCKWASHER	4	333781	333781	333782	275855
19	21	T2 ADPT. M. ADPTR	1	333236	333236	333237	334757
27	27	DUST CAP 1" HOLE	1	41170965H	41170965H	41170965H	41170965H
28	28	MOTOR GASKET	1	60202843F	60202843F	60202843F	60202843F
31	31	COUPLING SPIDER	1	278911	278911	278911	278912
32	32	5/8 COUPLING HUB-MOTOR	1	278900	278900	278900	334306
33	33	COUPLING - REDUCER	1	334309	278900	278901	276169
43	40	LOCK WASHER	4	275803	275803	275803	275803
44	41	3/8-16 X 1 HHCS PLN ZC	4	051929	051929	051929	051929

140TC FRAME								
POS # HOLLOW O/P	POS # SOLID O/P	DESCRIPTION	QTY	REDUCER SIZE				
				13-15	17-20	23-26-30	35	40-47
KIT PART NUMBER				1315MTR14	1720MTR14	2330MTR14	35MTR14	4047MTR14
1	1	INPUT KEY	1	333831	333831	333831	333831	333831
15	17	O-RING, NITRILE	1	334304	334304	276355	276355	276355
17	19	CAD PLTD SCREW	4	417371	417371	417111	334895	334895
18	20	MED LOCKWASHER	4	333781	333781	333782	275855	275855
19	21	T2 ADPT. M. ADPTR	1	333236	333236	333237	334757	334757
27	27	DUST CAP 1" HOLE	1	41170965H	41170965H	41170965H	41170965H	41170965H
28	28	MOTOR GASKET	1	60202843F	60202843F	60202843F	60202843F	60202843F
31	31	COUPLING SPIDER	1	278911	278912	278912	278912	275794
32	32	7/8 COUPLING HUB-MOTOR	1	278901	276169	276169	276169	275806
33	33	COUPLING - REDUCER	1	334309	334306	276169	276169	278907
43	40	LOCK WASHER	4	275803	275803	275803	275803	275803
44	41	3/8-16 X 1 HHCS PLN ZC	4	051929	051929	051929	051929	051929

180TC FRAME						
POS # HOLLOW O/P	POS # SOLID O/P	DESCRIPTION	QTY	REDUCER SIZE		
				23-26-30	35	40-47
KIT PART NUMBER				2330MTR18	35MTR18	4047MTR18
1	1	INPUT KEY	1	333827	333827	333827
15	17	O-RING, NITRILE	1	276355	276355	276355
17	19	CAD PLTD SCREW	4	417111	334373	334373
18	20	MED LOCKWASHER	4	333782	333783	333783
19	21	T2 ADPT. M. ADPTR 180	1	334683	333239	333239
27	27	DUST CAP 1" HOLE	1	411709-65-H	411709-65-H	411709-65-H
28	28	MOTOR GASKET	1	276335	276335	276335
31	31	COUPLING SPIDER	1	275794	275794	275794
32	32	1-1/8 COUPLING HUB-MOTOR	1	278907	278907	278907
33	33	COUPLING - REDUCER	1	275806	275806	278907
43	40	LOCK WASHER	4	-----	275853	275853
44	41	SOCKET HEAD CAP SCREW	4	411631-58-X	334900	334900

210TC FRAME					
POS # HOLLOW O/P	POS # SOLID O/P	DESCRIPTION	QTY	REDUCER SIZE	
				35	40-47
KIT PART NUMBER				35MTR21	4047MTR21
1	1	INPUT KEY	1	086654	086654
15	17	O-RING, NITRILE	1	276355	276355
17	19	CAD PLTD SCREW	4	334373	334373
18	20	MED LOCKWASHER	4	333783	333783
19	21	T2 ADPT. M. ADPTR 180	1	333239	333239
		MOTOR ADAPTER PLATE (1)	1	334571	334571
27	27	DUST CAP 1" HOLE	1	411709-65-H	411709-65-H
28	28	MOTOR GASKET	1	276335	276335
31	31	COUPLING SPIDER	1	334291	334291
32	32	1-3/8 COUPLING HUB-MOTOR	1	334286	334286
33	33	COUPLING - REDUCER	1	334285	334290
43	40	LOCK WASHER	4	275853	275853
44	41	HEX HEAD CAP SCREW	4	334902	334902

(1) 210TC adpt plate bolts onto 180 adpt 333239.

(Continued next page)

TIGEAR 2 ADAPTABLE 3-PC COUPLED INPUT

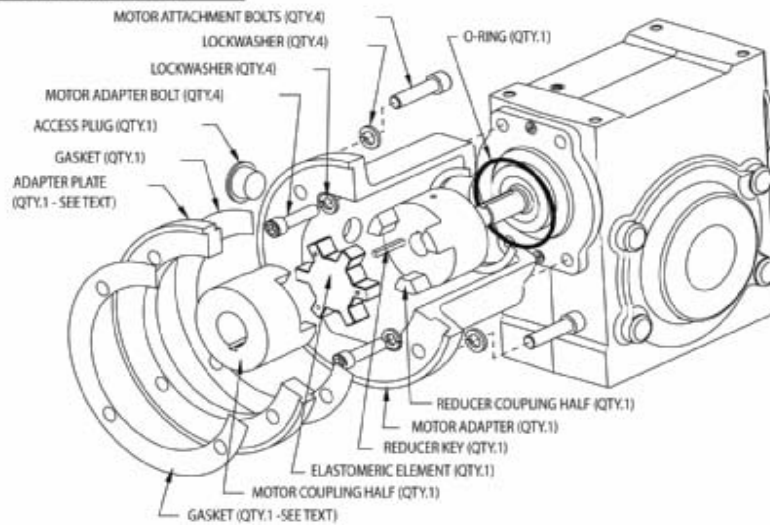
C-FACE ADAPTER ASSEMBLY

C-face kit includes all component items listed following kit part number.

250TC FRAME				
POS # Hollow O/P	POS # Solid O/P	DESCRIPTION	QTY	REDUCER SIZE 40-47
		KIT PART NUMBER		4047MTR25
1	1	INPUT KEY	1	333828
15	17	O-RING, NITRILE	1	276355
17	19	CAD PLTD SCREW	4	334373
18	20	MED LOCKWASHER	4	333783
19	21	T2 ADPT. M. ADPTR 180 MOTOR ADAPTER PLATE (1)	1	333239 334570
27	27	DUST CAP 1" HOLE	1	411709-65-H
28	28	MOTOR GASKET	1	276335
31	31	COUPLING SPIDER	1	334291
32	32	1-5/8 COUPLING HUB-MOTOR	1	334288
33	33	COUPLING - REDUCER	1	334290
43	40	LOCK WASHER	4	275853
44	41	HEX HEAD CAP SCREW	4	334901

(1) 250TC adpt plate bolts onto 180 adpt 333239.

MOTOR ADAPTER KIT



NOTE: Quill C-Face adapters are not provided as an assembly. See applicable basic parts page for part number information.

GEAR CHART - TIGEAR 2

QUILL INPUT QH & QS SERIES

Worm shaft part number includes worm assembled with single piece coupling & coupling key. Coupling bored to match motor shaft diameter.

Ratio	13-QS & QH			15-QS & QH			17-QS & QH			
	56C Worm Shaft	Solid Shaft Worm Gear	Hollow Shaft Worm Gear	56C Worm Shaft	Solid Shaft Worm Gear	Hollow Shaft Worm Gear	56C Worm Shaft	140TC Worm Shaft	Solid Shaft Worm Gear	Hollow Shaft Worm Gear
5	335105	333440	333520	335115	333450	333530	335125	335135	333460	333540
7.5	335106	333441	333521	335116	333451	333531	335126	335136	333461	333541
10	335107	333442	333522	335117	333452	333532	335127	335137	333462	333542
15	335108	333443	333523	335118	333453	333533	335128	335138	333463	333543
20	335109	333444	333524	335119	333454	333534	335129	335139	333464	333544
25	335110	333445	333525	335120	333455	333535	335130	-----	333465	333545
30	335111	333446	333526	335121	333456	333536	335131	-----	333466	333546
40	335112	333447	333527	335122	333457	333537	335132	-----	333467	333547
50	335113	333448	333528	335123	333458	333538	335133	-----	333468	333548
60	335114	333449	333529	335124	333459	333539	335134	-----	333469	333549

Ratio	20-QS & QH				23-QS & QH				
	56C Worm Shaft	140TC Worm Shaft	Solid Shaft Worm Gear	Hollow Shaft Worm Gear	56C Worm Shaft	140TC Worm Shaft	180TC Worm Shaft	Solid Shaft Worm Gear	Hollow Shaft Worm Gear
5	335140	335152	333470	333551	335160	335170	335178	333480	333562
7.5	335141	335153	333471	333552	335161	335171	335179	333481	333563
10	335142	335154	333472	333553	335162	335172	335180	333482	333564
12.67	335143	335155	334006	334008	-----	-----	-----	-----	-----
15	335144	335156	333473	333554	335163	335173	-----	333483	333565
18	335145	335157	334013	334016	-----	-----	-----	-----	-----
20	335146	335158	333474	333556	335164	335174	-----	333484	333566
25	335147	335159	333475	333557	335165	335175	-----	333485	333567
30	335148	-----	333476	333558	335166	335176	-----	333486	333568
40	335149	-----	333477	333559	335167	335177	-----	333487	333569
50	335150	-----	333478	333560	335168	-----	-----	333488	333571
60	335151	-----	333479	333561	335169	-----	-----	333489	333572

Ratio	26-QS & QH					30-QS & QH				
	56C Worm Shaft	140TC Worm Shaft	180TC Worm Shaft	Solid Shaft Worm Gear	Hollow Shaft Worm Gear	56C Worm Shaft	140TC Worm Shaft	180TC Worm Shaft	Solid Shaft Worm Gear	Hollow Shaft Worm Gear
5	335181	335193	335205	333490	333573	335211	335221	335231	333500	333583
7.5	335182	335194	335206	333491	333574	335212	335222	335232	333501	333584
10	335183	335195	335207	333492	333575	335213	335223	335233	333502	333585
12.67	335184	335196	335208	334007	334009	-----	-----	-----	-----	-----
15	335185	335197	335209	333493	333576	335214	335224	335234	333503	333586
18	335186	335198	335210	334014	334017	-----	-----	-----	-----	-----
20	335187	335199	-----	333494	333577	335215	335225	335235	333504	333587
25	335188	335200	-----	333495	333578	335216	335226	335236	333505	333588
30	335189	335201	-----	333496	333579	335217	335227	-----	333506	333589
40	335190	335202	-----	333497	333580	335218	335228	-----	333507	333591
50	335191	335203	-----	333498	333581	335219	335229	-----	333508	333592
60	335192	335204	-----	333499	333582	335220	335230	-----	333509	333593

Ratio	35-QS & QH					
	56C Worm Shaft	140TC Worm Shaft	180TC Worm Shaft	210TC Worm Shaft	Solid Shaft Worm Gear	Hollow Shaft Worm Gear
5	335237	335248	335259	335268	333510	333594
7.5	335238	335249	335260	335269	333511	333595
10	335239	335250	335261	335270	333512	333596
12.67	335240	335251	335262	-----	334015	334018
15	335241	335252	335263	-----	333513	333597
20	335242	335253	335264	-----	333514	333598
25	335243	335254	335265	-----	333515	333599
30	335244	335255	335266	-----	333516	333600
40	335245	335256	335267	-----	333517	333601
50	335246	335257	-----	-----	333518	333602
60	335247	335258	-----	-----	333519	333603

GEAR CHART - TIGEAR 2

QUILL INPUT QH & QS SERIES

Worm shaft part number includes worm assembled with single piece coupling & coupling key. Coupling bored to match motor shaft diameter.

Ratio	40-QS & QH					
	140TC Worm Shaft	180TC Worm Shaft	210TC Worm Shaft	250TC Worm Shaft	Solid Shaft Worm Gear	Hollow Shaft Worm Gear
5	335271	335281	335291	335296	334530	334542
7.5	335272	335282	335292	335297	334531	334543
10	335273	335283	335293	-----	334532	334544
15	335274	335284	335294	-----	334533	334545
20	335275	335285	335295	-----	334534	334546
25	335276	335286	-----	-----	334535	334547
30	335277	335287	-----	-----	334536	334548
40	335278	335288	-----	-----	334537	334549
50	335279	335289	-----	-----	334538	334550
60	335280	335290	-----	-----	334539	334551

Ratio	47-QS & QH					
	140TC Worm Shaft	180TC Worm Shaft	210TC Worm Shaft	250TC Worm Shaft	Solid Shaft Worm Gear	Hollow Shaft Worm Gear
5	335298	335308	335318	335325	334595	334607
7.5	335299	335309	335319	335326	334596	334608
10	335300	335310	335320	335327	334597	334609
15	335301	335311	335321	-----	334599	334611
20	335302	335312	335322	-----	334601	334613
25	335303	335313	335323	-----	334602	334614
30	335304	335314	335324	-----	334603	334615
40	335305	335315	-----	-----	334604	334616
50	335306	335316	-----	-----	334605	334617
60	335307	335317	-----	-----	334606	334618

GEAR CHART - TIGEAR 2

ADAPTABLE & SEPARATE INPUT AH - AS - SS - SH

Worm shaft part number includes worm assembled with a coupling adapter.

Ratio	13-AH-AS-SS-SH			15-AH-AS-SS-SH			17-AH-AS-SS-SH		
	Worm Shaft	Solid Shaft Worm Gear	Hollow Shaft Worm Gear	Worm Shaft	Solid Shaft Worm Gear	Hollow Shaft Worm Gear	Worm Shaft	Solid Shaft Worm Gear	Hollow Shaft Worm Gear
5	335000	333440	333520	335010	333450	333530	335020	333460	333540
7.5	335001	333441	333521	335011	333451	333531	335021	333461	333541
10	335002	333442	333522	335012	333452	333532	335022	333462	333542
15	335003	333443	333523	335013	333453	333533	335023	333463	333543
20	335004	333444	333524	335014	333454	333534	335024	333464	333544
25	335005	333445	333525	335015	333455	333535	335025	333465	333545
30	335006	333446	333526	335016	333456	333536	335026	333466	333546
40	335007	333447	333527	335017	333457	333537	335027	333467	333547
50	335008	333448	333528	335018	333458	333538	335028	333468	333548
60	335009	333449	333529	335019	333459	333539	335029	333469	333549

Ratio	20-AH-AS-SS-SH			23-AH-AS-SS-SH			26-AH-AS-SS-SH		
	Worm Shaft	Solid Shaft Worm Gear	Hollow Shaft Worm Gear	Worm Shaft	Solid Shaft Worm Gear	Hollow Shaft Worm Gear	Worm Shaft	Solid Shaft Worm Gear	Hollow Shaft Worm Gear
5	335030	333470	333551	335042	333480	333562	335052	333490	333573
7.5	335031	333471	333552	335043	333481	333563	335053	333491	333574
10	335032	333472	333553	335044	333482	333564	335054	333492	333575
12.67	335033	334006	334008	-----	-----	-----	335055	334007	334009
15	335034	333473	333554	335045	333483	333565	335056	333493	333576
18	335035	334013	334016	-----	-----	-----	335057	334014	334017
20	335036	333474	333556	335046	333484	333566	335058	333494	333577
25	335037	333475	333557	335047	333485	333567	335059	333495	333578
30	335038	333476	333558	335048	333486	333568	335060	333496	333579
40	335039	333477	333559	335049	333487	333569	335061	333497	333580
50	335040	333478	333560	335050	333488	333571	335062	333498	333581
60	335041	333479	333561	335051	333489	333572	335063	333499	333582

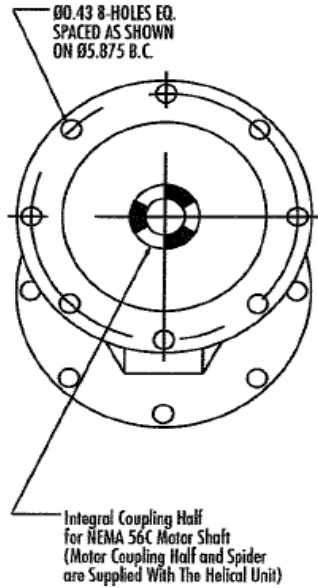
Ratio	30-AH-AS-SS-SH			35-AH-AS-SS-SH			40-AH-AS-SS-SH		
	Worm Shaft	Solid Shaft Worm Gear	Hollow Shaft Worm Gear	Worm Shaft	Solid Shaft Worm Gear	Hollow Shaft Worm Gear	Worm Shaft	Solid Shaft Worm Gear	Hollow Shaft Worm Gear
5	335064	333500	333583	335074	333510	333594	335085	334530	334542
7.5	335065	333501	333584	335075	333511	333595	335086	334531	334543
10	335066	333502	333585	335076	333512	333596	335087	334532	334544
12.67	-----	-----	-----	335077	334015	334018	-----	-----	-----
15	335067	333503	333586	335078	333513	333597	335088	334533	334545
20	335068	333504	333587	335079	333514	333598	335089	334534	334546
25	335069	333505	333588	335080	333515	333599	335090	334535	334547
30	335070	333506	333589	335081	333516	333600	335091	334536	334548
40	335071	333507	333591	335082	333517	333601	335092	334537	334549
50	335072	333508	333592	335083	333518	333602	335093	334538	334550
60	335073	333509	333593	335084	333519	333603	335094	334539	334551

Ratio	47-AH-AS-SS-SH		
	Worm Shaft	Solid Shaft Worm Gear	Hollow Shaft Worm Gear
5	335095	334595	334607
7.5	335096	334596	334608
10	335097	334597	334609
15	335098	334599	334611
20	335099	334601	334613
25	335100	334602	334614
30	335101	334603	334615
40	335102	334604	334616
50	335103	334605	334617
60	335104	334606	334618

HELLICAL ATTACHMENT

DODGE TIGEAR 2

Replacement parts not available. Replace complete attachment.



Lube Capacity

Liters	0.05
Oz	1.69

Couplings

Motor Half	333824
Element	333825

Coupling Note: Reducer coupling half is factory mounted and not available as a replacement part. Replace complete attachment.

DODGE TIGEAR 2 LUBRICATION

The DODGE TIGEAR-2 reducer is factory filled with a synthetic lubricant which eliminates costly preparation time normally required to put a reducer into service. The lubricant supplied is a high performance, H1 food grade lubricant, suitable for all mounting positions. When reducer selections are properly service factored to account for the thermal limitations of the reducer, the standard lubricant covers an operating ambient temperature range of -10°F to 165°F. No other lubricant available on the market provides the outstanding wear protection and thermal abilities of the factory-filled lubricant. Other lubricants, including Mobil SHC series lubricant, must not be mixed with the factory supplied lubricant.

Low Temperature Lubricant

For operating ambient temperature ranges from -10°F to -30°F, order Low Temperature Lubricant at the time of reducer order. The low temperature lubricant has all of the high performance features of the standard temperature lubricant, but has been modified for lower temperatures. Contact Application Engineering for temperatures below -30°F.

Approximate Oil Volumes

REDUCER CONFIGURATION	LUBE CAPACITY BY REDUCER SIZE									
	13	15	17	20	23	26	30	35	40	47
(QH) Quill Input Hollow Output Shaft	6 oz.	7 oz.	11 oz.	14 oz.	21 oz.	28 oz.	44 oz.	60 oz.		
(QS) Quill Input Solid Output Shaft	6 oz.	7 oz.	12 oz.	15 oz.	23 oz.	32 oz.	48 oz.	66 oz.	97 oz.	176 oz.
Separate or 3-Piece Coupled Input (AH & SH) Hollow Output Shaft	9 oz.	10 oz.	15 oz.	21 oz.	28 oz.	38 oz.	59 oz.	82 oz.		
Separate or 3-Piece Coupled Input (AS & SS) Solid Output Shaft	9 oz.	11 oz.	18 oz.	23 oz.	32 oz.	44 oz.	70 oz.	94 oz.	144 oz.	266 oz.

Factory recommended Tigear Lubricant may be ordered from Dodge. Minimum volume is one quart (32 oz.). Use the following table to determine part number.

Standard Temperature Range

Volume	Quart 32 oz	Gallon 128 oz
Part Number	334863	334862

Low Temperature Range

Volume	Quart 32 oz	Gallon 128 oz
Part Number	334861	334860

DODGE/RELIANCE TOUCH-UP PAINT - AEROSOL SPRAY

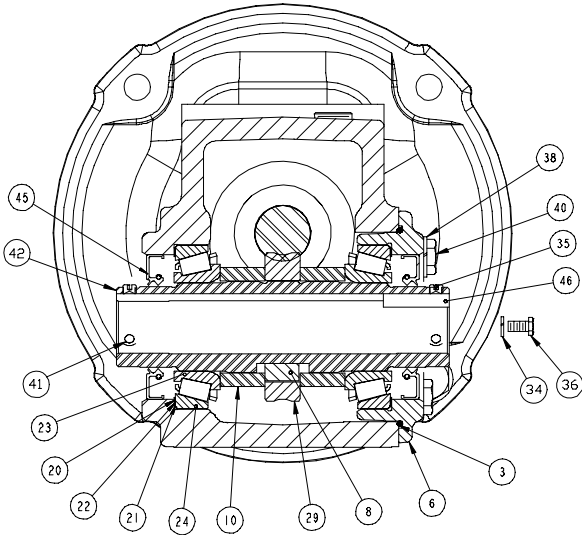
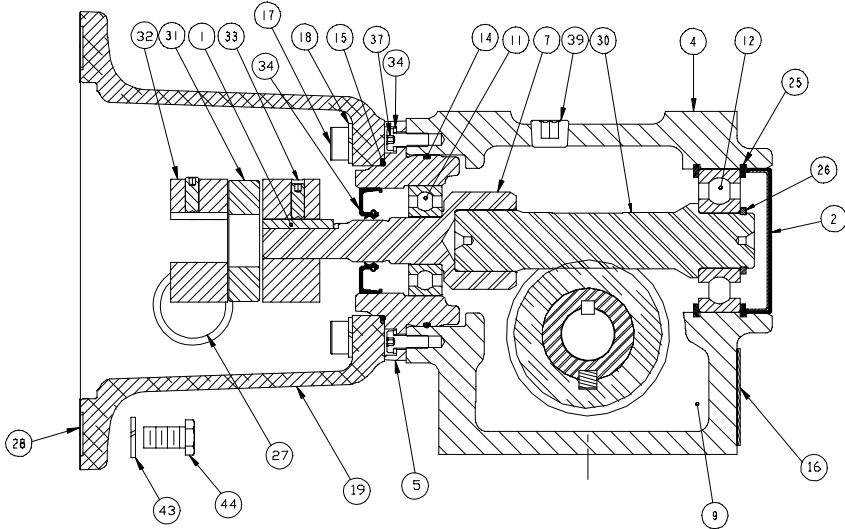


Restore original factory Reliance Blue-Green enamel paint. Perfect for touch-up after service or repair. Also available in epoxy white and stainless steel for wash down applications.

Part No.	Volume	Description
810001	12 oz	Reliance Blue-Green Enamel
810002	12 oz	Epoxy White
810003	13 oz	Stainless Steel

TIGEAR 2 PARTS LIST DRAWING

Adaptable Hollow Shaft (AH) - All Sizes



TIGEAR 2 BASIC PARTS - ADAPTABLE HOLLOW OUTPUT - AH

SIZES 13 - 23

Ref No	Description	Qty	13-AH	15-AH	17-AH	20-AH	23-AH
			Part Number	Part Number	Part Number	Part Number	Part Number
1	INPUT KEY	1	333830	333830	333831	333831	333831
2	INPUT BORE PLUG	1	335603	335603	335600	335600	335601
3	O-RING	1	336366	336366	335508	276355	334312
4	TIG2 HOLLOW GEARCASE	1	333218	333219	333220	333221	333222
5	T2 I/P BRG CARRIER	1	333245	333245	333246	333246	333249
6	T2 HOLLOW BRG HOUSING	1	333281	333281	333282	333283	333284
7	TIG2 SEP INPUT SHAFT ADAPTER	1	Input coupling adapter is assembled to worm shaft. See Gear Chart				
8	GEAR KEY	1	333650	333650	333666	333671	333686
9	TIGEAR 2 LUBRICANT	1	334863	334863	334863	334863	334863
10	TIG2 HOLLW O/P SPACER	2	333733	333734	333735	333736	333737
11	BALL BEARING	1	334211	334211	334212	334212	334213
12	BALL BEARING	1	334218	334218	334219	334219	334220
13	TIG2 SEAL, INPUT	1	334270	334270	334271	334271	334272
14	O-RING, NITRILE	1	334300	334300	334300	334300	334303
15	O-RING, NITRILE	1	334304	334304	334304	334304	276355
16	NAMEPLATE T2	1	334305	334305	334305	334305	334305
17	CAD PLTD SCREW 56-140	4	417371	417371	417371	417371	417111
	CAD PLTD SCREW 180-210-250	4	----	----	----	----	----
18	MED LOCKWASHER	4	419010	419010	419010	419010	275803
19	T2 ADPT. M. ADPTR 56-140	1	333236	333236	333236	333236	333237
	MOTOR ADPT 180TC	1	----	----	----	----	334683
20-22	SHIM KIT	1	411623-33-B	411623-33-B	335330	411623-33-C	335331
23-24	BEARING CUP/CONE ASSEMBLY	2	411626-01-A	411626-01-A	335338	335339	335340
25	INT RING	2	411637-02-AV	411637-02-AV	58256	58256	411637-01-A
26	EXT RING	1	411637-02-E	411637-02-E	411637-02-AY	411637-02-AY	411637-02-N
27	DUST CAP 1" HOLE	1	411709-65-Q	411709-65-Q	411709-65-Q	411709-65-Q	411709-65-Q
28	56/140 M/A. GASKET	1	602028-43-F	602028-43-F	602028-43-F	602028-43-F	602028-43-F
	MOTOR GASKET 180-210	1	----	----	----	----	276335
29	TIG2 HOLLOW GEAR	1	See Gear Chart	See Gear Chart	See Gear Chart	See Gear Chart	See Gear Chart
30	TIG2 WORMSHAFT	1	See Gear Chart	See Gear Chart	See Gear Chart	See Gear Chart	See Gear Chart
31	SPIDER 56C	1	278911	278911	278911	278911	278911
	SPIDER 140TC	1	----	----	278912	278912	278912
	SPIDER 180TC	1	----	----	----	----	275794
	SPIDER 210-250	1	----	----	----	----	----
32	5/8 COUPLING HUB-MOTOR 56C	1	278900	278900	278900	278900	278900
	7/8 COUPLING HUB-MOTOR 140TC	1	----	----	276169	276169	276169
	1-1/8 COUPLING HUB-MTR 180TC	1	----	----	----	----	278907
	1-3/8 COUPLING HUB-MTR 210TC	1	----	----	----	----	----
	1-5/8 COUPLING HUB-MTR 250TC	1	----	----	----	----	----
33	COUPLING - REDUCER 56C	1	334309	334309	278900	278900	278901
	COUPLING - REDUCER 140TC	1	----	----	334306	334306	276169
	COUPLING - REDUCER 180TC	1	----	----	----	----	275806
	COUPLING - REDUCER 210-250	1	----	----	----	----	----
34	MED LOCKWASHER	4	419007	419007	419007	419007	419009
35	SET SCREW	2	400140	400140	400140	400140	400140
36	HHCS GR5 ZC	2	58270	58270	333800	333800	51302
37	LHCS PLAIN	2	333808	333808	333808	333808	333807
38	MED LOCKWASHER	4	419009	419009	419010	419010	275803
39	PIPE PLUG 1/4" SOC.	2	411647-34-B	411647-34-B	411647-34-B	411647-34-B	411647-34-B
40	HEX HEAD CAP SCREW	4	51302	51302	411405	411405	51929
41	SET SCREW	4	275953	275953	275953	275953	275953
42	HOLLOW OUTPUT SHAFT	1	333629	333629	333631	334789	333633
43	LOCK WASHER 56-140	4	275803	275803	275803	275803	275803
	LOCK WASHER 210	4	----	----	----	----	----
	LOCK WASHER 250	4	----	----	----	----	----
44	3/8-16 X 1 HHCS PLN ZC 56-140	4	51929	51929	51929	51929	51929
	SOCKET HEAD CAP SCR 180	4	----	----	----	----	41163158X
	HEX HD CAP SCREW 210	4	----	----	----	----	----
	HEX HD CAP SCREW 250	4	----	----	----	----	----
45	SEAL TIGEAR 2, OUTPUT	2	334273	334273	334274	334276	334277
46	OUTPUT KEY	2	333831	333831	334897	333827	333687

TIGEAR 2 BASIC PARTS - ADAPTABLE HOLLOW OUTPUT - AH

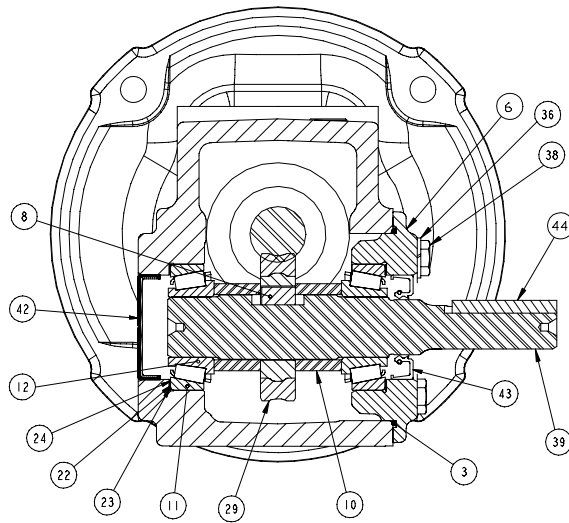
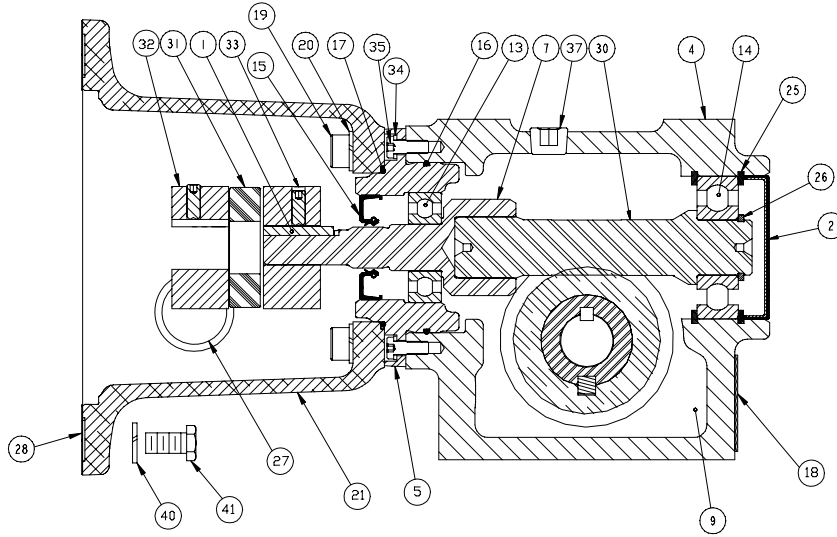
SIZES 26 - 47

Ref No	Description	Qty	26-AH	30-AH	35-AH	40-AH	47-AH	
			Part Number	Part Number	Part Number	Part Number	Part Number	
1	INPUT KEY	1	333831	333831	333826	334561	334561	
2	INPUT BORE PLUG	1	335609	335602	335604	335610	335613	
3	O-RING	1	334302	334308	276358	334313	334315	
4	TIG2 HOLLOW GEARCASE	1	333223	333224	333225	334507	334577	
5	T2 I/P BRG CARRIER	1	333249	333250	333253	334508	334508	
6	T2 HOLLOW BRG HOUSING	1	333285	333286	333287	334512	334582	
7	TIG2 SEP INPUT SHAFT ADAPTER	1	Input coupling adapter is assembled to worm shaft. See Gear Chart					
8	GEAR KEY	1	333670	333712	333717	334564	334624	
9	TIGEAR 2 LUBRICANT	1	334862	334862	334862	334862	334862	
10	TIG2 HOLLOW O/P SPACER	2	333738	333739	333740	334566	334626	
11	BALL BEARING	1	334213	334214	334215	334216	334216	
12	BALL BEARING	1	334221	334222	334223	334224	334225	
13	TIG2 SEAL, INPUT	1	334272	334272	334272	334274	334274	
14	O-RING, NITRILE	1	334303	334303	334314	334314	334314	
15	O-RING, NITRILE	1	276355	276355	276355	276355	276355	
16	NAMEPLATE T2	1	334305	334305	334305	334305	334305	
17	CAD PLTD SCREW 56-140	4	417111	417111	334895	-----	-----	
	CAD PLTD SCREW 180-210-250	4	-----	-----	334373	334373	334373	
18	MED LOCKWASHER	4	275803	275803	275855	333783	333783	
19	T2 ADPT. M. ADPTR 56-140	1	333237	333237	334757	334757	-----	
	MOTOR ADPT 180TC	1	334683	334683	333239	333239	333239	
	MTR ADPT PLT-BOLT ON 210 (2)	1	-----	-----	334571	334571	334571	
	MTR ADPT PLT-BOLT ON 250 (2)	1	-----	-----	-----	334570	334570	
20-22	SHIM KIT	1	335332	335333	335333	335334	335335	
23-24	BEARING CUP/CONE ASSEMBLY	2	41162601BJ	335341	335341	335342	335343	
25	INT RING	2	278715	411637-02-AC	278717	51334	51335	
26	EXT RING	1	411637-02-AP	411637-02-AR	411637-02-BA	334404	333933	
27	DUST CAP 1" HOLE	1	411709-65-Q	411709-65-Q	411709-65-Q	411709-65-Q	411709-65-Q	
28	56/140 M/A. GASKET	1	602028-43-F	602028-43-F	602028-43-F	-----	-----	
	MOTOR GASKET 180-210	1	276335	276335	276335	276335	276335	
29	TIG2 HOLLOW GEAR	1	See Gear Chart	See Gear Chart	See Gear Chart	See Gear Chart	See Gear Chart	
30	TIG2 WORMSHAFT	1	See Gear Chart	See Gear Chart	See Gear Chart	See Gear Chart	See Gear Chart	
31	SPIDER 56C	1	278911	278911	-----	-----	-----	
	SPIDER 140TC	1	278912	278912	278912	278907	-----	
	SPIDER 180TC	1	275794	275794	275794	275794	275794	
	SPIDER 210-250	1	-----	-----	334291	334291	334291	
32	5/8 COUPLING HUB-MOTOR 56C	1	278900	278900	-----	-----	-----	
	7/8 COUPLING HUB-MOTOR 140TC	1	276169	276169	276169	-----	-----	
	1-1/8 COUPLING HUB-MTR 180TC	1	278907	278907	278907	278907	278907	
	1-3/8 COUPLING HUB-MTR 210TC	1	-----	-----	334286	334286	334286	
	1-5/8 COUPLING HUB-MTR 250TC	1	-----	-----	-----	334288	334288	
33	COUPLING - REDUCER 56C	1	278901	278901	-----	-----	-----	
	COUPLING - REDUCER 140TC	1	276169	276169	276169	-----	-----	
	COUPLING - REDUCER 180TC	1	275806	275806	275806	278907	278907	
	COUPLING - REDUCER 210-250	1	-----	-----	334285	334290	334290	
34	MED LOCKWASHER	4	419009	419009	419009	419009	419009	
35	SET SCREW	2	400140	400140	400140	400140	275953	
36	HHCS GR5 ZC	2	51302	53204	411396	411396	411402	
37	LHHCS PLAIN	2	333807	333807	333807	333807	333807	
38	MED LOCKWASHER	4	275803	275855	275855	419036	419036	
39	PIPE PLUG 1/4"SOC.	2	411647-34-B	411647-34-B	411647-34-B	411647-34-B	411647-34-B	
40	HEX HEAD CAP SCREW	4	51929	51952	51952	411483	411484	
41	SET SCREW	4	275962	275954	275954	333805	333805	
42	HOLLOW OUTPUT SHAFT	1	333634	333635	333636	334556	334621	
43	LOCK WASHER 56-140	4	275803	275803	275803	-----	-----	
	LOCK WASHER 210	4	-----	-----	275853	275853	275853	
	LOCK WASHER 250	4	-----	-----	-----	275853	275853	
44	3/8-16 X 1 HHCS PLN ZC 56-140	4	51929	51929	51929	-----	-----	
	SOCKET HEAD CAP SCR 180	4	41163158X	41163158X	334900	334900	334900	
	HEX HD CAP SCREW 210	4	-----	-----	334902	334902	334902	
	HEX HD CAP SCREW 250	4	-----	-----	-----	334901	334901	
45	SEAL TIGEAR 2, OUTPUT	2	334278	334279	334279	334280	334281	
46	OUTPUT KEY	2	333687	333709	333709	334563	334623	

(2) Adapter plate bolts onto 180 adapter 333239. Both adapters must be used.

TIGEAR 2 PARTS LIST DRAWING

Adaptable Solid Shaft (AS) - All Sizes



TIGEAR 2 BASIC PARTS - ADAPTABLE SOLID OUTPUT - AS

SIZES 13 - 23

Ref No	Description	Qty	13-AS	15-AS	17-AS	20-AS	23-AS	
			Part Number	Part Number	Part Number	Part Number	Part Number	
1	INPUT KEY	1	333831	333831	333831	333831	333831	
2	INPUT BORE PLUG	1 OR 0	335603	335603	335600	335600	335601	
	INPUT BORE PLUG-ULTRA KLEEN	1 OR 0	-----	-----	335622	-----	335622	
3	O-RING	1	336366	336366	335508	276355	334312	
4	TIG2 SOLID GEARCASE	1	333210	333211	333212	333213	333214	
5	T2 INPUT BRG CARRIER	1	333245	333245	333246	333246	333249	
6	T2 SOLID BRG HSG	1	333265	333265	333266	333267	333268	
7	TIG2 INPUT SHAFT ADAPTER	1	Input coupling adapter is assembled with worm shaft. See Gear Chart					
8	SOLID GEAR KEY	1	333650	333661	333666	333671	333686	
9	TIGEAR 2 LUBRICANT	7	334863	334863	334863	334863	334862	
10	SOLID SPACER	2	333725	333726	333727	333728	333729	
11-12	BEARING CUP/CONE ASSEMBLY	2	335337	335337	411626-01-C	411626-01-A	411626-01-A	
13	BALL BRG. C3 CLRNC	1	334211	334211	334212	334212	334213	
14	BALL BRG. C3 CLRNC	1	334218	334218	334219	334219	334220	
15	TIG2 SEAL, INPUT	1	334270	334270	334271	334271	334272	
16	O-RING, NITRILE	1	334300	334300	334300	334300	334303	
17	O-RING, NITRILE	1	334304	334304	334304	334304	276355	
18	NAMEPLATE T2	1	334305	334305	334305	334305	334305	
19	CAP SCREW 56-140	4	417371	417371	417371	417371	417111	
	SOCKET HEAD CAP SCR 180-210	1	-----	-----	-----	-----	-----	
20	MED LOCKWASHER	4	419010	419010	419010	419010	275803	
21	MOTOR ADAPTER 56-140	1	333236	333236	333236	333236	333237	
	MOTOR ADPT 180TC	1	-----	-----	-----	-----	334683	
22-24	SHIM KIT	1	411642-46-E	411642-46-E	411623-33-A	411623-33-B	411623-33-B	
25	INT RING	2	411637-02-AV	411637-02-AV	58256	58256	411637-01-A	
26	EXT RING	1	411637-02-E	411637-02-E	411637-02-AY	411637-02-AY	411637-02-N	
27	DUST CAP 1" HOLE	1	411709-65-H	411709-65-H	411709-65-H	411709-65-H	411709-65-H	
28	56/140 MTR ADPT GASKET	1	602028-43-F	602028-43-F	602028-43-F	602028-43-F	602028-43-F	
	MOTOR ADPT GASKET 180-210	1	-----	-----	-----	-----	276335	
29	TIG2 SOLID GEAR	1	See Gear Chart	See Gear Chart	See Gear Chart	See Gear Chart	See Gear Chart	
30	TIG2 WORMSHAFT	1	See Gear Chart	See Gear Chart	See Gear Chart	See Gear Chart	See Gear Chart	
31	COUPLING SPIDER 56 MTR	1	278911	278911	278911	278911	278911	
	COUPLING SPIDER 140 MTR	1	-----	-----	278912	278912	278912	
	COUPLING SPIDER 180 MTR	1	-----	-----	-----	-----	275794	
	COUPLING SPIDER 210-250 MTR	1	-----	-----	-----	-----	-----	
32	5/8 COUPLING, 56 MOTOR	1	278900	278900	278900	278900	278900	
	7/8 COUPLING, 140 MOTOR	1	-----	-----	276169	276169	276169	
	1-1/8 COUPLING, 180 MOTOR	1	-----	-----	-----	-----	278907	
	1-3/8 COUPLING, 210 MOTOR	1	-----	-----	-----	-----	-----	
	1-3/8 COUPLING, 250 MOTOR	1	-----	-----	-----	-----	-----	
33	COUPLING HUB, REDUCER 56	1	334309	334309	278900	278900	278901	
	COUPLING HUB, REDUCER 140	1	-----	-----	334306	334306	276169	
	COUPLING HUB, REDUCER 180	1	-----	-----	-----	-----	275806	
	COUPLING HUB, REDUCER 210-250	1	-----	-----	-----	-----	-----	
34	MED LOCKWASHER	2	419007	419007	419007	419007	419009	
35	LHCS PLAIN	2	333808	333808	333808	333808	333807	
36	MED LOCKWASHER	4	419009	419009	419010	419010	275803	
37	PIPE PLUG 1/4"SOC.	2	411647-34-B	411647-34-B	411647-34-B	411647-34-B	411647-34-B	
38	HEX HEAD CAP SCREW	4	51302	51302	411405	411405	51929	
39	T2 SGL SOLID OUTPUT SHAFT STD	1 or 0	333604	333605	333606	333607	333608	
	O/P SHAFT - DBLE EXTN-STD	1 or 0	333612	333613	333614	333615	333616	
	O/P SH-SINGLE EXTN-WASHDOWN	1 or 0	333604SS	333605SS	333606SS	333607SS	333608SS	
	O/P SH-DBLE EXTN-WASHDOWN	1 or 0	333612SS	333613SS	333614SS	333615SS	333616SS	
40	LOCK WASHER 56-140	4	275803	275803	275803	275803	275803	
	LOCK WASHER 210-250	4	-----	-----	-----	-----	-----	
41	3/8-16 X 1 HHCS PLN ZC 56-140	4	51929	51929	51929	51929	51929	
	SOC HD CAP SCREW 180	4	-----	-----	-----	-----	411631-63-A	
	HEX HD CAP SCREW 210	4	-----	-----	-----	-----	-----	
	HEX HD CAP SCREW 250	4	-----	-----	-----	-----	-----	
42	OUTPUT BORE PLUG (2)	1 or 0	335605	335605	335606	335608	335608	
	OUTPUT BORE PLUG-ULTRA KLEEN	1 or 0	-----	-----	335623	-----	335623	
43	TIG2 SEAL, OUTPUT	1 or 2 or 0	334271	334271	334272	334273	334273	
	TIG2 SEAL, O/P -WASHDOWN (1)	1 or 2 or 0	334351	334351	334352	334353	334353	
44	KEY, OUTPUT SHAFT	1 or 2 or 0	333665	333660	333665	333827	333685	
	OUPTUT KEY, WASHDOWN (1)	1 or 2 or 0	335665SS	333660SS	335665SS	333777	333685SS	

(1) Double shaft extension uses qty 2.

(2) Not used with double extension output shaft.

Seal Notes:

Input seal is same for standard & washdown applications.

E-Z Kleen & Stainless Steel Ultra Kleen use same shaft, shaft key and seals identified as "Washdown" in table above.

TIGEAR 2 BASIC PARTS - ADAPTABLE SOLID OUTPUT - AS

SIZES 26 - 47

Ref No	Description	Qty	26-AS	30-AS	35-AS	40-AS	47-AS	
			Part Number	Part Number	Part Number	Part Number	Part Number	
1	INPUT KEY	1	333831	333831	333826	334561	334561	
2	INPUT BORE PLUG	1 or 0	335609	335602	335604	335610	335613	
	INPUT BORE PLUG-ULTRA KLEEN	1 or 0	-----	335624	-----	-----	-----	
3	O-RING	1	334302	276357	336367	334313	334315	
4	TIG2 SOLID GEARCASE	1	333215	333216	333217	334506	334576	
5	T2 INPUT BRG CARRIER	1	333249	333250	333253	334508	334508	
6	T2 SOLID BRG HSG	1	333269	333270	333271	334510	334580	
7	TIG2 INPUT SHAFT ADAPTER	1	Assembled to worm shaft- See gear chart for assembly					
8	SOLID GEAR KEY	1	333696	333706	333775	334564	334624	
9	TIGEAR 2 LUBRICANT	7	334862	334862	334862	334862	334862	
10	SOLID SPACER	2	333730	333731	333732	334565	334625	
11-12	BEARING CUP/CONE ASSEMBLY	2	411626-01-A	335338	411626-01-R	335340	335344	
13	BALL BRG. C3 CLRNC	1	334213	334214	334215	334216	334216	
14	BALL BRG. C3 CLRNC	1	334221	334222	334223	334224	334225	
15	TIG2 SEAL, INPUT	1	334272	334272	334272	334274	334274	
16	O-RING, NITRILE	1	334303	334303	334314	334314	334314	
17	O-RING, NITRILE	1	276355	276355	276355	276355	276355	
18	NAMEPLATE T2	1	334305	334305	334305	334305	334305	
19	CAP SCREW 56-140	4	417111	417111	334895	-----	-----	
	SOCKET HEAD CAP SCR 180-210	1	-----	-----	334373	334373	334373	
20	MED LOCKWASHER	4	275803	275803	275855	333783	333783	
21	MOTOR ADAPTER 56-140	1	333237	333237	334757	334757	-----	
	MOTOR ADPT 180TC	1	334683	334683	333239	333239	333239	
	MOTOR ADPT PLT-BOLT ON 210 (1)	1	-----	-----	334571	334571	334571	
	MOTOR ADPT PLT-BOLT ON 250 (1)	1	-----	-----	334570	334570	334570	
22-24	SHIM KIT	1	411623-33-B	335330	411623-33-C	335331	335336	
25	INT RING	2	278715	411637-02-AC	278717	51334	51335	
26	EXT RING	1	411637-02-AP	411637-02-AR	411637-02-BA	334404	333933	
27	DUST CAP 1" HOLE	1	411709-65-H	411709-65-H	411709-65-H	411709-65-H	411709-65-H	
28	56/140 MTR ADPT GASKET	1	602028-43-F	602028-43-F	602028-43-F	-----	-----	
	MOTOR ADPT GASKET 180-210	1	276335	276335	276335	276335	276335	
29	TIG2 SOLID GEAR	1	See Gear Chart	See Gear Chart	See Gear Chart	See Gear Chart	See Gear Chart	
30	TIG2 WORMSHAFT	1	See Gear Chart	See Gear Chart	See Gear Chart	See Gear Chart	See Gear Chart	
31	COUPLING SPIDER 56 MTR	1	278911	278911	278912	-----	-----	
	COUPLING SPIDER 140 MTR	1	278912	278912	278912	-----	-----	
	COUPLING SPIDER 180 MTR	1	275794	275794	275794	275794	275794	
	COUPLING SPIDER 210-250 MTR	1	-----	-----	334291	334291	334291	
32	5/8 COUPLING, 56 MOTOR	1	278900	278900	334292	-----	-----	
	7/8 COUPLING, 140 MOTOR	1	276169	276169	276169	-----	-----	
	1-1/8 COUPLING, 180 MOTOR	1	278907	278907	278907	278907	278907	
	1-3/8 COUPLING, 210 MOTOR	1	-----	-----	334286	334286	334286	
	1-3/8 COUPLING, 250 MOTOR	1	-----	-----	-----	334288	334288	
33	COUPLING HUB, REDUCER 56	1	278901	278901	276169	-----	-----	
	COUPLING HUB, REDUCER 140	1	276169	276169	276169	-----	-----	
	COUPLING HUB, REDUCER 180	1	275806	275806	275806	278907	278907	
	COUPLING HUB, REDUCER 210-250	1	-----	-----	334285	334290	334290	
34	MED LOCKWASHER	2	419009	419009	419009	419009	419009	
35	LHHC3 PLAIN	2	333807	333807	333807	333807	333807	
36	MED LOCKWASHER	4	275803	275855	275855	419036	419036	
37	PIPE PLUG 1/4"SOC.	2	411647-34-B	411647-34-B	411647-34-B	411647-34-B	411647-34-B	
38	HEX HEAD CAP SCREW	4	51929	51952	51952	411483	411484	
39	SGL SOLID OUTPUT SHAFT-STD	1 or 0	333609	333610	333611	334554	334619	
	SOLID O/P SHFT-DBLE EXTN-STD	1 or 0	333617	333618	333619	334555	334620	
	SGL O/P SHFT-SINGLE EXTN-WASHDOWN	1 or 0	333609SS	333610SS	333611SS	-----	-----	
	SOLID O/P SHFT-DBLE EXTN-WASHDOWN	1 or 0	333617SS	333618	333619SS	-----	-----	
40	LOCK WASHER 56-140	4	275803	275803	275803	-----	-----	
	LOCK WASHER 180-250	4	-----	-----	275853	275853	275853	
41	3/8-16 X 1 HHCS PLN ZC 56-140	4	51929	51929	51929	-----	-----	
	SOC HD CAP SCREW 180	4	41163158X	41163158X	334900	334900	334900	
	HEX HD CAP SCREW 210	4	-----	-----	334902	334902	334902	
	HEX HD CAP SCREW 250	4	-----	-----	-----	334901	334901	
42	OUTPUT BORE PLUG (3)	1 or 0	335608	335607	335614	335611	335612	
	OUTPUT BORE PLUG -ULTRA KLEEN	1 or 0	-----	335625	-----	-----	-----	
43	TIG2 SEAL, OUTPUT (2)	1 or 2 or 0	334273	334274	334275	334277	334278	
	OUTPUT SEAL - WASHDOWN (2)	1 or 2 or 0	334353	334354	334355	-----	-----	
44	KEY, OUTPUT SHAFT (2)	1 or 2 or 0	333695	333705	333716	333829	333829	
	OUTPUT KEY - WASHDOWN (2)	1 or 2 or 0	333695SS	333705SS	333716SS	-----	-----	

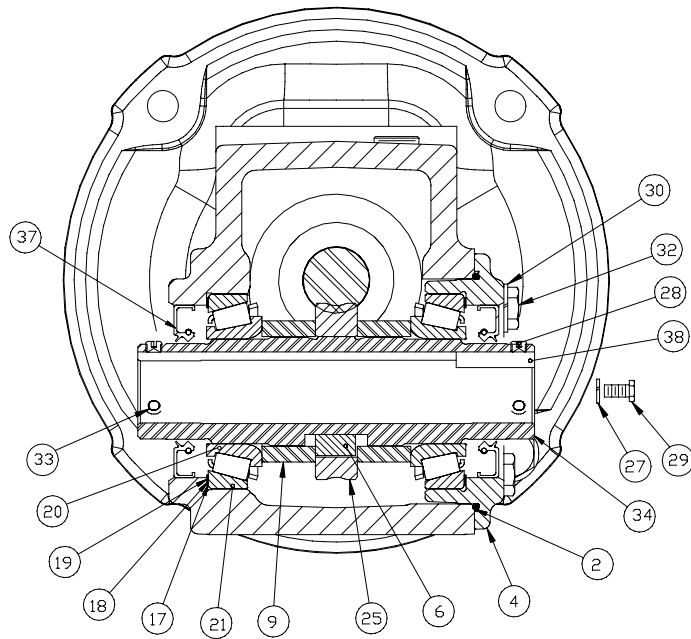
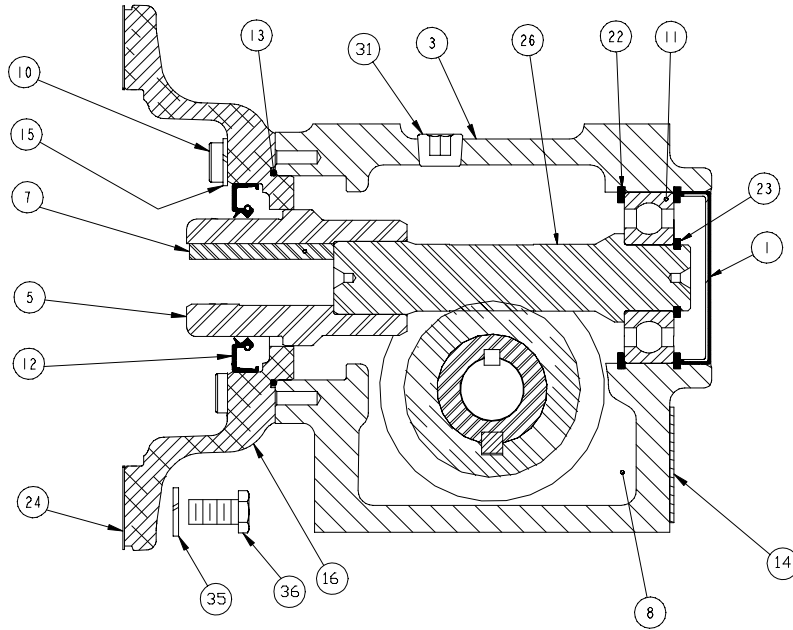
(1) Adapter plate bolts onto 180 adapter 333239. Both adapters must be used.

(2) Double shaft extension uses qty 2.

(3) Not used with double shaft output.

TIGEAR 2 PARTS LIST DRAWING

Quill Hollow Shaft (QH) - All Sizes



TIGEAR 2 BASIC PARTS - QUILL HOLLOW OUTPUT - QH

SIZES 13 - 23

Ref No	Description	Qty	13-QH	15-QH	17-QH	20-QH	23-QH	
			Part Number	Part Number	Part Number	Part Number	Part Number	
1	I/P RIBBED BORE PLUG	1	335603	335603	335600	335600	335601	
2	O-RING	1	276019	276019	276134	276355	334307	
3	TIG2 HOLLOW GEARCASE	1	333218	333219	333220	333221	333222	
4	T2 HOLLOW BRG HOUSING	1	333281	333281	333282	333283	333284	
5	QUILL CPLG	1	Quill coupling is assembled to worm shaft - See Gear Chart.					
6	SOLID GEAR KEY	1	333650	333650	333666	333671	333686	
7	DRIV-LOK KEY 56-140	1	333698	333698	333667	333667	333698	
	DRIV-LOK KEY 180TC	1	-----	-----	-----	-----	333707	
8	TIGEAR 2 LUBRICANT	1	334863	334863	334863	334863	334862	
9	TIG2 HOLLW O/P SPACER	2	333733	333734	333735	333736	333737	
10	SOCKET HEAD CAP SCREW	4	333801	333801	333801	333801	51492	
11	BALL BRG.	1	334218	334218	334219	334219	334220	
12	TIG2 SEAL, INPUT 56-140	1	334274	334274	334274	334274	334276	
	TIG2 SEAL, INPUT 180-210	1	-----	-----	-----	-----	-----	
13	O-RING. NITRILE	1	334301	334301	334301	334301	276355	
14	TIGEAR 2 NAMEPLATE FIN	1	334305	334305	334305	334305	334305	
15	MED LOCKWASHER	4	419010	419010	419010	419010	275803	
16	MOTOR ADAPTER T2 56-140	1	333228	333228	333228	333228	333229	
	MOTOR ADPT, 180	1	-----	-----	-----	-----	334681	
17-19	SHIM KIT	1	411623-33-B	411623-33-B	335330	411623-33-C	335331	
20-21	BEARIN CUP/CONE ASSEMBLY	2	411626-01-A	411626-01-A	335338	335339	335340	
22	INTERNAL RET RING	2	411637-02-AV	411637-02-AV	58256	58256	411637-01-A	
23	EXTERNAL RET RING	1	411637-02-E	411637-02-E	411637-02-AY	411637-02-AY	411637-02-N	
24	56/140 M/A. GASKET	1	602028-43-F	602028-43-F	602028-43-F	602028-43-F	602028-43-F	
	MOTOR ADPT GASKET 180-210-250 (3)	1	-----	-----	-----	-----	276335	
25	TIG2 HOLLOW GEAR	1	See Gear Chart	See Gear Chart	See Gear Chart	See Gear Chart	See Gear Chart	
26	TIG2 WORMSHAFT	1	See Gear Chart	See Gear Chart	See Gear Chart	See Gear Chart	See Gear Chart	
27	MED LOCKWASHER	2	419007	419007	419007	419007	419009	
28	SET SCREW	2	400140	400140	400140	400140	400140	
29	HEX HEAD CAP SCREW	2	58270	58270	333800	333800	51302	
30	MED LOCKWASHER	4	419009	419009	419010	419010	275803	
31	PIPE PLUG 1/4"SOC.	2	411647-34-B	411647-34-B	411647-34-B	411647-34-B	411647-34-B	
32	HEX HEAD CAP SCREW	4	51302	51302	411405	411405	51929	
33	SET SCREW	4	275953	275953	275953	275953	275953	
34	TIG2 HOLLOW O/P SHAFT	1	333629	333629	333631	334789	333633	
35	LOCK WASHER 56-140	4	275803	275803	275803	275803	275803	
	LOCK WASHER 180	4	-----	-----	-----	-----	-----	
36	HEX HEAD CAP SCREW	4	51492	51492	51929	51492	51929	
	SHCS MTR MOUNTING 180-210	4	-----	-----	-----	-----	41163158X	
	SHCS MTR MOUNTING 250	4	-----	-----	-----	-----	-----	
37	SEAL TIGEAR 2, OUTPUT	2	334273	334273	334274	334276	334277	
38	OUTPUT KEY	1	333831	333831	333827	333827	333687	

TIGEAR 2 BASIC PARTS - QUILL HOLLOW OUTPUT - QH

SIZES 26 - 47

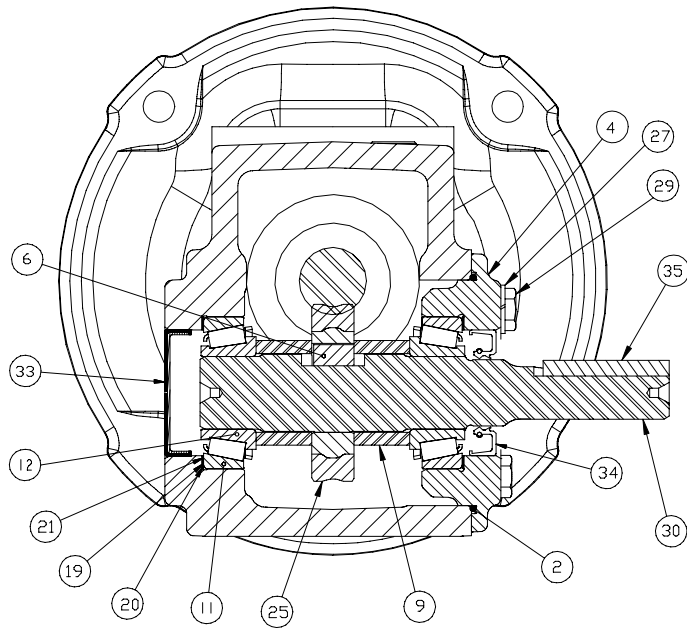
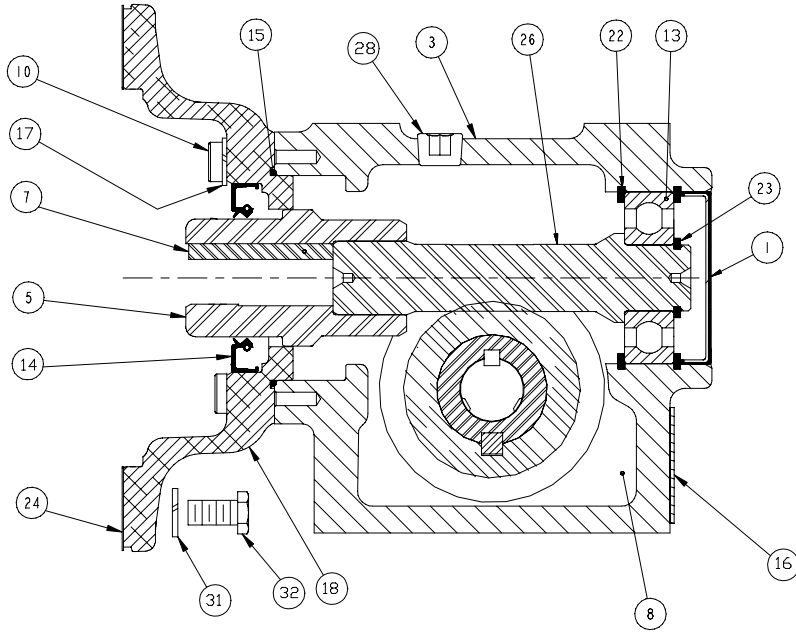
Ref No	Description	Qty	26-QH	30-QH	35-QH	40-QH	47-QH	
			Part Number	Part Number	Part Number	Part Number	Part Number	
1	I/P RIBBED BORE PLUG	1	335609	335602	335604	335610	335613	
2	O-RING	1	334302	334308	276358	334313	334315	
3	TIG2 HOLLOW GEARCASE	1	333223	333224	333225	334507	334577	
4	T2 HOLLOW BRG HOUSING	1	333285	333286	333287	334512	334582	
5	QUILL CPLG	1	Coupling assembled to worm shaft - See Gear Chart					
6	SOLID GEAR KEY	1	333670	333712	333717	334564	334624	
7	DRIV-LOK KEY 56-140	1	333698	333698	333715	334557	-----	
	DRIV-LOK KEY 180TC	1	333707	333707	333707	334558	334558	
	DRIV-LOK KEY 210TC	1	-----	-----	333721	334559	334559	
	DRIV-LOK KEY 250TC	1	-----	-----	-----	334560	334560	
8	TIGEAR 2 LUBRICANT	1	334862	334862	334862	334862	334862	
9	TIG2 HOLLW O/P SPACER	2	333738	333739	333740	334566	334626	
10	SOCKET HEAD CAP SCREW	4	51492	51492	334374	334374	334374	
11	BALL BRG.	1	334221	334222	334223	334224	334225	
12	TIG2 SEAL, INPUT 56-140	1	334276	334276	334276	334276	334276	
	TIG2 SEAL, INPUT 180-210	1	-----	-----	334279	334279	334279	
13	O-RING. NITRILE	1	276355	276355	334302	334302	334302	
14	TIGEAR 2 NAMEPLATE FIN	1	334305	334305	334305	334305	334305	
15	MED LOCKWASHER	4	275803	275803	275855	275855	275855	
16	MOTOR ADAPTER T2 56-140	1	333229	333229	334759	334759	-----	
	MOTOR ADPT, 180-210TC	1	334681	334681	333231	333231	333231	
	MOTOR ADPT PLATE 250TC (1)	1	-----	-----	-----	334570	334570	
17-19	SHIM KIT	1	335332	335333	335333	335334	335335	
20-21	BEARIN CUP/CONE ASSEMBLY	2	411626-01-BJ	335341	335341	335342	335343	
22	INTERNAL RET RING	2	278715	411637-02-AC	278717	51334	51335	
23	EXTERNAL RET RING	1	411637-02-AP	411637-02-AR	411637-02-BA	334404	333933	
24	56/140 M/A. GASKET	1	602028-43-F	602028-43-F	602028-43-F	602028-43-F	-----	
	MOTOR ADPT GASKET 180-210-250 (2)	1	276335	276335	276335	276335	276335	
25	TIG2 HOLLOW GEAR	1	See Gear Chart	See Gear Chart	See Gear Chart	See Gear Chart	See Gear Chart	
26	TIG2 WORMSHAFT	1	See Gear Chart	See Gear Chart	See Gear Chart	See Gear Chart	See Gear Chart	
27	MED LOCKWASHER	2	419009	419009	419009	419009	419009	
28	SET SCREW	2	400140	400140	400140	400140	275953	
29	HEX HEAD CAP SCREW	2	051302	053204	411396	411396	411402	
30	MED LOCKWASHER	4	275803	275855	275855	419036	419036	
31	PIPE PLUG 1/4"SOC.	2	411647-34-B	411647-34-B	411647-34-B	411647-34-B	411647-34-B	
32	HEX HEAD CAP SCREW	4	51929	51952	51952	411483	411484	
33	SET SCREW	4	275962	275954	275954	333805	333805	
34	TIG2 HOLLOW O/P SHAFT	1	333634	333635	333636	334556	334621	
35	LOCK WASHER 56-140	4	275803	275803	275803	275803	-----	
	LOCK WASHER 180	4	-----	-----	-----	275853	275853	
36	HEX HEAD CAP SCREW	4	51929	51929	51929	51929	-----	
	SHCS MTR MOUNTING 180-210	4	411631-63-A	411631-63-A	411631-58-X	334896	334896	
	SHCS MTR MOUNTING 250	4	-----	-----	-----	276446	276446	
37	SEAL TIGEAR 2, OUTPUT	2	334278	334279	334279	334280	334281	
38	OUTPUT KEY	1	333687	333709	333709	334563	334623	

(1) Adapter plate bolts onto 180-210 adapter 333231.

(2) Frame size 250 uses qty 2.

TIGEAR 2 PARTS LIST DRAWING

Quill Solid Shaft (QS) - All Sizes



TIGEAR 2 BASIC PARTS - QUILL SOLID OUTPUT - QS

SIZES 13 - 23

Ref No.	Description	Qty	13-QS	15-QS	17-QS	20-QS	23-QS	
			Part Number	Part Number	Part Number	Part Number	Part Number	
1	INPUT BORE PLUG	1 or 0	335603	335603	335600	335600	335601	
	INPUT BORE PLUG-ULTRA KLEEN	1 or 0	-----	-----	335622	-----	335622	
2	O-RING	1	336366	336366	335508	276355	334312	
3	TIG2 SOLID GEARCASE	1	333210	333211	333212	333213	333214	
4	T2 133& 150 SOLID BRG HSG	1	333265	333265	333266	333267	333268	
5	QUILL CPLG 150 56C	1	Quill coupling is assembled to worm shaft. - See Gear Chart					
6	GEAR KEY	1	333650	333661	333666	333671	333686	
7	DRIV-LOK KEY 56-140	1	333698	333698	333667	333667	333698	
	DRIV-LOK KEY 180TC	1	-----	-----	-----	-----	333707	
	DRIV-LOK KEY 210TC	1	-----	-----	-----	-----	-----	
	DRIV-LOK KEY 250TC	1	-----	-----	-----	-----	-----	
8	TIGEAR 2 LUBRICANT	1	334863	334863	334863	334863	334863	
9	SOLID SPACER	2	333725	333726	333727	333728	333729	
10	SOCKET HEAD CAP SCR GR8	4	333801	333801	333801	333801	51492	
	SCKT HD CAP SCR 180-210-250	4	-----	-----	-----	-----	-----	
11-12	BEARING CUP/CONE ASSM	2	335337	335337	411626-01-C	411626-01-A	411626-01-A	
13	BALL BEARING	1	334218	334218	334219	334219	334220	
14	INPUT SEAL T2 56-140	1	334274	334274	334274	334274	334276	
	INPUT SEAL T2 180-210-250	1	-----	-----	-----	-----	-----	
15	O-RING, NITRILE	1	334301	334301	334301	334301	276355	
16	TIGEAR 2 NAMEPLATE	1	334305	334305	334305	334305	334305	
17	MED LOCKWASHER	4	419010	419010	419010	419010	275803	
18	MOTOR ADAPTER T2 56-140	1	333228	333228	333228	333228	333229	
	MOTOR ADPT PLT 180	1	-----	-----	-----	-----	334681	
19-21	SHIM KIT	1	411642-42-E	411642-42-E	411623-33-A	411623-33-B	411623-33-B	
22	INTERNAL RET RING	2	411637-02-AV	411637-02-AV	58256	58256	411637-01-A	
23	EXTERNAL RET RING	1	411637-02-E	411637-02-E	411637-02-AY	411637-02-AY	411637-02-N	
24	56/140 M/A. GASKET	1	602028-43-F	602028-43-F	602028-43-F	602028-43-F	602028-43-F	
	MTR ADPT GSKT 180	1	-----	-----	-----	-----	276335	
25	TIG2 SOLID GEAR	1	See Gear Chart	See Gear Chart	See Gear Chart	See Gear Chart	See Gear Chart	
26	TIG2 WORMSHAFT	1	See Gear Chart	See Gear Chart	See Gear Chart	See Gear Chart	See Gear Chart	
27	MED LOCKWASHER	4	419009	419009	419010	419010	275803	
28	PIPE PLUG 1/4"SOC.	2	411647-34-B	411647-34-B	411647-34-B	411647-34-B	411647-34-B	
29	HEX HEAD CAP SCREW GR5	4	51302	51302	411405	411405	51929	
30	O/P SHAFT-SINGLE EXTN-STD	1 or 0	333604	333605	333606	333607	333608	
	O/P SHAFT - DBLE EXTN-STD	1 or 0	333612	333613	333614	333615	333616	
	O/P SH-SINGLE EXTN-WASHDOWN	1 or 0	333604SS	335605SS	333606SS	333607SS	333608SS	
	O/P SH-DBLE EXTN-WASHDOWN	1 or 0	333612SS	333613SS	333614SS	333615SS	333616SS	
31	LOCK WASHER 56-140	4	275803	275803	275803	275803	275803	
	LOCK WASHER 180-210	4	-----	-----	-----	-----	-----	
32	HEX HD CAP SCR MTR 56-140	4	51929	51929	51929	51929	51929	
	HEX HD CAP SCR MTR 180-210	4	-----	-----	-----	-----	41163158X	
	HEX HD CAP SCR MTR 250	4	-----	-----	-----	-----	-----	
33	OUTPUT BORE PLUG	1	335605	335605	335606	335608	335608	
34	TIG2 SEAL, OUTPUT STD (1)	1 or 2 or 0	334271	334271	334272	334273	334273	
	TIG2 SEAL, O/P -WASHDOWN (1)	1 or 2 or 0	334351	334351	334352	334353	334353	
35	OUTPUT KEY, STANDARD (1)	1 or 2 or 0	333665	333660	333665	333827	333685	
	OUPTUT KEY, WASHDOWN (1)	1 or 2 or 0	335665SS	333660SS	335665SS	333777	333685SS	

(1) Double shaft extension uses qty 2.

Seal Notes:

Input seal is same for standard & washdown applications.

E-Z Kleen & Stainless Steel Ultra Kleen use same shaft, shaft key and seals identified as "Washdown" in table above.

TIGEAR 2 BASIC PARTS - QUILL SOLID OUTPUT - QS

SIZES 26 - 47

Ref No.	Description	Qty	26-QS	30-QS	35-QS	40-QS	47-QS	
			Part Number	Part Number	Part Number	Part Number	Part Number	
1	INPUT BORE PLUG	1	335609	335602	335604	335610	335613	
	INPUT BORE PLUG-ULTRA KLEEN		----	335624	----	----	----	
2	O-RING	1	334302	276357	336367	334313	334315	
3	TIG2 SOLID GEARCASE	1	333215	333216	333217	334506	334576	
4	T2 133& 150 SOLID BRG HSG	1	333269	333270	333271	334510	334580	
5	QUILL CPLG 150 56C	1	Quill coupling is assembled to worm shaft. See Gear Chart					
6	GEAR KEY	1	333696	333706	333775	334564	334624	
7	DRIV-LOK KEY 56-140	1	333698	333698	333715	334557	334557	
	DRIV-LOK KEY 180TC	1	333707	333707	333707	334558	334558	
	DRIV-LOK KEY 210TC	1	----	----	333721	334559	334559	
	DRIV-LOK KEY 250TC	1	----	----	----	334560	334560	
8	TIGEAR 2 LUBRICANT	1	334862	334862	334862	334862	334862 (2)	
9	SOLID SPACER	2	333730	333731	333732	334565	334625	
10	SOCKET HEAD CAP SCR GR8	4	51492	51492	51952	51952	51952	
	SCKT HD CAP SCR 180-210-250	4	----	----	334374	334374	334374	
11-12	BEARING CUP/CONE ASSM	2	411626-01-A	335338	411626-01-R	335340	335344	
13	BALL BEARING	1	334221	334222	334223	334224	334225	
14	INPUT SEAL T2 56-140	1	334276	334276	334276	334276	334276	
	INPUT SEAL T2 180-210-250	1	----	----	334279	334279	334279	
15	O-RING, NITRILE	1	276355	276355	334302	334302	334302	
16	TIGEAR 2 NAMEPLATE	1	334305	334305	334305	334305	334305	
17	MED LOCKWASHER	4	275803	275803	275855	275855	275855	
18	MOTOR ADAPTER T2 56-140	1	333229	333229	334759	334759	----	
	MOTOR ADPT PLT 180-210	1	334681	334681	333231	333231	333231	
	MOTOR ADPT PLT 250TC (1)	1	----	----	----	334570	334570	
19-21	SHIM KIT	1	411623-33-B	335330	411623-33-C	335331	335336	
22	INTERNAL RET RING	2	278715	411637-02-AC	278717	51334	51335	
23	EXTERNAL RET RING	1	411637-02-AP	411637-02-AR	411637-02-BA	334404	333933	
24	56/140 M/A. GASKET	1	602028-43-F	602028-43-F	602028-43-F	602028-43-F	602028-43-F	
	MTR ADPT GSKT 180-210-250 (3)	1	276335	276335	276335	276335	276335	
25	TIG2 SOLID GEAR	1	See Gear Chart	See Gear Chart	See Gear Chart	See Gear Chart	See Gear Chart	
26	TIG2 WORMSHAFT	1	See Gear Chart	See Gear Chart	See Gear Chart	See Gear Chart	See Gear Chart	
27	MED LOCKWASHER	4	275803	275855	275855	419036	419036	
28	PIPE PLUG 1/4"SOC.	2	411647-34-B	411647-34-B	411647-34-B	411647-34-B	411647-34-B	
29	HEX HEAD CAP SCREW GR5	4	51929	51952	51952	411483	411484	
30	SOLID O/P SHFT-SINGLE EXTN	1 or 0	333609	333610	333611	334554	334619	
	SOLID O/P SHFT-DBLE EXTN	1 or 0	333617	333618	333619	334555	334620	
	SLD O/P SHFT-SINGLE EXTN	1 or 0	333609SS	333610SS	333611SS	----	----	
	SOLID O/P SHFT-DBLE EXTN	1 or 0	333617SS	333618	333619SS	----	----	
31	LOCK WASHER 56-140	4	275803	275803	275803	275803	275803	
	LOCK WASHER 180-210	4	----	----	275855	275853	275853	
32	HEX HD CAP SCR MTR 56-140	4	51929	51929	51929	51929	51929	
	HEX HD CAP SCR MTR 180-210	4	411631-63-A	411631-63-A	411631-58-X	334896	334896	
	HEX HD CAP SCR MTR 250	4	----	----	----	276446	276446	
33	OUTPUT BORE PLUG (5)	1 or 0	335608	335607	335614	335611	335612	
34	OUTPUT SEAL - STANDARD (4)	1 or 2 or 0	334273	334274	334275	334277	334278	
	OUTPUT SEAL - WASHDOWN (4)	1 or 2 or 0	334353	334354	334355	----	----	
35	OUTPUT KEY - STANDARD (4)	1 or 2 or 0	333695	333705	333716	333829	333829	
	OUTPUT KEY - WASHDOWN (4)	1 or 2 or 0	333695SS	333705SS	333716SS	----	----	

(1) 250TC adpt plate bolts onto 180-210 motor adapter.

(2) Order qty 2 (gal) of p/n 334862.

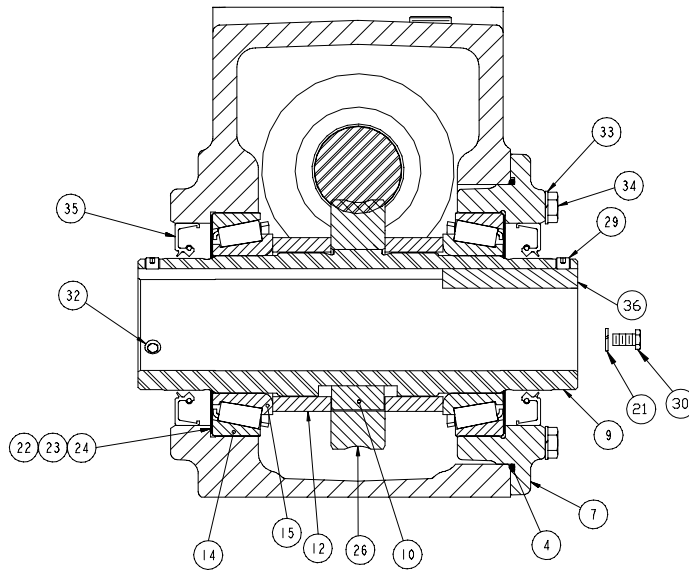
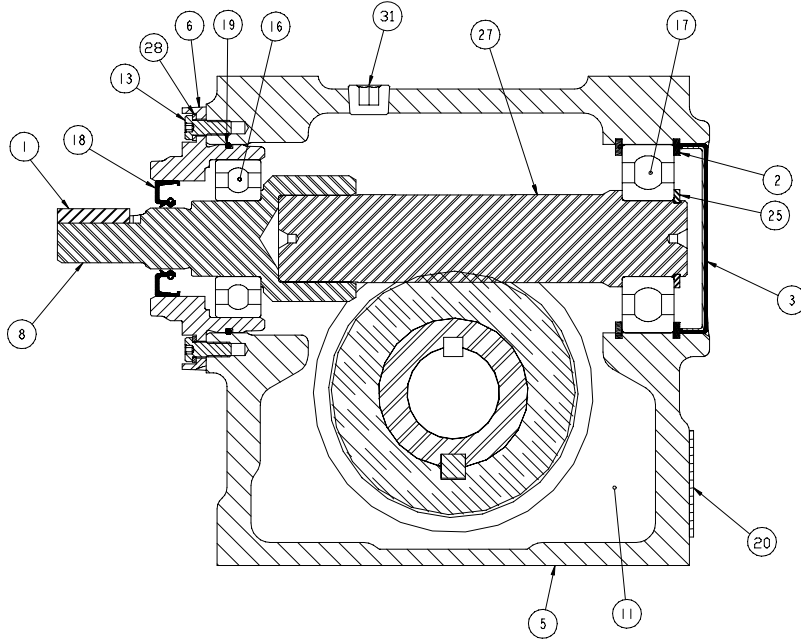
(3) Frame size 250 uses qty 2.

(4) Double shaft extension uses qty 2.

(5) Not used with double shaft output.

TIGEAR 2 PARTS LIST DRAWING

Separate Hollow Shaft (SH) - All Sizes



TIGEAR 2 BASIC PARTS - SEPERATE HOLLOW OUTPUT - SH

SIZES 13 - 23

Ref No	Description	Qty	13-SH	15-SH	17-SH	20-SH	23-SH	
			Part Number	Part Number	Part Number	Part Number	Part Number	
1	INPUT KEY	1	333830	333830	333831	333831	333831	
2	INTERNAL RET RING	2	411637-02-AV	411637-02-AV	58256	58256	411637-01-A	
3	I/P RIBBED BORE PLUG	1	335603	335603	335600	335600	335601	
4	O-RING	1	336366	336366	335508	276355	334312	
5	TIG2 HOLLOW GEARCASE	1	333218	333219	333220	333221	333222	
6	T2 I/P BRG CARRIER	1	333245	333245	333246	333246	333249	
7	T2 HOLLOW BRG HOUSING	1	333281	333281	333282	333283	333284	
8	TIG2 SEP INPUT SHAFT ADPT	1	Input coupling adapter is assembled to worm shaft. See Gear Chart					
9	HOLLOW OUTPUT SHAFT	1	333629	333629	333631	334789	333633	
10	H/O GEAR KEY	1	333650	333650	333666	333671	333686	
11	TIGEAR 2 LUBRICANT	1	334863	334863	334863	334863	334863	
12	HOLLOW O/P SPACER	2	333733	333734	333735	333736	333737	
13	LHHCS PLAIN	2	333808	333808	333808	333808	333807	
14-15	BEARING CUP/CONE ASSM	2	411626-01-A	411626-01-A	335338	335339	335340	
16	BALL BEARING	1	334211	334211	334212	334212	334213	
17	BALL BEARING.	1	334218	334218	334219	334219	334220	
18	INPUT SEAL	1	334270	334270	334271	334271	334272	
19	O-RING, NITRILE	1	334300	334300	334300	334300	334303	
20	TIGEAR 2 NAMEPLATE	1	334305	334305	334305	334305	334305	
21	MED LOCKWASHER	2	419007	419007	419007	419007	419009	
22-24	SHIM KIT	1	411623-33-B	411623-33-B	335330	411623-33-C	335331	
25	EXTERNAL RET RING	1	411637-02-E	411637-02-E	411637-02-AY	411637-02-AY	411637-02-N	
26	TIG2 WORMSHAFT	1	See Gear Chart	See Gear Chart	See Gear Chart	See Gear Chart	See Gear Chart	
27	TIG2 HOLLOW GEAR	1	See Gear Chart	See Gear Chart	See Gear Chart	See Gear Chart	See Gear Chart	
28	MED LOCKWASHER	2	419007	419007	419007	419007	419009	
29	SET SCREW	2	400140	400140	400140	400140	400140	
30	HEX HEAD CAP SCREW	2	58270	58270	333800	333800	51302	
31	PIPE PLUG 1/4" SOC.	2	411647-34-B	411647-34-B	411647-34-B	411647-34-B	411647-34-B	
32	SET SCREW	4	275953	275953	275953	275953	275953	
33	MED LOCKWASHER	4	419009	419009	419010	419010	275803	
34	HEX HEAD CAP SCREW	4	51302	51302	411405	411405	51929	
35	OUTPUT SEAL T2	2	334273	334273	334274	334276	334277	
36	OUTPUT KEY	1	333831	333831	333827	333827	333687	

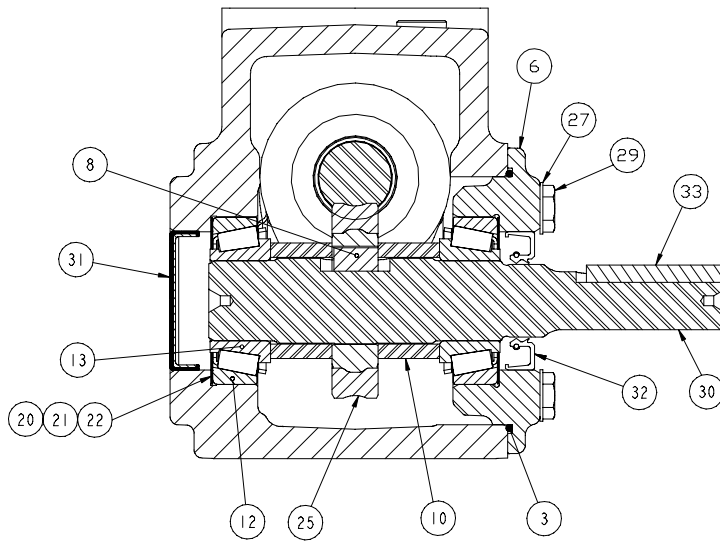
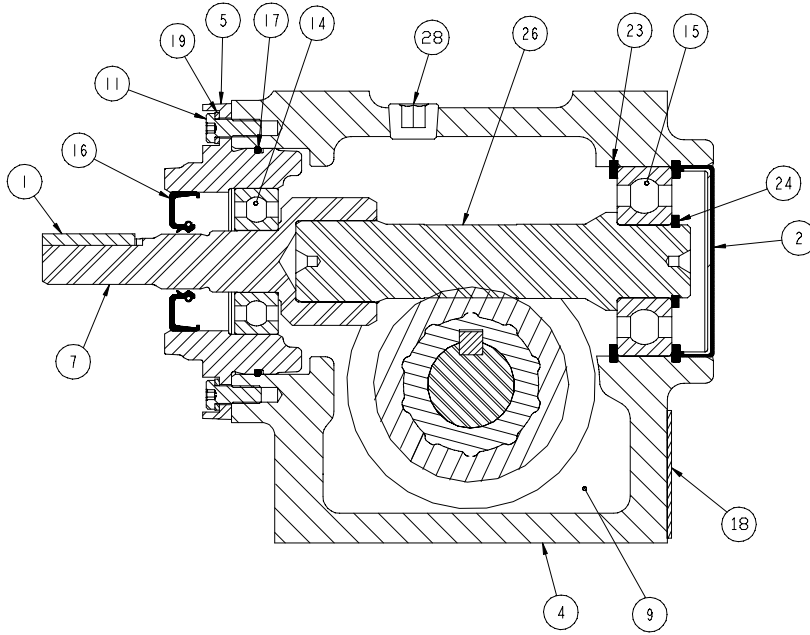
TIGEAR 2 BASIC PARTS - SEPARATE HOLLOW OUTPUT - SH

SIZES 26 - 47

Ref No	Description	Qty	26-SH	30-SH	35-SH	40-SH	47-SH	
			Part Number	Part Number	Part Number	Part Number	Part Number	
1	INPUT KEY	1	333831	333831	333826	334561	334561	
2	INTERNAL RET RING	2	278715	411637-02-AC	278717	51334	51335	
3	I/P RIBBED BORE PLUG	1	335609	335602	335604	335610	335613	
4	O-RING	1	334302	276357	336367	334313	334315	
5	TIG2 HOLLOW GEARCASE	1	333223	333224	333225	334507	334577	
6	T2 I/P BRG CARRIER	1	333249	333250	333253	334508	334508	
7	T2 HOLLOW BRG HOUSING	1	333285	333286	333287	334512	334582	
8	TIG2 SEP INPUT SHAFT ADPT	1	Input coupling adapter is assembled to worm shaft. See Gear Chart					
9	HOLLOW OUTPUT SHAFT	1	333634	333635	333636	334556	334621	
10	H/O GEAR KEY	1	333670	333712	333717	334564	334624	
11	TIGEAR 2 LUBRICANT	1	334862	334862	334862	334862	334862	
12	HOLLOW O/P SPACER	2	333738	333739	333740	334566	334626	
13	LHHCS PLAIN	2	333807	333807	333807	333807	333807	
14-15	BEARING CUP/CONE ASSM	2	411626-01-BJ	335341	335341	335342	335343	
16	BALL BEARING	1	334213	334214	334215	334216	334216	
17	BALL BEARING.	1	334221	334222	334223	334224	334225	
18	INPUT SEAL	1	334272	334272	334272	334274	334274	
19	O-RING, NITRILE	1	334303	334303	334314	334314	334314	
20	TIGEAR 2 NAMEPLATE	1	334305	334305	334305	334305	334305	
21	MED LOCKWASHER	2	419009	419009	419009	419009	419009	
22-24	SHIM KIT	1	335332	335333	335333	335334	335335	
25	EXTERNAL RET RING	1	411637-02-AP	411637-02-AR	411637-02-BA	334404	333933	
26	TIG2 WORMSHAFT	1	See Gear Chart	See Gear Chart	See Gear Chart	See Gear Chart	See Gear Chart	
27	TIG2 HOLLOW GEAR	1	See Gear Chart	See Gear Chart	See Gear Chart	See Gear Chart	See Gear Chart	
28	MED LOCKWASHER	2	419009	419009	419009	419009	419009	
29	SET SCREW	2	400140	400140	400140	400140	275953	
30	HEX HEAD CAP SCREW	2	051302	053204	411396	411396	411402	
31	PIPE PLUG 1/4" SOC.	2	411647-34-B	411647-34-B	411647-34-B	411647-34-B	411647-34-B	
32	SET SCREW	4	275962	275954	275954	333805	333805	
33	MED LOCKWASHER	4	275803	275855	275855	419036	419036	
34	HEX HEAD CAP SCREW	4	51929	51952	51952	411483	411483	
35	OUTPUT SEAL T2	2	334278	334279	334279	334280	334281	
36	OUTPUT KEY	1	333687	333709	333709	334563	334623	

TIGEAR 2 PARTS LIST DRAWING

Separate Solid Shaft (SS) - All Sizes



TIGEAR 2 BASIC PARTS - SEPERATE SOLID OUTPUT - SS

SIZES 13 - 23

Ref No	Description	Qty	13-SS	15-SS	17-SS	20-SS	23-SS	
			Part Number	Part Number	Part Number	Part Number	Part Number	
1	INPUT KEY	1	333830	333830	333831	333831	333831	
2	I/P RIBBED B/P	1	335603	335603	335600	335600	335601	
3	O-RING	1	336366	336366	335508	276355	334312	
4	TIG2 SOLID GEARCASE	1	333210	333211	333212	333213	333214	
5	T2 I/P BRG CARRIER	1	333245	333245	333246	333246	333249	
6	T2 SOLID BRG HSG	1	333265	333265	333266	333267	333268	
7	TIG2 INPUT SHAFT ADAPTER	1	Input coupling adapter is assembled to worm shaft. See Gear Chart					
8	SOLID GEAR KEY	1	333650	333661	333666	333671	333686	
9	TIGEAR 2 LUBRICANT	1	334863	334863	334863	334863	334862	
10	SOLID SPACER	2	333725	333726	333727	333728	333729	
11	LHCS PLAIN	2	333808	333808	333808	333808	333807	
12-13	BEARING CUP/CONE ASSM	2	335337	335337	411626-01-C	411626-01-A	411626-01-A	
14	BALL BEARING	1	334211	334211	334212	334212	334213	
15	BALL BEARING	1	334218	334218	334219	334219	334220	
16	TIG2 INPUT SEAL	1	334270	334270	334271	334271	334272	
17	O-RING, NITRILE	1	334300	334300	334300	334300	334303	
18	TIGEAR 2 NAMEPLATE	1	334305	334305	334305	334305	334305	
19	MED LOCKWASHER	2	419007	419007	419007	419007	419009	
20-22	SHIM KIT	1	411642-46-E	411642-46-E	411623-33-A	411623-33-B	411623-33-B	
23	INTERNAL RET RING	2	411637-02-AV	411637-02-AV	58256	58256	411637-01-A	
24	EXTERNAL RET RING	1	411637-02-E	411637-02-E	411637-02-AY	411637-02-AY	411637-02-N	
25	SOLID GEAR	1	See Gear Chart	See Gear Chart	See Gear Chart	See Gear Chart	See Gear Chart	
26	WORMSHAFT	1	See Gear Chart	See Gear Chart	See Gear Chart	See Gear Chart	See Gear Chart	
27	PIPE PLUG 1/4"SOC.	2	411647-34-B	411647-34-B	411647-34-B	411647-34-B	411647-34-B	
28	MED LOCKWASHER	4	419009	419009	419010	419010	275803	
29	HEX HEAD CAP SCREW	4	51302	51302	411405	411405	51929	
30	O/P SHAFT, SINGLE EXTN-STD	1 or 0	333604	333605	333606	333607	333608	
	O/P SHAFT - DBLE EXTN-STD	1 or 0	333612	333613	333614	333615	333616	
	O/P SH-SINGLE EXTN-WASHDOWN	1 or 0	333604SS	333605SS	333606SS	333607SS	333608SS	
	O/P SH-DBLE EXTN-WASHDOWN	1 or 0	333612SS	333613SS	333614SS	333615SS	333616SS	
31	O/P RIBBED BORE PLUG (2)	1 or 0	335605	335605	335606	335608	335608	
32	TIG2 SEAL, OUTPUT - STANDARD (1)	1 or 2 or 0	334271	334271	334272	334273	334273	
	TIG2 SEAL, O/P -WASHDOWN (1)	1 or 2 or 0	334351	334351	334352	334353	334353	
33	KEY, OUTPUT (1)	1 or 2 or 0	333665	333660	333665	333827	333685	
	OUPTUT KEY, WASHDOWN (1)	1 or 2 or 0	335665SS	333660SS	335665SS	333777	333685SS	

- (1) Double shaft extension uses qty 2.
(2) Not used with double shaft extension shaft.

Seal Notes:

Input seal is same for standard & washdown applications.
E-Z Kleen & Stainless Steel Ultra Kleen use same shaft, shaft key and seals identified as "Washdown" in table above.

TIGEAR 2 BASIC PARTS - SEPERATE SOLID OUTPUT - SS

SIZES 26 - 47

Ref No	Description	Qty	26-SS	30-SS	35-SS	40-SS	47-SS	
			Part Number	Part Number	Part Number	Part Number	Part Number	
1	INPUT KEY	1	333831	333831	333826	334561	334561	
2	I/P RIBBED B/P	1	335609	335602	335604	335610	335613	
3	O-RING	1	334302	276357	336367	334313	334315	
4	TIG2 SOLID GEARCASE	1	333215	333216	333217	334506	334576	
5	T2 I/P BRG CARRIER	1	333249	333250	333253	334508	334508	
6	T2 SOLID BRG HSG	1	333269	333270	333271	334510	334580	
7	TIG2 INPUT SHAFT ADAPTER	1	Input coupling adapter is assembled to worm shaft. See Gear Chart					
8	SOLID GEAR KEY	1	333696	333706	333775	334564	334624	
9	TIGEAR 2 LUBRICANT	1	334862	334862	334862	334862	334862 (2)	
10	SOLID SPACER	2	333730	333731	333732	334565	334625	
11	LHCS PLAIN	2	333807	333807	333807	333807	333807	
12-13	BEARING CUP/CONE ASSM	2	411626-01-A	335338	411626-01-R	335340	335344	
14	BALL BEARING	1	334213	334214	334215	334216	334216	
15	BALL BEARING	1	334221	334222	334223	334224	334225	
16	TIG2 INPUT SEAL	1	334272	334272	334272	334274	334274	
17	O-RING, NITRILE	1	334303	334303	334314	334314	334314	
18	TIGEAR 2 NAMEPLATE	1	334305	334305	334305	334305	334305	
19	MED LOCKWASHER	2	419009	419009	419009	419009	419009	
20-22	SHIM KIT	1	411623-33-B	335330	411623-33-C	335331	335336	
23	INTERNAL RET RING	2	278715	411637-02-AC	278717	51334	51335	
24	EXTERNAL RET RING	1	411637-02-AP	411637-02-AR	411637-02-BA	334404	333933	
25	SOLID GEAR	1	See Gear Chart	See Gear Chart	See Gear Chart	See Gear Chart	See Gear Chart	
26	WORMSHAFT	1	See Gear Chart	See Gear Chart	See Gear Chart	See Gear Chart	See Gear Chart	
27	PIPE PLUG 1/4"SOC. (1)	2	411647-34-B	411647-34-B	411647-34-B	411647-34-B	411647-34-B	
28	MED LOCKWASHER	4	275803	275855	275855	419036	419036	
29	HEX HEAD CAP SCREW	4	051929	051952	051952	411483	411484	
30	SGL SOLID OUTPUT SHAFT-STD	1 or 0	333609	333610	333611	334554	334619	
	SOLID O/P SHFT-DBLE EXTN-STD	1 or 0	333617	333618	333619	334555	334620	
	SLD O/P SHFT-SINGLE EXTN-WASDOWN	1 or 0	333609SS	333610SS	333611SS	-----	-----	
	SOLID O/P SHFT-DBLE EXTN-WASHDOWN	1 or 0	333617SS	333618	333619SS	-----	-----	
31	O/P RIBBED BORE PLUG (3)	1 or 0	335608	335607	335614	335611	335612	
32	TIG2 SEAL, OUTPUT (4)	1 or 2 or 0	334273	334274	334275	334277	334278	
	OUTPUT SEAL - WASHDOWN (4)	1 or 2 or 0	334353	334354	334355	-----	-----	
33	KEY, OUTPUT (4)	1 or 2 or 0	333695	333705	333716	333829	333829	
	OUTPUT KEY - WASHDOWN (4)	1 or 2 or 0	333695SS	333705SS	333716SS	-----	-----	

- (1) Size 400 & 475 uses qty 1
- (2) Size 475 requires 266 oz of lube. Order qty 2 (gal) 334862 & qty 1 (qt) of 334863.
- (3) Not used with double output shaft.
- (4) Double shaft extension uses qty 2.

TIGEAR 2 SEAL KITS

Standard Duty Seals listed - For EZ Kleen & Ultra Kleen seals see basic parts pages.

Double shaft reducers require two output seals. Order one additional seal from table for those applications

Quill Solid Shaft (QS)

Size	Motor Frame	Seal Kit Part No.	Consists of:			
			Qty	Input Seal	Qty	Ouput Seal
13/15-QS	ALL	335350	1	334274	1	334271
17/176-QS	ALL	335351	1	334274	1	334272
20/202-QS	ALL	335352	1	334274	1	334273
23/26-QS	56-140-180	335353	1	334276	1	334273
30-QS	56-140-180	335355	1	334276	1	334274
35-QS	56-140	335356	1	334276	1	334275
	180-210	335357	1	334279	1	334275
40-AS	140TC	335358	1	334276	1	334277
	180-210-250TC	335359	1	334279	1	334277
47-AS	140TC	335360	1	334276	1	334278
	180-210-250TC	335361	1	334279	1	334278

Tigear 2 Quill Hollow Output (QH)

Size	Motor Frame	Seal Kit Part No.	Consists of:			
			Qty	Input Seal	Qty	Ouput Seal
13/15-QH	ALL	335362	1	334274	2	334273
17-QH	ALL	335363	1	334274	2	334274
20-QH	ALL	335364	1	334274	2	334276
23-QH	56-140-180	335365	1	334276	2	334277
26-QH	56-140-180	335366	1	334276	2	334278
30-QH	56-140-180	335367	1	334276	2	334279
35-QH	140TC					
35-QH	180-210	335369	1	334279	2	334279
40-AH	140TC	335370	1	334276	2	334280
	180-210-250TC	335371	1	334279	2	334280
47-AH	140TC	335372	1	334276	2	334281
	180-210-250TC	335373	1	334279	2	334281

Tigear 2 - Adaptable (AS) & Separate (SS) Input Solid Shaft

Size	Motor Frame	Seal Kit Part No.	Consists of:			
			Qty	Input Seal	Qty	Output Seal
13/15-AS/SS	ALL	335374	1	334270	1	334271
17-AS/SS	ALL	335375	1	334271	1	334272
20-AS/SS	ALL	335376	1	334271	1	334273
23/26-AS/SS	56-140-180	335377	1	334272	1	334273
30-AS/SS	56-140-180TC	335379	1	334272	1	334274
35-AS/SS	56-140-180TC-210TC	335380	1	334272	1	334275
40-AS/SS	140TC-180TC-210-250TC	335381	1	334274	1	334277
47-AS/SS	140TC-180TC-210-250TC	335382	1	334274	1	334278

Tigear 2 - Adaptable (AH) & Separate (SH) Hollow Shaft

Size	Motor Frame	Seal Kit Part No.	Consists of:			
			Qty	Input Seal	Qty	Ouput Seal
13/15-AH/SH	ALL	335392	1	334270	2	334273
17-AH/SH	ALL	335393	1	334271	2	334274
20-AH/SH	ALL	335394	1	334271	2	334276
23-AH/SH	56-140-180	335395	1	334272	2	334277
26-AH/SH	56-140-180	335396	1	334272	2	334278
30-AH/SH	56-140-180TC	335397	1	334272	2	334279
35-AH/SH	56-140-180TC-210TC					
40-AH/SH	140TC-180TC-210-250	335399	1	334274	2	334280
47-AH/SH	140TC-180TC-210-250	335400	1	334274	2	334281

DODGE TIGEAR 2 REDUCER

QUICK-PICK SERVICE KITS



ADAPTABLE INPUT-HOLLOW OUTPUT (AH)



QUILL INPUT-SOLID SHAFT OUTPUT (QS)

Select kit(s) appropriate for the level of service to be performed or select MAXSERVICE Kit if complete disassembly of reducer is anticipated. MAXSERVICE Kit will include all the items listed per size in the tables below.

- Kits contain only genuine Dodge renewal parts for optimum performance.
- Lube is sufficient to fill one reducer.
- To protect against downtime a service kit safety stock is recommended.
- Easy to use chart - reducer size + input + output, all from reducer nameplate are all that is needed..

QUILL SOLID OUTPUT (QS)

Reducer Size - Input/Output	MAXSERVICE Kit Part Number	MAXSERVICE Kit consists of all components listed:					
		Bearing Kit	Seal Kit	Shim Kit	Lube	Bore Plug	
						Input	Output
13-QS	13QSSERVICEKIT	13QSBRGKIT	335350	41164246E	334863	335603	335605
15-QS	15QSSERVICEKIT	15QSBRGKIT	335350	41164246E	334863	335603	335605
17/176-QS	17QSSERVICEKIT	17QSBRGKIT	335351	41162333A	334863	335600	335606
20/202-QS	20QSSERVICEKIT	20QSBRGKIT	335352	41162333B	334863	335600	335608
23-QS	23QSSERVICEKIT	23QSBRGKIT	335353	41162333B	334863	335601	335608
26-QS	26QSSERVICEKIT	26QSBRGKIT	335353	41162333B	334863	335609	335608
30-QS	30QSSERVICEKIT	30QSBRGKIT	335355	335330	334862	335602	335607
35-QS	35QSSERVICEKIT	35QSBRGKIT	236194	41162333C	334862	335604	335614
40-QS	40QSSERVICEKIT	40QSBRGKIT	236195	335331	334862	335610	335611
47-QS	47QSSERVICEKIT	47QSBRGKIT	236196	335336	334862 (1)	335613	335612

QUILL HOLLOW OUTPUT (QH)

Reducer Size - Input/Output	MAXSERVICE Kit Part Number	MAXSERVICE Kit consists of all components listed:					
		Bearing Kit	Seal Kit	Shim Kit	Lube	Bore Plug	
						Input	Output
13-QH	13QHSERVICEKIT	13QHBRGKIT	335362	41162333B	334863	335603	-----
15-QH	15QHSERVICEKIT	15QHBRGKIT	335362	41162333B	334863	335603	-----
17/176-QH	17QHSERVICEKIT	17QHBRGKIT	335363	335330	334863	335600	-----
20/202-QH	20QHSERVICEKIT	20QHBRGKIT	335364	41162333C	334863	335600	-----
23-QH	23QHSERVICEKIT	23QHBRGKIT	335365	335331	334863	335601	-----
26-QH	26QHSERVICEKIT	26QHBRGKIT	335366	335332	334863	335609	-----
30-QH	30QHSERVICEKIT	30QHBRGKIT	335367	335333	334862	335602	-----
35-QH	35QHSERVICEKIT	35QHBRGKIT	236187	335333	334862	335604	-----
40-QH	40QHSERVICEKIT	40QHBRGKIT	236188	335334	334862	335610	-----
47-QH	47QHSERVICEKIT	47QHBRGKIT	236189	335335	334862 (1)	335613	-----

DODGE TIGEAR 2 REDUCER

QUICK-PICK SERVICE KITS

ADAPTABLE SOLID (AS) & SEPARATE SOLID (SS) OUTPUT

Reducer Size - Input/Output	MAXSERVICE Kit Part Number	MAXSERVICE Kit consists of all components listed:					
		Bearing Kit	Seal Kit	Shim Kit	Lube	Bore Plug	
						Input	Output
13-AS/SS	13ASSERVICEKIT	13ASBRGKIT	335374	41164246E	334863	335603	335605
15-AS/SS	15ASSERVICEKIT	15ASBRGKIT	335374	41164246E	335374	335603	335605
17/176-AS/SS	17ASSERVICEKIT	17ASBRGKIT	335375	41162333A	334863	335600	335606
20/202-AS/SS	20ASSERVICEKIT	20ASBRGKIT	335376	41162333B	334863	335600	335608
23-AS/SS	23ASSERVICEKIT	23ASBRGKIT	335377	41162333B	334863	335601	335608
26-AS/33	26ASSERVICEKIT	26ASBRGKIT	335377	41162333B	334862	335609	335608
30-AS/SS	30ASSERVICEKIT	30ASBRGKIT	335379	335330	334862	335602	335607
35-AS/SS	35ASSERVICEKIT	35ASBRGKIT	335380	41162333C	334862	335604	335614
40-AS/SS	40ASSERVICEKIT	40ASBRGKIT	335381	335331	334862 (1)	335610	335611
47-AS/SS	47ASSERVICEKIT	47ASBRGKIT	335382	335336	334862 (2)	335613	335612

ADAPTABLE HOLLOW (AH) & SEPARATE HOLLOW (SH) OUTPUT

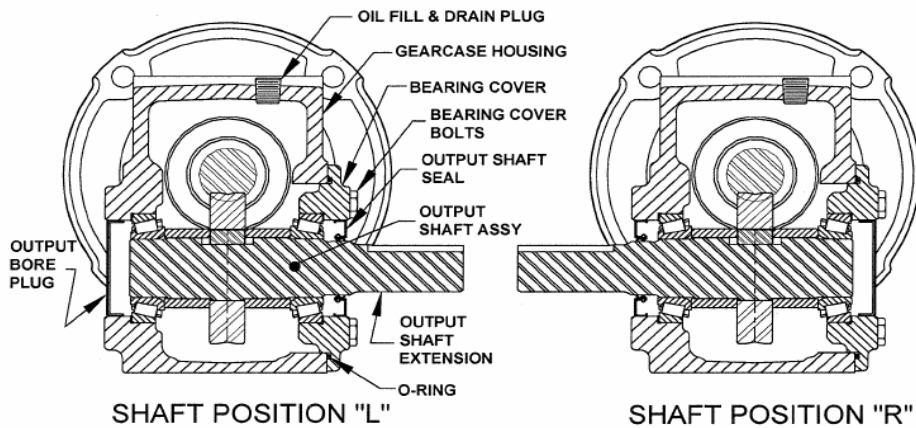
Reducer Size - Input/Output	MAXSERVICE Kit Part Number	MAXSERVICE Kit consists of all components listed:					
		Bearing Kit	Seal Kit	Shim Kit	Lube	Bore Plug	
						Input	Output
13-AH/SH	13AHSERVICEKIT	13AHBRGKIT	335392	41162333B	334863	335603	-----
15-AH/SH	15AHSERVICEKIT	15AHBRGKIT	335392	41162333B	334863	335603	-----
17/176-AH/SH	17AHSERVICEKIT	17AHBRGKIT	335393	335330	334863	335600	-----
20/202-AH/SH	20AHSERVICEKIT	20AHBRGKIT	335394	41162333C	334863	335600	-----
23-AH/SH	23AHSERVICEKIT	23AHBRGKIT	335395	335331	334863	335601	-----
26-AH/SH	26AHSERVICEKIT	26AHBRGKIT	335396	335332	334862	335609	-----
30-AH/SH	30AHSERVICEKIT	30AHBRGKIT	335397	335333	334862	335602	-----
35-AH/SH	35AHSERVICEKIT	35AHBRGKIT	335397	335333	334862	335604	-----
40-AH/SH	40AHSERVICEKIT	40AHBRGKIT	335399	335334	334862 (1)	335610	-----
47-AH/SH	47AHSERVICEKIT	47AHBRGKIT	335400	335335	334862 (2)	335613	-----

- (1) Requires two gallons of synthetic gear lube. Included in Premium Service Kit.
 (2) Requires three gallons of synthetic gear lube. Included in Premium Service Kit.
 (3) Rebuild kit for 35-40-47 includes seals for both 56C/140TC & 180/210/250TC input.

OUTPUT SHAFT REVERSAL KITS

Tigear 2 reducers are stocked in left-hand (L) and right-hand (R) output shaft configurations. It is also possible to convert a left-hand or right-hand unit to the opposite shaft position. A shaft reversal kit containing shaft seal, bore plug, O-ring and instructions is necessary.

Reducer Size	Kit Part No.	Reducer Size	Kit Part No.	Reducer Size	Kit Part No.	Reducer Size	Kit Part No.
13	13SHAFTREV	20	20SHAFTREV	30	30SHAFTREV	47	47SHAFTREV
15	15SHAFTREV	23	23SHAFTREV	35	35SHAFTREV		
17	17SHAFTREV	26	26SHAFTREV	40	40SHAFTREV		



NOTE: A new output shaft seal and output bore plug MUST be used when performing a shaft reversal. Improperly performed reversals or reversals done without a new seal and plug will not be covered under warranty.

TIGEAR 2 SHIM KITS

Shim kit contains complete set of shims for one reducer.

SIZE	AH-QH-SH	AS-QS
133	41162333B	41164246E
150	41162333B	41164246E
175	335330	41162333A
200	41162333C	41162333B
231	335331	41162333B
262	335332	41162333B
300	335333	335330
350	335333	41162333C
400	335334	335331
475	335335	335336