

Plummer blocks

Plummer blocks

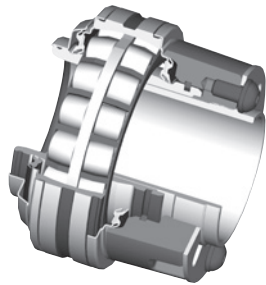
Features/Benefits

ISN

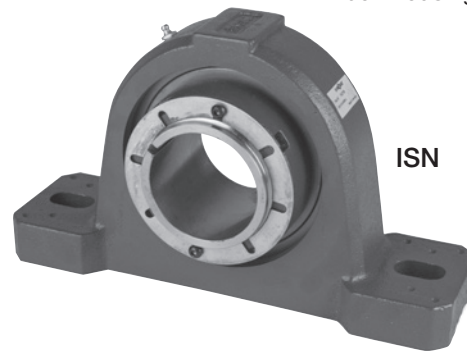
Shaft ready / Adapter mount / SN dimensions

Patented adapter mounting system

- Quick installation and removal
- Clearance setting without feeler gauges
- Full shaft contact reduces or eliminates fretting corrosion
- Locknut tightens the bearing on the shaft when turned clockwise
- Counter-clockwise rotation of the locknut loosens the bearing from the shaft
- 22200 series spherical roller bearing with steel cage and guide ring
- 2-bolt housings are cast iron
- 4-bolt housings are ductile iron

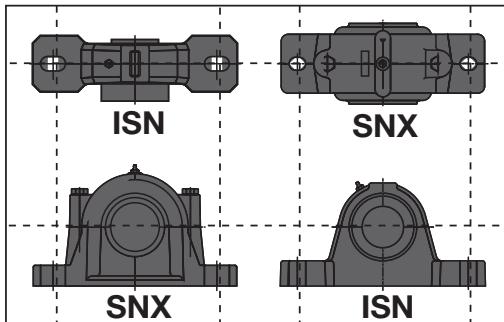
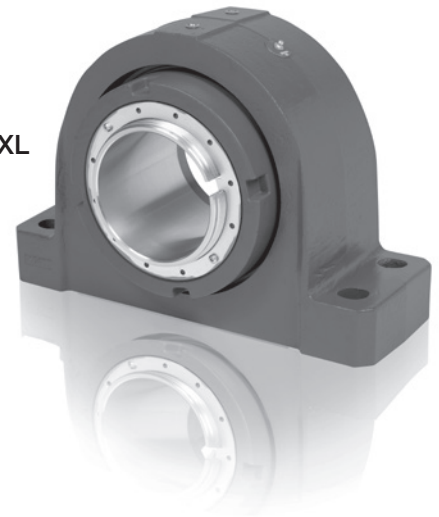


2-bolt housings: 35-140mm
4-bolt housings: 150-170mm



ISN

ISN-XL



Dimensionally interchangeable with housings of the SN family. Preassembled - no risk of bearing contamination during field assembly or incorrect parts.

Stronger feet for higher load capacity.



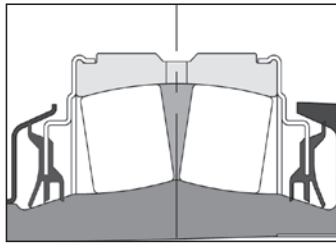
Cast-in drilling location dimples: for dowels or four-bolt mounting.



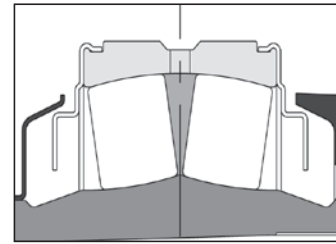
Plummer blocks

Features/Benefits

ISN seal options



Trident™ seal - Patented design triple-lip rubbing seal with corrosion resistant flingers; positive seal contact up to $\pm 1^\circ$ misalignment. Maximum operating temperature is 107°C.



Labyrinth seal - Patented design clearance steel seal carrier with corrosion resistant flingers. High speed or temperature applications. Maximum operating temperature is 204°C.

ISN, ISN-XL and ISNX Hyd bearing nomenclature

P2B524 - ISN - 110MFR

Housing style options:

- P2B = Plummer block, 2-bolt base, cast iron
- P4B = Plummer block, 4-bolt base, ductile iron

Housing size:

- 5xx describes the associated DIN - SN pillow block housing size
- 31XX describes the associate SD 3100 pillow block housing size

M = Size in millimeters

Other data / seals:

- F = Non expansion
- L = Expansion (non-locating)
- R = Rubber contact seal
- S = Labyrinth seal
- HYD = Integral hydraulic mounting/dismounting

Bearing type options:

- ISN = SN style w/imperial locking mechanism
- ISNX = Hydraulic mount/dismount

Plummer blocks

Selection

ISN ratings

Table 1: ISN spherical roller bearings

Housing	Bearings	Maximum allowable adapter thrust	Basic load ratings			e	FA/FR ≤ e		FA/FR > e		Max. RPM ★		Maximum expansion
			Dynamic capacity (C)	Static capacity (C0)	X1		Y1	X2	Y2	Trident seal	Labyrinth seal		
												kN (lb)	
507	22208	2,7 (607)	93 (20907)	94 (21132)	0,28	1,0	2,4	0,67	3,6	3975	6000	3,18	
508	22208	2,7 (607)	93 (20907)	94 (21132)	0,28	1,0	2,4	0,67	3,6	3975	6000	3,18	
509	22209	3,1 (697)	93 (20907)	105 (23605)	0,26	1,0	2,6	0,67	3,9	3725	5600	3,18	
510	22210	3,4 (764)	98 (22031)	118 (26528)	0,24	1,0	2,8	0,67	4,2	3520	5300	6,35	
511	22210	3,4 (764)	98 (22031)	118 (26528)	0,24	1,0	2,8	0,67	4,2	3520	5300	6,35	
512	22211	4,1 (922)	120 (26977)	145 (32597)	0,23	1,0	2,9	0,67	4,3	3000	4500	6,35	
513	22213	6 (1349)	174 (39117)	216 (48559)	0,24	1,0	2,8	0,67	4,2	2400	3800	6,35	
515	22215	7 (1574)	185 (41590)	236 (53055)	0,22	1,0	3,1	0,67	4,6	2250	3400	6,35	
516	22215	7 (1574)	185 (41590)	236 (53055)	0,22	1,0	3,1	0,67	4,6	2250	3400	6,35	
517	22215	7 (1574)	185 (41590)	236 (53055)	0,22	1,0	3,1	0,67	4,6	2250	3400	6,35	
518	22218	10,8 (2428)	285 (64071)	363 (81606)	0,23	1,0	2,9	0,67	4,3	1825	2600	6,35	
519	22218	10,8 (2428)	285 (64071)	363 (81606)	0,23	1,0	2,9	0,67	4,3	1825	2600	6,35	
520	22220	13,8 (3102)	369 (82955)	463 (104087)	0,24	1,0	2,8	0,67	4,2	1530	2200	7,94	
522	22220	13,8 (3102)	369 (82955)	463 (104087)	0,24	1,0	2,8	0,67	4,2	1530	2200	7,94	
524	22222	17,5 (3934)	463 (104087)	587 (131963)	0,25	1,0	2,7	0,67	4,0	1325	2000	9,53	
526	22226	25 (5620)	650 (146127)	872 (196034)	0,26	1,0	2,6	0,67	4,0	1175	1800	9,53	
528	22226	25 (5620)	650 (146127)	872 (196034)	0,26	1,0	2,6	0,67	4,0	1175	1800	9,53	
530	22228	28,5 (6407)	738 (165910)	1050 (236051)	0,25	1,0	2,7	0,67	4,0	1100	1700	9,53	
532	22232	38,4 (8633)	979 (220089)	1401 (314959)	0,26	1,0	2,6	0,68	3,9	975	1500	9,53	
3134	22232	38,4 (8633)	979 (220089)	1401 (314959)	0,26	1,0	2,6	0,68	3,9	975	1500	9,53	
3136	22236	46,4 (10431)	1157 (260105)	1668 (374983)	0,25	1,0	2,7	0,67	4,0	845	1300	9,53	
3138	22236	46,4 (10431)	1157 (260105)	1668 (374983)	0,25	1,0	2,7	0,67	4,0	845	1300	9,53	

Refer to pages B10-1 and B10-2 for information on bearing calculations, including L₁₀ life and loads

★Maximum grease speed is dependant on load and ambient conditions. Contact your local ABB office for assistance.

Plummer blocks

Selection

ISN easy selection

Table 2: ISN double row spherical roller bearing

Housing	L ₁₀ Life Hours	Allowable equivalent radial load rating kN (lb) at various RPM																						
		50	100	150	250	500	750	1000	1300	1500	1700	1800	2000	2200	2600	2750	3000	3400	3800	4500	5300	5600	6000	
507	10000	33 (7419)	27 (6070)	24 (5395)	21 (4721)	17 (3822)	15 (3372)	14 (3147)	13 (2923)	12 (2698)	12 (2698)	11 (2473)	11 (2473)	11 (2473)	10 (2248)	10 (2248)	10 (2248)	7 (1574)	6 (1349)	9 (2023)	8 (1798)	8 (1798)	8 (1798)	
	30000	24 (5395)	20 (4496)	17 (3822)	15 (3372)	12 (2698)	11 (2473)	10 (2248)	9 (2023)	9 (2023)	8 (1798)	8 (1798)	8 (1798)	8 (1798)	7 (1574)	7 (1574)	7 (1574)	7 (1574)	6 (1349)	6 (1349)	6 (1349)	6 (1349)	6 (1349)	
	40000	22 (4946)	18 (4047)	16 (3597)	14 (3147)	11 (2473)	10 (2248)	9 (2023)	8 (1798)	8 (1798)	8 (1798)	8 (1798)	7 (1574)	7 (1574)	7 (1574)	7 (1574)	6 (1349)	6 (1349)	6 (1349)	6 (1349)	6 (1349)	5 (1124)	5 (1124)	5 (1124)
	60000	20 (4496)	16 (3597)	14 (3147)	12 (2698)	10 (2248)	9 (2023)	8 (1798)	7 (1574)	7 (1574)	7 (1574)	7 (1574)	6 (1349)	6 (1349)	6 (1349)	6 (1349)	6 (1349)	6 (1349)	5 (1124)	5 (1124)	5 (1124)	5 (1124)	5 (1124)	5 (1124)
	100000	17 (3822)	14 (3147)	12 (2698)	10 (2248)	8 (1798)	7 (1574)	7 (1574)	6 (1349)	6 (1349)	6 (1349)	6 (1349)	6 (1349)	5 (1124)	5 (1124)	5 (1124)	5 (1124)	5 (1124)	5 (1124)	4 (899)	4 (899)	4 (899)	4 (899)	4 (899)
508	10000	33 (7419)	27 (6070)	24 (5395)	21 (4721)	17 (3822)	15 (3372)	14 (3147)	13 (2923)	12 (2698)	12 (2698)	11 (2473)	11 (2473)	11 (2473)	10 (2248)	10 (2248)	10 (2248)	7 (1574)	6 (1349)	9 (2023)	8 (1798)	8 (1798)	8 (1798)	
	30000	24 (5395)	20 (4496)	17 (3822)	15 (3372)	12 (2698)	11 (2473)	10 (2248)	9 (2023)	9 (2023)	8 (1798)	8 (1798)	8 (1798)	8 (1798)	7 (1574)	7 (1574)	7 (1574)	7 (1574)	6 (1349)	6 (1349)	6 (1349)	6 (1349)	6 (1349)	
	40000	22 (4946)	18 (4047)	16 (3597)	14 (3147)	11 (2473)	10 (2248)	9 (2023)	8 (1798)	8 (1798)	8 (1798)	8 (1798)	7 (1574)	7 (1574)	7 (1574)	7 (1574)	6 (1349)	6 (1349)	6 (1349)	6 (1349)	6 (1349)	5 (1124)	5 (1124)	5 (1124)
	60000	20 (4496)	16 (3597)	14 (3147)	12 (2698)	10 (2248)	9 (2023)	8 (1798)	7 (1574)	7 (1574)	7 (1574)	7 (1574)	6 (1349)	6 (1349)	6 (1349)	6 (1349)	6 (1349)	6 (1349)	5 (1124)	5 (1124)	5 (1124)	5 (1124)	5 (1124)	
	100000	17 (3822)	14 (3147)	12 (2698)	10 (2248)	8 (1798)	7 (1574)	7 (1574)	6 (1349)	6 (1349)	6 (1349)	6 (1349)	6 (1349)	5 (1124)	5 (1124)	5 (1124)	5 (1124)	5 (1124)	5 (1124)	4 (899)	4 (899)	4 (899)	4 (899)	4 (899)
509	10000	33 (7419)	27 (6070)	24 (5395)	21 (4721)	17 (3822)	15 (3372)	14 (3147)	13 (2923)	12 (2698)	12 (2698)	11 (2473)	11 (2473)	11 (2473)	10 (2248)	10 (2248)	10 (2248)	7 (1574)	6 (1349)	9 (2023)	9 (2023)	6 (1349)	8 (1798)	
	30000	24 (5395)	20 (4496)	17 (3822)	15 (3372)	12 (2698)	11 (2473)	10 (2248)	9 (2023)	9 (2023)	8 (1798)	8 (1798)	8 (1798)	8 (1798)	7 (1574)	7 (1574)	7 (1574)	7 (1574)	6 (1349)	6 (1349)	6 (1349)	6 (1349)	6 (1349)	
	40000	22 (4946)	18 (4047)	16 (3597)	14 (3147)	11 (2473)	10 (2248)	9 (2023)	8 (1798)	8 (1798)	8 (1798)	8 (1798)	7 (1574)	7 (1574)	7 (1574)	7 (1574)	6 (1349)	6 (1349)	6 (1349)	6 (1349)	6 (1349)	5 (1124)	5 (1124)	
	60000	20 (4496)	16 (3597)	14 (3147)	12 (2698)	10 (2248)	9 (2023)	8 (1798)	7 (1574)	7 (1574)	7 (1574)	7 (1574)	6 (1349)	6 (1349)	6 (1349)	6 (1349)	6 (1349)	6 (1349)	5 (1124)	5 (1124)	5 (1124)	5 (1124)	5 (1124)	
	100000	17 (3822)	14 (3147)	12 (2698)	10 (2248)	8 (1798)	7 (1574)	7 (1574)	6 (1349)	6 (1349)	6 (1349)	6 (1349)	6 (1349)	5 (1124)	5 (1124)	5 (1124)	5 (1124)	5 (1124)	5 (1124)	5 (1124)	4 (899)	4 (899)	4 (899)	4 (899)
510	10000	35 (7868)	29 (6519)	25 (5620)	22 (4946)	18 (4047)	16 (3597)	14 (3147)	13 (2923)	13 (2923)	12 (2698)	12 (2698)	12 (2698)	11 (2473)	11 (2473)	11 (2473)	10 (2248)	7 (1574)	10 (2248)	9 (2023)	9 (2023)			
	30000	25 (5620)	21 (4721)	18 (4047)	16 (3597)	13 (2923)	11 (2473)	10 (2248)	10 (2248)	9 (2023)	9 (2023)	9 (2023)	8 (1798)	8 (1798)	8 (1798)	8 (1798)	7 (1574)	7 (1574)	7 (1574)	7 (1574)	6 (1349)	6 (1349)	6 (1349)	
	40000	23 (5171)	19 (4271)	17 (3822)	14 (3147)	12 (2698)	10 (2248)	10 (2248)	9 (2023)	8 (1798)	8 (1798)	8 (1798)	8 (1798)	8 (1798)	7 (1574)	7 (1574)	7 (1574)	7 (1574)	6 (1349)	6 (1349)	6 (1349)	6 (1349)	6 (1349)	
	60000	21 (4721)	17 (3822)	15 (3372)	13 (2923)	10 (2248)	9 (2023)	8 (1798)	8 (1798)	7 (1574)	7 (1574)	7 (1574)	7 (1574)	7 (1574)	6 (1349)	6 (1349)	6 (1349)	6 (1349)	6 (1349)	6 (1349)	5 (1124)	5 (1124)	5 (1124)	
	100000	18 (4047)	14 (3147)	13 (2923)	11 (2473)	9 (2023)	8 (1798)	7 (1574)	7 (1574)	6 (1349)	6 (1349)	6 (1349)	6 (1349)	6 (1349)	5 (1124)	5 (1124)	5 (1124)	5 (1124)	5 (1124)	5 (1124)	5 (1124)	4 (899)	4 (899)	
511	10000	35 (7868)	29 (6519)	25 (5620)	22 (4946)	18 (4047)	16 (3597)	14 (3147)	13 (2923)	13 (2923)	12 (2698)	12 (2698)	12 (2698)	11 (2473)	11 (2473)	11 (2473)	10 (2248)	7 (1574)	10 (2248)	9 (2023)	9 (2023)			
	30000	25 (5620)	21 (4721)	18 (4047)	16 (3597)	13 (2923)	11 (2473)	10 (2248)	10 (2248)	9 (2023)	9 (2023)	9 (2023)	8 (1798)	8 (1798)	8 (1798)	8 (1798)	7 (1574)	7 (1574)	7 (1574)	7 (1574)	6 (1349)	6 (1349)	6 (1349)	
	40000	23 (5171)	19 (4271)	17 (3822)	14 (3147)	12 (2698)	10 (2248)	10 (2248)	9 (2023)	8 (1798)	8 (1798)	8 (1798)	8 (1798)	8 (1798)	7 (1574)	7 (1574)	7 (1574)	7 (1574)	6 (1349)	6 (1349)	6 (1349)	6 (1349)	6 (1349)	
	60000	21 (4721)	17 (3822)	15 (3372)	13 (2923)	10 (2248)	9 (2023)	8 (1798)	8 (1798)	7 (1574)	7 (1574)	7 (1574)	7 (1574)	7 (1574)	6 (1349)	6 (1349)	6 (1349)	6 (1349)	6 (1349)	6 (1349)	5 (1124)	5 (1124)	5 (1124)	
	100000	18 (4047)	14 (3147)	13 (2923)	11 (2473)	9 (2023)	8 (1798)	7 (1574)	7 (1574)	6 (1349)	6 (1349)	6 (1349)	6 (1349)	6 (1349)	5 (1124)	5 (1124)	5 (1124)	5 (1124)	5 (1124)	5 (1124)	5 (1124)	4 (899)	4 (899)	
512	10000	43 (9667)	35 (7868)	31 (6969)	27 (6070)	22 (4946)	19 (4271)	18 (4047)	16 (3597)	16 (3597)	15 (3372)	15 (3372)	14 (3147)	14 (3147)	13 (2923)	13 (2923)	9 (2023)	12 (2698)	12 (2698)	11 (2473)				
	30000	31 (6969)	25 (5620)	22 (4946)	19 (4271)	16 (3597)	14 (3147)	13 (2923)	12 (2698)	11 (2473)	11 (2473)	11 (2473)	10 (2248)	10 (2248)	10 (2248)	9 (2023)	9 (2023)	9 (2023)	9 (2023)	9 (2023)	8 (1798)	8 (1798)	8 (1798)	
	40000	29 (6519)	23 (5171)	21 (4721)	18 (4047)	14 (3147)	13 (2923)	12 (2698)	11 (2473)	10 (2248)	10 (2248)	10 (2248)	9 (2023)	9 (2023)	9 (2023)	9 (2023)	8 (1798)	8 (1798)	8 (1798)	7 (1574)	7 (1574)	7 (1574)	7 (1574)	
	60000	25 (5620)	21 (4721)	18 (4047)	16 (3597)	13 (2923)	11 (2473)	10 (2248)	10 (2248)	9 (2023)	9 (2023)	9 (2023)	8 (1798)	8 (1798)	8 (1798)	8 (1798)	7 (1574)	7 (1574)	7 (1574)	7 (1574)	6 (1349)	6 (1349)	6 (1349)	
	100000	22 (4946)	18 (4047)	16 (3597)	13 (2923)	11 (2473)	10 (2248)	9 (2023)	8 (1798)	8 (1798)	8 (1798)	7 (1574)	7 (1574)	7 (1574)	7 (1574)	6 (1349)	6 (1349)	6 (1349)	6 (1349)	6 (1349)	6 (1349)	6 (1349)	6 (1349)	

Use the labyrinth (S) seal for applications to the right of the vertical line.
 For applications in the dark shaded areas, the maximum load for the specific speed is shown. The load does not correspond to the L10 shown.
 Applications in the light shaded areas may require high temperature lubrication. Please consult Dodge engineering.

Plummer blocks

Selection

ISN easy selection

Table 2: ISN double row spherical roller bearing (continued)

Housing	L ₁₀ Life Hours	Allowable equivalent radial load rating kN (lb) at various RPM																						
		50	100	150	250	500	750	1000	1300	1500	1700	1800	2000	2200	2600	2750	3000	3400	3800	4500	5300	5600	6000	
513	10000	61 (13713)	50 (11241)	44 (9892)	38 (8543)	31 (6969)	27 (6070)	25 (5620)	23 (5171)	22 (4946)	21 (4721)	21 (4721)	20 (4496)	14 (3147)	19 (4271)	18 (4047)	18 (4047)	17 (3822)	17 (3822)					
	30000	44 (9892)	36 (8093)	32 (7194)	27 (6070)	22 (4946)	22 (4271)	19 (4047)	18 (3822)	17 (3597)	16 (3372)	15 (3372)	15 (3372)	14 (3147)	13 (2923)	13 (2923)	13 (2923)	12 (2698)	12 (2698)	12 (2698)	11 (25404)	11 (2473)		
	40000	40 (8992)	33 (7419)	29 (6519)	25 (5620)	20 (4496)	18 (4047)	16 (3597)	15 (3372)	15 (3372)	14 (3147)	14 (3147)	13 (2923)	13 (2923)	12 (2698)	12 (2698)	12 (2698)	11 (2473)	11 (2473)	10 (2248)	10 (2248)			
	60000	36 (8093)	29 (6519)	26 (5845)	22 (4946)	18 (4047)	16 (3597)	15 (3372)	13 (2923)	13 (2923)	12 (2698)	12 (2698)	11 (2473)	11 (2473)	10 (2248)	10 (2248)	9 (2023)	9 (2023)	9 (2023)	8 (2248)	8 (2248)			
	100000	31 (6969)	25 (5620)	22 (4946)	19 (4271)	15 (3372)	14 (3147)	12 (2698)	12 (2698)	11 (2473)	11 (2473)	10 (2248)	10 (2248)	9 (2248)	9 (2023)	9 (2023)	9 (2023)	8 (2023)	8 (2023)					
515	10000	67 (15062)	54 (12140)	48 (10791)	41 (9217)	33 (7419)	30 (6744)	27 (6070)	25 (5620)	24 (5395)	23 (5171)	23 (5171)	22 (4946)	15 (3372)	20 (4496)	20 (4496)	19 (4271)	19 (4271)						
	30000	48 (10791)	39 (8768)	34 (7644)	30 (6744)	24 (5395)	21 (4721)	20 (4496)	18 (4047)	17 (3822)	17 (3822)	16 (3597)	16 (3597)	15 (3372)	15 (3372)	14 (3147)	14 (3147)	13 (2923)	13 (2923)	13 (2923)	12 (2698)	12 (2698)		
	40000	44 (9892)	36 (8093)	32 (7194)	27 (6070)	22 (4946)	20 (4496)	18 (4047)	17 (3822)	16 (3597)	15 (3372)	15 (3372)	14 (3147)	14 (3147)	13 (2923)	13 (2923)	13 (2923)	12 (2698)	12 (2698)	12 (2698)	11 (2473)	11 (2473)		
	60000	39 (8768)	32 (7194)	28 (6295)	24 (5395)	20 (4496)	17 (3822)	16 (3597)	15 (3372)	14 (3147)	14 (3147)	13 (2923)	13 (2923)	13 (2923)	12 (2698)	12 (2698)	12 (2698)	11 (2473)	11 (2473)	10 (2248)	10 (2248)			
	100000	33 (7419)	27 (6070)	24 (5395)	21 (4721)	17 (3822)	15 (3372)	14 (3147)	13 (2923)	12 (2698)	12 (2698)	11 (2473)	11 (2473)	11 (2473)	10 (2248)	10 (2248)	10 (2248)	9 (2023)	9 (2023)	9 (2023)	8 (2023)	8 (2023)		
516	10000	67 (15062)	54 (12140)	48 (10791)	41 (9217)	33 (7419)	30 (6744)	27 (6070)	25 (5620)	24 (5395)	23 (5171)	23 (5171)	22 (4946)	15 (3372)	20 (4496)	20 (4496)	19 (4271)	19 (4271)						
	30000	48 (10791)	39 (8768)	34 (7644)	30 (6744)	24 (5395)	21 (4721)	20 (4496)	18 (4047)	17 (3822)	17 (3822)	16 (3597)	16 (3597)	15 (3372)	15 (3372)	14 (3147)	14 (3147)	13 (2923)	13 (2923)	13 (2923)	12 (2698)	12 (2698)		
	40000	44 (9892)	36 (8093)	32 (7194)	27 (6070)	22 (4946)	20 (4496)	18 (4047)	17 (3822)	16 (3597)	15 (3372)	15 (3372)	14 (3147)	14 (3147)	13 (2923)	13 (2923)	13 (2923)	12 (2698)	12 (2698)	12 (2698)	11 (2473)	11 (2473)		
	60000	39 (8768)	32 (7194)	28 (6295)	24 (5395)	20 (4496)	17 (3822)	16 (3597)	15 (3372)	14 (3147)	14 (3147)	13 (2923)	13 (2923)	13 (2923)	12 (2698)	12 (2698)	12 (2698)	11 (2473)	11 (2473)	10 (2248)	10 (2248)			
	100000	33 (7419)	27 (6070)	24 (5395)	21 (4721)	17 (3822)	15 (3372)	14 (3147)	13 (2923)	12 (2698)	12 (2698)	11 (2473)	11 (2473)	11 (2473)	10 (2248)	10 (2248)	10 (2248)	9 (2023)	9 (2023)	9 (2023)	8 (2023)	8 (2023)		
517	10000	67 (15062)	54 (12140)	48 (10791)	41 (9217)	33 (7419)	30 (6744)	27 (6070)	25 (5620)	24 (5395)	23 (5171)	23 (5171)	22 (4946)	15 (3372)	20 (4496)	20 (4496)	19 (4271)	19 (4271)						
	30000	48 (10791)	39 (8768)	34 (7644)	30 (6744)	24 (5395)	21 (4721)	20 (4496)	18 (4047)	17 (3822)	17 (3822)	16 (3597)	16 (3597)	15 (3372)	15 (3372)	14 (3147)	14 (3147)	13 (2923)	13 (2923)	13 (2923)	12 (2698)	12 (2698)		
	40000	44 (9892)	36 (8093)	32 (7194)	27 (6070)	22 (4946)	20 (4496)	18 (4047)	17 (3822)	16 (3597)	15 (3372)	15 (3372)	14 (3147)	14 (3147)	13 (2923)	13 (2923)	13 (2923)	12 (2698)	12 (2698)	12 (2698)	11 (2473)	11 (2473)		
	60000	39 (8768)	32 (7194)	28 (6295)	24 (5395)	20 (4496)	17 (3822)	16 (3597)	15 (3372)	14 (3147)	14 (3147)	13 (2923)	13 (2923)	13 (2923)	12 (2698)	12 (2698)	12 (2698)	11 (2473)	11 (2473)	10 (2248)	10 (2248)			
	100000	33 (7419)	27 (6070)	24 (5395)	21 (4721)	17 (3822)	15 (3372)	14 (3147)	13 (2923)	12 (2698)	12 (2698)	11 (2473)	11 (2473)	11 (2473)	10 (2248)	10 (2248)	10 (2248)	9 (2023)	9 (2023)	9 (2023)	8 (2023)	8 (2023)		
518	10000	105 (23605)	85 (19109)	76 (17086)	65 (14613)	53 (11915)	47 (10566)	43 (9667)	40 (8992)	38 (8543)	37 (8318)	26 (5845)	35 (7868)	34 (7644)	32 (7194)									
	30000	76 (17086)	61 (13713)	54 (12140)	47 (10566)	38 (8543)	34 (7644)	31 (6969)	28 (6295)	27 (6070)	26 (5845)	26 (5845)	25 (5620)	24 (5395)	23 (5171)									
	40000	69 (15512)	56 (12589)	50 (11241)	43 (9667)	35 (7868)	31 (6969)	28 (6295)	26 (5845)	25 (5620)	25 (5395)	24 (5395)	23 (5171)	22 (4946)	21 (4721)									
	60000	61 (13713)	50 (11241)	44 (9892)	38 (8543)	31 (6969)	27 (6070)	25 (5620)	23 (5171)	22 (4946)	22 (4721)	21 (4721)	20 (4496)	20 (4496)	19 (4271)									
	100000	53 (11915)	43 (9667)	38 (8543)	33 (7419)	26 (5845)	23 (5171)	21 (4721)	20 (4496)	19 (4271)	18 (4047)	18 (4047)	17 (3822)	17 (3822)	16 (3597)									
519	10000	105 (23605)	85 (19109)	76 (17086)	65 (14613)	53 (11915)	47 (10566)	43 (9667)	40 (8992)	38 (8543)	37 (8318)	26 (5845)	35 (7868)	34 (7644)	32 (7194)									
	30000	76 (17086)	61 (13713)	54 (12140)	47 (10566)	38 (8543)	34 (7644)	31 (6969)	28 (6295)	27 (6070)	26 (5845)	26 (5845)	25 (5620)	24 (5395)	23 (5171)									
	40000	69 (15512)	56 (12589)	50 (11241)	43 (9667)	35 (7868)	31 (6969)	28 (6295)	26 (5845)	25 (5620)	25 (5395)	24 (5395)	23 (5171)	22 (4946)	21 (4721)									
	60000	61 (13713)	50 (11241)	44 (9892)	38 (8543)	31 (6969)	27 (6070)	25 (5620)	23 (5171)	22 (4946)	22 (4721)	21 (4721)	20 (4496)	20 (4496)	19 (4271)									
	100000	53 (11915)	43 (9667)	38 (8543)	33 (7419)	26 (5845)	23 (5171)	21 (4721)	20 (4496)	19 (4271)	18 (4047)	18 (4047)	17 (3822)	17 (3822)	16 (3597)									
520	10000	133 (29900)	108 (24279)	96 (21582)	82 (18434)	67 (15062)	59 (13264)	54 (12140)	50 (11241)	35 (7868)	46 (10341)	45 (10116)	44 (9892)	43 (9667)										
	30000	96 (21582)	78 (17535)	69 (15512)	59 (13264)	48 (10791)	43 (9667)	43 (9667)	36 (8093)	36 (7868)	35 (7868)	33 (7419)	33 (7419)	32 (7194)	31 (6969)									
	40000	88 (19783)	71 (15962)	63 (14163)	54 (12140)	44 (9892)	39 (8768)	36 (8093)	33 (7419)	32 (7194)	32 (7194)	31 (6969)	30 (6744)	29 (6519)	28 (6295)									
	60000	78 (17535)	63 (14163)	56 (12589)	48 (10791)	39 (8768)	35 (7868)	32 (7194)	29 (6519)	28 (6295)	27 (6070)	27 (6070)	26 (5845)	25 (5620)										
	100000	67 (15062)	54 (12140)	48 (10791)	41 (9217)	33 (7419)	30 (6744)	27 (6070)	25 (5620)	24 (5395)	23 (5171)	23 (5171)	22 (4946)	21 (4721)										

Use the labyrinth (S) seal for applications to the right of the vertical line.

For applications in the dark shaded areas, the maximum load for the specific speed is shown. The load does not correspond to the L10 shown.

Applications in the light shaded areas may require high temperature lubrication. Please consult Dodge engineering.

Plummer blocks

Selection

ISN easy selection

Table 2: ISN double row spherical roller bearing (continued)

Housing	L ₁₀ Life Hours	Allowable equivalent radial load rating kN (lb) at various RPM																							
		50	100	150	250	500	750	1000	1300	1500	1700	1800	2000	2200	2600	2750	3000	3400	3800	4500	5300	5600	6000		
522	10000	133 (29900)	108 (24279)	96 (21582)	82 (18434)	67 (15062)	59 (13264)	54 (12140)	50 (11241)	35 (7868)	46 (10341)	45 (10116)	44 (9892)	43 (9667)											
	30000	96 (21582)	78 (17535)	69 (15512)	59 (13264)	48 (10791)	43 (9667)	39 (8768)	36 (8093)	35 (7868)	33 (7419)	33 (7419)	32 (7194)	31 (6969)											
		88 (19783)	71 (15962)	63 (14163)	54 (12140)	44 (9892)	39 (8768)	36 (8093)	33 (7419)	32 (7194)	27 (6070)	27 (6070)	26 (5845)	25 (5620)											
	60000	78 (17535)	63 (14163)	56 (12589)	48 (10791)	39 (8768)	35 (7868)	32 (7194)	29 (6519)	28 (6295)	27 (6070)	27 (6070)	26 (5845)	25 (5620)											
		67 (15062)	54 (12140)	48 (10791)	41 (9217)	33 (7419)	30 (6744)	27 (6070)	25 (5620)	24 (5395)	23 (5171)	23 (5171)	22 (4946)	21 (4721)											
524	10000	167 (37543)	135 (30349)	120 (26977)	103 (23155)	84 (18884)	74 (16636)	68 (15287)	45 (10116)	60 (13489)	58 (13039)	57 (12814)	55 (12365)												
	30000	120 (26977)	97 (21807)	86 (19334)	74 (16636)	60 (13489)	53 (11915)	49 (11016)	45 (10116)	43 (9667)	42 (9442)	41 (9217)	40 (8992)												
		110 (24729)	89 (20008)	79 (17760)	68 (15287)	55 (12365)	49 (11016)	45 (10116)	41 (9217)	40 (8992)	38 (8543)	38 (8543)	36 (8093)												
	60000	97 (21807)	79 (17760)	70 (15737)	60 (13489)	49 (11016)	43 (9667)	40 (8992)	37 (8318)	35 (7868)	34 (7644)	33 (7419)	32 (7194)												
		84 (18884)	68 (15287)	60 (13489)	52 (11690)	42 (9442)	37 (8318)	34 (7644)	31 (6969)	30 (6744)	29 (6519)	29 (6519)	28 (6295)												
526	10000	234 (52606)	190 (42714)	168 (37768)	144 (32373)	117 (26303)	104 (23380)	69 (15512)	88 (19783)	84 (18884)	81 (18210)	80 (17985)													
	30000	168 (37768)	137 (30799)	121 (27202)	104 (23380)	84 (18884)	75 (16861)	69 (15512)	63 (14163)	61 (13713)	59 (13264)	58 (13039)													
		154 (34621)	125 (28101)	111 (24954)	95 (21357)	77 (17310)	69 (15512)	63 (14163)	58 (13039)	56 (12589)	54 (12140)	53 (11915)													
	60000	137 (30799)	111 (24954)	98 (22031)	84 (18884)	69 (15512)	61 (13713)	56 (12589)	52 (11690)	49 (11016)	48 (10791)	47 (10566)													
		117 (26303)	95 (21357)	84 (18884)	72 (16186)	59 (13264)	52 (11690)	48 (10791)	44 (9892)	42 (9442)	41 (9217)	40 (8992)													
528	10000	234 (52606)	190 (42714)	168 (37768)	144 (32373)	117 (26303)	104 (23380)	69 (15512)	88 (19783)	84 (18884)	81 (18210)	80 (17985)													
	30000	168 (37768)	137 (30799)	121 (27202)	104 (23380)	84 (18884)	75 (16861)	69 (15512)	63 (14163)	61 (13713)	59 (13264)	58 (13039)													
		154 (34621)	125 (28101)	111 (24954)	95 (21357)	77 (17310)	69 (15512)	63 (14163)	58 (13039)	56 (12589)	54 (12140)	53 (11915)													
	60000	137 (30799)	111 (24954)	98 (22031)	84 (18884)	69 (15512)	61 (13713)	56 (12589)	52 (11690)	49 (11016)	48 (10791)	47 (10566)													
		117 (26303)	95 (21357)	84 (18884)	72 (16186)	59 (13264)	52 (11690)	48 (10791)	44 (9892)	42 (9442)	41 (9217)	40 (8992)													
530	10000	266 (59799)	216 (48559)	191 (42939)	164 (36869)	133 (29900)	118 (26528)	78 (17535)	100 (22481)	96 (21582)	92 (20683)														
	30000	191 (42939)	155 (34846)	138 (31024)	118 (26528)	96 (21582)	85 (19109)	78 (17535)	72 (16186)	69 (15512)	66 (14837)														
		176 (39567)	143 (32148)	126 (28326)	108 (24279)	88 (19783)	88 (17535)	71 (15962)	66 (14837)	63 (14163)	61 (13713)														
	60000	155 (34846)	126 (28326)	112 (25179)	96 (21582)	78 (17535)	69 (15512)	63 (14163)	59 (13264)	56 (12589)	54 (12140)														
		133 (29900)	108 (24279)	96 (21582)	82 (18434)	67 (15062)	59 (13264)	54 (12140)	50 (11241)	48 (11241)	46 (10791)	46 (10341)													
532/ 3134	10000	353 (79358)	287 (64520)	254 (57102)	218 (49009)	177 (39791)	113 (25404)	144 (32373)	133 (29900)	127 (28551)															
	30000	254 (57102)	206 (46311)	182 (40915)	157 (35295)	127 (28551)	113 (25404)	103 (23155)	95 (21357)	91 (20458)															
		233 (52381)	189 (42489)	167 (37543)	144 (32373)	117 (26303)	103 (23155)	95 (21357)	88 (19783)	84 (18884)															
	60000	206 (46311)	167 (37543)	148 (33272)	127 (28551)	103 (23155)	91 (20458)	84 (18884)	78 (17535)	74 (16636)															
		177 (39791)	144 (32373)	127 (28551)	109 (24504)	89 (20008)	78 (17535)	72 (16186)	67 (15062)	64 (14388)															
3136/ 3138	10000	417 (93746)	339 (76211)	300 (67443)	257 (57776)	209 (46985)	133 (29900)	170 (38218)	157 (35295)																
	30000	300 (67443)	244 (54854)	216 (48559)	185 (41590)	150 (33722)	133 (29900)	122 (27427)	113 (25404)																
		275 (61823)	223 (50133)	198 (44512)	170 (38218)	138 (31024)	122 (27427)	112 (25179)	103 (23155)																
	60000	244 (54854)	198 (44512)	175 (39342)	150 (33722)	122 (27427)	108 (24279)	99 (22256)	92 (20683)																
		209 (46985)	170 (38218)	150 (33722)	129 (29000)	105 (23605)	93 (20907)	85 (19109)	79 (17760)																

Use the labyrinth (S) seal for applications to the right of the vertical line.
 For applications in the dark shaded areas, the maximum load for the specific speed is shown. The load does not correspond to the L10 shown.
 Applications in the light shaded areas may require high temperature lubrication. Please consult Dodge engineering.

Plummer blocks

Selection

Imperial - ISN spherical roller bearings

Table 4: Definition of operating conditions for unitized spherical roller bearings

Low speed	Up to 20% of max. RPM (Table 1)
Medium speed	Over 20% to 80% of max. RPM
High speed	Over 80% of max. RPM
Light load	Up to 8% of C (Table 1)
Normal load	Over 8% to 18% of C
Heavy load	Over 18% of C
C - Dynamic capacity	
Low temperature	-73°C to -7°C
Medium temperature	Over -7°C to 93°C
High temperature	Over 93°C to 122°C

Shaft tolerances	
Normal shaft sizes (mm)	Tolerances (mm)
Up to 40mm	+0.000 -0.051
45mm to 60mm	+0.000 -0.076
65mm to 100mm	+0.000 -0.102
110mm to 150mm	+0.000 -0.127
Above 150mm	+0.000 -0.152

Plummer blocks

Selection

ISN Plummer blocks with Trident seals

Series	Ø shaft	Fixed bearing		Expansion bearing		Insert Pt #	Description	Sleeve Pt #	Description
		Part no.	Description	Part no.	Description				
507	30mm	071000	P2B507-ISN-030MFR	071017	P2B507-ISN-030MLR	071983	ISN 507-22208 FR	744975	ADPTR-IP-22208-30M
	1-1/8	747900	P2B507-ISN-102 FR	747904	P2B507-ISN-102 LR	071983	ISN 507-22208 FR	069286	ADPTR-IP-22208-102
	1-3/16	747901	P2B507-ISN-103FR	747905	P2B507-ISN-103 LR	071983	ISN 507-22208 FR	069287	ADPTR-IP-22208-103
508	35mm	071001	P2B508-ISN-035MFR	071018	P2B508-ISN-035MLR	071984	ISN 508-22208 FR	744976	ADPTR-IP-22208-35M
	1-1/4	747908	P2B508-ISN-104 FR	747912	P2B508-ISN-104 LR	071984	ISN 508-22208 FR	069288	ADPTR-IP-22208-104
	1-3/8	747909	P2B508-ISN-106 FR	747913	P2B508-ISN-106 LR	071984	ISN 508-22208 FR	069289	ADPTR-IP-22208-106
509	40mm	071002	P2B509-ISN-040MFR	071019	P2B509-ISN-040MLR	071985	ISN 509-22209 FR	744977	ADPTR-IP-22209-40M
	1-7/16	747916	P2B509-ISN-107 FR	747920	P2B509-ISN-107 LR	071985	ISN 509-22209 FR	064153	ADPTR-IP-22209-107
	1-1/2	747917	P2B509-ISN-108 FR	747921	P2B509-ISN-108 LR	071985	ISN 509-22209 FR	064154	ADPTR-IP-22209-108
510	45mm	071003	P2B510-ISN-045MFR	71020	P2B510-ISN-045MLR	071986	ISN 510-22210 FR	744978	ADPTR-IP-22210-45M
	1-11/16	747924	P2B510-ISN-111 FR	747928	P2B510-ISN-111 LR	071986	ISN 510-22210 FR	064155	ADPTR-IP-22210-111
	1-3/4	747925	P2B510-ISN-112 FR	747929	P2B510-ISN-112 LR	071986	ISN 510-22210 FR	064156	ADPTR-IP-22210-112
511	50mm	071004	P2B511-ISN-050MFR	071021	P2B511-ISN-050MLR	071987	ISN 511-22210 FR	744979	ADPTR-IP-22210-50M
	1-15/16	747932	P2B511-ISN-115 FR	747936	P2B511-ISN-115 LR	071987	ISN 511-22210 FR	069296	ADPTR-IP-22210-115
	2	747933	P2B511-ISN-200 FR	747937	P2B511-ISN-200 LR	071987	ISN 511-22210 FR	069297	ADPTR-IP-22210-200
512	55mm	071005	P2B512-ISN-055MFR	071022	P2B512-ISN-055MLR	071988	ISN 512-22211 FR	744980	ADPTR-IP-22211-055M
	2-1/8	748012	P2B512-ISN-202 FR	748013	P2B512-ISN-202 LR	071988	ISN 512-22211FR	064157	ADPTR-IP-22211-202
513	60mm	071006	P2B513-ISN-060MFR	071023	P2B513-ISN-060MLR	071989	ISN 513-22213 FR	744981	ADPTR-IP-22213-60M
	2-3/16	747940	P2B513-ISN-203 FR	747944	P2B513-ISN-203 LR	071989	ISN 513-22213 FR	064070	ADPTR-IP-22213-203
	2-1/4	747941	P2B513-ISN-204 FR	747945	P2B513-ISN-204 LR	071989	ISN 513-22213 FR	064071	ADPTR-IP-22213-204
515	65mm	071007	P2B515-ISN-065MFR	71024	P2B515-ISN-065MLR	071990	ISN 515-22215 FR	744982	ADPTR-IP-22215-65M
	2-7/16	747948	P2B515-ISN-207 FR	747952	P2B515-ISN-207 LR	071990	ISN 515-22215 FR	064072	ADPTR-IP-22215-207
	2-1/2	747949	P2B515-ISN-208 FR	747953	P2B515-ISN-208 LR	071990	ISN 515-22215 FR	064073	ADPTR-IP-22215-208
516	70mm	071008	P2B516-ISN-070MFR	071025	P2B516-ISN-070MLR	071991	ISN 516/517-22215 FR	744983	ADPTR-IP-22215-70M
	2-11/16	747956	P2B516-ISN-211 FR	747960	P2B516-ISN-211 LR	071991	ISN 516/517-22215 FR	069303	ADPTR-IP-22215-211
	2-3/4	747957	P2B516-ISN-212 FR	747961	P2B516-ISN-212 LR	071991	ISN 516/517-22215 FR	069304	ADPTR-IP-22215-212
517	75mm	071009	P2B517-ISN-075MFR	71026	P2B517-ISN-075MLR	071991	ISN 516/517-22215 FR	744984	ADPTR-IP-22215-75MM
	2-15/16	747964	P2B517-ISN-215 FR	747968	P2B517-ISN-215 LR	071991	ISN 516/517-22215 FR	069305	ADPTR-IP-22215-215
	3	747965	P2B517-ISN-300 FR	747969	P2B517-ISN-300 LR	071991	ISN 516/517-22215 FR	069306	ADPTR-IP-22215-300
518	80mm	071010	P2B518-ISN-080MFR	071027	P2B518-ISN-080MLR	071992	ISN 518-22218 FR	744985	ADPTR-IP-22218-80M
	3-3/16	747972	P2B518-ISN-303 FR	747976	P2B518-ISN-303 LR	071992	ISN 518-22218 FR	069307	ADPTR-IP-22218-303
	3-1/4	747973	P2B518-ISN-304 FR	747977	P2B518-ISN-304 LR	071992	ISN 518-22218 FR	069308	ADPTR-IP-304
519	85mm	071011	P2B519-ISN-085MFR	071028	P2B519-ISN-085MLR	071993	ISN 519-22218 FR	744986	ADPTR-IP-22218-85M
520	90mm	071012	P2B520-ISN-090MFR	071029	P2B520-ISN-090MLR	071994	ISN 520-22220 FR	744987	ADPTR-IP-22220-090MM
	3-7/16	747980	P2B520-ISN-307 FR	747984	P2B520-ISN-307 LR	071994	ISN 520-22220 FR	064074	ADPTR-IP-22220-307
	3-1/2	747981	P2B520-ISN-308 FR	747985	P2B520-ISN-308 LR	071994	ISN 520-22220 FR	064075	ADPTR-IP-22220-308
522	100mm	071013	P2B522-ISN-100MFR	071030	P2B522-ISN-100MLR	071995	ISN 522-22220 FR	744988	ADPTR-IP-22220-100MM
	3-15/16	747988	P2B522-ISN-315 FR	747992	P2B522-ISN-315 LR	071995	ISN 522-22220 FR	069312	ADPTR-IP-22220-315
	4	747989	P2B522-ISN-400 FR	747993	P2B522-ISN-400 LR	071995	ISN 522-22220 FR	069313	ADPTR-IP-22220-400
524	110mm	071014	P2B524-ISN-110MFR	071031	P2B524-ISN-110MLR	071996	ISN 524-22222 FR	744989	ADPTR-IP-22222-110MM
526	115mm	071015	P2B526-ISN-115MFR	071032	P2B526-ISN-115MLR	071997	ISN 526-22226 FR	744990	ADPTR-IP-22226-115MM
	4-7/16	747996	P2B526-ISN-407 FR	748000	P2B526-ISN-407 LR	071997	ISN 526-22226 FR	064076	ADPTR-IP-22226-407
	4-1/2	747997	P2B526-ISN-408 FR	748001	P2B526-ISN-408 LR	071997	ISN 526-22226 FR	064077	ADPTR-IP-22226-408
528	12 5mm	071016	P2B528-ISN-125MFR	071033	P2B528-ISN-125MLR	071998	ISN 528-22226 FR	744991	ADPTR-IP-22226-125MM
	4-15/16	748004	P2B528-ISN-415 FR	748008	P2B528-ISN-415 LR	071998	ISN 528-22226 FR	069316	ADPTR-IP-22226-415
	5	748005	P2B528-ISN-500 FR	748009	P2B528-ISN-500 LR	071998	ISN 528-22226 FR	069317	ADPTR-IP-22226-500
530	135mm	071102	P2B530-ISN-135MFR	071103	P2B530-ISN-135MLR	071116	ISN-IP-530-135MR	071114	ADPTR-IP-22228-135M
532	140mm	071106	P2B532-ISN-140MFR	071107	P2B532-ISN-140MLR	071118	ISN-IP-532-140MR	071115	ADPTR-IP-22230-140M
534	150mm	078822	P4B534-ISN-150MFR	078823	P4B534-ISN-150MLR	062254	ISN-IP-150MR	062255	ADPTR-IP-22232-150M
536	160mm	078824	P4B536-ISN-160MFR	078825	P4B536-ISN-160MLR	078138	ISN-IP-160MR	074615	ADPTR-IP-22236-160M
538	170mm	078826	P4B538-ISN-170MFR	078827	P4B538-ISN-170MLR	079881	ISN-IP-170MR	062271	ADPTR-IP-22236-170M

F = Non-expansion, L = Expansion, R = Trident rubbing seal; S = Labyrinth seal

Unless specified, dimensions are in mm for metric parts and inches for non-metric parts.

Note: Dimensions are in MM (in)

Plummer blocks

Selection

ISN plummer blocks with Labyrinth seals

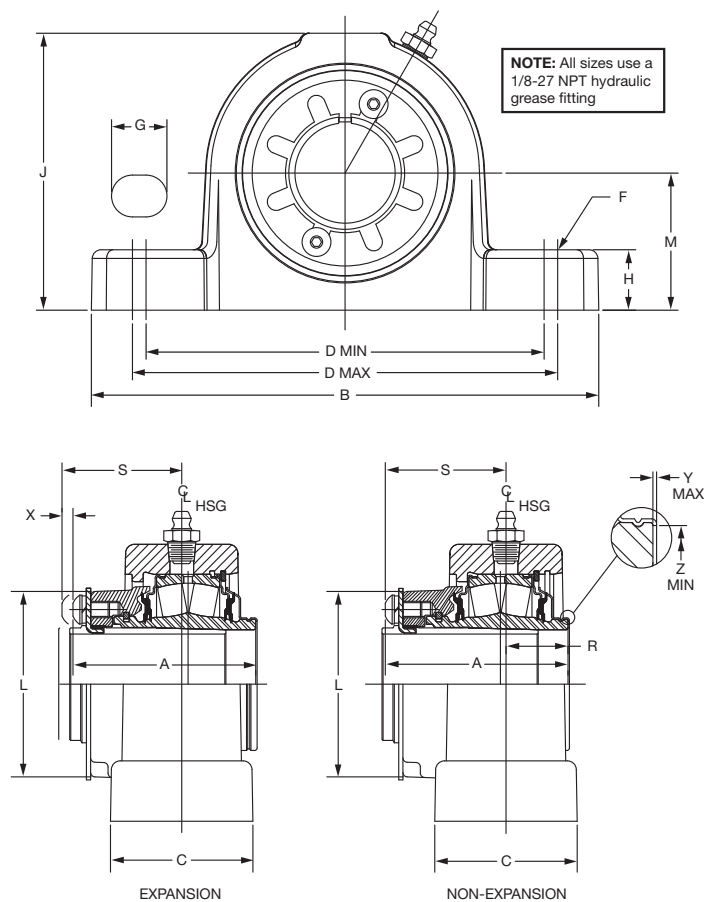
30 through 140mm, 2-bolt					
Series	Ø shaft	Part no.	Fixed bearing description	Part no.	Exp. bearing description
507	30mm	071034	P2B507-ISN-030MFS	071051	P2B507-ISN-030MLS
508	35mm	071035	P2B508-ISN-035MFS	071052	P2B508-ISN-035MLS
509	40mm	071036	P2B509-ISN-040MFS	070053	P2B509-ISN-040MLS
	1-1/2.	075154	P2B509-ISN-108 FS		
510	45mm	071037	P2B510-ISN-045MFS	071054	P2B510-ISN-045MLS
511	50mm	071038	P2B511-ISN-050MFS	071055	P2B511-ISN-050MLS
512	55mm	071039	P2B512-ISN-055MFS	071056	P2B512-ISN-055MLS
513	60mm	071040	P2B513-ISN-060MFS	071057	P2B513-ISN-060MLS
	2-3/16	077481	P2B513-ISN-203 FS		
	2-1/2			076670	P2B513-ISN-208-LS
515	65mm	071041	P2B515-ISN-065MFS	071058	P2B515-ISN-065MLS
	2-1/2	074989	P2B515-ISN-208 FS		
516	70mm	071042	P2B516-ISN-070MFS	071059	P2B516-ISN-070MLS
517	75mm	071043	P2B517-ISN-075MFS	071060	P2B517-ISN-075MLS
518	80mm	071044	P2B518-ISN-080MFS	071061	P2B518-ISN-080MLS
519	85mm	071045	P2B519-ISN-085MFS	071062	P2B519-ISN-085MLS
520	90mm	071046	P2B520-ISN-090MFS	071063	P2B520-ISN-090MLS
522	100mm	071047	P2B522-ISN-100MFS	071064	P2B522-ISN-100MLS
524	110mm	071048	P2B524-ISN-110MFS	071065	P2B524-ISN-110MLS
526	115mm	071049	P2B526-ISN-115MFS	071066	P2B526-ISN-115MLS
528	125mm	071050	P2B528-ISN-125MFS	071067	P2B528-ISN-125MLS
530	135mm	071104	P2B530-ISN-135MFS	071105	P2B530-ISN-135MLS
532	140mm	071108	P2B532-ISN-140MFS	071109	P2B532-ISN-140MLS

Unless specified, dimensions are in mm for metric parts and inches for non-metric parts.
Note: Dimensions are in MM (in)

Plummer blocks

Dimensions

ISN plummer block dimensions



Series	Shaft size mm	A	B	C	D		E*	F bolt dia	G	H	J	L	M	R	S	X total exp.
					Min	Max										
507	30	66.7	184.9	52.0	145.0	155.0		M12	20.0	22.0	100.9	67.6	50.0	22.6	44.1	4.0
508	35	66.7	205.9	60.2	150.0	174.6		M12	27.3	25.0	110.8	67.6	60.0	22.6	44.1	4.0
509	40	71.4	206.3	60.2	155.0	174.6		M12	24.8	25.0	114.0	74.7	60.0	20.6	50.8	6.5
510	45	72.6	204.9	60.2	160.0	175.0		M12	22.5	25.0	113.8	81.0	60.0	21.18	50.8	6.5
511	50	72.6	253.9	70.2	190.0	215.9		M16	31.0	28.0	124.5	81.0	70.0	21.8	50.8	6.5
512	55	77.0	253.9	69.9	190.0	216.0		M16	31.0	30.0	130.3	87.1	70.0	23.0	54.0	7.0
513	60	86.9	274.9	80.2	205.0	235.0		M16	33.0	30.0	152.4	96.5	80.0	30.6	56.3	7.0
515	65	88.9	280.1	80.1	215.0	236.0		M16	28.5	30.0	156.0	106.7	80.0	31.4	57.5	7.0
516	70	88.9	315.9	90.2	244.5	268.3		M20	34.1	32.0	176.0	106.7	95.0	31.4	57.5	7.0
517	75	88.9	315.9	90.2	244.5	268.3		M20	34.1	32.0	176.0	106.7	95.0	31.4	57.5	7.0
518	80	106.0	345.3	100.3	270.0	293.7		M20	34.0	35.0	196.7	124.7	100.0	37.7	68.3	7.0
519	85	106.0	345.0	100.2	264.2	296.1		M20	37.9	35.0	205.2	124.7	112.0	37.7	68.3	7.0
520	90	120.0	379.8	110.2	292.8	327.0		M24	43.1	40.0	218.3	138.7	112.0	41.7	77.8	8.0
522	100	120.0	410.0	120.0	314.4	356.0		M24	46.8	45.0	239.0	138.7	125.0	41.7	77.8	8.0
524	110	133.0	410.0	120.0	314.5	356.0		M24	46.8	45.0	260.7	161.3	140.0	44.5	88.5	10.0
526	115	152.0	444.8	130.0	359.6	387.0		M24	41.7	50.0	292.8	191.8	150.0	48.4	103.6	10.0
528	125	152.0	500.0	150.2	400.0	427.0		M30	48.5	50.0	290.4	191.8	150.0	48.4	103.6	10.0
530	135	156.8	539.8	159.8	443.0	457.0		M30	42.0	60.0	312.5	222.2	160.0	51.8	105.0	16.3
532	140	179.8	560.0	160.0	463.0	477.0		M30	42.0	60.0	345.3	260.4	170.0	62.4	117.4	16.8
534	150	178.8	510.0	180.0	424.0	436.0	100.0	M24	34.0	70.0	344.0	260.4	170.0	62.1	117.7	16.8
536	160	191.8	530.0	190.0	444.0	456.0	110.0	M24	34.0	75.0	366.0	289.3	180.0	65.0	126.8	17.0
538	170	191.8	560.0	210.0	474.0	486.0	120.0	M24	34.0	80.0	385.0	289.3	190.0	65.0	126.8	17.0

*Applies to four bolt pillow block (serie 534, 536, 538) only.

Unless specified, dimensions are in mm for metric parts and inches for non-metric parts.

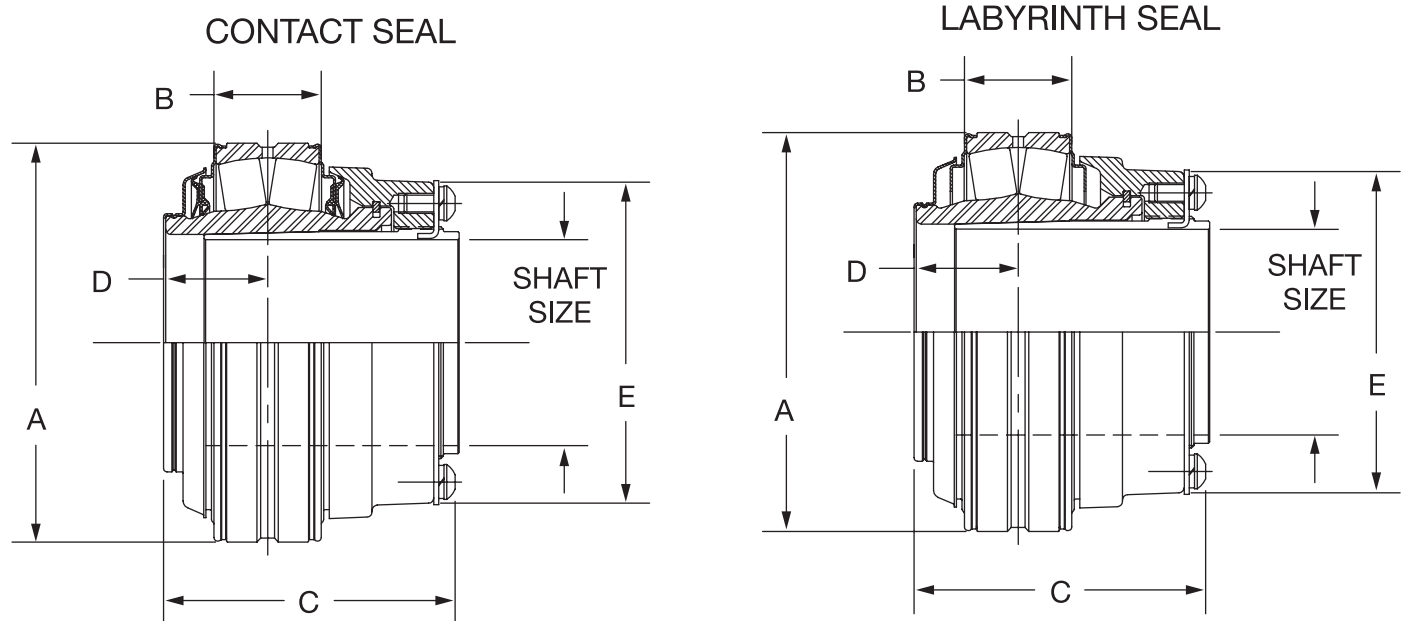
Note: Dimensions are in MM (in)

Plummer blocks

Dimensions

ISN bearing inserts

Metric sizes 30-170 mm



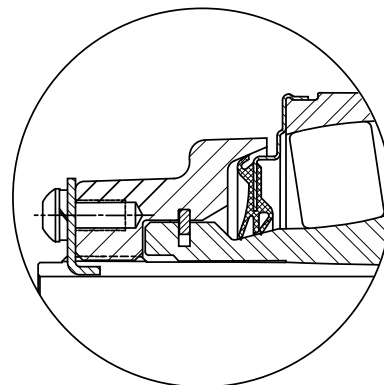
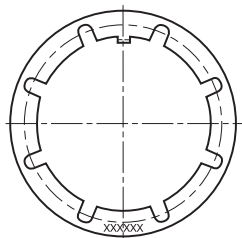
Shaft Size mm	Contact seal		Labyrinth seal		Dimensions in mm				
	Part number	Description	Part number	Description	A	B	C	D	E
30	071068	INS-ISN-30MR	071085	INS-ISN-30MS	80.0	24.0	66.7	24.6	67.6
35	071069	INS-ISN-35MR	071086	INS-ISN-35MS					
40	071070	INS-ISN-40MR	071087	INS-ISN-40MS	85.0	24.0	71.4	24.2	74.7
45	071071	INS-ISN-45MR	071088	INS-ISN-45MS					
50	071072	INS-ISN-50MR	071089	INS-ISN-50MS	90.0	24.0	72.6	24.8	81.0
55	071073	INS-ISN-55MR	071090	INS-ISN-55MS	100.0	26.3	77.0	26.7	87.1
60	071074	INS-ISN-60MR	071091	INS-ISN-60MS	120.0	32.3	86.9	30.7	96.5
65	071075	INS-ISN-65MR	071092	INS-ISN-65MS					
70	071076	INS-ISN-70MR	071093	INS-ISN-70MS	130.0	32.3	88.9	31.0	106.7
75	071077	INS-ISN-75MR	071094	INS-ISN-75MS					
80	071078	INS-ISN-80MR	071095	INS-ISN-80MS	160.0	41.3	106.3	37.7	124.7
85	071079	INS-ISN-85MR	071096	INS-ISN-85MS					
90	071080	INS-ISN-90MR	071097	INS-ISN-90MS	180.0	47.3	120.0	41.8	138.7
100	071081	INS-ISN-100MR	071098	INS-ISN-100MS					
110	071082	INS-ISN-110MR	071099	INS-ISN-110MS	200.0	54.8	133.0	49.1	161.3
115	071083	INS-ISN-115MR	071100	INS-ISN-115MS					
125	071084	INS-ISN-125MR	071101	INS-ISN-125MS	230.0	65.8	152.0	53.5	191.8
135	071116	INS-ISN-135MR	071117	INS-ISN-135MS	250.0	69.9	156.8	59.4	222.2
140	071118	INS-ISN-140MR	071119	INS-ISN-140MS					
150	079991	INS-ISN-150MR	—	—	290.0	81.8	179.8	70.3	260.4
160	079992	INS-ISN-160MR	—	—					
170	079993	INS-ISN-170MR	—	—	320.0	88.1	187.7	72.7	289.7

Plummer blocks

Dimensions

ISN lockplate kits

Size	Part no.
30	048925
35	048925
40	048926
45	048927
50	048927
55	048928
60	048929
65	048930
70	048930
75	048930
80	048931
85	048931
90	048932
100	048932
110	048933
115	048934
125	048934
135	079882
140	079883
150	079883
160	079884
170	079884

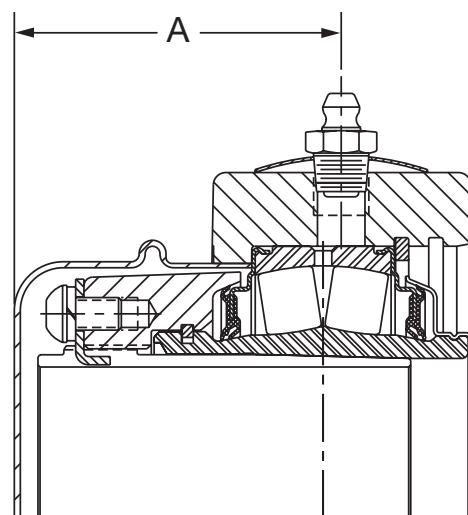


Kit consists of:

- 1 Lockplate
- 2 Socket head cap screws
- 2 Lockwashers

ISN end cover

Housing series	Bore size	Front side closed cover		Front side open cover		Back side open cover		A
		Part no.	Description	Part no.	Description	Part no.	Description	
507	30	069960	IPEC08	070251	IPEC0-08-30mm	070620	IPBEC0-08-30mm	51.0
508	35	069960	IPEC08	070252	IPEC0-08-35mm	070621	IPBEC0-08-35mm	51.0
509	40	069961	IPEC09	070253	IPEC0-09-40mm	070622	IPBEC0-09-40mm	55.0
510	45	069962	IPEC10	070254	IPEC0-10-45mm	070623	IPBEC0-10-45mm	59.0
511	50	069962	IPEC10	070255	IPEC0-10-50mm	070624	IPBEC0-10-50mm	59.0
512	55	069963	IPEC11	070256	IPEC0-11-55mm	070625	IPBEC0-11-55mm	62.0
513	60	069964	IPEC13	070257	IPEC0-13-60mm	070626	IPBEC0-13-60mm	67.0
515	65	069965	IPEC15	070258	IPEC0-15-65mm	070627	IPBEC0-15-65mm	75.0
516	70	069965	IPEC15	070259	IPEC0-15-70mm	070628	IPBEC0-15-70mm	75.0
517	75	069965	IPEC15	070260	IPEC0-15-75mm	070629	IPBEC0-15-75mm	75.0
518	80	069966	S21PEC18	070261	IPEC0-18-80mm	070630	IPBEC0-18-80mm	79.0
519	85	069966	S21PEC18	070262	IPEC0-18-85mm	070631	IPBEC0-18-85mm	79.0
520	90	069967	S21PEC20	070263	IPEC0-20-90mm	070632	IPBEC0-20-90mm	90.0
522	100	069967	S21PEC20	070264	IPEC0-20-100mm	070633	IPBEC0-20-100mm	90.0
524	110	069968	S21PEC22	070265	IPEC0-22-110mm	070634	IPBEC0-22-110mm	100.0
526	115	069969	S21PEC26	070266	IPEC0-26-115mm	070635	IPBEC0-26-115mm	112.0
528	125	069969	S21PEC26	070267	IPEC0-26-125mm	070636	IPBEC0-26-125mm	112.0
530	135	069983	IPEC28	TBD				122.0
532	140	069984	IPEC32	TBD				135.0
534	150	069984	IPEC32	TBD				135.0
536	160	069985	IPEC36	TBD				143.0
538	170	069985	IPEC36	TBD				143.0



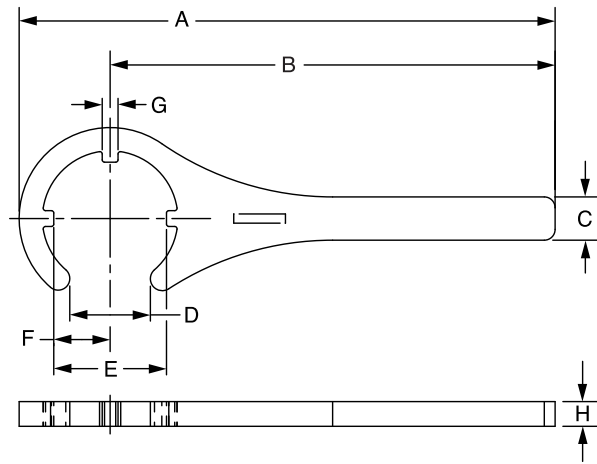
Plummer Block

Unless specified, dimensions are in mm for metric parts and inches for non-metric parts.
Note: Dimensions are in MM (in)

Plummer blocks

Dimensions

ISN spanner



Dimensions mm/inch

Shaft size		Part no.	A	B	C	D	E	F	G	H
mm	Inch									
30 thru 35	1-1/8 thru 1-1/2	066629	10.84 275.3	9.00 228.6	0.88 22.4	1.63 41.4	2.28 57.9	1.14 29.0	0.32 8.1	0.50 12.7
40	1-5/8 thru 1-3/4		11.04 280.4	9.00 228.6	0.88 22.4	1.88 47.8	2.48 63.0	1.24 31.5	0.32 8.1	0.50 12.7
45 thru 50	1-7/8 thru 2	066631	11.20 284.5	9.00 228.6	0.88 22.4	2.13 54.1	2.73 69.2	1.36 34.5	0.32 8.1	0.50 12.7
55	2-1/8		12.38 314.5	10.00 254.0	0.88 22.4	2.38 60.5	2.98 75.7	1.49 37.8	0.44 11.2	0.50 12.7
60	2-3/16 thru 2-1/4	066633	12.63 320.8	10.00 254.0	1.31 33.3	2.63 66.8	3.40 86.4	1.70 43.2	0.44 11.2	0.50 12.7
65 70 75	2-7/16 thru 3		16.90 429.3	14.00 355.6	1.31 33.3	3.13 79.5	3.80 96.5	1.90 48.3	0.44 11.2	0.50 12.7
80 thru 85	3-3/16 thru 3-1/4	066635	17.39 441.7	14.00 355.6	1.31 33.3	3.63 92.2	4.36 110.7	2.18 55.4	0.44 11.2	0.50 12.7
90 thru 100	3-7/16 thru 4		17.75 450.9	14.00 355.6	1.75 44.5	4.13 104.9	4.91 124.7	2.46 62.5	0.44 11.2	0.50 12.7
110		066637	20.36 517.1	16.00 406.4	1.75 44.5	4.63 117.6	5.68 144.3	2.84 72.1	0.44 11.2	0.50 12.7
115 thru 125	4-7/16 thru 5		25.17 639.3	20.00 508.0	2.00 50.8	5.13 130.3	6.88 174.8	3.44 87.4	0.44 11.2	0.50 12.7
135	5-7/16 thru 5-1/2	066642	27.82 706.6	22.00 558.8	2.00 50.8	5.63 143.0	8.05 204.5	4.03 102.4	0.69 4.8	0.50 12.7
140 thru 150	5-15/16 thru 6		28.75 730.3	22.00 558.8	2.00 50.8	6.13 155.7	9.13 231.9	4.57 116.1	0.75 19.1	0.50 12.7
160 thru 170	6-7/16 thru 7	066644	31.54 801.1	24.00 609.6	2.00 50.8	7.13 181.1	10.08 256.0	5.04 128.0	0.75 19.1	0.50 12.7

Unless specified, dimensions are in mm for metric parts and inches for non-metric parts.
Note: Dimensions are in MM (in)

Plummer blocks

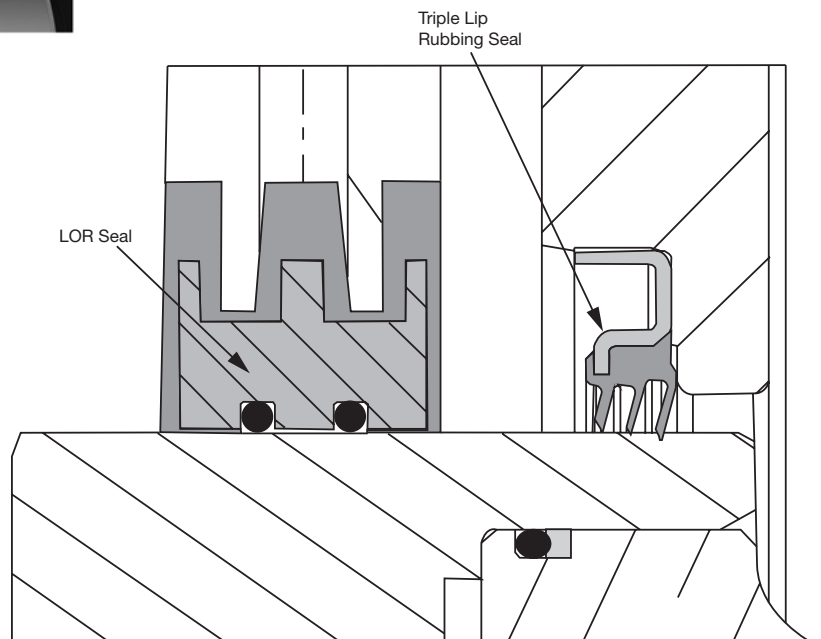
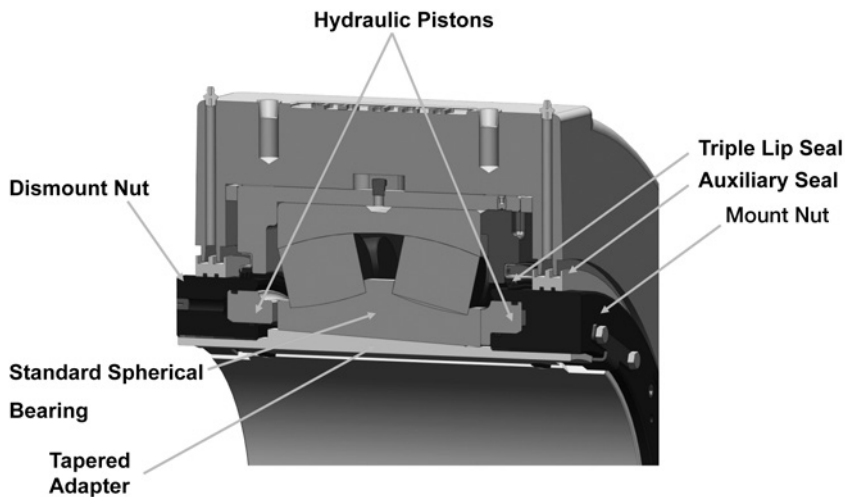
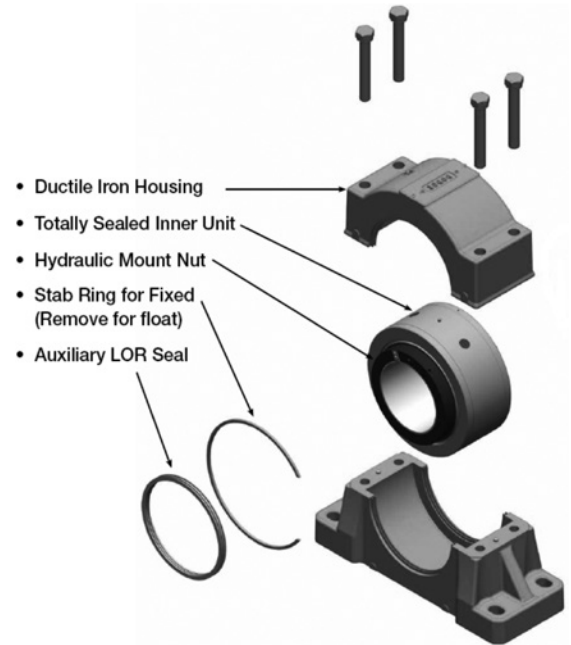
Features/Benefits

ISNX

Hydraulic mount/dismount with SD3100 dimensions

Patented hydraulic mount and dismount system SD3100

- Incorporates a hydraulic mount and dismount nut as a standard feature on the inner unit for quicker installation and removal of bearing
- Totally sealed inner unit prevents contamination during installation
- Harsh duty sealing system is functionally equivalent to a standard Taconite seal
- SD3100 dimensioned housing that matches ISO 113 standards
- Incorporates standard 23134 thru 23176 double row spherical roller bearings
- 150mm thru 360mm bore size
- High strength ductile iron housing is standard
- Incorporates a fixing ring for expansion/non-expansion capability



Plummer blocks

Selection

ISNX

Table 5: Spherical roller bearings

23100K series										
Shaft size adapter mounted	Bearing series	e	$F_A/F_R \leq e$		$F_A/F_R > e$		Adapter maximum allowable thrust load kN (lb) †	Dynamic capacity (C) kN (lb)	Static capacity (Co) kN (lb)	Maximum RPM
			X	Y	X	Y				
150mm	23134K	.28	1	2.40	.67	3.50	45 (10116)	1032 (232004)	1668 (374983)	1300
160mm	23136K	.29	1	2.30	.67	3.50	52 (11690)	1201 (269997)	1913 (430062)	1200
170mm	23138K	.30	1	2.30	.67	3.40	59 (13264)	1357 (305067)	2180 (490086)	1100
180mm	23140K	.35	1	2.00	.67	2.90	67 (15062)	1335 (300121)	2269 (510094)	900
200mm	23144K	.33	1	2.00	.67	3.00	79 (17760)	1624 (365091)	2914 (655096)	800
220mm	23148K	.33	1	2.10	.67	3.10	92 (20683)	1846 (414999)	3269 (734904)	750
240mm	23152K	.33	1	2.00	.67	3.00	89 (20008)	2180 (490086)	4003 (899914)	670
260mm	23156K	.32	1	2.10	.67	3.20	123 (27652)	2358 (530102)	4359 (979947)	630
280mm	23160K	.33	1	2.10	.67	3.10	144 (32373)	2669 (600018)	4938 (1110112)	600
300mm	23164K	.34	1	2.00	.67	2.90	169 (37993)	3203 (720066)	5961 (1340092)	530
320mm	23168K	.34	1	2.00	.67	2.90	194 (43613)	3692 (829999)	6939 (1559957)	500
340mm	23172K	.33	1	2.10	.67	3.10	203 (45636)	3781 (850007)	7384 (1659997)	480
360mm	23176K	.32	1	2.10	.67	3.20	221 (49683)	4070 (914977)	8140 (1829953)	450

If the thrust load exceeds adapter maximum allowable thrust load, auxiliary methods of carrying thrust are required.

23100K series bearings will be provided with metric housings only.

Unless specified, dimensions are in mm for metric parts and inches for non-metric parts.

Note: Dimensions are in MM (in)

Plummer blocks

Selection

ISNX hydraulic assist spherical roller bearing selection

Table 6: ISNX hydraulic assist spherical roller bearings selection table

23100K series																			
Shaft size	Housing designation	Bearing series	Max RPM	L10 grease hours life	Allowable equivalent radial load rating (kN) at various RPM														
					50	100	150	200	250	300	400	500	550	600	650	700	750	950	1300
150mm	3134	23134K	1300	50,000	230 (51706)	186 (41815)	165 (37094)	151 (33946)	142 (31923)	134 (30125)	134 (30125)	115 (25853)	112 (25179)	109 (24504)	106 (23830)	104 (23380)	102 (22931)	95 (21357)	86 (19334)
	3134	23134K	1300	80,000	199 (44737)	162 (36419)	143 (32148)	132 (29675)	123 (27652)	116 (26078)	116 (26078)	200 (44962)	97 (21807)	95 (21357)	92 (20683)	90 (20233)	88 (19783)	82 (18434)	75 (16861)
	3134	23134K	1300	100,000	186 (41815)	151 (33946)	134 (30125)	123 (27652)	115 (25853)	109 (24504)	109 (24504)	93 (20907)	91 (20458)	88 (19783)	86 (19334)	84 (18884)	83 (18659)	77 (17310)	70 (15737)
160mm	3136	23136K	1200	50,000	267 (60024)	217 (48784)	192 (43164)	176 (39567)	165 (37094)	156 (35070)	156 (35070)	134 (30125)	130 (29225)	127 (28551)	124 (27876)	121 (27202)	119 (26752)	110 (24729)	101 (22706)
	3136	23136K	1200	80,000	232 (52156)	188 (42264)	167 (37543)	153 (34396)	143 (32148)	136 (30574)	136 (30574)	116 (26078)	113 (25404)	110 (24729)	107 (24055)	105 (23605)	103 (23155)	96 (21582)	87 (19558)
	3136	23136K	1200	100,000	217 (48784)	176 (39567)	156 (35070)	143 (32148)	134 (30125)	127 (28551)	127 (28551)	109 (24504)	106 (23830)	103 (23155)	101 (22706)	98 (22031)	96 (21582)	90 (20233)	82 (18434)
170mm	3138	23138K	1100	50,000	302 (67893)	245 (55078)	217 (48784)	199 (44737)	186 (41815)	176 (39567)	176 (39567)	151 (33946)	147 (33047)	143 (32148)	140 (31473)	137 (30799)	134 (30125)	125 (28101)	114 (25628)
	3138	23138K	1100	80,000	262 (58900)	213 (47885)	188 (42264)	173 (38892)	162 (36419)	153 (34396)	153 (34396)	131 (29450)	128 (28776)	124 (27876)	121 (27202)	119 (26752)	116 (26078)	108 (24279)	99 (22256)
	3138	23138K	1100	100,000	245 (55078)	199 (44737)	176 (39567)	162 (36419)	151 (33946)	143 (32148)	143 (32148)	123 (27652)	119 (26752)	116 (26078)	114 (25628)	111 (24954)	109 (24504)	101 (22706)	92 (20683)
180mm	3140	23140K	900	50,000	297 (66769)	241 (54179)	213 (47885)	196 (44063)	183 (41140)	173 (38892)	173 (38892)	149 (33497)	145 (32597)	141 (31698)	137 (30799)	134 (30125)	132 (29675)	123 (27652)	
	3140	23140K	900	80,000	258 (58001)	209 (46985)	185 (41590)	170 (38218)	159 (35745)	151 (33946)	151 (33946)	129 (29000)	126 (28326)	122 (27427)	119 (26752)	117 (26303)	114 (25628)	107 (24055)	
	3140	23140K	900	100,000	241 (54179)	196 (44063)	173 (38892)	159 (35745)	149 (33497)	141 (31698)	141 (31698)	121 (27202)	117 (26303)	114 (25628)	112 (25179)	109 (24504)	107 (24055)	100 (22481)	
200mm	3144	23144K	800	50,000	361 (81156)	293 (65869)	260 (58451)	238 (53505)	223 (50133)	211 (47435)	211 (47435)	181 (40691)	176 (39567)	171 (38443)	167 (37543)	164 (36869)	160 (35970)		
	3144	23144K	800	80,000	314 (70590)	255 (57327)	226 (50807)	207 (46536)	194 (43613)	183 (41140)	183 (41140)	157 (35295)	153 (34396)	149 (33497)	145 (32597)	142 (31923)	139 (31249)		
	3144	23144K	800	100,000	293 (65869)	238 (53505)	211 (47435)	194 (43613)	181 (40691)	171 (38443)	171 (38443)	147 (33047)	143 (32148)	139 (31249)	136 (30574)	133 (29900)	130 (29225)		
220mm	3148	23148K	750	50,000	411 (92397)	334 (75087)	295 (66319)	271 (60924)	253 (56877)	240 (53954)	240 (53954)	206 (46311)	200 (44962)	195 (43838)	190 (42714)	186 (41815)	182 (40915)		
	3148	23148K	750	80,000	357 (80257)	290 (65195)	256 (57551)	235 (52830)	220 (49458)	208 (46760)	208 (46760)	179 (40241)	174 (39117)	169 (37993)	165 (37094)	162 (36419)	158 (35520)		
	3148	23148K	750	100,000	334 (75087)	271 (60924)	240 (53954)	220 (49458)	206 (46311)	195 (43838)	195 (43838)	167 (37543)	162 (36419)	158 (35520)	154 (34621)	151 (33946)	148 (33272)		
240mm	3152	23152K	670	50,000	485 (109033)	394 (88575)	349 (78459)	320 (71939)	299 (67218)	283 (63621)	283 (63621)	243 (54629)	236 (53055)	230 (51706)	225 (50582)	220 (49458)	215 (48334)		
	3152	23152K	670	80,000	421 (94645)	342 (76885)	303 (68117)	278 (62497)	260 (58451)	246 (55303)	246 (55303)	211 (47435)	205 (46086)	200 (44962)	195 (43838)	191 (42939)	187 (42039)		
	3152	23152K	670	100,000	394 (88575)	320 (71939)	283 (63621)	260 (58451)	243 (54629)	230 (51706)	230 (51706)	197 (44288)	192 (43164)	187 (42039)	182 (40915)	178 (40016)	175 (39342)		

Unless specified, dimensions are in mm for metric parts and inches for non-metric parts.
Note: Dimensions are in MM (in)

Plummer blocks

Selection

ISNX hydraulic assist spherical roller bearing selection

Table 6: ISNX hydraulic assist spherical roller bearings selection table (continued)

23100K series					Allowable equivalent radial load rating (kN) at various RPM															
Shaft size	Housing designation	Bearing series	Max RPM grease life	L10 hours	Allowable equivalent radial load rating (kN) at various RPM															
					50	100	150	200	250	300	400	500	550	600	650	700	750	950	1300	
260mm	3156	23156K	630	50,000	524 (117800)	426 (95769)	377 (84753)	346 (77784)	324 (72838)	306 (68792)	306 (68792)	263 (59125)	255 (57327)	249 (55978)	243 (54629)	238 (53505)	233 (52381)			
	3156	23156K	630	80,000	455 (102289)	370 (83180)	328 (73738)	300 (67443)	281 (63172)	266 (59799)	266 (59799)	228 (51257)	222 (49908)	216 (48559)	211 (47435)	206 (46311)	202 (45412)			
	3156	23156K	630	100,000	426 (95769)	346 (77784)	297 (66769)	281 (63172)	263 (59125)	249 (55978)	249 (55978)	213 (47885)	207 (46536)	202 (45412)	197 (44288)	193 (43388)	189 (42489)			
280mm	3160	23160K	600	50,000	594 (133537)	482 (108358)	427 (95994)	392 (88126)	366 (82280)	347 (78009)	347 (78009)	298 (66993)	289 (64970)	282 (63396)	275 (61823)	269 (60474)	263 (59125)			
	3160	23160K	600	80,000	419 (94195)	419 (94195)	371 (83405)	340 (76435)	318 (71490)	301 (67668)	301 (67668)	258 (58001)	251 (56427)	245 (55078)	239 (53730)	234 (52606)	229 (51481)			
	3160	23160K	600	100,000	482 (108358)	392 (88126)	347 (78009)	318 (71490)	298 (66993)	282 (63396)	282 (63396)	242 (54404)	235 (52830)	229 (51481)	223 (50133)	218 (49009)	205 (46086)			
300mm	3164	23164K	530	50,000	712 (160065)	579 (130165)	512 (115103)	470 (105661)	440 (98916)	416 (93521)	416 (93521)	357 (80257)	347 (78009)	338 (75986)	330 (74187)					
	3164	23164K	530	60,000	619 (139157)	503 (113079)	445 (100040)	408 (91722)	382 (85877)	361 (81156)	361 (81156)	310 (69691)	301 (67668)	294 (66094)	287 (64520)					
	3164	23164K	530	100,000	579 (130165)	470 (105661)	416 (93521)	382 (85877)	268 (60249)	338 (75986)	338 (75986)	390 (87676)	282 (63396)	275 (61823)	268 (60249)					
320mm	3168	23168K	500	50,000	821 (184569)	667 (149948)	591 (132863)	542 (121847)	507 (113979)	480 (107909)	480 (107909)	412 (92622)	400 (89924)	301 (67668)						
	3168	23168K	500	80,000	713 (160290)	579 (130165)	513 (115328)	471 (105886)	440 (98916)	417 (93746)	417 (93746)	357 (80257)	347 (78009)	338 (75986)						
	3168	23168K	500	100,000	667 (149948)	542 (121847)	480 (107909)	431 (96893)	412 (92622)	390 (87676)	390 (87676)	334 (75087)	325 (73063)	316 (71040)						
340mm	3172	23172K	480	50,000	841 (189065)	683 (153545)	605 (136010)	555 (124770)	519 (116676)	491 (110382)	491 (110382)	421 (94645)	410 (92172)	399 (89699)						
	3172	23172K	480	80,000	730 (164111)	593 (133312)	525 (118025)	482 (108358)	451 (101389)	427 (95994)	427 (95994)	277 (62272)	277 (62272)	347 (80032)	347 (80032)					
	3172	23172K	480	100,000	683 (153545)	555 (124770)	491 (110382)	451 (101389)	421 (94645)	310 (69691)	310 (69691)	342 (76885)	333 (74862)	323 (72614)						
360mm	3176	23176K	450	50,000	905 (203453)	735 (165235)	651 (146351)	597 (134212)	559 (125669)	529 (118924)	529 (118924)	454 (102064)	441 (99141)							
	3176	23176K	450	80,000	786 (176701)	639 (143654)	565 (127018)	519 (116676)	485 (109033)	459 (103188)	459 (103188)	394 (88575)	383 (86102)							
	3176	23176K	450	100,000	735 (165235)	597 (134212)	529 (118924)	485 (109033)	454 (102064)	430 (96668)	430 (96668)	368 (82730)	358 (80482)							

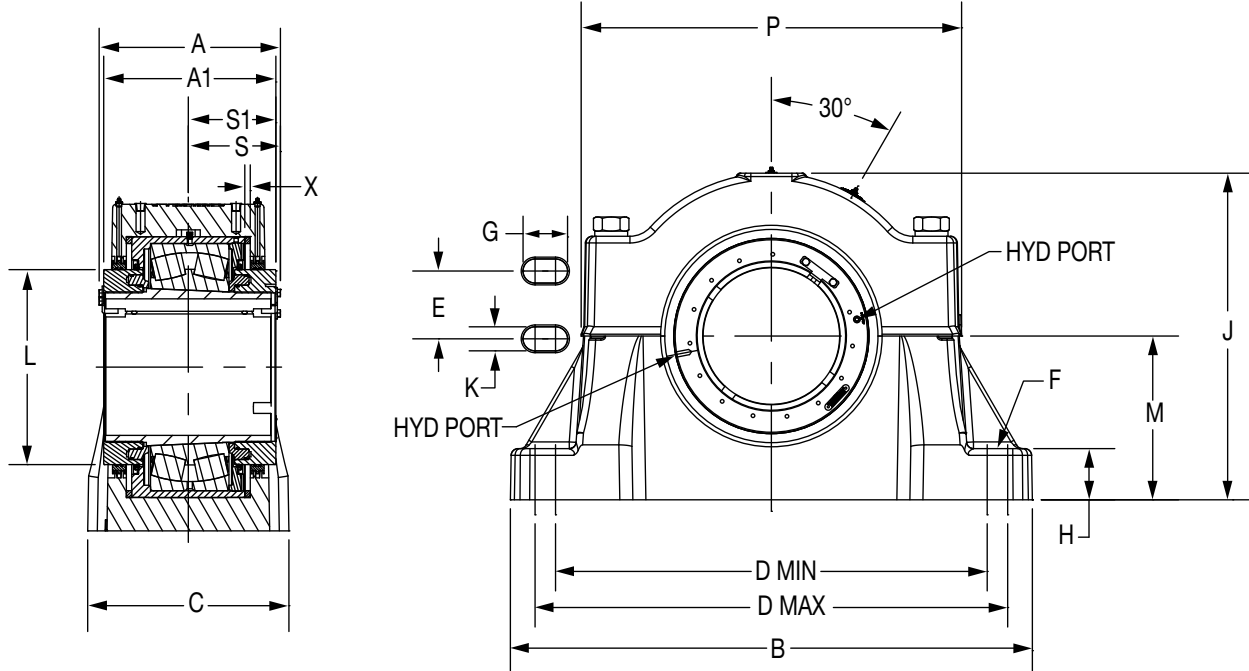
Unless specified, dimensions are in mm for metric parts and inches for non-metric parts.
 Note: Dimensions are in MM (in)

Plummer blocks

Dimensions

ISNX

Large bore SD dimension plummer blocks



Housing designation	Bearing series	Shaft size	Part no.	Description	Insert no.
3134	23134K	150mm	072919	P4B134-ISNX-150MR HYD	072895
3136	23136K	160mm	072920	P4B136-ISNX-160MR HYD	072896
3138	23138K	170mm	072921	P4B138-ISNX-170MR HYD	072897
3140	23140K	180mm	072922	P4B140-ISNX-180MR HYD	072898
3144	23144K	200mm	072923	P4B144-ISNX-200MR HYD	072899
3148	23148K	220mm	072924	P4B148-ISNX-220MR HYD	072900
3152	23152K	240mm	072912	P4B152-ISNX-240MR HYD	072901
3156	23156K	260mm	072913	P4B156-ISNX-260MR HYD	072902
3160	23160K	280mm	072914	P4B160-ISNX-280MR HYD	072903
3164	23164K	300mm	072915	P4B164-ISNX-300MR HYD	072904
3168	23168K	320mm	072916	P4B168-ISNX-320MR HYD	072905
3172	23172K	340mm	072917	P4B172-ISNX-340MR HYD	072906
3176	23176K	360mm	072918	P4B176-ISNX-360MR HYD	072907

Unless specified, dimensions are in mm for metric parts and inches for non-metric parts.

Note: Dimensions are in MM (in)

Shaft size	Series	Part no.	A	A1	B	C	D		E	F bolts	G	H	J	K	L	M	P	S	S1	X _{exp}
							Min	Max												
150mm	3134	072919	10.02	9.47	20.08	7.09	16.69	17.17	3.94	24mm	1.34	2.76	14.19	1.10	9.94	6.69	16.38	4.88	4.60	.78
160mm	3136	072920	10.49	9.94	20.87	7.48	17.48	17.96	4.33	24mm	1.34	2.95	14.96	1.10	10.45	7.08	17.24	5.18	4.90	.78
170mm	3138	072921	10.57	10.02	22.05	8.27	18.66	19.14	4.72	24mm	1.34	3.15	15.73	1.10	10.96	7.48	18.04	5.27	5.00	.78
180mm	3140	072922	11.20	10.65	24.02	9.06	19.80	20.36	5.12	30mm	1.65	3.35	16.77	1.38	11.22	8.27	18.52	5.43	5.15	.78
200mm	3144	072923	11.61	10.94	25.20	9.44	20.98	21.54	5.52	30mm	1.65	3.54	17.75	1.38	12.23	8.66	19.70	5.66	5.32	.78
220mm	3148	072924	12.46	11.79	27.56	10.24	23.34	23.90	5.90	30mm	1.65	3.74	19.14	1.38	12.24	9.45	20.88	6.10	5.77	.78
240mm	3152	072912	13.17	12.51	30.32	11.02	25.28	25.91	6.30	36mm	1.97	3.94	21.53	1.65	13.26	10.23	24.32	6.59	6.26	.78
260mm	3156	072913	13.28	12.61	31.10	11.02	26.06	26.69	6.30	36mm	1.97	4.13	22.95	1.65	14.28	11.02	24.38	6.75	6.41	.78
280mm	3160	072914	13.80	13.13	32.68	12.21	27.64	28.27	7.48	36mm	1.97	4.33	24.31	1.65	15.30	11.81	26.88	7.03	6.70	.78
300mm	3164	072915	14.46	13.79	34.65	12.99	29.21	29.84	7.87	36mm	1.97	4.53	26.10	1.65	16.33	12.60	28.38	7.22	6.89	.78
320mm	3168	072916	15.23	14.39	37.40	14.17	31.58	32.21	8.66	36mm	1.97	4.72	27.44	1.65	17.31	13.38	29.76	7.58	7.16	.78
340mm	3172	072917	15.16	14.49	39.37	14.17	32.76	33.39	8.66	36mm	1.97	4.72	28.53	1.65	18.35	13.78	31.88	7.71	7.38	.78
360mm	3176	072918	15.83	14.91	40.94	14.17	33.94	34.57	8.66	36mm	1.97	4.72	29.17	1.65	18.48	14.17	32.38	8.04	7.58	.78

Unless specified, dimensions are in mm for metric parts and inches for non-metric parts.

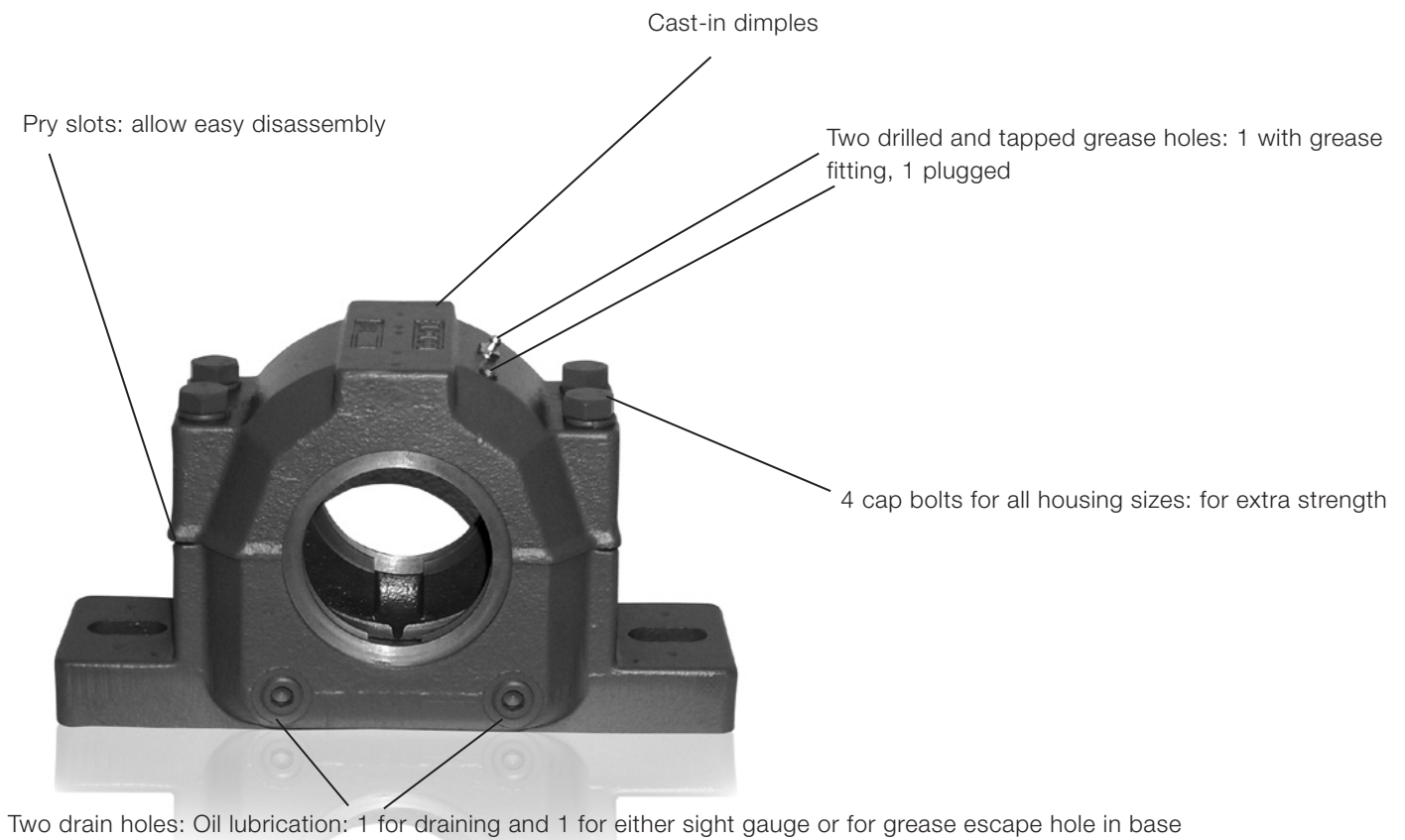
Note: Dimensions are in MM (in)

Plummer blocks

Features/Benefits

SNX™

Split plummer block housing



Stronger feet for extra load capacity
Housing made of cast iron GG25

Plummer blocks

Features/Benefits

SNX



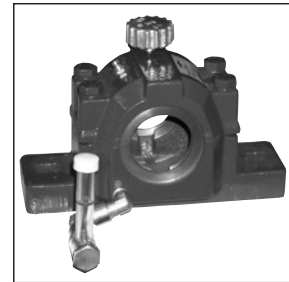
Oil equalization passage: allows oil flow from side to side



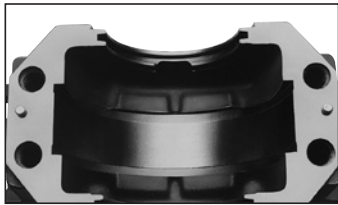
Extra capacity oil sump: lowers operating temperature

Standard SNX housings are suitable for either oil or grease lubrication

Seal options: Felt, V-Ring, LD, TS and TT Seals in the 200 and 500 Series



Oil sight gauge & breather kit available



Oil return slots: prevent leaking

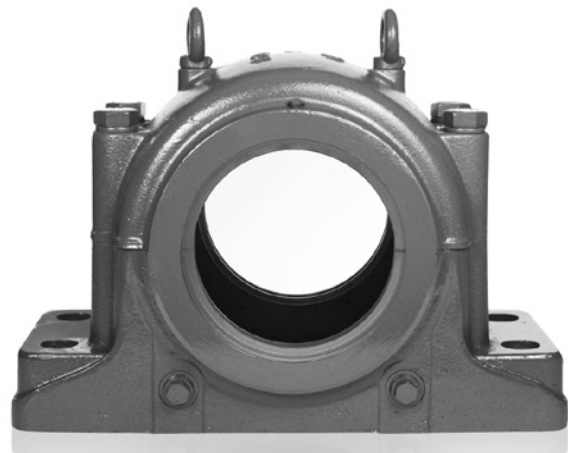


Offset dowels and match mark: allows matching of cap to corresponding base

Dodge® SDX™ Heavy duty plummer block housings

SD housing with extra capability

- Size range 3040 to 3068, 3134 to 3164
- Available in cast iron (GG) from stock
- Accepts 23000K & 23100K spherical bearings
- Drilled and tapped grease hole with grease fitting
- TS labyrinth seal standard
- TT Triple-Tect seal optional; housing machined to allow direct greasing of seal and ability to purge seal
- Pre-drilled with grease hole & fitting over seal groove



Plummer blocks

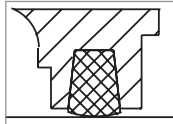
Features/Benefits

Seals

One housing / many seals

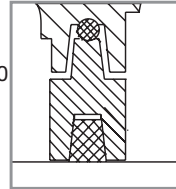
FS

Felt seal: Standard
SNX 209 - SNX 232
SNX 3028 - SNX 3038



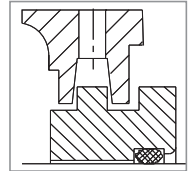
SK FS

Felt strip
SNX 509 - SNX 532
SNX 308/608 - SNX 320/620



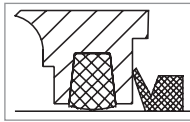
TS - SNX

Labyrinth seal
SNX 209/509 -
SNX 232/532



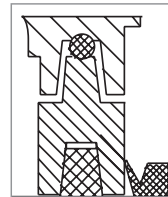
VR

Felt strip with V-ring seal
SNX 209 - SNX 232
SNX 3024 - SNX 3038



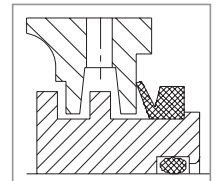
SK VR

Felt strip with V-ring seal
SNX 509 - SNX 532
SNX 608 - SNX 620



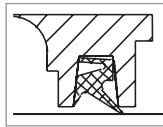
TT - SNX

Triple-tect
SNX 209/509 -
SNX 232/532



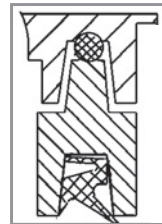
LD

Split two lip radial seal
SNX 209 - SNX 224
SNX 3028 - SNX 3032



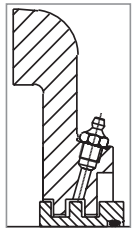
SK LD

Split two lip radial seal
SNX 509 - SNX 532
SNX 608 - SNX 620



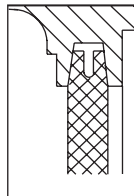
TS - SDX

Labyrinth seal: Standard
SDX 3040 - SDX 3068
SDX 3134 - SDX 3164

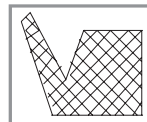


DK

End cover
SNX 209/509 - SNX 232/532
SNX 308/608 - SNX 320/620
SNX 3028 - SNX 3038

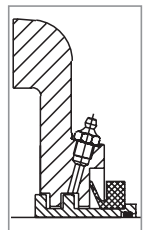


Single-lip radial seals
available individually



TT - SDX

Triple-tect / Taconite seal
SDX 3040 - SDX 3068
SDX 3134 - SDX 3164



Seal operating limits

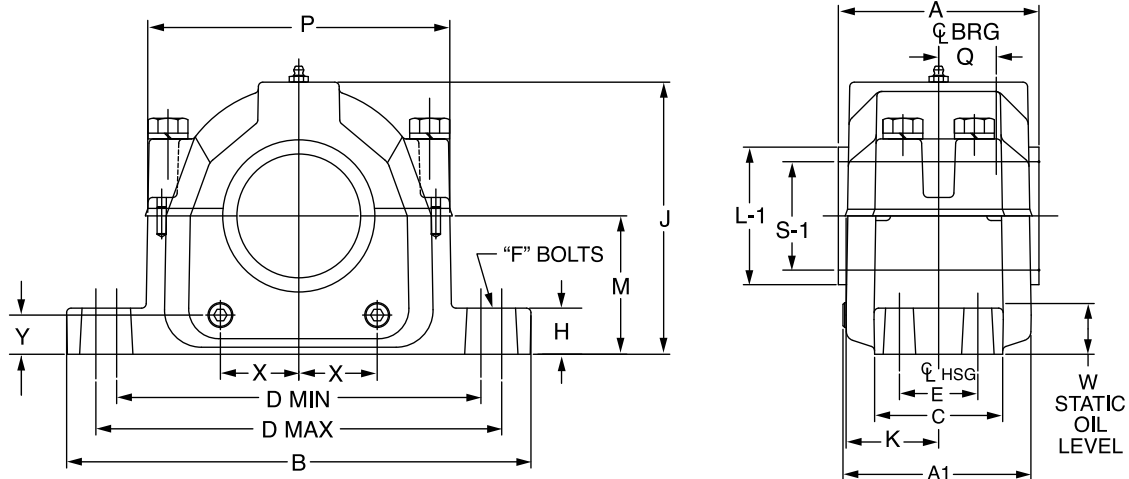
	FS	LD	VR & TT	TS	DK
Max. circumferential speeds	4 m/s	8 m/s	4 m/s	brg. RPM limit	-
Max temperature	80-90°C	100-110°C	100-110°C	100-110°C	100-110°C

Plummer blocks

Dimensions

SNX 200 - TS/TT

Plummer blocks for bearings 22200, 23200



Housing GG*		Labyrinth seal		Triple-tect seal	
Description	Part no.	Description	Part no.	Description	Part no.
SNX 209 - TS/TT	747199	TS 209	747234	TT 209	747217
SNX 210 - TS/TT	747201	TS 210	747235	TT 210	747218
SNX 211 - TS/TT	747202	TS 211	747236	TT 211	747219
SNX 212 - TS/TT	747203	TS 212	747237	TT 212	747220
SNX 213 - TS/TT	747204	TS 213	747238	TT 213	747221
SNX 215 - TS/TT	747205	TS 215	747239	TT 215	747222
SNX 216 - TS/TT	747206	TS 216	747240	TT 216	747223
SNX 217 - TS/TT	747207	TS 217	747241	TT 217	747224
SNX 218 - TS/TT	747208	TS 218	747242	TT 218	747225
SNX 219 - TS/TT	747209	TS 219	747243	TT 219	747226
SNX 220 - TS/TT	747210	TS 220	747244	TT 220	747227
SNX 222 - TS/TT	747211	TS 222	747245	TT 222	747228
SNX 224 - TS/TT	747212	TS 224	747246	TT 224	747229
SNX 226 - TS/TT	747213	TS 226	747247	TT 226	747230
SNX 228 - TS/TT	747214	TS 228	747248	TT 228	747231
SNX 230 - TS/TT	747215	TS 230	747249	TT 230	747232
SNX 232 - TS/TT	747216	TS 232	747250	TT 232	747233

* Housings are for use with TS or TT seals only

Unless specified, dimensions are in mm for metric parts and inches for non-metric parts.

Note: Dimensions are in MM (in)

Plummer blocks

Dimensions

SNX 200 - TS/TT

Plummer blocks for bearings 22200, 23200

Dimensions in mm				
Description	kg	A (with seals)*		
		TS	TT	L-1
SNX 209 TS/TT	4,3	91	91	59
SNX 210 TS/TT	5,1	95	95	64
SNX 211 TS/TT	7,1	100	100	68
SNX 212 TS/TT	9,5	112	112	75
SNX 213 TS/TT	9,7	110	110	79
SNX 215 TS/TT	11,3	117	117	88
SNX 216 TS/TT	12,7	123	123	93
SNX 217 TS/TT	15,7	125	125	97
SNX 218 TS/TT	16,7	144	144	102
SNX 219 TS/TT	27,0	150	150	113
SNX 220 TS/TT	27,8	160	160	113
SNX 222 TS/TT	35,8	168	168	131
SNX 224 TS/TT	41,1	185	185	131
SNX 226 TS/TT	55,2	191	191	140
SNX 228 TS/TT	69,0	203	203	160
SNX 230 TS/TT	77,3	220	220	400
SNX 232 TS/TT	99,9	235	235	400

All other dimensions on page B7- 15

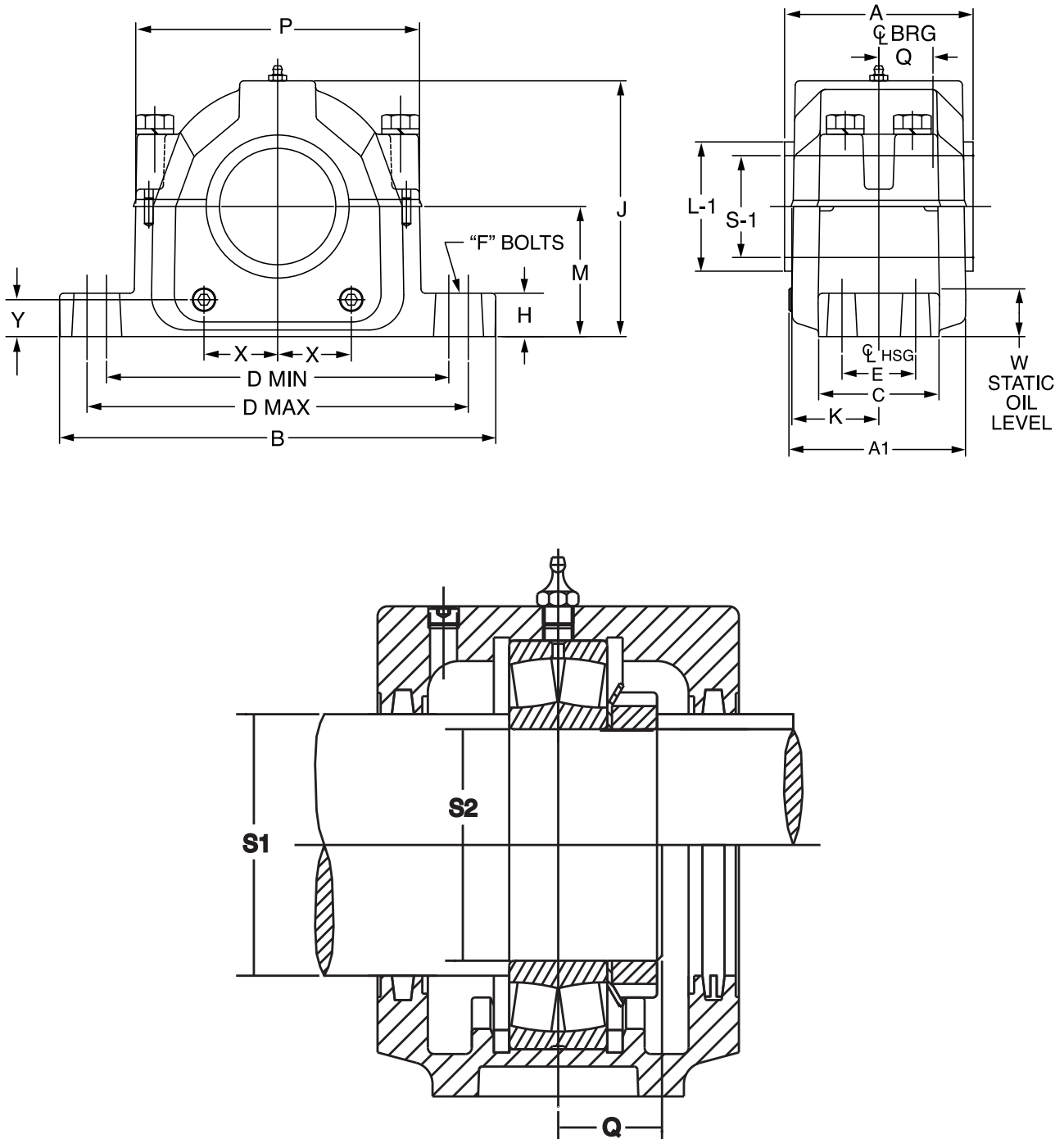
Housings are for use with TS or TT seals only

Plummer blocks

Dimensions

SNX 200 - LD/FS/DK

Plummer blocks for bearings 22200, 23200



Plummer blocks

Dimensions

SNX 200 - LD/FS/DK

Dimensions in mm																								
Description	kg	Shaft size			D			F bolt dia bolzen	W static oil level							A (with seals)								
		S-1	S-2	A1	B	C	Min		Max	H	J	K	M	P	Q	X	Y	LD	FS	End cover		TS	VR	L-1
SNX 209	4,3	55	45	94	210	60	159	178	M12	25	112	45	60	124	11.5	24,0	29	20	91	91	91	99	100	59
SNX 210	5,1	60	50	99	210	60	165	178	M12	23	113	48	60	130	11.5	29,0	31	17	95	95	95	103	105	64
SNX 211	7,1	65	55	104	244	70	187	210	M16	26	133	50	70	147	12.5	28,5	33	22	100	100	100	108	110	68
SNX 212	9,5	70	60	116	270	70	197	230	M16	29	139	56	70	156	14.0	32,0	38	20	112	112	112	119	125	75
SNX 213	9,7	75	65	113	279	80	206	241	M16	30	155	55	80	165	15.5	27,0	41	25	110	110	110	121	123	79
SNX 215	11,3	85	75	121	283	80	219	245	M16	29	161	59	80	179	15.5	38,0	44	21	117	117	117	126	128	88
SNX 216	12,7	90	80	127	320	90	245	279	M20	33	178	62	95	202	16.5	34,5	49	31	123	123	123	134	136	93
SNX 217	15,7	95	85	132	320	90	251	279	M20	32	187	63	95	208	18.0	35,5	53	28	125	125	125	137	139	97
SNX 218	16,7	100	90	151	346	98	260	299	M20	35	195	72	100	220	20.0	47,0	57	28	144	144	144	155	157	102
SNX 219	27,0	110	95	156	360	98	276	314	M20	35	214	75	112	229	21.5	39,5	60	35	150	150	150	161	165	113
SNX 220	27,8	115	100	164	390	110	295	333	M24	40	220	80	112	248	23.0	45,0	67	30	160	160	160	169	174	113
SNX 222	35,8	125	110	174	419	121	324	364	M24	45	239	84	125	269	26.5	53,5	73	34	168	168	168	175	180	131
SNX 224	41,1	135	120	191	419	120	337	368	M24	45	267	93	140	286	29.0	57,0	81	42	185	185	185	195	199	131
SNX 226	55,2	145	130	197	445	130	374	387	M24	50	290	95	150	315	32.0	49,0	84	39	191	191	191	200	204	140
SNX 228	69,0	155	140	210	500	150	400	420	M30	50	298	102	150	337	34.0	51,5	92	35	203	203	203	211	218	160
SNX 230	77,3	165	150	226	530	160	443	457	M30	60	317	110	160	364	36.5	53,0	91	34	220	220	220	230	237	400
SNX 232	99,9	175	160	241	550	160	457	483	M30	60	338	118	170	379	40.0	53,2	102	34	235	235	235	243	250	400

Plummer blocks

Selection

SNX 200 - LD/FS/DK

Description	Housing GG		LD seal		FS seal		VR seal		DK end cover	
	Description	Part no.	Description	Part no.	Description	Part no.	Description	Part no.	Description	Part no.
SNX 209	SNX 209/509	747025	LD 55	725357	6.5X8X200	713600	VS0055	738145	DK 55	709137
SNX 210	SNX 210/510/308/608	747026	LD 60	725358	6.5X8X230	713616	VS0060	738146	DK 60	709140
SNX 211	SNX 211/511/309/609	747027	LD 65	725359	6.5X8X230	713616	VS0065	738147	DK 65	709143
SNX 212	SNX 212/512/310/610	747028	LD 70	725360	7.5X9X260	713633	VS0070	738148	DK 70	709146
SNX 213	SNX 213/513/311/611	747029	LD 75	725361	7.5X9X260	713633	VS0075	738149	DK 75	709152
SNX 215	SNX 215/515/312/612	747030	LD 85	725363	7.5X9X155	713571	VS0085	738151	DK 85	709162
SNX 216	SNX 216/516/313/613	747031	LD 90	725364	8.5X10X165	713579	VS0090	738152	DK 90	709166
SNX 217	SNX 217/517/314	747032	LD 95	725366	8.5X10X175	713586	VS0095	738154	DK 90	709166
SNX 218	SNX 218/518/315/615	747033	LD 100	725341	10X12X185	713588	VS0100	738155	DK 100	708959
SNX 219	SNX 219/519/316/616	747034	LD 110	725342	10X12X200	713596	VS0110	738157	DK 110	708966
SNX 220	SNX 220/520/317/617	747035	LD 115	725343	10X12X210	713603	VS0115	738158	DK 115	708970
SNX 222	SNX 222/522/319/619	747036	LD 125	725344	10X12X230	713613	VS0125	738161	DK 125	708976
SNX 224	SNX 224/524/320/620	747037	LD 135	725345	10X12X245	713622	VS0135	738162	DK 135	708983
SNX 226	SNX 226/526	747038			10X12X265	713634	VS0145	738164	DK 145	740381
SNX 228	SNX 228/528	747039			10X12X280	713641	VS0155	738166	DK 155	740382
SNX 230	SNX 230/530	747040			10X12X300	713647	VS0165	738168	DK 165	740383
SNX 232	SNX 232/532	747041			10X12X300	713647	VS0175	738170	DK 175	740384

Unless specified, dimensions are in mm for metric parts and inches for non-metric parts.
 Note: Dimensions are in MM (in)

Plummer blocks

Dimensions

SNX 200 - LD/FS/DK

Housing GG	Spherical roller bearing		Fixing rings		Spherical roller bearing		
Description	Description	Part no.	Description	Qty	Part no.	Description	Part no.
SNX 209	22209E1.C3	421260	SR 85x3.5	2	747105		
SNX 210	22210E1.C3	421261	SR 90x9	2	747108		
SNX 211	22211E1.C3	421262	SR 100x9.5	2	747111		
SNX 212	22212E1.C3	421263	SR 110x10	2	747115		
SNX 213	22213E1.C3	421264	SR 120x10	2	747118		
SNX 215	22215E1.C3	421265	SR 130x12.5	2	747121		
SNX 216	22216E1.C3	421266	SR 140x12.5	2	747123		
SNX 217	22217E1.C3	421267	SR 150x12.5	2	747125		
SNX 218	22218E1.C3	421268	SR 160x12.5	2	747128	23218E1.C3	421396
SNX 219	22219E1.C3	422996	SR 170x12.5	2	747130		
SNX 220	22220E1.C3	421269	SR 180x12	2	747132	23220E.C3	703943
SNX 222	22222E1.C3	421270	SR 200x13.5	2	747137	23222.C3	740623
SNX 224	22224E1.C3	421271	SR 215x14	2	747141	23224.C3	703967
SNX 226	22226E1.C3	421272	SR 230x13	2	747143	23226.C3	703976
SNX 228	22228E1.C3	421273	SR 250x15	2	747146	23228.C3	741031
SNX 230	22230E1.C3	421274	SR 270x16.5	2	747149	23230.C3	703990
SNX 232	22232E1.C3	421275	SR 290x17	2	747152	23232.C3	741550

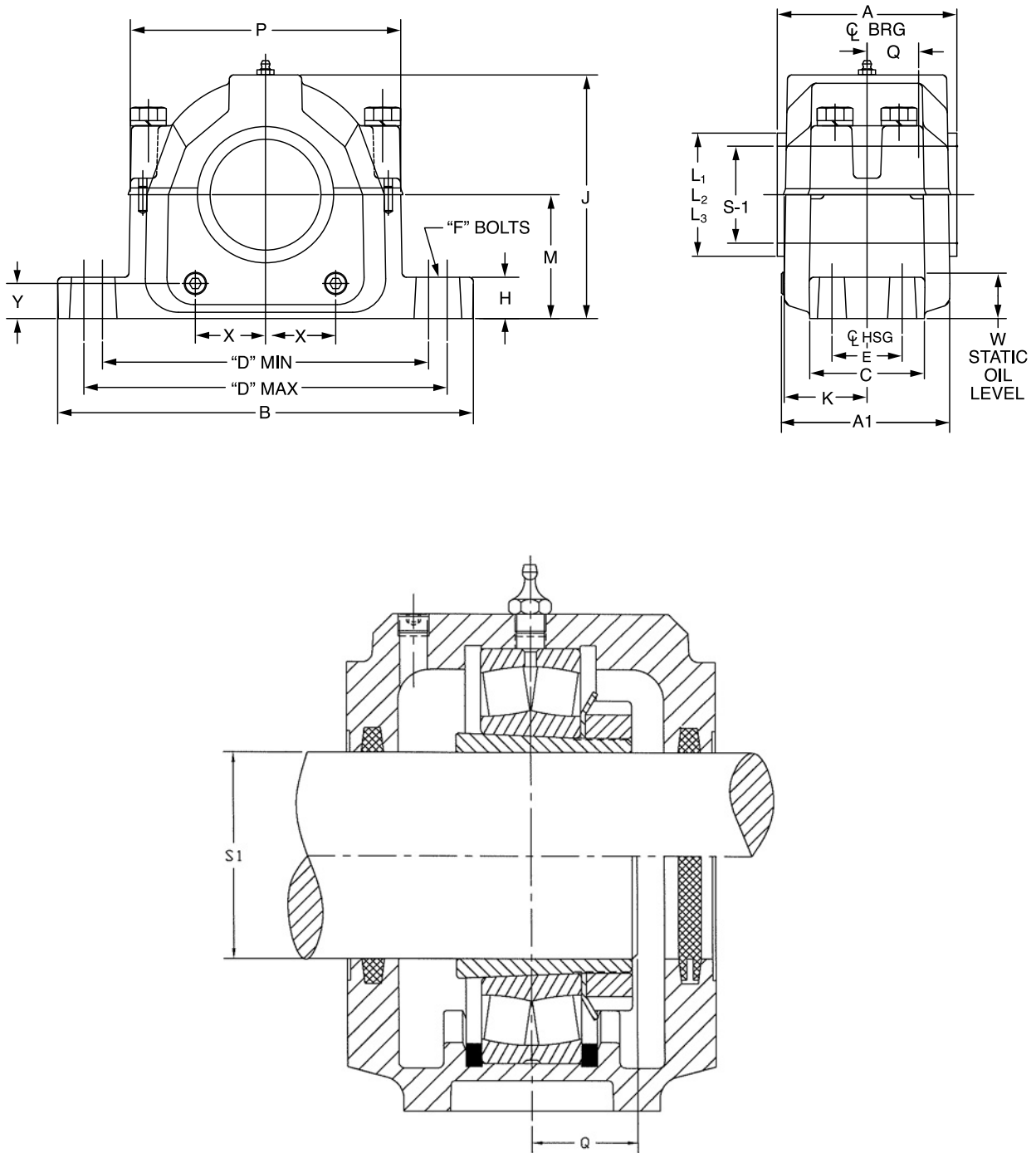
Housing GG	Fixing rings			Locknut		Lockwasher	
Description	Description	Qty	Part no.	Description	Part no.	Description	Part no.
SNX 209				KM 9	046285	MB 9	046304
SNX 210				KM 10	046286	MB 10	046305
SNX 211				KM 11	046287	MB 11	046306
SNX 212				KM 12	046487	MB 12	046489
SNX 213				KM 13	046288	MB 13	046307
SNX 215				KM 15	046289	MB 15	046308
SNX 216				KM 16	046290	MB 16	046309
SNX 217				KM 17	046291	MB 17	046310
SNX 218	SR 160x6.25	2	747189	KM 18	046292	MB 18	046311
SNX 219				KM 19	046488	MB 19	046490
SNX 220	SR 180x4.85	2	747190	KM 20	046293	MB 20	046312
SNX 222	SR 200x5.1	2	747191	KM 22	046294	MB 22	046313
SNX 224	SR 215x5	2	712225	KM 24	046295	MB 24	046314
SNX 226	SR 230x5	2	747192	KM 26	046296	MB 26	046315
SNX 228	SR 250x5	2	747193	KM 28	046297	MB 28	046316
SNX 230	SR 270x5	2	747194	KM 30	046298	MB 30	046317
SNX 232	SR 290x5	2	747195	KM 32	046299	MB 32	046318

Plummer blocks

Dimensions

SNX 500

Plummer blocks for bearings 1200K, 2200K, 22200K, 23200K



Plummer blocks

Dimensions

SNX 500

Dimensions in mm																										
Description	Wt. kg	S-1 shaft size	A ₁			D		F bolt dia.	H	J	K	M	P	Q	W static oil level		A (with seals)							L ₁ VR	L ₂ TS	L ₃ TT
			A ₁	B	C	Min	Max								X	Y	LD	FELT	VR	TS	TT	EC				
SNX 509	4,3	40	94	210	60	159	178	M12	25	112	45	60	124	23	24,0	29	20	91	91	100	99	107	91	50	55	65
SNX 510	5,1	45	99	210	60	165	178	M12	23	113	48	60	130	24	29,0	31	17	95	95	105	103	111	95	55	63	70
SNX 511	7,1	50	104	244	70	187	210	M16	26	133	50	70	147	25	28,5	33	22	100	100	110	108	116	100	60	68	75
SNX 512	9,5	55	116	270	70	197	230	M16	29	139	56	70	156	27	32,0	38	20	112	112	121	119	127	112	65	75	82
SNX 513	9,7	60	113	279	80	206	241	M16	30	155	55	80	165	30	27,0	41	25	110	110	119	121	125	110	70	81	92
SNX 515	11,3	65	121	283	80	219	245	M16	29	161	59	80	179	31	38,0	44	21	117	117	124	126	130	117	75	86	97
SNX 516	12,7	70	127	320	90	245	279	M20	33	178	62	95	202	34	34,5	49	31	123	123	136	134	143	123	82	94	102
SNX 517	15,7	75	132	320	90	251	279	M20	32	187	63	95	208	36	35,5	53	28	125	125	139	137	145	125	87	100	107
SNX 518	16,7	80	151	346	98	260	299	M20	35	195	72	100	220	38	47,0	57	28	144	144	157	155	163	144	92	105	112
SNX 519	27,0	85	156	360	98	276	314	M20	35	214	75	112	229	41	39,5	60	35	150	150	162	161	169	150	97	110	124
SNX 520	27,8	90	164	390	110	295	333	M24	40	220	80	112	248	43	45,0	67	30	160	160	171	169	177	160	102	127	124
SNX 522	35,8	100	174	419	120	324	364	M24	45	238	84	125	269	48	53,5	73	34	168	168	177	175	183	168	112	139	144
SNX 524	41,1	110	191	419	120	337	368	M24	45	267	93	140	286	51	57,0	81	42	185	185	199	195	202	185	124	149	154
SNX 526	55,2	115	197	445	130	374	387	M24	50	290	95	150	315	55	49,0	84	39	191	191	204	200	211	191	129	158	154
SNX 528	69,0	125	210	500	150	400	420	M30	50	298	102	150	337	58	51,5	92	35	203	203	215	211	222	203	139	160	164
SNX 530	77,3	135	226	530	160	443	457	M30	60	317	110	160	364	63	53,0	91	34	220	220	233	230	239	220	149	180	176
SNX 532	99,9	140	241	550	160	457	483	M30	60	338	118	170	379	68	53,2	102	34	235	235	247	243	253	235	154	188	186

Description	Housing GG		SK LD seal		SK FS seal	
	Description	Part no.	Description	Part no.	Description	Part no.
SNX 509	SNX 209/509	747025	SK 509 LD 40	496446	SK 509 FS 40	496464
SNX 510	SNX 210/510/308/608	747026	SK 510 LD 45	496447	SK 510 FS 45	496465
SNX 511	SNX 211/511/309/609	747027	SK 511 LD 50	496448	SK 511 FS 50	496466
SNX 512	SNX 212/512/310/610	747028	SK 512 LD 55	496449	SK 512 FS 55	496467
SNX 513	SNX 213/513/311/611	747029	SK 513 LD 60	496450	SK 513 FS 60	496468
SNX 515	SNX 215/515/312/612	747030	SK 515 LD 65	496451	SK 515 FS 65	496469
SNX 516	SNX 216/516/313/613	747031	SK 516 LD 70	496452	SK 516 FS 70	496470
SNX 517	SNX 217/517/314	747032	SK 517 LD 75	496453	SK 517 FS 75	496471
SNX 518	SNX 218/518/315/615	747033	SK 518 LD 80	496454	SK 518 FS 80	496472
SNX 519	SNX 219/519/316/616	747034	SK 519 LD 85	496455	SK 519 FS 85	496473
SNX 520	SNX 220/520/317/617	747035	SK 520 LD 90	496456	SK 520 FS 90	496474
SNX 522	SNX 222/522/319/619	747036	SK 522 LD 100	496457	SK 522 FS 100	496475
SNX 524	SNX 224/524/320/620	747037	SK 524 LD 110	496458	SK 524 FS 110	496476
SNX 526	SNX 226/526	747038	SK 526 LD 115	496459	SK 526 FS 115	496477
SNX 528	SNX 228/528	747039	SK 528 LD 125	496460	SK 528 FS 125	496478
SNX 530	SNX 230/530	747040	SK 530 LD 135	496461	SK 530 FS 135	496479
SNX 532	SNX 232/532	747041	SK 532 LD 140	496462	SK 532 FS 140	496480

Plummer blocks

Dimensions

SNX 500

Description	SK VR seal		Labyrinth seal		Triple-tect seal		EC end cover	
	Description	Part no.	Description	Part no.	Description	Part no.	Description	Part no.
SNX 509	SK 509 VR 40	496482	TS 509	747328	TT 509	747384	DK 55	709137
SNX 510	SK 510 VR 45	496483	TS 510	747329	TT 510	747385	DK 60	709140
SNX 511	SK 511 VR 50	496484	TS 511	747330	TT 511	747386	DK 65	709143
SNX 512	SK 512 VR 55	496485	TS 512	747331	TT 512	747387	DK 70	709146
SNX 513	SK 513 VR 60	496486	TS 513	747332	TT 513	747388	DK 75	709152
SNX 515	SK 515 VR 65	496487	TS 515	747333	TT 515	747389	DK 85	709162
SNX 516	SK 516 VR 70	496488	TS 516	747334	TT 516	747390	DK 90	709166
SNX 517	SK 517 VR 75	496489	TS 517	747335	TT 517	747391	DK 90	709166
SNX 518	SK 518 VR 80	496490	TS 518	747336	TT 518	747392	DK 100	708959
SNX 519	SK 519 VR 85	496491	TS 519	747337	TT 519	747393	DK 110	708966
SNX 520	SK 520 VR 90	496492	TS 520	747338	TT 520	747394	DK 115	708970
SNX 522	SK 522 VR 100	496493	TS 522	747339	TT 522	747395	DK 125	708976
SNX 524	SK 524 VR 110	496494	TS 524	747340	TT 524	747396	DK 135	708983
SNX 526	SK 526 VR 115	496495	TS 526	747341	TT 526	747397	DK 145	740381
SNX 528	SK 528 VR 125	496496	TS 528	747342	TT 528	747398	DK 155	740382
SNX 530	SK 530 VR 135	496497	TS 530	747343	TT 530	747399	DK 165	740383
SNX 532	SK 532 VR 140	496498	TS 532	747344	TT 532	747400	DK 175	740384

Unless specified, dimensions are in mm for metric parts and inches for non-metric parts.

Note: Dimensions are in MM (in)

Description	Spherical roller bearing		Fixing rings			Adapters		Spherical roller bearing	
	Description	Part no.	Description	Quantity	Part no.	Description	Part no.	Description	Part no.
SNX 509	22209EK1.C3	422134	SR 85x3.5	2	747105	H 309	046331		
SNX 510	22210EK1.C3	422137	SR 90x9	2	747108	H 310	046332		
SNX 511	22211EK1.C3	422123	SR 100x9.5	2	747111	H 311	046219		
SNX 512	22212EK1.C3	422978	SR 110x10	2	747115	H 312	046333		
SNX 513	22213EK1.C3	422124	SR 120x10	2	747118	H 313	046221		
SNX 515	22215EK1.C3	422001	SR 130x12.5	2	747121	H 315	046222		
SNX 516	22216EK1.C3	422003	SR 140x12.5	2	747123	H 316	046223		
SNX 517	22217EK1.C3	422005	SR 150x12.5	2	747125	H 317	046224		
SNX 518	22218EK1.C3	422007	SR 160x12.5	2	747128	H 318	046225	23218K.C3	739329
SNX 519	22219EK1.C3	422979	SR 170x12.5	2	747130	H 319	719499		
SNX 520	22220EK1.C3	422009	SR 180x12	2	747132	H 320	046226	23220K.C3	703941
SNX 522	22222EK1.C3	422011	SR 200x13.5	2	747137	H 322	046227	23222K.C3	703951
SNX 524	22224EK1.C3	422013	SR 215x14	2	747141	H 3124	046228	23224EASK.M.C3	703967
SNX 526	22226EK1.C3	422015	SR 230x13	2	747143	H 3126	046229	23226K.C3	703971
SNX 528	22228EK1.C3	422017	SR 250x15	2	747146	H 3128	046230	23228K.C3	703982
SNX 530	22230EK1.C3	422019	SR 270x16.5	2	747149	H 3130	046231	23230K.C3	703989
SNX 532	22232EK1.C3	422021	SR 290x17	2	747152	H 3132	046232	23232K.C3	703996

Unless specified, dimensions are in mm for metric parts and inches for non-metric parts.

Note: Dimensions are in MM (in)

Plummer blocks

Dimensions

SNX 500

Description	Fixing rings			Adapters	
	Description	Quantity	Part no.	Description	Part no.
SNX 509					
SNX 510					
SNX 511					
SNX 512					
SNX 513					
SNX 515					
SNX 516					
SNX 517					
SNX 518	SR 160x6.25	2	747189	H 2318	719400
SNX 519				H 2319	046719
SNX 520	SR 180x4.85	2	747190	H 2320	046720
SNX 522	SR 200x5.1	2	747191	H 2322	046721
SNX 524	SR 215x5	2	712225	H 2324	046722
SNX 526	SR 230x5	2	747192	H 2326	046723
SNX 528	SR 250x5	2	747193	H 2328	719406
SNX 530	SR 270x5	2	747194	H 2330	053201
SNX 532	SR 290x5	2	747195	H 2332	719408

Description	Self-aligning ball bearings		Fixing rings			Adapters	
	Description	Part no.	Description	Quantity	Part no.	Description	Part no.
SNX 509	1209K.C3	052637	SR 85x5.5	2	747177	H 209	719372
SNX 510	1210K.C3	052638	SR 90x10.5	2	747178	H 210	719373
SNX 511	1211K.C3	052639	SR 100x12	2	747179	H 211	719374
SNX 512	1212K.C3	739145	SR 110x13	2	747180	H 212	719375
SNX 513	1213K.C3	052640	SR 120x14	2	747181	H 213	719376
SNX 515	1215K.C3	052641	SR 130x15.5	2	747182	H 215	719378
SNX 516	1216K.C3	052642	SR 140x16	2	747183	H 216	719379
SNX 517	1217K.C3	052643	SR 150x16.5	2	747184	H 217	719380
SNX 518	1218K.C3	052570	SR 160x17.5	2	747185	H 218	719381
SNX 519	1219K.C3	701659	SR 170x18	2	747186	H 219	719382
SNX 520	1220K.C3	052644	SR 180x18	2	747187	H 220	719383
SNX 522	1222K.C3	051841	SR 200x21	2	747188	H 222	719385

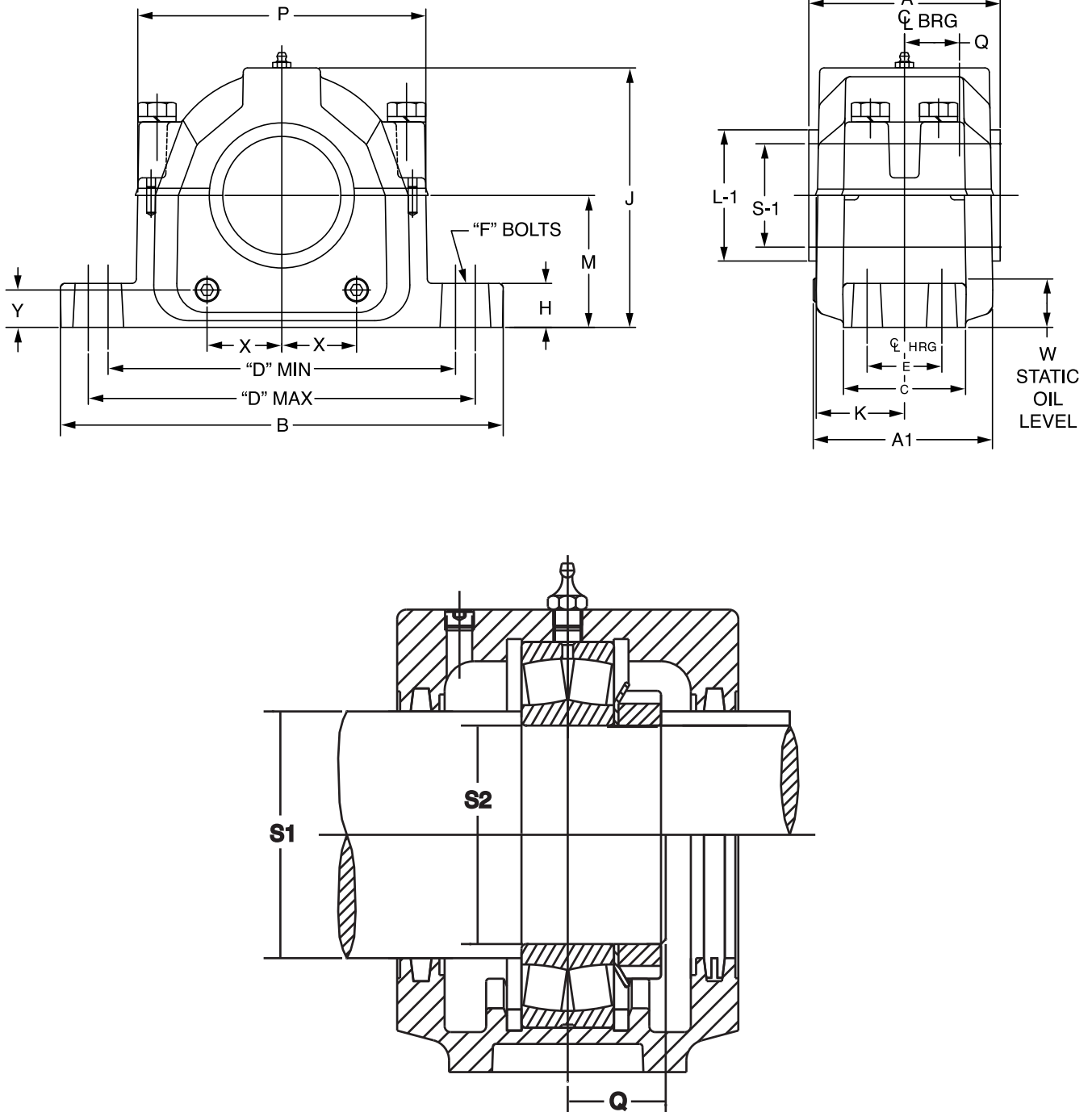
Description	Self-aligning ball bearings		Fixing rings			Adapters	
	Description	Part no.	Description	Quantity	Part no.	Description	Part no.
SNX 509	2209K.C3	739150	SR 85x3.5	2	747105	H 309	046331
SNX 510	2210K.C3	702830	SR 90x9	2	747108	H 310	046332
SNX 511	2211K.C3	702844	SR 100x9.5	2	747111	H 311	046219
SNX 512	2212K.C3	702857	SR 110x10	2	747115	H 312	046333
SNX 513	2213K.C3	702867	SR 120x10	2	747118	H 313	046221
SNX 515	2215K.C3	739153	SR 130x12.5	2	747121	H 315	046222
SNX 516	2216K.C3	702883	SR 140x12.5	2	747123	H 316	046223
SNX 517	2217K.C3	702893	SR 150x12.5	2	747125	H 317	046224
SNX 518	2218K.C3	739154	SR 160x12.5	2	747128	H 318	046225
SNX 519	2219K.M.C3	702904	SR 170x12.5	2	747130	H 319	719499
SNX 520	2220K.M.C3	702907	SR 180x12	2	747132	H 320	046226
SNX 522	2222K.C3	421399	SR 200x13.5	2	747137	H 322	046227

Plummer blocks

Dimensions

SNX 300

Plummer blocks for bearings 22300



Plummer blocks

Dimensions

SNX 300

Dimensions in mm

Description	kg	S-1 S-2		D			F bolt dia	W							A (with seals)						
		Shaft size	A1	B	C	Min		Max	H	J	K	M	P	Q ★	static oil level	X	Y	Felt FS	End cover DK	L1	
SNX 308	5.1	50	40	99.1	210	59.5	165.1	177.8	M12	22.6	113	47.6	59.9	130.2	18	26.5	30.5	17	95.3	95.3	64.3
SNX 309	7.1	55	45	103.8	244.4	69.9	187.3	209.6	M16	26.2	133.4	50	69.9	146.8	18	32.5	33	22.1	100.0	100.0	68.1
SNX 310	9.5	60	50	115.8	269.9	69.9	196.9	229.6	M16	29.4	138.9	56	69.9	155.6	20	28.6	38	19.5	112.0	112.0	75.2
SNX 311	9.7	65	55	113.3	279.4	80	206.4	241.3	M16	30.2	154.8	54.8	79.9	165.1	21.5	33.9	41.1	25	109.5	109.5	79.2
SNX 312	11.3	70	60	121.2	282.6	80	219.1	244.5	M16	29.4	161.1	58.7	79.9	179.4	23	30.7	44	20.5	117.4	117.4	88.1
SNX 313	12.7	75	65	126.8	319.9	90	244.5	279.4	M20	32.9	177.6	61.5	94.9	201.6	24	41.7	49	30.5	123.0	123.0	93.2
SNX 314	15.7	80	70	131.6	319.7	90	250.8	279.4	M20	31.8	187.4	62.7	94.9	208	25.5	37.3	52.6	28	125.2	125.2	97.3
SNX 315	16.7	85	75	150.8	346.1	98.4	260.4	298.5	M20	34.9	195.3	72.2	99.9	219.9	27.5	38.8	56.8	27.5	144.4	144.4	102.1
SNX 316	27.0	90	80	156.4	360	98.4	276.2	314.3	M20	35	213.6	75	111.9	229.4	29	46.9	60	35	150.0	150.0	113.3
SNX 317	27.8	95	85	164.1	390	110.3	295.3	333.4	M24	39.7	219.9	80.2	111.9	248.4	30	42.1	66.6	30	160.3	160.3	113.3
SNX 319	35.8	110	95	173.9	419.1	120.7	323.9	364.3	M24	44.9	238.5	83.7	124.9	269.1	33.5	50.1	73	33.8	167.5	167.5	131.3
SNX 320	41.1	115	100	191.3	419.1	119.9	336.6	368.3	M24	45	267	92.5	139.9	285.8	36.5	58.1	81	42.1	184.9	184.9	131.3

Description	Housing GG		SK FS seal		End cover	
	Description	Part no.	Description	Part no.	Description	Part no.
SNX 308	SNX 210/510/308/608	747026	SK 308 FS 50	496400	DK 60	709140
SNX 309	SNX 211/511/309/609	747027	SK 309 FS 55	496401	DK 65	709143
SNX 310	SNX 212/512/310/610	747028	SK 310 FS 60	496402	DK 70	709146
SNX 311	SNX 213/513/311/611	747029	SK 311 FS 65	496403	DK 75	709152
SNX 312	SNX 215/515/312/612	747030	SK 312 FS 70	496404	DK 85	709162
SNX 313	SNX 216/516/313/613	747031	SK 313 FS 75	496405	DK 90	709166
SNX 314	SNX 217/517/314	747032	SK 314 FS 80	496406	DK 90	709166
SNX 315	SNX 218/518/315/615	747033	SK 315 FS 85	496407	DK 100	708959
SNX 316	SNX 219/519/316/616	747034	SK 316 FS 90	496408	DK 110	708966
SNX 317	SNX 220/520/317/617	747035	SK 317 FS 95	496409	DK 115	708970
SNX 319	SNX 222/522/319/619	747036	SK 319 FS 110	496410	DK 125	708976
SNX 320	SNX 224/524/320/620	747037	SK 320 FS 115	496411	DK 135	708983

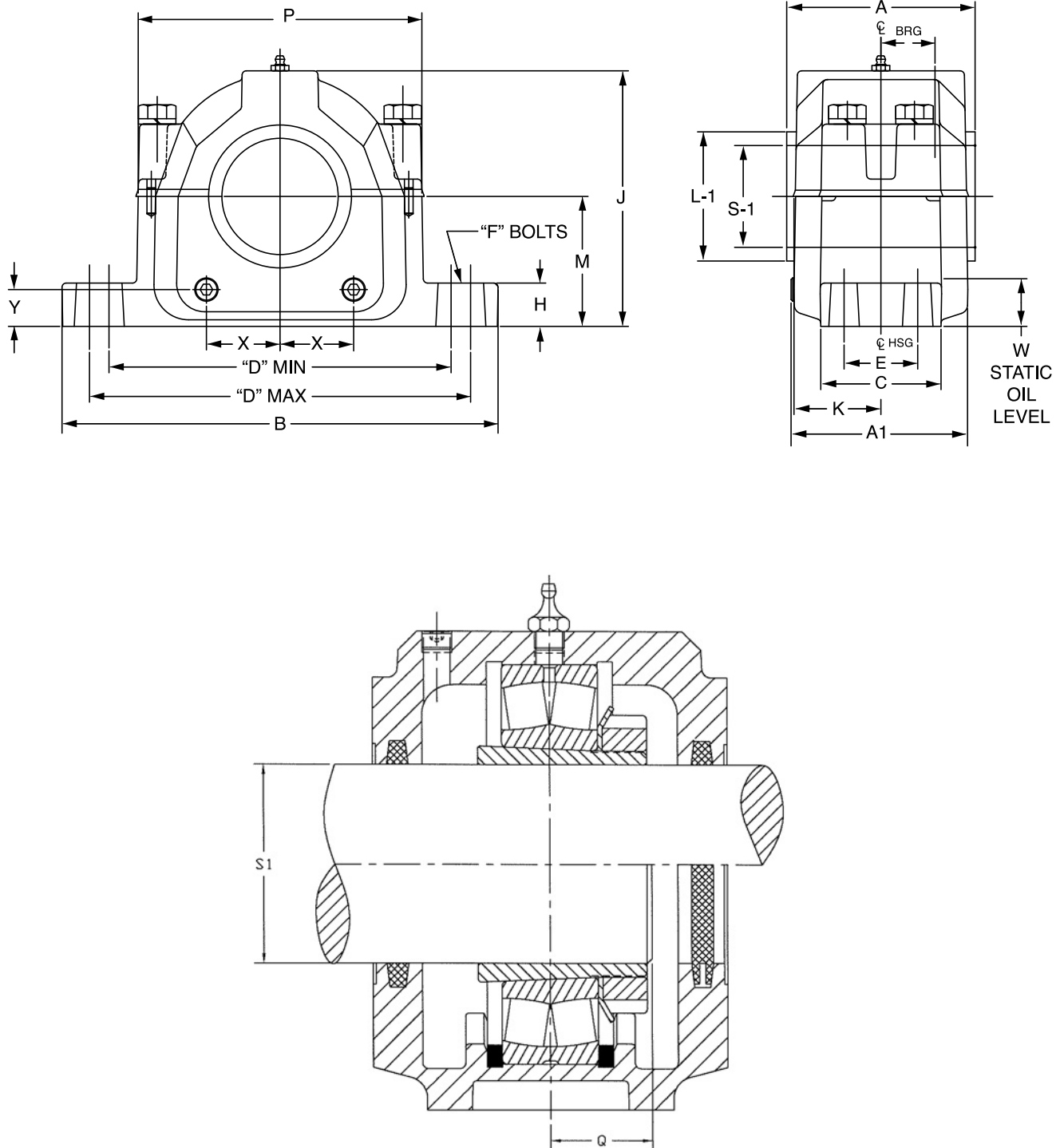
Description	Spherical roller bearing		Fixing rings			Locknut		Lockwasher	
	Description	Part no.	Description	Quantity	Part no.	Description	Part no.	Description	Part no.
SNX 308	22308E1.C3	423124	SR 90X4	2	747107	KM 8	046492	MB 8	046496
SNX 309	22309E1.C3	423125	SR 100X4	2	747110	KM 9	046285	MB 9	046304
SNX 310	22310E1.C3	423143	SR 110X4	2	747114	KM 10	046286	MB 10	046305
SNX 311	22311E1.C3	423126	SR 120X4	2	747117	KM11	046287	MB11	046306
SNX 312	22312E1.C3	423127	SR 130X4	2	747120	KM 12	046487	MB 12	046489
SNX 313	22313E1.C3	423128	SR 140X5	2	747122	KM13	046288	MB13	046307
SNX 314	22314E1.C3	423129	SR 150X5	2	747124	KM 14	046238	MB 14	046239
SNX 315	22315E1.C3	423130	SR 160X5	2	747126	KM 15	046289	MB 15	046308
SNX 316	22316E1.C3	423144	SR 170X5	2	747129	KM 16	046290	MB 16	046309
SNX 317	22317E1.C3	423131	SR 180X5	2	747131	KM 17	046291	MB 17	046310
SNX 319	22319E1.C3	423145	SR 200X6.5	2	747135	KM 19	046488	MB 19	049490
SNX 320	22320E1.C3	423132	SR 215X6.5	2	747139	KM 20	046293	MB 20	046312

Plummer blocks

Dimensions

SNX 600

Plummer blocks for bearings 22300K



Plummer blocks

Dimensions

SNX 600

Description	Kg	S-1 shaft size	D					F bolt dia	W static oil level							A (with seals)				L1 VR		
			A1	B	C	Min	Max		H	J	K	M	P	Q	X	Y	LD	Felt FS	End cover		VR	
SNX 608	5.1	35	99	210	60	165	178	M12	23	113	48	60	130	27	26.5	31	17	95	95	95	103	43
SNX 609	7.1	40	104	244	70	187	210	M16	26	133	50	70	147	29	32.5	33	22	100	100	100	110	50
SNX 610	9.5	45	116	270	70	197	230	M16	29	139	56	70	156	32	28.6	38	20	112	112	112	121	55
SNX 611	9.7	50	113	279	80	206	241	M16	30	155	55	80	165	34	33.9	41	25	110	110	110	119	60
SNX 612	11.3	55	121	283	80	219	245	M16	29	161	59	80	179	36	30.7	44	21	117	117	117	124	65
SNX 613	12.7	60	127	320	90	245	279	M20	33	178	62	95	202	35	41.7	49	31	123	123	123	132	70
SNX 615	16.7	65	151	346	98	260	299	M20	35	195	72	100	220	43	38.8	57	28	144	144	144	153	75
SNX 616	27.0	70	156	360	98	276	314	M20	35	214	75	112	229	46	46.9	60	35	150	150	150	162	82
SNX 617	27.8	75	164	390	110	295	333	M24	40	220	80	112	248	48	42.1	67	30	160	160	160	171	87
SNX 619	35.8	85	174	419	120	324	364	M24	45	238	84	125	269	53	50.1	73	34	168	168	168	177	97
SNX 620	41.1	90	191	419	120	337	368	M24	45	267	93	140	286	57	58.1	81	42	185	185	185	196	102

Description	Housing GG		SK LD seal		SK FS seal		SK VR seal		End cover	
	Description	Part no.	Description	Part no.	Description	Part no.	Description	Part no.	Description	Part no.
SNX 608	SNX 210/510/308/608	747026	SK 608 LD 35	496412	SK 608 FS 35	496423	SK 608 VR 35	496434	DK 60	709140
SNX 609	SNX 211/511/309/609	747027	SK 609 LD 40	496413	SK 609 FS 40	496424	SK 609 VR 40	496435	DK 65	709143
SNX 610	SNX 212/512/310/610	747028	SK 610 LD 45	496414	SK 610 FS 45	496425	SK 610 VR 45	496436	DK 70	709146
SNX 611	SNX 213/513/311/611	747029	SK 611 LD 50	496415	SK 611 FS 50	496426	SK 611 VR 50	496437	DK 75	709152
SNX 612	SNX 215/515/312/612	747030	SK 612 LD 55	496416	SK 612 FS 55	496427	SK 612 VR 55	496438	DK 85	709162
SNX 613	SNX 216/516/313/613	747031	SK 613 LD 60	496417	SK 613 FS 60	496428	SK 613 VR 60	496439	DK 90	709166
SNX 615	SNX 218/518/315/615	747033	SK 615 LD 65	496418	SK 615 FS 65	496429	SK 615 VR 65	496440	DK 100	708959
SNX 616	SNX 219/519/316/616	747034	SK 616 LD 70	496419	SK 616 FS 70	496430	SK 616 VR 70	496421	DK 110	708966
SNX 617	SNX 220/520/317/617	747035	SK 617 LD 75	496420	SK 617 FS 75	496431	SK 617 VR 75	496442	DK 115	708970
SNX 619	SNX 222/522/319/619	747036	SK 619 LD 85	496421	SK 619 FS 85	496432	SK 619 VR 85	496443	DK 125	708976
SNX 620	SNX 224/524/320/620	747037	SK 620 LD 90	496422	SK 620 FS 90	496433	SK 620 VR 90	496444	DK 135	708983

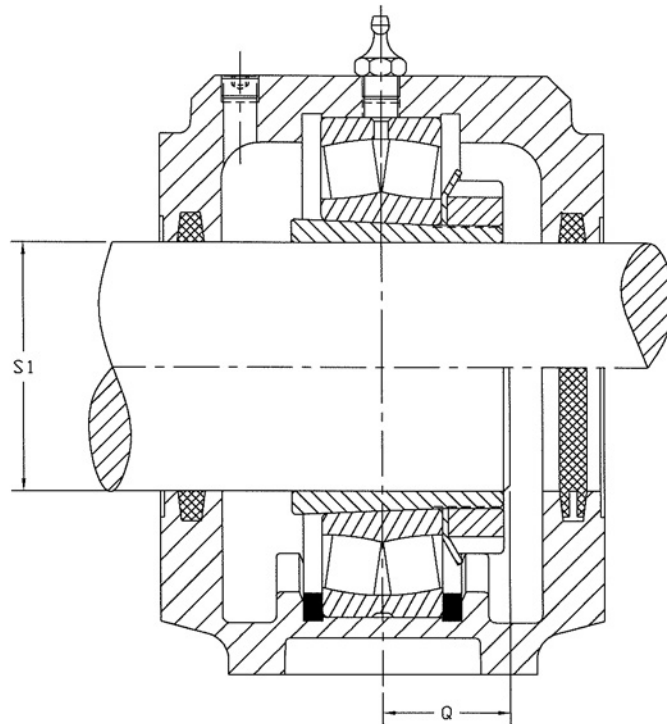
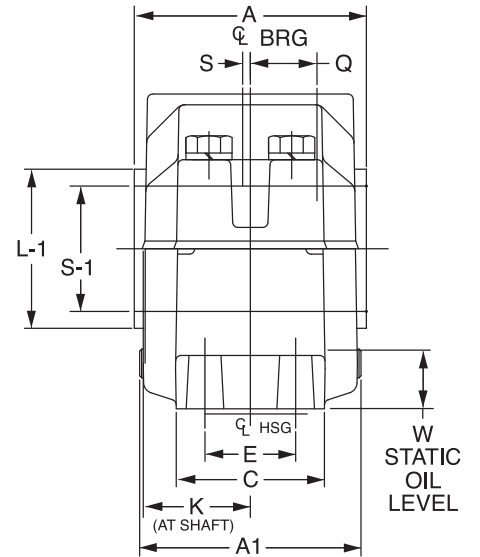
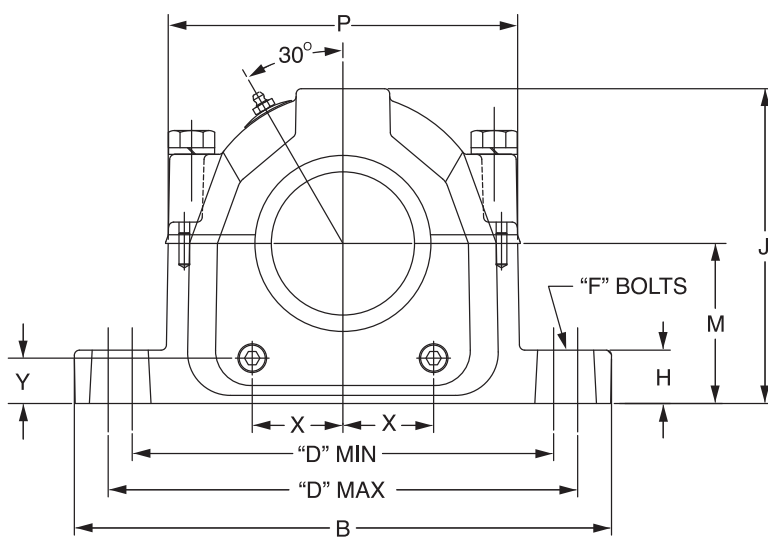
Description	Spherical roller bearing		Fixing rings		Adapters		
	Description	Part no.	Description	Quantity	Part no.	Description	Part no.
SNX 608	22308E1K.C3	423375	SR 90X4	2	747107	H 2308	046710
SNX 609	22309E1K.C3	423100	SR 100X4	2	747110	H 2309	046711
SNX 610	22310E1K.C3	423372	SR 110X4	2	747114	H 2310	046712
SNX 611	22311E1K.C3	423102	SR 120X4	2	747117	H 2311	046713
SNX 612	22312E1K.C3	423376	SR 130X5	2	747120	H 2312	046714
SNX 613	22313E1K.C3	423104	SR 140X5	2	747122	H 2313	046715
SNX 615	22315E1K.C3	423106	SR 160X5	2	747126	H 2315	719397
SNX 616	22316E1K.C3	423373	SR 170X5	2	747129	H 2316	046717
SNX 617	22317E1K.C3	423108	SR 180X5	2	747131	H 2317	046718
SNX 619	22319E1K.C3	423374	SR 200X6.5	2	747135	H 2319	046719
SNX 620	22320E1K.C3	423110	SR 215X6.5	2	747139	H 2320	046720

Plummer blocks

Dimensions

SNX 30

Plummer blocks for bearings 23000K



Plummer blocks

Dimensions

SNX 30

Dimensions in mm

Description	kg	S-1 shaft welleno	D			F bolt dia.	H	J	K	M	P	Q	W static oil level	X	Y	A (with seals)						
			A1	B	C											Min	Max	LD	Felt	End cover	VR	L1
SNX 3024	81,0	110	167	390	110	295	333	M24	40	220	80	112	248	38.0	37	66.5	30.0	160	160	160	175	113
SNX 3026	105,0	115	174	419	121	324	364	M24	45	239	84	125	269	49.0	42	73.0	33.8	168	168	168	179	118
SNX 3028	121,0	125	191	419	120	337	368	M24	45	267	93	140	286	50.5	52	81.0	42.0	185	185	185	199	139
SNX 3030	161,0	135	197	445	130	374	387	M24	50	290	95	150	315	54.0	56	84.1	39.0	191	191	191	204	149
SNX 3032	161,0	140	197	445	130	374	387	M24	50	290	95	150	315	58.0	54	84.1	39.0	191	191	191	204	154
SNX 3034	162,0	150	226	530	159	426	464	M30	60	317	110	160	364	62.5	50	91.3	33.7	220	220	220	234	164
SNX 3036	235,0	160	241	550	159	457	483	M30	60	338	118	170	379	67.0	52	102.4	34.0	235	235	235	252	176
SNX 3038	235,0	170	241	550	159	457	483	M30	60	338	118	170	379	68.5	48	102.4	34.0	235	235	235	252	186

Housing	LD seal	FS seal	VR seal	End cover					
Description	Part no.	Description	Part no.	Description	Part no.				
SNX 3024	747042	LD 110	725342	10X12X200	713596	VS0110	738157	DK 110	708966
SNX 3026	747043	LD 115	725343	10X12X210	713603	VS0115	738158	DK 115	708970
SNX 3028	747044	LD 125	725344	10X12X230	713613	VS0125	738160	DK 125	708976
SNX 3030	747045	LD 135	725345	10X12X245	713622	VS0135	738162	DK 135	708983
SNX 3032	747046	LD 140	725346	10X12X265	713634	VS0140	738163	DK 140	708989
SNX 3034	747047			10X12X280	713641	VS0150	738165	DK 165	740383
SNX 3036	747048			10X12X300	713647	VS0160	738167	DK 175	740384
SNX 3038	747049			10X12X300	713647	VS0170	738169		

Description	Spherical roller bearing		Fixing rings			Adapters	
	Description	Part no.	Description	Quantity	Part no.	Description	Part no.
SNX 3024	23024EASK.M.C3	703619	SR 180X5	2	747131	H 3024	719419
SNX 3026	23026K.C3	703628	SR 200X10	1	747136	H 3026	719420
SNX 3028	23028EASK.M	703644	SR 210X10	1	747138	H 3028	719421
SNX 3030	23030EASK.M.C3	703656	SR 225X10	1	747142	H 3030	719422
SNX 3032	23032K.C3	703661	SR 240X10	1	747145	H 3032	719423
SNX 3034	23034K.C3	703670	SR 260X10	1	747148	H 3034	719425
SNX 3036	23036K.C3	703679	SR 280X10	1	747150	H 3036	053088
SNX 3038	23038EASK.M.C3	703689	SR 290X10	1	747151	H 3038	719429