



Catalog | June 2014

# Mounted Bearings

**DODGE**<sup>®</sup>

Power and productivity  
for a better world™



## Ultra Kleen

Features/Benefits . . . . .	1-3
How to order/Nomenclature . . . . .	1-6
Easy Selection . . . . .	1-7
Selection/Dimensions . . . . .	1-15
Accessories (end covers) . . . . .	1-35

## E-Z Kleen

Features/Benefits . . . . .	2-3
How to order/Nomenclature . . . . .	2-8
Selection . . . . .	2-9
Easy Selection . . . . .	2-12
Selection/Dimensions . . . . .	2-24
Accessories (end covers) . . . . .	2-64

## Extreme Duty

Features/Benefits . . . . .	3-2
Easy Selection . . . . .	3-3
Selection . . . . .	3-5
Selection/Dimensions . . . . .	3-10
Accessories (end covers) . . . . .	3-43

## Set screw

Features/Benefits . . . . .	4-3
How to Order/Nomenclature . . . . .	4-5
Selection . . . . .	4-6
Selection/Dimensions . . . . .	4-16
Accessories . . . . .	4-86
Related products . . . . .	4-87

## Grip Tight

Features/Benefits . . . . .	5-2
How to order/Nomenclature . . . . .	5-4
Selection . . . . .	5-5
Selection/Dimensions . . . . .	5-10
Related products (end covers) . . . . .	5-58

## Plummer blocks

ISN Features/Benefits . . . . .	6-2
ISN, ISN-XL & ISNX-Hyd bearing/Nomenclature . . . . .	6-3
ISN Selection . . . . .	6-4
ISN Dimensions . . . . .	6-11
ISNX Features/Benefits . . . . .	6-15
ISNX Selection . . . . .	6-16
ISNX Dimensions . . . . .	6-19
SNX Features/Benefits . . . . .	6-20
Dodge SDX Features/Benefits . . . . .	6-21
Seals Features/Benefits . . . . .	6-22
SNX Dimensions . . . . .	6-23
SDX Dimensions . . . . .	6-39

## Sleeve bearings

Features/Benefits . . . . .	7-3
Specification/How to order . . . . .	7-4
Nomenclature . . . . .	7-5
Selection . . . . .	7-6
Selection/Dimensions . . . . .	7-10

## Sleevoil

Features/Benefits . . . . .	8-3
Specification/How to order . . . . .	8-7
Selection . . . . .	8-8
Selection/Dimensions . . . . .	8-10
Modification/Accessories . . . . .	8-20

<b>Part number index . . . . .</b>	<b>Index-1</b>
------------------------------------	----------------

# Ultra Kleen mounted ball bearings

## Contents

### Ultra Kleen polymer and stainless steel housed mounted bearings

1-3	Features/Benefits
1-6	How to order/Nomenclature
1-7	Easy selection
Dimensions	
1-15	Pillow blocks
1-17	Tapped base pillow blocks
1-19	2-bolt flange bearings
1-22	3-bolt flange bearings
1-23	Flanged bracketed bearings
1-26	4-bolt flange bearings
1-28	Wide slot take-up bearings
1-32	Narrow slot take-up bearings
1-34	Inserts
1-35	Accessories
INDEX-1	Part number index

# Ultra Kleen mounted ball bearings

# Ultra Kleen mounted ball bearings

## Features/Benefits

### Ultra Kleen

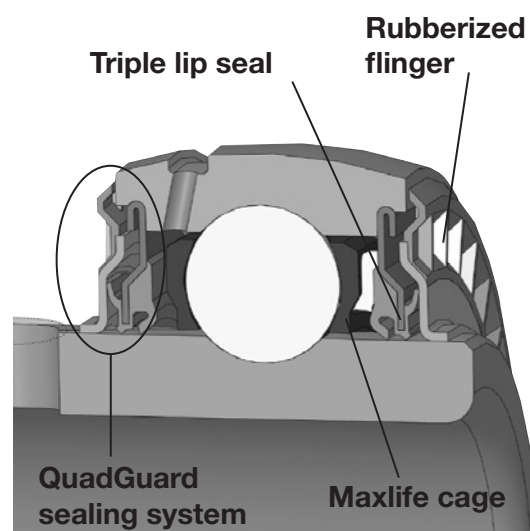
### Polymer and stainless steel housed mounted bearings

**Insert:** The Dodge Ultra Kleen features inserts made of 100% stainless steel and includes set screws positioned at 65 degree angles to provide maximum locking force without compromising inner ring strength. The inserts each include a stainless anti-rotation pin to prevent insert rotation in the housing under load which may cause premature bearing failure. Stainless inserts eliminate the possibility of contamination due to chipping and flaking, commonly found in inserts which are coated with zinc or thin-dense chrome.

**Sealing:** Retaining lubrication and preventing contamination from entering the bearing is critical in harsh environments. That is why Dodge has developed the premium QuadGuard® sealing system for maximum sealing effectiveness under these conditions. The seal includes two patented features unique to Dodge bearings; these features are standard on the Ultra Kleen product. The first is a triple-lip seal designed to maximize sealing and produce less drag than other multi-lip seals. The Dodge patented triple-lip design uses a mechanically retained seal with two contact points

on the inner ring and one contact point riding against the flinger surface. Three points of contact maximize the ability of the seal to guard against contamination and to retain lubricants.

The QuadGuard seal incorporates the industry's first (and only) patented rubberized flinger. This flinger uses molded rubber to provide additional protection from contaminants entering the bearing. The baffle design of the rubber on the external surface of the flinger enhances the removal of liquid as the flinger rotates. Grease chambers on the internal surface prevent lubricants from exiting the bearing during operation while allowing purging during re-lubrication. This superior design will increase service life in dirty environments thus leading to extended up-time for our customers. When used in conjunction with one another, the triple-lip seal and rubberized flinger create a sealing system that is ideal for demanding environments.



**Retainer:** The Maxlife® Cage is the product of extensive research and development in retainer technology and industry leading engineering. The cage features a two-piece design that creates a grease compartment around each of the rolling elements. These compartments allow balls to be constantly in contact with grease, so a good oil film will always exist to prevent wear and minimize friction and heat. The Maxlife cage reduces the relative motion between bearing components and grease which results in lower operating temperatures and extended life. The compartmental construction of the cage tends to hold in the grease and prevent it from being washed out in extremely wet or dirty conditions. This feature allows the bearing to be re-lubricated with less frequency than standard designs require, while extending bearing life.

# Ultra Kleen mounted ball bearings

## Features/Benefits

Lubrication: 100% filled with H1, food grade grease

### Ultra Kleen

### Polymer and stainless steel housed mounted bearings

**Housings:** The Ultra Kleen is available in a wide variety of both polymer and stainless housing designs.

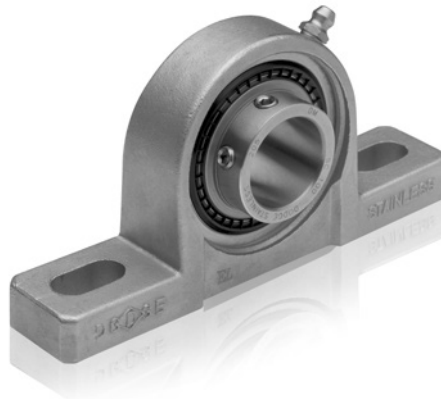
#### ● Polymer

- 204 to 210 Series (20-50 mm), (3/4-2 in)
  - Pillow block
  - Two-bolt flange
  - Four-bolt flange
- 204 to 207 Series (20-50 mm), (3/4-1-7/16 in)
  - Tapped base
  - Flange bracket
  - Wide slot take-up
- Solid cross-section base housings
- No core cavities to trap contaminants
- Anti-microbial agent retards bacterial and fungal growth
- All stainless hardware and fittings
- Housing strength exceeds bearing static capacity
- End covers available



#### ● Stainless

- 204 to 208, 210 Series
  - Pillow block
  - Two-bolt flange
  - Four-bolt flange
  - Narrow slot take-up
  - Wide slot take-up
  - Tapped base
  - Flange bracket (no 208, 209)
- 204-207 Series
  - Light duty two-bolt flange, LFT
  - Light duty three-bolt flange, LF
- 300 Series stainless steel casting
- End covers available



#### End covers

Many Dodge E-Z Kleen and Ultra Kleen bearings include a housing groove to accept a snap-on polymer end cover. These durable covers are easy to install and each is provided with a drain hole to prevent moisture from collecting inside the cover. The snap-on style of end cover incorporates an additional lip on the mounting surface for a rigid fit within the housing. This tight fit creates a better seal prevents movement of the cover during operation and high-pressure cleaning. Dodge snap-on end covers provide positive sealing in wet environments and create safer working conditions by enclosing rotating shafts.

# Ultra Kleen mounted ball bearings

## Features/Benefits

### Ultra Kleen-SC

Ultra Kleen-SC	End-cover capability		Sealing		Retainer
	End-cover groove	Snap-on end cover	Triple-lip seal	Stainless rubberized flinger	Maxlife cage
Standard features	X	X	X	X	X

### Housing capability stainless

Housing style	204	205	206	207	208	209	210
P2B	X	X	X	X	X		X
F2B	X	X	X	X	X		X
F4B	X	X	X	X	X		X
FB	X	X	X	X			X
TB	X	X	X	X	X		X
NSTU	X	X	X	X	X		X
WSTU	X	X	X	X	X		X

### Housing capability polymer

Housing style	204	205	206	207	208	209	210
P2B	X	X	X	X	X	X	X
F2B	X	X	X	X	X	X	X
F4B	X	X	X	X	X	X	X
FB	X	X	X	X			
TB	X	X	X	X			
NSTU							
WSTU	X	X	X	X			
LF							
LFT							



# Ultra Kleen mounted ball bearings

## How to order/Nomenclature

### Ultra Kleen polymer and stainless steel housed mounted bearings

#### How to order

There are two ways to specify Dodge Ultra Kleen mounted ball bearings. Most of the product offerings have part numbers with listings shown throughout this brochure. Use of part numbers ensures accurate order processing.

When part numbers are not shown, the product may be specified by description or part name. This method is used when ordering units that include modifications or options. To order by description for options not covered by the nomenclature.

#### Nomenclature

**P2B - SCHUEZ - 104S = PSS**

##### Modification or feature:

- SS = Stainless steel insert
- MOD = Modified
- P = Polymer housing
- SH = Stainless steel housing

##### Shaft size

###### Inches:

First digit = Number of inches

Second & third digits = Number of sixteenths of an inch

104 = Indicates 1-4/16 or 1-1/4

S = Next smaller ring size. E.g. 1-1/4 206 would be written as 104S

L = Next larger ring size. E.g. 1/2 204 would be written as 008L

###### Metric:

First two digits = number of millimeters

M = Metric

##### Bearing type:

SC = Wide inner ring, normal duty, 65° setscrew locking

Suffixes to the above:

EZ = E-Z Kleen/Ultra Kleen (used with polymer or stainless steel housed units)

BEZ = Low backing height pillow block, E-Z Kleen/Ultra Kleen

UEZ = Higher back pillow block, E-Z Kleen/Ultra Kleen (for interchangeability with competitive pillow blocks)

##### Housing:

F2B = 2 bolt flange

F4B = 4 bolt flange

FB = Flanged bracket

INS = Insert

P2B = Pillow block, 2 bolt base

TB = Tapped base pillow block

WSTU = Wide slot take-up

NSTU = Narrow slot take-up

LF = 3 bolt, light duty flange

LFT = 2 bolt, light duty flange

# Ultra Kleen mounted ball bearings

## Easy selection

### Selection of Dodge Ultra Kleen polymer and stainless steel housed ball bearings

Dodge Ultra Kleen mounted ball bearings are primarily designed for radial loading. However, they have the capacity to carry thrust loads and combined radial/thrust loads. The maximum recommended load which can be applied is limited by various components in the system, such as bearing, housing, shaft attachments, speed and life requirements as listed in this catalog and the instruction manual that accompanies each bearing. Dodge Ultra Kleen mounted ball bearings have been applied successfully when these limits have been exceeded under controlled operating conditions. Contact your local ABB office for applications which exceed these recommendations.

Select a bearing from the Selection Table that has a radial load rating at the operating speed equal to or greater than the calculated Equivalent Radial Load for a desired  $L_{10}$  life. This simple method is all that is required for the majority of general applications and provides for occasional average shock loads.

**$L_{10}$  hours life**-the life which may be expected for at least 90% of a given group of bearings operating under identical conditions.

**Heavy service**-For heavy shock loads, frequent shock loads or severe vibrations, add up to 50% (according to severity of conditions) to the Equivalent Radial Load to obtain a Modified Equivalent Radial Load. Consult with your local ABB office for additional selection assistance.

A maximum thrust load value of  $C/10$  is recommended as a guide for general applications and will give adequate  $L_{10}$  life. If the thrust load exceeds this limit, it is advisable to use auxiliary thrust carrying devices, such as a shaft shoulder, snap ring, or a thrust collar. Where substantial radial load pulls the housing away from the mounting base, both the hold-down bolts and housing must be of adequate strength. Auxiliary load carrying devices, such as shear bars, are advisable for side or end-loading of pillow blocks and radial loads for flange units.

To determine the  $L_{10}$  hours life for loads and RPMs not listed use the following equation:

$$L_{10} = \left( \frac{C}{P} \right)^3 \times \left( \frac{16,667}{n} \right)$$

Where:

$L_{10}$  = Life, hours

C = Dynamic capacity, lb or N

P = Equivalent radial load, lb or N

n = Revolutions per minute

When the load on a ball bearing is solely a radial load with no thrust (axial) load, the Equivalent Radial Load (P) is equal to the actual radial load. However, when a thrust (axial) load is applied, the radial and thrust loads applied must be converted into an Equivalent Radial Load. Use X (radial factor) and Y (thrust factor) from Table 1 to convert the actual applied thrust and radial loads to an Equivalent Radial Load which has the same effect on the life of a bearing as a radial load of this magnitude.

Shaft tolerances		Recommended shaft tolerances	
Normal shaft size (mm)	Normal shaft size (in)	SC (mm)	SC (in)
Up to 40mm	Up to 1-1/2	+0.000 -0.013	+0.000 -0.0005
Over 40mm to 50mm	Over 1-1/2 to 2	+0.000 -0.025	+0.000 -0.0010

$$P = XF_R + YF_A$$

Where:

P = Equivalent radial load, lb

$F_R$  = Radial load, lb

$F_A$  = Thrust load, lb

e = Thrust load to radial load factor (Table 1)

X = Radial load factor (Table 1)

Y = Thrust factor (Table 1)

$C_0$  = Basic static capacity (Selection table)

To find X and Y, first calculate  $F_A/C_0$  to determine e. Calculate  $F_A/F_R$  and compare to e to determine the X and Y factors to use from table 1.

Substitute all known values into the equivalent radial load equation. The equivalent radial load (P) thus determined can be used in the  $L_{10}$  life formula or compared to the allowable equivalent radial load rating desired in the expanded rating chart to select a bearing (Selection table).

# Ultra Kleen mounted ball bearings

## Easy selection

### Selection of Dodge Ultra Kleen polymer and stainless steel housed ball bearings

If calculated value of P is less than  $F_R$ , use  $P=F_R$ .

Table 1

$F_A/C_0$	e	Radial/Thrust factors			
		If $F_A/F_R$ is equal to or less than e		If $F_A/F_R$ is greater than e	
		$F_A/F_R \leq e$		$F_A/F_R > e$	
		X	Y	X	Y
0.014	0.19	1	0	0.56	2.30
0.021	0.21	1	0	0.56	2.15
0.028	0.22	1	0	0.56	1.99
0.042	0.24	1	0	0.56	1.85
0.056	0.26	1	0	0.56	1.71
0.070	0.27	1	0	0.56	1.63
0.084	0.28	1	0	0.56	1.55
0.110	0.30	1	0	0.56	1.45
0.170	0.34	1	0	0.56	1.31
0.280	0.38	1	0	0.56	1.15
0.420	0.42	1	0	0.56	1.04
0.560	0.44	1	0	0.56	1.00

**Lubrication** - Dodge ball bearings are lubricated at the factory and are ready to run. The bearings are initially lubricated with an aluminum complex based, H1 Food grade grease and should be relubricated with the same or some equivalent. For high speeds, high loads, extreme temperatures and other abnormal operating conditions, special greases may be required. Contact your local ABB office for recommendations on these types of applications.

**Misalignment** - Dodge ball bearings are designed to allow a maximum of  $\pm 2^\circ$  static misalignment. These bearings are not suitable for dynamic misalignment. To ensure good alignment, mounting surfaces must be checked for flatness and must lie in the same plane. When tightening base bolts, each bolt should be alternately tightening in incremental torque values until full torque is achieved to prevent the angular shifting of the pillow block that occurs when one bolt is tightened to its full torque. Shimming may be required to minimize misalignment.

# Ultra Kleen mounted ball bearings

## Easy selection

### Selection of Dodge Ultra Kleen polymer and stainless steel housed ball bearings

#### Recommended torque

Setscrews				D-Lok				Mounting bolts						
Set screw size	Key hex across flats	Recommended torque				Cap screw size	Recom. torque	E-Z Kleen recom. torque	Metal housings		E-Z Kleen housed bearings			
		Standard ball bearing insert		Corrosion resistant stainless steel	Bolt size				Recom. dry torque (Grade 2)	2-Bolt PB, 2 & 4 bolt fig. and fig. brackets		Tapped base PB		
		Min	Max							Bolt size	Torque ①	Bolt size	Torque ②	
(mm)	(mm)	(NM)	(NM)	(NM)	(mm)	(NM)	(NM)	(mm)	(NM)	(mm)	(NM)	(in)	(lb-in)	
M5	2.5	3.2	3.7	2.8	M4	5.85	4.68	M10	29	M8	15	① Torque for austenitic (18-8) Stainless		
M6	3	6.2	7.7	5.8	M5	10.75	8.6	M12	50	M10	25	② Max. torque values published. Do not exceed		
M8	4	14.2	17.8	13.4	M6	20.5	16.4	M16	124	M12	50			
M10	5	26	31	23	M8	45	36	M20	238	M14	75			
M12	6	46	57	43				M22	322	M18	125			
(in)	(in)	(lb-in)	(lb-in)	(lb-in)	(in)	(lb-in)	(lb-in)	(in)	(lb-in)	(in)	(lb-in)	(in)	(lb-in)	
#10	3/32	28	33	25	#8-32	58	46	3/8-16	240	3/8-16	225	3/8-16	175	
1/4	1/8	66	80	60	#10-32	90	72	7/16-14	384	7/16-14	350	7/16-14	350	
5/16	5/32	126	156	117	1/4-28	180	144	1/2-13	600	1/2-13	500	1/2-13	400	
3/8	3/16	228	275	206	5/16-24	400	320	5/8-11	1200	9/16-12	650			
7/16	7/32	342	428	321	3/8-24	750	600	3/4-10	1950	5/8-11	1000			
								7/8-9	2890					

#### Lubrication

High speed operation - In the higher speed ranges, too much grease will cause over-heating. The amount of grease that the bearing will take for a particular high speed application can only be determined by experience. If excess grease in the bearing causes overheating, it will be necessary to remove grease fitting to permit excess grease to escape. The bearing has been greased at the factory and is ready to run. When establishing a relubrication schedule, note that a small amount of grease at frequent intervals is preferable to a large amount at infrequent intervals.

#### Lubrication guide

Use a No. 2 Lithium complex base grease or equivalent\*

Hours run per day	Suggested lubrication period in weeks							
	1 to 250 RPM	251 to 500 RPM	501 to 750 RPM	751 to 1000 RPM	1001 to 1500 RPM	1501 to 2000 RPM	2001 to 2500 RPM	2501 to 3000 RPM
8	12	12	10	7	5	4	3	2
16	12	7	5	4	2	2	1	1
24	10	5	3	2	1	1	1	1

\*For E-Z Kleen and Ultra Kleen series bearings, use an aluminum complex base grease.

Lubrication recommendations are intended for standard products applied in general operating conditions. For modified products, high temperature applications, and other anomalous applications, contact your local ABB office for assistance.





# Ultra Kleen mounted ball bearings

## Easy selection

Chemical resistance chart\*

	Housing	Ball bearing insert		
	polymer	Stainless	E-Z Kleen	Ultra-Kleen
<b>A</b>				
Acetic acid	B	B	A	B
Acetone	B	A	A	B
Ammonium chloride		B	A	B
Ammonium hydroxide	D	A		A
Aniline	A	A	B	A
<b>B</b>				
Beer		A	A	
Beet sugar liquids		A		
Benzene	B	B	B	B
Bleaching lye	A			
Brake fluid	A			
Butane	A	A	A	
Butanol	B	A	A	
Butyl acetate	A	B	A	
<b>C</b>				
Calcium chloride	A	B	A	C
Calcium hydroxide		B	A	
Calcium hypochlorite	A	D	B	C
Carbon disulphide	A	B	B	
Carbon tetrachloride	A	B	A	A
Chloroform	D	A	A	A
Chromic acid	A	B	A	B
Citric acid	A	A	A	A
Cresol	D	A		
<b>D</b>				
Detergents	A	A	A	A
Diesel fuel	A	A	B	
<b>E</b>				
Ethanol	A	A		A
Ether (diethyl-)	A	A	B	A
Ethyl acetate	B	B	B	
Ethylene dichloride	D	B	B	
<b>F</b>				
Ferrous chloride		D	B	
Formaldehyde		B	B	
Formic acid	B	B	A	B
Freon 11	A	A	A	
<b>G</b>				
Gasoline	A	A	A	A
Glycerol (Glycerin)	B	A	A	A
Glycol	B			
Grease	A	A	A	A

Where: (A) = No effect - Excellent  
 (B) = Minor effect - Good  
 (C) = Moderate effect - Fair  
 (D) = Severe effect - Not recommended  
 Blank = No data available

Note: All references assume exposure temperature of 22°C.

\*This chemical resistance chart is intended as a guideline. For exposure to high concentrations, prolonged contact, or higher operating temperatures, etc. reliance upon actual application experience is best. Aggressive relubrication intervals may also benefit bearing life. Contact your local ABB office for assistance.

# Ultra Kleen mounted ball bearings

## Easy selection

Chemical resistance chart\*

	Housing		Ball bearing insert	
	polymer	Stainless	E-Z Kleen	Ultra-Kleen
<b>H</b>				
Heptane	A	A	A	
Hexane	A	A	A	
Hydrochloric acid (20%)	A	D	B	D
Hydrochloric acid (100%)	D	D	C	D
Hydrofluoric acid (20%)	D	D	B	D
Hydrofluoric acid (100%)	D	D	C	D
Hydrogen peroxide (10%)	A	C	A	
Hydrogen peroxide (30%)	B	C	A	
<b>I, K, L</b>				
Iodine		D	B	D
Isopropanol (Isopropyl alcohol)	B	A	A	
Kerosene	A	A	A	A
Lithium chloride		A		
<b>M</b>				
Methanol	A	A	A	A
Methylene chloride	D	B	B	
Methyl ethyl ketone	A	A	A	
Mineral oil	A	A	A	A
Motor oils	A	A	A	A
<b>N</b>				
Nitric acid (10%)	A	A	A	A
Nitric acid (20%)	D	A	A	A
Nitric acid (50%)	D	A	A	A
<b>O</b>				
Oleic acid	A	A	B	B
Olive oil	A	A	A	A
<b>P</b>				
Perchloroethylene	A	B	B	
Phenol	B	B	A	
Phosphoric acid (<40%)	A	B	A	A
Phosphoric acid (>40%)	A	C	A	B
Potassium chloride	A	B	A	B
<b>P (Continued)</b>				
Potassium dichromate	A	B	B	B
Potassium hydroxide	D	B	A	B
Potassium permanganate	A	A	B	B
<b>S</b>				
Silicone	A	B	A	A
Soap solution	A	A	A	A
Sodium bicarbonate	A	A	A	A
Sodium bisulfate		D	B	B

Where: (A) = No effect - Excellent  
 (B) = Minor effect - Good  
 (C) = Moderate effect - Fair  
 (D) = Severe effect - Not recommended  
 Blank = No data available

Note: All references assume exposure temperature of 22°C.

\*This chemical resistance chart is intended as a guideline. For exposure to high concentrations, prolonged contact, or higher operating temperatures, etc. reliance upon actual application experience is best. Aggressive relubrication intervals may also benefit bearing life. Contact your local ABB office for assistance.



# Ultra Kleen mounted ball bearings

## Easy selection

### Chemical resistance chart\*

	Housing		Ball bearing insert	
	polymer	Stainless	E-Z Kleen	Ultra-Kleen
Sodium bisulfite	A	B	B	B
Sodium carbonate	A	A	A	B
Sodium chloride	A	B	A	B
Sodium hydroxide (20%)	D	A	A	A
Sodium hydroxide (50%)	D	B	A	
Sodium hydroxide (80%)	D	C	B	
Sodium hypochlorite (<20%)	A	C	B	C
Sodium hypochlorite (100%)	B	D	B	D
Sulfuric acid (<10%)	A	D	A	C
Sulfuric acid (10 - 75%)	A	D	B	D
Sulfuric acid (>75%)	D	D	C	D
<b>T</b>				
Tetrahydrofuran	B	A	A	
Toulene	A	A	A	
Trichlorethylene	B	B	A	
Triethylamine		A	A	
Turpentine	A	A	A	
<b>V, W, X</b>				
Vegetable oils	A	A	A	A
Water	A	A	A	A
Xylene	A	B	A	

Where: (A) = No effect - Excellent  
 (B) = Minor effect - Good  
 (C) = Moderate effect - Fair  
 (D) = Severe effect - Not recommended  
 Blank = No data available

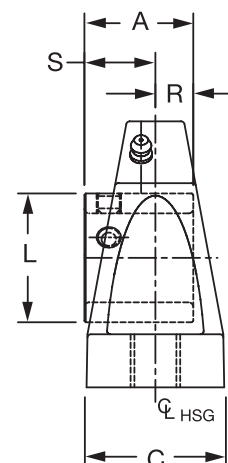
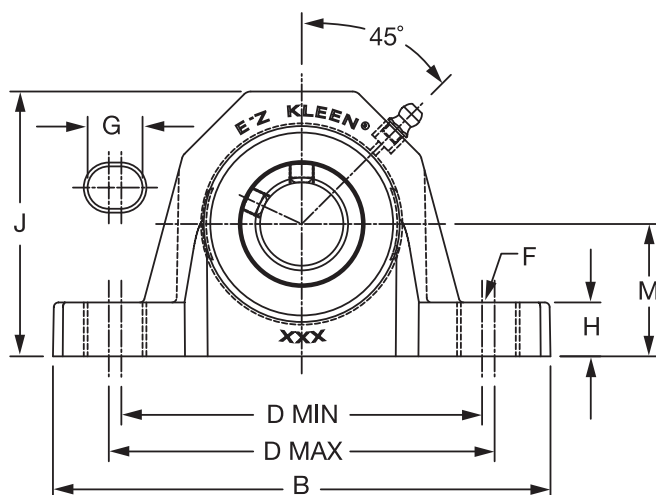
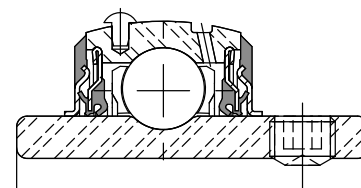
Note: All references assume exposure temperature of 22°C.

\*This chemical resistance chart is intended as a guideline. For exposure to high concentrations, prolonged contact, or higher operating temperatures, etc. reliance upon actual application experience is best. Aggressive relubrication intervals may also benefit bearing life. Contact your local ABB office for assistance.

# Ultra Kleen mounted ball bearings

## Selection/Dimensions

Ultra Kleen mounted ball bearings  
SCEZ PSS normal duty polymer  
housed pillow blocks



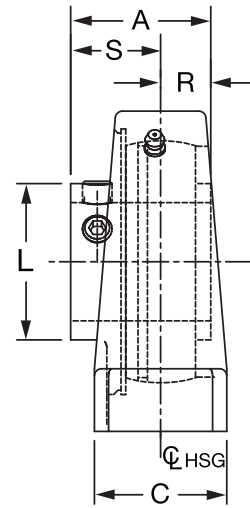
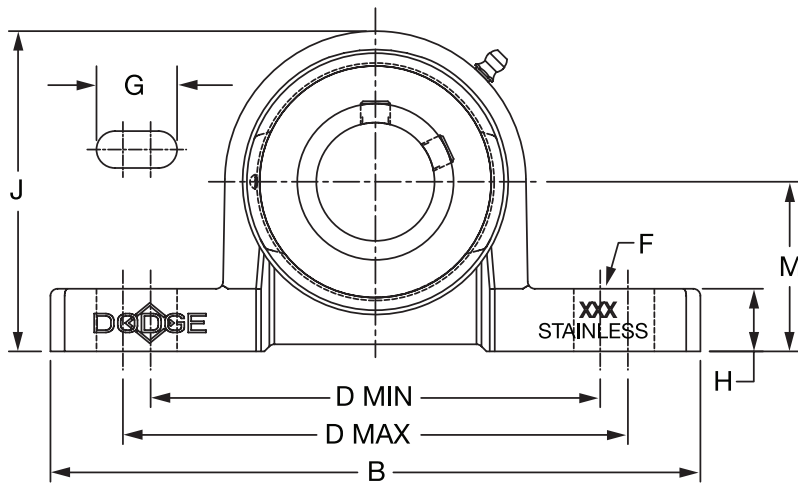
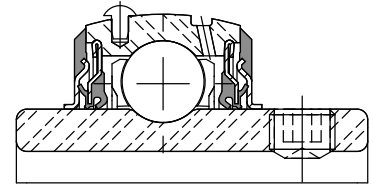
Series	Shaft size	With stainless steel insert		Weight kg lb	A	B	C	D		F Bolt dia.	G	H	J	L	M	R	S
		Part No.	Description					min.	max.								
204	20mm	<b>136740</b>	P2B-SCEZ-20M-PSS	0.30	31.2	127.5	37.6	93.0	99.6	M10	15.0	15.5	66.8	28.2	33.4	12.7	18.5
	3/4	<b>136695</b>	P2B-SCEZ-012-PSS	0.64	1.23	5.02	1.48	3.66	3.92	3/8	0.59	0.61	2.63	1.11	1.31	0.50	0.73
205	25mm	<b>136741</b>	P2B-SCEZ-25M-PSS	0.32	30.2	139.2	37.6	100.6	106.7	M10	15.0	15.5	72.6	33.5	36.5	10.9	19.3
	1	<b>136696</b>	P2B-SCEZ-100-PSS	0.69	1.19	5.48	1.48	3.96	4.20	3/8	0.59	0.61	2.86	1.32	1.44	0.43	0.76
206	30mm	<b>136742</b>	P2B-SCUEZ-30M-PSS	0.51	38.6	160.0	45.0	116.8	124.0	M12	18.5	17.8	84.8	39.9	42.9	14.7	23.9
	1-3/16	<b>136697</b>	P2B-SCUEZ-103-PSS	1.13	1.52	6.30	1.77	4.60	4.88	1/2	0.73	0.70	3.34	1.57	1.69	0.58	0.94
	1-1/4	<b>136698</b>	P2B-SCUEZ-104S-PSS	1.11	1.52	6.30	1.77	4.60	4.88	1/2	0.73	0.70	3.34	1.57	1.69	0.58	0.94
207	35mm	<b>136743</b>	P2B-SCEZ-35M-PSS	0.74	39.1	166.1	47.2	121.9	130.0	M12	18.5	18.3	98.8	46.7	47.6	13.0	26.2
	1-1/4	<b>136699</b>	P2B-SCEZ-104-PSS	1.68	1.54	6.54	1.86	4.80	5.12	1/2	0.73	0.72	3.89	1.84	1.88	0.51	1.03
	1-7/16	<b>136700</b>	P2B-SCEZ-107-PSS	1.52	1.54	6.54	1.86	4.80	5.12	1/2	0.73	0.72	3.89	1.84	1.88	0.51	1.03
208	40mm	<b>136744</b>	P2B-SCBEZ-40M-PSS	0.88	42.7	182.6	53.3	129.5	143.3	M12	22.4	19.3	105.7	52.1	49.2	15.0	27.7
	1-1/2	<b>136701</b>	P2B-SCBEZ-108-PSS	2.08	1.68	7.19	2.10	5.10	5.64	1/2	0.88	0.76	4.16	2.05	1.94	0.59	1.09
209	45mm	<b>136745</b>	P2B-SCEZ-45M-PSS	1.03	43.4	182.9	53.3	137.7	151.4	M12	22.4	21.3	109.5	56.4	54.0	14.7	28.7
	1-11/16	<b>136702</b>	P2B-SCEZ-111-PSS	2.34	1.71	7.20	2.10	5.42	5.96	1/2	0.88	0.84	4.31	2.22	2.13	0.58	1.13
210	50mm	<b>136746</b>	P2B-SCEZ-50M-PSS	1.30	44.2	204.7	59.9	152.4	166.6	M16	25.4	23.1	115.8	61.7	57.2	14.7	29.5
	1-15/16	<b>136703</b>	P2B-SCEZ-115-PSS	2.65	1.74	8.06	2.36	6.00	6.56	5/8	1.00	0.91	4.56	2.43	2.25	0.58	1.16
	2	<b>136986</b>	P2B-SCEZ-200-PSS	2.58	1.74	8.06	2.36	6.00	6.56	5/8	1.00	0.91	4.56	61.7	57.2	14.7	29.5

Unless specified, dimensions are in mm for metric parts and inches for non-metric parts.  
Note: Dimensions are in MM (in)

# Ultra Kleen mounted ball bearings

## Selection/Dimensions

Ultra Kleen mounted ball bearings  
SCEZ SHSS normal duty stainless steel  
housed pillow blocks



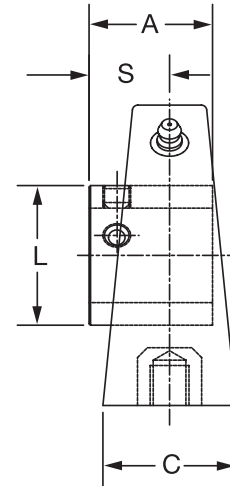
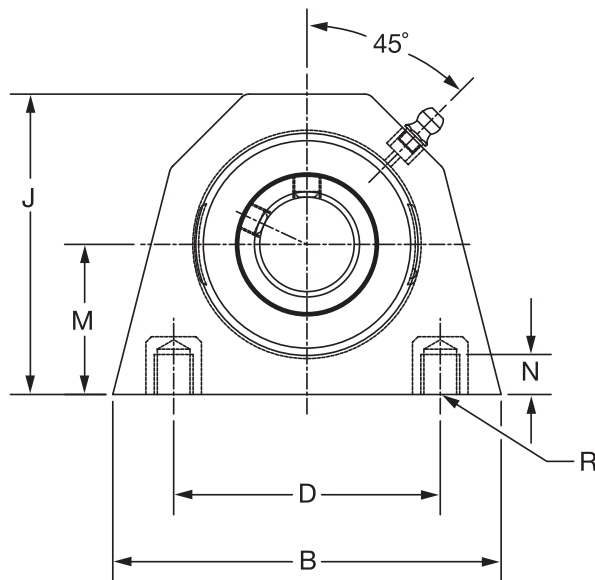
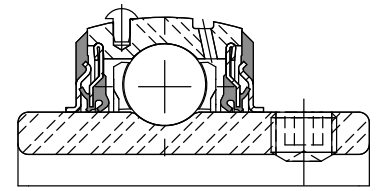
Series	Shaft size	With stainless steel insert		Weight kg lb	A	B	C	D		F Bolt dia.	G	H	J	L	M	R	S
		Part No.	Description					min.	max.								
204	20mm	<b>136849</b>	P2B-SCEZ-20M-SHSS	0.59	31.2	127.0	25.4	85.9	106.2	M10	21.3	12.7	63.5	28.2	33.3	12.7	18.5
	3/4	<b>136773</b>	P2B-SCEZ-012-SHSS	1.31	1.23	5.00	1.00	3.38	4.18	3/8	0.84	0.50	2.50	1.11	1.31	0.50	0.73
205	25mm	<b>136850</b>	P2B-SCEZ-25M-SHSS	0.73	30.2	139.7	28.4	93.5	114.3	M10	21.6	13.5	68.8	33.5	36.5	10.9	19.3
	1	<b>136774</b>	P2B-SCEZ-100-SHSS	1.59	1.19	5.50	1.12	3.68	4.50	3/8	0.85	0.53	2.71	1.32	1.44	0.43	0.76
206	30mm	@	P2B-SCEZ-30M-SHSS	1.06	38.6	158.8	31.8	108.2	127.0	M12	23.6	13.5	79.5	39.9	41.3	14.7	23.9
	1-3/16	<b>136775</b>	P2B-SCEZ-103-SHSS	2.33	1.52	6.25	1.25	4.26	5.00	1/2	0.93	0.53	3.13	1.57	1.63	0.58	0.94
	1-1/4	<b>136777</b>	P2B-SCEZ-104S-SHSS	2.29	1.52	6.25	1.25	4.26	5.00	1/2	0.93	0.53	3.13	1.57	1.63	0.58	0.94
206 (SCU)	30mm	<b>136851</b>	P2B-SCUEZ-30M-SHSS	1.11	38.6	158.8	31.8	108.2	127.0	M12	23.6	15.0	81.0	39.9	42.9	14.7	23.9
	1-3/16	<b>136776</b>	P2B-SCUEZ-103-SHSS	2.44	1.52	6.25	1.25	4.26	5.00	1/2	0.93	0.59	3.19	1.57	1.69	0.58	0.94
	1-1/4	<b>136778</b>	P2B-SCUEZ-104S-SHSS	2.39	1.52	6.25	1.25	4.26	5.00	1/2	0.93	0.59	3.19	1.57	1.69	0.58	0.94
207	35mm	<b>136852</b>	P2B-SCEZ-35M-SHSS	1.47	39.1	165.1	35.1	118.9	138.2	M12	23.9	14.2	92.2	46.7	47.6	13.0	26.2
	1-1/4	<b>136779</b>	P2B-SCEZ-104-SHSS	3.36	1.54	6.50	1.38	4.68	5.44	1/2	0.94	0.56	3.63	1.84	1.88	0.51	1.03
	1-7/16	<b>136780</b>	P2B-SCEZ-107-SHSS	3.19	1.54	6.50	1.38	4.68	5.44	1/2	0.94	0.56	3.63	1.84	1.88	0.51	1.03
208	40mm	@	P2B-SCEZ-40M-SHSS	1.95	42.7	177.8	38.1	131.6	152.4	M12	24.6	19.1	101.6	52.1	54.0	15.0	27.7
	1-1/2	<b>136781</b>	P2B-SCEZ-108-SHSS	4.39	1.68	7.00	1.50	5.18	6.00	1/2	0.97	0.75	4.00	2.05	2.13	0.59	1.09
208 (SCB)	40mm	<b>136853</b>	P2B-SCBEZ-40M-SHSS	1.74	42.7	177.8	38.1	131.6	152.4	M12	24.6	14.2	96.8	52.1	49.2	15.0	27.7
	1-1/2	<b>136782</b>	P2B-SCBEZ-108-SHSS	3.93	1.68	7.00	1.50	5.18	6.00	1/2	0.97	0.56	3.81	2.05	1.94	0.59	1.09
210	50mm	<b>136854</b>	P2B-SCEZ-50M-SHSS	2.29	44.2	203.2	41.4	146.3	169.7	M16	29.0	15.7	109.5	61.7	57.2	14.7	29.5
	1-15/16	<b>136783</b>	P2B-SCEZ-115-SHSS	5.14	1.74	8.00	1.63	5.76	6.68	5/8	1.14	0.62	4.31	2.43	2.25	0.58	1.16
	2	<b>136989</b>	P2B-SCEZ-200-SHSS	5.09	1.74	8.00	1.63	5.76	6.68	5/8	1.14	0.62	4.31	2.43	2.25	0.58	1.16

@Assembled to order  
Unless specified, dimensions are in mm for metric parts and inches for non-metric parts.  
Note: Dimensions are in MM (in)

# Ultra Kleen mounted ball bearings

## Selection/Dimensions

Ultra Kleen mounted ball bearings  
SCEZ PSS normal duty polymer  
housed tapped base pillow blocks



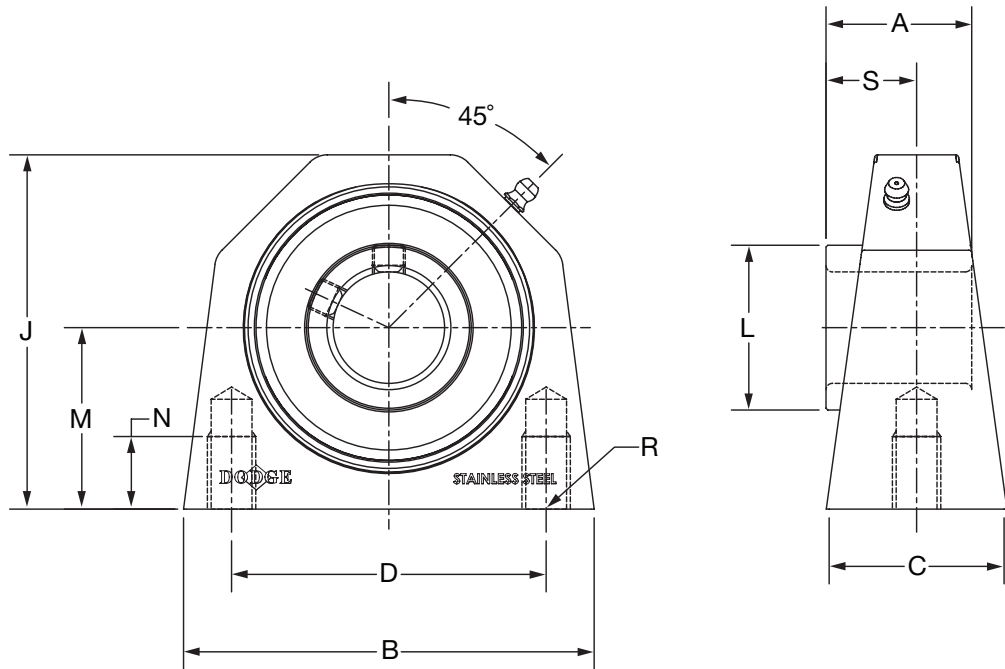
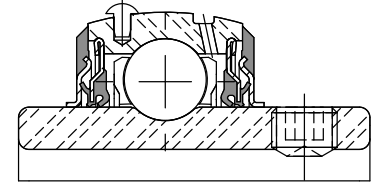
Series	Shaft size	With stainless steel insert		Weight kg lb	A	B	C	D	J	L	M	N Thread depth	R Bolt hole threads	S
		Part No.	Description											
204	20mm	<b>136747</b>	TB-SCEZ-20M-PSS	0.29	31.2	82.6	37.6	50.8	67.3	28.2	33.4	10.2	M10x1.5	18.5
	3/4	<b>136704</b>	TB-SCEZ-012-PSS	0.60	1.23	3.25	1.48	2.00	2.65	1.11	1.31	0.40	3/8-16	0.73
205	25mm	<b>136748</b>	TB-SCEZ-25M-PSS	0.28	30.2	82.6	37.8	50.8	73.4	33.5	36.5	10.2	M10x1.5	19.3
	1	<b>136705</b>	TB-SCEZ-100-PSS	0.58	1.19	3.25	1.49	2.00	2.89	1.32	1.44	0.40	3/8-16	0.76
206	30mm	<b>136749</b>	TB-SCEZ-30M-PSS	0.49	38.6	111.3	39.9	76.2	85.9	39.9	42.9	11.4	M10x1.5	23.9
	1-3/16	<b>136706</b>	TB-SCEZ-103-PSS	1.09	1.52	4.38	1.57	3.00	3.38	1.57	1.69	0.45	7/16-14	0.94
	1-1/4	<b>136707</b>	TB-SCEZ-104S-PSS	1.07	1.52	4.38	1.57	3.00	3.38	1.57	1.69	0.45	7/16-14	0.94
207	35mm	<b>136750</b>	TB-SCEZ-35M-PSS	0.72	39.1	117.6	48.0	82.6	97.0	46.7	47.6	14.0	M12x1.75	26.2
	1-1/4	<b>136708</b>	TB-SCEZ-104-PSS	1.64	1.54	4.63	1.89	3.25	3.82	1.84	1.88	0.55	1/2-13	1.03
	1-7/16	<b>136709</b>	TB-SCEZ-107-PSS	1.48	1.54	4.63	1.89	3.25	3.82	1.84	1.88	0.55	1/2-13	1.03

Unless specified, dimensions are in mm for metric parts and inches for non-metric parts.  
Note: Dimensions are in MM (in)

# Ultra Kleen mounted ball bearings

## Selection/Dimensions

Ultra Kleen mounted ball bearings  
SCEZ SHSS normal duty stainless steel  
tapped base bearings



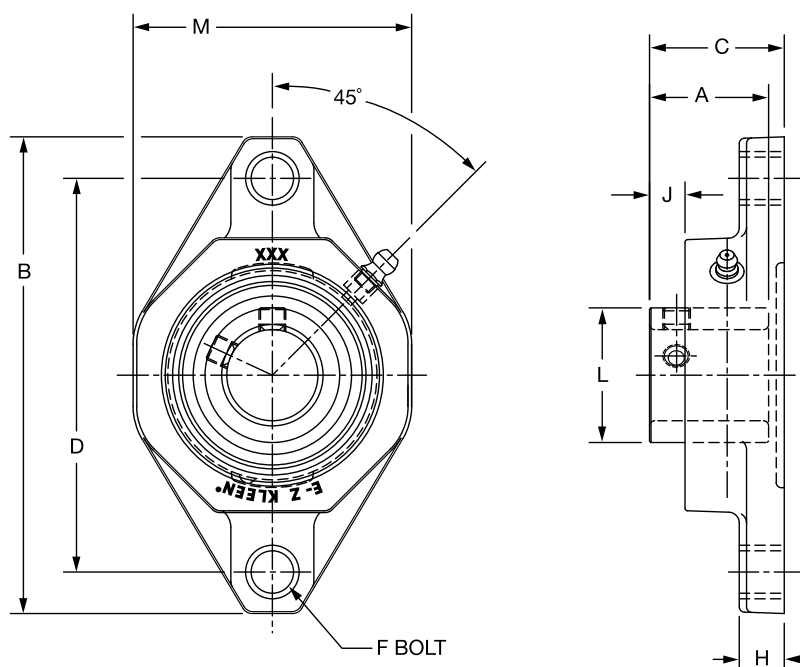
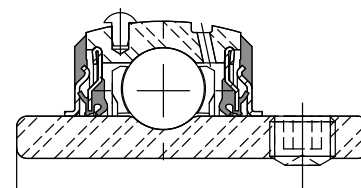
Series	Shaft size	With stainless steel insert		Weight kg lb	A	B	C	D	J	L	M	N	R	S
		Part No.	Description											
204	20mm	<b>136855</b>	TB-SCEZ-20M-SHSS	.576	31.2	70.4	34.5	50.8	63.5	28.2	33.4	11.4	3/8-16	18.5
	3/4	<b>136784</b>	TB-SCEZ-012-SHSS	1.27	1.23	2.77	1.36	2.00	2.50	1.11	1.31	0.45	3/8-16	0.73
205	25mm	<b>136856</b>	TB-SCEZ-25M-SHSS	.671	30.2	77.7	35.3	50.8	69.9	33.5	36.5	11.4	3/8-16	19.3
	1	<b>136785</b>	TB-SCEZ-100-SHSS	1.48	1.19	3.06	1.39	2.00	2.75	1.32	1.44	0.45	3/8-16	0.76
206	30mm	<b>136857</b>	TB-SCEZ-30M-SHSS	1.13	38.6	97.5	38.1	76.2	81.8	39.9	42.9	22.4	7/16-14	23.9
	1-3/16	<b>136786</b>	TB-SCEZ-103-SHSS	2.49	1.52	3.84	1.50	3.00	3.22	1.57	1.69	0.88	7/16-14	0.94
	1-1/4	<b>136787</b>	TB-SCEZ-104S-SHSS	2.49	1.52	3.84	1.50	3.00	3.22	1.57	1.69	0.88	7/16-14	0.94
207	35mm	<b>136858</b>	TB-SCEZ-35M-SHSS	1.61	39.1	105.4	45.0	82.6	93.0	46.7	47.6	19.1	1/2-13	26.2
	1-1/4	<b>136788</b>	TB-SCEZ-104-SHSS	3.55	1.54	4.15	1.77	3.25	3.66	1.84	1.88	0.75	1/2-13	1.03
	1-7/16	<b>136789</b>	TB-SCEZ-107-SHSS	3.55	1.54	4.15	1.77	3.25	3.66	1.84	1.88	0.75	1/2-13	1.03
208	40mm	<b>136859</b>	TB-SCEZ-40M-SHSS	1.91	42.7	114.6	45.7	88.9	101.6	52.1	54.0	25.4	1/2-13	27.7
	1-1/2	<b>136788</b>	TB-SCEZ-104-SHSS	4.21	1.68	4.51	1.80	3.50	4.00	2.05	2.13	1.00	1/2-13	1.09
210	50mm	<b>136860</b>	TB-SCEZ-50M-SHSS	2.57	44.2	136.4	48.8	101.6	113.5	61.7	57.2	31.8	5/8-11	29.5
	1-15/16	<b>136792</b>	TB-SCEZ-115-SHSS	5.67	1.74	5.37	1.92	4.00	4.47	2.43	2.25	1.25	5/8-11	1.16
	2	<b>136990</b>	TB-SCEZ-200-SHSS	5.67	1.74	5.37	1.92	4.00	4.47	2.43	2.25	1.25	5/8-11	1.16

Unless specified, dimensions are in mm for metric parts and inches for non-metric parts.  
Note: Dimensions are in MM (in)

# Ultra Kleen mounted ball bearings

## Selection/Dimensions

Ultra Kleen mounted ball bearings  
SCEZ PSS normal duty polymer  
housed 2-bolt flange bearings



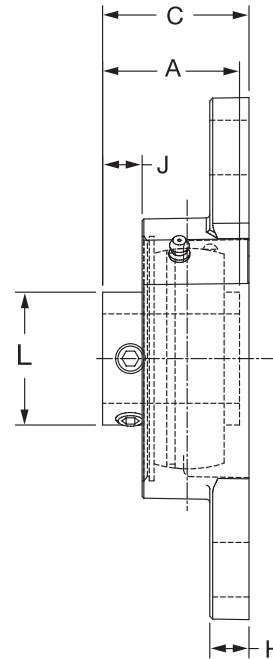
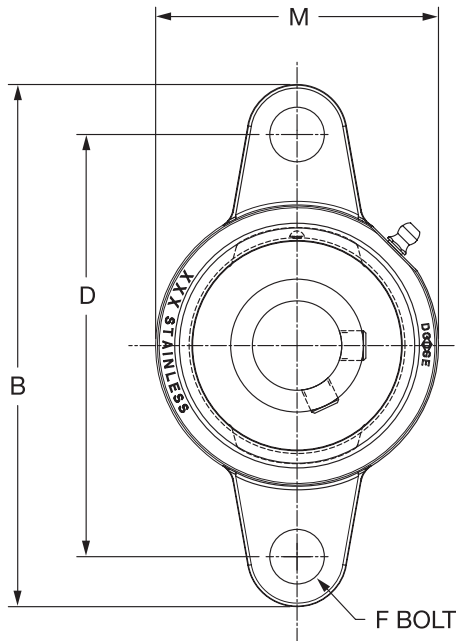
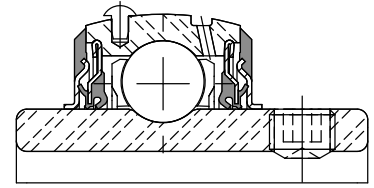
Series	Shaft size	With stainless steel insert		Weight kg lb	A	B	C	D	F bolt dia.	H	J	L	M
		Part No.	Description										
204	20mm	<b>136751</b>	F2B-SCEZ-20M-PSS	0.24	31.2	113.0	36.6	90.0	M10	13.5	8.1	28.2	59.7
	3/4	<b>136710</b>	F2B-SCEZ-012-PSS	0.40	1.23	4.45	1.44	3.54	3/8	0.53	0.32	1.11	2.35
205	25mm	<b>136752</b>	F2B-SCEZ-25M-PSS	0.28	30.2	125.0	37.6	99.0	M10	13.7	8.6	33.5	68.8
	1	<b>136711</b>	F2B-SCEZ-100-PSS	0.56	1.19	4.92	1.48	3.90	3/8	0.54	0.34	1.32	2.71
206	30mm	<b>136753</b>	F2B-SCEZ-30M-PSS	0.39	38.6	141.7	42.9	116.5	M10	15.2	11.4	39.9	81.0
	1-3/16	<b>136712</b>	F2B-SCEZ-103-PSS	0.86	1.52	5.58	1.69	4.59	3/8	0.60	0.45	1.57	3.19
	1-1/4	<b>136713</b>	F2B-SCEZ-104S-PSS	0.84	1.52	5.58	1.69	4.59	3/8	0.60	0.45	1.57	3.19
207	35mm	<b>136754</b>	F2B-SCEZ-35M-PSS	0.61	39.1	160.3	46.0	130.0	M12	15.7	13.5	46.7	93.7
	1-1/4	<b>136714</b>	F2B-SCEZ-104-PSS	1.36	1.54	6.31	1.81	5.12	1/2	0.62	0.53	1.84	3.69
	1-7/16	<b>136715</b>	F2B-SCEZ-107-PSS	1.24	1.54	6.31	1.81	5.12	1/2	0.62	0.53	1.84	3.69
208	40mm	<b>136755</b>	F2B-SCEZ-40M-PSS	0.76	42.7	172.0	50.3	143.5	M12	17.0	13.5	52.1	103.1
	1-1/2	<b>136716</b>	F2B-SCEZ-108-PSS	1.82	1.68	6.77	1.98	5.65	1/2	0.67	0.53	2.05	4.06
209	45mm	<b>136756</b>	F2B-SCEZ-45M-PSS	0.88	43.4	179.6	51.3	148.5	M14	18.3	14.2	56.4	109.5
	1-11/16	<b>136717</b>	F2B-SCEZ-111-PSS	2.00	1.71	7.07	2.02	5.85	9/16	0.72	0.56	2.22	4.31
210	50mm	<b>136757</b>	F2B-SCEZ-50M-PSS	0.96	44.2	189.7	54.9	157.0	M16	19.3	15.2	61.7	114.3
	1-15/16	<b>136718</b>	F2B-SCEZ-115-PSS	2.12	1.74	7.47	2.16	6.18	5/8	0.76	0.60	2.43	4.50
	2	<b>136987</b>	F2B-SCEZ-200-PSS	2.08	1.74	7.47	2.16	6.18	5/8	0.76	0.60	2.43	4.50

Unless specified, dimensions are in mm for metric parts and inches for non-metric parts.  
Note: Dimensions are in MM (in)

# Ultra Kleen mounted ball bearings

## Selection/Dimensions

Ultra Kleen mounted ball bearings  
SCEZ SHSS normal duty stainless steel  
housed 2-bolt flange bearings



Series	Shaft size	With stainless steel insert		Weight kg lb	A	B	C	D	F Bolt Dia.	H	J	L	M
		Part No.	Description										
204	20mm	<b>136861</b>	F2B-SCEZ-20M-SHSS	0.42	31.2	111.3	31.8	90.0	M10	8.1	9.1	28.2	60.5
	3/4	<b>136793</b>	F2B-SCEZ-012-SHSS	0.95	1.23	4.38	1.25	3.54	3/8	0.32	0.36	1.11	2.38
205	25mm	<b>136862</b>	F2B-SCEZ-25M-SHSS	0.55	30.2	124.2	34.3	98.8	M10	8.9	9.4	33.5	66.8
	1	<b>136794</b>	F2B-SCEZ-100-SHSS	1.21	1.19	4.89	1.35	3.89	3/8	0.35	0.37	1.32	2.63
206	30mm	<b>136863</b>	F2B-SCEZ-30M-SHSS	0.87	38.6	140.0	40.4	116.5	M10	8.9	11.7	39.9	79.5
	1-3/16	<b>136795</b>	F2B-SCEZ-103-SHSS	1.91	1.52	5.51	1.59	4.59	3/8	0.35	0.46	1.57	3.13
	1-1/4	<b>136796</b>	F2B-SCEZ-104S-SHSS	1.87	1.52	5.51	1.59	4.59	3/8	0.35	0.46	1.57	3.13
207	35mm	<b>136864</b>	F2B-SCEZ-35M-SHSS	1.15	39.1	157.0	44.5	130.0	M12	10.7	13.5	46.7	88.9
	1-1/4	<b>136797</b>	F2B-SCEZ-104-SHSS	2.64	1.54	6.18	1.75	5.12	1/2	0.42	0.53	1.84	3.50
	1-7/16	<b>136798</b>	F2B-SCEZ-107-SHSS	2.47	1.54	6.18	1.75	5.12	1/2	0.42	0.53	1.84	3.50
208	40mm	<b>136865</b>	F2B-SCEZ-40M-SHSS	1.50	42.7	170.4	47.8	143.5	M12	10.7	13.5	52.1	97.5
	1-1/2	<b>136799</b>	F2B-SCEZ-108-SHSS	3.40	1.68	6.71	1.88	5.65	1/2	0.42	0.53	2.05	3.84
210	50mm	<b>136866</b>	F2B-SCEZ-50M-SHSS	1.87	44.2	190.0	49.5	157.0	M16	12.2	15.2	61.7	109.5
	1-15/16	<b>136800</b>	F2B-SCEZ-115-SHSS	4.17	1.74	7.48	1.95	6.18	5/8	0.48	0.60	2.43	4.31
	2	<b>136991</b>	F2B-SCEZ-200-SHSS	4.13	1.74	7.48	1.95	6.18	5/8	0.48	0.60	2.43	4.31

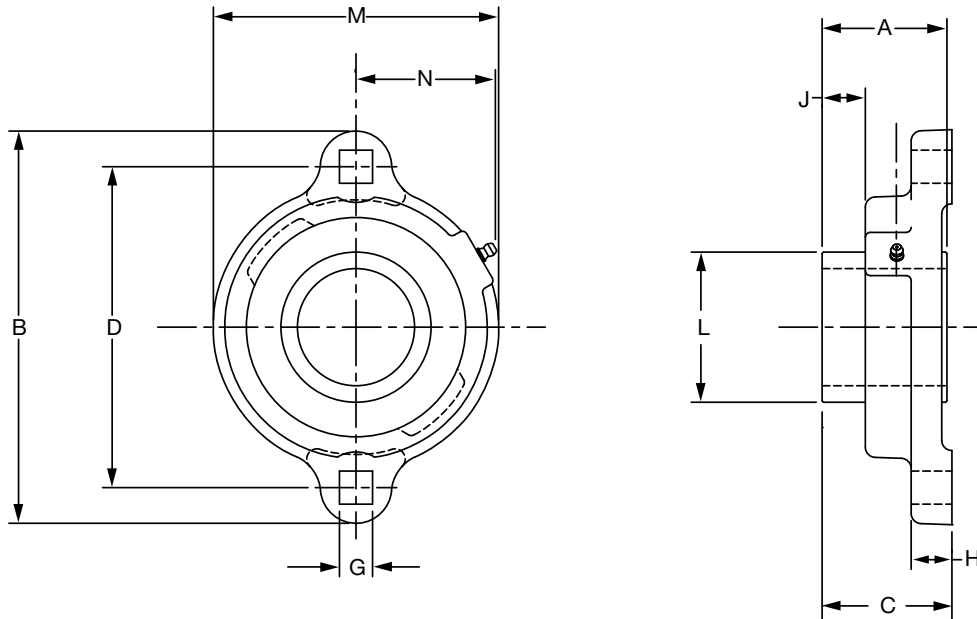
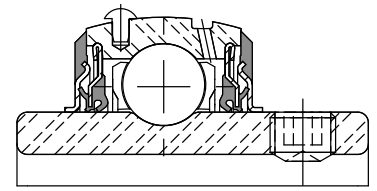
Unless specified, dimensions are in mm for metric parts and inches for non-metric parts.

Note: Dimensions are in MM (in)

# Ultra Kleen mounted ball bearings

## Selection/Dimensions

Ultra Kleen mounted ball bearings  
SCEZ SHSS LFT normal duty stainless steel  
housed 2-bolt flange bearings



Series	Shaft size	Standard Part No.	Description	Weight kg lb											
					A	B	C	D	G	H	J	L	M	N	
204	20mm	<b>136879</b>	LFT-SCEZ-20M-SHSS	.31	31,2	90.4	31,7	71.4	8.6	14.7	9,5	28.2	60.5	34.0	
	3/4	<b>136817</b>	LFT-SCEZ-012-SHSS	.68	1,23	3.56	1,25	2.81	0.34	0.58	0,37	1.11	2.38	1.34	
205	25mm	<b>136880</b>	LFT-SCEZ-25M-SHSS	.38	34,0	95.3	34,6	76.2	8.6	12.7	10,0	33.5	66.8	36.6	
	1	<b>136818</b>	LFT-SCEZ-100-SHSS	.84	1,34	3.75	1,36	3.00	0.34	0.50	0,39	1.32	2.63	1.44	
206	30mm	<b>136881</b>	LFT-SCEZ-30M-SHSS	.85	38,6	112.8	40,5	90.4	10.4	15.5	13,0	39.9	82.6	43.7	
	1-3/16	<b>136819</b>	LFT-SCEZ-103-SHSS	1.88	1,52	4.44	1,60	3.56	0.41	0.61	0,51	1.57	3.25	1.72	
	1-1/4	<b>136820</b>	LFT-SCEZ-104S-SHSS	1.88	1,52	4.44	1,60	3.56	0.41	0.61	0,51	1.57	3.25	1.72	
207	35mm	<b>136882</b>	LFT-SCEZ-35M-SHSS	.80	43,4	122.2	44,3	100.1	10.4	17.1	13,9	46.7	88.9	46.5	
	1-1/4	<b>136821</b>	LFT-SCEZ-104-SHSS	1.77	1,71	4.81	1,74	3.94	0.41	0.67	0,55	1.84	3.50	1.83	
	1-7/16	<b>136822</b>	LFT-SCEZ-107-SHSS	1.77	1,71	4.81	1,74	3.94	0.41	0.67	0,55	1.84	3.50	1.83	

Unless specified, dimensions are in mm for metric parts and inches for non-metric parts.

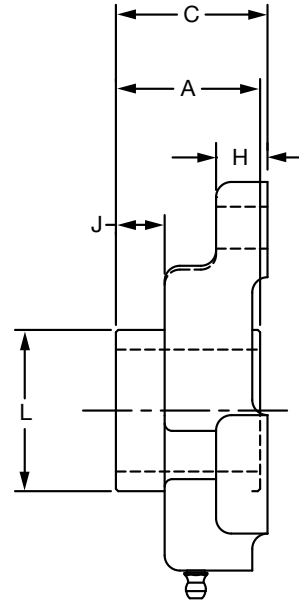
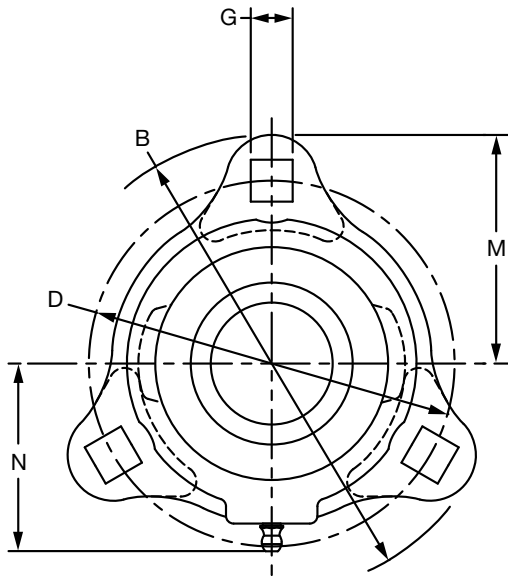
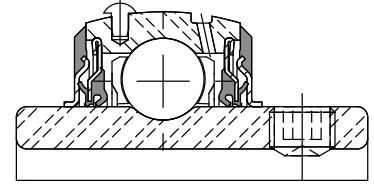
Note: Dimensions are in MM (in)



# Ultra Kleen mounted ball bearings

## Selection/Dimensions

Ultra Kleen mounted ball bearings  
SCEZ SHSS LF normal duty stainless steel  
housed 3-bolt flange bearings



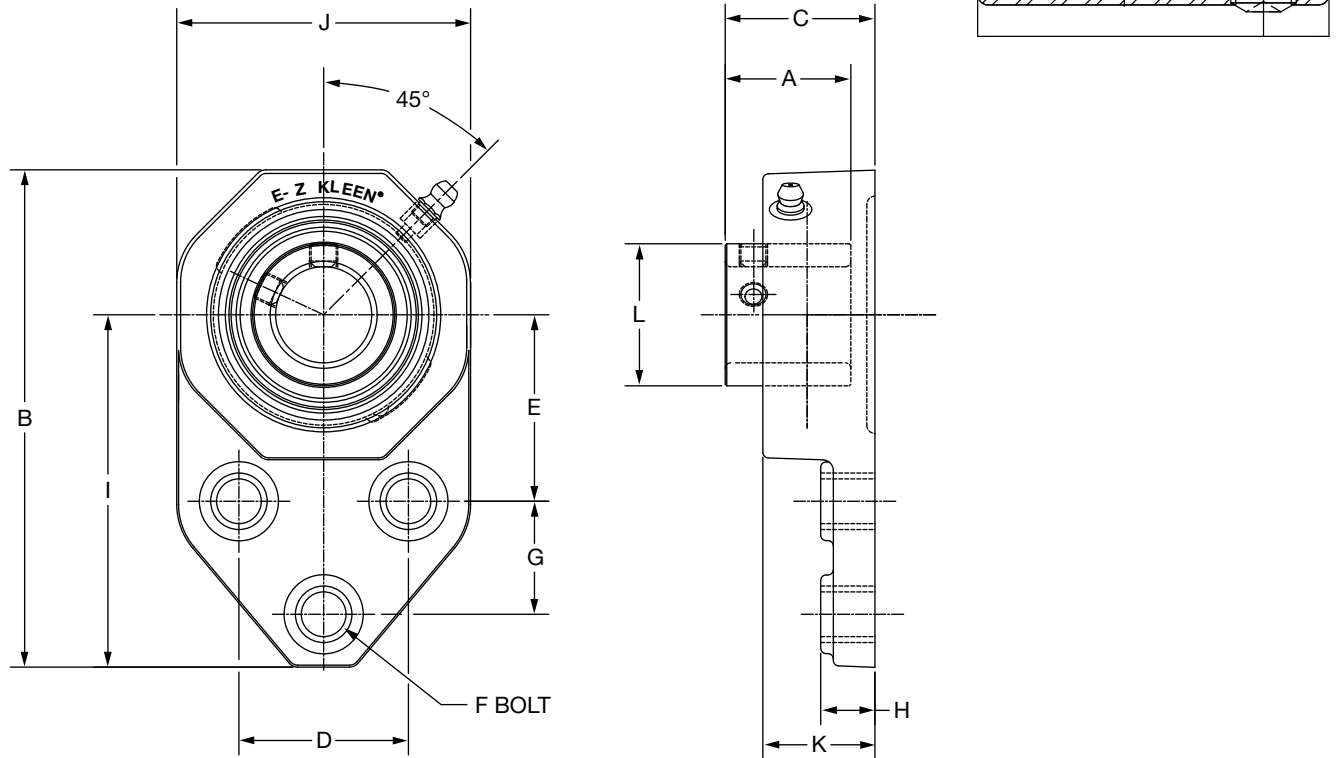
Series	Shaft size	Standard		Weight	A	B	C	D	G	H	J	L	M	N
		Part No.	Description											
204	20mm	<b>136873</b>	LF-SCEZ-20M-SHSS	.29	31.2	90.4	31.0	71.4	8.6	10.7	9.4	28.2	45.2	39.4
	3/4	<b>136809</b>	LF-SCEZ-012-SHSS	.64	1.23	3.56	1.22	2.81	0.34	0.42	0.37	1.11	1.78	1.55
205	25mm	<b>136874</b>	LF-SCEZ-25M-SHSS	.36	30.2	95.3	31.8	76.2	8.6	10.7	9.4	33.5	47.8	42.4
	1	<b>136810</b>	LF-SCEZ-100-SHSS	.80	1.19	3.75	1.25	3.00	0.34	0.42	0.37	1.32	1.88	1.67
206	30mm	<b>136875</b>	LF-SCEZ-30M-SHSS	.54	38.6	112.8	38.1	90.4	10.4	11.9	13.0	39.9	56.4	50.3
	1-3/16	<b>136811</b>	LF-SCEZ-103-SHSS	1.09	1.52	4.44	1.50	3.56	0.41	0.47	0.51	1.57	2.22	1.98
	1-1/4	<b>136812</b>	LF-SCEZ-104S-SHSS	1.09	1.52	4.44	1.50	3.56	0.41	0.47	0.51	1.57	2.22	1.98
207	35mm	<b>136876</b>	LF-SCEZ-35M-SHSS	.79	39.1	122.2	40.6	100.1	10.4	12.7	13.5	46.7	61.2	53.1
	1-1/4	<b>136813</b>	LF-SCEZ-104-SHSS	1.73	1.54	4.81	1.60	3.94	0.41	0.50	0.53	1.84	2.41	2.09
	1-7/16	<b>136814</b>	LF-SCEZ-107-SHSS	1.73	1.54	4.81	1.60	3.94	0.41	0.50	0.53	1.84	2.41	2.09

Unless specified, dimensions are in mm for metric parts and inches for non-metric parts.  
Note: Dimensions are in MM (in)

# Ultra Kleen mounted ball bearings

## Selection/Dimensions

Ultra Kleen mounted ball bearings  
SCEZ PSS normal duty polymer  
housed flange bracket



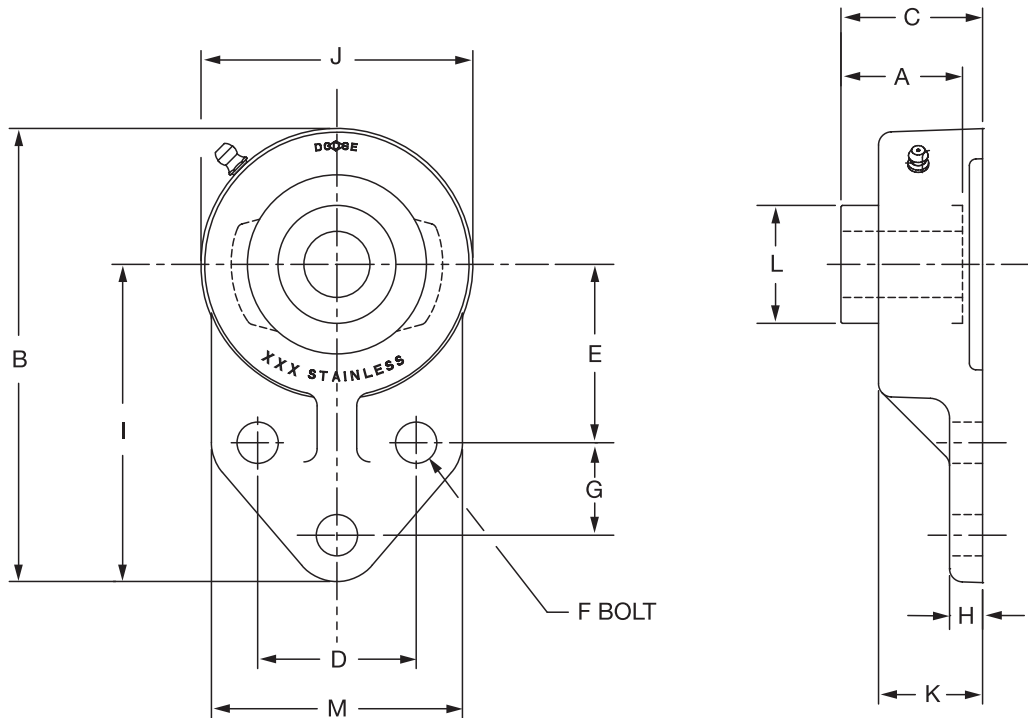
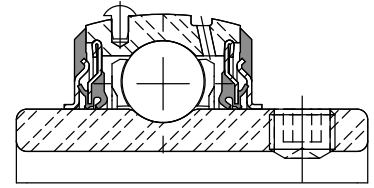
Series	Shaft size	With stainless steel insert		Weight kg lb	A	B	C	D	E	F Bolt Dia.	G	H	I	J	K	L
		Part No.	Description													
204	20mm	<b>136758</b>	FB-SCEZ-20M-PSS	0.23	31.2	111.5	36.6	38.1	42.9	M10	22.4	13.5	81.8	59.4	28.4	28.2
	3/4	<b>136719</b>	FB-SCEZ-012-PSS	0.47	1.23	4.39	1.44	1.50	1.69	3/8	0.88	0.53	3.22	2.34	1.12	1.11
205	25mm	<b>136759</b>	FB-SCEZ-25M-PSS	0.32	30.2	124.7	37.6	41.4	46.0	M10	28.7	13.7	90.4	68.8	29.0	33.5
	1	<b>136720</b>	FB-SCEZ-100-PSS	0.69	1.19	4.91	1.48	1.63	1.81	3/8	1.13	0.54	3.56	2.71	1.14	1.32
206	30mm	<b>136760</b>	FB-SCEZ-30M-PSS	0.48	38.6	139.2	42.9	47.8	52.3	M10	31.8	15.2	98.6	81.3	31.5	39.9
	1-3/16	<b>136721</b>	FB-SCEZ-103-PSS	1.07	1.52	5.48	1.69	1.88	2.06	3/8	1.25	0.60	3.88	3.20	1.24	1.57
	1-1/4	<b>136722</b>	FB-SCEZ-104S-PSS	1.05	1.52	5.48	1.69	1.88	2.06	3/8	1.25	0.60	3.88	3.20	1.24	1.57
207	35mm	<b>136761</b>	FB-SCEZ-35M-PSS	0.83	39.1	155.2	46.0	50.8	60.5	M12	31.8	15.7	108.2	93.7	32.5	46.7
	1-1/4	<b>136723</b>	FB-SCEZ-104-PSS	1.87	1.54	6.11	1.81	2.00	2.38	1/2	1.25	0.62	4.26	3.69	1.28	1.84
	1-7/16	<b>136724</b>	FB-SCEZ-107-PSS	1.71	1.54	6.11	1.81	2.00	2.38	1/2	1.25	0.62	4.26	3.69	1.28	1.84

Unless specified, dimensions are in mm for metric parts and inches for non-metric parts.  
Note: Dimensions are in MM (in)

# Ultra Kleen mounted ball bearings

## Selection/Dimensions

Ultra Kleen mounted ball bearings  
SCEZ SHSS normal duty stainless steel  
housed flange bracket bearings



Series	Shaft Size	With stainless steel insert	
		Part No.	Description
204	20mm	<b>136867</b>	FB-SCEZ-20M-SHSS
	3/4	<b>136801</b>	FB-SCEZ-012-SHSS
205	25mm	<b>136868</b>	FB-SCEZ-25M-SHSS
	1	<b>136802</b>	FB-SCEZ-100-SHSS
206	30mm	<b>136869</b>	FB-SCEZ-30M-SHSS
	1-3/16	<b>136803</b>	FB-SCEZ-103-SHSS
	1-1/4	<b>136804</b>	FB-SCEZ-104S-SHSS
207	35mm	<b>136870</b>	FB-SCEZ-35M-SHSS
	1-1/4	<b>136805</b>	FB-SCEZ-104-SHSS
	1-7/16	<b>136806</b>	FB-SCEZ-107-SHSS
210	50mm	<b>136872</b>	FB-SCEZ-50M-SHSS
	1-15/16	<b>136808</b>	FB-SCEZ-115-SHSS
	2	<b>136992</b>	FB-SCEZ-200-SHSS

Unless specified, dimensions are in mm for metric parts and inches for non-metric parts.  
Note: Dimensions are in MM (in)

# Ultra Kleen mounted ball bearings

## Selection/Dimensions

Ultra Kleen mounted ball bearings  
SCEZ SHSS normal duty stainless steel  
housed flange bracket bearings

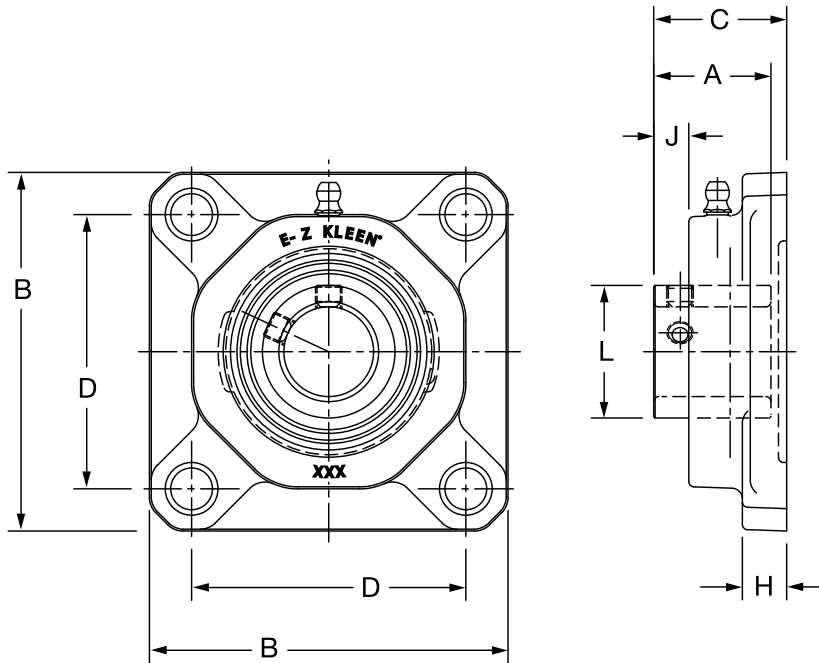
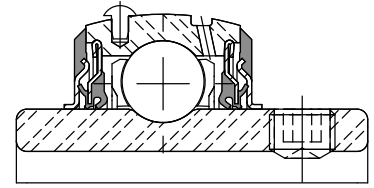
Series	Shaft Size	Weight kg lb	A	B	C	D	E	F Bolt Dia	G	H	I	J	K	L	M
204	20mm	.45	31.2	106.4	31.8	38.1	42.9	M10	22.4	7.9	76.2	60.5	22.9	28.2	60.5
	3/4	1.00	1.23	4.19	1.25	1.50	1.69	3/8	0.88	0.31	3.00	2.38	0.90	1.11	2.38
205	25mm	.52	30.2	119.1	34.3	41.4	46.0	M10	28.7	9.7	85.9	66.8	24.9	33.5	63.5
	1	1.26	1.19	4.69	1.35	1.63	1.81	3/8	1.13	0.38	3.38	2.63	0.98	1.32	2.50
206	30mm	.89	38.6	134.9	40.4	47.8	52.3	M10	31.8	9.7	95.3	79.5	29.0	39.9	69.9
	1-3/16	1.95	1.52	5.31	1.59	1.88	2.06	3/8	1.25	0.38	3.75	3.13	1.14	1.57	2.75
	1-1/4	1.95	1.52	5.31	1.59	1.88	2.06	3/8	1.25	0.38	3.75	3.13	1.14	1.57	2.75
207	35mm	1.3	39.1	152.4	44.5	50.8	60.5	M12	31.8	12.7	108.0	88.9	31.0	46.7	82.6
	1-1/4	2.87	1.54	6.00	1.75	2.00	2.38	1/2	1.25	0.50	4.25	3.50	1.22	1.84	3.25
	1-7/16	2.87	1.54	6.00	1.75	2.00	2.38	1/2	1.25	0.50	4.25	3.50	1.22	1.84	3.25
210	50mm	2.01	44.2	186.4	49.5	69.9	74.7	M12	41.4	12.7	131.8	109.5	34.3	61.7	101.6
	1-15/16	4.43	1.74	7.34	1.95	2.75	2.94	1/2	1.63	0.50	5.19	4.31	1.35	2.43	4.00
	2	4.43	1.74	7.34	1.95	2.75	2.94	1/2	1.63	0.50	5.19	4.31	1.35	2.43	4.00

Unless specified, dimensions are in mm for metric parts and inches for non-metric parts.  
Note: Dimensions are in MM (in)

# Ultra Kleen mounted ball bearings

## Selection/Dimensions

Ultra Kleen mounted ball bearings  
SCEZ PSS normal duty polymer  
housed 4-bolt flange bearings



Series	Shaft size	With stainless steel insert		Weight kg lb	A	B	C	D	F Bolt dia.	H	J	L
		Part No.	Description									
204	20mm	<b>136762</b>	F4B-SCEZ-20M-PSS	0.27	31.2	85.9	37.1	63.5	M10	13.5	7.6	28.2
	3/4	<b>136725</b>	F4B-SCEZ-012-PSS	0.55	1.23	3.38	1.46	2.50	3/8	0.53	0.30	1.11
205	25mm	<b>136763</b>	F4B-SCEZ-25M-PSS	0.32	30.2	95.3	38.1	69.9	M10	13.7	8.6	33.5
	1	<b>136726</b>	F4B-SCEZ-100-PSS	0.67	1.19	3.75	1.50	2.75	3/8	0.54	0.34	1.32
206	30mm	<b>136764</b>	F4B-SCEZ-30M-PSS	0.39	38.6	108.0	43.7	82.6	M10	15.2	11.4	39.9
	1-3/16	<b>136727</b>	F4B-SCEZ-103-PSS	0.86	1.52	4.25	1.72	3.25	3/8	0.60	0.45	1.57
	1-1/4	<b>136728</b>	F4B-SCEZ-104S-PSS	0.84	1.52	4.25	1.72	3.25	3/8	0.60	0.45	1.57
207	35mm	<b>136765</b>	F4B-SCEZ-35M-PSS	0.61	39.1	118.1	46.5	92.1	M12	15.7	13.2	46.7
	1-1/4	<b>136729</b>	F4B-SCEZ-104-PSS	1.40	1.54	4.65	1.83	3.63	1/2	0.62	0.52	1.84
	1-7/16	<b>136730</b>	F4B-SCEZ-107-PSS	1.24	1.54	4.65	1.83	3.63	1/2	0.62	0.52	1.84
208	40mm	<b>136766</b>	F4B-SCEZ-40M-PSS	0.76	42.7	130.0	50.8	101.6	M12	17.0	13.2	52.1
	1-1/2	<b>136731</b>	F4B-SCEZ-108-PSS	1.82	1.68	5.12	2.00	4.00	1/2	0.67	0.52	2.05
209	45mm	<b>136767</b>	F4B-SCEZ-45M-PSS	0.88	43.4	136.7	51.8	104.8	M14	18.3	14.2	56.4
	1-11/16	<b>136732</b>	F4B-SCEZ-111-PSS	2.00	1.71	5.38	2.04	4.13	9/16	0.72	0.56	2.22
210	50mm	<b>136768</b>	F4B-SCEZ-50M-PSS	0.96	44.2	142.7	56.1	111.2	M16	19.3	15.2	61.7
	1-15/16	<b>136733</b>	F4B-SCEZ-115-PSS	2.12	1.74	5.62	2.21	4.38	5/8	0.76	0.60	2.43
	2	<b>136988</b>	F4B-SCEZ-200-PSS	2.03	1.74	5.62	2.21	4.38	5/8	0.76	0.60	2.43

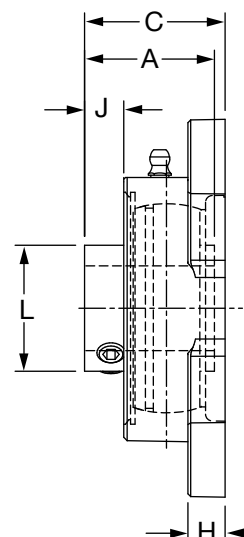
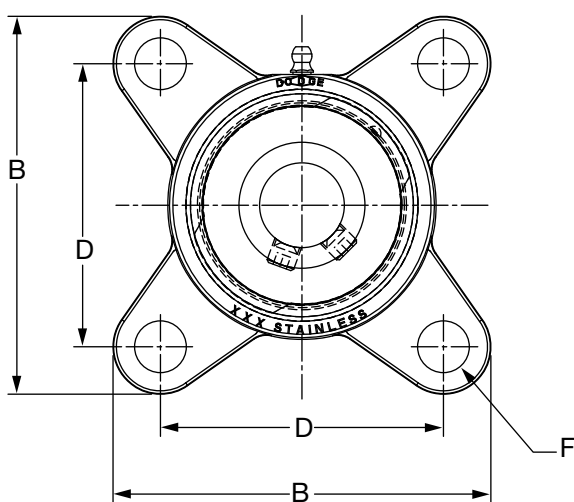
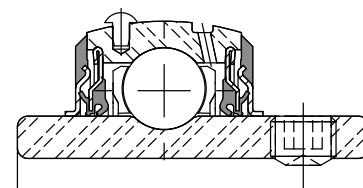
Unless specified, dimensions are in mm for metric parts and inches for non-metric parts.

Note: Dimensions are in MM (in)

# Ultra Kleen mounted ball bearings

## Selection/Dimensions

Ultra Kleen mounted ball bearings  
SCEZ SHSS normal duty stainless steel  
housed 4-bolt flange bearings



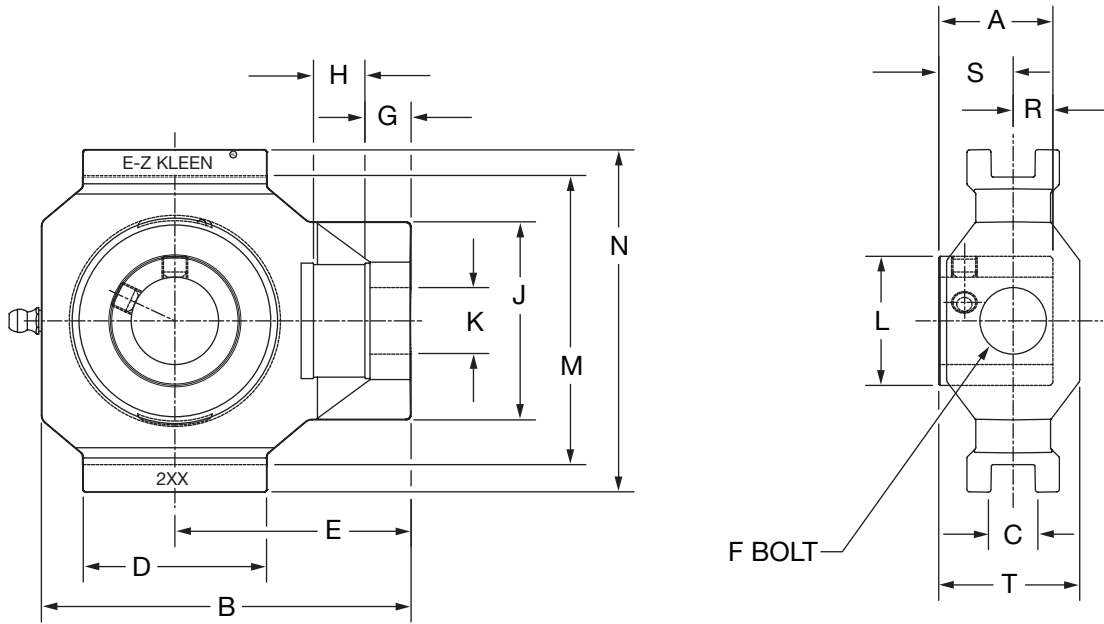
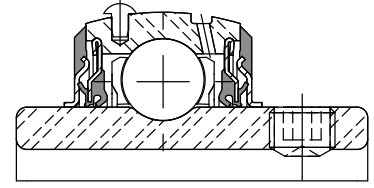
Series	Shaft size	With stainless steel insert		Weight kg lb	A	B	C	D	F Bolt dia.	H	J	L
		Part No.	Description									
204	20mm	<b>136885</b>	F4B-SCEZ-20M-SHSS	0.49	31.2	85.1	31.8	63.6	M10	8.6	8.6	28.2
	3/4	<b>136825</b>	F4B-SCEZ-012-SHSS	1.08	1.23	3.35	1.25	2.51	3/8	0.34	0.34	1.11
205	25mm	<b>136886</b>	F4B-SCEZ-25M-SHSS	0.63	30.2	95.3	34.3	69.9	M10	9.4	8.9	33.5
	1	<b>136826</b>	F4B-SCEZ-100-SHSS	1.39	1.19	3.75	1.35	2.75	3/8	0.37	0.35	1.32
206	30mm	<b>136887</b>	F4B-SCEZ-30M-SHSS	0.95	38.6	105.7	40.4	82.4	M10	9.4	11.4	39.9
	1-3/16	<b>136827</b>	F4B-SCEZ-103-SHSS	2.09	1.52	4.16	1.59	3.24	3/8	0.37	0.45	1.57
	1-1/4	<b>136828</b>	F4B-SCEZ-104S-SHSS	2.05	1.52	4.16	1.59	3.24	3/8	0.37	0.45	1.57
207	35mm	<b>136888</b>	F4B-SCEZ-35M-SHSS	1.29	39.1	118.9	44.5	92.0	M12	10.7	13.5	46.7
	1-1/4	<b>136829</b>	F4B-SCEZ-104-SHSS	2.95	1.54	4.68	1.75	3.62	1/2	0.42	0.53	1.84
	1-7/16	<b>136830</b>	F4B-SCEZ-107-SHSS	2.78	1.54	4.68	1.75	3.62	1/2	0.42	0.53	1.84
208	40mm	<b>136889</b>	F4B-SCEZ-40M-SHSS	1.64	42.7	128.5	47.8	101.5	M12	10.9	13.2	52.1
	1-1/2	<b>136831</b>	F4B-SCEZ-108-SHSS	3.70	1.68	5.06	1.88	4.00	1/2	0.43	0.52	2.05
210	50mm	<b>136890</b>	F4B-SCEZ-50M-SHSS	2.07	44.2	144.0	49.5	111.0	M16	12.4	15.0	61.7
	1-15/16	<b>136832</b>	F4B-SCEZ-115-SHSS	4.60	1.74	5.67	1.95	4.37	5/8	0.49	0.59	2.43
	2	<b>136993</b>	F4B-SCEZ-200-SHSS	4.56	1.74	5.67	1.95	4.37	5/8	0.49	0.59	2.43

Unless specified, dimensions are in mm for metric parts and inches for non-metric parts.  
Note: Dimensions are in MM (in)

# Ultra Kleen mounted ball bearings

## Selection/Dimensions

Ultra Kleen mounted ball bearings  
SCEZ PSS normal duty polymer  
housed wide slot take-up bearings



Series	Shaft size	With stainless steel insert	
		Part No.	Description
204	20mm	<b>136769</b>	WSTU-SCEZ-20M-PSS
	3/4	<b>136734</b>	WSTU-SCEZ-012-PSS
205	25mm	<b>136770</b>	WSTU-SCEZ-25M-PSS
	1	<b>136735</b>	WSTU-SCEZ-100-PSS
206	30mm	<b>136771</b>	WSTU-SCEZ-30M-PSS
	1-3/16	<b>136736</b>	WSTU-SCEZ-103-PSS
	1-1/4	<b>136737</b>	WSTU-SCEZ-104S-PSS
207	35mm	<b>136772</b>	WSTU-SCEZ-35M-PSS
	1-1/4	<b>136738</b>	WSTU-SCEZ-104-PSS
	1-7/16	<b>136739</b>	WSTU-SCEZ-107-PSS

Unless specified, dimensions are in mm for metric parts and inches for non-metric parts.

Note: Dimensions are in MM (in)

# Ultra Kleen mounted ball bearings

## Selection/Dimensions

Ultra Kleen mounted ball bearings  
SCEZ PSS normal duty polymer  
housed wide slot take-up bearings

Series	Shaft size	Weight kg lb	Take-up frame No. ref.	A	B	C	D	E	F threaded shaft	G
204	20mm	0.31	WS300	31.2	96.8	13.46	53.3	63.5	15.9	14.2
	3/4	0.66	WS300	1.23	3.81	0.530	2.10	2.50	5/8	0.56
205	25mm	0.34	WS300	30.2	100.8	13.46	55.9	65.0	15.9	14.2
	1	0.72	WS300	1.19	3.97	0.530	2.20	2.56	5/8	0.56
206	30mm	0.49	WS308	38.6	114.0	13.46	58.2	72.6	19.1	14.2
	1-3/16		WS308	1.52	4.49	0.530	2.29	2.86	3/4	0.56
	1-1/4	1.07	WS308	1.52	4.49	0.530	2.29	2.86	3/4	0.56
207	35mm	0.69	WS308	39.1	126.7	13.46	57.2	78.7	19.1	14.2
	1-1/4	1.58	WS308	1.54	4.99	0.530	2.25	3.10	3/4	0.56
	1-7/16	1.42	WS308	1.54	4.99	0.530	2.25	3.10	3/4	0.56

Unless specified, dimensions are in mm for metric parts and inches for non-metric parts.

Note: Dimensions are in MM (in)

Series	Shaft size	H	J	K	L	M	N	R	S	T
204	20mm	16.5	53.3	18.0	28.2	76.58/75.82	92.2	12.7	18.5	35.1
	3/4	0.65	2.10	0.71	1.11	3.015/2.985	3.63	0.50	0.73	1.38
205	25mm	16.5	53.8	18.0	33.5	76.96/76.20	92.2	10.9	19.3	35.1
	1	0.65	2.12	0.71	1.32	3.030/3.000	3.63	0.43	0.76	1.38
206	30mm	16.5	61.2	20.6	39.9	89.54/88.77	106.7	14.7	23.9	41.1
	1-3/16	0.65	2.41	0.81	1.57	3.525/3.495	4.20	0.58	0.94	1.62
	1-1/4	0.65	2.41	0.81	1.57	3.525/3.495	4.20	0.58	0.94	1.62
207	35mm	16.5	61.2	20.6	46.7	89.93/89.15	106.7	13.0	26.2	41.1
	1-1/4	0.65	2.41	0.81	1.84	3.540/3.510	4.20	0.51	1.03	1.62
	1-7/16	0.65	2.41	0.81	1.84	3.540/3.510	4.20	0.51	1.03	1.62

Unless specified, dimensions are in mm for metric parts and inches for non-metric parts.

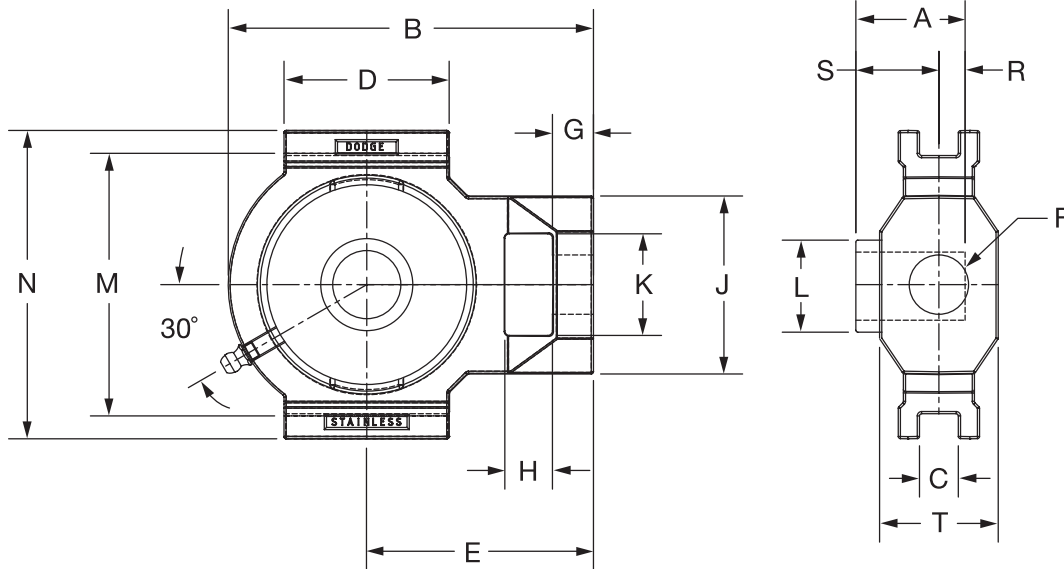
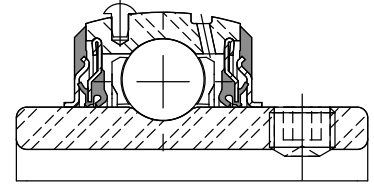
Note: Dimensions are in MM (in)



# Ultra Kleen mounted ball bearings

## Selection/Dimensions

Ultra Kleen mounted ball bearings  
SCEZ SHSS normal duty stainless steel  
housed wide slot take-up bearings



Series	Shaft size	Standard part No.	Description
204	20mm	136897	WSTU-SCEZ-20M-SHSS
	3/4	136841	WSTU-SCEZ-012-SHSS
205	25mm	136898	WSTU-SCEZ-25M-SHSS
	1	136842	WSTU-SCEZ-100-SHSS
206	30mm	136899	WSTU-SCEZ-30M-SHSS
	1-3/16	136843	WSTU-SCEZ-103-SHSS
	1-1/4	136844	WSTU-SCEZ-104S-SHSS
207	35mm	136900	WSTU-SCEZ-35M-SHSS
	1-1/4	136845	WSTU-SCEZ-104-SHSS
	1-7/16	136846	WSTU-SCEZ-107-SHSS
208	40mm	136901	WSTU-SCEZ-40M-SHSS
	1-1/2	136847	WSTU-SCEZ-108-SHSS
210	50mm	136902	WSTU-SCEZ-50M-SHSS
	1-15/16	136848	WSTU-SCEZ-115-SHSS
	2	136995	WSTU-SCEZ-200-SHSS

Unless specified, dimensions are in mm for metric parts and inches for non-metric parts.  
Note: Dimensions are in MM (in)

# Ultra Kleen mounted ball bearings

## Selection/Dimensions

Ultra Kleen mounted ball bearings  
SCEZ SHSS normal duty stainless steel  
housed wide slot take-up bearings

Series	Shaft size	Weight kg lb	Take-up frame No. ref.	A	B	C	D	E	F Screw dia.	G
204	20mm	.97	WS300	31.2	100.8	13.46	55.9	65.0	15.9	14.2
	3/4	2.14	WS300	1.23	3.97	0.530	2.20	2.56	5/8	0.56
205	25mm	.92	WS300	30.2	100.8	13.46	55.9	65.0	15.9	14.2
	1	2.03	WS300	1.19	3.97	0.530	2.20	2.56	5/8	14.2
206	30mm	1.52	WS308	38.6	126.7	13.46	57.4	78.7	19.1	14.2
	1-3/16	3.36	WS308	1.52	4.99	0.530	2.26	3.10	3/4	0.56
	1-1/4	3.36	WS308	1.52	4.99	0.530	2.26	3.10	3/4	14.2
207	35mm	1.46	WS308	39.1	126.7	13.46	57.4	78.7	19.1	14.2
	1-1/4	3.21	WS308	1.54	4.99	0.530	2.26	3.10	3/4	0.56
	1-7/16	3.21	WS308	1.54	4.99	0.530	2.26	3.10	3/4	14.2
208	40mm	2.1	WS400	42.7	143.0	17.48	82.6	88.9	25.4	16.0
	1-1/2	4.52	WS400	1.68	5.63	0.688	3.25	3.50	1	16.0
210	50mm	1.83	WS400	44.2	143.0	17.48	82.6	88.9	25.4	16.0
	1-15/16	4.03	WS400	1.74	5.63	0.688	3.25	3.50	1	0.63
	2	4.03	WS400	1.74	5.63	0.688	3.25	3.50	1	0.63

Unless specified, dimensions are in mm for metric parts and inches for non-metric parts.  
Note: Dimensions are in MM (in)

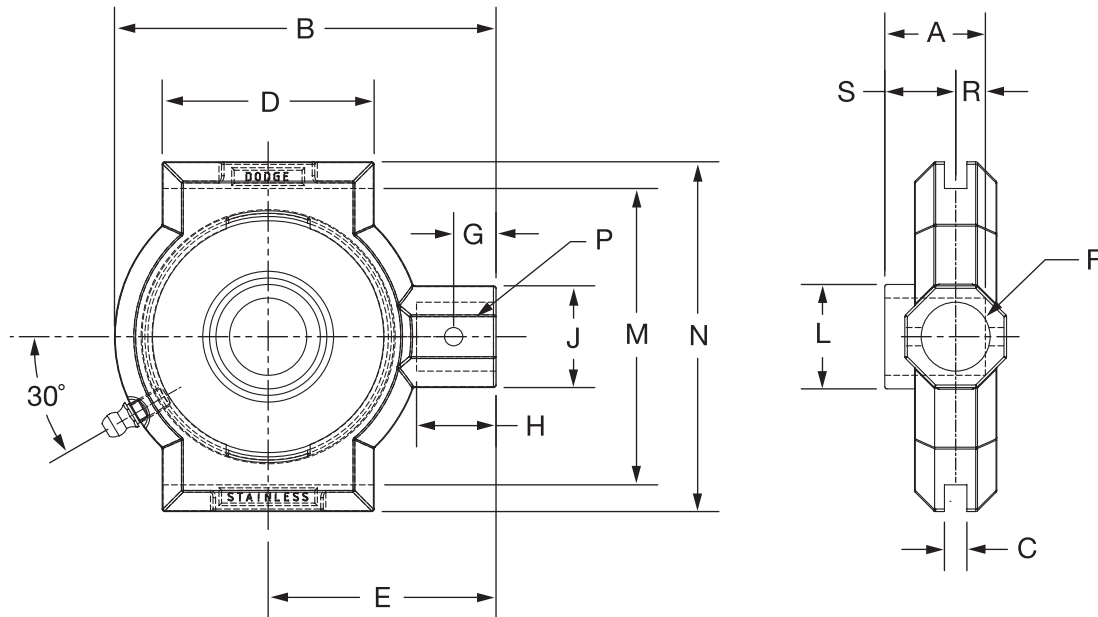
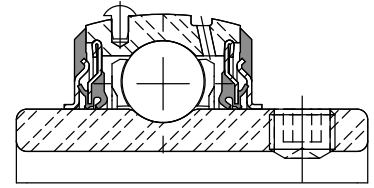
Series	Shaft size	H	J	K	L	M	N	R	S	T
204	20mm	16.5	53.8	29.2	28.2	76.84/76.07	92.2	12.7	18.5	35.1
	3/4	0.65	2.12	1.15	1.11	3.025/2.995	3.63	0.50	0.73	1.38
205	25mm	16.5	53.8	29.2	33.5	76.84/76.07	92.2	10.9	19.3	35.1
	1	0.65	2.12	1.15	1.32	3.025/2.995	3.63	0.43	0.76	1.38
206	30mm	16.5	61.7	35.3	39.9	89.92/89.15	106.7	14.7	23.9	41.1
	1-3/16	0.65	2.43	1.39	1.57	3.540/3.510	4.20	0.58	0.94	1.62
	1-1/4	0.65	2.43	1.39	1.57	3.540/3.510	4.20	0.58	0.94	1.62
207	35mm	16.5	61.7	35.3	46.7	89.92/89.15	106.7	13.0	26.2	41.1
	1-1/4	0.65	2.43	1.39	1.84	3.540/3.510	4.20	0.51	1.03	1.62
	1-7/16	0.65	2.43	1.39	1.84	3.540/3.510	4.20	0.51	1.03	1.62
208	40mm	19.1	69.9	49.3	52.1	101.98/101.22	114.3	15.0	27.7	41.1
	1-1/2	0.75	2.75	1.94	2.05	4.015/3.985	4.50	0.59	1.09	1.62
210	50mm	19.1	69.9	49.3	61.7	101.98/101.22	114.3	14.7	29.5	41.1
	1-15/16	0.75	2.75	1.94	2.43	4.015/3.985	4.50	0.58	1.16	1.62
	2	0.75	2.75	1.94	2.43	4.015/3.985	4.50	0.58	1.16	1.62

Unless specified, dimensions are in mm for metric parts and inches for non-metric parts.  
Note: Dimensions are in MM (in)

# Ultra Kleen mounted ball bearings

## Selection/Dimensions

Ultra Kleen mounted ball bearings  
SCEZ SHSS normal duty stainless steel  
housed narrow slot take-up bearings



Series	Shaft size	Standard	
		Part No.	Description
204S	20mm	136891	NSTU-SCEZ-20M-SHSS
	3/4	136833	NSTU-SCEZ-012-SHSS
205	25mm	136892	NSTU-SCEZ-25M-SHSS
	1	136834	NSTU-SCEZ-100-SHSS
206	30mm	136893	NSTU-SCEZ-30M-SHSS
	1-3/16	136835	NSTU-SCEZ-103-SHSS
	1-1/4	136836	NSTU-SCEZ-104S-SHSS
207	35mm	136894	NSTU-SCEZ-35M-SHSS
	1-1/4	136837	NSTU-SCEZ-104-SHSS
	1-7/16	136838	NSTU-SCEZ-107-SHSS
208	40mm	136895	NSTU-SCEZ-40M-SHSS
	1-1/2	136839	NSTU-SCEZ-108-SHSS
210	50mm	136896	NSTU-SCEZ-50M-SHSS
	1-15/16	136840	NSTU-SCEZ-115-SHSS
	2	136994	NSTU-SCEZ-200-SHSS

Unless specified, dimensions are in mm for metric parts and inches for non-metric parts.  
Note: Dimensions are in MM (in)

# Ultra Kleen mounted ball bearings

## Selection/Dimensions

Ultra Kleen mounted ball bearings  
SCEZ SHSS normal duty stainless steel  
housed narrow slot take-up bearings

Series	Shaft size	Weight kg lb	Take-Up Frame No. Ref.	A	B	C	D	E	F Screw Dia	G
204	20mm	.53	NS210	31.2	88.6	6.73	38.1	55.6	19.1	11.2
	3/4	1.16	NS210	1.23	3.49	0.265	1.50	2.19	3/4	0.44
205	25mm	.48	NS210	30.2	88.6	6.73	38.1	55.6	19.1	11.2
	1	1.06	NS210	1.19	3.49	0.265	1.50	2.19	3/4	0.44
206	30mm	1.14	NS308	38.6	114.3	6.73	63.5	68.3	19.1	12.7
	1-3/16	2.51	NS308	1.52	4.50	0.265	2.50	2.69	3/4	0.50
	1-1/4	2.51	NS308	1.52	4.50	0.265	2.50	2.69	3/4	0.50
207	35mm	1.20	NS308	39.1	114.3	6.73	63.5	68.3	19.1	12.7
	1-1/4	2.65	NS308	1.54	4.50	0.265	2.50	2.69	3/4	0.50
	1-7/16	2.65	NS308	1.54	4.50	0.265	2.50	2.69	3/4	0.50
208	40mm	1.85	NS400	42.7	136.7	8.33	76.2	82.6	25.4	16.8
	1-1/2	4.08	NS400	1.68	5.38	0.328	3.00	3.25	1	0.66
210	50mm	1.72	NS400	44.2	139.7	8.33	76.2	82.6	25.4	16.8
	1-15/16	3.79	NS400	1.74	5.50	0.328	3.00	3.25	1	0.66
	2	3.79	NS400	1.74	5.50	0.328	3.00	3.25	1	0.66

Unless specified, dimensions are in mm for metric parts and inches for non-metric parts.

Note: Dimensions are in MM (in)

Series	Shaft size	H	J	L	M	N	Pin Dia	R	S
204	20mm	22.4	30.5	28.2	66.93/66.17	79.5	8.1	12.7	18.5
	3/4	0.88	1.20	1.11	2.635/2.605	3.13	0.32	0.50	0.73
205	25mm	22.4	30.5	33.5	66.93/66.17	79.5	8.1	10.9	19.3
	1	0.88	1.20	1.32	2.635/2.605	3.13	0.32	0.43	0.76
206	30mm	23.9	30.5	39.9	89.15/88.39	104.9	8.1	14.7	23.9
	1-3/16	0.94	1.20	1.57	3.510/3.480	4.13	0.32	0.58	0.94
	1-1/4	0.94	1.20	1.57	3.510/3.480	4.13	0.32	0.58	0.94
207	35mm	23.9	30.5	46.7	89.15/88.39	104.9	8.1	13.0	26.2
	1-1/4	0.94	1.20	1.84	3.510/3.480	4.13	0.32	0.51	1.03
	1-7/16	0.94	1.20	1.84	3.510/3.480	4.13	0.32	0.51	1.03
208	40mm	29.5	38.1	52.1	101.98/101.22	120.7	9.7	15.0	27.7
	1-1/2	1.16	1.50	2.05	4.015/3.985	4.75	0.38	0.59	1.09
210	50mm	29.5	38.1	61.7	101.98/101.22	120.7	9.7	14.7	29.5
	1-15/16	1.16	1.50	2.43	4.015/3.985	4.75	0.38	0.58	1.16
	2	1.16	1.50	2.43	4.015/3.985	4.75	0.38	0.58	1.16

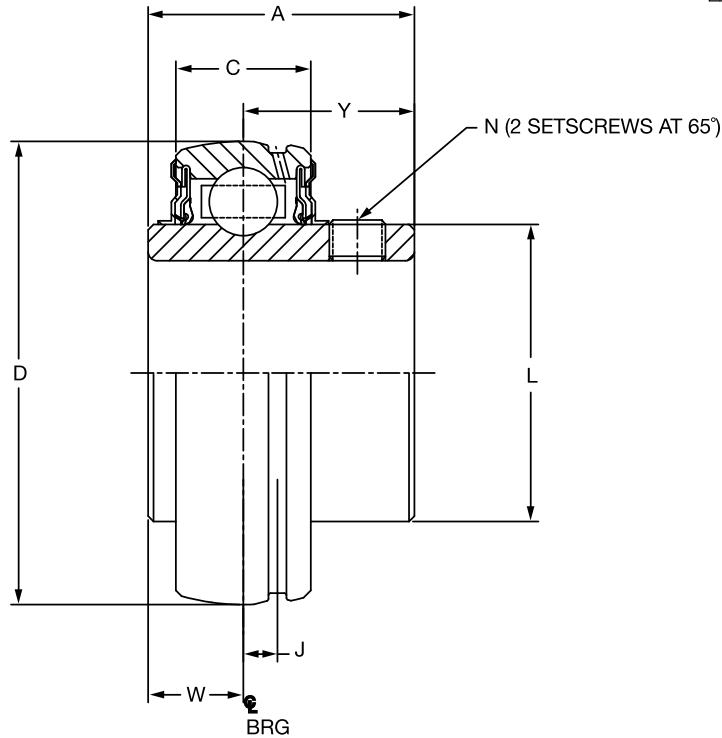
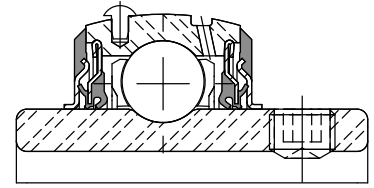
Unless specified, dimensions are in mm for metric parts and inches for non-metric parts.

Note: Dimensions are in MM (in)

# Ultra Kleen mounted ball bearings

## Selection/Dimensions

Ultra Kleen mounted ball bearings  
 SC normal duty bearing stainless steel  
 inserts for Ultra Kleen bearings



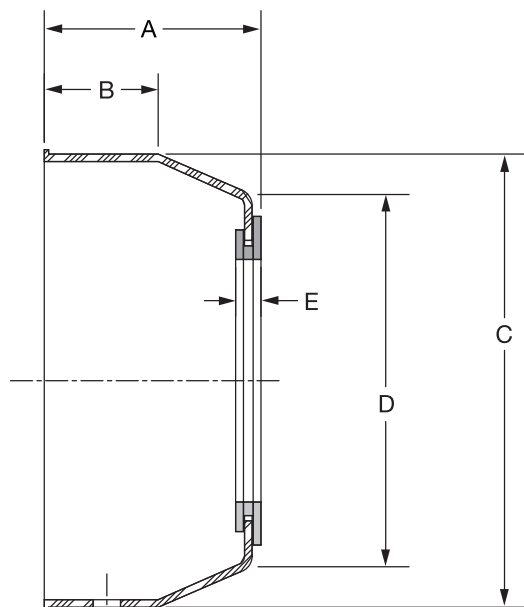
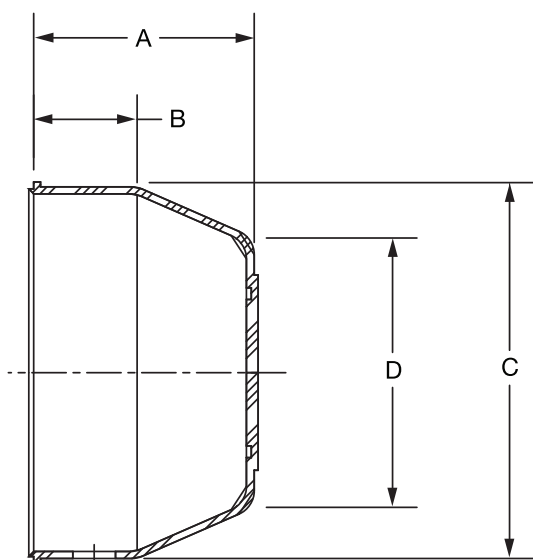
Series	Shaft size	Stainless steel Insert		Weight kg lb	A	C	D	J	L	N	W	Y
		Part No.	Description									
204	20mm	<b>127861</b>	INS-SC-20M-SS	.16	31.2	14.8	47.000	3.8	28.2	M6x1	12.7	18.5
	3/4	<b>127818</b>	INS-SC-012-SS	.32	1.23	0.58	1.8504	0.15	1.11	1/4-28	0.50	0.73
205	25mm	<b>127862</b>	INS-SC-25M-SS	.18	30.2	15.0	52.000	3.8	33.5	M6x1	10.9	19.3
	1	<b>127819</b>	INS-SC-100-SS	.37	1.19	0.59	2.0472	0.15	1.32	1/4-28	0.43	0.76
206	30mm	<b>127863</b>	INS-SC-30M-SS	.27	38.6	17.7	62.000	4.6	39.9	M8x1.25	14.7	23.9
	1-3/16	<b>127820</b>	INS-SC-103-SS	.60	1.52	0.70	2.4409	0.18	1.57	5/16-24	0.58	0.94
	1-1/4	<b>127821</b>	INS-SC-104S-SS	.58	1.52	0.70	2.4409	0.18	1.57	5/16-24	0.58	0.94
207	35mm	<b>127864</b>	INS-SC-35M-SS	.44	39.1	19.0	72.000	5.1	46.7	M8x1.25	13.0	26.2
	1-1/4	<b>127822</b>	INS-SC-104-SS	1.02	1.54	0.75	2.8346	0.20	1.84	5/16-24	0.51	1.03
	1-7/16	<b>127823</b>	INS-SC-107-SS	.86	1.54	0.75	2.8346	0.20	1.84	5/16-24	0.51	1.03
208	40mm	<b>127865</b>	INS-SC-40M-SS	.51	42.7	22.0	80.000	5.6	52.1	M8x1.25	15.0	27.7
	1-1/2	<b>127824</b>	INS-SC-108-SS	1.27	1.68	0.87	3.1496	0.22	2.05	5/16-24	0.59	1.09
209	45mm	<b>127866</b>	INS-SC-45M-SS	.62	43.4	22.0	85.000	6.4	56.4	M8x1.25	14.7	28.7
	1-11/16	<b>127825</b>	INS-SC-111-SS	1.43	1.71	0.87	3.3465	0.25	2.22	5/16-24	0.58	1.13
	1-3/4	<b>127804</b>	INS-SC-112-SS	1.43	1.71	0.87	3.3465	0.25	2.22	5/16-24	0.58	1.13
210	50mm	<b>127867</b>	INS-SC-50M-SS	.67	44.2	22.0	90.000	6.4	61.7	M10x1.5	14.7	29.5
	1-15/16	<b>127826</b>	INS-SC-115-SS	1.48	1.74	0.87	3.5433	0.25	2.43	3/8-24	0.58	1.16
	2	<b>127808</b>	INS-SC-200-SS	1.39	1.74	0.87	3.5433	0.25	2.43	3/8-24	0.58	1.16

Unless specified, dimensions are in mm for metric parts and inches for non-metric parts.  
 Note: Dimensions are in MM (in)

# Ultra Kleen mounted ball bearings

## Accessories

E-Z Kleen/Ultra Kleen mounted ball bearings  
 polymer and stainless steel  
 housed mounted bearings snap-on end covers



Series	For Shaft size	Closed end closure				Open end closure								
		Part number	Description	A	B	C	D	Part number	Description	A	B	C	D	E
204	20mm	<b>128960</b>	ECC-EZ-204	28.7	13.5	48.4	35.1	<b>128991</b>	ECO-EZ-20M	30.2	13.5	48.4	35.1	4.9
	3/4	<b>128960</b>	ECC-EZ-204	1.13	0.53	1-29/32	1-3/8	<b>128974</b>	ECO-EZ-012	1-3/16	17/32	1-29/32	1-3/8	3/16
205	25mm	<b>128961</b>	ECC-EZ-205	30.2	13.5	55.1	40.9	<b>128992</b>	ECO-EZ-25M	35.3	14.2	63.5	50.0	4.9
	1	<b>128961</b>	ECC-EZ-205	0.19	17/32	2-11/64	1-39/64	<b>128975</b>	ECO-EZ-100	1-1/4	17/32	2-11/64	1-39/64	3/16
206	30mm	<b>128962</b>	ECC-EZ-206	33.8	14.2	63.5	50.0	<b>128993</b>	ECO-EZ-30M	35.3	14.2	63.5	50.0	4.9
	1-3/16	<b>128962</b>	ECC-EZ-206	1.33	9/16	2-1/2	31/32	<b>128976</b>	ECO-EZ-103	1-25/64	9/16	2-1/2	31/32	3/16
	1-1/4	<b>128962</b>	ECC-EZ-206	1.33	9/16	2-1/2	31/32	<b>128989</b>	ECO-EZ-104S	1-25/64	9/16	2-1/2	31/32	3/16
207	35mm	<b>128963</b>	ECC-EZ-207	37.3	17.5	73.9	58.9	<b>128994</b>	ECO-EZ-35M	38.9	17.5	73.9	58.9	4.9
	1-1/4	<b>128963</b>	ECC-EZ-207	1.47	11/16	2-29/32	2-5/16	<b>128977</b>	ECO-EZ-104	1-17/32	11/16	2-29/32	2-5/16	3/16
	1-7/16	<b>128963</b>	ECC-EZ-207	1.47	11/16	2-29/32	2-5/16	<b>128990</b>	ECO-EZ-107	1-17/32	11/16	2-29/32	2-5/16	3/16
208	40mm	<b>128964</b>	ECC-EZ-208	39.1	17.5	84.1	70.1	<b>128995</b>	ECO-EZ-40M	40.6	17.5	84.1	70.1	5.1
	1-1/2	<b>128964</b>	ECC-EZ-208	1.55	11/16	3-5/16	2-49/64	<b>128978</b>	ECO-EZ-108	1-19/32	11/16	3-5/16	2-49/64	13/64
209	45mm	<b>128965</b>	ECC-EZ-209	40.4	18.3	88.9	72.9	<b>128996</b>	ECO-EZ-45M	41.9	18.3	88.9	72.9	5.1
	1-11/16	<b>128965</b>	ECC-EZ-209	1.59	23/32	3-1/2	2-7/8	@	ECO-EZ-111	1-21/32	23/32	3-1/2	2-7/8	13/64
	1-3/4	<b>128965</b>	ECC-EZ-209	1.59	23/32	3-1/2	2-7/8							
210	50mm	<b>128966</b>	ECC-EZ-210	42.0	23.1	91.4	76.2	<b>128997</b>	ECO-EZ-50M	43.7	23.1	91.4	76.2	5.1
	1-15/16	<b>128966</b>	ECC-EZ-210	1.66	29/32	3-5/8	3	<b>128980</b>	ECO-EZ-115	1-23/32	29/32	3-5/8	3	13/64
	2	<b>128966</b>	ECC-EZ-210	1.66	29/32	3-5/8	3							

@Assembled to order  
 Unless specified, dimensions are in mm for metric parts and inches for non-metric parts.  
 Note: Dimensions are in MM (in)

# Ultra Kleen mounted ball bearings

## Notes

# E-Z Kleen mounted ball bearings

## Contents

### E-Z Kleen polymer and stainless steel housed mounted bearings

2-3	Features/Benefits
2-8	How to order/Nomenclature
2-9	Selection
2-12	Easy selection Selection/Dimensions
Stainless housed ball	
2-24	Pillow blocks
2-28	Tapped base pillow blocks
2-29	2-bolt flange bearings
2-31	3-bolt flange bearings
2-32	Flanged bracketed bearings
2-33	4-bolt flange bearings
2-35	NSTU narrow slot take-up bearings
2-36	Wide slot take-up bearings
2-37	CR Inserts
Polymer housed ball	
2-40	Pillow blocks
2-44	Tapped base pillow blocks
2-46	2-bolt flange bearings
2-49	Flange bearings
2-51	4-bolt flange bearings
2-54	Wide slot take-up bearings
Polymer sleeve	
2-58	Pillow block
2-59	Tapped base pillow blocks
2-60	2-bolt flange bearings
2-61	3-bolt flange bearings
2-62	4-bolt flange bearings
2-63	Inserts
2-64	Accessories
INDEX-1	Part number index



# E-Z Kleen mounted ball bearings

# E-Z Kleen mounted ball bearings

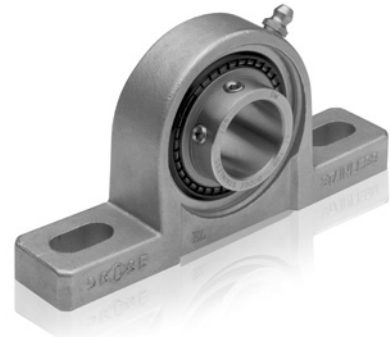
## Features/Benefits

### E-Z Kleen

### Polymer and stainless steel housed mounted bearings

Our goal at Dodge is to create the world's most successful customer. We do that by listening and responding to our customers' needs. Customers in the food and beverage processing industry told us they needed new and improved products that help make their industry safer - products that help in the fight against contamination from bacteria such as E. coli, salmonella, and staphylococcus aureus.

Dodge delivered by expanding our high performance E-Z Kleen line with this new, improved generation of E-Z Kleen engineered polymer housed ball and sleeve bearings and stainless steel housed ball bearings.



- 300 Series stainless steel



Dodge E-Z Kleen with solid-base housing

Competitive bearing with cavities and fillings that can trap bacteria



Popular housing styles	
Polymer	Stainless steel
<ul style="list-style-type: none"> <li>• Pillow blocks</li> <li>• Tapped-base pillow blocks</li> <li>• 2 and 4 bolt flange bearings</li> <li>• Flange brackets</li> <li>• Wide slot take-up bearings</li> </ul>	<ul style="list-style-type: none"> <li>• Pillow blocks</li> <li>• Tapped-base pillow blocks</li> <li>• Flange brackets</li> <li>• Wide and narrow slot take-up bearings</li> <li>• 2 and 3 bolt light duty flange</li> <li>• 2 and 4 bolt flange bearings</li> </ul>

Rugged, solid-base housing	
<ul style="list-style-type: none"> <li>• Manufactured with no cavities and no fillings -no traps for bacteria</li> <li>• Features anti-microbial polymer that helps prevent bacterial and fungal growth (polymer housing)</li> <li>• Housing strength exceeds static capacity of bearing</li> <li>• Designed with stainless steel lube fittings and stainless steel ferrules in bolt holes (polymer housed)</li> </ul>	<ul style="list-style-type: none"> <li>• 316 Series stainless steel housing also available</li> <li>• For no relube (NL) remove the lube fitting and install the polymer plug that is shipped with each bearing</li> <li>• Retains dimensional stability in harsh environments</li> <li>• No flaking or peeling, even after repeated washdowns</li> <li>• Provides excellent chemical resistance</li> <li>• Available with either open or closed end closures</li> <li>• FDA/USDA compliant</li> </ul>

Results of housing anti-microbial activity against test organisms			
Test organism	Type of organism	Growth-free zone (MM)	Contact inhibition (%)
Staphylococcus aureus	Bacterial	0	100
Aspergillus niger	Fungal	0	100

# E-Z Kleen mounted ball bearings

## Features/Benefits

### E-Z Kleen QuadGuard sealing system

For over 125 years, the Dodge brand has been synonymous with the best the industry has to offer. Bearing users in the food and beverage industry recognize that with Dodge they have access to the best selection of the highest quality mounted ball bearings available in the market.

The Dodge E-Z Kleen and Ultra Kleen bearings for the food and beverage industry offer an array of features that provide extended life in these challenging conditions. Dodge has the only bearings in the industry to offer a patented triple-lip seal with a rubberized flinger, the QuadGuard™ sealing system. These units also include an exclusive ball retainer, the Maxlife™ cage which helps retain lubrication and prevents washout in wet environments.

Combine these features with a complete line of polymer and stainless housing offerings, concentric and adapter mounting options and you have a family of mounted ball bearing products that are unsurpassed in the industry.

#### Three shaft locking systems from stock

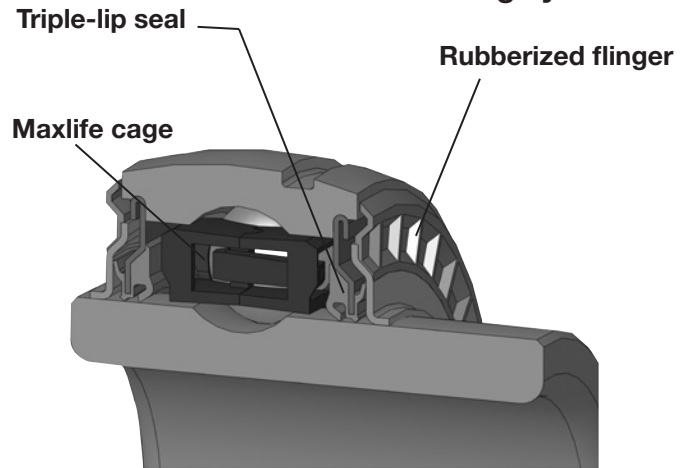
- SC - Two stainless-steel setscrews set 65 apart
- D-Lok - Corrosion resistant concentric collar
- GT - Grip Tight

The QuadGuard seal consists of two patented features that are unique to Dodge bearings and are standard on the E-Z Kleen and Ultra Kleen product.

#### • Triple-lip seal

- Patented design
- Mechanically retained seal with two contact points on the inner ring and one that rides against flinger surface
- Three points of contact guard against contamination and keep in lubricants
- Maximizes sealing with minimal increase in drag compared to a single lip design

### Dodge QuadGuard sealing system



#### Corrosion-resistant ball bearing inserts

- New QuadGuard sealing system with stainless triple-lip seal and rubberized flinger
- Corrosion-resistant inner and outer ring
- Stainless steel balls and lube fitting
- Stainless steel setscrews (SC) and stainless steel capscrew (DLOK)
- 100% Filled with H1, food grade grease
- Relubricable
- Anti-rotation pin
- Patented Maxlife cage extends grease life
- Offered in inch and metric sizes
- Temperature range (-29° to +108°C)

#### • Rubberized flinger

- Industry's first and only patented design
- Molded rubber provides additional protection from contaminants entering the bearing
- Baffle design of the rubber on the external surface of the flinger enhances the removal of liquid as it rotates
- Extended rubber baffle outer diameter increases centrifugal acceleration to discard moisture and contamination away from bearing
- Grease chambers on the internal surface prevent lubricants from exiting the bearing
- Superior design increases service life in dirty environments thus leading to extended uptime

# E-Z Kleen mounted ball bearings

## Features/Benefits

### E-Z Kleen Corrosion resistant coating

The Dodge E-Z Kleen ball bearing uses a patented, corrosion resistant coating that is superior to any coated product in the market.

- QuadGuard sealing system
- Maxlife cage
- Corrosion resistant insert has a patented nickel alloy Teflon composite coating
- Offered in setscrew (SC) and adapter mount (Grip Tight) locking mechanisms
- Available in polymer and stainless housings

The Dodge E-Z Kleen corrosion resistant (CR) insert outperforms other coatings on the market today such as black oxide, zinc and thin dense chrome (TDC).

Tests have shown that the Dodge CR insert exhibited 300% longer bearing life than a typical TDC coated insert. The CR insert load capacity is not de-rated as compared to stainless inserts.

Dodge offers the CR insert in different locking mechanisms.

- Setscrew (SC)
  - 65° stainless set screws provide superior holding force without compromising the strength of the inner ring
  - Stainless anti-rotation pin to prevent insert from rotating in the housing
- Adapter Mount (Grip Tight)
  - Dodge-only patented thin wall adapter mount
  - Push/pull adapter mount system provides easy on/easy off installation and removal
  - Built-in bearing puller reduces the time associated with removing bearings from shaft
  - Adapter mount does not damage stainless shafting
  - Interchangeable adapters reduce inventory

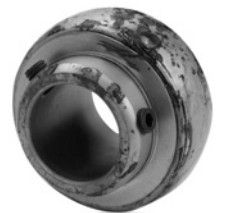
**Note:** Instruction manuals and drawings for Dodge bearings are available on [www.Dodge-pt.com](http://www.Dodge-pt.com)

### 24 hour salt fog test results

Dodge E-Z Kleen corrosion resistant insert –  
No corrosion after testing



Black oxide



Zinc plating



Thin dense chrome (TDC)



SC



Grip Tight

# E-Z Kleen mounted ball bearings

## Features/Benefits

### E-Z Kleen Maxlife cage

The Maxlife cage is the product of extensive research and development in retainer technology and industry leading engineering.

- Two-piece design that creates a grease compartment around each of the rolling elements
- Compartments provide constant contact between balls and grease so an oil film will always exist to prevent wear and minimize friction and heat
- Relative motion between the components and the grease is reduced which results in lower operating temperatures and extended life
- Compartmental construction of the cage holds in the grease and prevents it from being washed out in extremely wet conditions
- Exclusive design extends life with less frequency of re-lubrication than standard designs
- Included in both E-Z Kleen and Ultra Kleen products



### Grip-Tight locking system

Full contact on shaft for better grip, less vibration.

Setscrew locking can distort the inner ring and cause system-induced vibration. But with the Dodge Grip-Tight adapter, the adapter attaches itself to the shaft for full concentric contact - 360° through the length of the bearing. E-Z Kleen and Grip-Tight use stainless steel adapter sleeve and nut and provides easy-on and easy-off installation and removal.

**Note:** Instruction manuals and drawings for Dodge bearings are available on [www.Dodge-pt.com](http://www.Dodge-pt.com)

# E-Z Kleen mounted ball bearings

## Features/Benefits

### E-Z Kleen SC, GT; Ultra Kleen SC

E-Z Kleen SC, GT Ultra Kleen SC	End-cover capability		Sealing	Stainless rubberized flinger	Retainer
	End-cover groove	Snap-on end cover	Triple-lip seal		Maxlife cage
Standard features	X	X	X	X	X

### Housing capability stainless

Housing style	204	205	206	207	208	209	210
P2B	X	X	X	X	X		X
F2B	X	X	X	X	X		X
F4B	X	X	X	X	X		X
FB	X	X	X	X			X
TB	X	X	X	X	X		X
NSTU	X	X	X	X	X		X
WSTU	X	X	X	X	X		X
LF	X	X	X	X			
LFT	X	X	X	X			

### Housing capability polymer

Housing style	204	205	206	207	208	209	210
P2B	X	X	X	X	X	X	X
F2B	X	X	X	X	X	X	X
F4B	X	X	X	X	X	X	X
FB	X	X	X	X			
TB	X	X	X	X			
NSTU							
WSTU	X	X	X	X			
LF							
LFT							

**Note:** Instruction manuals and drawings for Dodge bearings are available on [www.Dodge-pt.com](http://www.Dodge-pt.com)

# E-Z Kleen mounted ball bearings

## How to order/Nomenclature

### E-Z Kleen polymer and stainless steel housed mounted ball bearings

#### How to order

There are two ways to specify Dodge E-Z Kleen ball bearings. Most of the product offerings have part numbers with listings shown throughout this catalog. Use of part numbers ensures accurate order processing.

When part numbers are not shown, the product may be specified by description or part name. This method is used when ordering units that include modifications or options.

#### Nomenclature

**P2B - SCHUEZ - 104S = PCR**

#### Modification or feature:

CR = Corrosion resistant insert  
MOD = Modified  
P = polymer housing  
SH = stainless steel Housing

#### Shaft size:

##### Inches:

First digit = Number of inches  
Second & third digits = Number of sixteenths of an inch  
104 = Indicates 1-4/16 or 1-1/4  
S = Next smaller ring size. E.g. 1-1/4 206 would be written as 104S  
L = Next larger ring size. E.g. 1/2 204 would be written as 008L

##### Metric:

First two digits = number of millimeters  
M = Metric

#### Bearing type:

SC = Wide inner ring, Normal duty, 65° setscrew locking  
DL = Wide inner ring, Normal duty, concentric clamp collar  
GT = Wide inner ring, Normal duty, thin wall adapter locking  
PS = polymer sleeve Insert

Suffixes to the above:

EZ = E-Z Kleen/Ultra Kleen (used with polymer or stainless steel housed units)  
BEZ = Low backing height pillow block, E-Z Kleen/Ultra Kleen  
UEZ = higher back pillow block, E-Z Kleen/Ultra Kleen (for interchangeability with competitive pillow blocks)

#### Housing:

F2B = 2-bolt flange  
F4B = 4-bolt flange  
FB = Flanged bracket  
INS = Insert  
P2B = pillow block, 2-bolt base  
TB = tapped base pillow block  
WSTU = wide slot take-up

# E-Z Kleen mounted ball bearings

## Selection

### Selection of Dodge E-Z Kleen polymer and stainless steel housed mounted ball bearings

Dodge E-Z Kleen mounted ball bearings are primarily designed for radial loading. However, they have the capacity to carry thrust loads and combined radial/thrust loads. The maximum recommended load which can be applied is limited by various components in the system, such as bearing, housing, shaft attachments, speed and life requirements as listed in this catalog and the instruction manual that accompanies each bearing. Dodge E-Z Kleen ball bearings have been applied successfully when these limits have been exceeded under controlled operating conditions. Contact Dodge Engineering for applications which exceed these recommendations.

Select a bearing from the Selection Table that has a radial load rating at the operating speed equal to or greater than the calculated Equivalent Radial Load for a desired  $L_{10}$  life. This simple method is all that is required for the majority of general applications and provides for occasional average shock loads.

**$L_{10}$  Hours Life** – The life which may be expected for at least 90% of a given group of bearings operating under identical conditions.

**Heavy Service** – For heavy shock loads, frequent shock loads or severe vibrations, add up to 50% (according to severity of conditions) to the Equivalent Radial Load to obtain a Modified Equivalent Radial Load. Consult Application Engineering for additional selection assistance.

A maximum thrust load value of  $C/10$  is recommended as a guide for general applications and will give adequate  $L_{10}$  life. If the thrust load exceeds this limit, it is advisable to use auxiliary thrust carrying devices, such as a shaft shoulder, snap ring, or a thrust collar. Where substantial radial load pulls the housing away from the mounting base, both the hold-down bolts and housing must be of adequate strength. Auxiliary load carrying devices, such as shear bars, are advisable for side or end-loading of pillow blocks and radial loads for flange units.

To determine the  $L_{10}$  hours life for loads and RPMs not listed use the following equation:

$$L_{10} = \left(\frac{C}{P}\right)^3 \times \left(\frac{16667}{n}\right)$$

Where:

$L_{10}$  = Life, hours

C = Dynamic Capacity, lb or N

P = Equivalent Radial Load, lb or N

n = Revolutions per minute

When the load on a ball bearing is solely a radial load with no thrust (axial) load, the Equivalent Radial Load (P) is equal to the actual radial load. However, when a thrust (axial) load is applied, the radial and thrust loads applied must be converted into an Equivalent Radial Load. Use X (radial factor) and Y (thrust factor) from Table 1 to convert the actual applied thrust and radial loads to an Equivalent Radial Load which has the same effect on the life of a bearing as a radial load of this magnitude.

$$P = XF_R + YF_A$$

Where:

P = Equivalent Radial Load, lb

$F_R$  = Radial load, lb

$F_A$  = Thrust load, lb

e = Thrust load to radial load factor (Table 1)

X = Radial load factor (Table 1)

Y = Thrust Factor (Table 1)

$C_0$  = Basic static capacity (Selection Table)

To find X and Y, first calculate  $F_A/C_0$  to determine e. Calculate  $F_A/F_R$  and compare to e to determine the X and Y factors to use from Table 1.

Shaft tolerances					
Normal shaft size (mm)	Normal shaft size (in)	Recommended shaft tolerances SC & D-LOK products (mm)	Recommended shaft tolerances SC & D-LOK products (in)	Recommended shaft tolerances Grip Tight ball bearings (mm)	Recommended shaft tolerances Grip Tight ball bearings (in)
Up to 40mm	Up to 1-1/2	+0.000 -0.013	+0.000 -0.0005	+0.000 -0.051	+0.000 -0.002
Over 40mm to 50mm	Over 1-1/2 to 2	+0.000 -0.025	+0.000 -0.0010	+0.000 -0.076	+0.000 -0.003

**Note:** Bearing analysis program BEST is available on [www.ptwizard.com](http://www.ptwizard.com)



# E-Z Kleen mounted ball bearings

## Selection

### Selection of Dodge E-Z Kleen polymer and stainless steel housed mounted ball bearings

Table 1

$F_A / C_o$	e	Radial/Thrust factors			
		If $F_A/F_R$ is equal to or less than e		If $F_A/F_R$ is greater than e	
		$F_A/F_R \leq e$		$F_A/F_R > e$	
		X	Y	X	Y
0.014	0.19	1	0	0.56	2.30
0.021	0.21	1	0	0.56	2.15
0.028	0.22	1	0	0.56	1.99
0.042	0.24	1	0	0.56	1.85
0.056	0.26	1	0	0.56	1.71
0.070	0.27	1	0	0.56	1.63
0.084	0.28	1	0	0.56	1.55
0.110	0.30	1	0	0.56	1.45
0.170	0.34	1	0	0.56	1.31
0.280	0.38	1	0	0.56	1.15
0.420	0.42	1	0	0.56	1.04
0.560	0.44	1	0	0.56	1.00

Substitute all known values into the Equivalent Radial Load equation. The Equivalent Radial Load (P) thus determined can be used in the L10 life formula or compared to the allowable Equivalent Radial Load rating desired in the expanded rating chart to select a bearing (Selection Table).

If calculated value of P is less than  $F_R$ , use  $P=F_R$ .

**Lubrication** – Dodge Ball bearings are lubricated at the factory and are ready to run. The bearings are initially lubricated with an aluminum complex based, H1 Food Grade grease and should be relubricated with the same or some equivalent. For high speeds, high loads, extreme temperatures and other abnormal operating conditions, special greases may be required. Contact your local ABB office for recommendations on these types of applications.

**Misalignment** – Dodge Ball bearings are designed to allow a maximum of 2° static misalignment. These bearings are not suitable for dynamic misalignment. To ensure good alignment, mounting surfaces must be checked for flatness and must lie in the same plane. When tightening base bolts, each bolt should be alternately tightening in incremental torque values until full torque is achieved to prevent the angular shifting of the pillow block that occurs when one bolt is tightened to its full torque. Shimming may be required to minimize misalignment.

# E-Z Kleen mounted ball bearings

## Selection

### Selection of Dodge E-Z Kleen polymer and stainless steel housed mounted ball bearings

Recommended torque										
Setscrews					Mounting bolts					
Setscrew size	Key hex across flats	◆ Recommended torque			Metal housings		E-Z Kleen housed bearings			
		Standard ball bearing insert		Corrosion resistant stainless steel	Bolt size	Recom. dry torque (grade 2)	2-bolt PB, 2 & 4 bolt fig. and fig. brackets		Tapped base PB	
		Min	Max				Bolt size	Torque ①	Bolt size	Torque ②
(mm)	(mm)	(NM)	(NM)	(NM)	(mm)	(NM)	(mm)	(NM)	(in)	(lb-in)
M5	2.5	3.2	3.7	2.8	M10	29	M8	15	① Torque for Austenitic (18-8) Stainless	
M6	3	6.2	7.7	5.8	M12	50	M10	25		
M8	4	14.2	17.8	13.4	M16	124	M12	50		
M10	5	26	31	23	M20	238	M14	75	② Max. torque values published. Do not exceed	
M12	6	46	57	43	M22	322	M18	125		
(in)	(in)	(lb-in)	(lb-in)	(lb-in)	(in)	(lb-in)	(in)	(lb-in)	(in)	(lb-in)
#10	3/32	28	33	25	3/8-16	240	3/8-16	225	3/8-16	175
1/4	1/8	66	80	60	7/16-14	384	7/16-14	350	7/16-14	350
5/16	5/32	126	156	117	1/2-13	600	1/2-13	500	1/2-13	400
3/8	3/16	228	275	206	5/8-11	1200	9/16-12	650		
7/16	7/32	342	428	321	3/4-10	1950	5/8-11	1000		
					7/8-9	2890				

### Lubrication

High speed operation - In the higher speed ranges, too much grease will cause over-heating. The amount of grease that the bearing will take for a particular high speed application can only be determined by experience. If excess grease in the bearing causes overheating, it will be necessary to remove grease fitting to permit excess grease to escape. The bearing has been greased at the factory and is ready to run. When establishing a relubrication schedule, note that a small amount of grease at frequent intervals is preferable to a large amount at infrequent intervals.

◆ **Note:** Dodge does not recommend the use of oils or locking agents on setscrew threads. However, if utilized, the minimum installation torque values should be followed.

Lubrication guide								
Use a No. 2 Lithium complex base grease or equivalent*								
Hours run per day	Suggested lubrication period in weeks							
	1 to 250 RPM	251 to 500 RPM	501 to 750 RPM	751 to 1000 RPM	1001 to 1500 RPM	1501 to 2000 RPM	2001 to 2500 RPM	2501 to 3000 RPM
8	12	12	10	7	5	4	3	2
16	12	7	5	4	2	2	1	1
24	10	5	3	2	1	1	1	1

\*For E-Z Kleen and Ultra Kleen series bearings, use an aluminum complex base grease.

Lubrication recommendations are intended for standard products applied in general operating conditions. For modified products, high temperature applications, and other anomalous applications contact your local ABB office for assistance.



# E-Z Kleen mounted ball bearings

Easy selection

## E-Z Kleen SC (continued)

Ring Size	Shaft Size		Dynamic Capacity C, N (lb)	Static Capacity C <sub>0</sub> , N (lb)	L <sub>10</sub> Life - Hours	Allowable equivalent radial load rating N (lb) at various RPM*												
	SC	SCM				2500	2750	3000	3250	3500	3600	4000	4500	5000	5250	5500	6000	
204	1/2		12895 (2899)	6592 (1482)	20000	894 (201)	867 (195)	841 (189)	818 (184)	801 (180)	792 (178)	765 (172)	734 (165)	712 (160)	698 (157)	689 (155)	667 (150)	
		5/8	12895 (2899)	6592 (1482)	30000	783 (176)	756 (170)	734 (165)	716 (161)	698 (157)	689 (155)	667 (150)	641 (144)	618 (139)	609 (137)	601 (135)	583 (131)	
	3/4		12895 (2899)	6592 (1482)	40000	712 (160)	689 (155)	667 (150)	649 (146)	636 (143)	627 (141)	605 (136)	583 (131)	565 (127)	556 (125)	547 (123)	529 (119)	
		13/16	12895 (2899)	6592 (1482)	60000	618 (139)	601 (135)	583 (131)	569 (128)	556 (125)	547 (123)	529 (119)	512 (115)	494 (111)	485 (109)	476 (107)	463 (104)	
	20mm		12895 (2899)	6592 (1482)	100000	525 (118)	507 (114)	494 (111)	480 (108)	467 (105)	463 (104)	449 (101)	431 (97)	414 (93)	409 (92)	400 (90)	391 (88)	
		7/8	13994 (3146)	7869 (1769)	20000	970 (218)	939 (211)	912 (205)	890 (200)	867 (195)	859 (193)	832 (187)	796 (179)	770 (173)	756 (170)	747 (168)	725 (163)	
205	15/16		13994 (3146)	7869 (1769)	30000	850 (191)	823 (185)	796 (179)	778 (175)	756 (170)	752 (169)	725 (163)	698 (157)	672 (151)	663 (149)	654 (147)	632 (142)	
		1	13994 (3146)	7869 (1769)	40000	770 (173)	747 (168)	725 (163)	707 (159)	689 (155)	681 (153)	658 (148)	632 (142)	609 (137)	601 (135)	592 (133)	574 (129)	
	25mm		13994 (3146)	7869 (1769)	60000	672 (151)	654 (147)	632 (142)	618 (139)	601 (135)	596 (134)	574 (129)	552 (124)	534 (120)	525 (118)	516 (116)	503 (113)	
		1	13994 (3146)	7869 (1769)	100000	569 (128)	552 (124)	534 (120)	520 (117)	507 (114)	503 (113)	485 (109)	467 (105)	449 (101)	445 (100)	436 (98)	423 (95)	
	206	1-1/16	1	19430 (4368)	11290 (2538)	20000	1348 (303)	1303 (293)	1268 (285)	1237 (278)	1205 (271)	1192 (268)	1152 (259)	1108 (249)	1068 (240)	1054 (237)		
				1-1/8	25mm	30000	1179 (265)	1139 (256)	1108 (249)	1076 (242)	1054 (237)	1041 (234)	1005 (226)	965 (217)	934 (210)	921 (207)		
207	1-3/16	30mm	19430 (4368)	11290 (2538)	40000	1068 (240)	1036 (233)	1005 (226)	979 (220)	956 (215)	947 (213)	916 (206)	881 (198)	850 (191)	836 (188)			
			1-1/4	60000	934 (210)	903 (203)	881 (198)	854 (192)	836 (188)	827 (186)	801 (180)	770 (173)	743 (167)	730 (164)				
	30mm		19430 (4368)	11290 (2538)	100000	787 (177)	765 (172)	743 (167)	721 (162)	703 (158)	698 (157)	672 (151)	649 (146)	627 (141)	614 (138)			
		1-1/4	1-3/16	20000	1775 (399)	1721 (387)	1673 (376)	1628 (366)	1588 (357)	1575 (354)	1517 (341)	1459 (328)						
208	1-5/8	1-1/2	25617 (5759)	15395 (3461)	30000	1552 (349)	1503 (338)	1459 (328)	1423 (320)	1388 (312)	1374 (309)	1326 (298)	1277 (287)					
			1-3/8	30mm	40000	1410 (317)	1366 (307)	1326 (298)	1290 (290)	1259 (283)	1250 (281)	1205 (271)	1161 (261)					
	1-7/16	35mm	25617 (5759)	15395 (3461)	60000	1232 (277)	1192 (268)	1161 (261)	1130 (254)	1099 (247)	1090 (245)	1054 (237)	1014 (228)					
			1-1/2	1-7/16	100000	1041 (234)	1005 (226)	979 (220)	952 (214)	930 (209)	921 (207)	890 (200)	854 (192)					
	209	1-11/16	40mm	32614 (7332)	19906 (4475)	20000	2260 (508)	2189 (492)	2126 (478)	2073 (466)	2019 (454)	2002 (450)	1935 (435)					
				1-5/8	1-1/2▲	30000	1975 (444)	1913 (430)	1859 (418)	1810 (407)	1766 (397)	1748 (393)	1690 (380)					
210	40mm	35mm	32614 (7332)	19906 (4475)	40000	1793 (403)	1739 (391)	1690 (380)	1646 (370)	1606 (361)	1588 (357)	1535 (345)						
			60000	1566 (352)	1517 (341)	1477 (332)	1437 (323)	1401 (315)	1388 (312)	1339 (301)								
	45mm	45mm	32614 (7332)	19906 (4475)	100000	1321 (297)	1281 (288)	1246 (280)	1210 (272)	1183 (266)	1170 (263)	1130 (254)						
			1-5/8	1-1/2	20000	2433 (547)	2358 (530)	2291 (515)	2229 (501)	2175 (489)	2157 (485)	2082 (468)						
	211	1-11/16	40mm	35101 (7891)	21823 (4906)	30000	2126 (478)	2060 (463)	2002 (450)	1948 (438)	1899 (427)	1882 (423)	1819 (409)					
				1-3/4	40000	1931 (434)	1873 (421)	1819 (409)	1770 (398)	1726 (388)	1713 (385)	1650 (371)						
45mm		45mm	35101 (7891)	21823 (4906)	60000	1686 (379)	1632 (367)	1588 (357)	1548 (348)	1508 (339)	1495 (336)	1441 (324)						
			100000	1423 (320)	1379 (310)	1339 (301)	1303 (293)	1272 (286)	1259 (283)	1219 (274)								

\*Slight interference fit required when operating on the right of the heavy line or in the shaded area.

▲Piloted flange only

Unless specified, dimensions are in mm for metric parts and inches for non-metric parts.

Note: Dimensions are in MM (in)

Note: Bearing analysis program .BEST. is available on www.ptwizard.com

# E-Z Kleen mounted ball bearings

## Easy selection

### E-Z Kleen GT

Ring size	Shaft size		Dynamic capacity C, N (lb)	Static capacity C <sub>0</sub> , N (lb)	L <sub>10</sub> Life - Hours	Allowable equivalent radial load rating N (lb) at various RPM*							
	GT	GTM				50	150	250	500	750	1000	1500	
204	3/4		12895	6592	20000	3296	2282	1926	1530	1334	1214	1059	
			(2899)	(1482)		(741)	(513)	(433)	(344)	(300)	(273)	(238)	
			12895	6592		30000	2878	1997	1681	1334	1165	1059	925
	(2899)		(1482)	(647)	(449)		(378)	(300)	(262)	(238)	(208)		
	12895		6592	40000	2616		1815	1530	1214	1059	965	841	
	(2899)		(1482)		(588)	(408)	(344)	(273)	(238)	(217)	(189)		
	12895	6592	60000		2282	1584	1334	1059	925	841	734		
	(2899)	(1482)		(513)	(356)	(300)	(238)	(208)	(189)	(165)			
	12895	6592		100000	1926	1334	1125	894	783	712	618		
	(2899)	(1482)	(433)		(300)	(253)	(201)	(176)	(160)	(139)			
	205	7/8	3/4		13994	7869	20000	3576	2478	2091	1659	1450	1317
				(3146)	(1769)	(804)		(557)	(470)	(373)	(326)	(296)	(259)
13994				7869	30000	3123		2166	1828	1450	1268	1152	1005
(3146)		(1769)		(702)		(487)	(411)	(326)	(285)	(259)	(226)		
13994		7869		40000		2838	1966	1659	1317	1152	1045	912	
(3146)		(1769)			(638)	(442)	(373)	(296)	(259)	(235)	(205)		
13994		7869	60000		2478	1717	1450	1152	1005	912	796		
(3146)		(1769)		(557)	(386)	(326)	(259)	(226)	(205)	(179)			
13994		7869		100000	2091	1450	1223	970	850	770	672		
(3146)		(1769)	(470)		(326)	(275)	(218)	(191)	(173)	(151)			
206		1-1/8	1		19430	11290	20000	4964	3443	2900	2304	2011	1828
				(4368)	(2538)	(1116)		(774)	(652)	(518)	(452)	(411)	(359)
	19430			11290	30000	4337		3007	2535	2011	1757	1597	1397
	(4368)	(2538)		(975)		(676)	(570)	(452)	(395)	(359)	(314)		
	19430	11290		40000		3941	2731	2304	1828	1597	1450	1268	
	(4368)	(2538)			(886)	(614)	(518)	(411)	(359)	(326)	(285)		
	19430	11290	60000		3443	2384	2011	1597	1397	1268	1108		
	(4368)	(2538)		(774)	(536)	(452)	(359)	(314)	(285)	(249)			
	19430	11290		100000	2900	2011	1699	1348	1179	1068	934		
	(4368)	(2538)	(652)		(452)	(382)	(303)	(265)	(240)	(210)			
	207	1-1/4	1-3/16		25617	15395	20000	6543	4537	3825	3038	2651	2411
				(5759)	(3461)	(1471)		(1020)	(860)	(683)	(596)	(542)	(473)
25617				15395	30000	5716		3963	3345	2651	2318	2104	1842
(5759)		(3461)		(1285)		(891)	(752)	(596)	(521)	(473)	(414)		
25617		15395		40000		5196	3603	3038	2411	2104	1913	1673	
(5759)		(3461)			(1168)	(810)	(683)	(542)	(473)	(430)	(376)		
25617		15395	60000		4537	3145	2651	2104	1842	1673	1459		
(5759)		(3461)		(1020)	(707)	(596)	(473)	(414)	(376)	(328)			
25617		15395		100000	3825	2651	2237	1775	1552	1410	1232		
(5759)		(3461)	(860)		(596)	(503)	(399)	(349)	(317)	(277)			
208		1-1/2	1-7/16		32614	19906	20000	8332	5778	4871	3866	3376	3069
				(7332)	(4475)	(1873)		(1299)	(1095)	(869)	(759)	(690)	(603)
	32614			19906	30000	7277		5044	4257	3376	2949	2682	2344
	(7332)	(4475)		(1636)		(1134)	(957)	(759)	(663)	(603)	(527)		
	32614	19906		40000		6615	4586	3866	3069	2682	2438	2126	
	(7332)	(4475)			(1487)	(1031)	(869)	(690)	(603)	(548)	(478)		
	32614	19906	60000		5778	4003	3376	2682	2344	2126	1859		
	(7332)	(4475)		(1299)	(900)	(759)	(603)	(527)	(478)	(418)			
	32614	19906		100000	4871	3376	2851	2260	1975	1793	1566		
	(7332)	(4475)	(1095)		(759)	(641)	(508)	(444)	(403)	(352)			
	209	1-5/8	1-1/2		35101	21823	20000	8968	6219	5244	4164	3634	3305
				(7891)	(4906)	(2016)		(1398)	(1179)	(936)	(817)	(743)	(649)
35101				21823	30000	7833		5431	4582	3634	3176	2887	2522
(7891)		(4906)		(1761)		(1221)	(1030)	(817)	(714)	(649)	(567)		
35101		21823		40000		7117	4933	4164	3305	2887	2620	2291	
(7891)		(4906)			(1600)	(1109)	(936)	(743)	(649)	(589)	(515)		
35101		21823	60000		6219	4310	3634	2887	2522	2291	2002		
(7891)		(4906)		(1398)	(969)	(817)	(649)	(567)	(515)	(450)			
35101		21823		100000	5244	3634	3065	2433	2126	1931	1686		
(7891)		(4906)	(1179)		(817)	(689)	(547)	(478)	(434)	(379)			
210		1-15/16	1-11/16		35101	23189	20000	8968	6219	5244	4164	3634	3305
				(7891)	(5213)	(2016)		(1398)	(1179)	(936)	(817)	(743)	(649)
	35101			23189	30000	7833		5431	4582	3634	3176	2887	2522
	(7891)	(5213)		(1761)		(1221)	(1030)	(817)	(714)	(649)	(567)		
	35101	23189		40000		7117	4933	4164	3305	2887	2620	2291	
	(7891)	(5213)			(1600)	(1109)	(936)	(743)	(649)	(589)	(515)		
	35101	23189	60000		6219	4310	3634	2887	2522	2291	2002		
	(7891)	(5213)		(1398)	(969)	(817)	(649)	(567)	(515)	(450)			
	35101	23189		100000	5244	3634	3065	2433	2126	1931	1686		
	(7891)	(5213)	(1179)		(817)	(689)	(547)	(478)	(434)	(379)			

\*Speed limit values reflect quad contact seal

▲Piloted flange only

Unless specified, dimensions are in mm for metric parts and inches for non-metric parts.

Note: Dimensions are in MM (in)

**Note:** Bearing analysis program .BEST. is available on [www.ptwizard.com](http://www.ptwizard.com)

# E-Z Kleen mounted ball bearings

## Easy selection

### E-Z Kleen GT (continued)

Ring size	Shaft size		Dynamic capacity C, N (lb)	Static capacity Co, N (lb)	L10 Life - Hours	Allowable equivalent radial load rating N (lb) at various RPM*							
	GT	GTM				1750	2000	2200	2600	3000	3200	3600	
204	3/4		12895	6592	20000	1005	965	934	881	841	823	792	
			(2899)	(1482)		(226)	(217)	(210)	(198)	(189)	(185)	(178)	
	20mm		12895	6592	30000	881	841	814	770	734	721	689	
			(2899)	(1482)		(198)	(189)	(183)	(173)	(165)	(162)	(155)	
				12895	6592	40000	801	765	738	698	667	654	627
				(2899)	(1482)		(180)	(172)	(166)	(157)	(150)	(147)	(141)
			12895	6592	60000	698	667	645	614	583	569	547	
			(2899)	(1482)		(157)	(150)	(145)	(138)	(131)	(128)	(123)	
			12895	6592	100000	587	565	547	516	494	480	463	
			(2899)	(1482)		(132)	(127)	(123)	(116)	(111)	(108)	(104)	
205	7/8	3/4	13994	7869	20000	1094	1045	1014	956	912	894	859	
			(3146)	(1769)		(246)	(235)	(228)	(215)	(205)	(201)	(193)	
	15/16		13994	7869	30000	956	912	885	836	796	783	752	
			(3146)	(1769)		(215)	(205)	(199)	(188)	(179)	(176)	(169)	
	1		13994	7869	40000	867	832	805	761	725	707	681	
			(3146)	(1769)		(195)	(187)	(181)	(171)	(163)	(159)	(153)	
25mm		13994	7869	60000	756	725	703	663	632	618	596		
		(3146)	(1769)		(170)	(163)	(158)	(149)	(142)	(139)	(134)		
			13994	7869	100000	641	609	592	560	534	520	503	
			(3146)	(1769)		(144)	(137)	(133)	(126)	(120)	(117)	(113)	
206	1-1/8	1	19430	11290	20000	1517	1450	1406	1330	1268	1241	1192	
			(4368)	(2538)		(341)	(326)	(316)	(299)	(285)	(279)	(268)	
	1-3/16	25mm	19430	11290	30000	1326	1268	1228	1161	1108	1085	1041	
			(4368)	(2538)		(298)	(285)	(276)	(261)	(249)	(244)	(234)	
	1-1/4		19430	11290	40000	1205	1152	1117	1054	1005	983	947	
			(4368)	(2538)		(271)	(259)	(251)	(237)	(226)	(221)	(213)	
30mm		19430	11290	60000	1054	1005	974	921	881	859	827		
		(4368)	(2538)		(237)	(226)	(219)	(207)	(198)	(193)	(186)		
			19430	11290	100000	885	850	823	778	743	725	698	
			(4368)	(2538)		(199)	(191)	(185)	(175)	(167)	(163)	(157)	
207	1-1/4	1-3/16	25617	15395	20000	2002	1913	1855	1753	1673	1637	1575	
			(5759)	(3461)		(450)	(430)	(417)	(394)	(376)	(368)	(354)	
	1-3/8	1-1/4	25617	15395	30000	1748	1673	1619	1530	1459	1428	1374	
			(5759)	(3461)		(393)	(376)	(364)	(344)	(328)	(321)	(309)	
	1-7/16	30mm	25617	15395	40000	1588	1517	1472	1392	1326	1299	1250	
			(5759)	(3461)		(357)	(341)	(331)	(313)	(298)	(292)	(281)	
35mm		25617	15395	60000	1388	1326	1286	1214	1161	1134	1090		
		(5759)	(3461)		(312)	(298)	(289)	(273)	(261)	(255)	(245)		
			25617	15395	100000	1170	1121	1085	1023	979	956	921	
			(5759)	(3461)		(263)	(252)	(244)	(230)	(220)	(215)	(207)	
208	1-1/2	1-7/16	32614	19906	20000	2549	2438	2362	2233	2126	2082	2002	
			(7332)	(4475)		(573)	(548)	(531)	(502)	(478)	(468)	(450)	
	40mm	1-1/2▲	32614	19906	30000	2224	2126	2060	1948	1859	1819	1748	
			(7332)	(4475)		(500)	(478)	(463)	(438)	(418)	(409)	(393)	
		35mm		32614	19906	40000	2019	1935	1873	1770	1690	1655	1588
				(7332)	(4475)		(454)	(435)	(421)	(398)	(380)	(372)	(357)
			32614	19906	60000	1766	1690	1637	1548	1477	1446	1388	
			(7332)	(4475)		(397)	(380)	(368)	(348)	(332)	(325)	(312)	
			32614	19906	100000	1490	1423	1379	1303	1246	1219	1170	
			(7332)	(4475)		(335)	(320)	(310)	(293)	(280)	(274)	(263)	
209	1-5/8	1-1/2	35101	21823	20000	2740	2620	2540	2402	2291	2242	2157	
			(7891)	(4906)		(616)	(589)	(571)	(540)	(515)	(504)	(485)	
	1-11/16	40mm	35101	21823	30000	2393	2291	2220	2100	2002	1957	1882	
			(7891)	(4906)		(538)	(515)	(499)	(472)	(450)	(440)	(423)	
	1-3/4		35101	21823	40000	2175	2082	2015	1908	1819	1779	1713	
			(7891)	(4906)		(489)	(468)	(453)	(429)	(409)	(400)	(385)	
45mm		35101	21823	60000	1899	1819	1761	1664	1588	1552	1495		
		(7891)	(4906)		(427)	(409)	(396)	(374)	(357)	(349)	(336)		
			35101	21823	100000	1601	1535	1486	1406	1339	1312	1259	
			(7891)	(4906)		(360)	(345)	(334)	(316)	(301)	(295)	(283)	
210	1-15/16	1-11/16	35101	23189	20000	2740	2620	2540	2402	2291	2242	2157	
			(7891)	(5213)		(616)	(589)	(571)	(540)	(515)	(504)	(485)	
	2	1-3/4	35101	23189	30000	2393	2291	2220	2100	2002	1957	1882	
			(7891)	(5213)		(538)	(515)	(499)	(472)	(450)	(440)	(423)	
	50mm	45mm	35101	23189	40000	2175	2082	2015	1908	1819	1779	1713	
			(7891)	(5213)		(489)	(468)	(453)	(429)	(409)	(400)	(385)	
			35101	23189	60000	1899	1819	1761	1664	1588	1552	1495	
			(7891)	(5213)		(427)	(409)	(396)	(374)	(357)	(349)	(336)	
			35101	23189	100000	1601	1535	1486	1406	1339	1312	1259	
			(7891)	(5213)		(360)	(345)	(334)	(316)	(301)	(295)	(283)	

\*Speed limit values reflect quad contact seal

▲Piloted flange only

Unless specified, dimensions are in mm for metric parts and inches for non-metric parts.

Note: Dimensions are in MM (in)

Note: Bearing analysis program .BEST. is available on [www.ptwizord.com](http://www.ptwizord.com)

# E-Z Kleen mounted ball bearings

## Easy selection

### E-Z Kleen GT (continued)

Ring size	Shaft size		Dynamic capacity C, N (lb)	Static capacity C <sub>0</sub> , N (lb)	L <sub>10</sub> Life - Hours	Allowable equivalent radial load rating N (lb) at various RPM*						
	GT	GTM				3840	4000	4240	4480	4800	5040	5300
204	3/4		12895	6592	20000	774	765	752	734	721	707	694
			(2899)	(1482)		(174)	(172)	(169)	(165)	(162)	(159)	(156)
			12895	6592		30000	676	667	654	645	627	618
	(2899)	(1482)	(152)	(150)	(147)		(145)	(141)	(139)	(137)		
	12895	6592	40000	614	605		596	583	569	560	552	
	(2899)	(1482)		(138)	(136)	(134)	(131)	(128)	(126)	(124)		
	12895	6592		60000	538	529	520	512	498	489	480	
	(2899)	(1482)	(121)		(119)	(117)	(115)	(112)	(110)	(108)		
	12895	6592	100000		454	449	440	431	423	414	409	
	(2899)	(1482)		(102)	(101)	(99)	(97)	(95)	(93)	(92)		
	13994	7869		20000	841	832	814	801	783	770	756	
	(3146)	(1769)	(189)		(187)	(183)	(180)	(176)	(173)	(170)		
13994	7869	30000	734		725	712	698	681	672	658		
(3146)	(1769)		(165)	(163)	(160)	(157)	(153)	(151)	(148)			
13994	7869		40000	667	658	645	636	618	609	601		
(3146)	(1769)	(150)		(148)	(145)	(143)	(139)	(137)	(135)			
13994	7869	60000		583	574	565	556	543	534	525		
(3146)	(1769)		(131)	(129)	(127)	(125)	(122)	(120)	(118)			
13994	7869		100000	494	485	476	467	458	449	440		
(3146)	(1769)	(111)		(109)	(107)	(105)	(103)	(101)	(99)			
19430	11290	20000		1165	1152	1130	1108	1085	1068	1050		
(4368)	(2538)		(262)	(259)	(254)	(249)	(244)	(240)	(236)			
19430	11290		30000	1019	1005	988	970	947	930	916		
(4368)	(2538)	(229)		(226)	(222)	(218)	(213)	(209)	(206)			
19430	11290	40000		925	916	899	881	859	845	832		
(4368)	(2538)		(208)	(206)	(202)	(198)	(193)	(190)	(187)			
19430	11290		60000	810	801	783	770	752	738	725		
(4368)	(2538)	(182)		(180)	(176)	(173)	(169)	(166)	(163)			
19430	11290	100000		685	672	663	649	636	623	614		
(4368)	(2538)		(154)	(151)	(149)	(146)	(143)	(140)	(138)			
25617	15395		20000	1539	1517	1490	1463	1428	1406			
(5759)	(3461)	(346)		(341)	(335)	(329)	(321)	(316)				
25617	15395	30000		1343	1326	1303	1277	1250	1228			
(5759)	(3461)		(302)	(298)	(293)	(287)	(281)	(276)				
25617	15395		40000	1223	1205	1183	1161	1134	1117			
(5759)	(3461)	(275)		(271)	(266)	(261)	(255)	(251)				
25617	15395	60000		1068	1054	1032	1014	992	974			
(5759)	(3461)		(240)	(237)	(232)	(228)	(223)	(219)				
25617	15395		100000	899	890	872	854	836	823			
(5759)	(3461)	(202)		(200)	(196)	(192)	(188)	(185)				
32614	19906	20000		1962	1935	1895	1864					
(7332)	(4475)		(441)	(435)	(426)	(419)						
32614	19906		30000	1713	1690	1655	1628					
(7332)	(4475)	(385)		(380)	(372)	(366)						
32614	19906	40000		1557	1535	1503	1477					
(7332)	(4475)		(350)	(345)	(338)	(332)						
32614	19906		60000	1361	1339	1317	1290					
(7332)	(4475)	(306)		(301)	(296)	(290)						
32614	19906	100000		1148	1130	1108	1090					
(7332)	(4475)		(258)	(254)	(249)	(245)						
35101	21823		20000	2108	2082	2042						
(7891)	(4906)	(474)		(468)	(459)							
35101	21823	30000		1842	1819	1784						
(7891)	(4906)		(414)	(409)	(401)							
35101	21823		40000	1673	1650	1619						
(7891)	(4906)	(376)		(371)	(364)							
35101	21823	60000		1463	1441	1415						
(7891)	(4906)		(329)	(324)	(318)							
35101	21823		100000	1232	1219	1192						
(7891)	(4906)	(277)		(274)	(268)							
35101	23189	20000		2108								
(7891)	(5213)		(474)									
35101	23189		30000	1842								
(7891)	(5213)	(414)										
35101	23189	40000		1673								
(7891)	(5213)		(376)									
35101	23189		60000	1463								
(7891)	(5213)	(329)										
35101	23189	100000		1232								
(7891)	(5213)		(277)									

\*Speed limit values reflect quad contact seal

▲Pilot flange only

Unless specified, dimensions are in mm for metric parts and inches for non-metric parts.

Note: Dimensions are in MM (in)

**Note:** Bearing analysis program .BEST. is available on [www.ptwizard.com](http://www.ptwizard.com)

# E-Z Kleen mounted ball bearings

## Easy selection

### E-Z Kleen GT (continued)

Ring size	Shaft size		Dynamic capacity C, N (lb)	Static capacity C <sub>0</sub> , N (lb)	L <sub>10</sub> Life - Hours	Allowable equivalent radial load rating N (lb) at various RPM*					
	GT	GTM				5600	6000	6500	7000	7200	8000
204	3/4		12895	6592	20000	685	667	649	636	627	605
			(2899)	(1482)		(154)	(150)	(146)	(143)	(141)	(136)
	20mm		12895	6592	30000	596	583	569	556	547	529
			(2899)	(1482)		(134)	(131)	(128)	(125)	(123)	(119)
			12895	6592	40000	543	529	516	503	498	480
			(2899)	(1482)		(122)	(119)	(116)	(113)	(112)	(108)
			12895	6592	60000	476	463	449	440	436	423
			(2899)	(1482)		(107)	(104)	(101)	(99)	(98)	(95)
			12895	6592	100000	400	391	378	369	369	356
			(2899)	(1482)		(90)	(88)	(85)	(83)	(83)	(80)
205	7/8	3/4	13994	7869	20000	743	725	707	689	681	
			(3146)	(1769)		(167)	(163)	(159)	(155)	(153)	
	15/16		13994	7869	30000	649	632	618	601	596	
			(3146)	(1769)		(146)	(142)	(139)	(135)	(134)	
	1		13994	7869	40000	587	574	560	547	543	
			(3146)	(1769)		(132)	(129)	(126)	(123)	(122)	
25mm		13994	7869	60000	516	503	489	476	472		
		(3146)	(1769)		(116)	(113)	(110)	(107)	(106)		
			13994	7869	100000	431	423	414	405	400	
			(3146)	(1769)		(97)	(95)	(93)	(91)	(90)	
206	1-1/8	1	19430	11290	20000	1028	1005				
			(4368)	(2538)		(231)	(226)				
	1-3/16	25mm	19430	11290	30000	899	881				
			(4368)	(2538)		(202)	(198)				
	1-1/4		19430	11290	40000	818	801				
			(4368)	(2538)		(184)	(180)				
30mm		19430	11290	60000	712	698					
		(4368)	(2538)		(160)	(157)					
			19430	11290	100000	601	587				
			(4368)	(2538)		(135)	(132)				
207	1-1/4	1-3/16	25617	15395	20000						
			(5759)	(3461)							
	1-3/8	1-1/4	25617	15395	30000						
			(5759)	(3461)							
	1-7/16	30mm	25617	15395	40000						
			(5759)	(3461)							
35mm		25617	15395	60000							
		(5759)	(3461)								
			25617	15395	100000						
			(5759)	(3461)							
208	1-1/2	1-7/16	32614	19906	20000						
			(7332)	(4475)							
	40mm	1-1/2 ▲	32614	19906	30000						
			(7332)	(4475)							
	35mm		32614	19906	40000						
			(7332)	(4475)							
			32614	19906	60000						
			(7332)	(4475)							
			32614	19906	100000						
			(7332)	(4475)							
209	1-5/8	1-1/2	35101	21823	20000						
			(7891)	(4906)							
	1-11/16	40mm	35101	21823	30000						
			(7891)	(4906)							
	1-3/4		35101	21823	40000						
			(7891)	(4906)							
45mm		35101	21823	60000							
		(7891)	(4906)								
			35101	21823	100000						
			(7891)	(4906)							
210	1-15/16	1-11/16	35101	23189	20000						
			(7891)	(5213)							
	2	1-3/4	35101	23189	30000						
			(7891)	(5213)							
	50mm	45mm	35101	23189	40000						
			(7891)	(5213)							
			35101	23189	60000						
			(7891)	(5213)							
			35101	23189	100000						
			(7891)	(5213)							

\*Speed limit values reflect quad contact seal

▲Piloted flange only

Unless specified, dimensions are in mm for metric parts and inches for non-metric parts.

Note: Dimensions are in MM (in)

Note: Bearing analysis program .BEST. is available on [www.ptwizard.com](http://www.ptwizard.com)



# E-Z Kleen mounted ball bearings

## Easy selection

Table 2 - Easy selection for E-Z Kleen polymer-housed sleeve bearing mounted units - Inch

### Radial load ratings N (lb) at various revolutions per minute (RPM)

Series	Shaft size	Up to 10	25	50	75	100	150	200	250
204	3/4	2002 (450)	1779 (400)	1668 (375)	1334 (300)	1023 (230)	778 (175)	489 (110)	400 (90)
205	1	2669 (600)	2447 (550)	2002 (450)	956 (215)	1045 (235)	778 (175)	489 (110)	400 (90)
206	1-3/16	4003 (900)	3559 (800)	2224 (500)	(325)	1112 (250)	778 (175)	489 (110)	400 (90)
	1-1/4								
207	1-1/4	4448 (1000)	4003 (900)	2669 (600)	1779 (400)	1334 (300)	778 (175)	534 (120)	423 (95)
	1-7/16								
208	1-1/2	6228 (1400)	5338 (1200)	3114 (700)	1913 (430)	1423 (320)	801 (180)	556 (125)	423 (95)
210	1-15/16	8007 (1800)	7117 (1600)	3336 (750)	2002 (450)	1557 (350)	823 (185)	578 (130)	445 (100)

Unless specified, dimensions are in mm for metric parts and inches for non-metric parts. Note: Dimensions are in MM (in)

### Radial load ratings N (lb) at various revolutions per minute (RPM)

Series	Shaft size	300	350	400	450	500	550	600	650
204	3/4	267 (60)	222 (50)	200 (45)	178 (40)	156 (35)	111 (25)	89 (20)	67 (15)
205	1	267 (60)	222 (50)	200 (45)	178 (40)	156 (35)	111 (25)	89 (20)	67 (15)
206	1-3/16	289 (65)	267 (60)	222 (50)	178 (40)	156 (35)	133 (30)	111 (25)	89 (20)
207	1-1/4								
208	1-1/4	311 (70)	289 (65)	245 (55)	200 (45)	178 (40)	156 (35)	133 (30)	
210	1-7/16								
	1-1/2	311 (70)	289 (65)	245 (55)	200 (45)	178 (40)	156 (35)		
	1-15/16	356 (80)	311 (70)	267 (60)	222 (50)	200 (45)			

Continuous operating temperature: -40 to 83°C

Unless specified, dimensions are in mm for metric parts and inches for non-metric parts.

Note: Dimensions are in MM (in)

**Note:** Bearing analysis program .BEST. is available on [www.ptwizard.com](http://www.ptwizard.com)

# E-Z Kleen mounted ball bearings

## Easy selection

Table 3 - Easy selection for E-Z Kleen polymer-housed sleeve bearing mounted units - Metric

### Radial load ratings N (lb) at various revolutions per minute (RPM)

Series	Shaft size	Up to 10	25	50	75	100	150	200	250
204	20	2000 (450)	1775 (399)	1665 (374)	1330 (299)	1020 (229)	775 (174)	485 (109)	400 (90)
205	25	2665 (599)	2445 (550)	2000 (450)	1400 (315)	1045 (235)	775 (174)	485 (109)	400 (90)
206	30	4000 (899)	3555 (799)	2220 (499)	1445 (325)	1110 (250)	775 (174)	485 (109)	400 (90)
207	35	4445 (999)	4000 (899)	2665 (599)	1775 (399)	1330 (299)	775 (174)	530 (119)	420 (94)
208	40	6225 (1399)	5335 (1199)	3110 (699)	1910 (429)	1420 (319)	8000 (1798)	555 (125)	420 (94)
210	50	8005 (1800)	7115 (1600)	3335 (750)	2000 (450)	1555 (350)	820 (184)	575 (129)	440 (99)

Unless specified, dimensions are in mm for metric parts and inches for non-metric parts. Note: Dimensions are in MM (in)

### Radial load ratings N (lb) at various revolutions per minute (RPM)

Series	Shaft size	300	350	400	450	500	550	600	650
204	20	265 (60)	220 (49)	200 (45)	175 (39)	155 (35)	110 (25)	85 (19)	65 (15)
205	25	265 (60)	220 (49)	200 (45)	175 (39)	155 (35)	110 (25)	85 (19)	65 (15)
206	30	285 (64)	265 (60)	220 (49)	175 (39)	155 (35)	130 (29)	110 (25)	85 (19)
207	35	310 (70)	285 (64)	240 (54)	200 (45)	175 (39)	155 (35)	130 (29)	
208	40	310 (70)	285 (64)	240 (54)	200 (45)	175 (39)	155 (35)		
210	50	355 (80)	310 (70)	265 (60)	220 (49)	200 (45)			

Continuous operating temperature: -40 to 83° C

Unless specified, dimensions are in mm for metric parts and inches for non-metric parts.

Note: Dimensions are in MM (in)

**Note:** Bearing analysis program .BEST. is available on [www.ptwizard.com](http://www.ptwizard.com)

# E-Z Kleen mounted ball bearings

## Easy selection

### Chemical resistance chart\*

	Housing		Ball bearing insert	
	Polymer	Stainless	E-Z Kleen	Ultra-Kleen
<b>A</b>				
Acetic acid	B	B	A	B
Acetone	B	A	A	B
Ammonium chloride		B	A	B
Ammonium hydroxide	D	A		A
Aniline	A	A	B	A
<b>B</b>				
Beer		A	A	
Beet sugar liquids		A		
Benzene	B	B	B	B
Bleaching lye	A			
Brake fluid	A			
Butane	A	A	A	
Butanol	B	A	A	
Butyl acetate	A	B	A	
<b>C</b>				
Calcium chloride	A	B	A	C
Calcium hydroxide		B	A	
Calcium hypochlorite	A	D	B	C
Carbon disulphide	A	B	B	
Carbon tetrachloride	A	B	A	A
Chloroform	D	A	A	A
Chromic acid	A	B	A	B
Citric acid	A	A	A	A
Cresol	D	A		
<b>D</b>				
Detergents	A	A	A	A
Diesel fuel	A	A	B	
<b>E</b>				
Ethanol	A	A		A
Ether (diethyl-)	A	A	B	A
Ethyl acetate	B	B	B	
Ethylene dichloride	D	B	B	

Where: (A) = No effect - Excellent

(B) = Minor effect - Good

(C) = Moderate effect - Fair

(D) = Severe effect - Not recommended

Blank = No data available

**Note :** All references assume exposure temperature of 22° C.

\*This chemical resistance chart is intended as a guideline. For exposure to high concentrations, prolonged contact, or higher operating temperatures, etc. reliance upon actual application experience is best. Aggressive relubrication intervals may also benefit bearing life. Contact your local ABB office for assistance.

**Note:** Bearing analysis program .BEST. is available on [www.ptwizard.com](http://www.ptwizard.com)

# E-Z Kleen mounted ball bearings

## Easy selection

### Chemical resistance chart\*

	Housing		Ball bearing insert	
	Polymer	Stainless	E-Z Kleen	Ultra-Kleen
<b>F</b>				
Ferrous chloride		D	B	
Formaldehyde		B	B	
Formic acid	B	B	A	B
Freon 11	A	A	A	
<b>G</b>				
Gasoline	A	A	A	A
Glycerol (Glycerin)	B	A	A	A
Glycol	B			
Grease	A	A	A	A
<b>H</b>				
Heptane	A	A	A	
Hexane	A	A	A	
Hydrochloric acid (20%)	A	D	B	D
Hydrochloric acid (100%)	D	D	C	D
Hydrofluoric acid (20%)	D	D	B	D
Hydrofluoric acid (100%)	D	D	C	D
Hydrogen peroxide (10%)	A	C	A	
Hydrogen peroxide (30%)	B	C	A	
<b>I, K, L</b>				
Iodine		D	B	D
Isopropanol (Isopropyl alcohol)	B	A	A	
Kerosene	A	A	A	A
Lithium chloride		A		
<b>M</b>				
Methanol	A	A	A	A
Methylene chloride	D	B	B	
Methyl ethyl ketone	A	A	A	
Mineral oil	A	A	A	A
Motor oils	A	A	A	A

Where: (A) = No effect - Excellent

(B) = Minor effect - Good

(C) = Moderate effect - Fair

(D) = Severe effect - Not recommended

Blank = No data available

**Note :** All references assume exposure temperature of 22° C.

\*This chemical resistance chart is intended as a guideline. For exposure to high concentrations, prolonged contact, or higher operating temperatures, etc. reliance upon actual application experience is best. Aggressive relubrication intervals may also benefit bearing life. Contact your local ABB office for assistance.

**Note:** Bearing analysis program .BEST. is available on [www.ptwizard.com](http://www.ptwizard.com)

# E-Z Kleen mounted ball bearings

## Easy selection

### Chemical resistance chart\*

	Housing		Ball bearing insert	
	Polymer	Stainless	E-Z Kleen	Ultra-Kleen
<b>N</b>				
Nitric acid (10%)	A	A	A	A
Nitric acid (20%)	D	A	A	A
Nitric acid (50%)	D	A	A	A
<b>O</b>				
Oleic acid	A	A	B	B
Olive oil	A	A	A	A
<b>P</b>				
Perchloroethylene	A	B	B	
Phenol	B	B	A	
Phosphoric acid (<40%)	A	B	A	A
Phosphoric acid (>40%)	A	C	A	B
Potassium chloride	A	B	A	B
Potassium dichromate	A	B	B	B
Potassium hydroxide	D	B	A	B
Potassium permanganate	A	A	B	B
<b>S</b>				
Silicone	A	B	A	A
Soap solution	A	A	A	A
Sodium bicarbonate	A	A	A	A
Sodium bisulfate		D	B	B
Sodium bisulfite	A	B	B	B
Sodium carbonate	A	A	A	B
Sodium chloride	A	B	A	B
Sodium hydroxide (20%)	D	A	A	A
Sodium hydroxide (50%)	D	B	A	
Sodium hydroxide (80%)	D	C	B	
Sodium hypochlorite (<20%)	A	C	B	C
Sodium hypochlorite (100%)	B	D	B	D
Sulfuric acid (<10%)	A	D	A	C
Sulfuric acid (10 - 75%)	A	D	B	D
Sulfuric acid (>75%)	D	D	C	D

Where: (A) = No effect - Excellent

(B) = Minor effect - Good

(C) = Moderate effect - Fair

(D) = Severe effect - Not recommended

Blank = No data available

**Note :** All references assume exposure temperature of 22° C.

\*This chemical resistance chart is intended as a guideline. For exposure to high concentrations, prolonged contact, or higher operating temperatures, etc. reliance upon actual application experience is best. Aggressive relubrication intervals may also benefit bearing life. Contact your local ABB office for assistance.

# E-Z Kleen mounted ball bearings

## Easy selection

### Chemical resistance chart\*

	Housing		Ball bearing insert	
	Polymer	Stainless	E-Z Kleen	Ultra-Kleen
<b>T</b>				
Tetrahydrofuran	B	A	A	
Toulene	A	A	A	
Trichlorethylene	B	B	A	
Triethylamine		A	A	
Turpentine	A	A	A	
<b>V, W, X</b>				
Vegetable oils	A	A	A	A
Water	A	A	A	A
Xylene	A	B	A	

Where: (A) = No effect - Excellent

(B) = Minor effect - Good

(C) = Moderate effect - Fair

(D) = Severe effect - Not recommended

Blank = No data available

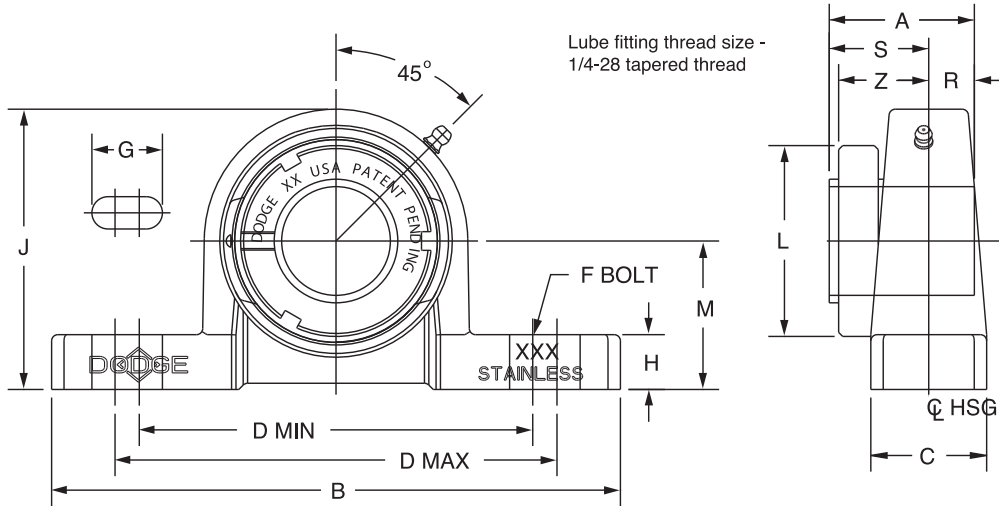
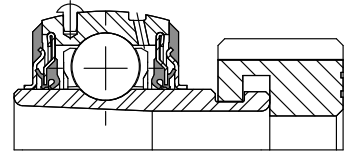
**Note :** All references assume exposure temperature of 22° C.

\*This chemical resistance chart is intended as a guideline. For exposure to high concentrations, prolonged contact, or higher operating temperatures, etc. reliance upon actual application experience is best. Aggressive relubrication intervals may also benefit bearing life. Contact your local ABB office for assistance.

# E-Z Kleen mounted ball bearings

## Selection/Dimensions

E-Z Kleen mounted ball bearings  
GTEZ normal duty stainless steel  
housed pillow blocks



Series	Shaft size	Complete unit		Unit without adapter		Adapter & nut assembly	
		Part no.	Description	Part no.	Description	Part no.	Description
204	20mm	<b>129261</b>	P2B-GTEZ-20M-SHCR	<b>129559</b>	P2B-GTEZ-04-SHCR	<b>129980</b>	AN-GT-04-20M-CR
	3/4	<b>129260</b>	P2B-GTEZ-012-SHCR	<b>129559</b>	P2B-GTEZ-04-SHCR	<b>129967</b>	AN-GT-04-012-CR
205	25mm	<b>129263</b>	P2B-GTEZ-25M-SHCR	<b>129560</b>	P2B-GTEZ-05-SHCR	<b>129981</b>	AN-GT-05-25M-CR
	1	<b>129262</b>	P2B-GTEZ-100-SHCR	<b>129560</b>	P2B-GTEZ-05-SHCR	<b>129968</b>	AN-GT-05-100-CR
206	30mm	@	P2B-GTEZ-30M-SHCR	<b>129561</b>	P2B-GTEZ-06-SHCR	<b>129982</b>	AN-GT-06-30M-CR
	1-1/8	<b>064994</b>	P2B-GTEZ-102-SHCR	<b>129561</b>	P2B-GTEZ-06-SHCR	<b>129969</b>	AN-GT-06-102-CR
	1-3/16	<b>129264</b>	P2B-GTEZ-103-SHCR	<b>129561</b>	P2B-GTEZ-06-SHCR	<b>129970</b>	AN-GT-06-103-CR
	1-1/4	@	P2B-GTEZ-104S-SHCR	<b>129561</b>	P2B-GTEZ-06-SHCR	<b>129971</b>	AN-GT-06-104-CR
206 (GTU)	30mm	<b>129267</b>	P2B-GTUEZ-30M-SHCR	<b>129566</b>	P2B-GTUEZ-06-SHCR	<b>129612</b>	AN-GT-06-30M-CR
	1-1/8	@	P2B-GTUEZ-102-SHCR	<b>129566</b>	P2B-GTUEZ-06-SHCR	<b>129969</b>	AN-GT-06-102-CR
	1-3/16	<b>129265</b>	P2B-GTUEZ-103-SHCR	<b>129566</b>	P2B-GTUEZ-06-SHCR	<b>129602</b>	AN-GT-06-103-CR
	1-1/4	<b>129266</b>	P2B-GTUEZ-104S-SHCR	<b>129566</b>	P2B-GTUEZ-06-SHCR	<b>129605</b>	AN-GT-06-104S-CR
207	35mm	<b>129270</b>	P2B-GTEZ-35M-SHCR	<b>129562</b>	P2B-GTEZ-07-SHCR	<b>129983</b>	AN-GT-07-35M-CR
	1-1/4	<b>129268</b>	P2B-GTEZ-104-SHCR	<b>129562</b>	P2B-GTEZ-07-SHCR	<b>129972</b>	AN-GT-07-104-CR
	1-3/8	<b>067678</b>	P2B-GTEZ-106-SHCR	<b>129562</b>	P2B-GTEZ-07-SHCR	<b>129973</b>	AN-GT-07-106-CR
	1-7/16	<b>129269</b>	P2B-GTEZ-107-SHCR	<b>129562</b>	P2B-GTEZ-07-SHCR	<b>129974</b>	AN-GT-07-107-CR
208	40mm	@	P2B-GTEZ-40M-SHCR	<b>129563</b>	P2B-GTEZ-08-SHCR	<b>129984</b>	AN-GT-08-40M-CR
	1-1/2	<b>129271</b>	P2B-GTEZ-108-SHCR	<b>129563</b>	P2B-GTEZ-08-SHCR	<b>129975</b>	AN-GT-08-108-CR
208 (GTB)	40mm	<b>129273</b>	P2B-GTBEZ-40M-SHCR	<b>129565</b>	P2B-GTBEZ-08-SHCR	<b>129613</b>	AN-GT-08-40M-CR
	1-1/2	<b>129272</b>	P2B-GTBEZ-108-SHCR	<b>129565</b>	P2B-GTBEZ-08-SHCR	<b>129606</b>	AN-GT-08-108-CR
210	50mm	<b>129275</b>	P2B-GTEZ-50M-SHCR	<b>129564</b>	P2B-GTEZ-10-SHCR	<b>129986</b>	AN-GT-10-50M-CR
	1-15/16	<b>129274</b>	P2B-GTEZ-115-SHCR	<b>129564</b>	P2B-GTEZ-10-SHCR	<b>129978</b>	AN-GT-10-115-CR
	2	<b>073007</b>	P2B-GTEZ-200-SHCR	<b>129564</b>	P2B-GTEZ-10-SHCR	<b>129979</b>	AN-GT-10-200-CR

@Assembled to order

Unless specified, dimensions are in mm for metric parts and inches for non-metric parts.

Note: Dimensions are in MM (in)

# E-Z Kleen mounted ball bearings

## Selection/Dimensions

E-Z Kleen mounted ball bearings  
 GTEZ normal duty stainless steel  
 housed pillow blocks

Series	Shaft size	Weight kg lb	A	B	C	D		F bolt dia.	G	H	J	L	M	R#*	S#*	Z
						min.	max.									
204	20mm	0.65	37.6	127.0	25.4	85.9	106.2	M10	21.3	12.7	63.5	38.1	33.3	11.7	25.9	26.2
	3/4	1.46	1.48	5.00	1.00	3.38	4.18	3/8	0.84	0.50	2.50	1.50	1.31	0.46	1.02	1.03
205	25mm	0.83	37.1	139.7	28.4	93.5	114.3	M10	21.6	13.5	68.8	45.7	36.5	12.2	24.9	25.4
	1	1.92	1.46	5.50	1.12	3.68	4.50	3/8	0.85	0.53	2.71	1.80	1.44	0.48	0.98	1.00
206	30mm	1.18	40.9	158.8	31.8	108.2	127.0	M12	23.6	13.5	79.5	52.8	41.3	13.2	27.7	28.7
	1-1/8	2.60	1.61	6.25	1.25	4.26	5.00	1/2	0.93	0.53	3.13	2.08	1.63	0.52	1.09	1.13
	1-3/16	2.60	1.61	6.25	1.25	4.26	5.00	1/2	0.93	0.53	3.13	2.08	1.63	0.52	1.09	1.13
	1-1/4	2.60	1.61	6.25	1.25	4.26	5.00	1/2	0.93	0.53	3.13	2.08	1.63	0.52	1.09	1.13
206 (GTU)	30mm	1.18	40.9	158.8	31.8	108.2	127.0	M12	23.6	15.0	81.0	52.8	42.9	13.2	27.7	28.7
	1-1/8	2.65	1.61	6.25	1.25	4.26	5.00	1/2	0.93	0.59	3.19	2.08	1.69	0.52	1.09	1.13
	1-3/16	2.65	1.61	6.25	1.25	4.26	5.00	1/2	0.93	0.59	3.19	2.08	1.69	0.52	1.09	1.13
	1-1/4	2.65	1.61	6.25	1.25	4.26	5.00	1/2	0.93	0.59	3.19	2.08	1.69	0.52	1.09	1.13
207	35mm	1.75	41.1	165.1	35.1	118.9	138.2	M12	23.9	14.2	92.2	60.5	47.6	13.7	27.4	29.0
	1-1/4	3.83	1.62	6.50	1.38	4.68	5.44	1/2	0.94	0.56	3.63	2.38	1.88	0.54	1.08	1.14
	1-3/8	3.83	1.62	6.50	1.38	4.68	5.44	1/2	0.94	0.56	3.63	2.38	1.88	0.54	1.08	1.14
	1-7/16	3.83	1.62	6.50	1.38	4.68	5.44	1/2	0.94	0.56	3.63	2.38	1.88	0.54	1.08	1.14
208	40mm	2.22	46.7	177.8	38.1	131.6	152.4	M12	24.6	19.1	101.6	66.5	54.0	15.5	31.2	31.2
	1-1/2	4.90	1.84	7.00	1.50	5.18	6.00	1/2	0.97	0.75	4.00	2.62	2.13	0.61	1.23	1.23
208 (GTB)	40mm	2.22	46.7	177.8	38.1	131.6	152.4	M12	24.6	14.2	96.8	66.5	49.2	15.5	31.2	31.2
	1-1/2	4.85	1.84	7.00	1.50	5.18	6.00	1/2	0.97	0.56	3.81	2.62	1.94	0.61	1.23	1.23
210	50mm	2.62	47.2	203.2	41.4	146.3	169.7	M16	29.0	15.7	109.5	79.5	57.2	16.0	31.2	32.0
	1-15/16	6.14	1.86	8.00	1.63	5.76	6.68	5/8	1.14	0.62	4.31	3.13	2.25	0.63	1.23	1.26
	2	6.14	1.86	8.00	1.63	5.76	6.68	5/8	1.14	0.62	4.31	3.13	2.25	0.63	1.23	1.26

\*R# & S# dimensions will vary slightly depending on true shaft diameter

Unless specified, dimensions are in mm for metric parts and inches for non-metric parts.

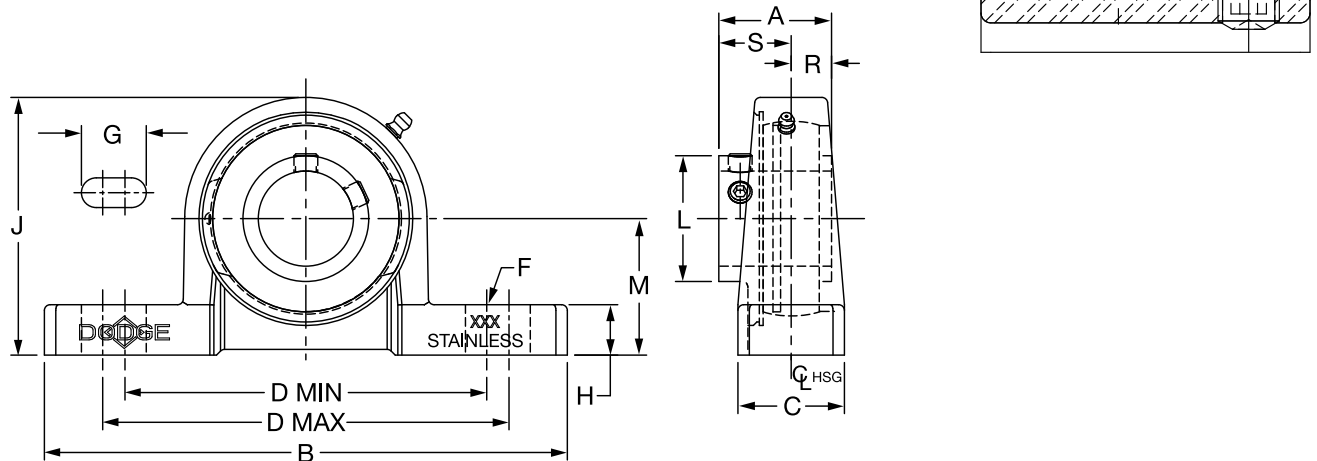
Note: Dimensions are in MM (in)



# E-Z Kleen mounted ball bearings

## Selection/Dimensions

E-Z Kleen mounted ball bearings  
SCEZ normal duty stainless steel  
housed pillow blocks



Series	Shaft size	With corrosion resistant insert		Standard insert with flingers	
		Part no.	Description	Part no.	Description
204	20mm	<b>127697</b>	P2B-SCEZ-20M-SHCR	@	P2B-SCEZ-20M-SH
	1/2	<b>074512</b>	P2B-SCEZ-008L-SHCR*	@	P2B-SCEZ-008L-SH
	5/8	<b>068236</b>	P2B-SCEZ-010L-SHCR*	<b>074631</b>	P2B-SCEZ-010L-SH
	3/4	<b>127670</b>	P2B-SCEZ-012-SHCR	<b>059870</b>	P2B-SCEZ-012-SH
205	25mm	<b>127698</b>	P2B-SCEZ-25M-SHCR	@	P2B-SCEZ-25M-SH
	7/8	<b>056553</b>	P2B-SCEZ-014-SHCR*	<b>049996</b>	P2B-SCEZ-014-SH
	15/16	<b>067839</b>	P2B-SCEZ-015-SHCR*	@	P2B-SCEZ-015-SH
	1	<b>127671</b>	P2B-SCEZ-100-SHCR	<b>056796</b>	P2B-SCEZ-100-SH
206	30mm	@	P2B-SCEZ-30M-SHCR	@	P2B-SCEZ-30M-SH
	1-1/8	@	P2B-SCEZ-102-SHCR*	<b>056548</b>	P2B-SCEZ-102-SH
	1-1/8	@	P2B-SCUEZ-102-SHCR*	@	P2B-SCUEZ-102-SH
	1-3/16	<b>127672</b>	P2B-SCEZ-103-SHCR	<b>056797</b>	P2B-SCEZ-103-SH
	1-1/4	<b>127674</b>	P2B-SCEZ-104S-SHCR	<b>067630</b>	P2B-SCEZ-104S-SH
206 (SCU)	30mm	<b>127699</b>	P2B-SCUEZ-30M-SHCR	@	P2B-SCUEZ-30M-SH
	1-3/16	<b>127673</b>	P2B-SCUEZ-103-SHCR	@	P2B-SCUEZ-103-SH
	1-1/4	<b>127675</b>	P2B-SCUEZ-104S-SHCR	@	P2B-SCUEZ-104S-SH
207	35mm	<b>127700</b>	P2B-SCEZ-35M-SHCR	@	P2B-SCEZ-35M-SH
	1-1/4	<b>127676</b>	P2B-SCEZ-104-SHCR	<b>059798</b>	P2B-SCEZ-104-SH
	1-3/8	@	P2B-SCEZ-106-SHCR*	<b>056525</b>	P2B-SCEZ-106-SH
	1-7/16	<b>127677</b>	P2B-SCEZ-107-SHCR	<b>059799</b>	P2B-SCEZ-107-SH
208	40mm	@	P2B-SCEZ-40M-SHCR	@	P2B-SCEZ-40M-SH
	1-1/2	<b>127678</b>	P2B-SCEZ-108-SHCR	<b>056565</b>	P2B-SCEZ-108-SH
	1-5/8	@	P2B-SCEZ-110-SHCR*	<b>062874</b>	P2B-SCEZ-110-SH
208 (SCB)	40mm	<b>127701</b>	P2B-SCBEZ-40M-SHCR	@	P2B-SCBEZ-40M-SH
	1-1/2	<b>127679</b>	P2B-SCBEZ-108-SHCR	@	P2B-SCBEZ-108-SH
210	50mm	<b>127702</b>	P2B-SCEZ-50M-SHCR	@	P2B-SCEZ-50M-SH
	1-11/16	@	P2B-SCMEZ-111-SHCR	@	P2B-SCMEZ-111-SH
	1-15/16	<b>127680</b>	P2B-SCEZ-115-SHCR	<b>056800</b>	P2B-SCEZ-115-SH
	2	<b>064306</b>	P2B-SCEZ-200-SHCR	<b>062879</b>	P2B-SCEZ-200-SH

@Assembled to order

\*20 piece minimum

Unless specified, dimensions are in mm for metric parts and inches for non-metric parts.

Note: Dimensions are in MM (in)

# E-Z Kleen mounted ball bearings

## Selection/Dimensions

E-Z Kleen mounted ball bearings  
SCEZ normal duty stainless steel  
housed pillow blocks

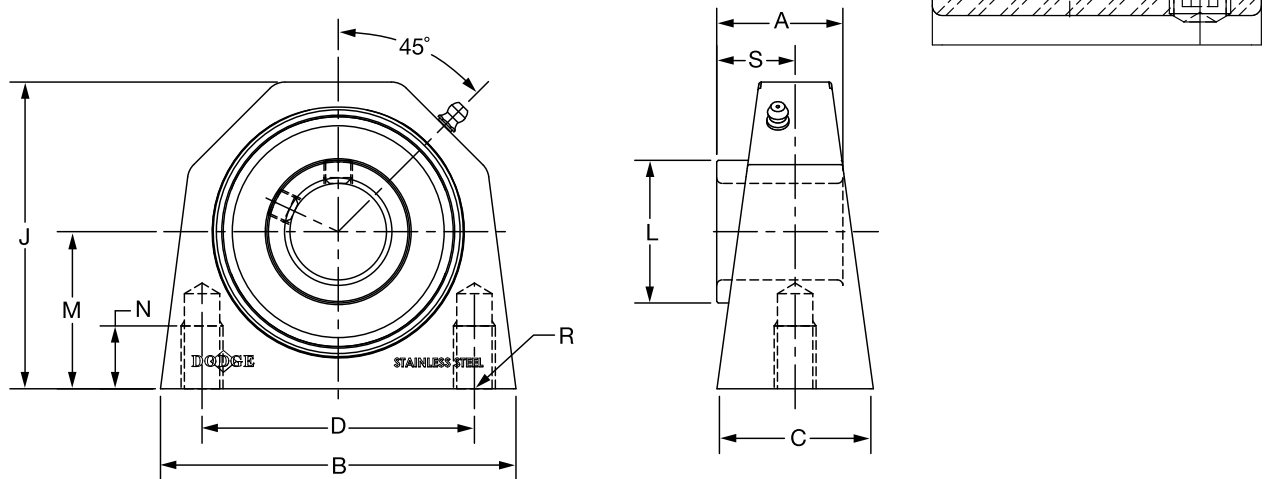
Series	Shaft size	Weight kg lb	A	B	C	D		F bolt dia.	G	H	J	L	M	R	S
						min.	max.								
204	20mm	0.59	31.2	127.0	25.4	85.9	106.2	M10	21.3	12.7	63.5	28.4	33.3	12.7	18.5
	1/2	1.39	1.23	5.00	1.00	3.38	4.18	3/8	0.84	0.50	2.50	1.12	1.31	0.50	0.73
	5/8	1.35	1.23	5.00	1.00	3.38	4.18	3/8	0.84	0.50	2.50	1.12	1.31	0.50	0.73
	3/4	1.31	1.23	5.00	1.00	3.38	4.18	3/8	0.84	0.50	2.50	1.12	1.31	0.50	0.73
205	25mm	0.73	34.0	139.7	28.4	93.5	114.3	M10	21.6	13.5	68.8	33.5	36.5	14.2	19.8
	7/8	1.65	1.34	5.50	1.12	3.68	4.50	3/8	0.85	0.53	2.71	1.32	1.44	0.56	0.78
	15/16	1.62	1.34	5.50	1.12	3.68	4.50	3/8	0.85	0.53	2.71	1.32	1.44	0.56	0.78
	1	1.59	1.34	5.50	1.12	3.68	4.50	3/8	0.85	0.53	2.71	1.32	1.44	0.56	0.78
206	30mm	1.06	38.6	158.8	31.8	108.2	127.0	M12	23.6	13.5	79.5	39.9	41.3	14.7	23.9
	1-1/8	2.37	1.52	6.25	1.25	4.26	5.00	1/2	0.93	0.53	3.13	1.57	1.63	0.58	0.94
	1-3/16	2.33	1.52	6.25	1.25	4.26	5.00	1/2	0.93	0.53	3.13	1.57	1.63	0.58	0.94
	1-1/4	2.29	1.52	6.25	1.25	4.26	5.00	1/2	0.93	0.53	3.13	1.57	1.63	0.58	0.94
206 (SCU)	30mm	1.11	38.6	158.8	31.8	108.2	127.0	M12	23.6	15.0	81.0	39.9	42.9	14.7	23.9
	1-1/8	2.48	1.52	6.25	1.25	4.26	5.00	1/2	0.93	0.59	3.19	1.57	1.69	0.58	0.94
	1-3/16	2.44	1.52	6.25	1.25	4.26	5.00	1/2	0.93	0.59	3.19	1.57	1.69	0.58	0.94
	1-1/4	2.39	1.52	6.25	1.25	4.26	5.00	1/2	0.93	0.59	3.19	1.57	1.69	0.58	0.94
207	35mm	1.47	43.4	165.1	35.1	118.9	138.2	M12	23.9	14.2	92.2	46.7	47.6	17.0	26.4
	1-1/4	3.36	1.71	6.50	1.38	4.68	5.44	1/2	0.94	0.56	3.63	1.84	1.88	0.67	1.04
	1-3/8	3.25	1.71	6.50	1.38	4.68	5.44	1/2	0.94	0.56	3.63	1.84	1.88	0.67	1.04
	1-7/16	3.19	1.71	6.50	1.38	4.68	5.44	1/2	0.94	0.56	3.63	1.84	1.88	0.67	1.04
208	40mm	1.95	49.3	177.8	38.1	131.6	152.4	M12	24.6	19.1	101.6	52.1	54.0	19.1	30.2
	1-1/2	4.39	1.94	7.00	1.50	5.18	6.00	1/2	0.97	0.75	4.00	2.05	2.13	0.75	1.19
	1-5/8	4.39	1.94	7.00	1.50	5.18	6.00	1/2	0.97	0.75	4.00	2.05	2.13	0.75	1.19
208 (SCB)	40mm	1.74	49.3	177.8	38.1	131.6	152.4	M12	24.6	14.2	96.8	52.1	49.2	19.1	30.2
	1-1/2	3.93	1.94	7.00	1.50	5.18	6.00	1/2	0.97	0.56	3.81	2.05	1.94	0.75	1.19
210	50mm	2.29	49.3	203.2	41.4	146.3	169.7	M16	29.0	15.7	109.5	61.7	57.2	19.1	30.2
	1-11/16	5.14	1.94	8.00	1.63	5.76	6.68	5/8	1.14	0.62	4.31	2.43	2.25	0.75	1.19
	1-15/16	5.09	1.94	8.00	1.63	5.76	6.68	5/8	1.14	0.62	4.31	2.43	2.25	0.75	1.19
	2	5.09	1.94	8.00	1.63	5.76	6.68	5/8	1.14	0.62	4.31	2.43	2.25	0.75	1.19

Unless specified, dimensions are in mm for metric parts and inches for non-metric parts.  
Note: Dimensions are in MM (in)

# E-Z Kleen mounted ball bearings

## Selection/Dimensions

E-Z Kleen mounted ball bearings  
SCEZ TB SHCR normal duty stainless steel  
tapped base bearings



Series	Shaft size	Corrosion resistant insert		Weight kg lb	A	B	C	D	J	L	M	N	R	S
		Part no.	Description											
204	20mm	<b>136955</b>	TB-SCEZ-20M-SHCR	.58	31.2	70.4	34.5	50.8	63.5	28.4	33.4	11.4	3/8-16	18.5
	3/4	<b>136912</b>	TB-SCEZ-012-SHCR	1.27	1.23	2.77	1.36	2.00	2.50	1.12	1.31	0.45	3/8-16	0.73
205	25mm	<b>136956</b>	TB-SCEZ-25M-SHCR	.67	34.0	77.7	35.3	50.8	69.9	33.5	36.5	11.4	3/8-16	19.8
	1	<b>136913</b>	TB-SCEZ-100-SHCR	1.48	1.34	3.06	1.39	2.00	2.75	1.32	1.44	0.45	3/8-16	0.78
206	30mm	<b>136957</b>	TB-SCEZ-30M-SHCR	10.61	38.6	97.5	38.1	76.2	81.8	39.9	42.9	22.4	7/16-14	23.9
	1-3/16	<b>136914</b>	TB-SCEZ-103-SHCR	3.55	1.52	3.84	1.50	3.00	3.22	1.57	1.69	0.88	7/16-14	0.94
	1-1/4	<b>136915</b>	TB-SCEZ-104S-SHCR		1.52	3.84	1.50	3.00	3.22	1.57	1.69	0.88	7/16-14	0.94
207	35mm	<b>136958</b>	TB-SCEZ-35M-SHCR	1.91	43.4	105.4	45.0	82.6	93.0	46.7	47.6	19.1	1/2-13	26.4
	1-1/4	<b>136916</b>	TB-SCEZ-104-SHCR	4.21	1.71	4.15	1.77	3.25	3.66	1.84	1.88	0.75	1/2-13	1.04
	1-7/16	<b>136917</b>	TB-SCEZ-107-SHCR		1.71	4.15	1.77	3.25	3.66	1.84	1.88	0.75	1/2-13	1.04
208	40mm	<b>136959</b>	TB-SCEZ-40M-SHCR	2.57	49.3	114.6	45.7	88.9	101.6	52.1	54.0	25.4	1/2-13	30.2
	1-1/2	<b>136918</b>	TB-SCEZ-108-SHCR	5.67	1.94	4.51	1.80	3.50	4.00	2.05	2.13	1.00	1/2-13	1.19
210	50mm	<b>136960</b>	TB-SCEZ-50M-SHCR	2.53	49.3	136.4	48.8	101.6	113.5	61.7	57.2	31.8	5/8-11	30.2
	1-15/16	<b>136919</b>	TB-SCEZ-115-SHCR	5.58	1.94	5.37	1.92	4.00	4.47	2.43	2.25	1.25	5/8-11	1.19

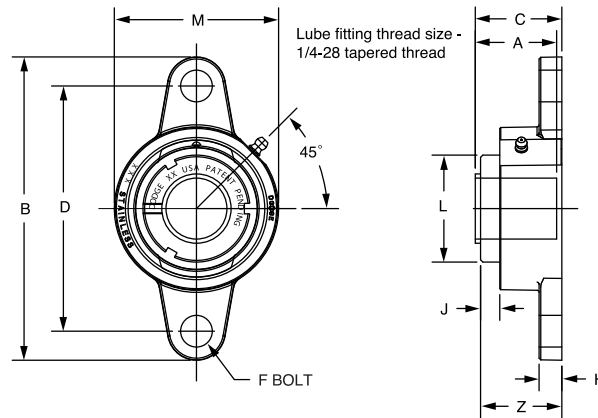
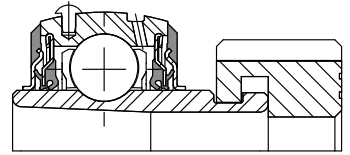
Unless specified, dimensions are in mm for metric parts and inches for non-metric parts.

Note: Dimensions are in MM (in)

# E-Z Kleen mounted ball bearings

## Selection/Dimensions

E-Z Kleen mounted ball bearings  
GTEZ normal duty stainless steel  
2-bolt flange bearings



Series	Shaft size	Complete unit		Unit without adapter		Adapter & nut assembly	
		Part no.	Description	Part no.	Description	Part no.	Description
204	20mm	<b>129356</b>	F2B-GTEZ-20M-SHCR	<b>129573</b>	F2B-GTEZ-04-SHCR	<b>129980</b>	AN-GT-04-20M-CR
	3/4	<b>129355</b>	F2B-GTEZ-012-SHCR	<b>129573</b>	F2B-GTEZ-04-SHCR	<b>129967</b>	AN-GT-04-012-CR
205	25mm	<b>129358</b>	F2B-GTEZ-25M-SHCR	<b>129574</b>	F2B-GTEZ-05-SHCR	<b>129981</b>	AN-GT-05-25M-CR
	1	<b>129357</b>	F2B-GTEZ-100-SHCR	<b>129574</b>	F2B-GTEZ-05-SHCR	<b>129968</b>	AN-GT-05-100-CR
206	30mm	<b>129361</b>	F2B-GTEZ-30M-SHCR	<b>129575</b>	F2B-GTEZ-06-SHCR	<b>129982</b>	AN-GT-06-30M-CR
	1-1/8	@	F2B-GTEZ-102-SHCR	<b>129575</b>	F2B-GTEZ-06-SHCR	<b>129969</b>	AN-GT-06-102-CR
	1-3/16	<b>129359</b>	F2B-GTEZ-103-SHCR	<b>129575</b>	F2B-GTEZ-06-SHCR	<b>129970</b>	AN-GT-06-103-CR
	1-1/4	<b>129360</b>	F2B-GTEZ-104S-SHCR	<b>129575</b>	F2B-GTEZ-06-SHCR	<b>129971</b>	AN-GT-06-104S-CR
207	35mm	<b>129364</b>	F2B-GTEZ-35M-SHCR	<b>129576</b>	F2B-GTEZ-07-SHCR	<b>129983</b>	AN-GT-07-35M-CR
	1-1/4	<b>129362</b>	F2B-GTEZ-104-SHCR	<b>129576</b>	F2B-GTEZ-07-SHCR	<b>129972</b>	AN-GT-07-104-CR
	1-3/8	<b>065694</b>	F2B-GTEZ-106-SHCR	<b>129576</b>	F2B-GTEZ-07-SHCR	<b>129973</b>	AN-GT-07-106-CR
	1-7/16	<b>129363</b>	F2B-GTEZ-107-SHCR	<b>129576</b>	F2B-GTEZ-07-SHCR	<b>129974</b>	AN-GT-07-107-CR
208	40mm	<b>129366</b>	F2B-GTEZ-40M-SHCR	<b>129577</b>	F2B-GTEZ-08-SHCR	<b>129984</b>	AN-GT-08-40M-CR
	1-1/2	<b>129365</b>	F2B-GTEZ-108-SHCR	<b>129577</b>	F2B-GTEZ-08-SHCR	<b>129975</b>	AN-GT-08-108-CR
210	50mm	<b>129368</b>	F2B-GTEZ-50M-SHCR	<b>129578</b>	F2B-GTEZ-10-SHCR	<b>129986</b>	AN-GT-10-50M-CR
	1-15/16	<b>129367</b>	F2B-GTEZ-115-SHCR	<b>129578</b>	F2B-GTEZ-10-SHCR	<b>129978</b>	AN-GT-10-115-CR
	2	<b>073008</b>	F2B-GTEZ-200-SHCR	<b>129578</b>	F2B-GTEZ-10-SHCR	<b>129979</b>	AN-GT-10-200-CR

@Assembled to order

Unless specified, dimensions are in mm for metric parts and inches for non-metric parts. Note: Dimensions are in MM (in)

Series	Shaft size	Weight kg lb	A	B	C#*	D	F bolt dia.	H	J	L	M	Z
204	20mm	0.49	37.6	111.3	39.1	90.0	M10	8.1	16.8	38.1	60.5	39.4
	3/4	1.10	1.48	4.38	1.54	3.54	3/8	0.32	0.66	1.50	2.38	1.55
205	25mm	0.65	37.1	124.2	39.9	98.8	M10	8.9	15.5	45.7	66.8	40.1
	1	1.43	1.46	4.89	1.57	3.89	3/8	0.35	0.61	1.80	2.63	1.58
206	30mm	0.98	40.9	140.0	44.5	116.5	M10	8.9	16.5	52.8	79.5	45.2
	1-1/8	2.21	1.61	5.51	1.75	4.59	3/8	0.35	0.65	2.08	3.13	1.78
	1-3/16	2.17	1.61	5.51	1.75	4.59	3/8	0.35	0.65	2.08	3.13	1.78
	1-1/4	2.13	1.61	5.51	1.75	4.59	3/8	0.35	0.65	2.08	3.13	1.78
207	35mm	1.42	41.1	157.0	45.7	130.0	M12	10.7	16.3	60.5	88.9	47.2
	1-1/4	3.12	1.62	6.18	1.80	5.12	1/2	0.42	0.64	2.38	3.50	1.86
	1-3/8	2.99	1.62	6.18	1.80	5.12	1/2	0.42	0.64	2.38	3.50	1.86
	1-7/16	2.95	1.62	6.18	1.80	5.12	1/2	0.42	0.64	2.38	3.50	1.86
208	40mm	1.77	46.7	170.4	51.1	143.5	M12	10.7	17.0	66.5	97.5	51.3
	1-1/2	3.91	1.84	6.71	2.01	5.65	1/2	0.42	0.67	2.62	3.84	2.02
210	50mm	2.20	47.2	190.0	51.6	157.0	M16	12.2	17.8	79.5	109.5	52.1
	1-15/16	4.89	1.86	7.48	2.03	6.18	5/8	0.48	0.70	3.13	4.31	2.05
	2	4.85	1.86	7.48	2.03	6.18	5/8	0.48	0.70	3.13	4.31	2.05

\*C# dimension will vary slightly depending on true shaft diameter.

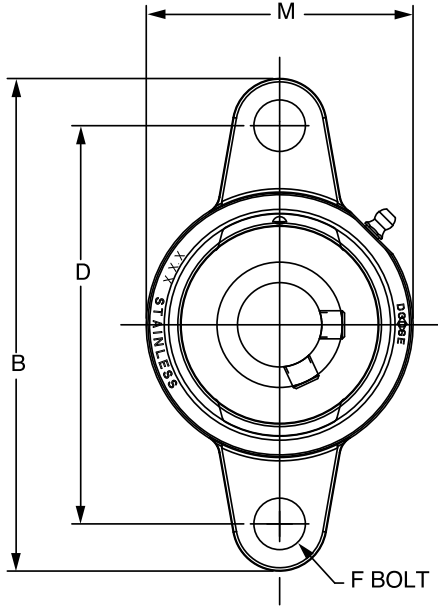
Unless specified, dimensions are in mm for metric parts and inches for non-metric parts.

Note: Dimensions are in MM (in)

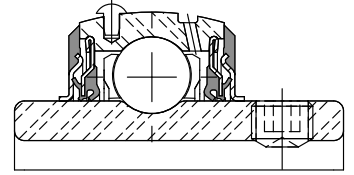
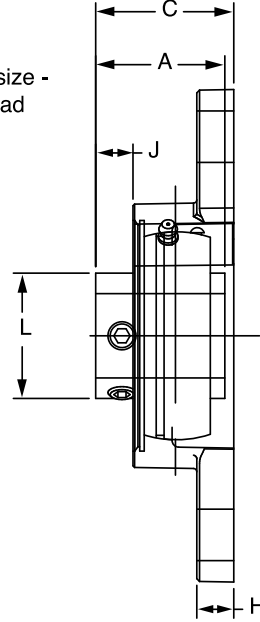
# E-Z Kleen mounted ball bearings

## Selection/Dimensions

E-Z Kleen mounted ball bearings  
SCEZ normal duty stainless steel  
2-bolt flange bearings



Lube fitting thread size -  
1/4-28 tapered thread



Series	Shaft size	With corrosion resistant insert		Standard insert with flingers		Weight kg lb	A	B	C	D	F bolt dia.	H	J	L	M
		Part no.	Description	Part no.	Description										
204	20mm	<b>127703</b>	F2B-SCEZ-20M-SHCR	@	F2B-SCEZ-20M-SH	0.42	31.2	111.3	31.8	90.0	M10	8.1	9.1	28.4	60.5
	1/2	<b>073396</b>	F2B-SCEZ-008L-SHCR*	@	F2B-SCEZ-008L-SH	1.04	1.23	4.38	1.25	3.54	3/8	0.32	0.36	1.12	2.38
	5/8	<b>062994</b>	F2B-SCEZ-010L-SHCR*	@	F2B-SCEZ-010L-SH	0.99	1.23	4.38	1.25	3.54	3/8	0.32	0.36	1.12	2.38
	3/4	<b>127681</b>	F2B-SCEZ-012-SHCR	<b>056801</b>	F2B-SCEZ-012-SH	0.95	1.23	4.38	1.25	3.54	3/8	0.32	0.36	1.12	2.38
205	25mm	<b>127704</b>	F2B-SCEZ-25M-SHCR	@	F2B-SCEZ-25M-SH	0.55	34.0	124.2	34.8	98.8	M10	8.9	9.9	33.5	66.8
	7/8	@	F2B-SCEZ-014-SHCR*	<b>064000</b>	F2B-SCEZ-014-SH	1.25	1.34	4.89	1.37	3.89	3/8	0.35	0.39	1.32	2.63
	15/16	@	F2B-SCEZ-015-SHCR*	<b>049686</b>	F2B-SCEZ-015-SH	1.23	1.34	4.89	1.37	3.89	3/8	0.35	0.39	1.32	2.63
	1	<b>127682</b>	F2B-SCEZ-100-SHCR	<b>056611</b>	F2B-SCEZ-100-SH	1.21	1.34	4.89	1.37	3.89	3/8	0.35	0.39	1.32	2.63
206	30mm	<b>127705</b>	F2B-SCEZ-30M-SHCR	@	F2B-SCEZ-30M-SH	0.87	38.6	140.0	40.4	116.5	M10	8.9	11.7	39.9	79.5
	1-1/8	<b>064341</b>	F2B-SCEZ-102-SHCR	<b>064255</b>	F2B-SCEZ-102-SH	1.95	1.52	5.51	1.59	4.59	3/8	0.35	0.46	1.57	3.13
	1-3/16	<b>127683</b>	F2B-SCEZ-103-SHCR	<b>056971</b>	F2B-SCEZ-103-SH	1.91	1.52	5.51	1.59	4.59	3/8	0.35	0.46	1.57	3.13
	1-1/4	<b>127684</b>	F2B-SCEZ-104S-SHCR	<b>056612</b>	F2B-SCEZ-104S-SH	1.87	1.52	5.51	1.59	4.59	3/8	0.35	0.46	1.57	3.13
207	35mm	<b>127706</b>	F2B-SCEZ-35M-SHCR	@	F2B-SCEZ-35M-SH	1.15	43.4	157.0	44.7	130.0	M12	10.7	14.0	46.7	88.9
	1-1/4	<b>127685</b>	F2B-SCEZ-104-SHCR	<b>056802</b>	F2B-SCEZ-104-SH	2.64	1.71	6.18	1.76	5.12	1/2	0.42	0.55	1.84	3.50
	1-3/8	<b>056734</b>	F2B-SCEZ-106-SHCR*	@	F2B-SCEZ-106-SH	2.53	1.71	6.18	1.76	5.12	1/2	0.42	0.55	1.84	3.50
	1-7/16	<b>127686</b>	F2B-SCEZ-107-SHCR	<b>056803</b>	F2B-SCEZ-107-SH	2.47	1.71	6.18	1.76	5.12	1/2	0.42	0.55	1.84	3.50
208	40mm	<b>127707</b>	F2B-SCEZ-40M-SHCR	<b>075248</b>	F2B-SCEZ-40M-SH	1.50	49.3	170.4	50.0	143.5	M12	10.7	16.0	52.1	97.5
	1-1/2	<b>127687</b>	F2B-SCEZ-108-SHCR	<b>056804</b>	F2B-SCEZ-108-SH	3.40	1.94	6.71	1.97	5.65	1/2	0.42	0.63	2.05	3.84
	1-5/8	<b>068283</b>	F2B-SCEZ-110-SHCR	—	—	3.10	1.94	6.71	1.97	5.65	1/2	0.42	0.63	2.05	3.84
210	50mm	<b>127708</b>	F2B-SCEZ-50M-SHCR	@	F2B-SCEZ-50M-SH	1.87	49.3	190.0	50.3	157.0	M16	12.2	16.0	61.7	109.5
	1-11/16	@	F2B-SCMEZ-111-SHCR*	<b>056552</b>	F2B-SCMEZ-111-SH	4.21	1.94	7.48	1.98	6.18	5/8	0.48	0.63	2.43	4.31
	1-15/16	<b>127688</b>	F2B-SCEZ-115-SHCR	<b>056805</b>	F2B-SCEZ-115-SH	4.17	1.94	7.48	1.98	6.18	5/8	0.48	0.63	2.43	4.31
2	<b>062913</b>	F2B-SCEZ-200-SHCR	<b>056964</b>	F2B-SCEZ-200-SH	4.13	1.94	7.48	1.98	6.18	5/8	0.48	0.63	2.43	4.31	

@Assembled to order

\*20 piece minimum

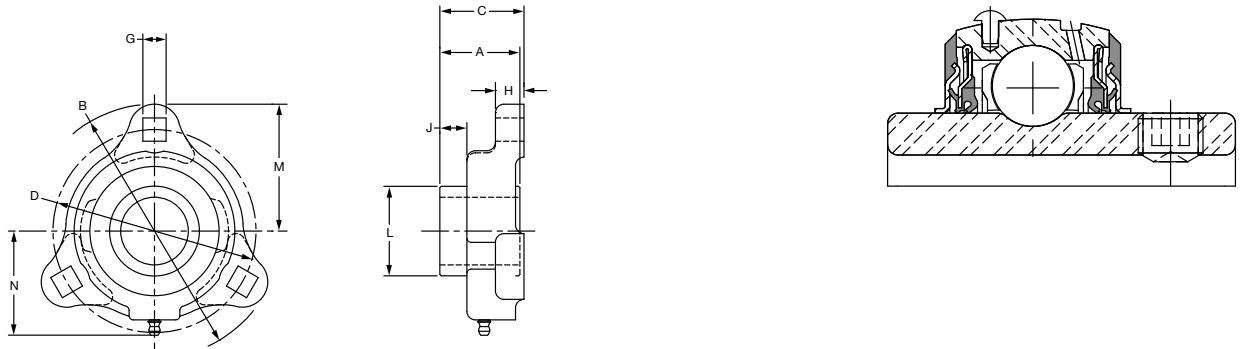
Unless specified, dimensions are in mm for metric parts and inches for non-metric parts.

Note: Dimensions are in MM (in)

# E-Z Kleen mounted ball bearings

## Selection/Dimensions

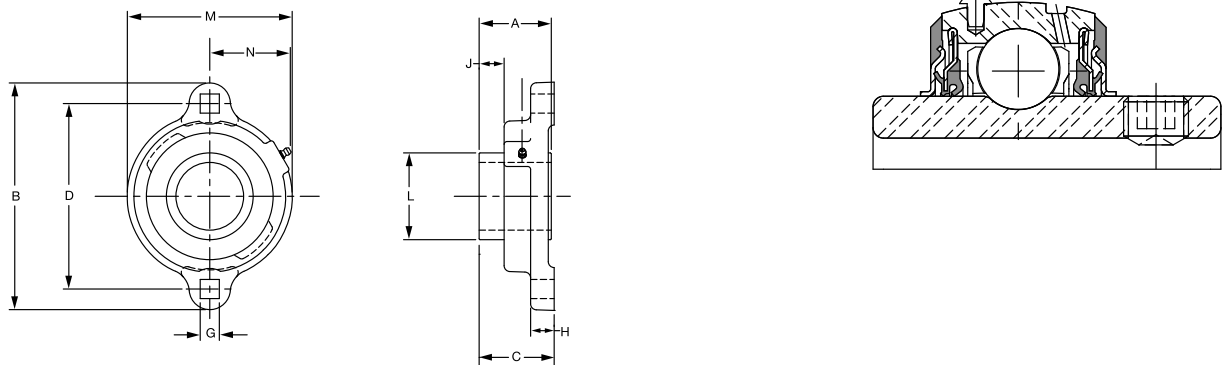
E-Z Kleen mounted ball bearings  
SCEZ LF SHCR normal duty stainless steel  
3-bolt flange bearings



Series	Shaft size	Corrosion resistant insert		Weight kg lb	A	B	C	D	G	H	J	L	M	N
		Part no.	Description											
204	20mm	<b>136966</b>	LF-SCEZ-20M-SHCR	.29	25.9	90.4	31.6	71.4	8.6	14.7	9.3	28.4	45.2	39.4
	3/4	<b>136927</b>	LF-SCEZ-012-SHCR	.64	1.02	3.56	1.24	2.81	0.34	0.58	0.37	1.12	1.78	1.55
205	25mm	<b>136967</b>	LF-SCEZ-25M-SHCR	.36	26.8	95.3	34.1	76.2	8.6	12.7	9.5	33.5	47.8	42.4
	1	<b>136928</b>	LF-SCEZ-100-SHCR	.80	1.06	3.75	1.34	3.00	0.34	0.50	0.37	1.32	1.88	1.67
206	30mm	<b>136968</b>	LF-SCEZ-30M-SHCR	.56	32.0	112.8	39.6	90.4	10.4	15.5	12.1	39.9	56.4	50.3
	1-3/16	<b>136929</b>	LF-SCEZ-103-SHCR	1.23	1.26	4.44	1.56	3.56	0.41	0.61	0.48	1.57	2.22	1.98
	1-1/4	<b>136930</b>	LF-SCEZ-104S-SHCR	1.23	1.26	4.44	1.56	3.56	0.41	0.61	0.48	1.57	2.22	1.98
207	35mm	<b>136969</b>	LF-SCEZ-35M-SHCR	.78	35.7	122.2	44.0	100.1	10.4	17.1	13.6	46.7	61.2	53.1
	1-1/4	<b>136931</b>	LF-SCEZ-104-SHCR	1.73	1.40	4.81	1.73	3.94	0.41	0.67	0.53	1.84	2.41	2.09
	1-7/16	<b>136932</b>	LF-SCEZ-107-SHCR	1.73	1.40	4.81	1.73	3.94	0.41	0.67	0.53	1.84	2.41	2.09

Unless specified, dimensions are in mm for metric parts and inches for non-metric parts. Note: Dimensions are in MM (in)

E-Z Kleen mounted ball bearings  
SCEZ SHCR normal duty stainless steel  
housed 2-bolt flange bearings



Series	Shaft size	Corrosion resistant insert		Weight kg lb	A	B	C	D	G	H	J	L	M	N
		Part no.	Description											
204	20mm	<b>136970</b>	LFT-SCEZ-20M-SHCR	.31	25.9	90.4	31.6	71.4	8.6	14.7	9.3	28.4	60.5	34.0
	3/4	<b>136933</b>	LFT-SCEZ-012-SHCR	.68	1.02	3.56	1.24	2.81	0.34	0.58	0.37	1.12	2.38	1.34
205	25mm	<b>136971</b>	LFT-SCEZ-25M-SHCR	.38	26.8	95.3	34.1	76.2	8.6	12.7	9.5	33.5	66.8	36.6
	1	<b>136934</b>	LFT-SCEZ-100-SHCR	.84	1.06	3.75	1.34	3.00	0.34	0.50	0.37	1.32	2.63	1.44
206	30mm	<b>136972</b>	LFT-SCEZ-30M-SHCR	.58	32.0	112.8	39.6	90.4	10.4	15.5	12.1	39.9	82.6	43.7
	1-3/16	<b>136935</b>	LFT-SCEZ-103-SHCR	1.28	1.26	4.44	1.56	3.56	0.41	0.61	0.48	1.57	3.25	1.72
	1-1/4	<b>136936</b>	LFT-SCEZ-104S-SHCR	1.28	1.26	4.44	1.56	3.56	0.41	0.61	0.48	1.57	3.25	1.72
207	35mm	<b>136973</b>	LFT-SCEZ-35M-SHCR	.80	35.7	122.2	44.0	100.1	10.4	17.1	13.6	46.7	88.9	46.5
	1-1/4	<b>136937</b>	LFT-SCEZ-104-SHCR	1.77	1.40	4.81	1.73	3.94	0.41	0.67	0.53	1.84	3.50	1.83
	1-7/16	<b>136938</b>	LFT-SCEZ-107-SHCR	1.77	1.40	4.81	1.73	3.94	0.41	0.67	0.53	1.84	3.50	1.83

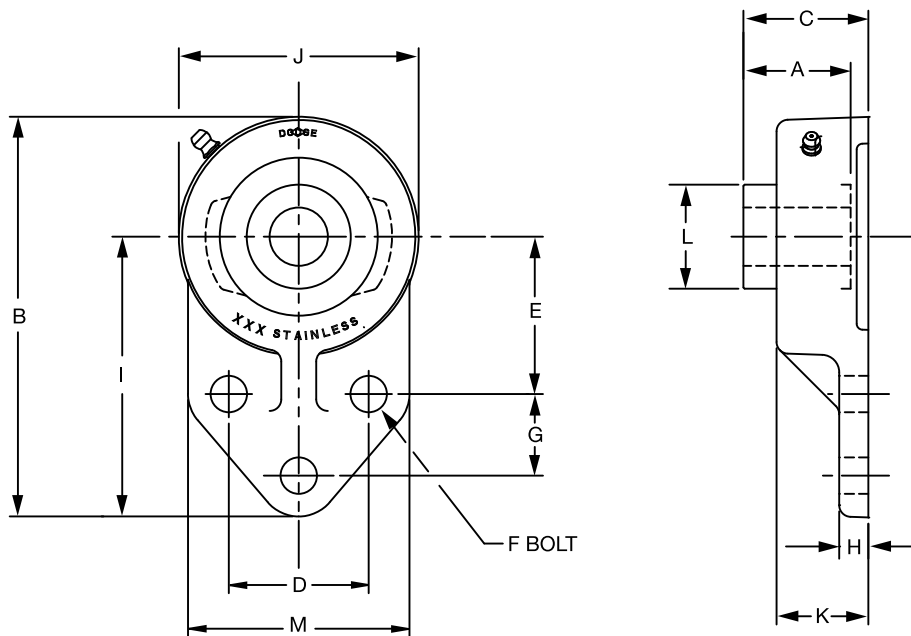
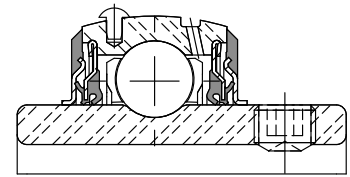
Unless specified, dimensions are in mm for metric parts and inches for non-metric parts.

Note: Dimensions are in MM (in)

# E-Z Kleen mounted ball bearings

## Selection/Dimensions

E-Z Kleen mounted ball bearings  
SCEZ SHCR normal duty stainless steel  
flange bracket bearings



Series	Shaft size	Corrosion resistant insert		Weight kg lb	A	B	C	D	E	F bolt dia.	G	H	I	J	K	L	M
		Part no.	Description														
204	20mm	<b>136961</b>	FB-SCEZ-20M-SHCR	.45	31.2	106.4	31.8	38.1	42.9	M10	22.4	7.9	76.2	60.5	22.9	28.4	60.5
	3/4	<b>136920</b>	FB-SCEZ-012-SHCR	1.00	1.23	4.19	1.25	1.50	1.69	3/8	0.88	0.31	3.00	2.38	0.90	1.12	2.38
205	25mm	<b>136962</b>	FB-SCEZ-25M-SHCR	.52	34.0	119.1	34.8	41.4	46.0	M10	28.7	9.7	85.9	66.8	24.9	33.5	63.5
	1	<b>136921</b>	FB-SCEZ-100-SHCR	1.26	1.34	4.69	1.37	1.63	1.81	3/8	1.13	0.38	3.38	2.63	0.98	1.32	2.50
206	30mm	<b>136963</b>	FB-SCEZ-30M-SHCR	.89	38.6	134.9	40.4	47.8	52.3	M10	31.8	9.7	95.3	79.5	29.0	39.9	69.9
	1-3/16	<b>136922</b>	FB-SCEZ-103-SHCR	1.96	1.52	5.31	1.59	1.88	2.06	3/8	1.25	0.38	3.75	3.13	1.14	1.57	2.75
	1-1/4	<b>136923</b>	FB-SCEZ-104S-SHCR	1.96	1.52	5.31	1.59	1.88	2.06	3/8	1.25	0.38	3.75	3.13	1.14	1.57	2.75
207	35mm	<b>136964</b>	FB-SCEZ-35M-SHCR	1.3	43.4	152.4	44.7	50.8	60.5	M12	31.8	12.7	108.0	88.9	31.0	46.7	82.6
	1-1/4	<b>136924</b>	FB-SCEZ-104-SHCR	2.87	1.71	6.00	1.76	2.00	2.38	1/2	1.25	0.50	4.25	3.50	1.22	1.84	3.25
	1-7/16	<b>136925</b>	FB-SCEZ-107-SHCR	2.87	1.71	6.00	1.76	2.00	2.38	1/2	1.25	0.50	4.25	3.50	1.22	1.84	3.25
210	50mm	<b>136965</b>	FB-SCEZ-50M-SHCR	2.03	49.3	186.4	50.3	69.9	74.7	M12	41.4	12.7	131.8	109.5	34.3	61.7	101.6
	1-15/16	<b>136926</b>	FB-SCEZ-115-SHCR	4.47	1.94	7.34	1.98	2.75	2.94	1/2	1.63	0.50	5.19	4.31	1.35	2.43	4.00
	2	@	FB-SCEZ-200-SHCR	4.47	1.94	7.34	1.98	2.75	2.94	1/2	1.63	0.50	5.19	4.31	1.35	2.43	4.00

@Assembled to order

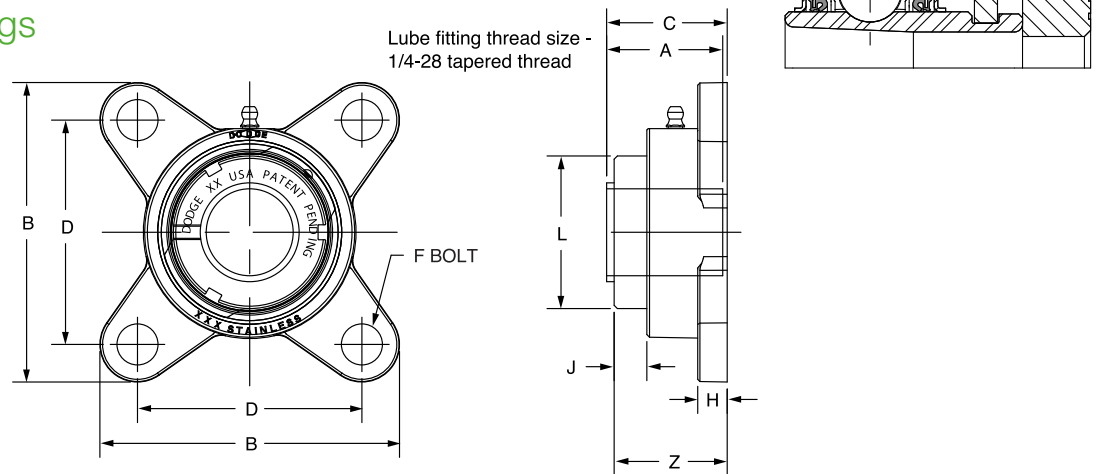
Unless specified, dimensions are in mm for metric parts and inches for non-metric parts.

Note: Dimensions are in MM (in)

# E-Z Kleen mounted ball bearings

## Selection/Dimensions

E-Z Kleen mounted ball bearings  
GTEZ normal duty stainless steel  
4-bolt flange bearings



Series	Shaft size	Complete unit		Unit without adapter		Adapter & nut assembly	
		Part no.	Description	Part no.	Description	Part no.	Description
204	20mm	129722	F4B-GTEZ-20M-SHCR	129567	F4B-GTEZ-04-SHCR	129980	AN-GT-04-20M-CR
	3/4	129721	F4B-GTEZ-012-SHCR	129567	F4B-GTEZ-04-SHCR	129967	AN-GT-04-012-CR
205	25mm	129724	F4B-GTEZ-25M-SHCR	129568	F4B-GTEZ-05-SHCR	129981	AN-GT-05-25M-CR
	1	129723	F4B-GTEZ-100-SHCR	129568	F4B-GTEZ-05-SHCR	129968	AN-GT-05-100-CR
206	30mm	129727	F4B-GTEZ-30M-SHCR	129569	F4B-GTEZ-06-SHCR	129982	AN-GT-06-30M-CR
	1 -1/8	075913	F4B-GTEZ-102-SHCR	129569	F4B-GTEZ-06-SHCR	129969	AN-GT-06-102-CR
	1 -3/16	129725	F4B-GTEZ-103-SHCR	129569	F4B-GTEZ-06-SHCR	129970	AN-GT-06-103-CR
	1 -1/4	129726	F4B-GTEZ-104S-SHCR	129569	F4B-GTEZ-06-SHCR	129971	AN-GT-06-104S-CR
207	35mm	129730	F4B-GTEZ-35M-SHCR	129570	F4B-GTEZ-07-SHCR	129983	AN-GT-07-35M-CR
	1 -1/4	129728	F4B-GTEZ-104-SHCR	129570	F4B-GTEZ-07-SHCR	129972	AN-GT-07-104-CR
	1 -3/8	064993	F4B-GTEZ-106-SHCR	129570	F4B-GTEZ-07-SHCR	129973	AN-GT-07-106-CR
208	40mm	129732	F4B-GTEZ-40M-SHCR	129571	F4B-GTEZ-08-SHCR	129984	AN-GT-08-40M-CR
	1 -1/2	129731	F4B-GTEZ-108-SHCR	129571	F4B-GTEZ-08-SHCR	129975	AN-GT-08-108-CR
210	50mm	129734	F4B-GTEZ-50M-SHCR	129572	F4B-GTEZ-10-SHCR	129986	AN-GT-10-50M-CR
	1-15/16	129733	F4B-GTEZ-115-SHCR	129572	F4B-GTEZ-10-SHCR	129978	AN-GT-10-115-CR
	2	062901	F4B-GTEZ-200-SHCR	129572	F4B-GTEZ-10-SHCR	129979	AN-GT-10-200-CR

Unless specified, dimensions are in mm for metric parts and inches for non-metric parts.

Note: Dimensions are in MM (in)

Series	Shaft size	Weight kg lb	A	B	C#*	D	F bolt dia.	H	J	L	Z
204	20mm	0.55	37.6	85.1	39.1	63.6	M10	8.6	16.8	38.1	39.4
	3/4	1.23	1.48	3.35	1.54	2.51	3/8	0.34	0.66	1.50	1.55
205	25mm	0.73	37.1	95.3	39.9	69.9	M10	9.4	15.5	45.7	40.1
	1	1.69	1.46	3.75	1.57	2.75	3/8	0.37	0.61	1.80	1.58
206	30mm	1.07	40.9	105.7	44.5	82.4	M10	9.4	16.5	52.8	45.2
	1 -1/8	2.41	1.61	4.16	1.75	3.24	3/8	0.37	0.65	2.08	1.78
	1 -3/16	2.41	1.61	4.16	1.75	3.24	3/8	0.37	0.65	2.08	1.78
	1 -1/4	2.41	1.61	4.16	1.75	3.24	3/8	0.37	0.65	2.08	1.78
207	35mm	1.56	41.1	118.9	45.7	92.0	M12	10.7	16.3	60.5	47.2
	1 -1/4	3.42	1.62	4.68	1.80	3.62	1/2	0.42	0.64	2.38	1.86
	1 -3/8	3.42	1.62	4.68	1.80	3.62	1/2	0.42	0.64	2.38	1.86
208	40mm	1.91	46.7	128.5	51.1	101.5	M12	10.9	17.0	66.5	51.3
	1 -1/2	4.21	1.84	5.06	2.01	4.00	1/2	0.43	0.67	2.62	2.02
210	50mm	2.39	47.2	144.0	51.6	111.0	M16	12.4	17.8	79.5	52.1
	1-15/16	5.33	1.86	5.67	2.03	4.37	5/8	0.49	0.70	3.13	2.05
	2	5.33	1.86	5.67	2.03	4.37	5/8	0.49	0.70	3.13	2.05

\*C# dimension will vary slightly depending on true shaft diameter.

Unless specified, dimensions are in mm for metric parts and inches for non-metric parts.

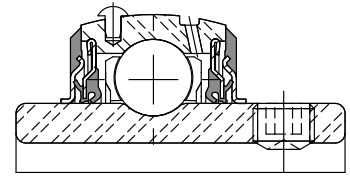
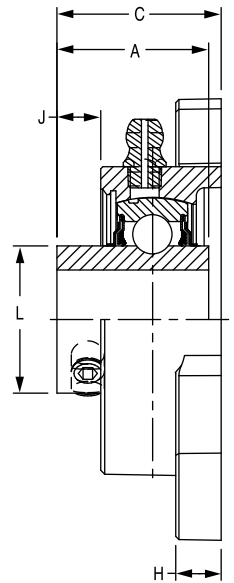
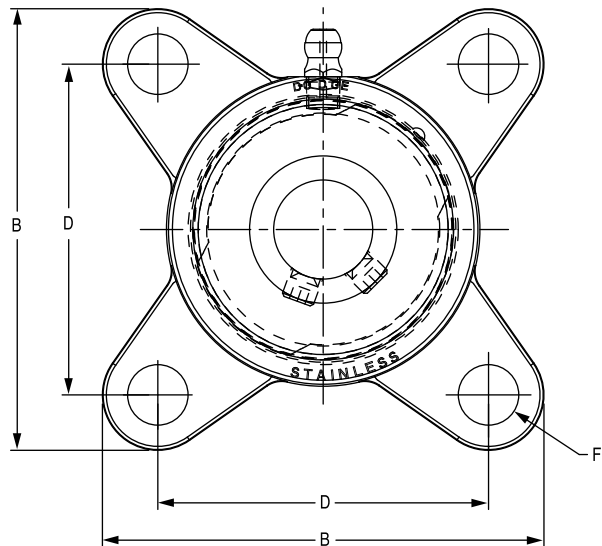
Note: Dimensions are in MM (in)



# E-Z Kleen mounted ball bearings

## Selection/Dimensions

E-Z Kleen mounted ball bearings  
SCEZ normal duty stainless steel  
4-bolt flange bearings



Series	Shaft size	With corrosion resistant insert		With insert with flingers		Weight kg lb	A	B	C	D	F bolt dia.	H	J	L
		Part no.	Description	Part no.	Description									
204	20mm	<b>127709</b>	F4B-SCEZ-20M-SHCR	@	F4B-SCEZ-20M-SH	0.49	31.2	85.1	31.8	63.6	M10	8.6	8.6	28.4
	1/2	@	F4B-SCEZ-008L-SHCR*	@	F4B-SCEZ-008L-SH	1.16	1.23	3.35	1.25	2.51	3/8	0.34	0.34	1.12
	5/8	@	F4B-SCEZ-010L-SHCR*	@	F4B-SCEZ-010L-SH	1.12	1.23	3.35	1.25	2.51	3/8	0.34	0.34	1.12
	3/4	<b>127689</b>	F4B-SCEZ-012-SHCR	<b>056806</b>	F4B-SCEZ-012-SH	1.08	1.23	3.35	1.25	2.51	3/8	0.34	0.34	1.12
205	25mm	<b>127710</b>	F4B-SCEZ-25M-SHCR	@	F4B-SCEZ-25M-SH	0.63	34.0	95.3	34.8	69.9	M10	9.4	9.7	33.5
	7/8	<b>065600</b>	F4B-SCEZ-014-SHCR*	@	F4B-SCEZ-014-SH	1.47	1.34	3.75	1.37	2.75	3/8	0.37	0.38	1.32
	15/16	@	F4B-SCEZ-015-SHCR*	@	F4B-SCEZ-015-SH	1.43	1.34	3.75	1.37	2.75	3/8	0.37	0.38	1.32
	1	<b>127690</b>	F4B-SCEZ-100-SHCR	<b>056593</b>	F4B-SCEZ-100-SH	1.39	1.34	3.75	1.37	2.75	3/8	0.37	0.38	1.32
206	30mm	<b>127711</b>	F4B-SCEZ-30M-SHCR	@	F4B-SCEZ-30M-SH	0.95	38.6	105.7	40.4	82.4	M10	9.4	11.4	39.9
	1-1/8	@	F4B-SCEZ-102-SHCR*	<b>049477</b>	F4B-SCEZ-102-SH	2.13	1.52	4.16	1.59	3.24	3/8	0.37	0.45	1.57
	1-3/16	<b>127691</b>	F4B-SCEZ-103-SHCR	<b>056807</b>	F4B-SCEZ-103-SH	2.09	1.52	4.16	1.59	3.24	3/8	0.37	0.45	1.57
	1-1/4	<b>127692</b>	F4B-SCEZ-104S-SHCR	@	F4B-SCEZ-104S-SH	2.05	1.52	4.16	1.59	3.24	3/8	0.37	0.45	1.57
207	35mm	<b>127712</b>	F4B-SCEZ-35M-SHCR	@	F4B-SCEZ-35M-SH	1.29	43.4	118.9	44.7	92.0	M12	10.7	14.0	46.7
	1-1/4	<b>127693</b>	F4B-SCEZ-104-SHCR	<b>056633</b>	F4B-SCEZ-104-SH	2.95	1.71	4.68	1.76	3.62	1/2	0.42	0.55	1.84
	1-3/8	<b>062835</b>	F4B-SCEZ-106-SHCR*	@	F4B-SCEZ-106-SH	2.83	1.71	4.68	1.76	3.62	1/2	0.42	0.55	1.84
208	40mm	<b>127713</b>	F4B-SCEZ-40M-SHCR	@	F4B-SCEZ-40M-SH	1.64	49.3	128.5	50.0	101.5	M12	10.9	15.7	52.1
	1-1/2	<b>127695</b>	F4B-SCEZ-108-SHCR	<b>056809</b>	F4B-SCEZ-108-SH	3.70	1.94	5.06	1.97	4.00	1/2	0.43	0.62	2.05
	1-5/8	@	F4B-SCEZ-110-SHCR*	<b>062340</b>	F4B-SCEZ-110-SH	3.70	1.94	5.06	1.97	4.00	1/2	0.43	0.62	2.05
210	50mm	<b>127714</b>	F4B-SCEZ-50M-SHCR	@	F4B-SCEZ-50M-SH	2.07	49.3	144.0	50.3	111.0	M16	12.4	15.7	61.7
	1-11/16	@	F4B-SCMEZ-111-SHCR*	@	F4B-SCMEZ-111-SH	4.64	1.94	5.67	1.98	4.37	5/8	0.49	0.62	2.43
	1-3/4	@	F4B-SCMEZ-112-SHCR*	<b>065945</b>	F4B-SCMEZ-112-SH	4.40	1.94	5.67	1.98	4.37	5/8	0.49	0.62	2.43
	1-15/16	<b>127696</b>	F4B-SCEZ-115-SHCR	<b>056810</b>	F4B-SCEZ-115-SH	4.60	1.94	5.67	1.98	4.37	5/8	0.49	0.62	2.43
2	<b>062542</b>	F4B-SCEZ-200-SHCR	@	F4B-SCEZ-200-SH	4.56	1.94	5.67	1.98	4.37	5/8	0.49	0.62	2.43	

@Assembled to order

\*20 piece minimum

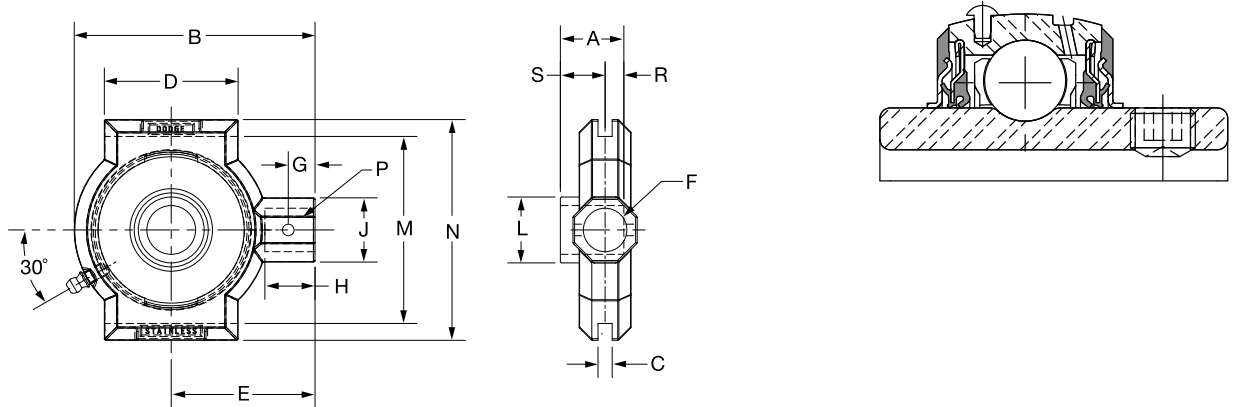
Unless specified, dimensions are in mm for metric parts and inches for non-metric parts.

Note: Dimensions are in MM (in)

# E-Z Kleen mounted ball bearings

## Selection/Dimensions

E-Z Kleen mounted ball bearings  
SCEZ SHCR normal duty stainless steel  
narrow slot take-up bearings



Series	Shaft size	Standard		Weight kg lb	Take-up frame no. ref.	A	B	C	D	E
		Part no.	Description							
204	20mm	<b>136974</b>	NSTU-SCEZ-20M-SHCR	.53	NS210	31.2	88.6	6.73	38.1	55.6
	3/4	<b>136939</b>	NSTU-SCEZ-012-SHCR	1.16	NS210	1.23	3.49	0.265	1.50	2.19
205	25mm	<b>136975</b>	NSTU-SCEZ-25M-SHCR	.48	NS210	34.0	88.6	6.73	38.1	55.6
	1	<b>136940</b>	NSTU-SCEZ-100-SHCR	1.06	NS210	1.34	3.49	0.265	1.50	2.19
206	30mm	<b>136976</b>	NSTU-SCEZ-30M-SHCR	1.14	NS308	38.6	114.3	6.73	63.5	68.3
	1-3/16	<b>136941</b>	NSTU-SCEZ-103-SHCR	2.51	NS308	1.52	4.50	0.265	2.50	2.69
	1-1/4	<b>136942</b>	NSTU-SCEZ-104S-SHCR	2.51	NS308	1.52	4.50	0.265	2.50	2.69
207	35mm	<b>136977</b>	NSTU-SCEZ-35M-SHCR	1.10	NS308	43.4	114.3	6.73	63.5	68.3
	1-1/4	<b>136943</b>	NSTU-SCEZ-104-SHCR	2.42	NS308	1.71	4.50	0.265	2.50	2.69
	1-7/16	<b>136944</b>	NSTU-SCEZ-107-SHCR	2.42	NS308	1.71	4.50	0.265	2.50	2.69
208	40mm	<b>136978</b>	NSTU-SCEZ-40M-SHCR	1.89	NS400	49.3	136.7	8.33	76.2	82.6
	1-1/2	<b>136945</b>	NSTU-SCEZ-108-SHCR	4.16	NS400	1.94	5.38	0.328	3.00	3.25
210	50mm	<b>136979</b>	NSTU-SCEZ-50M-SHCR	1.76	NS400	49.3	139.7	8.33	76.2	82.6
	1-15/16	<b>136946</b>	NSTU-SCEZ-115-SHCR	3.87	NS400	1.94	5.50	0.328	3.00	3.25
	2	<b>136997</b>	NSTU-SCEZ-200-SHCR	3.87	NS400	1.94	5.50	0.328	3.00	3.25

Unless specified, dimensions are in mm for metric parts and inches for non-metric parts. Note: Dimensions are in MM (in)

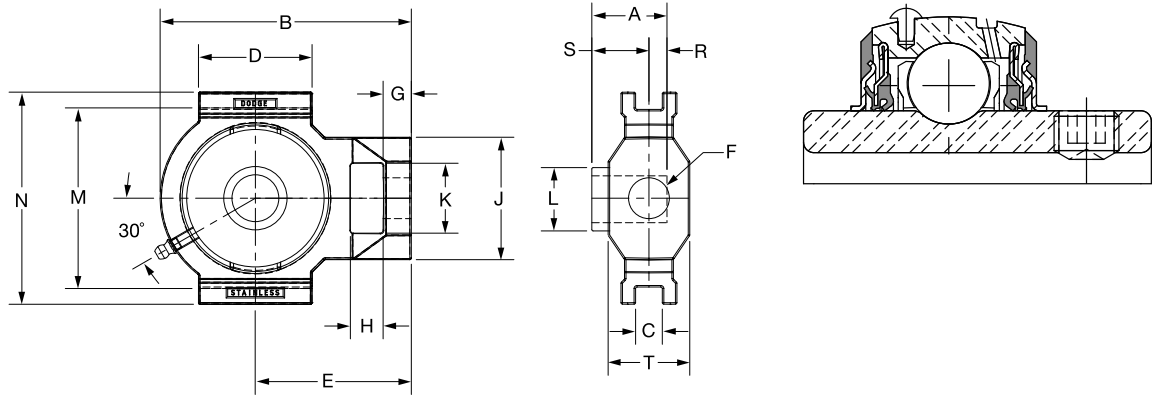
Series	Shaft size	F screw dia.	G	H	J	L	M	N	P pin dia.	R	S
204	20mm	19.1	11.2	22.4	30.5	28.4	66.93/66.17	79.5	8.1	12.7	18.5
	3/4	3/4	0.44	0.88	1.20	1.12	2.635/2.605	3.13	0.32	0.50	0.73
205	25mm	19.1	11.2	22.4	30.5	33.5	66.93/66.17	79.5	8.1	14.2	19.8
	1	3/4	0.44	0.88	1.20	1.32	2.635/2.605	3.13	0.32	0.56	0.78
206	30mm	19.1	12.7	23.9	30.5	39.9	89.15/88.39	104.9	8.1	14.7	23.9
	1-3/16	3/4	0.50	0.94	1.20	1.57	3.510/3.480	4.13	0.32	0.58	0.94
	1-1/4	3/4	0.50	0.94	1.20	1.57	3.510/3.480	4.13	0.32	0.58	0.94
207	35mm	19.1	12.7	23.8	30.5	46.7	89.15/88.39	104.9	8.1	17.0	26.4
	1-1/4	3/4	0.50	0.94	1.20	1.84	3.510/3.480	4.13	0.32	0.67	1.04
	1-7/16	3/4	0.50	0.94	1.20	1.84	3.510/3.480	4.13	0.32	0.67	1.04
208	40mm	25.4	16.8	29.5	38.1	52.1	101.98/101.22	120.7	9.7	19.1	30.2
	1-1/2	1	0.66	1.16	1.50	2.05	4.015/3.985	4.75	0.38	0.75	1.19
210	50mm	25.4	16.8	29.5	38.1	61.7	101.98/101.22	120.7	9.7	19.1	30.2
	1-15/16	1	0.66	1.16	1.50	2.43	4.015/3.985	4.75	0.38	0.75	1.19
	2	1	0.66	1.16	1.50	2.43	4.015/3.985	4.75	0.38	0.75	1.19

Unless specified, dimensions are in mm for metric parts and inches for non-metric parts. Note: Dimensions are in MM (in)

# E-Z Kleen mounted ball bearings

## Selection/Dimensions

E-Z Kleen mounted ball bearings  
SCEZ SHCR normal duty stainless steel  
wide slot take-up bearings



Series	Shaft size	Standard		Weight kg lb	Take-up frame no. ref.	A	B	C	D	E
		Part no.	Description							
204	20mm	<b>136980</b>	WSTU-SCEZ-20M-SHCR	.97	WS300	31.2	100.8	13.46	55.9	65.0
	3/4	<b>136947</b>	WSTU-SCEZ-012-SHCR	2.14	WS300	1.23	3.97	0.530	2.20	2.56
205	25mm	<b>136981</b>	WSTU-SCEZ-25M-SHCR	.92	WS300	34.0	100.8	13.46	55.9	65.0
	1	<b>136948</b>	WSTU-SCEZ-100-SHCR	2.03	WS300	1.34	3.97	0.530	2.20	2.56
206	30mm	<b>136982</b>	WSTU-SCEZ-30M-SHCR	1.50	WS308	38.6	126.7	13.46	57.4	78.7
	1-3/16	<b>136949</b>	WSTU-SCEZ-103-SHCR	3.31	WS308	1.52	4.99	0.530	2.26	3.10
	1-1/4	<b>136950</b>	WSTU-SCEZ-104S-SHCR		WS308	1.52	4.99	0.530	2.26	3.10
207	35mm	<b>136983</b>	WSTU-SCEZ-35M-SHCR	1.46	WS308	43.4	126.7	13.46	57.4	78.7
	1-1/4	<b>136951</b>	WSTU-SCEZ-104-SHCR	3.21	WS308	1.71	4.99	0.530	2.26	3.10
	1-7/16	<b>136952</b>	WSTU-SCEZ-107-SHCR		WS308	1.71	4.99	0.530	2.26	3.10
208	40mm	<b>136984</b>	WSTU-SCEZ-40M-SHCR	2.09	WS400	49.3	143.0	17.48	82.6	88.9
	1-1/2	<b>136953</b>	WSTU-SCEZ-108-SHCR	4.60	WS400	1.94	5.63	0.688	3.25	3.50
210	50mm	<b>136985</b>	WSTU-SCEZ-50M-SHCR	1.87	WS400	49.3	143.0	17.48	82.6	88.9
	1-15/16	<b>136954</b>	WSTU-SCEZ-115-SHCR	4.12	WS400	1.94	5.63	0.688	3.25	3.50
	2	<b>136998</b>	WSTU-SCEZ-200-SHCR		WS400	1.94	5.63	0.688	3.25	3.50

Unless specified, dimensions are in mm for metric parts and inches for non-metric parts. Note: Dimensions are in MM (in)

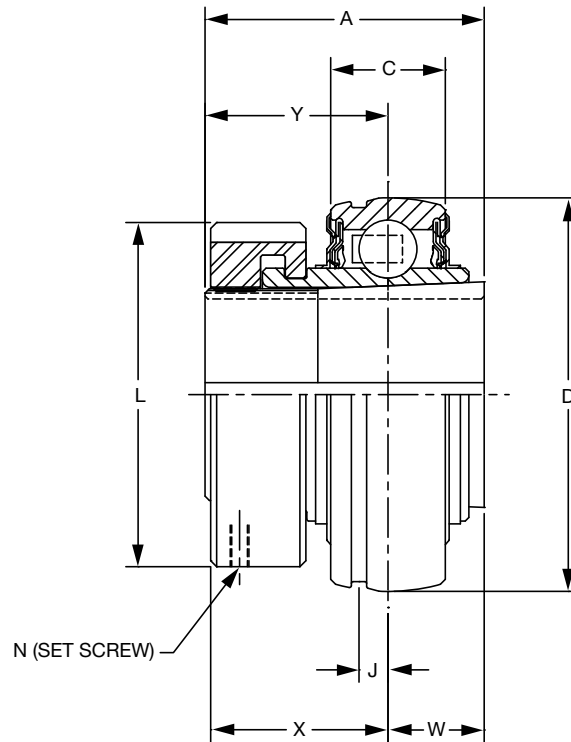
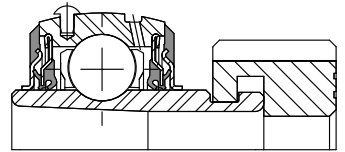
Series	Shaft size	F screw dia.	G	H	J	K	L	M	N	R	S	T
204	20mm	15.9	14.2	16.5	53.8	29.2	28.4	76.84/76.07	92.2	12.7	18.5	35.1
	3/4	5/8	0.56	0.65	2.12	1.15	1.12	3.025/2.995	3.63	0.50	0.73	1.38
205	25mm	15.9	14.2	16.5	53.8	29.2	33.5	76.84/76.07	92.2	14.2	19.8	35.1
	1	5/8	0.56	0.65	2.12	1.15	1.32	3.025/2.995	3.63	0.56	0.78	1.38
206	30mm	19.1	14.2	16.5	61.7	35.3	39.9	89.92/89.15	106.7	14.7	23.9	41.1
	1-3/16	3/4	0.56	0.65	2.43	1.39	1.57	3.540/3.510	4.20	0.58	0.94	1.62
	1-1/4	3/4	0.56	0.65	2.43	1.39	1.57	3.540/3.510	4.20	0.58	0.94	1.62
207	35mm	19.1	14.2	16.5	61.7	35.3	46.7	89.92/89.15	106.7	17.0	26.4	41.1
	1-1/4	3/4	0.56	0.65	2.43	1.39	1.84	3.540/3.510	4.20	0.67	1.04	1.62
	1-7/16	3/4	0.56	0.65	2.43	1.39	1.84	3.540/3.510	4.20	0.67	1.04	1.62
208	40mm	25.4	16.0	19.1	69.9	49.3	52.1	101.98/101.22	114.3	19.1	30.2	41.1
	1-1/2	1	0.63	0.75	2.75	1.94	2.05	4.015/3.985	4.50	0.75	1.19	1.62
210	50mm	25.4	16.0	19.1	69.9	49.3	61.7	101.98/101.22	114.3	19.1	30.2	41.1
	1-15/16	1	0.63	0.75	2.75	1.94	2.43	4.015/3.985	4.50	0.75	1.19	1.62
	2	1	0.63	0.75	2.75	1.94	2.43	4.015/3.985	4.50	0.75	1.19	1.62

Unless specified, dimensions are in mm for metric parts and inches for non-metric parts. Note: Dimensions are in MM (in)

# E-Z Kleen mounted ball bearings

## Selection/Dimensions

E-Z Kleen mounted ball bearings  
GT normal duty bearing inserts for  
E-Z Kleen bearings



Series	Shaft size	Complete unit		Unit without adapter		Adapter & nut assembly	
		Part no.	Description	Part no.	Description	Part no.	Description
204	20mm	<b>129826</b>	INS-GT-20M-CR	<b>129579</b>	INS-GT-04-CR	<b>129980</b>	AN-GT-04-20M-CR
	3/4	<b>129825</b>	INS-GT-012-CR	<b>129579</b>	INS-GT-04-CR	<b>129967</b>	AN-GT-04-012-CR
205	25mm	<b>129828</b>	INS-GT-25M-CR	<b>129580</b>	INS-GT-05-CR	<b>129981</b>	AN-GT-05-25M-CR
	1	<b>129827</b>	INS-GT-100-CR	<b>129580</b>	INS-GT-05-CR	<b>129968</b>	AN-GT-05-100-CR
206	30mm	<b>129831</b>	INS-GT-30M-CR	<b>129581</b>	INS-GT-06-CR	<b>129982</b>	AN-GT-06-30M-CR
	1-1/8	@	INS-GT-102-CR	<b>129581</b>	INS-GT-06-CR	<b>129969</b>	AN-GT-06-102-CR
	1-3/16	<b>129829</b>	INS-GT-103-CR	<b>129581</b>	INS-GT-06-CR	<b>129970</b>	AN-GT-06-103-CR
	1-1/4	<b>129830</b>	INS-GT-104S-CR	<b>129581</b>	INS-GT-06-CR	<b>129971</b>	AN-GT-06-104S-CR
207	35mm	<b>129834</b>	INS-GT-35M-CR	<b>129582</b>	INS-GT-07-CR	<b>129983</b>	AN-GT-07-35M-CR
	1-1/4	<b>129832</b>	INS-GT-104-CR	<b>129582</b>	INS-GT-07-CR	<b>129972</b>	AN-GT-07-104-CR
	1-3/8	@	INS-GT-106-CR	<b>129582</b>	INS-GT-07-CR	<b>129973</b>	AN-GT-07-106-CR
	1-7/16	<b>129833</b>	INS-GT-107-CR	<b>129582</b>	INS-GT-07-CR	<b>129974</b>	AN-GT-07-107-CR
208	40mm	<b>129836</b>	INS-GT-40M-CR	<b>129583</b>	INS-GT-08-CR	<b>129984</b>	AN-GT-08-40M-CR
	1-1/2	<b>129835</b>	INS-GT-108-CR	<b>129583</b>	INS-GT-08-CR	<b>129975</b>	AN-GT-08-108-CR
209	45mm	<b>129838</b>	INS-GT-45M-CR	<b>129584</b>	INS-GT-09-CR	<b>129985</b>	AN-GT-09-45M-CR
	1-11/16	<b>129837</b>	INS-GT-111-CR	<b>129584</b>	INS-GT-09-CR	<b>129976</b>	AN-GT-09-111-CR
	1-3/4	@	INS-GT-112-CR	<b>129584</b>	INS-GT-09-CR	<b>129977</b>	AN-GT-09-112-CR
210	50mm	<b>129840</b>	INS-GT-50M-CR	<b>129585</b>	INS-GT-10-CR	<b>129986</b>	AN-GT-10-50M-CR
	1-15/16	<b>129839</b>	INS-GT-115-CR	<b>129584</b>	INS-GT-09-CR	<b>129978</b>	AN-GT-10-115-CR
	2	@	INS-GT-200-CR	<b>129585</b>	INS-GT-10-CR	<b>129979</b>	AN-GT-10-200-CR

@ Assembled to order

Unless specified, dimensions are in mm for metric parts and inches for non-metric parts.

Note: Dimensions are in MM (in)

# E-Z Kleen mounted ball bearings

## Selection/Dimensions

E-Z Kleen mounted ball bearings  
 GT normal duty bearing inserts for  
 E-Z Kleen bearings

Series	Shaft size	Weight kg lb	A	C	D	J	L	N screw (UNF)	W#*	X	Y#*
204	20mm	0.3	37.6	14.7	47.000	3.8	38.1	#10-32 x 1/4	11.7	26.2	25.9
	3/4	0.6	1.48	0.58	1.8504	0.15	1.50	#10-32 x 1/4	0.46	1.03	1.02
205	25mm	0.4	37.1	15.0	52.000	4.1	45.7	#10-32 x 1/4	12.2	25.4	24.9
	1	0.8	1.46	0.59	2.0472	0.16	1.80	#10-32 x 1/4	0.48	1.00	0.98
206	30mm	0.6	40.9	17.5	62.000	4.1	52.8	#10-32 x 1/4	13.2	28.7	27.7
	1-1/8	1.2	1.61	0.69	2.4409	0.16	2.08	#10-32 x 1/4	0.52	1.13	1.09
	1-3/16	1.2	1.61	0.69	2.4409	0.16	2.08	#10-32 x 1/4	0.52	1.13	1.09
	1-1/4	1.2	1.61	0.69	2.4409	0.16	2.08	#10-32 x 1/4	0.52	1.13	1.09
207	35mm	0.8	41.1	19.1	72.000	5.1	60.5	#10-32 x 1/4	13.7	29.0	27.4
	1-1/4	1.8	1.62	0.75	2.8346	0.20	2.38	#10-32 x 1/4	0.54	1.14	1.08
	1-3/8	1.8	1.62	0.75	2.8346	0.20	2.38	#10-32 x 1/4	0.54	1.14	1.08
	1-7/16	1.8	1.62	0.75	2.8346	0.20	2.38	#10-32 x 1/4	0.54	1.14	1.08
208	40mm	1.0	46.7	22.1	80.000	5.6	66.5	#10-32 x 1/4	15.5	31.2	31.2
	1-1/2	2.2	1.84	0.87	3.1496	0.22	2.62	#10-32 x 1/4	0.61	1.23	1.23
209	45mm		47.0	22.1	85.000	6.4	72.6	#10-32 x 1/4	15.7	32.0	31.2
	1-11/16	2.5	1.85	0.87	3.3465	0.25	2.86	#10-32 x 1/4	0.62	1.26	1.23
	1-3/4	2.5	1.85	0.87	3.3465	0.25	2.86	#10-32 x 1/4	0.62	1.26	1.23
210	50mm	1.4	47.2	22.1	90.000	6.4	79.5	#10-32 x 1/4	16.0	32.0	31.2
	1-15/16	3.0	1.86	0.87	3.5433	0.25	3.13	#10-32 x 1/4	0.63	1.26	1.23
	2	3.0	1.86	0.87	3.5433	0.25	3.13	#10-32 x 1/4	0.63	1.26	1.23

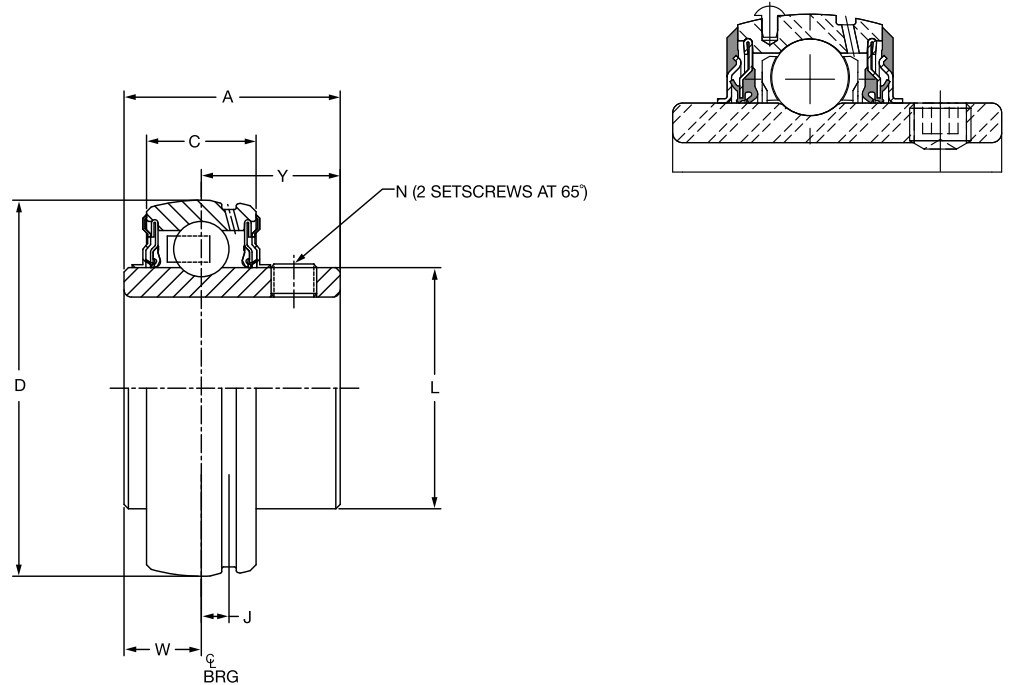
\*W# & Y# dimensions will vary slightly depending on true shaft diameter.  
 Unless specified, dimensions are in mm for metric parts and inches for non-metric parts.  
 Note: Dimensions are in MM (in)

# E-Z Kleen mounted ball bearings

## Selection/Dimensions

### E-Z Kleen mounted bearings

### SC Normal duty bearing corrosion resistant inserts for E-Z Kleen bearings



Series	Shaft size	Insert with flingers		Corrosion resistant insert		Weight kg lb	A	C	D	J	L	N	W	Y
		Part no.	Description	Part no.	Description									
204	20mm	<b>050524</b>	INS-SC-20M-FF	<b>125873</b>	INS-SC-20M-CR	.16	31.2	14.7	47.000	3.8	28.4	M6x1	12.7	18.5
	1/2	@	INS-SC-008L-FF	<b>052981</b>	INS-SC-008L-CR*	.38	1.23	0.58	1.8504	0.15	1.12	10-32	0.50	0.73
	5/8	<b>124932</b>	INS-SC-010L-FF	<b>127073</b>	INS-SC-010L-CR*	.35	1.23	0.58	1.8504	0.15	1.12	10-32	0.50	0.73
	3/4	<b>123070</b>	INS-SC-012-FF	<b>045600</b>	INS-SC-012-CR	.32	1.23	0.58	1.8504	0.15	1.12	10-32	0.50	0.73
205	25mm	<b>052620</b>	INS-SC-25M-FF	<b>050580</b>	INS-SC-25M-CR	.18	34.0	15.0	52.000	4.1	33.5	M6x1	14.2	19.8
	7/8	<b>124931</b>	INS-SC-014-FF	<b>058665</b>	INS-SC-014-CR*	.43	1.34	0.59	2.0472	0.16	1.32	1/4-28	0.56	0.78
	15/16	<b>123069</b>	INS-SC-015-FF	@	INS-SC-015-CR*	.40	1.34	0.59	2.0472	0.16	1.32	1/4-28	0.56	0.78
	1	<b>123071</b>	INS-SC-100-FF	<b>045601</b>	INS-SC-100-CR	.37	1.34	0.59	2.0472	0.16	1.32	1/4-28	0.56	0.78
206	30mm	<b>052621</b>	INS-SC-30M-FF	<b>125874</b>	INS-SC-30M-CR	.27	38.6	17.5	62.000	4.1	39.9	M8x1.25	14.7	23.9
	1-1/8	<b>123234</b>	INS-SC-102-FF	<b>058989</b>	INS-SC-102-CR*	.63	1.52	0.69	2.4409	0.16	1.57	5/16-24	0.58	0.94
	1-3/16	<b>123072</b>	INS-SC-103-FF	<b>045602</b>	INS-SC-103-CR	.60	1.52	0.69	2.4409	0.16	1.57	5/16-24	0.58	0.94
	1-1/4	<b>123073</b>	INS-SC-104S-FF	<b>045603</b>	INS-SC-104S-CR	.58	1.52	0.69	2.4409	0.16	1.57	5/16-24	0.58	0.94
207	35mm	<b>052622</b>	INS-SC-35M-FF	<b>050653</b>	INS-SC-35M-CR	.44	43.4	19.1	72.000	5.1	46.7	M8x1.25	17.0	26.4
	1-1/4	<b>123074</b>	INS-SC-104-FF	<b>045412</b>	INS-SC-104-CR	1.02	1.71	0.75	2.8346	0.20	1.84	5/16-24	0.67	1.04
	1-5/16	<b>057102</b>	INS-SC-105-FF	<b>058345</b>	INS-SC-105-CR*	.97	1.71	0.75	2.8346	0.20	1.84	5/16-24	0.67	1.04
	1-3/8	<b>123460</b>	INS-SC-106-FF	<b>058965</b>	INS-SC-106-CR*	.92	1.71	0.75	2.8346	0.20	1.84	5/16-24	0.67	1.04
208	40mm	<b>052623</b>	INS-SC-40M-FF	<b>050654</b>	INS-SC-40M-CR	.51	49.3	22.1	80.000	5.6	52.1	M8x1.25	19.1	30.2
	1-1/2	<b>123076</b>	INS-SC-108-FF	<b>045605</b>	INS-SC-108-CR	1.27	1.94	0.87	3.1496	0.22	2.05	5/16-24	0.75	1.19
	1-5/8	<b>123409</b>	INS-SC-110-FF	@	INS-SC-110-CR*	1.13	1.94	0.87	3.1496	0.22	2.05	5/16-24	0.75	1.19
	1-11/16	@	INS-SC-111-FF	<b>125005</b>	INS-SC-111-CR	1.43	1.94	0.87	3.3465	0.25	2.22	5/16-24	0.75	1.19
209	45mm	@	INS-SC-45M-FF	<b>125005</b>	INS-SC-45M-CR	.62	49.3	22.1	85.000	6.4	56.4	M8x1.25	19.1	30.2
	1-5/8	@	INS-SC-110L-FF	@	INS-SC-110L-CR*	1.49	1.94	0.87	3.3465	0.25	2.22	5/16-24	0.75	1.19
	1-11/16	@	INS-SC-111-FF	<b>125004</b>	INS-SC-111-CR	1.43	1.94	0.87	3.3465	0.25	2.22	5/16-24	0.75	1.19
	1-3/4	<b>045677</b>	INS-SC-112-FF	<b>054145</b>	INS-SC-112-CR*	1.36	1.94	0.87	3.3465	0.25	2.22	5/16-24	0.75	1.19
210	50mm	@	INS-SC-50M-FF	<b>050656</b>	INS-SC-50M-CR	.67	49.3	22.1	90.000	6.4	61.7	M10x1.5	19.1	30.2
	1-11/16	@	INS-SCM-111-FF	@	INS-SCM-111-CR*	1.82	1.94	0.87	3.5433	0.25	2.43	3/8-24	0.75	1.19
	1-15/16	<b>123077</b>	INS-SC-115-FF	<b>045606</b>	INS-SC-115-CR	1.48	1.94	0.87	3.5433	0.25	2.43	3/8-24	0.75	1.19
	2	<b>123413</b>	INS-SC-200-FF	<b>045338</b>	INS-SC-200-CR*	1.39	1.94	0.87	3.5433	0.25	2.43	3/8-24	0.75	1.19

@Assembled to order

\*20 piece minimum

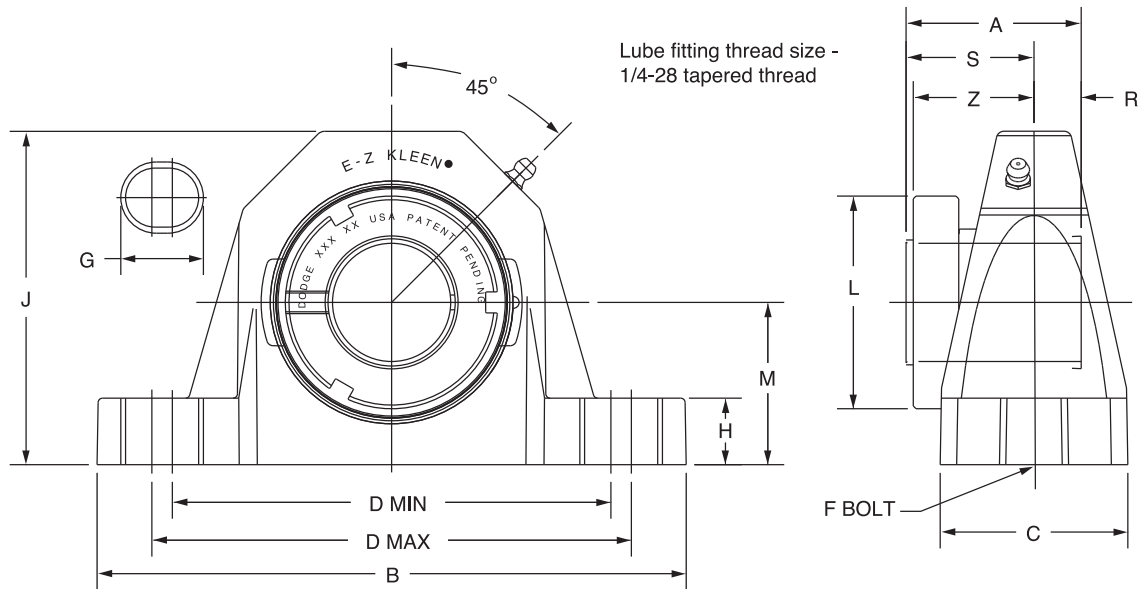
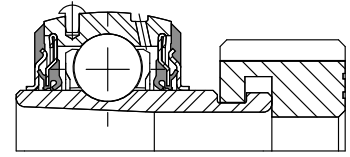
Unless specified, dimensions are in mm for metric parts and inches for non-metric parts.

Note: Dimensions are in MM (in)

# E-Z Kleen mounted ball bearings

## Selection/Dimensions

E-Z Kleen mounted ball bearings  
 GTEZ normal duty polymer  
 housed pillow blocks



Series	Shaft size	Complete unit		Unit without adapter		Adapter & nut assembly	
		Part no.	Description	Part no.	Description	Part no.	Description
204	20mm	<b>129245</b>	P2B-GTEZ-20M-PCR	<b>129530</b>	P2B-GTEZ-04-PCR	<b>129980</b>	AN-GT-04-20M-CR
	3/4	<b>129244</b>	P2B-GTEZ-012-PCR	<b>129530</b>	P2B-GTEZ-04-PCR	<b>129967</b>	AN-GT-04-012-CR
205	25mm	<b>129247</b>	P2B-GTEZ-25M-PCR	<b>129531</b>	P2B-GTEZ-05-PCR	<b>129981</b>	AN-GT-05-25M-CR
	1	<b>129246</b>	P2B-GTEZ-100-PCR	<b>129531</b>	P2B-GTEZ-05-PCR	<b>129968</b>	AN-GT-05-100-CR
206 (GTU)	30mm	<b>129250</b>	P2B-GTUEZ-30M-PCR	<b>129536</b>	P2B-GTUEZ-06-PCR	<b>129611</b>	AN-GT-06-30M-CR
	1-1/8	@	P2B-GTUEZ-102-PCR	<b>129536</b>	P2B-GTUEZ-06-PCR	<b>129969</b>	AN-GT-06-102-CR
	1-3/16	<b>129248</b>	P2B-GTUEZ-103-PCR	<b>129536</b>	P2B-GTUEZ-06-PCR	<b>129602</b>	AN-GT-06-103-CR
	1-1/4	<b>129249</b>	P2B-GTUEZ-104S-PCR	<b>129536</b>	P2B-GTUEZ-06-PCR	<b>129603</b>	AN-GT-06-104S-CR
207	35mm	<b>129253</b>	P2B-GTEZ-35M-PCR	<b>129532</b>	P2B-GTEZ-07-PCR	<b>129983</b>	AN-GT-07-35M-CR
	1-1/4	<b>129251</b>	P2B-GTEZ-104-PCR	<b>129532</b>	P2B-GTEZ-07-PCR	<b>129972</b>	AN-GT-07-104-CR
	1-3/8	<b>129392</b>	P2B-GTEZ-106-PCR	<b>129532</b>	P2B-GTEZ-07-PCR	<b>129973</b>	AN-GT-07-106-CR
	1-7/16	<b>129252</b>	P2B-GTEZ-107-PCR	<b>129532</b>	P2B-GTEZ-07-PCR	<b>129974</b>	AN-GT-07-107-CR
208 (GTB)	40mm	<b>129255</b>	P2B-GTBEZ-40M-PCR	<b>129535</b>	P2B-GTBEZ-08-PCR	<b>129613</b>	AN-GT-08-40M-CR
	1-1/2	<b>129254</b>	P2B-GTBEZ-108-PCR	<b>129535</b>	P2B-GTBEZ-08-PCR	<b>129606</b>	AN-GT-08-108-CR
209	45mm	<b>129257</b>	P2B-GTEZ-45M-PCR	<b>129535</b>	P2B-GTEZ-09-PCR	<b>129985</b>	AN-GT-09-45M-CR
	1-11/16	<b>129256</b>	P2B-GTEZ-111-PCR	<b>129533</b>	P2B-GTEZ-09-PCR	<b>129976</b>	AN-GT-09-111-CR
	1-3/4	<b>129396</b>	P2B-GTEZ-112-PCR	<b>129535</b>	P2B-GTEZ-09-PCR	<b>129977</b>	AN-GT-09-112-CR
210	50mm	<b>129259</b>	P2B-GTEZ-50M-PCR	<b>129534</b>	P2B-GTEZ-10-PCR	<b>129986</b>	AN-GT-10-50M-CR
	1-15/16	<b>129258</b>	P2B-GTEZ-115-PCR	<b>129534</b>	P2B-GTEZ-10-PCR	<b>129978</b>	AN-GT-10-115-CR
	2	<b>129393</b>	P2B-GTEZ-200-PCR	<b>129534</b>	P2B-GTEZ-10-PCR	<b>129979</b>	AN-GT-10-200-CR

@Assembled to order

Unless specified, dimensions are in mm for metric parts and inches for non-metric parts.

Note: Dimensions are in MM (in)

# E-Z Kleen mounted ball bearings

## Selection/Dimensions

E-Z Kleen mounted ball bearings  
GTEZ normal duty polymer  
housed pillow blocks

Series	Shaft size	Weight kg lb	A	B	C	D		F bolt dia.	G	H	J	L	M	R#*	S#*	Z
						min.	max.									
204	20mm	0.4	37.6	127.5	37.6	93.0	99.6	M10	15.0	15.5	66.8	38.1	33.4	11.7	25.9	26.2
	3/4	0.9	1.48	5.02	1.48	3.66	3.92	3/8	0.59	0.61	2.63	1.50	1.31	0.46	1.02	1.03
205	25mm	0.5	37.1	139.2	37.6	100.6	106.7	M10	15.0	15.5	72.6	45.7	36.5	12.2	24.9	25.4
	1	1.1	1.46	5.48	1.48	3.96	4.20	3/8	0.59	0.61	2.86	1.80	1.44	0.48	0.98	1.00
206 (GTU)	30mm	0.8	40.9	160.0	45.0	116.8	124.0	M12	18.5	17.8	84.8	52.8	42.9	13.2	27.7	28.7
	1-1/8	1.8	1.61	6.30	1.77	4.60	4.88	1/2	0.73	0.70	3.34	2.08	1.69	0.52	1.09	1.13
	1-3/16	1.7	1.61	6.30	1.77	4.60	4.88	1/2	0.73	0.70	3.34	2.08	1.69	0.52	1.09	1.13
	1-1/4	1.6	1.61	6.30	1.77	4.60	4.88	1/2	0.73	0.70	3.34	2.08	1.69	0.52	1.09	1.13
207	35mm	1.1	41.1	166.1	47.2	121.9	130.0	M12	18.5	18.3	98.8	60.5	47.6	13.7	27.4	29.0
	1-1/4	2.5	1.62	6.54	1.86	4.80	5.12	1/2	0.73	0.72	3.89	2.38	1.88	0.54	1.08	1.14
	1-3/8	2.4	1.62	6.54	1.86	4.80	5.12	1/2	0.73	0.72	3.89	2.38	1.88	0.54	1.08	1.14
	1-7/16	2.4	1.62	6.54	1.86	4.80	5.12	1/2	0.73	0.72	3.89	2.38	1.88	0.54	1.08	1.14
208 (GTB)	40mm	1.4	46.7	182.6	53.3	129.5	143.3	M12	22.4	19.3	105.7	66.5	49.2	15.5	31.2	31.2
	1-1/2	3.0	1.84	7.19	2.10	5.10	5.64	1/2	0.88	0.76	4.16	2.62	1.94	0.61	1.23	1.23
209	45mm	1.6	47.0	182.9	53.3	137.7	151.4	M12	22.4	21.3	109.5	72.6	54.0	15.7	31.2	32.0
	1-11/16	3.4	1.85	7.20	2.10	5.42	5.96	1/2	0.88	0.84	4.31	2.86	2.13	0.62	1.23	1.26
	1-3/4	3.3	1.85	7.20	2.10	5.42	5.96	1/2	0.88	0.84	4.31	2.86	2.13	0.62	1.23	1.26
210	50mm	1.7	47.2	204.7	59.9	152.4	166.6	M16	25.4	23.1	115.8	79.5	57.2	16.0	31.2	32.0
	1-15/16	4.2	1.86	8.06	2.36	6.00	6.56	5/8	1.00	0.91	4.56	3.13	2.25	0.63	1.23	1.26
	2	4.1	1.86	8.06	2.36	6.00	6.56	5/8	1.00	0.91	4.56	3.13	2.25	0.63	1.23	1.26

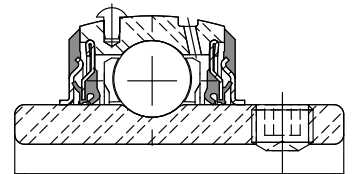
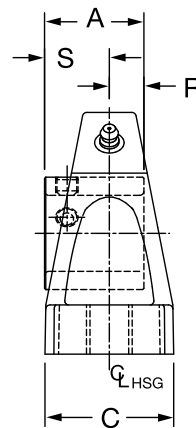
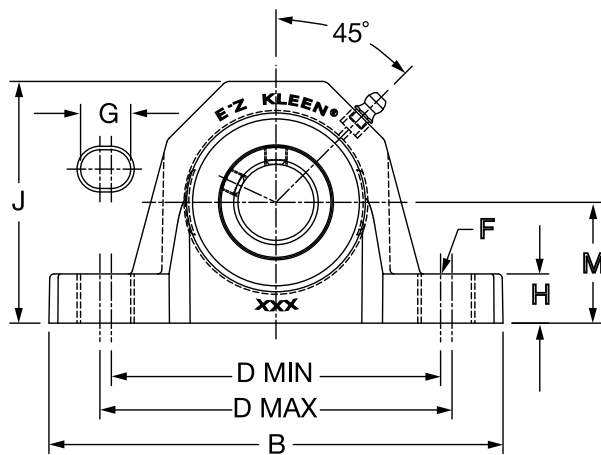
\*R# & S# dimensions will vary slightly depending on true shaft diameter  
Unless specified, dimensions are in mm for metric parts and inches for non-metric parts.  
Note: Dimensions are in MM (in)



# E-Z Kleen mounted ball bearings

## Selection/Dimensions

E-Z Kleen mounted ball bearings  
SCEZ normal duty polymer  
housed pillow blocks



Series	Shaft size	With corrosion resistant insert		Standard insert with flingers	
		Part no.	Description	Part no.	Description
204	20mm	127545	P2B-SCEZ-20M-PCR	@	P2B-SCEZ-20M-P
	1/2	@	P2B-SCEZ-008L-PCR*	@	P2B-SCEZ-008L-P
	5/8	068322	P2B-SCEZ-010L-PCR*	064572	P2B-SCEZ-010L-P
	3/4	127500	P2B-SCEZ-012-PCR	@	P2B-SCEZ-012-P
205	25mm	127546	P2B-SCEZ-25M-PCR	@	P2B-SCEZ-25M-P
	7/8	064839	P2B-SCEZ-014-PCR*	062837	P2B-SCEZ-014-P
	15/16	058975	P2B-SCEZ-015-PCR*	@	P2B-SCEZ-015-P
	1	127501	P2B-SCEZ-100-PCR	058597	P2B-SCEZ-100-P
206	30mm	127547	P2B-SCUEZ-30M-PCR	@	P2B-SCUEZ-30M-P
	1-1/8	075096	P2B-SCUEZ-102-PCR*	067919	P2B-SCUEZ-102-P
	1-3/16	127502	P2B-SCUEZ-103-PCR	@	P2B-SCUEZ-103-P
	1-1/4	127503	P2B-SCUEZ-104S-PCR	058596	P2B-SCUEZ-104S-P
207	35mm	127548	P2B-SCEZ-35M-PCR	@	P2B-SCEZ-35M-P
	1-1/4	127504	P2B-SCEZ-104-PCR	065655	P2B-SCEZ-104-P
	1-5/16	059722	P2B-SCEZ-105-PCR*	@	P2B-SCEZ-105-P
	1-3/8	058944	P2B-SCEZ-106-PCR*	@	P2B-SCEZ-106-P
208	40mm	127505	P2B-SCEZ-107-PCR	064064	P2B-SCEZ-107-P
	1-1/2	127549	P2B-SCBEZ-40M-PCR	@	P2B-SCBEZ-40M-P
	1-5/8	127506	P2B-SCBEZ-108-PCR	@	P2B-SCBEZ-108-P
	1-5/8	068495	P2B-SCBEZ-110-PCR*	@	P2B-SCBEZ-110-P
209	45mm	127550	P2B-SCEZ-45M-PCR	@	P2B-SCEZ-45M-P
	1-5/8	@	P2B-SCBEZ-110L-PCR*	@	P2B-SCBEZ-110L-P
	1-11/16	127507	P2B-SCEZ-111-PCR	067996	P2B-SCEZ-111-P
210	50mm	058931	P2B-SCEZ-112-PCR	@	P2B-SCEZ-112-P
	1-3/4	127551	P2B-SCEZ-50M-PCR	@	P2B-SCEZ-50M-P
	1-15/16	127508	P2B-SCEZ-115-PCR	056497	P2B-SCEZ-115-P
	2	057898	P2B-SCEZ-200-PCR	@	P2B-SCEZ-200-P

@Assembled to order

\*20 piece minimum

Unless specified, dimensions are in mm for metric parts and inches for non-metric parts.

Note: Dimensions are in MM (in)

# E-Z Kleen mounted ball bearings

## Selection/Dimensions

E-Z Kleen mounted ball bearings  
SCEZ normal duty polymer  
housed pillow blocks

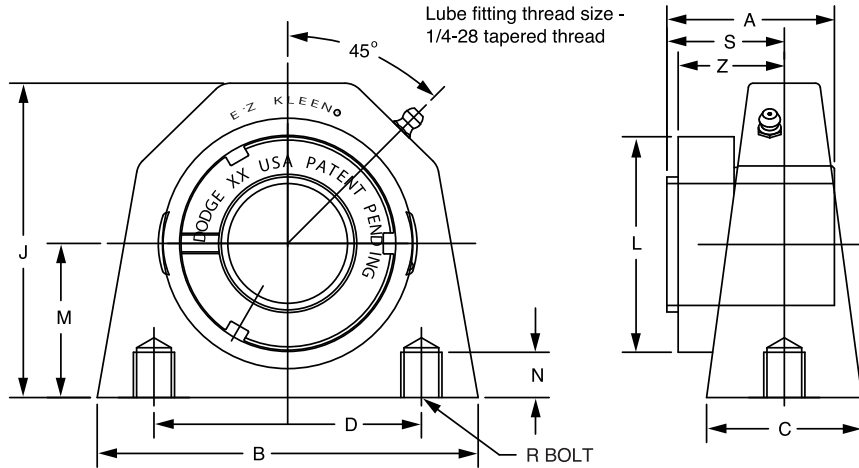
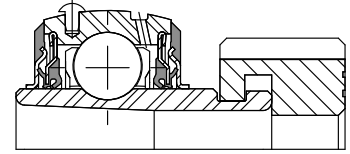
Size	Shaft series	Weight kg lb	A	B	C	D		F bolt dia.	G	H	J	L	M	R	S
						min.	max.								
204	20mm	0.30	31.2	127.5	37.6	93.0	99.6	M10	15.0	15.5	66.8	28.4	33.4	12.7	18.5
	1/2	0.68	1.23	5.02	1.48	3.66	3.92	3/8	0.59	0.61	2.63	1.12	1.31	0.50	0.73
	5/8	0.66	1.23	5.02	1.48	3.66	3.92	3/8	0.59	0.61	2.63	1.12	1.31	0.50	0.73
	3/4	0.64	1.23	5.02	1.48	3.66	3.92	3/8	0.59	0.61	2.63	1.12	1.31	0.50	0.73
205	25mm	0.32	34.0	139.2	37.6	100.6	106.7	M10	15.0	15.5	72.6	33.5	36.5	14.2	19.8
	7/8	0.73	1.34	5.48	1.48	3.96	4.20	3/8	0.59	0.61	2.86	1.32	1.44	0.56	0.78
	15/16	0.71	1.34	5.48	1.48	3.96	4.20	3/8	0.59	0.61	2.86	1.32	1.44	0.56	0.78
	1	0.69	1.34	5.48	1.48	3.96	4.20	3/8	0.59	0.61	2.86	1.32	1.44	0.56	0.78
206	30mm	0.51	38.6	160.0	45.0	116.8	124.0	M12	18.5	17.8	84.8	39.9	42.9	14.7	23.9
	1-1/8	1.15	1.52	6.30	1.77	4.60	4.88	1/2	0.73	0.70	3.34	1.57	1.69	0.58	0.94
	1-3/16	1.13	1.52	6.30	1.77	4.60	4.88	1/2	0.73	0.70	3.34	1.57	1.69	0.58	0.94
	1-1/4	1.11	1.52	6.30	1.77	4.60	4.88	1/2	0.73	0.70	3.34	1.57	1.69	0.58	0.94
207	35mm	0.74	43.4	166.1	47.2	121.9	130.0	M12	18.5	18.3	98.8	46.7	47.6	17.0	26.4
	1-1/4	1.68	1.71	6.54	1.86	4.80	5.12	1/2	0.73	0.72	3.89	1.84	1.88	0.67	1.04
	1-5/16	1.63	1.71	6.54	1.86	4.80	5.12	1/2	0.73	0.72	3.89	1.84	1.88	0.67	1.04
	1-3/8	1.58	1.71	6.54	1.86	4.80	5.12	1/2	0.73	0.72	3.89	1.84	1.88	0.67	1.04
	1-7/16	1.52	1.71	6.54	1.86	4.80	5.12	1/2	0.73	0.72	3.89	1.84	1.88	0.67	1.04
208	40mm	0.88	49.3	182.6	53.3	129.5	143.3	M12	22.4	19.3	105.7	52.1	49.2	19.1	30.2
	1-1/2	2.08	1.94	7.19	2.10	5.10	5.64	1/2	0.88	0.76	4.16	2.05	1.94	0.75	1.19
	1-5/8	2.00	1.94	7.19	2.10	5.10	5.64	1/2	0.88	0.76	4.16	2.05	1.94	0.75	1.19
209	45mm	1.03	49.3	182.9	53.3	137.7	151.4	M12	22.4	21.3	109.5	56.4	54.0	19.1	30.2
	1-5/8	2.41	1.94	7.20	2.10	5.42	5.96	1/2	0.88	0.84	4.31	2.22	2.13	0.75	1.19
	1-11/16	2.34	1.94	7.20	2.10	5.42	5.96	1/2	0.88	0.84	4.31	2.22	2.13	0.75	1.19
	1-3/4	2.27	1.94	7.20	2.10	5.42	5.96	1/2	0.88	0.84	4.31	2.22	2.13	0.75	1.19
210	50mm	1.30	49.3	204.7	59.9	152.4	166.6	M16	25.4	23.1	115.8	61.7	57.2	19.1	30.2
	1-15/16	2.65	1.94	8.06	2.36	6.00	6.56	5/8	1.00	0.91	4.56	2.43	2.25	0.75	1.19
	2	2.58	1.94	8.06	2.36	6.00	6.56	5/8	1.00	0.91	4.56	2.43	2.25	0.75	1.19

Unless specified, dimensions are in mm for metric parts and inches for non-metric parts.  
Note: Dimensions are in MM (in)

# E-Z Kleen mounted ball bearings

## Selection/Dimensions

E-Z Kleen mounted ball bearings  
 GTEZ normal duty polymer  
 housed tapped base pillow blocks



Series	Shaft size	Complete unit		Unit without adapter		Adapter & nut assembly	
		Part no.	Description	Part no.	Description	Part No.	Description
204	20mm	129292	TB-GTEZ-20M-PCR	129988	TB-GTEZ-04M-PCR	129980	AN-GT-04-20M-CR
	3/4	129291	TB-GTEZ-012-PCR	129537	TB-GTEZ-04-PCR	129967	AN-GT-04-012-CR
205	25mm	129294	TB-GTEZ-25M-PCR	129989	TB-GTEZ-05M-PCR	129981	AN-GT-05-25M-CR
	1	129293	TB-GTEZ-100-PCR	129538	TB-GTEZ-05-PCR	129968	AN-GT-05-100-CR
206	30mm	129297	TB-GTEZ-30M-PCR	129990	TB-GTEZ-06M-PCR	129982	AN-GT-06-30M-CR
	1 -1/8	@	TB-GTEZ-102-PCR			129969	AN-GT-06-102-CR
	1 -3/16	129295	TB-GTEZ-103-PCR	129539	TB-GTEZ-06-PCR	129970	AN-GT-06-103-CR
	1 -1/4	129296	TB-GTEZ-104S-PCR			129971	AN-GT-06-104S-CR
207	35mm	129300	TB-GTEZ-35M-PCR	129991	TB-GTEZ-07M-PCR	129983	AN-GT-07-35M-CR
	1 -1/4	129298	TB-GTEZ-104-PCR			129972	AN-GT-07-104-CR
	1 -3/8	@	TB-GTEZ-106-PCR	129540	TB-GTEZ-07-PCR	129973	AN-GT-07-106-CR
	1 -7/16	129299	TB-GTEZ-107-PCR			129974	AN-GT-07-107-CR

@ Assembled to order  
 Unless specified, dimensions are in mm for metric parts and inches for non-metric parts. Note: Dimensions are in MM (in)

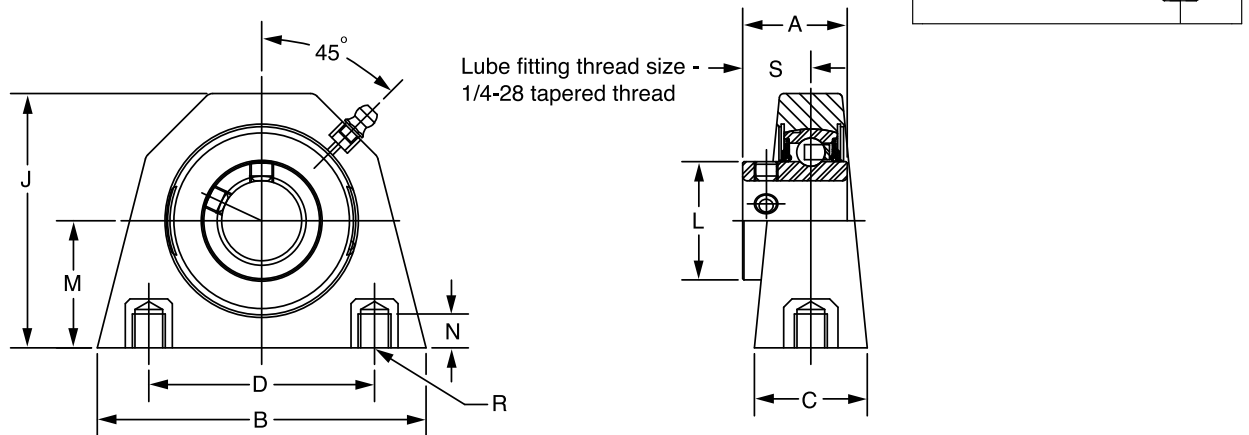
Series	Shaft size	Weight kg lb	A	B	C	D	J	L	M	N thread depth	R bolt hole threads	S#*	Z
204	20mm	0.41	37.6	82.6	37.6	50.8	67.3	38.1	33.4	10.2	M10x1.5	25.9	26.2
	3/4	0.88	1.48	3.25	1.48	2.00	2.65	1.50	1.31	0.40	3/8-16	1.02	1.03
205	25mm	0.47	37.1	82.6	37.8	50.8	73.4	45.7	36.5	10.2	M10x1.5	24.9	25.4
	1	1.01	1.46	3.25	1.49	2.00	2.89	1.80	1.44	0.40	3/8-16	0.98	1.00
206	30mm	0.77	40.9	111.3	39.9	76.2	85.9	52.8	42.9	11.4	M10x1.5	27.7	28.7
	1 -1/8	1.79	1.61	4.38	1.57	3.00	3.38	2.08	1.69	0.45	7/16-14	1.09	1.13
	1 -3/16	1.69	1.61	4.38	1.57	3.00	3.38	2.08	1.69	0.45	7/16-14	1.09	1.13
	1 -1/4	1.59	1.61	4.38	1.57	3.00	3.38	2.08	1.69	0.45	7/16-14	1.09	1.13
207	35mm	1.11	41.1	117.6	48.0	82.6	97.0	60.5	47.6	14.0	M12x1.75	27.4	29.0
	1 -1/4	2.62	1.62	4.63	1.89	3.25	3.82	2.38	1.88	0.55	1/2-13	1.08	1.14
	1 -3/8	2.42	1.62	4.63	1.89	3.25	3.82	2.38	1.88	0.55	1/2-13	1.08	1.14
	1 -7/16	2.32	1.62	4.63	1.89	3.25	3.82	2.38	1.88	0.55	1/2-13	1.08	1.14

\*S# dimension will vary slightly depending on true shaft diameter  
 Unless specified, dimensions are in mm for metric parts and inches for non-metric parts.  
 Note: Dimensions are in MM (in)

# E-Z Kleen mounted ball bearings

## Selection/Dimensions

E-Z Kleen mounted ball bearings  
 SCEZ normal duty polymer  
 housed tapped base pillow blocks



Series	Shaft size	With corrosion resistant insert		Standard insert with flingers		Weight kg lb	A	B	C	D	J	L	M	N thread depth	R bolt hole threads	S
		Part no.	Description	Part no.	Description											
204	20mm	<b>127552</b>	TB-SCEZ-20M-PCR	@	TB-SCEZ-20M-P	0.29	31.2	82.6	37.6	50.8	67.3	28.4	33.4	10.2	M10x1.5	18.5
	1/2	@	TB-SCEZ-008L-PCR*	@	TB-SCEZ-008L-P	0.74	1.23	3.25	1.48	2.00	2.65	1.12	1.31	0.40	3/8-16	0.73
	5/8	<b>064720</b>	TB-SCEZ-010L-PCR*	@	TB-SCEZ-010L-P	0.66	1.23	3.25	1.48	2.00	2.65	1.12	1.31	0.40	3/8-16	0.73
	3/4	<b>127509</b>	TB-SCEZ-012-PCR	@	TB-SCEZ-012-P	0.60	1.23	3.25	1.48	2.00	2.65	1.12	1.31	0.40	3/8-16	0.73
205	25mm	<b>127553</b>	TB-SCEZ-25M-PCR	@	TB-SCEZ-25M-P	0.28	34.0	82.6	37.8	50.8	73.4	33.5	36.5	10.2	M10x1.5	19.8
	7/8	@	TB-SCEZ-014-PCR*	@	TB-SCEZ-014-P	0.72	1.34	3.25	1.49	2.00	2.89	1.32	1.44	0.40	3/8-16	0.78
	15/16	@	TB-SCEZ-015-PCR*	@	TB-SCEZ-015-P	0.64	1.34	3.25	1.49	2.00	2.89	1.32	1.44	0.40	3/8-16	0.78
	1	<b>127510</b>	TB-SCEZ-100-PCR	@	TB-SCEZ-100-P	0.58	1.34	3.25	1.49	2.00	2.89	1.32	1.44	0.40	3/8-16	0.78
206	30mm	<b>127554</b>	TB-SCEZ-30M-PCR	@	TB-SCEZ-30M-P	0.49	38.6	111.3	39.9	76.2	85.9	39.9	42.9	11.4	M10x1.5	23.9
	1-1/8	@	TB-SCEZ-102-PCR*	@	TB-SCEZ-102-P	1.16	1.52	4.38	1.57	3.00	3.38	1.57	1.69	0.45	7/16-14	0.94
	1-3/16	<b>127511</b>	TB-SCEZ-103-PCR	@	TB-SCEZ-103-P	1.09	1.52	4.38	1.57	3.00	3.38	1.57	1.69	0.45	7/16-14	0.94
	1-1/4	<b>127512</b>	TB-SCEZ-104S-PCR	<b>058632</b>	TB-SCEZ-104S-P	1.07	1.52	4.38	1.57	3.00	3.38	1.57	1.69	0.45	7/16-14	0.94
207	35mm	<b>127555</b>	TB-SCEZ-35M-PCR	@	TB-SCEZ-35M-P	0.72	43.4	117.6	48.0	82.6	97.0	46.7	47.6	14.0	M12x1.75	26.4
	1-1/4	<b>127513</b>	TB-SCEZ-104-PCR	@	TB-SCEZ-104-P	1.64	1.71	4.63	1.89	3.25	3.82	1.84	1.88	0.55	1/2-13	1.04
	1-5/16	@	TB-SCEZ-105-PCR*	@	TB-SCEZ-105-P	1.58	1.71	4.63	1.89	3.25	3.82	1.84	1.88	0.55	1/2-13	1.04
	1-3/8	<b>056577</b>	TB-SCEZ-106-PCR*	@	TB-SCEZ-106-P	1.53	1.71	4.63	1.89	3.25	3.82	1.84	1.88	0.55	1/2-13	1.04
	1-7/16	<b>127514</b>	TB-SCEZ-107-PCR	@	TB-SCEZ-107-P	1.48	1.71	4.63	1.89	3.25	3.82	1.84	1.88	0.55	1/2-13	1.04

@Assembled to order

\*20 piece minimum

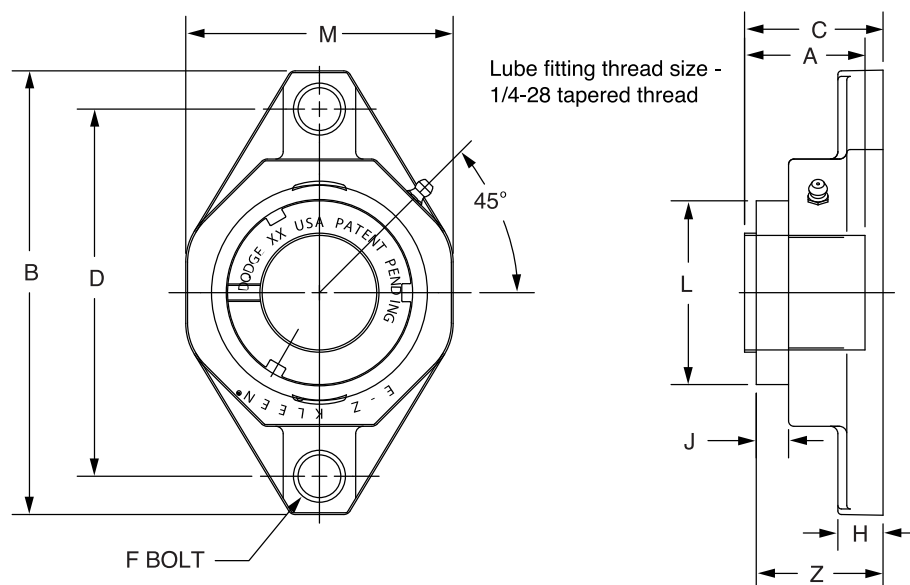
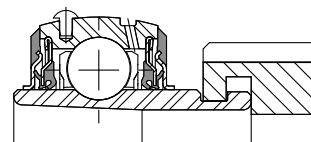
Unless specified, dimensions are in mm for metric parts and inches for non-metric parts.

Note: Dimensions are in MM (in)

# E-Z Kleen mounted ball bearings

## Selection/Dimensions

E-Z Kleen mounted ball bearings  
GTEZ normal duty polymer  
housed 2-bolt flange bearings



Series	Shaft size	Complete unit		Unit without adapter		Adapter & nut assembly	
		Part no.	Description	Part no.	Description	Part no.	Description
204	20mm	<b>129340</b>	F2B-GTEZ-20M-PCR	<b>129548</b>	F2B-GTEZ-04-PCR	<b>129980</b>	AN-GT-04-20M-CR
	3/4	<b>129339</b>	F2B-GTEZ-012-PCR	<b>129548</b>	F2B-GTEZ-04-PCR	<b>129967</b>	AN-GT-04-012-CR
205	25mm	<b>129342</b>	F2B-GTEZ-25M-PCR	<b>129549</b>	F2B-GTEZ-05-PCR	<b>129981</b>	AN-GT-05-25M-CR
	1	<b>129341</b>	F2B-GTEZ-100-PCR	<b>129549</b>	F2B-GTEZ-05-PCR	<b>129968</b>	AN-GT-05-100-CR
206	30mm	<b>129345</b>	F2B-GTEZ-30M-PCR	<b>129550</b>	F2B-GTEZ-06-PCR	<b>129982</b>	AN-GT-06-30M-CR
	1 -1/8	<b>129394</b>	F2B-GTEZ-102-PCR	<b>129550</b>	F2B-GTEZ-06-PCR	<b>129969</b>	AN-GT-06-102-CR
	1 -3/16	<b>129343</b>	F2B-GTEZ-103-PCR	<b>129550</b>	F2B-GTEZ-06-PCR	<b>129970</b>	AN-GT-06-103-CR
	1 -1/4	<b>129344</b>	F2B-GTEZ-104S-PCR	<b>129550</b>	F2B-GTEZ-06-PCR	<b>129971</b>	AN-GT-06-104S-CR
207	35mm	<b>129348</b>	F2B-GTEZ-35M-PCR	<b>129551</b>	F2B-GTEZ-07-PCR	<b>129983</b>	AN-GT-07-35M-CR
	1 -1/4	<b>129346</b>	F2B-GTEZ-104-PCR	<b>129551</b>	F2B-GTEZ-07-PCR	<b>129972</b>	AN-GT-07-104-CR
	1 -3/8	<b>073406</b>	F2B-GTEZ-106-PCR	<b>129551</b>	F2B-GTEZ-07-PCR	<b>129973</b>	AN-GT-07-106-CR
	1 -7/16	<b>129347</b>	F2B-GTEZ-107-PCR	<b>129551</b>	F2B-GTEZ-07-PCR	<b>129974</b>	AN-GT-07-107-CR
208	40mm	<b>129350</b>	F2B-GTEZ-40M-PCR	<b>129552</b>	F2B-GTEZ-08-PCR	<b>129984</b>	AN-GT-08-40M-CR
	1 -1/2	<b>129349</b>	F2B-GTEZ-108-PCR	<b>129552</b>	F2B-GTEZ-08-PCR	<b>129975</b>	AN-GT-08-108-CR
209	45mm	<b>129352</b>	F2B-GTEZ-45M-PCR	<b>129553</b>	F2B-GTEZ-09-PCR	<b>129985</b>	AN-GT-09-45M-CR
	1 -11/16	<b>129351</b>	F2B-GTEZ-111-PCR	<b>129553</b>	F2B-GTEZ-09-PCR	<b>129976</b>	AN-GT-09-111-CR
	1 -3/4	<b>064147</b>	F2B-GTEZ-112-PCR	<b>129553</b>	F2B-GTEZ-09-PCR	<b>129977</b>	AN-GT-09-112-CR
210	50mm	<b>129354</b>	F2B-GTEZ-50M-PCR	<b>129554</b>	F2B-GTEZ-10-PCR	<b>129986</b>	AN-GT-10-50M-CR
	1 -15/16	<b>129353</b>	F2B-GTEZ-115-PCR	<b>129554</b>	F2B-GTEZ-10-PCR	<b>129978</b>	AN-GT-10-115-CR
	2	<b>064503</b>	F2B-GTEZ-200-PCR	<b>129554</b>	F2B-GTEZ-10-PCR	<b>129979</b>	AN-GT-10-200-CR

Unless specified, dimensions are in mm for metric parts and inches for non-metric parts.  
Note: Dimensions are in MM (in)

# E-Z Kleen mounted ball bearings

## Selection/Dimensions

E-Z Kleen mounted ball bearings  
 GTEZ normal duty polymer  
 housed 2-bolt flange bearings

Series	Shaft size	Weight kg lb	A	B	C#*	D	F bolt dia.	H	J	L	M	Z
204	20mm	0.36	37.6	113.0	43.7	90.0	M10	13.5	15.5	38.1	59.7	43.9
	3/4	0.77	1.48	4.45	1.72	3.54	3/8	0.53	0.61	1.50	2.35	1.73
205	25mm	0.47	37.1	125.0	43.2	99.0	M10	13.7	14.7	45.7	68.8	43.7
	1	1.01	1.46	4.92	1.70	3.90	3/8	0.54	0.58	1.80	2.71	1.72
206	30mm	0.57	40.9	141.7	46.7	116.5	M10	15.2	16.3	52.8	81.0	47.8
	1-1/8	1.56	1.61	5.58	1.84	4.59	3/8	0.60	0.64	2.08	3.19	1.88
	1-3/16	1.46	1.61	5.58	1.84	4.59	3/8	0.60	0.64	2.08	3.19	1.88
	1-1/4	1.36	1.61	5.58	1.84	4.59	3/8	0.60	0.64	2.08	3.19	1.88
207	35mm	1.00	41.1	160.3	47.2	130.0	M12	15.7	16.3	60.5	93.7	48.8
	1-1/4	2.18	1.62	6.31	1.86	5.12	1/2	0.62	0.64	2.38	3.69	1.92
	1-5/16	2.11	1.62	6.31	1.86	5.12	1/2	0.62	0.64	2.38	3.69	1.92
	1-7/16	2.08	1.62	6.31	1.86	5.12	1/2	0.62	0.64	2.38	3.69	1.92
208	40mm	1.26	46.7	172.0	53.8	143.5	M12	17.0	17.0	66.5	103.1	53.8
	1-1/2	2.75	1.84	6.77	2.12	5.65	1/2	0.67	0.67	2.62	4.06	2.12
209	45mm	1.41	47.0	179.6	53.8	148.5	M14	18.3	17.5	72.6	109.5	54.6
	1-5/8	3.11	1.85	7.07	2.12	5.85	9/16	0.72	0.69	2.86	4.31	2.15
	1-11/16	3.07	1.85	7.07	2.12	5.85	9/16	0.72	0.69	2.86	4.31	2.15
	1-3/4	3.04	1.85	7.07	2.12	5.85	9/16	0.72	0.69	2.86	4.31	2.15
210	50mm	1.67	47.2	189.7	57.4	157.0	M16	19.3	17.8	79.5	114.3	58.2
	1-15/16	3.64	1.86	7.47	2.26	6.18	5/8	0.76	0.70	3.13	4.50	2.29
	2	3.60	1.86	7.47	2.26	6.18	5/8	0.76	0.70	3.13	4.50	2.29

\*C# dimension will vary slightly depending on true shaft diameter.

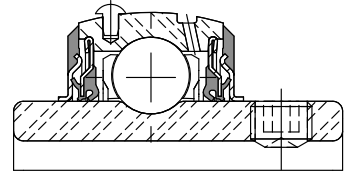
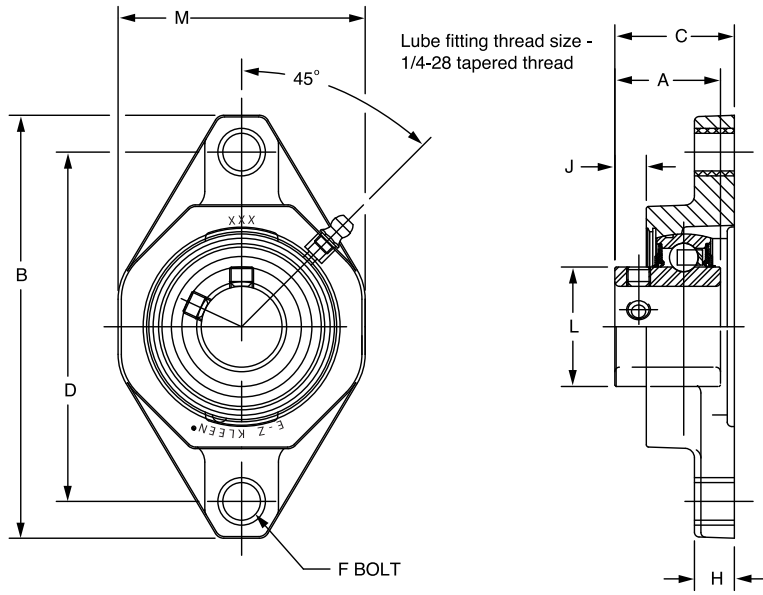
Unless specified, dimensions are in mm for metric parts and inches for non-metric parts.

Note: Dimensions are in MM (in)

# E-Z Kleen mounted ball bearings

## Selection/Dimensions

E-Z Kleen mounted ball bearings  
SCEZ normal duty polymer  
housed 2-bolt flange bearings



Series	Shaft size	With corrosion resistant insert		Standard insert with flingers		Weight kg lb	A	B	C	D	F bolt dia.	H	J	L	M
		Part no.	Description	Part no.	Description										
204	20mm	<b>127563</b>	F2B-SCEZ-20M-PCR	@	F2B-SCEZ-20M-P	0.24	31.2	113.0	36.3	90.0	M10	13.5	7.9	28.4	59.7
	1/2	<b>059823</b>	F2B-SCEZ-008L-PCR*	@	F2B-SCEZ-008L-P	0.48	1.23	4.45	1.43	3.54	3/8	0.53	0.31	1.12	2.35
	5/8	<b>058792</b>	F2B-SCEZ-010L-PCR*	@	F2B-SCEZ-010L-P	0.44	1.23	4.45	1.43	3.54	3/8	0.53	0.31	1.12	2.35
	3/4	<b>127524</b>	F2B-SCEZ-012-PCR	<b>058404</b>	F2B-SCEZ-012-P	0.40	1.23	4.45	1.43	3.54	3/8	0.53	0.31	1.12	2.35
205	25mm	<b>127564</b>	F2B-SCEZ-25M-PCR	@	F2B-SCEZ-25M-P	0.28	34.0	125.0	38.1	99.0	M10	13.7	9.1	33.5	68.8
	7/8	@	F2B-SCEZ-014-PCR*	<b>062837</b>	F2B-SCEZ-014-P	0.64	1.34	4.92	1.50	3.90	3/8	0.54	0.36	1.32	2.71
	15/16	<b>076841</b>	F2B-SCEZ-015-PCR*	@	F2B-SCEZ-015-P	0.60	1.34	4.92	1.50	3.90	3/8	0.54	0.36	1.32	2.71
	1	<b>127525</b>	F2B-SCEZ-100-PCR	<b>057524</b>	F2B-SCEZ-100-P	0.56	1.34	4.92	1.50	3.90	3/8	0.54	0.36	1.32	2.71
206	30mm	<b>127565</b>	F2B-SCEZ-30M-PCR	@	F2B-SCEZ-30M-P	0.39	38.6	141.7	42.9	116.5	M10	15.2	11.4	39.9	81.0
	1-1/8	<b>058470</b>	F2B-SCEZ-102-PCR*	@	F2B-SCEZ-102-P	0.88	1.52	5.58	1.69	4.59	3/8	0.60	0.45	1.57	3.19
	1-3/16	<b>127526</b>	F2B-SCEZ-103-PCR	<b>056449</b>	F2B-SCEZ-103-P	0.86	1.52	5.58	1.69	4.59	3/8	0.60	0.45	1.57	3.19
	1-1/4	<b>127527</b>	F2B-SCEZ-104S-PCR	<b>057594</b>	F2B-SCEZ-104S-P	0.84	1.52	5.58	1.69	4.59	3/8	0.60	0.45	1.57	3.19
207	35mm	<b>127566</b>	F2B-SCEZ-35M-PCR	@	F2B-SCEZ-35M-P	0.61	43.4	160.3	46.2	130.0	M12	15.7	13.7	46.7	93.7
	1-1/4	<b>127528</b>	F2B-SCEZ-104-PCR	<b>057687</b>	F2B-SCEZ-104-P	1.36	1.71	6.31	1.82	5.12	1/2	0.62	0.54	1.84	3.69
	1-5/16	<b>049380</b>	F2B-SCEZ-105-PCR*	@	F2B-SCEZ-105-P	1.32	1.71	6.31	1.82	5.12	1/2	0.62	0.54	1.84	3.69
	1-3/8	<b>056893</b>	F2B-SCEZ-106-PCR*	<b>056526</b>	F2B-SCEZ-106-P	1.28	1.71	6.31	1.82	5.12	1/2	0.62	0.54	1.84	3.69
	1-7/16	<b>127529</b>	F2B-SCEZ-107-PCR	<b>058941</b>	F2B-SCEZ-107-P	1.24	1.71	6.31	1.82	5.12	1/2	0.62	0.54	1.84	3.69
208	40mm	<b>127567</b>	F2B-SCEZ-40M-PCR	@	F2B-SCEZ-40M-P	0.76	49.3	172.0	52.8	143.5	M12	17.0	16.0	52.1	103.1
	1-1/2	<b>127530</b>	F2B-SCEZ-108-PCR	<b>056580</b>	F2B-SCEZ-108-P	1.82	1.94	6.77	2.08	5.65	1/2	0.67	0.63	2.05	4.06
	1-5/8	<b>073651</b>	F2B-SCEZ-110-PCR*	<b>073638</b>	F2B-SCEZ-110-P	1.78	1.94	6.77	2.08	5.65	1/2	0.67	0.63	2.05	4.06
209	45mm	<b>127568</b>	F2B-SCEZ-45M-PCR	@	F2B-SCEZ-45M-P	0.88	49.3	179.6	52.8	148.5	M14	18.3	15.7	56.4	109.5
	1-5/8	@	F2B-SCEZ-110L-PCR*	@	F2B-SCEZ-110L-P	2.04	1.94	7.07	2.08	5.85	9/16	0.72	0.62	2.22	4.31
	1-11/16	<b>127531</b>	F2B-SCEZ-111-PCR	<b>067986</b>	F2B-SCEZ-111-P	2.00	1.94	7.07	2.08	5.85	9/16	0.72	0.62	2.22	4.31
	1-3/4	@	F2B-SCEZ-112-PCR	<b>065786</b>	F2B-SCEZ-112-P	1.96	1.94	7.07	2.08	5.85	9/16	0.72	0.62	2.22	4.31
210	50mm	<b>127569</b>	F2B-SCEZ-50M-PCR	@	F2B-SCEZ-50M-P	0.96	49.3	189.7	56.4	157.0	M16	19.3	16.0	61.7	114.3
	1-15/16	<b>127532</b>	F2B-SCEZ-115-PCR	<b>058593</b>	F2B-SCEZ-115-P	2.12	1.94	7.47	2.22	6.18	5/8	0.76	0.63	2.43	4.50
	2	<b>049835</b>	F2B-SCEZ-200-PCR	@	F2B-SCEZ-200-P	2.08	1.94	7.47	2.22	6.18	5/8	0.76	0.63	2.43	4.50

@Assembled to order

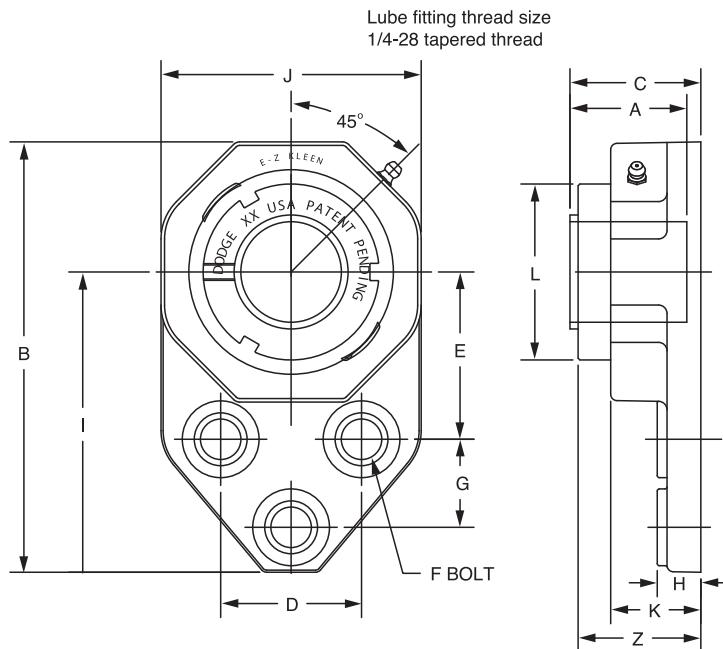
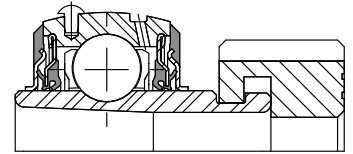
\*20 piece minimum

Unless specified, dimensions are in mm for metric parts and inches for non-metric parts. Note: Dimensions are in MM (in)

# E-Z Kleen mounted ball bearings

## Selection/Dimensions

E-Z Kleen mounted ball bearings  
GTEZ normal duty polymer housed  
flange bracket bearings



Series	Shaft size	Complete unit		Unit without adapter		Adapter & nut assembly	
		Part no.	Description	Part no.	Description	Part no.	Description
204	3/4	<b>129627</b>	FB-GTEZ-012-PCR	<b>129555</b>	FB-GTEZ-04-PCR	<b>129967</b>	AN-GT-04-012-CR
205	1	<b>129629</b>	FB-GTEZ-100-PCR	<b>129556</b>	FB-GTEZ-05-PCR	<b>129968</b>	AN-GT-05-100-CR
206	1-1/8	@	FB-GTEZ-102-PCR	<b>129557</b>	FB-GTEZ-06-PCR	<b>129969</b>	AN-GT-06-102-CR
	1-3/16	<b>129631</b>	FB-GTEZ-103-PCR	<b>129557</b>	FB-GTEZ-06-PCR	<b>129970</b>	AN-GT-06-103-CR
	1-1/4	<b>129632</b>	FB-GTEZ-104S-PCR	<b>129557</b>	FB-GTEZ-06-PCR	<b>129971</b>	AN-GT-06-104S-CR
207	1-1/4	<b>129634</b>	FB-GTEZ-104-PCR	<b>129558</b>	FB-GTEZ-07-PCR	<b>129972</b>	AN-GT-07-104-CR
	1-3/8	@	FB-GTEZ-106-PCR	<b>129558</b>	FB-GTEZ-07-PCR	<b>129973</b>	AN-GT-07-106-CR
	1-7/16	<b>129635</b>	FB-GTEZ-107-PCR	<b>129558</b>	FB-GTEZ-07-PCR	<b>129974</b>	AN-GT-07-107-CR

@Assembled to order  
Unless specified, dimensions are in mm for metric parts and inches for non-metric parts. Note: Dimensions are in MM (in)

Series	Shaft size	Weight lb	A	B	C#*	D	E	F bolt dia.	G	H	I	J	K	L	Z
204	3/4	0.75	1.48	4.39	1.72	1.50	1.69	3/8	0.88	0.53	3.22	2.34	1.12	1.50	1.73
205	1	1.12	1.46	4.91	1.70	1.63	1.81	3/8	1.13	0.54	3.56	2.71	1.14	1.80	1.72
206	1-1/8	1.77	1.46	4.91	1.70	1.63	1.81	3/8	1.13	0.54	3.56	2.71	1.14	1.80	1.72
	1-3/16	1.67	1.61	5.48	1.84	1.88	2.06	3/8	1.25	0.60	3.88	3.20	1.24	2.08	1.88
	1-1/4	1.57	1.61	5.48	1.84	1.88	2.06	3/8	1.25	0.60	3.88	3.20	1.24	2.08	1.88
207	1-1/4	2.65	1.61	5.48	1.84	1.88	2.06	3/8	1.25	0.60	3.88	3.20	1.24	2.08	1.88
	1-3/8	2.58	1.62	6.11	1.86	2.00	2.38	1/2	1.25	0.62	4.26	3.69	1.28	2.38	1.92
	1-7/16	2.55	1.62	6.11	1.86	2.00	2.38	1/2	1.25	0.62	4.26	3.69	1.28	2.38	1.92

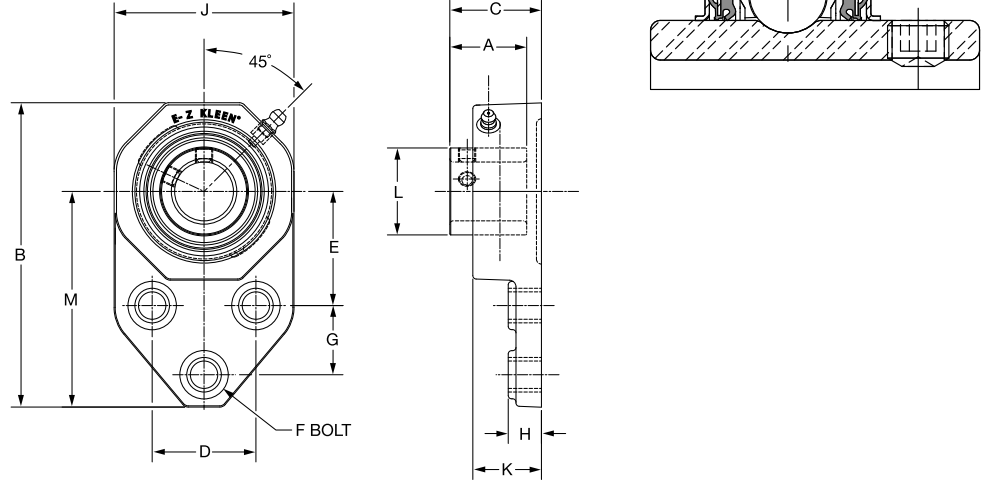
\*C# dimension will vary slightly depending on true shaft diameter  
Unless specified, dimensions are in mm for metric parts and inches for non-metric parts.  
Note: Dimensions are in MM (in)



# E-Z Kleen mounted ball bearings

## Selection/Dimensions

E-Z Kleen mounted ball bearings  
SCEZ normal duty polymer  
housed flange brackets



Series	Shaft size	With corrosion resistant insert		With insert with flingers	
		Part no.	Description	Part no.	Description
204	20mm	<b>127570</b>	FB-SCEZ-20M-PCR	@	FB-SCEZ-20M-P
	1/2	@	FB-SCEZ-008-PCR*	<b>062317</b>	FB-SCEZ-008L-P
	5/8	@	FB-SCEZ-010-PCR*	@	FB-SCEZ-010-P
	3/4	<b>127533</b>	FB-SCEZ-012-PCR	<b>058336</b>	FB-SCEZ-012-P
205	25mm	<b>127571</b>	FB-SCEZ-25M-PCR	@	FB-SCEZ-25M-P
	7/8	@	FB-SCEZ-014-PCR*	@	FB-SCEZ-014-P
	15/16	@	FB-SCEZ-015-PCR*	@	FB-SCEZ-015-P
	1	<b>127534</b>	FB-SCEZ-100-PCR	<b>057908</b>	FB-SCEZ-100-P
206	30mm	<b>127752</b>	FB-SCEZ-30M-PCR	@	FB-SCEZ-30M-P
	1-1/8	@	FB-SCEZ-102-PCR*	@	FB-SCEZ-102-P
	1-3/16	<b>127535</b>	FB-SCEZ-103-PCR	@	FB-SCEZ-103-P
	1-1/4	<b>127536</b>	FB-SCEZ-104S-PCR	<b>058311</b>	FB-SCEZ-104S-P
207	35mm	<b>127753</b>	FB-SCEZ-35M-PCR	@	FB-SCEZ-35M-P
	1-1/4	<b>127537</b>	FB-SCEZ-104-PCR	@	FB-SCEZ-104-P
	1-5/16	<b>058648</b>	FB-SCEZ-105-PCR*	@	FB-SCEZ-105-P
	1-3/8	@	FB-SCEZ-106-PCR*	@	FB-SCEZ-106-P
	1-7/16	<b>127538</b>	FB-SCEZ-107-PCR	@	FB-SCEZ-107-P

@Assembled to order

\*20 piece minimum

Unless specified, dimensions are in mm for metric parts and inches for non-metric parts.

Note: Dimensions are in MM (in)

Series	Shaft size	Weight kg lb	A	B	C	D	E	F bolt dia.	G	H	I	J	K	L
204	20mm	0.23	31.2	111.5	36.6	38.1	42.9	M10	22.4	13.5	81.8	59.4	28.4	28.4
	1/2	0.51	1.23	4.39	1.44	1.50	1.69	3/8	0.88	0.53	3.22	2.34	1.12	1.12
	5/8	0.49	1.23	4.39	1.44	1.50	1.69	3/8	0.88	0.53	3.22	2.34	1.12	1.12
	3/4	0.47	1.23	4.39	1.44	1.50	1.69	3/8	0.88	0.53	3.22	2.34	1.12	1.12
205	25mm	0.32	34.0	124.7	38.1	41.4	46.0	M10	28.7	13.7	90.4	68.8	29.0	33.5
	7/8	0.73	1.34	4.91	1.50	1.63	1.81	3/8	1.13	0.54	3.56	2.71	1.14	1.32
	15/16	0.71	1.34	4.91	1.50	1.63	1.81	3/8	1.13	0.54	3.56	2.71	1.14	1.32
	1	0.69	1.34	4.91	1.50	1.63	1.81	3/8	1.13	0.54	3.56	2.71	1.14	1.32
206	30mm	0.48	38.6	139.2	42.9	47.8	52.3	M10	31.8	15.2	98.6	81.3	31.5	39.9
	1-1/8	1.09	1.52	5.48	1.69	1.88	2.06	3/8	1.25	0.60	3.88	3.20	1.24	1.57
	1-3/16	1.07	1.52	5.48	1.69	1.88	2.06	3/8	1.25	0.60	3.88	3.20	1.24	1.57
	1-1/4	1.05	1.52	5.48	1.69	1.88	2.06	3/8	1.25	0.60	3.88	3.20	1.24	1.57
207	35mm	0.83	43.4	155.2	46.2	50.8	60.5	M12	31.8	15.7	108.2	93.7	32.5	46.7
	1-1/4	1.87	1.71	6.11	1.82	2.00	2.38	1/2	1.25	0.62	4.26	3.69	1.28	1.84
	1-5/16	1.81	1.71	6.11	1.82	2.00	2.38	1/2	1.25	0.62	4.26	3.69	1.28	1.84
	1-3/8	1.76	1.71	6.11	1.82	2.00	2.38	1/2	1.25	0.62	4.26	3.69	1.28	1.84
	1-7/16	1.71	1.71	6.11	1.82	2.00	2.38	1/2	1.25	0.62	4.26	3.69	1.28	1.84

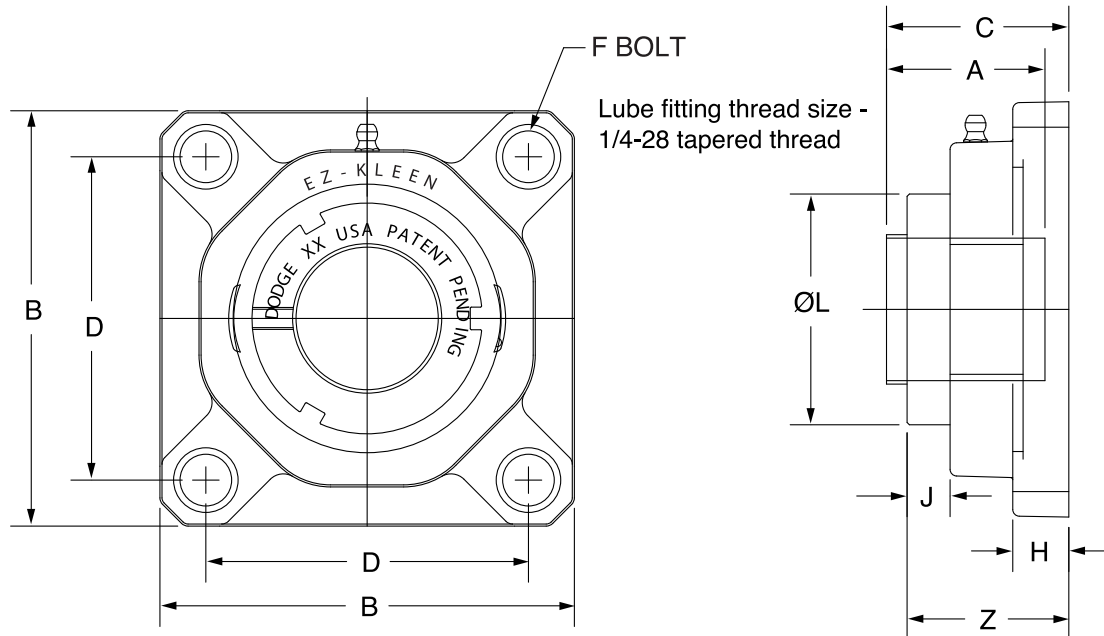
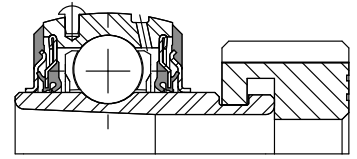
Unless specified, dimensions are in mm for metric parts and inches for non-metric parts.

Note: Dimensions are in MM (in)

# E-Z Kleen mounted ball bearings

## Selection/Dimensions

E-Z Kleen mounted ball bearings  
GTEZ normal duty polymer  
housed 4-bolt flange bearings



Series	Shaft size	Complete unit		Unit without adapter		Adapter & nut assembly	
		Part no.	Description	Part no.	Description	Part no.	Description
204	20mm	129707	F4B-GTEZ-20M-PCR	129541	F4B-GTEZ-04-PCR	129980	AN-GT-04-20M-CR
	3/4	129706	F4B-GTEZ-012-PCR	129541	F4B-GTEZ-04-PCR	129967	AN-GT-04-012-CR
205	25mm	129709	F4B-GTEZ-25M-PCR	129542	F4B-GTEZ-05-PCR	129981	AN-GT-05-25M-CR
	1	129708	F4B-GTEZ-100-PCR	129542	F4B-GTEZ-05-PCR	129968	AN-GT-05-100-CR
206	30mm	129712	F4B-GTEZ-30M-PCR	129543	F4B-GTEZ-06-PCR	129982	AN-GT-06-30M-CR
	1-1/8	068687	F4B-GTEZ-102-PCR	129543	F4B-GTEZ-06-PCR	129969	AN-GT-06-102-CR
	1-3/16	129710	F4B-GTEZ-103-PCR	129543	F4B-GTEZ-06-PCR	129970	AN-GT-06-103-CR
	1-1/4	129711	F4B-GTEZ-104S-PCR	129543	F4B-GTEZ-06-PCR	129971	AN-GT-06-104S-CR
207	35mm	129715	F4B-GTEZ-35M-PCR	129544	F4B-GTEZ-07-PCR	129983	AN-GT-07-35M-CR
	1-1/4	129713	F4B-GTEZ-104-PCR	129544	F4B-GTEZ-07-PCR	129972	AN-GT-07-104-CR
	1-3/8	@	F4B-GTEZ-106-PCR	129544	F4B-GTEZ-07-PCR	129973	AN-GT-07-106-CR
	1-7/16	129714	F4B-GTEZ-107-PCR	129544	F4B-GTEZ-07-PCR	129974	AN-GT-07-107-CR
208	40mm	129717	F4B-GTEZ-40M-PCR	129545	F4B-GTEZ-08-PCR	129984	AN-GT-08-40M-CR
	1-1/2	129716	F4B-GTEZ-108-PCR	129545	F4B-GTEZ-08-PCR	129975	AN-GT-08-108-CR
	1-11/16	129718	F4B-GTEZ-111-PCR	129546	F4B-GTEZ-09-PCR	129976	AN-GT-09-111-CR
209	45mm	129705	F4B-GTEZ-45M-PCR	129546	F4B-GTEZ-09-PCR	129985	AN-GT-09-45M-CR
	1-3/4	064584	F4B-GTEZ-112-PCR	129546	F4B-GTEZ-09-PCR	129977	AN-GT-09-112-CR
210	50mm	129720	F4B-GTEZ-50M-PCR	129547	F4B-GTEZ-10-PCR	129986	AN-GT-10-50M-CR
	1-15/16	129719	F4B-GTEZ-115-PCR	129547	F4B-GTEZ-10-PCR	129978	AN-GT-10-115-CR
	2	129395	F4B-GTEZ-200-PCR	129547	F4B-GTEZ-10-PCR	129979	AN-GT-10-200-CR

@Assembled to order

Unless specified, dimensions are in mm for metric parts and inches for non-metric parts.

Note: Dimensions are in MM (in)

# E-Z Kleen mounted ball bearings

## Selection/Dimensions

E-Z Kleen mounted ball bearings  
 GTEZ normal duty polymer  
 housed 4-bolt flange bearings

Series	Shaft size	Weight kg lb	A	B	C#*	D	F bolt dia.	H	J	L	Z
204	20mm	0.30	37.6	85.9	43.7	63.5	M10	13.5	15.0	38.1	43.9
	3/4	0.50	1.48	3.38	1.72	2.50	3/8	0.53	0.59	1.50	1.73
205	25mm	0.30	37.1	95.3	43.2	69.9	M10	13.7	14.7	45.7	43.7
	1	0.90	1.46	3.75	1.70	2.75	3/8	0.54	0.58	1.80	1.72
206	30mm	0.50	40.9	108.0	46.7	82.6	M10	15.2	16.3	52.8	47.8
	1-1/8	1.20	1.61	4.25	1.84	3.25	3/8	0.60	0.64	2.08	1.88
	1-3/16	1.20	1.61	4.25	1.84	3.25	3/8	0.60	0.64	2.08	1.88
	1-1/4	1.20	1.61	4.25	1.84	3.25	3/8	0.60	0.64	2.08	1.88
207	35mm	0.70	41.1	118.1	47.2	92.1	M12	15.7	16.0	60.5	48.8
	1-1/4	1.60	1.62	4.65	1.86	3.63	1/2	0.62	0.63	2.38	1.92
	1-3/8	1.60	1.62	4.65	1.86	3.63	1/2	0.62	0.63	2.38	1.92
	1-7/16	1.60	1.62	4.65	1.86	3.63	1/2	0.62	0.63	2.38	1.92
208	40mm	0.90	46.7	130.0	53.8	101.6	M12	17.0	16.8	66.5	53.8
	1-1/2	2.00	1.84	5.12	2.12	4.00	1/2	0.67	0.66	2.62	2.12
209	45mm	1.00	47.0	136.7	53.8	104.8	M14	18.3	17.5	72.6	54.6
	1-11/16	2.30	1.85	5.38	2.12	4.13	9/16	0.72	0.69	2.86	2.15
	1-3/4	2.30	1.85	5.38	2.12	4.13	9/16	0.72	0.69	2.86	2.15
210	50mm	1.10	47.2	142.7	57.4	111.2	M16	19.3	17.8	79.5	58.2
	1-15/16	2.30	1.86	5.62	2.26	4.38	5/8	0.76	0.70	3.13	2.29
	2	2.30	1.86	5.62	2.26	4.38	5/8	0.76	0.70	3.13	2.29

\*C# dimension will vary slightly depending on true shaft diameter.

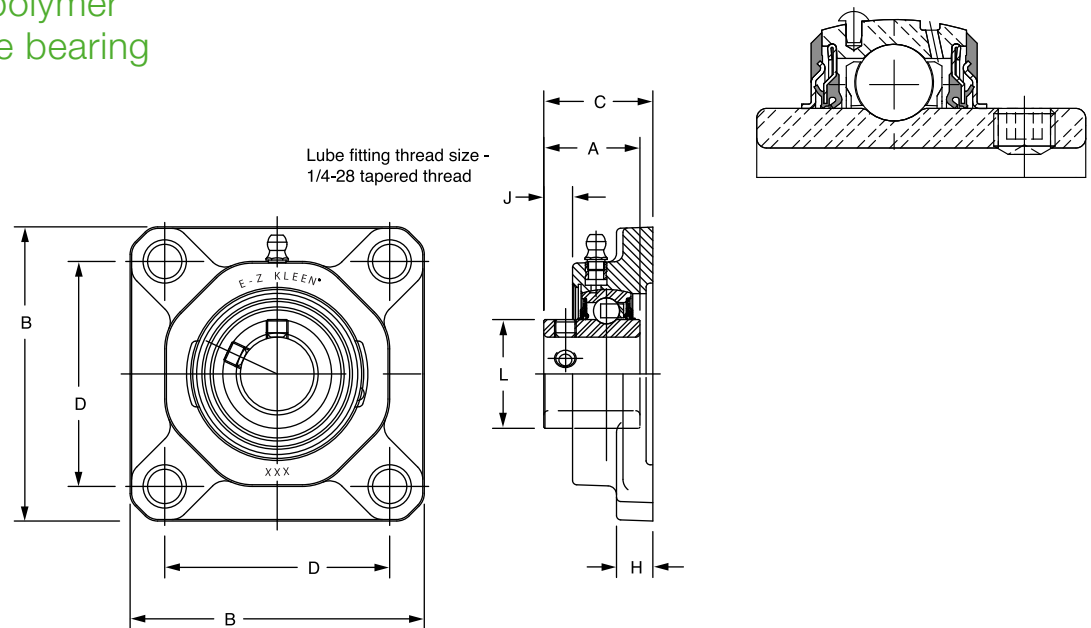
Unless specified, dimensions are in mm for metric parts and inches for non-metric parts.

Note: Dimensions are in MM (in)

# E-Z Kleen mounted ball bearings

## Selection/Dimensions

E-Z Kleen mounted ball bearings  
SCEZ normal duty polymer  
housed 4-bolt flange bearing



Series	Shaft size	With corrosion resistant insert		With insert with flingers		Weight kg lb	A	B	C	D	F bolt dia.	H	J	L
		Part no.	Description	Part no.	Description									
204	20mm	<b>127556</b>	F4B-SCEZ-20M-PCR	@	F4B-SCEZ-20M-P	0.27	31.2	85.9	37.0	63.5	M10	13.5	7.6	28.4
	1/2	<b>073224</b>	F4B-SCEZ-008L-PCR*	@	F4B-SCEZ-008L-P	0.59	1.23	3.38	1.46	2.50	3/8	0.53	0.30	1.12
	5/8	@	F4B-SCEZ-010L-PCR*	@	F4B-SCEZ-010L-P	0.57	1.23	3.38	1.46	2.50	3/8	0.53	0.30	1.12
	3/4	<b>127515</b>	F4B-SCEZ-012-PCR	<b>056440</b>	F4B-SCEZ-012-P	0.55	1.23	3.38	1.46	2.50	3/8	0.53	0.30	1.12
205	25mm	<b>127557</b>	F4B-SCEZ-25M-PCR	@	F4B-SCEZ-25M-P	0.32	34.0	95.3	38.6	69.9	M10	13.7	9.1	33.5
	7/8	<b>068424</b>	F4B-SCEZ-014-PCR*	@	F4B-SCEZ-014-P	0.71	1.34	3.75	1.52	2.75	3/8	0.54	0.36	1.32
	15/16	@	F4B-SCEZ-015-PCR*	@	F4B-SCEZ-015-P	0.69	1.34	3.75	1.52	2.75	3/8	0.54	0.36	1.32
	1	<b>127516</b>	F4B-SCEZ-100-PCR	<b>058910</b>	F4B-SCEZ-100-P	0.67	1.34	3.75	1.52	2.75	3/8	0.54	0.36	1.32
206	30mm	<b>127558</b>	F4B-SCEZ-30M-PCR	@	F2B-SCEZ-30M-P	0.39	38.6	108.0	43.7	82.6	M10	15.2	11.4	39.9
	1-1/8	<b>068053</b>	F4B-SCEZ-102-PCR*	@	F4B-SCEZ-102-P	0.89	1.52	4.25	1.72	3.25	3/8	0.60	0.45	1.57
	1-3/16	<b>127517</b>	F4B-SCEZ-103-PCR	@	F4B-SCEZ-103-P	0.86	1.52	4.25	1.72	3.25	3/8	0.60	0.45	1.57
	1-1/4	<b>127518</b>	F4B-SCEZ-104S-PCR	<b>058594</b>	F4B-SCEZ-104S-P	0.84	1.52	4.25	1.72	3.25	3/8	0.60	0.45	1.57
207	35mm	<b>127559</b>	F4B-SCEZ-35M-PCR	@	F4B-SCEZ-35M-P	0.61	43.4	118.1	46.7	92.1	M12	15.7	13.5	46.7
	1-1/4	<b>127519</b>	F4B-SCEZ-104-PCR	<b>074632</b>	F4B-SCEZ-104-P	1.40	1.71	4.65	1.84	3.63	1/2	0.62	0.53	1.84
	1-5/16	@	F4B-SCEZ-105-PCR*	@	F4B-SCEZ-105-P	1.35	1.71	4.65	1.84	3.63	1/2	0.62	0.53	1.84
	1-3/8	<b>058294</b>	F4B-SCEZ-106-PCR*	<b>065780</b>	F4B-SCEZ-106-P	1.30	1.71	4.65	1.84	3.63	1/2	0.62	0.53	1.84
	1-7/16	<b>127520</b>	F4B-SCEZ-107-PCR	@	F4B-SCEZ-107-P	1.24	1.71	4.65	1.84	3.63	1/2	0.62	0.53	1.84
208	40mm	<b>127560</b>	F4B-SCEZ-40M-PCR	@	F4B-SCEZ-40M-P	0.76	49.3	130.0	53.3	101.6	M12	17.0	15.7	52.1
	1-1/2	<b>127521</b>	F4B-SCEZ-108-PCR	<b>058595</b>	F4B-SCEZ-108-P	1.82	1.94	5.12	2.10	4.00	1/2	0.67	0.62	2.05
	1-5/8	<b>062628</b>	F4B-SCEZ-110-PCR*	@	F4B-SCEZ-110-P	1.68	1.94	5.12	2.10	4.00	1/2	0.67	0.62	2.05
209	45mm	<b>127561</b>	F4B-SCEZ-45M-PCR	@	F4B-SCEZ-45M-P	0.88	49.3	136.7	53.3	104.8	M14	18.3	15.7	56.4
	1-5/8	@	F4B-SCEZ-110L-PCR*	@	F4B-SCEZ-110L-P	2.09	1.94	5.38	2.10	4.13	9/16	0.72	0.62	2.22
	1-11/16	<b>127522</b>	F4B-SCEZ-111-PCR	@	F4B-SCEZ-111-P	2.00	1.94	5.38	2.10	4.13	9/16	0.72	0.62	2.22
	1-3/4	<b>057907</b>	F4B-SCEZ-112-PCR*	@	F4B-SCEZ-112-P	1.93	1.94	5.38	2.10	4.13	9/16	0.72	0.62	2.22
210	50mm	<b>127562</b>	F4B-SCEZ-50M-PCR	@	F4B-SCEZ-50M-P	0.96	49.3	142.7	56.9	111.2	M16	19.3	16.0	61.7
	1-15/16	<b>127523</b>	F4B-SCEZ-115-PCR	@	F4B-SCEZ-115-P	2.12	1.94	5.62	2.24	4.38	5/8	0.76	0.63	2.43
	2	<b>057899</b>	F4B-SCEZ-200-PCR	@	F4B-SCEZ-200-P	2.03	1.94	5.62	2.24	4.38	5/8	0.76	0.63	2.43

@Assembled to order

\*20 piece minimum

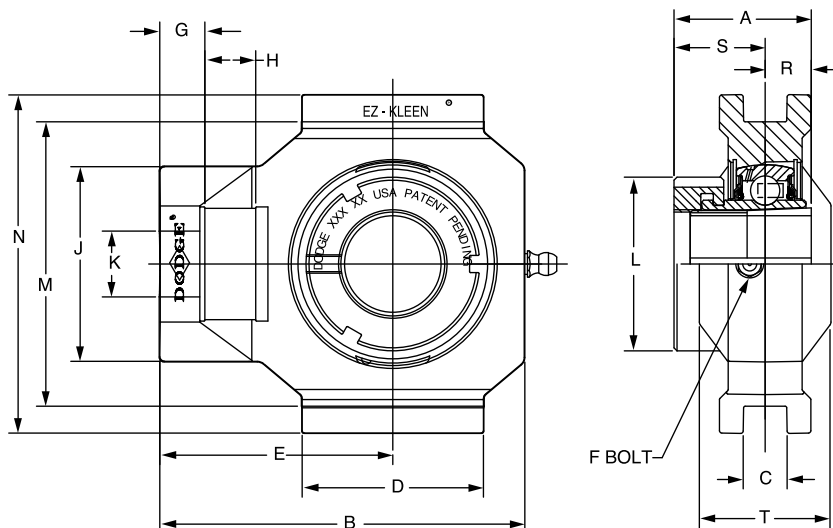
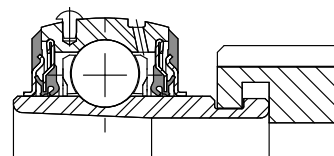
Unless specified, dimensions are in mm for metric parts and inches for non-metric parts.

Note: Dimensions are in MM (in)

# E-Z Kleen mounted ball bearings

## Selection/Dimensions

E-Z Kleen mounted ball bearings  
 GTEZ normal duty polymer  
 housed wide slot take-up bearings



Series	Shaft size	With corrosion resistant insert		Unit without adapter & nut		Adapter & nut assembly	
		Part no.	Description	Part no.	Description	Part no.	Description
204	20mm	<b>136323</b>	WSTU-GTEZ-20M-PCR	<b>136327</b>	WSTU-GTEZ-04-PCR	<b>129980</b>	AN-GT-04-20M-CR
	3/4	<b>136315</b>	WSTU-GTEZ-012-PCR	<b>136327</b>	WSTU-GTEZ-04-PCR	<b>129967</b>	AN-GT-04-012-CR
205	25mm	<b>136324</b>	WSTU-GTEZ-25M-PCR	<b>136328</b>	WSTU-GTEZ-05-PCR	<b>129981</b>	AN-GT-05-25M-CR
	1	<b>136316</b>	WSTU-GTEZ-100-PCR	<b>136328</b>	WSTU-GTEZ-05-PCR	<b>129968</b>	AN-GT-05-100-CR
206	30mm	<b>136325</b>	WSTU-GTEZ-30M-PCR	<b>136329</b>	WSTU-GTEZ-06-PCR	<b>129982</b>	AN-GT-06-30M-CR
	1-1/8	<b>136317</b>	WSTU-GTEZ-102-PCR	<b>136329</b>	WSTU-GTEZ-06-PCR	<b>129969</b>	AN-GT-06-102-CR
	1-3/16	<b>136318</b>	WSTU-GTEZ-103-PCR	<b>136329</b>	WSTU-GTEZ-06-PCR	<b>129970</b>	AN-GT-06-103-CR
	1-1/4	<b>136319</b>	WSTU-GTEZ-104S-PCR	<b>136329</b>	WSTU-GTEZ-06-PCR	<b>129971</b>	AN-GT-06-104S-CR
207	35mm	<b>136326</b>	WSTU-GTEZ-35M-PCR	<b>136330</b>	WSTU-GTEZ-07-PCR	<b>129983</b>	AN-GT-07-35M-CR
	1-1/4	<b>136320</b>	WSTU-GTEZ-104-PCR	<b>136330</b>	WSTU-GTEZ-07-PCR	<b>129972</b>	AN-GT-07-104-CR
	1-3/8	<b>136321</b>	WSTU-GTEZ-106-PCR	<b>136330</b>	WSTU-GTEZ-07-PCR	<b>129973</b>	AN-GT-07-106-CR
	1-7/16	<b>136322</b>	WSTU-GTEZ-107-PCR	<b>136330</b>	WSTU-GTEZ-07-PCR	<b>129974</b>	AN-GT-07-107-CR

Unless specified, dimensions are in mm for metric parts and inches for non-metric parts.  
 Note: Dimensions are in MM (in)

# E-Z Kleen mounted ball bearings

## Selection/Dimensions

E-Z Kleen mounted ball bearings  
 GTEZ normal duty polymer  
 housed wide slot take-up bearings

Series	Shaft size	Weight kg lb	Take-up frame no. ref.	A	B	C	D	E	F thd shaft	G	H
204	20mm	0.40	WS300	37.6	96.8	13.46	53.3	63.5	15.9	14.2	16.5
	3/4	0.90	WS300	1.48	3.81	0.530	2.10	2.50	5/8	0.56	0.65
205	25mm	0.50	WS300	37.1	100.8	13.46	55.9	65.0	15.9	14.2	16.5
	1	1.20	WS300	1.46	3.97	0.530	2.20	2.56	5/8	0.56	0.65
206	30mm	0.80	WS308	40.9	114.0	13.46	58.2	72.6	19.1	14.2	16.5
	1-1/8	1.80	WS308	1.61	4.49	0.530	2.29	2.86	3/4	0.56	0.65
	1-3/16	1.70	WS308	1.61	4.49	0.530	2.29	2.86	3/4	0.56	0.65
	1-1/4	1.60	WS308	1.61	4.49	0.530	2.29	2.86	3/4	0.56	0.65
207	35mm	1.08	WS308	41.1	126.7	13.46	57.2	78.7	19.1	14.2	16.5
	1-1/4	2.40	WS308	1.62	4.99	0.530	2.25	3.10	3/4	0.56	0.65
	1-3/8	2.30	WS308	1.62	4.99	0.530	2.25	3.10	3/4	0.56	0.65
	1-7/16	2.30	WS308	1.62	4.99	0.530	2.25	3.10	3/4	0.56	0.65

Unless specified, dimensions are in mm for metric parts and inches for non-metric parts.  
 Note: Dimensions are in MM (in)

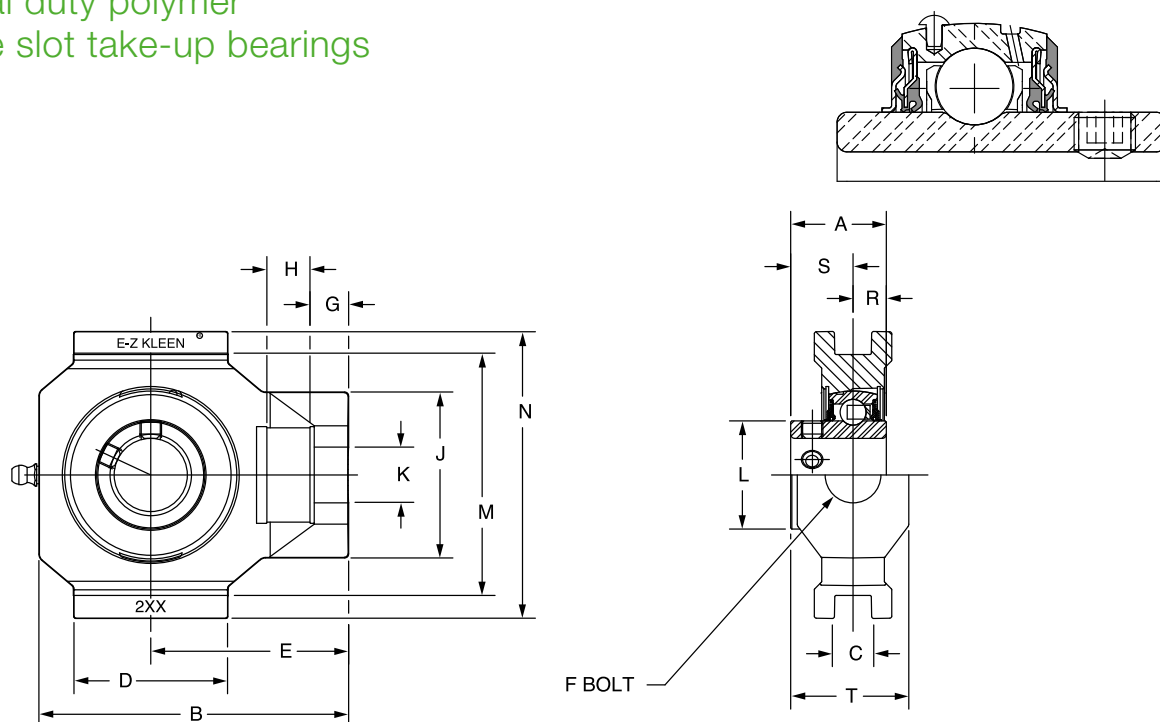
Series	Shaft size	J	K	L	M	N	R	S	T	Z
204	20mm	53.3	18.0	38.1	76.58/75.82	92.2	11.7	25.9	35.1	43.9
	3/4	2.10	0.71	1.50	3.015/2.985	3.63	0.46	1.02	1.38	1.73
205	25mm	53.8	18.0	45.7	76.96/76.20	92.2	12.2	24.9	35.1	43.7
	1	2.12	0.71	1.80	3.030/3.000	3.63	0.48	0.98	1.38	1.72
206	30mm	61.2	20.6	52.8	89.54/88.77	106.7	13.2	27.7	41.1	47.8
	1-1/8	2.41	0.81	2.08	3.525/3.495	4.20	0.52	1.09	1.62	1.88
	1-3/16	2.41	0.81	2.08	3.525/3.495	4.20	0.52	1.09	1.62	1.88
207	35mm	61.2	20.6	60.5	89.93/89.15	106.7	13.7	27.4	41.1	48.8
	1-1/4	2.41	0.81	2.38	3.540/3.510	4.20	0.54	1.08	1.62	1.92
	1-3/8	2.41	0.81	2.38	3.540/3.510	4.20	0.54	1.08	1.62	1.92
	1-7/16	2.41	0.81	2.38	3.540/3.510	4.20	0.54	1.08	1.62	1.92

Unless specified, dimensions are in mm for metric parts and inches for non-metric parts.  
 Note: Dimensions are in MM (in)

# E-Z Kleen mounted ball bearings

## Selection/Dimensions

E-Z Kleen mounted ball bearings  
SCEZ normal duty polymer  
housed wide slot take-up bearings



Series	Shaft size	With corrosion resistant insert		Standard insert with flingers	
		Part no.	Description	Part No.	Description
204	20mm	<b>127574</b>	WSTU-SCEZ-20M-PCR	@	WSTU-SCEZ-20M-P
	1/2	@	WSTU-SCEZ-008L-PCR*	@	WSTU-SCEZ-008L-P
	5/8	@	WSTU-SCEZ-010L-PCR*	@	WSTU-SCEZ-010L-P
	3/4	<b>127539</b>	WSTU-SCEZ-012-PCR	@	WSTU-SCEZ-012-P
205	25mm	<b>127575</b>	WSTU-SCEZ-25M-PCR	@	WSTU-SCEZ-25M-P
	7/8	@	WSTU-SCEZ-014-PCR*	@	WSTU-SCEZ-014-P
	15/16	@	WSTU-SCEZ-015-PCR*	@	WSTU-SCEZ-015-P
	1	<b>127540</b>	WSTU-SCEZ-100-PCR	<b>058940</b>	WSTU-SCEZ-100-P
206	30mm	<b>127576</b>	WSTU-SCEZ-30M-PCR	@	WSTU-SCEZ-30M-P
	1-1/8	@	WSTU-SCEZ-102-PCR*	@	WSTU-SCEZ-102-P
	1-3/16	<b>127541</b>	WSTU-SCEZ-103-PCR	@	WSTU-SCEZ-103-P
	1-1/4	<b>127542</b>	WSTU-SCEZ-104S-PCR	@	WSTU-SCEZ-104S-P
207	35mm	<b>127577</b>	WSTU-SCEZ-35M-PCR	@	WSTU-SCEZ-35M-P
	1-1/4	<b>127543</b>	WSTU-SCEZ-104-PCR	@	WSTU-SCEZ-104-P
	1-5/16	@	WSTU-SCEZ-105-PCR*	@	WSTU-SCEZ-105-P
	1-3/8	@	WSTU-SCEZ-106-PCR*	<b>073836</b>	WSTU-SCEZ-106-P
	1-7/16	<b>127544</b>	WSTU-SCEZ-107-PCR	@	WSTU-SCEZ-107-P

@Assembled to order

Unless specified, dimensions are in mm for metric parts and inches for non-metric parts.

Note: Dimensions are in MM (in)

# E-Z Kleen mounted ball bearings

## Selection/Dimensions

E-Z Kleen mounted ball bearings  
SCEZ normal duty polymer  
housed wide slot take-up bearings

Series	Shaft size	Weight kg lb	Take-up frame no. ref.	A	B	C	D	E	F thd shaft	G
204	20mm	0.31	WS300	31.2	96.8	13.84/13.08	53.3	63.5	15.9	14.2
	1/2	0.86	WS300	1.23	3.81	0.545/0.515	2.10	2.50	5/8	0.56
	5/8	0.76	WS300	1.23	3.81	0.545/0.515	2.10	2.50	5/8	0.56
	3/4	0.66	WS300	1.23	3.81	0.545/0.515	2.10	2.50	5/8	0.56
205	25mm	0.34	WS300	34.0	100.8	13.84/13.08	55.9	65.0	15.9	14.2
	7/8	0.92	WS300	1.34	3.97	0.545/0.515	2.20	2.56	5/8	0.56
	15/16	0.82	WS300	1.34	3.97	0.545/0.515	2.20	2.56	5/8	0.56
	1	0.72	WS300	1.34	3.97	0.545/0.515	2.20	2.56	5/8	0.56
206	30mm	0.49	WS308	38.6	114.0	13.84/13.08	58.2	72.6	19.1	14.2
	1-1/8	1.11	WS308	1.52	4.49	0.545/0.515	2.29	2.86	3/4	0.56
	1-3/16	1.09	WS308	1.52	4.49	0.545/0.515	2.29	2.86	3/4	0.56
	1-1/4	1.07	WS308	1.52	4.49	0.545/0.515	2.29	2.86	3/4	0.56
207	30mm	0.49	WS308	38.6	114.0	13.84/13.08	58.2	72.6	19.1	14.2
	1-1/4	1.58	WS308	1.71	4.99	0.545/0.515	2.25	3.10	3/4	0.56
	1-5/16	1.52	WS308	1.71	4.99	0.545/0.515	2.25	3.10	3/4	0.56
	1-3/8	1.47	WS308	1.71	4.99	0.545/0.515	2.25	3.10	3/4	0.56
	1-7/16	1.42	WS308	1.71	4.99	0.545/0.515	2.25	3.10	3/4	0.56

Unless specified, dimensions are in mm for metric parts and inches for non-metric parts.

Note: Dimensions are in MM (in)

Series	Shaft size	H	J	K	L	M	N	R	S	T
204	20mm	16.5	53.3	18.0	28.4	76.58/75.82	92.2	12.7	18.5	35.1
	1/2	0.65	2.10	0.71	1.12	3.015/2.985	3.63	0.50	0.73	1.38
	5/8	0.65	2.10	0.71	1.12	3.015/2.985	3.63	0.50	0.73	1.38
	3/4	0.65	2.10	0.71	1.12	3.015/2.985	3.63	0.50	0.73	1.38
205	25mm	16.5	53.8	18.0	33.5	76.96/76.20	92.2	14.2	19.8	35.1
	7/8	0.65	2.12	0.71	1.32	3.030/3.000	3.63	0.56	0.78	1.38
	15/16	0.65	2.12	0.71	1.32	3.030/3.000	3.63	0.56	0.78	1.38
	1	0.65	2.12	0.71	1.32	3.030/3.000	3.63	0.56	0.78	1.38
206	30mm	16.5	61.2	20.6	39.9	89.54/88.77	106.7	14.7	23.9	41.1
	1-1/8	0.65	2.41	0.81	1.57	3.525/3.495	4.20	0.58	0.94	1.62
	1-3/16	0.65	2.41	0.81	1.57	3.525/3.495	4.20	0.58	0.94	1.62
	1-1/4	0.65	2.41	0.81	1.57	3.525/3.495	4.20	0.58	0.94	1.62
207	35mm	16.5	61.2	20.6	46.7	89.93/89.15	106.7	17.0	26.4	41.1
	1-1/4	0.65	2.41	0.81	1.84	3.540/3.510	4.20	0.67	1.04	1.62
	1-5/16	0.65	2.41	0.81	1.84	3.540/3.510	4.20	0.67	1.04	1.62
	1-3/8	0.65	2.41	0.81	1.84	3.540/3.510	4.20	0.67	1.04	1.62
	1-7/16	0.65	2.41	0.81	1.84	3.540/3.510	4.20	0.67	1.04	1.62

Unless specified, dimensions are in mm for metric parts and inches for non-metric parts.

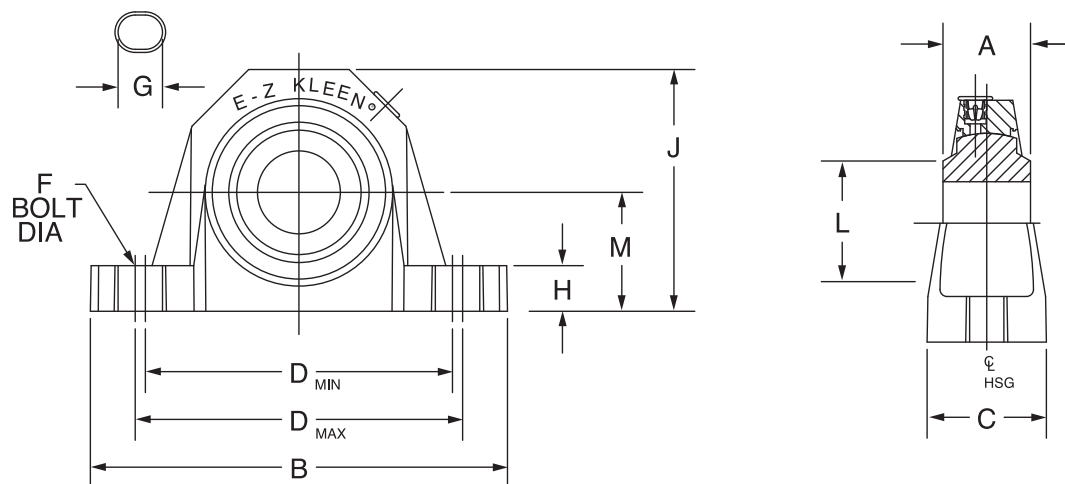
Note: Dimensions are in MM (in)



# E-Z Kleen mounted ball bearings

## Selection/Dimensions

E-Z Kleen mounted bearings  
PSEZ polymer sleeve polymer  
housed pillow blocks



Series	Shaft size	Part no.	Description
204	20mm	<b>034748</b>	P2B-PSEZ-20M-P
	3/4	<b>034700</b>	P2B-PSEZ-012-P
205	25mm	<b>034749</b>	P2B-PSEZ-25M-P
	1	<b>034701</b>	P2B-PSEZ-100-P
206 (PSU)	30mm	<b>034750</b>	P2B-PSUEZ-30M-P
	1-3/16	<b>034702</b>	P2B-PSUEZ-103-P
	1-1/4	<b>034703</b>	P2B-PSUEZ-104S-P
207	35mm	<b>034751</b>	P2B-PSEZ-35M-P
	1-1/4	<b>034704</b>	P2B-PSEZ-104-P
	1-7/16	<b>034705</b>	P2B-PSEZ-107-P
208 (PSB)	40mm	<b>034752</b>	P2B-PSBEZ-40M-P
	1-1/2	<b>034706</b>	P2B-PSBEZ-108-P
210	50mm	<b>034754</b>	P2B-PSEZ-50M-P
	1-15/16	<b>034709</b>	P2B-PSEZ-115-P

Unless specified, dimensions are in mm for metric parts and inches for non-metric parts.  
Note: Dimensions are in MM (in)

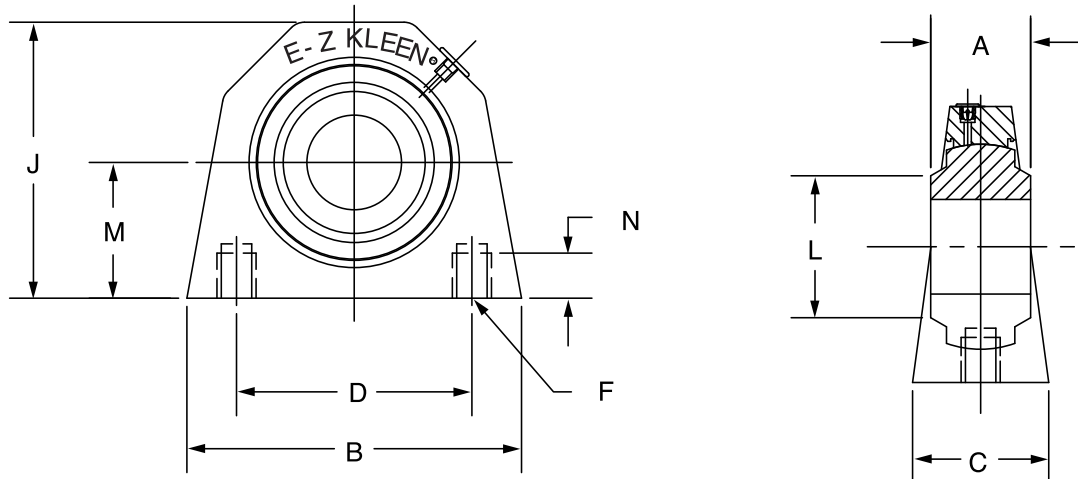
Series	Shaft size	Weight kg lb	A	B	C	D		F bolt dia.	G	H	J	L	M
						Min	Max						
204	20mm	0.26	25.4	127.8	37.7	93.3	99.6	M10	15.1	15.5	66.7	33.3	33.3
	3/4	0.57	1	5-1/32	1-31/64	3-31/64	3-59/64	3/8	19/32	39/64	2-5/8	1-5/16	1-5/16
205	25mm	0.26	27.0	139.7	37.7	100.8	106.8	M10	15.1	15.5	72.6	36.5	36.5
	1	0.57	1-1/16	5-1/2	1-31/64	3-31/32	4-13/64	3/8	19/32	39/64	2-55/64	1-7/16	1-7/16
206 (PSU)	30mm	0.4	30.2	160.3	45.2	116.9	124.2	M12	18.3	17.9	84.9	42.9	42.9
	1-3/16	0.89	1-3/16	6-5/16	1-25/32	4-39/64	4-57/64	1/2	23/32	45/64	3-11/32	1-11/16	1-11/16
	1-1/4	0.88	1-3/16	6-5/16	1-25/32	4-39/64	4-57/64	1/2	23/32	45/64	3-11/32	1-11/16	1-11/16
207	35mm	0.48	33.3	166.3	47.8	122.2	130.2	M12	18.3	18.3	98.8	50.8	47.6
	1-1/4	1.06	1-5/16	6-35/64	1-7/8	4-13/16	5-1/8	1/2	23/32	23/32	3-57/64	2	1-7/8
	1-7/16	1.01	1-5/16	6-35/64	1-7/8	4-13/16	5-1/8	1/2	23/32	23/32	3-57/64	2	1-7/8
208 (PSB)	40mm	0.58	38.1	183.0	53.6	129.6	143.3	M12	22.2	19.4	106.0	50.8	49.2
	1-1/2	1.27	1-1/2	7-13/64	2-7/64	5-7/64	5-41/64	1/2	7/8	49/64	4-11/64	2	1-15/16
210	50mm	0.76	41.3	204.8	59.9	152.4	166.7	M16	25.4	23.4	115.9	65.1	57.2
	1-15/16	1.67	1-5/8	8-1/16	2-23/64	6	6-9/16	5/8	1.00	59/64	4-9/16	2-9/16	2-1/4

Unless specified, dimensions are in mm for metric parts and inches for non-metric parts.  
Note: Dimensions are in MM (in)

# E-Z Kleen mounted ball bearings

## Selection/Dimensions

E-Z Kleen mounted bearings  
 PSEZ polymer sleeve polymer  
 housed tapped base pillow blocks



Series	Shaft size	Part no.	Description
204	20mm	@	TB-PSEZ-20M-P
	3/4	<b>034710</b>	TB-PSEZ-012-P
205	25mm	@	TB-PSEZ-25M-P
	1	<b>034711</b>	TB-PSEZ-100-P
206	30mm	@	TB-PSEZ-30M-P
	1-3/16	<b>034712</b>	TB-PSEZ-103-P
	1-1/4	<b>034713</b>	TB-PSEZ-104S-P
207	35mm	@	TB-PSEZ-35M-P
	1-1/4	<b>034714</b>	TB-PSEZ-104-P
	1-7/16	<b>034715</b>	TB-PSEZ-107-P

@Assembled to order Note: Dimensions are in MM (in)  
 Unless specified, dimensions are in mm for metric parts and inches for non-metric parts.

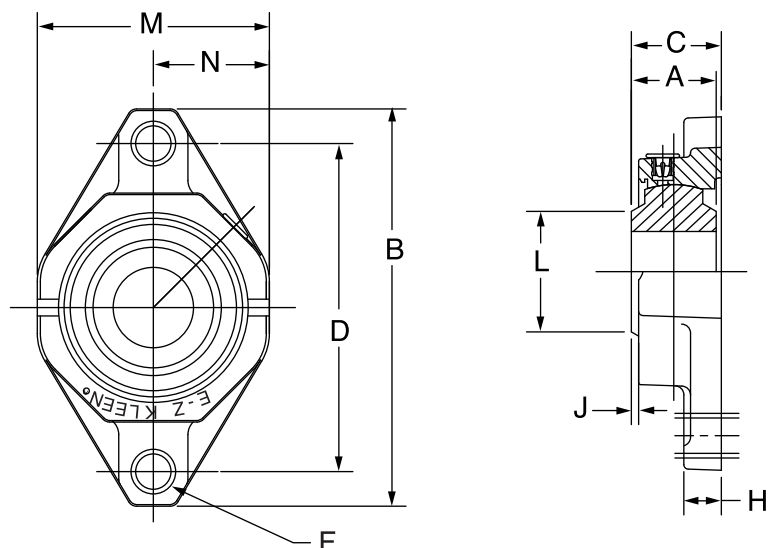
Series	Shaft size	Weight kg lb	A	B	C	D	J	L	M	N thread depth	R bolt hole threads
204	20mm	0.24	25.4	82.6	37.7	50.8	67.6	33.3	33.3	10.2	M10x1.5
	3/4	0.53	1	3-1/4	1-31/64	2	2-21/32	1-5/16	1-5/16	13/32	3/8-16
205	25mm	0.21	27.0	82.6	38.1	50.8	73.3	36.5	36.5	10.2	M10x1.5
	1	0.46	1-1/16	3-1/4	1-1/2	2	2-57/64	1-7/16	1-7/16	13/32	3/8-16
206	30mm	0.39	30.2	111.1	40.1	76.2	85.9	42.9	42.9	11.4	M10x1.5
	1-3/16	0.85	1-3/16	4-3/8	1-37/64	3	3-3/8	1-11/16	1-11/16	29/64	7/16-14
	1-1/4	0.84	1-3/16	4-3/8	1-37/64	3	3-3/8	1-11/16	1-11/16	29/64	7/16-14
207	35mm	0.46	33.3	117.5	48	82.6	96.8	50.8	47.6	14.0	M12x1.75
	1-1/4	1.02	1-5/16	4-5/8	1-57/64	3-1/4	3-13/16	2	1-7/8	35/64	1/2-13
	1-7/16	0.97	1-5/16	4-5/8	1-57/64	3-1/4	3-13/16	2	1-7/8	35/64	1/2-13

Unless specified, dimensions are in mm for metric parts and inches for non-metric parts.  
 Note: Dimensions are in MM (in)

# E-Z Kleen mounted ball bearings

## Selection/Dimensions

E-Z Kleen mounted bearings  
PSEZ polymer sleeve polymer  
housed 2-bolt flange bearings



Series	Shaft size	Part no.	Description
204	20mm	<b>034766</b>	F2B-PSEZ-20M-P
	3/4	<b>034726</b>	F2B-PSEZ-012-P
205	25mm	<b>034767</b>	F2B-PSEZ-25M-P
	1	<b>034727</b>	F2B-PSEZ-100-P
206	30mm	<b>034768</b>	F2B-PSEZ-30M-P
	1-3/6	<b>034728</b>	F2B-PSEZ-103-P
	1-1/4	<b>034729</b>	F2B-PSEZ-104S-P
207	35mm	<b>034769</b>	F2B-PSEZ-35M-P
	1-1/4	<b>034730</b>	F2B-PSEZ-104-P
	1-7/16	<b>034731</b>	F2B-PSEZ-107-P
208	40mm	<b>034770</b>	F2B-PSEZ-40M-P
	1-1/2	<b>034732</b>	F2B-PSEZ-108-P
210	50mm	<b>034772</b>	F28-PSEZ-50M-P
	1-15/16	<b>034735</b>	F2B-PSEZ-115-P

Unless specified, dimensions are in mm for metric parts and inches for non-metric parts.  
Note: Dimensions are in MM (in)

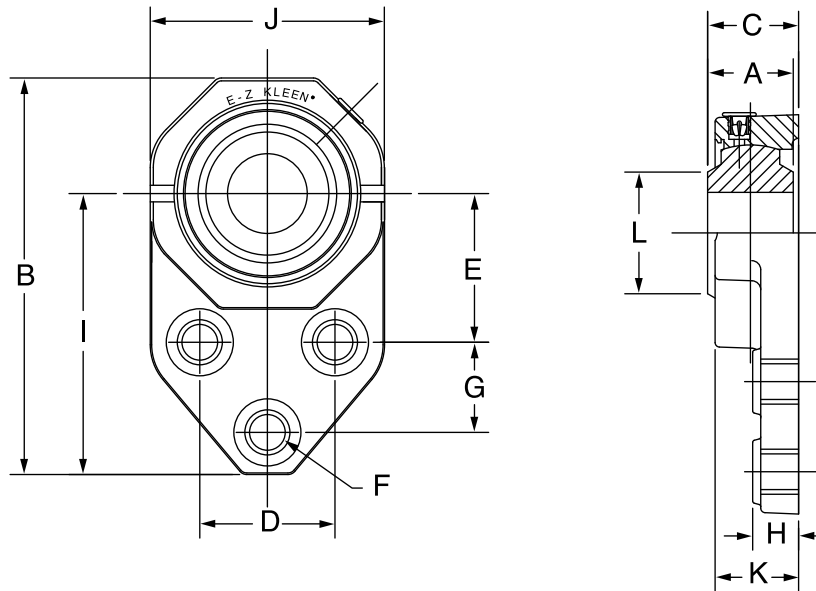
Series	Shaft size	Weight kg lb	A	B	C	D	F bolt dia.	H	J	L	M
204	20mm	0.19	25.4	113.0	30.4	90.0	M10	13.5	1.9	33.3	59.9
	3/4	0.42	1	4-29/64	1-3/16	3-17/32	3/8	17/32	5/64	1-5/16	2-23/64
205	25mm	0.21	27.0	125.0	31.5	99.0	M10	13.9	2.6	36.5	69.1
	1	0.46	1-1/16	4-59/64	1-1/4	3-57/64	3/8	35/64	1/8	1-7/16	2-23/64
206	30mm	0.28	30.2	142.1	34.1	116.5	M10	13.9	2.6	42.9	81.4
	1-3/6	0.62	1-3/16	5-19/32	1-11/32	4-19/32	3/8	35/64	7/64	1-11/16	3-13/64
	1-1/4	0.61	1-3/16	5-19/32	1-11/32	4-19/32	3/8	35/64	7/64	1-11/16	3-13/64
207	35mm	0.36	33.3	160.3	36.2	130.0	M12	15.9	3.7	50.8	94.1
	1-1/4	0.78	1-5/16	6-5/16	1-27/64	5-1/8	1/2	5/8	9/64	2	3-45/64
	1-7/16	0.73	1-5/16	6-5/16	1-27/64	5-1/8	1/2	5/8	9/64	2	3-45/64
208	40mm	0.46	38.1	172.0	41.4	143.5	M12	17.1	4.6	50.8	103.1
	1-1/2	1.01	1-1/2	6-25/32	1-5/8	5-21/32	1/2	43/64	1/4	2	4-1/16
210	50mm	0.52	41.3	19.1	46.5	157.0	M16	19.4	6.2	65.1	114.3
	1-15/16	1.14	1-5/8	7-31/64	1-53/64	6-3/16	5/8	49/64	1/4	2-9/16	4-1/2

Unless specified, dimensions are in mm for metric parts and inches for non-metric parts.  
Note: Dimensions are in MM (in)

# E-Z Kleen mounted ball bearings

## Selection/Dimensions

E-Z Kleen mounted bearings  
PSEZ polymer sleeve polymer  
housed 3-bolt flange bracket



Series	Shaft size	Part no.	Description
204	20mm	<b>034773</b>	FB-PSEZ-20M-P
	3/4	<b>034736</b>	FB-PSEZ-012-P
205	25mm	<b>034774</b>	FB-PSEZ-25M-P
	1	<b>034737</b>	FB-PSEZ-100-P
206	30mm	<b>034775</b>	FB-PSEZ-30M-P
	1-3/16	<b>034738</b>	FB-PSEZ-103-P
	1-1/4	<b>034739</b>	FB-PSEZ-104S-P
207	35mm	<b>034776</b>	FB-PSEZ-35M-P
	1-1/4	<b>034740</b>	FB-PSEZ-104-P
	1-7/16	<b>034741</b>	FB-PSEZ-107-P

Unless specified, dimensions are in mm for metric parts and inches for non-metric parts.  
Note: Dimensions are in MM (in)

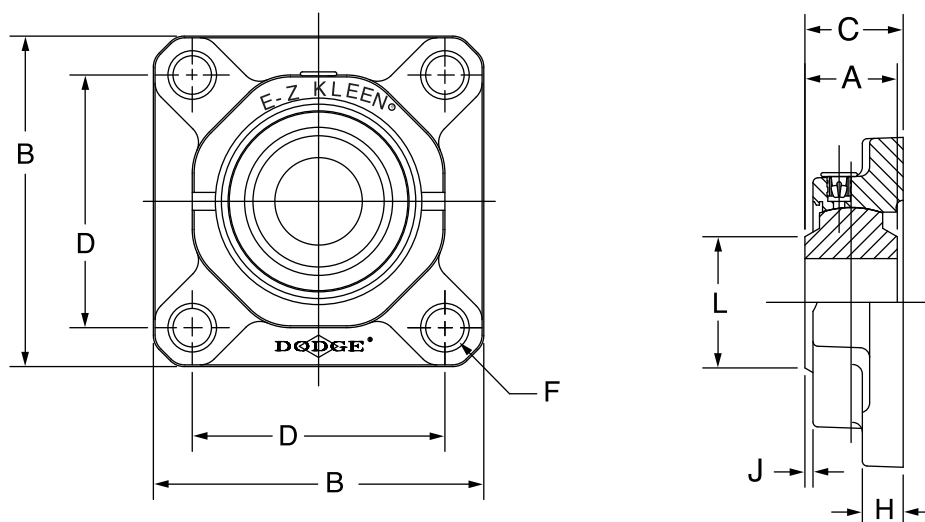
Series	Shaft size	Weight kg lb	A	B	C	D	E	F	G	H	I	J	K	L
204	20mm	0.18	25.4	111.5	12.7	38.1	42.9	M10	22.2	13.5	81.1	59.4	28.4	33.3
	3/4	0.4	1	4-25/64	1-3/16	1-1/2	1-11/16	3/8	7/8	17/32	3-3/16	2-11/32	1-1/8	1-5/16
205	25mm	0.23	27	124.7	31.5	41.3	46.1	M10	28.6	13.9	89.8	68.8	29	36.5
	1	0.57	1-1/16	4-29/32	1-1/4	1-5/8	1-13/16	3/8	1-1/8	35/64	3-17/32	2-45/64	1-9/64	1-7/16
206	30mm	0.38	30.2	139.2	34.1	47.6	52.4	M10	31.7	15.5	98.6	81.3	31.8	42.9
	1-3/16	0.83	1-3/16	5-31/64	1-11/32	1-7/8	2-1/16	3/8	1-1/4	39/64	3-57/64	3-13/64	1-1/4	1-11/16
	1-1/4	0.82	1-3/16	5-31/64	1-11/32	1-7/8	2-1/16	3/8	1-1/4	39/64	3-57/64	3-13/64	1-1/4	1-11/16
207	35mm	0.57	33.3	155.2	36.2	50.8	60.3	M12	31.7	15.9	107.6	94.1	32.5	50.8
	1-1/4	1.25	1-5/16	6-7/64	1-27/64	2	2-3/8	1/2	1-1/4	5/8	4-15/64	3-45/64	1-9/32	2
	1-7/16	1.2	1-5/16	6-7/64	1-27/64	2	2-3/8	1/2	1-1/4	5/8	4-15/64	3-45/64	1-9/32	2

Unless specified, dimensions are in mm for metric parts and inches for non-metric parts.  
Note: Dimensions are in MM (in)

# E-Z Kleen mounted ball bearings

## Selection/Dimensions

E-Z Kleen mounted bearings  
PSEZ polymer sleeve polymer  
housed 4-bolt flange bearings



Series	Shaft size	Part no.	Description
204	20mm	034759	F4B-PSEZ-20M-P
	3/4	034716	F4B-PSEZ-012-P
205	25mm	034760	F4B-PSEZ-25M-P
	1	034717	F4B-PSEZ-100-P
206	30mm	034761	F4B-PSEZ-30M-P
	1-3/16	034718	F4B-PSEZ-103-P
	1-1/4	034719	F4B-PSEZ-104S-P
207	35mm	034762	F4B-PSEZ-35M-P
	1-1/4	034720	F4B-PSEZ-104-P
	1-7/16	034721	F4B-PSEZ-107-P
208	40mm	034763	F4B-PSEZ-40M-P
	1-1/2	034722	F4B-PSEZ-108-P
210	50mm	034765	F4B-PSEZ-50M-P
	1-15/16	034725	F4B-PSEZ-115-P

Unless specified, dimensions are in mm for metric parts and inches for non-metric parts.  
Note: Dimensions are in MM (in)

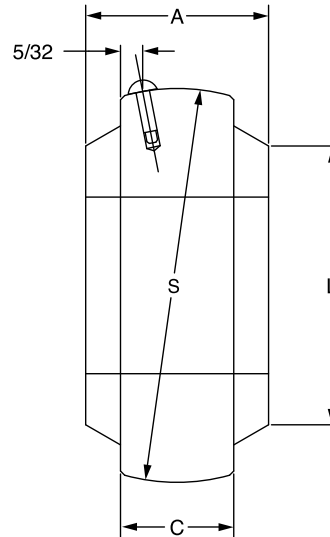
Series	Shaft size	Weight kg lb	A	B	C	D	F bolt dia.	H	J	L
204	20mm	0.22	25.4	85.9	31.1	63.5	M10	13.5	1.9	33.3
	3/4	0.48	1	3-3/8	1-7/32	2-1/2	3/8	17/32	5/64	1-5/16
205	25mm	0.25	27	95.3	32.3	70.0	M10	13.9	2.6	36.5
	1	0.55	1-1/16	3-3/4	1-17/64	2-3/4	3/8	35/64	1/8	1-7/16
206	30mm	0.40	30.2	108.0	34.9	82.5	M10	15.5	2.6	42.9
	1-3/16	0.89	1-3/16	4-1/4	1-3/8	3-1/4	3/8	39/64	7/64	1-11/16
	1-1/4	0.88	1-3/16	4-1/4	1-3/8	3-1/4	3/8	39/64	7/64	1-11/16
207	35mm	0.44	33.3	118.1	37.0	92.0	M12	15.9	3.7	50.8
	1-1/4	0.97	1-5/16	4-21/32	1-29/64	3-5/8	1/2	5/8	9/64	2.0
	1-7/16	0.92	1-5/16	4-21/32	1-29/64	3-5/8	1/2	5/8	9/64	2.0
208	40mm	0.56	38.1	130.0	42.2	101.5	M12	16.9	4.6	50.8
	1-1/2	1.23	1-1/2	5-1/8	1-21/32	4.0	1/2	43/64	1/4	2.0
210	50mm	0.61	41.3	142.7	47.3	111.0	M16	19.3	6.4	65.1
	1-15/16	1.35	1-5/8	5-5/8	1-55/64	4-3/8	5/8	49/64	1/4	2-9/16

Unless specified, dimensions are in mm for metric parts and inches for non-metric parts.  
Note: Dimensions are in MM (in)

# E-Z Kleen mounted ball bearings

## Selection/Dimensions

E-Z Kleen mounted bearings  
PSEZ polymer sleeve bearings inserts



Series	Shaft size	Part no.	Description
204	20mm	032868	INS-PS-20M
	3/4	032867	INS-PS-012
205	25mm	032871	INS-PS-25M
	1	032872	INS-PS-100
206	30mm	032874	INS-PS-30M
	1-3/16	032875	INS-PS-103
	1-1/4	032876	INS-PS-104S
207	35mm	032878	INS-PS-35M
	1-1/4	032877	INS-PS-104
	1-7/16	032879	INS-PS-107
208	40mm	032882	INS-PS-40M
	1-1/2	032881	INS-PS-108
210	50mm	032887	INS-PS-50M
	1-15/16	032886	INS-PS-115

Unless specified, dimensions are in mm for metric parts and inches for non-metric parts.  
Note: Dimensions are in MM (in)

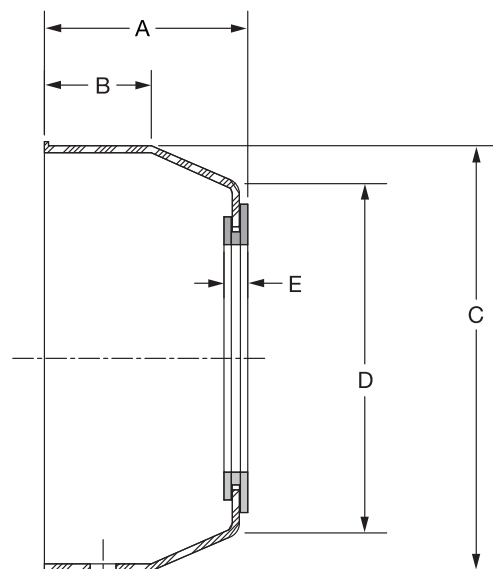
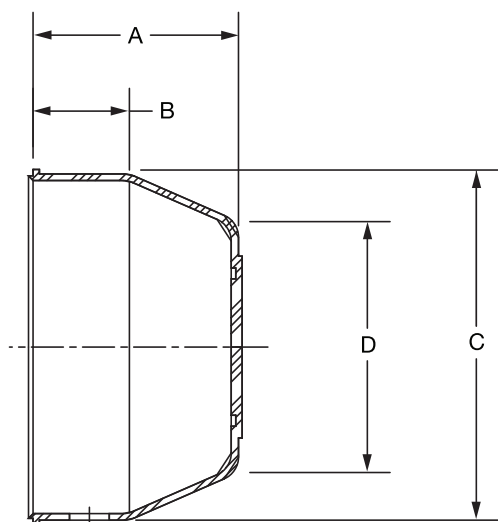
Series	Shaft size	Weight kg lb	A	C	L	S
204	20mm	0.14	25.4	17.5	33.3	46.9011/46.7233
	3/4	0.25	1	11/16	1-5/16	1.8465/1.8395
205	25mm	0.15	27	17.5	36.5	51.9049/51.7271
	1	0.25	1-1/16	11/16	1-7/16	2.0435/2.0365
206	30mm	0.16	30.2	20.6	42.9	61.8988/61.6712
	1-3/16	0.36	1-3/16	13/16	1-11/16	2.437/2.428
	1-1/4	0.35	1-3/16	13/16	1-11/16	2.437/2.428
207	35mm	0.18	33.3	20.6	50.8	71.8566/71.6280
	1-1/4	0.40	1-5/16	13/16	2	2.829/2.820
	1-7/16	0.35	1-5/16	13/16	2	2.829/2.820
208	40mm	0.21	38.1	22.2	50.8	79.8576/79.6790
	1-1/2	0.46	1-1/2	7/8	2	3.144/3.135
210	50mm	0.23	41.3	23.8	65.1	89.8525/89.5985
	1-15/16	0.50	1-5/8	15/16	2-9/16	3.5375/3.5275

Unless specified, dimensions are in mm for metric parts and inches for non-metric parts.  
Note: Dimensions are in MM (in)

# E-Z Kleen mounted ball bearings

## Accessories

E-Z Kleen/Ultra Kleen mounted bearings  
polymer and stainless steel  
housed snap on end covers



Series	For shaft size	Closed end covers part number	Description	A	B	C	D	Open end covers part number	Description	A	B	C	D	E	
204	20mm	128960	ECC-EZ-204	28.7	13.5	48.4	35.1	128991	ECO-EZ-20M	30.2	13.5	48.4	35.1	4.9	
		3/4	128960	ECC-EZ-204	1-1/8	17/32	1-29/32	1-3/8	128974	ECO-EZ-012	1-3/16	17/32	1-29/32	1-3/8	3/16
			128960	ECC-EZ-204	1-1/8	17/32	1-29/32	1-3/8	128974	ECO-EZ-012	1-3/16	17/32	1-29/32	1-3/8	3/16
205	25mm	128961	ECC-EZ-205	30.2	13.5	55.1	40.9	128992	ECO-EZ-25M	31.8	13.5	55.1	40.9	4.9	
		1	128961	ECC-EZ-205	3/16	17/32	2-11/64	1-39/64	128975	ECO-EZ-100	1-1/4	17/32	2-11/64	1-39/64	3/16
			128961	ECC-EZ-205	3/16	17/32	2-11/64	1-39/64	128975	ECO-EZ-100	1-1/4	17/32	2-11/64	1-39/64	3/16
206	30mm	128962	ECC-EZ-20	33.8	14.2	63.5	50.0	128993	ECO-EZ-30M	35.3	14.2	63.5	50.0	4.9	
		1-3/16	128962	ECC-EZ-20	1-21/64	9/16	2-1/2	31/32	128976	ECO-EZ-103	1-25/64	9/16	2-1/2	31/32	3/16
		1-1/4	128962	ECC-EZ-206	1-21/64	9/16	2-1/2	31/32	128989	ECO-EZ-104S	1-25/64	9/16	2-1/2	31/32	3/16
207	35mm	128963	ECC-EZ-207	37.3	17.5	73.9	58.9	128994	ECO-EZ-35M	38.9	17.5	73.9	58.9	4.9	
		1-1/4	128963	ECC-EZ-207	1-15/32	11/16	2-29/32	2-5/16	128977	ECO-EZ-104	1-17/32	11/16	2-29/32	2-5/16	3/16
		1-7/16	128963	ECC-EZ-207	1-15/32	11/16	2-29/32	2-5/16	128990	ECO-EZ-107	1-17/32	11/16	2-29/32	2-5/16	3/16
208	40mm	128964	ECC-EZ-208	39.1	17.5	84.1	70.1	128995	ECO-EZ-40M	40.6	17.5	84.1	70.1	5.1	
		1-1/2	128964	ECC-EZ-208	1-35/64	11/16	3-5/16	2-49/64	128978	ECO-EZ-108	1-19/32	11/16	3-5/16	2-49/64	13/64
			128964	ECC-EZ-208	1-35/64	11/16	3-5/16	2-49/64	128978	ECO-EZ-108	1-19/32	11/16	3-5/16	2-49/64	13/64
209	45mm	128965	ECC-EZ-209	40.4	18.3	88.9	72.9	128996	ECO-EZ-45M	41.9	18.3	88.9	72.9	5.1	
		1-11/16	128965	ECC-EZ-209	1-19/32	23/32	3-1/2	2-7/8	@	ECO-EZ-111	1-21/32	23/32	3-1/2	2-7/8	13/64
			128965	ECC-EZ-209	1-19/32	23/32	3-1/2	2-7/8	@	ECO-EZ-111	1-21/32	23/32	3-1/2	2-7/8	13/64
210	50mm	128966	ECC-EZ-21	42.2	23.1	91.4	76.2	128997	ECO-EZ-50M	43.7	23.1	91.4	76.2	5.1	
		1-15/16	128966	ECC-EZ-21	1-21/32	29/32	3-5/8	3	128980	ECO-EZ-115	1-23/32	29/32	3-5/8	3	13/64
		2	128966	ECC-EZ-210	1-21/32	29/32	3-5/8	3	128980	ECO-EZ-115	1-23/32	29/32	3-5/8	3	13/64

@Assembled to order

Unless specified, dimensions are in mm for metric parts and inches for non-metric parts.

Note: Dimensions are in MM (in)

# E-Z Kleen mounted ball bearings

## Notes



# E-Z Kleen mounted ball bearings

## Notes

# Extreme Duty mounted ball bearings

## Contents

### Extreme Duty set screw mounted ball bearings

3-2 Features/Benefits

3-3 Easy selection

3-5 Selection

#### Selection/Dimensions

3-10 Pillow blocks

3-18 Tapped base pillow blocks

3-19 2 bolt flange bearings

3-22 4 bolt flange bearings

3-25 Piloted flange bearings

3-27 Narrow slot take-up bearings

3-32 Wide slot take-up bearings

3-40 Inserts

3-43 Accessories

INDEX-1 Part number index

# Extreme Duty mounted ball bearings

# Extreme Duty mounted ball bearings

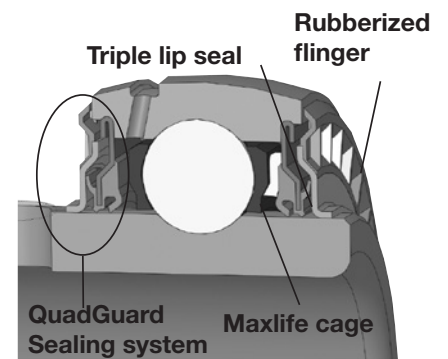
## Features/Benefits

### Extreme Duty set screw mounted ball bearings

The Dodge SC/SCMED Extreme Duty ball bearing offers extended life in the toughest industrial applications. Incorporating patented Dodge-only features such as the QuadGuard sealing system and the Maxlife ball cage, the Dodge SCED/SCMED bearing outperforms the competition in demanding environments where increasing equipment uptime is critical to success. Extreme conditions require highly-engineered products that will last. The Dodge Extreme Duty ball bearing is up to the challenge.

**Insert:** The Dodge Extreme Duty ball bearing incorporates 65° degree set screws that provide maximum locking force without compromising the strength of the inner ring. Additional shaft attachment methods are available upon request. The design also includes an anti-rotation pin that prevents the insert from rotating in the housing under load which causes premature failure.

**Sealing:** The SCED uses the patented QuadGuard sealing system that offers superior protection in tough environments where there is significant risk of contamination. Industries such as agriculture, aggregate, cement, paper, wood products and metals require a sealing system that will extend the life of the bearing in harsh conditions. There are two major components to the QuadGuard design. The first is a unique triple-lip seal design that maximizes sealing without sacrificing the speed rating compared to a single lip design. The Dodge patented triple-lip design uses a mechanically retained seal where there are two contact points on the inner ring and one that rides against the flinger surface. Three points of contact maximize the ability of the bearing to guard against contamination and retain lubricants. The QuadGuard seal also incorporates the industry's first and only patented rubberized flinger. This flinger uses molded rubber to provide additional protection from contaminants entering the bearing. The baffle design of the rubber on the external surface of the flinger enhances the removal of liquid as it rotates. Grease chambers on the internal surface prevent lubricants from exiting the bearing. This superior design will increase service life in dirty environments thus leading to extended up-time for our customers. When used in conjunction with one another, the triple-lip seal and rubberized flinger create a sealing system that is perfect for demanding environments.



**Retainer:** The Maxlife Cage is the product of extensive research and development in retainer technology and industry leading engineering. The cage consists of a two-piece design that creates a grease compartment around each of the rolling elements. These compartments allow balls to be constantly in contact with grease, so a good oil film will always exist to prevent wear and minimize friction and heat. The Maxlife cage reduces the relative motion between the components and the grease which results in lower operating temperatures and extended life. The compartmental construction of the cage tends to hold in the grease and prevent it from being washed out in extremely wet or dirty conditions. This feature allows for extended life and the ability for the bearing to be relubricated with less frequency than standard designs.

### Lubrication:

Synthetic Grease

- SHC 220 PM synthetic grease standard
- Extends grease life. Less maintenance required.
- Cooler operating temperatures
- Extends life in wet applications

### Housings:

- Cast Iron
  - Pillow blocks
  - 2 and 4 bolt flange bearings
  - Tapped-base pillow blocks
  - Piloted flange
  - Wide and narrow slot take-up bearings



Maxlife cage



### End covers:

Dodge Extreme Duty ball bearings contain a machined groove in the housing to accommodate a snap-on style polymer end-cover as a standard feature. The end-cover provides additional protection from the environment and creates a safer working environment for employees maintaining equipment. The snap-on style end-cover incorporates an additional lip on the mounting surface for a more rigid fit within the housing. The design is more durable than a bolt-on style that uses the grease fitting to secure the cover in place and can be easily knocked off the bearing housings. Closed and open end-covers are available.

**Note:** Instruction manuals and drawings for Dodge bearings are available on [www.Dodge-pt.com](http://www.Dodge-pt.com)

# Extreme Duty mounted ball bearings

## Easy selection

### Selection of Extreme Duty set screw mounted ball bearings

Dodge Extreme Duty mounted ball bearings are primarily designed for radial loading. However, they have the capacity to carry thrust loads and combined radial/thrust loads. The maximum recommended load which can be applied is limited by various components in the system, such as bearing, housing, shaft attachments, speed and life requirements as listed in this catalog and the instruction manual that accompanies each bearing. Dodge Extreme Duty ball bearings have been applied successfully when these limits have been exceeded under controlled operating conditions. Contact your local ABB office for applications which exceed these recommendations.

Select a bearing from the Selection Table that has a radial load rating at the operating speed equal to or greater than the calculated Equivalent Radial Load for a desired L<sub>10</sub> life. This simple method is all that is required for the majority of general applications and provides for occasional average shock loads.

**L<sub>10</sub> hours life**-the life which may be expected for at least 90% of a given group of bearings operating under identical conditions.

**Heavy service**-For heavy shock loads, frequent shock loads or severe vibrations, add up to 50% (according to severity of conditions) to the Equivalent Radial Load to obtain a Modified Equivalent Radial Load. Contact your local ABB office for assistance.

A maximum thrust load value of C/10 is recommended as a guide for general applications and will give adequate L<sub>10</sub> life. If the thrust load exceeds this limit, it is advisable to use auxiliary thrust carrying devices, such as a shaft shoulder, snap ring, or a thrust collar. Where substantial radial load pulls the housing away from the mounting base, both the hold-down bolts and housing must be of adequate strength. Auxiliary load carrying devices, such as shear bars, are advisable for side or end-loading of pillow blocks and radial loads for flange units.

To determine the L<sub>10</sub> hours life for loads and RPMs not listed use the following equation:

$$L_{10} = \left(\frac{C}{P}\right)^3 \times \left(\frac{16,667}{n}\right)$$

Where:

L<sub>10</sub>= Life, hours

C = Dynamic Capacity, lb or N

P = Equivalent Radial Load, lb or N

n = Revolutions per minute

When the load on a ball bearing is solely a radial load with no thrust (axial) load, the Equivalent Radial Load (P) is equal to the actual radial load. However, when a thrust (axial) load is applied, the radial and thrust loads applied must be converted into an Equivalent Radial Load. Use X (radial factor) and Y (thrust factor) from Table 1 to convert the actual applied thrust and radial loads to an Equivalent Radial Load which has the same effect on the life of a bearing as a radial load of this magnitude.

$$P = XF_R + YF_A$$

Where:

P = Equivalent Radial Load, lb

F<sub>R</sub>= Radial load, lb

F<sub>A</sub>= Thrust load, lb

e = Thrust load to radial load factor (Table 1)

X = Radial load factor (Table 1)

Y = Thrust Factor (Table 1)

C<sub>0</sub>= Basic static capacity (Selection Table)

To find X and Y, first calculate F<sub>A</sub>/C<sub>0</sub> to determine e. Calculate F<sub>A</sub>/F<sub>R</sub> and compare to e to determine the X and Y factors to use from Table 1.

Shaft tolerances					
Normal shaft size (mm)	Normal shaft size (in)	Commercial shaft tolerance (mm)	Commercial shaft tolerance (in)	Recommended shaft tolerances Set screw ball bearing (mm)	Recommended shaft tolerances Set screw ball bearing (in)
Up to 40mm	Up to 1-1/2	+0.000 -0.051	+0.000 -0.002	+0.0000 -0.013	+0.0000 -0.0005
Over 40mm to 60mm	Over 1-1/2 to 2-1/2	+0.000 -0.076	+0.000 -0.003	+0.0000 -0.025	+0.0000 -0.0010
Over 60mm to 85mm	Over 2-1/2 to 4	+0.000 -0.102	+0.000 -0.004	+0.0000 -0.025	+0.0000 -0.0010

**Note:** Bearing analysis program .BEST. is available on [www.ptwizard.com](http://www.ptwizard.com)

# Extreme Duty mounted ball bearings

## Easy selection

### Selection of Extreme Duty set screw mounted ball bearings

Table 1

$F_A/C_0$	e	Radial/Thrust factors			
		If $F_A/F_R$ is equal to or less than e		If $F_A/F_R$ is greater than e	
		$F_A/F_R \leq e$		$F_A/F_R > e$	
		X	Y	X	Y
0.014	0.19	1	0	0.56	2.30
0.021	0.21	1	0	0.56	2.15
0.028	0.22	1	0	0.56	1.99
0.042	0.24	1	0	0.56	1.85
0.056	0.26	1	0	0.56	1.71
0.070	0.27	1	0	0.56	1.63
0.084	0.28	1	0	0.56	1.55
0.110	0.30	1	0	0.56	1.45
0.170	0.34	1	0	0.56	1.31
0.280	0.38	1	0	0.56	1.15
0.420	0.42	1	0	0.56	1.04
0.560	0.44	1	0	0.56	1.00

**Lubrication** - Dodge ball bearings are lubricated at the factory and are ready to run. The bearings are initially lubricated with a lithium complex grease and should be relubricated with the same or some equivalent. For high speeds, high loads, extreme temperatures and other abnormal operating conditions, special greases may be required. Contact your local ABB office for recommendations on these types of applications.

**Misalignment** - Dodge ball bearings are designed to allow a maximum of  $\pm 2^\circ$  static misalignment. These bearings are not suitable for dynamic misalignment. To ensure good alignment, mounting surfaces must be checked for flatness and must lie in the same plane. When tightening base bolts, each bolt should be alternately tightening in incremental torque values until full torque is achieved to prevent the angular shifting of the pillow block that occurs when one bolt is tightened to its full torque. Shimming may be required to minimize misalignment.

Substitute all known values into the equivalent radial load equation. The equivalent radial load (P) thus determined can be used in the  $L_{10}$  life formula or compared to the allowable equivalent radial load rating desired in the expanded rating chart to select a bearing (Selection table).

If calculated value of P is less than  $F_R$ , use  $P=F_R$ .

**Note:** Bearing analysis program .BEST. is available on [www.ptwizard.com](http://www.ptwizard.com)

# Extreme Duty mounted ball bearings

## Selection

### Set screw ball bearings

Recommended torque														
Set screws		D-Lok						Mounting bolts						
Set screw size	Key hex across flats	◆ Recommended torque			Corrosion resistant stainless steel	Cap screw size	Recom. torque	E-Z Kleen recom. torque	Metal housings		E-Z Kleen housed bearings			
		Standard ball bearing insert		Bolt size					Recom. dry torque (Grade 2)	2-bolt PB, 2 & 4 bolt fig. and fig. brackets		Tapped base PB		
		Min	Max							Bolt size	Torque ①	Bolt size	Torque ②	
(mm)	(mm)	(NM)	(NM)	(NM)	(mm)	(NM)	(NM)	(mm)	(NM)	(mm)	(NM)	(in)	(lb-in)	
M5	2.5	3.2	3.7	2.8	M4	5.85	4.68	M10	29	M8	15	①Torque for Austenitic (18-8) Stainless		
M6	3	6.2	7.7	5.8	M5	10.75	8.6	M12	50	M10	25	②Max. torque values published. Do not exceed		
M8	4	14.2	17.8	13.4	M6	20.5	16.4	M16	124	M12	50			
M10	5	26	31	23	M8	45	36	M20	238	M14	75			
M12	6	46	57	43				M22	322	M18	125			
(in)	(in)	(lb-in)	(lb-in)	(lb-in)	(in)	(lb-in)	(lb-in)	(in)	(lb-in)	(in)	(lb-in)	(in)	(lb-in)	
#10	3/32	28	33	25	#8-32	58	46	3/8-16	240	3/8-16	225	3/8-16	175	
1/4	1/8	66	80	60	#10-32	90	72	7/16-14	384	7/16-14	350	7/16-14	350	
5/16	5/32	126	156	117	1/4-28	180	144	1/2-13	600	1/2-13	500	1/2-13	400	
3/8	3/16	228	275	206	5/16-24	400	320	5/8-11	1200	9/16-12	650			
7/16	7/32	342	428	321	3/8-24	750	600	3/4-10	1950	5/8-11	1000			
								7/8-9	2890					

### Lubrication

High Speed Operation - In the higher speed ranges, too much grease will cause over-heating. The amount of grease that the bearing will take for a particular high speed application can only be determined by experience. If excess grease in the bearing causes overheating, it will be necessary to remove grease fitting to permit excess grease to escape. The bearing has been greased at the factory and is ready to run. When establishing a relubrication schedule, note that a small amount of grease at frequent intervals is preferable to a large amount at infrequent intervals.

◆ **Note:** Dodge does not recommend the use of oils or locking agents on set screw threads. However, if utilized, the minimum installation torque values should be followed.

### Lubrication guide

Use a no. 2 lithium complex base grease or equivalent\*

Hours run per day	Suggested lubrication period in weeks							
	1 to 250 RPM	251 to 500 RPM	501 to 750 RPM	751 to 1000 RPM	1001 to 1500 RPM	1501 to 2000 RPM	2001 to 2500 RPM	2501 to 3000 RPM
8	12	12	10	7	5	4	3	2
16	12	7	5	4	2	2	1	1
24	10	5	3	2	1	1	1	1

\* For E-Z Kleen and Ultra Kleen series bearings, use an aluminum complex base grease.

Lubrication recommendations are intended for standard products applied in general operating conditions. For modified products, high temperature applications, and other anomalous applications, contact your local ABB office for assistance..

# Extreme Duty mounted ball bearings Selection

## Extreme Duty SCED/SCMED

Ring size	Shaft size		Dynamic capacity C, N (lb)	Static capacity Co, N (lb)	L10 life - hours	Allowable equivalent radial load rating N (lb) at various RPM*											
	SCED	SCMED				50	150	250	500	750	1000	1250	1500	1600	1750	2000	2250
204	1/2		12895 (2899)	6592 (1482)	20000	3296 (741)	2282 (513)	1926 (433)	1530 (344)	1334 (300)	1214 (273)	1125 (253)	1059 (238)	1036 (233)	1005 (226)	965 (217)	925 (208)
		5/8	12895 (2899)	6592 (1482)	30000	2878 (647)	1997 (449)	1681 (378)	1334 (300)	1165 (262)	1059 (238)	983 (221)	925 (208)	907 (204)	881 (198)	841 (189)	810 (182)
	3/4		12895 (2899)	6592 (1482)	40000	2616 (588)	1815 (408)	1530 (344)	1214 (273)	1059 (238)	965 (217)	894 (201)	841 (189)	823 (185)	801 (180)	765 (172)	734 (165)
		13/16	12895 (2899)	6592 (1482)	60000	2282 (513)	1584 (356)	1334 (300)	1059 (238)	925 (208)	841 (189)	783 (176)	734 (165)	721 (162)	698 (157)	667 (150)	641 (144)
	20mm		12895 (2899)	6592 (1482)	100000	1926 (433)	1334 (300)	1125 (253)	894 (201)	783 (176)	712 (160)	658 (148)	618 (139)	605 (136)	587 (132)	565 (127)	543 (122)
205	7/8		13994 (3146)	7869 (1769)	20000	3576 (804)	2478 (557)	2091 (470)	1659 (373)	1450 (326)	1317 (296)	1223 (275)	1152 (259)	1125 (253)	1094 (246)	1045 (235)	1005 (226)
		15/16	13994 (3146)	7869 (1769)	30000	3123 (702)	2166 (487)	1828 (411)	1450 (326)	1268 (285)	1152 (259)	1068 (240)	1005 (226)	983 (221)	956 (215)	912 (205)	876 (197)
	1		13994 (3146)	7869 (1769)	40000	2838 (638)	1966 (442)	1659 (373)	1317 (296)	1152 (259)	1045 (235)	970 (218)	912 (205)	894 (201)	867 (195)	832 (187)	796 (179)
		25mm	13994 (3146)	7869 (1769)	60000	2478 (557)	1717 (386)	1450 (326)	1152 (259)	1005 (226)	912 (205)	850 (191)	796 (179)	783 (176)	756 (170)	725 (163)	698 (157)
			13994 (3146)	7869 (1769)	100000	2091 (470)	1450 (326)	1223 (275)	970 (218)	850 (191)	770 (173)	716 (161)	672 (151)	658 (148)	641 (144)	609 (137)	587 (132)
206	1-1/16	1	19430 (4368)	11290 (2538)	20000	4964 (1116)	3443 (774)	2900 (652)	2304 (518)	2011 (452)	1828 (411)	1699 (382)	1597 (359)	1561 (351)	1517 (341)	1450 (326)	1397 (314)
			1-1/8	19430 (4368)	11290 (2538)	30000	4337 (975)	3007 (676)	2535 (570)	2011 (452)	1757 (395)	1597 (359)	1481 (333)	1397 (314)	1366 (307)	1326 (298)	1268 (285)
	1-3/16		19430 (4368)	11290 (2538)	40000	3941 (886)	2731 (614)	2304 (518)	1828 (411)	1597 (359)	1450 (326)	1348 (303)	1268 (285)	1241 (279)	1205 (271)	1152 (259)	1108 (249)
		1-1/4	19430 (4368)	11290 (2538)	60000	3443 (774)	2384 (536)	2011 (452)	1597 (359)	1397 (314)	1268 (285)	1179 (265)	1108 (249)	1085 (244)	1054 (237)	1005 (226)	965 (217)
	30mm		19430 (4368)	11290 (2538)	100000	2900 (652)	2011 (452)	1699 (382)	1348 (303)	1179 (265)	1068 (240)	992 (223)	934 (210)	916 (206)	885 (199)	850 (191)	814 (183)
207	1-1/4	1-3/16	25617 (5759)	15395 (3461)	20000	6543 (1471)	4537 (1020)	3825 (860)	3038 (683)	2651 (596)	2411 (542)	2237 (503)	2104 (473)	2060 (463)	2002 (450)	1913 (430)	1842 (414)
			1-5/16	25617 (5759)	15395 (3461)	30000	5716 (1285)	3963 (891)	3345 (752)	2651 (596)	2318 (521)	2104 (473)	1953 (439)	1842 (414)	1802 (405)	1748 (393)	1673 (376)
	1-3/8	30mm	25617 (5759)	15395 (3461)	40000	5196 (1168)	3603 (810)	3038 (683)	2411 (542)	2104 (473)	1913 (430)	1775 (399)	1673 (376)	1637 (368)	1588 (357)	1517 (341)	1459 (328)
			1-7/16	25617 (5759)	15395 (3461)	60000	4537 (1020)	3145 (707)	2651 (596)	2104 (473)	1842 (414)	1673 (376)	1552 (349)	1459 (328)	1428 (321)	1388 (312)	1326 (298)
	35mm		25617 (5759)	15395 (3461)	100000	3825 (860)	2651 (596)	2237 (503)	1775 (399)	1552 (349)	1410 (317)	1308 (294)	1232 (277)	1205 (271)	1170 (263)	1121 (252)	1076 (242)
208	1-1/2	1-7/16	32614 (7332)	19906 (4475)	20000	8332 (1873)	5778 (1299)	4871 (1095)	3866 (869)	3376 (759)	3069 (690)	2851 (641)	2682 (603)	2624 (590)	2549 (573)	2438 (548)	2344 (527)
			1-5/8	32614 (7332)	19906 (4475)	30000	7277 (1636)	5044 (1134)	4257 (957)	3376 (759)	2949 (663)	2682 (603)	2491 (560)	2344 (527)	2291 (515)	2224 (500)	2126 (478)
	40mm	35mm	32614 (7332)	19906 (4475)	40000	6615 (1487)	4586 (1031)	3866 (869)	3069 (690)	2682 (603)	2438 (548)	2260 (508)	2126 (478)	2082 (468)	2019 (454)	1935 (435)	1859 (418)
				32614 (7332)	19906 (4475)	60000	5778 (1299)	4003 (900)	3376 (759)	2682 (603)	2344 (527)	2126 (478)	1975 (444)	1859 (418)	1819 (397)	1766 (380)	1690 (365)
			32614 (7332)	19906 (4475)	100000	4871 (1095)	3376 (759)	2851 (641)	2260 (508)	1975 (444)	1793 (403)	1668 (375)	1566 (352)	1535 (345)	1490 (335)	1423 (320)	1370 (308)
209	1-5/8	1-1/2	35101 (7891)	21823 (4906)	20000	8968 (2016)	6219 (1398)	5244 (1179)	4164 (936)	3634 (817)	3305 (743)	3065 (689)	2887 (649)	2825 (635)	2740 (616)	2620 (589)	2522 (567)
			1-11/16	35101 (7891)	21823 (4906)	30000	7833 (1761)	5431 (1221)	4582 (1030)	3634 (817)	3176 (714)	2887 (649)	2678 (602)	2522 (567)	2469 (555)	2393 (538)	2291 (515)
	1-3/4		35101 (7891)	21823 (4906)	40000	7117 (1600)	4933 (1109)	4164 (936)	3305 (743)	2887 (649)	2620 (589)	2433 (547)	2291 (515)	2242 (504)	2175 (489)	2082 (468)	2002 (450)
		45mm	35101 (7891)	21823 (4906)	60000	6219 (1398)	4310 (969)	3634 (817)	2887 (649)	2522 (567)	2291 (515)	2126 (478)	2002 (450)	1957 (440)	1899 (427)	1819 (409)	1748 (393)
				35101 (7891)	21823 (4906)	100000	5244 (1179)	3634 (817)	3065 (689)	2433 (547)	2126 (478)	1931 (434)	1793 (403)	1686 (379)	1650 (371)	1535 (360)	1472 (345)
210	1-15/16	1-11/16	35101 (7891)	23189 (5213)	20000	8968 (2016)	6219 (1398)	5244 (1179)	4164 (936)	3634 (817)	3305 (743)	3065 (689)	2887 (649)	2825 (635)	2740 (616)	2620 (589)	2522 (567)
			2	35101 (7891)	23189 (5213)	30000	7833 (1761)	5431 (1221)	4582 (1030)	3634 (817)	3176 (714)	2887 (649)	2678 (602)	2522 (567)	2469 (555)	2393 (538)	2291 (515)
	50mm	45mm	35101 (7891)	23189 (5213)	40000	7117 (1600)	4933 (1109)	4164 (936)	3305 (743)	2887 (649)	2620 (589)	2433 (547)	2291 (515)	2242 (504)	2175 (489)	2082 (468)	2002 (450)
				35101 (7891)	23189 (5213)	60000	6219 (1398)	4310 (969)	3634 (817)	2887 (649)	2522 (567)	2291 (515)	2126 (478)	2002 (450)	1957 (440)	1899 (427)	1819 (409)
				35101 (7891)	23189 (5213)	100000	5244 (1179)	3634 (817)	3065 (689)	2433 (547)	2126 (478)	1931 (434)	1793 (403)	1686 (379)	1650 (371)	1535 (360)	1472 (345)

\*Slight interference fit required when operating on the right of the heavy line or in the shaded area.

✪Piloted flange only Note: Dimensions are in MM (in)

Unless specified, dimensions are in mm for metric parts and inches for non-metric parts.



# Extreme Duty mounted ball bearings

## Selection

Extreme Duty SCED/SCMED (continued)

Ring size	Shaft size		Dynamic capacity C, N (lb)	Static capacity C <sub>0</sub> , N (lb)	L <sub>10</sub> life - hours	Allowable equivalent radial load rating N (lb) at various RPM*																	
	SCED	SCMED				50	150	250	500	750	1000	1250	1500	1600	1750	2000	2250						
211	2	1-15/16	43392 (9755)	29305 (6588)	20000	11085 (2492)	7687 (1728)	6481 (1457)	5147 (1157)	4493 (1010)	4083 (918)	3790 (852)	3567 (802)	3492 (785)	3390 (762)	3243 (729)	3118 (701)						
			43392 (9755)	29305 (6588)		30000	9684 (2177)	6712 (1509)	5663 (1273)	4493 (1010)	3928 (883)	3567 (802)	3309 (744)	3118 (701)	3051 (686)	2958 (665)	2829 (636)	2722 (612)	2629 (591)	2571 (578)			
	2-1/4	50mm	43392 (9755)	29305 (6588)	40000		8799 (1978)	6099 (1371)	5147 (1157)	4083 (918)	3567 (802)	3243 (729)	3007 (676)	2829 (636)	2771 (623)	2691 (605)	2571 (578)	2473 (556)	2429 (544)	2246 (505)			
			43392 (9755)	29305 (6588)		60000	7687 (1728)	5329 (1198)	4493 (1010)	3567 (802)	3118 (701)	2829 (636)	2629 (591)	2473 (556)	2420 (544)	2349 (528)	2246 (505)	2162 (486)	2086 (469)	2042 (459)	1979 (445)	1824 (410)	
	55mm		43392 (9755)	29305 (6588)	100000		6481 (1457)	4493 (1010)	3790 (852)	3007 (676)	2629 (591)	2389 (537)	2215 (498)	2086 (469)	2042 (459)	1979 (445)	1895 (426)	1824 (410)	1786 (400)	1723 (387)	1624 (364)		
			13398 (3012)	9288 (2088)		7833 (1761)	6219 (1398)	5431 (1221)	4938 (1110)	4582 (1030)	4310 (969)	4221 (949)	4097 (921)	3919 (881)	3768 (847)	3688 (829)	3576 (804)	3421 (769)	3292 (740)	3211 (726)	3109 (699)	2989 (672)	
	212	2-1/4	2-3/16	52449 (11791)	36031 (8100)	20000	13398 (3012)	9288 (2088)	7833 (1761)	6219 (1398)	5431 (1221)	4938 (1110)	4582 (1030)	4310 (969)	4221 (949)	4097 (921)	3919 (881)	3768 (847)					
				52449 (11791)	36031 (8100)		30000	11703 (2631)	8114 (1824)	6846 (1539)	5431 (1221)	4746 (1067)	4310 (969)	4003 (900)	3768 (847)	3688 (829)	3576 (804)	3421 (769)	3292 (740)	3211 (726)	3109 (699)	2989 (672)	
		2-7/16	2-1/4	52449 (11791)	36031 (8100)	40000		10636 (2391)	7371 (1657)	6219 (1398)	4938 (1110)	4310 (969)	3919 (881)	3639 (818)	3421 (769)	3350 (753)	3252 (731)	3109 (699)	2989 (672)				
				52449 (11791)	36031 (8100)		60000	9288 (2088)	6441 (1448)	5431 (1221)	4310 (969)	3768 (847)	3421 (769)	3176 (714)	2989 (672)	2927 (658)	2838 (638)	2718 (611)	2611 (587)	2562 (572)	2473 (556)	2420 (544)	
		60mm	55mm	52449 (11791)	36031 (8100)	40000		10636 (2391)	7371 (1657)	6219 (1398)	4938 (1110)	4310 (969)	3919 (881)	3639 (818)	3421 (769)	3350 (753)	3252 (731)	3109 (699)	2989 (672)				
				52449 (11791)	36031 (8100)		60000	9288 (2088)	6441 (1448)	5431 (1221)	4310 (969)	3768 (847)	3421 (769)	3176 (714)	2989 (672)	2927 (658)	2838 (638)	2718 (611)	2611 (587)	2562 (572)	2473 (556)	2420 (544)	
55mm			52449 (11791)	36031 (8100)	100000	6481 (1457)		4493 (1010)	3790 (852)	3007 (676)	2629 (591)	2389 (537)	2215 (498)	2086 (469)	2042 (459)	1979 (445)	1895 (426)	1824 (410)	1786 (400)	1723 (387)	1624 (364)		
			13398 (3012)	9288 (2088)		7833 (1761)	6219 (1398)	5431 (1221)	4938 (1110)	4582 (1030)	4310 (969)	4221 (949)	4097 (921)	3919 (881)	3768 (847)	3688 (829)	3576 (804)	3421 (769)	3292 (740)	3211 (726)	3109 (699)	2989 (672)	
214		2-11/16	2-7/16	62253 (13995)	43762 (9838)	20000	15902 (3575)	11027 (2479)	9301 (2091)	7380 (1659)	6450 (1450)	5858 (1317)	5440 (1223)	5115 (1150)	5009 (1126)	4862 (1093)	4648 (1045)	4470 (1005)	4377 (984)	4248 (955)	4061 (913)		
				62253 (13995)	43762 (9838)		30000	13892 (3123)	9630 (2165)	8122 (1826)	6450 (1450)	5631 (1266)	5115 (1150)	4751 (1068)	4470 (1005)	4377 (984)	4248 (955)	4061 (913)	3906 (878)	3906 (878)	3857 (867)	3857 (867)	3692 (830)
		70mm	2-1/2	62253 (13995)	43762 (9838)	40000		12620 (2837)	8750 (1967)	7380 (1659)	5858 (1317)	5115 (1150)	4648 (1045)	4315 (970)	4061 (913)	3977 (894)	3857 (867)	3692 (830)	3692 (830)	3692 (830)	3692 (830)	3692 (830)	3692 (830)
				62253 (13995)	43762 (9838)		60000	11027 (2479)	7646 (1719)	6450 (1450)	5115 (1150)	4470 (1005)	4061 (913)	3772 (848)	3550 (798)	3474 (781)	3372 (758)	3225 (725)	3100 (697)	3100 (697)	3100 (697)	3100 (697)	3100 (697)
	65mm		62253 (13995)	43762 (9838)	40000	11027 (2479)		7646 (1719)	6450 (1450)	5115 (1150)	4470 (1005)	4061 (913)	3772 (848)	3550 (798)	3474 (781)	3372 (758)	3225 (725)	3100 (697)	3100 (697)	3100 (697)	3100 (697)	3100 (697)	3100 (697)
			62253 (13995)	43762 (9838)		60000	9301 (2091)	6450 (1450)	5440 (1223)	4315 (970)	3772 (848)	3425 (770)	3180 (715)	2994 (673)	2927 (658)	2842 (639)	2718 (611)	2616 (588)	2616 (588)	2616 (588)	2616 (588)	2616 (588)	2616 (588)
	215	2-15/16	2-11/16	66154 (14872)	49411 (11108)		20000	16899 (3799)	11717 (2634)	9884 (2222)	7842 (1763)	6850 (1540)	6228 (1400)	5778 (1299)	5440 (1223)	5325 (1197)	5164 (1161)	4942 (1111)	4751 (1068)	4648 (1045)	4515 (1015)	4315 (970)	
				66154 (14872)	49411 (11108)	30000		14764 (3319)	10235 (2301)	8634 (1941)	6850 (1540)	5987 (1346)	5440 (1223)	5049 (1135)	4751 (1068)	4648 (1045)	4515 (1015)	4315 (970)	4150 (933)	4150 (933)	4150 (933)	4150 (933)	4150 (933)
		75mm	70mm	66154 (14872)	49411 (11108)		40000	13411 (3015)	9301 (2091)	7842 (1763)	6228 (1400)	5440 (1223)	4942 (1111)	4586 (1031)	4315 (970)	4226 (950)	4101 (922)	3923 (882)	3772 (848)	3772 (848)	3772 (848)	3772 (848)	3772 (848)
				66154 (14872)	49411 (11108)	60000		11717 (2634)	8122 (1826)	6850 (1540)	5440 (1223)	4751 (1068)	4315 (970)	4008 (901)	3772 (848)	3692 (830)	3581 (805)	3425 (770)	3296 (741)	3296 (741)	3296 (741)	3296 (741)	3296 (741)
		70mm		66154 (14872)	49411 (11108)		40000	13411 (3015)	9301 (2091)	7842 (1763)	6228 (1400)	5440 (1223)	4942 (1111)	4586 (1031)	4315 (970)	4226 (950)	4101 (922)	3923 (882)	3772 (848)	3772 (848)	3772 (848)	3772 (848)	3772 (848)
				66154 (14872)	49411 (11108)	60000		11717 (2634)	8122 (1826)	6850 (1540)	5440 (1223)	4751 (1068)	4315 (970)	4008 (901)	3772 (848)	3692 (830)	3581 (805)	3425 (770)	3296 (741)	3296 (741)	3296 (741)	3296 (741)	3296 (741)
75mm			66154 (14872)	49411 (11108)	100000		9884 (2222)	6850 (1540)	5778 (1299)	4586 (1031)	4008 (901)	3639 (818)	3381 (760)	3180 (715)	3114 (700)	3020 (679)	2891 (650)	2780 (625)	2780 (625)	2780 (625)	2780 (625)	2780 (625)	2780 (625)
			15902 (3575)	11027 (2479)		9301 (2091)	7380 (1659)	6450 (1450)	5858 (1317)	5440 (1223)	5115 (1150)	5009 (1126)	4862 (1093)	4648 (1045)	4470 (1005)	4377 (984)	4248 (955)	4061 (913)	3906 (878)	3906 (878)	3857 (867)	3857 (867)	3692 (830)
216		2-15/16		77430 (17407)	58281 (13102)	20000	19777 (4446)	13714 (3083)	11565 (2600)	9181 (2064)	8020 (1803)	7286 (1638)	6766 (1521)	6365 (1431)	6232 (1401)	6045 (1359)	5783 (1300)	5783 (1300)	5783 (1300)	5783 (1300)	5783 (1300)		
				77430 (17407)	58281 (13102)		30000	17277 (3884)	11979 (2693)	10106 (2272)	8020 (1803)	7006 (1575)	6365 (1431)	5907 (1328)	5560 (1250)	5440 (1223)	5280 (1187)	5053 (1136)	5053 (1136)	5053 (1136)	5053 (1136)	5053 (1136)	5053 (1136)
		75mm		77430 (17407)	58281 (13102)	40000		15698 (3529)	10885 (2447)	9181 (2064)	7286 (1638)	6365 (1431)	5783 (1300)	5369 (1207)	5053 (1136)	4946 (1112)	4800 (1079)	4591 (1032)	4591 (1032)	4591 (1032)	4591 (1032)	4591 (1032)	
				77430 (17407)	58281 (13102)		60000	13714 (3083)	9510 (2138)	8020 (1803)	6365 (1431)	5560 (1250)	5053 (1136)	4688 (1054)	4413 (992)	4319 (971)	4190 (942)	4008 (901)	4008 (901)	4008 (901)	4008 (901)	4008 (901)	4008 (901)
	75mm		77430 (17407)	58281 (13102)	60000	13714 (3083)		9510 (2138)	8020 (1803)	6365 (1431)	5560 (1250)	5053 (1136)	4688 (1054)	4413 (992)	4319 (971)	4190 (942)	4008 (901)	4008 (901)	4008 (901)	4008 (901)	4008 (901)		
			77430 (17407)	58281 (13102)		100000	11565 (2600)	8020 (1803)	6766 (1521)	5369 (1207)	4688 (1054)	4261 (958)	3954 (889)	3723 (837)	3643 (819)	3536 (795)	3381 (760)	3381 (760)	3381 (760)	3381 (760)	3381 (760)	3381 (760)	
	218	3-7/16		95419 (21451)	74023 (16641)		20000	24372 (5479)	16899 (3799)	14252 (3204)	11312 (2543)	9884 (2222)	8981 (2019)	8336 (1874)	7842 (1763)	7678 (1726)	7678 (1726)	7678 (1726)	7678 (1726)	7678 (1726)	7678 (1726)	7678 (1726)	
				95419 (21451)	74023 (16641)	30000		21294 (4787)	14764 (3319)	12451 (2799)	9884 (2222)	8634 (1941)	7842 (1763)	7282 (1637)	6855 (1541)	6855 (1541)	6855 (1541)	6855 (1541)	6855 (1541)	6855 (1541)	6855 (1541)	6855 (1541)	6855 (1541)
		3-1/2		95419 (21451)	74023 (16641)		40000	19345 (4349)	13411 (3015)														

# Extreme Duty mounted ball bearings

## Selection

### Extreme Duty SCED/SCMED

Ring size	Shaft size		Dynamic capacity C <sub>10</sub> , N (lb)	Static capacity C <sub>0</sub> , N (lb)	L <sub>10</sub> life - hours	Allowable equivalent radial load rating N (lb) at various RPM*											
	SCED	SCMED				2500	2750	3000	3250	3500	3600	4000	4500	5000	5250	5500	6000
204	1/2		12895 (2899)	6592 (1482)	20000	894 (201)	867 (195)	841 (189)	818 (184)	801 (180)	792 (178)	765 (172)	734 (165)	712 (160)	698 (157)	689 (155)	667 (150)
		5/8	12895 (2899)	6592 (1482)	30000	783 (176)	756 (170)	734 (165)	716 (161)	698 (157)	689 (155)	667 (150)	641 (144)	618 (139)	609 (137)	601 (135)	583 (131)
	3/4		12895 (2899)	6592 (1482)	40000	712 (160)	689 (155)	667 (150)	649 (146)	636 (143)	627 (141)	605 (136)	583 (131)	565 (127)	556 (125)	547 (123)	529 (119)
		13/16	12895 (2899)	6592 (1482)	60000	618 (139)	601 (135)	583 (131)	569 (128)	556 (125)	547 (123)	529 (119)	512 (115)	494 (111)	485 (109)	476 (107)	463 (104)
	20mm		12895 (2899)	6592 (1482)	100000	525 (118)	507 (114)	494 (111)	480 (108)	467 (105)	463 (104)	449 (101)	431 (97)	414 (93)	409 (92)	400 (90)	391 (88)
205	7/8		13994 (3146)	7869 (1769)	20000	970 (218)	939 (211)	912 (205)	890 (200)	867 (195)	859 (193)	832 (187)	796 (179)	770 (173)	756 (170)	747 (168)	725 (163)
		15/16	13994 (3146)	7869 (1769)	30000	850 (191)	823 (185)	796 (179)	778 (175)	756 (170)	752 (169)	725 (163)	698 (157)	672 (151)	663 (149)	654 (147)	632 (142)
	1		13994 (3146)	7869 (1769)	40000	770 (173)	747 (168)	725 (163)	707 (159)	689 (155)	681 (153)	658 (148)	632 (142)	609 (137)	601 (135)	592 (133)	574 (129)
		25mm	13994 (3146)	7869 (1769)	60000	672 (151)	654 (147)	632 (142)	618 (139)	601 (135)	596 (134)	574 (129)	552 (124)	534 (120)	525 (118)	516 (116)	503 (113)
			13994 (3146)	7869 (1769)	100000	569 (128)	552 (124)	534 (120)	520 (117)	507 (114)	503 (113)	485 (109)	467 (105)	449 (101)	445 (100)	436 (98)	423 (95)
206	1-1/16	1	19430 (4368)	11290 (2538)	20000	1348 (303)	1303 (293)	1268 (285)	1237 (278)	1205 (271)	1192 (268)	1152 (259)	1108 (249)	1068 (240)	1054 (237)		
			1-1/8	19430 (4368)	11290 (2538)	30000	1179 (265)	1139 (256)	1108 (249)	1076 (242)	1054 (237)	1041 (234)	1005 (226)	965 (217)	934 (210)	921 (207)	
	1-3/16		19430 (4368)	11290 (2538)	40000	1068 (240)	1036 (233)	1005 (226)	979 (220)	956 (215)	947 (213)	916 (206)	881 (198)	850 (191)	836 (188)		
			1-1/4	19430 (4368)	11290 (2538)	60000	934 (210)	903 (203)	881 (198)	854 (192)	836 (188)	827 (186)	801 (180)	770 (173)	743 (167)	730 (164)	
	30mm		19430 (4368)	11290 (2538)	100000	787 (177)	765 (172)	743 (167)	721 (162)	703 (158)	698 (157)	672 (151)	649 (146)	627 (141)	614 (138)		
207	1-1/4	1-3/16	25617 (5759)	15395 (3461)	20000	1775 (399)	1721 (387)	1673 (376)	1628 (366)	1588 (357)	1575 (354)	1517 (341)	1459 (328)				
			1-5/16	25617 (5759)	15395 (3461)	30000	1552 (349)	1503 (338)	1459 (328)	1423 (320)	1388 (312)	1374 (309)	1326 (298)	1277 (287)			
	1-3/8	30mm	25617 (5759)	15395 (3461)	40000	1410 (317)	1366 (307)	1326 (298)	1290 (290)	1259 (283)	1250 (281)	1205 (271)	1161 (261)				
			1-7/16	25617 (5759)	15395 (3461)	60000	1232 (277)	1192 (268)	1161 (261)	1130 (254)	1099 (247)	1090 (245)	1054 (237)	1014 (228)			
	35mm		25617 (5759)	15395 (3461)	100000	1041 (234)	1005 (226)	979 (220)	952 (214)	930 (209)	921 (207)	890 (200)	854 (192)				
208	1-1/2	1-7/16	32614 (7332)	19906 (4475)	20000	2260 (508)	2189 (492)	2126 (478)	2073 (466)	2019 (454)	2002 (450)	1935 (435)					
			1-5/8	32614 (7332)	19906 (4475)	30000	1975 (444)	1913 (430)	1859 (418)	1810 (407)	1766 (397)	1748 (393)	1690 (380)				
	40mm	35mm	32614 (7332)	19906 (4475)	40000	1793 (403)	1739 (391)	1690 (380)	1646 (370)	1606 (361)	1588 (357)	1535 (345)					
			60000	1566 (352)	1517 (341)	1477 (332)	1437 (323)	1401 (315)	1388 (312)	1339 (301)							
	100000	1321 (297)	1281 (288)	1246 (280)	1210 (272)	1183 (266)	1170 (263)	1130 (254)									
209	1-5/8	1-1/2	35101 (7891)	21823 (4906)	20000	2433 (547)	2358 (530)	2291 (515)	2229 (501)	2175 (489)	2157 (485)						
			1-11/16	35101 (7891)	21823 (4906)	30000	2126 (478)	2060 (463)	2002 (450)	1948 (438)	1899 (427)	1882 (423)					
	1-3/4		35101 (7891)	21823 (4906)	40000	1931 (434)	1873 (421)	1819 (409)	1770 (398)	1726 (388)	1713 (385)						
			45mm	35101 (7891)	21823 (4906)	60000	1686 (379)	1632 (367)	1588 (357)	1548 (348)	1508 (339)	1495 (336)					
	100000	35101 (7891)	21823 (4906)	100000	1423 (320)	1379 (310)	1339 (301)	1303 (293)	1272 (286)	1259 (283)							
210	1-15/16	1-11/16	35101 (7891)	23189 (5213)	20000	2433 (547)	2358 (530)	2291 (515)	2229 (501)	2175 (489)	2157 (485)						
			2	35101 (7891)	23189 (5213)	30000	2126 (478)	2060 (463)	2002 (450)	1948 (438)	1899 (427)	1882 (423)					
	50mm	45mm	35101 (7891)	23189 (5213)	40000	1931 (434)	1873 (421)	1819 (409)	1770 (398)	1726 (388)	1713 (385)						
			60000	1686 (379)	1632 (367)	1588 (357)	1548 (348)	1508 (339)	1495 (336)								
	100000	35101 (7891)	23189 (5213)	100000	1423 (320)	1379 (310)	1339 (301)	1303 (293)	1272 (286)	1259 (283)							

\*Slight interference fit required when operating on the right of the heavy line or in the shaded area.

✦Pilloted flange only Note: Dimensions are in MM (in)

Unless specified, dimensions are in mm for metric parts and inches for non-metric parts.

# Extreme Duty mounted ball bearings

## Selection

### Extreme Duty SCED/SCMED (continued)

Ring size	Shaft size		Dynamic capacity C, N (lb)	Static capacity C <sub>0</sub> , N (lb)	L <sub>10</sub> life - hours	Allowable equivalent radial load rating N (lb) at various RPM*									
	SCED	SCMED				2500	2750	3000	3250	3500	3600	4000	4500	5000	5250
211	2	1-15/16	43392	29305	20000	3007	2914	2829	2758						
			(9755)	(6588)		(676)	(655)	(636)	(620)						
	2-3/16	2	43392	29305	30000	2629	2544	2473	2406						
			(9755)	(6588)		(591)	(572)	(556)	(541)						
	2-1/4	50mm	43392	29305	40000	2389	2313	2246	2189						
(9755)			(6588)	(537)		(520)	(505)	(492)							
55mm		43392	29305	60000	2086	2019	1962	1913							
		(9755)	(6588)		(469)	(454)	(441)	(430)							
			43392	29305	100000	1761	1704	1655	1610						
			(9755)	(6588)		(396)	(383)	(372)	(362)						
212	2-1/4	2-3/16	52449	36031	20000	3639	3523								
			(11791)	(8100)		(818)	(792)								
	2-7/16	2-1/4	52449	36031	30000	3176	3078								
			(11791)	(8100)		(714)	(692)								
	60mm	55mm	52449	36031	40000	2887	2798								
(11791)			(8100)	(649)		(629)									
			52449	36031	60000	2522	2442								
			(11791)	(8100)		(567)	(549)								
			52449	36031	100000	2126	2060								
			(11791)	(8100)		(478)	(463)								
214	2-11/16	2-7/16	62253	43762	20000	4315									
			(13995)	(9838)		(970)									
	70mm	2-1/2	62253	43762	30000	3772									
			(13995)	(9838)		(848)									
	65mm		62253	43762	40000	3425									
(13995)			(9838)	(770)											
			62253	43762	60000	2994									
			(13995)	(9838)		(673)									
			62253	43762	100000	2522									
			(13995)	(9838)		(567)									
215	2-15/16	2-11/16	66154	49411	20000	4586									
			(14872)	(11108)		(1031)									
	75mm	70mm	66154	49411	30000	4008									
			(14872)	(11108)		(901)									
				66154	49411	40000	3639								
			(14872)	(11108)		(818)									
			66154	49411	60000	3180									
			(14872)	(11108)		(715)									
			66154	49411	100000	2682									
			(14872)	(11108)		(603)									
216	2-15/16		77430	58281	20000										
			(17407)	(13102)											
	3		77430	58281	30000										
			(17407)	(13102)											
	75mm		77430	58281	40000										
(17407)			(13102)												
			77430	58281	60000										
			(17407)	(13102)											
			77430	58281	100000										
			(17407)	(13102)											
218	3-7/16		95419	74023	20000										
			(21451)	(16641)											
	3-1/2		95419	74023	30000										
			(21451)	(16641)											
	85mm		95419	74023	40000										
(21451)			(16641)												
			95419	74023	60000										
			(21451)	(16641)											
			95419	74023	100000										
			(21451)	(16641)											

\*Slight interference fit required when operating on the right of the heavy line or in the shaded area.

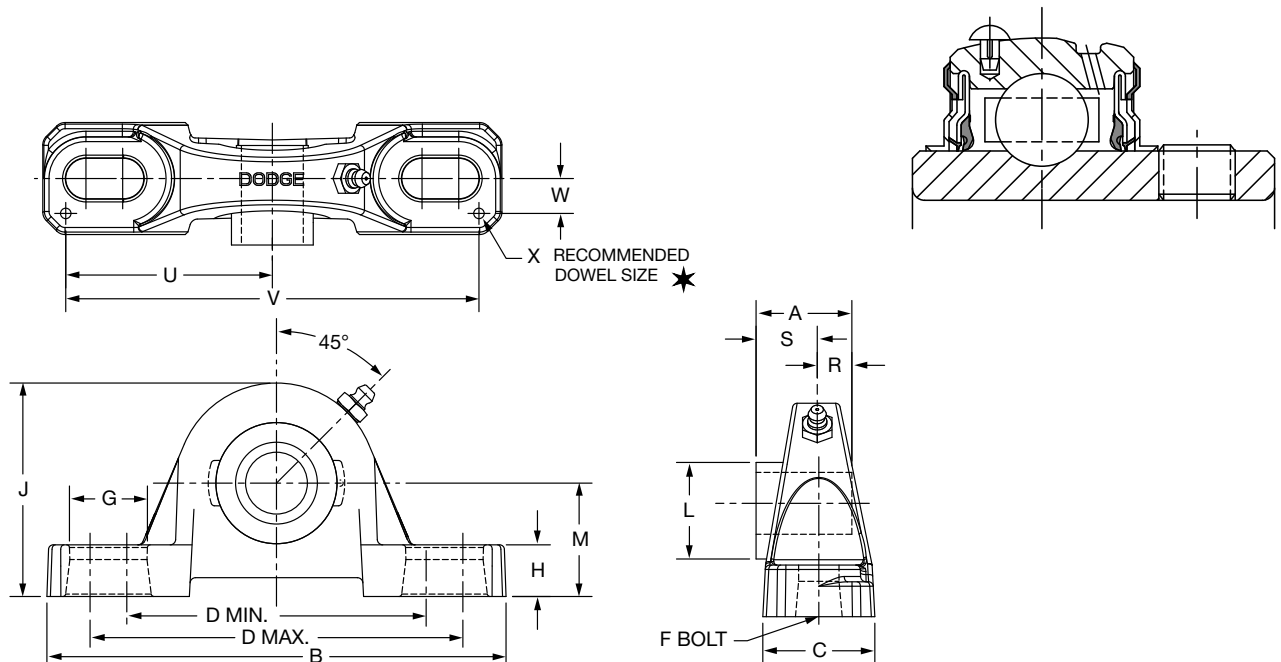
♣Piloted flange only Note: Dimensions are in MM (in)

Unless specified, dimensions are in mm for metric parts and inches for non-metric parts.

# Extreme Duty mounted ball bearings

## Selection/Dimensions

Extreme Duty set screw mounted ball bearings  
SCED and SCUED normal duty pillow blocks



Series	Shaft size	Standard part no.	Description
204	20mm	076220	P2B-SCED-20M
	1/2	@	P2B-SCED-008L
	5/8	075546	P2B-SCED-010L
	3/4	076000	P2B-SCED-012
205	25mm	076221	P2B-SCED-25M
	7/8	@	P2B-SCED-014
	15/16	@	P2B-SCED-015
	1	076001	P2B-SCED-100
206	30mm	076222	P2B-SCED-30M
	1-1/16	@	P2B-SCED-101
	1-1/8	076002	P2B-SCED-102
	1-3/16	076003	P2B-SCED-103
	1-1/4	076004	P2B-SCED-104S
206 (SCU)	30mm	@	P2B-SCUED-30M
	1-1/16	@	P2B-SCUED-101
	1-1/8	@	P2B-SCUED-102
	1-3/16	@	P2B-SCUED-103
	1-1/4	@	P2B-SCUED-104S
207	35mm	076223	P2B-SCED-35M
	1-1/4	076005	P2B-SCED-104
	1-5/16	@	P2B-SCED-105
	1-3/8	076006	P2B-SCED-106
	1-7/16	076007	P2B-SCED-107

@Assembled to order

Note: Dimensions are in MM (in)

Unless specified, dimensions are in mm for metric parts and inches for non-metric parts.

# Extreme Duty mounted ball bearings

## Selection/Dimensions

Extreme Duty set screw mounted ball bearings

SCED and SCUED normal duty pillow blocks

Series	Shaft size	Weight kg lb	A	B	C	D		F bolt dia.	G	H
						Min.	Max.			
204	20mm	0.7	31.2	133.4	34.0	85.9	106.4	M10	21.6	13.5
	1/2	1.6	1.23	5.25	1.34	3.38	4.19	3/8	0.85	0.53
	5/8	1.5	1.23	5.25	1.34	3.38	4.19	3/8	0.85	0.53
	3/4	1.4	1.23	5.25	1.34	3.38	4.19	3/8	0.85	0.53
205	25mm	0.7	34.0	139.7	35.6	93.7	114.3	M10	21.6	14.7
	7/8	1.8	1.34	5.50	1.40	3.69	4.50	3/8	0.85	0.58
	15/16	1.7	1.34	5.50	1.40	3.69	4.50	3/8	0.85	0.58
	1	1.6	1.34	5.50	1.40	3.69	4.50	3/8	0.85	0.58
206	30mm	1.1	38.6	158.8	44.5	108.0	127.0	M12	23.9	17.3
	1-1/16	2.8	1.52	6.25	1.75	4.25	5.00	1/2	0.94	0.68
	1-1/8	2.7	1.52	6.25	1.75	4.25	5.00	1/2	0.94	0.68
	1-3/16	2.6	1.52	6.25	1.75	4.25	5.00	1/2	0.94	0.68
	1-1/4	2.5	1.52	6.25	1.75	4.25	5.00	1/2	0.94	0.68
206 (SCU)	30mm	1.1	38.6	158.8	44.5	108.0	127.0	M12	23.9	19.1
	1-1/16	2.9	1.52	6.25	1.75	4.25	5.00	1/2	0.94	0.75
	1-1/8	2.8	1.52	6.25	1.75	4.25	5.00	1/2	0.94	0.75
	1-3/16	2.7	1.52	6.25	1.75	4.25	5.00	1/2	0.94	0.75
	1-1/4	2.6	1.52	6.25	1.75	4.25	5.00	1/2	0.94	0.75
207	35mm	1.5	43.4	165.1	44.5	118.9	138.2	M12	23.9	18.0
	1-1/4	4.5	1.71	6.50	1.75	4.68	5.44	1/2	0.94	0.71
	1-5/16	4.4	1.71	6.50	1.75	4.68	5.44	1/2	0.94	0.71
	1-3/8	4.3	1.71	6.50	1.75	4.68	5.44	1/2	0.94	0.71
	1-7/16	4.2	1.71	6.50	1.75	4.68	5.44	1/2	0.94	0.71

Note: Dimensions are in MM (in)

Unless specified, dimensions are in mm for metric parts and inches for non-metric parts.

Series	Shaft size	J	L	M	R	S	U	V	W	X
204	20mm	65.0	28.4	33.3	12.7	18.5	57.2	114.3	12.7	3.0
	1/2	2.56	1.12	1.31	0.50	0.73	2.25	4.50	0.50	0.12
	5/8	2.56	1.12	1.31	0.50	0.73	2.25	4.50	0.50	0.12
	3/4	2.56	1.12	1.31	0.50	0.73	2.25	4.50	0.50	0.12
205	25mm	70.4	33.5	36.5	14.2	19.8	63.5	127.0	12.7	3.0
	7/8	2.77	1.32	1.44	0.56	0.78	2.50	5.00	0.50	0.12
	15/16	2.77	1.32	1.44	0.56	0.78	2.50	5.00	0.50	0.12
	1	2.77	1.32	1.44	0.56	0.78	2.50	5.00	0.50	0.12
206	30mm	82.6	39.9	41.3	14.7	23.9	73.2	146.3	14.2	3.0
	1-1/16	3.25	1.57	1.63	0.58	0.94	2.88	5.76	0.56	0.12
	1-1/8	3.25	1.57	1.63	0.58	0.94	2.88	5.76	0.56	0.12
	1-3/16	3.25	1.57	1.63	0.58	0.94	2.88	5.76	0.56	0.12
	1-1/4	3.25	1.57	1.63	0.58	0.94	2.88	5.76	0.56	0.12
206 (SCU)	30mm	84.1	39.9	42.9	14.7	23.9	73.2	146.3	14.2	3.0
	1-1/16	3.31	1.57	1.69	0.58	0.94	2.88	5.76	0.56	0.12
	1-1/8	3.31	1.57	1.69	0.58	0.94	2.88	5.76	0.56	0.12
	1-3/16	3.31	1.57	1.69	0.58	0.94	2.88	5.76	0.56	0.12
	1-1/4	3.31	1.57	1.69	0.58	0.94	2.88	5.76	0.56	0.12
207	35mm	95.3	46.7	47.6	17.0	26.4	73.9	147.8	14.2	3.0
	1-1/4	3.75	1.84	1.88	0.67	1.04	2.91	5.82	0.56	0.12
	1-5/16	3.75	1.84	1.88	0.67	1.04	2.91	5.82	0.56	0.12
	1-3/8	3.75	1.84	1.88	0.67	1.04	2.91	5.82	0.56	0.12
	1-7/16	3.75	1.84	1.88	0.67	1.04	2.91	5.82	0.56	0.12

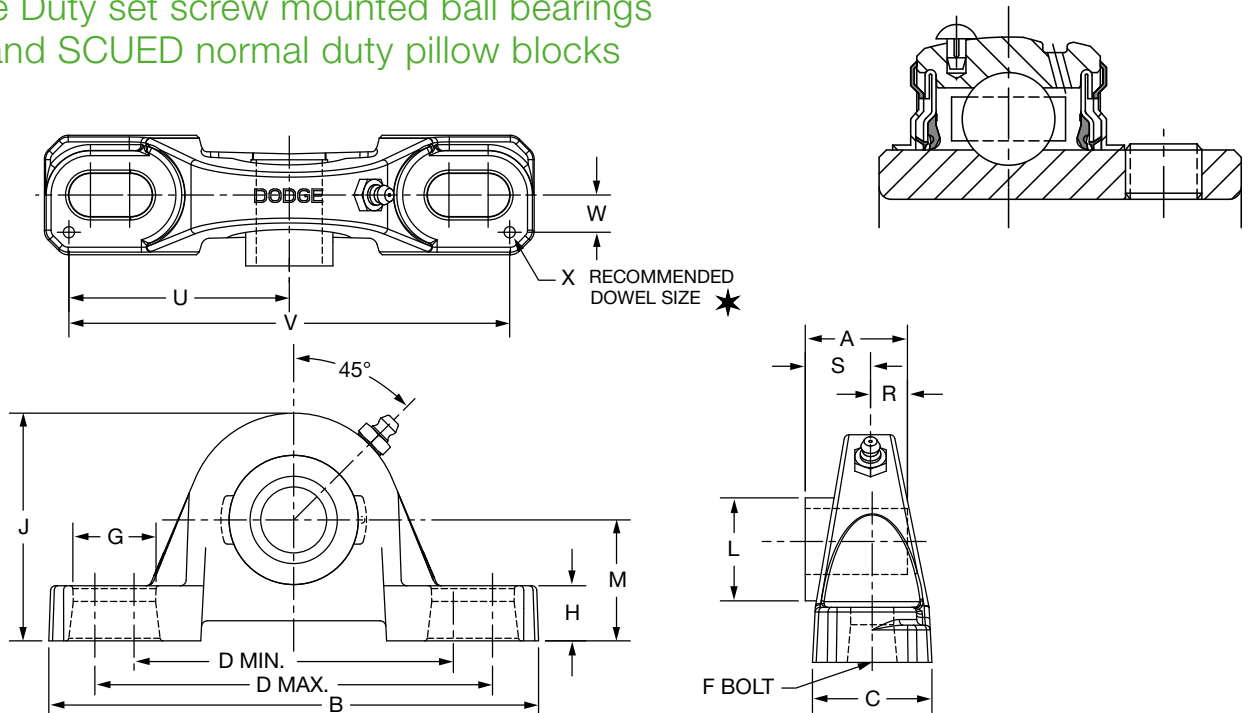
Note: Dimensions are in MM (in)

Unless specified, dimensions are in mm for metric parts and inches for non-metric parts.

# Extreme Duty mounted ball bearings

## Selection/Dimensions

Extreme Duty set screw mounted ball bearings  
SCED and SCUED normal duty pillow blocks



Series	Shaft size	Standard part no.	Description
208	40mm	076224	P2B-SCED-40M
	1-1/2	076008	P2B-SCED-108
	1-5/8	@	P2B-SCED-110
209	45mm	076225	P2B-SCED-45M
	1-5/8	@	P2B-SCED-110L
	1-11/16	076009	P2B-SCED-111
210	50mm	076226	P2B-SCED-50M
	1-15/16	076011	P2B-SCED-115
	2	076012	P2B-SCED-200
211	55mm	076227	P2B-SCED-55M
	2	076132	P2B-SCMED-200
	2-3/16	076133	P2B-SCMED-203
212	60mm	076228	P2B-SCED-60M
	2-1/4	@	P2B-SCMED-204
	2-7/16	076014	P2B-SCED-207
214	70mm	076229	P2B-SCED-70M
	2-1/2	076135	P2B-SCMED-208
	2-11/16	076015	P2B-SCED-211
215	75mm	076230	P2B-SCED-75M
	2-15/16	076016	P2B-SCED-215
215 (SCU)	75mm	@	P2B-SCUED-75M
	2-15/16	@	P2B-SCUED-215
218	90mm	@	P2B-SCED-90M

@Assembled to order

Note: Dimensions are in MM (in)

Unless specified, dimensions are in mm for metric parts and inches for non-metric parts.

# Extreme Duty mounted ball bearings

## Selection/Dimensions

### Extreme Duty set screw mounted ball bearings SCED and SCUED normal duty pillow blocks

Series	Shaft size	Weight kg lb	A	B	C	D		F bolt dia.	G	H
						Min.	Max.			
208	40mm	2.2	49.3	184.2	49.0	131.6	149.4	M12	23.1	23.6
	1-1/2	5.4	1.94	7.25	1.93	5.18	5.88	1/2	0.91	0.93
	1-5/8	5.3	1.94	7.25	1.93	5.18	5.88	1/2	0.91	0.93
209	45mm	2.2	49.3	189.0	50.8	139.7	157.2	M12	22.9	19.1
	1-5/8	6.6	1.94	7.44	2.00	5.50	6.19	1/2	0.90	0.75
	1-11/16	6.4	1.94	7.44	2.00	5.50	6.19	1/2	0.90	0.75
	1-3/4	6.2	1.94	7.44	2.00	5.50	6.19	1/2	0.90	0.75
210	50mm	2.6	49.3	206.2	57.2	152.4	169.7	M16	25.9	19.1
	1-15/16	7.2	1.94	8.12	2.25	6.00	6.68	5/8	1.02	0.75
	2	7.0	1.94	8.12	2.25	6.00	6.68	5/8	1.02	0.75
211	55mm	3.3	56.4	225.6	58.4	162.1	189.0	M16	30.7	22.4
	2	9.0	2.22	8.88	2.30	6.38	7.44	5/8	1.21	0.88
	2-3/16	8.9	2.22	8.88	2.30	6.38	7.44	5/8	1.21	0.88
	2-1/4	8.8	2.22	8.88	2.30	6.38	7.44	5/8	30.7	22.4
212	60mm	4.2	58.7	241.3	60.2	174.8	201.7	M16	30.7	22.4
	2-1/4	10.8	2.31	9.50	2.37	6.88	7.94	5/8	1.21	0.88
	2-7/16	10.2	2.31	9.50	2.37	6.88	7.94	5/8	1.21	0.88
214	70mm	6.9	64.5	273.1	68.3	190.5	215.9	M18	33.5	23.9
	2-1/2	15.5	2.54	10.75	2.69	7.50	8.50	3/4	1.32	0.94
	2-11/16	15.0	2.54	10.75	2.69	7.50	8.50	3/4	1.32	0.94
215	75mm	7.9	59.2	298.5	73.2	215.9	241.3	M22	36.6	25.4
	2-15/16	20.5	2.33	11.75	2.88	8.50	9.50	7/8	1.44	1.00
215 (SCU)	75mm	8.0	59.2	298.5	73.2	215.9	241.3	M22	36.6	25.4
	2-15/16	20.7	2.33	11.75	2.88	8.50	9.50	7/8	1.44	1.00
218	90mm	13.6	65.0	355.6	85.9	262.1	295.1	M22	40.4	33.3

Note: Dimensions are in MM (in)

Unless specified, dimensions are in mm for metric parts and inches for non-metric parts.

Series	Shaft size	J	L	M	R	S	U	V	W	X
208	40mm	106.4	52.1	54.0	19.1	30.2	82.8	165.6	17.5	3.0
	1-1/2	4.19	2.05	2.13	0.75	1.19	3.26	6.52	0.69	0.12
	1-5/8	4.19	2.05	2.13	0.75	1.19	3.26	6.52	0.69	0.12
209	45mm	108.7	56.4	54.0	19.1	30.2	85.9	171.7	17.5	3.0
	1-5/8	4.28	2.22	2.13	0.75	1.19	3.38	6.76	0.69	0.12
	1-11/16	4.28	2.22	2.13	0.75	1.19	3.38	6.76	0.69	0.12
	1-3/4	4.28	2.22	2.13	0.75	1.19	3.38	6.76	0.69	0.12
	1-15/16	4.53	2.43	2.25	0.75	1.19	3.69	7.38	0.81	0.12
210	50mm	115.1	61.7	57.2	19.1	30.2	93.7	187.5	20.6	3.0
	2	4.53	2.43	2.25	0.75	1.19	3.69	7.38	0.81	0.12
211	55mm	126.0	68.8	63.5	22.1	34.3	100.1	200.2	20.6	3.0
	2	4.96	2.71	2.50	0.87	1.35	3.94	7.88	0.81	0.12
	2-3/16	4.96	2.71	2.50	0.87	1.35	3.94	7.88	0.81	0.12
	2-1/4	4.96	2.71	2.50	0.87	1.35	3.94	7.88	0.81	0.12
212	60mm	137.2	75.4	69.9	22.9	35.8	108.0	215.9	22.4	3.0
	2-1/4	5.40	2.97	2.75	0.90	1.41	4.25	8.50	0.88	0.12
	2-7/16	5.40	2.97	2.75	0.90	1.41	4.25	8.50	0.88	0.12
214	70mm	154.7	84.1	76.2	26.9	37.6	124.0	247.9	23.9	3.0
	2-1/2	6.09	3.31	3.00	1.06	1.48	4.88	9.76	0.94	0.12
	2-11/16	6.09	3.31	3.00	1.06	1.48	4.88	9.76	0.94	0.12
215	75mm	171.5	91.9	88.9	21.8	37.3	139.2	278.4	26.4	3.0
	2-15/16	6.75	3.62	3.50	0.86	1.47	5.48	10.96	1.04	0.12
215 (SCU)	75mm	165.1	91.9	82.6	21.8	37.3	139.2	278.4	26.4	3.0
	2-15/16	6.50	3.62	3.25	0.86	1.47	5.48	10.96	1.04	0.12
218	90mm	203.2	110.5	101.6	24.4	40.6	167.6	335.3	30.2	3.0

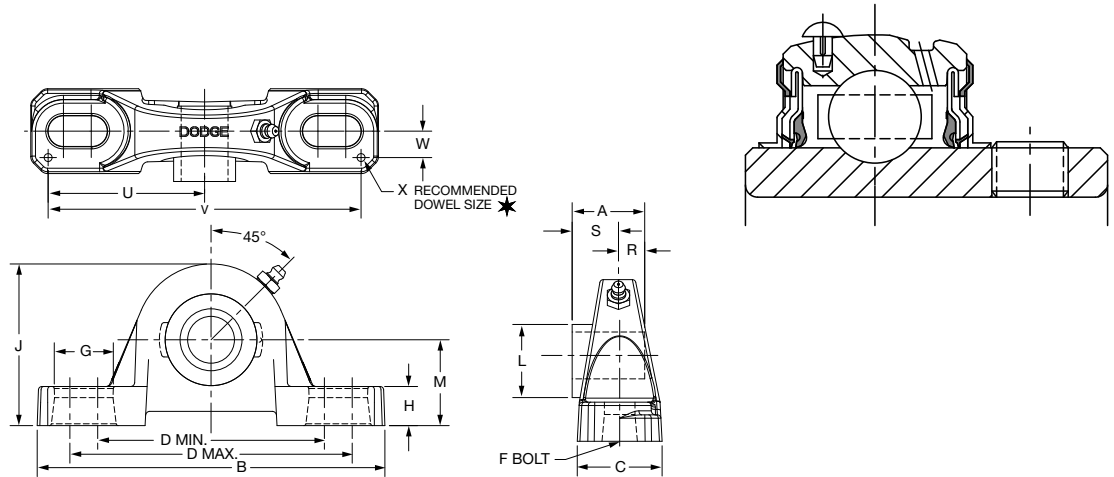
Note: Dimensions are in MM (in)

Unless specified, dimensions are in mm for metric parts and inches for non-metric parts.

# Extreme Duty mounted ball bearings

## Selection/Dimensions

Extreme Duty set screw mounted ball bearings  
SCBED normal duty pillow blocks



Series	Shaft size	Part No.	Description	Weight kg lb	A	B	C	D		F bolt dia.	G	H
								Min.	Max.			
204	20mm	@	P2B-SCBED-20M	0.7	31.2	133.4	34.0	85.9	106.4	M10	21.6	11.9
	1/2	@	P2B-SCBED-008L	1.6	1.23	5.25	1.34	3.38	4.19	3/8	0.85	0.47
	5/8	@	P2B-SCBED-010L	1.5	1.23	5.25	1.34	3.38	4.19	3/8	0.85	0.47
	3/4	@	P2B-SCBED-012	1.4	1.23	5.25	1.34	3.38	4.19	3/8	0.85	0.47
205	25mm	@	P2B-SCBED-25M	0.7	34.0	139.7	35.6	93.7	114.3	M10	21.6	11.4
	7/8	@	P2B-SCBED-014	1.8	1.34	5.50	1.40	3.69	4.50	3/8	0.85	0.45
	15/16	@	P2B-SCBED-015	1.7	1.34	5.50	1.40	3.69	4.50	3/8	0.85	0.45
206	30mm	@	P2B-SCBED-30M	1.1	38.6	158.8	44.5	108.0	127.0	M12	23.9	15.8
	1-1/16	@	P2B-SCBED-101	2.8	1.52	6.25	1.75	4.25	5.00	1/2	0.94	0.62
	1-1/8	@	P2B-SCBED-102	2.7	1.52	6.25	1.75	4.25	5.00	1/2	0.94	0.62
	1-3/16	@	P2B-SCBED-103	2.6	1.52	6.25	1.75	4.25	5.00	1/2	0.94	0.62
	1-1/4	@	P2B-SCBED-104S	2.5	1.52	6.25	1.75	4.25	5.00	1/2	0.94	0.62
207	35mm	@	P2B-SCBED-35M	1.5	43.4	165.1	44.5	118.9	138.2	M12	23.9	16.5
	1-1/4	@	P2B-SCBED-104	4.5	1.71	6.50	1.75	4.68	5.44	1/2	0.94	0.65
	1-5/16	@	P2B-SCBED-105	4.4	1.71	6.50	1.75	4.68	5.44	1/2	0.94	0.65
	1-3/8	@	P2B-SCBED-106	4.3	1.71	6.50	1.75	4.68	5.44	1/2	0.94	0.65
	1-7/16	@	P2B-SCBED-107	4.2	1.71	6.50	1.75	4.68	5.44	1/2	0.94	0.65
208	40mm	@	P2B-SCBED-40M	2.2	49.3	184.2	49.0	131.6	149.4	M12	23.1	19.1
	1-1/2	@	P2B-SCBED-108	5.4	1.94	7.25	1.93	5.18	5.88	1/2	0.91	0.75
	1-5/8	@	P2B-SCBED-110	5.3	1.94	7.25	1.93	5.18	5.88	1/2	0.91	0.75
209	45mm	<b>076545</b>	P2B-SCBED-45M	2.2	49.3	189.0	50.8	139.7	157.2	M12	22.9	17.5
	1-5/8	@	P2B-SCBED-110L	6.6	1.94	7.44	2.00	5.50	6.19	1/2	0.90	0.69
	1-11/16	@	P2B-SCBED-111	6.4	1.94	7.44	2.00	5.50	6.19	1/2	0.90	0.69
210	50mm	@	P2B-SCBED-50M	2.6	49.3	206.2	57.2	152.4	169.7	M16	25.9	17.3
	1-15/16	@	P2B-SCBED-115	7.2	1.94	8.12	2.25	6.00	6.68	5/8	1.02	0.68
	2	@	P2B-SCBED-200	7.0	1.94	8.12	2.25	6.00	6.68	5/8	1.02	0.68
211	55mm	@	P2B-SCBED-55M	3.3	56.4	225.6	58.4	162.1	189.0	M16	30.7	20.6
	2	@	P2B-SCBED-200L	9.0	2.22	8.88	2.30	6.38	7.44	5/8	1.21	0.81
	2-3/16	@	P2B-SCBED-203	8.9	2.22	8.88	2.30	6.38	7.44	5/8	1.21	0.81
	2-1/4	@	P2B-SCBED-204	8.8	2.22	8.88	2.30	6.38	7.44	5/8	1.21	0.81
212	60mm	@	P2B-SCBED-60M	4.2	58.7	241.3	60.2	174.8	201.7	M16	30.7	20.6
	2-1/4	@	P2B-SCBED-204L	10.8	2.31	9.50	2.37	6.88	7.94	5/8	1.21	0.81
215	75mm	@	P2B-SCBED-75M	7.9	59.2	298.5	73.2	215.9	241.3	M22	36.6	26.9
	2-15/16	@	P2B-SCBED-215	20.5	2.33	11.75	2.88	8.50	9.50	7/8	1.44	1.06

@Assembled to order.

Note: Dimensions are in MM (in)

Unless specified, dimensions are in mm for metric parts and inches for non-metric parts.



# Extreme Duty mounted ball bearings

## Selection/Dimensions

Extreme Duty set screw mounted ball bearings

SCBED normal duty pillow blocks

Series	Shaft size	J	L	M	R	S	U	V	W	X
204	20mm	63.2	28.4	31.8	12.7	18.5	57.2	114.3	12.7	3.0
	1/2	2.49	1.12	1.25	0.50	0.73	2.25	4.50	0.50	0.12
	5/8	2.49	1.12	1.25	0.50	0.73	2.25	4.50	0.50	0.12
	3/4	2.49	1.12	1.25	0.50	0.73	2.25	4.50	0.50	0.12
205	25mm	67.1	33.5	33.3	14.2	19.8	63.5	127.0	12.7	3.0
	7/8	2.64	1.32	1.31	0.56	0.78	2.50	5.00	0.50	0.12
	15/16	2.64	1.32	1.31	0.56	0.78	2.50	5.00	0.50	0.12
	1	2.64	1.32	1.31	0.56	0.78	2.50	5.00	0.50	0.12
206	30mm	81.0	39.9	39.6	14.7	23.9	73.2	146.3	14.2	3.0
	1-1/16	3.19	1.57	1.56	0.58	0.94	2.88	5.76	0.56	0.12
	1-1/8	3.19	1.57	1.56	0.58	0.94	2.88	5.76	0.56	0.12
	1-3/16	3.19	1.57	1.56	0.58	0.94	2.88	5.76	0.56	0.12
	1-1/4	3.19	1.57	1.56	0.58	0.94	2.88	5.76	0.56	0.12
207	35mm	93.7	46.7	46.0	17.0	26.4	73.9	147.8	14.2	3.0
	1-1/4	3.69	1.84	1.81	0.67	1.04	2.91	5.82	0.56	0.12
	1-5/16	3.69	1.84	1.81	0.67	1.04	2.91	5.82	0.56	0.12
	1-3/8	3.69	1.84	1.81	0.67	1.04	2.91	5.82	0.56	0.12
	1-7/16	3.69	1.84	1.81	0.67	1.04	2.91	5.82	0.56	0.12
208	40mm	101.6	52.1	49.3	19.1	30.2	82.8	165.6	17.5	3.0
	1-1/2	4.00	2.05	1.94	0.75	1.19	3.26	6.52	0.69	0.12
	1-5/8	4.00	2.05	1.94	0.75	1.19	3.26	6.52	0.69	0.12
209	45mm	106.9	56.4	52.3	19.1	30.2	85.9	171.7	17.5	3.0
	1-5/8	4.21	2.22	2.06	0.75	1.19	3.38	6.76	0.69	0.12
	1-11/16	4.21	2.22	2.06	0.75	1.19	3.38	6.76	0.69	0.12
	1-3/4	4.21	2.22	2.06	0.75	1.19	3.38	6.76	0.69	0.12
210	50mm	113.5	61.7	55.6	19.1	30.2	93.7	187.5	20.6	3.0
	1-15/16	4.47	2.43	2.19	0.75	1.19	3.69	7.38	0.81	0.12
	2	4.47	2.43	2.19	0.75	1.19	3.69	7.38	0.81	0.12
211	55mm	124.5	68.8	62.0	22.1	34.3	100.1	200.2	20.6	3.0
	2	4.90	2.71	2.44	0.87	1.35	3.94	7.88	0.81	0.12
	2-3/16	4.90	2.71	2.44	0.87	1.35	3.94	7.88	0.81	0.12
	2-1/4	4.90	2.71	2.44	0.87	1.35	3.94	7.88	0.81	0.12
212	60mm	135.6	75.4	68.3	22.9	35.8	108.0	215.9	22.4	3.0
	2-1/4	5.34	2.97	2.69	0.90	1.41	4.25	8.50	0.88	0.12
	2-7/16	5.34	2.97	2.69	0.90	1.41	4.25	8.50	0.88	0.12
215	75mm	166.6	91.9	84.1	21.8	37.3	139.2	278.4	26.4	3.0
	2-15/16	6.56	3.62	3.31	0.86	1.47	5.48	10.96	1.04	0.12

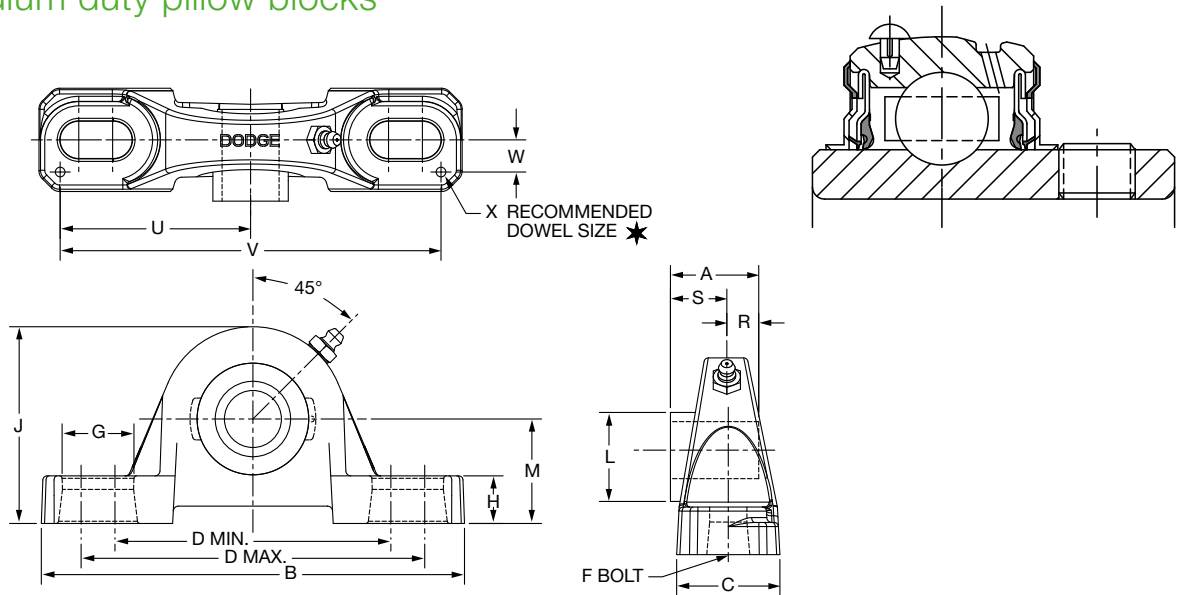
Note: Dimensions are in MM (in)

Unless specified, dimensions are in mm for metric parts and inches for non-metric parts.

# Extreme Duty mounted ball bearings

## Selection/Dimensions

Extreme Duty set screw mounted ball bearings  
SCMED medium duty pillow blocks



Series	Shaft size	Standard part no.	Description
206	25mm	<b>076296</b>	P2B-SCMED-25M
	1	<b>076125</b>	P2B-SCMED-100
206 (SCMU)	25mm	@	P2B-SCMU-25M
	1	@	P2B-SCMU-100
207	30mm	<b>076297</b>	P2B-SCMED-30M
	1-3/16	<b>076126</b>	P2B-SCMED-103
	1-1/4	<b>076005</b>	P2B-SCMED-104
208	35mm	<b>076298</b>	P2B-SCMED-35M
	1-7/16	<b>076127</b>	P2B-SCMED-107
209	40mm	<b>076299</b>	P2B-SCMED-40M
	1-1/2	<b>076128</b>	P2B-SCMED-108
	1-5/8	@	P2B-SC-110L
210	45mm	<b>076300</b>	P2B-SCMED-45M
	1-11/16	<b>076129</b>	P2B-SCMED-111
	1-3/4	<b>076130</b>	P2B-SCMED-112
211	50mm	<b>076301</b>	P2B-SCMED-50M
	1-15/16	<b>076131</b>	P2B-SCMED-115
	2	<b>076132</b>	P2B-SCMED-200
212	55mm	<b>076302</b>	P2B-SCMED-55M
	2-3/16	<b>076133</b>	P2B-SCMED-203
	2-1/4	@	P2B-SCMED-204
214	65mm	<b>076303</b>	P2B-SCMED-65M
	2-7/16	<b>076134</b>	P2B-SCMED-207
	2-1/2	<b>076135</b>	P2B-SCMED-208
215	70mm	<b>076304</b>	P2B-SCMED-70M
	2-11/16	<b>076136</b>	P2B-SCMED-211
216	75mm	<b>076305</b>	P2B-SCMED-75M
	2-15/16	<b>076137</b>	P2B-SCMED-215
	3	<b>076138</b>	P2B-SCMED-300
218	85mm	<b>076306</b>	P2B-SCMED-85M
	3-7/16	<b>076139</b>	P2B-SCMED-307
	3-1/2	<b>076140</b>	P2B-SCMED-308

@ Assembled to order

Note: Dimensions are in MM (in)

Unless specified, dimensions are in mm for metric parts and inches for non-metric parts.

# Extreme Duty mounted ball bearings

## Selection/Dimensions

### Extreme Duty set screw ball bearings

### SCMED medium duty pillow blocks

Series	Shaft size	Weight kg lb	A	B	C	D		F bolt dia.	G	H
						Min.	Max.			
206	25mm	7.3	38.6	158.8	44.5	108.0	127.0	M12	23.9	17.3
	1	3.0	1.52	6.25	1.75	4.25	5.00	1/2	0.94	0.68
206 (SCMU)	25mm	7.4	38.6	158.8	44.5	108.0	127.0	M12	23.9	19.1
	1	3.1	1.52	6.25	1.75	4.25	5.00	1/2	0.94	0.75
207	30mm	2.0	43.4	165.1	44.5	118.9	138.2	M12	23.9	18.0
	1-3/16	4.6	1.71	6.50	1.75	4.68	5.44	1/2	0.94	0.71
	1-1/4	4.2	1.71	6.50	1.75	4.68	5.44	1/2	0.94	0.71
208	35mm	2.3	49.3	184.2	49.0	131.6	149.4	M12	23.1	23.6
	1-7/16	5.4	1.94	7.25	1.93	5.18	5.88	1/2	0.91	0.93
209	40mm	2.7	49.3	189.0	50.8	139.7	157.2	M12	22.9	19.1
	1-1/2	6.4	1.94	7.44	2.00	5.50	6.19	1/2	0.90	0.75
	1-5/8	6.3	1.94	7.44	2.00	5.50	6.19	1/2	0.90	0.75
210	45mm	3.2	49.3	206.2	57.2	152.4	169.7	M16	25.9	19.1
	1-11/16	7.4	1.94	8.12	2.25	6.00	6.68	5/8	1.02	0.75
	1-3/4	7.3	1.94	8.12	2.25	6.00	6.68	5/8	1.02	0.75
211	50mm	3.9	56.4	225.6	58.4	162.1	189.0	M16	30.7	22.4
	1-15/16	9.2	2.22	8.88	2.30	6.38	7.44	5/8	1.21	0.88
	2	9.0	2.22	8.88	2.30	6.38	7.44	5/8	1.21	0.88
212	55mm	4.7	58.7	241.3	60.2	174.8	201.7	M16	30.7	22.4
	2-3/16	11.0	2.31	9.50	2.37	6.88	7.94	5/8	1.21	0.88
	2-1/4	10.8	2.31	9.50	2.37	6.88	7.94	5/8	1.21	0.88
214	65mm	6.7	64.5	273.1	68.3	190.5	215.9	M18	33.5	23.9
	2-7/16	15.7	2.54	10.75	2.69	7.50	8.50	3/4	1.32	0.94
	2-1/2	15.5	2.54	10.75	2.69	7.50	8.50	3/4	1.32	0.94
215	70mm	9.0	59.2	298.5	73.2	215.9	241.3	M22	36.6	25.4
	2-11/16	21.0	2.33	11.75	2.88	8.50	9.50	7/8	1.44	1.00
216	75mm	9.0	60.5	298.5	76.2	215.9	241.3	M22	36.6	31.8
	2-15/16	21.3	2.38	11.75	3.00	8.50	9.50	7/8	1.44	1.25
	3	21.1	2.38	11.75	3.00	8.50	9.50	7/8	1.44	1.25
218	85mm	73.6	65.0	355.6	85.9	262.1	295.1	M22	40.4	33.3
	3-7/16	31.8	2.56	14.00	3.38	10.32	11.62	7/8	1.59	1.31
	3-1/2	31.3	2.56	14.00	3.38	10.32	11.62	7/8	1.59	1.31

Note: Dimensions are in MM (in)

Unless specified, dimensions are in mm for metric parts and inches for non-metric parts.

Series	Shaft size	J	L	M	R	S	U	V	W	X
206	25mm	82.6	39.9	41.3	14.7	23.9	73.2	146.3	14.2	3.0
	1	3.25	1.57	1.63	0.58	0.94	2.88	5.76	0.56	0.12
206 (SCMU)	25mm	84.1	39.9	42.9	14.7	23.9	73.2	146.3	14.2	3.0
	1	3.31	1.57	1.69	0.58	0.94	2.88	5.76	0.56	0.12
207	30mm	95.3	46.7	47.6	17.0	26.4	73.9	147.8	14.2	3.0
	1-3/16	3.75	1.84	1.88	0.67	1.04	2.91	5.82	0.56	0.12
	1-1/4	3.75	1.84	1.88	0.67	1.04	2.91	5.82	0.56	0.12
208	35mm	106.4	52.1	54.0	19.1	30.2	82.8	165.6	17.5	3.0
	1-7/16	4.19	2.05	2.13	0.75	1.19	3.26	6.52	0.69	0.12
209	40mm	108.7	56.4	54.0	19.1	30.2	85.9	171.7	17.5	3.0
	1-1/2	4.28	2.22	2.13	0.75	1.19	3.38	6.76	0.69	0.12
	1-5/8	4.28	2.22	2.13	0.75	1.19	3.38	6.76	0.69	0.12
210	45mm	115.1	61.7	57.2	19.1	30.2	93.7	187.5	20.6	3.0
	1-11/16	4.53	2.43	2.25	0.75	1.19	3.69	7.38	0.81	0.12
	1-3/4	4.53	2.43	2.25	0.75	1.19	3.69	7.38	0.81	0.12
211	50mm	126.0	68.8	63.5	22.1	34.3	100.1	200.2	20.6	3.0
	1-15/16	4.96	2.71	2.50	0.87	1.35	3.94	7.88	0.81	0.12
	2	4.96	2.71	2.50	0.87	1.35	3.94	7.88	0.81	0.12
212	55mm	137.2	75.4	69.9	22.9	35.8	108.0	215.9	22.4	3.0
	2-3/16	5.40	2.97	2.75	0.90	1.41	4.25	8.50	0.88	0.12
	2-1/4	5.40	2.97	2.75	0.90	1.41	4.25	8.50	0.88	0.12
214	65mm	154.7	84.1	76.2	26.9	37.6	124.0	247.9	23.9	3.0
	2-7/16	6.09	3.31	3.00	1.06	1.48	4.88	9.76	0.94	0.12
	2-1/2	6.09	3.31	3.00	1.06	1.48	4.88	9.76	0.94	0.12
215	70mm	171.5	91.9	88.9	21.8	37.3	139.2	278.4	26.4	3.0
	2-11/16	6.75	3.62	3.50	0.86	1.47	5.48	10.96	1.04	0.12
	75mm	177.0	97.3	88.9	22.4	38.1	139.7	279.4	27.7	3.0
216	2-15/16	6.97	3.83	3.50	0.88	1.50	5.50	11.00	1.09	0.12
	3	6.97	3.83	3.50	0.88	1.50	5.50	11.00	1.09	0.12
	85mm	203.2	110.5	101.6	24.4	40.6	167.6	335.3	30.2	3.0
218	3-7/16	8.00	4.35	4.00	0.96	1.60	6.60	13.20	1.19	0.12
	3-1/2	8.00	4.35	4.00	0.96	1.60	6.60	13.20	1.19	0.12

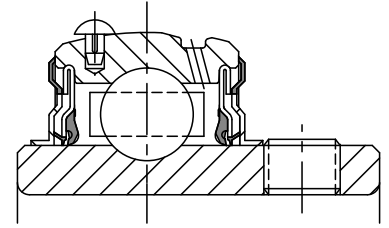
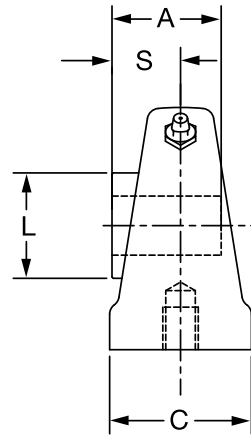
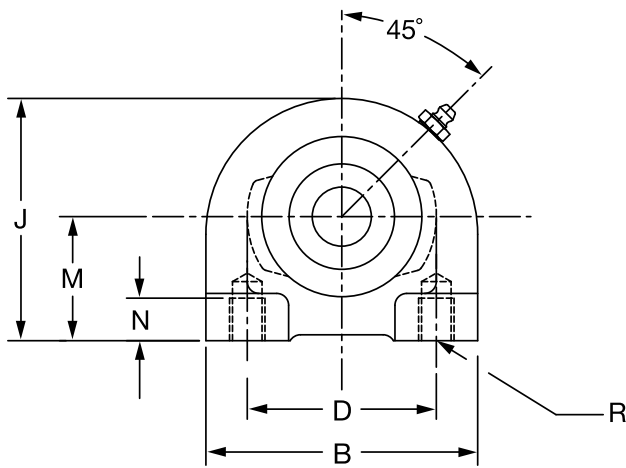
Note: Dimensions are in MM (in)

Unless specified, dimensions are in mm for metric parts and inches for non-metric parts.

# Extreme Duty mounted ball bearings

## Selection/Dimensions

Extreme Duty set screw mounted ball bearings  
 SCED normal duty tapped base pillow blocks



Series	Shaft size	Part no.	Description	Weight kg lb	A	B	C	D	J	L	M	N	R	S
204	20mm	<b>076231</b>	TB-SCED-20M	0.06	31.2	73.2	38.1	50.8	65.0	28.4	33.4	12.7	M8x1.25	18.5
	1/2	@	TB-SCED-008	1.56	1.23	2.88	1.50	2.00	2.56	1.12	1.31	0.50	3/8-16	0.73
	5/8	<b>077418</b>	TB-SCED-010	1.53	1.23	2.88	1.50	2.00	2.56	1.12	1.31	0.50	3/8-16	0.73
	3/4	<b>076017</b>	TB-SCED-012	1.50	1.23	2.88	1.50	2.00	2.56	1.12	1.31	0.50	3/8-16	0.73
205	25mm	<b>076232</b>	TB-SCED-25M	0.07	34.0	76.2	38.1	50.8	71.4	33.5	36.5	12.7	M10x1.5	19.8
	7/8	@	TB-SCED-014	1.93	1.34	3.00	1.50	2.00	2.81	1.32	1.44	0.50	3/8-16	0.78
	15/16	@	TB-SCED-015	1.90	1.34	3.00	1.50	2.00	2.81	1.32	1.44	0.50	3/8-16	0.78
	1	<b>076018</b>	TB-SCED-100	1.87	1.34	3.00	1.50	2.00	2.81	1.32	1.44	0.50	3/8-16	0.78
206	30mm	<b>076233</b>	TB-SCED-30M	0.10	38.6	101.6	38.1	76.2	85.9	39.9	42.9	16.0	M10x1.5	23.9
	1-1/16	@	TB-SCED-101	2.66	1.52	4.00	1.50	3.00	3.38	1.57	1.69	0.63	7/16-14	0.94
	1-1/8	<b>076019</b>	TB-SCED-102	2.62	1.52	4.00	1.50	3.00	3.38	1.57	1.69	0.63	7/16-14	0.94
	1-3/16	<b>076020</b>	TB-SCED-103	2.59	1.52	4.00	1.50	3.00	3.38	1.57	1.69	0.63	7/16-14	0.94
	1-1/4	<b>076021</b>	TB-SCED-104S	2.56	1.52	4.00	1.50	3.00	3.38	1.57	1.69	0.63	7/16-14	0.94
207	35mm	<b>076234</b>	TB-SCED-35M	0.13	43.4	108.0	47.8	82.6	95.3	46.7	47.6	19.1	M10x1.5	26.4
	1-1/4	<b>076022</b>	TB-SCED-104	3.41	1.71	4.25	1.88	3.25	3.75	1.84	1.88	0.75	1/2-13	1.04
	1-5/16	@	TB-SCED-105	3.36	1.71	4.25	1.88	3.25	3.75	1.84	1.88	0.75	1/2-13	1.04
	1-3/8	<b>076023</b>	TB-SCED-106	3.34	1.71	4.25	1.88	3.25	3.75	1.84	1.88	0.75	1/2-13	1.04
	1-7/16	<b>076024</b>	TB-SCED-107	3.25	1.71	4.25	1.88	3.25	3.75	1.84	1.88	0.75	1/2-13	1.04
208	40mm	<b>076235</b>	TB-SCED-40M	0.16	49.3	117.6	47.8	88.9	100.1	52.1	49.2	19.1	M12x1.75	30.2
	1-1/2	<b>076025</b>	TB-SCED-108	4.10	1.94	4.63	1.88	3.50	3.94	2.05	1.94	0.75	1/2-13	1.19
	1-5/8	@	TB-SCED-110	4.00	1.94	4.63	1.88	3.50	3.94	2.05	1.94	0.75	1/2-13	1.19
209	45mm	<b>076236</b>	TB-SCED-45M	0.20	49.3	127.0	50.8	95.3	108.0	56.4	54.0	19.1	M12x1.75	30.2
	1-5/8	@	TB-SCED-110L	5.20	1.94	5.00	2.00	3.75	4.25	2.22	2.13	0.75	1/2-13	1.19
	1-11/16	<b>076026</b>	TB-SCED-111	5.00	1.94	5.00	2.00	3.75	4.25	2.22	2.13	0.75	1/2-13	1.19
	1-3/4	<b>076027</b>	TB-SCED-112	4.90	1.94	5.00	2.00	3.75	4.25	2.22	2.13	0.75	1/2-13	1.19
210	50mm	<b>076237</b>	TB-SCED-50M	0.21	49.3	139.7	50.8	101.6	117.6	61.7	57.2	22.4	M16x2	30.2
	2	<b>076029</b>	TB-SCED-200	5.20	1.94	5.50	2.00	4.00	4.63	2.43	2.25	0.88	5/8-11	1.19
	1-15/16	<b>076028</b>	TB-SCED-115	5.40	1.94	5.50	2.00	4.00	4.63	2.43	2.25	0.88	5/8-11	1.19
211	55mm	<b>076238</b>	TB-SCED-55M	0.25	56.4	139.7	50.8	101.6	117.6	68.8	57.2	22.4	M16x2	34.3
	2	@	TB-SCED-200L	6.70	2.22	5.50	2.00	4.00	4.63	2.71	2.25	0.88	5/8-11	1.35
	2-3/16	<b>076030</b>	TB-SCED-203	6.50	2.22	5.50	2.00	4.00	4.63	2.71	2.25	0.88	5/8-11	1.35
	2-1/4	@	TB-SCED-204	6.30	2.22	5.50	2.00	4.00	4.63	2.71	2.25	0.88	5/8-11	1.35

@ Assembled to order

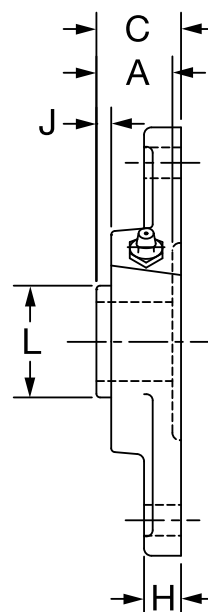
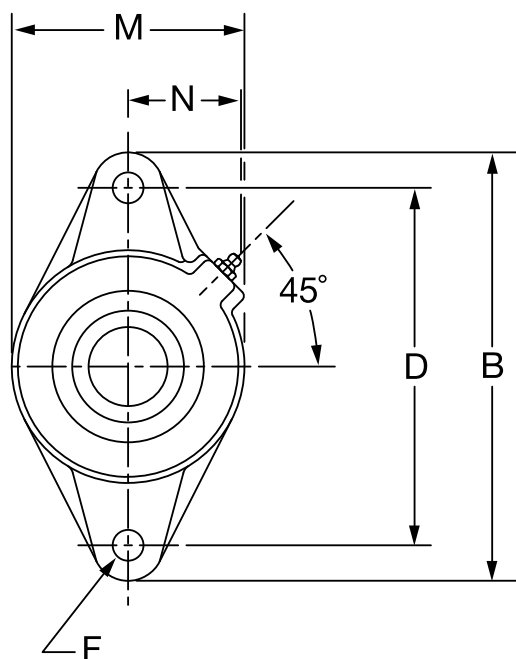
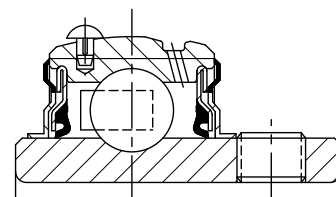
Note: Dimensions are in MM (in)

Unless specified, dimensions are in mm for metric parts and inches for non-metric parts.

# Extreme Duty mounted ball bearings

## Selection/Dimensions

Extreme Duty set screw mounted ball bearings  
SCED normal duty 2-bolt flange bearings



Series	Shaft size	Standard part no.	Description	Weight kg lb	A	B	C	D	F bolt dia.	H	J	L	M	N
204	20mm	<b>076239</b>	F2B-SCED-20M	0.5	31.2	112.0	34.0	89.7	M10	12.7	9.1	28.4	60.5	38.1
	1/2	@	F2B-SCED-008L	1.6	1.23	4.41	1.34	3.53	3/8	0.50	0.36	1.12	2.38	1.50
	5/8	@	F2B-SCED-010L	1.5	1.23	4.41	1.34	3.53	3/8	0.50	0.36	1.12	2.38	1.50
	3/4	<b>076031</b>	F2B-SCED-012	1.4	1.23	4.41	1.34	3.53	3/8	0.50	0.36	1.12	2.38	1.50
205	25mm	<b>076240</b>	F2B-SCED-25M	0.6	34.0	124.0	34.8	98.8	M10	13.2	10.7	33.5	69.9	36.6
	7/8	@	F2B-SCED-014	1.6	1.34	4.88	1.37	3.89	7/16	0.52	0.42	1.32	2.75	1.44
	15/16	@	F2B-SCED-015	1.5	1.34	4.88	1.37	3.89	7/16	0.52	0.42	1.32	2.75	1.44
	1	<b>076032</b>	F2B-SCED-100	1.4	1.34	4.88	1.37	3.89	7/16	0.52	0.42	1.32	2.75	1.44
206	30mm	<b>076241</b>	F2B-SCED-30M	1.0	38.6	141.2	39.6	116.7	M10	12.7	12.4	39.9	79.5	39.6
	1-1/16	@	F2B-SCED-101	2.3	1.52	5.56	1.56	4.59	7/16	0.50	0.49	1.57	3.13	1.56
	1-1/8	<b>076033</b>	F2B-SCED-102	2.2	1.52	5.56	1.56	4.59	7/16	0.50	0.49	1.57	3.13	1.56
	1-3/16	<b>076034</b>	F2B-SCED-103	2.1	1.52	5.56	1.56	4.59	7/16	0.50	0.49	1.57	3.13	1.56
	1-1/4	<b>076035</b>	F2B-SCED-104S	2.0	1.52	5.56	1.56	4.59	7/16	0.50	0.49	1.57	3.13	1.56
207	35mm	<b>076242</b>	F2B-SCED-35M	1.5	43.4	155.7	44.5	130.0	M12	14.2	13.5	46.7	95.3	46.7
	1-1/4	<b>076036</b>	F2B-SCED-104	3.5	1.71	6.13	1.75	5.12	1/2	0.56	0.53	1.84	3.75	1.84
	1-5/16	@	F2B-SCED-105	3.4	1.71	6.13	1.75	5.12	1/2	0.56	0.53	1.84	3.75	1.84
	1-3/8	<b>076037</b>	F2B-SCED-106	3.2	1.71	6.13	1.75	5.12	1/2	0.56	0.53	1.84	3.75	1.84
	1-7/16	<b>076038</b>	F2B-SCED-107	3.1	1.71	6.13	1.75	5.12	1/2	0.56	0.53	1.84	3.75	1.84

@Assembled to order

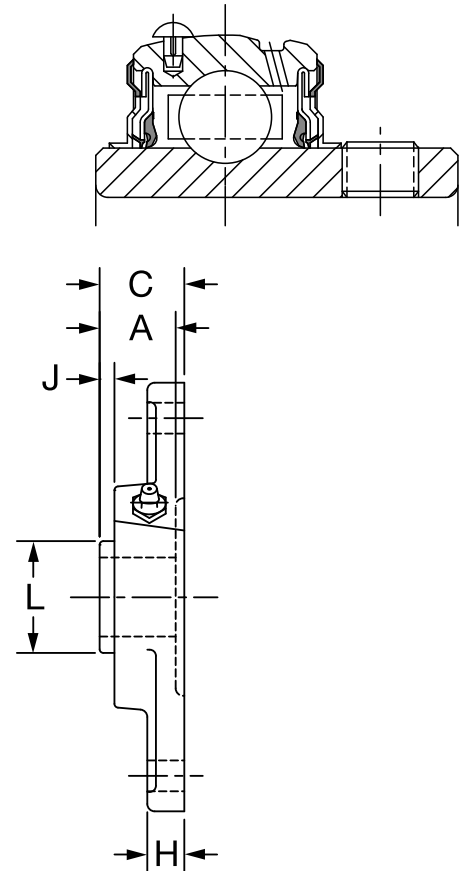
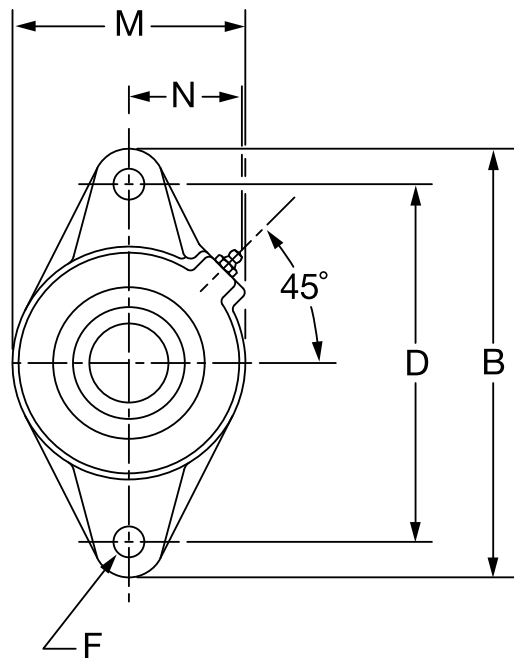
Note: Dimensions are in MM (in)

Unless specified, dimensions are in mm for metric parts and inches for non-metric parts.

# Extreme Duty mounted ball bearings

## Selection/Dimensions

Extreme Duty set screw mounted ball bearings  
 SCED normal duty 2-bolt flange bearings



Series	Shaft size	Standard part no.	Description	Weight kg lb	A	B	C	D	F bolt dia.	H	J	L	M	N
208	40mm	<b>076243</b>	F2B-SCED-40M	1.8	49.3	171.5	50.3	143.8	M12	14.2	16.0	52.1	104.9	46.5
	1-1/2	<b>076039</b>	F2B-SCED-108	4.1	1.94	6.75	1.98	5.66	1/2	0.56	0.63	2.05	4.13	1.83
	1-5/8	@	F2B-SCED-110	4.0	1.94	6.75	1.98	5.66	1/2	0.56	0.63	2.05	4.13	1.83
209	45mm	<b>076244</b>	F3B-SCED-45M	2.2	49.3	179.3	50.5	148.3	M14	16.0	15.0	56.4	111.3	48.5
	1-5/8	@	F2B-SCED-110L	5.2	1.94	7.06	1.99	5.84	1/2	0.63	0.59	2.22	4.38	1.91
	1-11/16	<b>076040</b>	F2B-SCED-111	5.0	1.94	7.06	1.99	5.84	1/2	0.63	0.59	2.22	4.38	1.91
	1-3/4	<b>076041</b>	F2B-SCED-112	4.9	1.94	7.06	1.99	5.84	1/2	0.63	0.59	2.22	4.38	1.91
	1-13/16	@	F2B-SCED-113	4.7	1.94	7.06	1.99	5.84	1/2	0.63	0.59	2.22	4.38	1.91
210	50mm	<b>076245</b>	F2B-SCED-50M	2.5	49.3	189.0	51.3	157.2	M16	16.0	14.0	61.7	115.8	51.6
	1-15/16	<b>076042</b>	F2B-SCED-115	5.4	1.94	7.44	2.02	6.19	1/2	0.63	0.55	2.43	4.56	2.03
	2	<b>076043</b>	F2B-SCED-200	5.2	1.94	7.44	2.02	6.19	1/2	0.63	0.55	2.43	4.56	2.03
211	55mm	@	F2B-SCED-55M	3.0	56.4	219.2	57.9	184.2	M16	17.0	17.3	68.8	133.4	57.7
	2	<b>076148</b>	F2B-SCMED-200	6.7	2.22	8.63	2.28	7.25	5/8	0.67	0.68	2.71	5.25	2.27
	2-3/16	<b>076044</b>	F2B-SCED-203	6.5	2.22	8.63	2.28	7.25	5/8	0.67	0.68	2.71	5.25	2.27
	2-1/4	<b>075697</b>	F2B-SCED-204	6.3	2.22	8.63	2.28	7.25	5/8	0.67	0.68	2.71	5.25	2.27
212	60mm	<b>077773</b>	F2B-SCED-60M	3.4	58.7	249.2	60.5	202.1	M22	20.6	16.8	75.4	139.7	62.7
	2-1/4	@	F2B-SCMED-204	7.4	2.31	9.81	2.38	7.96	5/8	0.81	0.66	2.97	5.50	2.47
	2-7/16	<b>076045</b>	F2B-SCED-207	7.0	2.31	9.81	2.38	7.96	5/8	0.81	0.66	2.97	5.50	2.47

@Assembled to order

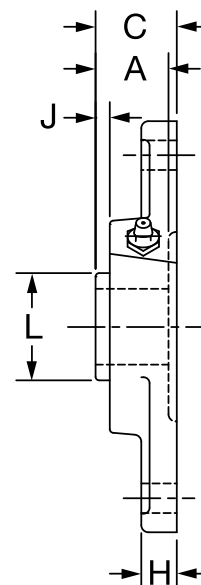
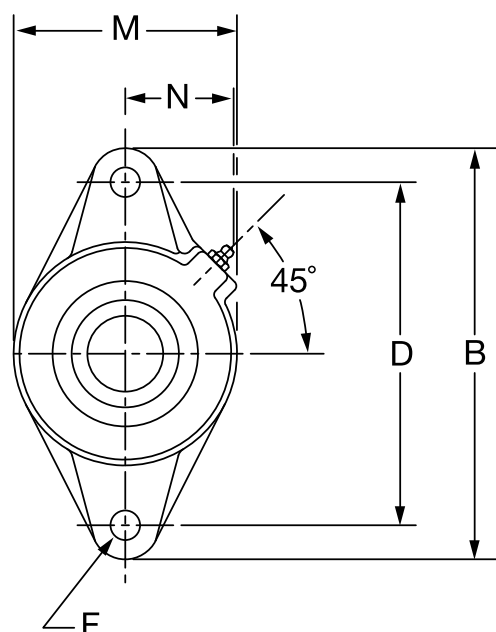
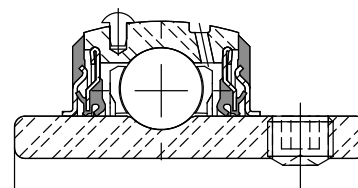
Note: Dimensions are in MM (in)

Unless specified, dimensions are in mm for metric parts and inches for non-metric parts.

# Extreme Duty mounted ball bearings

## Selection/Dimensions

Extreme Duty set screw mounted ball bearings  
SCMED medium duty 2-bolt flange bearings



Series	Shaft size	Standard part no.	Description	Weight kg lb	A	B	C	D	F bolt dia.	J	K	L	M	N
206	25mm	<b>076307</b>	F2B-SCMED-25M	1.0	38.6	141.2	39.6	116.7	M10	12.7	12.4	39.9	79.5	39.6
	1	<b>076141</b>	F2B-SCMED-100	2.4	1.52	5.56	1.56	4.59	7/16	0.50	0.49	1.57	3.13	1.56
207	30mm	<b>076308</b>	F2B-SCMED-30M	1.6	43.4	155.7	44.5	130.0	M12	14.2	13.5	46.7	95.3	46.7
	1-3/16	<b>076142</b>	F2B-SCMED-103	3.6	1.71	6.13	1.75	5.12	1/2	0.56	0.53	1.84	3.75	1.84
	1-1/4	@	F2B-SCMED-104	3.5	1.71	6.13	1.75	5.12	1/2	0.56	0.53	1.84	3.75	1.84
208	35mm	<b>076309</b>	F2B-SCMED-35M	1.9	49.3	171.5	50.3	143.8	M12	14.2	16.0	52.1	104.9	46.5
	1-7/16	<b>076143</b>	F2B-SCMED-107	4.1	1.94	6.75	1.98	5.66	1/2	0.56	0.63	2.05	4.13	1.83
209	40mm	<b>076310</b>	F2B-SCMED-40M	2.3	49.3	179.3	50.5	148.3	M14	16.0	15.0	56.4	111.3	48.5
	1-1/2	<b>076144</b>	F2B-SCMED-108	5.3	1.94	7.06	1.99	5.84	1/2	0.63	0.59	2.22	4.38	1.91
	1-5/8	@	F2B-SCMED-110L	5.2	1.94	7.06	1.99	5.84	1/2	0.63	0.59	2.22	4.38	1.91
210	45mm	<b>076311</b>	F2B-SCMED-45M	2.6	49.3	189.0	51.3	157.2	M16	16.0	14.0	61.7	115.8	51.6
	1-11/16	<b>076145</b>	F2B-SCMED-111	5.8	1.94	7.44	2.02	6.19	1/2	0.63	0.55	2.43	4.56	2.03
	1-3/4	<b>076146</b>	F2B-SCMED-112	5.6	1.94	7.44	2.02	6.19	1/2	0.63	0.55	2.43	4.56	2.03
211	50mm	<b>076312</b>	F2B-SCMED-50M	2.9	56.4	219.2	57.9	184.2	M16	17.0	17.3	68.8	133.4	57.7
	1-15/16	<b>076147</b>	F2B-SCMED-115	6.7	2.22	8.63	2.28	7.25	5/8	0.67	0.68	2.71	5.25	2.27
	2	<b>076148</b>	F2B-SCMED-200	6.5	2.22	8.63	2.28	7.25	5/8	0.67	0.68	2.71	5.25	2.27
212	55mm	@	F2B-SCMED-55M	3.2	58.7	249.2	60.5	202.1	M22	20.6	16.8	75.4	139.7	62.7
	2-3/16	<b>076149</b>	F2B-SCMED-203	7.4	2.31	9.81	2.38	7.96	5/8	0.81	0.66	2.97	5.50	2.47
	2-1/4	@	F2B-SCMED-204	7.2	2.31	9.81	2.38	7.96	5/8	0.81	0.66	2.97	5.50	2.47

@Assembled to order

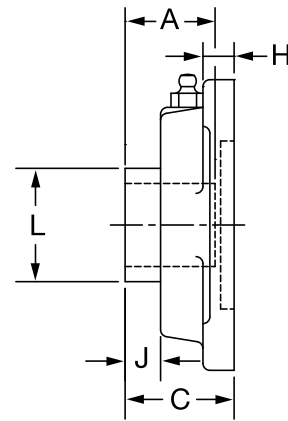
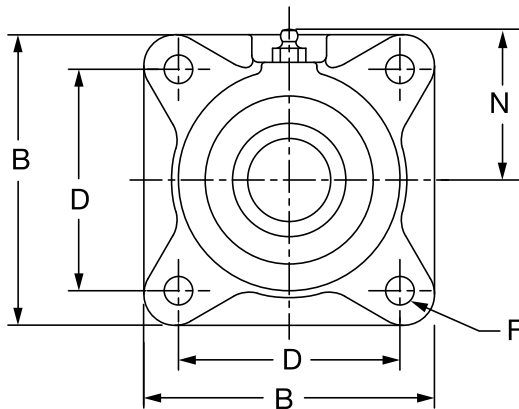
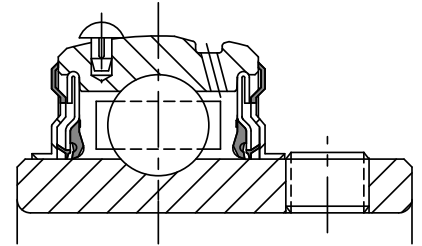
Note: Dimensions are in MM (in)

Unless specified, dimensions are in mm for metric parts and inches for non-metric parts.

# Extreme Duty mounted ball bearings

## Selection/Dimensions

Extreme Duty set screw mounted ball bearings  
 SCED normal duty 4-bolt flange bearings



Series	Shaft size	Standard part no.	Description	Weights kg lb	A	B	C	D	F	H	J	L	N
204	20mm	<b>076246</b>	F4B-SCED-20M	0.8	31.2	85.9	34.0	63.5	M10	11.2	9.1	28.4	49.3
	1/2	@	F4B-SCED-008L	1.8	1.23	3.38	1.34	2.5	3/8	0.44	0.36	1.12	1.94
	5/8	@	F4B-SCED-010L	1.7	1.23	3.38	1.34	2.5	3/8	0.44	0.36	1.12	1.94
	3/4	<b>076046</b>	F4B-SCED-012	1.6	1.23	3.38	1.34	2.5	3/8	0.44	0.36	1.12	1.94
	13/16	@	F4B-SCED-013	1.5	1.23	3.38	1.34	2.5	3/8	0.44	0.36	1.12	1.94
205	25mm	<b>076247</b>	F4B-SCED-25M	0.9	34.0	95.3	34.8	69.9	M10	12.7	10.7	33.5	52.3
	7/8	@	F4B-SCED-014	2.0	1.34	3.75	1.37	2.75	7/16	0.50	0.42	1.32	2.06
	15/16	@	F4B-SCED-015	1.9	1.34	3.75	1.37	2.75	7/16	0.50	0.42	1.32	2.06
	1	<b>076047</b>	F4B-SCED-100	1.8	1.34	3.75	1.37	2.75	7/16	0.50	0.42	1.32	2.06
206	30mm	<b>076248</b>	F4B-SCED-30M	1.3	38.6	108.0	39.6	82.6	M10	12.7	12.4	39.9	55.6
	1-1/16	@	F4B-SCED-101	2.9	1.52	4.25	1.56	3.25	7/16	0.50	0.49	1.57	2.19
	1-1/8	<b>076048</b>	F4B-SCED-102	2.8	1.52	4.25	1.56	3.25	7/16	0.50	0.49	1.57	2.19
	1-3/16	<b>076049</b>	F4B-SCED-103	2.7	1.52	4.25	1.56	3.25	7/16	0.50	0.49	1.57	2.19
	1-1/4	<b>076050</b>	F4B-SCED-104S	2.6	1.52	4.25	1.56	3.25	7/16	0.50	0.49	1.57	2.19
207	35mm	<b>076249</b>	F4B-SCED-35M	1.7	43.4	120.7	44.5	92.1	M12	14.2	13.5	46.7	62.0
	1-1/4	<b>076051</b>	F4B-SCED-104	4.0	1.71	4.75	1.75	3.63	1/2	0.56	0.53	1.84	2.44
	1-5/16	@	F4B-SCED-105	3.9	1.71	4.75	1.75	3.63	1/2	0.56	0.53	1.84	2.44
	1-3/8	<b>076052</b>	F4B-SCED-106	3.8	1.71	4.75	1.75	3.63	1/2	0.56	0.53	1.84	2.44
	1-7/16	<b>076053</b>	F4B-SCED-107	3.7	1.71	4.75	1.75	3.63	1/2	0.56	0.53	1.84	2.44
208	40mm	<b>076250</b>	F4B-SCED-40M	2.1	49.3	130.3	50.0	101.6	M12	14.2	16.0	52.1	60.5
	1-1/2	<b>076054</b>	F4B-SCED-108	4.8	1.94	5.13	1.98	4.00	1/2	0.56	0.63	2.05	2.38
	1-5/8	@	F4B-SCED-110	4.7	1.94	5.13	1.98	4.00	1/2	0.56	0.63	2.05	2.38

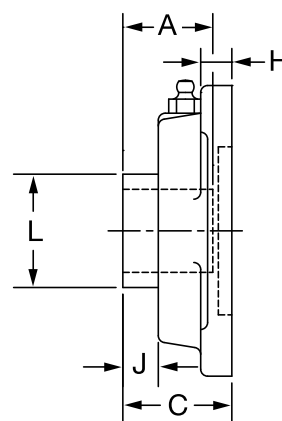
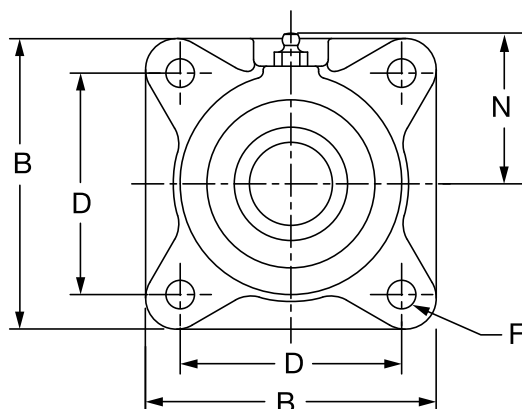
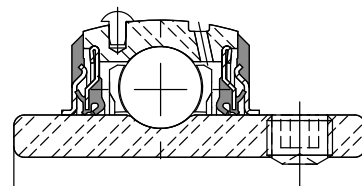
@Assembled to order  
 Note: Dimensions are in MM (in)  
 Unless specified, dimensions are in mm for metric parts and inches for non-metric parts.



# Extreme Duty mounted ball bearings

## Selection/Dimensions

Extreme Duty set screw mounted ball bearings  
 SCED normal duty 4-bolt flange bearings



Series	Shaft size	Standard part no.	Description	Weight kg lb	A	B	C	D	F	H	J	L	N
209	45mm	<b>076251</b>	F4B-SCED-45M	2.7	49.3	136.7	50.5	104.8	M14	16.0	15.0	56.4	69.9
	1-5/8	<b>075775</b>	F4B-SCED-110L	6.1	1.94	5.38	1.99	4.13	1/2	0.63	0.59	2.22	2.75
	1-11/16	<b>076055</b>	F4B-SCED-111	6.0	1.94	5.38	1.99	4.13	1/2	0.63	0.59	2.22	2.75
	1-3/4	<b>076056</b>	F4B-SCED-112	5.9	1.94	5.38	1.99	4.13	1/2	0.63	0.59	2.22	2.75
210	50mm	<b>076252</b>	F4B-SCED-50M	3.0	49.3	143.0	51.3	111.1	M16	16.0	14.0	61.7	73.2
	1-15/16	<b>076057</b>	F4B-SCED-115	6.7	1.94	5.63	2.02	4.38	1/2	0.63	0.55	2.43	2.88
	2	<b>076058</b>	F4B-SCED-200	6.6	1.94	5.63	2.02	4.38	1/2	0.63	0.55	2.43	2.88
211	55mm	<b>076253</b>	F4B-SCED-55M	4.1	56.4	165.1	57.9	130.2	M16	17.5	17.3	68.8	82.6
	2	<b>076157</b>	F4B-SCMED-200	9.3	2.22	6.50	2.28	5.13	5/8	0.69	0.68	2.71	3.25
	2-3/16	<b>076059</b>	F4B-SCED-203	9.0	2.22	6.50	2.28	5.13	5/8	0.69	0.68	2.71	3.25
	2-1/4	@	F4B-SCED-204	8.9	2.22	6.50	2.28	5.13	5/8	0.69	0.68	2.71	3.25
212	60mm	<b>076254</b>	F4B-SCED-60M	6.0	58.7	174.8	60.5	142.9	M16	17.5	16.8	75.4	88.9
	2-1/4	<b>076649</b>	F4B-SCMED-204	11.1	2.31	6.88	2.38	5.63	5/8	0.69	0.66	2.97	3.50
	2-7/16	<b>076060</b>	F4B-SCED-207	10.6	2.31	6.88	2.38	5.63	5/8	0.69	0.66	2.97	3.50
214	70mm	<b>076255</b>	F4B-SCED-70M	6.9	64.5	187.5	70.6	149.2	M16	17.5	15.2	84.1	93.7
	2-1/2	<b>076160</b>	F4B-SCMED-208	16.0	2.54	7.38	2.78	5.88	5/8	0.69	0.60	3.31	3.69
	2-11/16	<b>076061</b>	F4B-SCED-211	15.4	2.54	7.38	2.78	5.88	5/8	0.69	0.60	3.31	3.69
215	75mm	<b>076256</b>	F4B-SCED-75M	8.0	59.2	196.9	73.2	152.4	M18	25.4	16.0	91.9	98.6
	2-15/16	<b>076062</b>	F4B-SCED-215	17.6	2.33	7.75	2.88	6.00	3/4	1.00	0.63	3.62	3.88

@Assembled to order

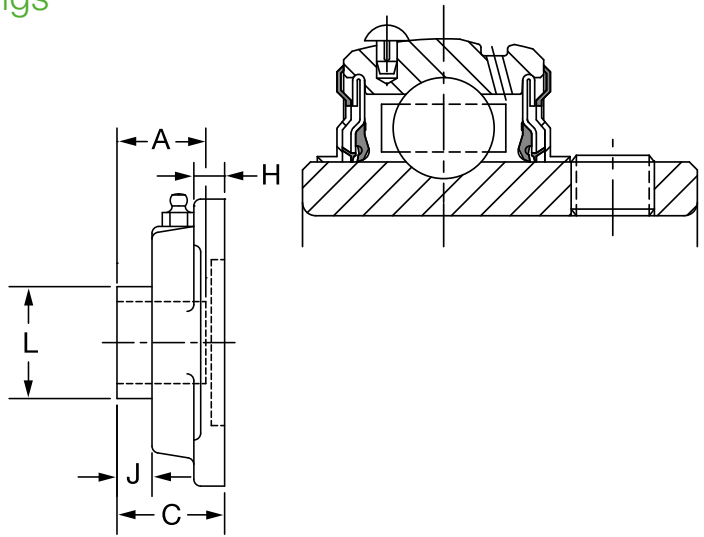
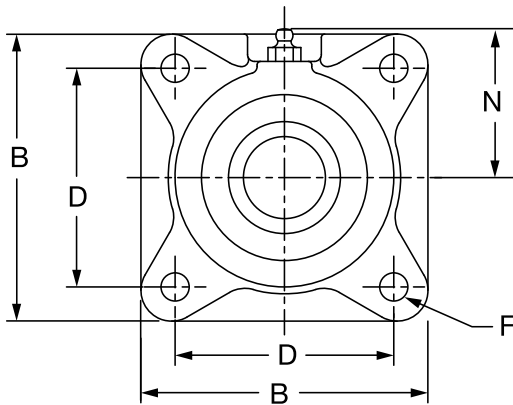
Note: Dimensions are in MM (in)

Unless specified, dimensions are in mm for metric parts and inches for non-metric parts.

# Extreme Duty mounted ball bearings

## Selection/Dimensions

Extreme Duty set screw mounted ball bearings  
SCMED medium duty 4-bolt flange bearings



Series	Shaft size	Standard part no.	Description	Weight kg lb	A	B	C	D	F	H	J	L	N
206	25mm	<b>076313</b>	F4B-SCMED-25M	1.3	38.6	108.0	39.6	82.6	M10	12.7	12.4	39.9	55.6
	1	<b>076150</b>	F4B-SCMED-100	3.0	1.52	4.25	1.56	3.25	7/16	0.50	0.49	1.57	2.19
207	30mm	<b>076314</b>	F4B-SCMED-30M	1.4	43.4	120.7	44.5	92.1	M12	14.2	13.5	46.7	62.0
	1-3/16	<b>076151</b>	F4B-SCMED-103	4.1	1.71	4.75	1.75	3.63	1/2	0.56	0.53	1.84	2.44
	1-1/4	@	F4B-SCMED104	4.0	1.71	4.75	1.75	3.63	1/2	0.56	0.53	1.84	2.44
208	35mm	<b>076315</b>	F4B-SCMED-35M	2.1	49.3	130.3	50.3	101.6	M12	14.2	16.0	52.1	60.5
	1-7/16	<b>076152</b>	F4B-SCMED-107	5.0	1.94	5.13	1.98	4.00	1/2	0.56	0.63	2.05	2.38
209	40mm	<b>076316</b>	F4B-SCMED-40M	2.7	49.3	136.7	50.5	104.8	M14	16.0	15.0	56.4	69.9
	1-1/2	<b>076153</b>	F4B-SCMED-108	6.1	1.94	5.38	1.99	4.13	1/2	0.63	0.59	2.22	2.75
	1-5/8	@	F4B-SCMED110L	6.1	1.94	5.38	1.99	4.13	1/2	0.63	0.59	2.22	2.75
210	45mm	<b>076317</b>	F4B-SCMED-45M	3.0	49.3	143.0	51.3	111.1	M16	16.0	14.0	61.7	73.2
	1-11/16	<b>076154</b>	F4B-SCMED-111	7.1	1.94	5.63	2.02	4.38	1/2	0.63	0.55	2.43	2.88
	1-3/4	<b>076155</b>	F4B-SCMED-112	6.9	1.94	5.63	2.02	4.38	1/2	0.63	0.55	2.43	2.88
211	50mm	<b>076318</b>	F4B-SCMED-50M	4.1	56.4	165.1	57.9	130.2	M16	17.5	17.3	68.8	82.6
	1-15/16	<b>076156</b>	F4B-SCMED-115	9.5	2.22	6.50	2.28	5.13	5/8	0.69	0.68	2.71	3.25
	2	<b>076157</b>	F4B-SCMED-200	9.3	2.22	6.50	2.28	5.13	5/8	0.69	0.68	2.71	3.25
212	55mm	<b>076319</b>	F4B-SCMED-55M	6.0	58.7	174.8	60.5	142.9	M16	17.5	16.8	75.4	88.9
	2-3/16	<b>076158</b>	F4B-SCMED-203	11.3	2.31	6.88	2.38	5.63	5/8	0.69	0.66	2.97	3.50
	2-1/4	<b>076648</b>	F4B-SCMED-204	11.1	2.31	6.88	2.38	5.63	5/8	0.69	0.66	2.97	3.50
214	65mm	<b>076320</b>	F4B-SCMED-65M	7.3	64.5	187.5	70.6	149.2	M16	17.5	15.2	84.1	93.7
	2-7/16	<b>076159</b>	F4B-SCMED-207	16.2	2.54	7.38	2.78	5.88	5/8	0.69	0.60	3.31	3.69
	2-1/2	<b>076160</b>	F4B-SCMED-208	16.0	2.54	7.38	2.78	5.88	5/8	0.69	0.60	3.31	3.69
215	70mm	<b>076321</b>	F4B-SCMED-70M	8.0	59.2	196.9	73.2	152.4	M18	25.4	16.0	91.9	98.6
	2-11/16	<b>076161</b>	F4B-SCMED-211	18.3	2.33	7.75	2.88	6.00	3/4	1.00	0.63	3.62	3.88
216	75mm	<b>076322</b>	F4B-SCMED-75M	9.4	60.5	196.9	78.5	152.4	M18	22.4	15.0	97.3	103.9
	2-15/16	<b>076162</b>	F4B-SCMED-215	21.5	2.38	7.75	3.09	6.00	3/4	0.88	0.59	3.83	4.09
	3	<b>076163</b>	F4B-SCMED-300	21.2	2.38	7.75	3.09	6.00	3/4	0.88	0.59	3.83	4.09
218	85mm	<b>076323</b>	F4B-SCMED-85M	12.2	65.0	214.4	85.9	171.5	M18	25.4	15.2	110.5	117.6
	3-7/16	<b>076164</b>	F4B-SCMED-307	28.0	2.56	8.44	3.38	6.75	3/4	1.00	0.60	4.35	4.63
	3-1/2	<b>076165</b>	F4B-SCMED-308	27.4	2.56	8.44	3.38	6.75	3/4	1.00	0.60	4.35	4.63

@ Assembled to order

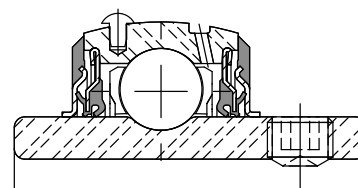
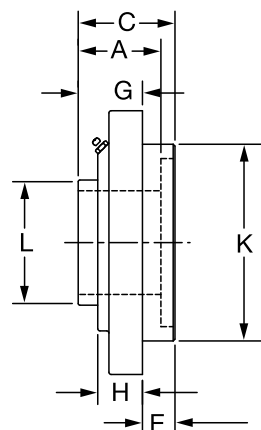
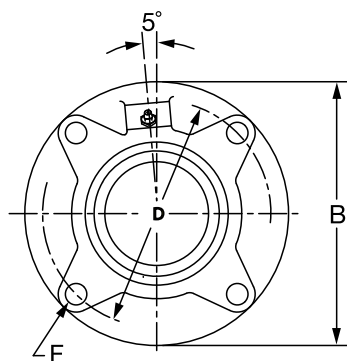
Note: Dimensions are in MM (in)

Unless specified, dimensions are in mm for metric parts and inches for non-metric parts.

# Extreme Duty mounted ball bearings

## Selection/Dimensions

Extreme Duty set screw mounted ball bearings  
 SCED normal duty piloted flange bearings



Series	Shaft size	Part no.	Description	Weight kg lb	A	B	C	D	E	F bolt dia.	G	H	K*	L
206	30mm	<b>076257</b>	FC-SCED-30M	1.3	38.6	111.3	38.9	92.2	6.4	M10	32.5	20.6	76.20/76.15	39.9
	1-1/16	@	FC-SCED-101	3.2	1.52	4.38	1.53	3.63	0.25	3/8	1.28	0.81	3.000/2.998	1.57
	1-1/8	@	FC-SCED-102	3.1	1.52	4.38	1.53	3.63	0.25	3/8	1.28	0.81	3.000/2.998	1.57
	1-3/16	<b>076063</b>	FC-SCED-103	3.0	1.52	4.38	1.53	3.63	0.25	3/8	1.28	0.81	3.000/2.998	1.57
	1-1/4	<b>076064</b>	FC-SCED-104S	2.9	1.52	4.38	1.53	3.63	0.25	3/8	1.28	0.81	3.000/2.998	1.57
207	35mm	<b>076258</b>	FC-SCED-35M	1.8	43.4	127.0	45.2	104.9	9.7	M10	35.6	21.3	85.73/85.67	46.7
	1-1/4	<b>076065</b>	FC-SCED-104	4.2	1.71	5.00	1.78	4.13	0.38	3/8	1.40	0.84	3.375/3.373	1.84
	1-5/16	@	FC-SCED-105	4.1	1.71	5.00	1.78	4.13	0.38	3/8	1.40	0.84	3.375/3.373	1.84
	1-3/8	<b>076066</b>	FC-SCED-106	4.0	1.71	5.00	1.78	4.13	0.38	3/8	1.40	0.84	3.375/3.373	1.84
	1-7/16	<b>076067</b>	FC-SCED-107	3.9	1.71	5.00	1.78	4.13	0.38	3/8	1.40	0.84	3.375/3.373	1.84
208	40mm	<b>076259</b>	FC-SCED-40M	2.0	49.3	133.4	50.3	111.3	11.2	M12	39.1	22.6	92.08/92.02	52.1
	1-1/2	<b>076068</b>	FC-SCED-108	4.6	1.94	5.25	1.98	4.38	0.44	7/16	1.54	0.89	3.625/3.623	2.05
	1-5/8	@	FC-SCED-110	4.5	1.94	5.25	1.98	4.38	0.44	7/16	1.54	0.89	3.625/3.623	2.05
209	45mm	<b>076260</b>	FC-SCED-45M	2.4	49.3	146.1	49.5	120.7	11.2	M12	38.4	23.1	101.60/101.55	56.4
	1-5/8	@	FC-SCED-110L	5.6	1.94	5.75	1.95	4.75	0.44	1/2	1.51	0.91	4.000/3.998	2.22
	1-11/16	<b>076069</b>	FC-SCED-111	5.5	1.94	5.75	1.95	4.75	0.44	1/2	1.51	0.91	4.000/3.998	2.22
	1-3/4	<b>076070</b>	FC-SCED-112	5.4	1.94	5.75	1.95	4.75	0.44	1/2	1.51	0.91	4.000/3.998	2.22
210	50mm	<b>076261</b>	FC-SCED-50M	2.9	49.3	155.7	50.3	130.3	11.9	M12	38.4	23.4	107.95/107.90	61.7
	1-15/16	<b>076071</b>	FC-SCED-115	6.4	1.94	6.13	1.98	5.13	0.47	1/2	1.51	0.92	4.250/4.248	2.43
	2	<b>076072</b>	FC-SCED-200	6.3	1.94	6.13	1.98	5.13	0.47	1/2	1.51	0.92	4.250/4.248	2.43
211	55mm	<b>076262</b>	FC-SCED-55M	3.3	56.4	162.1	59.7	136.7	16.0	M12	43.7	25.4	114.30/114.25	68.8
	2	<b>076163</b>	FC-SCMED-200	7.3	2.22	6.38	2.35	5.38	0.63	1/2	1.72	1.00	4.500/4.498	2.71
	2-3/16	<b>076073</b>	FC-SCED-203	7.2	2.22	6.38	2.35	5.38	0.63	1/2	1.72	1.00	4.500/4.498	2.71
	2-1/4	@	FC-SCED-204	7.1	2.22	6.38	2.35	5.38	0.63	1/2	1.72	1.00	4.500/4.498	2.71
212	60mm	<b>076263</b>	FC-SCED-60M	4.3	58.7	181.1	64.5	152.4	22.4	M12	42.4	25.4	127.00/126.95	75.4
	2-1/4	@	FC-SCMED-204	9.6	2.31	7.13	2.54	6.00	0.88	1/2	1.67	1.00	5.000/4.998	2.97
	2-7/16	<b>076074</b>	FC-SCED-207	9.5	2.31	7.13	2.54	6.00	0.88	1/2	1.67	1.00	5.000/4.998	2.97
214	70mm	<b>076264</b>	FC-SCED-70M	5.5	64.5	193.8	71.1	165.1	28.7	M12	42.4	26.9	139.70/139.65	84.1
	2-1/2	<b>076176</b>	FC-SCMED-208	13.0	2.54	7.63	2.80	6.50	1.13	1/2	1.67	1.06	5.500/5.498	3.31
	2-11/16	<b>076075</b>	FC-SCED-211	12.9	2.54	7.63	2.80	6.50	1.13	1/2	1.67	1.06	5.500/5.498	3.31

@ Assembled to order

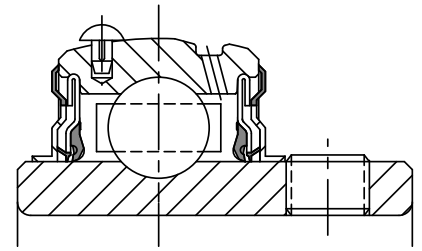
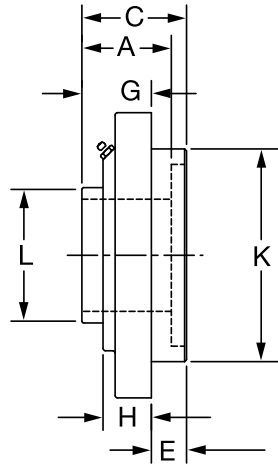
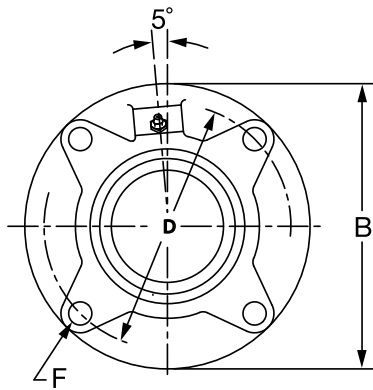
Note: Dimensions are in MM (in)

Unless specified, dimensions are in mm for metric parts and inches for non-metric parts.

# Extreme Duty mounted ball bearings

## Selection/Dimensions

Extreme Duty set screw mounted ball bearings  
SCMED medium duty piloted flange bearings



Series	Shaft size	Part no.	Description	Weight kg lb	A	B	C	D	E	F bolt dia.	G	H	K	L
206	25mm	<b>076324</b>	FC-SCMED-25M	1.4	38.6	111.3	38.9	92.2	6.4	M10	32.5	20.6	76.20/76.15	39.9
	1	<b>076166</b>	FC-SCMED-100	3.3	1.52	4.38	1.53	3.63	0.25	3/8	1.28	0.81	3.000/2.998	1.57
207	30mm	<b>076325</b>	FC-SCMED-30M	1.9	43.4	127.0	45.2	104.9	9.7	M10	35.6	21.3	85.73/85.67	46.7
	1-3/16	<b>076167</b>	FC-SCMED-103	4.2	1.71	5.00	1.78	4.13	0.38	3/8	1.40	0.84	3.375/3.373	1.84
	1-1/4	<b>076065</b>	FC-SCMED-104	4.2	1.71	5.00	1.78	4.13	0.38	3/8	1.40	0.84	3.375/3.373	1.84
208	35mm	<b>076326</b>	FC-SCMED-35M	2.1	49.3	133.4	50.3	111.3	11.2	M12	39.1	22.6	92.08/92.02	52.1
	1-7/16	<b>076168</b>	FC-SCMED-107	4.8	1.94	5.25	1.98	4.38	0.44	7/16	1.54	0.89	3.625/3.623	2.05
209	40mm	<b>076327</b>	FC-SCMED-40M	2.5	49.3	146.1	49.5	120.7	11.2	M12	38.4	23.1	101.60/101.55	56.4
	1-1/2	<b>076169</b>	FC-SCMED-108	5.6	1.94	5.75	1.95	4.75	0.44	1/2	1.51	0.91	4.000/3.998	2.22
	1-5/8	@	FC-SCMED-110L	5.6	1.94	5.75	1.95	4.75	0.44	1/2	1.51	0.91	4.000/3.998	2.22
210	45mm	<b>076328</b>	FC-SCMED-45M	2.9	49.3	155.7	50.3	130.3	11.9	M12	38.4	23.4	107.95/107.90	61.7
	1-11/16	<b>076170</b>	FC-SCMED-111	6.4	1.94	6.13	1.98	5.13	0.47	1/2	1.51	0.92	4.250/4.248	2.43
	1-3/4	<b>076171</b>	FC-SCMED-112	6.3	1.94	6.13	1.98	5.13	0.47	1/2	1.51	0.92	4.250/4.248	2.43
211	50mm	<b>076329</b>	FC-SCMED-50M	3.4	56.4	162.1	59.7	136.7	16.0	M12	43.7	25.4	114.30/114.25	68.8
	1-15/16	<b>076172</b>	FC-SCMED-115	7.6	2.22	6.38	2.35	5.38	0.63	1/2	1.72	1.00	4.500/4.498	2.71
	2	<b>076173</b>	FC-SCMED-200	7.4	2.22	6.38	2.35	5.38	0.63	1/2	1.72	1.00	4.500/4.498	2.71
212	55mm	<b>076330</b>	FC-SCMED-55M	4.4	58.7	181.1	64.5	152.4	22.4	M12	42.4	25.4	127.00/126.95	75.4
	2-3/16	<b>076174</b>	FC-SCMED-203	9.5	2.31	7.13	2.54	6.00	0.88	1/2	1.67	1.00	5.000/4.998	2.97
	2-1/4	@	FC-SCMED-204	9.8	2.31	7.13	2.54	6.00	0.88	1/2	1.67	1.00	5.000/4.998	2.97
214	65mm	<b>076331</b>	FC-SCMED-65M	5.9	64.5	193.8	71.1	165.1	28.7	M12	42.4	26.9	139.70/139.65	84.1
	2-7/16	<b>076175</b>	FC-SCMED-207	13.2	2.54	7.63	2.80	6.50	1.13	1/2	1.67	1.06	5.500/5.498	3.31
	2-1/2	<b>076176</b>	FC-SCMED-208	13.0	2.54	7.63	2.80	6.50	1.13	1/2	1.67	1.06	5.500/5.498	3.31
216	75mm	<b>076332</b>	FC-SCMED-75M	8.5	60.5	222.3	76.7	190.5	31.8	M16	45.0	30.2	161.93/161.87	97.3
	2-15/16	<b>076177</b>	FC-SCMED-215	18.8	2.38	8.75	3.02	7.50	1.25	5/8	1.77	1.19	6.375/6.373	3.83
	3	<b>076178</b>	FC-SCMED-300	18.6	2.38	8.75	3.02	7.50	1.25	5/8	1.77	1.19	6.375/6.373	3.83
218	85mm	<b>076333</b>	FC-SCMED-85M	13.5	65.0	260.4	84.6	212.9	28.6	M18	56.1	41.4	187.33/187.27	110.5
	3-7/16	<b>076179</b>	FC-SCMED-307	28.7	2.56	10.25	3.33	8.38	1.13	3/4	2.21	1.63	7.375/7.373	4.35
	3-1/2	<b>076180</b>	FC-SCMED-308	28.5	2.56	10.25	3.33	8.38	1.13	3/4	2.21	1.63	7.375/7.373	4.35

@Assembled to order

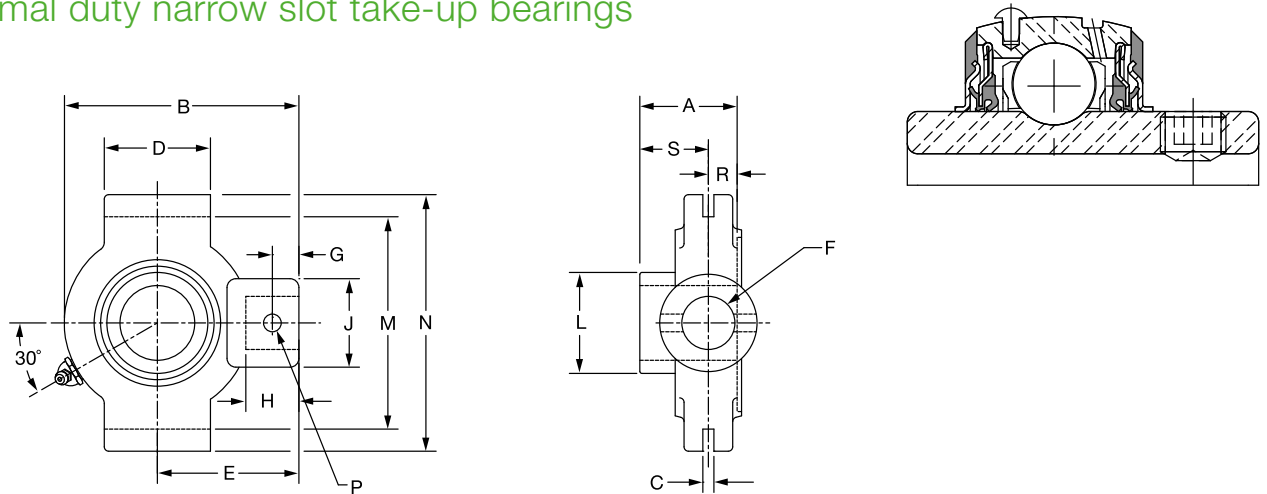
Note: Dimensions are in MM (in)

Unless specified, dimensions are in mm for metric parts and inches for non-metric parts.

# Extreme Duty mounted ball bearings

## Selection/Dimensions

Extreme Duty set screw mounted ball bearings  
 SCED normal duty narrow slot take-up bearings



Series	Shaft size	Part no.	Description	Weight kg lb	Take-up frame no. ref.	A	B	C	D	E	F screw dia.	G
204	20mm	<b>076265</b>	NSTU-SCED-20M	0.8	NS210	31.2	88.9	6.35	38.1	55.6	19.1	11.2
	1/2	@	NSTU-SCED-008	1.6	NS210	1.23	3.50	0.250	1.50	2.19	3/4	0.44
	5/8	@	NSTU-SCED-010	1.5	NS210	1.23	3.50	0.250	1.50	2.19	3/4	0.44
	3/4	<b>076076</b>	NSTU-SCED-012	1.4	NS210	1.23	3.50	0.250	1.50	2.19	3/4	0.44
205	25mm	<b>076266</b>	NSTU-SCED-25M	0.7	NS210	34.0	90.4	6.35	38.1	55.6	19.1	11.2
	7/8	@	NSTU-SCED-014	1.7	NS210	1.34	3.56	0.250	1.50	2.19	3/4	0.44
	15/16	@	NSTU-SCED-015	1.6	NS210	1.34	3.56	0.250	1.50	2.19	3/4	0.44
	1	<b>076077</b>	NSTU-SCED-100	1.5	NS210	1.34	3.56	0.250	1.50	2.19	3/4	0.44
206	30mm	<b>076267</b>	NSTU-SCED-30M	7.2	NS308	38.6	109.5	6.35	38.1	68.3	19.1	11.2
	1-1/16	@	NSTU-SCED-101	2.9	NS308	1.52	4.31	0.250	1.50	2.69	3/4	0.44
	1-1/8	<b>076078</b>	NSTU-SCED-102	2.8	NS308	1.52	4.31	0.250	1.50	2.69	3/4	0.44
	1-3/16	<b>076079</b>	NSTU-SCED-103	2.7	NS308	1.52	4.31	0.250	1.50	2.69	3/4	0.44
	1-1/4	<b>076080</b>	NSTU-SCED-104S	2.6	NS308	1.52	4.31	0.250	1.50	2.69	3/4	0.44
207	35mm	<b>076268</b>	NSTU-SCED-35M	7.2	NS308	43.4	114.3	6.35	63.5	68.3	19.1	12.7
	1-1/4	<b>076081</b>	NSTU-SCED-104	2.8	NS308	1.71	4.50	0.250	2.50	2.69	3/4	0.50
	1-5/16	@	NSTU-SCED-105	2.7	NS308	1.71	4.50	0.250	2.50	2.69	3/4	0.50
	1-3/8	<b>076082</b>	NSTU-SCED-106	2.6	NS308	1.71	4.50	0.250	2.50	2.69	3/4	0.50
	1-7/16	<b>076083</b>	NSTU-SCED-107	2.5	NS308	1.71	4.50	0.250	2.50	2.69	3/4	0.50

@Assembled to order

Note: Dimensions are in MM (in)

See B15-9 for take-up Frames

Unless specified, dimensions are in mm for metric parts and inches for non-metric parts.

Series	Shaft size	H	J	L	M	N	P pin dia.	R	S
204	20mm	22.4	35.1	28.4	66.93/66.17	79.5	8.1	12.7	18.5
	1/2	0.88	1.38	1.12	2.635/2.605	3.13	0.32	0.50	0.73
	5/8	0.88	1.38	1.12	2.635/2.605	3.13	0.32	0.50	0.73
	3/4	0.88	1.38	1.12	2.635/2.605	3.13	0.32	0.50	0.73
205	25mm	22.4	35.1	33.5	66.93/66.17	79.5	8.1	14.2	19.8
	7/8	0.88	1.38	1.32	2.635/2.605	3.13	0.32	0.56	0.78
	15/16	0.88	1.38	1.32	2.635/2.605	3.13	0.32	0.56	0.78
	1	0.88	1.38	1.32	2.635/2.605	3.13	0.32	0.56	0.78
206	30mm	22.4	35.1	39.9	66.93/66.17	79.5	8.1	14.7	23.9
	1-1/16	0.88	1.38	1.57	2.635/2.605	3.13	0.32	0.58	0.94
	1-1/8	0.88	1.38	1.57	2.635/2.605	3.13	0.32	0.58	0.94
	1-3/16	0.88	1.38	1.57	2.635/2.605	3.13	0.32	0.58	0.94
	1-1/4	0.88	1.38	1.57	2.635/2.605	3.13	0.32	0.58	0.94
207	35mm	23.9	35.1	46.7	89.15/88.39	104.9	8.1	17.0	26.4
	1-1/4	0.94	1.38	1.84	3.510/3.480	4.13	0.32	0.67	1.04
	1-5/16	0.94	1.38	1.84	3.510/3.480	4.13	0.32	0.67	1.04
	1-3/8	0.94	1.38	1.84	3.510/3.480	4.13	0.32	0.67	1.04
	1-7/16	0.94	1.38	1.84	3.510/3.480	4.13	0.32	0.67	1.04

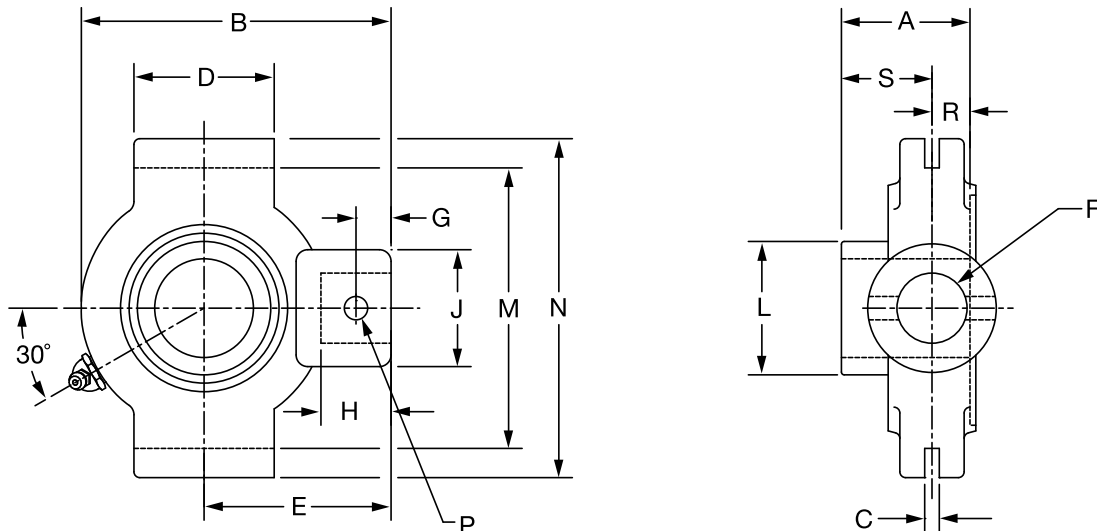
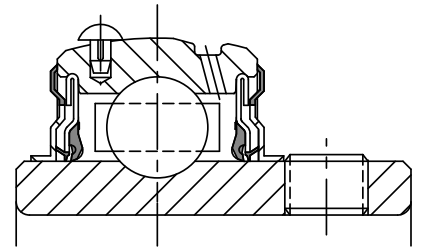
Note: Dimensions are in MM (in)

Unless specified, dimensions are in mm for metric parts and inches for non-metric parts.

# Extreme Duty mounted ball bearings

## Selection/Dimensions

Extreme Duty set screw mounted ball bearings  
 SCED normal duty narrow slot take-up bearings



Series	Shaft size	Standard part no.	Description
208	40mm	<b>076269</b>	NSTU-SCED-40M
	1-1/2	<b>076084</b>	NSTU-SCED-108
	1-5/8	@	NSTU-SCED-110
209	45mm	<b>076270</b>	NSTU-SCED-45M
	1-5/8	@	NSTU-SCED-110L
	1-11/16	<b>076085</b>	NSTU-SCED-111
210	50mm	<b>076271</b>	NSTU-SCED-50M
	1-15/16	<b>076087</b>	NSTU-SCED-115
	2	<b>076088</b>	NSTU-SCED-200
211	55mm	<b>076272</b>	NSTU-SCED-55M
	2	<b>076188</b>	NSTU-SCMED-200
	2-3/16	<b>076089</b>	NSTU-SCED-203
212	60mm	<b>077462</b>	NSTU-SCED-204
	2-1/4	<b>076273</b>	NSTU-SCED-60M
	2-1/4	@	NSTU-SCMED-204
	2-7/16	<b>076090</b>	NSTU-SCED-207

@Assembled to order  
 See B15-9 for take-up Frames  
 Note: Dimensions are in MM (in)  
 Unless specified, dimensions are in mm for metric parts and inches for non-metric parts.

# Extreme Duty mounted ball bearings

## Selection/Dimensions

Extreme Duty set screw mounted ball bearings  
 SCED normal duty narrow slot take-up bearings

Series	Shaft size	Weight kg lb	Take-up frame no. ref.	A	B	C	D	E	F screw dia.	G
208	40mm	2.1	NS400	49.3	136.7	7.95	76.2	82.6	22.2	16.8
	1-1/2	4.7	NS400	1.94	5.38	0.313	3.00	3.25	7/8	0.66
	1-5/8	4.6	NS400	1.94	5.38	0.313	3.00	3.25	7/8	0.66
209	45mm	2.1	NS400	49.3	138.2	7.95	76.2	82.6	22.2	18.3
	1-5/8	4.9	NS400	1.94	5.44	0.313	3.00	3.25	7/8	0.72
	1-11/16	4.8	NS400	1.94	5.44	0.313	3.00	3.25	7/8	0.72
210	50mm	2.2	NS400	49.3	139.7	7.95	76.2	82.6	22.2	15.0
	1-15/16	4.9	NS400	1.94	5.50	0.313	3.00	3.25	7/8	0.59
	2	4.8	NS400	1.94	5.50	0.313	3.00	3.25	7/8	0.59
211	55mm	3.0	NS407	56.4	155.7	7.95	88.9	92.2	25.4	17.5
	2	6.8	NS407	2.22	6.13	0.313	3.50	3.63	1	0.69
	2-3/16	6.6	NS407	2.22	6.13	0.313	3.50	3.63	1	0.69
	2-1/4	6.5	NS407	2.22	6.13	0.313	3.50	3.63	1	0.69
212	60mm	4.9	NS415	58.7	169.9	7.95	95.3	98.6	25.4	17.5
	2-1/4	8.7	NS415	2.31	6.69	0.313	3.75	3.88	1	0.69
	2-7/16	8.4	NS415	2.31	6.69	0.313	3.75	3.88	1	0.69

Note: Dimensions are in MM (in)  
 Unless specified, dimensions are in mm for metric parts and inches for non-metric parts.

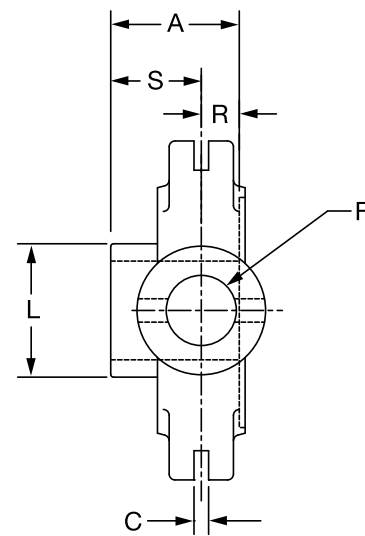
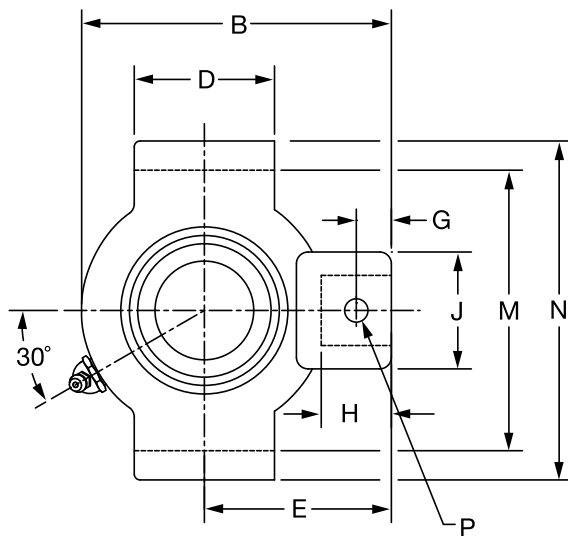
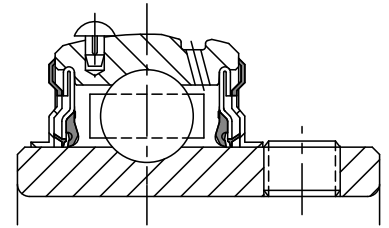
Series	Shaft size	H	J	L	M	N	P pin dia.	R	S
208	40mm	29.5	41.4	52.1	101.98/101.22	120.7	9.7	19.1	30.2
	1-1/2	1.16	1.63	2.05	4.015/3.985	4.75	0.38	0.75	1.19
	1-5/8	1.16	1.63	2.05	4.015/3.985	4.75	0.38	0.75	1.19
209	45mm	31.0	41.4	56.4	101.98/101.22	120.7	9.7	19.1	30.2
	1-5/8	1.22	1.63	2.22	4.015/3.985	4.75	0.38	0.75	1.19
	1-11/16	1.22	1.63	2.22	4.015/3.985	4.75	0.38	0.75	1.19
210	50mm	27.7	41.4	61.7	101.98/101.22	120.7	9.7	19.1	30.2
	1-15/16	1.09	1.63	2.43	4.015/3.985	4.75	0.38	0.75	1.19
	2	1.09	1.63	2.43	4.015/3.985	4.75	0.38	0.75	1.19
211	55mm	32.5	44.5	68.8	112.98/112.22	136.7	11.2	22.1	34.3
	2	1.28	1.75	2.71	4.448/4.418	5.38	0.44	0.87	1.35
	2-3/16	1.28	1.75	2.71	4.448/4.418	5.38	0.44	0.87	1.35
	2-1/4	1.28	1.75	2.71	4.448/4.418	5.38	0.44	0.87	1.35
212	60mm	32.5	41.4	75.4	125.65/124.89	146.1	11.2	22.9	35.8
	2-1/4	1.28	1.63	2.97	4.947/4.917	5.75	0.44	0.90	1.41
	2-7/16	1.28	1.63	2.97	4.947/4.917	5.75	0.44	0.90	1.41

Note: Dimensions are in MM (in)  
 Unless specified, dimensions are in mm for metric parts and inches for non-metric parts.

# Extreme Duty mounted ball bearings

## Selection/Dimensions

Extreme Duty set screw mounted ball bearings  
 SCMED medium duty narrow slot take-up bearings



Series	Shaft size	Part no.	Description
206	25mm	076410	NSTU-SCMED-25M
	1	076181	NSTU-SCMED-100
207	30mm	076411	NSTU-SCMED-30M
	1-3/16	076182	NSTU-SCMED-103
	1-1/4	076081	NSTU-SCMED-104
208	35mm	076412	NSTU-SCMED-35M
	1-7/16	076183	NSTU-SCMED-107
209	40mm	076413	NSTU-SCMED-40M
	1-1/2	076184	NSTU-SCMED-108
	1-5/8	@	NSTU-SCMED-110L
210	45mm	076414	NSTU-SCMED-45M
	1-11/16	076185	NSTU-SCMED-111
	1-3/4	076186	NSTU-SCMED-112
211	50mm	076415	NSTU-SCMED-50M
	1-15/16	076187	NSTU-SCMED-115
	2	076188	NSTU-SCMED-200
212	55mm	076416	NSTU-SCMED-55M
	2-3/16	076189	NSTU-SCMED-203
	2-1/4	@	NSTU-SCMED-204

@ Assembled to order

Note: Dimensions are in MM (in)

Unless specified, dimensions are in mm for metric parts and inches for non-metric parts.



# Extreme Duty mounted ball bearings

## Selection/Dimensions

Extreme Duty set screw mounted ball bearings  
SCMED medium duty narrow slot take-up bearings

Series	Shaft size	Weight kg lb	Take-up frame no. ref.	A	B	C	D	E	F screw dia.	G
206	25mm	1.2	NS308	38.6	109.5	6.35	38.1	68.3	19.1	11.2
	1	3.0	NS308	1.52	4.31	0.250	1.50	2.69	3/4	0.44
207	30mm	1.3	NS308	43.4	114.3	6.35	63.5	68.3	19.1	12.7
	1-3/16	2.9	NS308	1.71	4.50	0.250	2.50	2.69	3/4	0.50
	1-1/4	2.8	NS308	1.71	4.50	0.250	2.50	2.69	3/4	0.50
208	35mm	2.2	NS400	49.3	136.7	7.95	76.2	82.6	22.2	16.8
	1-7/16	4.7	NS400	1.94	5.38	0.313	3.00	3.25	7/8	0.66
209	40mm	2.3	NS400	49.3	138.2	7.95	76.2	82.6	22.2	18.3
	1-1/2	5.0	NS400	1.94	5.44	0.313	3.00	3.25	7/8	0.72
	1-5/8	4.9	NS400	1.94	5.44	0.313	3.00	3.25	7/8	0.72
210	45mm	2.4	NS400	49.3	139.7	7.95	76.2	82.6	22.2	15.0
	1-11/16	5.3	NS400	1.94	5.50	0.313	3.00	3.25	7/8	0.59
	1-3/4	5.2	NS400	1.94	5.50	0.313	3.00	3.25	7/8	0.59
211	50mm	3.2	NS407	56.4	155.7	7.95	88.9	92.2	25.4	17.5
	1-15/16	7.0	NS407	2.22	6.13	0.313	3.50	3.63	1	0.69
	2	6.8	NS407	2.22	6.13	0.313	3.50	3.63	1	0.69
212	55mm	4.0	NS415	58.7	169.9	7.95	95.3	98.6	25.4	17.5
	2-3/16	8.9	NS415	2.31	6.69	0.313	3.75	3.88	1	0.69
	2-1/4	8.7	NS415	2.31	6.69	0.313	3.75	3.88	1	0.69

Note: Dimensions are in MM (in)

Unless specified, dimensions are in mm for metric parts and inches for non-metric parts.

Series	Shaft size	H	J	L	M	N	P pin dia.	R	S
206	25mm	22.4	35.1	39.9	66.93/66.17	79.5	8.1	14.7	23.9
	1	0.88	1.38	1.57	2.635/2.605	3.13	0.32	0.58	0.94
207	30mm	23.9	35.1	46.7	89.15/88.39	104.9	8.1	17.0	26.4
	1-3/16	0.94	1.38	1.84	3.510/3.480	4.13	0.32	0.67	1.04
	1-1/4	0.94	1.38	1.84	3.510/3.480	4.13	0.32	0.67	1.04
208	35mm	29.5	41.4	52.1	101.98/101.22	120.7	9.7	19.1	30.2
	1-7/16	1.16	1.63	2.05	4.015/3.985	4.75	0.38	0.75	1.19
209	40mm	31.0	41.4	56.4	101.98/101.22	120.7	9.7	19.1	30.2
	1-1/2	1.22	1.63	2.22	4.015/3.985	4.75	0.38	0.75	1.19
	1-5/8	1.22	1.63	2.22	4.015/3.985	4.75	0.38	0.75	1.19
210	45mm	27.7	41.4	61.7	101.98/101.22	120.7	9.7	19.1	30.2
	1-11/16	1.09	1.63	2.43	4.015/3.985	4.75	0.38	0.75	1.19
	1-3/4	1.09	1.63	2.43	4.015/3.985	4.75	0.38	0.75	1.19
211	50mm	32.5	44.5	68.8	112.98/112.22	136.7	11.2	22.1	34.3
	1-15/16	1.28	1.75	2.71	4.448/4.418	5.38	0.44	0.87	1.35
	2	1.28	1.75	2.71	4.448/4.418	5.38	0.44	0.87	1.35
212	55mm	32.5	41.4	75.4	125.65/124.89	146.1	11.2	22.9	35.8
	2-3/16	1.28	1.63	2.97	4.947/4.917	5.75	0.44	0.90	1.41
	2-1/4	1.28	1.63	2.97	4.947/4.917	5.75	0.44	0.90	1.41

Note: Dimensions are in MM (in)

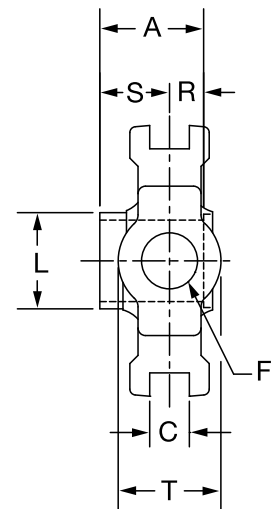
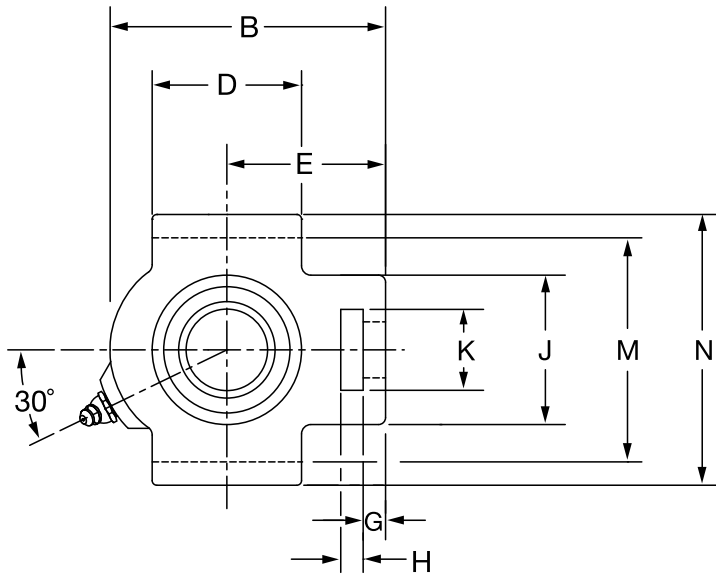
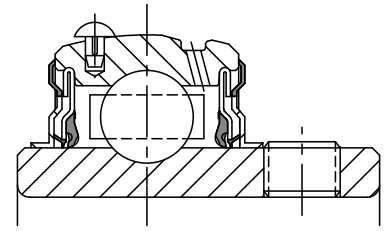
Unless specified, dimensions are in mm for metric parts and inches for non-metric parts.

# Extreme Duty mounted ball bearings

## Selection/Dimensions

Extreme Duty set screw mounted ball bearings

SCED normal duty wide slot take-up bearings



Series	Shaft size	Standard part no.	Description
204	20mm	<b>076274</b>	WSTU-SCED-20M
	1/2	@	WSTU-SCED-008
	5/8	@	WSTU-SCED-010
	3/4	<b>076091</b>	WSTU-SCED-012
205	25mm	<b>076275</b>	WSTU-SCED-25M
	7/8	@	WSTU-SCED-014
	15/16	@	WSTU-SCED-015
	1	<b>076092</b>	WSTU-SCED-100
206	30mm	<b>076276</b>	WSTU-SCED-30M
	1-1/16	@	WSTU-SCED-101
	1-1/8	<b>076093</b>	WSTU-SCED-102
	1-3/16	<b>076094</b>	WSTU-SCED-103
	1-1/4	<b>076095</b>	WSTU-SCED-104S
207	35mm	<b>076277</b>	WSTU-SCED-35M
	1-1/4	<b>076096</b>	WSTU-SCED-104
	1-5/16	@	WSTU-SCED-105
	1-3/8	<b>076097</b>	WSTU-SCED-106
	1-7/16	<b>076098</b>	WSTU-SCED-107
208	40mm	<b>076278</b>	WSTU-SCED-40M
	1-1/2	<b>076099</b>	WSTU-SCED-108
	1-5/8	@	WSTU-SCED-110

@Assembled to order

Note: Dimensions are in MM (in)

Unless specified, dimensions are in mm for metric parts and inches for non-metric parts.

# Extreme Duty mounted ball bearings

## Selection/Dimensions

Extreme Duty set screw mounted ball bearings  
 SCED normal duty wide slot take-up bearings

Series	Shaft size	Weight kg lb	Take-up frame size	A	B	C	D	E	F Screw Dia.	G
204	20mm	0.9	WS300	31.2	93.7	13.49	50.8	60.5	15.9	9.7
	1/2	2.1	WS300	1.23	3.69	0.531	2.00	2.38	5/8	0.38
	5/8	2.0	WS300	1.23	3.69	0.531	2.00	2.38	5/8	0.38
	3/4	1.9	WS300	1.23	3.69	0.531	2.00	2.38	5/8	0.38
205	25mm	1.0	WS300	34.0	96.8	13.49	50.8	62.0	15.9	9.7
	7/8	2.2	WS300	1.34	3.81	0.531	2.00	2.44	5/8	0.38
	15/16	2.1	WS300	1.34	3.81	0.531	2.00	2.44	5/8	0.38
	1	2.0	WS300	1.34	3.81	0.531	2.00	2.44	5/8	0.38
206	30mm	1.3	WS308	38.6	111.3	13.49	57.2	69.9	19.1	9.7
	1-1/16	3.1	WS308	1.52	4.38	0.531	2.25	2.75	3/4	0.38
	1-1/8	3.0	WS308	1.52	4.38	0.531	2.25	2.75	3/4	0.38
	1-3/16	2.9	WS308	1.52	4.38	0.531	2.25	2.75	3/4	0.38
	1-1/4	2.8	WS308	1.52	4.38	0.531	2.25	2.75	3/4	0.38
207	35mm	1.6	WS308	43.4	123.7	13.49	63.5	77.7	19.1	12.7
	1-1/4	3.8	WS308	1.71	4.87	0.531	2.50	3.06	3/4	0.50
	1-5/16	3.7	WS308	1.71	4.87	0.531	2.50	3.06	3/4	0.50
	1-3/8	3.6	WS308	1.71	4.87	0.531	2.50	3.06	3/4	0.50
	1-7/16	3.5	WS308	1.71	4.87	0.531	2.50	3.06	3/4	0.50
208	40mm	2.8	WS400	49.3	144.5	17.48	82.6	88.9	25.4	16.0
	1-1/2	6.1	WS400	1.94	5.69	0.688	3.25	3.50	1	0.63
	1-5/8	6.0	WS400	1.94	5.69	0.688	3.25	3.50	1	0.63

Note: Dimensions are in MM (in)

Unless specified, dimensions are in mm for metric parts and inches for non-metric parts.

Series	Shaft size	H	J	K	L	M	N	R	S	T
204	20mm	16.0	50.8	31.8	28.4	75.82/76.58	92.2	12.7	18.5	35.1
	1/2	0.63	2.00	1.25	1.12	2.985/3.015	3.63	0.50	0.73	1.38
	5/8	0.63	2.00	1.25	1.12	2.985/3.015	3.63	0.50	0.73	1.38
	3/4	0.63	2.00	1.25	1.12	2.985/3.015	3.63	0.50	0.73	1.38
205	25mm	16.0	50.8	33.3	33.5	75.82/76.58	92.2	14.2	19.8	35.1
	7/8	0.63	2.00	1.31	1.32	2.985/3.015	3.63	0.56	0.78	1.38
	15/16	0.63	2.00	1.31	1.32	2.985/3.015	3.63	0.56	0.78	1.38
	1	0.63	2.00	1.31	1.32	2.985/3.015	3.63	0.56	0.78	1.38
206	30mm	16.0	55.6	36.6	39.9	88.39/89.15	104.9	14.7	23.9	35.1
	1-1/16	0.63	2.19	1.44	1.57	3.480/3.510	4.13	0.58	0.94	1.38
	1-1/8	0.63	2.19	1.44	1.57	3.480/3.510	4.13	0.58	0.94	1.38
	1-3/16	0.63	2.19	1.44	1.57	3.480/3.510	4.13	0.58	0.94	1.38
	1-1/4	0.63	2.19	1.44	1.57	3.480/3.510	4.13	0.58	0.94	1.38
207	35mm	16.0	63.5	36.6	46.7	88.39/89.15	104.9	17.0	26.4	41.4
	1-1/4	0.63	2.50	1.44	1.84	3.480/3.510	4.13	0.67	1.04	1.63
	1-5/16	0.63	2.50	1.44	1.84	3.480/3.510	4.13	0.67	1.04	1.63
	1-3/8	0.63	2.50	1.44	1.84	3.480/3.510	4.13	0.67	1.04	1.63
	1-7/16	0.63	2.50	1.44	1.84	3.480/3.510	4.13	0.67	1.04	1.63
208	40mm	19.1	82.6	49.3	52.1	101.22/101.98	114.3	19.1	30.2	49.3
	1-1/2	0.75	3.25	1.94	2.05	3.985/4.015	4.50	0.75	1.19	1.94
	1-5/8	0.75	3.25	1.94	2.05	3.985/4.015	4.50	0.75	1.19	1.94

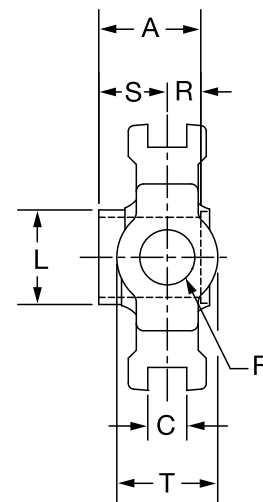
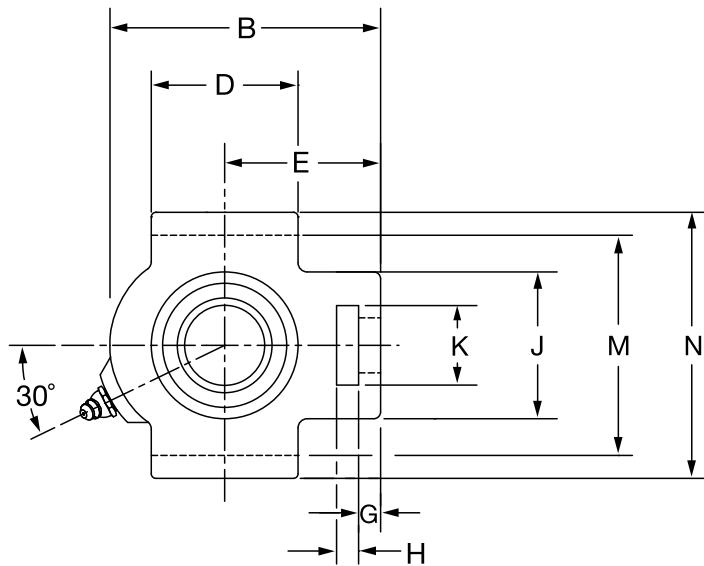
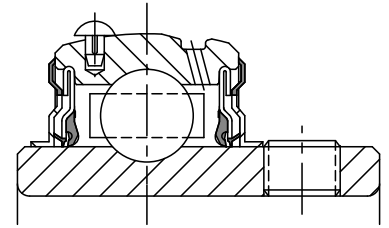
Note: Dimensions are in MM (in)

Unless specified, dimensions are in mm for metric parts and inches for non-metric parts.

# Extreme Duty mounted ball bearings

## Selection/Dimensions

Extreme Duty set screw mounted ball bearings  
 SCED normal duty wide slot take-up bearings



Series	Shaft size	Standard part no.	Description
209	45mm	<b>076279</b>	WSTU-SCED-45M
	1-5/8	@	WSTU-SCED-110L
	1-11/16	<b>076100</b>	WSTU-SCED-111
	1-3/4	<b>076101</b>	WSTU-SCED-112
	1-13/16	@	WSTU-SCED-113
210	50mm	<b>076280</b>	WSTU-SCED-50M
	1-15/16	<b>076102</b>	WSTU-SCED-115
	2	<b>076103</b>	WSTU-SCED-200
211	55mm	<b>076281</b>	WSTU-SCED-55M
	2	<b>076197</b>	WSTU-SCMED-200
	2-3/16	<b>076104</b>	WSTU-SCED-203
	2-1/4	@	WSTU-SCED-204
212	60mm	<b>076282</b>	WSTU-SCED-60M
	2-1/4	@	WSTU-SCMED-204
	2-7/16	<b>076105</b>	WSTU-SCED-207
214	70mm	<b>076283</b>	WSTU-SCED-70M
	2-1/2	<b>076200</b>	WSTU-SCMED-208
	2-11/16	<b>076106</b>	WSTU-SCED-211
215	75mm	<b>076284</b>	WSTU-SCED-75M
	2-15/16	<b>076107</b>	WSTU-SCED-215

@Assembled to order

Note: Dimensions are in MM (in)

Unless specified, dimensions are in mm for metric parts and inches for non-metric parts.

# Extreme Duty mounted ball bearings

## Selection/Dimensions

Extreme Duty set screw mounted ball bearings  
 SCED normal duty wide slot take-up bearings

Series	Shaft size	Weight kg lb	Take-up frame size	A	B	C	D	E	F screw dia.	G
209	45mm	2.7	WS400	49.3	143.0	17.48	82.6	87.4	25.4	16.0
	1-5/8	6.1	WS400	1.94	5.63	0.688	3.25	3.44	1	0.63
	1-11/16	6.0	WS400	1.94	5.63	0.688	3.25	3.44	1	0.63
	1-3/4	5.9	WS400	1.94	5.63	0.688	3.25	3.44	1	0.63
	1-13/16	5.8	WS400	1.94	5.63	0.688	3.25	3.44	1	0.63
210	50mm	2.9	WS400	49.3	147.8	17.48	85.9	90.4	25.4	16.0
	1-15/16	6.4	WS400	1.94	5.82	0.688	3.38	3.56	1	0.63
	2	6.2	WS400	1.94	5.82	0.688	3.38	3.56	1	0.63
211	55mm	4.5	WS502	56.4	169.9	27.00	95.3	106.4	31.8	19.1
	2	10.1	WS502	2.22	6.69	1.063	3.75	4.19	1-1/4	0.75
	2-3/16	10.0	WS502	2.22	6.69	1.063	3.75	4.19	1-1/4	0.75
	2-1/4	9.8	WS502	2.22	6.69	1.063	3.75	4.19	1-1/4	0.75
212	60mm	4.9	WS502	58.7	190.5	27.00	101.6	119.1	31.8	19.1
	2-1/4	11.2	WS502	2.31	7.50	1.063	4.00	4.69	1-1/4	0.75
	2-7/16	10.8	WS502	2.31	7.50	1.063	4.00	4.69	1-1/4	0.75
214	70mm	8.0	WS515	64.5	217.4	27.0	120.7	136.7	38.1	20.6
	2-1/2	18.0	WS515	2.54	8.56	1.063	4.75	5.38	1-1/2	0.81
	2-11/16	17.8	WS515	2.54	8.56	1.063	4.75	5.38	1-1/2	0.81
215	75mm	8.6	WS515	59.2	231.9	27.00	120.7	139.7	38.1	20.6
	2-15/16	18.9	WS515	2.33	9.13	1.063	4.75	5.50	1-1/2	0.81

Note: Dimensions are in MM (in)

Unless specified, dimensions are in mm for metric parts and inches for non-metric parts.

Series	Shaft size	H	J	K	L	M	N	R	S	T
209	45mm	19.1	82.6	49.3	56.4	101.22/101.98	120.7	19.1	30.2	49.3
	1-5/8	0.75	3.25	1.94	2.22	3.985/4.015	4.75	0.75	1.19	1.94
	1-11/16	0.75	3.25	1.94	2.22	3.985/4.015	4.75	0.75	1.19	1.94
	1-3/4	0.75	3.25	1.94	2.22	3.985/4.015	4.75	0.75	1.19	1.94
	1-13/16	0.75	3.25	1.94	2.22	3.985/4.015	4.75	0.75	1.19	1.94
210	50mm	19.1	82.6	49.3	61.7	101.22/101.98	120.7	19.1	30.2	49.3
	1-15/16	0.75	3.25	1.94	2.43	3.985/4.015	4.75	0.75	1.19	1.94
	2	0.75	3.25	1.94	2.43	3.985/4.015	4.75	0.75	1.19	1.94
211	55mm	25.4	101.6	63.5	68.8	129.79/129.90	149.4	22.1	34.3	63.5
	2	1.00	4.00	2.50	2.71	5.110/5.114	5.88	0.87	1.35	2.50
	2-3/16	1.00	4.00	2.50	2.71	5.110/5.114	5.88	0.87	1.35	2.50
	2-1/4	1.00	4.00	2.50	2.71	5.110/5.114	5.88	0.87	1.35	2.50
212	60mm	31.8	101.6	63.5	75.4	129.79/129.90	149.4	22.9	35.8	63.5
	2-1/4	1.25	4.00	2.50	2.97	5.110/5.114	5.88	0.90	1.41	2.50
	2-7/16	1.25	4.00	2.50	2.97	5.110/5.114	5.88	0.90	1.41	2.50
214	70mm	31.8	111.3	69.9	84.1	150.44/151.21	166.6	26.9	37.6	69.9
	2-1/2	1.25	4.38	2.75	3.31	5.923/5.953	6.56	1.06	1.48	2.75
	2-11/16	1.25	4.38	2.75	3.31	5.923/5.953	6.56	1.06	1.48	2.75
215	75mm	31.8	111.3	69.9	91.9	150.44/151.21	169.9	21.8	37.3	69.9
	2-15/16	1.25	4.38	2.75	3.62	5.923/5.953	6.69	0.86	1.47	2.75

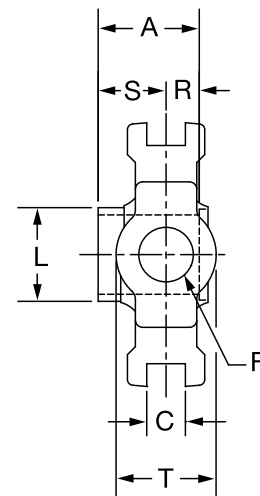
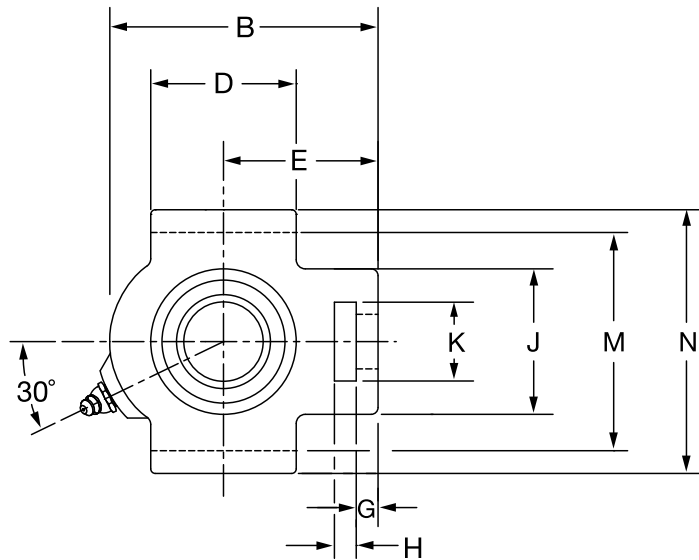
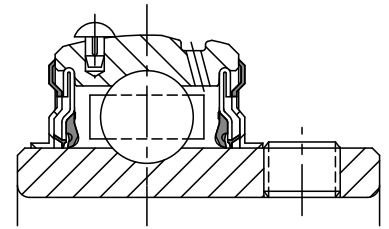
Note: Dimensions are in MM (in)

Unless specified, dimensions are in mm for metric parts and inches for non-metric parts.

# Extreme Duty mounted ball bearings

## Selection/Dimensions

Extreme Duty set screw mounted ball bearings  
 SCMED medium duty wide slot take-up bearings



Series	Shaft size	Part no.	Description
206	25mm	<b>076334</b>	WSTU-SCMED-25M
	1	<b>076190</b>	WSTU-SCMED-100
207	30mm	<b>076335</b>	WSTU-SCMED-30M
	1-3/16	<b>076191</b>	WSTU-SCMED-103
	1-1/4	<b>076096</b>	WSTU-SCMED-104
208	35mm	<b>076336</b>	WSTU-SCMED-35M
	1-7/16	<b>076192</b>	WSTU-SCMED-107
209	40mm	<b>076337</b>	WSTU-SCMED-40M
	1-1/2	<b>076193</b>	WSTU-SCMED-108
210	45mm	<b>076338</b>	WSTU-SCMED-45M
	1-11/16	<b>076194</b>	WSTU-SCMED-111
	1-3/4	<b>076195</b>	WSTU-SCMED-112

Note: Dimensions are in MM (in)

Unless specified, dimensions are in mm for metric parts and inches for non-metric parts.

# Extreme Duty mounted ball bearings

## Selection/Dimensions

Extreme Duty set screw mounted ball bearings  
SCMED medium duty wide slot take-up bearings

Series	Shaft size	Weight kg lb	Take-up frame no. ref.	A	B	C	D	E	F screw dia.	G
206	25mm	1.4	WS308	38.6	111.3	13.49	57.2	69.9	19.1	9.7
	1	2.9	WS308	1.52	4.38	0.531	2.25	2.75	3/4	0.38
207	30mm	1.7	WS308	43.4	123.7	13.49	63.5	77.7	19.1	12.7
	1-3/16	3.9	WS308	1.71	4.87	0.531	2.50	3.06	3/4	0.50
208	1-1/4	3.8	WS308	1.71	4.87	0.531	2.50	3.06	3/4	0.50
	35mm	2.9	WS400	49.3	144.5	17.48	82.6	88.9	25.4	16.0
209	1-7/16	6.1	WS400	1.94	5.69	0.688	3.25	3.50	1	0.63
	40mm	2.8	WS400	49.3	143.0	17.48	82.6	87.4	25.4	16.0
210	1-1/2	6.0	WS400	1.94	5.63	0.688	3.25	3.44	1	0.63
	45mm	3.0	WS400	49.3	147.8	17.48	85.9	90.4	25.4	16.0
	1-11/16	6.5	WS400	1.94	5.82	0.688	3.38	3.56	1	0.63
	1-3/4	6.4	WS400	1.94	5.82	0.688	3.38	3.56	1	0.63

Note: Dimensions are in MM (in)

Unless specified, dimensions are in mm for metric parts and inches for non-metric parts.

Series	Shaft size	H	J	K	L	M	N	R	S	T
206	25mm	16.0	55.6	36.6	39.9	88.39/89.15	104.9	14.7	23.9	35.1
	1	0.63	2.19	1.44	1.57	3.480/3.510	4.13	0.58	0.94	1.38
207	30mm	16.0	63.5	36.6	46.7	88.39/89.15	104.9	17.0	26.4	41.4
	1-3/16	0.63	2.50	1.44	1.84	3.480/3.510	4.13	0.67	1.04	1.63
208	1-1/4	0.63	2.50	1.44	1.84	3.480/3.510	4.13	0.67	1.04	1.63
	35mm	19.1	82.6	49.3	52.1	101.22/101.98	114.3	19.1	30.2	49.3
209	1-7/16	0.75	3.25	1.94	2.05	3.985/4.015	4.50	0.75	1.19	1.94
	40mm	19.1	82.6	49.3	56.4	101.22/101.98	120.7	19.1	30.2	49.3
210	1-1/2	0.75	3.25	1.94	2.22	3.985/4.015	4.75	0.75	1.19	1.94
	45mm	19.1	82.6	49.3	61.7	101.22/101.98	120.7	19.1	30.2	49.3
	1-11/16	0.75	3.25	1.94	2.43	3.985/4.015	4.75	0.75	1.19	1.94
	1-3/4	0.75	3.25	1.94	2.43	3.985/4.015	4.75	0.75	1.19	1.94

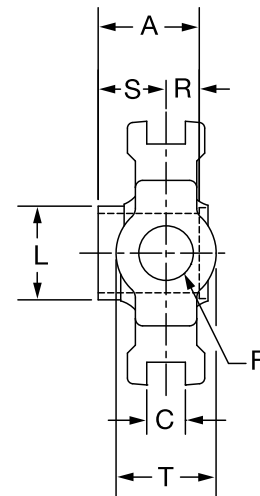
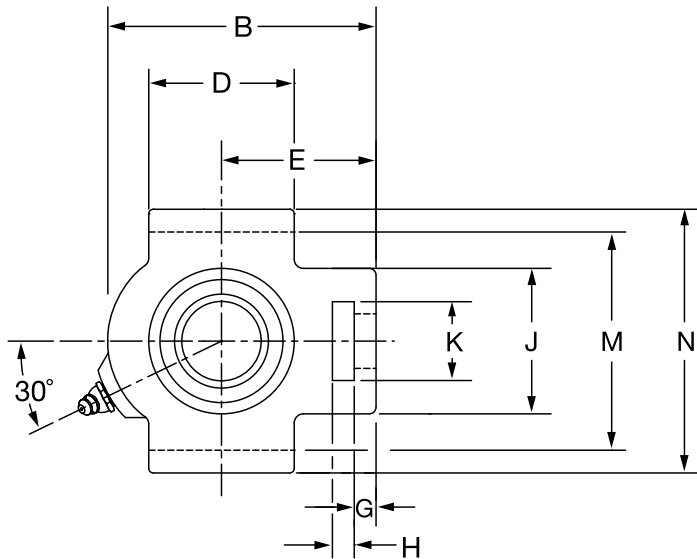
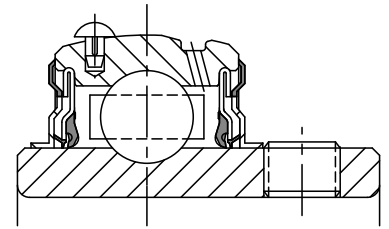
Note: Dimensions are in MM (in)

Unless specified, dimensions are in mm for metric parts and inches for non-metric parts.

# Extreme Duty mounted ball bearings

## Selection/Dimensions

Extreme Duty set screw mounted ball bearings  
 SCMED medium duty wide slot take-up bearings



Series	Shaft Size	Part No.	Description
211	50mm	<b>076339</b>	WSTU-SCMED-50M
	1-15/16	<b>076196</b>	WSTU-SCMED-115
	2	<b>076197</b>	WSTU-SCMED-200
212	55mm	<b>076340</b>	WSTU-SCMED-55M
	2-3/16	<b>076198</b>	WSTU-SCMED-203
	2-1/4	<b>@</b>	WSTU-SCMED-204
214	65mm	<b>076341</b>	WSTU-SCMED-65M
	2-7/16	<b>076199</b>	WSTU-SCMED-207
	2-1/2	<b>076200</b>	WSTU-SCMED-208
215	70mm	<b>076342</b>	WSTU-SCMED-70M
	2-11/16	<b>076201</b>	WSTU-SCMED-211
216	75mm	<b>076343</b>	WSTU-SCMED-75M
	2-15/16	<b>076202</b>	WSTU-SCMED-215
	3	<b>076203</b>	WSTU-SCMED-300

@Assembled to order

Note: Dimensions are in MM (in)

Unless specified, dimensions are in mm for metric parts and inches for non-metric parts.



# Extreme Duty mounted ball bearings

## Selection/Dimensions

Extreme Duty set screw ball bearings  
 SCMED medium duty wide slot take-up bearings

Series	Shaft size	Weight kg lb	Take-up frame no. ref.	A	B	C	D	E	F screw dia.	G
211	50mm	4.7	WS502	56.4	169.9	27.00	95.3	106.4	31.8	19.1
	1-15/16	10.1	WS502	2.22	6.69	1.063	3.75	4.19	1-1/4	0.75
	2	10.2	WS502	2.22	6.69	1.063	3.75	4.19	1-1/4	0.75
212	55mm	5.7	WS502	58.7	190.5	27.00	101.6	119.1	31.8	19.1
	2-3/16	11.4	WS502	2.31	7.50	1.063	4.00	4.69	1-1/4	0.75
	2-1/4	11.2	WS502	2.31	7.50	1.063	4.00	4.69	1-1/4	0.75
214	65mm	8.7	WS515	64.5	217.4	27.0	120.7	136.7	38.1	20.6
	2-7/16	18.2	WS515	2.54	8.56	1.063	4.75	5.38	1-1/2	0.81
	2-1/2	18.0	WS515	2.54	8.56	1.063	4.75	5.38	1-1/2	0.81
215	70mm	8.9	WS515	59.2	231.9	27.00	120.7	139.7	38.1	20.6
	2-11/16	19.0	WS515	2.33	9.13	1.063	4.75	5.50	1-1/2	0.81
216	75mm	9.5	WS608	60.5	231.6	27.00	120.7	60.5	38.1	20.6
	2-15/16	21.7	WS608	2.38	9.13	1.063	4.75	2.38	1-1/2	0.81
	3	21.5	WS608	2.38	9.13	1.063	4.75	2.38	1-1/2	0.81

Note: Dimensions are in MM (in)

Unless specified, dimensions are in mm for metric parts and inches for non-metric parts.

Series	Shaft size	H	J	K	L	M	N	R	S	T
211	50mm	25.4	101.6	63.5	68.8	129.79/129.90	149.4	22.1	34.3	63.5
	1-15/16	1.00	4.00	2.50	2.71	5.110/5.114	5.88	0.87	1.35	2.50
	2	1.00	4.00	2.50	2.71	5.110/5.114	5.88	0.87	1.35	2.50
212	55mm	31.8	101.6	63.5	75.4	129.79/129.90	149.4	22.9	35.8	63.5
	2-3/16	1.25	4.00	2.50	2.97	5.110/5.114	5.88	0.90	1.41	2.50
	2-1/4	1.25	4.00	2.50	2.97	5.110/5.114	5.88	0.90	1.41	2.50
214	65mm	31.8	111.3	69.9	84.1	150.44/151.21	166.6	26.9	37.6	69.9
	2-7/16	1.25	4.38	2.75	3.31	5.923/5.953	6.56	1.06	1.48	2.75
	2-1/2	1.25	4.38	2.75	3.31	5.923/5.953	6.56	1.06	1.48	2.75
215	70mm	31.8	111.3	69.9	91.9	150.44/151.21	169.9	21.8	37.3	69.9
	2-11/16	1.25	4.38	2.75	3.62	5.923/5.953	6.69	0.86	1.47	2.75
216	75mm	31.8	111.3	69.9	97.3	164.72/165.48	184.2	22.4	38.1	69.9
	2-15/16	1.25	4.38	2.75	3.83	6.485/6.515	7.25	0.88	1.50	2.75
	3	1.25	4.38	2.75	3.83	6.485/6.515	7.25	0.88	1.50	2.75

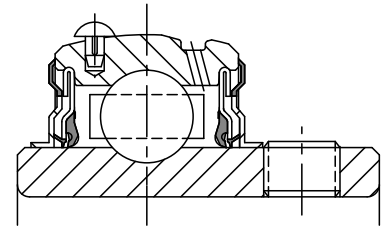
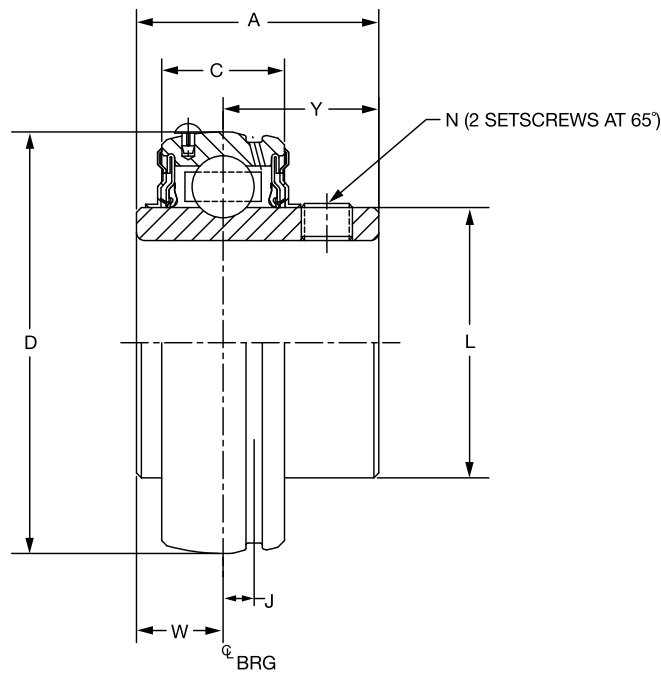
Note: Dimensions are in MM (in)

Unless specified, dimensions are in mm for metric parts and inches for non-metric parts.

# Extreme Duty mounted ball bearings

## Selection/Dimensions

Extreme Duty set screw ball bearings  
 SCED normal duty bearing inserts



Series	Shaft size	Standard insert part no.	Description	Weight kg lb	A	C	D	J	L	N	W	Y
204	20mm	@	INS-SCED-20M	.16	31.2	14.7	47.000	3.8	28.4	M6x1	12.7	18.5
	1/2	@	INS-SCED-008L	.38	1.23	0.58	1.8504	0.15	1.12	1/4-28	0.50	0.73
	5/8	@	INS-SCED-010L	.35	1.23	0.58	1.8504	0.15	1.12	1/4-28	0.50	0.73
	3/4	<b>076108</b>	INS-SCED-012	.32	1.23	0.58	1.8504	0.15	1.12	1/4-28	0.50	0.73
205	25mm	<b>076286</b>	INS-SCED-25M	.18	34.0	15.0	52.000	4.1	33.5	M6x1	14.2	19.8
	7/8	@	INS-SCED-014	.43	1.34	0.59	2.0472	0.16	1.32	1/4-28	0.56	0.78
	15/16	@	INS-SCED-015	.40	1.34	0.59	2.0472	0.16	1.32	1/4-28	0.56	0.78
	1	<b>076109</b>	INS-SCED-100	.37	1.34	0.59	2.0472	0.16	1.32	1/4-28	0.56	0.78
206	30mm	<b>076287</b>	INS-SCED-30M	.27	38.6	17.5	62.000	4.1	39.9	M8x1.25	14.7	23.9
	1-1/16	@	INS-SCED-101	.67	1.52	0.69	2.4409	0.16	1.57	5/16-24	0.58	0.94
	1-1/8	<b>076110</b>	INS-SCED-102	.63	1.52	0.69	2.4409	0.16	1.57	5/16-24	0.58	0.94
	1-3/16	<b>076111</b>	INS-SCED-103	.60	1.52	0.69	2.4409	0.16	1.57	5/16-24	0.58	0.94
	1-1/4	<b>076112</b>	INS-SCED-104S	.58	1.52	0.69	2.4409	0.16	1.57	5/16-24	0.58	0.94
207	35mm	<b>076288</b>	INS-SCED-35M	.44	43.4	19.1	72.000	5.1	46.7	M8x1.25	17.0	26.4
	1-1/4	<b>076113</b>	INS-SCED-104	1.02	1.71	0.75	2.8346	0.20	1.84	5/16-24	0.67	1.04
	1-5/16	@	INS-SCED-105	.97	1.71	0.75	2.8346	0.20	1.84	5/16-24	0.67	1.04
	1-3/8	<b>076114</b>	INS-SCED-106	.92	1.71	0.75	2.8346	0.20	1.84	5/16-24	0.67	1.04
	1-7/16	<b>076115</b>	INS-SCED-107	.86	1.71	0.75	2.8346	0.20	1.84	5/16-24	0.67	1.04

@Assembled to order

Note: Dimensions are in MM (in)

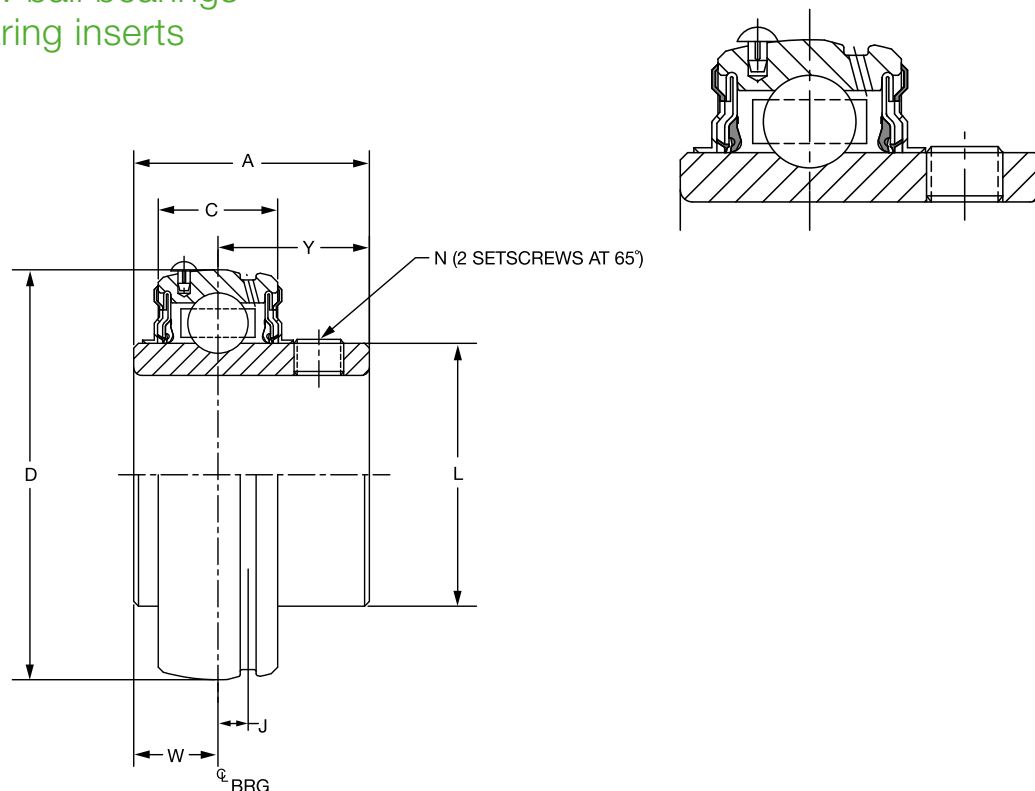
Unless specified, dimensions are in mm for metric parts and inches for non-metric parts.

# Extreme Duty mounted ball bearings

## Selection/Dimensions

Extreme Duty set screw ball bearings

SCED normal duty bearing inserts



Series size	Shaft	Standard insert part no.	Description	Weight		A	C	D	J	L	N	W	Y
				kg	lb								
208	40mm	<b>076289</b>	INS-SCED-40M	0.51	1.13	49.3	22.1	80.000	5.6	52.1	M8x1.25	19.1	30.2
	1-1/2	<b>076116</b>	INS-SCED-108	1.27	2.80	1.94	0.87	3.1496	0.22	2.05	5/16-24	0.75	1.19
	1-5/8	@	INS-SCED-110	1.13	2.50	1.94	0.87	3.1496	0.22	2.05	5/16-24	0.75	1.19
209	45mm	<b>076290</b>	INS-SCED-45M	0.62	1.37	49.3	22.1	85.000	6.4	56.4	M8x1.25	19.1	30.2
	1-5/8	@	INS-SCED-110L	1.49	3.29	1.94	0.87	3.3465	0.25	2.22	5/16-24	0.75	1.19
	1-11/16	<b>076117</b>	INS-SCED-111	1.43	3.15	1.94	0.87	3.3465	0.25	2.22	5/16-24	0.75	1.19
	1-3/4	<b>076118</b>	INS-SCED-112	1.36	2.99	1.94	0.87	3.3465	0.25	2.22	5/16-24	0.75	1.19
	1-13/16	@	INS-SCED-113	1.30	2.87	1.94	0.87	3.3465	0.25	2.22	5/16-24	0.75	1.19
210	50mm	<b>076291</b>	INS-SCED-50M	0.67	1.48	49.3	22.1	90.000	6.4	61.7	M10x1.5	19.1	30.2
	1-15/16	<b>076119</b>	INS-SCED-115	1.48	3.27	1.94	0.87	3.5433	0.25	2.43	3/8-24	0.75	1.19
	2	<b>076120</b>	INS-SCED-200	1.39	3.06	1.94	0.87	3.5433	0.25	2.43	3/8-24	0.75	1.19
211	55mm	<b>076292</b>	INS-SCED-55M	0.89	1.96	56.4	23.9	100.000	6.4	68.8	M10x1.5	22.1	34.3
	2	<b>076211</b>	INS-SCMED-200	2.26	5.00	2.22	0.94	3.9370	0.25	2.71	3/8-24	0.87	1.35
	2-3/16	<b>076121</b>	INS-SCED-203	1.97	4.35	2.22	0.94	3.9370	0.25	2.71	3/8-24	0.87	1.35
	2-1/4	@	INS-SCED-204	1.87	4.13	2.22	0.94	3.9370	0.25	2.71	3/8-24	0.87	1.35
212	60mm	<b>076293</b>	INS-SCED-60M	1.13	2.49	58.7	25.9	110.000	6.4	75.4	M10x1.5	22.9	35.8
	2-1/4	@	INS-SCMED-204	2.85	6.29	2.31	1.02	4.3307	0.25	2.97	3/8-24	0.90	1.41
	2-7/16	<b>076122</b>	INS-SCED-207	2.49	5.49	2.31	1.02	4.3307	0.25	2.97	3/8-24	0.90	1.41
214	70mm	<b>076294</b>	INS-SCED-70M	1.63	3.59	64.5	27.9	125.000	6.6	84.1	M10x1.5	26.9	37.6
	2-1/2	<b>076214</b>	INS-SCMED-208	4.25	9.37	2.54	1.10	4.9213	0.26	3.31	3/8-24	1.06	1.48
	2-11/16	<b>076123</b>	INS-SCED-211	3.60	7.94	2.54	1.10	4.9213	0.26	3.31	3/8-24	1.06	1.48
215	75mm	<b>076295</b>	INS-SCED-75M	1.75	3.86	59.2	29.0	130.000	7.1	91.9	M10x1.5	21.8	37.3
	2-15/16	<b>076124</b>	INS-SCED-215	3.86	8.51	2.33	1.14	5.1181	0.28	3.62	3/8-24	0.86	1.47
218	90mm	@	INS-SCED-90M	3.3	7.27	65.0	34.0	160.000	7.6	110.5	M10x1.5	24.4	40.6

@Assembled to order

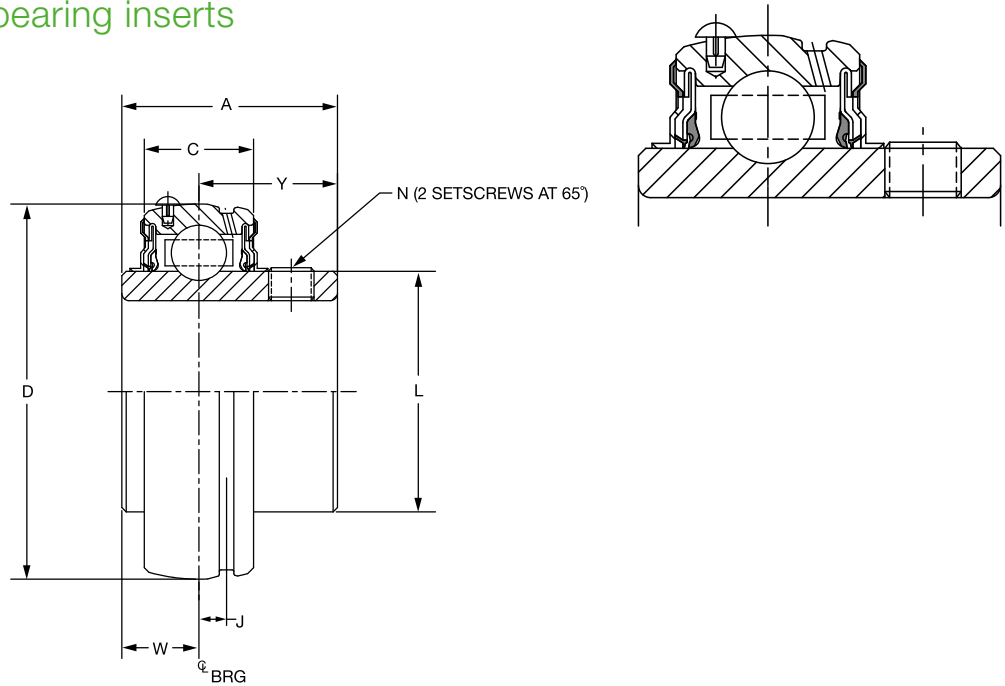
Note: Dimensions are in MM (in)

Unless specified, dimensions are in mm for metric parts and inches for non-metric parts.

# Extreme Duty mounted ball bearings

## Selection/Dimensions

Extreme Duty set screw ball bearings  
SCMED medium duty bearing inserts



Series	Shaft size	Standard insert part no.	Description	Weight kg lb	A	C	D	J	L	N	W	Y
206	25mm	<b>076344</b>	INS-SCMED-25M	0.32	38.6	17.5	62.000	4.1	39.9	M8x1.25	14.7	23.9
	1	<b>076204</b>	INS-SCMED-100	0.71	1.52	0.69	2.4409	0.16	1.57	5/16-24	0.58	0.94
207	30mm	<b>076287</b>	INS-SCMED-30M	0.53	43.4	19.1	72.000	5.1	46.7	M8x1.25	17.0	26.4
	1-3/16	<b>076205</b>	INS-SCMED-103	1.07	1.71	0.75	2.8346	0.20	1.84	5/16-24	0.67	1.04
	1-1/4	<b>076113</b>	INS-SCMED-104	1.02	1.71	0.75	2.8346	0.20	1.84	5/16-24	0.67	1.04
208	35mm	<b>076346</b>	INS-SCMED-35M	0.60	49.3	22.1	80.000	5.6	52.1	M8x1.25	19.1	30.2
	1-7/16	<b>076206</b>	INS-SCMED-107	1.32	1.94	0.87	3.1496	0.22	2.05	5/16-24	0.75	1.19
	1-1/2#	<b>076116</b>	INS-SCMED-108	1.27	1.94	0.87	3.1496	0.22	2.05	5/16-24	0.75	1.19
209	40mm	<b>076347</b>	INS-SCMED-40M	0.71	49.3	22.1	85.000	6.4	56.4	M8x1.25	19.1	30.2
	1-1/2	<b>076207</b>	INS-SCMED-108	1.62	1.94	0.87	3.3465	0.25	2.22	5/16-24	0.75	1.19
	1-5/8	@	INS-SCMED-110L	1.49	1.94	0.87	3.3465	0.25	2.22	5/16-24	0.75	1.19
210	45mm	<b>076348</b>	INS-SCMED-45M	0.76	49.3	22.1	90.000	6.4	61.7	M10x1.5	19.1	30.2
	1-11/16	<b>076208</b>	INS-SCMED-111	1.82	1.94	0.87	3.5433	0.25	2.43	3/8-24	0.75	1.19
	1-3/4	<b>076209</b>	INS-SCMED-112	1.74	1.94	0.87	3.5433	0.25	2.43	3/8-24	0.75	1.19
211	50mm	<b>076349</b>	INS-SCMED-50M	1.03	56.4	23.9	100.000	6.4	68.8	M10x1.5	22.1	34.3
	1-15/16	<b>076210</b>	INS-SCMED-115	2.36	2.22	0.94	3.9370	0.25	2.71	3/8-24	0.87	1.35
	2	<b>076211</b>	INS-SCMED-200	2.26	2.22	0.94	3.9370	0.25	2.71	3/8-24	0.87	1.35
212	55mm	<b>076350</b>	INS-SCMED-55M	1.27	58.7	25.9	110.000	6.4	75.4	M10x1.5	22.9	35.8
	2-3/16	<b>076212</b>	INS-SCMED-203	2.97	2.31	1.02	4.3307	0.25	2.97	3/8-24	0.90	1.41
	2-1/4	@	INS-SCMED-204	2.85	2.31	1.02	4.3307	0.25	2.97	3/8-24	0.90	1.41
214	60mm	<b>076351</b>	INS-SCMED-65M	1.86	64.5	27.9	125.000	6.6	84.1	M10x1.5	26.9	37.6
	2-7/16	<b>076213</b>	INS-SCMED-207	4.39	2.54	1.10	4.9213	0.26	3.31	3/8-24	1.06	1.48
	2-1/2	<b>076214</b>	INS-SCMED-208	4.25	2.54	1.10	4.9213	0.26	3.31	3/8-24	1.06	1.48
215	70mm	<b>076352</b>	INS-SCMED-70M	1.98	59.2	29.0	130.000	7.1	91.9	M10x1.5	21.8	37.3
	2-11/16	<b>076215</b>	INS-SCMED-211	4.49	2.33	1.14	5.1181	0.28	3.62	3/8-24	0.86	1.47
216	75mm	<b>076353</b>	INS-SCMED-75M	2.51	60.5	30.0	140.000	7.4	97.3	M10x1.5	22.4	38.1
	2-15/16	<b>076216</b>	INS-SCMED-215	5.54	2.38	1.18	5.5118	0.29	3.83	3/8-24	0.88	1.50
	3	<b>076217</b>	INS-SCMED-300	5.52	2.38	1.18	5.5118	0.29	3.83	3/8-24	0.88	1.50
218	85mm	<b>076354</b>	INS-SCMED-85M	3.33	65.0	34.0	160.000	7.6	110.5	M10x1.5	24.4	40.6
	3-7/16	<b>076218</b>	INS-SCMED-307	7.35	2.56	1.34	6.2992	0.30	4.35	3/8-24	0.96	1.60
	3-1/2	<b>076219</b>	INS-SCMED-308	7.33	2.56	1.34	6.2992	0.30	4.35	3/8-24	0.96	1.60

@Assembled to order

#SCM piloted flange Only

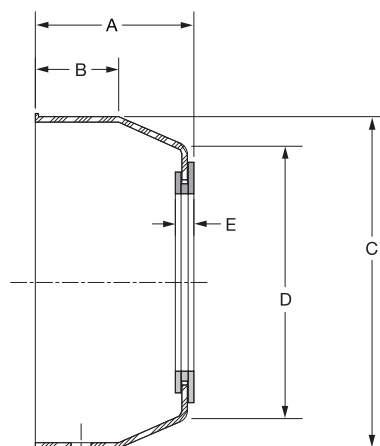
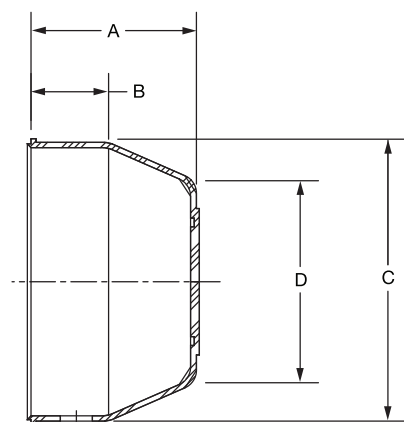
Note: Dimensions are in MM (in)

Unless specified, dimensions are in mm for metric parts and inches for non-metric parts.

# Extreme Duty mounted ball bearings

## Accessories

### Snap-on end covers



Series	Closed end covers	
	Part number	Description
204	128280	EC-204-Y
	128280	EC-204-Y
205	128281	EC-205-Y
	128281	EC-205-Y
206	128282	EC-206-Y
	128282	EC-206-Y
	128282	EC-206-Y
207	128283	EC-207-Y
	128283	EC-207-Y
	128283	EC-207-Y
208	128284	EC-208-Y
	128284	EC-208-Y
209	128285	EC-209-Y
	128285	EC-209-Y
210	128286	EC-210-Y
	128286	EC-210-Y
211	128277	EC-211-Y
	128277	EC-211-Y
	128277	EC-211-Y
	128277	EC-211-Y
	128277	EC-211-Y
212	128278	EC-212-Y
	128278	EC-212-Y
	128278	EC-212-Y
	128278	EC-212-Y
	128278	EC-212-Y
214	128220	EC-214
	128220	EC-214
	128220	EC-214
	128220	EC-214
	128220	EC-214
215	128221	EC-215
	128221	EC-215
	128221	EC-215
	128221	EC-215
216	128222	EC-216
	128222	EC-216
	128222	EC-216
218	128223	EC-218
	128223	EC-218
	128223	EC-218
	128223	EC-218

Open end covers		
Shaft size	Part number	Description
20mm	128363	ECO-20M-Y
3/4	128350	ECO-012-Y
25mm	128364	ECO-25M-Y
1	128351	ECO-100-Y
30mm	128365	ECO-30M-Y
1-3/16	128352	ECO-103-Y
1-1/4	128353	ECO-104S-Y
35mm	128366	ECO-35M-Y
1-1/4	128355	ECO-104-Y
1-7/16	128354	ECO-107-Y
40mm	128367	ECO-40M-Y
1-1/2	128356	ECO-108-Y
45mm	128368	ECO-45M-Y
1-11/16	128357	ECO-111-Y
50mm	128369	ECO-50M-Y
1-15/16	128358	ECO-115-Y
50mm	079698	ECO-50M (211)
55mm	079697	ECO-55M (211)
1-15/16	079702	ECO-115 (211)
2	079701	ECO-200 (211)
2-3/16	079700	ECO-203 (211)
2-1/4	079699	ECO-204 (211)
55mm	079693	ECO-55M (212)
60mm	079692	ECO-60M (212)
2-3/16	079696	ECO-203 (212)
2-1/4	079695	ECO-204 (212)
2-7/16	079694	ECO-207 (212)
65mm	127337	ECO-65M (214)
70mm	127338	ECO-70M (214)
2-7/16	127328	ECO-207 (214)
2-1/2	127329	ECO-208 (214)
2-11/16	127330	ECO-211 (214)
70mm	127339	ECO-70M (215)
75mm	127340	ECO-75M (215)
2-11/16	127331	ECO-211 (215)
2-15/16	127332	ECO-215 (215)
75mm	127340	ECO-75M (216)
2-15/16	127333	ECO-215 (216)
3	127334	ECO-300 (216)
85mm	127342	ECO-85M (218)
90mm	127343	ECO-90M (218)
3-7/16	127335	ECO-307 (218)
3-1/2	127336	ECO-308 (218)

Note: Dimensions are in MM (in)

Unless specified, dimensions are in mm for metric parts and inches for non-metric parts.

# Extreme Duty mounted ball bearings

## Accessories

### Snap-on end covers

#### Closed cover dimensions

Series	A	B	C	D
204	1,13	0,53	1,91	1,38
	28,7	13,5	48,4	35,1
205	0,19	0,53	2,17	1,61
	30,2	13,5	55,1	40,9
206	1,33	0,56	2,50	0,97
	1,33	0,56	2,50	0,97
	33,8	14,2	63,5	50,0
207	1,47	0,69	2,91	2,31
	1,47	0,69	2,91	2,31
	37,3	17,5	73,9	58,9
208	1,55	0,69	3,31	2,77
	39,1	17,5	84,1	70,1
209	1,59	0,72	3,50	2,88
	40,4	18,3	88,9	72,9
210	1,66	0,91	3,62	3,00
	42,2	23,1	91,4	76,2
211	1,80	0,97	3,94	3,30
	1,80	0,97	3,94	3,30
	1,80	0,97	3,94	3,30
	1,80	0,97	3,94	3,30
	45,5	24,6	100,1	83,6
	45,5	24,6	100,1	83,6
212	1,91	1,00	4,38	3,66
	1,91	1,00	4,38	3,66
	1,91	1,00	4,38	3,66
	48,3	25,4	111,3	92,7
	48,3	25,4	111,3	92,7
214	3,00	1,50	4,90	3,75
	3,00	1,50	4,90	3,75
	3,00	1,50	4,90	3,75
	76,2	38,1	124,5	95,3
	76,2	38,1	124,5	95,3
215	3,00	1,50	5,20	4,00
	3,00	1,50	5,20	4,00
	76,2	38,1	132,1	101,6
	76,2	38,1	132,1	101,6
216	3,00	1,50	5,50	4,38
	3,00	1,50	5,50	4,38
	76,2	38,1	139,7	111,1
218	3,09	1,50	6,25	5,00
	3,09	1,50	6,25	5,00
	78,6	38,1	158,8	127,0
	78,6	38,1	158,8	127,0

Note: Dimensions are in MM (in)

Unless specified, dimensions are in mm for metric parts and inches for non-metric parts.

#### Open cover dimensions

Series	Shaft size	A	B	C	D	E
204	20mm	30,2	13,5	48,4	35,1	4,9
	3/4	1,19	0,53	1,91	1,38	0,19
205	25mm	31,8	13,5	55,1	40,9	4,9
	1	1,25	0,53	2,17	1,61	0,19
206	30mm	35,3	14,2	63,5	50,0	4,9
	1-3/16	1,39	0,56	2,50	0,97	0,19
	1-1/4					
207	35mm	38,9	17,5	73,9	58,9	4,9
	1-1/4	1,53	0,69	2,91	2,31	0,19
	1-7/16					
208	40mm	40,6	17,5	84,1	70,1	5,1
	1-1/2	1,59	0,69	3,31	2,77	0,20
209	45mm	41,9	18,3	88,9	72,9	5,1
	1-11/16	1,66	0,72	3,50	2,88	0,20
210	50mm	43,7	23,1	91,4	76,2	5,1
	1-15/16	1,72	0,91	3,63	3,00	0,20
211	50mm	1,80	0,97	3,94	3,30	0,21
	55mm	45,5	24,6	100,1	83,6	5,3
	1-15/16	1,80	0,97	3,94	3,30	0,21
	2	1,80	0,97	3,94	3,30	0,21
	2-3/16	1,80	0,97	3,94	3,30	0,21
	2-1/4	1,80	0,97	3,94	3,30	0,21
212	55mm	1,91	1,00	4,38	3,66	0,21
	60mm	48,3	25,4	111,3	92,7	5,3
	2-3/16	1,91	1,00	4,38	3,66	0,21
	2-1/4	1,91	1,00	4,38	3,66	0,21
	2-7/16	1,91	1,00	4,38	3,66	0,21
214	65mm	3,00	1,50	4,90	3,75	0,30
	70mm	76,2	38,1	124,5	95,3	5,3
	2-7/16	3,00	1,50	4,90	3,75	0,30
	2-1/2	3,00	1,50	4,90	3,75	0,30
	2-11/16	3,00	1,50	4,90	3,75	0,30
215	70mm	3,00	1,50	5,20	4,00	0,30
	75mm	76,2	38,1	132,1	101,6	5,3
	2-11/16	3,00	1,50	5,20	4,00	0,30
	2-15/16	3,00	1,50	5,20	4,00	0,30
216	75mm	76,2	38,1	139,7	111,1	5,3
	2-15/16	3,00	1,50	5,50	4,38	0,30
	3	3,00	1,50	5,50	4,38	0,30
218	85mm	3,09	1,50	6,25	5,00	0,30
	90mm	78,6	38,1	158,8	127,0	5,3
	3-7/16	3,09	1,50	6,25	5,00	0,30
	3-1/2	3,09	1,50	6,25	5,00	0,30

# Extreme Duty mounted ball bearings

## Notes

# Extreme Duty mounted ball bearings

## Notes



# Extreme Duty mounted ball bearings

## Notes

# Set screw mounted ball bearings

## Contents

### Set screw mounted ball bearings

- 4-3 Features/Benefits
- 4-5 How to order/Nomenclature
- 4-6 Selection

#### Selection/Dimensions

##### Pillow blocks

- 4-16 SC - normal duty
- 4-20 SCB normal duty
- 4-22 SCH-E expansion and non-expansion
- 4-24 SCM medium duty
- 4-26 SL light duty
- 4-28 SC normal duty tapped base

##### Flanges

- 4-30 2-bolt flange
- 4-42 3-bolt flange
- 4-46 4-bolt flange
- 4-54 Piloted flange

##### Take-ups

- 4-58 SC normal duty narrow slot
- 4-62 SC normal duty wide slot
- 4-66 SCM-medium duty wide slot
- 4-70 Type G normal duty top angle

##### Hanger bearings

- 4-72 SC normal duty screw conveyor
- 4-74 SC normal duty

##### SC normal duty cylindrical units

##### Inserts

- 4-75 SC - normal duty inserts
- 4-80 SCH expansion and non-expansion
- 4-82 SCM medium duty
- 4-84 LF/LFT/SL bearing inserts
- 4-86 Modification/Accessories

##### Related products

- 4-87 High temperature ball bearings
- 4-90 End covers

- INDEX-1 Part number index

# Set screw mounted ball bearings

# Set screw mounted ball bearings

## Features/Benefits

### Set screw mounted ball bearings

For over 70 years, Dodge has been talking to mounted bearing users and listening to their needs. This experience lead to the design of the optimum mounted ball bearing. A state-of-the-art facility was built to manufacture the new Dodge design.

The result is the Dodge SC/SCM/SL line. Its premium features make it the most reliable Set screw mounted ball bearing on the market and provides the user unmatched quality and true total value.

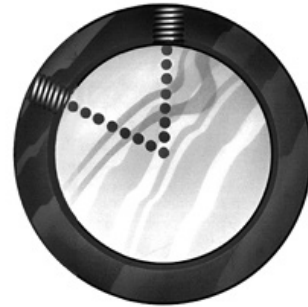
- Light duty narrow inner ring (SL)
- Normal duty wide inner ring (SC)
- Medium duty wide inner ring (SCM)
- Wide variety of housing configurations
- Available in (17 to 90mm), (1/2 to 3-1/2 in) bore sizes
- Seal options:
  - DualGuard seal
  - ProGuard seal
  - Rubberized flinger
  - Low friction labyrinth on SC/ SCM
- Other Options:
  - FDA/USDA lubricant and other special lubricants
  - High temperature SC/SCM designed for temperatures from 107° C to 204° C. Factory assembled to order.

For application assistance, contact your local ABB office.

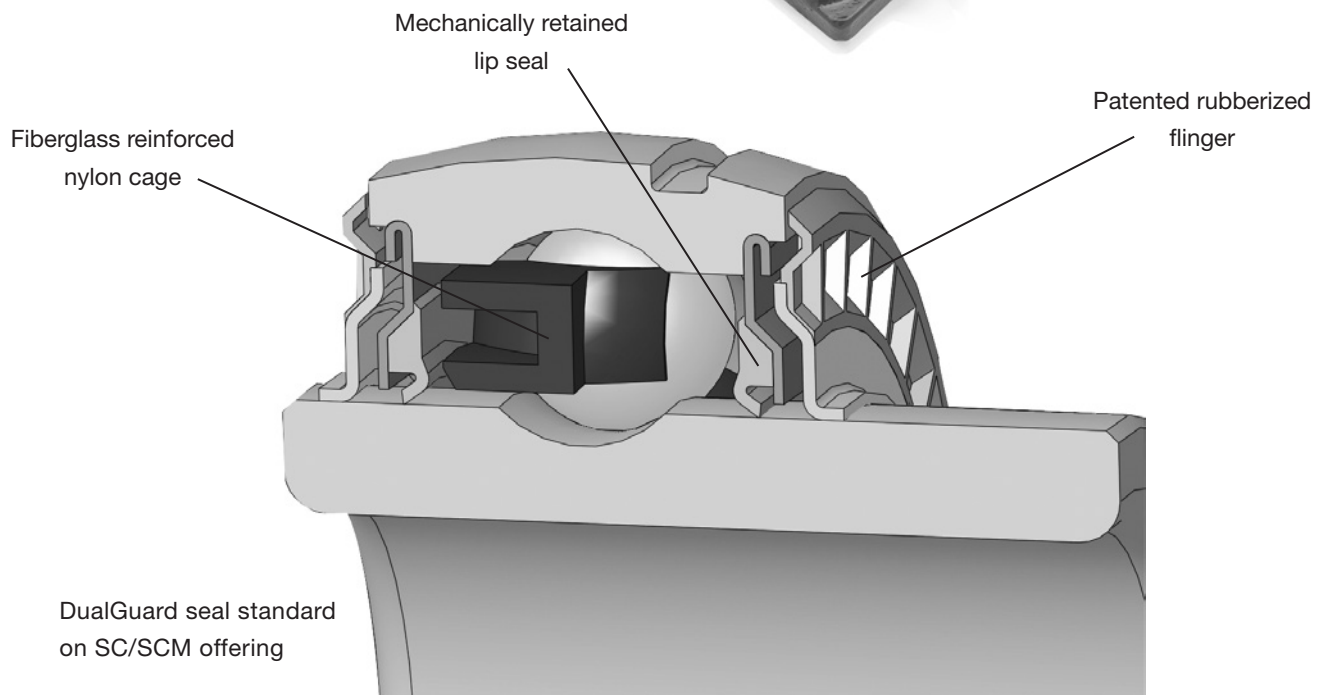
### Dodge end covers

Available from stock to fit SC, SCM and VSC mounted units, these end covers are designed for added protection from contaminants as well as for OSHA requirements. Covers are OSHA yellow.

### Superior locking forces



The Dodge SC/SCM/SL line uses 65° design which offers an optimum balance between locking force and inner ring stress.



# Set screw mounted ball bearings

## Features/Benefits

### Stronger, more flexible cage



The ball cage is made of heat-stabilized nylon with 33% fill short fiberglass reinforcement for added strength. The nylon material provides a natural lubricity for longer life. Fiberglass reinforcement allows higher operating temperatures than plain nylon, yet it is more resistant to fatigue than metallic cages. Short fiberglass allows greater flexibility than steel or normal fiberglass, especially under misalignment. That means longer life in mounted bearings where some degree of misalignment is unavoidably encountered.

### Anti-rotation pin (SC,SCM)

An anti-rotation pin prevents rotation of the outer race within the housing. Simple and effective, it makes system inserts easier to replace. There is no need to remove and replace grease fittings, location pins or other devices.



**Simplified anti-rotation device**

# Set screw mounted ball bearings

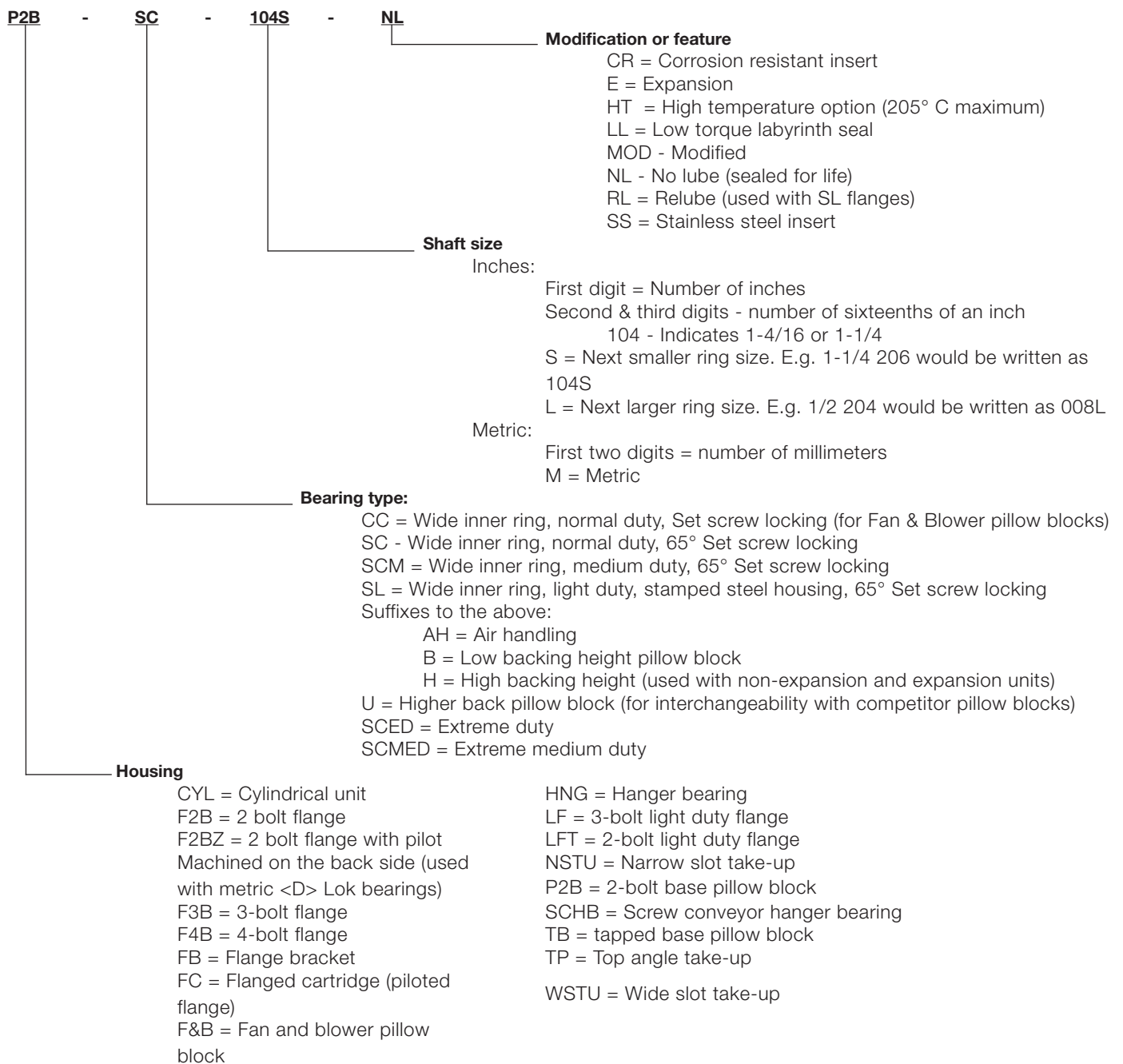
## How to order/Nomenclature

### Set screw mounted ball bearings

#### How to order

There are two ways to specify Dodge Bearings. Most of the product offering have part numbers with listings shown throughout this catalog. Use of part numbers ensures accurate ordering processing.

When part numbers are not shown, the product may be specified by description or part name. This method is used when ordering units that include modifications or options. To order by description, use the nomenclature key shown below and add any special instructions to the end of the description for options not covered by the nomenclature.



# Set screw mounted ball bearings

## Selection

### Set screw mounted ball bearings

Recommended torque														
◆ Set screws		D-Lok						Mounting bolts						
Set screw size	Key hex across flats	Recommended torque			Corrosion resistant stainless steel	Cap screw size	Recom. torque	E-Z Kleen recom. torque	Metal housings		E-Z Kleen housed bearings			
		Standard ball bearing insert		Bolt size					Recom. dry torque (Grade 2)	2-bolt PB, 2 & 4 bolt fig. and fig. brackets		Tapped base PB		
		Min	Max							Bolt size	Torque ①	Bolt size	Torque ②	
(mm)	(mm)	(NM)	(NM)	(NM)	(mm)	(NM)	(NM)	(mm)	(NM)	(mm)	(NM)	(in)	(lb-in)	
M5	2.5	3.2	3.7	2.8	M4	5.85	4.68	M10	29	M8	15	Ⓞ Torque for austenitic (18-8) stainless		
M6	3	6.2	7.7	5.8	M5	10.75	8.6	M12	50	M10	25	Ⓞ Max. torque values published. Do not exceed		
M8	4	14.2	17.8	13.4	M6	20.5	16.4	M16	124	M12	50			
M10	5	26	31	23	M8	45	36	M20	238	M14	75			
M12	6	46	57	43				M22	322	M18	125			
(in)	(in)	(lb-in)	(lb-in)	(lb-in)	(in)	(lb-in)	(lb-in)	(in)	(lb-in)	(in)	(lb-in)	(in)	(lb-in)	
#10	3/32	28	33	25	#8-32	58	46	3/8-16	240	3/8-16	225	3/8-16	175	
1/4	1/8	66	80	60	#10-32	90	72	7/16-14	384	7/16-14	350	7/16-14	350	
5/16	5/32	126	156	117	1/4-28	180	144	1/2-13	600	1/2-13	500	1/2-13	400	
3/8	3/16	228	275	206	5/16-24	400	320	5/8-11	1200	9/16-12	650			
7/16	7/32	342	428	321	3/8-24	750	600	3/4-10	1950	5/8-11	1000			
								7/8-9	2890					

### Lubrication

High speed operation - In the higher speed ranges, too much grease will cause over-heating. The amount of grease that the bearing will take for a particular high speed application can only be determined by experience. If excess grease in the bearing causes overheating, it will be necessary to remove grease fitting to permit excess grease to escape. The bearing has been greased at the factory and is ready to run. When establishing a relubrication schedule, note that a small amount of grease at frequent intervals is preferable to a large amount at infrequent intervals.

◆ **Note:** Dodge does not recommend the use of oils or locking agents on Set screw threads. However, if utilized, the minimum installation torque values should be followed.

Lubrication guide								
Use a no. 2 lithium complex base grease or equivalent*								
Hours run per day	Suggested lubrication period in weeks							
	1 to 250 RPM	251 to 500 RPM	501 to 750 RPM	751 to 1000 RPM	1001 to 1500 RPM	1501 to 2000 RPM	2001 to 2500 RPM	2501 to 3000 RPM
8	12	12	10	7	5	4	3	2
16	12	7	5	4	2	2	1	1
24	10	5	3	2	1	1	1	1

\*For E-Z Kleen and Ultra Kleen series bearings, use an aluminum complex base grease.

Lubrication recommendations are intended for standard products applied in general operating conditions. For modified products, high temperature applications, and other anomalous applications, contact your local ABB office for assistance.

# Set screw mounted ball bearings

## Selection

### Set screw mounted ball bearings

Dodge mounted ball bearings are primarily designed for radial loading. However, they have the capacity to carry thrust loads and combined radial/thrust loads. The maximum recommended load which can be applied is limited by various components in the system, such as bearing, housing, shaft attachments, speed and life requirements. Dodge mounted ball bearings have been applied successfully when these limits have been exceeded under controlled operating conditions. Contact your local ABB office for applications which exceed these recommendations.

Select a bearing from the Selection Chart that has a radial load rating at the operating speed equal to or greater than the calculated Equivalent Radial load for a desired L<sub>10</sub> life. This simple method is all that is required for the majority of general applications and provides for occasional average shock loads.

L<sub>10</sub> Hours Life-is the life which may be expected for at least 90% of a given group of bearings operating under identical conditions.

For an L<sub>10</sub> hours life other than those listed in the Selection Chart, multiply the equivalent Radial load by one of the following factors. For 50,000 L<sub>10</sub> hours life, use a factor of 1.18 and for 80,000, use 1.39. Then select a bearing from the bold face (30,000) L<sub>10</sub> ratings only in the Selection Chart that has a rating equal to or greater than this value.

Heavy Service-For heavy shock loads, frequent shock loads or severe vibrations, add up to 50% (according to severity of conditions) to the Equivalent Radial Load to obtain a Modified Equivalent Radial Load. Consult with your local ABB office for additional selection assistance.

A thrust load value of C/10 is recommended as a guide for general applications and will give adequate L<sub>10</sub> life. Where substantial radial load pulls the housing away from the mounting base, both the hold-down bolts and housing must be of adequate strength. Auxiliary load carrying devices, such as shear bars, are advisable for side or end-loading of pillow blocks and radial loads for flange units.

To determine the L<sub>10</sub> hours life for loads and RPM's not listed use the following equation:

$$L_{10} = \left( \frac{C}{P} \right)^3 \times \frac{16,667}{N}$$

Where:

L<sub>10</sub> = Life, hours

C = Dynamic Capacity, lb or N

P = Equivalent Radial Load, lb or N

N = Revolutions per minute

When the load on a ball bearing is solely a radial load with no thrust (axial) load, the Equivalent Radial Load (P) is equal to the actual radial load. However, when a thrust (axial) load is applied, the radial and thrust loads applied must be converted into an Equivalent Radial Load. The use of the X (radial factor) and Y (thrust factor) from Table 1 convert the actual applied thrust and radial loads to an Equivalent Radial Load which has the same effect on the life of a bearing as a radial load of this magnitude.

$$P = (X \times F_R) + (Y \times F_A)$$

Where:

P = Equivalent Radial Load, lb

F<sub>R</sub> = Radial load, lb

F<sub>A</sub> = Thrust load, lb

e = Thrust load to radial load factor (Table 1)

X = Radial load factor (Table 1)

Y = Thrust factor (Table 1)

C<sub>0</sub> = Basic static capacity

To find X and Y, first calculate F<sub>A</sub>/C<sub>0</sub> to determine e. Calculate F<sub>A</sub>/F<sub>R</sub> and compare to e to determine the X and Y factors to use from Table 1.

Substitute all known values into the Equivalent Radial Load equation. The Equivalent Radial loads (P) thus determined can be used in the L<sub>10</sub> life formula or compared to the allowable Equivalent Radial Load rating desired in the expanded rating chart to select a bearing (Table 2).

If calculated value of P is less than F<sub>R</sub>, use P=F<sub>R</sub>.

F <sub>A</sub> / C <sub>0</sub>	e	Radial/Thrust factors			
		If F <sub>A</sub> /F <sub>R</sub> is equal to or less than e		If F <sub>A</sub> /F <sub>R</sub> is greater than e	
		F <sub>A</sub> /F <sub>R</sub> <= e		F <sub>A</sub> /F <sub>R</sub> > e	
		X	Y	X	Y
0.014	0.19	1	0	0.56	2.30
0.021	0.21	1	0	0.56	2.15
0.028	0.22	1	0	0.56	1.99
0.042	0.24	1	0	0.56	1.85
0.056	0.26	1	0	0.56	1.71
0.070	0.27	1	0	0.56	1.63
0.084	0.28	1	0	0.56	1.55
0.110	0.30	1	0	0.56	1.45
0.170	0.34	1	0	0.56	1.31
0.280	0.38	1	0	0.56	1.15
0.420	0.42	1	0	0.56	1.04
0.560	0.44	1	0	0.56	1.00

Lubrication-Dodge Ball Bearings are lubricated at the factory and are ready to run. The bearings are initially lubricated with lithium complex based grease and should be relubricated with the same or some equivalent. For high speeds, high loads, extreme temperatures and other abnormal operating conditions, special greases may be required. Contact your local ABB office for recommendations on these types of applications.

Misalignment-Dodge Ball Bearings are designed to allow a maximum of ± 2° static misalignment. These bearings are not suitable for dynamic misalignment. To ensure good alignment, mounting surfaces must be checked for flatness and must lie in the same plane. When tightening base bolts, each bolt should be alternately tightened in incremental torque values until full torque is achieved to prevent the angular shifting of the pillow block that occurs when one bolt is tightened to its full torque. Shimming may be required to minimize misalignment.

Shaft tolerances					
Normal shaft size (mm)	Normal shaft size (in)	Commercial shaft tolerances (mm)	Commercial shaft tolerances (in)	Recommended shaft tolerances bearings (mm)	Recommended shaft tolerances bearings (in)
Up to 40mm	Up to 1-1/2.	+0.000 -0.051	+0.000 -0.002	+0.0000 -0.013	+0.0000 -0.0005
Over 40mm to 60mm	Over 1-1/2. to 2-1/2.	+0.000 -0.076	+0.000 -0.003	+0.0000 -0.025	+0.0000 -0.0010
Over 60mm to 85mm	Over 2-1/2. to 4.	+0.000 -0.102	+0.000 -0.004	+0.0000 -0.025	+0.0000 -0.0010



# Set screw mounted ball bearings

## Selection

### Set screw mounted ball bearing-inch

Table 2: Easy selection table for ball bearing mounted units

Ring size	Shaft size		Dynamic capacity C, N (lb)	Static capacity Co, N (lb)	L <sub>10</sub> life hours	Allowable equivalent radial load rating N (lb) at various RPM*								
	SC, VSC, SL, CC	SCM				50	150	250	500	750	1000	1500	1750	2000
203	1/2		9599 (2158)	4800 (1079)	20000	2447 (550)	1690 (380)	1423 (320)	1134 (255)	1001 (225)	912 (205)	778 (175)	756 (170)	712 (160)
		5/8	9599 (2158)	4800 (1079)	<b>30000</b>	<b>2135 (480)</b>	<b>1490 (335)</b>	<b>1246 (280)</b>	<b>1001 (225)</b>	<b>867 (195)</b>	<b>778 (175)</b>	<b>689 (155)</b>	<b>645 (145)</b>	<b>623 (140)</b>
			9599 (2158)	4800 (1079)	40000	1957 (440)	1357 (305)	1134 (255)	912 (205)	778 (175)	712 (160)	623 (140)	601 (135)	578 (130)
			9599 (2158)	4800 (1079)	60000	1690 (380)	1179 (265)	1001 (225)	778 (175)	689 (155)	623 (140)	556 (125)	512 (115)	489 (110)
			9599 (2158)	4800 (1079)	100000	1423 (320)	1001 (225)	845 (190)	667 (150)	578 (130)	534 (120)	467 (105)	445 (100)	423 (95)
204	1/2		12895 (2899)	6592 (1482)	20000	3292 (740)	2291 (515)	1935 (435)	1535 (345)	1334 (300)	1223 (275)	1068 (240)	1001 (225)	956 (215)
		5/8	12895 (2899)	6592 (1482)	<b>30000</b>	<b>2869 (645)</b>	<b>2002 (450)</b>	<b>1690 (380)</b>	<b>1334 (300)</b>	<b>1157 (260)</b>	<b>1068 (240)</b>	<b>934 (210)</b>	<b>890 (200)</b>	<b>845 (190)</b>
			12895 (2899)	6592 (1482)	40000	2624 (590)	1824 (410)	1535 (345)	1223 (275)	1068 (240)	956 (215)	845 (190)	801 (180)	756 (170)
			12895 (2899)	6592 (1482)	60000	2291 (515)	1579 (355)	1334 (300)	1068 (240)	934 (210)	845 (190)	734 (165)	689 (155)	667 (150)
			12895 (2899)	6592 (1482)	100000	1935 (435)	1334 (300)	1134 (255)	890 (200)	778 (175)	712 (160)	623 (140)	578 (130)	556 (125)
205	7/8		13994 (3146)	7869 (1769)	20000	3581 (805)	2491 (560)	2091 (470)	1668 (375)	1446 (325)	1312 (295)	1157 (260)	1090 (245)	1045 (235)
		15/16	13994 (3146)	7869 (1769)	<b>30000</b>	<b>3136 (705)</b>	<b>2157 (485)</b>	<b>1824 (410)</b>	<b>1446 (325)</b>	<b>1268 (285)</b>	<b>1157 (260)</b>	<b>1001 (225)</b>	<b>956 (215)</b>	<b>912 (205)</b>
			13994 (3146)	7869 (1769)	40000	2847 (640)	1979 (445)	1668 (375)	1312 (295)	1157 (260)	1045 (235)	912 (205)	867 (195)	823 (185)
			13994 (3146)	7869 (1769)	60000	2491 (560)	1713 (385)	1446 (325)	1157 (260)	1001 (225)	912 (205)	801 (180)	756 (170)	734 (165)
			13994 (3146)	7869 (1769)	100000	2091 (470)	1446 (325)	1223 (275)	979 (220)	845 (190)	778 (175)	667 (150)	645 (145)	601 (135)
206	1-1/16	1	19430 (4368)	11290 (2538)	20000	4960 (1115)	3447 (775)	2914 (655)	2313 (520)	2024 (455)	1824 (410)	1601 (360)	1512 (340)	1446 (325)
						<b>4337 (975)</b>	<b>3003 (675)</b>	<b>2535 (570)</b>	<b>2024 (455)</b>	<b>1757 (395)</b>	<b>1601 (360)</b>	<b>1401 (315)</b>	<b>1334 (300)</b>	<b>1268 (285)</b>
			19430 (4368)	11290 (2538)	<b>30000</b>	3937 (885)	2736 (615)	2313 (520)	1824 (410)	1601 (360)	1446 (325)	1268 (285)	1201 (270)	1157 (260)
			19430 (4368)	11290 (2538)	40000	3447 (775)	2380 (535)	2024 (455)	1601 (360)	1401 (315)	1268 (285)	1112 (250)	1045 (235)	1001 (225)
			19430 (4368)	11290 (2538)	100000	2914 (655)	2024 (455)	1690 (380)	1357 (305)	1179 (265)	1068 (240)	934 (210)	890 (200)	845 (190)
207	1-1/4	1-3/16	25617 (5759)	15395 (3461)	20000	6561 (1475)	4537 (1020)	3825 (860)	3047 (685)	2647 (595)	2424 (545)	2113 (475)	2002 (450)	1913 (430)
						<b>5716 (1285)</b>	<b>3959 (890)</b>	<b>3358 (755)</b>	<b>2647 (595)</b>	<b>2313 (520)</b>	<b>2113 (475)</b>	<b>1846 (415)</b>	<b>1757 (395)</b>	<b>1668 (375)</b>
			25617 (5759)	15395 (3461)	<b>30000</b>	5204 (1170)	3603 (810)	3047 (685)	2424 (545)	2113 (475)	1913 (430)	1668 (375)	1579 (355)	1512 (340)
			25617 (5759)	15395 (3461)	40000	4537 (1020)	3158 (710)	2647 (595)	2113 (475)	1846 (415)	1668 (375)	1468 (330)	1379 (310)	1334 (300)
			25617 (5759)	15395 (3461)	100000	3825 (860)	2647 (595)	2246 (505)	1779 (400)	1557 (350)	1401 (315)	1223 (275)	1179 (265)	1112 (250)
208	1-1/2	1-7/16	32614 (7332)	19906 (4475)	20000	8340 (1875)	5783 (1300)	4871 (1095)	3870 (870)	3381 (760)	3069 (690)	2691 (605)	2558 (575)	2447 (550)
						<b>7295 (1640)</b>	<b>5049 (1135)</b>	<b>4270 (960)</b>	<b>3381 (760)</b>	<b>2958 (665)</b>	<b>2691 (605)</b>	<b>2335 (525)</b>	<b>2224 (500)</b>	<b>2135 (480)</b>
			32614 (7332)	19906 (4475)	40000	6628 (1490)	4582 (1030)	3870 (870)	3069 (690)	2691 (605)	2447 (550)	2135 (480)	2024 (455)	1935 (435)
			32614 (7332)	19906 (4475)	60000	5783 (1300)	4003 (900)	3381 (760)	2691 (605)	2335 (525)	2135 (480)	1868 (420)	1779 (400)	1690 (380)
			32614 (7332)	19906 (4475)	100000	4871 (1095)	3381 (760)	2847 (640)	2269 (510)	1979 (445)	1802 (405)	1579 (355)	1490 (335)	1423 (320)
209	1-5/8	1-1/2	35101 (7891)	21823 (4906)	20000	8985 (2020)	6228 (1400)	5249 (1180)	4159 (935)	3648 (820)	3314 (745)	2891 (650)	2736 (615)	2624 (590)
						<b>7851 (1765)</b>	<b>5449 (1225)</b>	<b>4582 (1030)</b>	<b>3648 (820)</b>	<b>3180 (715)</b>	<b>2891 (650)</b>	<b>2535 (570)</b>	<b>2402 (540)</b>	<b>2291 (515)</b>
			35101 (7891)	21823 (4906)	<b>30000</b>	7117 (1600)	4938 (1110)	4159 (935)	3314 (745)	2891 (650)	2624 (590)	2291 (515)	2180 (490)	2091 (470)
			35101 (7891)	21823 (4906)	60000	6228 (1400)	4315 (970)	3648 (820)	2891 (650)	2535 (570)	2291 (515)	2002 (450)	1913 (430)	1824 (410)
		35101 (7891)	21823 (4906)	100000	5249 (1180)	3648 (820)	3069 (690)	2447 (550)	2135 (480)	1935 (435)	1690 (380)	1601 (360)	1535 (345)	

\*Slight interference fit required when operating on the right of the heavy line or in the shaded area.

\*\*Pilot flange only

Unless specified, dimensions are in mm for metric parts and inches for non-metric parts.

Note: Dimensions are in MM (in)

# Set screw mounted ball bearings

## Selection

### Set screw mounted ball bearing-inch

Table 2: Easy selection table for ball bearing mounted units (continued)

Ring size	Shaft size		Dynamic capacity C, N (lb)	Static capacity Co, N (lb)	L <sub>10</sub> life hours	Allowable equivalent radial load rating N (lb) at various RPM*									
	SC, VSC, SL, CC	SCM				50	150	250	500	750	1000	1500	1750	2000	
210	1-15/16	1-11/16	35101 (7891)	23189 (5213)	20000	8985 (2020)	6228 (1400)	5249 (1180)	4159 (935)	3648 (820)	3314 (745)	2891 (650)	2736 (615)	2624 (590)	
					<b>30000</b>	<b>7851 (1765)</b>	<b>5449 (1225)</b>	<b>4582 (1030)</b>	<b>3648 (820)</b>	<b>3180 (715)</b>	<b>2891 (650)</b>	<b>2535 (570)</b>	<b>2402 (540)</b>	<b>2291 (515)</b>	
	2	1-3/4	35101 (7891)	23189 (5213)	40000	7117 (1600)	4938 (1110)	4159 (935)	3314 (745)	2891 (650)	2624 (590)	2291 (515)	2180 (490)	2091 (470)	
					60000	6228 (1400)	4315 (970)	3648 (820)	2891 (650)	2535 (570)	2291 (515)	2002 (450)	1913 (430)	1824 (410)	
					100000	5249 (1180)	3648 (820)	3069 (690)	2447 (550)	2135 (480)	1935 (435)	1690 (380)	1601 (360)	1535 (345)	
211	2	1-15/16	43392 (9755)	29305 (6588)	20000	11081 (2491)	7682 (1727)	6481 (1457)	5142 (1156)	4493 (1010)	4083 (918)	3567 (802)	3385 (761)	3243 (729)	
					<b>30000</b>	<b>9679 (2176)</b>	<b>6712 (1509)</b>	<b>5658 (1272)</b>	<b>4493 (1010)</b>	<b>3923 (882)</b>	<b>3567 (802)</b>	<b>3114 (700)</b>	<b>2958 (665)</b>	<b>2829 (636)</b>	
	2-3/16	2	43392 (9755)	29305 (6588)	40000	8794 (1977)	6099 (1371)	5142 (1156)	4083 (918)	3567 (802)	3238 (728)	2829 (636)	2687 (604)	2571 (578)	
					60000	7682 (1727)	5325 (1197)	4493 (1010)	3567 (802)	3114 (700)	2829 (636)	2473 (556)	2349 (528)	2246 (505)	
					100000	6481 (1457)	4493 (1010)	3790 (852)	3007 (676)	2629 (591)	2389 (537)	2086 (469)	1979 (445)	1895 (426)	
212	2-1/4	2-3/16	52449 (11791)	36031 (8100)	20000	13411 (3015)	9297 (2090)	7851 (1765)	6228 (1400)	5449 (1225)	4938 (1110)	4315 (970)	4115 (925)	3914 (880)	
					<b>30000</b>	<b>11721 (2635)</b>	<b>8118 (1825)</b>	<b>6850 (1540)</b>	<b>5449 (1225)</b>	<b>4760 (1070)</b>	<b>4315 (970)</b>	<b>3914 (880)</b>	<b>3581 (805)</b>	<b>3425 (770)</b>	
	2-7/16	2-1/4	52449 (11791)	36031 (8100)	40000	10653 (2395)	7384 (1660)	6228 (1400)	4938 (1110)	4315 (970)	3914 (880)	3425 (770)	3247 (730)	3114 (700)	
					60000	9297 (2090)	6450 (1450)	5449 (1225)	4315 (970)	3781 (850)	3425 (770)	3003 (675)	2847 (640)	2713 (610)	
214	2 11/16	2-7/16	62253 (13995)	43762 (9838)	20000	15925 (3580)	11032 (2480)	9319 (2095)	7384 (1660)	6450 (1450)	5872 (1320)	5138 (1155)	4871 (1095)	4648 (1045)	
					<b>30000</b>	<b>13901 (3125)</b>	<b>9653 (2170)</b>	<b>8140 (1830)</b>	<b>6450 (1450)</b>	<b>5649 (1270)</b>	<b>5138 (1155)</b>	<b>4248 (955)</b>	<b>4070 (915)</b>		
	2-1/2	62253 (13995)	43762 (9838)	40000	12633 (2840)	8763 (1970)	7384 (1660)	5872 (1320)	5138 (1155)	4648 (1045)	4070 (915)	3870 (870)	3692 (830)		
				60000	11032 (2480)	7651 (1720)	6450 (1450)	5138 (1155)	4470 (1005)	4070 (915)	3559 (800)	3381 (760)	3225 (725)		
				100000	9319 (2095)	6450 (1450)	5449 (1225)	4315 (970)	3781 (850)	3425 (770)	3003 (675)	2847 (640)	2736 (615)		
215	2-15/16	2-11/16	66154 (14872)	49411 (11108)	20000	16925 (3805)	11743 (2640)	9897 (2225)	7851 (1765)	6872 (1545)	6228 (1400)	5449 (1225)	5182 (1165)	4960 (1115)	
					<b>30000</b>	<b>14790 (3325)</b>	<b>10253 (2305)</b>	<b>8652 (1945)</b>	<b>6872 (1545)</b>	<b>6005 (1350)</b>	<b>5449 (1225)</b>	<b>4760 (1070)</b>	<b>4515 (1015)</b>	<b>4337 (975)</b>	
	66154 (14872)	49411 (11108)	40000	13434 (3020)	9319 (2095)	7851 (1765)	6228 (1400)	5449 (1225)	4960 (1115)	4337 (975)	4115 (925)	3937 (885)	3937 (885)		
			60000	11743 (2640)	8140 (1830)	6872 (1545)	5449 (1225)	4760 (1070)	4337 (975)	3781 (850)	3581 (805)	3425 (770)			
			100000	9897 (2225)	6872 (1545)	5783 (1300)	4604 (1035)	4026 (905)	3648 (820)	3180 (715)	3025 (680)	2891 (650)			
216	2-15/16	77430 (17407)	58281 (13102)	20000	19795 (4450)	13723 (3085)	11588 (2605)	9186 (2065)	8029 (1805)	7295 (1640)	6383 (1435)	6050 (1360)	5783 (1300)		
				<b>30000</b>	<b>17304 (3890)</b>	<b>11988 (2695)</b>	<b>10120 (2275)</b>	<b>8029 (1805)</b>	<b>7028 (1580)</b>	<b>6383 (1435)</b>	<b>5560 (1250)</b>	<b>5293 (1190)</b>	<b>5071 (1140)</b>		
	3	77430 (17407)	58281 (13102)	40000	15724 (3535)	10898 (2450)	9186 (2065)	7295 (1640)	6383 (1435)	5783 (1300)	5071 (1140)	4804 (1080)	4604 (1035)		
				60000	13723 (3085)	9519 (2140)	8029 (1805)	6383 (1435)	5560 (1250)	5071 (1140)	4426 (995)	4204 (945)	4026 (905)		
				100000	11588 (2605)	8029 (1805)	6784 (1525)	5382 (1210)	4693 (1055)	4270 (960)	3737 (840)	3536 (795)	3381 (760)		
218	3-7/16	95419 (21451)	74023 (16641)	20000	24398 (5485)	16925 (3805)	14279 (3210)	11343 (2550)	9897 (2225)	9008 (2025)	7851 (1765)	7473 (1680)	7139 (1605)		
				<b>30000</b>	<b>21329 (4795)</b>	<b>14790 (3325)</b>	<b>12477 (2805)</b>	<b>9897 (2225)</b>	<b>8652 (1945)</b>	<b>7851 (1765)</b>	<b>6872 (1545)</b>	<b>6517 (1465)</b>	<b>6250 (1405)</b>		
	3-1/2	95419 (21451)	74023 (16641)	40000	19372 (4355)	13434 (3020)	11343 (2550)	9008 (2025)	7851 (1765)	7139 (1605)	6250 (1405)	5938 (1335)	5676 (1276)		
				60000	16925 (3805)	11743 (2640)	9897 (2225)	7851 (1765)	6872 (1545)	6250 (1405)	5449 (1225)	5182 (1165)	4960 (1115)		
95419 (21451)	74023 (16641)	100000	14279 (3210)	9897 (2225)	8363 (1880)	6628 (1490)	5783 (1300)	5271 (1185)	4604 (1035)	4359 (980)	4181 (940)				

\*Slight interference fit required when operating on the right of the heavy line or in the shaded area.

\*\*Piloted flange only

Unless specified, dimensions are in mm for metric parts and inches for non-metric parts.

Note: Dimensions are in MM (in)

# Set screw mounted ball bearings

## Selection

### Set screw mounted ball bearing-inch

Table 2: Easy selection table for ball bearing mounted units

Ring size	Shaft size		Dynamic capacity C, N (lb)	Static capacity Co, N (lb)	L <sub>10</sub> life hours	Allowable equivalent radial load rating N (lb) at various RPM*									
	SC, VSC, SL, CC	SCM				2500	3000	3500	4000	4500	5000	5500	6500	7500	
203	1/2		9599 (2158)	4800 (1079)	20000	667	623	601	578	556	534	512	489	467	
						(150)	(140)	(135)	(130)	(125)	(120)	(115)	(110)	(105)	
	5/8		9599 (2158)	4800 (1079)	30000	<b>578</b>	<b>556</b>	<b>512</b>	<b>489</b>	<b>467</b>	<b>467</b>	<b>445</b>	<b>423</b>	<b>400</b>	
						<b>(130)</b>	<b>(125)</b>	<b>(115)</b>	<b>(110)</b>	<b>(105)</b>	<b>(105)</b>	<b>(100)</b>	<b>(95)</b>	<b>(90)</b>	
						40000	534	489	467	445	423	423	400	378	356
		9599 (2158)	4800 (1079)	60000	467	423	423	400	378	356	356	334	311		
		9599 (2158)	4800 (1079)	100000	(105)	(95)	(95)	(90)	(85)	(80)	(80)	(75)	(70)		
204	1/2		12895 (2899)	6592 (1482)	20000	890	845	801	756	734	712	689	645	623	
						(200)	(190)	(180)	(170)	(165)	(160)	(155)	(145)	(140)	
	5/8		12895 (2899)	6592 (1482)	30000	<b>778</b>	<b>734</b>	<b>689</b>	<b>667</b>	<b>645</b>	<b>623</b>	<b>601</b>	<b>578</b>	<b>534</b>	
						<b>(175)</b>	<b>(165)</b>	<b>(155)</b>	<b>(150)</b>	<b>(145)</b>	<b>(140)</b>	<b>(135)</b>	<b>(130)</b>	<b>(120)</b>	
						40000	712	667	645	601	578	556	556	512	489
		12895 (2899)	6592 (1482)	60000	(160)	(150)	(145)	(135)	(130)	(125)	(125)	(115)	(110)		
		12895 (2899)	6592 (1482)	100000	623	578	556	534	512	489	467	445	423		
205	7/8		13994 (3146)	7869 (1769)	20000	979	912	867	823	801	778	756	712	667	
						(220)	(205)	(195)	(185)	(180)	(175)	(170)	(160)	(150)	
	15/16		13994 (3146)	7869 (1769)	30000	<b>845</b>	<b>801</b>	<b>756</b>	<b>734</b>	<b>689</b>	<b>667</b>	<b>645</b>	<b>623</b>	<b>578</b>	
						<b>(190)</b>	<b>(180)</b>	<b>(170)</b>	<b>(165)</b>	<b>(155)</b>	<b>(150)</b>	<b>(145)</b>	<b>(140)</b>	<b>(130)</b>	
						40000	778	734	689	667	623	601	601	556	534
		13994 (3146)	7869 (1769)	60000	(175)	(165)	(155)	(150)	(140)	(135)	(135)	(125)	(120)		
		13994 (3146)	7869 (1769)	100000	667	623	601	578	556	534	512	489	467		
206	1-1/16	1	19430 (4368)	11290 (2538)	20000	1357	1268	1201	1157	1112	1068	1045	890		
							(305)	(285)	(270)	(260)	(250)	(240)	(235)	(200)	
	1-1/8		19430 (4368)	11290 (2538)	30000	<b>1179</b>	<b>1112</b>	<b>1045</b>	<b>1001</b>	<b>979</b>	<b>940</b>	<b>912</b>	<b>867</b>		
						<b>(265)</b>	<b>(250)</b>	<b>(235)</b>	<b>(225)</b>	<b>(220)</b>	<b>(210)</b>	<b>(205)</b>	<b>(195)</b>		
						40000	1068	1001	956	912	890	845	823	778	
		19430 (4368)	11290 (2538)	60000	(240)	(225)	(215)	(205)	(200)	(190)	(185)	(175)			
		19430 (4368)	11290 (2538)	100000	934	890	845	801	778	734	712	689			
207	1-1/4	1-3/16	25617 (5759)	15395 (3461)	20000	1779	1668	1579	1512	1468	1401	1357			
							(400)	(375)	(355)	(340)	(330)	(315)	(305)		
	1-5/16	1-1/4	25617 (5759)	15395 (3461)	30000	<b>1557</b>	<b>1468</b>	<b>1379</b>	<b>1334</b>	<b>1268</b>	<b>1223</b>	<b>1201</b>			
							<b>(350)</b>	<b>(330)</b>	<b>(310)</b>	<b>(300)</b>	<b>(285)</b>	<b>(275)</b>	<b>(270)</b>		
							40000	1401	1334	1268	1201	1157	1112	1090	
		25617 (5759)	15395 (3461)	60000	(315)	(300)	(285)	(270)	(260)	(250)	(245)				
		25617 (5759)	15395 (3461)	100000	1223	1157	1112	1045	1023	979	556				
208	1-1/2	1-7/16	32614 (7332)	19906 (4475)	20000	2269	2135	2024	1935	1868	1802				
							(510)	(480)	(455)	(435)	(420)	(405)			
	1-5/8	1-1/2**	32614 (7332)	19906 (4475)	30000	<b>1979</b>	<b>1868</b>	<b>1779</b>	<b>1690</b>	<b>1624</b>	<b>1579</b>				
							<b>(445)</b>	<b>(420)</b>	<b>(400)</b>	<b>(380)</b>	<b>(365)</b>	<b>(355)</b>			
							40000	1802	1690	1601	1535	1468	1423		
		32614 (7332)	19906 (4475)	60000	(405)	(380)	(360)	(345)	(330)	(320)					
		32614 (7332)	19906 (4475)	100000	1579	1468	1401	1334	1290	1246					
209	1-5/8	1-1/2	35101 (7891)	21823 (4906)	20000	2447	2291	2180	2091	2002	1935				
							(550)	(515)	(490)	(470)	(450)	(435)			
	1-11/16		35101 (7891)	21823 (4906)	30000	<b>2135</b>	<b>2002</b>	<b>1913</b>	<b>1824</b>	<b>1757</b>	<b>1690</b>				
						<b>(480)</b>	<b>(450)</b>	<b>(430)</b>	<b>(410)</b>	<b>(395)</b>	<b>(380)</b>				
						40000	1935	1824	1735	1646	1601	1535			
		35101 (7891)	21823 (4906)	60000	(435)	(410)	(390)	(370)	(360)	(345)					
		35101 (7891)	21823 (4906)	100000	1690	1601	1512	1446	1379	1334					
		35101 (7891)	21823 (4906)	100000	(380)	(360)	(340)	(325)	(310)	(300)					

\* Slight interference fit required when operating on the right of the heavy line or in the shaded area.

\*\*Pilot flange only

Unless specified, dimensions are in mm for metric parts and inches for non-metric parts.

Note: Dimensions are in MM (in)

# Set screw mounted ball bearings

## Selection

### Set screw mounted ball bearing-inch

Table 2: Easy selection table for ball bearing mounted units (continued)

Ring size	Shaft size		Dynamic capacity C, N (lb)	Static capacity Co, N (lb)	L <sub>10</sub> life hours	Allowable equivalent radial load rating N (lb) at various RPM*								
	SC, VSC, SL, CC	SCM				2500	3000	3500	4000	4500	5000	5500	6500	7500
210	1-15/16	1-11/16	35101 (7891)	23189 (5213)	20000	2447	2291	2180	2091	2002				
						(550)	(515)	(490)	(470)	(450)				
	2	1-3/4	35101 (7891)	23189 (5213)	30000	<b>2135</b>	<b>2002</b>	<b>1913</b>	<b>1824</b>	<b>1757</b>				
						<b>(480)</b>	<b>(450)</b>	<b>(430)</b>	<b>(410)</b>	<b>(395)</b>				
						1935	1824	1735	1646	1601				
			35101 (7891)	23189 (5213)	40000	(435)	(410)	(390)	(370)	(360)				
			35101 (7891)	23189 (5213)	60000	1690	1601	1512	1446	1379				
			35101 (7891)	23189 (5213)	100000	(380)	(360)	(340)	(325)	(310)				
			35101 (7891)	23189 (5213)	100000	1423	1334	1268	1223	1179				
			35101 (7891)	23189 (5213)	100000	(320)	(300)	(285)	(275)	(265)				
211	2	1-15/16	43392 (9755)	29305 (6588)	20000	3007	2829	2687	2571					
						(676)	(636)	(604)	(578)					
	2-3/16	2	43392 (9755)	29305 (6588)	30000	<b>2629</b>	<b>2473</b>	<b>2349</b>	<b>2246</b>					
						<b>(591)</b>	<b>(556)</b>	<b>(528)</b>	<b>(505)</b>					
						2389	2246	2135	2042					
2-1/4		43392 (9755)	29305 (6588)	40000	(537)	(505)	(480)	(459)						
					2086	1962	1864	1784						
			43392 (9755)	29305 (6588)	60000	(469)	(441)	(419)	(401)					
			43392 (9755)	29305 (6588)	100000	1757	1655	1570	1503					
			43392 (9755)	29305 (6588)	100000	(395)	(372)	(353)	(338)					
212	2-1/4	2-3/16	52449 (11791)	36031 (8100)	20000	3648	3425	3247						
						(820)	(770)	(730)						
	2-7/16	2-1/4	52449 (11791)	36031 (8100)	30000	<b>3180</b>	<b>3003</b>	<b>2847</b>						
						<b>(715)</b>	<b>(675)</b>	<b>(640)</b>						
						2891	2713	2580						
			52449 (11791)	36031 (8100)	40000	(650)	(610)	(580)						
			52449 (11791)	36031 (8100)	60000	2535	2380	2269						
			52449 (11791)	36031 (8100)	100000	(570)	(535)	(510)						
			52449 (11791)	36031 (8100)	100000	2135	2002	1913						
			52449 (11791)	36031 (8100)	100000	(480)	(450)	(430)						
214	2 11/16	2-7/16	62253 (13995)	43762 (9838)	20000	4315	4070							
						(970)	(915)							
		2-1/2	62253 (13995)	43762 (9838)	30000	<b>3781</b>	<b>3559</b>							
						<b>(850)</b>	<b>(800)</b>							
						3425	3225							
			62253 (13995)	43762 (9838)	40000	(770)	(725)							
			62253 (13995)	43762 (9838)	60000	3003	2825							
			62253 (13995)	43762 (9838)	100000	(675)	(635)							
			62253 (13995)	43762 (9838)	100000	2535	2380							
			62253 (13995)	43762 (9838)	100000	(570)	(535)							
215	2-15/16	2-11/16	66154 (14872)	49411 (11108)	20000	4604	4337							
						(1035)	(975)							
			66154 (14872)	49411 (11108)	30000	<b>4026</b>	<b>3781</b>							
						<b>(905)</b>	<b>(850)</b>							
						3648	3425							
			66154 (14872)	49411 (11108)	40000	(820)	(770)							
			66154 (14872)	49411 (11108)	60000	3180	3003							
			66154 (14872)	49411 (11108)	100000	(715)	(675)							
			66154 (14872)	49411 (11108)	100000	2691	2535							
			66154 (14872)	49411 (11108)	100000	(605)	(570)							
216		2-15/16	77430 (17407)	58281 (13102)	20000	5382								
						(1210)								
		3	77430 (17407)	58281 (13102)	30000	<b>4693</b>								
						<b>(1055)</b>								
						4270								
			77430 (17407)	58281 (13102)	40000	(960)								
			77430 (17407)	58281 (13102)	60000	3737								
			77430 (17407)	58281 (13102)	100000	(840)								
			77430 (17407)	58281 (13102)	100000	3136								
			77430 (17407)	58281 (13102)	100000	(705)								
218	3-7/16	3-1/2	95419 (21451)	74023 (16641)	20000									
		3-1/2	95419 (21451)	74023 (16641)	30000	<b>95419</b>								
						<b>(21451)</b>								
						95419 (21451)	74023 (16641)	40000						
			95419 (21451)	74023 (16641)	60000									
			95419 (21451)	74023 (16641)	100000									

\* Slight interference fit required when operating on the right of the heavy line or in the shaded area.

\*\*Piloted flange only

Unless specified, dimensions are in mm for metric parts and inches for non-metric parts.

Note: Dimensions are in MM (in)

# Set screw mounted ball bearings

## Selection

### Set screw mounted ball bearings-metric

Table 2: Easy selection table for ball bearing mounted units

Ring size	Shaft size		Dynamic capacity C, N (lb)	Static capacity Co, N (lb)	L <sub>10</sub> life hours	Allowable equivalent radial load rating N (lb) at various RPM*								
	SC, VSC, SL, CC	SCM				50	150	250	500	750	1000	1500	1750	2000
203	17mm		9600 (2158)	4800 (1079)	20000	2446 (550)	1690 (380)	1423 (320)	1134 (255)	1001 (225)	912 (205)	778 (175)	756 (170)	712 (160)
			9600 (2158)	4800 (1079)	<b>30000</b>	2135 (480)	1490 (335)	1245 (280)	1001 (225)	867 (195)	778 (175)	689 (155)	645 (145)	623 (140)
			9600 (2158)	4800 (1079)	40000	1957 (440)	1357 (305)	1134 (255)	912 (205)	778 (175)	712 (160)	623 (140)	600 (135)	578 (130)
			9600 (2158)	4800 (1079)	60000	1690 (380)	1179 (265)	1001 (225)	778 (175)	689 (155)	623 (140)	556 (125)	512 (115)	489 (110)
			9600 (2158)	4800 (1079)	100000	1423 (320)	1001 (225)	845 (190)	667 (150)	578 (130)	534 (120)	467 (105)	445 (100)	423 (95)
204	20mm		12895 (2899)	6592 (1482)	20000	3292 (740)	2291 (515)	1935 (435)	1535 (345)	1334 (300)	1223 (275)	1068 (240)	1001 (225)	956 (215)
			12895 (2899)	6592 (1482)	<b>30000</b>	2869 (645)	2002 (450)	1690 (380)	1334 (300)	1156 (260)	1068 (240)	934 (210)	890 (200)	845 (190)
			12895 (2899)	6592 (1482)	40000	2624 (590)	1824 (410)	1535 (345)	1223 (275)	1068 (240)	956 (215)	845 (190)	801 (180)	756 (170)
			12895 (2899)	6592 (1482)	60000	2291 (515)	1579 (355)	1334 (300)	1068 (240)	934 (210)	845 (190)	734 (165)	689 (155)	667 (150)
			12895 (2899)	6592 (1482)	100000	1935 (435)	1334 (300)	1134 (255)	890 (200)	778 (175)	712 (160)	623 (140)	578 (130)	556 (125)
205	25mm		13995 (3146)	7869 (1769)	20000	3581 (805)	2491 (560)	2091 (470)	1668 (375)	1446 (325)	1312 (295)	1156 (260)	1090 (245)	1045 (235)
			13995 (3146)	7869 (1769)	<b>30000</b>	3136 (705)	2157 (485)	1824 (410)	1446 (325)	1268 (285)	1156 (260)	1001 (225)	956 (215)	912 (205)
			13995 (3146)	7869 (1769)	40000	2847 (640)	1979 (445)	1668 (375)	1312 (295)	1156 (260)	1045 (235)	912 (205)	867 (195)	823 (185)
			13995 (3146)	7869 (1769)	60000	2491 (560)	1712 (385)	1446 (325)	1156 (260)	1001 (225)	912 (205)	801 (180)	756 (170)	734 (165)
			13995 (3146)	7869 (1769)	100000	2091 (470)	1446 (325)	1223 (275)	979 (220)	845 (190)	778 (175)	667 (150)	645 (145)	600 (135)
206	30mm	25mm	18993 (4270)	11290 (2538)	20000	4960 (1115)	3447 (775)	2913 (655)	2313 (520)	2024 (455)	1824 (410)	1601 (360)	1512 (340)	1446 (325)
			18993 (4270)	11290 (2538)	<b>30000</b>	4337 (975)	3002 (675)	2535 (570)	2024 (455)	1757 (395)	1601 (360)	1401 (315)	1334 (300)	1268 (285)
			18993 (4270)	11290 (2538)	40000	3936 (885)	2736 (615)	2313 (520)	1824 (410)	1601 (360)	1446 (325)	1268 (285)	1201 (270)	1156 (260)
			18993 (4270)	11290 (2538)	60000	3447 (775)	2380 (535)	2024 (455)	1601 (360)	1401 (315)	1268 (285)	1112 (250)	1045 (235)	1001 (225)
			18993 (4270)	11290 (2538)	100000	2913 (655)	2024 (455)	1690 (380)	1357 (305)	1179 (265)	1068 (240)	934 (210)	890 (200)	845 (190)
207	35mm	30mm	25628 (5761)	15395 (3461)	20000	6561 (1475)	4537 (1020)	3825 (860)	3047 (685)	2647 (595)	2424 (545)	2113 (475)	2002 (450)	1913 (430)
			25628 (5761)	15395 (3461)	<b>30000</b>	5716 (1285)	3959 (890)	3358 (755)	2674 (601)	2313 (520)	2113 (475)	1846 (415)	1757 (395)	1668 (375)
			25628 (5761)	15395 (3461)	40000	5204 (1170)	3603 (810)	3047 (685)	2424 (545)	2113 (475)	1913 (430)	1668 (375)	1579 (355)	1512 (340)
			25628 (5761)	15395 (3461)	60000	4537 (1020)	3158 (710)	2647 (595)	2113 (475)	1846 (415)	1669 (375)	1468 (330)	1379 (310)	1334 (300)
			25628 (5761)	15395 (3461)	100000	3825 (860)	2647 (595)	2246 (505)	1779 (400)	1557 (350)	1401 (315)	1223 (275)	1179 (265)	1112 (250)
208	40mm	35mm	32627 (7335)	19906 (4475)	20000	8340 (1875)	5782 (1300)	4871 (1095)	3870 (870)	3380 (760)	3069 (690)	2691 (605)	2558 (575)	2446 (550)
			32627 (7335)	19906 (4475)	<b>30000</b>	7295 (1640)	5048 (1135)	4270 (960)	3380 (760)	2958 (665)	2691 (605)	2335 (525)	2224 (500)	2135 (480)
			32627 (7335)	19906 (4475)	40000	6628 (1490)	4581 (1030)	3870 (870)	3069 (690)	2691 (605)	2446 (550)	2135 (480)	2024 (455)	1935 (435)
			32627 (7335)	19906 (4475)	60000	5782 (1300)	4003 (900)	3380 (760)	2691 (605)	2335 (525)	2135 (480)	1868 (420)	1779 (400)	1690 (380)
			32627 (7335)	19906 (4475)	100000	4871 (1095)	3380 (760)	2847 (640)	2268 (510)	1979 (445)	1801 (405)	1579 (355)	1490 (335)	1423 (320)
209	45mm	40mm	35115 (7894)	21823 (4906)	20000	8985 (2020)	6227 (1400)	5249 (1180)	4159 (935)	3647 (820)	3314 (745)	2891 (650)	2736 (615)	2624 (590)
			35115 (7894)	21823 (4906)	<b>30000</b>	7851 (1765)	5449 (1225)	4581 (1030)	3649 (820)	3180 (715)	2891 (650)	2535 (570)	2402 (540)	2291 (515)
			35115 (7894)	21823 (4906)	40000	7117 (1600)	4937 (1110)	4159 (935)	3314 (745)	2891 (650)	2624 (590)	2291 (515)	2180 (490)	2091 (470)
			35115 (7894)	21823 (4906)	60000	6227 (1400)	4315 (970)	3647 (820)	2891 (650)	2535 (570)	2291 (515)	2002 (450)	1913 (430)	1824 (410)
			35115 (7894)	21823 (4906)	100000	5249 (1180)	3647 (820)	3069 (690)	2446 (550)	2135 (480)	1935 (435)	1690 (380)	1601 (360)	1535 (345)

\* Slight interference fit required when operating on the right of the heavy line or in the shaded area.

Unless specified, dimensions are in mm for metric parts and inches for non-metric parts.

Note: Dimensions are in MM (in)

# Set screw mounted ball bearings

## Selection

### Set screw mounted ball bearings-metric

Table 2: Easy selection table for ball bearing mounted units (continued)

Ring size	Shaft size		Dynamic capacity C, N (lb)	Static capacity Co, N (lb)	L <sub>10</sub> life hours	Allowable equivalent radial load rating N (lb) at various RPM*								
	SC, VSC, SL, CC	SCM				50	150	250	500	750	1000	1500	1750	2000
210	50mm	45mm	35115 (7894)	23189 (5213)	20000	8985 (2020)	6227 (1400)	5249 (1180)	4159 (935)	3647 (820)	3314 (745)	2891 (650)	2736 (615)	2624 (590)
			35115 (7894)	23189 (5213)	30000	7851 (1765)	5449 (1225)	4581 (1030)	3647 (820)	3180 (715)	2891 (650)	2535 (570)	2402 (540)	2291 (515)
			35115 (7894)	23189 (5213)	40000	7117 (1600)	4937 (1110)	4159 (935)	3314 (745)	2891 (650)	2624 (590)	2291 (515)	2180 (490)	2091 (470)
			35115 (7894)	23189 (5213)	60000	6227 (1400)	4315 (970)	3647 (820)	2891 (650)	2535 (570)	2291 (515)	2002 (450)	1913 (430)	1824 (410)
			35115 (7894)	23189 (5213)	100000	5249 (1180)	3647 (820)	3069 (690)	2446 (550)	2135 (480)	1935 (435)	1690 (380)	1601 (360)	1535 (345)
211	55mm	50mm	43394 (9755)	29305 (6588)	20000	11079 (2491)	7682 (1727)	6479 (1457)	5142 (1156)	4492 (1010)	4082 (918)	3566 (802)	3387 (761)	3241 (729)
			43394 (9755)	29305 (6588)	30000	9678 (2176)	6711 (1509)	5660 (1272)	4492 (1010)	3924 (882)	3566 (802)	3115 (700)	2959 (665)	2831 (636)
			43394 (9755)	29305 (6588)	40000	8793 (1977)	6097 (1371)	5142 (1156)	4082 (918)	3566 (802)	3240 (728)	2830 (636)	2688 (604)	2572 (578)
			43394 (9755)	29305 (6588)	60000	7682 (1727)	5326 (1197)	4492 (1010)	3566 (802)	3115 (700)	2830 (636)	2472 (556)	2348 (528)	2247 (505)
			43394 (9755)	29305 (6588)	100000	6479 (1457)	4492 (1010)	3789 (852)	3007 (676)	2627 (591)	2387 (537)	2085 (469)	1981 (445)	1895 (426)
212	60mm	55mm	52470 (11796)	36031 (8100)	20000	13411 (3015)	9296 (2090)	7851 (1765)	6227 (1400)	5449 (1225)	4937 (1110)	4315 (970)	4114 (925)	3914 (880)
			52470 (11796)	36031 (8100)	30000	11720 (2635)	8118 (1825)	6850 (1540)	5449 (1225)	4759 (1070)	4315 (970)	3914 (880)	3581 (805)	3425 (770)
			52470 (11796)	36031 (8100)	40000	10653 (2395)	7384 (1660)	6227 (1400)	4937 (1110)	4315 (970)	3914 (880)	3425 (770)	3247 (730)	3114 (700)
			52470 (11796)	36031 (8100)	60000	9296 (2090)	6450 (1450)	5449 (1225)	4315 (970)	3781 (850)	3425 (770)	3002 (675)	2847 (640)	2713 (610)
			52470 (11796)	36031 (8100)	100000	7851 (1765)	5449 (1225)	4581 (1030)	3647 (820)	3180 (715)	2891 (650)	2535 (570)	2402 (540)	2291 (515)
214	70mm	65mm	62278 (14001)	43762 (9838)	20000	15924 (3580)	11031 (2480)	9319 (2095)	7384 (1660)	6450 (1450)	5871 (1320)	5137 (1155)	4871 (1095)	4648 (1045)
			62278 (14001)	43762 (9838)	30000	13900 (3125)	9672 (2174)	8140 (1830)	6450 (1450)	5649 (1270)	5137 (1155)	4470 (1005)	4248 (955)	4070 (915)
			62278 (14001)	43762 (9838)	40000	12632 (2840)	8763 (1970)	7384 (1660)	5871 (1320)	5137 (1155)	4648 (1045)	4070 (915)	3870 (870)	3692 (830)
			62278 (14001)	43762 (9838)	60000	11031 (2480)	7651 (1720)	6450 (1450)	5137 (1155)	4470 (1005)	4070 (915)	3558 (800)	3380 (760)	3225 (725)
			62278 (14001)	43762 (9838)	100000	9319 (2095)	6450 (1450)	5449 (1225)	4315 (970)	3781 (850)	3425 (770)	3002 (675)	2847 (640)	2736 (615)
215	75mm	70mm	66180 (14878)	49411 (11108)	20000	16925 (3805)	11743 (2640)	9897 (2225)	7851 (1765)	6872 (1545)	6227 (1400)	5449 (1225)	5182 (1165)	4960 (1115)
			66180 (14878)	49411 (11108)	30000	14790 (3325)	10253 (2305)	8651 (1945)	6872 (1545)	6005 (1350)	5449 (1225)	4759 (1070)	4515 (1015)	4337 (975)
			66180 (14878)	49411 (11108)	40000	13433 (3020)	9319 (2095)	7851 (1765)	6227 (1400)	5449 (1225)	4960 (1115)	4337 (975)	4114 (925)	3936 (885)
			66180 (14878)	49411 (11108)	60000	11743 (2640)	8140 (1830)	6872 (1545)	5449 (1225)	4759 (1070)	4337 (975)	3781 (850)	3581 (805)	3425 (770)
			66180 (14878)	49411 (11108)	100000	9897 (2225)	6872 (1545)	5782 (1300)	4604 (905)	4025 (820)	3647 (820)	3180 (715)	3025 (680)	2891 (650)
216	75mm	75mm	77426 (17406)	58281 (13102)	20000	19794 (4450)	13722 (3085)	11587 (2605)	9185 (2065)	8029 (1805)	7295 (1640)	6383 (1435)	6049 (1360)	5782 (1300)
			77426 (17406)	58281 (13102)	30000	17303 (3890)	11987 (2695)	10119 (2275)	8029 (1805)	7028 (1580)	6383 (1435)	5560 (1250)	5293 (1190)	5071 (1140)
			77426 (17406)	58281 (13102)	40000	15724 (3535)	10898 (2450)	9185 (2065)	7295 (1640)	6383 (1435)	5782 (1300)	5071 (1140)	4804 (1080)	4604 (1035)
			77426 (17406)	58281 (13102)	60000	13722 (3085)	9519 (2140)	8029 (1805)	6393 (1437)	5560 (1250)	5071 (1140)	4426 (995)	4203 (945)	4025 (905)
			77426 (17406)	58281 (13102)	100000	11587 (2605)	8029 (1805)	6783 (1525)	5382 (1210)	4693 (1055)	4270 (960)	3736 (840)	3536 (795)	3380 (760)
218	85mm	85mm	95371 (21440)	74023 (16641)	20000	24397 (5485)	16925 (3805)	14278 (3210)	11342 (2550)	9897 (2225)	9007 (2025)	7851 (1765)	7473 (1680)	7139 (1605)
			95371 (21440)	74023 (16641)	30000	21328 (4795)	14790 (3325)	12477 (2805)	9897 (2225)	8651 (1945)	7851 (1765)	6872 (1545)	6516 (1465)	6249 (1405)
			95371 (21440)	74023 (16641)	40000	19371 (4355)	13433 (3020)	11342 (2550)	9007 (2025)	7851 (1765)	7139 (1605)	6249 (1405)	5938 (1335)	5676 (1276)
			95371 (21440)	74023 (16641)	60000	16925 (3805)	11743 (2640)	9897 (2225)	7851 (1765)	6872 (1545)	6249 (1405)	5449 (1225)	5182 (1165)	4960 (1115)
			95371 (21440)	74023 (16641)	100000	14278 (3210)	9897 (2225)	8362 (1880)	6628 (1490)	5782 (1300)	5271 (1185)	4604 (1035)	4359 (980)	4181 (940)

\* Slight interference fit required when operating on the right of the heavy line or in the shaded area.

Unless specified, dimensions are in mm for metric parts and inches for non-metric parts.

Note: Dimensions are in MM (in)

# Set screw mounted ball bearings

## Selection

### Set screw mounted ball bearing-metric

Table 2: Easy selection table for ball bearing mounted units

Ring size	Shaft size		Dynamic capacity C, N (lb)	Static capacity Co, N (lb)	L <sub>10</sub> life hours	Allowable equivalent radial load rating N (lb) at various RPM*									
	SC, VSC, SL, C	SCM				2500	3000	3500	4000	4500	5000	5500	6500	7500	
203	17mm		9600 (2158)	4800 (1079)	20000	667 (150)	623 (140)	600 (135)	578 (130)	556 (125)	534 (120)	512 (115)	489 (110)	467 (105)	
			9600 (2158)	4800 (1079)	<b>30000</b>	578 (130)	556 (125)	512 (115)	489 (110)	467 (105)	467 (105)	445 (100)	423 (95)	400 (90)	
			9600 (2158)	4800 (1079)	40000	534 (120)	489 (110)	467 (105)	445 (100)	423 (95)	423 (95)	400 (90)	378 (85)	356 (80)	
			9600 (2158)	4800 (1079)	60000	467 (105)	423 (95)	423 (95)	400 (90)	378 (85)	356 (80)	356 (80)	334 (80)	311 (75)	289 (70)
			9600 (2158)	4800 (1079)	100000	378 (85)	356 (80)	356 (80)	334 (75)	311 (70)	311 (70)	289 (65)	289 (65)	267 (60)	267 (60)
204	20mm		12895 (2899)	6592 (1482)	20000	890 (200)	845 (190)	801 (180)	756 (170)	734 (165)	712 (160)	689 (155)	645 (145)	623 (140)	
			12895 (2899)	6592 (1482)	<b>30000</b>	778 (175)	724 (163)	689 (155)	667 (150)	645 (145)	623 (140)	600 (135)	578 (130)	534 (120)	
			12895 (2899)	6592 (1482)	40000	712 (160)	667 (150)	645 (145)	600 (135)	578 (130)	556 (125)	556 (125)	512 (115)	489 (110)	
			12895 (2899)	6592 (1482)	60000	623 (140)	578 (130)	556 (125)	534 (120)	512 (115)	489 (110)	467 (105)	445 (100)	423 (95)	
			12895 (2899)	6592 (1482)	100000	512 (115)	489 (110)	467 (105)	445 (100)	400 (90)	423 (95)	400 (90)	378 (85)	356 (80)	
205	25mm		13995 (3146)	7869 (1769)	20000	979 (220)	912 (205)	867 (195)	823 (185)	801 (180)	778 (175)	756 (170)	712 (160)	667 (150)	
			13995 (3146)	7869 (1769)	<b>30000</b>	845 (190)	801 (180)	756 (170)	734 (165)	689 (155)	667 (150)	645 (145)	623 (140)	578 (130)	
			13995 (3146)	7869 (1769)	40000	778 (175)	734 (165)	689 (155)	667 (150)	623 (140)	600 (135)	600 (135)	556 (125)	534 (120)	
			13995 (3146)	7869 (1769)	60000	667 (150)	623 (140)	600 (135)	578 (130)	556 (125)	534 (120)	512 (115)	489 (110)	467 (105)	
			13995 (3146)	7869 (1769)	100000	556 (125)	534 (120)	512 (115)	489 (110)	467 (105)	445 (100)	445 (100)	423 (95)	400 (90)	
206	30mm	25mm	18993 (4270)	11290 (2538)	20000	1357 (305)	1268 (285)	1201 (270)	1156 (260)	1112 (250)	1068 (240)	1045 (235)	1045 (235)	979 (220)	
			18993 (4270)	11290 (2538)	<b>30000</b>	1179 (265)	1112 (250)	1045 (235)	1001 (225)	979 (220)	934 (210)	912 (205)	867 (195)	867 (195)	
			18993 (4270)	11290 (2538)	40000	1068 (240)	1001 (225)	958 (215)	912 (205)	890 (200)	845 (190)	823 (185)	778 (175)	778 (175)	
			18993 (4270)	11290 (2538)	60000	934 (210)	890 (200)	845 (190)	801 (180)	778 (175)	734 (165)	712 (160)	689 (155)	689 (155)	
			18993 (4270)	11290 (2538)	100000	778 (175)	734 (165)	712 (160)	667 (150)	645 (145)	623 (140)	600 (135)	578 (130)	578 (130)	
207	35mm	30mm	25628 (5761)	15395 (3461)	20000	1779 (400)	1668 (375)	1579 (355)	1512 (340)	1468 (330)	1401 (315)	1357 (305)	1357 (305)		
			25628 (5761)	15395 (3461)	<b>30000</b>	1557 (350)	1468 (330)	1379 (310)	1134 (255)	1268 (285)	1223 (275)	1201 (270)	1201 (270)		
			25628 (5761)	15395 (3461)	40000	1401 (315)	1334 (300)	1268 (285)	1201 (270)	1156 (260)	1112 (250)	1090 (245)	1090 (245)		
			25628 (5761)	15395 (3461)	60000	1223 (275)	1156 (260)	1112 (250)	1045 (235)	1023 (230)	979 (220)	956 (215)	956 (215)		
			25628 (5761)	15395 (3461)	100000	1045 (235)	979 (220)	934 (210)	890 (200)	845 (190)	823 (185)	801 (180)	801 (180)		
208	40mm	35mm	32627 (7335)	19906 (4475)	20000	2268 (510)	2135 (480)	2024 (455)	1935 (435)	1868 (420)	1801 (405)	1801 (405)	1801 (405)		
			32627 (7335)	19906 (4475)	<b>30000</b>	1979 (445)	1868 (420)	1779 (400)	1690 (380)	1624 (365)	1579 (355)	1579 (355)			
			32627 (7335)	19906 (4475)	40000	1801 (405)	1690 (380)	1601 (360)	1535 (345)	1468 (330)	1423 (320)	1423 (320)			
			32627 (7335)	19906 (4475)	60000	1576 (354)	1468 (330)	1401 (315)	1334 (300)	1290 (290)	1245 (280)	1245 (280)			
			32627 (7335)	19906 (4475)	100000	1334 (300)	1245 (280)	1179 (265)	1134 (255)	1090 (245)	1045 (235)	1045 (235)			
209	45mm	40mm	35115 (7894)	21823 (4906)	20000	2446 (550)	2291 (515)	2180 (490)	2091 (470)	2002 (450)	1935 (435)	1935 (435)	1935 (435)		
			35115 (7894)	21823 (4906)	<b>30000</b>	2135 (480)	2002 (450)	1913 (430)	1824 (410)	1757 (395)	1690 (380)	1690 (380)			
			35115 (7894)	21823 (4906)	40000	1935 (435)	1824 (410)	1735 (390)	1646 (370)	1601 (360)	1535 (345)	1535 (345)			
			35115 (7894)	21823 (4906)	60000	1690 (380)	1601 (360)	1512 (340)	1446 (325)	1379 (310)	1334 (300)	1334 (300)			
			35115 (7894)	21823 (4906)	100000	1423 (320)	1334 (300)	1268 (285)	1223 (275)	1179 (265)	1134 (255)	1134 (255)			

\* Slight interference fit required when operating on the right of the heavy line or in the shaded area.

Unless specified, dimensions are in mm for metric parts and inches for non-metric parts.

Note: Dimensions are in MM (in)

# Set screw mounted ball bearings

## Selection

### Set screw mounted ball bearing-metric

Table 2: Easy selection table for ball bearing mounted units (continued)

Ring size	Shaft size		Dynamic capacity C, N (lb)	Static capacity Co, N (lb)	L <sub>10</sub> life hours	Allowable equivalent radial load rating N (lb) at various RPM*								
	SC, VSC, SL, C	SCM				2500	3000	3500	4000	4500	5000	5500	6500	7500
210	50mm	45mm	35115 (7894)	23189 (5213)	20000	2446 (550)	2291 (515)	2180 (490)	2091 (470)	2002 (450)				
			35115 (7894)	23189 (5213)	<b>30000</b>	2135 (480)	2002 (450)	1913 (430)	1824 (410)	1757 (395)				
			35115 (7894)	23189 (5213)	40000	1935 (435)	1824 (410)	1735 (390)	1646 (370)	1601 (360)				
			35115 (7894)	23189 (5213)	60000	1690 (380)	1601 (360)	1512 (340)	1446 (325)	1379 (310)				
			35115 (7894)	23189 (5213)	100000	1423 (320)	1334 (300)	1268 (285)	1223 (275)	1179 (265)				
211	55mm	50mm	43394 (9755)	29305 (6588)	20000	3007 (676)	2830 (636)	2688 (604)	2571 (578)					
			43394 (9755)	29305 (6588)	<b>30000</b>	2627 (591)	2472 (556)	2348 (528)	2246 (505)					
			43394 (9755)	29305 (6588)	40000	2387 (537)	2246 (505)	2134 (480)	2041 (459)					
			43394 (9755)	29305 (6588)	60000	2085 (469)	1962 (441)	1864 (419)	1783 (401)					
			43394 (9755)	29305 (6588)	100000	1759 (395)	1655 (372)	1572 (353)	1504 (338)					
212	60mm	55mm	52470 (11796)	36031 (8100)	20000	3647 (820)	3425 (770)	3247 (730)						
			52470 (11796)	36031 (8100)	<b>30000</b>	3180 (715)	3002 (675)	2847 (640)						
			52470 (11796)	36031 (8100)	40000	2891 (650)	2713 (610)	2580 (580)						
			52470 (11796)	36031 (8100)	60000	2535 (570)	2380 (535)	2268 (510)						
			52470 (11796)	36031 (8100)	100000	2135 (480)	2002 (450)	1913 (430)						
214	70mm	65mm	62278 (14001)	43762 (9838)	20000	4315 (970)	4070 (915)							
			62278 (14001)	43762 (9838)	<b>30000</b>	3781 (850)	3558 (800)							
			62278 (14001)	43762 (9838)	40000	3425 (770)	3225 (725)							
			62278 (14001)	43762 (9838)	60000	3002 (675)	2824 (635)							
			62278 (14001)	43762 (9838)	100000	2535 (570)	2380 (535)							
215	75mm	70mm	66180 (14878)	49411 (11108)	20000	4604 (1035)	4337 (975)							
			66180 (14878)	49411 (11108)	<b>30000</b>	4025 (905)	3781 (850)							
			66180 (14878)	49411 (11108)	40000	3647 (820)	3425 (770)							
			66180 (14878)	49411 (11108)	60000	3180 (715)	3002 (675)							
			66180 (14878)	49411 (11108)	100000	2691 (605)	2535 (570)							
216	75mm		77426 (17406)	58281 (13102)	20000	5382 (1210)								
			77426 (17406)	58281 (13102)	<b>30000</b>	4693 (1055)								
			77426 (17406)	58281 (13102)	40000	4270 (960)								
			77426 (17406)	58281 (13102)	60000	3736 (840)								
			77426 (17406)	58281 (13102)	100000	3136 (705)								
218	85mm		95371 (21440)	74023 (16641)	20000									
			95371 (21440)	74023 (16641)	<b>30000</b>									
			95371 (21440)	74023 (16641)	40000									
			95371 (21440)	74023 (16641)	60000									
			95371 (21440)	74023 (16641)	100000									

\* Slight interference fit required when operating on the right of the heavy line or in the shaded area.

Unless specified, dimensions are in mm for metric parts and inches for non-metric parts.

Note: Dimensions are in MM (in)



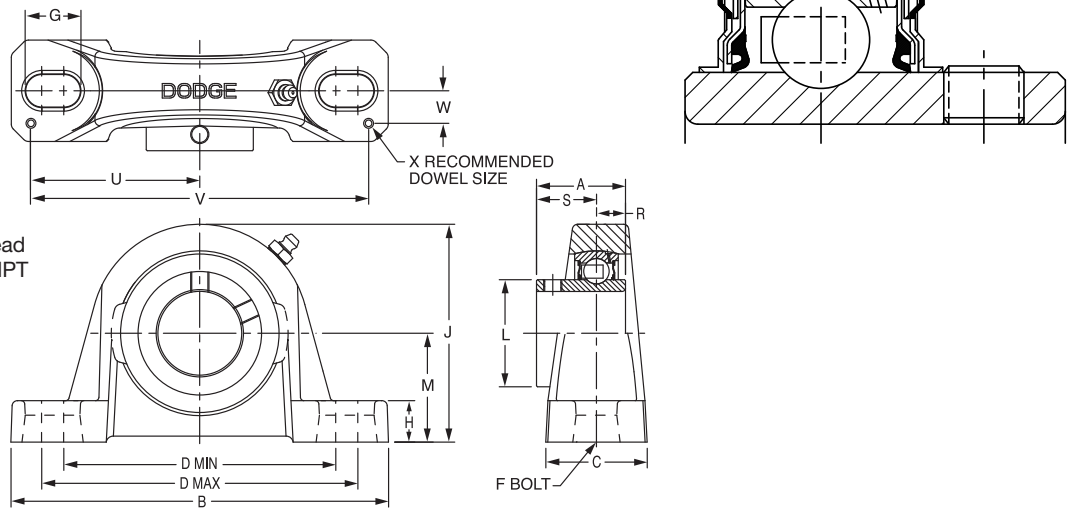
# Set screw mounted ball bearings

## Selection/Dimensions

### Set screw mounted ball bearings SC and SCU normal duty pillow blocks

#### Lube fitting

203 series - 1/4-28 tapered thread  
204 series and larger - 1/8-27 NPT



Series	Shaft size	Standard		No-lube/Seal for life (-NL)	
		Part no.	Description	Part no.	Description
203	17mm	053170	P2B-SC-17M	@	P2B-SC-17M-NL
	1/2	123830	P2B-SC-008	123932	P2B-SC-008-NL
	5/8	123831	P2B-SC-010	126500	P2B-SC-010-NL
203 (SCU)	17mm	125850	P2B-SCU-17M	@	P2B-SCU-17M-NL
	1/2	123753	P2B-SCU-008	@	P2B-SCU-008-NL
	5/8	123754	P2B-SCU-010	@	P2B-SCU-010-NL
204	20mm	125851	P2B-SC-20M	068372	P2B-SC-20M-NL
	1/2	123835	P2B-SC-008L	052101	P2B-SC-008L-NL
	5/8	123836	P2B-SC-010L	@	P2B-SC-010L-NL
	3/4	123803	P2B-SC-012	052012	P2B-SC-012-NL
205	25mm	125852	P2B-SC-25M	056744	P2B-SC-25M-NL
	7/8	123804	P2B-SC-014	126502	P2B-SC-014-NL
	15/16	123805	P2B-SC-015	126503	P2B-SC-015-NL
	1	123806	P2B-SC-100	123824	P2B-SC-100-NL
206	30mm	125853	P2B-SC-30M	074162	P2B-SC-30M-NL
	1-1/16	123807	P2B-SC-101	126504	P2B-SC-101-NL
	1-1/8	123808	P2B-SC-102	126505	P2B-SC-102-NL
	1-3/16	123809	P2B-SC-103	123828	P2B-SC-103-NL
	1-1/4	123170	P2B-SC-104S	049852	P2B-SC-104S-NL
206 (SCU)	30mm	125854	P2B-SCU-30M	@	P2B-SCU-30M-NL
	1-1/8	123878	P2B-SCU-102	@	P2B-SCU-102-NL
	1-3/16	123879	P2B-SCU-103	050837	P2B-SCU-103-NL
	1-1/4	123894	P2B-SCU-104S	073282	P2B-SCU-104S-NL
	30mm	125854	P2B-SCU-30M	@	P2B-SCU-30M-NL
207	35mm	125855	P2B-SC-35M	@	P2B-SC-35M-NL
	1-1/4	123810	P2B-SC-104	123933	P2B-SC-104-NL
	1-5/16	123811	P2B-SC-105	@	P2B-SC-105-NL
	1-3/8	123812	P2B-SC-106	123781	P2B-SC-106-NL
	1-7/16	123813	P2B-SC-107	123792	P2B-SC-107-NL

@ Assembled to order.

Unless specified, dimensions are in mm for metric parts and inches for non-metric parts.

Note: Dimensions are in MM (in)

# Set screw mounted ball bearings

## Selection/Dimensions

Set screw mounted ball bearings  
SC and SCU normal duty pillow blocks

Series	Shaft size	Wgt. kg lb	A	B	C	D		F bolt dia.	G	H	J	L	M	R	S	U	V	W	X
						Min	Max												
203	17mm	0.4	25.4	127.0	30.5	82.6	103.1	M10	21.3	11.9	54.4	24.4	27.0	9.1	16.3	57.2	114.3	9.7	3.0
	1/2	1.1	1.00	5.00	1.20	3.25	4.06	3/8	0.84	0.47	2.14	0.96	1.06	0.36	0.64	2.25	4.50	0.38	0.12
	5/8	1.0	1.00	5.00	1.20	3.25	4.06	3/8	0.84	0.47	2.14	0.96	1.06	0.36	0.64	2.25	4.50	0.38	0.12
203 SCU	17mm	0.4	25.4	127.0	30.5	82.6	103.1	M10	21.3	15.0	57.7	24.4	30.2	9.1	16.3	57.2	114.3	9.7	3.0
	1/2	1.2	1.00	5.00	1.20	3.25	4.06	3/8	0.84	0.59	2.27	0.96	1.19	0.36	0.64	2.25	4.50	0.38	0.12
	5/8	1.0	1.00	5.00	1.20	3.25	4.06	3/8	0.84	0.59	2.27	0.96	1.19	0.36	0.64	2.25	4.50	0.38	0.12
204	20mm	0.7	31.2	133.4	34.0	85.9	106.4	M10	21.6	13.5	65.0	28.4	33.3	12.7	18.5	57.2	114.3	12.7	3.0
	1/2	1.6	1.23	5.25	1.34	3.38	4.19	3/8	0.85	0.53	2.56	1.12	1.31	0.50	0.73	2.25	4.50	0.50	0.12
	5/8	1.5	1.23	5.25	1.34	3.38	4.19	3/8	0.85	0.53	2.56	1.12	1.31	0.50	0.73	2.25	4.50	0.50	0.12
	3/4	1.4	1.23	5.25	1.34	3.38	4.19	3/8	0.85	0.53	2.56	1.12	1.31	0.50	0.73	2.25	4.50	0.50	0.12
205	25mm	0.7	34.0	139.7	35.6	93.7	114.3	M10	21.6	14.7	70.4	33.5	36.5	14.2	19.8	63.5	127.0	12.7	3.0
	7/8	1.8	1.34	5.50	1.40	3.69	4.50	3/8	0.85	0.58	2.77	1.32	1.44	0.56	0.78	2.50	5.00	0.50	0.12
	15/16	1.7	1.34	5.50	1.40	3.69	4.50	3/8	0.85	0.58	2.77	1.32	1.44	0.56	0.78	2.50	5.00	0.50	0.12
	1	1.6	1.34	5.50	1.40	3.69	4.50	3/8	0.85	0.58	2.77	1.32	1.44	0.56	0.78	2.50	5.00	0.50	0.12
206	30mm	1.1	38.6	158.8	44.5	108.0	127.0	M12	23.9	17.3	82.6	39.9	41.3	14.7	23.9	73.2	146.3	14.2	3.0
	1-1/16	2.8	1.52	6.25	1.75	4.25	5.00	1/2	0.94	0.68	3.25	1.57	1.63	0.58	0.94	2.88	5.76	0.56	0.12
	1-1/8	2.7	1.52	6.25	1.75	4.25	5.00	1/2	0.94	0.68	3.25	1.57	1.63	0.58	0.94	2.88	5.76	0.56	0.12
	1-3/16	2.6	1.52	6.25	1.75	4.25	5.00	1/2	0.94	0.68	3.25	1.57	1.63	0.58	0.94	2.88	5.76	0.56	0.12
	1-1/4	2.5	1.52	6.25	1.75	4.25	5.00	1/2	0.94	0.68	3.25	1.57	1.63	0.58	0.94	2.88	5.76	0.56	0.12
206 SCU	30mm	1.1	38.6	158.8	44.5	108.0	127.0	M12	23.9	19.1	84.1	39.9	42.9	14.7	23.9	73.2	146.3	14.2	3.0
	1-1/16	2.9	1.52	6.25	1.75	4.25	5.00	1/2	0.94	0.75	3.31	1.57	1.69	0.58	0.94	2.88	5.76	0.56	0.12
	1-1/8	2.8	1.52	6.25	1.75	4.25	5.00	1/2	0.94	0.75	3.31	1.57	1.69	0.58	0.94	2.88	5.76	0.56	0.12
	1-3/16	2.7	1.52	6.25	1.75	4.25	5.00	1/2	0.94	0.75	3.31	1.57	1.69	0.58	0.94	2.88	5.76	0.56	0.12
	1-1/4	2.6	1.52	6.25	1.75	4.25	5.00	1/2	0.94	0.75	3.31	1.57	1.69	0.58	0.94	2.88	5.76	0.56	0.12
207	35mm	1.5	43.4	165.1	44.5	118.9	138.2	M12	23.9	18.0	95.3	46.7	47.6	17.0	26.4	73.9	147.8	14.2	3.0
	1-1/4	4.5	1.71	6.50	1.75	4.68	5.44	1/2	0.94	0.71	3.75	1.84	1.88	0.67	1.04	2.91	5.82	0.56	0.12
	1-5/16	4.4	1.71	6.50	1.75	4.68	5.44	1/2	0.94	0.71	3.75	1.84	1.88	0.67	1.04	2.91	5.82	0.56	0.12
	1-3/8	4.3	1.71	6.50	1.75	4.68	5.44	1/2	0.94	0.71	3.75	1.84	1.88	0.67	1.04	2.91	5.82	0.56	0.12
	1-7/16	4.2	1.71	6.50	1.75	4.68	5.44	1/2	0.94	0.71	3.75	1.84	1.88	0.67	1.04	2.91	5.82	0.56	0.12

Unless specified, dimensions are in mm for metric parts and inches for non-metric parts.  
Note: Dimensions are in MM (in)

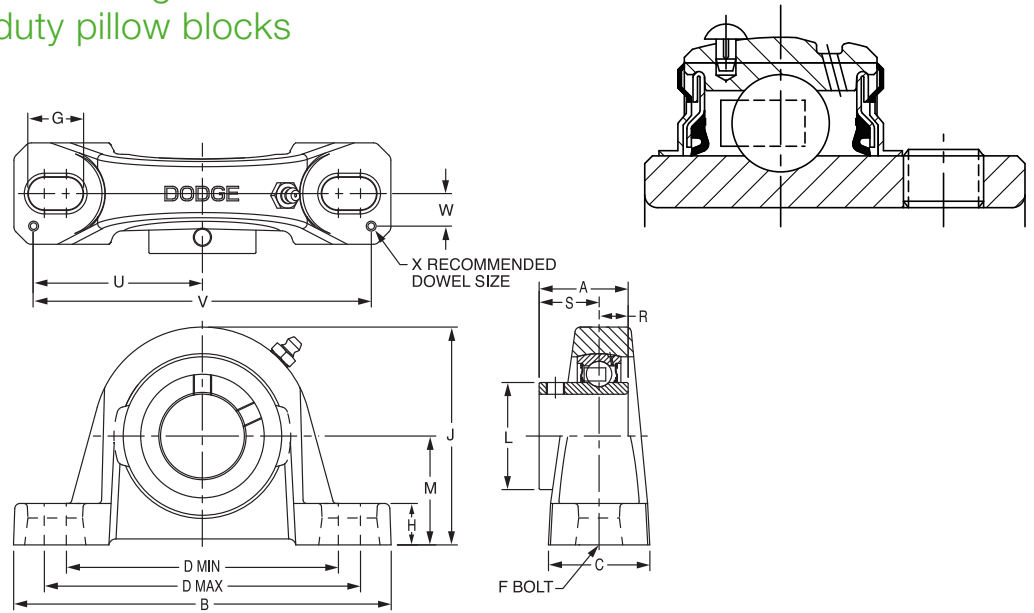
# Set screw mounted ball bearings

## Selection/Dimensions

### Set screw mounted ball bearings SC and SCU normal duty pillow blocks

#### Lube fitting

203 series - 1/4-28 tapered thread  
204 series and larger - 1/8-27 NPT



Series	Shaft size	Standard		No-lube/Sealed for life (-NL)	
		Part no.	Description	Part no.	Description
208	40mm	056855	P2B-SC-40M	067679	P2B-SC-40M-NL
	1-1/2	123814	P2B-SC-108	123829	P2B-SC-108-NL
	1-5/8	123815	P2B-SC-110	126510	P2B-SC-110-NL
209	45mm	125857	P2B-SC-45M	067925	P2B-SC-45M-NL
	1-5/8	125169	P2B-SC-110L	073381	P2B-SC-110L-NL
	1-11/16	123816	P2B-SC-111	123784	P2B-SC-111-NL
	1-3/4	123817	P2B-SC-112	123782	P2B-SC-112-NL
210	50mm	125858	P2B-SC-50M	058702	P2B-SC-50M-NL
	1-15/16	123818	P2B-SC-115	123793	P2B-SC-115-NL
	2	123819	P2B-SC-200	123939	P2B-SC-200-NL
211	55mm	125859	P2B-SC-55M	@	P2B-SC-55M-NL
	2	126815	P2B-SCM-200	126547	P2B-SCM-200-NL
	2-3/16	123820	P2B-SC-203	123783	P2B-SC-203-NL
	2-1/4	123821	P2B-SC-204	126513	P2B-SC-204-NL
212	60mm	125860	P2B-SC-60M	062162	P2B-SC-60M-NL
	2-1/4	126817	P2B-SCM-204	@	P2B-SCM-204-NL
	2-7/16	123822	P2B-SC-207	123987	P2B-SC-207-NL
214	70mm	125861	P2B-SC-70M	126548	P2B-SC-70M-NL
	2-1/2	126819	P2B-SCM-208	062178	P2B-SCM-208-NL
	2-11/16	123839	P2B-SC-211	068603	P2B-SC-211-NL
215	75mm	125862	P2B-SC-75M	@	P2B-SC-75M-NL
	2-15/16	123823	P2B-SC-215	123636	P2B-SC-215-NL
215 (SCU)	75mm	052792	P2B-SCU-75M	@	P2B-SCU-75M-NL
	2-15/16	123728	P2B-SCU-215	@	P2B-SCU-215-NL
218	90mm	052794	P2B-SC-90M	@	P2B-SC-90M-NL

@Assembled to order

Unless specified, dimensions are in mm for metric parts and inches for non-metric parts.

Note: Dimensions are in MM (in)

# Set screw mounted ball bearings

## Selection/Dimensions

Set screw mounted ball bearings  
SC and SCU normal duty pillow blocks

Series	Shaft size	Wgt. kg lb	A	B	C	D		F bolt dia.	G	H	J	L	M	R	S	U	V	W	X
						Min	Max												
208	40mm	2.2	49.3	184.2	49.0	131.6	149.4	M12	23.1	23.6	106.4	52.1	54.0	19.1	30.2	82.8	165.6	17.5	3.0
	1-1/2	5.4	1.94	7.25	1.93	5.18	5.88	1/2	0.91	0.93	4.19	2.05	2.13	0.75	1.19	3.26	6.52	0.69	0.12
	1-5/8	5.3	1.94	7.25	1.93	5.18	5.88	1/2	0.91	0.93	4.19	2.05	2.13	0.75	1.19	3.26	6.52	0.69	0.12
209	45mm	2.2	49.3	189.0	50.8	139.7	157.2	M12	22.9	19.1	108.7	56.4	54.0	19.1	30.2	85.9	171.7	17.5	3.0
	1-5/8	6.6	1.94	7.44	2.00	5.50	6.19	1/2	0.90	0.75	4.28	2.22	2.13	0.75	1.19	3.38	6.76	0.69	0.12
	1-11/16	6.4	1.94	7.44	2.00	5.50	6.19	1/2	0.90	0.75	4.28	2.22	2.13	0.75	1.19	3.38	6.76	0.69	0.12
	1-3/4	6.2	1.94	7.44	2.00	5.50	6.19	1/2	0.90	0.75	4.28	2.22	2.13	0.75	1.19	85.9	171.7	17.5	3.0
210	50mm	2.6	49.3	206.2	57.2	152.4	169.7	M16	25.9	19.1	115.1	61.7	57.2	19.1	30.2	93.7	187.5	20.6	3.0
	1-15/16	7.2	1.94	8.12	2.25	6.00	6.68	5/8	1.02	0.75	4.53	2.43	2.25	0.75	1.19	3.69	7.38	0.81	0.12
	2	7.0	1.94	8.12	2.25	6.00	6.68	5/8	1.02	0.75	4.53	2.43	2.25	0.75	1.19	3.69	7.38	0.81	0.12
211	55mm	3.3	56.4	225.6	58.4	162.1	189.0	M16	30.7	22.4	126.0	68.8	63.5	22.1	34.3	100.1	200.2	20.6	3.0
	2	9.0	2.22	8.88	2.30	6.38	7.44	5/8	1.21	0.88	4.96	2.71	2.50	0.87	1.35	3.94	7.88	0.81	0.12
	2-3/16	8.9	2.22	8.88	2.30	6.38	7.44	5/8	1.21	0.88	4.96	2.71	2.50	0.87	1.35	3.94	7.88	0.81	0.12
	2-1/4	8.8	2.22	8.88	2.30	6.38	7.44	5/8	1.21	0.88	4.96	2.71	2.50	0.87	1.35	3.94	7.88	0.81	0.12
212	60mm	4.2	58.7	241.3	60.2	174.8	201.7	M16	30.7	22.4	137.2	75.4	69.9	22.9	35.8	108.0	215.9	22.4	3.0
	2-1/4	10.8	2.31	9.50	2.37	6.88	7.94	5/8	1.21	0.88	5.40	2.97	2.75	0.90	1.41	4.25	8.50	0.88	0.12
	2-7/16	10.2	2.31	9.50	2.37	6.88	7.94	5/8	1.21	0.88	5.40	2.97	2.75	0.90	1.41	4.25	8.50	0.88	0.12
214	70mm	6.9	64.5	273.1	68.3	190.5	215.9	M18	33.5	23.9	154.7	84.1	76.2	26.9	37.6	124.0	247.9	23.9	3.0
	2-1/2	15.5	2.54	10.75	2.69	7.50	8.50	3/4	1.32	0.94	6.09	3.31	3.00	1.06	1.48	4.88	9.76	0.94	0.12
	2-11/16	15.0	2.54	10.75	2.69	7.50	8.50	3/4	1.32	0.94	6.09	3.31	3.00	1.06	1.48	4.88	9.76	0.94	0.12
215	75mm	7.9	59.2	298.5	73.2	215.9	241.3	M22	36.6	25.4	171.5	91.9	88.9	21.8	37.3	139.2	278.4	26.4	3.0
	2-15/16	20.5	2.33	11.75	2.88	8.50	9.50	7/8	1.44	1.00	6.75	3.62	3.50	0.86	1.47	5.48	10.96	1.04	0.12
215 SCU	75mm	8.0	59.2	298.5	73.2	215.9	241.3	M22	36.6	25.4	165.1	91.9	82.6	21.8	37.3	139.2	278.4	26.4	3.0
	2-15/16	20.7	2.33	11.75	2.88	8.50	9.50	7/8	1.44	1.00	6.50	3.62	3.25	0.86	1.47	5.48	10.96	1.04	0.12
218	90mm	13.6	65.0	355.6	85.9	262.1	295.1	M22	40.4	33.3	203.2	110.5	101.6	24.4	40.6	167.6	335.3	30.2	3.0

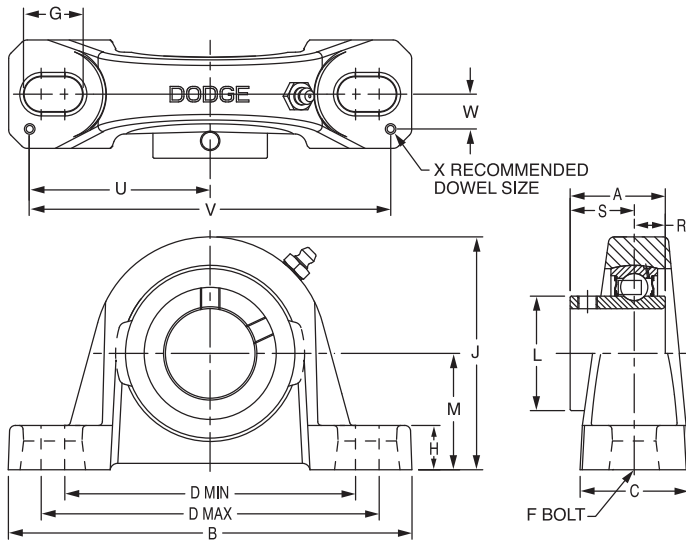
Unless specified, dimensions are in mm for metric parts and inches for non-metric parts.

Note: Dimensions are in MM (in)

# Set screw mounted ball bearings

## Selection/Dimensions

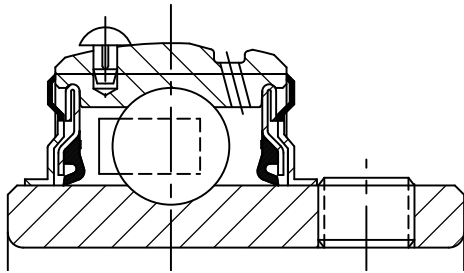
### Set screw mounted ball bearings SCB normal duty pillow blocks



#### Lube fitting

203 series - 1/4-28 tapered thread

204 series and larger - 1/8-27 NPT



Series	Shaft size	Part no.	Description
203 (SC)	17mm	053170	P2B-SC-17M
	1/2	123830	P2B-SC-008
	5/8	123831	P2B-SC-010
204	20mm	124941	P2B-SCB-20M
	1/2	123854	P2B-SCB-008L
	5/8	123855	P2B-SCB-010L
	3/4	123860	P2B-SCB-012
205	25mm	125768	P2B-SCB-25M
	7/8	123861	P2B-SCB-014
	15/16	123862	P2B-SCB-015
	1	123863	P2B-SCB-100
206	30mm	125760	P2B-SCB-30M
	1-1/16	123856	P2B-SCB-101
	1-1/8	123864	P2B-SCB-102
	1-3/16	123865	P2B-SCB-103
	1-1/4	123171	P2B-SCB-104S
207	35mm	124944	P2B-SCB-35M
	1-1/4	123866	P2B-SCB-104
	1-5/16	123857	P2B-SCB-105
	1-3/8	123867	P2B-SCB-106
	1-7/16	123868	P2B-SCB-107
208	40mm	125856	P2B-SCB-40M
	1-1/2	123869	P2B-SCB-108
	1-5/8	123858	P2B-SCB-110
209	45mm	051878	P2B-SCB-45M
	1-5/8	068760	P2B-SCB-110L
	1-11/16	123870	P2B-SCB-111
210	50mm	123871	P2B-SCB-112
	1-3/4	123871	P2B-SCB-112
211	55mm	051879	P2B-SCB-50M
	1-15/16	123872	P2B-SCB-115
	2	123873	P2B-SCB-200
	2	124943	P2B-SCB-55M
212	60mm	057603	P2B-SCB-200L
	2-3/16	123874	P2B-SCB-203
	2-1/4	123589	P2B-SCB-204
	2-1/4	051880	P2B-SCB-60M
215	60mm	068361	P2B-SCB-204L
	2-7/16	123875	P2B-SCB-207
	75mm	@	P2B-SCB-75M
	2-15/16	123727	P2B-SCB-215

@Assembled to order

Unless specified, dimensions are in mm for metric parts and inches for non-metric parts.  
Note: Dimensions are in MM (in)

# Set screw mounted ball bearings

## Selection/Dimensions

Set screw mounted ball bearings  
SCB normal duty pillow blocks

Series	Shaft size	Weight kg lb	A	B	C	D		F bolt dia.	G	H	J	L	M	R	S	U	V	W	X
						Min	Max												
203 SC	17mm	0.4	25.4	127.0	30.5	82.6	103.1	M10	21.3	11.9	54.4	24.4	26.9	9.1	16.3	57.2	114.3	9.7	3.0
	1/2	1.1	1.00	5.00	1.20	3.25	4.06	3/8	0.84	0.47	2.14	0.96	1.06	0.36	0.64	2.25	4.50	0.38	0.12
	5/8	1.0	1.00	5.00	1.20	3.25	4.06	3/8	0.84	0.47	2.14	0.96	1.06	0.36	0.64	2.25	4.50	0.38	0.12
204	20mm	0.7	31.2	133.4	34.0	85.9	106.4	M10	21.6	11.9	63.2	28.4	31.8	12.7	18.5	57.2	114.3	12.7	3.0
	1/2	1.6	1.23	5.25	1.34	3.38	4.19	3/8	0.85	0.47	2.49	1.12	1.25	0.50	0.73	2.25	4.50	0.50	0.12
	5/8	1.5	1.23	5.25	1.34	3.38	4.19	3/8	0.85	0.47	2.49	1.12	1.25	0.50	0.73	2.25	4.50	0.50	0.12
	3/4	1.4	1.23	5.25	1.34	3.38	4.19	3/8	0.85	0.47	2.49	1.12	1.25	0.50	0.73	2.25	4.50	0.50	0.12
205	25mm	.07	34.0	139.7	35.6	93.7	114.3	M10	21.6	11.4	67.1	33.5	33.3	14.2	19.8	63.5	127.0	12.7	3.0
	7/8	1.8	1.34	5.50	1.40	3.69	4.50	3/8	0.85	0.45	2.64	1.32	1.31	0.56	0.78	2.50	5.00	0.50	0.12
	15/16	1.7	1.34	5.50	1.40	3.69	4.50	3/8	0.85	0.45	2.64	1.32	1.31	0.56	0.78	2.50	5.00	0.50	0.12
	1	1.6	1.34	5.50	1.40	3.69	4.50	3/8	0.85	0.45	2.64	1.32	1.31	0.56	0.78	2.50	5.00	0.50	0.12
206	30mm	1.7	38.6	158.8	44.5	108.0	127.0	M12	23.9	15.8	81.0	39.9	39.6	14.7	23.9	73.2	146.3	14.2	3.0
	1-1/16	2.8	1.52	6.25	1.75	4.25	5.00	1/2	0.94	0.62	3.19	1.57	1.56	0.58	0.94	2.88	5.76	0.56	0.12
	1-1/8	2.7	1.52	6.25	1.75	4.25	5.00	1/2	0.94	0.62	3.19	1.57	1.56	0.58	0.94	2.88	5.76	0.56	0.12
	1-3/16	2.6	1.52	6.25	1.75	4.25	5.00	1/2	0.94	0.62	3.19	1.57	1.56	0.58	0.94	2.88	5.76	0.56	0.12
	1-1/4	2.5	1.52	6.25	1.75	4.25	5.00	1/2	0.94	0.62	3.19	1.57	1.56	0.58	0.94	2.88	5.76	0.56	0.12
207	35mm	1.5	43.4	165.1	44.5	118.9	138.2	M12	23.9	16.5	93.7	46.7	46.0	17.0	26.4	73.9	147.8	14.2	3.0
	1-1/4	4.5	1.71	6.50	1.75	4.68	5.44	1/2	0.94	0.65	3.69	1.84	1.81	0.67	1.04	2.91	5.82	0.56	0.12
	1-5/16	4.4	1.71	6.50	1.75	4.68	5.44	1/2	0.94	0.65	3.69	1.84	1.81	0.67	1.04	2.91	5.82	0.56	0.12
	1-3/8	45.3	1.71	6.50	1.75	4.68	5.44	1/2	0.94	0.65	3.69	1.84	1.81	0.67	1.04	2.91	5.82	0.56	0.12
	1-7/16	4.2	1.71	6.50	1.75	4.68	5.44	1/2	0.94	0.65	3.69	1.84	1.81	0.67	1.04	2.91	5.82	0.56	0.12
208	40mm	2.2	49.3	184.2	49.0	131.6	149.4	M12	23.1	19.1	101.6	52.1	49.3	19.1	30.2	82.8	165.6	17.5	3.0
	1-1/2	5.4	1.94	7.25	1.93	5.18	5.88	1/2	0.91	0.75	4.00	2.05	1.94	0.75	1.19	3.26	6.52	0.69	0.12
	1-5/8	5.3	1.94	7.25	1.93	5.18	5.88	1/2	0.91	0.75	4.00	2.05	1.94	0.75	1.19	3.26	6.52	0.69	0.12
209	45mm	2.2	49.3	189.0	50.8	139.7	157.2	M12	22.9	17.5	106.9	56.4	52.3	19.1	30.2	85.9	171.7	17.5	3.0
	1-5/8	6.6	1.94	7.44	2.00	5.50	6.19	1/2	0.90	0.69	4.21	2.22	2.06	0.75	1.19	3.38	6.76	0.69	0.12
	1-11/16	6.4	1.94	7.44	2.00	5.50	6.19	1/2	0.90	0.69	4.21	2.22	2.06	0.75	1.19	3.38	6.76	0.69	0.12
	1-3/4	6.2	1.94	7.44	2.00	5.50	6.19	1/2	0.90	0.69	4.21	2.22	2.06	0.75	1.19	3.38	6.76	0.69	0.12
210	50mm	2.6	49.3	206.2	57.2	152.4	169.7	M16	25.9	17.3	113.5	61.7	55.6	19.1	30.2	93.7	187.5	20.6	3.0
	1-15/16	78.2	1.94	8.12	2.25	6.00	6.68	5/8	1.02	0.68	4.47	2.43	2.19	0.75	1.19	3.69	7.38	0.81	0.12
	2	7.0	1.94	8.12	2.25	6.00	6.68	5/8	1.02	0.68	4.47	2.43	2.19	0.75	1.19	3.69	7.38	0.81	0.12
211	55mm	3.3	56.4	225.6	58.4	162.1	189.0	M16	30.7	20.6	124.5	68.8	62.0	22.1	34.3	100.1	200.2	20.6	3.0
	2	9.0	2.22	8.88	2.30	6.38	7.44	5/8	1.21	0.81	4.90	2.71	2.44	0.87	1.35	3.94	7.88	0.81	0.12
	2-3/16	8.9	2.22	8.88	2.30	6.38	7.44	5/8	1.21	0.81	4.90	2.71	2.44	0.87	1.35	3.94	7.88	0.81	0.12
	2-1/4	8.8	2.22	8.88	2.30	6.38	7.44	5/8	1.21	0.81	4.90	2.71	2.44	0.87	1.35	3.94	7.88	0.81	0.12
212	60mm	4.2	58.7	241.3	60.2	174.8	201.7	M16	30.7	20.6	135.6	75.4	68.3	22.9	35.8	108.0	215.9	22.4	3.0
	2-1/4	10.8	2.31	9.50	2.37	6.88	7.94	5/8	1.21	0.81	5.34	2.97	2.69	0.90	1.41	4.25	8.50	0.88	0.12
	2-7/16	10.2	2.31	9.50	2.37	6.88	7.94	5/8	1.21	0.81	5.34	2.97	2.69	0.90	1.41	4.25	8.50	0.88	0.12
215	75mm	7.9	59.2	298.5	73.2	215.9	241.3	M22	36.6	26.9	166.6	91.9	84.1	21.8	37.3	139.2	278.4	26.4	3.0
	2-15/16	20.5	2.33	11.75	2.88	8.50	9.50	7/8	1.44	1.06	6.56	3.62	3.31	0.86	1.47	5.48	10.96	1.04	0.12

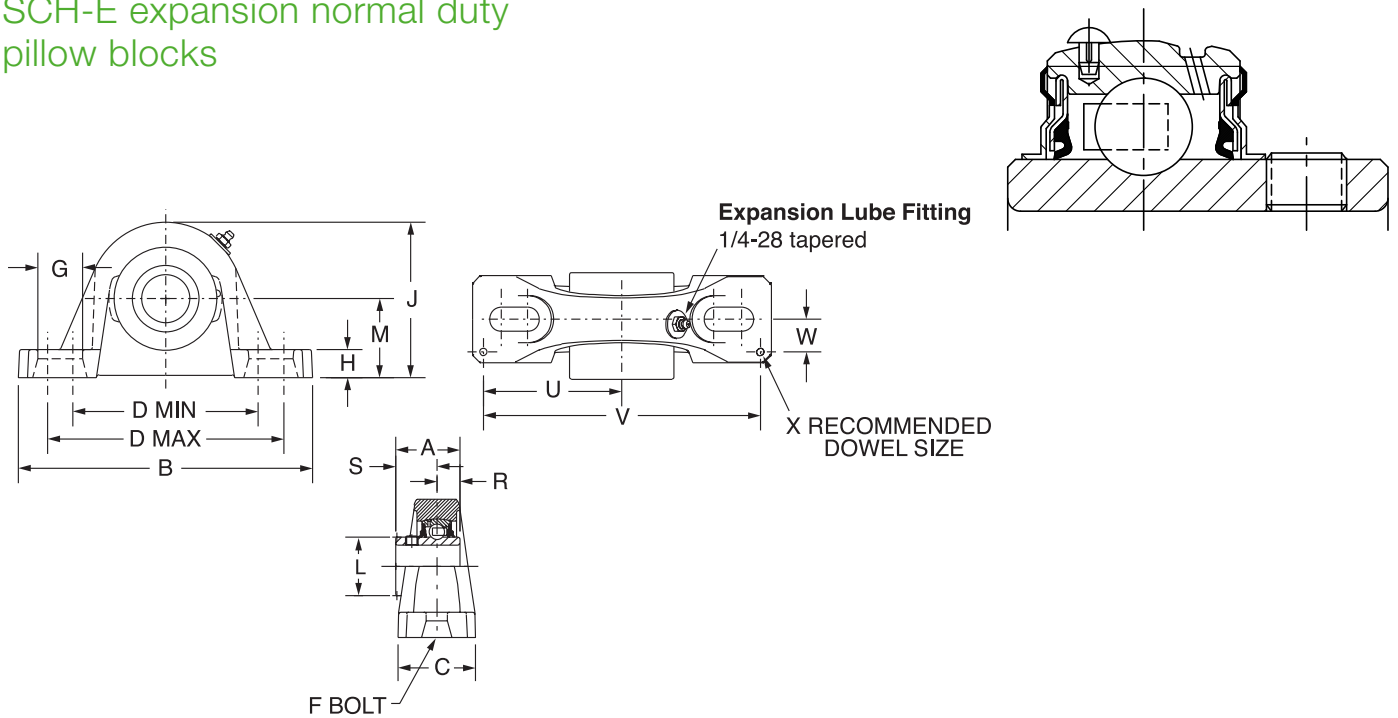
Unless specified, dimensions are in mm for metric parts and inches for non-metric parts.

Note: Dimensions are in MM (in)

# Set screw mounted ball bearings

## Selection/Dimensions

Set screw mounted ball bearings  
SCH-E expansion normal duty  
pillow blocks



Series	Shaft size	Expansion		Non-expansion	
		Part number	Description	Part number	Description
205	25mm	073418	P2B-SCH-25M-E	125925	P2B-SCM-25M
	1	064637	P2B-SCH-100-E	126147	P2B-SCM-100
206	30mm	053021	P2B-SCH-30M-E	125926	P2B-SCM-30M
	1-1/16	@	P2B-SCH-101-E	-----	-----
	1-1/8	@	P2B-SCH-102-E	-----	-----
	1 3/16	126405	P2B-SCH-103-E	126147	P2B-SCM-103
207	1-1/4	053183	P2B-SCH-104S-E	123810	P2B-SC-104
	35mm	073358	P2B-SCH-35M-E	125927	P2B-SCM-35M
	1-1/4	@	P2B-SCH-104-E	-----	-----
	1-5/16	@	P2B-SCH-105-E	-----	-----
209	1-3/8	@	P2B-SCH-106-E	-----	-----
	1-7/16	126406	P2B-SCH-107-E	126810	P2B-SCM-107
	45mm	056481	P2B-SCH-45M-E	125929	P2B-SCM-45M
	1-5/8	@	P2B-SCH-110L-E	-----	-----
210	1-11/16	057414	P2B-SCH-111-E	126812	P2B-SCM-111
	1-3/4	074926	P2B-SCH-112-E	126813	P2B-SCM-112
	50mm	056483	P2B-SCH-50M-E	125930	P2B-SCM-50M
211	1-15/16	126407	P2B-SCH-115-E	126814	P2B-SCM-115
	2	052224	P2B-SCH-200-E	126815	P2B-SCM-200
	55mm	053025	P2B-SCH-55M-E	125931	P2B-SCM-55M
212	2-3/16	126408	P2B-SCH-203-E	126816	P2B-SCM-203
	2-1/4	068800	P2B-SCH-204-E	126817	P2B-SCM-204
212	60mm	@	P2B-SCH-60M-E	-----	-----
	2-7/16	126409	P2B-SCH-207-E	126818	P2B-SCM-207

@Assembled to order

Unless specified, dimensions are in mm for metric parts and inches for non-metric parts.

Note: Dimensions are in MM (in)

# Set screw mounted ball bearings

## Selection/Dimensions

### Set screw mounted ball bearings SCH-E expansion normal duty pillow blocks

Series	Shaft size	Weight kg lb	A	B	C	D		F	G	H	J
						Min.	Max.				
205	25mm	1.2	34.0	158.8	44.5	108.0	127.0	M12	23.9	19.1	84.1
	1	2.8	1.34	6.25	1.75	4.25	5.00	1/2	0.94	0.75	3.31
206	30mm	1.9	38.6	165.1	44.5	118.9	138.2	M12	23.9	18.0	95.3
	1-1/16	4.8	1.52	6.50	1.75	4.68	5.44	1/2	0.94	0.71	3.75
	1-1/8	4.7	1.52	6.50	1.75	4.68	5.44	1/2	0.94	0.71	3.75
	1 3/16	4.6	1.52	6.50	1.75	4.68	5.44	1/2	0.94	0.71	3.75
	1-1/4	4.5	1.52	6.50	1.75	4.68	5.44	1/2	0.94	0.71	3.75
207	35mm	2.7	43.4	184.2	49.0	131.6	149.4	M12	23.1	23.6	106.4
	1-1/4	6.7	1.71	7.25	1.93	5.18	5.88	1/2	0.91	0.93	4.19
	1-5/16	6.6	1.71	7.25	1.93	5.18	5.88	1/2	0.91	0.93	4.19
	1-3/8	6.5	1.71	7.25	1.93	5.18	5.88	1/2	0.91	0.93	4.19
	1-7/16	6.4	1.71	7.25	1.93	5.18	5.88	1/2	0.91	0.93	4.19
209	45mm	2.6	49.3	206.2	57.2	152.4	169.7	M16	25.9	19.1	115.1
	1-5/8	6.4	1.94	8.12	2.25	6.00	6.68	5/8	1.02	0.75	4.53
	1-11/16	6.3	1.94	8.12	2.25	6.00	6.68	5/8	1.02	0.75	4.53
	1-3/4	6.2	1.94	8.12	2.25	6.00	6.68	5/8	1.02	0.75	4.53
210	50mm	4.0	49.3	225.6	58.4	162.1	189.0	M16	30.7	22.4	126.0
	1-15/16	9.8	1.94	8.88	2.30	6.38	7.44	5/8	1.21	0.88	4.96
	2	9.7	1.94	8.88	2.30	6.38	7.44	5/8	1.21	0.88	4.96
211	55mm	5.9	56.4	241.3	60.2	174.8	201.7	M16	30.7	22.4	137.2
	2-3/16	14.3	2.22	9.50	2.37	6.88	7.94	5/8	1.21	0.88	5.40
	2-1/4	14.2	2.22	9.50	2.37	6.88	7.94	5/8	1.21	0.88	5.40
212	60mm	6.8	58.7	273.1	68.3	190.5	215.9	M18	33.5	23.8	154.7
	2-7/16	16.6	2.31	10.75	2.69	7.50	8.50	3/4	1.32	0.94	6.09

Unless specified, dimensions are in mm for metric parts and inches for non-metric parts.

Note: Dimensions are in MM (in)

Series	Shaft size	L	M	R	S	T		U	V	W	X
						total	expansion				
205	25mm	33.5	42.9	14.2	19.8	4.1	73.2	146.3	14.2	3.0	
	1	1.32	1.69	0.56	0.78	0.16	2.88	5.76	0.56	0.12	
206	30mm	39.9	47.8	14.7	23.9	4.1	73.9	147.8	14.2	3.0	
	1-1/16	1.57	1.88	0.58	0.94	0.16	2.91	5.82	0.56	0.12	
	1-1/8	1.57	1.88	0.58	0.94	0.16	2.91	5.82	0.56	0.12	
	1 3/16	1.57	1.88	0.58	0.94	0.16	2.91	5.82	0.56	0.12	
	1-1/4	1.57	1.88	0.58	0.94	0.16	2.91	5.82	0.56	0.12	
207	35mm	46.7	54.1	17.0	26.4	4.1	82.8	165.6	17.5	3.0	
	1-1/4	1.84	2.13	0.67	1.04	0.16	3.26	6.52	0.69	0.12	
	1-5/16	1.84	2.13	0.67	1.04	0.16	3.26	6.52	0.69	0.12	
	1-3/8	1.84	2.13	0.67	1.04	0.16	3.26	6.52	0.69	0.12	
	1-7/16	1.84	2.13	0.67	1.04	0.16	3.26	6.52	0.69	0.12	
209	45mm	52.1	57.2	19.1	30.2	6.4	93.7	187.5	20.6	3.0	
	1-5/8	2.05	2.25	0.75	1.19	0.25	3.69	7.38	0.81	0.12	
	1-11/16	2.05	2.25	0.75	1.19	0.25	3.69	7.38	0.81	0.12	
	1-3/4	2.05	2.25	0.75	1.19	0.25	3.69	7.38	0.81	0.12	
210	50mm	61.7	63.5	19.1	30.2	5.6	100.1	200.2	20.6	3.0	
	1-15/16	2.43	2.50	0.75	1.19	0.22	3.94	7.88	0.81	0.12	
	2	2.43	2.50	0.75	1.19	0.22	3.94	7.88	0.81	0.12	
211	55mm	68.8	69.9	22.1	34.3	5.6	108.0	215.9	22.4	3.0	
	2-3/16	2.71	2.75	.87	1.35	0.22	4.25	8.50	0.88	0.12	
	2-1/4	2.71	2.75	.87	1.35	0.22	4.25	8.50	0.88	0.12	
212	60mm	75.4	76.2	22.9	35.8	5.6	124.0	247.9	23.9	3.0	
	2-7/16	2.97	3.00	0.90	1.41	0.22	4.88	9.76	0.94	0.12	

Unless specified, dimensions are in mm for metric parts and inches for non-metric parts.

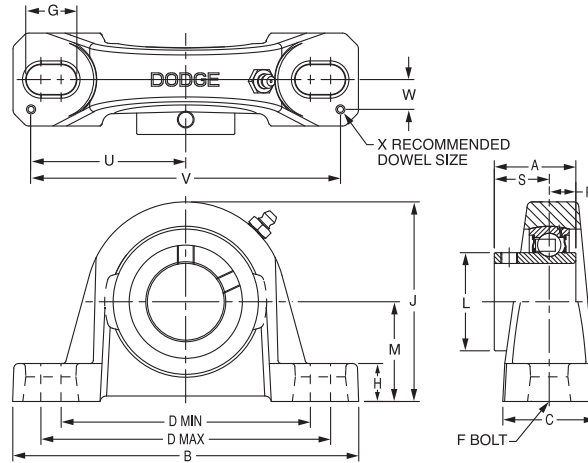
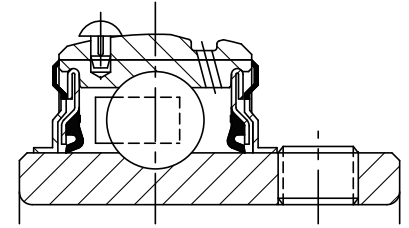
Note: Dimensions are in MM (in)



# Set screw mounted ball bearings

## Selection/Dimensions

### Set screw mounted ball bearings SCM medium duty pillow blocks



#### Lube fitting

203 series - 1/4-28 tapered thread  
204 series and larger - 1/8-27 NPT

Series	Shaft size	Standard		No-lube/Sealed for life (-NL)	
		Part no.	Description	Part no.	Description
206	25mm	125925	P2B-SCM-25M	@	P2B-SCM-25M-NL
	1	126147	P2B-SCM-100	058624	P2B-SCM-100-NL
206 (SCMU)	25mm	@	P2B-SCMU-25M	@	P2B-SCMU-25M-NL
	1	064249	P2B-SCMU-100	@	P2B-SCMU-100-NL
207	30mm	125926	P2B-SCM-30M	077777	P2B-SCM-30M-NL
	1-3/16	126148	P2B-SCM-103	052275	P2B-SCM-103-NL
	1-1/4	123810	P2B-SC-104	123933	P2B-SC-104-NL
208	35mm	125927	P2B-SCM-35M	@	P2B-SCM-35M-NL
	1-7/16	126810	P2B-SCM-107	126855	P2B-SCM-107-NL
209	40mm	125928	P2B-SCM-40M	@	P2B-SCM-40M-NL
	1-1/2	126811	P2B-SCM-108	058400	P2B-SCM-108-NL
	1-5/8	125169	P2B-SC-110L	@	P2B-SC-110L-NL
210	45mm	125929	P2B-SCM-45M	@	P2B-SLM-45M-NL
	1-11/16	126812	P2B-SCM-111	075105	P2B-SCM-111-NL
	1-3/4	126813	P2B-SCM-112	@	P2B-SCM-112-NL
211	50mm	125930	P2B-SCM-50M	065548	P2B-SCM-50M-NL
	1-15/16	126814	P2B-SCM-115	126856	P2B-SCM-115-NL
	2	126815	P2B-SCM-200	126547	P2B-SCM-200-NL
212	55mm	125931	P2B-SCM-55M	@	P2B-SCM-55M-NL
	2-3/16	126816	P2B-SCM-203	052005	P2B-SCM-203-NL
	2-1/4	126817	P2B-SCM-204	@	P2B-SCM-204-NL
214	65mm	125932	P2B-SCM-65M	068025	P2B-SCM-65M-NL
	2-7/16	126818	P2B-SCM-207	126857	P2B-SCM-207-NL
	2-1/2	126819	P2B-SCM-208	062178	P2B-SCM-208-NL
215	70mm	125933	P2B-SCM-70M	@	P2B-SC-70M-NL
	2-11/16	126820	P2B-SCM-211	126533	P2B-SCM-211-NL
216	75mm	125934	P2B-SCM-75M	062186	P2B-SCM-75M-NL
	2-15/16	126821	P2B-SCM-215	126534	P2B-SCM-215-NL
	3	126822	P2B-SCM-300	126535	P2B-SCM-300-NL
218	85mm	125935	PWB-SCM-85M	@	PWB-SCM-85M-NL
	3-7/16	126823	P2B-SCM-307	@	P2B-SCM-307-NL
	3-1/2	126824	P2B-SCM-308	@	P2B-SCM-308-NL

@Assembled to order

Unless specified, dimensions are in mm for metric parts and inches for non-metric parts.

Note: Dimensions are in MM (in)

# Set screw mounted ball bearings

## Selection/Dimensions

### Set screw mounted ball bearings SCM medium duty pillow blocks

Series	Shaft size	Weight		A	B	C	D		F	G	H	J	L	M	R	S	U	V	W	X
		kg	lb				Min.	Max.												
		206	25mm				1.3	3.0												
	1	3.0	1.52	6.25	1.75	4.25	5.00	1/2	0.94	0.68	3.25	1.57	1.63	0.58	0.94	2.88	5.76	0.56	0.12	
206	25mm	1.4	3.1	38.6	158.8	44.5	108.0	127.0	M12	23.9	20.6	85.6	39.9	44.5	14.7	23.9	73.2	146.3	14.2	3.0
	1	3.1	1.52	6.25	1.75	4.25	5.00	1/2	0.94	0.81	3.37	1.57	1.75	0.58	0.94	2.88	5.76	0.56	0.12	
207	30mm	2.0	4.6	43.4	165.1	44.5	118.9	138.2	M12	23.9	18.0	95.3	46.7	47.6	17.0	26.4	73.9	147.8	14.2	3.0
	1-3/16	4.6	1.71	6.50	1.75	4.68	5.44	1/2	0.94	0.71	3.75	1.84	1.88	0.67	1.04	2.91	5.82	0.56	0.12	
	1-1/4	4.2	1.71	6.50	1.75	4.68	5.44	1/2	0.94	0.71	3.75	1.84	1.88	0.67	1.04	2.91	5.82	0.56	0.12	
208	35mm	2.3	5.4	49.3	184.2	49.0	131.6	149.4	M12	23.1	23.6	106.4	52.1	54.0	19.1	30.2	82.8	165.6	17.5	3.0
	1-7/16	5.4	1.94	7.25	1.93	5.18	5.88	1/2	0.91	0.93	4.19	2.05	2.13	0.75	1.19	3.26	6.52	0.69	0.12	
209	40mm	2.7	6.3	49.3	189.0	50.8	139.7	157.2	M12	22.9	19.1	108.7	56.4	54.0	19.1	30.2	85.9	171.7	17.5	3.0
	1-1/2	6.4	1.94	7.44	2.00	5.50	6.19	1/2	0.90	0.75	4.28	2.22	2.13	0.75	1.19	3.38	6.76	0.69	0.12	
	1-5/8	6.3	1.94	7.44	2.00	5.50	6.19	1/2	0.90	0.75	4.28	2.22	2.13	0.75	1.19	3.38	6.76	0.69	0.12	
210	45mm	3.2	7.4	49.3	206.2	57.2	152.4	169.7	M16	25.9	19.1	115.1	61.7	57.2	19.1	30.2	93.7	187.5	20.6	3.0
	1-11/16	7.4	1.94	8.12	2.25	6.00	6.68	5/8	1.02	0.75	4.53	2.43	2.25	0.75	1.19	3.69	7.38	0.81	0.12	
	1-3/4	7.3	1.94	8.12	2.25	6.00	6.68	5/8	1.02	0.75	4.53	2.43	2.25	0.75	1.19	3.69	7.38	0.81	0.12	
211	50mm	3.9	9.2	56.4	225.6	58.4	162.1	189.0	M16	30.7	22.4	126.0	68.8	63.5	22.1	34.3	100.1	200.2	20.6	3.0
	1-15/16	9.2	2.22	8.88	2.30	6.38	7.44	5/8	1.21	0.88	4.96	2.71	2.50	0.87	1.35	3.94	7.88	0.81	0.12	
	2	9.0	2.22	8.88	2.30	6.38	7.44	5/8	1.21	0.88	4.96	2.71	2.50	0.87	1.35	3.94	7.88	0.81	0.12	
212	55mm	4.7	11.0	58.7	241.3	60.2	174.8	201.7	M16	30.7	22.4	137.2	75.4	69.9	22.9	35.8	108.0	215.9	22.4	3.0
	2-3/16	11.0	2.31	9.50	2.37	6.88	7.94	5/8	1.21	0.88	5.40	2.97	2.75	0.90	1.41	4.25	8.50	0.88	0.12	
	2-1/4	10.8	2.31	9.50	2.37	6.88	7.94	5/8	1.21	0.88	5.40	2.97	2.75	0.90	1.41	4.25	8.50	0.88	0.12	
214	65mm	6.7	15.7	64.5	273.1	68.3	190.5	215.9	M18	33.5	23.9	154.7	84.1	76.2	26.9	37.6	124.0	247.9	23.9	3.0
	2-7/16	15.7	2.54	10.75	2.69	7.50	8.50	3/4	1.32	0.94	6.09	3.31	3.00	1.06	1.48	4.88	9.76	0.94	0.12	
	2-1/2	15.5	2.54	10.75	2.69	7.50	8.50	3/4	1.32	0.94	6.09	3.31	3.00	1.06	1.48	4.88	9.76	0.94	0.12	
215	70mm	9.0	21.0	59.2	298.5	73.2	215.9	241.3	M22	36.6	25.4	171.5	91.9	88.9	21.8	37.3	139.2	278.4	26.4	3.0
	2-11/16	21.0	2.33	11.75	2.88	8.50	9.50	7/8	1.44	1.00	6.75	3.62	3.50	0.86	1.47	5.48	10.96	1.04	0.12	
216	75mm	9.0	21.3	60.5	298.5	76.2	215.9	241.3	M22	36.6	31.8	177.0	97.3	88.9	22.4	38.1	139.7	279.4	27.7	3.0
	2-15/16	21.3	2.38	11.75	3.00	8.50	9.50	7/8	1.44	1.25	6.97	3.83	3.50	0.88	1.50	5.50	11.00	1.09	0.12	
	3	21.1	2.38	11.75	3.00	8.50	9.50	7/8	1.44	1.25	6.97	3.83	3.50	0.88	1.50	5.50	11.00	1.09	0.12	
218	85mm	13.6	31.8	65.0	355.6	85.9	262.1	295.1	M22	40.4	33.3	203.2	110.5	101.6	24.4	40.6	167.6	335.3	30.2	3.0
	3-7/16	31.8	2.56	14.00	3.38	10.32	11.62	7/8	1.59	1.31	8.00	4.35	4.00	0.96	1.60	6.60	13.20	1.19	0.12	
	3-1/2	31.3	2.56	14.00	3.38	10.32	11.62	7/8	1.59	1.31	8.00	4.35	4.00	0.96	1.60	6.60	13.20	1.19	0.12	

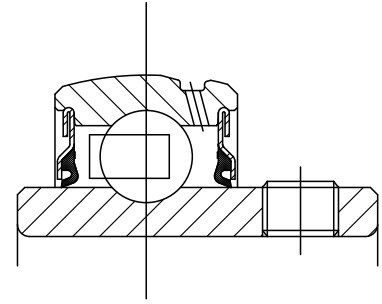
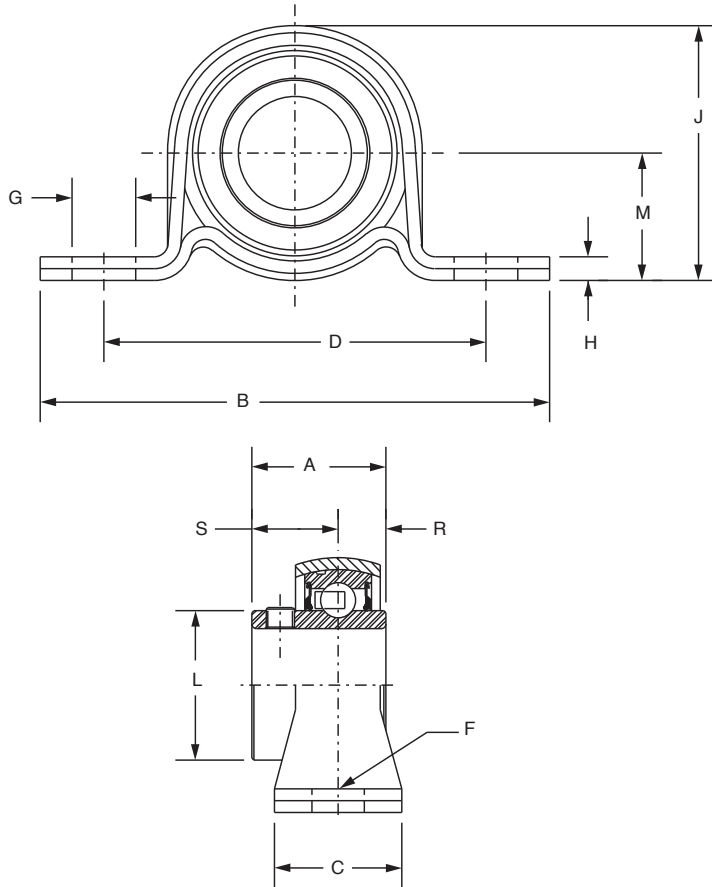
Unless specified, dimensions are in mm for metric parts and inches for non-metric parts.

Note: Dimensions are in MM (in)

# Set screw mounted ball bearings

## Selection/Dimensions

Set screw mounted ball bearings  
SL light duty pillow blocks



Series	Shaft size	Part no.	Description
203	17mm	@	P2BSL-17M
	1/2	059637	P2B-SL-008
	5/8	128197	P2B-SL-010
204	20mm	@	P2B-SL-20M
	3/4	128106	P2B-SL-012
205	25mm	068068	P2B-SL-25M
	7/8	128170	P2B-SL-014
	15/16	128171	P2B-SL-015
	1	128107	P2B-SL-100
206	30mm	049944	P2B-SL-30M
	1-1/8	128172	P2B-SL-102
	1-3/16	128108	P2B-SL-103
	1-1/4	128111	P2B-SL-104S
207	35mm	@	P2B-SL-35M
	1-1/4	128109	P2B-SL-104
	1-3/8	128173	P2B-SL-106
	1-7/16	128110	P2B-SL-107

@Assembled to order

Unless specified, dimensions are in mm for metric parts and inches for non-metric parts.  
Note: Dimensions are in MM (in)

# Set screw mounted ball bearings

## Selection/Dimensions

Set screw mounted ball bearings

SL light duty pillow blocks

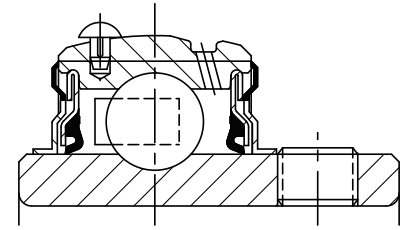
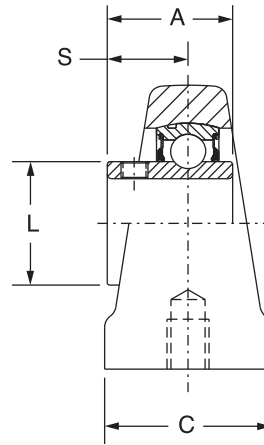
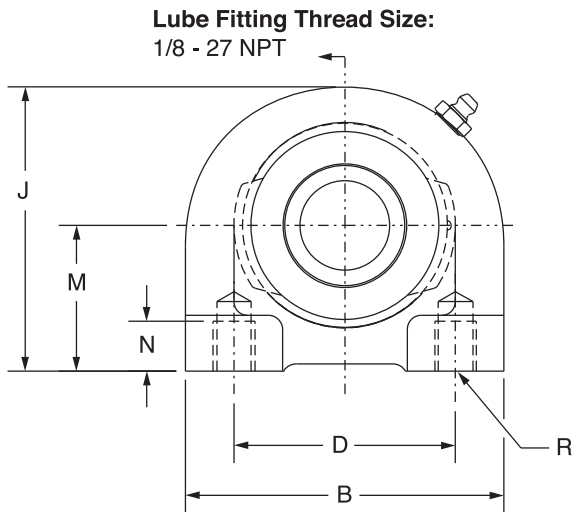
Series	Shaft size	Weight kg lb	A	B	C	D	F bolt dia.	G	H	J	L	M	R	S	Housing radial load rating N (lb)
203	17mm	0.2	25.4	92.2	25.4	68.3	M6	12.7	3.3	44.5	24.4	22.4	9.1	16.3	4946 (1112)
	1/2	0.51	1.00	3.63	1.00	2.69	1/4	0.50	0.13	1.75	0.96	0.88	0.36	0.64	1112 (250)
	5/8	0.49	1.00	3.63	1.00	2.69	1/4	0.50	0.13	1.75	0.96	0.88	0.36	0.64	1112 (250)
204	20mm	0.3	25.9	104.9	25.4	76.2	M10	12.7	3.8	52.3	28.4	25.4	7.4	18.5	6921 (1556)
	3/4	0.61	1.02	4.13	1.00	3.00	3/8	0.50	0.15	2.06	1.12	1.00	0.29	0.73	1557 (350)
205	25mm	0.4	26.9	114.3	28.7	85.9	M10	14.2	5.3	56.4	33.5	28.7	7.6	19.3	7913 (1779)
	7/8	0.79	1.06	4.50	1.13	3.38	3/8	0.56	0.21	2.22	1.32	1.13	0.30	0.76	1779 (400)
	15/16	0.76	1.06	4.50	1.13	3.38	3/8	0.56	0.21	2.22	1.32	1.13	0.30	0.76	1779 (400)
	1	0.73	1.06	4.50	1.13	3.38	3/8	0.56	0.21	2.22	1.32	1.13	0.30	0.76	1779 (400)
206	30mm	0.5	32.0	124.0	31.8	95.3	M10	14.2	6.1	66.5	39.9	33.3	8.9	23.1	11868 (2668)
	1-1/8	1.14	1.26	4.88	1.25	3.75	3/8	0.56	0.24	2.62	1.57	1.31	0.35	0.91	2669 (600)
	1-3/16	1.12	1.26	4.88	1.25	3.75	3/8	0.56	0.24	2.62	1.57	1.31	0.35	0.91	2669 (600)
	1-1/4	1.10	1.26	4.88	1.25	3.75	3/8	0.56	0.24	2.62	1.57	1.31	0.35	0.91	2669 (600)
207	35mm	0.7	35.6	146.1	31.8	108.0	M12	19.1	6.1	79.2	46.7	39.6	9.4	26.2	15822 (3557)
	1-1/4	1.54	1.40	5.75	1.25	4.25	1/2	0.75	0.24	3.12	1.84	1.56	0.37	1.03	3559 (800)
	1-3/8	1.50	1.40	5.75	1.25	4.25	1/2	0.75	0.24	3.12	1.84	1.56	0.37	1.03	3559 (800)
	1-7/16	1.48	1.40	5.75	1.25	4.25	1/2	0.75	0.24	3.12	1.84	1.56	0.37	1.03	3559 (800)

Unless specified, dimensions are in mm for metric parts and inches for non-metric parts.  
Note: Dimensions are in MM (in)

# Set screw mounted ball bearings

## Selection/Dimensions

Set screw mounted ball bearings  
SC normal duty tapped base  
pillow blocks



Series	Shaft size	Part no.	Description
204	20mm	130354	TB-SC-20M
	1/2	124460	TB-SC-008
	5/8	124461	TB-SC-010
	3/4	124462	TB-SC-012
205	25mm	130355	TB-SC-25M
	7/8	124463	TB-SC-014
	15/16	124464	TB-SC-015
	1	124465	TB-SC-100
206	30mm	130356	TB-SC-30M
	1-1/16	124466	TB-SC-101
	1-1/8	124467	TB-SC-102
	1-3/16	124468	TB-SC-103
	1-1/4	124469	TB-SC-104S
207	35mm	130357	TB-SC-35M
	1-1/4	124470	TB-SC-104
	1-5/16	124471	TB-SC-105
	1-3/8	124472	TB-SC-106
	1-7/16	124473	TB-SC-107
208	40mm	130358	TB-SC-40M
	1-1/2	124479	TB-SC-108
	1-5/8	128998	TB-SC-110
209	45mm	130359	TB-SC-45M
	1-5/8	049859	TB-SC-110L
	1-11/16	054548	TB-SC-111
	1-3/4	054781	TB-SC-112
210	50mm	130360	TB-SC-50M
	1-15/16	124478	TB-SC-115
	2	052472	TB-SC-200
211	55mm	130361	TB-SC-55M
	2	124480	TB-SC-200L
	2-3/16	050386	TB-SC-203
	2-1/4	054436	TB-SC-204

Unless specified, dimensions are in mm for metric parts and inches for non-metric parts.  
Note: Dimensions are in MM (in)

# Set screw mounted ball bearings

## Selection/Dimensions

Set screw mounted ball bearings  
SC normal duty tapped base  
pillow blocks

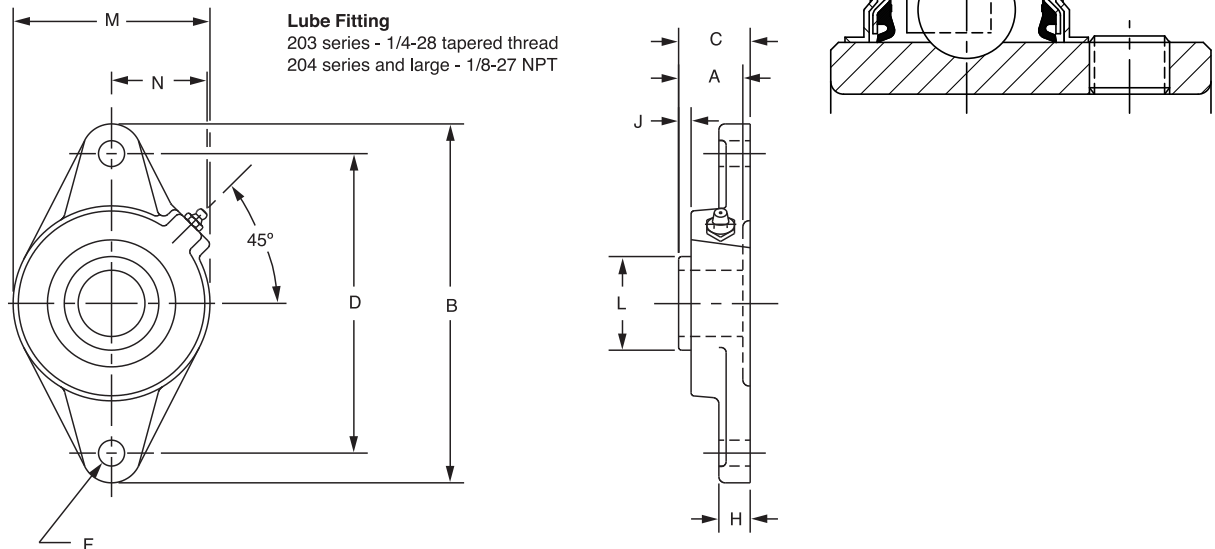
Series	Shaft size	Weight kg lb	A	B	C	D	J	L	M	N	R	S
204	20mm	0.06	31.2	73.2	38.1	50.8	65.0	28.4	33.4	12.7	M8x1.25	18.5
	1/2	1.56	1.23	2.88	1.50	2.00	2.56	1.12	1.31	0.50	3/8-16	0.73
	5/8	1.53	1.23	2.88	1.50	2.00	2.56	1.12	1.31	0.50	3/8-16	0.73
	3/4	1.50	1.23	2.88	1.50	2.00	2.56	1.12	1.31	0.50	3/8-16	0.73
205	25mm	0.07	34.0	76.2	38.1	50.8	71.4	33.5	36.5	12.7	M10x1.5	19.8
	7/8	1.93	1.34	3.00	1.50	2.00	2.81	1.32	1.44	0.50	3/8-16	0.78
	15/16	1.90	1.34	3.00	1.50	2.00	2.81	1.32	1.44	0.50	3/8-16	0.78
	1	1.87	1.34	3.00	1.50	2.00	2.81	1.32	1.44	0.50	3/8-16	0.78
206	30mm	0.10	38.6	101.6	38.1	76.2	85.9	39.9	42.9	16.0	M10x1.5	23.9
	1-1/16	2.66	1.52	4.00	1.50	3.00	3.38	1.57	1.69	0.63	7/16-14	0.94
	1-1/8	2.62	1.52	4.00	1.50	3.00	3.38	1.57	1.69	0.63	7/16-14	0.94
	1-3/16	2.59	1.52	4.00	1.50	3.00	3.38	1.57	1.69	0.63	7/16-14	0.94
	1-1/4	2.56	1.52	4.00	1.50	3.00	3.38	1.57	1.69	0.63	7/16-14	0.94
207	35mm	0.13	43.4	108.0	47.8	82.6	95.3	46.7	47.6	19.1	M10x1.5	26.4
	1-1/4	3.41	1.71	4.25	1.88	3.25	3.75	1.84	1.88	0.75	1/2-13	1.04
	1-5/16	3.36	1.71	4.25	1.88	3.25	3.75	1.84	1.88	0.75	1/2-13	1.04
	1-3/8	3.34	1.71	4.25	1.88	3.25	3.75	1.84	1.88	0.75	1/2-13	1.04
	1-7/16	3.25	1.71	4.25	1.88	3.25	3.75	1.84	1.88	0.75	1/2-13	1.04
208	40mm	0.16	49.3	117.6	47.8	88.9	100.1	52.1	49.2	19.1	M12x1.75	30.2
	1-1/2	4.10	1.94	4.63	1.88	3.50	3.94	2.05	1.94	0.75	1/2-13	1.19
	1-5/8	4.00	1.94	4.63	1.88	3.50	3.94	2.05	1.94	0.75	1/2-13	1.19
209	45mm	0.20	49.3	127.0	50.8	95.3	108.0	56.4	54.0	19.1	M12x1.75	30.2
	1-5/8	5.20	1.94	5.00	2.00	3.75	4.25	2.22	2.13	0.75	1/2-13	1.19
	1-11/16	5.00	1.94	5.00	2.00	3.75	4.25	2.22	2.13	0.75	1/2-13	1.19
	1-3/4	4.90	1.94	5.00	2.00	3.75	4.25	2.22	2.13	0.75	1/2-13	1.19
210	50mm	0.21	49.3	139.7	50.8	101.6	117.6	61.7	57.2	22.4	M16x2	30.2
	1-15/16	5.40	1.94	5.50	2.00	4.00	4.63	2.43	2.25	0.88	5/8-11	1.19
	2	5.20	1.94	5.50	2.00	4.00	4.63	2.43	2.25	0.88	5/8-11	1.19
211	55mm	0.25	56.4	139.7	50.8	101.6	117.6	68.8	57.2	22.4	M16x2	34.3
	2	6.70	2.22	5.50	2.00	4.00	4.63	2.71	2.25	0.88	5/8-11	1.35
	2-3/16	6.50	2.22	5.50	2.00	4.00	4.63	2.71	2.25	0.88	5/8-11	1.35
	2-1/4	6.30	2.22	5.50	2.00	4.00	4.63	2.71	2.25	0.88	5/8-11	1.35

Unless specified, dimensions are in mm for metric parts and inches for non-metric parts.  
Note: Dimensions are in MM (in)

# Set screw mounted ball bearings

## Selection/Dimensions

### Set screw mounted ball bearings SC normal duty 2-bolt flange bearings



Series	Shaft size	Standard		No-lube/sealed for life (-NL)	
		Part no.	Description	Part no.	Description
203	17mm	<b>125875</b>	F2B-SC-17M	@	F2B-SC-17M-NL
	1/2	<b>124198</b>	F2B-SC-008	@	F2B-SC-008-NL
	5/8	<b>124199</b>	F2B-SC-010	<b>124256</b>	F2B-SC-010-NL
204	20mm	<b>125876</b>	F2B-SC-20M	<b>050119</b>	F2B-SC-20M-NL
	1/2	<b>124166</b>	F2B-SC-008L	<b>052220</b>	F2B-SC-008L-NL
	5/8	<b>124167</b>	F2B-SC-010L	<b>124176</b>	F2B-SC-010L-NL
	3/4	<b>124170</b>	F2B-SC-012	<b>124175</b>	F2B-SC-012-NL
205	25mm	<b>125877</b>	F2B-SC-25M	<b>124785</b>	F2B-SC-25M-NL
	7/8	<b>124171</b>	F2B-SC-014	<b>126516</b>	F2B-SC-014-NL
	15/16	<b>124172</b>	F2B-SC-015	<b>073662</b>	F2B-SC-015-NL
	1	<b>124173</b>	F2B-SC-100	<b>124174</b>	F2B-SC-100-NL
206	30mm	<b>125878</b>	F2B-SC-30M	<b>126102</b>	F2B-SC-30M-NL
	1-1/16	<b>124410</b>	F2B-SC-101	@	F2B-SC-101-NL
	1-1/8	<b>124274</b>	F2B-SC-102	<b>065766</b>	F2B-SC-102-NL
	1-3/16	<b>124275</b>	F2B-SC-103	<b>124614</b>	F2B-SC-103-NL
	1-1/4	<b>123172</b>	F2B-SC-104S	<b>064656</b>	F2B-SC-104S-NL
207	35mm	<b>125879</b>	F2B-SC-35M	<b>067663</b>	F2B-SC-35M-NL
	1-1/4	<b>124276</b>	F2B-SC-104	<b>126518</b>	F2B-SC-104-NL
	1-5/16	<b>124411</b>	F2B-SC-105	@	F2B-SC-105-NL
	1-3/8	<b>124277</b>	F2B-SC-106	<b>126519</b>	F2B-SC-106-NL
	1-7/16	<b>124278</b>	F2B-SC-107	<b>124618</b>	F2B-SC-107-NL

@Assembled to order

Unless specified, dimensions are in mm for metric parts and inches for non-metric parts.

Note: Dimensions are in MM (in)

# Set screw mounted ball bearings

## Selection/Dimensions

Set screw mounted ball bearings

SC normal duty 2-bolt flange bearings

Series	Shaft size	Weight kg lb	A	B	C	D	F bolt dia.	H	J	L	M	N
203	17mm	0.3	25.4	98.6	29.7	76.2	M10	9.7	8.1	24.4	54.1	28.7
	1/2	0.8	1.00	3.88	1.17	3.00	3/8	0.38	0.32	0.96	2.13	1.13
	5/8	0.7	1.00	3.88	1.17	3.00	3/8	0.38	0.32	0.96	2.13	1.13
204	20mm	0.5	31.2	112.0	34.0	89.7	M10	12.7	9.1	28.4	60.5	38.1
	5/8	1.5	1.23	4.41	1.34	3.53	3/8	0.50	0.36	1.12	2.38	1.50
	3/4	1.4	1.23	4.41	1.34	3.53	3/8	0.50	0.36	1.12	2.38	1.50
205	20mm	0.5	31.2	112.0	34.0	89.7	M10	12.7	9.1	28.4	60.5	38.1
	25mm	0.6	34.0	124.0	34.8	98.8	M10	13.2	10.7	33.5	69.9	36.6
	7/8	1.6	1.34	4.88	1.37	3.89	7/16	0.52	0.42	1.32	2.75	1.44
	15/16	1.5	1.34	4.88	1.37	3.89	7/16	0.52	0.42	1.32	2.75	1.44
206	1	1.4	1.34	4.88	1.37	3.89	7/16	0.52	0.42	1.32	2.75	1.44
	30mm	7.0	38.6	141.2	39.6	116.7	M10	12.7	12.4	39.9	79.5	39.6
	1-1/16	2.3	1.52	5.56	1.56	4.59	7/16	0.50	0.49	1.57	3.13	1.56
	1-1/8	2.2	1.52	5.56	1.56	4.59	7/16	0.50	0.49	1.57	3.13	1.56
	1-3/16	2.1	1.52	5.56	1.56	4.59	7/16	0.50	0.49	1.57	3.13	1.56
207	1-1/4	2.0	1.52	5.56	1.56	4.59	7/16	0.50	0.49	1.57	3.13	1.56
	35mm	7.5	43.4	155.7	44.5	130.0	M12	14.2	13.5	46.7	95.3	46.7
	1-1/4	3.5	1.71	6.13	1.75	5.12	1/2	0.56	0.53	1.84	3.75	1.84
	1-5/16	3.4	1.71	6.13	1.75	5.12	1/2	0.56	0.53	1.84	3.75	1.84
	1-3/8	3.2	1.71	6.13	1.75	5.12	1/2	0.56	0.53	1.84	3.75	1.84
1-7/16	3.1	1.71	6.13	1.75	5.12	1/2	0.56	0.53	1.84	3.75	1.84	

Unless specified, dimensions are in mm for metric parts and inches for non-metric parts.

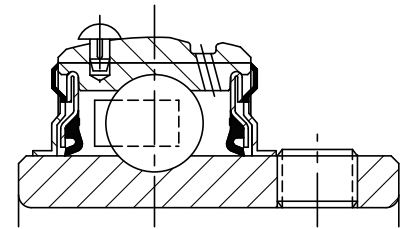
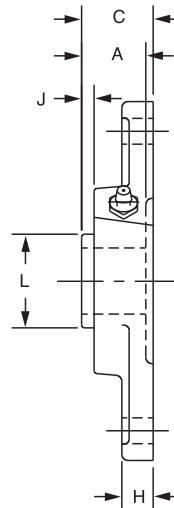
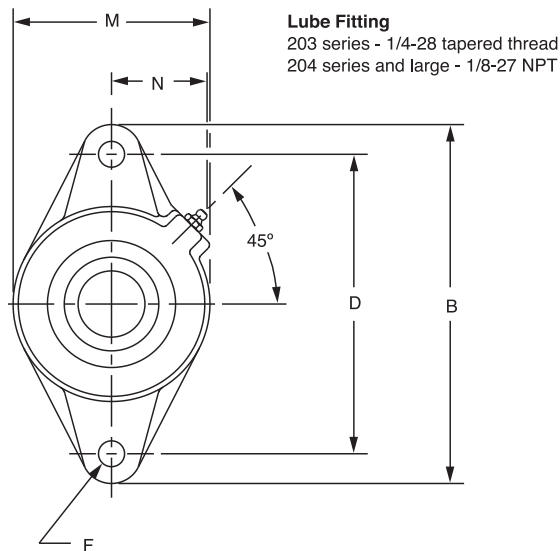
Note: Dimensions are in MM (in)



# Set screw mounted ball bearings

## Selection/Dimensions

### Set screw mounted ball bearings SC normal duty 2-bolt flange bearings



Series	Shaft size	Standard		No-lube/Sealed for life (-NL)	
		Part no.	Description	Part no.	Description
208	40mm	125880	F2B-SC-40M	126042	F2B-SC-40M-NL
	1-1/2	124268	F2B-SC-108	052011	F2B-SC-108-NL
	1-5/8	124412	F2B-SC-110	@	F2B-SC-110-NL
209	45mm	125881	F3B-SC-45M	@	F2B-SC-45M-NL
	1-5/8	125171	F2B-SC-110L	@	F2B-SC-110L-NL
	1-11/16	124279	F2B-SC-111	067666	F2B-SC-111-NL
	1-3/4	124413	F2B-SC-112	126521	F2B-SC-112-NL
	1-13/16	124280	F2B-SC-113	067019	F2B-SC-113-NL
210	50mm	125882	F2B-SC-50M	124282	F2B-SC-50M-NL
	1-15/16	124269	F2B-SC-115	126522	F2B-SC-115-NL
	2	124270	F2B-SC-200	126523	F2B-SC-200-NL
211	55mm	124942	F2B-SC-55M	@	F2B-SC-55M-NL
	2	126293	F2B-SCM-200	065595	F2B-SCM-200-NL
	2-3/16	124034	F2B-SC-203	067959	F2B-SC-203-NL
	2-1/4	124373	F2B-SC-204	@	F2B-SC-204-NL
212	60mm	053883	F2B-SC-60M	@	F2B-SC-60M-NL
	2-1/4	@	F2B-SCM-204	093733	F2B-SCM-204-NL
	2-7/16	053175	F2B-SC-207	049437	F2B-SC-207-NL

@Assembled to order

Unless specified, dimensions are in mm for metric parts and inches for non-metric parts.

Note: Dimensions are in MM (in)

# Set screw mounted ball bearings

## Selection/Dimensions

Set screw mounted ball bearings

SC normal duty 2-bolt flange bearings

Series	Shaft size	Weight kg lb	A	B	C	D	F bolt dia.	H	J	L	M	N
208	40mm	1.8	49.3	171.5	50.0	143.8	M12	14.2	16.0	52.1	104.9	46.5
	1-1/2	4.1	1.94	6.75	1.97	5.66	1/2	0.56	0.63	2.05	4.13	1.83
	1-5/8	4.0	1.94	6.75	1.97	5.66	1/2	0.56	0.63	2.05	4.13	1.83
209	45mm	2.2	49.3	179.3	50.5	148.3	M14	16.0	15.0	56.4	111.3	48.5
	1-5/8	5.2	1.94	7.06	1.99	5.84	1/2	0.63	0.59	2.22	4.38	1.91
	1-11/16	5.0	1.94	7.06	1.99	5.84	1/2	0.63	0.59	2.22	4.38	1.91
	1-3/4	4.9	1.94	7.06	1.99	5.84	1/2	0.63	0.59	2.22	4.38	1.91
	1-13/16	4.7	1.94	7.06	1.99	5.84	1/2	0.63	0.59	2.22	4.38	1.91
210	50mm	2.5	49.3	189.0	51.3	157.2	M16	16.0	14.0	61.7	115.8	51.6
	1-15/16	5.4	1.94	7.44	2.02	6.19	1/2	0.63	0.55	2.43	4.56	2.03
	2	5.2	1.94	7.44	2.02	6.19	1/2	0.63	0.55	2.43	4.56	2.03
211	55mm	3.0	56.4	219.2	57.9	184.2	M16	17.0	17.3	68.8	133.4	57.7
	2	6.7	2.22	8.63	2.28	7.25	5/8	0.67	0.68	2.71	5.25	2.27
	2-3/16	6.5	2.22	8.63	2.28	7.25	5/8	0.67	0.68	2.71	5.25	2.27
	2-1/4	6.3	2.22	8.63	2.28	7.25	5/8	0.67	0.68	2.71	5.25	2.27
212	60mm	3.4	58.7	249.2	60.5	202.1	M22	20.6	16.8	75.4	139.7	62.7
	2-1/4	7.4	2.31	9.81	2.38	7.96	5/8	0.81	0.66	2.97	5.50	2.47
	2-7/16	7.0	2.31	9.81	2.38	7.96	5/8	0.81	0.66	2.97	5.50	2.47

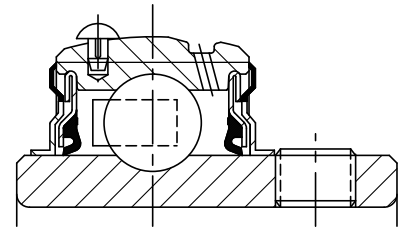
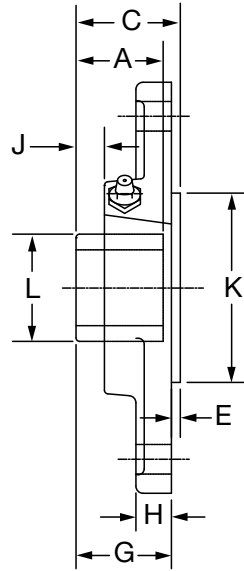
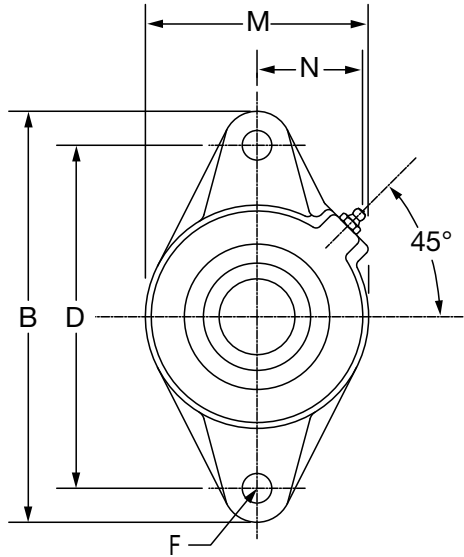
Unless specified, dimensions are in mm for metric parts and inches for non-metric parts.

Note: Dimensions are in MM (in)

# Set screw mounted ball bearings

## Selection/Dimensions

Set screw mounted ball bearings  
SC normal duty 2-bolt piloted flange bearings



Series	Shaft size	Part no.	Description
204	20mm	<b>130367</b>	F2BZ-SC-20M
	1/2	@	F2BZ-SC-008L
	5/8	<b>064775</b>	F2BZ-SC-010L
	3/4	<b>062648</b>	F2BZ-SC-012
205	25mm	<b>130368</b>	F2BZ-SC-25M
	7/8	<b>068915</b>	F2BZ-SC-014
	15/16	@	F2BZ-SC-015
206	30mm	<b>130369</b>	F2BZ-SC-30M
	1-1/8	<b>049926</b>	F2BZ-SC-102
	1-3/16	<b>064480</b>	F2BZ-SC-103
	1-1/4	<b>064361</b>	F2BZ-SC-104S
207	35mm	<b>130370</b>	F2BZ-SC-35M
	1-1/4	<b>064089</b>	F2BZ-SC-104
	1-3/8	<b>068937</b>	F2BZ-SC-106
	1-7/16	<b>065565</b>	F2BZ-SC-107
208	40mm	<b>130371</b>	F2BZ-SC-40M
	1-1/2	<b>062686</b>	F2BZ-SC-108
	1-5/8	@	F2BZ-SC-110
209	45mm	<b>130372</b>	F2BZ-SC-45M
	1-5/8	@	F2BZ-SC-110L
	1-11/16	<b>068839</b>	F2BZ-SC-111
	1-3/4	@	F2BZ-SC-112
210	50mm	<b>130373</b>	F2BZ-SC-50M
	1-15/16	<b>056845</b>	F2BZ-SC-115
	2	<b>074396</b>	F2BZ-SC-200

@Assembled to order

Unless specified, dimensions are in mm for metric parts and inches for non-metric parts.  
Note: Dimensions are in MM (in)

# Set screw mounted ball bearings

## Selection/Dimensions

### Set screw mounted ball bearings

### SC normal duty 2-bolt piloted flange bearings

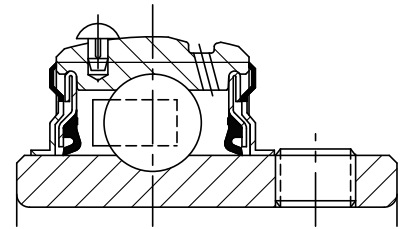
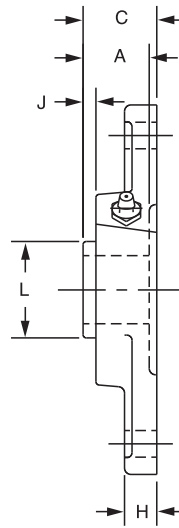
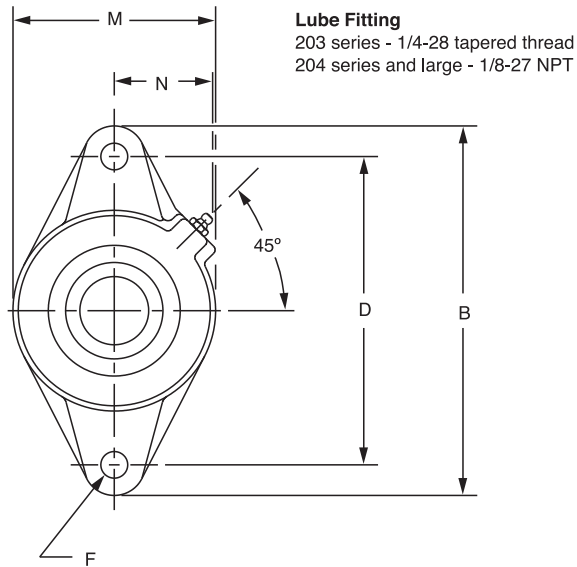
Series	Shaft size	Weight kg lb	A	B	C	D	E	F bolt dia.	G	H	J	K	L	M	N
204	20mm	0.3	31.2	112.0	35.3	89.7	3.6	M10	32.0	12.7	10.4	54.99/54.94	28.4	60.5	38.1
	1/2	1.2	1.23	4.41	1.39	3.53	0.14	3/8	1.26	0.50	0.41	2.165/2.163	1.12	2.38	1.50
	5/8	1.2	1.23	4.41	1.39	3.53	0.14	3/8	1.26	0.50	0.41	2.165/2.163	1.12	2.38	1.50
	3/4	1.1	1.23	4.41	1.39	3.53	0.14	3/8	1.26	0.50	0.41	2.165/2.163	1.12	2.38	1.50
205	25mm	0.6	34.0	124.0	38.4	98.8	3.6	M10	34.8	13.2	10.7	59.99/59.94	33.5	69.9	36.6
	7/8	1.4	1.34	4.88	1.51	3.89	0.14	7/16	1.37	0.52	0.42	2.362/2.360	1.32	2.75	1.44
	15/16	1.4	1.34	4.88	1.51	3.89	0.14	7/16	1.37	0.52	0.42	2.362/2.360	1.32	2.75	1.44
	1	1.4	1.34	4.88	1.51	3.89	0.14	7/16	1.37	0.52	0.42	2.362/2.360	1.32	2.75	1.44
206	30mm	0.8	38.6	141.2	42.7	116.7	3.0	M10	39.6	12.7	12.4	80.01/79.96	39.9	79.5	39.6
	1-1/8	1.8	1.52	5.56	1.68	4.59	0.12	7/16	1.56	0.50	0.49	3.150/3.148	1.57	3.13	1.56
	1-3/16	1.8	1.52	5.56	1.68	4.59	0.12	7/16	1.56	0.50	0.49	3.150/3.148	1.57	3.13	1.56
	1-1/4	1.8	1.52	5.56	1.68	4.59	0.12	7/16	1.56	0.50	0.49	3.150/3.148	1.57	3.13	1.56
207	35mm	1.2	43.4	155.7	48.5	130.0	4.1	M12	44.5	14.2	13.5	89.99/89.94	46.7	95.3	46.7
	1-1/4	2.7	1.71	6.13	1.91	5.12	0.16	1/2	1.75	0.56	0.53	3.543/3.541	1.84	3.75	1.84
	1-3/8	2.6	1.71	6.13	1.91	5.12	0.16	1/2	1.75	0.56	0.53	3.543/3.541	1.84	3.75	1.84
	1-7/16	2.6	1.71	6.13	1.91	5.12	0.16	1/2	1.75	0.56	0.53	3.543/3.541	1.84	3.75	1.84
208	40mm	1.7	49.3	171.5	54.1	143.8	4.1	M12	50.3	14.2	16.0	100.00/99.95	52.1	104.9	46.5
	1-1/2	3.9	1.94	6.75	2.13	5.66	0.16	1/2	1.98	0.56	0.63	3.937/3.935	2.05	4.13	1.83
	1-5/8	3.8	1.94	6.75	2.13	5.66	0.16	1/2	1.98	0.56	0.63	3.937/3.935	2.05	4.13	1.83
209	45mm	2.5	49.3	179.3	54.6	148.3	4.1	M14	50.5	16.0	15.0	105.00/104.95	56.4	111.3	48.5
	1-5/8	4.2	1.94	7.06	2.15	5.84	0.16	1/2	1.99	0.63	0.59	4.134/4.132	2.22	4.38	1.91
	1-11/16	4.1	1.94	7.06	2.15	5.84	0.16	1/2	1.99	0.63	0.59	4.134/4.132	2.22	4.38	1.91
	1-3/4	4.1	1.94	7.06	2.15	5.84	0.16	1/2	1.99	0.63	0.59	4.134/4.132	2.22	4.38	1.91
210	50mm	2.6	49.3	189.0	55.4	157.2	4.1	M16	51.3	16.0	14.0	105.00/104.95	61.7	115.8	51.6
	1-15/16	3.6	1.94	7.44	2.18	6.19	0.16	1/2	2.02	0.63	0.55	4.134/4.132	2.43	4.56	2.03
	2	4.4	1.94	7.44	2.18	6.19	0.16	1/2	2.02	0.63	0.55	4.134/4.132	2.43	4.56	2.03

Unless specified, dimensions are in mm for metric parts and inches for non-metric parts.  
Note: Dimensions are in MM (in)

# Set screw mounted ball bearings

## Selection/Dimensions

### Set screw mounted ball bearings SCM medium duty 2-bolt flange bearings



Series	Shaft size	Standard		Sealed for life	
		Part no.	Description	Part no.	Description
206	25mm	125954	F2B-SCM-25M	@	F2B-SCM-25M-NL
	1	126284	F2B-SCM-100	@	F2B-SCM-100-NL
207	30mm	125955	F2B-SCM-30M	@	F2B-SCM-30M-NL
	1-3/16	126285	F2B-SCM-103	@	F2B-SCM-103-NL
	1-1/4	124276	F2B-SC-104	126518	F2B-SC-104-NL
208	35mm	125956	F2B-SCM-35M	@	F2B-SCM-35M-NL
	1-7/16	126287	F2B-SCM-107	@	F2B-SCM-107-NL
209	40mm	125957	F2B-SCM-40M	067674	F2B-SCM-40M-NL
	1-1/2	126288	F2B-SCM-108	126536	F2B-SCM-108-NL
	1-5/8	125171	F2B-SC-110L	@	F2B-SC-110L-NL
210	45mm	125958	F2B-SCM-45M	@	F2B-SCM-45M-NL
	1-11/16	126289	F2B-SCM-111	@	F2B-SCM-111-NL
	1-3/4	126290	F2B-SCM-112	@	F2B-SCM-112-NL
211	50mm	125960	F2B-SCM-50M	@	F2B-SCM-50M-NL
	1-15/16	126292	F2B-SCM-115	@	F2B-SCM-115-NL
	2	126293	F2B-SCM-200	065595	F2B-SCM-200-NL
212	55mm	@	F2B-SCM-55M	@	F2B-SCM-55M-NL
	2-3/16	062746	F2B-SCM-203	@	F2B-SCM-203-NL
	2-1/4	073492	F2B-SCM-204	@	F2B-SCM-204-NL

@Assembled to order

Unless specified, dimensions are in mm for metric parts and inches for non-metric parts.

Note: Dimensions are in MM (in)

# Set screw mounted ball bearings

## Selection/Dimensions

Set screw mounted ball bearings  
SCM medium duty 2-bolt flange bearings

Series	Shaft size	Weight kg lb	A	B	C	D	F Bolt Dia.	H	J	L	M	N
206	25mm	1.0	38.6	141.2	39.6	116.7	M10	12.7	12.4	39.9	79.5	39.6
	1	2.4	1.52	5.56	1.56	4.59	7/16	0.50	0.49	1.57	3.13	1.56
207	30mm	1.6	43.4	155.7	44.5	130.0	M12	14.2	13.5	46.7	95.3	46.7
	1-3/16	3.6	1.71	6.13	1.75	5.12	1/2	0.56	0.53	1.84	3.75	1.84
	1-1/4	3.5	1.71	6.13	1.75	5.12	1/2	0.56	0.53	1.84	3.75	1.84
208	35mm	1.9	49.3	171.5	50.3	143.8	M12	14.2	16.0	52.1	104.9	46.5
	1-7/16	4.1	1.94	6.75	1.98	5.66	1/2	0.56	0.63	2.05	4.13	1.83
209	40mm	2.3	49.3	179.3	50.5	148.3	M14	16.0	15.0	56.4	111.3	48.5
	1-1/2	5.3	1.94	7.06	1.99	5.84	1/2	0.63	0.59	2.22	4.38	1.91
	1-5/8	5.2	1.94	7.06	1.99	5.84	1/2	0.63	0.59	2.22	4.38	1.91
210	45mm	2.6	49.3	189.0	51.3	157.2	M16	16.0	14.0	61.7	115.8	51.6
	1-11/16	5.8	1.94	7.44	2.02	6.19	1/2	0.63	0.55	2.43	4.56	2.03
	1-3/4	5.6	1.94	7.44	2.02	6.19	1/2	0.63	0.55	2.43	4.56	2.03
211	50mm	2.9	56.4	219.2	57.9	184.2	M16	17.0	17.3	68.8	133.4	57.7
	1-15/16	6.7	2.22	8.63	2.28	7.25	5/8	0.67	0.68	2.71	5.25	2.27
	2	6.5	2.22	8.63	2.28	7.25	5/8	0.67	0.68	2.71	5.25	2.27
212	55mm	3.2	58.7	249.2	60.5	202.1	M22	20.6	16.8	75.4	139.7	62.7
	2-3/16	7.4	2.31	9.81	2.38	7.96	5/8	0.81	0.66	2.97	5.50	2.47
	2-1/4	7.2	2.31	9.81	2.38	7.96	5/8	0.81	0.66	2.97	5.50	2.47

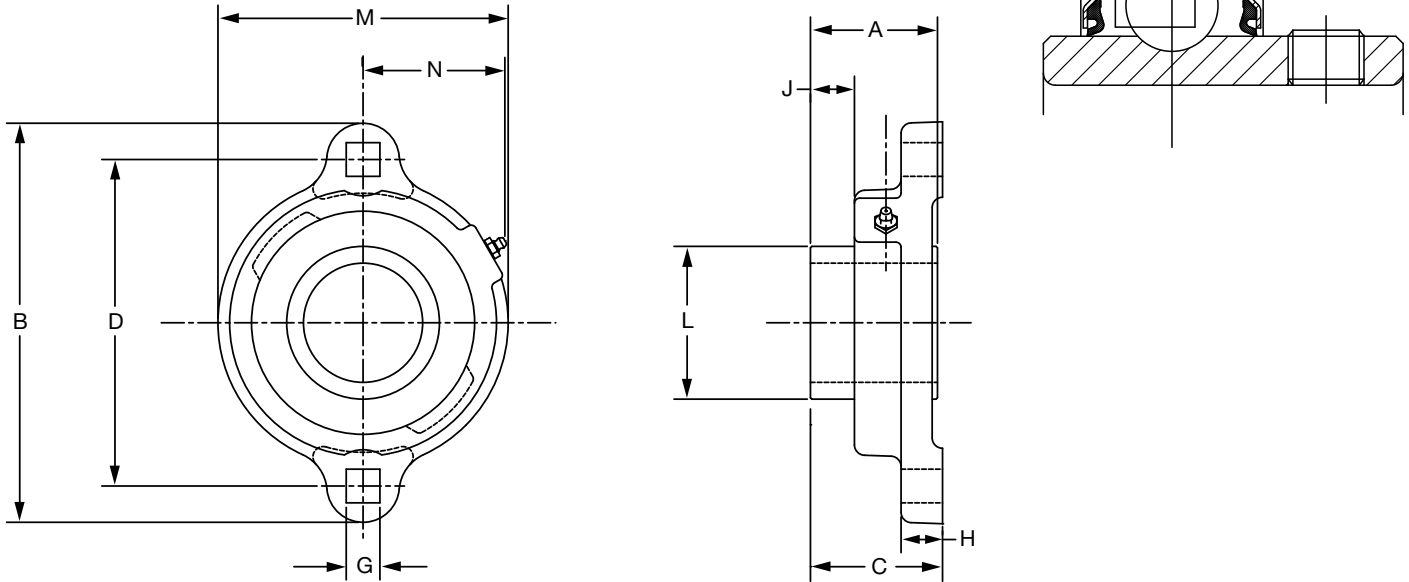
Unless specified, dimensions are in mm for metric parts and inches for non-metric parts.

Note: Dimensions are in MM (in)

# Set screw mounted ball bearings

## Selection/Dimensions

### Set screw mounted ball bearings SC LFT normal duty 2-bolt flange bearings



Series	Shaft size	Standard		Sealed for life (No lube)	
		Part no.	Description	Part no.	Description
203	17mm	130362	LFT-SC-17M	@	LFT-SC-17M-NL
	1/2	124640	LFT-SC-008	124660	LFT-SC-008-NL
	5/8	124641	LFT-SC-010	124661	LFT-SC-010-NL
204	20mm	130363	LFT-SC-20M	062260	LFT-SC-20M-NL
	3/4	124642	LFT-SC-012	124662	LFT-SC-012-NL
205	25mm	130364	LFT-SC-25M	068996	LFT-SC-25M-NL
	7/8	124643	LFT-SC-014	124663	LFT-SC-014-NL
	15/16	124644	LFT-SC-015	124664	LFT-SC-015-NL
206	1	124645	LFT-SC-100	124665	LFT-SC-100-NL
	30mm	130365	LFT-SC-30M	@	LFT-SC-30M-NL
	1-1/16	124646	LFT-SC-101	124666	LFT-SC-101-NL
	1-1/8	124647	LFT-SC-102	124667	LFT-SC-102-NL
	1-3/16	124648	LFT-SC-103	124668	LFT-SC-103-NL
	1-1/4	124649	LFT-SC-104S	124669	LFT-SC-104S-NL
	35mm	130366	LFT-SC-35M	@	LFT-SC-35M-NL
207	1-1/4	124650	LFT-SC-104	124670	LFT-SC-104-NL
	1-5/16	124651	LFT-SC-105	124671	LFT-SC-105-NL
	1-3/8	124652	LFT-SC-106	124672	LFT-SC-106-NL
	1-7/16	124653	LFT-SC-107	124673	LFT-SC-107-NL

@Assembled to order

\*No lube fitting required in the SCLFT NoLube

Unless specified, dimensions are in mm for metric parts and inches for non-metric parts.

Note: Dimensions are in MM (in)

# Set screw mounted ball bearings

## Selection/Dimensions

Set screw mounted ball bearings  
SC LFT normal duty 2-bolt flange bearings

Series	Shaft size	Weight kg lb	A	B	C	D	G	H	J	L	M	N
203	17mm	0.27	25.4	81.0	26.7	63.5	7.1	9.7	8.4	24.4	54.1	31.2
	1/2	0.60	1.00	3.19	1.05	2.50	0.28	0.38	0.33	0.96	2.13	1.23
	5/8	0.55	1.00	3.19	1.05	2.50	0.28	0.38	0.33	0.96	2.13	1.23
204	20mm	0.36	25.9	90.4	30.7	71.4	8.6	10.7	9.1	28.4	60.5	34.0
	3/4	0.80	1.02	3.56	1.21	2.81	0.34	0.42	0.36	1.12	2.38	1.34
205	25mm	0.43	26.9	95.3	31.5	76.2	8.6	10.7	9.4	33.5	66.8	36.6
	7/8	0.95	1.06	3.75	1.24	3.00	0.34	0.42	0.37	1.32	2.63	1.44
	15/16	0.90	1.06	3.75	1.24	3.00	0.34	0.42	0.37	1.32	2.63	1.44
	1	0.85	1.06	3.75	1.24	3.00	0.34	0.42	0.37	1.32	2.63	1.44
206	30mm	0.67	32.0	112.8	36.8	90.4	10.4	11.9	11.7	39.9	82.6	43.7
	1-1/16	1.50	1.26	4.44	1.45	3.56	0.41	0.47	0.46	1.57	3.25	1.72
	1-1/8	1.45	1.26	4.44	1.45	3.56	0.41	0.47	0.46	1.57	3.25	1.72
	1-3/16	1.40	1.26	4.44	1.45	3.56	0.41	0.47	0.46	1.57	3.25	1.72
	1-1/4	1.35	1.26	4.44	1.45	3.56	0.41	0.47	0.46	1.57	3.25	1.72
207	35mm	0.81	35.6	122.4	40.4	100.1	10.4	12.7	13.2	46.7	88.9	46.5
	1-1/4	1.85	1.40	4.82	1.59	3.94	0.41	0.50	0.52	1.84	3.50	1.83
	1-5/16	1.80	1.40	4.82	1.59	3.94	0.41	0.50	0.52	1.84	3.50	1.83
	1-3/8	1.75	1.40	4.82	1.59	3.94	0.41	0.50	0.52	1.84	3.50	1.83
	1-7/16	1.70	1.40	4.82	1.59	3.94	0.41	0.50	0.52	1.84	3.50	1.83

Unless specified, dimensions are in mm for metric parts and inches for non-metric parts.

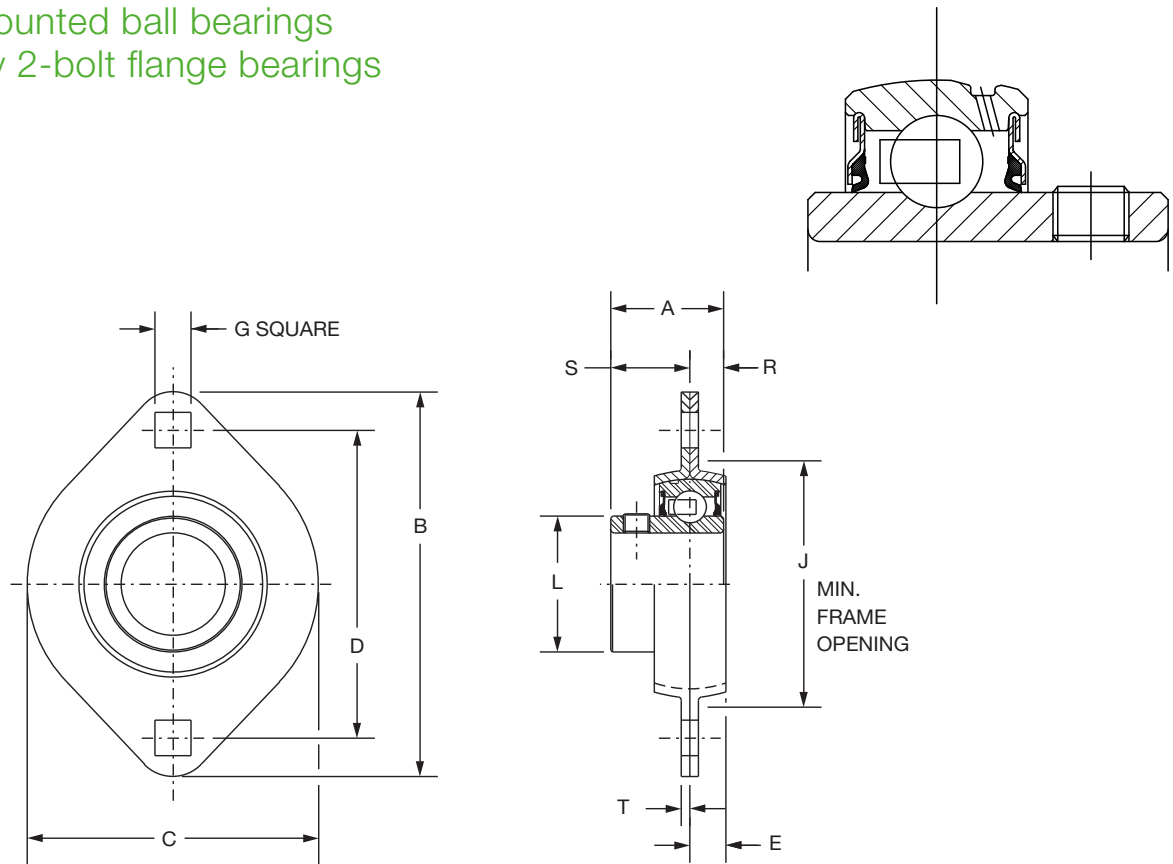
Note: Dimensions are in MM (in)



# Set screw mounted ball bearings

## Selection/Dimensions

Set screw mounted ball bearings  
SL Light duty 2-bolt flange bearings



Series	Shaft size	Part no.	Description
203	17mm	<b>068789</b>	F2B-SL-17M
	1/2	<b>128151</b>	F2B-SL-008
	5/8	<b>128154</b>	F2B-SL-010
204	20mm	<b>074287</b>	F2B-SL-20M
	3/4	<b>128092</b>	F2B-SL-012
205	25mm	<b>074288</b>	F2B-SL-25M
	7/8	<b>128174</b>	F2B-SL-014
	15/16	<b>128175</b>	F2B-SL-015
	1	<b>128093</b>	F2B-SL-100
206	30mm	<b>@</b>	F2B-SL-30M
	1-1/8	<b>128176</b>	F2B-SL-102
	1-3/16	<b>128094</b>	F2B-SL-103
	1-1/4	<b>128097</b>	F2B-SL-104S
207	35mm	<b>068532</b>	F2B-SL-35M
	1-1/4	<b>128095</b>	F2B-SL-104
	1-3/8	<b>128177</b>	F2B-SL-106
	1-7/16	<b>128096</b>	F2B-SL-107

Unless specified, dimensions are in mm for metric parts and inches for non-metric parts.  
Note: Dimensions are in MM (in)

# Set screw mounted ball bearings

## Selection/Dimensions

Set screw mounted ball bearings  
SL Light duty 2-bolt flange bearings

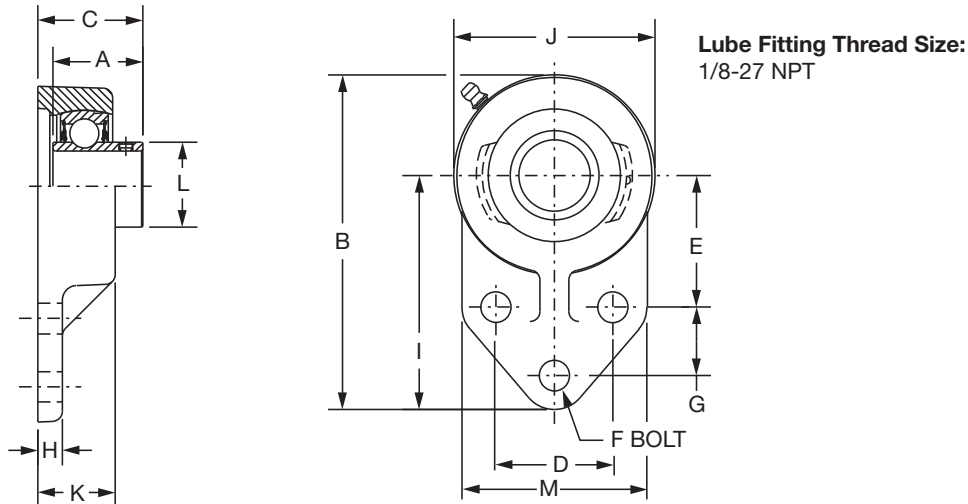
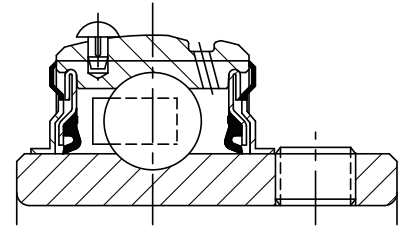
Series	Shaft size	Weight kg lb	A	B	C	D	E	G	J	L	R	S	T
203	17mm	0.20	25.4	81.0	58.7	64.5	7.1	7.1	49.3	24.4	9.1	16.3	2.0
	1/2	0.45	1.00	3.19	2.31	2.54	0.28	0.28	1.94	0.96	0.36	0.64	0.08
	5/8	0.42	1.00	3.19	2.31	2.54	0.28	0.28	1.94	0.96	0.36	0.64	0.08
204	20mm	0.25	25.9	90.4	66.8	71.4	7.9	8.6	55.6	28.4	7.4	18.5	2.0
	3/4	0.55	1.02	3.56	2.63	2.81	0.31	0.34	2.19	1.12	0.29	0.73	0.08
205	25mm	0.34	26.9	95.3	71.1	76.2	8.6	8.6	60.5	33.5	7.6	19.3	2.0
	7/8	0.891	1.06	3.75	2.80	3.00	0.34	0.34	2.38	1.32	0.30	0.76	0.08
	15/16	0.77	1.06	3.75	2.80	3.00	0.34	0.34	2.38	1.32	0.30	0.76	0.08
	1	0.65	1.06	3.75	2.80	3.00	0.34	0.34	2.38	1.32	0.30	0.76	0.08
206	30mm	0.46	32.0	112.8	84.1	90.4	8.6	10.4	71.4	39.9	8.9	23.1	2.5
	1-1/8	1.05	1.26	4.44	3.31	3.56	0.34	0.41	2.81	1.57	0.35	0.91	0.10
	1-3/16	1.02	1.26	4.44	3.31	3.56	0.34	0.41	2.81	1.57	0.35	0.91	0.10
	1-1/4	1.00	1.26	4.44	3.31	3.56	0.34	0.41	2.81	1.57	0.35	0.91	0.10
207	35mm	0.67	35.6	125.5	93.7	100.1	11.2	10.4	81.0	46.7	9.4	26.2	2.5
	1-1/4	1.53	1.40	4.94	3.69	3.94	0.44	0.41	3.19	1.84	0.37	1.03	0.10
	1-3/8	1.5	1.40	4.94	3.69	3.94	0.44	0.41	3.19	1.84	0.37	1.03	0.10
	1-7/16	1.37	1.40	4.94	3.69	3.94	0.44	0.41	3.19	1.84	0.37	1.03	0.10

Unless specified, dimensions are in mm for metric parts and inches for non-metric parts.  
Note: Dimensions are in MM (in)

# Set screw mounted ball bearings

## Selection/Dimensions

Set screw mounted ball bearings  
SC normal duty 3-bolt flanged bracket bearings



Series	Shaft size	Standard		No lube/Sealed for life (-NL)	
		Part no.	Description	Part no.	Description
204	1/2	124435	FB-SC-008	068720	FB-SC-008-NL
	5/8	124436	FB-SC-010	059816	FB-SC-010-NL
	3/4	124437	FB-SC-012	058544	FB-SC-012-NL
205	7/8	124438	FB-SC-014	056765	FB-SC-014-NL
	15/16	124439	FB-SC-015	@	FB-SC-015-NL
	1	124440	FB-SC-100	051774	FB-SC-100-NL
206	1-1/16	124441	FB-SC-101	@	FB-SC-101-NL
	1-1/8	124442	FB-SC-102	@	FB-SC-102-NL
	1-3/16	124443	FB-SC-103	049615	FB-SC-103-NL
	1-1/4	124444	FB-SC-104S	124450	FB-SC-104S-NL
207	1-1/4	124445	FB-SC-104	058545	FB-SC-104-NL
	1-5/16	124446	FB-SC-105	@	FB-SC-105-NL
	1-3/8	124447	FB-SC-106	@	FB-SC-106-NL
	1-7/16	124448	FB-SC-107	052016	FB-SC-107-NL
210	1-11/16	052906	FB-SCM-111	068840	FB-SCM-111-NL
	1-15/16	052094	FB-SC-115	073669	FB-SC-115-NL
	2	058529	FB-SC-200	073139	FB-SC-200-NL

@Assembled to order

Unless specified, dimensions are in mm for metric parts and inches for non-metric parts.

Note: Dimensions are in MM (in)

# Set screw mounted ball bearings

## Selection/Dimensions

Set screw mounted ball bearings

SC normal duty 3-bolt flanged bracket bearings

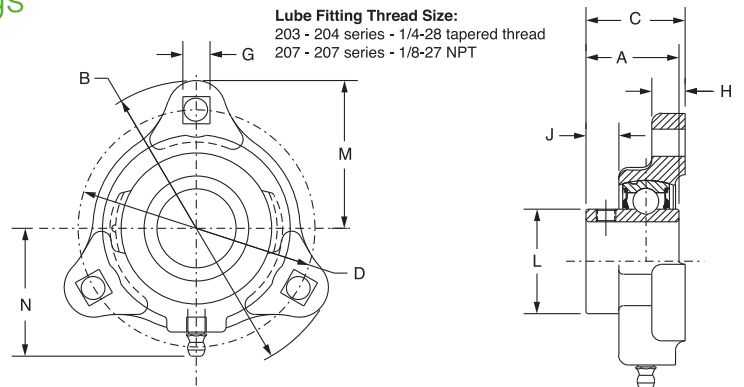
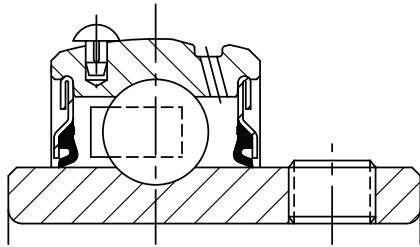
Series	Shaft size	Weight lb	A	B	C	D	E	F bolt dia.	G	H	I	J	K	L	M
204	1/2	1.51	1.23	4.25	1.34	1.50	1.69	3/8	0.88	0.31	3.00	2.50	0.98	1.12	2.38
	5/8	1.48	1.23	4.25	1.34	1.50	1.69	3/8	0.88	0.31	3.00	2.50	0.98	1.12	2.38
	3/4	1.45	31.2	108.0	34.0	38.1	42.9	M10	22.4	7.9	76.2	63.5	24.9	28.4	60.5
205	7/8	1.81	1.34	4.75	1.51	1.63	1.81	3/8	1.13	0.38	3.38	2.75	1.11	1.32	2.50
	15/16	1.78	1.34	4.75	1.51	1.63	1.81	3/8	1.13	0.38	3.38	2.75	1.11	1.32	2.50
	1	1.75	34.0	120.7	38.4	41.4	46.0	M10	28.7	9.7	85.9	69.9	28.2	33.5	63.5
206	1-1/16	2.12	1.52	5.38	1.65	1.88	2.06	3/8	1.25	0.38	3.75	3.25	1.13	1.57	2.75
	1-1/8	2.08	1.52	5.38	1.65	1.88	2.06	3/8	1.25	0.38	3.75	3.25	1.13	1.57	2.75
	1-3/16	2.05	1.52	5.38	1.65	1.88	2.06	3/8	1.25	0.38	3.75	3.25	1.13	1.57	2.75
	1-1/4	2.02	38.6	136.7	41.9	47.8	52.3	M10	31.8	9.7	95.3	82.6	28.7	39.9	69.9
207	1-1/4	3.46	1.71	6.13	1.88	2.00	2.37	1/2	1.25	0.50	4.25	3.75	1.31	1.84	3.25
	1-5/16	3.41	1.71	6.13	1.88	2.00	2.37	1/2	1.25	0.50	4.25	3.75	1.31	1.84	3.25
	1-3/8	3.36	1.71	6.13	1.88	2.00	2.37	1/2	1.25	0.50	4.25	3.75	1.31	1.84	3.25
	1-7/16	3.30	43.4	155.7	47.8	50.8	60.2	M12	31.8	12.7	108.0	95.3	33.3	46.7	82.6
210	1-11/16	5.70	1.94	7.50	2.06	2.75	2.94	1/2	1.63	0.50	5.19	4.63	1.50	2.43	4.00
	1-15/16	5.50	1.94	7.50	2.06	2.75	2.94	1/2	1.63	0.50	5.19	4.63	1.50	2.43	4.00
	2	5.40	49.3	190.5	52.3	69.9	74.7	M12	41.4	12.7	131.8	117.6	38.1	61.7	101.6

Unless specified, dimensions are in mm for metric parts and inches for non-metric parts.  
 Note: Dimensions are in MM (in)

# Set screw mounted ball bearings

## Selection/Dimensions

### Set screw mounted ball bearings SC LF normal duty 3-bolt flange bearings



Series	Shaft size	Standard		Sealed for life (No lube)	
		Part no.	Description	Part no.	Description
203	17mm	050895	LF-SC-17M	@	LF-SC-17M-NL
	1/2	124600	LF-SC-008	124620	LF-SC-008-NL
	5/8	124601	LF-SC-010	124621	LF-SC-010-NL
204	20mm	124934	LF-SC-20M	125384	LF-SC-20M-NL
	3/4	124602	LF-SC-012	124622	LF-SC-012-NL
205	25mm	@	LF-SC-25M	@	LF-SC-25M-NL
	7/8	124603	LF-SC-014	124623	LF-SC-014-NL
	15/16	124604	LF-SC-015	124624	LF-SC-015-NL
206	1	124605	LF-SC-100	124625	LF-SC-100-NL
	30mm	067892	LF-SC-30M	@	LF-SC-30M-NL
	1-1/16	124606	LF-SC-101	124626	LF-SC-101-NL
	1-1/8	124607	LF-SC-102	124627	LF-SC-102-NL
	1-3/16	124608	LF-SC-103	124628	LF-SC-103-NL
207	1-1/4	124609	LF-SC-104S	124629	LF-SC-104S-NL
	35mm	065699	LF-SC-35M	@	LF-SC-35M-NL
	1-1/4	124610	LF-SC-104	124630	LF-SC-104-NL
	1-5/16	124611	LF-SC-105	124631	LF-SC-105-NL
	1-3/8	124612	LF-SC-106	124632	LF-SC-106-NL
	1-7/16	124613	LF-SC-107	124633	LF-SC-107-NL

@Assembled to order.

Unless specified, dimensions are in mm for metric parts and inches for non-metric parts.

Note: Dimensions are in MM (in)

Series	Shaft size	Weight kg lb	A	B	C	D	G	H	J	L	M	N
203	17mm	0.29	25.4	81.0	26.7	63.5	7.1	9.7	8.4	24.4	40.4	46.7
	1/2	0.65	1.00	3.19	1.05	2.50	0.28	0.38	0.33	0.96	1.59	1.84
	5/8	0.60	1.00	3.19	1.05	2.50	0.28	0.38	0.33	0.96	1.59	1.84
204	20mm	0.38	25.9	90.4	30.7	71.4	8.6	10.7	9.1	28.4	45.2	39.6
	3/4	0.85	1.02	3.56	1.21	2.81	0.34	0.42	0.36	1.12	1.78	1.56
205	25mm	0.47	26.9	95.3	31.5	76.2	8.6	10.7	9.4	33.5	47.8	43.2
	7/8	1.10	1.06	3.75	1.24	3.00	0.34	0.42	0.37	1.32	1.88	1.70
	15/16	1.05	1.06	3.75	1.24	3.00	0.34	0.42	0.37	1.32	1.88	1.70
206	1	1.00	1.06	3.75	1.24	3.00	0.34	0.42	0.37	1.32	1.88	1.70
	30mm	0.70	32.0	112.8	36.8	90.4	10.4	11.9	11.7	39.9	56.4	51.3
	1-1/16	1.65	1.26	4.44	1.45	3.56	0.41	0.47	0.46	1.57	2.22	2.02
	1-1/8	1.60	1.26	4.44	1.45	3.56	0.41	0.47	0.46	1.57	2.22	2.02
	1-3/16	1.55	1.26	4.44	1.45	3.56	0.41	0.47	0.46	1.57	2.22	2.02
207	1-1/4	1.50	1.26	4.44	1.45	3.56	0.41	0.47	0.46	1.57	2.22	2.02
	35mm	0.90	35.6	122.2	40.4	100.1	10.4	12.7	13.2	46.7	61.2	54.4
	1-1/4	2.10	1.40	4.81	1.59	3.94	0.41	0.50	0.52	1.84	2.41	2.14
	1-5/16	2.05	1.40	4.81	1.59	3.94	0.41	0.50	0.52	1.84	2.41	2.14
	1-3/8	2.00	1.40	4.81	1.59	3.94	0.41	0.50	0.52	1.84	2.41	2.14
	1-7/16	1.95	1.40	4.81	1.59	3.94	0.41	0.50	0.52	1.84	2.41	2.14

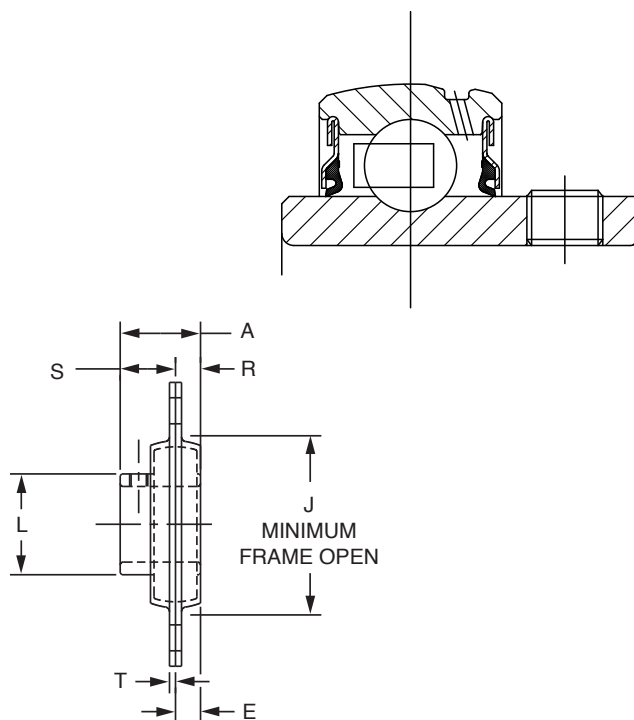
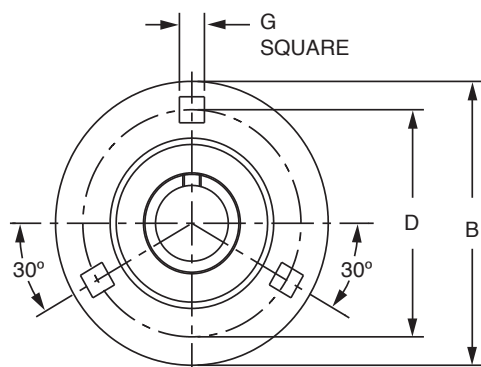
Unless specified, dimensions are in mm for metric parts and inches for non-metric parts.

Note: Dimensions are in MM (in)

# Set screw mounted ball bearings

## Selection/Dimensions

Set screw mounted ball bearings  
SL light duty 3-bolt flange bearings



Series	Shaft size	Part no.	Description
204	20mm	@	F3B-SL-20M
	3/4	<b>128083</b>	F3B-SL-012
205	25mm	@	F3B-SL-25M
	7/8	<b>128178</b>	F3B-SL-014
	15/16	<b>128179</b>	F3B-SL-015
	1	<b>128084</b>	F3B-SL-100
206	30mm	@	F3B-SL-30M
	1-1/8	<b>128180</b>	F3B-SL-102
	1-3/16	<b>128085</b>	F3B-SL-103
	1-1/4	<b>128082</b>	F3B-SL-104S
207	35mm	@	F3B-SL-35M
	1-1/4	<b>128086</b>	F3B-SL-104
	1-3/8	<b>128181</b>	F3B-SL-106
	1-7/16	<b>128087</b>	F3B-SL-107

@Assembled to order.

Unless specified, dimensions are in mm for metric parts and inches for non-metric parts.

Note: Dimensions are in MM (in)

Series	Shaft size	Weight kg lb	A	B	D	E	G	J	L	R	S	T
204	20mm	0.33	25.9	90.4	71.4	7.9	8.6	55.6	28.4	7.4	18.5	2.0
	3/4	0.74	1.02	3.56	2.81	0.31	0.34	2.19	1.12	0.29	0.73	0.08
205	25mm	0.43	26.9	95.3	76.2	8.6	8.6	60.5	33.5	7.6	19.3	2.0
	7/8	1.01	1.06	3.75	3.00	0.34	0.34	2.38	1.32	0.30	0.76	0.08
	15/16	0.97	1.06	3.75	3.00	0.34	0.34	2.38	1.32	0.30	0.76	0.08
	1	0.85	1.06	3.75	3.00	0.34	0.34	2.38	1.32	0.30	0.76	0.08
206	30mm	0.61	32.0	112.8	90.4	8.6	10.4	71.4	39.9	8.9	23.1	2.5
	1-1/8	1.39	1.26	4.44	3.56	0.34	0.41	2.81	1.57	0.35	0.91	0.10
	1-3/16	1.36	1.26	4.44	3.56	0.34	0.41	2.81	1.57	0.35	0.91	0.10
	1-1/4	1.34	1.26	4.44	3.56	0.34	0.41	2.81	1.57	0.35	0.91	0.10
207	35mm	0.83	35.6	122.2	100.1	9.7	10.4	81.0	46.7	9.4	26.2	2.5
	1-1/4	1.89	1.40	4.81	3.94	0.38	0.41	3.19	1.84	0.37	1.03	0.10
	1-3/8	1.86	1.40	4.81	3.94	0.38	0.41	3.19	1.84	0.37	1.03	0.10
	1-7/16	1.73	1.40	4.81	3.94	0.38	0.41	3.19	1.84	0.37	1.03	0.10

Unless specified, dimensions are in mm for metric parts and inches for non-metric parts.

Note: Dimensions are in MM (in)

# Set screw mounted ball bearings

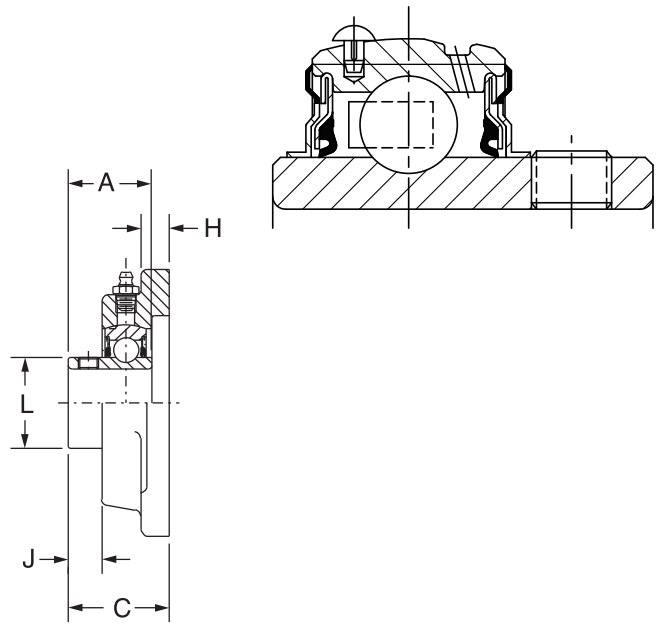
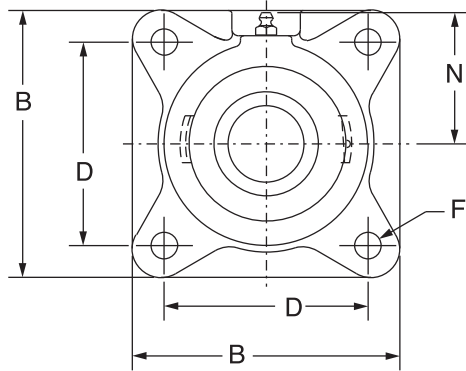
## Selection/Dimensions

### Set screw mounted ball bearings SC normal duty 4-bolt flange bearings

#### Lube Fitting Thread Size:

203 - 204 series - 1/4-28 tapered thread

207 - 207 series - 1/8-27 NPT



Series	Shaft size	Standard		No-lube/Sealed for life (-NL)	
		Part no.	Description	Part no.	Description
203	17mm	125885	F4B-SC-17M	@	F4B-SC-17M-NL
	1/2	124048	F4B-SC-008	@	F4B-SC-008-NL
	5/8	124049	F4B-SC-010	067642	F4B-SC-010-NL
204	20mm	125886	F4B-SC-20M	074714	F4B-SC-20M-NL
	1/2	124098	F4B-SC-008L	@	F4B-SC-008L-NL
	5/8	124099	F4B-SC-010L	@	F4B-SC-010L-NL
	3/4	124100	F4B-SC-012	052010	F4B-SC-012-NL
205	13/16	124567	F4B-SC-013	@	F4B-SC-013-NL
	25mm	125887	F4B-SC-25M	064943	F4B-SC-25M-NL
	7/8	124101	F4B-SC-014	075765	F4B-SC-014-NL
	15/16	124102	F4B-SC-015	126524	F4B-SC-015-NL
206	1	124103	F4B-SC-100	126525	F4B-SC-100-NL
	30mm	125888	F4B-SC-30M	067874	F4B-SC-30M-NL
	1-1/16	124218	F4B-SC-101	@	F4B-SC-101-NL
	1-1/8	124204	F4B-SC-102	126526	F4B-SC-102-NL
207	1-3/16	124205	F4B-SC-103	050834	F4B-SC-103-NL
	1-1/4	123173	F4B-SC-104S	051987	F4B-SC-104S-NL
	35mm	125889	F4B-SC-35M	@	F4B-SC-35M-NL
	1-1/4	124206	F4B-SC-104	126528	F4B-SC-104-NL
207	1-5/16	124219	F4B-SC-105	@	F4B-SC-105-NL
	1-3/8	124207	F4B-SC-106	052009	F4B-SC-106-NL
	1-7/16	124208	F4B-SC-107	050835	F4B-SC-107-NL

@Assembled to order

Unless specified, dimensions are in mm for metric parts and inches for non-metric parts.

Note: Dimensions are in MM (in)

# Set screw mounted ball bearings

## Selection/Dimensions

Set screw mounted ball bearings

SC normal duty 4-bolt flange bearings

Series	Shaft size	Weight kg lb	A	B	C	D	F	H	J	L	N
203	17mm	0.5	25.4	76.2	29.7	54.0	M10	11.2	8.1	24.4	42.9
	1/2	1.1	1.00	3.00	1.17	2.13	3/8	0.44	0.32	0.96	1.69
	5/8	1.0	1.00	3.00	1.17	2.13	3/8	0.44	0.32	0.96	1.69
204	20mm	0.8	31.2	85.9	34.0	63.5	M10	11.2	9.1	28.4	49.3
	1/2	1.8	1.23	3.38	1.34	2.5	3/8	0.44	0.36	1.12	1.94
	5/8	1.7	1.23	3.38	1.34	2.5	3/8	0.44	0.36	1.12	1.94
	3/4	1.6	1.23	3.38	1.34	2.5	3/8	0.44	0.36	1.12	1.94
	13/16	1.5	1.23	3.38	1.34	2.5	3/8	0.44	0.36	1.12	1.94
205	25mm	0.9	34.0	95.3	34.8	69.9	M10	12.7	10.7	33.5	52.3
	7/8	2.0	1.34	3.75	1.37	2.75	7/16	0.50	0.42	1.32	2.06
	15/16	1.9	1.34	3.75	1.37	2.75	7/16	0.50	0.42	1.32	2.06
	1	1.8	1.34	3.75	1.37	2.75	7/16	0.50	0.42	1.32	2.06
206	30mm	1.3	38.6	108.0	39.6	82.6	M10	12.7	12.4	39.9	55.6
	1-1/16	2.9	1.52	4.25	1.56	3.25	7/16	0.50	0.49	1.57	2.19
	1-1/8	2.8	1.52	4.25	1.56	3.25	7/16	0.50	0.49	1.57	2.19
	1-3/16	2.7	1.52	4.25	1.56	3.25	7/16	0.50	0.49	1.57	2.19
	1-1/4	2.6	1.52	4.25	1.56	3.25	7/16	0.50	0.49	1.57	2.19
207	35mm	1.7	43.4	120.7	44.5	92.1	M12	14.2	13.5	46.7	62.0
	1-1/4	4.0	1.71	4.75	1.75	3.63	1/2	0.56	0.53	1.84	2.44
	1-5/16	3.9	1.71	4.75	1.75	3.63	1/2	0.56	0.53	1.84	2.44
	1-3/8	3.8	1.71	4.75	1.75	3.63	1/2	0.56	0.53	1.84	2.44
	1-7/16	3.7	1.71	4.75	1.75	3.63	1/2	0.56	0.53	1.84	2.44

Unless specified, dimensions are in mm for metric parts and inches for non-metric parts.

Note: Dimensions are in MM (in)

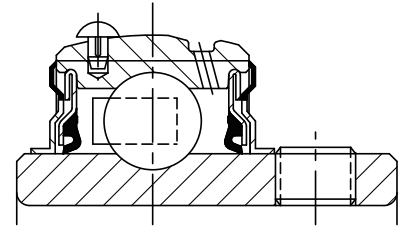
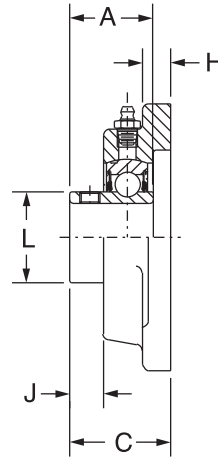
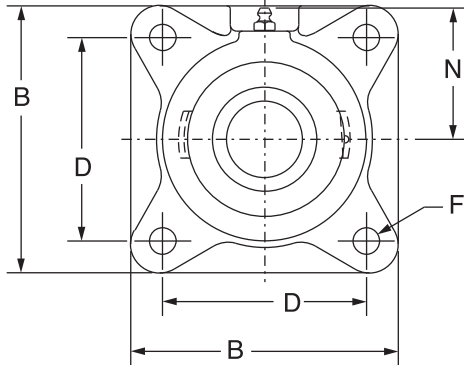


# Set screw mounted ball bearings

## Selection/Dimensions

Set screw mounted ball bearings  
SC normal duty 4-bolt flange bearings

**Lube Fitting Thread Size:**  
203 - 204 series - 1/4-28 tapered thread  
207 - 207 series - 1/8-27 NPT



Series	Shaft size	Standard		No-lube/Sealed for life (-NL)	
		Part no.	Description	Part no.	Description
208	40mm	125890	F4B-SC-40M	073769	F4B-SC-40M-NL
	1-1/2	124209	F4B-SC-108	051991	F4B-SC-108-NL
	1-5/8	124210	F4B-SC-110	052008	F4B-SC-110-NL
209	45mm	125891	F4B-SC-45M	@	F4B-SC-45M-NL
	1-5/8	125170	F4B-SC-110L	@	F4B-SC-110L-NL
	1-11/16	124211	F4B-SC-111	064214	F4B-SC-111-NL
210	50mm	125892	F4B-SC-50M	068571	F4B-SC-50M-NL
	1-15/16	124213	F4B-SC-115	051992	F4B-SC-115-NL
	2	124214	F4B-SC-200	050867	F4B-SC-200-NL
211	55mm	125893	F4B-SC-55M	068572	F4B-SC-55M-NL
	2	126192	F4B-SCM-200	052004	F4B-SCM-200-NL
	2-3/16	124215	F4B-SC-203	052007	F4B-SC-203-NL
	2-1/4	124216	F4B-SC-204	052006	F4B-SC-204-NL
212	60mm	125894	F4B-SC-60M	064203	F4B-SC-60M-NL
	2-1/4	126283	F4B-SCM-204	126537	F4B-SCM-204-NL
	2-7/16	124217	F4B-SC-207	050843	F4B-SC-207-NL
214	70mm	125895	F4B-SC-70M	@	F4B-SC-70M-NL
	2-1/2	126195	F4B-SCM-208	@	F4B-SCM-208-NL
	2-11/16	124261	F4B-SC-211	@	F4B-SC-211-NL
215	75mm	125896	F4B-SC-75M	068573	F4B-SC-75M-NL
	2-15/16	124220	F4B-SC-215	052291	F4B-SC-215-NL

@Assembled to order

Unless specified, dimensions are in mm for metric parts and inches for non-metric parts.

Note: Dimensions are in MM (in)

# Set screw mounted ball bearings

## Selection/Dimensions

Set screw mounted ball bearings  
SC normal duty 4-bolt flange bearings

Series	Shaft size	Weight kg lb	A	B	C	D	F bolt dia.	H	J	L	N
208	40mm	2.1	49.3	130.3	50.3	101.6	M12	14.2	16.0	52.1	60.5
	1-1/2	4.8	1.94	5.13	1.98	4.00	1/2	0.56	0.63	2.05	2.38
	1-5/8	4.7	1.94	5.13	1.98	4.00	1/2	0.56	0.63	2.05	2.38
209	45mm	2.7	49.3	136.7	50.5	104.8	M14	16.0	15.0	56.4	69.9
	1-5/8	6.1	1.94	5.38	1.99	4.13	1/2	0.63	0.59	2.22	2.75
	1-11/16	6.0	1.94	5.38	1.99	4.13	1/2	0.63	0.59	2.22	2.75
	1-3/4	5.9	1.94	5.38	1.99	4.13	1/2	0.63	0.59	2.22	2.75
210	50mm	3.0	49.3	143.0	51.3	111.1	M16	16.0	14.0	61.7	73.2
	1-15/16	6.7	1.94	5.63	2.02	4.38	1/2	0.63	0.55	2.43	2.88
	2	6.6	1.94	5.63	2.02	4.38	1/2	0.63	0.55	2.43	2.88
211	55mm	4.1	56.4	165.1	57.9	130.2	M16	17.5	17.3	68.8	82.6
	2	9.3	2.22	6.50	2.28	5.13	5/8	0.69	0.68	2.71	3.25
	2-3/16	9.0	2.22	6.50	2.28	5.13	5/8	0.69	0.68	2.71	3.25
	2-1/4	8.9	2.22	6.50	2.28	5.13	5/8	0.69	0.68	2.71	3.25
212	60mm	6.0	58.7	174.8	60.5	142.9	M16	17.5	16.8	75.4	88.9
	2-1/4	11.1	2.31	6.88	2.38	5.63	5/8	0.69	0.66	2.97	3.50
	2-7/16	10.6	2.31	6.88	2.38	5.63	5/8	0.69	0.66	2.97	3.50
214	70mm	6.9	64.5	187.5	70.6	149.2	M16	17.5	15.2	84.1	93.7
	2-1/2	16.0	2.54	7.38	2.78	5.88	5/8	0.69	0.60	3.31	3.69
	2-11/16	15.4	2.54	7.38	2.78	5.88	5/8	0.69	0.60	3.31	3.69
215	75mm	8.0	59.2	196.9	73.2	152.4	M18	25.4	16.0	91.9	98.6
	2-15/16	17.6	2.33	7.75	2.88	6.00	3/4	1.00	0.63	3.62	3.88

Unless specified, dimensions are in mm for metric parts and inches for non-metric parts.

Note: Dimensions are in MM (in)

# Set screw mounted ball bearings

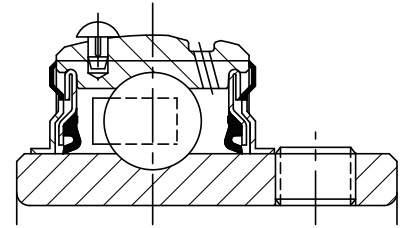
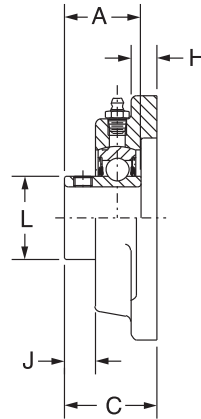
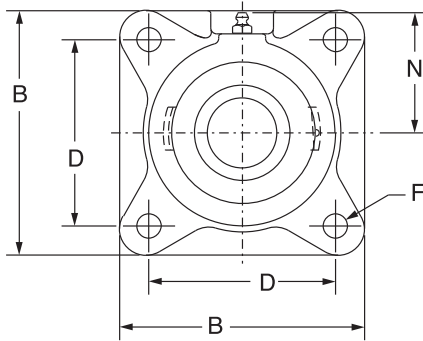
## Selection/Dimensions

### Set screw mounted ball bearings SCM medium duty 4-bolt flange bearings

#### Lube Fitting Thread Size:

203 - 204 series - 1/4-28 tapered thread

207 - 207 series - 1/8-27 NPT



Series	Shaft size	Standard		No-lube/Sealed for life (-NL)	
		Part no.	Description	Part no.	Description
206	25mm	125965	F4B-SCM-25M	@	F4B-SCM-25M-NL
	1	126226	F4B-SCM-100	052017	F4B-SCM-100-NL
207	30mm	125966	F4B-SCM-30M	@	F4B-SCM-30M-NL
	1-3/16	126227	F4B-SCM-103	056907	F4B-SCM-103-NL
	1-1/4	124206	F4B-SC-104	126528	F4B-SC-104-NL
208	35mm	125967	F4B-SCM-35M	@	F4B-SCM-35M-NL
	1-7/16	126187	F4B-SCM-107	062842	F4B-SCM-107-NL
209	40mm	125968	F4B-SCM-40M	@	F4B-SCM-40M-NL
	1-1/2	126188	F4B-SCM-108	062897	F4B-SCM-108-NL
	1-5/8	125170	F4B-SC-110L	@	F4B-SC-110L-NL
210	45mm	125969	F4B-SCM-45M	@	F4B-SCM-45M-NL
	1-11/16	126189	F4B-SCM-111	065576	F4B-SCM-111-NL
	1-3/4	126190	F4B-SCM-112	@	F4B-SCM-112-NL
211	50mm	125970	F4B-SCM-50M	073950	F4B-SCM-50M-NL
	1-15/16	126191	F4B-SCM-115	052302	F4B-SCM-115-NL
	2	126192	F4B-SCM-200	052004	F4B-SCM-200-NL
212	55mm	125971	F4B-SCM-55M	@	F4B-SCM-55M-NL
	2-3/16	126193	F4B-SCM-203	052003	F4B-SCM-203-NL
	2-1/4	126283	F4B-SCM-204	126537	F4B-SCM-204-NL
214	65mm	125972	F4B-SCM-65M	@	F4B-SCM-65M-NL
	2-7/16	126194	F4B-SCM-207	052002	F4B-SCM-207-NL
	2-1/2	126195	F4B-SCM-208	065653	F4B-SCM-208-NL
215	70mm	125973	F4B-SCM-70M	@	F4B-SCM-70M-NL
	2-11/16	126186	F4B-SCM-211	052205	F4B-SCM-211-NL
216	75mm	125974	F4B-SCM-75M	@	F4B-SCM-75M-NL
	2-15/16	126196	F4B-SCM-215	126538	F4B-SCM-215-NL
	3	126197	F4B-SCM-300	126539	F4B-SCM-300-NL
218	85mm	125975	F4B-SCM-85M	@	F4B-SCM-85M-NL
	3-7/16	126198	F4B-SCM-307	126540	F4B-SCM-307-NL
	3-1/2	126199	F4B-SCM-308	126541	F4B-SCM-308-NL

@Assembled to order

Unless specified, dimensions are in mm for metric parts and inches for non-metric parts.

Note: Dimensions are in MM (in)

# Set screw mounted ball bearings

## Selection/Dimensions

Set screw mounted ball bearings  
SCM medium duty 4-bolt flange bearings

Series	Shaft size	Weight kg lb	A	B	C	D	F	H	J	L	N
206	25mm	1.3	38.6	108.0	39.6	82.6	M10	12.7	12.4	39.9	55.6
	1	3.0	1.52	4.25	1.56	3.25	7/16	0.50	0.49	1.57	2.19
207	30mm	1.4	43.4	120.7	44.5	92.1	M12	14.2	13.5	46.7	62.0
	1-3/16	4.1	1.71	4.75	1.75	3.63	1/2	0.56	0.53	1.84	2.44
	1-1/4	4.0	1.71	4.75	1.75	3.63	1/2	0.56	0.53	1.84	2.44
208	35mm	2.1	49.3	130.3	50.3	101.6	M12	14.2	16.0	52.1	60.5
	1-7/16	5.0	1.94	5.13	1.98	4.00	1/2	0.56	0.63	2.05	2.38
209	40mm	2.7	49.3	136.7	50.5	104.8	M14	16.0	15.0	56.4	69.9
	1-1/2	6.1	1.94	5.38	1.99	4.13	1/2	0.63	0.59	2.22	2.75
	1-5/8	6.1	1.94	5.38	1.99	4.13	1/2	0.63	0.59	2.22	2.75
210	45mm	3.0	49.3	143.0	51.3	111.1	M16	16.0	14.0	61.7	73.2
	1-11/16	7.1	1.94	5.63	2.02	4.38	1/2	0.63	0.55	2.43	2.88
	1-3/4	6.9	1.94	5.63	2.02	4.38	1/2	0.63	0.55	2.43	2.88
211	50mm	4.1	56.4	165.1	57.9	130.2	M16	17.5	17.3	68.8	82.6
	1-15/16	9.5	2.22	6.50	2.28	5.13	5/8	0.69	0.68	2.71	3.25
	2	9.3	2.22	6.50	2.28	5.13	5/8	0.69	0.68	2.71	3.25
212	55mm	6.0	58.7	174.8	60.5	142.9	M16	17.5	16.8	75.4	88.9
	2-3/16	11.3	2.31	6.88	2.38	5.63	5/8	0.69	0.66	2.97	3.50
	2-1/4	11.1	2.31	6.88	2.38	5.63	5/8	0.69	0.66	2.97	3.50
214	65mm	7.3	64.5	187.5	70.6	149.2	M16	17.5	15.2	84.1	93.7
	2-7/16	16.2	2.54	7.38	2.78	5.88	5/8	0.69	0.60	3.31	3.69
	2-1/2	16.0	2.54	7.38	2.78	5.88	5/8	0.69	0.60	3.31	3.69
215	70mm	8.0	59.2	196.9	73.2	152.4	M18	25.4	16.0	91.9	98.6
	2-11/16	18.3	2.33	7.75	2.88	6.00	3/4	1.00	0.63	3.62	3.88
216	75mm	9.4	60.5	196.9	78.5	152.4	M18	22.4	15.0	97.3	103.9
	2-15/16	21.5	2.38	7.75	3.09	6.00	3/4	0.88	0.59	3.83	4.09
	3	21.2	2.38	7.75	3.09	6.00	3/4	0.88	0.59	3.83	4.09
218	85mm	12.2	65.0	214.4	85.9	171.5	M18	25.4	15.2	110.5	117.6
	3-7/16	28.0	2.56	8.44	3.38	6.75	3/4	1.00	0.60	4.35	4.63
	3-1/2	27.4	2.56	8.44	3.38	6.75	3/4	1.00	0.60	4.35	4.63

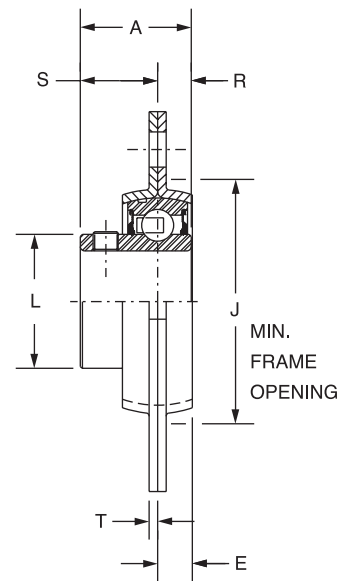
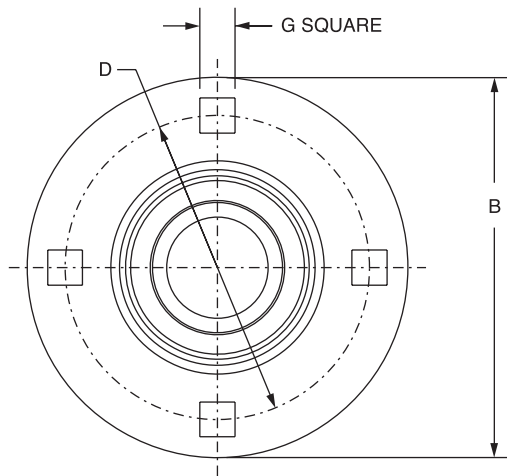
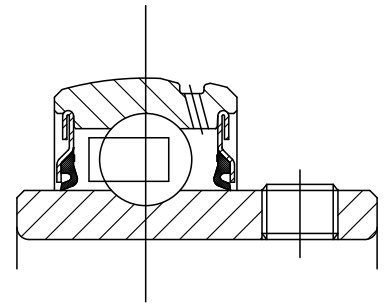
Unless specified, dimensions are in mm for metric parts and inches for non-metric parts.

Note: Dimensions are in MM (in)

# Set screw mounted ball bearings

## Selection/Dimensions

Set screw mounted ball bearings  
SL light duty 4-bolt flange bearings



Series	Shaft size	Part no.	Description
208	40mm	<b>067868</b>	F4B-SL-40M
	1-1/2	<b>128088</b>	F4B-SL-108
210	50mm	@	F4B-SL-50M
	1-15/16	<b>128089</b>	F4B-SL-115
	2	<b>128090</b>	F4B-SL-200
211	55mm	@	F4B-SL-55M
	2	<b>128182</b>	F4B-SL-200L
	2-3/16	<b>128091</b>	F4B-SL-203

@Assembled to order

Unless specified, dimensions are in mm for metric parts and inches for non-metric parts.

Note: Dimensions are in MM (in)

# Set screw mounted ball bearings

## Selection/Dimensions

Set screw mounted ball bearings  
SL light duty 4-bolt flange bearings

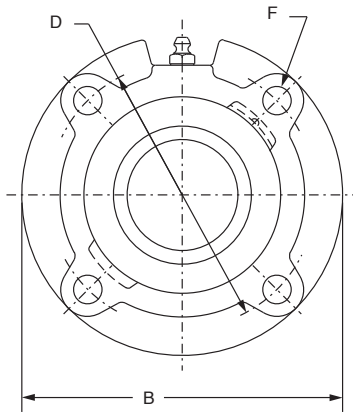
Series	Shaft size	Weight kg lb	A	B	D	E	G	J	L	R	S	T
208	40mm	1.15	49.3	147.6	119.1	10.4	13.5	90.4	52.1	19.1	30.2	3.3
	1-1/2	2.64	1.94	5.81	4.69	0.41	0.53	3.56	2.05	0.75	1.19	0.13
210	50mm	1.28	49.3	155.7	127.0	11.2	13.5	101.6	61.7	19.1	30.2	3.8
	1-15/16	2.95	1.94	6.13	5.00	0.44	0.53	4.00	2.43	0.75	1.19	0.15
	2	2.86	1.94	6.13	5.00	0.44	0.53	4.00	2.43	0.75	1.19	0.15
211	55mm	1.62	56.4	166.6	138.2	11.9	13.5	112.8	68.8	22.1	34.3	3.8
	2	3.73	2.22	6.56	5.44	0.47	0.53	4.44	2.71	0.87	1.35	0.15
	2-3/16	3.63	2.22	6.56	5.44	0.47	0.53	4.44	2.71	0.87	1.35	0.15

Unless specified, dimensions are in mm for metric parts and inches for non-metric parts.  
Note: Dimensions are in MM (in)

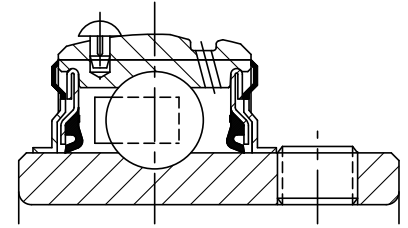
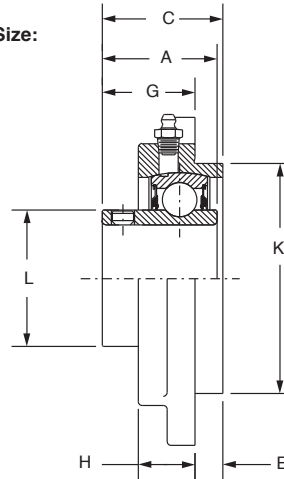
# Set screw mounted ball bearings

## Selection/Dimensions

Set screw mounted ball bearings  
SC normal duty piloted flange bearings



Lube Fitting Thread Size:  
1/8-27 NPT



Series	Shaft size	Part no.	Description
206	30mm	125865	FC-SC-30M
	1-1/16	124578	FC-SC-101
	1-1/8	124582	FC-SC-102
	1-3/16	124579	FC-SC-103
	1-1/4	124587	FC-SC-104S
207	35mm	125866	FC-SC-35M
	1-1/4	124224	FC-SC-104
	1-5/16	124237	FC-SC-105
	1-3/8	124235	FC-SC-106
208	40mm	125867	FC-SC-40M
	1-1/2	124225	FC-SC-108
	1-5/8	124226	FC-SC-110
	1-7/16	124236	FC-SC-107
209	45mm	125868	FC-SC-45M
	1-5/8	065644	FC-SC-110L
	1-11/16	124227	FC-SC-111
210	50mm	125869	FC-SC-50M
	1-15/16	124229	FC-SC-115
	2	124230	FC-SC-200
211	55mm	125870	FC-SC-55M
	2	126175	FC-SCM-200
	2-3/16	124231	FC-SC-203
	2-1/4	124232	FC-SC-204
212	60mm	125871	FC-SC-60M
	2-1/4	126177	FC-SCM-204
	2-7/16	124233	FC-SC-207
214	70mm	125872	FC-SC-70M
	2-1/2	126179	FC-SCM-208
	2-11/16	124729	FC-SC-211

@Assembled to order

Unless specified, dimensions are in mm for metric parts and inches for non-metric parts.

Note: Dimensions are in MM (in)

# Set screw mounted ball bearings

## Selection/Dimensions

Set screw mounted ball bearings  
SC normal duty piloted flange bearings

Series	Shaft size	Weight kg lb	A	B	C	D	E	F bolt dia.	G	H	K	L
206	30mm	1.3	38.6	111.3	38.9	92.2	6.4	M10	32.5	20.6	76.20/76.15	39.9
	1-1/16	3.2	1.52	4.38	1.53	3.63	0.25	3/8	1.28	0.81	3.000/2.998	1.57
	1-1/8	3.1	1.52	4.38	1.53	3.63	0.25	3/8	1.28	0.81	3.000/2.998	1.57
	1-3/16	3.0	1.52	4.38	1.53	3.63	0.25	3/8	1.28	0.81	3.000/2.998	1.57
	1-1/4	2.9	1.52	4.38	1.53	3.63	0.25	3/8	1.28	0.81	3.000/2.998	1.57
207	35mm	1.8	43.4	127.0	45.2	104.9	9.7	M10	35.6	21.3	85.73/85.67	46.7
	1-1/4	4.2	1.71	5.00	1.78	4.13	0.38	3/8	1.40	0.84	3.375/3.373	1.84
	1-5/16	4.1	1.71	5.00	1.78	4.13	0.38	3/8	1.40	0.84	3.375/3.373	1.84
	1-3/8	4.0	1.71	5.00	1.78	4.13	0.38	3/8	1.40	0.84	3.375/3.373	1.84
	1-7/16	3.9	1.71	5.00	1.78	4.13	0.38	3/8	1.40	0.84	3.375/3.373	1.84
208	40mm	2.0	49.3	133.4	50.3	111.3	11.2	M12	39.1	22.6	92.08/92.02	52.1
	1-1/2	4.6	1.94	5.25	1.98	4.38	0.44	7/16	1.54	0.89	3.625/3.623	2.05
	1-5/8	4.5	1.94	5.25	1.98	4.38	0.44	7/16	1.54	0.89	3.625/3.623	2.05
209	45mm	2.4	49.3	146.1	49.5	120.7	11.2	M12	38.4	23.1	101.60/101.55	56.4
	1-5/8	5.6	1.94	5.75	1.95	4.75	0.44	1/2	1.51	0.91	4.000/3.998	2.22
	1-11/16	5.5	1.94	5.75	1.95	4.75	0.44	1/2	1.51	0.91	4.000/3.998	2.22
	1-3/4	5.4	1.94	5.75	1.95	4.75	0.44	1/2	1.51	0.91	4.000/3.998	2.22
210	50mm	2.9	49.3	155.7	50.3	130.3	11.9	M12	38.4	23.4	107.95/107.90	61.7
	1-15/16	6.4	1.94	6.13	1.98	5.13	0.47	1/2	1.51	0.92	4.250/4.248	2.43
	2	6.3	1.94	6.13	1.98	5.13	0.47	1/2	1.51	0.92	4.250/4.248	2.43
211	55mm	3.3	56.4	162.1	59.7	136.7	16.0	M12	43.7	25.4	114.30/114.25	68.8
	2	7.3	2.22	6.38	2.35	5.38	0.63	1/2	1.72	1.00	4.500/4.498	2.71
	2-3/16	7.2	2.22	6.38	2.35	5.38	0.63	1/2	1.72	1.00	4.500/4.498	2.71
	2-1/4	7.1	2.22	6.38	2.35	5.38	0.63	1/2	1.72	1.00	4.500/4.498	2.71
212	60mm	4.3	58.7	181.1	64.5	152.4	22.4	M12	42.4	25.4	127.00/126.95	75.4
	2-1/4	9.6	2.31	7.13	2.54	6.00	0.88	1/2	1.67	1.00	5.000/4.998	2.97
	2-7/16	9.5	2.31	7.13	2.54	6.00	0.88	1/2	1.67	1.00	5.000/4.998	2.97
214	70mm	5.5	64.5	193.8	71.1	165.1	28.7	M12	42.4	26.9	139.70/139.65	84.1
	2-1/2	13.0	2.54	7.63	2.80	6.50	1.13	1/2	1.67	1.06	5.500/5.498	3.31
	2-11/16	12.9	2.54	7.63	2.80	6.50	1.13	1/2	1.67	1.06	5.500/5.498	3.31

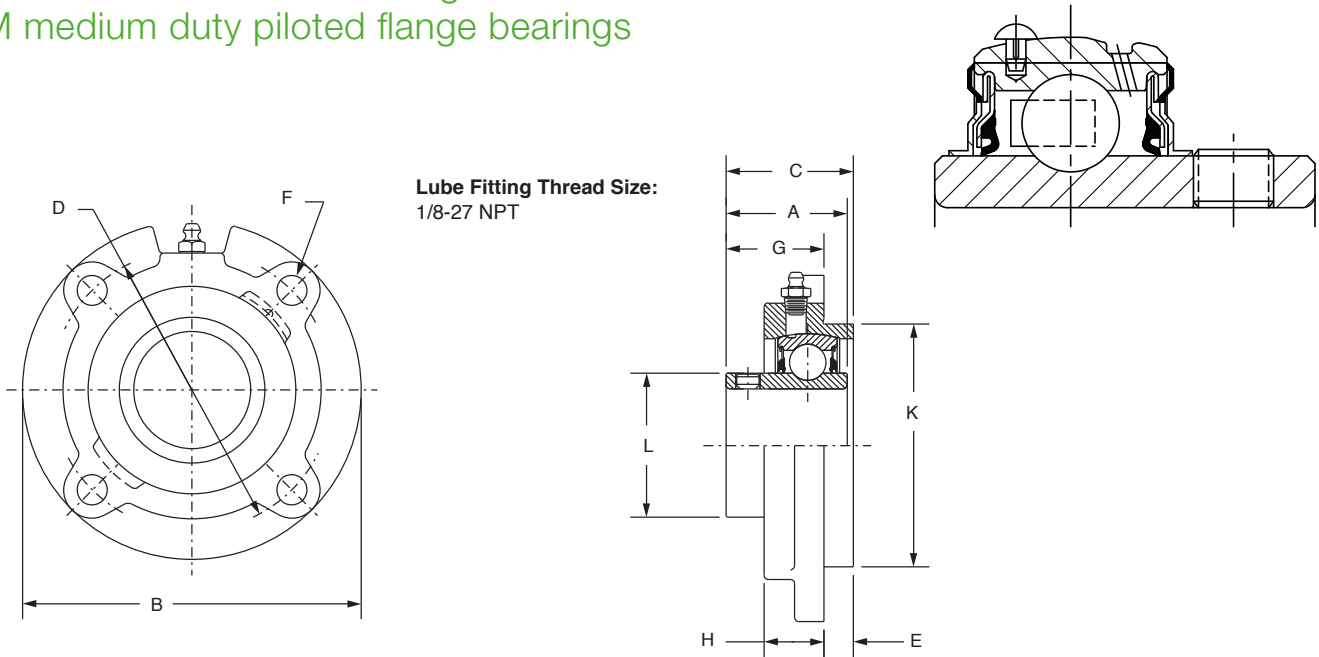
Unless specified, dimensions are in mm for metric parts and inches for non-metric parts.  
Note: Dimensions are in MM (in)



# Set screw mounted ball bearings

## Selection/Dimensions

Set screw mounted ball bearings  
SCM medium duty piloted flange bearings



Series	Shaft size	Part no.	Description
206	25mm	125940	FC-SCM-25M
	1	126167	FC-SCM-100
207	30mm	125941	FC-SCM-30M
	1-3/16	126168	FC-SCM-103
	1-1/4	124224	FC-SC-104
208	35mm	125942	FC-SCM-35M
	1-7/16	126170	FC-SCM-107
	1-1/2	126171	FC-SCM-108
209	40mm	125943	FC-SCM-40M
	1-1/2	056492	FC-SCM-108L
	1-5/8	065644	FC-SC-110L
210	45mm	125944	FC-SCM-45M
	1-11/16	126172	FC-SCM-111
	1-3/4	126173	FC-SCM-112
211	50mm	125945	FC-SCM-50M
	1-15/16	126174	FC-SCM-115
	2	126175	FC-SCM-200
212	55mm	125946	FC-SCM-55M
	2-3/16	126176	FC-SCM-203
	2-1/4	126177	FC-SCM-204
214	65mm	125947	FC-SCM-65M
	2-7/16	126178	FC-SCM-207
	2-1/2	126179	FC-SCM-208
216	75mm	125948	FC-SCM-75M
	2-15/16	126180	FC-SCM-215
	3	126182	FC-SCM-300
218	85mm	125949	FC-SCM-85M
	3-7/16	126183	FC-SCM-307
	3-1/2	126184	FC-SCM-308

@Assembled to order

Unless specified, dimensions are in mm for metric parts and inches for non-metric parts.

Note: Dimensions are in MM (in)

# Set screw mounted ball bearings

## Selection/Dimensions

Set screw mounted ball bearings

SCM medium duty piloted flange bearings

Series	Shaft size	Weight kg lb	A	B	C	D	E	F bolt dia.	G	H	K	L
206	25mm	1.4	38.6	111.3	38.9	92.2	6.4	M10	32.5	20.6	76.20/76.15	39.9
	1	3.3	1.52	4.38	1.53	3.63	0.25	3/8	1.28	0.81	3.000/2.998	1.57
207	30mm	1.9	43.4	127.0	45.2	104.9	9.7	M10	35.6	21.3	85.73/85.67	46.7
	1-3/16	4.2	1.71	5.00	1.78	4.13	0.38	3/8	1.40	0.84	3.375/3.373	1.84
	1-1/4	4.2	1.71	5.00	1.78	4.13	0.38	3/8	1.40	0.84	3.375/3.373	1.84
208	35mm	2.7	49.3	133.4	50.3	111.3	11.2	M12	39.1	22.6	92.08/92.02	52.1
	1-7/16	4.8	1.94	5.25	1.98	4.38	0.44	7/16	1.54	0.89	3.625/3.623	2.05
	1-1/2	4.6	1.94	5.25	1.98	4.38	0.44	7/16	1.54	0.89	3.625/3.623	2.05
209	40mm	2.5	49.3	146.1	49.5	120.7	11.2	M12	38.4	23.1	101.60/101.55	56.4
	1-1/2	5.6	1.94	5.75	1.95	4.75	0.44	1/2	1.51	0.91	4.000/3.998	2.22
	1-5/8	5.6	1.94	5.75	1.95	4.75	0.44	1/2	1.51	0.91	4.000/3.998	2.22
210	45mm	2.9	49.3	155.7	50.3	130.3	11.9	M12	38.4	23.4	107.95/107.90	61.7
	1-11/16	6.4	1.94	6.13	1.98	5.13	0.47	1/2	1.51	0.92	4.250/4.248	2.43
	1-3/4	6.3	1.94	6.13	1.98	5.13	0.47	1/2	1.51	0.92	4.250/4.248	2.43
211	50mm	3.4	56.4	162.1	59.7	136.7	16.0	M12	43.7	25.4	114.30/114.25	68.8
	1-15/16	7.6	2.22	6.38	2.35	5.38	0.63	1/2	1.72	1.00	4.500/4.498	2.71
	2	7.4	2.22	6.38	2.35	5.38	0.63	1/2	1.72	1.00	4.500/4.498	2.71
212	55mm	4.4	58.7	181.1	64.5	152.4	22.4	M12	42.4	25.4	127.00/126.95	75.4
	2-3/16	9.5	2.31	7.13	2.54	6.00	0.88	1/2	1.67	1.00	5.000/4.998	2.97
	2-1/4	9.8	2.31	7.13	2.54	6.00	0.88	1/2	1.67	1.00	5.000/4.998	2.97
214	65mm	5.9	64.5	193.8	71.1	165.1	28.7	M12	42.4	26.9	139.70/139.65	84.1
	2-7/16	13.2	2.54	7.63	2.80	6.50	1.13	1/2	1.67	1.06	5.500/5.498	3.31
	2-1/2	13.0	2.54	7.63	2.80	6.50	1.13	1/2	1.67	1.06	5.500/5.498	3.31
216	75mm	8.5	60.5	222.3	76.7	190.5	31.8	M16	45.0	30.2	161.93/161.87	97.3
	2-15/16	18.8	2.38	8.75	3.02	7.50	1.25	5/8	1.77	1.19	6.375/6.373	3.83
	3	18.6	2.38	8.75	3.02	7.50	1.25	5/8	1.77	1.19	6.375/6.373	3.83
218	85mm	13.5	65.0	260.4	84.6	212.9	28.6	M18	56.1	41.4	187.33/187.27	110.5
	3-7/16	28.7	2.56	10.25	3.33	8.38	1.13	3/4	2.21	1.63	7.375/7.373	4.35
	3-1/2	28.5	2.56	10.25	3.33	8.38	1.13	3/4	2.21	1.63	7.375/7.373	4.35

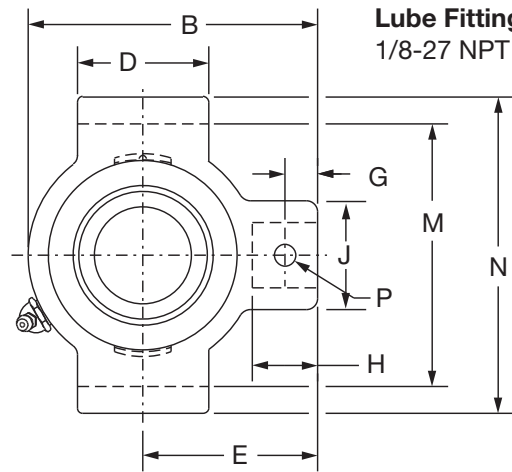
Unless specified, dimensions are in mm for metric parts and inches for non-metric parts.

Note: Dimensions are in MM (in)

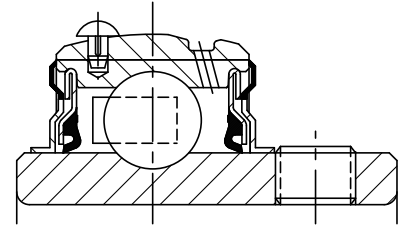
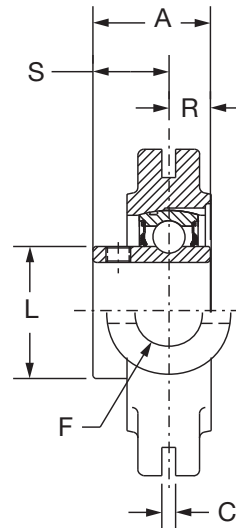
# Set screw mounted ball bearings

## Selection/Dimensions

Set screw mounted ball bearings  
SC normal duty narrow slot take-up bearings



**Lube Fitting Thread Size:**  
1/8-27 NPT



Series	Shaft size	Standard		No lube/Sealed for life (-NL)	
		Part no.	Description	Part no.	Description
204	20mm	125900	NSTU-SC-20M	@	NSTU-SC-20M-NL
	1/2	125328	NSTU-SC-008	@	NSTU-SC-008-NL
	5/8	125329	NSTU-SC-010	@	NSTU-SC-010-NL
	3/4	125050	NSTU-SC-012	073970	NSTU-SC-012-NL
205	25mm	125901	NSTU-SC-25M	@	NSTU-SC-25M-NL
	7/8	125365	NSTU-SC-014	@	NSTU-SC-014-NL
	15/16	125051	NSTU-SC-015	@	NSTU-SC-015-NL
	1	125052	NSTU-SC-100	125054	NSTU-SC-100-NL
206	30mm	125902	NSTU-SC-30M	@	NSTU-SC-30M-NL
	1-1/16	125366	NSTU-SC-101	@	NSTU-SC-101-NL
	1-1/8	125367	NSTU-SC-102	065642	NSTU-SC-102-NL
	1-3/16	125153	NSTU-SC-103	052194	NSTU-SC-103-NL
207	35mm	125903	NSTU-SC-35M	@	NSTU-SC-35M-NL
	1-1/4	125154	NSTU-SC-104	058897	NSTU-SC-104-NL
	1-5/16	125368	NSTU-SC-105	065681	NSTU-SC-105-NL
	1-3/8	125369	NSTU-SC-106	125378	NSTU-SC-106-NL
	1-7/16	125155	NSTU-SC-107	052199	NSTU-SC-107-NL

@Assembled to order

See B15-9 for Take-Up Frames

Unless specified, dimensions are in mm for metric parts and inches for non-metric parts.

Note: Dimensions are in MM (in)

# Set screw mounted ball bearings

## Selection/Dimensions

Set screw mounted ball bearings

SC normal duty narrow slot take-up bearings

Series	Shaft Size	Weight kg lb	Take-Up Frame No. Ref.	A	B	C	D	E	F Bolt Dia.	G	H	J	L	M	N	P Pin Dia.	R	S
204	20mm	0.8	NS210	31.2	88.9	6.35	38.1	55.6	19.1	11.2	22.4	35.1	28.4	66.93/66.17	79.5	8.1	12.7	18.5
	1/2	1.6	NS210	1.23	3.50	0.250	1.50	2.19	3/4	0.44	0.88	1.38	1.12	2.635/2.605	3.13	0.32	0.50	0.73
	5/8	1.5	NS210	1.23	3.50	0.250	1.50	2.19	3/4	0.44	0.88	1.38	1.12	2.635/2.605	3.13	0.32	0.50	0.73
	3/4	1.4	NS210	1.23	3.50	0.250	1.50	2.19	3/4	0.44	0.88	1.38	1.12	2.635/2.605	3.13	0.32	0.50	0.73
205	25mm	0.7	NS210	34.0	90.4	6.35	38.1	55.6	19.1	11.2	22.4	35.1	33.5	66.93/66.17	79.5	8.1	14.2	19.8
	7/8	1.7	NS210	1.34	3.56	0.250	1.50	2.19	3/4	0.44	0.88	1.38	1.32	2.635/2.605	3.13	0.32	0.56	0.78
	15/16	1.6	NS210	1.34	3.56	0.250	1.50	2.19	3/4	0.44	0.88	1.38	1.32	2.635/2.605	3.13	0.32	0.56	0.78
	1	1.5	NS210	1.34	3.56	0.250	1.50	2.19	3/4	0.44	0.88	1.38	1.32	2.635/2.605	3.13	0.32	0.56	0.78
206	30mm	1.2	NS308	38.6	109.5	6.35	63.5	68.3	19.1	12.7	23.9	35.1	39.9	89.15/88.39	104.9	8.1	14.7	23.9
	1-1/16	2.9	NS308	1.52	4.31	0.250	2.50	2.69	3/4	0.50	0.94	1.38	1.57	3.510/3.480	4.13	0.32	0.58	0.94
	1-1/8	2.8	NS308	1.52	4.31	0.250	2.50	2.69	3/4	0.50	0.94	1.38	1.57	3.510/3.480	4.13	0.32	0.58	0.94
	1-3/16	2.7	NS308	1.52	4.31	0.250	2.50	2.69	3/4	0.50	0.94	1.38	1.57	3.510/3.480	4.13	0.32	0.58	0.94
	1-1/4	2.6	NS308	1.52	4.31	0.250	2.50	2.69	3/4	0.50	0.94	1.38	1.57	3.510/3.480	4.13	0.32	0.58	0.94
207	35mm	1.2	NS308	43.4	114.3	6.35	63.5	68.3	19.1	12.7	23.9	35.1	46.7	89.15/88.39	104.9	8.1	17.0	26.4
	1-1/4	2.8	NS308	1.71	4.50	0.250	2.50	2.69	3/4	0.50	0.94	1.38	1.84	3.510/3.480	4.13	0.32	0.67	1.04
	1-5/16	2.7	NS308	1.71	4.50	0.250	2.50	2.69	3/4	0.50	0.94	1.38	1.84	3.510/3.480	4.13	0.32	0.67	1.04
	1-3/8	2.6	NS308	1.71	4.50	0.250	2.50	2.69	3/4	0.50	0.94	1.38	1.84	3.510/3.480	4.13	0.32	0.67	1.04
	1-7/16	2.5	NS308	1.71	4.50	0.250	2.50	2.69	3/4	0.50	0.94	1.38	1.84	3.510/3.480	4.13	0.32	0.67	1.04

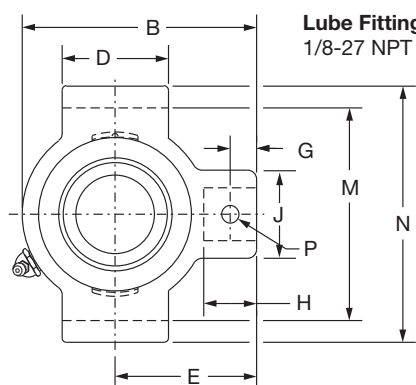
Unless specified, dimensions are in mm for metric parts and inches for non-metric parts.

Note: Dimensions are in MM (in)

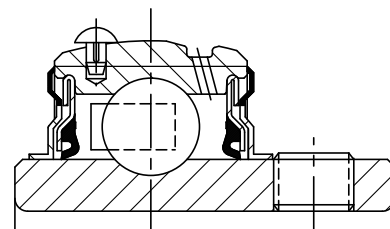
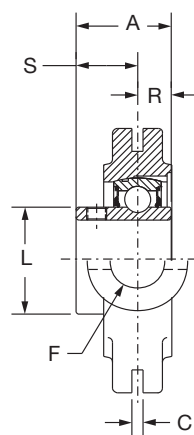
# Set screw mounted ball bearings

## Selection/Dimensions

Set screw mounted ball bearings  
SC normal duty narrow slot take-up bearings



Lube Fitting Thread Size:  
1/8-27 NPT



Series	Shaft size	Standard		Sealed For Life	
		Part no.	Description	Part no.	Description
208	40mm	125904	NSTU-SC-40M	@	NSTU-SC-40M-NL
	1-1/2	125156	NSTU-SC-108	@	NSTU-SC-108-NL
	1-5/8	125370	NSTU-SC-110	@	NSTU-SC-110-NL
209	45mm	125905	NSTU-SC-45M	@	NSTU-SC-45M-NL
	1-5/8	065593	NSTU-SC-110L	@	NSTU-SC-110L-NL
	1-11/16	125157	NSTU-SC-111	052939	NSTU-SC-111-NL
	1-3/4	125371	NSTU-SC-112	068184	NSTU-SC-112-NL
210	50mm	125906	NSTU-SC-50M	@	NSTU-SC-50M-NL
	1-15/16	125158	NSTU-SC-115	125159	NSTU-SC-115-NL
	2	125372	NSTU-SC-200	068659	NSTU-SC-200-NL
211	55mm	125907	NSTU-SC-55M	@	NSTU-SC-55M-NL
	2	135171	NSTU-SCM-200	@	NSTU-SCM-200-NL
	2-3/16	125160	NSTU-SC-203	@	NSTU-SC-203-NL
	2-1/4	125373	NSTU-SC-204	@	NSTU-SC-204-NL
212	60mm	125908	NSTU-SC-60M	@	NSTU-SC-60M-NL
	2-1/4	135172	NSTU-SCM-204	126544	NSTU-SCM-204-NL
	2-7/16	125162	NSTU-SC-207	073430	NSTU-SC-207-NL

@Assembled to order

See B15-9 for Take-Up Frames

Unless specified, dimensions are in mm for metric parts and inches for non-metric parts.

Note: Dimensions are in MM (in)

Series	Shaft size	Weight kg lb	Take-up frame no. ref.	A	B	C*	D	E	F screw dia.	G	H	J	L	M	N	P pin dia.	R	S
208	40mm	2.1	NS400	49.3	136.7	7.95	76.2	82.6	22.2	16.8	29.5	41.4	52.1	101.98/101.22	120.7	9.7	19.1	30.2
	1-1/2	4.7	NS400	1.94	5.38	0.313	3.00	3.25	7/8	0.66	1.16	1.63	2.05	4.015/3.985	4.75	0.38	0.75	1.19
	1-5/8	4.6	NS400	1.94	5.38	0.313	3.00	3.25	7/8	0.66	1.16	1.63	2.05	4.015/3.985	4.75	0.38	0.75	1.19
209	45mm	2.1	NS400	49.3	138.2	7.95	76.2	82.6	22.2	18.3	31.0	41.4	56.4	101.98/101.22	120.7	9.7	19.1	30.2
	1-5/8	4.9	NS400	1.94	5.44	0.313	3.00	3.25	7/8	0.72	1.22	1.63	2.22	4.015/3.985	4.75	0.38	0.75	1.19
	1-11/16	4.8	NS400	1.94	5.44	0.313	3.00	3.25	7/8	0.72	1.22	1.63	2.22	4.015/3.985	4.75	0.38	0.75	1.19
	1-3/4	4.7	NS400	1.94	5.44	0.313	3.00	3.25	7/8	0.72	1.22	1.63	2.22	4.015/3.985	4.75	0.38	0.75	1.19
210	50mm	2.2	NS400	49.3	139.7	7.95	76.2	82.6	22.2	15.0	27.7	41.4	61.7	101.98/101.22	120.7	9.7	19.1	30.2
	1-15/16	4.9	NS400	1.94	5.50	0.313	3.00	3.25	7/8	0.59	1.09	1.63	2.43	4.015/3.985	4.75	0.38	0.75	1.19
	2	4.8	NS400	1.94	5.50	0.313	3.00	3.25	7/8	0.59	1.09	1.63	2.43	4.015/3.985	4.75	0.38	0.75	1.19
211	55mm	3.0	NS407	56.4	155.7	7.95	88.9	92.2	25.4	17.5	32.5	44.5	68.8	112.98/112.22	136.7	11.2	22.1	34.3
	2	6.8	NS407	2.22	6.13	0.313	3.50	3.63	1	0.69	1.28	1.75	2.71	4.448/4.418	5.38	0.44	0.87	1.35
	2-3/16	6.6	NS407	2.22	6.13	0.313	3.50	3.63	1	0.69	1.28	1.75	2.71	4.448/4.418	5.38	0.44	0.87	1.35
	2-1/4	6.5	NS407	2.22	6.13	0.313	3.50	3.63	1	0.69	1.28	1.75	2.71	4.448/4.418	5.38	0.44	0.87	1.35
212	60mm	4.9	NS415	58.7	169.9	7.95	95.3	98.6	25.4	17.5	32.5	41.4	75.4	125.65/124.89	146.1	11.2	22.9	35.8
	2-1/4	8.7	NS415	2.31	6.69	0.313	3.75	3.88	1	0.69	1.28	1.63	2.97	4.947/4.917	5.75	0.44	0.90	1.41
	2-7/16	8.4	NS415	2.31	6.69	0.313	3.75	3.88	1	0.69	1.28	1.63	2.97	4.947/4.917	5.75	0.44	0.90	1.41

#+.010, -.020. +.25mm, -.50mm

Unless specified, dimensions are in mm for metric parts and inches for non-metric parts.

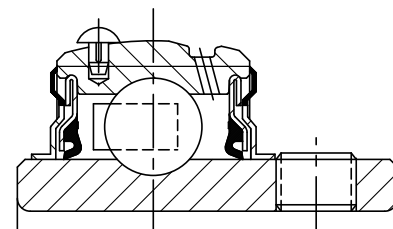
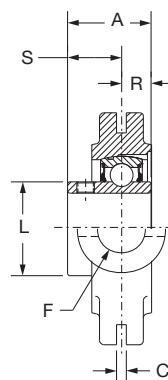
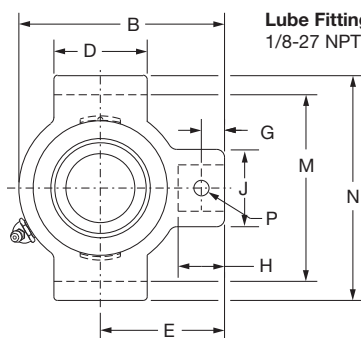
Note: Dimensions are in MM (in)

# Set screw mounted ball bearings

## Selection/Dimensions

### Set screw mounted ball bearings

### SCM medium duty narrow slot take-up bearings



Series	Shaft size	Part no.	Description
206	25mm	<b>125980</b>	NSTU-SCM-25M
	1	<b>135102</b>	NSTU-SCM-100
207	30mm	<b>125981</b>	NSTU-SCM-30M
	1-3/16	<b>135081</b>	NSTU-SCM-103
	1-1/4	<b>125154</b>	NSTU-SC-104
208	35mm	<b>125982</b>	NSTU-SCM-35M
	1-7/16	<b>135105</b>	NSTU-SCM-107
209	40mm	<b>125983</b>	NSTU-SCM-40M
	1-1/2	<b>135106</b>	NSTU-SCM-108
	1-5/8	<b>065593</b>	NSTU-SC-110L
210	45mm	<b>125984</b>	NSTU-SCM-45M
	1-11/16	<b>135107</b>	NSTU-SCM-111
	1-3/4	<b>135170</b>	NSTU-SCM-112
211	50mm	<b>125985</b>	NSTU-SCM-50M
	1-15/16	<b>135109</b>	NSTU-SCM-115
	2	<b>135171</b>	NSTU-SCM-200
212	55mm	<b>125986</b>	NSTU-SCM-55M
	2-3/16	<b>135111</b>	NSTU-SCM-203
	2-1/4	<b>135172</b>	NSTU-SCM-204

@Assembled to order

Unless specified, dimensions are in mm for metric parts and inches for non-metric parts.

Note: Dimensions are in MM (in)

Series	Shaft size	Weight kg lb	Take-up frame no. ref	A	B	C	D	E	F bolt dia.	G	H	J	L	M	N	P pin dia.	R	S
206	25mm	7.2	NS308	38.6	109.5	6.35	63.5	68.3	19.1	12.7	23.9	35.1	39.9	89.15/88.39	104.9	8.1	14.7	23.9
	1	3.0	NS308	1.52	4.31	0.250	2.50	2.69	3/4	0.50	0.94	1.38	1.57	3.510/3.480	4.13	0.32	0.58	0.94
207	30mm	7.3	NS308	43.4	114.3	6.35	63.5	68.3	19.1	12.7	23.9	35.1	46.7	89.15/88.39	104.9	8.1	17.0	26.4
	1-3/16	2.9	NS308	1.71	4.50	0.250	2.50	2.69	3/4	0.50	0.94	1.38	1.84	3.510/3.480	4.13	0.32	0.67	1.04
	1-1/4	2.8	NS308	1.71	4.50	0.250	2.50	2.69	3/4	0.50	0.94	1.38	1.84	3.510/3.480	4.13	0.32	0.67	1.04
208	35mm	2.2	NS400	49.3	136.7	7.95	76.2	82.6	22.2	16.8	29.5	41.4	52.1	101.98/101.22	120.7	9.7	19.1	30.2
	1-7/16	4.7	NS400	1.94	5.38	0.313	3.00	3.25	7/8	0.66	1.16	1.63	2.05	4.015/3.985	4.75	0.38	0.75	1.19
209	40mm	2.3	NS400	49.3	138.2	7.95	76.2	82.6	22.2	18.3	31.0	41.4	56.4	101.98/101.22	120.7	9.7	19.1	30.2
	1-1/2	5.0	NS400	1.94	5.44	0.313	3.00	3.25	7/8	0.72	1.22	1.63	2.22	4.015/3.985	4.75	0.38	0.75	1.19
	1-5/8	4.9	NS400	1.94	5.44	0.313	3.00	3.25	7/8	0.72	1.22	1.63	2.22	4.015/3.985	4.75	0.38	0.75	1.19
210	45mm	2.4	NS400	49.3	139.7	7.95	76.2	82.6	22.2	15.0	27.7	41.4	61.7	101.98/101.22	120.7	9.7	19.1	30.2
	1-11/16	5.3	NS400	1.94	5.50	0.313	3.00	3.25	7/8	0.59	1.09	1.63	2.43	4.015/3.985	4.75	0.38	0.75	1.19
	1-3/4	5.2	NS400	1.94	5.50	0.313	3.00	3.25	7/8	0.59	1.09	1.63	2.43	4.015/3.985	4.75	0.38	0.75	1.19
211	50mm	3.2	NS407	56.4	155.7	7.95	88.9	92.2	25.4	17.5	32.5	44.5	68.8	112.98/112.22	136.7	11.2	22.1	34.3
	1-15/16	7.0	NS407	2.22	6.13	0.313	3.50	3.63	1	0.69	1.28	1.75	2.71	4.448/4.418	5.38	0.44	0.87	1.35
	2	6.8	NS407	2.22	6.13	0.313	3.50	3.63	1	0.69	1.28	1.75	2.71	4.448/4.418	5.38	0.44	0.87	1.35
212	55mm	4.0	NS415	58.7	169.9	7.95	95.3	98.6	25.4	17.5	32.5	41.4	75.4	125.65/124.89	146.1	11.2	22.9	35.8
	2-3/16	8.9	NS415	2.31	6.69	0.313	3.75	3.88	1	0.69	1.28	1.63	2.97	4.947/4.917	5.75	0.44	0.90	1.41
	2-1/4	8.7	NS415	2.31	6.69	0.313	3.75	3.88	1	0.69	1.28	1.63	2.97	4.947/4.917	5.75	0.44	0.90	1.41

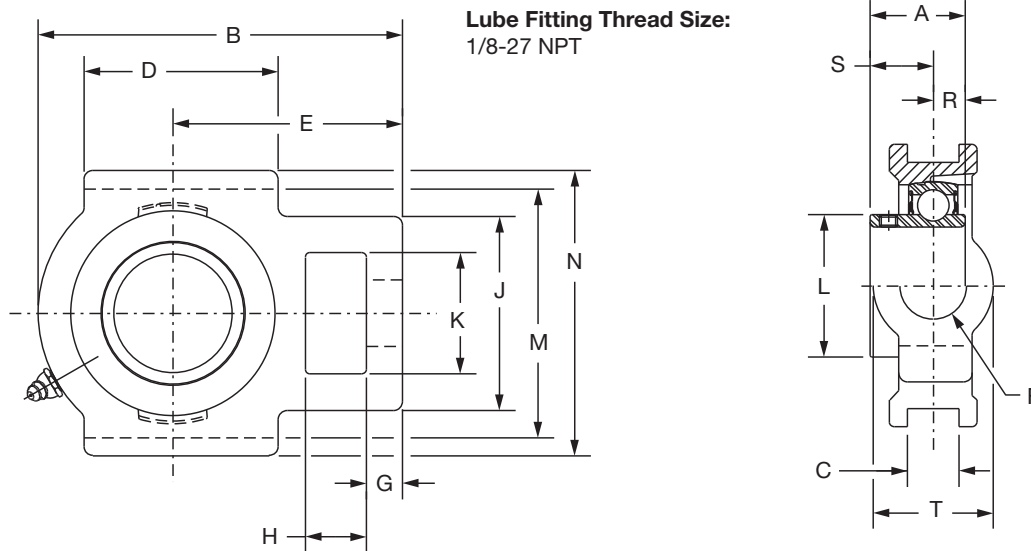
Unless specified, dimensions are in mm for metric parts and inches for non-metric parts.

Note: Dimensions are in MM (in)

# Set screw mounted ball bearings

## Selection/Dimensions

Set screw mounted ball bearings  
SC normal duty wide slot take-up bearings



Series	Shaft size	Standard		No lube/Sealed for life (-NL)	
		Part no.	Description	Part no.	Description
204	20mm	125910	WSTU-SC-20M	@	WSTU-SC-20M-NL
	1/2	125343	WSTU-SC-008	@	WSTU-SC-008-NL
	5/8	125344	WSTU-SC-010	@	WSTU-SC-010-NL
	3/4	125010	WSTU-SC-012	074935	WSTU-SC-012-NL
205	25mm	125911	WSTU-SC-25M	@	WSTU-SC-25M-NL
	7/8	125356	WSTU-SC-014	@	WSTU-SC-014-NL
	15/16	125011	WSTU-SC-015	@	WSTU-SC-015-NL
	1	125012	WSTU-SC-100	@	WSTU-SC-100-NL
206	30mm	125912	WSTU-SC-30M	@	WSTU-SC-30M-NL
	1-1/16	125357	WSTU-SC-101	@	WSTU-SC-101-NL
	1-1/8	125358	WSTU-SC-102	@	WSTU-SC-102-NL
	1-3/16	125113	WSTU-SC-103	@	WSTU-SC-103-NL
	1-1/4	123175	WSTU-SC-104S	@	WSTU-SC-104S-NL
207	35mm	125913	WSTU-SC-35M	@	WSTU-SC-35M-NL
	1-1/4	125360	WSTU-SC-104	073793	WSTU-SC-104-NL
	1-5/16	125359	WSTU-SC-105	@	WSTU-SC-105-NL
	1-3/8	125361	WSTU-SC-106	@	WSTU-SC-106-NL
	1-7/16	125114	WSTU-SC-107	050846	WSTU-SC-107-NL
208	40mm	125914	WSTU-SC-40M	@	WSTU-SC-40M-NL
	1-1/2	125120	WSTU-SC-108	049829	WSTU-SC-108-NL
	1-5/8	125355	WSTU-SC-110	@	WSTU-SC-110-NL

@Assembled to order

Unless specified, dimensions are in mm for metric parts and inches for non-metric parts.

Note: Dimensions are in MM (in)

# Set screw mounted ball bearings

## Selection/Dimensions

Set screw mounted ball bearings  
SC normal duty wide slot take-up bearings

Series	Shaft size	Weight kg lb	Take-up frame size	A	B	C	D	E	F	G	H
204	20mm	0.9	WS300	31.2	93.7	13.49	50.8	60.5	15.9	9.7	16.0
	1/2	2.1	WS300	1.23	3.69	0.531	2.00	2.38	5/8	0.38	0.63
	5/8	2.0	WS300	1.23	3.69	0.531	2.00	2.38	5/8	0.38	0.63
	3/4	1.9	WS300	1.23	3.69	0.531	2.00	2.38	5/8	0.38	0.63
205	25mm	1.0	WS300	34.0	96.8	13.49	50.8	62.0	15.9	9.7	16.0
	7/8	2.2	WS300	1.34	3.81	0.531	2.00	2.44	5/8	0.38	0.63
	15/16	2.1	WS300	1.34	3.81	0.531	2.00	2.44	5/8	0.38	0.63
206	1	2.0	WS300	1.34	3.81	0.531	2.00	2.44	5/8	0.38	0.63
	30mm	1.3	WS308	38.6	111.3	13.49	57.2	69.9	19.1	9.7	16.0
	1-1/16	3.1	WS308	1.52	4.38	0.531	2.25	2.75	3/4	0.38	0.63
	1-1/8	3.0	WS308	1.52	4.38	0.531	2.25	2.75	3/4	0.38	0.63
	1-3/16	2.9	WS308	1.52	4.38	0.531	2.25	2.75	3/4	0.38	0.63
207	1-1/4	2.8	WS308	1.52	4.38	0.531	2.25	2.75	3/4	0.38	0.63
	35mm	1.6	WS308	43.4	123.7	13.49	63.5	77.7	19.1	12.7	16.0
	1-1/4	3.8	WS308	1.71	4.87	0.531	2.50	3.06	3/4	0.50	0.63
	1-5/16	3.7	WS308	1.71	4.87	0.531	2.50	3.06	3/4	0.50	0.63
	1-3/8	3.6	WS308	1.71	4.87	0.531	2.50	3.06	3/4	0.50	0.63
208	1-7/16	3.5	WS308	1.71	4.87	0.531	2.50	3.06	3/4	0.50	0.63
	40mm	2.8	WS400	49.3	144.5	17.48	82.6	88.9	25.4	16.0	19.1
	1-1/2	6.1	WS400	1.94	5.69	0.688	3.25	3.50	1	0.63	0.75
	1-5/8	6.0	WS400	1.94	5.69	0.688	3.25	3.50	1	0.63	0.75

Unless specified, dimensions are in mm for metric parts and inches for non-metric parts.

Note: Dimensions are in MM (in)

Series	Shaft size	J	K	L	M	N	R	S	T
204	20mm	50.8	31.8	28.4	75.82/76.58	92.2	12.7	18.5	35.1
	1/2	2.00	1.25	1.12	2.985/3.015	3.63	0.50	0.73	1.38
	5/8	2.00	1.25	1.12	2.985/3.015	3.63	0.50	0.73	1.38
	3/4	2.00	1.25	1.12	2.985/3.015	3.63	0.50	0.73	1.38
205	25mm	50.8	33.3	33.5	75.82/76.58	92.2	14.2	19.8	35.1
	7/8	2.00	1.31	1.32	2.985/3.015	3.63	0.56	0.78	1.38
	15/16	2.00	1.31	1.32	2.985/3.015	3.63	0.56	0.78	1.38
	1	2.00	1.31	1.32	2.985/3.015	3.63	0.56	0.78	1.38
206	30mm	55.6	36.6	39.9	88.39/89.15	104.9	14.7	23.9	35.1
	1-1/16	2.19	1.44	1.57	3.480/3.510	4.13	0.58	0.94	1.38
	1-1/8	2.19	1.44	1.57	3.480/3.510	4.13	0.58	0.94	1.38
	1-3/16	2.19	1.44	1.57	3.480/3.510	4.13	0.58	0.94	1.38
	1-1/4	2.19	1.44	1.57	3.480/3.510	4.13	0.58	0.94	1.38
207	35mm	63.5	36.6	46.7	88.39/89.15	104.9	17.0	26.4	41.4
	1-1/4	2.50	1.44	1.84	3.480/3.510	4.13	0.67	1.04	1.63
	1-5/16	2.50	1.44	1.84	3.480/3.510	4.13	0.67	1.04	1.63
	1-3/8	2.50	1.44	1.84	3.480/3.510	4.13	0.67	1.04	1.63
	1-7/16	2.50	1.44	1.84	3.480/3.510	4.13	0.67	1.04	1.63
208	40mm	82.6	49.3	52.1	101.22/101.98	114.3	19.1	30.2	49.3
	1-1/2	3.25	1.94	2.05	3.985/4.015	4.50	0.75	1.19	1.94
	1-5/8	3.25	1.94	2.05	3.985/4.015	4.50	0.75	1.19	1.94

Unless specified, dimensions are in mm for metric parts and inches for non-metric parts.

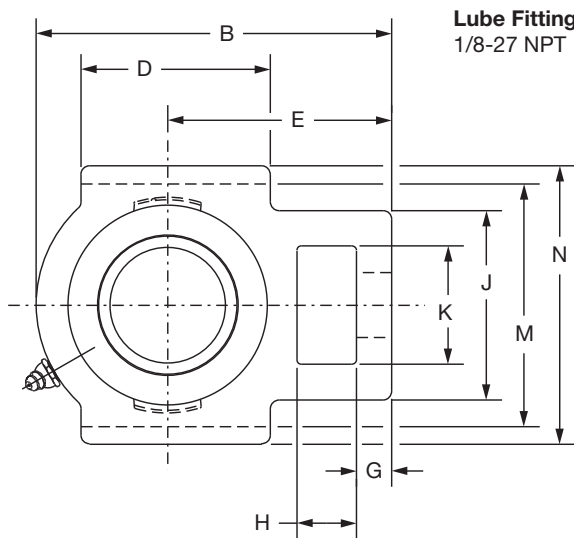
Note: Dimensions are in MM (in)



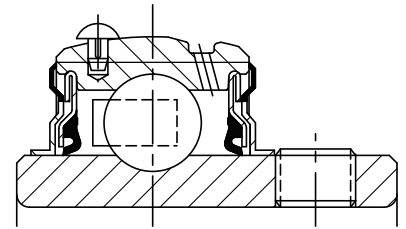
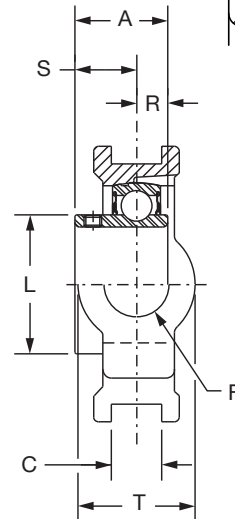
# Set screw mounted ball bearings

## Selection/Dimensions

Set screw mounted ball bearings  
SC normal duty wide slot take-up bearings



Lube Fitting Thread Size:  
1/8-27 NPT



Series	Shaft size	Standard		No lube/Sealed for life (-NL)	
		Part no.	Description	Part no.	Description
209	45mm	125915	WSTU-SC-45M	@	WSTU-SC-45M-NL
	1-5/8	125151	WSTU-SC-110L	@	WSTU-SC-110L-NL
	1-11/16	125115	WSTU-SC-111	@	WSTU-SC-111-NL
	1-3/4	125362	WSTU-SC-112	@	WSTU-SC-112-NL
	1-13/16	125121	WSTU-SC-113	@	WSTU-SC-113-NL
210	50mm	125916	WSTU-SC-50M	068374	WSTU-SC-50M-NL
	1-15/16	125116	WSTU-SC-115	125071	WSTU-SC-115-NL
	2	125363	WSTU-SC-200	062691	WSTU-SC-200-NL
211	55mm	125917	WSTU-SC-55M	@	WSTU-SC-55M-NL
	2	135183	WSTU-SCM-200	058705	WSTU-SCM-200-NL
	2-3/16	125117	WSTU-SC-203	@	WSTU-SC-203-NL
	2-1/4	125364	WSTU-SC-204	@	WSTU-SC-204-NL
212	60mm	125918	WSTU-SC-60M	@	WSTU-SC-60M-NL
	2-1/4	135184	WSTU-SCM-204	@	WSTU-SCM-204-NL
	2-7/16	125118	WSTU-SC-207	@	WSTU-SC-207-NL
214	70mm	062975	WSTU-SC-70M	@	WSTU-SC-70M-NL
	2-1/2	135185	WSTU-SCM-208	@	WSTU-SCM-208-NL
	2-11/16	064704	WSTU-SC-211	@	WSTU-SC-211-NL
215	75mm	125919	WSTU-SC-75M	@	WSTU-SC-75M-NL
	2-15/16	125119	WSTU-SC-215	@	WSTU-SC-215-NL

@Assembled to order

Unless specified, dimensions are in mm for metric parts and inches for non-metric parts.

Note: Dimensions are in MM (in)

# Set screw mounted ball bearings

## Selection/Dimensions

Set screw mounted ball bearings  
SC normal duty wide slot take-up bearings

Series	Shaft size	Weight kg lb	Take-up frame size	A	B	C	D	E	F screw dia.	G
209	45mm	2.7	WS400	49.3	143.0	17.48	82.6	87.4	25.4	16.0
	1-5/8	6.1	WS400	1.94	5.63	0.688	3.25	3.44	1	0.63
	1-11/16	6.0	WS400	1.94	5.63	0.688	3.25	3.44	1	0.63
	1-3/4	5.9	WS400	1.94	5.63	0.688	3.25	3.44	1	0.63
	1-13/16	5.8	WS400	1.94	5.63	0.688	3.25	3.44	1	0.63
210	50mm	2.9	WS400	49.3	147.8	17.48	85.9	90.4	25.4	16.0
	1-15/16	6.4	WS400	1.94	5.82	0.688	3.38	3.56	1	0.63
	2	6.2	WS400	1.94	5.82	0.688	3.38	3.56	1	0.63
211	55mm	4.5	WS502	56.4	169.9	27.00	95.3	106.4	31.8	19.1
	2	10.1	WS502	2.22	6.69	1.063	3.75	4.19	1-1/4	0.75
	2-3/16	10.0	WS502	2.22	6.69	1.063	3.75	4.19	1-1/4	0.75
	2-1/4	9.8	WS502	2.22	6.69	1.063	3.75	4.19	1-1/4	0.75
212	60mm	4.9	WS502	58.7	190.5	27.00	101.6	119.1	31.8	19.1
	2-1/4	11.2	WS502	2.31	7.50	1.063	4.00	4.69	1-1/4	0.75
	2-7/16	10.8	WS502	2.31	7.50	1.063	4.00	4.69	1-1/4	0.75
214	70mm	8.0	WS515	64.5	217.4	27.0	120.7	136.7	38.1	20.6
	2-1/2	18.0	WS515	2.54	8.56	1.063	4.75	5.38	1-1/2	0.81
	2-11/16	17.8	WS515	2.54	8.56	1.063	4.75	5.38	1-1/2	0.81
215	75mm	8.6	WS515	59.2	231.9	27.00	120.7	139.7	38.1	20.6
	2-15/16	18.9	WS515	2.33	9.13	1.063	4.75	5.50	1-1/2	0.81

Unless specified, dimensions are in mm for metric parts and inches for non-metric parts.

Note: Dimensions are in MM (in)

Series	Shaft size	H	J	K	L	M	N	R	S	T
209	45mm	19.1	82.6	49.3	56.4	101.22/101.98	120.7	19.1	30.2	49.3
	1-5/8	0.75	3.25	1.94	2.22	3.985/4.015	4.75	0.75	1.19	1.94
	1-11/16	0.75	3.25	1.94	2.22	3.985/4.015	4.75	0.75	1.19	1.94
	1-3/4	0.75	3.25	1.94	2.22	3.985/4.015	4.75	0.75	1.19	1.94
	1-13/16	0.75	3.25	1.94	2.22	3.985/4.015	4.75	0.75	1.19	1.94
210	50mm	19.1	82.6	49.3	61.7	101.22/101.98	120.7	19.1	30.2	49.3
	1-15/16	0.75	3.25	1.94	2.43	3.985/4.015	4.75	0.75	1.19	1.94
	2	0.75	3.25	1.94	2.43	3.985/4.015	4.75	0.75	1.19	1.94
211	55mm	25.4	101.6	63.5	68.8	129.79/129.90	149.4	22.1	34.3	63.5
	2	1.00	4.00	2.50	2.71	5.110/5.114	5.88	0.87	1.35	2.50
	2-3/16	1.00	4.00	2.50	2.71	5.110/5.114	5.88	0.87	1.35	2.50
	2-1/4	1.00	4.00	2.50	2.71	5.110/5.114	5.88	0.87	1.35	2.50
212	60mm	31.8	101.6	63.5	75.4	129.79/129.90	149.4	22.9	35.8	63.5
	2-1/4	1.25	4.00	2.50	2.97	5.110/5.114	5.88	0.90	1.41	2.50
	2-7/16	1.25	4.00	2.50	2.97	5.110/5.114	5.88	0.90	1.41	2.50
214	70mm	31.8	111.3	69.9	84.1	150.44/151.21	166.6	26.9	37.6	69.9
	2-1/2	1.25	4.38	2.75	3.31	5.923/5.953	6.56	1.06	1.48	2.75
	2-11/16	1.25	4.38	2.75	3.31	5.923/5.953	6.56	1.06	1.48	2.75
215	75mm	31.8	111.3	69.9	91.9	150.44/151.21	169.9	21.8	37.3	69.9
	2-15/16	1.25	4.38	2.75	3.62	5.923/5.953	6.69	0.86	1.47	2.75

\*+ or -.015., + or -.38mm

# +.010, -.020, +.25mm, -.50mm

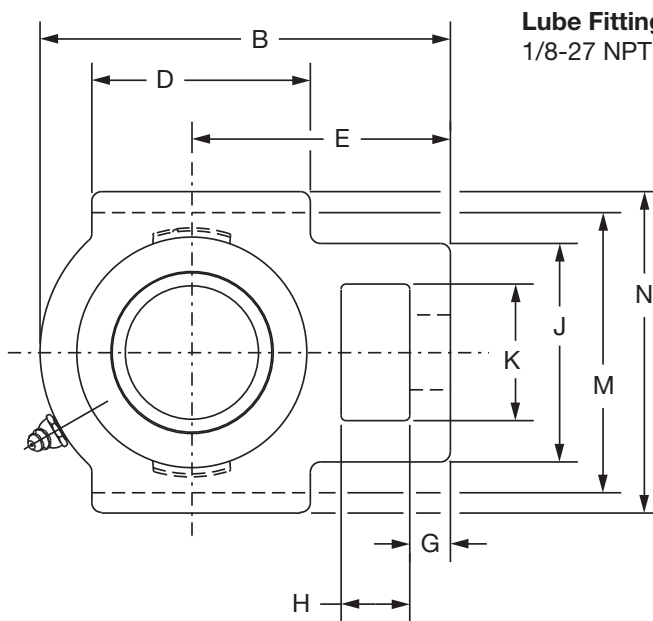
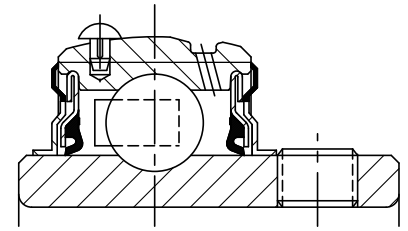
Unless specified, dimensions are in mm for metric parts and inches for non-metric parts.

Note: Dimensions are in MM (in)

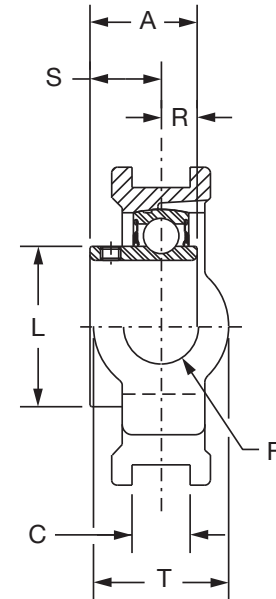
# Set screw mounted ball bearings

## Selection/Dimensions

Set screw mounted ball bearings  
SCM medium duty wide slot take-up bearings



Lube Fitting Thread Size:  
1/8-27 NPT



Series	Shaft size	Part no.	Description
206	25mm	125989	WSTU-SCM-25M
	1	135117	WSTU-SCM-100
207	30mm	125990	WSTU-SCM-30M
	1-3/16	135118	WSTU-SCM-103
	1-1/4	125360	WSTU-SC-104
208	35mm	125991	WSTU-SCM-35M
	1-7/16	135116	WSTU-SCM-107
209	40mm	125992	WSTU-SCM-40M
	1-1/2	135120	WSTU-SCM-108
210	45mm	125993	WSTU-SCM-45M
	1-11/16	135121	WSTU-SCM-111
	1-3/4	135182	WSTU-SCM-112

Unless specified, dimensions are in mm for metric parts and inches for non-metric parts.  
Note: Dimensions are in MM (in)

# Set screw mounted ball bearings

## Selection/Dimensions

Set screw mounted ball bearings  
SCM medium duty wide slot take-up bearings

Series	Shaft size	Weight kg lb	Take-up frame no. ref.	A	B	C	D	E	F screw dia.	G
206	25mm	1.4	WS308	38.6	111.3	13.49	57.2	69.9	19.1	9.7
	1	2.9	WS308	1.52	4.38	0.531	2.25	2.75	3/4	0.38
207	30mm	1.7	WS308	43.4	123.7	13.49	63.5	77.7	19.1	12.7
	1-3/16	3.9	WS308	1.71	4.87	0.531	2.50	3.06	3/4	0.50
	1-1/4	3.8	WS308	1.71	4.87	0.531	2.50	3.06	3/4	0.50
208	35mm	2.9	WS400	49.3	144.5	17.48	82.6	88.9	25.4	16.0
	1-7/16	6.1	WS400	1.94	5.69	0.688	3.25	3.50	1	0.63
209	40mm	2.8	WS400	49.3	143.0	17.48	82.6	87.4	25.4	16.0
	1-1/2	6.0	WS400	1.94	5.63	0.688	3.25	3.44	1	0.63
210	45mm	3.0	WS400	49.3	147.8	17.48	85.9	90.4	25.4	16.0
	1-11/16	6.4	WS400	1.94	5.82	0.688	3.38	3.56	1	0.63
	1-3/4	6.4	WS400	1.94	5.82	0.688	3.38	3.56	1	0.63

Unless specified, dimensions are in mm for metric parts and inches for non-metric parts.

Note: Dimensions are in MM (in)

Series	Shaft size	H	J	K	L	M	N	R	S	T
206	25mm	16.0	55.6	36.6	39.9	88.39/89.15	104.9	14.7	23.9	35.1
	1	0.63	2.19	1.44	1.57	3.480/3.510	4.13	0.58	0.94	1.38
207	30mm	16.0	63.5	36.6	46.7	88.39/89.15	104.9	17.0	26.4	41.4
	1-3/16	0.63	2.50	1.44	1.84	3.480/3.510	4.13	0.67	1.04	1.63
	1-1/4	0.63	2.50	1.44	1.84	3.480/3.510	4.13	0.67	1.04	1.63
208	35mm	19.1	82.6	49.3	52.1	101.22/101.98	114.3	19.1	30.2	49.3
	1-7/16	0.75	3.25	1.94	2.05	3.985/4.015	4.50	0.75	1.19	1.94
209	40mm	19.1	82.6	49.3	56.4	101.22/101.98	120.7	19.1	30.2	49.3
	1-1/2	0.75	3.25	1.94	2.22	3.985/4.015	4.75	0.75	1.19	1.94
210	45mm	19.1	82.6	49.3	61.7	101.22/101.98	120.7	19.1	30.2	49.3
	1-11/16	0.75	3.25	1.94	2.43	3.985/4.015	4.75	0.75	1.19	1.94
	1-3/4	0.75	3.25	1.94	2.43	3.985/4.015	4.75	0.75	1.19	1.94

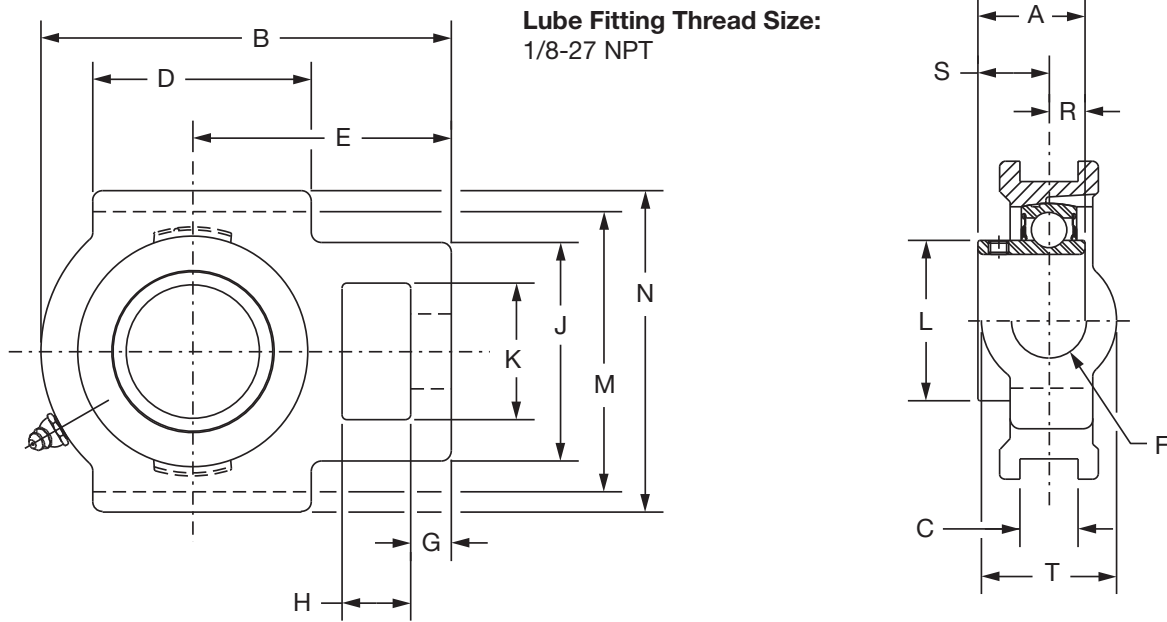
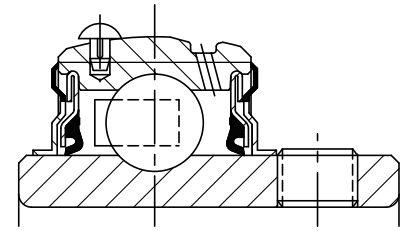
Unless specified, dimensions are in mm for metric parts and inches for non-metric parts.

Note: Dimensions are in MM (in)

# Set screw mounted ball bearings

## Selection/Dimensions

Set screw mounted ball bearings  
SCM medium duty wide slot take-up bearings



Series	Shaft size	Part no.	Description
211	50mm	125994	WSTU-SCM-50M
	1-15/16	135123	WSTU-SCM-115
	2	135183	WSTU-SCM-200
212	55mm	125995	WSTU-SCM-55M
	2-3/16	135125	WSTU-SCM-203
	2-1/4	135184	WSTU-SCM-204
214	65mm	125996	WSTU-SCM-65M
	2-7/16	135127	WSTU-SCM-207
	2-1/2	135185	WSTU-SCM-208
215	70mm	125997	WSTU-SCM-70M
	2-11/16	135129	WSTU-SCM-211
216	75mm	125998	WSTU-SCM-75M
	2-15/16	135130	WSTU-SCM-215
	3	135181	WSTU-SCM-300

Unless specified, dimensions are in mm for metric parts and inches for non-metric parts.  
Note: Dimensions are in MM (in)

# Set screw mounted ball bearings

## Selection/Dimensions

Set screw mounted ball bearings  
SCM medium duty wide slot take-up bearings

Series	Shaft size	Weight kg lb	Take-up frame no. ref	A	B	C	D	E	F screw dia.	G
211	50mm	4.7	WS502	56.4	169.9	27.00	95.3	106.4	31.8	19.1
	1-15/16	10.1	WS502	2.22	6.69	1.063	3.75	4.19	1-1/4	0.75
	2	10.2	WS502	2.22	6.69	1.063	3.75	4.19	1-1/4	0.75
212	55mm	5.1	WS502	58.7	190.5	27.00	101.6	119.1	31.8	19.1
	2-3/16	11.4	WS502	2.31	7.50	1.063	4.00	4.69	1-1/4	0.75
	2-1/4	11.2	WS502	2.31	7.50	1.063	4.00	4.69	1-1/4	0.75
214	65mm	8.1	WS515	64.5	217.4	27.0	120.7	136.7	38.1	20.6
	2-7/16	18.2	WS515	2.54	8.56	1.063	4.75	5.38	1-1/2	0.81
	2-1/2	18.0	WS515	2.54	8.56	1.063	4.75	5.38	1-1/2	0.81
215	70mm	8.9	WS515	59.2	231.9	27.00	120.7	139.7	38.1	20.6
	2-11/16	19.0	WS515	2.33	9.13	1.063	4.75	5.50	1-1/2	0.81
216	75mm	9.5	WS608	60.5	231.6	27.00	120.7	60.5	38.1	20.6
	2-15/16	21.7	WS608	2.38	9.13	1.063	4.75	2.38	1-1/2	0.81
	3	21.5	WS608	2.38	9.13	1.063	4.75	2.38	1-1/2	0.81

Unless specified, dimensions are in mm for metric parts and inches for non-metric parts.

Note: Dimensions are in MM (in)

Series	Shaft size	H	J	K	L	M	N	R	S	T
211	50mm	25.4	101.6	63.5	68.8	129.79/129.90	149.4	22.1	34.3	63.5
	1-15/16	1.00	4.00	2.50	2.71	5.110/5.114	5.88	0.87	1.35	2.50
	2	1.00	4.00	2.50	2.71	5.110/5.114	5.88	0.87	1.35	2.50
212	55mm	31.8	101.6	63.5	75.4	129.79/129.90	149.4	22.9	35.8	63.5
	2-3/16	1.25	4.00	2.50	2.97	5.110/5.114	5.88	0.90	1.41	2.50
	2-1/4	1.25	4.00	2.50	2.97	5.110/5.114	5.88	0.90	1.41	2.50
214	65mm	31.8	111.3	69.9	84.1	150.44/151.21	166.6	26.9	37.6	69.9
	2-7/16	1.25	4.38	2.75	3.31	5.923/5.953	6.56	1.06	1.48	2.75
	2-1/2	1.25	4.38	2.75	3.31	5.923/5.953	6.56	1.06	1.48	2.75
215	70mm	31.8	111.3	69.9	91.9	150.44/151.21	169.9	21.8	37.3	69.9
	2-11/16	1.25	4.38	2.75	3.62	5.923/5.953	6.69	0.86	1.47	2.75
216	75mm	31.8	111.3	69.9	97.3	164.72/165.48	184.2	22.4	38.1	69.9
	2-15/16	1.25	4.38	2.75	3.83	6.485/6.515	7.25	0.88	1.50	2.75
	3	1.25	4.38	2.75	3.83	6.485/6.515	7.25	0.88	1.50	2.75

Unless specified, dimensions are in mm for metric parts and inches for non-metric parts.

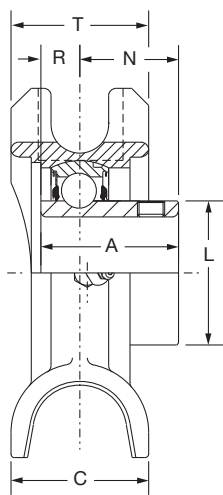
Note: Dimensions are in MM (in)

# Set screw mounted ball bearings

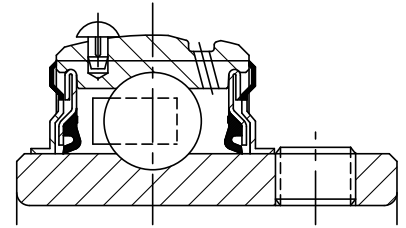
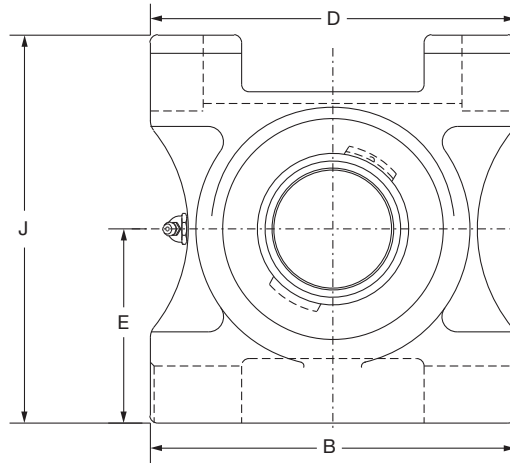
## Selection/Dimensions

### Set screw mounted ball bearings

#### Type G normal duty top angle take-up bearings



Lube Fitting Thread Size:  
1/8-27 NPT



Series	Shaft size	Part no.	Description
210	1-15/16	012340	TP-G-115
	2	012302	TP-G-200
211	2	136081	TP-GM-200
	2-3/16	012341	TP-G-203
	2-1/4	012303	TP-G-204
212	2-1/4	136082	TP-GM-204
	2-7/16	012342	TP-G-207
214	2-1/2	136083	TP-GM-208
	2-11/15	@	TP-G-211
215	2-15/16	012343	TP-G-215

@ Assembled to order  
Unless specified, dimensions are in mm for metric parts and inches for non-metric parts.  
Note: Dimensions are in MM (in)

Series	Shaft size	Weight lb	Frame size	A	B	C	D	E	J	L	N	R	T
210	1-15/16	10.2	TP10	1.94	6.50	2.38	6.00	3.25	6.38	2.43	1.19	0.75	2.38
	2	10.0	TP10	1.94	6.50	2.38	6.00	3.25	6.38	2.43	1.19	0.75	2.38
211	2	12.5	TP20	2.22	7.00	2.50	6.75	3.38	7.88	2.71	1.35	0.87	2.38
	2-3/16	12.4	TP20	2.22	7.00	2.50	6.75	3.38	7.88	2.71	1.35	0.87	2.38
	2-1/4	1.02	TP20	2.22	7.00	2.50	6.75	3.38	7.88	2.71	1.35	0.87	2.38
212	2-1/4	16.0	TP30	2.31	7.50	2.75	7.00	3.50	7.44	2.97	1.41	0.90	2.75
	2-7/16	15.9	TP30	2.31	7.50	2.75	7.00	3.50	7.44	2.97	1.41	0.90	2.75
214	2-1/2	21.3	TP40	2.54	8.50	2.50	8.00	4.00	8.31	3.31	1.38	1.16	2.75
	2-11/15	21.1	TP40	2.54	8.50	2.50	8.00	4.00	8.31	3.31	1.38	1.16	2.75
215	2-15/16	21.2	TP40	2.33	8.50	2.50	8.00	4.00	8.31	3.62	1.37	0.96	2.75

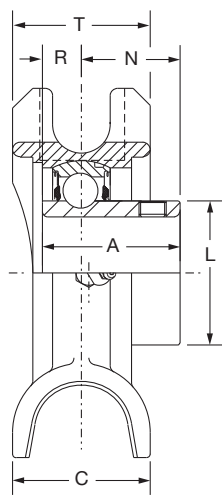
Unless specified, dimensions are in mm for metric parts and inches for non-metric parts.  
Note: Dimensions are in MM (in)

# Set screw mounted ball bearings

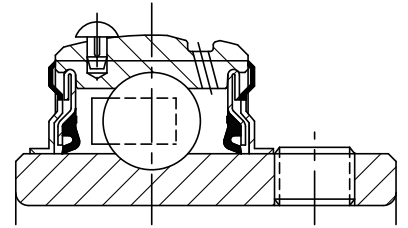
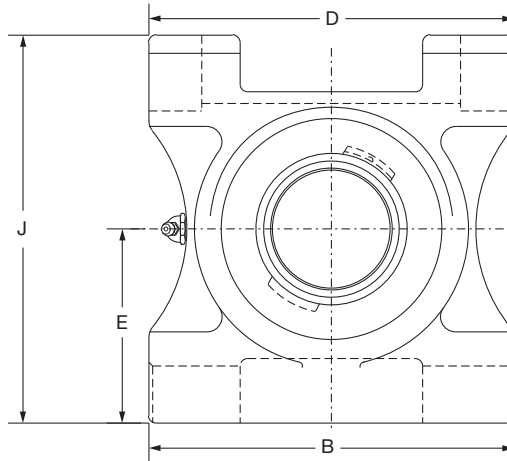
## Selection/Dimensions

### Set screw mounted ball bearings

#### Type G medium duty top angle take-up bearings



Lube Fitting Thread Size:  
1/8-27 NPT



Series	Shaft size	Part no.	Description
210	1-11/16	136070	TP-GM-111
	1-3/4	136080	TP-GM-112
211	1-15/16	136071	TP-GM-115
	2	136081	TP-GM-200
212	2-3/16	136072	TP-GM-203
	2-1/4	136082	TP-GM-204
214	2-7/16	136073	TP-GM-207
	2-1/2	136083	TP-GM-208
215	2-11/16	136076	TP-GM-211
216	2-15/16	136074	TP-GM-215
	3	136084	TP-GM-300
218	3-7/16	136075	TP-GM-307
	3-1/2	136085	TP-GM-308

Unless specified, dimensions are in mm for metric parts and inches for non-metric parts.  
Note: Dimensions are in MM (in)

Series	Shaft size	Weight lb	Frame size	A	B	C	D	E	J	L	N	R	T
210	1-11/16	10.4	TP10	1.94	6.50	2.38	6.00	3.25	6.38	2.43	1.19	0.75	2.38
	1-3/4	10.0	TP10	1.94	6.50	2.38	6.00	3.25	6.38	2.43	1.19	0.75	2.38
211	1-15/16	12.8	TP20	2.22	7.00	2.50	6.75	3.38	7.88	2.71	1.35	0.87	2.38
	2	12.5	TP20	2.22	7.00	2.50	6.75	3.38	7.88	2.71	1.35	0.87	2.38
212	2-3/16	16.2	TP30	2.31	7.50	2.75	7.00	3.50	7.44	2.97	1.41	0.90	2.75
	2-1/4	16.0	TP30	2.31	7.50	2.75	7.00	3.50	7.44	2.97	1.41	0.90	2.75
214	2-7/16	21.7	TP40	2.54	8.50	2.50	8.00	4.00	8.31	3.31	1.38	1.16	2.75
	2-1/2	21.0	TP40	2.54	8.50	2.50	8.00	4.00	8.31	3.31	1.38	1.16	2.75
215	2-11/16	25.0	TP40	2.33	8.50	2.50	8.00	4.00	8.31	3.62	1.37	0.96	2.75
216	2-15/16	29.8	TP50	2.38	9.50	2.75	9.00	4.50	9.63	3.83	1.41	0.97	3.13
	3	29.5	TP50	2.38	9.50	2.75	9.00	4.50	9.63	3.83	1.41	0.97	3.13
218	3-7/16	40.2	TP60	2.56	11.00	3.13	10.50	5.50	11.00	4.35	1.54	1.02	3.13
	3-1/2	40.0	TP60	2.56	11.00	3.13	10.50	5.50	11.00	4.35	1.54	1.02	3.13

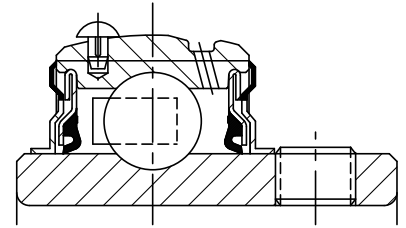
Unless specified, dimensions are in mm for metric parts and inches for non-metric parts.  
Note: Dimensions are in MM (in)



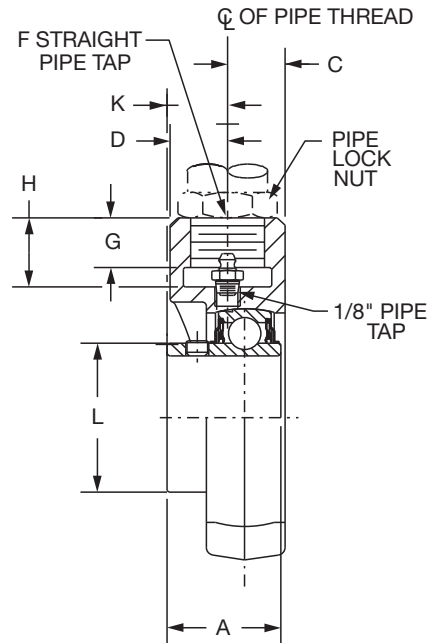
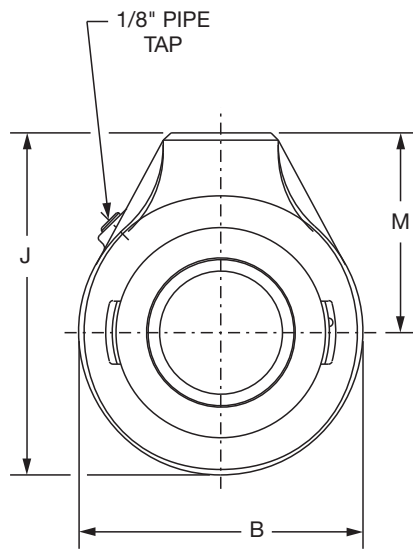
# Set screw mounted ball bearings

## Selection/Dimensions

Set screw mounted ball bearings  
SC normal duty screw conveyor hanger bearings



**Lube Fitting Thread Size:**  
1/8-27 NPT



Series	Shaft size	Part no.	Description
206	1	057878	SCHB-SC-100
	1-1/8	073287	SCHB-SC-102
207	1-3/16	057220	SCHB-SC-103
	1-1/4	124996	SCHB-SC-104
	1-3/8	058630	SCHB-SC-106
208	1-7/16	126049	SCHB-SC-107
	1-1/2	124290	SCHB-SC-108
	1-5/8	124404	SCHB-SC-110
210	1-11/16	124408	SCHB-SC-111
	1-3/4	124299	SCHB-SC-112
	1-15/16	124405	SCHB-SC-115
	2	124291	SCHB-SC-200
212	2-3/16	124409	SCHB-SC-203
	2-1/4	124419	SCHB-SC-204
	2-7/16	124292	SCHB-SC-207
216	2-15/16	124406	SCHB-SC-215
	3	124293	SCHB-SC-300
218	3-7/16	053320	SCHB-SC-307
	3-1/2	057361	SCHB-SC-308

@Assembled to order  
Unless specified, dimensions are in mm for metric parts and inches for non-metric parts.  
Note: Dimensions are in MM (in)

# Set screw mounted ball bearings

## Selection/Dimensions

Set screw mounted ball bearings

SC normal duty screw conveyor hanger bearings

Series	Shaft size	Weight lb	A	B	C	D	F*	G	H	J	K	L	M
206	1	3.0	1.52	3.13	0.53	1.03	3/4-14	0.75	0.94	4.06	0.89	1.57	2.50
	1-1/8	3.0	1.52	3.13	0.53	1.03	3/4-14	0.75	0.94	4.06	0.89	1.57	2.50
207	1-3/16	3.5	1.71	3.88	0.82	0.82	3/4-14	0.63	0.94	4.69	0.98	1.84	2.75
	1-1/4	3.5	1.71	3.88	0.82	0.82	3/4-14	0.63	0.94	4.69	0.98	1.84	2.75
	1-3/8	3.5	1.71	3.88	0.82	0.82	3/4-14	0.63	0.94	4.69	0.98	1.84	2.75
208	1-7/16	3.4	1.94	4.00	0.83	0.83	3/4-14	0.63	0.94	4.88	1.02	2.05	2.88
	1-1/2	3.4	1.94	4.00	0.83	0.83	3/4-14	0.63	0.94	4.88	1.02	2.05	2.88
	1-5/8	3.8	1.94	4.00	0.83	0.83	3/4-14	0.63	0.94	4.88	1.02	2.05	2.88
210	1-11/16	5.4	1.94	4.63	0.94	1.78	1 - 11-1/2	0.81	1.13	5.56	0.91	2.43	3.25
	1-3/4	4.8	1.94	4.63	0.94	1.78	1 - 11-1/2	0.81	1.13	5.56	0.91	2.43	3.25
	1-15/16	4.5	1.94	4.63	0.94	1.78	1 - 11-1/2	0.81	1.13	5.56	0.91	2.43	3.25
	2	4.4	1.94	4.63	0.94	1.78	1 - 11-1/2	0.81	1.13	5.56	0.91	2.43	3.25
212	2-3/16	5.0	2.31	5.50	1.16	1.78	1-1/4 - 11-1/2	1.13	1.44	6.75	1.07	2.97	4.00
	2-1/4	5.0	2.31	5.50	1.16	1.78	1-1/4 - 11-1/2	1.13	1.44	6.75	1.07	2.97	4.00
	2-7/16	7.4	2.31	5.50	1.16	1.78	1-1/4 - 11-1/2	1.13	1.44	6.75	1.07	2.97	4.00
216	2-15/16	14.0	2.38	7.00	1.36	1.45	1-1/2 - 11-1/2	1.25	1.69	8.38	1.17	3.83	4.88
	3	14.6	2.38	7.00	1.36	1.45	1-1/2 - 11-1/2	1.25	1.69	8.38	1.17	3.83	4.88
218	3-7/16	21.2	2.56	8.31	1.76	1.74	2 - 11-1/2	1.75	2.19	10.16	1.39	4.35	6.00
	3-1/2	21.0	2.56	8.31	1.76	1.74	2 - 11-1/2	1.75	2.19	10.16	1.39	4.35	6.00

Use straight thread for the pipe. Bearing to be secured with a heavy locknut.

Pipe plug and lube fitting are factory installed and may be reversed from position shown.

**Note:** Inserts use the ProGuard Plus (-FF) seals. 1, 1-3/16, 1-7/16, 1-11/16, 1-3/4, 2-3/16, 2-1/4, 2-15/16, 3, 3-7/16 & 3-1/2 use SCM inserts with fingers.

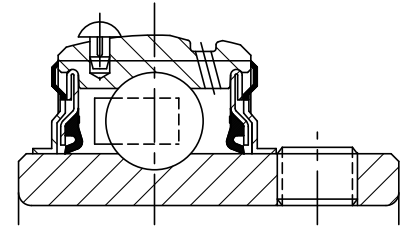
Unless specified, dimensions are in mm for metric parts and inches for non-metric parts.

Note: Dimensions are in MM (in)

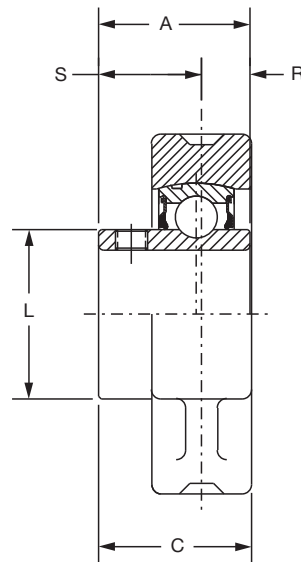
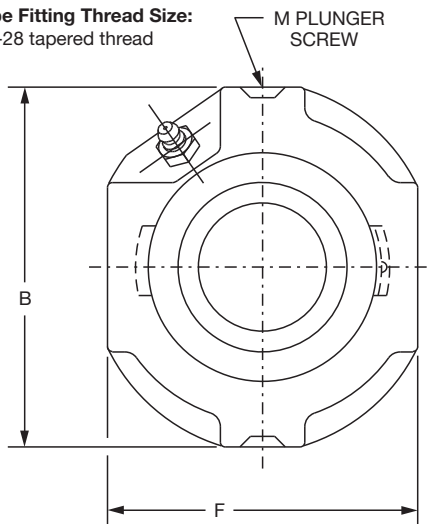
# Set screw mounted ball bearings

## Selection/Dimensions

Set screw mounted ball bearings  
SC normal duty hanger bearings



Lube Fitting Thread Size:  
1/4-28 tapered thread



Series	Shaft size	Part no.	Description
206	1-1/16	124420	HNG-SC-101
	1-1/8	124421	HNG-SC-102
	1-3/16	124240	HNG-SC-103
	1-1/4	123176	HNG-SC-104S
207	1-1/4	124422	HNG-SC-104
	1-5/16	124423	HNG-SC-105
	1-3/8	124424	HNG-SC-106
	1-7/16	124242	HNG-SC-107
210	1-15/16	124245	HNG-SC-115
	2	124393	HNG-SC-200

These bearings are designed for use in 4-point hanger frames.  
Unless specified, dimensions are in mm for metric parts and inches for non-metric parts.  
Note: Dimensions are in MM (in)

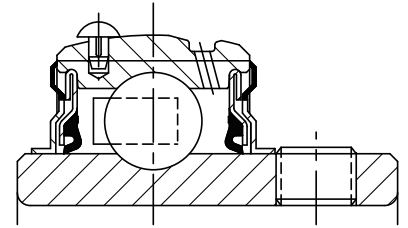
Series	Shaft size	Weight lb	A	B	C	F	L	M	R	S
206	1-1/16	2.0	1.52	3.63	1.50	3.00	1.57	1/2	0.58	0.94
	1-1/8	1.9	1.52	3.63	1.50	3.00	1.57	1/2	0.58	0.94
	1-3/16	1.8	1.52	3.63	1.50	3.00	1.57	1/2	0.58	0.94
	1-1/4	1.7	1.52	3.63	1.50	3.00	1.57	1/2	0.58	0.94
207	1-1/4	2.8	1.71	4.25	1.68	3.50	1.84	1/2	0.67	1.04
	1-5/16	2.6	1.71	4.25	1.68	3.50	1.84	1/2	0.67	1.04
	1-3/8	2.4	1.71	4.25	1.68	3.50	1.84	1/2	0.67	1.04
	1-7/16	2.2	1.71	4.25	1.68	3.50	1.84	1/2	0.67	1.04
210	1-15/16	6.2	1.94	5.00	2.00	4.19	2.43	1/2	0.75	1.19
	2	6.0	1.94	5.00	2.00	4.19	2.43	1/2	0.75	1.19

Unless specified, dimensions are in mm for metric parts and inches for non-metric parts.  
Note: Dimensions are in MM (in)

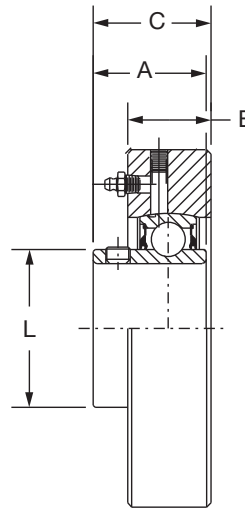
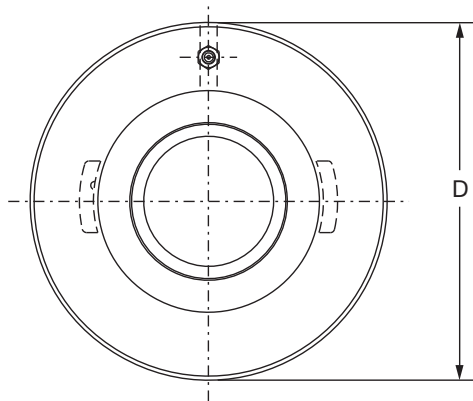
# Set screw mounted ball bearings

## Selection/Dimensions

Set screw mounted ball bearings  
SC normal duty cylindrical units



**Lube Fitting Thread Size:**  
1/4-28 tapered thread



Series	Shaft size	Part no.	Description
205	7/8	124394	CYL-SC-014
	15/16	124148	CYL-SC-015
	1	124149	CYL-SC-100
206	1-1/16	124427	CYL-SC-101
	1-1/8	124428	CYL-SC-102
	1-3/16	124250	CYL-SC-103
	1-1/4	123177	CYL-SC-104S
207	1-1/4	124251	CYL-SC-104
	1-5/16	124429	CYL-SC-105
	1-3/8	124430	CYL-SC-106
	1-7/16	124253	CYL-SC-107

Unless specified, dimensions are in mm for metric parts and inches for non-metric parts.  
Note: Dimensions are in MM (in)

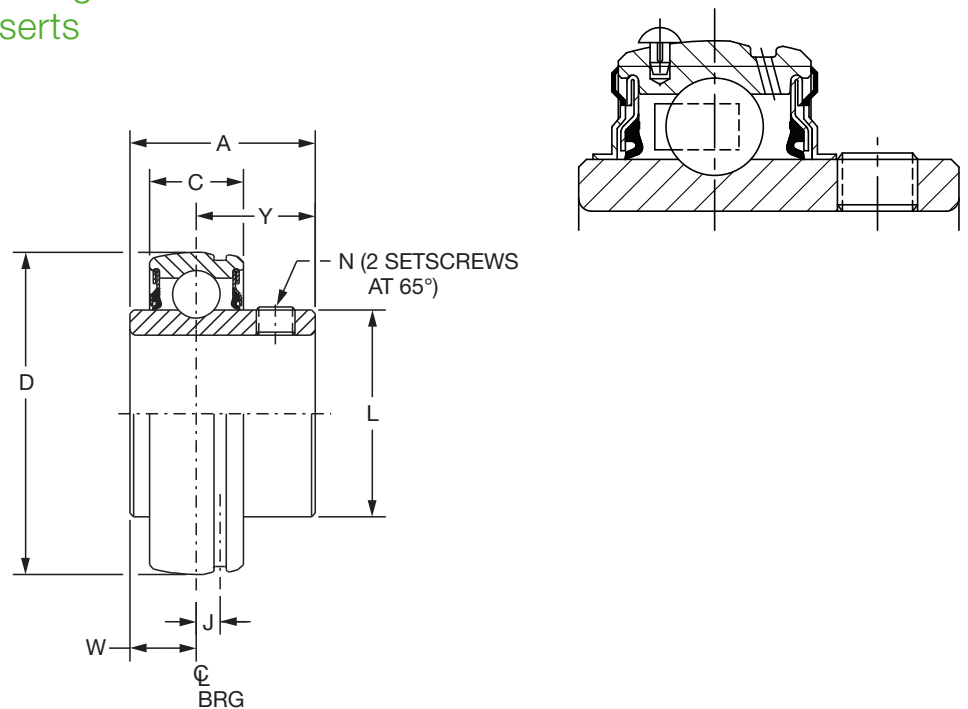
Series	Shaft size	Weight lb	A	B	C	D	L
205	7/8	1.4	1.34	0.84	1.19	3.125/3.123	1.32
	15/16	1.3	1.34	0.84	1.19	3.125/3.123	1.32
	1	1.2	1.34	0.84	1.19	3.125/3.123	1.32
206	1/16	2.2	1.52	0.94	1.38	3.500/3.498	1.57
	1/8	2.1	1.52	0.94	1.38	3.500/3.498	1.57
	1-3/16	2.0	1.52	0.94	1.38	3.500/3.498	1.57
	1-1/4	1.9	1.52	0.94	1.38	3.500/3.498	1.57
207	1-1/4	2.8	1.71	1.06	1.54	3.875/3.873	1.84
	1-15/16	2.7	1.71	1.06	1.54	3.875/3.873	1.84
	1-3/8	2.6	1.71	1.06	1.54	3.875/3.873	1.84
	1-7/16	2.5	1.71	1.06	1.54	3.875/3.873	1.84

Unless specified, dimensions are in mm for metric parts and inches for non-metric parts.  
Note: Dimensions are in MM (in)

# Set screw mounted ball bearings

## Selection/Dimensions

### Set screw mounted ball bearings SC normal duty bearing inserts



Series	Shaft size	Standard insert		High temp	
		Part no.	Description	Part no.	Description
203	17mm	125800	INS-SC-17M	-----	INS-SC-17M-HT
	1/2	123328	INS-SC-008	-----	INS-SC-008-HT
	5/8	123329	INS-SC-010	-----	INS-SC-010-HT
204	20mm	125802	INS-SC-20M	@	INS-SC-20M-HT
	1/2	123330	INS-SC-008L	@	INS-SC-008L-HT
	5/8	123331	INS-SC-010L	@	INS-SC-010L-HT
	3/4	123332	INS-SC-012	052032	INS-SC-012-HT
	13/16	074505	INS-SC-013	@	INS-SC-013-HT
205	25mm	125804	INS-SC-25M	@	INS-SC-25M-HT
	7/8	123333	INS-SC-014	068013	INS-SC-014-HT
	15/16	123334	INS-SC-015	@	INS-SC-015-HT
	1	123335	INS-SC-100	054949	INS-SC-100-HT
206	30mm	125806	INS-SC-30M	@	INS-SC-30M-HT
	1-1/16	123336	INS-SC-101	@	INS-SC-101-HT
	1-1/8	123337	INS-SC-102	@	INS-SC-102-HT
	1-3/16	123338	INS-SC-103	067902	INS-SC-103-HT
	1-1/4	123469	INS-SC-104S	@	INS-SC-104S-HT
207	35mm	125808	INS-SC-35M	@	INS-SC-35M-HT
	1-1/4	123339	INS-SC-104	053776	INS-SC-104-HT
	1-5/16	123340	INS-SC-105	057201	INS-SC-105-HT
	1-3/8	123341	INS-SC-106	057354	INS-SC-106-HT
	1-7/16	123368	INS-SC-107	052645	INS-SC-107-HT

@Assembled to order

\*20 piece minimum

Unless specified, dimensions are in mm for metric parts and inches for non-metric parts.

Note: Dimensions are in MM (in)

# Set screw mounted ball bearings

## Selection/Dimensions

Set screw mounted ball bearings  
SC normal duty bearing inserts

Series	Shaft size	Weight kg lb	A	C	D	J	L	N	W	Y
203	17mm	.10	25.4	13.0	40.000	3.8	24.4	M5x0.8	9.1	16.3
	1/2	.25	1.00	0.51	1.5748	0.15	0.96	10-32	0.36	0.64
	5/8	.23	1.00	0.51	1.5748	0.15	0.96	10-32	0.36	0.64
204	20mm	.16	31.2	14.7	47.000	3.8	28.4	M6x1	12.7	18.5
	1/2	.38	1.23	0.58	1.8504	0.15	1.12	1/4-28	0.50	0.73
	5/8	.35	1.23	0.58	1.8504	0.15	1.12	1/4-28	0.50	0.73
	3/4	.32	1.23	0.58	1.8504	0.15	1.12	1/4-28	0.50	0.73
	13/16	.29	1.23	0.58	1.8504	0.15	1.12	1/4-28	0.50	0.73
205	25mm	.18	34.0	15.0	52.000	4.1	33.5	M6x1	14.2	19.8
	7/8	.43	1.34	0.59	2.0472	0.16	1.32	1/4-28	0.56	0.78
	15/16	.40	1.34	0.59	2.0472	0.16	1.32	1/4-28	0.56	0.78
	1	.37	1.34	0.59	2.0472	0.16	1.32	1/4-28	0.56	0.78
206	30mm	.27	38.6	17.5	62.000	4.1	39.9	M8x1.25	14.7	23.9
	1-1/16	.67	1.52	0.69	2.4409	0.16	1.57	5/16-24	0.58	0.94
	1-1/8	.63	1.52	0.69	2.4409	0.16	1.57	5/16-24	0.58	0.94
	1-3/16	.60	1.52	0.69	2.4409	0.16	1.57	5/16-24	0.58	0.94
	1-1/4	.58	1.52	0.69	2.4409	0.16	1.57	5/16-24	0.58	0.94
207	35mm	.44	43.4	19.1	72.000	5.1	46.7	M8x1.25	17.0	26.4
	1-1/4	1.02	1.71	0.75	2.8346	0.20	1.84	5/16-24	0.67	1.04
	1-5/16	.97	1.71	0.75	2.8346	0.20	1.84	5/16-24	0.67	1.04
	1-3/8	.92	1.71	0.75	2.8346	0.20	1.84	5/16-24	0.67	1.04
	1-7/16	.86	1.71	0.75	2.8346	0.20	1.84	5/16-24	0.67	1.04

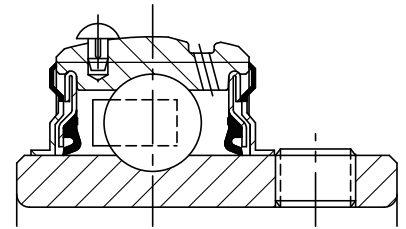
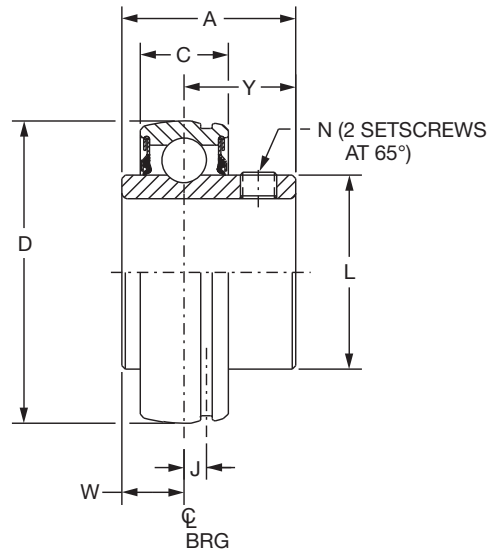
Unless specified, dimensions are in mm for metric parts and inches for non-metric parts.

Note: Dimensions are in MM (in)

# Set screw mounted ball bearings

## Selection/Dimensions

Set screw mounted ball bearings  
SC normal duty bearing inserts



Series	Shaft size	Standard insert		High temp	
		Part no.	Description	Part no.	Description
208	40mm	125810	INS-SC-40M	064865	INS-SC-40M-HT
	1-1/2	123342	INS-SC-108	064149	INS-SC-108-HT
	1-5/8	123343	INS-SC-110	@	INS-SC-110-HT
209	45mm	125812	INS-SC-45M	075014	INS-SC-45M-HT
	1-5/8	045874	INS-SC-110L	@	INS-SC-110L-HT
	1-11/16	123344	INS-SC-111	053565	INS-SC-111-HT
	1-3/4	123345	INS-SC-112	@	INS-SC-112-HT
	1-13/16	054225	INS-SC-113	@	INS-SC-113-HT
210	50mm	125814	INS-SC-50M	@	INS-SC-50M-HT
	1-15/16	123346	INS-SC-115	054019	INS-SC-115-HT
	2	123347	INS-SC-200	054431	INS-SC-200-HT
211	55mm	125816	INS-SC-55M	@	INS-SC-55M-HT
	2	123358	INS-SCM-200	058157	INS-SCM-200-HT
	2-3/16	123348	INS-SC-203	@	INS-SC-203-HT
	2-1/4	123349	INS-SC-204	@	INS-SC-204-HT
212	60mm	125818	INS-SC-60M	057802	INS-SC-60M-HT
	2-1/4	123360	INS-SCM-204	073634	INS-SCM-204-HT
	2-7/16	123350	INS-SC-207	054196	INS-SC-207-HT
214	70mm	125820	INS-SC-70M	@	INS-SC-70M-HT
	2-1/2	123362	INS-SCM-208	075714	INS-SCM-208-HT
	2-11/16	123326	INS-SC-211	@	INS-SC-211-HT
215	75mm	125822	INS-SC-75M	@	INS-SC-75M-HT
	2-15/16	123352	INS-SC-215	@	INS-SC-215-HT
218	90mm	@	INS-SC-90M	@	INS-SC-90M-HT

@Assembled to order.

Unless specified, dimensions are in mm for metric parts and inches for non-metric parts.

Note: Dimensions are in MM (in)

# Set screw mounted ball bearings

## Selection/Dimensions

Set screw mounted ball bearings  
SC normal duty bearing inserts

Series	Shaft size	Weight kg lb	A	C	D	J	L	N	W	Y
208	40mm	0.51	49.3	22.1	80.000	5.6	52.1	M8x1.25	19.1	30.2
	1-1/2	1.27	1.94	0.87	3.1496	0.22	2.05	5/16-24	0.75	1.19
	1-5/8	1.13	1.94	0.87	3.1496	0.22	2.05	5/16-24	0.75	1.19
209	45mm	0.62	49.3	22.1	85.000	6.4	56.4	M8x1.25	19.1	30.2
	1-5/8	1.49	1.94	0.87	3.3465	0.25	2.22	5/16-24	0.75	1.19
	1-11/16	1.43	1.94	0.87	3.3465	0.25	2.22	5/16-24	0.75	1.19
	1-3/4	1.36	1.94	0.87	3.3465	0.25	2.22	5/16-24	0.75	1.19
210	50mm	0.67	49.3	22.1	90.000	6.4	61.7	M10x1.5	19.1	30.2
	1-15/16	1.48	1.94	0.87	3.5433	0.25	2.43	3/8-24	0.75	1.19
	2	1.39	1.94	0.87	3.5433	0.25	2.43	3/8-24	0.75	1.19
	1-13/16	1.30	1.94	0.87	3.3465	0.25	2.22	5/16-24	0.75	1.19
211	55mm	0.89	56.4	23.9	100.000	6.4	68.8	M10x1.5	22.1	34.3
	2	2.26	2.22	0.94	3.9370	0.25	2.71	3/8-24	0.87	1.35
	2-3/16	1.97	2.22	0.94	3.9370	0.25	2.71	3/8-24	0.87	1.35
	2-1/4	1.87	2.22	0.94	3.9370	0.25	2.71	3/8-24	0.87	1.35
212	60mm	1.13	58.7	25.9	110.000	6.4	75.4	M10x1.5	22.9	35.8
	2-1/4	2.85	2.31	1.02	4.3307	0.25	2.97	3/8-24	0.90	1.41
	2-7/16	2.49	2.31	1.02	4.3307	0.25	2.97	3/8-24	0.90	1.41
214	70mm	1.63	64.5	27.9	125.000	6.6	84.1	M10x1.5	26.9	37.6
	2-1/2	4.25	2.54	1.10	4.9213	0.26	3.31	3/8-24	1.06	1.48
	2-11/16	3.60	2.54	1.10	4.9213	0.26	3.31	3/8-24	1.06	1.48
215	75mm	1.85	59.2	29.0	130.000	7.1	91.9	M10x1.5	21.8	37.3
	2-15/16	3.86	2.33	1.14	5.1181	0.28	3.62	3/8-24	0.86	1.47
218	90mm	3.30	65.0	34.0	160.000	7.6	110.5	M10x1.5	24.4	40.6

Unless specified, dimensions are in mm for metric parts and inches for non-metric parts.

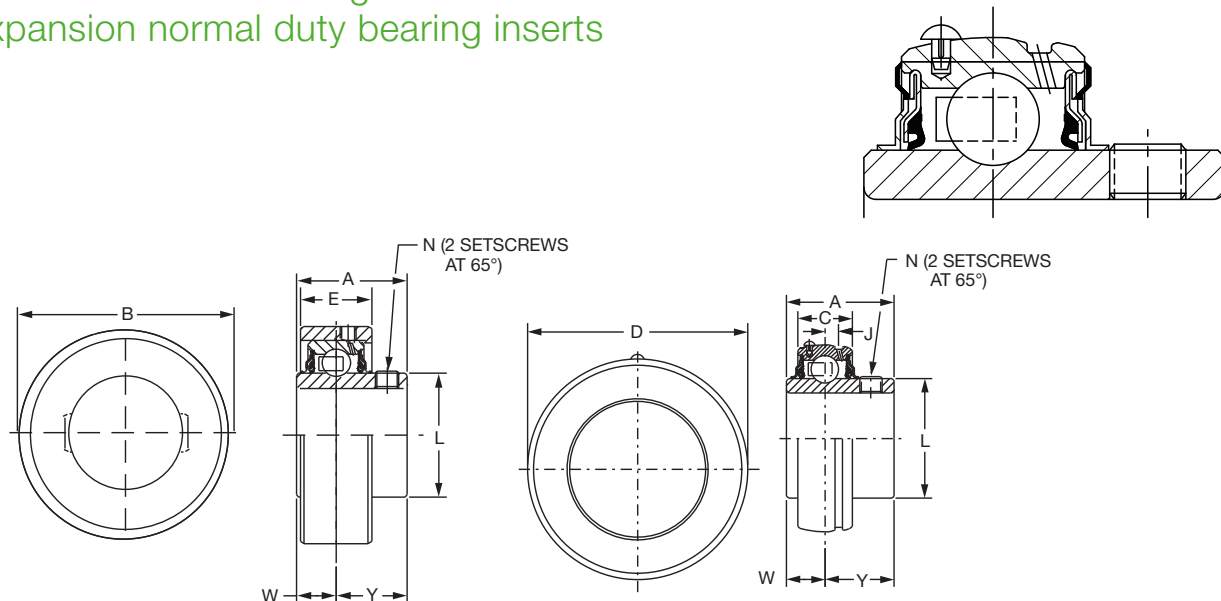
Note: Dimensions are in MM (in)



# Set screw mounted ball bearings

## Selection/Dimensions

Set screw mounted ball bearings  
SCH-E expansion normal duty bearing inserts



Series	Shaft size	Expansion	
		Part no.	Description
205	25mm	@	INS-SCH-25M-E
	1	@	INS-SCH-100-E
206	30mm	<b>049925</b>	INS-SCH-30M-E
	1	@	INS-SCMH-100-E
	1-1/16	@	INS-SCH-101-E
	1-1/8	@	INS-SCH-102-E
	1-3/16	<b>126495</b>	INS-SCH-103-E
	1-1/4	@	INS-SCH-104S-E
207	35mm	@	INS-SCH-35M-E
	1-1/4	@	INS-SCH-104-E
	1-5/16	@	INS-SCH-105-E
	1-3/8	@	INS-SCH-106-E
	1-7/16	<b>126496</b>	INS-SCH-107-E
209	45mm	@	INS-SCH-45M-E
	1-1/2	@	INS-SCMH-108-E
	1-5/8	@	INS-SCH-110-E
	1-11/16	<b>068478</b>	INS-SCH-111-E
	1-3/4	@	INS-SCH-112-E
210	50mm	@	INS-SCH-50M-E
	1-11/16	@	INS-SCMH-111-E
	1-3/4	@	INS-SCMH-112-E
	1-15/16	<b>126497</b>	INS-SCH-115-E
	2	@	INS-SCH-200-E
211	55mm	@	INS-SCH-55M-E
	1-15/16	@	INS-SCMH-115-E
	2	@	INS-SCMH-200-E
	2-3/16	<b>126498</b>	INS-SCH-203-E
	2-1/4	@	INS-SCH-204-E
212	60mm	@	INS-SCH-60M-E
	2-3/16	@	INS-SCMH-203-E
	2-1/4	@	INS-SCMH-204-E
	2-7/16	<b>126499</b>	INS-SCH-207-E

@Assembled to order

Unless specified, dimensions are in mm for metric parts and inches for non-metric parts.

Note: Dimensions are in MM (in)

# Set screw mounted ball bearings

## Selection/Dimensions

### Set screw mounted ball bearings

### SCH-E expansion normal duty bearing inserts

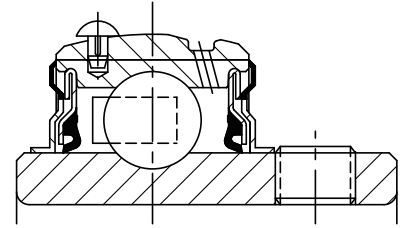
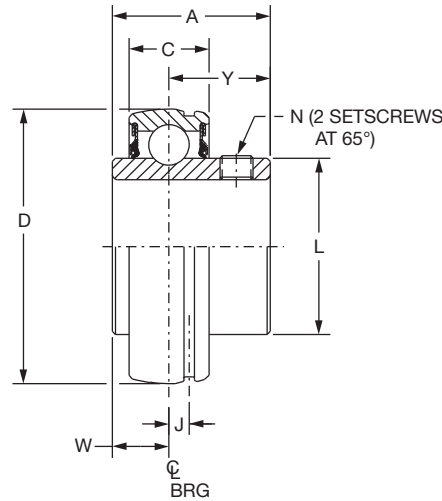
Series	Shaft size	Weight - expansion		Weight - non-exp		A	B	C	D	E	J	L	N	W	Y
		kg	lb	kg	lb										
205	25mm	0.31	0.17	34.0	63.50	15.0	52.000	19.6	4.1	33.5	M6x1	14.2	19.8		
	1	0.69	0.37	1.34	2.500	.059	2.0472	0.77	0.16	1.32	1/4-28	0.56	0.78		
206	30mm	0.54	0.26	38.6	73.03	17.5	62.000	23.9	4.1	39.9	M8x1.25	14.7	23.9		
	1	1.29	0.69	1.52	2.875	0.69	2.4409	0.94	0.16	1.57	5/16-24	0.58	0.94		
	1-1/16	1.26	0.66	1.52	2.875	0.69	2.4409	0.94	0.16	1.57	5/16-24	0.58	0.94		
	1-1/8	1.23	0.63	1.52	2.875	0.69	2.4409	0.94	0.16	1.57	5/16-24	0.58	0.94		
	1-3/16	1.20	0.60	1.52	2.875	0.69	2.4409	0.94	0.16	1.57	5/16-24	0.58	0.94		
	1-1/4	1.18	0.58	1.52	2.875	0.69	2.4409	0.94	0.16	1.57	5/16-24	0.58	0.94		
207	35mm	0.67	0.44	43.4	83.11	19.1	72.000	25.4	5.1	46.7	M8x1.25	17.0	26.4		
	1-1/4	1.50	1.02	1.71	3.272	0.75	2.8346	1.00	0.20	1.84	5/16-24	0.67	1.04		
	1-5/16	1.49	0.97	1.71	3.272	0.75	2.8346	1.00	0.20	1.84	5/16-24	0.67	1.04		
	1-3/8	1.48	0.92	1.71	3.272	0.75	2.8346	1.00	0.20	1.84	5/16-24	0.67	1.04		
	1-7/16	1.47	0.86	1.71	3.272	0.75	2.8346	1.00	0.20	1.84	5/16-24	0.67	1.04		
209	45mm	1.10	1.30	49.3	96.85	22.1	85.000	30.5	6.4	56.4	M8x1.25	19.1	30.2		
	1-1/2	2.51	1.62	1.94	3.813	0.87	3.3465	1.20	0.25	2.22	5/16-24	0.75	1.19		
	1-5/8	2.48	1.49	1.94	3.813	0.87	3.3465	1.20	0.25	2.22	5/16-24	0.75	1.19		
	1-11/16	2.45	1.43	1.94	3.813	0.87	3.3465	1.20	0.25	2.22	5/16-24	0.75	1.19		
	1-3/4	2.43	1.36	1.94	3.813	0.87	3.3465	1.20	0.25	2.22	5/16-24	0.75	1.19		
210	50mm	1.13	0.67	49.3	101.60	22.1	90.000	34.5	6.4	61.7	M10x1.5	19.1	30.2		
	1-11/16	2.56	1.82	1.94	4.000	0.87	3.5433	1.36	0.25	2.43	3/8-24	0.75	1.19		
	1-3/4	2.53	1.74	1.94	4.000	0.87	3.5433	1.36	0.25	2.43	3/8-24	0.75	1.19		
	1-15/16	2.50	1.48	1.94	4.000	0.87	3.5433	1.36	0.25	2.43	3/8-24	0.75	1.19		
	2	2.48	1.39	1.94	4.000	0.87	3.5433	1.36	0.25	2.43	3/8-24	0.75	1.19		
211	55mm	1.53	0.89	56.4	113.67	23.9	100.000	35.1	6.4	68.8	M10x1.5	22.1	34.3		
	1-15/16	3.46	2.36	2.22	4.475	0.94	3.9370	1.38	0.25	2.71	3/8-24	0.87	1.35		
	2	3.43	2.26	2.22	4.475	0.94	3.9370	1.38	0.25	2.71	3/8-24	0.87	1.35		
	2-3/16	3.40	1.97	2.22	4.475	0.94	3.9370	1.38	0.25	2.71	3/8-24	0.87	1.35		
	2-1/4	3.38	1.87	2.22	4.475	0.94	3.9370	1.38	0.25	2.71	3/8-24	0.87	1.35		
212	60mm	2.04	1.13	58.7	127.89	25.9	110.000	39.4	6.4	75.4	M10x1.5	22.9	35.8		
	2-3/16	4.56	2.97	2.31	5.035	1.02	4.3307	1.55	0.25	2.97	3/8-24	0.90	1.41		
	2-1/4	4.53	2.85	2.31	5.035	1.02	4.3307	1.55	0.25	2.97	3/8-24	0.90	1.41		
	2-7/16	4.50	2.49	2.31	5.035	1.02	4.3307	1.55	0.25	2.97	3/8-24	0.90	1.41		

Unless specified, dimensions are in mm for metric parts and inches for non-metric parts.  
 Note: Dimensions are in MM (in)

# Set screw mounted ball bearings

## Selection/Dimensions

### Set screw mounted ball bearings SCM medium duty bearing inserts



Series	Shaft size	Standard insert		High temp	
		Part no.	Description	Part no.	Description
206	25mm	125825	INS-SCM-25M	@	INS-SCM-25M-HT
		123419	INS-SCM-100	@	INS-SCM-100-HT
207	30mm	125826	INS-SCM-30M	@	INS-SCM-30M-HT
		123420	INS-SCM-103	@	INS-SCM-103-HT
208	1-1/4	123339	INS-SC-104	053776	INS-SC-104-HT
	35mm	125828	INS-SCM-35M	@	INS-SCM-35M-HT
	1-7/16	123353	INS-SCM-107	049945	INS-SCM-107-HT
209	1-1/2#	123342	INS-SC-108	064149	INS-SC-108-HT
	40mm	125830	INS-SCM-40M	@	INS-SCM-40M-HT
	1-1/2	123354	INS-SCM-108	068889	INS-SCM-108-HT
210	1-5/8	045874	INS-SC-110L	@	INS-SC-110L-HT
	45mm	125832	INS-SCM-45M	@	INS-SCM-45M-HT
	1-11/16	123355	INS-SCM-111	@	INS-SCM-111-HT
211	1-3/4	123356	INS-SCM-112	@	INS-SCM-112-HT
	50mm	125834	INS-SCM-50M	@	INS-SCM-50M-HT
	1-15/16	123357	INS-SCM-115	068404	INS-SCM-115-HT
212	2	123358	INS-SCM-200	058157	INS-SCM-200-HT
	55mm	125836	INS-SCM-55M	@	INS-SCM-55M-HT
	2-3/16	123359	INS-SCM-203	@	INS-SCM-203-HT
214	2-1/4	123360	INS-SCM-204	073634	INS-SCM-204-HT
	60mm	125838	INS-SCM-65M	@	INS-SCM-65M-HT
	2-7/16	123361	INS-SCM-207	056912	INS-SCM-207-HT
215	2-1/2	123362	INS-SCM-208	075714	INS-SCM-208-HT
	70mm	125840	INS-SCM-70M	@	INS-SCM-70M-HT
	2-11/16	123363	INS-SCM-211	@	INS-SCM-211-HT
216	75mm	125842	INS-SCM-75M	@	INS-SCM-75M-HT
	2-15/16	123364	INS-SCM-215	049918	INS-SCM-215-HT
	3	123365	INS-SCM-300	@	INS-SCM-300-HT
218	85mm	125844	INS-SCM-85M	062570	INS-SCM-85M-HT
	3-7/16	123366	INS-SCM-307	@	INS-SCM-307-HT
	3-1/2	123367	INS-SCM-308	@	INS-SCM-308-HT

@Assembled to order

#SCM piloted flange only

Unless specified, dimensions are in mm for metric parts and inches for non-metric parts.

Note: Dimensions are in MM (in)

# Set screw mounted ball bearings

## Selection/Dimensions

Set screw mounted ball bearings  
SCM medium duty bearing inserts

Series	Shaft size	Weight kg lb	A	C	D	J	L	N	W	Y
206	25mm	0.32	38.6	17.5	62.000	4.1	39.9	M8x1.25	14.7	23.9
	1	0.71	1.52	0.69	2.4409	0.16	1.57	5/16-24	0.58	0.94
207	30mm	0.53	43.4	19.1	72.000	5.1	46.7	M8x1.25	17.0	26.4
	1-3/16	1.07	1.71	0.75	2.8346	0.20	1.84	5/16-24	0.67	1.04
	1-1/4	1.02	1.71	0.75	2.8346	0.20	1.84	5/16-24	0.67	1.04
208	35mm	0.60	49.3	22.1	80.000	5.6	52.1	M8x1.25	19.1	30.2
	1-7/16	1.32	1.94	0.87	3.1496	0.22	2.05	5/16-24	0.75	1.19
	1-1/2#	1.27	1.94	0.87	3.1496	0.22	2.05	5/16-24	0.75	1.19
209	40mm	0.71	49.3	22.1	85.000	6.4	56.4	M8x1.25	19.1	30.2
	1-1/2	1.62	1.94	0.87	3.3465	0.25	2.22	5/16-24	0.75	1.19
	1-5/8	1.49	1.94	0.87	3.3465	0.25	2.22	5/16-24	0.75	1.19
210	45mm	0.76	49.3	22.1	90.000	6.4	61.7	M10x1.5	19.1	30.2
	1-11/16	1.82	1.94	0.87	3.5433	0.25	2.43	3/8-24	0.75	1.19
	1-3/4	1.74	1.94	0.87	3.5433	0.25	2.43	3/8-24	0.75	1.19
211	50mm	1.03	56.4	23.9	100.000	6.4	68.8	M10x1.5	22.1	34.3
	1-15/16	2.36	2.22	0.94	3.9370	0.25	2.71	3/8-24	0.87	1.35
	2	2.26	2.22	0.94	3.9370	0.25	2.71	3/8-24	0.87	1.35
212	55mm	1.27	58.7	25.9	110.000	6.4	75.4	M10x1.5	22.9	35.8
	2-3/16	2.97	2.31	1.02	4.3307	0.25	2.97	3/8-24	0.90	1.41
	2-1/4	2.85	2.31	1.02	4.3307	0.25	2.97	3/8-24	0.90	1.41
214	60mm	1.86	64.5	27.9	125.000	6.6	84.1	M10x1.5	26.9	37.6
	2-7/16	4.39	2.54	1.10	4.9213	0.26	3.31	3/8-24	1.06	1.48
	2-1/2	4.25	2.54	1.10	4.9213	0.26	3.31	3/8-24	1.06	1.48
215	70mm	1.98	59.2	29.0	130.000	7.1	91.9	M10x1.5	21.8	37.3
	2-11/16	4.49	2.33	1.14	5.1181	0.28	3.62	3/8-24	0.86	1.47
216	75mm	2.51	60.5	30.0	140.000	7.4	97.3	M10x1.5	22.4	38.1
	2-15/16	5.54	2.38	1.18	5.5118	0.29	3.83	3/8-24	0.88	1.50
	3	5.52	2.38	1.18	5.5118	0.29	3.83	3/8-24	0.88	1.50
218	85mm	3.33	65.0	34.0	160.000	7.6	110.5	M10x1.5	24.4	40.6
	3-7/16	7.35	2.56	1.34	6.2992	0.30	4.35	3/8-24	0.96	1.60
	3-1/2	7.33	2.56	1.34	6.2992	0.30	4.35	3/8-24	0.96	1.60

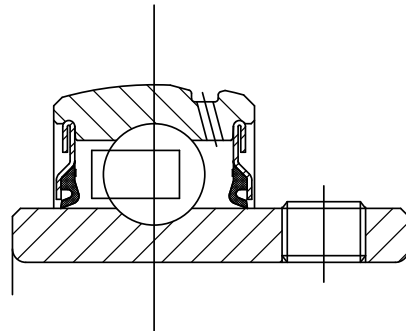
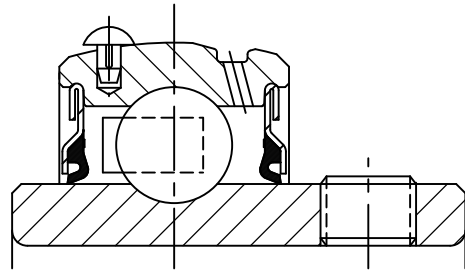
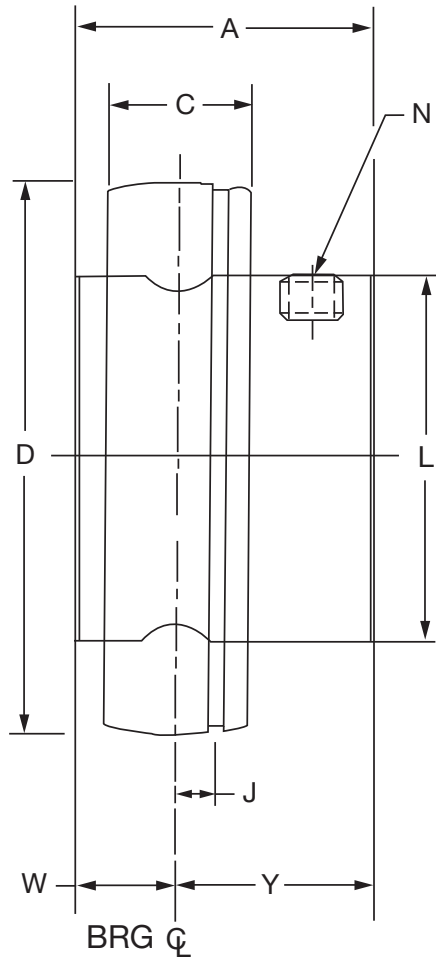
Unless specified, dimensions are in mm for metric parts and inches for non-metric parts.

Note: Dimensions are in MM (in)

# Set screw mounted ball bearings

## Selection/Dimensions

Set screw mounted ball bearings  
LF/LFT/SL bearing inserts



# Set screw mounted ball bearings

## Selection/Dimensions

### Set screw mounted ball bearings

#### LF/LFT/SL bearing inserts

Series	Shaft size	With pin		Without pin	
		Part no.	Description	Part no.	Description
203	17mm	125800	INS-SC-17M	125636	INS-VSC-17M
	1/2	123328	INS-SC-008	389923	INS-VSC-008
	5/8	123329	INS-SC-010	389924	INS-VSC-010
204	20mm	077993	INS-SCP-20M	077957	INS-VSC-20M
	3/4	077976	INS-SCP-012	077940	INS-VSC-012
205	25mm	077993	INS-SCP-25M	077958	INS-VSC-25M
	7/8	077977	INS-SCP-014	077941	INS-VSC-014
	15/16	077978	INS-SCP-015	077942	INS-VSC-015
206	1	077979	INS-SCP-100	077943	INS-VSC-100
	30mm	077995	INS-SCP-30M	077959	INS-VSC-30M
	1-1/16	077980	INS-SCP-101	077944	INS-VSC-101
	1-1/8	077981	INS-SCP-102	077945	INS-VSC-102
	1-3/16	077982	INS-SCP-103	077946	INS-VSC-103
207	1-1/4	077983	INS-SCP-104S	077947	INS-VSC-104S
	35mm	077996	INS-SCP-35M	077960	INS-VSC-35M
	1-1/4	077984	INS-SCP-104	077948	INS-VSC-104
	1-5/16	077921	INS-SCP-105	077923	INS-VSC-105
	1-3/8	077985	INS-SCP-106	077949	INS-VSC-106
1-7/16	077986	INS-SCP-107	077950	INS-VSC-107	

Unless specified, dimensions are in mm for metric parts and inches for non-metric parts.  
Note: Dimensions are in MM (in)

Series	Shaft size	Weight kg lb	A	C	D	J	L	N	W	Y	Capacity, lb	
											Static	Dynamic
203	17mm	0.10	25.4	13.0	40.000	3.80	24.4	M5x0.8	9.10	16.3	1079	2158
	1/2	0.23	1.00	0.51	1.5748	0.15	0.96	10-32	0.36	0.64	1079	2158
	5/8	0.21	1.00	0.51	1.5748	0.15	0.96	10-32	0.36	0.64	1079	2158
204	20mm	0.11	25.9	14.7	47.000	3.80	28.4	M6x1	7.40	18.5	1482	2899
	3/4	0.25	1.02	0.58	1.8504	0.15	1.12	1/4-28	0.29	0.73	1482	2899
205	25mm	0.17	26.9	15.0	52.000	4.10	33.5	M6x1	7.60	19.3	1769	3146
	7/8	0.41	1.06	0.59	2.0472	0.16	1.32	1/4-28	0.30	0.76	1769	3146
	15/16	0.38	1.06	0.59	2.0472	0.16	1.32	1/4-28	0.30	0.76	1769	3146
206	1	0.25	1.06	0.59	2.0472	0.16	1.32	1/4-28	0.30	0.76	1769	3146
	30mm	0.25	32.0	17.5	62.000	4.10	39.9	M8x1.25	8.90	23.1	2538	4368
	1-1/16	0.64	1.26	0.69	2.4409	0.16	1.57	5/16-24	0.35	0.91	2538	4368
	1-1/8	0.61	1.26	0.69	2.4409	0.16	1.57	5/16-24	0.35	0.91	2538	4368
207	1-3/16	0.58	1.26	0.69	2.4409	0.16	1.57	5/16-24	0.35	0.91	2538	4368
	1-1/4	0.56	1.26	0.69	2.4409	0.16	1.57	5/16-24	0.35	0.91	2538	4368
	35mm	0.38	35.6	19.1	72.000	5.10	46.7	M8x1.25	9.40	26.2	3461	5759
	1-1/4	0.92	1.40	0.75	2.8346	0.20	1.84	5/16-24	0.37	1.03	3461	5759
	1-5/16	0.90	1.40	0.75	2.8346	0.20	1.84	5/16-24	0.37	1.03	3461	5759
1-3/8	0.88	1.40	0.75	2.8346	0.20	1.84	5/16-24	0.37	1.03	3461	5759	
1-7/16	0.75	1.40	0.75	2.8346	0.20	1.84	5/16-24	0.37	1.03	3461	5759	

Unless specified, dimensions are in mm for metric parts and inches for non-metric parts.  
Note: Dimensions are in MM (in)

# Set screw mounted ball bearings

## Accessories

### Set screw mounted ball bearings

#### Lubricants

Dodge ball bearings are factory lubricated with a lithium complex base lubricant. For applications where extreme ambient temperatures or speeds are anticipated or environmental considerations require a different lubricant, Dodge has a wide variety of lubricants available. Special lubricant options usually require set-up charges and premiums.

#### Seals

The PROGUARD PLUS seal is a highly effective positive contact, land riding seal with flingers pressed on to each side of the inner ring offering added protection from contamination. PROGUARD PLUS is the standard seal for air handling mounted ball bearing applications. For higher speed applications or where seal drag would be an impediment, an all metallic labyrinth seal is available.

#### High temperature

Dodge high temperature bearings are designed to operate in temperatures from 225°F (108°C) to 400°F (205°C). The bearings have adjusted internal clearances, metallic labyrinth seals, high temperature retainers, heat stabilized outer rings, and lubricants to meet the temperature needs of the application. To insure proper replacement, the bearing is identified by a six digit part number etched on a stainless steel nameplate riveted to the housing. The part number identifies the specific feature of the bearing. High temperature bearings are factory assembled to order and are available at extra cost. Consult with your local ABB office for application assistance.

#### Housing material

For extra corrosion resistance, a variety of housing finishes are available. Special materials include stainless steel or polymer housing, as an option. These coatings conform to U.S.D.A. and F.D.A. requirements. SC and SCM inserts can be supplied with a corrosion resistant coating on the inner and outer rings, stainless steel balls and set-screws, and nickel plated flingers as well as F.D.A. lubricant.

#### Other modifications

For applications requiring modifications not listed, we encourage you to contact your local ABB office for assistance.

# Set screw mounted ball bearings

## Related products

### Set screw mounted ball bearings high temperature SC & SCM

Series	Shaft size	Pillow blocks		2 bolt flanges		4 bolt flanges	
		Part no.	Description	Part no.	Description	Part no.	Description
204	20mm	@	P2B-SC-20M-HT	<b>074828</b>	F2B-SC-20M-HT	@	F4B-SC-20M-HT
	1/2	@	P2B-SC-008L-HT	<b>054843</b>	F2B-SC-008L-HT	@	F4B-SC-008L-HT
	5/8	@	P2B-SC-010L-HT	<b>057474</b>	F2B-SC-010L-HT	<b>067710</b>	F4B-SC-010L-HT
	3/4	<b>053670</b>	P2B-SC-012-HT	<b>052618</b>	F2B-SC-012-HT	<b>058263</b>	F4B-SC-012-HT
205	25mm	@	P2B-SC-25M-HT	<b>059821</b>	F2B-SC-25M-HT	@	F4B-SC-25M-HT
	7/8	@	P2B-SC-014-HT	<b>051906</b>	F2B-SC-014-HT	@	F4B-SC-014-HT
	15/16	<b>068088</b>	P2B-SC-015-HT	<b>056864</b>	F2B-SC-015-HT	<b>054190</b>	F4B-SC-015-HT
	1	<b>051513</b>	P2B-SC-100-HT	<b>052294</b>	F2B-SC-100-HT	<b>052015</b>	F4B-SC-100-HT
206	30mm	@	P2B-SC-30M-HT	@	F2B-SC-30M-HT	<b>054534</b>	F4B-SC-30M-HT
	1	<b>054782</b>	P2B-SCM-100-HT	<b>064880</b>	F2B-SCM-100-HT	<b>074530</b>	F4B-SCM-100-HT
	1-1/8	@	P2B-SC-102-HT	<b>062877</b>	F2B-SC-102-HT	<b>068290</b>	F4B-SC-102-HT
	1-3/16	<b>053169</b>	P2B-SC-103-HT	<b>052604</b>	F2B-SC-103-HT	<b>054419</b>	F4B-SC-103-HT
	1-1/4	<b>062829</b>	P2B-SC-104S-HT	@	F2B-SC-104S-HT	<b>049462</b>	F4B-SC-104S-HT
206 (SCU)	30mm	@	P2B-SCU-30M-HT	-----	-----	-----	-----
	1-1/8	@	P2B-SCU-102-HT	-----	-----	-----	-----
	1-3/16	<b>059737</b>	P2B-SCU-103-HT	-----	-----	-----	-----
	1-1/4	<b>057847</b>	P2B-SCU-104S-HT	-----	-----	-----	-----
207	30mm	@	P2B-SCM-30M-HT	<b>059673</b>	F2B-SCM-30M-HT	@	F4B-SCM-30M-HT
	35mm	@	P2B-SC-35M-HT	@	F2B-SC-35M-HT	<b>s</b>	F4B-SC-35M-HT
	1-3/16	<b>054314</b>	P2B-SCM-103-HT	@	F2B-SCM-103-HT	<b>074223</b>	F4B-SCM-103-HT
	1-1/4	<b>058262</b>	P2B-SC-104-HT	<b>052311</b>	F2B-SC-104-HT	<b>051826</b>	F4B-SC-104-HT
	1-3/8	@	P2B-SC-106-HT	@	F2B-SC-106-HT	<b>068185</b>	F4B-SC-106-HT
	1-7/16	<b>050189</b>	P2B-SC-107-HT	<b>054300</b>	F2B-SC-107-HT	<b>052540</b>	F4B-SC-107-HT
	1-7/16	<b>052531</b>	P2B-SCB-107-HT	-----	-----	-----	-----
208	40mm	<b>062572</b>	P2B-SC-40M-HT	@	F2B-SC-40M-HT	@	F4B-SC-40M-HT
	1-7/16	<b>054276</b>	P2B-SCM-107-HT	@	F2B-SCM-107-HT	<b>054342</b>	F4B-SCM-107-HT
	1-1/2	<b>057338</b>	P2B-SC-108-HT	<b>054203</b>	F2B-SC-108-HT	<b>051827</b>	F4B-SC-108-HT
	1-5/8	@	P2B-SC-110-HT	@	F2B-SC-110-HT	<b>058194</b>	F4B-SC-110-HT

@Assembled to order

Unless specified, dimensions are in mm for metric parts and inches for non-metric parts.

Note: Dimensions are in MM (in)



# Set screw mounted ball bearings

## Related products

### Set screw mounted ball bearings high temperature SC & SCM

Series	Shaft size	Pillow blocks		2 bolt flanges		4 bolt flanges	
		Part no.	Description	Part no.	Description	Part no.	Description
209	45mm	@	P2B-SC-45M-HT	@	F2B-SC-45M-HT	@	F4B-SC-45M-HT
	1-1/2	<b>058380</b>	P2B-SCM-108-HT	<b>054203</b>	F2B-SCM-108-HT	<b>064557</b>	F4B-SCM-108-HT
	1-5/8	@	P2B-SC-110L-HT	@	F2B-SC-110L-HT	@	F4B-SC-110L-HT
	1-11/16	<b>053563</b>	P2B-SC-111-HT	@	F2B-SC-111-HT	<b>057212</b>	F4B-SC-111-HT
	1-11/16	<b>058619</b>	P2B-SCB-111-HT	-----	-----	-----	-----
	1-3/4	<b>062676</b>	P2B-SC-112-HT	<b>062157</b>	F2B-SC-112-HT	<b>051825</b>	F4B-SC-112-HT
210	50mm	@	P2B-SC-50M-HT	<b>062779</b>	F2B-SC-50M-HT	<b>068066</b>	F4B-SC-50M-HT
	1-11/16	<b>054315</b>	P2B-SCM-111-HT	@	F2B-SCM-111-HT	<b>054593</b>	F4B-SCM-111-HT
	1-3/4	@	P2B-SCM-112-HT	<b>057114</b>	F2B-SCM-112-HT	<b>057368</b>	F4B-SCM-112-HT
	1-15/16	<b>052047</b>	P2B-SC-115-HT	<b>073280</b>	F2B-SC-115-HT	<b>052048</b>	F4B-SC-115-HT
	1-15/16	<b>052532</b>	P2B-SCB-115-HT	-----	-----	-----	-----
	2	<b>058183</b>	P2B-SC-200-HT	<b>062309</b>	F2B-SC-200-HT	<b>057132</b>	F4B-SC-200-HT
211	55mm	@	P2B-SC-55M-HT	<b>076558</b>	F2B-SC-55M-HT	<b>049894</b>	F4B-SC-55M-HT
	1-15/16	<b>052276</b>	P2B-SCM-115-HT	@	F2B-SCM-115-HT	<b>057363</b>	F4B-SCM-115-HT
	2	<b>054934</b>	P2B-SCM-200-HT	@	F2B-SCM-200-HT	<b>054065</b>	F4B-SCM-200-HT
	2-3/16	<b>053955</b>	P2B-SC-203-HT	<b>059954</b>	F2B-SC-203-HT	<b>058852</b>	F4B-SC-203-HT
	2-1/4	<b>073065</b>	P2B-SC-204-HT	@	F2B-SC-204-HT	<b>054918</b>	F4B-SC-204-HT
212	60mm	<b>057800</b>	P2B-SC-60M-HT	<b>057800</b>	F2B-SC-60M-HT	<b>057801</b>	F4B-SC-60M-HT
	2-3/16	<b>054412</b>	P2B-SCM-203-HT	@	F2B-SCM-203-HT	<b>073772</b>	F4B-SCM-203-HT
	2-1/4	<b>068266</b>	P2B-SCM-204-HT	@	F2B-SCM-204-HT	<b>067830</b>	F4B-SCM-204-HT
	2-7/16	<b>059614</b>	P2B-SC-207-HT	@	F2B-SC-207-HT	<b>057487</b>	F4B-SC-207-HT
214	70mm	@	P2B-SC-70M-HT	-----	-----	@	F4B-SC-70M-HT
	2-7/16	<b>054316</b>	P2B-SCM-207-HT	-----	-----	<b>054917</b>	F4B-SCM-207-HT
	2-1/2	<b>073006</b>	P2B-SCM-208-HT	-----	-----	<b>056630</b>	F4B-SCM-208-HT
	2-11/16	<b>067774</b>	P2B-SC-211-HT	-----	-----	<b>065700</b>	F4B-SC-211-HT
215	75mm	@	P2B-SC-75M-HT	-----	-----	<b>074237</b>	F4B-SC-75M-HT
	2-15/16	<b>056588</b>	P2B-SC-215-HT	-----	-----	<b>052550</b>	F4B-SC-215-HT
216	75mm	@	P2B-SCM-75M-HT	-----	-----	<b>062182</b>	F4B-SCM-75M-HT
	2-15/16	<b>054556</b>	P2B-SCM-215-HT	-----	-----	<b>052478</b>	F4B-SCM-215-HT
	3	@	P2B-SCM-300-HT	-----	-----	<b>059696</b>	F4B-SCM-300-HT
218	3-7/16	<b>049991</b>	P2B-SCM-307-HT	-----	-----	<b>057708</b>	F4B-SCM-307-HT
	3-1/2	@	P2B-SCM-308-HT	-----	-----	<b>058633</b>	F4B-SCM-308-HT

@Assembled to order.

Unless specified, dimensions are in mm for metric parts and inches for non-metric parts.

Note: Dimensions are in MM (in)

# Set screw mounted ball bearings

## Related products

### Set screw mounted ball bearings high temperature SC & SCM

Series	Shaft size	Tapped base pillow blocks		Flanged bracket	
		Part number	Description	Part number	Description
204	3/4	059636	TB-SC-012-HT	@	FB-SC-012-HT
205	1	057906	TB-SC-100-HT	@	FB-SC-100-HT
207	1-1/4	@	TB-SC-104-HT	056578	FB-SC-104-HT
211	2-3/16	050555	TB-SC-203-HT		

Series	Shaft size	Non expansion pillow blocks		Expansion pillow blocks	
		Part number	Description	Part number	Description
206	1-3/16	-----	-----	054063	P2B-SCH-103-EHT
207	1-7/16	053894	P2B-SCH-107-HT	053895	P2B-SCH-107-EHT

Series	Shaft size	Piloted flanges	
		Part number	Description
206	1	058652	FC-SCM-100-HT
208	1-1/2	053871	FC-SC-108-HT
	1-1/2	057683	FC-SCM-108-HT
211	1-15/16	058915	FC-SCM-115-HT
	2-1/4	058233	FC-SC-204-HT
212	55mm	054837	FC-SCM-55M-HT
	2-7/16	058738	FC-SC-207-HT
216	2-15/16	054831	FC-SCM-215-HT
	3	056911	FC-SCM-300-HT
218	3-7/16	068239	FC-SCM-307-HT

Series	Shaft size	Wide slot take-up		Narrow slot take-up	
		Part number	Description	Part number	Description
210	1-15/16	057265	WSTU-SC-115-HT	054580	NSTU-SC-115-HT
211	55mm	049893	WSTU-SC-55M-HT	@	NSTU-SC-55M-HT
	1-15/16	049891	WSTU-SCM-115-HT	@	NSTU-SCM-115-HT
212	2-7/16	057839	WSTU-SC-207-HT	064237	NSTU-SC-207-HT
214	2-7/16	049811	WSTU-SCM-207-HT	@	-----
215	2-15/16	059844	WSTU-SC-215-HT	@	-----

@Assembl to order.

Unless specified, dimensions are in mm for metric parts and inches for non-metric parts.

Note: Dimensions are in MM (in)

Series	Shaft size	Tapped base pillow blocks		Flanged bracket	
		Part number	Description	Part number	Description

Series	Shaft size	Wide slot take-up		Narrow slot take-up	
		Part number	Description	Part number	Description
210	1-15/16	057265	WSTU-SC-115-HT	054580	NSTU-SC-115-HT
211	55mm	049893	WSTU-SC-55M-HT	@	NSTU-SC-55M-HT
	1-15/16	049891	WSTU-SCM-115-HT	@	NSTU-SCM-115-HT
212	2-7/16	057839	WSTU-SC-207-HT	064237	NSTU-SC-207-HT
214	2-7/16	049811	WSTU-SCM-207-HT	@	-----
215	2-15/16	059844	WSTU-SC-215-HT	@	-----

@Assembl to order.

Unless specified, dimensions are in mm for metric parts and inches for non-metric parts.

Note: Dimensions are in MM (in)

# Set screw mounted ball bearings

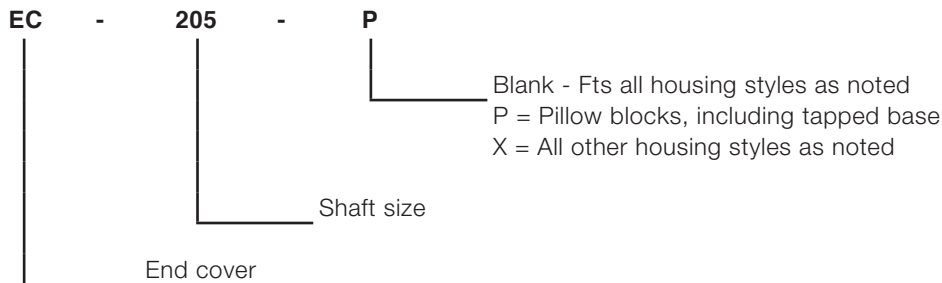
## Related products

### Dodge mounted ball bearing end covers\*



- Fits all styles of Dodge cast iron housed ball bearings: Pillow blocks, 2 and 4 Bolt Flanges, and Take-Up bearings
- Injected molded, impact resistant, OSHA safety yellow end covers meet requirements for exposed rotating shaft
- Stainless steel C washer for gripping power
- No modification or machining of existing housings required
- Concentric knockout grooves on inside of end cover for thru-shaft
- Dodge six digit part number and description embossed inside
- Operating temperature to 122° C
- For non relubricable/sealed for life applications (-NL), part number **430020** hex head plug is available

### Nomenclature



Series	Pillow blocks std, U, B	Tapped base PB	2 bolt flange	flanged bracket	4 bolt flange	Piloted flange (FC)	Narrow slot take-up	Wide slot take-up
203	X		X		X			
204	X	X	X	X	X		X	X
205	X	X	X	X	X		X	X
206	X	X	X	X	X	@	X	X
207	X	X	X	X	X	@	X	X
208	X	X	X		X	@	X	X
209	X	X	X		X	@	X	X
210	X	X	X	X	X	@	X	X
211	X	X	X		X	NA	X	X
212	X		X		X	NA	X	X
214	X				X	NA		X
215	X				X			X
216	X				X	X		X
218	X				X	X		

\* = Will not fit LF, LFT, SCHB, HNGR & CYL

@ = Some modification required

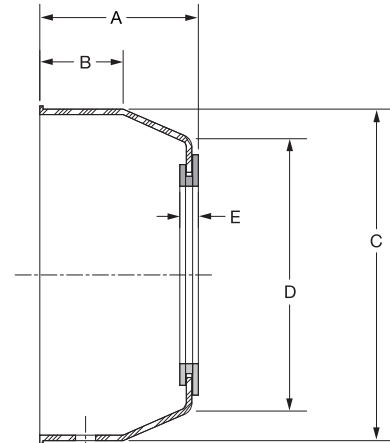
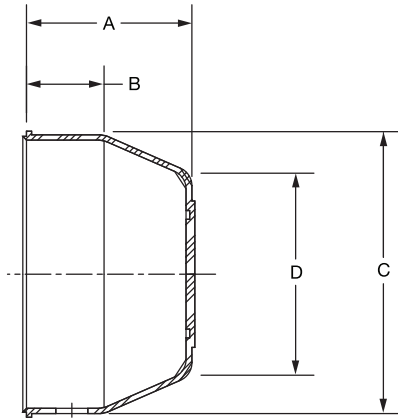
NA = Will not fit

X = Will fit

# Set screw mounted ball bearings

## Related products

### Snap-on end covers



Series	Closed end covers		Open end covers		
	Part number	Description	Shaft size	Part number	Description
204	128280	EC-204-Y	20mm	128363	ECO-20M-Y
	128280	EC-204-Y	3/4	128350	ECO-012-Y
205	128281	EC-205-Y	25mm	128364	ECO-25M-Y
	128281	EC-205-Y	1	128351	ECO-100-Y
206	128282	EC-206-Y	30mm	128365	ECO-30M-Y
	128282	EC-206-Y	1-3/16	128352	ECO-103-Y
	128282	EC-206-Y	1-1/4	128353	ECO-104S-Y
207	128283	EC-207-Y	35mm	128366	ECO-35M-Y
	128283	EC-207-Y	1-1/4	128355	ECO-104-Y
	128283	EC-207-Y	1-7/16	128354	ECO-107-Y
208	128284	EC-208-Y	40mm	128367	ECO-40M-Y
	128284	EC-208-Y	1-1/2	128356	ECO-108-Y
209	128285	EC-209-Y	45mm	128368	ECO-45M-Y
	128285	EC-209-Y	1-11/16	128357	ECO-111-Y
210	128286	EC-210-Y	50mm	128369	ECO-50M-Y
	128286	EC-210-Y	1-15/16	128358	ECO-115-Y
211	128277	EC-211-Y	50mm	079698	ECO-50M (211)
	128277	EC-211-Y	55mm	079697	ECO-55M (211)
	128277	EC-211-Y	1-15/16	079702	ECO-115 (211)
	128277	EC-211-Y	2	079701	ECO-200 (211)
	128277	EC-211-Y	2-3/16	079700	ECO-203 (211)
212	128278	EC-212-Y	2-1/4	079699	ECO-204 (211)
	128278	EC-212-Y	55mm	079693	ECO-55M (212)
	128278	EC-212-Y	60mm	079692	ECO-60M (212)
	128278	EC-212-Y	2-3/16	079696	ECO-203 (212)
	128278	EC-212-Y	2-1/4	079695	ECO-204 (212)
214	128278	EC-212-Y	2-7/16	079694	ECO-207 (212)
	128220	EC-214	65mm	127337	ECO-65M (214)
	128220	EC-214	70mm	127338	ECO-70M (214)
	128220	EC-214	2-7/16	127328	ECO-207 (214)
	128220	EC-214	2-1/2	127329	ECO-208 (214)
215	128220	EC-214	2-11/16	127330	ECO-211 (214)
	128221	EC-215	70mm	127339	ECO-70M (215)
	128221	EC-215	75mm	127340	ECO-75M (215)
	128221	EC-215	2-11/16	127331	ECO-211 (215)
	128221	EC-215	2-15/16	127332	ECO-215 (215)
216	128222	EC-216	75mm	127340	ECO-75M (216)
	128222	EC-216	2-15/16	127333	ECO-215 (216)
	128222	EC-216	3	127334	ECO-300 (216)
218	128223	EC-218	85mm	127342	ECO-85M (218)
	128223	EC-218	90mm	127343	ECO-90M (218)
	128223	EC-218	3-7/16	127335	ECO-307 (218)
	128223	EC-218	3-1/2	127336	ECO-308 (218)

Unless specified, dimensions are in mm for metric parts and inches for non-metric parts.  
Note: Dimensions are in MM (in)

# Set screw mounted ball bearings

## Related products

### Snap-on end covers

#### Open cover dimensions

Series	Shaft size	A	B	C	D	E
204	20mm	30,2	13,5	48,4	35,1	4,9
	3/4	1,19	0,53	1,91	1,38	0,19
205	25mm	31,8	13,5	55,1	40,9	4,9
	1	1,25	0,53	2,17	1,61	0,19
206	30mm	35,3	14,2	63,5	50,0	4,9
	1-3/16	1,39	0,56	2,50	0,97	0,19
	1-1/4					
207	35mm	38,9	17,5	73,9	58,9	4,9
	1-1/4	1,53	0,69	2,91	2,31	0,19
	1-7/16					
208	40mm	40,6	17,5	84,1	70,1	5,1
	1-1/2	1,59	0,69	3,31	2,77	0,20
209	45mm	41,9	18,3	88,9	72,9	5,1
	1-11/16	1,66	0,72	3,50	2,88	0,20
210	50mm	43,7	23,1	91,4	76,2	5,1
	1-15/16	1,72	0,91	3,63	3,00	0,20
211	50mm	1,80	0,97	3,94	3,30	0,21
	55mm	45,5	24,6	100,1	83,6	5,3
	1-15/16	1,80	0,97	3,94	3,30	0,21
	2	1,80	0,97	3,94	3,30	0,21
	2-3/16	1,80	0,97	3,94	3,30	0,21
	2-1/4	1,80	0,97	3,94	3,30	0,21
212	55mm	1,91	1,00	4,38	3,66	0,21
	60mm	48,3	25,4	111,3	92,7	5,3
	2-3/16	1,91	1,00	4,38	3,66	0,21
	2-1/4	1,91	1,00	4,38	3,66	0,21
	2-7/16	1,91	1,00	4,38	3,66	0,21
214	65mm	3,00	1,50	4,90	3,75	0,30
	70mm	76,2	38,1	124,5	95,3	5,3
	2-7/16	3,00	1,50	4,90	3,75	0,30
	2-1/2	3,00	1,50	4,90	3,75	0,30
	2-11/16	3,00	1,50	4,90	3,75	0,30
215	70mm	3,00	1,50	5,20	4,00	0,30
	75mm	76,2	38,1	132,1	101,6	5,3
	2-11/16	3,00	1,50	5,20	4,00	0,30
	2-15/16	3,00	1,50	5,20	4,00	0,30
216	75mm	76,2	38,1	139,7	111,1	5,3
	2-15/16	3,00	1,50	5,50	4,38	0,30
	3	3,00	1,50	5,50	4,38	0,30
218	85mm	3,09	1,50	6,25	5,00	0,30
	90mm	78,6	38,1	158,8	127,0	5,3
	3-7/16	3,09	1,50	6,25	5,00	0,30
	3-1/2	3,09	1,50	6,25	5,00	0,30

#### Closed cover dimensions

Series	A	B	C	D
204	1,13	0,53	1,91	1,38
	28,7	13,5	48,4	35,1
205	0,19	0,53	2,17	1,61
	30,2	13,5	55,1	40,9
206	1,33	0,56	2,50	0,97
	1,33	0,56	2,50	0,97
	33,8	14,2	63,5	50,0
207	1,47	0,69	2,91	2,31
	1,47	0,69	2,91	2,31
	37,3	17,5	73,9	58,9
208	1,55	0,69	3,31	2,77
	39,1	17,5	84,1	70,1
209	1,59	0,72	3,50	2,88
	40,4	18,3	88,9	72,9
210	1,66	0,91	3,62	3,00
	42,2	23,1	91,4	76,2
211	1,80	0,97	3,94	3,30
	1,80	0,97	3,94	3,30
	1,80	0,97	3,94	3,30
	1,80	0,97	3,94	3,30
	45,5	24,6	100,1	83,6
	45,5	24,6	100,1	83,6
212	1,91	1,00	4,38	3,66
	1,91	1,00	4,38	3,66
	1,91	1,00	4,38	3,66
	48,3	25,4	111,3	92,7
	48,3	25,4	111,3	92,7
214	3,00	1,50	4,90	3,75
	3,00	1,50	4,90	3,75
	3,00	1,50	4,90	3,75
	76,2	38,1	124,5	95,3
	76,2	38,1	124,5	95,3
215	3,00	1,50	5,20	4,00
	3,00	1,50	5,20	4,00
	76,2	38,1	132,1	101,6
	76,2	38,1	132,1	101,6
216	3,00	1,50	5,50	4,38
	3,00	1,50	5,50	4,38
	76,2	38,1	139,7	111,1
218	3,09	1,50	6,25	5,00
	3,09	1,50	6,25	5,00
	78,6	38,1	158,8	127,0
	78,6	38,1	158,8	127,0

Unless specified, dimensions are in mm for metric parts and inches for non-metric parts.  
Note: Dimensions are in MM (in)

# Set screw mounted ball bearings

## Notes

# Set screw mounted ball bearings

## Notes

# Grip Tight<sup>®</sup> mounted ball bearings

## Contents

5-2	Features/Benefits
5-4	How to order/Nomenclature
5-5	Selection

### Selection/Dimensions

#### Grip Tight pillow blocks

5-10	GT normal duty
5-14	GTB normal duty
5-16	GTH-E expansion
5-18	GTM medium duty
5-20	GT tapped base

#### Grip Tight 2-bolt flanges

5-22	GT normal duty
5-24	GTM medium duty
5-26	GT LFT normal duty
5-27	GT normal duty flanged bracketed

#### Grip Tight 3-bolt flanges

5-28	GT LF normal duty
------	-------------------

#### Grip Tight 4-bolt flanges

5-29	GT normal duty
5-32	GTM medium duty

#### Grip Tight piloted flanges (flanged cartridge)

5-34	GT normal duty
5-36	GTM medium duty

#### Grip Tight take-up bearings

5-38	GT normal duty narrow slot
5-40	GTM medium duty narrow slot
5-42	GT normal duty wide slot
5-46	GTM medium duty wide slot
5-48	GT normal duty top angle
5-49	GTM medium duty top angle

#### Grip Tight inserts

5-50	GT normal duty
5-54	GTM medium duty
5-56	GT/GTM adapter and lock nut assemblies
5-58	Related products

INDEX-1	Part number index
---------	-------------------



# Grip Tight<sup>®</sup> mounted ball bearings

# Grip Tight® mounted ball bearings

## Features/Benefits

### Grip Tight® mounted ball bearings

Dodge proudly offers a ball bearing with a name that says it all: Grip Tight.

With its patented pull/push adapter system, fully concentric 360° inner ring, and completely interchangeable housing design, the Dodge Grip Tight mounted ball bearing is the easy-on/easy-off solution for damage-free shafting, reduced vibration, and greater cost/inventory savings.

The Grip Tight mounted ball bearing is shaft-ready right out of the box and offered in a variety of housing styles for normal and medium duty operations. It accommodates commercial grade and some undersize shafting to lower costs, and all Grip Tight mounted assemblies fit into a standard Dodge ball bearing housing.

Plus this Dodge bearing has been specifically engineered to run at higher speeds and operate cooler for longer grease life.

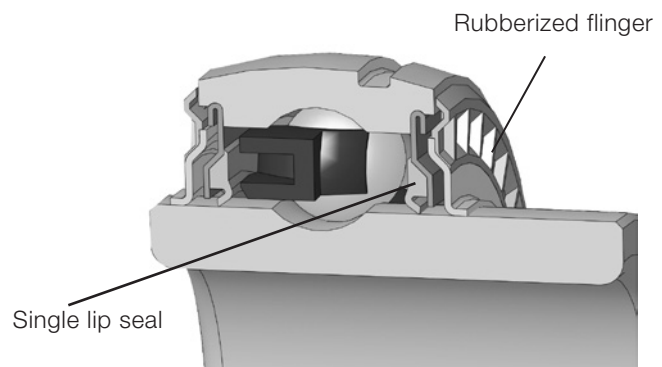
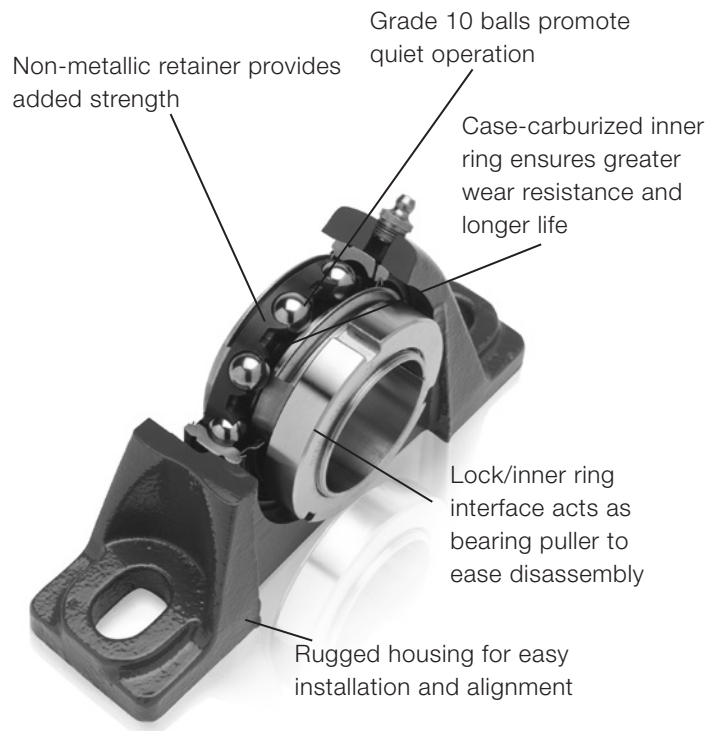
In test comparisons, the Grip Tight mounted ball bearing even proved it could suppress fretting corrosion and scarring to shafts and journals, thus saving not only time but added labor/maintenance costs.

#### Easy-on / Easy-off

During mounting, the patent pending collar/inner ring system locks the tapered adapter sleeve under the bearing and onto the shaft. To dismount, the built in bearing puller pulls the bearing off the adapter and pushes the adapter in the opposite direction (out from under the bearing).

#### DualGuard seal

- Mechanically retained single lip seal for added strength
- Purgeable design
- Nitrile rubber lip
- Keeps out contaminants
- Rubberized flinger
  - Dodge-only technology
  - Rubberized flinger provides external protection and discards contaminants as it rotates
  - Molded baffles in flinger act like a paddle wheel to help deflect liquids
  - Molded rubber increases the radius of the flinger which increases the acceleration rate of the contaminants as they are thrown away from the bearing
  - Rubber molding on the flinger is extended to the outer race of the bearing providing better protection than non-rubberized versions



# Grip Tight<sup>®</sup> mounted ball bearings

## Features/Benefits

### Grip Tight<sup>®</sup> mounted ball bearings

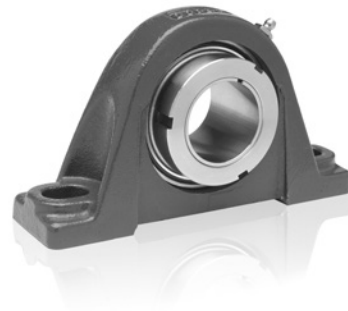
#### Housing styles

Off the shelf and shaft ready, the Dodge Grip Tight mounted ball bearing is offered for normal and Medium duty in a variety of housing styles, including pillow block; tapped base; two-, three-, and four-bolt flange, piloted flange; take-up, and E-Z Kleen design.



#### Less product inventory for significant savings

With Dodge Grip Tight mounted ball bearings, you can reduce your inventory as much as 25% - 45%. Rather than stocking a complete line of individual bore sizes for each housing style, you can now purchase a housing assembly and adapters separately, with the adapter determining the bore size within a housing series.



#### Damage free shafting

The new Dodge Grip Tight mounted bearing features a unique adapter-mount design that is specifically developed to withstand axial forces that are generated during mounting or dismounting. The adapter provides superior holding power, as well as suppresses fretting corrosion and vibration.



In test comparisons, a set screw mounted bearing promotes shaft fretting corrosion and scarring. But the new Dodge Grip Tight mounted bearing comes off the shaft quickly and reveals no shaft fretting corrosion or scarring. There is no need to recondition your shaft so you save time and avoid added labor/maintenance.



#### Full contact on shaft for better grip, less vibration

Set screw locking can distort the inner ring and cause system induced vibration. But with the new Dodge Grip Tight mounted, the adapter attaches itself to the shaft for full concentric contact 360° through the length of the bearing.



# Grip Tight® mounted ball bearings

## How to order/Nomenclature

### Grip Tight

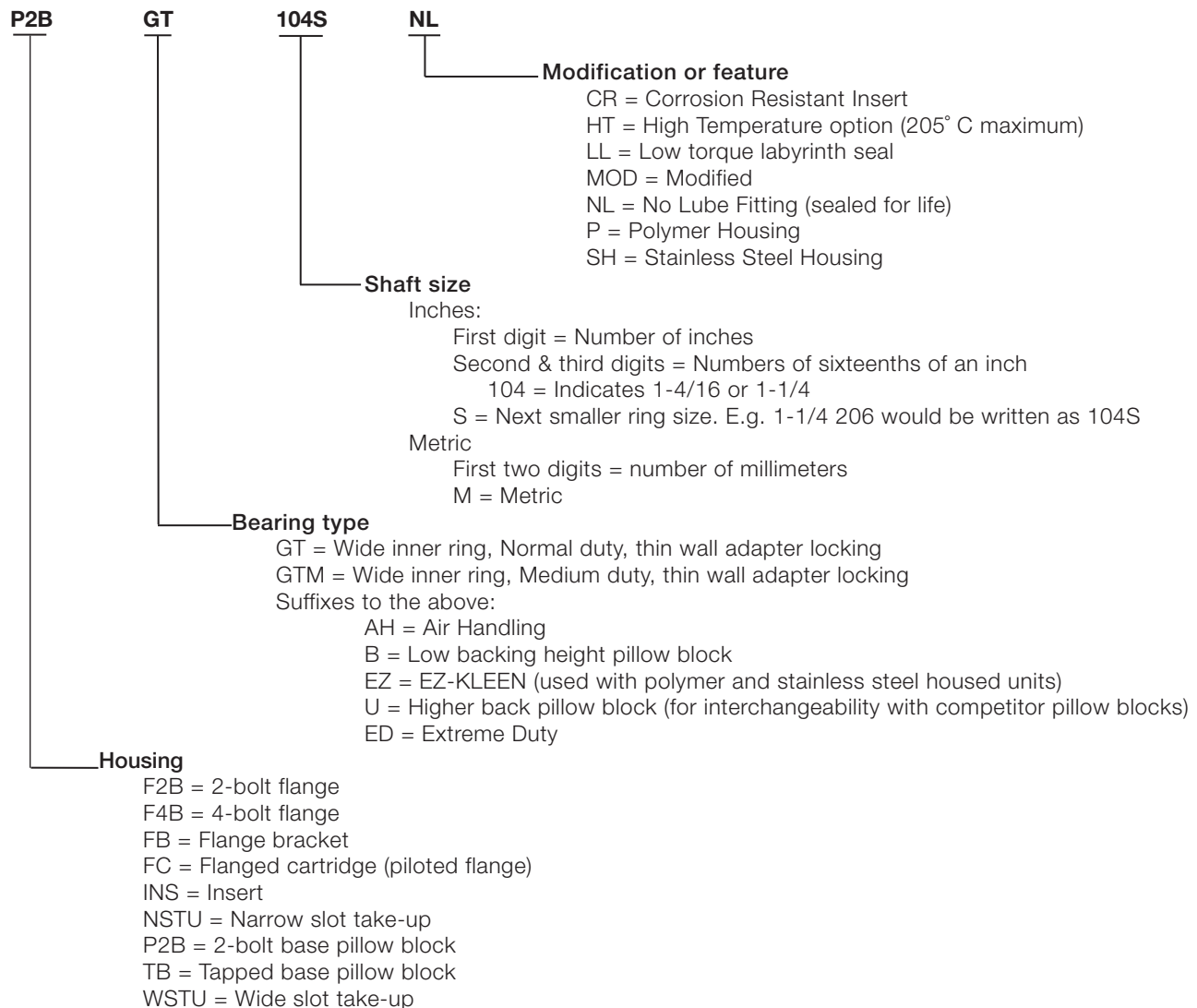
#### Thin wall adapter mounted ball bearings

There are two ways to specify Dodge Bearings. Most of the product offerings have part numbers with listings shown throughout this catalog. Use of the part numbers ensures accurate order processing.

When part numbers are not shown, the product may be specified by description or part name.

This method is used when ordering units that include modifications or options. To order by description, use the nomenclature key shown below and add any special instructions to the end of the description for options not covered by the nomenclature.

### Nomenclature



# Grip Tight® mounted ball bearings

## Selection

### Grip Tight mounted ball bearings

Dodge mounted ball bearings are primarily designed for radial loading. However, they have the capacity to carry thrust loads and combined radial/thrust loads. The maximum recommended load which can be applied is limited by various components in the system, such as bearing, housing, shaft attachments, speed and life requirements. Dodge mounted ball bearings have been applied successfully when these limits have been exceeded under controlled operating conditions. Contact your local ABB office for applications which exceed these recommendations.

Select a bearing from the selection chart that has a radial load rating at the operating speed equal to or greater than the calculated Equivalent Radial load for a desired L10 life. This simple method is all that is required for the majority of general applications and provides for occasional average shock loads.

L10 hours life-is the life which may be expected for at least 90% of a given group of bearings operating under identical conditions. For an L10 hours life other than those listed in the selection chart, multiply the equivalent radial load by one of the following factors. For 50,000 L10 hours life, use a factor of 1.18 and for 80,000, use 1.39. Then select a bearing from the bold face (30,000) L10 ratings only in the selection chart that has a rating equal to or greater than this value.

Heavy service-for heavy shock loads, frequent shock loads or severe vibrations, add up to 50% (according to severity of conditions) to the equivalent radial load to obtain a modified equivalent radial load. Consult with your local ABB office for additional selection assistance.

A thrust load value of C/10 is recommended as a guide for general applications and will give adequate L10 life. Where substantial radial load pulls the housing away from the mounting base, both the hold-down bolts and housing must be of adequate strength. Auxiliary load carrying devices, such as sheer bars, are advisable for side or end-loading of pillow blocks and radial loads for flange units.

To determine the L10 hours life for loads and RPM's not listed use the following equation:

$$L_{10} = \left(\frac{C}{P}\right)^3 \times \frac{16,667}{N}$$

Where:

L10 = Life, hours

C = Dynamic capacity, lb or N

P = Equivalent radial load, lb or N

N = Revolutions per minute

When the load on a ball bearing is solely a radial load with no thrust (axial) load, the equivalent radial load (P) is equal to the actual radial load. However, when a thrust (axial) load is applied, the radial and thrust loads applied must be converted into an equivalent radial load. The use of the X (radial factor) and Y (thrust factor) from table 1 convert the actual applied thrust and radial loads to an equivalent radial load which has the same effect on the life of a bearing as a radial load of this magnitude.

$$P = (X \times FR) + (Y \times FA)$$

Where:

P = Equivalent radial load, lb

FR = Radial load, lb

FA = Thrust load, lb

e = Thrust load to radial load factor (Table 1 )

X = Radial load factor (Table 1 )

Y = Thrust Factor (Table 1 )

CO = Basic static capacity

To find X and Y, first calculate FA/CO to determine e. Calculate FA/FR and compare to e to determine the X and Y factors to use from Table 1 .

Substitute all known values into the Equivalent Radial Load equation. The Equivalent Radial loads (P) thus determined can be used in the L10 life formula or compared to the allowable Equivalent Radial Load rating desired in the expanded rating chart to select a bearing (Table 2 ) .

If calculated value of P is less than FR, use P=FR.

Table 1:

F <sub>A</sub> / C <sub>0</sub>	e	Radial/Thrust factors			
		If F <sub>A</sub> /F <sub>R</sub> is equal to or less than e		If F <sub>A</sub> /F <sub>R</sub> is greater than e	
		F <sub>A</sub> /F <sub>R</sub> ≤ e		F <sub>A</sub> /F <sub>R</sub> > e	
		X	Y	X	Y
0.014	0.19	1	0	0.56	2.30
0.021	0.21	1	0	0.56	2.15
0.028	0.22	1	0	0.56	1.99
0.042	0.24	1	0	0.56	1.85
0.056	0.26	1	0	0.56	1.71
0.070	0.27	1	0	0.56	1.63
0.084	0.28	1	0	0.56	1.55
0.110	0.30	1	0	0.56	1.45
0.170	0.34	1	0	0.56	1.31
0.280	0.38	1	0	0.56	1.15
0.420	0.42	1	0	0.56	1.04
0.560	0.44	1	0	0.56	1.00

Lubrication-Dodge ball bearings are lubricated at the factory and are ready to run. The bearings are initially lubricated with a lithium complex based grease and should be relubricated with the same or some equivalent. For high speeds, high loads, extreme temperatures and other abnormal operating conditions, special greases may be required. Contact your local ABB office for recommendations on these types of applications.

Misalignment-Dodge ball bearings are designed to allow a maximum of ± 2° static misalignment. These bearings are not suitable for dynamic misalignment. To ensure good alignment, mounting surfaces must be checked for flatness and must lie in the same plane. When tightening base bolts, each bolt should be alternately tightened in incremental torque values until full torque is achieved to prevent the angular shifting of the pillow block that occurs when one bolt is tightened to its full torque. Shimming may be required to minimize misalignment.

Suggested lubrication intervals in weeks

Hours run per day	RPM							
	1 to 250	251 to 500	501 to 750	751 to 1000	1001 to 1500	1501 to 2000	2001 to 2500	2501 to Max.
8	12	12	10	7	5	4	3	2
16	12	7	5	4	2	2	1	1
24	10	5	3	2	1	1	1	1

Shaft tolerances					
Normal shaft size (mm)	Normal shaft size (in)	Commercial shaft tolerances (mm)	Commercial shaft tolerances (in)	Recommended shaft tolerances Grip Tight ball bearings (mm)	Recommended shaft tolerances Grip Tight ball bearings (in)
Up to 40mm	Up to 1-1/2	+0.000 -0.051	+0.000 -0.002	+0.000 -0.051	+0.000 -0.002
Over 40mm to 60mm	Over 1-1/2. to 2-1/2	+0.000 -0.076	+0.000 -0.003	+0.000 -0.076	+0.000 -0.003
Over 60mm to 85mm	Over 2-1/2	+0.000 -0.102	+0.000 -0.004	+0.000 -0.102	+0.000 -0.004

# Grip Tight<sup>®</sup> mounted ball bearings

## Selection

### Grip Tight mounted ball bearings

**Table 2: Easy selection table**

Ring size	Shaft Size		Dynamic capacity C N (lb)	Static capacity Co N (lb)	Max RPM Proguard plus (Contact) seal	Labyrinth (LL) seal	L <sub>10</sub> life hours	Allowable equivalent radial load ratings N (lb) at various RPM*													
	GT	GTM						50	150	250	500	750	1,000	1,500	1,750	2,200	2,600	3,000	3,200	3,600	
203	1/2	-	9599 (2158)	4800 (1079)	12000	14500	20000	2451 (551)	1699 (382)	1432 (322)	1139 (256)	996 (224)	903 (203)	787 (177)	752 (169)	694 (156)	658 (148)	627 (141)	614 (138)	592 (133)	
		5/8	-	9599 (2158)	4800 (1079)	12000	14500	<b>30000</b>	<b>2144</b> <b>(482)</b>	<b>1486</b> <b>(334)</b>	<b>1254</b> <b>(282)</b>	<b>996</b> <b>(224)</b>	<b>867</b> <b>(195)</b>	<b>787</b> <b>(177)</b>	<b>689</b> <b>(155)</b>	<b>654</b> <b>(147)</b>	<b>605</b> <b>(136)</b>	<b>574</b> <b>(129)</b>	<b>547</b> <b>(123)</b>	<b>534</b> <b>(120)</b>	<b>516</b> <b>(116)</b>
	17mm	-	9599 (2158)	4800 (1079)	12000	14500	40000	1948 (438)	1348 (303)	1139 (256)	903 (203)	787 (177)	716 (161)	627 (141)	596 (134)	552 (124)	520 (117)	498 (112)	485 (109)	467 (105)	
		-	9599 (2158)	4800 (1079)	12000	14500	60000	1699 (382)	1179 (265)	996 (224)	787 (177)	689 (155)	627 (141)	547 (123)	520 (117)	480 (108)	454 (102)	436 (98)	427 (96)	409 (92)	
	-	-	9599 (2158)	4800 (1079)	12000	14500	100000	1432 (322)	996 (224)	841 (189)	667 (150)	583 (131)	529 (119)	463 (104)	440 (99)	405 (91)	383 (86)	365 (82)	360 (81)	343 (77)	
		-	12895 (2899)	6592 (1482)	10000	13000	20000	3296 (741)	2282 (513)	1926 (433)	1530 (344)	1334 (300)	1214 (273)	1059 (238)	1005 (226)	934 (210)	881 (198)	841 (189)	823 (185)	792 (178)	
	204	3/4	-	12895 (2899)	6592 (1482)	10000	13000	20000	<b>2878</b> <b>(647)</b>	<b>1997</b> <b>(449)</b>	<b>1681</b> <b>(378)</b>	<b>1334</b> <b>(300)</b>	<b>1165</b> <b>(262)</b>	<b>1059</b> <b>(238)</b>	<b>925</b> <b>(208)</b>	<b>881</b> <b>(198)</b>	<b>814</b> <b>(183)</b>	<b>770</b> <b>(173)</b>	<b>734</b> <b>(165)</b>	<b>721</b> <b>(162)</b>	<b>689</b> <b>(155)</b>
			20mm	-	12895 (2899)	6592 (1482)	10000	13000	<b>30000</b>	<b>2616</b> <b>(588)</b>	<b>1815</b> <b>(408)</b>	<b>1530</b> <b>(344)</b>	<b>1214</b> <b>(273)</b>	<b>1059</b> <b>(238)</b>	<b>965</b> <b>(217)</b>	<b>841</b> <b>(189)</b>	<b>801</b> <b>(180)</b>	<b>738</b> <b>(166)</b>	<b>698</b> <b>(157)</b>	<b>667</b> <b>(150)</b>	<b>654</b> <b>(147)</b>
-		-	12895 (2899)	6592 (1482)	10000	13000	40000	2282 (513)	1584 (356)	1334 (300)	1059 (238)	925 (208)	841 (189)	734 (165)	698 (157)	645 (145)	614 (138)	583 (131)	569 (128)	547 (123)	
		-	12895 (2899)	6592 (1482)	10000	13000	60000	1926 (433)	1334 (300)	1125 (253)	894 (201)	783 (176)	712 (160)	618 (139)	587 (132)	547 (123)	516 (116)	494 (111)	480 (108)	463 (104)	
-		-	13994 (3146)	7869 (1769)	9000	12000	20000	3576 (804)	2478 (557)	2091 (470)	1659 (373)	1450 (326)	1317 (296)	1152 (259)	1094 (246)	1014 (228)	956 (215)	912 (205)	894 (201)	859 (193)	
		15/16	-	13994 (3146)	7869 (1769)	9000	12000	<b>30000</b>	<b>3123</b> <b>(702)</b>	<b>2166</b> <b>(487)</b>	<b>1828</b> <b>(411)</b>	<b>1450</b> <b>(326)</b>	<b>1268</b> <b>(285)</b>	<b>1152</b> <b>(259)</b>	<b>1005</b> <b>(226)</b>	<b>956</b> <b>(215)</b>	<b>885</b> <b>(199)</b>	<b>836</b> <b>(188)</b>	<b>796</b> <b>(179)</b>	<b>783</b> <b>(176)</b>	<b>752</b> <b>(169)</b>
-		1	-	13994 (3146)	7869 (1769)	9000	12000	40000	2838 (638)	1966 (442)	1659 (373)	1317 (296)	1152 (259)	1045 (235)	912 (205)	867 (195)	805 (181)	761 (171)	725 (163)	707 (159)	681 (153)
		25mm	-	13994 (3146)	7869 (1769)	9000	12000	60000	2478 (557)	1717 (386)	1450 (326)	1152 (259)	1005 (226)	912 (205)	796 (179)	756 (170)	703 (158)	663 (149)	632 (142)	618 (139)	596 (134)
-	-	13994 (3146)	7869 (1769)	9000	12000	100000	2091 (470)	1450 (326)	1223 (275)	970 (218)	850 (191)	770 (173)	672 (151)	641 (144)	592 (133)	560 (126)	534 (120)	520 (117)	503 (113)		
	206	1-1/8	1	19430 (4368)	11290 (2538)	7500	11000	20000	4964 (1116)	3443 (774)	2900 (652)	2304 (518)	2011 (452)	1828 (411)	1597 (359)	1517 (341)	1406 (316)	1330 (299)	1268 (285)	1241 (279)	1192 (268)
1-3/16			25mm	19430 (4368)	11290 (2538)	7500	11000	<b>30000</b>	<b>4337</b> <b>(975)</b>	<b>3007</b> <b>(676)</b>	<b>2535</b> <b>(570)</b>	<b>2011</b> <b>(452)</b>	<b>1757</b> <b>(395)</b>	<b>1597</b> <b>(359)</b>	<b>1397</b> <b>(314)</b>	<b>1326</b> <b>(298)</b>	<b>1228</b> <b>(276)</b>	<b>1161</b> <b>(261)</b>	<b>1108</b> <b>(249)</b>	<b>1085</b> <b>(244)</b>	<b>1041</b> <b>(234)</b>
-		1-1/4	-	19430 (4368)	11290 (2538)	7500	11000	40000	3941 (886)	2731 (614)	2304 (518)	1828 (411)	1597 (359)	1450 (326)	1268 (285)	1205 (271)	1117 (251)	1054 (237)	1005 (226)	983 (221)	947 (213)
		30mm	-	19430 (4368)	11290 (2538)	7500	11000	60000	3443 (774)	2384 (536)	2011 (452)	1597 (359)	1397 (314)	1268 (285)	1108 (249)	1074 (237)	974 (219)	921 (207)	881 (198)	859 (193)	827 (186)
-		-	19430 (4368)	11290 (2538)	7500	11000	100000	2900 (652)	2011 (452)	1699 (382)	1348 (303)	1179 (265)	1068 (240)	934 (210)	885 (199)	823 (185)	778 (175)	743 (167)	725 (163)	698 (157)	
		207	1-1/4	1-3/16	25617 (5759)	15395 (3461)	6300	9500	20000	6543 (1471)	4537 (1020)	3825 (860)	3038 (683)	2651 (596)	2411 (542)	2104 (473)	2002 (450)	1855 (417)	1753 (394)	1673 (376)	1637 (368)
1-3/8				1-1/4	25617 (5759)	15395 (3461)	6300	9500	<b>30000</b>	<b>5716</b> <b>(1285)</b>	<b>3963</b> <b>(891)</b>	<b>3345</b> <b>(752)</b>	<b>2651</b> <b>(596)</b>	<b>2318</b> <b>(521)</b>	<b>2104</b> <b>(473)</b>	<b>1842</b> <b>(414)</b>	<b>1748</b> <b>(393)</b>	<b>1619</b> <b>(364)</b>	<b>1530</b> <b>(344)</b>	<b>1459</b> <b>(328)</b>	<b>1428</b> <b>(321)</b>
-			1-7/16	30mm	25617 (5759)	15395 (3461)	6300	9500	40000	5196 (1168)	3603 (810)	3038 (683)	2411 (542)	2104 (473)	1913 (430)	1673 (376)	1588 (357)	1472 (331)	1392 (313)	1326 (298)	1299 (292)
	35mm		-	25617 (5759)	15395 (3461)	6300	9500	60000	4537 (1020)	3145 (707)	2651 (596)	2104 (473)	1842 (414)	1673 (376)	1459 (328)	1388 (312)	1286 (289)	1214 (273)	1161 (261)	1134 (255)	1090 (245)
-	-		25617 (5759)	15395 (3461)	6300	9500	100000	3825 (860)	2651 (596)	2237 (503)	1775 (399)	1552 (349)	1410 (317)	1232 (277)	1170 (263)	1085 (244)	1023 (230)	979 (220)	956 (215)	921 (207)	
	208		1-1/2	1-7/16	32614 (7332)	19906 (4475)	5600	8500	20000	8332 (1873)	5778 (1299)	4871 (1095)	3866 (869)	3376 (759)	3069 (690)	2682 (603)	2549 (573)	2362 (531)	2233 (502)	2126 (478)	2082 (468)
40mm				1-1/2**	32614 (7332)	19906 (4475)	5600	8500	<b>30000</b>	<b>7277</b> <b>(1636)</b>	<b>5044</b> <b>(1134)</b>	<b>4257</b> <b>(957)</b>	<b>3376</b> <b>(759)</b>	<b>2949</b> <b>(663)</b>	<b>2682</b> <b>(603)</b>	<b>2344</b> <b>(527)</b>	<b>2224</b> <b>(500)</b>	<b>2060</b> <b>(463)</b>	<b>1948</b> <b>(438)</b>	<b>1859</b> <b>(418)</b>	<b>1819</b> <b>(409)</b>
-			35mm	-	32614 (7332)	19906 (4475)	5600	8500	40000	6615 (1487)	4586 (1031)	3866 (869)	3069 (690)	2682 (603)	2438 (548)	2126 (478)	2019 (454)	1873 (421)	1770 (398)	1655 (380)	1588 (372)
		-	32614 (7332)	19906 (4475)	5600	8500	60000	5778 (1299)	4003 (900)	3376 (759)	2682 (603)	2344 (527)	2126 (478)	1859 (418)	1766 (397)	1637 (368)	1548 (348)	1477 (332)	1446 (325)	1388 (312)	
-		-	32614 (7332)	19906 (4475)	5600	8500	100000	4871 (1095)	3376 (759)	2851 (641)	2260 (508)	1975 (444)	1793 (403)	1566 (352)	1490 (335)	1379 (310)	1303 (293)	1246 (280)	1219 (274)	1170 (263)	
		209	1-5/8	1-1/2	35101 (7891)	21823 (4906)	5300	8000	20000	8968 (2016)	6219 (1398)	5244 (1179)	4164 (936)	3634 (817)	3305 (743)	2887 (649)	2740 (616)	2540 (571)	2402 (540)	2291 (515)	2242 (504)
1-14/16				40mm	35101 (7891)	21823 (4906)	5300	8000	<b>30000</b>	<b>7833</b> <b>(1761)</b>	<b>5431</b> <b>(1221)</b>	<b>4582</b> <b>(1030)</b>	<b>3634</b> <b>(817)</b>	<b>3176</b> <b>(714)</b>	<b>2887</b> <b>(649)</b>	<b>2522</b> <b>(567)</b>	<b>2393</b> <b>(538)</b>	<b>2220</b> <b>(499)</b>	<b>2100</b> <b>(472)</b>	<b>2002</b> <b>(450)</b>	<b>1957</b> <b>(440)</b>
-			1-3/4	-	35101 (7891)	21823 (4906)	5300	8000	40000	7117 (1600)	4933 (1109)	4164 (936)	3305 (743)	2887 (649)	2620 (589)	2291 (515)	2175 (489)	2015 (453)	1908 (429)	1819 (409)	1779 (400)
	45mm		-	35101 (7891)	21823 (4906)	5300	8000	60000	6219 (1398)	4310 (969)	3634 (817)	2887 (649)	2522 (567)	2291 (515)	2002 (450)	1899 (429)	1761 (396)	1664 (374)	1588 (357)	1552 (349)	1495 (336)
-	-		35101 (7891)	21823 (4906)	5300	8000	100000	5244 (1179)	3634 (817)	3065 (689)	2433 (547)	2126 (478)	1931 (434)	1686 (379)	1601 (360)	1486 (334)	1406 (316)	1339 (301)	1312 (295)	1259 (283)	

\*\* Piloted flange only. Unless specified, dimensions are in mm for metric parts and inches for non-metric parts.  
 Note: Dimensions are in MM (in)

# Grip Tight® mounted ball bearings

## Selection

### Grip Tight mounted ball bearings

Table 2: Easy selection table (continued)

Ring size	Shaft Size		Dynamic capacity C N (lb)	Static capacity Co N (lb)	Max RPM Proguard plus (Contact) seal	Labyrinth (LL) seal	L <sub>10</sub> life hours	Allowable equivalent radial load ratings N (lb) at various RPM*													
	GT	GTM						50	150	250	500	750	1,000	1,500	1,750	2,200	2,600	3,000	3,200	3,600	
210	1-15/16	1-11/16	35101 (7891)	23189 (5213)	4800	7500	20000	8968 (2016)	6219 (1398)	5244 (1179)	4164 (936)	3634 (817)	3305 (743)	2887 (649)	2740 (616)	2540 (571)	2402 (540)	2291 (515)	2242 (504)	2157 (485)	
			35101 (7891)	23189 (5213)				4800	7500	<b>30000</b>	<b>7833 (1761)</b>	<b>5431 (1221)</b>	<b>4582 (1030)</b>	<b>3634 (817)</b>	<b>3176 (714)</b>	<b>2887 (649)</b>	<b>2522 (567)</b>	<b>2393 (538)</b>	<b>2220 (499)</b>	<b>2100 (472)</b>	<b>2002 (450)</b>
	2	1-3/4	35101 (7891)	23189 (5213)	4800	7500	40000	7117 (1600)	4933 (1109)	4164 (936)	3305 (743)	2887 (649)	2620 (589)	2291 (515)	2175 (489)	2015 (453)	1908 (429)	1819 (409)	1779 (400)	1713 (385)	
			35101 (7891)	23189 (5213)				4800	7500	60000	6219 (1398)	4310 (969)	3634 (817)	2887 (649)	2522 (567)	2291 (515)	2002 (427)	1899 (396)	1761 (374)	1664 (357)	1588 (349)
	50mm	45mm	35101 (7891)	23189 (5213)	4800	7500	100000	5244 (1179)	3634 (817)	3065 (689)	2433 (547)	2126 (478)	1931 (434)	1686 (379)	1601 (360)	1486 (334)	1406 (316)	1339 (301)	1312 (295)	1259 (283)	
			43392 (9755)	29305 (6588)				4300	6700	20000	11085 (2492)	7687 (1728)	6481 (1457)	5147 (1157)	4493 (1010)	4083 (918)	3567 (802)	3390 (762)	3140 (706)	2971 (668)	2829 (636)
	211	2	1-15/16	43392 (9755)	29305 (6588)	4300	6700	30000	8799 (1978)	6099 (1371)	5147 (1157)	4083 (918)	3567 (802)	3243 (729)	2829 (636)	2691 (605)	2491 (560)	2358 (530)	2246 (505)	2197 (494)	2113 (475)
				43392 (9755)	29305 (6588)				4300	6700	40000	7687 (1728)	5329 (1198)	4493 (1010)	3567 (802)	3118 (701)	2829 (636)	2473 (556)	2175 (489)	2060 (463)	1962 (441)
		55mm	50mm	43392 (9755)	29305 (6588)	4300	6700	100000	6481 (1457)	4493 (1010)	3790 (852)	3007 (676)	2629 (591)	2389 (537)	2086 (469)	1979 (445)	1837 (413)	1735 (390)	1655 (372)	1619 (364)	1557 (350)
				43392 (9755)	29305 (6588)				4300	6700	20000	13398 (3012)	9288 (2088)	7833 (1761)	6219 (1398)	5431 (1221)	4938 (1110)	4310 (969)	4097 (921)	3794 (853)	3590 (807)
		2-1/4	2-3/16	52449 (11791)	36031 (8100)	4000	6000	30000	11703 (2631)	8114 (1824)	6846 (1539)	5431 (1221)	4746 (1067)	4310 (969)	3768 (847)	3576 (804)	3314 (745)	3136 (705)	2989 (672)	2927 (658)	2811 (632)
				52449 (11791)	36031 (8100)				4000	6000	40000	10636 (2391)	7371 (1657)	6219 (1398)	4938 (1110)	3919 (881)	3421 (769)	3252 (731)	3011 (677)	2847 (640)	2718 (611)
60mm		55mm	52449 (11791)	36031 (8100)	4000	6000	60000	9288 (2088)	6441 (1448)	5431 (1221)	4310 (969)	3768 (847)	3421 (769)	2989 (672)	2838 (638)	2633 (592)	2487 (559)	2371 (533)	2322 (522)	2233 (502)	
			52449 (11791)	36031 (8100)				4000	6000	100000	7833 (1761)	5431 (1221)	4582 (1030)	3639 (818)	3176 (714)	2887 (649)	2522 (567)	2393 (538)	2220 (499)	2100 (472)	2002 (450)
212		2-1/4	2-3/16	62253 (13995)	43762 (9838)	3600	5000	20000	15902 (3575)	11027 (2479)	9301 (2091)	7380 (1659)	6450 (1450)	5858 (1317)	5115 (1150)	4862 (1093)	4506 (1013)	4261 (958)	4061 (913)	3977 (894)	3821 (859)
				62253 (13995)	43762 (9838)				3600	5000	<b>30000</b>	<b>13892 (3123)</b>	<b>9630 (2165)</b>	<b>8122 (1826)</b>	<b>6450 (1450)</b>	<b>5631 (1266)</b>	<b>5115 (1150)</b>	<b>4470 (1005)</b>	<b>4248 (955)</b>	<b>3937 (885)</b>	<b>3723 (837)</b>
		2-7/16	2-1/4	62253 (13995)	43762 (9838)	3600	5000	40000	12620 (2837)	8750 (1967)	7380 (1659)	5858 (1317)	5115 (1150)	4648 (1045)	4061 (913)	3857 (867)	3576 (804)	3381 (760)	3225 (725)	3154 (709)	3034 (682)
				62253 (13995)	43762 (9838)				3600	5000	60000	11027 (2479)	7646 (1719)	6450 (1450)	5115 (1150)	4470 (1005)	4061 (913)	3550 (798)	3372 (758)	3123 (702)	2954 (664)
	60mm	55mm	62253 (13995)	43762 (9838)	3600	5000	100000	9301 (2091)	6450 (1450)	5440 (1223)	4315 (970)	3772 (848)	3425 (770)	2994 (673)	2842 (639)	2633 (592)	2491 (560)	2375 (534)	2326 (523)	2237 (503)	
			62253 (13995)	43762 (9838)				3600	5000	20000	15902 (3575)	11027 (2479)	9301 (2091)	7380 (1659)	6450 (1450)	5858 (1317)	5115 (1150)	4862 (1093)	4506 (1013)	4261 (958)	4061 (913)
	214	2-11/16	2-7/16	66154 (14872)	49411 (11108)	3200	4800	20000	16899 (3799)	11717 (2634)	9884 (2222)	7842 (1763)	6850 (1540)	6228 (1400)	5440 (1223)	5164 (1161)	4786 (1076)	4528 (1018)	4315 (970)	4226 (950)	4061 (913)
				66154 (14872)	49411 (11108)				3200	4800	<b>30000</b>	<b>14764 (3319)</b>	<b>10235 (2301)</b>	<b>8634 (1941)</b>	<b>6850 (1540)</b>	<b>5987 (1346)</b>	<b>5440 (1223)</b>	<b>4751 (1068)</b>	<b>4515 (1015)</b>	<b>4181 (940)</b>	<b>3954 (889)</b>
		70mm	2-1/2	66154 (14872)	49411 (11108)	3600	5000	40000	12620 (2837)	8750 (1967)	7380 (1659)	5858 (1317)	5115 (1150)	4648 (1045)	4061 (913)	3857 (867)	3576 (804)	3381 (760)	3225 (725)	3154 (709)	3034 (682)
				66154 (14872)	49411 (11108)				3600	5000	60000	11027 (2479)	7646 (1719)	6450 (1450)	5115 (1150)	4470 (1005)	4061 (913)	3550 (798)	3372 (758)	3123 (702)	2954 (664)
		65mm	65mm	66154 (14872)	49411 (11108)	3600	5000	100000	9301 (2091)	6450 (1450)	5440 (1223)	4315 (970)	3772 (848)	3425 (770)	2994 (673)	2842 (639)	2633 (592)	2491 (560)	2375 (534)	2326 (523)	2237 (503)
				62253 (13995)	43762 (9838)				3600	5000	20000	15902 (3575)	11027 (2479)	9301 (2091)	7380 (1659)	6450 (1450)	5858 (1317)	5115 (1150)	4862 (1093)	4506 (1013)	4261 (958)
215		2-15/16	2-11/16	66154 (14872)	49411 (11108)	3200	4800	20000	16899 (3799)	11717 (2634)	9884 (2222)	7842 (1763)	6850 (1540)	6228 (1400)	5440 (1223)	5164 (1161)	4786 (1076)	4528 (1018)	4315 (970)	4226 (950)	4061 (913)
				66154 (14872)	49411 (11108)				3200	4800	<b>30000</b>	<b>14764 (3319)</b>	<b>10235 (2301)</b>	<b>8634 (1941)</b>	<b>6850 (1540)</b>	<b>5987 (1346)</b>	<b>5440 (1223)</b>	<b>4751 (1068)</b>	<b>4515 (1015)</b>	<b>4181 (940)</b>	<b>3954 (889)</b>
		75mm	70mm	66154 (14872)	49411 (11108)	3200	4800	40000	13411 (3015)	9301 (2091)	7842 (1763)	6228 (1400)	5440 (1223)	4942 (1111)	4315 (970)	4101 (922)	3799 (854)	3594 (808)	3425 (770)	3354 (754)	3225 (725)
				66154 (14872)	49411 (11108)				3200	4800	60000	11717 (2634)	8122 (1826)	6850 (1540)	5440 (1223)	4751 (1068)	4315 (970)	3772 (848)	3581 (805)	3318 (746)	3140 (706)
		75mm	75mm	66154 (14872)	49411 (11108)	3200	4800	100000	9884 (2222)	6850 (1540)	5778 (1299)	4586 (1031)	4008 (901)	3639 (818)	3180 (715)	3020 (679)	2798 (629)	2647 (595)	2522 (567)	2469 (555)	2375 (534)
				66154 (14872)	49411 (11108)				3200	4800	20000	15902 (3575)	11027 (2479)	9301 (2091)	7380 (1659)	6450 (1450)	5858 (1317)	5115 (1150)	4862 (1093)	4506 (1013)	4261 (958)
	216	-	2-15/16	77430 (17407)	58281 (13102)	3000	4500	20000	19777 (4446)	13714 (3083)	11565 (2600)	9181 (2064)	8020 (1803)	7286 (1638)	6365 (1431)	6045 (1359)	5600 (1259)	5298 (1191)	5053 (1136)	4946 (1112)	4755 (1069)
				77430 (17407)	58281 (13102)				3000	4500	<b>30000</b>	<b>17277 (3884)</b>	<b>11979 (2693)</b>	<b>10106 (2272)</b>	<b>8020 (1803)</b>	<b>7006 (1575)</b>	<b>6365 (1431)</b>	<b>5560 (1250)</b>	<b>5280 (1187)</b>	<b>4893 (1100)</b>	<b>4631 (1041)</b>
		3	75mm	77430 (17407)	58281 (13102)	3000	4500	40000	15698 (3529)	10885 (2447)	9181 (2064)	7286 (1638)	6365 (1431)	5783 (1300)	5053 (1136)	4800 (1079)	4448 (1000)	4208 (946)	4008 (901)	3923 (882)	3772 (848)
				77430 (17407)	58281 (13102)				3000	4500	60000	13714 (3083)	9510 (2138)	8020 (1803)	6365 (1431)	5560 (1250)	5053 (1136)	4413 (992)	4190 (942)	3883 (873)	3674 (826)
		75mm	75mm	77430 (17407)	58281 (13102)	3000	4500	100000	11565 (2600)	8020 (1803)	6766 (1521)	5369 (1207)	4688 (1054)	4261 (958)	3723 (837)	3536 (795)	3278 (737)	3100 (697)	2954 (664)	2891 (650)	2780 (625)
				77430 (17407)	58281 (13102)				3000	4500	20000	24372 (5479)	16899 (3799)	14252 (3204)	11312 (2543)	9884 (2222)	8981 (2019)	8421 (1763)	7842 (1763)	7451 (1675)	6904 (1552)
218		-	3-7/16	95419 (21451)	74023 (16641)	2600	3800	20000	21294 (4787)	14764 (3319)	12451 (2799)	9884 (2222)	8634 (1941)	7842 (1763)	6855 (1541)	6508 (1463)	6032 (1356)	5703 (1282)	5440 (1223)	5325 (1197)	5120 (1151)
				95419 (21451)	74023 (16641)				2600	3800	<b>30000</b>	<b>19345 (4349)</b>	<b>13411 (3015)</b>	<b>11312 (2543)</b>	<b>8981 (2019)</b>	<b>7842 (1763)</b>	<b>7126 (1602)</b>	<b>6228 (1400)</b>	<b>5916 (1330)</b>	<b>5480 (1232)</b>	<b>5182 (1165)</b>
		3-1/2	85mm	95419 (21451)	74023 (16641)	2600	3800	40000	16899 (3799)	11717 (2634)	9884 (2222)	7842 (1763)	6855 (1541)	6228 (1400)	5440 (1223)	5164 (1161)	4786 (1076)	4528 (1018)	4315 (970)		

# Grip Tight<sup>®</sup> mounted ball bearings

## Selection

### Grip Tight mounted ball bearings

Table 2: Easy selection table

Ring size	Shaft size		L <sub>10</sub> life hours	Allowable equivalent radial load ratings N (lb) at various RPM*																				
	GT	GTM		3,800	4,000	4,300	4,500	4,800	5,000	5,300	5,600	6,000	6,300	6,700	7,500	8,000	8,500	9,000	9,500	10,000	11,000	12,000	13,000	14,500
203	1/2	-	20000	578	569	556	547	534	529	516	507	498	489	480	463	454	445	436	427	418	405	396	383	369
				(130)	(128)	(125)	(123)	(120)	(119)	(116)	(114)	(112)	(110)	(108)	(104)	(102)	(100)	(98)	(96)	(94)	(91)	(89)	(86)	(83)
	5/8	30000	<b>507</b>	<b>498</b>	<b>485</b>	<b>476</b>	<b>467</b>	<b>463</b>	<b>454</b>	<b>445</b>	<b>436</b>	<b>427</b>	<b>418</b>	<b>405</b>	<b>396</b>	<b>387</b>	<b>378</b>	<b>374</b>	<b>365</b>	<b>356</b>	<b>343</b>	<b>334</b>	<b>325</b>	
			(114)	(112)	(109)	(107)	(105)	(104)	(102)	(100)	(98)	(96)	(94)	(91)	(89)	(87)	(85)	(84)	(82)	(80)	(77)	(75)	(73)	(71)
204	3/4	-	20000	778	765	747	734	721	712	694	685	667	658	645	618	605	596	583	574	565	547	529	516	
				(175)	(172)	(168)	(165)	(162)	(160)	(156)	(154)	(150)	(148)	(145)	(139)	(136)	(134)	(131)	(129)	(127)	(123)	(119)	(116)	
	20mm	30000	<b>681</b>	<b>667</b>	<b>654</b>	<b>641</b>	<b>627</b>	<b>618</b>	<b>609</b>	<b>596</b>	<b>583</b>	<b>574</b>	<b>560</b>	<b>543</b>	<b>529</b>	<b>520</b>	<b>512</b>	<b>503</b>	<b>494</b>	<b>476</b>	<b>463</b>	<b>449</b>		
			(153)	(150)	(147)	(144)	(141)	(139)	(137)	(134)	(131)	(129)	(126)	(122)	(119)	(117)	(115)	(113)	(111)	(107)	(104)	(101)		
205	7/8	3/4	20000	845	832	810	796	783	770	756	743	725	712	698	672	658	645	632	623	609	592	574		
				(190)	(187)	(182)	(179)	(176)	(173)	(170)	(167)	(163)	(160)	(157)	(151)	(148)	(145)	(142)	(140)	(137)	(133)	(129)		
	15/16	30000	<b>738</b>	<b>725</b>	<b>707</b>	<b>698</b>	<b>681</b>	<b>672</b>	<b>658</b>	<b>649</b>	<b>632</b>	<b>623</b>	<b>609</b>	<b>587</b>	<b>574</b>	<b>565</b>	<b>552</b>	<b>543</b>	<b>534</b>	<b>516</b>	<b>503</b>			
			(166)	(163)	(159)	(157)	(153)	(151)	(148)	(146)	(142)	(140)	(137)	(132)	(129)	(127)	(124)	(122)	(120)	(116)	(113)			
206	1-1/8	1	20000	1170	1152	1125	1108	1085	1068	1050	1028	1005	992	970	934	916	894	881	863	850	823			
				(263)	(259)	(253)	(249)	(244)	(240)	(236)	(231)	(226)	(223)	(218)	(210)	(206)	(201)	(198)	(194)	(191)	(185)			
	1-3/16	25mm	30000	<b>1023</b>	<b>1005</b>	<b>983</b>	<b>965</b>	<b>947</b>	<b>934</b>	<b>916</b>	<b>899</b>	<b>881</b>	<b>863</b>	<b>845</b>	<b>814</b>	<b>801</b>	<b>783</b>	<b>770</b>	<b>756</b>	<b>743</b>	<b>716</b>			
				(230)	(226)	(221)	(217)	(213)	(210)	(206)	(202)	(198)	(194)	(190)	(183)	(180)	(176)	(173)	(170)	(167)	(161)			
207	1-1/4	1-3/16	20000	1544	1517	1481	1459	1428	1410	1383	1357	1326	1303	1277	1232	1205	1183	1161	1139					
				(347)	(341)	(333)	(328)	(321)	(317)	(311)	(305)	(298)	(293)	(287)	(277)	(271)	(266)	(261)	(256)					
	1-3/8	1-1/4	30000	<b>1348</b>	<b>1326</b>	<b>1294</b>	<b>1277</b>	<b>1250</b>	<b>1232</b>	<b>1210</b>	<b>1188</b>	<b>1161</b>	<b>1139</b>	<b>1117</b>	<b>1076</b>	<b>1054</b>	<b>1032</b>	<b>1014</b>	<b>996</b>					
				(303)	(298)	(291)	(287)	(281)	(277)	(272)	(267)	(261)	(256)	(251)	(242)	(237)	(232)	(228)	(224)					
208	1-1/2	1-7/16	20000	1966	1935	1886	1859	1819	1793	1761	1730	1690	1664	1628	1566	1535	1503							
				(442)	(435)	(424)	(418)	(409)	(403)	(396)	(389)	(380)	(374)	(366)	(352)	(345)	(338)							
	40mm	1-1/2**	30000	<b>1717</b>	<b>1690</b>	<b>1650</b>	<b>1624</b>	<b>1588</b>	<b>1566</b>	<b>1539</b>	<b>1508</b>	<b>1477</b>	<b>1450</b>	<b>1423</b>	<b>1370</b>	<b>1339</b>	<b>1312</b>							
				(386)	(380)	(371)	(365)	(357)	(352)	(346)	(339)	(332)	(326)	(320)	(308)	(301)	(295)							
209	1-5/8	1-1/2	20000	2117	2082	2033	2002	1957	1931	1895	1859	1819	1788	1753	1686	1650								
				(476)	(468)	(457)	(450)	(440)	(434)	(426)	(418)	(409)	(402)	(394)	(379)	(371)								
	1-11/16	40mm	30000	<b>1850</b>	<b>1819</b>	<b>1775</b>	<b>1748</b>	<b>1713</b>	<b>1686</b>	<b>1655</b>	<b>1624</b>	<b>1588</b>	<b>1561</b>	<b>1530</b>	<b>1472</b>	<b>1441</b>								
				(416)	(409)	(399)	(393)	(385)	(379)	(372)	(365)	(357)	(351)	(344)	(331)	(324)								

\*\* Piloted flange only.

Labyrinth seal required when operating in the shaded area.

Unless specified, dimensions are in mm for metric parts and inches for non-metric parts.

Note: Dimensions are in MM (in)



# Grip Tight® mounted ball bearings

## Selection

### Grip Tight mounted ball bearings

Table 2: Easy selection table (continued)

Ring size	Shaft size		L <sub>10</sub> life hours	Allowable equivalent radial load ratings N (lb) at various RPM*																								
	GT	GTM		3,800	4,000	4,300	4,500	4,800	5,000	5,300	5,600	6,000	6,300	6,700	7,500	8,000	8,500	9,000	9,500	10,000	11,000	12,000	13,000	14,500				
210	1-15/16	1-11/16	20000	2117 (476)	2082 (468)	2033 (457)	2002 (450)	1957 (440)	1931 (434)	1895 (426)	1859 (418)	1819 (409)	1788 (402)	1753 (394)	1686 (379)													
			<b>30000</b>	<b>1850 (416)</b>	<b>1819 (409)</b>	<b>1775 (399)</b>	<b>1748 (393)</b>	<b>1713 (385)</b>	<b>1686 (379)</b>	<b>1655 (372)</b>	<b>1624 (365)</b>	<b>1588 (357)</b>	<b>1561 (351)</b>	<b>1530 (344)</b>	<b>1472 (331)</b>													
	50mm	45mm	40000	1681 (378)	1650 (371)	1610 (362)	1588 (357)	1552 (349)	1535 (345)	1503 (338)	1477 (332)	1441 (324)	1419 (319)	1392 (313)	1339 (301)													
			60000	1468 (330)	1441 (324)	1410 (317)	1388 (312)	1357 (305)	1339 (301)	1312 (295)	1290 (290)	1259 (283)	1241 (279)	1214 (273)	1170 (263)													
			100000	1237 (278)	1219 (274)	1188 (267)	1170 (263)	1143 (257)	1130 (254)	1108 (249)	1090 (245)	1063 (239)	1045 (235)	1023 (230)	988 (222)													
211	2	1-15/16	20000	2616 (588)	2571 (578)	2513 (565)	2473 (556)	2420 (544)	2389 (537)	2344 (527)	2300 (517)	2246 (505)	2211 (497)	2166 (487)														
			<b>30000</b>	<b>2286 (514)</b>	<b>2246 (505)</b>	<b>2193 (493)</b>	<b>2162 (486)</b>	<b>2113 (475)</b>	<b>2086 (469)</b>	<b>2046 (460)</b>	<b>2011 (452)</b>	<b>1962 (441)</b>	<b>1931 (434)</b>	<b>1890 (425)</b>														
	55mm	50mm	40000	2077 (467)	2042 (459)	1993 (448)	1962 (441)	1922 (432)	1895 (426)	1859 (418)	1824 (410)	1784 (401)	1753 (394)	1717 (386)														
			60000	1815 (408)	1784 (401)	1739 (391)	1717 (386)	1677 (377)	1655 (372)	1624 (365)	1592 (358)	1557 (350)	1535 (345)	1503 (338)														
			100000	1530 (344)	1503 (338)	1468 (330)	1446 (325)	1415 (318)	1397 (314)	1370 (308)	1343 (302)	1312 (295)	1294 (291)	1268 (285)														
212	2-1/4	2-3/16	20000	3163 (711)	3109 (699)	3034 (682)	2989 (672)	2927 (658)	2887 (649)	2829 (636)	2780 (625)	2718 (611)																
			<b>30000</b>	<b>2762 (621)</b>	<b>2718 (611)</b>	<b>2651 (596)</b>	<b>2611 (587)</b>	<b>2558 (575)</b>	<b>2522 (567)</b>	<b>2473 (556)</b>	<b>2429 (546)</b>	<b>2371 (533)</b>																
	60mm	55mm	40000	2509 (564)	2469 (555)	2411 (542)	2371 (533)	2322 (522)	2291 (515)	2246 (505)	2206 (496)	2157 (485)																
			60000	2193 (493)	2157 (485)	2104 (473)	2073 (466)	2028 (456)	2002 (450)	1962 (441)	1926 (433)	1882 (423)																
			100000	1850 (416)	1819 (409)	1775 (399)	1748 (393)	1713 (385)	1686 (379)	1655 (372)	1624 (365)	1588 (357)																
214	2-11/16	2-7/16	20000	3754 (844)	3692 (830)	3603 (810)	3550 (798)	3474 (781)	3425 (770)																			
			<b>30000</b>	<b>3278 (737)</b>	<b>3225 (725)</b>	<b>3149 (708)</b>	<b>3100 (697)</b>	<b>3034 (682)</b>	<b>2994 (673)</b>																			
	70mm	65mm	40000	2980 (670)	2927 (658)	2860 (643)	2816 (633)	2758 (620)	2718 (611)																			
			60000	2602 (585)	2558 (575)	2500 (562)	2460 (553)	2406 (541)	2375 (534)																			
			100000	2197 (494)	2157 (485)	2108 (474)	2077 (467)	2033 (457)	2002 (450)																			
215	2-15/16	2-11/16	20000	3990 (897)	3923 (882)	3830 (861)	3772 (848)	3692 (830)																				
			<b>30000</b>	<b>3483 (783)</b>	<b>3425 (770)</b>	<b>3345 (752)</b>	<b>3296 (741)</b>	<b>3225 (725)</b>																				
	75mm	70mm	40000	3167 (712)	3114 (700)	3038 (683)	2994 (673)	2927 (658)																				
			60000	2767 (622)	2718 (611)	2656 (597)	2616 (588)	2558 (575)																				
			100000	2331 (524)	2295 (516)	2237 (503)	2206 (496)	2157 (485)																				
216	-	2-15/16	20000	4671 (1050)	4591 (1032)	4479 (1007)	4413 (992)																					
			<b>30000</b>	<b>4079 (917)</b>	<b>4008 (901)</b>	<b>3914 (880)</b>	<b>3857 (867)</b>																					
	75mm	40000	40000	3705 (833)	3643 (819)	3559 (800)	3505 (788)																					
			60000	3238 (728)	3180 (715)	3105 (698)	3060 (688)																					
			100000	2731 (614)	2682 (603)	2620 (589)	2580 (580)																					
218	-	3-7/16	20000	5756 (1294)																								
			<b>30000</b>	<b>5026 (1130)</b>																								
	85mm	40000	40000	4568 (1027)																								
			60000	3990 (897)																								
			100000	3363 (756)																								

\*\* Piloted flange only.

Labyrinth seal required when operating in the shaded area.

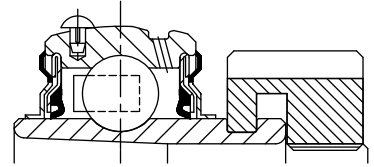
Unless specified, dimensions are in mm for metric parts and inches for non-metric parts.

Note: Dimensions are in MM (in)

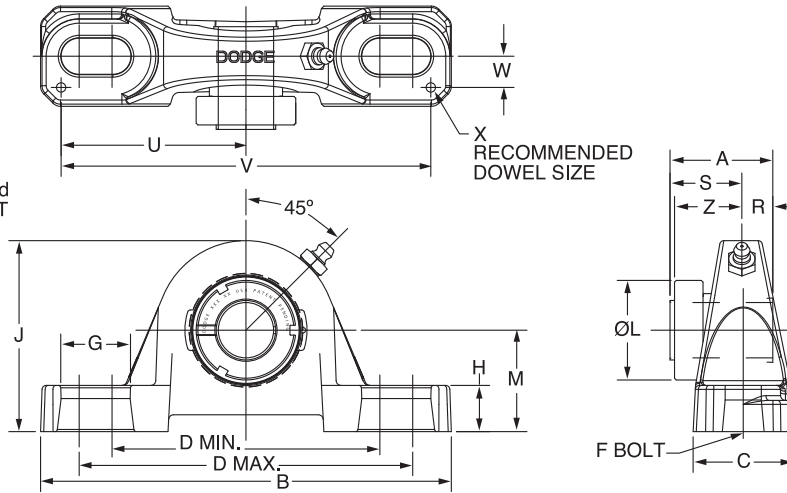
# Grip Tight® mounted ball bearings

## Selection/Dimensions

Grip Tight mounted ball bearings  
GT normal duty pillow blocks



Lube Fitting Thread Size -  
203 Series - 1/4-28 Tapered Thread  
204 Series and Larger - 1/8-27 NPT



Series	Shaft size	Complete unit		Unit without adapter sleeve & lock nut		Adapter sleeve & lock nut assembly	
		Part no.	Description	Part no.	Description	Part no.	Description
203	17mm	129203	P2B-GT-17M	129420	P2B-GT-03	136589	AN-GT-03-17M-D
	1/2	129150	P2B-GT-008	129420	P2B-GT-03	136588	AN-GT-03-008-D
	5/8	129151	P2B-GT-010	129420	P2B-GT-03	136521	AN-GT-03-010-D
203 (GTU)	17mm	129204	P2B-GTU-17M	129432	P2B-GTU-03	136589	AN-GT-03-17M-D
	1/2	129152	P2B-GTU-008	129432	P2B-GTU-03	136588	AN-GT-03-008-D
	5/8	129153	P2B-GTU-010	129432	P2B-GTU-03	136521	AN-GT-03-010-D
204	20mm	129205	P2B-GT-20M	129421	P2B-GT-04	136553	AN-GT-04-20M-D
	3/4	129154	P2B-GT-012	129421	P2B-GT-04	136522	AN-GT-04-012-D
205	25mm	129206	P2B-GT-25M	129422	P2B-GT-05	136554	AN-GT-05-25M-D
	7/8	129155	P2B-GT-014	129422	P2B-GT-05	136590	AN-GT-05-014-D
	15/16	129156	P2B-GT-015	129422	P2B-GT-05	136523	AN-GT-05-015-D
	1	129157	P2B-GT-100	129422	P2B-GT-05	136524	AN-GT-05-100-D
206	30mm	129207	P2B-GT-30M	129423	P2B-GT-06	136555	AN-GT-06-30M-D
	1-1/8	129158	P2B-GT-102	129423	P2B-GT-06	136525	AN-GT-06-102-D
	1-3/16	129159	P2B-GT-103	129423	P2B-GT-06	136526	AN-GT-06-103-D
	1-1/4	129160	P2B-GT-104S	129423	P2B-GT-06	136527	AN-GT-06-104S-D
206 (GTU)	30mm	129208	P2B-GTU-30M	129419	P2B-GTU-06	136555	AN-GT-06-30M-D
	1-1/8	129841	P2B-GTU-102	129419	P2B-GTU-06	136525	AN-GT-06-102-D
	1-3/16	129842	P2B-GTU-103	129419	P2B-GTU-06	136526	AN-GT-06-103-D
	1-1/4	129843	P2B-GTU-104S	129419	P2B-GTU-06	136527	AN-GT-06-104-D
207	35mm	129209	P2B-GT-35M	129424	P2B-GT-07	136556	AN-GT-07-35M-D
	1-1/4	129161	P2B-GT-104	129424	P2B-GT-07	136528	AN-GT-07-104-D
	1-3/8	129162	P2B-GT-106	129424	P2B-GT-07	136591	AN-GT-07-106-D
	1-7/16	129163	P2B-GT-107	129424	P2B-GT-07	136529	AN-GT-07-107-D

\*\* Piloted flange only.

Labyrinth seal required when operating in the shaded area.

Unless specified, dimensions are in mm for metric parts and inches for non-metric parts.

Note: Dimensions are in MM (in)

# Grip Tight<sup>®</sup> mounted ball bearings

## Selection/Dimensions

Grip Tight mounted ball bearings  
GT normal duty pillow blocks

Series	Shaft size	Weight kg lb	A	B	C	D		F bolt dia.	G	H	J	L	M	R#**	S#**	U	V	W	X*	Z
						min.	max.													
203	17mm	0.6	32.8	127.0	30.5	82.6	103.1	M10	21.3	11.9	54.4	35.6	27.0	10.2	22.6	57.2	114.3	9.7	3.0	22.9
	1/2	1.5	1.29	5.00	1.20	3.25	4.06	3/8	0.84	0.47	2.14	1.40	1.06	0.40	0.89	2.25	4.50	0.38	0.12	0.90
	5/8	1.5	1.29	5.00	1.20	3.25	4.06	3/8	0.84	0.47	2.14	1.40	1.06	0.40	0.89	2.25	4.50	0.38	0.12	0.90
203 (GTU)	17mm	0.7	32.8	127.0	30.5	82.6	103.1	M10	21.3	15.0	57.7	35.6	30.2	10.2	22.6	57.2	114.3	9.7	3.0	22.9
	1/2	1.7	1.29	5.00	1.20	3.25	4.06	3/8	0.84	0.59	2.27	1.40	1.19	0.40	0.89	2.25	4.50	0.38	0.12	0.90
	5/8	1.6	1.29	5.00	1.20	3.25	4.06	3/8	0.84	0.59	2.27	1.40	1.19	0.40	0.89	2.25	4.50	0.38	0.12	0.90
204	20mm	1.0	37.6	133.4	34.0	85.9	106.4	M10	21.6	13.5	65.0	38.1	33.3	11.7	25.9	57.2	114.3	12.7	3.0	26.2
	3/4	2.1	1.48	5.25	1.34	3.38	4.19	3/8	0.85	0.53	2.56	1.50	1.31	0.46	1.02	2.25	4.50	0.50	0.12	1.03
205	25mm	1.7	37.1	139.7	35.6	93.7	114.3	M10	21.6	14.7	70.4	45.7	36.5	12.2	24.9	63.5	127.0	12.7	3.0	25.4
	7/8	2.3	1.46	5.50	1.40	3.69	4.50	3/8	0.85	0.58	2.77	1.80	1.44	0.48	0.98	2.50	5.00	0.50	0.12	1.00
	15/16	2.3	1.46	5.50	1.40	3.69	4.50	3/8	0.85	0.58	2.77	1.80	1.44	0.48	0.98	2.50	5.00	0.50	0.12	1.00
	1	2.3	1.46	5.50	1.40	3.69	4.50	3/8	0.85	0.58	2.77	1.80	1.44	0.48	0.98	2.50	5.00	0.50	0.12	1.00
206	30mm	1.7	40.9	158.8	44.5	108.0	127.0	M12	23.9	17.3	82.6	52.8	41.3	13.2	27.7	73.2	146.3	14.2	3.0	28.7
	1-1/8	3.7	1.61	6.25	1.75	4.25	5.00	1/2	0.94	0.68	3.25	2.08	1.63	0.52	1.09	2.88	5.76	0.56	0.12	1.13
	1-3/16	3.6	1.61	6.25	1.75	4.25	5.00	1/2	0.94	0.68	3.25	2.08	1.63	0.52	1.09	2.88	5.76	0.56	0.12	1.13
	1-1/4	3.6	1.61	6.25	1.75	4.25	5.00	1/2	0.94	0.68	3.25	2.08	1.63	0.52	1.09	2.88	5.76	0.56	0.12	1.13
206 (GTU)	30mm	1.7	40.9	158.8	44.5	108.0	127.0	M12	23.9	19.1	84.1	52.8	42.9	13.2	27.7	73.2	146.3	14.2	3.0	28.7
	1-1/8	3.8	1.61	6.25	1.75	4.25	5.00	1/2	0.94	0.75	3.31	2.08	1.69	0.52	1.09	2.88	5.76	0.56	0.12	1.13
	1-3/16	3.7	1.61	6.25	1.75	4.25	5.00	1/2	0.94	0.75	3.31	2.08	1.69	0.52	1.09	2.88	5.76	0.56	0.12	1.13
	1-1/4	3.7	1.61	6.25	1.75	4.25	5.00	1/2	0.94	0.75	3.31	2.08	1.69	0.52	1.09	2.88	5.76	0.56	0.12	1.13
207	35mm	2.2	41.1	165.1	44.5	118.9	138.2	M12	23.9	18.0	95.3	60.5	47.6	13.7	27.4	73.9	147.8	14.2	3.0	29.0
	1-1/4	4.9	1.62	6.50	1.75	4.68	5.44	1/2	0.94	0.71	3.75	2.38	1.88	0.54	1.08	2.91	5.82	0.56	0.12	1.14
	1-3/8	4.9	1.62	6.50	1.75	4.68	5.44	1/2	0.94	0.71	3.75	2.38	1.88	0.54	1.08	2.91	5.82	0.56	0.12	1.14
	1-7/16	4.8	1.62	6.50	1.75	4.68	5.44	1/2	0.94	0.71	3.75	2.38	1.88	0.54	1.08	2.91	5.82	0.56	0.12	1.14

\*Only 1 pillow block can be dowel pinned per shaft.

\*\*R# & S# Dimensions will vary slightly depending on true shaft diameter.

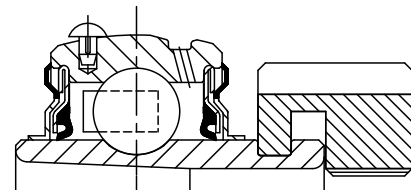
Unless specified, dimensions are in mm for metric parts and inches for non-metric parts.

Note: Dimensions are in MM (in)

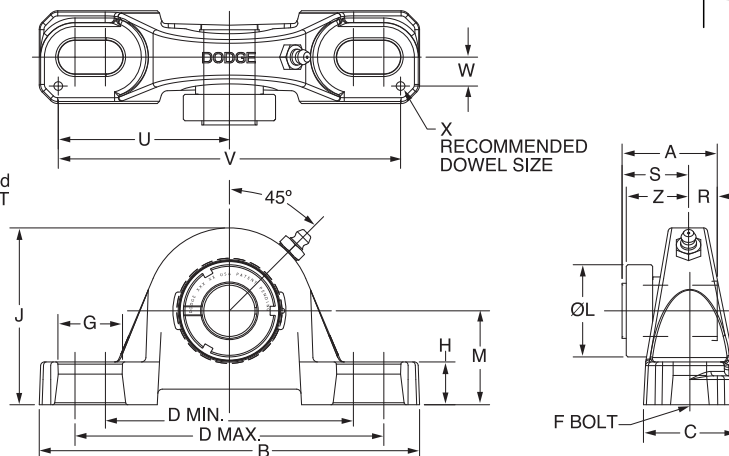
# Grip Tight® mounted ball bearings

## Selection/Dimensions

Grip Tight mounted ball bearings  
GT normal duty pillow blocks



Lube Fitting Thread Size -  
203 Series - 1/4-28 Tapered Thread  
204 Series and Larger - 1/8-27 NPT



Series	Shaft size	Complete unit		Unit without adapter sleeve & lock nut		Adapter sleeve & lock nut assembly	
		Part no.	Description	Part no.	Description	Part no.	Description
208	40mm	129149	P2B-GT-40M	129425	P2B-GT-08	136593	AN-GT-08-40M-D
	1-1/2	129164	P2B-GT-108	129425	P2B-GT-08	136530	AN-GT-08-108-D
	1-5/8	129371	P2B-GT-110	129425	P2B-GT-08	136592	AN-GT-08-110-D
209	45mm	129211	P2B-GT-45M	129426	P2B-GT-09	136557	AN-GT-09-45M-D
	1-5/8	129165	P2B-GT-110L	129426	P2B-GT-09	136531	AN-GT-09-110L-D
	1-11/16	129166	P2B-GT-111	129426	P2B-GT-09	136532	AN-GT-09-111-D
	1-3/4	129167	P2B-GT-112	129426	P2B-GT-09	136533	AN-GT-09-112-D
210	50mm	129212	P2B-GT-50M	129427	P2B-GT-10	136558	AN-GT-10-50M-D
	1-15/16	129168	P2B-GT-115	129427	P2B-GT-10	136534	AN-GT-10-115-D
	2	129169	P2B-GT-200	129427	P2B-GT-10	136535	AN-GT-10-200-D
211	55mm	129213	P2B-GT-55M	129428	P2B-GT-11	136559	AN-GT-11-55M-D
	2	129224	P2B-GTM-200	129428	P2B-GT-11	136600	AN-GTM-11-200-D
	2-3/16	129170	P2B-GT-203	129428	P2B-GT-11	136536	AN-GT-11-203-D
	2-1/4	129376	P2B-GT-204	129428	P2B-GT-11	136537	AN-GT-11-204-D
212	60mm	129214	P2B-GT-60M	129429	P2B-GT-12	136594	AN-GT-12-60M-D
	2-1/4	129226	P2B-GTM-204	129429	P2B-GT-12	136601	AN-GTM-12-204-D
	2-7/16	129171	P2B-GT-207	129429	P2B-GT-12	136538	AN-GT-12-207-D
214	70mm	129215	P2B-GT-70M	129430	P2B-GT-14	136568	AN-GT-14-65M-D
	2-1/2	129228	P2B-GTM-208	129430	P2B-GT-14	136547	AN-GTM-14-207-D
	2-11/16	129172	P2B-GT-211	129430	P2B-GT-14	136548	AN-GTM-14-208-D
215	75mm	129216	P2B-GT-75M	129431	P2B-GT-15	136596	AN-GT-15-75M-D
	2-15/16	129173	P2B-GT-215	129431	P2B-GT-15	136540	AN-GT-15-215-D
	3	@	P2B-GT-300	129431	P2B-GT-15	136595	AN-GT-15-300-D
215 (GTU)	75mm	@	P2B-GTU-75M	068727	P2B-GTU-15	136596	AN-GT-15-75M-D
	2-15/16	068726	P2B-GTU-215	068727	P2B-GTU-15	136540	AN-GT-15-215-D
	3	@	P2B-GTU-300	068727	P2B-GTU-15	136595	AN-GT-15-300-D

@Assembled to order

Unless specified, dimensions are in mm for metric parts and inches for non-metric parts.

Note: Dimensions are in MM (in)

# Grip Tight<sup>®</sup> mounted ball bearings

## Selection/Dimensions

Grip Tight mounted ball bearings  
GT normal duty pillow blocks

Series	Shaft size	Weight kg lb	A	B	C	D		F bolt dia.	G	H	J	L	M	R#**	S#**	U	V	W	X*	Z
						min.	max.													
208	40mm	2.7	46.7	184.2	49.0	131.6	149.4	M12	23.1	23.6	106.4	66.5	54.0	15.5	31.2	82.8	165.6	17.5	3.0	31.2
	1-1/2	6.0	1.84	7.25	1.93	5.18	5.88	1/2	0.91	0.93	4.19	2.62	2.13	0.61	1.23	3.26	6.52	0.69	0.12	1.23
	1-5/8	5.8	1.84	7.25	1.93	5.18	5.88	1/2	0.91	0.93	4.19	2.62	2.13	0.61	1.23	3.26	6.52	0.69	0.12	1.23
209	45mm	3.1	47.0	189.0	50.8	139.7	157.2	M12	22.9	19.1	108.7	72.6	54.0	15.7	31.2	85.9	171.7	17.5	3.0	32.0
	1-5/8	6.8	1.85	7.44	2.00	5.50	6.19	1/2	0.90	0.75	4.28	2.86	2.13	0.62	1.23	3.38	6.76	0.69	0.12	1.26
	1-11/16	6.8	1.85	7.44	2.00	5.50	6.19	1/2	0.90	0.75	4.28	2.86	2.13	0.62	1.23	3.38	6.76	0.69	0.12	1.26
210	1-3/4	6.7	1.85	7.44	2.00	5.50	6.19	1/2	0.90	0.75	4.28	2.86	2.13	0.62	1.23	3.38	6.76	0.69	0.12	1.26
	50mm	3.9	47.2	206.2	57.2	152.4	169.7	M16	25.9	19.1	115.1	79.5	57.2	16.0	31.2	93.7	187.5	20.6	3.0	32.0
	1-15/16	8.5	1.86	8.12	2.25	6.00	6.68	5/8	1.02	0.75	4.53	3.13	2.25	0.63	1.23	3.69	7.38	0.81	0.12	1.26
211	2	8.4	1.86	8.12	2.25	6.00	6.68	5/8	1.02	0.75	4.53	3.13	2.25	0.63	1.23	3.69	7.38	0.81	0.12	1.26
	55mm	5.6	49.0	225.6	58.4	162.1	189.0	M16	30.7	22.4	126.0	87.1	63.5	17.0	32.0	100.1	200.2	20.6	3.0	33.5
	2	12.2	1.93	8.88	2.30	6.38	7.44	5/8	1.21	0.88	4.96	3.43	2.50	0.67	1.26	3.94	7.88	0.81	0.12	1.32
212	2-3/16	11.8	1.93	8.88	2.30	6.38	7.44	5/8	1.21	0.88	4.96	3.43	2.50	0.67	1.26	3.94	7.88	0.81	0.12	1.32
	2-1/4	11.7	1.93	8.88	2.30	6.38	7.44	5/8	1.21	0.88	4.96	3.43	2.50	0.67	1.26	3.94	7.88	0.81	0.12	1.32
	60mm	7.0	53.8	241.3	60.2	174.8	201.7	M16	30.7	22.4	137.2	93.7	69.9	18.5	35.3	108.0	215.9	22.4	3.0	37.1
214	2-1/4	17.5	2.12	9.50	2.37	6.88	7.94	5/8	1.21	0.88	5.40	3.69	2.75	0.73	1.39	4.25	8.50	0.88	0.12	1.46
	2-7/16	17.2	2.12	9.50	2.37	6.88	7.94	5/8	1.21	0.88	5.40	3.69	2.75	0.73	1.39	4.25	8.50	0.88	0.12	1.46
	70mm	8.9	60.7	273.1	68.3	190.5	215.9	M18	33.5	23.9	154.7	101.6	76.2	21.3	39.4	124.0	247.9	23.9	3.0	40.1
215	2-1/2	19.4	2.39	10.75	2.69	7.50	8.50	3/4	1.32	0.94	6.09	4.00	3.00	0.84	1.55	4.88	9.76	0.94	0.12	1.58
	2-11/16	19.3	2.39	10.75	2.69	7.50	8.50	3/4	1.32	0.94	6.09	4.00	3.00	0.84	1.55	4.88	9.76	0.94	0.12	1.58
	75mm	10.1	62.5	298.5	73.2	215.9	241.3	M22	36.6	25.4	171.5	112.8	88.9	21.8	40.6	139.2	278.4	26.4	3.0	40.6
215 (GTU)	2-15/16	25.2	2.46	11.75	2.88	8.50	9.50	7/8	1.44	1.00	6.75	4.44	3.50	0.86	1.60	5.48	10.96	1.04	0.12	1.60
	3	25.0	2.46	11.75	2.88	8.50	9.50	7/8	1.44	1.00	6.75	4.44	3.50	0.86	1.60	5.48	10.96	1.04	0.12	1.60
	75mm	10.0	62.5	298.5	73.2	215.9	241.3	M22	36.6	25.4	165.1	112.8	82.6	21.8	40.6	139.2	278.4	26.4	3.0	40.6
215 (GTU)	2-15/16	24.9	2.46	11.75	2.88	8.50	9.50	7/8	1.44	1.00	6.50	4.44	3.25	0.86	1.60	5.48	10.96	1.04	0.12	1.60
	3	24.7	2.46	11.75	2.88	8.50	9.50	7/8	1.44	1.00	6.50	4.44	3.25	0.86	1.60	5.48	10.96	1.04	0.12	1.60

\*Only 1 pillow block can be dowel pinned per shaft

\*\*R# & S# Dimensions will vary slightly depending on true shaft diameter.

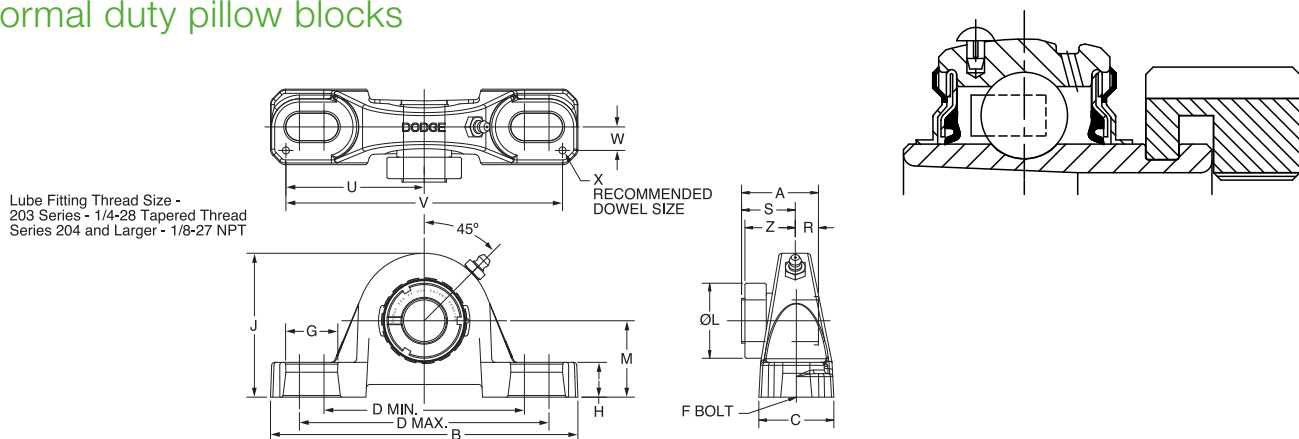
Unless specified, dimensions are in mm for metric parts and inches for non-metric parts.

Note: Dimensions are in MM (in)

# Grip Tight® mounted ball bearings

## Selection/Dimensions

Grip Tight mounted ball bearings  
GTB normal duty pillow blocks



Series	Shaft size	Complete unit		Unit without adapter sleeve & lock nut		Adapter sleeve & lock nut assembly	
		Part no.	Description	Part no.	Description	Part no.	Description
203 (GT)	17mm	129203	P2B-GT-17M	129420	P2B-GT-03	136589	AN-GT-03-17M-D
	1/2	129150	P2B-GT-008	129420	P2B-GT-03	136588	AN-GT-03-008-D
	5/8	129151	P2B-GT-010	129420	P2B-GT-03	136521	AN-GT-03-010-D
204	20mm	129040	P2B-GTB-20M	129433	P2B-GTB-04	136553	AN-GT-04-20M-D
	3/4	129183	P2B-GTB-012	129433	P2B-GTB-04	136522	AN-GT-04-012-D
205	25mm	129041	P2B-GTB-25M	129434	P2B-GTB-05	136554	AN-GT-05-25M-D
	7/8	129184	P2B-GTB-014	129434	P2B-GTB-05	136590	AN-GT-05-014-D
	15/16	129185	P2B-GTB-015	129434	P2B-GTB-05	136523	AN-GT-05-015-D
206	1	129186	P2B-GTB-100	129434	P2B-GTB-05	136524	AN-GT-05-100-D
	30mm	129042	P2B-GTB-30M	129435	P2B-GTB-06	136555	AN-GT-06-30M-D
	1-1/8	129187	P2B-GTB-102	129435	P2B-GTB-06	136525	AN-GT-06-102-D
	1-3/16	129188	P2B-GTB-103	129435	P2B-GTB-06	136526	AN-GT-06-103-D
207	1-1/4	129189	P2B-GTB-104S	129435	P2B-GTB-06	136527	AN-GT-06-104S-D
	35mm	129043	P2B-GTB-35M	129436	P2B-GTB-07	136556	AN-GT-07-35M-D
	1-1/4	129190	P2B-GTB-104	129436	P2B-GTB-07	136528	AN-GT-07-104-D
	1-3/8	129191	P2B-GTB-106	129436	P2B-GTB-07	136591	AN-GT-07-106-D
208	1-7/16	129192	P2B-GTB-107	129436	P2B-GTB-07	136529	AN-GT-07-107-D
	40mm	129210	P2B-GTB-40M	129437	P2B-GTB-08	136593	AN-GT-08-40M-D
	1-1/2	129193	P2B-GTB-108	129437	P2B-GTB-08	136530	AN-GT-08-108-D
209	1-5/8	129372	P2B-GTB-110	129437	P2B-GTB-08	136592	AN-GT-08-110-D
	45mm	129044	P2B-GTB-45M	129438	P2B-GTB-09	136557	AN-GT-09-45M-D
	1-5/8	129194	P2B-GTB-110L	129438	P2B-GTB-09	136531	AN-GT-09-110L-D
	1-11/16	129195	P2B-GTB-111	129438	P2B-GTB-09	136532	AN-GT-09-111-D
210	1-3/4	129196	P2B-GTB-112	129438	P2B-GTB-09	136533	AN-GT-09-112-D
	50mm	129045	P2B-GTB-50M	129439	P2B-GTB-10	136558	AN-GT-10-50M-D
	1-15/16	129197	P2B-GTB-115	129439	P2B-GTB-10	136534	AN-GT-10-115-D
211	2	129198	P2B-GTB-200	129439	P2B-GTB-10	136535	AN-GT-10-200-D
	2	129199	P2B-GTB-200L	129440	P2B-GTB-11	136600	AN-GTM-11-200-D
	2-3/16	129200	P2B-GTB-203	129440	P2B-GTB-11	136536	AN-GT-11-203-D
	2-1/4	129377	P2B-GTB-204	129440	P2B-GTB-11	136537	AN-GT-11-204-D
212	60mm	129047	P2B-GTB-60M	129441	P2B-GTB-12	136594	AN-GT-12-60M-D
	2-1/4	129201	P2B-GTB-204L	129441	P2B-GTB-12	136601	AN-GTM-12-204-D
	2-7/16	129202	P2B-GTB-207	129441	P2B-GTB-12	136538	AN-GT-12-207-D
215	75mm	@	P2B-GTB-75M	062742	P2B-GTB-15	136596	AN-GT-15-75M-D
	2-15/16	062741	P2B-GTB-215	062742	P2B-GTB-15	136540	AN-GT-15-215-D
	3	@	P2B-GTB-300	062742	P2B-GTB-15	136595	AN-GT-15-300-D

@Assembled to order

Unless specified, dimensions are in mm for metric parts and inches for non-metric parts.

Note: Dimensions are in MM (in)

# Grip Tight® mounted ball bearings

## Selection/Dimensions

Grip Tight mounted ball bearings  
GTB normal duty pillow blocks

Series	Shaft size	Weight kg lb	A	B	C	D		F bolt dia.	G	H	J	L	M	R#**	S#**	U	V	W	X*	Z
						min.	max.													
203	17mm	0.6	32.8	127.0	30.5	82.6	103.1	M10	21.3	11.9	54.4	35.6	26.9	10.2	22.6	57.2	114.3	9.7	3.0	22.9
	1/2	1.6	1.29	5.00	1.20	3.25	4.06	3/8	0.84	0.47	2.14	1.40	1.06	0.40	0.89	2.25	4.50	0.38	0.12	0.90
	5/8	1.6	1.29	5.00	1.20	3.25	4.06	3/8	0.84	0.47	2.14	1.40	1.06	0.40	0.89	2.25	4.50	0.38	0.12	0.90
204	20mm	1.0	37.6	133.4	34.0	85.9	106.4	M10	21.6	11.9	63.2	38.1	31.8	11.7	25.9	57.2	114.3	12.7	3.0	26.2
	3/4	2.1	1.48	5.25	1.34	3.38	4.19	3/8	0.85	0.47	2.49	1.50	1.25	0.46	1.02	2.25	4.50	0.50	0.12	1.03
205	25mm	1.1	37.1	139.7	35.6	93.7	114.3	M10	21.6	11.4	67.1	45.7	33.3	12.2	24.9	63.5	127.0	12.7	3.0	25.4
	7/8	2.3	1.46	5.50	1.40	3.69	4.50	3/8	0.85	0.45	2.64	1.80	1.31	0.48	0.98	2.50	5.00	0.50	0.12	1.00
	15/16	2.3	1.46	5.50	1.40	3.69	4.50	3/8	0.85	0.45	2.64	1.80	1.31	0.48	0.98	2.50	5.00	0.50	0.12	1.00
206	1	2.3	1.46	5.50	1.40	3.69	4.50	3/8	0.85	0.45	2.64	1.80	1.31	0.48	0.98	2.50	5.00	0.50	0.12	1.00
	30mm	1.7	40.9	158.8	44.5	108.0	127.0	M12	23.9	15.8	81.0	52.8	39.6	13.2	27.7	73.2	146.3	14.2	3.0	28.7
	1-1/8	3.8	1.61	6.25	1.75	4.25	5.00	1/2	0.94	0.62	3.19	2.08	1.56	0.52	1.09	2.88	5.76	0.56	0.12	1.13
	1-3/16	3.7	1.61	6.25	1.75	4.25	5.00	1/2	0.94	0.62	3.19	2.08	1.56	0.52	1.09	2.88	5.76	0.56	0.12	1.13
207	1-1/4	3.7	1.61	6.25	1.75	4.25	5.00	1/2	0.94	0.62	3.19	2.08	1.56	0.52	1.09	2.88	5.76	0.56	0.12	1.13
	35mm	2.2	41.1	165.1	44.5	118.9	138.2	M12	23.9	16.5	93.7	60.5	46.0	13.7	27.4	73.9	147.8	14.2	3.0	29.0
	1-1/4	4.9	1.62	6.50	1.75	4.68	5.44	1/2	0.94	0.65	3.69	2.38	1.81	0.54	1.08	2.91	5.82	0.56	0.12	1.14
	1-3/8	4.9	1.62	6.50	1.75	4.68	5.44	1/2	0.94	0.65	3.69	2.38	1.81	0.54	1.08	2.91	5.82	0.56	0.12	1.14
208	1-7/16	4.8	1.62	6.50	1.75	4.68	5.44	1/2	0.94	0.65	3.69	2.38	1.81	0.54	1.08	2.91	5.82	0.56	0.12	1.14
	40mm	2.7	46.7	184.2	49.0	131.6	149.4	M12	23.1	19.1	101.6	66.5	49.3	15.5	31.2	82.8	165.6	17.5	3.0	31.2
	1-1/2	6.0	1.84	7.25	1.93	5.18	5.88	1/2	0.91	0.75	4.00	2.62	1.94	0.61	1.23	3.26	6.52	0.69	0.12	1.23
209	1-5/8	5.9	1.84	7.25	1.93	5.18	5.88	1/2	0.91	0.75	4.00	2.62	1.94	0.61	1.23	3.26	6.52	0.69	0.12	1.23
	45mm	3.1	47.0	189.0	50.8	139.7	157.2	M12	22.9	17.5	106.9	72.6	52.3	15.7	31.2	85.9	171.7	17.5	3.0	32.0
	1-5/8	6.8	1.85	7.44	2.00	5.50	6.19	1/2	0.90	0.69	4.21	2.86	2.06	0.62	1.23	3.38	6.76	0.69	0.12	1.26
	1-11/16	6.8	1.85	7.44	2.00	5.50	6.19	1/2	0.90	0.69	4.21	2.86	2.06	0.62	1.23	3.38	6.76	0.69	0.12	1.26
210	1-3/4	6.7	1.85	7.44	2.00	5.50	6.19	1/2	0.90	0.69	4.21	2.86	2.06	0.62	1.23	3.38	6.76	0.69	0.12	1.26
	50mm	3.9	47.2	206.2	57.2	152.4	169.7	M16	25.9	17.3	113.5	79.5	55.6	16.0	31.2	93.7	187.5	20.6	3.0	32.0
	1-15/16	8.5	1.86	8.12	2.25	6.00	6.68	5/8	1.02	0.68	4.47	3.13	2.19	0.63	1.23	3.69	7.38	0.81	0.12	1.26
211	2	8.4	1.86	8.12	2.25	6.00	6.68	5/8	1.02	0.68	4.47	3.13	2.19	0.63	1.23	3.69	7.38	0.81	0.12	1.26
	55mm	5.6	49.0	225.6	58.4	162.1	189.0	M16	30.7	20.6	124.5	87.1	62.0	17.0	32.0	100.1	200.2	20.6	3.0	33.5
	2	12.2	1.93	8.88	2.30	6.38	7.44	5/8	1.21	0.81	4.90	3.43	2.44	0.67	1.26	3.94	7.88	0.81	0.12	1.32
	2-3/16	11.9	1.93	8.88	2.30	6.38	7.44	5/8	1.21	0.81	4.90	3.43	2.44	0.67	1.26	3.94	7.88	0.81	0.12	1.32
212	2-1/4	11.8	1.93	8.88	2.30	6.38	7.44	5/8	1.21	0.81	4.90	3.43	2.44	0.67	1.26	3.94	7.88	0.81	0.12	1.32
	60mm	7.0	53.8	241.3	60.2	174.8	201.7	M16	30.7	20.6	135.6	93.7	68.3	18.5	35.3	108.0	215.9	22.4	3.0	37.1
	2-1/4	17.5	2.12	9.50	2.37	6.88	7.94	5/8	1.21	0.81	5.34	3.69	2.69	0.73	1.39	4.25	8.50	0.88	0.12	1.46
215	2-7/16		2.12	9.50	2.37	6.88	7.94	5/8	1.21	0.81	5.34	3.69	2.69	0.73	1.39	4.25	8.50	0.88	0.12	1.46
	75mm	11.4	62.5	298.5	73.2	215.9	241.3	M22	36.6	26.9	166.6	112.8	84.1	21.8	40.6	139.2	278.4	26.4	3.0	40.6
	2-15/16	24.9	2.46	11.75	2.88	8.50	9.50	7/8	1.44	1.06	6.56	4.44	3.31	0.86	1.60	5.48	10.96	1.04	0.12	1.60
	3	24.7	2.46	11.75	2.88	8.50	9.50	7/8	1.44	1.06	6.56	4.44	3.31	0.86	1.60	5.48	10.96	1.04	0.12	1.60

\*Only 1 pillow block can be dowel pinned per shaft

\*\*R# & S# Dimensions will vary slightly depending on true shaft diameter

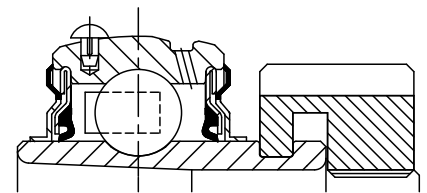
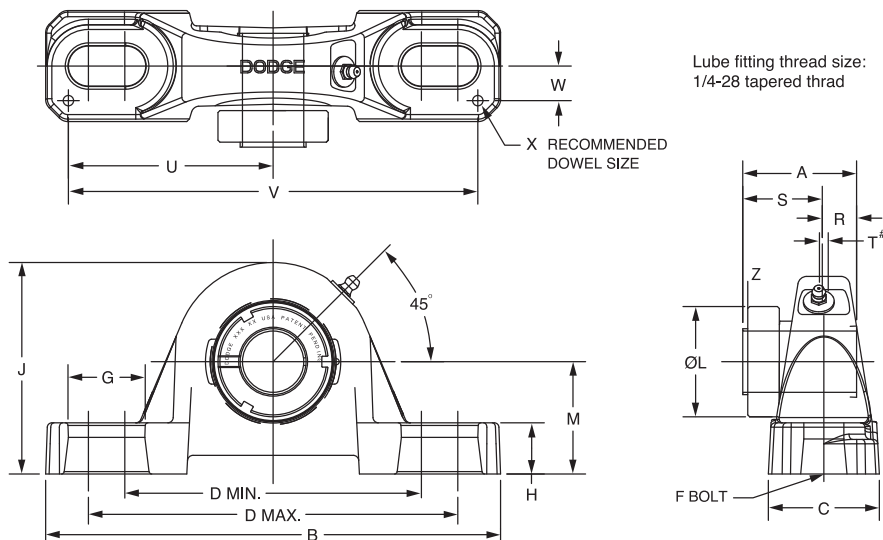
Unless specified, dimensions are in mm for metric parts and inches for non-metric parts.

Note: Dimensions are in MM (in)

# Grip Tight® mounted ball bearings

## Selection/Dimensions

### Grip Tight mounted ball bearings GTH-E expansion pillow blocks



Series	Shaft size	Complete unit		Unit without adapter sleeve & lock nut		Adapter sleeve & lock nut assembly	
		Part no.	Description	Part no.	Description	Part no.	Description
205	25mm	<b>065776</b>	P2B-GTH-25M-E	<b>065777</b>	P2B-GTH-05-E	<b>136554</b>	AN-GT-05-25M-D
	1	<b>077471</b>	P2B-GTH-100-E	<b>065777</b>	P2B-GTH-05-E	<b>136524</b>	AN-GT-05-100-D
206	30mm	<b>068872</b>	P2B-GTH-30M-E	<b>130697</b>	P2B-GTH-06-E	<b>136555</b>	AN-GT-06-30M-D
	1-3/16	<b>130691</b>	P2B-GTH-103-E	<b>130697</b>	P2B-GTH-06-E	<b>136526</b>	AN-GT-06-103-D
	1-1/4	<b>068230</b>	P2B-GTH-104S-E	<b>130697</b>	P2B-GTH-06-E	<b>136527</b>	AN-GT-06-104S-D
207	35mm	<b>065598</b>	P2B-GTH-35M-E	<b>130698</b>	P2B-GTH-07-E	<b>136556</b>	AN-GT-07-35M-D
	1-7/16	<b>130692</b>	P2B-GTH-107-E	<b>130698</b>	P2B-GTH-07-E	<b>136529</b>	AN-GT-07-107-D
209	45mm	<b>064874</b>	P2B-GTH-45M-E	<b>130699</b>	P2B-GTH-09-E	<b>136557</b>	AN-GT-09-45M-D
	1-11/16	<b>130693</b>	P2B-GTH-111-E	<b>130699</b>	P2B-GTH-09-E	<b>136532</b>	AN-GT-09-111-D
	1 3/4	@	P2B-GTH-112-E	<b>130699</b>	P2B-GTH-09-E	<b>136533</b>	AN-GT-09-112-D
210	50mm	<b>064794</b>	P2B-GTH-50M-E	<b>130700</b>	P2B-GTH-10-E	<b>136558</b>	AN-GT-10-50M-D
	1-15/16	<b>130694</b>	P2B-GTH-115-E	<b>130700</b>	P2B-GTH-10-E	<b>136534</b>	AN-GT-10-115-D
	2	@	P2B-GTH-200-E	<b>130700</b>	P2B-GTH-10-E	<b>136535</b>	AN-GT-10-200-D
211	55mm	<b>064875</b>	P2B-GTH-55M-E	<b>130701</b>	P2B-GTH-11-E	<b>136559</b>	AN-GT-11-55M-D
	2-3/16	<b>130695</b>	P2B-GTH-203-E	<b>130701</b>	P2B-GTH-11-E	<b>136536</b>	AN-GT-11-203-D
	2 1/4	<b>130689</b>	P2B-GTH-204-E	<b>130701</b>	P2B-GTH-11-E	<b>136537</b>	AN-GT-11-204-D
212	60mm	@	P2B-GTH-60M-E	<b>130702</b>	P2B-GTH-12-E	<b>136594</b>	AN-GT-12-60M-D
	2-7/16	<b>130696</b>	P2B-GTH-207-E	<b>130702</b>	P2B-GTH-12-E	<b>136538</b>	AN-GT-12-207-D

Use GTM medium duty pillow blocks for non-expansion units.

@Assembled to order

Unless specified, dimensions are in mm for metric parts and inches for non-metric parts.

Note: Dimensions are in MM (in)



# Grip Tight<sup>®</sup> mounted ball bearings

## Selection/Dimensions

### Grip Tight mounted ball bearings GTH-E expansion pillow blocks

Series	Shaft size	Weight kg lb	A	B	C	D		F bolt dia.	G	H	J
						min.	max.				
205	25mm	1.7	37.1	158.8	44.5	108.0	127.0	M12	23.9	19.1	84.1
	1	3.7	1.46	6.25	1.75	4.25	5.00	1/2	0.94	0.75	3.31
206	30mm	1.5	40.9	165.1	44.5	118.9	138.2	M12	23.9	18.0	95.3
	1-3/16	5.0	1.61	6.50	1.75	4.68	5.44	1/2	0.94	0.71	3.75
	1-1/4	5.0	1.61	6.50	1.75	4.68	5.44	1/2	0.94	0.71	3.75
207	35mm	2.1	41.1	184.2	49.0	131.6	149.4	M12	23.1	23.6	106.4
	1-7/16	6.9	1.62	7.25	1.93	5.18	5.88	1/2	0.91	0.93	4.19
209	45mm	2.8	47.0	206.2	57.2	152.4	169.7	M16	25.9	19.1	115.1
	1-11/16	9.2	1.85	8.12	2.25	6.00	6.68	5/8	1.02	0.75	4.53
	1-3/4	9.2	1.85	8.12	2.25	6.00	6.68	5/8	1.02	0.75	4.53
210	50mm	3.3	47.2	225.6	58.4	162.1	189.0	M16	30.7	22.4	126.0
	1-15/16	10.8	1.86	8.88	2.30	6.38	7.44	5/8	1.21	0.88	4.96
	2	10.8	1.86	8.88	2.30	6.38	7.44	5/8	1.21	0.88	4.96
211	55mm	4.8	49.0	241.3	60.2	174.8	201.7	M16	30.7	22.4	137.2
	2-3/16	15.7	1.93	9.50	2.37	6.88	7.94	5/8	1.21	0.88	5.40
	2-1/4	15.7	1.93	9.50	2.37	6.88	7.94	5/8	1.21	0.88	5.40
212	60mm	6.7	53.8	273.1	68.3	190.5	215.9	M18	33.5	23.8	154.7
	2-7/16	20.1	2.12	10.75	2.69	7.50	8.50	3/4	1.32	0.94	6.09

Unless specified, dimensions are in mm for metric parts and inches for non-metric parts.  
Note: Dimensions are in MM (in)

Series	Shaft size	L	M	R#**	S#**	T total expansion	U	V	W	X*	Z
205	25mm	45.7	42.9	12.2	24.9	4.1	73.2	146.3	14.2	3.0	25.4
	1	1.80	1.69	0.48	0.98	0.16	2.88	5.76	0.56	0.12	1.00
206	30mm	52.8	47.8	13.2	27.7	4.1	73.9	147.8	14.2	3.0	28.7
	1-3/16	2.08	1.88	0.52	1.09	0.16	2.91	5.82	0.56	0.12	1.13
	1-1/4	2.08	1.88	0.52	1.09	0.16	2.91	5.82	0.56	0.12	1.13
207	35mm	60.5	54.1	13.7	27.4	4.1	82.8	165.6	17.5	3.0	29.0
	1-7/16	2.38	2.13	0.54	1.08	0.16	3.26	6.52	0.69	0.12	1.14
209	45mm	72.6	57.2	15.7	31.2	6.4	93.7	187.5	20.6	3.0	32.0
	1-11/16	2.86	2.25	0.62	1.23	0.25	3.69	7.38	0.81	0.12	1.26
	1-3/4	2.86	2.25	0.62	1.23	0.25	3.69	7.38	0.81	0.12	1.26
210	50mm	79.5	63.5	16.0	31.2	5.6	100.1	200.2	20.6	3.0	32.0
	1-15/16	3.13	2.50	0.63	1.23	0.22	3.94	7.88	0.81	0.12	1.26
	2	3.13	2.50	0.63	1.23	0.22	3.94	7.88	0.81	0.12	1.26
211	55mm	87.1	69.9	17.0	32.0	5.6	108.0	215.9	22.4	3.0	33.5
	2-3/16	3.43	2.75	0.67	1.26	0.22	4.25	8.50	0.88	0.12	1.32
	2-1/4	3.43	2.75	0.67	1.26	0.22	4.25	8.50	0.88	0.12	1.32
212	60mm	93.7	76.2	18.5	35.3	5.6	124.0	247.9	23.9	3.0	37.1
	2-7/16	3.69	3.00	0.73	1.39	0.22	4.88	9.76	0.94	0.12	1.46

\*Only 1 pillow block can be dowel pinned per shaft

\*\*R# & S# dimensions will vary slightly depending on true shaft diameter.

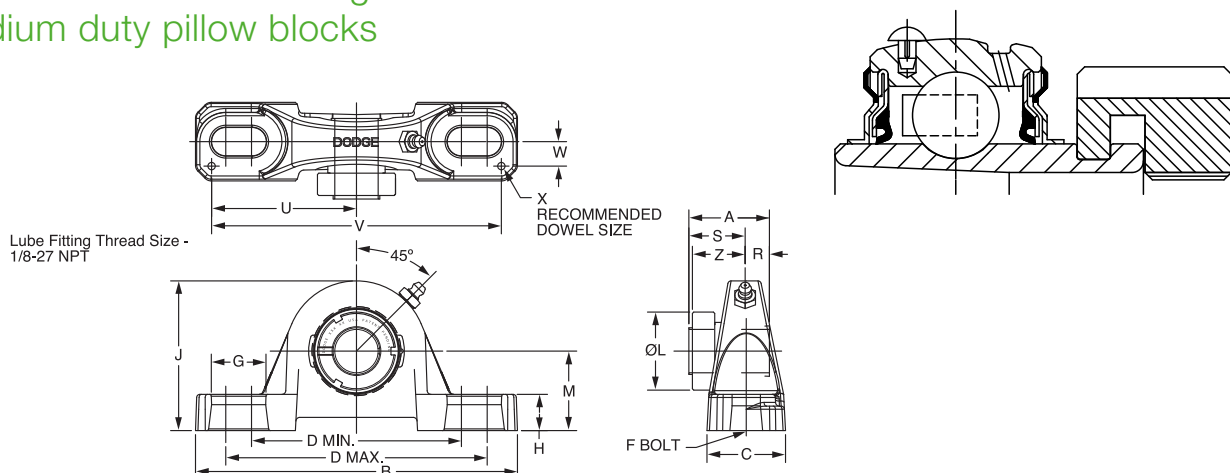
Unless specified, dimensions are in mm for metric parts and inches for non-metric parts.

Note: Dimensions are in MM (in)

# Grip Tight® mounted ball bearings

## Selection/Dimensions

Grip Tight mounted ball bearings  
GTM medium duty pillow blocks



Series	Shaft size	Complete unit		Unit without adapter & nut		Adapter & nut assembly	
		Part no.	Description	Part no.	Description	Part no.	Description
205	3/4	129048	P2B-GTM-012	129422	P2B-GT-05	136597	AN-GTM-05-012-D
206	25mm	136258	P2B-GTM-25M	129419	P2B-GTU-06	136561	AN-GTM-06-25M-D
	1	129217	P2B-GTM-100	129419	P2B-GTU-06	136541	AN-GTM-06-100-D
206 (GTMU)	25mm	@	P2B-GTMU-25M	129385	P2B-GTMU-06	136561	AN-GTM-06-25M-D
	1	129381	P2B-GTMU-100	129385	P2B-GTMU-06	136541	AN-GTM-06-100-D
207	30mm	129049	P2B-GTM-30M	129424	P2B-GT-07	136562	AN-GTM-07-30M-D
	1-3/16	129218	P2B-GTM-103	129424	P2B-GT-07	136542	AN-GTM-07-103-D
	1-1/4	129161	P2B-GT-104	129424	P2B-GT-07	136528	AN-GT-07-104-D
208	35mm	136259	P2B-GTM-35M	129425	P2B-GT-08	136563	AN-GTM-08-35M-D
	1-7/16	129219	P2B-GTM-107	129425	P2B-GT-08	136543	AN-GTM-08-107-D
209	40mm	136260	P2B-GTM-40M	129426	P2B-GT-09	136564	AN-GTM-09-40M-D
	1-1/2	129220	P2B-GTM-108	129426	P2B-GT-09	136598	AN-GTM-09-108-D
210	45mm	136261	P2B-GTM-45M	129427	P2B-GT-10	136565	AN-GTM-10-45M-D
	1-11/16	129221	P2B-GTM-111	129427	P2B-GT-10	136544	AN-GTM-10-111-D
	1-3/4	129222	P2B-GTM-112	129427	P2B-GT-10	136599	AN-GTM-10-112-D
210 (GTMU)	45mm	@	P2B-GTMU-45M	129387	P2B-GTU-10	136565	AN-GTM-10-45M-D
	1-11/16	129383	P2B-GTMU-111	129387	P2B-GTU-10	136544	AN-GTM-10-111-D
	1-3/4	@	P2B-GTMU-112	129387	P2B-GTU-10	136599	AN-GTM-10-112-D
211	50mm	136262	P2B-GTM-50M	129428	P2B-GT-11	136566	AN-GTM-11-50M-D
	1-15/16	129223	P2B-GTM-115	129428	P2B-GT-11	136545	AN-GTM-11-115-D
	2	129224	P2B-GTM-200	129428	P2B-GT-11	136600	AN-GTM-11-200-D
212	55mm	136263	P2B-GTM-55M	129429	P2B-GT-12	036567	AN-GTM-12-55M-D
	2-3/16	129225	P2B-GTM-203	129429	P2B-GT-12	136546	AN-GTM-12-203-D
	2-1/4	129226	P2B-GTM-204	129429	P2B-GT-12	136601	AN-GTM-12-204-D
214	60mm	068071	P2B-GTM-60M	129430	P2B-GT-14	136602	AN-GTM-14-60M-D
	65mm	136264	P2B-GTM-65M	129430	P2B-GT-14	136568	AN-GTM-14-65M-D
	2-7/16	129227	P2B-GTM-207	129430	P2B-GT-14	136547	AN-GTM-14-207-D
	2-1/2	129228	P2B-GTM-208	129430	P2B-GT-14	136548	AN-GTM-14-208-D
215	70mm	136265	P2B-GTM-70M	129431	P2B-GT-15	136569	AN-GTM-15-70M-D
	2-11/16	129229	P2B-GTM-211	129431	P2B-GT-15	136549	AN-GTM-15-211-D
216	75mm	136266	P2B-GTM-75M	129453	P2B-GT-16	136570	AN-GTM-16-75M-D
	2-15/16	129230	P2B-GTM-215	129453	P2B-GT-16	136550	AN-GTM-16-215-D
	3	129231	P2B-GTM-300	129453	P2B-GT-16	136551	AN-GTM-16-300-D
218	85mm	136267	P2B-GTM-85M	129454	P2B-GT-18	136571	AN-GTM-18-85M-D
	3-7/16	129232	P2B-GTM-307	129454	P2B-GT-18	136552	AN-GTM-18-307-D
	3-1/2	129233	P2B-GTM-308	129454	P2B-GT-18	136603	AN-GTM-18-308-D

@Assembled to order

Unless specified, dimensions are in mm for metric parts and inches for non-metric parts.

Note: Dimensions are in MM (in)

# Grip Tight<sup>®</sup> mounted ball bearings

## Selection/Dimensions

Grip Tight mounted ball bearings

GTM medium duty pillow blocks

Series	Shaft size	Weight kg lb	A	B	C	D		F bolt dia.	G	H	J	L	M	R#**	S#**	U	V	W	X*	Z
						min.	max.													
205	3/4	2.4	1.46	5.50	1.40	3.69	4.50	3/8	0.85	0.58	2.77	1.80	1.44	0.48	0.98	2.50	5.00	0.50	0.12	1.00
			37.1	139.7	35.6	93.7	114.3	M10	21.6	14.7	70.4	45.7	36.5	12.2	24.9	63.5	127.0	12.7	3.0	25.4
206	25mm	1.7	40.9	158.8	44.5	108.0	127.0	M12	23.9	17.3	82.6	52.8	41.3	13.2	27.7	73.2	146.3	14.2	3.0	28.7
	1	4.2	1.61	6.25	1.75	4.25	5.00	1/2	0.94	0.68	3.25	2.08	1.63	0.52	1.09	2.88	5.76	0.56	0.12	1.13
206 (GTMU)	25mm	1.7	40.9	158.8	44.5	108.0	127.0	M12	23.9	20.6	85.6	52.8	44.5	13.2	27.7	73.2	146.3	14.2	3.0	28.7
	1	4.2	1.61	6.25	1.75	4.25	5.00	1/2	0.94	0.81	3.37	2.08	1.75	0.52	1.09	2.88	5.76	0.56	0.12	1.13
207	30mm	2.2	41.1	165.1	44.5	118.9	138.2	M12	23.9	18.0	95.3	60.5	47.6	13.7	27.4	73.9	147.8	14.2	3.0	29.0
	1-3/16	5.1	1.62	6.50	1.75	4.68	5.44	1/2	0.94	0.71	3.75	2.38	1.88	0.54	1.08	2.91	5.82	0.56	0.12	1.14
	1-1/4	4.9	1.62	6.50	1.75	4.68	5.44	1/2	0.94	0.71	3.75	2.38	1.88	0.54	1.08	2.91	5.82	0.56	0.12	1.14
208	35mm	2.7	46.7	184.2	49.0	131.6	149.4	M12	23.1	23.6	106.4	66.5	54.0	15.5	31.2	82.8	165.6	17.5	3.0	31.2
	1-7/16	7.2	1.84	7.25	1.93	5.18	5.88	1/2	0.91	0.93	4.19	2.62	2.13	0.61	1.23	3.26	6.52	0.69	0.12	1.23
209	40mm	3.1	47.0	189.0	50.8	139.7	157.2	M12	22.9	19.1	108.7	72.6	54.0	15.7	31.2	85.9	171.7	17.5	3.0	32.0
	1-1/2	9.2	1.85	7.44	2.00	5.50	6.19	1/2	0.90	0.75	4.28	2.86	2.13	0.62	1.23	3.38	6.76	0.69	0.12	1.26
210	45mm	3.9	47.2	206.2	57.2	152.4	169.7	M16	25.9	19.1	115.1	79.5	57.2	16.0	31.2	93.7	187.5	20.6	3.0	32.0
	1-11/16	10.1	1.86	8.12	2.25	6.00	6.68	5/8	1.02	0.75	4.53	3.13	2.25	0.63	1.23	3.69	7.38	0.81	0.12	1.26
	1-3/4	10.1	1.86	8.12	2.25	6.00	6.68	5/8	1.02	0.75	4.53	3.13	2.25	0.63	1.23	3.69	7.38	0.81	0.12	1.26
210 (GTMU)	45mm	3.9	47.2	206.5	57.2	152.4	169.7	M16	25.9	20.6	116.8	79.5	58.7	16.0	31.2	93.7	187.5	20.6	3.0	32.0
	1-11/16	10.1	1.86	8.13	2.25	6.00	6.68	5/8	1.02	0.81	4.60	3.13	2.31	0.63	1.23	3.69	7.38	0.81	0.12	1.26
	1-3/4	10.1	1.86	8.13	2.25	6.00	6.68	5/8	1.02	0.81	4.60	3.13	2.31	0.63	1.23	3.69	7.38	0.81	0.12	1.26
211	50mm	5.6	49.0	225.6	58.4	162.1	189.0	M16	30.7	22.4	126.0	87.1	63.5	17.0	32.0	100.1	200.2	20.6	3.0	33.5
	1-15/16	12.3	1.93	8.88	2.30	6.38	7.44	5/8	1.21	0.88	4.96	3.43	2.50	0.67	1.26	3.94	7.88	0.81	0.12	1.32
	2	12.2	1.93	8.88	2.30	6.38	7.44	5/8	1.21	0.88	4.96	3.43	2.50	0.67	1.26	3.94	7.88	0.81	0.12	1.32
212	55mm	7.0	53.8	241.3	60.2	174.8	201.7	M16	30.7	22.4	137.2	93.7	69.9	18.5	35.3	108.0	215.9	22.4	3.0	37.1
	2-3/16	17.5	2.12	9.50	2.37	6.88	7.94	5/8	1.21	0.88	5.40	3.69	2.75	0.73	1.39	4.25	8.50	0.88	0.12	1.46
	2-1/4	17.5	2.12	9.50	2.37	6.88	7.94	5/8	1.21	0.88	5.40	3.69	2.75	0.73	1.39	4.25	8.50	0.88	0.12	1.46
214	60mm	9.0	60.7	273.1	68.3	190.5	215.9	M18	33.5	23.9	154.7	101.6	76.2	21.3	39.4	124.0	247.9	23.9	3.0	40.1
	65mm	8.9	60.7	273.1	68.3	190.5	215.9	M18	33.5	23.9	154.7	101.6	76.2	21.3	39.4	124.0	247.9	23.9	3.0	40.1
	2-7/16	19.4	2.39	10.75	2.69	7.50	8.50	3/4	1.32	0.94	6.09	4.00	3.00	0.84	1.55	4.88	9.76	0.94	0.12	1.58
	2-1/2	19.4	2.39	10.75	2.69	7.50	8.50	3/4	1.32	0.94	6.09	4.00	3.00	0.84	1.55	4.88	9.76	0.94	0.12	1.58
215	70mm	10.1	62.5	298.5	73.2	215.9	241.3	M22	36.6	25.4	171.5	112.8	88.9	21.8	40.6	139.2	278.4	26.4	3.0	40.6
	2-11/16	24.9	2.46	11.75	2.88	8.50	9.50	7/8	1.44	1.00	6.75	4.44	3.50	0.86	1.60	5.48	10.96	1.04	0.12	1.60
216	75mm	10.3	68.6	298.5	76.2	215.9	241.3	M22	36.6	31.8	177.0	119.1	88.9	22.6	46.0	139.7	279.4	27.7	3.0	45.2
	2-15/16	25.4	2.70	11.75	3.00	8.50	9.50	7/8	1.44	1.25	6.97	4.69	3.50	0.89	1.81	5.50	11.00	1.09	0.12	1.78
	3	2.70	11.75	3.00	8.50	9.50	7/8	1.44	1.25	6.97	4.69	3.50	0.89	1.81	5.50	11.00	1.09	0.12	1.78	
218	85mm	14.1	71.1	355.6	85.9	262.1	295.1	M22	40.4	33.3	203.2	131.8	101.6	24.4	46.7	167.6	335.3	30.2	3.0	46.0
	3-7/16	34.9	2.80	14.00	3.38	10.32	11.62	7/8	1.59	1.31	8.00	5.19	4.00	0.96	1.84	6.60	13.20	1.19	0.12	1.81
	3-1/2	2.80	14.00	3.38	10.32	11.62	7/8	1.59	1.31	8.00	5.19	4.00	0.96	1.84	6.60	13.20	1.19	0.12	1.81	

\*Only 1 pillow block can be dowel pinned per shaft

\*\*R# & S# dimensions will vary slightly depending on true shaft diameter

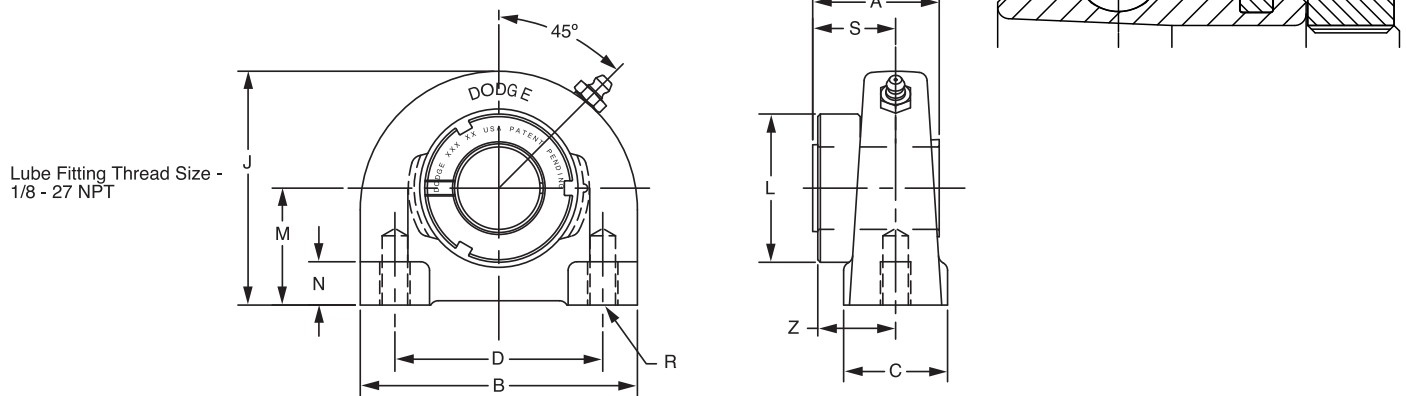
Unless specified, dimensions are in mm for metric parts and inches for non-metric parts.

Note: Dimensions are in MM (in)

# Grip Tight® mounted ball bearings

## Selection/Dimensions

Grip Tight mounted ball bearings  
GT normal duty tapped base pillow blocks



Series	Shaft size	Complete unit		Unit without adapter sleeve & lock nut		Adapter sleeve & lock nut assembly	
		Part no.	Description	Part no.	Description	Part no.	Description
204	20mm	<b>136365</b>	TB-GT-20M	<b>136383</b>	TB-GT-04M	<b>136553</b>	AN-GT-04-20M-D
	3/4	<b>129276</b>	TB-GT-012	<b>129457</b>	TB-GT-04	<b>136522</b>	AN-GT-04-012-D
205	25mm	<b>136366</b>	TB-GT-25M	<b>136384</b>	TB-GT-05M	<b>136554</b>	AN-GT-05-25M-D
	7/8	<b>129148</b>	TB-GT-014	<b>129458</b>	TB-GT-05	<b>136590</b>	AN-GT-05-014-D
	15/16	<b>129277</b>	TB-GT-015	<b>129458</b>	TB-GT-05	<b>136523</b>	AN-GT-05-015-D
	1	<b>129278</b>	TB-GT-100	<b>129458</b>	TB-GT-05	<b>136524</b>	AN-GT-05-100-D
206	30mm	<b>136367</b>	TB-GT-30M	<b>136385</b>	TB-GT-06M	<b>136555</b>	AN-GT-06-30M-D
	1-1/8	<b>129279</b>	TB-GT-102	<b>129459</b>	TB-GT-06	<b>136525</b>	AN-GT-06-102-D
	1-3/16	<b>129280</b>	TB-GT-103	<b>129459</b>	TB-GT-06	<b>136526</b>	AN-GT-06-103-D
	1-1/4	<b>129281</b>	TB-GT-104S	<b>129459</b>	TB-GT-06	<b>136527</b>	AN-GT-06-104S-D
207	35mm	<b>136368</b>	TB-GT-35M	<b>136386</b>	TB-GT-07M	<b>136556</b>	AN-GT-07-35M-D
	1-1/4	<b>129282</b>	TB-GT-104	<b>129460</b>	TB-GT-07	<b>136528</b>	AN-GT-07-104-D
	1-3/8	<b>129283</b>	TB-GT-106	<b>129460</b>	TB-GT-07	<b>136591</b>	AN-GT-07-106-D
	1-7/16	<b>129284</b>	TB-GT-107	<b>129460</b>	TB-GT-07	<b>136529</b>	AN-GT-07-107-D
208	40mm	<b>136369</b>	TB-GT-40M	<b>136387</b>	TB-GT-08M	<b>136593</b>	AN-GT-08-40M-D
	1-1/2	<b>129285</b>	TB-GT-108	<b>129461</b>	TB-GT-08	<b>136530</b>	AN-GT-08-108-D
	1-5/8	@	TB-GT-110	<b>129461</b>	TB-GT-08	<b>136592</b>	AN-GT-08-110-D
209	45mm	<b>136370</b>	TB-GT-45M	<b>136388</b>	TB-GT-09M	<b>136657</b>	AN-GT-09-45M-D
	1-5/8	<b>129286</b>	TB-GT-110L	<b>129462</b>	TB-GT-09	<b>136531</b>	AN-GT-09-110L-D
	1-11/16	<b>129287</b>	TB-GT-111	<b>129462</b>	TB-GT-09	<b>136532</b>	AN-GT-09-111-D
	1-3/4	<b>129288</b>	TB-GT-112	<b>129462</b>	TB-GT-09	<b>136533</b>	AN-GT-09-112-D
210	50mm	<b>136371</b>	TB-GT-50M	<b>136389</b>	TB-GT-10M	<b>136558</b>	AN-GT-10-50M-D
	1-15/16	<b>129289</b>	TB-GT-115	<b>129463</b>	TB-GT-10	<b>136534</b>	AN-GT-10-115-D
	2	<b>129290</b>	TB-GT-200	<b>129463</b>	TB-GT-10	<b>136535</b>	AN-GT-10-200-D

@Assemble to order

Unless specified, dimensions are in mm for metric parts and inches for non-metric parts.

Note: Dimensions are in MM (in)

# Grip Tight<sup>®</sup> mounted ball bearings

## Selection/Dimensions

Grip Tight mounted ball bearings  
GT normal duty tapped base pillow blocks

Series	Shaft size	Weight kg lb	A	B	C	D	J	L	M	N	R* UNC- thread	S#**	Z
204	20mm	0.9	37.6	73.2	38.1	50.8	65.0	38.1	33.4	12.7	M8x1.25	25.9	26.2
	3/4	1.9	1.48	2.88	1.50	2.00	2.56	1.50	1.31	0.50	3/8-16	1.02	1.03
205	25mm	1.0	37.1	76.2	38.1	50.8	71.4	45.7	36.5	12.7	M10x1.5	24.9	25.4
	7/8	2.1	1.46	3.00	1.50	2.00	2.81	1.80	1.44	0.50	3/8-16	0.98	1.00
	15/16	2.0	1.46	3.00	1.50	2.00	2.81	1.80	1.44	0.50	3/8-16	0.98	1.00
	1	1.9	1.46	3.00	1.50	2.00	2.81	1.80	1.44	0.50	3/8-16	0.98	1.00
206	30mm	1.7	40.9	101.6	38.1	76.2	85.9	52.8	42.9	16.0	M10x1.5	27.7	28.7
	1-1/8	3.6	1.61	4.00	1.50	3.00	3.38	2.08	1.69	0.63	7/16-14	1.09	1.13
	1-3/16	3.5	1.61	4.00	1.50	3.00	3.38	2.08	1.69	0.63	7/16-14	1.09	1.13
	1-1/4	3.5	1.61	4.00	1.50	3.00	3.38	2.08	1.69	0.63	7/16-14	1.09	1.13
207	35mm	2.30	41.1	108.0	47.8	82.6	95.3	60.5	47.6	19.1	M10x1.5	27.4	29.0
	1-1/4	4.7	1.62	4.25	1.88	3.25	3.75	2.38	1.88	0.75	1/2-13	1.08	1.14
	1-3/8	4.7	1.62	4.25	1.88	3.25	3.75	2.38	1.88	0.75	1/2-13	1.08	1.14
	1-7/16	4.6	1.62	4.25	1.88	3.25	3.75	2.38	1.88	0.75	1/2-13	1.08	1.14
208	40mm	3.0	46.7	117.6	47.8	88.9	100.1	66.5	49.2	19.1	M12x1.75	31.2	31.2
	1-1/2	6.20	1.84	4.63	1.88	3.50	3.94	2.62	1.94	0.75	1/2-13	1.23	1.23
	1-5/8	6.1	1.84	4.63	1.88	3.50	3.94	2.62	1.94	0.75	1/2-13	1.23	1.23
209	45mm	3.2	47.0	127.0	50.8	95.3	108.0	72.6	54.0	19.1	M12x1.75	31.2	32.0
	1-5/8	6.7	1.85	5.00	2.00	3.75	4.25	2.86	2.13	0.75	1/2-13	1.23	1.26
	1-11/16	6.7	1.85	5.00	2.00	3.75	4.25	2.86	2.13	0.75	1/2-13	1.23	1.26
	1-3/4	6.6	1.85	5.00	2.00	3.75	4.25	2.86	2.13	0.75	1/2-13	1.23	1.26
210	50mm	4.2	47.2	139.7	50.8	101.6	117.6	79.5	57.2	22.4	M16x2	31.2	32.0
	1-15/16	8.6	1.86	5.50	2.00	4.00	4.63	3.13	2.25	0.88	5/8-11	1.23	1.26
	2	8.5	1.86	5.50	2.00	4.00	4.63	3.13	2.25	0.88	5/8-11	1.23	1.26

\*Mounting surface bolt holes on all Grip Tight Tapped Base Units must have at least 1/16 bolt clearance

\*\*S# dimension will vary slightly depending on true shaft diameter

Unless specified, dimensions are in mm for metric parts and inches for non-metric parts.

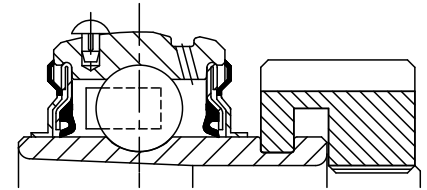
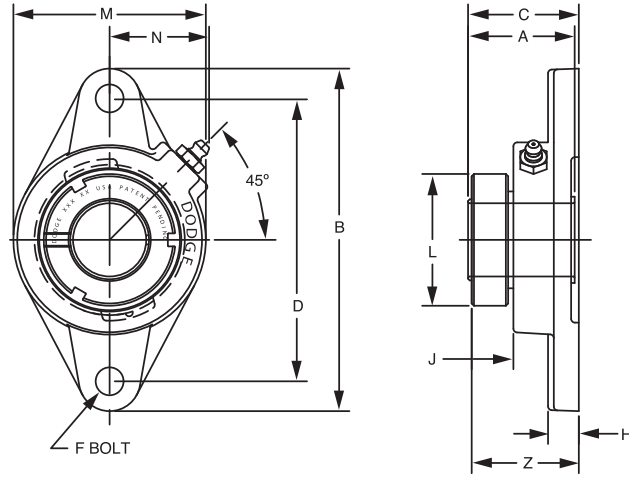
Note: Dimensions are in MM (in)

# Grip Tight® mounted ball bearings

## Selection/Dimensions

Grip Tight mounted ball bearings  
GT normal duty 2-bolt flange bearings

Lube Fitting Thread Size -  
203 Series - 1/4 - 28 Tapered Thread  
204 Series and Larger - 1/8 - 27 NPT



Series	Shaft size	Complete unit		Unit without adapter sleeve & lock nut		Adapter sleeve & lock nut assembly	
		Part no.	Description	Part no.	Description	Part no.	Description
203	17mm	129321	F2B-GT-17M	129490	F2B-GT-03	136589	AN-GT-03-17M-D
	1/2	129301	F2B-GT-008	129490	F2B-GT-03	136588	AN-GT-03-008-D
	5/8	129302	F2B-GT-010	129490	F2B-GT-03	136521	AN-GT-03-010-D
204	20mm	129322	F2B-GT-20M	129491	F2B-GT-04	136553	AN-GT-04-20M-D
	3/4	129303	F2B-GT-012	129491	F2B-GT-04	136522	AN-GT-04-012-D
205	25mm	129323	F2B-GT-25M	129492	F2B-GT-05	136554	AN-GT-05-25M-D
	7/8	129304	F2B-GT-014	129492	F2B-GT-05	136590	AN-GT-05-014-D
	15/16	129305	F2B-GT-015	129492	F2B-GT-05	136523	AN-GT-05-015-D
206	1	129306	F2B-GT-100	129492	F2B-GT-05	136524	AN-GT-05-100-D
	30mm	129324	F2B-GT-30M	129493	F2B-GT-06	136555	AN-GT-06-30M-D
	1-1/8	129307	F2B-GT-102	129493	F2B-GT-06	136525	AN-GT-06-102-D
207	1-3/16	129308	F2B-GT-103	129493	F2B-GT-06	136526	AN-GT-06-103-D
	1-1/4	129309	F2B-GT-104S	129493	F2B-GT-06	136527	AN-GT-06-104S-D
	35mm	129325	F2B-GT-35M	129494	F2B-GT-07	136556	AN-GT-07-35M-D
208	1-1/4	129310	F2B-GT-104	129494	F2B-GT-07	136528	AN-GT-07-104-D
	1-3/8	129311	F2B-GT-106	129494	F2B-GT-07	136591	AN-GT-07-106-D
	1-7/16	129312	F2B-GT-107	129494	F2B-GT-07	136529	AN-GT-07-107-D
209	40mm	129326	F2B-GT-40M	129495	F2B-GT-08	136593	AN-GT-08-40M-D
	1-1/2	129313	F2B-GT-108	129495	F2B-GT-08	136530	AN-GT-08-108-D
	1-5/8	129373	F2B-GT-110	129495	F2B-GT-08	136592	AN-GT-01-110-D
210	45mm	129327	F2B-GT-45M	129496	F2B-GT-09	136557	AN-GT-09-45M-D
	1-5/8	129314	F2B-GT-110L	129496	F2B-GT-09	136531	AN-GT-09-110L-D
	1-11/16	129315	F2B-GT-111	129496	F2B-GT-09	136532	AN-GT-09-111-D
	1-3/4	129316	F2B-GT-112	129496	F2B-GT-09	136533	AN-GT-09-112-D
211	50mm	129328	F2B-GT-50M	129497	F2B-GT-10	136558	AN-GT-10-50M-D
	1-15/16	129317	F2B-GT-115	129497	F2B-GT-10	136534	AN-GT-10-115-D
	2	129318	F2B-GT-200	129497	F2B-GT-10	136535	AN-GT-10-200-D
212	55mm	129329	F2B-GT-55M	129498	F2B-GT-11	136559	AN-GT-11-55M-D
	2	129337	F2B-GTM-200	129498	F2B-GT-11	136600	AN-GTM-11-200-D
	2-3/16	129319	F2B-GT-203	129498	F2B-GT-11	136536	AN-GT-11-203-D
	2-1/4	129378	F2B-GT-204	129498	F2B-GT-11	136537	AN-GT-11-204-D
212	60mm	068861	F2B-GT-60M	129078	F2B-GT-12	136594	AN-GT-12-60M-D
	2-1/4	064472	F2B-GTM-204	129078	F2B-GT-12	136601	AN-GTM-12-204-D
	2-7/16	064211	F2B-GT-207	129078	F2B-GT-12	136538	AN-GT-12-207-D

@Assembled to order

Unless specified, dimensions are in mm for metric parts and inches for non-metric parts.

Note: Dimensions are in MM (in)

# Grip Tight® mounted ball bearings

## Selection/Dimensions

Grip Tight mounted ball bearings  
GT normal duty 2-bolt flange bearings

Series	Shaft size	Weight kg lb	A	B	C#	D	F bolt dia.	H	J	L	M	N	Z
203	17mm	0.3	32.8	98.6	36.1	76.2	M10	9.7	14.7	35.6	54.1	28.7	36.3
	1/2	0.9	1.29	3.88	1.42	3.00	3/8	0.38	0.58	1.40	2.13	1.13	1.43
	5/8	0.8	1.29	3.88	1.42	3.00	3/8	0.38	0.58	1.40	2.13	1.13	1.43
204	20mm	0.6	37.6	112.0	41.4	89.7	M10	12.7	16.5	38.1	60.5	38.1	41.7
	3/4	1.7	1.48	4.41	1.63	3.53	3/8	0.50	0.65	1.50	2.38	1.50	1.64
205	25mm	0.8	37.1	124.0	39.9	98.8	M10	13.2	16.0	45.7	69.9	36.6	40.4
	7/8	2.0	1.46	4.88	1.57	3.89	7/16	0.52	0.63	1.80	2.75	1.44	1.59
	15/16	1.9	1.46	4.88	1.57	3.89	7/16	0.52	0.63	1.80	2.75	1.44	1.59
206	1	1.8	1.46	4.88	1.57	3.89	7/16	0.52	0.63	1.80	2.75	1.44	1.59
	30mm	1.3	40.9	141.2	43.4	116.7	M12	12.7	17.3	52.8	79.5	39.6	44.2
	1-1/8	2.8	1.61	5.56	1.71	4.59	7/16	0.50	0.68	2.08	3.13	1.56	1.74
	1-3/16	2.7	1.61	5.56	1.71	4.59	7/16	0.50	0.68	2.08	3.13	1.56	1.74
207	1-1/4	2.5	1.61	5.56	1.71	4.59	7/16	0.50	0.68	2.08	3.13	1.56	1.74
	35mm	1.9	41.1	155.7	45.5	130.0	M12	14.2	16.0	60.5	95.3	46.7	47.0
	1-1/4	4.3	1.62	6.13	1.79	5.12	1/2	0.56	0.63	2.38	3.75	1.84	1.85
	1-3/8	4.1	1.62	6.13	1.79	5.12	1/2	0.56	0.63	2.38	3.75	1.84	1.85
208	1-7/16	3.9	1.62	6.13	1.79	5.12	1/2	0.56	0.63	2.38	3.75	1.84	1.85
	40mm	2.3	46.7	171.5	51.1	143.8	M12	14.2	17.0	66.5	104.9	46.5	51.3
	1-1/2	5.0	1.84	6.75	2.01	5.66	1/2	0.56	0.67	2.62	4.13	1.83	2.02
209	1-5/8	4.8	1.84	6.75	2.01	5.66	1/2	0.56	0.67	2.62	4.13	1.83	2.02
	45mm	2.7	47.0	179.3	51.6	148.3	M14	16.0	16.8	72.6	111.3	48.5	52.3
	1-5/8	6.2	1.85	7.06	2.03	5.84	1/2	0.63	0.66	2.86	4.38	1.91	2.06
210	1-11/16	6.10	1.85	7.06	2.03	5.84	1/2	0.63	0.66	2.86	4.38	1.91	2.06
	1-3/4	6.0	1.85	7.06	2.03	5.84	1/2	0.63	0.66	2.86	4.38	1.91	2.06
	50mm	3.2	47.2	189.0	52.6	157.2	M16	16.0	16.0	79.5	115.8	51.6	53.3
211	1-15/16	6.9	1.86	7.44	2.07	6.19	1/2	0.63	0.63	3.13	4.56	2.03	2.10
	2	6.8	1.86	7.44	2.07	6.19	1/2	0.63	0.63	3.13	4.56	2.03	2.10
	55mm	3.70	49.0	219.2	55.6	184.2	M16	17.0	16.5	87.1	133.4	57.7	57.2
212	2	8.0	1.93	8.63	2.19	7.25	5/8	0.67	0.65	3.43	5.25	2.27	2.25
	2-3/16	7.9	1.93	8.63	2.19	7.25	5/8	0.67	0.65	3.43	5.25	2.27	2.25
	2-1/4	7.8	1.93	8.63	2.19	7.25	5/8	0.67	0.65	3.43	5.25	2.27	2.25
	60mm	4.5	53.8	249.2	59.9	202.1	M16	20.6	18.0	93.7	139.7	62.7	61.5
212	2-1/4	9.3	2.12	9.81	2.36	7.96	5/8	0.81	0.71	3.69	5.50	2.47	2.42
	2-7/16	9.2	2.12	9.81	2.36	7.96	5/8	0.81	0.71	3.69	5.50	2.47	2.42

@Assembled to order

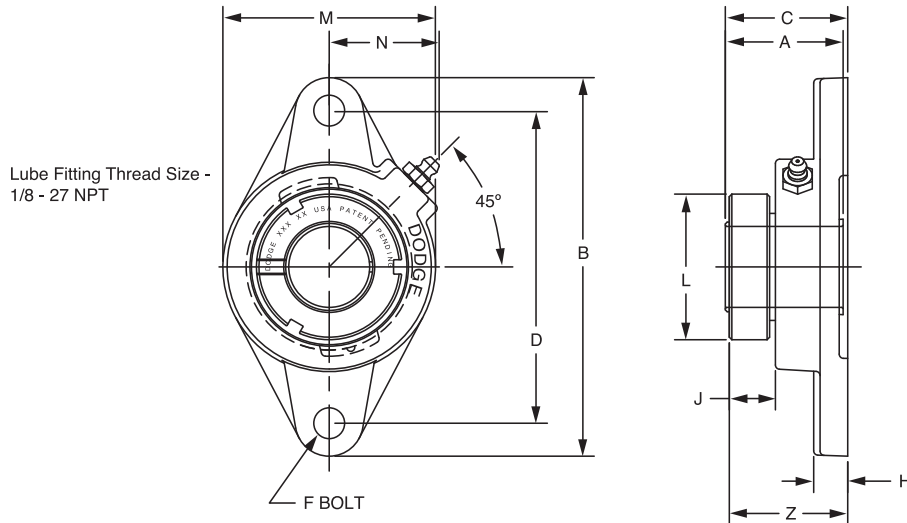
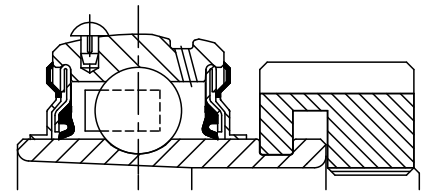
Unless specified, dimensions are in mm for metric parts and inches for non-metric parts.

Note: Dimensions are in MM (in)

# Grip Tight® mounted ball bearings

## Selection/Dimensions

Grip Tight mounted ball bearings  
GTM medium duty 2-bolt flange bearings



Series	Shaft size	Complete unit		Unit without adapter sleeve & lock nut		Adapter sleeve & lock nut assembly	
		Part no.	Description	Part no.	Description	Part no.	Description
205	3/4	129369	F2B-GTM-012	129492	F2B-GT-05	136597	AN-GTM-05-012-D
206	25mm	136268	F2B-GTM-25M	129493	F2B-GT-06	136561	AN-GTM-06-25M-D
	1	129330	F2B-GTM-100	129493	F2B-GT-06	136541	AN-GTM-06-100-D
207	30mm	136269	F2B-GTM-30M	129494	F2B-GT-07	136562	AN-GTM-07-30M-D
	1-3/16	129331	F2B-GTM-103	129494	F2B-GT-07	136542	AN-GTM-07-103-D
	1-1/4	129310	F2B-GT-104	129494	F2B-GT-07	136528	AN-GT-07-104-D
208	35mm	136270	F2B-GTM-35M	129495	F2B-GT-08	136563	AN-GTM-08-35M-D
	1-7/16	129332	F2B-GTM-107	129495	F2B-GT-08	136543	AN-GTM-08-107-D
209	40mm	136271	F2B-GTM-40M	129496	F2B-GT-09	136564	AN-GTM-09-40M-D
	1-1/2	129333	F2B-GTM-108	129496	F2B-GT-09	136598	AN-GTM-09-108-D
	1-5/8	129314	F2B-GT-110L	129496	F2B-GT-09	136531	AN-GT-09-110L-D
210	45mm	136272	F2B-GTM-405M	129497	F2B-GT-10	136565	AN-GTM-10-45M-D
	1-11/16	129334	F2B-GTM-111	129497	F2B-GT-10	136544	AN-GTM-10-111-D
	1-3/4	129335	F2B-GTM-112	129497	F2B-GT-10	136599	AN-GTM-10-112-D
211	50mm	136273	F2B-GTM-50M	129498	F2B-GT-11	136566	AN-GTM-11-50M-D
	1-15/16	129336	F2B-GTM-115	129498	F2B-GT-11	136545	AN-GTM-11-115-D
	2	129337	F2B-GTM-200	129498	F2B-GT-11	136600	AN-GTM-11-200-D
212	55mm	136274	F2B-GTM-55M	129078	F2B-GT-12	136567	AN-GTM-12-55M-D
	2-3/16	@	F2B-GTM-203	129078	F2B-GT-12	136546	AN-GTM-12-203-D
	2-1/4	064472	F2B-GTM-204	129078	F2B-GT-12	136601	AN-GTM-12-204-D

@Assembled to order

Unless specified, dimensions are in mm for metric parts and inches for non-metric parts.

Note: Dimensions are in MM (in)



# Grip Tight® mounted ball bearings

## Selection/Dimensions

Grip Tight mounted ball bearings  
GTM medium duty 2-bolt flange bearings

Series	Shaft size	Weight kg lb	A	B	C#*	D	F bolt dia.	H	J	L	M	N	Z
205	3/4	2.1	1.46	4.88	1.57	3.89	7/16	0.52	0.63	1.80	2.75	1.44	1.59
	3/4	2.1	37.1	124.0	39.9	98.8	M10	13.2	16.0	45.7	69.9	36.6	40.4
206	25mm	7.4	40.9	141.2	43.4	116.7	M12	12.7	17.3	52.8	79.5	39.6	44.2
	1	2.9	1.61	5.56	1.71	4.59	7/16	0.50	0.68	2.08	3.13	1.56	1.74
207	30mm	2.1	41.1	155.7	45.5	130.0	M12	14.2	16.0	60.5	95.3	46.7	47.0
	1-3/16	4.4	1.62	6.13	1.79	5.12	1/2	0.56	0.63	2.38	3.75	1.84	1.85
	1-1/4	4.3	1.62	6.13	1.79	5.12	1/2	0.56	0.63	2.38	3.75	1.84	1.85
208	35mm	2.5	46.7	171.5	51.1	143.8	M12	14.2	17.0	66.5	104.9	46.5	51.3
	1-7/16	5.1	1.84	6.75	2.01	5.66	1/2	0.56	0.67	2.62	4.13	1.83	2.02
209	40mm	3.1	47.0	179.3	51.6	148.3	M14	16.0	16.8	72.6	111.3	48.5	52.3
	1-1/2	6.3	1.85	7.06	2.03	5.84	1/2	0.63	0.66	2.86	4.38	1.91	2.06
	1-5/8	6.2	1.85	7.06	2.03	5.84	1/2	0.63	0.66	2.86	4.38	1.91	2.06
210	45mm	3.4	47.2	189.0	52.6	157.2	M16	16.0	16.0	79.5	115.8	51.6	53.3
	1-11/16	7.0	1.86	7.44	2.07	6.19	1/2	0.63	0.63	3.13	4.56	2.03	2.10
	1-3/4	6.9	1.86	7.44	2.07	6.19	1/2	0.63	0.63	3.13	4.56	2.03	2.10
211	50mm	3.90	49.0	219.2	55.6	184.2	M16	17.0	16.5	87.1	133.4	57.7	57.2
	1-15/16	8.1	1.93	8.63	2.19	7.25	5/8	0.67	0.65	3.43	5.25	2.27	2.25
	2	8.0	1.93	8.63	2.19	7.25	5/8	0.67	0.65	3.43	5.25	2.27	2.25
212	55mm	4.6	53.8	249.2	59.9	202.1	M16	20.6	18.0	93.7	139.7	62.7	61.5
	2-3/16	9.4	2.12	9.81	2.36	7.96	5/8	0.81	0.71	3.69	5.50	2.47	2.42
	2-1/4	9.3	2.12	9.81	2.36	7.96	5/8	0.81	0.71	3.69	5.50	2.47	2.42

\*C# dimension will vary slightly depending on true shaft diameter.

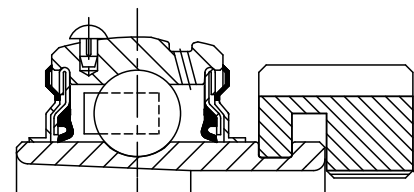
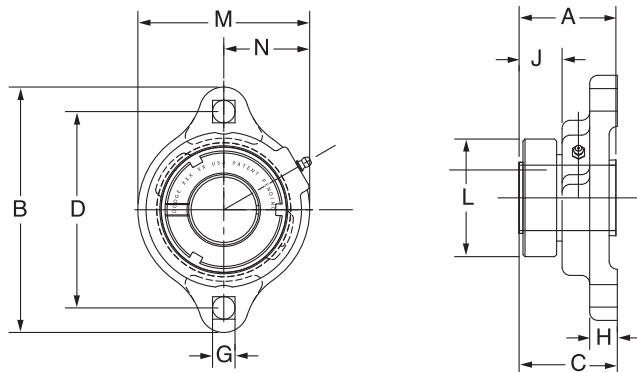
Unless specified, dimensions are in mm for metric parts and inches for non-metric parts.

Note: Dimensions are in MM (in)

# Grip Tight® mounted ball bearings

## Selection/Dimensions

Grip Tight mounted ball bearings  
GT LFT normal duty 2-bolt flange bearings



Lube fitting thread size -  
203 - 204 Series - 1/4-28 tapered thread  
205 - 207 Series - 1/8 - 27 NPT

Series	Shaft size	Complete unit		Unit without adapter & nut		Adapter & Nut Assembly	
		Part no.	Description	Part no.	Description	Part no.	Description
203	17mm	@	LFT-GT-17M	136355	LFT-GT-03	136589	AN-GT-03-17M-D
	1/2	136331	LFT-GT-008	136355	LFT-GT-03	136588	AN-GT-03-008-D
	5/8	136332	LFT-GT-010	136355	LFT-GT-03	136521	AN-GT-03-010-D
204	20mm	068878	LFT-GT-20M	136356	LFT-GT-04	136553	AN-GT-04-20M-D
	3/4	136333	LFT-GT-012	136356	LFT-GT-04	136522	AN-GT-04-012-D
205	25mm	068685	LFT-GT-25M	136357	LFT-GT-05	136554	AN-GT-05-25M-D
	7/8	136334	LFT-GT-014	136357	LFT-GT-05	136590	AN-GT-05-014-D
	15/16	136335	LFT-GT-015	136357	LFT-GT-05	136523	AN-GT-05-015-D
206	1	136336	LFT-GT-100	136357	LFT-GT-05	136524	AN-GT-05-100-D
	30mm	075489	LFT-GT-30M	136358	LFT-GT-06	136555	AN-GT-06-30M-D
	1-1/8	136337	LFT-GT-102	136358	LFT-GT-06	136525	AN-GT-06-102-D
	1-3/16	136338	LFT-GT-103	136358	LFT-GT-06	136526	AN-GT-06-103-D
207	1-1/4	136339	LFT-GT-104S	136358	LFT-GT-06	136527	AN-GT-06-104S-D
	35mm	@	LFT-GT-35M	136359	LFT-GT-07	136556	AN-GT-07-35M-D
	1-1/4	136340	LFT-GT-104	136359	LFT-GT-07	136528	AN-GT-07-104-D
	1-3/8	136341	LFT-GT-106	136359	LFT-GT-07	136591	AN-GT-07-106-D
	1-7/16	136342	LFT-GT-107	136359	LFT-GT-07	136529	AN-GT-07-107-D

@Assembled to order

Unless specified, dimensions are in mm for metric parts and inches for non-metric parts.

Note: Dimensions are in MM (in)

Series	Shaft size	Weight kg lb	A	B	C#**	D	G	H	J	L	M	N*
203	17mm	0.37	32.8	81.0	33.0	63.5	7.1	9.7	14.7	35.6	54.1	31.2
	1/2	0.70	1.29	3.19	1.30	2.50	0.28	0.38	0.58	1.40	2.13	1.23
	5/8	0.65	1.29	3.19	1.30	2.50	0.28	0.38	0.58	1.40	2.13	1.23
204	20mm	0.40	37.6	90.4	38.4	71.4	8.6	10.7	16.8	38.1	60.5	34.0
	3/4	0.91	1.48	3.56	1.51	2.81	0.34	0.42	0.66	1.50	2.38	1.34
205	25mm	0.43	37.1	95.3	37.1	76.2	8.6	10.7	14.7	45.7	66.8	36.6
	7/8	1.07	1.46	3.75	1.46	3.00	0.34	0.42	0.58	1.80	2.63	1.44
	15/16	1.02	1.46	3.75	1.46	3.00	0.34	0.42	0.58	1.80	2.63	1.44
206	1	0.97	1.46	3.75	1.46	3.00	0.34	0.42	0.58	1.80	2.63	1.44
	30mm	0.67	40.9	112.8	41.7	90.4	10.4	11.9	16.5	52.8	82.6	43.7
	1-1/8	1.63	1.61	4.44	1.64	3.56	0.41	0.47	0.65	2.08	3.25	1.72
	1-3/16	1.53	1.61	4.44	1.64	3.56	0.41	0.47	0.65	2.08	3.25	1.72
207	1-1/4	1.48	1.61	4.44	1.64	3.56	0.41	0.47	0.65	2.08	3.25	1.72
	35mm	0.83	41.1	122.4	41.4	100.1	10.4	12.7	14.5	60.5	88.9	46.5
	1-1/4	1.99	1.62	4.82	1.63	3.94	0.41	0.50	0.57	2.38	3.50	1.83
	1-3/8	1.89	1.62	4.82	1.63	3.94	0.41	0.50	0.57	2.38	3.50	1.83
	1-7/16	1.84	1.62	4.82	1.63	3.94	0.41	0.50	0.57	2.38	3.50	1.83

\*\*C# dimension will vary slightly depending on true shaft diameter

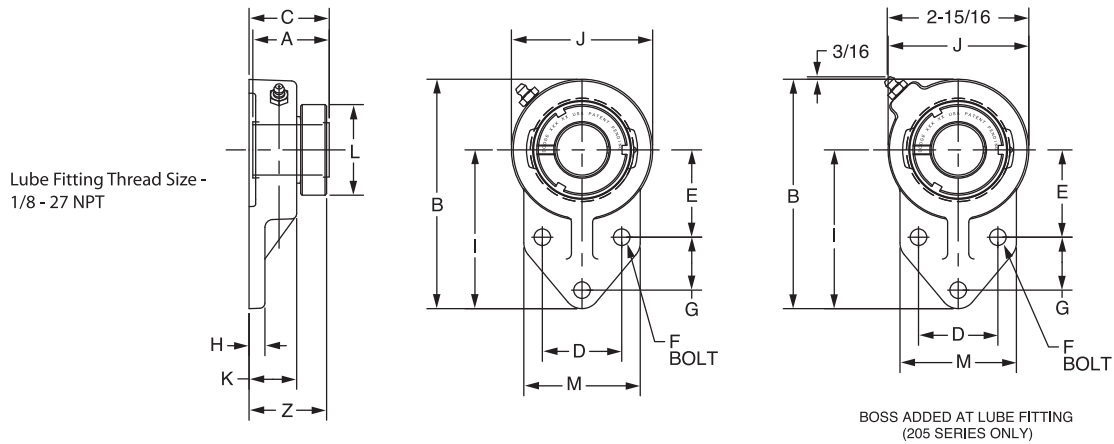
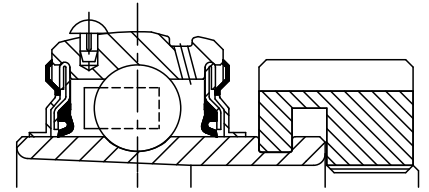
Unless specified, dimensions are in mm for metric parts and inches for non-metric parts.

Note: Dimensions are in MM (in)

# Grip Tight® mounted ball bearings

## Selection/Dimensions

Grip Tight mounted ball bearings  
GT normal duty flanged bracket bearings



Series	Shaft size	Complete unit		Unit without adapter sleeve & lock nut		Adapter sleeve & lock nut assembly	
		Part no.	Description	Part no.	Description	Part no.	Description
204	3/4	<b>129615</b>	FB-GT-012	<b>129511</b>	FB-GT-04	<b>136522</b>	AN-GT-04-012-D
205	7/8	<b>129616</b>	FB-GT-014	<b>129512</b>	FB-GT-05	<b>136590</b>	AN-GT-05-014-D
	15/16	<b>129617</b>	FB-GT-015	<b>129512</b>	FB-GT-05	<b>136523</b>	AN-GT-05-015-D
	1	<b>129618</b>	FB-GT-100	<b>129512</b>	FB-GT-05	<b>136524</b>	AN-GT-05-100-D
206	1-1/8	<b>129619</b>	FB-GT-102	<b>129513</b>	FB-GT-06	<b>136525</b>	AN-GT-06-102-D
	1-3/16	<b>129620</b>	FB-GT-103	<b>129513</b>	FB-GT-06	<b>136526</b>	AN-GT-06-103-D
	1-1/4	<b>129621</b>	FB-GT-104S	<b>129513</b>	FB-GT-06	<b>136527</b>	AN-GT-06-104S-D
207	1-1/4	<b>129622</b>	FB-GT-104	<b>129514</b>	FB-GT-07	<b>136528</b>	AN-GT-07-104-D
	1-3/8	<b>129623</b>	FB-GT-106	<b>129514</b>	FB-GT-07	<b>136591</b>	AN-GT-07-106-D
	1-7/16	<b>129624</b>	FB-GT-107	<b>129514</b>	FB-GT-07	<b>136529</b>	AN-GT-07-107-D
210	1-15/16	<b>129625</b>	FB-GT-115	<b>129515</b>	FB-GT-10	<b>136534</b>	AN-GT-10-115-D
	2	<b>129626</b>	FB-GT-200	<b>129515</b>	FB-GT-10	<b>136535</b>	AN-GT-10-200-D

Unless specified, dimensions are in mm for metric parts and inches for non-metric parts.  
Note: Dimensions are in MM (in)

Series	Shaft size	Weight lb	A	B	C#*	D	E	F bolt dia.	G	H	I	J	K	L	M	Z
204	3/4	1.3	1.46	4.75	1.71	1.63	1.81	3/8	1.13	0.38	3.38	2.75	1.11	1.80	2.50	1.70
205	7/8	2.3	1.46	4.75	1.71	1.63	1.81	3/8	1.13	0.38	3.38	2.75	1.11	1.80	2.50	1.70
	15/16	2.3	1.46	4.75	1.71	1.63	1.81	3/8	1.13	0.38	3.38	2.75	1.11	1.80	2.50	1.70
	1	2.3	1.46	4.75	1.71	1.63	1.81	3/8	1.13	0.38	3.38	2.75	1.11	1.80	2.50	1.70
206	1-1/8	3.2	1.61	5.38	1.80	1.88	2.06	3/8	1.25	0.38	3.75	3.25	1.13	2.08	2.75	1.83
	1-3/16	3.2	1.61	5.38	1.80	1.88	2.06	3/8	1.25	0.38	3.75	3.25	1.13	2.08	2.75	1.83
	1-1/4	3.1	1.61	5.38	1.80	1.88	2.06	3/8	1.25	0.38	3.75	3.25	1.13	2.08	2.75	1.83
207	1-1/4	3.4	1.62	6.13	1.91	2.00	2.37	1/2	1.25	0.50	4.25	3.75	1.31	2.38	3.25	1.97
	1-3/8	3.4	1.62	6.13	1.91	2.00	2.37	1/2	1.25	0.50	4.25	3.75	1.31	2.38	3.25	1.97
	1-7/16	3.4	1.62	6.13	1.91	2.00	2.37	1/2	1.25	0.50	4.25	3.75	1.31	2.38	3.25	1.97
210	1-15/16	5.7	1.86	7.50	2.11	2.75	2.94	1/2	1.63	0.50	5.19	4.63	1.50	3.13	4.00	2.14
	2	5.6	1.86	7.50	2.11	2.75	2.94	1/2	1.63	0.50	5.19	4.63	1.50	3.13	4.00	2.14

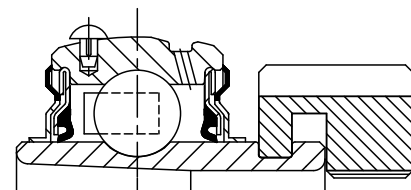
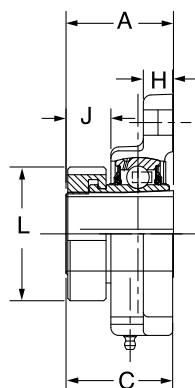
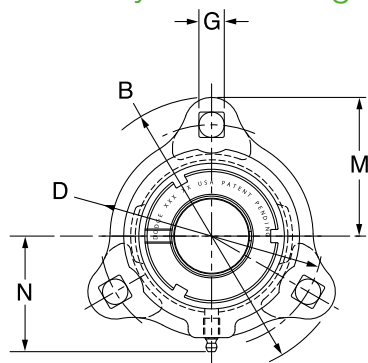
\*C# dimension will vary slightly depending on true shaft diameter.

Unless specified, dimensions are in mm for metric parts and inches for non-metric parts.  
Note: Dimensions are in MM (in)

# Grip Tight® mounted ball bearings

## Selection/Dimensions

Grip Tight mounted ball bearings  
GT LF normal duty 3-bolt flange bearings



Lube fitting thread size -  
203 - 204 Series - 1/4-28 tapered thread  
205 - 207 Series - 1/8 - 27 NPT

Series	Shaft size	Complete unit		Unit without adapter sleeve & lock nut		Adapter sleeve & lock nut assembly	
		Part no.	Description	Part no.	Description	Part no.	Description
203	17mm	@	LF-GT-17M	<b>136360</b>	LF-GT-03	<b>136589</b>	AN-GT-03-17M-D
	1/2	<b>136343</b>	LF-GT-008	<b>136360</b>	LF-GT-03	<b>136588</b>	AN-GT-03-008-D
	5/8	<b>136344</b>	LF-GT-010	<b>136360</b>	LF-GT-03	<b>136521</b>	AN-GT-03-010-D
204	20mm	<b>074017</b>	LF-GT-20M	<b>136361</b>	LF-GT-04	<b>136553</b>	AN-GT-04-20M-D
	3/4	<b>136345</b>	LF-GT-012	<b>136361</b>	LF-GT-04	<b>136522</b>	AN-GT-04-012-D
205	25mm	@	LF-GT-25M	<b>136362</b>	LF-GT-05	<b>136554</b>	AN-GT-05-25M-D
	7/8	<b>136346</b>	LF-GT-014	<b>136362</b>	LF-GT-05	<b>136590</b>	AN-GT-05-014-D
	15/16	<b>136347</b>	LF-GT-015	<b>136362</b>	LF-GT-05	<b>136523</b>	AN-GT-05-015-D
	1	<b>136348</b>	LF-GT-100	<b>136362</b>	LF-GT-05	<b>136524</b>	AN-GT-05-100-D
206	30mm	@	LF-GT-30M	<b>136363</b>	LF-GT-06	<b>136555</b>	AN-GT-06-30M-D
	1-1/8	<b>136349</b>	LF-GT-102	<b>136363</b>	LF-GT-06	<b>136525</b>	AN-GT-06-102-D
	1-3/16	<b>136350</b>	LF-GT-103	<b>136363</b>	LF-GT-06	<b>136526</b>	AN-GT-06-103-D
	1-1/4	<b>136351</b>	LF-GT-104S	<b>136363</b>	LF-GT-06	<b>136527</b>	AN-GT-06-104S-D
207	35mm	@	LF-GT-35M	<b>136364</b>	LF-GT-07	<b>136556</b>	AN-GT-07-35M-D
	1-1/4	<b>136352</b>	LF-GT-104	<b>136364</b>	LF-GT-07	<b>136528</b>	AN-GT-07-104-D
	1-3/8	<b>136353</b>	LF-GT-106	<b>136364</b>	LF-GT-07	<b>136591</b>	AN-GT-07-106-D
	1-7/16	<b>136354</b>	LF-GT-107	<b>136364</b>	LF-GT-07	<b>136529</b>	AN-GT-07-107-D

@Assembled to order

Unless specified, dimensions are in mm for metric parts and inches for non-metric parts.

Note: Dimensions are in MM (in)

Series	Shaft size	Weight kg lb	A	B	C#**	D	G	H	J	L	M	N*
203	17mm	0.33	32.8	81.0	33.0	63.5	7.1	9.7	14.7	35.6	40.4	46.7
	1/2	0.75	1.29	3.19	1.30	2.50	0.28	0.38	0.58	1.40	1.59	1.84
	5/8	0.70	1.29	3.19	1.30	2.50	0.28	0.38	0.58	1.40	1.59	1.84
204	20mm	0.42	37.6	90.4	38.4	71.4	8.6	10.7	16.8	38.1	45.2	39.6
	3/4	0.95	1.48	3.56	1.51	2.81	0.34	0.42	0.66	1.50	1.78	1.56
205	25mm	0.52	37.1	95.3	37.1	76.2	8.6	10.7	14.7	45.7	47.8	43.2
	7/8	1.22	1.46	3.75	1.46	3.00	0.34	0.42	0.58	1.80	1.88	1.70
	15/16	1.17	1.46	3.75	1.46	3.00	0.34	0.42	0.58	1.80	1.88	1.70
	1	1.12	1.46	3.75	1.46	3.00	0.34	0.42	0.58	1.80	1.88	1.70
206	30mm	0.74	40.9	112.8	41.7	90.4	10.4	11.9	16.5	52.8	56.4	51.3
	1-1/8	1.78	1.61	4.44	1.64	3.56	0.41	0.47	0.65	2.08	2.22	2.02
	1-3/16	1.68	1.61	4.44	1.64	3.56	0.41	0.47	0.65	2.08	2.22	2.02
	1-1/4	1.63	1.61	4.44	1.64	3.56	0.41	0.47	0.65	2.08	2.22	2.02
207	35mm	0.95	41.1	122.2	41.4	100.1	10.4	12.7	14.5	60.5	61.2	54.4
	1-1/4	2.24	1.62	4.81	1.63	3.94	0.41	0.50	0.57	2.38	2.41	2.14
	1-3/8	2.14	1.62	4.81	1.63	3.94	0.41	0.50	0.57	2.38	2.41	2.14
	1-7/16	2.09	1.62	4.81	1.63	3.94	0.41	0.50	0.57	2.38	2.41	2.14

\*\*C# dimension will vary slightly depending on true shaft diameter

Unless specified, dimensions are in mm for metric parts and inches for non-metric parts.

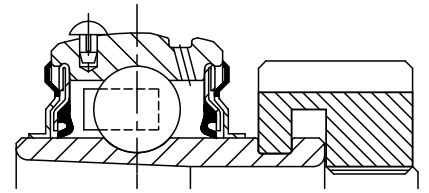
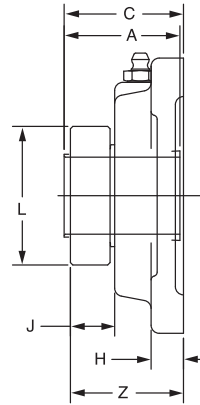
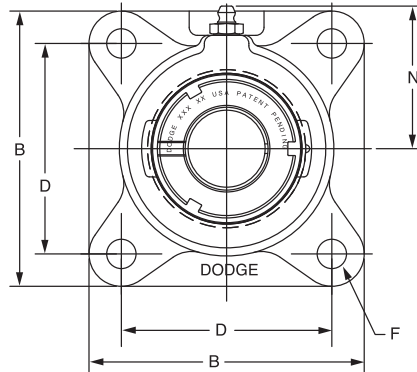
Note: Dimensions are in MM (in)

# Grip Tight<sup>®</sup> mounted ball bearings

## Selection/Dimensions

Grip Tight mounted ball bearings  
GT normal duty 4-bolt flange bearings

Lube Fitting Thread Size -  
203 Series - 1/4-28 Tapered Thread  
204 Series and Larger - 1/8-27 NPT



Series	Shaft size	Complete unit		Unit without adapter sleeve & lock nut		Adapter sleeve & lock nut assembly	
		Part no.	Description	Part no.	Description	Part no.	Description
203	17mm	129667	F4B-GT-17M	129464	F4B-GT-03	136589	AN-GT-03-17M-D
	1/2	129637	F4B-GT-008	129464	F4B-GT-03	136588	AN-GT-03-008-D
	5/8	129638	F4B-GT-010	129464	F4B-GT-03	136521	AN-GT-03-010-D
204	20mm	129668	F4B-GT-20M	129465	F4B-GT-04	136553	AN-GT-04-20M-D
	3/4	129639	F4B-GT-012	129465	F4B-GT-04	136522	AN-GT-04-012-D
205	25mm	129669	F4B-GT-25M	129466	F4B-GT-05	136554	AN-GT-05-25M-D
	7/8	129640	F4B-GT-014	129466	F4B-GT-05	136590	AN-GT-05-014-D
	15/16	129641	F4B-GT-015	129466	F4B-GT-05	136523	AN-GT-05-015-D
	1	129642	F4B-GT-100	129466	F4B-GT-05	136524	AN-GT-05-100-D
206	30mm	129670	F4B-GT-30M	129467	F4B-GT-06	136555	AN-GT-06-30M-D
	1-1/8	129643	F4B-GT-102	129467	F4B-GT-06	136525	AN-GT-06-102-D
	1-3/16	129644	F4B-GT-103	129467	F4B-GT-06	136526	AN-GT-06-103-D
	1-1/4	129645	F4B-GT-104S	129467	F4B-GT-06	136527	AN-GT-06-104S-D
207	35mm	129671	F4B-GT-35M	129468	F4B-GT-07	136556	AN-GT-07-35M-D
	1-1/4	129646	F4B-GT-104	129468	F4B-GT-07	136528	AN-GT-07-104-D
	1-3/8	129647	F4B-GT-106	129468	F4B-GT-07	136591	AN-GT-07-106-D
	1-7/16	129648	F4B-GT-107	129468	F4B-GT-07	136529	AN-GT-07-107-D

Unless specified, dimensions are in mm for metric parts and inches for non-metric parts.  
Note: Dimensions are in MM (in)

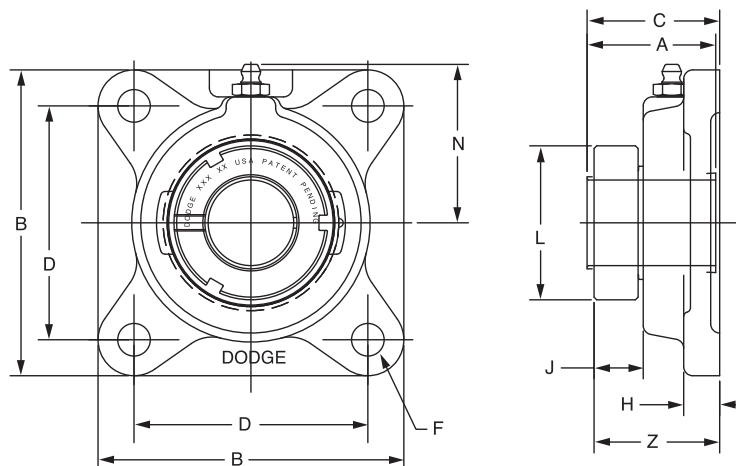
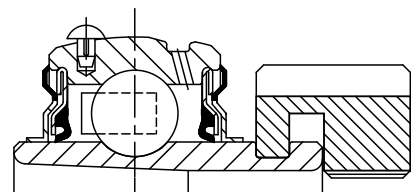
Series	Shaft size	Weight kg lb	A	B	C#*	D	F bolt dia.	H	J	L	N	Z
203	17mm	0.6	32.8	76.2	36.1	54.0	M10	11.2	14.7	35.6	42.9	36.3
	1/2	1.4	1.29	3.00	1.42	2.13	3/8	0.44	0.58	1.40	1.69	1.43
	5/8	1.3	1.29	3.00	1.42	2.13	3/8	0.44	0.58	1.40	1.69	1.43
204	20mm	0.8	37.6	85.9	41.4	63.5	M10	11.2	16.5	38.1	49.3	41.7
	3/4	1.7	1.48	3.38	1.63	2.5	3/8	0.44	0.65	1.50	1.94	1.64
205	25mm	1.0	37.1	95.3	39.9	69.9	M10	12.7	16.0	45.7	52.3	40.4
	7/8	2.2	1.46	3.75	1.57	2.75	7/16	0.50	0.63	1.80	2.06	1.59
	15/16	2.2	1.46	3.75	1.57	2.75	7/16	0.50	0.63	1.80	2.06	1.59
	1	2.2	1.46	3.75	1.57	2.75	7/16	0.50	0.63	1.80	2.06	1.59
206	30mm	1.7	40.9	108.0	43.4	82.6	M10	12.7	17.3	52.8	55.6	44.2
	1-1/8	3.8	1.61	4.25	1.71	3.25	7/16	0.50	0.68	2.08	2.19	1.74
	1-3/16	3.7	1.61	4.25	1.71	3.25	7/16	0.50	0.68	2.08	2.19	1.74
	1-1/4	3.7	1.61	4.25	1.71	3.25	7/16	0.50	0.68	2.08	2.19	1.74
207	35mm	2.0	41.1	120.7	45.5	92.1	M12	14.2	16.0	60.5	62.0	47.0
	1-1/4	4.4	1.62	4.75	1.79	3.63	1/2	0.56	0.63	2.38	2.44	1.85
	1-3/8	4.4	1.62	4.75	1.79	3.63	1/2	0.56	0.63	2.38	2.44	1.85
	1-7/16	4.3	1.62	4.75	1.79	3.63	1/2	0.56	0.63	2.38	2.44	1.85

\*C# dimension will vary slightly depending on true shaft diameter  
Unless specified, dimensions are in mm for metric parts and inches for non-metric parts.  
Note: Dimensions are in MM (in)

# Grip Tight® mounted ball bearings

## Selection/Dimensions

Grip Tight mounted ball bearings  
GT normal duty 4-bolt flange bearings



Lube Fitting Thread Size -  
203 Series - 1/4-28 Tapered Thread  
204 Series and Larger - 1/8-27 NPT

Series	Shaft Size	Complete unit		Unit without adapter sleeve & lock nut		Adapter sleeve & lock nut assembly	
		Part no.	Description	Part no.	Description	Part no.	Description
208	40mm	<b>129672</b>	F4B-GT-40M	<b>129469</b>	F4B-GT-08	<b>136593</b>	AN-GT-08-40M-D
	1-1/2	<b>129649</b>	F4B-GT-108	<b>129469</b>	F4B-GT-08	<b>136530</b>	AN-GT-08-108-D
	1-5/8	<b>129374</b>	F4B-GT-110	<b>129469</b>	F4B-GT-08	<b>136592</b>	AN-GT-08-110-D
209	45mm	<b>129673</b>	F4B-GT-45M	<b>129470</b>	F4B-GT-09	<b>136557</b>	AN-GT-09-45M-D
	1-5/8	<b>129650</b>	F4B-GT-110L	<b>129470</b>	F4B-GT-09	<b>136531</b>	AN-GT-09-110L-D
	1-11/16	<b>129651</b>	F4B-GT-111	<b>129470</b>	F4B-GT-09	<b>136532</b>	AN-GT-09-111-D
	1-3/4	<b>129652</b>	F4B-GT-112	<b>129470</b>	F4B-GT-09	<b>136533</b>	AN-GT-09-112-D
210	50mm	<b>129674</b>	F4B-GT-50M	<b>129471</b>	F4B-GT-10	<b>136558</b>	AN-GT-10-50M-D
	1-15/16	<b>129653</b>	F4B-GT-115	<b>129471</b>	F4B-GT-10	<b>136534</b>	AN-GT-10-115-D
	2	<b>129654</b>	F4B-GT-200	<b>129471</b>	F4B-GT-10	<b>136535</b>	AN-GT-10-200-D
211	55mm	<b>129675</b>	F4B-GT-55M	<b>129472</b>	F4B-GT-11	<b>136559</b>	AN-GT-11-55M-D
	2	<b>129687</b>	F4B-GTM-200	<b>129472</b>	F4B-GT-11	<b>136600</b>	AN-GTM-11-200-D
	2-3/16	<b>129655</b>	F4B-GT-203	<b>129472</b>	F4B-GT-11	<b>136536</b>	AN-GT-11-203-D
	2-1/4	<b>129379</b>	F4B-GT-204	<b>129472</b>	F4B-GT-11	<b>136537</b>	AN-GT-11-204-D
212	60mm	<b>129676</b>	F4B-GT-60M	<b>129473</b>	F4B-GT-12	<b>136594</b>	AN-GT-12-60M-D
	2-1/4	<b>129689</b>	F4B-GTM-204	<b>129473</b>	F4B-GT-12	<b>136601</b>	AN-GTM-12-204-D
	2-7/16	<b>129656</b>	F4B-GT-207	<b>129473</b>	F4B-GT-12	<b>136538</b>	AN-GT-12-207-D
214	70mm	<b>129677</b>	F4B-GT-70M	<b>129474</b>	F4B-GT-14	<b>136568</b>	AN-GT-14-70M-D
	2-1/2	<b>129691</b>	F4B-GTM-208	<b>129474</b>	F4B-GT-14	<b>136547</b>	AN-GTM-14-208-D
	2-11/16	<b>129657</b>	F4B-GT-211	<b>129474</b>	F4B-GT-14	<b>136548</b>	AN-GT-14-211-D
215	75mm	<b>129678</b>	F4B-GT-75M	<b>129475</b>	F4B-GT-15	<b>136596</b>	AN-GT-15-75M-D
	2-15/16	<b>129658</b>	F4B-GT-215	<b>129475</b>	F4B-GT-15	<b>136540</b>	AN-GT-15-215-D
	3	<b>075700</b>	F4B-GT-300	<b>129475</b>	F4B-GT-15	<b>136595</b>	AN-GT-15-300-D

Unless specified, dimensions are in mm for metric parts and inches for non-metric parts.  
Note: Dimensions are in MM (in)

# Grip Tight<sup>®</sup> mounted ball bearings

## Selection/Dimensions

Grip Tight mounted ball bearings  
GT normal duty 4-bolt flange bearings

Series	Shaft size	Weight kg lb	A	B	C#*	D	F bolt dia.	H	J	L	N	Z
208	40mm	2.6	46.7	130.3	51.1	101.6	M12	14.2	17.0	66.5	60.5	51.3
	1-1/2	5.8	1.84	5.13	2.01	4.00	1/2	0.56	0.67	2.62	2.38	2.02
	1-5/8	5.6	1.84	5.13	2.01	4.00	1/2	0.56	0.67	2.62	2.38	2.02
209	45mm	2.7	47.0	136.7	51.6	104.8	M14	16.0	16.8	72.6	69.9	52.3
	1-5/8	6.0	1.85	5.38	2.03	4.13	1/2	0.63	0.66	2.86	2.75	2.06
	1-11/16	6.0	1.85	5.38	2.03	4.13	1/2	0.63	0.66	2.86	2.75	2.06
	1-3/4	5.9	1.85	5.38	2.03	4.13	1/2	0.63	0.66	2.86	2.75	2.06
210	50mm	3.1	47.2	143.0	52.6	111.1	M16	16.0	16.0	79.5	73.2	53.3
	1-15/16	6.6	1.86	5.63	2.07	4.38	1/2	0.63	0.63	3.13	2.88	2.10
	2	6.5	1.86	5.63	2.07	4.38	1/2	0.63	0.63	3.13	2.88	2.10
211	55mm	5.0	49.0	165.1	55.6	130.2	M16	17.5	16.5	87.1	82.6	57.2
	2	10.1	1.93	6.50	2.19	5.13	5/8	0.69	0.65	3.43	3.25	2.25
	2-3/16	9.7	1.93	6.50	2.19	5.13	5/8	0.69	0.65	3.43	3.25	2.25
	2-1/4	9.6	1.93	6.50	2.19	5.13	5/8	0.69	0.65	3.43	3.25	2.25
212	60mm	5.9	53.8	174.8	59.9	142.9	M16	17.5	18.0	93.7	88.9	61.7
	2-1/4	11.9	2.12	6.88	2.36	5.63	5/8	0.69	0.71	3.69	3.50	2.43
	2-7/16	11.2	2.12	6.88	2.36	5.63	5/8	0.69	0.71	3.69	3.50	2.43
214	70mm	6.6	60.7	187.5	72.4	149.2	M16	17.5	17.8	101.6	93.7	73.4
	2-1/2	15.9	2.39	7.38	2.85	5.88	5/8	0.69	0.70	4.00	3.69	2.89
	2-11/16	15.4	2.39	7.38	2.85	5.88	5/8	0.69	0.70	4.00	3.69	2.89
215	75mm	8.6	62.5	196.9	76.7	152.4	M18	25.4	19.6	112.8	98.6	76.7
	2-15/16	16.4	2.46	7.75	3.02	6.00	3/4	1.00	0.77	4.44	3.88	3.02
	3	16.2	2.46	7.75	3.02	6.00	3/4	1.00	0.77	4.44	3.88	3.02

\*C# dimension will vary slightly depending on true shaft diameter.

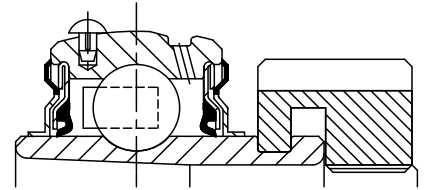
Unless specified, dimensions are in mm for metric parts and inches for non-metric parts.

Note: Dimensions are in MM (in)

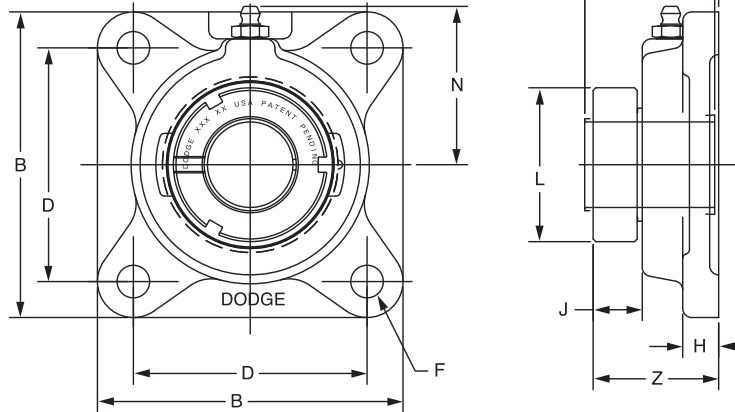
# Grip Tight® mounted ball bearings

## Selection/Dimensions

Grip Tight mounted ball bearings  
GTM medium duty 4-bolt flange bearings



Lube Fitting Thread Size -  
1/8 - 27 NPT



Series	Shaft size	Complete unit		Unit without adapter sleeve & lock nut		adapter sleeve & lock nut assembly	
		Part no.	Description	Part no.	Description	Part no.	Description
205	3/4	129679	F4B-GTM-012	129466	F4B-GT-05	136597	AN-GTM-05-012-D
206	25mm	136275	F4B-GTM-25M	129467	F4B-GT-06	136561	AN-GTM-06-25M-D
	1	129680	F4B-GTM-100	129467	F4B-GT-06	136541	AN-GTM-06-100-D
207	30mm	136276	F4B-GTM-30M	129468	F4B-GT-07	136562	AN-GTM-07-30M-D
	1-3/16	129681	F4B-GTM-103	129468	F4B-GT-07	136542	AN-GTM-07-103-D
	1-1/4	129646	F4B-GT-104	129468	F4B-GT-07	136528	AN-GT-07-104-D
208	35mm	136277	F4B-GTM-35M	129469	F4B-GT-08	136563	AN-GTM-08-35M-D
	1-7/16	129682	F4B-GTM-107	129469	F4B-GT-08	136543	AN-GTM-08-107-D
209	40mm	136278	F4B-GTM-40M	129470	F4B-GT-09	136564	AN-GTM-09-40M-D
	1-1/2	129683	F4B-GTM-108	129470	F4B-GT-09	136598	AN-GTM-09-108-D
210	45mm	136279	F4B-GTM-45M	129471	F4B-GT-10	136565	AN-GTM-10-45M-D
	1-11/16	129684	F4B-GTM-111	129471	F4B-GT-10	136544	AN-GTM-10-111-D
	1-3/4	129685	F4B-GTM-112	129471	F4B-GT-10	136599	AN-GTM-10-112-D
211	50mm	136280	F4B-GTM-50M	129472	F4B-GT-11	136566	AN-GTM-11-50M-D
	1-15/16	129686	F4B-GTM-115	129472	F4B-GT-11	136545	AN-GTM-11-115-D
	2	129687	F4B-GTM-200	129472	F4B-GT-11	136600	AN-GTM-11-200-D
212	55mm	136281	F4B-GTM-55M	129473	F4B-GT-12	136567	AN-GTM-12-55M-D
	2-3/16	129688	F4B-GTM-203	129473	F4B-GT-12	136546	AN-GTM-12-203-D
	2-1/4	129689	F4B-GTM-204	129473	F4B-GT-12	136601	AN-GTM-12-204-D
214	65mm	136282	F4B-GTM-65M	129474	F4B-GT-14	136568	AN-GTM-14-65M-D
	2-7/16	129690	F4B-GTM-207	129474	F4B-GT-14	136547	AN-GTM-14-207-D
	2-1/2	129691	F4B-GTM-208	129474	F4B-GT-14	136548	AN-GTM-14-208-D
215	70mm	136283	F4B-GTM-70M	129475	F4B-GT-15	136569	AN-GTM-15-70M-D
	2-11/16	129692	F4B-GTM-211	129475	F4B-GT-15	136549	AN-GTM-15-211-D
216	75mm	136284	F4B-GTM-75M	129486	F4B-GT-16	136570	AN-GTM-16-75M-D
	2-15/16	129693	F4B-GTM-215	129486	F4B-GT-16	136550	AN-GTM-16-215-D
	3	129694	F4B-GTM-300	129486	F4B-GT-16	136551	AN-GTM-16-300-D
218	85mm	136285	F4B-GTM-85M	129487	F4B-GT-18	136571	AN-GTM-18-85M-D
	3-7/16	129695	F4B-GTM-307	129487	F4B-GT-18	136552	AN-GTM-18-307-D
	3-1/2	129696	F4B-GTM-308	129487	F4B-GT-18	136603	AN-GTM-18-308-D

Unless specified, dimensions are in mm for metric parts and inches for non-metric parts.  
Note: Dimensions are in MM (in)



# Grip Tight® mounted ball bearings

## Selection/Dimensions

Grip Tight mounted ball bearings  
GTM medium duty 4-bolt flange bearings

Series	Shaft size	Weight kg lb	A	B	C#*	D	F bolt dia.	H	J	L	N	Z
205	3/4	2.3	1.46	3.75	1.57	2.75	7/16	0.50	0.63	1.80	2.06	1.59
	3/4	2.3	37.1	95.3	39.9	69.9	M10	12.7	16.0	45.7	52.3	40.4
206	25mm	1.9	40.9	108.0	43.4	82.6	M10	12.7	17.3	52.8	55.6	44.2
	1	3.9	1.61	4.25	1.71	3.25	7/16	0.50	0.68	2.08	2.19	1.74
207	30mm	2.2	41.1	120.7	45.5	92.1	M12	14.2	16.0	60.5	62.0	47.0
	1-3/16	4.5	1.62	4.75	1.79	3.63	1/2	0.56	0.63	2.38	2.44	1.85
	1-1/4	4.4	1.62	4.75	1.79	3.63	1/2	0.56	0.63	2.38	2.44	1.85
208	35mm	2.9	46.7	130.3	51.1	101.6	M12	14.2	17.0	66.5	60.5	51.3
	1-7/16	5.9	1.84	5.13	2.01	4.00	1/2	0.56	0.67	2.62	2.38	2.02
209	40mm	3.0	47.0	136.7	51.6	104.8	M14	16.0	16.8	72.6	69.9	52.3
	1-1/2	6.1	1.85	5.38	2.03	4.13	1/2	0.63	0.66	2.86	2.75	2.06
210	45mm	3.4	47.2	143.0	52.6	111.1	M16	16.0	16.0	79.5	73.2	53.3
	1-11/16	7.1	1.86	5.63	2.07	4.38	1/2	0.63	0.63	3.13	2.88	2.10
	1-3/4	7.0	1.86	5.63	2.07	4.38	1/2	0.63	0.63	3.13	2.88	2.10
211	50mm	5.4	49.0	165.1	55.6	130.2	M16	17.5	16.5	87.1	82.6	57.2
	1-15/16	11.1	1.93	6.50	2.19	5.13	5/8	0.69	0.65	3.43	3.25	2.25
	2	11.0	1.93	6.50	2.19	5.13	5/8	0.69	0.65	3.43	3.25	2.25
212	55mm	6.5	53.8	174.8	59.9	142.9	M16	17.5	18.0	93.7	88.9	61.7
	2-3/16	13.4	2.12	6.88	2.36	5.63	5/8	0.69	0.71	3.69	3.50	2.43
	2-1/4	13.3	2.12	6.88	2.36	5.63	5/8	0.69	0.71	3.69	3.50	2.43
214	65mm	7.1	60.7	187.5	72.4	149.2	M16	17.5	17.8	101.6	93.7	73.4
	2-7/16	14.7	2.39	7.38	2.85	5.88	5/8	0.69	0.70	4.00	3.69	2.89
	2-1/2	14.6	2.39	7.38	2.85	5.88	5/8	0.69	0.70	4.00	3.69	2.89
215	70mm	9.2	62.5	196.9	76.7	152.4	M18	25.4	19.6	112.8	98.6	76.7
	2-11/16	19.0	2.46	7.75	3.02	6.00	3/4	1.00	0.77	4.44	3.88	3.02
216	75mm	10.0	68.6	196.9	86.4	152.4	M18	22.4	22.1	119.1	103.9	85.6
	2-15/16	20.70	2.70	7.75	3.40	6.00	3/4	0.88	0.87	4.69	4.09	3.37
	3	20.6	2.70	7.75	3.40	6.00	3/4	0.88	0.87	4.69	4.09	3.37
218	85mm	17.5	71.1	214.4	91.9	171.5	M18	25.4	20.6	131.8	117.6	91.2
	3-7/16	36.1	2.80	8.44	3.62	6.75	3/4	1.00	0.81	5.19	4.63	3.59
	3-1/2	36.1	2.80	8.44	3.62	6.75	3/4	1.00	0.81	5.19	4.63	3.59

\*C# dimension will vary slightly depending on true shaft diameter.

Unless specified, dimensions are in mm for metric parts and inches for non-metric parts.

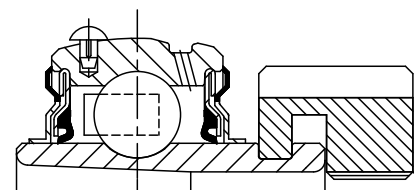
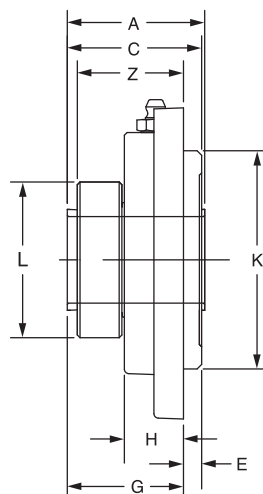
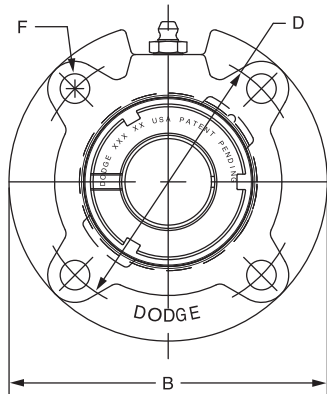
Note: Dimensions are in MM (in)

# Grip Tight® mounted ball bearings

## Selection/Dimensions

Grip Tight mounted ball bearings  
GT normal duty piloted flange bearings

Lube Fitting Thread Size -  
1/8 - 27 NPT



Series	Shaft size	Complete unit		Unit without adapter sleeve & lock nut		Adapter sleeve & lock nut assembly	
		Part no.	Description	Part no.	Description	Part no.	Description
206	30mm	129750	FC-GT-30M	129501	FC-GT-06	136555	AN-GT-06-30M-D
	1-1/8	129735	FC-GT-102	129501	FC-GT-06	136525	AN-GT-06-102-D
	1-3/16	129736	FC-GT-103	129501	FC-GT-06	136526	AN-GT-06-103-D
	1-1/4	129737	FC-GT-104S	129501	FC-GT-06	136527	AN-GT-06-104S-D
207	35mm	129751	FC-GT-35M	129502	FC-GT-07	136556	AN-GT-07-35M-D
	1-1/4	129738	FC-GT-104	129502	FC-GT-07	136528	AN-GT-07-104-D
	1-3/8	129739	FC-GT-106	129502	FC-GT-07	136591	AN-GT-07-106-D
	1-7/16	129740	FC-GT-107	129502	FC-GT-07	136529	AN-GT-07-107-D
208	40mm	129752	FC-GT-40M	129503	FC-GT-08	136593	AN-GT-08-40M-D
	1-1/2	129741	FC-GT-108	129503	FC-GT-08	136530	AN-GT-08-108-D
	1-5/8	129375	FC-GT-110	129503	FC-GT-08	136592	AN-GT-08-110-D
209	45mm	129753	FC-GT-45M	129504	FC-GT-09	136557	AN-GT-09-45M-D
	1-5/8	129742	FC-GT-110L	129504	FC-GT-09	136531	AN-GT-09-110L-D
	1-11/16	129743	FC-GT-111	129504	FC-GT-09	136532	AN-GT-09-111-D
210	50mm	129754	FC-GT-50M	129505	FC-GT-10	136558	AN-GT-10-50M-D
	1-15/16	129745	FC-GT-115	129505	FC-GT-10	136534	AN-GT-10-115-D
	2	129746	FC-GT-200	129505	FC-GT-10	136535	AN-GT-10-200-D
211	55mm	129755	FC-GT-55M	129506	FC-GT-11	136559	AN-GT-11-55M-D
	2	129765	FC-GTM-200	129506	FC-GT-11	136600	AN-GTM-11-200-D
	2-3/16	129747	FC-GT-203	129506	FC-GT-11	136536	AN-GT-11-203-D
	2-1/4	129380	FC-GT-204	129506	FC-GT-11	136537	AN-GT-11-204-D
212	60mm	129756	FC-GT-60M	129507	FC-GT-12	136594	AN-GT-12-60M-D
	2-1/4	129767	FC-GTM-204	129507	FC-GT-12	136601	AN-GTM-12-204-D
	2-7/16	129748	FC-GT-207	129507	FC-GT-12	136538	AN-GT-12-207-D
214	70mm	129757	FC-GT-70M	129508	FC-GT-14	136560	AN-GT-14-70M-D
	2-1/2	129769	FC-GTM-208	129508	FC-GT-14	136548	AN-GTM-14-208-D
	2-11/16	129749	FC-GT-211	129508	FC-GT-14	136539	AN-GT-14-211-D

Unless specified, dimensions are in mm for metric parts and inches for non-metric parts.  
Note: Dimensions are in MM (in)

# Grip Tight<sup>®</sup> mounted ball bearings

## Selection/Dimensions

Grip Tight mounted ball bearings  
GT normal duty piloted flange bearings

Series	Shaft size	Weight kg lb	A	B	C#*	D	E	F bolt dia.	G#*	H	K	L	Z
206	30mm	1.4	40.9	111.3	42.7	92.2	6.4	M10	36.3	20.6	76.20/76.15	52.8	37.1
	1-1/8	3.0	1.61	4.38	1.68	3.63	0.25	3/8	1.43	0.81	3.000/2.998	2.08	1.46
	1-3/16	3.0	1.61	4.38	1.68	3.63	0.25	3/8	1.43	0.81	3.000/2.998	2.08	1.46
	1-1/4	3.0	1.61	4.38	1.68	3.63	0.25	3/8	1.43	0.81	3.000/2.998	2.08	1.46
207	35mm	1.6	41.1	127.0	46.0	104.9	9.7	M10	36.6	21.3	85.73/85.67	60.5	37.8
	1-1/4	4.1	1.62	5.00	1.81	4.13	0.38	3/8	1.44	0.84	3.375/3.373	2.38	1.49
	1-3/8	4.0	1.62	5.00	1.81	4.13	0.38	3/8	1.44	0.84	3.375/3.373	2.38	1.49
	1-7/16	4.0	1.62	5.00	1.81	4.13	0.38	3/8	1.44	0.84	3.375/3.373	2.38	1.49
208	40mm	2.1	46.7	133.4	51.1	111.3	11.2	M12	40.1	22.6	92.08/92.02	66.5	40.1
	1-1/2	4.9	1.84	5.25	2.01	4.38	0.44	7/16	1.58	0.89	3.625/3.623	2.62	1.58
	1-5/8	4.7	1.84	5.25	2.01	4.38	0.44	7/16	1.58	0.89	3.625/3.623	2.62	1.58
209	45mm	2.50	47.0	146.1	50.0	120.7	11.2	M12	38.9	23.1	101.60/101.55	72.6	39.9
	1-5/8	6.2	1.85	5.75	1.97	4.75	0.44	1/2	1.53	0.91	4.000/3.998	2.86	1.57
	1-11/16	6.1	1.85	5.75	1.97	4.75	0.44	1/2	1.53	0.91	4.000/3.998	2.86	1.57
	1-3/4	6.1	1.85	5.75	1.97	4.75	0.44	1/2	1.53	0.91	4.000/3.998	2.86	1.57
210	50mm	2.6	47.2	155.7	51.3	130.3	11.9	M12	39.4	23.4	107.95/107.90	79.5	40.1
	1-15/16	6.2	1.86	6.13	2.02	5.13	0.47	1/2	1.55	0.92	4.250/4.248	3.13	1.58
	2	6.2	1.86	6.13	2.02	5.13	0.47	1/2	1.55	0.92	4.250/4.248	3.13	1.58
211	55mm	3.4	49.0	162.1	57.4	136.7	16.0	M12	41.4	25.4	114.30/114.25	87.1	42.9
	2	8.0	1.93	6.38	2.26	5.38	0.63	1/2	1.63	1.00	4.500/4.498	3.43	1.69
	2-3/16	8.0	1.93	6.38	2.26	5.38	0.63	1/2	1.63	1.00	4.500/4.498	3.43	1.69
	2-1/4	6.9	1.93	6.38	2.26	5.38	0.63	1/2	1.63	1.00	4.500/4.498	3.43	1.69
212	60mm	4.9	53.8	181.1	64.0	152.4	22.4	M12	41.9	25.4	127.00/126.95	93.7	43.4
	2-1/4	11.6	2.12	7.13	2.52	6.00	0.88	1/2	1.65	1.00	5.000/4.998	3.69	1.71
	2-7/16	11.6	2.12	7.13	2.52	6.00	0.88	1/2	1.65	1.00	5.000/4.998	3.69	1.71
214	70mm	5.8	60.7	193.8	72.6	165.1	28.7	M12	44.2	26.9	139.70/139.65	101.6	45.0
	2-1/2	13.8	2.39	7.63	2.86	6.50	1.13	1/2	1.74	1.06	5.500/5.498	4.00	1.77
	2-11/16	13.6	2.39	7.63	2.86	6.50	1.13	1/2	1.74	1.06	5.500/5.498	4.00	1.77

\*C# & G# dimensions will vary slightly depending on true shaft diameter.

Unless specified, dimensions are in mm for metric parts and inches for non-metric parts.

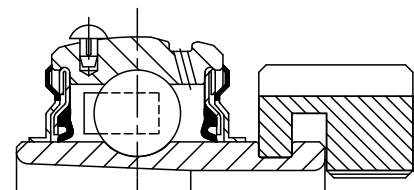
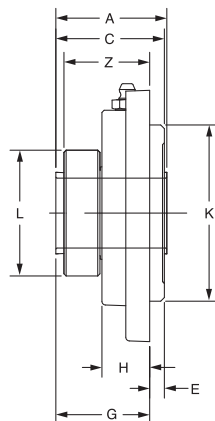
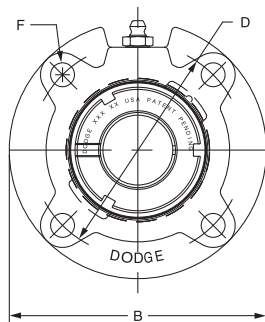
Note: Dimensions are in MM (in)

# Grip Tight® mounted ball bearings

## Selection/Dimensions

Grip Tight mounted ball bearings  
GTM medium duty piloted flange bearings

Lube Fitting Thread Size -  
1/8 - 27 NPT



Series	Shaft size	Complete unit		Unit without adapter sleeve & lock nut		Adapter sleeve & lock nut assembly	
		Part no.	Description	Part no.	Description	Part no.	Description
206	25mm	<b>136286</b>	FC-GTM-25M	<b>129501</b>	FC-GT-06	<b>136561</b>	AN-GTM-06-25M-D
	1	<b>129758</b>	FC-GTM-100	<b>129501</b>	FC-GT-06	<b>136541</b>	AN-GTM-06-100-D
207	30mm	<b>136287</b>	FC-GTM-30M	<b>129502</b>	FC-GT-07	<b>136562</b>	AN-GTM-07-30M-D
	1-3/16	<b>129759</b>	FC-GTM-103	<b>129502</b>	FC-GT-07	<b>136542</b>	AN-GTM-07-103-D
	1-1/4	<b>129738</b>	FC-GT-104	<b>129502</b>	FC-GT-07	<b>136528</b>	AN-GT-07-104-D
208	35mm	<b>136288</b>	FC-GTM-35M	<b>129503</b>	FC-GT-08	<b>136563</b>	AN-GTM-08-35M-D
	1-7/16	<b>129760</b>	FC-GTM-107	<b>129503</b>	FC-GT-08	<b>136543</b>	AN-GTM-08-107-D
	1-1/2	<b>129741</b>	FC-GT-108	<b>129503</b>	FC-GT-08	<b>136530</b>	AN-GT-08-108-D
209	40mm	<b>136289</b>	FC-GTM-40M	<b>129504</b>	FC-GT-09	<b>136564</b>	AN-GTM-09-40M-D
	1-1/2	<b>129761</b>	FC-GTM-108L	<b>129504</b>	FC-GT-09	<b>136598</b>	AN-GTM-09-108-D
	1-5/8	<b>129742</b>	FC-GT-110L	<b>129504</b>	FC-GT-09	<b>136531</b>	AN-GT-09-110-D
210	45mm	<b>136290</b>	FC-GTM-45M	<b>129505</b>	FC-GT-10	<b>136565</b>	AN-GTM-10-45M-D
	1-11/16	<b>129762</b>	FC-GTM-111	<b>129505</b>	FC-GT-10	<b>136544</b>	AN-GTM-10-111-D
	1-3/4	<b>129763</b>	FC-GTM-112	<b>129505</b>	FC-GT-10	<b>136599</b>	AN-GTM-10-112-D
211	50mm	<b>136291</b>	FC-GTM-50M	<b>129506</b>	FC-GT-11	<b>136566</b>	AN-GTM-11-50M-D
	1-15/16	<b>129764</b>	FC-GTM-115	<b>129506</b>	FC-GT-11	<b>136545</b>	AN-GTM-11-115-D
	2	<b>129765</b>	FC-GTM-200	<b>129506</b>	FC-GT-11	<b>136600</b>	AN-GTM-11-200-D
212	55mm	<b>139292</b>	FC-GTM-55M	<b>129507</b>	FC-GT-12	<b>136567</b>	AN-GTM-12-55M-D
	2-3/16	<b>129766</b>	FC-GTM-203	<b>129507</b>	FC-GT-12	<b>136546</b>	AN-GTM-12-203-D
	2-1/4	<b>129767</b>	FC-GTM-204	<b>129507</b>	FC-GT-12	<b>136601</b>	AN-GTM-12-204-D
214	65mm	<b>136293</b>	FC-GTM-65M	<b>129508</b>	FC-GT-14	<b>136568</b>	AN-GTM-14-65M-D
	2-7/16	<b>129768</b>	FC-GTM-207	<b>129508</b>	FC-GT-14	<b>136547</b>	AN-GTM-14-207-D
	2-1/2	<b>129769</b>	FC-GTM-208	<b>129508</b>	FC-GT-14	<b>136548</b>	AN-GTM-14-208-D
216	75mm	<b>136294</b>	FC-GTM-75M	<b>129509</b>	FC-GT-16	<b>136570</b>	AN-GTM-16-75M-D
	2-15/16	<b>129770</b>	FC-GTM-215	<b>129509</b>	FC-GT-16	<b>136550</b>	AN-GTM-16-215-D
	3	<b>129771</b>	FC-GTM-300	<b>129509</b>	FC-GT-16	<b>136551</b>	AN-GTM-16-300-D
218	85mm	<b>136295</b>	FC-GTM-85M	<b>129510</b>	FC-GT-18	<b>136571</b>	AN-GTM-18-85M-D
	3-7/16	<b>129772</b>	FC-GTM-307	<b>129510</b>	FC-GT-18	<b>136552</b>	AN-GTM-18-307-D
	3-1/2	<b>129773</b>	FC-GTM-308	<b>129510</b>	FC-GT-18	<b>136603</b>	AN-GTM-18-308-D

Unless specified, dimensions are in mm for metric parts and inches for non-metric parts.  
Note: Dimensions are in MM (in)

# Grip Tight® mounted ball bearings

## Selection/Dimensions

Grip Tight mounted ball bearings  
GTM medium duty piloted flange bearings

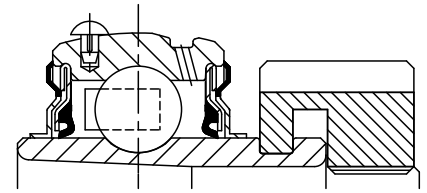
Series	Shaft size	Weight kg lb	A	B	C#*	D	E	F bolt dia.	G#*	H	K	L	Z
206	25mm	1.5	40.9	111.3	42.7	92.2	6.4	M10	36.3	20.6	76.20/76.15	52.8	37.1
	1	3.1	1.61	4.38	1.68	3.63	0.25	3/8	1.43	0.81	3.000/2.998	2.08	1.46
207	30mm	2.0	41.1	127.0	46.0	104.9	9.7	M10	36.6	21.3	85.73/85.67	60.5	37.8
	1-3/16	4.1	1.62	5.00	1.81	4.13	0.38	3/8	1.44	0.84	3.375/3.373	2.38	1.49
	1-1/4	4.1	1.62	5.00	1.81	4.13	0.38	3/8	1.44	0.84	3.375/3.373	2.38	1.49
208	35mm	2.5	46.7	133.4	51.1	111.3	11.2	M12	40.1	22.6	92.08/92.02	66.5	40.1
	1-7/16	5.1	1.84	5.25	2.01	4.38	0.44	7/16	1.58	0.89	3.625/3.623	2.62	1.58
	1-1/2	4.9	1.84	5.25	2.01	4.38	0.44	7/16	1.58	0.89	3.625/3.623	2.62	1.58
209	40mm	3.0	47.0	146.1	50.0	120.7	11.2	M12	38.9	23.1	101.60/101.55	72.6	39.9
	1-1/2	6.1	1.85	5.75	1.97	4.75	0.44	1/2	1.53	0.91	4.000/3.998	2.86	1.57
	1-5/8	6.1	1.85	5.75	1.97	4.75	0.44	1/2	1.53	0.91	4.000/3.998	2.86	1.57
210	45mm	3.0	47.2	155.7	51.3	130.3	11.9	M12	39.4	23.4	107.95/107.90	79.5	40.1
	1-11/16	6.2	1.86	6.13	2.02	5.13	0.47	1/2	1.55	0.92	4.250/4.248	3.13	1.58
	1-3/4	6.2	1.86	6.13	2.02	5.13	0.47	1/2	1.55	0.92	4.250/4.248	3.13	1.58
211	50mm	3.9	49.0	162.1	57.4	136.7	16.0	M12	41.4	25.4	114.30/114.25	87.1	42.9
	1-15/16	8.0	1.93	6.38	2.26	5.38	0.63	1/2	1.63	1.00	4.500/4.498	3.43	1.69
	2	8.0	1.93	6.38	2.26	5.38	0.63	1/2	1.63	1.00	4.500/4.498	3.43	1.69
212	55mm	5.6	53.8	181.1	64.0	152.4	22.4	M12	41.9	25.4	127.00/126.95	93.7	43.4
	2-3/16	11.6	2.12	7.13	2.52	6.00	0.88	1/2	1.65	1.00	5.000/4.998	3.69	1.71
	2-1/4	11.60	2.12	7.13	2.52	6.00	0.88	1/2	1.65	1.00	5.000/4.998	3.69	1.71
214	65mm	6.7	60.7	193.8	72.6	165.1	28.7	M12	44.2	26.9	139.70/139.65	101.6	45.0
	2-7/16	13.9	2.39	7.63	2.86	6.50	1.13	1/2	1.74	1.06	5.500/5.498	4.00	1.77
	2-1/2	13.8	2.39	7.63	2.86	6.50	1.13	1/2	1.74	1.06	5.500/5.498	4.00	1.77
216	75mm	12.9	68.6	222.3	84.6	190.5	31.8	M16	52.8	30.2	161.93/161.87	119.1	52.1
	2-15/16	15.9	2.70	8.75	3.33	7.50	1.25	5/8	2.08	1.19	6.375/6.373	4.69	2.05
	3	15.8	2.70	8.75	3.33	7.50	1.25	5/8	2.08	1.19	6.375/6.373	4.69	2.05
218	85mm	17.8	71.1	260.4	90.7	212.9	28.7	M18	62.0	41.4	187.33/187.27	131.8	61.5
	3-7/16	36.8	2.80	10.25	3.57	8.38	1.13	3/4	2.44	1.63	7.375/7.373	5.19	2.42
	3-1/2	36.8	2.80	10.25	3.57	8.38	1.13	3/4	2.44	1.63	7.375/7.373	5.19	2.42

\*C# & G# dimensions will vary slightly depending on true shaft diameter  
Unless specified, dimensions are in mm for metric parts and inches for non-metric parts.  
Note: Dimensions are in MM (in)

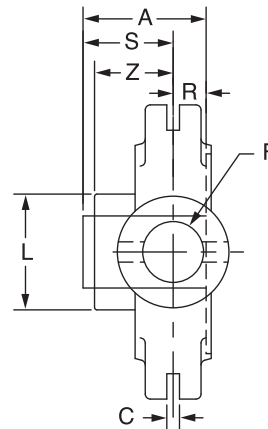
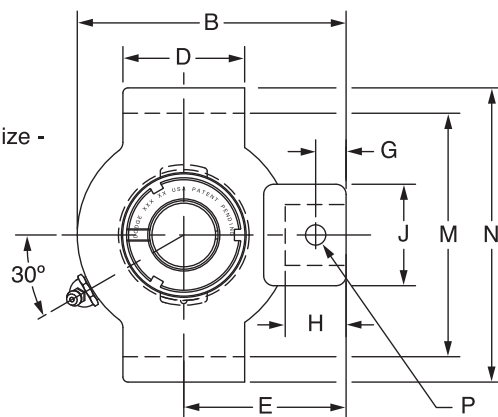
# Grip Tight® mounted ball bearings

## Selection/Dimensions

Grip Tight mounted ball bearings  
GT normal duty narrow slot take-up bearings



Lube Fitting Thread Size -  
1/8 - 27 NPT



Series	Shaft size	Complete unit		Unit without adapter sleeve & lock nut		Adapter sleeve & lock nut assembly	
		Part no.	Description	Part no.	Description	Part no.	Description
204	20mm	<b>136238</b>	NSTU-GT-20M	<b>136210</b>	NSTU-GT-04	<b>136553</b>	AN-GT-04-20M-D
	3/4	<b>136110</b>	NSTU-GT-012	<b>136210</b>	NSTU-GT-04	<b>136522</b>	AN-GT-04-012-D
205	25mm	<b>136239</b>	NSTU-GT-25M	<b>136211</b>	NSTU-GT-05	<b>136554</b>	AN-GT-05-25M-D
	7/8	<b>136111</b>	NSTU-GT-014	<b>136211</b>	NSTU-GT-05	<b>136590</b>	AN-GT-05-014-D
	15/16	<b>136112</b>	NSTU-GT-015	<b>136211</b>	NSTU-GT-05	<b>136523</b>	AN-GT-05-015-D
	1	<b>136113</b>	NSTU-GT-100	<b>136211</b>	NSTU-GT-05	<b>136524</b>	AN-GT-05-100-D
206	30mm	<b>136240</b>	NSTU-GT-30M	<b>136212</b>	NSTU-GT-06	<b>136555</b>	AN-GT-06-30M-D
	1-1/8	<b>136114</b>	NSTU-GT-102	<b>136212</b>	NSTU-GT-06	<b>136525</b>	AN-GT-06-102-D
	1-3/16	<b>136115</b>	NSTU-GT-103	<b>136212</b>	NSTU-GT-06	<b>136526</b>	AN-GT-06-103-D
	1-1/4	<b>136116</b>	NSTU-GT-104S	<b>136212</b>	NSTU-GT-06	<b>136527</b>	AN-GT-06-104S-D
207	35mm	<b>136241</b>	NSTU-GT-35M	<b>136213</b>	NSTU-GT-07	<b>136556</b>	AN-GT-07-35M-D
	1-1/4	<b>136117</b>	NSTU-GT-104	<b>136213</b>	NSTU-GT-07	<b>136528</b>	AN-GT-07-104-D
	1-3/8	<b>136118</b>	NSTU-GT-106	<b>136213</b>	NSTU-GT-07	<b>136591</b>	AN-GT-07-106-D
	1-7/16	<b>136119</b>	NSTU-GT-107	<b>136213</b>	NSTU-GT-07	<b>136529</b>	AN-GT-07-107-D
208	40mm	<b>136242</b>	NSTU-GT-40M	<b>136214</b>	NSTU-GT-08	<b>136593</b>	AN-GT-08-40M-D
	1-1/2	<b>136120</b>	NSTU-GT-108	<b>136214</b>	NSTU-GT-08	<b>136530</b>	AN-GT-08-108-D
	1-5/8	<b>126121</b>	NSTU-GT-110	<b>136214</b>	NSTU-GT-08	<b>136592</b>	AN-GT-08-110-D
209	45mm	<b>136243</b>	NSTU-GT-45M	<b>136215</b>	NSTU-GT-09	<b>136557</b>	AN-GT-09-45M-D
	1-5/8	<b>136122</b>	NSTU-GT-110L	<b>136215</b>	NSTU-GT-09	<b>136531</b>	AN-GT-09-110L-D
	1-11/16	<b>136123</b>	NSTU-GT-111	<b>136215</b>	NSTU-GT-09	<b>136532</b>	AN-GT-09-111-D
210	50mm	<b>136244</b>	NSTU-GT-50M	<b>136216</b>	NSTU-GT-10	<b>136558</b>	AN-GT-10-50M-D
	1-15/16	<b>136125</b>	NSTU-GT-115	<b>136216</b>	NSTU-GT-10	<b>136534</b>	AN-GT-10-115-D
	2	<b>136126</b>	NSTU-GT-200	<b>136216</b>	NSTU-GT-10	<b>136535</b>	AN-GT-10-200-D
211	55mm	<b>136245</b>	NSTU-GT-55M	<b>136217</b>	NSTU-GT-11	<b>136559</b>	AN-GT-11-55M-D
	2	<b>136167</b>	NSTU-GTM-200	<b>136217</b>	NSTU-GT-11	<b>136600</b>	AN-GTM-11-200-D
	2-3/16	<b>136127</b>	NSTU-GT-203	<b>136217</b>	NSTU-GT-11	<b>136536</b>	AN-GT-11-203-D
	2-1/4	<b>136128</b>	NSTU-GT-204	<b>136217</b>	NSTU-GT-11	<b>136537</b>	AN-GT-11-204-D
212	60mm	<b>136246</b>	NSTU-GT-60M	<b>136218</b>	NSTU-GT-12	<b>136594</b>	AN-GT-12-60M-D
	2-1/4	<b>136169</b>	NSTU-GTM-204	<b>136218</b>	NSTU-GT-12	<b>136601</b>	AN-GTM-12-204-D
	2-7/16	<b>136129</b>	NSTU-GT-207	<b>136218</b>	NSTU-GT-12	<b>136538</b>	AN-GT-12-207-D

Unless specified, dimensions are in mm for metric parts and inches for non-metric parts.  
Note: Dimensions are in MM (in)

# Grip Tight® mounted ball bearings

## Selection/Dimensions

Grip Tight mounted ball bearings  
GT normal duty narrow slot take-up bearings

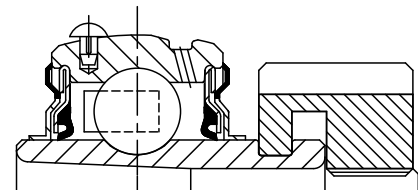
Series	Shaft size	Weight kg lb	Take-up frame size	A	B	C	D	E	F screw dia.	G	H	J	L	M	N	P pin dia.	R#*	S#*	Z
204	20mm	0.8	NS210	37.6	88.9	6.35	38.1	55.6	19.1	11.2	22.4	35.1	38.1	66.93/66.17	79.5	8.1	11.7	25.9	26.2
	3/4	1.6	NS210	1.48	3.50	0.250	1.50	2.19	3/4	0.44	0.88	1.38	1.50	2.635/2.605	3.13	0.32	0.46	1.02	1.03
205	25mm	0.7	NS210	37.1	90.4	6.35	38.1	55.6	19.1	11.2	22.4	35.1	45.7	66.93/66.17	79.5	8.1	12.2	24.9	25.4
	7/8	1.7	NS210	1.46	3.56	0.250	1.50	2.19	3/4	0.44	0.88	1.38	1.80	2.635/2.605	3.13	0.32	0.48	0.98	1.00
	15/16	1.6	NS210	1.46	3.56	0.250	1.50	2.19	3/4	0.44	0.88	1.38	1.80	2.635/2.605	3.13	0.32	0.48	0.98	1.00
	1	1.5	NS210	1.46	3.56	0.250	1.50	2.19	3/4	0.44	0.88	1.38	1.80	2.635/2.605	3.13	0.32	0.48	0.98	1.00
206	30mm	1.2	NS308	40.9	109.5	6.35	63.5	68.3	19.1	12.7	23.9	35.1	52.8	89.15/88.39	104.9	8.1	13.2	27.7	28.7
	1-1/8	2.8	NS308	1.61	4.31	0.250	2.50	2.69	3/4	0.50	0.94	1.38	2.08	3.510/3.480	4.13	0.32	0.52	1.09	1.13
	1-3/16	2.7	NS308	1.61	4.31	0.250	2.50	2.69	3/4	0.50	0.94	1.38	2.08	3.510/3.480	4.13	0.32	0.52	1.09	1.13
	1-1/4	2.6	NS308	1.61	4.31	0.250	2.50	2.69	3/4	0.50	0.94	1.38	2.08	3.510/3.480	4.13	0.32	0.52	1.09	1.13
207	35mm	1.2	NS308	41.1	114.3	6.35	63.5	68.3	19.1	12.7	23.9	35.1	60.5	89.15/88.39	104.9	8.1	13.7	27.4	29.0
	1-1/4	2.8	NS308	1.62	4.50	0.250	2.50	2.69	3/4	0.50	0.94	1.38	2.38	3.510/3.480	4.13	0.32	0.54	1.08	1.14
	1-3/8	2.6	NS308	1.62	4.50	0.250	2.50	2.69	3/4	0.50	0.94	1.38	2.38	3.510/3.480	4.13	0.32	0.54	1.08	1.14
	1-7/16	2.5	NS308	1.62	4.50	0.250	2.50	2.69	3/4	0.50	0.94	1.38	2.38	3.510/3.480	4.13	0.32	0.54	1.08	1.14
208	40mm	2.1	NS400	46.7	136.7	7.95	76.2	82.6	22.2	16.8	29.5	41.4	66.5	101.98/101.22	120.7	9.7	15.5	31.2	31.2
	1-1/2	4.70	NS400	1.84	5.38	0.313	3.00	3.25	7/8	0.66	1.16	1.63	2.62	4.015/3.985	4.75	0.38	0.61	1.23	1.23
	1-5/8	4.50	NS400	1.84	5.38	0.313	3.00	3.25	7/8	0.66	1.16	1.63	2.62	4.015/3.985	4.75	0.38	0.61	1.23	1.23
209	45mm	2.1	NS400	47.0	138.2	7.95	76.2	82.6	22.2	18.3	31.0	41.4	72.6	101.98/101.22	120.7	9.7	15.7	31.2	32.0
	1-5/8	4.9	NS400	1.85	5.44	0.313	3.00	3.25	7/8	0.72	1.22	1.63	2.86	4.015/3.985	4.75	0.38	0.62	1.23	1.26
	1-11/16	4.8	NS400	1.85	5.44	0.313	3.00	3.25	7/8	0.72	1.22	1.63	2.86	4.015/3.985	4.75	0.38	0.62	1.23	1.26
	1-3/4	4.7	NS400	1.85	5.44	0.313	3.00	3.25	7/8	0.72	1.22	1.63	2.86	4.015/3.985	4.75	0.38	0.62	1.23	1.26
210	50mm	2.2	NS400	47.2	139.7	7.95	76.2	82.6	22.2	15.0	27.7	41.4	79.5	101.98/101.22	120.7	9.7	16.0	31.2	32.0
	1-15/16	4.9	NS400	1.86	5.50	0.313	3.00	3.25	7/8	0.59	1.09	1.63	3.13	4.015/3.985	4.75	0.38	0.63	1.23	1.26
	2	4.8	NS400	1.86	5.50	0.313	3.00	3.25	7/8	0.59	1.09	1.63	3.13	4.015/3.985	4.75	0.38	0.63	1.23	1.26
211	55mm	3.0	NS407	49.0	155.7	7.95	88.9	92.2	25.4	17.5	32.5	44.5	87.1	112.98/112.22	136.7	11.2	17.0	32.0	33.5
	2	6.8	NS407	1.93	6.13	0.313	3.50	3.63	1	0.69	1.28	1.75	3.43	4.448/4.418	5.38	0.44	0.67	1.26	1.32
	2-3/16	6.6	NS407	1.93	6.13	0.313	3.50	3.63	1	0.69	1.28	1.75	3.43	4.448/4.418	5.38	0.44	0.67	1.26	1.32
	2-1/4	6.5	NS407	1.93	6.13	0.313	3.50	3.63	1	0.69	1.28	1.75	3.43	4.448/4.418	5.38	0.44	0.67	1.26	1.32
212	60mm	4.9	NS415	53.8	169.9	7.95	95.3	98.6	25.4	17.5	32.5	41.4	93.7	125.65/124.89	146.1	11.2	18.5	35.3	37.1
	2-1/4	8.7	NS415	2.12	6.69	0.313	3.75	3.88	1	0.69	1.28	1.63	3.69	4.947/4.917	5.75	0.44	0.73	1.39	1.46
	2-7/16	8.4	NS415	2.12	6.69	0.313	3.75	3.88	1	0.69	1.28	1.63	3.69	4.947/4.917	5.75	0.44	0.73	1.39	1.46

\*R# & S# dimensions will vary slightly depending on true shaft diameter.  
Unless specified, dimensions are in mm for metric parts and inches for non-metric parts.  
Note: Dimensions are in MM (in)

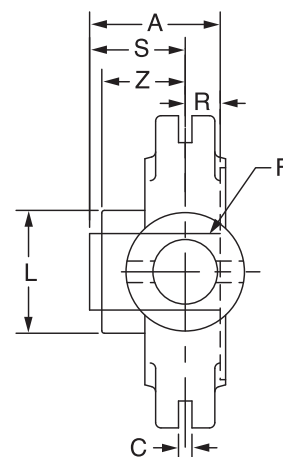
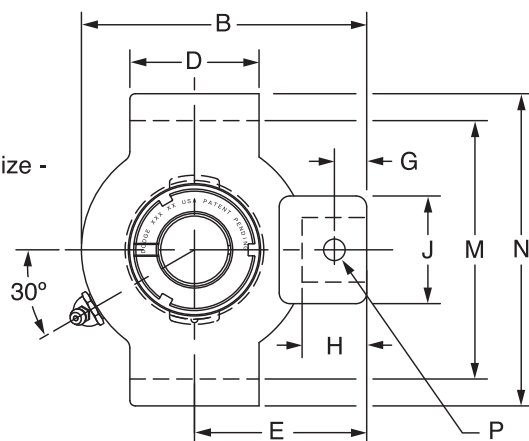
# Grip Tight® mounted ball bearings

## Selection/Dimensions

Grip Tight mounted ball bearings  
GTM medium duty narrow slot take-up bearings



Lube Fitting Thread Size -  
1/8 - 27 NPT



Series	Shaft size	Complete unit		Unit without adapter sleeve & lock nut		Adapter sleeve & lock nut assembly	
		Part no.	Description	Part no.	Description	Part no.	Description
205	3/4	<b>136159</b>	NSTU-GTM-012	<b>136211</b>	NSTU-GT-05	<b>136597</b>	AN-GTM-05-012-D
206	25mm	<b>136296</b>	NSTU-GTM-25M	<b>136212</b>	NSTU-GTU-06	<b>136561</b>	AN-GTM-06-25M-D
	1	<b>136160</b>	NSTU-GTM-100	<b>136212</b>	NSTU-GTU-06	<b>136541</b>	AN-GTM-06-100-D
207	30mm	<b>136297</b>	NSTU-GTM-30M	<b>136213</b>	NSTU-GT-07	<b>136562</b>	AN-GTM-07-30M-D
	1 -3/16	<b>136161</b>	NSTU-GTM-103	<b>136213</b>	NSTU-GT-07	<b>136542</b>	AN-GTM-07-103-D
	1-1/4	<b>136117</b>	NSTU-GT-104	<b>136213</b>	NSTU-GT-07	<b>136528</b>	AN-GT-07-104-D
208	35mm	<b>136298</b>	NSTU-GTM-35M	<b>136214</b>	NSTU-GT-08	<b>136563</b>	AN-GTM-08-35M-D
	1-7/16	<b>136162</b>	NSTU-GTM-107	<b>136214</b>	NSTU-GT-08	<b>136543</b>	AN-GTM-08-107-D
209	40mm	<b>136299</b>	NSTU-GTM-40M	<b>136215</b>	NSTU-GT-09	<b>136564</b>	AN-GTM-09-40M-D
	1-1/2	<b>136163</b>	NSTU-GTM-108	<b>136215</b>	NSTU-GT-09	<b>136598</b>	AN-GTM-09-108-D
210	45mm	<b>136300</b>	NSTU-GTM-45M	<b>136216</b>	NSTU-GT-10	<b>136565</b>	AN-GTM-10-45M-D
	1-11/16	<b>136164</b>	NSTU-GTM-111	<b>136216</b>	NSTU-GT-10	<b>136544</b>	AN-GTM-10-111-D
	1-3/4	<b>136165</b>	NSTU-GTM-112	<b>136216</b>	NSTU-GT-10	<b>136599</b>	AN-GTM-10-112-D
211	50mm	<b>136301</b>	NSTU-GTM-50M	<b>136217</b>	NSTU-GT-11	<b>136566</b>	AN-GTM-11-50M-D
	1-15/16	<b>136166</b>	NSTU-GTM-115	<b>136217</b>	NSTU-GT-11	<b>136545</b>	AN-GTM-11-115-D
	2	<b>136167</b>	NSTU-GTM-200	<b>136217</b>	NSTU-GT-11	<b>136600</b>	AN-GTM-11-200-D
212	55mm	<b>136302</b>	NSTU-GTM-55M	<b>136218</b>	NSTU-GT-12	<b>136567</b>	AN-GTM-12-55M-D
	2-3/16	<b>136168</b>	NSTU-GTM-203	<b>136218</b>	NSTU-GT-12	<b>136546</b>	AN-GTM-12-203-D
	2-1/4	<b>136169</b>	NSTU-GTM-204	<b>136218</b>	NSTU-GT-12	<b>136601</b>	AN-GTM-12-204-D

Unless specified, dimensions are in mm for metric parts and inches for non-metric parts.  
Note: Dimensions are in MM (in)



# Grip Tight® mounted ball bearings

## Selection/Dimensions

Grip Tight mounted ball bearings  
GTM medium duty narrow slot take-up bearings

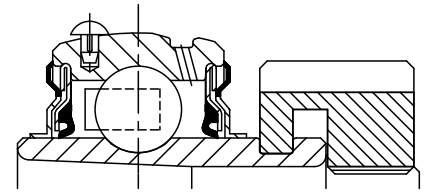
Series	Shaft size	Weight kg lb	Take-up frame size	A	B	C	D	E	F screw dia.	G	H	J	L	M	N	P pin dia.	R#*	S#*	Z
205	3/4	1.7	NS210	1.46	3.56	0.250	1.50	2.19	3/4	0.44	0.88	1.38	1.80	2.635/2.605	3.13	0.32	0.48	0.98	1.00
	3/4	1.7	NS210	37.1	90.4	6.35	38.1	55.6	19.1	11.2	22.4	35.1	45.7	66.93/66.17	79.5	8.1	12.2	24.9	25.4
206	25mm	1.2	NS308	40.9	109.5	6.35	63.5	68.3	19.1	12.7	23.9	35.1	52.8	89.15/88.39	104.9	8.1	13.2	27.7	28.7
	1	2.8	NS308	1.61	4.31	0.250	2.50	2.69	3/4	0.50	0.94	1.38	2.08	3.510/3.480	4.13	0.32	0.52	1.09	1.13
207	30mm	1.2	NS308	41.1	114.3	6.35	63.5	68.3	19.1	12.7	23.9	35.1	60.5	89.15/88.39	104.9	8.1	13.7	27.4	29.0
	1 -3/16	2.8	NS308	1.62	4.50	0.250	2.50	2.69	3/4	0.50	0.94	1.38	2.38	3.510/3.480	4.13	0.32	0.54	1.08	1.14
	1-1/4		NS308	1.62	4.50	0.250	2.50	2.69	3/4	0.50	0.94	1.38	2.38	3.510/3.480	4.13	0.32	0.54	1.08	1.14
208	35mm	2.1	NS400	46.7	136.7	7.95	76.2	82.6	22.2	16.8	29.5	41.4	66.5	101.98/101.22	120.7	9.7	15.5	31.2	31.2
	1-7/16	4.7	NS400	1.84	5.38	0.313	3.00	3.25	7/8	0.66	1.16	1.63	2.62	4.015/3.985	4.75	0.38	0.61	1.23	1.23
209	40mm	2.1	NS400	47.0	138.2	7.95	76.2	82.6	22.2	18.3	31.0	41.4	72.6	101.98/101.22	120.7	9.7	15.7	31.2	32.0
	1-1/2	4.9	NS400	1.85	5.44	0.313	3.00	3.25	7/8	0.72	1.22	1.63	2.86	4.015/3.985	4.75	0.38	0.62	1.23	1.26
210	45mm	2.2	NS400	47.2	139.7	7.95	76.2	82.6	22.2	15.0	27.7	41.4	79.5	101.98/101.22	120.7	9.7	16.0	31.2	32.0
	1-11/16	4.9	NS400	1.86	5.50	0.313	3.00	3.25	7/8	0.59	1.09	1.63	3.13	4.015/3.985	4.75	0.38	0.63	1.23	1.26
	1-3/4		NS400	1.86	5.50	0.313	3.00	3.25	7/8	0.59	1.09	1.63	3.13	4.015/3.985	4.75	0.38	0.63	1.23	1.26
211	50mm	3.0	NS407	49.0	155.7	7.95	88.9	92.2	25.4	17.5	32.5	44.5	87.1	112.98/112.22	136.7	11.2	17.0	32.0	33.5
	1-15/16	6.80	NS407	1.93	6.13	0.313	3.50	3.63	1	0.69	1.28	1.75	3.43	4.448/4.418	5.38	0.44	0.67	1.26	1.32
	2		NS407	1.93	6.13	0.313	3.50	3.63	1	0.69	1.28	1.75	3.43	4.448/4.418	5.38	0.44	0.67	1.26	1.32
212	55mm	4.9	NS415	53.8	169.9	7.95	95.3	98.6	25.4	17.5	32.5	41.4	93.7	125.65/124.89	146.1	11.2	18.5	35.3	37.1
	2-3/16	8.7	NS415	2.12	6.69	0.313	3.75	3.88	1	0.69	1.28	1.63	3.69	4.947/4.917	5.75	0.44	0.73	1.39	1.46
	2-1/4		NS415		6.69	0.313	3.75	3.88	1	0.69	1.28	1.63	3.69	4.947/4.917	5.75	0.44	0.73	1.39	1.46

\*R# & S# dimensions will vary slightly depending on true shaft diameter.  
Unless specified, dimensions are in mm for metric parts and inches for non-metric parts.  
Note: Dimensions are in MM (in)

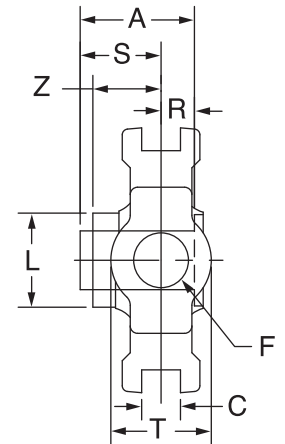
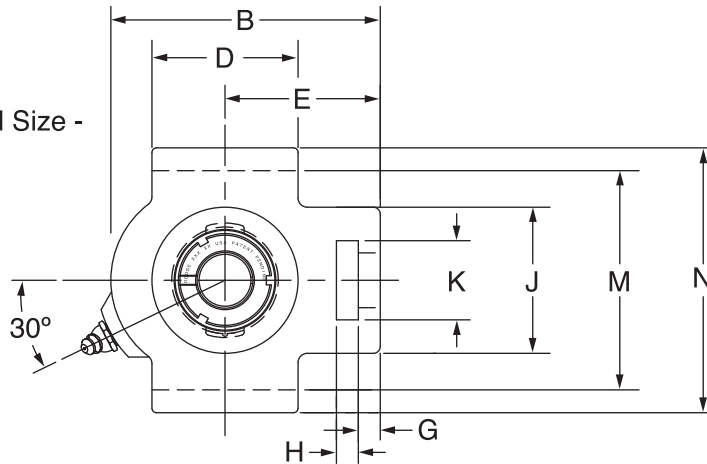
# Grip Tight® mounted ball bearings

## Selection/Dimensions

Grip Tight mounted ball bearings  
GT normal duty wide slot take-up bearings



Lube Fitting Thread Size -  
1/8 - 27 NPT



Series	Shaft size	Complete unit		Unit without adapter sleeve & lock nut		Adapter sleeve & lock nut assembly	
		Part no.	Description	Part no.	Description	Part no.	Description
204	20mm	136247	WSTU-GT-20M	136219	WSTU-GT-04	136553	AN-GT-04-20M-D
	3/4	136130	WSTU-GT-012	136219	WSTU-GT-04	136522	AN-GT-04-012-D
205	25mm	136248	WSTU-GT-25M	136220	WSTU-GT-05	136554	AN-GT-05-25M-D
	7/8	136131	WSTU-GT-014	136220	WSTU-GT-05	136590	AN-GT-05-014-D
	15/16	136132	WSTU-GT-015	136220	WSTU-GT-05	136523	AN-GT-05-015-D
	1	136133	WSTU-GT-100	136220	WSTU-GT-05	136524	AN-GT-05-100-D
206	30mm	136249	WSTU-GT-30M	136221	WSTU-GT-06	136555	AN-GT-06-30M-D
	1-1/8	136134	WSTU-GT-102	136221	WSTU-GT-06	136525	AN-GT-06-102-D
	1-3/16	136135	WSTU-GT-103	136221	WSTU-GT-06	136526	AN-GT-06-103-D
	1-1/4	136136	WSTU-GT-104S	136221	WSTU-GT-06	136527	AN-GT-06-104S-D
207	35mm	136250	WSTU-GT-35M	136222	WSTU-GT-07	136556	AN-GT-07-35M-D
	1-1/4	136137	WSTU-GT-104	136222	WSTU-GT-07	136528	AN-GT-07-104-D
	1-3/8	136138	WSTU-GT-106	136222	WSTU-GT-07	136591	AN-GT-07-106-D
	1-7/16	136139	WSTU-GT-107	136222	WSTU-GT-07	136529	AN-GT-07-107-D
208	40mm	136251	WSTU-GT-40M	136223	WSTU-GT-08	136593	AN-GT-08-40M-D
	1-1/2	136140	WSTU-GT-108	136223	WSTU-GT-08	136530	AN-GT-08-108-D
	1-5/8	136141	WSTU-GT-110	136223	WSTU-GT-08	136592	AN-GT-08-110-D

Unless specified, dimensions are in mm for metric parts and inches for non-metric parts.  
Note: Dimensions are in MM (in)

# Grip Tight® mounted ball bearings

## Selection/Dimensions

Grip Tight mounted ball bearings  
GT normal duty wide slot take-up bearings

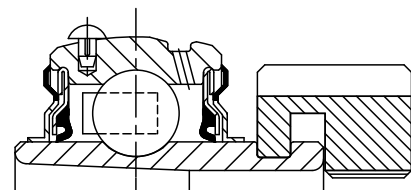
Series	Shaft size	Weight kg lb	Take-up frame size	A	B	C	D	E	F screw dia.	G	H	J	K	L	M	N	R#*	S#*	T	Z
204	20mm	0.9	WS300	37.6	93.7	13.49	50.8	60.5	15.9	9.7	16.0	50.8	31.8	38.1	75.82/76.58	92.2	11.7	25.9	35.1	26.2
	3/4	1.9	WS300	1.48	3.69	0.531	2.00	2.38	5/8	0.38	0.63	2.00	1.25	1.50	2.985/3.015	3.63	0.46	1.02	1.38	1.03
205	25mm	1.0	WS300	37.1	96.8	13.49	50.8	62.0	15.9	9.7	16.0	50.8	33.3	45.7	75.82/76.58	92.2	12.2	24.9	35.1	25.4
	7/8	2.2	WS300	1.46	3.81	0.531	2.00	2.44	5/8	0.38	0.63	2.00	1.31	1.80	2.985/3.015	3.63	0.48	0.98	1.38	1.00
	15/16	2.1	WS300	1.46	3.81	0.531	2.00	2.44	5/8	0.38	0.63	2.00	1.31	1.80	2.985/3.015	3.63	0.48	0.98	1.38	1.00
	1	2.0	WS300	1.46	3.81	0.531	2.00	2.44	5/8	0.38	0.63	2.00	1.31	1.80	2.985/3.015	3.63	0.48	0.98	1.38	1.00
206	30mm	1.3	WS308	40.9	111.3	13.49	57.2	69.9	19.1	9.7	16.0	55.6	36.6	52.8	88.39/89.15	104.9	13.2	27.7	35.1	28.7
	1-1/8	2.7	WS308	1.61	4.38	0.531	2.25	2.75	3/4	0.38	0.63	2.19	1.44	2.08	3.480/3.510	4.13	0.52	1.09	1.38	1.13
	1-3/16	2.6	WS308	1.61	4.38	0.531	2.25	2.75	3/4	0.38	0.63	2.19	1.44	2.08	3.480/3.510	4.13	0.52	1.09	1.38	1.13
	1-1/4	2.5	WS308	1.61	4.38	0.531	2.25	2.75	3/4	0.38	0.63	2.19	1.44	2.08	3.480/3.510	4.13	0.52	1.09	1.38	1.13
207	35mm	1.6	WS308	41.1	123.7	13.49	63.5	77.7	19.1	12.7	16.0	63.5	36.6	60.5	88.39/89.15	104.9	13.7	27.4	41.4	29.0
	1-1/4	3.7	WS308	1.62	4.87	0.531	2.50	3.06	3/4	0.50	0.63	2.50	1.44	2.38	3.480/3.510	4.13	0.54	1.08	1.63	1.14
	1-3/8	3.6	WS308	1.62	4.87	0.531	2.50	3.06	3/4	0.50	0.63	2.50	1.44	2.38	3.480/3.510	4.13	0.54	1.08	1.63	1.14
	1-7/16	3.5	WS308	1.62	4.87	0.531	2.50	3.06	3/4	0.50	0.63	2.50	1.44	2.38	3.480/3.510	4.13	0.54	1.08	1.63	1.14
208	40mm	2.8	WS400	46.7	144.5	17.48	82.6	88.9	25.4	16.0	19.1	82.6	49.3	66.5	101.22/101.98	114.3	15.5	31.2	49.3	31.2
	1-1/2	6.1	WS400	1.84	5.69	0.688	3.25	3.50	1	0.63	0.75	3.25	1.94	2.62	3.985/4.015	4.50	0.61	1.23	1.94	1.23
	1-5/8	5.9	WS400	1.84	5.69	0.688	3.25	3.50	1	0.63	0.75	3.25	1.94	2.62	3.985/4.015	4.50	0.61	1.23	1.94	1.23

\*R# & S# dimensions will vary slightly depending on true shaft diameter  
Unless specified, dimensions are in mm for metric parts and inches for non-metric parts.  
Note: Dimensions are in MM (in)

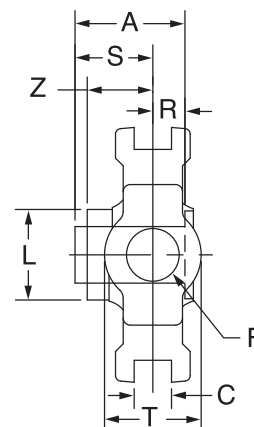
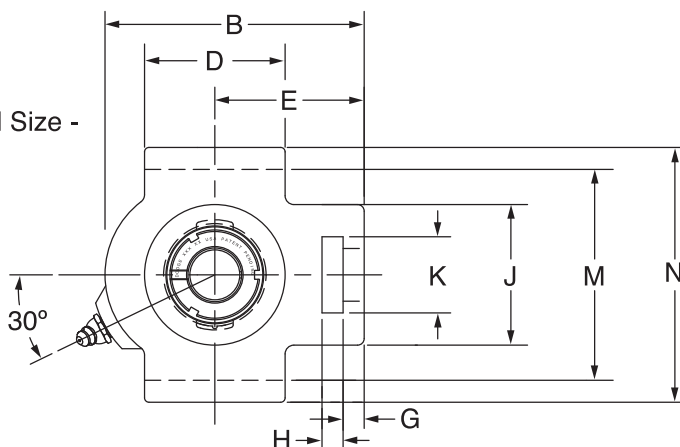
# Grip Tight® mounted ball bearings

## Selection/Dimensions

Grip Tight mounted ball bearings  
GT normal duty wide slot take-up bearings



Lube Fitting Thread Size -  
1/8 - 27 NPT



Series	Shaft size	Complete unit		Unit without adapter sleeve & lock nut		Adapter sleeve & lock nut assembly	
		Part no.	Description	Part no.	Description	Part no.	Description
209	45mm	136252	WSTU-GT-45M	136224	WSTU-GT-09	136557	AN-GT-09-45M-D
	1-5/8	136142	WSTU-GT-110L	136224	WSTU-GT-09	136531	AN-GT-09-110-D
	1-11/16	136143	WSTU-GT-111	136224	WSTU-GT-09	136532	AN-GT-09-111-D
	1-3/4	136144	WSTU-GT-112	136224	WSTU-GT-09	136533	AN-GT-09-112-D
210	50mm	136253	WSTU-GT-50M	136225	WSTU-GT-10	136558	AN-GT-10-50M-D
	1-15/16	136145	WSTU-GT-115	136225	WSTU-GT-10	136534	AN-GT-10-115-D
	2	136146	WSTU-GT-200	136225	WSTU-GT-10	136535	AN-GT-10-200-D
211	55mm	136254	WSTU-GT-55M	136226	WSTU-GT-11	136559	AN-GT-11-55M-D
	2	136178	WSTU-GTM-200	136226	WSTU-GT-11	136600	AN-GTM-11-200-D
	2-3/16	136147	WSTU-GT-203	136226	WSTU-GT-11	136536	AN-GT-11-203-D
	2-1/4	136148	WSTU-GT-204	136226	WSTU-GT-11	136537	AN-GT-11-204-D
212	60mm	136255	WSTU-GT-60M	136227	WSTU-GT-12	136594	AN-GT-12-60M-D
	2-1/4	136180	WSTU-GTM-204	136227	WSTU-GT-12	136601	AN-GTM-12-204-D
	2-7/16	136149	WSTU-GT-207	136227	WSTU-GT-12	136538	AN-GT-12-207-D
214	70mm	163256	WSTU-GT-70M	136228	WSTU-GT-14	136560	AN-GT-14-70M-D
	2-1/2	136182	WSTU-GTM-208	136228	WSTU-GT-14	136548	AN-GTM-14-208-D
	2-11/16	136150	WSTU-GT-211	136228	WSTU-GT-14	136539	AN-GT-14-211-D
215	75mm	136257	WSTU-GT-75M	136229	WSTU-GT-15	136596	AN-GT-15-75M-D
	2-15/16	136151	WSTU-GT-215	136229	WSTU-GT-15	136540	AN-GT-15-215-D
	3	@	WSTU-GT-300	136229	WSTU-GT-15	136595	AN-GT-15-300-D

@Assembled to order

Unless specified, dimensions are in mm for metric parts and inches for non-metric parts.

Note: Dimensions are in MM (in)

# Grip Tight® mounted ball bearings

## Selection/Dimensions

Grip Tight mounted ball bearings  
GT normal duty wide slot take-up bearings

Series	Shaft size	Wgt. kg lb	Take-up frame size	A	B	C	D	E	F screw dia.	G	H	J	K	L	M	N	R#*	S#*	T	Z
209	45mm	2.7	WS400	47.0	143.0	17.48	82.6	87.4	25.4	16.0	19.1	82.6	49.3	72.6	101.22/101.98	120.7	15.7	31.2	49.3	32.0
	1-5/8	6.1	WS400	1.85	5.63	0.688	3.25	3.44	1	0.63	0.75	3.25	1.94	2.86	3.985/4.015	4.75	0.62	1.23	1.94	1.26
	1-11/16	6.0	WS400	1.85	5.63	0.688	3.25	3.44	1	0.63	0.75	3.25	1.94	2.86	3.985/4.015	4.75	0.62	1.23	1.94	1.26
	1-3/4	5.9	WS400	1.85	5.63	0.688	3.25	3.44	1	0.63	0.75	3.25	1.94	2.86	3.985/4.015	4.75	0.62	1.23	1.94	1.26
210	50mm	2.90	WS400	47.2	147.8	17.48	85.9	90.4	25.4	16.0	19.1	82.6	49.3	79.5	101.22/101.98	120.7	16.0	31.2	49.3	32.0
	1-15/16	6.4	WS400	1.86	5.82	0.688	3.38	3.56	1	0.63	0.75	3.25	1.94	3.13	3.985/4.015	4.75	0.63	1.23	1.94	1.26
	2	6.30	WS400	1.86	5.82	0.688	3.38	3.56	1	0.63	0.75	3.25	1.94	3.13	3.985/4.015	4.75	0.63	1.23	1.94	1.26
211	55mm	4.5	WS502	49.0	169.9	27.00	95.3	106.4	31.8	19.1	25.4	101.6	63.5	87.1	129.79/129.90	149.4	17.0	32.0	63.5	33.5
	2	10.1	WS502	1.93	6.69	1.063	3.75	4.19	1-1/4	0.75	1.00	4.00	2.50	3.43	5.110/5.114	5.88	0.67	1.26	2.50	1.32
	2-3/16	10.0	WS502	1.93	6.69	1.063	3.75	4.19	1-1/4	0.75	1.00	4.00	2.50	3.43	5.110/5.114	5.88	0.67	1.26	2.50	1.32
	2-1/4	9.9	WS502	1.93	6.69	1.063	3.75	4.19	1-1/4	0.75	1.00	4.00	2.50	3.43	5.110/5.114	5.88	0.67	1.26	2.50	1.32
212	60mm	4.9	WS502	53.8	190.5	27.00	101.6	119.1	31.8	19.1	31.8	101.6	63.5	93.7	129.79/129.90	149.4	18.5	35.3	63.5	37.1
	2-7/16	10.8	WS502	2.12	7.50	1.063	4.00	4.69	1-1/4	0.75	1.25	4.00	2.50	3.69	5.110/5.114	5.88	0.73	1.39	2.50	1.46
	60mm	4.9	WS502	53.8	190.5	27.00	101.6	119.1	31.8	19.1	31.8	101.6	63.5	93.7	129.79/129.90	149.4	18.5	35.3	63.5	37.1
214	70mm	8.2	WS515	60.7	217.4	27.00	120.7	136.7	38.1	20.6	31.8	111.3	69.9	101.6	150.44/151.21	166.6	21.3	39.4	69.9	40.1
	2-1/4	11.2	WS502	2.12	7.50	1.063	4.00	4.69	1-1/4	0.75	1.25	4.00	2.50	3.69	5.110/5.114	5.88	0.73	1.39	2.50	1.46
	2-7/16	10.8	WS502	2.12	7.50	1.063	4.00	4.69	1-1/4	0.75	1.25	4.00	2.50	3.69	5.110/5.114	5.88	0.73	1.39	2.50	1.46
215	75mm	8.6	WS515	62.5	231.9	27.00	120.7	139.7	38.1	20.6	31.8	111.3	69.9	112.8	150.44/151.21	169.9	21.8	40.6	69.9	40.6
	2-15/16	18.9	WS515	2.46	9.13	1.063	4.75	5.50	1-1/2	0.81	1.25	4.38	2.75	4.44	5.923/5.953	6.69	0.86	1.60	2.75	1.60
	3	18.7	WS515	2.46	9.13	1.063	4.75	5.50	1-1/2	0.81	1.25	4.38	2.75	4.44	5.923/5.953	6.69	0.86	1.60	2.75	1.60

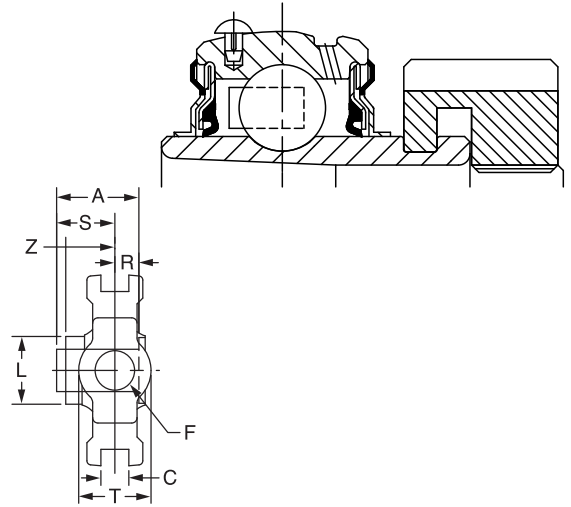
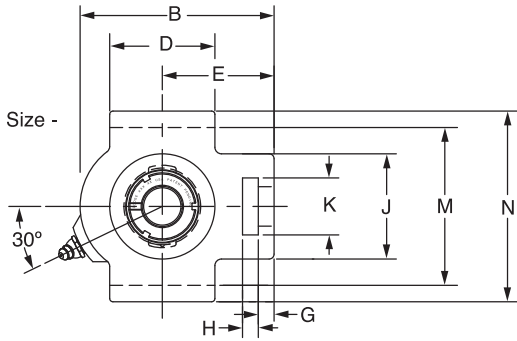
\*R# & S# dimensions will vary slightly depending on true shaft diameter  
Unless specified, dimensions are in mm for metric parts and inches for non-metric parts.  
Note: Dimensions are in MM (in)

# Grip Tight® mounted ball bearings

## Selection/Dimensions

Grip Tight mounted ball bearings  
GTM medium duty wide slot take-up bearings

Lube Fitting Thread Size -  
1/8 - 27 NPT



Series	Shaft size	Complete unit		Unit without adapter sleeve & lock nut		Adapter sleeve & lock nut assembly	
		Part no.	Description	Part no.	Description	Part no.	Description
205	3/4	136170	WSTU-GTM-012	136220	WSTU-GT-05	136597	AN-GTM-05-012-D
206	25mm	136303	WSTU-GTM-25M	136221	WSTU-GTU-06	136561	AN-GTM-06-25M-D
	1	136171	WSTU-GTM-100	136221	WSTU-GTU-06	136541	AN-GTM-06-100-D
207	30mm	136304	WSTU-GTM-30M	136222	WSTU-GT-07	136562	AN-GTM-07-30M-D
	1-3/16	136172	WSTU-GTM-103	136222	WSTU-GT-07	136542	AN-GTM-07-103-D
	1-1/4	136137	WSTU-GT-104	136222	WSTU-GT-07	136528	AN-GT-07-104-D
208	35mm	136305	WSTU-GTM-35M	136223	WSTU-GT-08	136563	AN-GTM-08-35M-D
	1-7/16	136173	WSTU-GTM-107	136223	WSTU-GT-08	136543	AN-GTM-08-107-D
209	40mm	136306	WSTU-GTM-40M	136224	WSTU-GT-09	136564	AN-GTM-09-40M-D
	1-1/2	136174	WSTU-GTM-108	136224	WSTU-GT-09	136598	AN-GTM-09-108-D
210	45mm	136307	WSTU-GTM-45M	136225	WSTU-GT-10	136565	AN-GTM-10-45M-D
	1-11/16	136175	WSTU-GTM-111	136225	WSTU-GT-10	136544	AN-GTM-10-111-D
	1-3/4	136176	WSTU-GTM-112	136225	WSTU-GT-10	136599	AN-GTM-10-112-D
211	50mm	136308	WSTU-GTM-50M	136226	WSTU-GT-11	136566	AN-GTM-11-50M-D
	1-15/16	136177	WSTU-GTM-115	136226	WSTU-GT-11	136545	AN-GTM-11-115-D
	2	136178	WSTU-GTM-200	136226	WSTU-GT-11	136600	AN-GTM-11-200-D
212	55mm	136309	WSTU-GTM-55M	136227	WSTU-GT-12	136567	AN-GTM-12-55M-D
	2-3/16	136179	WSTU-GTM-203	136227	WSTU-GT-12	136546	AN-GTM-12-203-D
	2-1/4	136180	WSTU-GTM-204	136227	WSTU-GT-12	136601	AN-GTM-12-204-D
214	65mm	136310	WSTU-GTM-65M	136228	WSTU-GT-14	136568	AN-GTM-14-65M-D
	2-7/16	136181	WSTU-GTM-207	136228	WSTU-GT-14	136547	AN-GTM-14-207-D
	2-1/2	136182	WSTU-GTM-208	136228	WSTU-GT-14	136548	AN-GTM-14-208-D
215	70mm	136311	WSTU-GTM-70M	136229	WSTU-GT-15	136569	AN-GTM-15-70M-D
	2-11/16	136183	WSTU-GTM-211	136229	WSTU-GT-15	136549	AN-GTM-15-211-D
216	75mm	136312	WSTU-GTM-75M	136230	WSTU-GT-16	136570	AN-GTM-16-75M-D
	2-15/16	136184	WSTU-GTM-215	136230	WSTU-GT-16	136550	AN-GTM-16-215-D
	3	136185	WSTU-GTM-300	136230	WSTU-GT-16	136551	AN-GTM-16-300-D

Unless specified, dimensions are in mm for metric parts and inches for non-metric parts.  
Note: Dimensions are in MM (in)

# Grip Tight® mounted ball bearings

## Selection/Dimensions

Grip Tight mounted ball bearings  
GTM medium duty wide slot take-up bearings

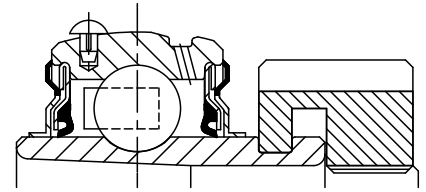
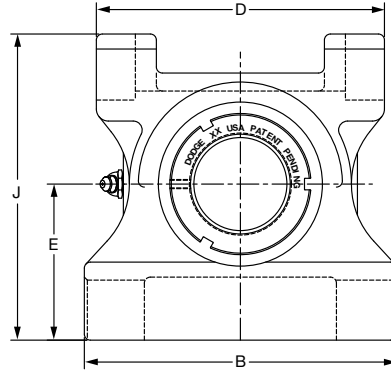
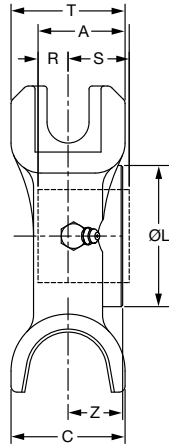
Series	Shaft size	Weight kg lb	Take-up frame size	A	B	C	D	E	F screw dia.	G	H	J	K	L	M	N	R#*	S#*	T	Z
205	3/4	2.7	WS300	1.46	3.81	0.531	2.00	2.44	5/8	0.38	0.63	2.00	1.31	1.80	2.985/3.015	3.63	0.48	0.98	1.38	1.00
	3/4	2.7	WS300	37.1	96.8	13.49	50.8	62.0	15.9	9.7	16.0	50.8	33.3	45.7	75.82/76.58	92.2	12.2	24.9	35.1	25.4
206	25mm	7.3	WS308	40.9	111.3	13.49	57.2	69.9	19.1	9.7	16.0	55.6	36.6	52.8	88.39/89.15	104.9	13.2	27.7	35.1	28.7
	1	4.1	WS308	1.61	4.38	0.531	2.25	2.75	3/4	0.38	0.63	2.19	1.44	2.08	3.480/3.510	4.13	0.52	1.09	1.38	1.13
	1-3/16	5.1	WS308	1.62	4.87	0.531	2.50	3.06	3/4	0.50	0.63	2.50	1.44	2.38	3.480/3.510	4.13	0.54	1.08	1.63	1.14
207	30mm	3.7	WS308	41.1	123.7	13.49	63.5	77.7	19.1	12.7	16.0	63.5	36.6	60.5	88.39/89.15	104.9	13.7	27.4	41.4	29.0
	1-1/4	5.1	WS308		4.87	0.531	2.50	3.06	3/4	0.50	0.63	2.50	1.44	2.38	3.480/3.510	4.13	0.54	1.08	1.63	1.14
208	35mm	3.5	WS400	46.7	144.5	17.48	82.6	88.9	25.4	16.0	19.1	82.6	49.3	66.5	101.22/101.98	114.3	15.5	31.2	49.3	31.2
	1-7/16	7.3	WS400	1.84	5.69	0.688	3.25	3.50	1	0.63	0.75	3.25	1.94	2.62	3.985/4.015	4.50	0.61	1.23	1.94	1.23
209	40mm	6.1	WS400	47.0	143.0	17.48	82.6	87.4	25.4	16.0	19.1	82.6	49.3	72.6	101.22/101.98	120.7	15.7	31.2	49.3	32.0
	1-1/2	7.2	WS400	1.85	5.63	0.688	3.25	3.44	1	0.63	0.75	3.25	1.94	2.86	3.985/4.015	4.75	0.62	1.23	1.94	1.26
210	45mm	7.6	WS400	47.2	147.8	17.48	85.9	90.4	25.4	16.0	19.1	82.6	49.3	79.5	101.22/101.98	120.7	16.0	31.2	49.3	32.0
	1-11/16	7.7	WS400	1.86	5.82	0.688	3.38	3.56	1	0.63	0.75	3.25	1.94	3.13	3.985/4.015	4.75	0.63	1.23	1.94	1.26
	1-3/4	7.7	WS400		5.82	0.688	3.38	3.56	1	0.63	0.75	3.25	1.94	3.13	3.985/4.015	4.75	0.63	1.23	1.94	1.26
211	50mm	11.3	WS502	49.0	169.9	27.00	95.3	106.4	31.8	19.1	25.4	101.6	63.5	87.1	129.79/129.90	149.4	17.0	32.0	63.5	33.5
	1-15/16	11.2	WS502	1.93	6.69	1.063	3.75	4.19	1-1/4	0.75	1.00	4.00	2.50	3.43	5.110/5.114	5.88	0.67	1.26	2.50	1.32
	2	11.2	WS502		6.69	1.063	3.75	4.19	1-1/4	0.75	1.00	4.00	2.50	3.43	5.110/5.114	5.88	0.67	1.26	2.50	1.32
212	50mm	11.3	WS502	49.0	169.9	27.00	95.3	106.4	31.8	19.1	25.4	101.6	63.5	87.1	129.79/129.90	149.4	17.0	32.0	63.5	33.5
	2-3/16	12.6	WS502	2.12	7.50	1.063	4.00	4.69	1-1/4	0.75	1.25	4.00	2.50	3.69	5.110/5.114	5.88	0.73	1.39	2.50	1.46
	2-1/4	12.6	WS502		7.50	1.063	4.00	4.69	1-1/4	0.75	1.25	4.00	2.50	3.69	5.110/5.114	5.88	0.73	1.39	2.50	1.46
214	65mm	9.3	WS515	60.7	217.4	27.00	120.7	136.7	38.1	20.6	31.8	111.3	69.9	101.6	150.44/151.21	166.6	21.3	39.4	69.9	40.1
	2-7/16	19.4	WS515	2.39	8.56	1.063	4.75	5.38	1-1/2	0.81	1.25	4.38	2.75	4.00	5.923/5.953	6.56	0.84	1.55	2.75	1.58
	2-1/2	19.20	WS515		8.56	1.063	4.75	5.38	1-1/2	0.81	1.25	4.38	2.75	4.00	5.923/5.953	6.56	0.84	1.55	2.75	1.58
215	70mm	8.3	WS515	62.5	231.9	27.00	120.7	139.7	38.1	20.6	31.8	111.3	69.9	112.8	150.44/151.21	169.9	21.8	40.6	69.9	40.6
	2-11/16	20.2	WS515	2.46	9.13	1.063	4.75	5.50	1-1/2	0.81	1.25	4.38	2.75	4.44	5.923/5.953	6.69	0.86	1.60	2.75	1.60
216	75mm	9.1	WS608	68.6	231.9	27.00	120.7	60.5	38.1	20.6	31.8	111.3	69.9	119.1	164.72/165.48	184.2	22.6	46.0	69.9	45.2
	2-15/16	22.9	WS608	2.70	9.13	1.063	4.75	2.38	1-1/2	0.81	1.25	4.38	2.75	4.69	6.485/6.515	7.25	0.89	1.81	2.75	1.78
	3	22.9	WS608		9.13	1.063	4.75	2.38	1-1/2	0.81	1.25	4.38	2.75	4.69	6.485/6.515	7.25	0.89	1.81	2.75	1.78

\*R# & S# dimensions will vary slightly depending on true shaft diameter  
Unless specified, dimensions are in mm for metric parts and inches for non-metric parts.  
Note: Dimensions are in MM (in)

# Grip Tight® mounted ball bearings

## Selection/Dimensions

Grip Tight mounted ball bearings  
GT normal duty top angle take-up bearings



Series	Shaft size	Complete unit		Unit without adapter & nut		Adapter & nut assembly	
		Part no.	Description	Part no.	Description	Part no.	Description
210	1-15/16	<b>136152</b>	TP-GT-115	<b>136231</b>	TP-GT-10	<b>136534</b>	AN-GT-10-115-D
	2	<b>136153</b>	TP-GT-200	<b>136231</b>	TP-GT-10	<b>136535</b>	AN-GT-10-200-D
211	2	<b>136189</b>	TP-GTM-200	<b>136232</b>	TP-GT-11	<b>136558</b>	AN-GTM-11-200-D
	2-3/16	<b>136154</b>	TP-GT-203	<b>136232</b>	TP-GT-11	<b>136536</b>	AN-GT-11-203-D
	2-1/4	<b>136155</b>	TP-GT-204	<b>136232</b>	TP-GT-11	<b>136537</b>	AN-GT-11-204-D
212	2-1/4	<b>136191</b>	TP-GTM-204	<b>136233</b>	TP-GT-12	<b>136559</b>	AN-GTM-12-204-D
	2-7/16	<b>136156</b>	TP-GT-207	<b>136233</b>	TP-GT-12	<b>136538</b>	AN-GT-12-207-D
214	2-1/2	<b>136193</b>	TP-GTM-208	<b>136234</b>	TP-GT-14	<b>136594</b>	AN-GTM-14-208-D
	2-11/16	<b>136157</b>	TP-GT-211	<b>136234</b>	TP-GT-14	<b>136548</b>	AN-GT-14-211-D
215	2-15/16	<b>136158</b>	TP-GT-215	<b>136235</b>	TP-GT-15	<b>136560</b>	AN-GT-15-215-D

Unless specified, dimensions are in mm for metric parts and inches for non-metric parts.  
Note: Dimensions are in MM (in)

Series	Shaft size	Weight lb	Take-up frame size	A	B	C	D	E	J	L	R#*	S#*	T	Z
210	1-15/16	11.4	TP10	1.86	6.50	2.38	6.00	3.25	6.38	3.13	0.63	1.23	2.38	1.26
	2	11.2	TP10	1.86	6.50	2.38	6.00	3.25	6.38	3.13	0.63	1.23	2.38	1.26
211	2	13.7	TP20	1.93	7.00	2.50	6.75	3.38	7.88	3.43	0.67	1.26	2.38	1.32
	2-3/16		TP20	1.93	7.00	2.50	6.75	3.38	7.88	3.43	0.67	1.26	2.38	1.32
	2-1/4	13.2	TP20	1.93	7.00	2.50	6.75	3.38	7.88	3.43	0.67	1.26	2.38	1.32
212	2-1/4	17.2	TP30	2.12	7.50	2.75	7.00	3.50	7.44	3.69	0.73	1.39	2.75	1.46
	2-7/16	17.1	TP30	2.12	7.50	2.75	7.00	3.50	7.44	3.69	0.73	1.39	2.75	1.46
214	2-1/2	22.5	TP40	2.39	8.50	2.50	8.00	4.00	8.31	4.00	0.94	1.45	2.75	1.58
	2-11/16	22.3	TP40	2.39	8.50	2.50	8.00	4.00	8.31	4.00	0.94	1.45	2.75	1.58
215	2-15/16	22.4	TP40	2.46	8.50	2.50	8.00	4.00	8.31	4.44	0.95	1.51	2.75	1.60

\*R# & S# dimensions will vary slightly depending on true shaft diameter

Lube fitting thread size - 1/8-27 NPT

Unless specified, dimensions are in mm for metric parts and inches for non-metric parts.

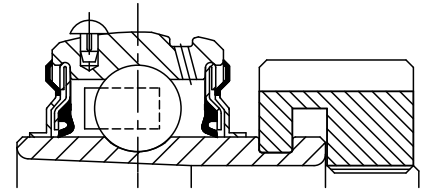
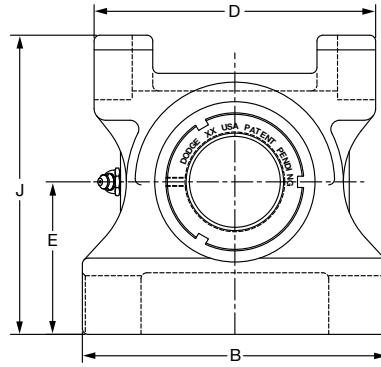
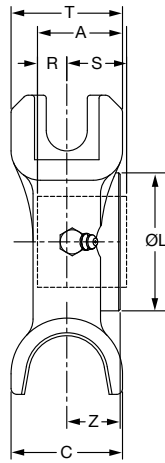
Note: Dimensions are in MM (in)



# Grip Tight® mounted ball bearings

## Selection/Dimensions

Grip Tight mounted ball bearings  
GTM medium duty top angle take-up bearings



Series	Shaft size	Complete unit		Unit without adapter & nut		Adapter & nut assembly	
		Part no.	Description	Part no.	Description	Part no.	Description
210	1-11/16	136186	TP-GTM 111	136231	TP-GT-10	136544	AN-GTM-10-111-D
	1-3/4	136187	TP-GTM-112	136231	TP-GT-10	136599	AN-GTM-10-112-D
211	1-15/16	136188	TP-GTM 115	136232	TP-GT-11	136545	AN-GTM-11-115-D
	2	136189	TP-GTM-200	136232	TP-GT-11	136600	AN-GTM-11-200-D
212	2-3/16	136190	TP-GTM-203	136233	TP-GT-12	136546	AN-GTM-12-203-D
	2-1/4	136191	TP-GTM-204	136233	TP-GT-12	136601	AN-GTM-12-204-D
214	2-7/16	136192	TP-GTM-207	136234	TP-GT-14	136547	AN-GTM-14-207-D
	2-1/2	136193	TP-GTM-208	136234	TP-GT-14	136548	AN-GTM-14-208-D
215	2-11/16	136194	TP-GM-211	136235	TP-GT-15	136549	AN-GTM-15-211-D
216	2-5/16	136195	TP-GTM 215	136236	TP-GT-16	136550	AN-GTM-16-215-D
	3	136196	TP-GTM-300	136236	TP-GT-16	136551	AN-GTM-16-300-D
	3-7/16	136197	TP-GTM-307	136237	TP-GT-18	136552	AN-GTM-18-307-D
218	3-1/2	136198	TP-GTM-308	136237	TP-GT-18	136603	AN-GTM-18-308-D

Unless specified, dimensions are in mm for metric parts and inches for non-metric parts.

Note: Dimensions are in MM (in)

Series	Shaft size	Weight lb	Take-up frame size	A	B	C	D	E	J	L	R#*	S#*	T	Z
210	1-11/16	11.6	TP10	1.86	6.50	2.38	6.00	3.25	6.38	3.13	0.63	1.23	2.38	1.26
	1-3/4	11.2	TP10	1.86	6.50	2.38	6.00	3.25	6.38	3.13	0.63	1.23	2.38	1.26
211	1-15/16	14.0	TP20	1.93	7.00	2.50	6.75	3.38	7.88	3.43	0.67	1.26	2.38	1.32
	2	13.7	TP20	1.93	7.00	2.50	6.75	3.38	7.88	3.43	0.67	1.26	2.38	1.32
212	2-3/16	17.4	TP30	2.12	7.50	2.75	7.00	3.50	7.44	3.69	0.73	1.39	2.75	1.46
	2-1/4	17.2	TP30	2.12	7.50	2.75	7.00	3.50	7.44	3.69	0.73	1.39	2.75	1.46
214	2-7/16	22.9	TP40	2.39	8.50	2.50	8.00	4.00	8.31	4.00	0.94	1.45	2.75	1.58
	2-1/2	22.5	TP40	2.39	8.50	2.50	8.00	4.00	8.31	4.00	0.94	1.45	2.75	1.58
215	2-11/16	26.2	TP40	2.46	8.50	2.50	8.00	4.00	8.31	4.44	0.95	1.51	2.75	1.60
216	2-15/16	31.0	TP50	2.70	9.50	2.75	9.00	4.50	9.63	4.69	0.99	1.71	3.13	1.78
	3	30.7	TP50	2.70	9.50	2.75	9.00	4.50	9.63	4.69	0.99	1.71	3.13	1.78
218	3-7/16	41.4	TP50	2.80	11.00	3.13	10.50	5.50	11.00	5.19	1.02	1.78	3.13	1.81
	3-1/2	41.1	TP50	2.80	11.00	3.13	10.50	5.50	11.00	5.19	1.02	1.78	3.13	1.81

\*R# & S# dimensions will vary slightly depending on true shaft diameter

Lube fitting thread size - 1/8-27 NPT

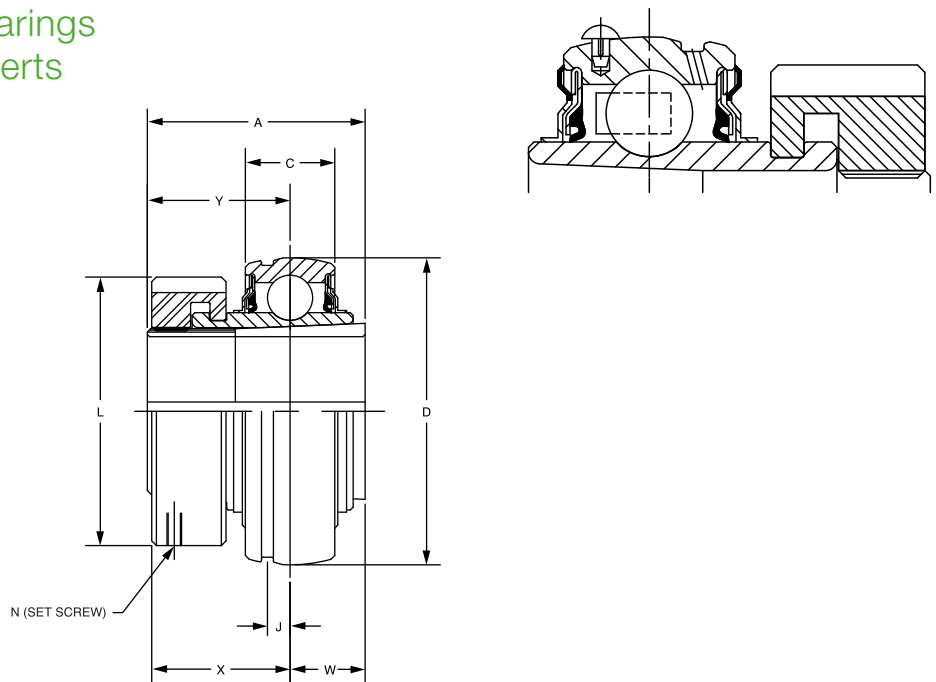
Unless specified, dimensions are in mm for metric parts and inches for non-metric parts.

Note: Dimensions are in MM (in)

# Grip Tight® mounted ball bearings

## Selection/Dimensions

Grip Tight mounted ball bearings  
GT normal duty bearing inserts



Series	Shaft size	Complete unit		Unit without adapter sleeve & lock nut		Adapter sleeve & lock nut assembly	
		Part no.	Description	Part no.	Description	Part no.	Description
203	17mm	<b>129796</b>	INS-GT-17M	<b>129516</b>	INS-GT-03	<b>136589</b>	AN-GT-03-17M-D
	1/2	<b>129774</b>	INS-GT-008	<b>129516</b>	INS-GT-03	<b>136588</b>	AN-GT-03-008-D
	5/8	<b>129775</b>	INS-GT-010	<b>129516</b>	INS-GT-03	<b>136521</b>	AN-GT-03-010-D
204	20mm	<b>129797</b>	INS-GT-20M	<b>129517</b>	INS-GT-04	<b>136553</b>	AN-GT-04-20M-D
	3/4	<b>129776</b>	INS-GT-012	<b>129517</b>	INS-GT-04	<b>136522</b>	AN-GT-04-012-D
205	25mm	<b>129798</b>	INS-GT-25M	<b>129518</b>	INS-GT-05	<b>136554</b>	AN-GT-05-25M-D
	7/8	<b>129777</b>	INS-GT-014	<b>129518</b>	INS-GT-05	<b>136590</b>	AN-GT-05-014-D
	15/16	<b>129778</b>	INS-GT-015	<b>129518</b>	INS-GT-05	<b>136523</b>	AN-GT-05-015-D
206	1	<b>129779</b>	INS-GT-100	<b>129518</b>	INS-GT-05	<b>136524</b>	AN-GT-05-100-D
	30mm	<b>129799</b>	INS-GT-30M	<b>129519</b>	INS-GT-06	<b>136555</b>	AN-GT-06-30M-D
	1-1/8	<b>129780</b>	INS-GT-102	<b>129519</b>	INS-GT-06	<b>136525</b>	AN-GT-06-102-D
207	1-3/16	<b>129781</b>	INS-GT-103	<b>129519</b>	INS-GT-06	<b>136526</b>	AN-GT-06-103-D
	1-1/4	<b>129782</b>	INS-GT-104S	<b>129519</b>	INS-GT-06	<b>136527</b>	AN-GT-06-104S-D
	35mm	<b>129800</b>	INS-GT-35M	<b>129520</b>	INS-GT-07	<b>136556</b>	AN-GT-07-35M-D
207	1-1/4	<b>129783</b>	INS-GT-104	<b>129520</b>	INS-GT-07	<b>136528</b>	AN-GT-07-104-D
	1-3/8	<b>129784</b>	INS-GT-106	<b>129520</b>	INS-GT-07	<b>136591</b>	AN-GT-07-106-D
	1-7/16	<b>129785</b>	INS-GT-107	<b>129520</b>	INS-GT-07	<b>136529</b>	AN-GT-07-107-D

Unless specified, dimensions are in mm for metric parts and inches for non-metric parts.

Note: Dimensions are in MM (in)

# Grip Tight<sup>®</sup> mounted ball bearings

## Selection/Dimensions

Grip Tight mounted ball bearings  
GT normal duty bearing inserts

Series	Shaft size	Weight kg lb	A	C	D	J	L	N set screw (UNF)	W#*	X	Y#*
203	17mm	0.1	32.8	13.0	40.000	3.8	35.6	#10-32 x 1/4	10.2	22.9	22.6
	1/2	0.3	1.29	0.51	1.5748	0.15	1.40	#10-32 x 1/4	0.40	0.90	0.89
	5/8	0.3	1.29	0.51	1.5748	0.15	1.40	#10-32 x 1/4		0.90	0.89
204	20mm	0.3	37.6	14.7	47.000	3.8	38.1	#10-32 x 1/4	11.7	26.2	25.9
	3/4	0.6	1.48	0.58	1.8504	0.15	1.50	#10-32 x 1/4	0.46	1.03	1.02
205	25mm	0.4	37.1	15.0	52.000	4.1	45.7	#10-32 x 1/4	12.2	25.4	24.9
	7/8	0.8	1.46	0.59	2.0472	0.16	1.80	#10-32 x 1/4	0.48	1.00	0.98
	15/16	0.8	1.46	0.59	2.0472	0.16	1.80	#10-32 x 1/4		1.00	0.98
	1	0.8	1.46	0.59	2.0472	0.16	1.80	#10-32 x 1/4		1.00	0.98
206	30mm	0.6	40.9	17.5	62.000	4.1	52.8	#10-32 x 1/4	13.2	28.7	27.7
	1-1/8	1.2	1.61	0.69	2.4409	0.16	2.08	#10-32 x 1/4	0.52	1.13	1.09
	1-3/16	1.2	1.61	0.69	2.4409	0.16	2.08	#10-32 x 1/4		1.13	1.09
	1-1/4	1.1	1.61	0.69	2.4409	0.16	2.08	#10-32 x 1/4		1.13	1.09
207	35mm	0.8	41.1	19.1	72.000	5.1	60.5	#10-32 x 1/4	13.7	29.0	27.4
	1-1/4	1.8	1.62	0.75	2.8346	0.20	2.38	#10-32 x 1/4	0.54	1.14	1.08
	1-3/8	1.8	1.62	0.75	2.8346	0.20	2.38	#10-32 x 1/4		1.14	1.08
	1-7/16	1.7	1.62	0.75	2.8346	0.20	2.38	#10-32 x 1/4		1.14	1.08

\*W# & Y# dimensions will vary slightly depending on true shaft diameter

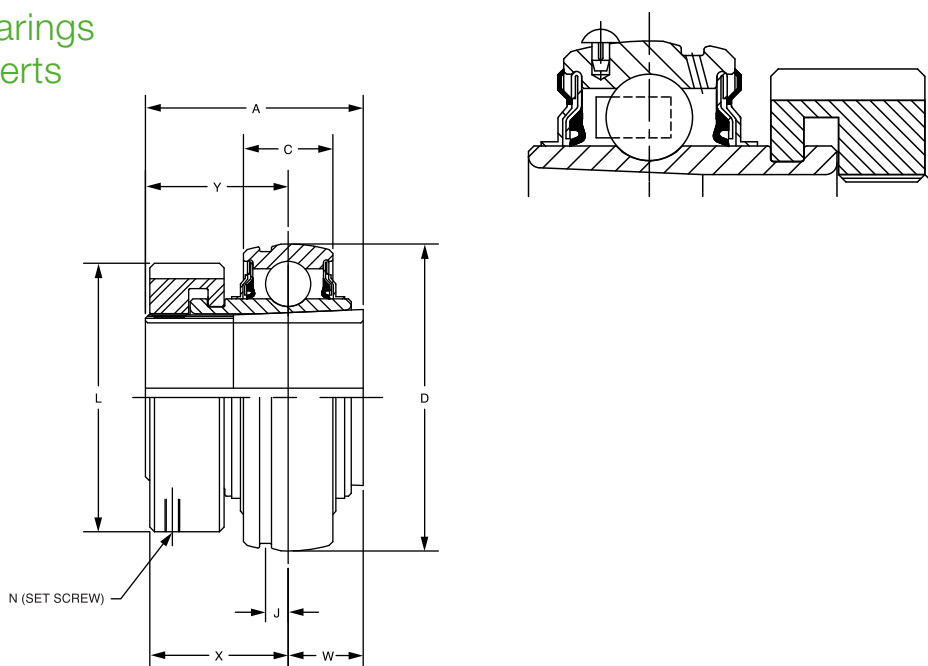
Unless specified, dimensions are in mm for metric parts and inches for non-metric parts.

Note: Dimensions are in MM (in)

# Grip Tight® mounted ball bearings

## Selection/Dimensions

Grip Tight mounted ball bearings  
GT normal duty bearing inserts



Series	Shaft size	Complete unit		Unit without adapter sleeve & lock nut		Adapter sleeve & lock nut assembly	
		Part no.	Description	Part no.	Description	Part no.	Description
208	40mm	<b>129801</b>	INS-GT-40M	<b>129521</b>	INS-GT-08	<b>136593</b>	AN-GT-08-40M-D
	1-1/2	<b>129786</b>	INS-GT-108	<b>129521</b>	INS-GT-08	<b>136530</b>	AN-GT-08-108-D
	1-5/8	<b>129844</b>	INS-GT-110	<b>129521</b>	INS-GT-08	<b>136592</b>	AN-GT-08-110-D
209	45mm	<b>129802</b>	INS-GT-45M	<b>129522</b>	INS-GT-09	<b>136557</b>	AN-GT-09-45M-D
	1-5/8	<b>129787</b>	INS-GT-110L	<b>129522</b>	INS-GT-09	<b>136531</b>	AN-GT-09-110L-D
	1-11/16	<b>129788</b>	INS-GT-111	<b>129522</b>	INS-GT-09	<b>136532</b>	AN-GT-09-111-D
	1-3/4	<b>129789</b>	INS-GT-112	<b>129522</b>	INS-GT-09	<b>136533</b>	AN-GT-09-112-D
210	50mm	<b>129803</b>	INS-GT-50M	<b>129523</b>	INS-GT-10	<b>136558</b>	AN-GT-10-50M-D
	1-15/16	<b>129790</b>	INS-GT-115	<b>129523</b>	INS-GT-10	<b>136534</b>	AN-GT-10-115-D
	2	<b>129791</b>	INS-GT-200	<b>129523</b>	INS-GT-10	<b>136535</b>	AN-GT-10-200-D
211	55mm	<b>129804</b>	INS-GT-55M	<b>129524</b>	INS-GT-11	<b>136559</b>	AN-GT-11-55M-D
	2	<b>129815</b>	INS-GTM-200	<b>129524</b>	INS-GT-11	<b>136600</b>	AN-GTM-11-200-D
	2-3/16	<b>129792</b>	INS-GT-203	<b>129524</b>	INS-GT-11	<b>136536</b>	AN-GT-11-203-D
	2-1/4	<b>129845</b>	INS-GT-204	<b>129524</b>	INS-GT-11	<b>136537</b>	AN-GT-11-204-D
212	60mm	<b>129805</b>	INS-GT-60M	<b>129525</b>	INS-GT-12	<b>136594</b>	AN-GT-12-60M-D
	2-1/4	<b>129817</b>	INS-GTM-204	<b>129525</b>	INS-GT-12	<b>136601</b>	AN-GTM-12-204-D
	2-7/16	<b>129793</b>	INS-GT-207	<b>129525</b>	INS-GT-12	<b>136538</b>	AN-GT-12-207-D
214	70mm	<b>129806</b>	INS-GT-70M	<b>129526</b>	INS-GT-14	<b>136560</b>	AN-GT-14-70M-D
	2-1/2	<b>129819</b>	INS-GTM-208	<b>129526</b>	INS-GT-14	<b>136548</b>	AN-GTM-14-208-D
	2-11/16	<b>129794</b>	INS-GT-211	<b>129526</b>	INS-GT-14	<b>136539</b>	AN-GT-14-211-D
215	75mm	<b>129807</b>	INS-GT-75M	<b>129527</b>	INS-GT-15	<b>136596</b>	AN-GT-15-75M-D
	2-15/16	<b>129795</b>	INS-GT-215	<b>129527</b>	INS-GT-15	<b>136540</b>	AN-GT-15-215-D
	3	<b>075681</b>	INS-GT-300	<b>129527</b>	INS-GT-15	<b>136595</b>	AN-GT-15-300-D

Unless specified, dimensions are in mm for metric parts and inches for non-metric parts.  
Note: Dimensions are in MM (in)

# Grip Tight® mounted ball bearings

## Selection/Dimensions

Grip Tight mounted ball bearings  
GT normal duty bearing inserts

Series	Shaft size	Weight kg lb	A	C	D	J	L	N set screw (UNF)	W#*	X	Y#*
208	40mm	1.0	46.7	22.1	80.000	5.6	66.5	#10-32 x 1/4	15.5	31.2	31.2
	1-1/2	2.2	1.84	0.87	3.1496	0.22	2.62	#10-32 x 1/4	0.61	1.23	1.23
	1-5/8	2.0	1.84	0.87	3.1496	0.22	2.62	#10-32 x 1/4	0.61	1.23	1.23
209	45mm	1.2	47.0	22.1	85.000	6.4	72.6	#10-32 x 1/4	15.7	32.0	31.2
	1-5/8	2.5	1.85	0.87	3.3465	0.25	2.86	#10-32 x 1/4	0.62	1.26	1.23
	1-11/16	2.5	1.85	0.87	3.3465	0.25	2.86	#10-32 x 1/4	0.62	1.26	1.23
210	1-3/4	2.5	1.85	0.87	3.3465	0.25	2.86	#10-32 x 1/4	0.62	1.26	1.23
	50mm	1.4	47.2	22.1	90.000	6.4	79.5	#10-32 x 1/4	16.0	32.0	31.2
	1-15/16	3.0	1.86	0.87	3.5433	0.25	3.13	#10-32 x 1/4	0.63	1.26	1.23
211	2	3.0	1.86	0.87	3.5433	0.25	3.13	#10-32 x 1/4	0.63	1.26	1.23
	55mm	1.6	49.0	22.1	100.000	6.4	87.1	#10-32 x 1/4	17.0	33.5	32.0
	2	3.6	1.93	0.87	3.9370	0.25	3.43	#10-32 x 1/4	0.67	1.32	1.26
212	2-3/16	3.4	1.93	0.87	3.9370	0.25	3.43	#10-32 x 1/4	0.67	1.32	1.26
	2-1/4	3.3	1.93	0.87	3.9370	0.25	3.43	#10-32 x 1/4	0.67	1.32	1.26
	60mm	2.2	53.8	25.9	110.000	6.4	93.7	#10-32 x 1/4	18.5	37.1	35.3
214	2-1/4	4.8	2.12	1.02	4.3307	0.25	3.69	#10-32 x 1/4	0.73	1.46	1.39
	2-7/16	4.8	2.12	1.02	4.3307	0.25	3.69	#10-32 x 1/4	0.73	1.46	1.39
	70mm	2.5	60.7	27.9	125.000	6.6	101.6	#10-32 x 1/4	21.3	40.1	39.4
215	2-1/2	5.4	2.39	1.10	4.9213	0.26	4.00	#10-32 x 1/4	0.84	1.58	1.55
	2-11/16	5.0	2.39	1.10	4.9213	0.26	4.00	#10-32 x 1/4	0.84	1.58	1.55
	75mm	2.7	62.5	29.0	130.000	7.1	112.8	#10-32 x 1/4	21.8	40.6	40.6
215	2-15/16	5.9	2.46	1.14	5.1181	0.28	4.44	#10-32 x 1/4	0.86	1.60	1.60
	3	5.7	2.46	1.14	5.1181	0.28	4.44	#10-32 x 1/4	0.86	1.60	1.60

\*W# & Y# dimensions will vary slightly depending on true shaft diameter

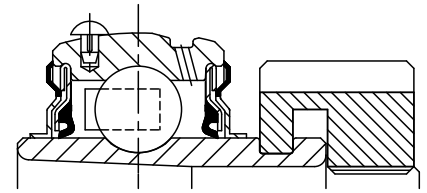
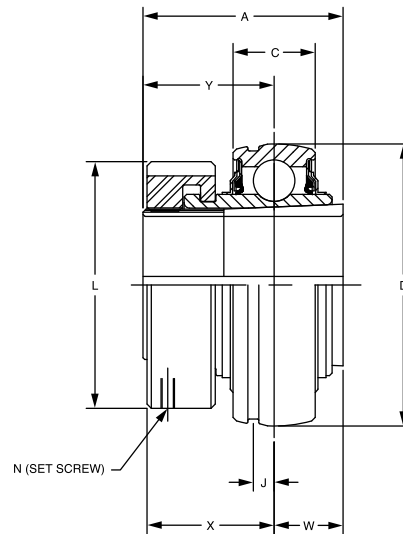
Unless specified, dimensions are in mm for metric parts and inches for non-metric parts.

Note: Dimensions are in MM (in)

# Grip Tight® mounted ball bearings

## Selection/Dimensions

Grip Tight mounted ball bearings  
GTM medium duty bearing inserts



Series	Shaft size	Complete unit		Unit without adapter sleeve & lock nut		Adapter sleeve & lock nut assembly	
		Part no.	Description	Part no.	Description	Part no.	Description
205	3/4	129417	INS-GTM-012	129518	INS-GT-05	136597	AN-GTM-05-012-D
206	25mm	129889	INS-GTM-25M	129519	INS-GT-06	136561	AN-GTM-06-25M-D
	1	129808	INS-GTM-100	129519	INS-GT-06	136541	AN-GTM-06-100-D
207	30mm	129890	INS-GTM-30M	129520	INS-GT-07	136562	AN-GTM-07-30M-D
	1-3/16	129809	INS-GTM-103	129520	INS-GT-07	136542	AN-GTM-07-103-D
	1-1/4	129783	INS-GT-104	129520	INS-GT-07	136528	AN-GT-07-104-D
208	35mm	129891	INS-GTM-35M	129521	INS-GT-08	136530	AN-GTM-08-35M-D
	1-7/16	129810	INS-GTM-107	129521	INS-GT-08	136543	AN-GTM-08-107-D
209	40mm	129892	INS-GTM-40M	129522	INS-GT-09	136531	AN-GTM-09-40M-D
	1-1/2	129811	INS-GTM-108	129522	INS-GT-09	136563	AN-GTM-09-108-D
	1-5/8	129787	INS-GT-110L	129522	INS-GT-09	136598	AN-GT-09-110L-D
210	45mm	129893	INS-GTM-45M	129523	INS-GT-10	136599	AN-GTM-10-45M-D
	1-11/16	129812	INS-GTM-111	129523	INS-GT-10	136564	AN-GTM-10-111-D
	1-3/4	129813	INS-GTM-112	129523	INS-GT-10	136544	AN-GTM-10-112-D
211	50mm	129894	INS-GTM-50M	129524	INS-GT-11	136566	AN-GTM-11-50M-D
	1-15/16	129814	INS-GTM-115	129524	INS-GT-11	136545	AN-GTM-11-115-D
	2	129815	INS-GTM-200	129524	INS-GT-11	136600	AN-GTM-11-200-D
212	55mm	129895	INS-GTM-55M	129525	INS-GT-12	136567	AN-GTM-12-55M-D
	2-3/16	129816	INS-GTM-203	129525	INS-GT-12	136546	AN-GTM-12-203-D
	2-1/4	129817	INS-GTM-204	129525	INS-GT-12	136601	AN-GTM-12-204-D
214	65mm	129896	INS-GTM-65M	129526	INS-GT-14	136568	AN-GTM-14-65M-D
	2-7/16	129818	INS-GTM-207	129526	INS-GT-14	136547	AN-GTM-14-207-D
	2-1/2	129819	INS-GTM-208	129526	INS-GT-14	136548	AN-GTM-14-208-D
215	70mm	129897	INS-GTM-70M	129527	INS-GT-15	136569	AN-GTM-15-70M-D
	2-11/16	129820	INS-GTM-211	129527	INS-GT-15	136549	AN-GTM-15-211-D
216	75mm	129898	INS-GTM-75M	129528	INS-GT-16	136570	AN-GTM-16-75M-D
	2-15/16	129821	INS-GTM-215	129528	INS-GT-16	136550	AN-GTM-16-215-D
	3	129822	INS-GTM-300	129528	INS-GT-16	136551	AN-GTM-16-300-D
218	85mm	129899	INS-GTM-85M	129529	INS-GT-18	136571	AN-GTM-18-85M-D
	3-7/16	129823	INS-GTM-307	129529	INS-GT-18	136552	AN-GTM-18-307-D
	3-1/2	129824	INS-GTM-308	129529	INS-GT-18	136603	AN-GTM-18-308-D

Unless specified, dimensions are in mm for metric parts and inches for non-metric parts.  
Note: Dimensions are in MM (in)

# Grip Tight® mounted ball bearings

## Selection/Dimensions

Grip Tight mounted ball bearings  
GTM medium duty bearing inserts

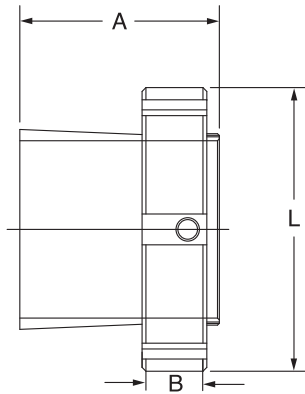
Series	Shaft size	Weight kg lb	A	C	D	J	L	N Set screw (UNF)	W#*	X	Y#*
205	3/4	0.9	1.46	0.59	2.0472	0.16	1.80	#10-32 x 1/4	0.48	1.00	0.98
	3/4	0.9	37.1	15.0	52.000	4.1	45.7	#10-32 x 1/4	12.2	25.4	24.9
206	25mm	0.8	40.9	17.5	62.000	4.1	52.8	#10-32 x 1/4	13.2	28.7	27.7
	1	1.8	1.61	0.69	2.4409	0.16	2.08	#10-32 x 1/4	0.52	1.13	1.09
207	30mm	1.0	41.1	19.1	72.000	5.1	60.5	#10-32 x 1/4	13.7	29.0	27.4
	1-3/16	2.2	1.62	0.75	2.8346	0.20	2.38	#10-32 x 1/4	0.54	1.14	1.08
	1-1/4	1.7	1.62	0.75	2.8346	0.20	2.38	#10-32 x 1/4	0.54	1.14	1.08
208	35mm	1.1	46.7	22.1	80.000	5.6	66.5	#10-32 x 1/4	15.5	31.2	31.2
	1-7/16	2.5	1.84	0.87	3.1496	0.22	2.62	#10-32 x 1/4	0.61	1.23	1.23
209	40mm	1.1	47.0	22.1	85.000	6.4	72.6	#10-32 x 1/4	15.7	32.0	31.2
	1-1/2	3.0	1.85	0.87	3.3465	0.25	2.86	#10-32 x 1/4	0.62	1.26	1.23
	1-5/8	2.5	1.85	0.87	3.3465	0.25	2.86	#10-32 x 1/4	0.62	1.26	1.23
210	45mm	1.4	47.2	22.1	90.000	6.4	79.5	#10-32 x 1/4	16.0	32.0	31.2
	1-11/16	3.0	1.86	0.87	3.5433	0.25	3.13	#10-32 x 1/4	0.63	1.26	1.23
	1-3/4	3.0	1.86	0.87	3.5433	0.25	3.13	#10-32 x 1/4	0.63	1.26	1.23
211	50mm	1.5	49.0	22.1	100.000	6.4	87.1	#10-32 x 1/4	17.0	33.5	32.0
	1-15/16	3.4	1.93	0.87	3.9370	0.25	3.43	#10-32 x 1/4	0.67	1.32	1.26
	2	3.3	1.93	0.87	3.9370	0.25	3.43	#10-32 x 1/4	0.67	1.32	1.26
212	55mm	2.2	53.8	25.9	110.000	6.4	93.7	#10-32 x 1/4	18.5	37.1	35.3
	2-3/16	4.9	2.12	1.02	4.3307	0.25	3.69	#10-32 x 1/4	0.73	1.46	1.39
	2-1/4	4.8	2.12	1.02	4.3307	0.25	3.69	#10-32 x 1/4	0.73	1.46	1.39
214	65mm	2.5	60.7	27.9	125.000	6.6	101.6	#10-32 x 1/4	21.3	40.1	39.4
	2-7/16	5.5	2.39	1.10	4.9213	0.26	4.00	#10-32 x 1/4	0.84	1.58	1.55
	2-1/2	5.4	2.39	1.10	4.9213	0.26	4.00	#10-32 x 1/4	0.84	1.58	1.55
215	70mm	2.7	62.5	29.0	130.000	7.1	112.8	#10-32 x 1/4	21.8	40.6	40.6
	2-11/16	5.9	2.46	1.14	5.1181	0.28	4.44	#10-32 x 1/4	0.86	1.60	1.60
216	75mm	3.2	68.6	30.0	140.000	7.4	119.1	#10-32 x 1/4	22.6	45.2	46.0
	2-15/16	6.9	2.70	1.18	5.5118	0.29	4.69	#10-32 x 1/4	0.89	1.78	1.81
	3	6.8	2.70	1.18	5.5118	0.29	4.69	#10-32 x 1/4	0.89	1.78	1.81
218	85mm	4.0	71.1	34.0	160.000	7.6	131.8	#10-32 x 1/4	24.4	46.0	46.7
	3-7/16	8.8	2.80	1.34	6.2992	0.30	5.19	#10-32 x 1/4	0.96	1.81	1.84
	3-1/2	8.7	2.80	1.34	6.2992	0.30	5.19	#10-32 x 1/4	0.96	1.81	1.84

\*W# & Y# dimensions will vary slightly depending on true shaft diameter  
Unless specified, dimensions are in mm for metric parts and inches for non-metric parts.  
Note: Dimensions are in MM (in)

# Grip Tight® mounted ball bearings

## Selection/Dimensions

Grip Tight mounted ball bearings  
GT and GTM adapter & lock nut assemblies



Series	Shaft size	Adapter sleeve & lock nut assembly		Series	Shaft size	Adapter sleeve & lock nut assembly		
		Part no.	Description			Part no.	Description	
203	17mm	<b>136589</b>	AN-GT-03-17M-D	210	45mm	<b>136565</b>	AN-GTM-10-45M-D	
	1/2	<b>136588</b>	AN-GT-03-008-D		50mm	<b>136558</b>	AN-GT-10-50M-D	
	5/8	<b>136521</b>	AN-GT-03-010-D		1-11/16	<b>136544</b>	AN-GTM-10-111-D	
204	20mm	<b>136553</b>	AN-GT-04-20M-D	1-3/4	<b>136599</b>	AN-GTM-10-112-D		
	3/4	<b>136522</b>	AN-GT-04-012-D	1-15/16	<b>136534</b>	AN-GT-10-115-D		
205	25mm	<b>136554</b>	AN-GT-05-25M-D	2	<b>136535</b>	AN-GT-10-200-D		
	3/4	<b>136597</b>	AN-GTM-05-012-D	211	50mm	<b>136566</b>	AN-GTM-11-50M-D	
	7/8	<b>136590</b>	AN-GT-05-014-D		55mm	<b>136559</b>	AN-GT-11-55M-D	
	15/16	<b>136523</b>	AN-GT-05-015-D		1-15/16	<b>136545</b>	AN-GTM-11-115-D	
1	<b>136524</b>	AN-GT-05-100-D	2		<b>136600</b>	AN-GTM-11-200-D		
206	25mm	<b>136561</b>	AN-GTM-06-25M-D	2-3/16	<b>136536</b>	AN-GT-11-203-D		
	30mm	<b>136555</b>	AN-GT-06-30M-D	2-1/4	<b>136537</b>	AN-GT-11-204-D		
	1	<b>136541</b>	AN-GTM-06-100-D	212	55mm	<b>136567</b>	AN-GTM-12-55M-D	
	1-1/8	<b>136525</b>	AN-GT-06-102-D		60mm	<b>136594</b>	AN-GT-12-60M-D	
	1-3/16	<b>136526</b>	AN-GT-06-103-D		2-3/16	<b>136546</b>	AN-GTM-12-203-D	
1-1/4	<b>136527</b>	AN-GT-06-104S-D	2-1/4		<b>136601</b>	AN-GTM-12-204-D		
			2-7/16		<b>136538</b>	AN-GT-12-207-D		
207	30mm	<b>136556</b>	AN-GTM-07-30M-D	214	65mm	<b>136568</b>	AN-GTM-14-65M-D	
	35mm	<b>136562</b>	AN-GT-07-35M-D		70mm	<b>136560</b>	AN-GT-14-70M-D	
	1-3/16	<b>136542</b>	AN-GTM-07-103-D		2-7/16	<b>136547</b>	AN-GTM-14-207-D	
	1-1/4	<b>136528</b>	AN-GT-07-104-D		2-1/2	<b>136548</b>	AN-GTM-14-208-D	
	1-3/8	<b>136591</b>	AN-GT-07-106-D		2-11/16	<b>136539</b>	AN-GT-14-211-D	
208	1-7/16	<b>136529</b>	AN-GT-07-107-D	215	70mm	<b>136569</b>	AN-GTM-15-70M-D	
	35mm	<b>136563</b>	AN-GTM-08-35M-D		75mm	<b>136596</b>	AN-GT-15-75M-D	
	40mm	<b>136593</b>	AN-GT-08-40M-D		2-11/16	<b>136549</b>	AN-GTM-15-211-D	
	1-7/16	<b>136543</b>	AN-GTM-08-107-D		2-15/16	<b>136540</b>	AN-GT-15-215-D	
	1-1/2	<b>136530</b>	AN-GT-08-108-D		3	<b>136595</b>	AN-GT-15-300-D	
209	1-5/8	<b>136592</b>	AN-GT-08-110-D	216	75mm	<b>136570</b>	AN-GTM-16-75M-D	
	40mm	<b>136564</b>	AN-GTM-09-40M-D		2-15/16	<b>136550</b>	AN-GTM-16-215-D	
	45mm	<b>136557</b>	AN-GT-09-45M-D		3	<b>136551</b>	AN-GTM-16-300-D	
	1-1/2	<b>136598</b>	AN-GTM-09-108-D		218	85mm	<b>136571</b>	AN-GTM-18-85M-D
	1-5/8	<b>136531</b>	AN-GT-09-110L-D			3-7/16	<b>136552</b>	AN-GTM-18-307-D
1-11/16	<b>136532</b>	AN-GT-09-111-D	3-1/2	<b>136603</b>		AN-GTM-18-308-D		
	1-3/4	<b>136533</b>	AN-GT-09-112-D					

Unless specified, dimensions are in mm for metric parts and inches for non-metric parts.  
Note: Dimensions are in MM (in)



# Grip Tight<sup>®</sup> mounted ball bearings

## Selection/Dimensions

Grip Tight mounted ball bearings  
GT and GTM adapter & lock nut assemblies

Series	Shaft size	Weight kg lb	A	B	L
203	17mm	.1	32.8	13.2	35.6
	1/2	.3	1.29	0.52	1.40
	5/8	.2	1.29	0.52	1.40
204	20mm	.1	37.6	14.7	38.1
	3/4	.3	1.48	0.58	1.50
205	25mm	.1	37.1	14.7	45.7
	3/4	.4	1.46	0.58	1.80
	7/8	.4	1.46	0.58	1.80
	15/16	.4	1.46	0.58	1.80
206	1	.3	1.46	0.58	1.80
	25mm	.2	1.61	0.63	2.08
	30mm	.2	40.9	16.0	52.8
	1	.5	1.61	0.63	2.08
	1-1/8	.4	1.61	0.63	2.08
207	1-3/16	.4	1.61	0.63	2.08
	1-1/4	.3	1.61	0.63	2.08
	30mm	.2	41.1	16.0	60.5
	35mm	.2	41.1	16.0	60.5
	1-3/16	.7	1.62	0.63	2.38
208	1-1/4	.6	1.62	0.63	2.38
	1-3/8	.5	1.62	0.63	2.38
	1-7/16	.5	1.62	0.63	2.38
	35mm	.4	46.7	16.0	66.5
	40mm	.3	46.7	16.0	66.5
209	1-7/16	.8	1.84	0.63	2.62
	1-1/2	.7	1.84	0.63	2.62
	1-5/8	.5	1.84	0.63	2.62
	40mm	.4	47.0	16.5	72.6
210	45mm	.3	47.0	16.5	72.6
	1-1/2	.9	1.85	0.65	2.86
	1-5/8	.8	1.85	0.65	2.86
	1-11/16	.7	1.85	0.65	2.86
	1-3/4	.6	1.85	0.65	2.86

Series	Shaft size	Weight kg lb	A	B	L
210	45mm	.5	47.2	16.5	79.5
	50mm	.3	47.2	16.5	79.5
	1-11/16	1.1	1.86	0.65	3.13
	1-3/4	1.0	1.86	0.65	3.13
	1-15/16	.8	1.86	0.65	3.13
211	2	.7	1.86	0.65	3.13
	50mm	.6	49.0	17.3	87.1
	55mm	.4	49.0	17.3	87.1
	1-15/16	1.4	1.93	0.68	3.43
	2	1.2	1.93	0.68	3.43
212	2-3/16	.9	1.93	0.68	3.43
	2-1/4	.8	1.93	0.68	3.43
	55mm	.7	53.8	19.1	93.7
	60mm	.6	53.8	19.1	93.7
	2-3/16	1.6	2.12	0.75	3.69
214	2-1/4	1.5	2.12	0.75	3.69
	2-7/16	1.1	2.12	0.75	3.69
	65mm	.8	60.7	19.1	101.6
	70mm	.6	60.7	19.1	101.6
215	2-7/16	2.2	2.39	0.75	4.00
	2-1/2	2.0	2.39	0.75	4.00
	2-11/16	1.5	2.39	0.75	4.00
	70mm	1.3	62.5	19.1	112.8
	75mm	1.0	62.5	19.1	112.8
216	2/11/16	3.0	2.46	0.75	4.44
	2-15/16	2.2	2.46	0.75	4.44
	3	2.46	2.46	0.75	4.44
	75mm	1.4	68.6	19.1	119.1
218	2-15/16	3.0	2.70	0.75	4.69
	3	2.8	2.70	0.75	4.69
	85mm	1.7	71.1	21.1	131.8
218	3-7/16	3.4	2.80	0.83	5.19
	3-1/2	3.1	2.80	0.83	5.19

Unless specified, dimensions are in mm for metric parts and inches for non-metric parts.  
Note: Dimensions are in MM (in)

# Grip Tight<sup>®</sup> mounted ball bearings

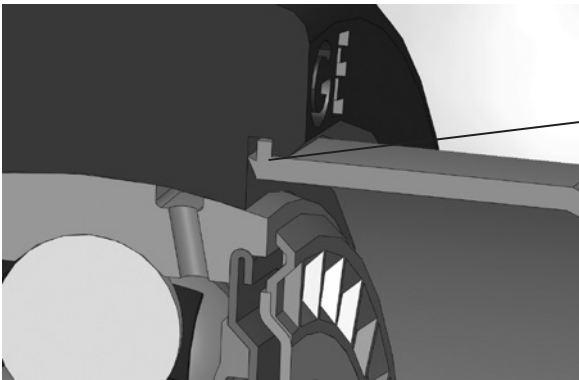
## Related products

### Dodge snap-on end covers Enhanced sealing / safer work environment

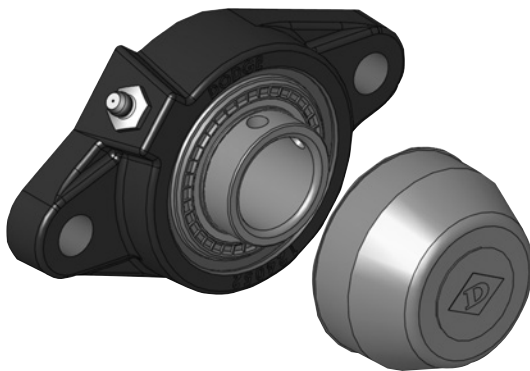
#### Housing designed for snap-on end cover

GT and GTM bearings contain a machined groove in the housing to accommodate a snap-on style polymer end cover. The end cover provides additional protection from the environment and creates a safer working environment for employees maintaining equipment. The snap-on style end cover incorporates an additional lip on the mounting surface for a more rigid fit within the housing and enhanced sealing. The design is more durable than a blot-on style that uses the grease fitting to secure the cover in place and can be easily knocked off the bearing housings. Closed and open end covers are available.

- Available as a standard feature for GT/GTM
- Machined groove in housing accommodates snap-on style polymer end cover
- Extended lip on the outer diameter of end cover provides a secure fit and positive sealing
- Provides additional layer of protection in harsh environments
- Creates a safer work environment for employees
- OSHA approved yellow
- Closed and open end covers available



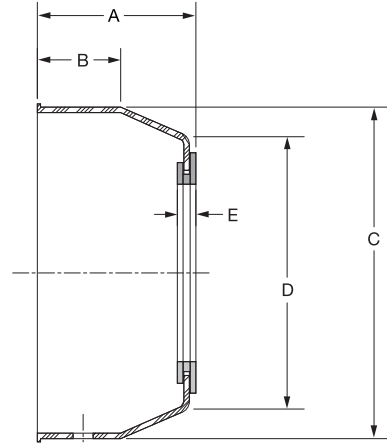
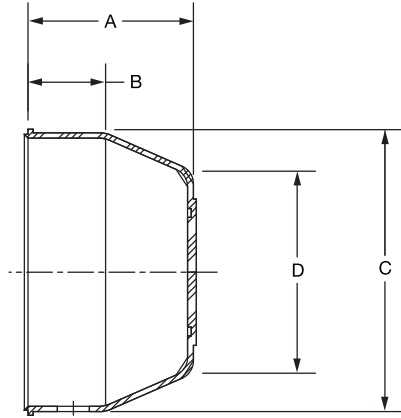
Extended lip provides a secure fit and positive sealing



# Grip Tight<sup>®</sup> mounted ball bearings

## Related products

### Snap-on end covers



Series	Closed end covers	
	Part number	Description
204	128280	EC-204-Y
	128280	EC-204-Y
205	128281	EC-205-Y
	128281	EC-205-Y
206	128282	EC-206-Y
	128282	EC-206-Y
	128282	EC-206-Y
207	128283	EC-207-Y
	128283	EC-207-Y
	128283	EC-207-Y
208	128284	EC-208-Y
	128284	EC-208-Y
209	128285	EC-209-Y
	128285	EC-209-Y
210	128286	EC-210-Y
	128286	EC-210-Y
211	128277	EC-211-Y
	128277	EC-211-Y
	128277	EC-211-Y
	128277	EC-211-Y
	128277	EC-211-Y
212	128278	EC-212-Y
	128278	EC-212-Y
	128278	EC-212-Y
	128278	EC-212-Y
	128278	EC-212-Y
214	128220	EC-214
	128220	EC-214
	128220	EC-214
	128220	EC-214
	128220	EC-214
215	128221	EC-215
	128221	EC-215
	128221	EC-215
	128221	EC-215
216	128222	EC-216
	128222	EC-216
	128222	EC-216
218	128223	EC-218
	128223	EC-218
	128223	EC-218
	128223	EC-218

Open end covers		
Shaft size	Part number	Description
20mm	128363	ECO-20M-Y
3/4	128350	ECO-012-Y
25mm	128364	ECO-25M-Y
1	128351	ECO-100-Y
30mm	128365	ECO-30M-Y
1-3/16	128352	ECO-103-Y
1-1/4	128353	ECO-104S-Y
35mm	128366	ECO-35M-Y
1-1/4	128355	ECO-104-Y
1-7/16	128354	ECO-107-Y
40mm	128367	ECO-40M-Y
1-1/2	128356	ECO-108-Y
45mm	128368	ECO-45M-Y
1-11/16	128357	ECO-111-Y
50mm	128369	ECO-50M-Y
1-15/16	128358	ECO-115-Y
50mm	079698	ECO-50M (211)
55mm	079697	ECO-55M (211)
1-15/16	079702	ECO-115 (211)
2	079701	ECO-200 (211)
2-3/16	079700	ECO-203 (211)
2-1/4	079699	ECO-204 (211)
55mm	079693	ECO-55M (212)
60mm	079692	ECO-60M (212)
2-3/16	079696	ECO-203 (212)
2-1/4	079695	ECO-204 (212)
2-7/16	079694	ECO-207 (212)
65mm	127337	ECO-65M (214)
70mm	127338	ECO-70M (214)
2-7/16	127328	ECO-207 (214)
2-1/2	127329	ECO-208 (214)
2-11/16	127330	ECO-211 (214)
70mm	127339	ECO-70M (215)
75mm	127340	ECO-75M (215)
2-11/16	127331	ECO-211 (215)
2-15/16	127332	ECO-215 (215)
75mm	127340	ECO-75M (216)
2-15/16	127333	ECO-215 (216)
3	127334	ECO-300 (216)
85mm	127342	ECO-85M (218)
90mm	127343	ECO-90M (218)
3-7/16	127335	ECO-307 (218)
3-1/2	127336	ECO-308 (218)

Unless specified, dimensions are in mm for metric parts and inches for non-metric parts.  
 Note: Dimensions are in MM (in)  
 5-60 ABB | Mounted bearings | Metric

# Grip Tight® mounted ball bearings

## Related products

### Snap-on end covers

#### Open cover dimensions

Series	Shaft size	A	B	C	D	E
204	20mm	30,2	13,5	48,4	35,1	4,9
	3/4	1,19	0,53	1,91	1,38	0,19
205	25mm	31,8	13,5	55,1	40,9	4,9
	1	1,25	0,53	2,17	1,61	0,19
206	30mm	35,3	14,2	63,5	50,0	4,9
	1-3/16	1,39	0,56	2,50	0,97	0,19
207	35mm	38,9	17,5	73,9	58,9	4,9
	1-1/4	1,53	0,69	2,91	2,31	0,19
208	40mm	40,6	17,5	84,1	70,1	5,1
	1-1/2	1,59	0,69	3,31	2,77	0,20
209	45mm	41,9	18,3	88,9	72,9	5,1
	1-11/16	1,66	0,72	3,50	2,88	0,20
210	50mm	43,7	23,1	91,4	76,2	5,1
	1-15/16	1,72	0,91	3,63	3,00	0,20
211	50mm	1,80	0,97	3,94	3,30	0,21
	55mm	45,5	24,6	100,1	83,6	5,3
	1-15/16	1,80	0,97	3,94	3,30	0,21
	2	1,80	0,97	3,94	3,30	0,21
	2-3/16	1,80	0,97	3,94	3,30	0,21
212	55mm	1,91	1,00	4,38	3,66	0,21
	60mm	48,3	25,4	111,3	92,7	5,3
	2-3/16	1,91	1,00	4,38	3,66	0,21
	2-1/4	1,91	1,00	4,38	3,66	0,21
	2-7/16	1,91	1,00	4,38	3,66	0,21
214	65mm	3,00	1,50	4,90	3,75	0,30
	70mm	76,2	38,1	124,5	95,3	5,3
	2-7/16	3,00	1,50	4,90	3,75	0,30
	2-1/2	3,00	1,50	4,90	3,75	0,30
	2-11/16	3,00	1,50	4,90	3,75	0,30
215	70mm	3,00	1,50	5,20	4,00	0,30
	75mm	76,2	38,1	132,1	101,6	5,3
	2-11/16	3,00	1,50	5,20	4,00	0,30
216	2-15/16	3,00	1,50	5,20	4,00	0,30
	75mm	76,2	38,1	139,7	111,1	5,3
	2-15/16	3,00	1,50	5,50	4,38	0,30
218	3	3,00	1,50	5,50	4,38	0,30
	85mm	3,09	1,50	6,25	5,00	0,30
	90mm	78,6	38,1	158,8	127,0	5,3
	3-7/16	3,09	1,50	6,25	5,00	0,30
218	3-1/2	3,09	1,50	6,25	5,00	0,30

#### Closed cover dimensions

Series	A	B	C	D
204	28,7	13,5	48,4	35,1
	1,13	0,53	1,91	1,38
205	30,2	13,5	55,1	40,9
	0,19	0,53	2,17	1,61
206	33,8	14,2	63,5	50,0
	1,33	0,56	2,50	0,97
207	37,3	17,5	73,9	58,9
	1,47	0,69	2,91	2,31
208	39,1	17,5	84,1	70,1
	1,55	0,69	3,31	2,77
209	40,4	18,3	88,9	72,9
	1,59	0,72	3,50	2,88
210	42,2	23,1	91,4	76,2
	1,66	0,91	3,62	3,00
211	45,5	24,6	100,1	83,6
	45,5	24,6	100,1	83,6
	1,80	0,97	3,94	3,30
	1,80	0,97	3,94	3,30
	1,80	0,97	3,94	3,30
212	48,3	25,4	111,3	92,7
	48,3	25,4	111,3	92,7
	1,91	1,00	4,38	3,66
	1,91	1,00	4,38	3,66
	1,91	1,00	4,38	3,66
214	76,2	38,1	124,5	95,3
	76,2	38,1	124,5	95,3
	3,00	1,50	4,90	3,75
	3,00	1,50	4,90	3,75
	3,00	1,50	4,90	3,75
215	76,2	38,1	132,1	101,6
	76,2	38,1	132,1	101,6
	3,00	1,50	5,20	4,00
216	76,2	38,1	139,7	111,1
	76,2	38,1	139,7	111,1
	3,00	1,50	5,50	4,38
218	78,6	38,1	158,8	127,0
	78,6	38,1	158,8	127,0
	3,09	1,50	6,25	5,00
	3,09	1,50	6,25	5,00

Unless specified, dimensions are in mm for metric parts and inches for non-metric parts.  
Note: Dimensions are in MM (in)

# Grip Tight<sup>®</sup> mounted ball bearings

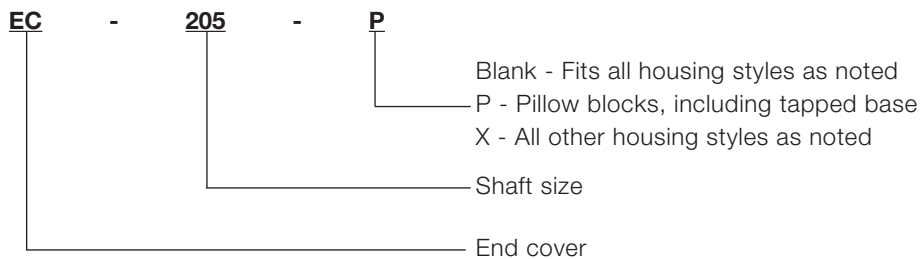
## Related products

### Dodge ball bearing end covers

- Fits Dodge cast iron housed ball bearings: Pillow blocks, 2 and 4-bolt flanges, and take-up bearings
- Injected molded, impact resistant, OSHA safety yellow end covers meet requirements for exposed rotating shafts
- Stainless steel .C. washer for gripping power
- No modification or machining of existing housings required
- Concentric knockout grooves on inside of end cover for thru-shaft
- Dodge six digit part number and description embossed inside
- Operating temperature to 122° C
- For no relubrication/sealed for life applications (-NL), part number 430020 hex head plug is available



### Nomenclature



Series	Pillow blocks std, U, B	Tapped base PB	2-bolt flange	Flanged bracket	4-bolt flange	Piloted flange (FC)	Narrow slot take-up	Wide slot take-up
203	X		X		X			
204	X	X	X	X	X		X	X
205	X	X	X	X	X		X	X
206	X	X	X	X	X	@	X	X
207	X	X	X	X	X	@	X	X
208	X	X	X		X	@	X	X
209	X	X	X		X	@	X	X
210	X	X	X	X	X	@	X	X
211	X	X	X		X	NA	X	X
212	X		X		X	NA	X	X
214	X				X	NA		X
215	X				X			X
216	X				X	X		X
218	X				X	X		

\* = Will not fit LF, LFT, SCHB, HNCR & CYL

@ = Some modification required

NA = Will not fit

X = Will fit

# Grip Tight<sup>®</sup> mounted ball bearings

## Notes

# Grip Tight<sup>®</sup> mounted ball bearings

## Notes

# Plummer blocks

## Contents

### Metric-dimensioned housings

#### Features/Benefits

6-2	ISN
6-3	ISN and ISNX nomenclature
6-15	ISNX
6-20	SNX/SDX

#### Selection/Dimensions

##### Selection

6-4	ISN plummer block
6-16	ISNX hydraulic
6-27	SNX

##### Dimensions

6-11	ISN
6-12	ISN bearing inserts
6-13	ISN lockplate kits
6-13	ISN end covers
6-14	ISN spanner wrenches
6-19	ISNX hydraulic
6-23	SNX
6-39	SDX

INDEX-1	Part number index
---------	-------------------



# Plummer blocks

# Plummer blocks

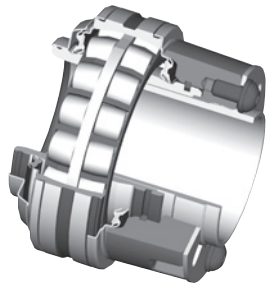
## Features/Benefits

### ISN

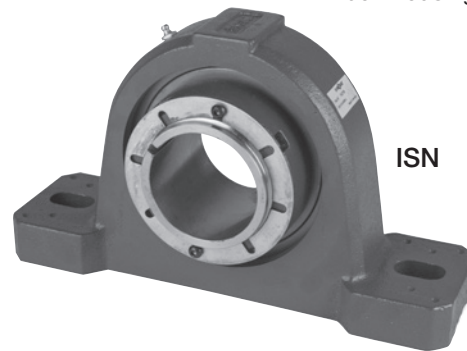
### Shaft ready / Adapter mount / SN dimensions

#### Patented adapter mounting system

- Quick installation and removal
- Clearance setting without feeler gauges
- Full shaft contact reduces or eliminates fretting corrosion
- Locknut tightens the bearing on the shaft when turned clockwise
- Counter-clockwise rotation of the locknut loosens the bearing from the shaft
- 22200 series spherical roller bearing with steel cage and guide ring
- 2-bolt housings are cast iron
- 4-bolt housings are ductile iron

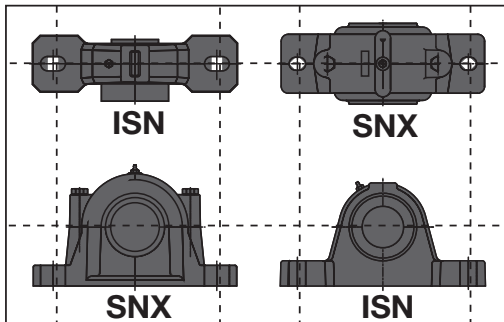
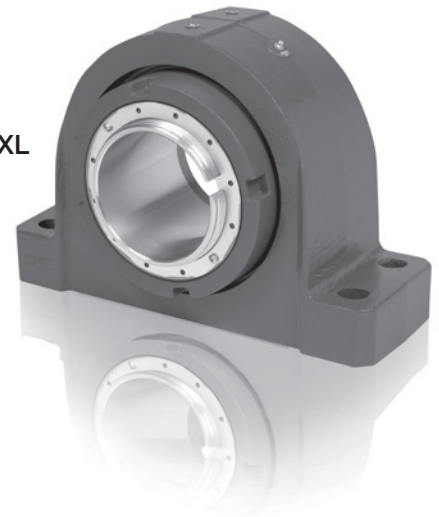


2-bolt housings: 35-140mm  
4-bolt housings: 150-170mm



ISN

ISN-XL

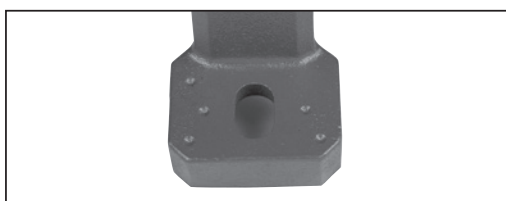


Dimensionally interchangeable with housings of the SN family. Preassembled - no risk of bearing contamination during field assembly or incorrect parts.

Stronger feet for higher load capacity.



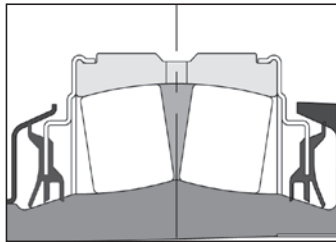
Cast-in drilling location dimples: for dowels or four-bolt mounting.



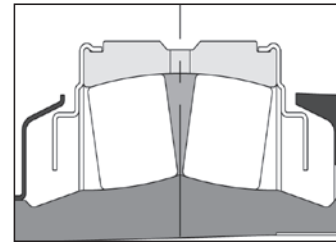
# Plummer blocks

## Features/Benefits

### ISN seal options



**Trident™ seal** - Patented design triple-lip rubbing seal with corrosion resistant flingers; positive seal contact up to  $\pm 1^\circ$  misalignment. Maximum operating temperature is 107°C.



**Labyrinth seal** - Patented design clearance steel seal carrier with corrosion resistant flingers. High speed or temperature applications. Maximum operating temperature is 204°C.

### ISN, ISN-XL and ISNX Hyd bearing nomenclature

**P2B524 - ISN - 110MFR**

**Housing style options:**

- P2B = Plummer block, 2-bolt base, cast iron
- P4B = Plummer block, 4-bolt base, ductile iron

**Housing size:**

- 5xx describes the associated DIN - SN pillow block housing size
- 31XX describes the associate SD 3100 pillow block housing size

**M = Size in millimeters**

**Other data / seals:**

- F = Non expansion
- L = Expansion (non-locating)
- R = Rubber contact seal
- S = Labyrinth seal
- HYD = Integral hydraulic mounting/dismounting

**Bearing type options:**

- ISN = SN style w/imperial locking mechanism
- ISNX = Hydraulic mount/dismount

# Plummer blocks

## Selection

### ISN ratings

Table 1: ISN spherical roller bearings

Housing	Bearings	Maximum allowable adapter thrust	Basic load ratings			e	FA/FR ≤ e		FA/FR > e		Max. RPM ★		Maximum expansion
			Dynamic capacity (C)	Static capacity (C0)	X1		Y1	X2	Y2	Trident seal	Labyrinth seal		
												kN (lb)	
507	22208	2,7 (607)	93 (20907)	94 (21132)	0,28	1,0	2,4	0,67	3,6	3975	6000	3,18	
508	22208	2,7 (607)	93 (20907)	94 (21132)	0,28	1,0	2,4	0,67	3,6	3975	6000	3,18	
509	22209	3,1 (697)	93 (20907)	105 (23605)	0,26	1,0	2,6	0,67	3,9	3725	5600	3,18	
510	22210	3,4 (764)	98 (22031)	118 (26528)	0,24	1,0	2,8	0,67	4,2	3520	5300	6,35	
511	22210	3,4 (764)	98 (22031)	118 (26528)	0,24	1,0	2,8	0,67	4,2	3520	5300	6,35	
512	22211	4,1 (922)	120 (26977)	145 (32597)	0,23	1,0	2,9	0,67	4,3	3000	4500	6,35	
513	22213	6 (1349)	174 (39117)	216 (48559)	0,24	1,0	2,8	0,67	4,2	2400	3800	6,35	
515	22215	7 (1574)	185 (41590)	236 (53055)	0,22	1,0	3,1	0,67	4,6	2250	3400	6,35	
516	22215	7 (1574)	185 (41590)	236 (53055)	0,22	1,0	3,1	0,67	4,6	2250	3400	6,35	
517	22215	7 (1574)	185 (41590)	236 (53055)	0,22	1,0	3,1	0,67	4,6	2250	3400	6,35	
518	22218	10,8 (2428)	285 (64071)	363 (81606)	0,23	1,0	2,9	0,67	4,3	1825	2600	6,35	
519	22218	10,8 (2428)	285 (64071)	363 (81606)	0,23	1,0	2,9	0,67	4,3	1825	2600	6,35	
520	22220	13,8 (3102)	369 (82955)	463 (104087)	0,24	1,0	2,8	0,67	4,2	1530	2200	7,94	
522	22220	13,8 (3102)	369 (82955)	463 (104087)	0,24	1,0	2,8	0,67	4,2	1530	2200	7,94	
524	22222	17,5 (3934)	463 (104087)	587 (131963)	0,25	1,0	2,7	0,67	4,0	1325	2000	9,53	
526	22226	25 (5620)	650 (146127)	872 (196034)	0,26	1,0	2,6	0,67	4,0	1175	1800	9,53	
528	22226	25 (5620)	650 (146127)	872 (196034)	0,26	1,0	2,6	0,67	4,0	1175	1800	9,53	
530	22228	28,5 (6407)	738 (165910)	1050 (236051)	0,25	1,0	2,7	0,67	4,0	1100	1700	9,53	
532	22232	38,4 (8633)	979 (220089)	1401 (314959)	0,26	1,0	2,6	0,68	3,9	975	1500	9,53	
3134	22232	38,4 (8633)	979 (220089)	1401 (314959)	0,26	1,0	2,6	0,68	3,9	975	1500	9,53	
3136	22236	46,4 (10431)	1157 (260105)	1668 (374983)	0,25	1,0	2,7	0,67	4,0	845	1300	9,53	
3138	22236	46,4 (10431)	1157 (260105)	1668 (374983)	0,25	1,0	2,7	0,67	4,0	845	1300	9,53	

Refer to pages B10-1 and B10-2 for information on bearing calculations, including L<sub>10</sub> life and loads

★Maximum grease speed is dependant on load and ambient conditions. Contact your local ABB office for assistance.

# Plummer blocks

## Selection

### ISN easy selection

Table 2: ISN double row spherical roller bearing

Housing	L <sub>10</sub> Life Hours	Allowable equivalent radial load rating kN (lb) at various RPM																						
		50	100	150	250	500	750	1000	1300	1500	1700	1800	2000	2200	2600	2750	3000	3400	3800	4500	5300	5600	6000	
507	10000	33 (7419)	27 (6070)	24 (5395)	21 (4721)	17 (3822)	15 (3372)	14 (3147)	13 (2923)	12 (2698)	12 (2698)	11 (2473)	11 (2473)	11 (2473)	10 (2248)	10 (2248)	10 (2248)	7 (1574)	6 (1349)	9 (2023)	8 (1798)	8 (1798)	8 (1798)	
	30000	24 (5395)	20 (4496)	17 (3822)	15 (3372)	12 (2698)	11 (2473)	10 (2248)	9 (2023)	9 (2023)	8 (1798)	8 (1798)	8 (1798)	8 (1798)	7 (1574)	7 (1574)	7 (1574)	6 (1349)	6 (1349)	6 (1349)	6 (1349)	6 (1349)	6 (1349)	
	40000	22 (4946)	18 (4047)	16 (3597)	14 (3147)	11 (2473)	10 (2248)	9 (2023)	8 (1798)	8 (1798)	8 (1798)	8 (1798)	7 (1574)	7 (1574)	7 (1574)	7 (1574)	6 (1349)	6 (1349)	6 (1349)	6 (1349)	6 (1349)	5 (1124)	5 (1124)	5 (1124)
	60000	20 (4496)	16 (3597)	14 (3147)	12 (2698)	10 (2248)	9 (2023)	8 (1798)	7 (1574)	7 (1574)	7 (1574)	7 (1574)	6 (1349)	6 (1349)	6 (1349)	6 (1349)	6 (1349)	6 (1349)	5 (1124)	5 (1124)	5 (1124)	5 (1124)	5 (1124)	5 (1124)
	100000	17 (3822)	14 (3147)	12 (2698)	10 (2248)	8 (1798)	7 (1574)	7 (1574)	6 (1349)	6 (1349)	6 (1349)	6 (1349)	6 (1349)	5 (1124)	5 (1124)	5 (1124)	5 (1124)	5 (1124)	5 (1124)	4 (899)	4 (899)	4 (899)	4 (899)	4 (899)
508	10000	33 (7419)	27 (6070)	24 (5395)	21 (4721)	17 (3822)	15 (3372)	14 (3147)	13 (2923)	12 (2698)	12 (2698)	11 (2473)	11 (2473)	11 (2473)	10 (2248)	10 (2248)	10 (2248)	7 (1574)	6 (1349)	9 (2023)	8 (1798)	8 (1798)	8 (1798)	
	30000	24 (5395)	20 (4496)	17 (3822)	15 (3372)	12 (2698)	11 (2473)	10 (2248)	9 (2023)	9 (2023)	8 (1798)	8 (1798)	8 (1798)	8 (1798)	7 (1574)	7 (1574)	7 (1574)	6 (1349)	6 (1349)	6 (1349)	6 (1349)	6 (1349)	6 (1349)	
	40000	22 (4946)	18 (4047)	16 (3597)	14 (3147)	11 (2473)	10 (2248)	9 (2023)	8 (1798)	8 (1798)	8 (1798)	8 (1798)	7 (1574)	7 (1574)	7 (1574)	7 (1574)	6 (1349)	6 (1349)	6 (1349)	6 (1349)	6 (1349)	5 (1124)	5 (1124)	5 (1124)
	60000	20 (4496)	16 (3597)	14 (3147)	12 (2698)	10 (2248)	9 (2023)	8 (1798)	7 (1574)	7 (1574)	7 (1574)	7 (1574)	6 (1349)	6 (1349)	6 (1349)	6 (1349)	6 (1349)	6 (1349)	5 (1124)	5 (1124)	5 (1124)	5 (1124)	5 (1124)	5 (1124)
	100000	17 (3822)	14 (3147)	12 (2698)	10 (2248)	8 (1798)	7 (1574)	7 (1574)	6 (1349)	6 (1349)	6 (1349)	6 (1349)	6 (1349)	5 (1124)	5 (1124)	5 (1124)	5 (1124)	5 (1124)	5 (1124)	4 (899)	4 (899)	4 (899)	4 (899)	4 (899)
509	10000	33 (7419)	27 (6070)	24 (5395)	21 (4721)	17 (3822)	15 (3372)	14 (3147)	13 (2923)	12 (2698)	12 (2698)	11 (2473)	11 (2473)	11 (2473)	10 (2248)	10 (2248)	10 (2248)	7 (1574)	6 (1349)	9 (2023)	6 (1349)	8 (1798)		
	30000	24 (5395)	20 (4496)	17 (3822)	15 (3372)	12 (2698)	11 (2473)	10 (2248)	9 (2023)	9 (2023)	8 (1798)	8 (1798)	8 (1798)	8 (1798)	7 (1574)	7 (1574)	7 (1574)	6 (1349)	6 (1349)	6 (1349)	6 (1349)	6 (1349)	6 (1349)	
	40000	22 (4946)	18 (4047)	16 (3597)	14 (3147)	11 (2473)	10 (2248)	9 (2023)	8 (1798)	8 (1798)	8 (1798)	8 (1798)	7 (1574)	7 (1574)	7 (1574)	7 (1574)	6 (1349)	6 (1349)	6 (1349)	6 (1349)	6 (1349)	5 (1124)	5 (1124)	
	60000	20 (4496)	16 (3597)	14 (3147)	12 (2698)	10 (2248)	9 (2023)	8 (1798)	7 (1574)	7 (1574)	7 (1574)	7 (1574)	6 (1349)	6 (1349)	6 (1349)	6 (1349)	6 (1349)	6 (1349)	5 (1124)	5 (1124)	5 (1124)	5 (1124)	5 (1124)	
	100000	17 (3822)	14 (3147)	12 (2698)	10 (2248)	8 (1798)	7 (1574)	7 (1574)	6 (1349)	6 (1349)	6 (1349)	6 (1349)	6 (1349)	5 (1124)	5 (1124)	5 (1124)	5 (1124)	5 (1124)	5 (1124)	5 (1124)	4 (899)	4 (899)	4 (899)	4 (899)
510	10000	35 (7868)	29 (6519)	25 (5620)	22 (4946)	18 (4047)	16 (3597)	14 (3147)	13 (2923)	13 (2923)	12 (2698)	12 (2698)	12 (2698)	11 (2473)	11 (2473)	11 (2473)	10 (2248)	7 (1574)	10 (2248)	9 (2023)	9 (2023)			
	30000	25 (5620)	21 (4721)	18 (4047)	16 (3597)	13 (2923)	11 (2473)	10 (2248)	10 (2248)	9 (2023)	9 (2023)	9 (2023)	8 (1798)	8 (1798)	8 (1798)	8 (1798)	7 (1574)	7 (1574)	7 (1574)	7 (1574)	7 (1574)	6 (1349)	6 (1349)	
	40000	23 (5171)	19 (4271)	17 (3822)	14 (3147)	12 (2698)	10 (2248)	10 (2248)	9 (2023)	8 (1798)	8 (1798)	8 (1798)	8 (1798)	8 (1798)	7 (1574)	7 (1574)	7 (1574)	6 (1349)	6 (1349)	6 (1349)	6 (1349)	6 (1349)	6 (1349)	
	60000	21 (4721)	17 (3822)	15 (3372)	13 (2923)	10 (2248)	9 (2023)	8 (1798)	8 (1798)	7 (1574)	7 (1574)	7 (1574)	7 (1574)	7 (1574)	6 (1349)	6 (1349)	6 (1349)	6 (1349)	6 (1349)	6 (1349)	5 (1124)	5 (1124)	5 (1124)	
	100000	18 (4047)	14 (3147)	13 (2923)	11 (2473)	9 (2023)	8 (1798)	7 (1574)	7 (1574)	6 (1349)	6 (1349)	6 (1349)	6 (1349)	6 (1349)	5 (1124)	5 (1124)	5 (1124)	5 (1124)	5 (1124)	5 (1124)	5 (1124)	4 (899)	4 (899)	
511	10000	35 (7868)	29 (6519)	25 (5620)	22 (4946)	18 (4047)	16 (3597)	14 (3147)	13 (2923)	13 (2923)	12 (2698)	12 (2698)	12 (2698)	11 (2473)	11 (2473)	11 (2473)	10 (2248)	7 (1574)	10 (2248)	9 (2023)	9 (2023)			
	30000	25 (5620)	21 (4721)	18 (4047)	16 (3597)	13 (2923)	11 (2473)	10 (2248)	10 (2248)	9 (2023)	9 (2023)	9 (2023)	8 (1798)	8 (1798)	8 (1798)	8 (1798)	7 (1574)	7 (1574)	7 (1574)	7 (1574)	7 (1574)	6 (1349)	6 (1349)	
	40000	23 (5171)	19 (4271)	17 (3822)	14 (3147)	12 (2698)	10 (2248)	10 (2248)	9 (2023)	8 (1798)	8 (1798)	8 (1798)	8 (1798)	8 (1798)	7 (1574)	7 (1574)	7 (1574)	6 (1349)	6 (1349)	6 (1349)	6 (1349)	6 (1349)	6 (1349)	
	60000	21 (4721)	17 (3822)	15 (3372)	13 (2923)	10 (2248)	9 (2023)	8 (1798)	8 (1798)	7 (1574)	7 (1574)	7 (1574)	7 (1574)	7 (1574)	6 (1349)	6 (1349)	6 (1349)	6 (1349)	6 (1349)	6 (1349)	5 (1124)	5 (1124)	5 (1124)	
	100000	18 (4047)	14 (3147)	13 (2923)	11 (2473)	9 (2023)	8 (1798)	7 (1574)	7 (1574)	6 (1349)	6 (1349)	6 (1349)	6 (1349)	6 (1349)	5 (1124)	5 (1124)	5 (1124)	5 (1124)	5 (1124)	5 (1124)	5 (1124)	4 (899)	4 (899)	
512	10000	43 (9667)	35 (7868)	31 (6969)	27 (6070)	22 (4946)	19 (4271)	18 (4047)	16 (3597)	16 (3597)	15 (3372)	15 (3372)	14 (3147)	14 (3147)	13 (2923)	13 (2923)	9 (2023)	12 (2698)	12 (2698)	11 (2473)				
	30000	31 (6969)	25 (5620)	22 (4946)	19 (4271)	16 (3597)	14 (3147)	13 (2923)	12 (2698)	11 (2473)	11 (2473)	11 (2473)	10 (2248)	10 (2248)	10 (2248)	9 (2023)	9 (2023)	9 (2023)	9 (2023)	9 (2023)	9 (2023)	8 (1798)	8 (1798)	
	40000	29 (6519)	23 (5171)	21 (4721)	18 (4047)	14 (3147)	13 (2923)	12 (2698)	11 (2473)	10 (2248)	10 (2248)	10 (2248)	9 (2023)	9 (2023)	9 (2023)	9 (2023)	8 (1798)	8 (1798)	8 (1798)	8 (1798)	7 (1574)	7 (1574)	7 (1574)	
	60000	25 (5620)	21 (4721)	18 (4047)	16 (3597)	13 (2923)	11 (2473)	10 (2248)	10 (2248)	9 (2023)	9 (2023)	9 (2023)	8 (1798)	8 (1798)	8 (1798)	8 (1798)	7 (1574)	7 (1574)	7 (1574)	7 (1574)	7 (1574)	7 (1574)	7 (1574)	
	100000	22 (4946)	18 (4047)	16 (3597)	13 (2923)	11 (2473)	10 (2248)	9 (2023)	8 (1798)	8 (1798)	8 (1798)	7 (1574)	7 (1574)	7 (1574)	7 (1574)	6 (1349)	6 (1349)	6 (1349)	6 (1349)	6 (1349)	6 (1349)	6 (1349)	6 (1349)	

Use the labyrinth (S) seal for applications to the right of the vertical line.  
 For applications in the dark shaded areas, the maximum load for the specific speed is shown. The load does not correspond to the L10 shown.  
 Applications in the light shaded areas may require high temperature lubrication. Please consult Dodge engineering.

# Plummer blocks

## Selection

### ISN easy selection

**Table 2: ISN double row spherical roller bearing (continued)**

Housing	L <sub>10</sub> Life Hours	Allowable equivalent radial load rating kN (lb) at various RPM																					
		50	100	150	250	500	750	1000	1300	1500	1700	1800	2000	2200	2600	2750	3000	3400	3800	4500	5300	5600	6000
513	10000	61 (13713)	50 (11241)	44 (9892)	38 (8543)	31 (6969)	27 (6070)	25 (5620)	23 (5171)	22 (4946)	21 (4721)	21 (4721)	20 (4496)	14 (3147)	19 (4271)	18 (4047)	18 (4047)	17 (3822)	17 (3822)				
	30000	44 (9892)	36 (8093)	32 (7194)	27 (6070)	22 (4946)	22 (4271)	19 (4047)	18 (3822)	17 (3597)	16 (3372)	15 (3372)	15 (3372)	14 (3147)	13 (2923)	13 (2923)	13 (2923)	12 (2698)	12 (2698)	12 (2698)	11 (25404)	11 (2473)	
	40000	40 (8992)	33 (7419)	29 (6519)	25 (5620)	20 (4496)	18 (4047)	16 (3597)	15 (3372)	15 (3372)	14 (3147)	14 (3147)	13 (2923)	13 (2923)	12 (2698)	12 (2698)	12 (2698)	12 (2698)	11 (2473)	11 (2473)	10 (2248)	10 (2248)	
	60000	36 (8093)	29 (6519)	26 (5845)	22 (4946)	18 (4047)	16 (3597)	15 (3372)	15 (2923)	13 (2923)	13 (2698)	12 (2698)	12 (2698)	11 (2473)	11 (2473)	11 (2473)	10 (2248)	10 (2248)	10 (2248)	9 (2023)	9 (2023)	8 (1798)	
	100000	31 (6969)	25 (5620)	22 (4946)	19 (4271)	15 (3372)	14 (3147)	12 (2698)	12 (2698)	11 (2473)	11 (2473)	10 (2248)	10 (2248)	10 (2248)	9 (2023)	9 (2023)	9 (2023)	9 (2023)	8 (1798)				
515	10000	67 (15062)	54 (12140)	48 (10791)	41 (9217)	33 (7419)	30 (6744)	27 (6070)	25 (5620)	24 (5395)	23 (5171)	23 (5171)	22 (4946)	15 (3372)	20 (4496)	20 (4496)	19 (4271)	19 (4271)					
	30000	48 (10791)	39 (8768)	34 (7644)	30 (6744)	24 (5395)	21 (4721)	20 (4496)	18 (4047)	17 (3822)	17 (3822)	16 (3597)	16 (3597)	15 (3372)	15 (3372)	14 (3147)	14 (3147)	14 (3147)	14 (3147)				
	40000	44 (9892)	36 (8093)	32 (7194)	27 (6070)	22 (4946)	20 (4496)	20 (4047)	18 (3822)	17 (3597)	16 (3372)	16 (3372)	15 (3147)	14 (3147)	14 (2923)	13 (2923)	13 (2923)	13 (2923)	12 (2698)	12 (2698)	11 (2473)	11 (2473)	
	60000	39 (8768)	32 (7194)	28 (6295)	24 (5395)	20 (4496)	17 (3822)	16 (3597)	15 (3372)	14 (3147)	14 (3147)	13 (2923)	13 (2923)	13 (2923)	12 (2698)	12 (2698)	12 (2698)	11 (2473)	11 (2473)	11 (2473)	9 (2023)	9 (2023)	
	100000	33 (7419)	27 (6070)	24 (5395)	21 (4721)	17 (3822)	15 (3372)	14 (3147)	13 (2923)	12 (2698)	12 (2698)	11 (2473)	11 (2473)	11 (2473)	10 (2248)	10 (2248)	10 (2248)	10 (2023)	9 (2023)	9 (2023)	8 (1798)		
516	10000	67 (15062)	54 (12140)	48 (10791)	41 (9217)	33 (7419)	30 (6744)	27 (6070)	25 (5620)	24 (5395)	23 (5171)	23 (5171)	22 (4946)	15 (3372)	20 (4496)	20 (4496)	19 (4271)	19 (4271)					
	30000	48 (10791)	39 (8768)	34 (7644)	30 (6744)	24 (5395)	21 (4721)	20 (4496)	18 (4047)	17 (3822)	17 (3822)	16 (3597)	16 (3597)	15 (3372)	15 (3372)	14 (3147)	14 (3147)	14 (3147)	14 (3147)				
	40000	44 (9892)	36 (8093)	32 (7194)	27 (6070)	22 (4946)	20 (4496)	20 (4047)	18 (3822)	17 (3597)	16 (3372)	16 (3372)	15 (3147)	14 (3147)	14 (2923)	13 (2923)	13 (2923)	13 (2923)	12 (2698)	12 (2698)	11 (2473)	11 (2473)	
	60000	39 (8768)	32 (7194)	28 (6295)	24 (5395)	20 (4496)	17 (3822)	16 (3597)	15 (3372)	14 (3147)	14 (3147)	13 (2923)	13 (2923)	13 (2923)	12 (2698)	12 (2698)	12 (2698)	11 (2473)	11 (2473)	11 (2473)	9 (2023)	9 (2023)	
	100000	33 (7419)	27 (6070)	24 (5395)	21 (4721)	17 (3822)	15 (3372)	14 (3147)	13 (2923)	12 (2698)	12 (2698)	11 (2473)	11 (2473)	11 (2473)	10 (2248)	10 (2248)	10 (2248)	10 (2023)	9 (2023)	9 (2023)	8 (1798)		
517	10000	67 (15062)	54 (12140)	48 (10791)	41 (9217)	33 (7419)	30 (6744)	27 (6070)	25 (5620)	24 (5395)	23 (5171)	23 (5171)	22 (4946)	15 (3372)	20 (4496)	20 (4496)	19 (4271)	19 (4271)					
	30000	48 (10791)	39 (8768)	34 (7644)	30 (6744)	24 (5395)	21 (4721)	20 (4496)	18 (4047)	17 (3822)	17 (3822)	16 (3597)	16 (3597)	15 (3372)	15 (3372)	14 (3147)	14 (3147)	14 (3147)	14 (3147)				
	40000	44 (9892)	36 (8093)	32 (7194)	27 (6070)	22 (4946)	20 (4496)	20 (4047)	18 (3822)	17 (3597)	16 (3372)	16 (3372)	15 (3147)	14 (3147)	14 (2923)	13 (2923)	13 (2923)	13 (2923)	12 (2698)	12 (2698)	11 (2473)	11 (2473)	
	60000	39 (8768)	32 (7194)	28 (6295)	24 (5395)	20 (4496)	17 (3822)	16 (3597)	15 (3372)	14 (3147)	14 (3147)	13 (2923)	13 (2923)	13 (2923)	12 (2698)	12 (2698)	12 (2698)	11 (2473)	11 (2473)	11 (2473)	9 (2023)	9 (2023)	
	100000	33 (7419)	27 (6070)	24 (5395)	21 (4721)	17 (3822)	15 (3372)	14 (3147)	13 (2923)	12 (2698)	12 (2698)	11 (2473)	11 (2473)	11 (2473)	10 (2248)	10 (2248)	10 (2248)	10 (2023)	9 (2023)	9 (2023)	8 (1798)		
518	10000	105 (23605)	85 (19109)	76 (17086)	65 (14613)	53 (11915)	47 (10566)	43 (9667)	40 (8992)	38 (8543)	37 (8318)	26 (5845)	35 (7868)	34 (7644)	32 (7194)								
	30000	76 (17086)	61 (13713)	54 (12140)	47 (10566)	38 (8543)	34 (7644)	31 (6969)	28 (6295)	27 (6070)	26 (5845)	26 (5845)	25 (5620)	24 (5395)	23 (5171)								
	40000	69 (15512)	56 (12589)	50 (11241)	43 (9667)	35 (7868)	31 (6969)	28 (6295)	26 (5845)	25 (5620)	25 (5395)	24 (5395)	23 (5171)	22 (4946)	21 (4721)								
	60000	61 (13713)	50 (11241)	44 (9892)	38 (8543)	31 (6969)	27 (6070)	25 (5620)	23 (5171)	22 (4946)	22 (4721)	21 (4721)	20 (4496)	20 (4496)	19 (4271)								
	100000	53 (11915)	43 (9667)	38 (8543)	33 (7419)	26 (5845)	23 (5171)	21 (4721)	20 (4496)	19 (4271)	18 (4047)	18 (4047)	17 (3822)	17 (3822)	16 (3597)								
519	10000	105 (23605)	85 (19109)	76 (17086)	65 (14613)	53 (11915)	47 (10566)	43 (9667)	40 (8992)	38 (8543)	37 (8318)	26 (5845)	35 (7868)	34 (7644)	32 (7194)								
	30000	76 (17086)	61 (13713)	54 (12140)	47 (10566)	38 (8543)	34 (7644)	31 (6969)	28 (6295)	27 (6070)	26 (5845)	26 (5845)	25 (5620)	24 (5395)	23 (5171)								
	40000	69 (15512)	56 (12589)	50 (11241)	43 (9667)	35 (7868)	31 (6969)	28 (6295)	26 (5845)	25 (5620)	25 (5395)	24 (5395)	23 (5171)	22 (4946)	21 (4721)								
	60000	61 (13713)	50 (11241)	44 (9892)	38 (8543)	31 (6969)	27 (6070)	25 (5620)	23 (5171)	22 (4946)	22 (4721)	21 (4721)	20 (4496)	20 (4496)	19 (4271)								
	100000	53 (11915)	43 (9667)	38 (8543)	33 (7419)	26 (5845)	23 (5171)	21 (4721)	20 (4496)	19 (4271)	18 (4047)	18 (4047)	17 (3822)	17 (3822)	16 (3597)								
520	10000	133 (29900)	108 (24279)	96 (21582)	82 (18434)	67 (15062)	59 (13264)	54 (12140)	50 (11241)	46 (7868)	45 (10341)	44 (10116)	43 (9892)	43 (9667)									
	30000	96 (21582)	78 (17535)	69 (15512)	59 (13264)	48 (10791)	43 (9667)	39 (8768)	36 (8093)	35 (7868)	33 (7419)	33 (7419)	32 (7194)	31 (6969)									
	40000	88 (19783)	71 (15962)	63 (14163)	54 (12140)	44 (9892)	39 (8768)	36 (8093)	33 (7419)	32 (7194)	31 (6969)	30 (6744)	29 (6519)	28 (6295)									
	60000	78 (17535)	63 (14163)	56 (12589)	48 (10791)	39 (8768)	35 (7868)	32 (7194)	29 (6519)	28 (6295)	27 (6070)	27 (6070)	26 (5845)	25 (5620)									
	100000	67 (15062)	54 (12140)	48 (10791)	41 (9217)	33 (7419)	30 (6744)	27 (6070)	25 (5620)	24 (5395)	23 (5171)	23 (5171)	22 (4946)	21 (4721)									

Use the labyrinth (S) seal for applications to the right of the vertical line.

For applications in the dark shaded areas, the maximum load for the specific speed is shown. The load does not correspond to the L10 shown.

Applications in the light shaded areas may require high temperature lubrication. Please consult Dodge engineering.

# Plummer blocks

## Selection

### ISN easy selection

Table 2: ISN double row spherical roller bearing (continued)

Housing	L <sub>10</sub> Life Hours	Allowable equivalent radial load rating kN (lb) at various RPM																						
		50	100	150	250	500	750	1000	1300	1500	1700	1800	2000	2200	2600	2750	3000	3400	3800	4500	5300	5600	6000	
522	10000	133 (29900)	108 (24279)	96 (21582)	82 (18434)	67 (15062)	59 (13264)	54 (12140)	50 (11241)	35 (7868)	46 (10341)	45 (10116)	44 (9892)	43 (9667)										
	30000	96 (21582)	78 (17535)	69 (15512)	59 (13264)	48 (10791)	43 (9667)	39 (8768)	36 (8093)	35 (7868)	33 (7419)	33 (7419)	32 (7194)	31 (6969)										
		88 (19783)	71 (15962)	63 (14163)	54 (12140)	44 (9892)	39 (8768)	36 (8093)	33 (7419)	32 (7194)	27 (6070)	27 (6070)	26 (5845)	25 (5620)										
	60000	78 (17535)	63 (14163)	56 (12589)	48 (10791)	39 (8768)	35 (7868)	32 (7194)	29 (6519)	28 (6295)	27 (6070)	27 (6070)	26 (5845)	25 (5620)										
		67 (15062)	54 (12140)	48 (10791)	41 (9217)	33 (7419)	30 (6744)	27 (6070)	25 (5620)	24 (5395)	23 (5171)	23 (5171)	22 (4946)	21 (4721)										
524	10000	167 (37543)	135 (30349)	120 (26977)	103 (23155)	84 (18884)	74 (16636)	68 (15287)	45 (10116)	60 (13489)	58 (13039)	57 (12814)	55 (12365)											
	30000	120 (26977)	97 (21807)	86 (19334)	74 (16636)	60 (13489)	53 (11915)	49 (11016)	45 (10116)	43 (9667)	42 (9442)	41 (9217)	40 (8992)											
		110 (24729)	89 (20008)	79 (17760)	68 (15287)	55 (12365)	49 (11016)	45 (10116)	41 (9217)	40 (8992)	38 (8543)	38 (8543)	36 (8093)											
	60000	97 (21807)	79 (17760)	70 (15737)	60 (13489)	49 (11016)	43 (9667)	40 (8992)	37 (8318)	35 (7868)	34 (7644)	33 (7419)	32 (7194)											
		84 (18884)	68 (15287)	60 (13489)	52 (11690)	42 (9442)	37 (8318)	34 (7644)	31 (6969)	30 (6744)	29 (6519)	29 (6519)	28 (6295)											
526	10000	234 (52606)	190 (42714)	168 (37768)	144 (32373)	117 (26303)	104 (23380)	69 (15512)	88 (19783)	84 (18884)	81 (18210)	80 (17985)												
	30000	168 (37768)	137 (30799)	121 (27202)	104 (23380)	84 (18884)	75 (16861)	69 (15512)	63 (14163)	61 (13713)	59 (13264)	58 (13039)												
		154 (34621)	125 (28101)	111 (24954)	95 (21357)	77 (17310)	69 (15512)	63 (14163)	58 (13039)	56 (12589)	54 (12140)	53 (11915)												
	60000	137 (30799)	111 (24954)	98 (22031)	84 (18884)	69 (15512)	61 (13713)	56 (12589)	52 (11690)	49 (11016)	48 (10791)	47 (10566)												
		117 (26303)	95 (21357)	84 (18884)	72 (16186)	59 (13264)	52 (11690)	48 (10791)	44 (9892)	42 (9442)	41 (9217)	40 (8992)												
528	10000	234 (52606)	190 (42714)	168 (37768)	144 (32373)	117 (26303)	104 (23380)	69 (15512)	88 (19783)	84 (18884)	81 (18210)	80 (17985)												
	30000	168 (37768)	137 (30799)	121 (27202)	104 (23380)	84 (18884)	75 (16861)	69 (15512)	63 (14163)	61 (13713)	59 (13264)	58 (13039)												
		154 (34621)	125 (28101)	111 (24954)	95 (21357)	77 (17310)	69 (15512)	63 (14163)	58 (13039)	56 (12589)	54 (12140)	53 (11915)												
	60000	137 (30799)	111 (24954)	98 (22031)	84 (18884)	69 (15512)	61 (13713)	56 (12589)	52 (11690)	49 (11016)	48 (10791)	47 (10566)												
		117 (26303)	95 (21357)	84 (18884)	72 (16186)	59 (13264)	52 (11690)	48 (10791)	44 (9892)	42 (9442)	41 (9217)	40 (8992)												
530	10000	266 (59799)	216 (48559)	191 (42939)	164 (36869)	133 (29900)	118 (26528)	78 (17535)	100 (22481)	96 (21582)	92 (20683)													
	30000	191 (42939)	155 (34846)	138 (31024)	118 (26528)	96 (21582)	85 (19109)	78 (17535)	72 (16186)	69 (15512)	66 (14837)													
		176 (39567)	143 (32148)	126 (28326)	108 (24279)	88 (19783)	78 (17535)	71 (15962)	66 (14837)	63 (14163)	61 (13713)													
	60000	155 (34846)	126 (28326)	112 (25179)	96 (21582)	78 (17535)	69 (15512)	63 (14163)	59 (13264)	56 (12589)	54 (12140)													
		133 (29900)	108 (24279)	96 (21582)	82 (18434)	67 (15062)	59 (13264)	54 (12140)	50 (11241)	48 (11241)	46 (10791)	46 (10341)												
532/ 3134	10000	353 (79358)	287 (64520)	254 (57102)	218 (49009)	177 (39791)	113 (25404)	144 (32373)	133 (29900)	127 (28551)														
	30000	254 (57102)	206 (46311)	182 (40915)	157 (35295)	127 (28551)	113 (25404)	103 (23155)	95 (21357)	91 (20458)														
		233 (52381)	189 (42489)	167 (37543)	144 (32373)	117 (26303)	103 (23155)	95 (21357)	88 (19783)	84 (18884)														
	60000	206 (46311)	167 (37543)	148 (33272)	127 (28551)	103 (23155)	91 (20458)	84 (18884)	78 (17535)	74 (16636)														
		177 (39791)	144 (32373)	127 (28551)	109 (24504)	89 (20008)	78 (17535)	72 (16186)	67 (15062)	64 (14388)														
3136/ 3138	10000	417 (93746)	339 (76211)	300 (67443)	257 (57776)	209 (46985)	133 (29900)	170 (38218)	157 (35295)															
	30000	300 (67443)	244 (54854)	216 (48559)	185 (41590)	150 (33722)	133 (29900)	122 (27427)	113 (25404)															
		275 (61823)	223 (50133)	198 (44512)	170 (38218)	138 (31024)	122 (27427)	112 (25179)	103 (23155)															
	60000	244 (54854)	198 (44512)	175 (39342)	150 (33722)	122 (27427)	108 (24279)	99 (22256)	92 (20683)															
		209 (46985)	170 (38218)	150 (33722)	129 (29000)	105 (23605)	93 (20907)	85 (19109)	79 (17760)															

Use the labyrinth (S) seal for applications to the right of the vertical line.  
 For applications in the dark shaded areas, the maximum load for the specific speed is shown. The load does not correspond to the L10 shown.  
 Applications in the light shaded areas may require high temperature lubrication. Please consult Dodge engineering.

# Plummer blocks

## Selection

### Imperial - ISN spherical roller bearings

**Table 4: Definition of operating conditions for unitized spherical roller bearings**

Low speed	Up to 20% of max. RPM (Table 1)
Medium speed	Over 20% to 80% of max. RPM
High speed	Over 80% of max. RPM
Light load	Up to 8% of <b>C</b> (Table 1)
Normal load	Over 8% to 18% of <b>C</b>
Heavy load	Over 18% of <b>C</b>
<b>C</b> - Dynamic capacity	
Low temperature	-73°C to -7°C
Medium temperature	Over -7°C to 93°C
High temperature	Over 93°C to 122°C

Shaft tolerances	
Normal shaft sizes (mm)	Tolerances (mm)
Up to 40mm	+0.000 -0.051
45mm to 60mm	+0.000 -0.076
65mm to 100mm	+0.000 -0.102
110mm to 150mm	+0.000 -0.127
Above 150mm	+0.000 -0.152



# Plummer blocks

## Selection

### ISN Plummer blocks with Trident seals

Series	Ø shaft	Fixed bearing		Expansion bearing		Insert Pt #	Description	Sleeve Pt #	Description
		Part no.	Description	Part no.	Description				
507	30mm	<b>071000</b>	P2B507-ISN-030MFR	<b>071017</b>	P2B507-ISN-030MLR	<b>071983</b>	ISN 507-22208 FR	<b>744975</b>	ADPTR-IP-22208-30M
	1-1/8	<b>747900</b>	P2B507-ISN-102 FR	<b>747904</b>	P2B507-ISN-102 LR	<b>071983</b>	ISN 507-22208 FR	<b>069286</b>	ADPTR-IP-22208-102
	1-3/16	<b>747901</b>	P2B507-ISN-103FR	<b>747905</b>	P2B507-ISN-103 LR	<b>071983</b>	ISN 507-22208 FR	<b>069287</b>	ADPTR-IP-22208-103
508	35mm	<b>071001</b>	P2B508-ISN-035MFR	<b>071018</b>	P2B508-ISN-035MLR	<b>071984</b>	ISN 508-22208 FR	<b>744976</b>	ADPTR-IP-22208-35M
	1-1/4	<b>747908</b>	P2B508-ISN-104 FR	<b>747912</b>	P2B508-ISN-104 LR	<b>071984</b>	ISN 508-22208 FR	<b>069288</b>	ADPTR-IP-22208-104
	1-3/8	<b>747909</b>	P2B508-ISN-106 FR	<b>747913</b>	P2B508-ISN-106 LR	<b>071984</b>	ISN 508-22208 FR	<b>069289</b>	ADPTR-IP-22208-106
509	40mm	<b>071002</b>	P2B509-ISN-040MFR	<b>071019</b>	P2B509-ISN-040MLR	<b>071985</b>	ISN 509-22209 FR	<b>744977</b>	ADPTR-IP-22209-40M
	1-7/16	<b>747916</b>	P2B509-ISN-107 FR	<b>747920</b>	P2B509-ISN-107 LR	<b>071985</b>	ISN 509-22209 FR	<b>064153</b>	ADPTR-IP-22209-107
	1-1/2	<b>747917</b>	P2B509-ISN-108 FR	<b>747921</b>	P2B509-ISN-108 LR	<b>071985</b>	ISN 509-22209 FR	<b>064154</b>	ADPTR-IP-22209-108
510	45mm	<b>071003</b>	P2B510-ISN-045MFR	<b>71020</b>	P2B510-ISN-045MLR	<b>071986</b>	ISN 510-22210 FR	<b>744978</b>	ADPTR-IP-22210-45M
	1-11/16	<b>747924</b>	P2B510-ISN-111 FR	<b>747928</b>	P2B510-ISN-111 LR	<b>071986</b>	ISN 510-22210 FR	<b>064155</b>	ADPTR-IP-22210-111
	1-3/4	<b>747925</b>	P2B510-ISN-112 FR	<b>747929</b>	P2B510-ISN-112 LR	<b>071986</b>	ISN 510-22210 FR	<b>064156</b>	ADPTR-IP-22210-112
511	50mm	<b>071004</b>	P2B511-ISN-050MFR	<b>071021</b>	P2B511-ISN-050MLR	<b>071987</b>	ISN 511-22210 FR	<b>744979</b>	ADPTR-IP-22210-50M
	1-15/16	<b>747932</b>	P2B511-ISN-115 FR	<b>747936</b>	P2B511-ISN-115 LR	<b>071987</b>	ISN 511-22210 FR	<b>069296</b>	ADPTR-IP-22210-115
	2	<b>747933</b>	P2B511-ISN-200 FR	<b>747937</b>	P2B511-ISN-200 LR	<b>071987</b>	ISN 511-22210 FR	<b>069297</b>	ADPTR-IP-22210-200
512	55mm	<b>071005</b>	P2B512-ISN-055MFR	<b>071022</b>	P2B512-ISN-055MLR	<b>071988</b>	ISN 512-22211 FR	<b>744980</b>	ADPTR-IP-22211-055M
	2-1/8	<b>748012</b>	P2B512-ISN-202 FR	<b>748013</b>	P2B512-ISN-202 LR	<b>071988</b>	ISN 512-22211FR	<b>064157</b>	ADPTR-IP-22211-202
513	60mm	<b>071006</b>	P2B513-ISN-060MFR	<b>071023</b>	P2B513-ISN-060MLR	<b>071989</b>	ISN 513-22213 FR	<b>744981</b>	ADPTR-IP-22213-60M
	2-3/16	<b>747940</b>	P2B513-ISN-203 FR	<b>747944</b>	P2B513-ISN-203 LR	<b>071989</b>	ISN 513-22213 FR	<b>064070</b>	ADPTR-IP-22213-203
	2-1/4	<b>747941</b>	P2B513-ISN-204 FR	<b>747945</b>	P2B513-ISN-204 LR	<b>071989</b>	ISN 513-22213 FR	<b>064071</b>	ADPTR-IP-22213-204
515	65mm	<b>071007</b>	P2B515-ISN-065MFR	<b>71024</b>	P2B515-ISN-065MLR	<b>071990</b>	ISN 515-22215 FR	<b>744982</b>	ADPTR-IP-22215-65M
	2-7/16	<b>747948</b>	P2B515-ISN-207 FR	<b>747952</b>	P2B515-ISN-207 LR	<b>071990</b>	ISN 515-22215 FR	<b>064072</b>	ADPTR-IP-22215-207
	2-1/2	<b>747949</b>	P2B515-ISN-208 FR	<b>747953</b>	P2B515-ISN-208 LR	<b>071990</b>	ISN 515-22215 FR	<b>064073</b>	ADPTR-IP-22215-208
516	70mm	<b>071008</b>	P2B516-ISN-070MFR	<b>071025</b>	P2B516-ISN-070MLR	<b>071991</b>	ISN 516/517-22215 FR	<b>744983</b>	ADPTR-IP-22215-70M
	2-11/16	<b>747956</b>	P2B516-ISN-211 FR	<b>747960</b>	P2B516-ISN-211 LR	<b>071991</b>	ISN 516/517-22215 FR	<b>069303</b>	ADPTR-IP-22215-211
	2-3/4	<b>747957</b>	P2B516-ISN-212 FR	<b>747961</b>	P2B516-ISN-212 LR	<b>071991</b>	ISN 516/517-22215 FR	<b>069304</b>	ADPTR-IP-22215-212
517	75mm	<b>071009</b>	P2B517-ISN-075MFR	<b>71026</b>	P2B517-ISN-075MLR	<b>071991</b>	ISN 516/517-22215 FR	<b>744984</b>	ADPTR-IP-22215-75MM
	2-15/16	<b>747964</b>	P2B517-ISN-215 FR	<b>747968</b>	P2B517-ISN-215 LR	<b>071991</b>	ISN 516/517-22215 FR	<b>069305</b>	ADPTR-IP-22215-215
	3	<b>747965</b>	P2B517-ISN-300 FR	<b>747969</b>	P2B517-ISN-300 LR	<b>071991</b>	ISN 516/517-22215 FR	<b>069306</b>	ADPTR-IP-22215-300
518	80mm	<b>071010</b>	P2B518-ISN-080MFR	<b>071027</b>	P2B518-ISN-080MLR	<b>071992</b>	ISN 518-22218 FR	<b>744985</b>	ADPTR-IP-22218-80M
	3-3/16	<b>747972</b>	P2B518-ISN-303 FR	<b>747976</b>	P2B518-ISN-303 LR	<b>071992</b>	ISN 518-22218 FR	<b>069307</b>	ADPTR-IP-22218-303
	3-1/4	<b>747973</b>	P2B518-ISN-304 FR	<b>747977</b>	P2B518-ISN-304 LR	<b>071992</b>	ISN 518-22218 FR	<b>069308</b>	ADPTR-IP-304
519	85mm	<b>071011</b>	P2B519-ISN-085MFR	<b>071028</b>	P2B519-ISN-085MLR	<b>071993</b>	ISN 519-22218 FR	<b>744986</b>	ADPTR-IP-22218-85M
520	90mm	<b>071012</b>	P2B520-ISN-090MFR	<b>071029</b>	P2B520-ISN-090MLR	<b>071994</b>	ISN 520-22220 FR	<b>744987</b>	ADPTR-IP-22220-090MM
	3-7/16	<b>747980</b>	P2B520-ISN-307 FR	<b>747984</b>	P2B520-ISN-307 LR	<b>071994</b>	ISN 520-22220 FR	<b>064074</b>	ADPTR-IP-22220-307
	3-1/2	<b>747981</b>	P2B520-ISN-308 FR	<b>747985</b>	P2B520-ISN-308 LR	<b>071994</b>	ISN 520-22220 FR	<b>064075</b>	ADPTR-IP-22220-308
522	100mm	<b>071013</b>	P2B522-ISN-100MFR	<b>071030</b>	P2B522-ISN-100MLR	<b>071995</b>	ISN 522-22220 FR	<b>744988</b>	ADPTR-IP-22220-100MM
	3-15/16	<b>747988</b>	P2B522-ISN-315 FR	<b>747992</b>	P2B522-ISN-315 LR	<b>071995</b>	ISN 522-22220 FR	<b>069312</b>	ADPTR-IP-22220-315
	4	<b>747989</b>	P2B522-ISN-400 FR	<b>747993</b>	P2B522-ISN-400 LR	<b>071995</b>	ISN 522-22220 FR	<b>069313</b>	ADPTR-IP-22220-400
524	110mm	<b>071014</b>	P2B524-ISN-110MFR	<b>071031</b>	P2B524-ISN-110MLR	<b>071996</b>	ISN 524-22222 FR	<b>744989</b>	ADPTR-IP-22222-110MM
526	115mm	<b>071015</b>	P2B526-ISN-115MFR	<b>071032</b>	P2B526-ISN-115MLR	<b>071997</b>	ISN 526-22226 FR	<b>744990</b>	ADPTR-IP-22226-115MM
	4-7/16	<b>747996</b>	P2B526-ISN-407 FR	<b>748000</b>	P2B526-ISN-407 LR	<b>071997</b>	ISN 526-22226 FR	<b>064076</b>	ADPTR-IP-22226-407
	4-1/2	<b>747997</b>	P2B526-ISN-408 FR	<b>748001</b>	P2B526-ISN-408 LR	<b>071997</b>	ISN 526-22226 FR	<b>064077</b>	ADPTR-IP-22226-408
528	12 5mm	<b>071016</b>	P2B528-ISN-125MFR	<b>071033</b>	P2B528-ISN-125MLR	<b>071998</b>	ISN 528-22226 FR	<b>744991</b>	ADPTR-IP-22226-125MM
	4-15/16	<b>748004</b>	P2B528-ISN-415 FR	<b>748008</b>	P2B528-ISN-415 LR	<b>071998</b>	ISN 528-22226 FR	<b>069316</b>	ADPTR-IP-22226-415
	5	<b>748005</b>	P2B528-ISN-500 FR	<b>748009</b>	P2B528-ISN-500 LR	<b>071998</b>	ISN 528-22226 FR	<b>069317</b>	ADPTR-IP-22226-500
530	135mm	<b>071102</b>	P2B530-ISN-135MFR	<b>071103</b>	P2B530-ISN-135MLR	<b>071116</b>	ISN-ISN-530-135MR	<b>071114</b>	ADPTR-IP-22228-135M
532	140mm	<b>071106</b>	P2B532-ISN-140MFR	<b>071107</b>	P2B532-ISN-140MLR	<b>071118</b>	ISN-ISN-532-140MR	<b>071115</b>	ADPTR-IP-22230-140M
23134	150mm	<b>078822</b>	P4B3134-ISN-150MFR	<b>078823</b>	P4B3134-ISN-150MLR	<b>062254</b>	ISN-IP-150MR	<b>062255</b>	ADPTR-IP-22232-150M
23136	160mm	<b>078824</b>	P4B3136-ISN-160MFR	<b>078825</b>	P4B3136-ISN-160MLR	<b>078138</b>	ISN-IP-160MR	<b>074615</b>	ADPTR-IP-22236-160M
23138	170mm	<b>078826</b>	P4B3138-ISN-170MFR	<b>078827</b>	P4B3138-ISN-170MLR	<b>079881</b>	ISN-IP-170MR	<b>062271</b>	ADPTR-IP-22236-170M

F = Non-expansion, L = Expansion, R = Trident rubbing seal; S = Labyrinth seal

Unless specified, dimensions are in mm for metric parts and inches for non-metric parts.

Note: Dimensions are in MM (in)

# Plummer blocks

## Selection

### ISN plummer blocks with Labyrinth seals

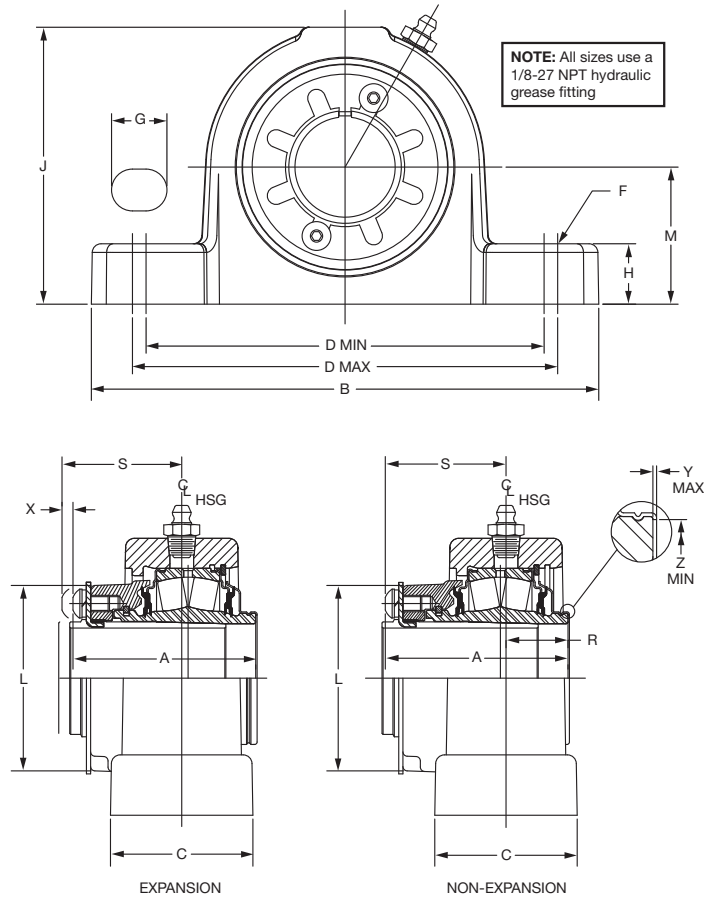
30 through 140mm, 2-bolt					
Series	Ø shaft	Part no.	Fixed bearing description	Part no.	Exp. bearing description
507	30mm	<b>071034</b>	P2B507-ISN-030MFS	<b>071051</b>	P2B507-ISN-030MLS
508	35mm	<b>071035</b>	P2B508-ISN-035MFS	<b>071052</b>	P2B508-ISN-035MLS
509	40mm	<b>071036</b>	P2B509-ISN-040MFS	<b>070053</b>	P2B509-ISN-040MLS
	1-1/2.	<b>075154</b>	P2B509-ISN-108 FS		
510	45mm	<b>071037</b>	P2B510-ISN-045MFS	<b>071054</b>	P2B510-ISN-045MLS
511	50mm	<b>071038</b>	P2B511-ISN-050MFS	<b>071055</b>	P2B511-ISN-050MLS
512	55mm	<b>071039</b>	P2B512-ISN-055MFS	<b>071056</b>	P2B512-ISN-055MLS
513	60mm	<b>071040</b>	P2B513-ISN-060MFS	<b>071057</b>	P2B513-ISN-060MLS
	2-3/16	<b>077481</b>	P2B513-ISN-203 FS		
	2-1/2			<b>076670</b>	P2B513-ISN-208-LS
515	65mm	<b>071041</b>	P2B515-ISN-065MFS	<b>071058</b>	P2B515-ISN-065MLS
	2-1/2	<b>074989</b>	P2B515-ISN-208 FS		
516	70mm	<b>071042</b>	P2B516-ISN-070MFS	<b>071059</b>	P2B516-ISN-070MLS
517	75mm	<b>071043</b>	P2B517-ISN-075MFS	<b>071060</b>	P2B517-ISN-075MLS
518	80mm	<b>071044</b>	P2B518-ISN-080MFS	<b>071061</b>	P2B518-ISN-080MLS
519	85mm	<b>071045</b>	P2B519-ISN-085MFS	<b>071062</b>	P2B519-ISN-085MLS
520	90mm	<b>071046</b>	P2B520-ISN-090MFS	<b>071063</b>	P2B520-ISN-090MLS
522	100mm	<b>071047</b>	P2B522-ISN-100MFS	<b>071064</b>	P2B522-ISN-100MLS
524	110mm	<b>071048</b>	P2B524-ISN-110MFS	<b>071065</b>	P2B524-ISN-110MLS
526	115mm	<b>071049</b>	P2B526-ISN-115MFS	<b>071066</b>	P2B526-ISN-115MLS
528	125mm	<b>071050</b>	P2B528-ISN-125MFS	<b>071067</b>	P2B528-ISN-125MLS
530	135mm	<b>071104</b>	P2B530-ISN-135MFS	<b>071105</b>	P2B530-ISN-135MLS
532	140mm	<b>071108</b>	P2B532-ISN-140MFS	<b>071109</b>	P2B532-ISN-140MLS

Unless specified, dimensions are in mm for metric parts and inches for non-metric parts.  
 Note: Dimensions are in MM (in)

# Plummer blocks

## Dimensions

### ISN plummer block dimensions



Series	Shaft size mm	A	B	C	D		E*	F bolt dia	G	H	J	L	M	R	S	X total exp.
					Min	Max										
507	30	66.7	184.9	52.0	145.0	155.0		M12	20.0	22.0	100.9	67.6	50.0	22.6	44.1	4.0
508	35	66.7	205.9	60.2	150.0	174.6		M12	27.3	25.0	110.8	67.6	60.0	22.6	44.1	4.0
509	40	71.4	206.3	60.2	155.0	174.6		M12	24.8	25.0	114.0	74.7	60.0	20.6	50.8	6.5
510	45	72.6	204.9	60.2	160.0	175.0		M12	22.5	25.0	113.8	81.0	60.0	21.18	50.8	6.5
511	50	72.6	253.9	70.2	190.0	215.9		M16	31.0	28.0	124.5	81.0	70.0	21.8	50.8	6.5
512	55	77.0	253.9	69.9	190.0	216.0		M16	31.0	30.0	130.3	87.1	70.0	23.0	54.0	7.0
513	60	86.9	274.9	80.2	205.0	235.0		M16	33.0	30.0	152.4	96.5	80.0	30.6	56.3	7.0
515	65	88.9	280.1	80.1	215.0	236.0		M16	28.5	30.0	156.0	106.7	80.0	31.4	57.5	7.0
516	70	88.9	315.9	90.2	244.5	268.3		M20	34.1	32.0	176.0	106.7	95.0	31.4	57.5	7.0
517	75	88.9	315.9	90.2	244.5	268.3		M20	34.1	32.0	176.0	106.7	95.0	31.4	57.5	7.0
518	80	106.0	345.3	100.3	270.0	293.7		M20	34.0	35.0	196.7	124.7	100.0	37.7	68.3	7.0
519	85	106.0	345.0	100.2	264.2	296.1		M20	37.9	35.0	205.2	124.7	112.0	37.7	68.3	7.0
520	90	120.0	379.8	110.2	292.8	327.0		M24	43.1	40.0	218.3	138.7	112.0	41.7	77.8	8.0
522	100	120.0	410.0	120.0	314.4	356.0		M24	46.8	45.0	239.0	138.7	125.0	41.7	77.8	8.0
524	110	133.0	410.0	120.0	314.5	356.0		M24	46.8	45.0	260.7	161.3	140.0	44.5	88.5	10.0
526	115	152.0	444.8	130.0	359.6	387.0		M24	41.7	50.0	292.8	191.8	150.0	48.4	103.6	10.0
528	125	152.0	500.0	150.2	400.0	427.0		M30	48.5	50.0	290.4	191.8	150.0	48.4	103.6	10.0
530	135	156.8	539.8	159.8	443.0	457.0		M30	42.0	60.0	312.5	222.2	160.0	51.8	105.0	16.3
532	140	179.8	560.0	160.0	463.0	477.0		M30	42.0	60.0	345.3	260.4	170.0	62.4	117.4	16.8
534	150	178.8	510.0	180.0	424.0	436.0	100.0	M24	34.0	70.0	344.0	260.4	170.0	62.1	117.7	16.8
536	160	191.8	530.0	190.0	444.0	456.0	110.0	M24	34.0	75.0	366.0	289.3	180.0	65.0	126.8	17.0
538	170	191.8	560.0	210.0	474.0	486.0	120.0	M24	34.0	80.0	385.0	289.3	190.0	65.0	126.8	17.0

\*Applies to four bolt pillow block (serie 534, 536, 538) only.

Unless specified, dimensions are in mm for metric parts and inches for non-metric parts.

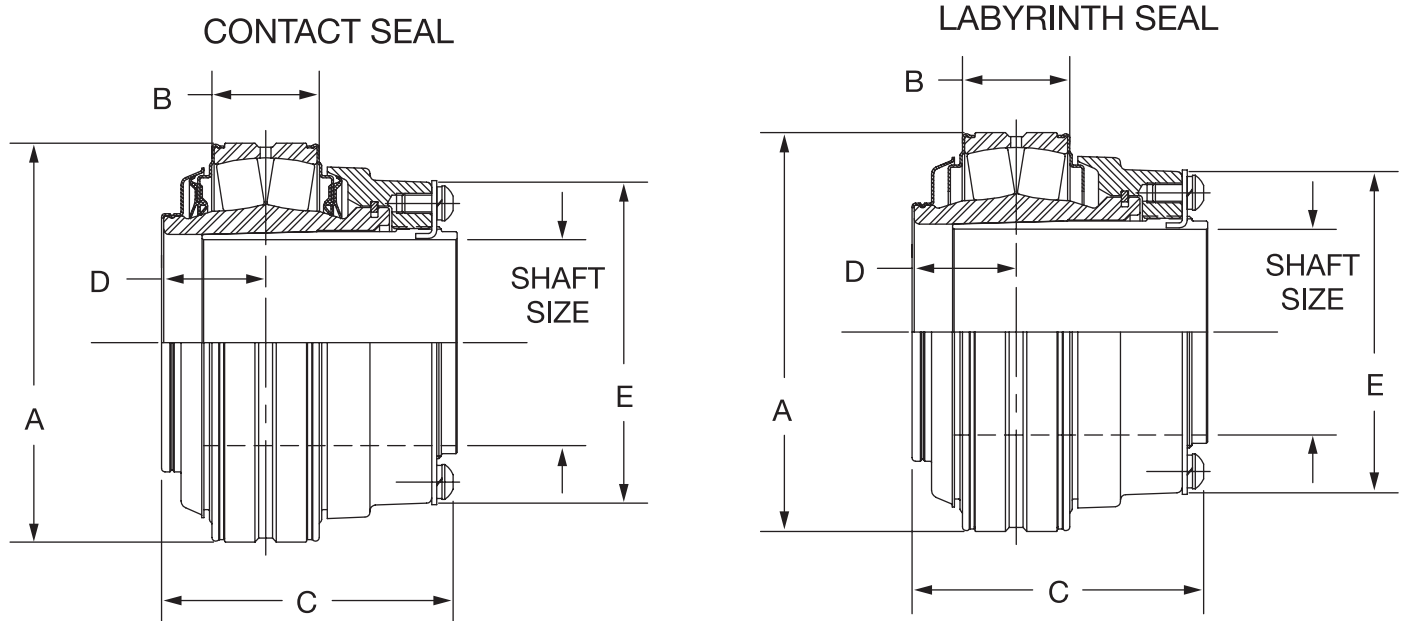
Note: Dimensions are in MM (in)

# Plummer blocks

## Dimensions

ISN bearing inserts

Metric sizes 30-170 mm



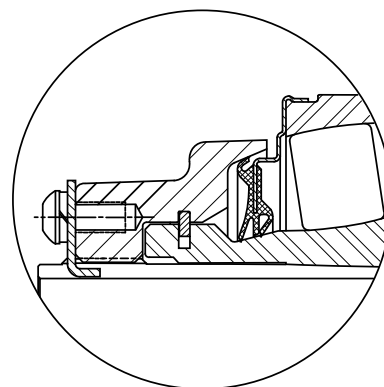
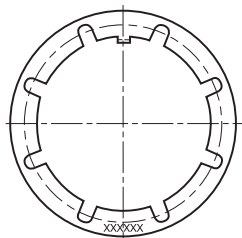
Shaft Size mm	Contact seal		Labyrinth seal		Dimensions in mm				
	Part number	Description	Part number	Description	A	B	C	D	E
30	071068	INS-ISN-30MR	071085	INS-ISN-30MS	80.0	24.0	66.7	24.6	67.6
35	071069	INS-ISN-35MR	071086	INS-ISN-35MS					
40	071070	INS-ISN-40MR	071087	INS-ISN-40MS	85.0	24.0	71.4	24.2	74.7
45	071071	INS-ISN-45MR	071088	INS-ISN-45MS	90.0	24.0	72.6	24.8	81.0
50	071072	INS-ISN-50MR	071089	INS-ISN-50MS					
55	071073	INS-ISN-55MR	071090	INS-ISN-55MS	100.0	26.3	77.0	26.7	87.1
60	071074	INS-ISN-60MR	071091	INS-ISN-60MS	120.0	32.3	86.9	30.7	96.5
65	071075	INS-ISN-65MR	071092	INS-ISN-65MS					
70	071076	INS-ISN-70MR	071093	INS-ISN-70MS	130.0	32.3	88.9	31.0	106.7
75	071077	INS-ISN-75MR	071094	INS-ISN-75MS					
80	071078	INS-ISN-80MR	071095	INS-ISN-80MS	160.0	41.3	106.3	37.7	124.7
85	071079	INS-ISN-85MR	071096	INS-ISN-85MS					
90	071080	INS-ISN-90MR	071097	INS-ISN-90MS	180.0	47.3	120.0	41.8	138.7
100	071081	INS-ISN-100MR	071098	INS-ISN-100MS					
110	071082	INS-ISN-110MR	071099	INS-ISN-110MS	200.0	54.8	133.0	49.1	161.3
115	071083	INS-ISN-115MR	071100	INS-ISN-115MS	230.0	65.8	152.0	53.5	191.8
125	071084	INS-ISN-125MR	071101	INS-ISN-125MS					
135	071116	INS-ISN-135MR	071117	INS-ISN-135MS	250.0	69.9	156.8	59.4	222.2
140	071118	INS-ISN-140MR	071119	INS-ISN-140MS					
150	079991	INS-ISN-150MR	—	—	290.0	81.8	179.8	70.3	260.4
160	079992	INS-ISN-160MR	—	—					
170	079993	INS-ISN-170MR	—	—	320.0	88.1	187.7	72.7	289.7

# Plummer blocks

## Dimensions

### ISN lockplate kits

Size	Part no.
30	048925
35	048925
40	048926
45	048927
50	048927
55	048928
60	048929
65	048930
70	048930
75	048930
80	048931
85	048931
90	048932
100	048932
110	048933
115	048934
125	048934
135	079882
140	079883
150	079883
160	079884
170	079884

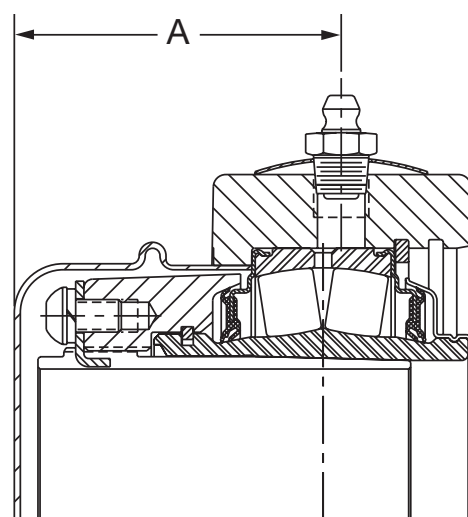


#### Kit consists of:

- 1 Lockplate
- 2 Socket head cap screws
- 2 Lockwashers

### ISN end cover

Housing series	Bore size	Front side closed cover		Front side open cover		Back side open cover		A
		Part no.	Description	Part no.	Description	Part no.	Description	
507	30	069960	IPEC08	070251	IPEC0-08-30mm	070620	IPBECO-08-30mm	51.0
508	35	069960	IPEC08	070252	IPEC0-08-35mm	070621	IPBECO-08-35mm	51.0
509	40	069961	IPEC09	070253	IPEC0-09-40mm	070622	IPBECO-09-40mm	55.0
510	45	069962	IPEC10	070254	IPEC0-10-45mm	070623	IPBECO-10-45mm	59.0
511	50	069962	IPEC10	070255	IPEC0-10-50mm	070624	IPBECO-10-50mm	59.0
512	55	069963	IPEC11	070256	IPEC0-11-55mm	070625	IPBECO-11-55mm	62.0
513	60	069964	IPEC13	070257	IPEC0-13-60mm	070626	IPBECO-13-60mm	67.0
515	65	069965	IPEC15	070258	IPEC0-15-65mm	070627	IPBECO-15-65mm	75.0
516	70	069965	IPEC15	070259	IPEC0-15-70mm	070628	IPBECO-15-70mm	75.0
517	75	069965	IPEC15	070260	IPEC0-15-75mm	070629	IPBECO-15-75mm	75.0
518	80	069966	S21PEC18	070261	IPEC0-18-80mm	070630	IPBECO-18-80mm	79.0
519	85	069966	S21PEC18	070262	IPEC0-18-85mm	070631	IPBECO-18-85mm	79.0
520	90	069967	S21PEC20	070263	IPEC0-20-90mm	070632	IPBECO-20-90mm	90.0
522	100	069967	S21PEC20	070264	IPEC0-20-100mm	070633	IPBECO-20-100mm	90.0
524	110	069968	S21PEC22	070265	IPEC0-22-110mm	070634	IPBECO-22-110mm	100.0
526	115	069969	S21PEC26	070266	IPEC0-26-115mm	070635	IPBECO-26-115mm	112.0
528	125	069969	S21PEC26	070267	IPEC0-26-125mm	070636	IPBECO-26-125mm	112.0
530	135	069983	IPEC28	TBD				122.0
532	140	069984	IPEC32	TBD				135.0
534	150	069984	IPEC32	TBD				135.0
536	160	069985	IPEC36	TBD				143.0
538	170	069985	IPEC36	TBD				143.0



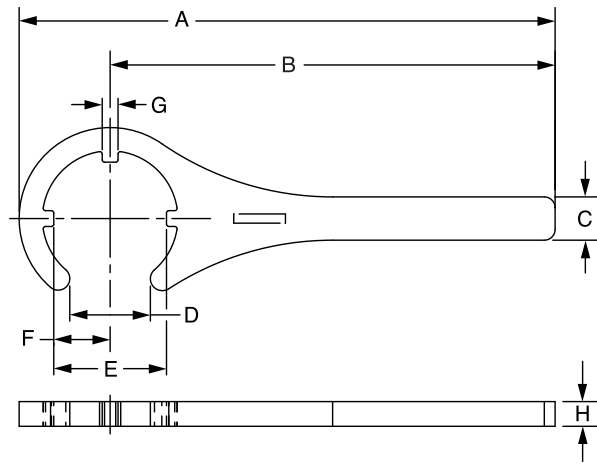
Plummer Block

Unless specified, dimensions are in mm for metric parts and inches for non-metric parts.  
Note: Dimensions are in MM (in)

# Plummer blocks

## Dimensions

### ISN spanner



#### Dimensions mm/inch

Shaft size		Part no.	A	B	C	D	E	F	G	H
mm	Inch									
30 thru 35	1-1/8 thru 1-1/2	066629	10.84 275.3	9.00 228.6	0.88 22.4	1.63 41.4	2.28 57.9	1.14 29.0	0.32 8.1	0.50 12.7
40	1-5/8 thru 1-3/4		11.04 280.4	9.00 228.6	0.88 22.4	1.88 47.8	2.48 63.0	1.24 31.5	0.32 8.1	0.50 12.7
45 thru 50	1-7/8 thru 2	066631	11.20 284.5	9.00 228.6	0.88 22.4	2.13 54.1	2.73 69.2	1.36 34.5	0.32 8.1	0.50 12.7
55	2-1/8		12.38 314.5	10.00 254.0	0.88 22.4	2.38 60.5	2.98 75.7	1.49 37.8	0.44 11.2	0.50 12.7
60	2-3/16 thru 2-1/4	066633	12.63 320.8	10.00 254.0	1.31 33.3	2.63 66.8	3.40 86.4	1.70 43.2	0.44 11.2	0.50 12.7
65 70 75	2-7/16 thru 3		16.90 429.3	14.00 355.6	1.31 33.3	3.13 79.5	3.80 96.5	1.90 48.3	0.44 11.2	0.50 12.7
80 thru 85	3-3/16 thru 3-1/4	066635	17.39 441.7	14.00 355.6	1.31 33.3	3.63 92.2	4.36 110.7	2.18 55.4	0.44 11.2	0.50 12.7
90 thru 100	3-7/16 thru 4		17.75 450.9	14.00 355.6	1.75 44.5	4.13 104.9	4.91 124.7	2.46 62.5	0.44 11.2	0.50 12.7
110		066637	20.36 517.1	16.00 406.4	1.75 44.5	4.63 117.6	5.68 144.3	2.84 72.1	0.44 11.2	0.50 12.7
115 thru 125	4-7/16 thru 5		25.17 639.3	20.00 508.0	2.00 50.8	5.13 130.3	6.88 174.8	3.44 87.4	0.44 11.2	0.50 12.7
135	5-7/16 thru 5-1/2	066642	27.82 706.6	22.00 558.8	2.00 50.8	5.63 143.0	8.05 204.5	4.03 102.4	0.69 4.8	0.50 12.7
140 thru 150	5-15/16 thru 6		28.75 730.3	22.00 558.8	2.00 50.8	6.13 155.7	9.13 231.9	4.57 116.1	0.75 19.1	0.50 12.7
160 thru 170	6-7/16 thru 7	066644	31.54 801.1	24.00 609.6	2.00 50.8	7.13 181.1	10.08 256.0	5.04 128.0	0.75 19.1	0.50 12.7

Unless specified, dimensions are in mm for metric parts and inches for non-metric parts.  
Note: Dimensions are in MM (in)

# Plummer blocks

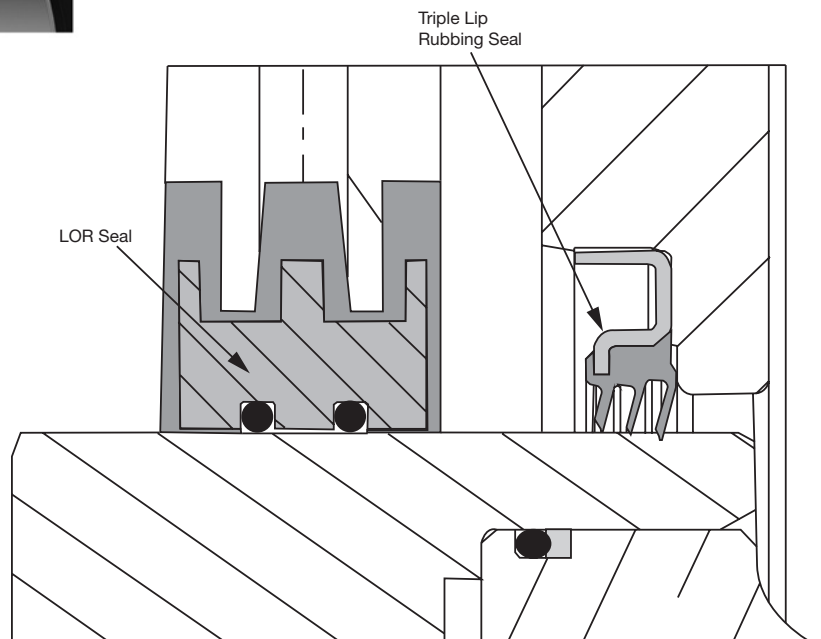
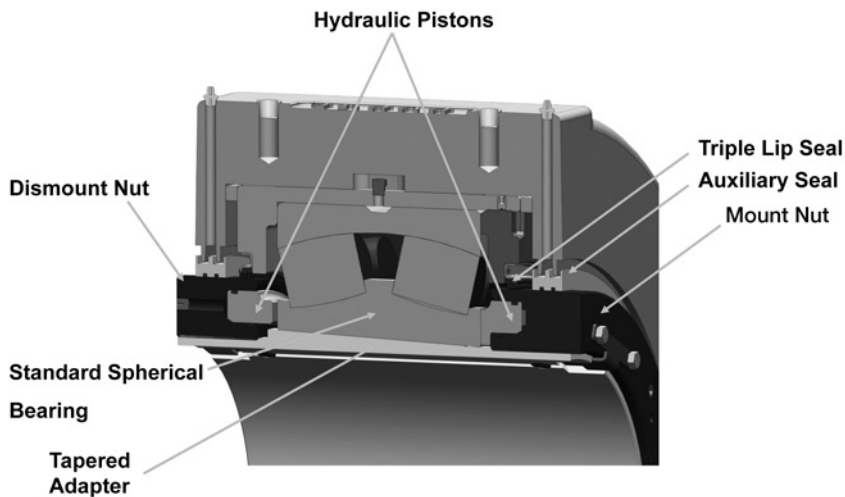
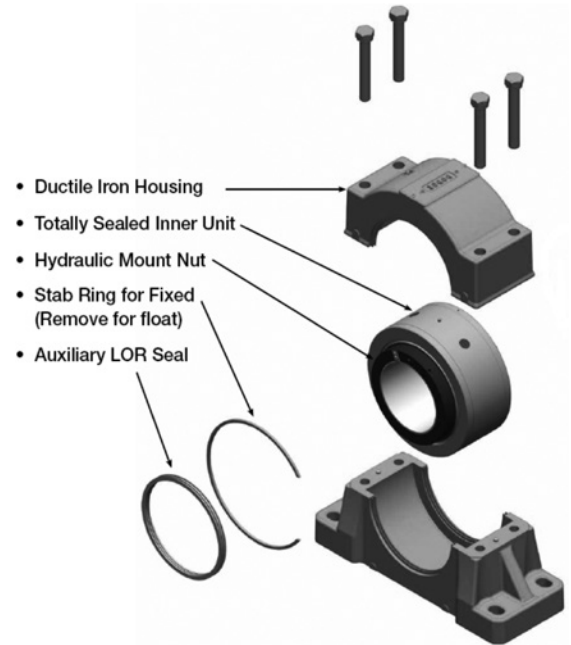
## Features/Benefits

### ISNX

#### Hydraulic mount/dismount with SD3100 dimensions

##### Patented hydraulic mount and dismount system SD3100

- Incorporates a hydraulic mount and dismount nut as a standard feature on the inner unit for quicker installation and removal of bearing
- Totally sealed inner unit prevents contamination during installation
- Harsh duty sealing system is functionally equivalent to a standard Taconite seal
- SD3100 dimensioned housing that matches ISO 113 standards
- Incorporates standard 23134 thru 23176 double row spherical roller bearings
- 150mm thru 360mm bore size
- High strength ductile iron housing is standard
- Incorporates a fixing ring for expansion/non-expansion capability



# Plummer blocks

## Selection

### ISNX

Table 5: Spherical roller bearings

23100K series										
Shaft size adapter mounted	Bearing series	e	$F_A/F_R \leq e$		$F_A/F_R > e$		Adapter maximum allowable thrust load kN (lb) †	Dynamic capacity (C) kN (lb)	Static capacity (Co) kN (lb)	Maximum RPM
			X	Y	X	Y				
150mm	23134K	.28	1	2.40	.67	3.50	45 (10116)	1032 (232004)	1668 (374983)	1300
160mm	23136K	.29	1	2.30	.67	3.50	52 (11690)	1201 (269997)	1913 (430062)	1200
170mm	23138K	.30	1	2.30	.67	3.40	59 (13264)	1357 (305067)	2180 (490086)	1100
180mm	23140K	.35	1	2.00	.67	2.90	67 (15062)	1335 (300121)	2269 (510094)	900
200mm	23144K	.33	1	2.00	.67	3.00	79 (17760)	1624 (365091)	2914 (655096)	800
220mm	23148K	.33	1	2.10	.67	3.10	92 (20683)	1846 (414999)	3269 (734904)	750
240mm	23152K	.33	1	2.00	.67	3.00	89 (20008)	2180 (490086)	4003 (899914)	670
260mm	23156K	.32	1	2.10	.67	3.20	123 (27652)	2358 (530102)	4359 (979947)	630
280mm	23160K	.33	1	2.10	.67	3.10	144 (32373)	2669 (600018)	4938 (1110112)	600
300mm	23164K	.34	1	2.00	.67	2.90	169 (37993)	3203 (720066)	5961 (1340092)	530
320mm	23168K	.34	1	2.00	.67	2.90	194 (43613)	3692 (829999)	6939 (1559957)	500
340mm	23172K	.33	1	2.10	.67	3.10	203 (45636)	3781 (850007)	7384 (1659997)	480
360mm	23176K	.32	1	2.10	.67	3.20	221 (49683)	4070 (914977)	8140 (1829953)	450

If the thrust load exceeds adapter maximum allowable thrust load, auxiliary methods of carrying thrust are required.

23100K series bearings will be provided with metric housings only.

Unless specified, dimensions are in mm for metric parts and inches for non-metric parts.

Note: Dimensions are in MM (in)



# Plummer blocks

## Selection

### ISNX hydraulic assist spherical roller bearing selection

**Table 6: ISNX hydraulic assist spherical roller bearings selection table**

23100K series																			
Shaft size	Housing designation	Bearing series	Max RPM	L10 grease hours life	Allowable equivalent radial load rating (kN) at various RPM														
					50	100	150	200	250	300	400	500	550	600	650	700	750	950	1300
150mm	3134	23134K	1300	50,000	230 (51706)	186 (41815)	165 (37094)	151 (33946)	142 (31923)	134 (30125)	134 (30125)	115 (25853)	112 (25179)	109 (24504)	106 (23830)	104 (23380)	102 (22931)	95 (21357)	86 (19334)
	3134	23134K	1300	80,000	199 (44737)	162 (36419)	143 (32148)	132 (29675)	123 (27652)	116 (26078)	116 (26078)	200 (44962)	97 (21807)	95 (21357)	92 (20683)	90 (20233)	88 (19783)	82 (18434)	75 (16861)
	3134	23134K	1300	100,000	186 (41815)	151 (33946)	134 (30125)	123 (27652)	115 (25853)	109 (24504)	109 (24504)	93 (20907)	91 (20458)	88 (19783)	86 (19334)	84 (18884)	83 (18659)	77 (17310)	70 (15737)
160mm	3136	23136K	1200	50,000	267 (60024)	217 (48784)	192 (43164)	176 (39567)	165 (37094)	156 (35070)	156 (35070)	134 (30125)	130 (29225)	127 (28551)	124 (27876)	121 (27202)	119 (26752)	110 (24729)	101 (22706)
	3136	23136K	1200	80,000	232 (52156)	188 (42264)	167 (37543)	153 (34396)	143 (32148)	136 (30574)	136 (30574)	116 (26078)	113 (25404)	110 (24729)	107 (24055)	105 (23605)	103 (23155)	96 (21582)	87 (19558)
	3136	23136K	1200	100,000	217 (48784)	176 (39567)	156 (35070)	143 (32148)	134 (30125)	127 (28551)	127 (28551)	109 (24504)	106 (23830)	103 (23155)	101 (22706)	98 (22031)	96 (21582)	90 (20233)	82 (18434)
170mm	3138	23138K	1100	50,000	302 (67893)	245 (55078)	217 (48784)	199 (44737)	186 (41815)	176 (39567)	176 (39567)	151 (33946)	147 (33047)	143 (32148)	140 (31473)	137 (30799)	134 (30125)	125 (28101)	114 (25628)
	3138	23138K	1100	80,000	262 (58900)	213 (47885)	188 (42264)	173 (38892)	162 (36419)	153 (34396)	153 (34396)	131 (29450)	128 (28776)	124 (27876)	121 (27202)	119 (26752)	116 (26078)	108 (24279)	99 (22256)
	3138	23138K	1100	100,000	245 (55078)	199 (44737)	176 (39567)	162 (36419)	151 (33946)	143 (32148)	143 (32148)	123 (27652)	119 (26752)	116 (26078)	114 (25628)	111 (24954)	109 (24504)	101 (22706)	92 (20683)
180mm	3140	23140K	900	50,000	297 (66769)	241 (54179)	213 (47885)	196 (44063)	183 (41140)	173 (38892)	173 (38892)	149 (33497)	145 (32597)	141 (31698)	137 (30799)	134 (30125)	132 (29675)	123 (27652)	
	3140	23140K	900	80,000	258 (58001)	209 (46985)	185 (41590)	170 (38218)	159 (35745)	151 (33946)	151 (33946)	129 (29000)	126 (28326)	122 (27427)	119 (26752)	117 (26303)	114 (25628)	107 (24055)	
	3140	23140K	900	100,000	241 (54179)	196 (44063)	173 (38892)	159 (35745)	149 (33497)	141 (31698)	141 (31698)	121 (27202)	117 (26303)	114 (25628)	112 (25179)	109 (24504)	107 (24055)	100 (22481)	
200mm	3144	23144K	800	50,000	361 (81156)	293 (65869)	260 (58451)	238 (53505)	223 (50133)	211 (47435)	211 (47435)	181 (40691)	176 (39567)	171 (38443)	167 (37543)	164 (36869)	160 (35970)		
	3144	23144K	800	80,000	314 (70590)	255 (57327)	226 (50807)	207 (46536)	194 (43613)	183 (41140)	183 (41140)	157 (35295)	153 (34396)	149 (33497)	145 (32597)	142 (31923)	139 (31249)		
	3144	23144K	800	100,000	293 (65869)	238 (53505)	211 (47435)	194 (43613)	181 (40691)	171 (38443)	171 (38443)	147 (33047)	143 (32148)	139 (31249)	136 (30574)	133 (29900)	130 (29225)		
220mm	3148	23148K	750	50,000	411 (92397)	334 (75087)	295 (66319)	271 (60924)	253 (56877)	240 (53954)	240 (53954)	206 (46311)	200 (44962)	195 (43838)	190 (42714)	186 (41815)	182 (40915)		
	3148	23148K	750	80,000	357 (80257)	290 (65195)	256 (57551)	235 (52830)	220 (49458)	208 (46760)	208 (46760)	179 (40241)	174 (39117)	169 (37993)	165 (37094)	162 (36419)	158 (35520)		
	3148	23148K	750	100,000	334 (75087)	271 (60924)	240 (53954)	220 (49458)	206 (46311)	195 (43838)	195 (43838)	167 (37543)	162 (36419)	158 (35520)	154 (34621)	151 (33946)	148 (33272)		
240mm	3152	23152K	670	50,000	485 (109033)	394 (88575)	349 (78459)	320 (71939)	299 (67218)	283 (63621)	283 (63621)	243 (54629)	236 (53055)	230 (51706)	225 (50582)	220 (49458)	215 (48334)		
	3152	23152K	670	80,000	421 (94645)	342 (76885)	303 (68117)	278 (62497)	260 (58451)	246 (55303)	246 (55303)	211 (47435)	205 (46086)	200 (44962)	195 (43838)	191 (42939)	187 (42039)		
	3152	23152K	670	100,000	394 (88575)	320 (71939)	283 (63621)	260 (58451)	243 (54629)	230 (51706)	230 (51706)	197 (44288)	192 (43164)	187 (42039)	182 (40915)	178 (40016)	175 (39342)		

Unless specified, dimensions are in mm for metric parts and inches for non-metric parts.  
Note: Dimensions are in MM (in)

# Plummer blocks

## Selection

### ISNX hydraulic assist spherical roller bearing selection

**Table 6: ISNX hydraulic assist spherical roller bearings selection table (continued)**

23100K series					Allowable equivalent radial load rating (kN) at various RPM															
Shaft size	Housing designation	Bearing series	Max RPM grease life	L10 hours																
					50	100	150	200	250	300	400	500	550	600	650	700	750	950	1300	
260mm	3156	23156K	630	50,000	524 (117800)	426 (95769)	377 (84753)	346 (77784)	324 (72838)	306 (68792)	306 (68792)	263 (59125)	255 (57327)	249 (55978)	243 (54629)	238 (53505)	233 (52381)			
	3156	23156K	630	80,000	455 (102289)	370 (83180)	328 (73738)	300 (67443)	281 (63172)	266 (59799)	266 (59799)	228 (51257)	222 (49908)	216 (48559)	211 (47435)	206 (46311)	202 (45412)			
	3156	23156K	630	100,000	426 (95769)	346 (77784)	297 (66769)	281 (63172)	263 (59125)	249 (55978)	249 (55978)	213 (47885)	207 (46536)	202 (45412)	197 (44288)	193 (43388)	189 (42489)			
280mm	3160	23160K	600	50,000	594 (133537)	482 (108358)	427 (95994)	392 (88126)	366 (82280)	347 (78009)	347 (78009)	298 (66993)	289 (64970)	282 (63396)	275 (61823)	269 (60474)	263 (59125)			
	3160	23160K	600	80,000	419 (94195)	419 (94195)	371 (83405)	340 (76435)	318 (71490)	301 (67668)	301 (67668)	258 (58001)	251 (56427)	245 (55078)	239 (53730)	234 (52606)	229 (51481)			
	3160	23160K	600	100,000	482 (108358)	392 (88126)	347 (78009)	318 (71490)	298 (66993)	282 (63396)	282 (63396)	242 (54404)	235 (52830)	229 (51481)	223 (50133)	218 (49009)	205 (46086)			
300mm	3164	23164K	530	50,000	712 (160065)	579 (130165)	512 (115103)	470 (105661)	440 (98916)	416 (93521)	416 (93521)	357 (80257)	347 (78009)	338 (75986)	330 (74187)					
	3164	23164K	530	60,000	619 (139157)	503 (113079)	445 (100040)	408 (91722)	382 (85877)	361 (81156)	361 (81156)	310 (69691)	301 (67668)	294 (66094)	287 (64520)					
	3164	23164K	530	100,000	579 (130165)	470 (105661)	416 (93521)	382 (85877)	268 (60249)	338 (75986)	338 (75986)	390 (87676)	282 (63396)	275 (61823)	268 (60249)					
320mm	3168	23168K	500	50,000	821 (184569)	667 (149948)	591 (132863)	542 (121847)	507 (113979)	480 (107909)	480 (107909)	412 (92622)	400 (89924)	301 (67668)						
	3168	23168K	500	80,000	713 (160290)	579 (130165)	513 (115328)	471 (105886)	440 (98916)	417 (93746)	417 (93746)	357 (80257)	347 (78009)	338 (75986)						
	3168	23168K	500	100,000	667 (149948)	542 (121847)	480 (107909)	431 (96893)	412 (92622)	390 (87676)	390 (87676)	334 (75087)	325 (73063)	316 (71040)						
340mm	3172	23172K	480	50,000	841 (189065)	683 (153545)	605 (136010)	555 (124770)	519 (116676)	491 (110382)	491 (110382)	421 (94645)	410 (92172)	399 (89699)						
	3172	23172K	480	80,000	730 (164111)	593 (133312)	525 (118025)	482 (108358)	451 (101389)	427 (95994)	427 (95994)	277 (62272)	277 (62272)	347 (80032)	347 (80032)					
	3172	23172K	480	100,000	683 (153545)	555 (124770)	491 (110382)	451 (101389)	421 (94645)	310 (69691)	310 (69691)	342 (76885)	333 (74862)	323 (72614)						
360mm	3176	23176K	450	50,000	905 (203453)	735 (165235)	651 (146351)	597 (134212)	559 (125669)	529 (118924)	529 (118924)	454 (102064)	441 (99141)							
	3176	23176K	450	80,000	786 (176701)	639 (143654)	565 (127018)	519 (116676)	485 (109033)	459 (103188)	459 (103188)	394 (88575)	383 (86102)							
	3176	23176K	450	100,000	735 (165235)	597 (134212)	529 (118924)	485 (109033)	454 (102064)	430 (96668)	430 (96668)	368 (82730)	358 (80482)							

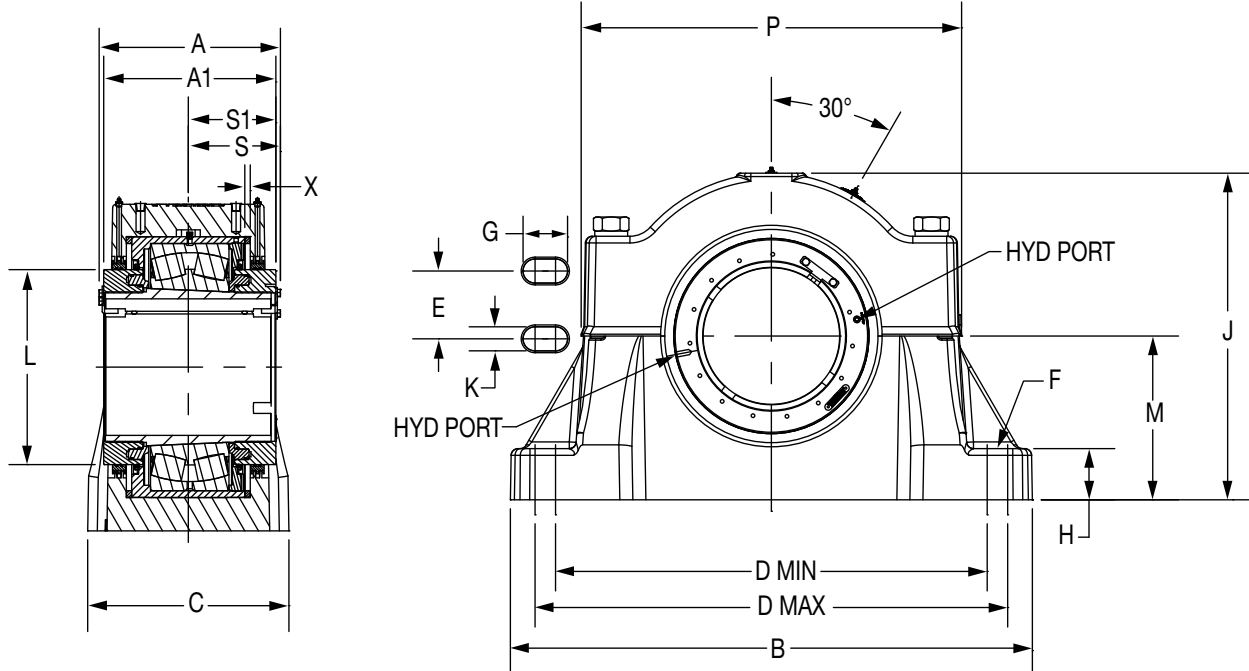
Unless specified, dimensions are in mm for metric parts and inches for non-metric parts.  
 Note: Dimensions are in MM (in)

# Plummer blocks

## Dimensions

### ISNX

### Large bore SD dimension plummer blocks



Housing designation	Bearing series	Shaft size	Part no.	Description	Insert no.
3134	23134K	150mm	072919	P4B3134-ISNX-150MR HYD	072895
3136	23136K	160mm	072920	P4B3136-ISNX-160MR HYD	072896
3138	23138K	170mm	072921	P4B3138-ISNX-170MR HYD	072897
3140	23140K	180mm	072922	P4B3140-ISNX-180MR HYD	072898
3144	23144K	200mm	072923	P4B3144-ISNX-200MR HYD	072899
3148	23148K	220mm	072924	P4B3148-ISNX-220MR HYD	072900
3152	23152K	240mm	072912	P4B3152-ISNX-240MR HYD	072901
3156	23156K	260mm	072913	P4B3156-ISNX-260MR HYD	072902
3160	23160K	280mm	072914	P4B3160-ISNX-280MR HYD	072903
3164	23164K	300mm	072915	P4B3164-ISNX-300MR HYD	072904
3168	23168K	320mm	072916	P4B3168-ISNX-320MR HYD	072905
3172	23172K	340mm	072917	P4B3172-ISNX-340MR HYD	072906
3176	23176K	360mm	072918	P4B3176-ISNX-360MR HYD	072907

Unless specified, dimensions are in mm for metric parts and inches for non-metric parts.

Note: Dimensions are in MM (in)

Shaft size	Series	Part no.	A	A1	B	C	D		E	F bolts	G	H	J	K	L	M	P	S	S1	X <sub>exp</sub>
							Min	Max												
150mm	3134	072919	10.02	9.47	20.08	7.09	16.69	17.17	3.94	24mm	1.34	2.76	14.19	1.10	9.94	6.69	16.38	4.88	4.60	.78
160mm	3136	072920	10.49	9.94	20.87	7.48	17.48	17.96	4.33	24mm	1.34	2.95	14.96	1.10	10.45	7.08	17.24	5.18	4.90	.78
170mm	3138	072921	10.57	10.02	22.05	8.27	18.66	19.14	4.72	24mm	1.34	3.15	15.73	1.10	10.96	7.48	18.04	5.27	5.00	.78
180mm	3140	072922	11.20	10.65	24.02	9.06	19.80	20.36	5.12	30mm	1.65	3.35	16.77	1.38	11.22	8.27	18.52	5.43	5.15	.78
200mm	3144	072923	11.61	10.94	25.20	9.44	20.98	21.54	5.52	30mm	1.65	3.54	17.75	1.38	12.23	8.66	19.70	5.66	5.32	.78
220mm	3148	072924	12.46	11.79	27.56	10.24	23.34	23.90	5.90	30mm	1.65	3.74	19.14	1.38	12.24	9.45	20.88	6.10	5.77	.78
240mm	3152	072912	13.17	12.51	30.32	11.02	25.28	25.91	6.30	36mm	1.97	3.94	21.53	1.65	13.26	10.23	24.32	6.59	6.26	.78
260mm	3156	072913	13.28	12.61	31.10	11.02	26.06	26.69	6.30	36mm	1.97	4.13	22.95	1.65	14.28	11.02	24.38	6.75	6.41	.78
280mm	3160	072914	13.80	13.13	32.68	12.21	27.64	28.27	7.48	36mm	1.97	4.33	24.31	1.65	15.30	11.81	26.88	7.03	6.70	.78
300mm	3164	072915	14.46	13.79	34.65	12.99	29.21	29.84	7.87	36mm	1.97	4.53	26.10	1.65	16.33	12.60	28.38	7.22	6.89	.78
320mm	3168	072916	15.23	14.39	37.40	14.17	31.58	32.21	8.66	36mm	1.97	4.72	27.44	1.65	17.31	13.38	29.76	7.58	7.16	.78
340mm	3172	072917	15.16	14.49	39.37	14.17	32.76	33.39	8.66	36mm	1.97	4.72	28.53	1.65	18.35	13.78	31.88	7.71	7.38	.78
360mm	3176	072918	15.83	14.91	40.94	14.17	33.94	34.57	8.66	36mm	1.97	4.72	29.17	1.65	18.48	14.17	32.38	8.04	7.58	.78

Unless specified, dimensions are in mm for metric parts and inches for non-metric parts.

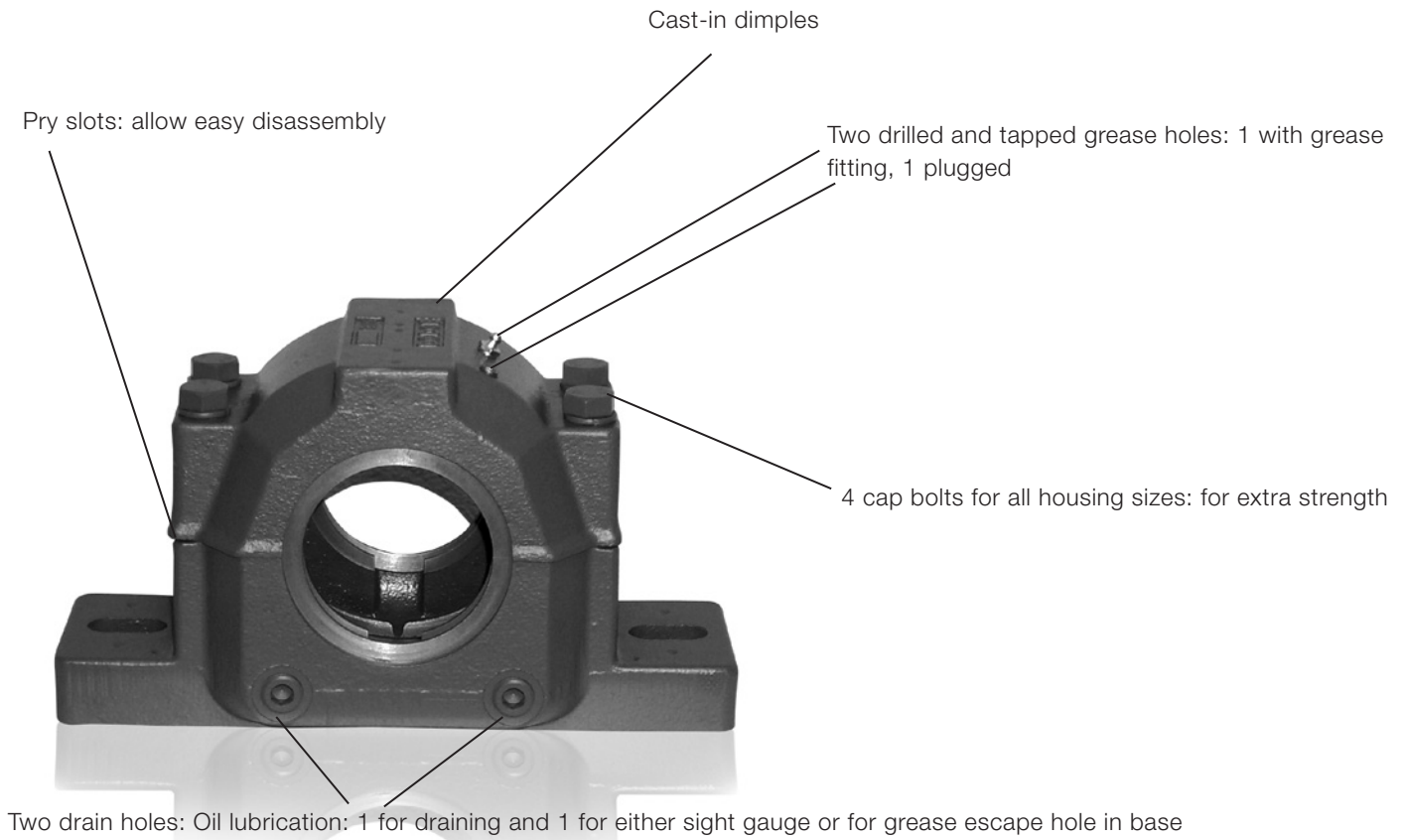
Note: Dimensions are in MM (in)

# Plummer blocks

## Features/Benefits

SNX™

Split plummer block housing



Stronger feet for extra load capacity  
Housing made of cast iron GG25

# Plummer blocks

## Features/Benefits

### SNX

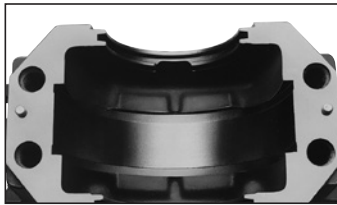


Extra capacity oil sump: lowers operating temperature

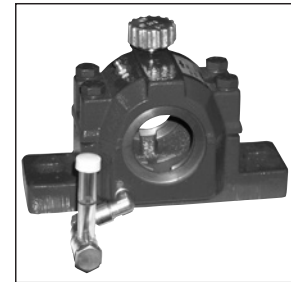
Oil equalization passage: allows oil flow from side to side

Standard SNX housings are suitable for either oil or grease lubrication

Seal options: Felt, V-Ring, LD, TS and TT Seals in the 200 and 500 Series



Oil return slots: prevent leaking



Oil sight gauge & breather kit available

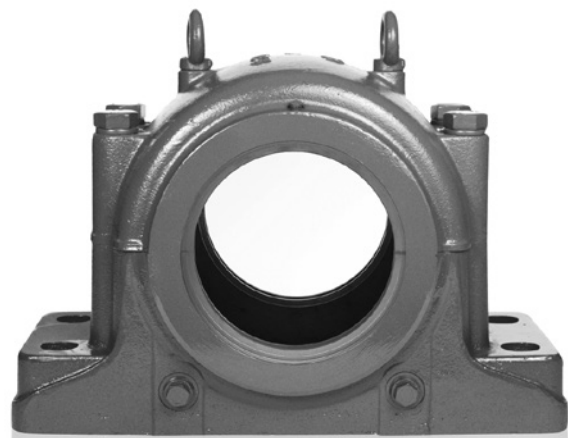


Offset dowels and match mark: allows matching of cap to corresponding base

### Dodge® SDX™ Heavy duty plummer block housings

SD housing with extra capability

- Size range 3040 to 3068, 3134 to 3164
- Available in cast iron (GG) from stock
- Accepts 23000K & 23100K spherical bearings
- Drilled and tapped grease hole with grease fitting
- TS labyrinth seal standard
- AUX (auxiliary) seal optional – allows for relubrication of the seal area
- Pre-drilled with grease hole & fitting over seal groove



# Plummer blocks

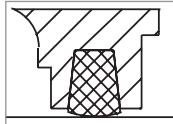
## Features/Benefits

### Seals

#### One housing / many seals

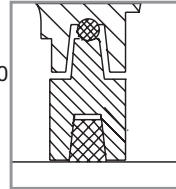
#### FS

Felt seal: Standard  
SNX 209 - SNX 232  
SNX 3028 - SNX 3038



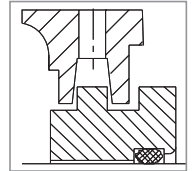
#### SK FS

Felt strip  
SNX 509 - SNX 532  
SNX 308/608 - SNX 320/620



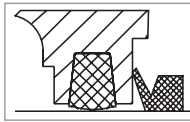
#### TS - SNX

Labyrinth seal  
SNX 209/509 -  
SNX 232/532



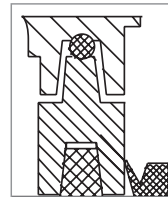
#### VR

Felt strip with V-ring seal  
SNX 209 - SNX 232  
SNX 3024 - SNX 3038



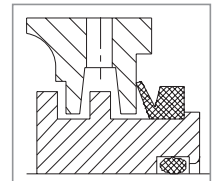
#### SK VR

Felt strip with V-ring seal  
SNX 509 - SNX 532  
SNX 608 - SNX 620



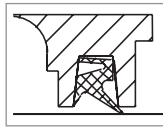
#### TT - SNX

Triple-tec  
SNX 209/509 -  
SNX 232/532



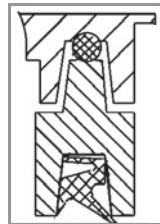
#### LD

Split two lip radial seal  
SNX 209 - SNX 224  
SNX 3028 - SNX 3032



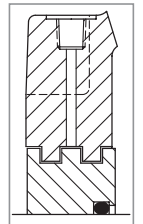
#### SK LD

Split two lip radial seal  
SNX 509 - SNX 532  
SNX 608 - SNX 620



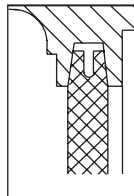
#### TS - SDX

Labyrinth seal: Standard  
SDX 3040 - SDX 3068  
SDX 3134 - SDX 3164

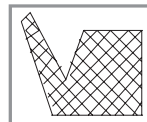


#### DK

End cover  
SNX 209/509 - SNX 232/532  
SNX 308/608 - SNX 320/620  
SNX 3028 - SNX 3038

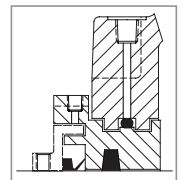


**Single-lip radial seals**  
available individually



#### AUX - SDX

Auxiliary seal: optional  
SDX 3040 - SDX 3068  
SDX 3134 - SDX 3164



#### Seal operating limits

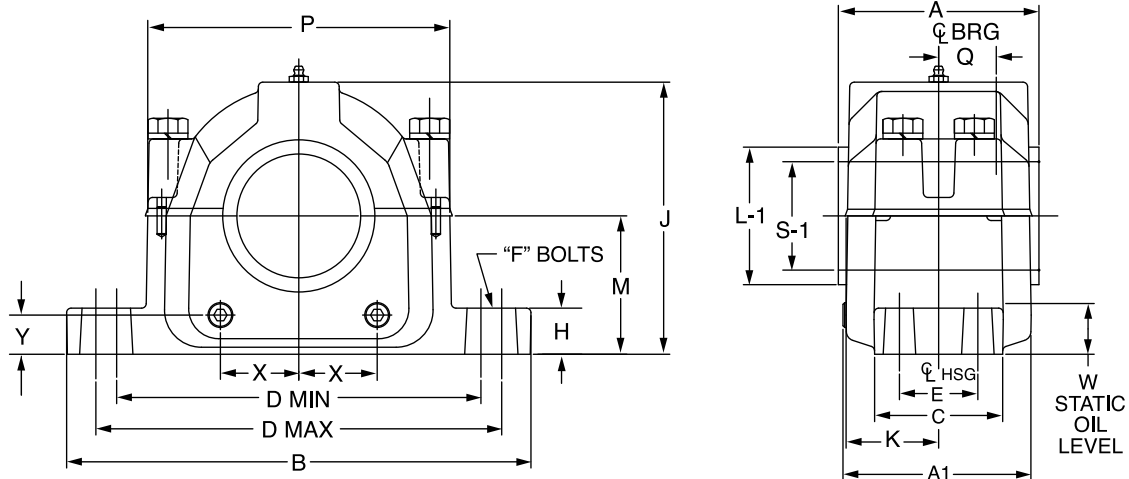
	FS	LD	VR & TT	TS	DK
Max. circumferential speeds	4 m/s	8 m/s	4 m/s	brg. RPM limit	-
Max temperature	80-90°C	100-110°C	100-110°C	100-110°C	100-110°C

# Plummer blocks

## Dimensions

### SNX 200 - TS/TT

Plummer blocks for bearings 22200, 23200



Housing GG*		Labyrinth seal		Triple-tect seal	
Description	Part no.	Description	Part no.	Description	Part no.
SNX 209 - TS/TT	747199	TS 209	747234	TT 209	747217
SNX 210 - TS/TT	747201	TS 210	747235	TT 210	747218
SNX 211 - TS/TT	747202	TS 211	747236	TT 211	747219
SNX 212 - TS/TT	747203	TS 212	747237	TT 212	747220
SNX 213 - TS/TT	747204	TS 213	747238	TT 213	747221
SNX 215 - TS/TT	747205	TS 215	747239	TT 215	747222
SNX 216 - TS/TT	747206	TS 216	747240	TT 216	747223
SNX 217 - TS/TT	747207	TS 217	747241	TT 217	747224
SNX 218 - TS/TT	747208	TS 218	747242	TT 218	747225
SNX 219 - TS/TT	747209	TS 219	747243	TT 219	747226
SNX 220 - TS/TT	747210	TS 220	747244	TT 220	747227
SNX 222 - TS/TT	747211	TS 222	747245	TT 222	747228
SNX 224 - TS/TT	747212	TS 224	747246	TT 224	747229
SNX 226 - TS/TT	747213	TS 226	747247	TT 226	747230
SNX 228 - TS/TT	747214	TS 228	747248	TT 228	747231
SNX 230 - TS/TT	747215	TS 230	747249	TT 230	747232
SNX 232 - TS/TT	747216	TS 232	747250	TT 232	747233

\* Housings are for use with TS or TT seals only

Unless specified, dimensions are in mm for metric parts and inches for non-metric parts.

Note: Dimensions are in MM (in)

# Plummer blocks

## Dimensions

### SNX 200 - TS/TT

Plummer blocks for bearings 22200, 23200

Dimensions in mm				
Description	kg	A (with seals)*		
		TS	TT	L-1
SNX 209 TS/TT	4,3	91	91	59
SNX 210 TS/TT	5,1	95	95	64
SNX 211 TS/TT	7,1	100	100	68
SNX 212 TS/TT	9,5	112	112	75
SNX 213 TS/TT	9,7	110	110	79
SNX 215 TS/TT	11,3	117	117	88
SNX 216 TS/TT	12,7	123	123	93
SNX 217 TS/TT	15,7	125	125	97
SNX 218 TS/TT	16,7	144	144	102
SNX 219 TS/TT	27,0	150	150	113
SNX 220 TS/TT	27,8	160	160	113
SNX 222 TS/TT	35,8	168	168	131
SNX 224 TS/TT	41,1	185	185	131
SNX 226 TS/TT	55,2	191	191	140
SNX 228 TS/TT	69,0	203	203	160
SNX 230 TS/TT	77,3	220	220	400
SNX 232 TS/TT	99,9	235	235	400

All other dimensions on page B7- 15

Housings are for use with TS or TT seals only

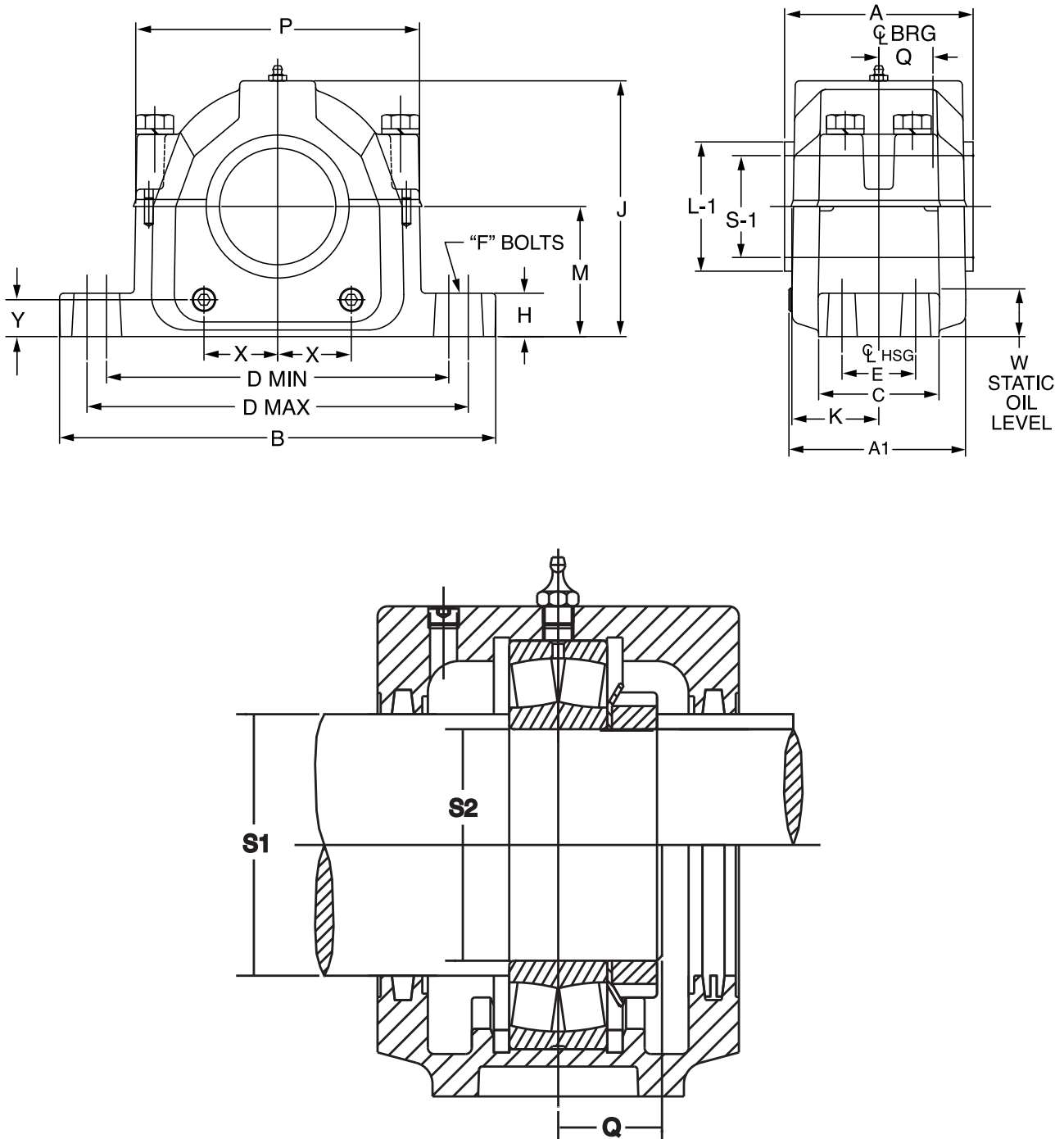


# Plummer blocks

## Dimensions

SNX 200 - LD/FS/DK

Plummer blocks for bearings 22200, 23200



# Plummer blocks

## Dimensions

### SNX 200 - LD/FS/DK

Dimensions in mm																								
Description	kg	Shaft size			D			F bolt dia bolzen	W static oil level							A (with seals)								
		S-1	S-2	A1	B	C	Min		Max	H	J	K	M	P	Q	X	Y	LD	FS	End cover		TS	VR	L-1
SNX 209	4,3	55	45	94	210	60	159	178	M12	25	112	45	60	124	11.5	24,0	29	20	91	91	91	99	100	59
SNX 210	5,1	60	50	99	210	60	165	178	M12	23	113	48	60	130	11.5	29,0	31	17	95	95	95	103	105	64
SNX 211	7,1	65	55	104	244	70	187	210	M16	26	133	50	70	147	12.5	28,5	33	22	100	100	100	108	110	68
SNX 212	9,5	70	60	116	270	70	197	230	M16	29	139	56	70	156	14.0	32,0	38	20	112	112	112	119	125	75
SNX 213	9,7	75	65	113	279	80	206	241	M16	30	155	55	80	165	15.5	27,0	41	25	110	110	110	121	123	79
SNX 215	11,3	85	75	121	283	80	219	245	M16	29	161	59	80	179	15.5	38,0	44	21	117	117	117	126	128	88
SNX 216	12,7	90	80	127	320	90	245	279	M20	33	178	62	95	202	16.5	34,5	49	31	123	123	123	134	136	93
SNX 217	15,7	95	85	132	320	90	251	279	M20	32	187	63	95	208	18.0	35,5	53	28	125	125	125	137	139	97
SNX 218	16,7	100	90	151	346	98	260	299	M20	35	195	72	100	220	20.0	47,0	57	28	144	144	144	155	157	102
SNX 219	27,0	110	95	156	360	98	276	314	M20	35	214	75	112	229	21.5	39,5	60	35	150	150	150	161	165	113
SNX 220	27,8	115	100	164	390	110	295	333	M24	40	220	80	112	248	23.0	45,0	67	30	160	160	160	169	174	113
SNX 222	35,8	125	110	174	419	121	324	364	M24	45	239	84	125	269	26.5	53,5	73	34	168	168	168	175	180	131
SNX 224	41,1	135	120	191	419	120	337	368	M24	45	267	93	140	286	29.0	57,0	81	42	185	185	185	195	199	131
SNX 226	55,2	145	130	197	445	130	374	387	M24	50	290	95	150	315	32.0	49,0	84	39	191	191	191	200	204	140
SNX 228	69,0	155	140	210	500	150	400	420	M30	50	298	102	150	337	34.0	51,5	92	35	203	203	203	211	218	160
SNX 230	77,3	165	150	226	530	160	443	457	M30	60	317	110	160	364	36.5	53,0	91	34	220	220	220	230	237	400
SNX 232	99,9	175	160	241	550	160	457	483	M30	60	338	118	170	379	40.0	53,2	102	34	235	235	235	243	250	400

# Plummer blocks

## Selection

### SNX 200 - LD/FS/DK

Description	Housing GG		LD seal		FS seal		VR seal		DK end cover	
	Description	Part no.	Description	Part no.	Description	Part no.	Description	Part no.	Description	Part no.
SNX 209	SNX 209/509	<b>747025</b>	LD 55	<b>725357</b>	6.5X8X200	<b>713600</b>	VS0055	<b>738145</b>	DK 55	<b>709137</b>
SNX 210	SNX 210/510/308/608	<b>747026</b>	LD 60	<b>725358</b>	6.5X8X230	<b>713616</b>	VS0060	<b>738146</b>	DK 60	<b>709140</b>
SNX 211	SNX 211/511/309/609	<b>747027</b>	LD 65	<b>725359</b>	6.5X8X230	<b>713616</b>	VS0065	<b>738147</b>	DK 65	<b>709143</b>
SNX 212	SNX 212/512/310/610	<b>747028</b>	LD 70	<b>725360</b>	7.5X9X260	<b>713633</b>	VS0070	<b>738148</b>	DK 70	<b>709146</b>
SNX 213	SNX 213/513/311/611	<b>747029</b>	LD 75	<b>725361</b>	7.5X9X260	<b>713633</b>	VS0075	<b>738149</b>	DK 75	<b>709152</b>
SNX 215	SNX 215/515/312/612	<b>747030</b>	LD 85	<b>725363</b>	7.5X9X155	<b>713571</b>	VS0085	<b>738151</b>	DK 85	<b>709162</b>
SNX 216	SNX 216/516/313/613	<b>747031</b>	LD 90	<b>725364</b>	8.5X10X165	<b>713579</b>	VS0090	<b>738152</b>	DK 90	<b>709166</b>
SNX 217	SNX 217/517/314	<b>747032</b>	LD 95	<b>725366</b>	8.5X10X175	<b>713586</b>	VS0095	<b>738154</b>	DK 90	<b>709166</b>
SNX 218	SNX 218/518/315/615	<b>747033</b>	LD 100	<b>725341</b>	10X12X185	<b>713588</b>	VS0100	<b>738155</b>	DK 100	<b>708959</b>
SNX 219	SNX 219/519/316/616	<b>747034</b>	LD 110	<b>725342</b>	10X12X200	<b>713596</b>	VS0110	<b>738157</b>	DK 110	<b>708966</b>
SNX 220	SNX 220/520/317/617	<b>747035</b>	LD 115	<b>725343</b>	10X12X210	<b>713603</b>	VS0115	<b>738158</b>	DK 115	<b>708970</b>
SNX 222	SNX 222/522/319/619	<b>747036</b>	LD 125	<b>725344</b>	10X12X230	<b>713613</b>	VS0125	<b>738161</b>	DK 125	<b>708976</b>
SNX 224	SNX 224/524/320/620	<b>747037</b>	LD 135	<b>725345</b>	10X12X245	<b>713622</b>	VS0135	<b>738162</b>	DK 135	<b>708983</b>
SNX 226	SNX 226/526	<b>747038</b>			10X12X265	<b>713634</b>	VS0145	<b>738164</b>	DK 145	<b>740381</b>
SNX 228	SNX 228/528	<b>747039</b>			10X12X280	<b>713641</b>	VS0155	<b>738166</b>	DK 155	<b>740382</b>
SNX 230	SNX 230/530	<b>747040</b>			10X12X300	<b>713647</b>	VS0165	<b>738168</b>	DK 165	<b>740383</b>
SNX 232	SNX 232/532	<b>747041</b>			10X12X300	<b>713647</b>	VS0175	<b>738170</b>	DK 175	<b>740384</b>

Unless specified, dimensions are in mm for metric parts and inches for non-metric parts.  
 Note: Dimensions are in MM (in)

# Plummer blocks

## Dimensions

### SNX 200 - LD/FS/DK

Housing GG	Spherical roller bearing		Fixing rings		Spherical roller bearing		
Description	Description	Part no.	Description	Qty	Part no.	Description	Part no.
SNX 209	22209E1.C3	<b>421260</b>	SR 85x3.5	2	<b>747105</b>		
SNX 210	22210E1.C3	<b>421261</b>	SR 90x9	2	<b>747108</b>		
SNX 211	22211E1.C3	<b>421262</b>	SR 100x9.5	2	<b>747111</b>		
SNX 212	22212E1.C3	<b>421263</b>	SR 110x10	2	<b>747115</b>		
SNX 213	22213E1.C3	<b>421264</b>	SR 120x10	2	<b>747118</b>		
SNX 215	22215E1.C3	<b>421265</b>	SR 130x12.5	2	<b>747121</b>		
SNX 216	22216E1.C3	<b>421266</b>	SR 140x12.5	2	<b>747123</b>		
SNX 217	22217E1.C3	<b>421267</b>	SR 150x12.5	2	<b>747125</b>		
SNX 218	22218E1.C3	<b>421268</b>	SR 160x12.5	2	<b>747128</b>	23218E1.C3	<b>421396</b>
SNX 219	22219E1.C3	<b>422996</b>	SR 170x12.5	2	<b>747130</b>		
SNX 220	22220E1.C3	<b>421269</b>	SR 180x12	2	<b>747132</b>	23220E.C3	<b>703943</b>
SNX 222	22222E1.C3	<b>421270</b>	SR 200x13.5	2	<b>747137</b>	23222.C3	<b>740623</b>
SNX 224	22224E1.C3	<b>421271</b>	SR 215x14	2	<b>747141</b>	23224.C3	<b>703967</b>
SNX 226	22226E1.C3	<b>421272</b>	SR 230x13	2	<b>747143</b>	23226.C3	<b>703976</b>
SNX 228	22228E1.C3	<b>421273</b>	SR 250x15	2	<b>747146</b>	23228.C3	<b>741031</b>
SNX 230	22230E1.C3	<b>421274</b>	SR 270x16.5	2	<b>747149</b>	23230.C3	<b>703990</b>
SNX 232	22232E1.C3	<b>421275</b>	SR 290x17	2	<b>747152</b>	23232.C3	<b>741550</b>

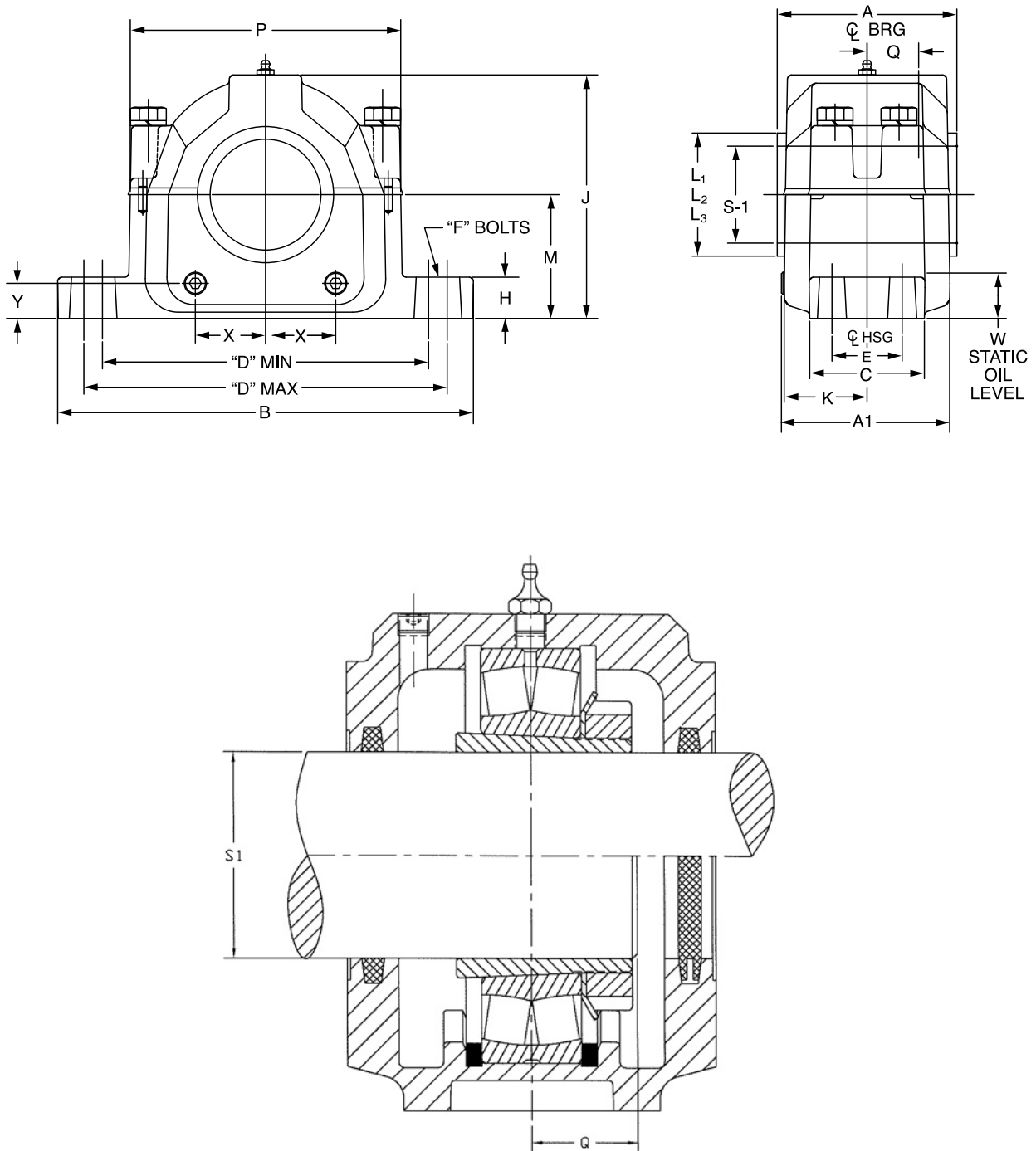
Housing GG	Fixing rings			Locknut		Lockwasher	
Description	Description	Qty	Part no.	Description	Part no.	Description	Part no.
SNX 209				KM 9	<b>046285</b>	MB 9	<b>046304</b>
SNX 210				KM 10	<b>046286</b>	MB 10	<b>046305</b>
SNX 211				KM 11	<b>046287</b>	MB 11	<b>046306</b>
SNX 212				KM 12	<b>046487</b>	MB 12	<b>046489</b>
SNX 213				KM 13	<b>046288</b>	MB 13	<b>046307</b>
SNX 215				KM 15	<b>046289</b>	MB 15	<b>046308</b>
SNX 216				KM 16	<b>046290</b>	MB 16	<b>046309</b>
SNX 217				KM 17	<b>046291</b>	MB 17	<b>046310</b>
SNX 218	SR 160x6.25	2	<b>747189</b>	KM 18	<b>046292</b>	MB 18	<b>046311</b>
SNX 219				KM 19	<b>046488</b>	MB 19	<b>046490</b>
SNX 220	SR 180x4.85	2	<b>747190</b>	KM 20	<b>046293</b>	MB 20	<b>046312</b>
SNX 222	SR 200x5.1	2	<b>747191</b>	KM 22	<b>046294</b>	MB 22	<b>046313</b>
SNX 224	SR 215x5	2	<b>712225</b>	KM 24	<b>046295</b>	MB 24	<b>046314</b>
SNX 226	SR 230x5	2	<b>747192</b>	KM 26	<b>046296</b>	MB 26	<b>046315</b>
SNX 228	SR 250x5	2	<b>747193</b>	KM 28	<b>046297</b>	MB 28	<b>046316</b>
SNX 230	SR 270x5	2	<b>747194</b>	KM 30	<b>046298</b>	MB 30	<b>046317</b>
SNX 232	SR 290x5	2	<b>747195</b>	KM 32	<b>046299</b>	MB 32	<b>046318</b>

# Plummer blocks

## Dimensions

SNX 500

Plummer blocks for bearings 1200K, 2200K, 22200K, 23200K



# Plummer blocks

## Dimensions

### SNX 500

Dimensions in mm																										
Description	Wt. kg	S-1 shaft size	D			F bolt dia.	W static oil level							A (with seals)							L <sub>1</sub> VR	L <sub>2</sub> TS	L <sub>3</sub> TT			
			A <sub>1</sub>	B	C		Min	Max	H	J	K	M	P	Q	X	Y	LD	FELT	VR	TS				TT	EC	
SNX 509	4,3	40	94	210	60	159	178	M12	25	112	45	60	124	23	24,0	29	20	91	91	100	99	107	91	50	55	65
SNX 510	5,1	45	99	210	60	165	178	M12	23	113	48	60	130	24	29,0	31	17	95	95	105	103	111	95	55	63	70
SNX 511	7,1	50	104	244	70	187	210	M16	26	133	50	70	147	25	28,5	33	22	100	100	110	108	116	100	60	68	75
SNX 512	9,5	55	116	270	70	197	230	M16	29	139	56	70	156	27	32,0	38	20	112	112	121	119	127	112	65	75	82
SNX 513	9,7	60	113	279	80	206	241	M16	30	155	55	80	165	30	27,0	41	25	110	110	119	121	125	110	70	81	92
SNX 515	11,3	65	121	283	80	219	245	M16	29	161	59	80	179	31	38,0	44	21	117	117	124	126	130	117	75	86	97
SNX 516	12,7	70	127	320	90	245	279	M20	33	178	62	95	202	34	34,5	49	31	123	123	136	134	143	123	82	94	102
SNX 517	15,7	75	132	320	90	251	279	M20	32	187	63	95	208	36	35,5	53	28	125	125	139	137	145	125	87	100	107
SNX 518	16,7	80	151	346	98	260	299	M20	35	195	72	100	220	38	47,0	57	28	144	144	157	155	163	144	92	105	112
SNX 519	27,0	85	156	360	98	276	314	M20	35	214	75	112	229	41	39,5	60	35	150	150	162	161	169	150	97	110	124
SNX 520	27,8	90	164	390	110	295	333	M24	40	220	80	112	248	43	45,0	67	30	160	160	171	169	177	160	102	127	124
SNX 522	35,8	100	174	419	120	324	364	M24	45	238	84	125	269	48	53,5	73	34	168	168	177	175	183	168	112	139	144
SNX 524	41,1	110	191	419	120	337	368	M24	45	267	93	140	286	51	57,0	81	42	185	185	199	195	202	185	124	149	154
SNX 526	55,2	115	197	445	130	374	387	M24	50	290	95	150	315	55	49,0	84	39	191	191	204	200	211	191	129	158	154
SNX 528	69,0	125	210	500	150	400	420	M30	50	298	102	150	337	58	51,5	92	35	203	203	215	211	222	203	139	160	164
SNX 530	77,3	135	226	530	160	443	457	M30	60	317	110	160	364	63	53,0	91	34	220	220	233	230	239	220	149	180	176
SNX 532	99,9	140	241	550	160	457	483	M30	60	338	118	170	379	68	53,2	102	34	235	235	247	243	253	235	154	188	186

Description	Housing GG		SK LD seal		SK FS seal	
	Description	Part no.	Description	Part no.	Description	Part no.
SNX 509	SNX 209/509	<b>747025</b>	SK 509 LD 40	<b>496446</b>	SK 509 FS 40	<b>496464</b>
SNX 510	SNX 210/510/308/608	<b>747026</b>	SK 510 LD 45	<b>496447</b>	SK 510 FS 45	<b>496465</b>
SNX 511	SNX 211/511/309/609	<b>747027</b>	SK 511 LD 50	<b>496448</b>	SK 511 FS 50	<b>496466</b>
SNX 512	SNX 212/512/310/610	<b>747028</b>	SK 512 LD 55	<b>496449</b>	SK 512 FS 55	<b>496467</b>
SNX 513	SNX 213/513/311/611	<b>747029</b>	SK 513 LD 60	<b>496450</b>	SK 513 FS 60	<b>496468</b>
SNX 515	SNX 215/515/312/612	<b>747030</b>	SK 515 LD 65	<b>496451</b>	SK 515 FS 65	<b>496469</b>
SNX 516	SNX 216/516/313/613	<b>747031</b>	SK 516 LD 70	<b>496452</b>	SK 516 FS 70	<b>496470</b>
SNX 517	SNX 217/517/314	<b>747032</b>	SK 517 LD 75	<b>496453</b>	SK 517 FS 75	<b>496471</b>
SNX 518	SNX 218/518/315/615	<b>747033</b>	SK 518 LD 80	<b>496454</b>	SK 518 FS 80	<b>496472</b>
SNX 519	SNX 219/519/316/616	<b>747034</b>	SK 519 LD 85	<b>496455</b>	SK 519 FS 85	<b>496473</b>
SNX 520	SNX 220/520/317/617	<b>747035</b>	SK 520 LD 90	<b>496456</b>	SK 520 FS 90	<b>496474</b>
SNX 522	SNX 222/522/319/619	<b>747036</b>	SK 522 LD 100	<b>496457</b>	SK 522 FS 100	<b>496475</b>
SNX 524	SNX 224/524/320/620	<b>747037</b>	SK 524 LD 110	<b>496458</b>	SK 524 FS 110	<b>496476</b>
SNX 526	SNX 226/526	<b>747038</b>	SK 526 LD 115	<b>496459</b>	SK 526 FS 115	<b>496477</b>
SNX 528	SNX 228/528	<b>747039</b>	SK 528 LD 125	<b>496460</b>	SK 528 FS 125	<b>496478</b>
SNX 530	SNX 230/530	<b>747040</b>	SK 530 LD 135	<b>496461</b>	SK 530 FS 135	<b>496479</b>
SNX 532	SNX 232/532	<b>747041</b>	SK 532 LD 140	<b>496462</b>	SK 532 FS 140	<b>496480</b>

# Plummer blocks

## Dimensions

### SNX 500

Description	SK VR seal		Labyrinth seal		Triple-tect seal		EC end cover	
	Description	Part no.	Description	Part no.	Description	Part no.	Description	Part no.
SNX 509	SK 509 VR 40	496482	TS 509	747328	TT 509	747384	DK 55	709137
SNX 510	SK 510 VR 45	496483	TS 510	747329	TT 510	747385	DK 60	709140
SNX 511	SK 511 VR 50	496484	TS 511	747330	TT 511	747386	DK 65	709143
SNX 512	SK 512 VR 55	496485	TS 512	747331	TT 512	747387	DK 70	709146
SNX 513	SK 513 VR 60	496486	TS 513	747332	TT 513	747388	DK 75	709152
SNX 515	SK 515 VR 65	496487	TS 515	747333	TT 515	747389	DK 85	709162
SNX 516	SK 516 VR 70	496488	TS 516	747334	TT 516	747390	DK 90	709166
SNX 517	SK 517 VR 75	496489	TS 517	747335	TT 517	747391	DK 90	709166
SNX 518	SK 518 VR 80	496490	TS 518	747336	TT 518	747392	DK 100	708959
SNX 519	SK 519 VR 85	496491	TS 519	747337	TT 519	747393	DK 110	708966
SNX 520	SK 520 VR 90	496492	TS 520	747338	TT 520	747394	DK 115	708970
SNX 522	SK 522 VR 100	496493	TS 522	747339	TT 522	747395	DK 125	708976
SNX 524	SK 524 VR 110	496494	TS 524	747340	TT 524	747396	DK 135	708983
SNX 526	SK 526 VR 115	496495	TS 526	747341	TT 526	747397	DK 145	740381
SNX 528	SK 528 VR 125	496496	TS 528	747342	TT 528	747398	DK 155	740382
SNX 530	SK 530 VR 135	496497	TS 530	747343	TT 530	747399	DK 165	740383
SNX 532	SK 532 VR 140	496498	TS 532	747344	TT 532	747400	DK 175	740384

Unless specified, dimensions are in mm for metric parts and inches for non-metric parts.

Note: Dimensions are in MM (in)

Description	Spherical roller bearing		Fixing rings			Adapters		Spherical roller bearing	
	Description	Part no.	Description	Quantity	Part no.	Description	Part no.	Description	Part no.
SNX 509	22209EK1.C3	422134	SR 85x3.5	2	747105	H 309	046331		
SNX 510	22210EK1.C3	422137	SR 90x9	2	747108	H 310	046332		
SNX 511	22211EK1.C3	422123	SR 100x9.5	2	747111	H 311	046219		
SNX 512	22212EK1.C3	422978	SR 110x10	2	747115	H 312	046333		
SNX 513	22213EK1.C3	422124	SR 120x10	2	747118	H 313	046221		
SNX 515	22215EK1.C3	422001	SR 130x12.5	2	747121	H 315	046222		
SNX 516	22216EK1.C3	422003	SR 140x12.5	2	747123	H 316	046223		
SNX 517	22217EK1.C3	422005	SR 150x12.5	2	747125	H 317	046224		
SNX 518	22218EK1.C3	422007	SR 160x12.5	2	747128	H 318	046225	23218K.C3	739329
SNX 519	22219EK1.C3	422979	SR 170x12.5	2	747130	H 319	719499		
SNX 520	22220EK1.C3	422009	SR 180x12	2	747132	H 320	046226	23220K.C3	703941
SNX 522	22222EK1.C3	422011	SR 200x13.5	2	747137	H 322	046227	23222K.C3	703951
SNX 524	22224EK1.C3	422013	SR 215x14	2	747141	H 3124	046228	23224EASK.M.C3	703967
SNX 526	22226EK1.C3	422015	SR 230x13	2	747143	H 3126	046229	23226K.C3	703971
SNX 528	22228EK1.C3	422017	SR 250x15	2	747146	H 3128	046230	23228K.C3	703982
SNX 530	22230EK1.C3	422019	SR 270x16.5	2	747149	H 3130	046231	23230K.C3	703989
SNX 532	22232EK1.C3	422021	SR 290x17	2	747152	H 3132	046232	23232K.C3	703996

Unless specified, dimensions are in mm for metric parts and inches for non-metric parts.

Note: Dimensions are in MM (in)

# Plummer blocks

## Dimensions

### SNX 500

Description	Fixing rings			Adapters	
	Description	Quantity	Part no.	Description	Part no.
SNX 509					
SNX 510					
SNX 511					
SNX 512					
SNX 513					
SNX 515					
SNX 516					
SNX 517					
SNX 518	SR 160x6.25	2	<b>747189</b>	H 2318	<b>719400</b>
SNX 519				H 2319	<b>046719</b>
SNX 520	SR 180x4.85	2	<b>747190</b>	H 2320	<b>046720</b>
SNX 522	SR 200x5.1	2	<b>747191</b>	H 2322	<b>046721</b>
SNX 524	SR 215x5	2	<b>712225</b>	H 2324	<b>046722</b>
SNX 526	SR 230x5	2	<b>747192</b>	H 2326	<b>046723</b>
SNX 528	SR 250x5	2	<b>747193</b>	H 2328	<b>719406</b>
SNX 530	SR 270x5	2	<b>747194</b>	H 2330	<b>053201</b>
SNX 532	SR 290x5	2	<b>747195</b>	H 2332	<b>719408</b>

Description	Self-aligning ball bearings		Fixing rings			Adapters	
	Description	Part no.	Description	Quantity	Part no.	Description	Part no.
SNX 509	1209K.C3	<b>052637</b>	SR 85x5.5	2	<b>747177</b>	H 209	<b>719372</b>
SNX 510	1210K.C3	<b>052638</b>	SR 90x10.5	2	<b>747178</b>	H 210	<b>719373</b>
SNX 511	1211K.C3	<b>052639</b>	SR 100x12	2	<b>747179</b>	H 211	<b>719374</b>
SNX 512	1212K.C3	<b>739145</b>	SR 110x13	2	<b>747180</b>	H 212	<b>719375</b>
SNX 513	1213K.C3	<b>052640</b>	SR 120x14	2	<b>747181</b>	H 213	<b>719376</b>
SNX 515	1215K.C3	<b>052641</b>	SR 130x15.5	2	<b>747182</b>	H 215	<b>719378</b>
SNX 516	1216K.C3	<b>052642</b>	SR 140x16	2	<b>747183</b>	H 216	<b>719379</b>
SNX 517	1217K.C3	<b>052643</b>	SR 150x16.5	2	<b>747184</b>	H 217	<b>719380</b>
SNX 518	1218K.C3	<b>052570</b>	SR 160x17.5	2	<b>747185</b>	H 218	<b>719381</b>
SNX 519	1219K.C3	<b>701659</b>	SR 170x18	2	<b>747186</b>	H 219	<b>719382</b>
SNX 520	1220K.C3	<b>052644</b>	SR 180x18	2	<b>747187</b>	H 220	<b>719383</b>
SNX 522	1222K.C3	<b>051841</b>	SR 200x21	2	<b>747188</b>	H 222	<b>719385</b>

Description	Self-aligning ball bearings		Fixing rings			Adapters	
	Description	Part no.	Description	Quantity	Part no.	Description	Part no.
SNX 509	2209K.C3	<b>739150</b>	SR 85x3.5	2	<b>747105</b>	H 309	<b>046331</b>
SNX 510	2210K.C3	<b>702830</b>	SR 90x9	2	<b>747108</b>	H 310	<b>046332</b>
SNX 511	2211K.C3	<b>702844</b>	SR 100x9.5	2	<b>747111</b>	H 311	<b>046219</b>
SNX 512	2212K.C3	<b>702857</b>	SR 110x10	2	<b>747115</b>	H 312	<b>046333</b>
SNX 513	2213K.C3	<b>702867</b>	SR 120x10	2	<b>747118</b>	H 313	<b>046221</b>
SNX 515	2215K.C3	<b>739153</b>	SR 130x12.5	2	<b>747121</b>	H 315	<b>046222</b>
SNX 516	2216K.C3	<b>702883</b>	SR 140x12.5	2	<b>747123</b>	H 316	<b>046223</b>
SNX 517	2217K.C3	<b>702893</b>	SR 150x12.5	2	<b>747125</b>	H 317	<b>046224</b>
SNX 518	2218K.C3	<b>739154</b>	SR 160x12.5	2	<b>747128</b>	H 318	<b>046225</b>
SNX 519	2219K.M.C3	<b>702904</b>	SR 170x12.5	2	<b>747130</b>	H 319	<b>719499</b>
SNX 520	2220K.M.C3	<b>702907</b>	SR 180x12	2	<b>747132</b>	H 320	<b>046226</b>
SNX 522	2222K.C3	<b>421399</b>	SR 200x13.5	2	<b>747137</b>	H 322	<b>046227</b>

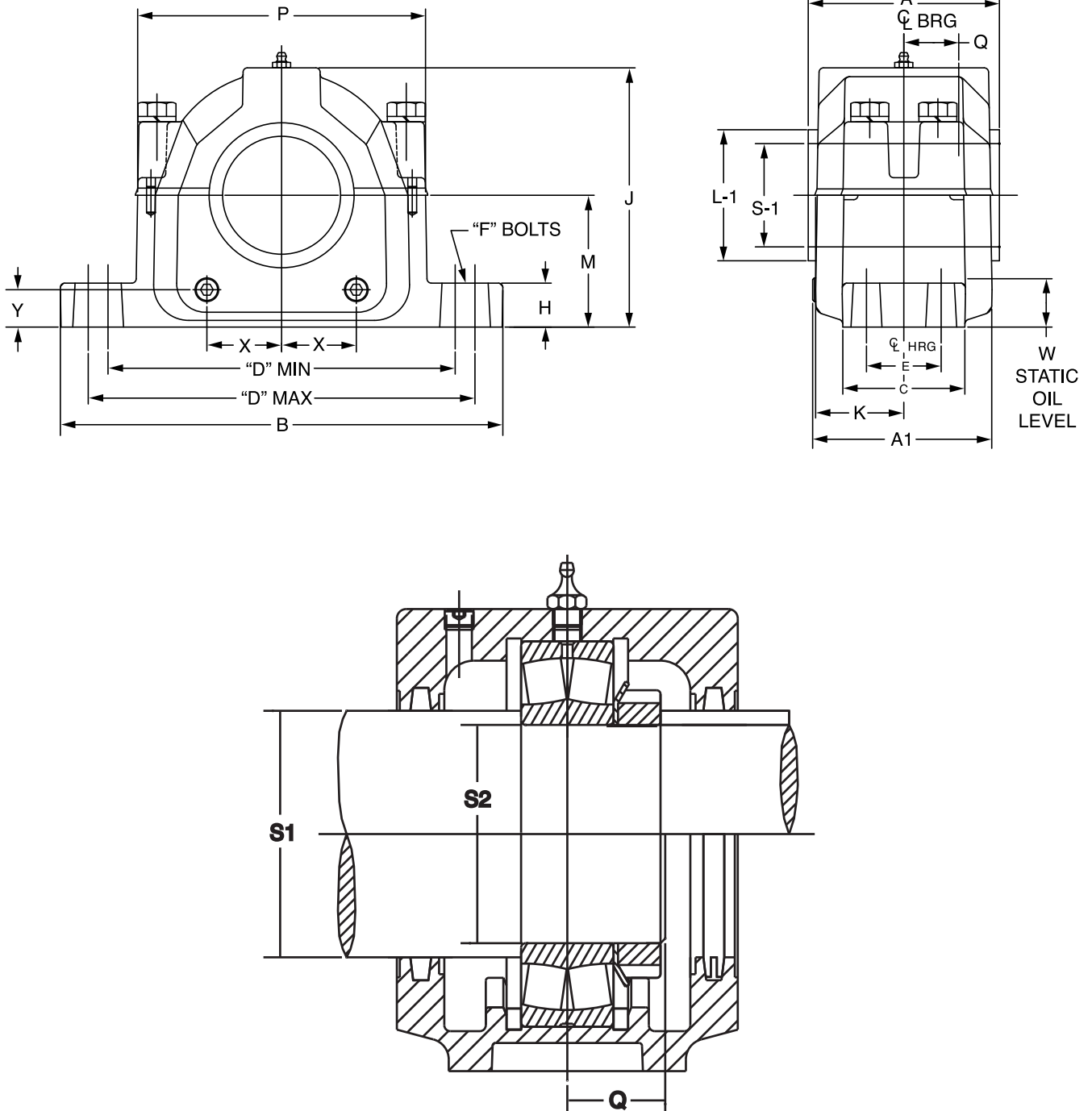


# Plummer blocks

## Dimensions

SNX 300

Plummer blocks for bearings 22300



# Plummer blocks

## Dimensions

### SNX 300

#### Dimensions in mm

Description	kg	S		D			F bolt dia	W							A (with seals)						
		Shaft size	S-1	S-2	A1	B		C	Min	Max	H	J	K	M	P	Q ★	static oil level	X	Y	Felt FS	End cover DK
SNX 308	5.1	50	40	99.1	210	59.5	165.1	177.8	M12	22.6	113	47.6	59.9	130.2	18	26.5	30.5	17	95.3	95.3	64.3
SNX 309	7.1	55	45	103.8	244.4	69.9	187.3	209.6	M16	26.2	133.4	50	69.9	146.8	18	32.5	33	22.1	100.0	100.0	68.1
SNX 310	9.5	60	50	115.8	269.9	69.9	196.9	229.6	M16	29.4	138.9	56	69.9	155.6	20	28.6	38	19.5	112.0	112.0	75.2
SNX 311	9.7	65	55	113.3	279.4	80	206.4	241.3	M16	30.2	154.8	54.8	79.9	165.1	21.5	33.9	41.1	25	109.5	109.5	79.2
SNX 312	11.3	70	60	121.2	282.6	80	219.1	244.5	M16	29.4	161.1	58.7	79.9	179.4	23	30.7	44	20.5	117.4	117.4	88.1
SNX 313	12.7	75	65	126.8	319.9	90	244.5	279.4	M20	32.9	177.6	61.5	94.9	201.6	24	41.7	49	30.5	123.0	123.0	93.2
SNX 314	15.7	80	70	131.6	319.7	90	250.8	279.4	M20	31.8	187.4	62.7	94.9	208	25.5	37.3	52.6	28	125.2	125.2	97.3
SNX 315	16.7	85	75	150.8	346.1	98.4	260.4	298.5	M20	34.9	195.3	72.2	99.9	219.9	27.5	38.8	56.8	27.5	144.4	144.4	102.1
SNX 316	27.0	90	80	156.4	360	98.4	276.2	314.3	M20	35	213.6	75	111.9	229.4	29	46.9	60	35	150.0	150.0	113.3
SNX 317	27.8	95	85	164.1	390	110.3	295.3	333.4	M24	39.7	219.9	80.2	111.9	248.4	30	42.1	66.6	30	160.3	160.3	113.3
SNX 319	35.8	110	95	173.9	419.1	120.7	323.9	364.3	M24	44.9	238.5	83.7	124.9	269.1	33.5	50.1	73	33.8	167.5	167.5	131.3
SNX 320	41.1	115	100	191.3	419.1	119.9	336.6	368.3	M24	45	267	92.5	139.9	285.8	36.5	58.1	81	42.1	184.9	184.9	131.3

Description	Housing GG		SK FS seal		End cover	
	Description	Part no.	Description	Part no.	Description	Part no.
SNX 308	SNX 210/510/308/608	<b>747026</b>	SK 308 FS 50	<b>496400</b>	DK 60	<b>709140</b>
SNX 309	SNX 211/511/309/609	<b>747027</b>	SK 309 FS 55	<b>496401</b>	DK 65	<b>709143</b>
SNX 310	SNX 212/512/310/610	<b>747028</b>	SK 310 FS 60	<b>496402</b>	DK 70	<b>709146</b>
SNX 311	SNX 213/513/311/611	<b>747029</b>	SK 311 FS 65	<b>496403</b>	DK 75	<b>709152</b>
SNX 312	SNX 215/515/312/612	<b>747030</b>	SK 312 FS 70	<b>496404</b>	DK 85	<b>709162</b>
SNX 313	SNX 216/516/313/613	<b>747031</b>	SK 313 FS 75	<b>496405</b>	DK 90	<b>709166</b>
SNX 314	SNX 217/517/314	<b>747032</b>	SK 314 FS 80	<b>496406</b>	DK 90	<b>709166</b>
SNX 315	SNX 218/518/315/615	<b>747033</b>	SK 315 FS 85	<b>496407</b>	DK 100	<b>708959</b>
SNX 316	SNX 219/519/316/616	<b>747034</b>	SK 316 FS 90	<b>496408</b>	DK 110	<b>708966</b>
SNX 317	SNX 220/520/317/617	<b>747035</b>	SK 317 FS 95	<b>496409</b>	DK 115	<b>708970</b>
SNX 319	SNX 222/522/319/619	<b>747036</b>	SK 319 FS 110	<b>496410</b>	DK 125	<b>708976</b>
SNX 320	SNX 224/524/320/620	<b>747037</b>	SK 320 FS 115	<b>496411</b>	DK 135	<b>708983</b>

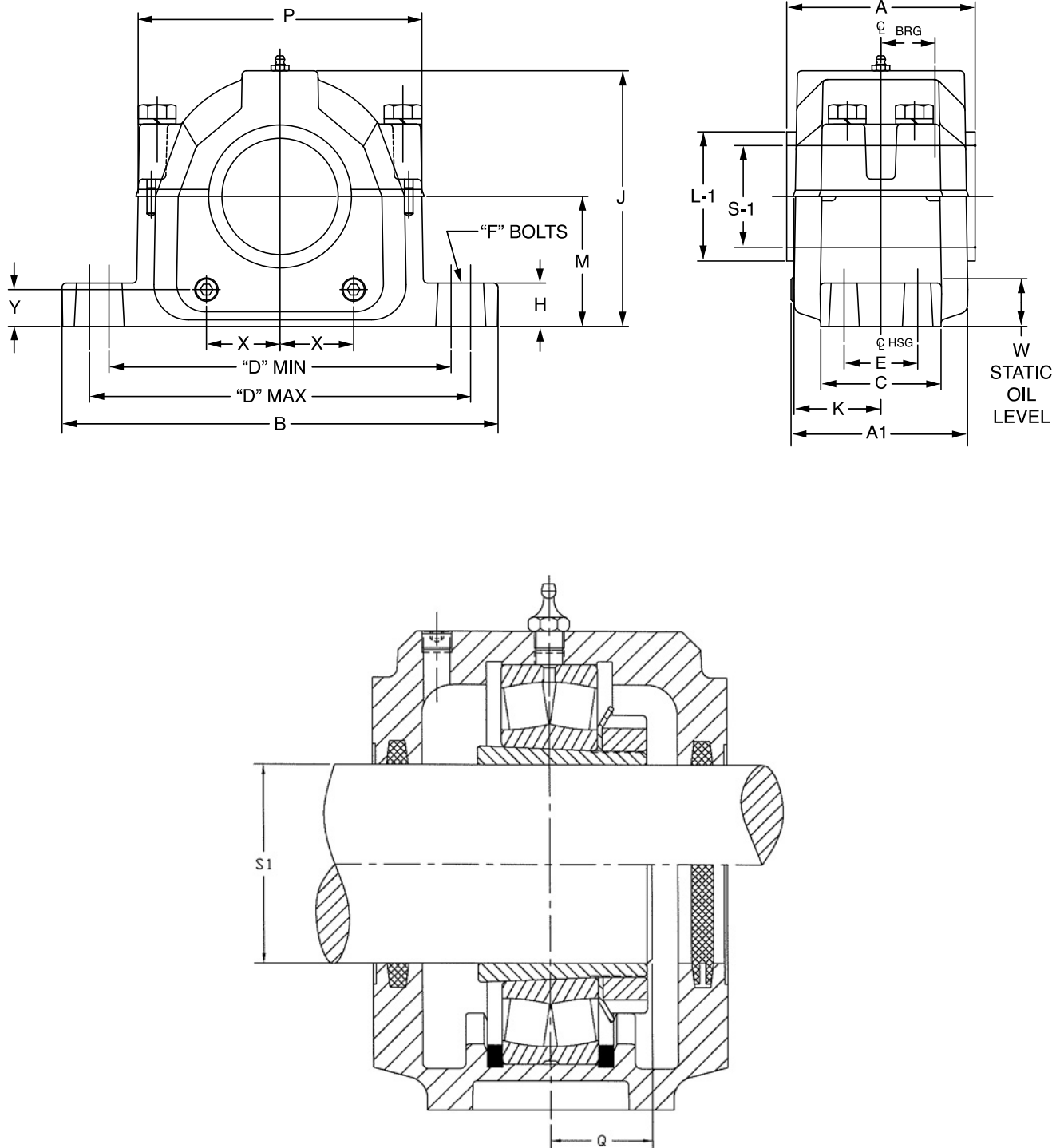
Description	Spherical roller bearing		Fixing rings		Locknut		Lockwasher		
	Description	Part no.	Description	Quantity	Part no.	Description	Part no.	Description	Part no.
SNX 308	22308E1.C3	<b>423124</b>	SR 90X4	2	<b>747107</b>	KM 8	<b>046492</b>	MB 8	<b>046496</b>
SNX 309	22309E1.C3	<b>423125</b>	SR 100X4	2	<b>747110</b>	KM 9	<b>046285</b>	MB 9	<b>046304</b>
SNX 310	22310E1.C3	<b>423143</b>	SR 110X4	2	<b>747114</b>	KM 10	<b>046286</b>	MB 10	<b>046305</b>
SNX 311	22311E1.C3	<b>423126</b>	SR 120X4	2	<b>747117</b>	KM11	<b>046287</b>	MB11	<b>046306</b>
SNX 312	22312E1.C3	<b>423127</b>	SR 130X4	2	<b>747120</b>	KM 12	<b>046487</b>	MB 12	<b>046489</b>
SNX 313	22313E1.C3	<b>423128</b>	SR 140X5	2	<b>747122</b>	KM13	<b>046288</b>	MB13	<b>046307</b>
SNX 314	22314E1.C3	<b>423129</b>	SR 150X5	2	<b>747124</b>	KM 14	<b>046238</b>	MB 14	<b>046239</b>
SNX 315	22315E1.C3	<b>423130</b>	SR 160X5	2	<b>747126</b>	KM 15	<b>046289</b>	MB 15	<b>046308</b>
SNX 316	22316E1.C3	<b>423144</b>	SR 170X5	2	<b>747129</b>	KM 16	<b>046290</b>	MB 16	<b>046309</b>
SNX 317	22317E1.C3	<b>423131</b>	SR 180X5	2	<b>747131</b>	KM 17	<b>046291</b>	MB 17	<b>046310</b>
SNX 319	22319E1.C3	<b>423145</b>	SR 200X6.5	2	<b>747135</b>	KM 19	<b>046488</b>	MB 19	<b>049490</b>
SNX 320	22320E1.C3	<b>423132</b>	SR 215X6.5	2	<b>747139</b>	KM 20	<b>046293</b>	MB 20	<b>046312</b>

# Plummer blocks

## Dimensions

SNX 600

Plummer blocks for bearings 22300K



# Plummer blocks

## Dimensions

### SNX 600

Description	Kg	S-1 shaft size	D					F bolt dia	W static oil level							A (with seals)				L1 VR		
			A1	B	C	Min	Max		H	J	K	M	P	Q	X	Y	LD	Felt FS	End cover		VR	
SNX 608	5.1	35	99	210	60	165	178	M12	23	113	48	60	130	27	26.5	31	17	95	95	95	103	43
SNX 609	7.1	40	104	244	70	187	210	M16	26	133	50	70	147	29	32.5	33	22	100	100	100	110	50
SNX 610	9.5	45	116	270	70	197	230	M16	29	139	56	70	156	32	28.6	38	20	112	112	112	121	55
SNX 611	9.7	50	113	279	80	206	241	M16	30	155	55	80	165	34	33.9	41	25	110	110	110	119	60
SNX 612	11.3	55	121	283	80	219	245	M16	29	161	59	80	179	36	30.7	44	21	117	117	117	124	65
SNX 613	12.7	60	127	320	90	245	279	M20	33	178	62	95	202	35	41.7	49	31	123	123	123	132	70
SNX 615	16.7	65	151	346	98	260	299	M20	35	195	72	100	220	43	38.8	57	28	144	144	144	153	75
SNX 616	27.0	70	156	360	98	276	314	M20	35	214	75	112	229	46	46.9	60	35	150	150	150	162	82
SNX 617	27.8	75	164	390	110	295	333	M24	40	220	80	112	248	48	42.1	67	30	160	160	160	171	87
SNX 619	35.8	85	174	419	120	324	364	M24	45	238	84	125	269	53	50.1	73	34	168	168	168	177	97
SNX 620	41.1	90	191	419	120	337	368	M24	45	267	93	140	286	57	58.1	81	42	185	185	185	196	102

Description	Housing GG		SK LD seal		SK FS seal		SK VR seal		End cover	
	Description	Part no.	Description	Part no.	Description	Part no.	Description	Part no.	Description	Part no.
SNX 608	SNX 210/510/308/608	<b>747026</b>	SK 608 LD 35	<b>496412</b>	SK 608 FS 35	<b>496423</b>	SK 608 VR 35	<b>496434</b>	DK 60	<b>709140</b>
SNX 609	SNX 211/511/309/609	<b>747027</b>	SK 609 LD 40	<b>496413</b>	SK 609 FS 40	<b>496424</b>	SK 609 VR 40	<b>496435</b>	DK 65	<b>709143</b>
SNX 610	SNX 212/512/310/610	<b>747028</b>	SK 610 LD 45	<b>496414</b>	SK 610 FS 45	<b>496425</b>	SK 610 VR 45	<b>496436</b>	DK 70	<b>709146</b>
SNX 611	SNX 213/513/311/611	<b>747029</b>	SK 611 LD 50	<b>496415</b>	SK 611 FS 50	<b>496426</b>	SK 611 VR 50	<b>496437</b>	DK 75	<b>709152</b>
SNX 612	SNX 215/515/312/612	<b>747030</b>	SK 612 LD 55	<b>496416</b>	SK 612 FS 55	<b>496427</b>	SK 612 VR 55	<b>496438</b>	DK 85	<b>709162</b>
SNX 613	SNX 216/516/313/613	<b>747031</b>	SK 613 LD 60	<b>496417</b>	SK 613 FS 60	<b>496428</b>	SK 613 VR 60	<b>496439</b>	DK 90	<b>709166</b>
SNX 615	SNX 218/518/315/615	<b>747033</b>	SK 615 LD 65	<b>496418</b>	SK 615 FS 65	<b>496429</b>	SK 615 VR 65	<b>496440</b>	DK 100	<b>708959</b>
SNX 616	SNX 219/519/316/616	<b>747034</b>	SK 616 LD 70	<b>496419</b>	SK 616 FS 70	<b>496430</b>	SK 616 VR 70	<b>496421</b>	DK 110	<b>708966</b>
SNX 617	SNX 220/520/317/617	<b>747035</b>	SK 617 LD 75	<b>496420</b>	SK 617 FS 75	<b>496431</b>	SK 617 VR 75	<b>496442</b>	DK 115	<b>708970</b>
SNX 619	SNX 222/522/319/619	<b>747036</b>	SK 619 LD 85	<b>496421</b>	SK 619 FS 85	<b>496432</b>	SK 619 VR 85	<b>496443</b>	DK 125	<b>708976</b>
SNX 620	SNX 224/524/320/620	<b>747037</b>	SK 620 LD 90	<b>496422</b>	SK 620 FS 90	<b>496433</b>	SK 620 VR 90	<b>496444</b>	DK 135	<b>708983</b>

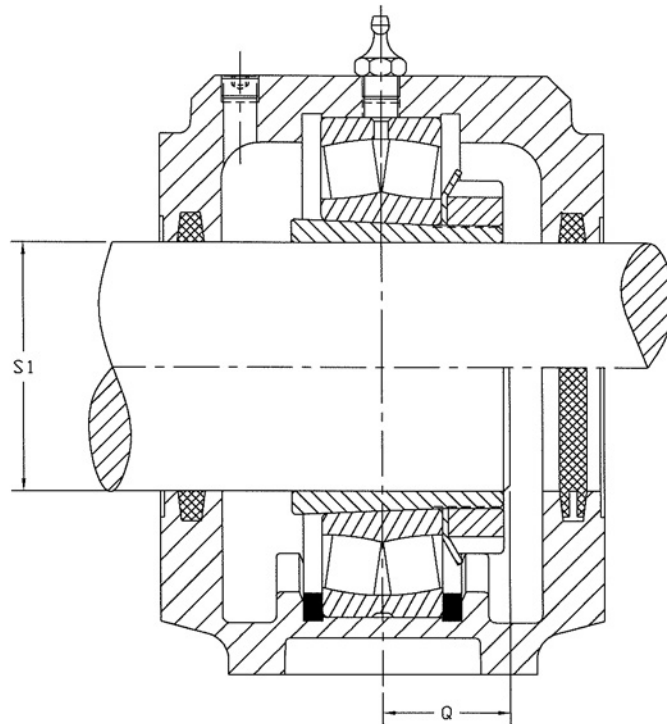
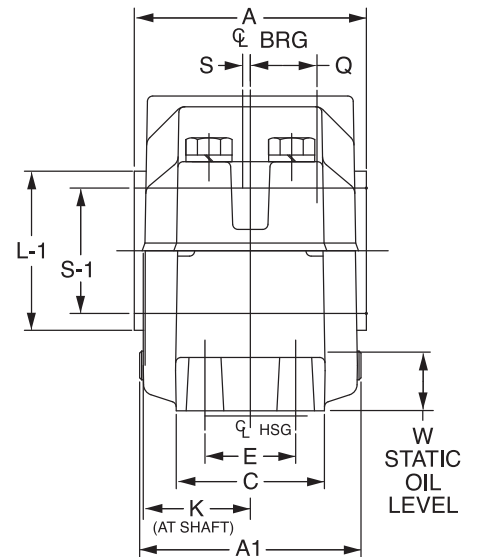
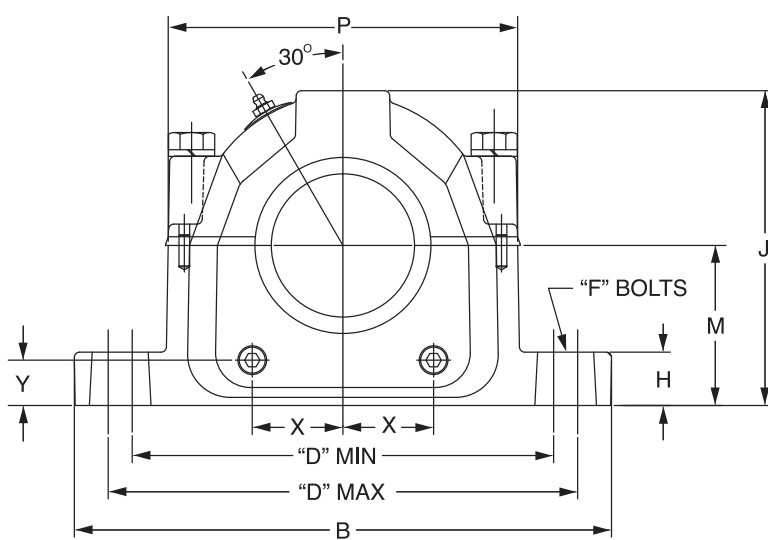
Description	Spherical roller bearing		Fixing rings		Adapters		
	Description	Part no.	Description	Quantity	Part no.	Description	Part no.
SNX 608	22308E1K.C3	<b>423375</b>	SR 90X4	2	<b>747107</b>	H 2308	<b>046710</b>
SNX 609	22309E1K.C3	<b>423100</b>	SR 100X4	2	<b>747110</b>	H 2309	<b>046711</b>
SNX 610	22310E1K.C3	<b>423372</b>	SR 110X4	2	<b>747114</b>	H 2310	<b>046712</b>
SNX 611	22311E1K.C3	<b>423102</b>	SR 120X4	2	<b>747117</b>	H 2311	<b>046713</b>
SNX 612	22312E1K.C3	<b>423376</b>	SR 130X5	2	<b>747120</b>	H 2312	<b>046714</b>
SNX 613	22313E1K.C3	<b>423104</b>	SR 140X5	2	<b>747122</b>	H 2313	<b>046715</b>
SNX 615	22315E1K.C3	<b>423106</b>	SR 160X5	2	<b>747126</b>	H 2315	<b>719397</b>
SNX 616	22316E1K.C3	<b>423373</b>	SR 170X5	2	<b>747129</b>	H 2316	<b>046717</b>
SNX 617	22317E1K.C3	<b>423108</b>	SR 180X5	2	<b>747131</b>	H 2317	<b>046718</b>
SNX 619	22319E1K.C3	<b>423374</b>	SR 200X6.5	2	<b>747135</b>	H 2319	<b>046719</b>
SNX 620	22320E1K.C3	<b>423110</b>	SR 215X6.5	2	<b>747139</b>	H 2320	<b>046720</b>

# Plummer blocks

## Dimensions

SNX 30

Plummer blocks for bearings 23000K



# Plummer blocks

## Dimensions

### SNX 30

#### Dimensions in mm

Description	kg	S-1 shaft welleno	D			F bolt dia.	H	J	K	M	P	Q	W static oil level	X	Y	A (with seals)						
			A1	B	C											Min	Max	LD	Felt	End cover	VR	L1
SNX 3024	81,0	110	167	390	110	295	333	M24	40	220	80	112	248	38.0	37	66.5	30.0	160	160	160	175	113
SNX 3026	105,0	115	174	419	121	324	364	M24	45	239	84	125	269	49.0	42	73.0	33.8	168	168	168	179	118
SNX 3028	121,0	125	191	419	120	337	368	M24	45	267	93	140	286	50.5	52	81.0	42.0	185	185	185	199	139
SNX 3030	161,0	135	197	445	130	374	387	M24	50	290	95	150	315	54.0	56	84.1	39.0	191	191	191	204	149
SNX 3032	161,0	140	197	445	130	374	387	M24	50	290	95	150	315	58.0	54	84.1	39.0	191	191	191	204	154
SNX 3034	162,0	150	226	530	159	426	464	M30	60	317	110	160	364	62.5	50	91.3	33.7	220	220	220	234	164
SNX 3036	235,0	160	241	550	159	457	483	M30	60	338	118	170	379	67.0	52	102.4	34.0	235	235	235	252	176
SNX 3038	235,0	170	241	550	159	457	483	M30	60	338	118	170	379	68.5	48	102.4	34.0	235	235	235	252	186

Housing	LD seal	FS seal	VR seal	End cover					
Description	Part no.	Description	Part no.	Description	Part no.				
SNX 3024	<b>747042</b>	LD 110	<b>725342</b>	10X12X200	<b>713596</b>	VS0110	<b>738157</b>	DK 110	<b>708966</b>
SNX 3026	<b>747043</b>	LD 115	<b>725343</b>	10X12X210	<b>713603</b>	VS0115	<b>738158</b>	DK 115	<b>708970</b>
SNX 3028	<b>747044</b>	LD 125	<b>725344</b>	10X12X230	<b>713613</b>	VS0125	<b>738160</b>	DK 125	<b>708976</b>
SNX 3030	<b>747045</b>	LD 135	<b>725345</b>	10X12X245	<b>713622</b>	VS0135	<b>738162</b>	DK 135	<b>708983</b>
SNX 3032	<b>747046</b>	LD 140	<b>725346</b>	10X12X265	<b>713634</b>	VS0140	<b>738163</b>	DK 140	<b>708989</b>
SNX 3034	<b>747047</b>			10X12X280	<b>713641</b>	VS0150	<b>738165</b>	DK 165	<b>740383</b>
SNX 3036	<b>747048</b>			10X12X300	<b>713647</b>	VS0160	<b>738167</b>	DK 175	<b>740384</b>
SNX 3038	<b>747049</b>			10X12X300	<b>713647</b>	VS0170	<b>738169</b>		

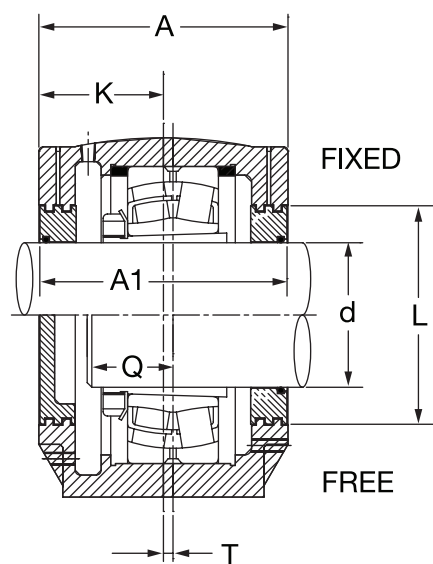
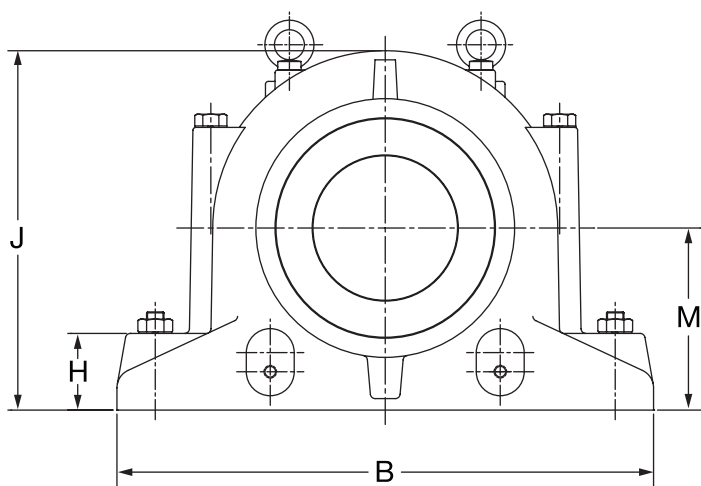
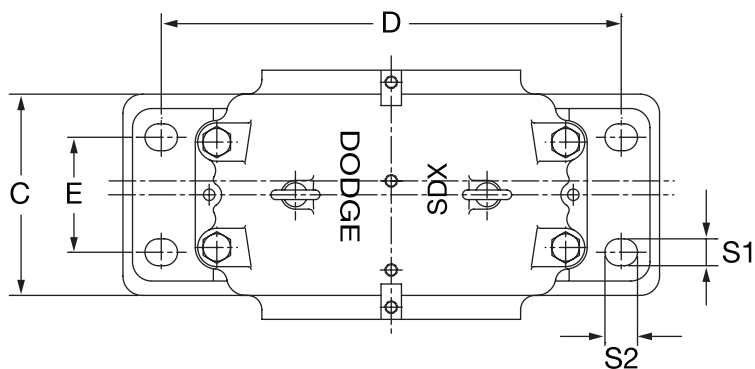
Description	Spherical roller bearing		Fixing rings			Adapters	
	Description	Part no.	Description	Quantity	Part no.	Description	Part no.
SNX 3024	23024EASK.M.C3	<b>703619</b>	SR 180X5	2	<b>747131</b>	H 3024	<b>719419</b>
SNX 3026	23026K.C3	<b>703628</b>	SR 200X10	1	<b>747136</b>	H 3026	<b>719420</b>
SNX 3028	23028EASK.M	<b>703644</b>	SR 210X10	1	<b>747138</b>	H 3028	<b>719421</b>
SNX 3030	23030EASK.M.C3	<b>703656</b>	SR 225X10	1	<b>747142</b>	H 3030	<b>719422</b>
SNX 3032	23032K.C3	<b>703661</b>	SR 240X10	1	<b>747145</b>	H 3032	<b>719423</b>
SNX 3034	23034K.C3	<b>703670</b>	SR 260X10	1	<b>747148</b>	H 3034	<b>719425</b>
SNX 3036	23036K.C3	<b>703679</b>	SR 280X10	1	<b>747150</b>	H 3036	<b>053088</b>
SNX 3038	23038EASK.M.C3	<b>703689</b>	SR 290X10	1	<b>747151</b>	H 3038	<b>719429</b>

# Plummer blocks

## Dimensions

SDX 3000

Plummer blocks for bearings 23000K



# Plummer blocks

## Dimensions

### SDX 3000

#### Dimensions in mm

Description	d	A	B	C	H	D	E	J	M	K	S bolt size	S1	S2	Q	T	Labyrinth seal				Hex Bolt	Mass (Kg)
																A1		L			
																TS	AUX	TS	AUX		
SDX 3040	180	260	560	210	80	480	120	375	190	130	M24	30	42	73	10	260	332	235	235	M20X150	88
SDX 3044	200	280	610	230	85	510	130	410	210	140	M30	37	51	85	10	280	352	262	262	M24X180	122
SDX 3048	220	290	640	240	90	540	140	435	220	145	M30	37	51	86	12	290	373	282	282	M24X180	136
SDX 3052	240	310	700	260	95	600	150	475	240	155	M30	37	51	97	12	310	393	302	302	M24X200	190
SDX 3056	260	320	770	280	100	650	160	515	260	160	M36	43	60	102	13	320	403	324	324	M30X220	238
SDX 3060	280	320	790	280	105	670	160	550	280	160	M36	43	60	112	16	320	403	342	342	M30X220	252
SDX 3064	300	350	830	310	110	710	190	590	300	175	M36	43	60	116	22	350	433	362	362	M30X240	290
SDX 3068	320	370	880	330	115	750	200	630	320	185	M36	43	62	123.5	23	370	453	387	453	M30X240	340

Description	Housing		Spherical roller bearing (SRB)		Adapter	
	Description	Part no.	Description	Part no.	Description	Part no.
SDX 3040	SDX 3040	<b>747800</b>	23040EASK.M.C3	<b>703694</b>	H 3040	<b>719432</b>
SDX 3044	SDX 3044	<b>747801</b>	23044K.MB.C3	<b>703711</b>	H 3044	<b>719434</b>
SDX 3048	SDX 3048	<b>747802</b>	23048K.MB.C3	<b>422031</b>	H 3048	<b>719437</b>
SDX 3052	SDX 3052	<b>747803</b>	23052K.C3	<b>703725</b>	H 3052	<b>719441</b>
SDX 3056	SDX 3056	<b>747804</b>	23056K.M.C3	<b>422030</b>	H 3056	<b>719443</b>
SDX 3060	SDX 3060	<b>747805</b>	23060K.C3	<b>703738</b>	H 3060	<b>719445</b>
SDX 3064	SDX 3064	<b>747806</b>	23064K.C3	<b>703739</b>	H 3064	<b>719446</b>
SDX 3068	SDX 3068	<b>747807</b>	23068K.C3	<b>421282</b>	H 3068	<b>719448</b>

Description	Labyrinth TS seal		Labyrinth AUX seal		End cover		Fixing ring	
	Description	Part no.	Description	Part no.	Description	Part no.	Description	Qty. required
SDX 3040	TS-40	<b>747843</b>	AUX-40	<b>747854</b>	EC-40	<b>747865</b>	SR310x10	<b>2</b>
SDX 3044	TS-44	<b>747844</b>	AUX-44	<b>747855</b>	EC-44	<b>747866</b>	SR340x10	<b>2</b>
SDX 3048	TS-48	<b>747845</b>	AUX-48	<b>747856</b>	EC-48	<b>747867</b>	SR360x10	<b>2</b>
SDX 3052	TS-52	<b>747846</b>	AUX-52	<b>747857</b>	EC-52	<b>747868</b>	SR400x10	<b>2</b>
SDX 3056	TS-56	<b>747847</b>	AUX-56	<b>747858</b>	EC-56	<b>747869</b>	SR420x10	<b>2</b>
SDX 3060	TS-60	<b>747848</b>	AUX-60	<b>747859</b>	EC-60	<b>747870</b>	SR460x10	<b>2</b>
SDX 3064	TS-64	<b>747849</b>	AUX-64	<b>747860</b>	EC-64	<b>747871</b>	SR480x10	<b>2</b>
SDX 3068	TS-68	<b>747850</b>	AUX-68	<b>747861</b>	EC-68	<b>747872</b>	SR520x10	<b>2</b>

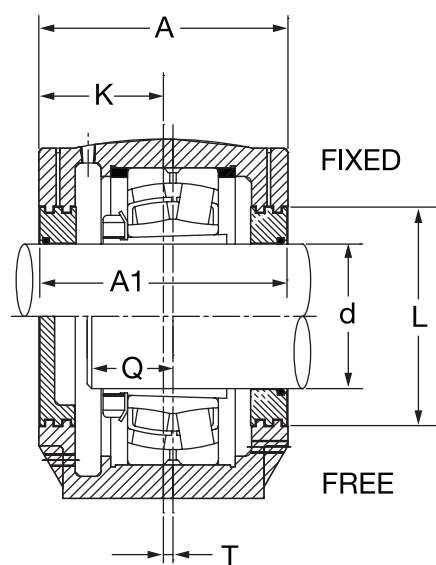
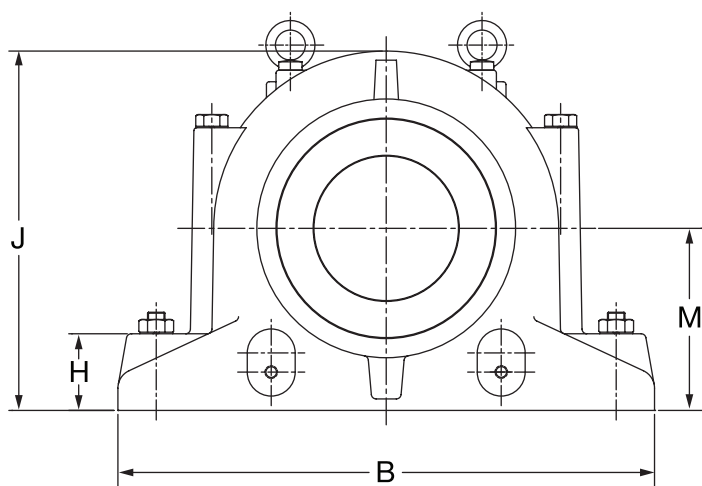
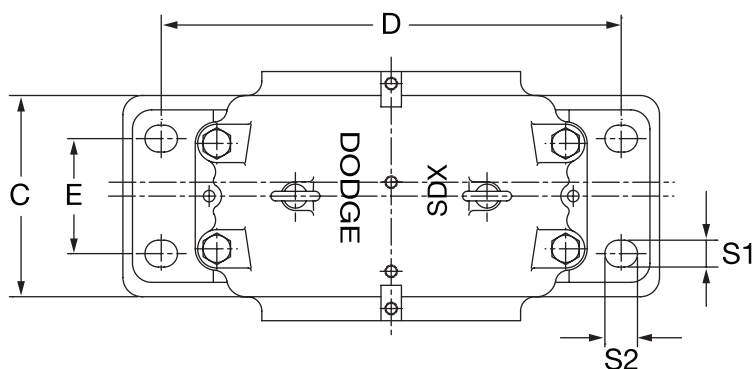


# Plummer blocks

## Dimensions

SDX 3100

Plummer blocks for bearings 23100K



# Plummer blocks

## Dimensions

### SDX 3100

#### Dimensions in mm

Description	d	A	B	C	H	D	E	J	M	K	S bolt size	S1	S2	Q	T	Labyrinth seal				Hex Bolt	Mass (Kg)
																A1		L			
																TS	AUX	TS	AUX		
SDX 3134	150	230	510	180	70	430	100	335	170	115	M24	30	42	73	14	230	302	195	195	M20X150	70
SDX 3136	160	240	530	190	75	450	110	355	180	120	M24	30	42	78	15	240	312	202	202	M20X150	72
SDX 3138	170	260	560	210	80	480	120	375	190	130	M24	30	42	83	10	260	332	228	228	M20X150	88
SDX 3140	180	280	610	230	85	510	130	410	210	140	M30	37	51	88	10	280	352	235	235	M24X180	122
SDX 3144	200	290	640	240	90	540	140	435	220	145	M30	37	51	95	12	290	373	262	262	M24X180	136
SDX 3148	220	310	700	260	95	600	150	475	240	110	M30	37	51	101	12	310	393	282	282	M24X200	190
SDX 3152	240	320	770	280	100	650	160	515	260	120	M36	43	60	111	13	320	403	302	302	M30X220	238
SDX 3156	260	320	790	280	105	670	160	550	280	130	M36	43	60	114	16	320	403	324	324	M30X220	252
SDX 3160	280	350	830	310	110	710	190	590	300	140	M36	43	60	120	22	350	433	342	342	M30X240	290
SDX 3164	300	370	880	330	115	750	200	630	320	150	M36	43	62	130	23	370	453	362	362	M30X240	340

Description	Housing		Spherical roller bearing (SRB)		Adapter	
	Description	Part no.	Description	Part no.	Description	Part no.
SDX 3134	SDX 3134	<b>747808</b>	23134K.M.C3	<b>703831</b>	H 3134	<b>046233</b>
SDX 3136	SDX 3136	<b>747809</b>	23136ESKTPVB.C3	<b>703840</b>	H 3136	<b>046234</b>
SDX 3138	SDX3138	<b>747810</b>	23138K.C3	<b>703850</b>	H 3138	<b>046235</b>
SDX 3140	SDX3140	<b>747811</b>	23140BK.MB.C3	<b>421403</b>	H 3140	<b>046236</b>
SDX 3144	SDX3144	<b>747812</b>	23144BK.MB.C3	<b>703866</b>	H 3144	<b>046237</b>
SDX 3148	SDX3148	<b>747813</b>	23148BK.MB.C3	<b>703873</b>	H 3148	<b>719480</b>
SDX 3152	SDX3152	<b>747814</b>	23152K.MB.C3	<b>703890</b>	H 3152	<b>719485</b>
SDX 3156	SDX3156	<b>747815</b>	23156BK.MB.C3	<b>703892</b>	H 3156	<b>719489</b>
SDX 3160	SDX3160	<b>747816</b>	23160K.C3	<b>703903</b>	H 3160	<b>719491</b>
SDX 3164	SDX3164	<b>747817</b>	23164K.MB.C3	<b>421287</b>	H 3164	<b>719492</b>

Description	Labyrinth TS seal		Labyrinth AUX seal		End cover		Fixing ring	
	Description	Part no.	Description	Part no.	Description	Part no.	Description	Qty. required
SDX 3134	TS-34	<b>747840</b>	AUX-34	<b>747851</b>	EC-34	<b>747862</b>	SR280x10	<b>2</b>
SDX 3136	TS-36	<b>747841</b>	AUX-36	<b>747852</b>	EC-36	<b>747863</b>	SR300x10	<b>2</b>
SDX 3138	TS-38	<b>747842</b>	AUX-38	<b>747853</b>	EC-38	<b>747864</b>	SR320x10	<b>2</b>
SDX 3140	TS-40	<b>747843</b>	AUX-40	<b>747854</b>	EC-40	<b>747865</b>	SR340x10	<b>2</b>
SDX 3144	TS-44	<b>747844</b>	AUX-44	<b>747855</b>	EC-44	<b>747866</b>	SR370x10	<b>2</b>
SDX 3148	TS-48	<b>747845</b>	AUX-48	<b>747856</b>	EC-48	<b>747867</b>	SR400x10	<b>2</b>
SDX 3152	TS-52	<b>747846</b>	AUX-52	<b>747857</b>	EC-52	<b>747868</b>	SR440x10	<b>2</b>
SDX 3156	TS-56	<b>747847</b>	AUX-56	<b>747858</b>	EC-56	<b>747869</b>	SR460x10	<b>2</b>
SDX 3160	TS-60	<b>747848</b>	AUX-60	<b>747859</b>	EC-60	<b>747870</b>	SR500x10	<b>2</b>
SDX 3164	TS-64	<b>747849</b>	AUX-64	<b>747860</b>	EC-64	<b>747871</b>	SR540x10	<b>2</b>

# Plummer blocks

## Notes

# Plummer blocks

## Notes

# Plummer blocks

## Notes

# Sleeve bearings

## Contents

7-3	Features/Benefits
7-4	Specification/How to order
7-5	Nomenclature
Selection	
7-6	Solidlube® - Metric
7-8	Solidlube® - Inch
Dimensions	
7-10	Solidlube®
INDEX-1	Part number index

# Sleeve bearings

# Sleeve bearings

## Features/Benefits

Sleeve bearings

Solidlube . . . . .



Self-lubricating, statically self-aligning bearings for extreme industrial applications

- Good in temperature extremes and inaccessible locations
- Will function effectively in a vacuum
- Ideal where bearings are subject to dry cycles or where lube systems would be too costly
- Usable in many corrosive (chemical) medias
- Will operate in submersible applications of some low viscosity liquids
- Recommended for slow speeds and limited shaft movement applications



# Sleeve Bearings

## Specification/How to order

### Sleeve bearings

#### How to order sleeve bearings

There are two ways to specify Dodge Sleeve bearings. Most of the product offering have part numbers with listings shown throughout this catalog. Use of part numbers ensures accurate order processing.

When part numbers are not shown, the product may be specified by description or part name. This method is used when ordering units that include modifications or options. To order by description, use the nomenclature key shown on page B17-5 and add any special instructions to the end of the description for options not covered by the nomenclature.

#### Solidlube

Statically self-aligning, non-galling, solid-film lubricating for temperature extremes.

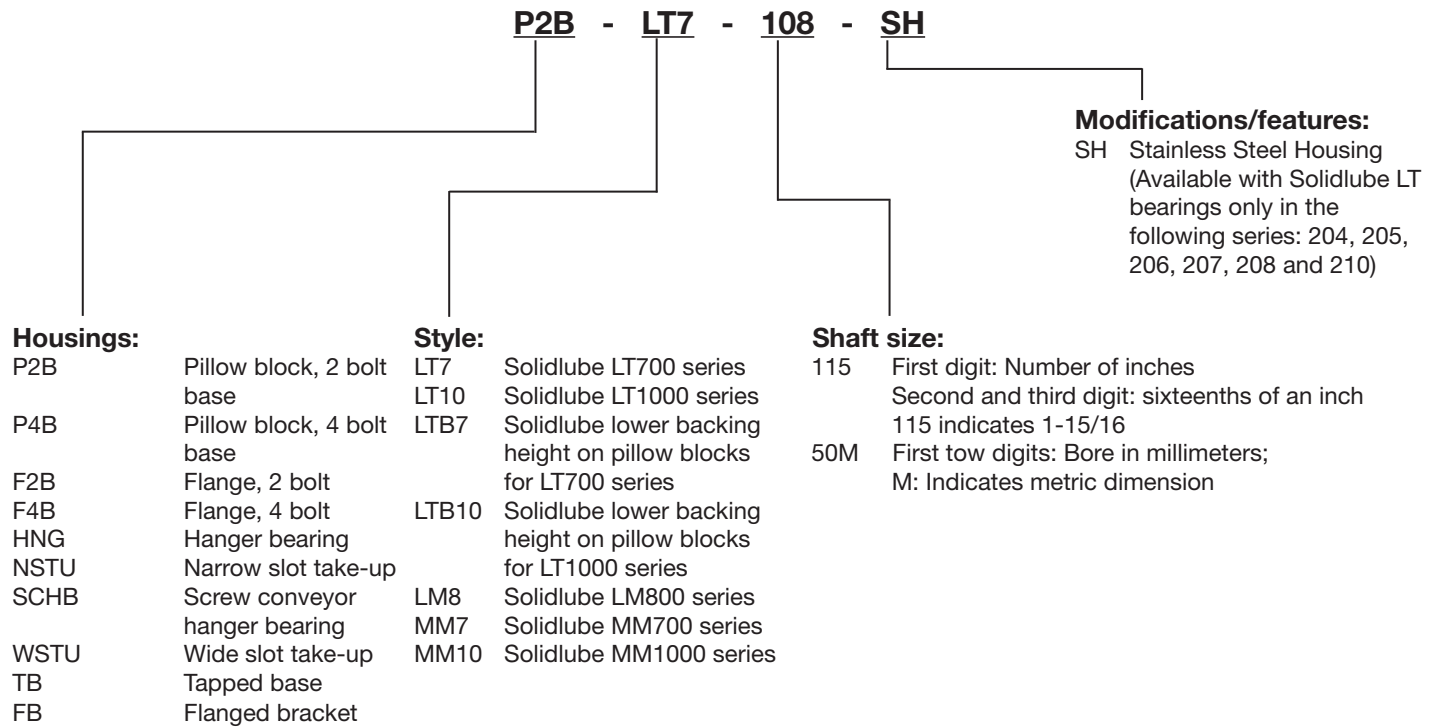
- 700 series: -40° to 370°C (-40° to 700°F)
- 1000 series: -128° to -40°C (-200° to -40°F);  
120°C to 537°C (250° to 1,000°F)
- 800 series: -40° to 426°C (-40° to 800°F)

Also suitable for submerged and limited movement applications.

# Sleeve bearings

## Nomenclature

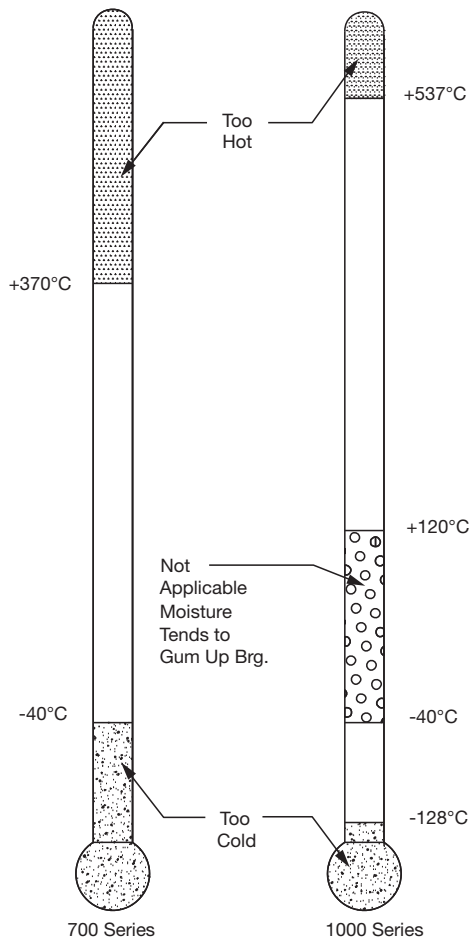
### Sleeve bearing nomenclature



# Sleeve bearings

## Selection

### Sleeve bearings - Solidlube - Metric



### SOLIDLUBE Bearing Operating Temperature

#### Bearing size

Select a bearing from tables for normal loads or loads in limited shaft movement applications having a radial load equal to or greater than the actual load. This simple method is all that is required for the majority of general machine applications using commercial steel shafting and operating in a dry atmosphere. (For more favorable conditions, ratings may be increased somewhat; consult factory). Shaft collars may be used for slight amounts of thrust. Generally the rule of 10% of the radial load applies. Dirty environments will reduce bearing life and should be avoided. Losses due to friction can be as high as 30% depending on speed, load, temperature and shaft material.

#### Shafting

Commercial steel shafting is good in applications where temperatures do not exceed 370°C. However, for extended bearing life, at any temperature, the shaft should be hardened to 35 Rockwell .C. or better. Shaft finish should be 0.25 to 0.50 micrometres. A finish rougher than 0.50 micrometres will lessen bearing life. A finish smoother than  $R_a$ . 0.25 micrometres will not allow the optimum lubricant film to develop. Shaft tolerance should be +0.000/-0.051 millimeters (+0.000/-0.002 inches) for commercial steel shafting. If using other shaft materials, consult Dodge for the shaft tolerance and thermal expansion.

When commercial shafting is exposed to a corrosive media, it will oxidize. A rusty shaft will grow in the bearing, thus eliminating clearances. In this case stainless steel shafting may be used and/or provide for regularly scheduled movement of shaft. In elevated temperatures stainless grades such as 17-4, 15-5, or 13-8 are hardenable. Shafts can be spray coated with ceramic or hard chrome. This is good up to about 425°C. Check with your supplier, since these coatings can flake off when the coefficient of thermal expansion of the base material differs greatly from that of the coating.

High grade specialty shafting may be used in excess of 537°C. It may be less expensive to use sleeves of this material on more economical shafting.

#### Noise or high pitched squeal

Carbon-graphite bushings can develop a high frequency vibration in resonance with the operating system to cause noise. Dampening or change of resonant frequency of the shaft is required to eliminate noise.

#### Specials

Solidlube bearings or bearings made from alternate bushing materials such as polymers, fibers, bronze, etc. for unusual operating and load conditions are available on a specially engineered basis by supplying the following:

- Shaft size, material and rpm.
- Normal load, shock load and frequency.
- Direction of load.
- Ambient temperature and atmospheric conditions (water, dirt, corrosive, etc.)
- Type of bearing: pillow block, flange bearing, etc.
- Housing material desired.
- Quantity.

#### End closures

Ball bearing end closures are available (Page 4-102).

**Note:** Solidlube bearings are not designed for rotating housing applications

# Sleeve bearings

## Selection

### Sleeve bearings - Solidlube - metric Solidlube bearing 700 and 1000 series

#### Solidlube bearing 700 and 1000 series radial load ratings in newtons (N) normal loads

Series	Shaft size	Radial load ratings in N (lb) at various revolutions per minute											
		10	25	50	75	100	150	200	250	300	350	400	450
204	20mm	2490 (560)	2490 (560)	2490 (560)	2490 (560)	2490 (560)	1690 (380)	1270 (286)	1020 (229)	840 (189)	730 (164)	640 (144)	560 (126)
205	25mm	3340 (751)	3340 (751)	3340 (751)	3340 (751)	2710 (609)	1800 (405)	1400 (315)	1090 (245)	910 (205)	780 (175)	690 (155)	580 (130)
206	30mm	4670 (1050)	4670 (1050)	4670 (1050)	4040 (908)	3020 (679)	2000 (450)	1510 (339)	1200 (270)	1000 (225)	840 (189)	760 (171)	670 (151)
207	35mm	7160 (1610)	7160 (1610)	7160 (1610)	5070 (1140)	3800 (854)	2540 (571)	1910 (429)	1510 (339)	1240 (279)	1090 (245)	960 (216)	840 (189)
209	40mm, 45mm	8800 (1978)	8800 (1978)	7960 (1789)	5290 (1189)	3980 (895)	2650 (596)	1960 (441)	1740 (391)	1310 (295)	1130 (254)	980 (220)	890 (200)
210	50mm	10500 (2361)	10500 (2361)	8270 (1859)	5520 (1241)	4140 (931)	2760 (620)	2070 (465)	1650 (371)	1380 (310)	1180 (265)	1040 (234)	910 (205)
212	60mm	16700 (3754)	16700 (3754)	10500 (2361)	7030 (1580)	5250 (1180)	3540 (796)	2620 (589)	2110 (474)	1730 (389)	1510 (339)	1310 (295)	1180 (265)
215	70mm, 75mm	26500 (5957)	26500 (5957)	13900 (3125)	9200 (2068)	6940 (1560)	4630 (1041)	3470 (780)	2780 (625)	2290 (515)	1980 (445)	1740 (391)	1540 (346)

Series	Shaft size	Radial load ratings in newtons at various revolutions per minute												
		500	550	600	700	800	900	1000	1100	1300	1600	1900	2200	2500
204	20mm	490 (110)	470 (106)	430 (97)	360 (81)	320 (72)	200 (45)	250 (56)	230 (52)	200 (45)	160 (36)	130 (29)	120 (27)	100 (22)
205	25mm	530 (119)	490 (110)	470 (106)	400 (90)	360 (81)	310 (70)	270 (61)	240 (54)	210 (47)	170 (38)	140 (31)		
206	30mm	600 (135)	560 (126)	510 (115)	430 (97)	380 (85)	330 (74)	300 (67)	280 (63)	190 (43)	190 (43)			
207	35mm	760 (171)	690 (155)	640 (144)	530 (119)	470 (106)	420 (94)	380 (85)	350 (79)	300 (67)				
209	40mm, 45mm	800 (180)	730 (164)	670 (151)	580 (130)	490 (110)	440 (99)	400 (90)	360 (81)					
210	50mm	820 (184)	760 (171)	690 (155)	600 (135)	510 (115)	470 (106)							
212	60mm	1040 (234)	960 (216)	870 (196)	760 (171)									
215	70mm, 75mm	1530 (344)	1400 (315)	1290 (290)										

**Note:** The above ratings apply to all base loaded pillow blocks, all cylindrical units and flange type bearings (up to 370°C). For flange bearings operating at temperatures above 370°C, cap and side loading of pillow blocks, please consult your local ABB office for assistance. For operation speeds below heavy line, use LT1000 and/or hardened shaft.

Unless specified, dimensions are in mm for metric parts and inches for non-metric parts.

Note: Dimensions are in MM (in)

#### Solidlube bearings

##### 700 series and 1000 series

#### Radial load ratings in newtons (N)

##### (Limited shaft movement applications) ▲

Series	Shaft size	Max. radial load, N (lb)		Max. thrust load, N (lb)
		Base loaded	Cap or side loading	
204	20mm	4890 (1099)	3450 (776)	250 (56)
205	25mm	6670 (1499)	3540 (796)	330 (74)
206	30mm	9340 (2100)	3650 (821)	470 (106)
207	35mm	14200 (3192)	7600 (1709)	720 (162)
209	40mm, 45mm	17800 (4002)	8470 (1904)	880 (198)
210	50mm	20900 (4699)	8540 (1920)	1050 (236)
212	60mm	33400 (7509)	10500 (2361)	1670 (375)
215	70mm, 75mm	53400 (12005)	18500 (4159)	2660 (598)

▲ Use only when shaft movement is limited to approx. ± 90°

Movement is infrequent as opposed to continuous and maximum bearing temperature is 370°C.

Unless specified, dimensions are in mm for metric parts and inches for non-metric parts.

Note: Dimensions are in MM (in)

# Sleeve bearings

## Selection

### Sleeve bearings - Solidlube - Inch

#### Bearing size

Select a bearing from tables for normal loads or loads in limited shaft movement applications having a radial load equal to or greater than the actual load. This simple method is all that is required for the majority of general machine applications using commercial steel shafting and operating in a dry atmosphere. (For more favorable conditions, ratings may be increased somewhat; consult factory). Shaft collars may be used for slight amounts of thrust. Generally the rule of 10% of the radial load applies. Dirty environments will reduce bearing life and should be avoided. Losses due to friction can be as high as 30% depending on speed, lead, temperature and shaft material.

#### Shafting

Commercial steel shafting is good in applications where temperatures do not exceed 371°C (700°F). However, for extended bearing life, at any temperature, the shaft should be hardened to 35 Rockwell .C. or better. Shaft finish should be .00025 to .0005mm (10 to 20 micro-inches). A finish rougher than 0.0005mm (20μ) will lessen bearing life. A finish smoother than 0.00025 (10) will not allow the optimum lubricant film to develop. Shaft tolerance should be +0.0001 to 0.05 (+.000/- .002) for commercial steel shafting. If using other shaft materials, consult Dodge for the shaft tolerance and thermal expansion.

When commercial shafting is exposed to a corrosive media, it will oxidize. A rusty shaft will grow in the bearing, thus eliminating clearances. In this case stainless steel shafting may be used and/or provide for regularly scheduled movement of shaft. In elevated temperatures stainless grades such as 17-4, 15-5, or 13-8 are hardenable. Shafts can be spray coated with ceramic or hard chrome. This is good up to about 426°C (800°F). Check with your supplier, since these coatings can flake off when the coefficient of thermal expansion of the base material differs greatly from that of the coating.

High grade specialty shafting may be used in excess of 537°C (1000°F). It may be less expensive to use sleeves of this material on more economical shafting.

#### Noise or high pitched squeal

Carbon-graphite bushings can develop a high frequency vibration in resonance with the operating system to cause noise. Dampening or change of resonant frequency of the shaft is required to eliminate noise.

#### Specials

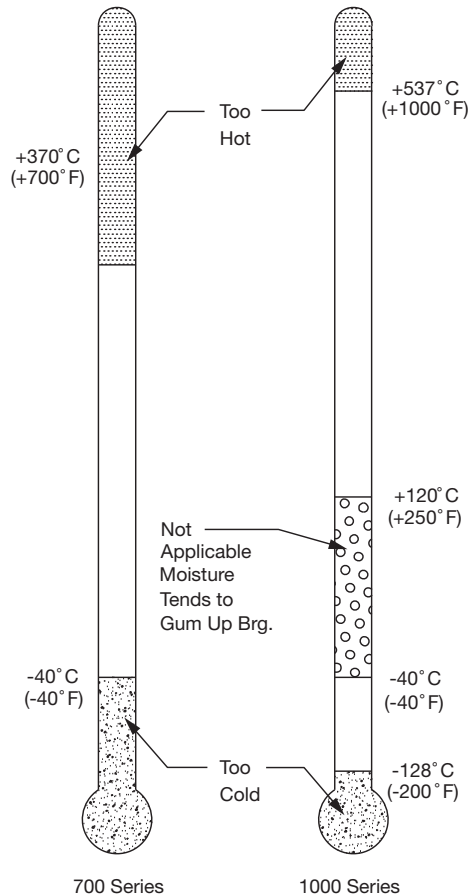
Solidlube bearings or bearings made from alternate bushing materials such as polymers, fibers, bronze, etc. for unusual operating and load conditions are available on a specially engineered basis by supplying the following:

- Shaft size, material and rpm.
- Normal load, shock load and frequency.
- Direction of load.
- Ambient temperature and atmospheric conditions (water, dirt, corrosive, etc.)
- Type of bearing: pillow block, flange bearing, etc.
- Housing material desired.
- Quantity.

#### End covers

Ball bearing end covers are available (4-102).

**Note:** Solidlube bearings are not designed for rotating housing applications



### SOLIDLUBE Bearing Operating Temperature

# Sleeve bearings

## Selection

### Sleeve bearings - Solidlube - inch Solidlube 700, 1000 and 800 series

#### Solidlube bearing 700 and 1000 series radial load ratings in pounds (normal loads)

Shaft size	Radial load ratings in N (lb) at various revolutions per minute											
	Up to 10	25	50	75	100	150	200	250	300	350	400	450
3/4	2491 (560)	2491 (560)	2491 (560)	2491 (560)	2491 (560)	1690 (380)	1268 (285)	1023 (230)	845 (190)	734 (165)	645 (145)	556 (125)
7/8, 15/16, 1	3336 (750)	3336 (750)	3336 (750)	3336 (750)	2713 (610)	1802 (405)	1401 (315)	1090 (245)	912 (205)	778 (175)	689 (155)	578 (130)
1-1/8, 1-3/16	4671 (1050)	4671 (1050)	4671 (1050)	4039 (908)	3025 (680)	2002 (450)	1512 (340)	1201 (270)	1001 (225)	845 (190)	756 (170)	667 (150)
1-1/4, 1-3/8, 1-7/16, 1-1/2	7162 (1610)	7162 (1610)	7162 (1610)	5071 (1140)	3803 (855)	2535 (570)	1913 (430)	1512 (340)	1246 (280)	1090 (245)	956 (215)	845 (190)
1-11/16, 1-3/4	8807 (1980)	8807 (1980)	7962 (1790)	5293 (1190)	3981 (895)	2647 (595)	1957 (440)	1735 (390)	1312 (295)	1134 (255)	979 (220)	890 (200)
1-15/16, 2	10498 (2360)	10498 (2360)	8274 (1860)	5516 (1240)	4137 (930)	2758 (620)	2068 (465)	1646 (370)	1379 (310)	1179 (265)	1045 (235)	912 (205)
2-3/16	12766 (2870)	12766 (2870)	8941 (2010)	5961 (1340)	4448 (1000)	2980 (670)	2224 (500)	1779 (400)	1490 (335)	1268 (285)	1112 (250)	1001 (225)
2-7/16, 2-1/2	16725 (3760)	16725 (3760)	10498 (2360)	7028 (1580)	5249 (1180)	3536 (795)	2624 (590)	2113 (475)	1735 (390)	1512 (340)	1312 (295)	1179 (265)
2-15/16, 3	26556 (5970)	26556 (5970)	13878 (3120)	9208 (2070)	6939 (1560)	4626 (1040)	3470 (780)	2780 (625)	2291 (515)	1979 (445)	1735 (390)	1535 (345)
3-7/16, 3-1/2	40479 (9100)	35630 (8010)	17793 (4000)	11877 (2670)	8896 (2000)	5961 (1340)	4448 (1000)	3559 (800)	2980 (670)	2535 (570)	2224 (500)	1979 (445)
3-15/16, 4	52489 (11800)	40746 (9160)	20417 (4590)	13612 (3060)	10186 (2290)	6806 (1530)	5115 (1150)	4137 (930)	3403 (765)	2958 (665)	2558 (575)	2269 (510)
4-7/16, 4-1/2	67613 (15200)	45817 (10300)	22908 (5150)	15302 (3440)	11476 (2580)	7651 (1720)	5738 (1290)	4582 (1030)	3825 (860)	3292 (740)	2869 (645)	
4-15/16, 5	81847 (18400)	50710 (11400)	25399 (5710)	16948 (3810)	12722 (2860)	8496 (1910)	6361 (1430)	5071 (1140)	4248 (955)	3625 (815)		

Shaft size	500	550	600	700	800	900	1000	1100	1300	1600	1900	2200	2500
3/4	489 (110)	467 (105)	427 (96)	365 (82)	320 (72)	285 (64)	254 (57)	231 (52)	196 (44)	156 (35)	133 (30)	116 (26)	98 (22)
7/8, 15/16, 1	534 (120)	489 (110)	467 (105)	400 (90)	356 (80)	311 (70)	267 (60)	240 (54)	209 (47)	169 (38)	142 (32)		
1-1/8, 1-3/16	601 (135)	556 (125)	512 (115)	431 (97)	378 (85)	334 (75)	302 (68)	276 (62)	187 (42)	187 (42)			
1-1/4, 1-3/8, 1-7/16, 1-1/2	756 (170)	689 (155)	645 (145)	534 (120)	467 (105)	423 (95)	383 (86)	347 (78)	294 (66)				
1-11/16, 1-3/4	801 (180)	734 (165)	667 (150)	578 (130)	489 (110)	440 (99)	396 (89)	360 (81)					
1-15/16, 2	823 (185)	756 (170)	689 (155)	601 (135)	512 (115)	467 (105)							
2-3/16	890 (200)	801 (180)	734 (165)	645 (145)	556 (125)								
2-7/16, 2-1/2	1045 (235)	956 (215)	867 (195)	756 (170)									
2-15/16, 3	1535 (345)	1401 (315)	1290 (290)										
3-7/16, 3-1/2	1779 (400)	1624 (365)											

**Note:** The above ratings apply to all base loaded pillow blocks, all cylindrical units and flange type bearings (up to 371°C). For flange bearings operating at temperatures above 372°C, cap and side loading of pillow blocks please consult your local ABB office for assistance. For operations speeds below heavy line, use LT1000 and/or hardened shaft.

#### Solidlube bearing corrosion (chemical) resistance

Type of chemical	Chemical	Bearing series	
		LM800 700	1000
Acids and acidic solutions	Mineral (Non-oxidizing)	★	★
	Mineral (Oxidizing)	■	★
	Inorganic Salts (Acid forming)	★	★
	Organic (Strong)	★	★
	Organic (Weak) pH 3-7	★	★
	Organic salts (Acid forming)	★	★
Alkalis (Bases & alkaline solutions)	Mineral (Non-oxidizing)	★	★
	Mineral (Oxidizing)	▲	★
	Inorganic salts (Base forming)	★	★
	Organic (Strong)	★	★
	Weak organic bases pH 7-11	★	★
Gases	Acid	★	★
	Alkaline (base)	★	★
	Anhydrous (dew point below -30°F)	▲	▲
	Cyrogenic (Liquefied)	■	▲
	Inert	★	★
	Oxidizing	■	▲
Salts	Reducing	★	★
	Acid salts	▲	▲
	Alkaline sales	▲	▲
	Metals	★	★
	Neutral salts	■	▲
Solvents	Neutral salt solutions	★	★
	Aliphatic	★	★
	Aromatic	★	★
	Chlorinated, fluorinated	★	★
	Oxygenated, sulfides	★	★

★ Good, not known interaction; compatible

▲ Questionable (depends on conditions)

■ Not recommended

**Note:** For compatibility or specific chemical, contact your local ABB office for assistance

#### 700 and 1000 series Solidlube bearing radial load rating in pounds (Limited shaft movement applications) ▲

Shaft size	Max. radial load		Max. thrust, N (lb)
	Base loaded, N (lb)	Cap or side loading, N (lb)	
3/4	1100 (247291)	775 (174228)	56 (12589)
7/8, 15/16, 1	1500 (337215)	795 (178724)	75 (16861)
1-1/8, 1-3/16	2100 (472101)	820 (184344)	105 (23605)
1-1/4, 1-3/8, 1-7/16, 1-1/2	3200 (719392)	1710 (384425)	161 (36194)
1-11/16, 1-3/4	4000 (899240)	1905 (428263)	198 (44512)
1-15/16, 2	4700 (1056607)	1920 (431635)	236 (53055)
2-3/16	5700 (1281417)	1900 (427139)	287 (64520)
2-7/16, 2-1/2	7500 (1686075)	2360 (530552)	376 (84529)
2-15/16, 3	12,000 (2697720)	4151 (933186)	597 (134212)

▲ Use only when shaft movement is limited to approx. ±90°. Movement is infrequent as opposed to continuous and maximum bearing temperature is 371°C.

#### LM800 Radial load ratings

Bearing size	Max. radial base load, N (lb)	Max. radial cap load, N (lb)
3/4	560 (125894)	560 (125894)
1	750 (168608)	600 (134886)
1-1/4	1610 (361944)	600 (134886)
1-1/2	1610 (361944)	600 (134886)

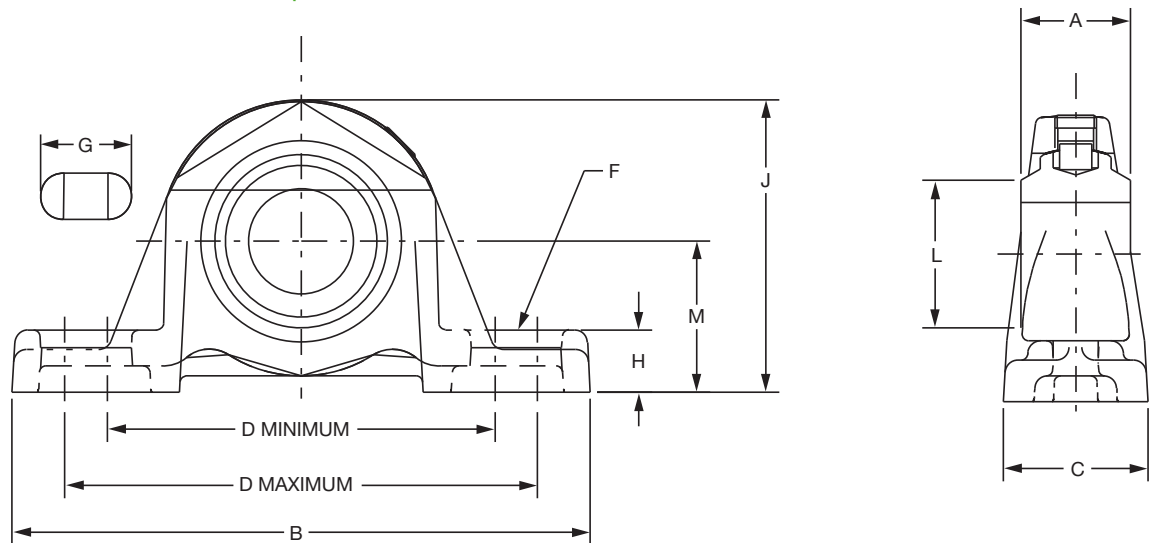
**Note:** These load ratings are to be used only when shaft rotation is less than 10 RPM and temperature does not exceed 427°C. Maximum allowable thrust load is 50 lb

# Sleeve bearings

## Selection/Dimensions

### Sleeve bearings - Solidlube

### 3/4. thru 3. Solidlube LT pillow blocks



Series	Shaft size	700 series			1000 series			Used on frame
		Part no.	Description	Wt.	Part no.	Description	Wt.	
204	20mm	<b>034225</b>	P2B-LT7-20M	0.77	<b>034234</b>	P2B-LT10-20M	0.77	LD-10
	3/4	<b>033667</b>	P2B-LT7-012	1.70	<b>033977</b>	P2B-LT10-012	1.70	LD-10
205	25mm	<b>034226</b>	P2B-LT7-25M	0.64	<b>034235</b>	P2B-LT10-25M	0.64	LD-10
	7/8	<b>033668</b>	P2B-LT7-014	1.60	<b>033978</b>	P2B-LT10-014	1.60	LD-10
	15/16	<b>033669</b>	P2B-LT7-015	1.50	<b>033979</b>	P2B-LT10-015	1.50	LD-10
	1	<b>033670</b>	P2B-LT7-100	1.40	<b>033980</b>	P2B-LT10-100	1.40	LD-10
206	30mm	<b>034227</b>	P2B-LT7-30M	1.22	<b>034236</b>	P2B-LT10-30M	1.22	LD-20
	1-1/8	<b>033672</b>	P2B-LT7-102	2.80	<b>033982</b>	P2B-LT10-102	2.80	LD-20
	1-3/16	<b>033673</b>	P2B-LT7-103	2.70	<b>033983</b>	P2B-LT10-103	2.70	LD-20
207	35mm	<b>034228</b>	P2B-LT7-35M	1.77	<b>034237</b>	P2B-LT10-35M	1.77	LD-20
	1-1/4	<b>033674</b>	P2B-LT7-104	4.20	<b>033984</b>	P2B-LT10-104	4.20	LD-20
	1-3/8	<b>033676</b>	P2B-LT7-106	3.90	<b>033986</b>	P2B-LT10-106	3.90	LD-20
	1-7/16	<b>033677</b>	P2B-LT7-107	3.80	<b>033987</b>	P2B-LT10-107	3.80	LD-20
	1-1/2	<b>033678</b>	P2B-LT7-108	3.70	<b>033988</b>	P2B-LT10-108	3.70	LD-20
209	40mm	<b>034229</b>	P2B-LT7-40M	2.72	<b>034238</b>	P2B-LT10-40M	2.72	LD-20
	45mm	<b>034230</b>	P2B-LT7-45M	2.63	<b>034239</b>	P2B-LT10-45M	2.63	LD-20
	1-11/16	<b>033680</b>	P2B-LT7-111	6.00	<b>033990</b>	P2B-LT10-111	6.00	LD-20
	1-3/4	<b>033681</b>	P2B-LT7-112	5.80	<b>033991</b>	P2B-LT10-112	5.80	LD-20
210	50mm	<b>034231</b>	P2B-LT7-50M	3.08	<b>034240</b>	P2B-LT10-50M	3.08	LD-30
	1-15/16	<b>033682</b>	P2B-LT7-115	6.80	<b>033992</b>	P2B-LT10-115	6.80	LD-30
	2	<b>033683</b>	P2B-LT7-200	6.60	<b>033993</b>	P2B-LT10-200	6.60	LD-30
211	2-3/16	<b>033684</b>	P2B-LT7-203	8.00	<b>033994</b>	P2B-LT10-203	8.00	LD-40
212	60mm	<b>034221</b>	P2B-LT7-60M	4.58	<b>034241</b>	P2B-LT10-60M	4.58	LD-40
	2-7/16	<b>033686</b>	P2B-LT7-207	10.10	<b>033996</b>	P2B-LT10-207	10.10	LD-40
	2-1/2	<b>033687</b>	P2B-LT7-208	9.80	<b>033997</b>	P2B-LT10-208	9.80	LD-40
215	70mm	<b>034232</b>	P2B-LT7-70M	9.98	<b>034242</b>	P2B-LT10-70M	9.98	LD-45
	75mm	<b>034233</b>	P2B-LT7-75M	9.62	<b>034243</b>	P2B-LT10-75M	9.62	LD-45
	2-15/16	<b>033688</b>	P2B-LT7-215	21.20	<b>033998</b>	P2B-LT10-215	21.20	LD-45
	3	<b>033077</b>	P2B-LT7-300	20.90	<b>033974</b>	P2B-LT10-300	20.90	LD-45

Unless specified, dimensions are in mm for metric parts and inches for non-metric parts.

Note: Dimensions are in MM (in)

# Sleeve bearings

## Selection/Dimensions

Sleeve bearings - Solidlube  
3/4. thru 3. Solidlube LT pillow blocks

Series	Shaft size	A	B	C	D		F bolt dia.	G	H	J	L	M
					Min.	Max.						
204	20mm	25.4	133.4	34.1	85.7	106.4	10	21.4	13.5	65.1	34.9	33.3
	3/4	1	5-1/4	1-11/32	3-3/8	4-3/16	3/8	27/32	17/32	2-9/16	1-3/8	1-5/16
205	25mm	27.0	139.7	35.7	93.7	114.3	10	21.4	15.1	70.6	39.7	36.5
	7/8	1-1/16	5-1/2	1-13/32	3-11/16	4-1/2	3/8	27/32	19/32	2-25/32	1-9/16	1-7/16
	15/16	1-1/16	5-1/2	1-13/32	3-11/16	4-1/2	3/8	27/32	19/32	2-25/32	1-9/16	1-7/16
206	30mm	30.2	158.8	44.5	108.0	127.0	12	23.8	17.5	82.6	46.0	41.3
	1-1/8	1-3/16	6-1/4	1-3/4	4-1/4	5	1/2	15/16	11/16	3-1/4	1-13/16	1-5/8
	1-3/16	1-3/16	6-1/4	1-3/4	4-1/4	5	1/2	15/16	11/16	3-1/4	1-13/16	1-5/8
207	35mm	33.3	165.1	44.5	119.1	138.1	12	23.8	18.3	95.3	54.0	47.6
	1-1/4	1-5/16	6-1/2	1-3/4	4-11/16	5-7/16	1/2	15/16	23/32	3-3/4	2-1/8	1-7/8
	1-3/8	1-5/16	6-1/2	1-3/4	4-11/16	5-7/16	1/2	15/16	23/32	3-3/4	2-1/8	1-7/8
	1-7/16	1-5/16	6-1/2	1-3/4	4-11/16	5-7/16	1/2	15/16	23/32	3-3/4	2-1/8	1-7/8
	1-1/2	1-5/16	6-1/2	1-3/4	4-11/16	5-7/16	1/2	15/16	23/32	3-3/4	2-1/8	1-7/8
209	40mm	39.7	188.9	50.8	139.7	157.2	12	23.0	19.1	108.7	65.1	54.0
	45mm	39.7	188.9	50.8	139.7	157.2	12	23.0	19.1	108.7	65.1	54.0
	1-11/16	1-9/16	7-7/16	2	5-1/2	6-3/16	1/2	29/32	3/4	4-9/32	2-9/16	2-1/8
	1-3/4	1-9/16	7-7/16	2	5-1/2	6-3/16	1/2	29/32	3/4	4-9/32	2-9/16	2-1/8
210	50mm	41.3	206.4	57.1	152.4	170.0	16	26.2	19.1	115.1	71.4	57.2
	1-15/16	1-5/8	8-1/8	2-1/4	6	6-11/16	5/8	1-1/32	3/4	4-17/32	2-13/16	2-1/4
211	2	1-5/8	8-1/8	2-1/4	6	6-11/16	5/8	1-1/32	3/4	4-17/32	2-13/16	2-1/4
	2-3/16	1-3/4	8-7/8	2-5/16	6-3/8	7-7/16	5/8	1-7/32	7/8	4-31/32	3-1/8	2-1/2
212	60mm	46.0	241.3	60.3	174.6	201.6	16	31.0	22.2	137.3	88.9	69.9
	2-7/16	1-13/16	9-1/2	2-3/8	6-7/8	7-15/16	5/8	1-7/32	7/8	5-13/32	3-1/2	2-3/4
	2-1/2	1-13/16	9-1/2	2-3/8	6-7/8	7-15/16	5/8	1-7/32	7/8	5-13/32	3-1/2	2-3/4
215	70mm	69.1	298.5	73.0	215.9	241.3	22	36.5	25.4	171.5	100.0	88.9
	75mm	69.1	298.5	73.0	215.9	241.3	22	36.5	25.4	171.5	100.0	88.9
	2-15/16	2-23/32	11-3/4	2-7/8	8-1/2	9-1/2	7/8	1-7/16	1	6-3/4	3-15/16	3-1/2
	3	2-23/32	11-3/4	2-7/8	8-1/2	9-1/2	7/8	1-7/16	1	6-3/4	3-15/16	3-1/2

All dimensions are in millimeters unless otherwise specified

The LT and LTB pillow blocks are identical except the LTB pillow blocks have lower backing dimensions

Unless specified, dimensions are in mm for metric parts and inches for non-metric parts.

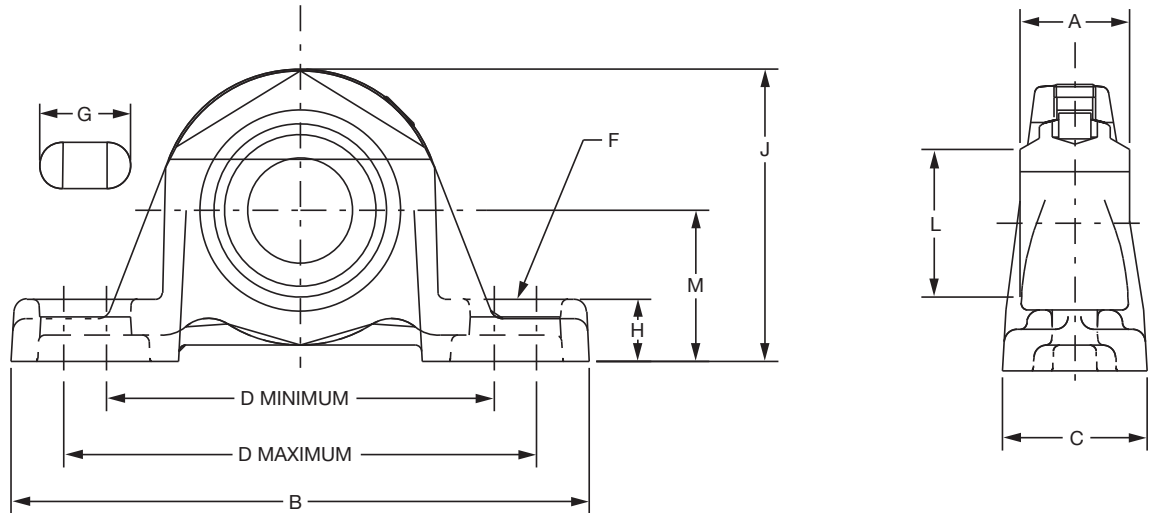
Note: Dimensions are in MM (in)



# Sleeve bearings

## Selection/Dimensions

Sleeve bearings - Solidlube  
3/4. thru 3. Solidlube LTB pillow blocks



Series	Shaft size	700 series			1000 series			Used on frame
		Part no.	Description	Wt.	Part no.	Description	Wt.	
204	20mm	034244	P2B-LTB7-20M	0.73	034252	P2B-LTB10-20M	0.73	LD-10
	3/4	032940	P2B-LTB7-012	1.6	032970	P2B-LTB10-012	1.6	LD-10
205	25mm	034245	P2B-LTB7-25M	0.59	034253	P2B-LTB10-25M	0.59	LD-10
	7/8	032941	P2B-LTB7-014	1.5	032971	P2B-LTB10-014	1.5	LD-10
	15/16	032942	P2B-LTB7-015	1.4	032972	P2B-LTB10-015	1.4	LD-10
	1	032943	P2B-LTB7-100	1.3	032973	P2B-LTB10-100	1.3	LD-10
206	30mm	034246	P2B-LTB7-30M	1.18	034254	P2B-LTB10-30M	1.18	LD-20
	1-1/8	032945	P2B-LTB7-102	2.7	032975	P2B-LTB10-102	2.7	LD-20
	1-3/16	032946	P2B-LTB7-103	2.6	032976	P2B-LTB10-103	2.6	LD-20
207	35mm	034247	P2B-LTB7-35M	1.72	034255	P2B-LTB10-35M	1.72	LD-20
	1-1/4	032947	P2B-LTB7-104	4	032977	P2B-LTB10-104	4	LD-20
	1-3/8	032949	P2B-LTB7-106	3.8	032979	P2B-LTB10-106	3.8	LD-20
	1-7/16	032950	P2B-LTB7-107	3.7	032980	P2B-LTB10-107	3.7	LD-20
	1-1/2	032951	P2B-LTB7-108	3.6	032981	P2B-LTB10-108	3.6	LD-20
209	40mm	034248	P2B-LTB7-40M	2.27	034256	P2B-LTB10-40M	2.27	LD-20
	45mm	034249	P2B-LTB7-45M	2.18	034257	P2B-LTB10-45M	2.18	LD-20
	1-11/16	032953	P2B-LTB7-111	5	032983	P2B-LTB10-111	5	LD-20
210	1-3/4	032954	P2B-LTB7-112	4.8	032984	P2B-LTB10-112	4.8	LD-20
	50mm	034250	P2B-LTB7-50M	2.72	034258	P2B-LTB10-50M	2.72	LD-30
	1-15/16	032955	P2B-LTB7-115	6	032985	P2B-LTB10-115	6	LD-30
211	2	032956	P2B-LTB7-200	5.8	032986	P2B-LTB10-200	5.8	LD-30
	2-3/16	032957	P2B-LTB7-203	6.5	032987	P2B-LTB10-203	6.5	LD-40
212	60mm	034251	P2B-LTB7-60M	3.67	034259	P2B-LTB10-60M	3.67	LD-40
	2-7/16	032959	P2B-LTB7-207	8.1	032989	P2B-LTB10-207	8.1	LD-40
	2-1/2	032960	P2B-LTB7-208	7.8	032990	P2B-LTB10-208	7.8	LD-40
215	70mm	....	....	....	....	....	....	LD-45
	75mm	....	....	....	....	....	....	
	2-15/16	034596	P2B-LTB7-215	18.7	034598	P2B-LTB10-215	18.7	LD-45
	3	034597	P2B-LTB7-300	18.4	034599	P2B-LTB10-300	18.4	LD-45

Unless specified, dimensions are in mm for metric parts and inches for non-metric parts.

Note: Dimensions are in MM (in)

# Sleeve bearings

## Selection/Dimensions

Sleeve bearings - Solidlube  
3/4. thru 3. Solidlube LTB pillow blocks

Series size	Shaft	A	B	C	D		F bolt dia.	G	H	J	L	M
					Min.	Max.						
204	20mm	25.4	133.4	34.1	85.7	106.4	10	21.4	11.9	63.5	34.9	31.8
	3/4	1	5-1/4	1-11/32	3-3/8	4-3/16	3/8	27/32	15/32	2-1/2	1-3/8	1-1/4
205	25mm	27.0	139.7	35.7	93.7	114.3	10	21.4	11.9	67.5	39.7	33.3
	7/8	1-1/16	5-1/2	1-13/32	3-11/16	4-1/2	3/8	27/32	15/32	2-21/32	1-9/16	1-5/16
	15/16	1-1/16	5-1/2	1-13/32	3-11/16	4-1/2	3/8	27/32	15/32	2-21/32	1-9/16	1-5/16
206	30mm	30.2	158.8	44.5	108.0	127.0	12	23.8	15.9	81.0	46.0	39.7
	1-1/8	1-3/16	6-1/4	1-3/4	4-1/4	5	1/2	15/16	5/8	3-3/16	1-13/16	1-9/16
	1-3/16	1-3/16	6-1/4	1-3/4	4-1/4	5	1/2	15/16	5/8	3-3/16	1-13/16	1-9/16
207	35mm	33.3	165.1	44.5	119.1	138.1	12	23.8	16.7	93.7	54.0	46.0
	1-1/4	1-5/16	6-1/2	1-3/4	4-11/16	5-7/16	1/2	15/16	21/32	3-11/16	2-1/8	1-13/16
	1-3/8	1-5/16	6-1/2	1-3/4	4-11/16	5-7/16	1/2	15/16	21/32	3-11/16	2-1/8	1-13/16
	1-7/16	1-5/16	6-1/2	1-3/4	4-11/16	5-7/16	1/2	15/16	21/32	3-11/16	2-1/8	1-13/16
	1-1/2	1-5/16	6-1/2	1-3/4	4-11/16	5-7/16	1/2	15/16	21/32	3-11/16	2-1/8	1-13/16
209	40mm	39.7	188.9	50.8	139.7	157.2	12	23.0	17.5	107.2	65.1	52.4
	45mm	39.7	188.9	50.8	139.7	157.2	12	23.0	17.5	107.2	65.1	52.4
	1-11/16	1-9/16	7-7/16	2	5-1/2	6-3/16	1/2	29/32	11/16	4-7/32	2-9/16	2-1/16
	1-3/4	1-9/16	7-7/16	2	5-1/2	6-3/16	1/2	29/32	11/16	4-7/32	2-9/16	2-1/16
210	50mm	41.3	206.4	57.1	152.4	170.0	16	26.2	17.5	113.5	71.4	55.6
	1-15/16	1-5/8	8-1/8	2-1/4	6	6-11/16	5/8	1-1/32	11/16	4-15/32	2-13/16	2-3/16
211	2	1-5/8	8-1/8	2-1/4	6	6-11/16	5/8	1-1/32	11/16	4-15/32	2-13/16	2-3/16
	2-3/16	1-3/4	8-7/8	2-5/16	6-3/8	7-7/16	5/8	1-7/32	13/16	4-29/32	3-1/8	2-7/16
212	60mm	46.0	241.3	60.3	174.6	201.6	16	31.0	20.6	135.7	88.9	68.3
	2-7/16	1-13/16	9-1/2	2-3/8	6-7/8	7-15/16	5/8	1-7/32	13/16	5-11/32	3-1/2	2-11/16
	2-1/2	1-13/16	9-1/2	2-3/8	6-7/8	7-15/16	5/8	1-7/32	13/16	5-11/32	3-1/2	2-11/16
215	70mm	69.1	298.5	73.0	215.9	241.3	22	36.5	....	....	100.0	....
	75mm	69.1	298.5	73.0	215.9	241.3	22	36.5	....	....	100.0	....
	2-15/16	2-23/32	11-3/4	2-7/8	8-1/2	9-1/2	7/8	1-7/16	1-1/16	6-9/16	3-15/16	3-5/16
3	2-23/32	11-3/4	2-7/8	8-1/2	9-1/2	7/8	1-7/16	1-1/16	6-9/16	3-15/16	3-5/16	

All dimensions are in millimeters unless otherwise specified

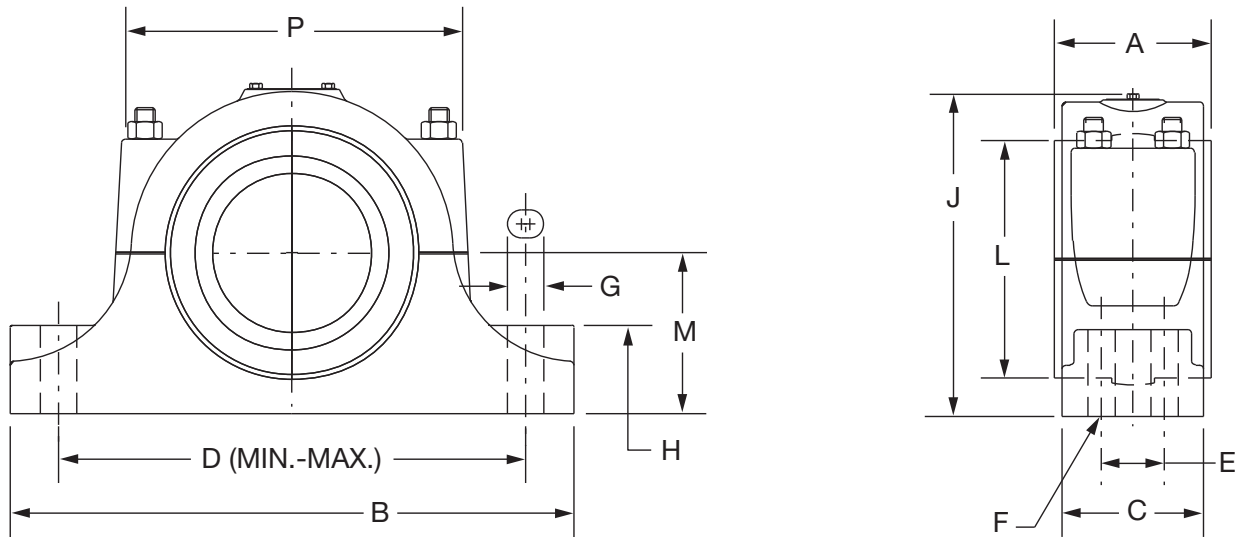
The LT and LTB pillow blocks are identical except the LTB pillow blocks have lower backing dimensions. Unless specified, dimensions are in mm for metric parts and inches for non-metric parts.

Note: Dimensions are in MM (in)

# Sleeve bearings

## Selection/Dimensions

Sleeve bearings - Solidlube  
3-7/16. thru 5. Solidlube MM pillow blocks



Shaft size	700 series		1000 series		Wt.	Used on frame	A	B	C
	Part no.	Description	Part no.	Description					
3-7/16	033247	P2B-MM7-307	033347	P2B-MM10-307	23.00	HD-250	3-1/2	12	2-13/16
3-1/2	033251	P2B-MM7-308	033351	P2B-MM10-308	22.80	HD-250	3-1/2	12	2-13/16
3-15/16	033475	P2B-MM7-315	033480	P2B-MM10-315	36.00	HD-300	4	13-7/16	3-3/16
4	033485	P2B-MM7-400	033490	P2B-MM10-400	35.80	HD-300	4	13-7/16	3-3/16
4-7/16	033500	P2B-MM7-407	033505	P2B-MM10-407	60.00	HD-350	4-1/2	16	3-7/16
4-1/2	033510	P2B-MM7-408	033515	P2B-MM10-408	59.70	HD-350	4-1/2	16	3-7/16
4-15/16	033525	P4B-MM7-415	033530	P4B-MM10-415	92.00	HD-400	5	17-7/16	4-3/4
5	033535	P4B-MM7-500	033540	P4B-MM10-500	91.50	HD-400	5	17-7/16	4-3/4

Shaft size	D		2 bolt base		4 bolt base		G	H	J	L	M	P
	Min.	Max.	F bolt dia.	E	F bolt dia.	F bolt dia.						
3-7/16	9-1/4	10-1/4	5/8	...	...	1-1/4	1-3/4	7	4-7/8	3-1/4	7- 1/4	
3-1/2	9-1/4	10-1/4	5/8	...	...	1-1/4	1-3/4	7	4-7/8	3-1/4	7- 1/4	
3-15/16	9-7/8	11-1/2	3/4	...	...	1-11/16	2	7-15/16	5-5/8	3-3/4	8-3/16	
4	9-7/8	11-1/2	3/4	...	...	1-11/16	2	7-15/16	5-5/8	3-3/4	8-3/16	
4-7/16	12-13/16	13-13/16	7/8	...	...	1-1/2	2-1/4	9-7/16	6-15/16	4-1/2	10	
4-1/2	12-13/16	13-13/16	7/8	...	...	1-1/2	2-1/4	9-7/16	6-15/16	4-1/2	10	
4-15/16	13-1/8	14-3/4	...	2	3/4	1-11/16	2-3/4	10-1/2	7-9/16	5	10-5/8	
5	13-1/8	14-3/4	...	2	3/4	1-11/16	2-3/4	10-1/2	7-9/16	5	10-5/8	

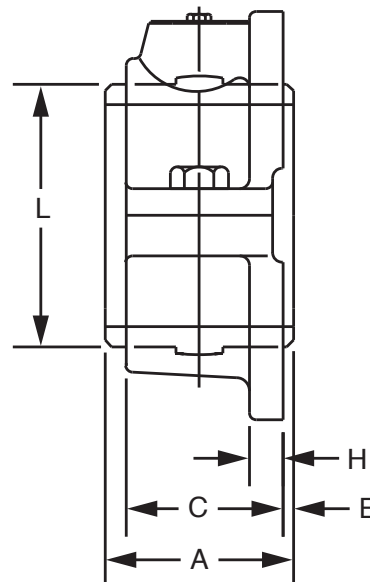
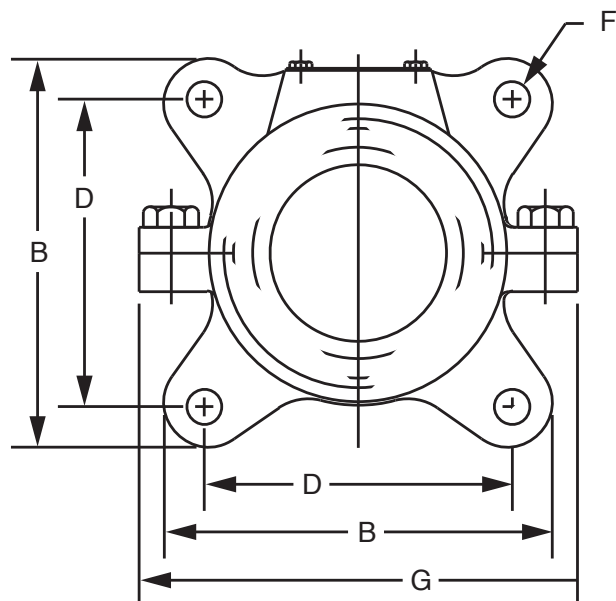
◆No published metric dimensions for this product

# Sleeve bearings

## Selection/Dimensions

Sleeve bearings - Solidlube

3-7/16. thru 5. Solidlube MM 4-bolt flange bearing



Shaft size	700 series		1000 series		Wt.
	Part no.	Description	Part no.	Description	
3-7/16	033323	F4B-MM7-307	033868	F4B-MM10-307	17.00
3-1/2	033321	F4B-MM7-308	033931	F4B-MM10-308	18.00
3-15/16	032923	F4B-MM7-315	033899	F4B-MM10-315	26.00
4	032937	F4B-MM7-400	033932	F4B-MM10-400	26.00
4-7/16	033862	F4B-MM7-407	033933	F4B-MM10-407	42.00
4-1/2	033863	F4B-MM7-408	033934	F4B-MM10-408	42.00
4-15/16	033929	F4B-MM7-415	033869	F4B-MM10-415	62.00
5	033930	F4B-MM7-500	033867	F4B-MM10-500	62.00

Shaft size	A	B	C	D	E	F	G	H	L
3-7/16	3-1/2	7-5/8	2-59/64	6	3/16	5/8	8-9/16	5/8	4- 7/8
3-1/2	3-1/2	7-5/8	2-59/64	6	3/16	5/8	8-9/16	5/8	4- 7/8
3-15/16	4	8-7/8	3-11/32	6-7/8	1/4	3/4	9-1/2	11/16	5- 5/8
4	4	8-7/8	3-11/32	6-7/8	1/4	3/4	9-1/2	11/16	5- 5/8
4-7/16	4-1/2	10-1/4	3-23/32	8-1/8	1/4	7/8	11-3/8	3/4	6-15/16
4-1/2	4-1/2	10-1/4	3-23/32	8-1/8	1/4	7/8	11-3/8	3/4	6-15/16
4-15/16	5	11-7/16	4- 5/8	9-3/16	1/8	1	12-7/8	13/16	7- 9/16
5	5	11-7/16	4- 5/8	9-3/16	1/8	1	12-7/8	13/16	7- 9/16

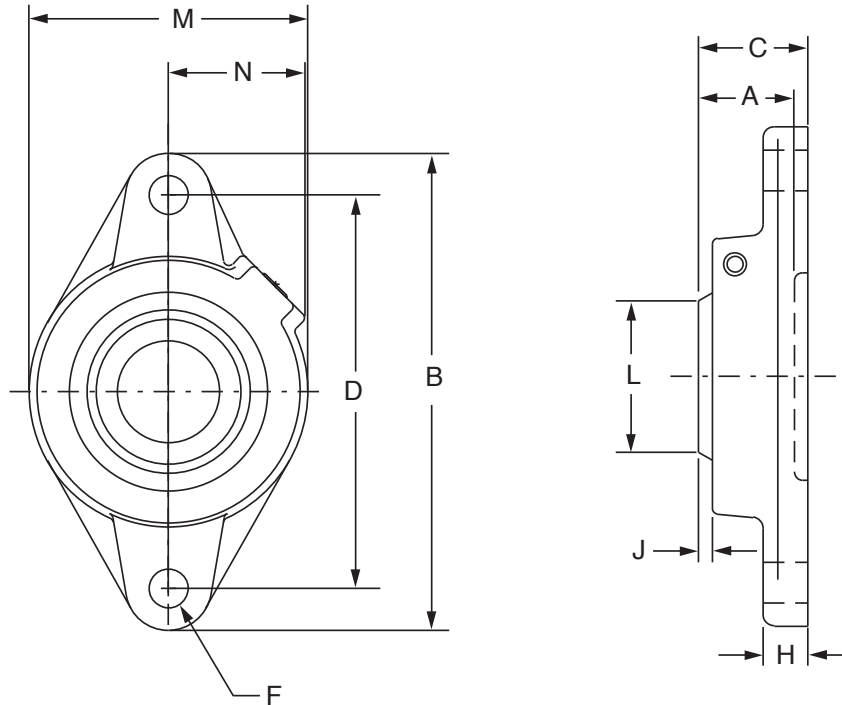
◆No published metric dimensions for this product

# Sleeve bearings

## Selection/Dimensions

### Sleeve bearings - Solidlube

#### 3/4. thru 2. Solidlube LT 2-bolt flange bearing



Series	Shaft size	700 series			1000 series		
		Part no.	Description	Wt.	Part no.	Description	Wt.
204	20mm	034260	F2B-LT7-20M	0.54	034266	F2B-LT10-20M	0.54
	3/4	033085	F2B-LT7-012	1.2	033185	F2B-LT10-012	1.2
205	25mm	034261	F2B-LT7-25M	0.68	034267	F2B-LT10-25M	0.68
	7/8	033086	F2B-LT7-014	1.7	033186	F2B-LT10-014	1.7
	15/16	033087	F2B-LT7-015	1.6	033187	F2B-LT10-015	1.6
	1	033088	F2B-LT7-100	1.5	033188	F2B-LT10-100	1.5
206	30mm	034262	F2B-LT7-30M	0.95	034268	F2B-LT10-30M	0.95
	1-1/8	033089	F2B-LT7-102	2.2	033189	F2B-LT10-102	2.2
	1-3/16	033090	F2B-LT7-103	2.1	033190	F2B-LT10-103	2.1
207	35mm	034263	F2B-LT7-35M	1.5	034269	F2B-LT10-35M	1.5
	1-1/4	033091	F2B-LT7-104	3.6	033191	F2B-LT10-104	3.6
	1-3/8	033092	F2B-LT7-106	3.3	033192	F2B-LT10-106	3.3
	1-7/16	033093	F2B-LT7-107	3.2	033193	F2B-LT10-107	3.2
	1-1/2	033094	F2B-LT7-108	3.1	033194	F2B-LT10-108	3.1
209	40mm	034218	F2B-LT7-40M	2.22	034270	F2B-LT10-40M	2.22
	45mm	034264	F2B-LT7-45M	2.13	034271	F2B-LT10-45M	2.13
	1-11/16	033095	F2B-LT7-111	4.9	033195	F2B-LT10-111	4.9
	1-3/4	033096	F2B-LT7-112	4.7	033196	F2B-LT10-112	4.7
210	50mm	034265	F2B-LT7-50M	2.36	034272	F2B-LT10-50M	2.36
	1-15/16	033097	F2B-LT7-115	5.4	033197	F2B-LT10-115	5.4
	2	033098	F2B-LT7-200	5.2	033198	F2B-LT10-200	5.2

Unless specified, dimensions are in mm for metric parts and inches for non-metric parts.

Note: Dimensions are in MM (in)

# Sleeve bearings

## Selection/Dimensions

### Sleeve bearings - Solidlube

#### 3/4. thru 2. Solidlube LT 2-bolt flange bearing

Series	Shaft size	A	B	C	D	F bolt dia.	H	J	L	M	N
204	20mm	23.0	122.2	28.6	89.7	3/8	12.7	4.0	34.9	60.3	38.1
	3/4	29/32	4-13/16	1-1/8	3-17/32	3/8	1/2	5/32	1-3/8	2-3/8	1-1/2
205	25mm	25.4	123.8	28.6	98.8	7/16	12.7	4.0	39.7	69.9	36.5
	7/8	63/64	4-7/8	1-1/8	3-57/64	7/16	1/2	5/32	1-9/16	2-3/4	1-7/16
	15/16	63/64	4-7/8	1-1/8	3-57/64	7/16	1/2	5/32	1-9/16	2-3/4	1-7/16
	1	63/64	4-7/8	1-1/8	3-57/64	7/16	1/2	5/32	1-9/16	2-3/4	1-7/16
206	30mm	28.2	141.3	31.0	116.7	7/16	12.7	4.0	46.0	79.4	39.7
	1-1/8	1-7/64	5-9/16	1-7/32	4-19/32	7/16	1/2	5/32	1-13/16	3-1/8	1-9/16
	1-3/16	1-7/64	5-9/16	1-7/32	4-19/32	7/16	1/2	5/32	1-13/16	3-1/8	1-9/16
207	35mm	31.0	155.6	34.9	130.2	1/2	14.3	4.0	54.0	95.3	46.8
	1-1/4	1-7/32	6-1/8	1-3/8	5-1/8	1/2	9/16	5/32	2-1/8	3-3/4	1-27/32
	1-3/8	1-7/32	6-1/8	1-3/8	5-1/8	1/2	9/16	5/32	2-1/8	3-3/4	1-27/32
	1-7/16	1-7/32	6-1/8	1-3/8	5-1/8	1/2	9/16	5/32	2-1/8	3-3/4	1-27/32
	1-1/2	1-7/32	6-1/8	1-3/8	5-1/8	1/2	9/16	5/32	2-1/8	3-3/4	1-27/32
209	40mm	33.7	179.4	40.5	148.4	1/2	15.9	4.8	65.1	111.1	48.4
	45mm	33.7	179.4	40.5	148.4	1/2	15.9	4.8	65.1	111.1	48.4
	1-11/16	1-21/64	7-1/16	1-19/32	5-27/32	1/2	5/8	3/16	2-9/16	4-3/8	1-29/32
	1-3/4	1-21/64	7-1/16	1-19/32	5-27/32	1/2	5/8	3/16	2-9/16	4-3/8	1-29/32
210	50mm	35.7	188.9	42.1	157.2	1/2	15.9	4.8	71.4	108.7	51.6
	1-15/16	1-13/32	7-7/16	1-21/32	6-3/16	1/2	5/8	3/16	2-13/16	4-9/32	2-1/32
	2	1-13/32	7-7/16	1-21/32	6-3/16	1/2	5/8	3/16	2-13/16	4-9/32	2-1/32

Unless specified, dimensions are in mm for metric parts and inches for non-metric parts.

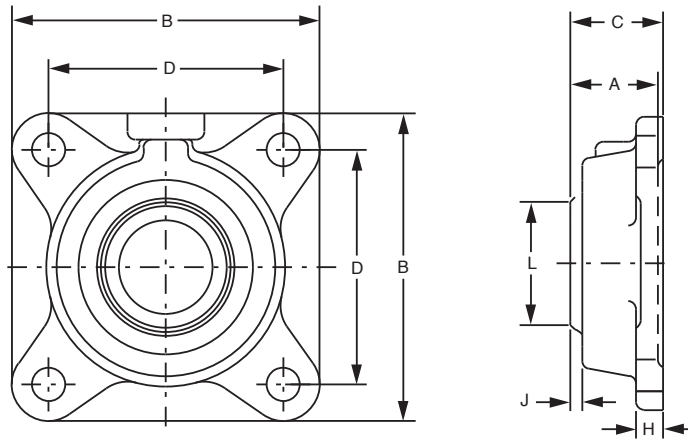
Note: Dimensions are in MM (in)

# Sleeve bearings

## Selection/Dimensions

### Sleeve bearings - Solidlube

### 3/4. thru 3. Solidlube LT 4-bolt flange bearing



Series	Shaft size	700 series			1000 series		
		Part no.	Description	Wt.	Part no.	Description	Wt.
204	20mm	034273	F4B-LT7-20M	0.68	034283	F4B-LT10-20M	0.6
	3/4	033260	F4B-LT7-012	1.5	033200	F4B-LT10-012	1.5
205	25mm	034274	F4B-LT7-25M	0.91	034284	F4B-LT10-25M	0.91
	7/8	033261	F4B-LT7-014	2.2	033201	F4B-LT10-014	2.2
	15/16	033262	F4B-LT7-015	2.1	033202	F4B-LT10-015	2.1
	1	033263	F4B-LT7-100	2	033203	F4B-LT10-100	2
206	30mm	034275	F4B-LT7-30M	1.27	034285	F4B-LT10-30M	1.27
	1-1/8	033264	F4B-LT7-102	2.9	033204	F4B-LT10-102	2.9
	1-3/16	033265	F4B-LT7-103	2.8	033205	F4B-LT10-103	2.8
207	35mm	034276	F4B-LT7-35M	1.81	034286	F4B-LT10-35M	1.81
	1-1/4	033266	F4B-LT7-104	4.3	033206	F4B-LT10-104	4.3
	1-3/8	033267	F4B-LT7-106	4	033207	F4B-LT10-106	4
	1-7/16	033268	F4B-LT7-107	3.9	033208	F4B-LT10-107	3.9
	1-1/2	033269	F4B-LT7-108	3.8	033209	F4B-LT10-108	3.8
209	40mm	034277	F4B-LT7-40M	2.63	034287	F4B-LT10-40M	2.63
	45mm	034278	F4B-LT7-45M	2.54	034288	F4B-LT10-45M	2.54
	1-11/16	033270	F4B-LT7-111	5.8	033210	F4B-LT10-111	5.8
	1-3/4	033271	F4B-LT7-112	5.6	033211	F4B-LT10-112	5.6
210	50mm	034279	F4B-LT7-50M	3	034289	F4B-LT10-50M	3
	1-15/16	033272	F4B-LT7-115	6.8	033212	F4B-LT10-115	6.8
	2	033273	F4B-LT7-200	6.6	033213	F4B-LT10-200	6.6
211	2-3/16	033274	F4B-LT7-203	8.5	033214	F4B-LT10-203	8.5
212	60mm	034280	F4B-LT7-60M	5	034290	F4B-LT10-60M	5
	2-7/16	033275	F4B-LT7-207	11	033215	F4B-LT10-207	11
	2-1/2	033276	F4B-LT7-208	10.8	033216	F4B-LT10-208	10.8
215	70mm	034281	F4B-LT7-70M	8.16	034291	F4B-LT10-70M	8.16
	75mm	034282	F4B-LT7-75M	8.03	034292	F4B-LT10-75M	8.03
	2-15/16	033277	F4B-LT7-215	18	033217	F4B-LT10-215	18
	3	033278	F4B-LT7-300	17.7	033218	F4B-LT10-300	17.7

Unless specified, dimensions are in mm for metric parts and inches for non-metric parts.

Note: Dimensions are in MM (in)

# Sleeve bearings

## Selection/Dimensions

Sleeve bearings - Solidlube  
3/4. thru 3. Solidlube LT 4-bolt flange bearing

Series	Shaft size	A	B	C	D	F bolt	H	J	L
204	20mm	23.0	85.7	28.6	63.5	10.0	11.1	3.2	34.9
	3/4	29/32	3-3/8	1-1/8	2-1/2	3/8	7/16	5/32	1-3/8
205	25mm	25.4	95.2	28.6	69.9	10.0	12.7	4.8	39.7
	7/8	63/64	3-3/4	1-1/8	2-3/4	7/16	1/2	3/16	1-9/16
	15/16	63/64	3-3/4	1-1/8	2-3/4	7/16	1/2	3/16	1-9/16
206	1	63/64	3-3/4	1-1/8	2-3/4	7/16	1/2	3/16	1-9/16
	30mm	28.2	108.0	31.0	82.6	10.0	12.7	4.0	46.0
	1-1/8	31/32	4-1/4	1-7/32	3-1/4	7/16	1/2	5/32	1-13/16
207	1-3/16	31/32	4-1/4	1-7/32	3-1/4	7/16	1/2	5/32	1-13/16
	35mm	31.0	120.7	34.9	92.1	12.0	14.3	4.0	54.0
	1-1/4	1-7/32	4-3/4	1-3/8	3-5/8	1/2	9/16	5/32	2-1/8
	1-3/8	1-7/32	4-3/4	1-3/8	3-5/8	1/2	9/16	5/32	2-1/8
209	1-7/16	1-7/32	4-3/4	1-3/8	3-5/8	1/2	9/16	5/32	2-1/8
	1-1/2	1-7/32	4-3/4	1-3/8	3-5/8	1/2	9/16	5/32	2-1/8
	40mm	33.7	136.5	40.5	104.8	12.0	15.9	4.8	65.1
	45mm	33.7	136.5	40.5	104.8	12.0	15.9	4.8	65.1
210	1-11/16	1-11/32	5-3/8	1-19/32	4-1/8	1/2	5/8	13/64	2-9/16
	1-3/4	1-11/32	5-3/8	1-19/32	4-1/8	1/2	5/8	13/64	2-9/16
	50mm	35.7	142.9	42.1	111.1	12.0	15.9	4.8	71.4
211	1-15/16	1-13/32	5-5/8	1-21/32	4-3/8	1/2	5/8	7/32	2-13/16
	2	1-13/32	5-5/8	1-21/32	4-3/8	1/2	5/8	7/32	2-13/16
212	2-3/16	1-17/32	6-1/2	1-25/32	5-1/8	5/8	11/16	7/32	3-1/8
	60mm	41.3	177.8	47.6	142.9	16.0	17.5	4.0	88.9
	2-7/16	1-15/32	7	1-31/32	5-5/8	5/8	11/16	11/64	3-1/2
215	2-1/2	1-15/32	7	1-31/32	5-5/8	5/8	11/16	11/64	3-1/2
	70mm	61.1	196.9	70.6	152.4	18.0	25.4	13.5	100.0
	75mm	61.1	196.9	70.6	152.4	18.0	25.4	13.5	100.0
215	2-15/16	2-23/32	7-3/4	2-3/4	6	3/4	1	17/32	3-15/16
	3	2-23/32	7-3/4	2-3/4	6	3/4	1	17/32	3-15/16

Unless specified, dimensions are in mm for metric parts and inches for non-metric parts.

Note: Dimensions are in MM (in)

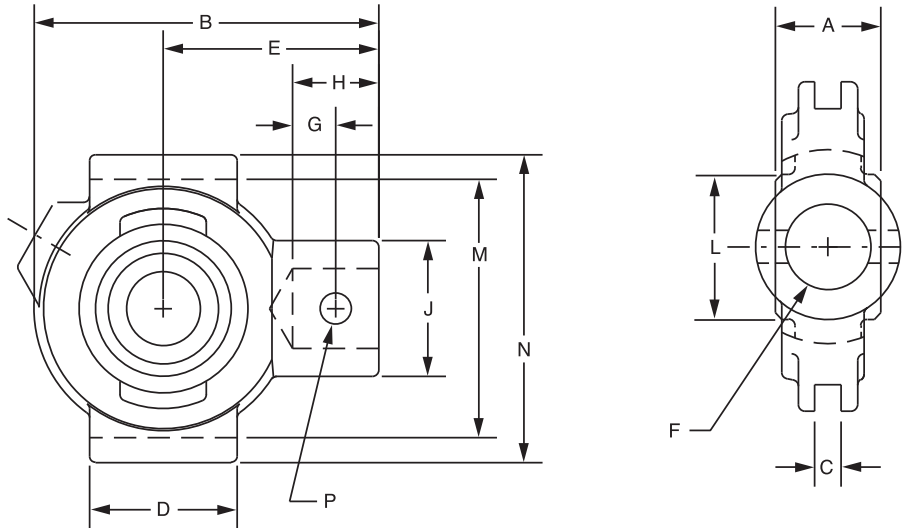


# Sleeve bearings

## Selection/Dimensions

### Sleeve bearings - Solidlube

### 3/4. thru 2-1/2. Solidlube LT narrow slot take-up bearings



Series	Shaft size	LT700			LT1000			Used on frame
		Part no.	Description	Wt.	Part no.	Description	Wt.	
204	20mm	034293	NSTU-LT7-20M	0.77	034303	NSTU-LT10-20M	0.77	NS-210
	3/4	033810	NSTU-LT7-012	1.7	033840	NSTU-LT10-012	1.7	NS-210
205	25mm	034294	NSTU-LT7-25M	0.77	034304	NSTU-LT10-25M	0.77	NS-210
	7/8	033811	NSTU-LT7-014	1.9	033841	NSTU-LT10-014	1.9	NS-210
	15/16	033812	NSTU-LT7-015	1.8	033842	NSTU-LT10-015	1.8	NS-210
	1	033813	NSTU-LT7-100	1.7	033843	NSTU-LT10-100	1.7	NS-210
206	30mm	034295	NSTU-LT7-30M	1.22	034305	NSTU-LT10-30M	1.22	NS-308
	1-1/8	033814	NSTU-LT7-102	2.8	033844	NSTU-LT10-102	2.8	NS-308
	1-3/16	033815	NSTU-LT7-103	2.7	033845	NSTU-LT10-103	2.7	NS-308
207	35mm	034296	NSTU-LT7-35M	1.36	034306	NSTU-LT10-35M	1.36	NS-308
	1-1/4	033816	NSTU-LT7-104	3.2	033846	NSTU-LT10-104	3.2	NS-308
	1-3/8	033817	NSTU-LT7-106	3.0	033847	NSTU-LT10-106	3.0	NS-308
	1-7/16	033818	NSTU-LT7-107	2.9	033848	NSTU-LT10-107	2.9	NS-308
	1-1/2	033819	NSTU-LT7-108	2.8	033849	NSTU-LT10-108	2.8	NS-308
209	40mm	034297	NSTU-LT7-40M	2.22	034307	NSTU-LT10-40M	2.22	NS-400
	45mm	034298	NSTU-LT7-45M	2.18	034308	NSTU-LT10-45M	2.18	NS-400
	1-11/16	033820	NSTU-LT7-111	4.9	033850	NSTU-LT10-111	4.9	NS-400
210	1-3/4	033821	NSTU-LT7-112	4.8	033851	NSTU-LT10-112	4.8	NS-400
	50mm	034299	NSTU-LT7-50M	2.4	034309	NSTU-LT10-50M	2.4	NS-400
211	1-15/16	033822	NSTU-LT7-115	5.5	033852	NSTU-LT10-115	5.5	NS-400
	2	033823	NSTU-LT7-200	5.3	033853	NSTU-LT10-200	5.3	NS-400
212	2-3/16	033824	NSTU-LT7-203	6.7	033854	NSTU-LT10-203	6.7	NS-407
212	60mm	034300	NSTU-LT7-60M	3.18	034310	NSTU-LT10-60M	3.18	NS-415
	2-7/16	033825	NSTU-LT7-207	7.4	033855	NSTU-LT10-207	7.4	NS-415
	2-1/2	033826	NSTU-LT7-208	7.0	033856	NSTU-LT10-208	7.0	NS-415

Unless specified, dimensions are in mm for metric parts and inches for non-metric parts.

Note: Dimensions are in MM (in)

# Sleeve bearings

## Selection/Dimensions

Sleeve bearings - Solidlube  
3/4. thru 2-1/2. Solidlube LT narrow slot take-up bearings

Series	Shaft size	A	B	C	D	E	F screw dia.	G
204	20mm	25.4	88.9	6.4	38.1	55.6	3/4	11.1
	3/4	1	3-1/2	1/4	1-1/2	2-3/16	3/4	7/16
205	25mm	27	90.5	6.4	38.1	55.6	3/4	11.1
	7/8, 15/16, 1	1-1/16	3-9/16	1/4	1-1/2	2-3/16	3/4	7/16
206	30mm	30.2	109.5	6.4	63.5	68.3	3/4	11.1
	1-1/8	1-3/16	4-5/16	1/4	2-1/2	2-11/16	3/4	7/16
	1-3/16	1-3/16	4-5/16	1/4	2-1/2	2-11/16	3/4	7/16
207	35mm	33.3	114.3	6.4	63.5	68.3	3/4	11.1
	1-1/4, 1-3/8,	1-5/16	4-1/2	1/4	2-1/2	2-11/16	3/4	7/16
	1-7/16, 1-1/2	1-5/16	4-1/2	1/4	2-1/2	2-11/16	3/4	7/16
209	40mm	39.7	138.1	7.9	76.2	82.6	7/8	12.7
	45mm	39.7	138.1	7.9	76.2	82.6	7/8	12.7
	1-11/16, 1-3/4	1-9/16	5-7/16	5/16	3	3-1/4	7/8	1/2
210	50mm	41.3	139.7	7.9	76.2	82.6	7/8	12.7
	1-15/16, 2	1-5/8	5-1/2	5/16	3	3-1/4	7/8	1/2
211	2-3/16	1-3/4	6-1/8	5/16	3-1/2	3-5/8	1	19/32
212	60mm	46	169.9	7.9	95.3	95.3	1	15.1
	2-7/16, 2-1/2	1-13/16	6-11/16	5/16	3-3/4	3-7/8	1	19/32

Unless specified, dimensions are in mm for metric parts and inches for non-metric parts.

Note: Dimensions are in MM (in)

Series	Shaft size	H	J	L	M	N	P pin dia.
204	20mm	22.2	34.9	34.9	66.7	79.4	5/16
	3/4	7/8	1-3/8	1-3/8	2-5/8	3-1/8	5/16
205	25mm	22.2	34.9	39.7	66.7	79.4	5/16
	7/8, 15/16, 1	7/8	1-3/8	1-9/16	2-5/8	3-1/8	5/16
206	30mm	23.8	34.9	46.0	88.9	104.8	5/16
	1-1/8	15/16	1-3/8	1-13/16	3-1/2	4-1/8	5/16
	1-3/16	15/16	1-3/8	1-13/16	3-1/2	4-1/8	5/16
207	35mm	23.8	34.9	54.0	88.9	104.8	5/16
	1-1/4, 1-3/8,	15/16	1-3/8	2-1/8	3-1/2	4-1/8	5/16
	1-7/16, 1-1/2	15/16	1-3/8	2-1/8	3-1/2	4-1/8	5/16
209	40mm	31.0	41.3	65.1	101.6	120.7	3/8
	45mm	31.0	41.3	65.1	101.6	120.7	3/8
	1-11/16, 1-3/4	1-7/32	1-5/8	2-9/16	4	4-3/4	3/8
210	50mm	27.8	41.3	71.4	101.6	120.7	3/8
	1-15/16, 2	1-3/32	1-5/8	2-13/16	4	4-3/4	3/8
211	2-3/16	1-9/32	1-5/8	3-1/2	4-15/16	5-3/4	7/16
212	60mm	32.5	41.3	88.9	125.4	146.1	7/16
	2-7/16, 2-1/2	1-9/32	1-3/4	3-1/8	4-7/16	5-3/8	7/16

Unless specified, dimensions are in mm for metric parts and inches for non-metric parts.

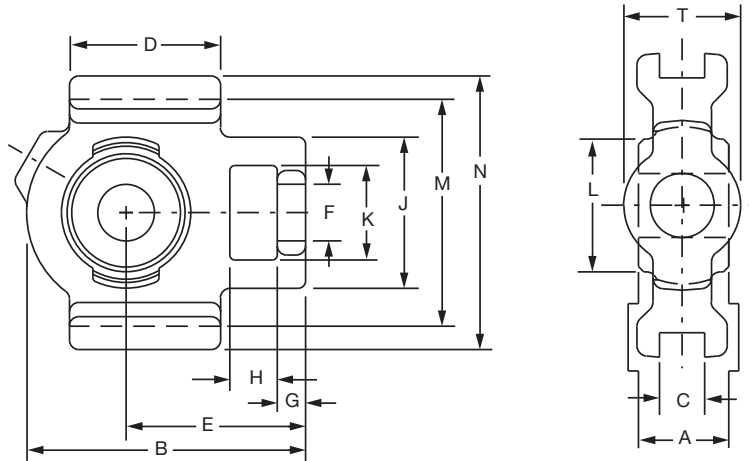
Note: Dimensions are in MM (in)

# Sleeve bearings

## Selection/Dimensions

### Sleeve bearings - Solidlube

### 3/4. thru 3. Solidlube LT wide slot take-up bearings



Series	Shaft size	LT700			LT1000			Used on frame
		Part no.	Description	Wt.	Part no.	Description	Wt.	
204	20mm	034313	WSTU-LT7-20M	1.09	034323	WSTU-LT10-20M	1.09	WS-300
	3/4	033870	WSTU-LT7-012	2.4	033910	WSTU-LT10-012	2.4	WS-300
205	25mm	034314	WSTU-LT7-25M	1.09	034324	WSTU-LT10-25M	1.09	WS-300
	7/8	033871	WSTU-LT7-014	2.6	033911	WSTU-LT10-014	2.6	WS-300
	15/16	033872	WSTU-LT7-015	2.5	033912	WSTU-LT10-015	2.5	WS-300
	1	033873	WSTU-LT7-100	2.4	033913	WSTU-LT10-100	2.4	WS-300
206	30mm	034315	WSTU-LT7-30M	1.41	034325	WSTU-LT10-30M	1.41	WS-308
	1-1/8	033874	WSTU-LT7-102	3.2	033914	WSTU-LT10-102	3.2	WS-308
	1-3/16	033875	WSTU-LT7-103	3.1	033915	WSTU-LT10-103	3.1	WS-308
207	35mm	034316	WSTU-LT7-35M	1.77	034326	WSTU-LT10-35M	1.77	WS-308
	1-1/4	033876	WSTU-LT7-104	4.2	033916	WSTU-LT10-104	4.2	WS-308
	1-3/8	033877	WSTU-LT7-106	3.9	033917	WSTU-LT10-106	3.9	WS-308
	1-7/16	033878	WSTU-LT7-107	3.8	033918	WSTU-LT10-107	3.8	WS-308
	1-1/2	033879	WSTU-LT7-108	3.7	033919	WSTU-LT10-108	3.7	WS-308
209	40mm	034317	WSTU-LT7-40M	2.77	034327	WSTU-LT10-40M	2.77	WS-400
	45mm	034318	WSTU-LT7-45M	2.72	034328	WSTU-LT10-45M	2.72	WS-400
	1-11/16	033880	WSTU-LT7-111	6.1	033920	WSTU-LT10-111	6.1	WS-400
	1-3/4	033881	WSTU-LT7-112	6	033921	WSTU-LT10-112	6	WS-400
210	50mm	034319	WSTU-LT7-50M	2.95	034329	WSTU-LT10-50M	2.95	WS-400
	1-15/16	033882	WSTU-LT7-115	6.7	033922	WSTU-LT10-115	6.7	WS-400
	2	033883	WSTU-LT7-200	6.5	033923	WSTU-LT10-200	6.5	WS-400
211	2-3/16	033884	WSTU-LT7-203	9.8	033924	WSTU-LT10-203	9.8	WS-502
212	60mm	034320	WSTU-LT7-60M	4.58	034330	WSTU-LT10-60M	4.58	WS-502
	2-7/16	033885	WSTU-LT7-207	10.1	033925	WSTU-LT10-207	10.1	WS-502
	2-1/2	033886	WSTU-LT7-208	9.8	033926	WSTU-LT10-208	9.8	WS-502
215	70mm	034321	WSTU-LT7-70M	5.9	034331	WSTU-LT10-70M	5.9	WS-515
	75mm	034322	WSTU-LT7-75M	5.67	034332	WSTU-LT10-75M	5.67	WS-515
	2-15/16	033887	WSTU-LT7-215	13	033927	WSTU-LT10-215	13	WS-515
	3	033888	WSTU-LT7-300	12.5	033928	WSTU-LT10-300	12.5	WS-515

Unless specified, dimensions are in mm for metric parts and inches for non-metric parts.

Note: Dimensions are in MM (in)

# Sleeve bearings

## Selection/Dimensions

### Sleeve bearings - Solidlube

### 3/4. thru 3 Solidlube LT wide slot take-up bearings

Series	Shaft size	A	B	C	D	E	F dia.	G
204	20mm	25.4	93.7	13.5	50.8	60.3	3/4	9.5
	3/4	1	3-11/16	17/32	2	2-3/8	3/4	3/8
205	25mm	27.0	96.8	13.5	50.8	61.9	13/16	9.5
	7/8, 15/16, 1	1-1/16	3-13/16	17/32	2	2-7/16	13/16	3/8
206	30mm	30.2	111.1	13.5	57.2	69.9	7/8	9.5
	1-1/8, 1-3/16	1-3/16	4-3/8	17/32	2-1/4	2-3/4	7/8	3/8
207	35mm	33.3	123.8	13.5	63.5	77.8	7/8	23.7
	1-1/4, 1-3/8	1-5/16	4-7/8	17/32	2-1/2	3-1/16	7/8	1/2
	1-7/16, 1-1/2	1-5/16	4-7/8	17/32	2-1/2	3-1/16	7/8	1/2
209	40mm, 45mm	39.7	142.9	17.5	82.6	87.3	1-1/8	15.9
	1-11/16, 1-3/4	1-9/16	5-5/8	11/16	3-1/4	3-7/16	1-1/8	5/8
210	50mm	41.3	147.6	17.5	85.7	90.5	1-1/8	15.9
	1-15/16, 2	1-5/8	5-13/16	11/16	3-3/8	3-9/16	1-1/8	5/8
211	2-3/16	1-3/4	6-11/16	1-1/16	3-3/4	4-3/16	1-3/8	3/4
212	60mm	46.0	190.5	27.0	101.6	119.1	1-3/8	19.1
	2-7/16, 2-1/2	1-13/16	7-1/2	1-1/16	4	4-11/16	1-3/8	3/4
215	70mm, 75mm	69.1	231.8	27.0	120.7	139.7	1-9/16	20.6
	2-15/16, 3	2-23/32	9-1/8	1-1/16	4-3/4	5-1/2	1-9/16	13/16

Unless specified, dimensions are in mm for metric parts and inches for non-metric parts.  
Note: Dimensions are in MM (in)

Series	Shaft size	H	J	K	L	M	N	T
204	20mm	15.9	50.8	31.8	34.9	76.2	92.1	34.9
	3/4	5/8	2	1-1/4	1-3/8	3	3-5/8	1-3/8
205	25mm	15.9	50.8	33.3	39.7	76.2	92.1	34.9
	7/8, 15/16, 1	5/8	2	1-5/16	1-9/16	3	3-5/8	1-3/8
206	30mm	15.9	55.6	36.5	46.0	88.9	104.8	41.3
	1-1/8, 1-3/16	5/8	2-3/16	1-7/16	1-13/16	3-1/2	4-1/8	1-5/8
207	35mm	15.9	63.5	36.5	54.0	88.9	104.8	41.3
	1-1/4, 1-3/8	5/8	2-1/2	1-7/16	2-1/8	3-1/2	4-1/8	1-5/8
	1-7/16, 1-1/2	5/8	2-1/2	1-7/16	2-1/8	3-1/2	4-1/8	1-5/8
209	40mm, 45mm	19.1	82.6	49.2	65.1	101.6	120.7	49.2
	1-11/16, 1-3/4	3/4	3-1/4	1-15/16	2-9/16	4	4-3/4	1-15/16
210	50mm	19.1	82.6	49.2	71.4	101.6	120.7	49.2
	1-15/16, 2	3/4	3-1/4	1-15/16	2-13/16	4	4-3/4	1-15/16
211	2-3/16	1	4	2-1/2	3-1/8	5-1/8	5-7/8	2-1/2
212	60mm	31.8	101.6	63.5	88.9	130.2	149.2	63.5
	2-7/16, 2-1/2	1-1/4	4	2-1/2	3-1/2	5-1/8	5-7/8	2-1/2
215	70mm, 75mm	31.8	111.1	69.9	100.0	150.8	169.9	69.9
	2-15/16, 3	1-1/4	4-3/8	2-3/4	3-15/16	5-15/16	6-11/16	2-3/4

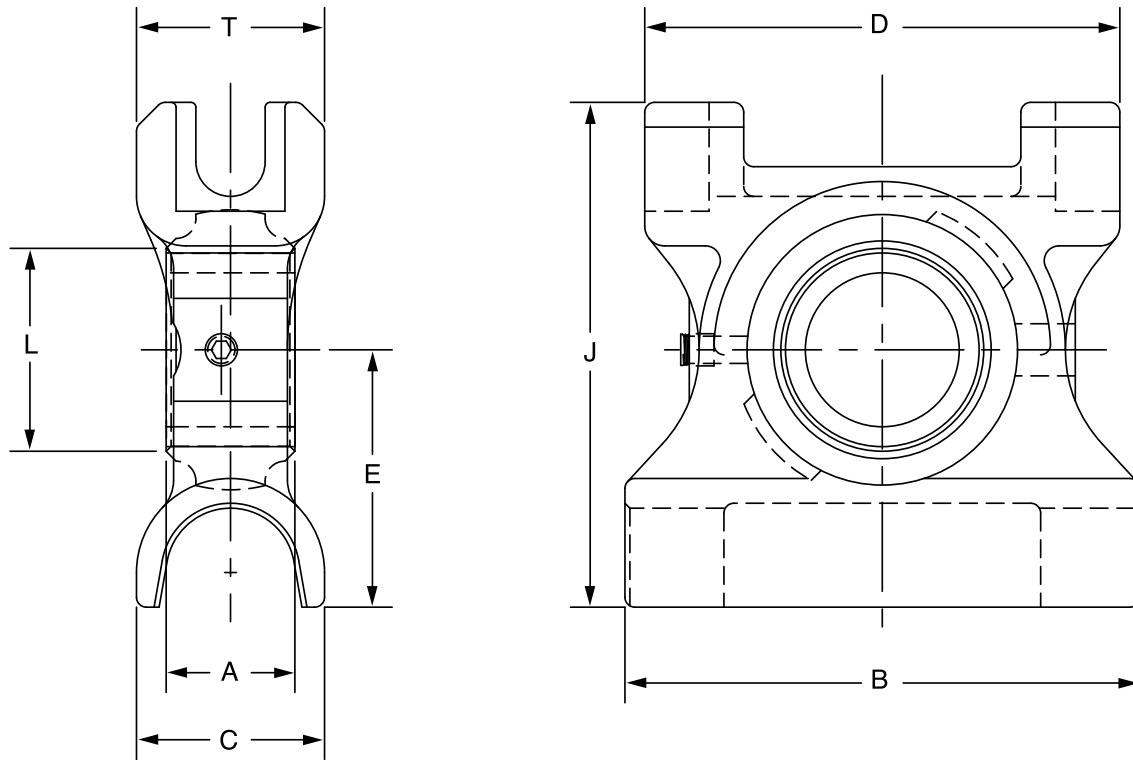
Unless specified, dimensions are in mm for metric parts and inches for non-metric parts.  
Note: Dimensions are in MM (in)

# Sleeve bearings

## Selection/Dimensions

Sleeve bearings - Solidlube

1-15/16. thru 3. type GLT Solidlube take-up bearings



Shaft size	700 series		1000 series		Wt.	Frame size
	Part no.	Description	Part no.	Description		
1-15/16	033739	TP-GLT7-115	033750	TP-GLT10-115	10.1	TP10
2	033740	TP-GLT7-200	033751	TP-GLT10-200	10.1	TP10
2-3/16	033741	TP-GLT7-203	033752	TP-GLT10-203	11.8	TP20
2-7/16	033742	TP-GLT7-207	033753	TP-GLT10-207	14.1	TP30
2-1/2	033743	TP-GLT7-208	033754	TP-GLT10-208	14.1	TP30
2-15/16	033744	TP-GLT7-215	033755	TP-GLT10-215	17.0	TP40
3	033745	TP-GLT7-300	033756	TP-GLT10-300	17.0	TP40

# Sleeve bearings

## Selection/Dimensions

Sleeve bearings - Solidlube

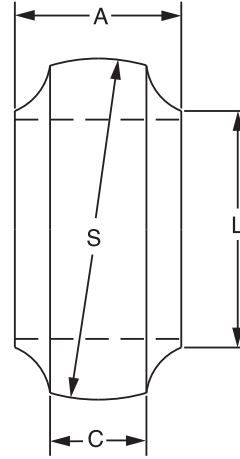
1-15/16. thru 3. type GLT Solidlube take-up bearings

Shaft size	A	B	C	D	E	J	L	T
1-15/16	1-5/8	6-1/2	2-3/8	6	3-1/4	6-3/8	2-13/16	2-3/8
2	1-5/8	6-1/2	2-3/8	6	3-1/4	6-3/8	2-13/16	2-3/8
2-3/16	1-3/4	7	2-1/2	6-3/4	3-3/8	6-7/8	3-1/8	2-3/8
2-7/16	1-13/16	7-1/2	2-3/4	7	3-1/2	7-7/16	3-1/2	2-3/4
2-1/2	1-13/16	7-1/2	2-3/4	7	3-1/2	7-7/16	3-1/2	2-3/4
2-15/16	2-23/32	8-1/2	2-1/2	8	4	8-5/16	3-15/16	2-3/4
3	2-23/32	8-1/2	2-1/2	8	4	8-5/16	3-15/16	2-3/4

# Sleeve bearings

## Selection/Dimensions

Sleeve bearings - Solidlube  
3/4. thru 3. Solidlube LT inserts



Series	Shaft size	700 series			1000 series		
		Part no.	LT700 series description	Wt.	Part no.	LT1000 series description	Wt.
204	20mm	034454	INS-LT7-20M	0.14	034455	INS-LT10-20M	0.14
	3/4	033585	INS-LT7-012	0.30	033610	INS-LT10-012	0.30
205	25mm	034456	INS-LT7-25M	0.14	034457	INS-LT10-25M	0.14
	7/8	033586	INS-LT7-014	0.50	033611	INS-LT10-014	0.50
	15/16	033587	INS-LT7-015	0.40	033612	INS-LT10-015	0.40
	1	033588	INS-LT7-100	0.30	033613	INS-LT10-100	0.30
206	30mm	034458	INS-LT7-30M	0.32	034459	INS-LT10-30M	0.32
	1-1/8	033589	INS-LT7-102	0.70	033614	INS-LT10-102	0.70
	1-3/16	033590	INS-LT7-103	0.60	033615	INS-LT10-103	0.60
207	35mm	034460	INS-LT7-35M	0.45	034461	INS-LT10-35M	0.45
	1-1/4	033591	INS-LT7-104	1.20	033616	INS-LT10-104	1.20
	1-3/8	033592	INS-LT7-106	1.00	033617	INS-LT10-106	1.00
	1-7/16	033593	INS-LT7-107	0.90	033618	INS-LT10-107	0.90
	1-1/2	033594	INS-LT7-108	0.80	033619	INS-LT10-108	0.80
209	40mm	034462	INS-LT7-40M	0.73	034463	INS-LT10-40M	0.73
	45mm	034464	INS-LT7-45M	0.64	034465	INS-LT10-45M	0.64
	1-11/16	033595	INS-LT7-111	1.60	033620	INS-LT10-111	1.60
	1-3/4	033596	INS-LT7-112	1.40	033621	INS-LT10-112	1.40
210	50mm	034466	INS-LT7-50M	0.73	034467	INS-LT10-50M	0.73
	1-15/16	033597	INS-LT7-115	1.80	033622	INS-LT10-115	1.80
	2	033598	INS-LT7-200	1.60	033623	INS-LT10-200	1.60
211	2-3/16	033599	INS-LT7-203	2.30	033624	INS-LT10-203	2.30
212	60mm	034468	INS-LT7-60M	1.45	034469	INS-LT10-60M	1.45
	2-7/16	033600	INS-LT7-207	3.20	033625	INS-LT10-207	3.20
	2-1/2	033601	INS-LT7-208	3.00	033626	INS-LT10-208	3.00
215	70mm	034470	INS-LT7-70M	2.50	034471	INS-LT10-70M	2.50
	75mm	034472	INS-LT7-75M	2.50	034473	INS-LT10-75M	2.50
	2-15/16	033602	INS-LT7-215	5.80	033627	INS-LT10-215	5.80
	3	034117	INS-LT7-300	5.50	034525	INS-LT10-300	5.50

Unless specified, dimensions are in mm for metric parts and inches for non-metric parts.  
Note: Dimensions are in MM (in)

# Sleeve bearings

## Selection/Dimensions

Sleeve bearings - Solidlube  
3/4. thru 3. Solidlube LT inserts

Series	Shaft size	A	C	L	S
204	20mm	25.4	15.9	34.9	46.850 / 46.800
	3/4	1	5/8	1-3/8	1.8445/1.8425
205	25mm	27.0	15.9	39.7	51.854 / 51.803
	7/8	1-1/16	5/8	1-9/16	2.0415/2.0395
	15/16	1-1/16	5/8	1-9/16	2.0415/2.0395
206	1	1-1/16	5/8	1-9/16	2.0415/2.0395
	30mm	30.2	17.5	46.0	61.849 / 61.798
	1-1/8	1-3/16	11/16	1-13/16	2.435/2.433
	1-3/16	1-3/16	11/16	1-13/16	2.435/2.433
207	35mm	33.3	20.6	54.0	71.857 / 71.806
	1-1/4	1-5/16	13/16	2-1/8	2.829/2.827
	1-3/8	1-5/16	13/16	2-1/8	2.435/2.433
	1-7/16	1-5/16	13/16	2-1/8	2.435/2.433
209	1-1/2	1-5/16	13/16	2-1/8	2.435/2.433
	40mm	39.7	20.6	65.1	84.874 / 84.823
	45mm	39.7	20.6	65.1	84.874 / 84.823
	1-11/16	1-9/16	13/16	2-9/16	3.3415/3.3395
210	1-3/4	1-9/16	13/16	2-9/16	3.3415/3.3395
	50mm	41.3	22.2	71.4	89.853 / 89.802
	1-15/16	1-5/8	7/8	2-13/16	3.5375/3.5355
211	2	1-5/8	7/8	2-13/16	3.5375/3.5355
	2-3/16	1-3/4	15/16	3-1/8	3.932/3.930
212	60mm	46.0	27.0	88.9	109.880 / 109.830
	2-7/16	1-13/16	1-1/16	3-1/2	4.326/4.324
	2-1/2	1-13/16	1-1/16	3-1/2	4.326/4.324
215	70mm	69.1	30.2	100.0	129.883 / 129.832
	75mm	69.1	30.2	100.0	129.883 / 129.832
	2-15/16	2-23/32	1-3/16	3-15/16	5.1135/5.1115
	3	2-23/32	1-3/16	3-15/16	5.1135/5.1115

Unless specified, dimensions are in mm for metric parts and inches for non-metric parts.  
Note: Dimensions are in MM (in)

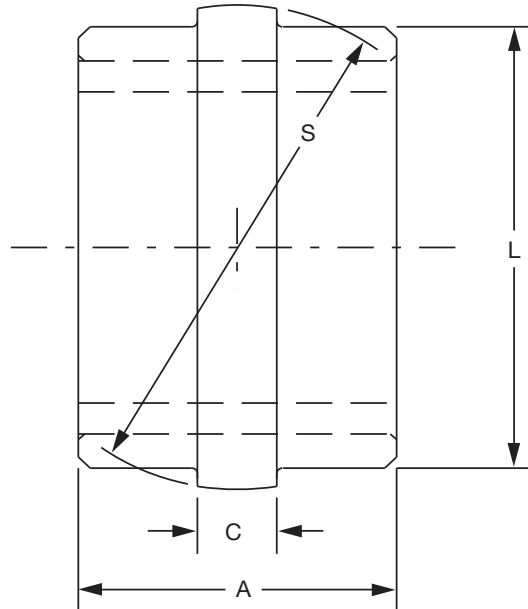


# Sleeve bearings

## Selection/Dimensions

Sleeve bearings - Solidlube

3-7/16. thru 5. Solidlube MM bearing inserts



Shaft size	700 series		1000 series		Wt.
	Part no.	Description	Part no.	Description	
3-7/16	034438	INS-MM7-307	034439	INS-MM10-307	6.4
3-1/2	034440	INS-MM7-308	034441	INS-MM10-308	6.2
3-15/16	034442	INS-MM7-315	034443	INS-MM10-315	10.0
4	034444	INS-MM7-400	034445	INS-MM10-400	9.8
4-7/16	034446	INS-MM7-407	034447	INS-MM10-407	20.0
4-1/2	034448	INS-MM7-408	034449	INS-MM10-408	19.7
4-15/16	034450	INS-MM7-415	034451	INS-MM10-415	27.0
5	034452	INS-MM7-500	034453	INS-MM10-500	26.5

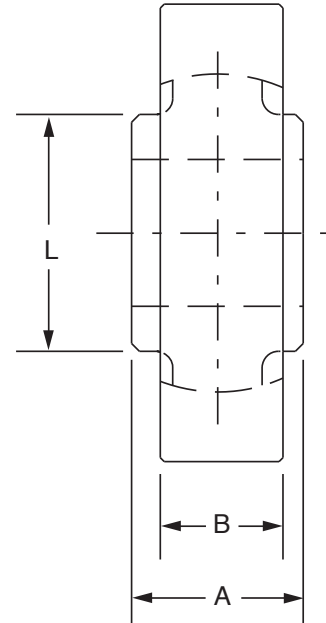
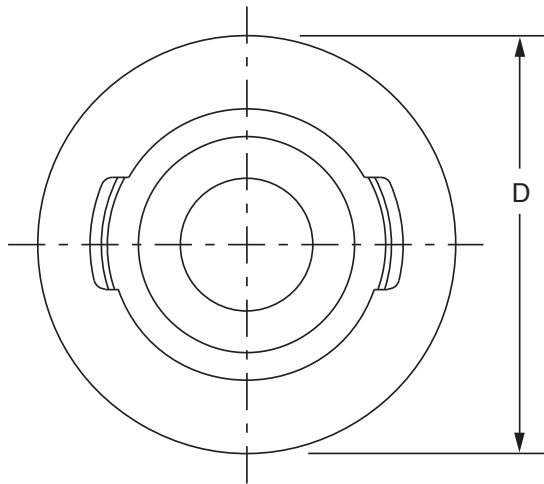
Shaft size	Wt.	A	C	L dia.	S spherical dia.
3-7/16	6.4	3-1/2	7/8	4-7/8	5.182/5.180
3-1/2	6.2	3-1/2	7/8	4-7/8	5.182/5.180
3-15/16	10.0	4	1-1/8	5-5/8	6.057/6.055
4	9.8	4	1-1/8	5-5/8	6.057/6.055
4-7/16	20.0	4-1/2	1-1/4	6-15/16	7.370/7.367
4-1/2	19.7	4-1/2	1-1/4	6-15/16	7.370/7.367
4-15/16	27.0	5	1-3/8	7-9/16	7.995/7.992
5	26.5	5	1-3/8	7-9/16	7.995/7.992

◆ No published metric dimensions for this product

# Sleeve bearings

## Selection/Dimensions

Sleeve bearings - Solidlube  
7/8. thru 1-1/2. Solidlube LT cylindrical units



Shaft size	LT700			LT1000		
	Part no.	Description	Wt.	Part no.	Description	Wt.
7/8	033961	CYL-LT7-014	1.5	422596	CYL-LT10-014	1.5
15/16	033960	CYL-LT7-015	1.5	422595	CYL-LT10-015	1.5
1	033962	CYL-LT7-100	1.5	422597	CYL-LT10-100	1.5
1-1/8	033963	CYL-LT7-102	29.0	492598	CYL-LT10-102	2.9
1-3/16	033964	CYL-LT7-103	29.0	422599	CYL-LT10-103	2.9
1-1/4	033965	CYL-LT7-104	3.0	422600	CYL-LT10-104	3.0
1-3/8	033966	CYL-LT7-106	3.0	422601	CYL-LT10-106	3.0
1-7/16	033967	CYL-LT7-107	3.0	422602	CYL-LT10-107	3.0
1-1/2	033968	CYL-LT7-108	3.0	422603	CYL-LT10-108	3.0

Shaft size	A	B	D dia. +.000 -.002	L
7/8	1-1/16	27/32	3-1/8	1- 9/16
15/16	1-1/16	27/32	3-1/8	1- 9/16
1	1-1/16	27/32	3-1/8	1- 9/16
1-1/8	1-3/16	15/16	3-1/2	1-13/16
1-3/16	1-3/16	15/16	3-1/2	1-13/16
1-1/4	1- 5/16	1-1/16	3-7/8	2-1/8
1-3/8	1- 5/16	1-1/16	3-7/8	2-1/8
1-7/16	1- 5/16	1-1/16	3-7/8	2-1/8
1-1/2	1- 5/16	1-1/16	3-7/8	2-1/8

◆No published metric dimensions for this product

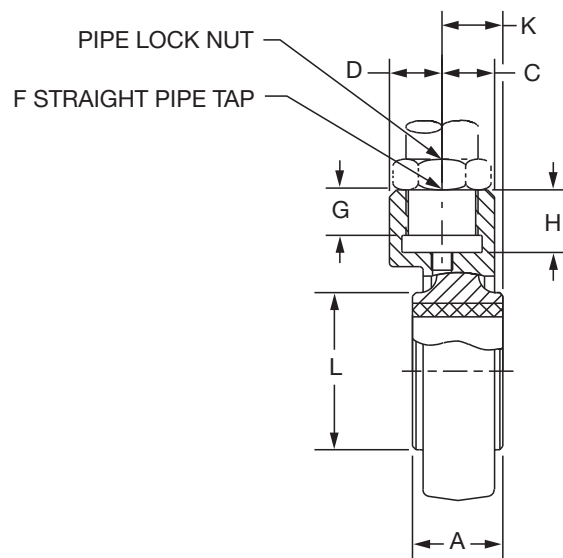
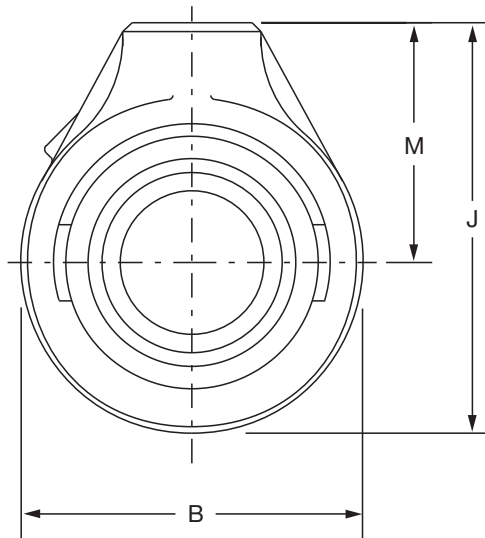
# Sleeve bearings

## Selection/Dimensions

Sleeve bearings - Solidlube

1-15/16. thru 2-1/2.

Solidlube LT screw conveyor hanger bearing



Series	Shaft size	LT700 series			LT1000 series		
		Part no.	Description	Wt.	Part no.	Description	Wt.
210	1-15/16	<b>033937</b>	SCHB-LT7-115	5.8	<b>033952</b>	SCHB-LT10-115	1.9
	2	<b>033938</b>	SCHB-LT7-200	5.7	<b>033953</b>	SCHB-LT10-200	2.0
212	2-7/16	<b>033939</b>	SCHB-LT7-207	7.1	<b>033954</b>	SCHB-LT10-207	5.0
	2-1/2	<b>033940</b>	SCHB-LT7-208	7.0	<b>033955</b>	SCHB-LT10-208	4.8

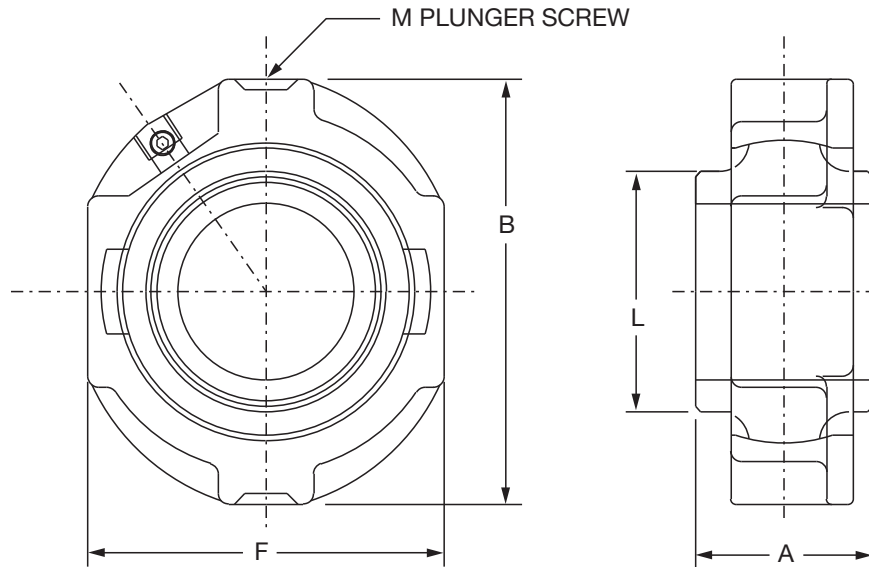
Series	Shaft size	A	B	C	D	F#	G	H	J	K	L	M
210	1-15/16	1-5/8	4-5/8	7/8	15/16	1	13/16	1-1/8	5-9/16	1-3/32	2-13/16	3-1/4
	2	1-5/8	4-5/8	7/8	15/16	1	13/16	1-1/8	5-9/16	1-3/32	2-13/16	3-1/4
212	2-7/16	1-13/16	5-1/2	1-5/32	1-5/32	1-1/4	1-1/8	1-7/16	6-3/4	1-1/4	3-1/2	4
	2-1/2	1-13/16	5-1/2	1-5/32	1-5/32	1-1/4	1-1/8	1-7/16	6-3/4	1-1/4	3-1/2	4

◆No published metric dimensions for this product

# Sleeve bearings

## Selection/Dimensions

Sleeve Bearings - Solidlube  
1-1/8. thru 2. Solidlube LT hanger bearings



Shaft size	LT700		LT1000		Wt.
	Part no.	Description	Part no.	Description	
1-1/8	033890	HNG-LT7-102	033900	HNG-LT10-102	1.9
1-3/16	033891	HNG-LT7-103	033901	HNG-LT10-103	2.0
1-1/4	033892	HNG-LT7-104	033902	HNG-LT10-104	3.1
1-3/8	033893	HNG-LT7-106	033903	HNG-LT10-106	3.0
1-7/16	033894	HNG-LT7-107	033904	HNG-LT10-107	2.9
1-1/2	033895	HNG-LT7-108	033905	HNG-LT10-108	2.8
1-15/16	033896	HNG-LT7-115	033906	HNG-LT10-115	5.0
2	033897	HNG-LT7-200	033907	HNG-LT10-200	4.8

Shaft size	A	B	F	L	M
1-1/8	1-3/16	3-5/8	3	1-13/16	1/2
1-3/16	1-3/16	3-5/8	3	1-13/16	1/2
1-1/4	1-5/16	4-1/4	3-1/2	2-1/8	1/2
1-3/8	1-5/16	4-1/4	3-1/2	2-1/8	1/2
1-7/16	1-5/16	4-1/4	3-1/2	2-1/8	1/2
1-1/2	1-5/16	4-1/4	3-1/2	2-1/8	1/2
1-15/16	1-5/8	5	4-3/16	2-13/16	5/8
2	1-5/8	5	4-3/16	2-13/16	5/8

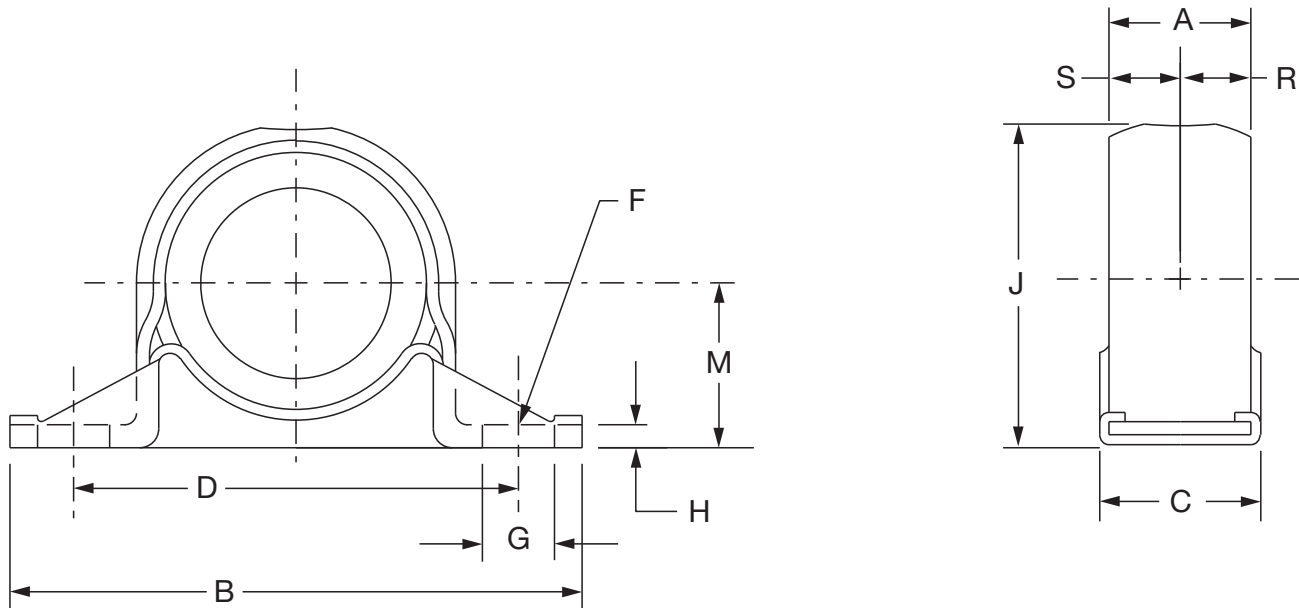
◆No published metric dimensions for this product

# Sleeve bearings

## Selection/Dimensions

Sleeve bearings - Solidlube

3/4. thru 1-1/2. Solidlube LM800 pillow blocks



Shaft size	Part no.	Description	Wt.	A	B	C	D
3/4	033692	P2B-LM8-012	.70	1	4	1-7/32	3
1	033693	P2B-LM8-100	.22	1	4	1-7/32	3
1-1/4	033694	P2B-LM8-104	.70	1-1/8	4-1/2	1-11/32	3-1/2
1-1/2	033695	P2B-LM8-108	.50	1-1/8	4-1/2	1-11/32	3-1/2

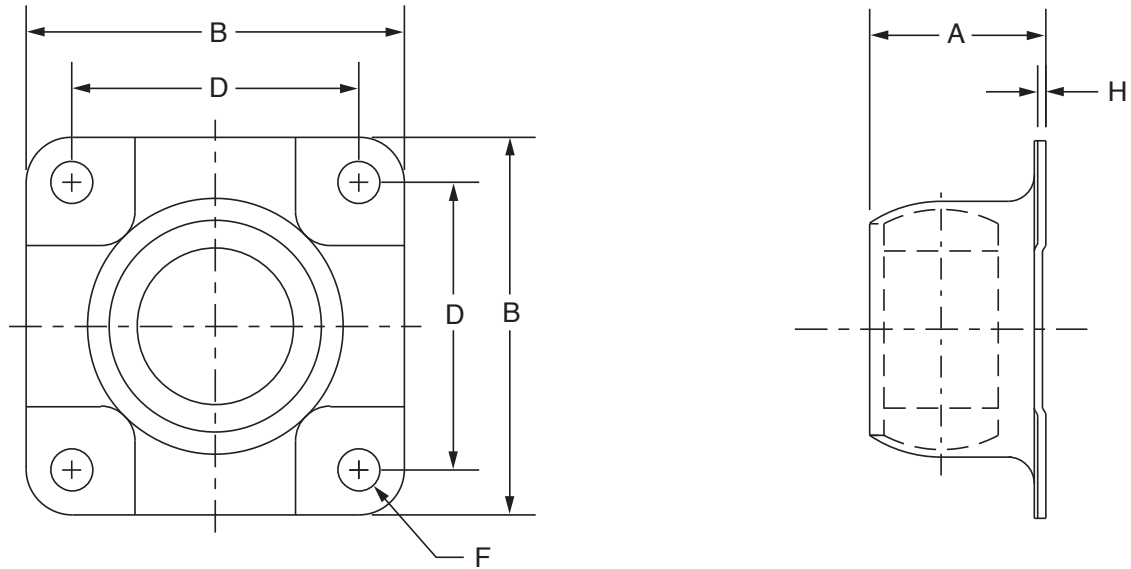
Shaft size	F bolt dia.	G	H	J	M	R	S
3/4	3/8	9/16	5/32	2-1/16	1-1/16	1/2	1/2
1	3/8	9/16	5/32	2-1/16	1-1/16	1/2	1/2
1-1/4	3/8	9/16	5/32	2-9/16	1-5/16	9/16	9/16
1-1/2	3/8	9/16	5/32	2-9/16	1-5/16	9/16	9/16

◆No published metric dimensions for this product

# Sleeve bearings

## Selection/Dimensions

Sleeve bearings - Solidlube  
 3/4. thru 1-1/2. Solidlube LM800 4-bolt flange bearing



Shaft size	Part no.	Description	Wt.	A
3/4	033696	F4B-LM8-012	.50	1-9/32
1	033697	F4B-LM8-100	.36	1-9/32
1-1/4	033698	F4B-LM8-104	.50	1-11/16
1-1/2	033699	F4B-LM8-108	.50	1-11/16

Shaft size	B	D	F bolt dia.	H
3/4	3-1/8	2-1/4	3/8	1/16
1	3-1/8	2-1/4	3/8	1/16
1-1/4	3-5/8	2-3/4	3/8	1/16
1-1/2	3-5/8	2-3/4	3/8	1/16

◆No published metric dimensions for this product

# Sleeve bearings

## Notes

# Sleeve bearings

## Notes



# Sleeve bearings

## Notes

# Sleevoil® bearings

## Contents

### Features/Benefits

- 8-3 General information
- 8-4 R series pillow block
- 8-5 RTL series pillow block
- 8-7 Specification/How to order
- 8-7 Nomenclature
- 8-8 Selection

### Selection/Dimensions

- 8-10 R series pillow block
- 8-18 RTL series pillow block

### Modifications/Accessories

- 8-20 End cap kits
- 8-21 Auxiliary seal kits
- 8-24 Heater/Thermostat
- 8-24 R series replacement part kits
- 8-25 Trapezoidal oil ring (RTL)
- 8-26 Vibration detector adapter kit
- 8-27 Oil level and filtration system
- 8-28 Bearing isolator
- INDEX-1 Part number index

# Sleevoil<sup>®</sup> bearings

# Sleevoil® bearings

## Features/Benefits

### General operating characteristics

Though originally designed for the exacting requirements of the air handling industry, R series Sleevoil pillow blocks are suitable for a wide range of industrial applications where a precision built, split, babbitted, ring-oiled Bearing is required which is self aligning and quiet in operation.

Sleevoil pillow blocks have good cooling capabilities. Water cooled (WC) and externally cooled (XC) types operate at higher speeds and load ranges than plain units and function well near high temperature sources.

For standard Sleevoil Bearings, the shaft tolerance is +0.000. / -0.051 millimeters (+0.000. / -0.002 inches) with a surface finish of 0.8 micrometres or better.

### Where Sleevoil bearings are currently used

- Fans & Blowers
- Generators
- Test Stands
- Pumps
- Motors
- Dynamometers
- Compressors
- Turbines

### Features and benefits Sleevoil

- **Fully split** housing for trouble-free assembly and disassembly
- **Rugged construction** using gray iron housing and liner for durability
- **Babbitt lining** offers conformability and shaft protection
- **Completely self-aligning** as a result of ball and socket mounting between liner and base
- **Dependable oil ring lubrication** with self-contained oil supply
- **Convenient oil gage** can be positioned on either side of housing
- **Proven reliability** and dependable performance guard against catastrophic failures.
- **Extended life** is a plus with no metal-to-metal contact during operation. More than ten times the theoretical life of anti-friction Bearings
- **High speed capabilities** because of self-pressurized full oil film
- **Adequate vibration dampening** is handled by the hydrodynamic oil film which absorbs shock
- **Effective heat transfer** accomplished by journal surrounded by improved coolant chambers
- **Quiet operation** accomplished by full separation of mating parts

# Sleevoil® bearings

## Features/Benefits

### Sleevoil R series pillow block

- 1-7/16. size is stocked as a plain pillow block
- 1-11/16. - 3-7/16. sizes are stocked as plain/water cooled (PLWC) pillow block
- 3-15/16. - 8. sizes are stocked as plain/externally cooled (PLXC) pillow blocks (standard and short series)
- PLXC liner only



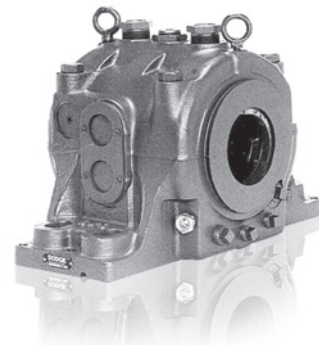
**PLXC Liner assembly**  
(plain/externally cooled)



**PLWC pillow block**  
(plain/water cooled)



**STL (standard)**



**SSL (short series)**

#### **Note:**

Water cooled replacement liners (WC Repl) are also available for housings made prior to 1973 with smaller coolant pipes.

# Sleevoil® bearings

## Features/Benefits

### Sleevoil R series pillow block

- 9. - 14. sizes



Plain pillow block



XC pillow block

### Sleevoil R series pillow block

- All R series jacketed liners designated as XC can be air, oil, or water cooled.
- Thrust collars convert the expansion Bearing into a non-expansion Bearing.
- Short series housings require less shaft space and are for expansion Bearings only.
- 3-7/16, and larger bore housings are pre-machined for thermocouples, heaters, thermostats, vibration detector adapter kits, auxiliary seal kits, end cap kits and circulating oil kits.
- 3-15/16 - 8, water cooled replacement (WC repl) liners fit in the R series housings. WC repl liners have small pipes.
- PLXC Liners will not fit in old WC housings (prior to 1973); R series housing is required.

### Sleevoil RTL series pillow block 3-7/16. - 12. Sizes

#### General operating characteristics

RTL pillow block blocks offer excellent radial and thrust load capacities. Large coolant chambers provide especially effective heat dissipation when used with circulating coolant systems. This provides exceptionally strong Bearing performance near high heat sources or gases.

The inner liner of the RTL has a center cavity which provides flooding lubrication to the thrust plates. This cavity acts as a reservoir to provide lubrication even during start-up and divides the radial area into two individual load sections. A single thrust collar is required. If a split collar is used, a shaft recess is necessary.

Coolant chambers, which cool both the thrust plates and radial load sections, are of sufficient size to allow the use of water, air, or oil as the internal coolant.

Expansion pillow blocks are furnished as standard. When non-expansion blocks are specified, a thrust collar and thrust plate kit are required.



RTL series pillow block

- Reliable high speed operation.
- Three times the thrust load capability of the R series.
- Suitable for operation near high heat sources.
- Pre-machined for thermocouples, circulating oil kit, vibration detector adapter kit, auxiliary seal kits, end cap kit, heater and thermostat.

# Sleevoil<sup>®</sup> bearings

## Features/Benefits

### Dodge Sleevoil bearing isolator RTL and R-series pillow blocks

The Dodge Sleevoil bearing isolator is a fully split multi-labyrinth contact sealing system. The stator forms a complex labyrinth with the rotor to isolate the Bearing from contamination keeping the lubricating oil clean. The tortuous labyrinth path between the stator and rotor also contains internal non-metallic seals to limit direct penetration of liquid or particulate.

The Sleevoil isolator is IP56 rated and all seal components including rotor stator and o-rings are fully split for ease of assembly and disassembly.

O-rings in the bore of the rotor provide sealing along the shaft and allow for axial shaft expansion as needed.

The isolator seal is designed to retrofit an existing Sleevoil housing with dovetail grooves on either end.



- ① Setscrew provides additional clamping to the housing
- ② Seal stator
- ③ Housing o-ring seals
- ④ Rotor locating seals
- ⑤ Shaft o-ring seals
- ⑥ Seal rotor
- ⑦ Expulsion port expels contaminants from seals

# Sleevoil<sup>®</sup> bearings

## Specification/How to order

### Sleevoil - Nomenclature

#### Sleevoil bearing nomenclature - R & RTL series:

STD	Standard series	PB	Pillow block
PLWC	Plain/Water cooled	HSG	Housing
SSL	Short series loaded	LNR	Liner assembly
STL	Standard series loaded	TC	Thrust collar
RTL	Radial thrust loaded	TPK	Thrust plate kit
PL	Plain	BTP	Bronze thrust plates
PLXC	Plain/Externally cooled		(BTP1-type 1 lower liner only;
SSH	Short series		BTP2-type 2 upper & lower liner)
XC	Externally cooled		

The product offering has 6-digit part numbers with listing shown throughout this catalog. Use of part numbers ensures accurate order processing.



# Sleevoil<sup>®</sup> bearings

## Selection



### Dodge Sleeveoil application inquiry form

Please provide application data by mail, phone or fax:

Sleevoil bearing application engineering

Matt Kelly - matthew.kelly@baldor.abb.com (864) 281-2480

Yogi Sharma - yogi.sharma@baldor.abb.com (864) 281-2273

Company name: \_\_\_\_\_  
 Address: \_\_\_\_\_  
 Contact name: \_\_\_\_\_  
 Customer reference: \_\_\_\_\_  
 Installation and arrangement: \_\_\_\_\_

Date: \_\_\_\_\_  
 Response required by: \_\_\_\_\_  
 Phone (\_\_\_\_\_) \_\_\_\_\_  
 Fax: (\_\_\_\_\_) \_\_\_\_\_

#### Bearing size in inches:

Shaft speed:  Constant \_\_\_\_\_ RPM  
 Variable speed - max RPM \_\_\_\_\_ Min RPM \_\_\_\_\_  
 Turning gear \_\_\_\_\_

#### Type of coolant:

plain (None)     water     air     plain - circ oil     Water cooled - circ oil

#### Preferred lubricant:

SAE10     SAE 20     SAE30     Other \_\_\_\_\_  
 ISO 32     ISO 68     ISO 100

#### Expected temperature:

Ambient    Max \_\_\_\_\_ °C    Min \_\_\_\_\_ °C    Water Inlet    Max \_\_\_\_\_ °C    Min \_\_\_\_\_ °C  
 Air Inlet    Max \_\_\_\_\_ °C    Min \_\_\_\_\_ °C    Oil Inlet    Max \_\_\_\_\_ °C    Min \_\_\_\_\_ °C  
 Air velocity over bearing housing (FPM): \_\_\_\_\_

#### Fixed bearing (Non-expansion)

RTL     STL     RXT  
 Loading:  Base     Cap

Fixed bearing radial load: \_\_\_\_\_ N  
 Fixed bearing thrust load: \_\_\_\_\_ N

#### Cooling wheel: Yes    No

External heat source (Fan temperature): \_\_\_\_\_ °C  
 Closest part of bearing to heat source: Fixed bearing \_\_\_\_\_ mm

#### Direction of resultant load: Fixed bearing



#### Free bearing (expansion)

RTL     STL     SSL     RXT  
 Base     Cap

Free bearing radial load: \_\_\_\_\_ N

#### Cooling wheel: Yes    No

Free bearing \_\_\_\_\_ mm

#### Direction of resultant load: Free bearing



Please state any unusual conditions such as shock loads changes in thrust loads, low speed requirements, hot shaft start-ups, environmental conditions (dust, chemicals gases etc):

Dodge / P.O. Box 499 / 6040 Ponders Ct. / Greenville, S.C. 29602 - 0499 / 864-297-4800

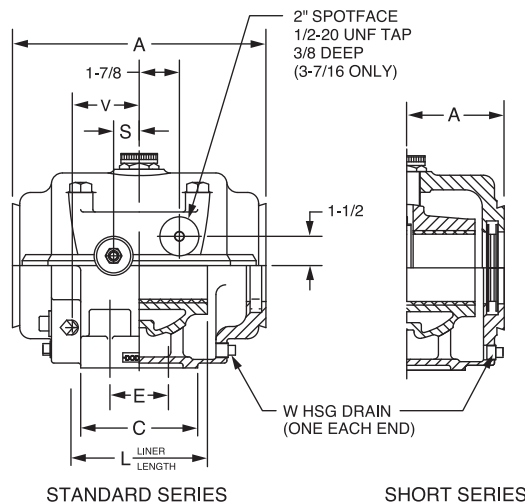
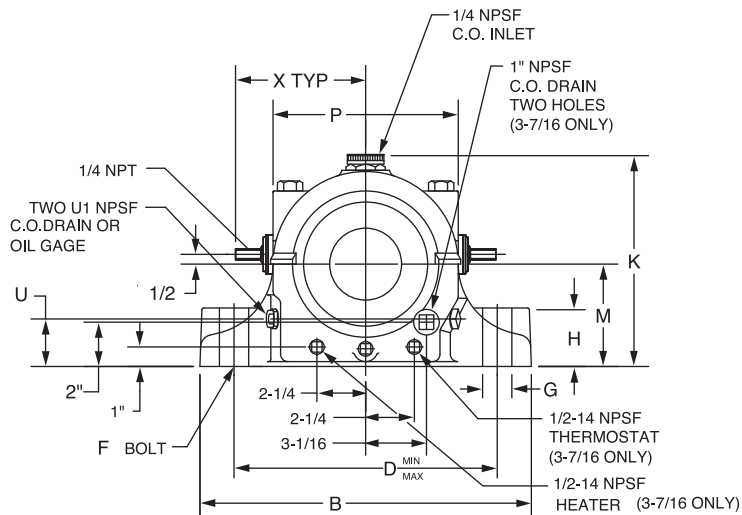


# Sleevoil® bearings

## Selection/Dimensions

### Sleevoil - R series

1-7/16. thru 3-7/16. plain-water cooled standard and short series Sleevoil pillow blocks



Shaft size (in)	Expansion pillow blocks		Expansion pillow blocks		Split thrust collar		Neoprene end covers**		Hose kits		Replacement PL-WC liner assemblies	
	STD		SSH (short series expansion only)		2 collars required to make a non-expansion pillow blocks							
	Part no.	kg	Part no.	kg (lb)	Part no.	kg (lb)	Part no.	kg (lb)	Part no.	kg (lb)	Part no.	kg
1-7/16	132983	9.3 (20.5)	...	...	133245	0.3 (0.7)	133980	0.05 (0.1)	133344	0.23 (0.5)	133203	1.6 (3.5)
1-11/16	132984	13.9 (30.6)	...	...	133250	0.5 (1.1)	133981	.12 (0.3)	133344	0.23 (0.5)	133583	2.9 (6.4)
1-15/16	132985	14.3 (31.5)	...	...	133255	0.5 (1.1)	133982	.12 (0.3)	133344	0.23 (0.5)	133584	3.2 (7.1)
2-3/16	132986	21.7 (47.8)	...	...	133260	0.8 (1.8)	133983	.12 (0.3)	133344	0.23 (0.5)	133585	5.4 (11.9)
2-7/16	132987	29.7 (65.5)	...	...	133265	1.2 (2.6)	133984	.12 (0.3)	133344	0.23 (0.5)	133586	5.3 (11.7)
2-11/16	132988 ⊗	44.0 (97.0)	...	...	133270	1.9 (4.2)	133985	.12 (0.3)	133344	0.23 (0.5)	132959 ⊗	12.2 (26.9)
2-15/16	132989 ⊗	41.9 (92.4)	132991 ⊗	40.82 (90.0)	133275	1.7 (3.7)	133986	.18 (0.4)	133344	0.23 (0.5)	132950 ⊗	10.0 (22.0)
	STL	STL	SSL						133344	0.23 (0.5)		
3-7/16	132990 ⊗	65.3 (144.0)	132992 ⊗	62.60 (138.0)	133280	2.8 (6.2)	133987	0.14 (0.3)	133344	0.23 (0.5)	132951 ⊗	22.7 (50.0)

Unless specified, dimensions are in mm for metric parts and inches for non-metric parts.

Note: Dimensions are in MM (in)

# Sleevoil® bearings

## Selection/Dimensions

### Sleevoil - R series

1-7/16. thru 3-7/16. plain-water cooled standard and short series Sleevoil pillow blocks

Shaft size (in)	A		B		C		D (Min.-max.)		E	F bolt dia. (in)				G	
	STD	SSH	STD	SSH	STD	SSH	STD	SSH		STD	SSH	STD	SSH	STD	SSH
1-7/16	165.1	....	241.3	....	69.8	....	177.8-190.5	....	##	....	5/8	....	25.4	....	
1-11/16	196.8	....	266.7	....	76.2	....	196.8-209.6	....	##	....	5/8	....	25.4	....	
1-15/16	196.8	....	266.7	....	76.2	....	196.8-209.6	....	##	....	5/8	....	25.4	....	
2-3/16	234.9	....	317.5	....	88.9	....	231.8-250.8	....	##	....	3/4	....	31.8	....	
2-7/16	266.7	....	342.9	....	101.6	....	257.2-276.2	....	##	....	3/4	....	31.8	....	
2-11/16	292.1	....	381.0	....	114.3	....	279.4-304.8	....	##	....	7/8	....	38.1	....	
2-15/16	292.1	222.2	381.0	381.0	114.3	146.1	279.4-304.8	276.2-308.0	##	69.8	7/8	3/4	38.1	38.1	
	STL	SSL	STL	SSL	STL	SSL	STL	SSL	STL	SSL	STL	SSL	STL	SSL	
3-7/16	330.2	254.0	431.8	431.8	152.4	152.4	328.6-357.2	328.6-357.2	76.2	76.2	3/4	3/4	38.1	38.1	

Shaft size (in)	H		K		L		M		P		S		U	
	STD	SSH	STD	SSH	STD	SSH	STD	SSH	STD	SSH	STD	SSH	STD	SSH
1-7/16	38.1	....	152.4	....	76.2	....	69.8	....	117.5	....	....	....	28.6	....
1-11/16	44.5	....	171.4	....	88.9	....	79.4	....	136.5	....	22.2	....	34.9	....
1-15/16	44.5	....	171.4	....	101.6	....	79.4	....	136.5	....	22.2	....	34.9	....
2-3/16	50.8	....	203.2	....	114.3	....	95.2	....	161.9	....	22.2	....	38.1	....
2-7/16	60.3	....	222.2	....	127.0	....	104.8	....	181.0	....	27.0	....	41.3	....
2-11/16	62.7	....	244.5	....	139.7	....	115.9	....	200.0	....	28.6	....	47.6	....
2-15/16	62.7	38.1	244.5	244.5	152.4	152.4	115.9	115.9	200.0	200.0	28.6	28.6	47.6	44.5
	STL	SSL	STL	SSL	STL	SSL	STL	SSL	STL	SSL	STL	SSL	STL	SSL
3-7/16	76.2	76.2	279.4	279.4	177.8	177.8	133.3	133.3	238.1	238.1	33.3	33.3	50.8	50.8

Shaft size (in)	U1(in)		V		W (in)		X
	STD	SSH	STD	SSH	STD	SSH	
1-7/16	1/2	....	52.4	....	1/4	....	....
1-11/16	1/2	....	57.1	....	1/4	....	95.2
1-15/16	1/2	....	57.1	....	1/4	....	95.2
2-3/16	1/2	....	63.5	....	1/4	....	120.7
2-7/16	1/2	....	74.6	....	1/4	....	120.7
2-11/16	1/2	....	79.4	....	1/4	....	130.2
2-15/16	1/2	1/2	79.4	90.5	1/4	1/4	130.2
	STL	SSL	STL	SSL	STL	SSL	
3-7/16	3/4	1/2	98.4	98.4	1/2	1/2	139.7

## 2-bolt base

3-7/16 Heater (434719)

2-7/16, 2-11/16, 2-15/16 heater (132834) to be used with thermostat (133116)

Unless specified, dimensions are in mm for metric parts and inches for non-metric parts.

Note: Dimensions are in MM (in)

\*\* Used to close one end of pillow block. One required for sizes 1-7/16 thru 2-15/16. Two required for 3-7/16.

V Pillow block and liner are pre-drilled for thermocouple (2 places)

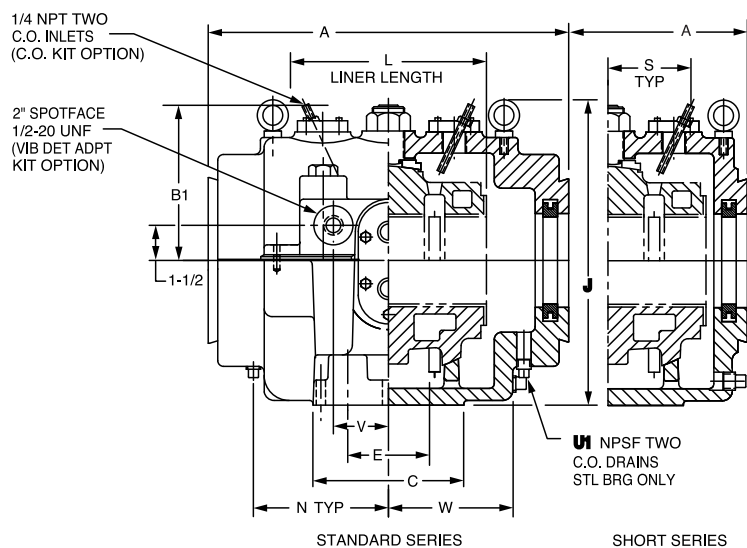
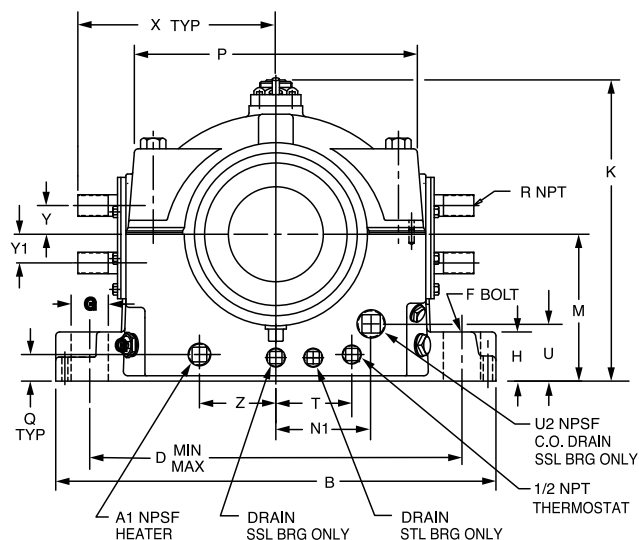
STL & SSL are pre-drilled for accessories: thermocouple, circulating oil, vibration detector, heater and thermostat

# Sleevoil<sup>®</sup> bearings

## Selection/Dimensions

### Sleevoil - R series

3-15/16. thru 8. plain / externally cooled standard and short series Sleevoil pillow blocks



Shaft size (in)	Pillow block assemblies				Split thrust collars		Replacement liner assemblies ☺			
	Expansion pillow blocks		Expansion pillow blocks		2 collars required to make a non-expansion STL pillow block		PL-XC externally cooled		WC (Prior to 1973 hsg) replacement	
	STL	SSL (Short series expansion only)	STL	SSL (Short series expansion only)	Part no.	kg (lb)	Part no.	kg (lb)	Part no.	kg (lb)
3-15/16	134200	91.2 (201.1)	134207	87.5 (192.9)	133285	3.3 (7.3)	132952	23.1 (50.9)	133590	24.5 (54.0)
4-7/16	134201	122.9 (270.9)	134208	115.7 (255.1)	133292	3.6 (7.9)	132953	32.2 (71.0)	133591	29.5 (65.0)
4-15/16	134202	164.2 (362.0)	134209	147.0 (324.1)	133293	5.1 (11.2)	132954	41.7 (91.9)	133592	41.3 (91.1)
5-7/16	134203	213.2 (470.0)	134210	209.6 (462.1)	133294	5.6 (12.3)	132955	59.0 (130.1)	133593	51.7 (114.0)
6	134204	271.2 (597.9)	134211	258.5 (569.9)	133295	6.9 (15.2)	132956	71.7 (158.1)	133594	71.7 (158.1)
7	134205	400.1 (882.1)	134212	383.3 (845.0)	133296	14.2 (31.3)	132957	104.3 (229.9)	133595	98.0 (216.1)
8	134206	588.8 (1298.1)	134213	569.7 (1256.0)	133297	22.1 (48.7)	132958	168.7 (371.9)	133596	170.1 (375.0)

Unless specified, dimensions are in mm for metric parts and inches for non-metric parts.

Note: Dimensions are in MM (in)

# Sleevoil® bearings

## Selection/Dimensions

### Sleevoil - R series

3-15/16. thru 8. plain / externally cooled standard and short series Sleevoil pillow blocks

Shaft size (in)	Optional accessories										Pipe grommet kits >	
	Auxiliary seal kits ##		Housing end cap kits		Heater / Thermostat * 120 Volt		Circulating oil inlet kits >		Neoprene end Covers ⊗⊗			
	Part no.	kg (lb)	Part no.	kg (lb)	Part no.	kg (lb)	Part no.	kg (lb)	Part no.	kg (lb)	Part no.	kg (lb)
3-15/16	<b>432181</b>	2.9 (6.4)	<b>432190</b>	2.8 (6.2)	<b>434721</b>	0.7 (1.5)	<b>432153</b>	0.9 (2.0)	<b>133988</b>	0.1 (0.2)	<b>132192</b>	0.7 (1.5)
4-7/16	<b>432184</b>	3.2 (7.1)	<b>432193</b>	3.1 (6.8)	<b>434721</b>	0.7 (1.5)	<b>430198</b>	0.9 (2.0)	<b>133989</b>	0.2 (0.4)	<b>132192</b>	0.7 (1.5)
4-15/16	<b>432187</b>	3.4 (7.5)	<b>432196</b>	3.3 (7.3)	<b>434721</b>	0.7 (1.5)	<b>430198</b>	0.9 (2.0)	<b>133990</b>	0.2 (0.4)	<b>132193</b>	1.1 (2.4)
5-7/16	<b>133932</b>	5.6 (12.3)	<b>132546</b>	5.3 (11.7)	<b>434721</b>	0.9 (2.0)	<b>430155</b>	0.9 (2.0)	<b>133991</b>	0.3 (0.7)	<b>132193</b>	1.1 (2.4)
6	<b>133933</b>	6.7 (14.8)	<b>132547</b>	4.8 (10.6)	<b>434725</b>	1.1 (2.4)	<b>430155</b>	0.9 (2.0)	<b>133992</b>	0.4 (0.9)	<b>132198</b>	1.6 (3.5)
7	<b>133937</b>	8.6 (19.0)	<b>132548</b>	6.1 (13.4)	<b>434725</b>	1.1 (2.4)	<b>430155</b>	0.9 (2.0)	<b>133993</b>	0.5 (1.1)	<b>132198</b>	1.6 (3.5)
8	<b>133938</b>	11.3 (24.9)	<b>132549</b>	7.0 (15.4)	<b>434727</b>	1.4 (3.1)	<b>430155</b>	0.9 (2.0)	<b>133994</b>	0.6 (1.3)	<b>132198</b>	1.6 (3.5)

Shaft size (in)	A		B	C	D (Min.-max.)	E	F bolt dia. (in)	G	H		J	
	STL	SSL							STL	SSL	STL	SSL
3-15/16	381.0	279.4	482.6	177.8	362.0 - 400.1	88.9	7/8	44.5	76.2	50.8	306.4	320.7
4-7/16	419.1	317.5	520.7	190.5	387.4 - 425.5	101.6	1	50.8	88.9	88.9	371.5	371.5
4-15/16	463.6	349.2	571.5	215.9	422.3 - 479.4	114.3	1	63.5	79.4	63.5	403.2	403.2
5-7/16	501.6	387.4	622.3	241.3	463.6 - 514.4	127.0	1-1/8	57.1	95.2	69.8	435.0	435.0
6	539.8	412.8	660.4	266.7	498.5 - 555.6	139.7	1-1/4	63.5	101.6	76.2	447.7	469.9
7	622.3	476.2	755.6	317.5	574.7 - 644.5	165.1	1-1/2	76.2	130.2	88.9	493.7	533.4
8	704.9	533.4	863.6	368.3	650.9 - 733.4	190.5	1-3/4	88.9	149.2	101.6	541.3	596.9

Shaft size (in)	K	L	M	N		P	Q	R pipe (in)		T		U	U1 (in)		U2 (in)	
				STL	SSL			PLXC	WC rep't	STL	SSL		STL	SSL		
				3-15/16	303.2			203.2	146.1	150.8	66.7		257.2	31.8	1	1/2
4-7/16	352.4	228.6	158.8	161.9	85.7	292.1	34.9	1	1/2	76.2	50.8	71.4	3/4	1		
4-15/16	382.6	254.0	177.8	179.4	95.2	317.5	33.3	1-1/4	1/2	73.0	50.8	84.1	1	1-1/4		
5-7/16	404.8	279.4	190.5	193.7	111.1	349.2	39.7	1-1/4	1/2	85.7	63.5	76.2	1	1-1/4		
6	457.2	304.8	209.6	209.6	114.3	374.6	44.5	1-1/4	3/4	98.4	69.8	79.4	1	1-1/4		
7	514.4	355.6	241.3	242.9	127.0	431.8	50.8	1-1/4	3/4	127.0	76.2	95.2	1-1/4	1-1/4		
8	571.5	406.4	273.1	279.4	146.1	482.6	50.8	1-1/4	3/4	133.3	101.6	115.9	1-1/4	1-1/4		

Shaft size (in)	V	W	X	Y		Y1		Z	A1 (in)	B1
				PLXC	WC rep't	PLXC	WC rep't			
3-15/16	76.2	127.0	217.5	31.8	25.4	31.8	25.4	54.0	3/4	179.4
4-7/16	88.9	142.9	233.4	31.8	25.4	31.8	25.4	76.2	3/4	193.7
4-15/16	88.9	154.0	254.0	38.1	25.4	44.5	25.4	73.0	3/4	203.2
5-7/16	88.9	171.4	263.5	38.1	25.4	44.5	25.4	85.7	3/4	222.2
6	101.6	184.2	284.2	44.5	31.8	50.8	31.8	98.4	1	250.8
7	114.3	212.7	328.6	44.5	31.8	50.8	31.8	127.0	1	276.2
8	127.0	244.5	376.2	44.5	31.8	50.8	31.8	133.3	1-1/4	304.8

## One required per pillow block end

> One required per pillow block

\* 220 volt heaters available. See page 8-24.

\*\* 2-1/4. on STL; 2. on SSL

Unless specified, dimensions are in mm for metric parts and inches for non-metric parts.

Note: Dimensions are in MM (in)

⊗ To differentiate between XC and water cooled replacement liners see .R. dimensions (pipe size)

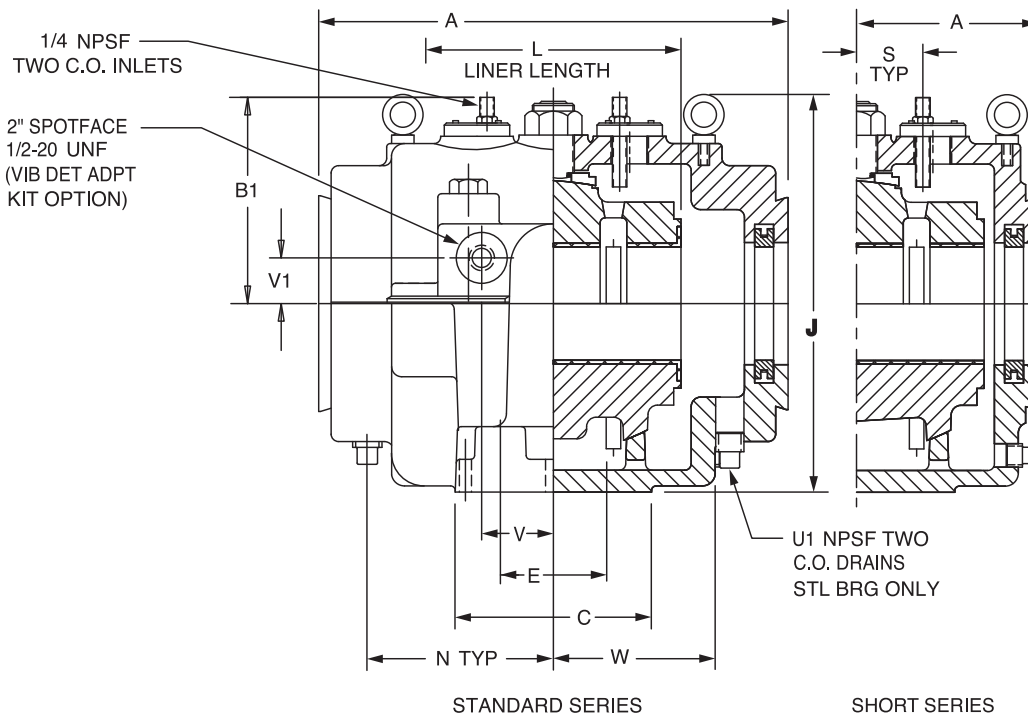
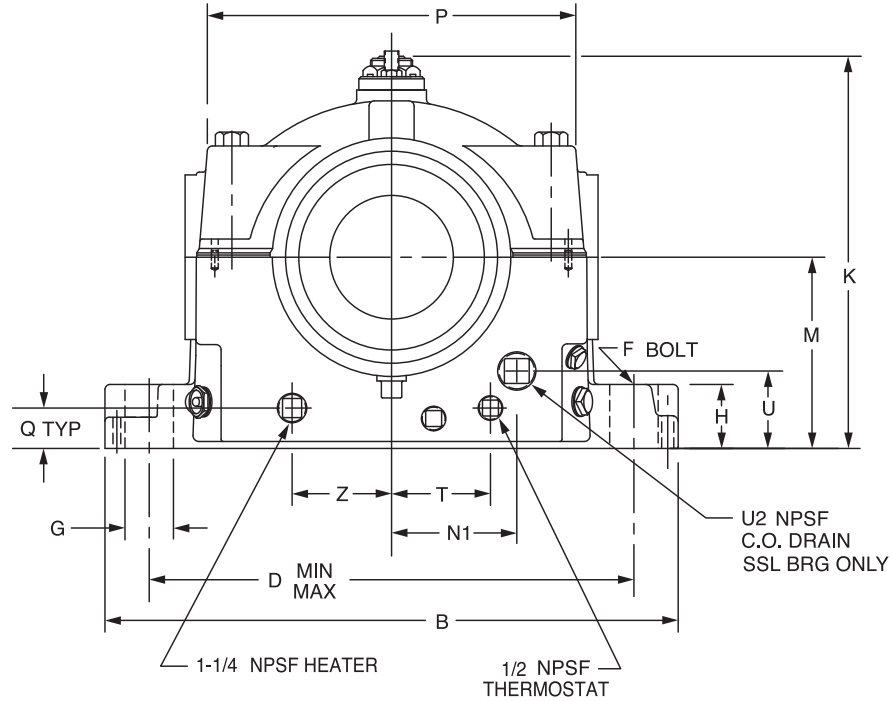
⊗⊗ Two required per 3-15/16 thru 4-15/16 sizes; three for 5-7/16 and larger  
All sizes are pre-machined for accessories: thermocouples, circulating oil, vibration detector, heater and thermostat

# Sleevoil<sup>®</sup> bearings

## Selection/Dimensions

### Sleevoil - R series

### 9., 10., 12. & 14. plain Sleevoil pillow blocks



# Sleevoil® bearings

## Selection/Dimensions

### Sleevoil - R series

### 9., 10., 12. & 14. plain Sleevoil pillow blocks

Shaft size (in)	Plain expansion pillow blocks				Split thrust collars	
	STL		SSL (short series expansion only)		2 collars required to make a non-expansion STL pillow blocks	
	Part no.	kg (lb)	Part no.	kg (lb)	Part no.	kg (lb)
9	132766	560 (1234.6)	132924	530 (1168.5)	133959	24.5 (54.0)
10	132767	563 (1241.2)	132925	501 (1104.5)	133960	23.6 (52.0)
12	132768	907 (1999.6)	132926	810 (1785.7)	133961	30.8 (67.9)
14	431399	1542 (3399.5)	430561	1361 (3000.5)	431389	34.0 (75.0)

Shaft size (in)	Auxiliary seal kits ##		Housing end cap kits		Heater / Thermostat * 120 volt		Circulating oil inlet kits >		Neoprene end Covers##		Replacement plain liner assemblies	
	Part no.	kg (lb)	Part no.	kg (lb)	Part no.	kg (lb)	Part no.	kg (lb)	Part no.	kg (lb)	Part no.	kg (lb)
9	132814	10.5 (23.1)	132564	7.2 (15.9)	434727	1.4 (3.1)	430155	0.9 (2.0)	133996	0.7 (1.5)	133550	148.3 (326.9)
10	132816	11.0 (24.3)	132565	7.4 (16.3)	434727	1.4 (3.1)	430155	0.9 (2.0)	133995	0.7 (1.5)	133669	204.1 (450.0)
12	132819	18.1 (39.9)	132566	11.3 (24.9)	434729	1.8 (4.0)	430155	0.9 (2.0)	133997	0.9 (2.0)	133392	294.8 (649.9)
14	132822	16.3 (35.9)	132567	11.3 (24.9)	434729	1.8 (4.0)	430155	0.9 (2.0)	....	....	430831	544.3 (1200.0)

Shaft size (in)	A		B	C	D (Min.-max.)	E	F-bolt (in)	G	H	J		
	STL	SSL	STL & SSL	STL & SSL	STL & SSL	STL & SSL	STL & SSL	STL & SSL	STL	SSL	STL	SSL
9	704.9	533.4	863.6	368.3	650.9 - 733.4	190.5	1-3/4	88.9	149.2	101.6	568.3	596.9
10	704.9	533.4	863.6	368.3	650.9 - 733.5	190.5	1-3/4	88.9	149.2	101.6	568.3	596.9
12	762.0	590.5	1016.0	431.8	793.8 - 882.7	228.6	2	101.6	171.4	...	744.5	744.5
14	863.6	666.8	1171.6	457.2	927.1 - 1028.7	254.0	2	101.6	177.8	...	892.2	892.2

Shaft size (in)	K	L	M	N	N1	P	S	T	U	U1 (in)	U2 (in)	V	Kg		
	STL & SSL	STL & SSL	STL & SSL	STL	SSL	STL & SSL	STL & SSL	STL	SSL	SSL	STL	SSL	STL & SSL	STL	SSL
9	571.5	406.4	273.1	279.4	139.7	482.6	76.2	133.3	101.6	85.7	1-1/4	1-1/4	127.0	560.2	529.8
10	571.5	406.4	273.1	279.4	139.7	482.6	76.2	133.3	101.6	98.4	1-1/4	1-1/4	127.0	562.5	501.2
12	717.5	457.2	342.9	314.3	196.8	603.2	88.9	177.8	177.8	131.8	1-1/2	1-1/2	177.8	907.2	809.7
14	828.7	508.0	406.4	....	....	730.2	....	....	....	....	....	1-1/2	....	....	....

Shaft Size (in)	V1		W	Z	B1
	STL	SSL	STL & SSL	STL & SSL	STL
9	38.1	38.1	244.5	133.3	304.8
10	38.1	38.1	244.5	133.3	304.8
12	50.8	50.8	279.4	177.8	368.3
14	....	....	306.4	....	....

## One required per pillow block end

> One required per pillow block

\* 220 volt heaters available. See page 8-24.

All housings are pre-machined for accessories; thermocouples, circulating oil, vibration detector, heater and thermostat

Unless specified, dimensions are in mm for metric parts and inches for non-metric parts.

Note: Dimensions are in MM (in)

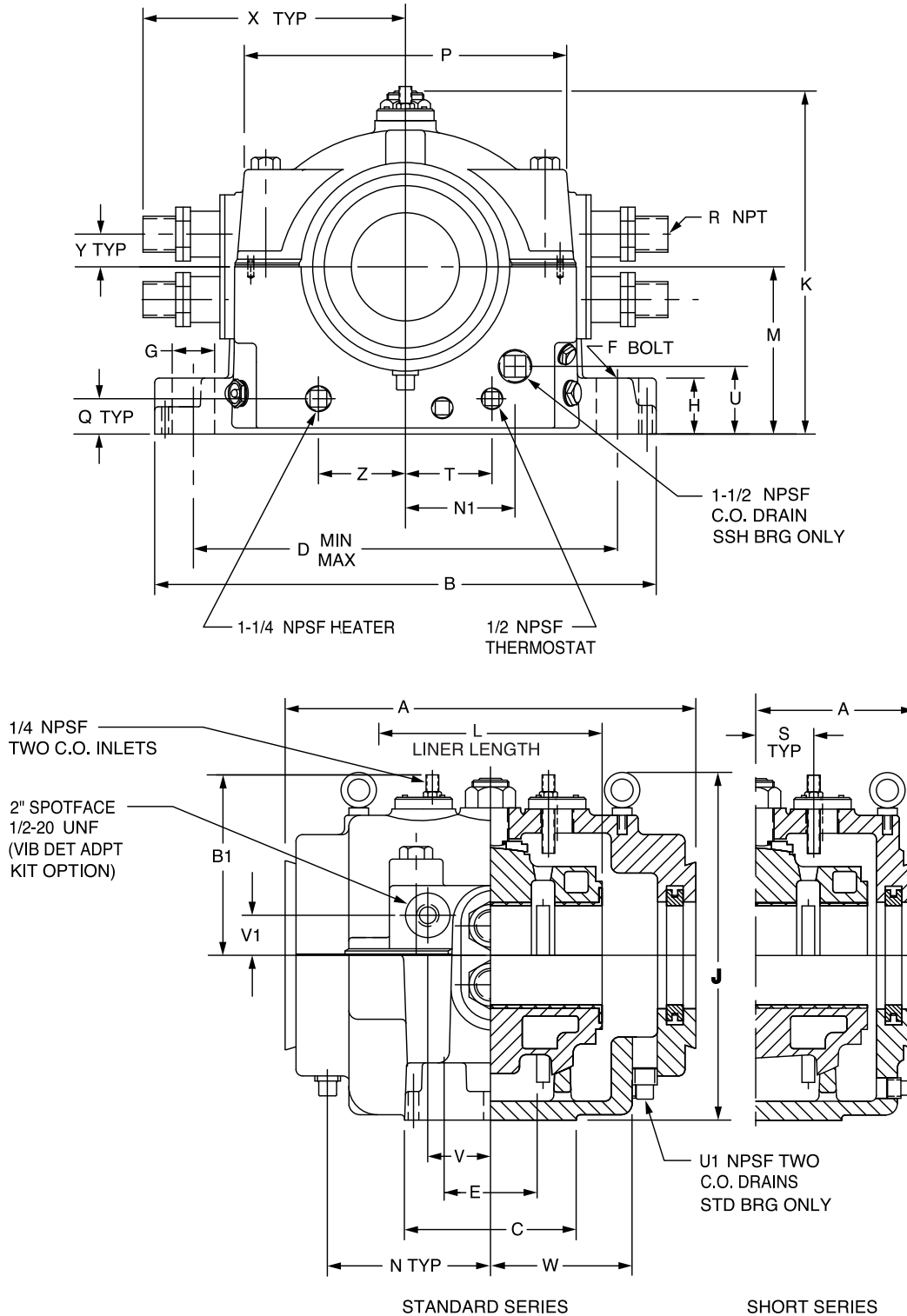


# Sleevoil® bearings

## Selection/Dimensions

### Sleevoil - R series

### 9., 10., 12. XC Sleevoil pillow blocks



# Sleevoil® bearings

## Selection/Dimensions

### Sleevoil - R series

#### 9., 10., 12. XC Sleevoil pillow blocks

Shaft size (in)	Expansion pillow blocks XC (externally cooled) (short series expansion only)				2 collars required to make a non-expansion STL pillow block	
	STL-XC		SSL-XC		XC split thrust collars	
	Part no.	kg (lb)	Part no.	kg (lb)	Part no.	kg (lb)
9	132538 ⊗	726 (1600.6)	133565 ⊗	680 (1499.1)	133303	25.9 (57.1)
10	132539 ⊗	907 (1999.6)	133566 ⊗	794 (1750.5)	133304	33.6 (74.1)
12	132559 ⊗	1497 (3300.3)	....	....	133305	....

Shaft size (in)	Auxiliary seal kits ##		Housing end cap kits		Heater / Thermostat * XC 120 volt		Circulating oil inlet kits >		Neoprene end closure ##		Liner assemblies XC	
	Part no.	kg (lb)	Part no.	kg (lb)	Part no.	kg (lb)	Part no.	kg (lb)	Part no.	kg (lb)	Part no.	kg (lb)
9	132814	10.5 (23.1)	132564	7.2 (15.9)	434729	1.8 (4.0)	430155	0.9 (2.0)	133996	0.7 (1.5)	132591	136 (299.8)
10	132816	11.0 (24.3)	132565	7.4 (16.3)	434729	1.8 (4.0)	430155	0.9 (2.0)	133995	0.7 (1.5)	132594	181 (399.0)
12	132819	18.1 (39.9)	132566	11.3 (24.9)	434729	1.8 (4.0)	....	....	133997	0.9 (2.0)	132597	272 (599.7)

Shaft size (in)	A		B		C		D (Min.-max.)		E	
	STL	SSL	STL	SSL	STL	SSL	STL	SSL	STL	SSL
9	736.6	565.1	939.8	939.8	393.7	393.7	720.7 - 803.3	720.7 - 803.3	203.2	203.2
10	762.0	590.5	1016.0	1016.0	431.8	431.8	793.8 - 882.7	793.8 - 882.7	228.6	228.6
12	863.6	....	1168.4	....	457.2	....	930.3 - 1025.5	....	254.0	....

Shaft size (in)	F-Bolt (in)		G		H		J		K		L	M
	STL	SSL	STL	SSL	STL	SSL	STL	SSL	STL	SSL	XC	STL & SSL
9	1-3/4	1-3/4	88.9	88.9	152.4	152.4	681.0	679.5	647.7	647.7	431.8	304.8
10	2	2	101.6	101.6	171.4	171.4	744.5	743.0	717.5	717.5	457.2	342.9
12	2	....	104.8	....	177.8	....	882.6	744.5	839.8	....	508.0	406.4

Shaft size (in)	N	N1	P		Q	R pipe (in)	S	T	U	U1 (in)	V	V1
	STL	SSL	STL	SSL	STL & SSL	XC	STL & SSL	STL & SSL	SSL	STL	STL & SSL	STL & SSL
9	301.6	146.1	552.5	552.5	63.5	1-1/4	85.7	161.9	130.2	1-1/2	127.0	38.1
10	314.3	139.7	603.2	603.2	76.2	1-1/2	88.9	177.8	155.6	1-1/2	177.8	50.8
12	....	....	730.2	....	....	2	....	....	....	....	....	....

Shaft size (in)	W		X	Y	Z	B1	
	STL	SSL	XC	XC	STL & SSL	STL	SSL
9	269.9	269.9	412.8	57.2	161.9	346.1	346.1
10	279.4	279.4	444.5	66.7	177.8	368.3	368.3
12	306.4	....	514.4	....	....	....	....

## One required per pillow block end

> One required per pillow block

Unless specified, dimensions are in mm for metric parts and inches for non-metric parts.

Note: Dimensions are in MM (in)

⊗ All housings are pre-machined for accessories; thermocouples, circulating oil, vibration detector, heater and thermostat

X Assembled-to-order, Not .L. version

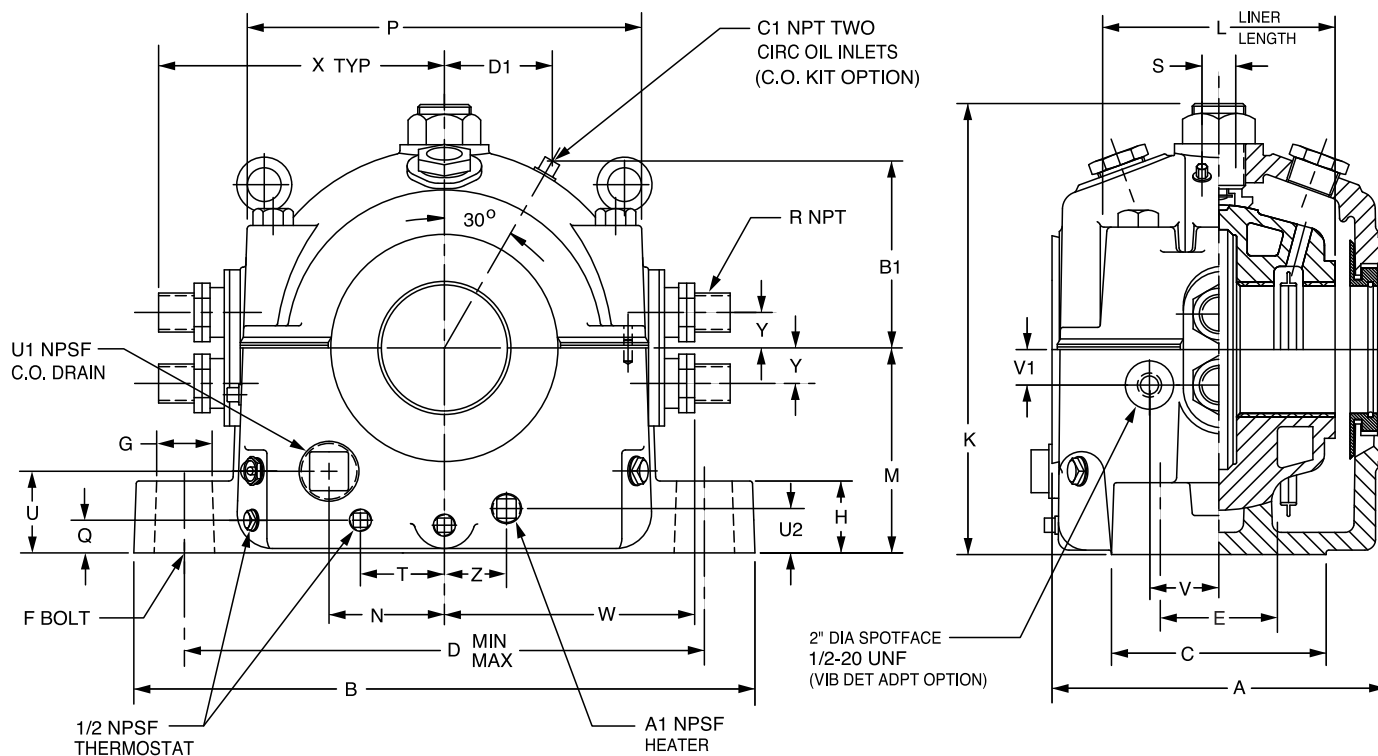
\* 220 volt heaters available. See page 8-24.

# Sleevoil<sup>®</sup> bearings

## Selection/Dimensions

### Sleevoil - RTL series

### 3-7/16. thru 12. RTL Sleevoil pillow blocks



Shaft size (in)	Expansion pillow blocks		One of each required to make a non-expansion pillow block				Auxiliary seal kits #		Housing end cap kits		Heater / Thermostat *	
	Part no.	kg (lb)	Thrust plate kits Part no.	kg (lb)	Split thrust collar ⊗ ⊗ Part no.	kg (lb)	Part no.	kg (lb)	Part no.	kg (lb)	Part no.	kg (lb)
3-7/16	132474	190 (419)	137101	1.3 (3)	132151	1.1 (2)	132811	2.2 (5)	132542	2.4 (5)	434721	0.5 (1)
3-15/16	132475	230 (507)	137102	2.0 (4)	132152	2.0 (4)	432181	2.9 (6)	432190	2.8 (6)	434725	1.1 (2)
4-7/16	132476	300 (661)	137103	2.4 (5)	132153	2.4 (5)	432184	3.2 (7)	432193	3.1 (7)	434725	1.1 (2)
4-15/16	132477	425 (937)	137104	3.1 (7)	132154	3.1 (7)	432187	3.4 (7)	432196	3.3 (7)	434727	1.4 (3)
5-7/16	132383	500 (1102)	137105	4.6 (10)	132155	4.6 (10)	133932	5.6 (12)	132546	5.3 (12)	434727	1.4 (3)
6	132384	825 (1819)	137106	5.8 (13)	132156	5.8 (13)	133933	6.7 (15)	132547	4.8 (11)	434727	1.4 (3)
7	132385	978 (2156)	137107	8.0 (18)	132157	8.0 (18)	133937	8.6 (19)	132548	6.1 (13)	434729	1.8 (4)
8	132386	1310 (2888)	137108	10.5 (23)	132158	10.5 (23)	133938	11.3 (25)	132549	7.0 (15)	434729	1.8 (4)
9	132387	1650 (3638)	137109	19.3 (43)	132159	19.3 (43)	132814	10.5 (23)	132564	7.2 (16)	434729	1.8 (4)
10	132388	2150 (4740)	137110	23.9 (53)	132160	23.9 (53)	132816	11.0 (24)	132565	7.4 (16)	434729	1.8 (4)
12	132389	3500 (7716)	137111	33.6 (74)	132161	33.6 (74)	132819	18.1 (40)	132566	11.3 (25)	434735	3.0 (7)

\* 220 volt heaters available. See page 8-24.

Unless specified, dimensions are in mm for metric parts and inches for non-metric parts.

Note: Dimensions are in MM (in)

# Sleevoil® bearings

## Selection/Dimensions

### Sleevoil - RTL series

#### 3-7/16. thru 12. RTL Sleevoil pillow blocks

Shaft size (in)	Circulating oil inlet kits >		Replacement liner assemblies		A	B	C	D (Max.-min.)	E	F dia. bolt (in)	G	H	K
	Part no.	kg (lb)	Part no.	kg (lb)									
3-7/16	<b>132203</b>	0.9 (2)	<b>132420</b>	21 (46)	254.0	476.2	152.4	409.6 - 377.8	76.2	3/4	38.1	50.8	319.1
3-15/16	<b>132203</b>	0.9 (2)	<b>132421</b>	30 (66)	273.1	527.1	177.8	457.2 - 419.1	88.9	7/8	44.5	57.1	346.1
4-7/16	<b>132203</b>	0.9 (2)	<b>132422</b>	37 (82)	298.4	552.5	190.5	479.4 - 435.0	101.6	1	50.8	63.5	387.4
4-15/16	<b>132203</b>	0.9 (2)	<b>132423</b>	51 (112)	323.9	616.0	215.9	542.9 - 498.5	114.3	1	50.8	69.8	441.3
5-7/16	<b>132203</b>	0.9 (2)	<b>132424</b>	65 (143)	355.6	679.5	241.3	590.6 - 539.8	127.0	1-1/8	57.1	82.5	479.4
6	<b>132205</b>	0.9 (2)	<b>132425</b>	83 (183)	406.4	736.6	266.7	638.2 - 571.0	139.7	1-1/4	63.5	88.9	511.2
7	<b>132205</b>	0.9 (2)	<b>132426</b>	117 (258)	457.2	838.2	317.5	733.4 - 663.6	165.1	1-1/2	76.2	101.6	568.3
8	<b>132205</b>	0.9 (2)	<b>132427</b>	187 (412)	501.6	965.2	355.6	841.4 - 758.8	190.5	1-3/4	88.9	114.3	655.6
9	<b>132205</b>	0.9 (2)	<b>132428</b>	283 (624)	577.9	1054.1	393.7	930.3 - 847.7	203.2	1-3/4	88.9	127.0	717.5
10	<b>132205</b>	0.9 (2)	<b>132429</b>	433 (955)	622.3	1206.5	431.8	1063.6 - 968.4	228.6	2	101.6	152.4	860.4
12	<b>132205</b>	0.9 (2)	<b>132430</b>	637 (1404)	736.6	1244.6	457.2	1108.1 - 1063.6	254.0	2	76.2	165.1	939.8

Shaft size (in)	L	M	N	P	Q	R (in)	S	T	U	U1 (in)	U2
3-7/16	171.4	149.2	92.1	295.3	28.6	3/4	34.9	...	69.8	1-1/2	28.6
3-15/16	184.2	165.1	112.7	327.0	28.6	1	38.1	...	74.6	1-1/2	31.8
4-7/16	203.2	177.8	114.3	349.2	31.8	1	38.1	...	74.6	1-1/2	34.9
4-15/16	225.4	196.8	130.2	406.4	31.8	1-1/4	41.3	...	82.5	2	38.1
5-7/16	254.0	222.2	146.1	438.1	41.3	1-1/4	50.8	74.6	95.2	2	47.6
6	276.2	241.3	158.8	476.2	41.3	1-1/4	54.0	88.9	101.6	2	47.6
7	317.5	273.1	174.6	539.8	50.8	1-1/4	57.1	101.6	108.0	2	50.8
8	358.8	308.0	215.9	616.0	57.1	2	60.3	139.7	120.7	2	57.1
9	412.8	342.9	233.4	692.1	57.1	2	76.2	139.7	128.6	2	57.1
10	450.9	406.4	279.4	787.4	73.0	2-1/2	79.4	215.9	141.3	2-1/2	73.0
12	527.1	450.9	315.9	901.7	79.4	3	82.5	228.6	155.6	2-1/2	79.4

Shaft size (in)	V	V1	W±4.8	X	Y	Z	A1 (in)	B1	C1 (in)	D1
3-7/16	82.5	19.1	193.7	247.7	31.8	90.5	3/4	184.2	1/4	106.4
3-15/16	76.2	38.1	220.7	249.2	31.8	103.2	1	195.3	1/4	115.9
4-7/16	82.5	41.3	231.8	260.4	31.8	112.7	1	206.4	1/4	117.5
4-15/16	95.2	44.5	273.1	315.9	47.6	136.5	1-1/4	215.9	1/4	125.4
5-7/16	101.6	44.5	290.5	327.0	47.6	142.9	1-1/4	230.2	1/4	133.3
6	95.2	50.8	309.6	342.9	47.6	155.6	1-1/4	276.2	3/8	160.3
7	114.3	50.8	335.0	371.5	47.6	174.6	1-1/4	306.4	3/8	176.2
8	127.0	50.8	398.5	454.0	57.1	212.7	1-1/4	333.4	3/8	182.6
9	139.7	50.8	435.0	488.9	57.1	230.2	1-1/4	360.4	3/8	208.0
10	152.4	50.8	503.2	571.5	69.8	269.9	1-1/4	384.2	3/8	222.2
12	165.1	50.8	558.8	616.0	88.9	308.0	1-1/4	495.3	3/8	242.9

- ## One required per pillow block end
- > One required per pillow block
- \* 220 volt heaters available. See page 8-24.
- ⊗⊗ For recessed shaft

All sizes are pre-machined for accessories; thermocouples, circulating oil, vibration detector, heater and thermostat

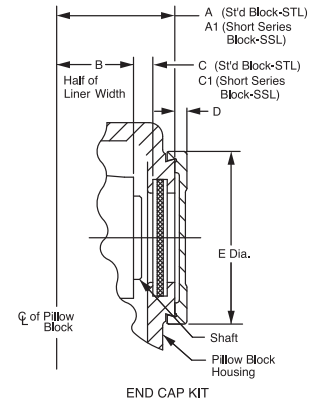
Unless specified, dimensions are in mm for metric parts and inches for non-metric parts.

Note: Dimensions are in MM (in)

# Sleevoil<sup>®</sup> bearings

## Modification/Accessories

Sleevoil traditional (Inch)  
3-7/16. thru 14. end cap kits  
Sleevoil accessories



Bore size (in)	Pillow block style	End cap kits				A STL	A1 SSL	B #	C # STL	C1 # SSL
		Part no.	Kg (lb)	D	E					
3-7/16	Plain/Water cooled STL and SSL	<b>132542</b>	2.4 (5)	12.7	181.0	165.1	123.8	88.9	53.2	11.9
3-15/16	PLXC, STL and SSL	<b>432190</b>	2.8 (6)	12.7	203.2	190.5	139.7	101.6	66.7	15.9
4-7/16	PLXC, STL and SSL	<b>432193</b>	3.1 (7)	12.7	222.2	209.6	158.8	114.3	69.1	18.3
4-15/16	PLXC, STL and SSL	<b>432196</b>	3.3 (7)	12.7	231.8	231.8	174.6	127.0	78.6	21.4
5-7/16	PLXC, STL and SSL	<b>132546</b>	5.3 (12)	12.7	266.7	250.8	193.7	139.7	78.6	21.4
6	PLXC, STL and SSL	<b>132547</b>	4.8 (11)	12.7	292.1	269.9	206.4	152.4	84.9	21.4
7	PLXC, STL and SSL	<b>132548</b>	6.1 (13)	12.7	319.1	311.1	238.1	177.8	99.2	26.2
8	PLXC, STL and SSL	<b>132549</b>	7.0 (15)	12.7	368.3	352.4	266.7	203.2	115.1	29.4
9	STL plain	<b>132564</b>	7.2 (16)	12.7	368.3	352.4	.....	203.2	115.1	.....
	XC	<b>132564</b>	7.2 (16)	12.7	368.3	368.3	.....	215.9	118.3	.....
	SSL plain	<b>132564</b>	7.2 (16)	12.7	368.3	.....	266.7	203.2	.....	29.4
	SSL	<b>132564</b>	7.2 (16)	12.7	368.3	.....	282.6	215.9	.....	32.5
10	XC	<b>132564</b>	7.2 (16)	12.7	368.3	.....	11-1/8	8-1/2	.....	1-9/32
	STL plain	<b>132565</b>	7.4 (16)	12.7	368.3	352.4	.....	203.2	115.1	.....
	STL XC	<b>132565</b>	7.4 (16)	12.7	368.3	381.0	.....	228.6	118.3	.....
	SSL plain	<b>132565</b>	7.4 (16)	12.7	368.3	.....	266.7	203.2	.....	29.4
12	SSL XC	<b>132565</b>	7.4 (16)	12.7	368.3	.....	295.3	228.6	.....	32.5
	STL plain	<b>132566</b>	11.8 (26)	12.7	476.2	381.0	.....	228.6	118.3	.....
14	STD plain	<b>132567</b>	12.0 (26)	12.7	476.2	431.8	.....	254.0	143.7	.....

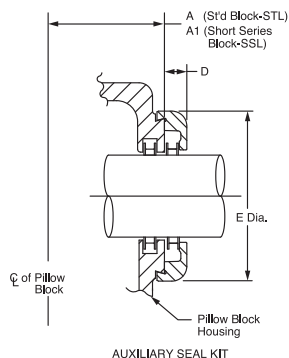
Bore size (in)	Pillow block style	End cap kits				A	B #	C #
		Part no.	Kg (lb)	D	E			
3-7/16	RTL	<b>132542</b>	2.4 (5)	12.7	181.0	127.0	85.7	21.4
3-15/16	RTL	<b>432190</b>	2.8 (6)	12.7	203.2	136.5	92.1	23.0
4-7/16	RTL	<b>432193</b>	3.1 (7)	12.7	222.2	149.2	101.6	26.2
4-15/16	RTL	<b>432196</b>	3.3 (7)	12.7	231.8	161.9	112.7	27.8
5-7/16	RTL	<b>132546</b>	5.3 (12)	12.7	266.7	177.8	127.0	29.4
6	RTL	<b>132547</b>	4.8 (11)	12.7	292.1	203.2	138.1	34.1
7	RTL	<b>132548</b>	6.1 (13)	12.7	319.1	228.6	158.8	38.9
8	RTL	<b>132549</b>	7.0 (15)	12.7	368.3	250.8	179.4	40.5
9	RTL	<b>132564</b>	7.2 (16)	12.7	368.3	288.9	206.4	51.6
10	RTL	<b>132565</b>	7.4 (16)	12.7	368.3	311.1	225.4	51.6
12	RTL	<b>132566</b>	11.8 (26)	12.7	476.2	368.3	263.5	70.6

# B+C (OR B+C1) = max. shaft penetration from center line of pillow block  
Unless specified, dimensions are in mm for metric parts and inches for non-metric parts.  
Note: Dimensions are in MM (in)

# Sleevoil® bearings

## Modification/Accessories

Sleevoil traditional (Inch)  
3-7/16. thru 14. auxiliary seal kits  
Sleevoil accessories



Bore size (in)	Pillow block		Auxiliary seal kits				A STL	A1 SSL
	Style	Part no.	Kg (lb)	D	E			
3-7/16	Plain/Water cooled STL and SSL	<b>132811</b>	2.2 (5)	23.8	181.0	165.1	123.8	
3-15/16	PLXC, STL and SSL	<b>432181</b>	2.9 (6)	23.8	203.2	190.5	139.7	
4-7/16	PLXC, STL and SSL	<b>432184</b>	3.2 (7)	25.4	222.2	209.6	158.8	
4-15/16	PLXC, STL and SSL	<b>432187</b>	3.4 (7)	25.4	231.8	231.8	174.6	
5-7/16	PLXC, STL and SSL	<b>133932</b>	5.6 (12)	33.3	266.7	250.8	193.7	
6	PLXC, STL and SSL	<b>133933</b>	6.7 (15)	33.3	292.1	269.9	206.4	
7	PLXC, STL and SSL	<b>133937</b>	8.6 (19)	36.5	319.1	311.1	238.1	
8	PLXC, STL and SSL	<b>133938</b>	11.3 (25)	36.5	368.3	352.3	266.7	
9	STL plain	<b>132814</b>	10.5 (23)	33.3	368.3	352.4	.....	
	STL XC	<b>132814</b>	10.5 (23)	33.3	368.3	368.3	.....	
	SSL plain	<b>132814</b>	10.5 (23)	33.3	368.3	.....	266.7	
	SSL XC	<b>132814</b>	10.5 (23)	33.3	368.3	282.6	215.9	
10	STL plain	<b>132816</b>	10.0 (22)	33.3	368.3	352.4	.....	
	STL XC	<b>132816</b>	10.0 (22)	33.3	368.3	381.0	.....	
	SSL plain	<b>132816</b>	10.0 (22)	33.3	368.3	.....	266.7	
	SSL XC	<b>132816</b>	10.0 (22)	33.3	368.3	295.3	228.6	
12	STL plain	<b>132819</b>	14.5 (32)	33.3	476.2	381.0	.....	
14	STD plain	<b>132822</b>	13.6 (30)	33.3	476.2	431.8	.....	

Bore size (in)	Pillow block		Auxiliary seal kits				A
	Style	Part no.	Kg (lb)	D	E		
3-7/16	RTL	<b>132811</b>	2.2 (5)	23.8	181.0	127.0	
3-15/16	RTL	<b>432181</b>	2.9 (6)	23.8	203.2	136.5	
4-7/16	RTL	<b>432184</b>	3.2 (7)	25.4	222.2	149.2	
4-15/16	RTL	<b>432187</b>	3.4 (7)	25.4	231.8	161.9	
5-7/16	RTL	<b>133932</b>	5.6 (12)	33.3	266.7	177.8	
6	RTL	<b>133933</b>	6.7 (15)	33.3	292.1	203.2	
7	RTL	<b>133937</b>	8.6 (19)	36.5	319.1	228.6	
8	RTL	<b>133938</b>	11.3 (25)	36.5	368.3	250.8	
9	RTL	<b>132814</b>	10.5 (23)	33.3	368.3	288.9	
10	RTL	<b>132816</b>	10.0 (22)	33.3	368.3	311.1	
12	RTL	<b>132819</b>	14.5 (32)	33.3	476.2	368.3	

Unless specified, dimensions are in mm for metric parts and inches for non-metric parts.  
Note: Dimensions are in MM (in)

# Sleevoil® bearings

## Modification/Accessories

### Sleevoil - RTL series

### 3-7/16. thru 12. RTL replacement part kits

Shaft size (in)	Part no.	RTL seal kit
3-7/16	<b>435001</b>	3-7/16 SLV RTL seal kit
3-15/16	<b>435002</b>	3-15/16 SLV RTL seal kit
4-7/16	<b>435003</b>	4-7/16 SLV RTL seal kit
4-15/16	<b>435004</b>	4-15/16 SLV RTL seal kit
5-7/16	<b>435005</b>	5-7/16 SLV RTL seal kit
6	<b>435006</b>	6 SLV RTL seal kit
7	<b>435007</b>	7 SLV RTL seal kit
8	<b>435008</b>	8 SLV RTL seal kit
9	<b>435009</b>	9 SLV RTL seal kit
10	<b>435010</b>	10 SLV RTL seal kit
12	<b>435011</b>	12 SLV RTL seal kit

Each kit contains (2) split aluminum clamp seals, (2) O-rings & gasket eliminator

Shaft size (in)	Part no.	RTL grommet kit
3-7/16	<b>435027</b>	3-7/16 SLV RTL grommet kit
3-15/16	<b>435028</b>	3-15/16 SLV RTL grommet kit
4-7/16	<b>435028</b>	4-7/16 SLV RTL grommet kit
4-15/16	<b>435029</b>	4-15/16 SLV RTL grommet kit
5-7/16	<b>435029</b>	5-7/16 SLV RTL grommet kit
6	<b>435029</b>	6 SLV RTL grommet kit
7	<b>435029</b>	7 SLV RTL grommet kit
8	<b>435030</b>	8 SLV RTL grommet kit
9	<b>435030</b>	9 SLV RTL grommet kit
10	<b>435031</b>	10 SLV RTL grommet kit
12	<b>435032</b>	12 SLV RTL grommet kit

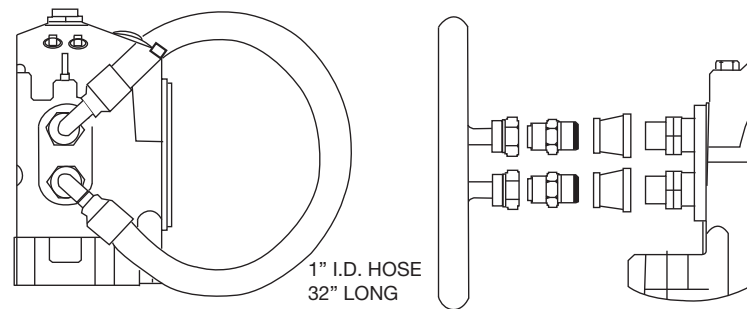
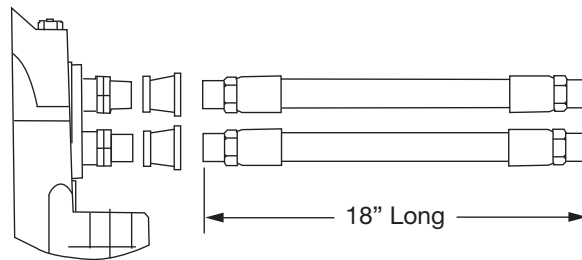
Each kit contains (2) grommets & grommet plates, (4) lock tubes, (8) lock nuts, (4) coolant pipes & gasket eliminator  
 Unless specified, dimensions are in mm for metric parts and inches for non-metric parts.  
 Note: Dimensions are in MM (in)

Shaft size (in)	Part no.	RTL plunger screw kit
3-7/16	<b>435012</b>	3-7/16. SLV RTL plunger screw kit
3-15/16	<b>435012</b>	3-15/16. SLV RTL plunger screw kit
4-7/16	<b>435013</b>	4-7/16. SLV RTL plunger screw kit
4-15/16	<b>435014</b>	4-15/16. SLV RTL plunger screw kit
5-7/16	<b>435015</b>	5-7/16. SLV RTL plunger screw kit
6	<b>435015</b>	6. SLV RTL plunger screw kit
7	<b>435016</b>	7. SLV RTL plunger screw kit
8	<b>435017</b>	8. SLV RTL plunger screw kit
9	<b>435018</b>	9. SLV RTL plunger screw kit
10	<b>435019</b>	10. SLV RTL plunger screw kit
12	<b>435019</b>	12. SLV RTL plunger screw kit

Each kit contains plunger screw & plunger screw locknut

Shaft size (in)	Part no.	RTL - Sleeveoil coolant hose kit
3-7/16	<b>434770</b>	3/4. Sleeveoil coolant hose kit
3-15/16	<b>434771</b>	1. Sleeveoil coolant hose kit
4-7/16	<b>434771</b>	1. Sleeveoil coolant hose kit
4-15/16	<b>434772</b>	1-1/4. Sleeveoil coolant hose kit
5-7/16	<b>434772</b>	1-1/4. Sleeveoil coolant hose kit
6	<b>434772</b>	1-1/4. Sleeveoil coolant hose kit
7	<b>434772</b>	1-1/4. Sleeveoil coolant hose kit
8	<b>434773</b>	2. Sleeveoil coolant hose kit
9	<b>434773</b>	2. Sleeveoil coolant hose kit
10	<b>434774</b>	2-1/2. Sleeveoil coolant hose kit
12	<b>434775</b>	3. Sleeveoil coolant hose kit

Each coolant hose kit contains (2) straight (inlet/outlet) hoses, (1) return hose and the required couplers, adapters and fittings.



Coolant Hose Kit illustrated here.

# Sleevoil® bearings

## Modification/Accessories

### Sleevoil - R-series replacement part kits

Shaft size (in)	Part no.	R-series - Sleeveoil dust seal kits
1-7/16	<b>389820</b>	1-7/16 dust seal kit
1-11/16	<b>389821</b>	1-11/16 dust seal kit
1-15/16	<b>389822</b>	1-15/16 dust seal kit
2-3/16	<b>389823</b>	2-3/16 dust seal kit
2-7/16	<b>389824</b>	2-7/16 dust seal kit
2-11/16	<b>389825</b>	2-11/16 dust seal kit
2-15/16	<b>389826</b>	2-15/16 dust seal kit
3-7/16	<b>389827</b>	3-7/16 dust seal kit
3-15/16	<b>389828</b>	3-15/16 dust seal kit
4-7/16	<b>389829</b>	4-7/16 dust seal kit
4-15/16	<b>389830</b>	4-15/16 dust seal kit
5-7/16	<b>389831</b>	5-7/16 dust seal kit
6	<b>389832</b>	6 dust seal kit
7	<b>389833</b>	7 dust seal kit
8	<b>389834</b>	8 dust seal kit
9	<b>389835</b>	9 dust seal kit
10 *	<b>389836</b>	10 dust seal kit
12 *	<b>389837</b>	12 dust seal kit

Each kit contains (2) dust seals , (2) seal retainers & gasket eliminator  
 \* k it contains (4) seal retainers

Shaft size (in)	Part no.	R-series - Sleeveoil plunger screw kit
3-15/16	<b>435012</b>	3-15/16 PL-XC plunger screw kit
4-7/16	<b>435021</b>	4-7/16 PL-XC plunger screw kit
4-15/16	<b>435021</b>	4-15/16 PL-XC plunger screw kit
5-7/16	<b>435013</b>	5-7/16 PL-XC plunger screw kit
6	<b>435015</b>	6 PL-XC plunger screw kit
7	<b>435016</b>	7 PL-XC plunger screw kit
8	<b>435016</b>	8 PL-XC plunger screw kit
9 XC	<b>435018</b>	9 PL-XC plunger screw kit
10 XC	<b>435018</b>	10 PL-XC plunger screw kit
12 XC	<b>435019</b>	12 PL-XC plunger screw kit
9 PL	<b>435016</b>	9 PL-XC plunger screw kit
10 PL	<b>435016</b>	10 PL-XC plunger screw kit
12 PL	<b>435018</b>	12 PL-XC plunger screw kit

Each kit contains plunger screw & plunger screw locknut  
 Unless specified, dimensions are in mm for metric parts and inches for non-metric parts.  
 Note: Dimensions are in MM (in)



PL-XC grommets and grommet plates pictured here.

Shaft size (in)	Part no.	R-series - Coolant hose kit
1-11/16	<b>133344</b>	1/4. Sleeveoil flexible water hose kit
1-15/16	<b>133344</b>	1/4. Sleeveoil flexible water hose kit
2-3/16	<b>133344</b>	1/4. Sleeveoil flexible water hose kit
2-7/16	<b>133344</b>	1/4. Sleeveoil flexible water hose kit
2-11/16	<b>133344</b>	1/4. Sleeveoil flexible water hose kit
2-15/16	<b>133344</b>	1/4. Sleeveoil flexible water hose kit
3-7/16	<b>133344</b>	1/4. Sleeveoil flexible water hose kit
3-15/16 XC	<b>434771</b>	1. Sleeveoil coolant hose kit
4-7/16 XC	<b>434771</b>	1. Sleeveoil coolant hose kit
4-15/16 XC	<b>434772</b>	1-1/4. Sleeveoil coolant hose kit
5-7/16 XC	<b>434772</b>	1-1/4. Sleeveoil coolant hose kit
6 XC	<b>434772</b>	1-1/4. Sleeveoil coolant hose kit
7 XC	<b>434772</b>	1-1/4. Sleeveoil coolant hose kit
8 XC	<b>434772</b>	1-1/4. Sleeveoil coolant hose kit
9 XC	<b>434772</b>	1-1/4. Sleeveoil coolant hose kit
10 XC	<b>434797</b>	1-1/2. Sleeveoil coolant hose kit
12 XC	<b>434773</b>	2. Sleeveoil coolant hose kit

Each coolant hose kit contains (2) straight (inlet/outlet) hoses, (1) return hose and the required couplers, adapters and fittings.

Shaft size (in)	Part no.	R-series - Sleeveoil grommet kit
3-15/16	<b>435033</b>	3-15/16 PL-XC grommet kit
4-7/16	<b>435033</b>	4-7/16 PL-XC grommet kit
4-15/16	<b>435034</b>	4-15/16 PL-XC grommet kit
5-7/16	<b>435034</b>	5-7/16 PL-XC grommet kit
6	<b>435035</b>	6 PL-XC grommet kit
7	<b>435035</b>	7 PL-XC grommet kit
8	<b>435036</b>	8 PL-XC grommet kit
9 PL	<b>435037</b>	9 Plain grommet kit
9 XC	<b>435038</b>	9 XC pipe grommet kit
10 PL	<b>435037</b>	10 plain grommet kit
10 XC	<b>435039</b>	10 XC pipe grommet kit
12 XC	<b>435040</b>	12 XC pipe grommet kit

Each kit contains (2) rubber grommets, (2) grommet plates, (8) screws, (4) coolant pipes - in PL-XC & XC grommet kits only & gasket eliminator



# Sleevoil<sup>®</sup> bearings

## Modification/Accessories

### Sleevoil - Heater / Thermostat

Shaft size (in)	Part no.	RTL - Combination heater / Thermostat - 110V	
3 -7/16	<b>434721</b>	175 W 110V	Immersion heater / T-stat combo
3 -15/16	<b>434725</b>	260 W 110 V	Immersion heater / T-stat combo
4 -7/16	<b>434725</b>	260 W 110 V	Immersion heater / T-stat combo
4 -15/16	<b>434727</b>	480 W 110 V	Immersion heater / T-stat combo
5 -7/16	<b>434727</b>	480 W 110 V	Immersion heater / T-stat combo
6	<b>434727</b>	480 W 110 V	Immersion heater / T-stat combo
7	<b>434729</b>	740 W 110 V	Immersion heater / T-stat combo
8	<b>434729</b>	740 W 110 V	Immersion heater / T-stat combo
9	<b>434729</b>	740 W 110 V	Immersion heater / T-stat combo
10	<b>434729</b>	740 W 110 V	Immersion heater / T-stat combo
12	<b>434735</b>	1600 W 110 V	Immersion heater / T-stat combo

Single unit - 110V combination heater and thermostat

Shaft size (in)	Part no.	R-series - Combination heater / Thermostat - 110V	
2-7/16 *	<b>132834</b>	50 W 110V	Immersion heater
2-11/16 *	<b>132384</b>	50 W 110V	Immersion heater
2-15/16 *	<b>132384</b>	50 W 110V	Immersion heater
3-7/16	<b>434719</b>	100 W 110V	Immersion heater / T-stat combo
3-15/16	<b>434721</b>	175 W 110V	Immersion heater / T-stat combo
4-7/16	<b>434721</b>	175 W 110V	Immersion heater / T-stat combo
4-15/16	<b>434721</b>	175 W 110V	Immersion heater / T-stat combo
5-7/16	<b>434721</b>	175 W 110V	Immersion heater / T-stat combo
6	<b>434725</b>	260 W 110V	Immersion heater / T-stat combo
7	<b>434725</b>	260 W 110V	Immersion heater / T-stat combo
8	<b>434727</b>	480 W 110V	Immersion heater / T-stat combo
9 XC	<b>434729</b>	740 W 110V	Immersion heater / T-stat combo
9 PL	<b>434727</b>	480 W 110V	Immersion heater / T-stat combo
10 XC	<b>434729</b>	740 W 110V	Immersion heater / T-stat combo
10 PL	<b>434727</b>	480 W 110V	Immersion heater / T-stat combo
12 XC	<b>434729</b>	740 W 110V	Immersion heater / T-stat combo
12 PL	<b>434729</b>	740 W 110V	Immersion heater / T-stat combo
14 PL	<b>434729</b>	740 W 110V	Immersion heater / T-stat combo

Single unit - 110V combination heater and thermostat

\* Requires listed heater part number and thermostat p/n 133116

Heater / thermostat combo includes LED current indicating light and NEMA 4 LB enclosure

2-7/16., 2-11/16. and 2-15/16. heater (132834 or 434835) to be used with thermostat part 133116. Combination heater/thermostat is not available for small bore Sleeve bearings.

Unless specified, dimensions are in mm for metric parts and inches for non-metric parts.

Note: Dimensions are in MM (in)

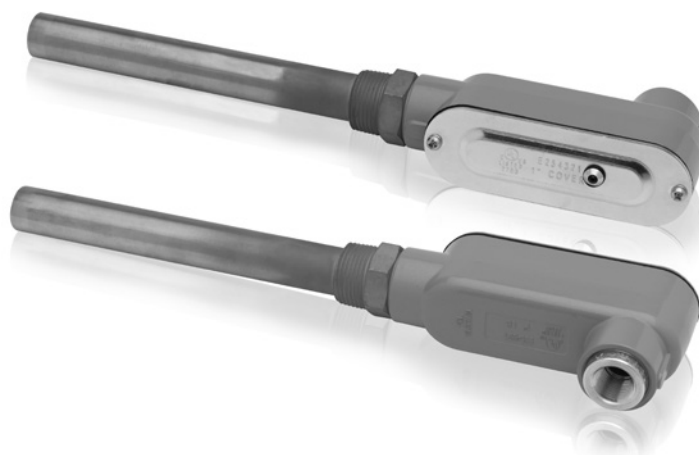
Shaft size (in)	Part no.	RTL - Combination heater / Thermostat - 220V	
3 -7/16	<b>434722</b>	175 W 220 V	Immersion heater / T-stat combo
3 -15/16	<b>434726</b>	260 W 220 V	Immersion heater / T-stat combo
4 -7/16	<b>434726</b>	260 W 220 V	Immersion heater / T-stat combo
4 -15/16	<b>434728</b>	480 W 220 V	Immersion heater / T-stat combo
5 -7/16	<b>434728</b>	480 W 220 V	Immersion heater / T-stat combo
6	<b>434728</b>	480 W 220 V	Immersion heater / T-stat combo
7	<b>434730</b>	740 W 220 V	Immersion heater / T-stat combo
8	<b>434730</b>	740 W 220 V	Immersion heater / T-stat combo
9	<b>434730</b>	740 W 220 V	Immersion heater / T-stat combo
10	<b>434730</b>	740 W 220 V	Immersion heater / T-stat combo
12	<b>434736</b>	1600 W 220 V	Immersion heater / T-stat combo

Single unit - 220V combination heater and thermostat

Shaft size (in)	Part no.	R-series - Combination heater / Thermostat - 220V	
2 7/16	<b>434835 *</b>	50 W 220V	Immersion heater
2 11/16	<b>434835 *</b>	50 W 220V	Immersion heater
2 15/16	<b>434835 *</b>	50 W 220V	Immersion heater
3-7/16	<b>434720</b>	100 W 220V	Immersion heater / T-stat combo
3-15/16	<b>434722</b>	175 W 220 V	Immersion heater / T-stat combo
4-7/16	<b>434722</b>	175 W 220 V	Immersion heater / T-stat combo
4-15/16	<b>434722</b>	175 W 220 V	Immersion heater / T-stat combo
5-7/16	<b>434722</b>	175 W 220 V	Immersion heater / T-stat combo
6	<b>434726</b>	260 W 220 V	Immersion heater / T-stat combo
7	<b>434726</b>	260 W 220 V	Immersion heater / T-stat combo
8	<b>434728</b>	480 W 220 V	Immersion heater / T-stat combo
9 XC	<b>434730</b>	740 W 220 V	Immersion heater / T-stat combo
9 PL	<b>434728</b>	480 W 220 V	Immersion heater / T-stat combo
10 XC	<b>434730</b>	740 W 220 V	Immersion heater / T-stat combo
10 PL	<b>434728</b>	480 W 220 V	Immersion heater / T-stat combo
12 XC	<b>434730</b>	740 W 220 V	Immersion heater / T-stat combo
12 PL	<b>434730</b>	740 W 220 V	Immersion heater / T-stat combo
14 PL	<b>434730</b>	740 W 220 V	Immersion heater / T-stat combo

Single unit - 220V combination heater and thermostat

\* Requires listed heater part number and thermostat p/n 133116

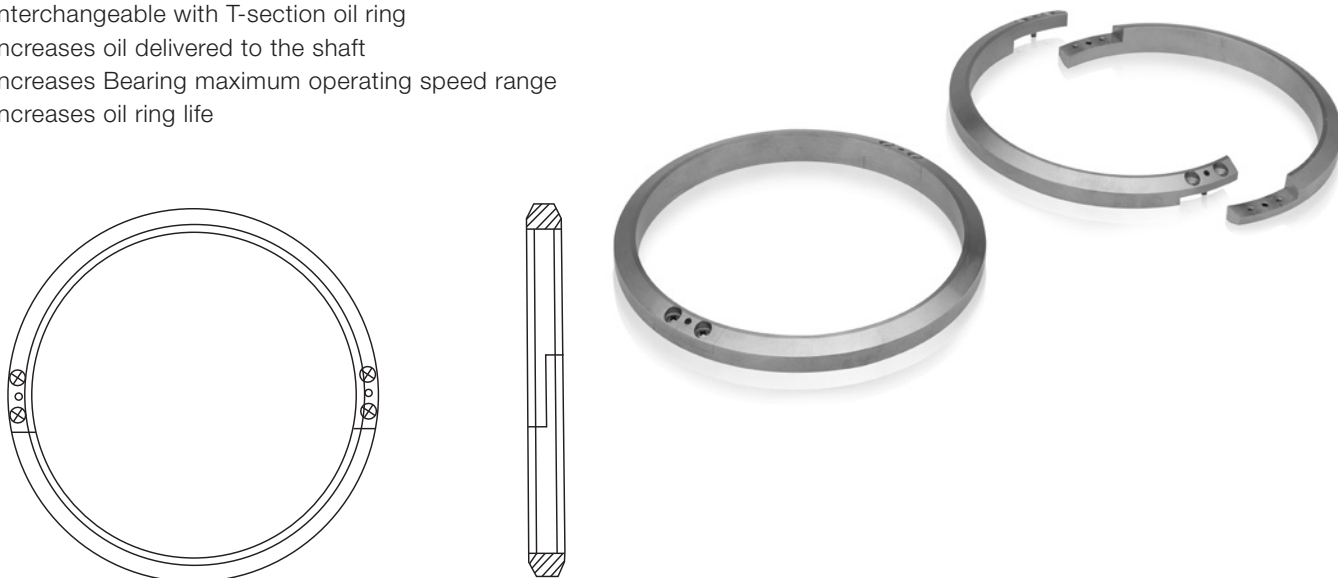


# Sleevoil® bearings

## Modification/Accessories

### Sleevoil - R series and RTL trapezoidal oil ring 1-7/16. thru 14. trapezoidal section oil ring

- Lower operating temperatures
- Designed for existing and new Sleevoil Bearings
- Interchangeable with T-section oil ring
- Increases oil delivered to the shaft
- Increases Bearing maximum operating speed range
- Increases oil ring life



Plain	PLXC or WC Repl.	RTL	T-Section no.	Trapezoidal oil ring no.
1-7/16			130063	135700
1-11/16	1-11/16		130044	135704
1-15/16	1-15/16		130045	135708
2-3/16	2-3/16		130047	135712
2-7/16	2-7/16		130049	135716
2-11/16	2-11/16		130050	135720
2-15/16	2-15/16		130051	135724
3-7/16	3-7/16		130054	135728
3-15/16	3-15/16	3-7/16	130056	135290
4-7/16	4-7/16	3-15/16	130057	135291
4-15/16	4-15/16	4-7/16	130058	135292
5-7/16	5-7/16	4-15/16	130059	135293
6	6	5-7/16	130060	135294
		6	130078	135295
7	7		130062	135136
8	8	7	130065	135296
9, 10		8	130066	135297
	9		130067	135137
		9	130068	135298
	10		130064	135138
12			130070	135732
	12	10	130073	135299
14			130069	135736
		12	130071	135135

Note: T-section oil rings will be discontinued and superseded to the Trapezoidal oil rings as inventory is depleted.

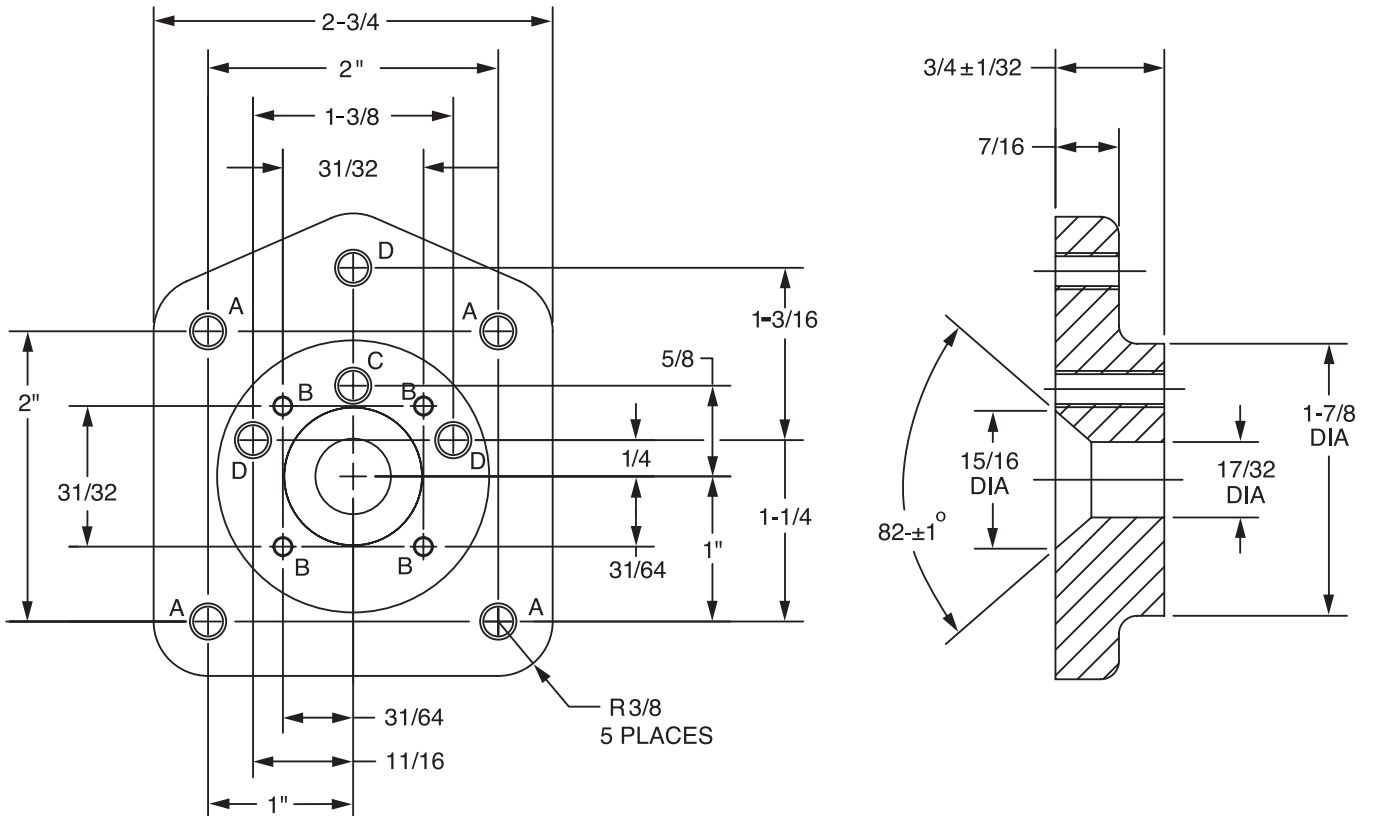
Unless specified, dimensions are in mm for metric parts and inches for non-metric parts.

Note: Dimensions are in MM (in)

# Sleevoil<sup>®</sup> bearings

## Modification/Accessories

Sleevoil  
Vibration detector adapter kit  
part number 430153



**Vibration detector adapter kit**  
part number 430153  
Sleevoil accessories

- (A) Hole 5 ( .2055) dia. drill thru 1/4-20 tap thru - A30935
- (B) Hole #32 ( .116) dia. drill thru 6-32 tap thru - A30936
- (C) Hole 7/32 Dia. drill thru 1/4-28 Tap thru - A30937
- (D) Hole 5 ( .2055) dia. drill thru 1/4-20 tap thru - A30938

**Blank vibration detector adapter kit**  
part number 433326

Note: Dimensions in inches.



# Sleevoil<sup>®</sup> bearings

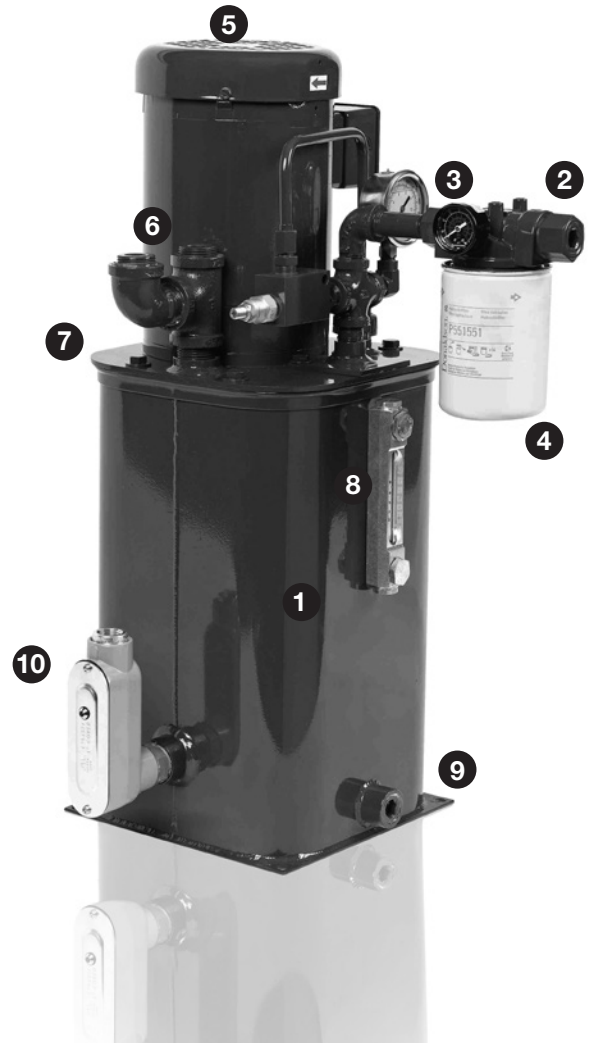
## Modification/Accessories

### Sleevoil

#### One system for two Sleevoil bearings

Oil level and filtration system fits all Dodge Sleevoil bearings

- 1 Five gallon tank
- 2 Oil pump supply line
- 3 Pressure gauge
- 4 Spin on filter
- 5 Standard NEMA motor
- 6 Return line connection—1in NPT coupling with two inlets
- 7 Removable tank cover
- 8 Oil level/Temperature gauge
- 9 Mounting bracket
- 10 Immersion heater & thermostat option—1in NPT port
- 11 Filtered breather (not shown)
- 12 Nameplate (not shown)



#### Oil level filtration system part numbers

Description	Part no.
Single phase motor*, 2.0 GPM pump	<b>077587</b>
Three phase motor*, 2.0 GPM pump	<b>077588</b>
Three phase XP-motor*, 2.0 GPM pump	<b>077589</b>
Three phase motor (575V) 2.0 GPM pump	<b>077484</b>

\*Single phase motor 60 Hz 120 volt

\*Three phase motor 50/60 Hz 230/460 volt

#### Optional parts<sup>1</sup>

Description	Part no.
Combination heater/Thermostat 260 Watt, 120 Volt Heater	<b>434725</b>
Combination heater/Thermostat 260 Watt, 240 Volt Heater	<b>434726</b>
Flow meter kit	<b>079498</b>
Desiccant filter kit (to be installed in series with standard filter)	<b>079754</b>

<sup>1</sup>Not included with OLF-2. Order desired part if required.

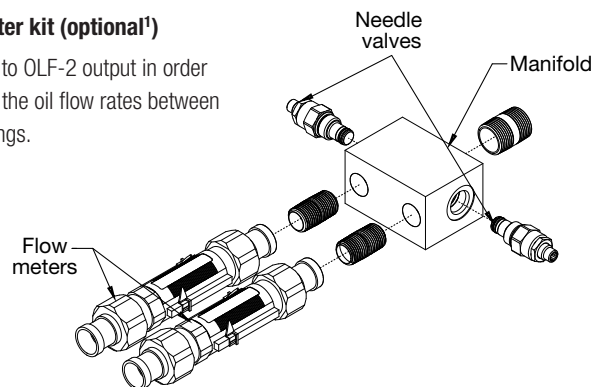
Unless specified, dimensions are in mm for metric parts and inches for non-metric parts.  
Note: Dimensions are in MM (in)

#### Oil inlet connections

Sleevoil series	Bore sizes (in)	Need circulating oil grommet kit part no.
	1-7/16 - 3-7/16	<b>Not required</b>
R series	3-15/16	<b>432153</b>
	4-7/16 - 4-15/16	<b>430198</b>
	5-7/16 - 12	<b>430155</b>
RTL series	3-7/16 - 5-7/16	<b>132203</b>
	6 - 12	<b>132205</b>

#### Flow meter kit (optional<sup>1</sup>)

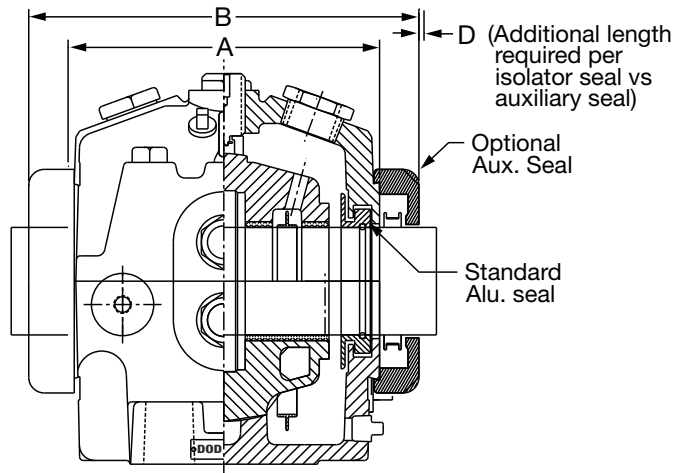
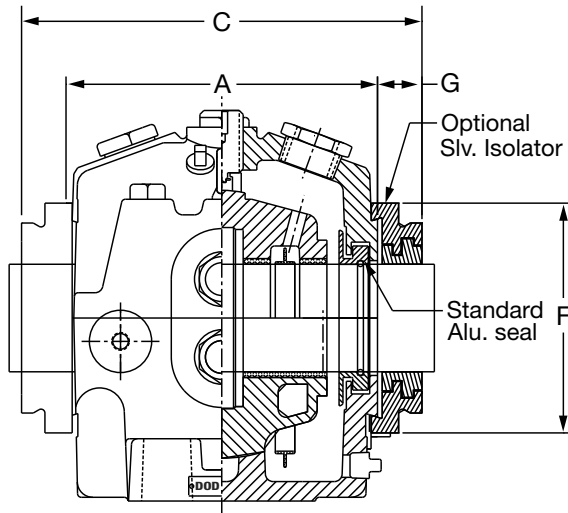
Connects to OLF-2 output in order to control the oil flow rates between two bearings.



# Sleevoil® bearings

## Modification/Accessories

### Dodge Sleevoil bearing isolator RTL and R-series pillow blocks



RTL Housing length thru bore with Dodge seal offerings								
Size (inches)	Part no.	A*	B*	C*	D*	E*	F*	G*
3-7/16	434706	254	301.6	320.7	4.5	19.1	187.3	33.3
3-15/16	434707	273.1	320.7	339.7	9.5	19.1	209.6	33.3
4-7/16	434708	298.4	349.3	365.1	7.9	15.9	228.6	33.3
4-15/16	434709	323.9	374.7	390.1	7.9	15.9	241.3	33.3
5-7/16	434710	355.6	422.3	422.3	0	0	273.1	33.3
6	434711	406.4	473.1	479.4	3.2	6.4	295.3	36.5
7	434712	457.2	530.2	530.2	0	0	323.9	36.5
8	434713	501.7	574.7	574.7	0	0	323.9	36.5
9	434714	577.9	644.5	650.9	3.2	6.4	323.9	36.5
10	434715	622.3	689.0	695.3	3.2	6.4	323.9	36.5
12	434716	736.6	803.3	809.6	3.2	6.4	469.9	36.5

#### Notes:

A - Length thru housing bore with standard aluminum seal

B - Length thru housing bore with optional auxiliary seals

C - Length thru housing bore with optional isolator seals

D - Additional length required per isolator seal vs auxiliary seal

E - Additional shaft length required

F - Isolator outside diameter

G - Isolator width from housing end face

\* - Isolator can also be used with R-series pillow blocks

Unless specified, dimensions are in mm for metric parts and inches for non-metric parts.

Note: Dimensions are in MM (in)

**Note:** For further information regarding Dodge Sleevoil bearing isolator, see page 8-6

Unless specified, dimensions are in mm for metric parts and inches for non-metric parts.

Note: Dimensions are in MM (in)



# Sleevoil<sup>®</sup> bearings

## Notes

# Sleevoil<sup>®</sup> bearings

## Notes

# Part number index

Part number*	Page	Part number*	Page	Part number*	Page	Part number*	Page
4347	8-23	033085	7-16	033269	7-18	033624	7-26
012302	4-70	033086	7-16	033270	7-18	033625	7-26
012303	4-70	033087	7-16	033271	7-18	033626	7-26
012340	4-70	033088	7-16	033272	7-18	033627	7-26
012341	4-70	033089	7-16	033273	7-18	033667	7-10
012342	4-70	033090	7-16	033274	7-18	033668	7-10
012343	4-70	033091	7-16	033275	7-18	033669	7-10
032867	2-63	033092	7-16	033276	7-18	033670	7-10
032868	2-63	033093	7-16	033277	7-18	033672	7-10
032871	2-63	033094	7-16	033278	7-18	033673	7-10
032872	2-63	033095	7-16	033321	7-15	033674	7-10
032874	2-63	033096	7-16	033323	7-15	033676	7-10
032875	2-63	033097	7-16	033347	7-14	033677	7-10
032876	2-63	033098	7-16	033351	7-14	033678	7-10
032877	2-63	033185	7-16	033475	7-14	033680	7-10
032878	2-63	033186	7-16	033480	7-14	033681	7-10
032879	2-63	033187	7-16	033485	7-14	033682	7-10
032881	2-63	033188	7-16	033490	7-14	033683	7-10
032882	2-63	033189	7-16	033500	7-14	033684	7-10
032886	2-63	033190	7-16	033505	7-14	033686	7-10
032887	2-63	033191	7-16	033510	7-14	033687	7-10
032923	7-15	033192	7-16	033515	7-14	033688	7-10
032937	7-15	033193	7-16	033525	7-14	033692	7-32
032940	7-12	033194	7-16	033530	7-14	033693	7-32
032941	7-12	033195	7-16	033535	7-14	033694	7-32
032942	7-12	033196	7-16	033540	7-14	033695	7-32
032943	7-12	033197	7-16	033585	7-26	033696	7-33
032945	7-12	033198	7-16	033586	7-26	033697	7-33
032946	7-12	033200	7-18	033587	7-26	033698	7-33
032947	7-12	033201	7-18	033588	7-26	033699	7-33
032949	7-12	033202	7-18	033589	7-26	033739	7-24
032950	7-12	033203	7-18	033590	7-26	033740	7-24
032951	7-12	033204	7-18	033591	7-26	033741	7-24
032953	7-12	033205	7-18	033592	7-26	033742	7-24
032954	7-12	033206	7-18	033593	7-26	033743	7-24
032955	7-12	033207	7-18	033594	7-26	033744	7-24
032956	7-12	033208	7-18	033595	7-26	033745	7-24
032957	7-12	033209	7-18	033596	7-26	033750	7-24
032959	7-12	033210	7-18	033597	7-26	033751	7-24
032960	7-12	033211	7-18	033598	7-26	033752	7-24
032970	7-12	033212	7-18	033599	7-26	033753	7-24
032971	7-12	033213	7-18	033600	7-26	033754	7-24
032972	7-12	033214	7-18	033601	7-26	033755	7-24
032973	7-12	033215	7-18	033602	7-26	033756	7-24
032975	7-12	033216	7-18	033610	7-26	033810	7-20
032976	7-12	033217	7-18	033611	7-26	033811	7-20
032977	7-12	033218	7-18	033612	7-26	033812	7-20
032979	7-12	033247	7-14	033613	7-26	033813	7-20
032980	7-12	033251	7-14	033614	7-26	033814	7-20
032981	7-12	033260	7-18	033615	7-26	033815	7-20
032983	7-12	033261	7-18	033616	7-26	033816	7-20
032984	7-12	033262	7-18	033617	7-26	033817	7-20
032985	7-12	033263	7-18	033618	7-26	033818	7-20
032986	7-12	033264	7-18	033619	7-26	033819	7-20
032987	7-12	033265	7-18	033620	7-26	033820	7-20
032989	7-12	033266	7-18	033621	7-26	033821	7-20
032990	7-12	033267	7-18	033622	7-26	033822	7-20
033077	7-10	033268	7-18	033623	7-26	033823	7-20

\*Please add a "7B" suffix to part numbers when entering into ABB system.



# Part number index

Part number*	Page	Part number*	Page	Part number*	Page	Part number*	Page
033824	7-20	033905	7-31	033992	7-10	034274	7-18
033825	7-20	033906	7-31	033993	7-10	034275	7-18
033826	7-20	033907	7-31	033994	7-10	034276	7-18
033840	7-20	033910	7-22	033996	7-10	034277	7-18
033841	7-20	033911	7-22	033997	7-10	034278	7-18
033842	7-20	033912	7-22	033998	7-10	034279	7-18
033843	7-20	033913	7-22	034117	7-26	034280	7-18
033844	7-20	033914	7-22	034218	7-16	034281	7-18
033845	7-20	033915	7-22	034221	7-10	034282	7-18
033846	7-20	033916	7-22	034225	7-10	034283	7-18
033847	7-20	033917	7-22	034226	7-10	034284	7-18
033848	7-20	033918	7-22	034227	7-10	034285	7-18
033849	7-20	033919	7-22	034228	7-10	034286	7-18
033850	7-20	033920	7-22	034229	7-10	034287	7-18
033851	7-20	033921	7-22	034230	7-10	034288	7-18
033852	7-20	033922	7-22	034231	7-10	034289	7-18
033853	7-20	033923	7-22	034232	7-10	034290	7-18
033854	7-20	033924	7-22	034233	7-10	034291	7-18
033855	7-20	033925	7-22	034234	7-10	034292	7-18
033856	7-20	033926	7-22	034235	7-10	034293	7-20
033862	7-15	033927	7-22	034236	7-10	034294	7-20
033863	7-15	033928	7-22	034237	7-10	034295	7-20
033867	7-15	033929	7-15	034238	7-10	034296	7-20
033868	7-15	033930	7-15	034239	7-10	034297	7-20
033869	7-15	033931	7-15	034240	7-10	034298	7-20
033870	7-22	033932	7-15	034241	7-10	034299	7-20
033871	7-22	033933	7-15	034242	7-10	034300	7-20
033872	7-22	033934	7-15	034243	7-10	034303	7-20
033873	7-22	033937	7-30	034244	7-12	034304	7-20
033874	7-22	033938	7-30	034245	7-12	034305	7-20
033875	7-22	033939	7-30	034246	7-12	034306	7-20
033876	7-22	033940	7-30	034247	7-12	034307	7-20
033877	7-22	033952	7-30	034248	7-12	034308	7-20
033878	7-22	033953	7-30	034249	7-12	034309	7-20
033879	7-22	033954	7-30	034250	7-12	034310	7-20
033880	7-22	033955	7-30	034251	7-12	034313	7-22
033881	7-22	033960	7-29	034252	7-12	034314	7-22
033882	7-22	033961	7-29	034253	7-12	034315	7-22
033883	7-22	033962	7-29	034254	7-12	034316	7-22
033884	7-22	033963	7-29	034255	7-12	034317	7-22
033885	7-22	033964	7-29	034256	7-12	034318	7-22
033886	7-22	033965	7-29	034257	7-12	034319	7-22
033887	7-22	033966	7-29	034258	7-12	034320	7-22
033888	7-22	033967	7-29	034259	7-12	034321	7-22
033890	7-31	033968	7-29	034260	7-16	034322	7-22
033891	7-31	033974	7-10	034261	7-16	034323	7-22
033892	7-31	033977	7-10	034262	7-16	034324	7-22
033893	7-31	033978	7-10	034263	7-16	034325	7-22
033894	7-31	033979	7-10	034264	7-16	034326	7-22
033895	7-31	033980	7-10	034265	7-16	034327	7-22
033896	7-31	033982	7-10	034266	7-16	034328	7-22
033897	7-31	033983	7-10	034267	7-16	034329	7-22
033899	7-15	033984	7-10	034268	7-16	034330	7-22
033900	7-31	033986	7-10	034269	7-16	034331	7-22
033901	7-31	033987	7-10	034270	7-16	034332	7-22
033902	7-31	033988	7-10	034271	7-16	034438	7-28
033903	7-31	033990	7-10	034272	7-16	034439	7-28
033904	7-31	033991	7-10	034273	7-18	034440	7-28

\*Please add a "7B" suffix to part numbers when entering into ABB system.

# Part number index

Part number*	Page	Part number*	Page	Part number*	Page	Part number*	Page
034441	7-28	034722	2-62	046226	6-32, 6-33	046715	6-37
034442	7-28	034725	2-62	046227	6-32, 6-33	046717	6-37
034443	7-28	034726	2-60	046228	6-32	046718	6-37
034444	7-28	034727	2-60	046229	6-32	046719	6-33, 6-37
034445	7-28	034728	2-60	046230	6-32	046720	6-33, 6-37
034446	7-28	034729	2-60	046231	6-32	046721	6-33
034447	7-28	034730	2-60	046232	6-32	046722	6-33
034448	7-28	034731	2-60	046233	6-43	046723	6-33
034449	7-28	034732	2-60	046234	6-43	048925	6-14
034450	7-28	034735	2-60	046235	6-43	048927	6-14
034451	7-28	034736	2-61	046236	6-43	048929	6-14
034452	7-28	034737	2-61	046237	6-43	048930	6-14
034453	7-28	034738	2-61	046238	6-35	048931	6-14
034454	7-26	034739	2-61	046239	6-35	048932	6-14
034455	7-26	034740	2-61	046285	6-29, 6-35	048933	6-14
034456	7-26	034741	2-61	046286	6-29, 6-35	048934	6-14
034457	7-26	034748	2-58	046287	6-29, 6-35	048937	6-14
034458	7-26	034749	2-58	046288	6-29, 6-35	048938	6-14
034459	7-26	034750	2-58	046289	6-29, 6-35	048939	6-14
034460	7-26	034751	2-58	046290	6-29, 6-35	048940	6-14
034461	7-26	034752	2-58	046291	6-29, 6-35	049380	2-48
034462	7-26	034754	2-58	046292	6-29	049437	4-32
034463	7-26	034755	2-59	046293	6-29, 6-35	049462	4-87
034464	7-26	034756	2-59	046294	6-29	049477	2-34
034465	7-26	034759	2-62	046295	6-29	049490	6-35
034466	7-26	034760	2-62	046296	6-29	049615	4-42
034467	7-26	034761	2-62	046297	6-29	049686	2-30
034468	7-26	034762	2-62	046298	6-29	049811	4-89
034469	7-26	034763	2-62	046299	6-29	049829	4-62
034470	7-26	034765	2-62	046304	6-29, 6-35	049835	2-48
034471	7-26	034766	2-60	046305	6-29, 6-35	049852	4-16
034472	7-26	034767	2-60	046306	6-29, 6-35	049859	4-28
034473	7-26	034768	2-60	046307	6-29, 6-35	049891	4-89
034525	7-26	034769	2-60	046308	6-29, 6-35	049893	4-89
034596	7-12	034770	2-60	046309	6-29, 6-35	049894	4-88
034597	7-12	034772	2-60	046310	6-29, 6-35	049918	4-82
034598	7-12	034773	2-61	046311	6-29	049925	4-80
034599	7-12	034774	2-61	046312	6-29, 6-35	049926	4-34
034700	2-58	034775	2-61	046313	6-29	049944	4-26
034701	2-58	034776	2-61	046314	6-29	049945	4-82
034702	2-58	036567	5-19	046315	6-29	049991	4-88
034703	2-58	045338	2-39	046316	6-29	049996	2-26
034704	2-58	045412	2-39	046317	6-29	050119	4-30
034705	2-58	045600	2-39	046318	6-29	050189	4-87
034706	2-58	045601	2-39	046331	6-32, 6-33	050386	4-28
034709	2-58	045602	2-39	046332	6-32, 6-33	050524	2-39
034710	2-59	045603	2-39	046333	6-32, 6-33	050555	4-89
034711	2-59	045604	2-39	046487	6-29, 6-35	050580	2-39
034712	2-59	045605	2-39	046488	6-29, 6-35	050653	2-39
034713	2-59	045606	2-39	046489	6-29, 6-35	050654	2-39
034714	2-59	045677	2-39	046490	6-29	050656	2-39
034715	2-59	045874	4-78, 4-82	046492	6-35	050834	4-46
034716	2-62	046219	6-32, 6-33	046496	6-35	050835	4-46
034717	2-62	046221	6-32, 6-33	046710	6-37	050837	4-16
034718	2-62	046222	6-32, 6-33	046711	6-37	050843	4-48
034719	2-62	046223	6-32, 6-33	046712	6-37	050846	4-62
034720	2-62	046224	6-32, 6-33	046713	6-37	050867	4-48
034721	2-62	046225	6-32, 6-33	046714	6-37	050895	4-44

\*Please add a "7B" suffix to part numbers when entering into ABB system.

# Part number index

Part number*	Page	Part number*	Page	Part number*	Page	Part number*	Page
051513.....	4-87	052639.....	6-33	054917.....	4-88	057338.....	4-87
051774.....	4-42	052640.....	6-33	054918.....	4-88	057354.....	4-76
051825.....	4-88	052641.....	6-33	054934.....	4-88	057361.....	4-72
051826.....	4-87	052642.....	6-33	054949.....	4-76	057363.....	4-88
051827.....	4-87	052643.....	6-33	056440.....	2-53	057368.....	4-88
051841.....	6-33	052644.....	6-33	056449.....	2-48	057414.....	4-22
051878.....	4-20	052645.....	4-76	056481.....	4-22	057474.....	4-87
051879.....	4-20	052792.....	4-18	056483.....	4-22	057487.....	4-88
051880.....	4-20	052794.....	4-18	056492.....	4-56	057524.....	2-48
051906.....	4-87	052906.....	4-42	056497.....	2-42	057594.....	2-48
051987.....	4-46	052939.....	4-60	056525.....	2-26	057603.....	4-20
051991.....	4-48	052981.....	2-39	056526.....	2-48	057683.....	4-89
051992.....	4-48	053021.....	4-22	056548.....	2-26	057687.....	2-48
052002.....	4-50	053025.....	4-22	056552.....	2-30	057708.....	4-88
052003.....	4-50	053088.....	6-39	056553.....	2-26	057800.....	4-88
052004.....	4-48, 4-50	053169.....	4-87	056565.....	2-26	057801.....	4-88
052005.....	4-24	053170.....	4-16, 4-20	056577.....	2-45	057802.....	4-78
052006.....	4-48	053175.....	4-32	056578.....	4-89	057839.....	4-89
052007.....	4-48	053183.....	4-22	056580.....	2-48	057847.....	4-87
052008.....	4-48	053201.....	6-33	056588.....	4-88	057878.....	4-72
052009.....	4-46	053320.....	4-72	056593.....	2-34	057898.....	2-42
052010.....	4-46	053563.....	4-88	056611.....	2-30	057899.....	2-53
052011.....	4-32	053565.....	4-78	056612.....	2-30	057906.....	4-89
052012.....	4-16	053670.....	4-87	056630.....	4-88	057907.....	2-53
052015.....	4-87	053776.....	4-76, 4-82	056633.....	2-34	057908.....	2-50
052016.....	4-42	053871.....	4-89	056734.....	2-30	058157.....	4-78, 4-82
052017.....	4-50	053883.....	4-32	056744.....	4-16	058183.....	4-88
052032.....	4-76	053894.....	4-89	056765.....	4-42	058194.....	4-87
052047.....	4-88	053895.....	4-89	056796.....	2-26	058233.....	4-89
052048.....	4-88	053955.....	4-88	056797.....	2-26	058262.....	4-87
052094.....	4-42	054019.....	4-78	056800.....	2-26	058263.....	4-87
052101.....	4-16	054063.....	4-89	056801.....	2-30	058294.....	2-53
052194.....	4-58	054065.....	4-88	056802.....	2-30	058311.....	2-50
052199.....	4-58	054145.....	2-39	056803.....	2-30	058336.....	2-50
052205.....	4-50	054190.....	4-87	056804.....	2-30	058345.....	2-39
052220.....	4-30	054196.....	4-78	056805.....	2-30	058380.....	4-88
052224.....	4-22	054203.....	4-87, 4-88	056806.....	2-34	058400.....	4-24
052275.....	4-24	054225.....	4-78	056807.....	2-34	058404.....	2-48
052276.....	4-88	054276.....	4-87	056808.....	2-34	058470.....	2-48
052291.....	4-48	054300.....	4-87	056809.....	2-34	058529.....	4-42
052294.....	4-87	054314.....	4-87	056810.....	2-34	058544.....	4-42
052302.....	4-50	054315.....	4-88	056845.....	4-34	058545.....	4-42
052311.....	4-87	054316.....	4-88	056855.....	4-18	058593.....	2-48
052472.....	4-28	054342.....	4-87	056864.....	4-87	058594.....	2-53
052478.....	4-88	054412.....	4-88	056893.....	2-48	058595.....	2-53
052531.....	4-87	054419.....	4-87	056907.....	4-50	058596.....	2-42
052532.....	4-88	054431.....	4-78	056911.....	4-89	058597.....	2-42
052540.....	4-87	054436.....	4-28	056912.....	4-82	058619.....	4-88
052550.....	4-88	054534.....	4-87	056929.....	4-34	058624.....	4-24
052570.....	6-33	054548.....	4-28	056964.....	2-30	058630.....	4-72
052604.....	4-87	054556.....	4-88	056971.....	2-30	058632.....	2-45
052618.....	4-87	054580.....	4-89	057102.....	2-39	058633.....	4-88
052620.....	2-39	054593.....	4-88	057114.....	4-88	058648.....	2-50
052621.....	2-39	054781.....	4-28	057132.....	4-88	058652.....	4-89
052622.....	2-39	054782.....	4-87	057201.....	4-76	058665.....	2-39
052623.....	2-39	054831.....	4-89	057212.....	4-88	058702.....	4-18
052637.....	6-33	054837.....	4-89	057220.....	4-72	058705.....	4-64
052638.....	6-33	054843.....	4-87	057265.....	4-89	058738.....	4-89

\*Please add a "7B" suffix to part numbers when entering into ABB system.

# Part number index

Part number*	Page	Part number*	Page	Part number*	Page	Part number*	Page
058792	2-48	062897	4-50	065600	2-34	068236	2-26
058852	4-88	062901	2-33	065642	4-58	068239	4-89
058897	4-58	062913	2-30	065644	4-54, 4-56	068266	4-88
058910	2-53	062975	4-64	065653	4-50	068283	2-30
058915	4-89	062994	2-30	065655	2-42	068290	4-87
058931	2-42	064000	2-30	065681	4-58	068322	2-42
058940	2-56	064064	2-42	065694	2-29	068361	4-20
058941	2-48	064070	6-10	065699	4-44	068372	4-16
058944	2-42	064071	6-10	065700	4-88	068374	4-64
058965	2-39	064072	6-10	065766	4-30	068404	4-82
058975	2-42	064073	6-10	065776	5-17	068424	2-53
058989	2-39	064074	6-10	065777	5-17	068478	4-80
059614	4-88	064075	6-10	065780	2-53	068495	2-42
059636	4-89	064076	6-10	065786	2-48	068532	4-40
059637	4-26	064077	6-10	065945	2-34	068571	4-48
059673	4-87	064089	4-34	066629	6-15	068572	4-48
059696	4-88	064147	2-46	066630	6-15	068573	4-48
059722	2-42	064149	4-78, 4-82	066631	6-15	068603	4-18
059737	4-87	064153	6-10	066632	6-15	068659	4-60
059798	2-26	064154	6-10	066633	6-15	068685	5-27
059799	2-26	064155	6-10	066634	6-15	068687	2-51
059816	4-42	064156	6-10	066635	6-15	068720	4-42
059821	4-87	064157	6-10	066636	6-15	068726	5-13
059823	2-48	064203	4-48	066637	6-15	068727	5-13
059844	4-89	064211	5-23	066638	6-15	068760	4-20
059870	2-26	064214	4-48	066642	6-15	068789	4-40
059954	4-88	064237	4-89	066643	6-15	068800	4-22
062157	4-88	064249	4-24	067019	4-32	068839	4-34
062162	4-18	064255	2-30	067630	2-26	068840	4-42
062178	4-18, 4-24	064306	2-26	067642	4-46	068861	5-23
062182	4-88	064341	2-30	067663	4-30	068872	5-17
062186	4-24	064361	4-34	067666	4-32	068878	5-27
062254	6-10	064472	5-23, 5-25	067674	4-36	068889	4-82
062255	6-10	064480	4-34	067678	2-24	068915	4-34
062260	4-38	064503	2-46	067679	4-18	068937	4-34
062271	6-10	064557	4-88	067710	4-87	068996	4-38
062309	4-88	064572	2-42	067774	4-88	069286	6-10
062317	2-50	064584	2-51	067830	4-88	069287	6-10
062340	2-34	064637	4-22	067839	2-26	069288	6-10
062542	2-34	064656	4-30	067868	4-52	069289	6-10
062570	4-82	064704	4-64	067874	4-46	069296	6-10
062572	4-87	064720	2-45	067892	4-44	069297	6-10
062628	2-53	064775	4-34	067902	4-76	069303	6-10
062648	4-34	064794	5-17	067919	2-42	069304	6-10
062676	4-88	064839	2-42	067925	4-18	069305	6-10
062686	4-34	064865	4-78	067959	4-32	069306	6-10
062691	4-64	064874	5-17	067986	2-48	069307	6-10
062741	5-15	064875	5-17	067996	2-42	069308	6-10
062742	5-15	064880	4-87	068013	4-76	069312	6-10
062746	4-36	064943	4-46	068025	4-24	069313	6-10
062779	4-88	064993	2-33	068053	2-53	069316	6-10
062829	4-87	064994	2-24	068066	4-88	069317	6-10
062835	2-34	065548	4-24	068068	4-26	069960	6-14
062837	2-42, 2-48	065565	4-34	068071	5-19	069961	6-14
062842	4-50	065576	4-50	068088	4-87	069962	6-14
062874	2-26	065593	4-60, 4-61	068184	4-60	069963	6-14
062877	4-87	065595	4-32, 4-36	068185	4-87	069964	6-14
062879	2-26	065598	5-17	068230	5-17	069965	6-14

\*Please add a "7B" suffix to part numbers when entering into ABB system.

# Part number index

Part number*	Page	Part number*	Page	Part number*	Page	Part number*	Page
069966.....	6-14	071016.....	6-10	071109.....	6-11	073396.....	2-30
069967.....	6-14	071017.....	6-10	071114.....	6-10	073406.....	2-46
069968.....	6-14	071018.....	6-10	071115.....	6-10	073418.....	4-22
069969.....	6-14	071019.....	6-10	071116.....	6-10	073430.....	4-60
069983.....	6-14	071020.....	6-10	071118.....	6-10	073492.....	4-36
069984.....	6-14	071021.....	6-10	071983.....	6-10	073634.....	4-78, 4-82
069985.....	6-14	071022.....	6-10	071984.....	6-10	073638.....	2-48
070053.....	6-11	071023.....	6-10	071985.....	6-10	073651.....	2-48
070251.....	6-14	071024.....	6-10	071986.....	6-10	073662.....	4-30
070252.....	6-14	071025.....	6-10	071987.....	6-10	073669.....	4-42
070253.....	6-14	071026.....	6-10	071988.....	6-10	073769.....	4-48
070254.....	6-14	071027.....	6-10	071989.....	6-10	073772.....	4-88
070255.....	6-14	071028.....	6-10	071990.....	6-10	073793.....	4-62
070256.....	6-14	071029.....	6-10	071991.....	6-10	073836.....	2-56
070257.....	6-14	071030.....	6-10	071992.....	6-10	073950.....	4-50
070258.....	6-14	071031.....	6-10	071993.....	6-10	073970.....	4-58
070259.....	6-14	071032.....	6-10	071994.....	6-10	074017.....	5-29
070260.....	6-14	071033.....	6-10	071995.....	6-10	074162.....	4-16
070261.....	6-14	071034.....	6-11	071996.....	6-10	074223.....	4-87
070262.....	6-14	071035.....	6-11	071997.....	6-10	074237.....	4-88
070263.....	6-14	071036.....	6-11	071998.....	6-10	074287.....	4-40
070264.....	6-14	071037.....	6-11	072895.....	6-20	074288.....	4-40
070265.....	6-14	071038.....	6-11	072896.....	6-20	074396.....	4-34
070266.....	6-14	071039.....	6-11	072897.....	6-20	074505.....	4-76
070267.....	6-14	071040.....	6-11	072898.....	6-20	074512.....	2-26
070620.....	6-14	071041.....	6-11	072899.....	6-20	074530.....	4-87
070621.....	6-14	071042.....	6-11	072900.....	6-20	074615.....	6-10
070622.....	6-14	071043.....	6-11	072901.....	6-20	074631.....	2-26
070623.....	6-14	071044.....	6-11	072902.....	6-20	074632.....	2-53
070624.....	6-14	071045.....	6-11	072903.....	6-20	074714.....	4-46
070625.....	6-14	071046.....	6-11	072904.....	6-20	074828.....	4-87
070626.....	6-14	071047.....	6-11	072905.....	6-20	074926.....	4-22
070627.....	6-14	071048.....	6-11	072906.....	6-20	074935.....	4-62
070628.....	6-14	071049.....	6-11	072907.....	6-20	074989.....	6-11
070629.....	6-14	071050.....	6-11	072912.....	6-20	075014.....	4-78
070630.....	6-14	071051.....	6-11	072913.....	6-20	075096.....	2-42
070631.....	6-14	071052.....	6-11	072914.....	6-20	075105.....	4-24
070632.....	6-14	071054.....	6-11	072915.....	6-20	075154.....	6-11
070633.....	6-14	071055.....	6-11	072916.....	6-20	075248.....	2-30
070634.....	6-14	071056.....	6-11	072917.....	6-20	075489.....	5-27
070635.....	6-14	071057.....	6-11	072918.....	6-20	075546.....	3-11
070636.....	6-14	071058.....	6-11	072919.....	6-20	075697.....	3-21
071000.....	6-10	071059.....	6-11	072920.....	6-20	075700.....	5-31
071001.....	6-10	071060.....	6-11	072921.....	6-20	075714.....	4-78, 4-82
071002.....	6-10	071061.....	6-11	072922.....	6-20	075765.....	4-46
071003.....	6-10	071062.....	6-11	072923.....	6-20	075775.....	3-24
071004.....	6-10	071063.....	6-11	072924.....	6-20	075913.....	2-33
071005.....	6-10	071064.....	6-11	073006.....	4-88	076000.....	3-11
071006.....	6-10	071065.....	6-11	073007.....	2-24	076001.....	3-11
071007.....	6-10	071066.....	6-11	073008.....	2-29	076002.....	3-11
071008.....	6-10	071067.....	6-11	073065.....	4-88	076003.....	3-11
071009.....	6-10	071102.....	6-10	073139.....	4-42	076004.....	3-11
071010.....	6-10	071103.....	6-10	073224.....	2-53	076005.....	3-11, 3-17
071011.....	6-10	071104.....	6-11	073280.....	4-88	076006.....	3-11
071012.....	6-10	071105.....	6-11	073282.....	4-16	076007.....	3-11
071013.....	6-10	071106.....	6-10	073287.....	4-72	076008.....	3-13
071014.....	6-10	071107.....	6-10	073358.....	4-22	076009.....	3-13
071015.....	6-10	071108.....	6-11	073381.....	4-18	076010.....	3-13

\*Please add a "7B" suffix to part numbers when entering into ABB system.

# Part number index

Part number*	Page	Part number*	Page	Part number*	Page	Part number*	Page
076011.....	3-13	076070.....	3-26	076128.....	3-17	076186.....	3-31
076012.....	3-13	076071.....	3-26	076129.....	3-17	076187.....	3-31
076014.....	3-13	076072.....	3-26	076130.....	3-17	076188.....	3-29, 3-31
076015.....	3-13	076073.....	3-26	076131.....	3-17	076189.....	3-31
076016.....	3-13	076074.....	3-26	076132.....	3-13, 3-17	076190.....	3-37
076017.....	3-19	076075.....	3-26	076133.....	3-13, 3-17	076191.....	3-37
076018.....	3-19	076076.....	3-28	076134.....	3-17	076192.....	3-37
076019.....	3-19	076077.....	3-28	076135.....	3-13, 3-17	076193.....	3-37
076020.....	3-19	076078.....	3-28	076136.....	3-17	076194.....	3-37
076021.....	3-19	076079.....	3-28	076137.....	3-17	076195.....	3-37
076022.....	3-19	076080.....	3-28	076138.....	3-17	076196.....	3-39
076023.....	3-19	076081.....	3-28, 3-31	076139.....	3-17	076197.....	3-35, 3-39
076024.....	3-19	076082.....	3-28	076140.....	3-17	076198.....	3-39
076025.....	3-19	076083.....	3-28	076141.....	3-22	076199.....	3-39
076026.....	3-19	076084.....	3-29	076142.....	3-22	076200.....	3-35, 3-39
076027.....	3-19	076085.....	3-29	076143.....	3-22	076201.....	3-39
076028.....	3-19	076086.....	3-29	076144.....	3-22	076202.....	3-39
076029.....	3-19	076087.....	3-29	076145.....	3-22	076203.....	3-39
076030.....	3-19	076088.....	3-29	076146.....	3-22	076204.....	3-43
076031.....	3-20	076089.....	3-29	076147.....	3-22	076205.....	3-43
076032.....	3-20	076090.....	3-29	076148.....	3-21, 3-22	076206.....	3-43
076033.....	3-20	076091.....	3-33	076149.....	3-22	076207.....	3-43
076034.....	3-20	076092.....	3-33	076150.....	3-25	076208.....	3-43
076035.....	3-20	076093.....	3-33	076151.....	3-25	076209.....	3-43
076036.....	3-20	076094.....	3-33	076152.....	3-25	076210.....	3-43
076037.....	3-20	076095.....	3-33	076153.....	3-25	076211.....	3-42, 3-43
076038.....	3-20	076096.....	3-33, 3-37	076154.....	3-25	076212.....	3-43
076039.....	3-21	076097.....	3-33	076155.....	3-25	076213.....	3-43
076040.....	3-21	076098.....	3-33	076156.....	3-25	076214.....	3-42, 3-43
076041.....	3-21	076099.....	3-33	076157.....	3-24, 3-25	076215.....	3-43
076042.....	3-21	076100.....	3-35	076158.....	3-25	076216.....	3-43
076043.....	3-21	076101.....	3-35	076159.....	3-25	076217.....	3-43
076044.....	3-21	076102.....	3-35	076160.....	3-24, 3-25	076218.....	3-43
076045.....	3-21	076103.....	3-35	076161.....	3-25	076219.....	3-43
076046.....	3-23	076104.....	3-35	076162.....	3-25	076220.....	3-11
076047.....	3-23	076105.....	3-35	076163.....	3-25, 3-26	076221.....	3-11
076048.....	3-23	076106.....	3-35	076164.....	3-25	076222.....	3-11
076049.....	3-23	076107.....	3-35	076165.....	3-25	076223.....	3-11
076050.....	3-23	076108.....	3-41	076166.....	3-27	076224.....	3-13
076051.....	3-23	076109.....	3-41	076167.....	3-27	076225.....	3-13
076052.....	3-23	076110.....	3-41	076168.....	3-27	076226.....	3-13
076053.....	3-23	076111.....	3-41	076169.....	3-27	076227.....	3-13
076054.....	3-23	076112.....	3-41	076170.....	3-27	076228.....	3-13
076055.....	3-24	076113.....	3-41, 3-43	076171.....	3-27	076229.....	3-13
076056.....	3-24	076114.....	3-41	076172.....	3-27	076230.....	3-13
076057.....	3-24	076115.....	3-41	076173.....	3-27	076231.....	3-19
076058.....	3-24	076116.....	3-42, 3-43	076174.....	3-27	076232.....	3-19
076059.....	3-24	076117.....	3-42	076175.....	3-27	076233.....	3-19
076060.....	3-24	076118.....	3-42	076176.....	3-26, 3-27	076234.....	3-19
076061.....	3-24	076119.....	3-42	076177.....	3-27	076235.....	3-19
076062.....	3-24	076120.....	3-42	076178.....	3-27	076236.....	3-19
076063.....	3-26	076121.....	3-42	076179.....	3-27	076237.....	3-19
076064.....	3-26	076122.....	3-42	076180.....	3-27	076238.....	3-19
076065.....	3-26, 3-27	076123.....	3-42	076181.....	3-31	076239.....	3-20
076066.....	3-26	076124.....	3-42	076182.....	3-31	076240.....	3-20
076067.....	3-26	076125.....	3-17	076183.....	3-31	076241.....	3-20
076068.....	3-26	076126.....	3-17	076184.....	3-31	076242.....	3-20
076069.....	3-26	076127.....	3-17	076185.....	3-31	076243.....	3-21

\*Please add a "7B" suffix to part numbers when entering into ABB system.

# Part number index

Part number*	Page	Part number*	Page	Part number*	Page	Part number*	Page
076244	3-21	076304	3-17	076649	3-24	079697	3-44, 4-91, 5-60
076245	3-21	076305	3-17	076670	6-11	079698	3-44, 4-91, 5-60
076246	3-23	076306	3-17	076841	2-48	079699	3-44, 4-91, 5-60
076247	3-23	076307	3-22	077418	3-19	079700	3-44, 4-91, 5-60
076248	3-23	076308	3-22	077453	3-15	079701	3-44, 4-91, 5-60
076249	3-23	076309	3-22	077462	3-29	079702	3-44, 4-91, 5-60
076250	3-23	076310	3-22	077471	5-17	079754	8-27
076251	3-24	076311	3-22	077481	6-11	079881	6-10
076252	3-24	076312	3-22	077484	8-27	079882	6-14
076253	3-24	076313	3-25	077587	8-27	079883	6-14
076254	3-24	076314	3-25	077588	8-27	079884	6-14
076255	3-24	076315	3-25	077589	8-27	093733	4-32
076256	3-24	076316	3-25	077773	3-21	123069	2-39
076257	3-26	076317	3-25, 3-27	077777	4-24	123070	2-39
076258	3-26	076318	3-25	077921	4-85	123071	2-39
076259	3-26	076319	3-25	077923	4-85	123072	2-39
076260	3-26	076320	3-25	077940	4-85	123073	2-39
076261	3-26	076321	3-25	077941	4-85	123074	2-39
076262	3-26	076322	3-25	077942	4-85	123075	2-39
076263	3-26	076323	3-25	077943	4-85	123076	2-39
076264	3-26	076324	3-27	077944	4-85	123077	2-39
076265	3-28	076325	3-27	077945	4-85	123170	4-16
076266	3-28	076326	3-27	077946	4-85	123171	4-20
076267	3-28	076328	3-27	077947	4-85	123172	4-30
076268	3-28	076329	3-27	077948	4-85	123173	4-46
076269	3-29	076330	3-27	077949	4-85	123174	4-58
076270	3-29	076331	3-27	077950	4-85	123175	4-62
076271	3-29	076332	3-27	077957	4-85	123176	4-74
076272	3-29	076333	3-27	077958	4-85	123177	4-75
076273	3-29	076334	3-37	077959	4-85	123234	2-39
076274	3-33	076335	3-37	077960	4-85	123326	4-78
076275	3-33	076336	3-37	077976	4-85	123328	4-76, 4-85
076276	3-33	076337	3-37	077977	4-85	123329	4-76, 4-85
076277	3-33	076338	3-37	077978	4-85	123330	4-76
076278	3-33	076339	3-39	077979	4-85	123331	4-76
076279	3-35	076340	3-39	077980	4-85	123332	4-76
076280	3-35	076341	3-39	077981	4-85	123333	4-76
076281	3-35	076342	3-39	077982	4-85	123334	4-76
076283	3-35	076343	3-39	077983	4-85	123335	4-76
076284	3-35	076344	3-43	077984	4-85	123336	4-76
076286	3-41	076346	3-43	077985	4-85	123337	4-76
076287	3-41, 3-43	076347	3-43	077986	4-85	123338	4-76
076288	3-41	076348	3-43	077993	4-85	123339	4-76, 4-82
076289	3-42	076349	3-43	077995	4-85	123340	4-76
076290	3-42	076350	3-43	077996	4-85	123341	4-76
076291	3-42	076351	3-43	078138	6-10	123342	4-78, 4-82
076292	3-42	076352	3-43	078822	6-10	123343	4-78
076293	3-42	076353	3-43	078823	6-10	123344	4-78
076294	3-42	076354	3-43	078824	6-10	123345	4-78
076295	3-42	076410	3-31	078825	6-10	123346	4-78
076296	3-17	076411	3-31	078826	6-10	123347	4-78
076297	3-17	076412	3-31	078827	6-10	123348	4-78
076298	3-17	076413	3-31	079498	8-27	123349	4-78
076299	3-17	076414	3-31	079692	3-44, 4-91, 5-60	123350	4-78
076300	3-17	076415	3-31	079693	3-44, 4-91, 5-60	123352	4-78
076301	3-17	076545	3-15	079694	3-44, 4-91, 5-60	123353	4-82
076302	3-17	076558	4-88	079695	3-44, 4-91, 5-60	123354	4-82
076303	3-17	076648	3-25	079696	3-44, 4-91, 5-60	123355	4-82

\*Please add a "7B" suffix to part numbers when entering into ABB system.

# Part number index

Part number*	Page	Part number*	Page	Part number*	Page	Part number*	Page
123356	4-82	123836	4-16	124210	4-48	124412	4-32
123357	4-82	123839	4-18	124211	4-48	124413	4-32
123358	4-78, 4-82	123854	4-20	124212	4-48	124419	4-72
123359	4-82	123855	4-20	124213	4-48	124420	4-74
123360	4-78, 4-82	123856	4-20	124214	4-48	124421	4-74
123361	4-82	123857	4-20	124215	4-48	124422	4-74
123362	4-78, 4-82	123858	4-20	124216	4-48	124423	4-74
123363	4-82	123860	4-20	124217	4-48	124424	4-74
123364	4-82	123861	4-20	124218	4-46	124427	4-75
123365	4-82	123862	4-20	124219	4-46	124428	4-75
123366	4-82	123863	4-20	124220	4-48	124429	4-75
123367	4-82	123864	4-20	124224	4-54, 4-56	124430	4-75
123368	4-76	123865	4-20	124225	4-54	124435	4-42
123409	2-39	123866	4-20	124226	4-54	124436	4-42
123413	2-39	123867	4-20	124227	4-54	124437	4-42
123419	4-82	123868	4-20	124228	4-54	124438	4-42
123420	4-82	123869	4-20	124229	4-54	124439	4-42
123460	2-39	123870	4-20	124230	4-54	124440	4-42
123469	4-76	123871	4-20	124231	4-54	124441	4-42
123589	4-20	123872	4-20	124232	4-54	124442	4-42
123636	4-18	123873	4-20	124233	4-54	124443	4-42
123727	4-20	123874	4-20	124235	4-54	124444	4-42
123728	4-18	123875	4-20	124236	4-54	124445	4-42
123753	4-16	123878	4-16	124237	4-54	124446	4-42
123754	4-16	123879	4-16	124240	4-74	124447	4-42
123781	4-16	123894	4-16	124242	4-74	124448	4-42
123782	4-18	123932	4-16	124245	4-74	124450	4-42
123783	4-18	123933	4-16, 4-24	124250	4-75	124460	4-28
123784	4-18	123939	4-18	124251	4-75	124461	4-28
123792	4-16	123987	4-18	124253	4-75	124462	4-28
123793	4-18	124034	4-32	124256	4-30	124463	4-28
123803	4-16	124048	4-46	124261	4-48	124464	4-28
123804	4-16	124049	4-46	124268	4-32	124465	4-28
123805	4-16	124098	4-46	124269	4-32	124466	4-28
123806	4-16	124099	4-46	124270	4-32	124467	4-28
123807	4-16	124100	4-46	124274	4-30	124468	4-28
123808	4-16	124101	4-46	124275	4-30	124469	4-28
123809	4-16	124102	4-46	124276	4-30, 4-36	124470	4-28
123810	4-16, 4-22, 4-24	124103	4-46	124277	4-30	124471	4-28
123811	4-16	124148	4-75	124278	4-30	124472	4-28
123812	4-16	124149	4-75	124279	4-32	124473	4-28
123813	4-16	124166	4-30	124280	4-32	124478	4-28
123814	4-18	124167	4-30	124282	4-32	124479	4-28
123815	4-18	124170	4-30	124290	4-72	124480	4-28
123816	4-18	124171	4-30	124291	4-72	124567	4-46
123817	4-18	124172	4-30	124292	4-72	124578	4-54
123818	4-18	124173	4-30	124293	4-72	124579	4-54
123819	4-18	124174	4-30	124299	4-72	124582	4-54
123820	4-18	124175	4-30	124373	4-32	124587	4-54
123821	4-18	124176	4-30	124393	4-74	124600	4-44
123822	4-18	124198	4-30	124394	4-75	124601	4-44
123823	4-18	124199	4-30	124404	4-72	124602	4-44
123824	4-16	124204	4-46	124405	4-72	124603	4-44
123828	4-16	124205	4-46	124406	4-72	124604	4-44
123829	4-18	124206	4-46, 4-50	124408	4-72	124605	4-44
123830	4-16, 4-20	124207	4-46	124409	4-72	124606	4-44
123831	4-16, 4-20	124208	4-46	124410	4-30	124607	4-44
123835	4-16	124209	4-48	124411	4-30	124608	4-44

\*Please add a "7B" suffix to part numbers when entering into ABB system.



# Part number index

Part number*	Page	Part number*	Page	Part number*	Page	Part number*	Page
124609	4-44	124996	4-72	125636	4-85	125886	4-46
124610	4-44	125004	2-39	125760	4-20	125887	4-46
124611	4-44	125005	2-39	125768	4-20	125888	4-46
124612	4-44	125010	4-62	125800	4-76, 4-85	125889	4-46
124613	4-44	125011	4-62	125802	4-76	125890	4-48
124614	4-30	125012	4-62	125804	4-76	125891	4-48
124618	4-30	125050	4-58	125806	4-76	125892	4-48
124620	4-44	125051	4-58	125808	4-76	125893	4-48
124621	4-44	125052	4-58	125810	4-78	125894	4-48
124622	4-44	125054	4-58	125812	4-78	125895	4-48
124623	4-44	125071	4-64	125814	4-78	125896	4-48
124624	4-44	125113	4-62	125816	4-78	125900	4-58
124625	4-44	125114	4-62	125818	4-78	125901	4-58
124626	4-44	125115	4-64	125820	4-78	125902	4-58
124627	4-44	125116	4-64	125822	4-78	125903	4-58
124628	4-44	125117	4-64	125825	4-82	125904	4-60
124629	4-44	125118	4-64	125826	4-82	125905	4-60
124630	4-44	125119	4-64	125828	4-82	125906	4-60
124631	4-44	125120	4-62	125830	4-82	125907	4-60
124632	4-44	125121	4-64	125832	4-82	125908	4-60
124633	4-44	125151	4-64	125834	4-82	125910	4-62
124640	4-38	125153	4-58	125836	4-82	125911	4-62
124641	4-38	125154	4-58, 4-61	125838	4-82	125912	4-62
124642	4-38	125155	4-58	125840	4-82	125913	4-62
124643	4-38	125156	4-60	125842	4-82	125914	4-62
124644	4-38	125157	4-60	125844	4-82	125915	4-64
124645	4-38	125158	4-60	125850	4-16	125916	4-64
124646	4-38	125159	4-60	125851	4-16	125917	4-64
124647	4-38	125160	4-60	125852	4-16	125918	4-64
124648	4-38	125162	4-60	125853	4-16	125919	4-64
124649	4-38	125169	4-18, 4-24	125854	4-16	125925	4-22, 4-24
124650	4-38	125170	4-48, 4-50	125855	4-16	125926	4-22, 4-24
124651	4-38	125171	4-32, 4-36	125856	4-20	125927	4-22
124652	4-38	125328	4-58	125857	4-18	125928	4-24
124653	4-38	125329	4-58	125858	4-18	125929	4-22, 4-24
124660	4-38	125343	4-62	125859	4-18	125930	4-22, 4-24
124661	4-38	125344	4-62	125860	4-18	125931	4-22, 4-24
124662	4-38	125355	4-62	125861	4-18	125932	4-24
124663	4-38	125356	4-62	125862	4-18	125933	4-24
124664	4-38	125357	4-62	125865	4-54	125934	4-24
124665	4-38	125358	4-62	125866	4-54	125935	4-24
124666	4-38	125359	4-62	125867	4-54	125937	4-24
124667	4-38	125360	4-62, 4-66	125868	4-54	125940	4-56
124668	4-38	125361	4-62	125869	4-54	125941	4-56
124669	4-38	125362	4-64	125870	4-54	125942	4-56
124670	4-38	125363	4-64	125871	4-54	125943	4-56
124671	4-38	125364	4-64	125872	4-54	125944	4-56
124672	4-38	125365	4-58	125873	2-39	125945	4-56
124673	4-38	125366	4-58	125874	2-39	125946	4-56
124729	4-54	125367	4-58	125875	4-30	125947	4-56
124785	4-30	125368	4-58	125876	4-30	125948	4-56
124931	2-39	125369	4-58	125877	4-30	125949	4-56
124932	2-39	125370	4-60	125878	4-30	125954	4-36
124934	4-44	125371	4-60	125879	4-30	125955	4-36
124941	4-20	125372	4-60	125880	4-32	125956	4-36
124942	4-32	125373	4-60	125881	4-32	125957	4-36
124943	4-20	125378	4-58	125882	4-32	125958	4-36
124944	4-20	125384	4-44	125885	4-46	125960	4-36

\*Please add a "7B" suffix to part numbers when entering into ABB system.

# Part number index

Part number*	Page	Part number*	Page	Part number*	Page	Part number*	Page
125965	4-50	126194	4-50	126810	4-22, 4-24	127524	2-48
125966	4-50	126195	4-48, 4-50	126811	4-24	127525	2-48
125967	4-50	126196	4-50	126812	4-22, 4-24	127526	2-48
125968	4-50	126197	4-50	126813	4-22, 4-24	127527	2-48
125969	4-50	126198	4-50	126814	4-22, 4-24	127528	2-48
125970	4-50	126199	4-50	126815	4-18, 4-22, 4-24	127529	2-48
125971	4-50	126226	4-50	126816	4-22, 4-24	127530	2-48
125972	4-50	126227	4-50	126817	4-18, 4-22, 4-24	127531	2-48
125973	4-50	126270	4-50	126818	4-22, 4-24	127532	2-48
125974	4-50	126283	4-48, 4-50	126819	4-18, 4-24	127533	2-50
125975	4-50	126284	4-36	126820	4-24	127534	2-50
125980	4-61	126285	4-36	126821	4-24	127535	2-50
125981	4-61	126287	4-36	126822	4-24	127536	2-50
125982	4-61	126288	4-36	126823	4-24	127537	2-50
125983	4-61	126289	4-36	126824	4-24	127538	2-50
125984	4-61	126290	4-36	126855	4-24	127539	2-56
125985	4-61	126292	4-36	126856	4-24	127540	2-56
125986	4-61	126293	4-32, 4-36	126857	4-24	127541	2-56
125989	4-66	126405	4-22	127073	2-39	127542	2-56
125990	4-66	126406	4-22	127328	3-44, 4-91, 5-60	127543	2-56
125991	4-66	126407	4-22	127329	3-44, 4-91, 5-60	127544	2-56
125992	4-66	126408	4-22	127330	3-44, 4-91, 5-60	127545	2-42
125993	4-66	126409	4-22	127331	3-44, 4-91, 5-60	127546	2-42
125994	4-68	126495	4-80	127332	3-44, 4-91, 5-60	127547	2-42
125995	4-68	126496	4-80	127333	3-44, 4-91, 5-60	127548	2-42
125996	4-68	126497	4-80	127334	3-44, 4-91, 5-60	127549	2-42
125997	4-68	126498	4-80	127335	3-44, 4-91, 5-60	127550	2-42
125998	4-68	126499	4-80	127336	3-44, 4-91, 5-60	127551	2-42
126042	4-32	126500	4-16	127337	3-44, 4-91, 5-60	127552	2-45
126049	4-72	126502	4-16	127338	3-44, 4-91, 5-60	127553	2-45
126102	4-30	126503	4-16	127339	3-44, 4-91, 5-60	127554	2-45
126121	5-39	126504	4-16	127340	3-44, 4-91, 5-60	127555	2-45
126147	4-22, 4-24	126505	4-16	127342	3-44, 4-91, 5-60	127556	2-53
126148	4-24	126510	4-18	127343	3-44, 4-91, 5-60	127557	2-53
126167	4-56	126513	4-18	127500	2-42	127558	2-53
126168	4-56	126516	4-30	127501	2-42	127559	2-53
126170	4-56	126518	4-30, 4-36	127502	2-42	127560	2-53
126171	4-56	126519	4-30	127503	2-42	127561	2-53
126172	4-56	126521	4-32	127504	2-42	127562	2-53
126173	4-56	126522	4-32	127505	2-42	127563	2-48
126174	4-56	126523	4-32	127506	2-42	127564	2-48
126175	4-54, 4-56	126524	4-46	127507	2-42	127565	2-48
126176	4-56	126525	4-46	127508	2-42	127566	2-48
126177	4-54, 4-56	126526	4-46	127509	2-45	127567	2-48
126178	4-56	126528	4-46, 4-50	127510	2-45	127568	2-48
126179	4-54, 4-56	126531	4-48	127511	2-45	127569	2-48
126180	4-56	126533	4-24	127512	2-45	127570	2-50
126182	4-56	126534	4-24	127513	2-45	127574	2-56
126183	4-56	126535	4-24	127514	2-45	127575	2-56
126184	4-56	126536	4-36	127515	2-53	127576	2-56
126186	4-50	126537	4-48, 4-50	127516	2-53	127577	2-56
126187	4-50	126538	4-50	127517	2-53	127670	2-26
126188	4-50	126539	4-50	127518	2-53	127671	2-26
126189	4-50	126540	4-50	127519	2-53	127672	2-26
126190	4-50	126541	4-50	127520	2-53	127673	2-26
126191	4-50	126544	4-60	127521	2-50, 2-53	127674	2-26
126192	4-48, 4-50	126547	4-18, 4-24	127522	2-50, 2-53	127675	2-26
126193	4-50	126548	4-18	127523	2-50, 2-53	127676	2-26

\*Please add a "7B" suffix to part numbers when entering into ABB system.

# Part number index

Part number*	Page	Part number*	Page	Part number*	Page	Part number*	Page
127677	2-26	128084	4-45	128363	3-44, 4-91, 5-60	129166	5-13
127678	2-26	128085	4-45	128364	3-44, 4-91, 5-60	129167	5-13
127679	2-26	128086	4-45	128365	3-44, 4-91, 5-60	129168	5-13
127680	2-26	128087	4-45	128366	3-44, 4-91, 5-60	129169	5-13
127681	2-30	128088	4-52	128367	3-44, 4-91, 5-60	129170	5-13
127682	2-30	128089	4-52	128368	3-44, 4-91, 5-60	129171	5-13
127683	2-30	128090	4-52	128369	3-44, 4-91, 5-60	129172	5-13
127684	2-30	128091	4-52	128960	1-35, 2-64	129173	5-13
127685	2-30	128092	4-40	128961	1-35, 2-64	129183	5-15
127686	2-30	128093	4-40	128962	1-35, 2-64	129184	5-15
127687	2-30	128094	4-40	128963	1-35, 2-64	129185	5-15
127688	2-30	128095	4-40	128964	1-35, 2-64	129186	5-15
127689	2-34	128096	4-40	128965	1-35, 2-64	129187	5-15
127690	2-34	128097	4-40	128966	1-35, 2-64	129188	5-15
127691	2-34	128106	4-26	128974	1-35, 2-64	129189	5-15
127692	2-34	128107	4-26	128975	1-35, 2-64	129190	5-15
127693	2-34	128108	4-26	128976	1-35, 2-64	129191	5-15
127694	2-34	128109	4-26	128977	1-35, 2-64	129192	5-15
127695	2-34	128110	4-26	128978	1-35, 2-64	129193	5-15
127696	2-34	128111	4-26	128980	1-35, 2-64	129194	5-15
127697	2-26	128151	4-40	128989	1-35, 2-64	129195	5-15
127698	2-26	128154	4-40	128990	1-35, 2-64	129196	5-15
127699	2-26	128170	4-26	128991	1-35, 2-64	129197	5-15
127700	2-26	128171	4-26	128992	1-35, 2-64	129198	5-15
127701	2-26	128172	4-26	128993	1-35, 2-64	129199	5-15
127702	2-26	128173	4-26	128994	1-35, 2-64	129200	5-15
127703	2-30	128174	4-40	128996	1-35, 2-64	129201	5-15
127704	2-30	128175	4-40	128997	1-35, 2-64	129202	5-15
127705	2-30	128176	4-40	128998	4-28	129203	5-11, 5-15
127706	2-30	128177	4-40	129040	5-15	129204	5-11
127707	2-30	128178	4-45	129041	5-15	129205	5-11
127708	2-30	128179	4-45	129042	5-15	129206	5-11
127709	2-34	128180	4-45	129043	5-15	129207	5-11
127710	2-34	128181	4-45	129044	5-15	129208	5-11
127711	2-34	128182	4-52	129045	5-15	129209	5-11
127712	2-34	128197	4-26	129046	5-15	129210	5-15
127713	2-34	128220	3-44, 4-91, 5-60	129047	5-15	129211	5-13
127714	2-34	128221	3-44, 4-91, 5-60	129048	5-19	129212	5-13
127804	1-34	128222	3-44, 4-91, 5-60	129049	5-19	129213	5-13
127808	1-34	128223	3-44, 4-91, 5-60	129078	5-23, 5-25	129214	5-13
127818	1-34	128277	3-44, 4-91, 5-60	129148	5-21	129215	5-13
127819	1-34	128278	3-44, 4-91, 5-60	129149	5-13	129216	5-13
127820	1-34	128280	3-44, 4-91, 5-60	129150	5-11, 5-15	129217	5-19
127821	1-34	128281	3-44, 4-91, 5-60	129151	5-11, 5-15	129218	5-19
127822	1-34	128282	3-44, 4-91, 5-60	129152	5-11	129219	5-19
127823	1-34	128283	3-44, 4-91, 5-60	129153	5-11	129220	5-19
127824	1-34	128284	3-44, 4-91, 5-60	129154	5-11	129221	5-19
127825	1-34	128285	3-44, 4-91, 5-60	129155	5-11	129222	5-19
127826	1-34	128286	3-44, 4-91, 5-60	129156	5-11	129223	5-19
127861	1-34	128350	3-44, 4-91, 5-60	129157	5-11	129224	5-13, 5-19
127862	1-34	128351	3-44, 4-91, 5-60	129158	5-11	129225	5-19
127863	1-34	128352	3-44, 4-91, 5-60	129159	5-11	129226	5-13, 5-19
127864	1-34	128353	3-44, 4-91, 5-60	129160	5-11	129227	5-19
127865	1-34	128354	3-44, 4-91, 5-60	129161	5-11, 5-19	129228	5-13, 5-19
127866	1-34	128355	3-44, 4-91, 5-60	129162	5-11	129229	5-19
127867	1-34	128356	3-44, 4-91, 5-60	129163	5-11	129230	5-19
128082	4-45	128357	3-44, 4-91, 5-60	129164	5-13	129231	5-19
128083	4-45	128358	3-44, 4-91, 5-60	129165	5-13	129232	5-19

\*Please add a "7B" suffix to part numbers when entering into ABB system.

# Part number index

Part number*	Page	Part number*	Page	Part number*	Page	Part number*	Page
129233	5-19	129301	5-23	129361	2-29	129461	5-21
129244	2-40	129302	5-23	129362	2-29	129462	5-21
129245	2-40	129303	5-23	129363	2-29	129463	5-21
129246	2-40	129304	5-23	129364	2-29	129464	5-30
129247	2-40	129305	5-23	129365	2-29	129465	5-30
129248	2-40	129306	5-23	129366	2-29	129466	5-30, 5-33
129249	2-40	129307	5-23	129367	2-29	129467	5-30, 5-33
129250	2-40	129308	5-23	129368	2-29	129468	5-30, 5-33
129251	2-40	129309	5-23	129369	5-25	129469	5-31, 5-33
129252	2-40	129310	5-23, 5-25	129371	5-13	129470	5-31, 5-33
129253	2-40	129311	5-23	129372	5-15	129471	5-31, 5-33
129254	2-40	129312	5-23	129373	5-23	129472	5-31, 5-33
129255	2-40	129313	5-23	129374	5-31	129473	5-31, 5-33
129256	2-40	129314	5-23, 5-25	129375	5-35	129474	5-31, 5-33
129257	2-40	129315	5-23	129376	5-13	129475	5-31, 5-33
129258	2-40	129316	5-23	129377	5-15	129486	5-33
129259	2-40	129317	5-23	129378	5-23	129487	5-33
129260	2-24	129318	5-23	129379	5-31	129490	5-23
129261	2-24	129319	5-23	129380	5-35	129491	5-23
129262	2-24	129321	5-23	129381	5-19	129492	5-23, 5-25
129263	2-24	129322	5-23	129383	5-19	129493	5-23, 5-25
129264	2-24	129323	5-23	129385	5-19	129494	5-23, 5-25
129265	2-24	129324	5-23	129387	5-19	129495	5-23, 5-25
129266	2-24	129325	5-23	129392	2-40	129496	5-23, 5-25
129267	2-24	129326	5-23	129393	2-40	129497	5-23, 5-25
129268	2-24	129327	5-23	129394	2-46	129498	5-23, 5-25
129269	2-24	129328	5-23	129395	2-51	129501	5-35, 5-37
129270	2-24	129329	5-23	129396	2-40	129502	5-35, 5-37
129271	2-24	129330	5-25	129417	5-55	129503	5-35, 5-37
129272	2-24	129331	5-25	129419	5-11, 5-19	129504	5-35, 5-37
129273	2-24	129332	5-25	129420	5-11, 5-15	129505	5-35, 5-37
129274	2-24	129333	5-25	129421	5-11	129506	5-35, 5-37
129275	2-24	129334	5-25	129422	5-11, 5-19	129507	5-35, 5-37
129276	5-21	129335	5-25	129423	5-11	129508	5-35, 5-37
129277	5-21	129336	5-25	129424	5-11, 5-19	129509	5-37
129278	5-21	129337	5-23, 5-25	129425	5-13, 5-19	129510	5-37
129279	5-21	129339	2-46	129426	5-13, 5-19	129511	5-28
129280	5-21	129340	2-46	129427	5-13, 5-19	129512	5-28
129281	5-21	129341	2-46	129428	5-13, 5-19	129513	5-28
129282	5-21	129342	2-46	129429	5-13, 5-19	129514	5-28
129283	5-21	129343	2-46	129430	5-13, 5-19	129515	5-28
129284	5-21	129344	2-46	129431	5-13, 5-19	129516	5-51
129285	5-21	129345	2-46	129432	5-11	129517	5-51
129286	5-21	129346	2-46	129433	5-15	129518	5-51, 5-55
129287	5-21	129347	2-46	129434	5-15	129519	5-51, 5-55
129288	5-21	129348	2-46	129435	5-15	129520	5-51, 5-55
129289	5-21	129349	2-46	129436	5-15	129521	5-53, 5-55
129290	5-21	129350	2-46	129437	5-15	129522	5-53, 5-55
129291	2-44	129351	2-46	129438	5-15	129523	5-53, 5-55
129292	2-44	129352	2-46	129439	5-15	129524	5-53, 5-55
129293	2-44	129353	2-46	129440	5-15	129525	5-53, 5-55
129294	2-44	129354	2-46	129441	5-15	129526	5-53, 5-55
129295	2-44	129355	2-29	129453	5-19	129527	5-53, 5-55
129296	2-44	129356	2-29	129454	5-19	129528	5-55
129297	2-44	129357	2-29	129457	5-21	129529	5-55
129298	2-44	129358	2-29	129458	5-21	129530	2-40
129299	2-44	129359	2-29	129459	5-21	129531	2-40
129300	2-44	129360	2-29	129460	5-21	129532	2-40

\*Please add a "7B" suffix to part numbers when entering into ABB system.

# Part number index

Part number*	Page	Part number*	Page	Part number*	Page	Part number*	Page
129533	2-40	129612	2-24	129683	5-33	129749	5-35
129534	2-40	129613	2-24, 2-40	129684	5-33	129750	5-35
129535	2-40	129615	5-28	129685	5-33	129751	5-35
129536	2-40	129616	5-28	129686	5-33	129752	5-35
129537	2-44	129617	5-28	129687	5-31, 5-33	129753	5-35
129538	2-44	129618	5-28	129688	5-33	129754	5-35
129539	2-44	129619	5-28	129689	5-31, 5-33	129755	5-35
129540	2-44	129620	5-28	129690	5-33	129756	5-35
129541	2-51	129621	5-28	129691	5-31, 5-33	129757	5-35
129542	2-51	129622	5-28	129692	5-33	129758	5-37
129543	2-51	129623	5-28	129693	5-33	129759	5-37
129544	2-51	129624	5-28	129694	5-33	129760	5-37
129545	2-51	129625	5-28	129695	5-33	129761	5-37
129546	2-51	129626	5-28	129696	5-33	129762	5-37
129547	2-51	129627	2-49	129705	2-51	129763	5-37
129548	2-46	129629	2-49	129706	2-51	129764	5-37
129549	2-46	129631	2-49	129707	2-51	129765	5-35, 5-37
129550	2-46	129632	2-49	129708	2-51	129766	5-37
129551	2-46	129634	2-49	129709	2-51	129767	5-35, 5-37
129552	2-46	129635	2-49	129710	2-51	129768	5-37
129553	2-46	129637	5-30	129711	2-51	129769	5-35, 5-37
129554	2-46	129638	5-30	129712	2-51	129770	5-37
129555	2-49	129639	5-30	129713	2-51	129771	5-37
129556	2-49	129640	5-30	129714	2-51	129772	5-37
129557	2-49	129641	5-30	129715	2-51	129773	5-37
129558	2-49	129642	5-30	129716	2-51	129774	5-51
129559	2-24	129643	5-30	129717	2-51	129775	5-51
129560	2-24	129644	5-30	129718	2-51	129776	5-51
129561	2-24	129645	5-30	129719	2-51	129777	5-51
129562	2-24	129646	5-30, 5-33	129720	2-51	129778	5-51
129563	2-24	129647	5-30	129721	2-33	129779	5-51
129564	2-24	129648	5-30	129722	2-33	129780	5-51
129565	2-24	129649	5-31	129723	2-33	129781	5-51
129566	2-24	129650	5-31	129724	2-33	129782	5-51
129567	2-33	129651	5-31	129725	2-33	129783	5-51, 5-55
129568	2-33	129652	5-31	129726	2-33	129784	5-51
129569	2-33	129653	5-31	129727	2-33	129785	5-51
129570	2-33	129654	5-31	129728	2-33	129786	5-53
129571	2-33	129655	5-31	129729	2-33	129787	5-53, 5-55
129572	2-33	129656	5-31	129730	2-33	129788	5-53
129573	2-29	129657	5-31	129731	2-33	129789	5-53
129574	2-29	129658	5-31	129732	2-33	129790	5-53
129575	2-29	129667	5-30	129733	2-33	129791	5-53
129576	2-29	129668	5-30	129734	2-33	129792	5-53
129577	2-29	129669	5-30	129735	5-35	129793	5-53
129578	2-29	129670	5-30	129736	5-35	129794	5-53
129579	2-37	129671	5-30	129737	5-35	129795	5-53
129580	2-37	129672	5-31	129738	5-35, 5-37	129796	5-51
129581	2-37	129673	5-31	129739	5-35	129797	5-51
129582	2-37	129674	5-31	129740	5-35	129798	5-51
129583	2-37	129675	5-31	129741	5-35, 5-37	129799	5-51
129584	2-37	129676	5-31	129742	5-35, 5-37	129800	5-51
129585	2-37	129677	5-31	129743	5-35	129801	5-53
129602	2-24, 2-40	129678	5-31	129744	5-35	129802	5-53
129603	2-40	129679	5-33	129745	5-35	129803	5-53
129605	2-24	129680	5-33	129746	5-35	129804	5-53
129606	2-24, 2-40	129681	5-33	129747	5-35	129805	5-53
129611	2-40	129682	5-33	129748	5-35	129806	5-53

\*Please add a "7B" suffix to part numbers when entering into ABB system.

# Part number index

Part number*	Page	Part number*	Page	Part number*	Page	Part number*	Page
129807	5-53	129971	2-24, 2-29, 2-33, 2-37, 2-44, 2-46, 2-49, 2-51, 2-54	130355	4-28	132423	8-19
129808	5-55	129972	2-24, 2-29, 2-33, 2-37, 2-40, 2-44, 2-46, 2-49, 2-51, 2-54	130356	4-28	132424	8-19
129809	5-55	129973	2-24, 2-29, 2-33, 2-37, 2-40, 2-44, 2-46, 2-49, 2-51, 2-54	130357	4-28	132425	8-19
129810	5-55	129974	2-24, 2-29, 2-33, 2-37, 2-40, 2-44, 2-46, 2-49, 2-51, 2-54	130358	4-28	132426	8-19
129811	5-55	129975	2-24, 2-29, 2-33, 2-37, 2-46, 2-51	130359	4-28	132427	8-19
129812	5-55	129976	2-37, 2-40, 2-46, 2-51	130360	4-28	132428	8-19
129813	5-55	129977	2-37, 2-40, 2-46, 2-51	130361	4-28	132429	8-19
129814	5-55	129978	2-24, 2-29, 2-33, 2-37, 2-40, 2-46, 2-51	130362	4-38	132430	8-19
129815	5-53, 5-55	129979	2-24, 2-29, 2-33, 2-37, 2-40, 2-46, 2-51	130363	4-38	132474	8-18
129816	5-55	129980	2-24, 2-29, 2-33, 2-37, 2-40, 2-44, 2-46, 2-51, 2-54	130364	4-38	132475	8-18
129817	5-53, 5-55	129981	2-24, 2-29, 2-33, 2-37, 2-40, 2-44, 2-46, 2-51, 2-54	130365	4-38	132476	8-18
129818	5-55	129982	2-24, 2-29, 2-33, 2-37, 2-40, 2-46, 2-51, 2-54	130366	4-38	132477	8-18
129819	5-53, 5-55	129983	2-24, 2-29, 2-33, 2-37, 2-40, 2-44, 2-46, 2-51, 2-54	130367	4-34	132538	8-17
129820	5-55	129984	2-24, 2-29, 2-33, 2-37, 2-46, 2-51	130368	4-34	132539	8-17
129821	5-55	129985	2-37, 2-40, 2-46, 2-51	130369	4-34	132542	8-18, 8-20
129822	5-55	129986	2-24, 2-29, 2-33, 2-37, 2-40, 2-46, 2-51	130370	4-34	132546	8-13, 8-18, 8-20
129823	5-55	129987	2-24, 2-29, 2-33, 2-37, 2-40, 2-44, 2-46, 2-51, 2-54	130371	4-34	132547	8-13, 8-18, 8-20
129824	5-55	129988	2-44	130372	4-34	132548	8-13, 8-18, 8-20
129825	2-37	129989	2-44	130373	4-34	132549	8-13, 8-18, 8-20
129826	2-37	129990	2-44	130689	5-17	132559	8-17
129827	2-37	129991	2-44	130691	5-17	132564	8-15, 8-17, 8-18, 8-20
129828	2-37	130044	8-25	130692	5-17	132565	8-15, 8-17, 8-18, 8-20, 8-22
129829	2-37	130045	8-25	130693	5-17	132566	8-15, 8-17, 8-18, 8-20, 8-22
129830	2-37	130047	8-25	130694	5-17	132567	8-15, 8-20
129831	2-37	130049	8-25	130695	5-17	132591	8-17
129832	2-37	130050	8-25	130696	5-17	132594	8-17
129833	2-37	130051	8-25	130697	5-17	132597	8-17
129834	2-37	130054	8-25	130698	5-17	132766	8-15
129835	2-37	130056	8-25	130699	5-17	132767	8-15
129836	2-37	130057	8-25	130700	5-17	132768	8-15
129837	2-37	130058	8-25	130701	5-17	132811	8-18, 8-21
129838	2-37	130059	8-25	130702	5-17	132814	8-15, 8-17, 8-18, 8-21
129839	2-37	130060	8-25	132151	8-18	132816	8-15, 8-17, 8-18, 8-21
129840	2-37	130062	8-25	132152	8-18	132819	8-15, 8-17, 8-18, 8-21
129841	5-11	130063	8-25	132153	8-18	132822	8-15, 8-21
129842	5-11	130064	8-25	132154	8-18	132834	8-24, 8-26
129843	5-11	130065	8-25	132155	8-18	132924	8-15
129844	5-53	130066	8-25	132156	8-18	132925	8-15
129845	5-53	130067	8-25	132157	8-18	132926	8-15
129889	5-55	130068	8-25	132158	8-18	132950	8-10
129890	5-55	130069	8-25	132159	8-18	132951	8-10
129891	5-55	130070	8-25	132160	8-18	132952	8-12
129892	5-55	130071	8-25	132161	8-18	132953	8-12
129893	5-55	130073	8-25	132192	8-13, 8-23, 8-25	132954	8-12
129894	5-55	130077	8-25	132193	8-23, 8-25	132955	8-12
129895	5-55	130078	8-25	132198	8-13, 8-23, 8-25	132956	8-12
129896	5-55	130354	4-28	132203	8-27, 8-30	132957	8-12
129897	5-55			132205	8-27, 8-30	132958	8-12
129898	5-55			132383	8-18	132959	8-10
129899	5-55			132384	8-24, 8-26	132983	8-10
129967	2-24, 2-29, 2-33, 2-37, 2-40, 2-44, 2-46, 2-49, 2-51, 2-54			132385	8-18	132984	8-10
129968	2-24, 2-29, 2-33, 2-37, 2-40, 2-44, 2-46, 2-49, 2-51, 2-54			132386	8-18	132985	8-10
129969	2-24, 2-29, 2-33, 2-37, 2-40, 2-44, 2-46, 2-49, 2-51, 2-54			132387	8-18	132986	8-10
129970	2-24, 2-29, 2-33, 2-37, 2-44, 2-46, 2-49, 2-51, 2-54			132388	8-18	132987	8-10
				132389	8-18	132988	8-10
				132420	8-19	132989	8-10
				132421	8-19		
				132422	8-19		

\*Please add a "7B" suffix to part numbers when entering into ABB system.

# Part number index

Part number*	Page	Part number*	Page	Part number*	Page	Part number*	Page
132990	8-10	133991	8-13	135298	8-25	136144	5-45
132991	8-10	133992	8-13	135299	8-25	136145	5-45
132992	8-10	133993	8-13	135700	8-25	136146	5-45
133116	8-11	133994	8-13	135704	8-25	136147	5-45
133203	8-10	133995	8-15, 8-17	135708	8-25	136148	5-45
133245	8-10	133996	8-15, 8-17	135712	8-25	136149	5-45
133250	8-10	133997	8-15, 8-17	135716	8-25	136150	5-45
133255	8-10	134200	8-12	135720	8-25	136151	5-45
133260	8-10	134201	8-12	135724	8-25	136152	5-49
133265	8-10	134202	8-12	135728	8-25	136153	5-49
133270	8-10	134203	8-12	135732	8-25	136154	5-49
133275	8-10	134204	8-12	135736	8-25	136155	5-49
133280	8-10	134205	8-12	136070	4-71	136156	5-49
133285	8-12	134206	8-12	136071	4-71	136157	5-49
133292	8-12	134207	8-12	136072	4-71	136158	5-49
133293	8-12	134208	8-12	136073	4-71	136159	5-41
133294	8-12	134209	8-12	136074	4-71	136160	5-41
133295	8-12	134210	8-12	136075	4-71	136161	5-41
133296	8-12	134211	8-12	136076	4-71	136162	5-41
133297	8-12	134212	8-12	136080	4-71	136163	5-41
133303	8-17	134213	8-12	136081	4-70, 4-71	136164	5-41
133304	8-17	135081	4-61	136082	4-70, 4-71	136165	5-41
133305	8-17	135102	4-61	136083	4-70, 4-71	136166	5-41
133344	8-10, 8-23, 8-25	135105	4-61	136084	4-71	136167	5-39, 5-41
133392	8-15	135106	4-61	136085	4-71	136168	5-41
133550	8-15	135107	4-61	136110	5-39	136169	5-39, 5-41
133565	8-17	135109	4-61	136111	5-39	136170	5-47
133566	8-17	135111	4-61	136112	5-39	136171	5-47
133583	8-10	135116	4-66	136113	5-39	136172	5-47
133584	8-10	135117	4-66	136114	5-39	136173	5-47
133585	8-10	135118	4-66	136115	5-39	136174	5-47
133586	8-10	135120	4-66	136116	5-39	136175	5-47
133590	8-12	135121	4-66	136117	5-39, 5-41	136176	5-47
133591	8-12	135123	4-68	136118	5-39	136177	5-47
133592	8-12	135125	4-68	136119	5-39	136178	5-45, 5-47
133593	8-12	135127	4-68	136120	5-39	136179	5-47
133594	8-12	135129	4-68	136122	5-39	136180	5-45, 5-47
133595	8-12	135130	4-68	136123	5-39	136181	5-47
133596	8-12	135135	8-25	136124	5-39	136182	5-45, 5-47
133669	8-15	135136	8-25	136125	5-39	136183	5-47
133932	8-13, 8-18, 8-21	135137	8-25	136126	5-39	136184	5-47
133933	8-13, 8-18, 8-21	135138	8-25	136127	5-39	136185	5-47
133937	8-13, 8-18, 8-21	135170	4-61	136128	5-39	136186	5-50
133938	8-13, 8-18, 8-21	135171	4-60, 4-61	136129	5-39	136187	5-50
133959	8-15	135172	4-60, 4-61	136130	5-43	136188	5-50
133960	8-15	135181	4-68	136131	5-43	136189	5-49, 5-50
133961	8-15	135182	4-66	136132	5-43	136190	5-50
133980	8-10	135183	4-64, 4-68	136133	5-43	136191	5-49, 5-50
133981	8-10	135184	4-64, 4-68	136134	5-43	136192	5-50
133982	8-10	135185	4-64, 4-68	136135	5-43	136193	5-49, 5-50
133983	8-10	135290	8-25	136136	5-43	136194	5-50
133984	8-10	135291	8-25	136137	5-43, 5-47	136195	5-50
133985	8-10	135292	8-25	136138	5-43	136196	5-50
133986	8-10	135293	8-25	136139	5-43	136197	5-50
133987	8-10	135294	8-25	136140	5-43	136198	5-50
133988	8-13	135295	8-25	136141	5-43	136210	5-39
133989	8-13	135296	8-25	136142	5-45	136211	5-39, 5-41
133990	8-13	135297	8-25	136143	5-45	136212	5-39, 5-41

\*Please add a "7B" suffix to part numbers when entering into ABB system.

# Part number index

Part number*	Page	Part number*	Page	Part number*	Page	Part number*	Page
136213.....	5-39, 5-41	136272 .....	5-25	136333 .....	5-27	136525 .....	5-11, 5-15, 5-21, 5-23, 5-27, 5-28, 5-29, 5-30, 5-35, 5-39, 5-43, 5-51, 5-57
136214.....	5-39, 5-41	136273 .....	5-25	136334 .....	5-27	136526 .....	5-11, 5-15, 5-17, 5-21, 5-23, 5-27, 5-28, 5-29, 5-30, 5-35, 5-39, 5-43, 5-51, 5-57
136215.....	5-39, 5-41	136274.....	5-25	136335 .....	5-27	136527 .....	5-11, 5-15, 5-17, 5-21, 5-23, 5-27, 5-28, 5-29, 5-30, 5-35, 5-39, 5-43, 5-51, 5-57
136216.....	5-39, 5-41	136275 .....	5-33	136336 .....	5-27	136528 .....	5-11, 5-15, 5-19, 5-21, 5-23, 5-25, 5-27, 5-28, 5-29, 5-30, 5-33, 5-35, 5-37, 5-39, 5-41, 5-43, 5-47, 5-51, 5-55, 5-57
136217.....	5-39, 5-41	136276 .....	5-33	136337 .....	5-27	136529 .....	5-11, 5-15, 5-17, 5-21, 5-23, 5-27, 5-28, 5-29, 5-30, 5-35, 5-39, 5-43, 5-51, 5-57
136218.....	5-39, 5-41	136277 .....	5-33	136338 .....	5-27	136530 .....	5-13, 5-15, 5-21, 5-23, 5-31, 5-35, 5-37, 5-39, 5-43, 5-53, 5-55, 5-57
136219.....	5-43	136278 .....	5-33	136339 .....	5-27	136531 .....	5-13, 5-15, 5-21, 5-23, 5-25, 5-31, 5-35, 5-37, 5-39, 5-45, 5-53, 5-55, 5-57
136220 .....	5-43, 5-47	136279 .....	5-33	136340 .....	5-27	136532 .....	5-13, 5-15, 5-17, 5-21, 5-23, 5-25, 5-27, 5-28, 5-29, 5-30, 5-33, 5-35, 5-37, 5-39, 5-41, 5-43, 5-47, 5-51, 5-55, 5-57
136221 .....	5-43, 5-47	136280 .....	5-33	136341 .....	5-27	136533 .....	5-13, 5-15, 5-17, 5-21, 5-23, 5-25, 5-27, 5-28, 5-29, 5-30, 5-33, 5-35, 5-37, 5-39, 5-41, 5-43, 5-47, 5-51, 5-55, 5-57
136222 .....	5-43, 5-47	136281 .....	5-33	136342 .....	5-27	136534 .....	5-13, 5-15, 5-17, 5-21, 5-23, 5-25, 5-27, 5-28, 5-29, 5-30, 5-33, 5-35, 5-37, 5-39, 5-41, 5-43, 5-47, 5-51, 5-55, 5-57
136223 .....	5-43, 5-47	136282 .....	5-33	136343 .....	5-29	136535 .....	5-13, 5-15, 5-17, 5-21, 5-23, 5-25, 5-27, 5-28, 5-29, 5-30, 5-33, 5-35, 5-37, 5-39, 5-41, 5-43, 5-47, 5-51, 5-55, 5-57
136224 .....	5-45, 5-47	136283 .....	5-33	136344 .....	5-29	136536 .....	5-13, 5-15, 5-17, 5-21, 5-23, 5-25, 5-27, 5-28, 5-29, 5-30, 5-33, 5-35, 5-37, 5-39, 5-41, 5-43, 5-47, 5-51, 5-55, 5-57
136225 .....	5-45, 5-47	136284 .....	5-33	136345 .....	5-29	136537 .....	5-13, 5-15, 5-17, 5-21, 5-23, 5-25, 5-27, 5-28, 5-29, 5-30, 5-33, 5-35, 5-37, 5-39, 5-41, 5-43, 5-47, 5-51, 5-55, 5-57
136226 .....	5-45, 5-47	136285 .....	5-33	136346 .....	5-29	136538 .....	5-13, 5-15, 5-17, 5-21, 5-23, 5-25, 5-27, 5-28, 5-29, 5-30, 5-33, 5-35, 5-37, 5-39, 5-41, 5-43, 5-47, 5-51, 5-55, 5-57
136227 .....	5-45, 5-47	136286 .....	5-37	136347 .....	5-29	136539 .....	5-13, 5-15, 5-17, 5-21, 5-23, 5-25, 5-27, 5-28, 5-29, 5-30, 5-33, 5-35, 5-37, 5-39, 5-41, 5-43, 5-47, 5-51, 5-55, 5-57
136228 .....	5-45, 5-47	136287 .....	5-37	136348 .....	5-29	136540 .....	5-13, 5-15, 5-31, 5-45, 5-53, 5-57
136229 .....	5-45, 5-47	136288 .....	5-37	136349 .....	5-29	136541 .....	5-19, 5-25, 5-33, 5-37, 5-41, 5-47, 5-55, 5-57
136230 .....	5-47	136289 .....	5-37	136350 .....	5-29	136542 .....	5-19, 5-25, 5-33, 5-37, 5-41, 5-47, 5-55, 5-57
136231 .....	5-49, 5-50	136290 .....	5-37	136351 .....	5-29	136543 .....	5-19, 5-25, 5-33, 5-37, 5-41, 5-47, 5-55, 5-57
136232 .....	5-49, 5-50	136291 .....	5-37	136352 .....	5-29	136544 .....	5-19, 5-25, 5-33, 5-37, 5-41, 5-47, 5-50, 5-55, 5-57
136233 .....	5-49, 5-50	136293 .....	5-37	136353 .....	5-29	136545 .....	5-19, 5-25, 5-33, 5-37, 5-41, 5-47, 5-50, 5-55, 5-57
136234 .....	5-49, 5-50	136294 .....	5-37	136354 .....	5-29	136546 .....	5-19, 5-25, 5-33, 5-37, 5-41, 5-47, 5-50, 5-55, 5-57
136235 .....	5-49, 5-50	136295 .....	5-37	136355 .....	5-27	136547 .....	5-13, 5-19, 5-31, 5-33, 5-37, 5-47, 5-50, 5-55, 5-57
136236 .....	5-50	136296 .....	5-41	136356 .....	5-27		
136237 .....	5-50	136297 .....	5-41	136357 .....	5-27		
136238 .....	5-39	136298 .....	5-41	136358 .....	5-27		
136239 .....	5-39	136299 .....	5-41	136359 .....	5-27		
136240 .....	5-39	136300 .....	5-41	136360 .....	5-29		
136241 .....	5-39	136301 .....	5-41	136361 .....	5-29		
136242 .....	5-39	136302 .....	5-41	136362 .....	5-29		
136243 .....	5-39	136303 .....	5-47	136363 .....	5-29		
136244 .....	5-39	136304 .....	5-47	136364 .....	5-29		
136245 .....	5-39	136305 .....	5-47	136365 .....	5-21		
136246 .....	5-39	136306 .....	5-47	136366 .....	5-21		
136247.....	5-43	136307 .....	5-47	136367 .....	5-21		
136248 .....	5-43	136308 .....	5-47	136368 .....	5-21		
136249 .....	5-43	136309 .....	5-47	136369 .....	5-21		
136250 .....	5-43	136310.....	5-47	136370 .....	5-21		
136251 .....	5-43	136311.....	5-47	136371 .....	5-21		
136252 .....	5-45	136312.....	5-47	136383 .....	5-21		
136253 .....	5-45	136315.....	2-54	136384 .....	5-21		
136254 .....	5-45	136316.....	2-54	136385 .....	5-21		
136255 .....	5-45	136317.....	2-54	136386 .....	5-21		
136257 .....	5-45	136318.....	2-54	136387 .....	5-21		
136258 .....	5-19	136319.....	2-54	136388 .....	5-21		
136259 .....	5-19	136320 .....	2-54	136389 .....	5-21		
136260 .....	5-19	136321 .....	2-54	136521 .....	5-11, 5-15, 5-23, 5-27, 5-29, 5-30, 5-51, 5-57		
136261 .....	5-19	136322 .....	2-54	136522 .....	5-11, 5-15, 5-21, 5-23, 5-27, 5-28, 5-29, 5-30, 5-39, 5-43, 5-51, 5-57		
136262 .....	5-19	136323 .....	2-54	136523 .....	5-11, 5-15, 5-21, 5-23, 5-27, 5-28, 5-29, 5-30, 5-39, 5-43, 5-51, 5-57		
136263 .....	5-19	136324 .....	2-54	136524 .....	5-11, 5-15, 5-17, 5-21, 5-23, 5-27, 5-28, 5-29, 5-30, 5-39, 5-43, 5-51, 5-57		
136264 .....	5-19	136325 .....	2-54	136525 .....	5-11, 5-15, 5-21, 5-23, 5-27, 5-28, 5-29, 5-30, 5-39, 5-43, 5-51, 5-57		
136265 .....	5-19	136326 .....	2-54	136526 .....	5-11, 5-15, 5-17, 5-21, 5-23, 5-27, 5-28, 5-29, 5-30, 5-39, 5-43, 5-51, 5-57		
136266 .....	5-19	136327 .....	2-54	136527 .....	5-11, 5-15, 5-17, 5-21, 5-23, 5-27, 5-28, 5-29, 5-30, 5-39, 5-43, 5-51, 5-57		
136267 .....	5-19	136328 .....	2-54	136528 .....	5-11, 5-15, 5-17, 5-21, 5-23, 5-27, 5-28, 5-29, 5-30, 5-39, 5-43, 5-51, 5-57		
136268 .....	5-25	136329 .....	2-54	136529 .....	5-11, 5-15, 5-17, 5-21, 5-23, 5-27, 5-28, 5-29, 5-30, 5-39, 5-43, 5-51, 5-57		
136269 .....	5-25	136330 .....	2-54	136530 .....	5-13, 5-15, 5-21, 5-23, 5-31, 5-35, 5-37, 5-39, 5-45, 5-53, 5-55, 5-57		
136270 .....	5-25	136331 .....	5-27	136531 .....	5-13, 5-15, 5-21, 5-23, 5-25, 5-31, 5-35, 5-37, 5-39, 5-45, 5-53, 5-55, 5-57		
136271 .....	5-25	136332 .....	5-27	136532 .....	5-13, 5-15, 5-17, 5-21, 5-23, 5-25, 5-27, 5-28, 5-29, 5-30, 5-33, 5-35, 5-37, 5-39, 5-41, 5-43, 5-47, 5-51, 5-55, 5-57		

\*Please add a "7B" suffix to part numbers when entering into ABB system.



# Part number index

Part number*	Page	Part number*	Page	Part number*	Page	Part number*	Page
136548	5-13, 5-19, 5-31, 5-33, 5-35, 5-37, 5-45, 5-47, 5-49, 5-50, 5-53, 5-55, 5-57	136590	5-11, 5-15, 5-21, 5-23, 5-27, 5-28, 5-29, 5-30, 5-39, 5-43, 5-51, 5-57	136718	1-19	136776	1-16
136549	5-19, 5-33, 5-47, 5-50, 5-55, 5-57	136591	5-11, 5-15, 5-21, 5-23, 5-27, 5-28, 5-29, 5-30, 5-35, 5-39, 5-43, 5-51, 5-57	136719	1-23	136777	1-16
136550	5-19, 5-33, 5-37, 5-47, 5-50, 5-55, 5-57	136592	5-13, 5-15, 5-21, 5-23, 5-31, 5-35, 5-39, 5-43, 5-53, 5-57	136720	1-23	136778	1-16
136551	5-19, 5-33, 5-37, 5-47, 5-50, 5-55, 5-57	136593	5-13, 5-15, 5-21, 5-23, 5-31, 5-35, 5-39, 5-43, 5-53, 5-57	136721	1-23	136779	1-16
136552	5-19, 5-33, 5-37, 5-50, 5-55, 5-57	136594	5-13, 5-15, 5-17, 5-23, 5-31, 5-35, 5-39, 5-45, 5-49, 5-53, 5-57	136722	1-23	136780	1-16
136553	5-11, 5-15, 5-21, 5-23, 5-27, 5-29, 5-30, 5-39, 5-43, 5-51, 5-57	136595	5-13, 5-15, 5-31, 5-45, 5-53, 5-57	136723	1-23	136781	1-16
136554	5-11, 5-15, 5-17, 5-21, 5-23, 5-27, 5-29, 5-30, 5-39, 5-43, 5-51, 5-57	136596	5-13, 5-15, 5-31, 5-45, 5-53, 5-57	136724	1-23	136782	1-16
136555	5-11, 5-15, 5-17, 5-21, 5-23, 5-27, 5-29, 5-30, 5-35, 5-39, 5-43, 5-51, 5-57	136597	5-19, 5-25, 5-33, 5-41, 5-47, 5-55, 5-57	136725	1-26	136783	1-16
136556	5-11, 5-15, 5-17, 5-21, 5-23, 5-27, 5-29, 5-30, 5-35, 5-39, 5-43, 5-51, 5-57	136598	5-19, 5-25, 5-33, 5-37, 5-41, 5-47, 5-55, 5-57	136726	1-26	136784	1-18
136557	5-13, 5-15, 5-17, 5-23, 5-31, 5-35, 5-39, 5-45, 5-53, 5-57	136599	5-19, 5-25, 5-33, 5-37, 5-41, 5-47, 5-50, 5-55, 5-57	136727	1-26	136785	1-18
136558	5-13, 5-15, 5-17, 5-21, 5-23, 5-31, 5-35, 5-39, 5-45, 5-49, 5-53, 5-57	136600	5-13, 5-15, 5-19, 5-23, 5-25, 5-31, 5-33, 5-35, 5-37, 5-39, 5-41, 5-45, 5-47, 5-50, 5-53, 5-55, 5-57	136728	1-26	136786	1-18
136559	5-13, 5-15, 5-17, 5-23, 5-31, 5-35, 5-39, 5-45, 5-49, 5-53, 5-57	136601	5-13, 5-15, 5-19, 5-23, 5-25, 5-31, 5-33, 5-35, 5-37, 5-39, 5-41, 5-45, 5-47, 5-50, 5-53, 5-55, 5-57	136729	1-26	136787	1-18
136560	5-35, 5-45, 5-49, 5-53, 5-57	136602	5-19	136730	1-26	136788	1-18
136561	5-19, 5-25, 5-33, 5-37, 5-41, 5-47, 5-55, 5-57	136603	5-19, 5-33, 5-37, 5-50, 5-55, 5-57	136731	1-26	136789	1-18
136562	5-19, 5-25, 5-33, 5-37, 5-41, 5-47, 5-55, 5-57	136657	5-21	136732	1-26	136792	1-18
136563	5-19, 5-25, 5-33, 5-37, 5-41, 5-47, 5-55, 5-57	136695	1-15	136733	1-26	136793	1-20
136564	5-19, 5-25, 5-33, 5-37, 5-41, 5-47, 5-55, 5-57	136696	1-15	136734	1-28	136794	1-20
136565	5-19, 5-25, 5-33, 5-37, 5-41, 5-47, 5-55, 5-57	136697	1-15	136735	1-28	136795	1-20
136566	5-19, 5-25, 5-33, 5-37, 5-41, 5-47, 5-55, 5-57	136698	1-15	136736	1-28	136796	1-20
136567	5-25, 5-33, 5-37, 5-41, 5-47, 5-55, 5-57	136699	1-15	136737	1-28	136797	1-20
136568	5-13, 5-19, 5-31, 5-33, 5-37, 5-47, 5-55, 5-57	136700	1-15	136738	1-28	136798	1-20
136569	5-19, 5-33, 5-47, 5-55, 5-57	136701	1-15	136739	1-28	136799	1-20
136570	5-19, 5-33, 5-37, 5-47, 5-55, 5-57	136702	1-15	136740	1-15	136800	1-20
136571	5-19, 5-33, 5-37, 5-55, 5-57	136703	1-15	136741	1-15	136801	1-24
136588	5-11, 5-15, 5-23, 5-27, 5-29, 5-30, 5-51, 5-57	136704	1-17	136742	1-15	136802	1-24
136589	5-11, 5-15, 5-23, 5-27, 5-29, 5-30, 5-51, 5-57	136705	1-17	136743	1-15	136803	1-24
		136706	1-17	136744	1-15	136804	1-24
		136707	1-17	136745	1-15	136805	1-24
		136708	1-17	136746	1-15	136806	1-24
		136709	1-17	136747	1-17	136808	1-24
		136710	1-19	136748	1-17	136809	1-22
		136711	1-19	136749	1-17	136810	1-22
		136712	1-19	136750	1-17	136811	1-22
		136713	1-19	136751	1-19	136812	1-22
		136714	1-19	136752	1-19	136813	1-22
		136715	1-19	136753	1-19	136814	1-22
		136716	1-19	136754	1-19	136817	1-21
		136717	1-19	136755	1-19	136818	1-21
				136756	1-19	136819	1-21
				136757	1-19	136820	1-21
				136758	1-23	136821	1-21
				136759	1-23	136822	1-21
				136760	1-23	136825	1-27
				136761	1-23	136826	1-27
				136762	1-26	136827	1-27
				136763	1-26	136828	1-27
				136764	1-26	136829	1-27
				136765	1-26	136830	1-27
				136766	1-26	136831	1-27
				136767	1-26	136832	1-27
				136768	1-26	136833	1-32
				136769	1-28	136834	1-32
				136770	1-28	136835	1-32
				136771	1-28	136836	1-32
				136772	1-28	136837	1-32
				136773	1-16	136838	1-32
				136774	1-16	136839	1-32
				136775	1-16	136840	1-32

\*Please add a "7B" suffix to part numbers when entering into ABB system.

# Part number index

Part number*	Page	Part number*	Page	Part number*	Page	Part number*	Page
136841	1-30	136913	2-28	136971	2-31	389923	4-85
136842	1-30	136914	2-28	136972	2-31	389924	4-85
136843	1-30	136915	2-28	136973	2-31	421260	6-29
136844	1-30	136916	2-28	136974	2-35	421261	6-29
136845	1-30	136917	2-28	136975	2-35	421262	6-29
136846	1-30	136918	2-28	136976	2-35	421263	6-29
136847	1-30	136919	2-28	136977	2-35	421264	6-29
136848	1-30	136920	2-32	136978	2-35	421265	6-29
136849	1-16	136921	2-32	136979	2-35	421266	6-29
136850	1-16	136922	2-32	136980	2-36	421267	6-29
136851	1-16	136923	2-32	136981	2-36	421268	6-29
136852	1-16	136924	2-32	136982	2-36	421269	6-29
136853	1-16	136925	2-32	136983	2-36	421270	6-29
136854	1-16	136926	2-32	136984	2-36	421271	6-29
136855	1-18	136927	2-31	136985	2-36	421272	6-29
136856	1-18	136928	2-31	136986	1-15	421273	6-29
136857	1-18	136929	2-31	136987	1-19	421274	6-29
136858	1-18	136930	2-31	136988	1-26	421275	6-29
136859	1-18	136931	2-31	136989	1-16	421282	6-41
136860	1-18	136932	2-31	136990	1-18	421287	6-43
136861	1-20	136933	2-31	136991	1-20	421396	6-29
136862	1-20	136934	2-31	136992	1-24	421399	6-33
136863	1-20	136935	2-31	136993	1-27	421403	6-43
136864	1-20	136936	2-31	136994	1-32	422001	6-32
136865	1-20	136937	2-31	136995	1-30	422003	6-32
136866	1-20	136938	2-31	136997	2-35	422005	6-32
136867	1-24	136939	2-35	136998	2-36	422007	6-32
136868	1-24	136940	2-35	137101	8-18	422009	6-32
136869	1-24	136941	2-35	137102	8-18	422011	6-32
136870	1-24	136942	2-35	137103	8-18	422013	6-32
136872	1-24	136943	2-35	137104	8-18	422015	6-32
136873	1-22	136944	2-35	137105	8-18	422017	6-32
136874	1-22	136945	2-35	137106	8-18	422019	6-32
136875	1-22	136946	2-35	137107	8-18	422021	6-32
136876	1-22	136947	2-36	137108	8-18	422030	6-41
136879	1-21	136948	2-36	137109	8-18	422031	6-41
136880	1-21	136949	2-36	137110	8-18	422123	6-32
136881	1-21	136950	2-36	137111	8-18	422124	6-32
136882	1-21	136951	2-36	139292	5-37	422134	6-32
136885	1-27	136952	2-36	163256	5-45	422137	6-32
136886	1-27	136953	2-36	389820	8-23	422595	7-29
136887	1-27	136954	2-36	389821	8-23	422596	7-29
136888	1-27	136955	2-28	389822	8-23	422597	7-29
136889	1-27	136956	2-28	389823	8-23	422599	7-29
136890	1-27	136957	2-28	389824	8-23	422600	7-29
136891	1-32	136958	2-28	389825	8-23	422601	7-29
136892	1-32	136959	2-28	389826	8-23	422602	7-29
136893	1-32	136960	2-28	389827	8-23	422603	7-29
136894	1-32	136961	2-32	389828	8-23	422978	6-32
136895	1-32	136962	2-32	389829	8-23	422979	6-32
136896	1-32	136963	2-32	389830	8-23	422996	6-29
136897	1-30	136964	2-32	389831	8-23	423100	6-37
136898	1-30	136965	2-32	389832	8-23	423102	6-37
136899	1-30	136966	2-31	389833	8-23	423104	6-37
136900	1-30	136967	2-31	389834	8-23	423106	6-37
136901	1-30	136968	2-31	389835	8-23	423108	6-37
136902	1-30	136969	2-31	389836	8-23	423110	6-37
136912	2-28	136970	2-31	389837	8-23	423124	6-35

\*Please add a "7B" suffix to part numbers when entering into ABB system.

# Part number index

Part number*	Page	Part number*	Page	Part number*	Page	Part number*	Page
423125	6-35	434772	8-22, 8-23	496418	6-37	496479	6-31
423126	6-35	434773	8-22, 8-23	496419	6-37	496480	6-31
423127	6-35	434774	8-22	496420	6-37	496482	6-32
423128	6-35	434775	8-22	496421	6-37	496483	6-32
423129	6-35	434797	8-23	496422	6-37	496484	6-32
423130	6-35	434835	8-24	496423	6-37	496485	6-32
423131	6-35	435001	8-22	496424	6-37	496486	6-32
423132	6-35	435002	8-22	496425	6-37	496487	6-32
423143	6-35	435003	8-22	496426	6-37	496488	6-32
423144	6-35	435004	8-22	496427	6-37	496489	6-32
423145	6-35	435005	8-22	496428	6-37	496490	6-32
423372	6-37	435006	8-22	496429	6-37	496491	6-32
423373	6-37	435007	8-22	496430	6-37	496492	6-32
423374	6-37	435008	8-22	496431	6-37	496493	6-32
423375	6-37	435009	8-22	496432	6-37	496494	6-32
423376	6-37	435010	8-22	496433	6-37	496495	6-32
430020	4-90, 5-62	435011	8-22	496434	6-37	496496	6-32
430153	8-26	435012	8-22, 8-23	496435	6-37	496497	6-32
430155	8-13, 8-15, 8-17, 8-27, 8-30	435013	8-22, 8-23	496436	6-37	496498	6-32
430198	8-13, 8-27, 8-30	435014	8-22	496437	6-37	701659	6-33
430561	8-15	435015	8-22, 8-23	496438	6-37	702830	6-33
430831	8-15	435016	8-22, 8-23	496439	6-37	702844	6-33
431389	8-15	435017	8-22	496440	6-37	702857	6-33
431399	8-15	435018	8-22, 8-23	496442	6-37	702867	6-33
432153	8-27, 8-30	435019	8-22, 8-23	496443	6-37	702883	6-33
432181	8-13, 8-18, 8-21	435021	8-23	496444	6-37	702893	6-33
432184	8-13, 8-18, 8-21	435027	8-22	496446	6-31	702904	6-33
432187	8-13, 8-18, 8-21	435028	8-22	496447	6-31	702907	6-33
432190	8-13, 8-18, 8-20	435029	8-22	496448	6-31	703619	6-39
432193	8-13, 8-18, 8-20	435030	8-22	496449	6-31	703628	6-39
432196	8-13, 8-18, 8-20	435031	8-22	496450	6-31	703644	6-39
433326	8-26	435032	8-22	496451	6-31	703656	6-39
434706	8-28	435033	8-23	496452	6-31	703661	6-39
434707	8-28	435035	8-23	496453	6-31	703670	6-39
434708	8-28	435036	8-23	496454	6-31	703679	6-39
434709	8-28	435037	8-23	496455	6-31	703689	6-39
434710	8-28	435038	8-23	496456	6-31	703694	6-41
434711	8-28	435039	8-23	496457	6-31	703699	6-41
434712	8-28	435040	8-23	496458	6-31	703711	6-41
434713	8-28	492598	7-29	496459	6-31	703725	6-41
434714	8-28	496400	6-35	496460	6-31	703738	6-41
434715	8-28	496401	6-35	496461	6-31	703739	6-41
434716	8-28	496402	6-35	496462	6-31	703831	6-43
434719	8-24, 8-26	496403	6-35	496464	6-31	703840	6-43
434720	8-24	496404	6-35	496465	6-31	703850	6-43
434721	8-24, 8-26	496405	6-35	496466	6-31	703866	6-43
434722	8-24	496406	6-35	496467	6-31	703873	6-43
434725	8-13, 8-18, 8-24, 8-27	496407	6-35	496468	6-31	703890	6-43
434726	8-24, 8-27	496408	6-35	496469	6-31	703892	6-43
434727	8-24, 8-26	496409	6-35	496470	6-31	703903	6-43
434728	8-24	496410	6-35	496471	6-31	703941	6-32
434729	8-15, 8-24, 8-26	496411	6-35	496472	6-31	703943	6-29
434730	8-24	496412	6-37	496473	6-31	703951	6-32
434735	8-24, 8-26	496413	6-37	496474	6-31	703967	6-29, 6-32
434736	8-24	496414	6-37	496475	6-31	703971	6-32
434770	8-22	496415	6-37	496476	6-31	703976	6-29
434771	8-22, 8-23	496416	6-37	496477	6-31	703982	6-32
		496417	6-37	496478	6-31	703989	6-32
						703990	6-29

\*Please add a "7B" suffix to part numbers when entering into ABB system.

# Part number index

Part number*	Page	Part number*	Page	Part number*	Page	Part number*	Page
703996	6-32	719437	6-41	741031	6-29	747125	6-29, 6-32, 6-33
708959	6-28, 6-32, 6-35, 6-37	719441	6-41	741550	6-29	747126	6-35, 6-37
708966	6-28, 6-32, 6-35, 6-37, 6-39	719443	6-41	744975	6-10	747128	6-29, 6-32, 6-33
708970	6-28, 6-32, 6-35, 6-37, 6-39	719445	6-41	744976	6-10	747129	6-35, 6-37
708976	6-28, 6-32, 6-35, 6-37, 6-39	719446	6-41	744977	6-10	747130	6-29, 6-32, 6-33
708983	6-28, 6-32, 6-35, 6-37, 6-39	719448	6-41	744978	6-10	747131	6-35, 6-37, 6-39
708989	6-39	719480	6-43	744979	6-10	747132	6-29, 6-32, 6-33
709137	6-28, 6-32	719485	6-43	744980	6-10	747135	6-35, 6-37
709140	6-28, 6-32, 6-35, 6-37	719489	6-43	744981	6-10	747136	6-39
709143	6-28, 6-32, 6-35, 6-37	719491	6-43	744982	6-10	747137	6-29, 6-32, 6-33
709146	6-28, 6-32, 6-35, 6-37	719492	6-43	744983	6-10	747138	6-39
709152	6-28, 6-32, 6-35, 6-37	719499	6-32, 6-33	744984	6-10	747139	6-35, 6-37
709162	6-28, 6-32, 6-35, 6-37	725341	6-28	744985	6-10	747141	6-29, 6-32
709166	6-28, 6-32, 6-35, 6-37	725342	6-28, 6-39	744986	6-10	747142	6-39
712225	6-29, 6-33	725343	6-28, 6-39	744987	6-10	747143	6-29, 6-32
713571	6-28	725344	6-28, 6-39	744988	6-10	747145	6-39
713579	6-28	725345	6-28, 6-39	744989	6-10	747146	6-29, 6-32
713586	6-28	725346	6-39	744990	6-10	747148	6-39
713588	6-28	725357	6-28	744991	6-10	747149	6-29, 6-32
713596	6-28, 6-39	725358	6-28	747025	6-28, 6-31	747150	6-39
713600	6-28	725359	6-28	747026	6-28, 6-31, 6-35, 6-37	747151	6-39
713603	6-28, 6-39	725360	6-28	747027	6-28, 6-31, 6-35, 6-37	747152	6-29, 6-32
713613	6-28, 6-39	725361	6-28	747028	6-28, 6-31, 6-35, 6-37	747177	6-33
713616	6-28	725363	6-28	747029	6-28, 6-31, 6-35, 6-37	747178	6-33
713622	6-28, 6-39	725364	6-28	747030	6-28, 6-31, 6-35, 6-37	747179	6-33
713633	6-28	725366	6-28	747031	6-28, 6-31, 6-35, 6-37	747180	6-33
713634	6-28, 6-39	734772	8-23	747032	6-28, 6-31, 6-35	747181	6-33
713641	6-28, 6-39	738145	6-28	747033	6-28, 6-31, 6-35, 6-37	747182	6-33
713647	6-28, 6-39	738146	6-28	747034	6-28, 6-31, 6-35, 6-37	747183	6-33
719372	6-33	738147	6-28	747035	6-28, 6-31, 6-35, 6-37	747184	6-33
719373	6-33	738148	6-28	747036	6-28, 6-31, 6-35, 6-37	747185	6-33
719374	6-33	738149	6-28	747037	6-28, 6-31, 6-35, 6-37	747186	6-33
719375	6-33	738151	6-28	747038	6-28, 6-31	747187	6-33
719376	6-33	738152	6-28	747039	6-28, 6-31	747188	6-33
719378	6-33	738154	6-28	747040	6-28, 6-31	747189	6-29, 6-33
719379	6-33	738155	6-28	747041	6-28, 6-31	747190	6-29, 6-33
719380	6-33	738157	6-28, 6-39	747042	6-39	747191	6-29, 6-33
719381	6-33	738158	6-28, 6-39	747043	6-39	747192	6-29, 6-33
719382	6-33	738160	6-28, 6-39	747044	6-39	747193	6-29, 6-33
719383	6-33	738162	6-28, 6-39	747045	6-39	747194	6-29, 6-33
719385	6-33	738163	6-39	747046	6-39	747195	6-29, 6-33
719397	6-37	738164	6-28	747047	6-39	747199	6-24
719400	6-33	738165	6-39	747048	6-39	747201	6-24
719406	6-33	738166	6-28	747049	6-39	747202	6-24
719408	6-33	738167	6-39	747105	6-29, 6-32, 6-33	747203	6-24
719419	6-39	738168	6-28	747107	6-35, 6-37	747204	6-24
719420	6-39	738169	6-39	747108	6-29, 6-32, 6-33	747205	6-24
719421	6-39	738170	6-28	747110	6-35, 6-37	747206	6-24
719422	6-39	739145	6-33	747111	6-29, 6-32, 6-33	747207	6-24
719423	6-39	739150	6-33	747114	6-35, 6-37	747208	6-24
719425	6-39	739153	6-33	747115	6-29, 6-32, 6-33	747209	6-24
719429	6-39	739154	6-33	747117	6-35, 6-37	747210	6-24
719432	6-41	739329	6-32	747118	6-29, 6-32, 6-33	747211	6-24
719434	6-41	740381	6-28, 6-32	747120	6-35, 6-37	747212	6-24
		740382	6-28, 6-32	747121	6-29, 6-32, 6-33	747213	6-24
		740383	6-28, 6-32, 6-39	747122	6-35, 6-37	747214	6-24
		740384	6-28, 6-32, 6-39	747123	6-29, 6-32, 6-33	747215	6-24
		740623	6-29	747124	6-35	747216	6-24

\*Please add a "7B" suffix to part numbers when entering into ABB system.

# Part number index

Part number*	Page	Part number*	Page	Part number*	Page	Part number*	Page
747217.....	6-24	747391.....	6-32	747869.....	6-41	748008.....	6-10
747218.....	6-24	747392.....	6-32	747870.....	6-41, 6-43	748009.....	6-10
747219.....	6-24	747393.....	6-32	747871.....	6-41, 6-43	748012.....	6-10
747220.....	6-24	747394.....	6-32	747872.....	6-41	748013.....	6-10
747221.....	6-24	747395.....	6-32	747900.....	6-10	1029557.....	2-49
747222.....	6-24	747396.....	6-32	747901.....	6-10		
747223.....	6-24	747397.....	6-32	747904.....	6-10		
747224.....	6-24	747398.....	6-32	747905.....	6-10		
747225.....	6-24	747399.....	6-32	747908.....	6-10		
747226.....	6-24	747400.....	6-32	747909.....	6-10		
747227.....	6-24	747689.....	6-43	747912.....	6-10		
747228.....	6-24	747800.....	6-41	747913.....	6-10		
747229.....	6-24	747801.....	6-41	747916.....	6-10		
747230.....	6-24	747802.....	6-41	747917.....	6-10		
747231.....	6-24	747803.....	6-41	747920.....	6-10		
747232.....	6-24	747804.....	6-41	747921.....	6-10		
747233.....	6-24	747805.....	6-41	747924.....	6-10		
747234.....	6-24	747806.....	6-41	747925.....	6-10		
747235.....	6-24	747807.....	6-41	747928.....	6-10		
747236.....	6-24	747808.....	6-43	747929.....	6-10		
747237.....	6-24	747809.....	6-43	747932.....	6-10		
747238.....	6-24	747810.....	6-43	747933.....	6-10		
747239.....	6-24	747811.....	6-43	747936.....	6-10		
747240.....	6-24	747812.....	6-43	747937.....	6-10		
747241.....	6-24	747813.....	6-43	747940.....	6-10		
747242.....	6-24	747814.....	6-43	747941.....	6-10		
747243.....	6-24	747815.....	6-43	747944.....	6-10		
747244.....	6-24	747816.....	6-43	747945.....	6-10		
747245.....	6-24	747817.....	6-43	747948.....	6-10		
747246.....	6-24	747840.....	6-43	747949.....	6-10		
747247.....	6-24	747841.....	6-43	747952.....	6-10		
747248.....	6-24	747842.....	6-43	747953.....	6-10		
747249.....	6-24	747843.....	6-41, 6-43	747956.....	6-10		
747250.....	6-24	747844.....	6-41, 6-43	747957.....	6-10		
747328.....	6-32	747845.....	6-41, 6-43	747960.....	6-10		
747329.....	6-32	747846.....	6-41, 6-43	747961.....	6-10		
747330.....	6-32	747847.....	6-41, 6-43	747964.....	6-10		
747331.....	6-32	747848.....	6-41, 6-43	747965.....	6-10		
747332.....	6-32	747849.....	6-41, 6-43	747968.....	6-10		
747333.....	6-32	747850.....	6-41	747969.....	6-10		
747334.....	6-32	747851.....	6-43	747972.....	6-10		
747335.....	6-32	747852.....	6-43	747973.....	6-10		
747336.....	6-32	747853.....	6-43	747976.....	6-10		
747337.....	6-32	747854.....	6-41, 6-43	747977.....	6-10		
747338.....	6-32	747855.....	6-41, 6-43	747980.....	6-10		
747339.....	6-32	747856.....	6-41, 6-43	747981.....	6-10		
747340.....	6-32	747857.....	6-41, 6-43	747984.....	6-10		
747341.....	6-32	747858.....	6-41, 6-43	747985.....	6-10		
747342.....	6-32	747859.....	6-41, 6-43	747988.....	6-10		
747343.....	6-32	747860.....	6-41, 6-43	747989.....	6-10		
747344.....	6-32	747861.....	6-41	747992.....	6-10		
747384.....	6-32	747862.....	6-43	747993.....	6-10		
747385.....	6-32	747863.....	6-43	747996.....	6-10		
747386.....	6-32	747864.....	6-43	747997.....	6-10		
747387.....	6-32	747865.....	6-41, 6-43	748000.....	6-10		
747388.....	6-32	747866.....	6-41, 6-43	748001.....	6-10		
747389.....	6-32	747867.....	6-41, 6-43	748004.....	6-10		
747390.....	6-32	747868.....	6-41, 6-43	748005.....	6-10		

\*Please add a "7B" suffix to part numbers when entering into ABB system.

# Contact us

You can find the address of your local sales organisation on the ABB homepage:

[www.abb.com/mechanicalpowertransmission](http://www.abb.com/mechanicalpowertransmission)

**Note:** We reserve the right to make technical changes or modify the contents of this document without prior notice. With regard to purchase orders, the agreed particulars shall prevail. ABB Ltd does not accept any responsibility whatsoever for potential errors or possible lack of information in this document.

We reserve all rights in this document and in the subject matter and illustrations contained therein. Any reproduction, disclosure to third parties or utilization of its contents – in whole or in part – is forbidden without prior written consent of ABB Ltd.

Copyright © 2014 ABB. All rights reserved  
Specifications subject to change without notice.